



**Count on it.**

**Parts Catalog**

**42in Bagger**

**Zero-Turn-Radius Riding Mower**

Model No. 79410—Serial No. 416800000 and Up



# Ordering Replacement Parts

To order replacement parts, please supply the part number, the quantity, and the description of each part desired.

## Understanding Reference Numbers

Each identified part in an illustration has a reference number. The reference number for a part also appears in the parts list, along with other information about the part.

This catalog uses two special reference number formats, one to indicate parts in a service assembly and another to indicate the quantity of a given part in an illustration.

## Service Assembly Reference Numbers

Parts in service assemblies have reference numbers in the form a:b. The a represents the reference number of the entire service assembly and the b represents a sequential number unique to each part within the service assembly.

For example, a wheel assembly might be identified by reference number 6, the tire by 6:1, the valve by 6:2, and the wheel by 6:3. When you order the assembly identified by reference number 6, you receive all parts identified by reference numbers 6:1, 6:2, and 6:3. However, you may also order any part individually. Reference numbers of this type appear in illustration and in parts lists.

## Reference Numbers Indicating Quantity

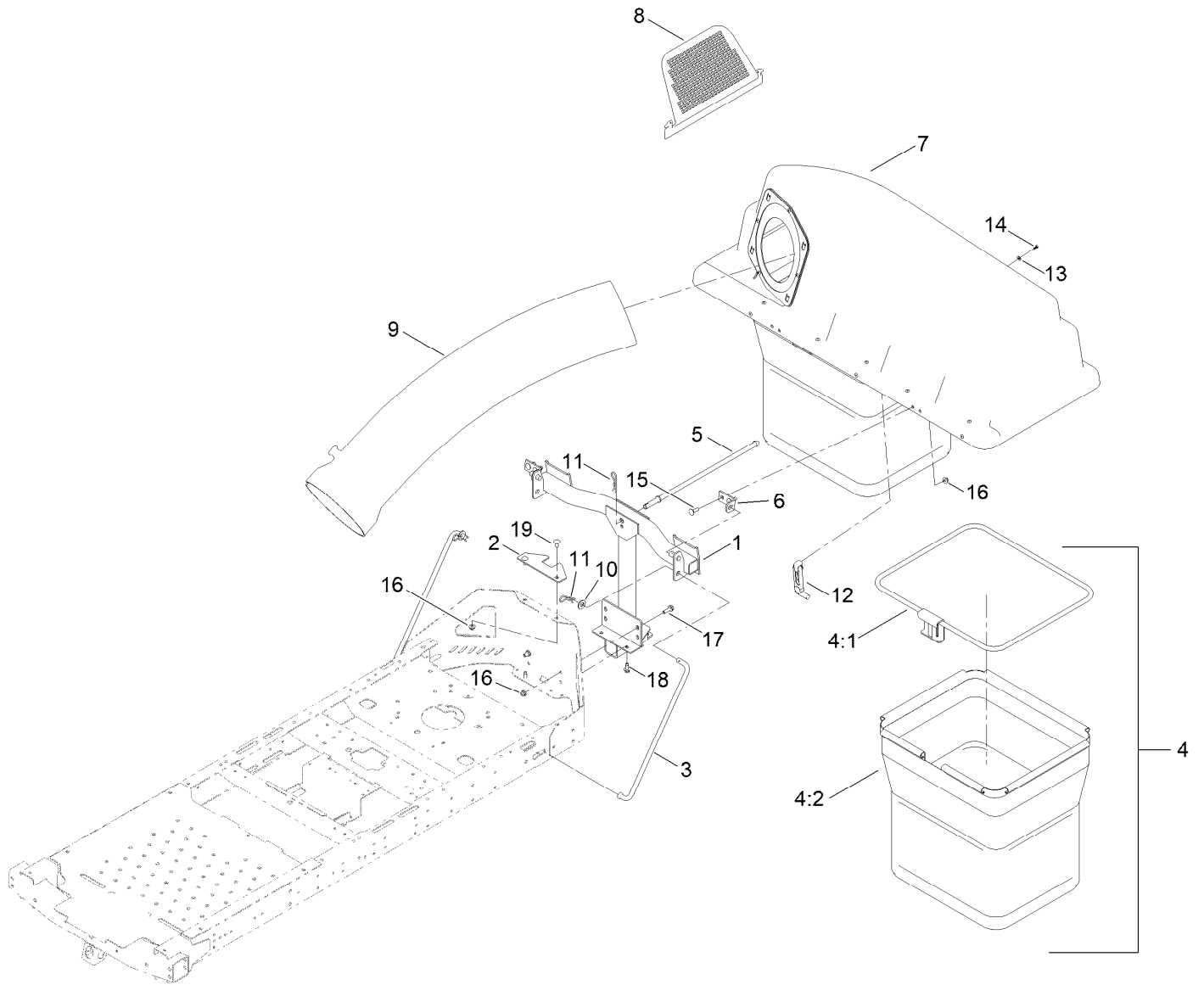
In an illustration, if a reference number indicates more than one part, the reference number has the form nX y. The n represents the quantity of the part, the X is the multiplication symbol, and the y represents the reference number.

For example, in an illustration, the reference number 2X 37 means that two of the parts identified by reference number 37 are indicated.

# Contents

Twin Bag Assembly ..... 4  
Bagger Top Assembly No. 140-5096 ..... 6  
Weight Assembly ..... 8  
Chute Assembly ..... 10  
Chute Assembly No. 140-3503 ..... 12

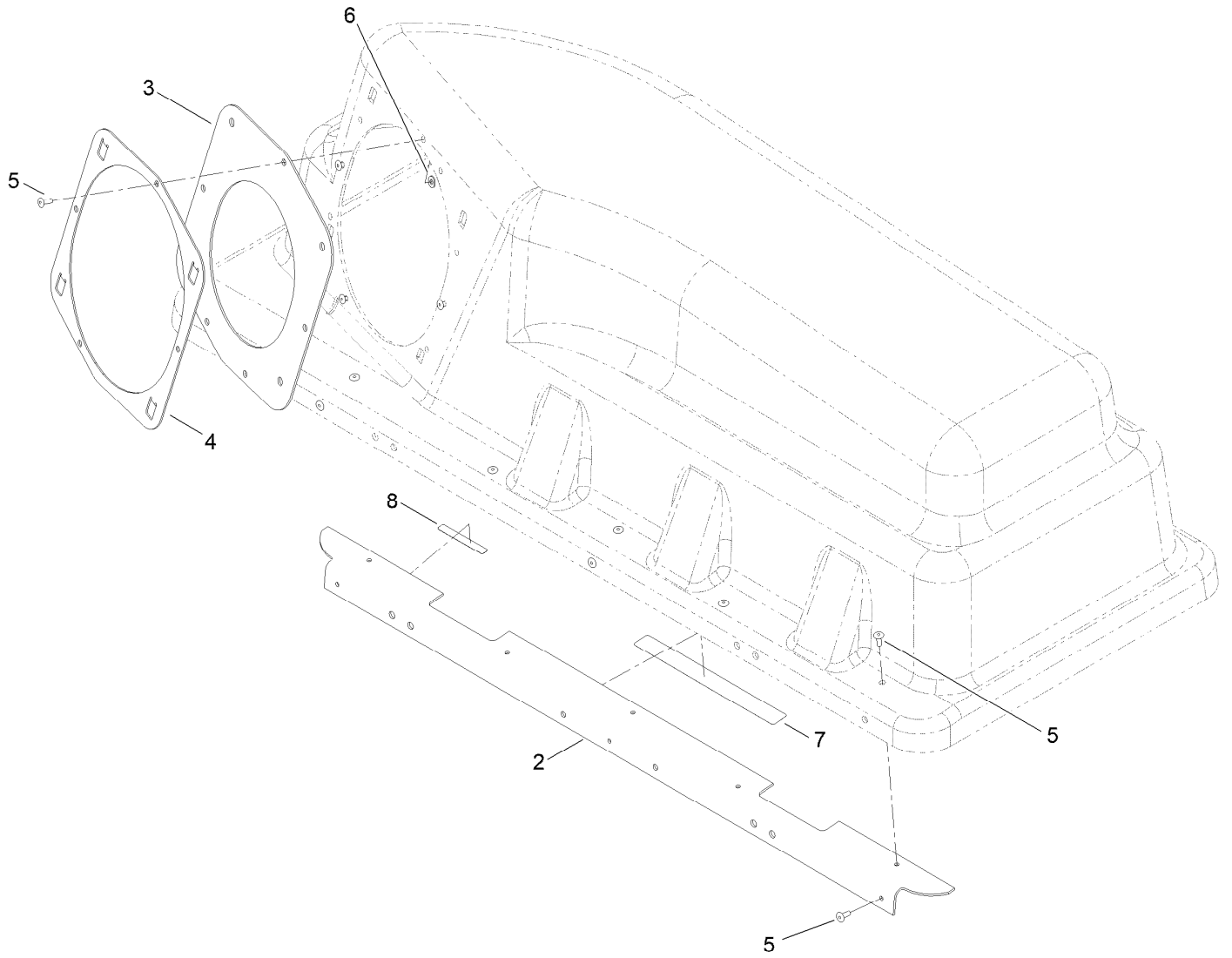
# Twin Bag Assembly



## Twin Bag Assembly (continued)

<i>Ref.</i>	<i>Part Number</i>	<i>Qty.</i>	<i>Description</i>	<i>Ref.</i>	<i>Part Number</i>	<i>Qty.</i>	<i>Description</i>
1	144-1829-03	1	Frame ASM, Pivot [black]	10	139-2611	2	Washer-Flat
2	131-3967-03	1	Bracket-Stabilizer	11	139-2562	3	Pin-Hair
3	140-5093	2	Rod-Support, Cz	12	116-4992	1	Latch-Rubber
4	147-2888	2	Bag ASM	13	137-3073	2	Washer-Plain
4:1	140-5179-03	1	Frame, Bag [black]	14	132-6919	2	Screw-Plastic, PTH
4:2	140-5192	1	Bag ASM 20In Depth	15	110-3144	4	Bolt-CARR
5	131-4189	1	Rod-Hood, Down	16	119-4041	8	Nut-HF
6	140-5016	2	Bracket-Hopper Pivot	17	139-2596	2	Screw-HHF
7	140-5096	1	Top ASM-Bagger	18	32144-70	2	Screw-HWHTF
8	112-3993	1	Screen-Bagger	19	139-2630	2	Bolt-CARR
9	112-3995	1	Tube-Bagger				

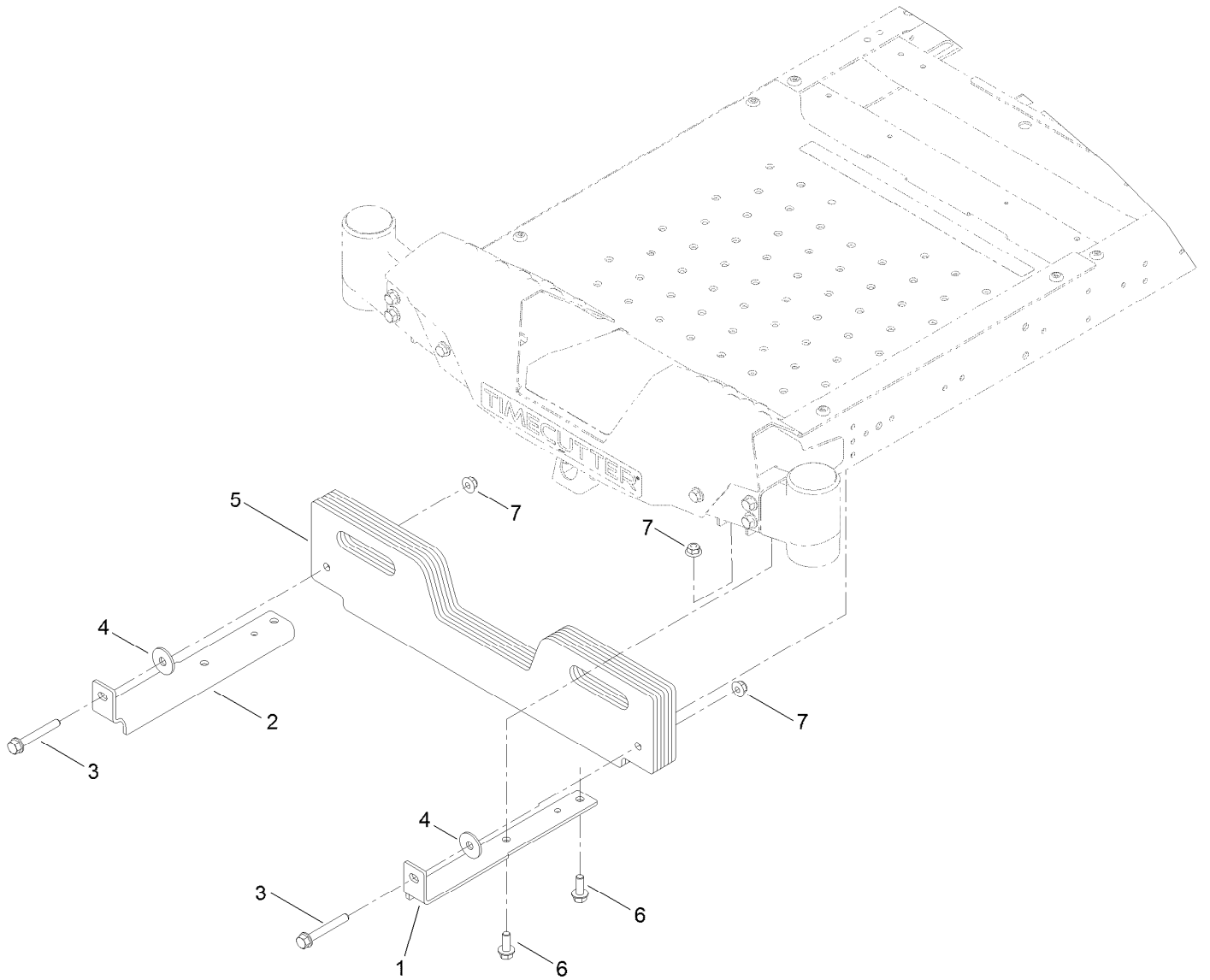
# Bagger Top Assembly No. 140-5096



## Bagger Top Assembly No. 140-5096 (continued)

<i>Ref.</i>	<i>Part Number</i>	<i>Qty.</i>	<i>Description</i>	<i>Ref.</i>	<i>Part Number</i>	<i>Qty.</i>	<i>Description</i>
2	116-1242-03	1	Stiffener-Bagger Top	6	137-3073	4	Washer-Plain
3	112-4001	1	Gasket	7	109-6809	1	Decal-Caution, Bagger
4	112-4000-03	1	Ring-Retainer	8	133-8061	1	Decal-Warning
5	114439	12	Rivet-Blind				

# Weight Assembly

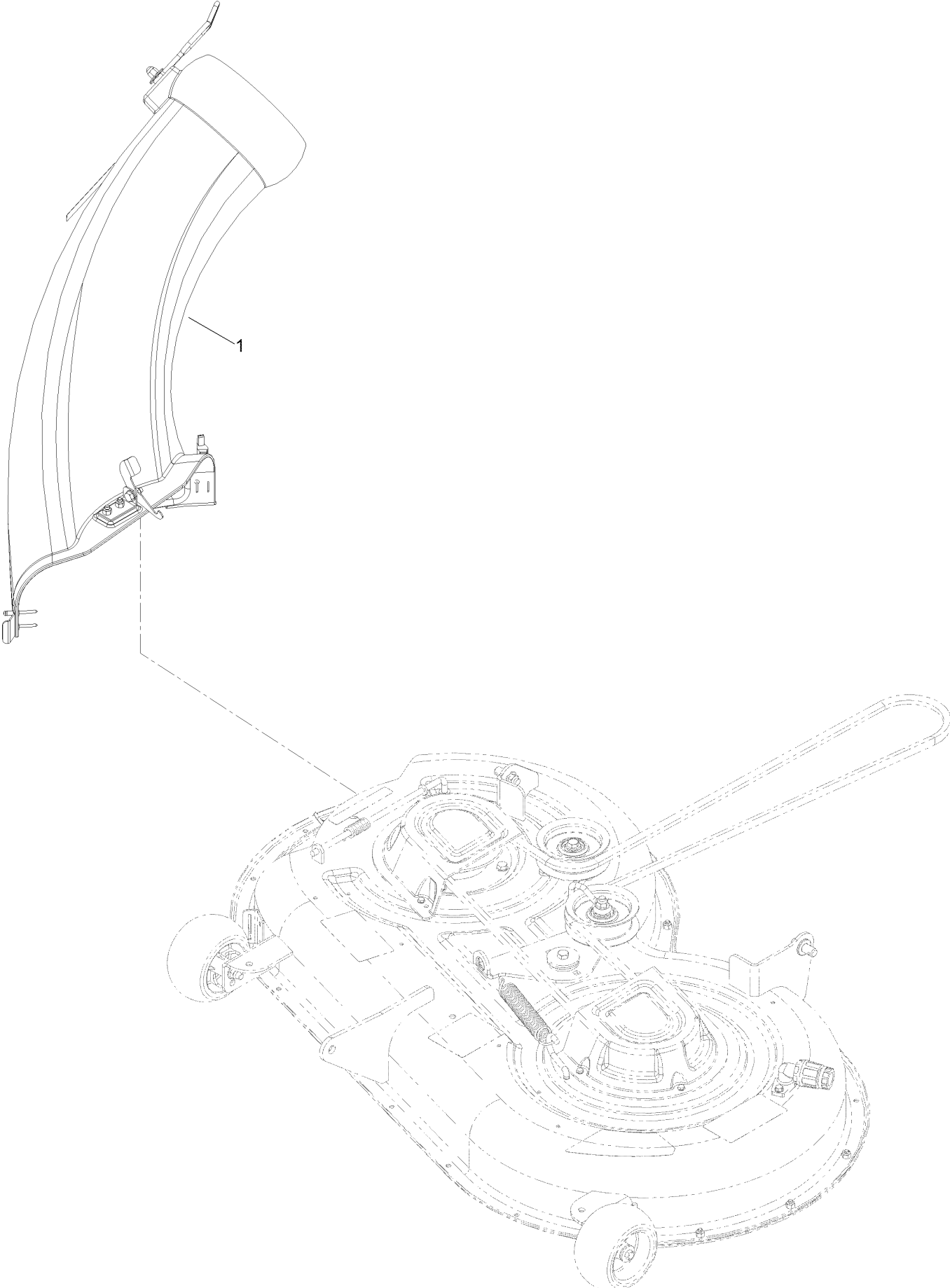




## Weight Assembly (continued)

<i>Ref.</i>	<i>Part Number</i>	<i>Qty.</i>	<i>Description</i>	<i>Ref.</i>	<i>Part Number</i>	<i>Qty.</i>	<i>Description</i>
1	139-5817-03	1	Bracket-Weight, LH	5	139-7482-03	8	Weight-Bagger
2	139-5815-03	1	Bracket-Weight, RH	6	139-2597	4	Screw-HHF
3	140-5097	2	Screw-Spcl	7	119-4042	6	Nut-HF, NI
4	87-5330	2	Washer				

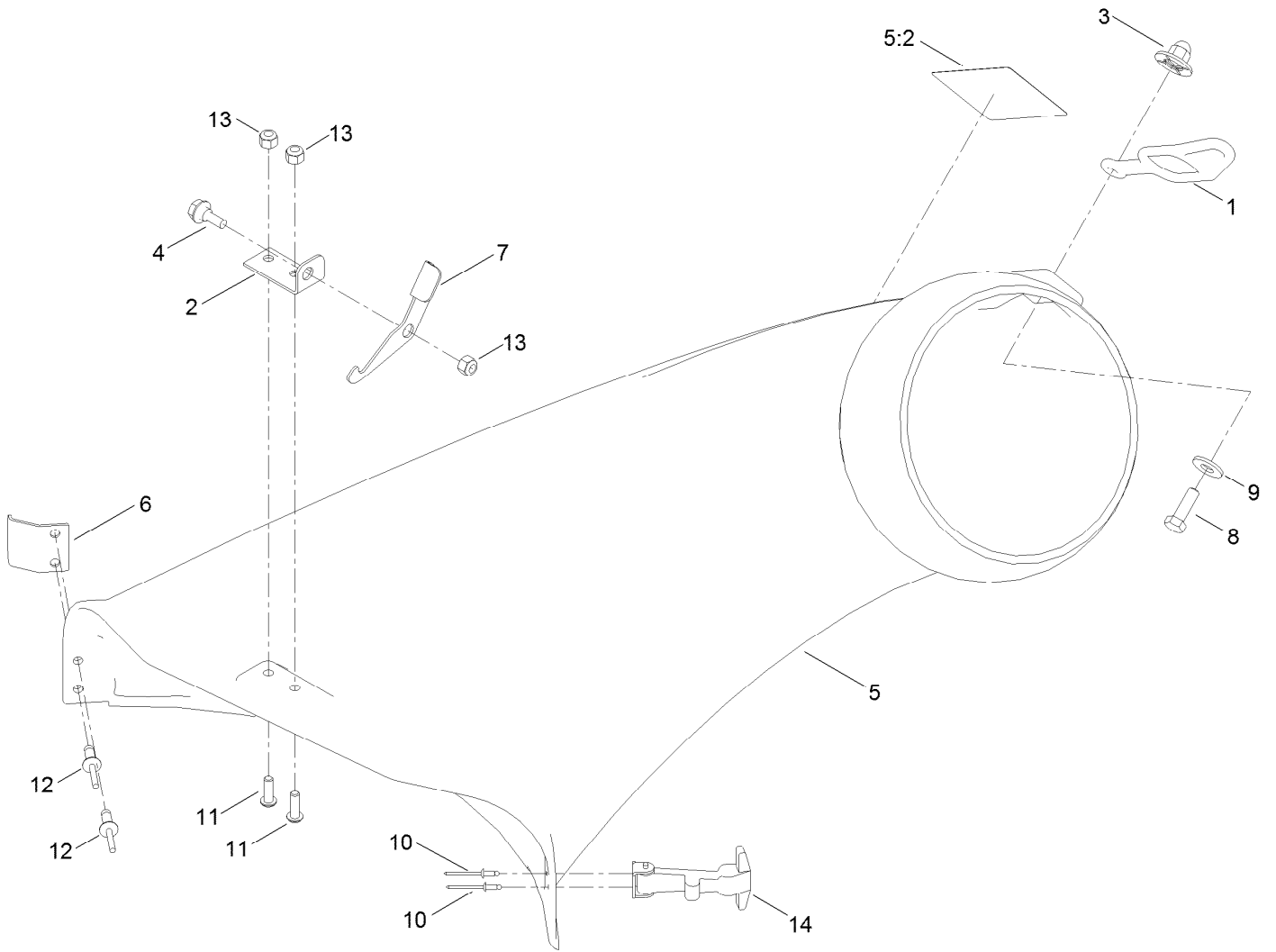
# Chute Assembly



## Chute Assembly (continued)

<i>Ref.</i>	<i>Part Number</i>	<i>Qty.</i>	<i>Description</i>
1	140-3503	1	42 Inch Bagger Boot ASM

# Chute Assembly No. 140-3503



## Chute Assembly No. 140-3503 (continued)

<i>Ref.</i>	<i>Part Number</i>	<i>Qty.</i>	<i>Description</i>	<i>Ref.</i>	<i>Part Number</i>	<i>Qty.</i>	<i>Description</i>
1	82-5690	1	Retainer-Duct	8	139-1716	1	Screw-HH
2	140-5094	1	Plate-Pivot, Cz	9	139-1723	1	Washer-Flat
3	114-9015	1	Nut-Impeller	10	3269-31	2	Rivet-Pop
4	139-1730	1	Screw-Shoulder, HHF	11	3274-69	2	Screw-HSBH
5	137-5036	1	42 Inch Bagger Boot	12	3290-412	2	Rivet-Blind
5:2	110-6691	1	Decal-Danger	13	137-3088	3	Nut-Hex
6	137-2023	1	Bracket-Elbow	14	117344	1	Handle ASM
7	140-3497	1	Latch				

**Notes:**

**Notes:**



**Count on it.**