



**Count on it.**

**Parts Catalog**

**Reelmaster® 3550**

**Traction Unit**

Model No. 03910—Serial No. 414790000 and Up



# Ordering Replacement Parts

To order replacement parts, please supply the part number, the quantity, and the description of each part desired.

## **Understanding Reference Numbers**

Each identified part in an illustration has a reference number. The reference number for a part also appears in the parts list, along with other information about the part.

This catalog uses two special reference number formats, one to indicate parts in a service assembly and another to indicate the quantity of a given part in an illustration.

## **Service Assembly Reference Numbers**

Parts in service assemblies have reference numbers in the form a:b. The a represents the reference number of the entire service assembly and the b represents a sequential number unique to each part within the service assembly.

For example, a wheel assembly might be identified by reference number 6, the tire by 6:1, the valve by 6:2, and the wheel by 6:3. When you order the assembly identified by reference number 6, you receive all parts identified by reference numbers 6:1, 6:2, and 6:3. However, you may also order any part individually. Reference numbers of this type appear in illustration and in parts lists.

## **Reference Numbers Indicating Quantity**

In an illustration, if a reference number indicates more than one part, the reference number has the form nX y. The n represents the quantity of the part, the X is the multiplication symbol, and the y represents the reference number.

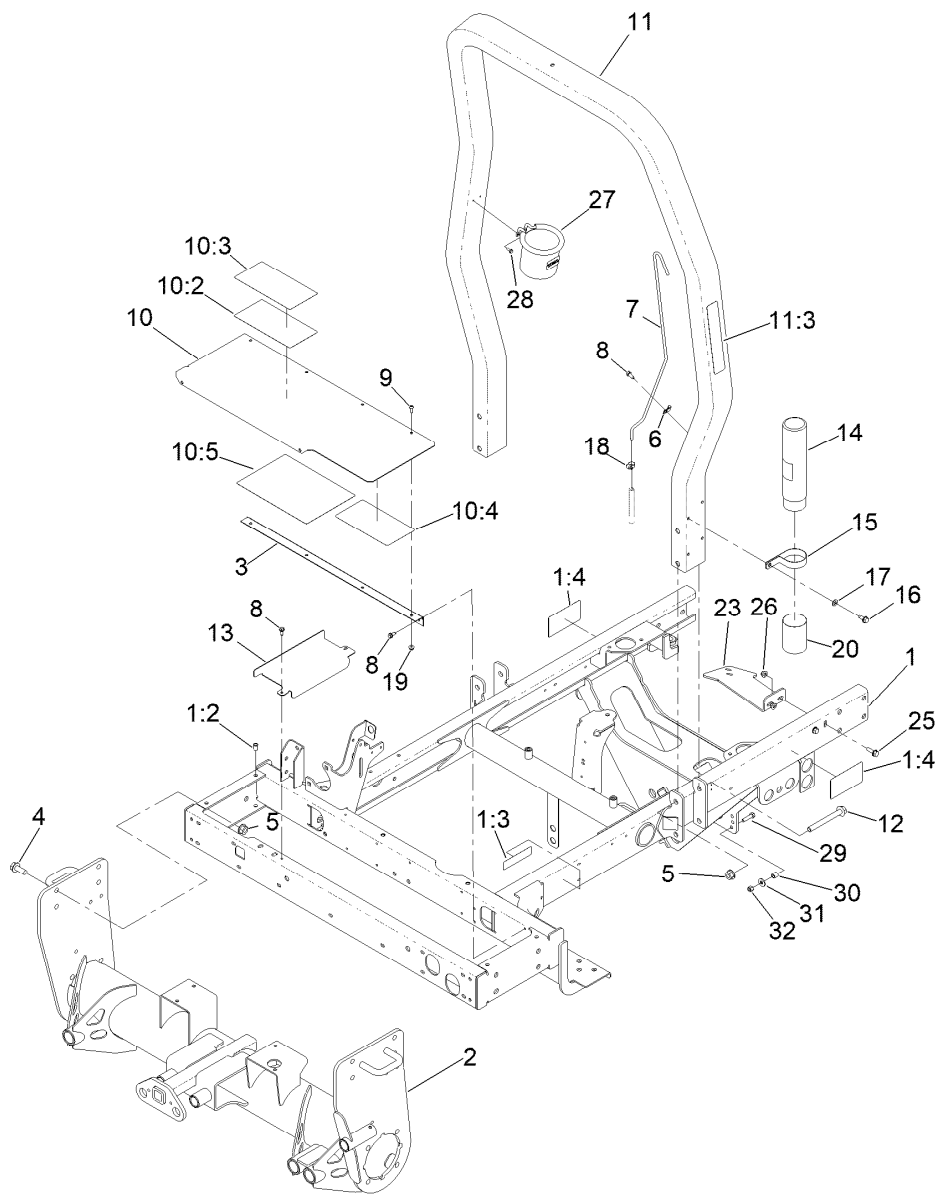
For example, in an illustration, the reference number 2X 37 means that two of the parts identified by reference number 37 are indicated.

# Contents

Frame and Front Axle Assembly . . . . .	5
Engine Mount Assembly . . . . .	6
Muffler and Air Cleaner Assembly . . . . .	7
Air Cleaner Assembly No. 93-2190 . . . . .	8
Radiator and Oil Cooler Assembly . . . . .	9
No. 1, No. 4 and No. 5 Lift Arm Assembly . . . . .	10
Hydraulic Cylinder Assembly No. 119-6988 . . . . .	11
Hydraulic Cylinder Assembly No. 120-9980 . . . . .	12
No. 2 and No. 3 Lift Arm Assembly . . . . .	13
Hydraulic Cylinder Assembly No. 138-6941 . . . . .	14
Fuel Tank and Filter Assembly . . . . .	15
Hydraulic Tank and Filter Assembly . . . . .	16
Battery Assembly . . . . .	17
Seat and Heat-Shield Assembly . . . . .	18
Seat Assembly No. 116-3998 . . . . .	19
Control Panel Assembly . . . . .	20
Joystick Bracket Assembly No. 120-5280 . . . . .	21
Parking Brake Assembly . . . . .	22
Main Wire Harness Assembly . . . . .	23
Steering Arm Assembly . . . . .	24
Steering Valve Assembly No. 144-2099 . . . . .	25
Front Shroud and Floorplate Assembly . . . . .	26
Traction Control Assembly . . . . .	28
Hood and Screen Assembly . . . . .	29
Wheel and Brake Assembly . . . . .	30
Hydraulic Motor Assembly No. 110-8785 . . . . .	31
Hydraulic Motor Assembly No. 110-8786 . . . . .	32
Brake Assembly No. 104-7705 . . . . .	33
Rear Fork Assembly . . . . .	34
Steering Cylinder Assembly No. 121-7835 . . . . .	35
Hydraulic Motor Assembly No. 95-8694 . . . . .	36
Neutral Arm Assembly . . . . .	37
Piston Pump and Gear Pump Assembly . . . . .	38
Hydraulic Pump Assembly No. 104-4890 . . . . .	39
Hydraulic Gear Pump Assembly No. 121-7841 . . . . .	41
Traction Hydraulic Assembly . . . . .	42
Lift Manifold and Steering Circuit Assembly . . . . .	43
Lift Manifold Assembly No. 138-6998 . . . . .	44
Front Mow Hydraulic Circuit Assembly . . . . .	45
Mow Manifold Assembly No. 139-6025 . . . . .	47
Hydraulic Reel Motor Assembly No. 120-2072 . . . . .	48
Rear Mow Hydraulic Circuit Assembly . . . . .	49
Crankcase Assembly . . . . .	51
Oil Pan and Dipstick Assembly . . . . .	52
Cylinder Head Assembly . . . . .	53
Gear Case and Oil Filter Cartridge Assembly . . . . .	54
Cylinder Head Cover Assembly . . . . .	55
Main Bearing Case Assembly . . . . .	56
Camshaft and Idle Gear Shaft Assembly . . . . .	57
Piston and Crankshaft Assembly . . . . .	58
Fuel Camshaft and Governor Shaft Assembly . . . . .	59
Idle Apparatus and Stop Solenoid Assembly . . . . .	60
Solenoid Assembly . . . . .	61
Injection Pump Assembly . . . . .	62

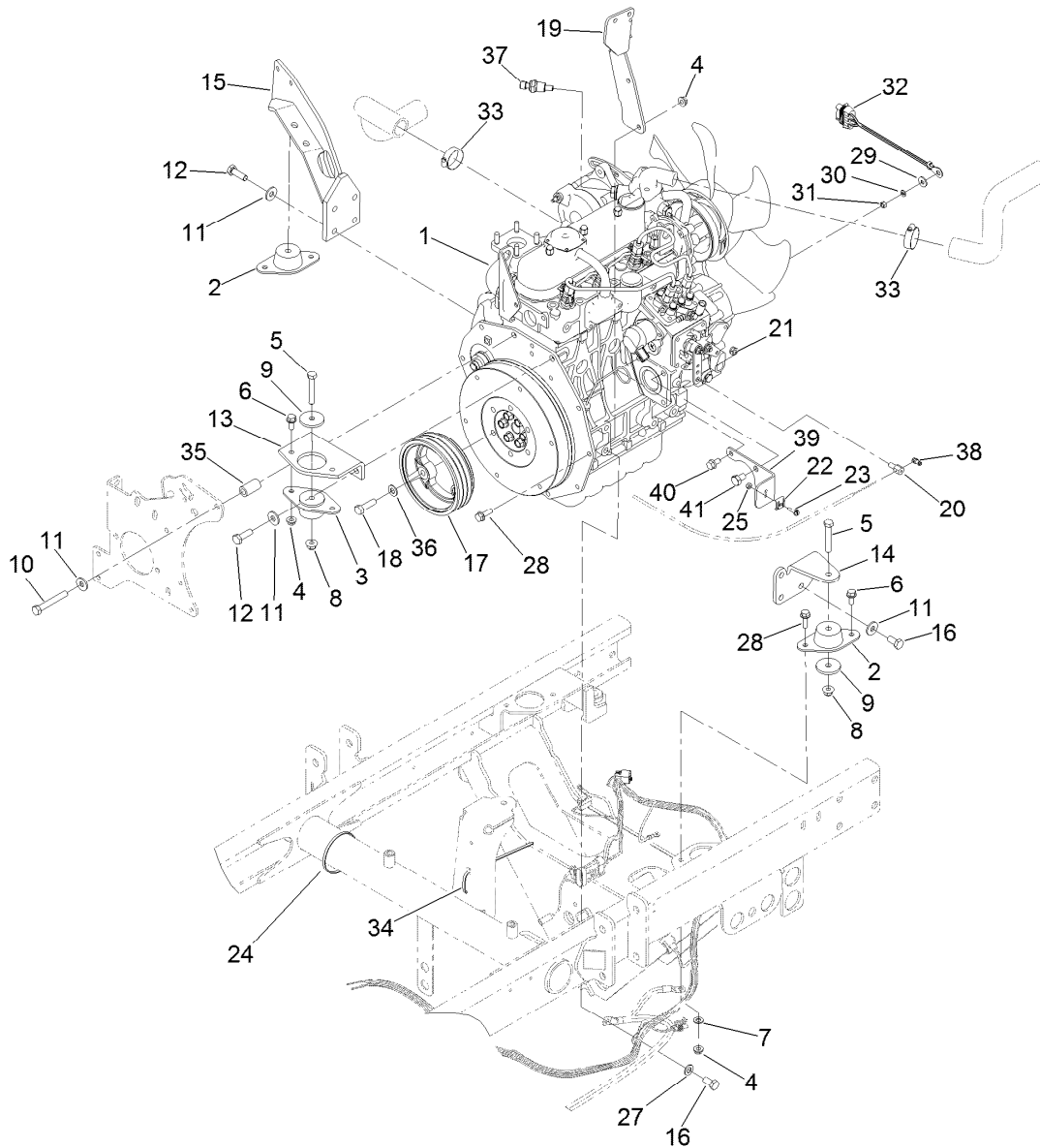
# Contents (continued)

Governor Assembly .....	63
Speed Control Plate Assembly .....	64
Nozzle Holder and Glow Plug Assembly .....	65
Nozzle Holder Assembly .....	66
Alternator, Pulley and Fan Assembly .....	67
Alternator Components Assembly .....	68
Starter and Flywheel Assembly .....	69
Starter Component Assembly .....	70
Water Flange and Thermostat Assembly .....	71
Water Pump Assembly .....	72
Valve and Rocker Arm Assembly .....	73
Inlet and Exhaust Manifold Assembly .....	74
Miscellaneous Engine Parts .....	75
Attachments and Accessories .....	76



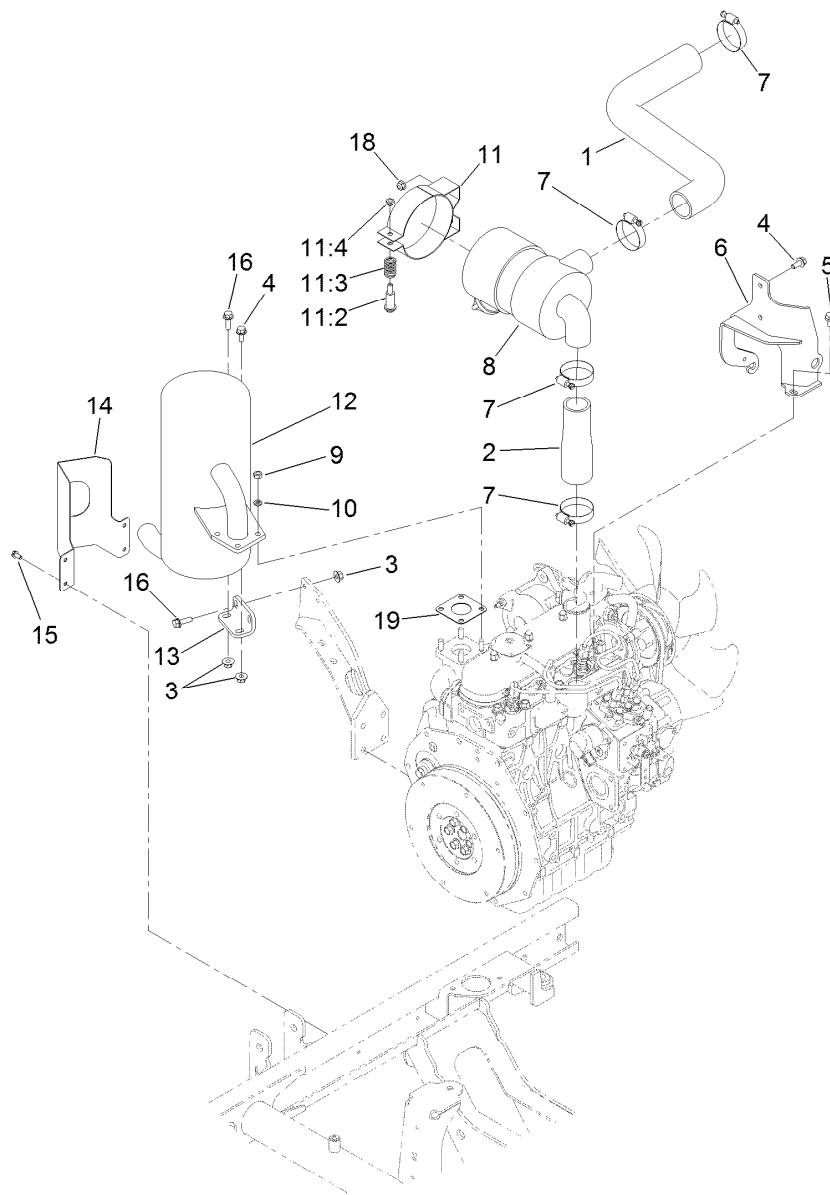
## Frame and Front Axle Assembly

Ref.	Part Number	Qty.	Description	Ref.	Part Number	Qty.	Description
1	121-7937	1	Frame ASM	12	117-3176	4	Screw-HHF
1:2	32148-6	2	Nut-Clinch	13	121-7837-01	1	Cover-Battery, Inner
1:3	133-8062	1	Decal-Arrestor, Spark	14	104-7050	1	Tube-Manual
1:4	117-3270	2	Decal-Danger	15	2412-133	2	Clamp-R
2	121-7942-03	1	Front Axle ASM	16	32144-70	2	Screw-HWHTF
3	121-7921	1	Hinge	17	3256-23	2	Washer-Plain
4	3234-38	8	Screw-HHF	18	2412-108	1	Clamp-Worm
5	32128-49	12	Nut-HHF	19	104-7201	4	Nut-HF, NI
6	2412-72	2	Clip-Closed, Insulated	20	104-7048	1	Cap-Housing
7	95-8615	1	Tube-Breather	23	138-6940-0P	1	Bracket-Filter
8	32144-10	8	Screw-HWH	25	3234-29	2	Screw-HHF
9	119-6906	4	Screw-HSBH	26	104-8300	2	Nut-HF, NI
10	121-7846	1	Toolbox Cover ASM	27	117-2378	1	Holder-Bag
10:2	120-1683	1	Decal-Danger	28	32144-1	2	Screw-Taptite
10:3	121-7928	1	Decal-Danger, CE	29	322-6	2	Screw-HH
10:4	121-7884	1	Decal-Reel Speed	30	1-603903	2	Spacer
10:5	136-3718	1	Decal-Service	31	3256-3	2	Washer-Flat
11	127-8493	1	ROPS ASM	32	3296-29	2	Nut-Lock, NI
11:3	136-3702	1	Decal-Safety, ROPS				



## Engine Mount Assembly

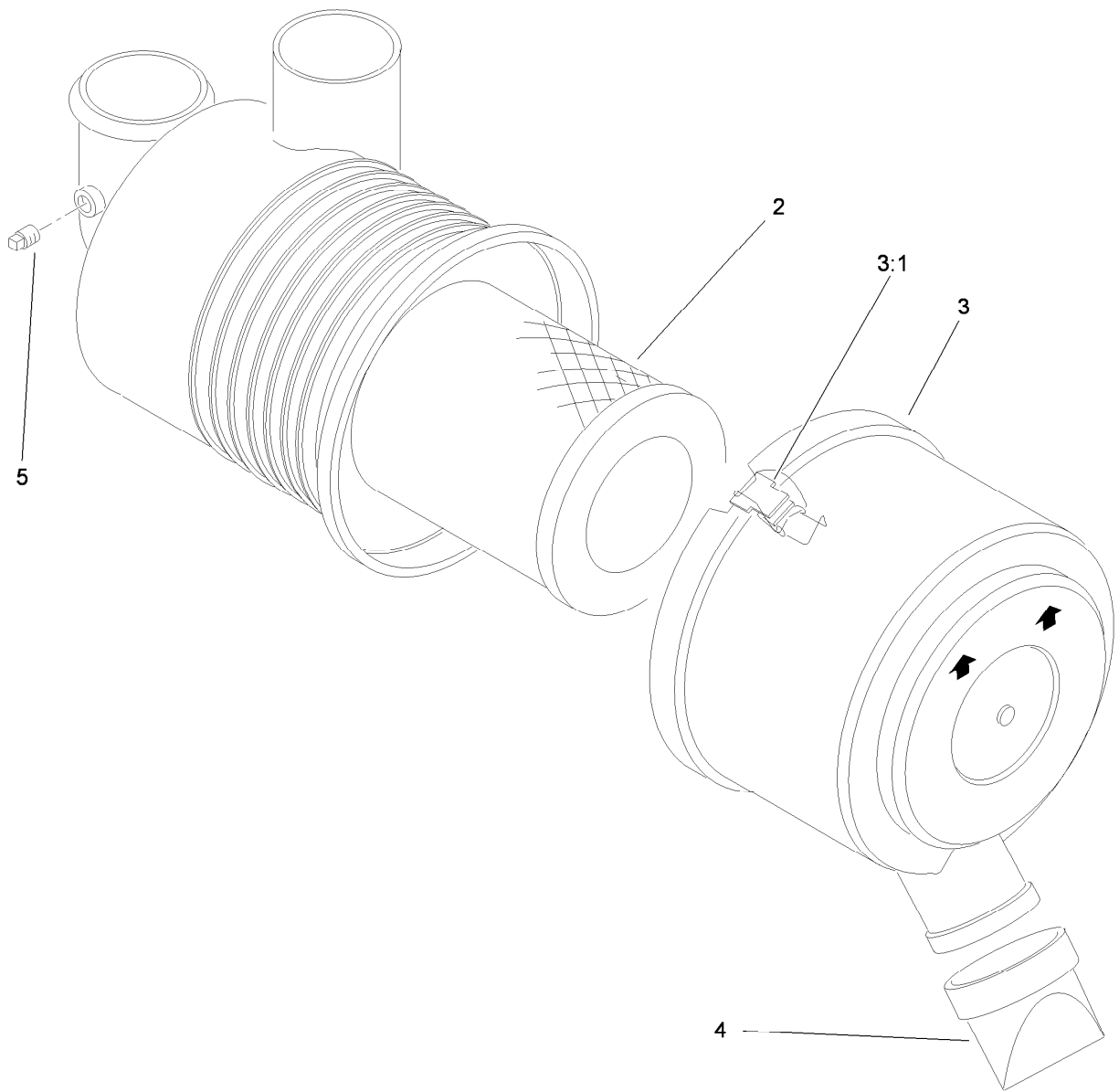
Ref.	Part Number	Qty.	Description	Ref.	Part Number	Qty.	Description
1	138-6908	1	Engine-Kubota, D1105	21	3296-20	1	Nut-Lock, NI
2	121-9076	2	Mount-Engine	22	81-1690	1	Clamp-Cable
3	93-5265	1	Mount-Engine	23	32105-13	1	Screw-HWH
4	32128-20	8	Nut-HF	24	3290-379	2	Tie-Cable
5	323-11	3	Screw-HH	25	3296-2	1	Nut-Lock, NI
6	3234-5	5	Screw-HHF	27	33095-00	1	Washer-Flat
7	120-9683	1	Washer-Plain	28	3234-17	3	Screw-HHF
8	104-8301	3	Nut-HF, NI	29	3256-78	1	Washer-Flat
9	80-8560	3	Washer-Hardened	30	43-5930	1	Washer-Lock, Spring
10	42-9370	1	Screw-HH	31	48-7890	1	Nut-Hex
11	80-6990	9	Washer-Hardened	32	99-3441	1	Harness-Wire, Fusible Link
12	95-8812	5	Screw-HH	33	2412-34	2	Clamp-Hose
13	99-3618-0P	1	Mount-Engine, Front	34	3290-378	14	Tie-Cable
14	95-8937-0P	1	Mount-Engine, LH	35	95-8736	1	Spacer
15	100-4838-0P	1	Mount-Engine	36	3256-24	3	Washer-Plain
16	63-7790	4	Screw-Cap	37	119-4478	1	Sender-Temperature
17	99-3626	1	Pulley-3V	38	112-9919	1	Stop-Cable, Throttle
18	56-2140	3	Screw-HH	39	110-9009-0P	1	Bracket-Cable, Throttle
19	115-3487-0P	1	Bracket-Mount, Fuel Filter	40	33104-016	1	Screw-HHF
20	98-9311	1	Swivel-Throttle	41	70-8470	1	Screw-HH



## Muffler and Air Cleaner Assembly

Ref.	Part Number	Qty.	Description
1	121-7834	1	Hose-Air Intake, Upper
2	95-8947	1	Hose-Air Inlet, Lower
3	32128-44	4	Nut
4	3234-5	3	Screw-HHF
5	33104-016	3	Screw-HHF
6	136-3154-0P	1	Bracket-Cleaner, Air
7	2412-92	4	Clamp-Hose
8	93-2190	1	Air Cleaner ASM
9	33014-00	4	Nut-Hex
10	3253-4	4	Washer-Lock
11	93-2191	1	Air Cleaner Mounting Band ASM

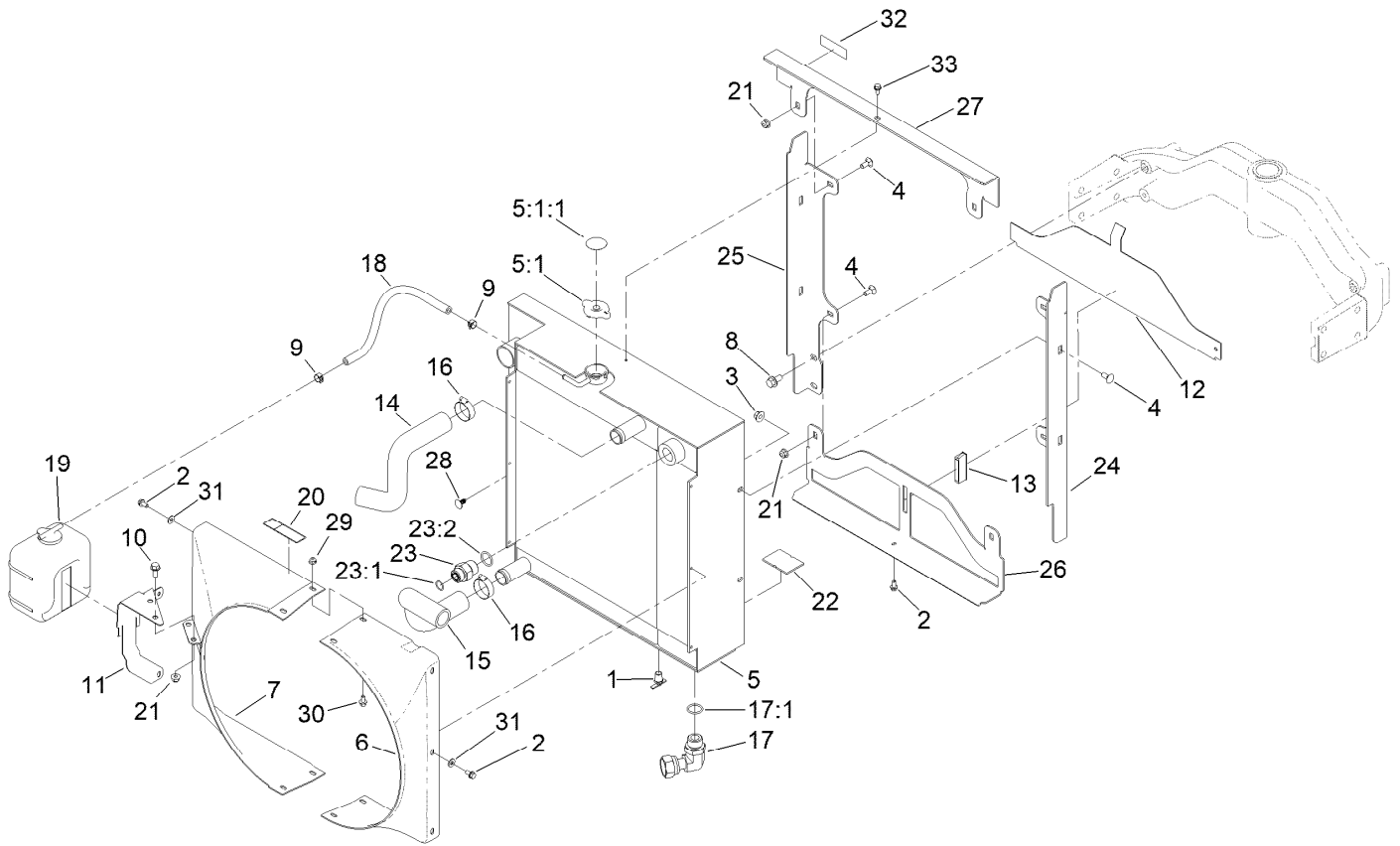
Ref.	Part Number	Qty.	Description
11:2	94-3653	1	Bolt
11:3	94-3654	1	Spring
11:4	48-9510	1	*obs* Nut
12	139-6013	1	Muffler
13	95-8943-0P	1	Bracket-Muffler
14	140-7428-03	1	Guard-Exhaust
15	32144-4	4	Screw-HWH
16	3234-17	3	Screw-HHF
18	104-8300	2	Nut-HF, NI
19	98-9611	1	Gasket



## Air Cleaner Assembly No. 93-2190

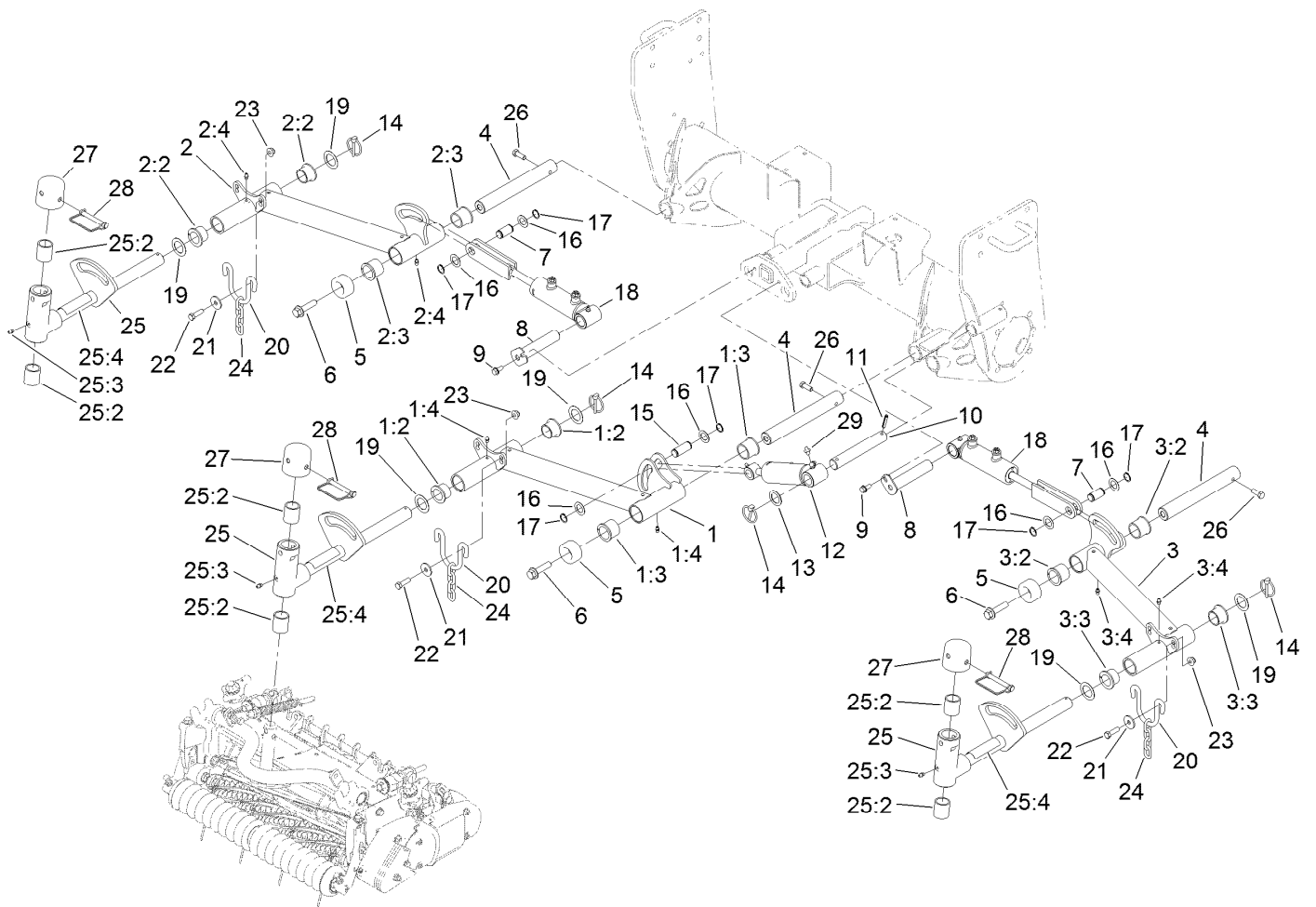
<i>Ref.</i>	<i>Part Number</i>	<i>Qty.</i>	<i>Description</i>
2	108-3811	1	Filter-Air
3	94-3652	1	Cover ASM
3:1	1-643283	2	Latch-Cleaner, Air
4	87-9400	1	Valve-Vacuator
5	285-17	1	Plug-Pipe





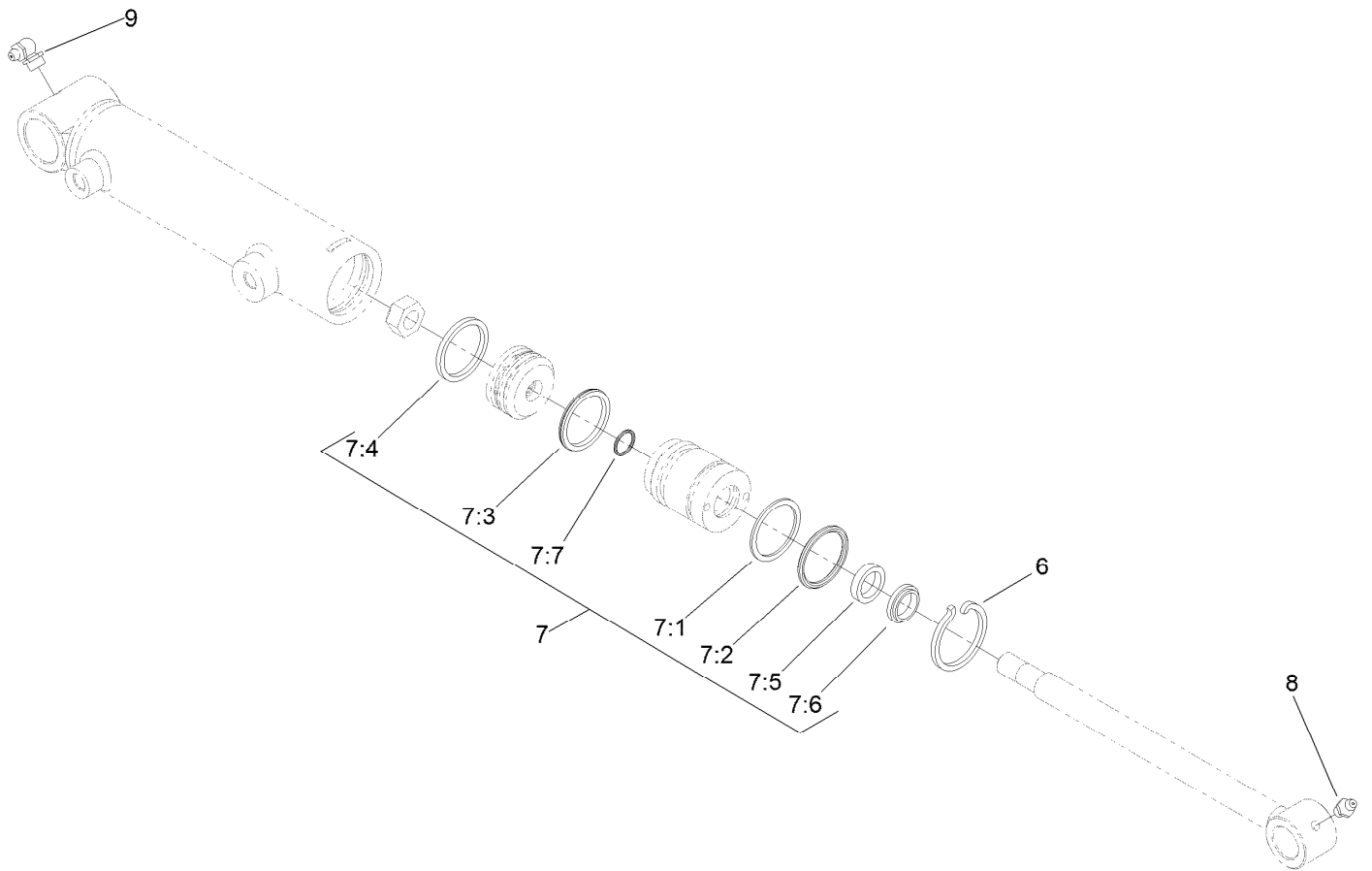
## Radiator and Oil Cooler Assembly

<i>Ref.</i>	<i>Part Number</i>	<i>Qty.</i>	<i>Description</i>	<i>Ref.</i>	<i>Part Number</i>	<i>Qty.</i>	<i>Description</i>
1	304-46	1	Draincock	17:1	237-81	1	O-Ring
2	32104-116	6	Screw-HWHTF	18	109-0274	1	Hose-Fuel
3	32128-44	4	Nut	19	108-0638	1	Bottle-Overflow
4	3230-1	8	Bolt-CARR	20	120-0627	1	Decal-Warning
5	119-2028	1	Radiator And Oil Cooler ASM	21	104-8300	6	Nut-HF, NI
5:1	115-7766	1	Cap-Radiator	22	104-9459	2	Seal-Foam
5:1:1	106-6755	1	Decal-Cap, Radiator	23	340-8	1	Fitting-Straight
6	121-7853	1	Shroud-LH	23:1	237-65	1	O-Ring
7	133-4918	1	Shroud-RH	23:2	237-81	1	O-Ring
8	3234-1	4	Screw-HHF	24	120-3531-0P	1	Bracket-Radiator, LH
9	92-2379	2	Clamp-Hose	25	120-3532-0P	1	Bracket-Radiator, RH
10	3234-5	2	Screw-HHF	26	120-3530-0P	1	Bracket-Radiator, Bottom
11	133-4919-0P	1	Bracket-Reservoir	27	120-3529-0P	1	Bracket-Radiator, Top
12	95-8702-0P	1	Shield-Radiator, Lower	28	117-2382	2	Plug-Plastic
13	99-3497	1	Magnet	29	104-7201	4	Nut-HF, NI
14	120-2193	1	Hose-Radiator, Upper	30	3234-13	4	Screw-HHF
15	120-3353	1	Hose-Radiator, Lower	31	3256-22	4	Washer-Flat
16	2412-34	2	Clamp-Hose	32	125-6688	1	Decal-Danger, Starter Fluid
17	94-2636	1	Fitting ASM	33	32144-10	2	Screw-HWH



## No. 1, No. 4 and No. 5 Lift Arm Assembly

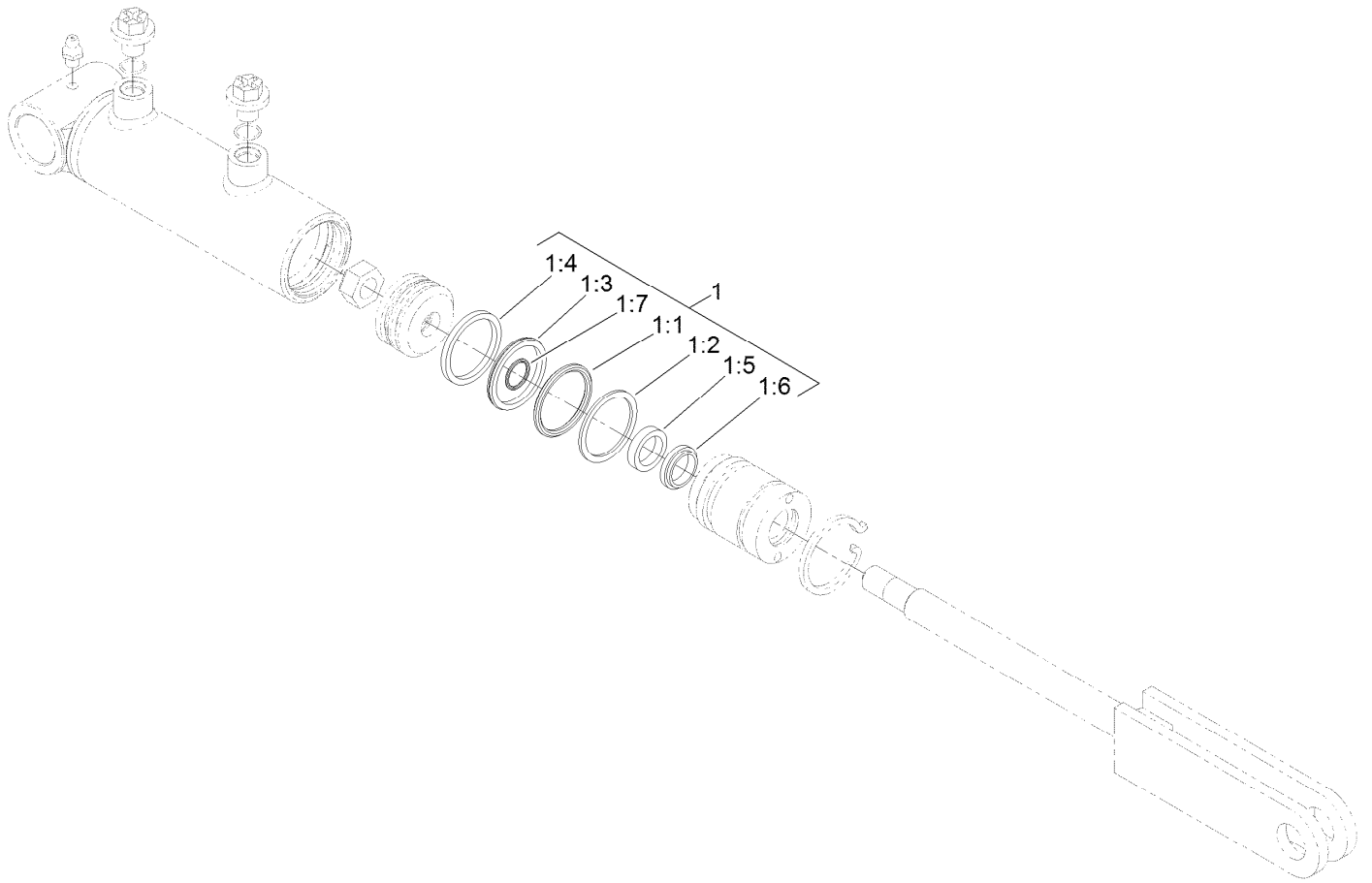
Ref.	Part Number	Qty.	Description	Ref.	Part Number	Qty.	Description
1	120-2159	1	No. 1 Lift Arm ASM	13	10-8110	1	Washer-Thrust
1:2	121-7863	2	Bushing-Special	14	92-1298	4	Pin-Lynch
1:3	104-0015	2	Bushing-Flange	15	94-3452	1	Pin
1:4	302-5	2	Fitting-Grease	16	3-6498	6	Washer-Thrust
2	120-2162	1	No. 5 Lift Arm ASM	17	32120-72	6	Ring-Snap
2:2	121-7863	2	Bushing-Special	18	120-9980	2	HYD Cylinder ASM
2:3	104-0015	2	Bushing-Flange	19	120-2183	6	Washer-Thrust
2:4	302-5	2	Fitting-Grease	20	120-9962	3	Hoop-Chain
3	120-2163	1	No. 4 Lift Arm ASM	21	63-8410	6	Washer
3:2	104-0015	2	Bushing-Flange	22	323-7	6	Screw-HH
3:3	121-7863	2	Bushing-Special	23	104-8301	6	Nut-HF, NI
3:4	302-5	2	Fitting-Grease	24	84-2450	3	Chain-Straight, 4-Link
4	120-2084	3	Pin-Liftarm	25	127-8477	3	Pivot Yoke ASM
5	121-7855	3	Bumper-Recessed	25:2	121-3187	2	Bushing
6	3234-27	3	Screw-HHF	25:3	302-5	1	Fitting-Grease
7	120-9219	2	Pin-Cylinder	25:4	110-9642	1	Decal-Warning
8	131-4295	2	Pin-Pivot	26	323-6	3	Screw-HH
9	32144-11	2	Screw-HWH	27	107-4027	3	Cap
10	120-2158	1	Pin	28	107-7400	3	Pin-Lynch
11	32121-15	1	Pin-Roll	29	302-2	1	Fitting-Grease
12	119-6988	1	HYD Cylinder ASM				



## Hydraulic Cylinder Assembly No. 119-6988

Ref.	Part Number	Qty.	Description
6	84-1680	1	Ring-Retaining
7	133-2900	1	Seal Kit
7:1		1	O-Ring ●
7:2		1	Backup ●
7:3		1	Bp Seal ●
7:4		1	Wear Ring-Ht ●
7:5		1	Bt Seal ●
7:6		1	Dust Seal-Dt ●
7:7		1	O-Ring ●
8	302-5	1	Fitting-Grease
9	302-60	1	Fitting-Grease

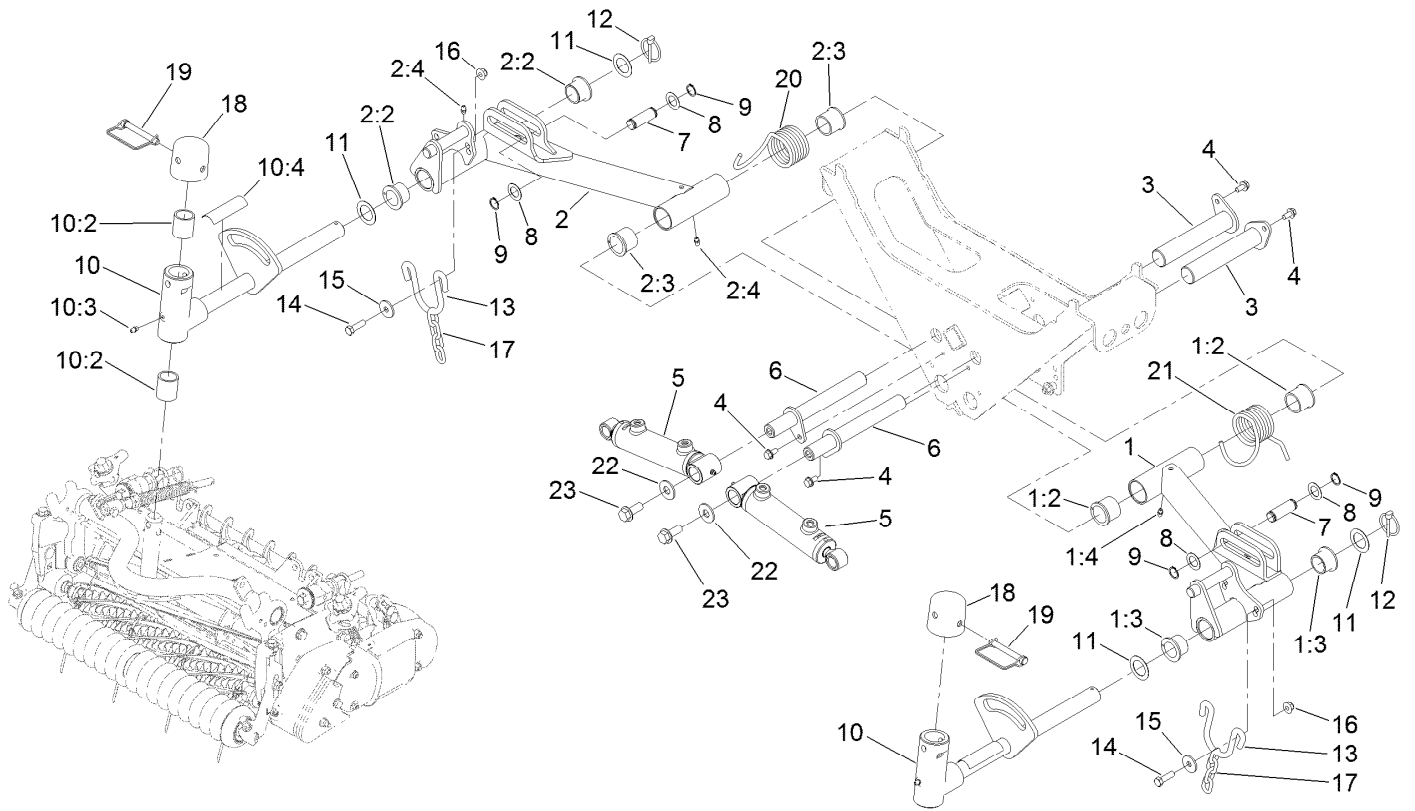
● Not serviced separately



## Hydraulic Cylinder Assembly No. 120-9980

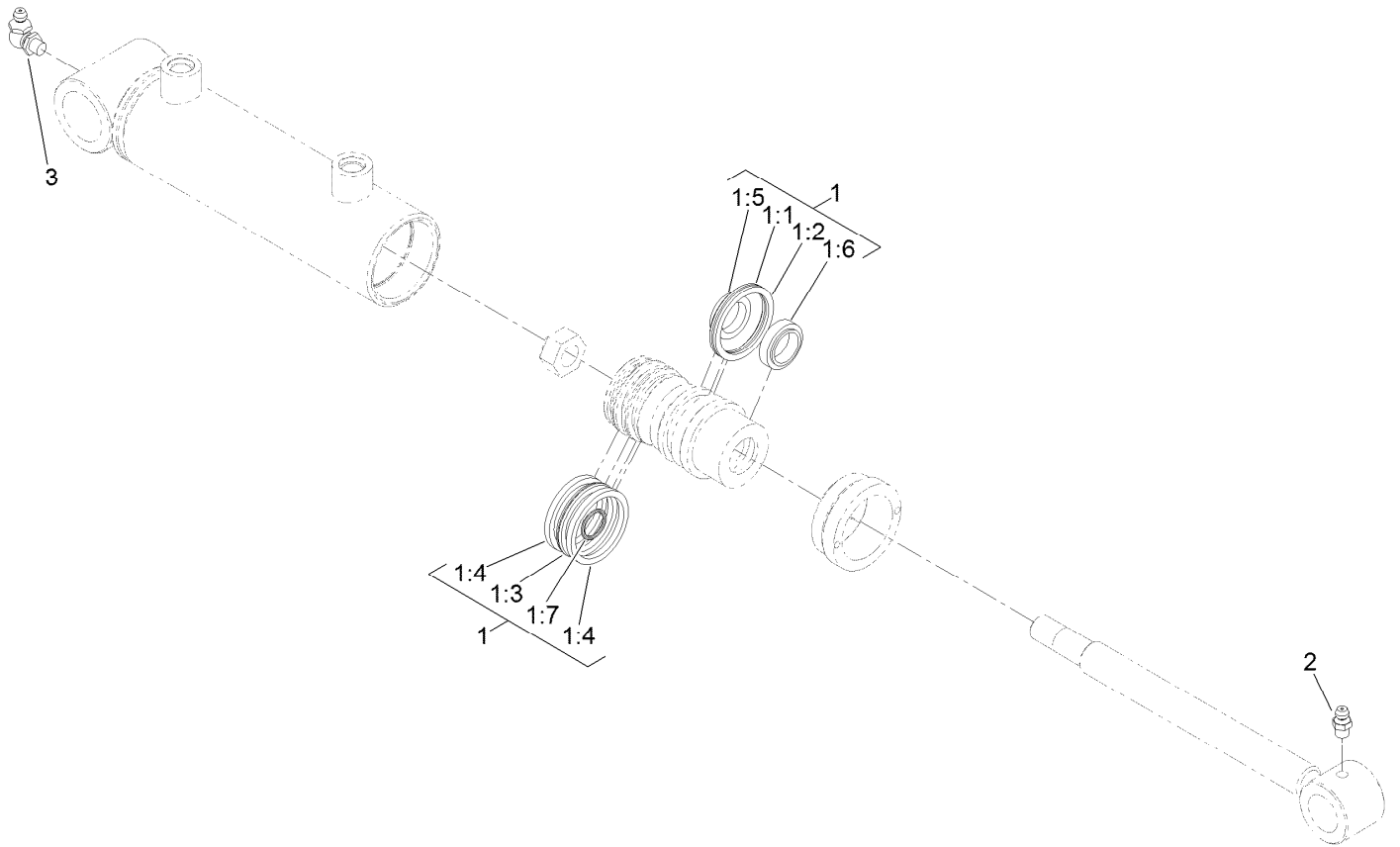
<i>Ref.</i>	<i>Part Number</i>	<i>Qty.</i>	<i>Description</i>
1	133-2900	1	Seal Kit
1:1		1	O-Ring ●
1:2		1	Backup ●
1:3		1	Bp Seal ●
1:4		1	Wear Ring-Ht ●
1:5		1	Bt Seal ●
1:6		1	Dust Seal-Dt ●
1:7		1	O-Ring ●

● Not serviced separately



## No. 2 and No. 3 Lift Arm Assembly

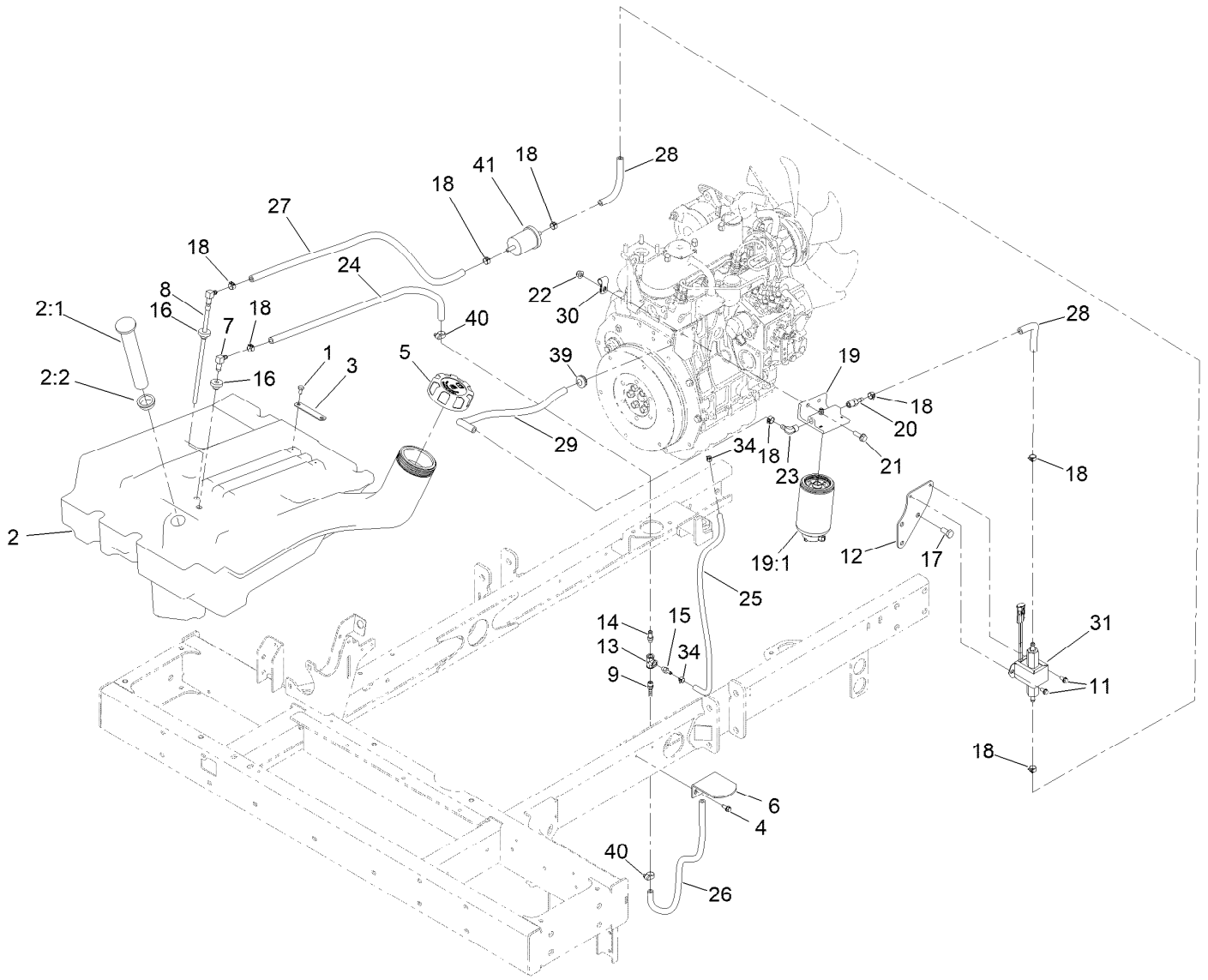
<i>Ref.</i>	<i>Part Number</i>	<i>Qty.</i>	<i>Description</i>	<i>Ref.</i>	<i>Part Number</i>	<i>Qty.</i>	<i>Description</i>
1	121-7939	1	#2 Lift Arm ASM	10:2	121-3187	2	Bushing
1:2	104-0015	2	Bushing-Flange	10:3	302-5	1	Fitting-Grease
1:3	121-7863	2	Bushing-Special	10:4	110-9642	1	Decal-Warning
1:4	302-5	2	Fitting-Grease	11	120-2183	4	Washer-Thrust
2	121-7941	1	#3 Lift Arm ASM	12	92-1298	2	Pin-Lynch
2:2	121-7863	2	Bushing-Special	13	120-9962	2	Hoop-Chain
2:3	104-0015	2	Bushing-Flange	14	323-7	4	Screw-HH
2:4	302-5	2	Fitting-Grease	15	63-8410	4	Washer
3	120-2127	2	Pin ASM	16	104-8301	4	Nut-HF, NI
4	32144-14	4	Screw-HWHTF	17	84-2450	2	Chain-Straight, 4-Link
5	138-6941	2	HYD CYL ASM	18	107-4027	2	Cap
6	133-4931	2	Pin	19	107-7400	2	Pin-Lynch
7	104-0046	2	Pin-Slide, Cylinder	20	120-2614	1	Spring-Torsion, RH
8	3-6498	4	Washer-Thrust	21	120-2615	1	Spring-Torsion, LH
9	32120-72	4	Ring-Snap	22	3256-6	2	Washer-Flat
10	127-8477	2	Pivot Yoke ASM	23	3234-38	2	Screw-HHF



## Hydraulic Cylinder Assembly No. 138-6941

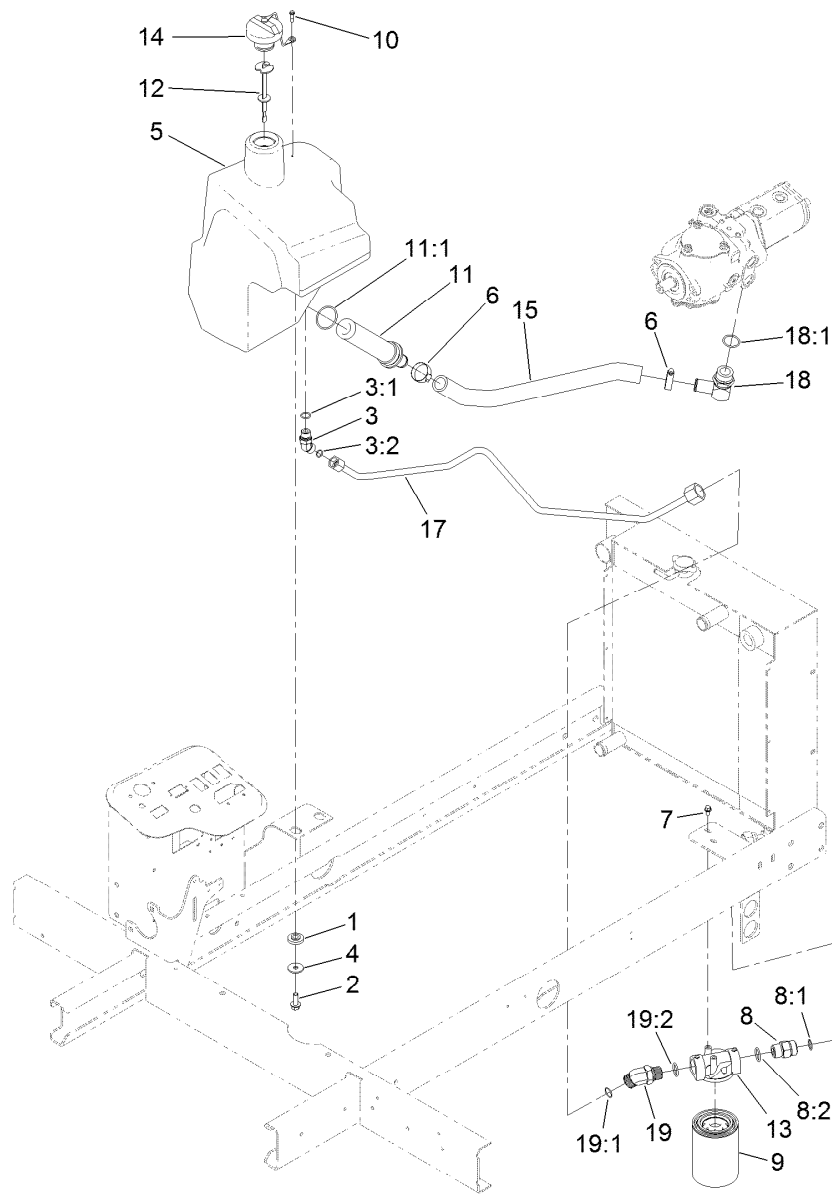
<i>Ref.</i>	<i>Part Number</i>	<i>Qty.</i>	<i>Description</i>
1	127-8587	1	Seal Kit
1:1		1	O-Ring ●
1:2		1	Backup ●
1:3		1	Bp Seal ●
1:4		1	Wear Ring-Ht ●
1:5		1	Bt Seal ●
1:6		1	Dust Seal-Dt ●
1:7		1	O-Ring ●
2	302-5	1	Fitting-Grease
3	302-60	1	Fitting-Grease

● Not serviced separately



## Fuel Tank and Filter Assembly

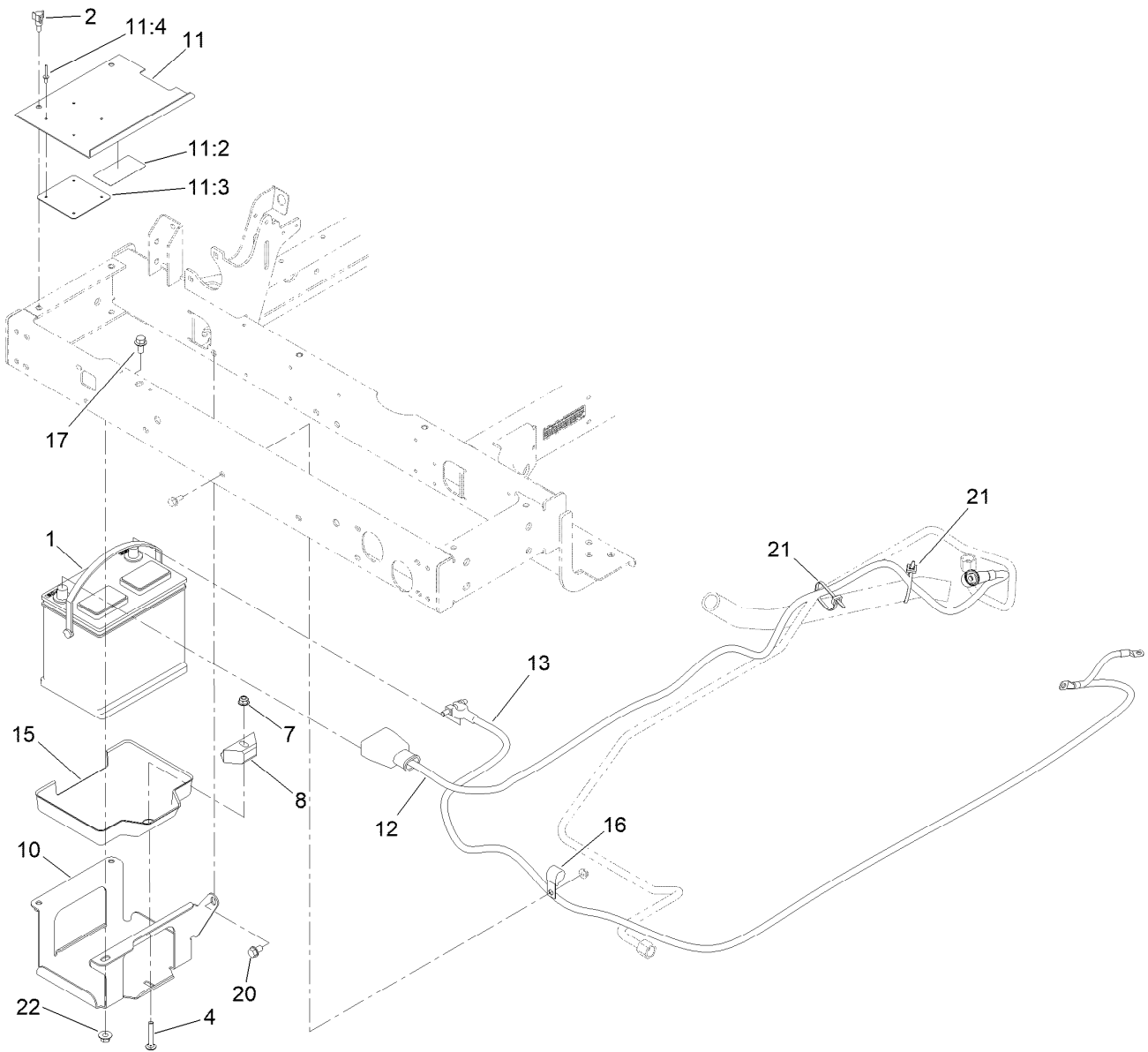
Ref.	Part Number	Qty.	Description	Ref.	Part Number	Qty.	Description
1	321-2	2	Screw-HH	19	110-9044	1	Separator-Filter
2	95-8620	1	Tank-Fuel	19:1	110-9049	1	Filter-Spin On, Fuel/Water
2:1	95-8971	1	Gauge-Fuel	20	353-783	1	Fitting-STR
2:2	95-8972	1	Grommet	21	3234-17	2	Screw-HHF
3	95-8881	1	Strap-Line, Fuel	22	104-8300	2	Nut-HF, NI
4	32144-10	2	Screw-HWH	23	353-781	1	Fitting-HYD, 90
5	114-5064	1	Cap-Diesel	24	110-6187	1	Hose-Fuel
6	95-8968-03	1	Support-Tank, Fuel	25	110-8751	1	Hose-Fuel
7	46-6550	1	Fitting-Elbow, 90 DEG	26	110-5701	1	Hose-Fuel
8	110-9689	1	Pipe-Stand	27	110-3257	1	Hose-Fuel
9	304-73	1	Fitting-Straight	28	109-0310	2	Hose-Fuel
11	32144-4	2	Screw-HWH	29	121-7852	1	Hose-Fuel
12	136-3818-0P	1	Plate-Fuel Pump	30	2412-10	1	Clamp-R
13	354-20	1	Fitting-Tee	31	145-3160	1	Pump-Fuel, Electric
14	354-21	1	Fitting-Barbed	34	2412-80	2	Clamp-Hose
15	354-22	1	Fitting-Barbed	39	1-543296	1	Grommet
16	46-6560	2	Bushing	40	2412-108	2	Clamp-Worm
17	63-7790	3	Screw-Cap	41	98-7612	1	Filter-Fuel
18	92-2379	9	Clamp-Hose				



## Hydraulic Tank and Filter Assembly

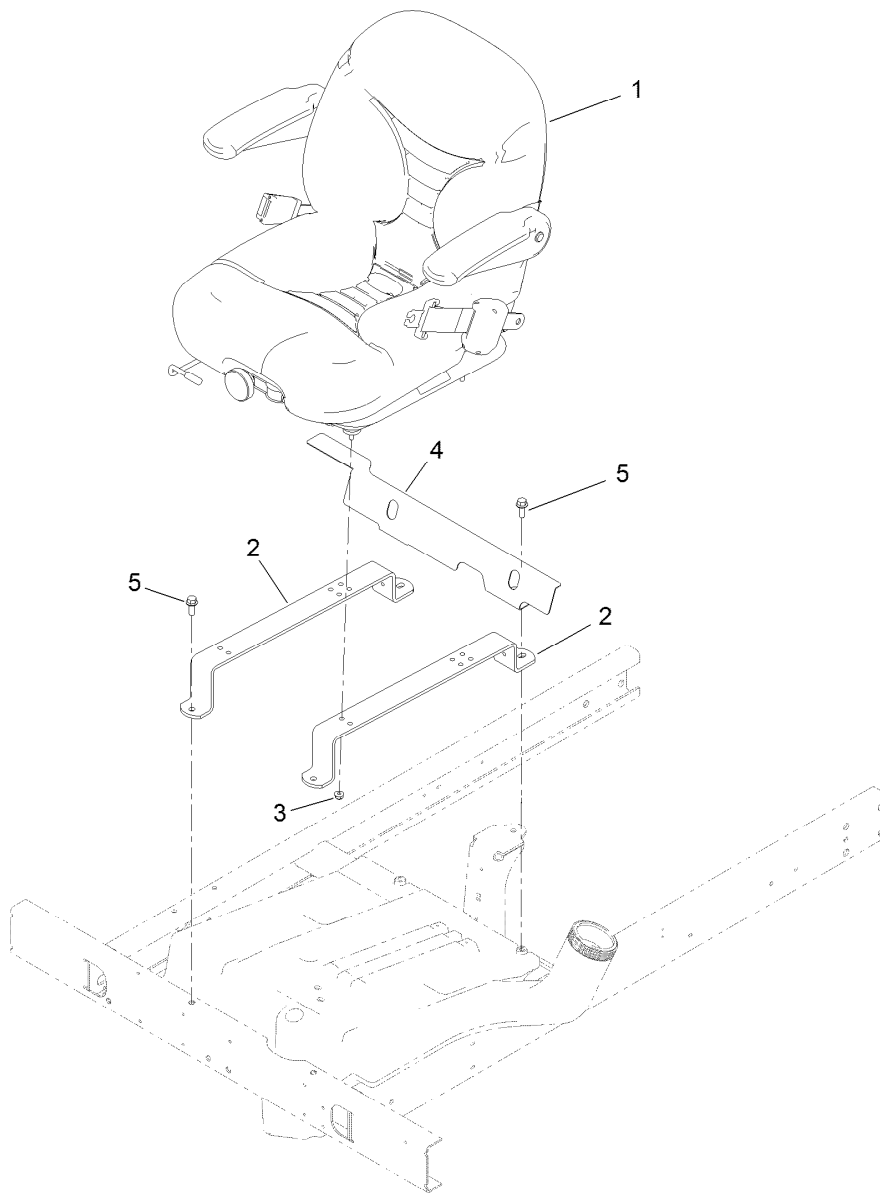
Ref.	Part Number	Qty.	Description	Ref.	Part Number	Qty.	Description
1	240-11	4	Bushing-Flange	10	57-5420	1	Screw-Shoulder
2	3234-11	4	Screw-HHF	11	104-7546	1	Tank Strainer ASM
3	340-101	1	Fitting-HYD, 45 DEG	11:1	340-136	1	O-Ring
3:1	237-30	1	O-Ring	12	119-6968	1	Dipstick-Oil
3:2	237-79	1	O-Ring	13	92-5821	1	Head-Filter
4	63-8410	4	Washer	14	93-7160	1	Cap-Oil, HYD
5	104-4840	1	Tank-HYD	15	121-7803	1	Hose-Suction
6	2412-34	2	Clamp-Hose	17	136-8044	1	Tube-Hydraulic
7	3234-13	2	Screw-HHF	18	23-8910	1	Stem-Barb-90
8	340-9	1	Fitting-STR	18:1	237-146	1	O-Ring
8:1	237-58	1	O-Ring	19	100-5530	1	Fitting-45 DEG
8:2	237-81	1	O-Ring	19:1	237-58	1	O-Ring
9	86-3010	1	Filter-Oil	19:2	237-81	1	O-Ring





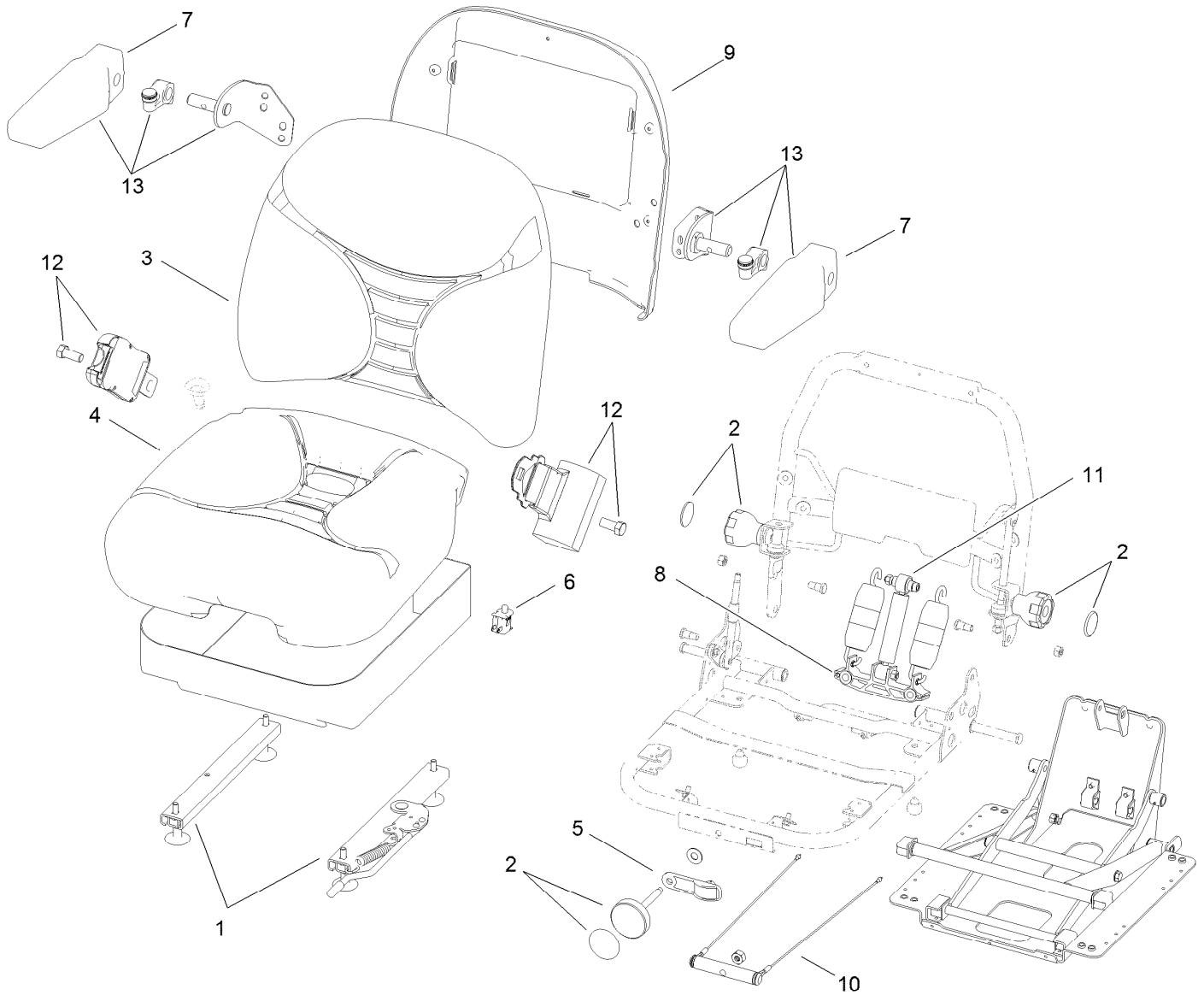
## Battery Assembly

<i>Ref.</i>	<i>Part Number</i>	<i>Qty.</i>	<i>Description</i>	<i>Ref.</i>	<i>Part Number</i>	<i>Qty.</i>	<i>Description</i>
1	104-9979	1	Battery	11:4	3269-27	4	Rivet-Snap
2	233-70	2	Knob-Star, Three	12	95-8853	1	Cable-Battery, Positive
4	3230-6	1	Bolt-CARR	13	122-0817	1	Battery-Cable, Negative
7	104-8300	3	Nut-HF, NI	15	99-3513	1	Tray-Battery
8	138-6335	1	Retainer-Battery	16	94-9580	1	Clamp-J
10	95-8796-03	1	Support-Battery	17	3234-1	3	Screw-HHF
11	99-3602	1	Battery Cover ASM	20	32144-15	1	Screw-HHFTF
11:2	93-7276	1	Decal-Danger	21	3290-378	2	Tie-Cable
11:3	87-7620	1	Shield-Terminal, Battery	22	32128-43	3	Nut-Flange



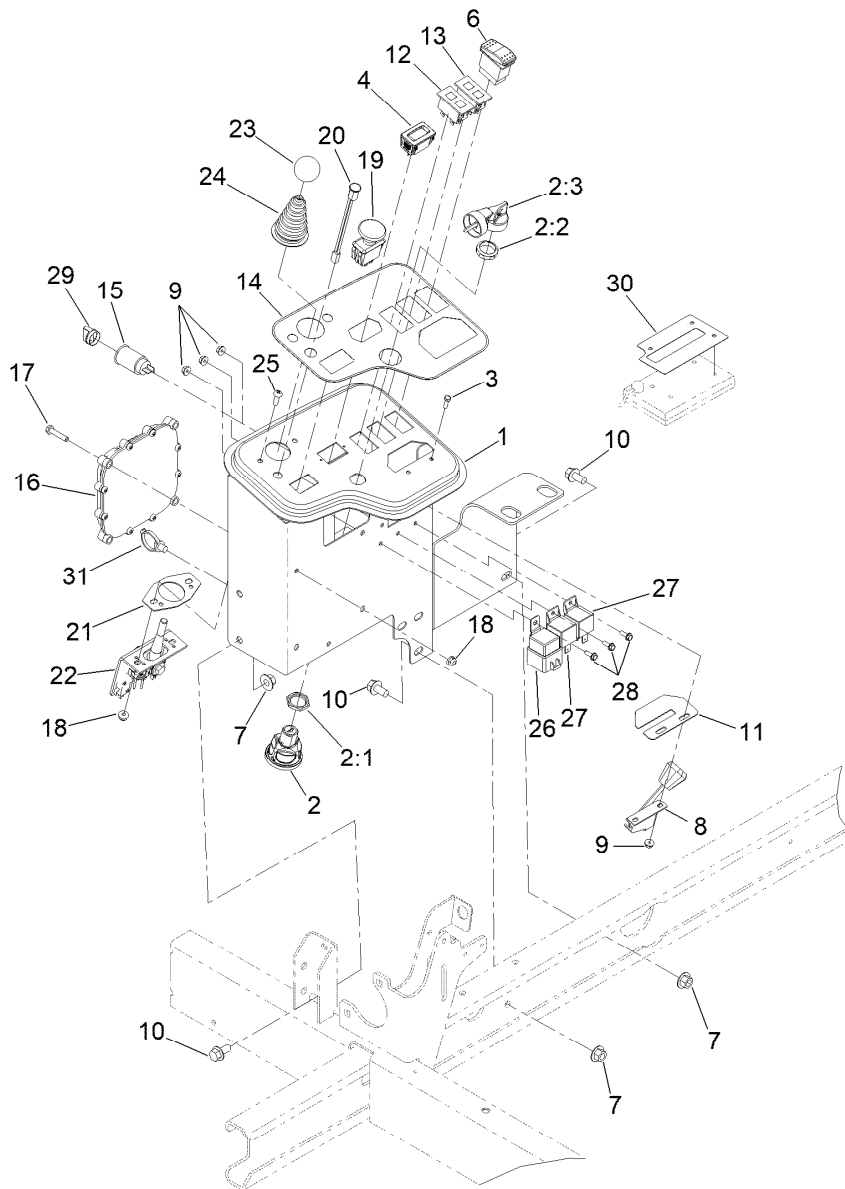
## Seat and Heat-Shield Assembly

<i>Ref.</i>	<i>Part Number</i>	<i>Qty.</i>	<i>Description</i>
1	116-3998	1	Suspension Seat ASM
2	120-2120-03	2	Strap-Support, Seat
3	104-8300	4	Nut-HF, NI
4	104-4833-03	1	Shield-Heat
5	3234-11	4	Screw-HHF



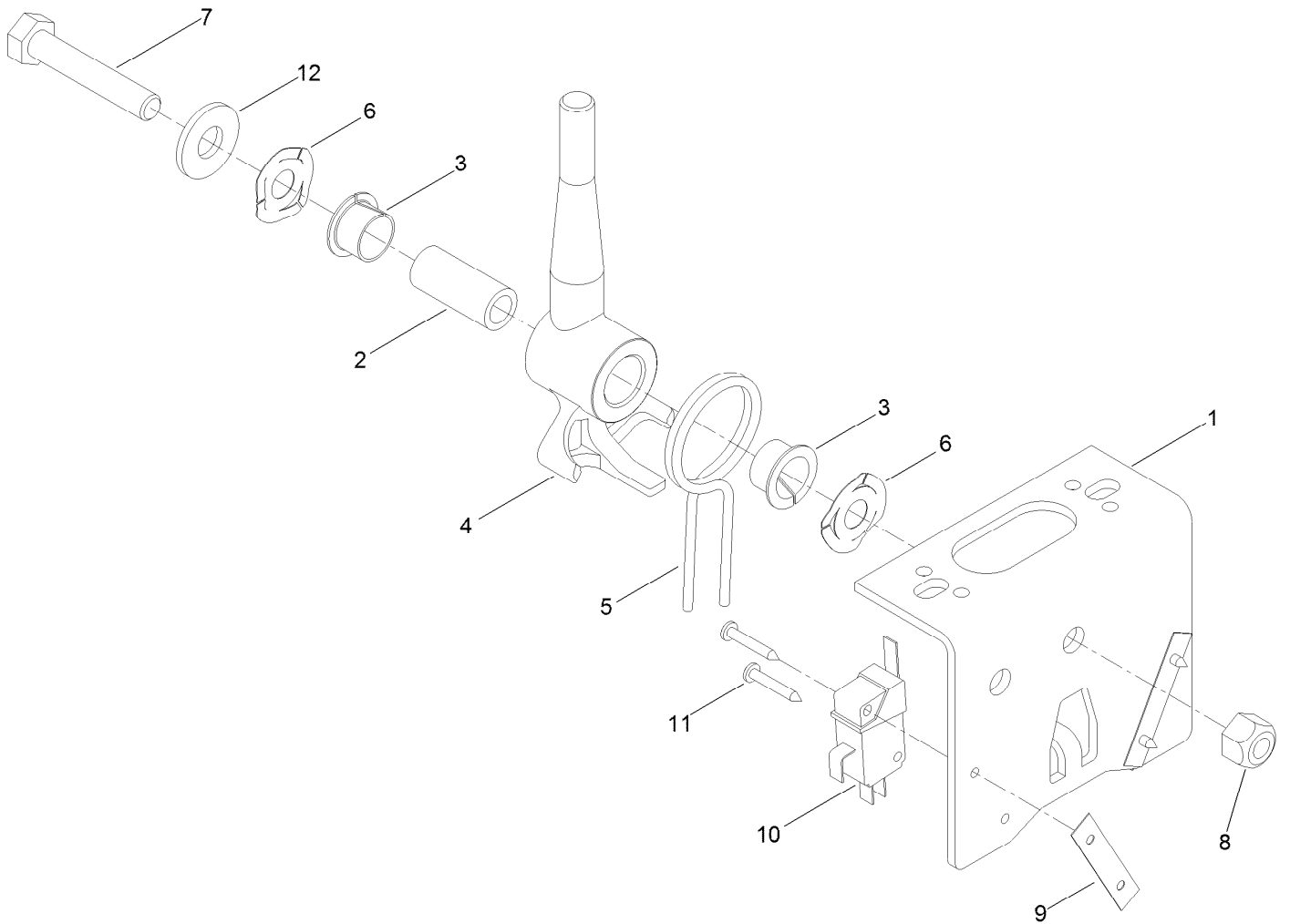
## Seat Assembly No. 116-3998

<i>Ref.</i>	<i>Part Number</i>	<i>Qty.</i>	<i>Description</i>
1	116-0333	1	Seat Track Kit
2	107-1881	1	Knob Kit
3	107-1882	1	Back Cushion Kit
4	107-1883	1	Bottom Cushion Kit
5	107-1885	1	Weight Indicator Kit
6	82-2190	1	Switch-Bail
7	107-1887	1	Pad-Armrest
8	109-3343	1	Spring And Saddle Kit
9	109-3344	1	Back Panel Kit
10	109-3345	1	Weight Adjust Kit
11	116-0998	1	Shock Absorber Kit
12	110-0413	1	Seatbelt-Retractable
13	121-9415	1	Armrest Kit



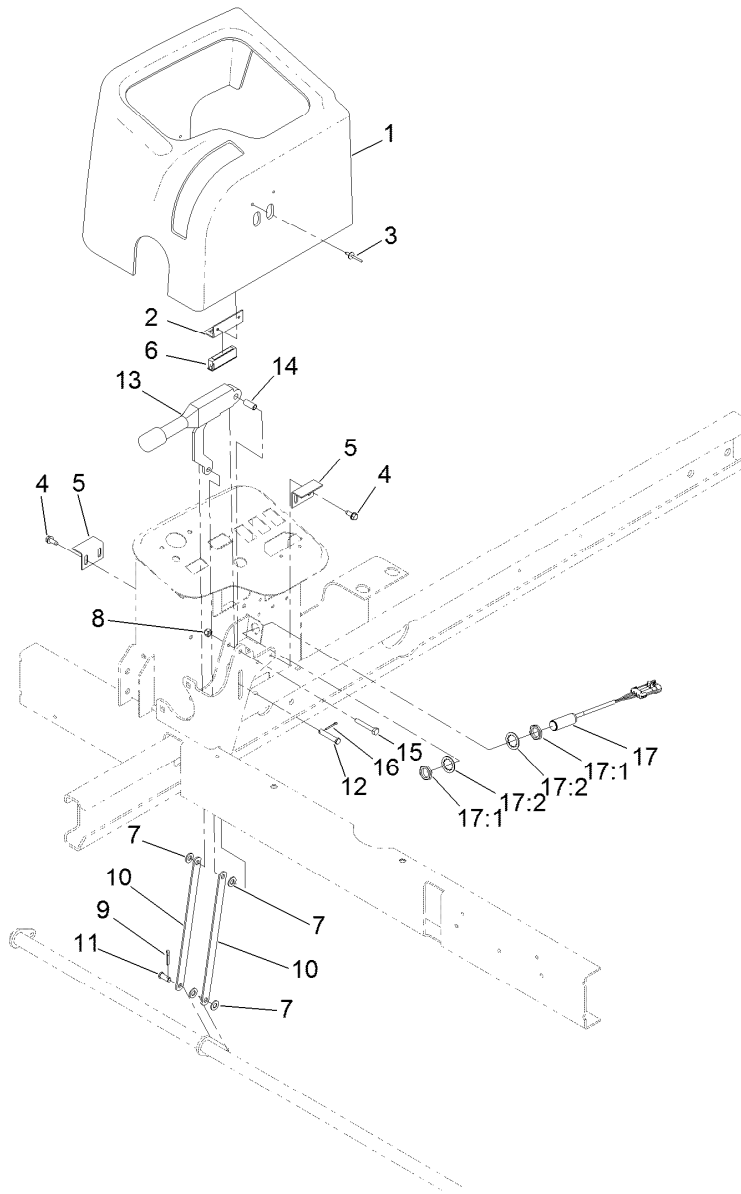
## Control Panel Assembly

<i>Ref.</i>	<i>Part Number</i>	<i>Qty.</i>	<i>Description</i>	<i>Ref.</i>	<i>Part Number</i>	<i>Qty.</i>	<i>Description</i>
1	120-2051-03	1	Panel-Control	15	99-7411	1	Point-Power
2	121-5159	1	Switch-Ignition	16	115-1900	1	Controller
2:1	121-5160	1	Nut-Hex	17	321-8	4	Screw-HH
2:2	122-2704	1	Nut-Face, M22 (Plastic)	18	104-7201	6	Nut-HF, NI
2:3	121-5162	1	Set-Key, Ignition	19	93-9999	1	Switch-PTO
3	3290-134	2	Screw	20	95-7652	1	Light-Indicator
4	120-2244	1	Hourmeter	21	112-9181	1	Plate-Boot
6	95-8999	1	Switch-Rocker, On-None-On	22	120-5280	1	Bracket-Joystick
7	32128-43	5	Nut-Flange	23	233-42	1	Knob
8	138-1224	1	Cable-Throttle	24	93-5961	1	Boot-Lever
9	3290-148	5	Nut-HF	25	3258-166	2	Screw-PRH
10	3234-1	5	Screw-HHF	26	99-7430	1	Relay-Mini
11	104-0421	1	Plate-Stop, Throttle	27	99-7435	2	Relay
12	100-8070	1	Lamp-Warning	28	32105-23	3	Screw
13	100-8071	1	Lamp-Warning	29	99-7416	1	Cap
14	120-2105	1	Decal-Console	30	133-4914	1	Decal-Diagnostic Overlay
				31	32180-030	1	Clip-Tie



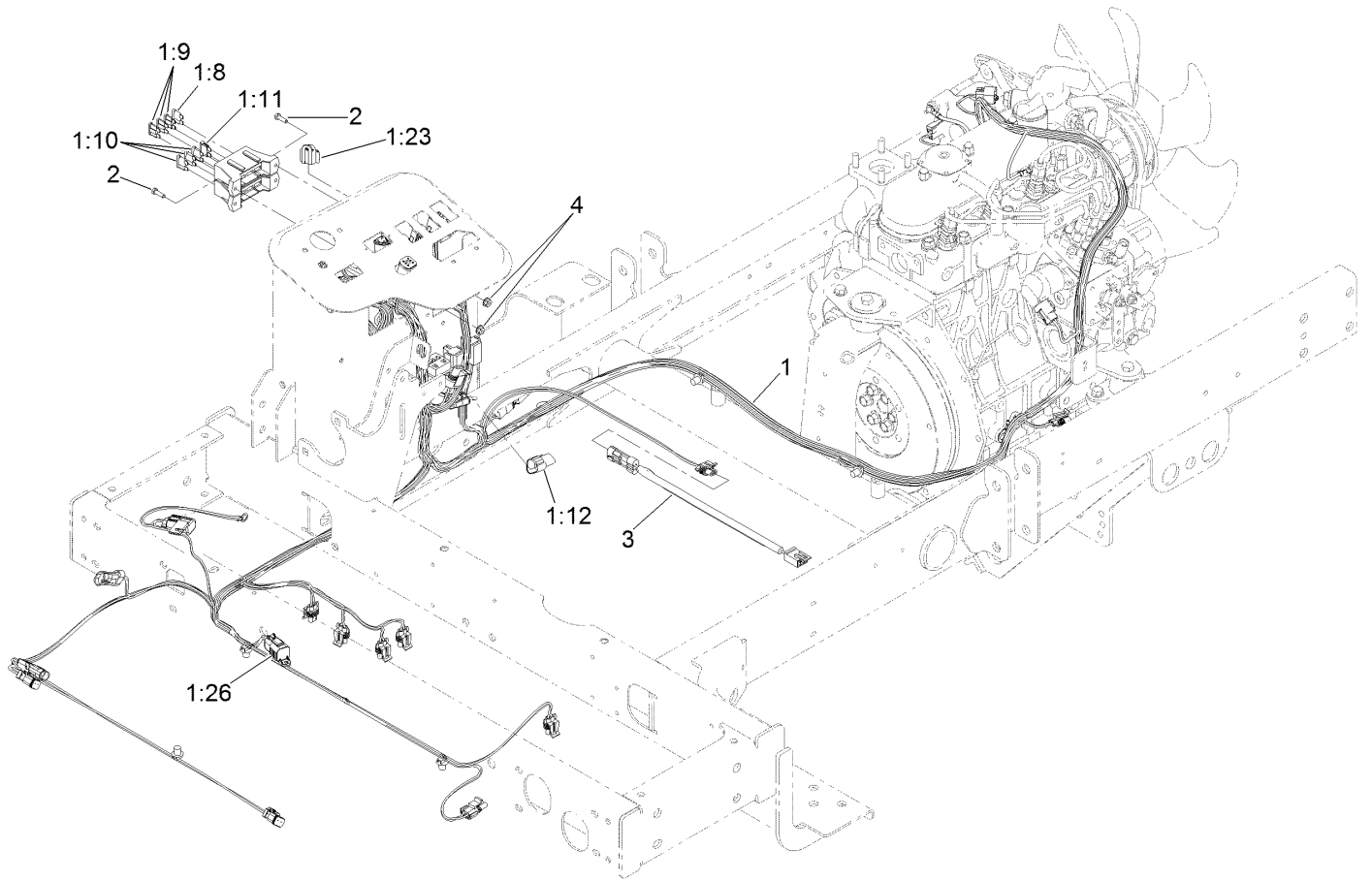
## Joystick Bracket Assembly No. 120-5280

<i>Ref.</i>	<i>Part Number</i>	<i>Qty.</i>	<i>Description</i>
1	115-5357-03	1	Bracket-Joystick
2	106-4192	1	Spacer
3	93-5547	2	Bushing-Nylon
4	119-3540	1	Hub-Pivot, Joystick
5	105-8289	1	Spring-Torsion
6	106-4193	2	Washer-Finger, Spring
7	322-9	1	Screw-HH
8	3296-29	1	Nut-Lock, NI
9	3290-354	2	Nut-Speed
10	108-6496	2	Switch (W/Boot)
11	95-3003	4	Screw-PPHTF
12	3256-3	1	Washer-Flat



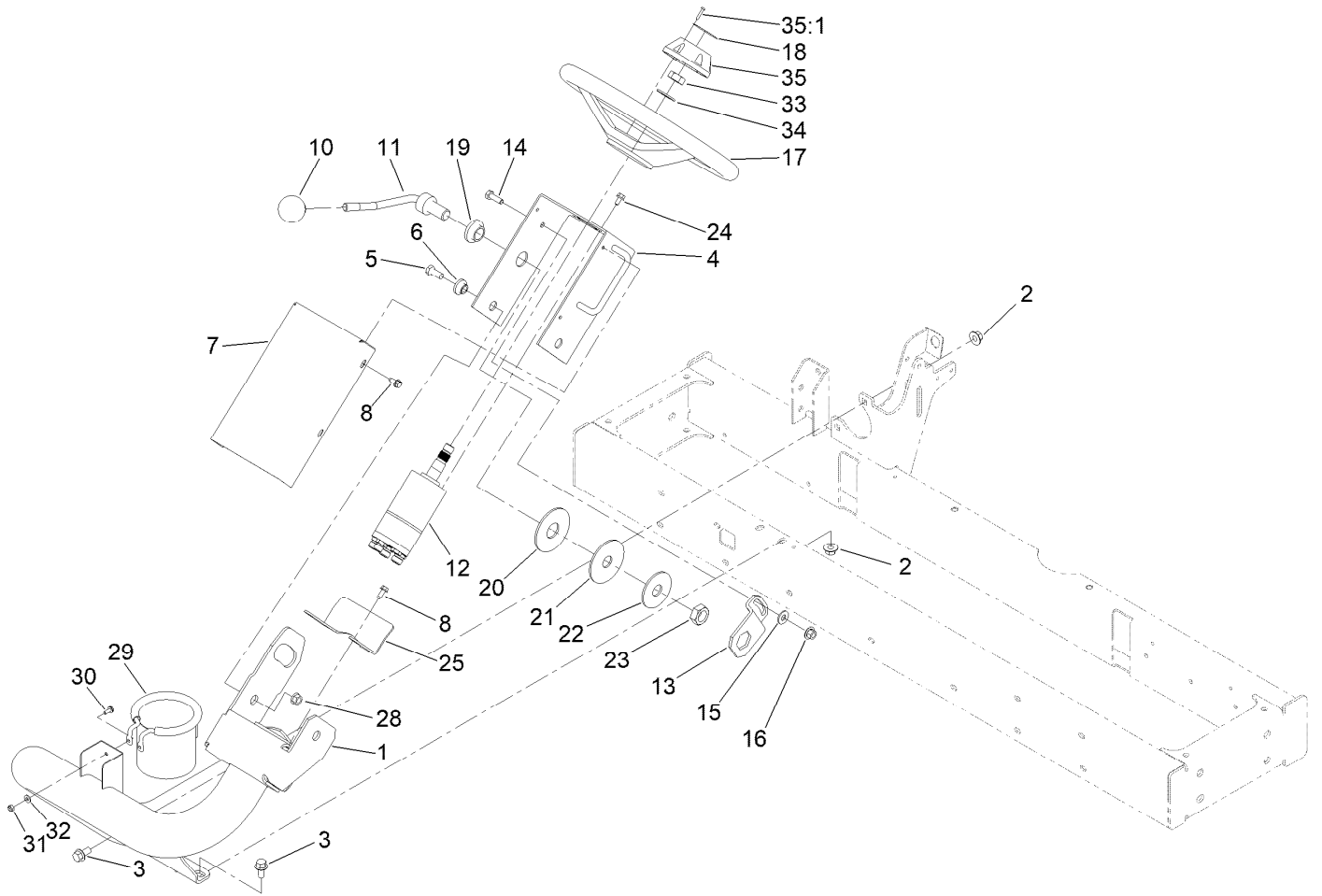
## Parking Brake Assembly

<i>Ref.</i>	<i>Part Number</i>	<i>Qty.</i>	<i>Description</i>	<i>Ref.</i>	<i>Part Number</i>	<i>Qty.</i>	<i>Description</i>
1	120-2054	1	Cover-Plastic	11	283-62	1	Pin-Clevis
2	95-8763	2	Bracket-Hold Down, Cover	12	94-3829	1	Pin-Clevis
3	3269-5	4	Rivet-Pop	13	104-4817	1	Lever-Brake
4	32144-10	4	Screw-HWH	14	87-4710	1	Spacer-Brake, Parking
5	95-8765	2	Bracket-Strike, Magnet	15	321-10	1	Screw-HH
6	58-4250	2	Catch-Magnetic	16	3272-6	1	Pin-Cotter
7	3256-23	4	Washer-Plain	17	115-0282	1	Proximity Sensor ASM
8	3296-42	1	Nut-Lock, NI	17:1	117-3207	2	Nut-Hex
9	3272-10	1	Pin-Cotter	17:2	117-3208	2	Washer-Lock, Internal Tooth
10	104-4628	2	Link-Brake, Parking				



## Main Wire Harness Assembly

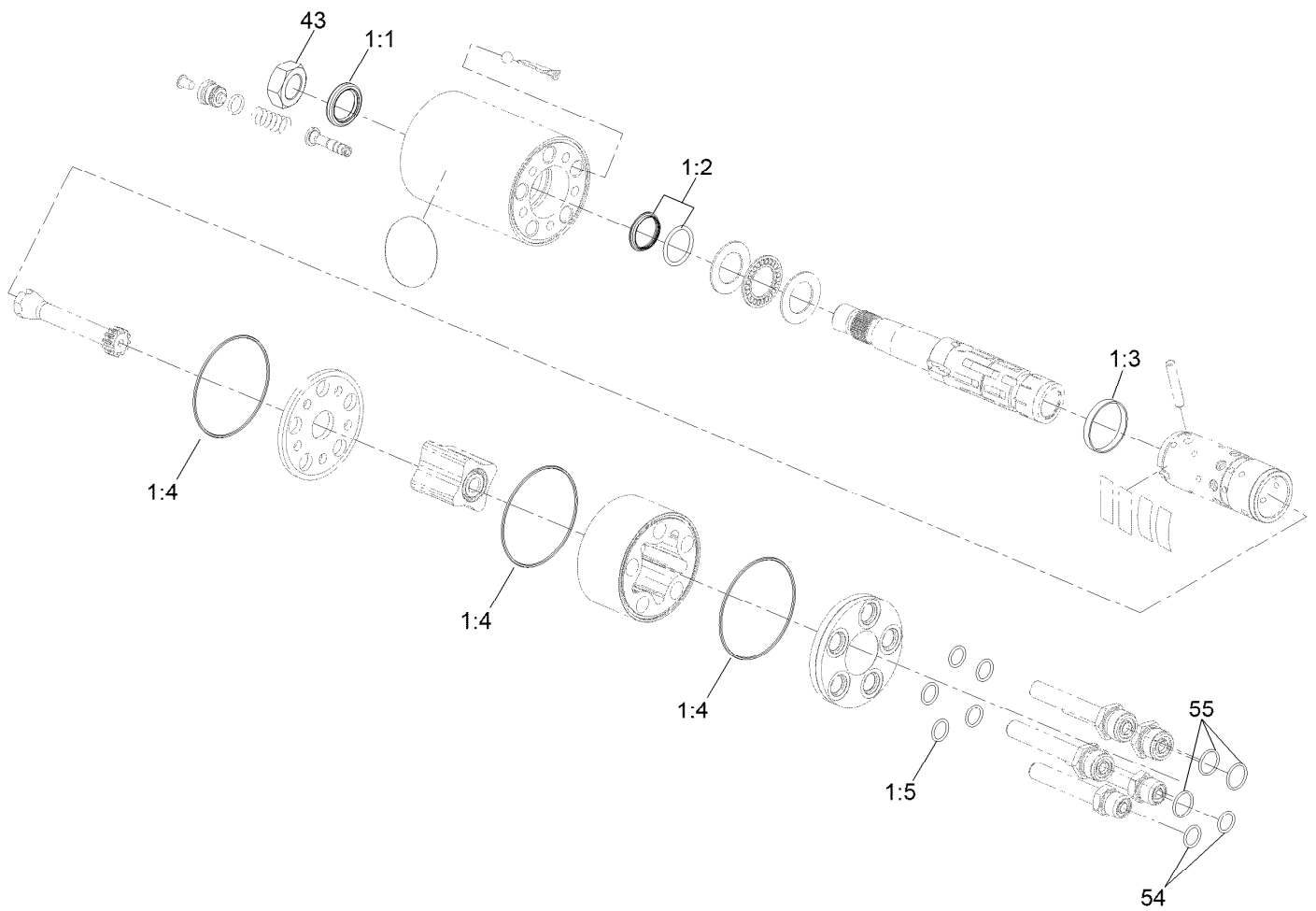
<i>Ref.</i>	<i>Part Number</i>	<i>Qty.</i>	<i>Description</i>
1	122-1731	1	Harness-Wire, Main
1:8	94-6710	1	Fuse-2 Amp
1:9	114241	3	Fuse-Blade, 7.5 Amp
1:10	218-578	3	Fuse-Blade, 10 Amp
1:11	109355	1	Fuse-Blade, 15 Amp
1:12	32180-043	2	Resistor-120 Ohm
1:23	32180-089	1	Cap-Plug, 3 Way
1:26	32180-156	1	Cap-Plug, 6 Way
2	3290-134	2	Screw
3	108-8657	1	Harness-Wire, Seat
4	3290-148	2	Nut-HF



## Steering Arm Assembly

Ref.	Part Number	Qty.	Description	Ref.	Part Number	Qty.	Description
1	120-2063-01	1	Arm-Steering	19	99-3502	1	Boss
2	32128-43	4	Nut-Flange	20	31-0390	1	Disc-Friction
3	3234-1	4	Screw-HHF	21	82-9010	1	Disc-Friction
4	120-2190-01	1	Bracket-Valve	22	80-2930	1	Washer-Flat
5	323-5	2	Screw-HH	23	3218-7	1	Nut-Jam
6	93-5988	2	Hub-Pivot	24	33103-012	4	Screw-HHF
7	95-8794-01	1	Cover-Valve, Steering	25	99-3405-01	1	Shield-Steering
8	32144-10	5	Screw-HWH	28	32128-21	2	Nut-HF Lock
10	233-48	1	Knob	29	117-2378	1	Holder-Bag
11	95-8798-03	1	Lever-Steering	30	3290-321	2	Screw-HWH
12	144-2099	1	Valve-Steering	31	3296-2	2	Nut-Lock, NI
13	80-2880	1	Bracket-Tilt	32	3256-14	2	Washer-Flat
14	322-5	1	Screw-HH	33	3296-33	1	Nut-Lock, NI
15	3256-3	1	Washer-Flat	34	3256-27	1	Washer-Flat
16	32128-44	1	Nut	35	68-5140	1	Cap-Wheel, Steering
17	145-0051	1	Steering Wheel	35:1	32144-21	1	Screw
18	68-5370	1	Decal				



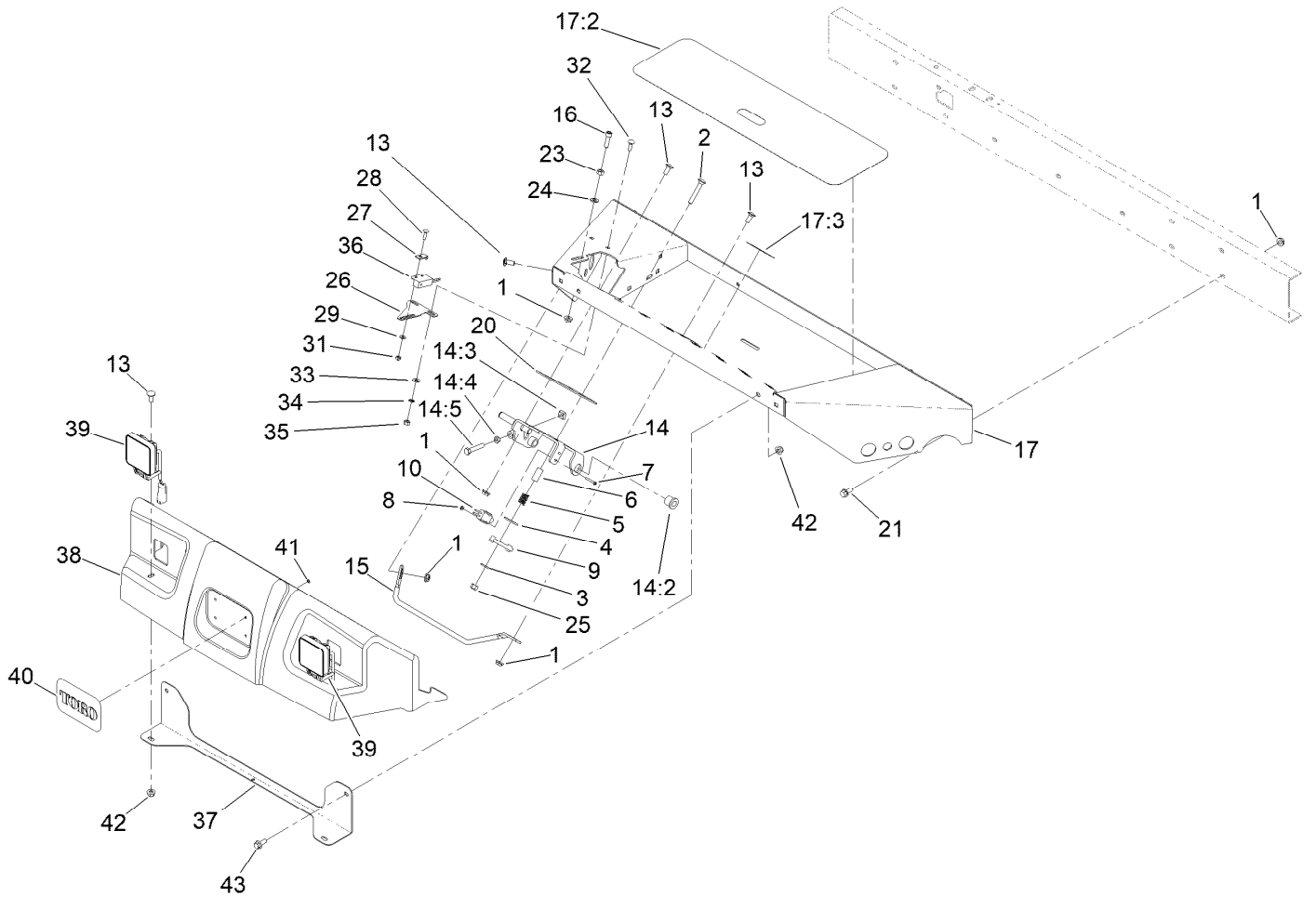


## Steering Valve Assembly No. 144-2099

Ref.	Part Number	Qty.	Description
1	106-6716	1	Seal Kit ●
1:1		1	Ring-Seal, Dust ■
1:2		1	Seal-Shaft ■
1:3		1	O-Ring ■
1:4		2	O-Ring ■
1:5		5	O-Ring ■
43	3296-33	1	Nut-Lock, NI
54	237-21	2	O-Ring
55	237-22	3	O-Ring

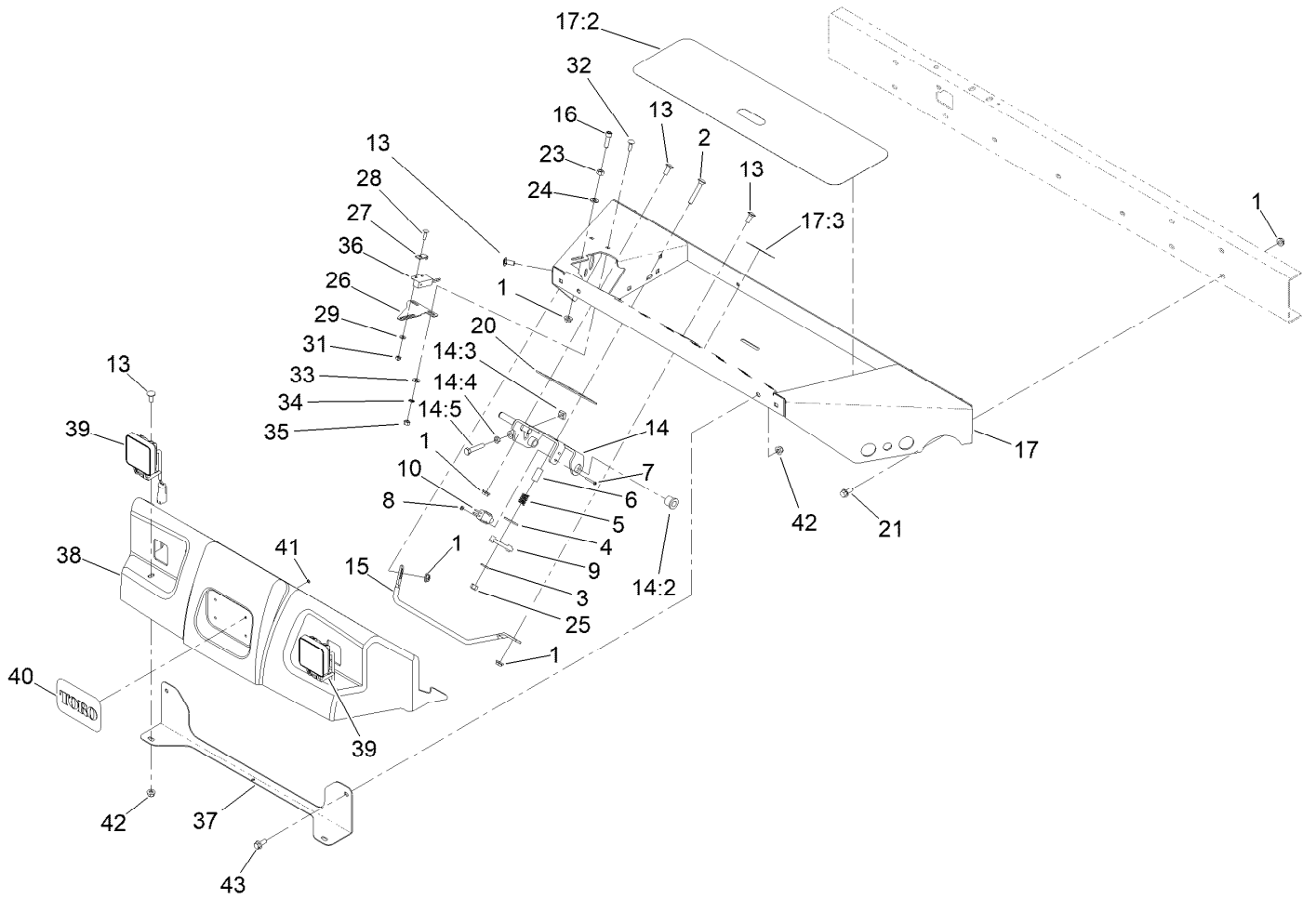
● Not illustrated

■ Not serviced separately



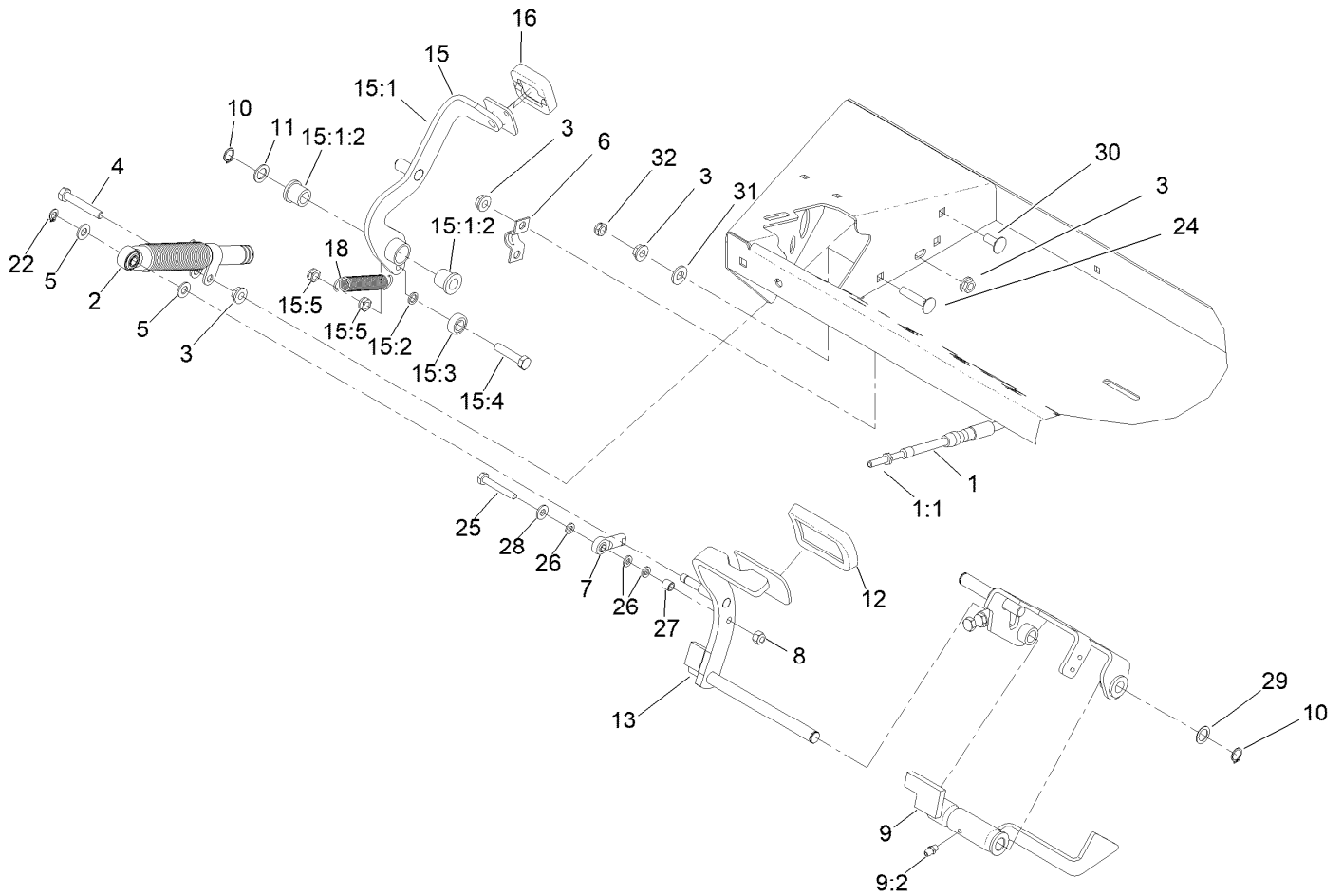
## Front Shroud and Floorplate Assembly

Ref.	Part Number	Qty.	Description	Ref.	Part Number	Qty.	Description
1	32128-20	15	Nut-HF	20	106-2661-0P	1	Plate-Support
2	3230-6	1	Bolt-CARR	21	3234-5	10	Screw-HHF
3	3256-3	1	Washer-Flat	23	3217-6	1	Nut-Hex
4	3256-40	1	Washer-Flat	24	3256-23	1	Washer-Plain
5	65-9940	1	Spring	25	3296-29	1	Nut-Lock, NI
6	95-8866	1	Tube-Arm, Rocker	26	100-4871	1	Bracket-Switch, Neutral
7	32105-9	2	Screw-HH	27	100-4872	1	Plate-Switch, Neutral
8	3296-9	2	Nut-Hex	28	3229-20	1	Screw-CARR
9	99-3593	1	Arm-Rocker	29	3256-14	1	Washer-Flat
10	95-8900	1	Switch	31	3296-2	1	Nut-Lock, NI
13	3230-23	6	Bolt-CARR	32	3229-1	2	Screw-CARR
14	140-6253	1	Traction Bracket ASM	33	3256-22	2	Washer-Flat
14:2	256-243	2	Bearing-Flange	34	3255-7	2	Washer-Lock/EXT
14:3	99-3565	1	Nut-Square	35	3217-5	2	Nut-Hex
14:4	3218-2	1	Nut-Hex Jam	36	100-1270	1	Switch-Proximity
14:5	322-41	1	Bolt-Hex,TAP	37	121-7822-03	1	Bracket-Head Light
15	95-8893	1	Bar-Deflector	38	121-7823	1	Shroud-Front
16	3274-22	1	Screw-HSH	39	140-6990	2	Light-Work, LED
17	120-2189	1	Floorplate ASM	40	93-6028	1	Plate-Logo
17:2	99-3478	1	Tread-Foot	41	3254-9	4	Washer-Lock, Internal
17:3	99-3444	1	Decal-Mow / Transport				



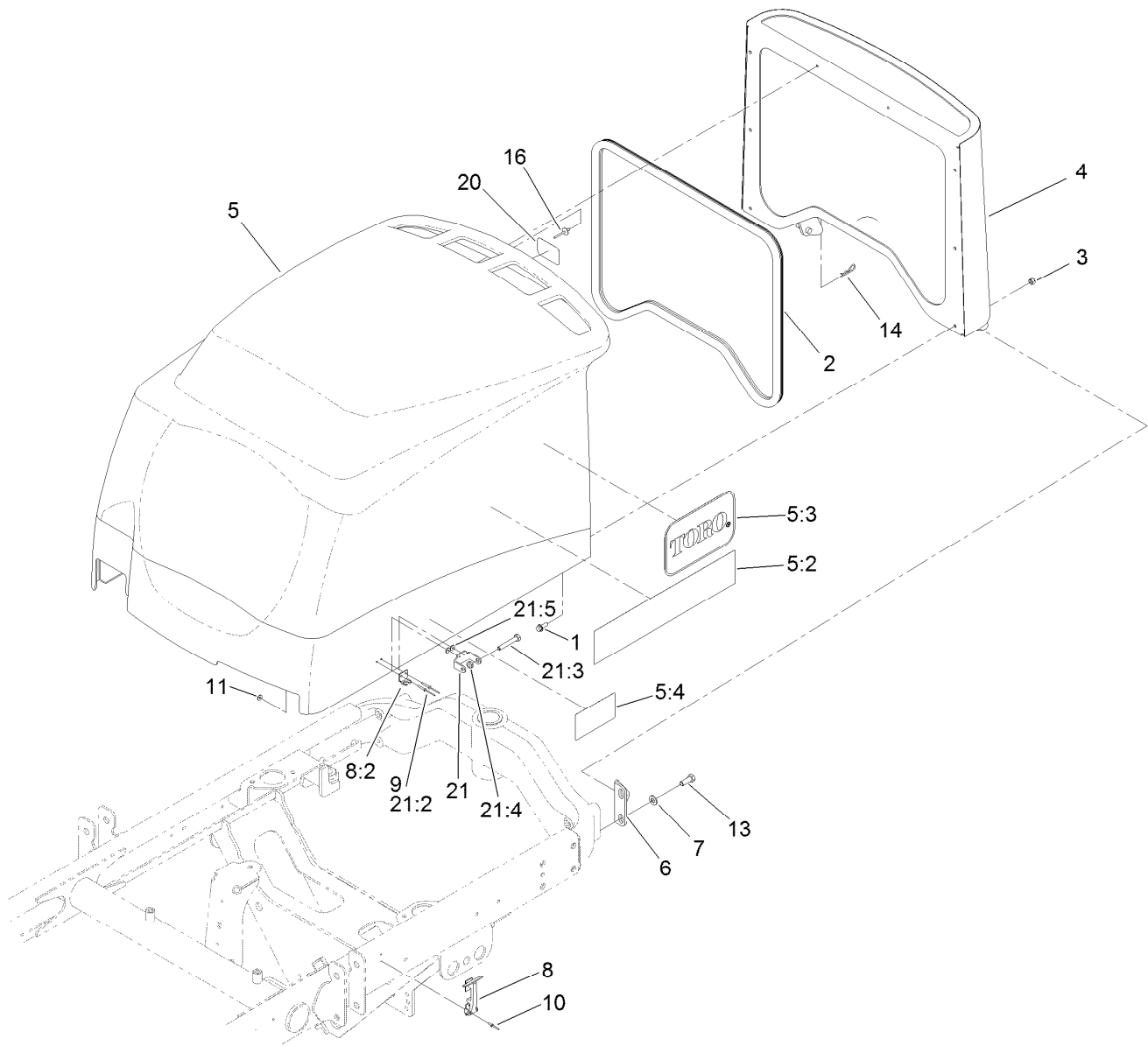
## Front Shroud and Floorplate Assembly (continued)

<i>Ref.</i>	<i>Part Number</i>	<i>Qty.</i>	<i>Description</i>
42	104-8300	4	Nut-HF, NI
43	3234-47	2	Screw-HHF



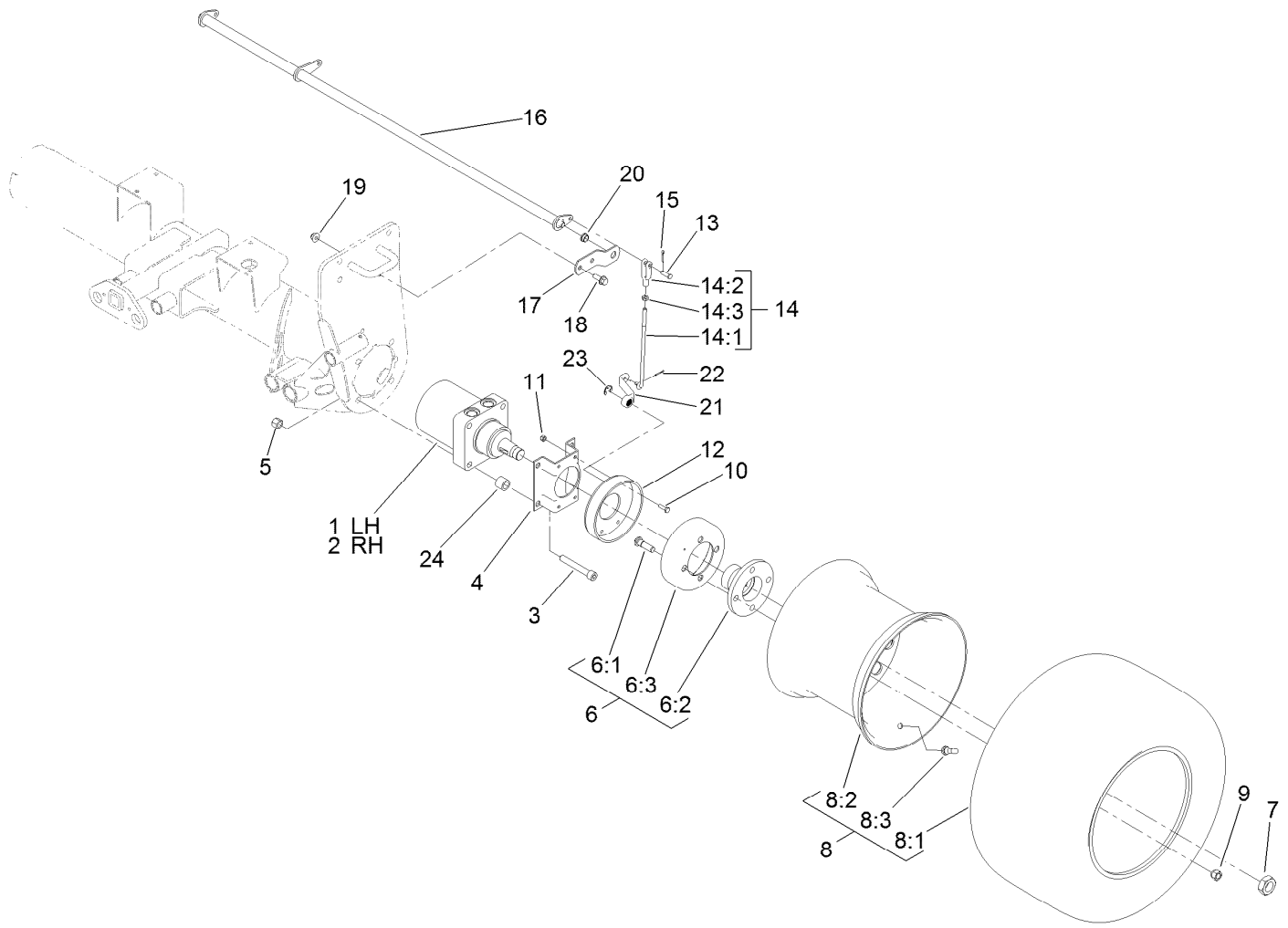
## Traction Control Assembly

<i>Ref.</i>	<i>Part Number</i>	<i>Qty.</i>	<i>Description</i>	<i>Ref.</i>	<i>Part Number</i>	<i>Qty.</i>	<i>Description</i>
1	100-4815	1	Cable-Control, Traction	15:1:2	256-243	2	Bearing-Flange
1:1	3220-1	2	Nut-Jam	15:2	75-5470	1	Spacer-Bearing
2	140-6248	1	Damper	15:3	251-259	1	Bearing-Ball
3	32128-20	5	Nut-HF	15:4	322-7	1	Screw-HH
4	322-10	1	Screw-HH	15:5	3296-47	2	Nut-Lock,NI
5	3256-23	2	Washer-Plain	16	74-9110	1	Pad-Pedal, Reverse
6	93-2092	1	Clamp-Cable	18	99-3476	1	Spring-Extension
7	2411-41	1	Rod End-Ball Joint	22	32151-3	1	Ring-Grip
8	3296-42	1	Nut-Lock, NI	24	3230-27	1	Screw-CARR
9	140-6255	1	Detent Slider ASM	25	321-10	1	Screw-HH
9:2	302-5	1	Fitting-Grease	26	33093-00	3	Washer-Flat
10	32151-84	2	Ring-Shaft, EXT	27	99-3545	1	Spacer
11	41-8440	1	Washer	28	3256-22	1	Washer-Flat
12	74-9100	1	Pad-Pedal, Forward	29	73-0040	4	Washer-Thrust
13	140-6263	1	Traction Pedal ASM	30	3230-23	2	Bolt-CARR
15	140-6251	1	Reverse Pedal ASM	31	3256-24	1	Washer-Plain
15:1	140-6257	1	Reverse Pedal ASM W/Bushings	32	3296-47	1	Nut-Lock,NI



## Hood and Screen Assembly

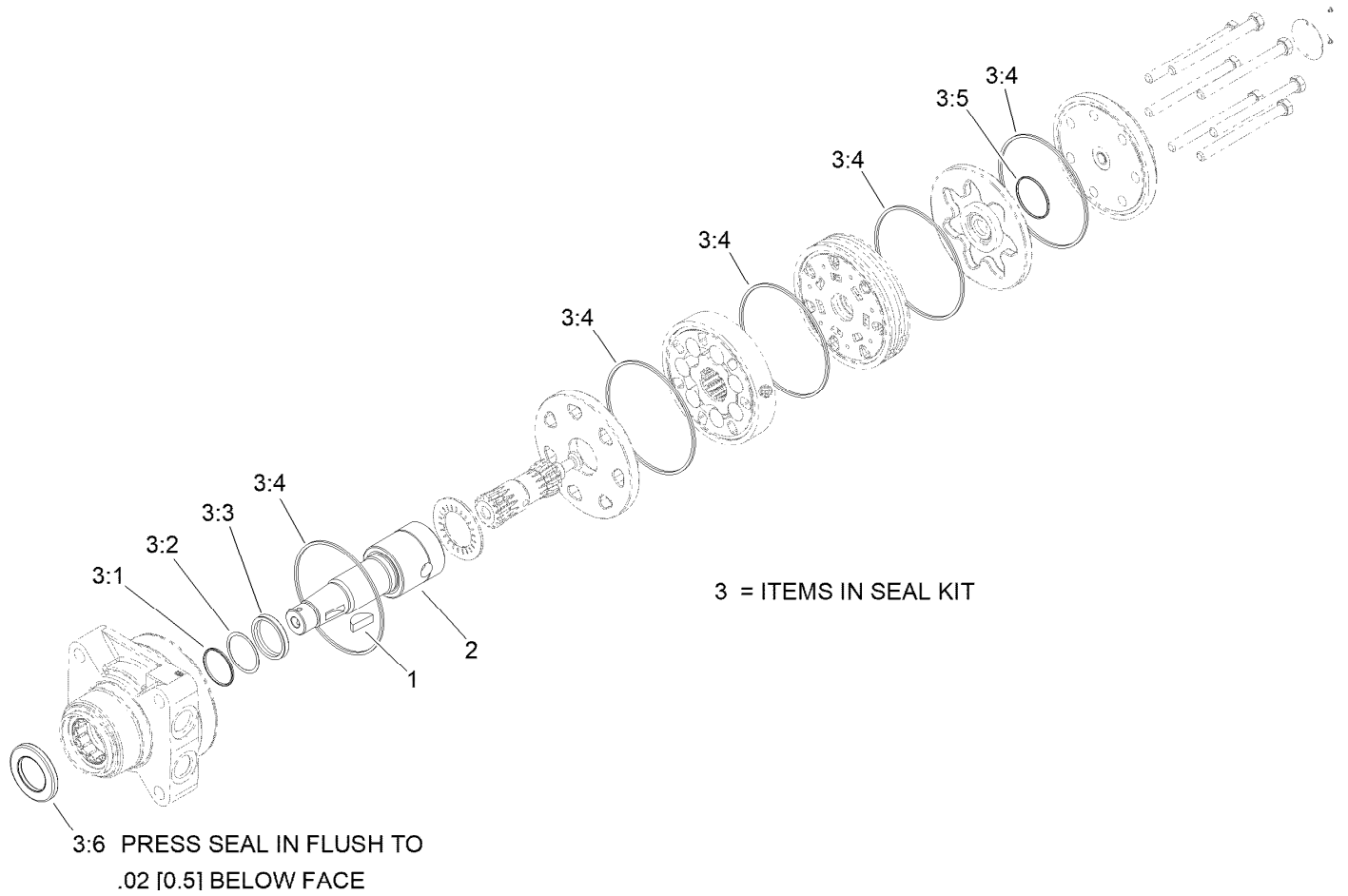
<i>Ref.</i>	<i>Part Number</i>	<i>Qty.</i>	<i>Description</i>	<i>Ref.</i>	<i>Part Number</i>	<i>Qty.</i>	<i>Description</i>
1	3234-4	6	Screw-HHF	9	107-0333	4	Rivet-Pop
2	100-4932	1	Trim-Seal	10	3290-55	4	Rivet-Pop
3	3296-42	6	Nut-Lock, NI	11	3269-10	4	Washer-Back
4	104-4853-03	1	Screen-Hood	13	323-6	4	Screw-HH
5	121-7858	1	Hood ASM	14	3290-467	1	Pin-Hair
5:2	120-2103	2	Decal-Hood	16	3269-21	2	Rivet-Pop
5:3	62-7400	2	Decal-Toro Logo	20	110-7135	1	Decal-Toro
5:4	117-3270	1	Decal-Danger	21	119-2004	1	CE Latch Kit
6	95-8728	2	Bracket-Pivot, Hood	21:2	107-0333	2	Rivet-Pop
7	3256-24	8	Washer-Plain	21:3	322-10	1	Screw-HH
8	59-9740	2	Flex Draw Latch ASM	21:4	3296-47	1	Nut-Lock, NI
8:2	249-40	1	Keeper	21:5	3269-10	2	Washer-Back



## Wheel and Brake Assembly

Ref.	Part Number	Qty.	Description	Ref.	Part Number	Qty.	Description
1	110-8785	1	HYD Motor ASM (CCW)	12	104-7705	2	Brake ASM
2	110-8786	1	HYD Motor ASM (CW)	13	283-1	2	Pin-Clevis
3	3274-100	8	Screw-HSH	14	120-2068	2	Brake Lever ASM
4	84-2000-0P	2	Bracket-Brake	14:1	120-2067	1	Rod-Brake
5	3296-23	7	Nut-Lock, NI	14:2	1-303105	1	Yoke-Adjustable
6	17-8149	2	Wheel Hub ASM	14:3	3220-2	1	Nut-Jam
6:1	85-6540	4	Stud-Drive	15	3272-10	2	Pin-Cotter
6:2	93-6838-03	1	Hub-Wheel	16	104-4625-03	1	Shaft-Pivot, Brake
6:3	10-6850	1	Drum-Brake	17	95-8683	2	Bracket-Pivot, Brake
7	26-3790	2	Nut-Lock	18	3234-11	4	Screw-HHF
8		2	Tire ASM ●	19	104-8301	4	Nut-HF, NI
8:1	120-2114	1	Tire-Smooth	20	256-156	2	Bushing-Flange
8:2	120-2115	1	Wheel-12 Inch	21	114-2726	2	Lever-Brake
8:3	232-27	1	Stem-Valve	22	3272-6	2	Pin-Cotter
9	242-50	8	Nut-Lug	23	104-7706	2	E-Ring, Bowed
10	321-5	8	Screw-HH	24	119-8238	8	Spacer-Deck Pulley
11	3296-42	8	Nut-Lock, NI				

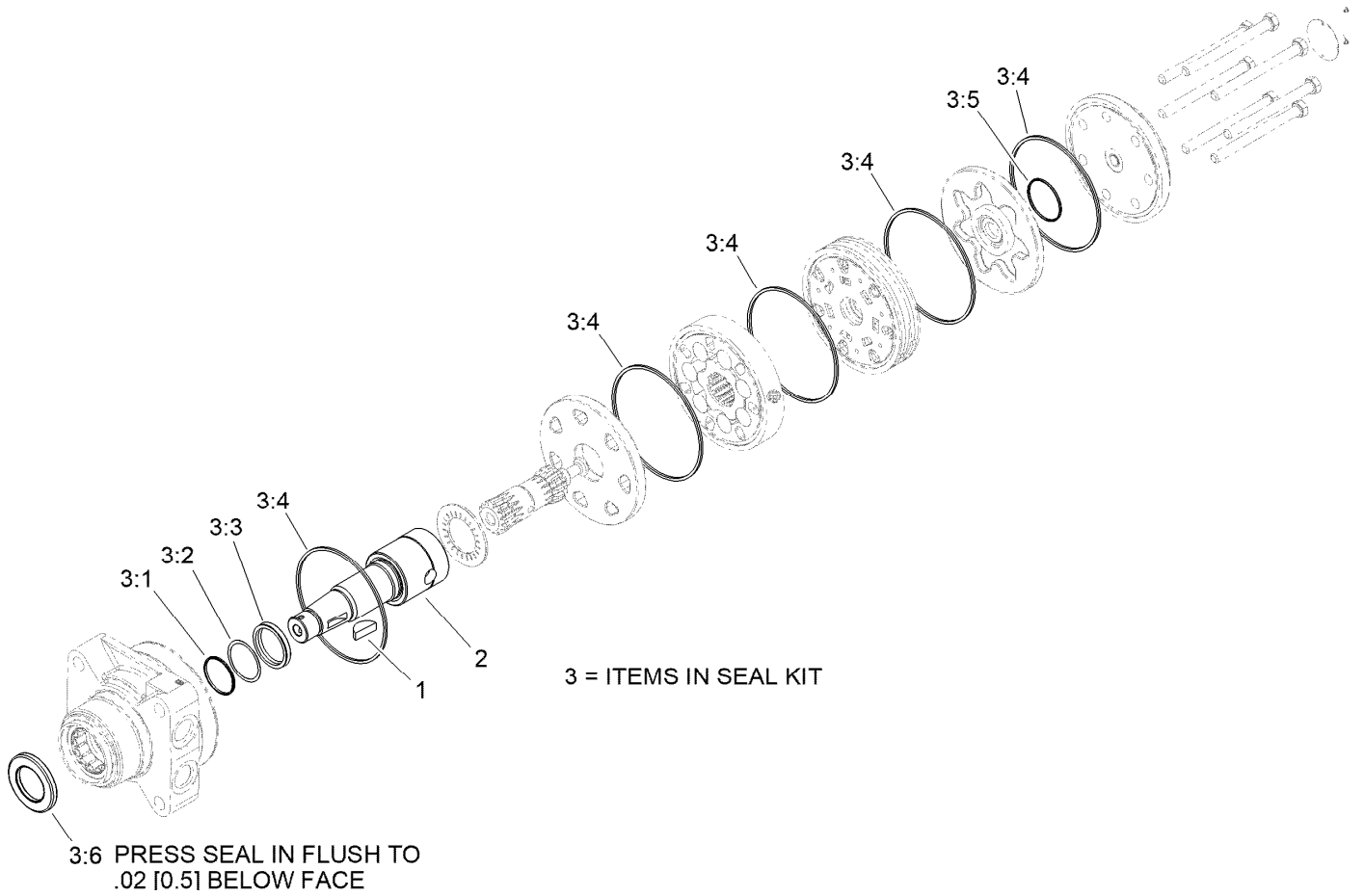
● Not serviced separately



## Hydraulic Motor Assembly No. 110-8785

Ref.	Part Number	Qty.	Description
1	3257-42	1	Key-Woodruff
2	99-3090	1	Shaft-Coupling
3	100-6131	1	Seal Kit
3:1		1	Ring-Back Up ●
3:2		1	Washer-Back Up ●
3:3		1	Seal-Shaft ●
3:4		5	Seal-Ring ●
3:5		1	Seal-Commutator ●
3:6		1	Seal-Dirt And Water ●

● Not serviced separately

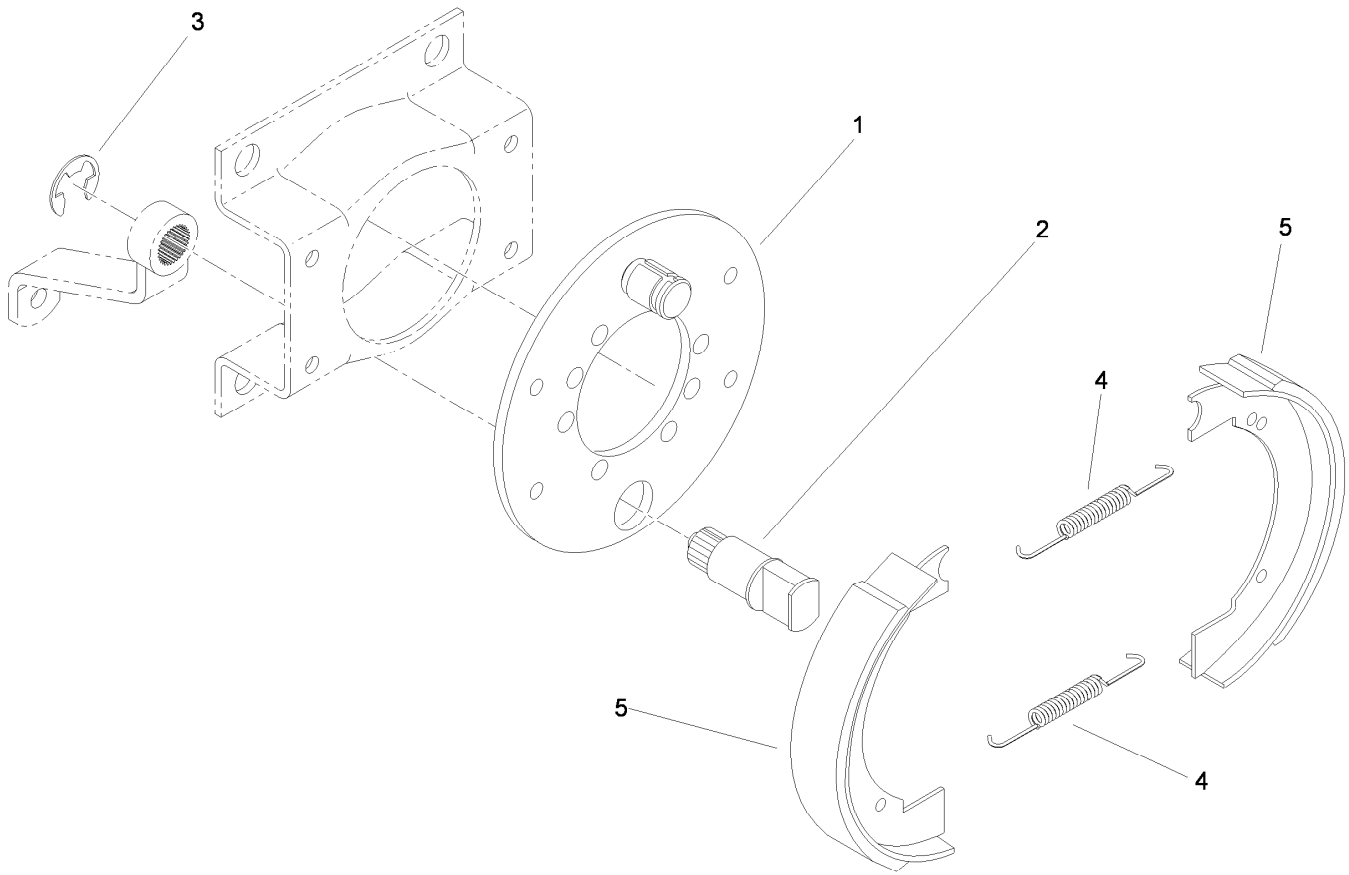


## Hydraulic Motor Assembly No. 110-8786

Ref.	Part Number	Qty.	Description
1	3257-42	1	Key-Woodruff
2	99-3090	1	Shaft-Coupling
3	100-6131	1	Seal Kit
3:1		1	Ring-Back Up ●
3:2		1	Washer-Back Up ●
3:3		1	Seal-Shaft ●
3:4		5	Seal-Ring ●
3:5		1	Seal-Commutator ●
3:6		1	Seal-Dirt And Water ●

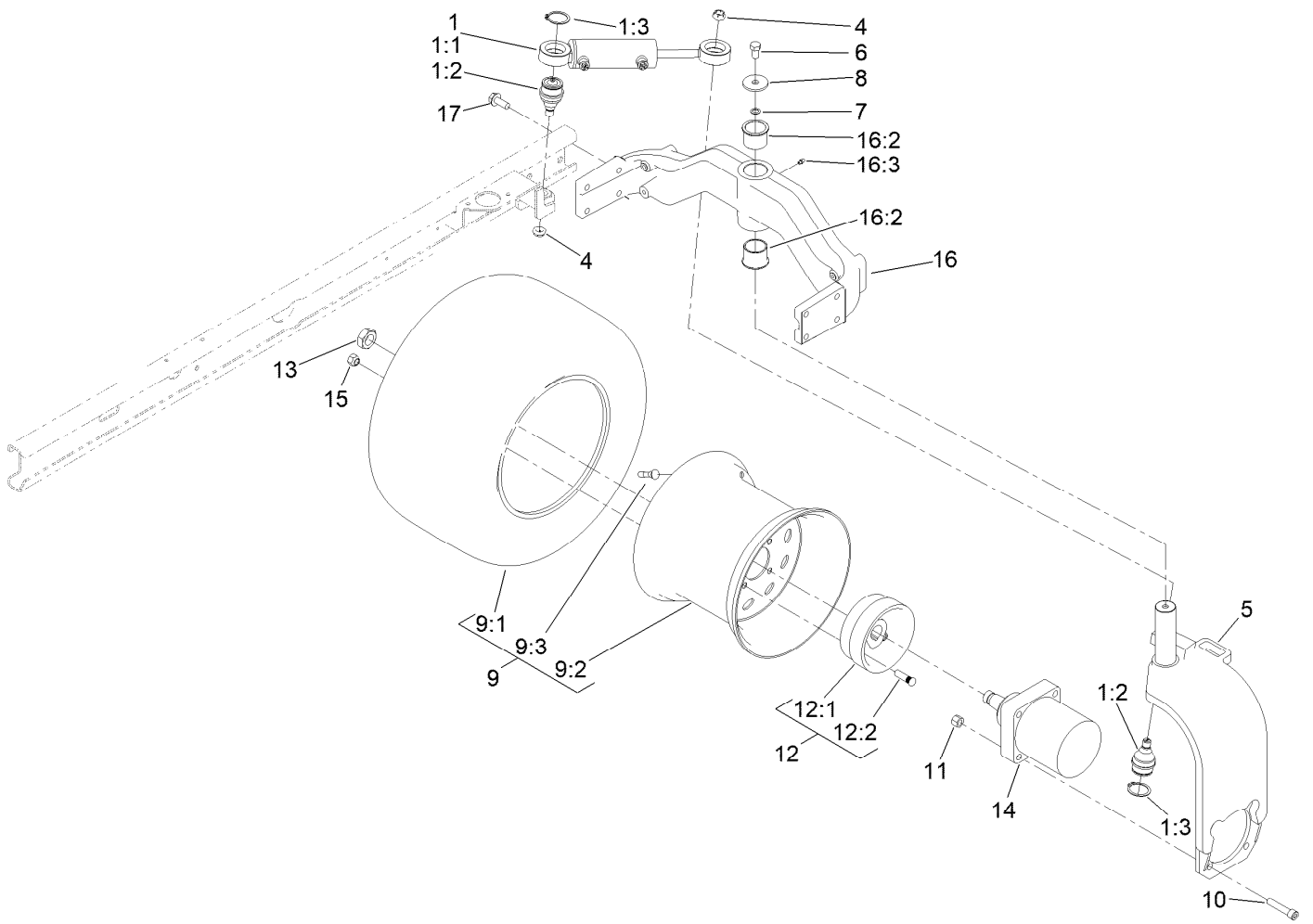
● Not serviced separately





## Brake Assembly No. 104-7705

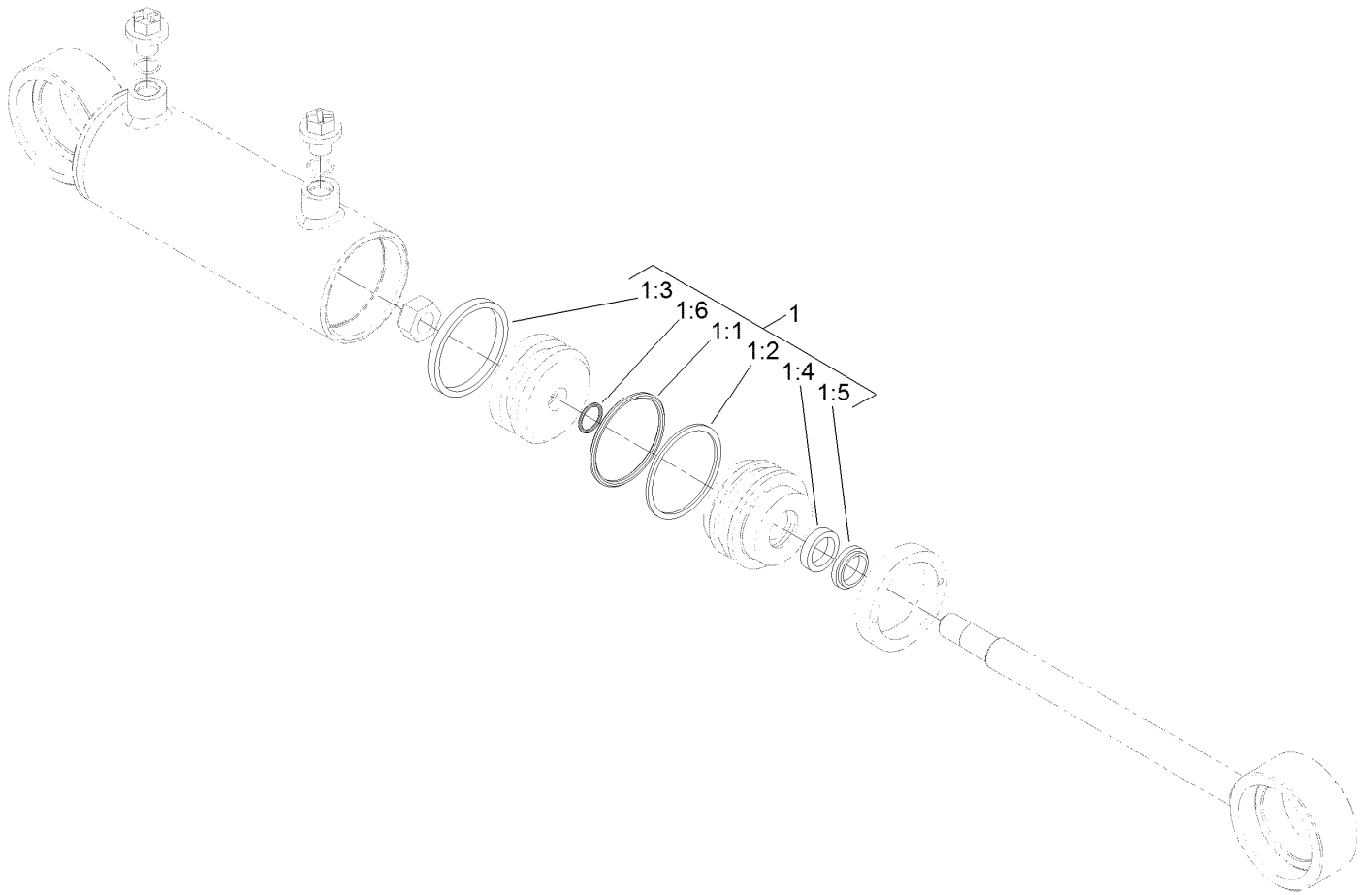
<i>Ref.</i>	<i>Part Number</i>	<i>Qty.</i>	<i>Description</i>
1	70-9870	1	Plate-Backing
2	104-7707	1	Shaft-Cam, Brake
3	104-7706	1	E-Ring, Bowed
4	70-9880	2	Spring-Return
5	70-9840	2	Shoe-Brake



## Rear Fork Assembly

Ref.	Part Number	Qty.	Description	Ref.	Part Number	Qty.	Description
1	133-4912	1	Steering Cylinder ASM	10	3274-71	4	Screw-HSH
1:1	121-7835	1	Steering Cylinder ASM	11	3296-23	4	Nut-Lock, NI
1:2	121-3605	2	Ball Joint	12	103-0590	1	Wheel Hub ASM
1:3	32151-104	2	Ring-Retaining, External	12:1	103-0589	1	Hub-Wheel
4	121-3611	2	Nut-Hex, Flextop	12:2	1-633926	4	Stud-Wheel
5	127-8577-01	1	Fork-Rear	13	26-3790	1	Nut-Lock
6	325-3	1	Screw-HH	14	95-8694	1	HYD Motor ASM
7	3255-2	1	Washer-Lock, EXT	15	242-50	4	Nut-Lug
8	75-7730	1	Washer-Thrust	16	127-8576	1	Rear Casting ASM
9		1	Tire ASM ●	16:2	127-8572	2	Bushing-Flange
9:1	120-2114	1	Tire-Smooth	16:3	302-5	1	Fitting-Grease
9:2	120-2115	1	Wheel-12 Inch	17	3234-38	8	Screw-HHF
9:3	232-27	1	Stem-Valve				

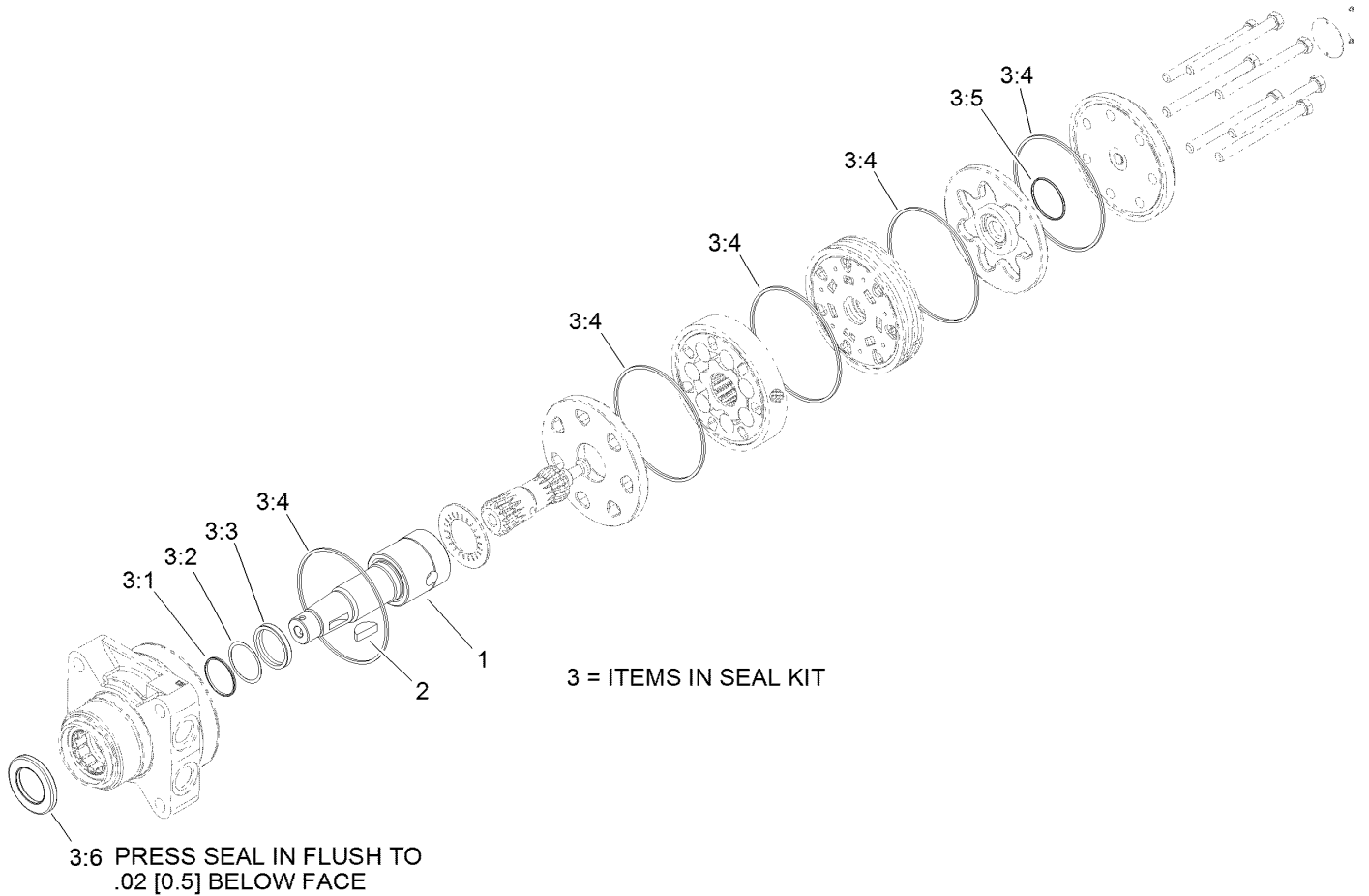
● Not serviced separately



## Steering Cylinder Assembly No. 121-7835

<i>Ref.</i>	<i>Part Number</i>	<i>Qty.</i>	<i>Description</i>
1	121-7844	1	Kit-Seal
1:1		1	O-Ring ●
1:2		1	Backup ●
1:3		1	Psp Seal ●
1:4		1	Bt Seal ●
1:5		1	Dust Seal-Dt ●
1:6		1	O-Ring ●

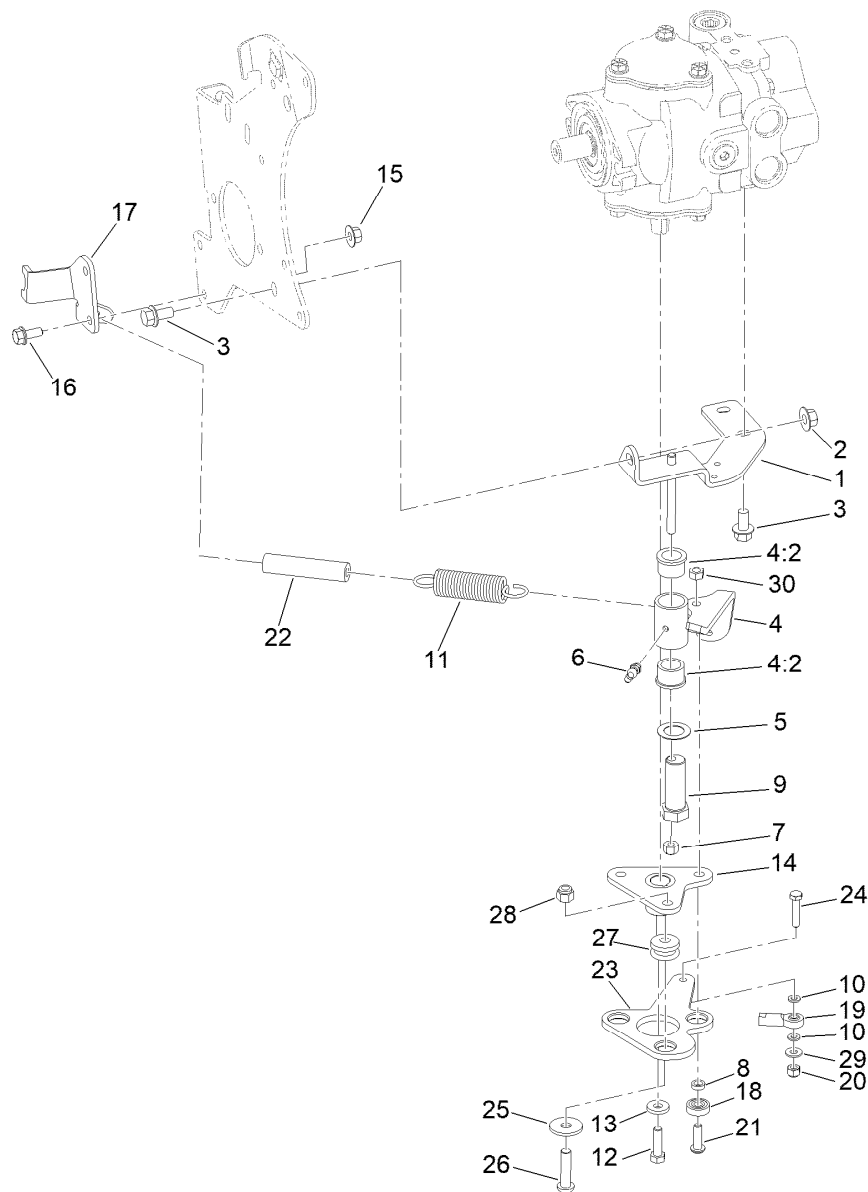
● Not serviced separately



## Hydraulic Motor Assembly No. 95-8694

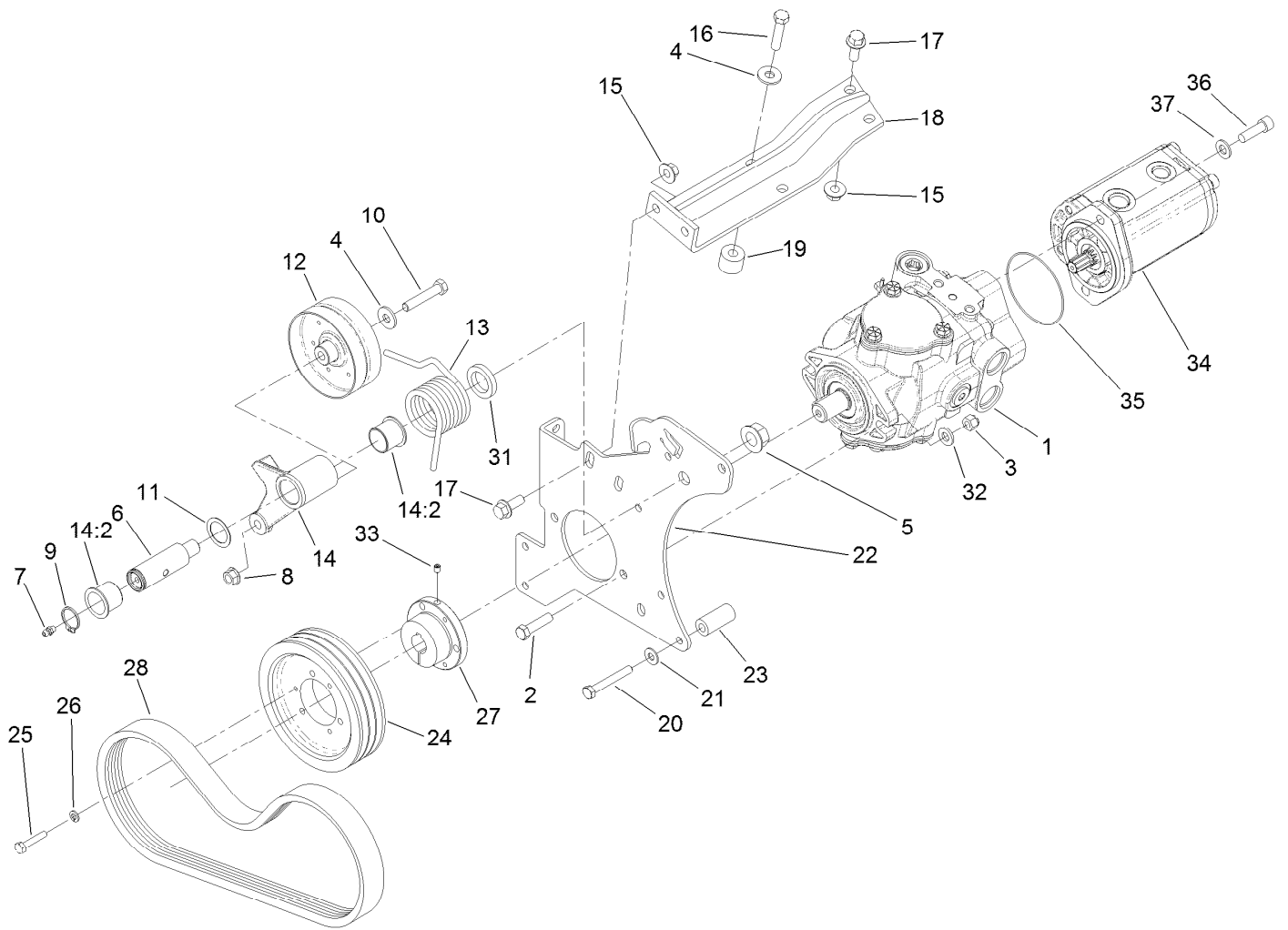
Ref.	Part Number	Qty.	Description
1	99-3090	1	Shaft-Coupling
2	3257-42	1	Key-Woodruff
3	100-6131	1	Seal Kit
3:1		1	Ring-Back Up ●
3:2		1	Washer-Back Up ●
3:3		1	Seal-Shaft ●
3:4		5	Seal-Ring ●
3:5		1	Seal-Commutator ●
3:6		1	Seal-Dirt And Water ●

● Not serviced separately



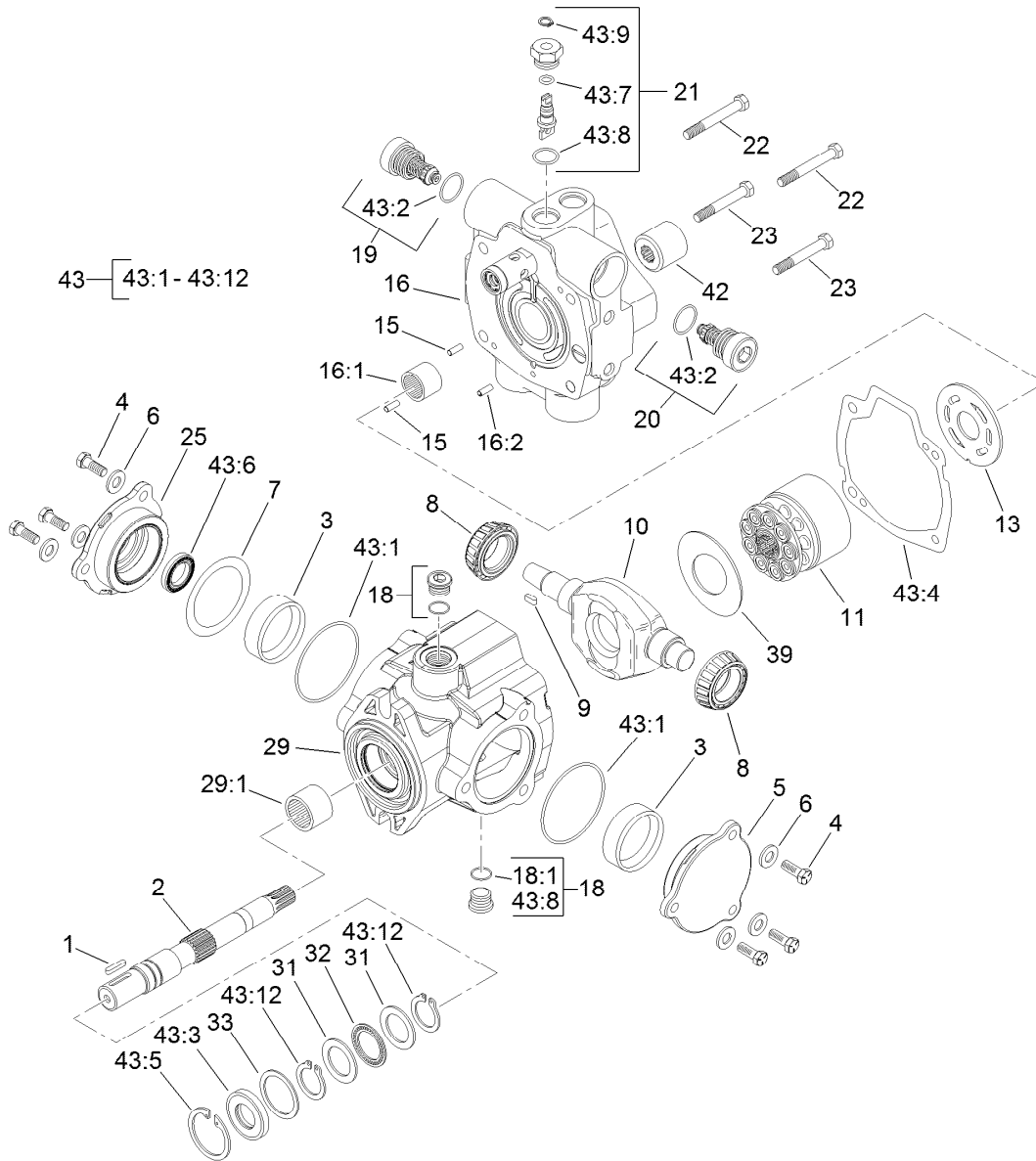
## Neutral Arm Assembly

Ref.	Part Number	Qty.	Description	Ref.	Part Number	Qty.	Description
1	95-8960-0P	1	Bracket-Neutral	16	3234-5	2	Screw-HHF
2	32128-43	1	Nut-Flange	17	104-0464-03	1	Bracket-Support, Cable
3	3234-1	3	Screw-HHF	18	251-259	1	Bearing-Ball
4	104-0422	1	Neutral Arm ASM	19	2411-41	1	Rod End-Ball Joint
4:2	256-113	2	Bushing-Flange	20	3296-42	1	Nut-Lock, NI
5	3-6498	1	Washer-Thrust	21	3274-104	1	Screw-HSBH
6	302-60	1	Fitting-Grease	22	99-3556	1	Hose
7	3296-29	1	Nut-Lock, NI	23	99-3594-0P	1	Lever-Pump
8	100-4817	1	Spacer	24	321-8	1	Screw-HH
9	76-8640	1	Stud-Traction	25	2844	3	Washer
10	33093-00	2	Washer-Flat	26	95-3857	3	Screw-HSBH
11	145-5262	1	Spring-Extension	27	63-9750	3	Mount
12	3210-6	1	Screw-HH	28	3296-39	3	Nut-Lock, NI
13	88-7200	1	Washer-Flat	29	3256-22	1	Washer-Flat
14	120-5566	1	Hub	30	32153-3	1	Nut-Hex, Side Deform
15	32128-44	2	Nut				



## Piston Pump and Gear Pump Assembly

Ref.	Part Number	Qty.	Description	Ref.	Part Number	Qty.	Description
1	104-4890	1	Piston Pump ASM	18	99-3436-0P	1	Support-Pump
2	323-8	2	Screw-HH	19	99-3440	2	Spacer
3	3296-39	2	Nut-Lock, NI	20	33114-060	4	Screw-HH
4	80-6990	2	Washer-Hardened	21	87-8640	3	Washer-Flat
5	32128-54	1	Nut-HF	22	95-8933-0P	1	Plate - Pump Mount *b
6	99-3624	1	Shaft-Pivot, Idler	23	95-8941	4	Spacer-Mount, Pump
7	302-5	1	Fitting-Grease	24	99-3620	1	Pulley-3V, Pump
8	32128-21	1	Nut-HF Lock	25	321-13	3	Screw-HH
9	32151-36	1	Ring-Retaining	26	3253-3	3	Washer-Lock
10	323-10	1	Screw-HH	27	100-4813	1	Bushing-Lock, Taper
11	74-1810	1	Washer	28	99-3619	1	Belt-3V
12	139-6031	1	Pulley-Idler	31	99-3625	1	Spacer-Arm, Idler
13	115-3488	1	Spring-Torsion	32	100-4852	2	Washer-Hardened
14	137-1653	1	Idler Arm ASM	33	3245-7	1	Screw-Set
14:2	126-1963	2	Bushing-Pivot	34	121-7841	1	HYD Gear Pump ASM
15	32128-43	4	Nut-Flange	35	60-3520	1	O-Ring
16	323-19	2	Screw-HH	36	323-7	2	Screw-HH
17	3234-11	4	Screw-HHF	37	3256-24	4	Washer-Plain

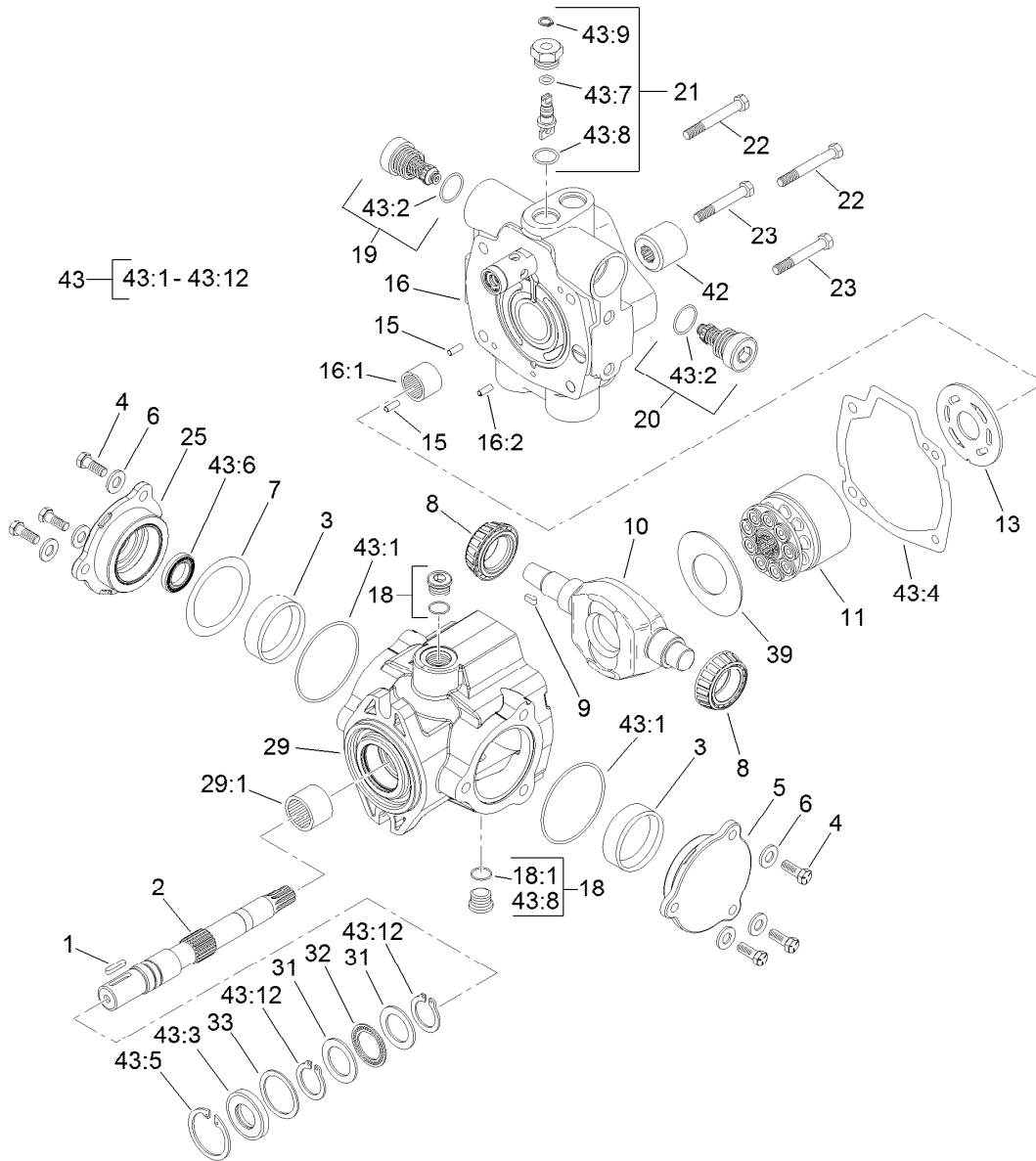


## Hydraulic Pump Assembly No. 104-4890

Ref.	Part Number	Qty.	Description	Ref.	Part Number	Qty.	Description
1	94-3645	1	Key	19	104-4889	1	Relief Valve ASM
2	94-6359	1	Shaft-Drive	20	105-3812	1	Valve-Check
3	104-4046	2	Bearing-Cup	21	105-3811	1	Valve-Bypass
4	98-4640	6	Screw-Cap	22	76-6170	2	Capscrew
5	98-4644	1	Plate-Cover	23	76-6160	2	Capscrew
6	105-9762	6	Washer	25	98-4645	1	Plate-Cover
7	100-3182	2	Shim Kit	29	100-3176	1	Housing ASM
8	98-4639	2	Bearing-Cone	29:1	94-6363	1	Bearing
9	94-3646	1	Key	31	252-71	2	Washer-Thrust
10	104-4888	1	Swashplate	32	252-66	1	Bearing-Thrust
11	76-6070	1	Rotating Kit	33	33-3720	1	Washer
13	104-0429	1	Plate-Valve	39	98-4635	1	Insert-Plate, Cam
15	76-6150	2	Pin-Dowel	42	74-9040	1	Coupler
16	105-3813	1	Endcover Sub ASM	43	120-5754	1	Seal Kit
16:1	94-6368	1	Bearing	43:1		2	O-Ring ■
16:2		1	Pin-Roll ■	43:2		2	O-Ring ■
18	74-9280	2	Plug ASM	43:3		1	Seal-Shaft ■
18:1		1	O-Ring ■	43:4		1	Gasket ■

● Not illustrated

■ Not serviced separately



## Hydraulic Pump Assembly No. 104-4890 (continued)

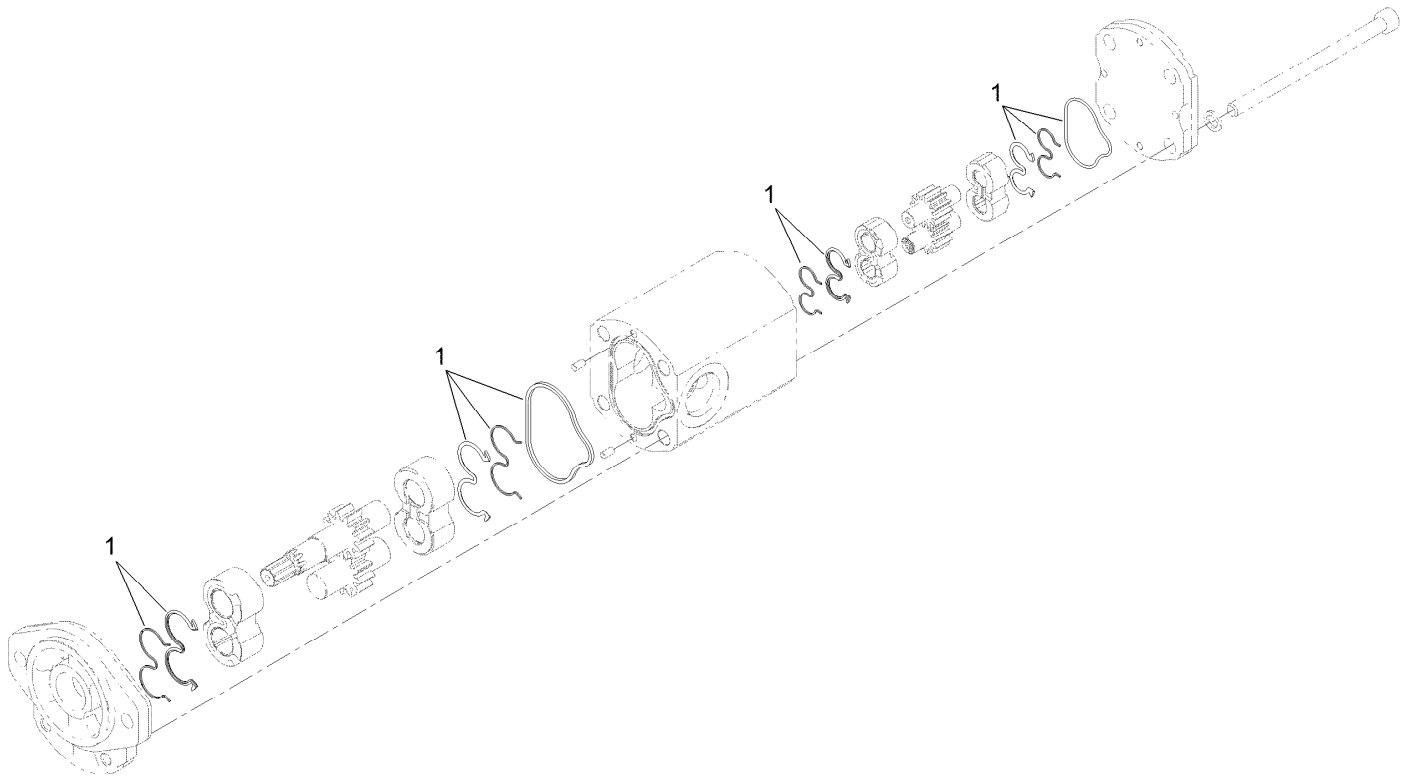
Ref.	Part Number	Qty.	Description
43:5		1	Ring-Retaining ■
43:6		1	Seal-Shaft ■
43:7		1	O-Ring ■
43:8		5	O-Ring ■
43:9		1	Ring-Retaining ■

Ref.	Part Number	Qty.	Description
43:10		1	O-Ring ●■
43:11		1	O Ring-Molded ●■
43:12		2	Ring-Retaining ■
43:13		1	O-Ring ■●

● Not illustrated

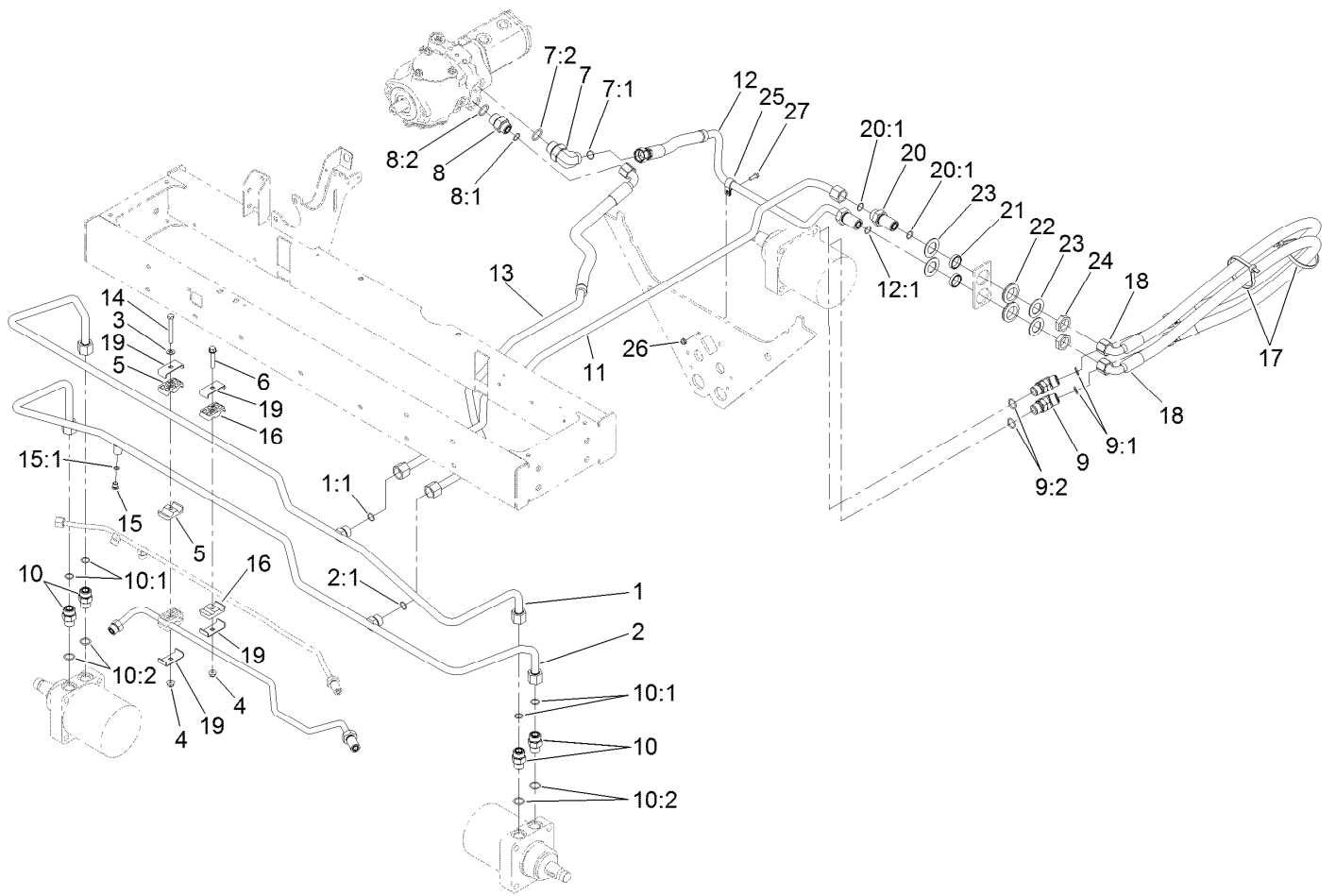
■ Not serviced separately





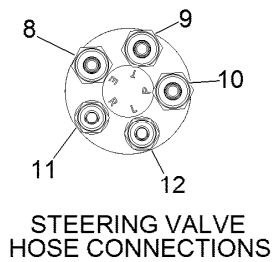
## Hydraulic Gear Pump Assembly No. 121-7841

<i>Ref.</i>	<i>Part Number</i>	<i>Qty.</i>	<i>Description</i>
1	119-7134	1	Kit-Seal

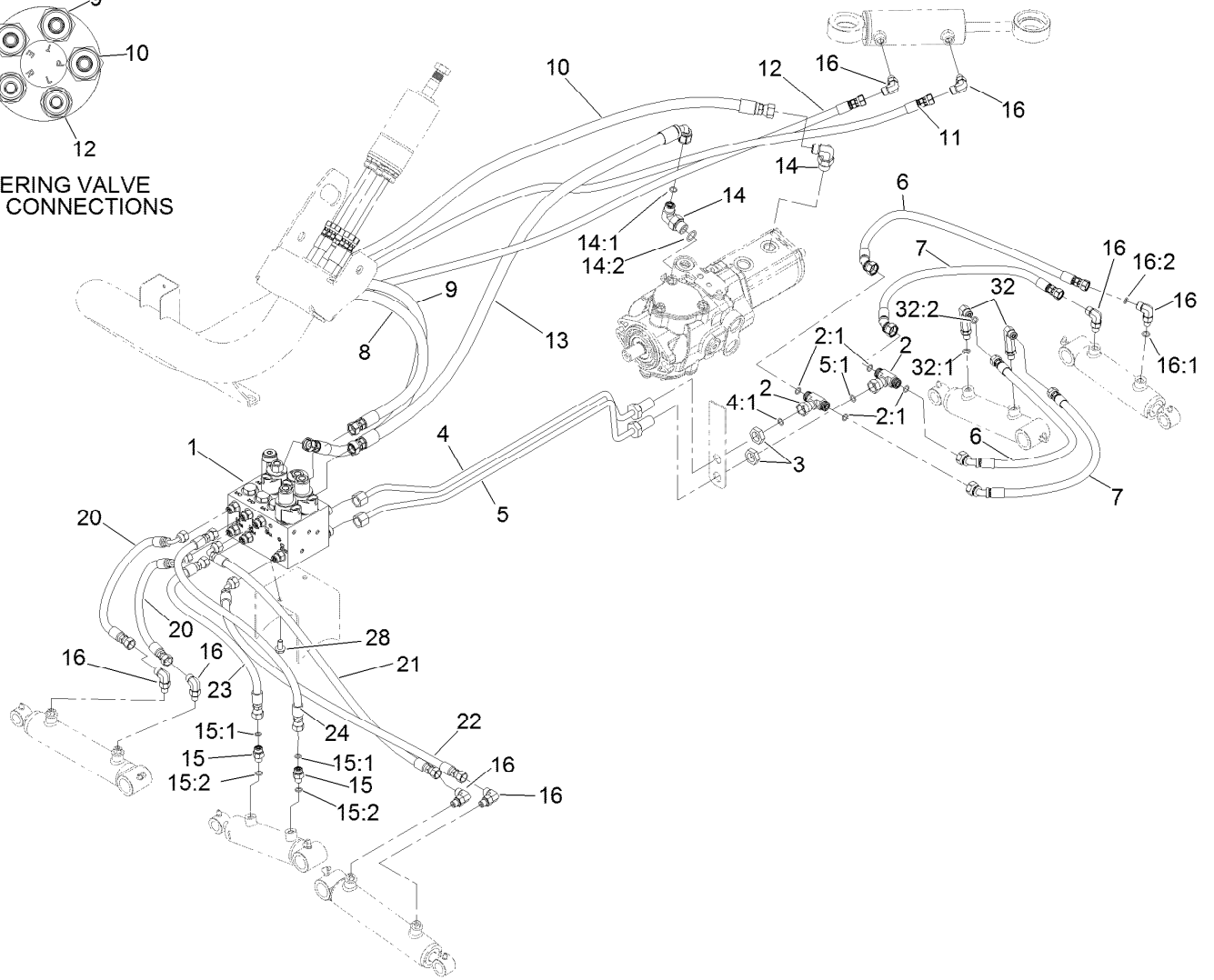


## Traction Hydraulic Assembly

Ref.	Part Number	Qty.	Description	Ref.	Part Number	Qty.	Description
1	121-7933	1	Tube-ASM	12	133-4911	1	HYD Tube ASM
1:1	237-65	1	O-Ring	12:1	237-65	1	O-Ring
2	121-7934	1	Tube-ASM	13	127-8514	1	Tube-HYD
2:1	237-65	1	O-Ring	14	322-13	1	Screw-HH
3	3256-23	1	Washer-Plain	15	353-990	1	Plug ASM
4	104-8300	2	Nut-HF, NI	15:1	237-78	1	O-Ring
5	56-7971	2	Clamp-Tube	16	56-7970	2	Clamp-Tube
6	94-5780	1	Screw-HWH	17	3334-945	2	Tie-Cable
7	340-139	1	Fitting-Elbow 90	18	119-3922	2	Hose-HYD
7:1	237-81	1	O-Ring	19	119-1419	4	Plate-Clamp
7:2	237-65	1	O-Ring	20	340-76	1	Fitting-Bulkhead Union, Straight
8	340-8	1	Fitting-Straight	20:1	237-65	2	O-Ring
8:1	237-65	1	O-Ring	21	125-1984	2	Spacer
8:2	237-81	1	O-Ring	22	240-3	2	Grommet-Rubber
9	340-14	2	Fitting-HYD, 45 DEG	23	69-9010	4	Washer
9:1	237-65	1	O-Ring	24	340-74	2	Nut-Lock, Bulkhead
9:2	237-80	1	O-Ring	25	2412-87	1	Clamp-Cable
10	340-7	4	Fitting-Straight	26	104-7201	1	Nut-HF, NI
10:1	237-65	1	O-Ring	27	321-4	1	Screw-HH
10:2	237-80	1	O-Ring				
11	127-8513	1	Tube-HYD				

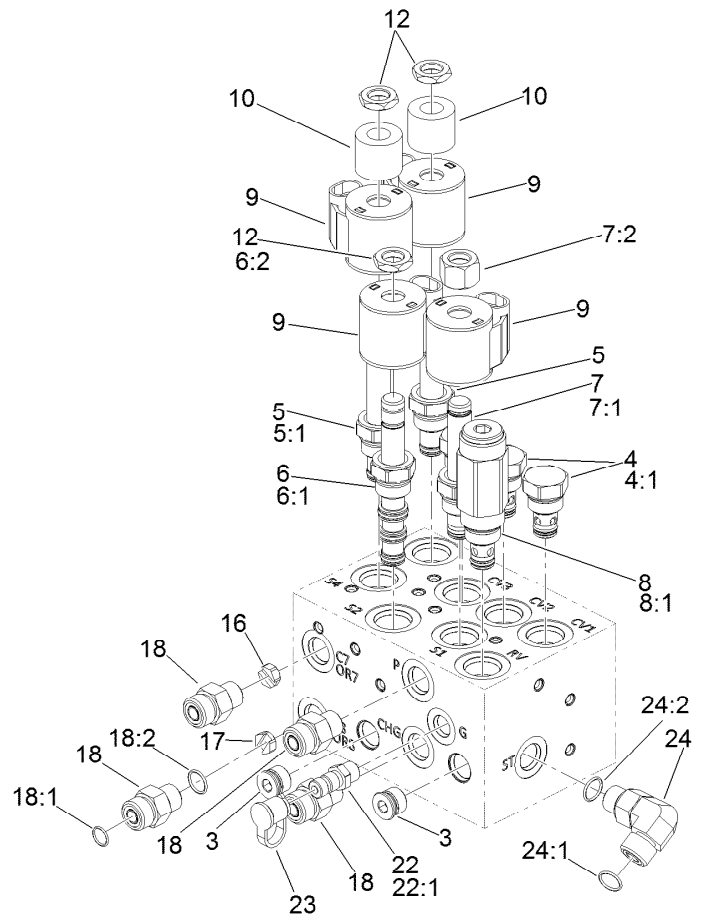
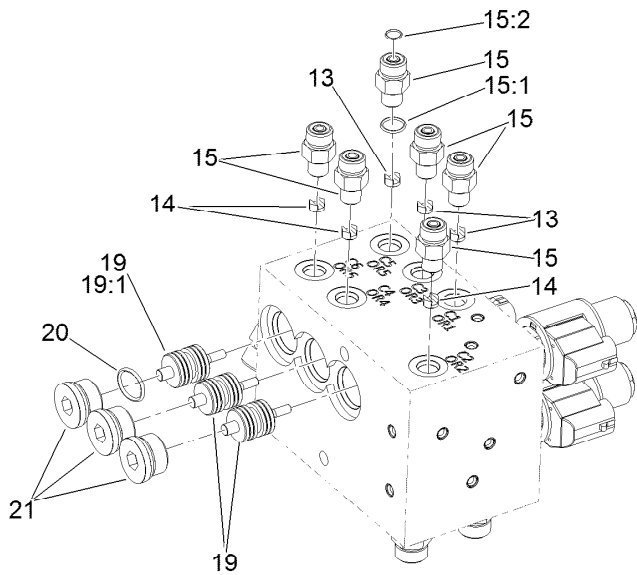


STEERING VALVE HOSE CONNECTIONS



## Lift Manifold and Steering Circuit Assembly

Ref.	Part Number	Qty.	Description	Ref.	Part Number	Qty.	Description
1	138-6998	1	Lift Manifold ASM	14:1	237-79	1	O-Ring
2	340-166	2	Fitting-Tee	14:2	237-22	1	O-Ring
2:1	237-22	2	O-Ring	15	340-92	2	Fitting-Straight
3	340-70	2	Nut-Lock	15:1	237-78	1	O-Ring
4	133-4926	1	Tube-HYD	15:2	237-21	1	O-Ring
4:1	237-22	1	O-Ring	16	340-132	8	Fitting-Elbow, 90 DEG
5	133-4927	1	Tube-HYD	16:1	237-78	1	O-Ring
5:1	237-22	1	O-Ring	16:2	237-21	1	O-Ring
6	139-5978	2	Hose-HYD	20	119-4594	2	Hose-HYD
7	139-5977	2	Hose-HYD	21	106-7974	1	Hose-HYD
8	120-2060	1	Hose-HYD	22	106-7974	1	Hose-HYD
9	138-4261	1	Hose ASM-HYD HP	23	121-7847	1	Hose-HYD
10	119-2067	1	Hose-HYD	24	112-9193	1	Hose-HYD
11	121-7836	1	Hose-HYD	28	3234-7	2	Screw-HHF
12	108-5673	1	Hose-HYD	32	100-7695	2	Fitting-Elbow 90
13	93-5386	1	Hose ASM	32:1	237-78	1	O-Ring
14	340-18	2	Fitting-HYD, 90 DEG	32:2	237-21	1	O-Ring

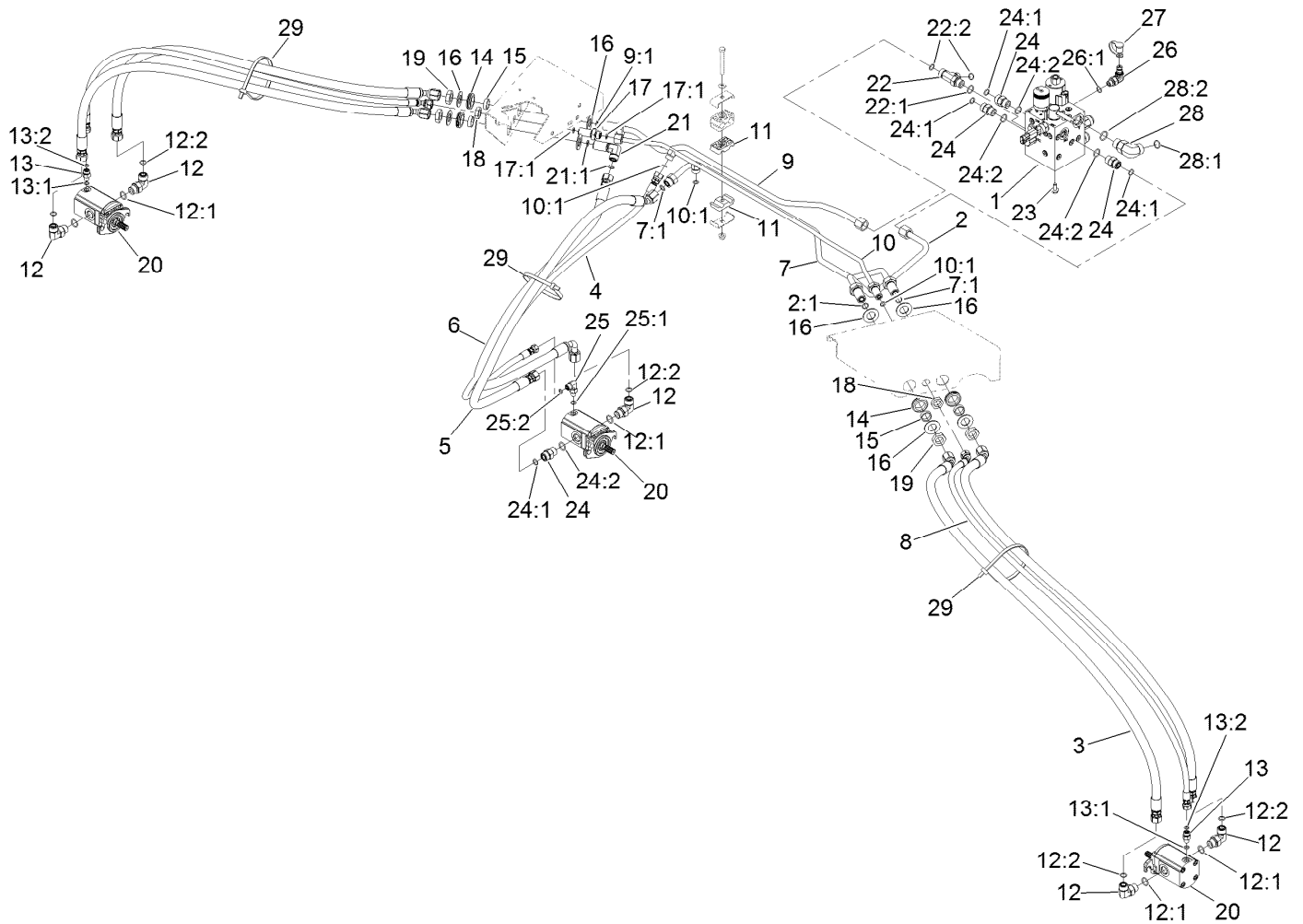


## Lift Manifold Assembly No. 138-6998

Ref.	Part Number	Qty.	Description
3	112-9213	2	Plug
4	110-9006	3	Valve-Check
4:1	105-9156	1	Seal Kit
5	136-6351	2	Valve-Double Blocking
5:1	107-7527	1	Seal Kit
6	120-1665	1	Valve-Solenoid
6:1	112-6520	1	Seal Kit
6:2	110-2634	1	Nut-Coil
7	107-7517	1	Valve-Solenoid
7:1	105-9156	1	Seal Kit
7:2	107-7812	1	Nut-Solenoid
8	120-1663	1	Valve-Relief, 500 PSI
8:1	105-9156	1	Seal Kit
9	110-0497	4	Coil-Solenoid
10	110-8909	2	Spacer-Coil
12	110-2634	3	Nut-Coil
13	121-7879	3	Orifice-Control, Flow (0.040)
14	110-8902	3	Orifice-Control, Flow (0.046)

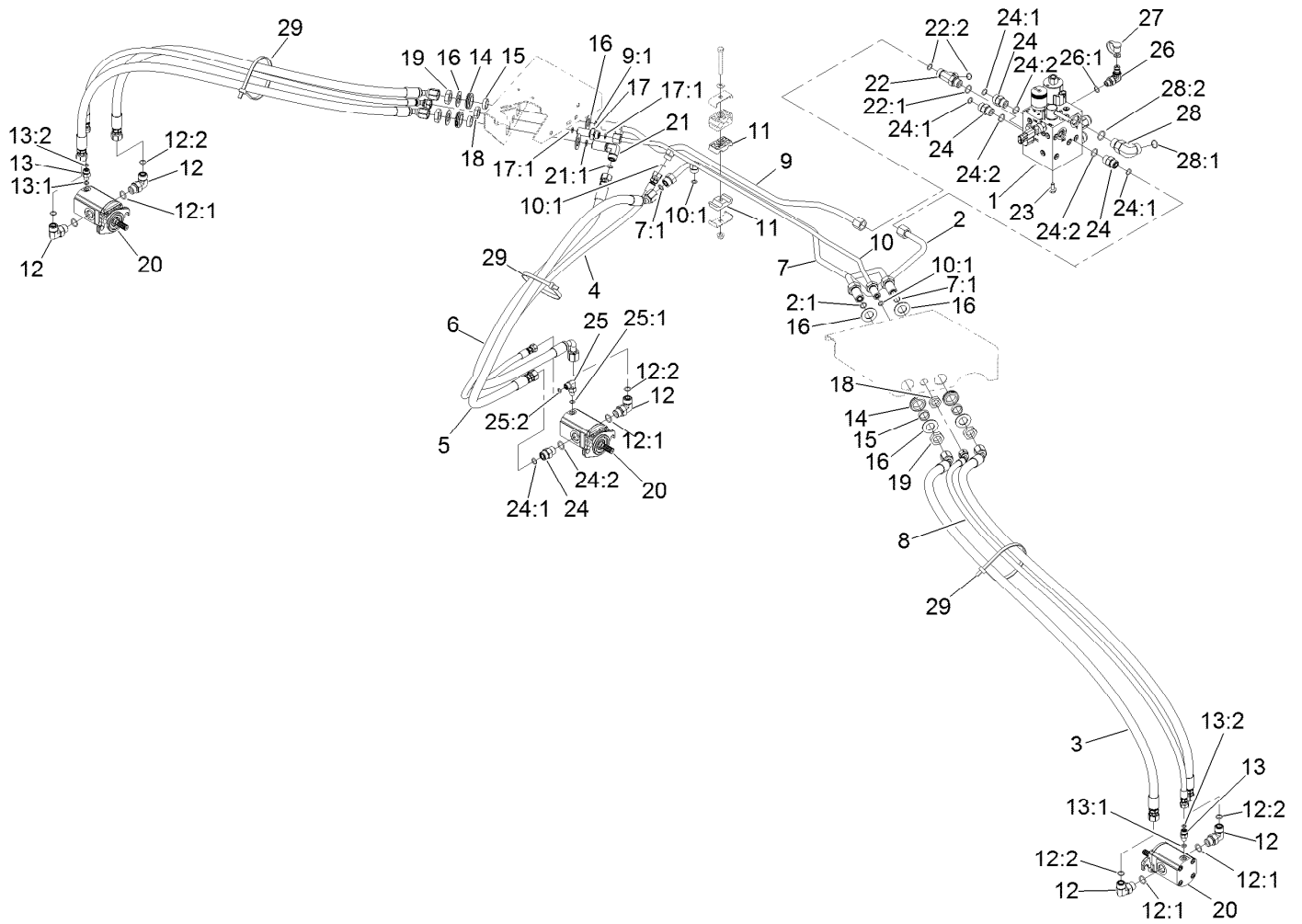
Ref.	Part Number	Qty.	Description
15	340-92	6	Fitting-Straight
15:1	237-78	1	O-Ring
15:2	237-21	1	O-Ring
16	119-5342	1	Orifice-Control, Flow (.035)
17	119-2010	1	Orifice-Control, Flow (0.055)
18	340-2	4	Fitting-Straight
18:1	237-22	1	O-Ring
18:2	237-42	1	O-Ring
19	110-8901	3	Piston-Pilot
19:1	110-8900	1	O-Ring
20	110-8900	3	O-Ring
21	139-6024	3	Plug-Socket, SAE
22	354-77	1	Fitting-Quick
22:1	237-78	1	O-Ring ●
23	354-79	1	Cap-Dust
24	340-77	1	Fitting-Elbow, 90 DEG
24:1	237-22	1	O-Ring
24:2	237-42	1	O-Ring

● Not illustrated



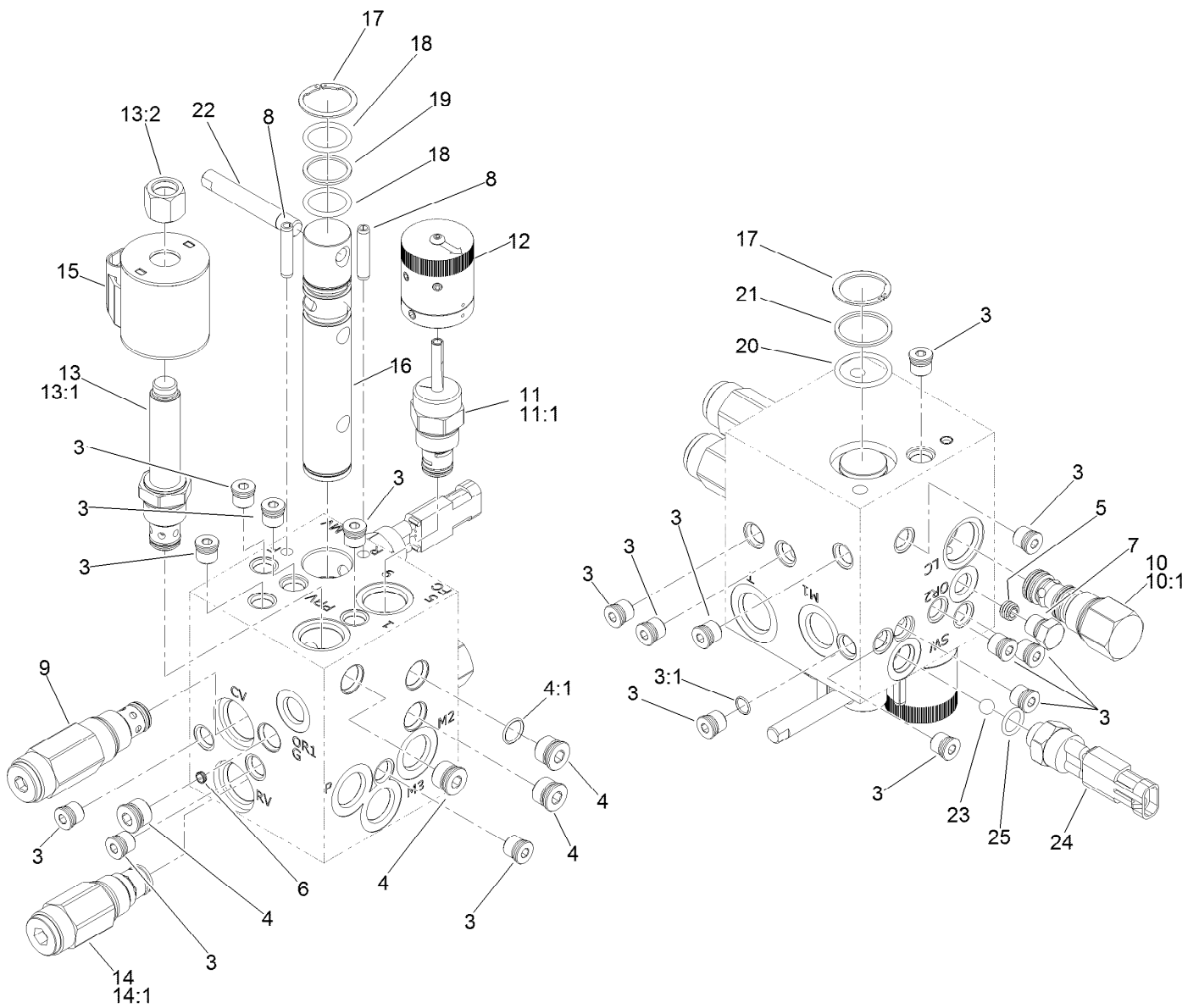
## Front Mow Hydraulic Circuit Assembly

Ref.	Part Number	Qty.	Description	Ref.	Part Number	Qty.	Description
1	139-6025	1	Manifold ASM-Mow	14	240-5	4	Grommet
2	127-8511	1	Tube-HYD	15	69-8960	4	Spacer
2:1	237-30	1	O-Ring	16	69-8930	8	Washer
3	120-2097	4	Hose-HYD	17	340-71	1	Fitting-Straight, Bulkhead
4	139-5980	1	Hose-HYD	17:1	237-22	2	O-Ring
5	121-7861	1	Hose-HYD	18	340-70	2	Nut-Lock
6	139-5979	1	Hose-HYD	19	340-127	4	Nut-Bulkhead
7	127-8551	1	Tube-HYD	20	120-2072	3	HYD Motor ASM
7:1	237-30	2	O-Ring	21	93-9151	1	Fitting-HYD
8	120-2106	2	Hose-HYD	21:1	237-30	2	O-Ring
9	127-8509	1	Tube-HYD	22	340-109	1	Fitting-Tee
9:1	237-30	1	O-Ring	22:1	237-79	1	O-Ring
10	120-2104	1	Tube-HYD	22:2	237-30	2	O-Ring
10:1	237-22	3	O-Ring	23	3234-7	2	Screw-HHF
11	56-7976	2	Clamp-Tube	24	340-4	4	Fitting-Straight
12	340-98	5	Fitting-Elbow, 90 DEG	24:1	237-30	1	O-Ring
12:1	237-79	1	O-Ring	24:2	237-79	1	O-Ring
12:2	237-30	1	O-Ring	25	340-132	1	Fitting-Elbow, 90 DEG
13	340-92	2	Fitting-Straight	25:1	237-78	1	O-Ring
13:1	237-78	1	O-Ring	25:2	237-21	1	O-Ring
13:2	237-21	1	O-Ring	26	115-9148	1	Fitting-Elbow-90



## Front Mow Hydraulic Circuit Assembly (continued)

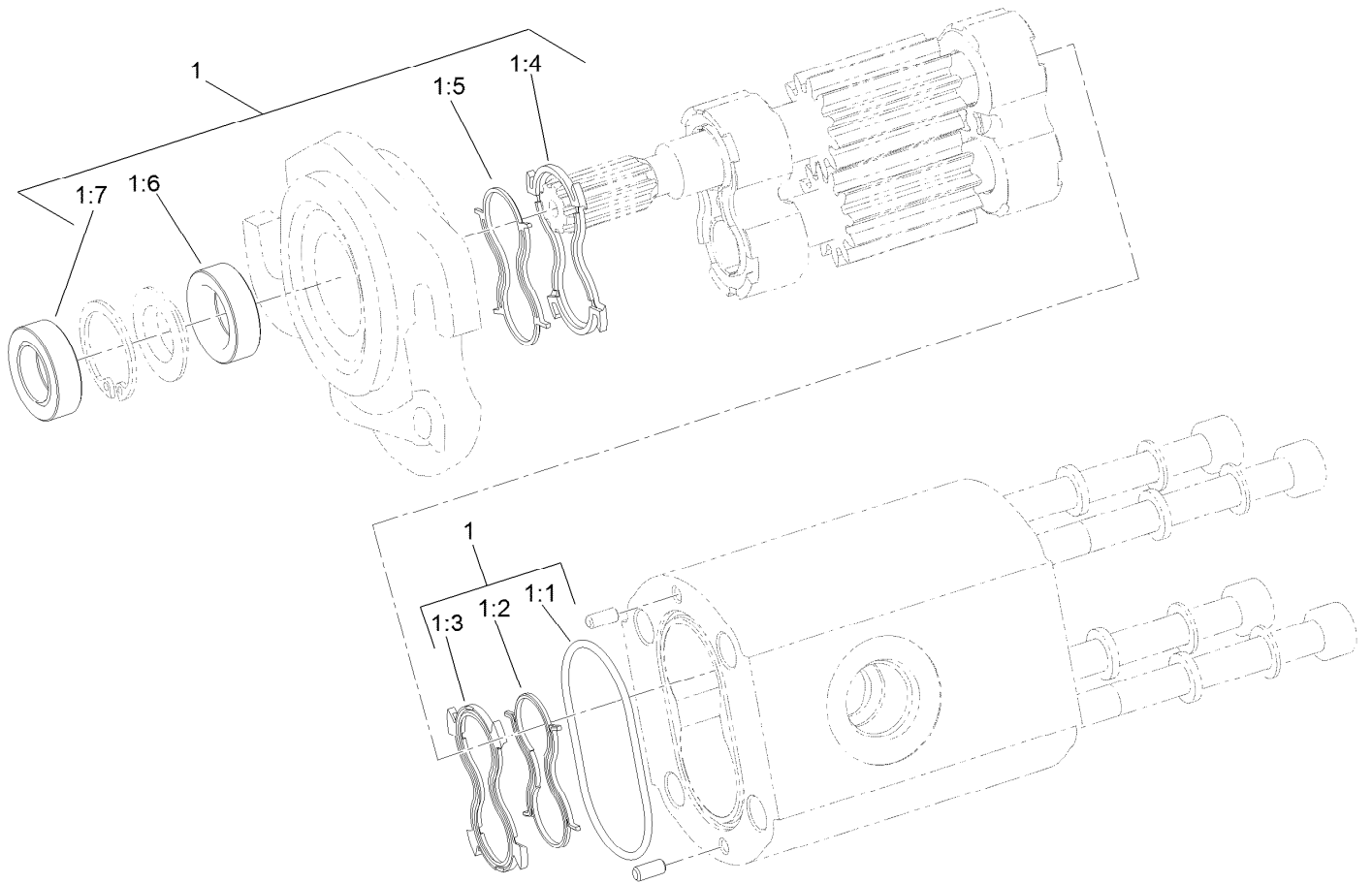
<i>Ref.</i>	<i>Part Number</i>	<i>Qty.</i>	<i>Description</i>	<i>Ref.</i>	<i>Part Number</i>	<i>Qty.</i>	<i>Description</i>
26:1	237-42	1	O-Ring	28:1	237-65	1	O-Ring
27	354-79	1	Cap-Dust	28:2	237-80	1	O-Ring
28	340-17	1	Fitting-Elbow, 90 DEG	29	3334-945	3	Tie-Cable



## Mow Manifold Assembly No. 139-6025

Ref.	Part Number	Qty.	Description	Ref.	Part Number	Qty.	Description
3	353-990	17	Plug ASM	13:1	110-6316	1	Seal Kit
3:1	237-78	1	O-Ring	13:2	130-8180	1	Nut-Coil (9/16-24 Unef-2B)
4	353-989	4	Plug-Hex, Hollow	14	121-7883	1	Valve-Relief, 2000 PSI
4:1	237-42	1	O-Ring	14:1	110-6316	1	Seal Kit ●
5	110-8987	1	Plug-Orifice (0.015 Rw)	15	110-6344	1	Coil-12V, DC
6	110-0495	1	Plug-Orifice (0.050 Inch)	16	120-1652	1	Spool-Backlap
7	117-0115	1	Plug	17	120-1653	2	Ring-Retaining, External
8	112-6531	2	Pin-Spring	18	120-1657	2	O-Ring
9	132-4912	1	Valve-Check	19	120-1656	1	Ring-Backup
10	121-7880	1	Spool-Logic	20	120-1655	1	O-Ring
10:1	119-2159	1	Seal Kit ●	21	120-1654	1	Ring-Backup
11	110-8769	1	Valve-Control, Manual Flow	22	120-1651	1	Handle-Spool
11:1	110-2633	1	Seal Kit	23	117-4605	1	Ball-SS
12	110-8767	1	Rotary Handle ASM	24	72-4320	1	Switch-Ball
13	110-8799	1	Valve-Relief, Proportional	25	110-8757	1	O-Ring

● Not illustrated

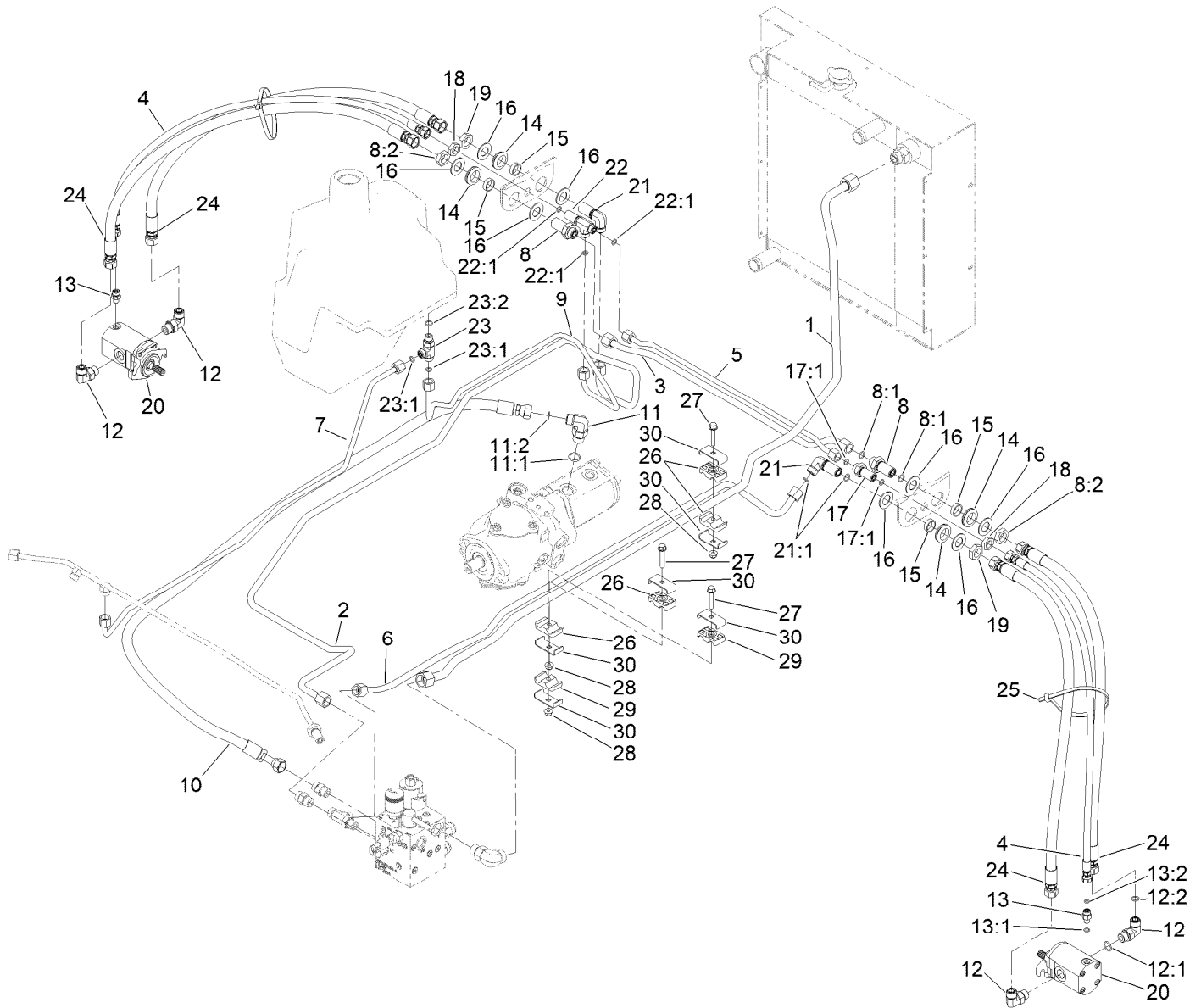


## Hydraulic Reel Motor Assembly No. 120-2072

<i>Ref.</i>	<i>Part Number</i>	<i>Qty.</i>	<i>Description</i>
1	119-7113	1	Seal Kit
1:1		1	O-Ring Housing ●
1:2		1	Seal-Anti Extrusion ●
1:3		1	Seal-Plate, Balancing ●
1:4		1	Seal-Plate, Balancing ●
1:5		1	Seal-Anti Extrusion ●
1:6		1	Seal-Shaft (Inboard) ●
1:7		1	Seal-Shaft (Outboard) ●

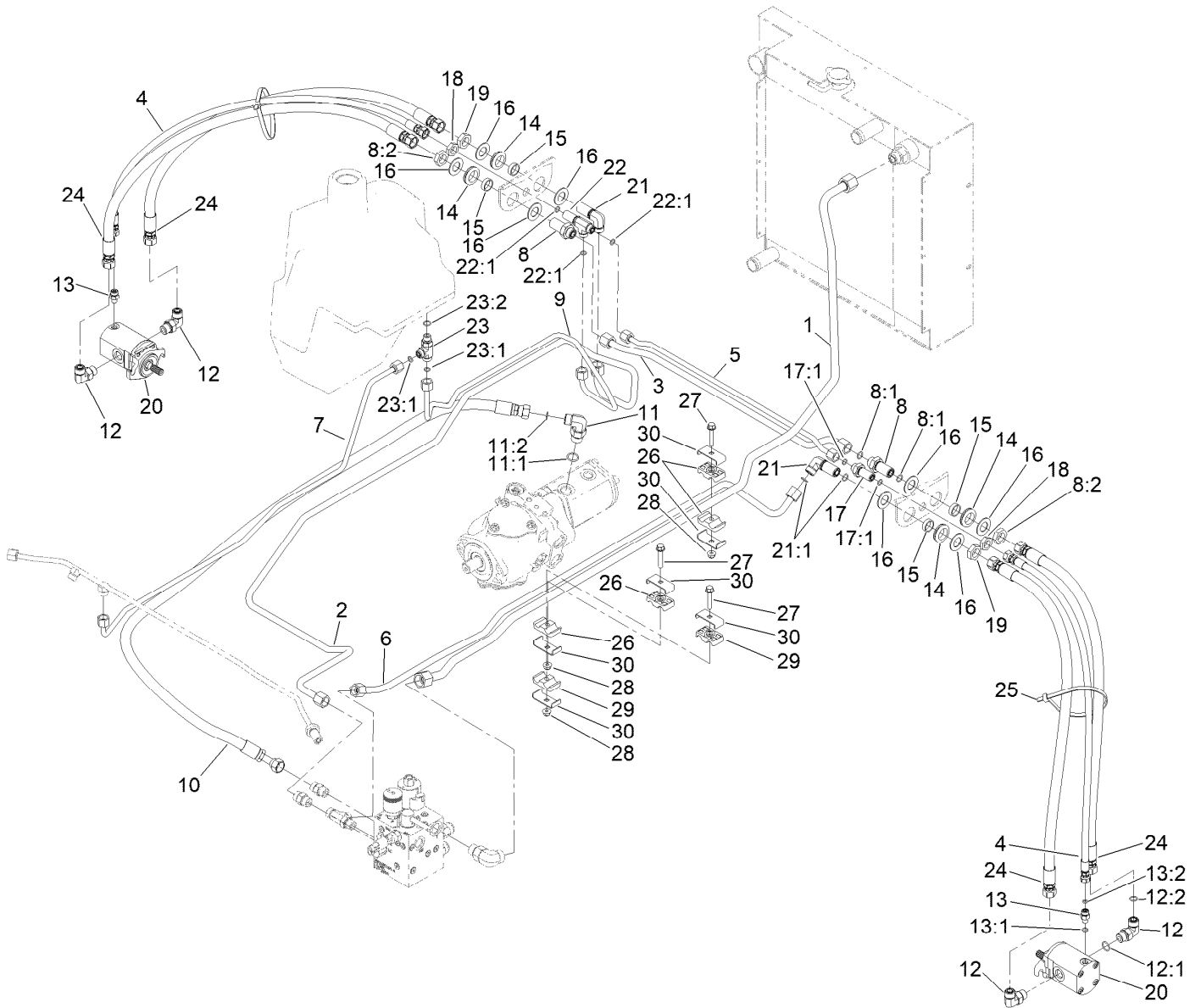
● Not serviced separately





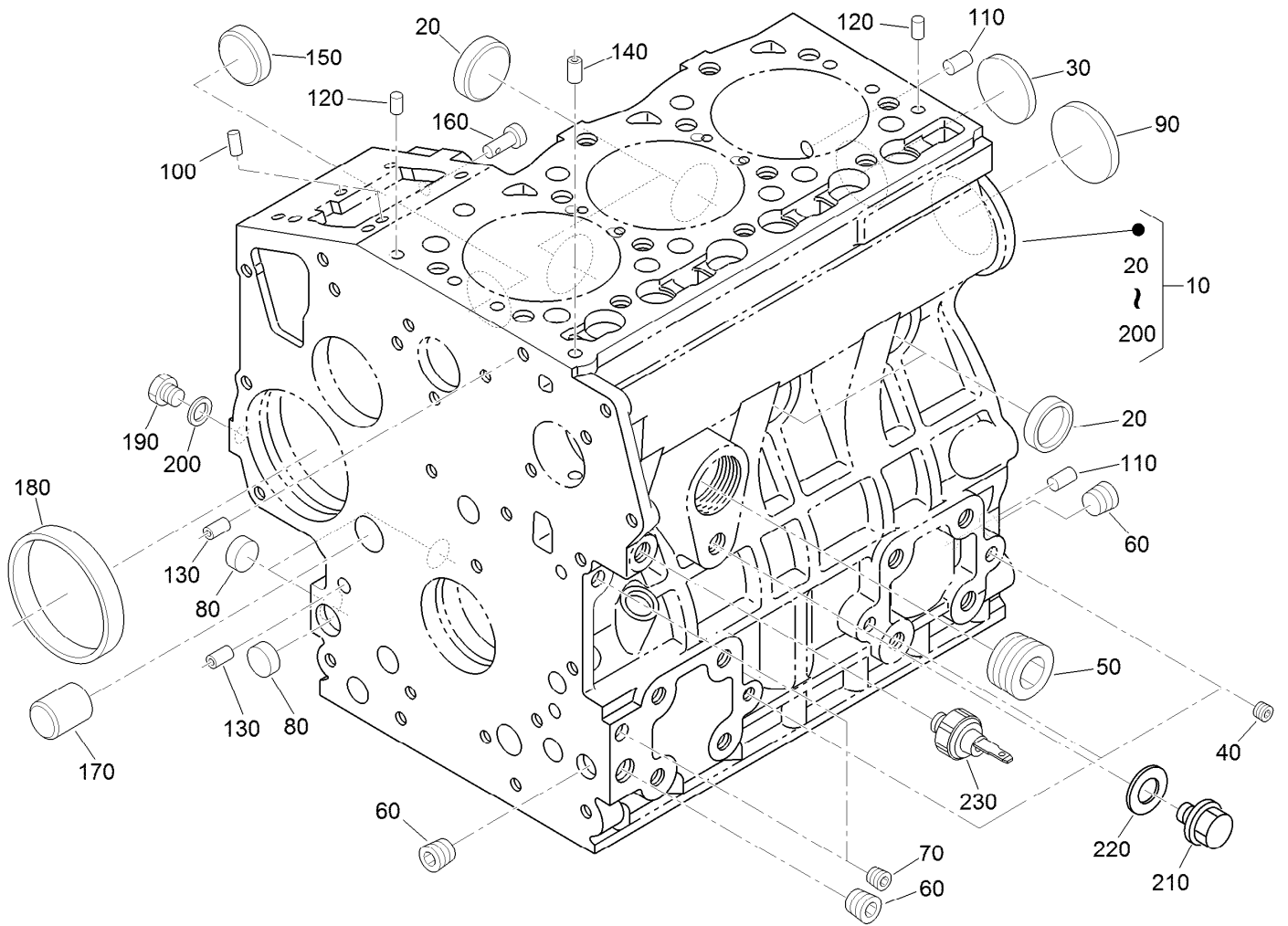
## Rear Mow Hydraulic Circuit Assembly

Ref.	Part Number	Qty.	Description	Ref.	Part Number	Qty.	Description
1	127-8512	1	Tube-HYD	14	240-5	4	Grommet
2	127-8508	1	Tube-HYD	15	69-8960	4	Spacer
3	120-2173	1	Tube-HYD	16	69-8930	8	Washer
4	139-5983	2	Hose-HYD	17	340-71	1	Fitting-Straight, Bulkhead
5	120-2174	1	Tube-HYD	17:1	237-22	2	O-Ring
6	127-8510	1	Tube-HYD	18	340-70	2	Nut-Lock
7	121-7843	1	Tube-HYD	19	340-127	2	Nut-Bulkhead
8	340-161	2	Fitting-Bulkhead	20	120-2072	2	HYD Motor ASM
8:1	237-30	2	O-Ring	21	93-9151	2	Fitting-HYD
8:2	340-127	1	Nut-Bulkhead	21:1	237-30	2	O-Ring
9	120-2180	1	Tube-HYD	22	340-68	1	Fitting-Tee, Bulkhead
10	121-7812	1	Hose-HYD	22:1	237-22	3	O-Ring
11	340-105	1	Fitting-Elbow, 90 DEG	23	340-86	1	Fitting-Tee
11:1	237-80	1	O-Ring	23:1	237-22	2	O-Ring
11:2	237-30	1	O-Ring	23:2	237-42	1	O-Ring
12	340-98	4	Fitting-Elbow, 90 DEG	24	95-8824	4	Hose ASM
12:1	237-79	1	O-Ring	25	3334-945	2	Tie-Cable
12:2	237-30	1	O-Ring	26	56-7977	6	Clamp-Tube
13	340-92	2	Fitting-Straight	27	94-5780	5	Screw-HWH
13:1	237-78	1	O-Ring	28	104-8300	5	Nut-HF, NI
13:2	237-21	1	O-Ring				



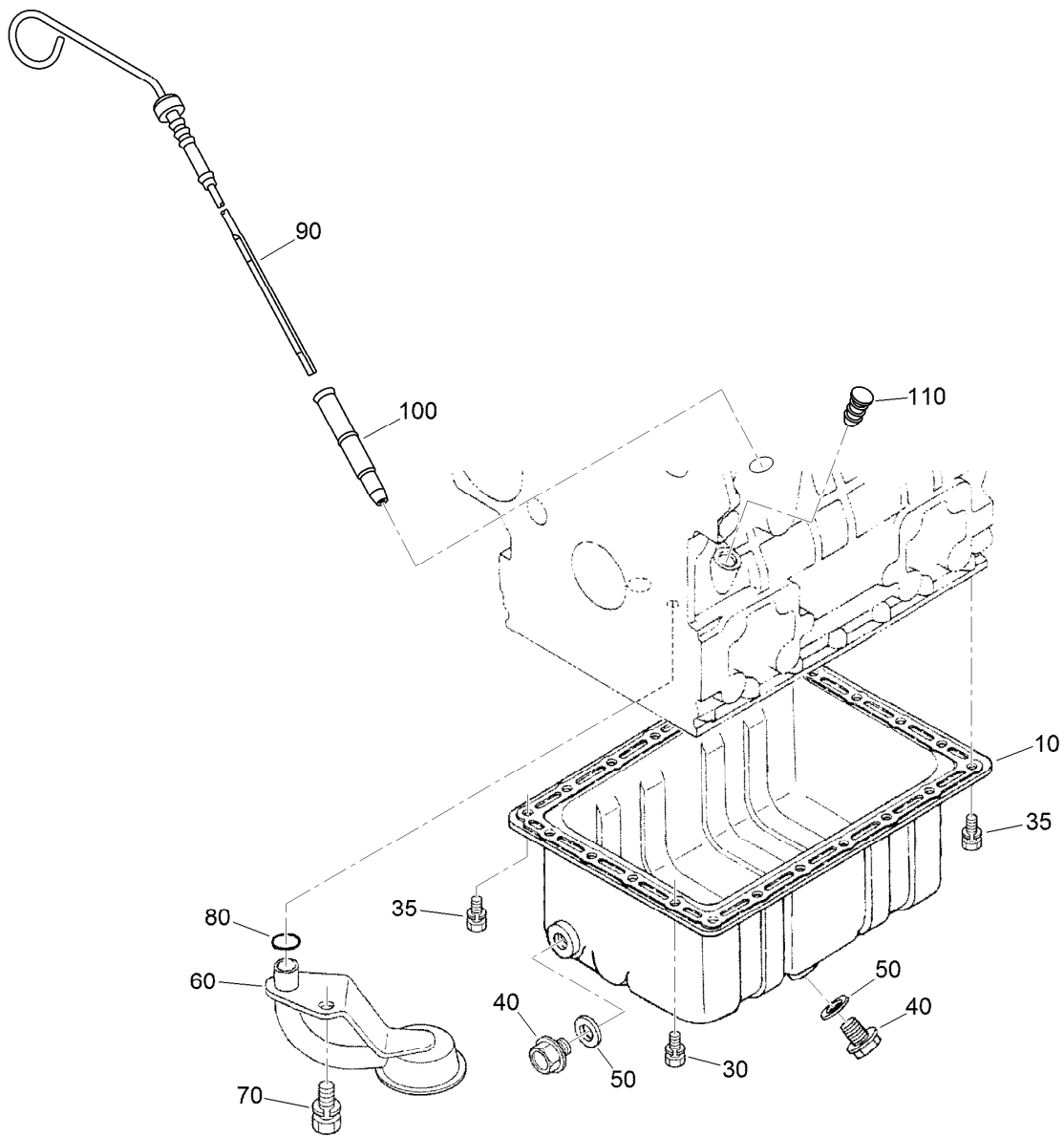
## Rear Mow Hydraulic Circuit Assembly (continued)

<i>Ref.</i>	<i>Part Number</i>	<i>Qty.</i>	<i>Description</i>
29	56-7971	4	Clamp-Tube
30	119-1419	10	Plate-Clamp



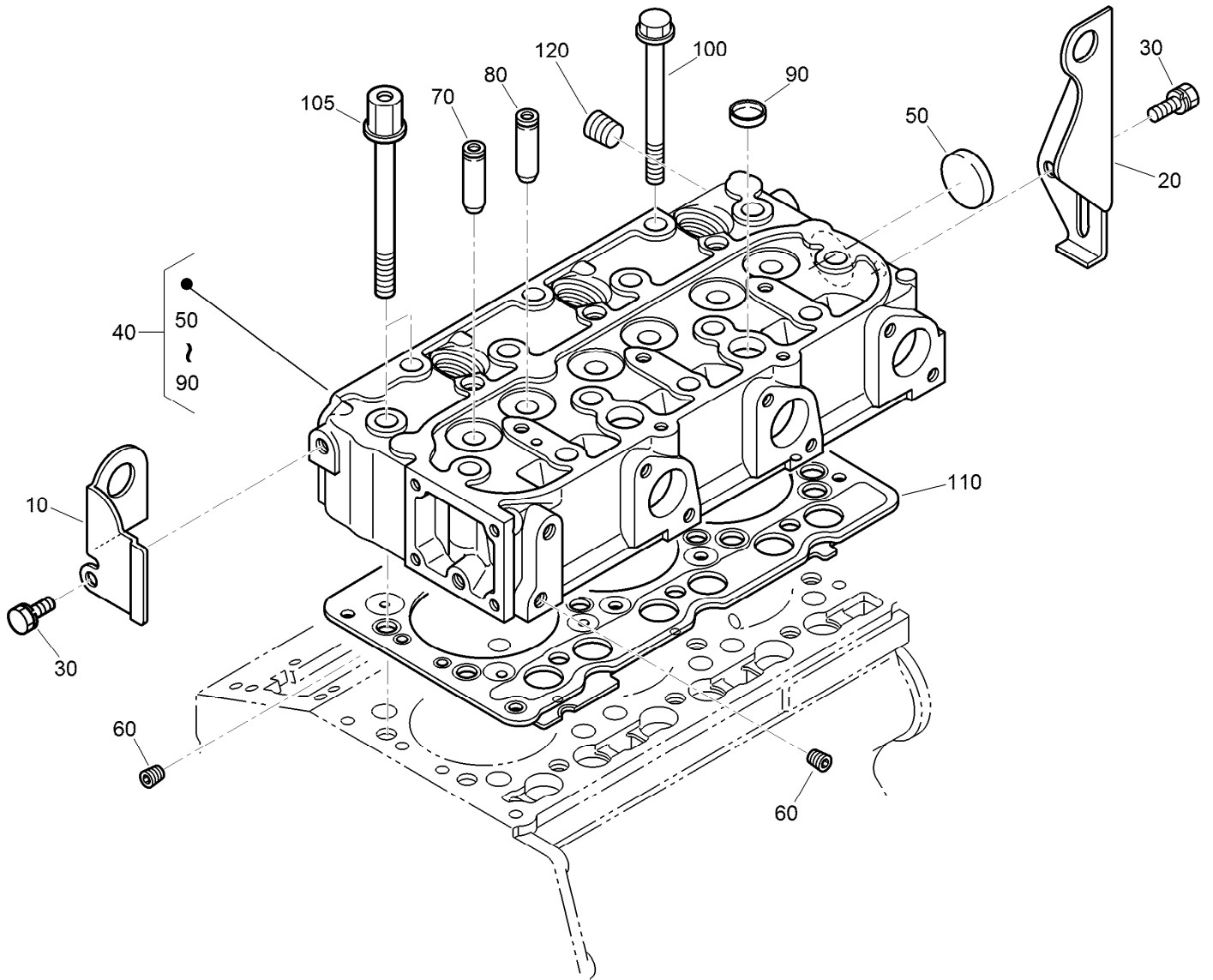
## Crankcase Assembly

<i>Ref.</i>	<i>Part Number</i>	<i>Qty.</i>	<i>Description</i>	<i>Ref.</i>	<i>Part Number</i>	<i>Qty.</i>	<i>Description</i>
10	115-3443	1	Crankcase ASM	130	98-9387	2	Pin-Pipe
20	98-9398	4	Cap-Sealing	140	98-9539	1	Pin-Pipe
30	98-7539	1	Cap-Sealing	150	98-9599	1	Plug
40	98-9687	3	Plug	160	98-9630	1	Pin-Spring, Start
50	105-3779	1	Plug	170	98-9675	1	Plug
60	98-9597	3	Plug	180	98-9656	1	Bushing-Governor, Gear
70	98-7487	2	Plug	190	120-2559	1	Plug
80	98-9379	3	Plug-Expansion	200	98-7428	1	Gasket
90	98-9668	1	Plug-Expansion	210	99-3447	1	Plug
100	98-9375	2	Pin-Straight	220	112-8325	1	Washer
110	98-9377	2	Pin-Straight	230	98-9416	1	Switch-Oil
120	98-9376	2	Pin-Straight				



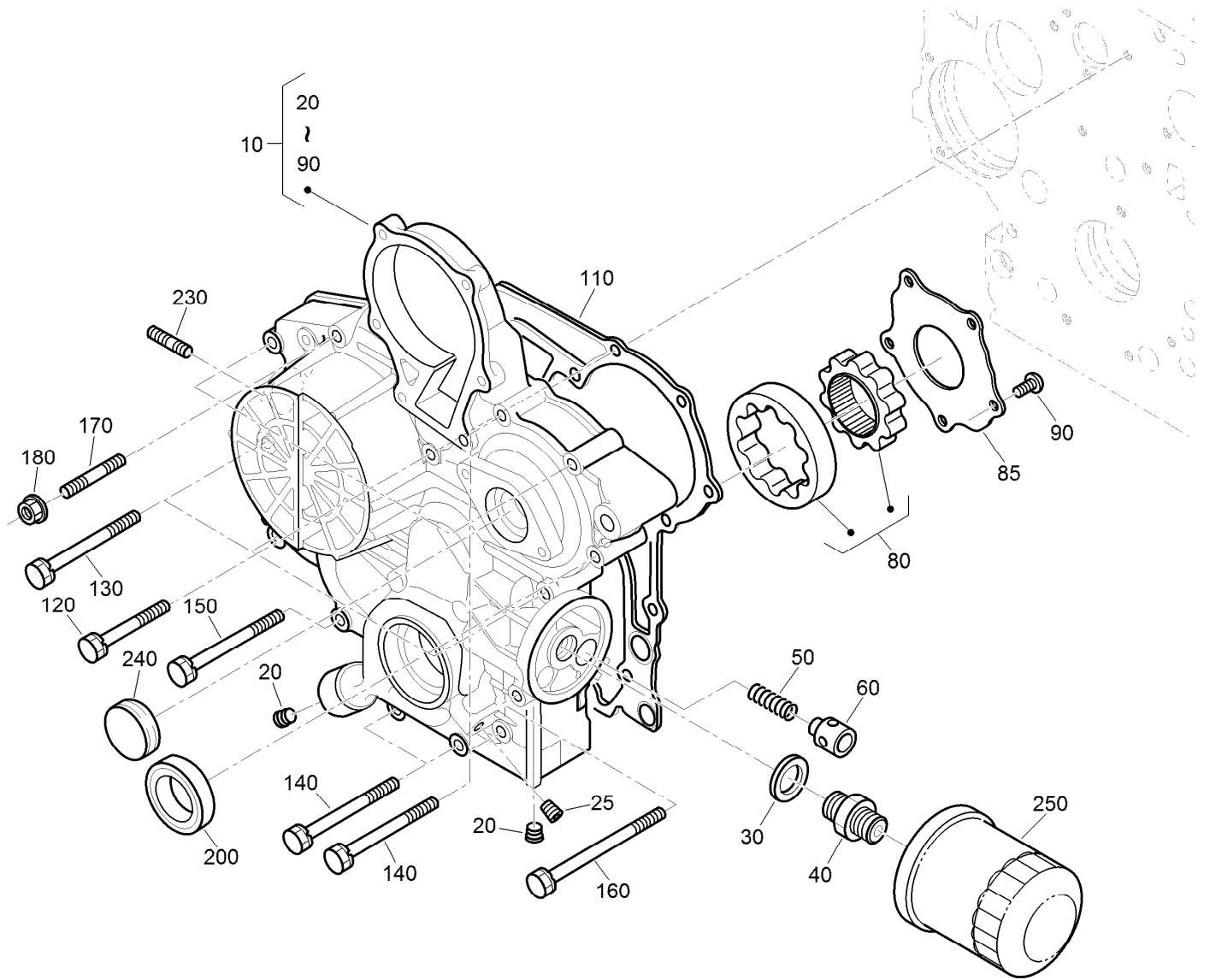
## Oil Pan and Dipstick Assembly

<i>Ref.</i>	<i>Part Number</i>	<i>Qty.</i>	<i>Description</i>
10	98-9685	1	Pan-Oil
30	98-9351	20	Bolt
35	98-9351	2	Bolt
40	114-8151	2	Plug-Drain
50	98-7524	2	Gasket
60	108-1401	1	Base-Filter
70	98-7526	1	Bolt
80	105-3776	1	O-Ring
90	104-9348	1	Gauge-Oil
100	105-4580	1	Guide-Gauge, Oil
110	110-3720	1	Plug-Gauge, Oil



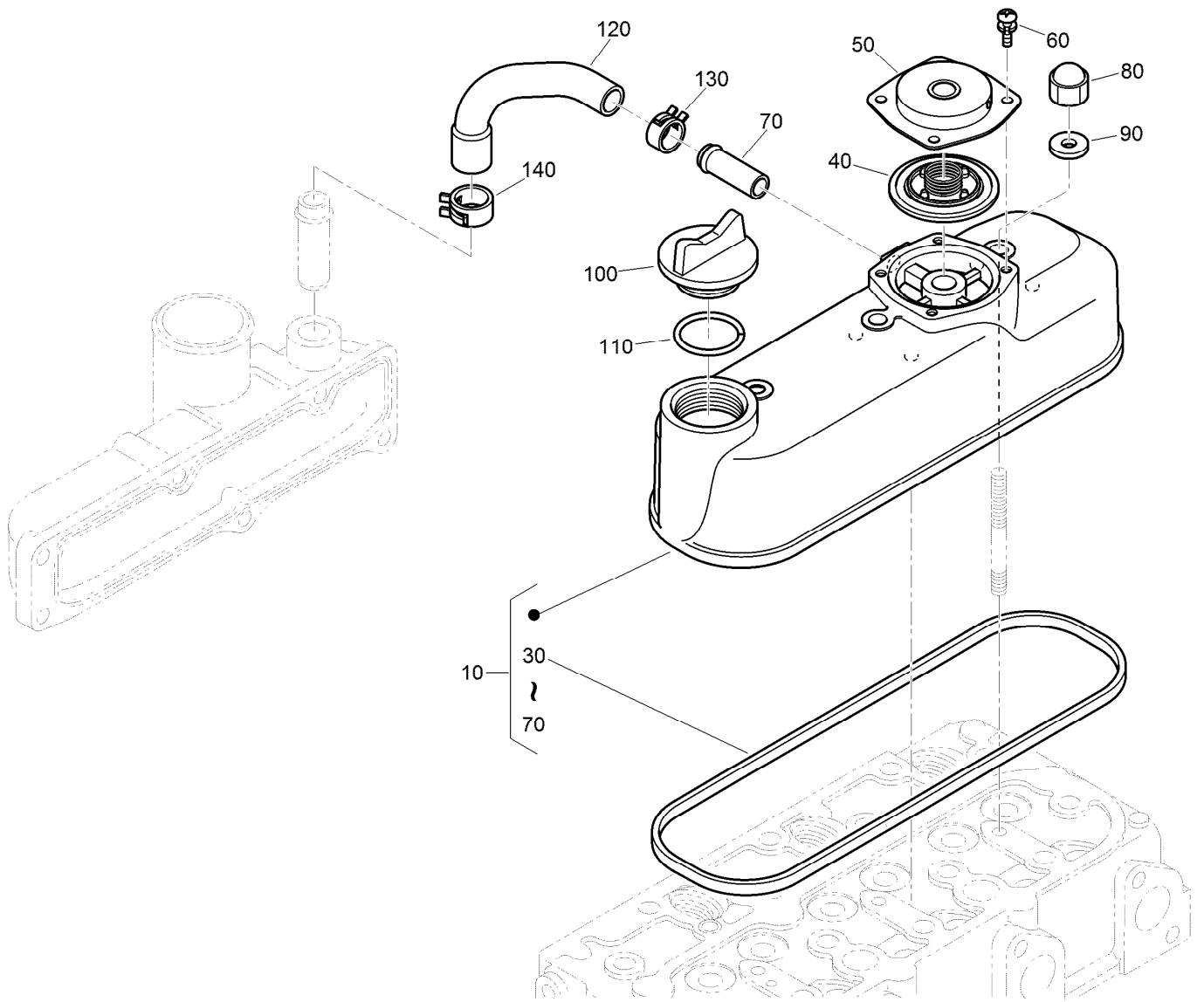
## Cylinder Head Assembly

Ref.	Part Number	Qty.	Description
10	130-1231	1	Hook-Engine
20	98-9478	1	Hook-Engine
30	100-9195	2	Bolt
40	130-1544	1	Cylinder Head ASM
50	105-3705	1	Cap-Sealing
60	98-9687	2	Plug
70	107-9066	3	Guide-Valve, Inlet
80	107-9067	3	Guide-Valve, Exhaust
90	98-9389	2	Cap-Sealing
100	98-9479	12	Bolt-Head, Cylinder
105	98-9647	2	Bolt-Head, Cylinder
110	108-6573	1	Gasket-Head, Cylinder
120	98-9444	1	Plug



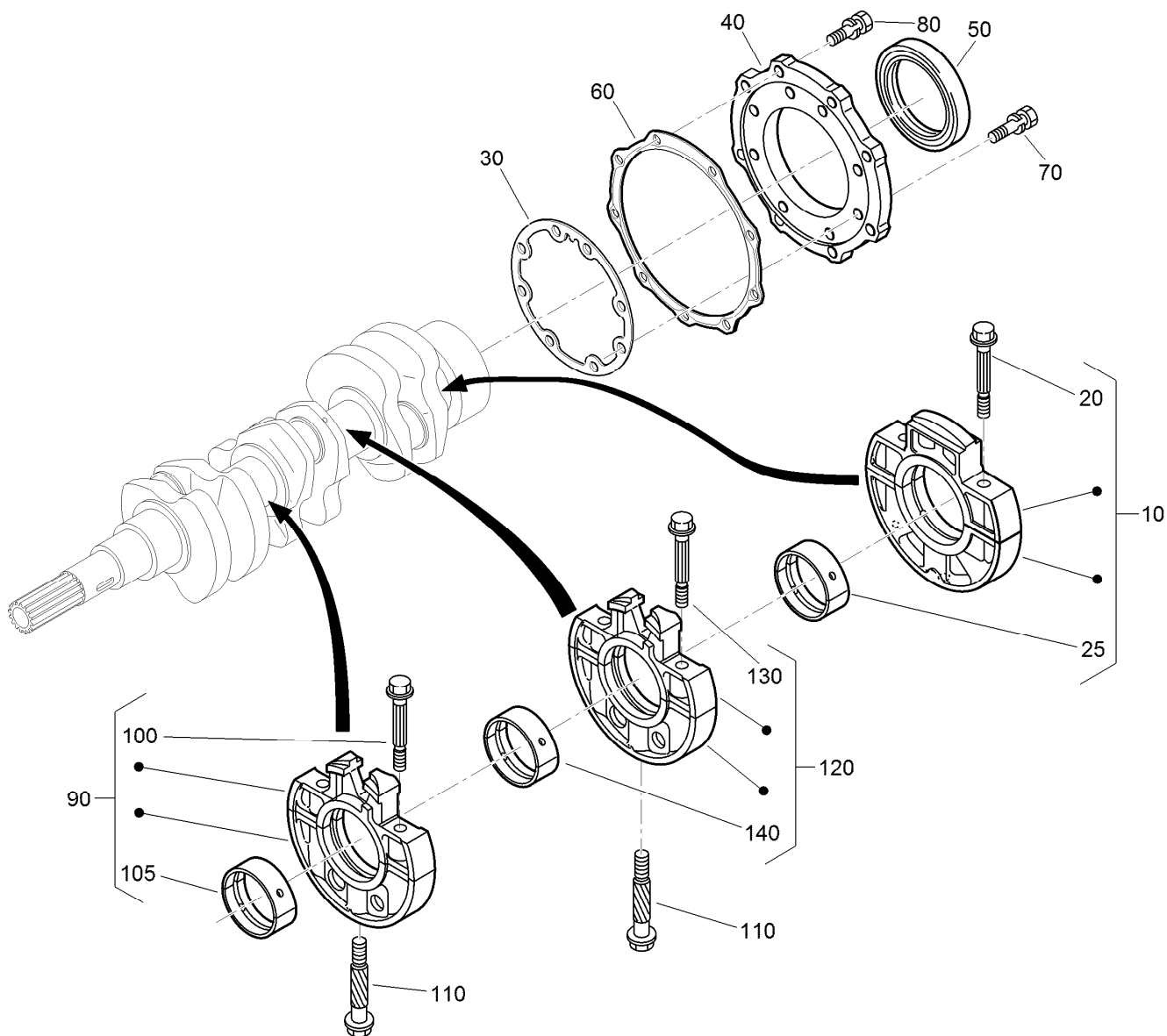
## Gear Case and Oil Filter Cartridge Assembly

Ref.	Part Number	Qty.	Description	Ref.	Part Number	Qty.	Description
10	115-4105	1	Gear Case ASM	120	100-1765	3	Bolt
20	127-0425	2	Plug	130	125-9063	4	Bolt-Sems
25	98-7487	1	Plug	140	98-9356	4	Bolt
30	98-7562	1	Washer-Plain	150	107-9074	1	Bolt
40	98-9388	1	Joint-Pipe	160	99-3510	1	Bolt
50	130-1511	1	Spring	170	105-3709	1	Stud
60	130-1510	1	Valve-Relief	180	100-2203	1	Nut-Flange
80	130-1508	1	Rotor ASM	200	119-8038	1	Seal-Oil
85	130-1509	1	Cover-Pump, Oil	230	105-3710	2	Stud
90	130-1164	5	Screw-Binding	240	99-3515	1	Plug-Gearcase
110	98-9633	1	Gasket-Case, Gear	250	108-3841	1	Filter-Oil



## Cylinder Head Cover Assembly

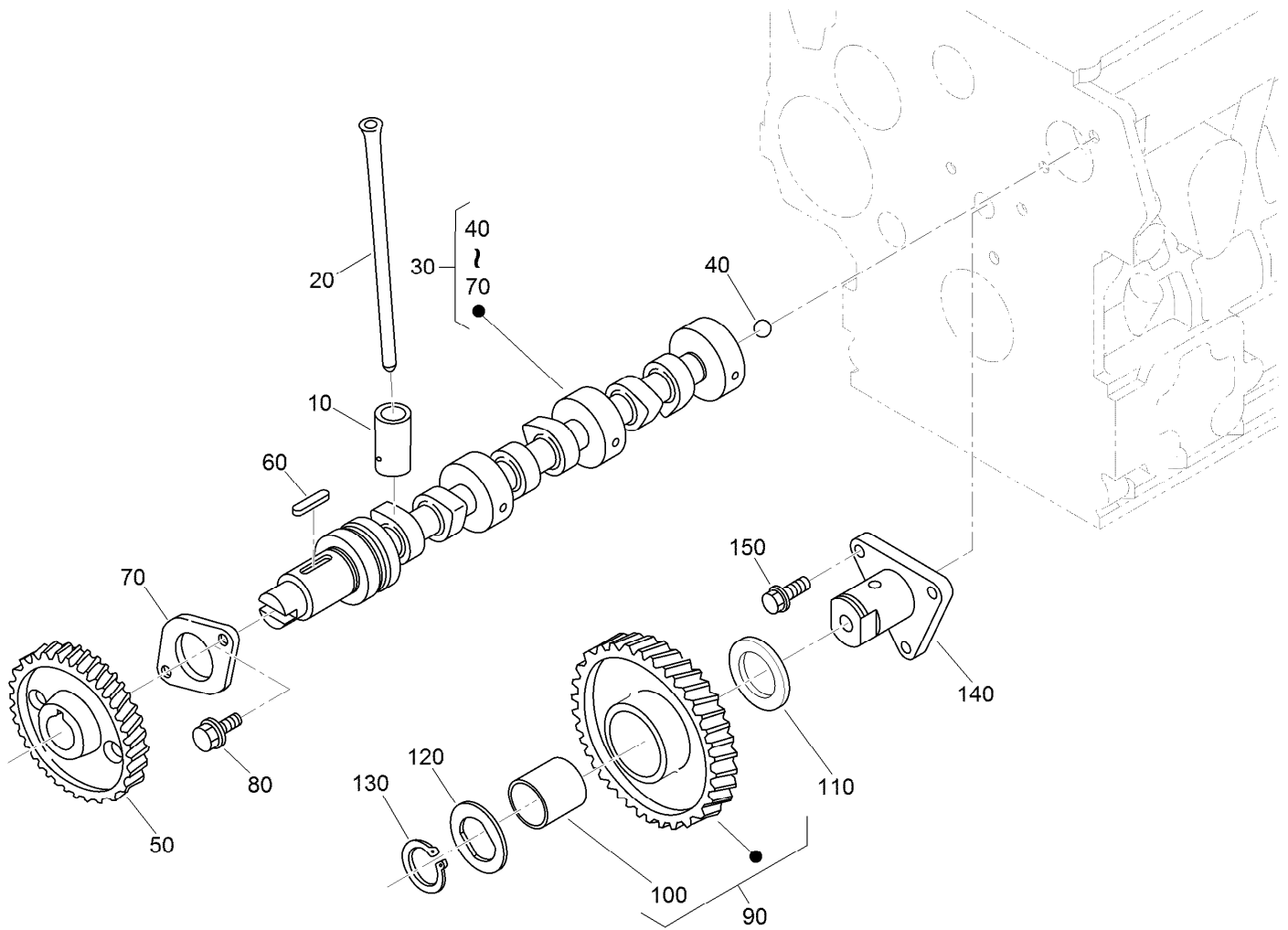
<i>Ref.</i>	<i>Part Number</i>	<i>Qty.</i>	<i>Description</i>
10	139-4544	1	Cylinder Cover ASM
30	98-9615	1	Gasket-Cover, Head
40	110-3715	1	Valve-Breather
50	110-3714	1	Cover-Breather
60	98-9364	4	Screw (With Washer)
70	98-7766	1	Pipe-Return, Water
80	98-9455	3	Nut-Cap
90	98-9454	3	Gasket
100	107-9075	1	Plug-Filler, Oil
110	131-3834	1	O Ring
120	139-4545	1	Tube-Breather
130	108-2859	1	Clamp-Hose
140	108-2860	1	Clamp-Hose



## Main Bearing Case Assembly

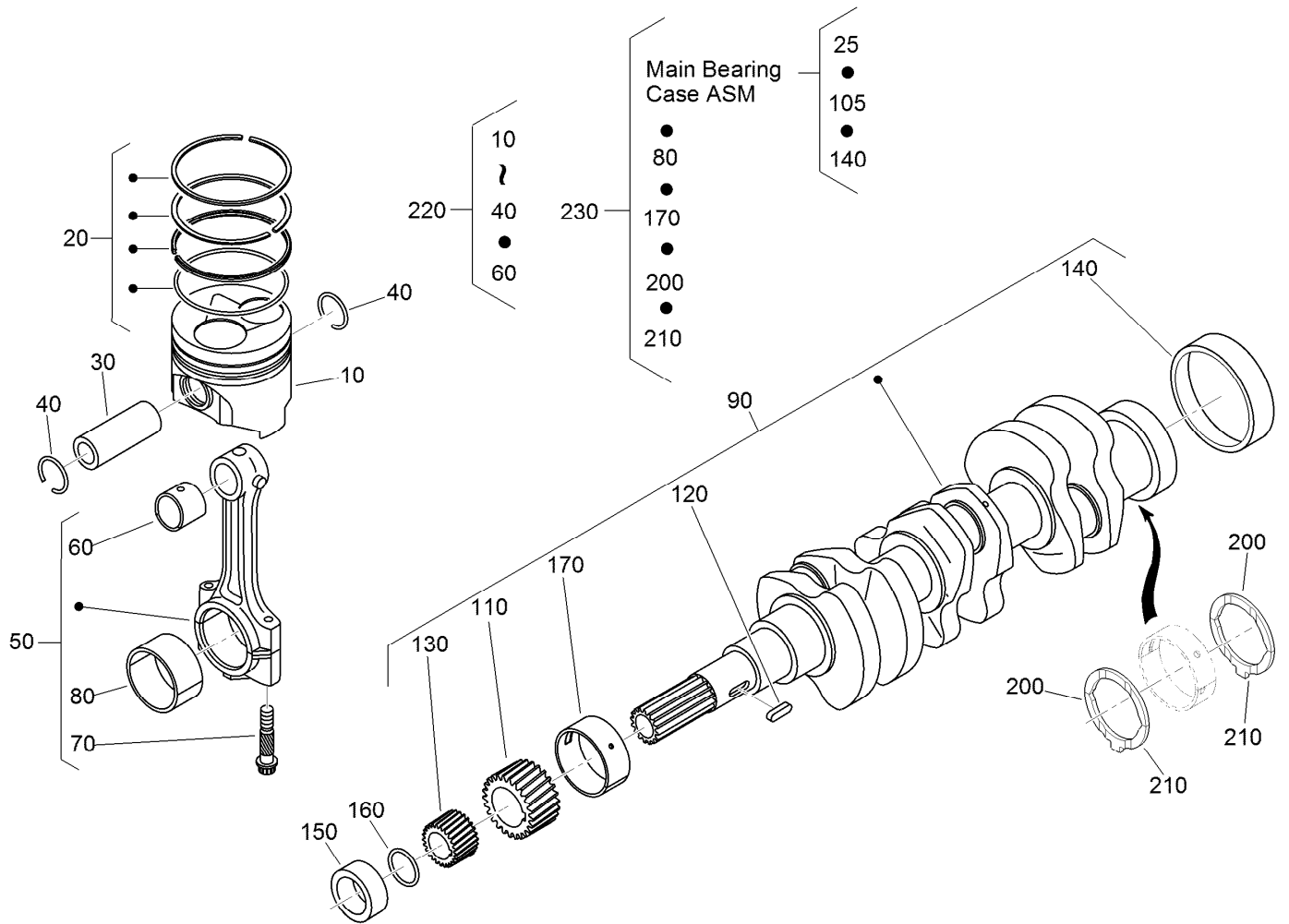
<i>Ref.</i>	<i>Part Number</i>	<i>Qty.</i>	<i>Description</i>	<i>Ref.</i>	<i>Part Number</i>	<i>Qty.</i>	<i>Description</i>
10	139-4546	1	Bearing Case ASM	90	115-4106	1	Main Bearing Case ASM
20	98-9484	2	Bolt-Case, Bearing	100	98-9484	2	Bolt-Case, Bearing
25	115-4121	1	Metal-Crankshaft (STD)	105	98-9524	1	Metal-Crankshaft (STD Set)
25	112-7039	1	Metal-Crankshaft (0.2Mm)	105	127-0433	1	Metal-Crankshaft (-0.2MM)
25	112-7040	1	Metal-Crankshaft (-0.4Mm)	105	98-9531	1	Bearing-Main (0.4MM)
30	131-6554	1	Gasket-Case, Bearing	110	98-9485	2	Bolt-Case, Bearing
40	112-7046	1	Cover-Case, Bearing	120	115-4107	1	Main Bearing Case ASM
50	112-0180	1	Seal-Oil	130	98-9484	2	Bolt-Case, Bearing
60	112-7037	1	Gasket-Cover, Case	140	98-9524	1	Metal-Crankshaft (STD Set)
70	127-0441	8	Bolt	140	127-0433	1	Metal-Crankshaft (-0.2MM)
80	140-2467	9	Bolt	140	98-9531	1	Bearing-Main (0.4MM)





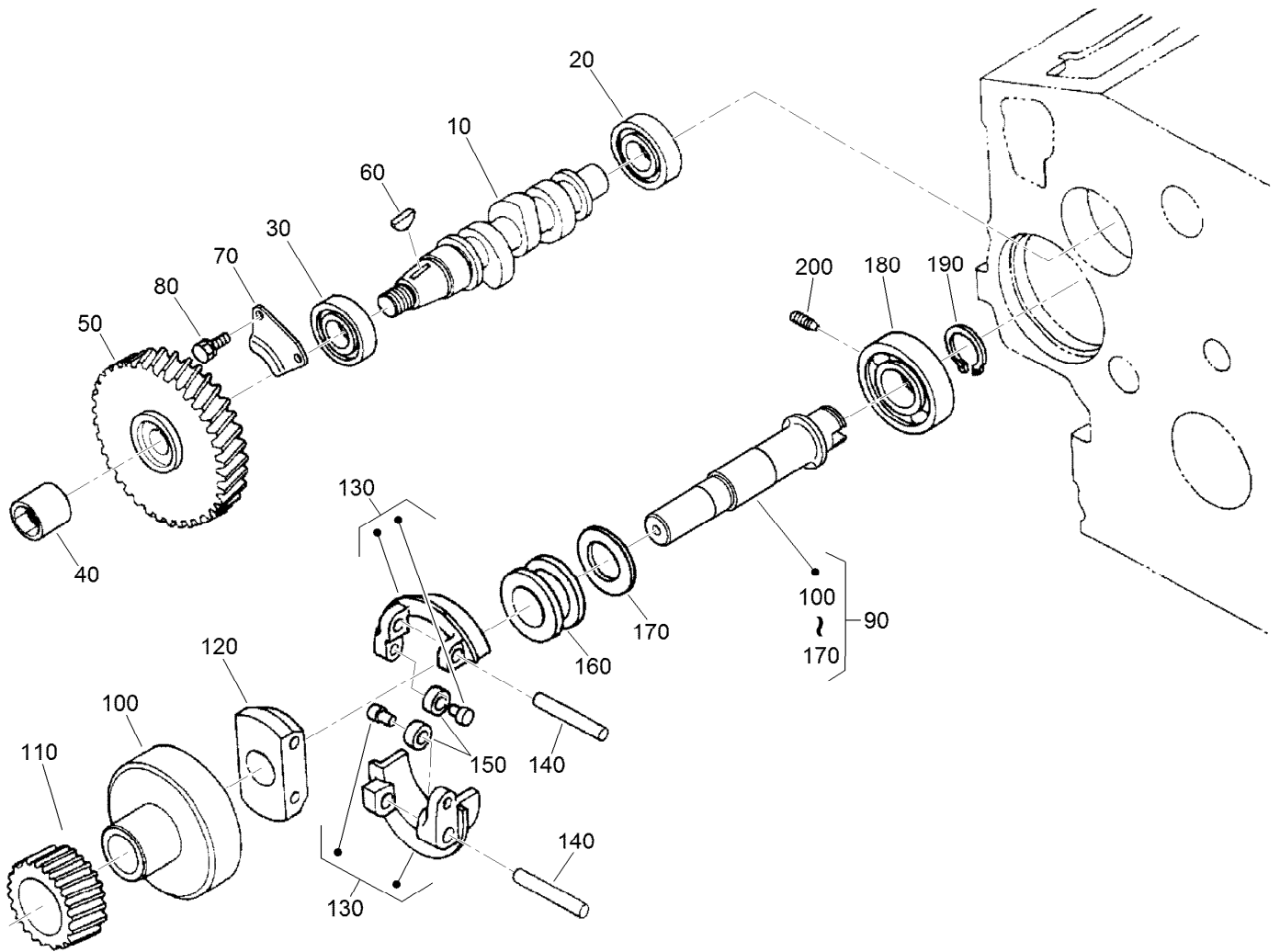
## Camshaft and Idle Gear Shaft Assembly

Ref.	Part Number	Qty.	Description
10	112-0185	6	Tappet
20	127-0421	6	Rod-Push
30	130-1545	1	Camshaft ASM
40	110-3729	1	Ball
50	120-3116	1	Camshaft ASM
60	98-9378	1	Key-Feather
70	131-6555	1	Stopper (Camshaft)
80	98-7692	2	Bolt
90	117-7584	1	Idler Gear ASM
100	117-7585	1	Bushing-Gear, Idle
110	98-9535	1	Collar-Gear, Idle
120	98-9536	1	Collar-Gear, Idle
130	98-9534	1	Circlip-Gear, Idle
140	98-9533	1	Shaft-Gear, Idle
150	98-7692	3	Bolt



## Piston and Crankshaft Assembly

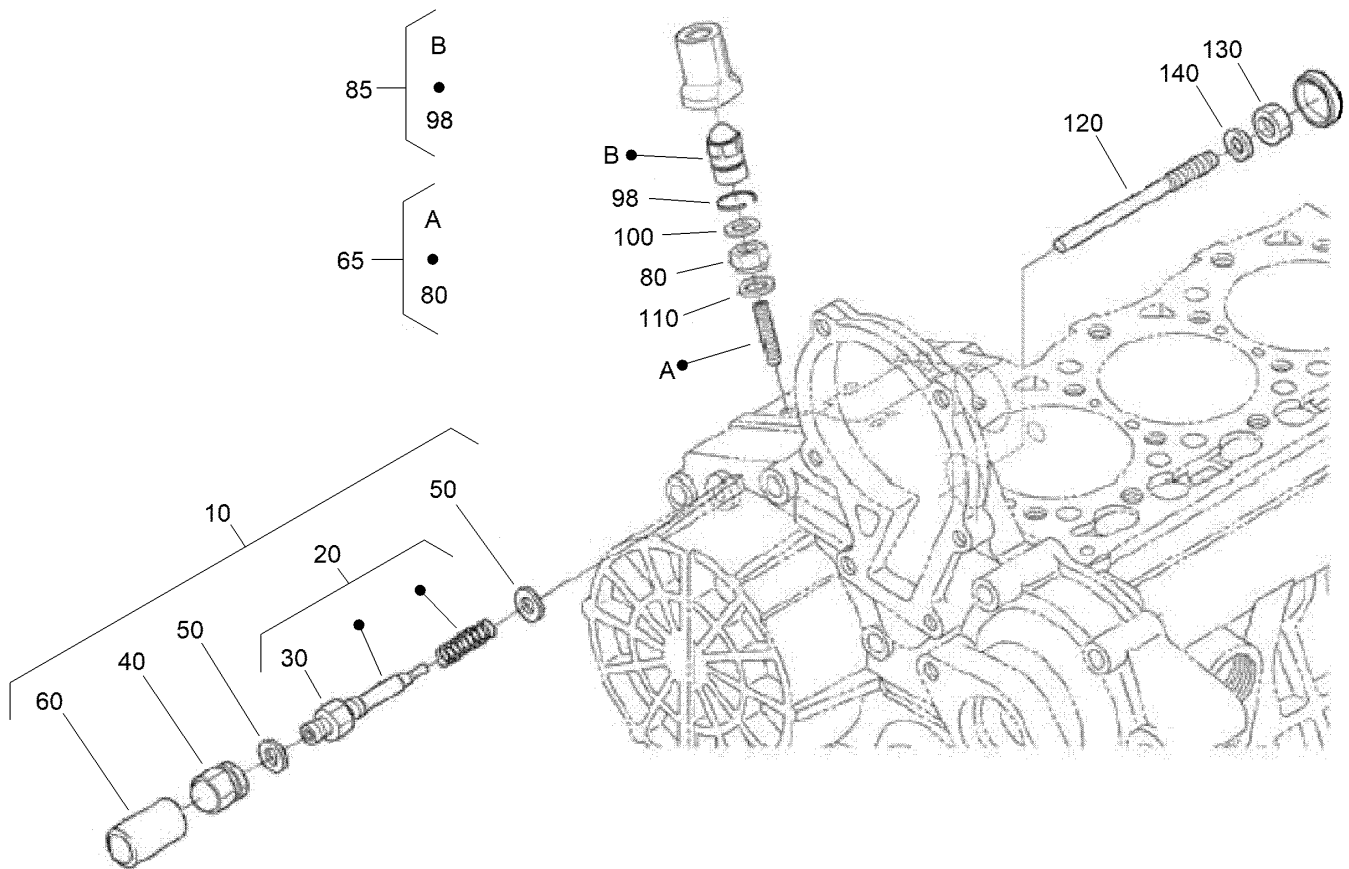
Ref.	Part Number	Qty.	Description	Ref.	Part Number	Qty.	Description
10	130-1546	3	Piston (STD)	160	105-3783	1	O-Ring
10	130-1549	3	Piston (+0.50MM)	170	112-7005	1	Bearing-Main (STD)
20	130-1506	3	Piston Ring ASM (STD)	170	98-9528	1	Bearing-Main (-0.2MM)
20	130-1507	3	Piston Ring ASM (+0.50MM)	170	127-0432	1	Metal-Crankshaft (-0.4MM)
30	98-9513	3	Pin-Piston	200	98-9413	2	Bearing-Thrust (STD)
40	98-9514	6	Circlip-Pin, Piston	200	127-0416	2	Metal-Side (+0.2Mm)
50	117-7586	3	Connecting Rod ASM	200	127-0417	2	Metal-Side (+0.40Mm)
60	115-3014	3	Bushing-Pin, Piston	210	98-9688	2	Bearing-Thrust (STD)
70	98-9517	6	Bolt-Rod, Connecting	210	127-0437	2	Metal-Side (+0.2MM)
80	98-9553	3	Bearing-Rod (STD)	210	127-0438	2	Metal-Side (+0.40MM)
80	98-9519	3	Bearing-Rod (-0.2MM)	220	130-1547	3	Piston Kit
80	117-7588	3	Metal-Crankpin (-0.4MM)	220	130-1548	3	Piston Kit
90	130-1375	1	Crankshaft ASM	230	130-1501	1	Engine Metal Kit (STD)
110	117-7561	1	Gear-Crankshaft	230	130-1498	1	Engine Metal Kit (-0.20Mm/+0.20Mm)
120	98-9666	1	Key	230	130-1499	1	Engine Metal Kit (-0.40Mm/+0.40Mm)
130	127-0445	1	Gear-Drive, Oil Pump				
140	98-9522	1	Sleeve-Crankshaft				
150	127-0444	1	Collar-Crankshaft				



## Fuel Camshaft and Governor Shaft Assembly

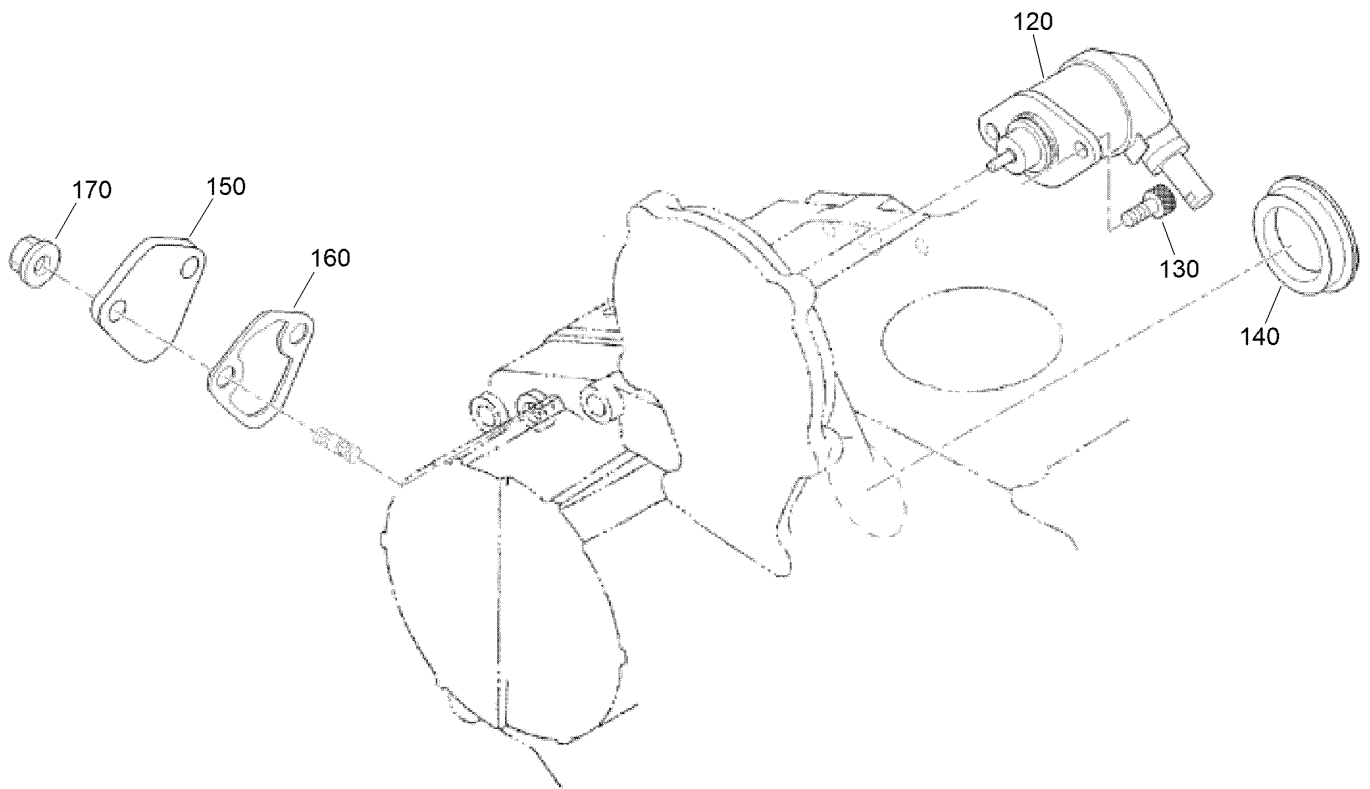
Ref.	Part Number	Qty.	Description
10	139-4547	1	Camshaft-Fuel
20	107-9077	1	Bearing-Ball
30	107-9078	1	Bearing-Ball
40	130-1512	1	Nut
50	120-2562	1	Gear-Pump, Injection
60	98-9595	1	Key-Woodruff
70	98-9511	1	Stopper-Fuel, Camshaft
80	98-7692	2	Bolt
90	98-9644	1	Governor Shaft ASM
100	98-9562	1	Holder-Gear, Governor

Ref.	Part Number	Qty.	Description
110	98-9673	1	Gear-Governor
120	98-9561	1	Holder-Weight, Governor
130	98-9559	2	Governor Weight ASM
140	98-9560	2	Shaft-Weight, Governor
150	98-9692	2	Roller
160	98-9563	1	Sleeve-Governor
170	98-9564	1	Washer-Thrust
180	107-9079	1	Bearing-Ball
190	98-9657	1	Circlip-Shaft, Governor
200	98-9565	1	Screw-Set



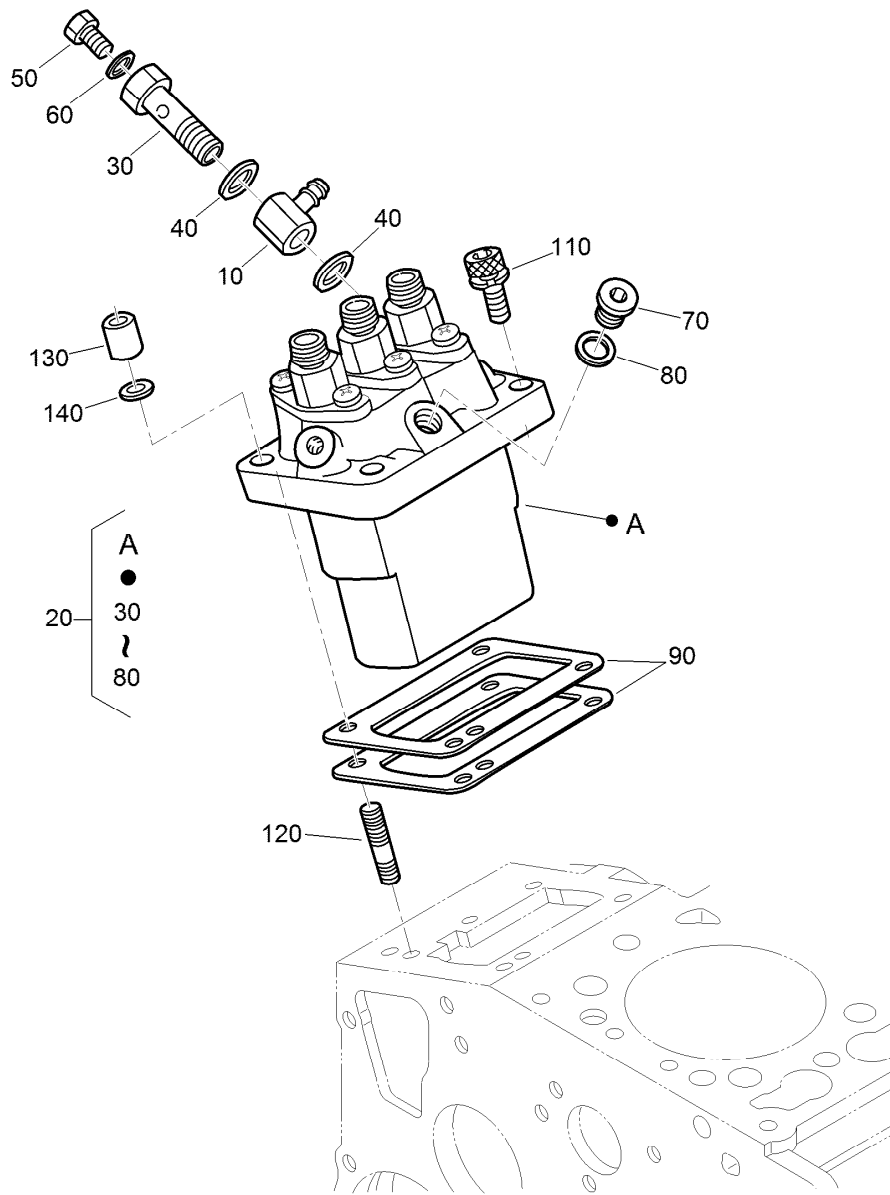
## Idle Apparatus and Stop Solenoid Assembly

Ref.	Part Number	Qty.	Description
10	98-9678	1	Idle Apparatus ASM
20	112-7014	1	Adjusting Bolt ASM
30	98-9439	1	Nut
40	112-0181	1	Nut
50	98-7654	2	Gasket
60	98-7656	1	Cap
65	140-2470	1	Adjusting Bolt ASM
80	139-4548	1	Nut-Lock
85	140-2471	1	Cap Nut ASM
98	140-2472	1	Circlip-Int
100	98-7654	1	Gasket
110	107-9081	1	Gasket
120	131-6556	1	Bolt
130	98-7572	1	Nut
140	98-7654	1	Gasket



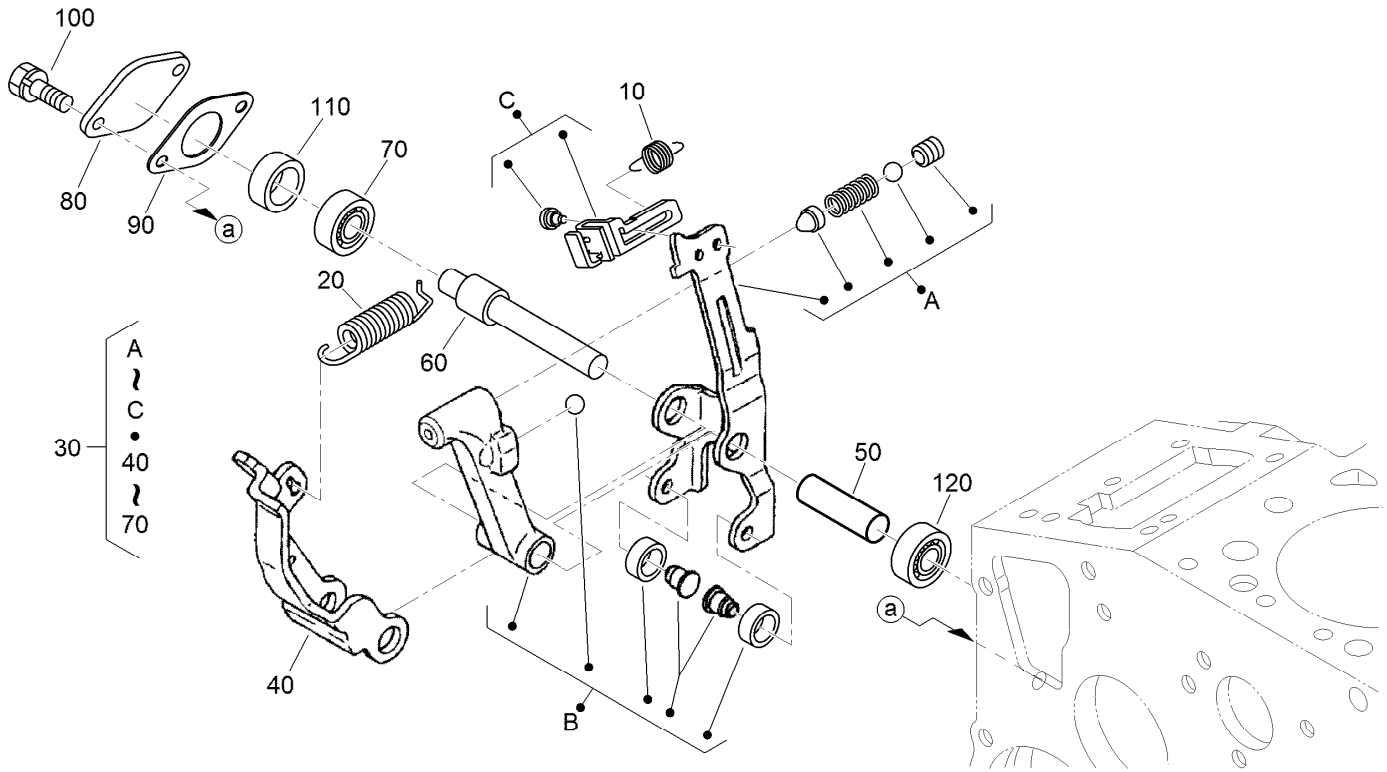
## Solenoid Assembly

<i>Ref.</i>	<i>Part Number</i>	<i>Qty.</i>	<i>Description</i>
120	104-5155	1	Solenoid-Stop
130	130-1155	2	Screw-HSH
140	112-7016	1	Cover-Pump
150	99-3514	1	Cover
160	117-7562	1	Gasket-Pump, Fuel
170	100-2203	2	Nut-Flange



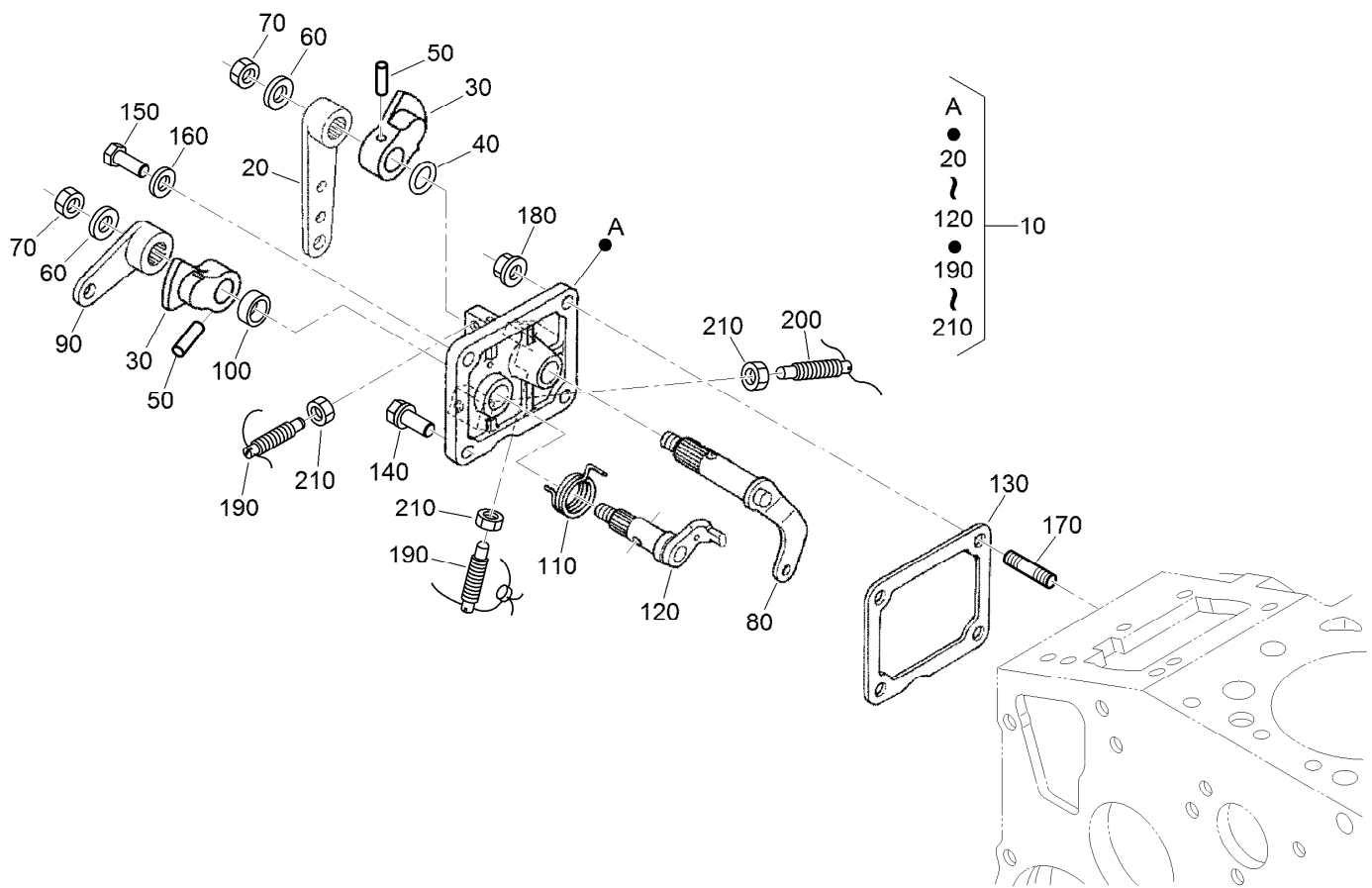
## Injection Pump Assembly

<i>Ref.</i>	<i>Part Number</i>	<i>Qty.</i>	<i>Description</i>	<i>Ref.</i>	<i>Part Number</i>	<i>Qty.</i>	<i>Description</i>
10	139-4549	1	Joint-Eye	90	98-9457	1	Shim-Injection (0.25MM)
20	98-9643	1	Injection Pump ASM	90	98-9458	1	Shim-Injection (0.30MM)
30	98-9464	1	Bolt-Joint	90	115-3046	1	Shim-Injection (0.35MM)
40	98-9445	2	Gasket	90	115-3045	1	Shim-Injection (0.175MM)
50	98-9430	1	Screw	110	117-7564	2	Bolt-Hex Soc HD
60	98-9446	1	Gasket	120	98-9438	2	Stud
70	98-9466	1	Plug	130	98-9440	2	Nut-Cap
80	98-9451	1	Gasket	140	98-7699	2	Washer-Spring
90	98-9456	1	Shim-Injection (0.20MM)				



## Governor Assembly

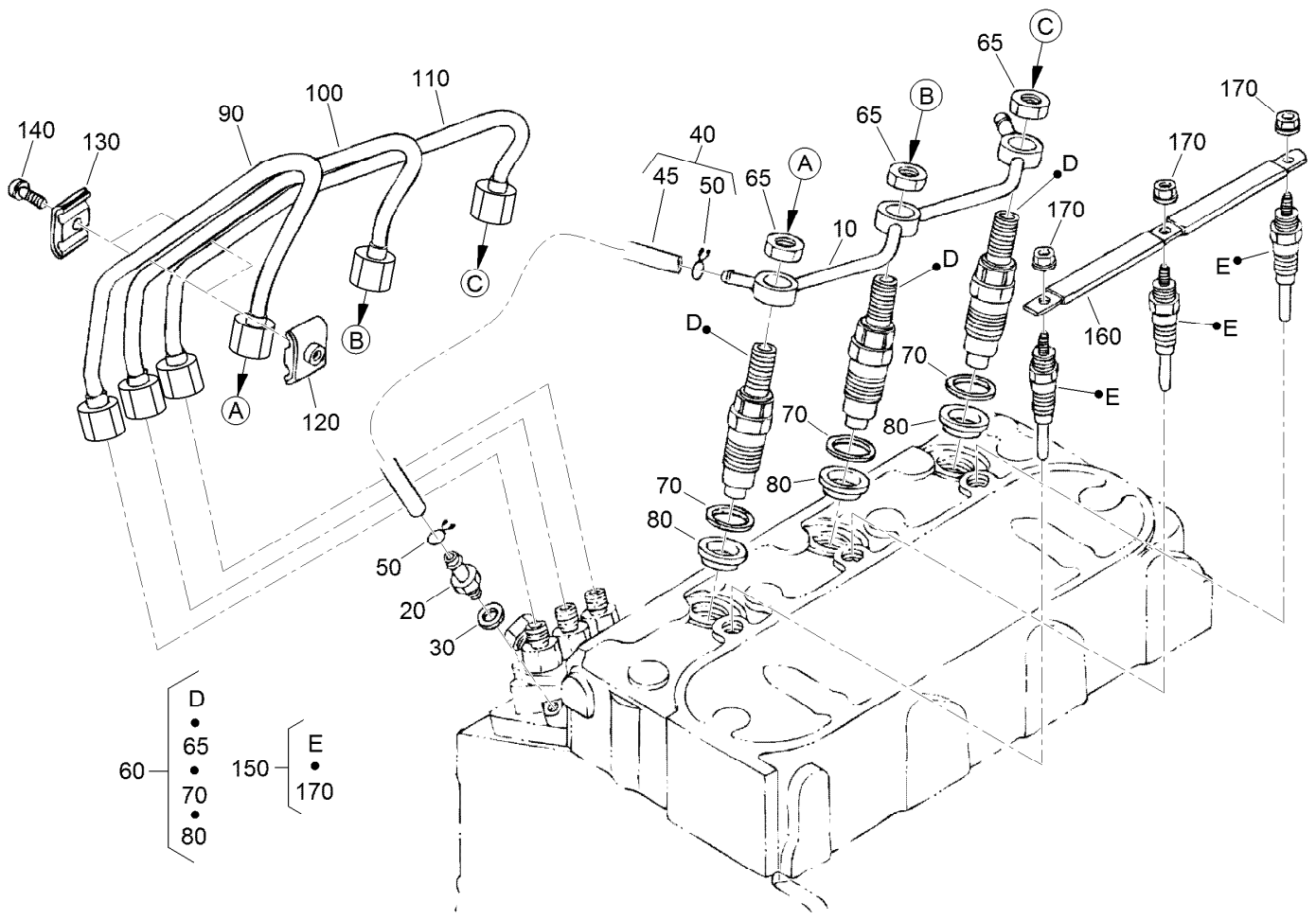
Ref.	Part Number	Qty.	Description
10	105-3786	1	Spring-Start
20	98-9681	1	Spring-Governor
30	115-4502	1	Fork Lever ASM
40	107-9084	1	Lever-Fork
50	107-9085	1	Shaft-Lever, Fork
60	107-9086	1	Shaft-Lever, Fork
70	98-9570	1	Bearing-Miniaturize
80	115-4122	1	Cover-Shaft, Fork Lever
90	98-9682	1	Gasket
100	98-9350	2	Bolt
110	98-9567	1	Collar
120	98-9571	1	Bearing-Miniaturize



## Speed Control Plate Assembly

Ref.	Part Number	Qty.	Description	Ref.	Part Number	Qty.	Description
10	105-3735	1	Control Plate ASM	120	98-9664	1	Shaft-Lever, Stop
20	98-9662	1	Lever-Control, Speed	130	98-9637	1	Gasket
30	98-9572	2	Lever-Control, Speed	140	98-7692	1	Bolt
40	105-3788	1	O-Ring	150	127-0401	1	Bolt-Hex
50	98-7602	2	Pin-Spring	160	98-7654	1	Gasket
60	98-9594	2	Washer-Plain	170	105-3710	2	Stud
70	98-9589	2	Nut	180	100-2203	2	Nut-Flange
80	98-9658	1	Governor Lever ASM	190	117-7565	2	Bolt-Adjusting
90	98-9663	1	Lever-Stop, Engine	200	117-7566	1	Bolt-Adjusting
100	98-7601	1	Seal-Oil	210	98-7572	3	Nut
110	98-9472	1	Spring-Return				

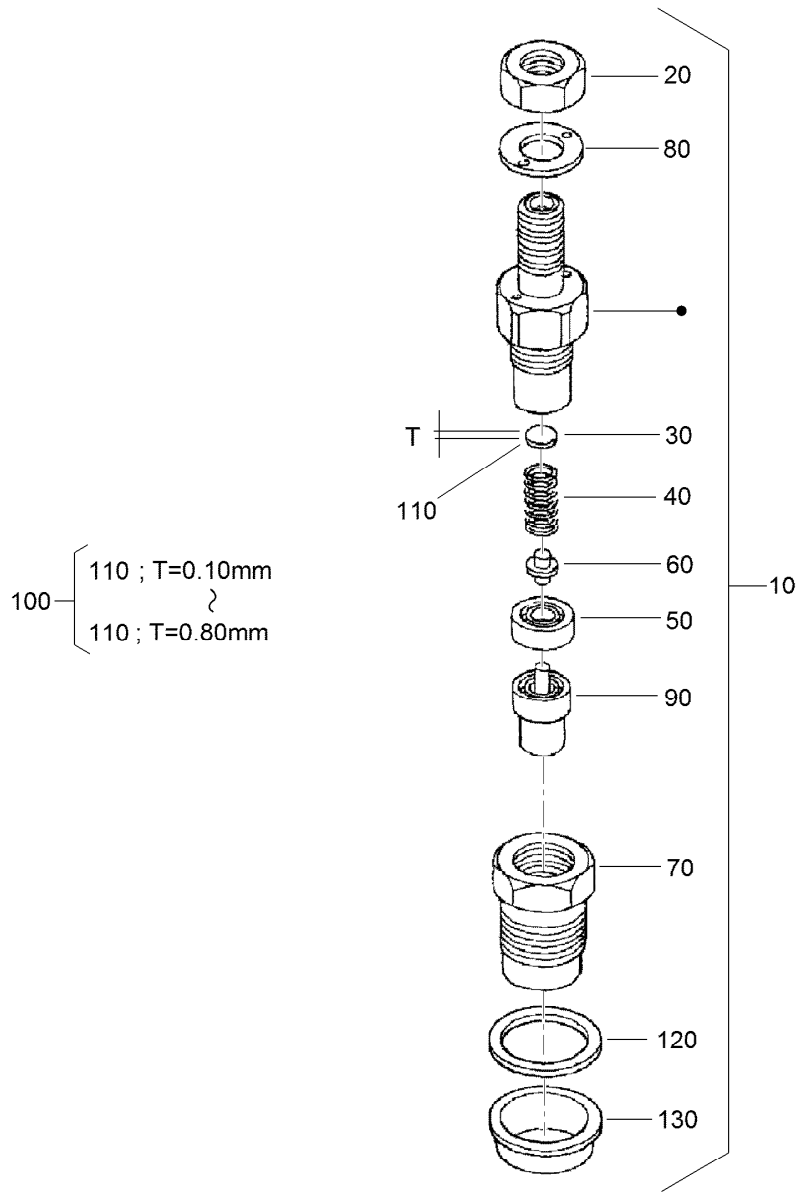




## Nozzle Holder and Glow Plug Assembly

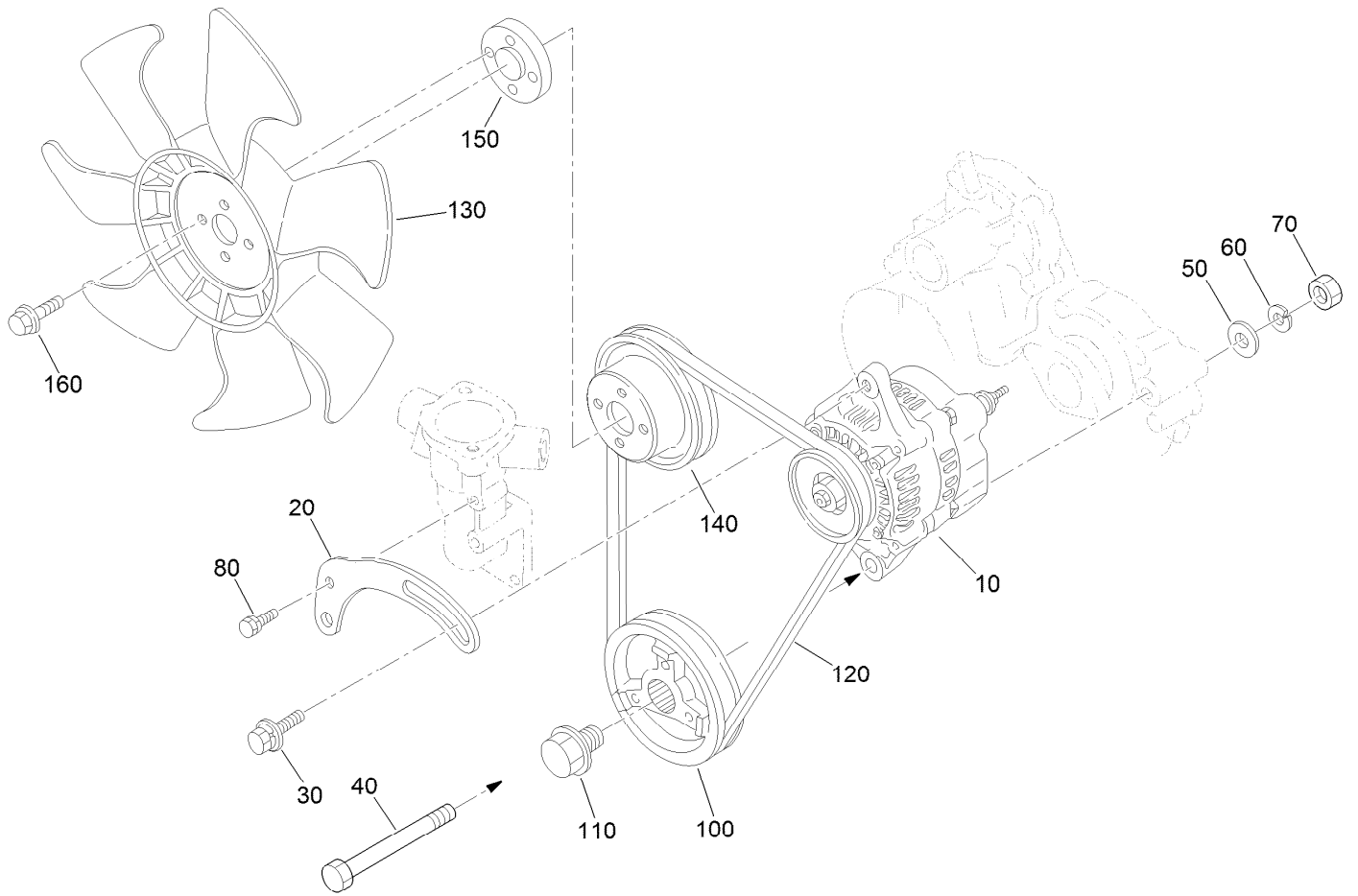
<i>Ref.</i>	<i>Part Number</i>	<i>Qty.</i>	<i>Description</i>
10	98-9620	1	Overflow Pipe ASM
20	98-9431	1	Screw-Bleeder, Air
30	98-7654	1	Gasket
40	140-2456	1	Overflow Pipe ASM
45	140-2457	1	Pipe-Overflow
50	98-7671	2	Clip-Pipe
60	115-3018	3	Nozzle Holder Kit
65	121-2411	3	Nut
70	98-7676	3	Gasket
80	98-7677	3	Seal-Heat

<i>Ref.</i>	<i>Part Number</i>	<i>Qty.</i>	<i>Description</i>
90	98-9622	1	Pipe-Injection
100	98-9654	1	Pipe-Injection
110	98-9655	1	Pipe-Injection
120	98-7682	2	Clamp-Pipe
130	98-7683	2	Clamp-Pipe
140	98-7684	2	Screw (W/Washer)
150	130-1411	3	Plug-Glow
160	98-9631	1	Cord-Plug, Glow
170	99-8377	3	Nut-Flange



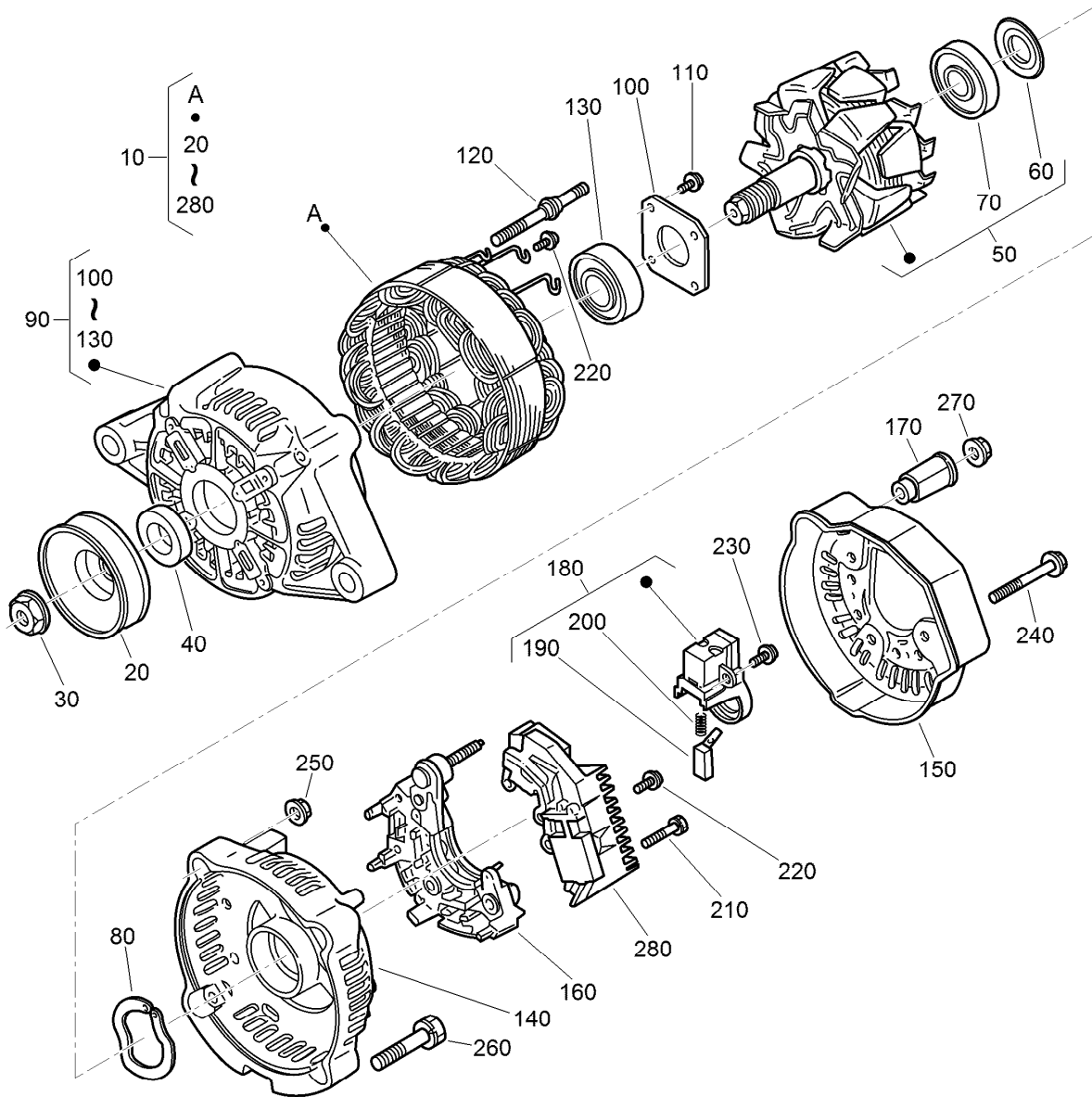
## Nozzle Holder Assembly

Ref.	Part Number	Qty.	Description	Ref.	Part Number	Qty.	Description
10	115-3018	3	Nozzle Holder Kit	110	99-8311	3	Washer-Adjust (0.20MM)
20	121-2411	3	Nut	110	99-8312	3	Washer-Adjust (0.30MM)
30	99-8302	3	Washer-Adjusting	110	99-8313	3	Washer-Adjust (0.40MM)
40	99-8303	3	Spring-Nozzle	110	99-8314	3	Washer-Adjust (0.50MM)
50	99-8304	3	Spacer-Distance	110	99-8315	3	Washer-Adjust (0.52MM)
60	99-8305	3	Rod-Push	110	99-8316	3	Washer-Adjust (0.54MM)
70	99-8306	3	Nut-Nozzle	110	99-8317	3	Washer-Adjust (0.56MM)
80	99-8307	3	Washer-Plain	110	99-8318	3	Washer-Adjust (0.58MM)
90	115-3020	3	Piece-Nozzle	110	99-8319	3	Washer-Adjust (0.80MM)
100	99-8309	3	Adjusting Washer ASM	120	98-7676	3	Gasket
110	99-8310	3	Washer-Adjust (0.10MM)	130	98-7677	3	Seal-Heat



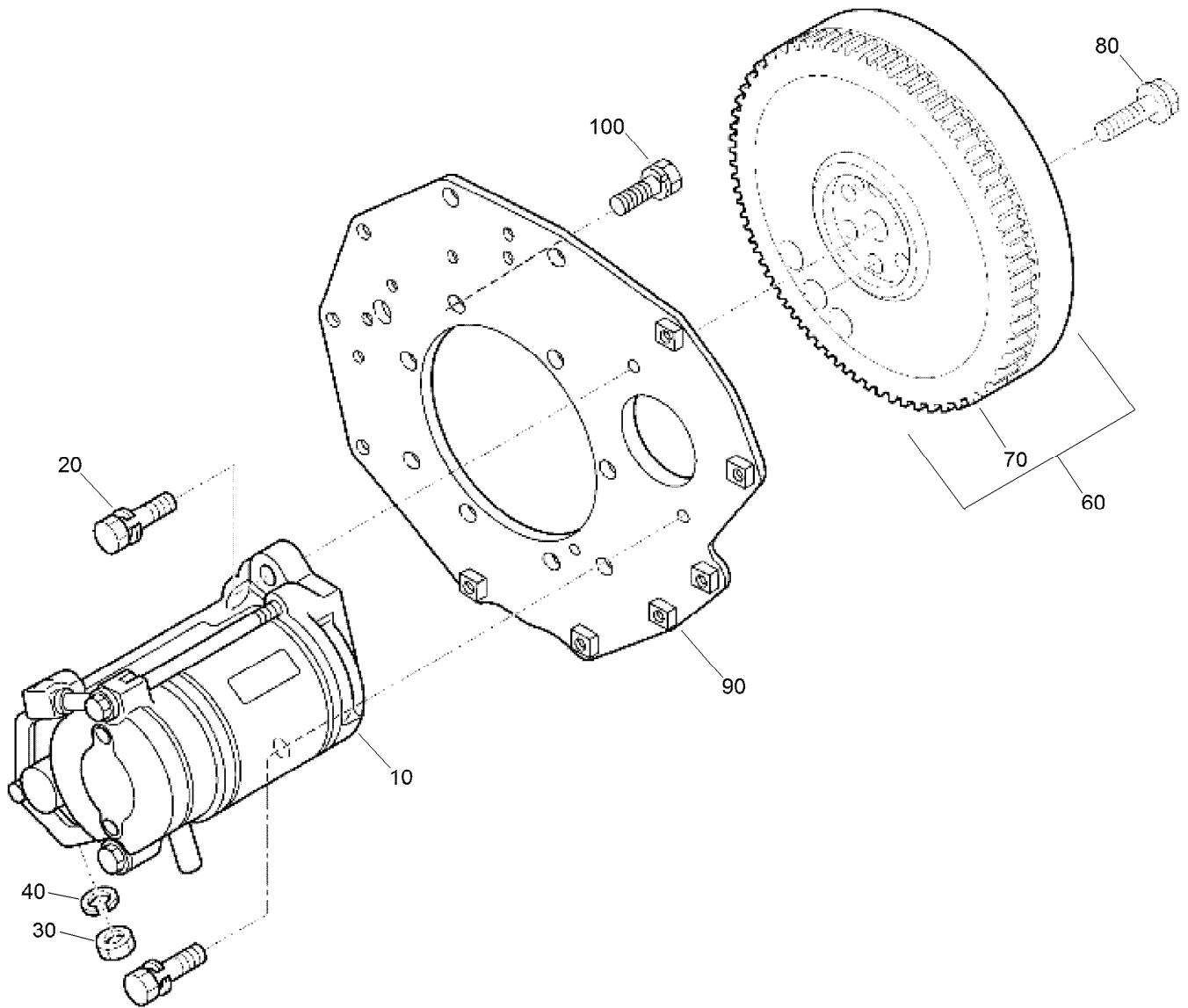
## Alternator, Pulley and Fan Assembly

Ref.	Part Number	Qty.	Description
10	131-6557	1	Alternator ASM
20	112-7047	1	Stay-Dynamo
30	108-7088	1	Bolt
40	98-9360	1	Bolt
50	98-9366	1	Washer-Plain
60	98-7738	1	Washer-Spring
70	98-7737	1	Nut
80	98-7692	1	Bolt
100	98-9473	1	Pulley-Drive, Fan
110	98-9585	1	Bolt
120	104-3494	1	Belt-V
130	104-4246	1	Fan-Engine
140	130-1567	1	Pulley-Fan
150	108-2872	1	Collar-Fan
160	108-2873	4	Bolt-Flange



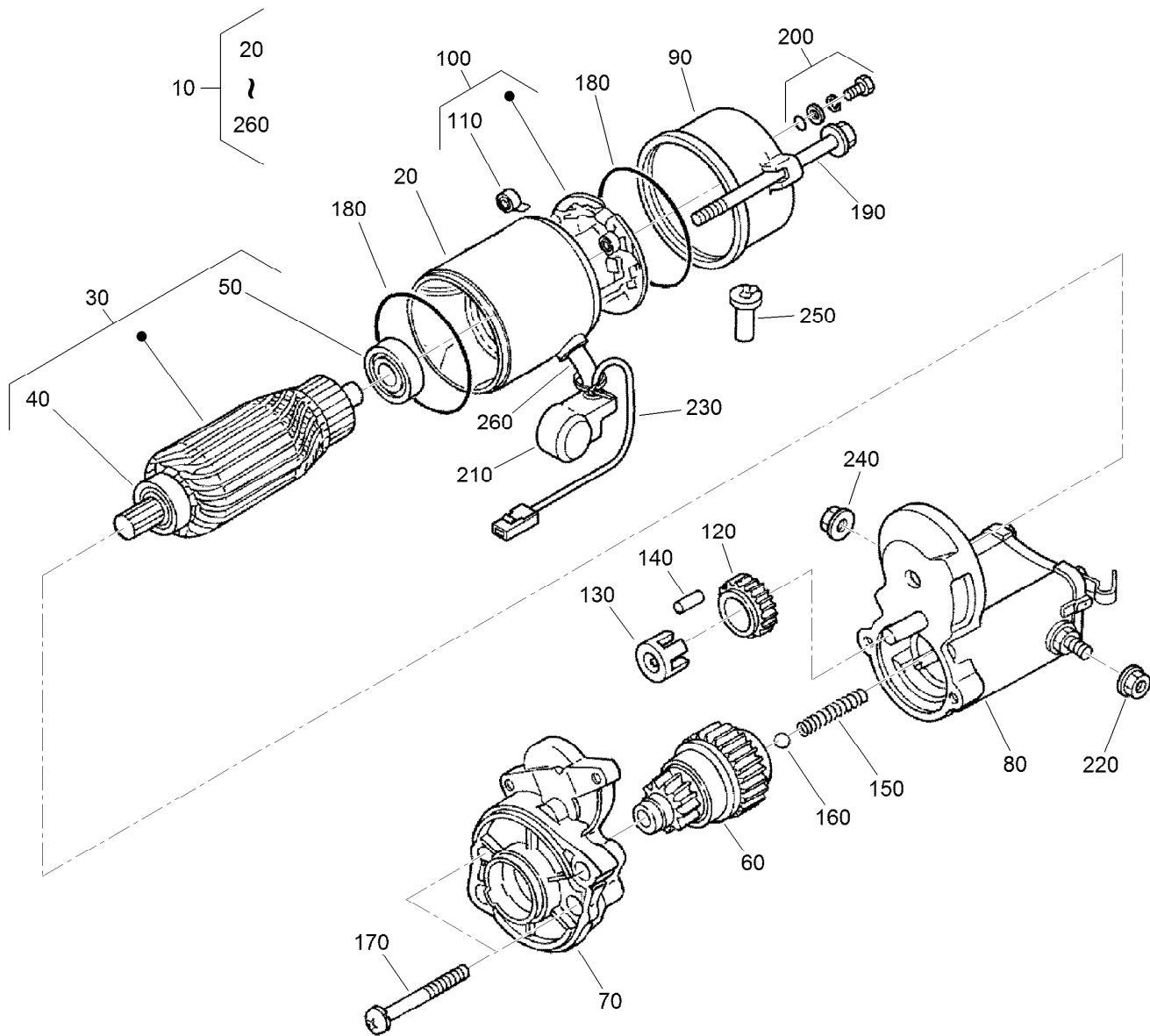
## Alternator Components Assembly

<i>Ref.</i>	<i>Part Number</i>	<i>Qty.</i>	<i>Description</i>	<i>Ref.</i>	<i>Part Number</i>	<i>Qty.</i>	<i>Description</i>
10	131-6557	1	Alternator ASM	150	107-0140	1	Cover-End
20	98-9453	1	Pulley-Dynamo	160	127-1612	1	Rectifier ASM
30	98-7708	1	Nut	170	98-7722	1	Bushing-Insulation
40	98-7709	1	Collar	180	107-0141	1	Brush Holder ASM
50	107-0136	1	Rotor ASM	190	98-7724	2	Brush
60	98-7711	1	Cover-Bearing	200	98-7725	2	Spring-Brush
70	107-0138	1	Bearing-Ball	210	98-7726	2	Screw-Head, Round
80	98-7713	1	Washer-Thrust	220	98-7727	6	Screw-Head, Round
90	131-6559	1	Frame-End, Drive	230	98-7728	1	Screw-Head, Round
100	98-7715	1	Plate-Retainer	240	98-7729	3	Bolt
110	98-7716	4	Screw-Head, Round	250	98-7730	2	Nut
120	98-7717	2	Bolt-Through	260	98-7731	2	Bolt
130	133-2811	1	Bearing	270	98-7732	1	Nut
140	107-9087	1	Frame-End	280	140-2458	1	Regulator ASM



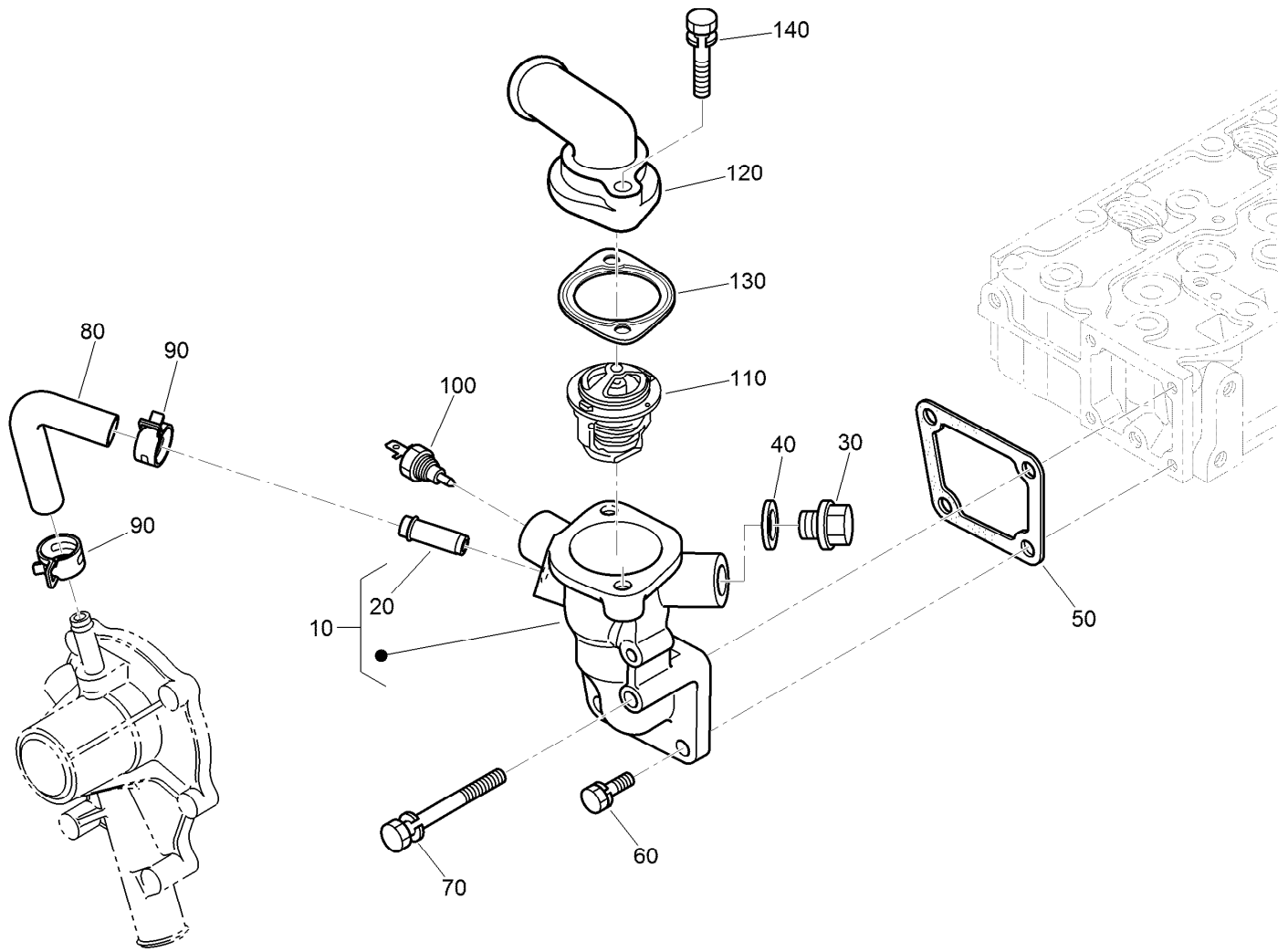
## Starter and Flywheel Assembly

<i>Ref.</i>	<i>Part Number</i>	<i>Qty.</i>	<i>Description</i>
10	98-9705	1	Starter ASM
20	98-7697	2	Bolt
30	98-7534	1	Nut
40	105-2893	1	Washer-Spring
60	105-3784	1	Flywheel ASM
70	115-3015	1	Gear-Ring
80	98-9537	6	Bolt-Flywheel
90	98-9486	1	Plate-End, Rear
100	98-9392	8	Bolt



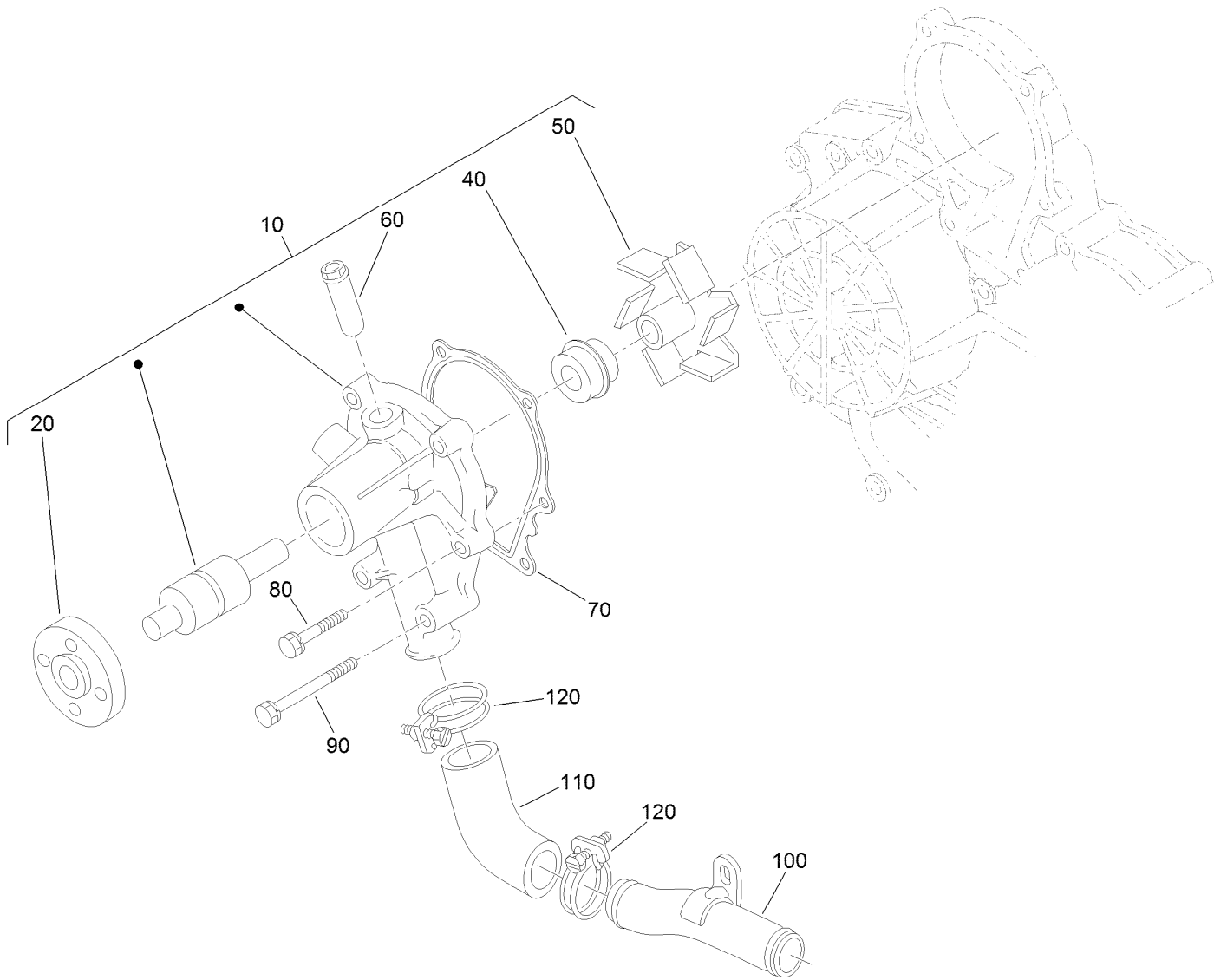
## Starter Component Assembly

<i>Ref.</i>	<i>Part Number</i>	<i>Qty.</i>	<i>Description</i>	<i>Ref.</i>	<i>Part Number</i>	<i>Qty.</i>	<i>Description</i>
10	98-9705	1	Starter ASM	140	98-7753	5	Roller
20	104-8608	1	Yoke ASM	150	98-7754	1	Spring
30	98-7742	1	Armature ASM	160	98-7755	1	Ball
40	98-7744	1	Bearing	170	98-7756	2	Bolt
50	98-7743	1	Bearing	180	98-7757	2	O-Ring
60	99-8373	1	Clutch-Running, Over	190	100-9240	2	Bolt
70	99-8374	1	Frame-End, Drive	200	98-7758	2	Bolt ASM
80	105-3746	1	Magnetic Switch ASM	210	99-8375	1	Cover
90	98-7748	1	Frame-End	220	99-8371	1	Nut-Hex
100	98-7749	1	Brush Holder ASM	230	98-9711	1	Cord-Solenoid, Stop
110	98-7750	4	Spring-Brush	240	99-8376	1	Nut-Hex
120	98-7751	1	Gear	250	98-7759	1	Pipe-Drain
130	98-7752	1	Retainer	260	98-9712	1	Band-Cover



## Water Flange and Thermostat Assembly

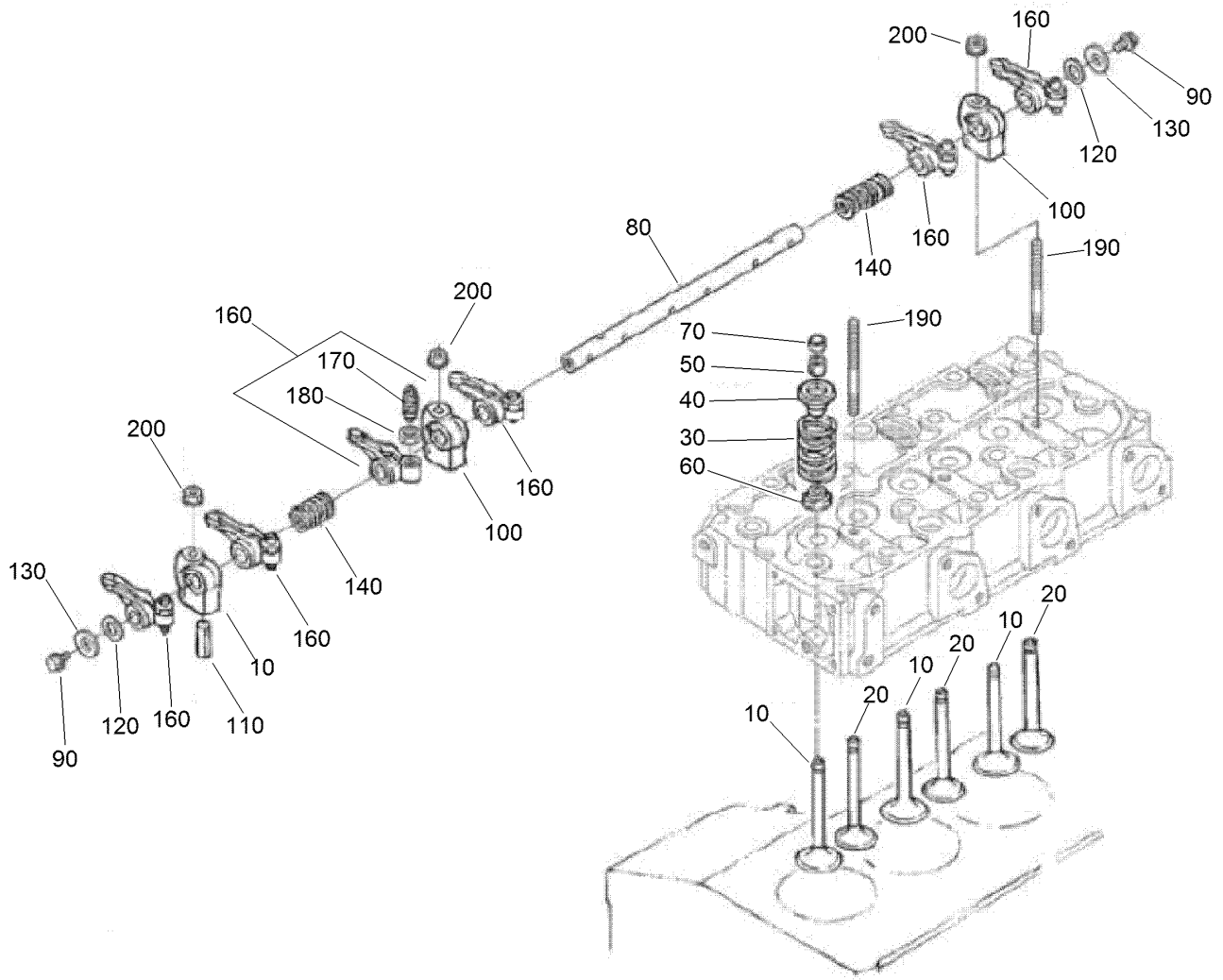
<i>Ref.</i>	<i>Part Number</i>	<i>Qty.</i>	<i>Description</i>
10	98-9713	1	Water Flange ASM
20	98-9580	1	Pipe-Return, Water
30	105-3747	1	Plug
40	99-3583	1	Gasket
50	98-9638	1	Gasket-Flange, Water
60	98-7692	3	Bolt
70	98-9356	1	Bolt
80	98-9578	1	Pipe-Return, Water
90	125-9078	2	Clamp-Hose
100	98-9719	1	Thermoswitch
110	98-7778	1	Thermostat ASM
120	104-4804	1	Outlet-Water
130	105-3748	1	Gasket-Thermostat
140	98-7777	2	Bolt



## Water Pump Assembly

<i>Ref.</i>	<i>Part Number</i>	<i>Qty.</i>	<i>Description</i>
10	107-9089	1	Water Pump ASM
20	99-3516	1	Flange-Pump, Water
40	105-3750	1	Mechanical Seal ASM
50	112-7017	1	Impeller-Pump, Water
60	100-1932	1	Pipe-Return, Water
70	99-3454	1	Gasket-Pump, Water
80	98-9353	4	Bolt
90	107-9090	2	Bolt
100	98-9716	1	Pipe-Water
110	107-9091	1	Pipe-Water
120	127-0439	2	Clamp-Hose

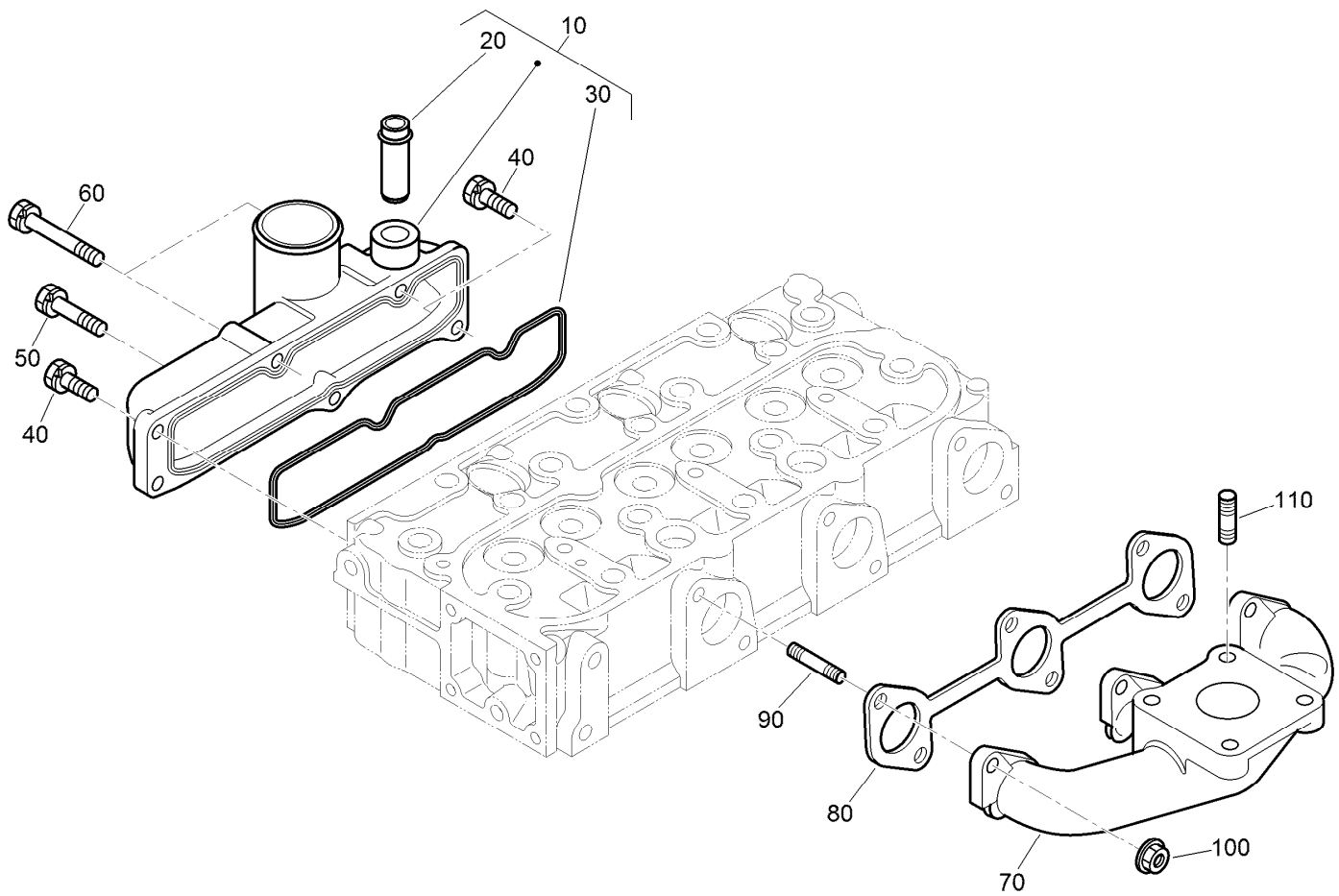




## Valve and Rocker Arm Assembly

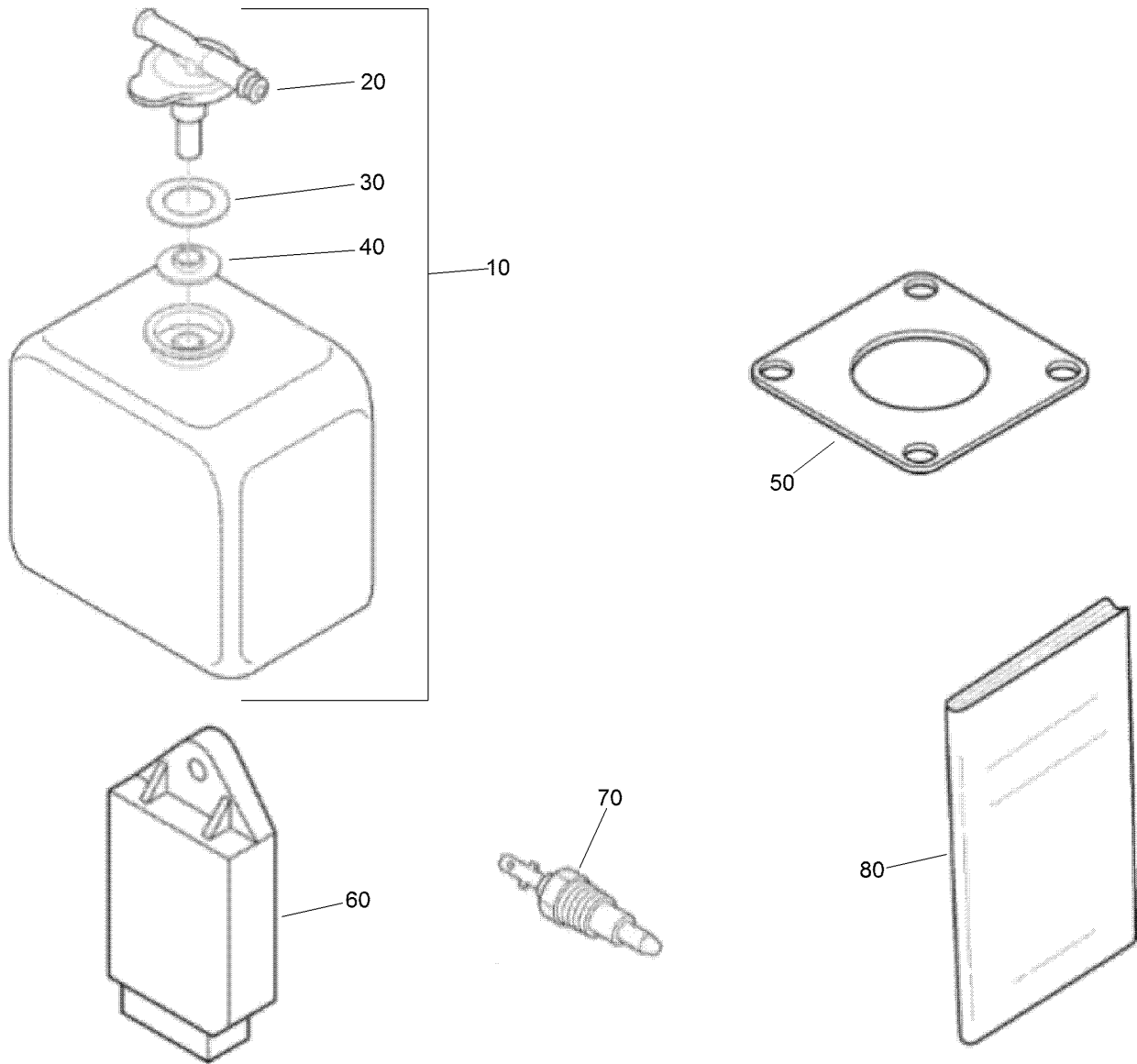
Ref.	Part Number	Qty.	Description
10	140-2459	3	Valve-Inlet
20	140-2460	3	Valve-Exhaust
30	98-9648	6	Spring-Valve
40	107-9092	6	Retainer-Spring
50	117-7572	6	Collet-Spring, Valve
60	99-8385	6	Seal-Stem, Valve
70	98-9497	6	Cap-Valve
80	130-1248	1	Shaft-Arm, Rocker
90	99-8363	2	Bolt-Flange
100	98-9505	3	Bracket-Arm, Rocker

Ref.	Part Number	Qty.	Description
110	105-3758	1	Pin-Spring
120	98-9507	2	Washer-Shaft, Rocker Arm
130	110-3832	2	Washer-Plain
140	98-9504	2	Spring-Arm, Rocker
160	112-7020	6	Rocker Arm ASM
170	98-9502	6	Screw-Adjusting
180	98-9503	6	Nut
190	98-9506	3	Stud
200	131-6563	3	Nut-Flange



## Inlet and Exhaust Manifold Assembly

<i>Ref.</i>	<i>Part Number</i>	<i>Qty.</i>	<i>Description</i>
10	107-7843	1	Manifold Inlet ASM
20	98-9492	1	Joint-Pipe, Breather
30	98-9609	1	Gasket-Manifold, Inlet
40	127-0403	3	Bolt-Flange
50	98-9353	1	Bolt
60	125-9063	2	Bolt-Sems
70	107-9093	1	Manifold-Exhaust
80	99-8327	1	Gasket-Manifold, Exhaust
90	98-9588	6	Stud
100	98-9665	6	Nut
110	98-7769	4	Stud



## Miscellaneous Engine Parts

<i>Ref.</i>	<i>Part Number</i>	<i>Qty.</i>	<i>Description</i>
10	104-9318	1	Bottle-Overflow
20	115-4132	1	Cap
30	105-3755	1	Gasket
40	105-3756	1	Plate
50	99-8343	1	Gasket-Muffler
60	140-2463	1	Controller-Glow
70	140-2462	1	Thermoswitch
80	140-2461	1	Manual-Operator

# Attachments and Accessories

## For 03910 Reelmaster 3550 Traction Unit

<b>Product Name</b>	<b>Model/Part</b>
Operator Cooling Fan .....	03247
Switch Panel-Universal Sunshade.....	03248
22in Fairway Compact Grass Basket Kit.....	03416
18in 8-Blade DPA Cutting Unit .....	03485
18in 11-Blade DPA Cutting Unit .....	03486
22in 8-Blade DPA Cutting Unit.....	03487
22in 11-Blade DPA Cutting Unit .....	03488
22in 5 In 11-bl'd Es (rr) Dpa Cu.....	03489
Flexible Grass Basket Kit.....	03923
Extended Flexible Grass Basket Kit.....	03924
Premium All Purpose Grease (Tube) .....	108-1190
Premium Synthetic Bio-Degradable Hydraulic Fluid (5 Gallon Pail) .....	119-2157
Premium Synthetic Bio-Degradable Hydraulic Fluid (55 Gallon Drum).....	119-2158
Treaded 22-12x12 Tire Asm .....	121-7924
PX Hydraulic Fluid (5 Gal) .....	133-8086
PX Hydraulic Fluid (55 Gal).....	133-8087
Beacon Kit .....	138-2699
Sunshade Work Lights Kit.....	138-2700
Power Harness Kit.....	138-2993
Cutting Unit Lock Kit, Reelmaster 3555 or 3575 Traction Unit .....	138-6938
Brush and Handle Kit.....	29-9100
White Universal Sunshade .....	30669
Red Universal Sunshade .....	30671
New Red Paint - Gallon .....	361-11
Dark Metallic Gray Aerosol Paint .....	361-12
Semi-Gloss Black Spray Paint.....	361-9
1000 Hour MVP Kit .....	44963
Air Dry Red Paint - Qt .....	5340
Diagnostic Display Box.....	85-4750

**Notes:**

**Notes:**

**Notes:**



**Count on it.**