



**Count on it.**

**Parts Catalog**

**Reelmaster® 3575**

**Traction Unit**

Model No. 03821—Serial No. 412200000 and Up



# Ordering Replacement Parts

To order replacement parts, please supply the part number, the quantity, and the description of each part desired.

## Understanding Reference Numbers

Each identified part in an illustration has a reference number. The reference number for a part also appears in the parts list, along with other information about the part.

This catalog uses two special reference number formats, one to indicate parts in a service assembly and another to indicate the quantity of a given part in an illustration.

## Service Assembly Reference Numbers

Parts in service assemblies have reference numbers in the form a:b. The a represents the reference number of the entire service assembly and the b represents a sequential number unique to each part within the service assembly.

For example, a wheel assembly might be identified by reference number 6, the tire by 6:1, the valve by 6:2, and the wheel by 6:3. When you order the assembly identified by reference number 6, you receive all parts identified by reference numbers 6:1, 6:2, and 6:3. However, you may also order any part individually. Reference numbers of this type appear in illustration and in parts lists.

## Reference Numbers Indicating Quantity

In an illustration, if a reference number indicates more than one part, the reference number has the form nX y. The n represents the quantity of the part, the X is the multiplication symbol, and the y represents the reference number.

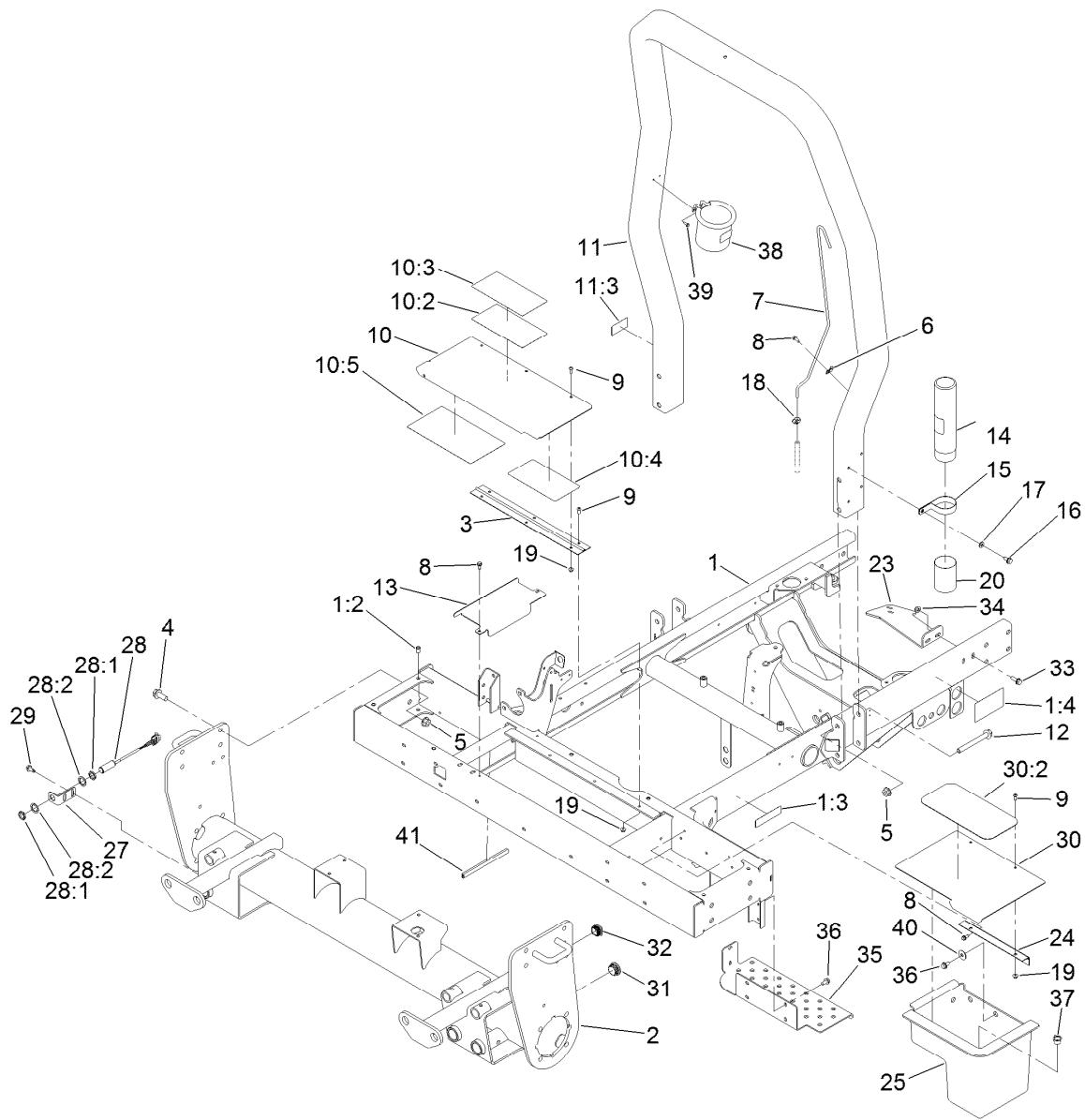
For example, in an illustration, the reference number 2X 37 means that two of the parts identified by reference number 37 are indicated.

# Contents

|   |    |
|---|----|
| Frame and Front Axle Assembly               | 5  |
| Engine Mount Assembly                       | 7  |
| Muffler and Air Cleaner Assembly            | 8  |
| Air Cleaner Assembly No. 93-2190            | 9  |
| Radiator and Oil Cooler Assembly            | 10 |
| No. 1, No. 4 and No. 5 Lift Arm Assembly    | 11 |
| Hydraulic Cylinder Assembly No. 119-6987    | 13 |
| Hydraulic Cylinder Assembly No. 119-6988    | 14 |
| No. 2 and No. 3 Lift Arm Assembly           | 15 |
| Hydraulic Cylinder Assembly No. 138-6941    | 17 |
| Fuel Tank and Filter Assembly               | 18 |
| Hydraulic Tank and Filter Assembly          | 19 |
| Battery Assembly                            | 20 |
| Seat and Heat-Shield Assembly               | 21 |
| Seat Assembly No. 116-3998                  | 22 |
| Control Panel Assembly                      | 23 |
| Joystick Bracket Assembly No. 120-5280      | 24 |
| Parking Brake Assembly                      | 25 |
| Main Wire Harness Assembly                  | 26 |
| Steering Arm Assembly                       | 27 |
| Steering Valve Assembly No. 144-2099        | 28 |
| Front Shroud and Floorplate Assembly        | 29 |
| Traction Control Assembly                   | 31 |
| Hood and Screen Assembly                    | 32 |
| Wheel and Brake Assembly                    | 33 |
| Hydraulic Motor Assembly No. 110-8785       | 34 |
| Hydraulic Motor Assembly No. 110-8786       | 35 |
| Brake Assembly No. 127-8535                 | 36 |
| Rear Fork Assembly                          | 37 |
| Steering Cylinder Assembly No. 121-7835     | 38 |
| Hydraulic Motor Assembly No. 95-8694        | 39 |
| Neutral Arm Assembly                        | 40 |
| Piston Pump and Gear Pump Assembly          | 41 |
| Hydraulic Pump Assembly No. 104-4890        | 42 |
| Hydraulic Gear Pump Assembly No. 121-7841   | 44 |
| Traction Hydraulic Assembly                 | 45 |
| Lift Manifold and Steering Circuit Assembly | 46 |
| Lift Manifold Assembly No. 138-6998         | 47 |
| Front Mow Hydraulic Circuit Assembly        | 48 |
| Mow Manifold Assembly No. 139-6025          | 50 |
| Hydraulic Gear Motor Assembly No. 127-8436  | 51 |
| Rear Mow Hydraulic Circuit Assembly         | 52 |
| Crankcase Assembly                          | 54 |
| Oil Pan and Dipstick Assembly               | 55 |
| Cylinder Head Assembly                      | 56 |
| Gear Case and Oil Filter Cartridge Assembly | 57 |
| Cylinder Head Cover Assembly                | 58 |
| Main Bearing Case Assembly                  | 59 |
| Camshaft and Idle Gear Shaft Assembly       | 60 |
| Piston and Crankshaft Assembly              | 61 |
| Fuel Camshaft and Governor Shaft Assembly   | 62 |
| Idle Apparatus and Stop Solenoid Assembly   | 63 |
| Solenoid Assembly                           | 64 |
| Injection Pump Assembly                     | 65 |

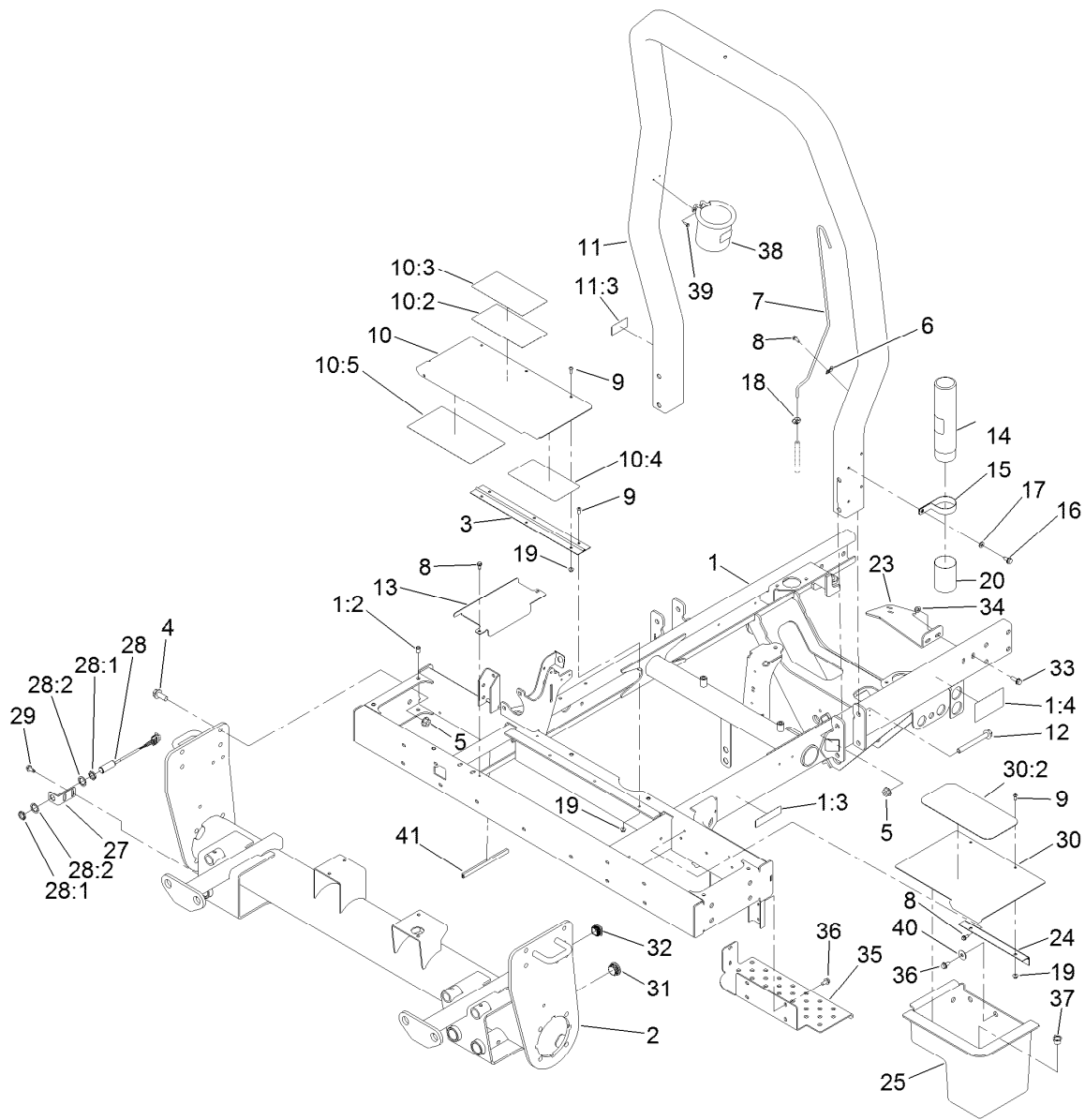
# Contents (continued)

|  |    |
|--|----|
| Governor Assembly .....                    | 66 |
| Speed Control Plate Assembly .....         | 67 |
| Nozzle Holder and Glow Plug Assembly ..... | 68 |
| Nozzle Holder Assembly .....               | 69 |
| Alternator, Pulley and Fan Assembly .....  | 70 |
| Alternator Components Assembly .....       | 71 |
| Starter and Flywheel Assembly .....        | 72 |
| Starter Component Assembly .....           | 73 |
| Water Flange and Thermostat Assembly ..... | 74 |
| Water Pump Assembly .....                  | 75 |
| Valve and Rocker Arm Assembly .....        | 76 |
| Inlet and Exhaust Manifold Assembly .....  | 77 |
| Miscellaneous Engine Parts .....           | 78 |
| Attachments and Accessories .....          | 79 |



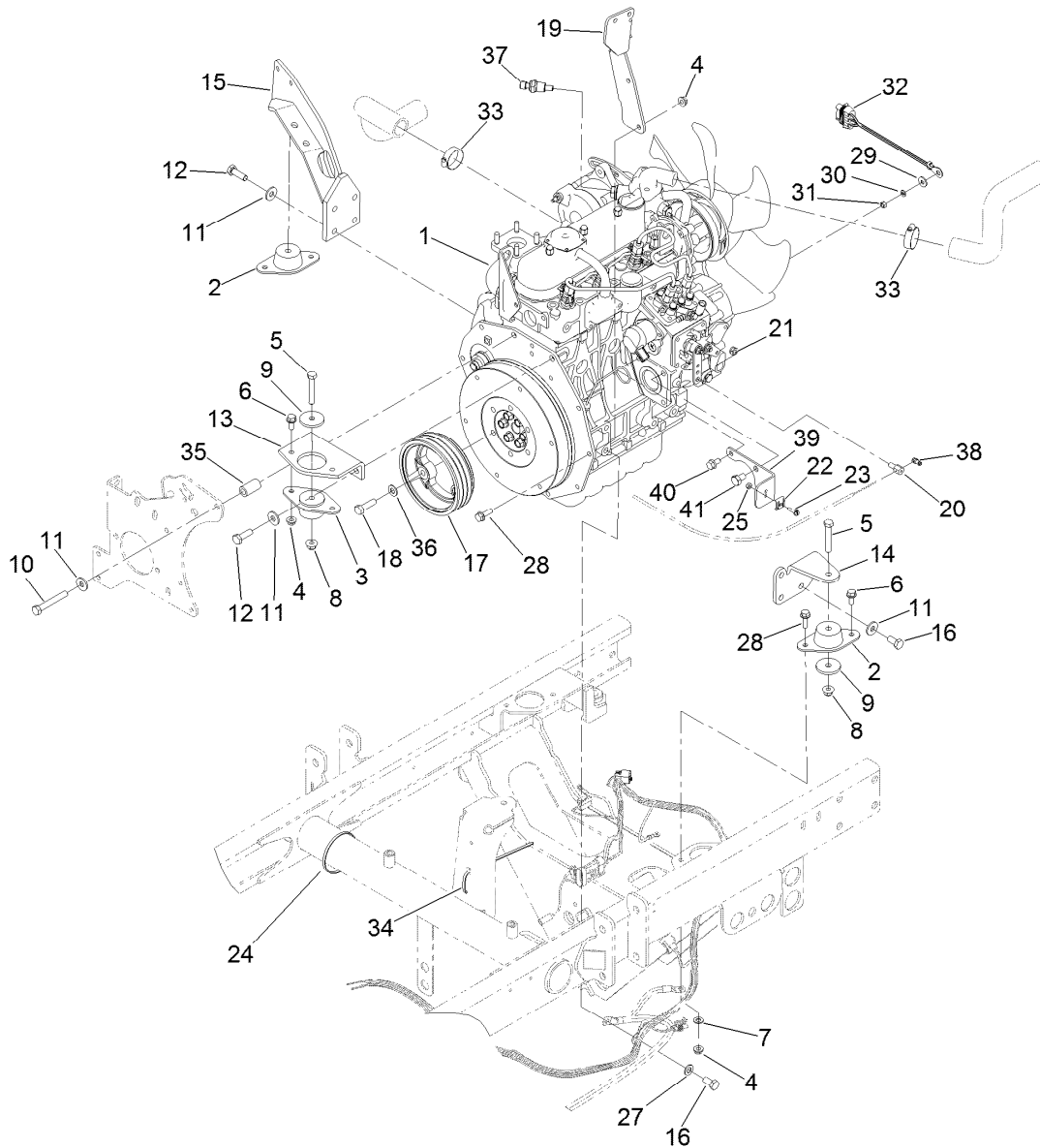
## Frame and Front Axle Assembly

| Ref. | Part Number | Qty. | Description            | Ref. | Part Number | Qty. | Description                 |
|------|-------------|------|------------------------|------|-------------|------|-----------------------------|
| 1    | 133-4935    | 1    | Frame ASM              | 14   | 104-7050    | 1    | Tube-Manual                 |
| 1:2  | 32148-6     | 3    | Nut-Clinch             | 15   | 2412-133    | 2    | Clamp-R                     |
| 1:3  | 133-8062    | 1    | Decal-Arrestor, Spark  | 16   | 32144-70    | 2    | Screw-HWHTF                 |
| 1:4  | 117-3270    | 2    | Decal-Danger           | 17   | 3256-23     | 2    | Washer-Plain                |
| 2    | 127-8452-03 | 1    | Front Axle ASM         | 18   | 2412-108    | 1    | Clamp-Worm                  |
| 3    | 127-8517    | 1    | Hinge-Toolbox          | 19   | 104-7201    | 8    | Nut-HF, NI                  |
| 4    | 3234-38     | 8    | Screw-HHF              | 20   | 104-7048    | 1    | Cap-Housing                 |
| 5    | 32128-49    | 12   | Nut-HHF                | 23   | 138-6940-0P | 1    | Bracket-Filter              |
| 6    | 2412-72     | 2    | Clip-Closed, Insulated | 24   | 127-8589    | 1    | Hinge-Toolbox               |
| 7    | 95-8615     | 1    | Tube-Breather          | 25   | 127-8590    | 1    | Box-Storage                 |
| 8    | 32144-10    | 6    | Screw-HWH              | 27   | 127-8520    | 1    | Bracket-Switch              |
| 9    | 119-6906    | 8    | Screw-HSBH             | 28   | 115-5300    | 1    | Proximity Switch ASM        |
| 10   | 127-8592    | 1    | Toolbox Cover ASM      | 28:1 | 117-3207    | 2    | Nut-Hex                     |
| 10:2 | 120-1683    | 1    | Decal-Danger           | 28:2 | 117-3208    | 2    | Washer-Lock, Internal Tooth |
| 10:3 | 138-1186    | 1    | Decal-Danger           | 29   | 32104-32    | 2    | Screw-HWH                   |
| 10:4 | 133-4901    | 1    | Decal-Reel Speed       | 30   | 127-8565    | 1    | Cover ASM                   |
| 10:5 | 136-3718    | 1    | Decal-Service          | 30:2 | 75-0620     | 1    | Tread-Foot, LH              |
| 11   | 127-8493    | 1    | ROPS ASM               | 31   | 110-9012    | 3    | Caplug                      |
| 11:3 | 136-3702    | 1    | Decal-Safety, ROPS     | 32   | 95-9495     | 2    | Cap                         |
| 12   | 117-3176    | 4    | Screw-HHF              | 33   | 3234-29     | 2    | Screw-HHF                   |
| 13   | 127-8547-01 | 1    | Cover-Battery, Inner   | 34   | 104-8300    | 2    | Nut-HF, NI                  |



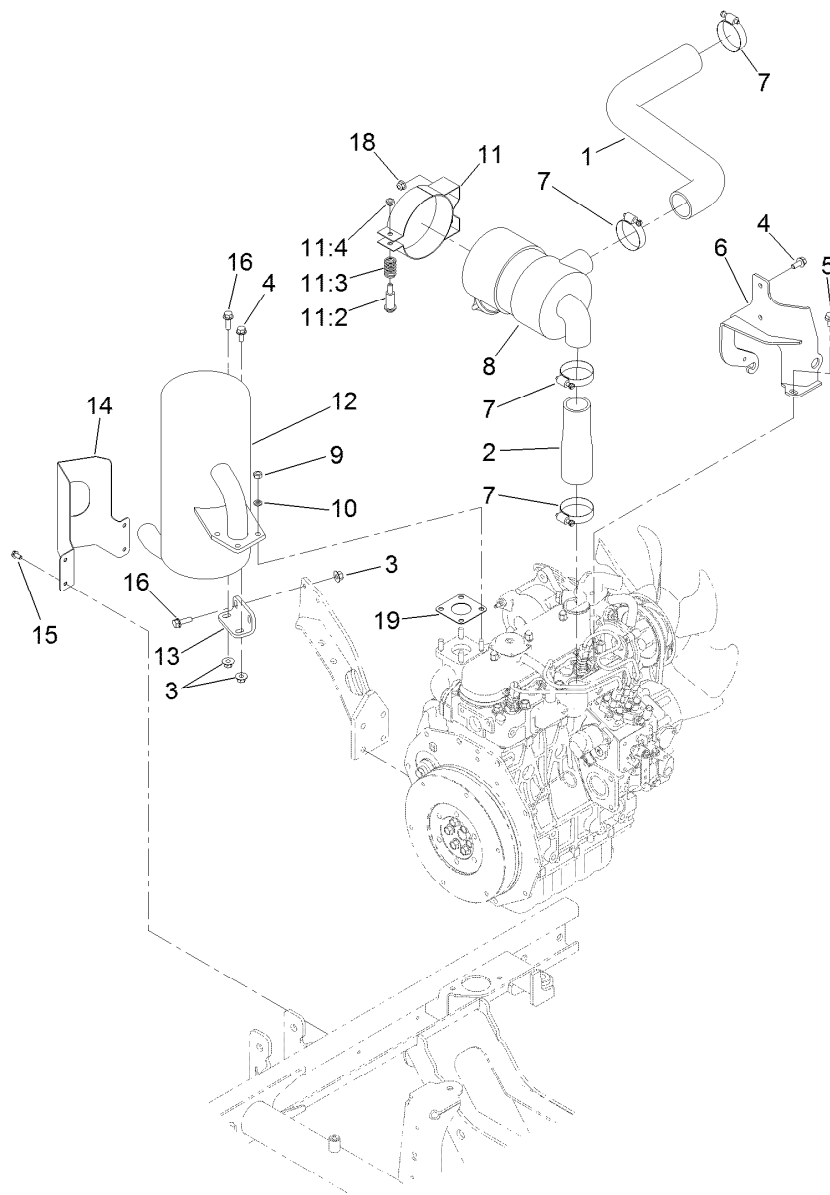
## Frame and Front Axle Assembly (continued)

| <i>Ref.</i> | <i>Part Number</i> | <i>Qty.</i> | <i>Description</i> | <i>Ref.</i> | <i>Part Number</i> | <i>Qty.</i> | <i>Description</i> |
|-------------|--------------------|-------------|--------------------|-------------|--------------------|-------------|--------------------|
| 35          | 127-8443-03        | 1           | Step               | 39          | 32144-1            | 2           | Screw-Taptime      |
| 36          | 32144-14           | 11          | Screw-HWHTF        | 40          | 3256-35            | 5           | Washer-Flat        |
| 37          | 2410-72            | 1           | Caplug (L-9)       | 41          | 127-6619           | 1           | Strip-Seal         |
| 38          | 117-2378           | 1           | Holder-Bag         |             |                    |             |                    |



## Engine Mount Assembly

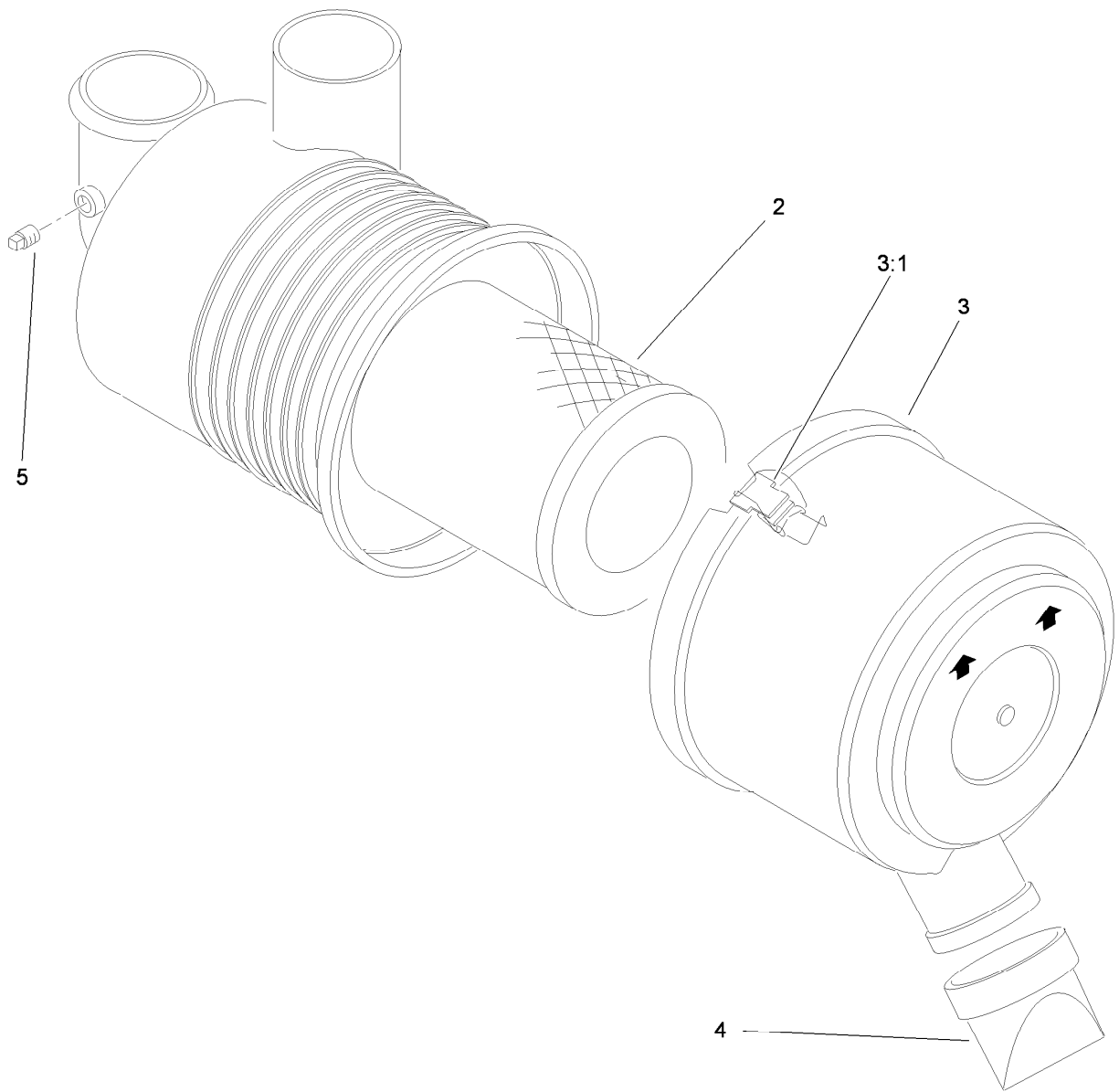
| Ref. | Part Number | Qty. | Description                | Ref. | Part Number | Qty. | Description                |
|------|-------------|------|----------------------------|------|-------------|------|----------------------------|
| 1    | 138-6908    | 1    | Engine-Kubota, D1105       | 21   | 3296-20     | 1    | Nut-Lock, NI               |
| 2    | 121-9076    | 2    | Mount-Engine               | 22   | 81-1690     | 1    | Clamp-Cable                |
| 3    | 93-5265     | 1    | Mount-Engine               | 23   | 32105-13    | 1    | Screw-HWH                  |
| 4    | 32128-20    | 8    | Nut-HF                     | 24   | 3290-379    | 2    | Tie-Cable                  |
| 5    | 323-11      | 3    | Screw-HH                   | 25   | 3296-2      | 1    | Nut-Lock, NI               |
| 6    | 3234-5      | 5    | Screw-HHF                  | 27   | 33095-00    | 1    | Washer-Flat                |
| 7    | 120-9683    | 1    | Washer-Plain               | 28   | 3234-17     | 3    | Screw-HHF                  |
| 8    | 104-8301    | 3    | Nut-HF, NI                 | 29   | 3256-78     | 1    | Washer-Flat                |
| 9    | 80-8560     | 3    | Washer-Hardened            | 30   | 43-5930     | 1    | Washer-Lock, Spring        |
| 10   | 42-9370     | 1    | Screw-HH                   | 31   | 48-7890     | 1    | Nut-Hex                    |
| 11   | 80-6990     | 9    | Washer-Hardened            | 32   | 99-3441     | 1    | Harness-Wire, Fusible Link |
| 12   | 95-8812     | 5    | Screw-HH                   | 33   | 2412-34     | 2    | Clamp-Hose                 |
| 13   | 99-3618-0P  | 1    | Mount-Engine, Front        | 34   | 3290-378    | 14   | Tie-Cable                  |
| 14   | 95-8937-0P  | 1    | Mount-Engine, LH           | 35   | 95-8736     | 1    | Spacer                     |
| 15   | 100-4838-0P | 1    | Mount-Engine               | 36   | 3256-24     | 3    | Washer-Plain               |
| 16   | 63-7790     | 4    | Screw-Cap                  | 37   | 119-4478    | 1    | Sender-Temperature         |
| 17   | 99-3626     | 1    | Pulley-3V                  | 38   | 112-9919    | 1    | Stop-Cable, Throttle       |
| 18   | 56-2140     | 3    | Screw-HH                   | 39   | 110-9009-0P | 1    | Bracket-Cable, Throttle    |
| 19   | 115-3487-0P | 1    | Bracket-Mount, Fuel Filter | 40   | 33104-016   | 1    | Screw-HHF                  |
| 20   | 98-9311     | 1    | Swivel-Throttle            | 41   | 70-8470     | 1    | Screw-HH                   |



## Muffler and Air Cleaner Assembly

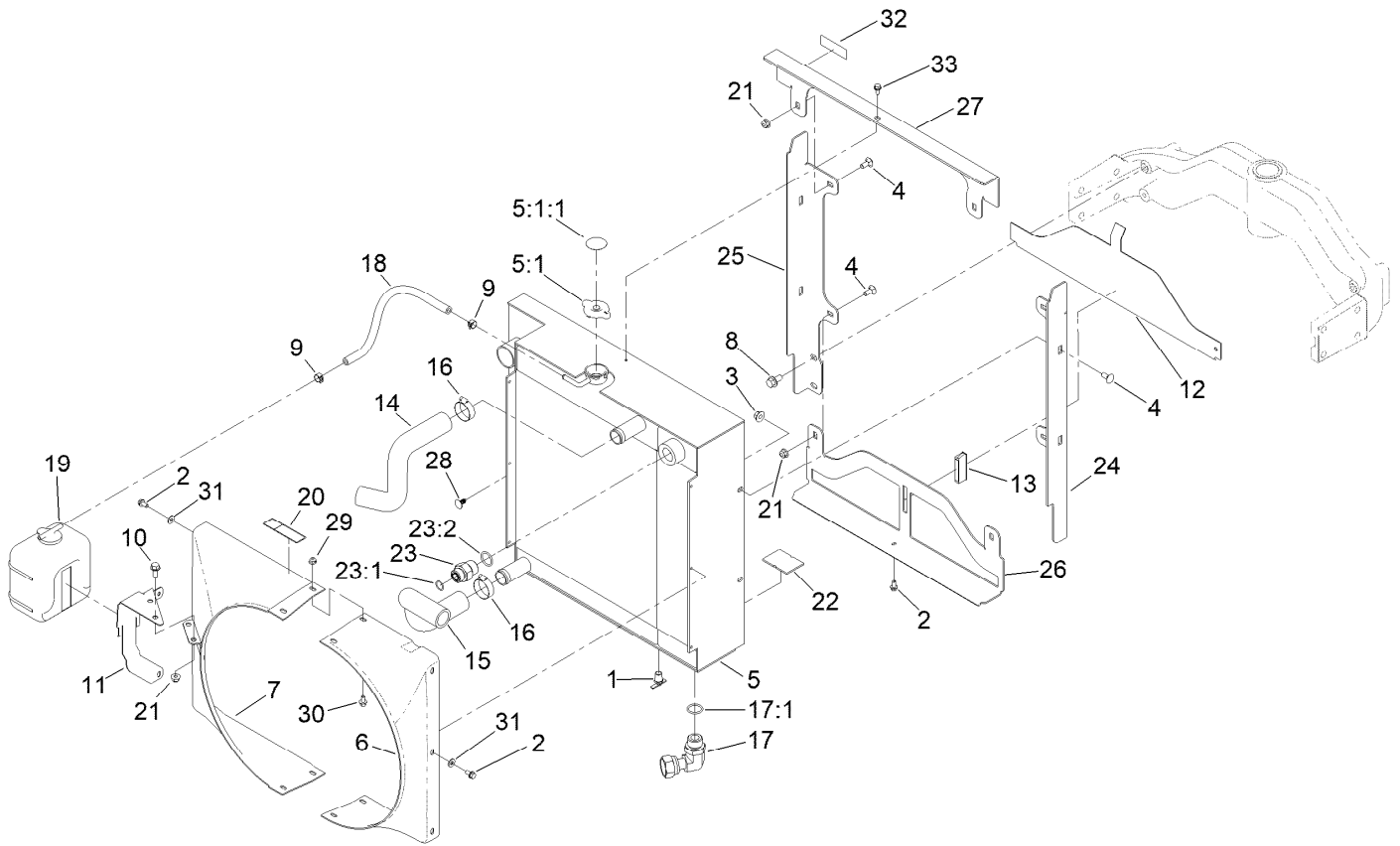
| <i>Ref.</i> | <i>Part Number</i> | <i>Qty.</i> | <i>Description</i>            | <i>Ref.</i> | <i>Part Number</i> | <i>Qty.</i> | <i>Description</i> |
|-------------|--------------------|-------------|-------------------------------|-------------|--------------------|-------------|--------------------|
| 1           | 121-7834           | 1           | Hose-Air Intake, Upper        | 11:2        | 94-3653            | 1           | Bolt               |
| 2           | 95-8947            | 1           | Hose-Air Inlet, Lower         | 11:3        | 94-3654            | 1           | Spring             |
| 3           | 32128-44           | 4           | Nut                           | 11:4        | 48-9510            | 1           | *obs* Nut          |
| 4           | 3234-5             | 3           | Screw-HHF                     | 12          | 139-6013           | 1           | Muffler            |
| 5           | 33104-016          | 3           | Screw-HHF                     | 13          | 95-8943-0P         | 1           | Bracket-Muffler    |
| 6           | 136-3154-0P        | 1           | Bracket-Cleaner, Air          | 14          | 140-7428-03        | 1           | Guard-Exhaust      |
| 7           | 2412-92            | 4           | Clamp-Hose                    | 15          | 32144-4            | 4           | Screw-HWH          |
| 8           | 93-2190            | 1           | Air Cleaner ASM               | 16          | 3234-17            | 3           | Screw-HHF          |
| 9           | 33014-00           | 4           | Nut-Hex                       | 18          | 104-8300           | 2           | Nut-HF, NI         |
| 10          | 3253-4             | 4           | Washer-Lock                   | 19          | 98-9611            | 1           | Gasket             |
| 11          | 93-2191            | 1           | Air Cleaner Mounting Band ASM |             |                    |             |                    |





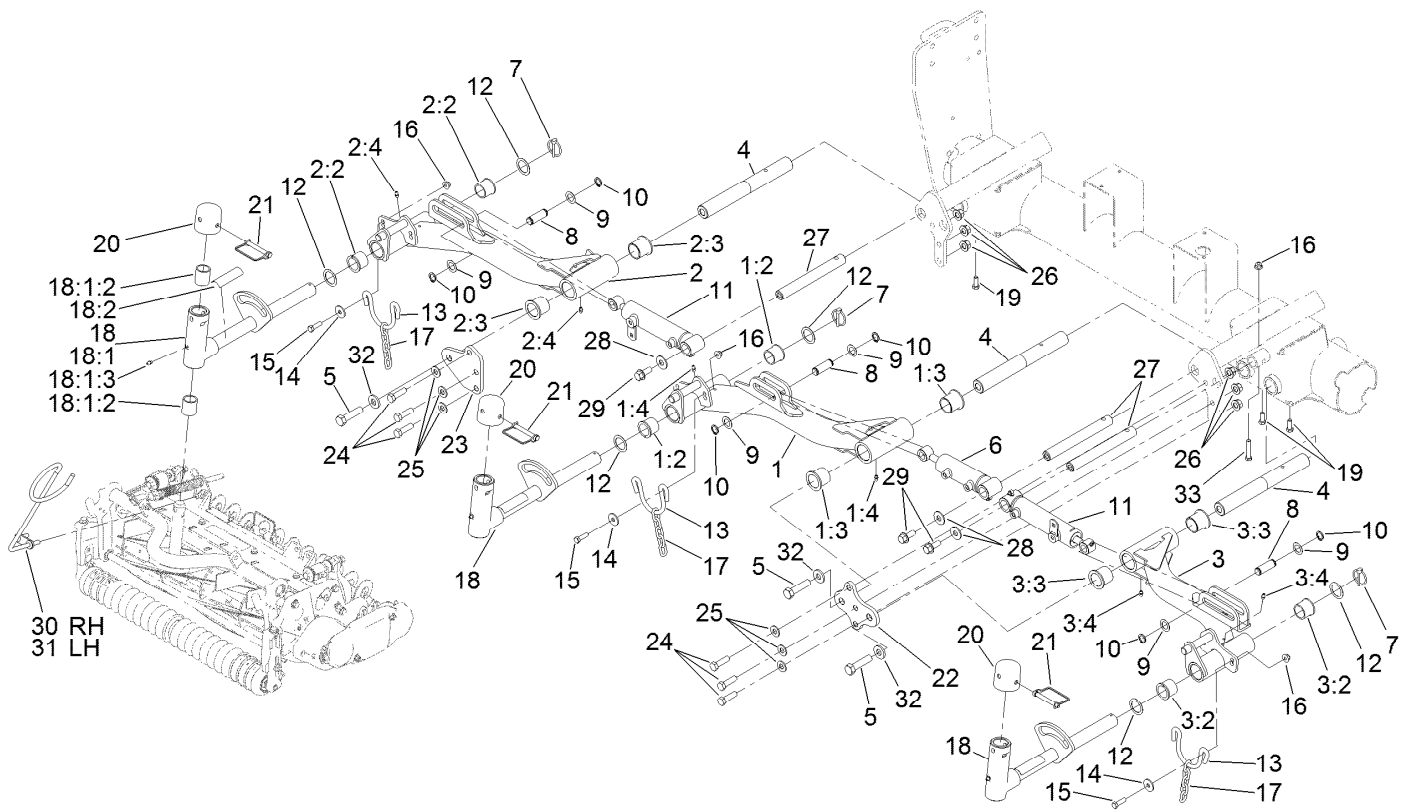
## Air Cleaner Assembly No. 93-2190

| <i>Ref.</i> | <i>Part Number</i> | <i>Qty.</i> | <i>Description</i> |
|-------------|--------------------|-------------|--------------------|
| 2           | 108-3811           | 1           | Filter-Air         |
| 3           | 94-3652            | 1           | Cover ASM          |
| 3:1         | 1-643283           | 2           | Latch-Cleaner, Air |
| 4           | 87-9400            | 1           | Valve-Vacuator     |
| 5           | 285-17             | 1           | Plug-Pipe          |



## Radiator and Oil Cooler Assembly

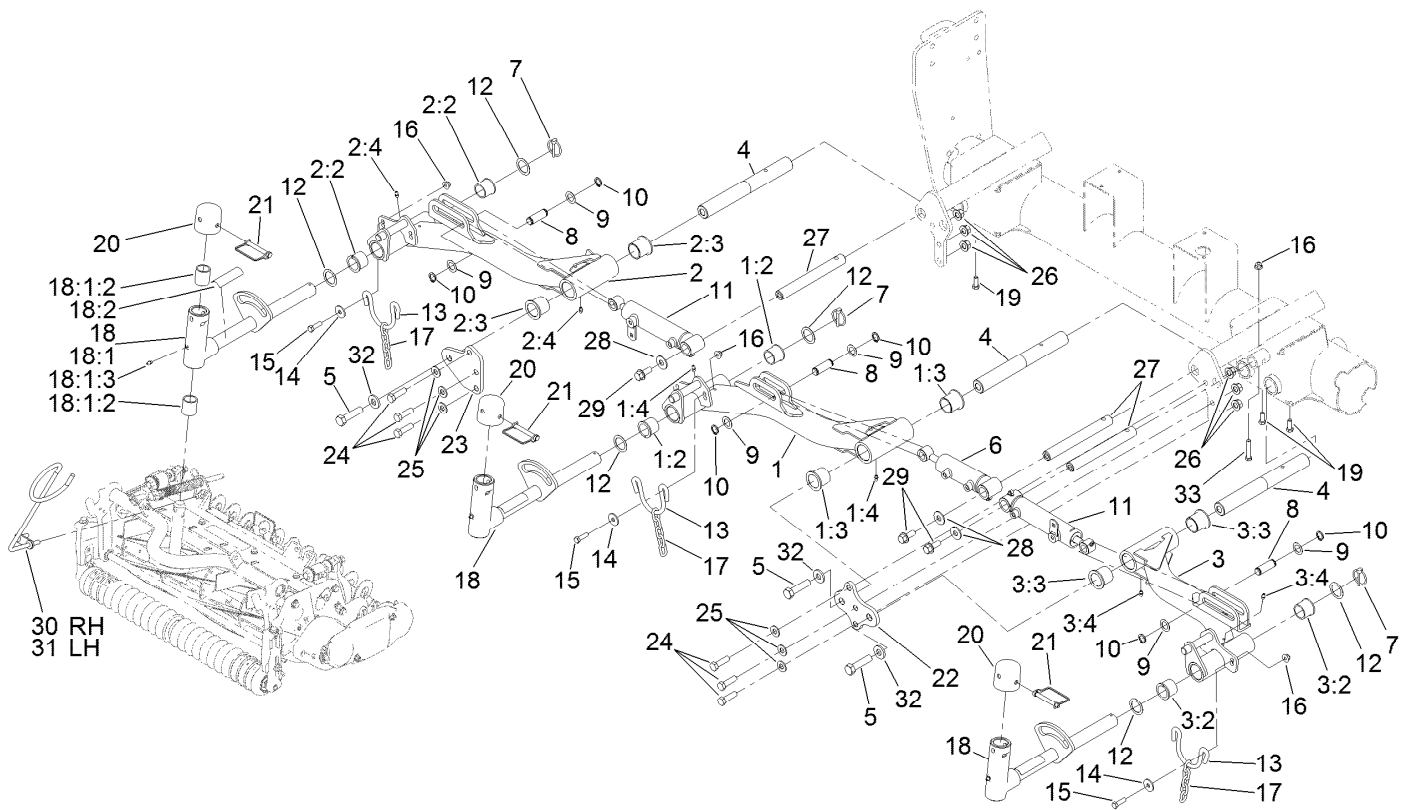
| <i>Ref.</i> | <i>Part Number</i> | <i>Qty.</i> | <i>Description</i>             | <i>Ref.</i> | <i>Part Number</i> | <i>Qty.</i> | <i>Description</i>          |
|-------------|--------------------|-------------|--------------------------------|-------------|--------------------|-------------|-----------------------------|
| 1           | 304-46             | 1           | Draincock                      | 17:1        | 237-81             | 1           | O-Ring                      |
| 2           | 32104-116          | 6           | Screw-HWHTF                    | 18          | 109-0274           | 1           | Hose-Fuel                   |
| 3           | 32128-44           | 4           | Nut                            | 19          | 108-0638           | 1           | Bottle-Overflow             |
| 4           | 3230-1             | 8           | Bolt-CARR                      | 20          | 120-0627           | 1           | Decal-Warning               |
| 5           | 119-2028           | 1           | Radiator And Oil Cooler<br>ASM | 21          | 104-8300           | 6           | Nut-HF, NI                  |
| 5:1         | 115-7766           | 1           | Cap-Radiator                   | 22          | 104-9459           | 2           | Seal-Foam                   |
| 5:1:1       | 106-6755           | 1           | Decal-Cap, Radiator            | 23          | 340-8              | 1           | Fitting-Straight            |
| 6           | 121-7853           | 1           | Shroud-LH                      | 23:1        | 237-65             | 1           | O-Ring                      |
| 7           | 133-4918           | 1           | Shroud-RH                      | 23:2        | 237-81             | 1           | O-Ring                      |
| 8           | 3234-1             | 4           | Screw-HHF                      | 24          | 120-3531-0P        | 1           | Bracket-Radiator, LH        |
| 9           | 92-2379            | 2           | Clamp-Hose                     | 25          | 120-3532-0P        | 1           | Bracket-Radiator, RH        |
| 10          | 3234-5             | 2           | Screw-HHF                      | 26          | 120-3530-0P        | 1           | Bracket-Radiator, Bottom    |
| 11          | 133-4919-0P        | 1           | Bracket-Reservoir              | 27          | 120-3529-0P        | 1           | Bracket-Radiator, Top       |
| 12          | 95-8702-0P         | 1           | Shield-Radiator, Lower         | 28          | 117-2382           | 2           | Plug-Plastic                |
| 13          | 99-3497            | 1           | Magnet                         | 29          | 104-7201           | 4           | Nut-HF, NI                  |
| 14          | 120-2193           | 1           | Hose-Radiator, Upper           | 30          | 3234-13            | 4           | Screw-HHF                   |
| 15          | 120-3353           | 1           | Hose-Radiator, Lower           | 31          | 3256-22            | 4           | Washer-Flat                 |
| 16          | 2412-34            | 2           | Clamp-Hose                     | 32          | 125-6688           | 1           | Decal-Danger, Starter Fluid |
| 17          | 94-2636            | 1           | Fitting ASM                    | 33          | 32144-10           | 2           | Screw-HWH                   |



## No. 1, No. 4 and No. 5 Lift Arm Assembly

| Ref. | Part Number | Qty. | Description         | Ref.   | Part Number | Qty. | Description            |
|------|-------------|------|---------------------|--------|-------------|------|------------------------|
| 1    | 110-0991    | 1    | No. 1 Lift Arm ASM  | 10     | 32120-93    | 6    | Ring-Retaining         |
| 1:2  | 69-6470     | 2    | Bushing-Caster      | 11     | 119-6987    | 2    | HYD Cylinder ASM       |
| 1:3  | 104-0015    | 2    | Bushing-Flange      | 12     | 76-2980     | 6    | Washer-Thrust          |
| 1:4  | 302-5       | 2    | Fitting-Grease      | 13     | 110-0922    | 3    | Hoop-Chain             |
| 2    | 127-8519    | 1    | No. 5 Lift Arm ASM  | 14     | 63-8410     | 6    | Washer                 |
| 2:2  | 69-6470     | 2    | Bushing-Caster      | 15     | 323-7       | 6    | Screw-HH               |
| 2:3  | 104-0015    | 2    | Bushing-Flange      | 16     | 104-8301    | 9    | Nut-HF, NI             |
| 2:4  | 302-5       | 2    | Fitting-Grease      | 17     | 84-2451     | 3    | Chain-Straight, 5 Link |
| 3    | 114-8874    | 1    | No. 4 Lift Arm ASM  | 18     | 138-1248    | 3    | Pivot Yoke ASM         |
| 3:2  | 69-6470     | 2    | Bushing-Caster      | 18:1   |             | 1    | Yoke-Pivot ●           |
| 3:3  | 104-0015    | 2    | Bushing-Flange      | 18:1:2 | 121-3187    | 2    | Bushing                |
| 3:4  | 302-5       | 2    | Fitting-Grease      | 18:1:3 | 302-5       | 1    | Fitting-Grease         |
| 4    | 127-8494    | 3    | Pin-Lift Arm        | 18:2   | 110-9642    | 1    | Decal-Warning          |
| 5    | 327-7       | 3    | Screw-HH            | 19     | 323-6       | 3    | Screw-HH               |
| 6    | 119-6988    | 1    | HYD Cylinder ASM    | 20     | 107-4027    | 3    | Cap                    |
| 7    | 92-1298     | 3    | Pin-Lynch           | 21     | 107-7400    | 3    | Pin-Lynch              |
| 8    | 104-0046    | 3    | Pin-Slide, Cylinder | 22     | 127-8506-03 | 1    | Plate-Bridge           |
| 9    | 3-6498      | 6    | Washer-Thrust       | 23     | 127-8507-03 | 1    | Plate-Bridge           |

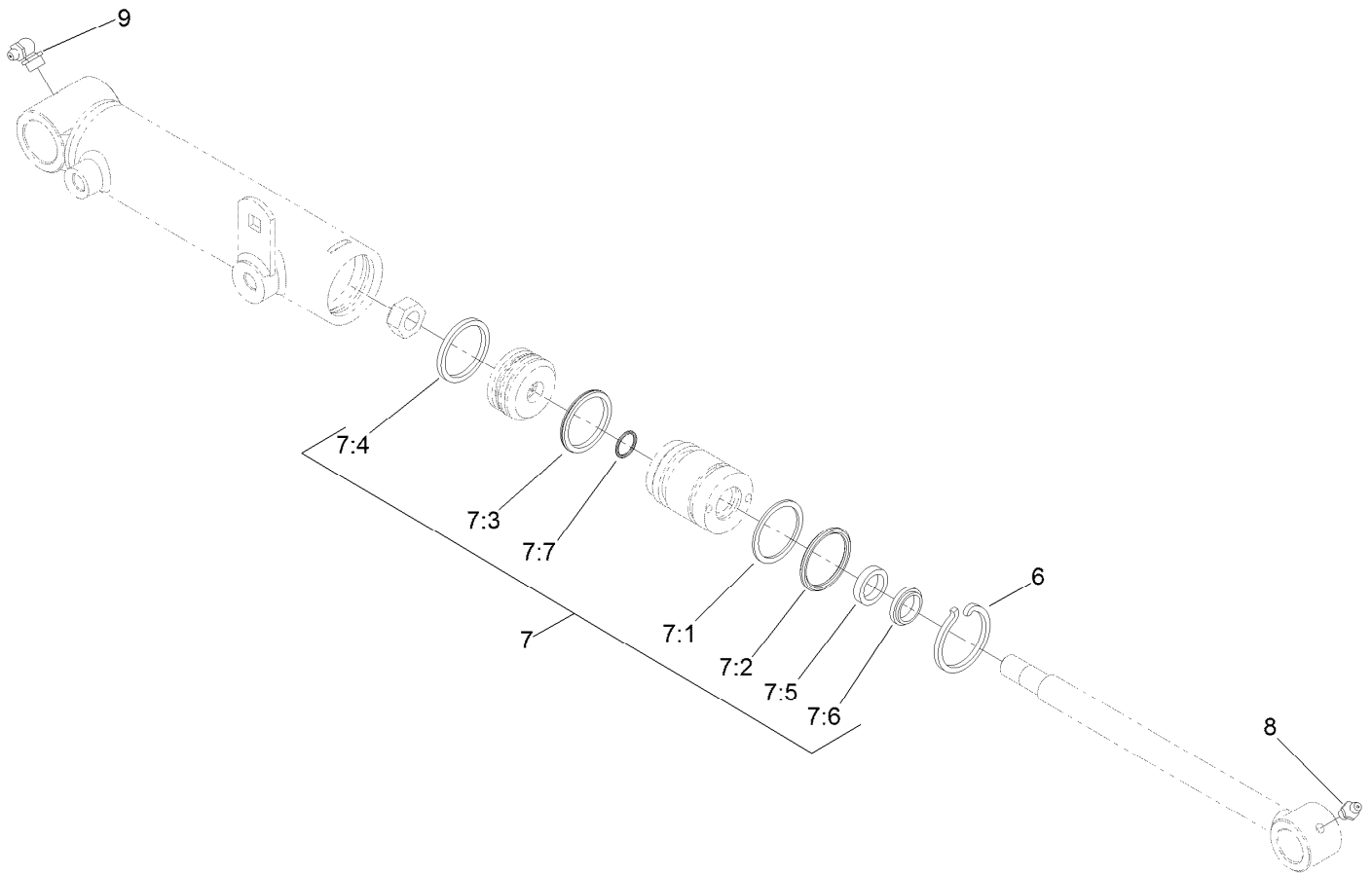
● Not serviced separately



## No. 1, No. 4 and No. 5 Lift Arm Assembly (continued)

| Ref. | Part Number | Qty. | Description   | Ref. | Part Number | Qty. | Description       |
|------|-------------|------|---------------|------|-------------|------|-------------------|
| 24   | 325-7       | 6    | Screw-HH      | 29   | 3234-32     | 3    | Screw-HHF         |
| 25   | 87-7270     | 6    | Washer-Thrust | 30   | 139-5995    | 1    | Guide-Hose, RH    |
| 26   | 99-5107     | 6    | Nut-Lock      | 31   | 139-5996    | 1    | Hose Guide ASM-LH |
| 27   | 117-0148    | 3    | Pin-Cylinder  | 32   | 99-7667     | 3    | Washer-Flat       |
| 28   | 3256-6      | 3    | Washer-Flat   | 33   | 323-10      | 3    | Screw-HH          |

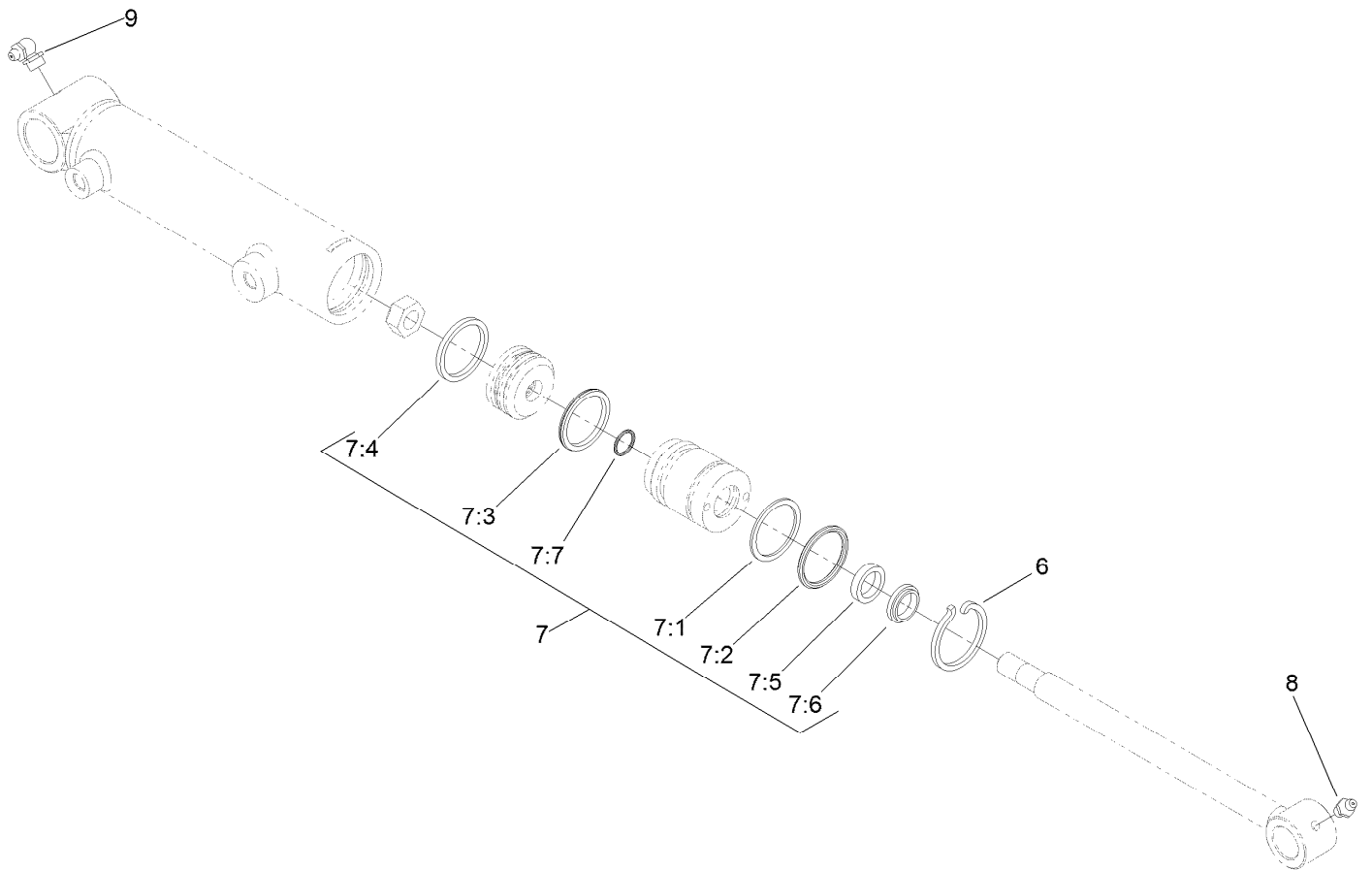
● Not serviced separately



## Hydraulic Cylinder Assembly No. 119-6987

| Ref. | Part Number | Qty. | Description    |
|------|-------------|------|----------------|
| 6    | 84-1680     | 1    | Ring-Retaining |
| 7    | 133-2900    | 1    | Seal Kit       |
| 7:1  |             | 1    | O-Ring ●       |
| 7:2  |             | 1    | Backup ●       |
| 7:3  |             | 1    | Bp Seal ●      |
| 7:4  |             | 1    | Wear Ring-Ht ● |
| 7:5  |             | 1    | Bt Seal ●      |
| 7:6  |             | 1    | Dust Seal-Dt ● |
| 7:7  |             | 1    | O-Ring ●       |
| 8    | 302-5       | 1    | Fitting-Grease |
| 9    | 302-60      | 1    | Fitting-Grease |

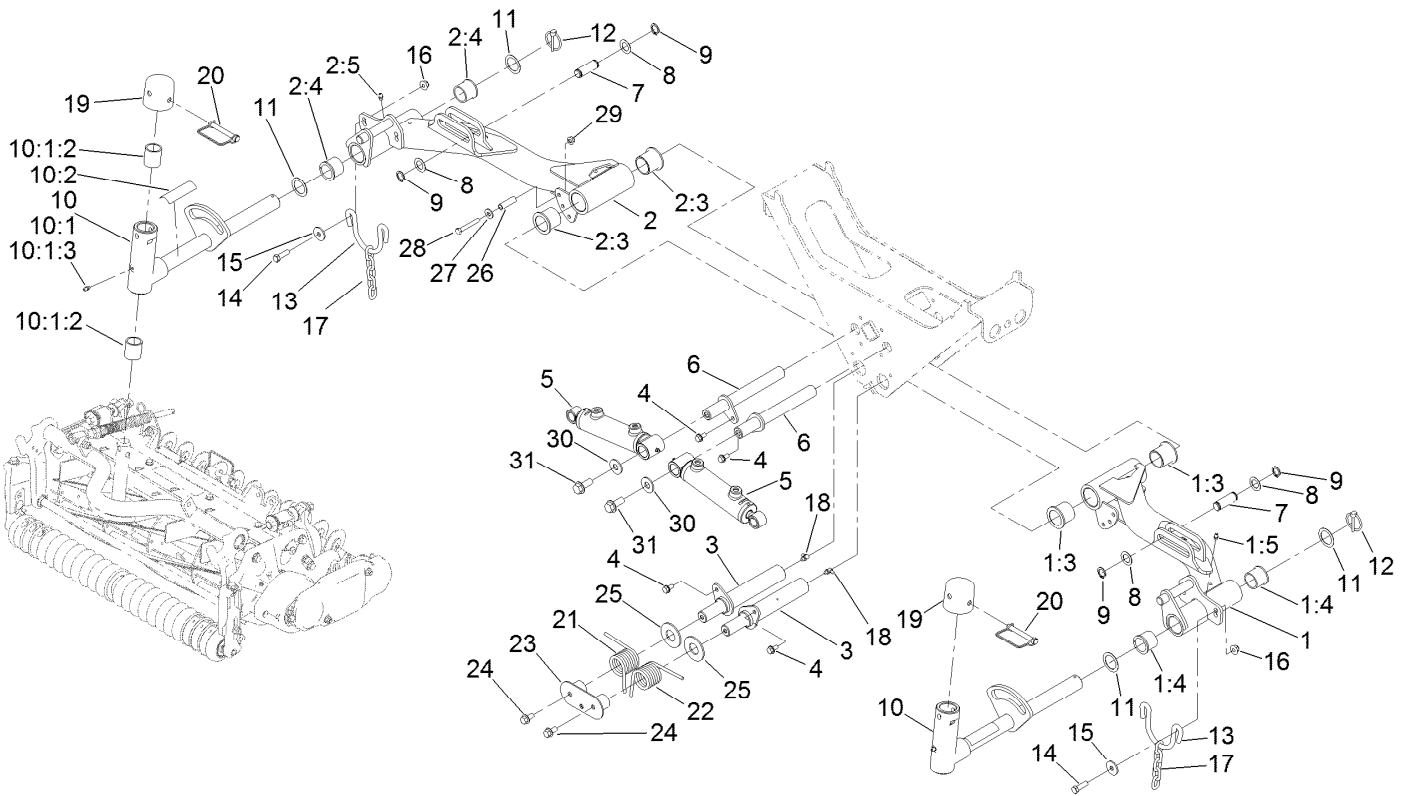
● Not serviced separately



## Hydraulic Cylinder Assembly No. 119-6988

| Ref. | Part Number | Qty. | Description    |
|------|-------------|------|----------------|
| 6    | 84-1680     | 1    | Ring-Retaining |
| 7    | 133-2900    | 1    | Seal Kit       |
| 7:1  |             | 1    | O-Ring ●       |
| 7:2  |             | 1    | Backup ●       |
| 7:3  |             | 1    | Bp Seal ●      |
| 7:4  |             | 1    | Wear Ring-Ht ● |
| 7:5  |             | 1    | Bt Seal ●      |
| 7:6  |             | 1    | Dust Seal-Dt ● |
| 7:7  |             | 1    | O-Ring ●       |
| 8    | 302-5       | 1    | Fitting-Grease |
| 9    | 302-60      | 1    | Fitting-Grease |

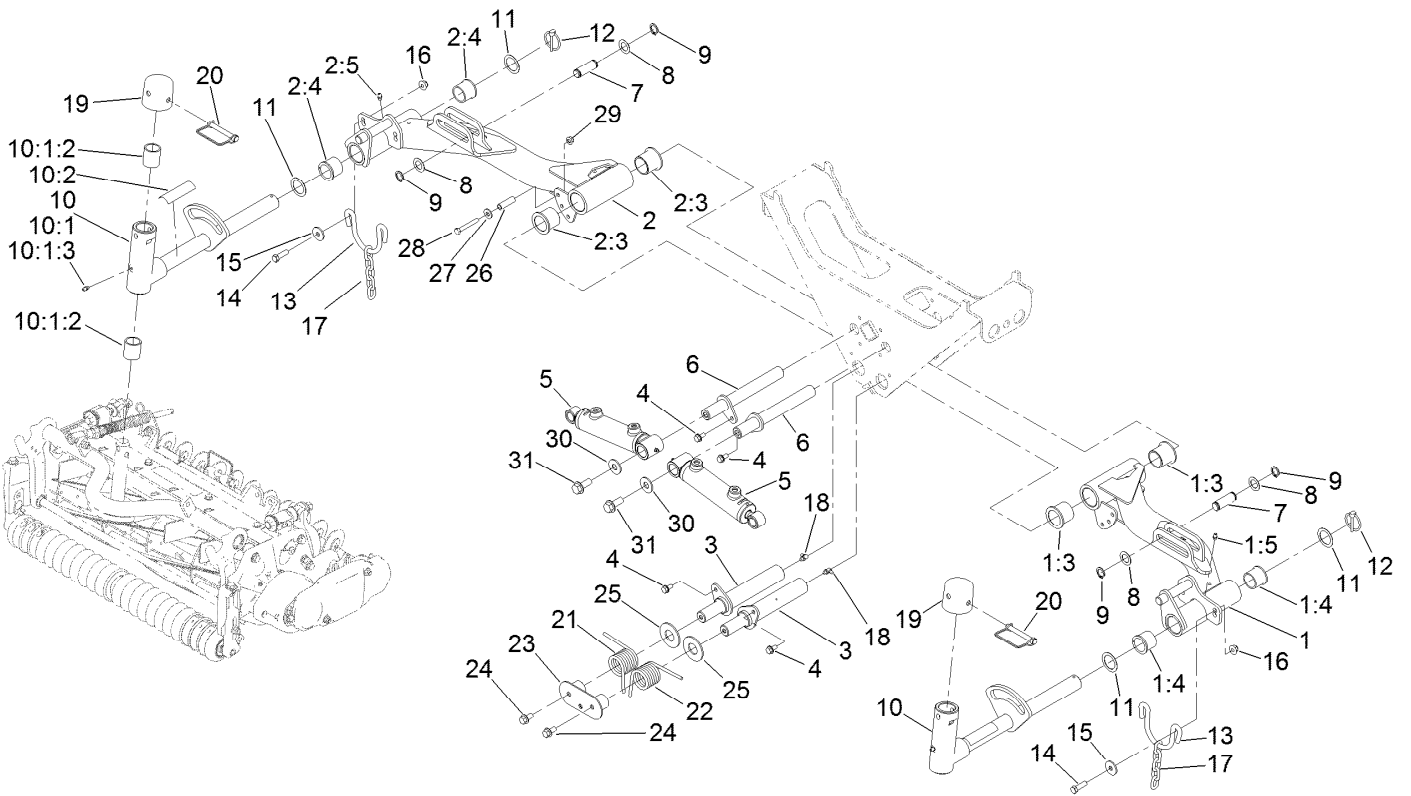
● Not serviced separately



## No. 2 and No. 3 Lift Arm Assembly

| Ref.   | Part Number | Qty. | Description         | Ref.   | Part Number | Qty. | Description            |
|--------|-------------|------|---------------------|--------|-------------|------|------------------------|
| 1      | 133-4946    | 1    | No. 2 Lift Arm ASM  | 10:1:3 | 302-5       | 1    | Fitting-Grease         |
| 1:3    | 69-6470     | 2    | Bushing-Caster      | 10:2   | 110-9642    | 1    | Decal-Warning          |
| 1:4    | 104-0015    | 2    | Bushing-Flange      | 11     | 76-2980     | 4    | Washer-Thrust          |
| 1:5    | 302-5       | 1    | Fitting-Grease      | 12     | 92-1298     | 2    | Pin-Lynch              |
| 2      | 133-4948    | 1    | No. 3 Lift Arm ASM  | 13     | 110-0922    | 2    | Hoop-Chain             |
| 2:3    | 69-6470     | 2    | Bushing-Caster      | 14     | 323-7       | 4    | Screw-HH               |
| 2:4    | 104-0015    | 2    | Bushing-Flange      | 15     | 63-8410     | 4    | Washer                 |
| 2:5    | 302-5       | 1    | Fitting-Grease      | 16     | 104-8301    | 4    | Nut-HF, NI             |
| 3      | 127-8504    | 2    | Pin ASM             | 17     | 84-2451     | 2    | Chain-Straight, 5 Link |
| 4      | 32144-14    | 4    | Screw-HWHTF         | 18     | 302-60      | 4    | Fitting-Grease         |
| 5      | 138-6941    | 2    | HYD CYL ASM         | 19     | 107-4027    | 2    | Cap                    |
| 6      | 133-4931    | 2    | Pin                 | 20     | 107-7400    | 2    | Pin-Lynch              |
| 7      | 104-0046    | 2    | Pin-Slide, Cylinder | 21     | 127-8580    | 1    | Spring-Torsion, RH     |
| 8      | 3-6498      | 4    | Washer-Thrust       | 22     | 127-8581    | 1    | Spring-Torsion, LH     |
| 9      | 32120-93    | 4    | Ring-Retaining      | 23     | 139-6009-03 | 1    | Catch ASM              |
| 10     | 138-1248    | 2    | Pivot Yoke ASM      | 24     | 3234-1      | 2    | Screw-HHF              |
| 10:1   |             | 1    | Yoke-Pivot ●        | 25     | 104-6126    | 2    | Washer-Flat            |
| 10:1:2 | 121-3187    | 2    | Bushing             | 26     | 107-0285    | 2    | Spacer                 |

● Not serviced separately

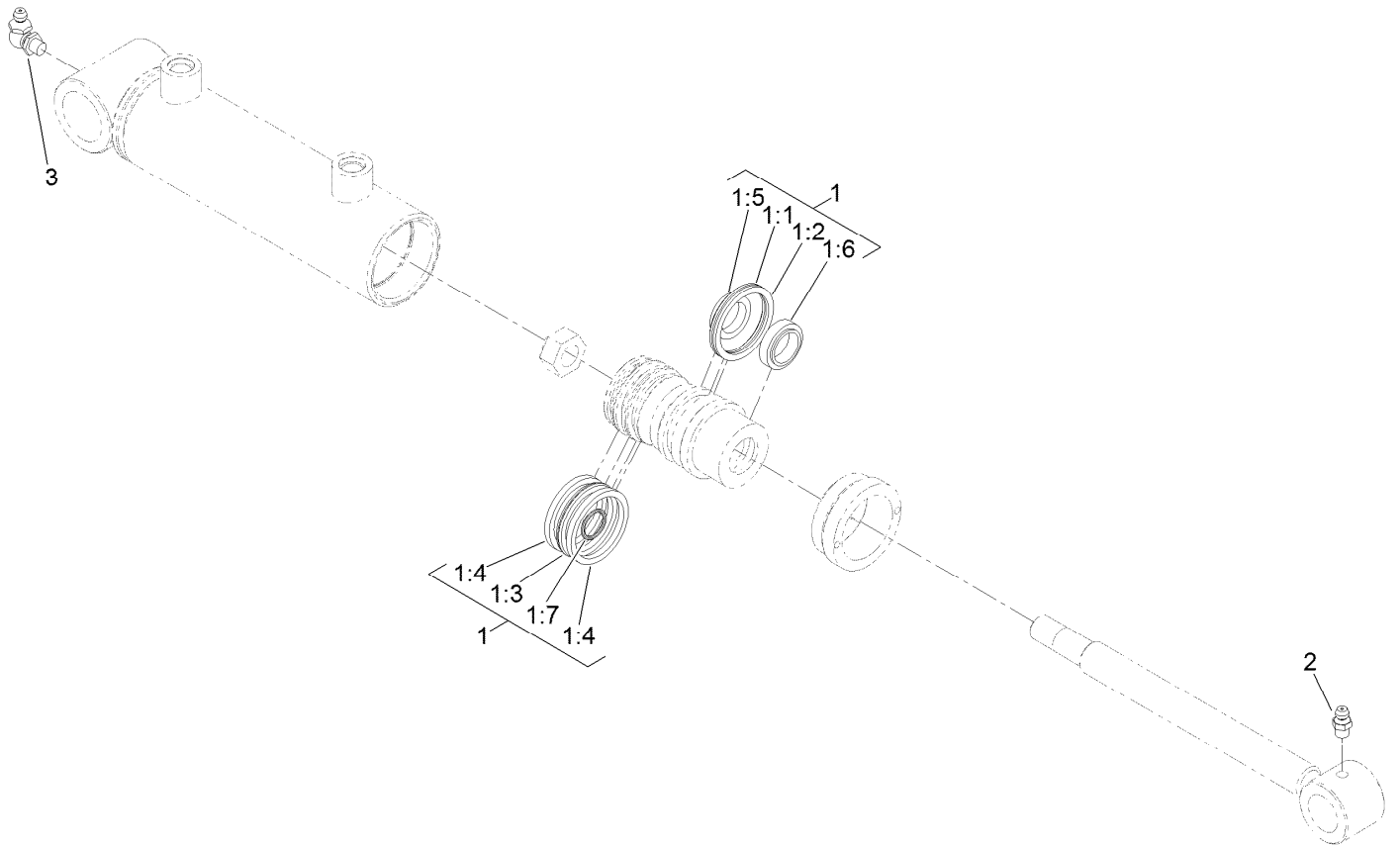


## No. 2 and No. 3 Lift Arm Assembly (continued)

| <i>Ref.</i> | <i>Part Number</i> | <i>Qty.</i> | <i>Description</i> | <i>Ref.</i> | <i>Part Number</i> | <i>Qty.</i> | <i>Description</i> |
|-------------|--------------------|-------------|--------------------|-------------|--------------------|-------------|--------------------|
| 27          | 3256-3             | 2           | Washer-Flat        | 30          | 3256-6             | 2           | Washer-Flat        |
| 28          | 322-11             | 2           | Screw-HH           | 31          | 3234-38            | 2           | Screw-HHF          |
| 29          | 104-8300           | 2           | Nut-HF, NI         |             |                    |             |                    |

● Not serviced separately

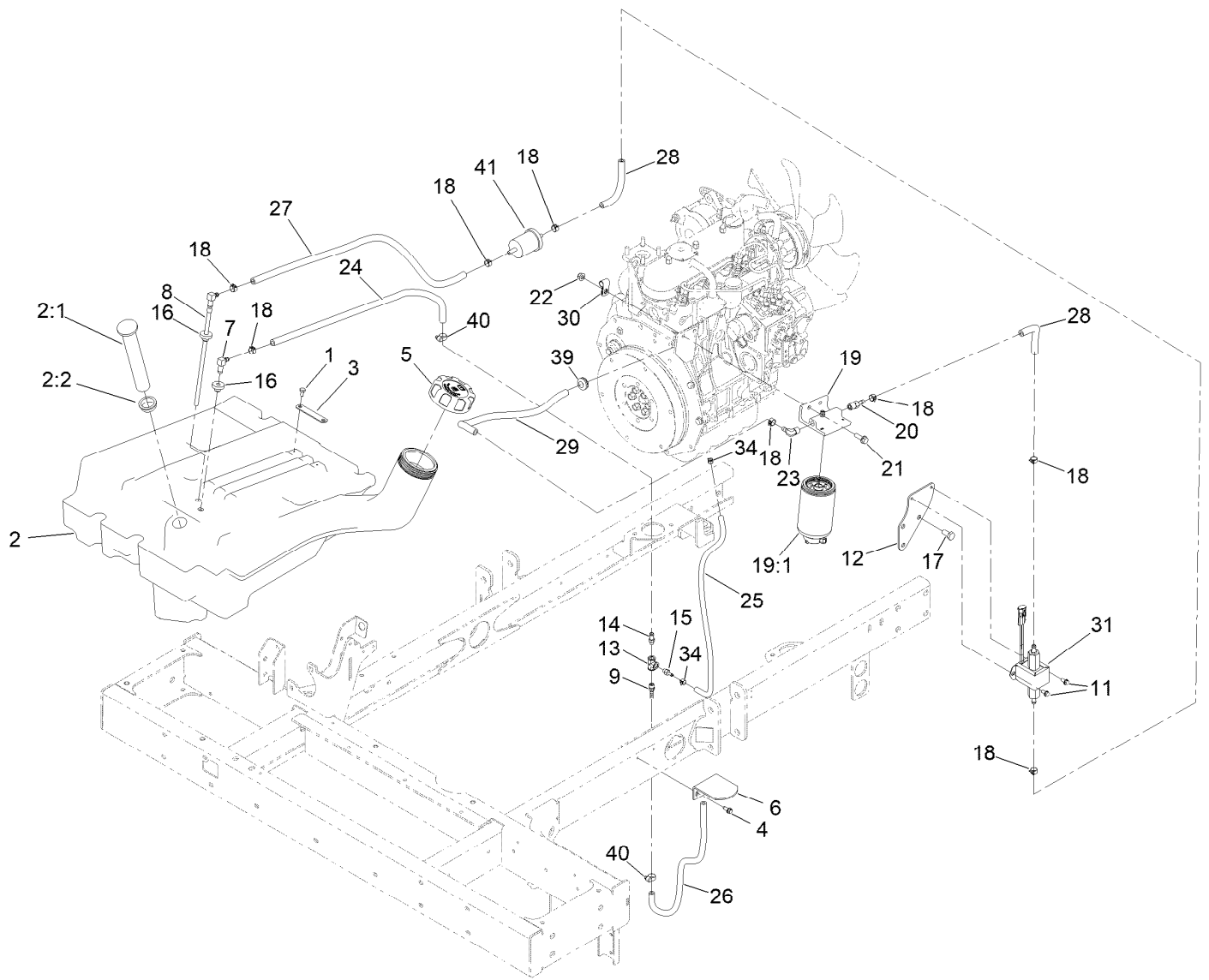




## Hydraulic Cylinder Assembly No. 138-6941

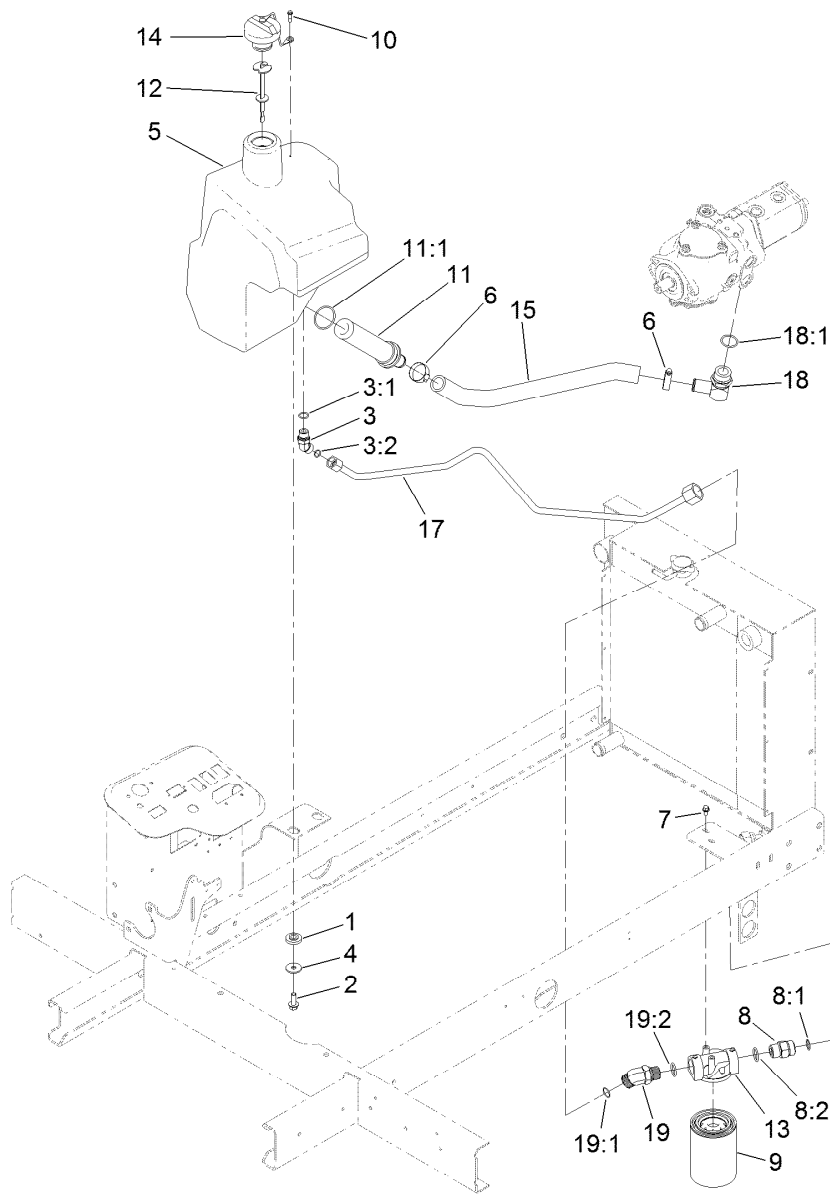
| <i>Ref.</i> | <i>Part Number</i> | <i>Qty.</i> | <i>Description</i> |
|-------------|--------------------|-------------|--------------------|
| 1           | 127-8587           | 1           | Seal Kit           |
| 1:1         |                    | 1           | O-Ring ●           |
| 1:2         |                    | 1           | Backup ●           |
| 1:3         |                    | 1           | Bp Seal ●          |
| 1:4         |                    | 1           | Wear Ring-Ht ●     |
| 1:5         |                    | 1           | Bt Seal ●          |
| 1:6         |                    | 1           | Dust Seal-Dt ●     |
| 1:7         |                    | 1           | O-Ring ●           |
| 2           | 302-5              | 1           | Fitting-Grease     |
| 3           | 302-60             | 1           | Fitting-Grease     |

● Not serviced separately



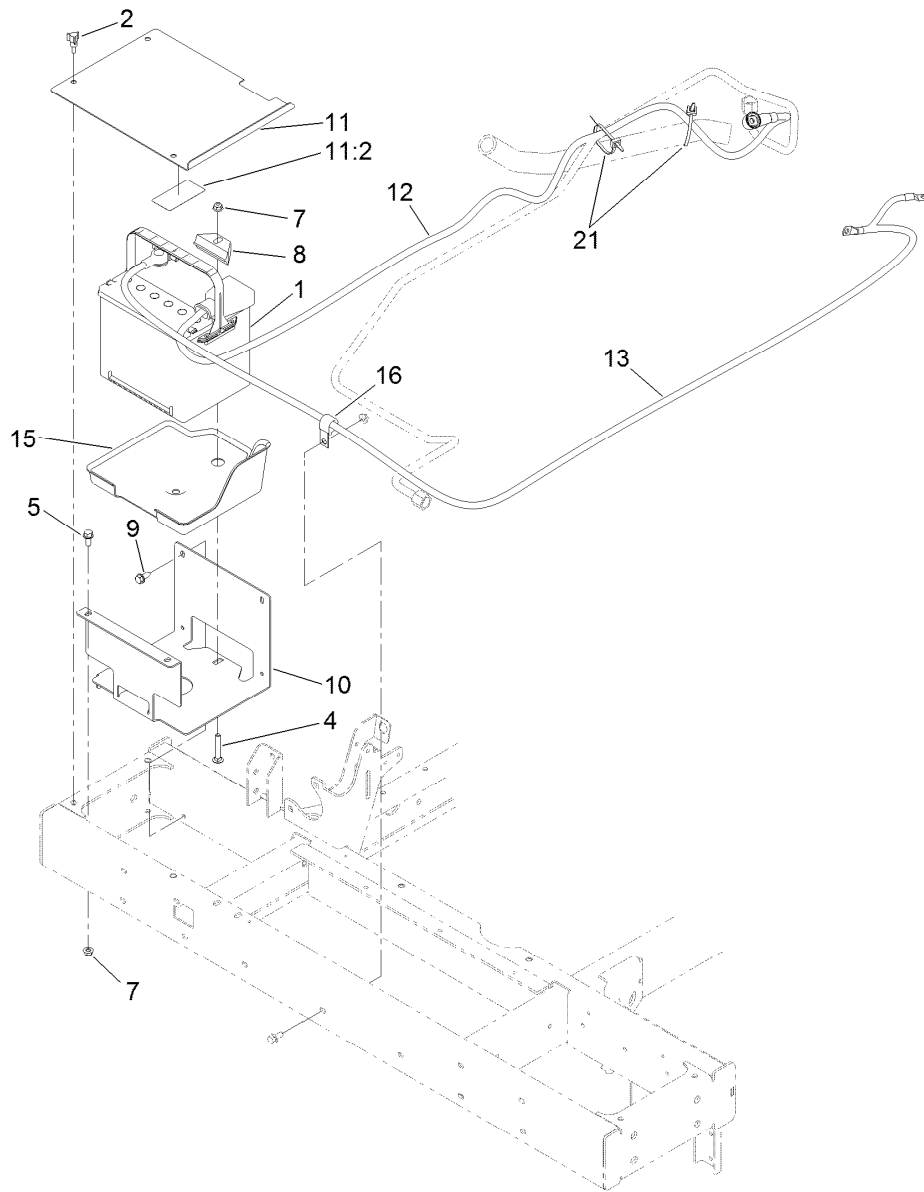
## Fuel Tank and Filter Assembly

| Ref. | Part Number | Qty. | Description           | Ref. | Part Number | Qty. | Description                |
|------|-------------|------|-----------------------|------|-------------|------|----------------------------|
| 1    | 321-2       | 2    | Screw-HH              | 19   | 110-9044    | 1    | Separator-Filter           |
| 2    | 95-8620     | 1    | Tank-Fuel             | 19:1 | 110-9049    | 1    | Filter-Spin On, Fuel/Water |
| 2:1  | 95-8971     | 1    | Gauge-Fuel            | 20   | 353-783     | 1    | Fitting-STR                |
| 2:2  | 95-8972     | 1    | Grommet               | 21   | 3234-17     | 2    | Screw-HHF                  |
| 3    | 95-8881     | 1    | Strap-Line, Fuel      | 22   | 104-8300    | 2    | Nut-HF, NI                 |
| 4    | 32144-10    | 2    | Screw-HWH             | 23   | 353-781     | 1    | Fitting-HYD, 90            |
| 5    | 114-5064    | 1    | Cap-Diesel            | 24   | 110-6187    | 1    | Hose-Fuel                  |
| 6    | 95-8968-03  | 1    | Support-Tank, Fuel    | 25   | 110-8751    | 1    | Hose-Fuel                  |
| 7    | 46-6550     | 1    | Fitting-Elbow, 90 DEG | 26   | 110-5701    | 1    | Hose-Fuel                  |
| 8    | 110-9689    | 1    | Pipe-Stand            | 27   | 110-3257    | 1    | Hose-Fuel                  |
| 9    | 304-73      | 1    | Fitting-Straight      | 28   | 109-0310    | 2    | Hose-Fuel                  |
| 11   | 32144-4     | 2    | Screw-HWH             | 29   | 121-7852    | 1    | Hose-Fuel                  |
| 12   | 136-3818-0P | 1    | Plate-Fuel Pump       | 30   | 2412-10     | 1    | Clamp-R                    |
| 13   | 354-20      | 1    | Fitting-Tee           | 31   | 145-3160    | 1    | Pump-Fuel, Electric        |
| 14   | 354-21      | 1    | Fitting-Barbed        | 34   | 2412-80     | 2    | Clamp-Hose                 |
| 15   | 354-22      | 1    | Fitting-Barbed        | 39   | 1-543296    | 1    | Grommet                    |
| 16   | 46-6560     | 2    | Bushing               | 40   | 2412-108    | 2    | Clamp-Worm                 |
| 17   | 63-7790     | 3    | Screw-Cap             | 41   | 98-7612     | 1    | Filter-Fuel                |
| 18   | 92-2379     | 9    | Clamp-Hose            |      |             |      |                            |



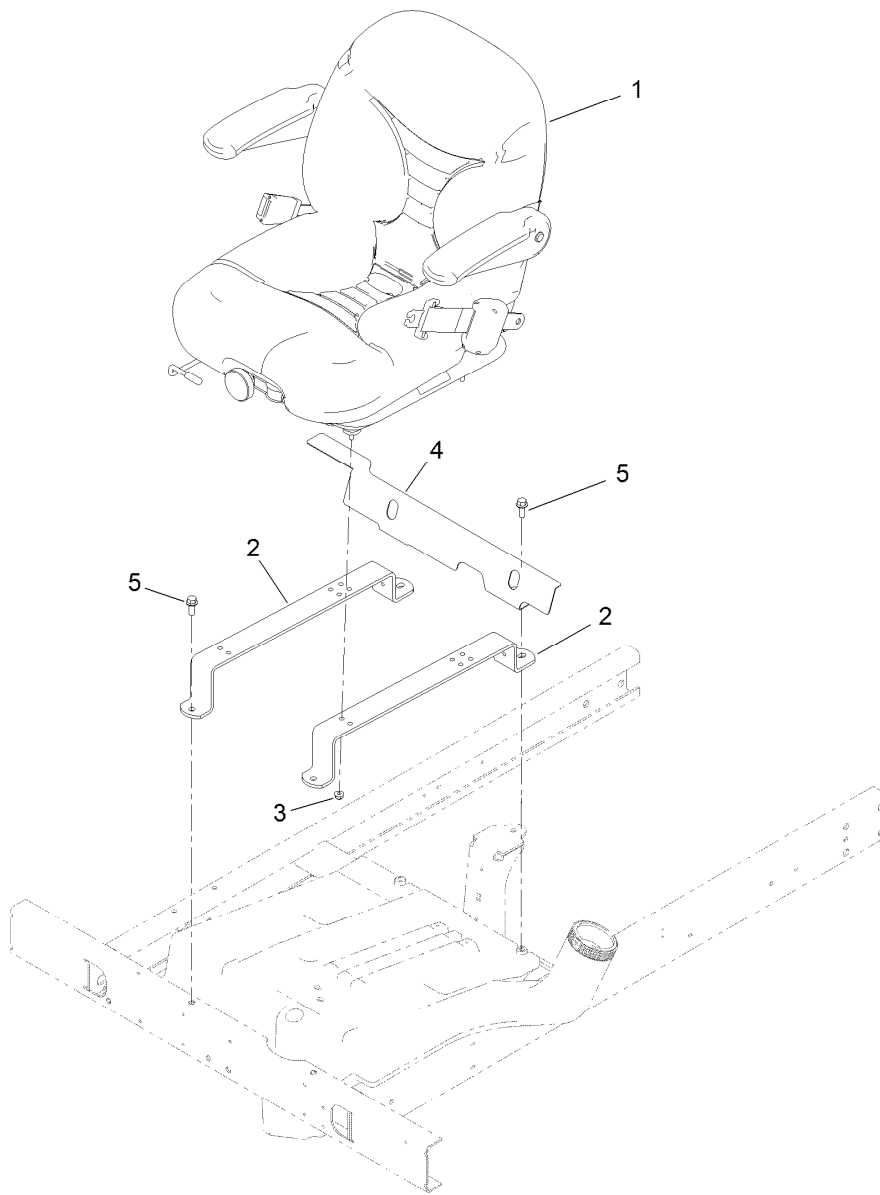
## Hydraulic Tank and Filter Assembly

| Ref. | Part Number | Qty. | Description         | Ref. | Part Number | Qty. | Description       |
|------|-------------|------|---------------------|------|-------------|------|-------------------|
| 1    | 240-11      | 4    | Bushing-Flange      | 10   | 57-5420     | 1    | Screw-Shoulder    |
| 2    | 3234-11     | 4    | Screw-HHF           | 11   | 104-7546    | 1    | Tank Strainer ASM |
| 3    | 340-101     | 1    | Fitting-HYD, 45 DEG | 11:1 | 340-136     | 1    | O-Ring            |
| 3:1  | 237-30      | 1    | O-Ring              | 12   | 119-6968    | 1    | Dipstick-Oil      |
| 3:2  | 237-79      | 1    | O-Ring              | 13   | 92-5821     | 1    | Head-Filter       |
| 4    | 63-8410     | 4    | Washer              | 14   | 93-7160     | 1    | Cap-Oil, HYD      |
| 5    | 104-4840    | 1    | Tank-HYD            | 15   | 121-7803    | 1    | Hose-Suction      |
| 6    | 2412-34     | 2    | Clamp-Hose          | 17   | 136-8044    | 1    | Tube-Hydraulic    |
| 7    | 3234-13     | 2    | Screw-HHF           | 18   | 23-8910     | 1    | Stem-Barb-90      |
| 8    | 340-9       | 1    | Fitting-STR         | 18:1 | 237-146     | 1    | O-Ring            |
| 8:1  | 237-58      | 1    | O-Ring              | 19   | 100-5530    | 1    | Fitting-45 DEG    |
| 8:2  | 237-81      | 1    | O-Ring              | 19:1 | 237-58      | 1    | O-Ring            |
| 9    | 86-3010     | 1    | Filter-Oil          | 19:2 | 237-81      | 1    | O-Ring            |



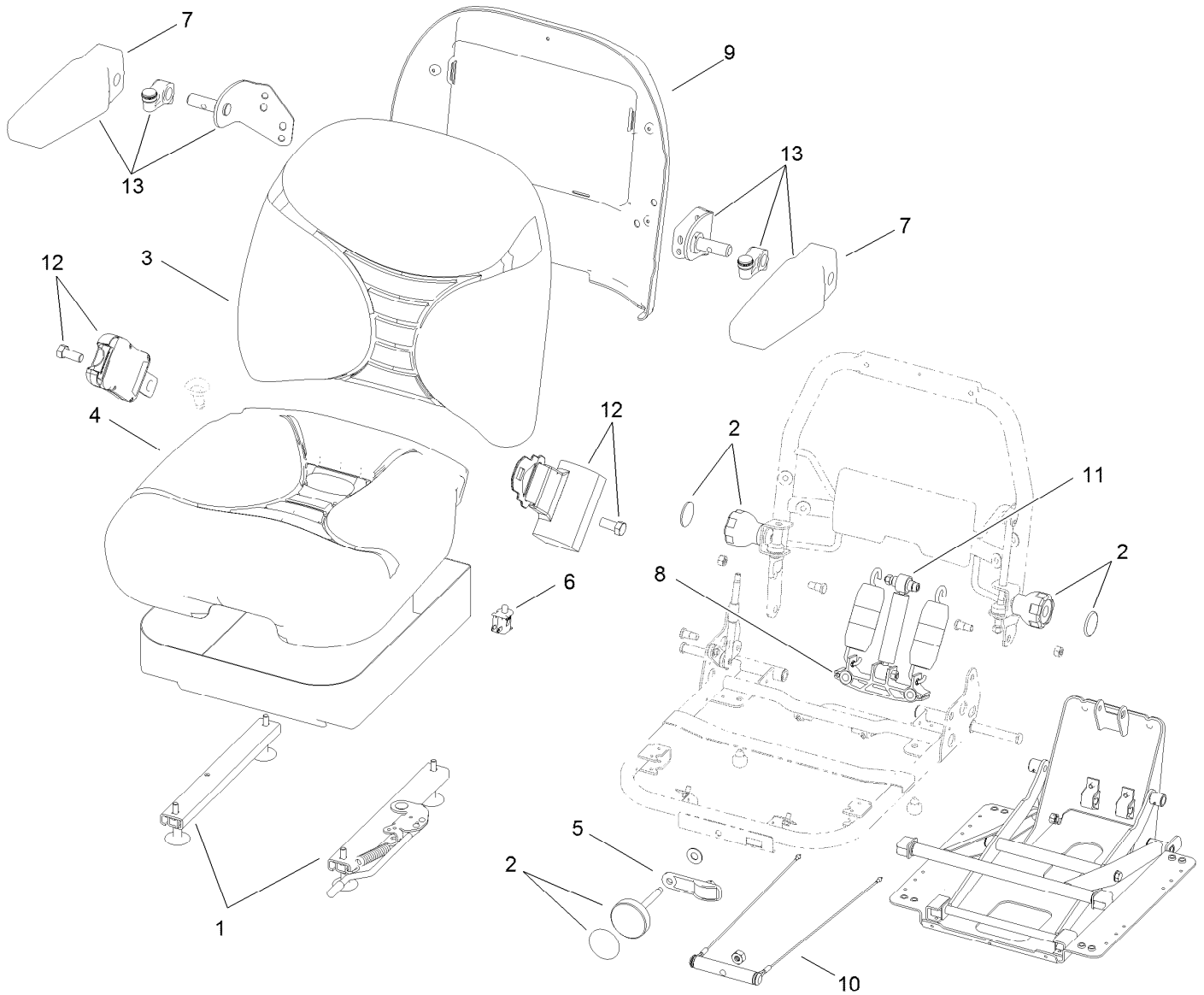
## Battery Assembly

| <b>Ref.</b> | <b>Part Number</b> | <b>Qty.</b> | <b>Description</b>               |
|-------------|--------------------|-------------|----------------------------------|
| 1           | 106-5187           | 1           | Battery, 525 CCA W/O Electrolyte |
| 2           | 233-70             | 3           | Knob-Star, Three                 |
| 4           | 3230-6             | 1           | Bolt-CARR                        |
| 5           | 3234-5             | 2           | Screw-HHF                        |
| 7           | 104-8300           | 3           | Nut-HF, NI                       |
| 8           | 138-6335           | 1           | Retainer-Battery                 |
| 9           | 32104-32           | 2           | Screw-HWH                        |
| 10          | 127-8527-03        | 1           | Bracket-Battery                  |
| 11          | 127-8531           | 1           | Cover-Battery                    |
| 11:2        | 93-7276            | 1           | Decal-Danger                     |
| 12          | 122-0812           | 1           | Cable-Battery, Positive          |
| 13          | 122-0817           | 1           | Battery-Cable, Negative          |
| 15          | 133-4913           | 1           | Tray-Battery                     |
| 16          | 94-9580            | 1           | Clamp-J                          |
| 21          | 3290-378           | 2           | Tie-Cable                        |



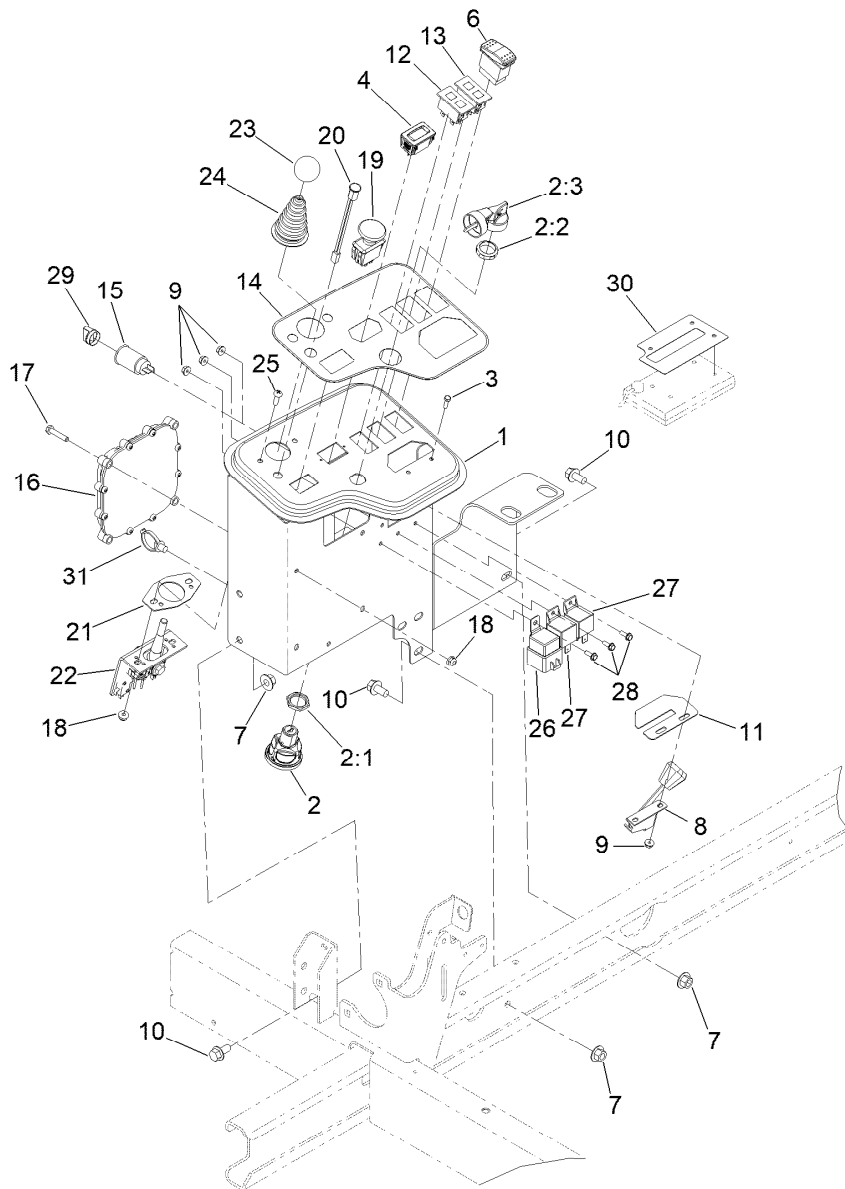
## Seat and Heat-Shield Assembly

| <i>Ref.</i> | <i>Part Number</i> | <i>Qty.</i> | <i>Description</i>  |
|-------------|--------------------|-------------|---------------------|
| 1           | 116-3998           | 1           | Suspension Seat ASM |
| 2           | 120-2120-03        | 2           | Strap-Support, Seat |
| 3           | 104-8300           | 4           | Nut-HF, NI          |
| 4           | 104-4833-03        | 1           | Shield-Heat         |
| 5           | 3234-11            | 4           | Screw-HHF           |



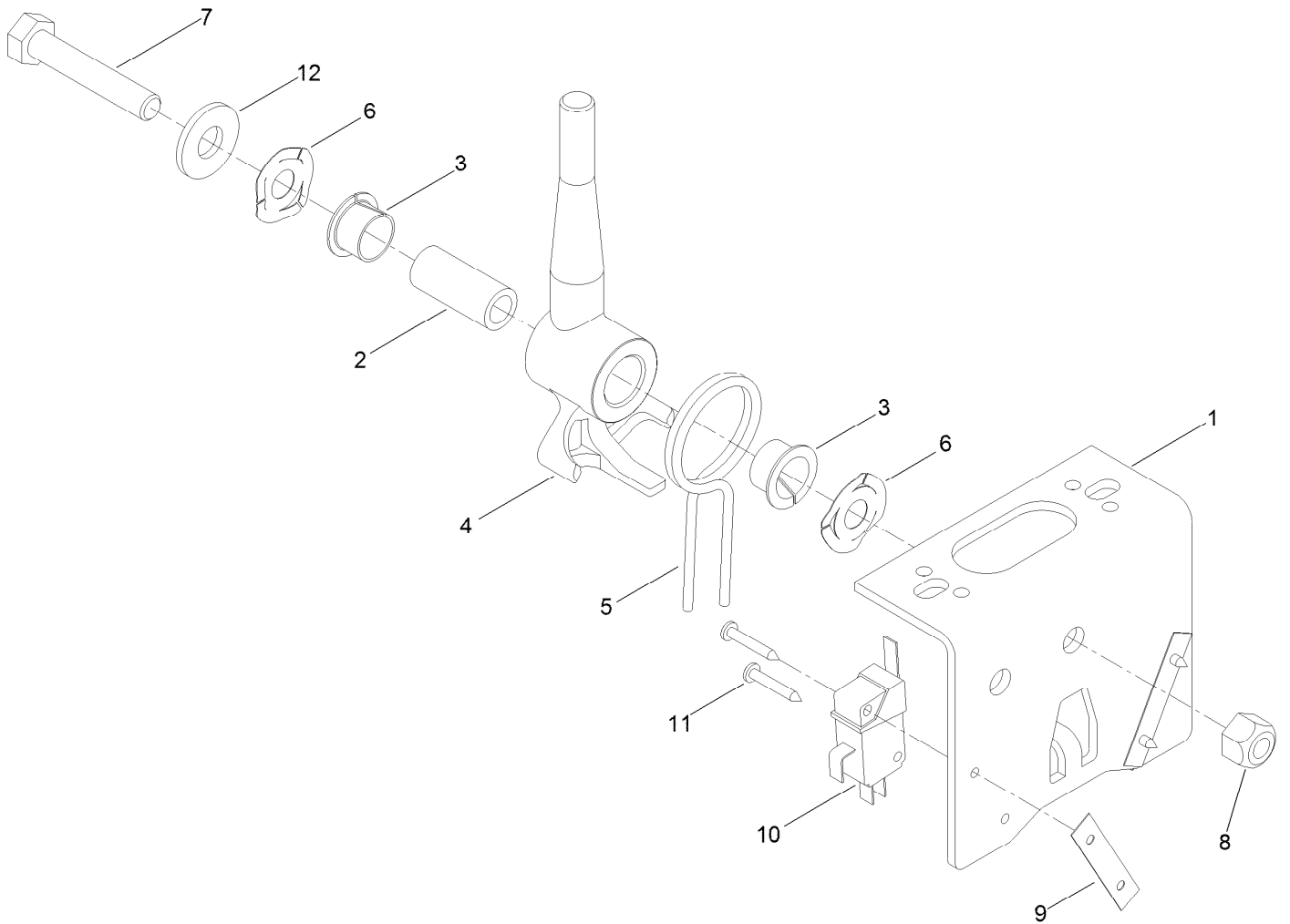
## Seat Assembly No. 116-3998

| <i>Ref.</i> | <i>Part Number</i> | <i>Qty.</i> | <i>Description</i>    |
|-------------|--------------------|-------------|-----------------------|
| 1           | 116-0333           | 1           | Seat Track Kit        |
| 2           | 107-1881           | 1           | Knob Kit              |
| 3           | 107-1882           | 1           | Back Cushion Kit      |
| 4           | 107-1883           | 1           | Bottom Cushion Kit    |
| 5           | 107-1885           | 1           | Weight Indicator Kit  |
| 6           | 82-2190            | 1           | Switch-Bail           |
| 7           | 107-1887           | 1           | Pad-Armrest           |
| 8           | 109-3343           | 1           | Spring And Saddle Kit |
| 9           | 109-3344           | 1           | Back Panel Kit        |
| 10          | 109-3345           | 1           | Weight Adjust Kit     |
| 11          | 116-0998           | 1           | Shock Absorber Kit    |
| 12          | 110-0413           | 1           | Seatbelt-Retractable  |
| 13          | 121-9415           | 1           | Armrest Kit           |



## Control Panel Assembly

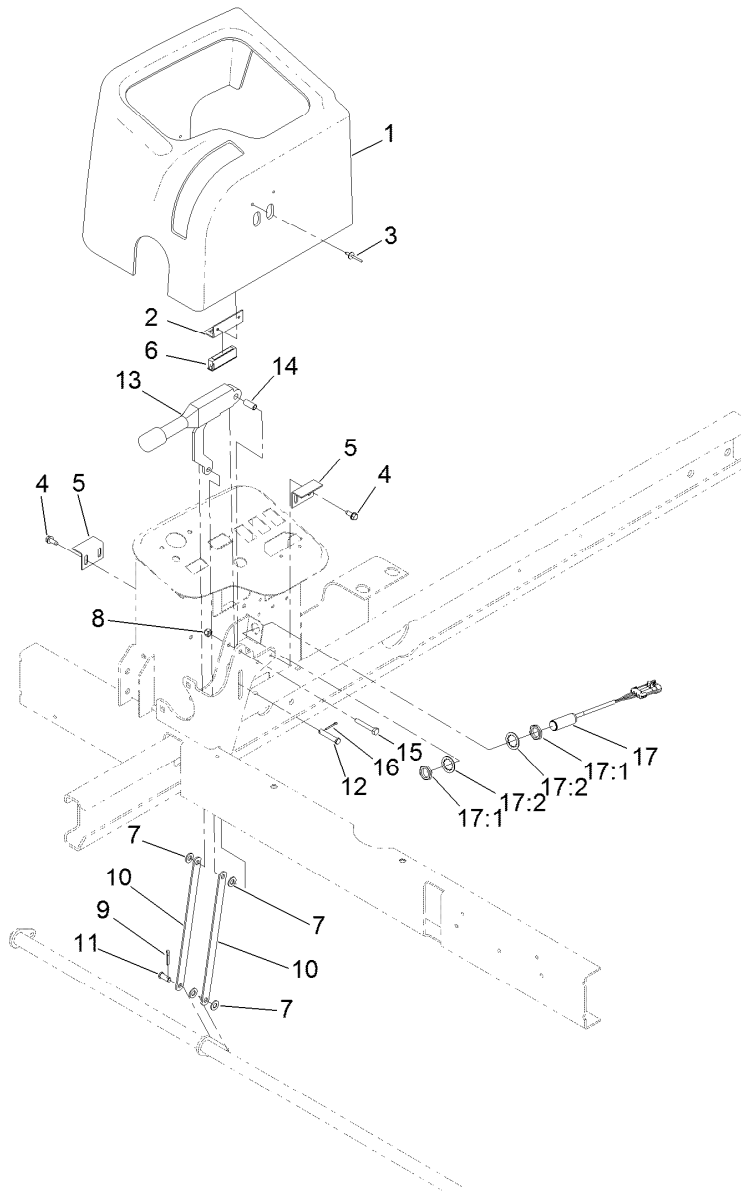
| <i>Ref.</i> | <i>Part Number</i> | <i>Qty.</i> | <i>Description</i>           | <i>Ref.</i> | <i>Part Number</i> | <i>Qty.</i> | <i>Description</i>       |
|-------------|--------------------|-------------|------------------------------|-------------|--------------------|-------------|--------------------------|
| 1           | 120-2051-03        | 1           | Panel-Control                | 15          | 99-7411            | 1           | Point-Power              |
| 2           | 121-5159           | 1           | Switch-Ignition              | 16          | 115-1900           | 1           | Controller               |
| 2:1         | 121-5160           | 1           | Nut-Hex                      | 17          | 321-8              | 4           | Screw-HH                 |
| 2:2         | 122-2704           | 1           | Nut-Face, M22 (Plastic)      | 18          | 104-7201           | 6           | Nut-HF, NI               |
| 2:3         | 121-5162           | 1           | Set-Key, Ignition            | 19          | 93-9999            | 1           | Switch-PTO               |
| 3           | 3290-134           | 2           | Screw                        | 20          | 95-7652            | 1           | Light-Indicator          |
| 4           | 120-2244           | 1           | Hourmeter                    | 21          | 112-9181           | 1           | Plate-Boot               |
| 6           | 95-8999            | 1           | Switch-Rocker,<br>On-None-On | 22          | 120-5280           | 1           | Bracket-Joystick         |
| 7           | 32128-43           | 5           | Nut-Flange                   | 23          | 233-42             | 1           | Knob                     |
| 8           | 138-1224           | 1           | Cable-Throttle               | 24          | 93-5961            | 1           | Boot-Lever               |
| 9           | 3290-148           | 5           | Nut-HF                       | 25          | 3258-166           | 2           | Screw-PRH                |
| 10          | 3234-1             | 5           | Screw-HHF                    | 26          | 99-7430            | 1           | Relay-Mini               |
| 11          | 104-0421           | 1           | Plate-Stop, Throttle         | 27          | 99-7435            | 2           | Relay                    |
| 12          | 100-8070           | 1           | Lamp-Warning                 | 28          | 32105-23           | 3           | Screw                    |
| 13          | 100-8071           | 1           | Lamp-Warning                 | 29          | 99-7416            | 1           | Cap                      |
| 14          | 120-2105           | 1           | Decal-Console                | 30          | 133-4914           | 1           | Decal-Diagnostic Overlay |
|             |                    |             |                              | 31          | 32180-030          | 1           | Clip-Tie                 |



## Joystick Bracket Assembly No. 120-5280

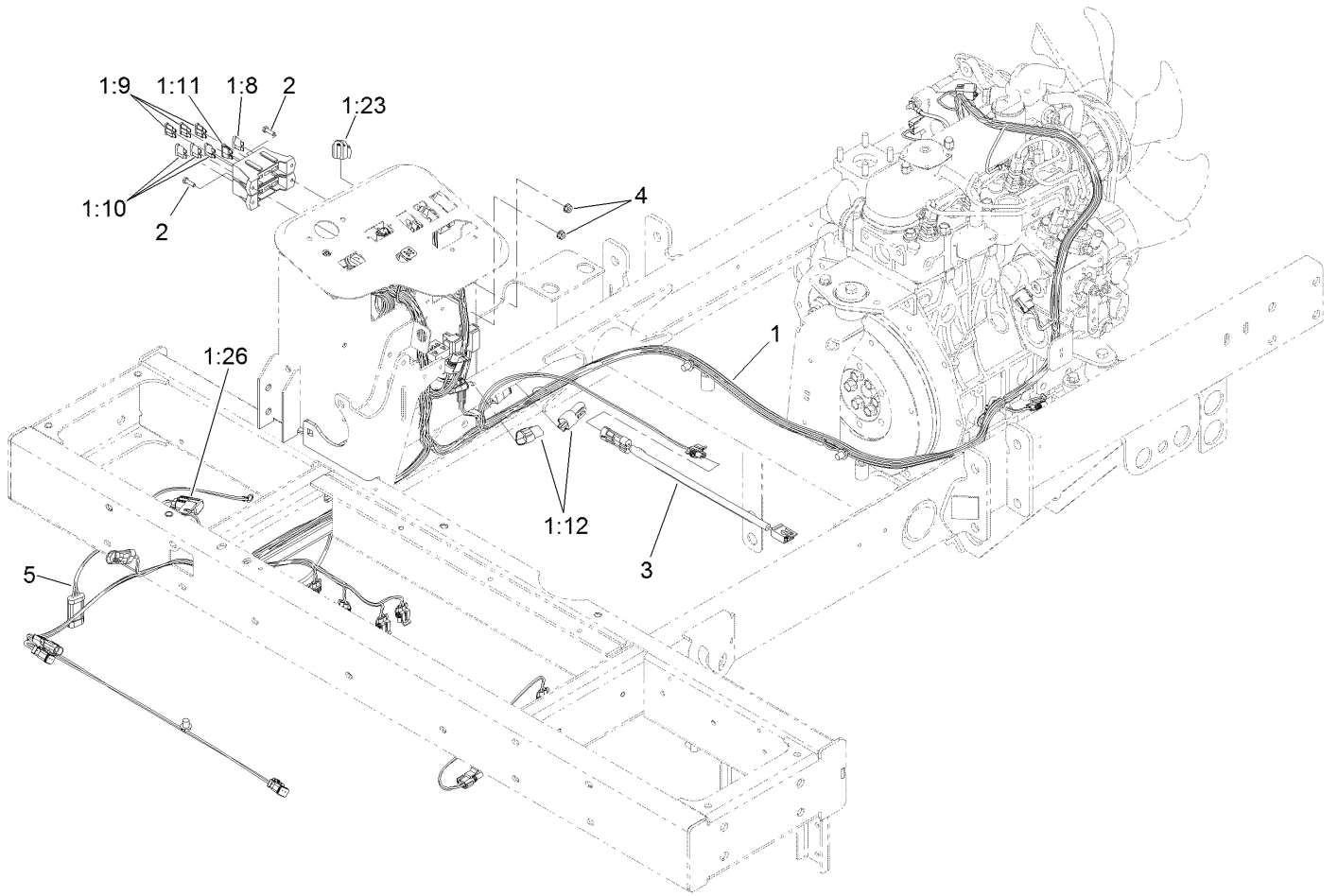
| <i>Ref.</i> | <i>Part Number</i> | <i>Qty.</i> | <i>Description</i>    |
|-------------|--------------------|-------------|-----------------------|
| 1           | 115-5357-03        | 1           | Bracket-Joystick      |
| 2           | 106-4192           | 1           | Spacer                |
| 3           | 93-5547            | 2           | Bushing-Nylon         |
| 4           | 119-3540           | 1           | Hub-Pivot, Joystick   |
| 5           | 105-8289           | 1           | Spring-Torsion        |
| 6           | 106-4193           | 2           | Washer-Finger, Spring |
| 7           | 322-9              | 1           | Screw-HH              |
| 8           | 3296-29            | 1           | Nut-Lock, NI          |
| 9           | 3290-354           | 2           | Nut-Speed             |
| 10          | 108-6496           | 2           | Switch (W/Boot)       |
| 11          | 95-3003            | 4           | Screw-PPHTF           |
| 12          | 3256-3             | 1           | Washer-Flat           |





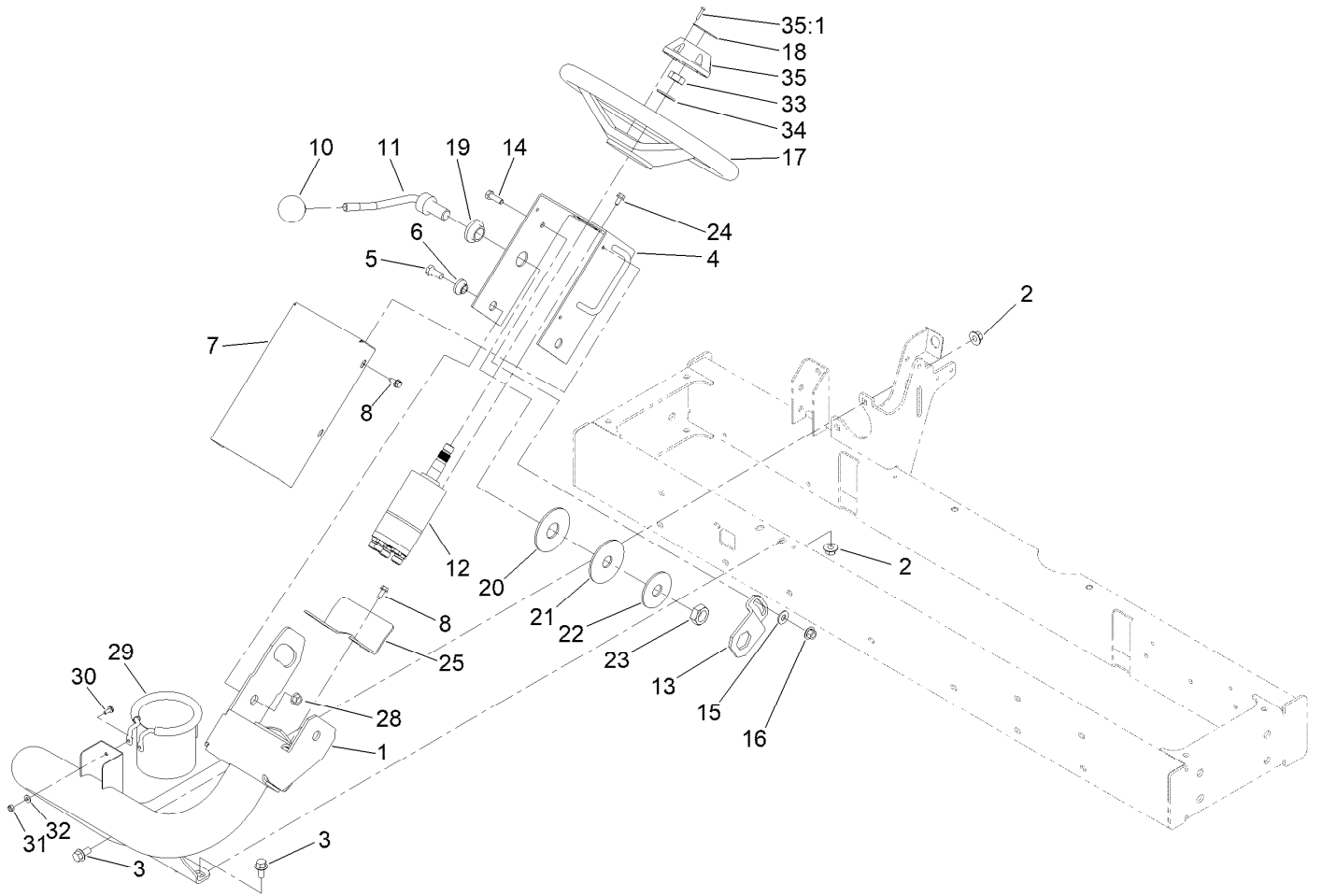
## Parking Brake Assembly

| Ref. | Part Number | Qty. | Description              | Ref. | Part Number | Qty. | Description                 |
|------|-------------|------|--------------------------|------|-------------|------|-----------------------------|
| 1    | 120-2054    | 1    | Cover-Plastic            | 11   | 283-62      | 1    | Pin-Clevis                  |
| 2    | 95-8763     | 2    | Bracket-Hold Down, Cover | 12   | 94-3829     | 1    | Pin-Clevis                  |
| 3    | 3269-5      | 4    | Rivet-Pop                | 13   | 104-4817    | 1    | Lever-Brake                 |
| 4    | 32144-10    | 4    | Screw-HWH                | 14   | 87-4710     | 1    | Spacer-Brake, Parking       |
| 5    | 95-8765     | 2    | Bracket-Strike, Magnet   | 15   | 321-10      | 1    | Screw-HH                    |
| 6    | 58-4250     | 2    | Catch-Magnetic           | 16   | 3272-6      | 1    | Pin-Cotter                  |
| 7    | 3256-23     | 4    | Washer-Plain             | 17   | 115-0282    | 1    | Proximity Sensor ASM        |
| 8    | 3296-42     | 1    | Nut-Lock, NI             | 17:1 | 117-3207    | 2    | Nut-Hex                     |
| 9    | 3272-10     | 1    | Pin-Cotter               | 17:2 | 117-3208    | 2    | Washer-Lock, Internal Tooth |
| 10   | 104-4628    | 2    | Link-Brake, Parking      |      |             |      |                             |



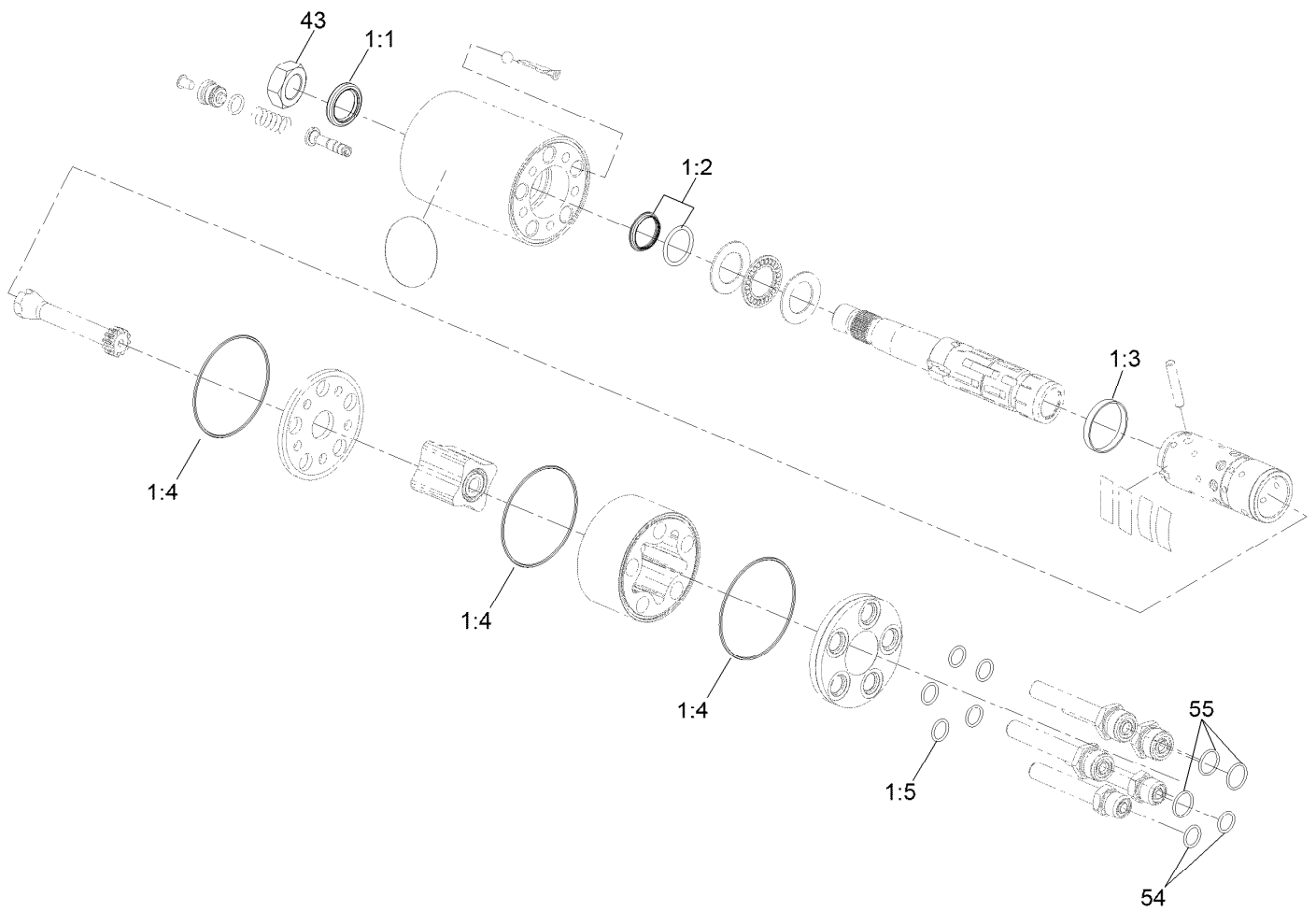
## Main Wire Harness Assembly

| <i>Ref.</i> | <i>Part Number</i> | <i>Qty.</i> | <i>Description</i>              |
|-------------|--------------------|-------------|---------------------------------|
| 1           | 122-1731           | 1           | Harness-Wire, Main              |
| 1:8         | 94-6710            | 1           | Fuse-2 Amp                      |
| 1:9         | 114241             | 3           | Fuse-Blade, 7.5 Amp             |
| 1:10        | 218-578            | 3           | Fuse-Blade, 10 Amp              |
| 1:11        | 109355             | 1           | Fuse-Blade, 15 Amp              |
| 1:12        | 32180-043          | 2           | Resistor-120 Ohm                |
| 1:23        | 32180-089          | 1           | Cap-Plug, 3 Way                 |
| 1:26        | 32180-156          | 1           | Cap-Plug, 6 Way                 |
| 2           | 3290-134           | 2           | Screw                           |
| 3           | 108-8657           | 1           | Harness-Wire, Seat              |
| 4           | 3290-148           | 2           | Nut-HF                          |
| 5           | 122-0715           | 1           | Harness-Wire, 100In Turn-Around |



## Steering Arm Assembly

| Ref. | Part Number | Qty. | Description           | Ref. | Part Number | Qty. | Description         |
|------|-------------|------|-----------------------|------|-------------|------|---------------------|
| 1    | 120-2063-01 | 1    | Arm-Steering          | 19   | 99-3502     | 1    | Boss                |
| 2    | 32128-43    | 4    | Nut-Flange            | 20   | 31-0390     | 1    | Disc-Friction       |
| 3    | 3234-1      | 4    | Screw-HHF             | 21   | 82-9010     | 1    | Disc-Friction       |
| 4    | 120-2190-01 | 1    | Bracket-Valve         | 22   | 80-2930     | 1    | Washer-Flat         |
| 5    | 323-5       | 2    | Screw-HH              | 23   | 3218-7      | 1    | Nut-Jam             |
| 6    | 93-5988     | 2    | Hub-Pivot             | 24   | 33103-012   | 4    | Screw-HHF           |
| 7    | 95-8794-01  | 1    | Cover-Valve, Steering | 25   | 99-3405-01  | 1    | Shield-Steering     |
| 8    | 32144-10    | 5    | Screw-HWH             | 28   | 32128-21    | 2    | Nut-HF Lock         |
| 10   | 233-48      | 1    | Knob                  | 29   | 117-2378    | 1    | Holder-Bag          |
| 11   | 95-8798-03  | 1    | Lever-Steering        | 30   | 3290-321    | 2    | Screw-HWH           |
| 12   | 144-2099    | 1    | Valve-Steering        | 31   | 3296-2      | 2    | Nut-Lock, NI        |
| 13   | 80-2880     | 1    | Bracket-Tilt          | 32   | 3256-14     | 2    | Washer-Flat         |
| 14   | 322-5       | 1    | Screw-HH              | 33   | 3296-33     | 1    | Nut-Lock, NI        |
| 15   | 3256-3      | 1    | Washer-Flat           | 34   | 3256-27     | 1    | Washer-Flat         |
| 16   | 32128-44    | 1    | Nut                   | 35   | 68-5140     | 1    | Cap-Wheel, Steering |
| 17   | 145-0051    | 1    | Steering Wheel        | 35:1 | 32144-21    | 1    | Screw               |
| 18   | 68-5370     | 1    | Decal                 |      |             |      |                     |

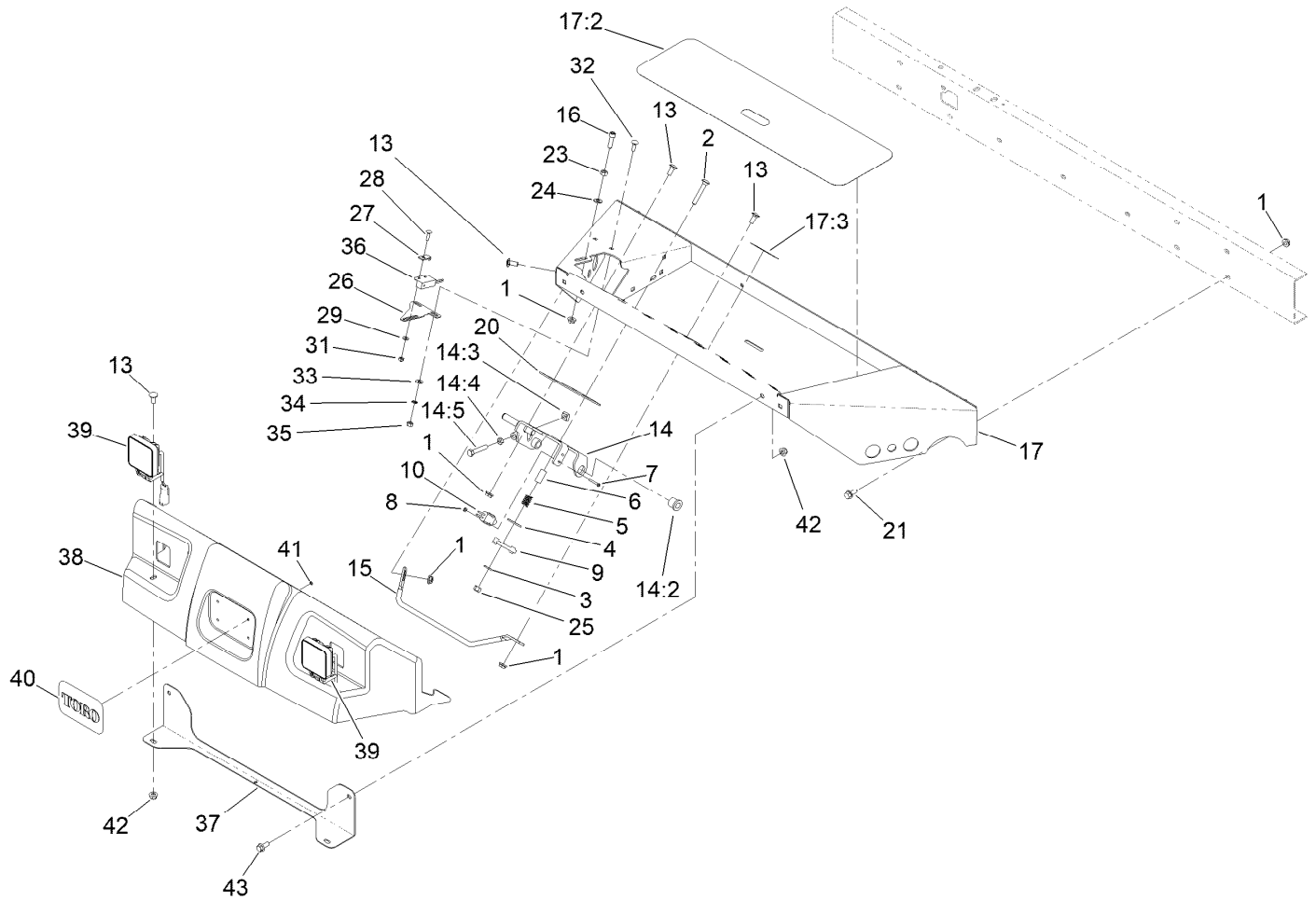


## Steering Valve Assembly No. 144-2099

| Ref. | Part Number | Qty. | Description       |
|------|-------------|------|-------------------|
| 1    | 106-6716    | 1    | Seal Kit ●        |
| 1:1  |             | 1    | Ring-Seal, Dust ■ |
| 1:2  |             | 1    | Seal-Shaft ■      |
| 1:3  |             | 1    | O-Ring ■          |
| 1:4  |             | 2    | O-Ring ■          |
| 1:5  |             | 5    | O-Ring ■          |
| 43   | 3296-33     | 1    | Nut-Lock, NI      |
| 54   | 237-21      | 2    | O-Ring            |
| 55   | 237-22      | 3    | O-Ring            |

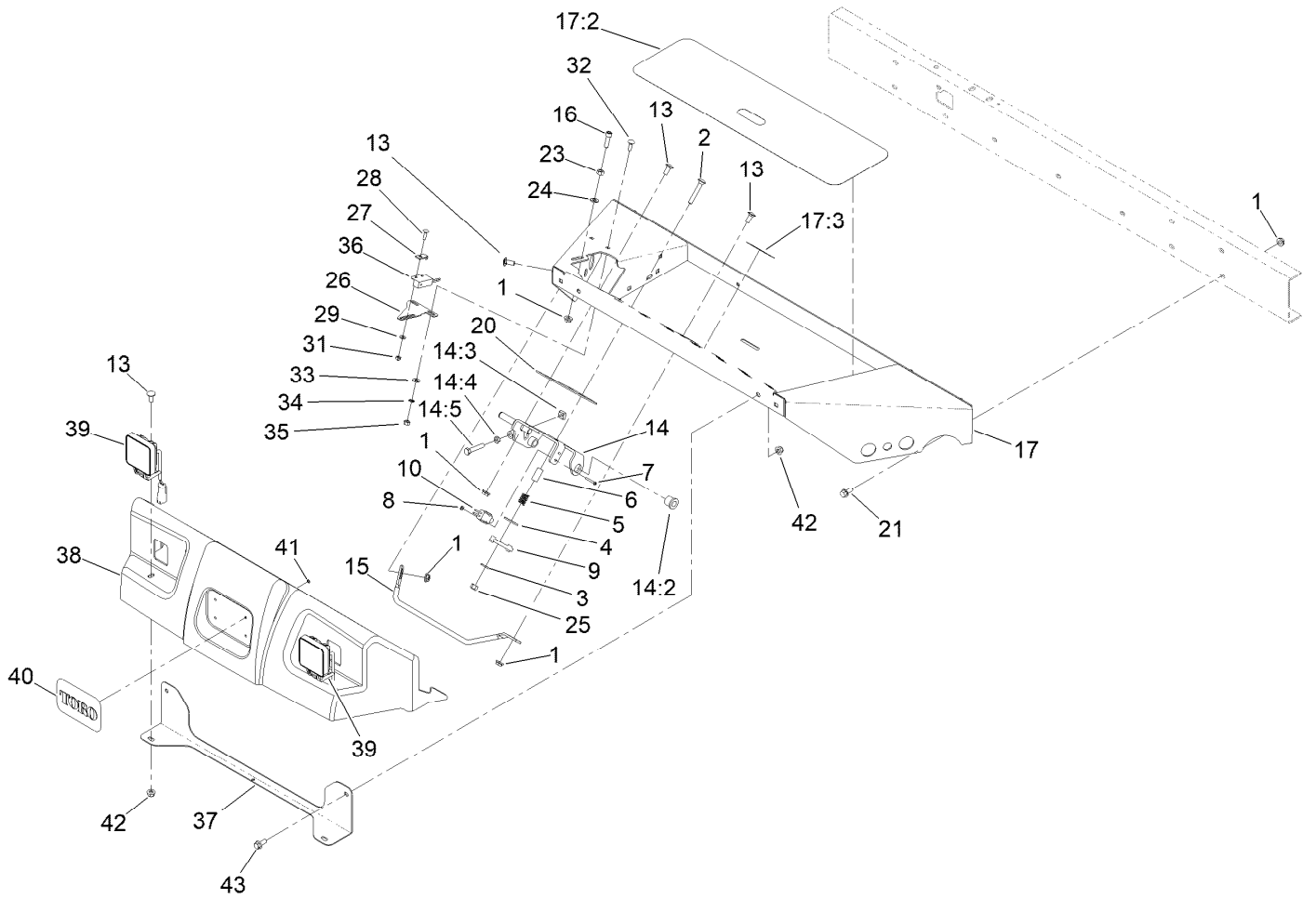
● Not illustrated

■ Not serviced separately



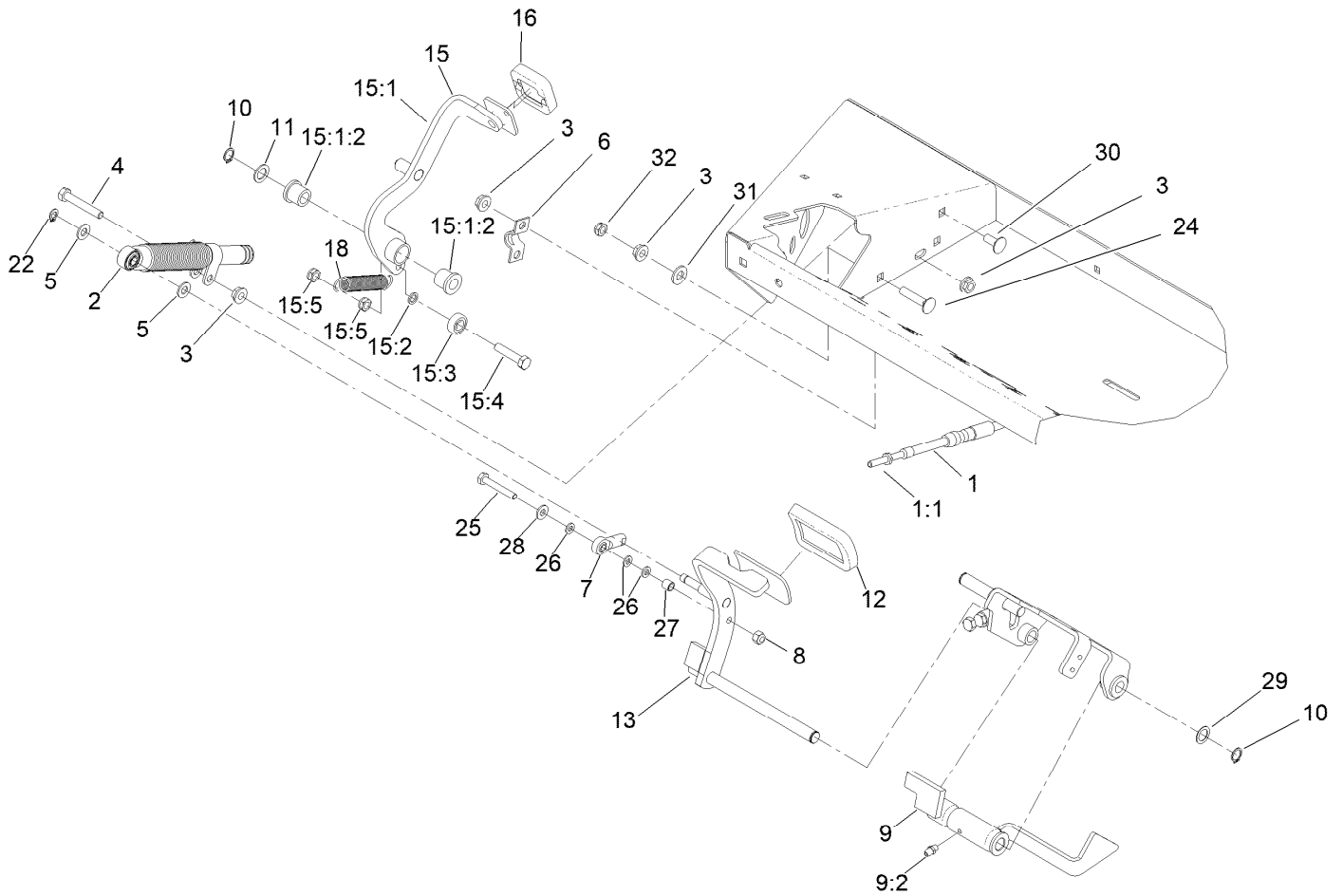
## Front Shroud and Floorplate Assembly

| <i>Ref.</i> | <i>Part Number</i> | <i>Qty.</i> | <i>Description</i>    | <i>Ref.</i> | <i>Part Number</i> | <i>Qty.</i> | <i>Description</i>      |
|-------------|--------------------|-------------|-----------------------|-------------|--------------------|-------------|-------------------------|
| 1           | 32128-20           | 15          | Nut-HF                | 20          | 106-2661-0P        | 1           | Plate-Support           |
| 2           | 3230-6             | 1           | Bolt-CARR             | 21          | 3234-5             | 10          | Screw-HHF               |
| 3           | 3256-3             | 1           | Washer-Flat           | 23          | 3217-6             | 1           | Nut-Hex                 |
| 4           | 3256-40            | 1           | Washer-Flat           | 24          | 3256-23            | 1           | Washer-Plain            |
| 5           | 65-9940            | 1           | Spring                | 25          | 3296-29            | 1           | Nut-Lock, NI            |
| 6           | 95-8866            | 1           | Tube-Arm, Rocker      | 26          | 100-4871           | 1           | Bracket-Switch, Neutral |
| 7           | 32105-9            | 2           | Screw-HH              | 27          | 100-4872           | 1           | Plate-Switch, Neutral   |
| 8           | 3296-9             | 2           | Nut-Hex               | 28          | 3229-20            | 1           | Screw-CARR              |
| 9           | 99-3593            | 1           | Arm-Rocker            | 29          | 3256-14            | 1           | Washer-Flat             |
| 10          | 95-8900            | 1           | Switch                | 31          | 3296-2             | 1           | Nut-Lock, NI            |
| 13          | 3230-23            | 6           | Bolt-CARR             | 32          | 3229-1             | 2           | Screw-CARR              |
| 14          | 140-6253           | 1           | Traction Bracket ASM  | 33          | 3256-22            | 2           | Washer-Flat             |
| 14:2        | 256-243            | 2           | Bearing-Flange        | 34          | 3255-7             | 2           | Washer-Lock/EXT         |
| 14:3        | 99-3565            | 1           | Nut-Square            | 35          | 3217-5             | 2           | Nut-Hex                 |
| 14:4        | 3218-2             | 1           | Nut-Hex Jam           | 36          | 100-1270           | 1           | Switch-Proximity        |
| 14:5        | 322-41             | 1           | Bolt-Hex, TAP         | 37          | 121-7822-03        | 1           | Bracket-Head Light      |
| 15          | 95-8893            | 1           | Bar-Deflector         | 38          | 121-7823           | 1           | Shroud-Front            |
| 16          | 3274-22            | 1           | Screw-HSH             | 39          | 140-6990           | 2           | Light-Work, LED         |
| 17          | 120-2189           | 1           | Floorplate ASM        | 40          | 93-6028            | 1           | Plate-Logo              |
| 17:2        | 99-3478            | 1           | Tread-Foot            | 41          | 3254-9             | 4           | Washer-Lock, Internal   |
| 17:3        | 99-3444            | 1           | Decal-Mow / Transport |             |                    |             |                         |



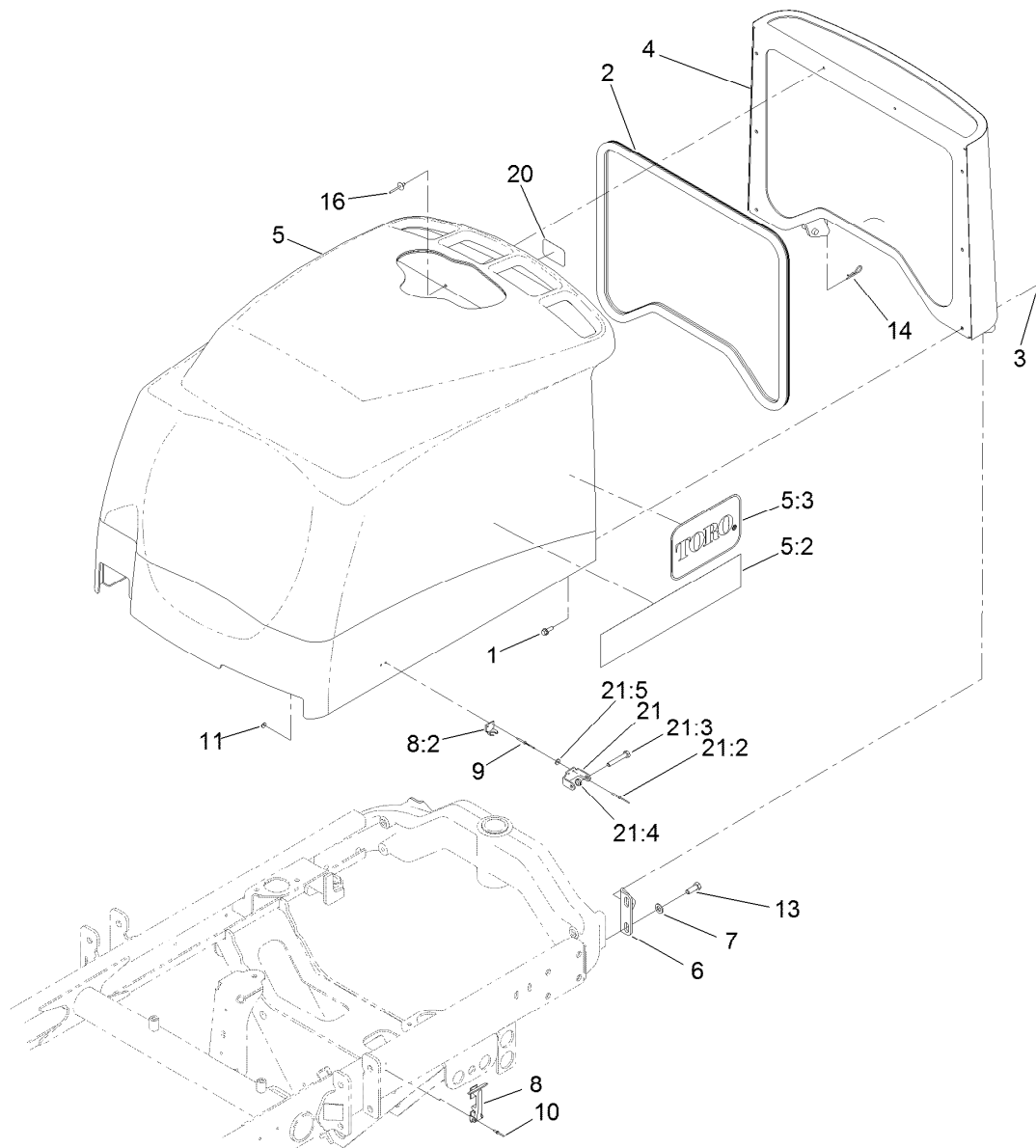
## Front Shroud and Floorplate Assembly (continued)

| <i>Ref.</i> | <i>Part Number</i> | <i>Qty.</i> | <i>Description</i> |
|-------------|--------------------|-------------|--------------------|
| 42          | 104-8300           | 4           | Nut-HF, NI         |
| 43          | 3234-47            | 2           | Screw-HHF          |



## Traction Control Assembly

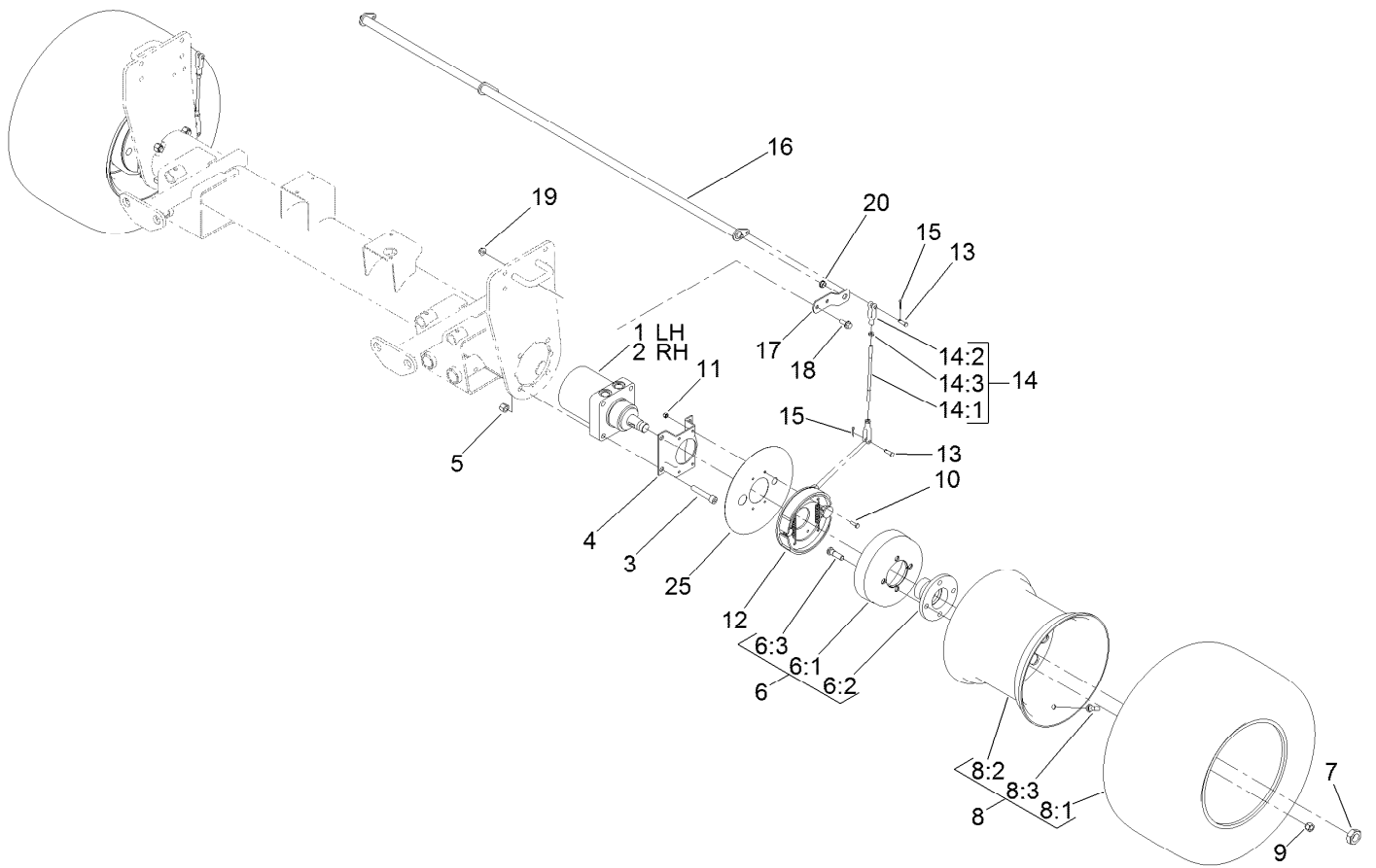
| <i>Ref.</i> | <i>Part Number</i> | <i>Qty.</i> | <i>Description</i>              | <i>Ref.</i> | <i>Part Number</i> | <i>Qty.</i> | <i>Description</i> |
|-------------|--------------------|-------------|---------------------------------|-------------|--------------------|-------------|--------------------|
| 1           | 100-4815           | 1           | Cable-Control, Traction         | 15:1:2      | 256-243            | 2           | Bearing-Flange     |
| 1:1         | 3220-1             | 2           | Nut-Jam                         | 15:2        | 75-5470            | 1           | Spacer-Bearing     |
| 2           | 140-6248           | 1           | Damper                          | 15:3        | 251-259            | 1           | Bearing-Ball       |
| 3           | 32128-20           | 5           | Nut-HF                          | 15:4        | 322-7              | 1           | Screw-HH           |
| 4           | 322-10             | 1           | Screw-HH                        | 15:5        | 3296-47            | 2           | Nut-Lock,NI        |
| 5           | 3256-23            | 2           | Washer-Plain                    | 16          | 74-9110            | 1           | Pad-Pedal, Reverse |
| 6           | 93-2092            | 1           | Clamp-Cable                     | 18          | 99-3476            | 1           | Spring-Extension   |
| 7           | 2411-41            | 1           | Rod End-Ball Joint              | 22          | 32151-3            | 1           | Ring-Grip          |
| 8           | 3296-42            | 1           | Nut-Lock, NI                    | 24          | 3230-27            | 1           | Screw-CARR         |
| 9           | 140-6255           | 1           | Detent Slider ASM               | 25          | 321-10             | 1           | Screw-HH           |
| 9:2         | 302-5              | 1           | Fitting-Grease                  | 26          | 33093-00           | 3           | Washer-Flat        |
| 10          | 32151-84           | 2           | Ring-Shaft, EXT                 | 27          | 99-3545            | 1           | Spacer             |
| 11          | 41-8440            | 1           | Washer                          | 28          | 3256-22            | 1           | Washer-Flat        |
| 12          | 74-9100            | 1           | Pad-Pedal, Forward              | 29          | 73-0040            | 4           | Washer-Thrust      |
| 13          | 140-6263           | 1           | Traction Pedal ASM              | 30          | 3230-23            | 2           | Bolt-CARR          |
| 15          | 140-6251           | 1           | Reverse Pedal ASM               | 31          | 3256-24            | 1           | Washer-Plain       |
| 15:1        | 140-6257           | 1           | Reverse Pedal ASM<br>W/Bushings | 32          | 3296-47            | 1           | Nut-Lock,NI        |



## Hood and Screen Assembly

| <i>Ref.</i> | <i>Part Number</i> | <i>Qty.</i> | <i>Description</i>  | <i>Ref.</i> | <i>Part Number</i> | <i>Qty.</i> | <i>Description</i> |
|-------------|--------------------|-------------|---------------------|-------------|--------------------|-------------|--------------------|
| 1           | 3234-4             | 6           | Screw-HHF           | 10          | 3290-55            | 4           | Rivet-Pop          |
| 2           | 100-4932           | 1           | Trim-Seal           | 11          | 3269-10            | 4           | Washer-Back        |
| 3           | 3296-42            | 6           | Nut-Lock, NI        | 13          | 323-6              | 4           | Screw-HH           |
| 4           | 104-4853-03        | 1           | Screen-Hood         | 14          | 3290-467           | 1           | Pin-Hair           |
| 5           | 127-8599           | 1           | Hood ASM            | 16          | 3269-21            | 2           | Rivet-Pop          |
| 5:2         | 127-8597           | 2           | Decal-Hood          | 20          | 110-7135           | 1           | Decal-Toro         |
| 5:3         | 62-7400            | 2           | Decal-Toro Logo     | 21          | 119-2004           | 1           | CE Latch Kit       |
| 6           | 95-8728            | 2           | Bracket-Pivot, Hood | 21:2        | 107-0333           | 2           | Rivet-Pop          |
| 7           | 3256-24            | 8           | Washer-Plain        | 21:3        | 322-10             | 1           | Screw-HH           |
| 8           | 59-9740            | 2           | Flex Draw Latch ASM | 21:4        | 3296-47            | 1           | Nut-Lock, NI       |
| 8:2         | 249-40             | 1           | Keeper              | 21:5        | 3269-10            | 2           | Washer-Back        |
| 9           | 107-0333           | 4           | Rivet-Pop           |             |                    |             |                    |

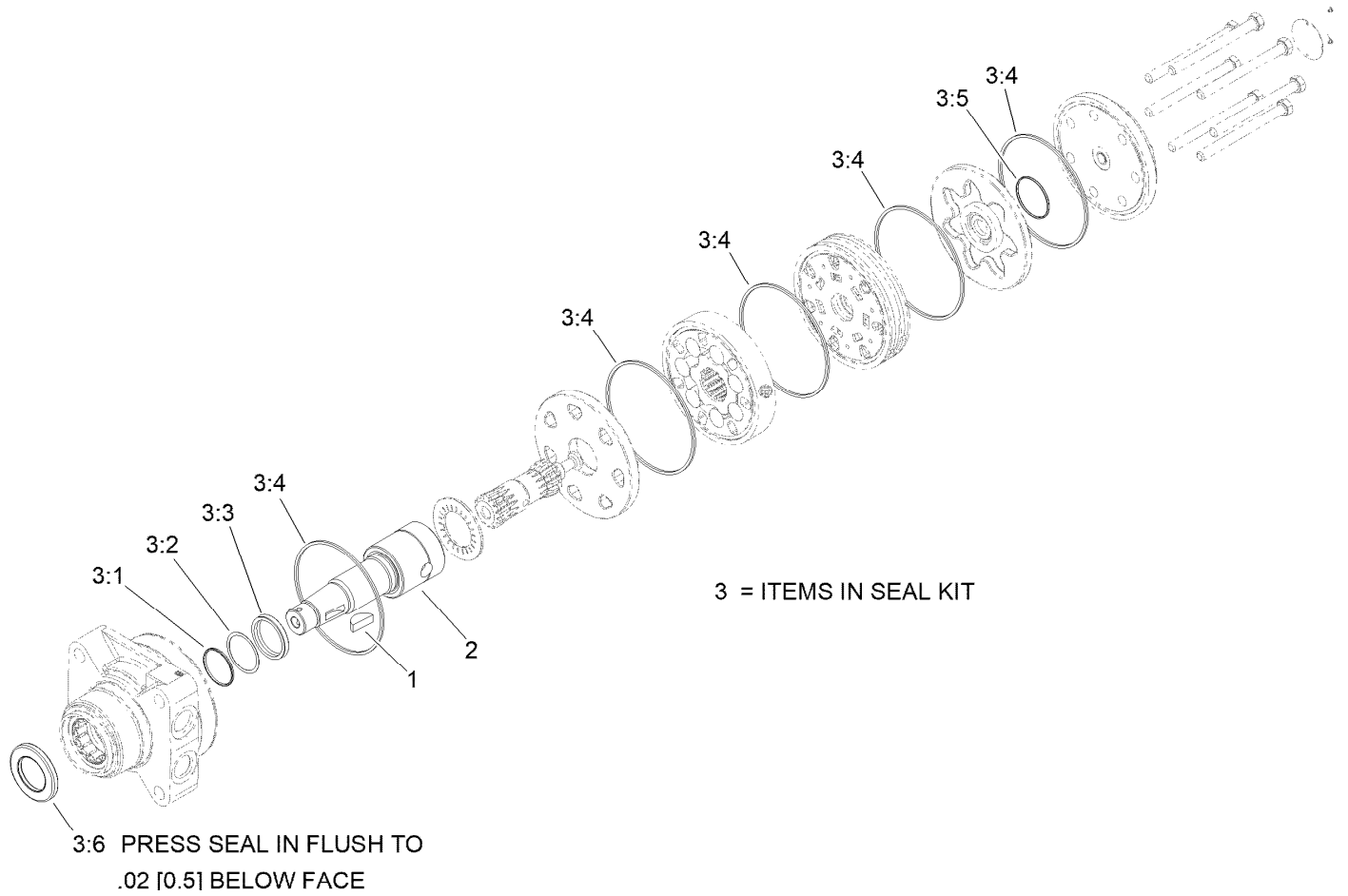




## Wheel and Brake Assembly

| Ref. | Part Number | Qty. | Description         | Ref. | Part Number | Qty. | Description          |
|------|-------------|------|---------------------|------|-------------|------|----------------------|
| 1    | 110-8785    | 1    | HYD Motor ASM (CCW) | 10   | 321-5       | 8    | Screw-HH             |
| 2    | 110-8786    | 1    | HYD Motor ASM (CW)  | 11   | 3296-42     | 8    | Nut-Lock, NI         |
| 3    | 3274-93     | 8    | Screw-HSH           | 12   | 127-8535    | 2    | Brake ASM            |
| 4    | 84-2000-0P  | 2    | Bracket-Brake       | 13   | 283-1       | 4    | Pin-Clevis           |
| 5    | 3296-23     | 8    | Nut-Lock, NI        | 14   | 127-8455    | 2    | Brake Lever ASM      |
| 6    | 127-8568    | 2    | Hub ASM             | 14:1 | 127-8456    | 1    | Rod-Brake            |
| 6:1  | 127-8536    | 1    | Brake Drum          | 14:2 | 1-303105    | 2    | Yoke-Adjustable      |
| 6:2  | 93-6838-03  | 1    | Hub-Wheel           | 14:3 | 3220-2      | 2    | Nut-Jam              |
| 6:3  | 85-6540     | 4    | Stud-Drive          | 15   | 3272-10     | 4    | Pin-Cotter           |
| 7    | 26-3790     | 2    | Nut-Lock            | 16   | 127-8434-03 | 1    | Shaft-Pivot, Brake   |
| 8    |             | 2    | Tire ASM ●          | 17   | 95-8683     | 2    | Bracket-Pivot, Brake |
| 8:1  | 120-2114    | 1    | Tire-Smooth         | 18   | 3234-11     | 4    | Screw-HHF            |
| 8:2  | 120-2115    | 1    | Wheel-12 Inch       | 19   | 104-8301    | 4    | Nut-HF, NI           |
| 8:3  | 232-27      | 1    | Stem-Valve          | 20   | 256-156     | 2    | Bushing-Flange       |
| 9    | 242-50      | 8    | Nut-Lug             | 25   | 136-8006-0P | 2    | Shield-Wheel Rim     |

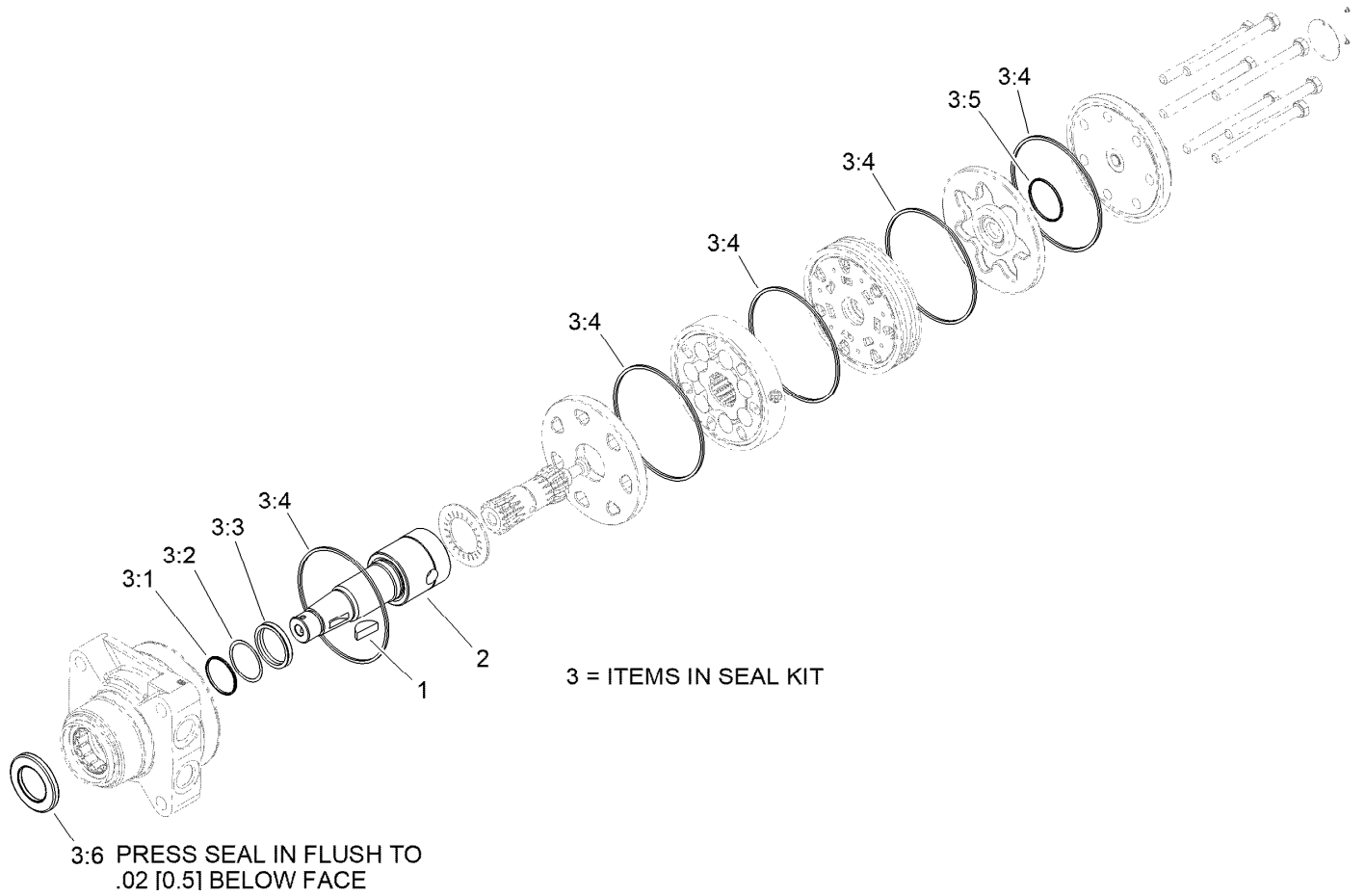
● Not serviced separately



## Hydraulic Motor Assembly No. 110-8785

| Ref. | Part Number | Qty. | Description           |
|------|-------------|------|-----------------------|
| 1    | 3257-42     | 1    | Key-Woodruff          |
| 2    | 99-3090     | 1    | Shaft-Coupling        |
| 3    | 100-6131    | 1    | Seal Kit              |
| 3:1  |             | 1    | Ring-Back Up ●        |
| 3:2  |             | 1    | Washer-Back Up ●      |
| 3:3  |             | 1    | Seal-Shaft ●          |
| 3:4  |             | 5    | Seal-Ring ●           |
| 3:5  |             | 1    | Seal-Commutator ●     |
| 3:6  |             | 1    | Seal-Dirt And Water ● |

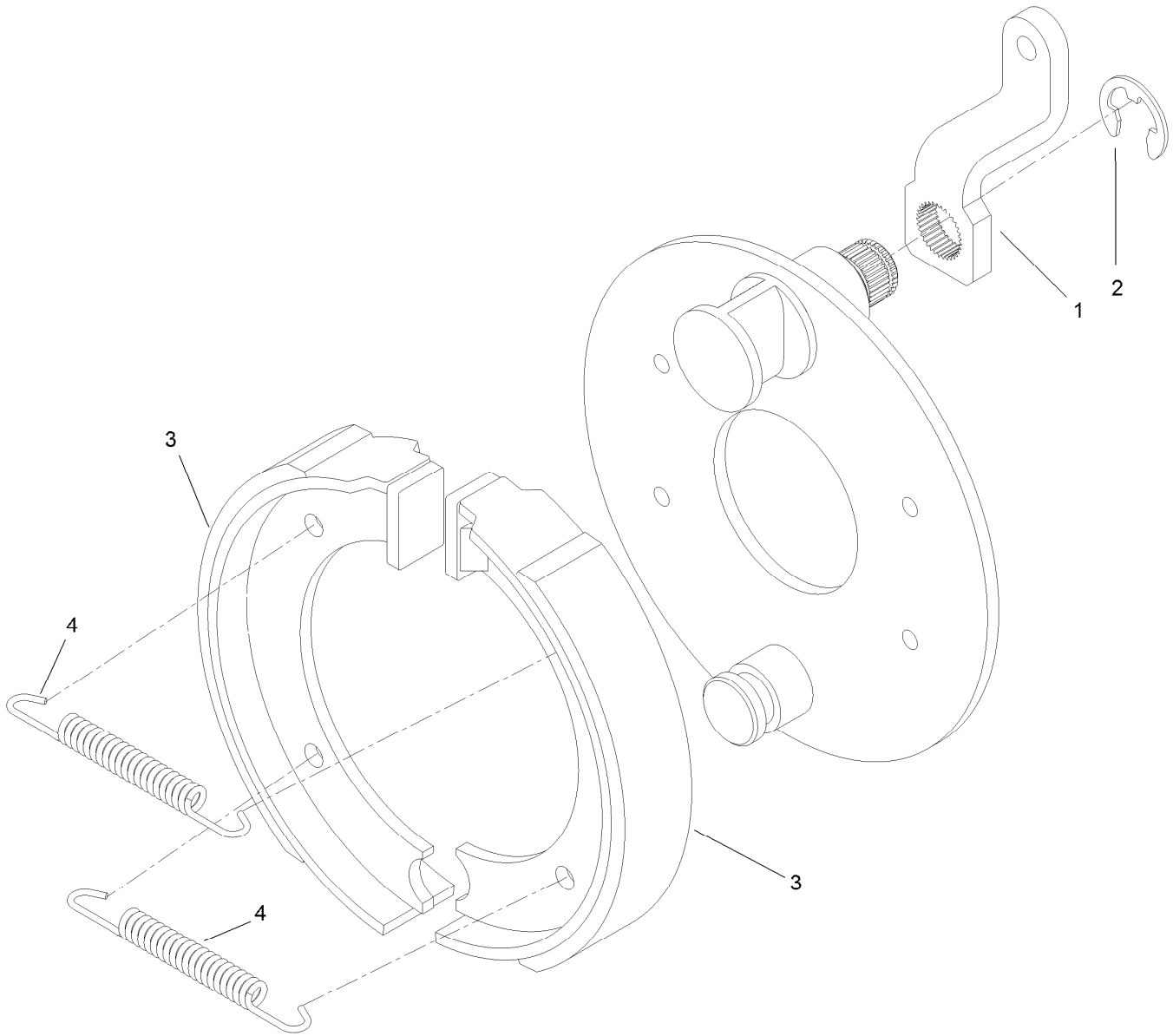
● Not serviced separately



## Hydraulic Motor Assembly No. 110-8786

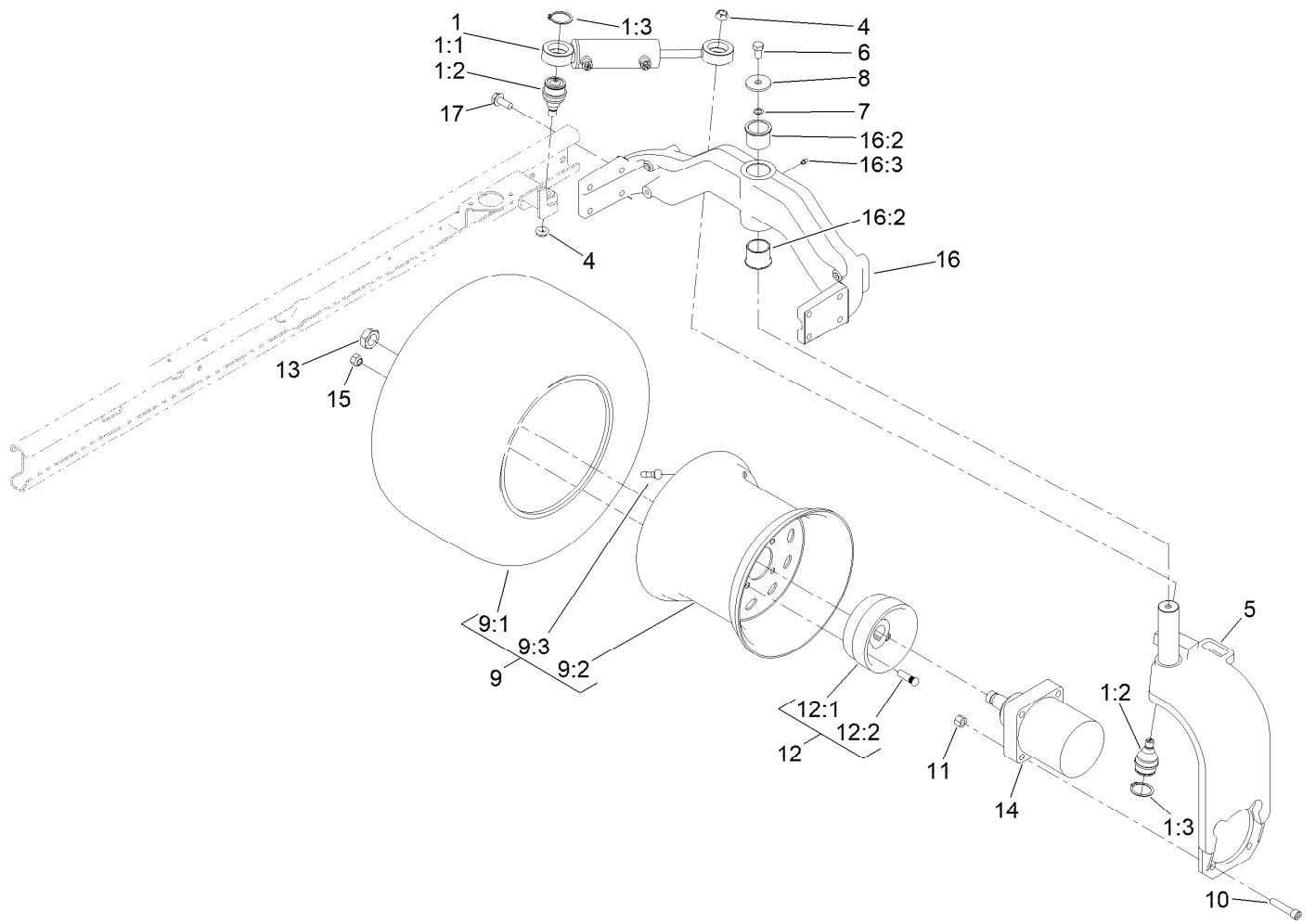
| Ref. | Part Number | Qty. | Description           |
|------|-------------|------|-----------------------|
| 1    | 3257-42     | 1    | Key-Woodruff          |
| 2    | 99-3090     | 1    | Shaft-Coupling        |
| 3    | 100-6131    | 1    | Seal Kit              |
| 3:1  |             | 1    | Ring-Back Up ●        |
| 3:2  |             | 1    | Washer-Back Up ●      |
| 3:3  |             | 1    | Seal-Shaft ●          |
| 3:4  |             | 5    | Seal-Ring ●           |
| 3:5  |             | 1    | Seal-Commutator ●     |
| 3:6  |             | 1    | Seal-Dirt And Water ● |

● Not serviced separately



## Brake Assembly No. 127-8535

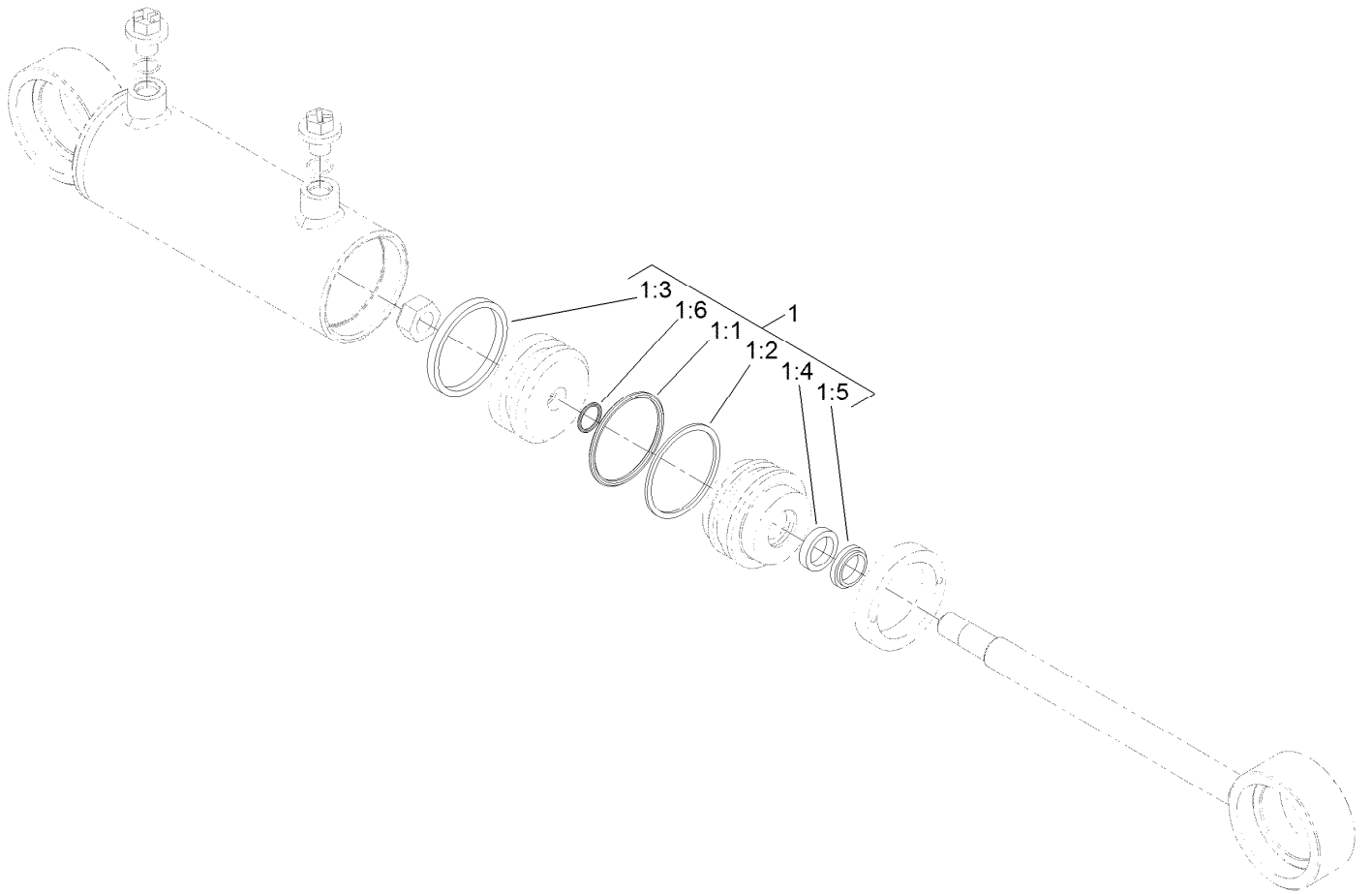
| <i>Ref.</i> | <i>Part Number</i> | <i>Qty.</i> | <i>Description</i>    |
|-------------|--------------------|-------------|-----------------------|
| 1           | 127-8567           | 1           | Lever                 |
| 2           | 127-8566           | 1           | E-Clip, 15MM External |
| 3           | 127-8570           | 2           | Brake-Shoe            |
| 4           | 127-8569           | 2           | Brake-Spring          |



## Rear Fork Assembly

| Ref. | Part Number | Qty. | Description              | Ref. | Part Number | Qty. | Description      |
|------|-------------|------|--------------------------|------|-------------|------|------------------|
| 1    | 133-4912    | 1    | Steering Cylinder ASM    | 10   | 3274-71     | 4    | Screw-HSH        |
| 1:1  | 121-7835    | 1    | Steering Cylinder ASM    | 11   | 3296-23     | 4    | Nut-Lock, NI     |
| 1:2  | 121-3605    | 2    | Ball Joint               | 12   | 103-0590    | 1    | Wheel Hub ASM    |
| 1:3  | 32151-104   | 2    | Ring-Retaining, External | 12:1 | 103-0589    | 1    | Hub-Wheel        |
| 4    | 121-3611    | 2    | Nut-Hex, Flextop         | 12:2 | 1-633926    | 4    | Stud-Wheel       |
| 5    | 127-8448-01 | 1    | Rear Fork ASM            | 13   | 26-3790     | 1    | Nut-Lock         |
| 6    | 325-3       | 1    | Screw-HH                 | 14   | 95-8694     | 1    | HYD Motor ASM    |
| 7    | 3255-2      | 1    | Washer-Lock, EXT         | 15   | 242-50      | 4    | Nut-Lug          |
| 8    | 75-7730     | 1    | Washer-Thrust            | 16   | 127-8576    | 1    | Rear Casting ASM |
| 9    |             | 1    | Tire ASM ●               | 16:2 | 127-8572    | 2    | Bushing-Flange   |
| 9:1  | 120-2114    | 1    | Tire-Smooth              | 16:3 | 302-5       | 1    | Fitting-Grease   |
| 9:2  | 120-2115    | 1    | Wheel-12 Inch            | 17   | 3234-38     | 8    | Screw-HHF        |
| 9:3  | 232-27      | 1    | Stem-Valve               |      |             |      |                  |

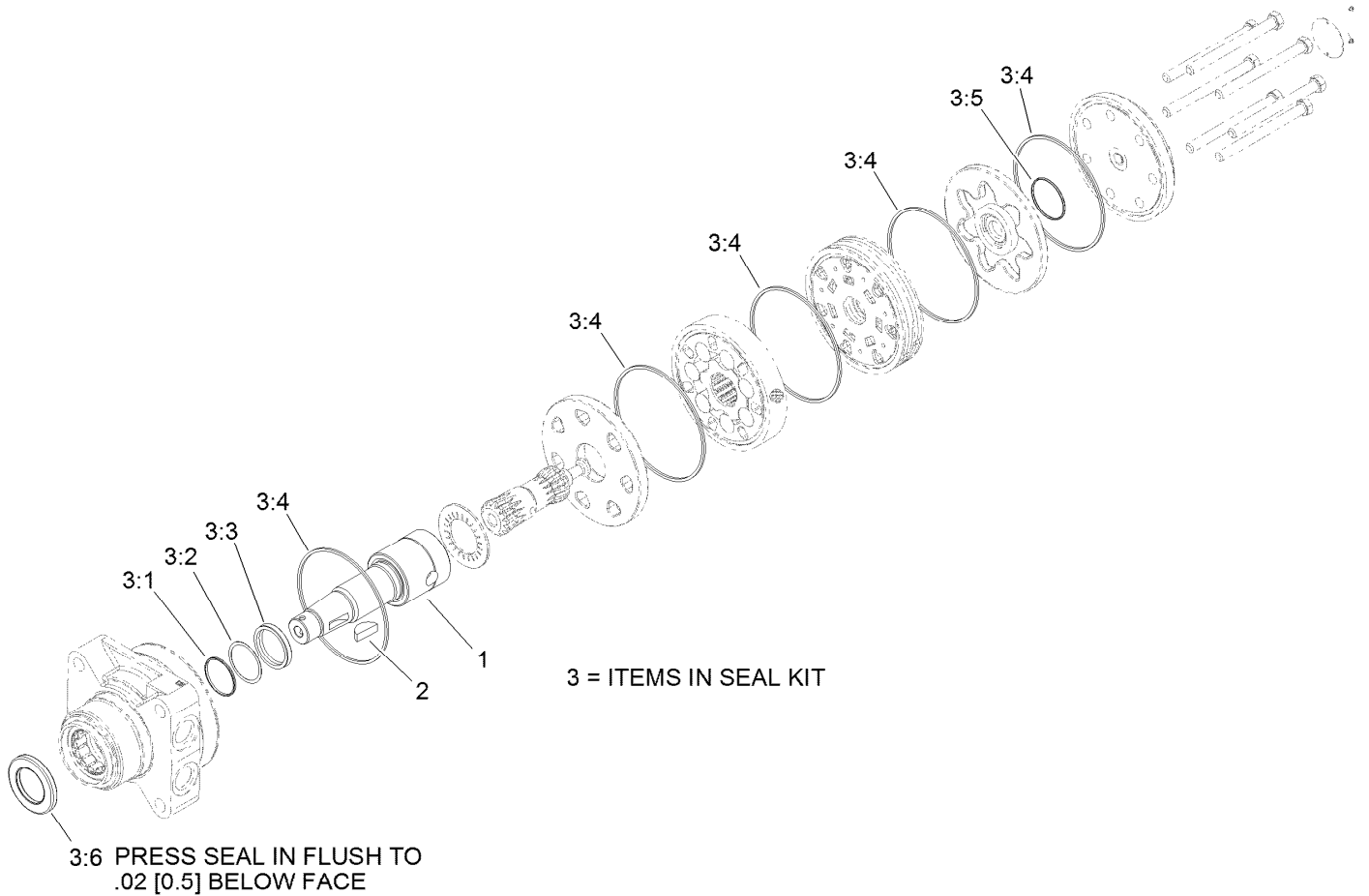
● Not serviced separately



## Steering Cylinder Assembly No. 121-7835

| <i>Ref.</i> | <i>Part Number</i> | <i>Qty.</i> | <i>Description</i> |
|-------------|--------------------|-------------|--------------------|
| 1           | 121-7844           | 1           | Kit-Seal           |
| 1:1         |                    | 1           | O-Ring ●           |
| 1:2         |                    | 1           | Backup ●           |
| 1:3         |                    | 1           | Psp Seal ●         |
| 1:4         |                    | 1           | Bt Seal ●          |
| 1:5         |                    | 1           | Dust Seal-Dt ●     |
| 1:6         |                    | 1           | O-Ring ●           |

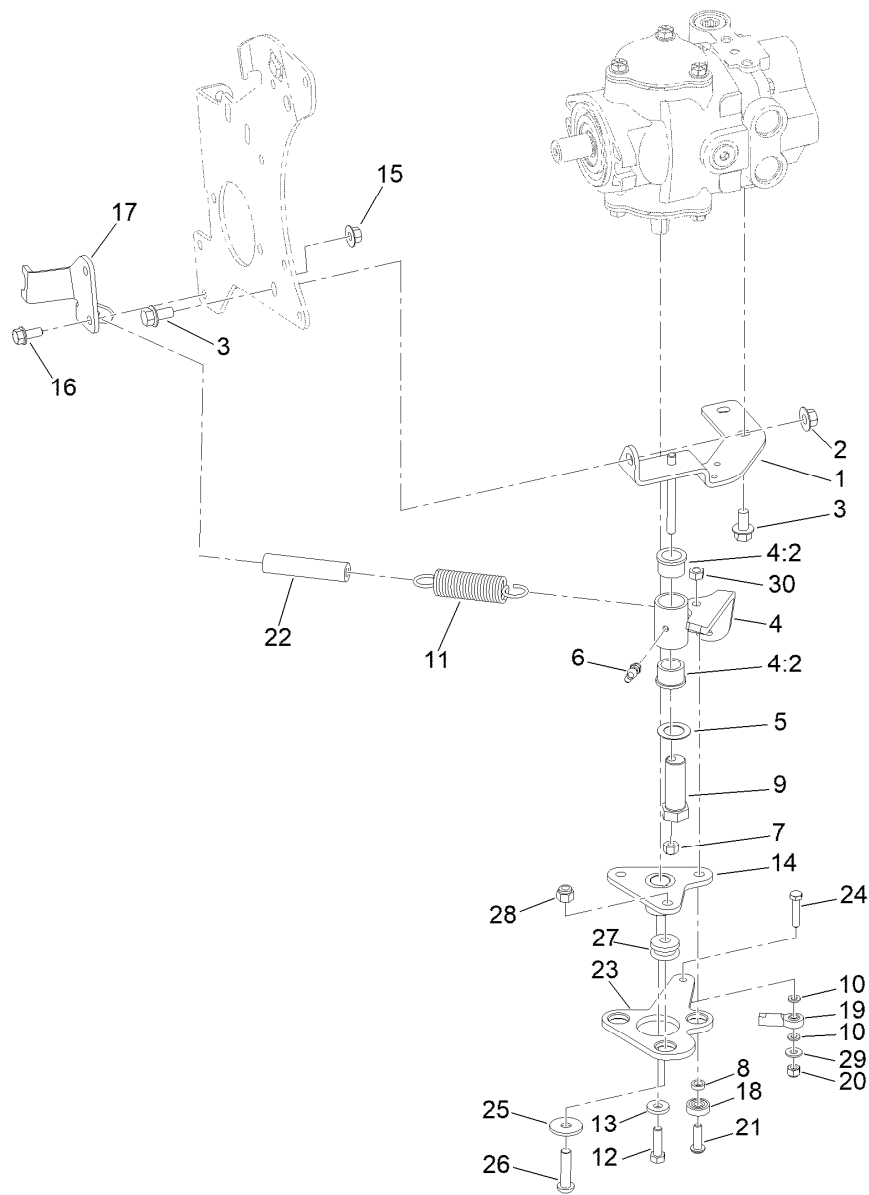
● Not serviced separately



## Hydraulic Motor Assembly No. 95-8694

| <i>Ref.</i> | <i>Part Number</i> | <i>Qty.</i> | <i>Description</i>    |
|-------------|--------------------|-------------|-----------------------|
| 1           | 99-3090            | 1           | Shaft-Coupling        |
| 2           | 3257-42            | 1           | Key-Woodruff          |
| 3           | 100-6131           | 1           | Seal Kit              |
| 3:1         |                    | 1           | Ring-Back Up ●        |
| 3:2         |                    | 1           | Washer-Back Up ●      |
| 3:3         |                    | 1           | Seal-Shaft ●          |
| 3:4         |                    | 5           | Seal-Ring ●           |
| 3:5         |                    | 1           | Seal-Commutator ●     |
| 3:6         |                    | 1           | Seal-Dirt And Water ● |

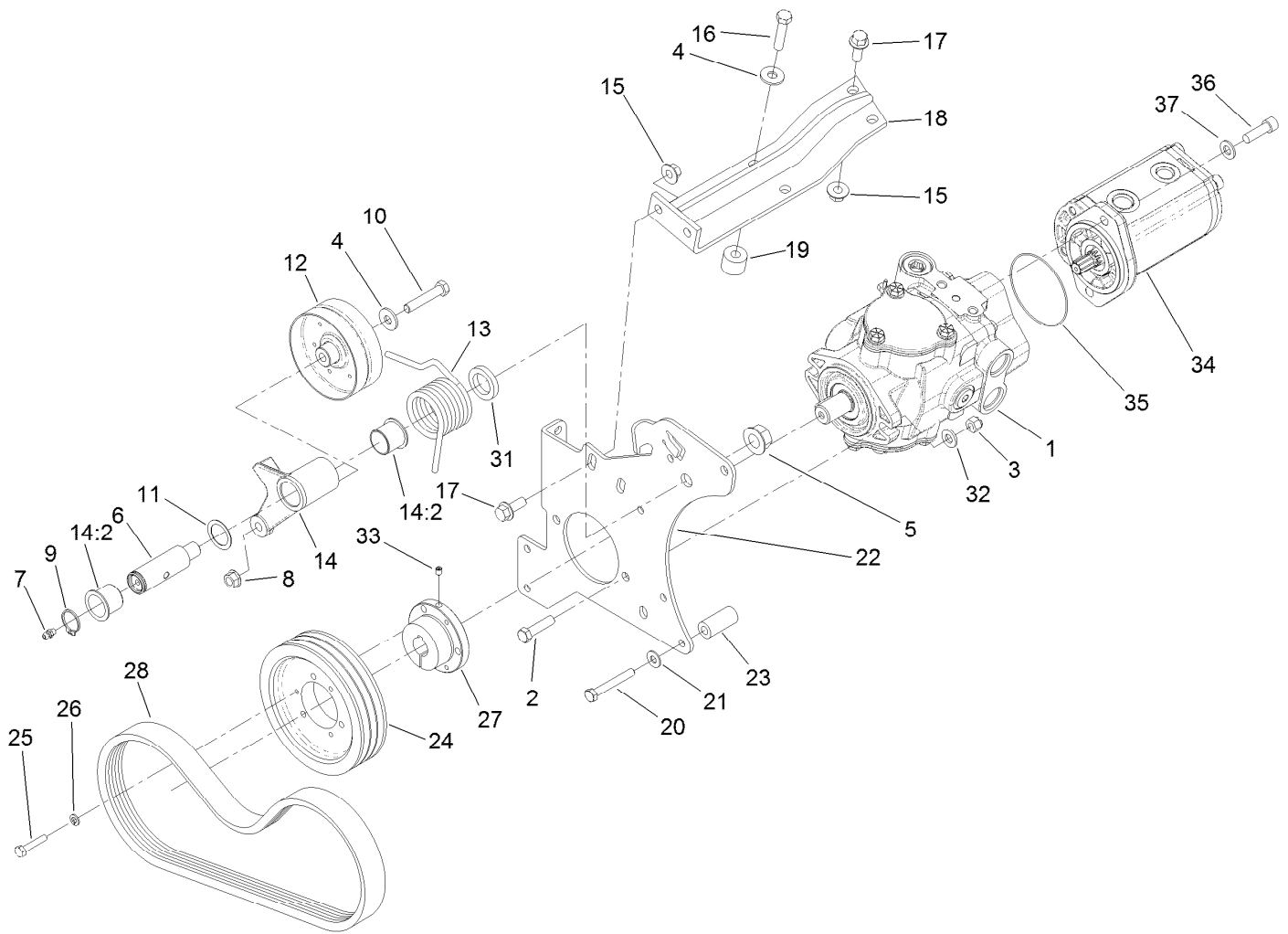
● Not serviced separately



## Neutral Arm Assembly

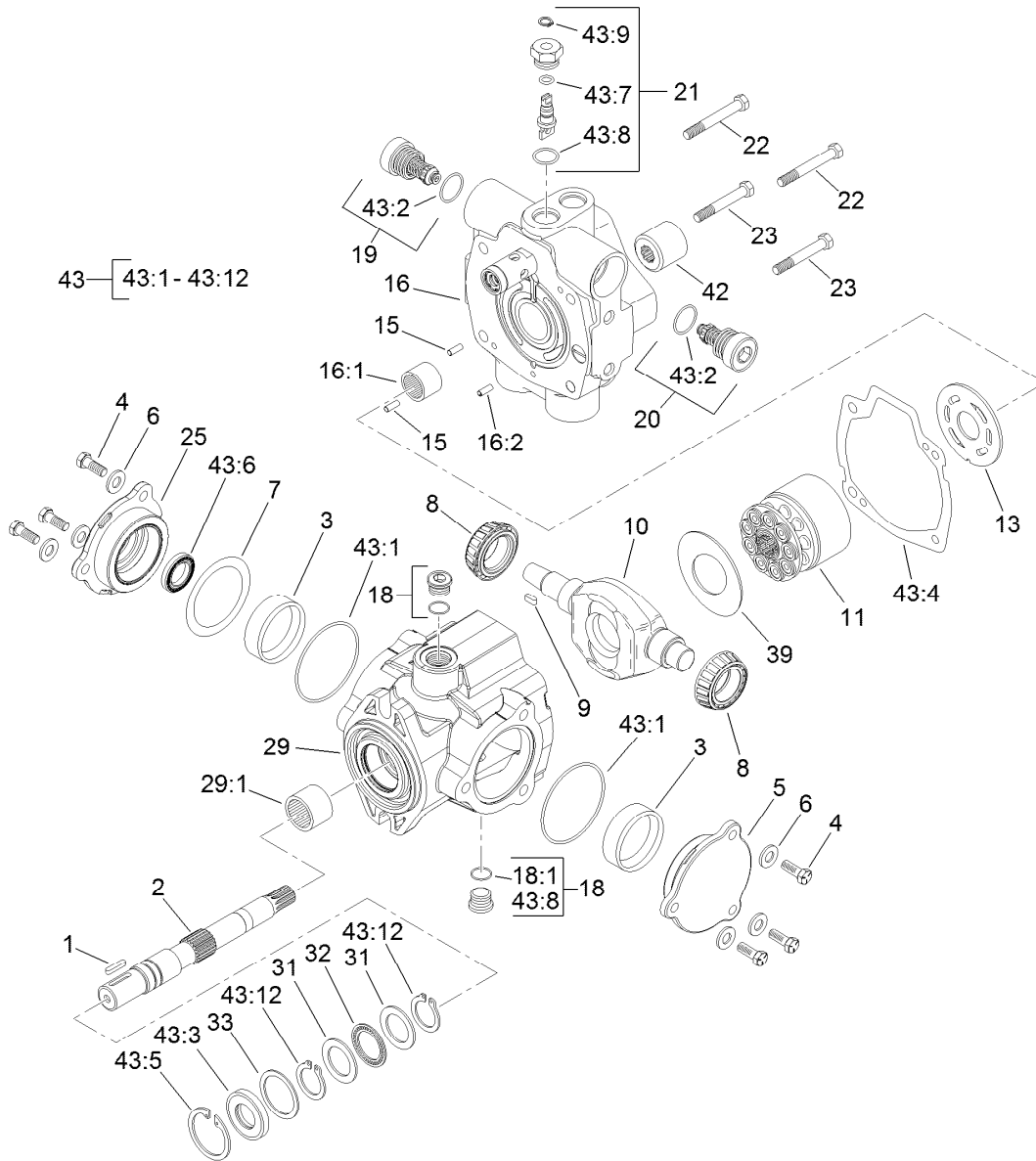
| Ref. | Part Number | Qty. | Description      | Ref. | Part Number | Qty. | Description            |
|------|-------------|------|------------------|------|-------------|------|------------------------|
| 1    | 95-8960-0P  | 1    | Bracket-Neutral  | 16   | 3234-5      | 2    | Screw-HHF              |
| 2    | 32128-43    | 1    | Nut-Flange       | 17   | 104-0464-03 | 1    | Bracket-Support, Cable |
| 3    | 3234-1      | 3    | Screw-HHF        | 18   | 251-259     | 1    | Bearing-Ball           |
| 4    | 104-0422    | 1    | Neutral Arm ASM  | 19   | 2411-41     | 1    | Rod End-Ball Joint     |
| 4:2  | 256-113     | 2    | Bushing-Flange   | 20   | 3296-42     | 1    | Nut-Lock, NI           |
| 5    | 3-6498      | 1    | Washer-Thrust    | 21   | 3274-104    | 1    | Screw-HSBH             |
| 6    | 302-60      | 1    | Fitting-Grease   | 22   | 99-3556     | 1    | Hose                   |
| 7    | 3296-29     | 1    | Nut-Lock, NI     | 23   | 99-3594-0P  | 1    | Lever-Pump             |
| 8    | 100-4817    | 1    | Spacer           | 24   | 321-8       | 1    | Screw-HH               |
| 9    | 76-8640     | 1    | Stud-Traction    | 25   | 2844        | 3    | Washer                 |
| 10   | 33093-00    | 2    | Washer-Flat      | 26   | 95-3857     | 3    | Screw-HSBH             |
| 11   | 145-5262    | 1    | Spring-Extension | 27   | 63-9750     | 3    | Mount                  |
| 12   | 3210-6      | 1    | Screw-HH         | 28   | 3296-39     | 3    | Nut-Lock, NI           |
| 13   | 88-7200     | 1    | Washer-Flat      | 29   | 3256-22     | 1    | Washer-Flat            |
| 14   | 120-5566    | 1    | Hub              | 30   | 32153-3     | 1    | Nut-Hex, Side Deform   |
| 15   | 32128-44    | 2    | Nut              |      |             |      |                        |





## Piston Pump and Gear Pump Assembly

| <i>Ref.</i> | <i>Part Number</i> | <i>Qty.</i> | <i>Description</i> | <i>Ref.</i> | <i>Part Number</i> | <i>Qty.</i> | <i>Description</i>    |
|-------------|--------------------|-------------|--------------------|-------------|--------------------|-------------|-----------------------|
| 1           | 104-4890           | 1           | Piston Pump ASM    | 18          | 99-3436-0P         | 1           | Support-Pump          |
| 2           | 323-8              | 2           | Screw-HH           | 19          | 99-3440            | 2           | Spacer                |
| 3           | 3296-39            | 2           | Nut-Lock, NI       | 20          | 33114-060          | 4           | Screw-HH              |
| 4           | 80-6990            | 2           | Washer-Hardened    | 21          | 87-8640            | 3           | Washer-Flat           |
| 5           | 32128-54           | 1           | Nut-HF             | 22          | 95-8933-0P         | 1           | Plate - Pump Mount *b |
| 6           | 99-3624            | 1           | Shaft-Pivot, Idler | 23          | 95-8941            | 4           | Spacer-Mount, Pump    |
| 7           | 302-5              | 1           | Fitting-Grease     | 24          | 99-3620            | 1           | Pulley-3V, Pump       |
| 8           | 32128-21           | 1           | Nut-HF Lock        | 25          | 321-13             | 3           | Screw-HH              |
| 9           | 32151-36           | 1           | Ring-Retaining     | 26          | 3253-3             | 3           | Washer-Lock           |
| 10          | 323-10             | 1           | Screw-HH           | 27          | 100-4813           | 1           | Bushing-Lock, Taper   |
| 11          | 74-1810            | 1           | Washer             | 28          | 99-3619            | 1           | Belt-3V               |
| 12          | 139-6031           | 1           | Pulley-Idler       | 31          | 99-3625            | 1           | Spacer-Arm, Idler     |
| 13          | 115-3488           | 1           | Spring-Torsion     | 32          | 100-4852           | 2           | Washer-Hardened       |
| 14          | 137-1653           | 1           | Idler Arm ASM      | 33          | 3245-7             | 1           | Screw-Set             |
| 14:2        | 126-1963           | 2           | Bushing-Pivot      | 34          | 121-7841           | 1           | HYD Gear Pump ASM     |
| 15          | 32128-43           | 4           | Nut-Flange         | 35          | 60-3520            | 1           | O-Ring                |
| 16          | 323-19             | 2           | Screw-HH           | 36          | 323-7              | 2           | Screw-HH              |
| 17          | 3234-11            | 4           | Screw-HHF          | 37          | 3256-24            | 4           | Washer-Plain          |

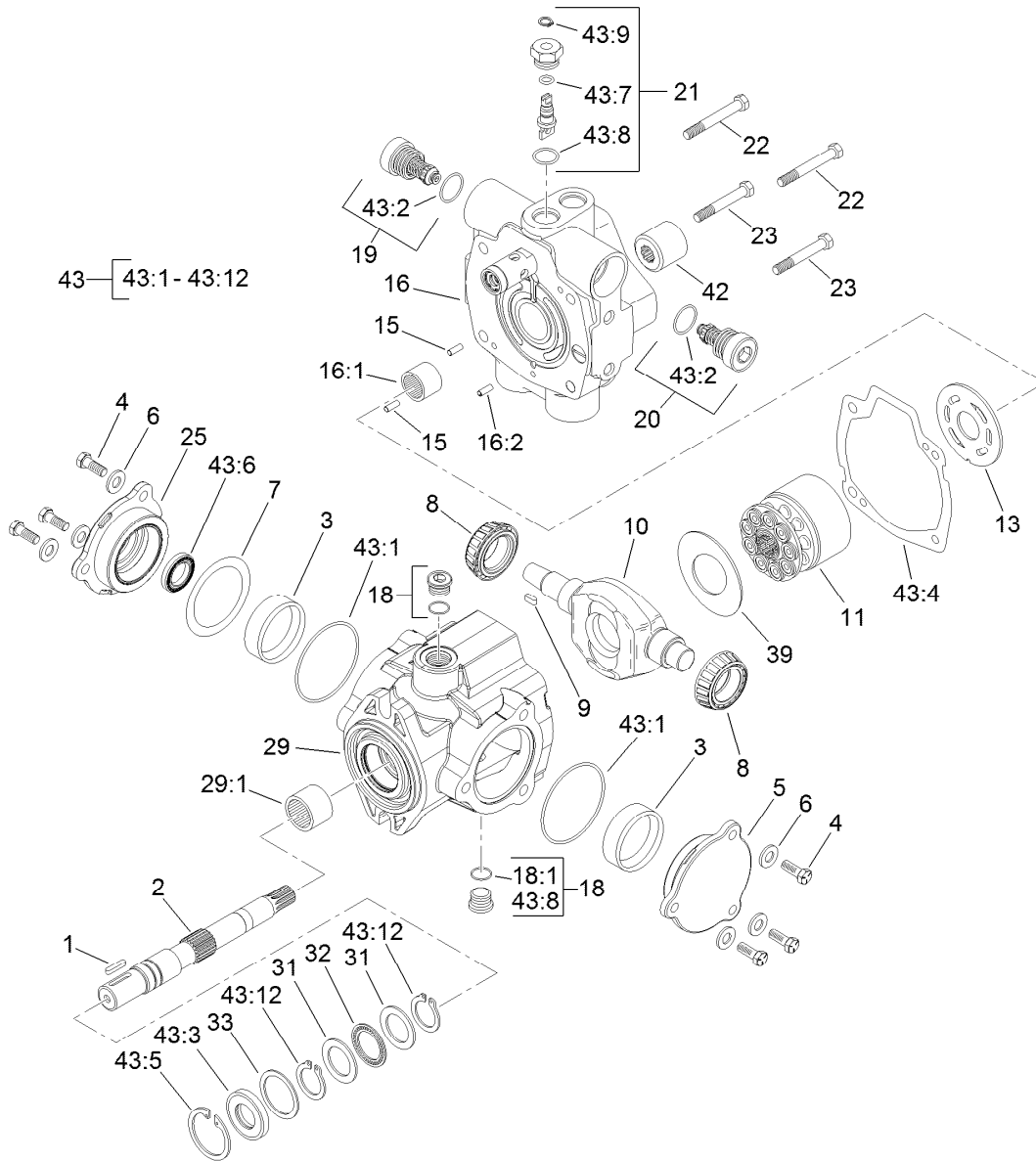


## Hydraulic Pump Assembly No. 104-4890

| Ref. | Part Number | Qty. | Description      | Ref. | Part Number | Qty. | Description       |
|------|-------------|------|------------------|------|-------------|------|-------------------|
| 1    | 94-3645     | 1    | Key              | 19   | 104-4889    | 1    | Relief Valve ASM  |
| 2    | 94-6359     | 1    | Shaft-Drive      | 20   | 105-3812    | 1    | Valve-Check       |
| 3    | 104-4046    | 2    | Bearing-Cup      | 21   | 105-3811    | 1    | Valve-Bypass      |
| 4    | 98-4640     | 6    | Screw-Cap        | 22   | 76-6170     | 2    | Capscrew          |
| 5    | 98-4644     | 1    | Plate-Cover      | 23   | 76-6160     | 2    | Capscrew          |
| 6    | 105-9762    | 6    | Washer           | 25   | 98-4645     | 1    | Plate-Cover       |
| 7    | 100-3182    | 2    | Shim Kit         | 29   | 100-3176    | 1    | Housing ASM       |
| 8    | 98-4639     | 2    | Bearing-Cone     | 29:1 | 94-6363     | 1    | Bearing           |
| 9    | 94-3646     | 1    | Key              | 31   | 252-71      | 2    | Washer-Thrust     |
| 10   | 104-4888    | 1    | Swashplate       | 32   | 252-66      | 1    | Bearing-Thrust    |
| 11   | 76-6070     | 1    | Rotating Kit     | 33   | 33-3720     | 1    | Washer            |
| 13   | 104-0429    | 1    | Plate-Valve      | 39   | 98-4635     | 1    | Insert-Plate, Cam |
| 15   | 76-6150     | 2    | Pin-Dowel        | 42   | 74-9040     | 1    | Coupler           |
| 16   | 105-3813    | 1    | Endcover Sub ASM | 43   | 120-5754    | 1    | Seal Kit          |
| 16:1 | 94-6368     | 1    | Bearing          | 43:1 |             | 2    | O-Ring ■          |
| 16:2 |             | 1    | Pin-Roll ■       | 43:2 |             | 2    | O-Ring ■          |
| 18   | 74-9280     | 2    | Plug ASM         | 43:3 |             | 1    | Seal-Shaft ■      |
| 18:1 |             | 1    | O-Ring ■         | 43:4 |             | 1    | Gasket ■          |

● Not illustrated

■ Not serviced separately



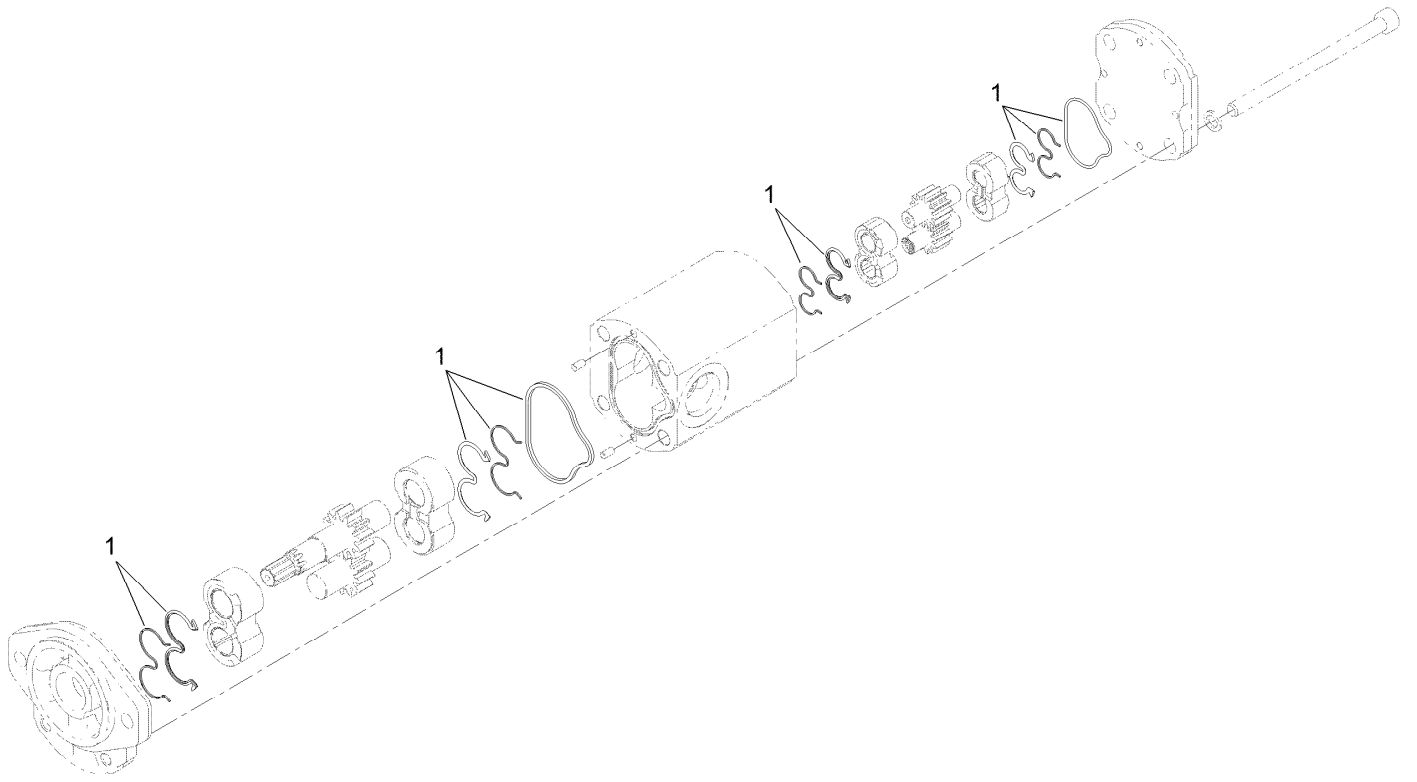
## Hydraulic Pump Assembly No. 104-4890 (continued)

| Ref. | Part Number | Qty. | Description      |
|------|-------------|------|------------------|
| 43:5 |             | 1    | Ring-Retaining ■ |
| 43:6 |             | 1    | Seal-Shaft ■     |
| 43:7 |             | 1    | O-Ring ■         |
| 43:8 |             | 5    | O-Ring ■         |
| 43:9 |             | 1    | Ring-Retaining ■ |

| Ref.  | Part Number | Qty. | Description      |
|-------|-------------|------|------------------|
| 43:10 |             | 1    | O-Ring ●■        |
| 43:11 |             | 1    | O Ring-Molded ●■ |
| 43:12 |             | 2    | Ring-Retaining ■ |
| 43:13 |             | 1    | O-Ring ■●        |

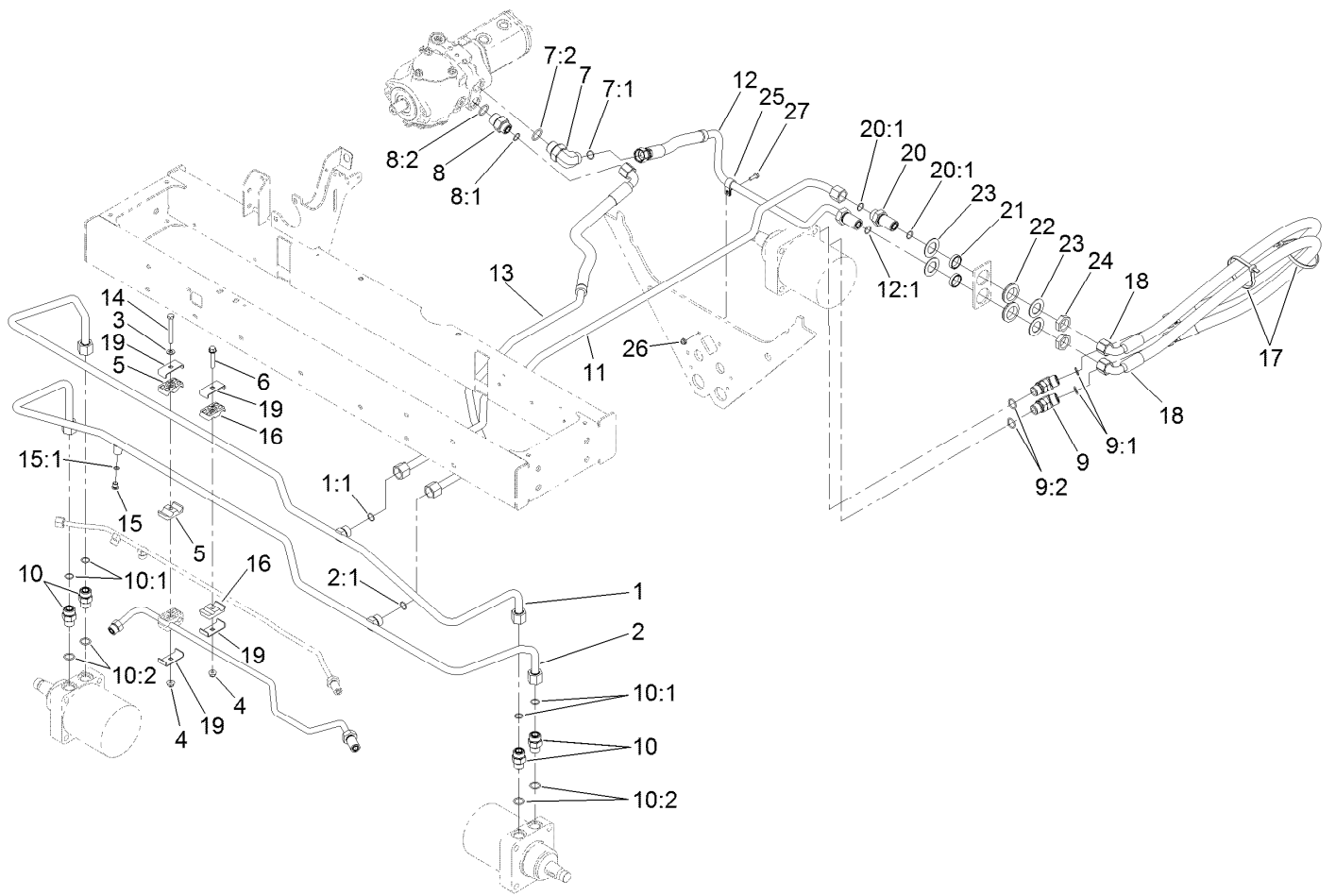
● Not illustrated

■ Not serviced separately



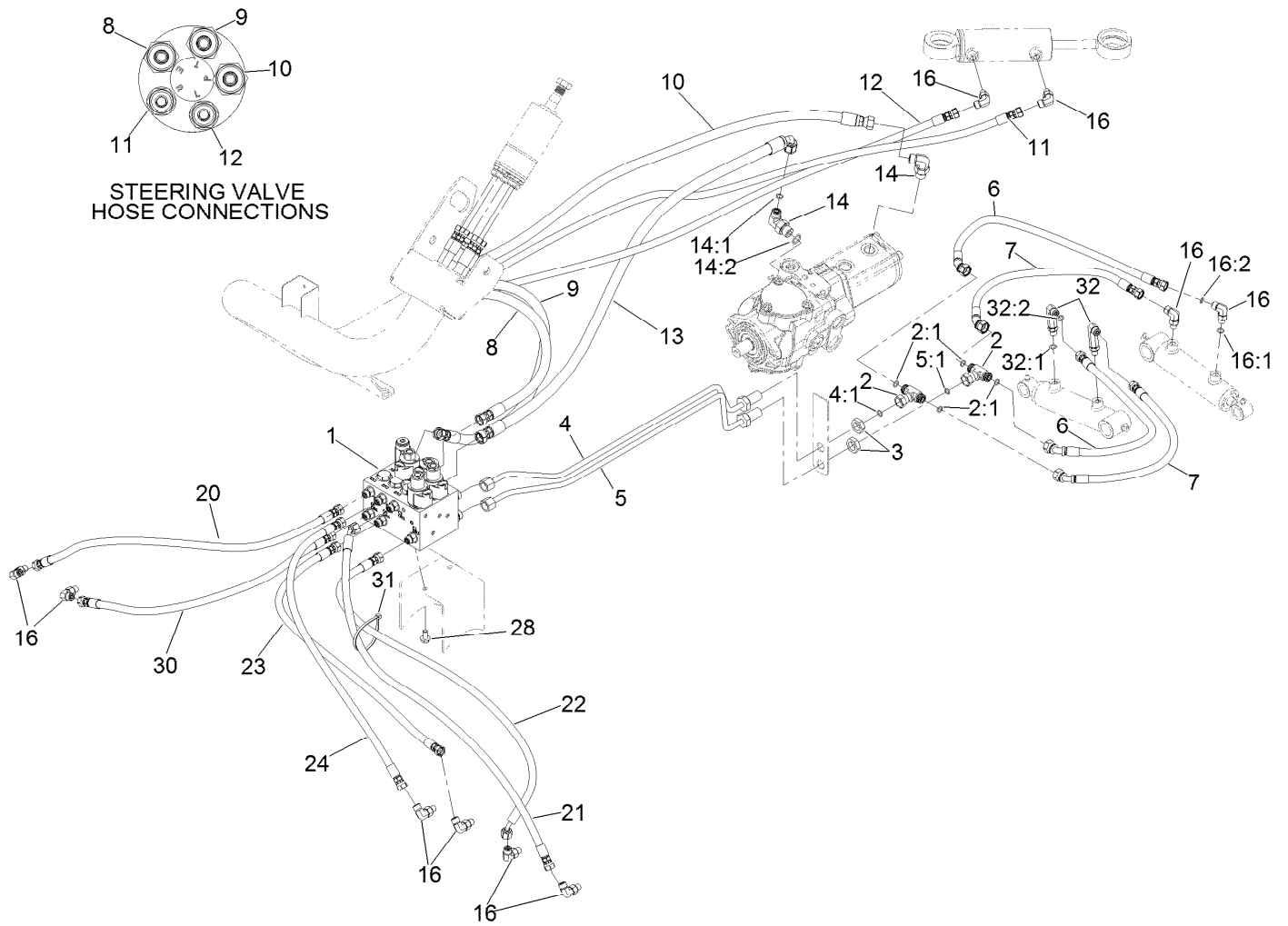
## Hydraulic Gear Pump Assembly No. 121-7841

| <i>Ref.</i> | <i>Part Number</i> | <i>Qty.</i> | <i>Description</i> |
|-------------|--------------------|-------------|--------------------|
| 1           | 119-7134           | 1           | Kit-Seal           |



## Traction Hydraulic Assembly

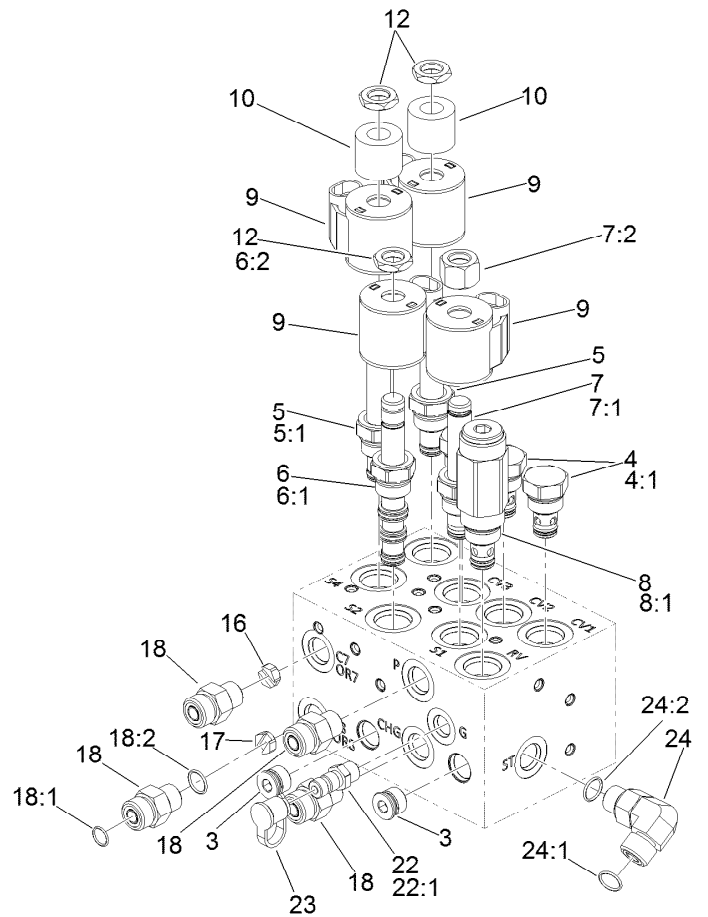
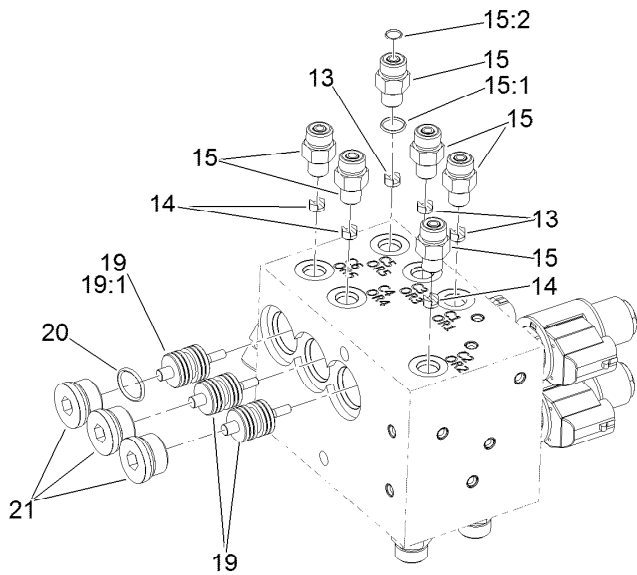
| Ref. | Part Number | Qty. | Description         | Ref. | Part Number | Qty. | Description                      |
|------|-------------|------|---------------------|------|-------------|------|----------------------------------|
| 1    | 127-8500    | 1    | Tube-HYD            | 12   | 133-4911    | 1    | HYD Tube ASM                     |
| 1:1  | 237-65      | 1    | O-Ring              | 12:1 | 237-65      | 1    | O-Ring                           |
| 2    | 127-8501    | 1    | Tube-HYD            | 13   | 127-8514    | 1    | Tube-HYD                         |
| 2:1  | 237-65      | 1    | O-Ring              | 14   | 322-13      | 1    | Screw-HH                         |
| 3    | 3256-23     | 1    | Washer-Plain        | 15   | 353-990     | 1    | Plug ASM                         |
| 4    | 104-8300    | 2    | Nut-HF, NI          | 15:1 | 237-78      | 1    | O-Ring                           |
| 5    | 56-7971     | 2    | Clamp-Tube          | 16   | 56-7970     | 2    | Clamp-Tube                       |
| 6    | 94-5780     | 1    | Screw-HWH           | 17   | 3334-945    | 2    | Tie-Cable                        |
| 7    | 340-139     | 1    | Fitting-Elbow 90    | 18   | 119-3922    | 2    | Hose-HYD                         |
| 7:1  | 237-81      | 1    | O-Ring              | 19   | 119-1419    | 4    | Plate-Clamp                      |
| 7:2  | 237-65      | 1    | O-Ring              | 20   | 340-76      | 1    | Fitting-Bulkhead Union, Straight |
| 8    | 340-8       | 1    | Fitting-Straight    | 20:1 | 237-65      | 2    | O-Ring                           |
| 8:1  | 237-65      | 1    | O-Ring              | 21   | 125-1984    | 2    | Spacer                           |
| 8:2  | 237-81      | 1    | O-Ring              | 22   | 240-3       | 2    | Grommet-Rubber                   |
| 9    | 340-14      | 2    | Fitting-HYD, 45 DEG | 23   | 69-9010     | 4    | Washer                           |
| 9:1  | 237-65      | 1    | O-Ring              | 24   | 340-74      | 2    | Nut-Lock, Bulkhead               |
| 9:2  | 237-80      | 1    | O-Ring              | 25   | 2412-87     | 1    | Clamp-Cable                      |
| 10   | 340-7       | 4    | Fitting-Straight    | 26   | 104-7201    | 1    | Nut-HF, NI                       |
| 10:1 | 237-65      | 1    | O-Ring              | 27   | 321-4       | 1    | Screw-HH                         |
| 10:2 | 237-80      | 1    | O-Ring              |      |             |      |                                  |
| 11   | 127-8513    | 1    | Tube-HYD            |      |             |      |                                  |



## Lift Manifold and Steering Circuit Assembly

| Ref. | Part Number | Qty. | Description         |
|------|-------------|------|---------------------|
| 1    | 138-6998    | 1    | Lift Manifold ASM   |
| 2    | 340-166     | 2    | Fitting-Tee         |
| 2:1  | 237-22      | 2    | O-Ring              |
| 3    | 340-70      | 2    | Nut-Lock            |
| 4    | 133-4926    | 1    | Tube-HYD            |
| 4:1  | 237-22      | 1    | O-Ring              |
| 5    | 133-4927    | 1    | Tube-HYD            |
| 5:1  | 237-22      | 1    | O-Ring              |
| 6    | 139-5978    | 2    | Hose-HYD            |
| 7    | 139-5977    | 2    | Hose-HYD            |
| 8    | 120-2060    | 1    | Hose-HYD            |
| 9    | 138-4261    | 1    | Hose ASM-HYD HP     |
| 10   | 119-2067    | 1    | Hose-HYD            |
| 11   | 121-7836    | 1    | Hose-HYD            |
| 12   | 108-5673    | 1    | Hose-HYD            |
| 13   | 93-5386     | 1    | Hose ASM            |
| 14   | 340-18      | 2    | Fitting-HYD, 90 DEG |

| Ref. | Part Number | Qty. | Description           |
|------|-------------|------|-----------------------|
| 14:1 | 237-79      | 1    | O-Ring                |
| 14:2 | 237-22      | 1    | O-Ring                |
| 16   | 340-132     | 10   | Fitting-Elbow, 90 DEG |
| 16:1 | 237-78      | 1    | O-Ring                |
| 16:2 | 237-21      | 1    | O-Ring                |
| 20   | 108-6508    | 1    | Hose-HYD              |
| 21   | 92-7641     | 1    | Hose ASM              |
| 22   | 87-4890     | 1    | Hose ASM              |
| 23   | 106-9674    | 1    | Hose-HYD              |
| 24   | 92-7564     | 1    | Hose-HYD              |
| 28   | 3234-7      | 2    | Screw-HHF             |
| 30   | 108-6506    | 1    | Hose-HYD              |
| 31   | 3290-378    | 1    | Tie-Cable             |
| 32   | 100-7695    | 2    | Fitting-Elbow 90      |
| 32:1 | 237-78      | 1    | O-Ring                |
| 32:2 | 237-21      | 1    | O-Ring                |

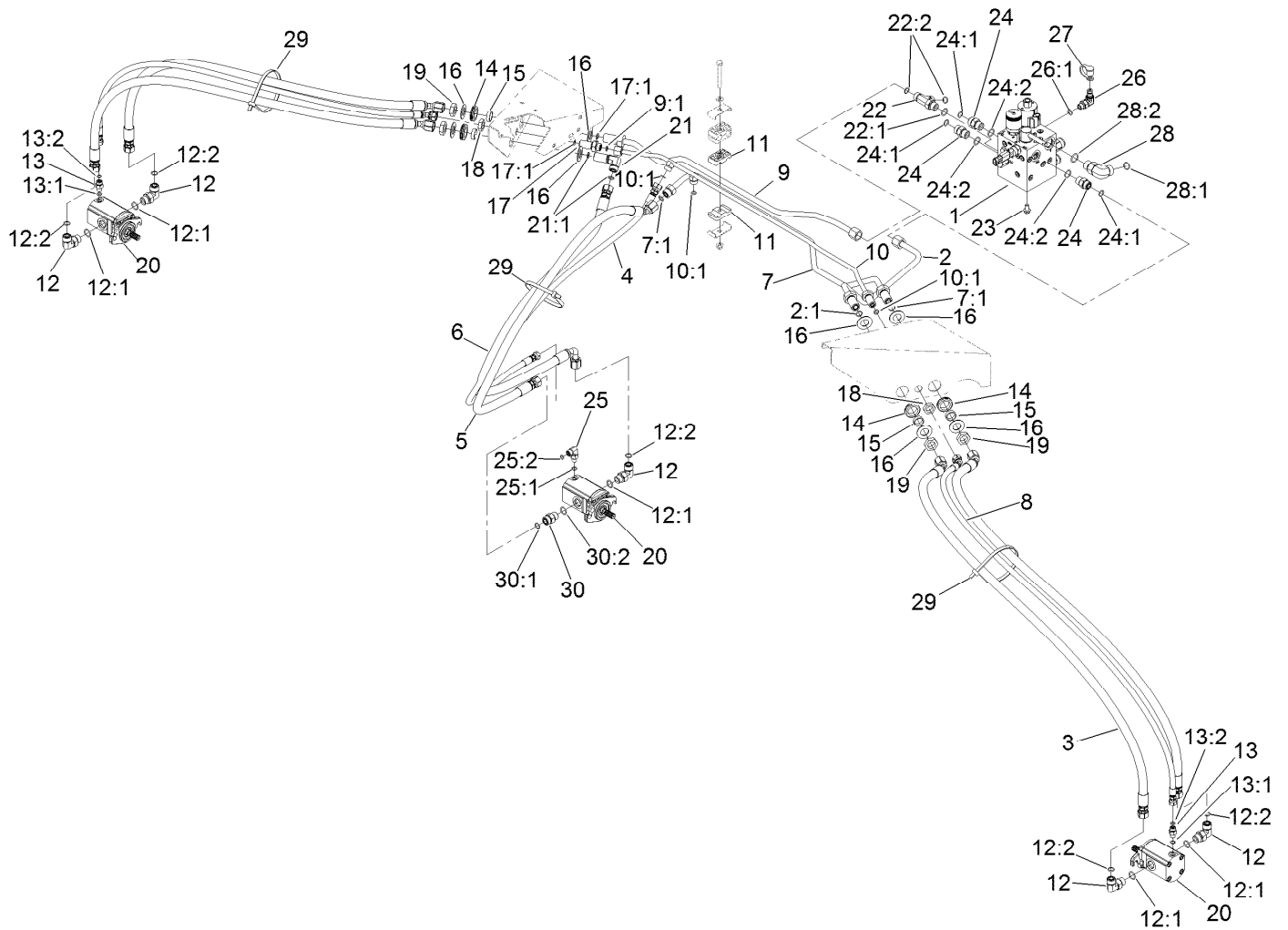


## Lift Manifold Assembly No. 138-6998

| Ref. | Part Number | Qty. | Description                   |
|------|-------------|------|-------------------------------|
| 3    | 112-9213    | 2    | Plug                          |
| 4    | 110-9006    | 3    | Valve-Check                   |
| 4:1  | 105-9156    | 1    | Seal Kit                      |
| 5    | 136-6351    | 2    | Valve-Double Blocking         |
| 5:1  | 107-7527    | 1    | Seal Kit                      |
| 6    | 120-1665    | 1    | Valve-Solenoid                |
| 6:1  | 112-6520    | 1    | Seal Kit                      |
| 6:2  | 110-2634    | 1    | Nut-Coil                      |
| 7    | 107-7517    | 1    | Valve-Solenoid                |
| 7:1  | 105-9156    | 1    | Seal Kit                      |
| 7:2  | 107-7812    | 1    | Nut-Solenoid                  |
| 8    | 120-1663    | 1    | Valve-Relief, 500 PSI         |
| 8:1  | 105-9156    | 1    | Seal Kit                      |
| 9    | 110-0497    | 4    | Coil-Solenoid                 |
| 10   | 110-8909    | 2    | Spacer-Coil                   |
| 12   | 110-2634    | 3    | Nut-Coil                      |
| 13   | 121-7879    | 3    | Orifice-Control, Flow (0.040) |
| 14   | 110-8902    | 3    | Orifice-Control, Flow (0.046) |

| Ref. | Part Number | Qty. | Description                   |
|------|-------------|------|-------------------------------|
| 15   | 340-92      | 6    | Fitting-Straight              |
| 15:1 | 237-78      | 1    | O-Ring                        |
| 15:2 | 237-21      | 1    | O-Ring                        |
| 16   | 119-5342    | 1    | Orifice-Control, Flow (.035)  |
| 17   | 119-2010    | 1    | Orifice-Control, Flow (0.055) |
| 18   | 340-2       | 4    | Fitting-Straight              |
| 18:1 | 237-22      | 1    | O-Ring                        |
| 18:2 | 237-42      | 1    | O-Ring                        |
| 19   | 110-8901    | 3    | Piston-Pilot                  |
| 19:1 | 110-8900    | 1    | O-Ring                        |
| 20   | 110-8900    | 3    | O-Ring                        |
| 21   | 139-6024    | 3    | Plug-Socket, SAE              |
| 22   | 354-77      | 1    | Fitting-Quick                 |
| 22:1 | 237-78      | 1    | O-Ring ●                      |
| 23   | 354-79      | 1    | Cap-Dust                      |
| 24   | 340-77      | 1    | Fitting-Elbow, 90 DEG         |
| 24:1 | 237-22      | 1    | O-Ring                        |
| 24:2 | 237-42      | 1    | O-Ring                        |

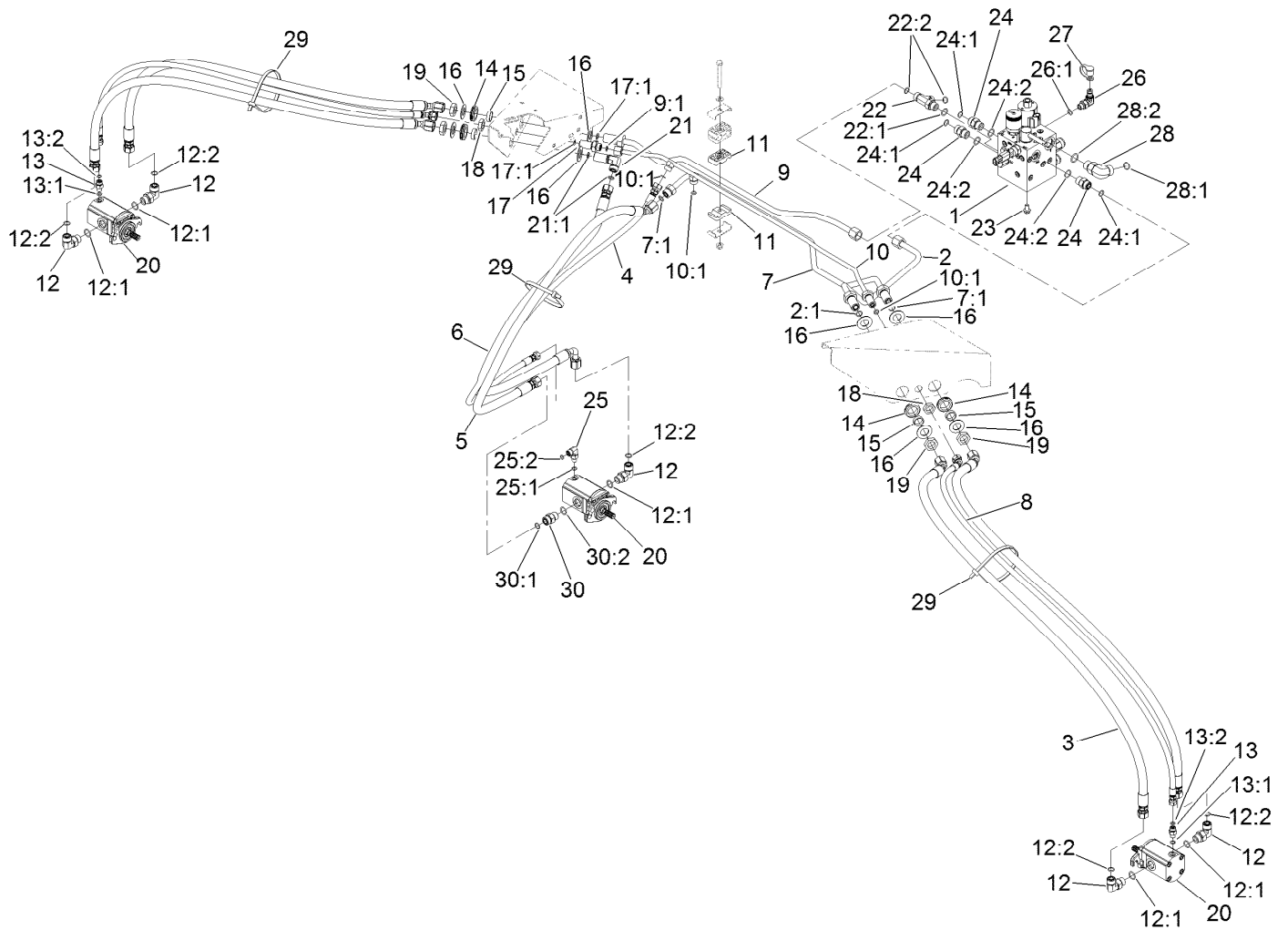
● Not illustrated



## Front Mow Hydraulic Circuit Assembly

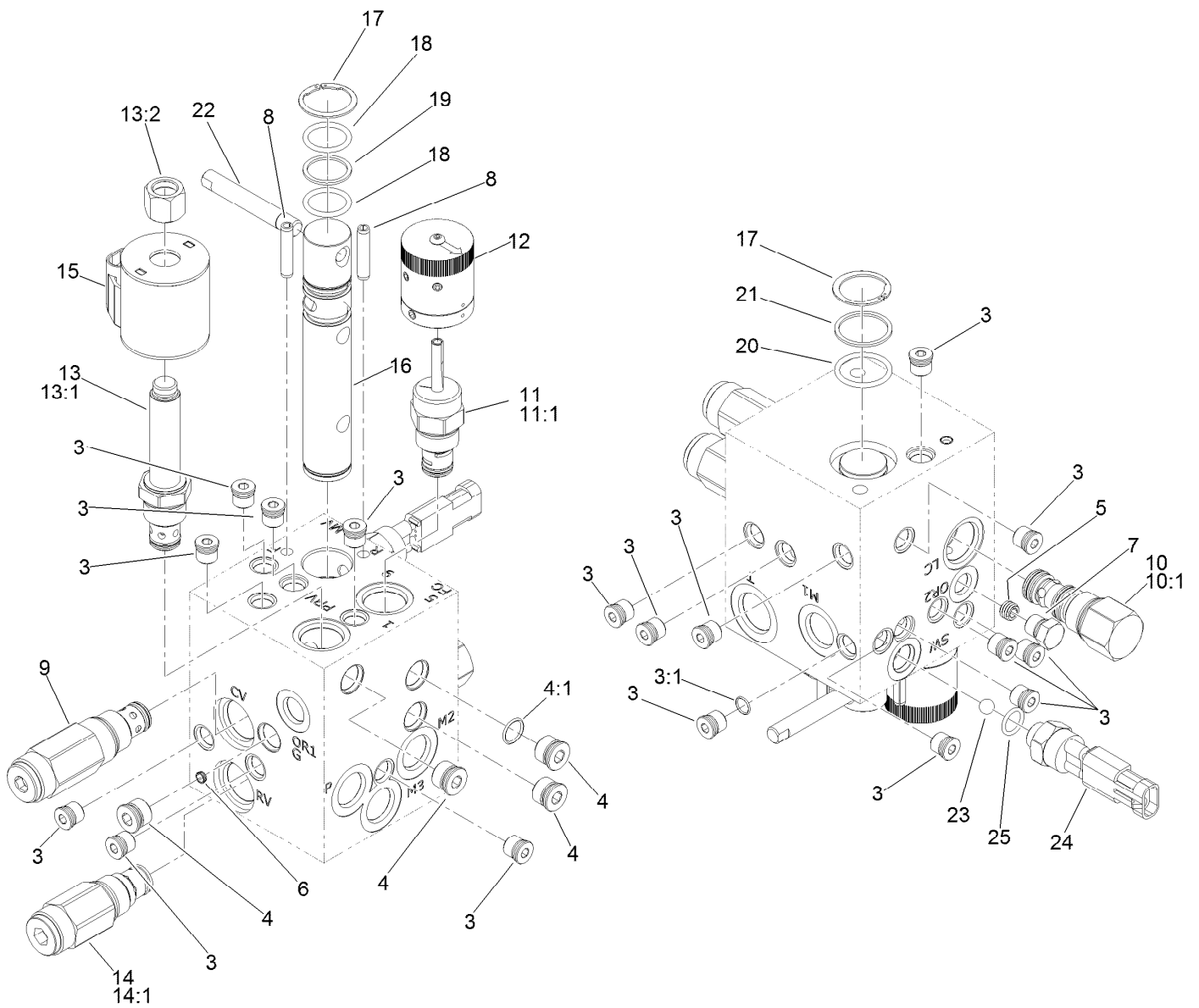
| Ref. | Part Number | Qty. | Description           | Ref. | Part Number | Qty. | Description                |
|------|-------------|------|-----------------------|------|-------------|------|----------------------------|
| 1    | 139-6025    | 1    | Manifold ASM-Mow      | 14   | 240-5       | 4    | Grommet                    |
| 2    | 127-8511    | 1    | Tube-HYD              | 15   | 69-8960     | 4    | Spacer                     |
| 2:1  | 237-30      | 1    | O-Ring                | 16   | 69-8930     | 8    | Washer                     |
| 3    | 139-5981    | 4    | Hose ASM              | 17   | 340-71      | 1    | Fitting-Straight, Bulkhead |
| 4    | 139-5980    | 1    | Hose-HYD              | 17:1 | 237-22      | 2    | O-Ring                     |
| 5    | 121-7861    | 1    | Hose-HYD              | 18   | 340-70      | 2    | Nut-Lock                   |
| 6    | 139-5979    | 1    | Hose-HYD              | 19   | 340-127     | 4    | Nut-Bulkhead               |
| 7    | 127-8551    | 1    | Tube-HYD              | 20   | 127-8436    | 3    | Motor-HYD, 16Cc            |
| 7:1  | 237-30      | 2    | O-Ring                | 21   | 93-9151     | 1    | Fitting-HYD                |
| 8    | 139-5982    | 2    | Hose ASM              | 21:1 | 237-30      | 2    | O-Ring                     |
| 9    | 127-8509    | 1    | Tube-HYD              | 22   | 340-109     | 1    | Fitting-Tee                |
| 9:1  | 237-30      | 1    | O-Ring                | 22:1 | 237-79      | 1    | O-Ring                     |
| 10   | 120-2104    | 1    | Tube-HYD              | 22:2 | 237-30      | 2    | O-Ring                     |
| 10:1 | 237-22      | 3    | O-Ring                | 23   | 3234-7      | 2    | Screw-HHF                  |
| 11   | 56-7976     | 2    | Clamp-Tube            | 24   | 340-4       | 3    | Fitting-Straight           |
| 12   | 340-105     | 5    | Fitting-Elbow, 90 DEG | 24:1 | 237-30      | 1    | O-Ring                     |
| 12:1 | 237-80      | 1    | O-Ring                | 24:2 | 237-79      | 1    | O-Ring                     |
| 12:2 | 237-30      | 1    | O-Ring                | 25   | 340-132     | 1    | Fitting-Elbow, 90 DEG      |
| 13   | 340-92      | 2    | Fitting-Straight      | 25:1 | 237-78      | 1    | O-Ring                     |
| 13:1 | 237-78      | 1    | O-Ring                | 25:2 | 237-21      | 1    | O-Ring                     |
| 13:2 | 237-21      | 1    | O-Ring                | 26   | 115-9148    | 1    | Fitting-Elbow-90           |





## Front Mow Hydraulic Circuit Assembly (continued)

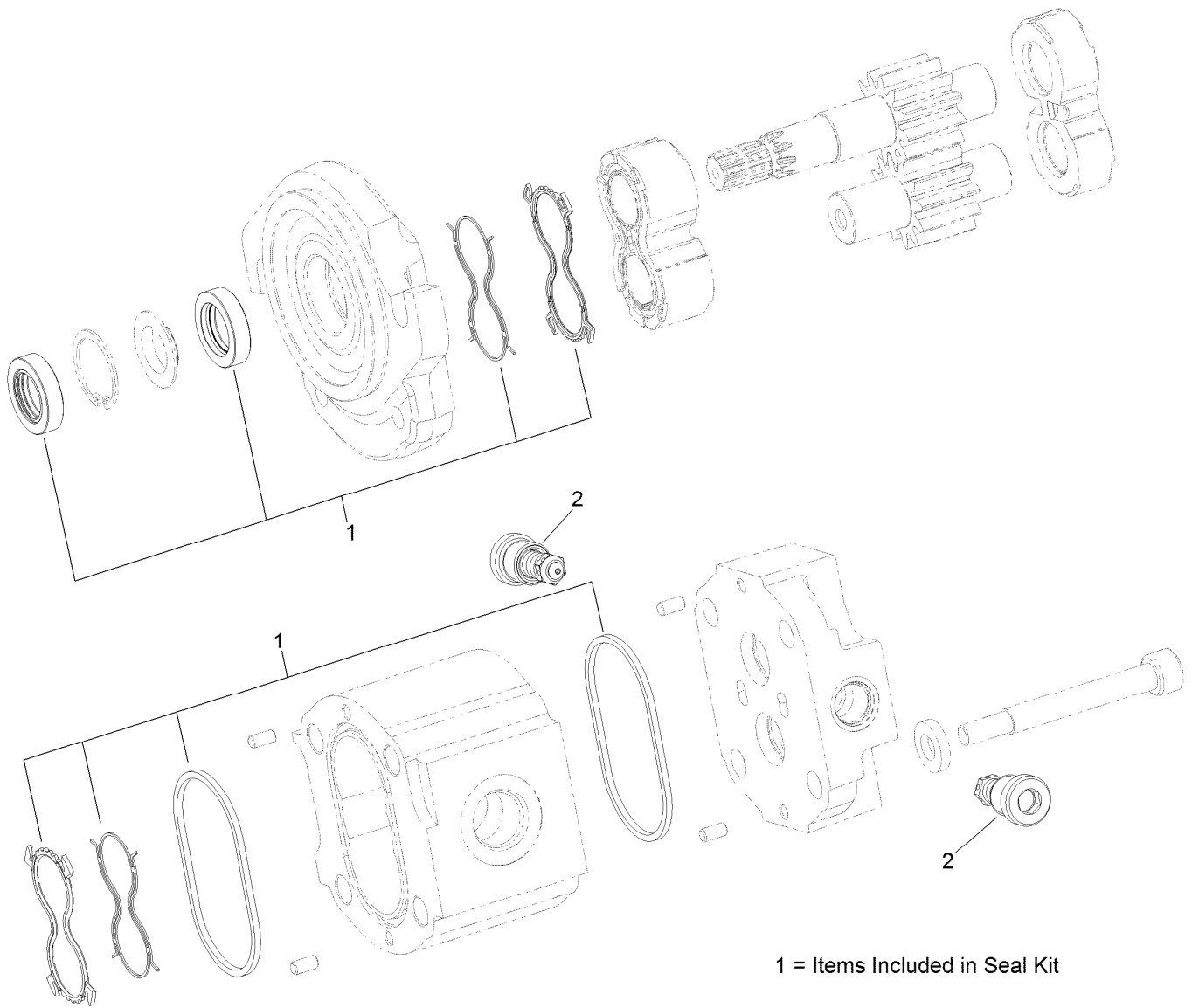
| <i>Ref.</i> | <i>Part Number</i> | <i>Qty.</i> | <i>Description</i>    | <i>Ref.</i> | <i>Part Number</i> | <i>Qty.</i> | <i>Description</i> |
|-------------|--------------------|-------------|-----------------------|-------------|--------------------|-------------|--------------------|
| 26:1        | 237-42             | 1           | O-Ring                | 29          | 3334-945           | 3           | Tie-Cable          |
| 27          | 354-79             | 1           | Cap-Dust              | 30          | 340-6              | 1           | Fitting-Straight   |
| 28          | 340-17             | 1           | Fitting-Elbow, 90 DEG | 30:1        | 237-30             | 1           | O-Ring             |
| 28:1        | 237-65             | 1           | O-Ring                | 30:2        | 237-80             | 1           | O-Ring             |
| 28:2        | 237-80             | 1           | O-Ring                |             |                    |             |                    |



## Mow Manifold Assembly No. 139-6025

| Ref. | Part Number | Qty. | Description                | Ref. | Part Number | Qty. | Description                |
|------|-------------|------|----------------------------|------|-------------|------|----------------------------|
| 3    | 353-990     | 17   | Plug ASM                   | 13:1 | 110-6316    | 1    | Seal Kit                   |
| 3:1  | 237-78      | 1    | O-Ring                     | 13:2 | 130-8180    | 1    | Nut-Coil (9/16-24 Unef-2B) |
| 4    | 353-989     | 4    | Plug-Hex, Hollow           | 14   | 121-7883    | 1    | Valve-Relief, 2000 PSI     |
| 4:1  | 237-42      | 1    | O-Ring                     | 14:1 | 110-6316    | 1    | Seal Kit ●                 |
| 5    | 110-8987    | 1    | Plug-Orifice (0.015 Rw)    | 15   | 110-6344    | 1    | Coil-12V, DC               |
| 6    | 110-0495    | 1    | Plug-Orifice (0.050 Inch)  | 16   | 120-1652    | 1    | Spool-Backlap              |
| 7    | 117-0115    | 1    | Plug                       | 17   | 120-1653    | 2    | Ring-Retaining, External   |
| 8    | 112-6531    | 2    | Pin-Spring                 | 18   | 120-1657    | 2    | O-Ring                     |
| 9    | 132-4912    | 1    | Valve-Check                | 19   | 120-1656    | 1    | Ring-Backup                |
| 10   | 121-7880    | 1    | Spool-Logic                | 20   | 120-1655    | 1    | O-Ring                     |
| 10:1 | 119-2159    | 1    | Seal Kit ●                 | 21   | 120-1654    | 1    | Ring-Backup                |
| 11   | 110-8769    | 1    | Valve-Control, Manual Flow | 22   | 120-1651    | 1    | Handle-Spool               |
| 11:1 | 110-2633    | 1    | Seal Kit                   | 23   | 117-4605    | 1    | Ball-SS                    |
| 12   | 110-8767    | 1    | Rotary Handle ASM          | 24   | 72-4320     | 1    | Switch-Ball                |
| 13   | 110-8799    | 1    | Valve-Relief, Proportional | 25   | 110-8757    | 1    | O-Ring                     |

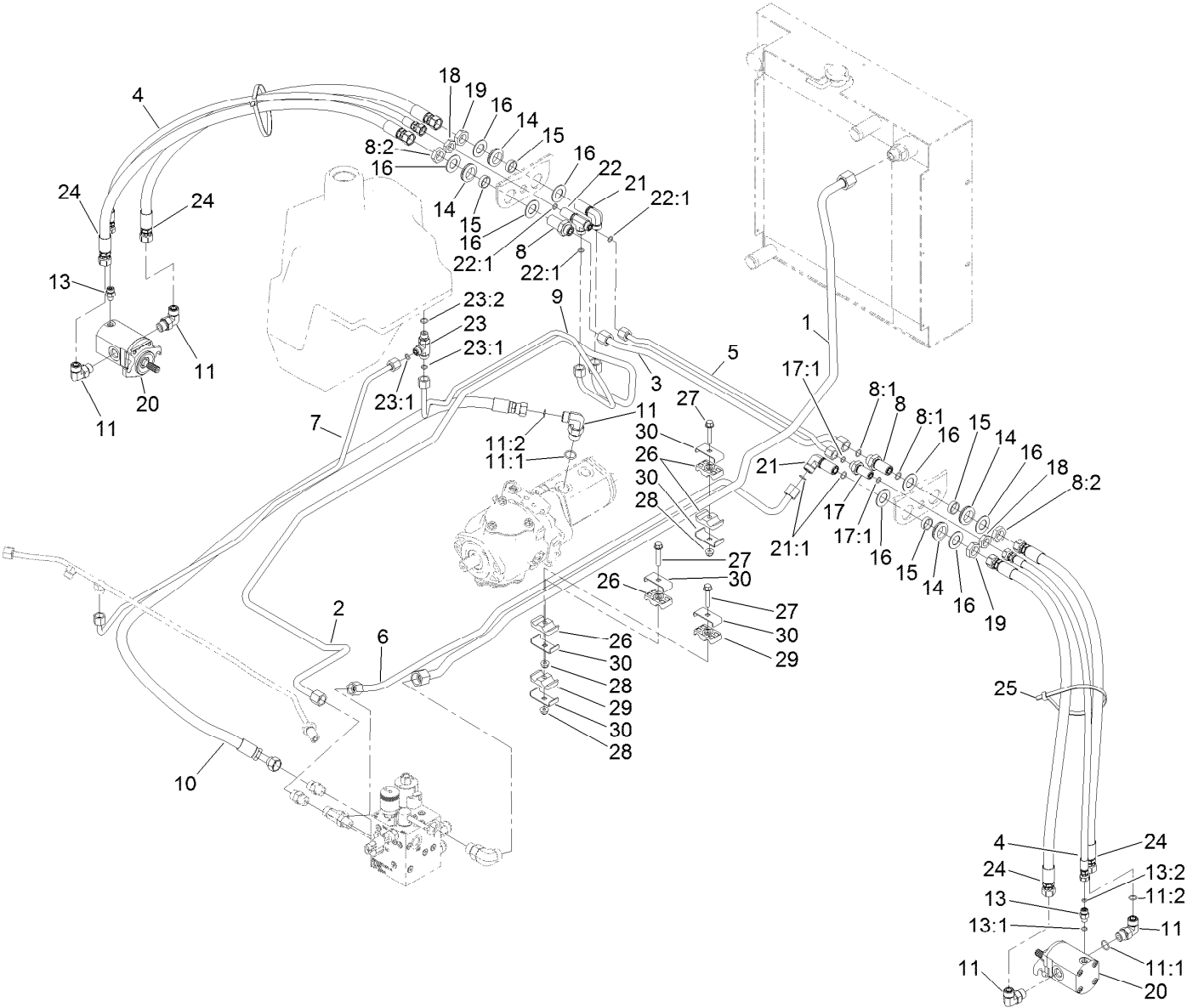
● Not illustrated



## Hydraulic Gear Motor Assembly No. 127-8436

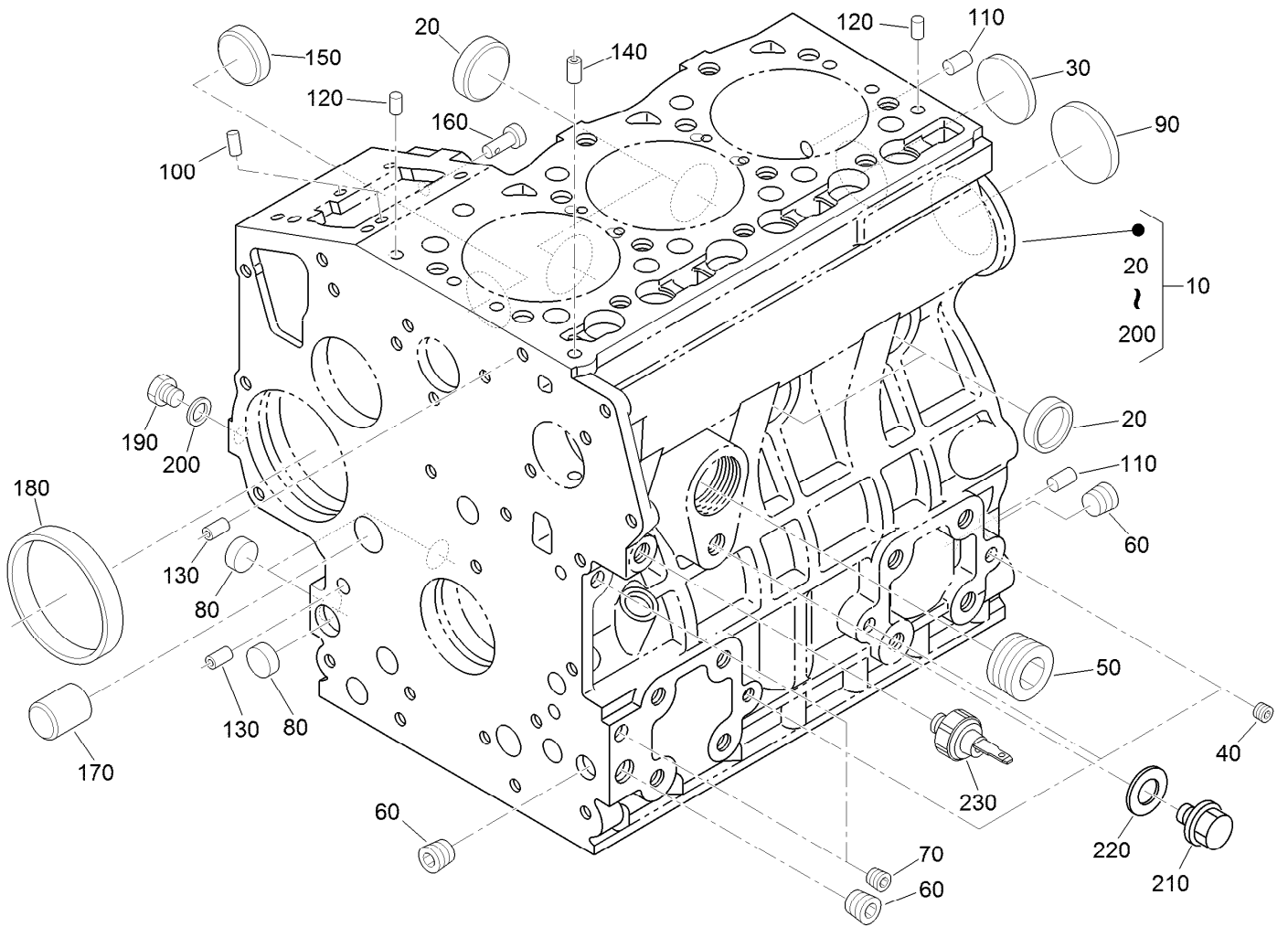
| <i>Ref.</i> | <i>Part Number</i> | <i>Qty.</i> | <i>Description</i> |
|-------------|--------------------|-------------|--------------------|
| 1           | 138-1234           | 1           | Seal Kit           |
| 2           | 117-5107           | 1           | Valve-Check        |

# Rear Mow Hydraulic Circuit Assembly



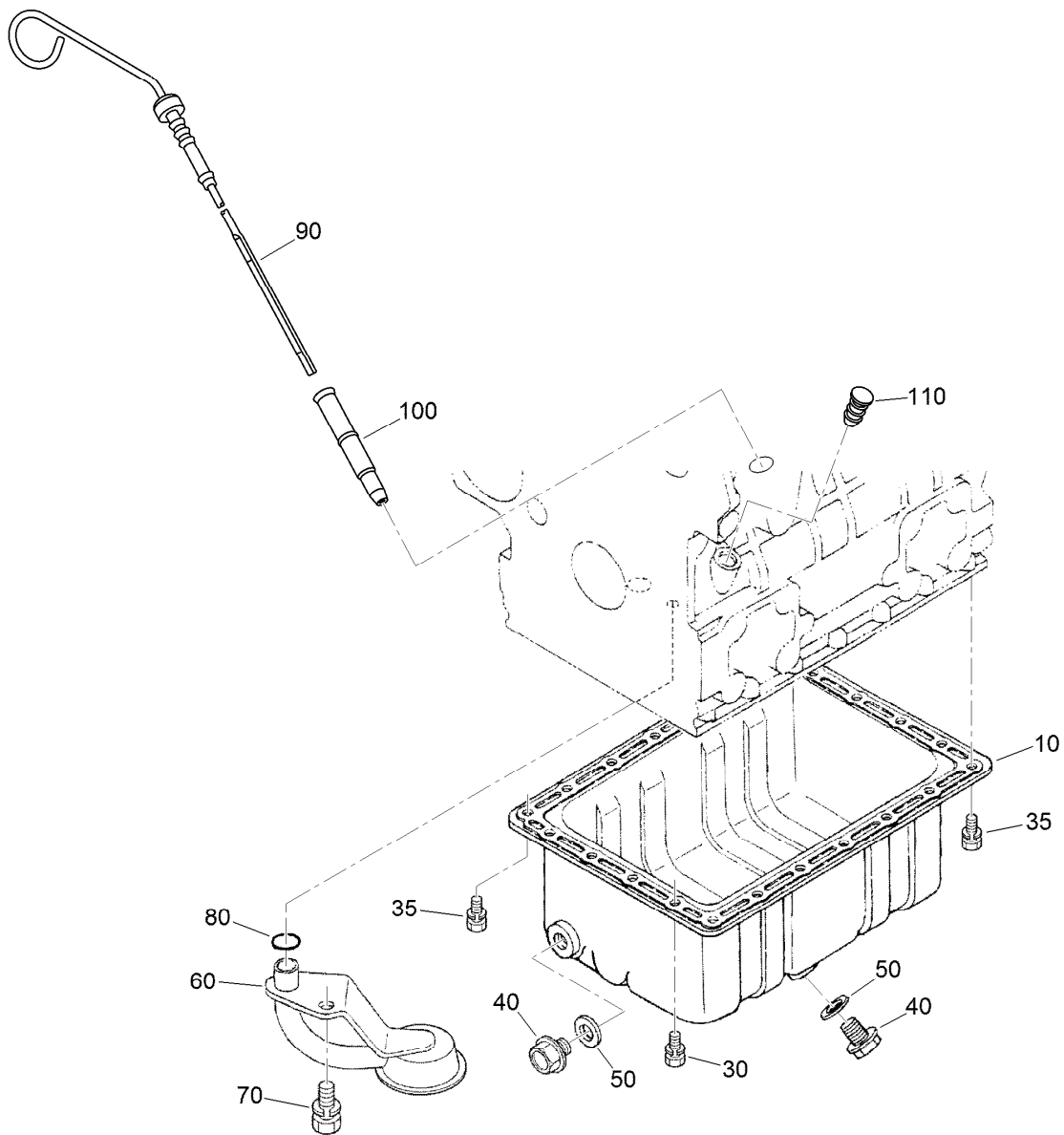
## Rear Mow Hydraulic Circuit Assembly (continued)

| <i>Ref.</i> | <i>Part Number</i> | <i>Qty.</i> | <i>Description</i>    | <i>Ref.</i> | <i>Part Number</i> | <i>Qty.</i> | <i>Description</i>         |
|-------------|--------------------|-------------|-----------------------|-------------|--------------------|-------------|----------------------------|
| 1           | 127-8512           | 1           | Tube-HYD              | 16          | 69-8930            | 8           | Washer                     |
| 2           | 127-8508           | 1           | Tube-HYD              | 17          | 340-71             | 1           | Fitting-Straight, Bulkhead |
| 3           | 120-2173           | 1           | Tube-HYD              | 17:1        | 237-22             | 2           | O-Ring                     |
| 4           | 139-5983           | 2           | Hose-HYD              | 18          | 340-70             | 2           | Nut-Lock                   |
| 5           | 120-2174           | 1           | Tube-HYD              | 19          | 340-127            | 2           | Nut-Bulkhead               |
| 6           | 127-8510           | 1           | Tube-HYD              | 20          | 127-8436           | 2           | Motor-HYD, 16Cc            |
| 7           | 121-7843           | 1           | Tube-HYD              | 21          | 93-9151            | 2           | Fitting-HYD                |
| 8           | 340-161            | 2           | Fitting-Bulkhead      | 21:1        | 237-30             | 2           | O-Ring                     |
| 8:1         | 237-30             | 2           | O-Ring                | 22          | 340-68             | 1           | Fitting-Tee, Bulkhead      |
| 8:2         | 340-127            | 1           | Nut-Bulkhead          | 22:1        | 237-22             | 3           | O-Ring                     |
| 9           | 120-2180           | 1           | Tube-HYD              | 23          | 340-86             | 1           | Fitting-Tee                |
| 10          | 121-7812           | 1           | Hose-HYD              | 23:1        | 237-22             | 2           | O-Ring                     |
| 11          | 340-105            | 5           | Fitting-Elbow, 90 DEG | 23:2        | 237-42             | 1           | O-Ring                     |
| 11:1        | 237-80             | 1           | O-Ring                | 24          | 95-8824            | 4           | Hose ASM                   |
| 11:2        | 237-30             | 1           | O-Ring                | 25          | 3334-945           | 2           | Tie-Cable                  |
| 13          | 340-92             | 2           | Fitting-Straight      | 26          | 56-7977            | 6           | Clamp-Tube                 |
| 13:1        | 237-78             | 1           | O-Ring                | 27          | 94-5780            | 5           | Screw-HWH                  |
| 13:2        | 237-21             | 1           | O-Ring                | 28          | 104-8300           | 5           | Nut-HF, NI                 |
| 14          | 240-5              | 4           | Grommet               | 29          | 56-7971            | 4           | Clamp-Tube                 |
| 15          | 69-8960            | 4           | Spacer                | 30          | 119-1419           | 10          | Plate-Clamp                |



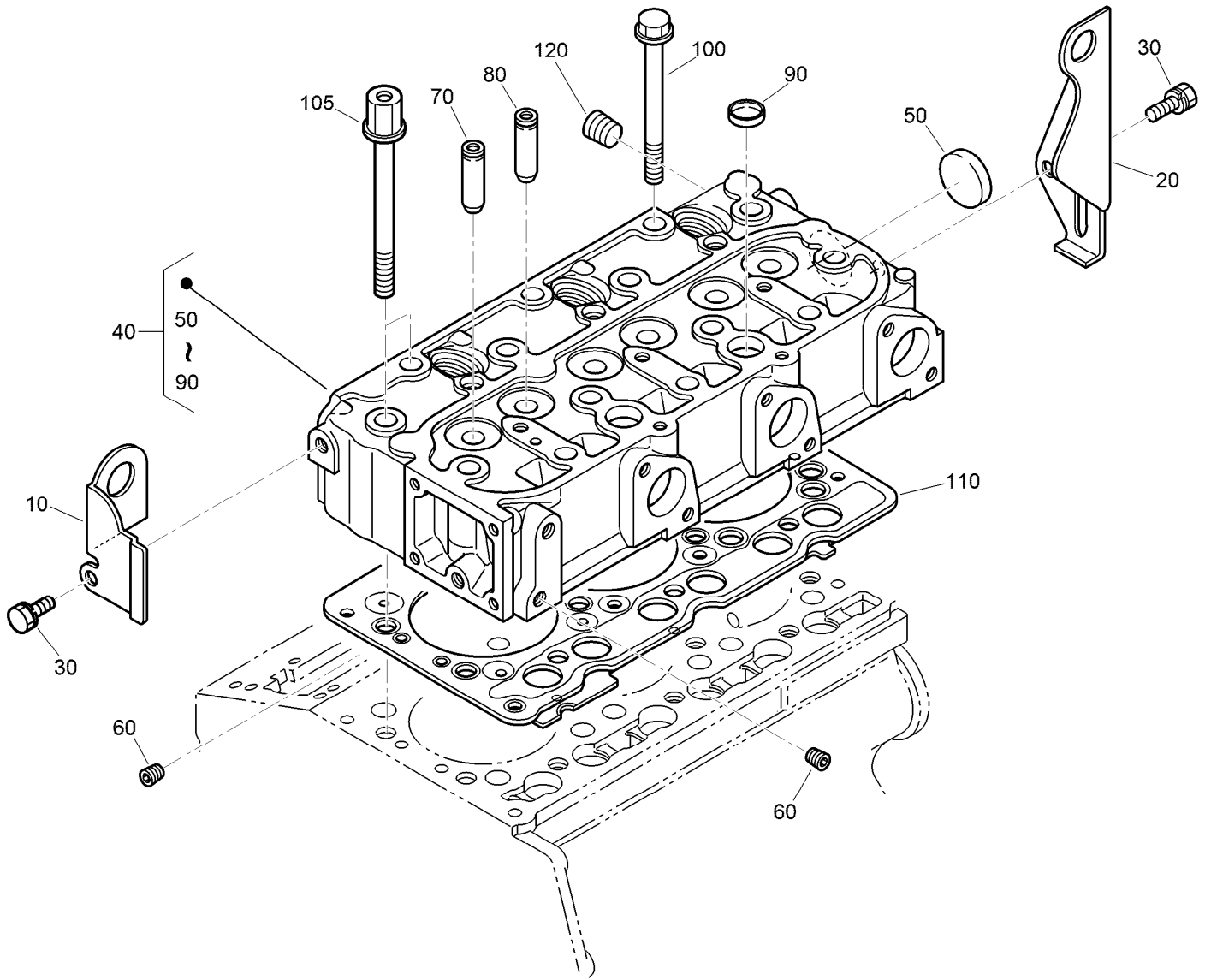
## Crankcase Assembly

| <i>Ref.</i> | <i>Part Number</i> | <i>Qty.</i> | <i>Description</i> | <i>Ref.</i> | <i>Part Number</i> | <i>Qty.</i> | <i>Description</i>     |
|-------------|--------------------|-------------|--------------------|-------------|--------------------|-------------|------------------------|
| 10          | 115-3443           | 1           | Crankcase ASM      | 130         | 98-9387            | 2           | Pin-Pipe               |
| 20          | 98-9398            | 4           | Cap-Sealing        | 140         | 98-9539            | 1           | Pin-Pipe               |
| 30          | 98-7539            | 1           | Cap-Sealing        | 150         | 98-9599            | 1           | Plug                   |
| 40          | 98-9687            | 3           | Plug               | 160         | 98-9630            | 1           | Pin-Spring, Start      |
| 50          | 105-3779           | 1           | Plug               | 170         | 98-9675            | 1           | Plug                   |
| 60          | 98-9597            | 3           | Plug               | 180         | 98-9656            | 1           | Bushing-Governor, Gear |
| 70          | 98-7487            | 2           | Plug               | 190         | 120-2559           | 1           | Plug                   |
| 80          | 98-9379            | 3           | Plug-Expansion     | 200         | 98-7428            | 1           | Gasket                 |
| 90          | 98-9668            | 1           | Plug-Expansion     | 210         | 99-3447            | 1           | Plug                   |
| 100         | 98-9375            | 2           | Pin-Straight       | 220         | 112-8325           | 1           | Washer                 |
| 110         | 98-9377            | 2           | Pin-Straight       | 230         | 98-9416            | 1           | Switch-Oil             |
| 120         | 98-9376            | 2           | Pin-Straight       |             |                    |             |                        |



## Oil Pan and Dipstick Assembly

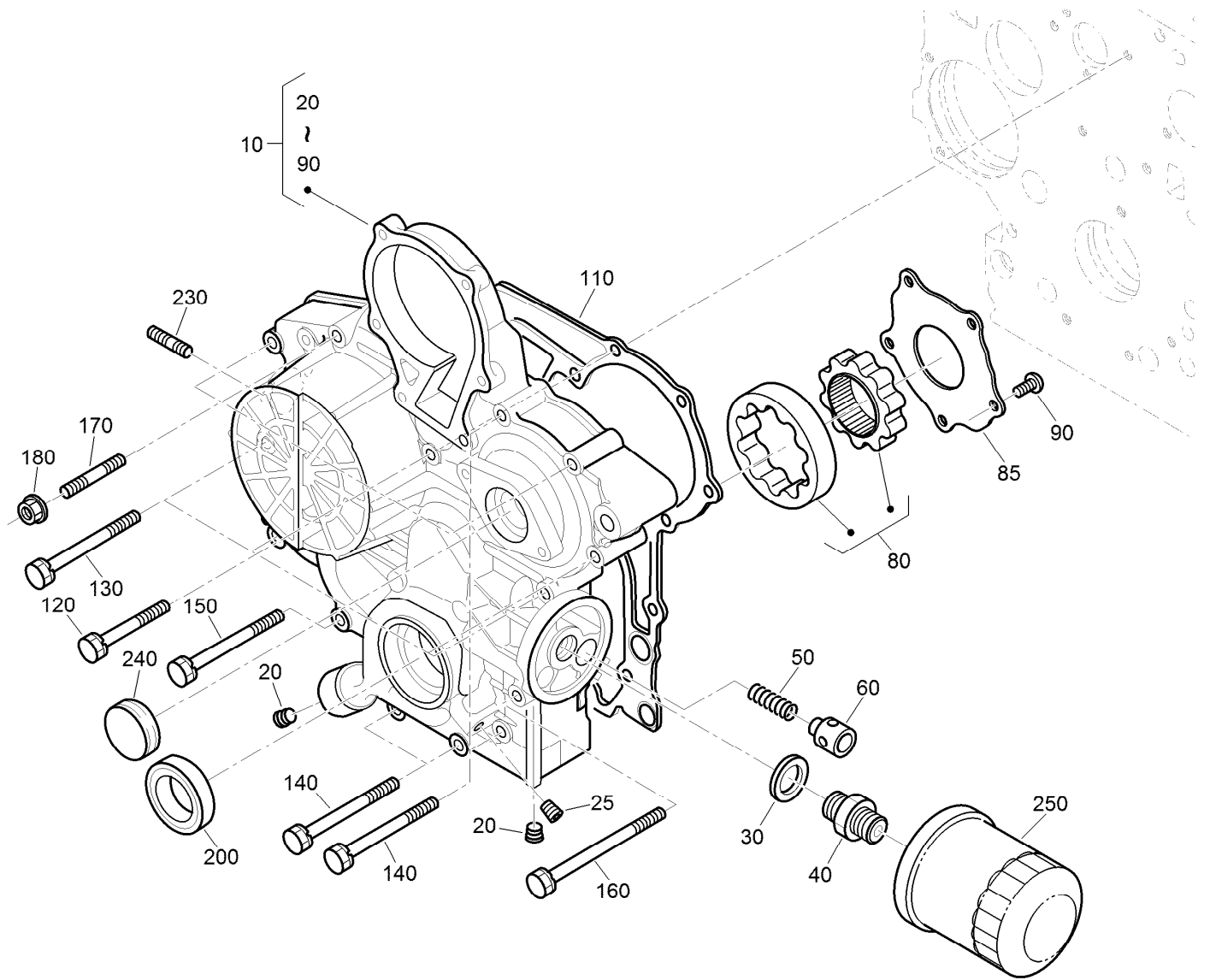
| <i>Ref.</i> | <i>Part Number</i> | <i>Qty.</i> | <i>Description</i> |
|-------------|--------------------|-------------|--------------------|
| 10          | 98-9685            | 1           | Pan-Oil            |
| 30          | 98-9351            | 20          | Bolt               |
| 35          | 98-9351            | 2           | Bolt               |
| 40          | 114-8151           | 2           | Plug-Drain         |
| 50          | 98-7524            | 2           | Gasket             |
| 60          | 108-1401           | 1           | Base-Filter        |
| 70          | 98-7526            | 1           | Bolt               |
| 80          | 105-3776           | 1           | O-Ring             |
| 90          | 104-9348           | 1           | Gauge-Oil          |
| 100         | 105-4580           | 1           | Guide-Gauge, Oil   |
| 110         | 110-3720           | 1           | Plug-Gauge, Oil    |



## Cylinder Head Assembly

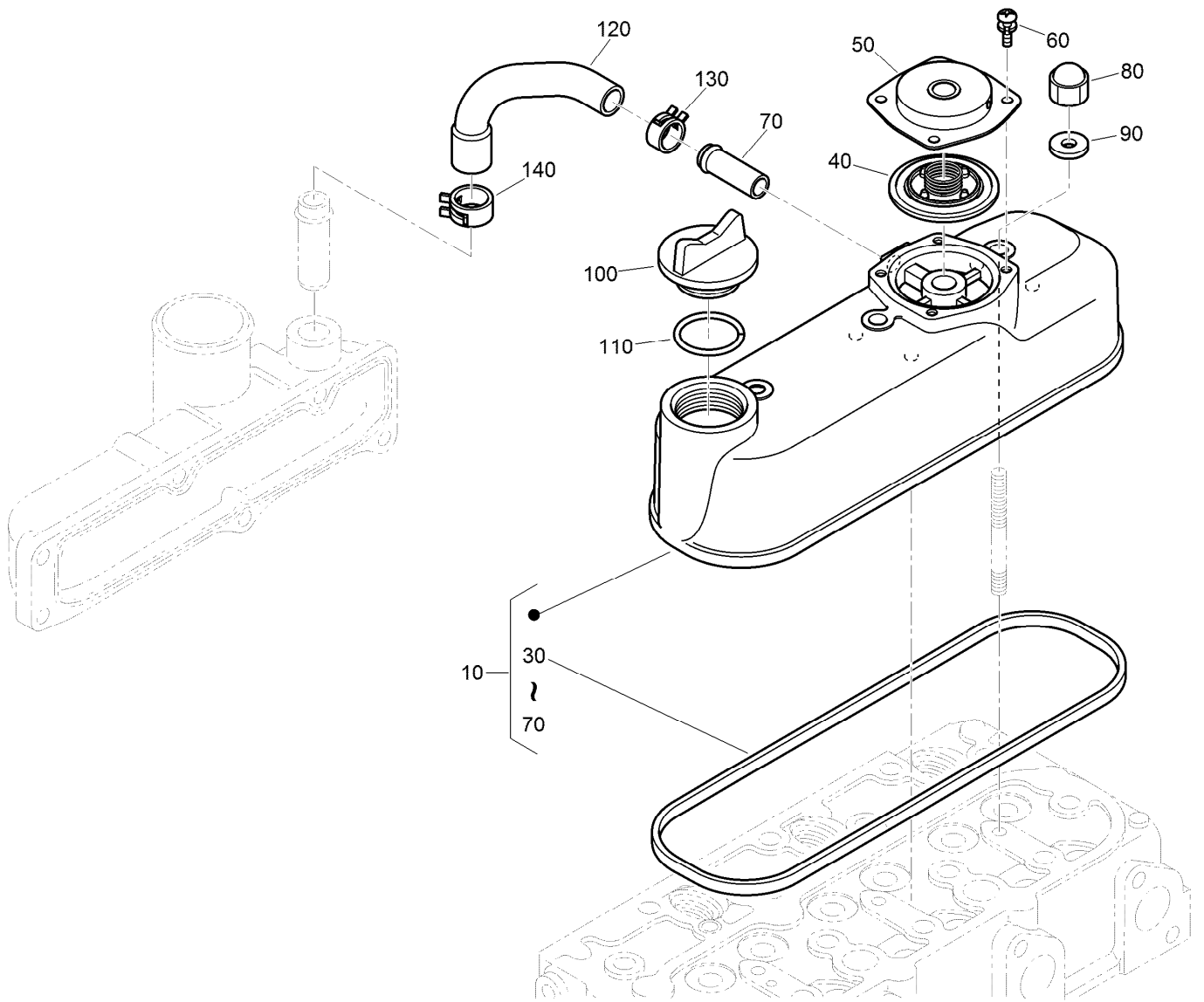
| Ref. | Part Number | Qty. | Description           |
|------|-------------|------|-----------------------|
| 10   | 130-1231    | 1    | Hook-Engine           |
| 20   | 98-9478     | 1    | Hook-Engine           |
| 30   | 100-9195    | 2    | Bolt                  |
| 40   | 130-1544    | 1    | Cylinder Head ASM     |
| 50   | 105-3705    | 1    | Cap-Sealing           |
| 60   | 98-9687     | 2    | Plug                  |
| 70   | 107-9066    | 3    | Guide-Valve, Inlet    |
| 80   | 107-9067    | 3    | Guide-Valve, Exhaust  |
| 90   | 98-9389     | 2    | Cap-Sealing           |
| 100  | 98-9479     | 12   | Bolt-Head, Cylinder   |
| 105  | 98-9647     | 2    | Bolt-Head, Cylinder   |
| 110  | 108-6573    | 1    | Gasket-Head, Cylinder |
| 120  | 98-9444     | 1    | Plug                  |





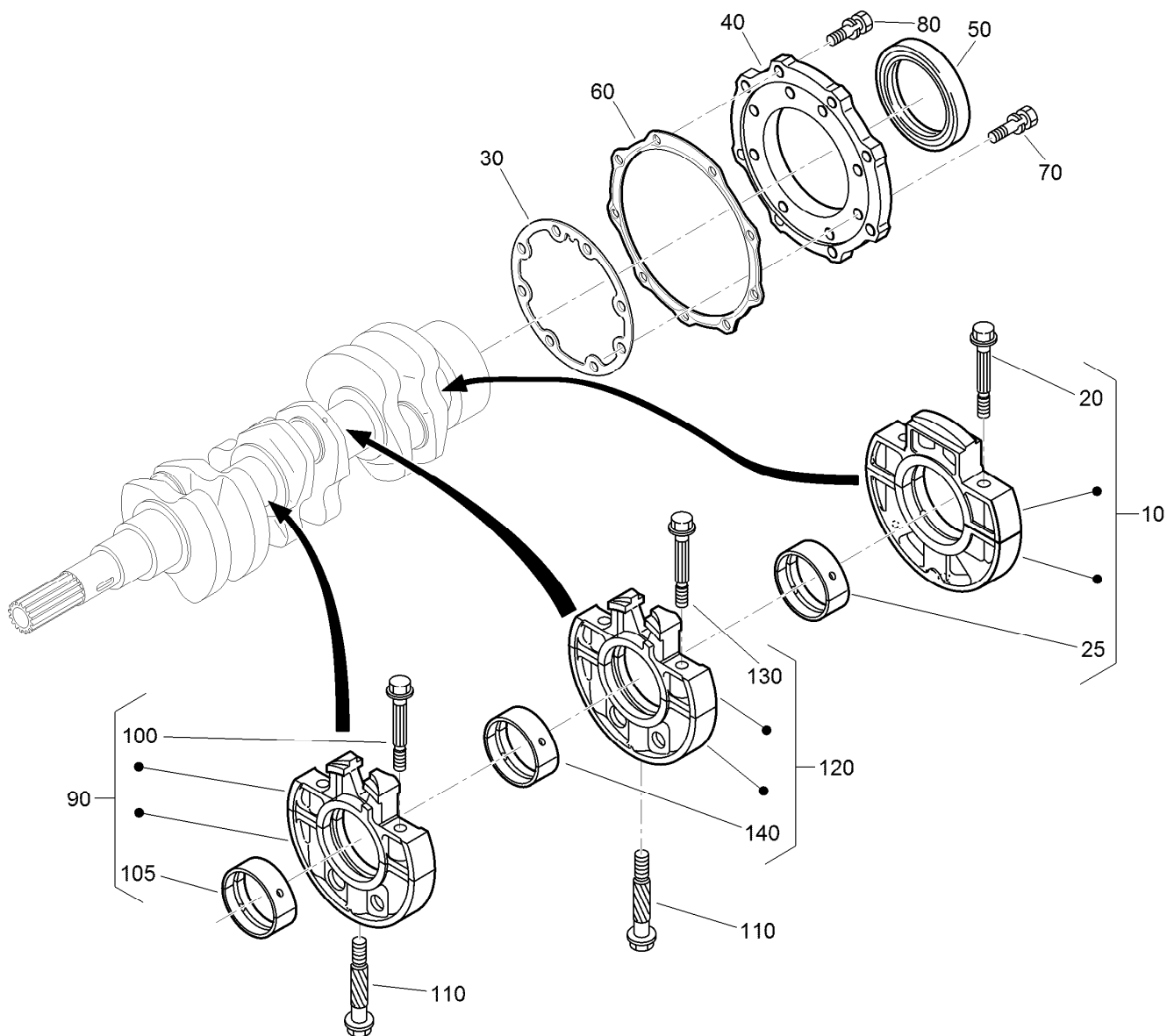
## Gear Case and Oil Filter Cartridge Assembly

| Ref. | Part Number | Qty. | Description       | Ref. | Part Number | Qty. | Description   |
|------|-------------|------|-------------------|------|-------------|------|---------------|
| 10   | 115-4105    | 1    | Gear Case ASM     | 120  | 100-1765    | 3    | Bolt          |
| 20   | 127-0425    | 2    | Plug              | 130  | 125-9063    | 4    | Bolt-Sems     |
| 25   | 98-7487     | 1    | Plug              | 140  | 98-9356     | 4    | Bolt          |
| 30   | 98-7562     | 1    | Washer-Plain      | 150  | 107-9074    | 1    | Bolt          |
| 40   | 98-9388     | 1    | Joint-Pipe        | 160  | 99-3510     | 1    | Bolt          |
| 50   | 130-1511    | 1    | Spring            | 170  | 105-3709    | 1    | Stud          |
| 60   | 130-1510    | 1    | Valve-Relief      | 180  | 100-2203    | 1    | Nut-Flange    |
| 80   | 130-1508    | 1    | Rotor ASM         | 200  | 119-8038    | 1    | Seal-Oil      |
| 85   | 130-1509    | 1    | Cover-Pump, Oil   | 230  | 105-3710    | 2    | Stud          |
| 90   | 130-1164    | 5    | Screw-Binding     | 240  | 99-3515     | 1    | Plug-Gearcase |
| 110  | 98-9633     | 1    | Gasket-Case, Gear | 250  | 108-3841    | 1    | Filter-Oil    |



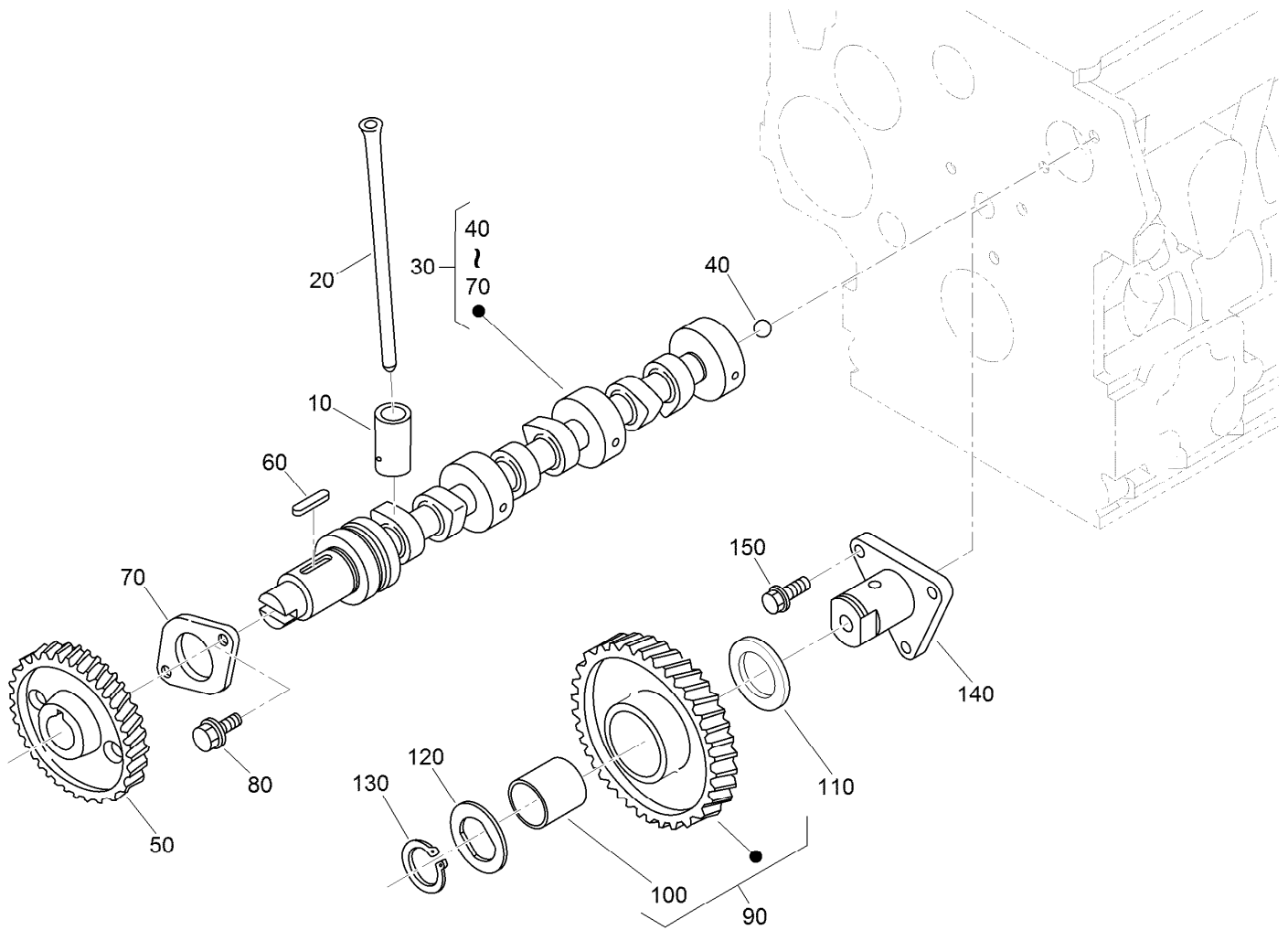
## Cylinder Head Cover Assembly

| <i>Ref.</i> | <i>Part Number</i> | <i>Qty.</i> | <i>Description</i>  |
|-------------|--------------------|-------------|---------------------|
| 10          | 139-4544           | 1           | Cylinder Cover ASM  |
| 30          | 98-9615            | 1           | Gasket-Cover, Head  |
| 40          | 110-3715           | 1           | Valve-Breather      |
| 50          | 110-3714           | 1           | Cover-Breather      |
| 60          | 98-9364            | 4           | Screw (With Washer) |
| 70          | 98-7766            | 1           | Pipe-Return, Water  |
| 80          | 98-9455            | 3           | Nut-Cap             |
| 90          | 98-9454            | 3           | Gasket              |
| 100         | 107-9075           | 1           | Plug-Filler, Oil    |
| 110         | 131-3834           | 1           | O Ring              |
| 120         | 139-4545           | 1           | Tube-Breather       |
| 130         | 108-2859           | 1           | Clamp-Hose          |
| 140         | 108-2860           | 1           | Clamp-Hose          |



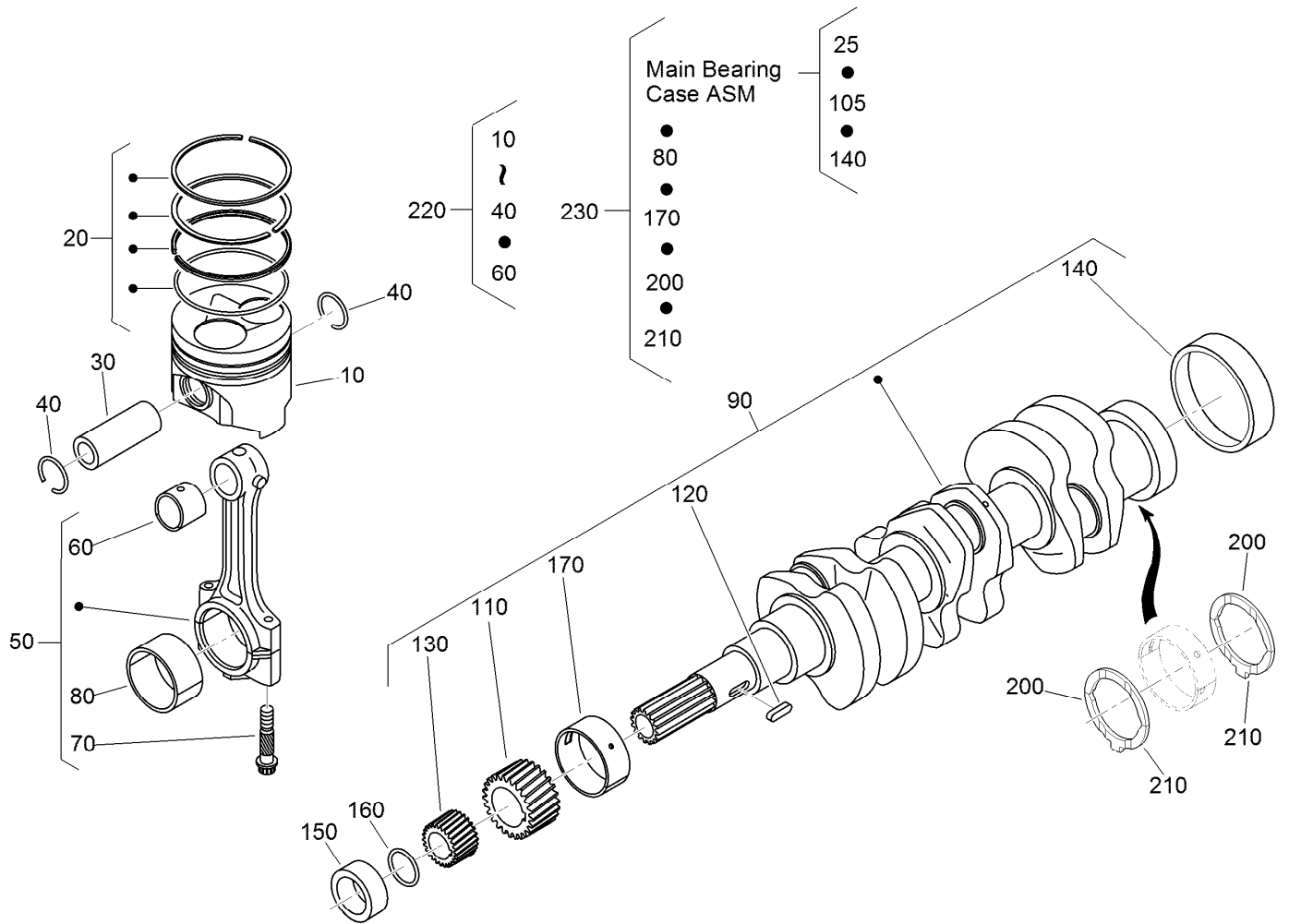
## Main Bearing Case Assembly

| <i>Ref.</i> | <i>Part Number</i> | <i>Qty.</i> | <i>Description</i>        | <i>Ref.</i> | <i>Part Number</i> | <i>Qty.</i> | <i>Description</i>         |
|-------------|--------------------|-------------|---------------------------|-------------|--------------------|-------------|----------------------------|
| 10          | 139-4546           | 1           | Bearing Case ASM          | 90          | 115-4106           | 1           | Main Bearing Case ASM      |
| 20          | 98-9484            | 2           | Bolt-Case, Bearing        | 100         | 98-9484            | 2           | Bolt-Case, Bearing         |
| 25          | 115-4121           | 1           | Metal-Crankshaft (STD)    | 105         | 98-9524            | 1           | Metal-Crankshaft (STD Set) |
| 25          | 112-7039           | 1           | Metal-Crankshaft (0.2Mm)  | 105         | 127-0433           | 1           | Metal-Crankshaft (-0.2MM)  |
| 25          | 112-7040           | 1           | Metal-Crankshaft (-0.4Mm) | 105         | 98-9531            | 1           | Bearing-Main (0.4MM)       |
| 30          | 131-6554           | 1           | Gasket-Case, Bearing      | 110         | 98-9485            | 2           | Bolt-Case, Bearing         |
| 40          | 112-7046           | 1           | Cover-Case, Bearing       | 120         | 115-4107           | 1           | Main Bearing Case ASM      |
| 50          | 112-0180           | 1           | Seal-Oil                  | 130         | 98-9484            | 2           | Bolt-Case, Bearing         |
| 60          | 112-7037           | 1           | Gasket-Cover, Case        | 140         | 98-9524            | 1           | Metal-Crankshaft (STD Set) |
| 70          | 127-0441           | 8           | Bolt                      | 140         | 127-0433           | 1           | Metal-Crankshaft (-0.2MM)  |
| 80          | 140-2467           | 9           | Bolt                      | 140         | 98-9531            | 1           | Bearing-Main (0.4MM)       |



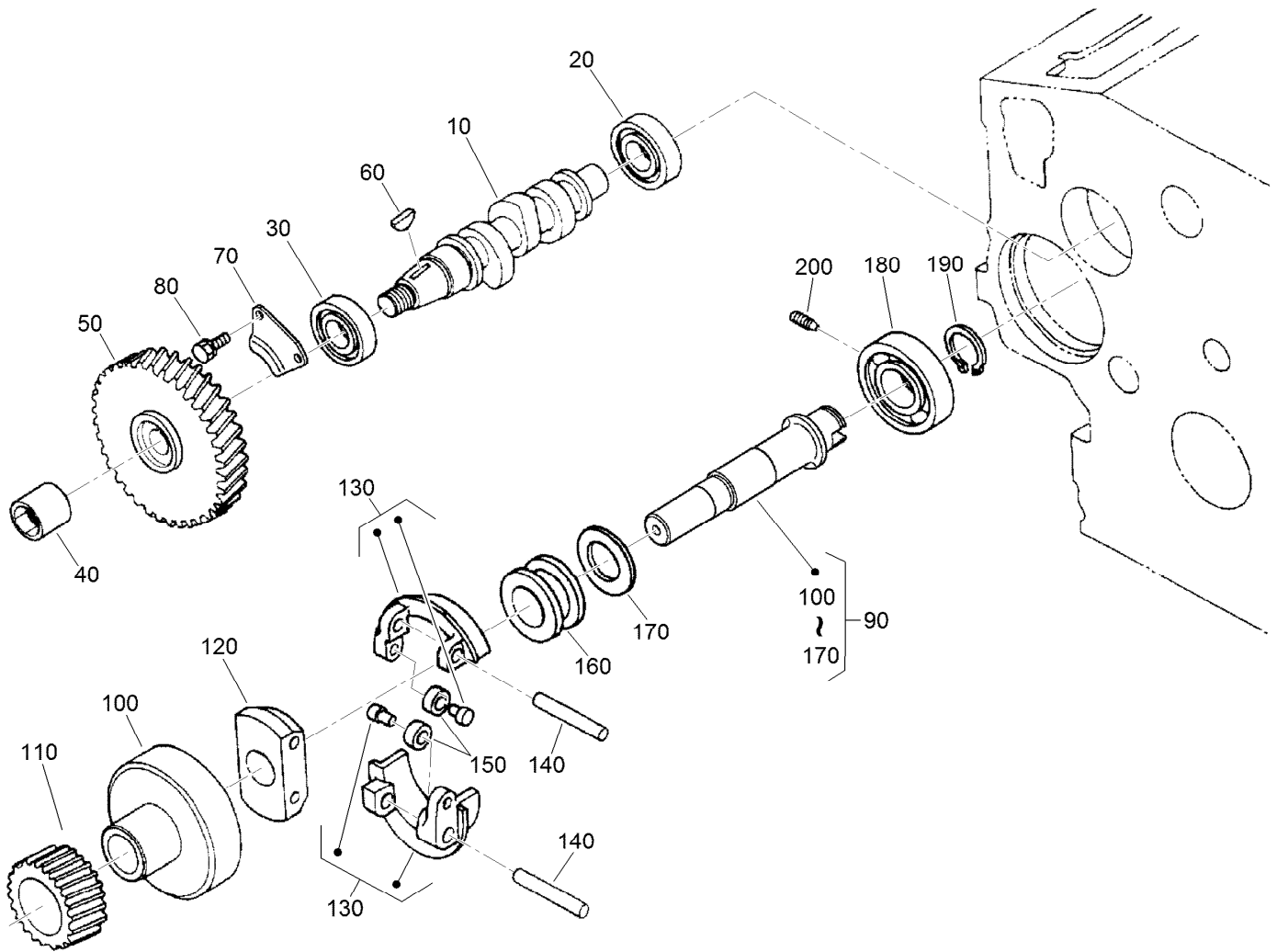
## Camshaft and Idle Gear Shaft Assembly

| Ref. | Part Number | Qty. | Description        |
|------|-------------|------|--------------------|
| 10   | 112-0185    | 6    | Tappet             |
| 20   | 127-0421    | 6    | Rod-Push           |
| 30   | 130-1545    | 1    | Camshaft ASM       |
| 40   | 110-3729    | 1    | Ball               |
| 50   | 120-3116    | 1    | Camshaft ASM       |
| 60   | 98-9378     | 1    | Key-Feather        |
| 70   | 131-6555    | 1    | Stopper (Camshaft) |
| 80   | 98-7692     | 2    | Bolt               |
| 90   | 117-7584    | 1    | Idler Gear ASM     |
| 100  | 117-7585    | 1    | Bushing-Gear, Idle |
| 110  | 98-9535     | 1    | Collar-Gear, Idle  |
| 120  | 98-9536     | 1    | Collar-Gear, Idle  |
| 130  | 98-9534     | 1    | Circlip-Gear, Idle |
| 140  | 98-9533     | 1    | Shaft-Gear, Idle   |
| 150  | 98-7692     | 3    | Bolt               |



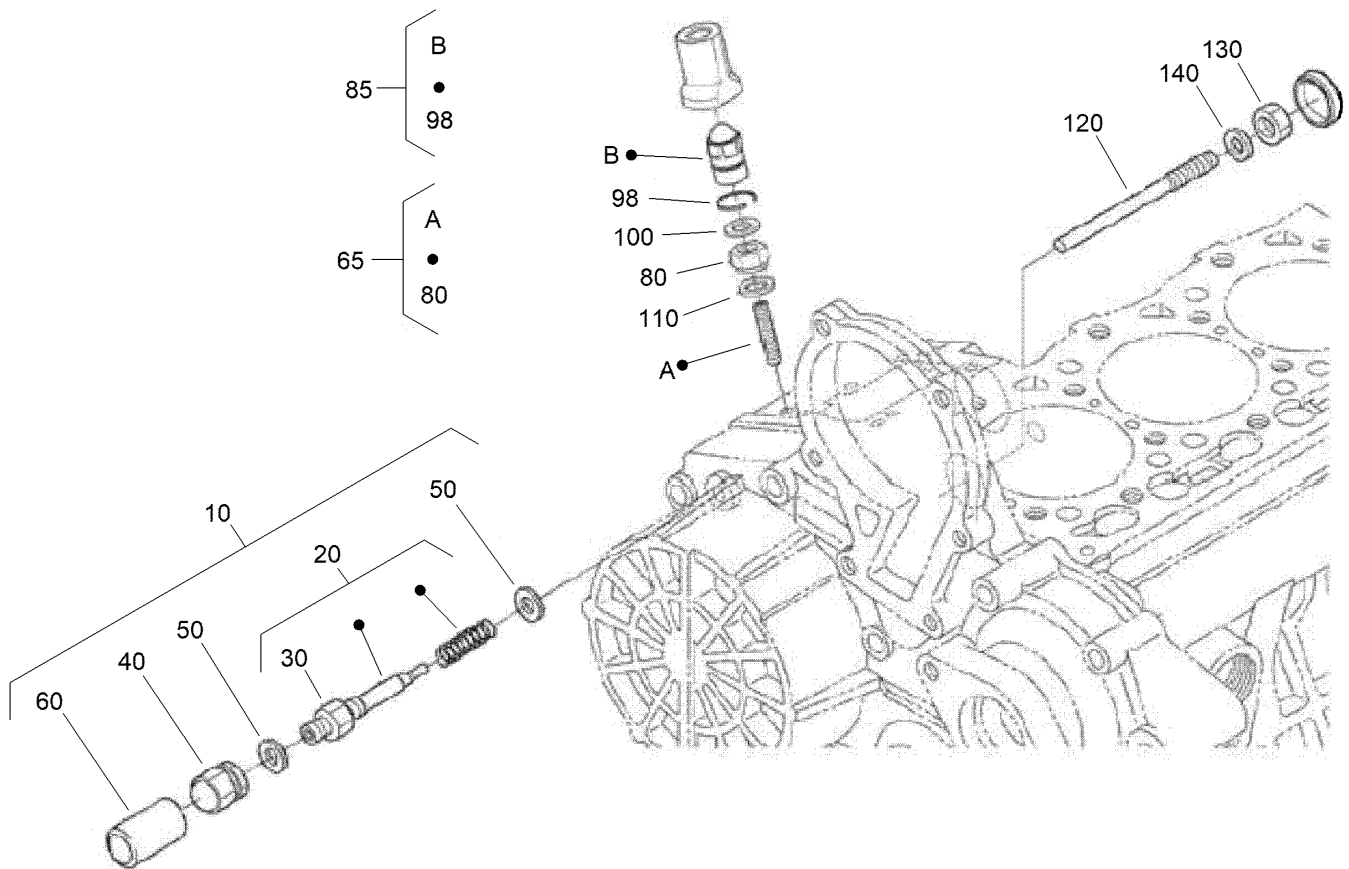
## Piston and Crankshaft Assembly

| Ref. | Part Number | Qty. | Description               | Ref. | Part Number | Qty. | Description                        |
|------|-------------|------|---------------------------|------|-------------|------|------------------------------------|
| 10   | 130-1546    | 3    | Piston (STD)              | 160  | 105-3783    | 1    | O-Ring                             |
| 10   | 130-1549    | 3    | Piston (+0.50MM)          | 170  | 112-7005    | 1    | Bearing-Main (STD)                 |
| 20   | 130-1506    | 3    | Piston Ring ASM (STD)     | 170  | 98-9528     | 1    | Bearing-Main (-0.2MM)              |
| 20   | 130-1507    | 3    | Piston Ring ASM (+0.50MM) | 170  | 127-0432    | 1    | Metal-Crankshaft (-0.4MM)          |
| 30   | 98-9513     | 3    | Pin-Piston                | 200  | 98-9413     | 2    | Bearing-Thrust (STD)               |
| 40   | 98-9514     | 6    | Circlip-Pin, Piston       | 200  | 127-0416    | 2    | Metal-Side (+0.2Mm)                |
| 50   | 117-7586    | 3    | Connecting Rod ASM        | 200  | 127-0417    | 2    | Metal-Side (+0.40Mm)               |
| 60   | 115-3014    | 3    | Bushing-Pin, Piston       | 210  | 98-9688     | 2    | Bearing-Thrust (STD)               |
| 70   | 98-9517     | 6    | Bolt-Rod, Connecting      | 210  | 127-0437    | 2    | Metal-Side (+0.2MM)                |
| 80   | 98-9553     | 3    | Bearing-Rod (STD)         | 210  | 127-0438    | 2    | Metal-Side (+0.40MM)               |
| 80   | 98-9519     | 3    | Bearing-Rod (-0.2MM)      | 220  | 130-1547    | 3    | Piston Kit                         |
| 80   | 117-7588    | 3    | Metal-Crankpin (-0.4MM)   | 220  | 130-1548    | 3    | Piston Kit                         |
| 90   | 130-1375    | 1    | Crankshaft ASM            | 230  | 130-1501    | 1    | Engine Metal Kit (STD)             |
| 110  | 117-7561    | 1    | Gear-Crankshaft           | 230  | 130-1498    | 1    | Engine Metal Kit (-0.20Mm/+0.20Mm) |
| 120  | 98-9666     | 1    | Key                       | 230  | 130-1499    | 1    | Engine Metal Kit (-0.40Mm/+0.40Mm) |
| 130  | 127-0445    | 1    | Gear-Drive, Oil Pump      |      |             |      |                                    |
| 140  | 98-9522     | 1    | Sleeve-Crankshaft         |      |             |      |                                    |
| 150  | 127-0444    | 1    | Collar-Crankshaft         |      |             |      |                                    |



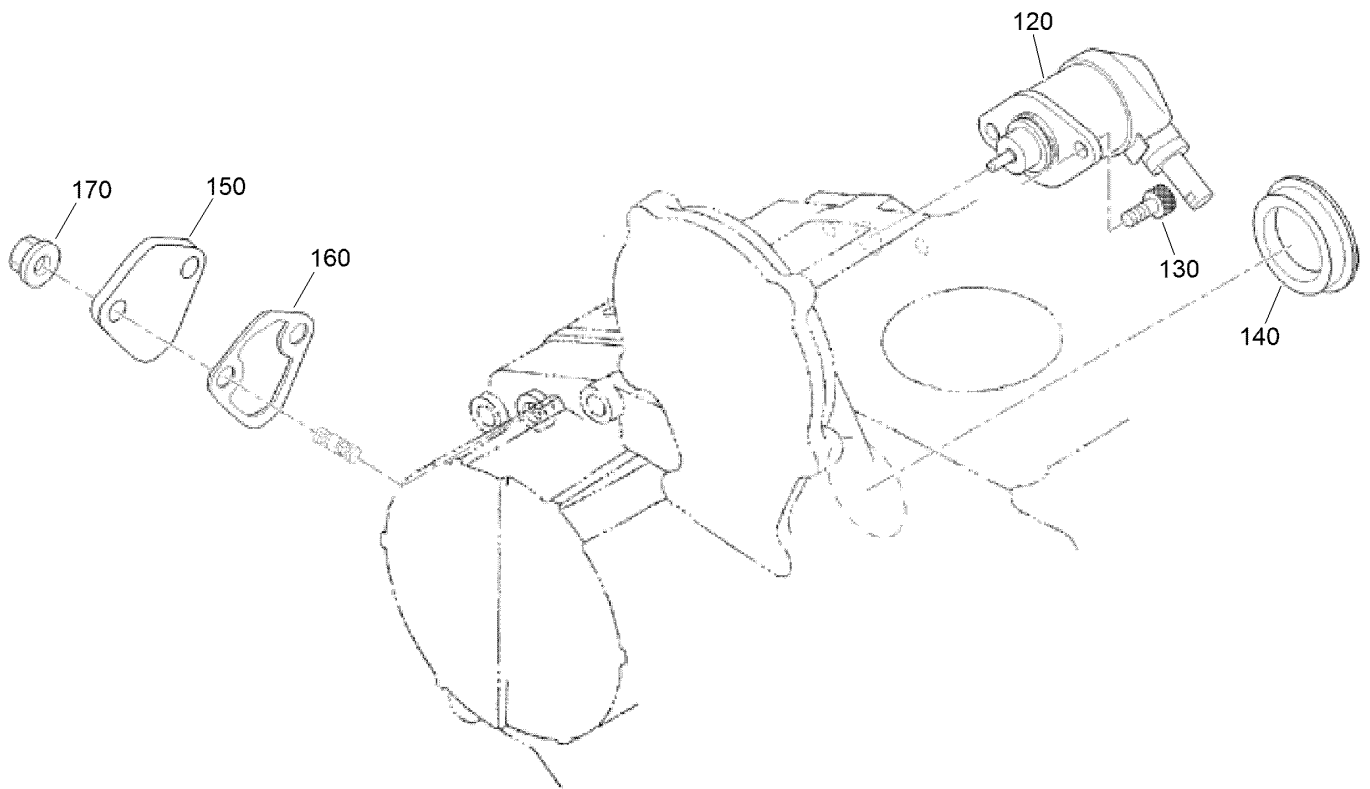
## Fuel Camshaft and Governor Shaft Assembly

| <i>Ref.</i> | <i>Part Number</i> | <i>Qty.</i> | <i>Description</i>     | <i>Ref.</i> | <i>Part Number</i> | <i>Qty.</i> | <i>Description</i>      |
|-------------|--------------------|-------------|------------------------|-------------|--------------------|-------------|-------------------------|
| 10          | 139-4547           | 1           | Camshaft-Fuel          | 110         | 98-9673            | 1           | Gear-Governor           |
| 20          | 107-9077           | 1           | Bearing-Ball           | 120         | 98-9561            | 1           | Holder-Weight, Governor |
| 30          | 107-9078           | 1           | Bearing-Ball           | 130         | 98-9559            | 2           | Governor Weight ASM     |
| 40          | 130-1512           | 1           | Nut                    | 140         | 98-9560            | 2           | Shaft-Weight, Governor  |
| 50          | 120-2562           | 1           | Gear-Pump, Injection   | 150         | 98-9692            | 2           | Roller                  |
| 60          | 98-9595            | 1           | Key-Woodruff           | 160         | 98-9563            | 1           | Sleeve-Governor         |
| 70          | 98-9511            | 1           | Stopper-Fuel, Camshaft | 170         | 98-9564            | 1           | Washer-Thrust           |
| 80          | 98-7692            | 2           | Bolt                   | 180         | 107-9079           | 1           | Bearing-Ball            |
| 90          | 98-9644            | 1           | Governor Shaft ASM     | 190         | 98-9657            | 1           | Circlip-Shaft, Governor |
| 100         | 98-9562            | 1           | Holder-Gear, Governor  | 200         | 98-9565            | 1           | Screw-Set               |



## Idle Apparatus and Stop Solenoid Assembly

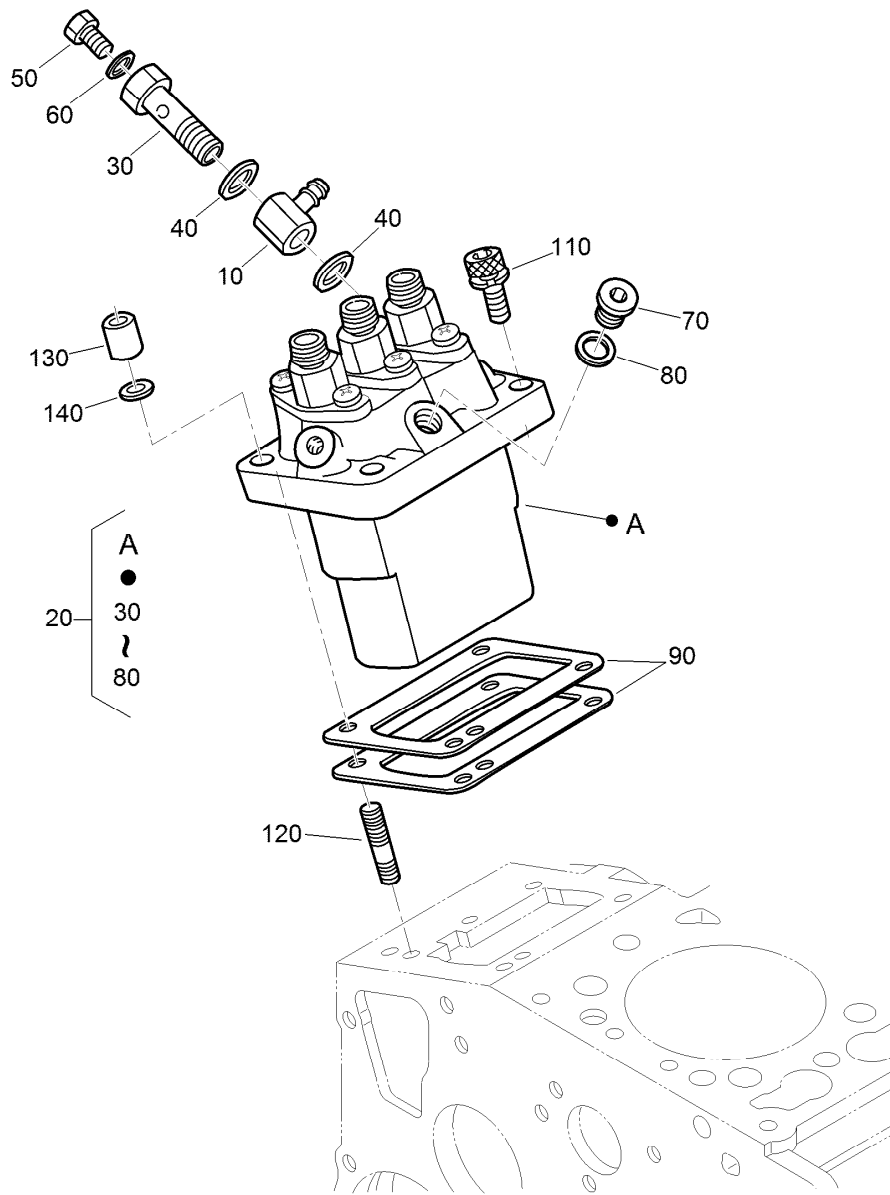
| Ref. | Part Number | Qty. | Description        |
|------|-------------|------|--------------------|
| 10   | 98-9678     | 1    | Idle Apparatus ASM |
| 20   | 112-7014    | 1    | Adjusting Bolt ASM |
| 30   | 98-9439     | 1    | Nut                |
| 40   | 112-0181    | 1    | Nut                |
| 50   | 98-7654     | 2    | Gasket             |
| 60   | 98-7656     | 1    | Cap                |
| 65   | 140-2470    | 1    | Adjusting Bolt ASM |
| 80   | 139-4548    | 1    | Nut-Lock           |
| 85   | 140-2471    | 1    | Cap Nut ASM        |
| 98   | 140-2472    | 1    | Circlip-Int        |
| 100  | 98-7654     | 1    | Gasket             |
| 110  | 107-9081    | 1    | Gasket             |
| 120  | 131-6556    | 1    | Bolt               |
| 130  | 98-7572     | 1    | Nut                |
| 140  | 98-7654     | 1    | Gasket             |



## Solenoid Assembly

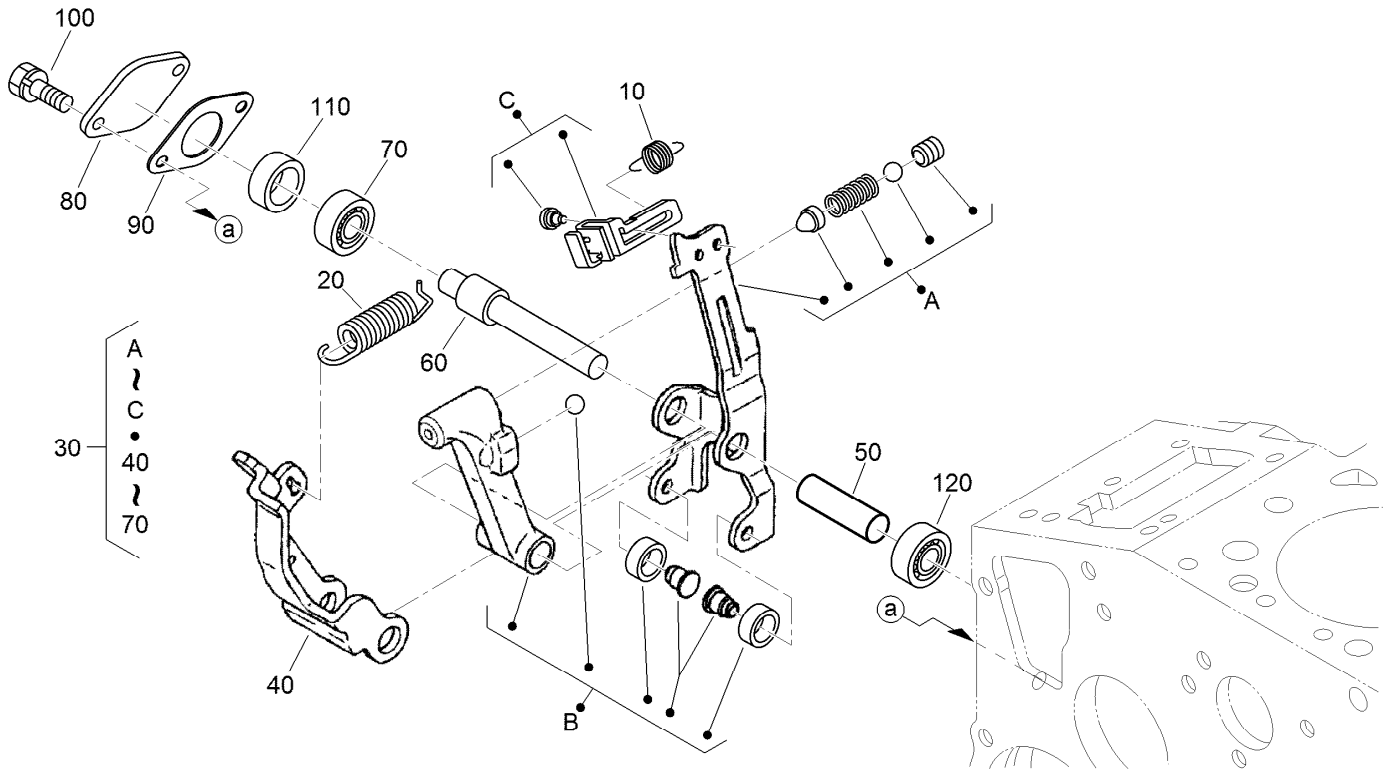
| <i>Ref.</i> | <i>Part Number</i> | <i>Qty.</i> | <i>Description</i> |
|-------------|--------------------|-------------|--------------------|
| 120         | 104-5155           | 1           | Solenoid-Stop      |
| 130         | 130-1155           | 2           | Screw-HSH          |
| 140         | 112-7016           | 1           | Cover-Pump         |
| 150         | 99-3514            | 1           | Cover              |
| 160         | 117-7562           | 1           | Gasket-Pump, Fuel  |
| 170         | 100-2203           | 2           | Nut-Flange         |





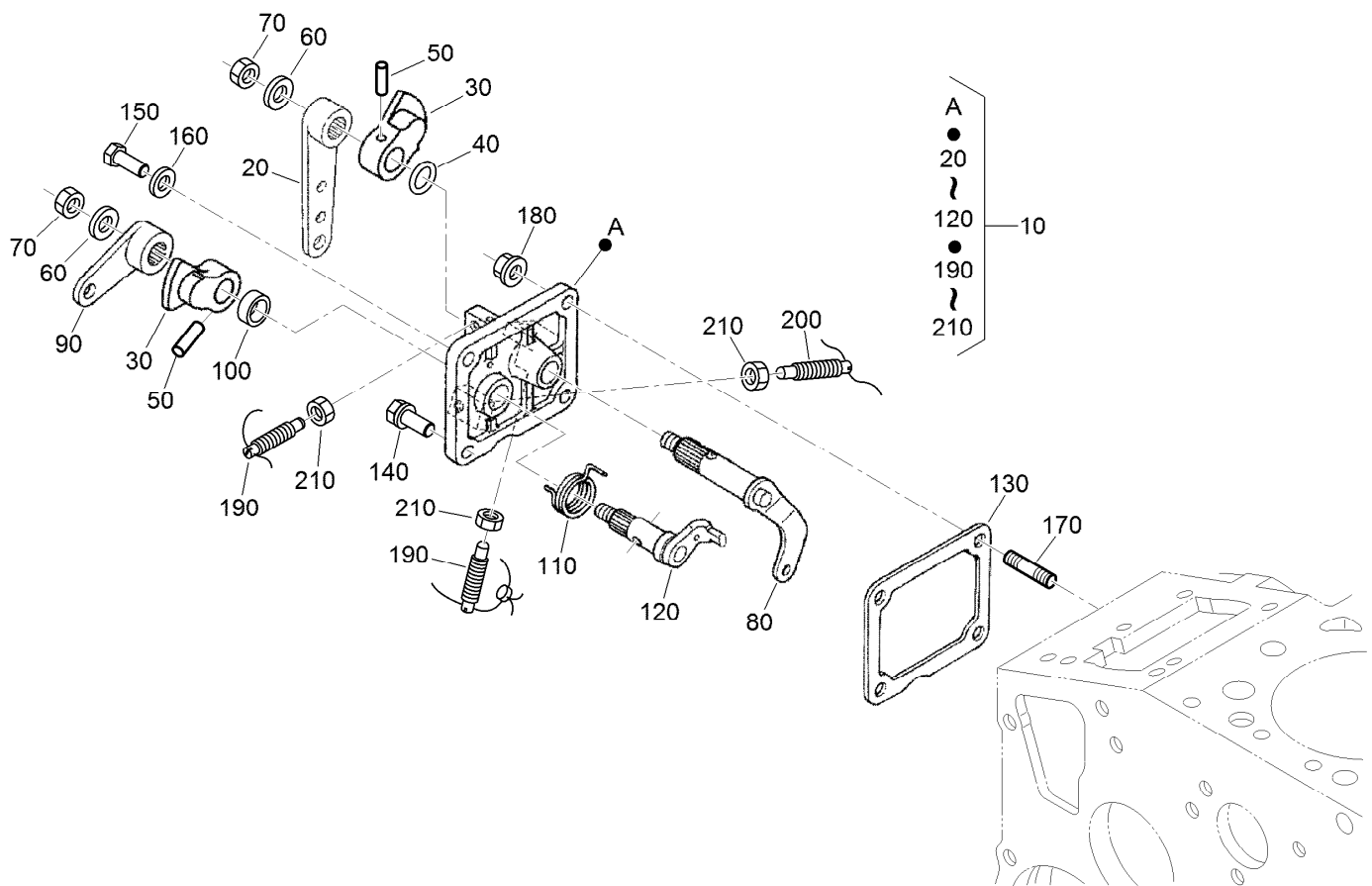
## Injection Pump Assembly

| <i>Ref.</i> | <i>Part Number</i> | <i>Qty.</i> | <i>Description</i>      | <i>Ref.</i> | <i>Part Number</i> | <i>Qty.</i> | <i>Description</i>       |
|-------------|--------------------|-------------|-------------------------|-------------|--------------------|-------------|--------------------------|
| 10          | 139-4549           | 1           | Joint-Eye               | 90          | 98-9457            | 1           | Shim-Injection (0.25MM)  |
| 20          | 98-9643            | 1           | Injection Pump ASM      | 90          | 98-9458            | 1           | Shim-Injection (0.30MM)  |
| 30          | 98-9464            | 1           | Bolt-Joint              | 90          | 115-3046           | 1           | Shim-Injection (0.35MM)  |
| 40          | 98-9445            | 2           | Gasket                  | 90          | 115-3045           | 1           | Shim-Injection (0.175MM) |
| 50          | 98-9430            | 1           | Screw                   | 110         | 117-7564           | 2           | Bolt-Hex Soc HD          |
| 60          | 98-9446            | 1           | Gasket                  | 120         | 98-9438            | 2           | Stud                     |
| 70          | 98-9466            | 1           | Plug                    | 130         | 98-9440            | 2           | Nut-Cap                  |
| 80          | 98-9451            | 1           | Gasket                  | 140         | 98-7699            | 2           | Washer-Spring            |
| 90          | 98-9456            | 1           | Shim-Injection (0.20MM) |             |                    |             |                          |



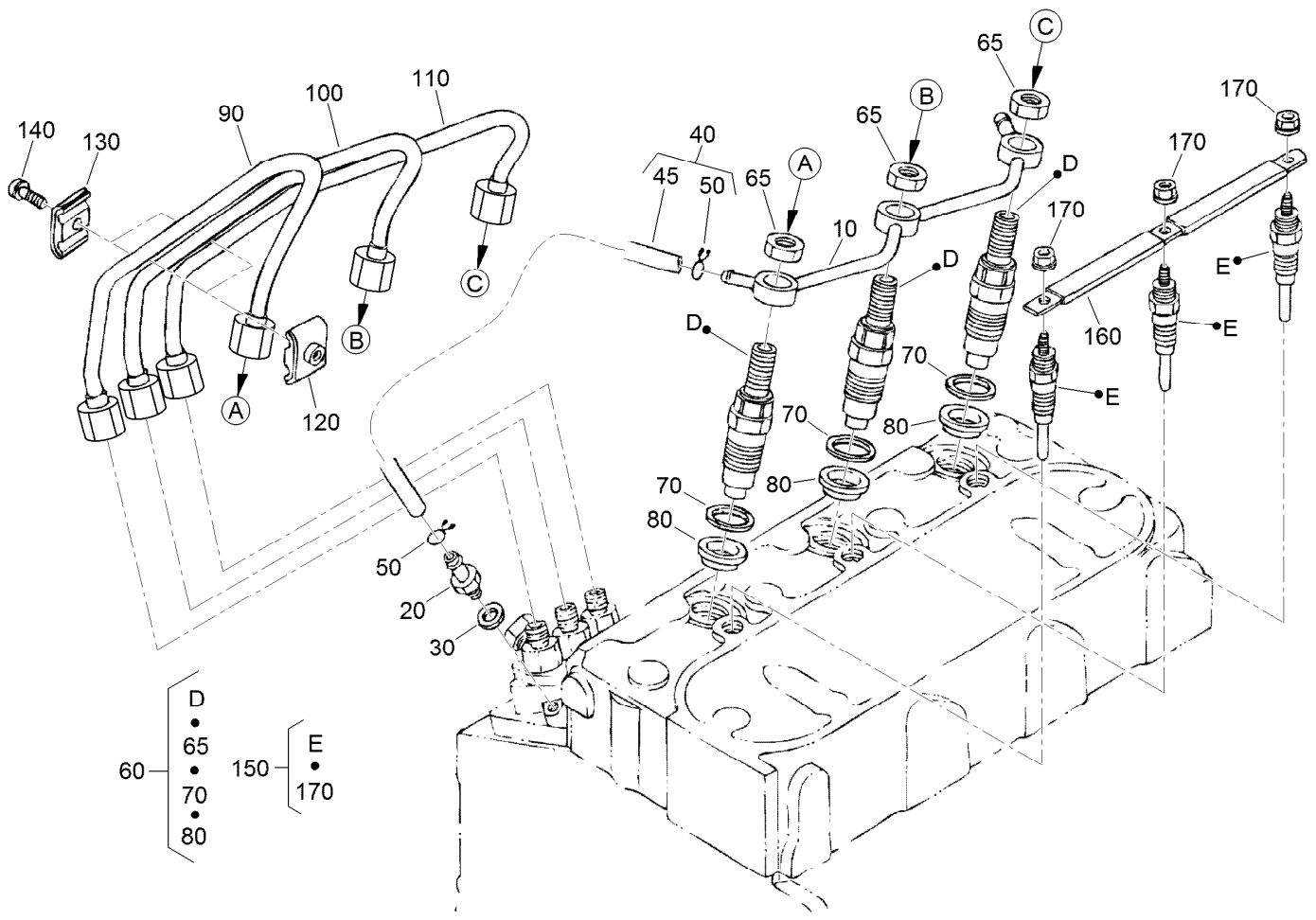
## Governor Assembly

| Ref. | Part Number | Qty. | Description             |
|------|-------------|------|-------------------------|
| 10   | 105-3786    | 1    | Spring-Start            |
| 20   | 98-9681     | 1    | Spring-Governor         |
| 30   | 115-4502    | 1    | Fork Lever ASM          |
| 40   | 107-9084    | 1    | Lever-Fork              |
| 50   | 107-9085    | 1    | Shaft-Lever, Fork       |
| 60   | 107-9086    | 1    | Shaft-Lever, Fork       |
| 70   | 98-9570     | 1    | Bearing-Miniaturize     |
| 80   | 115-4122    | 1    | Cover-Shaft, Fork Lever |
| 90   | 98-9682     | 1    | Gasket                  |
| 100  | 98-9350     | 2    | Bolt                    |
| 110  | 98-9567     | 1    | Collar                  |
| 120  | 98-9571     | 1    | Bearing-Miniaturize     |



## Speed Control Plate Assembly

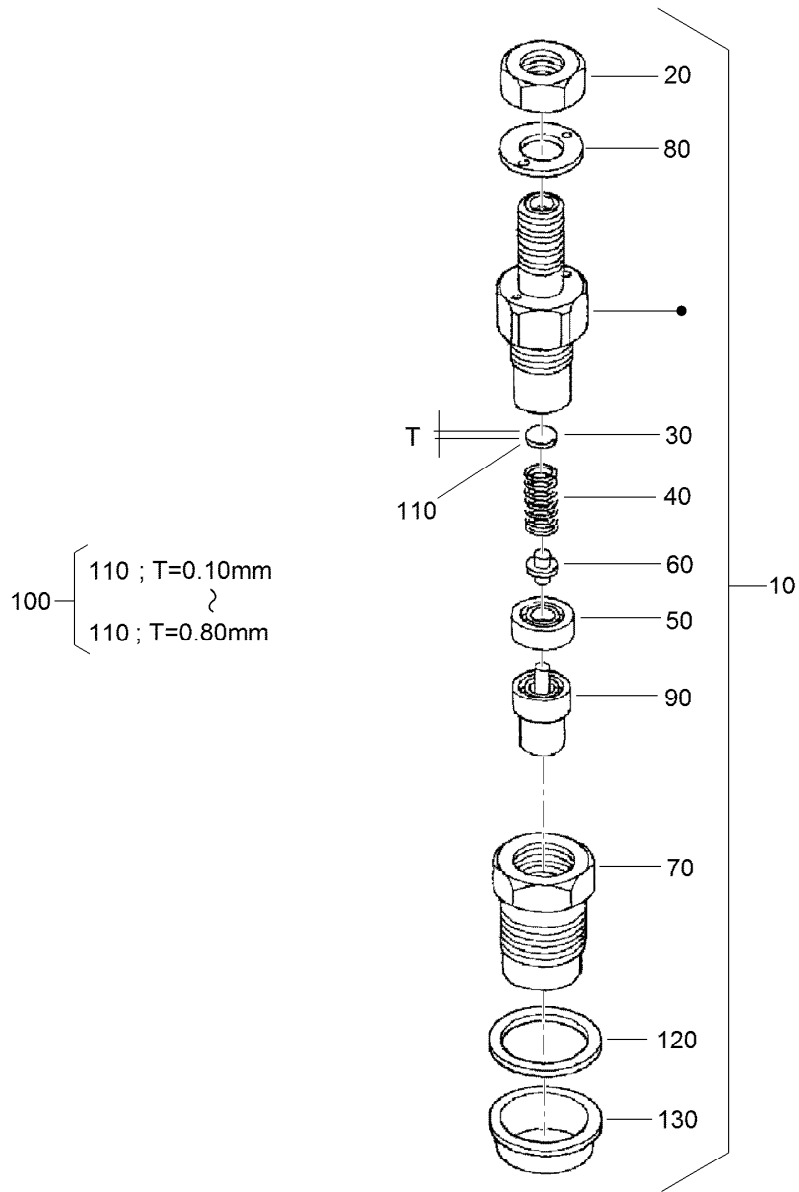
| <i>Ref.</i> | <i>Part Number</i> | <i>Qty.</i> | <i>Description</i>   | <i>Ref.</i> | <i>Part Number</i> | <i>Qty.</i> | <i>Description</i> |
|-------------|--------------------|-------------|----------------------|-------------|--------------------|-------------|--------------------|
| 10          | 105-3735           | 1           | Control Plate ASM    | 120         | 98-9664            | 1           | Shaft-Lever, Stop  |
| 20          | 98-9662            | 1           | Lever-Control, Speed | 130         | 98-9637            | 1           | Gasket             |
| 30          | 98-9572            | 2           | Lever-Control, Speed | 140         | 98-7692            | 1           | Bolt               |
| 40          | 105-3788           | 1           | O-Ring               | 150         | 127-0401           | 1           | Bolt-Hex           |
| 50          | 98-7602            | 2           | Pin-Spring           | 160         | 98-7654            | 1           | Gasket             |
| 60          | 98-9594            | 2           | Washer-Plain         | 170         | 105-3710           | 2           | Stud               |
| 70          | 98-9589            | 2           | Nut                  | 180         | 100-2203           | 2           | Nut-Flange         |
| 80          | 98-9658            | 1           | Governor Lever ASM   | 190         | 117-7565           | 2           | Bolt-Adjusting     |
| 90          | 98-9663            | 1           | Lever-Stop, Engine   | 200         | 117-7566           | 1           | Bolt-Adjusting     |
| 100         | 98-7601            | 1           | Seal-Oil             | 210         | 98-7572            | 3           | Nut                |
| 110         | 98-9472            | 1           | Spring-Return        |             |                    |             |                    |



## Nozzle Holder and Glow Plug Assembly

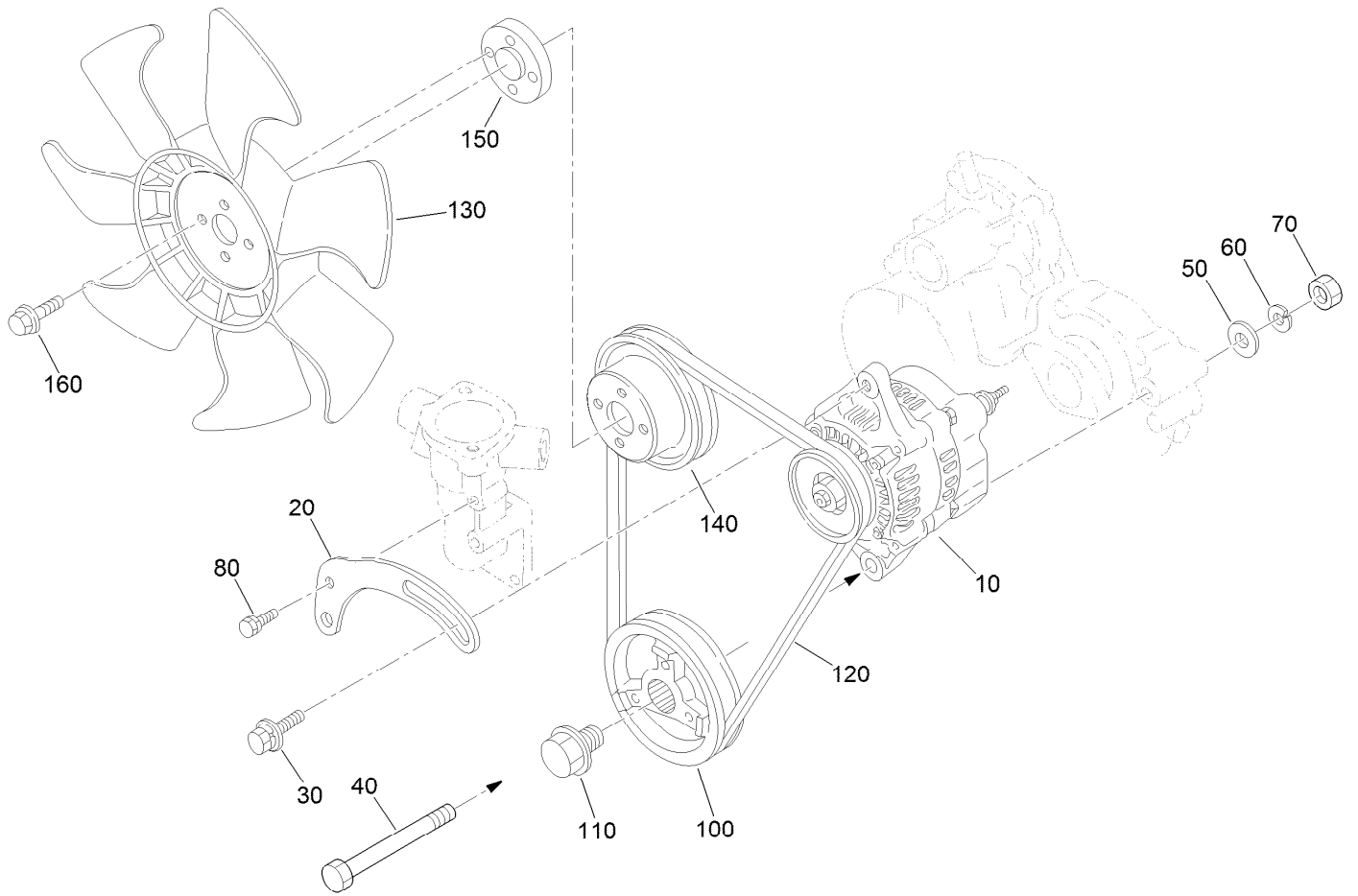
| <i>Ref.</i> | <i>Part Number</i> | <i>Qty.</i> | <i>Description</i> |
|-------------|--------------------|-------------|--------------------|
| 10          | 98-9620            | 1           | Overflow Pipe ASM  |
| 20          | 98-9431            | 1           | Screw-Bleeder, Air |
| 30          | 98-7654            | 1           | Gasket             |
| 40          | 140-2456           | 1           | Overflow Pipe ASM  |
| 45          | 140-2457           | 1           | Pipe-Overflow      |
| 50          | 98-7671            | 2           | Clip-Pipe          |
| 60          | 115-3018           | 3           | Nozzle Holder Kit  |
| 65          | 121-2411           | 3           | Nut                |
| 70          | 98-7676            | 3           | Gasket             |
| 80          | 98-7677            | 3           | Seal-Heat          |

| <i>Ref.</i> | <i>Part Number</i> | <i>Qty.</i> | <i>Description</i> |
|-------------|--------------------|-------------|--------------------|
| 90          | 98-9622            | 1           | Pipe-Injection     |
| 100         | 98-9654            | 1           | Pipe-Injection     |
| 110         | 98-9655            | 1           | Pipe-Injection     |
| 120         | 98-7682            | 2           | Clamp-Pipe         |
| 130         | 98-7683            | 2           | Clamp-Pipe         |
| 140         | 98-7684            | 2           | Screw (W/Washer)   |
| 150         | 130-1411           | 3           | Plug-Glow          |
| 160         | 98-9631            | 1           | Cord-Plug, Glow    |
| 170         | 99-8377            | 3           | Nut-Flange         |



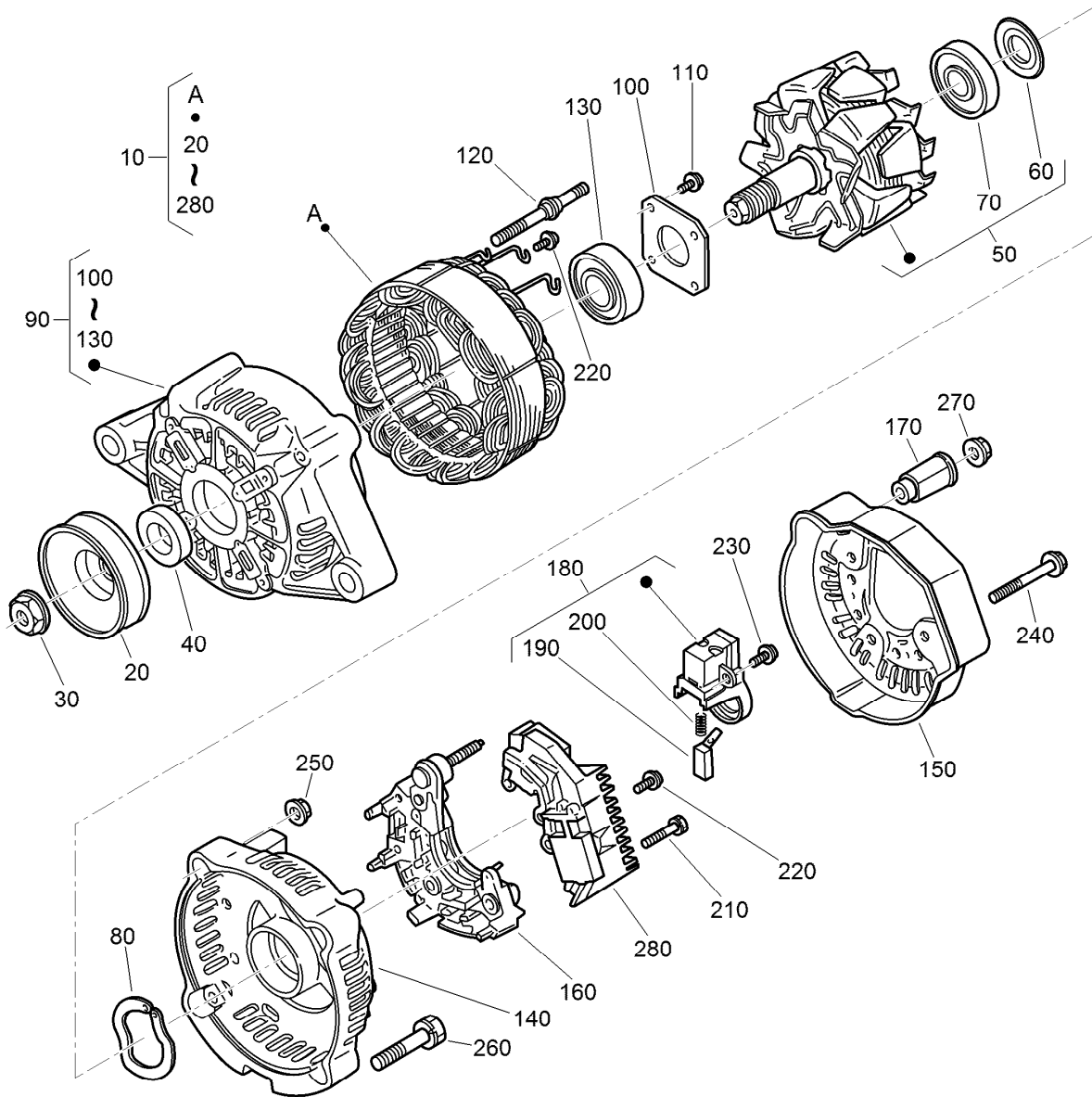
## Nozzle Holder Assembly

| Ref. | Part Number | Qty. | Description            | Ref. | Part Number | Qty. | Description            |
|------|-------------|------|------------------------|------|-------------|------|------------------------|
| 10   | 115-3018    | 3    | Nozzle Holder Kit      | 110  | 99-8311     | 3    | Washer-Adjust (0.20MM) |
| 20   | 121-2411    | 3    | Nut                    | 110  | 99-8312     | 3    | Washer-Adjust (0.30MM) |
| 30   | 99-8302     | 3    | Washer-Adjusting       | 110  | 99-8313     | 3    | Washer-Adjust (0.40MM) |
| 40   | 99-8303     | 3    | Spring-Nozzle          | 110  | 99-8314     | 3    | Washer-Adjust (0.50MM) |
| 50   | 99-8304     | 3    | Spacer-Distance        | 110  | 99-8315     | 3    | Washer-Adjust (0.52MM) |
| 60   | 99-8305     | 3    | Rod-Push               | 110  | 99-8316     | 3    | Washer-Adjust (0.54MM) |
| 70   | 99-8306     | 3    | Nut-Nozzle             | 110  | 99-8317     | 3    | Washer-Adjust (0.56MM) |
| 80   | 99-8307     | 3    | Washer-Plain           | 110  | 99-8318     | 3    | Washer-Adjust (0.58MM) |
| 90   | 115-3020    | 3    | Piece-Nozzle           | 110  | 99-8319     | 3    | Washer-Adjust (0.80MM) |
| 100  | 99-8309     | 3    | Adjusting Washer ASM   | 120  | 98-7676     | 3    | Gasket                 |
| 110  | 99-8310     | 3    | Washer-Adjust (0.10MM) | 130  | 98-7677     | 3    | Seal-Heat              |



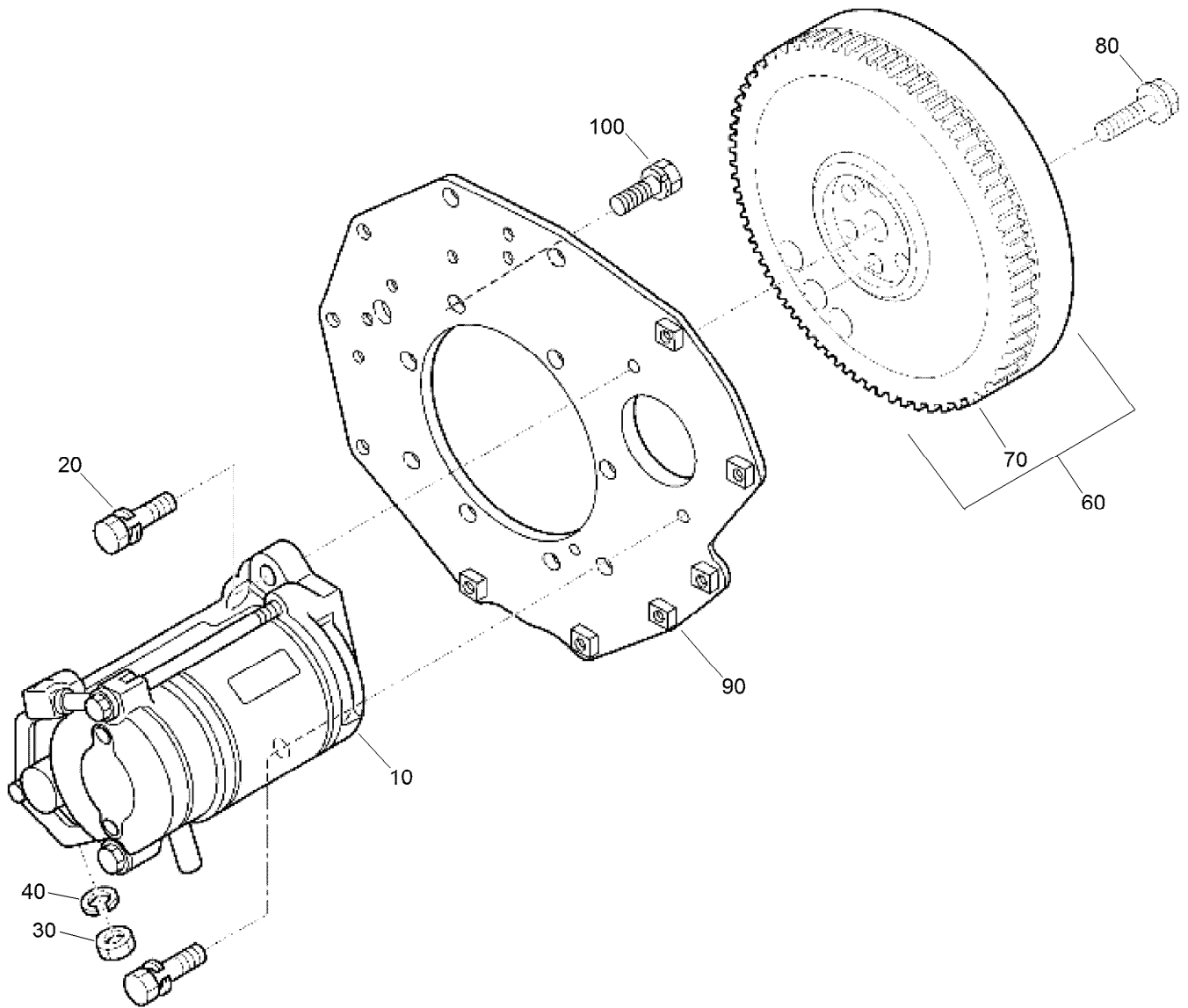
## Alternator, Pulley and Fan Assembly

| Ref. | Part Number | Qty. | Description       |
|------|-------------|------|-------------------|
| 10   | 131-6557    | 1    | Alternator ASM    |
| 20   | 112-7047    | 1    | Stay-Dynamo       |
| 30   | 108-7088    | 1    | Bolt              |
| 40   | 98-9360     | 1    | Bolt              |
| 50   | 98-9366     | 1    | Washer-Plain      |
| 60   | 98-7738     | 1    | Washer-Spring     |
| 70   | 98-7737     | 1    | Nut               |
| 80   | 98-7692     | 1    | Bolt              |
| 100  | 98-9473     | 1    | Pulley-Drive, Fan |
| 110  | 98-9585     | 1    | Bolt              |
| 120  | 104-3494    | 1    | Belt-V            |
| 130  | 104-4246    | 1    | Fan-Engine        |
| 140  | 130-1567    | 1    | Pulley-Fan        |
| 150  | 108-2872    | 1    | Collar-Fan        |
| 160  | 108-2873    | 4    | Bolt-Flange       |



## Alternator Components Assembly

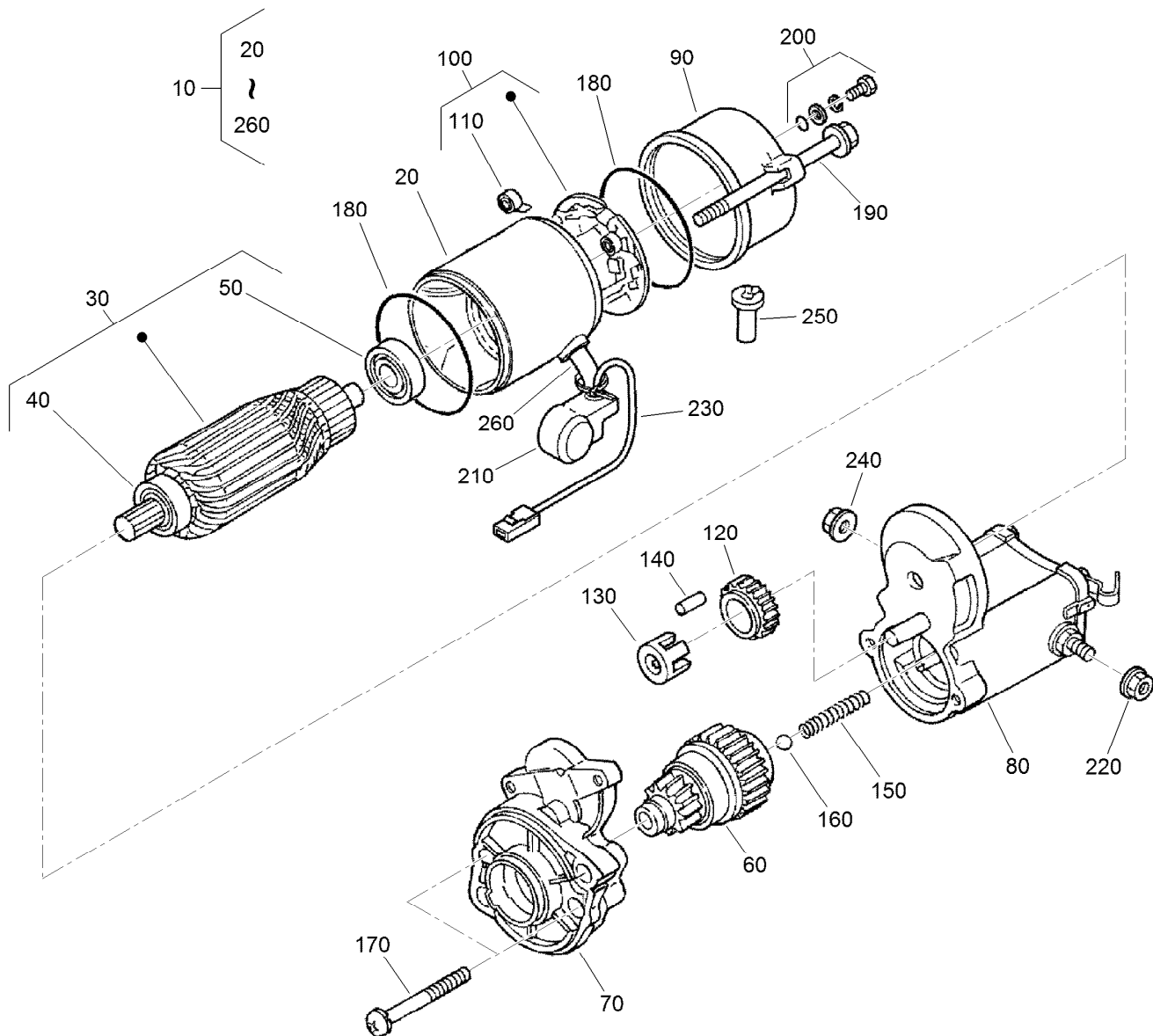
| Ref. | Part Number | Qty. | Description       | Ref. | Part Number | Qty. | Description        |
|------|-------------|------|-------------------|------|-------------|------|--------------------|
| 10   | 131-6557    | 1    | Alternator ASM    | 150  | 107-0140    | 1    | Cover-End          |
| 20   | 98-9453     | 1    | Pulley-Dynamo     | 160  | 127-1612    | 1    | Rectifier ASM      |
| 30   | 98-7708     | 1    | Nut               | 170  | 98-7722     | 1    | Bushing-Insulation |
| 40   | 98-7709     | 1    | Collar            | 180  | 107-0141    | 1    | Brush Holder ASM   |
| 50   | 107-0136    | 1    | Rotor ASM         | 190  | 98-7724     | 2    | Brush              |
| 60   | 98-7711     | 1    | Cover-Bearing     | 200  | 98-7725     | 2    | Spring-Brush       |
| 70   | 107-0138    | 1    | Bearing-Ball      | 210  | 98-7726     | 2    | Screw-Head, Round  |
| 80   | 98-7713     | 1    | Washer-Thrust     | 220  | 98-7727     | 6    | Screw-Head, Round  |
| 90   | 131-6559    | 1    | Frame-End, Drive  | 230  | 98-7728     | 1    | Screw-Head, Round  |
| 100  | 98-7715     | 1    | Plate-Retainer    | 240  | 98-7729     | 3    | Bolt               |
| 110  | 98-7716     | 4    | Screw-Head, Round | 250  | 98-7730     | 2    | Nut                |
| 120  | 98-7717     | 2    | Bolt-Through      | 260  | 98-7731     | 2    | Bolt               |
| 130  | 133-2811    | 1    | Bearing           | 270  | 98-7732     | 1    | Nut                |
| 140  | 107-9087    | 1    | Frame-End         | 280  | 140-2458    | 1    | Regulator ASM      |



## Starter and Flywheel Assembly

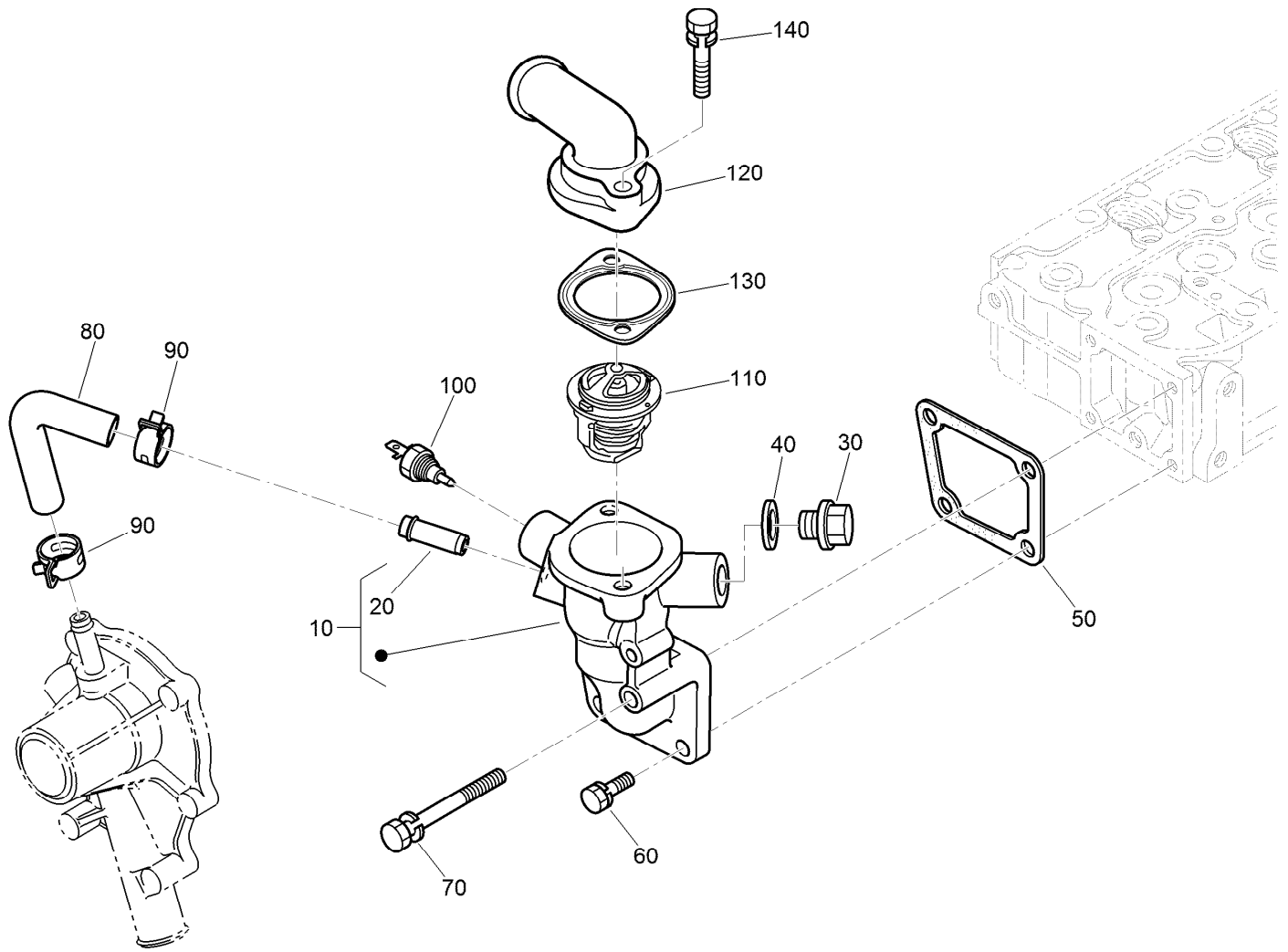
| <i>Ref.</i> | <i>Part Number</i> | <i>Qty.</i> | <i>Description</i> |
|-------------|--------------------|-------------|--------------------|
| 10          | 98-9705            | 1           | Starter ASM        |
| 20          | 98-7697            | 2           | Bolt               |
| 30          | 98-7534            | 1           | Nut                |
| 40          | 105-2893           | 1           | Washer-Spring      |
| 60          | 105-3784           | 1           | Flywheel ASM       |
| 70          | 115-3015           | 1           | Gear-Ring          |
| 80          | 98-9537            | 6           | Bolt-Flywheel      |
| 90          | 98-9486            | 1           | Plate-End, Rear    |
| 100         | 98-9392            | 8           | Bolt               |





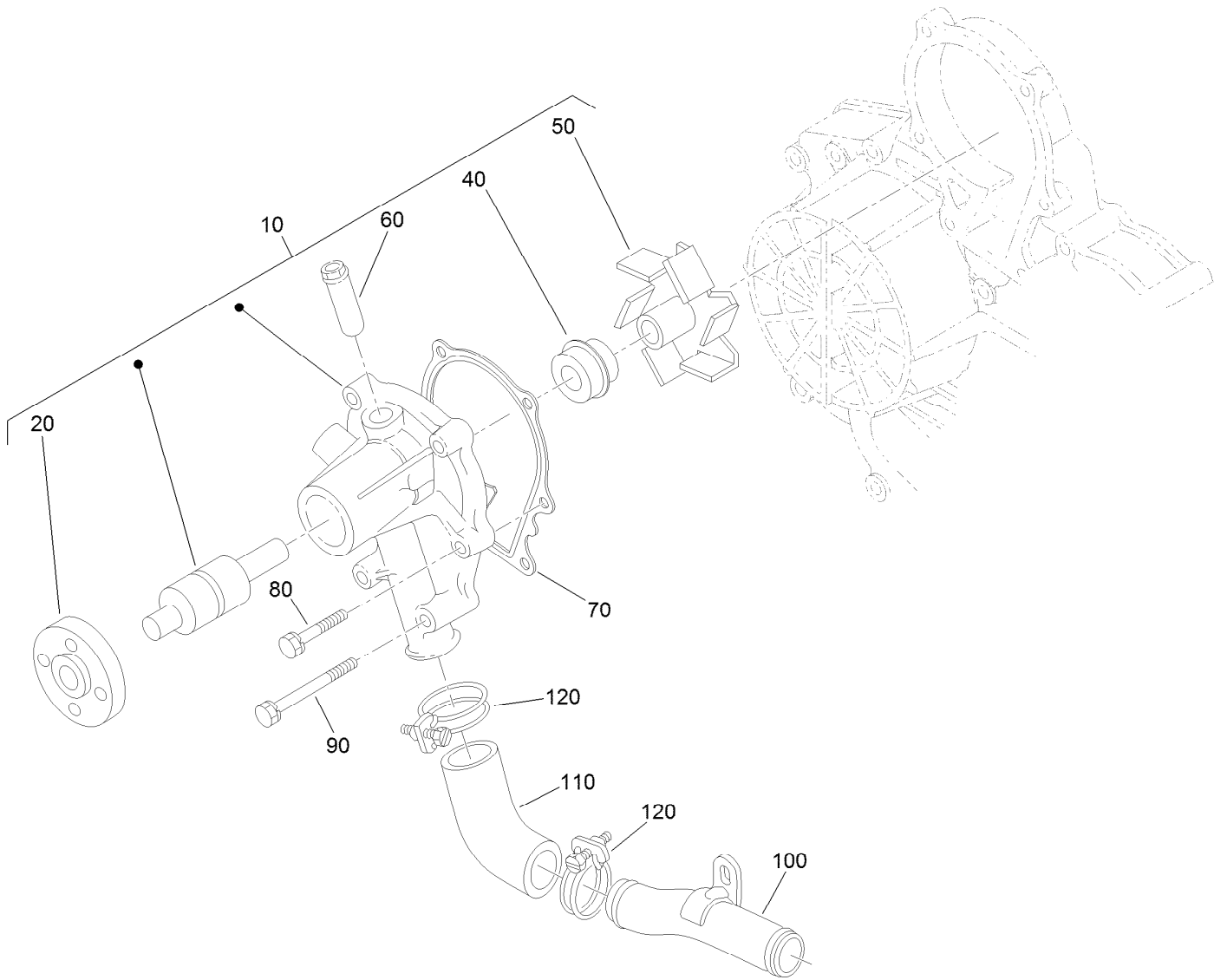
## Starter Component Assembly

| <i>Ref.</i> | <i>Part Number</i> | <i>Qty.</i> | <i>Description</i>   | <i>Ref.</i> | <i>Part Number</i> | <i>Qty.</i> | <i>Description</i>  |
|-------------|--------------------|-------------|----------------------|-------------|--------------------|-------------|---------------------|
| 10          | 98-9705            | 1           | Starter ASM          | 140         | 98-7753            | 5           | Roller              |
| 20          | 104-8608           | 1           | Yoke ASM             | 150         | 98-7754            | 1           | Spring              |
| 30          | 98-7742            | 1           | Armature ASM         | 160         | 98-7755            | 1           | Ball                |
| 40          | 98-7744            | 1           | Bearing              | 170         | 98-7756            | 2           | Bolt                |
| 50          | 98-7743            | 1           | Bearing              | 180         | 98-7757            | 2           | O-Ring              |
| 60          | 99-8373            | 1           | Clutch-Running, Over | 190         | 100-9240           | 2           | Bolt                |
| 70          | 99-8374            | 1           | Frame-End, Drive     | 200         | 98-7758            | 2           | Bolt ASM            |
| 80          | 105-3746           | 1           | Magnetic Switch ASM  | 210         | 99-8375            | 1           | Cover               |
| 90          | 98-7748            | 1           | Frame-End            | 220         | 99-8371            | 1           | Nut-Hex             |
| 100         | 98-7749            | 1           | Brush Holder ASM     | 230         | 98-9711            | 1           | Cord-Solenoid, Stop |
| 110         | 98-7750            | 4           | Spring-Brush         | 240         | 99-8376            | 1           | Nut-Hex             |
| 120         | 98-7751            | 1           | Gear                 | 250         | 98-7759            | 1           | Pipe-Drain          |
| 130         | 98-7752            | 1           | Retainer             | 260         | 98-9712            | 1           | Band-Cover          |



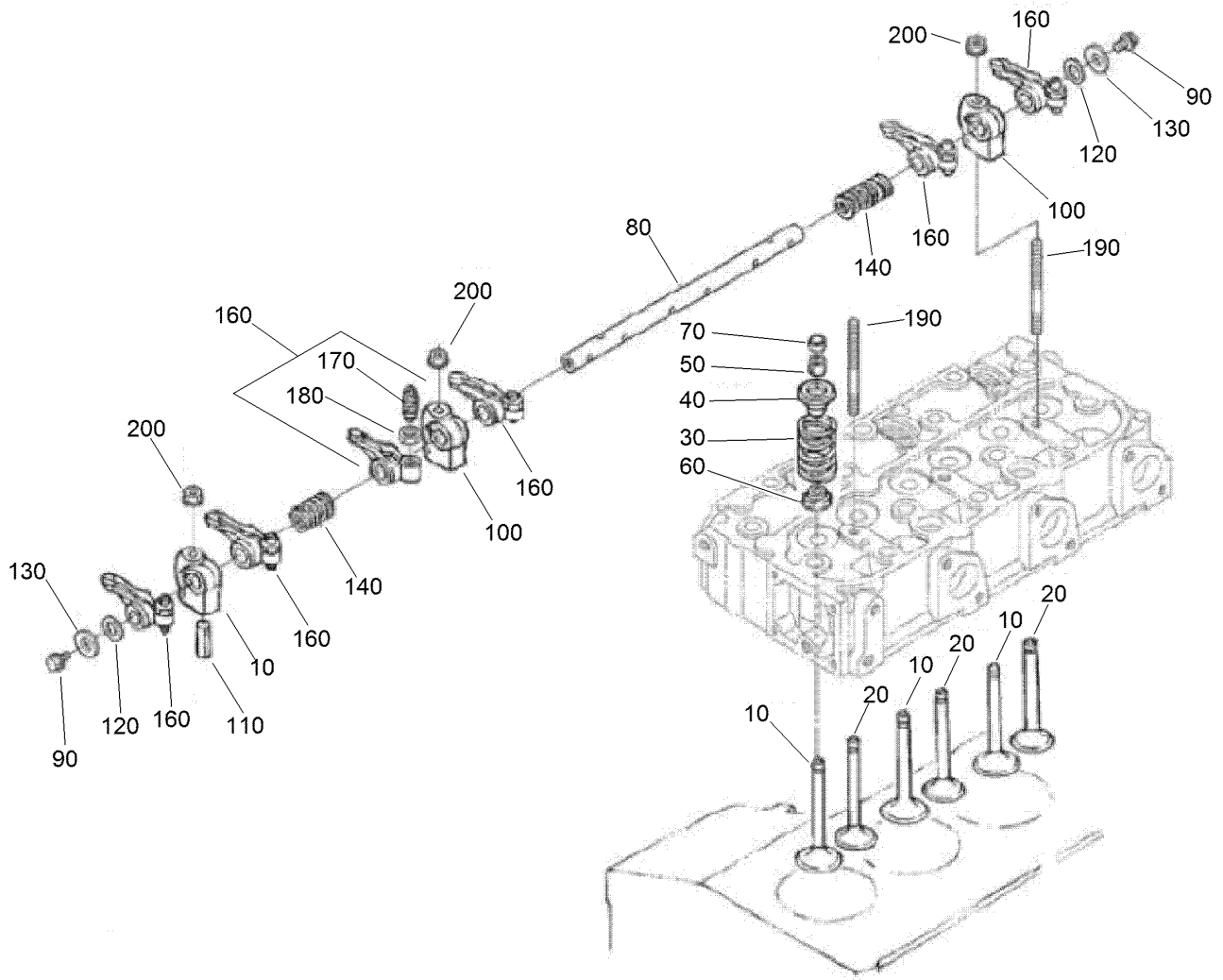
## Water Flange and Thermostat Assembly

| Ref. | Part Number | Qty. | Description          |
|------|-------------|------|----------------------|
| 10   | 98-9713     | 1    | Water Flange ASM     |
| 20   | 98-9580     | 1    | Pipe-Return, Water   |
| 30   | 105-3747    | 1    | Plug                 |
| 40   | 99-3583     | 1    | Gasket               |
| 50   | 98-9638     | 1    | Gasket-Flange, Water |
| 60   | 98-7692     | 3    | Bolt                 |
| 70   | 98-9356     | 1    | Bolt                 |
| 80   | 98-9578     | 1    | Pipe-Return, Water   |
| 90   | 125-9078    | 2    | Clamp-Hose           |
| 100  | 98-9719     | 1    | Thermoswitch         |
| 110  | 98-7778     | 1    | Thermostat ASM       |
| 120  | 104-4804    | 1    | Outlet-Water         |
| 130  | 105-3748    | 1    | Gasket-Thermostat    |
| 140  | 98-7777     | 2    | Bolt                 |



## Water Pump Assembly

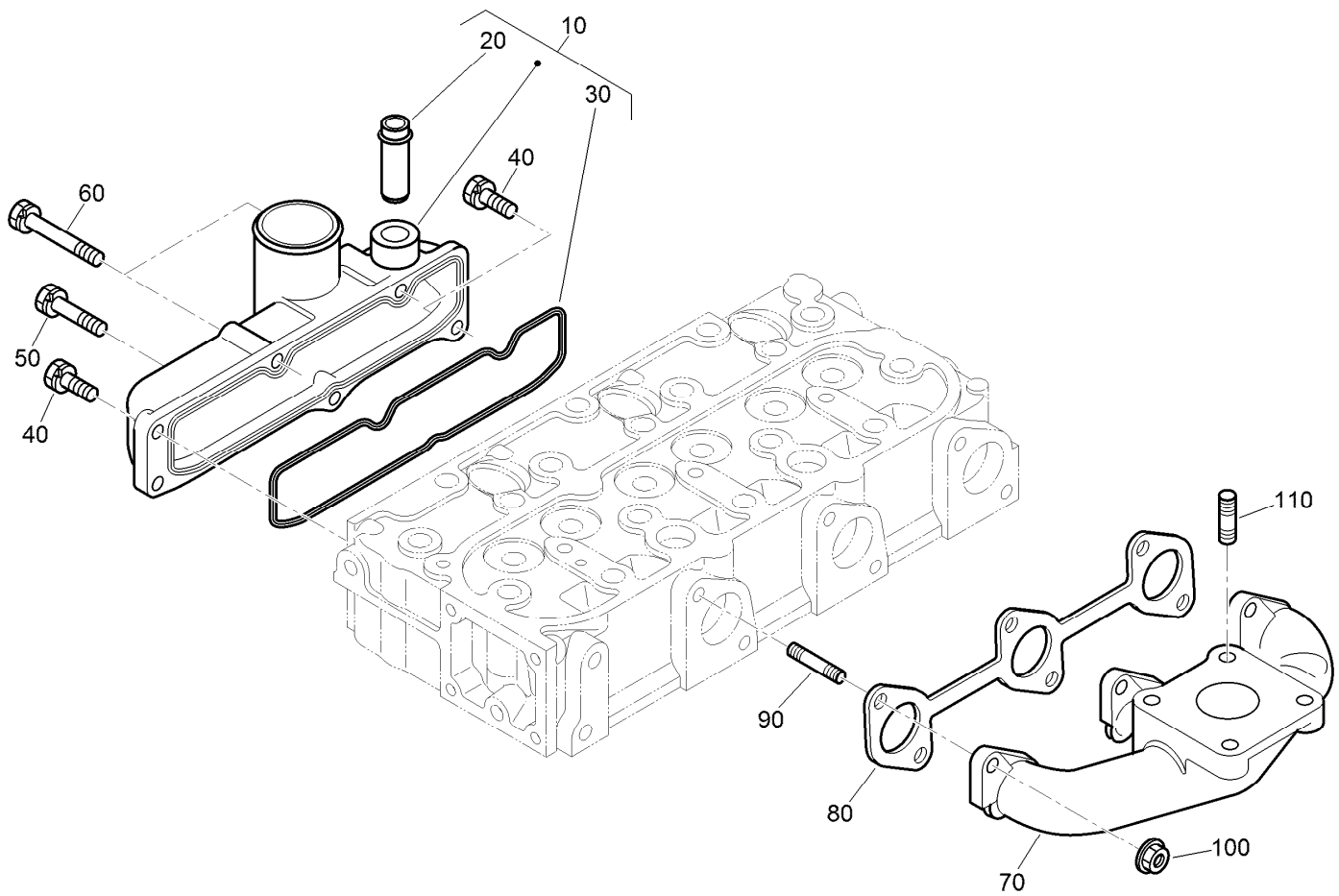
| <i>Ref.</i> | <i>Part Number</i> | <i>Qty.</i> | <i>Description</i>   |
|-------------|--------------------|-------------|----------------------|
| 10          | 107-9089           | 1           | Water Pump ASM       |
| 20          | 99-3516            | 1           | Flange-Pump, Water   |
| 40          | 105-3750           | 1           | Mechanical Seal ASM  |
| 50          | 112-7017           | 1           | Impeller-Pump, Water |
| 60          | 100-1932           | 1           | Pipe-Return, Water   |
| 70          | 99-3454            | 1           | Gasket-Pump, Water   |
| 80          | 98-9353            | 4           | Bolt                 |
| 90          | 107-9090           | 2           | Bolt                 |
| 100         | 98-9716            | 1           | Pipe-Water           |
| 110         | 107-9091           | 1           | Pipe-Water           |
| 120         | 127-0439           | 2           | Clamp-Hose           |



## Valve and Rocker Arm Assembly

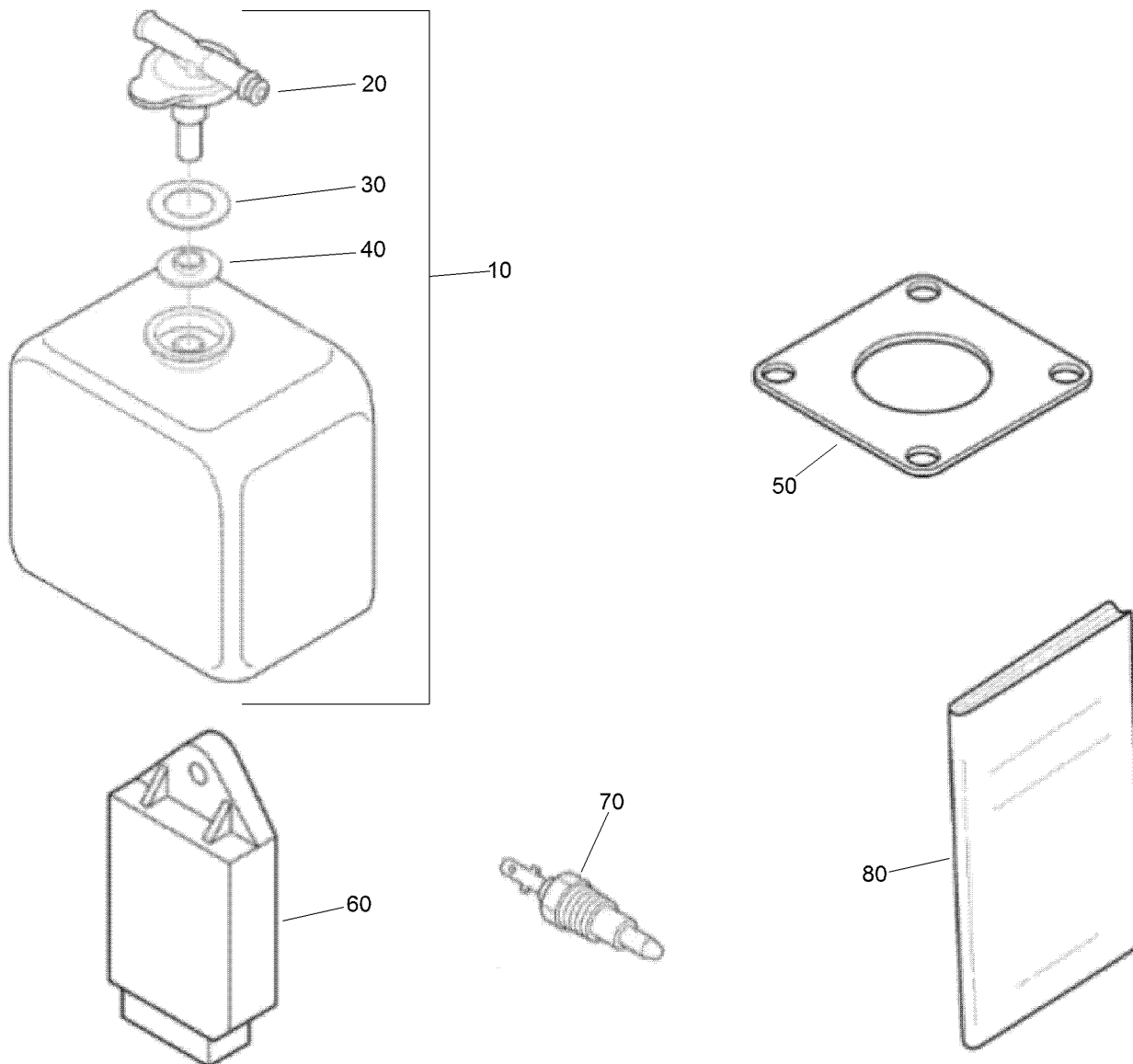
| Ref. | Part Number | Qty. | Description          |
|------|-------------|------|----------------------|
| 10   | 140-2459    | 3    | Valve-Inlet          |
| 20   | 140-2460    | 3    | Valve-Exhaust        |
| 30   | 98-9648     | 6    | Spring-Valve         |
| 40   | 107-9092    | 6    | Retainer-Spring      |
| 50   | 117-7572    | 6    | Collet-Spring, Valve |
| 60   | 99-8385     | 6    | Seal-Stem, Valve     |
| 70   | 98-9497     | 6    | Cap-Valve            |
| 80   | 130-1248    | 1    | Shaft-Arm, Rocker    |
| 90   | 99-8363     | 2    | Bolt-Flange          |
| 100  | 98-9505     | 3    | Bracket-Arm, Rocker  |

| Ref. | Part Number | Qty. | Description              |
|------|-------------|------|--------------------------|
| 110  | 105-3758    | 1    | Pin-Spring               |
| 120  | 98-9507     | 2    | Washer-Shaft, Rocker Arm |
| 130  | 110-3832    | 2    | Washer-Plain             |
| 140  | 98-9504     | 2    | Spring-Arm, Rocker       |
| 160  | 112-7020    | 6    | Rocker Arm ASM           |
| 170  | 98-9502     | 6    | Screw-Adjusting          |
| 180  | 98-9503     | 6    | Nut                      |
| 190  | 98-9506     | 3    | Stud                     |
| 200  | 131-6563    | 3    | Nut-Flange               |



## Inlet and Exhaust Manifold Assembly

| <i>Ref.</i> | <i>Part Number</i> | <i>Qty.</i> | <i>Description</i>       |
|-------------|--------------------|-------------|--------------------------|
| 10          | 107-7843           | 1           | Manifold Inlet ASM       |
| 20          | 98-9492            | 1           | Joint-Pipe, Breather     |
| 30          | 98-9609            | 1           | Gasket-Manifold, Inlet   |
| 40          | 127-0403           | 3           | Bolt-Flange              |
| 50          | 98-9353            | 1           | Bolt                     |
| 60          | 125-9063           | 2           | Bolt-Sems                |
| 70          | 107-9093           | 1           | Manifold-Exhaust         |
| 80          | 99-8327            | 1           | Gasket-Manifold, Exhaust |
| 90          | 98-9588            | 6           | Stud                     |
| 100         | 98-9665            | 6           | Nut                      |
| 110         | 98-7769            | 4           | Stud                     |



## Miscellaneous Engine Parts

| <i>Ref.</i> | <i>Part Number</i> | <i>Qty.</i> | <i>Description</i> |
|-------------|--------------------|-------------|--------------------|
| 10          | 104-9318           | 1           | Bottle-Overflow    |
| 20          | 115-4132           | 1           | Cap                |
| 30          | 105-3755           | 1           | Gasket             |
| 40          | 105-3756           | 1           | Plate              |
| 50          | 99-8343            | 1           | Gasket-Muffler     |
| 60          | 140-2463           | 1           | Controller-Glow    |
| 70          | 140-2462           | 1           | Thermoswitch       |
| 80          | 140-2461           | 1           | Manual-Operator    |

# Attachments and Accessories

## For 03821 Reelmaster 3575 Traction Unit

| <b>Product Name</b>  | <b>Model/Part</b> |
|--|-------------------|
| Operator Cooling Fan .....   | 03247             |
| Switch Panel-Universal Sunshade.....                                   | 03248             |
| 22in Fairway Flex Grass Basket Kit .....                               | 03415             |
| 22in Fairway Compact Grass Basket Kit .....                            | 03416             |
| 8-Blade Radial Reel DPA Cutting Unit with 7in Reel.....                | 03638             |
| 8-Blade Forward Swept Reel DPA Cutting Unit with 7in Reel .....        | 03639             |
| 11-Blade Forward Swept Reel DPA Cutting Unit with 7in Reel .....       | 03641             |
| 7-in, 11 Blade ES (RR) DPA Cutting Unit .....                          | 03643             |
| Premium All Purpose Grease (Tube) .....                                | 108-1190          |
| Premium Synthetic Bio-Degradable Hydraulic Fluid (5 Gallon Pail) ..... | 119-2157          |
| Premium Synthetic Bio-Degradable Hydraulic Fluid (55 Gallon Drum)..... | 119-2158          |
| Treaded 22-12x12 Tire Asm .....  | 121-7924          |
| Step .....   | 127-8562-03       |
| PX Hydraulic Fluid (5 Gal) .....                                       | 133-8086          |
| PX Hydraulic Fluid (55 Gal).....                                       | 133-8087          |
| Beacon Kit .....   | 138-2699          |
| Sunshade Work Lights Kit.....  | 138-2700          |
| Power Harness Kit .....  | 138-2993          |
| Cutting Unit Lock Kit, Reelmaster 3555 or 3575 Traction Unit .....     | 138-6938          |
| Hydraulic Booster-10.5 fl oz.....                                      | 145-5286          |
| Brush and Handle Kit.....  | 29-9100           |
| White Universal Sunshade .....   | 30669             |
| Red Universal Sunshade .....   | 30671             |
| New Red Paint - Gallon .....   | 361-11            |
| Dark Metallic Gray Aerosol Paint .....                                 | 361-12            |
| Semi-Gloss Black Spray Paint.....                                      | 361-9             |
| 1000 Hour MVP Kit .....  | 44963             |
| Air Dry Red Paint - Qt .....   | 5340              |
| Diagnostic Display Box.....  | 85-4750           |



**Count on it.**