



**Count on it.**

**Parts Catalog**

**Reelmaster® 3100-D  
Traction Unit**

Model No. 03170—Serial No. 404680001 and Up



# Ordering Replacement Parts

To order replacement parts, please supply the part number, the quantity, and the description of each part desired.

## Understanding Reference Numbers

Each identified part in an illustration has a reference number. The reference number for a part also appears in the parts list, along with other information about the part.

This catalog uses two special reference number formats, one to indicate parts in a service assembly and another to indicate the quantity of a given part in an illustration.

## Service Assembly Reference Numbers

Parts in service assemblies have reference numbers in the form a:b. The a represents the reference number of the entire service assembly and the b represents a sequential number unique to each part within the service assembly.

For example, a wheel assembly might be identified by reference number 6, the tire by 6:1, the valve by 6:2, and the wheel by 6:3. When you order the assembly identified by reference number 6, you receive all parts identified by reference numbers 6:1, 6:2, and 6:3. However, you may also order any part individually. Reference numbers of this type appear in illustration and in parts lists.

## Reference Numbers Indicating Quantity

In an illustration, if a reference number indicates more than one part, the reference number has the form nX y. The n represents the quantity of the part, the X is the multiplication symbol, and the y represents the reference number.

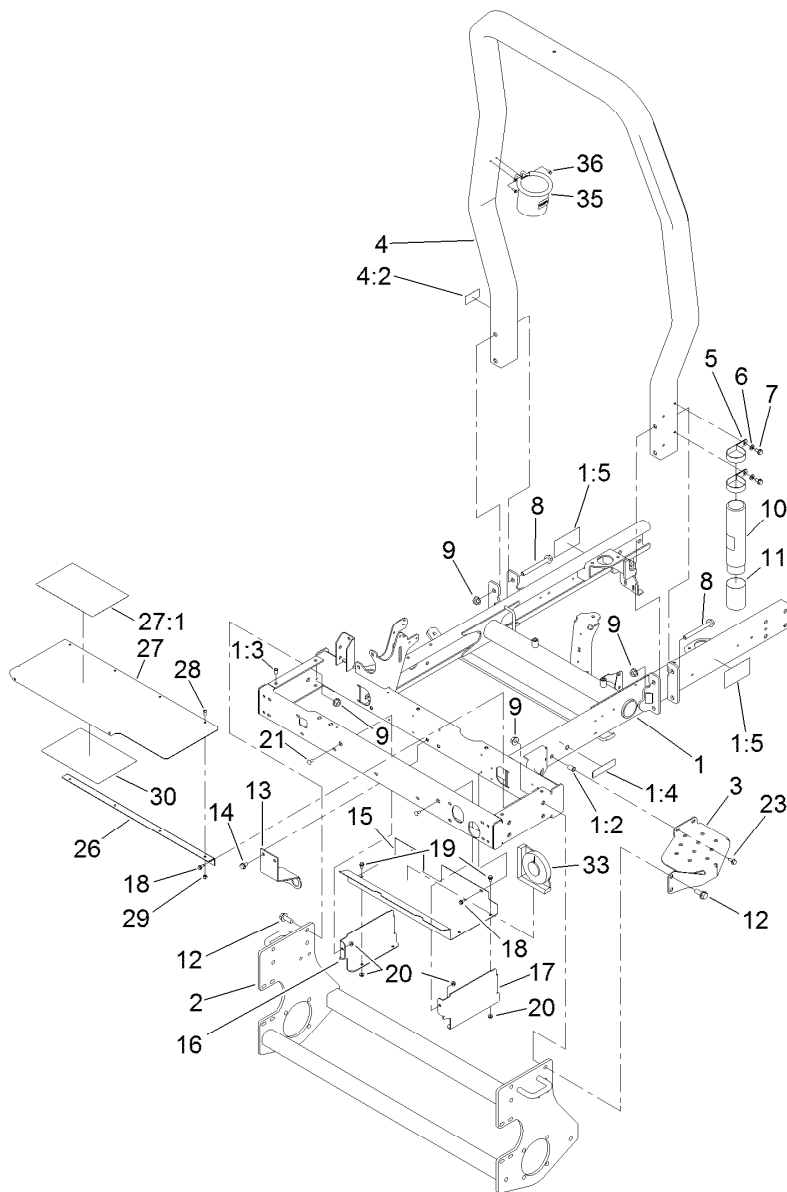
For example, in an illustration, the reference number 2X 37 means that two of the parts identified by reference number 37 are indicated.

# Contents

|  |    |
|--|----|
| Frame and Platform Assembly                      | 5  |
| Battery Tray and Cover Assembly                  | 6  |
| Engine Assembly                                  | 7  |
| Air Cleaner Assembly No. 93-2190                 | 8  |
| Muffler, Muffler Guard and Engine Mount Assembly | 9  |
| Radiator Assembly                                | 10 |
| Carrier Assembly                                 | 11 |
| Hydraulic Cylinder Assembly No. 117-5109         | 12 |
| Rear Lift Arm Assembly                           | 13 |
| Hydraulic Cylinder Assembly No. 112-9916         | 14 |
| Fuel System Assembly                             | 15 |
| Hood Assembly                                    | 17 |
| Control Panel Assembly                           | 18 |
| Seat Assembly                                    | 20 |
| Seat and Track Assembly No. 139-2679             | 21 |
| Seat Assembly No. 139-2700                       | 22 |
| Steering Column Assembly                         | 23 |
| Steering Valve Assembly No. 121-7856             | 24 |
| Front Platform Assembly                          | 25 |
| Front Wheel and Brake Assembly                   | 27 |
| Hydraulic Motor Assembly No. 110-8786            | 28 |
| Hydraulic Motor Assembly No. 110-8785            | 29 |
| Brake Assembly No. 104-7705                      | 30 |
| Rear Fork and Tire Assembly                      | 31 |
| Hydraulic Motor Assembly No. 95-8694             | 32 |
| Hydraulic Cylinder Assembly No. 121-3653         | 33 |
| Hydrostat Assembly                               | 34 |
| Hydraulic Pump Assembly No. 104-4890             | 36 |
| Gear Pump Assembly No. 95-8601                   | 38 |
| Neutral Arm Assembly                             | 39 |
| Traction and Steering Circuit Assembly           | 40 |
| Lift Circuit Assembly                            | 42 |
| Hydraulic Mow Circuit Assembly                   | 43 |
| Gear Motor Assembly No. 115-8250                 | 45 |
| Wire Harness and Battery Assembly                | 46 |
| Hydraulic Tank and Control Valve Assembly        | 47 |
| Hydraulic Manifold Assembly No. 108-9037         | 49 |
| Single Spool Control Valve Assembly No. 95-8689  | 50 |
| Crankcase Assembly                               | 51 |
| Oil Pan and Dipstick Assembly                    | 52 |
| Cylinder Head Assembly                           | 53 |
| Gear Case and Oil Filter Cartridge Assembly      | 54 |
| Cylinder Head Cover Assembly                     | 55 |
| Main Bearing Case Assembly                       | 56 |
| Camshaft and Idle Gear Shaft Assembly            | 57 |
| Piston and Crankshaft Assembly                   | 58 |
| Fuel Camshaft and Governor Shaft Assembly        | 59 |
| Idle Apparatus Assembly                          | 60 |
| Stop Solenoid and Fuel Pump Cover Assembly       | 61 |
| Injection Pump Assembly                          | 62 |
| Governor Assembly                                | 63 |
| Speed Control Plate Assembly                     | 64 |
| Nozzle Holder and Glow Plug Assembly             | 65 |
| Nozzle Holder Assembly                           | 66 |

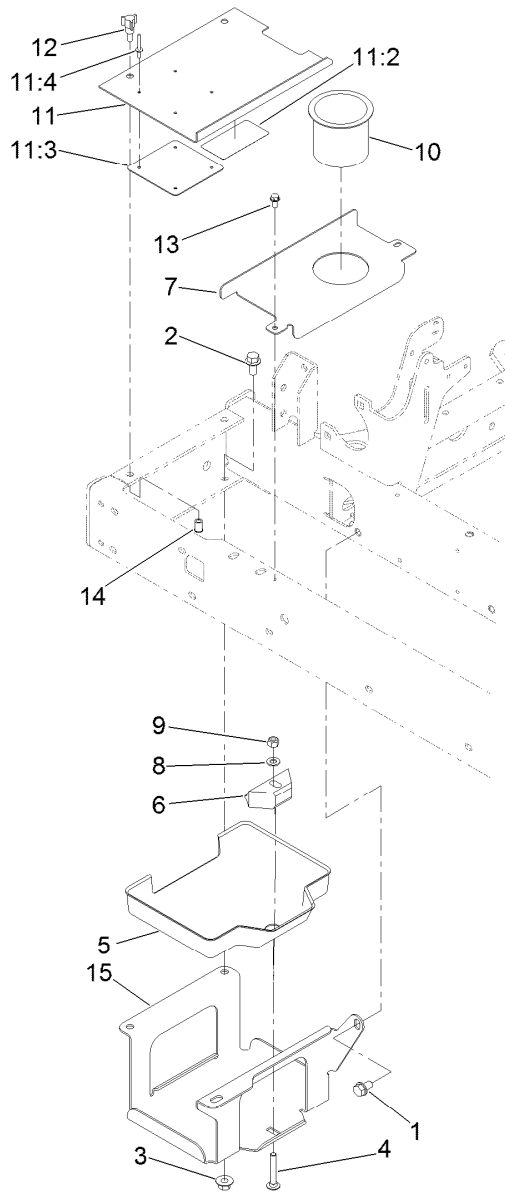
## Contents (continued)

|  |    |
|--|----|
| Alternator, Pulley and Fan Assembly .....  | 67 |
| Alternator Components Assembly .....       | 68 |
| Starter and Flywheel Assembly .....        | 69 |
| Starter Component Assembly .....           | 70 |
| Water Flange and Thermostat Assembly ..... | 71 |
| Water Pump and Water Pipe Assembly .....   | 72 |
| Valve and Rocker Arm Assembly .....        | 73 |
| Inlet and Exhaust Manifold Assembly .....  | 74 |
| Miscellaneous Engine Parts .....           | 75 |
| Upper Gasket Kit .....                     | 76 |
| Lower Engine Gasket Kit .....              | 77 |
| Attachments and Accessories .....          | 78 |



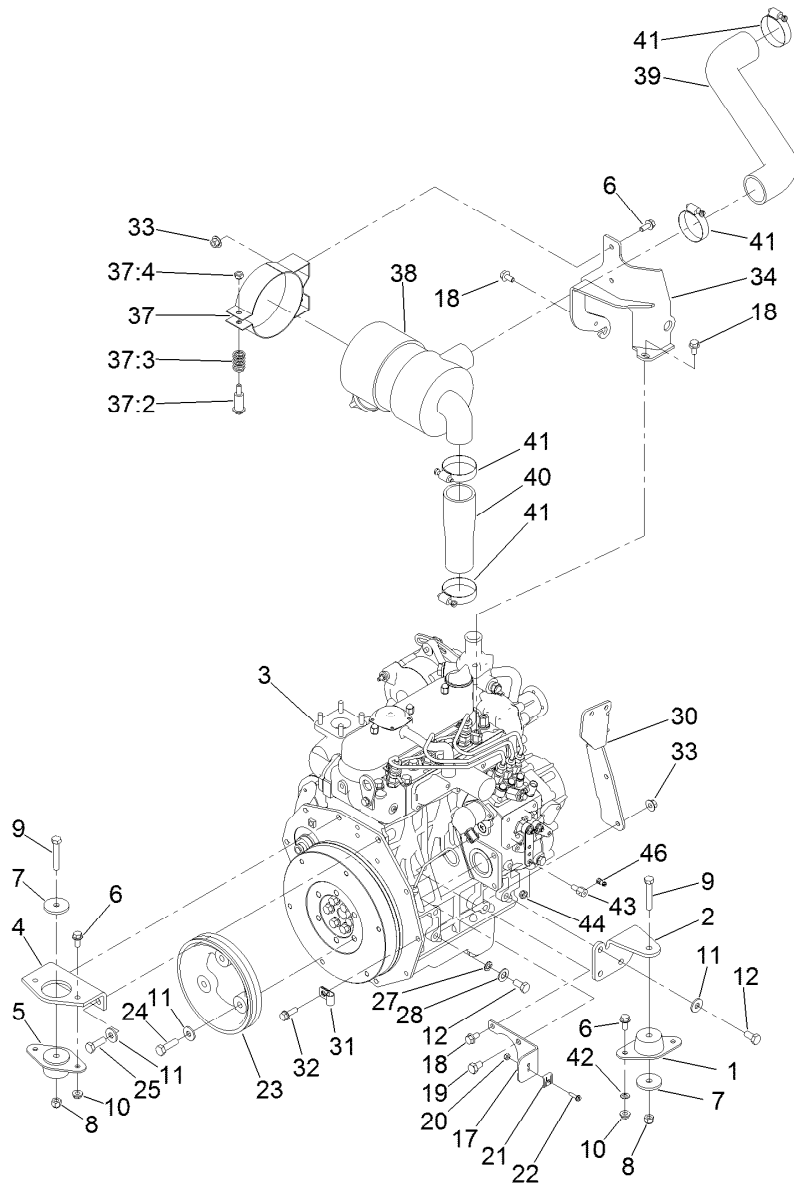
## Frame and Platform Assembly

| Ref. | Part Number | Qty. | Description               | Ref. | Part Number | Qty. | Description       |
|------|-------------|------|---------------------------|------|-------------|------|-------------------|
| 1    | 121-3639    | 1    | Frame ASM W/Decals        | 14   | 32144-15    | 2    | Screw-HHFTF       |
| 1:2  | 32148-8     | 2    | Nut-Clinch                | 15   | 99-3430-03  | 1    | Bottom-Toolbox    |
| 1:3  | 32148-6     | 2    | Nut-Clinch                | 16   | 99-3431-03  | 1    | End-Toolbox, RH   |
| 1:4  | 133-8062    | 1    | Decal-Arrestor, Spark     | 17   | 99-3432-03  | 1    | End-Toolbox, LH   |
| 1:5  | 117-3270    | 2    | Decal-Danger              | 18   | 32144-10    | 9    | Screw-HWH         |
| 2    | 95-8568-03  | 1    | Frame-Lower               | 19   | 3234-13     | 4    | Screw-HHF         |
| 3    | 99-3375-03  | 1    | Step                      | 20   | 32128-33    | 6    | Nut-HF            |
| 4    | 127-8493    | 1    | ROPS ASM                  | 21   | 3229-11     | 2    | Screw-CARR        |
| 4:2  | 127-8596    | 1    | Decal-ROPS                | 23   | 3234-5      | 2    | Screw-HHF         |
| 5    | 2412-133    | 2    | Clamp-R                   | 26   | 119-2034    | 1    | Hinge-Toolbox     |
| 6    | 3256-23     | 2    | Washer-Plain              | 27   | 119-2029    | 1    | Toolbox Cover ASM |
| 7    | 32144-70    | 2    | Screw-HWHTF               | 27:1 | 121-3623    | 1    | Decal-Danger      |
| 8    | 117-3176    | 4    | Screw-HHF                 | 28   | 119-6906    | 4    | Screw-HSBH        |
| 9    | 32128-49    | 12   | Nut-HHF                   | 29   | 3296-42     | 4    | Nut-Lock, NI      |
| 10   | 104-7050    | 1    | Tube-Manual               | 30   | 138-6979    | 1    | Decal-Service     |
| 11   | 104-7048    | 1    | Cap-Housing               | 33   | 99-3503     | 1    | Indicator-Angle   |
| 12   | 3234-38     | 8    | Screw-HHF                 | 35   | 117-2378    | 1    | Holder-Bag        |
| 13   | 115-3417-03 | 1    | Bracket-Bulkhead, Scissor | 36   | 32144-1     | 2    | Screw-Taptime     |



## Battery Tray and Cover Assembly

| <i>Ref.</i> | <i>Part Number</i> | <i>Qty.</i> | <i>Description</i>   | <i>Ref.</i> | <i>Part Number</i> | <i>Qty.</i> | <i>Description</i>       |
|-------------|--------------------|-------------|----------------------|-------------|--------------------|-------------|--------------------------|
| 1           | 32144-15           | 1           | Screw-HHFTF          | 10          | 94-1410            | 1           | Holder-Can, Beverage     |
| 2           | 3234-1             | 3           | Screw-HHF            | 11          | 99-3602            | 1           | Battery Cover ASM        |
| 3           | 32128-43           | 3           | Nut-Flange           | 11:2        | 93-7276            | 1           | Decal-Danger             |
| 4           | 3230-6             | 1           | Bolt-CARR            | 11:3        | 87-7620            | 1           | Shield-Terminal, Battery |
| 5           | 99-3513            | 1           | Tray-Battery         | 11:4        | 3269-27            | 4           | Rivet-Snap               |
| 6           | 66-2490            | 1           | Retainer-Battery     | 12          | 233-70             | 2           | Knob-Star, Three         |
| 7           | 95-8817-01         | 1           | Cover-Battery, Inner | 13          | 32144-4            | 2           | Screw-HWH                |
| 8           | 3256-23            | 1           | Washer-Plain         | 14          | 32148-6            | 2           | Nut-Clinch               |
| 9           | 3296-29            | 1           | Nut-Lock, NI         | 15          | 95-8796-03         | 1           | Support-Battery          |



## Engine Assembly

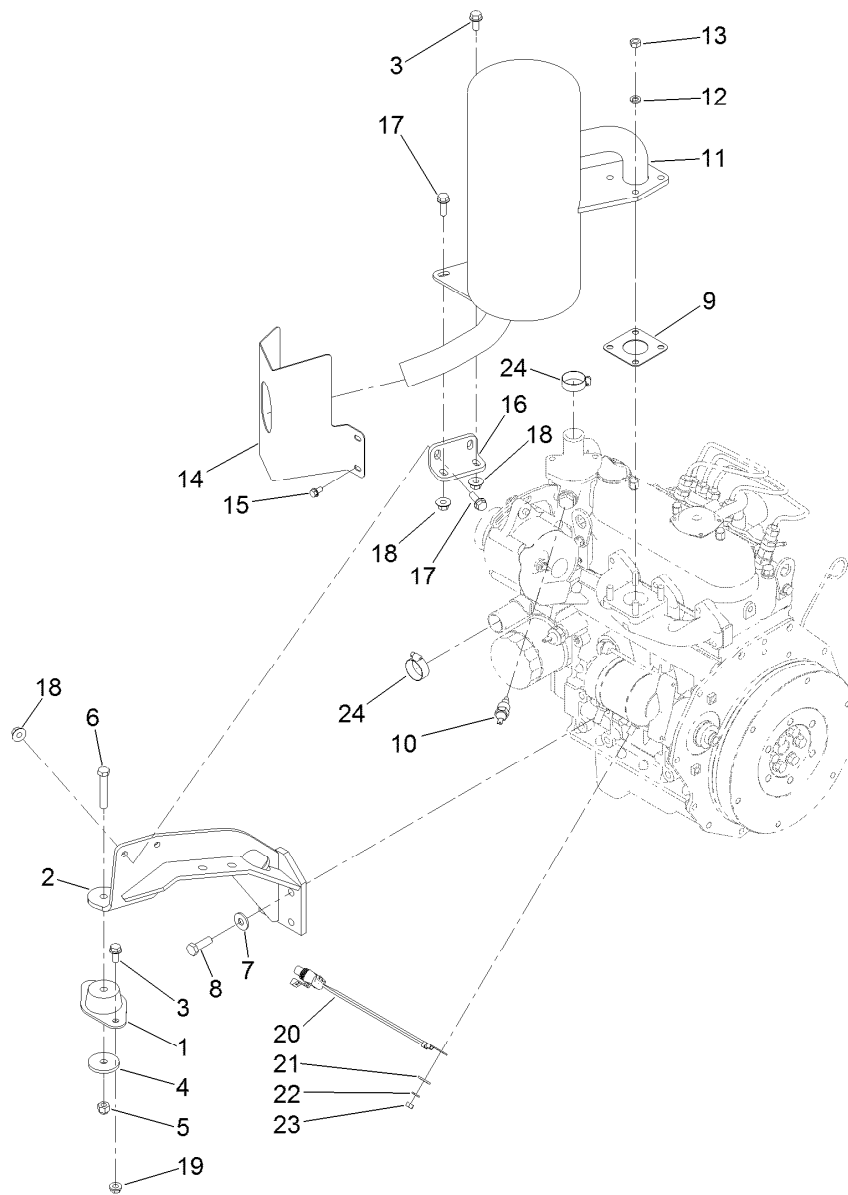
| <i>Ref.</i> | <i>Part Number</i> | <i>Qty.</i> | <i>Description</i>      | <i>Ref.</i> | <i>Part Number</i> | <i>Qty.</i> | <i>Description</i>               |
|-------------|--------------------|-------------|-------------------------|-------------|--------------------|-------------|----------------------------------|
| 1           | 121-9076           | 1           | Mount-Engine            | 27          | 3255-9             | 1           | Washer-Lock                      |
| 2           | 95-8937-03         | 1           | Mount-Engine, LH        | 28          | 3256-25            | 1           | Washer-Flat                      |
| 3           | 138-6905           | 1           | Engine-Kubota, D1105    | 30          | 115-3487-03        | 1           | Bracket-Mount, Fuel Filter       |
| 4           | 95-8926-03         | 1           | Mount-Engine, Front     | 31          | 2412-10            | 1           | Clamp-R                          |
| 5           | 93-5265            | 1           | Mount-Engine            | 32          | 3234-17            | 1           | Screw-HHF                        |
| 6           | 3234-5             | 7           | Screw-HHF               | 33          | 32128-44           | 4           | Nut                              |
| 7           | 80-8560            | 2           | Washer-Hardened         | 34          | 136-3154-03        | 1           | Bracket                          |
| 8           | 3296-39            | 2           | Nut-Lock, NI            | 37          | 93-2191            | 1           | Air Cleaner Mounting Band<br>ASM |
| 9           | 323-11             | 2           | Screw-HH                | 37:2        | 94-3653            | 1           | Bolt                             |
| 10          | 32128-20           | 4           | Nut-HF                  | 37:3        | 94-3654            | 1           | Spring                           |
| 11          | 80-6990            | 7           | Washer-Hardened         | 37:4        | 48-9510            | 1           | *obs* Nut                        |
| 12          | 63-7790            | 4           | Screw-Cap               | 38          | 93-2190            | 1           | Air Cleaner ASM                  |
| 17          | 110-9009-03        | 1           | Bracket-Cable, Throttle | 39          | 95-8946            | 1           | Hose-Upper, Air Inlet            |
| 18          | 33104-016          | 4           | Screw-HHF               | 40          | 95-8947            | 1           | Hose-Air Inlet, Lower            |
| 19          | 70-8470            | 1           | Screw-HH                | 41          | 2412-92            | 4           | Clamp-Hose                       |
| 20          | 3296-2             | 1           | Nut-Lock, NI            | 42          | 3255-8             | 1           | Washer-Lock                      |
| 21          | 81-1690            | 1           | Clamp-Cable             | 43          | 98-9311            | 1           | Swivel-Throttle                  |
| 22          | 32105-13           | 1           | Screw-HWH               | 44          | 3296-20            | 1           | Nut-Lock, NI                     |
| 23          | 99-3412-03         | 1           | Pulley                  | 46          | 112-9919           | 1           | Stop-Cable, Throttle             |
| 24          | 56-2140            | 3           | Screw-HH                |             |                    |             |                                  |
| 25          | 95-8812            | 1           | Screw-HH                |             |                    |             |                                  |



## Air Cleaner Assembly No. 93-2190

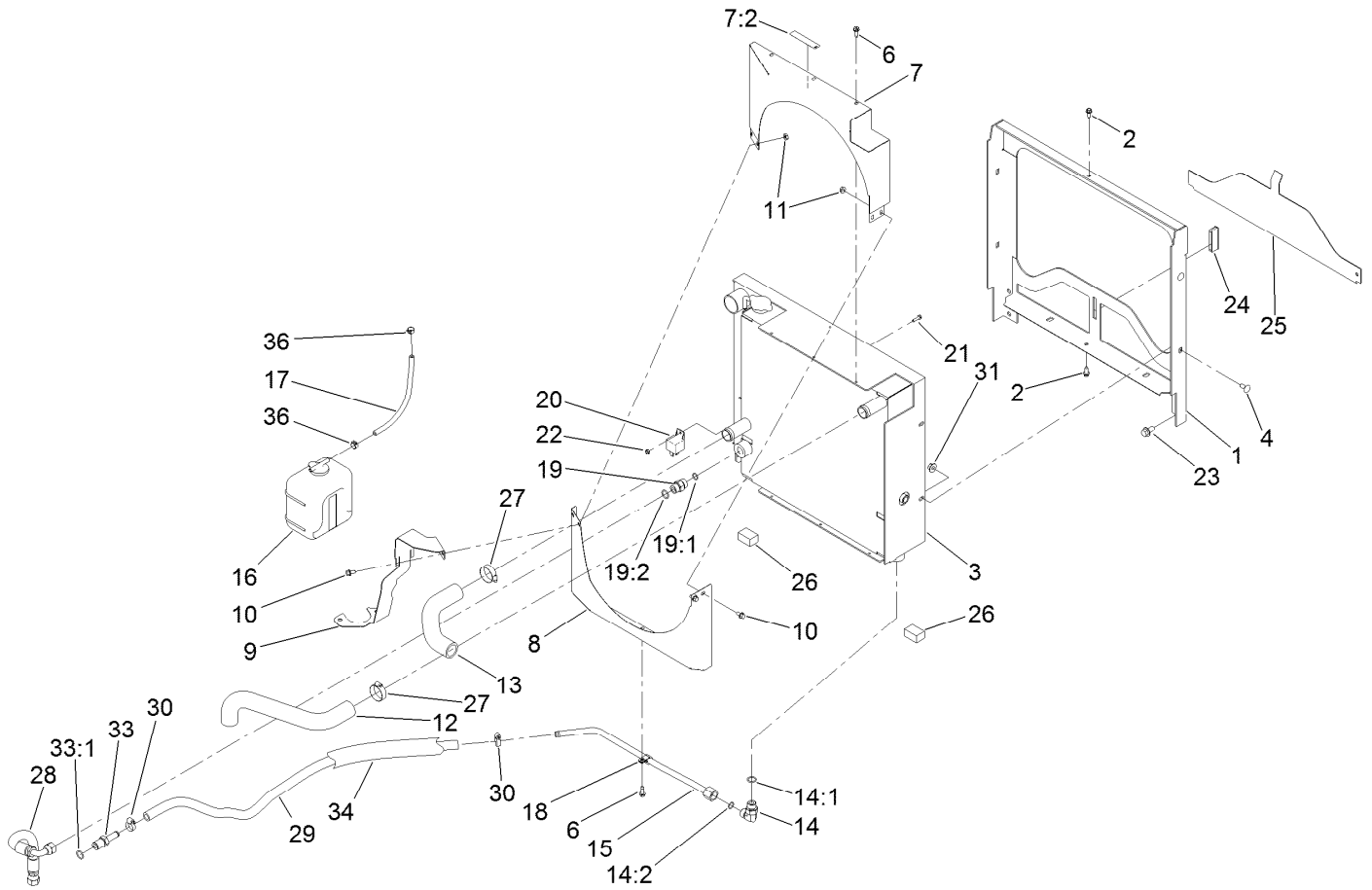
| <i>Ref.</i> | <i>Part Number</i> | <i>Qty.</i> | <i>Description</i> |
|-------------|--------------------|-------------|--------------------|
| 2           | 108-3811           | 1           | Filter-Air         |
| 3           | 94-3652            | 1           | Cover ASM          |
| 3:1         | 1-643283           | 2           | Latch-Cleaner, Air |
| 4           | 87-9400            | 1           | Valve-Vacuator     |
| 5           | 285-17             | 1           | Plug-Pipe          |





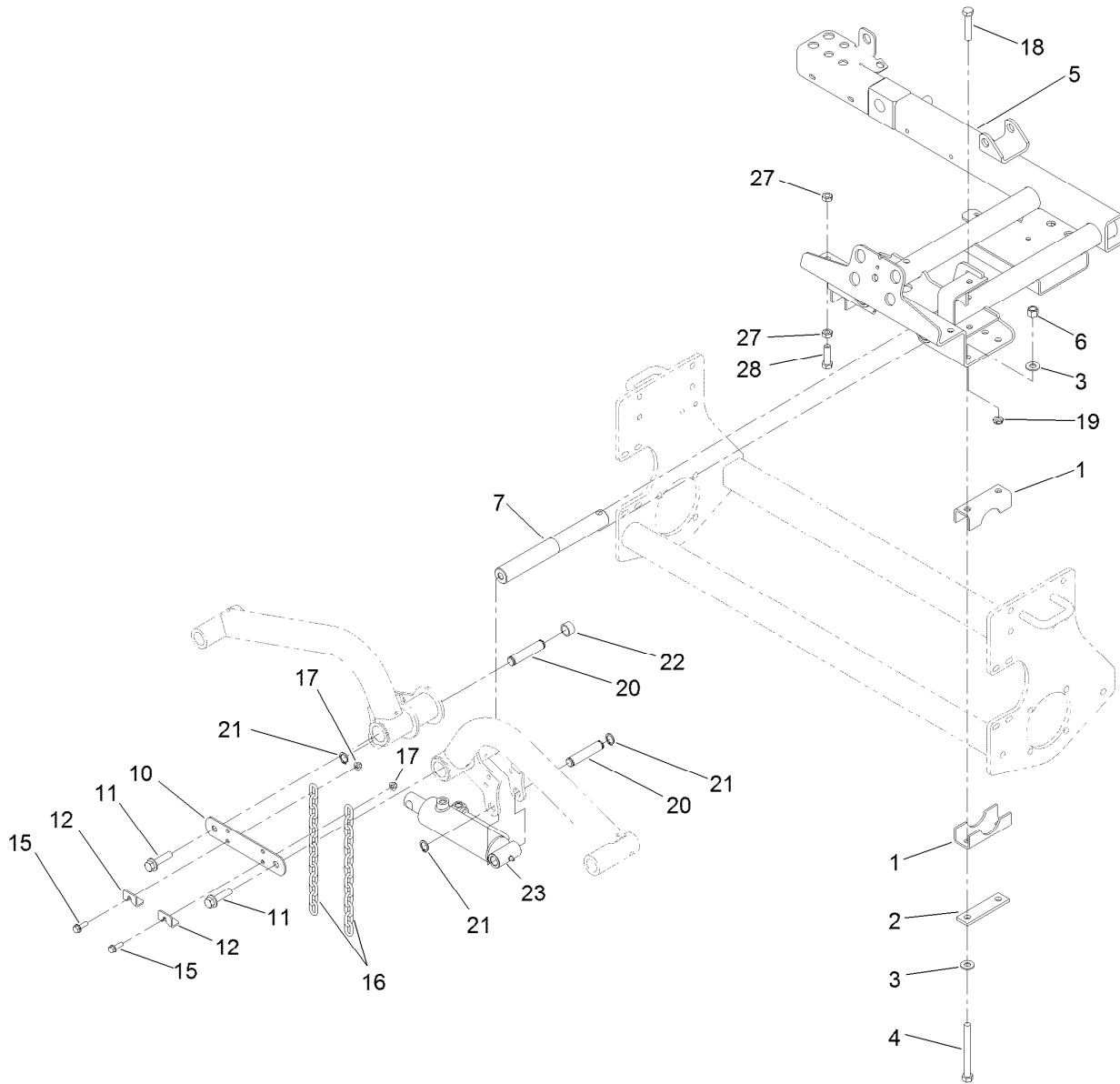
## Muffler, Muffler Guard and Engine Mount Assembly

| Ref. | Part Number | Qty. | Description     | Ref. | Part Number | Qty. | Description                |
|------|-------------|------|-----------------|------|-------------|------|----------------------------|
| 1    | 121-9076    | 1    | Mount-Engine    | 13   | 33014-00    | 4    | Nut-Hex                    |
| 2    | 100-4838-03 | 1    | Mount-Engine    | 14   | 99-3425-03  | 1    | Guard-Exhaust              |
| 3    | 3234-5      | 3    | Screw-HHF       | 15   | 32144-4     | 4    | Screw-HWH                  |
| 4    | 80-8560     | 1    | Washer-Hardened | 16   | 95-8943-03  | 1    | Bracket-Muffler            |
| 5    | 3296-39     | 1    | Nut-Lock, NI    | 17   | 3234-17     | 3    | Screw-HHF                  |
| 6    | 323-11      | 1    | Screw-HH        | 18   | 32128-44    | 4    | Nut                        |
| 7    | 80-6990     | 4    | Washer-Hardened | 19   | 32128-20    | 2    | Nut-HF                     |
| 8    | 95-8812     | 4    | Screw-HH        | 20   | 99-3441     | 1    | Harness-Wire, Fusible Link |
| 9    | 98-9611     | 1    | Gasket          | 21   | 3256-78     | 1    | Washer-Flat                |
| 10   | 99-3582     | 1    | Thermoswitch    | 22   | 43-5930     | 1    | Washer-Lock, Spring        |
| 11   | 104-4834    | 1    | Muffler         | 23   | 48-7890     | 1    | Nut-Hex                    |
| 12   | 3253-4      | 4    | Washer-Lock     | 24   | 2412-34     | 2    | Clamp-Hose                 |



## Radiator Assembly

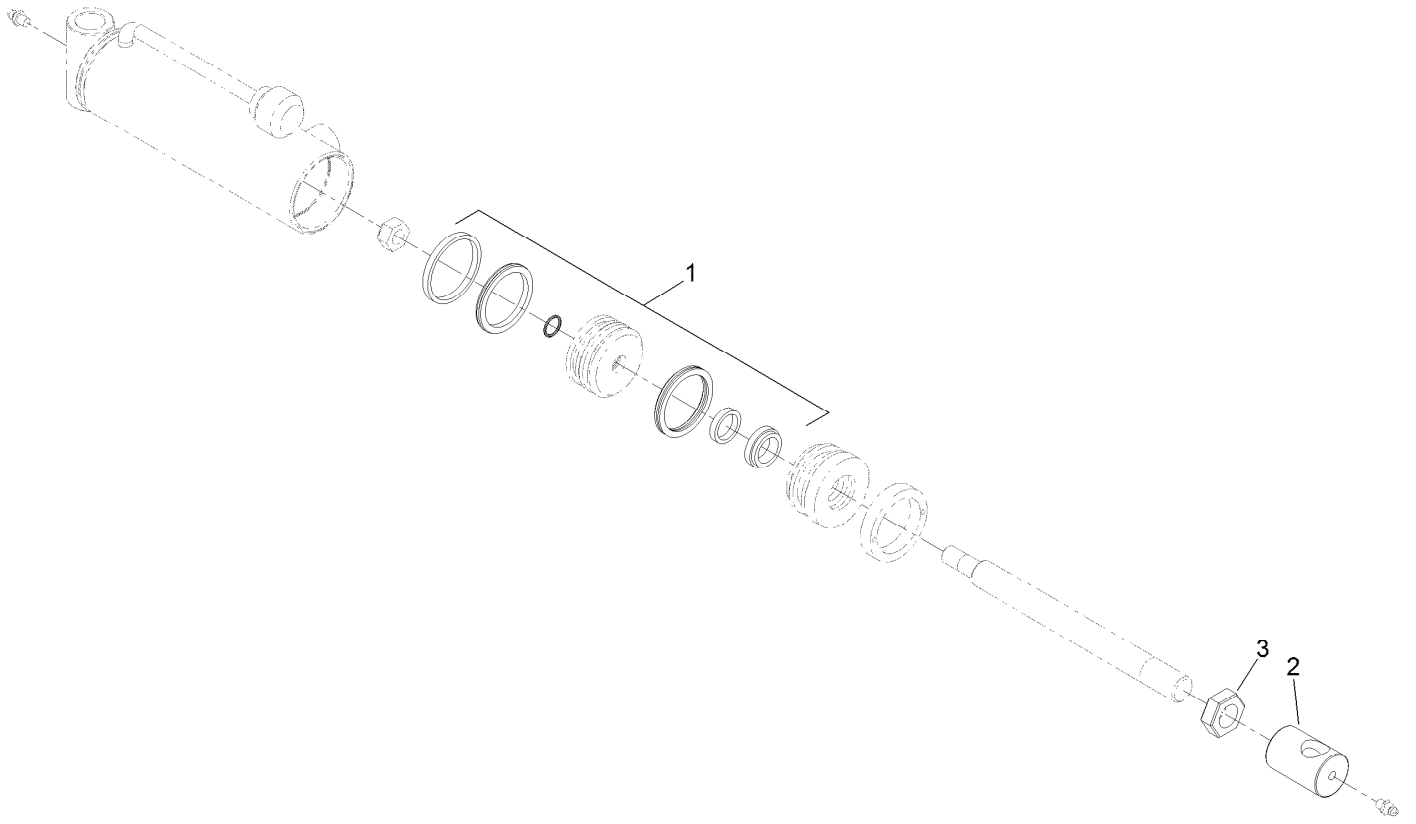
| Ref. | Part Number | Qty. | Description                 | Ref. | Part Number | Qty. | Description            |
|------|-------------|------|-----------------------------|------|-------------|------|------------------------|
| 1    | 100-4903-03 | 1    | Frame-Radiator              | 18   | 2412-73     | 2    | Clamp-R                |
| 2    | 119-2038    | 2    | Screw-HWH                   | 19   | 340-4       | 1    | Fitting-Straight       |
| 3    | 120-3392    | 1    | Radiator/Oil Cooler         | 19:1 | 237-30      | 1    | O-Ring                 |
| 4    | 3230-1      | 4    | Bolt-CARR                   | 19:2 | 237-79      | 1    | O-Ring                 |
| 6    | 32104-95    | 6    | Screw-HWH                   | 20   | 99-7435     | 1    | Relay                  |
| 7    | 121-3584    | 1    | Shroud-Fan, Top             | 21   | 32105-13    | 1    | Screw-HWH              |
| 7:2  | 93-6681     | 1    | Decal-Warning, Fan          | 22   | 3296-2      | 1    | Nut-Lock, NI           |
| 8    | 121-6254-03 | 1    | Shroud-Fan, Bottom          | 23   | 3234-1      | 4    | Screw-HHF              |
| 9    | 121-3604-03 | 1    | Bracket-Mounting, Reservoir | 24   | 99-3497     | 1    | Magnet                 |
| 10   | 3234-13     | 4    | Screw-HHF                   | 25   | 95-8702-03  | 1    | Shield-Radiator, Lower |
| 11   | 32128-33    | 4    | Nut-HF                      | 26   | 95-8962     | 2    | Seal-Foam, Radiator    |
| 12   | 121-3571    | 1    | Hose-Radiator, Upper        | 27   | 2412-34     | 2    | Clamp-Hose             |
| 13   | 119-6748    | 1    | Hose-Radiator, Lower        | 28   | 104-2806    | 1    | Hose-HYD               |
| 14   | 340-98      | 1    | Fitting-Elbow, 90 DEG       | 29   | 93-6804     | 1    | Hose                   |
| 14:1 | 237-79      | 1    | O-Ring                      | 30   | 2412-36     | 2    | Clamp-Hose             |
| 14:2 | 237-30      | 1    | O-Ring                      | 31   | 32128-44    | 4    | Nut                    |
| 15   | 121-3572    | 1    | Tube-HYD                    | 33   | 354-121     | 1    | Fitting-STR            |
| 16   | 108-0638    | 1    | Bottle-Overflow             | 33:1 | 237-79      | 1    | O-Ring                 |
| 17   | 110-4105    | 1    | Hose-Fuel                   | 34   | 56-7985     | 1    | Sleeve-Protective      |
|      |             |      |                             | 36   | 92-2379     | 2    | Clamp-Hose             |



## Carrier Assembly

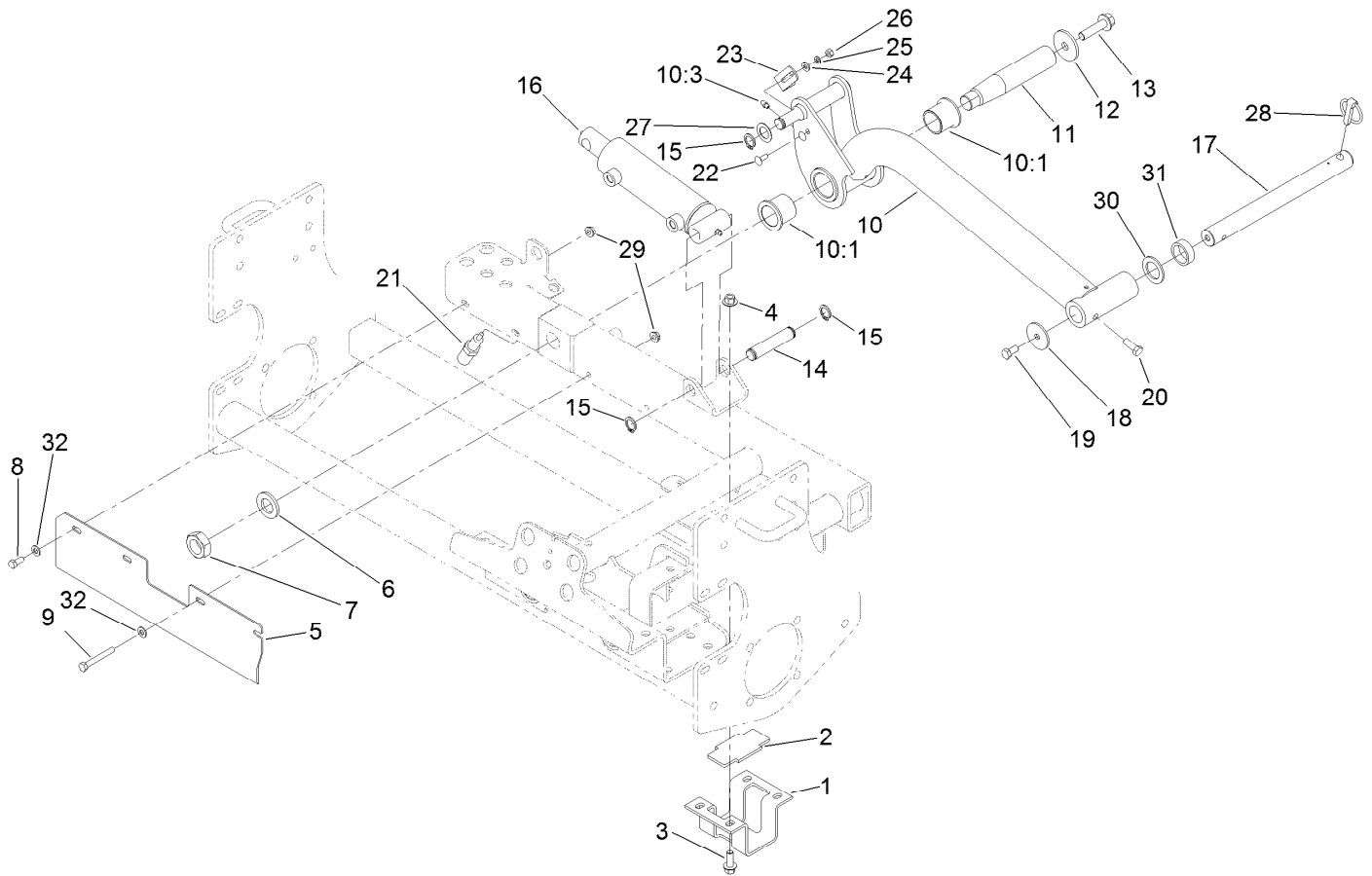
| <i>Ref.</i> | <i>Part Number</i> | <i>Qty.</i> | <i>Description</i>   | <i>Ref.</i> | <i>Part Number</i> | <i>Qty.</i> | <i>Description</i>   |
|-------------|--------------------|-------------|----------------------|-------------|--------------------|-------------|----------------------|
| 1           | 95-8884            | 4           | Clamp                | 16          | 98-7981            | 2           | Chain-Link, Straight |
| 2           | 99-3373            | 2           | Bar-Support, Slide   | 17          | 104-8300           | 4           | Nut-HF, NI           |
| 3           | 87-7270            | 8           | Washer-Thrust        | 18          | 325-10             | 2           | Screw-HH             |
| 4           | 325-19             | 4           | Screw-HH             | 19          | 3296-45            | 2           | Nut-Hex              |
| 5           | 100-4930-03        | 1           | Carrier ASM          | 20          | 95-8575            | 2           | Pin-Clevis           |
| 6           | 3296-23            | 4           | Nut-Lock, NI         | 21          | 32120-93           | 4           | Ring-Retaining       |
| 7           | 95-8531            | 2           | Shaft-Pivot, Liftarm | 22          | 75-9590            | 2           | Spacer-Cylinder      |
| 10          | 95-8532-03         | 1           | Link-Shaft, Pivot    | 23          | 117-5109           | 1           | HYD Cylinder ASM     |
| 11          | 3234-27            | 2           | Screw-HHF            | 27          | 3218-5             | 4           | Nut-Jam              |
| 12          | 99-3550            | 2           | Clip-Link            | 28          | 325-7              | 2           | Screw-HH             |
| 15          | 3234-17            | 4           | Screw-HHF            | 99          | 3290-378           | 1           | Tie-Cable ●          |

● Not illustrated



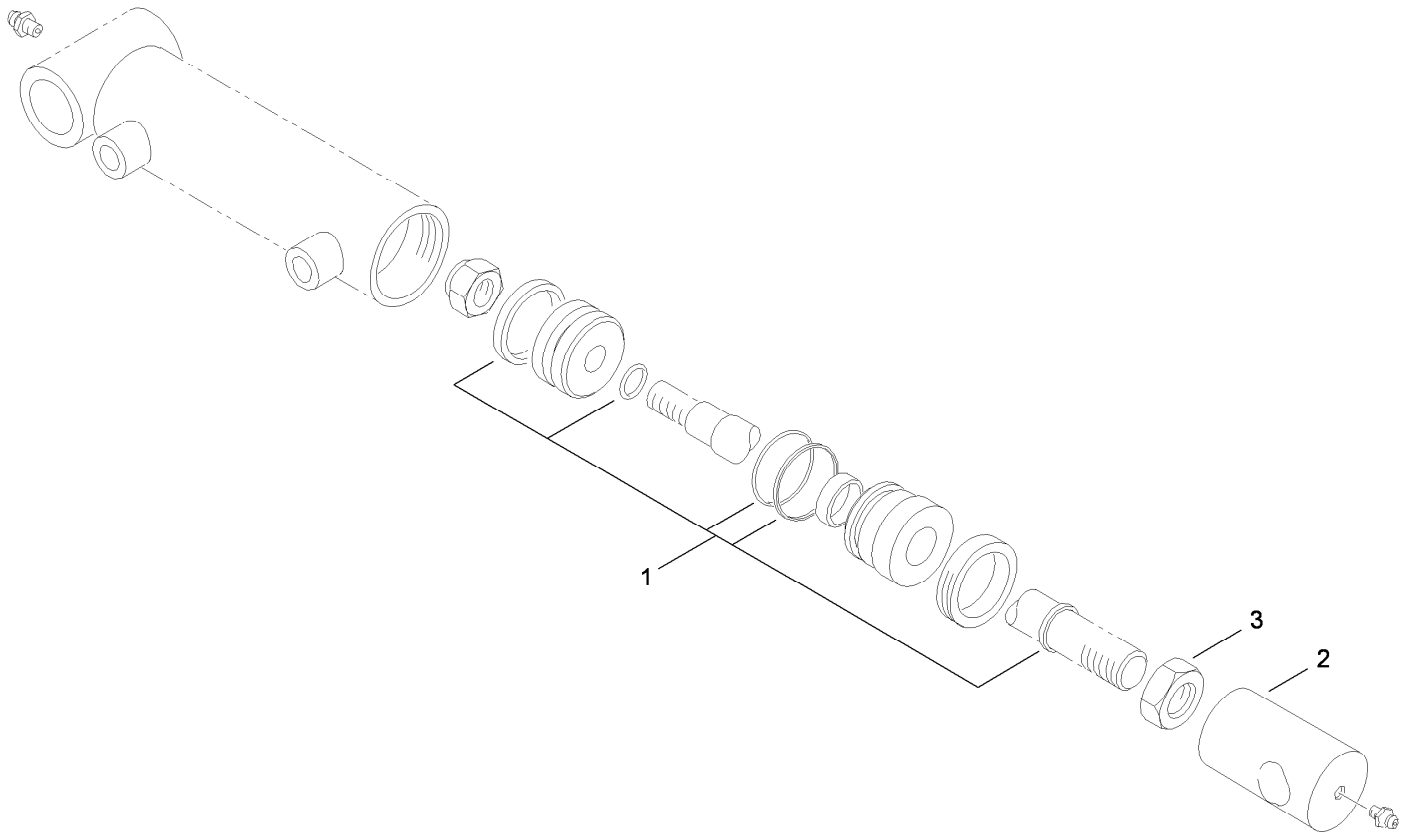
## Hydraulic Cylinder Assembly No. 117-5109

| <i>Ref.</i> | <i>Part Number</i> | <i>Qty.</i> | <i>Description</i> |
|-------------|--------------------|-------------|--------------------|
| 1           | 115-3410           | 1           | Seal Kit           |
| 2           | 108-9035           | 1           | Clevis             |
| 3           | 3220-7             | 1           | Nut-Jam            |



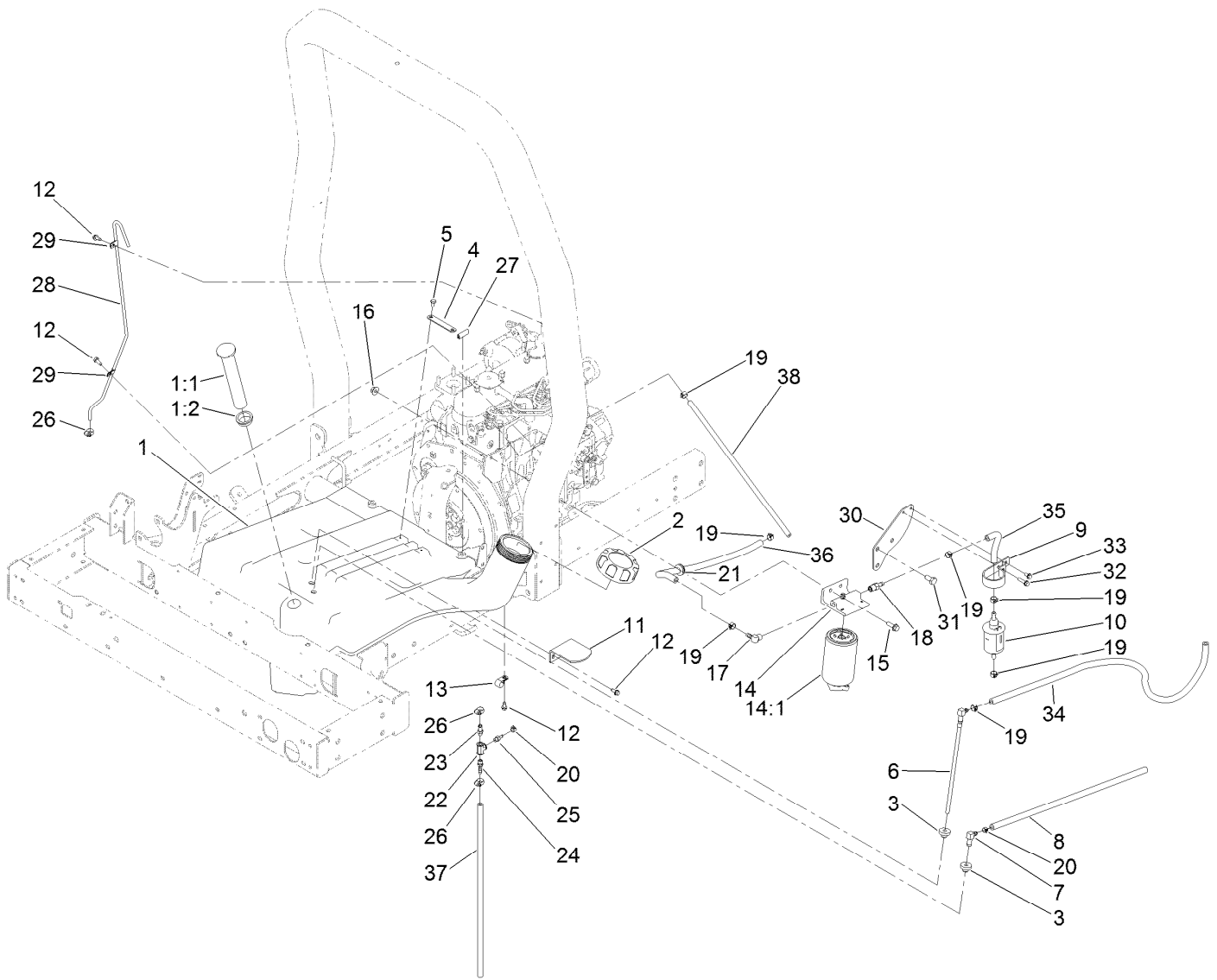
## Rear Lift Arm Assembly

| Ref. | Part Number | Qty. | Description       | Ref. | Part Number | Qty. | Description      |
|------|-------------|------|-------------------|------|-------------|------|------------------|
| 1    | 95-8904-03  | 1    | Bracket-Clamp     | 16   | 112-9916    | 1    | HYD Cylinder ASM |
| 2    | 95-8538     | 1    | Slide-Plastic     | 17   | 104-1392    | 1    | Shaft-Pivot      |
| 3    | 3234-11     | 4    | Screw-HHF         | 18   | 63-7400     | 1    | Washer-Rebound   |
| 4    | 32128-43    | 4    | Nut-Flange        | 19   | 323-4       | 1    | Screw-HH         |
| 5    | 121-3616-03 | 1    | Guard             | 20   | 323-6       | 1    | Screw-HH         |
| 6    | 86-1480     | 1    | Washer            | 21   | 93-6762     | 1    | Switch-Ball      |
| 7    | 3220-9      | 1    | Nut-Jam           | 22   | 3229-1      | 2    | Screw-CARR       |
| 8    | 322-3       | 2    | Screw-HH          | 23   | 95-8613     | 1    | Bracket-Switch   |
| 9    | 322-12      | 2    | Screw-HH          | 24   | 3256-22     | 2    | Washer-Flat      |
| 10   | 115-3475    | 1    | Rear Liftarm ASM  | 25   | 3253-3      | 2    | Washer-Lock      |
| 10:1 | 69-6470     | 2    | Bushing-Caster    | 26   | 3217-5      | 2    | Nut-Hex          |
| 10:3 | 302-5       | 1    | Fitting-Grease    | 27   | 3-6498      | 1    | Washer-Thrust    |
| 11   | 95-8990     | 1    | Shaft-Pivot, Rear | 28   | 283-71      | 1    | Pin-Lynch        |
| 12   | 75-7730     | 1    | Washer-Thrust     | 29   | 32128-20    | 4    | Nut-HF           |
| 13   | 3234-27     | 1    | Screw-HHF         | 30   | 3-6781      | 1    | Washer-Flat      |
| 14   | 95-8575     | 1    | Pin-Clevis        | 31   | 63-0070     | 1    | Spacer           |
| 15   | 32120-93    | 3    | Ring-Retaining    | 32   | 3256-23     | 4    | Washer-Plain     |



## Hydraulic Cylinder Assembly No. 112-9916

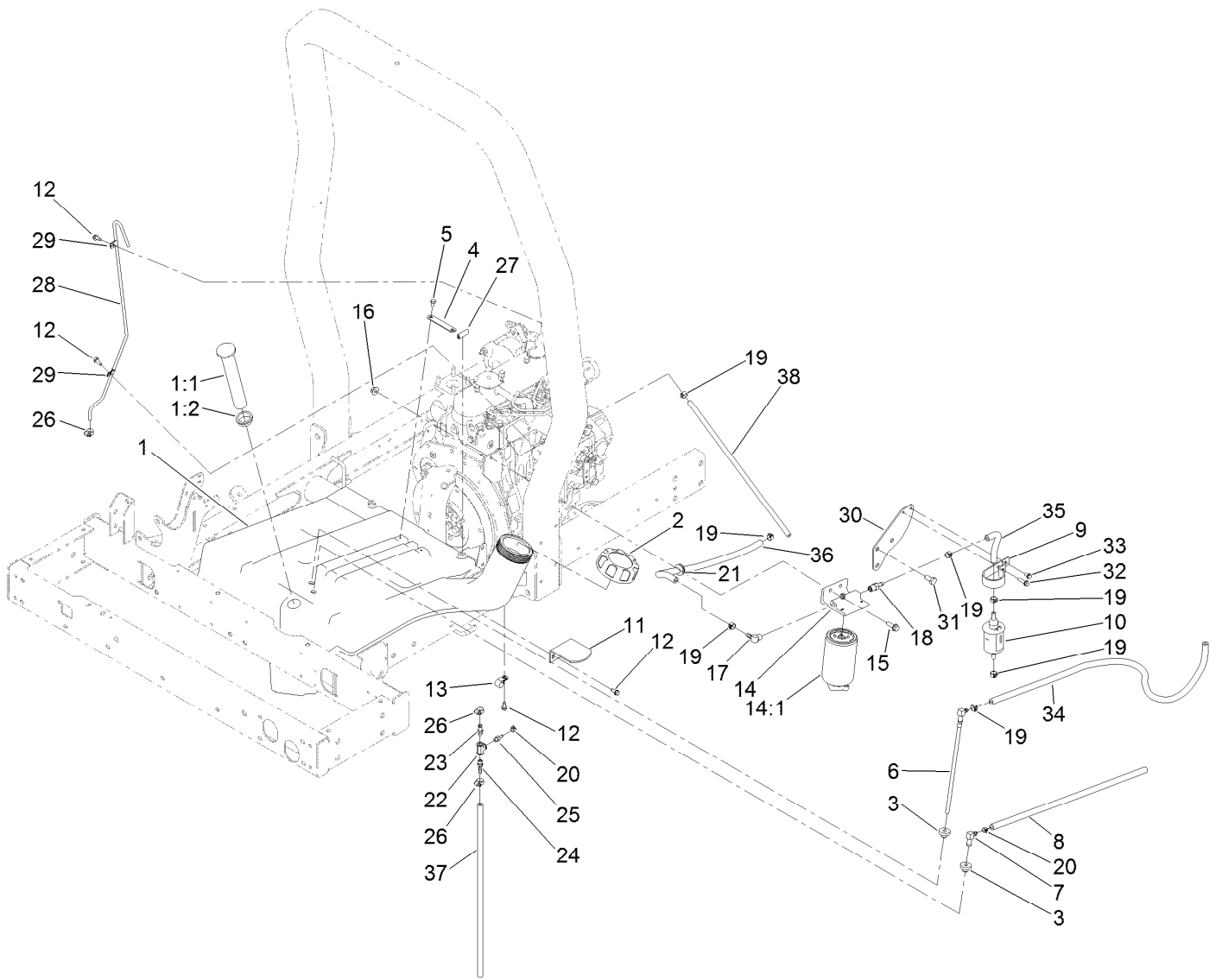
| <i>Ref.</i> | <i>Part Number</i> | <i>Qty.</i> | <i>Description</i> |
|-------------|--------------------|-------------|--------------------|
| 1           | 115-3410           | 1           | Seal Kit           |
| 2           | 108-9035           | 1           | Clevis             |
| 3           | 3220-7             | 1           | Nut-Jam            |



## Fuel System Assembly

| Ref. | Part Number | Qty. | Description                | Ref. | Part Number | Qty. | Description            |
|------|-------------|------|----------------------------|------|-------------|------|------------------------|
| 1    | 95-8620     | 1    | Tank-Fuel                  | 16   | 32128-44    | 2    | Nut                    |
| 1:1  | 95-8971     | 1    | Gauge-Fuel                 | 17   | 353-781     | 1    | Fitting-HYD, 90        |
| 1:2  | 95-8972     | 1    | Grommet                    | 18   | 353-783     | 1    | Fitting-STR            |
| 2    | 114-5064    | 1    | Cap-Diesel                 | 19   | 92-2379     | 7    | Clamp-Hose             |
| 3    | 46-6560     | 2    | Bushing                    | 20   | 2412-80     | 2    | Clamp-Hose             |
| 4    | 95-8881     | 1    | Strap-Line, Fuel           | 21   | 1-543296    | 1    | Grommet                |
| 5    | 321-2       | 2    | Screw-HH                   | 22   | 354-20      | 1    | Fitting-Tee            |
| 6    | 110-9689    | 1    | Pipe-Stand                 | 23   | 354-21      | 1    | Fitting-Barbed         |
| 7    | 46-6550     | 1    | Fitting-Elbow, 90 DEG      | 24   | 304-73      | 1    | Fitting-Straight       |
| 8    | 110-6187    | 1    | Hose-Fuel                  | 25   | 354-22      | 1    | Fitting-Barbed         |
| 9    | 110-8817    | 1    | Bracket-Pump, Fuel         | 26   | 2412-108    | 3    | Clamp-Worm             |
| 10   | 110-8806    | 1    | Pump-Fuel                  | 27   | 110-8754    | 1    | Trim                   |
| 11   | 95-8968-03  | 1    | Support-Tank, Fuel         | 28   | 95-8615     | 1    | Tube-Breather          |
| 12   | 32144-10    | 5    | Screw-HWH                  | 29   | 2412-72     | 2    | Clip-Closed, Insulated |
| 13   | 2412-73     | 1    | Clamp-R                    | 30   | 120-2182-03 | 1    | Plate-Mount, Fuel Pump |
| 14   | 110-9044    | 1    | Separator-Filter           | 31   | 63-7790     | 3    | Screw-Cap              |
| 14:1 | 110-9049    | 1    | Filter-Spin On, Fuel/Water | 32   | 32144-86    | 1    | Screw-HWHTF            |
| 15   | 3234-17     | 2    | Screw-HHF                  | 33   | 32144-4     | 1    | Screw-HWH              |

● Not illustrated

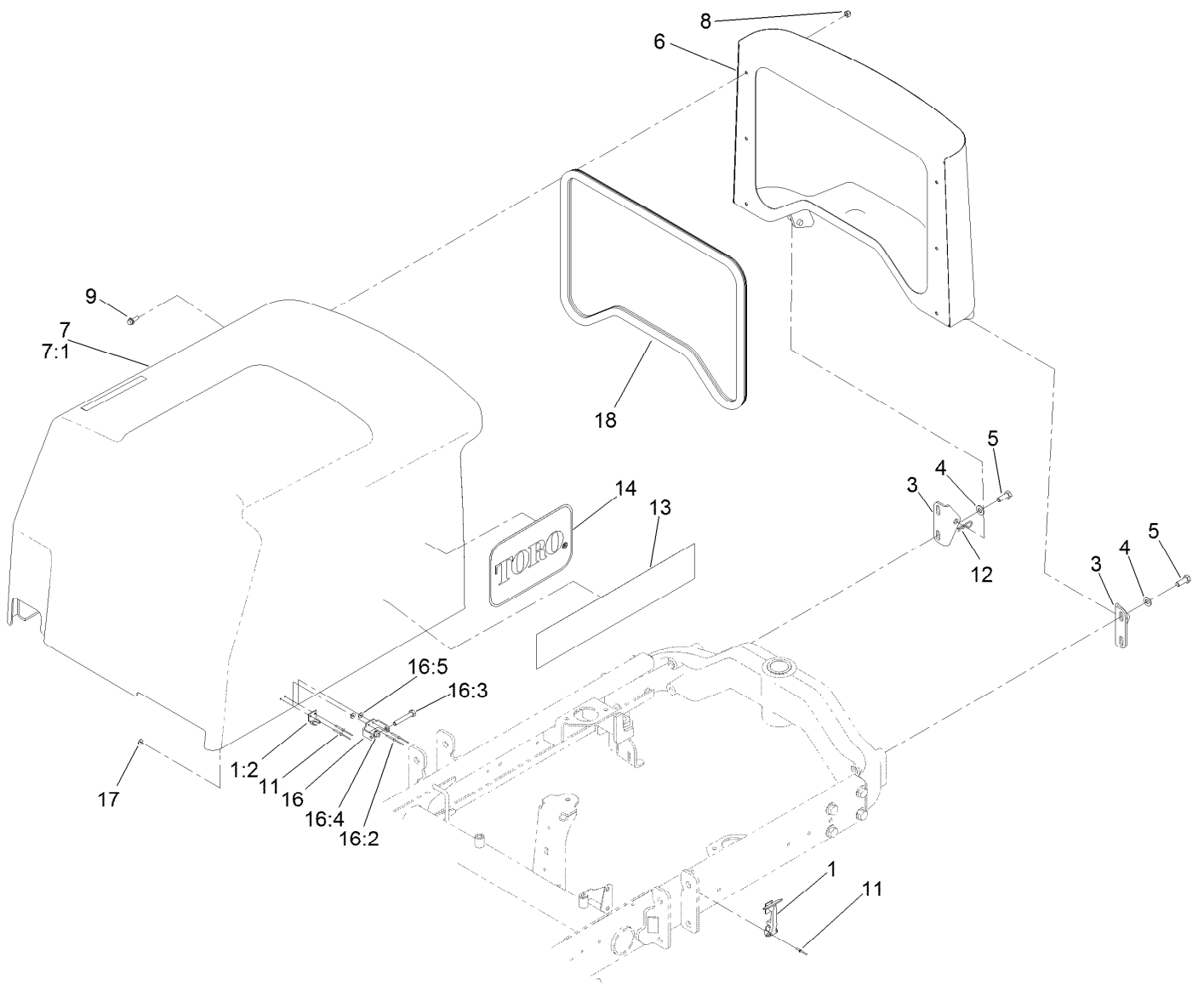


## Fuel System Assembly (continued)

| <i>Ref.</i> | <i>Part Number</i> | <i>Qty.</i> | <i>Description</i> | <i>Ref.</i> | <i>Part Number</i> | <i>Qty.</i> | <i>Description</i> |
|-------------|--------------------|-------------|--------------------|-------------|--------------------|-------------|--------------------|
| 34          | 121-7914           | 1           | Hose-Fuel          | 38          | 110-8751           | 1           | Hose-Fuel          |
| 35          | 117-4026           | 1           | Hose-Fuel          | 99          | 3290-378           | 1           | Tie-Cable ●        |
| 36          | 121-7852           | 1           | Hose-Fuel          | 99          | 3290-379           | 1           | Tie-Cable ●        |
| 37          | 110-5701           | 1           | Hose-Fuel          |             |                    |             |                    |

● Not illustrated





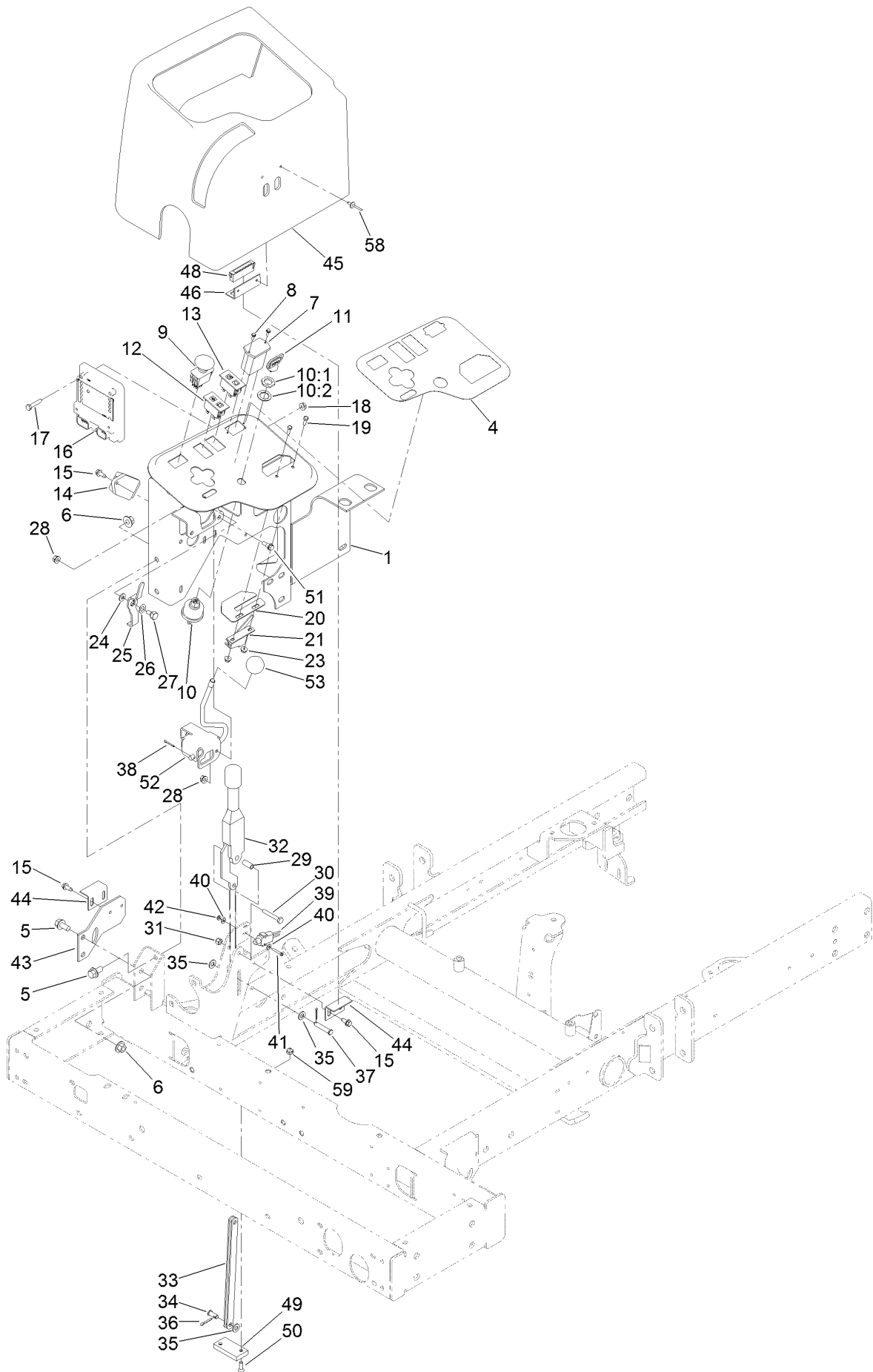
## Hood Assembly

| Ref.  | Part Number | Qty. | Description            | Ref. | Part Number | Qty. | Description  |
|-------|-------------|------|------------------------|------|-------------|------|--------------|
| 1     | 59-9740     | 2    | Flex Draw Latch ASM    | 11   | 107-0333    | 4    | Rivet-Pop    |
| 1:2   | 249-40      | 1    | Keeper                 | 12   | 3290-467    | 1    | Pin-Hair     |
| 3     | 95-8728     | 2    | Bracket-Pivot, Hood    | 13   | 104-5153    | 2    | Decal-Hood   |
| 4     | 3256-24     | 4    | Washer-Plain           | 14   | 66-6140     | 2    | Decal        |
| 5     | 323-6       | 4    | Screw-HH               | 16   | 119-2004    | 1    | CE Latch Kit |
| 6     | 95-8724-03  | 1    | Screen-Hood            | 16:2 | 107-0333    | 2    | Rivet-Pop    |
| 7     | 121-3633    | 1    | Hood ASM               | 16:3 | 322-10      | 1    | Screw-HH     |
| 7:1   |             | 1    | Hood ■                 | 16:4 | 3296-47     | 1    | Nut-Lock,NI  |
| 7:1:1 | 106-8114    | 1    | Heat Tape Repair Kit ● | 16:5 | 3269-10     | 2    | Washer-Back  |
| 8     | 3296-42     | 6    | Nut-Lock, NI           | 17   | 3269-10     | 4    | Washer-Back  |
| 9     | 3234-4      | 6    | Screw-HHF              | 18   | 95-8809     | 1    | Trim-Seal    |

● Not illustrated

■ Not serviced separately

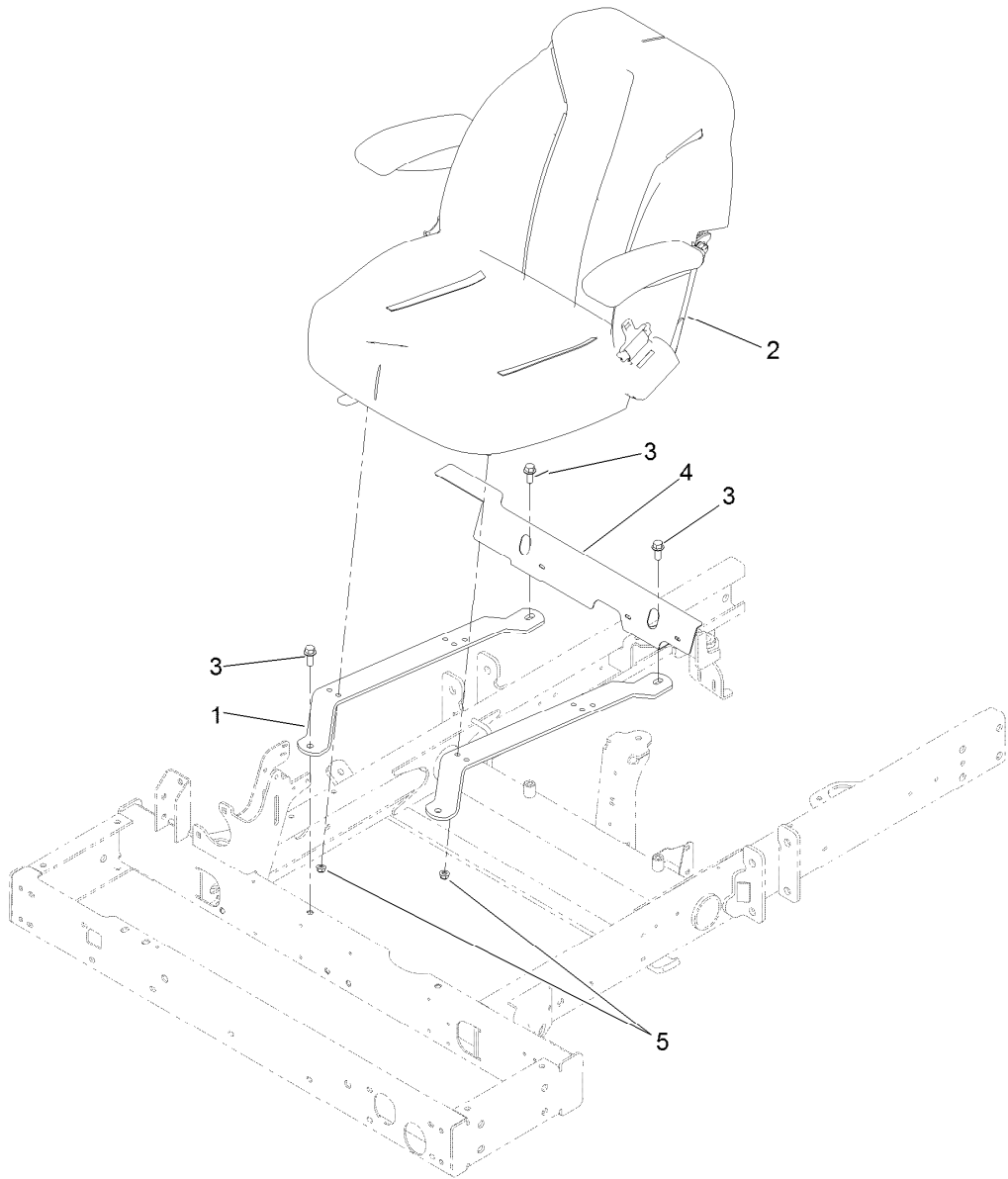
# Control Panel Assembly



## Control Panel Assembly (continued)

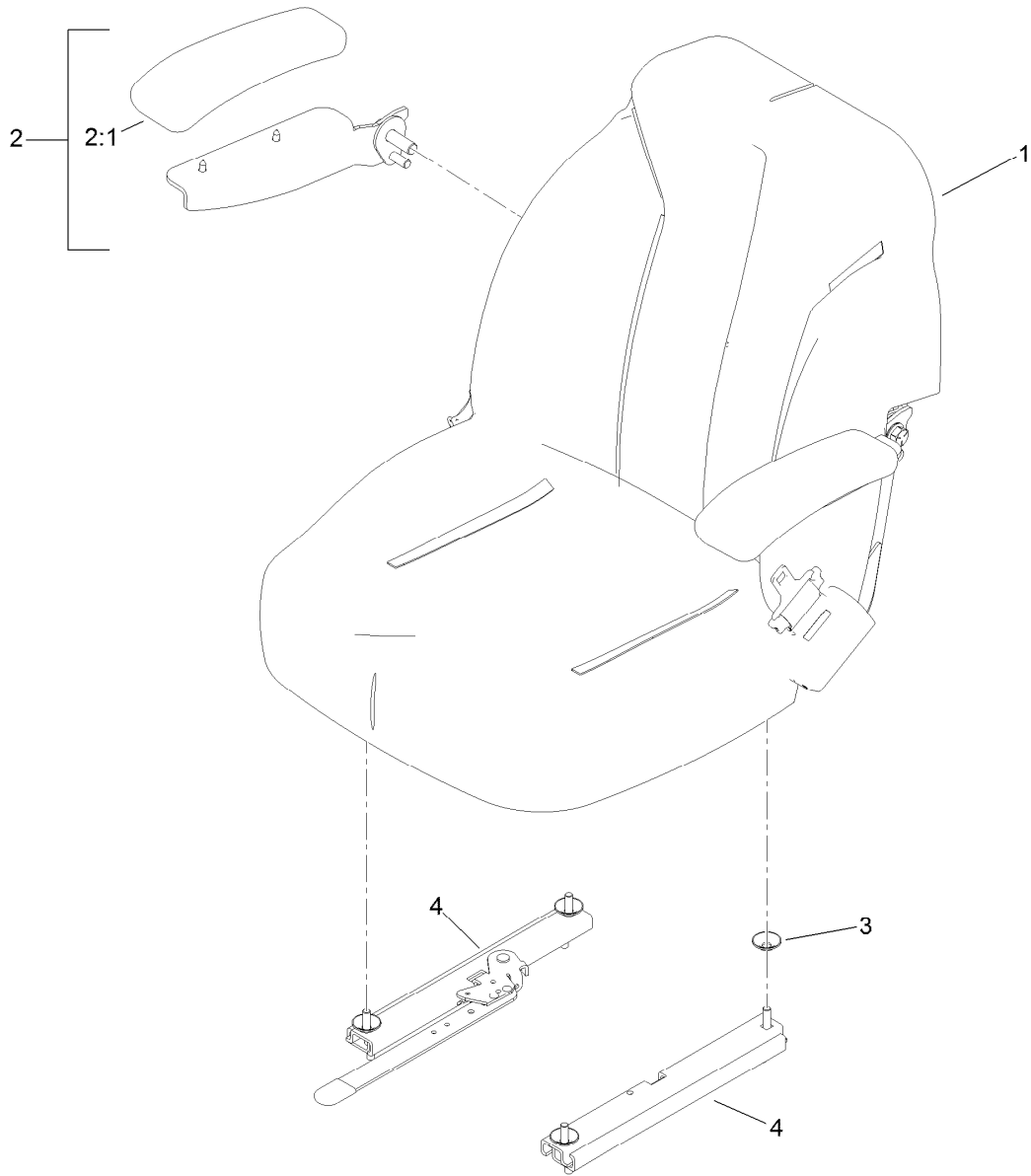
| <i>Ref.</i> | <i>Part Number</i> | <i>Qty.</i> | <i>Description</i>       | <i>Ref.</i> | <i>Part Number</i> | <i>Qty.</i> | <i>Description</i>       |
|-------------|--------------------|-------------|--------------------------|-------------|--------------------|-------------|--------------------------|
| 1           | 115-3496-03        | 1           | Panel-Control            | 30          | 321-10             | 1           | Screw-HH                 |
| 4           | 121-3619           | 1           | Decal-Console            | 31          | 3296-42            | 1           | Nut-Lock, NI             |
| 5           | 3234-1             | 7           | Screw-HHF                | 32          | 104-4817           | 1           | Lever-Brake              |
| 6           | 32128-43           | 7           | Nut-Flange               | 33          | 104-4628           | 2           | Link-Brake, Parking      |
| 7           | 75-6820            | 1           | Hourmeter                | 34          | 283-62             | 1           | Pin-Clevis               |
| 8           | 32144-18           | 2           | Screw-HWH                | 35          | 3256-23            | 3           | Washer-Plain             |
| 9           | 93-9999            | 1           | Switch-PTO               | 36          | 3272-10            | 1           | Pin-Cotter               |
| 10          | 104-2541           | 1           | Ignition Switch ASM      | 37          | 94-3829            | 1           | Pin-Clevis               |
| 10:1        | 218-461            | 1           | Nut-HH                   | 38          | 3272-6             | 2           | Pin-Cotter               |
| 10:2        | 3254-5             | 1           | Washer-Lock              | 39          | 95-8900            | 1           | Switch                   |
| 11          | 63-8360            | 1           | Key-Ignition             | 40          | 3256-21            | 4           | Washer-Flat              |
| 12          | 100-8070           | 1           | Lamp-Warning             | 41          | 32105-9            | 2           | Screw-HH                 |
| 13          | 100-8071           | 1           | Lamp-Warning             | 42          | 3296-9             | 2           | Nut-Hex                  |
| 14          | 98-7611            | 1           | Controller-Glow          | 43          | 95-8764-03         | 1           | Support-Magnet           |
| 15          | 32144-10           | 5           | Screw-HWH                | 44          | 95-8765            | 2           | Bracket-Strike, Magnet   |
| 16          | 106-9277           | 1           | Module-Control, Standard | 45          | 95-8707            | 1           | Cover-Dash               |
| 17          | 321-8              | 3           | Screw-HH                 | 46          | 95-8763            | 2           | Bracket-Hold Down, Cover |
| 18          | 32128-33           | 3           | Nut-HF                   | 48          | 58-4250            | 2           | Catch-Magnetic           |
| 19          | 3290-134           | 2           | Screw                    | 49          | 95-8684            | 1           | Pad-Bumper               |
| 20          | 104-0421           | 1           | Plate-Stop, Throttle     | 50          | 3289-4             | 2           | Screw-FH                 |
| 21          | 138-1224           | 1           | Cable-Throttle           | 51          | 42-3560            | 2           | Bolt-Shoulder            |
| 23          | 3290-148           | 2           | Nut-HF                   | 52          | 95-8692            | 1           | Lever ASM                |
| 24          | 3256-22            | 1           | Washer-Flat              | 53          | 233-42             | 1           | Knob                     |
| 25          | 99-3401            | 1           | Lever-Lock               | 58          | 3269-5             | 4           | Rivet-Pop                |
| 26          | 3290-477           | 1           | Washer-Curved            | 59          | 104-7201           | 2           | Nut-HF, NI               |
| 27          | 63-3410            | 1           | Screw-Shoulder           | 99          | 3290-378           | 1           | Tie-Cable ●              |
| 28          | 32128-32           | 3           | Nut-HHF                  | 99          | 3290-379           | 1           | Tie-Cable ●              |
| 29          | 87-4710            | 1           | Spacer-Brake, Parking    |             |                    |             |                          |

● Not illustrated



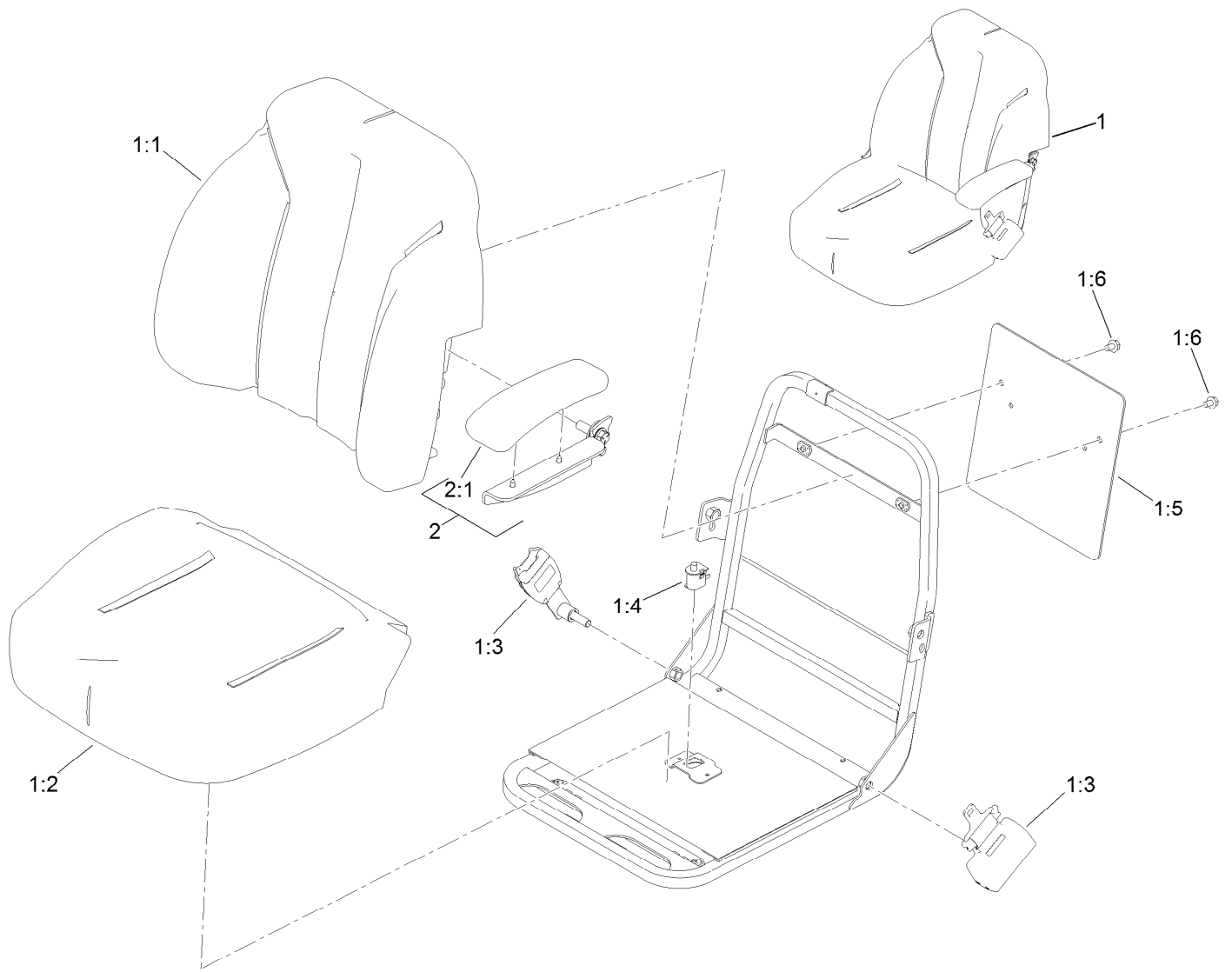
## Seat Assembly

| <i>Ref.</i> | <i>Part Number</i> | <i>Qty.</i> | <i>Description</i>  |
|-------------|--------------------|-------------|---------------------|
| 1           | 121-3665-03        | 2           | Strap-Support, Seat |
| 2           | 139-2679           | 1           | Seat And Track ASM  |
| 3           | 3234-11            | 4           | Screw-HHF           |
| 4           | 104-4833-03        | 1           | Shield-Heat         |
| 5           | 104-8300           | 4           | Nut-HF, NI          |



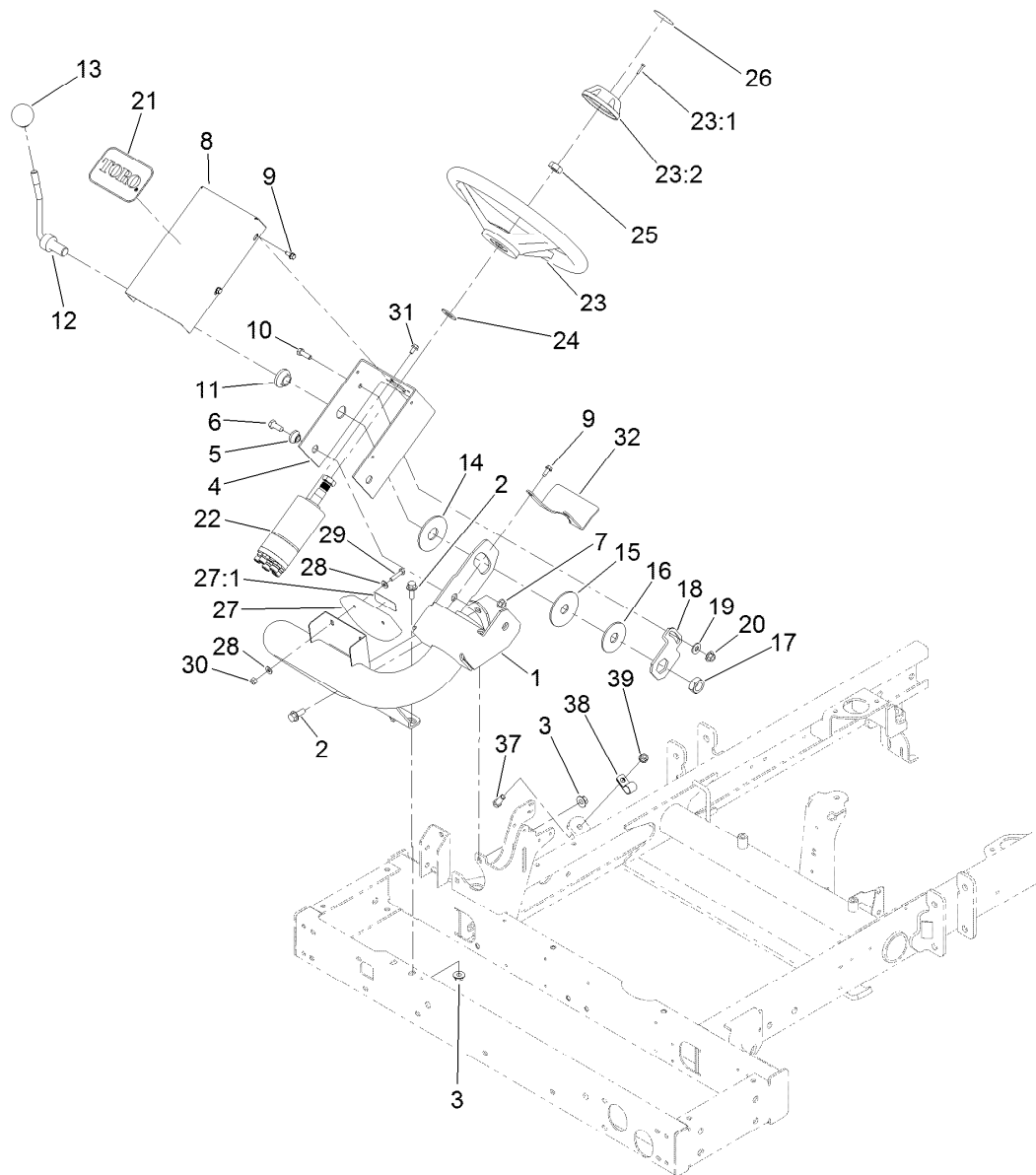
## Seat and Track Assembly No. 139-2679

| <i>Ref.</i> | <i>Part Number</i> | <i>Qty.</i> | <i>Description</i> |
|-------------|--------------------|-------------|--------------------|
| 1           | 139-2700           | 1           | Seat ASM           |
| 2           | 121-3658           | 1           | RH Arm Rest Kit    |
| 2:1         | 110-4163           | 1           | Cushion-Rest, Arm  |
| 3           | 136-9002           | 4           | Spacer-Mounting    |
| 4           | 126-2177           | 1           | Track-Seat         |



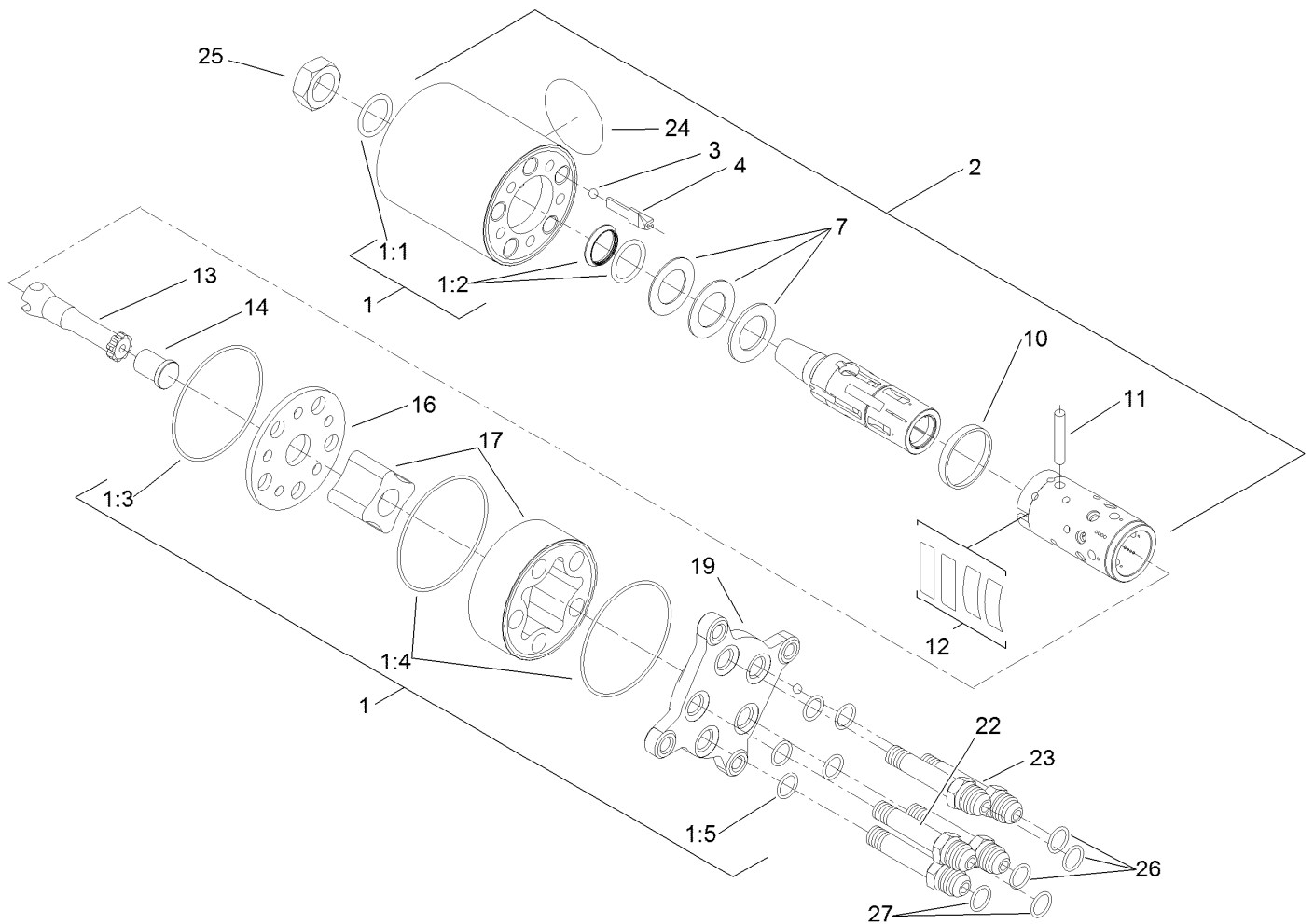
## Seat Assembly No. 139-2700

| Ref. | Part Number | Qty. | Description        |
|------|-------------|------|--------------------|
| 1    | 139-2680    | 1    | Seat ASM           |
| 1:1  | 139-2705    | 1    | Cover-Seat, Back   |
| 1:2  | 139-2706    | 1    | Cover-Seat, Bottom |
| 1:3  | 139-2707    | 1    | Seat Belt Kit      |
| 1:4  | 82-2190     | 1    | Switch-Bail        |
| 1:5  | 139-2701    | 1    | Plate-Decal        |
| 1:6  | 3234-30     | 2    | Screw-HHF          |
| 2    | 121-3660    | 1    | LH Arm Rest Kit    |
| 2:1  | 110-4163    | 1    | Cushion-Rest, Arm  |



## Steering Column Assembly

| <i>Ref.</i> | <i>Part Number</i> | <i>Qty.</i> | <i>Description</i>      | <i>Ref.</i> | <i>Part Number</i> | <i>Qty.</i> | <i>Description</i>      |
|-------------|--------------------|-------------|-------------------------|-------------|--------------------|-------------|-------------------------|
| 1           | 105-8536-01        | 1           | Arm-Steering            | 21          | 67-1300            | 1           | Decal                   |
| 2           | 3234-11            | 4           | Screw-HHF               | 22          | 121-7856           | 1           | Steering Valve ASM      |
| 3           | 32128-43           | 4           | Nut-Flange              | 23          | 75-0560            | 1           | Steering Wheel ASM      |
| 4           | 104-5185-01        | 1           | Bracket-Valve, Steering | 23:1        | 32144-21           | 1           | Screw                   |
| 5           | 93-5988            | 2           | Hub-Pivot               | 23:2        | 68-5140            | 1           | Cap-Wheel, Steering     |
| 6           | 323-5              | 2           | Screw-HH                | 24          | 3256-27            | 1           | Washer-Flat             |
| 7           | 32128-21           | 2           | Nut-HF Lock             | 25          | 3296-33            | 1           | Nut-Lock, NI            |
| 8           | 95-8794-01         | 1           | Cover-Valve, Steering   | 26          | 68-5370            | 1           | Decal                   |
| 9           | 32144-10           | 5           | Screw-HWH               | 27          | 100-4929           | 1           | Slope Indicator ASM     |
| 10          | 322-5              | 1           | Screw-HH                | 27:1        | 121-3628           | 1           | Decal-Angle             |
| 11          | 99-3502            | 1           | Boss                    | 27:1        | 121-3598           | 1           | Decal-Danger, 17 Degree |
| 12          | 95-8798-03         | 1           | Lever-Steering          | 28          | 3256-22            | 4           | Washer-Flat             |
| 13          | 233-48             | 1           | Knob                    | 29          | 321-7              | 2           | Screw-HH                |
| 14          | 31-0390            | 1           | Disc-Friction           | 30          | 3296-42            | 2           | Nut-Lock, NI            |
| 15          | 82-9010            | 1           | Disc-Friction           | 31          | 33103-012          | 4           | Screw-HHF               |
| 16          | 80-2930            | 1           | Washer-Flat             | 32          | 99-3405-01         | 1           | Shield-Steering         |
| 17          | 3218-7             | 1           | Nut-Jam                 | 37          | 323-6              | 1           | Screw-HH                |
| 18          | 80-2880            | 1           | Bracket-Tilt            | 38          | 2412-41            | 1           | Clamp-R                 |
| 19          | 3256-3             | 1           | Washer-Flat             | 39          | 3290-357           | 1           | Nut-HSF                 |
| 20          | 32128-44           | 1           | Nut                     |             |                    |             |                         |

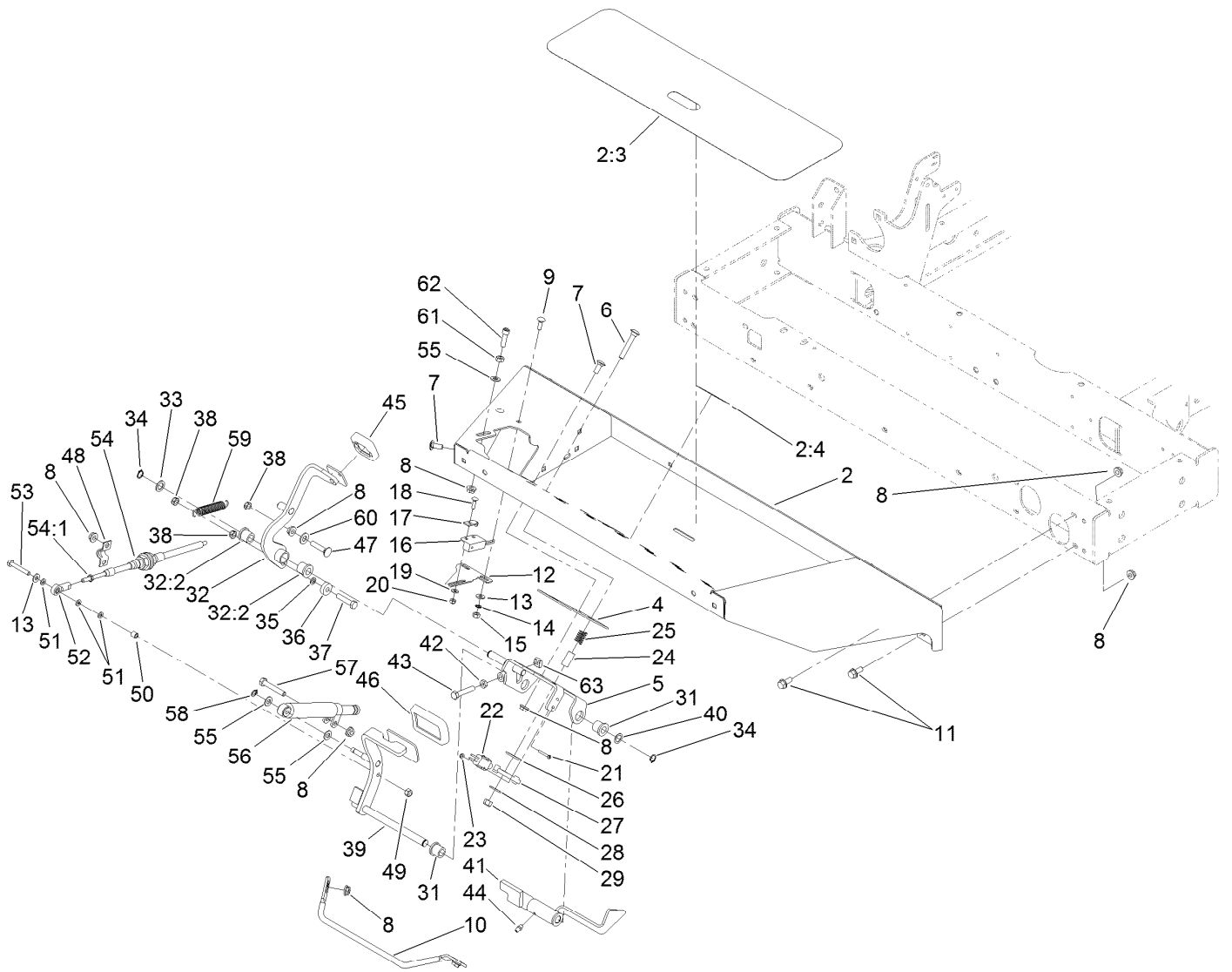


## Steering Valve Assembly No. 121-7856

| Ref. | Part Number | Qty. | Description       | Ref. | Part Number | Qty. | Description         |
|------|-------------|------|-------------------|------|-------------|------|---------------------|
| 1    | 106-6716    | 1    | Seal Kit          | 12   |             | 1    | Springs ●           |
| 1:1  |             | 1    | Ring-Seal, Dust ● | 13   |             | 1    | Shaft ●             |
| 1:2  |             | 1    | Seal-Shaft ●      | 14   |             | 1    | Spacer ●            |
| 1:3  |             | 1    | O-Ring ●          | 16   |             | 1    | Plate-Distributor ● |
| 1:4  |             | 2    | O-Ring ●          | 17   |             | 1    | Gearwheel Set ●     |
| 1:5  |             | 5    | O-Ring ●          | 19   |             | 1    | Cover-End ●         |
| 2    |             | 1    | Housing ●         | 22   |             | 1    | Screw-Special ●     |
| 3    |             | 1    | Ball ●            | 23   |             | 4    | Screw-Special ●     |
| 4    |             | 1    | Stop-Ball ●       | 24   |             | 1    | Plate-Name ●        |
| 7    |             | 1    | Bearing ASM ●     | 25   | 3296-33     | 1    | Nut-Lock, NI        |
| 10   |             | 1    | Ring ●            | 26   | 237-22      | 3    | O-Ring              |
| 11   |             | 1    | Pin-Cross ●       | 27   | 237-21      | 2    | O-Ring              |

● Not serviced separately

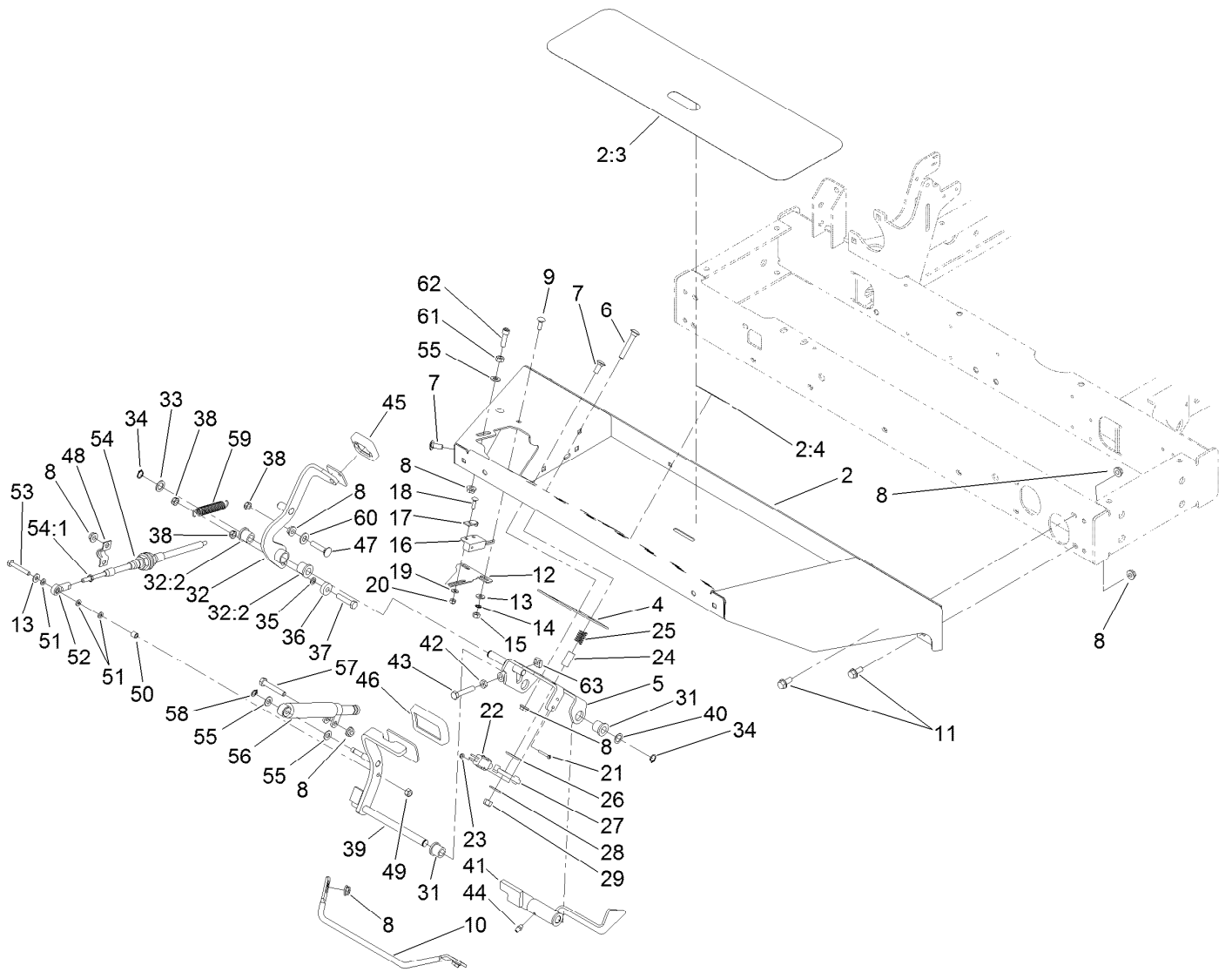




## Front Platform Assembly

| Ref. | Part Number | Qty. | Description             | Ref. | Part Number | Qty. | Description       |
|------|-------------|------|-------------------------|------|-------------|------|-------------------|
| 2    | 106-4154    | 1    | Floorplate ASM          | 19   | 3256-14     | 1    | Washer-Flat       |
| 2:3  | 99-3478     | 1    | Tread-Foot              | 20   | 3296-2      | 1    | Nut-Lock, NI      |
| 2:4  | 99-3444     | 1    | Decal-Mow / Transport   | 21   | 32105-9     | 2    | Screw-HH          |
| 4    | 106-2661-01 | 1    | Plate-Support           | 22   | 95-8900     | 1    | Switch            |
| 5    | 95-8869-03  | 1    | Bracket-Pedal, Traction | 23   | 3296-9      | 2    | Nut-Hex           |
| 6    | 3230-6      | 1    | Bolt-CARR               | 24   | 95-8866     | 1    | Tube-Arm, Rocker  |
| 7    | 3230-23     | 6    | Bolt-CARR               | 25   | 65-9940     | 1    | Spring            |
| 8    | 32128-20    | 20   | Nut-HF                  | 26   | 3256-40     | 1    | Washer-Flat       |
| 9    | 3229-1      | 2    | Screw-CARR              | 27   | 99-3593     | 1    | Arm-Rocker        |
| 10   | 95-8893     | 1    | Bar-Deflector           | 28   | 3256-3      | 1    | Washer-Flat       |
| 11   | 3234-5      | 10   | Screw-HHF               | 29   | 3296-29     | 1    | Nut-Lock, NI      |
| 12   | 100-4871    | 1    | Bracket-Switch, Neutral | 31   | 256-243     | 2    | Bearing-Flange    |
| 13   | 3256-22     | 3    | Washer-Flat             | 32   | 99-3379     | 1    | Pedal-Reverse ASM |
| 14   | 3255-7      | 2    | Washer-Lock/EXT         | 32:2 | 256-243     | 2    | Bearing-Flange    |
| 15   | 3217-5      | 2    | Nut-Hex                 | 33   | 41-8440     | 1    | Washer            |
| 16   | 100-1270    | 1    | Switch-Proximity        | 34   | 32151-84    | 2    | Ring-Shaft, EXT   |
| 17   | 100-4872    | 1    | Plate-Switch, Neutral   | 35   | 75-5470     | 1    | Spacer-Bearing    |
| 18   | 3229-34     | 1    | Screw-CARR              | 36   | 251-259     | 1    | Bearing-Ball      |

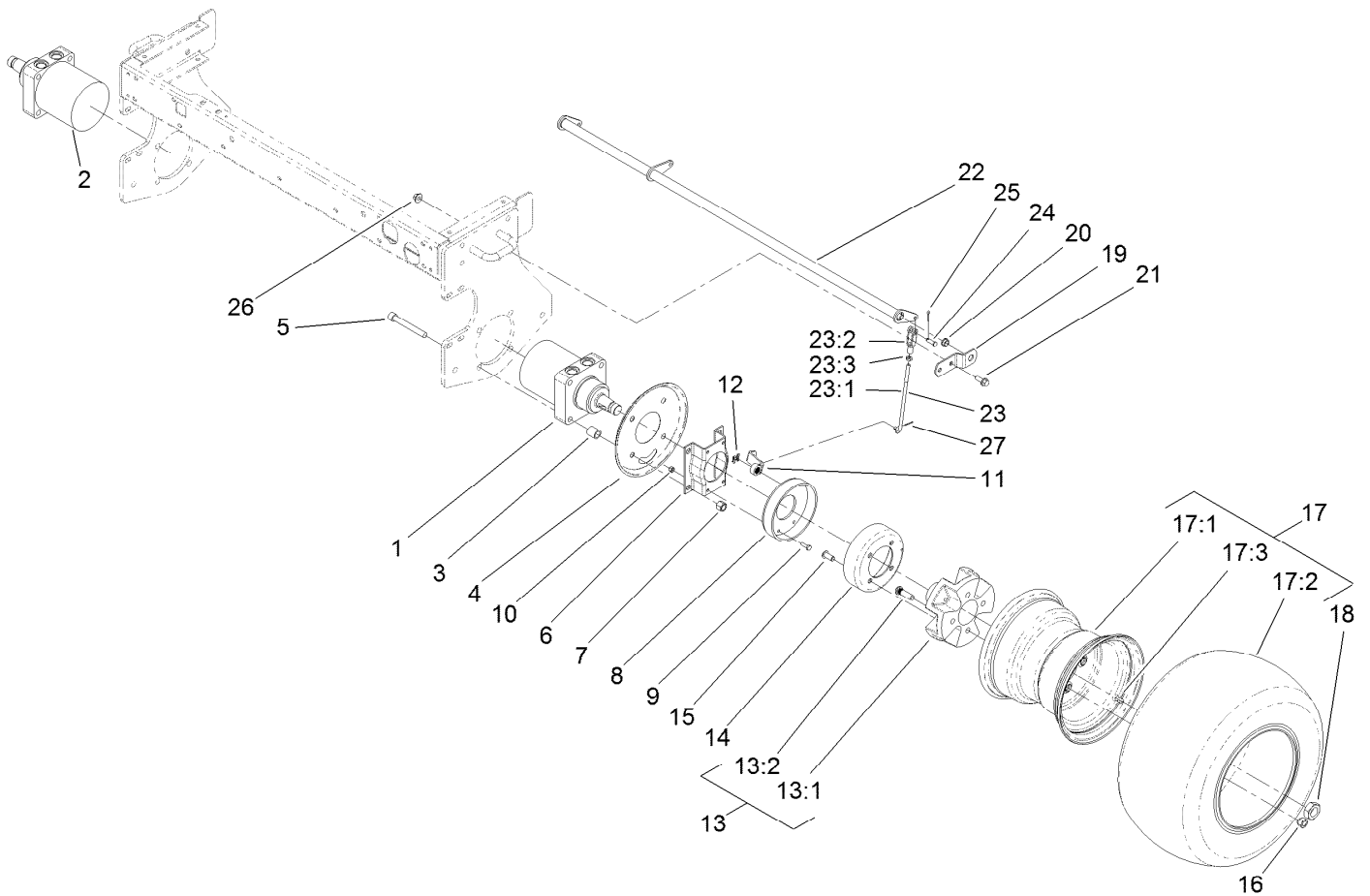
● Not illustrated



## Front Platform Assembly (continued)

| <i>Ref.</i> | <i>Part Number</i> | <i>Qty.</i> | <i>Description</i> | <i>Ref.</i> | <i>Part Number</i> | <i>Qty.</i> | <i>Description</i>      |
|-------------|--------------------|-------------|--------------------|-------------|--------------------|-------------|-------------------------|
| 37          | 322-7              | 1           | Screw-HH           | 52          | 2411-41            | 1           | Rod End-Ball Joint      |
| 38          | 3296-47            | 3           | Nut-Lock,NI        | 53          | 321-10             | 1           | Screw-HH                |
| 39          | 104-4852-03        | 1           | Pedal-Traction     | 54          | 100-4815           | 1           | Cable-Control, Traction |
| 40          | 73-0040            | 1           | Washer-Thrust      | 54:1        | 3220-1             | 2           | Nut-Jam                 |
| 41          | 95-8861            | 1           | Slide              | 55          | 3256-23            | 3           | Washer-Plain            |
| 42          | 3218-2             | 1           | Nut-Hex Jam        | 56          | 76-8870            | 1           | Damper-Lever            |
| 43          | 322-41             | 1           | Bolt-Hex,TAP       | 57          | 322-10             | 1           | Screw-HH                |
| 44          | 302-5              | 1           | Fitting-Grease     | 58          | 32151-3            | 1           | Ring-Grip               |
| 45          | 74-9110            | 1           | Pad-Pedal, Reverse | 59          | 99-3476            | 1           | Spring-Extension        |
| 46          | 74-9100            | 1           | Pad-Pedal, Forward | 60          | 3256-24            | 1           | Washer-Plain            |
| 47          | 3230-27            | 1           | Screw-CARR         | 61          | 3217-6             | 1           | Nut-Hex                 |
| 48          | 93-2092            | 1           | Clamp-Cable        | 62          | 3274-22            | 1           | Screw-HSH               |
| 49          | 3296-42            | 1           | Nut-Lock, NI       | 63          | 99-3565            | 1           | Nut-Square              |
| 50          | 99-3545            | 1           | Spacer             | 99          | 3290-378           | 4           | Tie-Cable ●             |
| 51          | 33093-00           | 3           | Washer-Flat        |             |                    |             |                         |

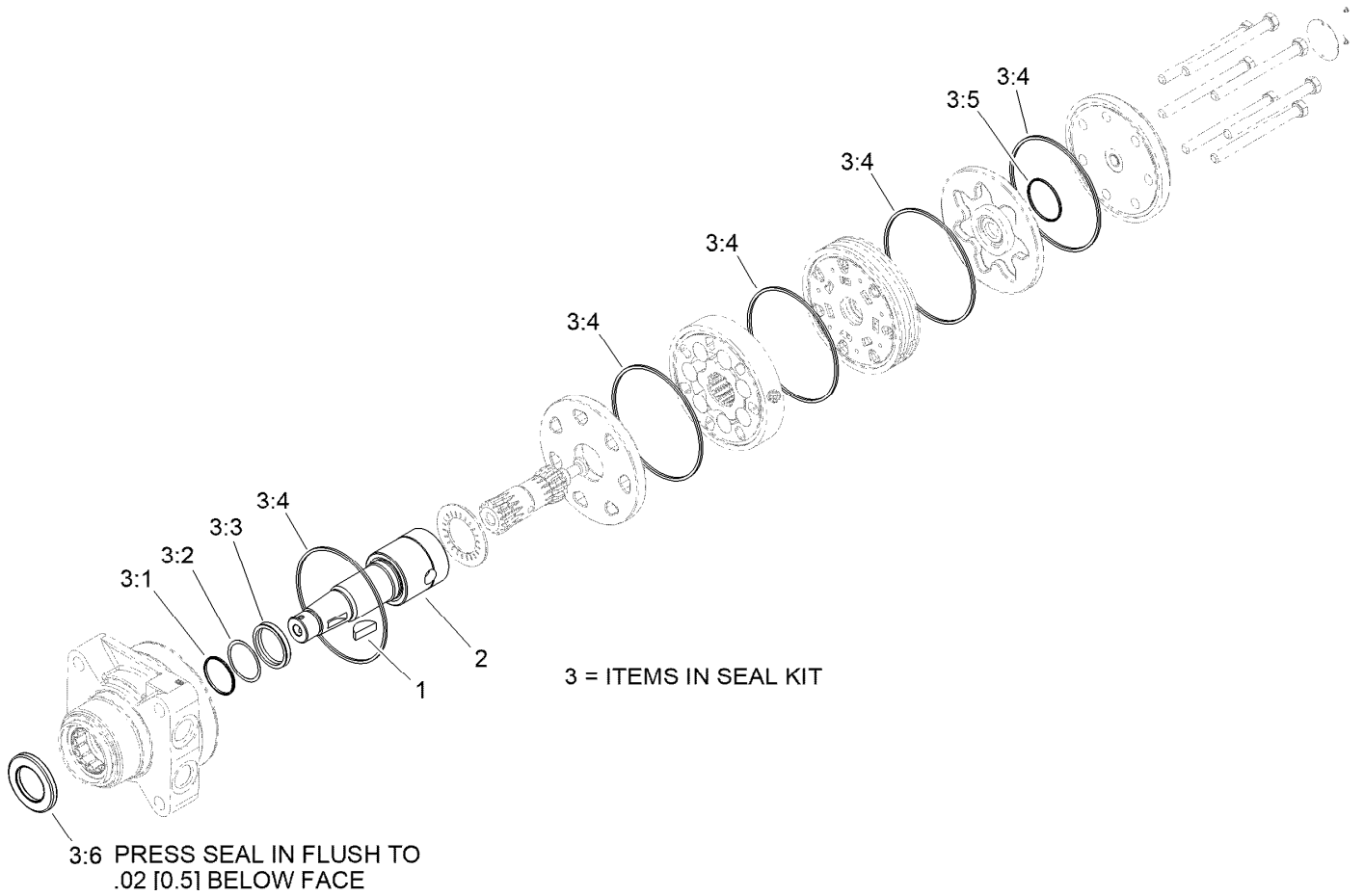
● Not illustrated



## Front Wheel and Brake Assembly

| Ref. | Part Number | Qty. | Description          | Ref. | Part Number | Qty. | Description          |
|------|-------------|------|----------------------|------|-------------|------|----------------------|
| 1    | 110-8785    | 1    | HYD Motor ASM (CCW)  | 17   |             | 2    | Tire And Rim ASM ●   |
| 2    | 110-8786    | 1    | HYD Motor ASM (CW)   | 17:1 | 121-3548    | 1    | Rim                  |
| 3    | 119-8238    | 8    | Spacer-Deck Pulley   | 17:2 | 117-5125    | 1    | Tire                 |
| 4    | 104-0485-03 | 2    | Shield-Wheel         | 17:3 | 232-27      | 1    | Stem-Valve           |
| 5    | 3274-99     | 8    | Screw-HSH            | 18   | 242-50      | 8    | Nut-Lug              |
| 6    | 84-2000-03  | 2    | Bracket-Brake        | 19   | 95-8683     | 2    | Bracket-Pivot, Brake |
| 7    | 3296-23     | 8    | Nut-Lock, NI         | 20   | 256-156     | 2    | Bushing-Flange       |
| 8    | 104-7705    | 2    | Brake ASM            | 21   | 3234-11     | 4    | Screw-HHF            |
| 9    | 321-5       | 8    | Screw-HH             | 22   | 104-4625-03 | 1    | Shaft-Pivot, Brake   |
| 10   | 3296-42     | 8    | Nut-Lock, NI         | 23   | 115-6672    | 2    | Brake Lever ASM      |
| 11   | 114-2726    | 2    | Lever-Brake          | 23:1 | 104-4627    | 1    | Rod-Adjusting        |
| 12   | 104-7706    | 2    | E-Ring, Bowed        | 23:2 | 1-303105    | 1    | Yoke-Adjustable      |
| 13   |             | 2    | Wheel Hub/Stud ASM ● | 23:3 | 3220-2      | 1    | Nut-Jam              |
| 13:1 | 104-0462    | 1    | Hub-Wheel, Spacer    | 24   | 283-1       | 2    | Pin-Clevis           |
| 13:2 | 10-6830     | 4    | Stud-Type, Drive     | 25   | 3272-10     | 2    | Pin-Cotter           |
| 14   | 104-4809    | 2    | Drum-Brake           | 26   | 32128-43    | 4    | Nut-Flange           |
| 15   | 3274-105    | 8    | Screw-HSBH           | 27   | 3272-6      | 2    | Pin-Cotter           |
| 16   | 26-3790     | 2    | Nut-Lock             |      |             |      |                      |

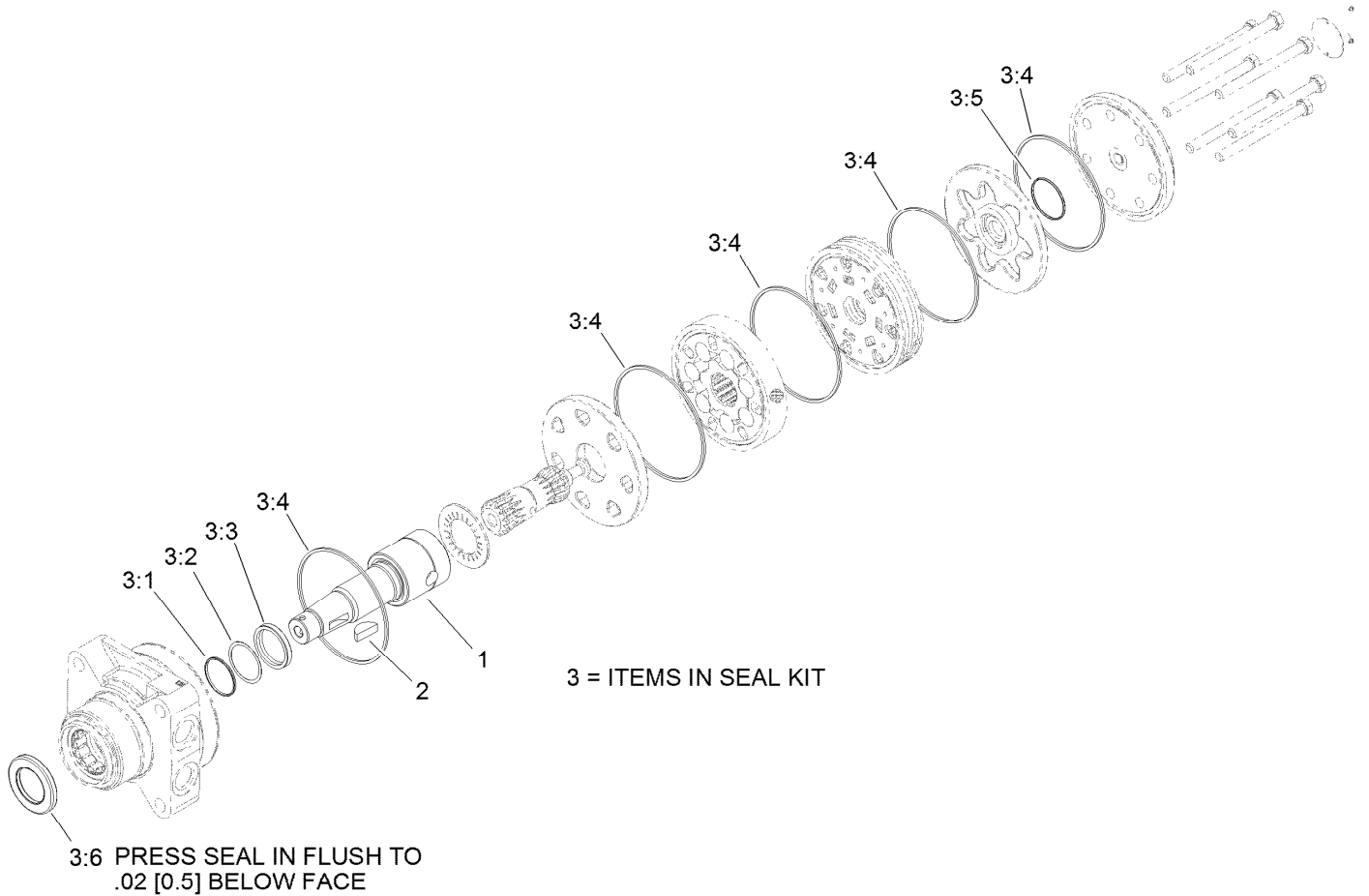
● Not serviced separately



## Hydraulic Motor Assembly No. 110-8786

| Ref. | Part Number | Qty. | Description           |
|------|-------------|------|-----------------------|
| 1    | 3257-42     | 1    | Key-Woodruff          |
| 2    | 99-3090     | 1    | Shaft-Coupling        |
| 3    | 100-6131    | 1    | Seal Kit              |
| 3:1  |             | 1    | Ring-Back Up ●        |
| 3:2  |             | 1    | Washer-Back Up ●      |
| 3:3  |             | 1    | Seal-Shaft ●          |
| 3:4  |             | 5    | Seal-Ring ●           |
| 3:5  |             | 1    | Seal-Commutator ●     |
| 3:6  |             | 1    | Seal-Dirt And Water ● |

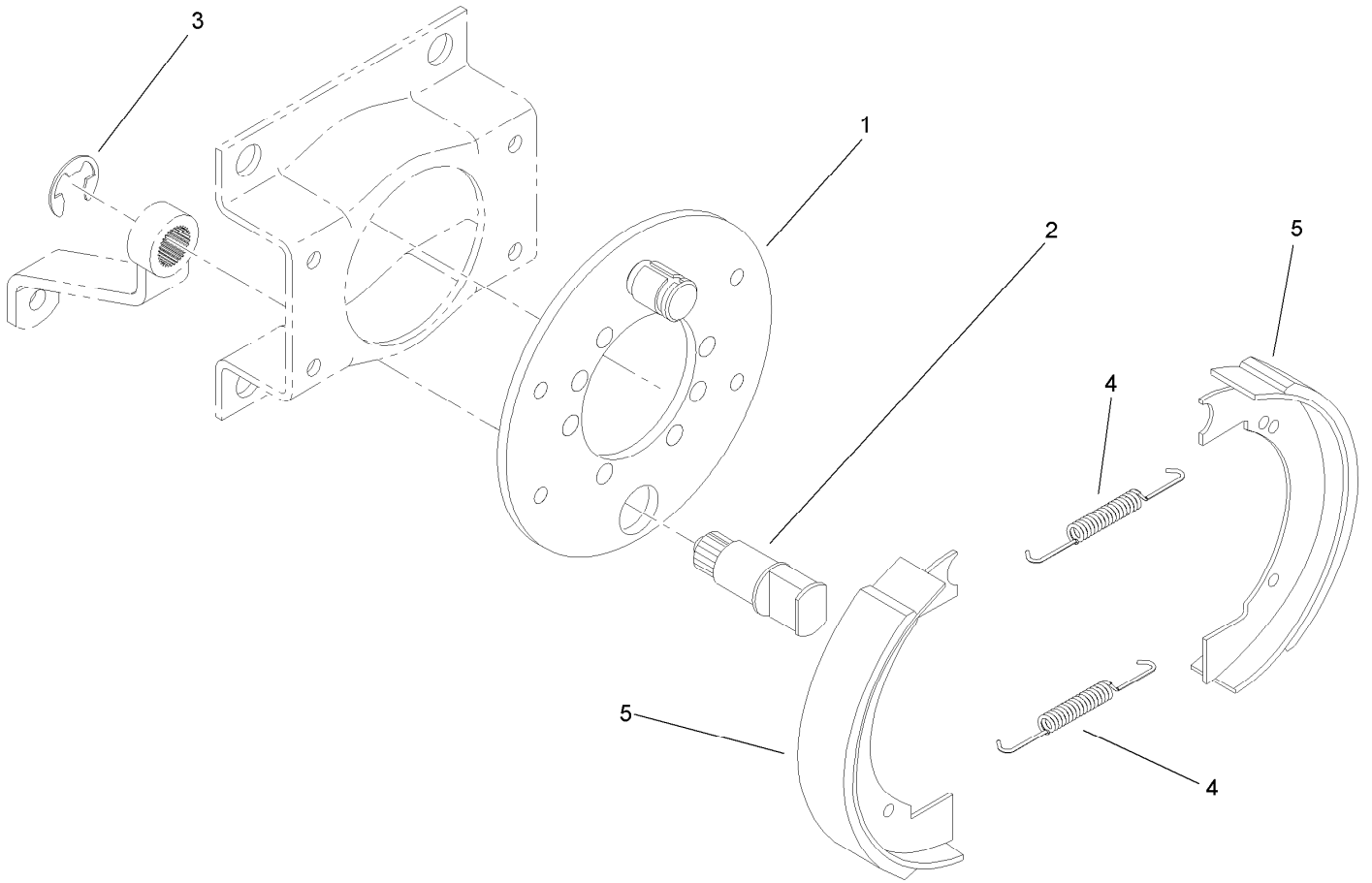
● Not serviced separately



## Hydraulic Motor Assembly No. 110-8785

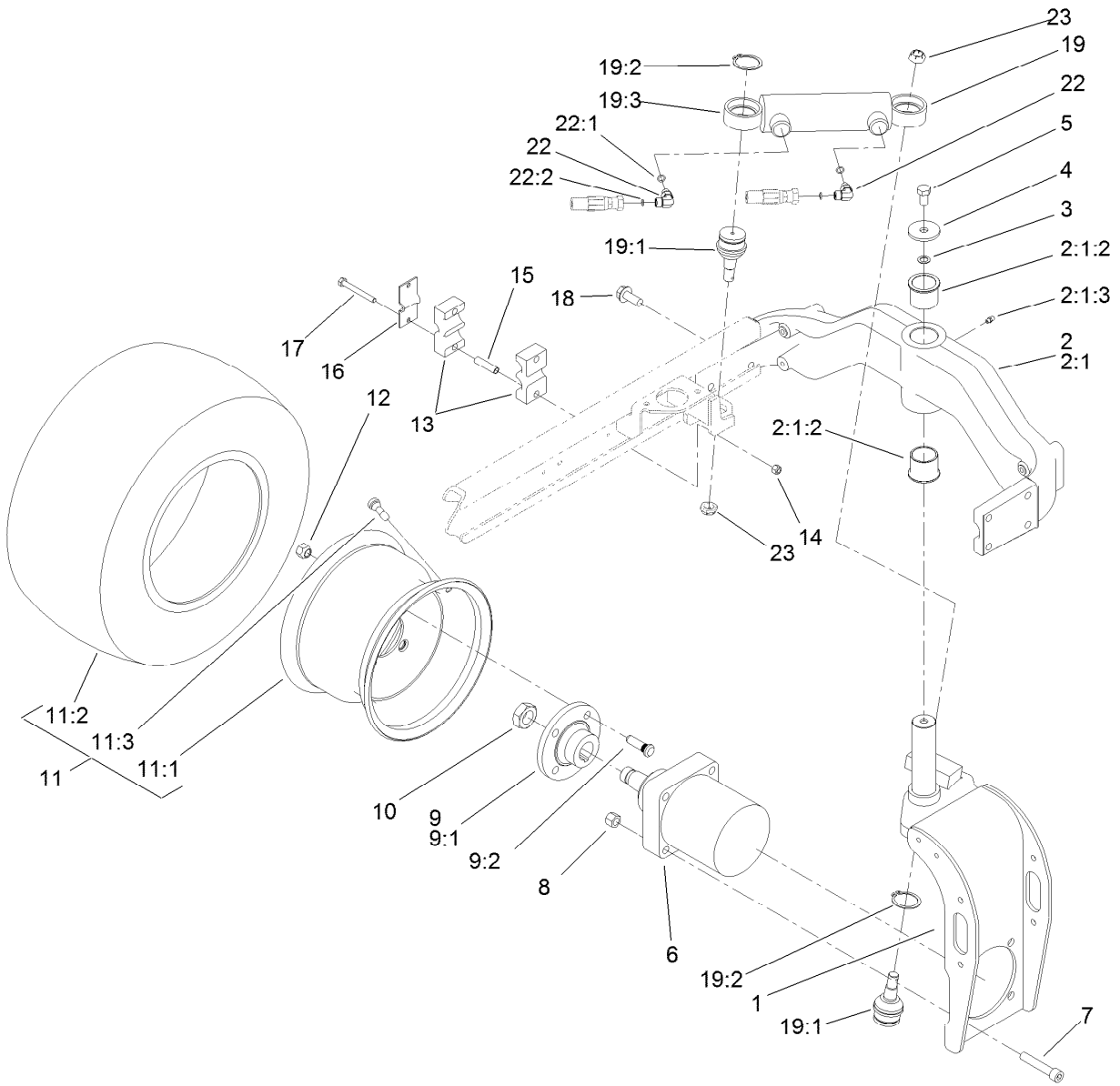
| Ref. | Part Number | Qty. | Description           |
|------|-------------|------|-----------------------|
| 1    | 3257-42     | 1    | Key-Woodruff          |
| 2    | 99-3090     | 1    | Shaft-Coupling        |
| 3    | 100-6131    | 1    | Seal Kit              |
| 3:1  |             | 1    | Ring-Back Up ●        |
| 3:2  |             | 1    | Washer-Back Up ●      |
| 3:3  |             | 1    | Seal-Shaft ●          |
| 3:4  |             | 5    | Seal-Ring ●           |
| 3:5  |             | 1    | Seal-Commutator ●     |
| 3:6  |             | 1    | Seal-Dirt And Water ● |

● Not serviced separately



## Brake Assembly No. 104-7705

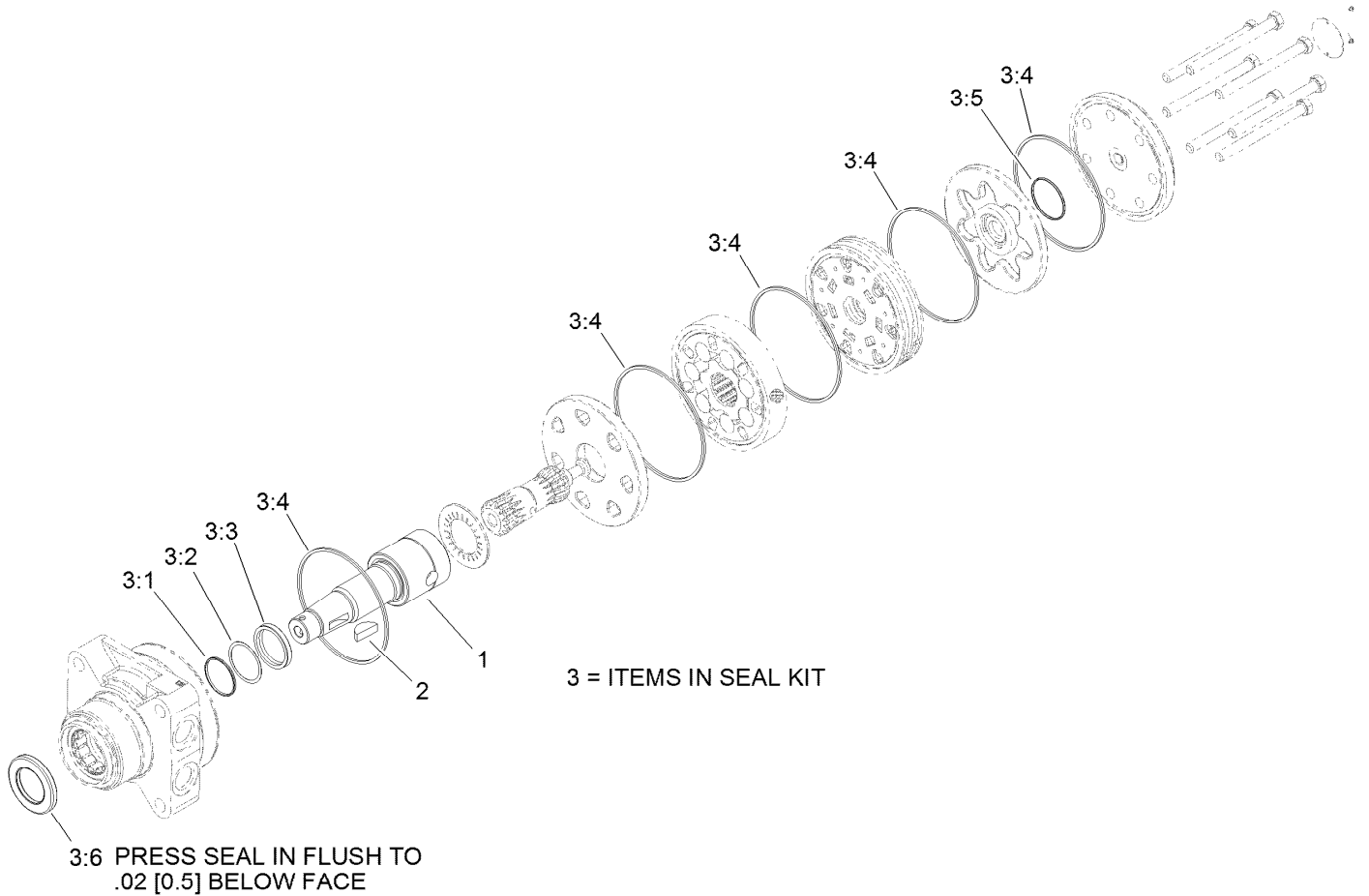
| <i>Ref.</i> | <i>Part Number</i> | <i>Qty.</i> | <i>Description</i> |
|-------------|--------------------|-------------|--------------------|
| 1           | 70-9870            | 1           | Plate-Backing      |
| 2           | 104-7707           | 1           | Shaft-Cam, Brake   |
| 3           | 104-7706           | 1           | E-Ring, Bowed      |
| 4           | 70-9880            | 2           | Spring-Return      |
| 5           | 70-9840            | 2           | Shoe-Brake         |



## Rear Fork and Tire Assembly

| Ref.  | Part Number | Qty. | Description          | Ref. | Part Number | Qty. | Description              |
|-------|-------------|------|----------------------|------|-------------|------|--------------------------|
| 1     | 95-8905-01  | 1    | Fork-Rear            | 11:2 | 115-1572    | 1    | Tire                     |
| 2     | 107-7828-03 | 1    | Casting-Rear         | 11:3 | 232-27      | 1    | Stem-Valve               |
| 2:1   |             | 1    | Rear Casting ASM ●   | 12   | 242-50      | 4    | Nut-Lug                  |
| 2:1:2 | 95-8805     | 2    | Bushing              | 13   | 82-8170     | 2    | Clamp                    |
| 2:1:3 | 302-5       | 1    | Fitting-Grease       | 14   | 3296-29     | 2    | Nut-Lock, NI             |
| 3     | 3255-2      | 1    | Washer-Lock, EXT     | 15   | 93-7960     | 2    | Spacer                   |
| 4     | 75-7730     | 1    | Washer-Thrust        | 16   | 93-7961     | 1    | Clamp-Drain, Case        |
| 5     | 325-3       | 1    | Screw-HH             | 17   | 322-13      | 2    | Screw-HH                 |
| 6     | 95-8694     | 1    | HYD Motor ASM        | 18   | 3234-38     | 8    | Screw-HHF                |
| 7     | 3274-93     | 4    | Screw-HSH            | 19   |             | 1    | Steering Cylinder ASM ●  |
| 8     | 3296-23     | 4    | Nut-Lock, NI         | 19:1 | 121-3605    | 2    | Ball Joint               |
| 9     | 18-3209     | 1    | Wheel Hub/Stud ASM   | 19:2 | 32151-104   | 2    | Ring-Retaining, External |
| 9:1   | 10-6870-03  | 1    | Hub-Wheel            | 19:3 | 121-3653    | 1    | Cylinder-HYD             |
| 9:2   | 10-6830     | 4    | Stud-Type, Drive     | 22   | 340-132     | 2    | Fitting-Elbow, 90 DEG    |
| 10    | 26-3790     | 1    | Nut-Lock             | 22:1 | 237-78      | 1    | O-Ring                   |
| 11    |             | 1    | Wheel And Tire ASM ● | 22:2 | 237-21      | 1    | O-Ring                   |
| 11:1  | 117-5129    | 1    | Rim                  | 23   | 121-3611    | 2    | Nut-Hex, Flextop         |

● Not serviced separately

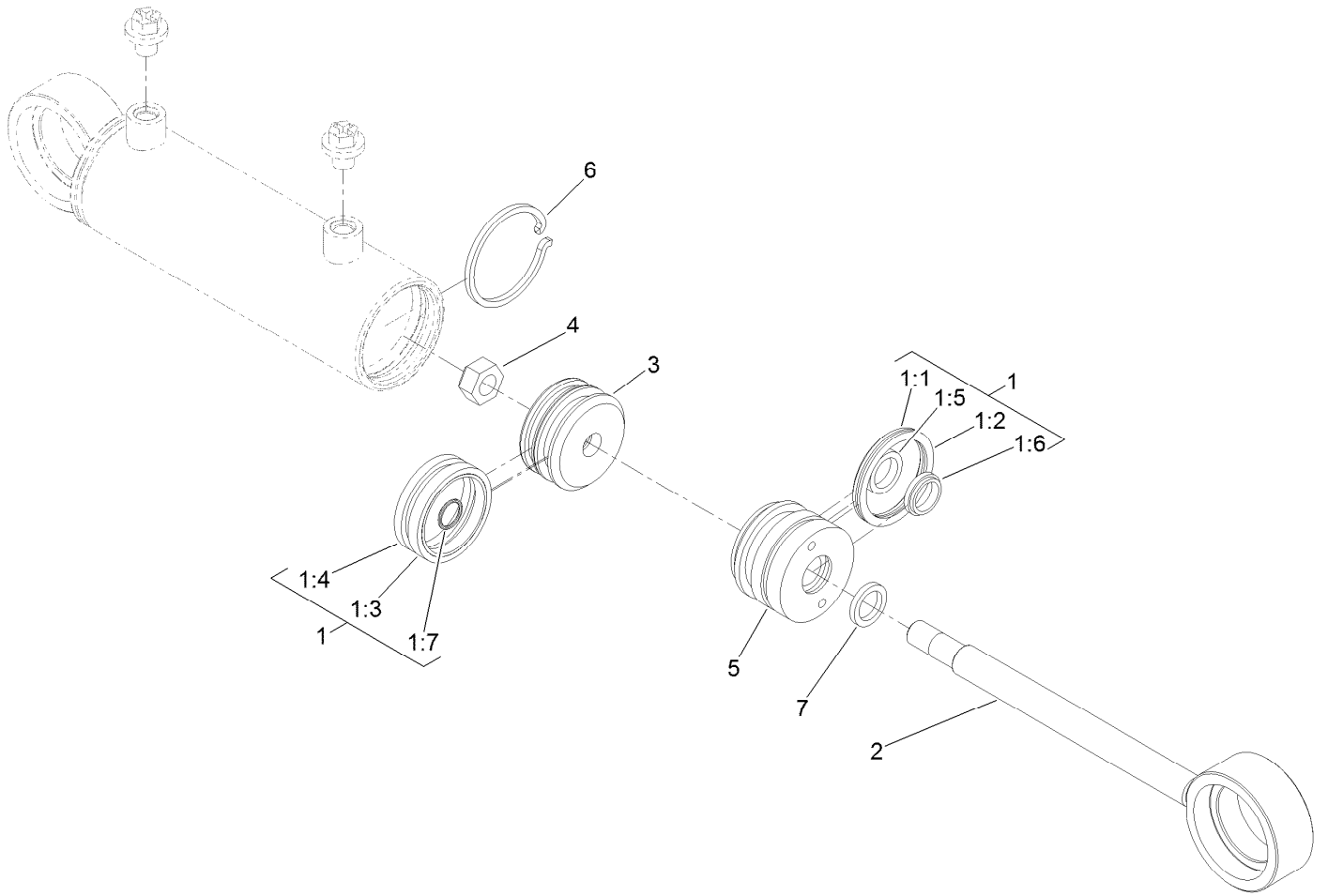


## Hydraulic Motor Assembly No. 95-8694

| Ref. | Part Number | Qty. | Description           |
|------|-------------|------|-----------------------|
| 1    | 99-3090     | 1    | Shaft-Coupling        |
| 2    | 3257-42     | 1    | Key-Woodruff          |
| 3    | 100-6131    | 1    | Seal Kit              |
| 3:1  |             | 1    | Ring-Back Up ●        |
| 3:2  |             | 1    | Washer-Back Up ●      |
| 3:3  |             | 1    | Seal-Shaft ●          |
| 3:4  |             | 5    | Seal-Ring ●           |
| 3:5  |             | 1    | Seal-Commutator ●     |
| 3:6  |             | 1    | Seal-Dirt And Water ● |

● Not serviced separately

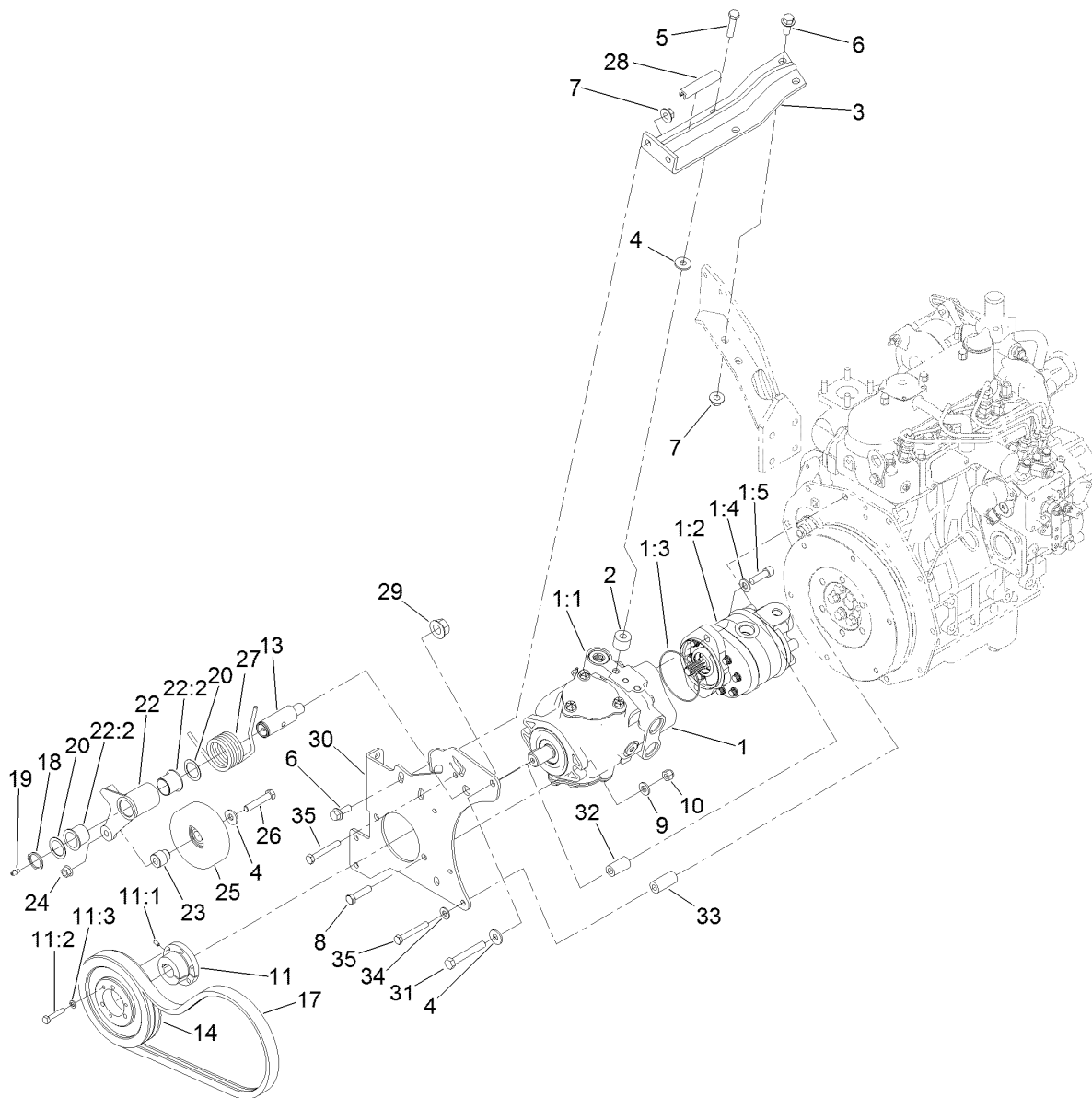




## Hydraulic Cylinder Assembly No. 121-3653

| <i>Ref.</i> | <i>Part Number</i> | <i>Qty.</i> | <i>Description</i> |
|-------------|--------------------|-------------|--------------------|
| 1           | 136-3278           | 1           | Seal Kit           |
| 1:1         |                    | 1           | O-Ring ●           |
| 1:2         |                    | 1           | Backup ●           |
| 1:3         |                    | 1           | Psp Seal ●         |
| 1:4         |                    | 1           | Wear Ring ●        |
| 1:5         |                    | 1           | Bt Seal ●          |
| 1:6         |                    | 1           | Dust Seal ●        |
| 1:7         |                    | 1           | O-Ring ●           |
| 2           |                    | 1           | Rod ●              |
| 3           |                    | 1           | Piston ●           |
| 4           |                    | 1           | Head ●             |
| 5           |                    | 1           | Lock Nut ●         |
| 6           |                    | 1           | Retaining Ring ●   |
| 7           |                    | 1           | Square O-Ring ●    |

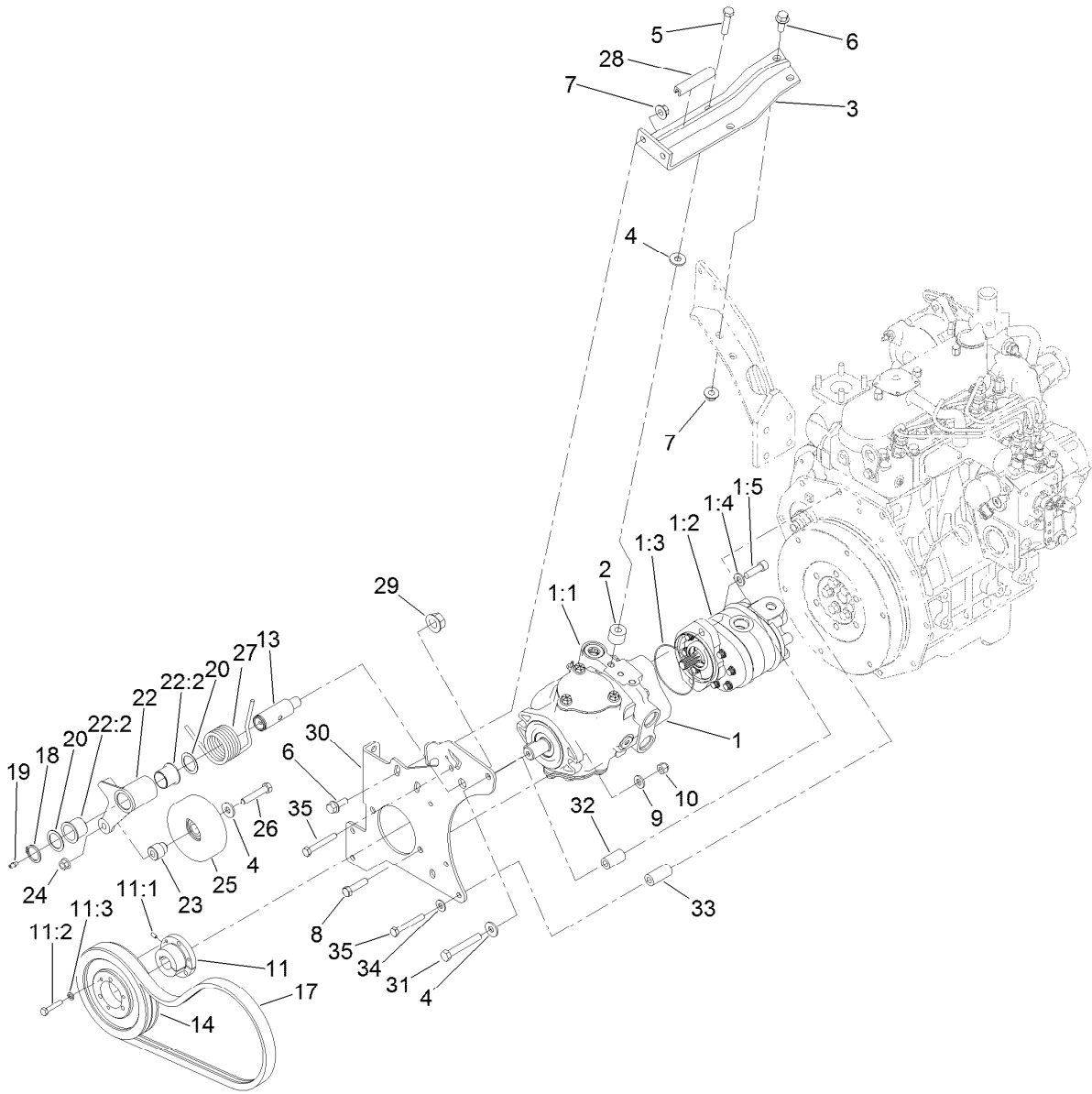
● Not serviced separately



## Hydrostat Assembly

| Ref. | Part Number | Qty. | Description         | Ref. | Part Number | Qty. | Description        |
|------|-------------|------|---------------------|------|-------------|------|--------------------|
| 1    |             | 1    | Tandem Pump ASM ●   | 11:3 | 3253-3      | 3    | Washer-Lock        |
| 1:1  | 104-4890    | 1    | Piston Pump ASM     | 13   | 99-3529     | 1    | Shaft-Pivot, Idler |
| 1:2  | 95-8601     | 1    | Gear Pump ASM       | 14   | 93-6841     | 1    | Pulley             |
| 1:3  | 60-3520     | 1    | O-Ring              | 17   | 95-8730     | 1    | V-Belt             |
| 1:4  | 3256-24     | 2    | Washer-Plain        | 18   | 32151-36    | 1    | Ring-Retaining     |
| 1:5  | 3274-1      | 2    | Screw-HSH           | 19   | 302-5       | 1    | Fitting-Grease     |
| 2    | 99-3440     | 2    | Spacer              | 20   | 74-1810     | 2    | Washer             |
| 3    | 99-3436-03  | 1    | Support-Pump        | 22   | 137-1653    | 1    | Idler Arm ASM      |
| 4    | 80-6990     | 4    | Washer-Hardened     | 22:2 | 126-1963    | 2    | Bushing-Pivot      |
| 5    | 323-19      | 2    | Screw-HH            | 23   | 95-8806     | 1    | Spacer             |
| 6    | 3234-11     | 4    | Screw-HHF           | 24   | 32128-21    | 1    | Nut-HF Lock        |
| 7    | 32128-43    | 4    | Nut-Flange          | 25   | 95-8802     | 1    | Pulley-Idler       |
| 8    | 323-8       | 2    | Screw-HH            | 26   | 323-10      | 1    | Screw-HH           |
| 9    | 100-4852    | 2    | Washer-Hardened     | 27   | 95-8917     | 1    | Spring-Torsion     |
| 10   | 3296-39     | 2    | Nut-Lock, NI        | 28   | 70-2041     | 1    | Trim - Edge        |
| 11   | 93-6842     | 1    | Bushing-Lock, Taper | 29   | 32128-54    | 1    | Nut-HF             |
| 11:1 | 3245-36     | 1    | Screw-Set, HSH      | 30   | 95-8933-03  | 1    | Plate-Mount, Pump  |
| 11:2 | 321-13      | 3    | Screw-HH            | 31   | 42-9370     | 1    | Screw-HH           |

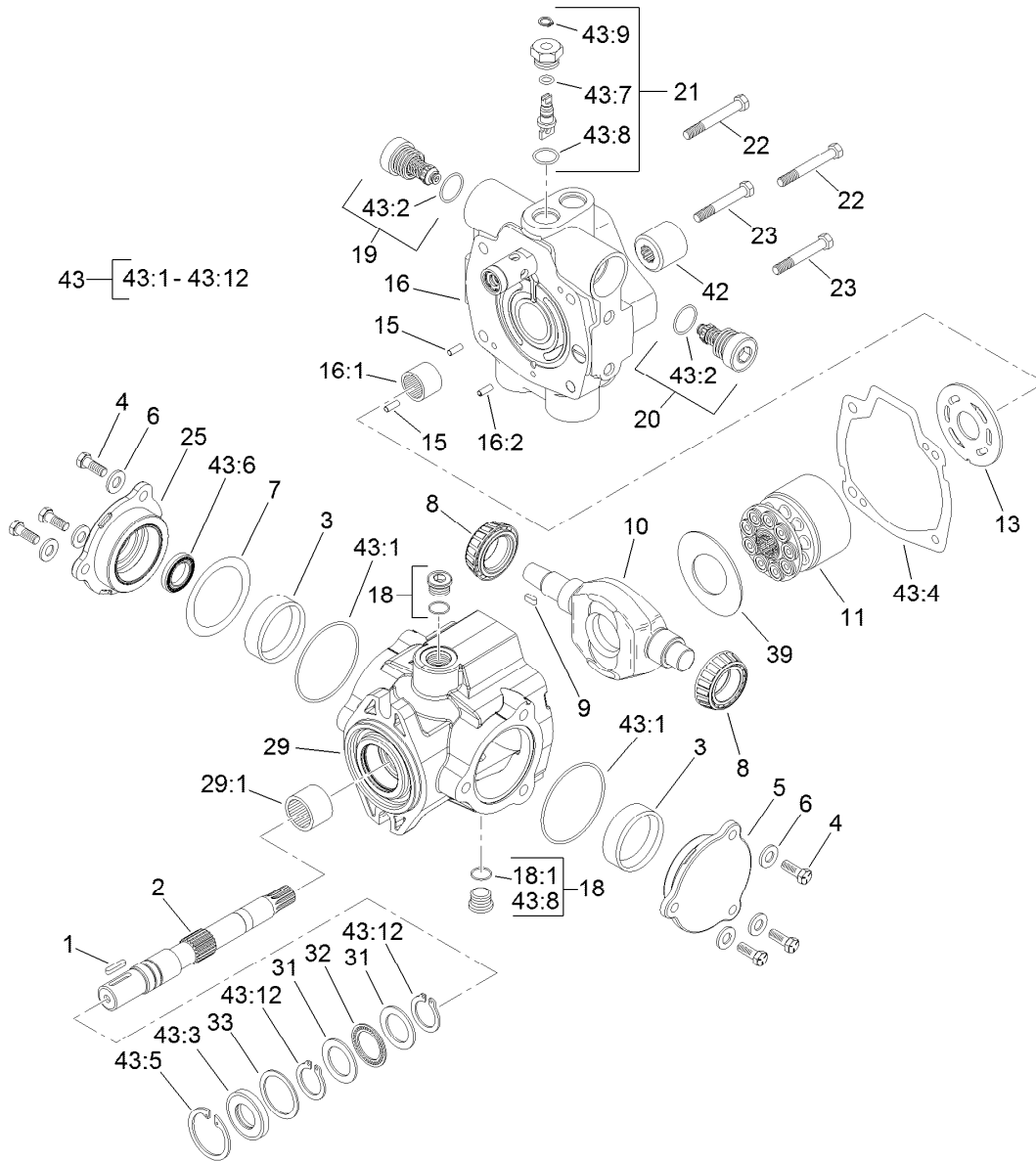
● Not serviced separately



## Hydrostat Assembly (continued)

| <i>Ref.</i> | <i>Part Number</i> | <i>Qty.</i> | <i>Description</i> | <i>Ref.</i> | <i>Part Number</i> | <i>Qty.</i> | <i>Description</i> |
|-------------|--------------------|-------------|--------------------|-------------|--------------------|-------------|--------------------|
| 32          | 95-8736            | 1           | Spacer             | 34          | 87-8640            | 3           | Washer-Flat        |
| 33          | 95-8941            | 4           | Spacer-Mount, Pump | 35          | 33114-060          | 4           | Screw-HH           |

● Not serviced separately

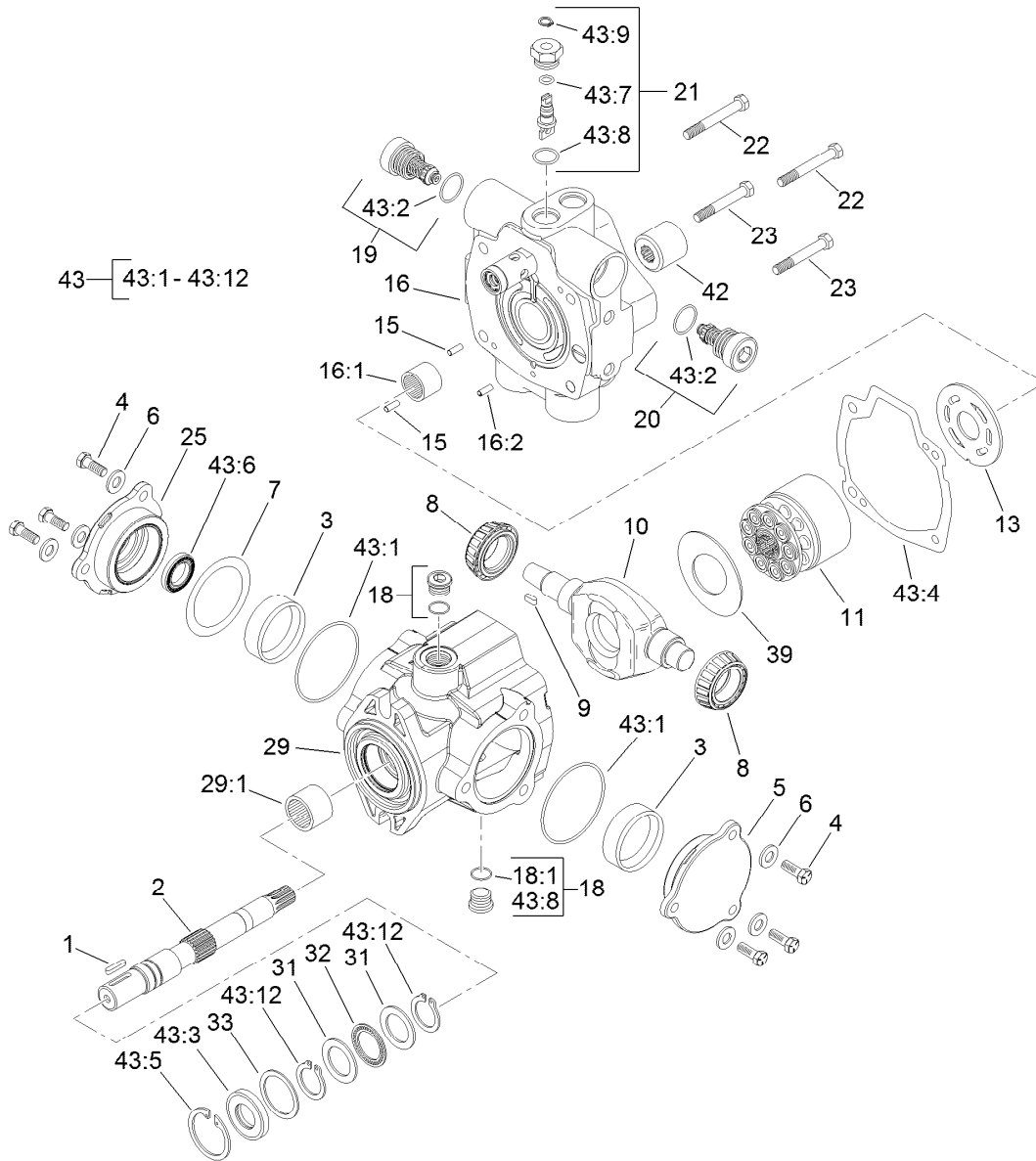


## Hydraulic Pump Assembly No. 104-4890

| Ref. | Part Number | Qty. | Description      | Ref. | Part Number | Qty. | Description       |
|------|-------------|------|------------------|------|-------------|------|-------------------|
| 1    | 94-3645     | 1    | Key              | 19   | 104-4889    | 1    | Relief Valve ASM  |
| 2    | 94-6359     | 1    | Shaft-Drive      | 20   | 105-3812    | 1    | Valve-Check       |
| 3    | 104-4046    | 2    | Bearing-Cup      | 21   | 105-3811    | 1    | Valve-Bypass      |
| 4    | 98-4640     | 6    | Screw-Cap        | 22   | 76-6170     | 2    | Capscrew          |
| 5    | 98-4644     | 1    | Plate-Cover      | 23   | 76-6160     | 2    | Capscrew          |
| 6    | 105-9762    | 6    | Washer           | 25   | 98-4645     | 1    | Plate-Cover       |
| 7    | 100-3182    | 2    | Shim Kit         | 29   | 100-3176    | 1    | Housing ASM       |
| 8    | 98-4639     | 2    | Bearing-Cone     | 29:1 | 94-6363     | 1    | Bearing           |
| 9    | 94-3646     | 1    | Key              | 31   | 252-71      | 2    | Washer-Thrust     |
| 10   | 104-4888    | 1    | Swashplate       | 32   | 252-66      | 1    | Bearing-Thrust    |
| 11   | 76-6070     | 1    | Rotating Kit     | 33   | 33-3720     | 1    | Washer            |
| 13   | 104-0429    | 1    | Plate-Valve      | 39   | 98-4635     | 1    | Insert-Plate, Cam |
| 15   | 76-6150     | 2    | Pin-Dowel        | 42   | 74-9040     | 1    | Coupler           |
| 16   | 105-3813    | 1    | Endcover Sub ASM | 43   | 120-5754    | 1    | Seal Kit          |
| 16:1 | 94-6368     | 1    | Bearing          | 43:1 |             | 2    | O-Ring ■          |
| 16:2 |             | 1    | Pin-Roll ■       | 43:2 |             | 2    | O-Ring ■          |
| 18   | 74-9280     | 2    | Plug ASM         | 43:3 |             | 1    | Seal-Shaft ■      |
| 18:1 |             | 1    | O-Ring ■         | 43:4 |             | 1    | Gasket ■          |

● Not illustrated

■ Not serviced separately



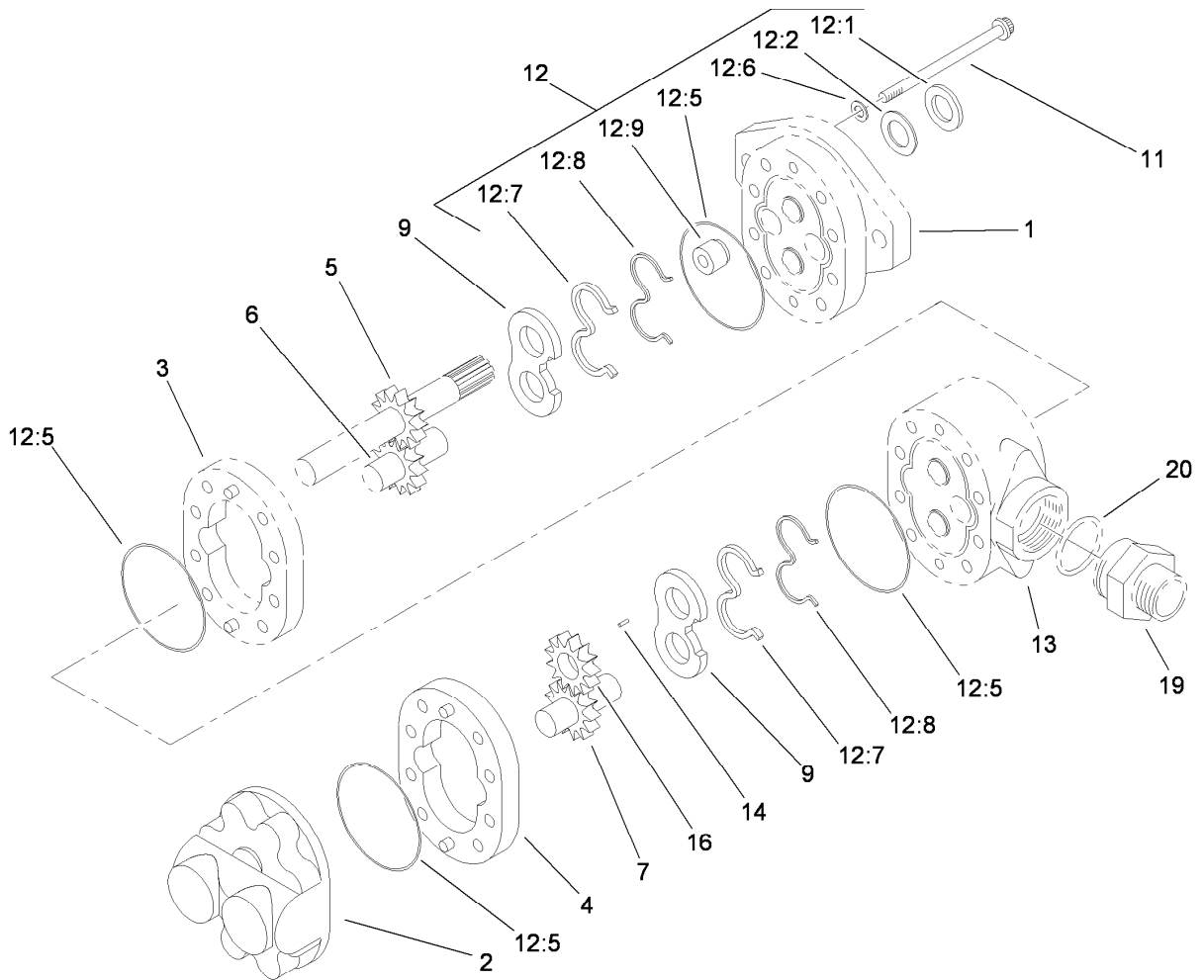
## Hydraulic Pump Assembly No. 104-4890 (continued)

| Ref. | Part Number | Qty. | Description      |
|------|-------------|------|------------------|
| 43:5 |             | 1    | Ring-Retaining ■ |
| 43:6 |             | 1    | Seal-Shaft ■     |
| 43:7 |             | 1    | O-Ring ■         |
| 43:8 |             | 5    | O-Ring ■         |
| 43:9 |             | 1    | Ring-Retaining ■ |

| Ref.  | Part Number | Qty. | Description      |
|-------|-------------|------|------------------|
| 43:10 |             | 1    | O-Ring ●■        |
| 43:11 |             | 1    | O Ring-Molded ●■ |
| 43:12 |             | 2    | Ring-Retaining ■ |
| 43:13 |             | 1    | O-Ring ■●        |

● Not illustrated

■ Not serviced separately

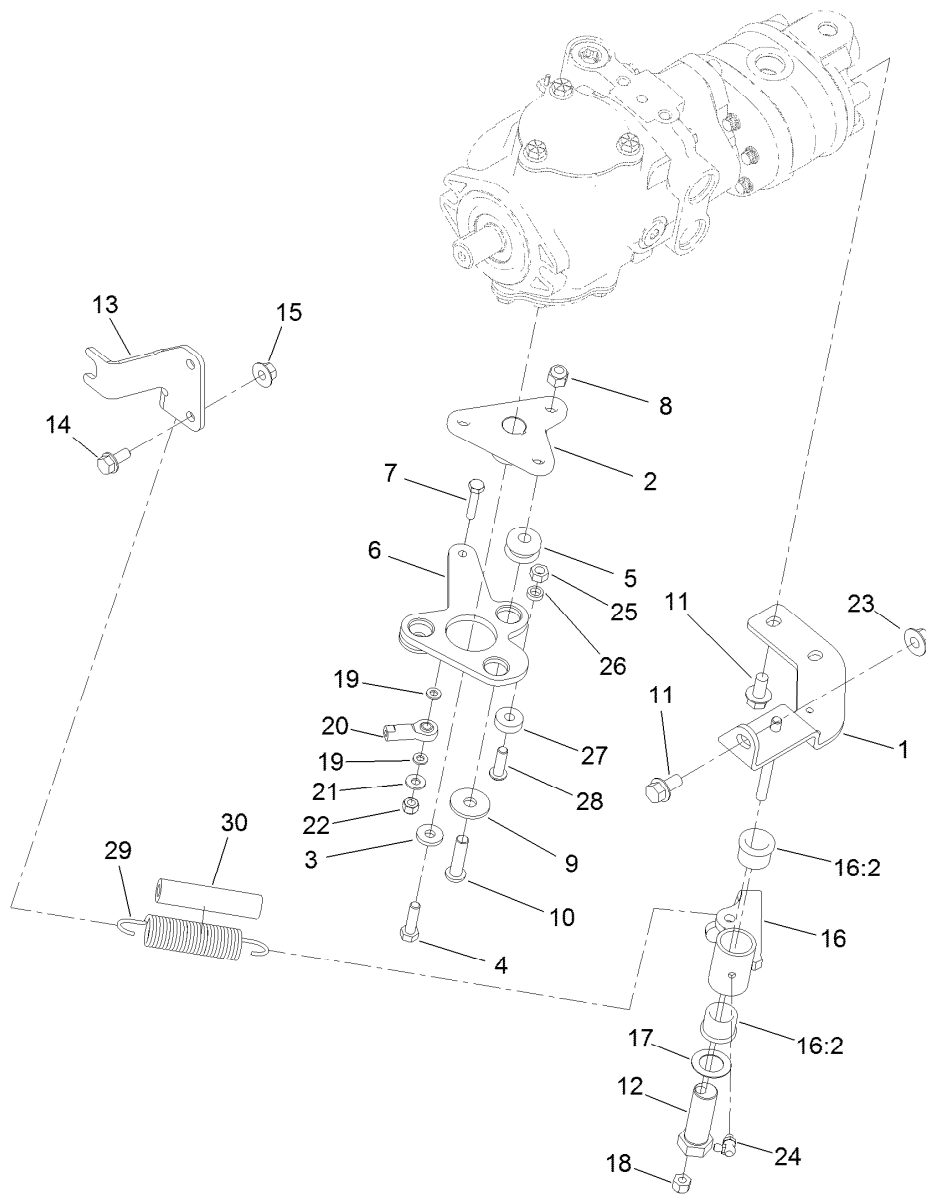


## Gear Pump Assembly No. 95-8601

| <i>Ref.</i> | <i>Part Number</i> | <i>Qty.</i> | <i>Description</i> |
|-------------|--------------------|-------------|--------------------|
| 1           |                    | 1           | Plate-Front ■      |
| 2           |                    | 1           | Plate-Back ■       |
| 3           |                    | 1           | Body ■             |
| 4           | 95-4364            | 1           | Body               |
| 5           |                    | 1           | Gear-Drive ■       |
| 6           |                    | 1           | Gear-Idler ■       |
| 7           | 95-4366            | 1           | Gear-Idler         |
| 9           | 95-4368            | 2           | Plate-Wear         |
| 11          | 94-8158            | 8           | Screw-Cap          |
| 12          | 94-8161            | 1           | Seal Repair Kit ●  |
| 12          |                    | 4           | O-Ring ■           |
| 12:1        | 49-2640            | 1           | Seal-Shaft         |
| 12:2        | 60-5890            | 1           | Washer             |
| 12:5        |                    | 4           | O-Ring ■           |
| 12:6        | 120-7576           | 4           | Washer-Sealing     |
| 12:7        | 95-4369            | 2           | Seal-Pressure      |
| 12:8        | 95-4368            | 2           | Plate-Wear         |
| 12:9        | 94-3011            | 1           | Plug               |
| 13          |                    | 1           | Plate-Adapter ■    |
| 14          |                    | 1           | Key ■              |
| 16          | 95-4373            | 1           | Gear-Fit, Slip     |
| 19          | 49-2640            | 1           | Seal-Shaft         |
| 20          | 60-5890            | 1           | Washer             |

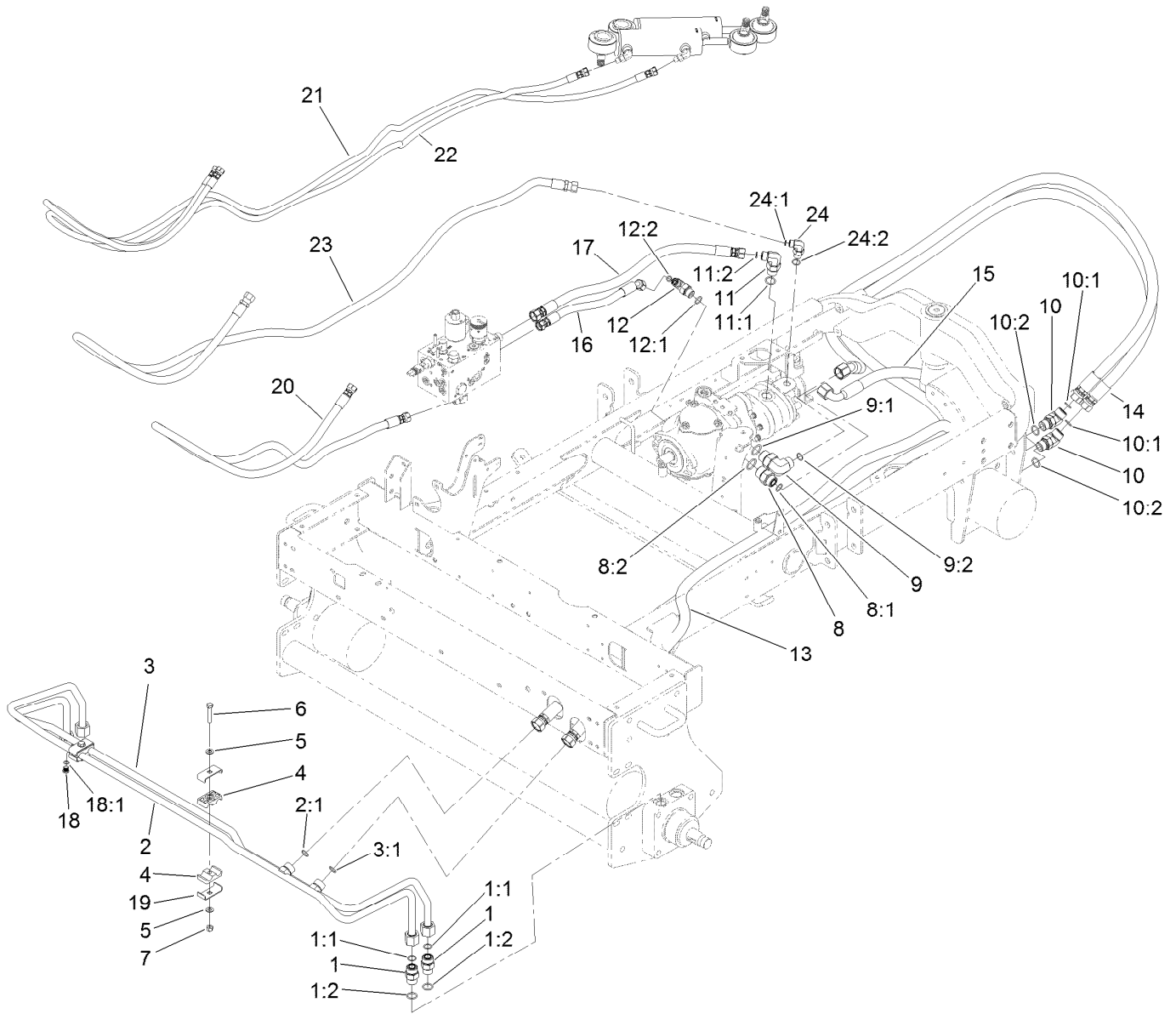
● Not illustrated

■ Not serviced separately



## Neutral Arm Assembly

| <i>Ref.</i> | <i>Part Number</i> | <i>Qty.</i> | <i>Description</i>     | <i>Ref.</i> | <i>Part Number</i> | <i>Qty.</i> | <i>Description</i>   |
|-------------|--------------------|-------------|------------------------|-------------|--------------------|-------------|----------------------|
| 1           | 95-8960-03         | 1           | Bracket-Neutral        | 16:2        | 256-113            | 2           | Bushing-Flange       |
| 2           | 120-5566           | 1           | Hub                    | 17          | 3-6498             | 1           | Washer-Thrust        |
| 3           | 88-7200            | 1           | Washer-Flat            | 18          | 3296-29            | 1           | Nut-Lock, NI         |
| 4           | 3210-6             | 1           | Screw-HH               | 19          | 33093-00           | 2           | Washer-Flat          |
| 5           | 63-9750            | 3           | Mount                  | 20          | 2411-41            | 1           | Rod End-Ball Joint   |
| 6           | 99-3594-03         | 1           | Lever-Pump             | 21          | 3256-22            | 1           | Washer-Flat          |
| 7           | 321-8              | 1           | Screw-HH               | 22          | 3296-42            | 1           | Nut-Lock, NI         |
| 8           | 3296-39            | 3           | Nut-Lock, NI           | 23          | 32128-43           | 1           | Nut-Flange           |
| 9           | 2844               | 3           | Washer                 | 24          | 302-60             | 1           | Fitting-Grease       |
| 10          | 95-3857            | 3           | Screw-HSBH             | 25          | 32153-3            | 1           | Nut-Hex, Side Deform |
| 11          | 3234-1             | 3           | Screw-HHF              | 26          | 100-4817           | 1           | Spacer               |
| 12          | 76-8640            | 1           | Stud-Traction          | 27          | 251-259            | 1           | Bearing-Ball         |
| 13          | 104-0464-03        | 1           | Bracket-Support, Cable | 28          | 3274-104           | 1           | Screw-HSBH           |
| 14          | 3234-5             | 2           | Screw-HHF              | 29          | 94-1369            | 1           | Spring-Extension     |
| 15          | 32128-44           | 2           | Nut                    | 30          | 99-3556            | 1           | Hose                 |
| 16          | 104-0422           | 1           | Neutral Arm ASM        |             |                    |             |                      |

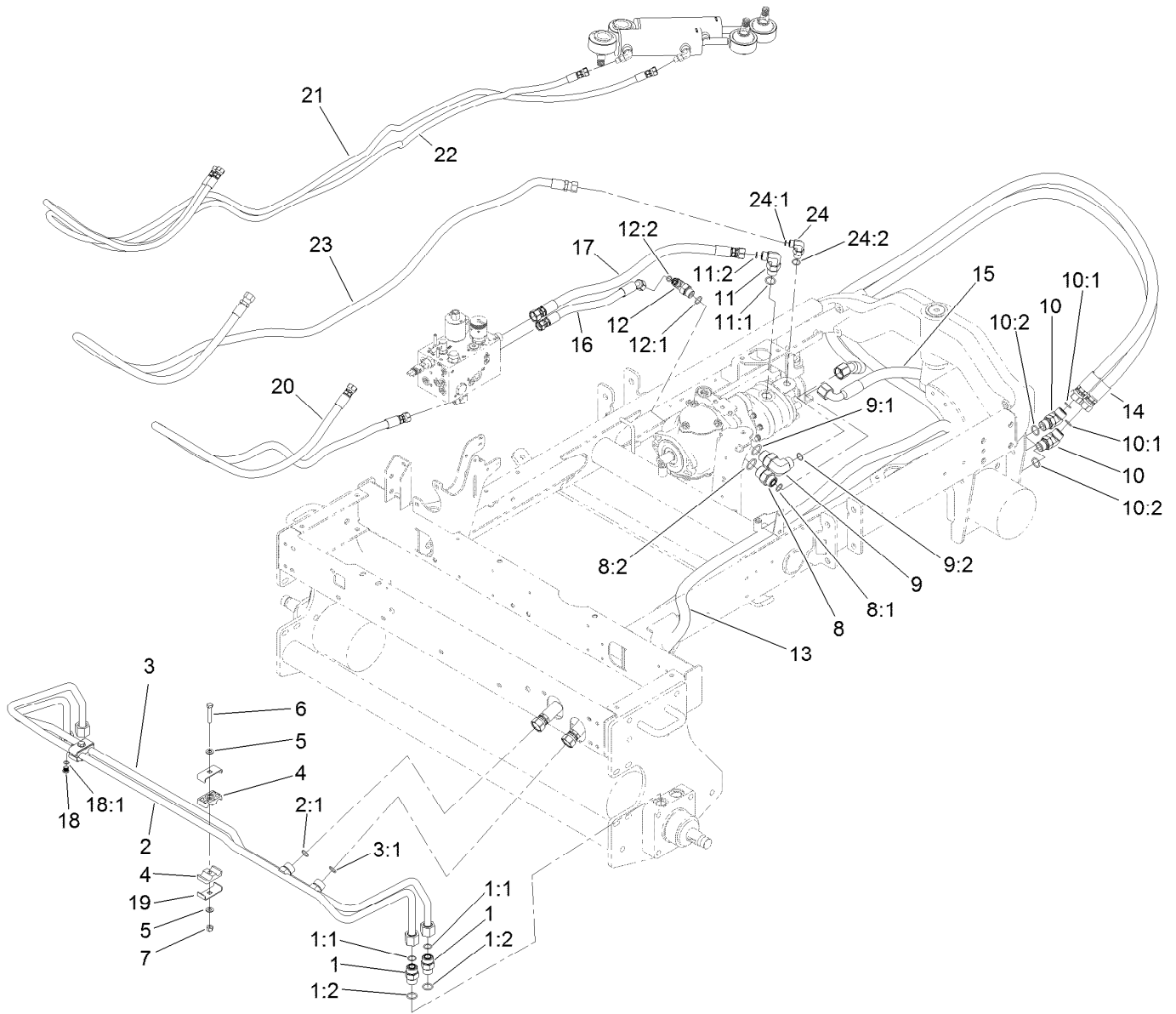


## Traction and Steering Circuit Assembly

| Ref. | Part Number | Qty. | Description         | Ref. | Part Number | Qty. | Description           |
|------|-------------|------|---------------------|------|-------------|------|-----------------------|
| 1    | 340-7       | 4    | Fitting-Straight    | 10:1 | 237-65      | 1    | O-Ring                |
| 1:1  | 237-65      | 1    | O-Ring              | 10:2 | 237-80      | 1    | O-Ring                |
| 1:2  | 237-80      | 1    | O-Ring              | 11   | 340-105     | 1    | Fitting-Elbow, 90 DEG |
| 2    | 95-8783     | 1    | Tube ASM            | 11:1 | 237-80      | 1    | O-Ring                |
| 2:1  | 237-65      | 1    | O-Ring              | 11:2 | 237-30      | 1    | O-Ring                |
| 3    | 95-8784     | 1    | Tube ASM            | 12   | 340-18      | 1    | Fitting-HYD, 90 DEG   |
| 3:1  | 237-65      | 1    | O-Ring              | 12:1 | 237-79      | 1    | O-Ring                |
| 4    | 56-7971     | 4    | Clamp-Tube          | 12:2 | 237-22      | 1    | O-Ring                |
| 5    | 3256-23     | 4    | Washer-Plain        | 13   | 105-1221    | 1    | Hose ASM              |
| 6    | 322-9       | 2    | Screw-HH            | 14   | 105-1222    | 1    | Hose ASM              |
| 7    | 3296-29     | 2    | Nut-Lock, NI        | 15   | 105-1214    | 1    | Hose-HYD              |
| 8    | 340-8       | 1    | Fitting-Straight    | 16   | 106-4197    | 1    | Hose ASM              |
| 8:1  | 237-65      | 1    | O-Ring              | 17   | 95-8829     | 1    | Hose ASM              |
| 8:2  | 237-81      | 1    | O-Ring              | 18   | 353-990     | 1    | Plug ASM              |
| 9    | 340-139     | 1    | Fitting-Elbow 90    | 18:1 | 237-78      | 1    | O-Ring                |
| 9:1  | 237-81      | 1    | O-Ring              | 19   | 119-1419    | 4    | Plate-Clamp           |
| 9:2  | 237-65      | 1    | O-Ring              | 20   | 95-8842     | 1    | Hose-HYD              |
| 10   | 340-14      | 2    | Fitting-HYD, 45 DEG | 21   | 95-8845     | 1    | Hose ASM              |

● Not illustrated

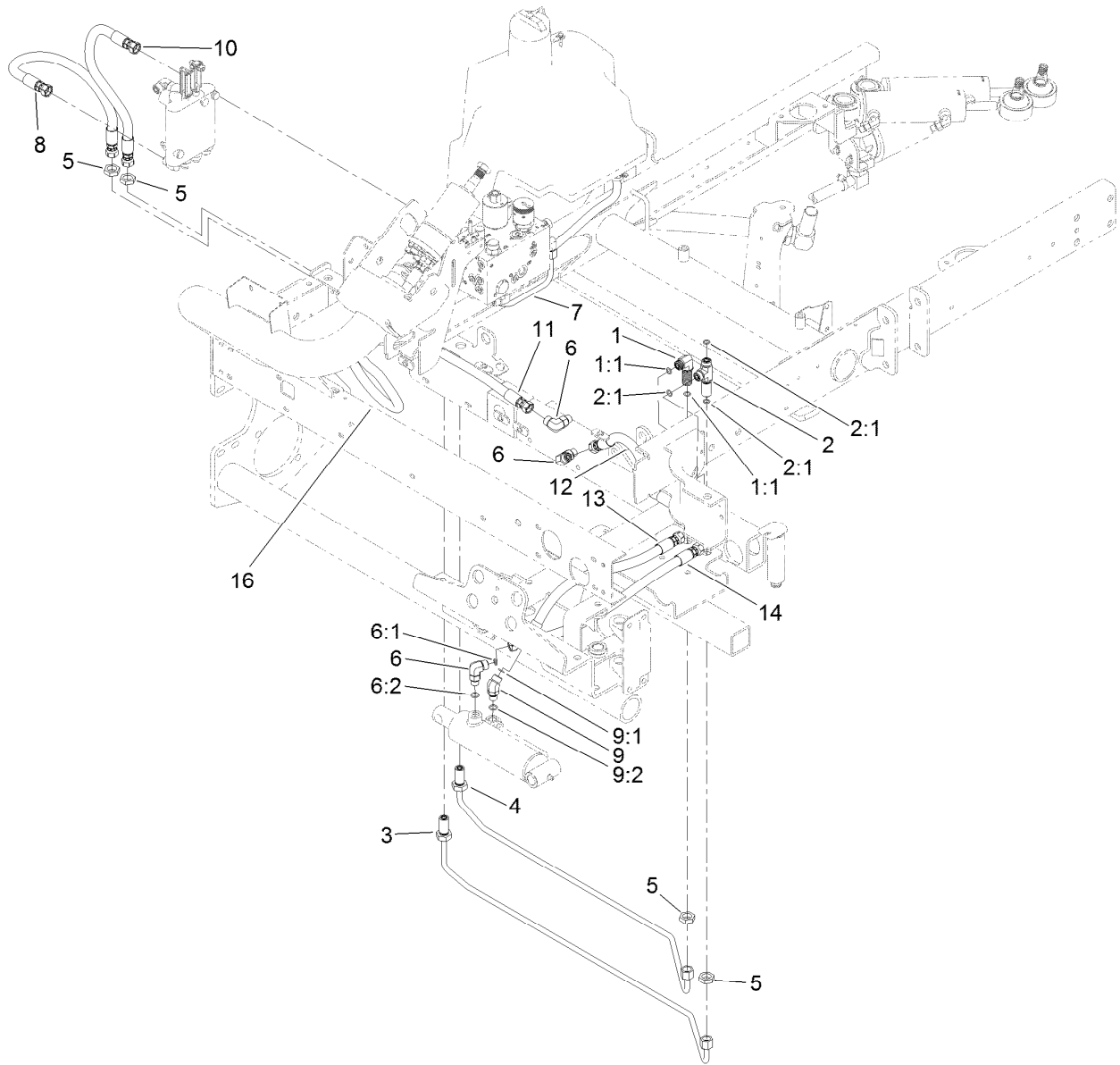




## Traction and Steering Circuit Assembly (continued)

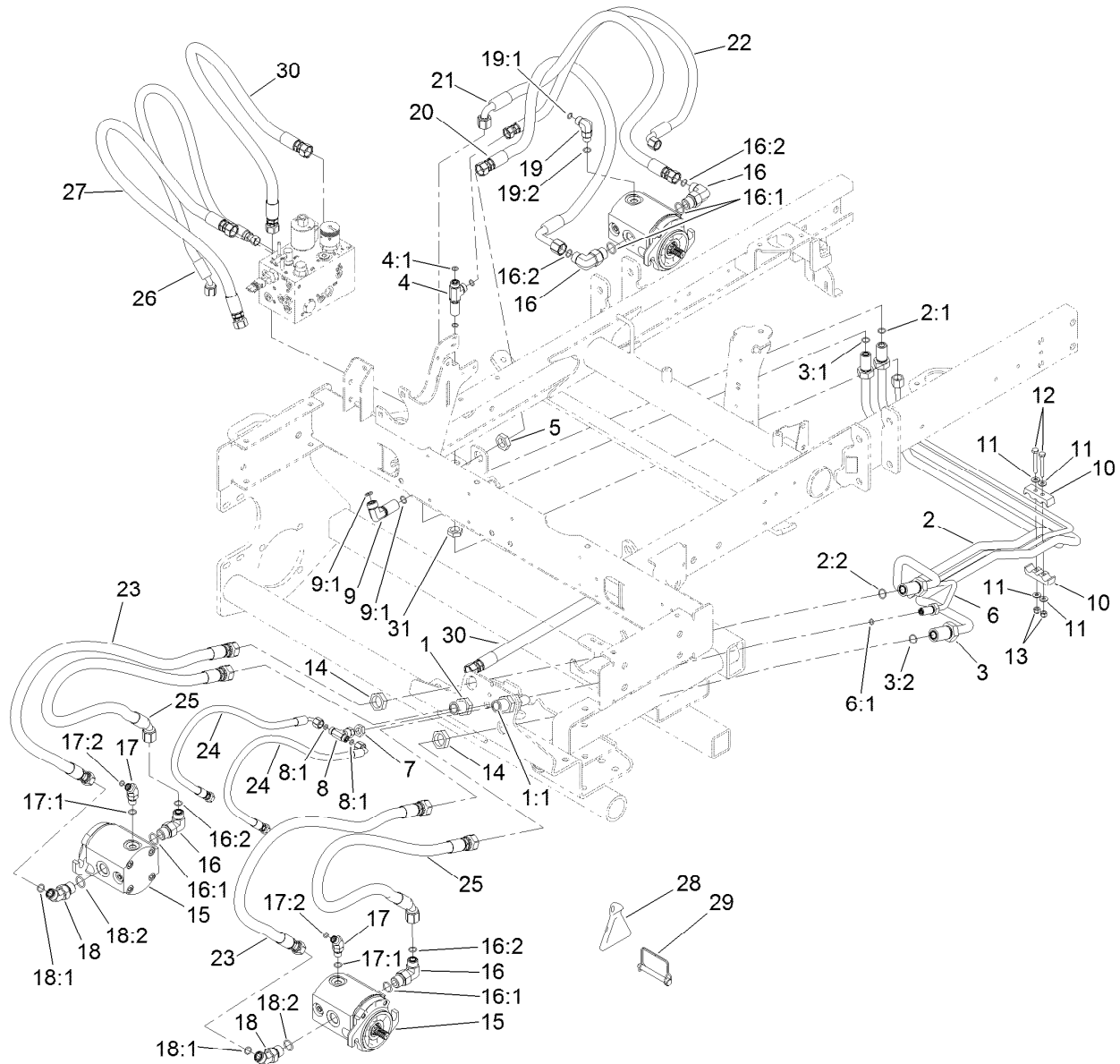
| Ref. | Part Number | Qty. | Description           | Ref. | Part Number | Qty. | Description |
|------|-------------|------|-----------------------|------|-------------|------|-------------|
| 22   | 95-8844     | 1    | Hose ASM              | 24:1 | 237-22      | 1    | O-Ring      |
| 23   | 95-8846     | 1    | Hose-HYD              | 24:2 | 237-42      | 1    | O-Ring      |
| 24   | 340-77      | 1    | Fitting-Elbow, 90 DEG | 99   | 3290-378    | 2    | Tie-Cable ● |

● Not illustrated



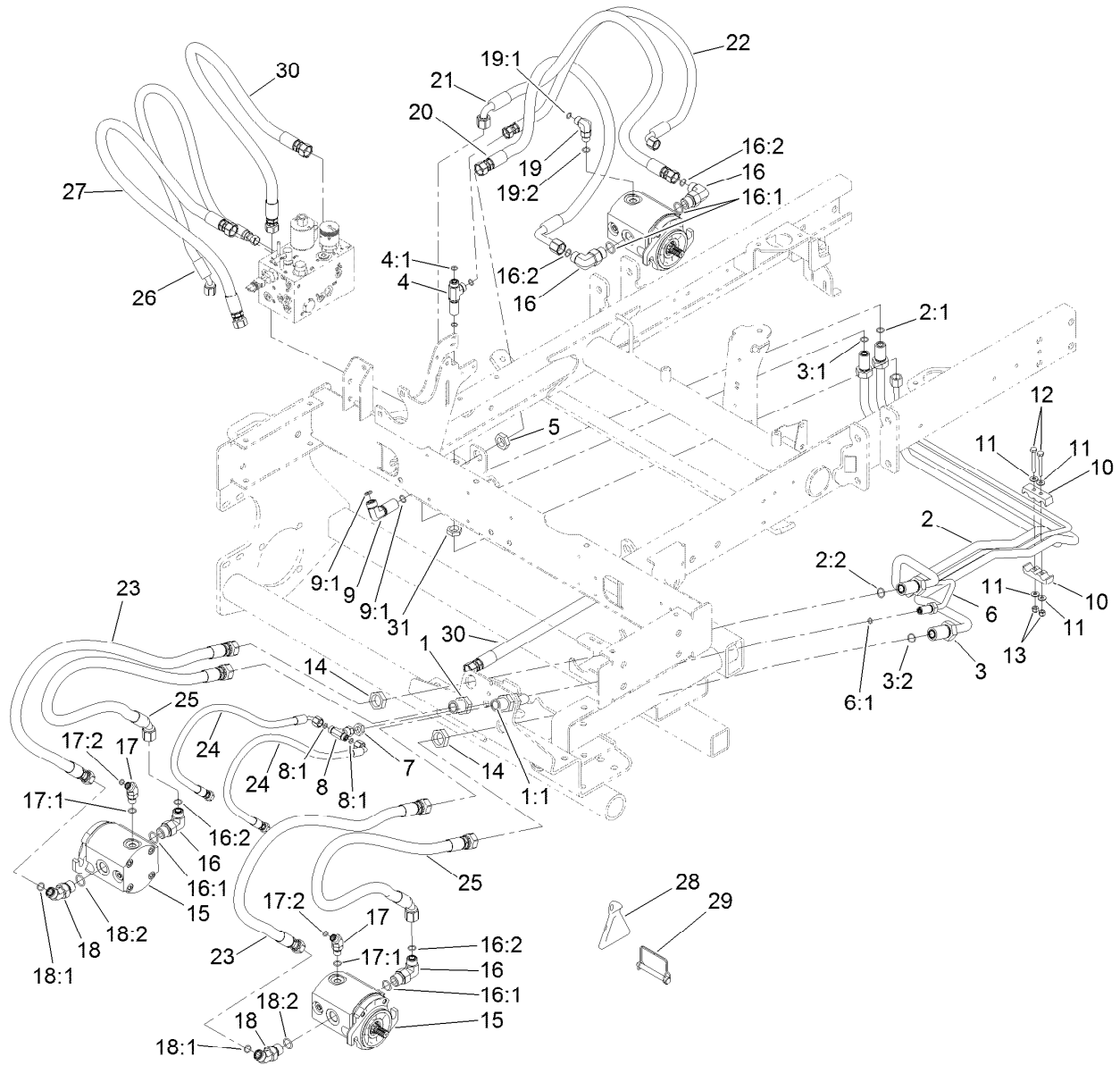
## Lift Circuit Assembly

| <i>Ref.</i> | <i>Part Number</i> | <i>Qty.</i> | <i>Description</i>    | <i>Ref.</i> | <i>Part Number</i> | <i>Qty.</i> | <i>Description</i>    |
|-------------|--------------------|-------------|-----------------------|-------------|--------------------|-------------|-----------------------|
| 1           | 340-154            | 1           | Union-Bulkhead        | 8           | 99-3575            | 1           | Hose-HYD              |
| 1:1         | 237-22             | 2           | O-Ring                | 9           | 340-87             | 1           | Fitting-Elbow, 45 DEG |
| 2           | 340-68             | 1           | Fitting-Tee, Bulkhead | 9:1         | 237-22             | 1           | O-Ring                |
| 2:1         | 237-22             | 3           | O-Ring                | 9:2         | 237-42             | 1           | O-Ring                |
| 3           | 95-8984            | 1           | Tube-HYD              | 10          | 99-3579            | 1           | Hose-HYD              |
| 4           | 95-8983            | 1           | Tube-HYD              | 11          | 99-3576            | 1           | Hose-HYD              |
| 5           | 340-70             | 4           | Nut-Lock              | 12          | 95-8831            | 1           | Hose-HYD              |
| 6           | 340-77             | 3           | Fitting-Elbow, 90 DEG | 13          | 117-5147           | 1           | Hose-HYD              |
| 6:1         | 237-22             | 1           | O-Ring                | 14          | 117-5147           | 1           | Hose-HYD              |
| 6:2         | 237-42             | 1           | O-Ring                | 16          | 95-8843            | 1           | Hose-HYD              |
| 7           | 99-3551            | 1           | Tube-HYD              |             |                    |             |                       |



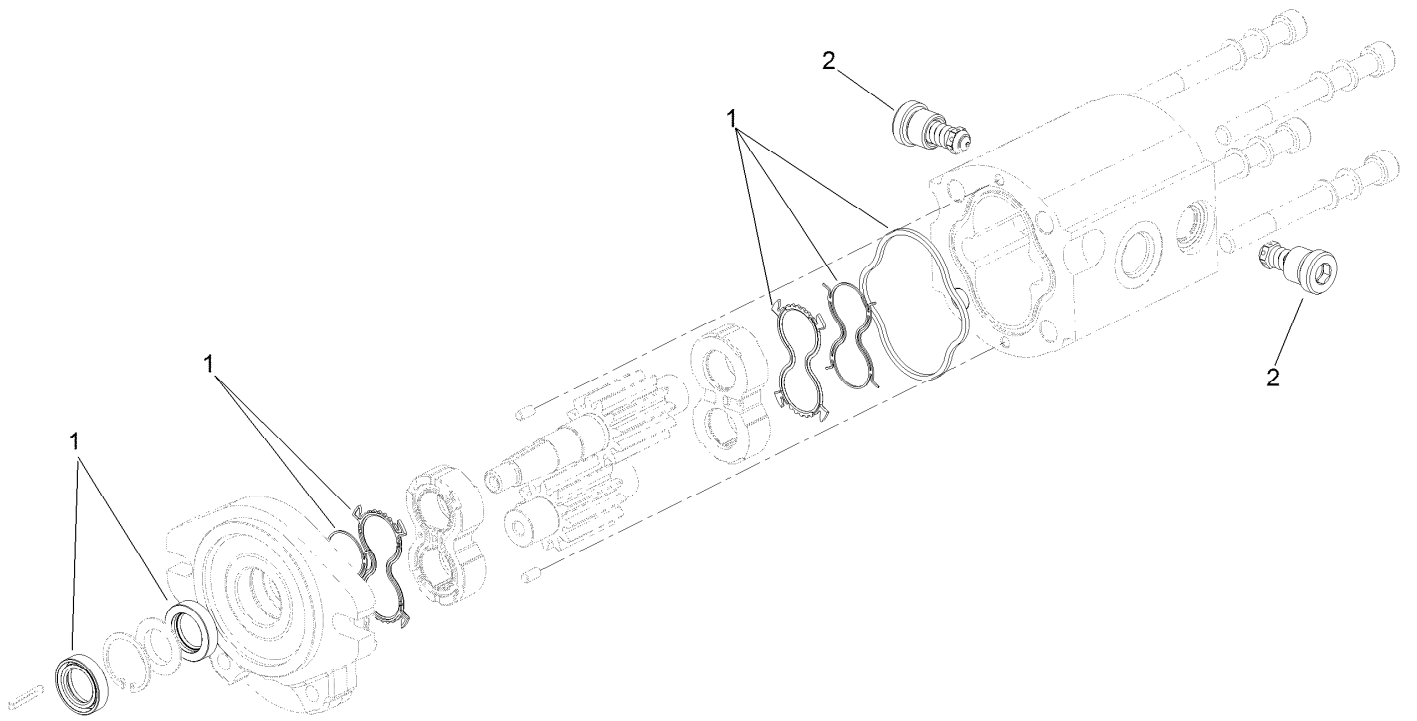
## Hydraulic Mow Circuit Assembly

| Ref. | Part Number | Qty. | Description           | Ref. | Part Number | Qty. | Description           |
|------|-------------|------|-----------------------|------|-------------|------|-----------------------|
| 1    | 99-3640     | 1    | Tube ASM              | 13   | 3296-42     | 2    | Nut-Lock, NI          |
| 1:1  | 237-65      | 2    | O-Ring                | 14   | 340-74      | 4    | Nut-Lock, Bulkhead    |
| 2    | 95-8980     | 1    | Tube ASM              | 15   | 115-8250    | 3    | Gear Motor ASM        |
| 2:1  | 237-30      | 1    | O-Ring                | 16   | 340-105     | 4    | Fitting-Elbow, 90 DEG |
| 2:2  | 237-65      | 1    | O-Ring                | 16:1 | 237-80      | 1    | O-Ring                |
| 3    | 95-8981     | 1    | Tube ASM              | 16:2 | 237-30      | 1    | O-Ring                |
| 3:1  | 237-30      | 1    | O-Ring                | 17   | 340-137     | 2    | Fitting               |
| 3:2  | 237-65      | 1    | O-Ring                | 17:1 | 237-21      | 1    | O-Ring                |
| 4    | 340-68      | 1    | Fitting-Tee, Bulkhead | 17:2 | 237-42      | 1    | O-Ring                |
| 4:1  | 237-22      | 3    | O-Ring                | 18   | 340-89      | 2    | Fitting-HYD, 45 DEG   |
| 5    | 340-127     | 3    | Nut-Bulkhead          | 18:1 | 237-30      | 1    | O-Ring                |
| 6    | 95-8982     | 1    | Tube ASM              | 18:2 | 237-80      | 1    | O-Ring                |
| 6:1  | 237-21      | 1    | O-Ring                | 19   | 340-77      | 1    | Fitting-Elbow, 90 DEG |
| 7    | 340-78      | 1    | Nut-Lock              | 19:1 | 237-22      | 1    | O-Ring                |
| 8    | 99-3477     | 1    | Fitting-Tee           | 19:2 | 237-42      | 1    | O-Ring                |
| 8:1  | 237-21      | 2    | O-Ring                | 20   | 117-5145    | 1    | Hose-HYD              |
| 9    | 93-9151     | 1    | Fitting-HYD           | 21   | 117-5146    | 1    | Hose-HYD              |
| 9:1  | 237-30      | 2    | O-Ring                | 22   | 114-5500    | 1    | Hose-HYD              |
| 10   | 93-2509     | 2    | Clamp-Tube            | 23   | 117-5142    | 2    | Hose-HYD              |
| 11   | 3256-22     | 4    | Washer-Flat           | 24   | 117-5144    | 2    | Hose-HYD              |
| 12   | 321-11      | 2    | Screw-HH              | 25   | 117-5143    | 2    | Hose-HYD              |



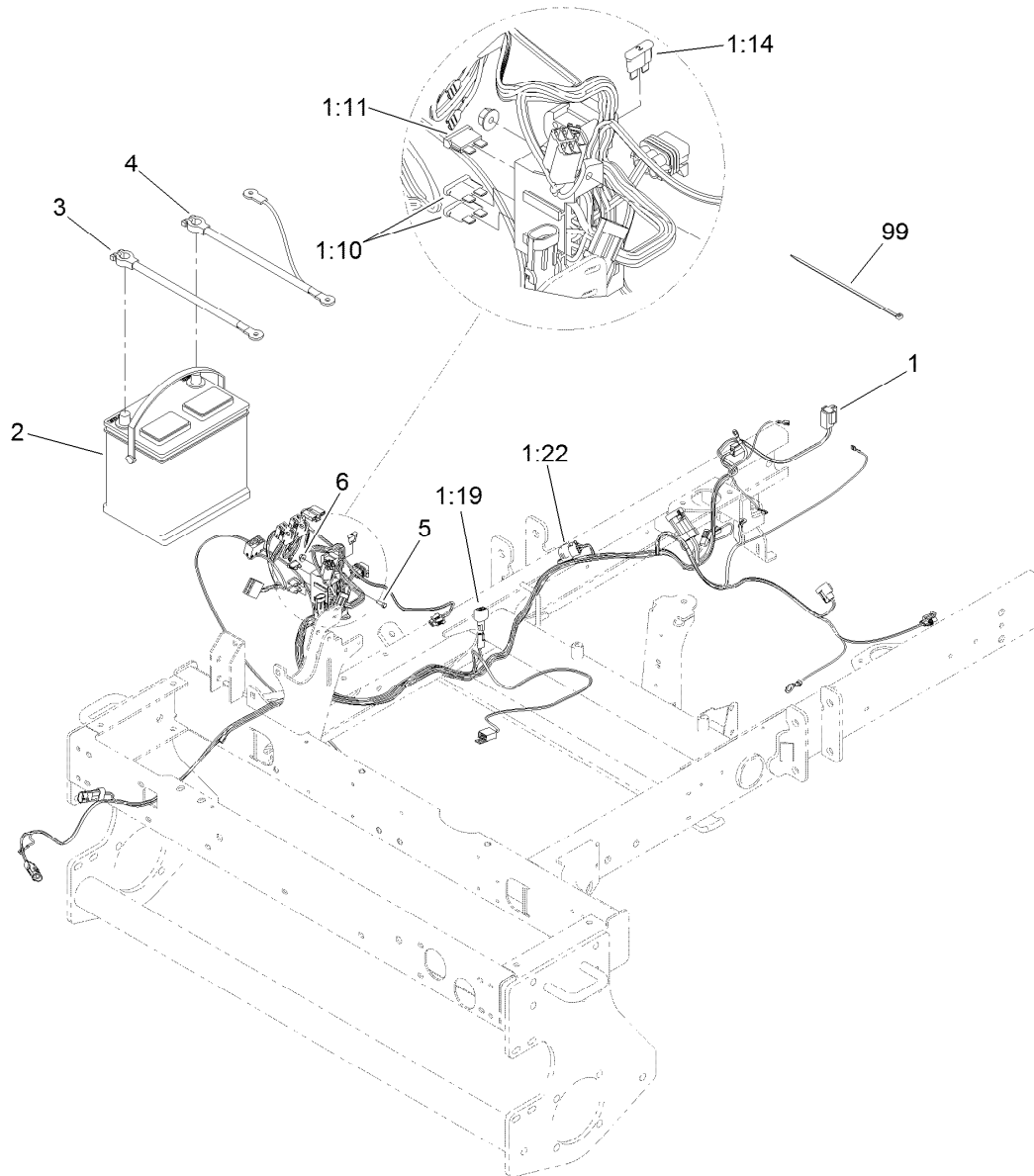
## Hydraulic Mow Circuit Assembly (continued)

| <i>Ref.</i> | <i>Part Number</i> | <i>Qty.</i> | <i>Description</i> | <i>Ref.</i> | <i>Part Number</i> | <i>Qty.</i> | <i>Description</i> |
|-------------|--------------------|-------------|--------------------|-------------|--------------------|-------------|--------------------|
| 26          | 115-3412           | 1           | Hose-HYD           | 29          | 107-7400           | 1           | Pin-Lynch          |
| 27          | 99-3578            | 1           | Hose-HYD           | 30          | 99-3574            | 1           | Hose-HYD           |
| 28          | 119-8010-03        | 1           | Kickstand          | 31          | 340-70             | 1           | Nut-Lock           |



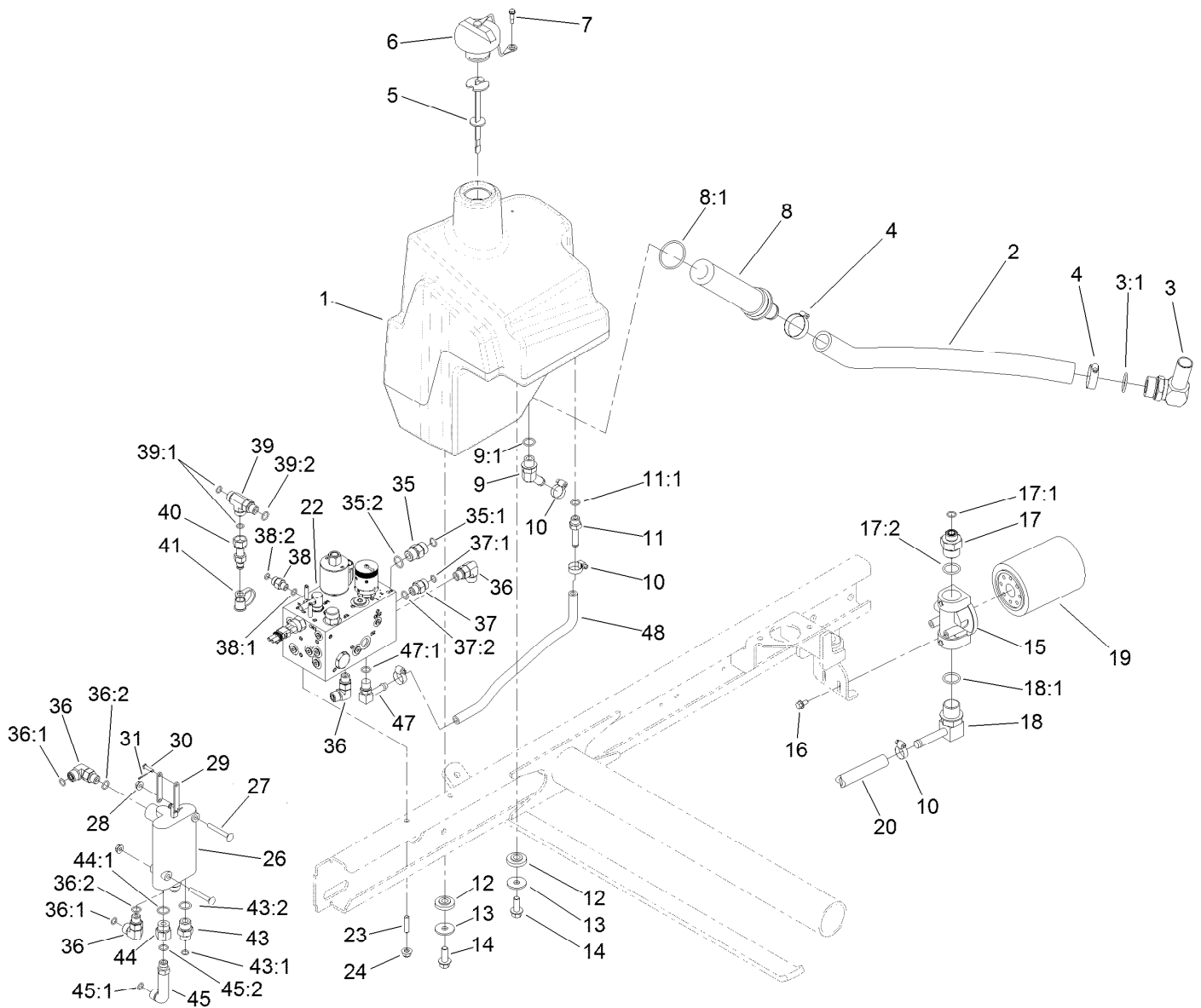
## Gear Motor Assembly No. 115-8250

| <i>Ref.</i> | <i>Part Number</i> | <i>Qty.</i> | <i>Description</i> |
|-------------|--------------------|-------------|--------------------|
| 1           | 125-1682           | 1           | Motor Seal Kit     |
| 2           | 117-5107           | 2           | Valve-Check        |



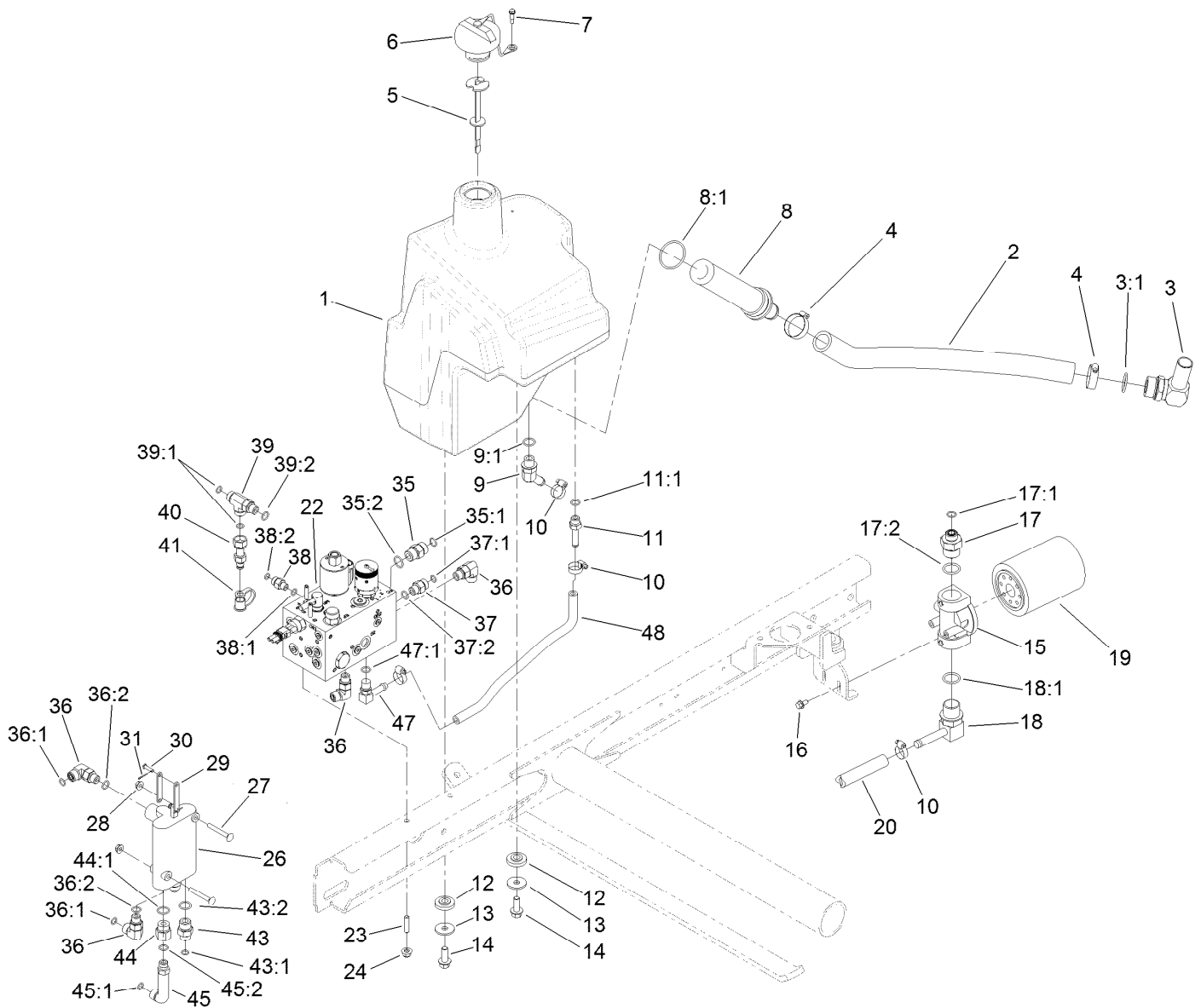
## Wire Harness and Battery Assembly

| <i>Ref.</i> | <i>Part Number</i> | <i>Qty.</i> | <i>Description</i>      |
|-------------|--------------------|-------------|-------------------------|
| 1           | 122-1523           | 1           | Harness-Wire            |
| 1:10        | 218-578            | 2           | Fuse-Blade, 10 Amp      |
| 1:11        | 109355             | 1           | Fuse-Blade, 15 Amp      |
| 1:14        | 94-6710            | 1           | Fuse-2 Amp              |
| 1:19        | 100-4918           | 1           | Diode                   |
| 1:22        | 32180-156          | 1           | Cap-Plug, 6 Way         |
| 2           | 104-0496           | 1           | Battery (Group 55, Wet) |
| 3           | 95-8853            | 1           | Cable-Battery, Positive |
| 4           | 95-8854            | 1           | Cable-Battery, Negative |
| 5           | 3290-134           | 2           | Screw                   |
| 6           | 3290-148           | 2           | Nut-HF                  |
| 99          | 3290-378           | 8           | Tie-Cable               |



## Hydraulic Tank and Control Valve Assembly

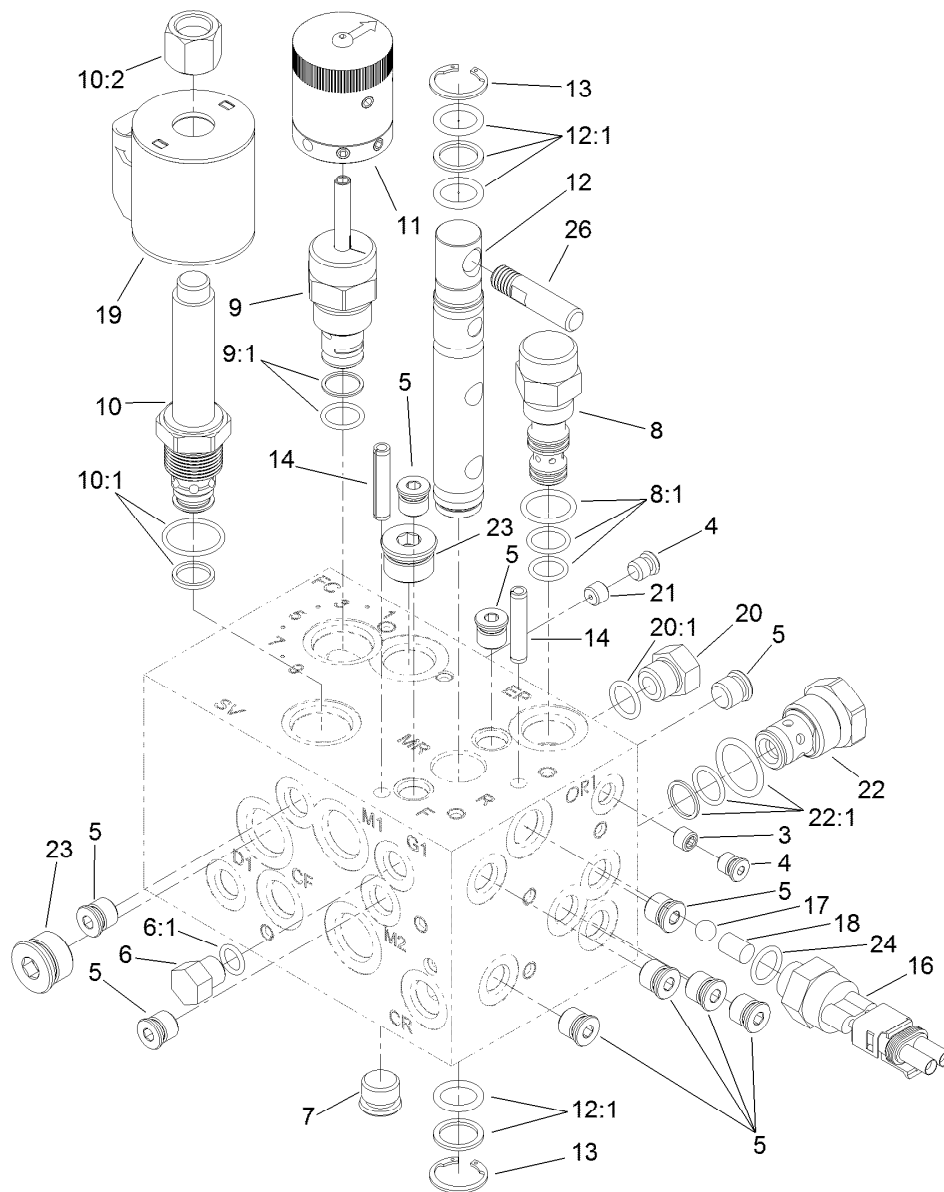
| Ref. | Part Number | Qty. | Description         | Ref. | Part Number | Qty. | Description                    |
|------|-------------|------|---------------------|------|-------------|------|--------------------------------|
| 1    | 104-4840    | 1    | Tank-HYD            | 17:1 | 237-30      | 1    | O-Ring                         |
| 2    | 104-4845    | 1    | Hose-Suction        | 17:2 | 237-81      | 1    | O-Ring                         |
| 3    | 56-9530     | 1    | Fitting-HYD, 90 DEG | 18   | 95-8814     | 1    | Fitting-90                     |
| 3:1  | 237-117     | 1    | O-Ring              | 18:1 | 237-81      | 1    | O-Ring                         |
| 4    | 2412-34     | 2    | Clamp-Hose          | 19   | 54-0110     | 1    | Filter-Oil, Transmission       |
| 5    | 119-6968    | 1    | Dipstick-Oil        | 20   | 99-3501     | 1    | Hose                           |
| 6    | 93-7160     | 1    | Cap-Oil, HYD        | 22   | 108-9037    | 1    | Manifold ASM                   |
| 7    | 57-5420     | 1    | Screw-Shoulder      | 23   | 104-0430    | 2    | Stud                           |
| 8    | 104-7546    | 1    | Tank Strainer ASM   | 24   | 104-8300    | 2    | Nut-HF, NI                     |
| 8:1  | 340-136     | 1    | O-Ring              | 26   | 95-8689     | 1    | Single Spool Control Valve ASM |
| 9    | 354-126     | 1    | Fitting-Elbow, 45   | 27   | 3230-33     | 2    | Screw-CARR                     |
| 9:1  | 237-79      | 1    | O-Ring              | 28   | 32128-33    | 2    | Nut-HF                         |
| 10   | 2412-36     | 4    | Clamp-Hose          | 29   | 95-8634     | 2    | Link                           |
| 11   | 353-979     | 1    | Fitting-STR         | 30   | 283-16      | 2    | Pin-Clevis                     |
| 11:1 | 237-42      | 1    | O-Ring              | 31   | 3272-1      | 2    | Pin-Cotter                     |
| 12   | 240-11      | 4    | Bushing-Flange      | 35   | 340-4       | 3    | Fitting-Straight               |
| 13   | 63-8410     | 4    | Washer              | 35:1 | 237-30      | 1    | O-Ring                         |
| 14   | 3234-11     | 4    | Screw-HHF           | 35:2 | 237-79      | 1    | O-Ring                         |
| 15   | 92-5821     | 1    | Head-Filter         | 36   | 340-77      | 3    | Fitting-Elbow, 90 DEG          |
| 16   | 3234-13     | 2    | Screw-HHF           | 36:1 | 237-22      | 1    | O-Ring                         |
| 17   | 100-4240    | 1    | Fitting-STR         |      |             |      |                                |



## Hydraulic Tank and Control Valve Assembly (continued)

| Ref. | Part Number | Qty. | Description      | Ref. | Part Number | Qty. | Description         |
|------|-------------|------|------------------|------|-------------|------|---------------------|
| 36:2 | 237-42      | 1    | O-Ring           | 43   | 340-3       | 1    | Fitting-Straight    |
| 37   | 340-2       | 2    | Fitting-Straight | 43:1 | 237-22      | 1    | O-Ring              |
| 37:1 | 237-22      | 1    | O-Ring           | 43:2 | 237-79      | 1    | O-Ring              |
| 37:2 | 237-42      | 1    | O-Ring           | 44   | 353-397     | 1    | Reducer-Adapter     |
| 38   | 340-92      | 1    | Fitting-Straight | 44:1 | 237-79      | 1    | O-Ring              |
| 38:1 | 237-78      | 1    | O-Ring           | 45   | 69-4320     | 1    | Fitting-HYD, 90 DEG |
| 38:2 | 237-21      | 1    | O-Ring           | 45:1 | 237-22      | 1    | O-Ring              |
| 39   | 340-86      | 1    | Fitting-Tee      | 45:2 | 237-42      | 1    | O-Ring              |
| 39:1 | 237-22      | 2    | O-Ring           | 47   | 100-4887    | 1    | Fitting-Elbow, 90   |
| 39:2 | 237-42      | 1    | O-Ring           | 47:1 | 237-42      | 1    | O-Ring              |
| 40   | 86-5480     | 1    | Nipple-Test      | 48   | 80-7342     | 1    | Hose-HYD            |
| 41   | 354-79      | 1    | Cap-Dust         |      |             |      |                     |

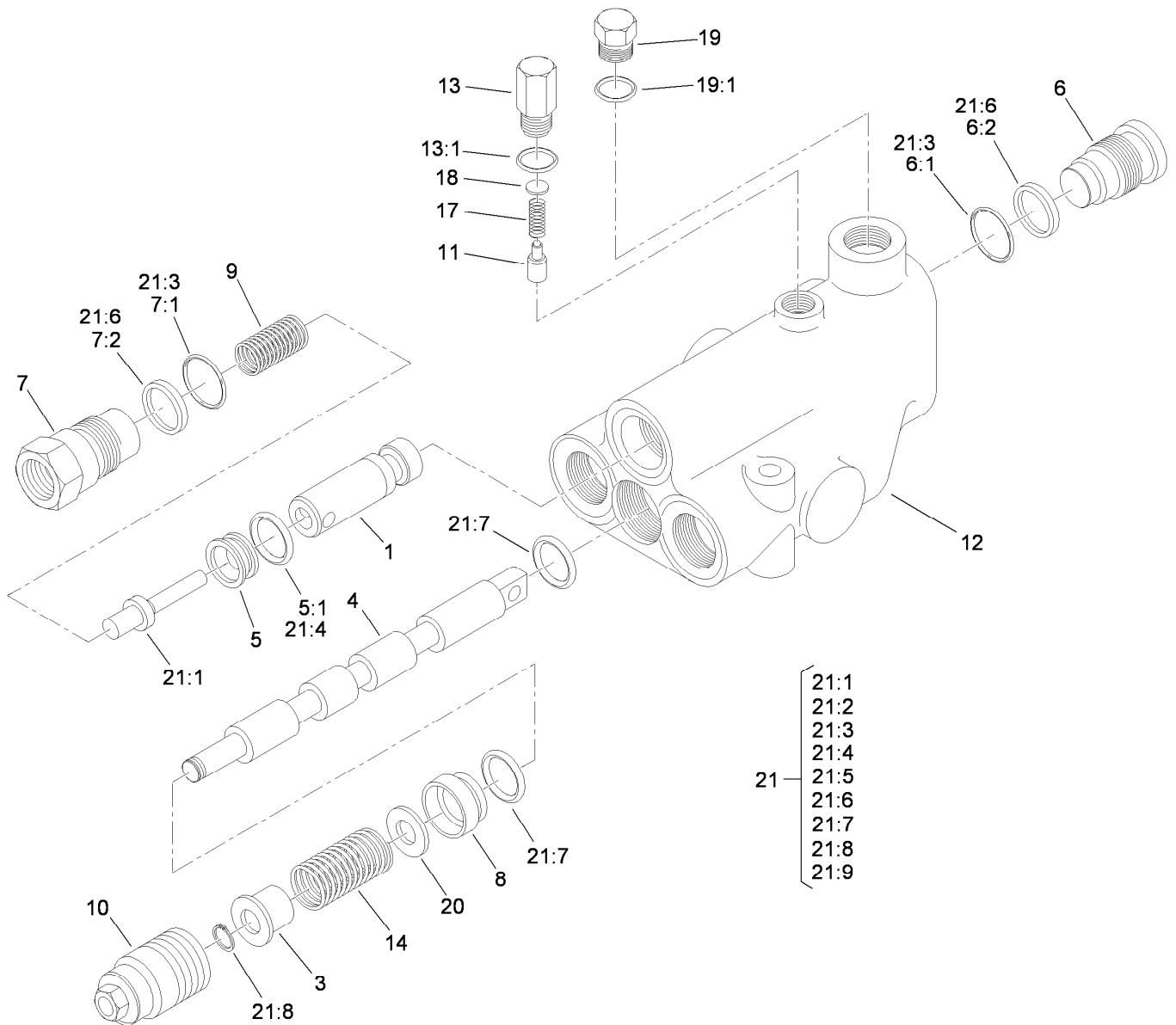




## Hydraulic Manifold Assembly No. 108-9037

| Ref. | Part Number | Qty. | Description                       | Ref. | Part Number | Qty. | Description    |
|------|-------------|------|-----------------------------------|------|-------------|------|----------------|
| 3    | 110-8771    | 1    | Orifice-.020                      | 12:1 | 117-0109    | 1    | Seal Kit       |
| 4    | 106-1024    | 2    | Plug-Leak, Zero                   | 13   | 112-6532    | 2    | Ring-Retaining |
| 5    | 106-1025    | 10   | Plug-HYD                          | 14   | 112-6531    | 2    | Pin-Spring     |
| 6    | 353-512     | 1    | Plug                              | 16   | 72-4310     | 1    | Switch-Ball    |
| 6:1  | 237-78      | 1    | O-Ring                            | 17   | 110-8762    | 1    | Ball-Chrome    |
| 7    | 106-1026    | 1    | Plug-HYD                          | 18   | 110-8761    | 1    | Pin-Dowel      |
| 8    | 110-8770    | 1    | Logic Element                     | 19   | 110-6344    | 1    | Coil-12V, DC   |
| 8:1  | 110-8773    | 1    | Seal Kit                          | 20   | 353-508     | 1    | Plug-HH        |
| 9    | 110-8769    | 1    | Valve-Control, Manual Flow        | 20:1 | 237-42      | 1    | O-Ring         |
| 9:1  | 110-2633    | 1    | Seal Kit                          | 21   | 110-8760    | 1    | Orifice-.073   |
| 10   | 110-8768    | 1    | Valve-Relief, Solenoid (3000 PSI) | 22   | 110-8759    | 1    | Valve-Relief   |
| 10:1 | 110-6316    | 1    | Seal Kit                          | 22:1 | 110-8772    | 1    | Seal Kit ●     |
| 10:2 | 130-8180    | 1    | Nut-Coil (9/16-24 Unef-2B)        | 23   | 106-1027    | 2    | Plug           |
| 11   | 110-8767    | 1    | Rotary Handle ASM                 | 24   | 110-8757    | 1    | O-Ring         |
| 12   | 117-0108    | 1    | Spool-Rotary                      | 26   | 110-8758    | 1    | Handle-Spool   |

● Not illustrated

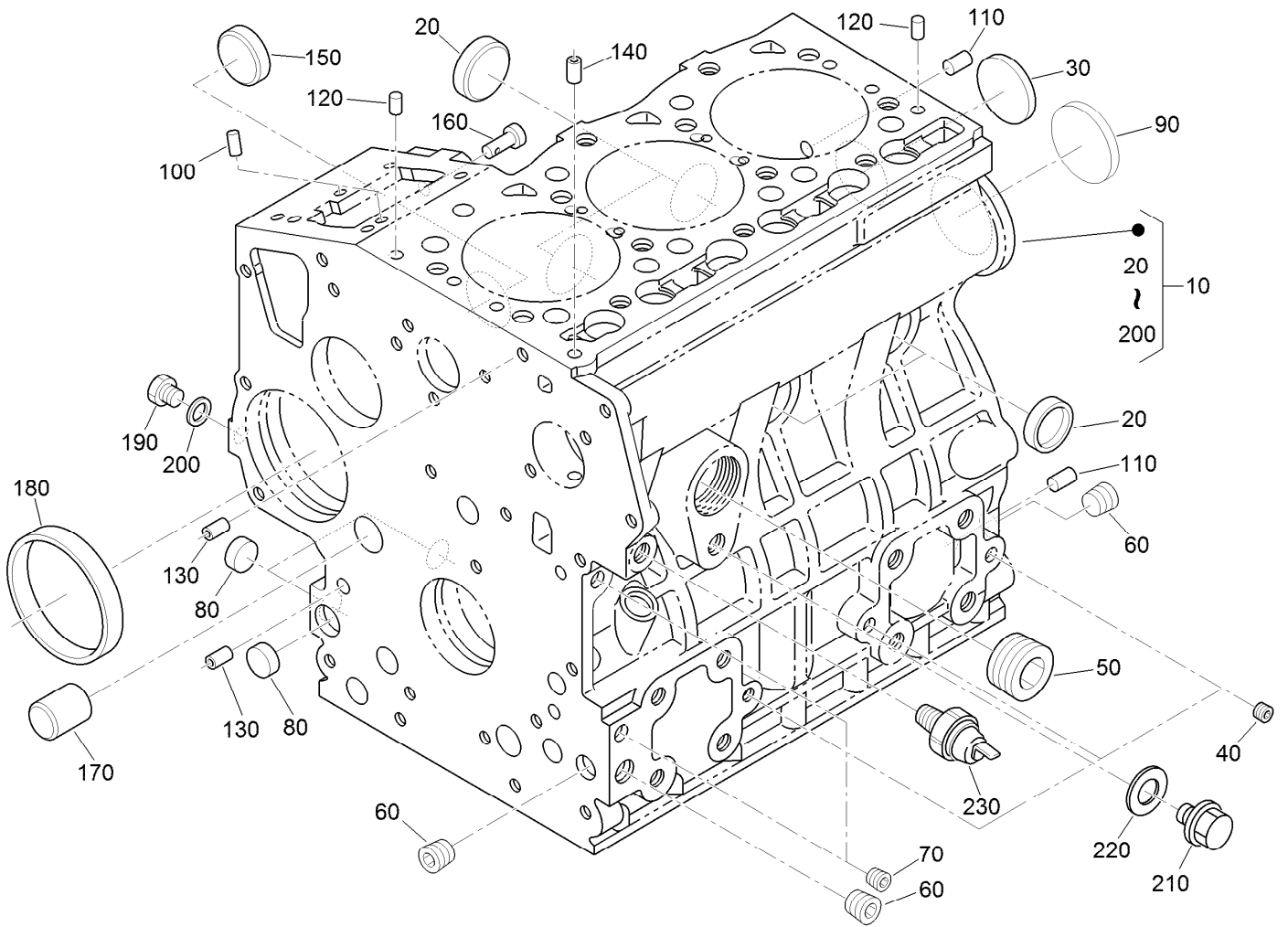


## Single Spool Control Valve Assembly No. 95-8689

| Ref. | Part Number | Qty. | Description    |
|------|-------------|------|----------------|
| 1    | 99-3586     | 1    | Plunger        |
| 3    | 58-6310     | 1    | Spacer         |
| 4    |             | 1    | Spool ●        |
| 5    | 58-6330     | 1    | Seat           |
| 5:1  | 58-6340     | 1    | O-Ring         |
| 6    | 58-6350     | 1    | Plug           |
| 6:1  | 60-5720     | 1    | O-Ring         |
| 6:2  | 58-6370     | 1    | Washer         |
| 7    | 69-1800     | 1    | Plug ASM       |
| 7:1  | 60-5720     | 1    | O-Ring         |
| 7:2  | 58-6370     | 1    | Washer         |
| 8    | 58-6400     | 1    | Bushing        |
| 9    | 69-1810     | 1    | Spring         |
| 10   | 58-6420     | 1    | Cap            |
| 11   | 99-3585     | 1    | Detent-Plunger |
| 12   |             | 1    | Body ●         |
| 13   | 99-3588     | 1    | Plug ASM       |

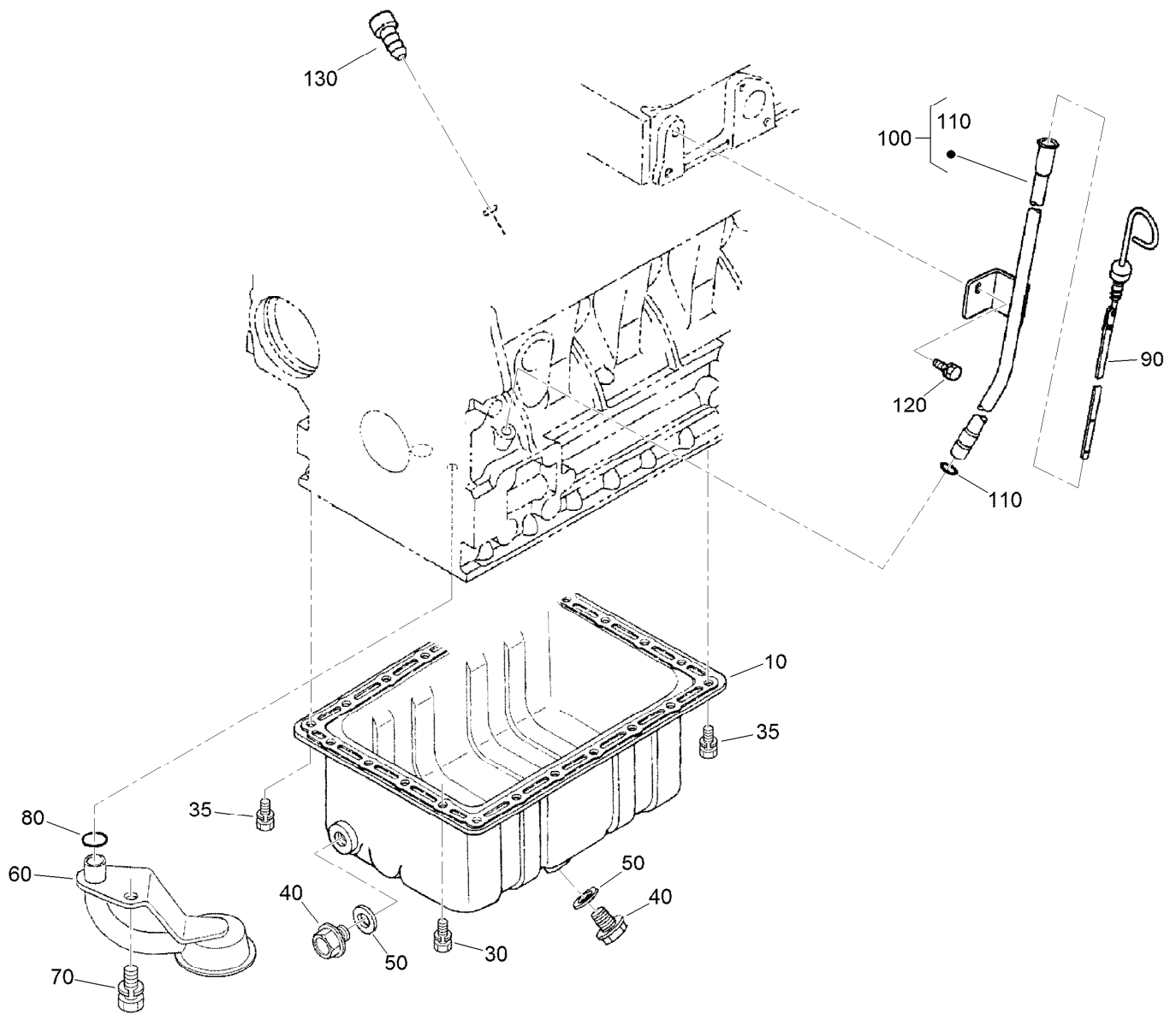
| Ref. | Part Number | Qty. | Description      |
|------|-------------|------|------------------|
| 13:1 | 60-6410     | 1    | O-Ring           |
| 14   | 99-3531     | 1    | Spring           |
| 17   | 99-3587     | 1    | Spring           |
| 18   | 60-6450     | 1    | Disc             |
| 19   | 353-989     | 1    | Plug-Hex, Hollow |
| 19:1 | 237-42      | 1    | O-Ring           |
| 20   | 65-2770     | 1    | Washer           |
| 21   | 99-3589     | 1    | Seal Kit         |
| 21:1 | 58-6290     | 2    | Poppet           |
| 21:2 | 58-6320     | 1    | Wiper            |
| 21:3 | 60-5720     | 2    | O-Ring           |
| 21:4 | 58-6340     | 2    | O-Ring           |
| 21:5 | 93-6314     | 1    | O-Ring           |
| 21:6 | 58-6370     | 2    | Washer           |
| 21:7 | 58-6450     | 2    | O-Ring           |
| 21:8 | 58-6460     | 1    | Ring-Retaining   |
| 21:9 |             | 1    | O-Ring ●         |

● Not serviced separately



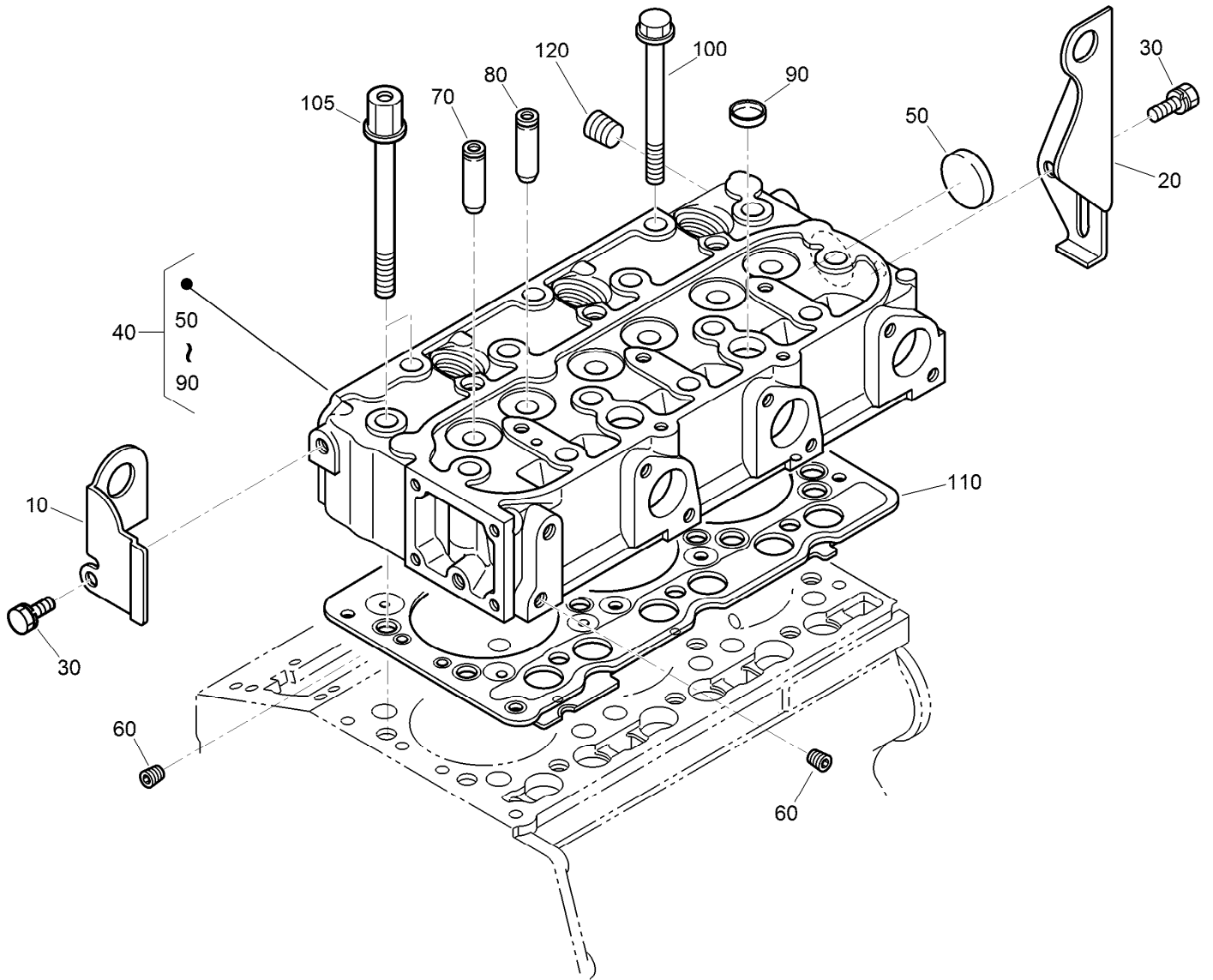
## Crankcase Assembly

| <i>Ref.</i> | <i>Part Number</i> | <i>Qty.</i> | <i>Description</i> | <i>Ref.</i> | <i>Part Number</i> | <i>Qty.</i> | <i>Description</i>     |
|-------------|--------------------|-------------|--------------------|-------------|--------------------|-------------|------------------------|
| 10          | 115-3443           | 1           | Crankcase ASM      | 130         | 98-9387            | 2           | Pin-Pipe               |
| 20          | 98-9398            | 4           | Cap-Sealing        | 140         | 98-9539            | 1           | Pin-Pipe               |
| 30          | 98-7539            | 1           | Cap-Sealing        | 150         | 98-9599            | 1           | Plug                   |
| 40          | 98-9687            | 3           | Plug               | 160         | 98-9630            | 1           | Pin-Spring, Start      |
| 50          | 105-3779           | 1           | Plug               | 170         | 98-9675            | 1           | Plug                   |
| 60          | 98-9597            | 3           | Plug               | 180         | 98-9656            | 1           | Bushing-Governor, Gear |
| 70          | 98-7487            | 2           | Plug               | 190         | 120-2559           | 1           | Plug                   |
| 80          | 98-9379            | 3           | Plug-Expansion     | 200         | 98-7428            | 1           | Gasket                 |
| 90          | 98-9668            | 1           | Plug-Expansion     | 210         | 99-3447            | 1           | Plug                   |
| 100         | 98-9375            | 2           | Pin-Straight       | 220         | 106-7056           | 1           | Gasket                 |
| 110         | 98-9377            | 2           | Pin-Straight       | 230         | 98-9416            | 1           | Switch-Oil             |
| 120         | 98-9376            | 2           | Pin-Straight       |             |                    |             |                        |



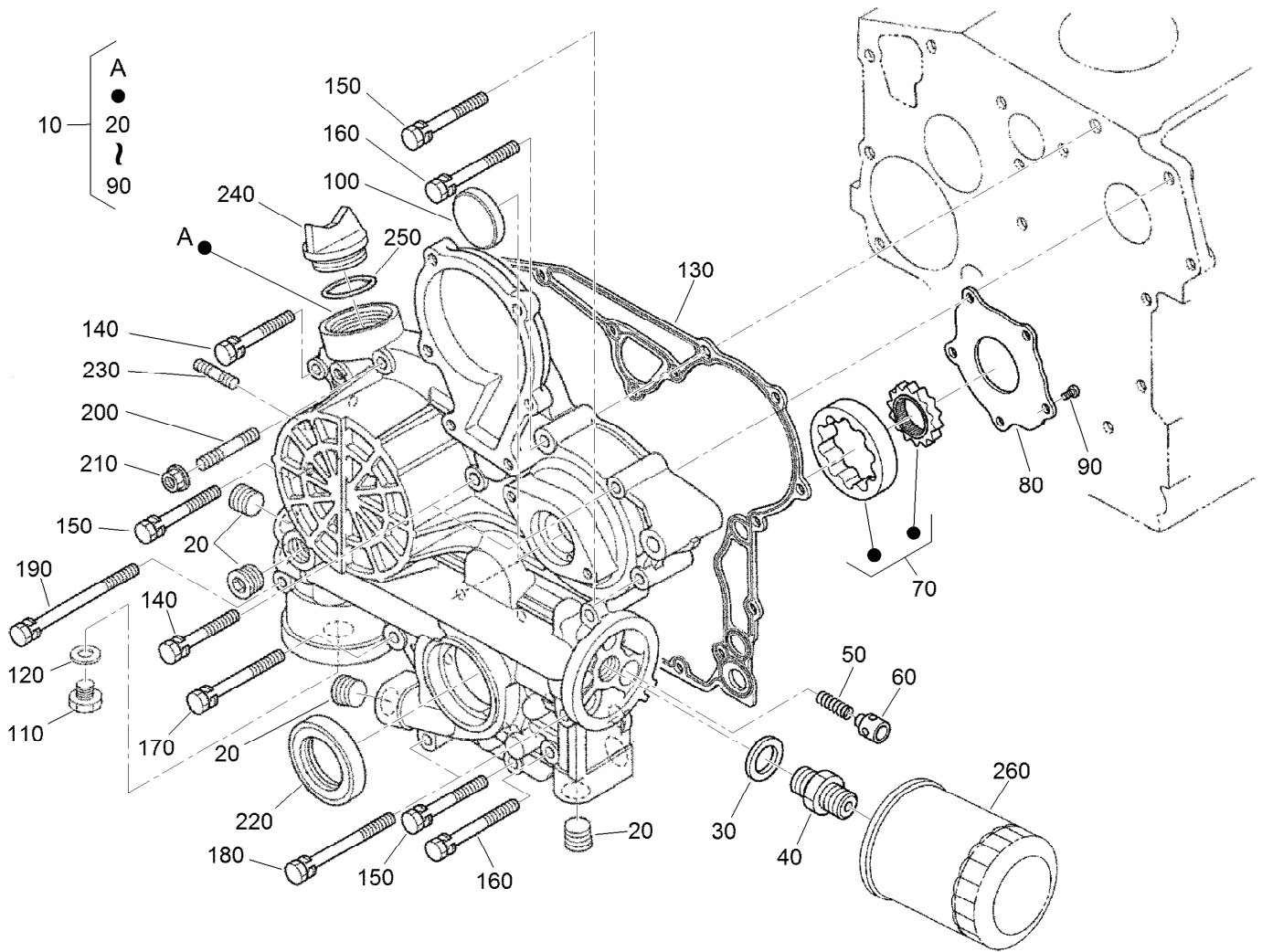
## Oil Pan and Dipstick Assembly

| <i>Ref.</i> | <i>Part Number</i> | <i>Qty.</i> | <i>Description</i>  |
|-------------|--------------------|-------------|---------------------|
| 10          | 98-9685            | 1           | Pan-Oil             |
| 30          | 98-9351            | 20          | Bolt                |
| 35          | 98-9351            | 2           | Bolt                |
| 40          | 114-8151           | 1           | Plug-Drain          |
| 50          | 98-7524            | 1           | Gasket              |
| 60          | 108-1401           | 1           | Base-Filter         |
| 70          | 98-7526            | 1           | Bolt                |
| 80          | 105-3776           | 1           | O-Ring              |
| 90          | 98-9670            | 1           | Gauge-Oil           |
| 100         | 98-9672            | 1           | Oil Gauge Guide ASM |
| 110         | 98-9722            | 1           | O-Ring              |
| 120         | 100-9195           | 1           | Bolt                |
| 130         | 110-3720           | 1           | Plug-Gauge, Oil     |



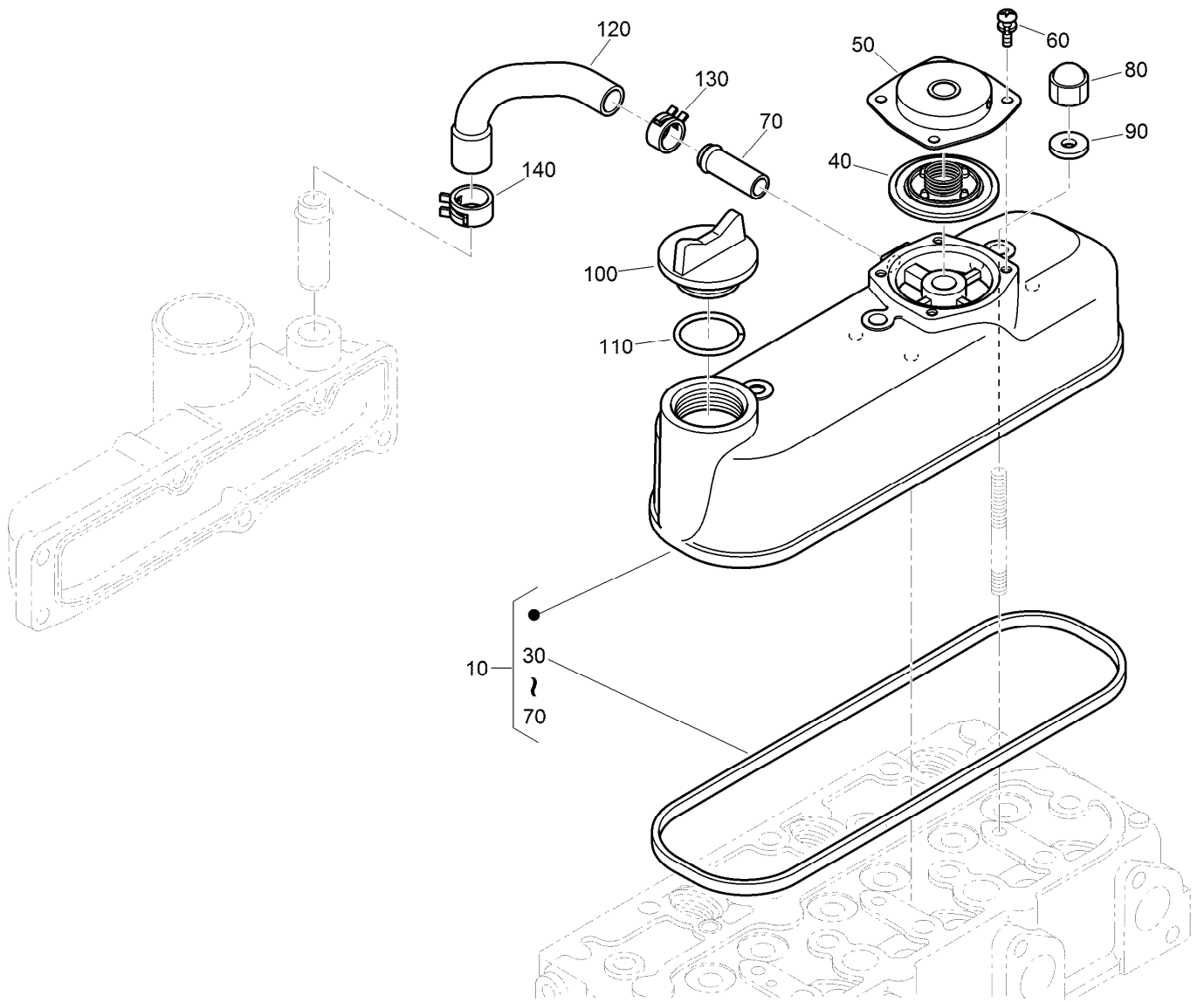
## Cylinder Head Assembly

| Ref. | Part Number | Qty. | Description           |
|------|-------------|------|-----------------------|
| 10   | 130-1231    | 1    | Hook-Engine           |
| 20   | 98-9478     | 1    | Hook-Engine           |
| 30   | 100-9195    | 2    | Bolt                  |
| 40   | 138-6997    | 1    | Cylinder Head ASM     |
| 50   | 105-3705    | 1    | Cap-Sealing           |
| 60   | 98-9687     | 2    | Plug                  |
| 70   | 107-9066    | 3    | Guide-Valve, Inlet    |
| 80   | 107-9067    | 3    | Guide-Valve, Exhaust  |
| 90   | 98-9389     | 2    | Cap-Sealing           |
| 100  | 98-9479     | 12   | Bolt-Head, Cylinder   |
| 105  | 98-9647     | 2    | Bolt-Head, Cylinder   |
| 110  | 108-6573    | 1    | Gasket-Head, Cylinder |
| 120  | 98-9444     | 1    | Plug                  |



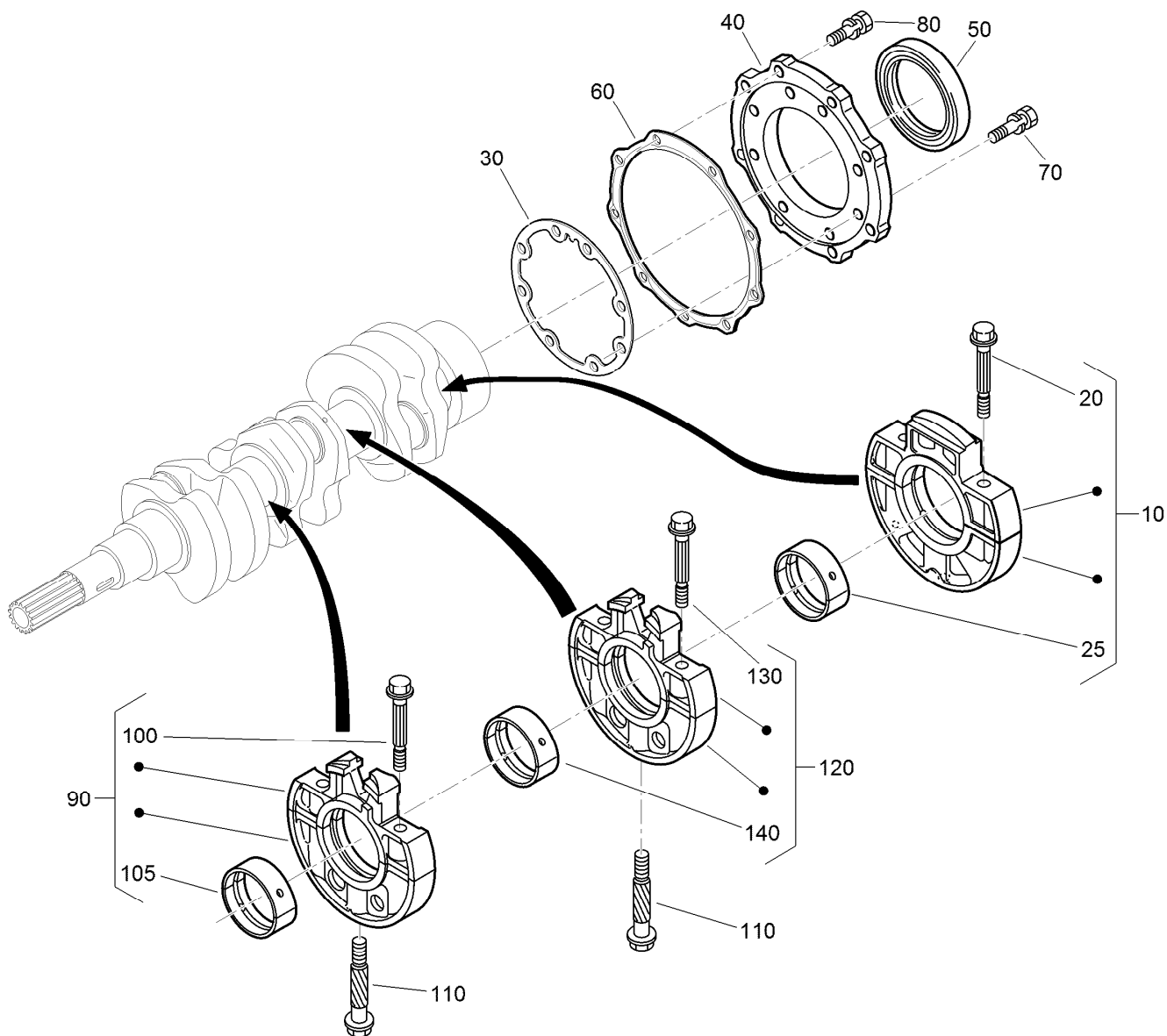
## Gear Case and Oil Filter Cartridge Assembly

| <i>Ref.</i> | <i>Part Number</i> | <i>Qty.</i> | <i>Description</i> | <i>Ref.</i> | <i>Part Number</i> | <i>Qty.</i> | <i>Description</i> |
|-------------|--------------------|-------------|--------------------|-------------|--------------------|-------------|--------------------|
| 10          | 115-3442           | 1           | Comp Gear Case     | 140         | 100-1765           | 3           | Bolt               |
| 20          | 127-0425           | 5           | Plug               | 150         | 125-9063           | 4           | Bolt-Sems          |
| 30          | 98-7562            | 1           | Washer-Plain       | 160         | 98-9356            | 2           | Bolt               |
| 40          | 98-9388            | 1           | Joint-Pipe         | 170         | 98-9437            | 1           | Bolt               |
| 50          | 130-1511           | 1           | Spring             | 180         | 99-3510            | 2           | Bolt               |
| 60          | 130-1510           | 1           | Valve-Relief       | 190         | 99-3511            | 1           | Bolt               |
| 70          | 130-1508           | 1           | Rotor ASM          | 200         | 105-3709           | 1           | Stud               |
| 80          | 130-1509           | 1           | Cover-Pump, Oil    | 210         | 100-2203           | 1           | Nut-Flange         |
| 90          | 130-1164           | 5           | Screw-Binding      | 220         | 119-8038           | 1           | Seal-Oil           |
| 100         | 99-3515            | 1           | Plug-Gearcase      | 230         | 105-3710           | 2           | Stud               |
| 110         | 99-3450            | 1           | Plug               | 240         | 107-9075           | 1           | Plug-Filler, Oil   |
| 120         | 99-3451            | 1           | Plug-Packing       | 250         | 99-3446            | 1           | O-Ring             |
| 130         | 98-9633            | 1           | Gasket-Case, Gear  | 260         | 127-0511           | 1           | Filter-Oil         |



## Cylinder Head Cover Assembly

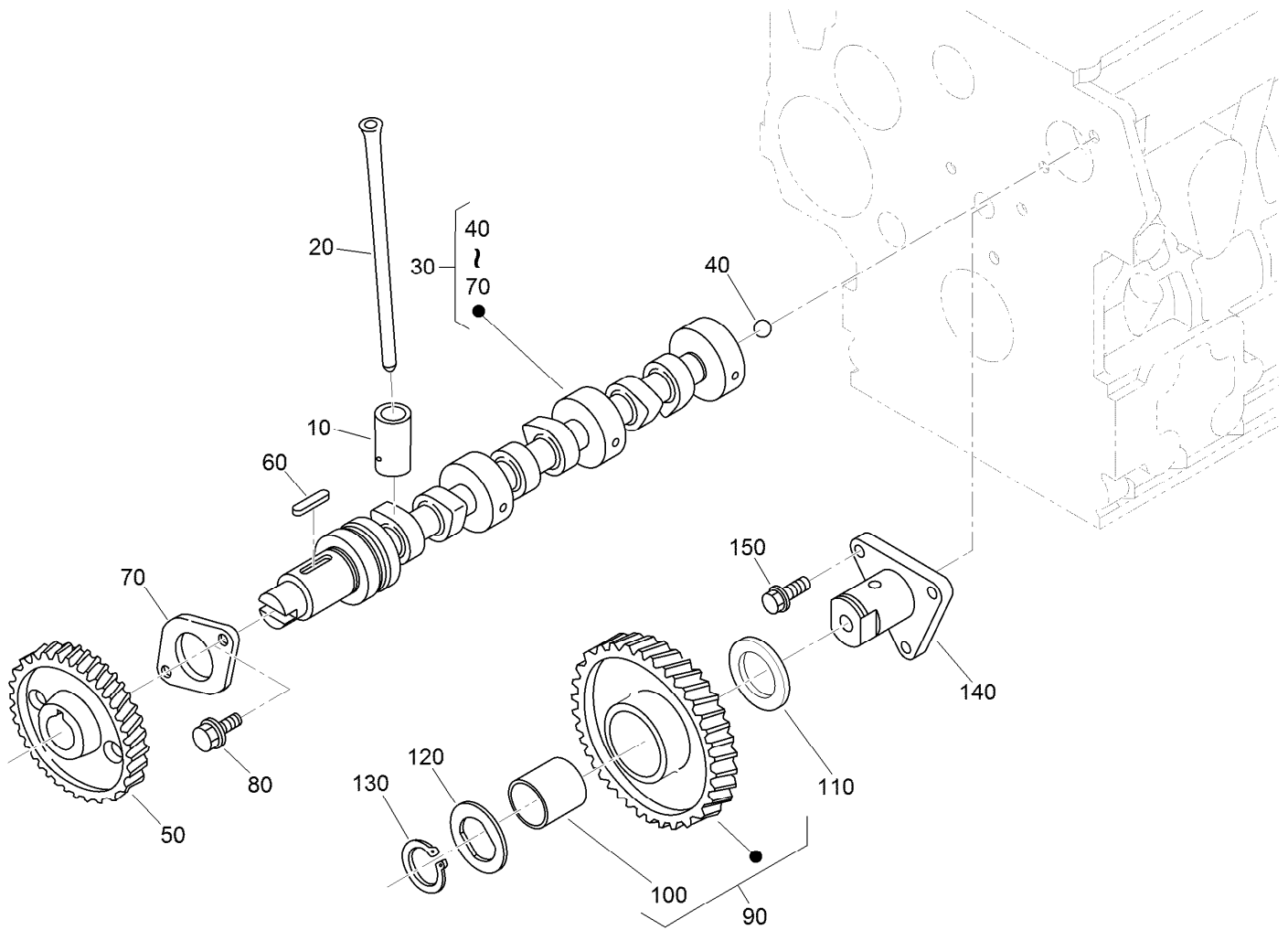
| <i>Ref.</i> | <i>Part Number</i> | <i>Qty.</i> | <i>Description</i>      |
|-------------|--------------------|-------------|-------------------------|
| 10          | 115-3446           | 1           | Cylinder Head Cover ASM |
| 30          | 98-9615            | 1           | Gasket-Cover, Head      |
| 40          | 110-3715           | 1           | Valve-Breather          |
| 50          | 110-3714           | 1           | Cover-Breather          |
| 60          | 98-9364            | 4           | Screw (With Washer)     |
| 70          | 98-7766            | 1           | Pipe-Return, Water      |
| 80          | 98-9455            | 3           | Nut-Cap                 |
| 90          | 98-9454            | 3           | Gasket                  |
| 100         | 107-9075           | 1           | Plug-Filler, Oil        |
| 110         | 99-3446            | 1           | O-Ring                  |
| 120         | 107-7836           | 1           | Tube-Breather           |
| 130         | 108-2859           | 1           | Clamp-Hose              |
| 140         | 108-2860           | 1           | Clamp-Hose              |



## Main Bearing Case Assembly

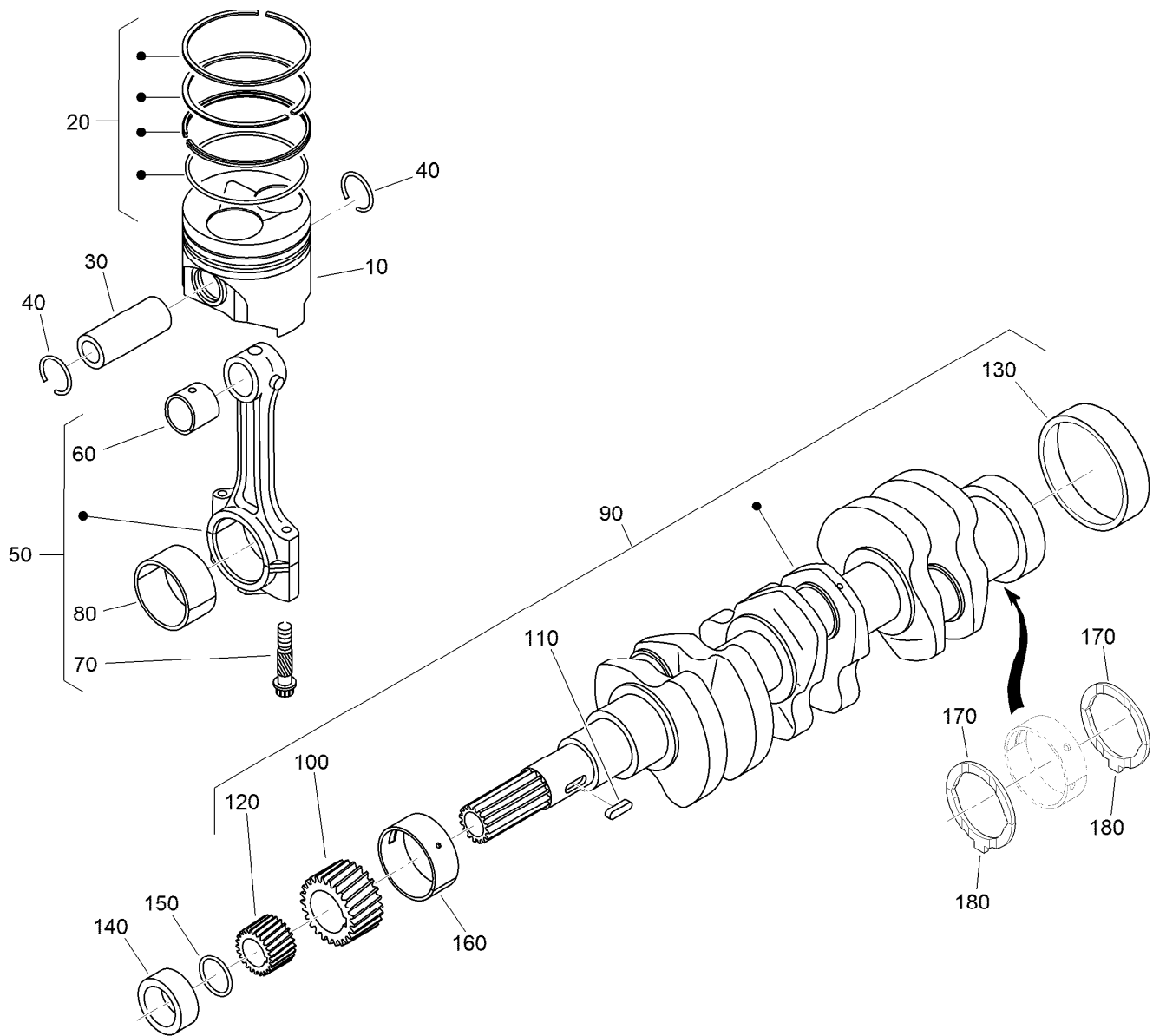
| Ref. | Part Number | Qty. | Description               | Ref. | Part Number | Qty. | Description                |
|------|-------------|------|---------------------------|------|-------------|------|----------------------------|
| 10   | 112-7026    | 1    | Wheel Bearing Case ASM    | 90   | 115-4106    | 1    | Main Bearing Case ASM      |
| 20   | 98-9484     | 2    | Bolt-Case, Bearing        | 100  | 98-9484     | 2    | Bolt-Case, Bearing         |
| 25   | 115-4121    | 1    | Metal-Crankshaft (STD)    | 105  | 98-9524     | 1    | Metal-Crankshaft (STD Set) |
| 25   | 112-7039    | 1    | Metal-Crankshaft (0.2Mm)  | 105  | 127-0433    | 1    | Metal-Crankshaft (-0.2MM)  |
| 25   | 112-7040    | 1    | Metal-Crankshaft (-0.4Mm) | 105  | 98-9531     | 1    | Bearing-Main (0.4MM)       |
| 30   | 131-6554    | 1    | Gasket-Case, Bearing      | 110  | 98-9485     | 2    | Bolt-Case, Bearing         |
| 40   | 112-7046    | 1    | Cover-Case, Bearing       | 120  | 115-4107    | 1    | Main Bearing Case ASM      |
| 50   | 112-0180    | 1    | Seal-Oil                  | 130  | 98-9484     | 2    | Bolt-Case, Bearing         |
| 60   | 112-7037    | 1    | Gasket-Cover, Case        | 140  | 98-9524     | 1    | Metal-Crankshaft (STD Set) |
| 70   | 127-0441    | 8    | Bolt                      | 140  | 127-0433    | 1    | Metal-Crankshaft (-0.2MM)  |
| 80   | 127-0442    | 9    | Bolt                      | 140  | 98-9531     | 1    | Bearing-Main (0.4MM)       |





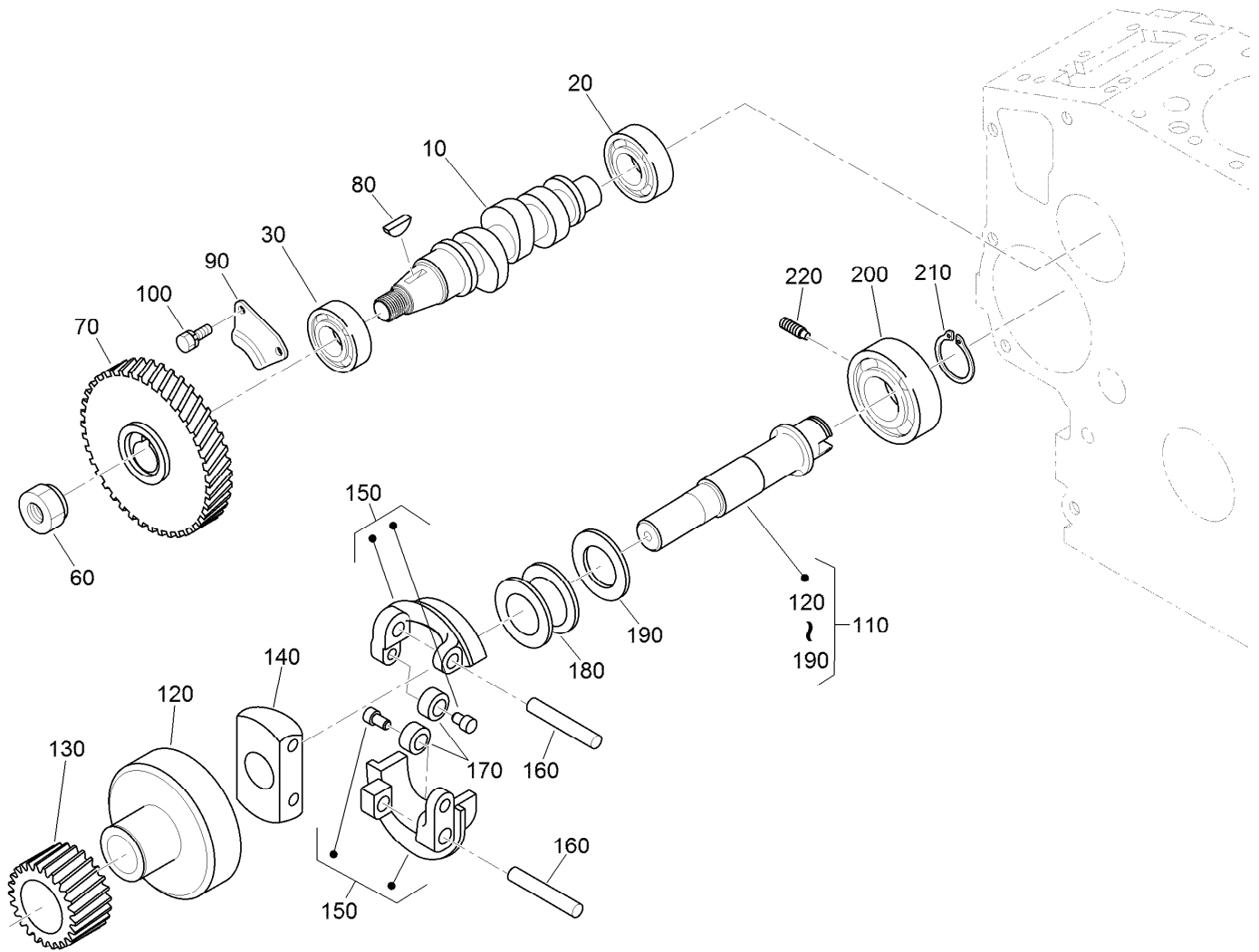
## Camshaft and Idle Gear Shaft Assembly

| Ref. | Part Number | Qty. | Description        |
|------|-------------|------|--------------------|
| 10   | 112-0185    | 6    | Tappet             |
| 20   | 127-0421    | 6    | Rod-Push           |
| 30   | 130-1505    | 1    | Camshaft ASM       |
| 40   | 110-3729    | 1    | Ball               |
| 50   | 98-9512     | 1    | Gear-Cam           |
| 60   | 98-9378     | 1    | Key-Feather        |
| 70   | 98-9510     | 1    | Stopper-Camshaft   |
| 80   | 98-7692     | 2    | Bolt               |
| 90   | 117-7584    | 1    | Idler Gear ASM     |
| 100  | 117-7585    | 1    | Bushing-Gear, Idle |
| 110  | 98-9535     | 1    | Collar-Gear, Idle  |
| 120  | 98-9536     | 1    | Collar-Gear, Idle  |
| 130  | 98-9534     | 1    | Circlip-Gear, Idle |
| 140  | 98-9533     | 1    | Shaft-Gear, Idle   |
| 150  | 98-7692     | 3    | Bolt               |



## Piston and Crankshaft Assembly

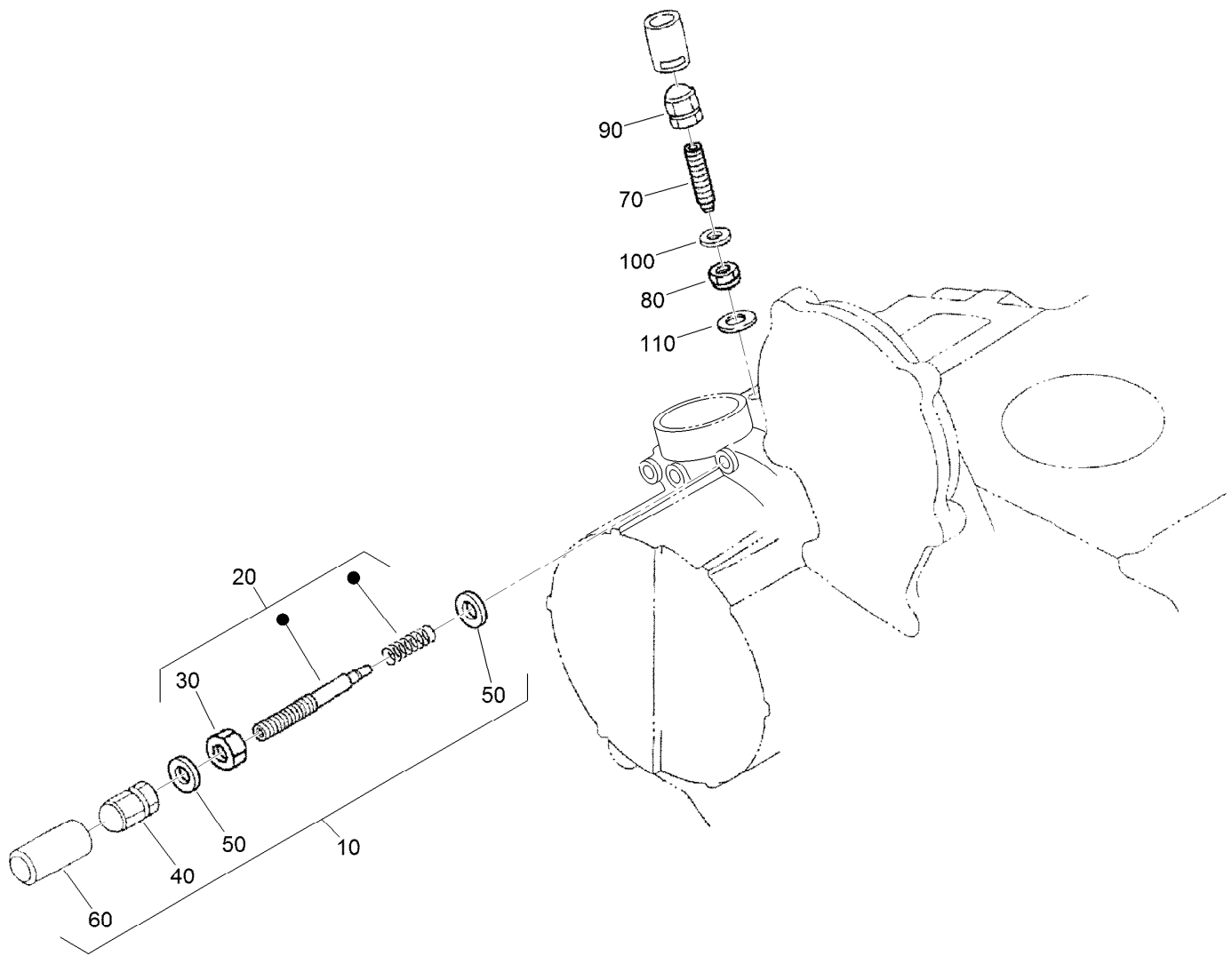
| <i>Ref.</i> | <i>Part Number</i> | <i>Qty.</i> | <i>Description</i>        | <i>Ref.</i> | <i>Part Number</i> | <i>Qty.</i> | <i>Description</i>        |
|-------------|--------------------|-------------|---------------------------|-------------|--------------------|-------------|---------------------------|
| 10          | 130-1546           | 3           | Piston (STD)              | 110         | 98-9666            | 1           | Key                       |
| 10          | 130-1549           | 3           | Piston (+0.50MM)          | 120         | 127-0445           | 1           | Gear-Drive, Oil Pump      |
| 20          | 130-1506           | 3           | Piston Ring ASM (STD)     | 130         | 98-9522            | 1           | Sleeve-Crankshaft         |
| 20          | 130-1507           | 3           | Piston Ring ASM (+0.50MM) | 140         | 127-0444           | 1           | Collar-Crankshaft         |
| 30          | 98-9513            | 3           | Pin-Piston                | 150         | 105-3783           | 1           | O-Ring                    |
| 40          | 98-9514            | 6           | Circlip-Pin, Piston       | 160         | 112-7005           | 1           | Bearing-Main (STD)        |
| 50          | 117-7586           | 3           | Connecting Rod ASM        | 160         | 98-9528            | 1           | Bearing-Main (-0.2MM)     |
| 60          | 115-3014           | 3           | Bushing-Pin, Piston       | 160         | 127-0432           | 1           | Metal-Crankshaft (-0.4MM) |
| 70          | 98-9517            | 6           | Bolt-Rod, Connecting      | 170         | 98-9413            | 2           | Bearing-Thrust (STD)      |
| 80          | 98-9553            | 3           | Bearing-Rod (STD)         | 170         | 127-0416           | 2           | Metal-Side (+0.2Mm)       |
| 80          | 98-9519            | 3           | Bearing-Rod (-0.2MM)      | 170         | 127-0417           | 2           | Metal-Side (+0.40Mm)      |
| 80          | 117-7588           | 3           | Metal-Crankpin (-0.4MM)   | 180         | 98-9688            | 2           | Bearing-Thrust (STD)      |
| 90          | 130-1375           | 1           | Crankshaft ASM            | 180         | 127-0437           | 2           | Metal-Side (+0.2MM)       |
| 100         | 117-7561           | 1           | Gear-Crankshaft           | 180         | 127-0438           | 2           | Metal-Side (+0.40MM)      |



## Fuel Camshaft and Governor Shaft Assembly

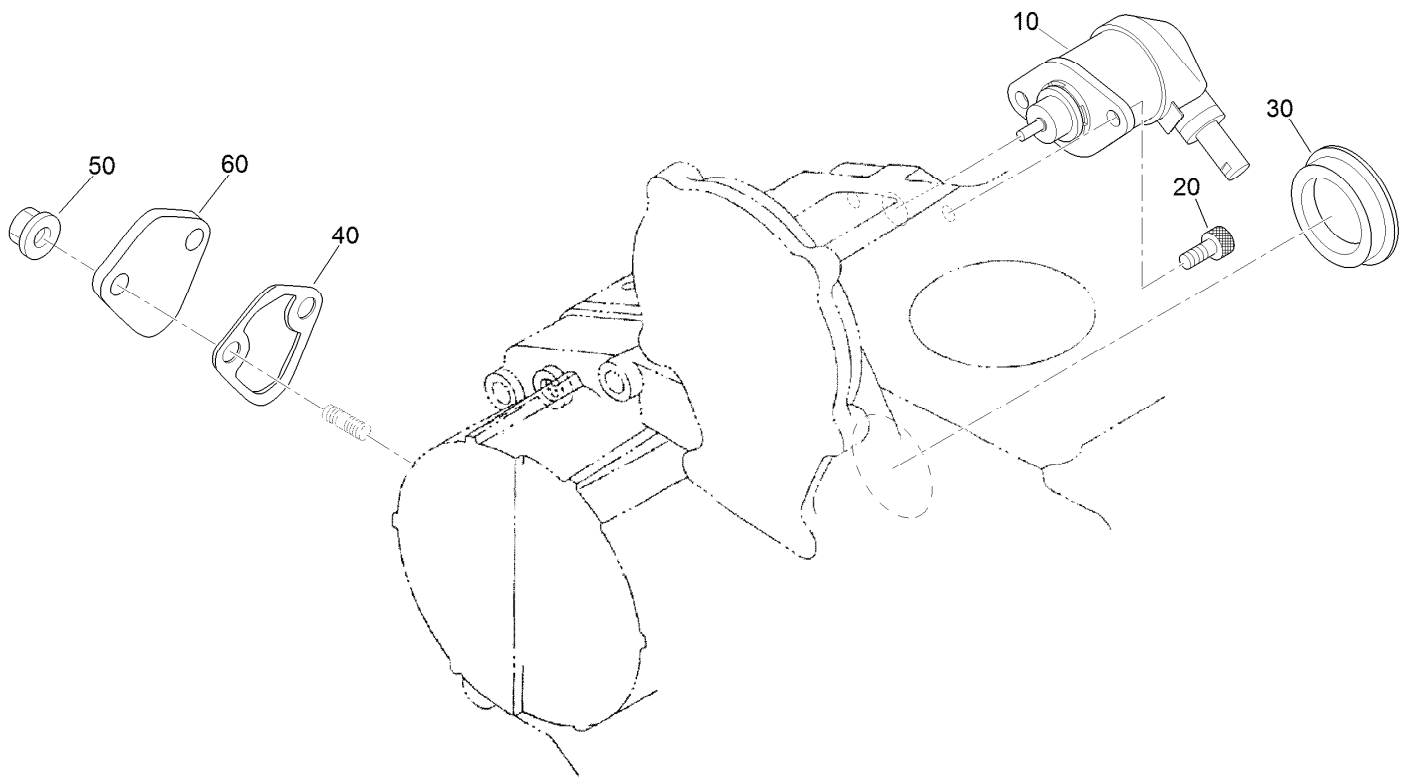
| Ref. | Part Number | Qty. | Description            |
|------|-------------|------|------------------------|
| 10   | 98-9459     | 1    | Camshaft-Fuel          |
| 20   | 107-9077    | 1    | Bearing-Ball           |
| 30   | 107-9078    | 1    | Bearing-Ball           |
| 60   | 130-1512    | 1    | Nut                    |
| 70   | 130-1378    | 1    | Gear-Injection Pump    |
| 80   | 98-9595     | 1    | Key-Woodruff           |
| 90   | 98-9511     | 1    | Stopper-Fuel, Camshaft |
| 100  | 98-7692     | 2    | Bolt                   |
| 110  | 98-9644     | 1    | Governor Shaft ASM     |
| 120  | 98-9562     | 1    | Holder-Gear, Governor  |

| Ref. | Part Number | Qty. | Description             |
|------|-------------|------|-------------------------|
| 130  | 98-9673     | 1    | Gear-Governor           |
| 140  | 98-9561     | 1    | Holder-Weight, Governor |
| 150  | 130-1240    | 2    | Governor Weight ASM     |
| 160  | 98-9560     | 2    | Shaft-Weight, Governor  |
| 170  | 98-9692     | 2    | Roller                  |
| 180  | 98-9563     | 1    | Sleeve-Governor         |
| 190  | 98-9564     | 1    | Washer-Thrust           |
| 200  | 107-9079    | 1    | Bearing-Ball            |
| 210  | 98-9657     | 1    | Circlip-Shaft, Governor |
| 220  | 98-9565     | 1    | Screw-Set               |



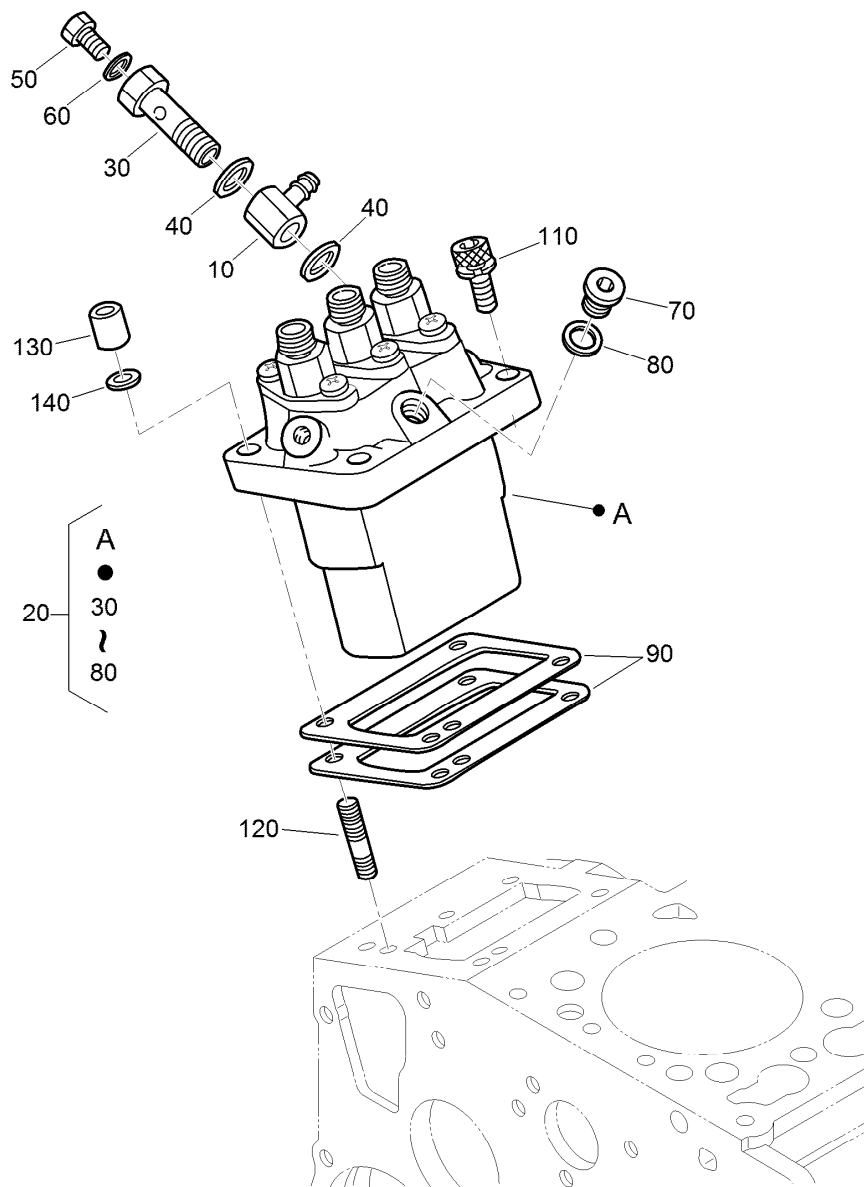
## Idle Apparatus Assembly

| <i>Ref.</i> | <i>Part Number</i> | <i>Qty.</i> | <i>Description</i> |
|-------------|--------------------|-------------|--------------------|
| 10          | 107-7838           | 1           | Apparatus-Idling   |
| 20          | 130-1253           | 1           | Adjusting Bolt ASM |
| 30          | 98-9439            | 1           | Nut                |
| 40          | 112-0181           | 1           | Nut                |
| 50          | 98-7654            | 2           | Gasket             |
| 60          | 98-7656            | 1           | Cap                |
| 70          | 112-7015           | 1           | Bolt-Adjusting     |
| 80          | 100-2175           | 1           | Nut-Lock           |
| 90          | 112-0181           | 1           | Nut                |
| 100         | 98-7654            | 1           | Gasket             |
| 110         | 107-9081           | 1           | Gasket             |



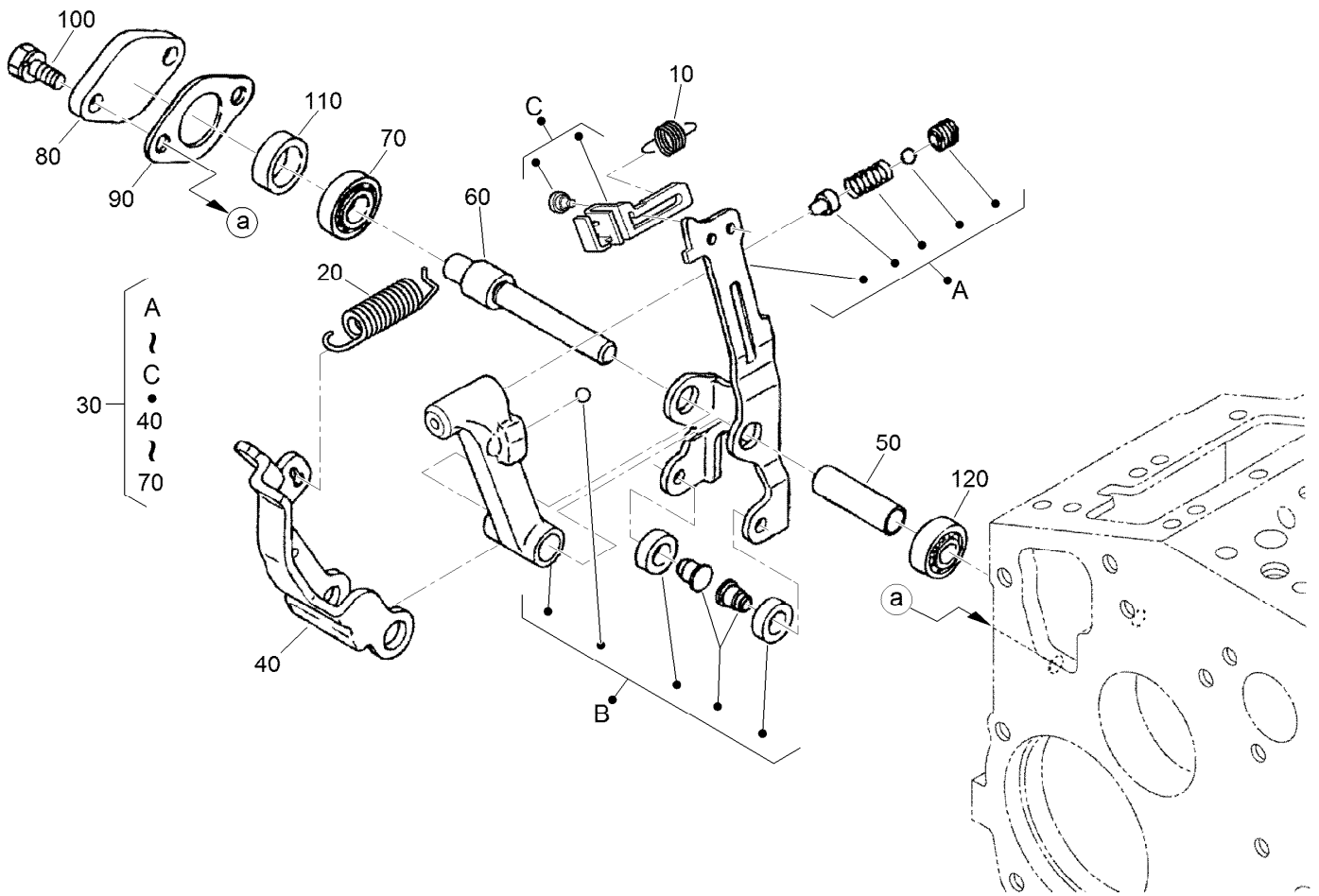
## Stop Solenoid and Fuel Pump Cover Assembly

| <i>Ref.</i> | <i>Part Number</i> | <i>Qty.</i> | <i>Description</i> |
|-------------|--------------------|-------------|--------------------|
| 10          | 104-5155           | 1           | Solenoid-Stop      |
| 20          | 130-1155           | 2           | Screw-HSH          |
| 30          | 99-3514            | 1           | Cover              |
| 40          | 117-7562           | 1           | Gasket-Pump, Fuel  |
| 50          | 100-2203           | 2           | Nut-Flange         |
| 60          | 112-7016           | 1           | Cover-Pump         |



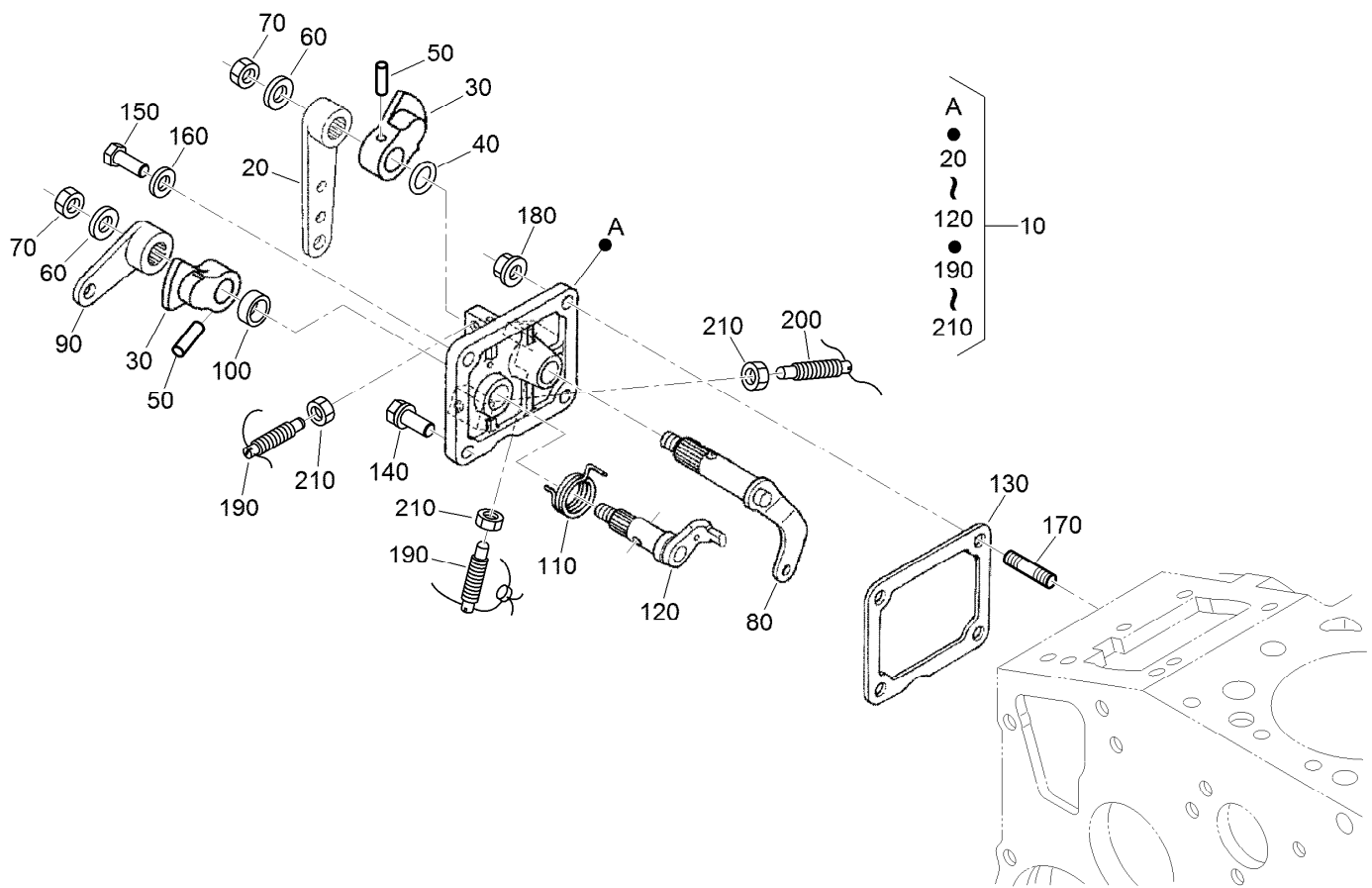
## Injection Pump Assembly

| <i>Ref.</i> | <i>Part Number</i> | <i>Qty.</i> | <i>Description</i>      | <i>Ref.</i> | <i>Part Number</i> | <i>Qty.</i> | <i>Description</i>       |
|-------------|--------------------|-------------|-------------------------|-------------|--------------------|-------------|--------------------------|
| 10          | 98-9596            | 1           | Joint-Eye               | 90          | 98-9457            | 1           | Shim-Injection (0.25MM)  |
| 20          | 98-9643            | 1           | Injection Pump ASM      | 90          | 98-9458            | 1           | Shim-Injection (0.30MM)  |
| 30          | 98-9464            | 1           | Bolt-Joint              | 90          | 115-3046           | 1           | Shim-Injection (0.35MM)  |
| 40          | 98-9445            | 2           | Gasket                  | 90          | 115-3045           | 1           | Shim-Injection (0.175MM) |
| 50          | 98-9430            | 1           | Screw                   | 110         | 117-7564           | 2           | Bolt-Hex Soc HD          |
| 60          | 98-9446            | 1           | Gasket                  | 120         | 98-9438            | 2           | Stud                     |
| 70          | 98-9466            | 1           | Plug                    | 130         | 98-9440            | 2           | Nut-Cap                  |
| 80          | 98-9451            | 1           | Gasket                  | 140         | 98-7699            | 2           | Washer-Spring            |
| 90          | 98-9456            | 1           | Shim-Injection (0.20MM) |             |                    |             |                          |



## Governor Assembly

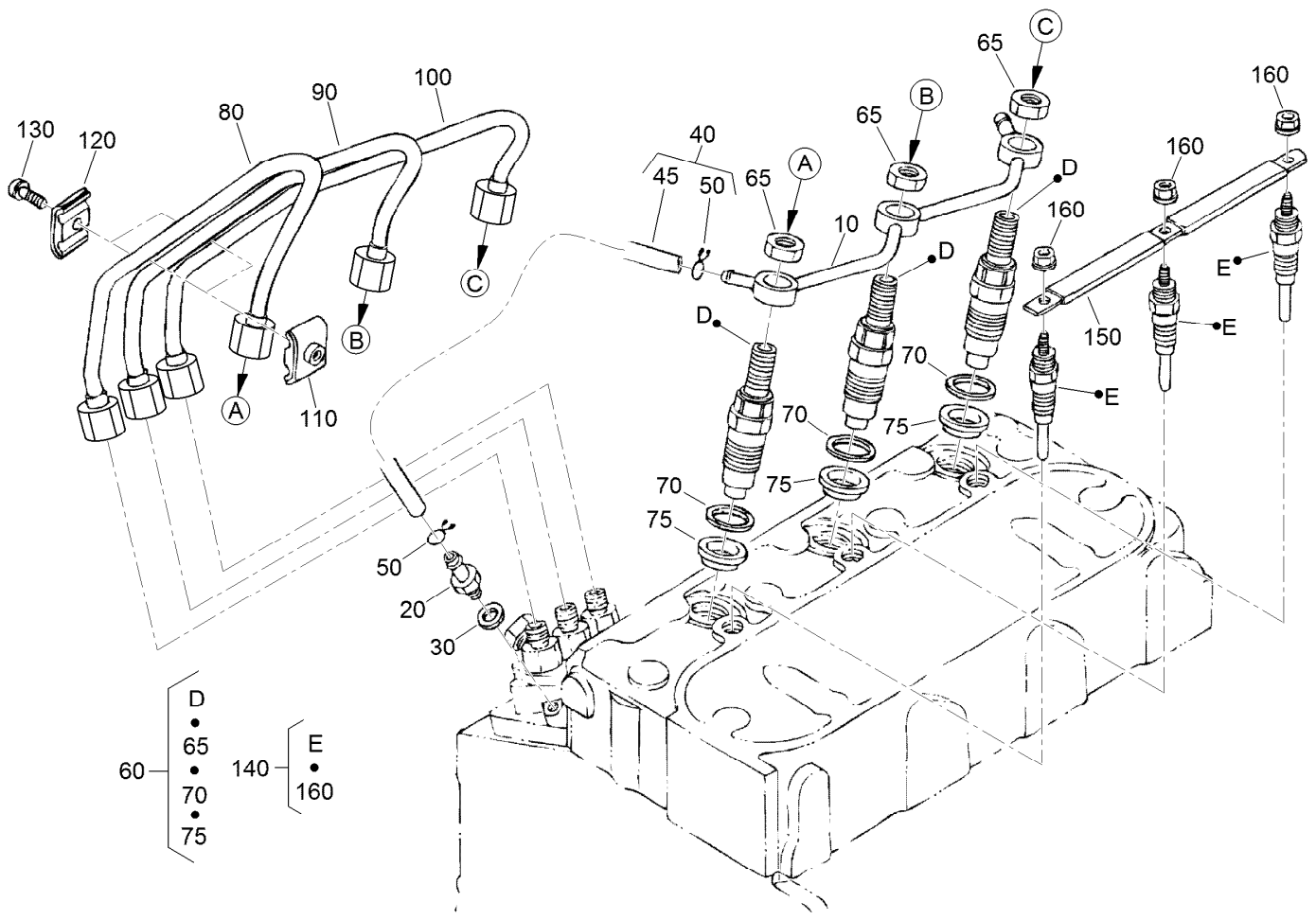
| Ref. | Part Number | Qty. | Description             |
|------|-------------|------|-------------------------|
| 10   | 105-3786    | 1    | Spring-Start            |
| 20   | 107-7839    | 1    | Spring-Governor         |
| 30   | 107-7840    | 1    | Fork Lever ASM          |
| 40   | 107-9084    | 1    | Lever-Fork              |
| 50   | 107-9085    | 1    | Shaft-Lever, Fork       |
| 60   | 107-9086    | 1    | Shaft-Lever, Fork       |
| 70   | 98-9570     | 1    | Bearing-Miniaturize     |
| 80   | 115-4122    | 1    | Cover-Shaft, Fork Lever |
| 90   | 98-9682     | 1    | Gasket                  |
| 100  | 98-9350     | 2    | Bolt                    |
| 110  | 98-9567     | 1    | Collar                  |
| 120  | 98-9571     | 1    | Bearing-Miniaturize     |



## Speed Control Plate Assembly

| <i>Ref.</i> | <i>Part Number</i> | <i>Qty.</i> | <i>Description</i>   | <i>Ref.</i> | <i>Part Number</i> | <i>Qty.</i> | <i>Description</i> |
|-------------|--------------------|-------------|----------------------|-------------|--------------------|-------------|--------------------|
| 10          | 105-3735           | 1           | Control Plate ASM    | 120         | 98-9664            | 1           | Shaft-Lever, Stop  |
| 20          | 98-9662            | 1           | Lever-Control, Speed | 130         | 98-9637            | 1           | Gasket             |
| 30          | 98-9572            | 2           | Lever-Control, Speed | 140         | 98-7692            | 1           | Bolt               |
| 40          | 105-3788           | 1           | O-Ring               | 150         | 127-0401           | 1           | Bolt-Hex           |
| 50          | 98-7602            | 2           | Pin-Spring           | 160         | 98-7654            | 1           | Gasket             |
| 60          | 98-9594            | 2           | Washer-Plain         | 170         | 105-3710           | 2           | Stud               |
| 70          | 98-9589            | 2           | Nut                  | 180         | 100-2203           | 2           | Nut-Flange         |
| 80          | 98-9658            | 1           | Governor Lever ASM   | 190         | 117-7565           | 2           | Bolt-Adjusting     |
| 90          | 98-9663            | 1           | Lever-Stop, Engine   | 200         | 117-7566           | 1           | Bolt-Adjusting     |
| 100         | 98-7601            | 1           | Seal-Oil             | 210         | 98-7572            | 3           | Nut                |
| 110         | 98-9472            | 1           | Spring-Return        |             |                    |             |                    |

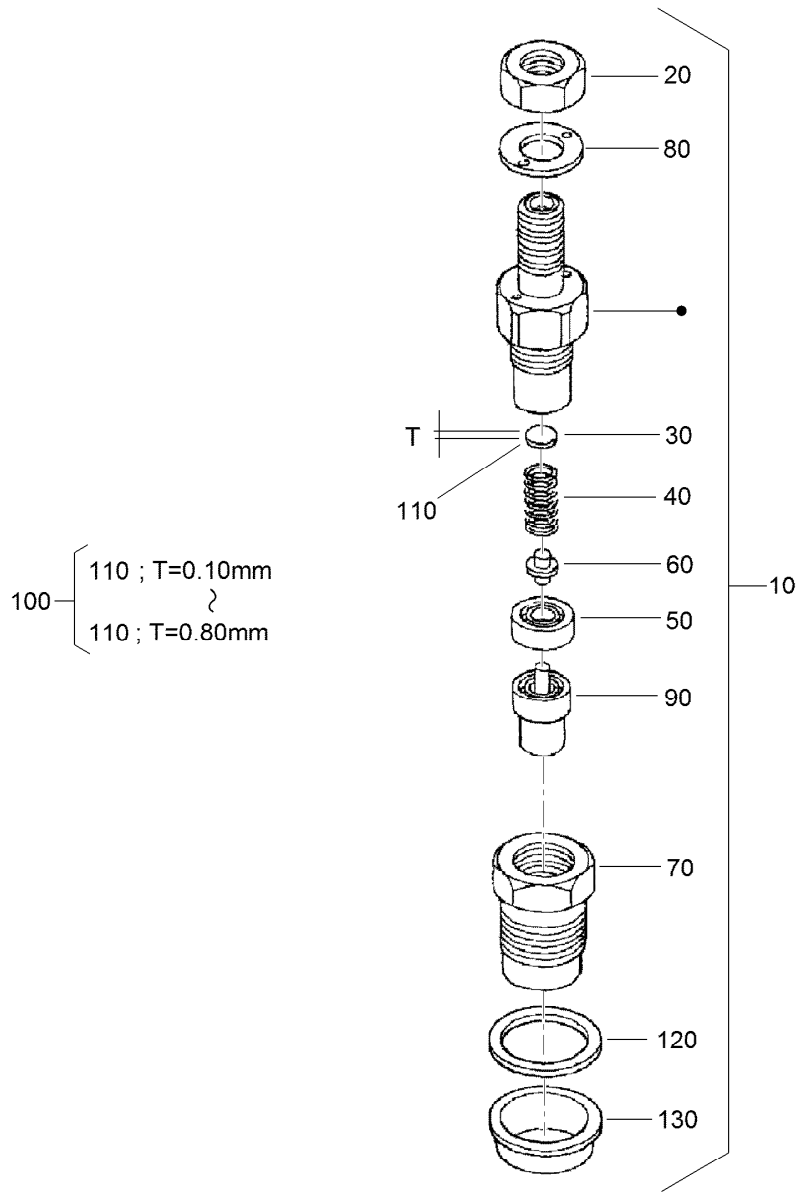




## Nozzle Holder and Glow Plug Assembly

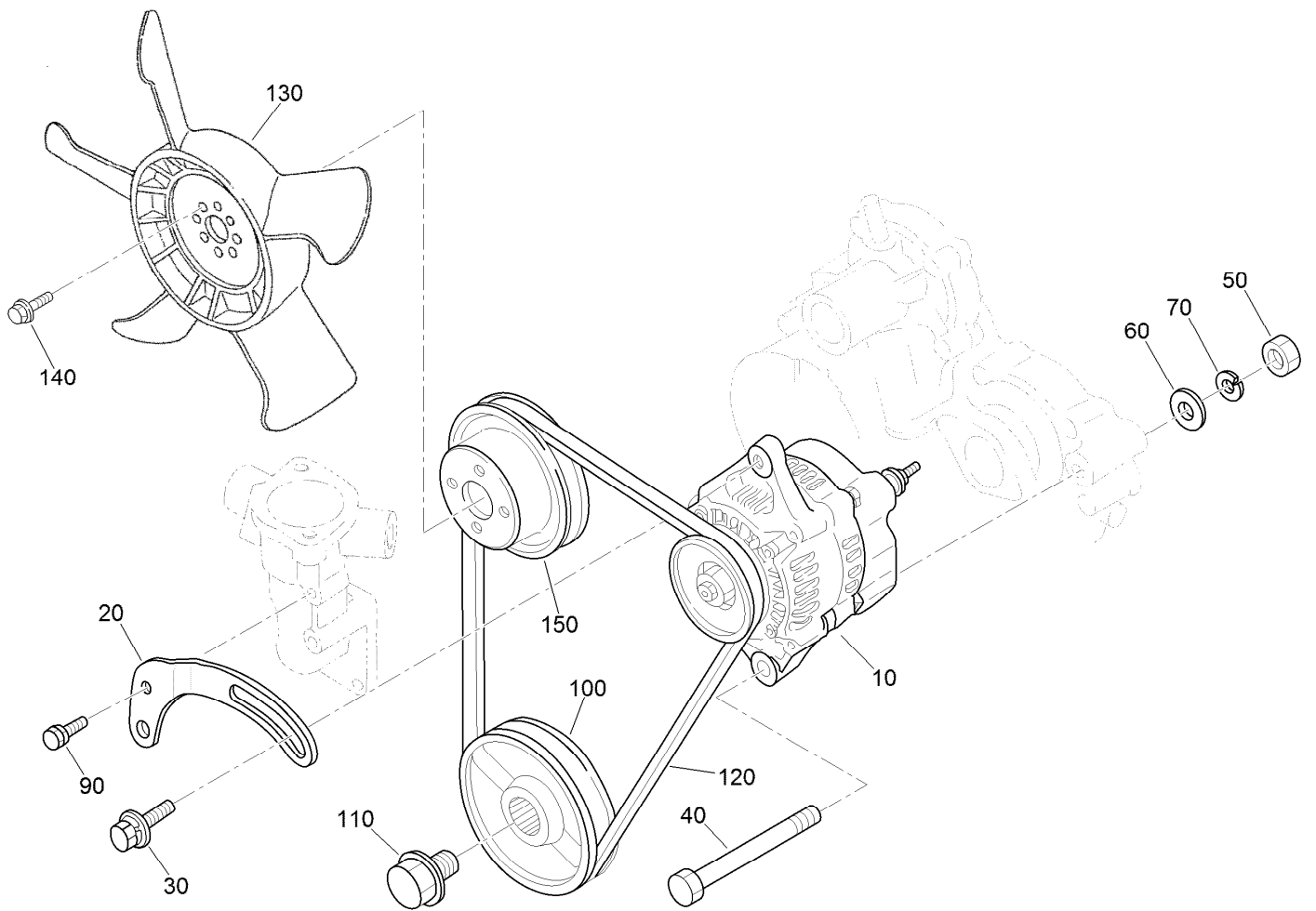
| Ref. | Part Number | Qty. | Description        |
|------|-------------|------|--------------------|
| 10   | 98-9620     | 1    | Overflow Pipe ASM  |
| 20   | 98-9431     | 1    | Screw-Bleeder, Air |
| 30   | 98-7654     | 1    | Gasket             |
| 40   | 98-9420     | 1    | Overflow Pipe ASM  |
| 45   | 112-0182    | 1    | Pipe-Overflow      |
| 50   | 98-7671     | 2    | Clip-Pipe          |
| 60   | 115-3018    | 3    | Nozzle Holder Kit  |
| 65   | 121-2411    | 3    | Nut                |
| 70   | 98-7676     | 3    | Gasket             |
| 75   | 98-7677     | 3    | Seal-Heat          |

| Ref. | Part Number | Qty. | Description      |
|------|-------------|------|------------------|
| 80   | 98-9622     | 1    | Pipe-Injection   |
| 90   | 98-9654     | 1    | Pipe-Injection   |
| 100  | 98-9655     | 1    | Pipe-Injection   |
| 110  | 98-7682     | 2    | Clamp-Pipe       |
| 120  | 98-7683     | 2    | Clamp-Pipe       |
| 130  | 98-7684     | 2    | Screw (W/Washer) |
| 140  | 130-1411    | 3    | Plug-Glow        |
| 150  | 98-9631     | 1    | Cord-Plug, Glow  |
| 160  | 99-8377     | 3    | Nut-Flange       |



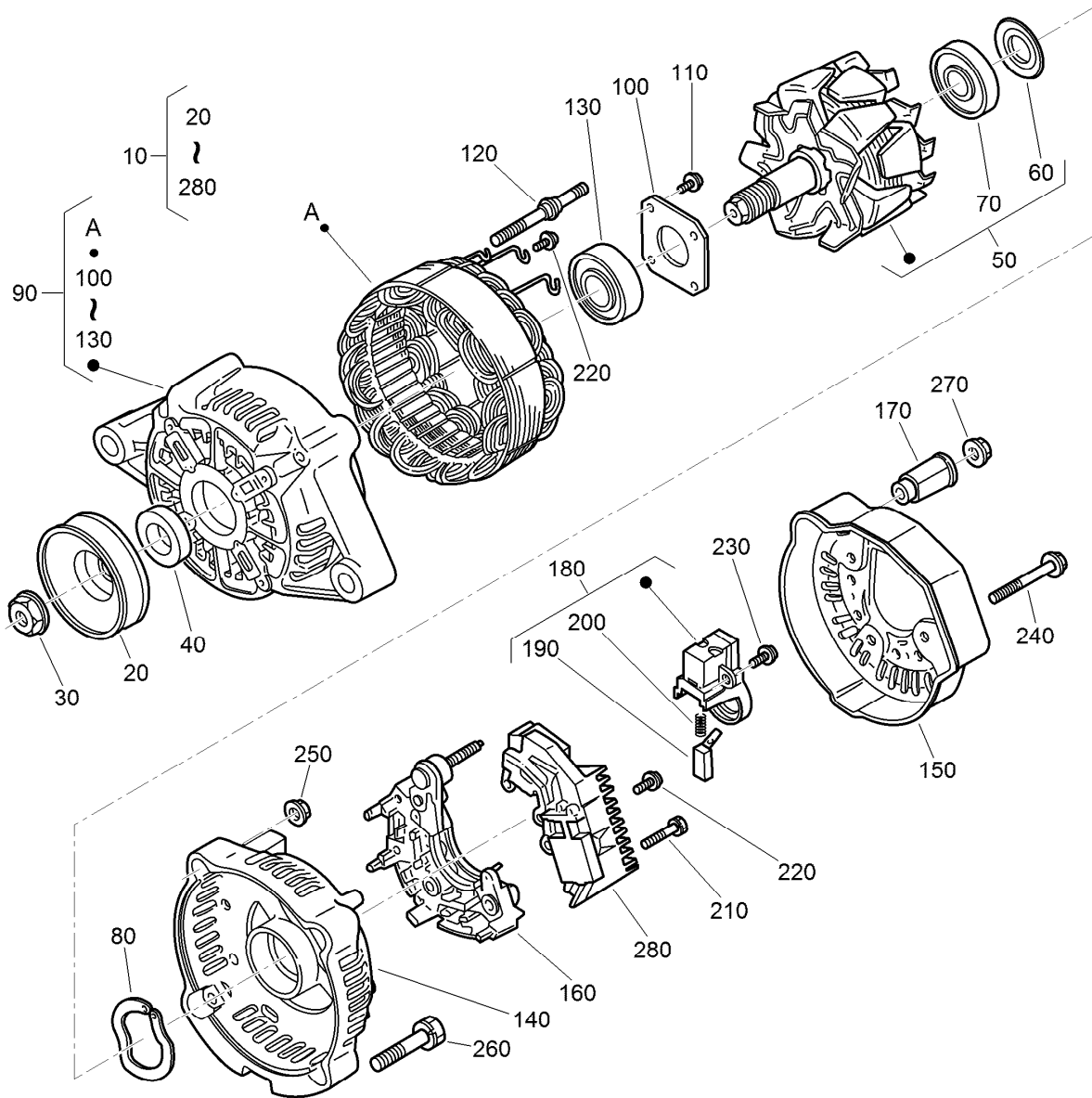
## Nozzle Holder Assembly

| Ref. | Part Number | Qty. | Description            | Ref. | Part Number | Qty. | Description            |
|------|-------------|------|------------------------|------|-------------|------|------------------------|
| 10   | 115-3018    | 3    | Nozzle Holder Kit      | 110  | 99-8311     | 3    | Washer-Adjust (0.20MM) |
| 20   | 121-2411    | 3    | Nut                    | 110  | 99-8312     | 3    | Washer-Adjust (0.30MM) |
| 30   | 99-8302     | 3    | Washer-Adjusting       | 110  | 99-8313     | 3    | Washer-Adjust (0.40MM) |
| 40   | 99-8303     | 3    | Spring-Nozzle          | 110  | 99-8314     | 3    | Washer-Adjust (0.50MM) |
| 50   | 99-8304     | 3    | Spacer-Distance        | 110  | 99-8315     | 3    | Washer-Adjust (0.52MM) |
| 60   | 99-8305     | 3    | Rod-Push               | 110  | 99-8316     | 3    | Washer-Adjust (0.54MM) |
| 70   | 99-8306     | 3    | Nut-Nozzle             | 110  | 99-8317     | 3    | Washer-Adjust (0.56MM) |
| 80   | 99-8307     | 3    | Washer-Plain           | 110  | 99-8318     | 3    | Washer-Adjust (0.58MM) |
| 90   | 115-3020    | 3    | Piece-Nozzle           | 110  | 99-8319     | 3    | Washer-Adjust (0.80MM) |
| 100  | 99-8309     | 3    | Adjusting Washer ASM   | 120  | 98-7676     | 3    | Gasket                 |
| 110  | 99-8310     | 3    | Washer-Adjust (0.10MM) | 130  | 98-7677     | 3    | Seal-Heat              |



## Alternator, Pulley and Fan Assembly

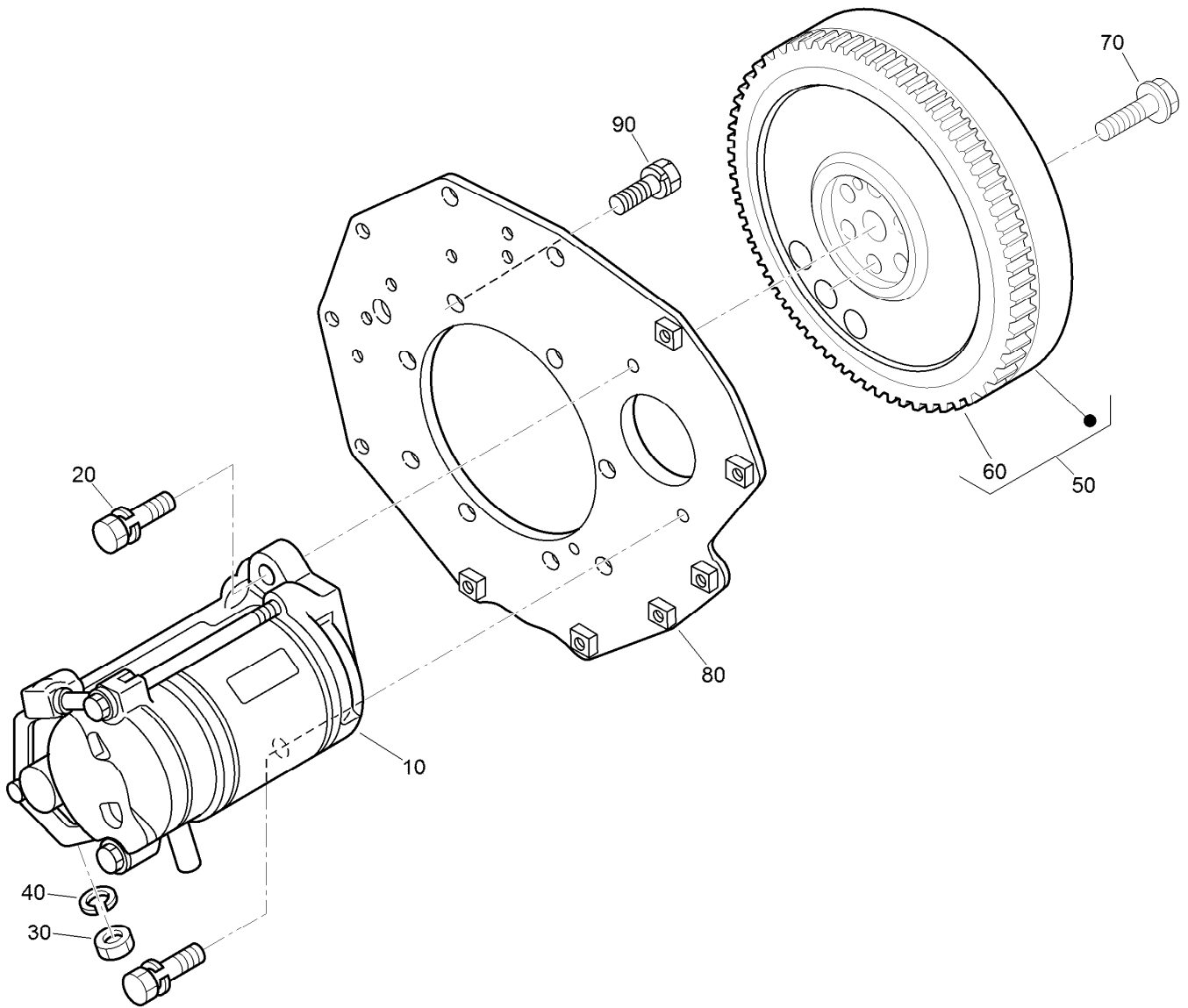
| Ref. | Part Number | Qty. | Description       |
|------|-------------|------|-------------------|
| 10   | 131-6557    | 1    | Alternator ASM    |
| 20   | 112-7047    | 1    | Stay-Dynamo       |
| 30   | 108-7088    | 1    | Bolt              |
| 40   | 98-9360     | 1    | Bolt              |
| 50   | 98-7737     | 1    | Nut               |
| 60   | 98-9366     | 1    | Washer-Plain      |
| 70   | 98-7738     | 1    | Washer-Spring     |
| 90   | 98-7692     | 1    | Bolt              |
| 100  | 99-3456     | 1    | Pulley-Drive, Fan |
| 110  | 98-9585     | 1    | Bolt              |
| 120  | 130-1241    | 1    | V Belt            |
| 130  | 99-3461     | 1    | Fan               |
| 140  | 99-8363     | 4    | Bolt-Flange       |
| 150  | 99-3453     | 1    | Pulley-Fan        |



## Alternator Components Assembly

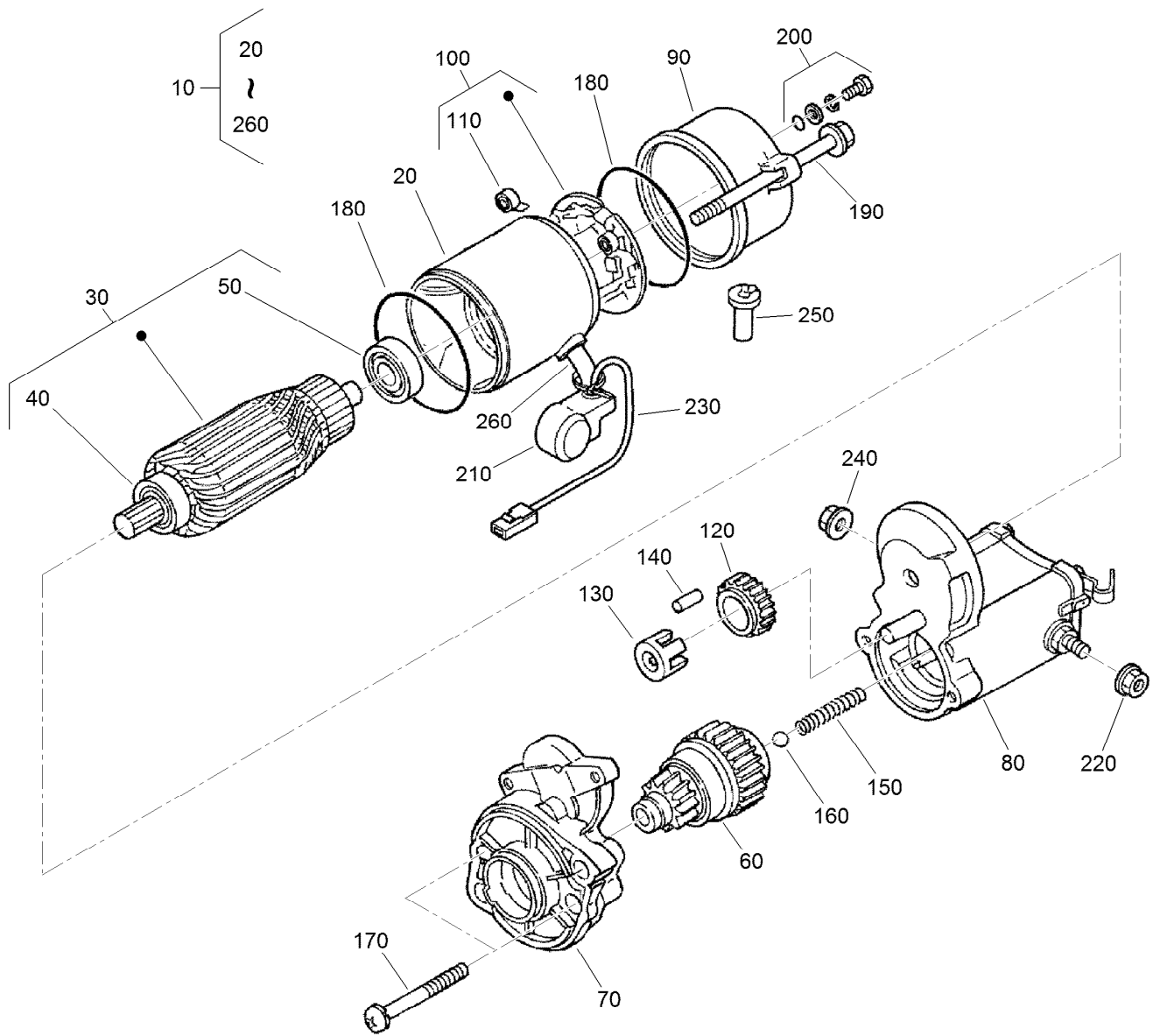
| Ref. | Part Number | Qty. | Description         |
|------|-------------|------|---------------------|
| 10   | 131-6557    | 1    | Alternator ASM      |
| 20   | 98-9453     | 1    | Pulley-Dynamo       |
| 30   | 98-7708     | 1    | Nut                 |
| 40   | 98-7709     | 1    | Collar              |
| 50   | 107-0136    | 1    | Rotor ASM           |
| 60   | 98-7711     | 1    | Cover-Bearing       |
| 70   | 107-0138    | 1    | Bearing-Ball        |
| 80   | 98-7713     | 1    | Washer-Thrust       |
| 90   | 107-0139    | 1    | Drive End Frame ASM |
| 100  | 98-7715     | 1    | Plate-Retainer      |
| 110  | 98-7716     | 4    | Screw-Head, Round   |
| 120  | 98-7717     | 2    | Bolt-Through        |
| 130  | 133-2811    | 1    | Bearing             |
| 140  | 107-9087    | 1    | Frame-End           |

| Ref. | Part Number | Qty. | Description        |
|------|-------------|------|--------------------|
| 150  | 107-0140    | 1    | Cover-End          |
| 160  | 127-1612    | 1    | Rectifier ASM      |
| 170  | 98-7722     | 1    | Bushing-Insulation |
| 180  | 107-0141    | 1    | Brush Holder ASM   |
| 190  | 98-7724     | 2    | Brush              |
| 200  | 98-7725     | 2    | Spring-Brush       |
| 210  | 98-7726     | 2    | Screw-Head, Round  |
| 220  | 98-7727     | 6    | Screw-Head, Round  |
| 230  | 98-7728     | 1    | Screw-Head, Round  |
| 240  | 98-7729     | 3    | Bolt               |
| 250  | 98-7730     | 2    | Nut                |
| 260  | 98-7731     | 2    | Bolt               |
| 270  | 98-7732     | 1    | Nut                |
| 280  | 110-3799    | 1    | Regulator ASM      |



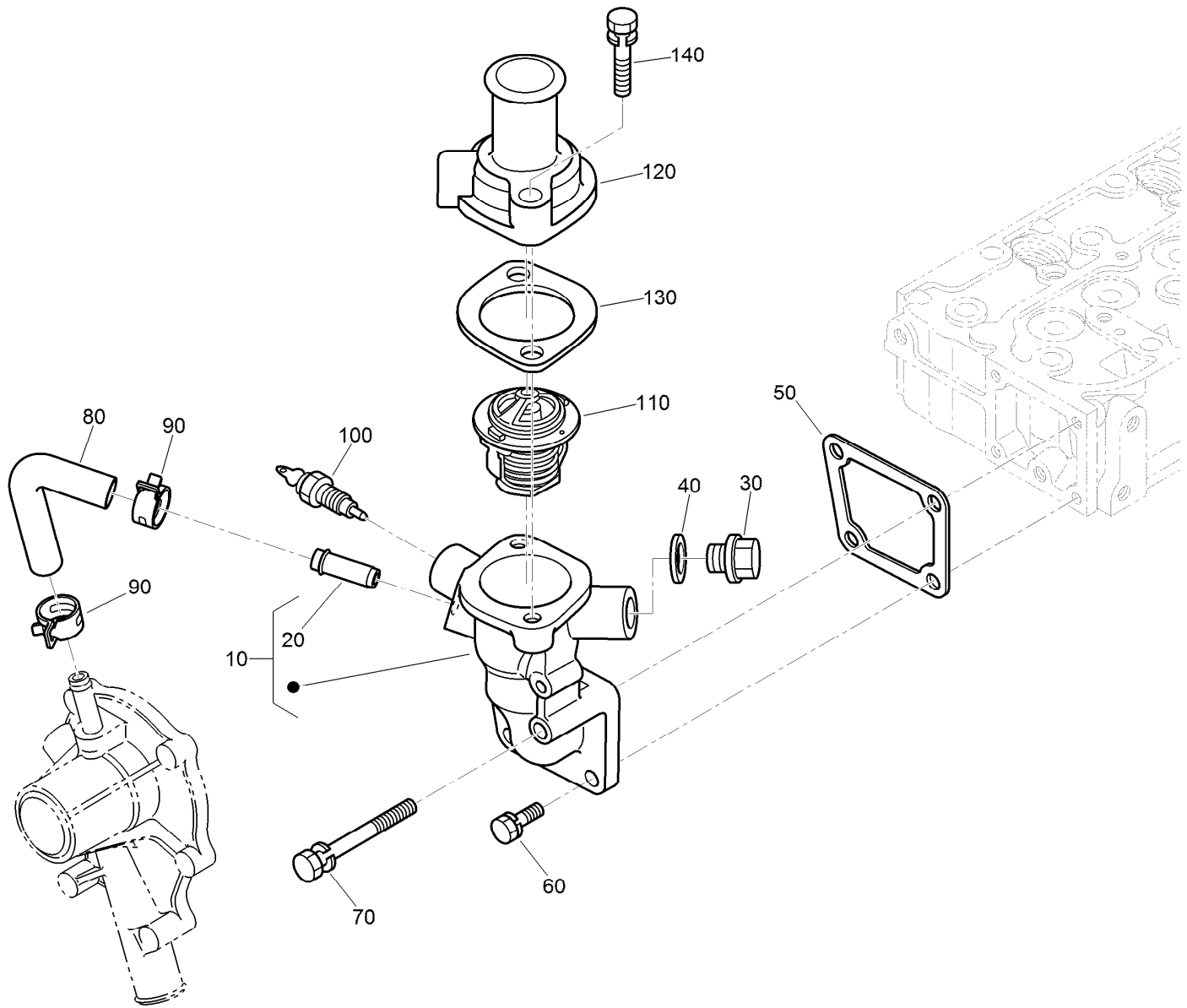
## Starter and Flywheel Assembly

| Ref. | Part Number | Qty. | Description     |
|------|-------------|------|-----------------|
| 10   | 98-9705     | 1    | Starter ASM     |
| 20   | 98-7697     | 2    | Bolt            |
| 30   | 98-7739     | 1    | Nut             |
| 40   | 105-2893    | 1    | Washer-Spring   |
| 50   | 105-3784    | 1    | Flywheel ASM    |
| 60   | 115-3015    | 1    | Gear-Ring       |
| 70   | 98-9537     | 6    | Bolt-Flywheel   |
| 80   | 98-9486     | 1    | Plate-End, Rear |
| 90   | 98-9392     | 8    | Bolt            |



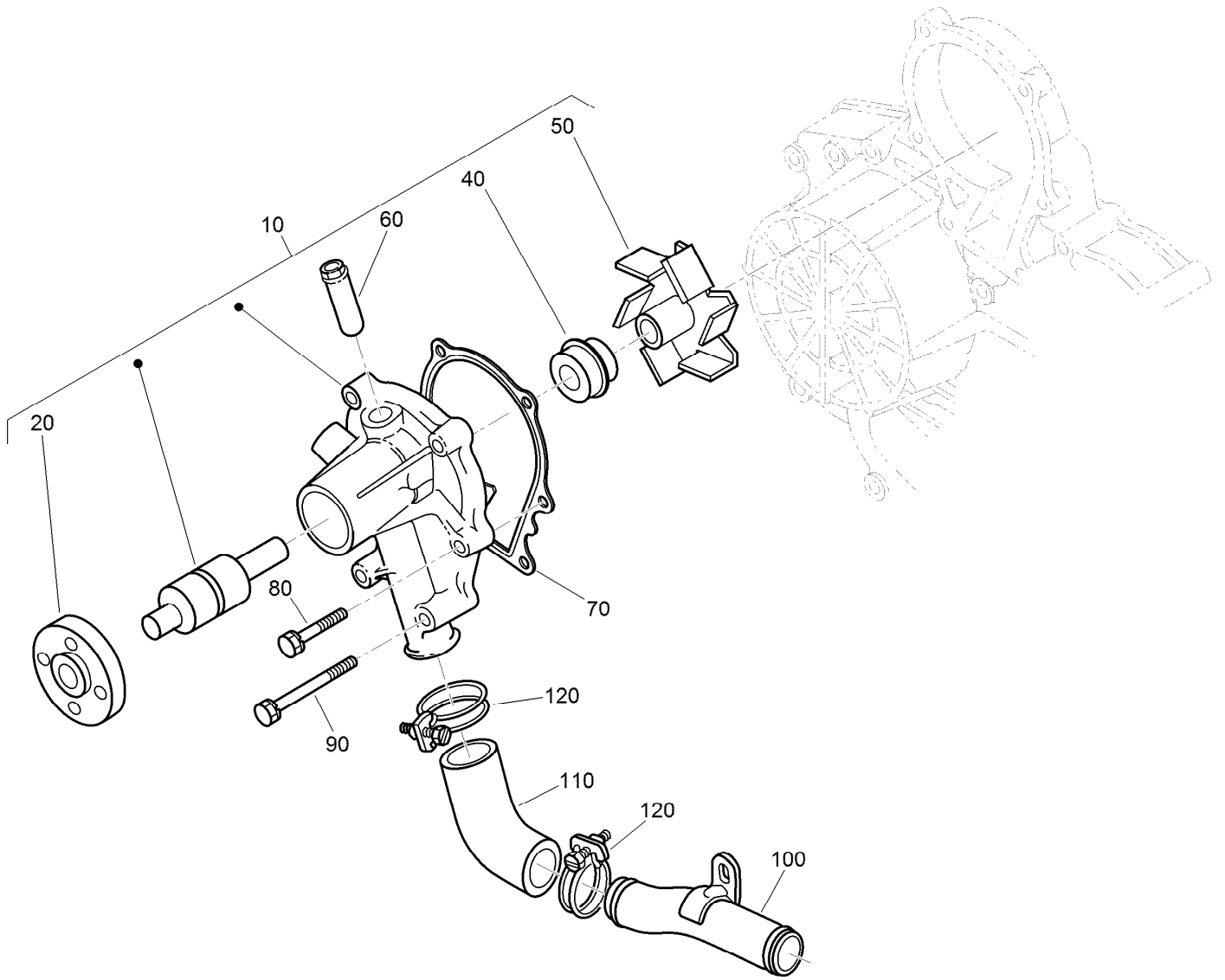
## Starter Component Assembly

| <i>Ref.</i> | <i>Part Number</i> | <i>Qty.</i> | <i>Description</i>   | <i>Ref.</i> | <i>Part Number</i> | <i>Qty.</i> | <i>Description</i>  |
|-------------|--------------------|-------------|----------------------|-------------|--------------------|-------------|---------------------|
| 10          | 98-9705            | 1           | Starter ASM          | 140         | 98-7753            | 5           | Roller              |
| 20          | 104-8608           | 1           | Yoke ASM             | 150         | 98-7754            | 1           | Spring              |
| 30          | 98-7742            | 1           | Armature ASM         | 160         | 98-7755            | 1           | Ball                |
| 40          | 98-7744            | 1           | Bearing              | 170         | 98-7756            | 2           | Bolt                |
| 50          | 98-7743            | 1           | Bearing              | 180         | 98-7757            | 2           | O-Ring              |
| 60          | 99-8373            | 1           | Clutch-Running, Over | 190         | 100-9240           | 2           | Bolt                |
| 70          | 99-8374            | 1           | Frame-End, Drive     | 200         | 98-7758            | 2           | Bolt ASM            |
| 80          | 105-3746           | 1           | Magnetic Switch ASM  | 210         | 99-8375            | 1           | Cover               |
| 90          | 98-7748            | 1           | Frame-End            | 220         | 99-8371            | 1           | Nut-Hex             |
| 100         | 98-7749            | 1           | Brush Holder ASM     | 230         | 98-9711            | 1           | Cord-Solenoid, Stop |
| 110         | 98-7750            | 4           | Spring-Brush         | 240         | 99-8376            | 1           | Nut-Hex             |
| 120         | 98-7751            | 1           | Gear                 | 250         | 98-7759            | 1           | Pipe-Drain          |
| 130         | 98-7752            | 1           | Retainer             | 260         | 98-9712            | 1           | Band-Cover          |



## Water Flange and Thermostat Assembly

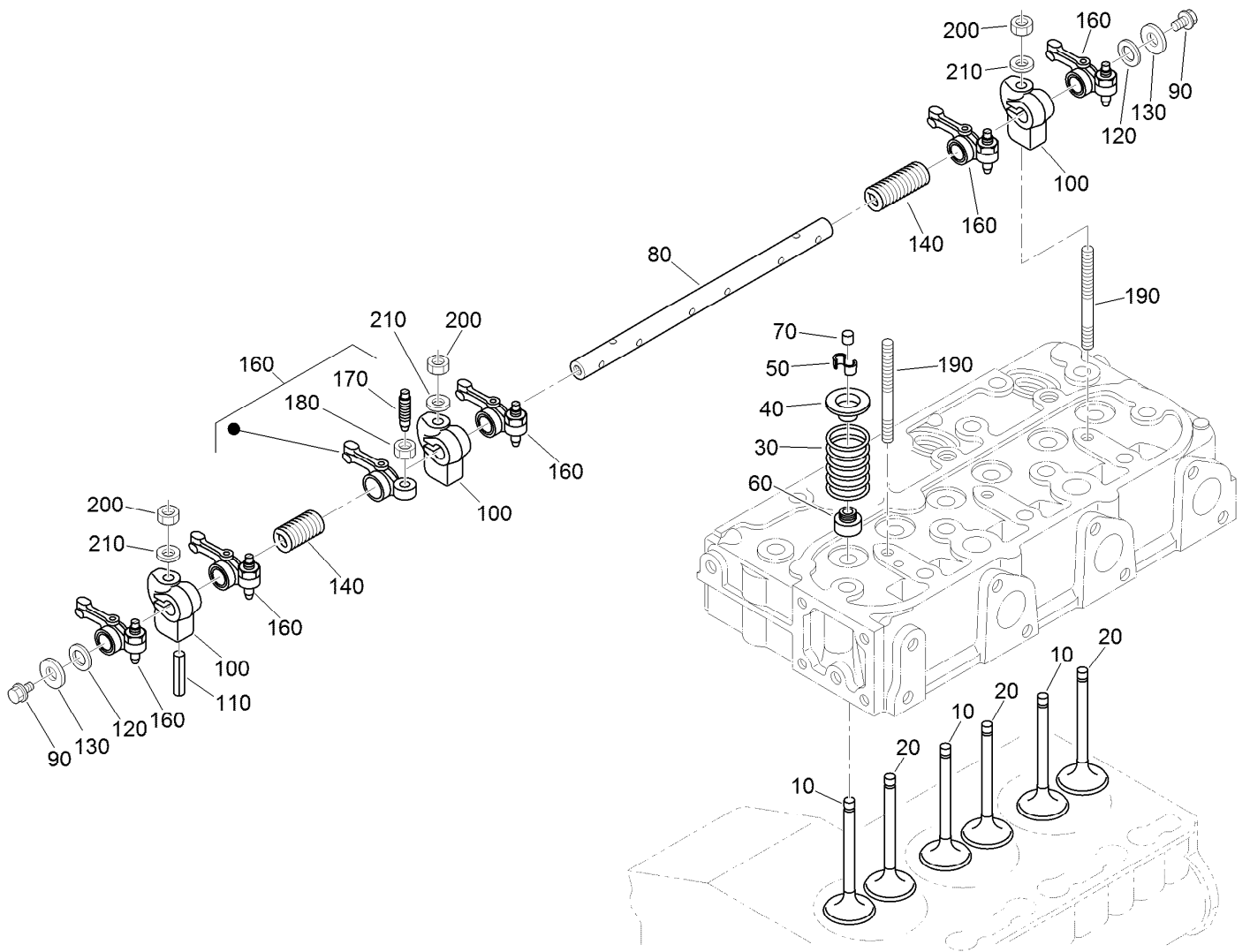
| <i>Ref.</i> | <i>Part Number</i> | <i>Qty.</i> | <i>Description</i>   |
|-------------|--------------------|-------------|----------------------|
| 10          | 98-9713            | 1           | Water Flange ASM     |
| 20          | 98-9580            | 1           | Pipe-Return, Water   |
| 30          | 105-3747           | 1           | Plug                 |
| 40          | 99-3583            | 1           | Gasket               |
| 50          | 98-9638            | 1           | Gasket-Flange, Water |
| 60          | 98-7692            | 3           | Bolt                 |
| 70          | 98-9356            | 1           | Bolt                 |
| 80          | 98-9578            | 1           | Pipe-Return, Water   |
| 90          | 125-9078           | 2           | Clamp-Hose           |
| 100         | 98-9719            | 1           | Thermoswitch         |
| 110         | 98-7778            | 1           | Thermostat ASM       |
| 120         | 98-9471            | 1           | Cover-Thermostat     |
| 130         | 105-3748           | 1           | Gasket-Thermostat    |
| 140         | 98-7777            | 2           | Bolt                 |



## Water Pump and Water Pipe Assembly

| <i>Ref.</i> | <i>Part Number</i> | <i>Qty.</i> | <i>Description</i>   |
|-------------|--------------------|-------------|----------------------|
| 10          | 107-9089           | 1           | Water Pump ASM       |
| 20          | 99-3516            | 1           | Flange-Pump, Water   |
| 40          | 105-3750           | 1           | Mechanical Seal ASM  |
| 50          | 112-7017           | 1           | Impeller-Pump, Water |
| 60          | 100-1932           | 1           | Pipe-Return, Water   |
| 70          | 99-3454            | 1           | Gasket-Pump, Water   |
| 80          | 98-9353            | 4           | Bolt                 |
| 90          | 98-9357            | 2           | Bolt                 |
| 100         | 98-9716            | 1           | Pipe-Water           |
| 110         | 107-9091           | 1           | Pipe-Water           |
| 120         | 127-0439           | 2           | Clamp-Hose           |

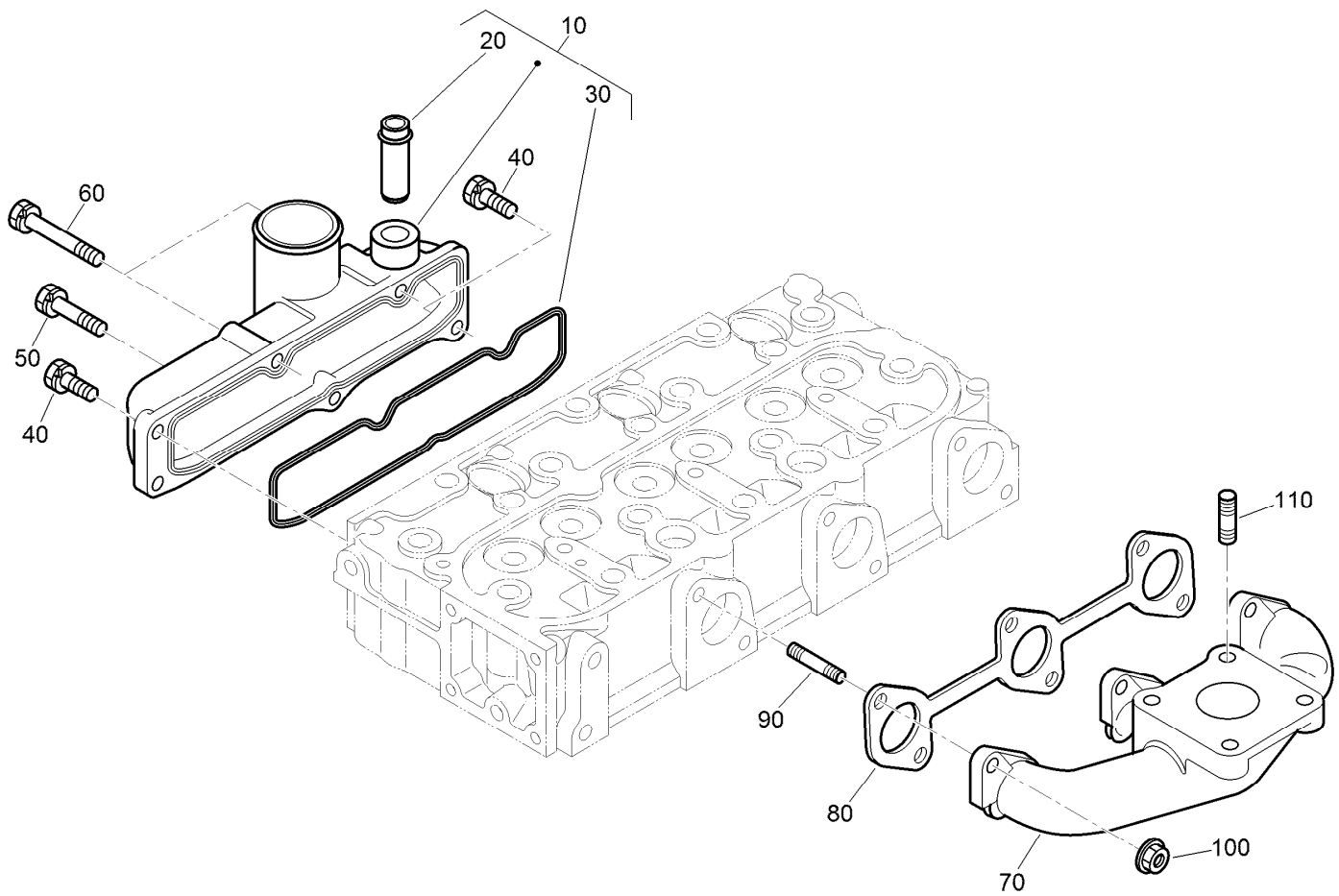




## Valve and Rocker Arm Assembly

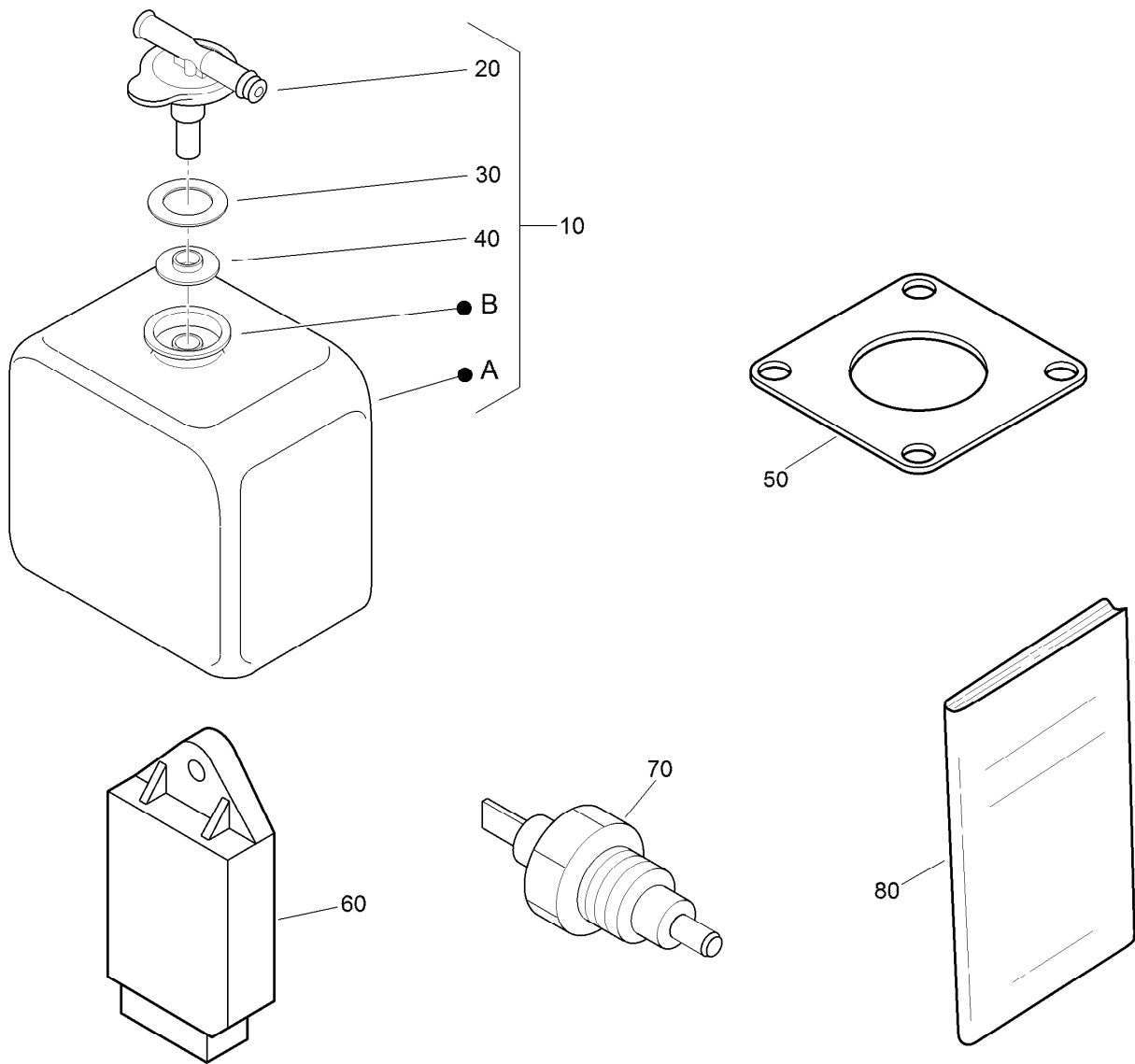
| Ref. | Part Number | Qty. | Description          |
|------|-------------|------|----------------------|
| 10   | 112-7018    | 3    | Valve-Inlet          |
| 20   | 120-2564    | 3    | Valve-Exhaust        |
| 30   | 98-9648     | 6    | Spring-Valve         |
| 40   | 107-9092    | 6    | Retainer-Spring      |
| 50   | 117-7572    | 6    | Collet-Spring, Valve |
| 60   | 99-8385     | 6    | Seal-Stem, Valve     |
| 70   | 98-9497     | 6    | Cap-Valve            |
| 80   | 130-1248    | 1    | Shaft-Arm, Rocker    |
| 90   | 99-8363     | 2    | Bolt-Flange          |
| 100  | 98-9505     | 3    | Bracket-Arm, Rocker  |

| Ref. | Part Number | Qty. | Description              |
|------|-------------|------|--------------------------|
| 110  | 105-3758    | 1    | Pin-Spring               |
| 120  | 98-9507     | 2    | Washer-Shaft, Rocker Arm |
| 130  | 110-3832    | 2    | Washer-Plain             |
| 140  | 98-9504     | 2    | Spring-Arm, Rocker       |
| 160  | 112-7020    | 6    | Rocker Arm ASM           |
| 170  | 98-9502     | 6    | Screw-Adjusting          |
| 180  | 98-9503     | 6    | Nut                      |
| 190  | 98-9506     | 3    | Stud                     |
| 200  | 98-9393     | 3    | Nut                      |
| 210  | 98-9385     | 3    | Washer-Flat              |



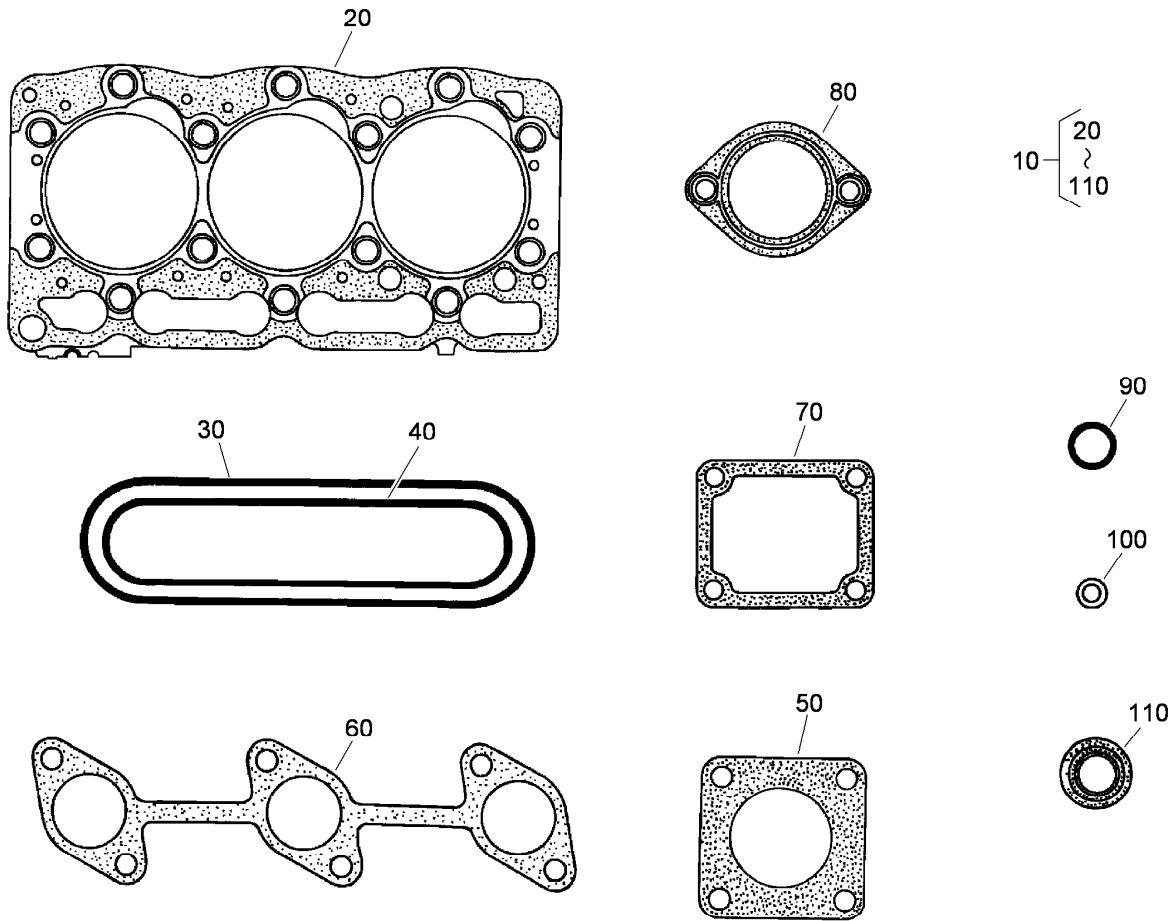
## Inlet and Exhaust Manifold Assembly

| <i>Ref.</i> | <i>Part Number</i> | <i>Qty.</i> | <i>Description</i>       |
|-------------|--------------------|-------------|--------------------------|
| 10          | 107-7843           | 1           | Manifold Inlet ASM       |
| 20          | 98-9492            | 1           | Joint-Pipe, Breather     |
| 30          | 98-9609            | 1           | Gasket-Manifold, Inlet   |
| 40          | 127-0403           | 3           | Bolt-Flange              |
| 50          | 98-9353            | 1           | Bolt                     |
| 60          | 125-9063           | 2           | Bolt-Sems                |
| 70          | 107-9093           | 1           | Manifold-Exhaust         |
| 80          | 99-8327            | 1           | Gasket-Manifold, Exhaust |
| 90          | 98-9588            | 6           | Stud                     |
| 100         | 98-9665            | 6           | Nut                      |
| 110         | 98-7769            | 4           | Stud                     |



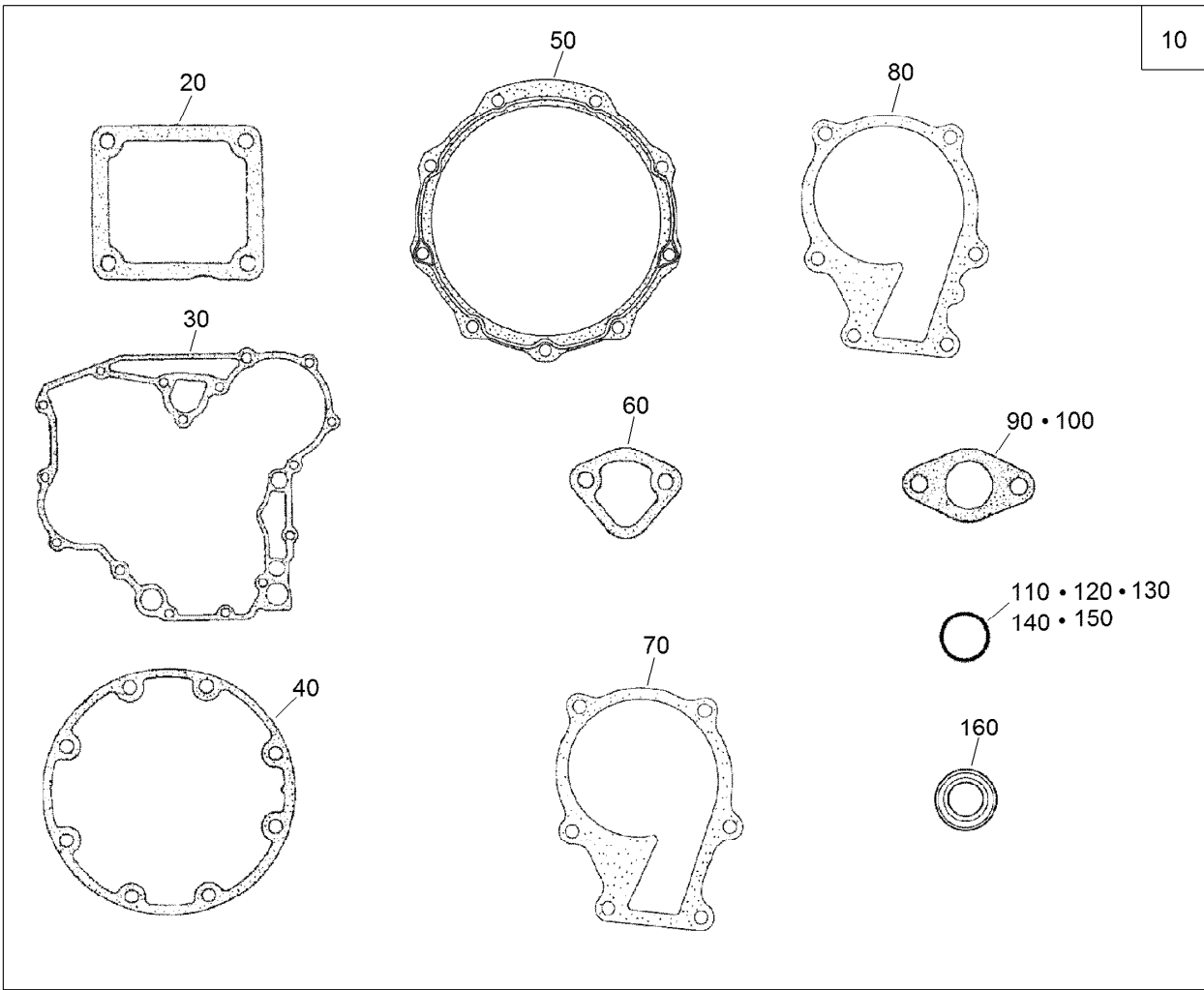
## Miscellaneous Engine Parts

| <i>Ref.</i> | <i>Part Number</i> | <i>Qty.</i> | <i>Description</i> |
|-------------|--------------------|-------------|--------------------|
| 10          | 104-9318           | 1           | Bottle-Overflow    |
| 20          | 115-4132           | 1           | Cap                |
| 30          | 105-3755           | 1           | Gasket             |
| 40          | 105-3756           | 1           | Plate              |
| 50          | 99-8343            | 1           | Gasket-Muffler     |
| 60          | 98-7611            | 1           | Controller-Glow    |
| 70          | 106-7772           | 1           | Thermoswitch       |
| 80          | 130-1543           | 1           | Manual-Operator    |



## Upper Gasket Kit

| <i>Ref.</i> | <i>Part Number</i> | <i>Qty.</i> | <i>Description</i>       |
|-------------|--------------------|-------------|--------------------------|
| 10          | 107-7848           | 1           | Upper Gasket Kit         |
| 20          | 108-6573           | 1           | Gasket-Head, Cylinder    |
| 30          | 98-9615            | 1           | Gasket-Cover, Head       |
| 40          | 98-9609            | 1           | Gasket-Manifold, Inlet   |
| 50          | 99-8343            | 1           | Gasket-Muffler           |
| 60          | 99-8327            | 1           | Gasket-Manifold, Exhaust |
| 70          | 98-9638            | 1           | Gasket-Flange, Water     |
| 80          | 105-3748           | 1           | Gasket-Thermostat        |
| 90          | 99-3446            | 2           | O-Ring                   |
| 100         | 98-9454            | 3           | Gasket                   |
| 110         | 99-8385            | 6           | Seal-Stem, Valve         |



## Lower Engine Gasket Kit

| <i>Ref.</i> | <i>Part Number</i> | <i>Qty.</i> | <i>Description</i>   |
|-------------|--------------------|-------------|----------------------|
| 10          | 130-1364           | 1           | Lower Gasket Kit     |
| 20          | 98-9637            | 1           | Gasket               |
| 30          | 98-9633            | 1           | Gasket-Case, Gear    |
| 40          | 131-6554           | 1           | Gasket-Case, Bearing |
| 50          | 112-7037           | 1           | Gasket-Cover, Case   |
| 60          | 117-7562           | 1           | Gasket-Pump, Fuel    |
| 70          | 98-9632            | 1           | Gasket-Pump, Water   |
| 80          | 99-3454            | 1           | Gasket-Pump, Water   |

| <i>Ref.</i> | <i>Part Number</i> | <i>Qty.</i> | <i>Description</i>     |
|-------------|--------------------|-------------|------------------------|
| 90          | 98-9682            | 1           | Gasket                 |
| 100         | 98-9683            | 1           | Gasket-Cover, Solenoid |
| 110         | 105-3781           | 2           | O-Ring                 |
| 120         | 105-3777           | 2           | O-Ring                 |
| 130         | 105-3783           | 1           | O-Ring                 |
| 140         | 105-3776           | 1           | O-Ring                 |
| 150         | 105-3788           | 1           | O-Ring                 |
| 160         | 98-7601            | 1           | Seal-Oil               |

# Attachments and Accessories

## For 03170 Reelmaster 3100-D Traction Unit

| <b>Product Name</b>                              | <b>Model/Part</b> |
|--|-------------------|
| 27in Lift Arm Kit .....                          | 03172             |
| 32in Lift Arm Kit .....                          | 03173             |
| 5-Blade 27in DPA Edge Series Cutting Unit .....  | 03188             |
| 8-Blade 27in DPA Edge Series Cutting Unit .....  | 03189             |
| 11-Blade 27in DPA Edge Series Cutting Unit ..... | 03190             |
| 8-Blade 32in DPA Edge Series Cutting Unit .....  | 03191             |
| 27in Verticutter Cutting Unit .....              | 03203             |
| Smooth Rear Tire .....                           | 127-2796          |
| Decal-Service, Japan .....                       | 138-1190          |
| Premium Seat Kit.....                            | 30629             |
| Arm Rest Kit.....                                | 30707             |
| Work Light Kit .....                             | 30841             |

**Notes:**



**Count on it.**