



Count on it.

Parts Catalog

Reelmaster® 3575

Traction Unit

Model No. 03821—Serial No. 402530001 and Up



Ordering Replacement Parts

To order replacement parts, please supply the part number, the quantity, and the description of each part desired.

Understanding Reference Numbers

Each identified part in an illustration has a reference number. The reference number for a part also appears in the parts list, along with other information about the part.

This catalog uses two special reference number formats, one to indicate parts in a service assembly and another to indicate the quantity of a given part in an illustration.

Service Assembly Reference Numbers

Parts in service assemblies have reference numbers in the form a:b. The a represents the reference number of the entire service assembly and the b represents a sequential number unique to each part within the service assembly.

For example, a wheel assembly might be identified by reference number 6, the tire by 6:1, the valve by 6:2, and the wheel by 6:3. When you order the assembly identified by reference number 6, you receive all parts identified by reference numbers 6:1, 6:2, and 6:3. However, you may also order any part individually. Reference numbers of this type appear in illustration and in parts lists.

Reference Numbers Indicating Quantity

In an illustration, if a reference number indicates more than one part, the reference number has the form nX y. The n represents the quantity of the part, the X is the multiplication symbol, and the y represents the reference number.

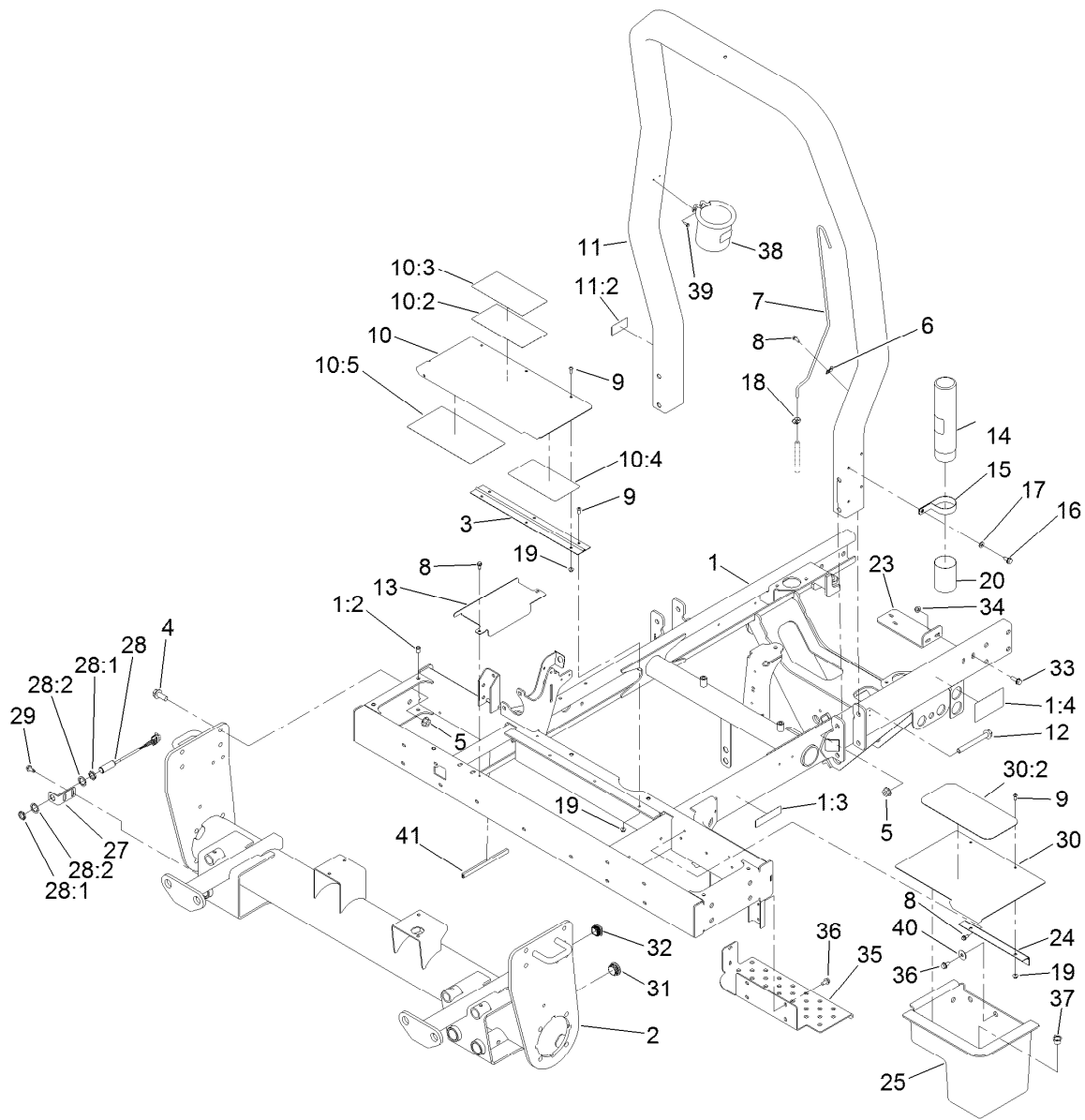
For example, in an illustration, the reference number 2X 37 means that two of the parts identified by reference number 37 are indicated.

Contents

Frame and Front Axle Assembly	5
Engine Mount Assembly	7
Muffler and Air Cleaner Assembly	8
Air Cleaner Assembly No. 93-2190	9
Radiator and Oil Cooler Assembly	10
No. 1, No. 4 and No. 5 Lift Arm Assembly	11
Hydraulic Cylinder Assembly No. 119-6987	13
Hydraulic Cylinder Assembly No. 119-6988	14
No. 2 and No. 3 Lift Arm Assembly	15
Hydraulic Cylinder Assembly No. 108-4436	16
Fuel Tank and Filter Assembly	17
Hydraulic Tank and Filter Assembly	18
Battery Assembly	19
Seat and Heat-Shield Assembly	20
Seat Assembly No. 116-3998	21
Control Panel Assembly	22
Joystick Bracket Assembly No. 120-5280	23
Parking Brake Assembly	24
Main Wire Harness Assembly	26
Steering Arm Assembly	27
Steering Valve Assembly No. 127-8445	28
Front Shroud and Floorplate Assembly	29
Lamp Assembly No. 94-9024	30
Traction Control Assembly	31
Hood and Screen Assembly	32
Wheel and Brake Assembly	33
Hydraulic Motor Assembly No. 110-8786	34
Hydraulic Motor Assembly No. 110-8785	35
Brake Assembly No. 127-8535	36
Rear Fork Assembly	37
Steering Cylinder Assembly No. 121-7835	38
Hydraulic Motor Assembly No. 95-8694	39
Neutral Arm Assembly	40
Piston Pump and Gear Pump Assembly	41
Hydraulic Pump Assembly No. 104-4890	42
Hydraulic Gear Pump Assembly No. 121-7841	44
Traction Hydraulic Assembly	45
Lift Hydraulic Assembly	46
Lift Manifold Assembly No. 127-8444	47
Cutting Unit No. 1, No. 4 and No. 5 Mow Hydraulic Assembly	48
Mow Manifold Assembly No. 120-2058	50
Hydraulic Gear Motor Assembly No. 127-8436	51
Rear Mow Hydraulic Circuit Assembly	52
Crankcase Assembly	54
Oil Pan and Dipstick Assembly	55
Cylinder Head Assembly	56
Gear Case and Oil Filter Cartridge Assembly	57
Cylinder Head Cover Assembly	58
Main Bearing Case Assembly	59
Camshaft and Idle Gear Shaft Assembly	60
Piston and Crankshaft Assembly	61
Fuel Camshaft and Governor Shaft Assembly	62
Idle Apparatus and Stop Solenoid Assembly	63
Injection Pump Assembly	64

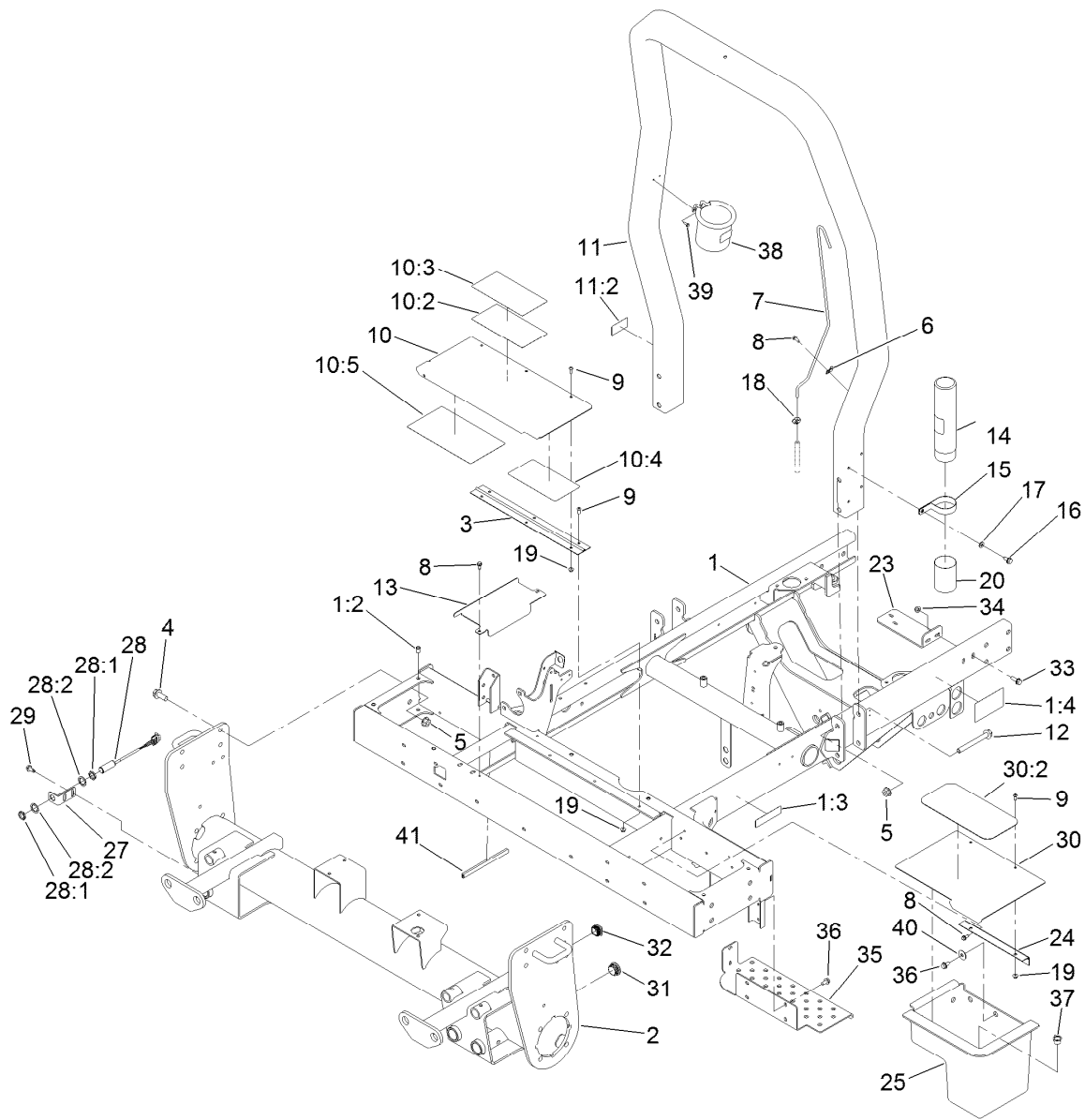
Contents (continued)

Governor Assembly	65
Speed Control Plate Assembly	66
Nozzle Holder and Glow Plug Assembly	67
Nozzle Holder Assembly	68
Alternator, Pulley and Fan Assembly	69
Alternator Components Assembly	70
Starter and Flywheel Assembly	71
Starter Component Assembly	72
Water Flange and Thermostat Assembly	73
Water Pump Assembly	74
Valve and Rocker Arm Assembly	75
Inlet and Exhaust Manifold Assembly	76
Miscellaneous Engine Parts	77
Attachments and Accessories	78



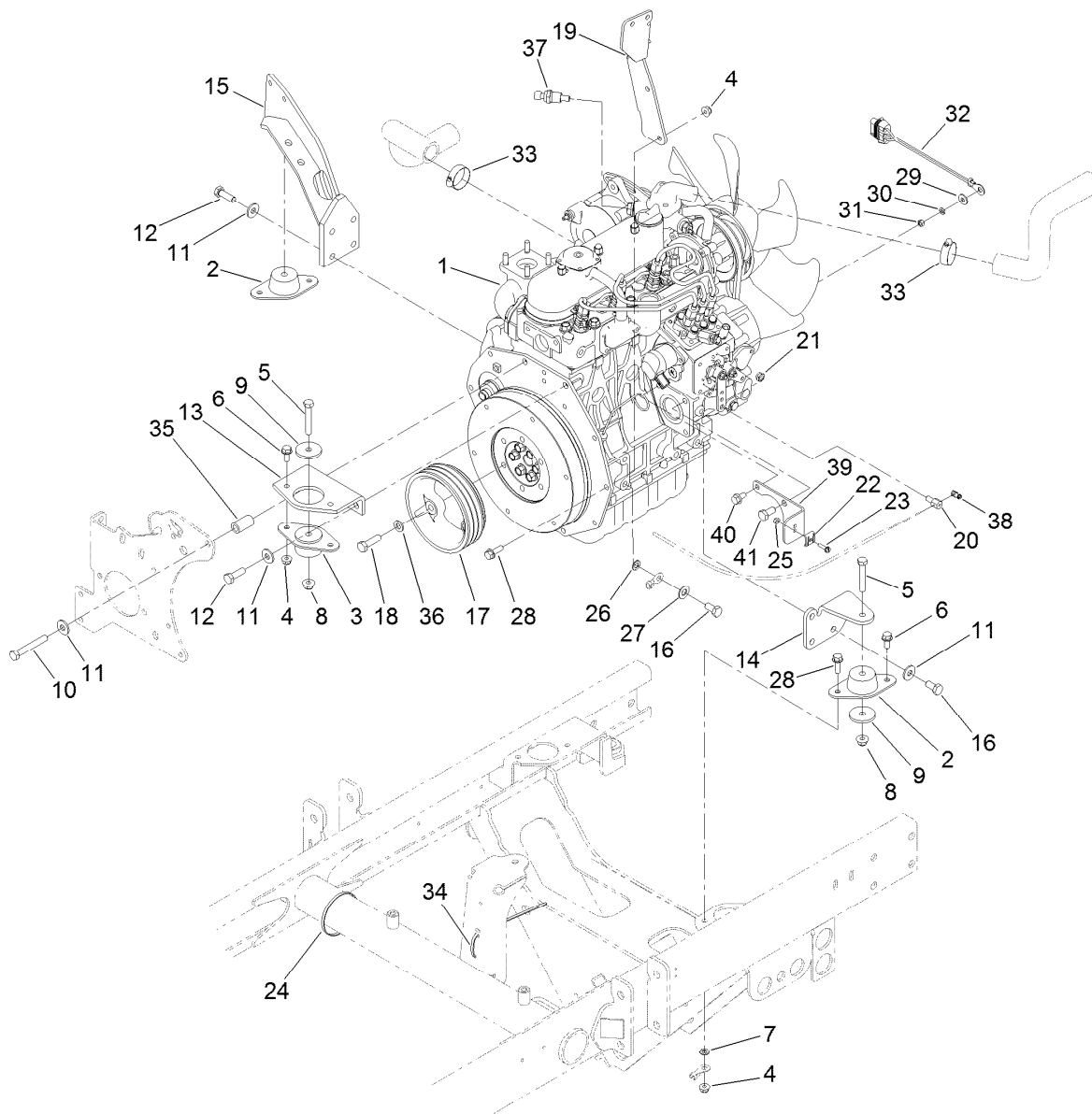
Frame and Front Axle Assembly

Ref.	Part Number	Qty.	Description	Ref.	Part Number	Qty.	Description
1	133-4935	1	Frame ASM	14	104-7050	1	Tube-Manual
1:2	32148-6	3	Nut-Clinch	15	2412-133	2	Clamp-R
1:3	117-2718	1	Decal-Arrester, Spark	16	32144-70	2	Screw-HWHTF
1:4	117-3270	2	Decal-Danger	17	3256-23	2	Washer-Plain
2	127-8452-03	1	Front Axle ASM	18	2412-108	1	Clamp-Worm
3	127-8517	1	Hinge-Toolbox	19	104-7201	8	Nut-HF, NI
4	3234-38	8	Screw-HHF	20	104-7048	1	Cap-Housing
5	32128-49	12	Nut-HHF	23	127-8549-03	1	Bracket-Filter
6	2412-72	2	Clip-Closed, Insulated	24	127-8589	1	Hinge-Toolbox
7	95-8615	1	Tube-Breather	25	127-8590	1	Box-Storage
8	32144-10	6	Screw-HWH	27	127-8520	1	Bracket-Switch
9	119-6906	8	Screw-HSBH	28	115-5300	1	Proximity Switch ASM
10	127-8592	1	Toolbox Cover ASM	28:1	117-3207	2	Nut-Hex
10:2	120-1683	1	Decal-Danger	28:2	117-3208	2	Washer-Lock, Internal Tooth
10:3	138-1186	1	Decal-Danger	29	32104-32	2	Screw-HWH
10:4	133-4901	1	Decal-Reel Speed	30	127-8565	1	Cover ASM
10:5	133-4900	1	Decal-Service	30:2	75-0620	1	Tread-Foot, LH
11	127-8493	1	ROPS ASM	31	110-9012	3	Caplug
11:2	127-8596	1	Decal-ROPS	32	95-9495	2	Cap
12	117-3176	4	Screw-HHF	33	3234-29	2	Screw-HHF
13	127-8547-01	1	Cover-Battery, Inner	34	104-8300	2	Nut-HF, NI



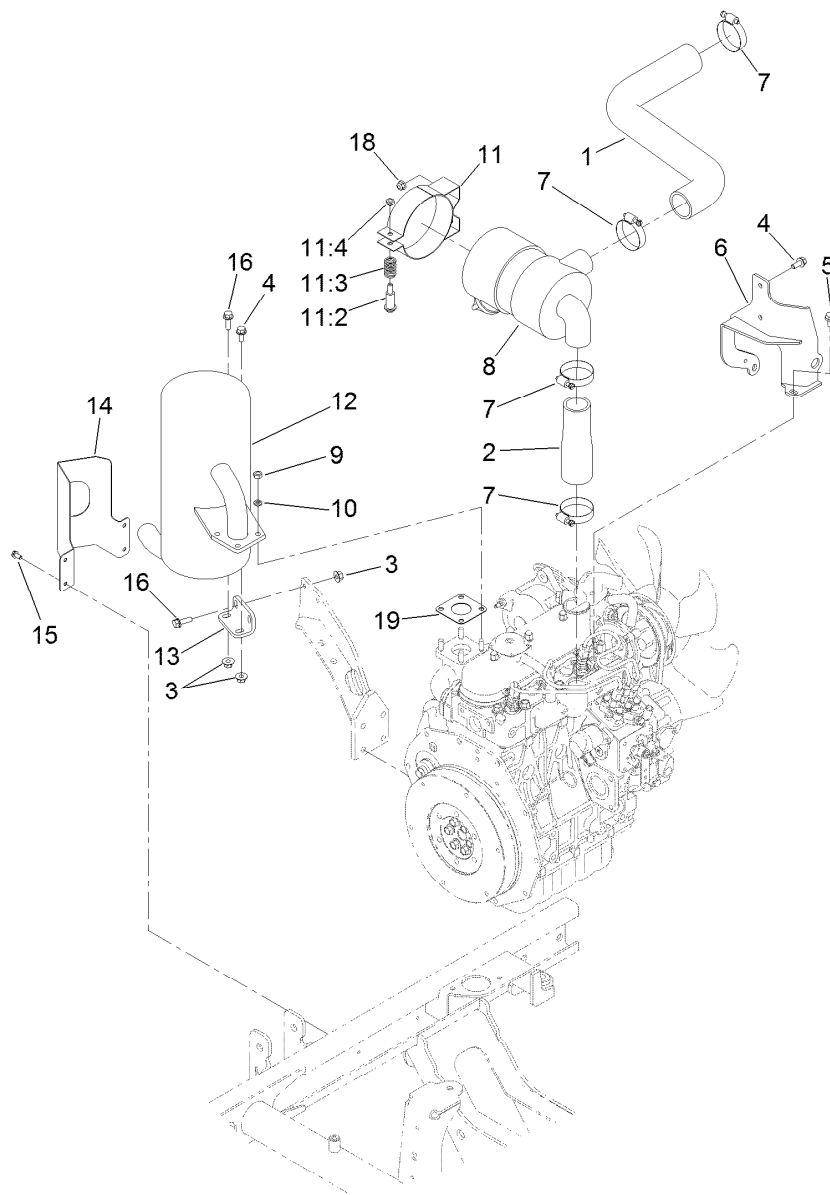
Frame and Front Axle Assembly (continued)

<i>Ref.</i>	<i>Part Number</i>	<i>Qty.</i>	<i>Description</i>	<i>Ref.</i>	<i>Part Number</i>	<i>Qty.</i>	<i>Description</i>
35	127-8443-03	1	Step	39	32144-1	2	Screw-Taptime
36	32144-14	11	Screw-HWHTF	40	3256-35	5	Washer-Flat
37	2410-72	1	Caplug (L-9)	41	127-6619	1	Strip-Seal
38	117-2378	1	Holder-Bag				



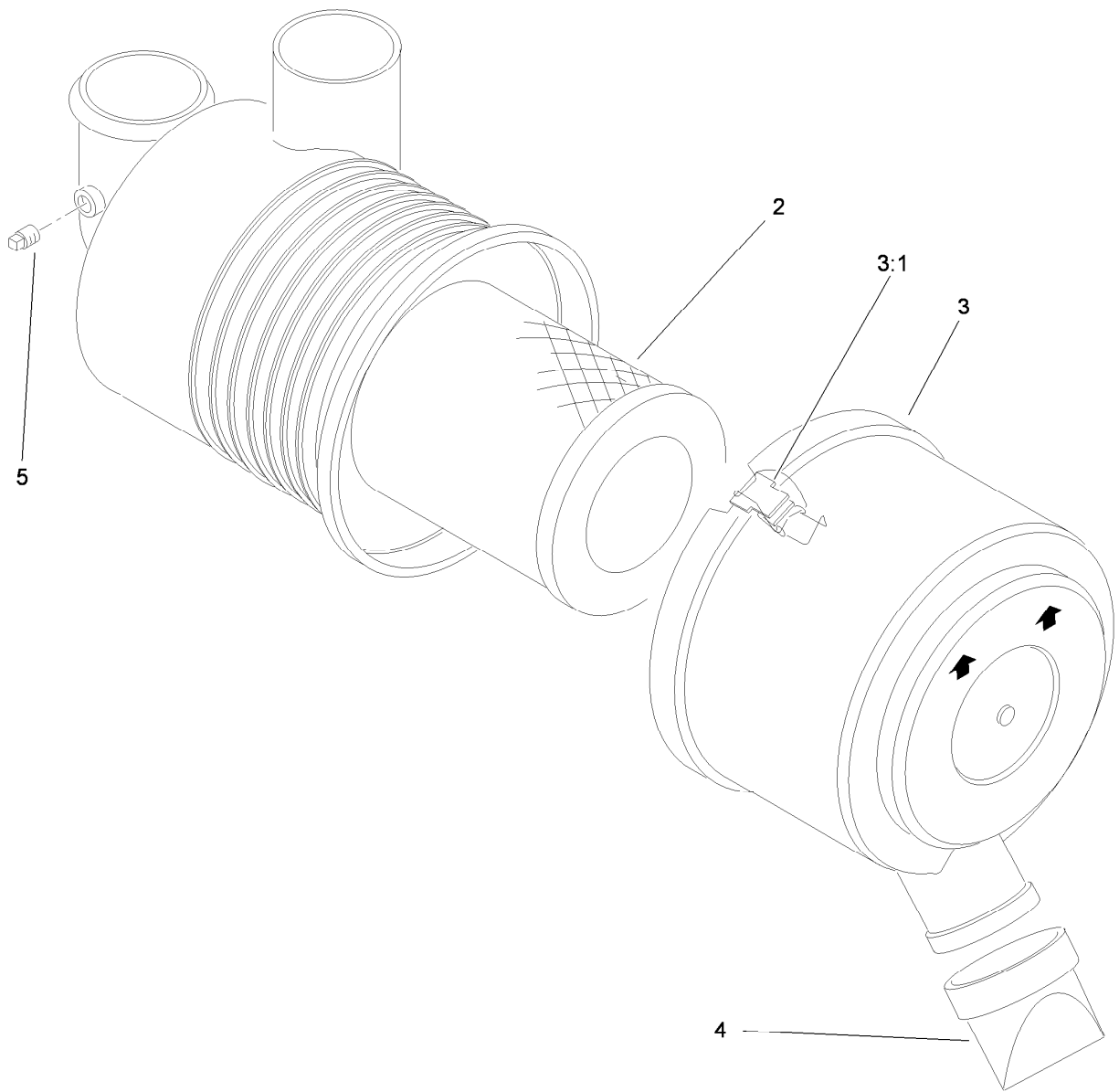
Engine Mount Assembly

Ref.	Part Number	Qty.	Description	Ref.	Part Number	Qty.	Description
1	132-5238	1	Engine-Kubota, D1105	22	81-1690	1	Clamp-Cable
2	121-9076	2	Mount-Engine	23	32105-13	1	Screw-HWH
3	93-5265	1	Mount-Engine	24	3290-379	2	Tie-Cable
4	32128-20	8	Nut-HF	25	3296-2	1	Nut-Lock, NI
5	323-11	3	Screw-HH	26	3255-9	1	Washer-Lock
6	3234-5	5	Screw-HHF	27	3256-25	1	Washer-Flat
7	3255-8	1	Washer-Lock	28	3234-17	3	Screw-HHF
8	104-8301	3	Nut-HF, NI	29	3256-78	1	Washer-Flat
9	80-8560	3	Washer-Hardened	30	43-5930	1	Washer-Lock, Spring
10	42-9370	1	Screw-HH	31	48-7890	1	Nut-Hex
11	80-6990	9	Washer-Hardened	32	99-3441	1	Harness-Wire, Fusible Link
12	95-8812	5	Screw-HH	33	2412-34	2	Clamp-Hose
13	99-3618-03	1	Mount-Engine, Front	34	3290-378	14	Tie-Cable
14	95-8937-03	1	Mount-Engine, LH	35	95-8736	1	Spacer
15	100-4838-03	1	Mount-Engine	36	3256-24	3	Washer-Plain
16	63-7790	4	Screw-Cap	37	119-4478	1	Sender-Temperature
17	99-3626	1	Pulley-3V	38	112-9919	1	Stop-Cable, Throttle
18	56-2140	3	Screw-HH	39	110-9009-03	1	Bracket-Cable, Throttle
19	115-3487-03	1	Bracket-Mount, Fuel Filter	40	33104-016	1	Screw-HHF
20	98-9311	1	Swivel-Throttle	41	70-8470	1	Screw-HH
21	3296-20	1	Nut-Lock, NI				



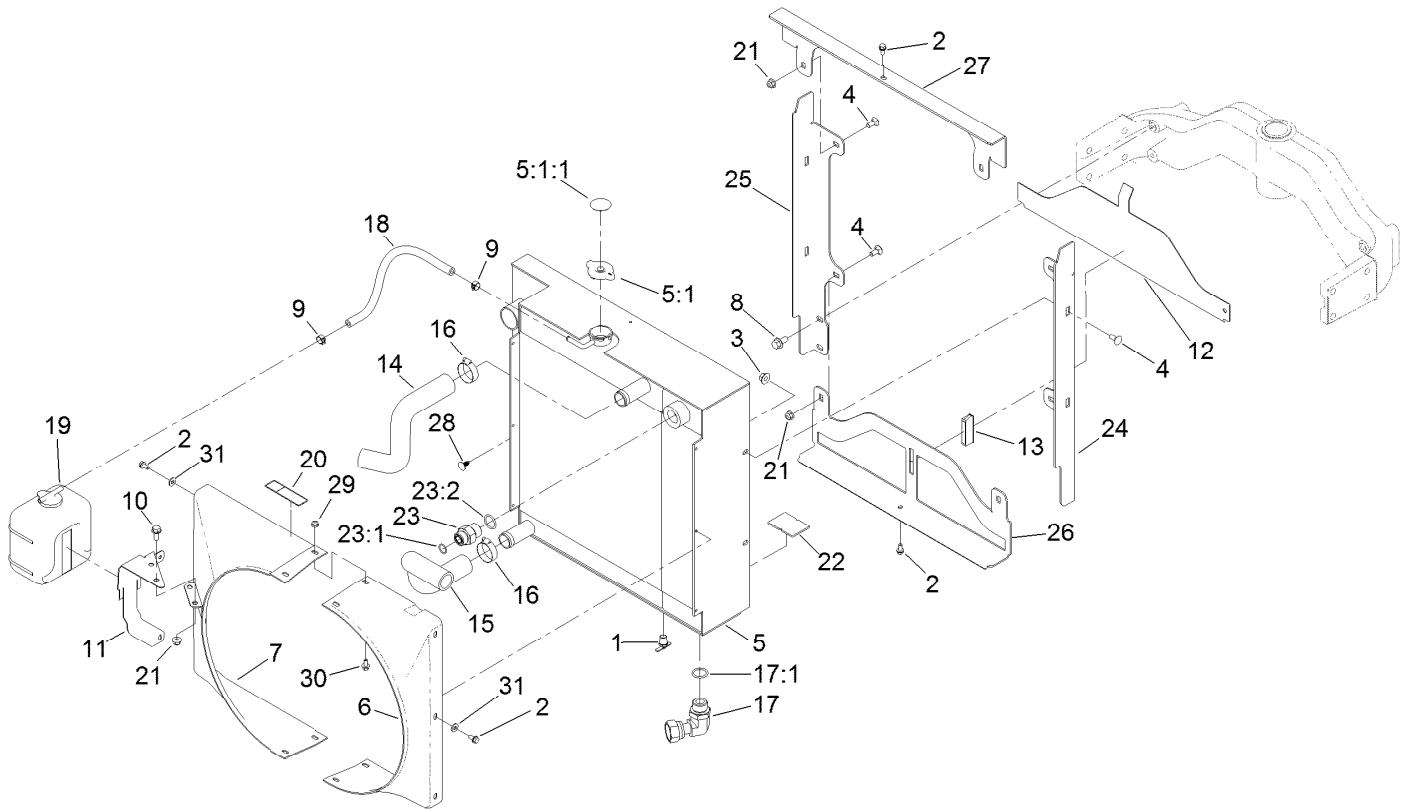
Muffler and Air Cleaner Assembly

<i>Ref.</i>	<i>Part Number</i>	<i>Qty.</i>	<i>Description</i>	<i>Ref.</i>	<i>Part Number</i>	<i>Qty.</i>	<i>Description</i>
1	121-7834	1	Hose-Air Intake, Upper	11:2	94-3653	1	Bolt
2	95-8947	1	Hose-Air Inlet, Lower	11:3	94-3654	1	Spring
3	32128-44	4	Nut	11:4	48-9510	1	*obs* Nut
4	3234-5	3	Screw-HHF	12	104-4834	1	Muffler
5	33104-016	2	Screw-HHF	13	95-8943-03	1	Bracket-Muffler
6	99-3355-03	1	Bracket-Filter, Air	14	99-3425-03	1	Guard-Exhaust
7	2412-92	4	Clamp-Hose	15	32144-4	4	Screw-HWH
8	93-2190	1	Air Cleaner ASM	16	3234-17	3	Screw-HHF
9	33014-00	4	Nut-Hex	18	104-8300	2	Nut-HF, NI
10	3253-4	4	Washer-Lock	19	98-9611	1	Gasket
11	93-2191	1	Air Cleaner Mounting Band ASM				



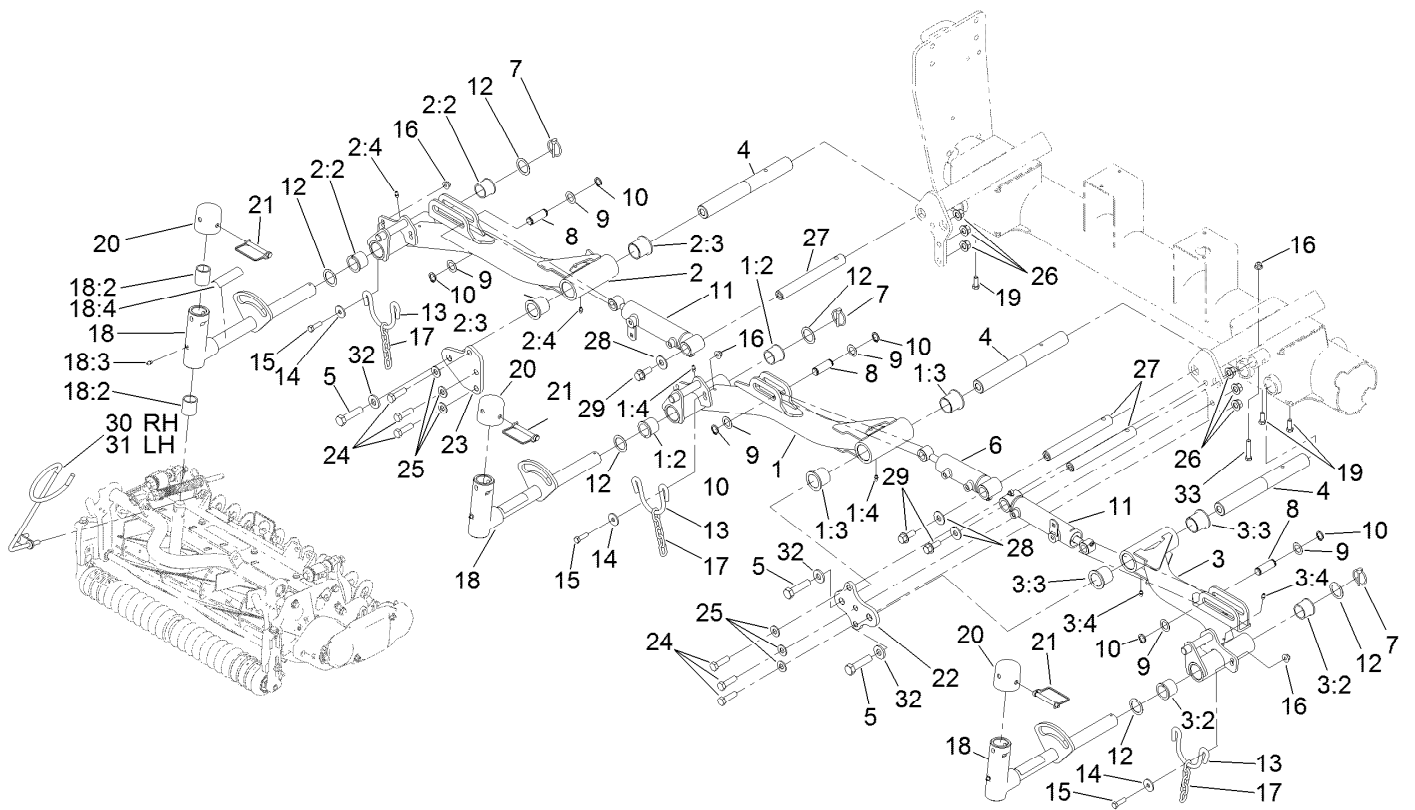
Air Cleaner Assembly No. 93-2190

<i>Ref.</i>	<i>Part Number</i>	<i>Qty.</i>	<i>Description</i>
2	108-3811	1	Filter-Air
3	94-3652	1	Cover ASM
3:1	1-643283	2	Latch-Cleaner, Air
4	87-9400	1	Valve-Vacuator
5	285-17	1	Plug-Pipe



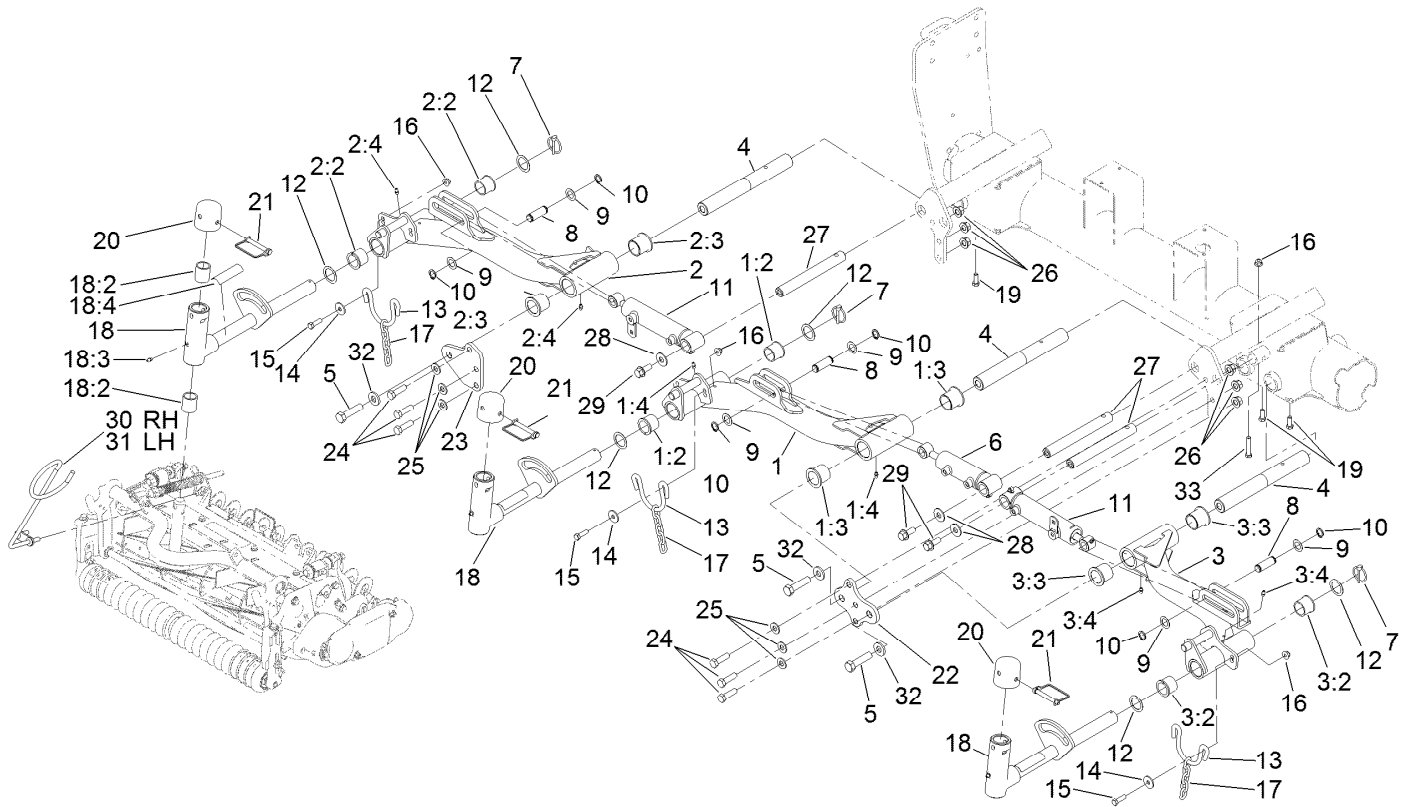
Radiator and Oil Cooler Assembly

Ref.	Part Number	Qty.	Description	Ref.	Part Number	Qty.	Description
1	304-46	1	Draincock	17	94-2636	1	Fitting ASM
2	32104-116	8	Screw-HWHTF	17:1	237-81	1	O-Ring
3	32128-44	4	Nut	18	109-0274	1	Hose-Fuel
4	3230-1	8	Bolt-CARR	19	108-0638	1	Bottle-Overflow
5	119-2028	1	Radiator And Oil Cooler ASM	20	120-0627	1	Decal-Warning
5:1	115-7766	1	Cap-Radiator	21	104-8300	6	Nut-HF, NI
5:1:1	106-6755	1	Decal-Cap, Radiator	22	104-9459	2	Seal-Foam
6	121-7853	1	Shroud-LH	23	340-8	1	Fitting-Straight
7	133-4918	1	Shroud-RH	23:1	237-65	1	O-Ring
8	3234-1	4	Screw-HHF	23:2	237-81	1	O-Ring
9	92-2379	2	Clamp-Hose	24	120-3531-03	1	Bracket-Radiator, LH
10	3234-5	2	Screw-HHF	25	120-3532-03	1	Bracket-Radiator, RH
11	133-4919-03	1	Bracket-Reservoir	26	120-3530-03	1	Bracket-Radiator, Bottom
12	95-8702-03	1	Shield-Radiator, Lower	27	120-3529-03	1	Bracket-Radiator, Top
13	99-3497	1	Magnet	28	117-2382	2	Plug-Plastic
14	120-2193	1	Hose-Radiator, Upper	29	104-7201	4	Nut-HF, NI
15	120-3353	1	Hose-Radiator, Lower	30	3234-13	4	Screw-HHF
16	2412-34	2	Clamp-Hose	31	3256-22	4	Washer-Flat



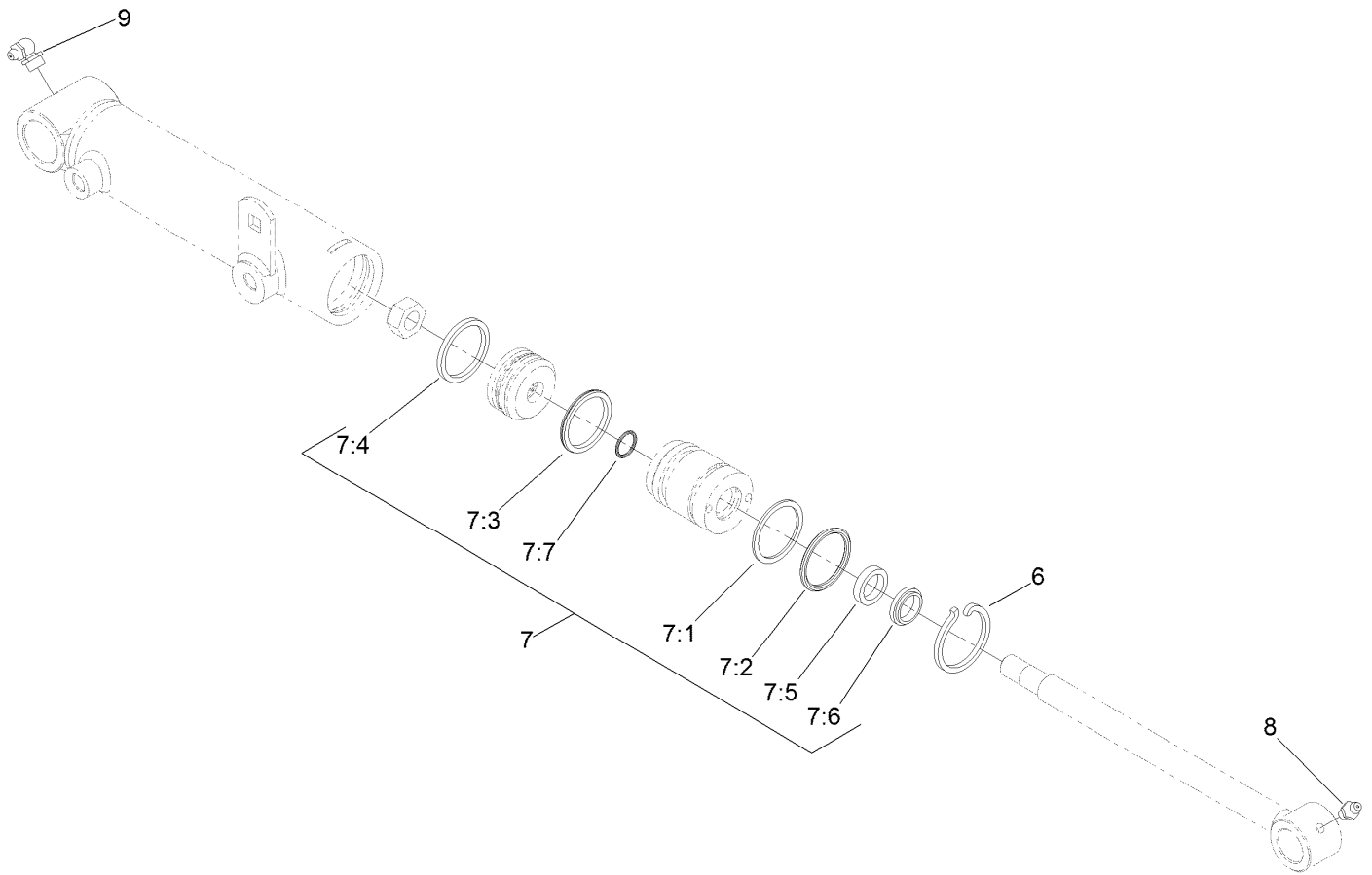
No. 1, No. 4 and No. 5 Lift Arm Assembly

<i>Ref.</i>	<i>Part Number</i>	<i>Qty.</i>	<i>Description</i>	<i>Ref.</i>	<i>Part Number</i>	<i>Qty.</i>	<i>Description</i>
1	110-0991	1	No. 1 Lift Arm ASM	13	110-0922	3	Hoop-Chain
1:2	69-6470	2	Bushing-Caster	14	63-8410	6	Washer
1:3	104-0015	2	Bushing-Flange	15	323-7	6	Screw-HH
1:4	302-5	2	Fitting-Grease	16	104-8301	9	Nut-HF, NI
2	127-8519	1	No. 5 Lift Arm ASM	17	84-2451	3	Chain-Straight, 5 Link
2:2	69-6470	2	Bushing-Caster	18	107-2052	3	Pivot Yoke ASM
2:3	104-0015	2	Bushing-Flange	18:2	121-3187	2	Bushing
2:4	302-5	2	Fitting-Grease	18:3	302-5	1	Fitting-Grease
3	114-8874	1	No. 4 Lift Arm ASM	18:4	110-9642	1	Decal-Warning
3:2	69-6470	2	Bushing-Caster	19	323-6	3	Screw-HH
3:3	104-0015	2	Bushing-Flange	20	107-4027	3	Cap
3:4	302-5	2	Fitting-Grease	21	107-7400	3	Pin-Lynch
4	127-8494	3	Pin-Lift Arm	22	127-8506-03	1	Plate-Bridge
5	327-7	3	Screw-HH	23	127-8507-03	1	Plate-Bridge
6	119-6988	1	HYD Cylinder ASM	24	325-7	6	Screw-HH
7	92-1298	3	Pin-Lynch	25	87-7270	6	Washer-Thrust
8	104-0046	3	Pin-Slide, Cylinder	26	99-5107	6	Nut-Lock
9	3-6498	6	Washer-Thrust	27	117-0148	3	Pin-Cylinder
10	32120-93	6	Ring-Retaining	28	3256-6	3	Washer-Flat
11	119-6987	2	HYD Cylinder ASM	29	3234-32	3	Screw-HHF
12	76-2980	6	Washer-Thrust	30	119-3920	1	Guide-Hose, RH



No. 1, No. 4 and No. 5 Lift Arm Assembly (continued)

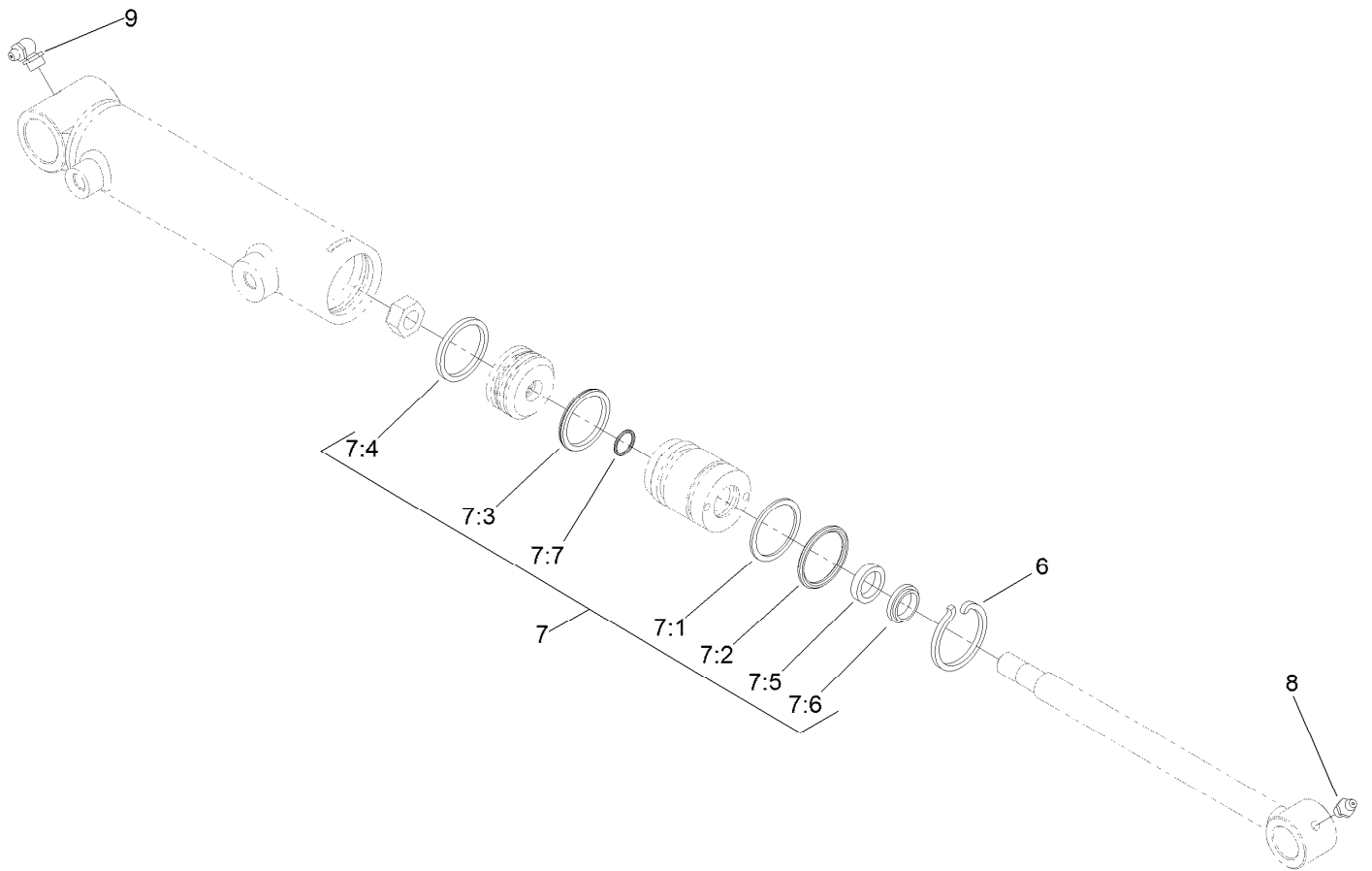
<i>Ref.</i>	<i>Part Number</i>	<i>Qty.</i>	<i>Description</i>	<i>Ref.</i>	<i>Part Number</i>	<i>Qty.</i>	<i>Description</i>
31	119-3921	1	Guide-Hose, LH	32	99-7667	3	Washer-Flat
				33	323-10	3	Screw-HH



Hydraulic Cylinder Assembly No. 119-6987

Ref.	Part Number	Qty.	Description
6	84-1680	1	Ring-Retaining
7	119-6992	1	Seal Kit
7:1		1	O-Ring ●
7:2		1	Backup ●
7:3		1	Bp Seal ●
7:4		1	Wear Ring-Ht ●
7:5		1	Bs Seal ●
7:6		1	Dust Seal-Dt ●
7:7		1	O-Ring ●
8	302-5	1	Fitting-Grease
9	302-33	1	Fitting-Grease

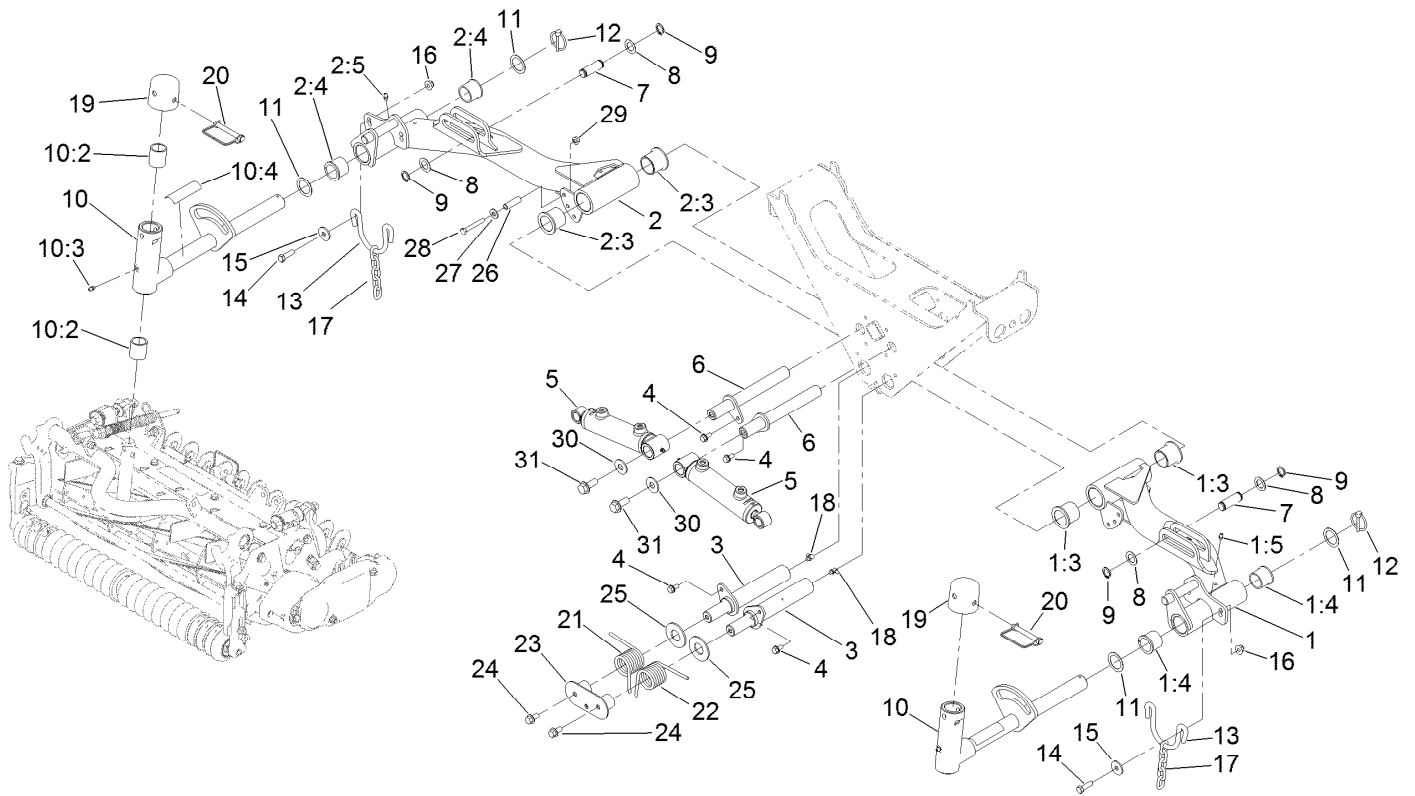
● Not serviced separately



Hydraulic Cylinder Assembly No. 119-6988

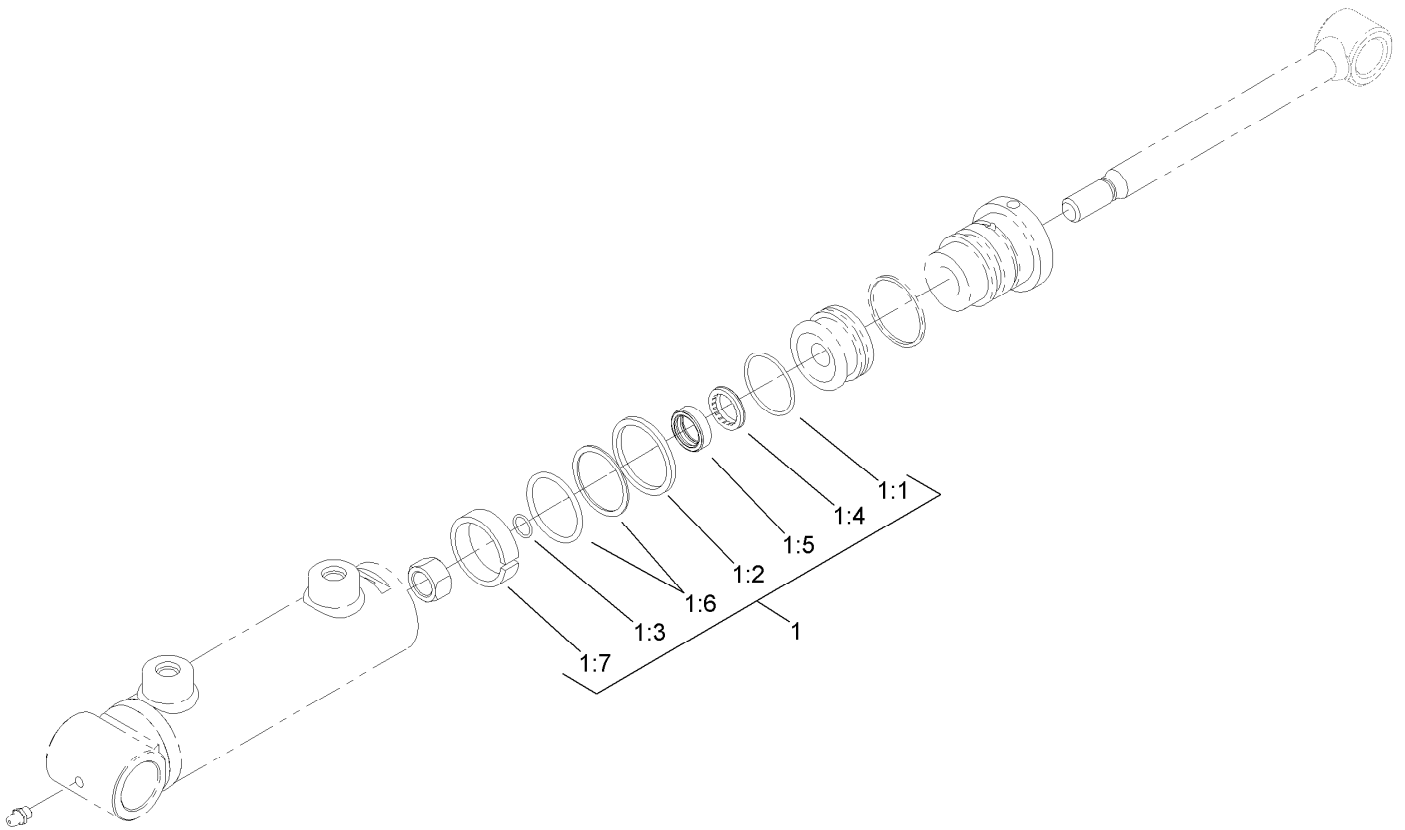
Ref.	Part Number	Qty.	Description
6	84-1680	1	Ring-Retaining
7	119-6992	1	Seal Kit
7:1		1	O-Ring ●
7:2		1	Backup ●
7:3		1	Bp Seal ●
7:4		1	Wear Ring-Ht ●
7:5		1	Bs Seal ●
7:6		1	Dust Seal-Dt ●
7:7		1	O-Ring ●
8	302-5	1	Fitting-Grease
9	302-33	1	Fitting-Grease

● Not serviced separately



No. 2 and No. 3 Lift Arm Assembly

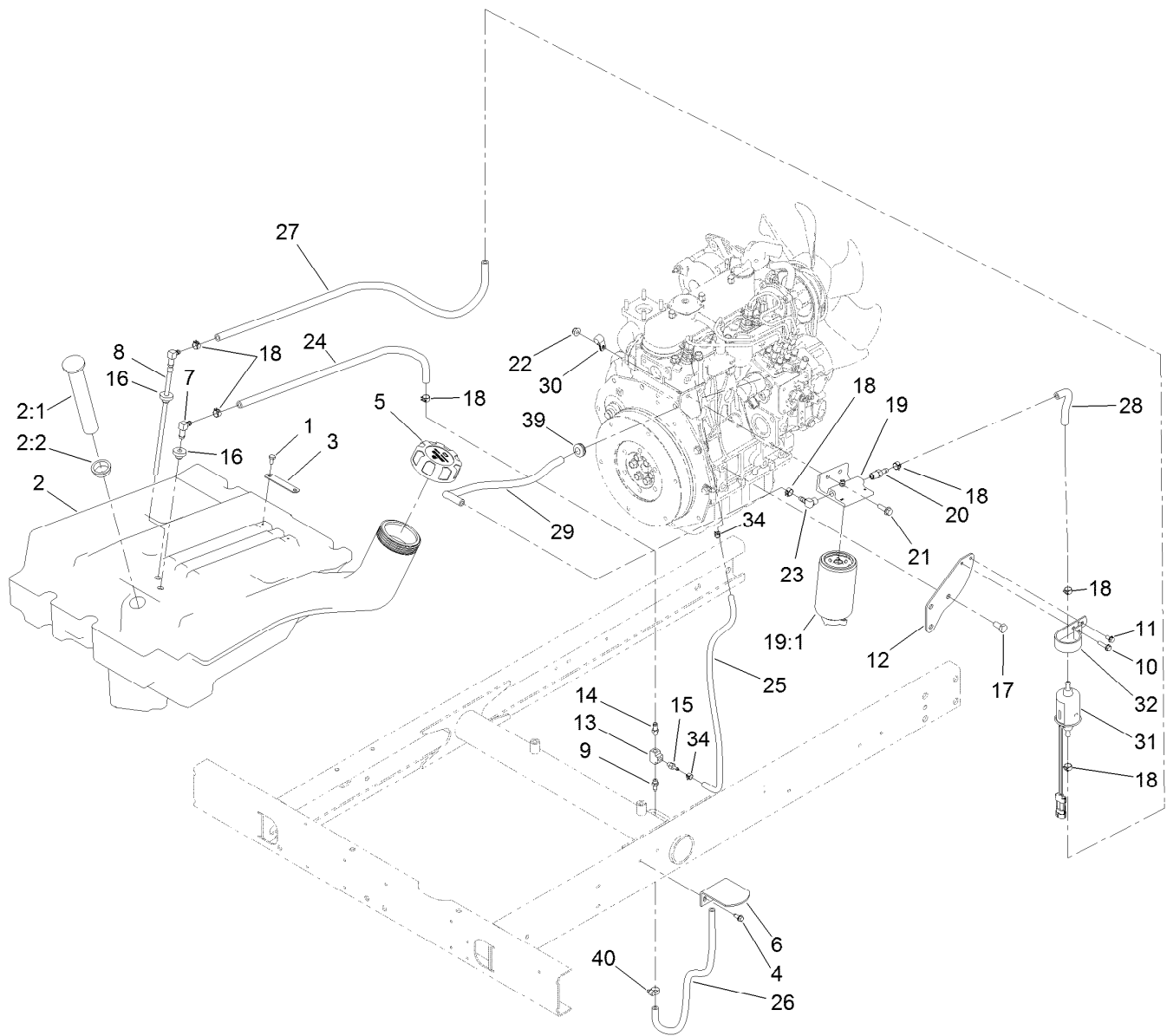
Ref.	Part Number	Qty.	Description	Ref.	Part Number	Qty.	Description
1	133-4946	1	No. 2 Lift Arm ASM	12	92-1298	2	Pin-Lynch
1:3	69-6470	2	Bushing-Caster	13	110-0922	2	Hoop-Chain
1:4	104-0015	2	Bushing-Flange	14	323-7	4	Screw-HH
1:5	302-5	1	Fitting-Grease	15	63-8410	4	Washer
2	133-4948	1	No. 3 Lift Arm ASM	16	104-8301	4	Nut-HF, NI
2:3	69-6470	2	Bushing-Caster	17	84-2451	2	Chain-Straight, 5 Link
2:4	104-0015	2	Bushing-Flange	18	302-60	4	Fitting-Grease
2:5	302-5	1	Fitting-Grease	19	107-4027	2	Cap
3	127-8504	2	Pin ASM	20	107-7400	2	Pin-Lynch
4	32144-14	4	Screw-HWHTF	21	127-8580	1	Spring-Torsion, RH
5	108-4436	2	Cylinder-HYD, Lift	22	127-8581	1	Spring-Torsion, LH
6	133-4931	2	Pin	23	127-8583-03	1	Catch ASM
7	104-0046	2	Pin-Slide, Cylinder	24	3234-1	2	Screw-HHF
8	3-6498	4	Washer-Thrust	25	104-6126	2	Washer-Flat
9	32120-93	4	Ring-Retaining	26	107-0285	2	Spacer
10	107-2052	2	Pivot Yoke ASM	27	3256-3	2	Washer-Flat
10:2	121-3187	2	Bushing	28	322-11	2	Screw-HH
10:3	302-5	1	Fitting-Grease	29	104-8300	2	Nut-HF, NI
10:4	110-9642	1	Decal-Warning	30	3256-6	2	Washer-Flat
11	76-2980	4	Washer-Thrust	31	3234-38	2	Screw-HHF



Hydraulic Cylinder Assembly No. 108-4436

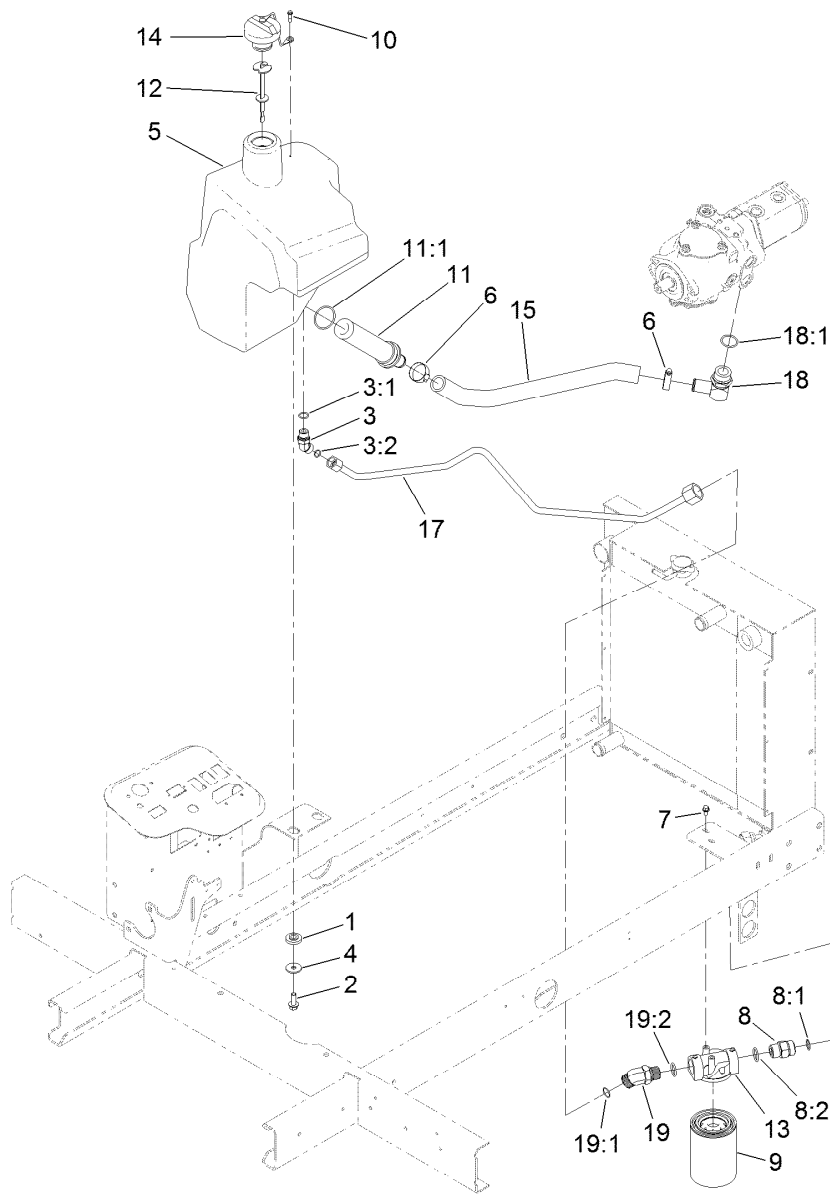
<i>Ref.</i>	<i>Part Number</i>	<i>Qty.</i>	<i>Description</i>
1	110-4132	1	Seal Kit
1:1		1	O-Ring ●
1:2		1	Back-Up Ring ●
1:3		1	O-Ring ●
1:4		1	Wiper ●
1:5		1	Seal ●
1:6		1	Seal W/Loader ●
1:7		1	Wear Ring ●

● Not serviced separately



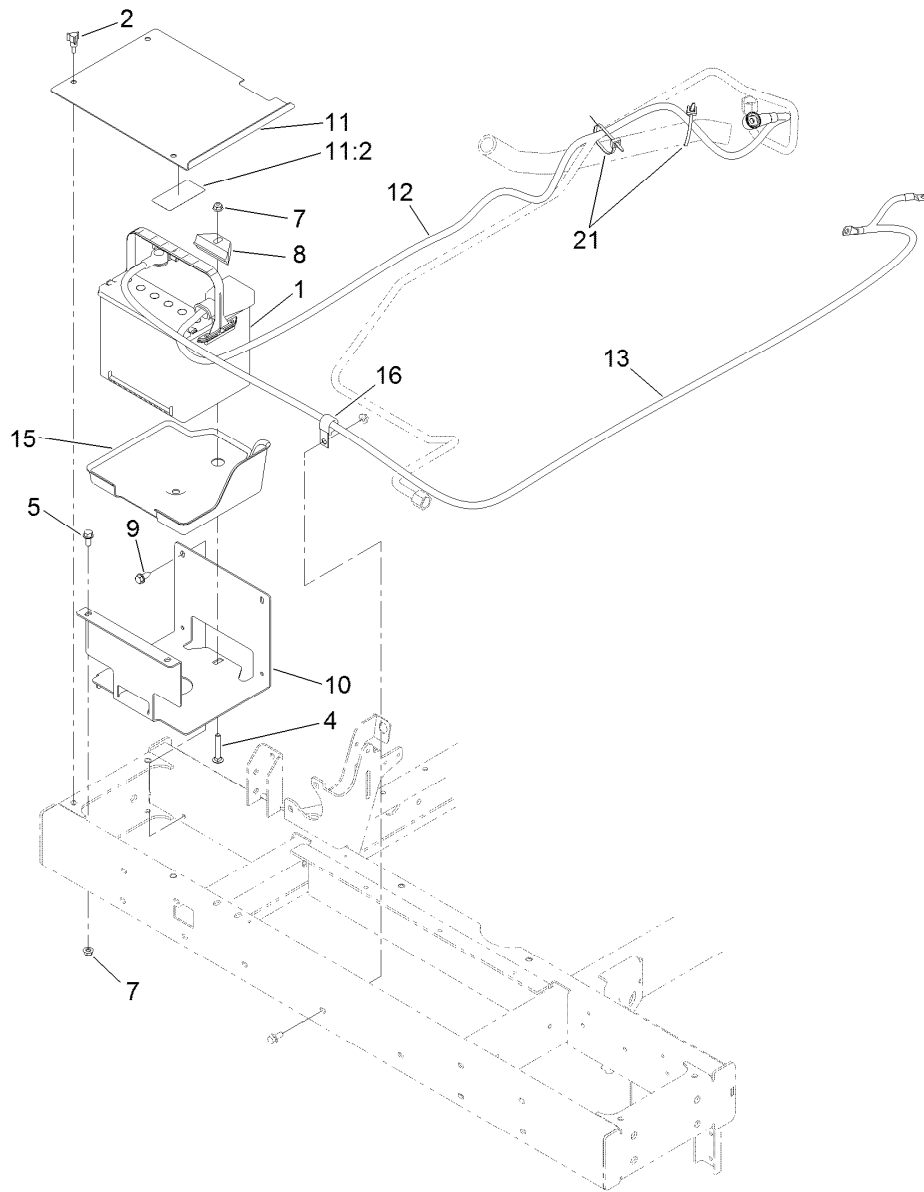
Fuel Tank and Filter Assembly

Ref.	Part Number	Qty.	Description	Ref.	Part Number	Qty.	Description
1	321-2	2	Screw-HH	18	92-2379	7	Clamp-Hose
2	95-8620	1	Tank-Fuel	19	110-9044	1	Separator-Filter
2:1	95-8971	1	Gauge-Fuel	19:1	110-9049	1	Filter-Spin On, Fuel/Water
2:2	95-8972	1	Grommet	20	353-783	1	Fitting-STR
3	95-8881	1	Strap-Line, Fuel	21	3234-17	2	Screw-HHF
4	32144-10	2	Screw-HWH	22	104-8300	2	Nut-HF, NI
5	114-5064	1	Cap-Diesel	23	353-781	1	Fitting-HYD, 90
6	95-8968-03	1	Support-Tank, Fuel	24	110-6187	1	Hose-Fuel
7	46-6550	1	Fitting-Elbow, 90 DEG	25	110-8751	1	Hose-Fuel
8	110-9689	1	Pipe-Stand	26	110-5701	1	Hose-Fuel
9	304-73	1	Fitting-Straight	27	121-7914	1	Hose-Fuel
10	32144-86	1	Screw-HWHTF	28	117-4026	1	Hose-Fuel
11	32144-4	1	Screw-HWH	29	121-7852	1	Hose-Fuel
12	120-2182-03	1	Plate-Mount, Fuel Pump	30	2412-10	1	Clamp-R
13	354-20	1	Fitting-Tee	31	110-8806	1	Pump-Fuel
14	354-21	1	Fitting-Barbed	32	110-8817	1	Bracket-Pump, Fuel
15	354-22	1	Fitting-Barbed	34	2412-80	2	Clamp-Hose
16	46-6560	2	Bushing	39	1-543296	1	Grommet
17	63-7790	3	Screw-Cap	40	2412-108	2	Clamp-Worm



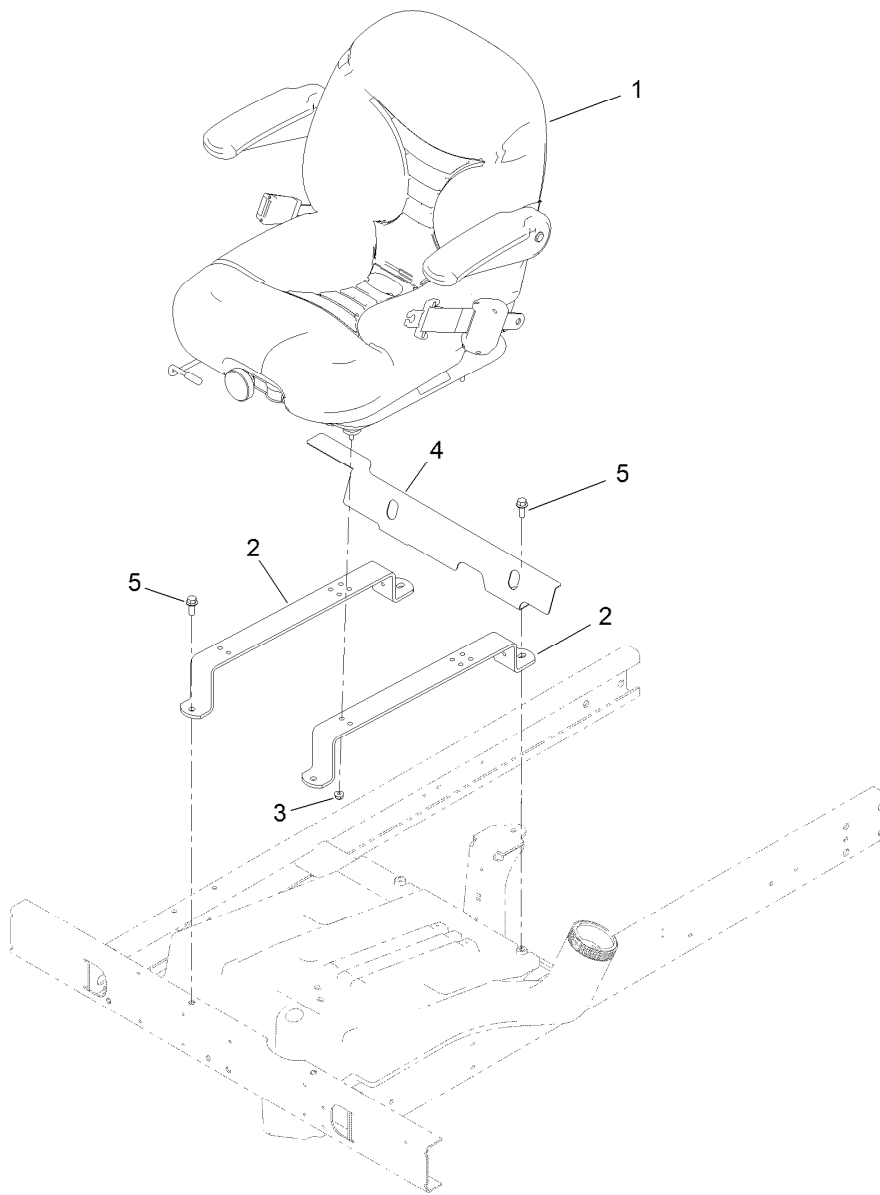
Hydraulic Tank and Filter Assembly

Ref.	Part Number	Qty.	Description	Ref.	Part Number	Qty.	Description
1	240-11	4	Bushing-Flange	10	57-5420	1	Screw-Shoulder
2	3234-11	4	Screw-HHF	11	104-7546	1	Tank Strainer ASM
3	340-101	1	Fitting-HYD, 45 DEG	11:1	340-136	1	O-Ring
3:1	237-30	1	O-Ring	12	119-6968	1	Dipstick-Oil
3:2	237-79	1	O-Ring	13	92-5821	1	Head-Filter
4	63-8410	4	Washer	14	93-7160	1	Cap-Oil, HYD
5	104-4840	1	Tank-HYD	15	121-7803	1	Hose-Suction
6	2412-34	2	Clamp-Hose	17	127-8552	1	Tube-HYD
7	3234-13	2	Screw-HHF	18	23-8910	1	Stem-Barb-90
8	340-9	1	Fitting-STR	18:1	237-146	1	O-Ring
8:1	237-58	1	O-Ring	19	100-5530	1	Fitting-45 DEG
8:2	237-81	1	O-Ring	19:1	237-58	1	O-Ring
9	86-3010	1	Filter-Oil	19:2	237-81	1	O-Ring



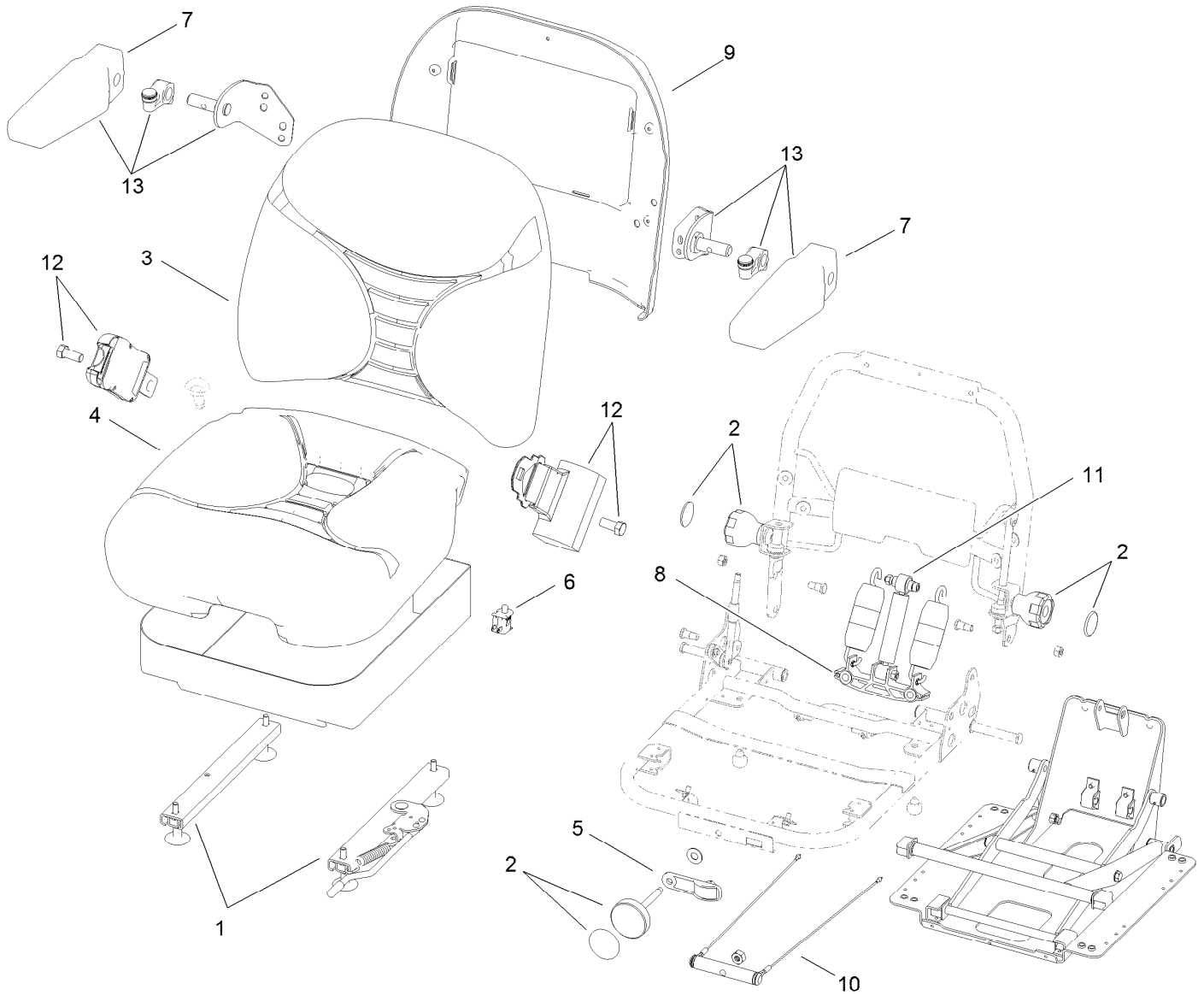
Battery Assembly

Ref.	Part Number	Qty.	Description
1	127-8564	1	Battery
2	233-70	3	Knob-Star, Three
4	3230-6	1	Bolt-CARR
5	3234-5	2	Screw-HHF
7	104-8300	3	Nut-HF, NI
8	66-2490	1	Retainer-Battery
9	32104-32	2	Screw-HWH
10	127-8527-03	1	Bracket-Battery
11	127-8531	1	Cover-Battery
11:2	93-7276	1	Decal-Danger
12	122-0812	1	Cable-Battery, Positive
13	122-0817	1	Battery-Cable, Negative
15	133-4913	1	Tray-Battery
16	94-9580	1	Clamp-J
21	3290-378	2	Tie-Cable



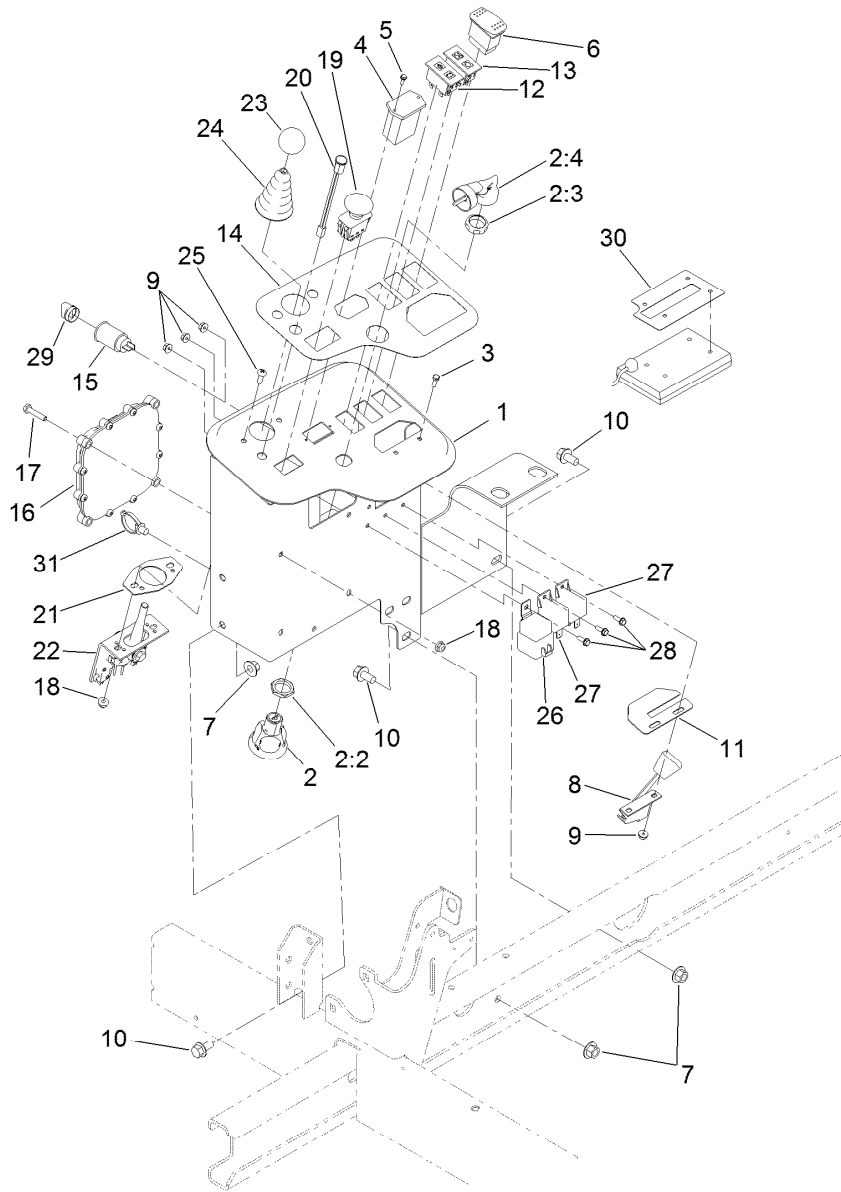
Seat and Heat-Shield Assembly

<i>Ref.</i>	<i>Part Number</i>	<i>Qty.</i>	<i>Description</i>
1	116-3998	1	Suspension Seat ASM
2	120-2120-03	2	Strap-Support, Seat
3	104-8300	4	Nut-HF, NI
4	104-4833-03	1	Shield-Heat
5	3234-11	4	Screw-HHF



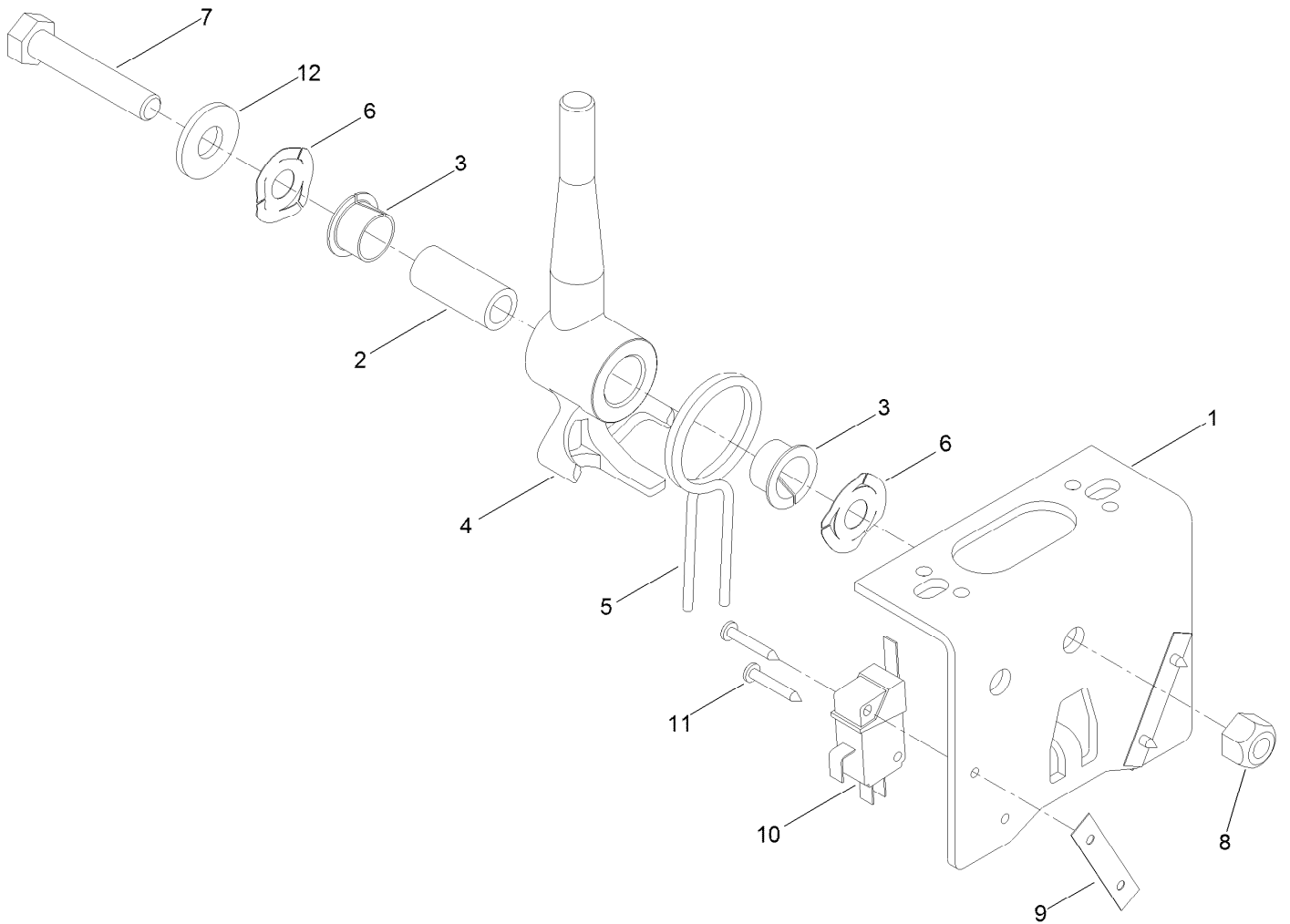
Seat Assembly No. 116-3998

<i>Ref.</i>	<i>Part Number</i>	<i>Qty.</i>	<i>Description</i>
1	116-0333	1	Seat Track Kit
2	107-1881	1	Knob Kit
3	107-1882	1	Back Cushion Kit
4	107-1883	1	Bottom Cushion Kit
5	107-1885	1	Weight Indicator Kit
6	82-2190	1	Switch-Bail
7	107-1887	1	Pad-Armrest
8	109-3343	1	Spring And Saddle Kit
9	109-3344	1	Back Panel Kit
10	109-3345	1	Weight Adjust Kit
11	116-0998	1	Shock Absorber Kit
12	110-0413	1	Seatbelt-Retractable
13	121-9415	1	Armrest Kit



Control Panel Assembly

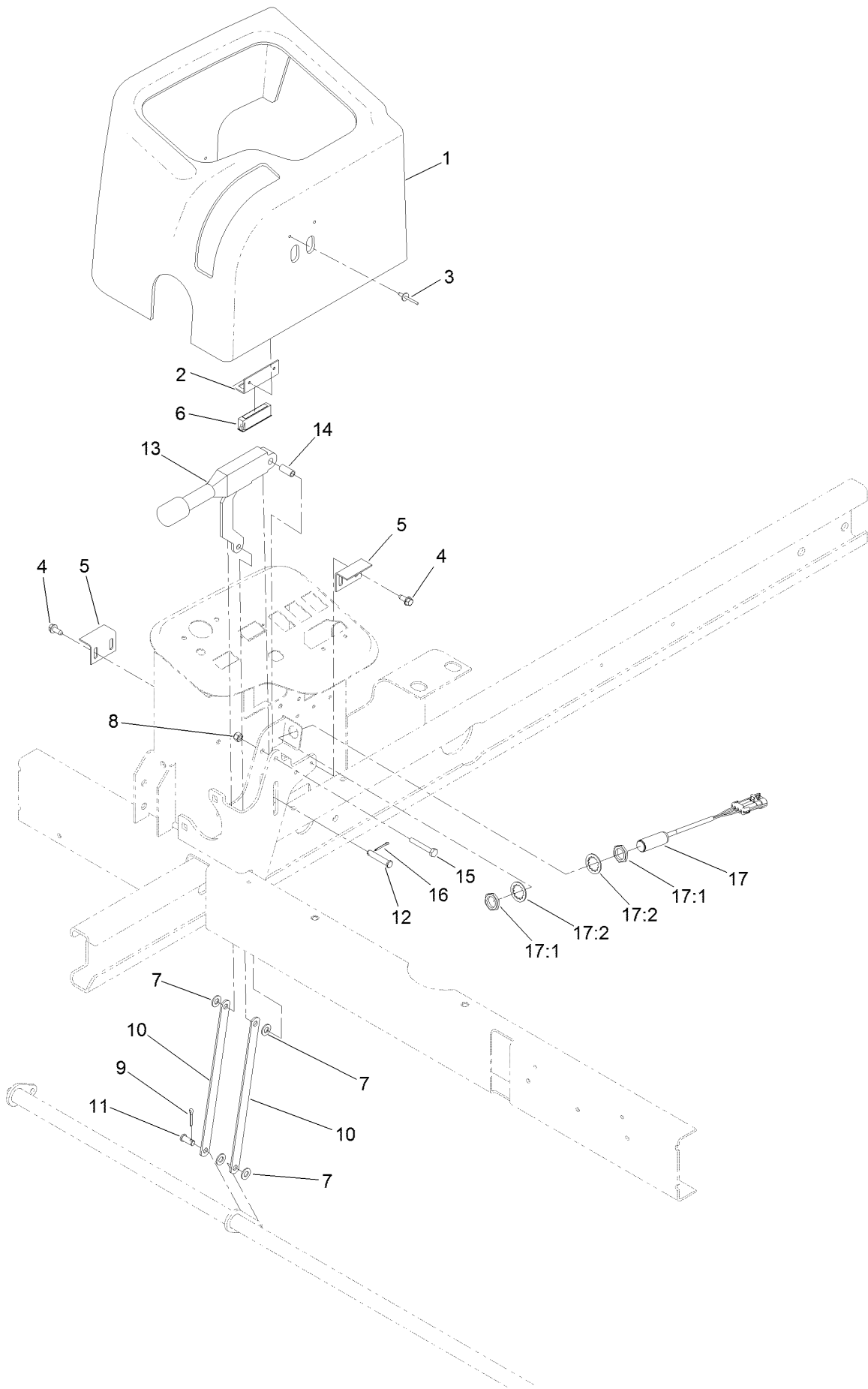
Ref.	Part Number	Qty.	Description	Ref.	Part Number	Qty.	Description
1	120-2051-03	1	Panel-Control	15	99-7411	1	Point-Power
2	121-5159	1	Switch-Ignition	16	115-1900	1	Controller
2:2	121-5160	1	Nut-Hex	17	321-8	4	Screw-HH
2:3	121-5161	1	Nut-Face	18	104-7201	6	Nut-HF, NI
2:4	121-5162	1	Set-Key, Ignition	19	93-9999	1	Switch-PTO
3	3290-134	2	Screw	20	95-7652	1	Light-Indicator
4	75-6820	1	Hourmeter	21	112-9181	1	Plate-Boot
5	32144-18	2	Screw-HWH	22	120-5280	1	Bracket-Joystick
6	95-8999	1	Switch-Rocker, On-None-On	23	233-42	1	Knob
7	32128-43	5	Nut-Flange	24	93-5961	1	Boot-Lever
8	110-8795	1	Cable-Throttle	25	3258-166	2	Screw-PRH
9	3290-148	5	Nut-HF	26	99-7430	1	Relay-Mini
10	3234-1	5	Screw-HHF	27	99-7435	2	Relay
11	104-0421	1	Plate-Stop, Throttle	28	32105-23	3	Screw
12	100-8070	1	Lamp-Warning	29	99-7416	1	Cap
13	100-8071	1	Lamp-Warning	30	133-4914	1	Decal-Diagnostic Overlay
14	120-2105	1	Decal-Console	31	32180-030	1	Clip-Tie



Joystick Bracket Assembly No. 120-5280

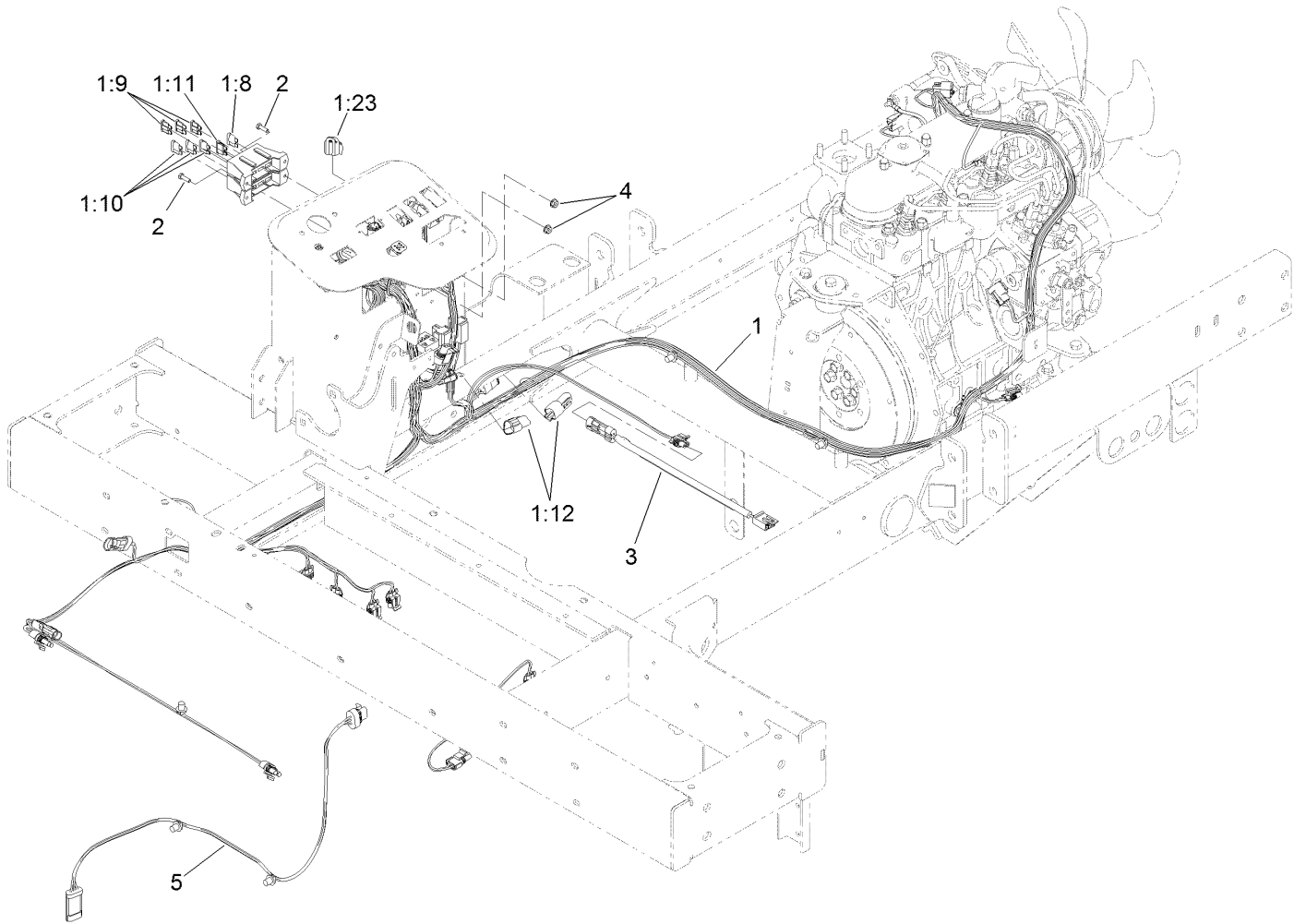
<i>Ref.</i>	<i>Part Number</i>	<i>Qty.</i>	<i>Description</i>
1	115-5357-03	1	Bracket-Joystick
2	106-4192	1	Spacer
3	93-5547	2	Bushing-Nylon
4	119-3540	1	Hub-Pivot, Joystick
5	105-8289	1	Spring-Torsion
6	106-4193	2	Washer-Finger, Spring
7	322-9	1	Screw-HH
8	3296-29	1	Nut-Lock, NI
9	3290-354	2	Nut-Speed
10	108-6496	2	Switch (W/Boot)
11	95-3003	4	Screw-PPHTF
12	3256-3	1	Washer-Flat

Parking Brake Assembly



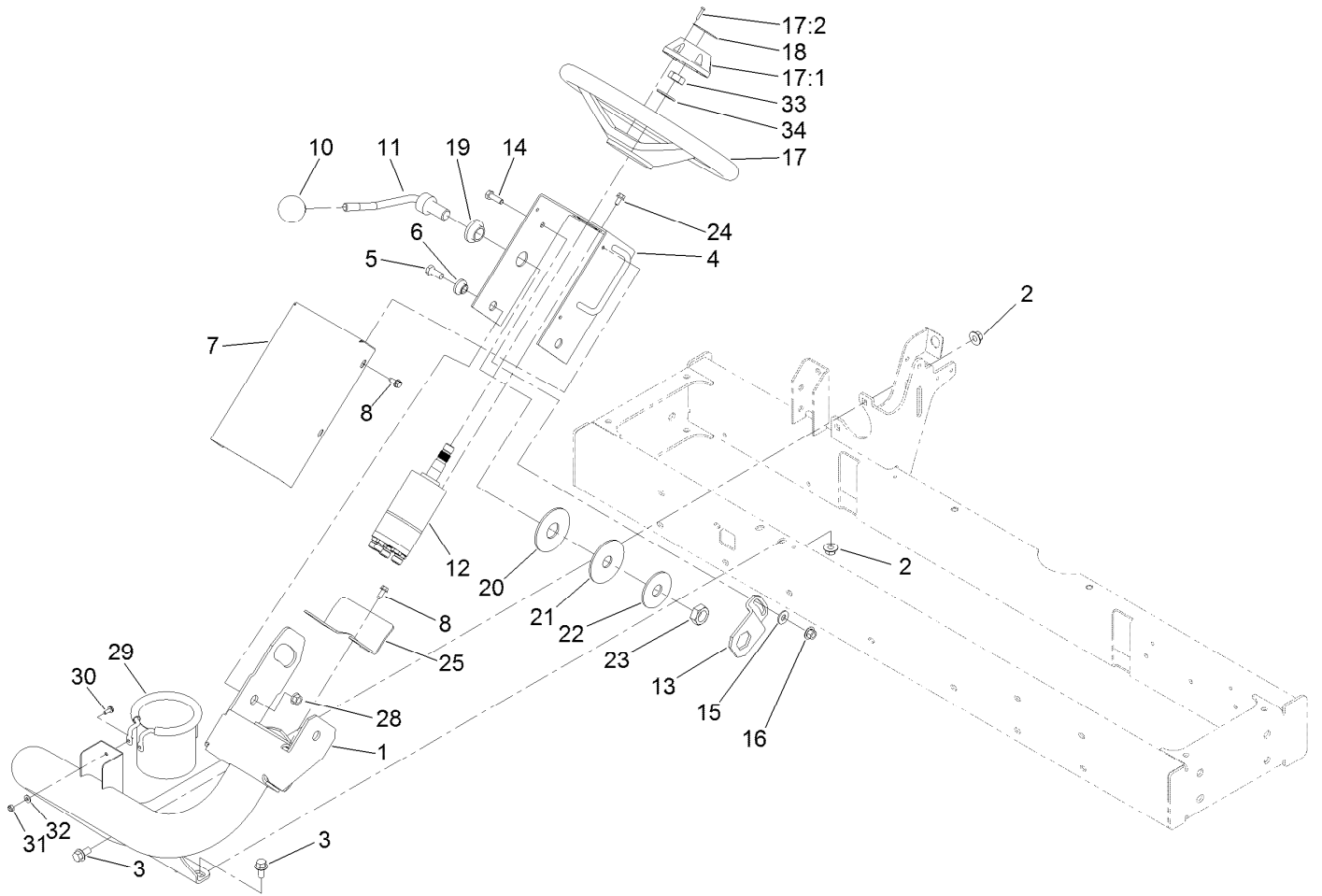
Parking Brake Assembly (continued)

<i>Ref.</i>	<i>Part Number</i>	<i>Qty.</i>	<i>Description</i>	<i>Ref.</i>	<i>Part Number</i>	<i>Qty.</i>	<i>Description</i>
1	120-2054	1	Cover-Plastic	11	283-62	1	Pin-Clevis
2	95-8763	2	Bracket-Hold Down, Cover	12	94-3829	1	Pin-Clevis
3	3269-5	4	Rivet-Pop	13	104-4817	1	Lever-Brake
4	32144-10	4	Screw-HWH	14	87-4710	1	Spacer-Brake, Parking
5	95-8765	2	Bracket-Strike, Magnet	15	321-10	1	Screw-HH
6	58-4250	2	Catch-Magnetic	16	3272-6	1	Pin-Cotter
7	3256-23	4	Washer-Plain	17	115-0282	1	Proximity Sensor ASM
8	3296-42	1	Nut-Lock, NI	17:1	117-3207	2	Nut-Hex
9	3272-10	1	Pin-Cotter	17:2	117-3208	2	Washer-Lock, Internal Tooth
10	104-4628	2	Link-Brake, Parking				



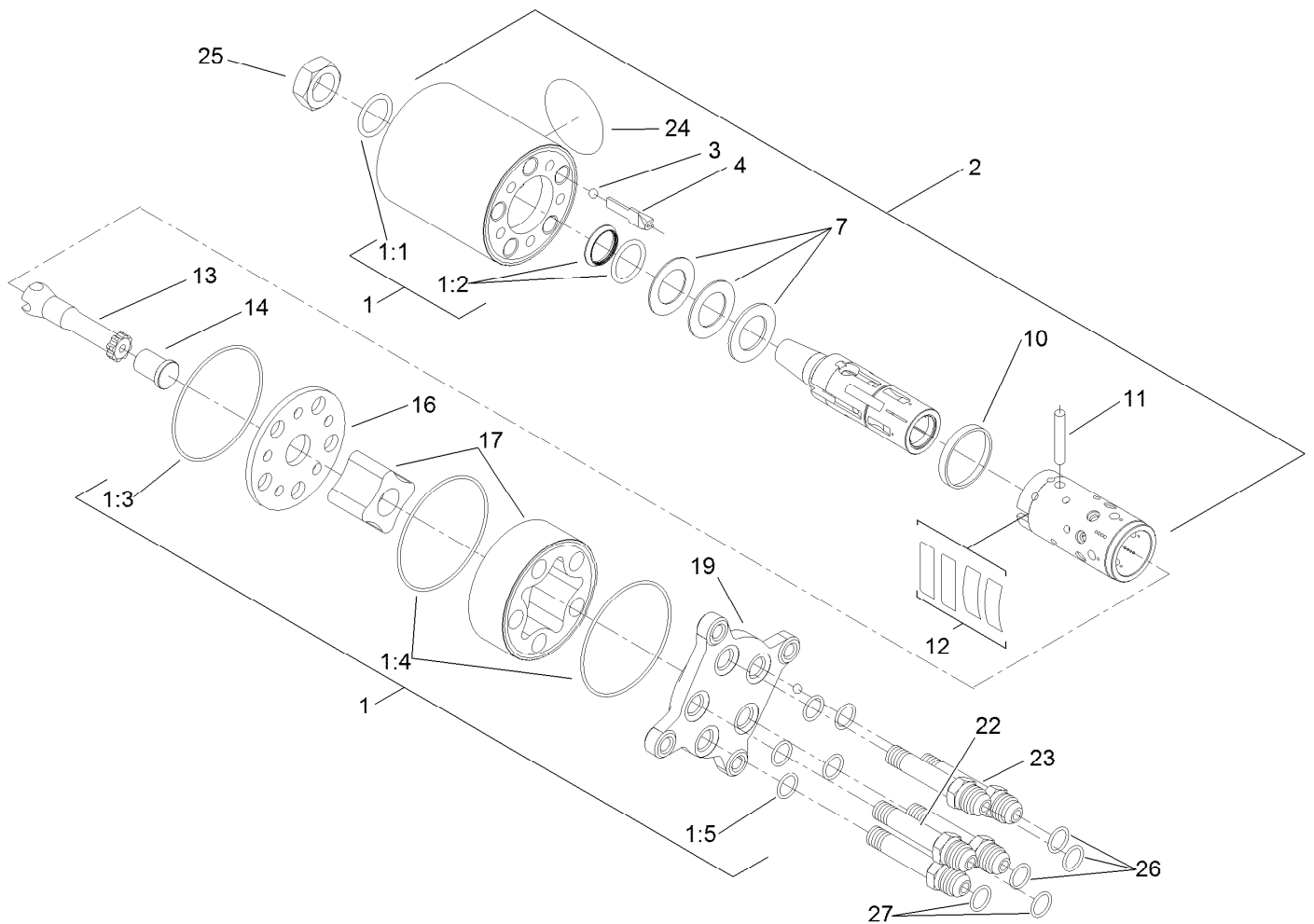
Main Wire Harness Assembly

<i>Ref.</i>	<i>Part Number</i>	<i>Qty.</i>	<i>Description</i>
1	122-0416	1	Harness-Wire, Main
1:8	94-6710	1	Fuse-2 Amp
1:9	114241	3	Fuse-Blade, 7.5 Amp
1:10	218-578	3	Fuse-Blade, 10 Amp
1:11	109355	1	Fuse-Blade, 15 Amp
1:12	32180-043	2	Resistor-120 Ohm
1:23	32180-089	1	Cap-Plug, 3 Way
2	3290-134	2	Screw
3	108-8657	1	Harness-Wire, Seat
4	3290-148	2	Nut-HF
5	122-0715	1	Harness-Wire, 100In Turn-Around



Steering Arm Assembly

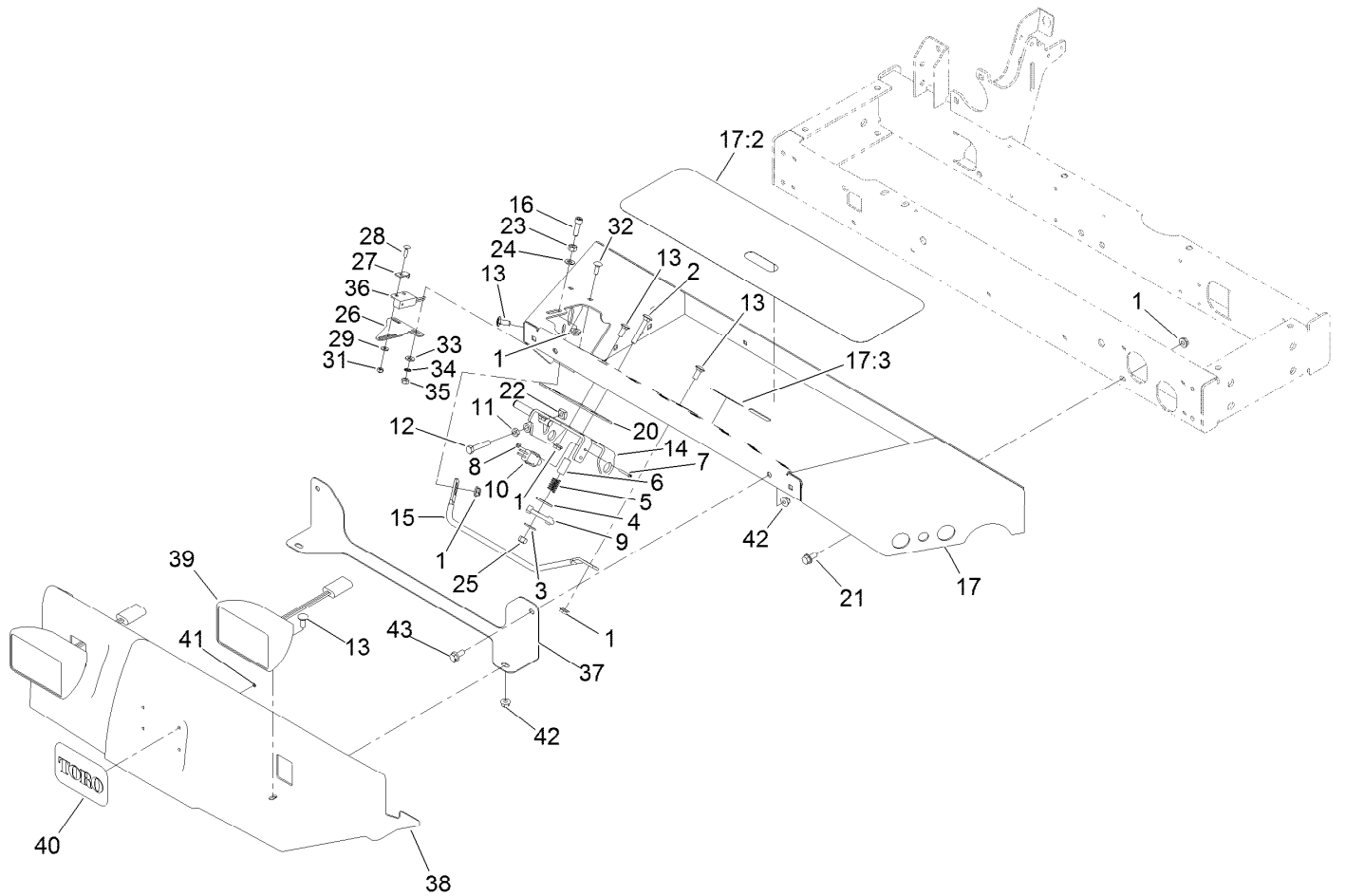
Ref.	Part Number	Qty.	Description	Ref.	Part Number	Qty.	Description
1	120-2063-01	1	Arm-Steering	17:2	68-5140	1	Cap-Wheel, Steering
2	32128-43	4	Nut-Flange	18	68-5370	1	Decal
3	3234-1	4	Screw-HHF	19	99-3502	1	Boss
4	120-2190-01	1	Bracket-Valve	20	31-0390	1	Disc-Friction
5	323-5	2	Screw-HH	21	82-9010	1	Disc-Friction
6	93-5988	2	Hub-Pivot	22	80-2930	1	Washer-Flat
7	95-8794-01	1	Cover-Valve, Steering	23	3218-7	1	Nut-Jam
8	32144-10	5	Screw-HWH	24	33103-012	4	Screw-HHF
10	233-48	1	Knob	25	99-3405-01	1	Shield-Steering
11	95-8798-03	1	Lever-Steering	28	32128-21	2	Nut-HF Lock
12	127-8445	1	Valve-Steering	29	117-2378	1	Holder-Bag
13	80-2880	1	Bracket-Tilt	30	3290-321	2	Screw-HWH
14	322-5	1	Screw-HH	31	3296-2	2	Nut-Lock, NI
15	3256-3	1	Washer-Flat	32	3256-14	2	Washer-Flat
16	32128-44	1	Nut	33	3296-33	1	Nut-Lock, NI
17	75-0560	1	Steering Wheel ASM	34	3256-27	1	Washer-Flat
17:1	32144-21	1	Screw				



Steering Valve Assembly No. 127-8445

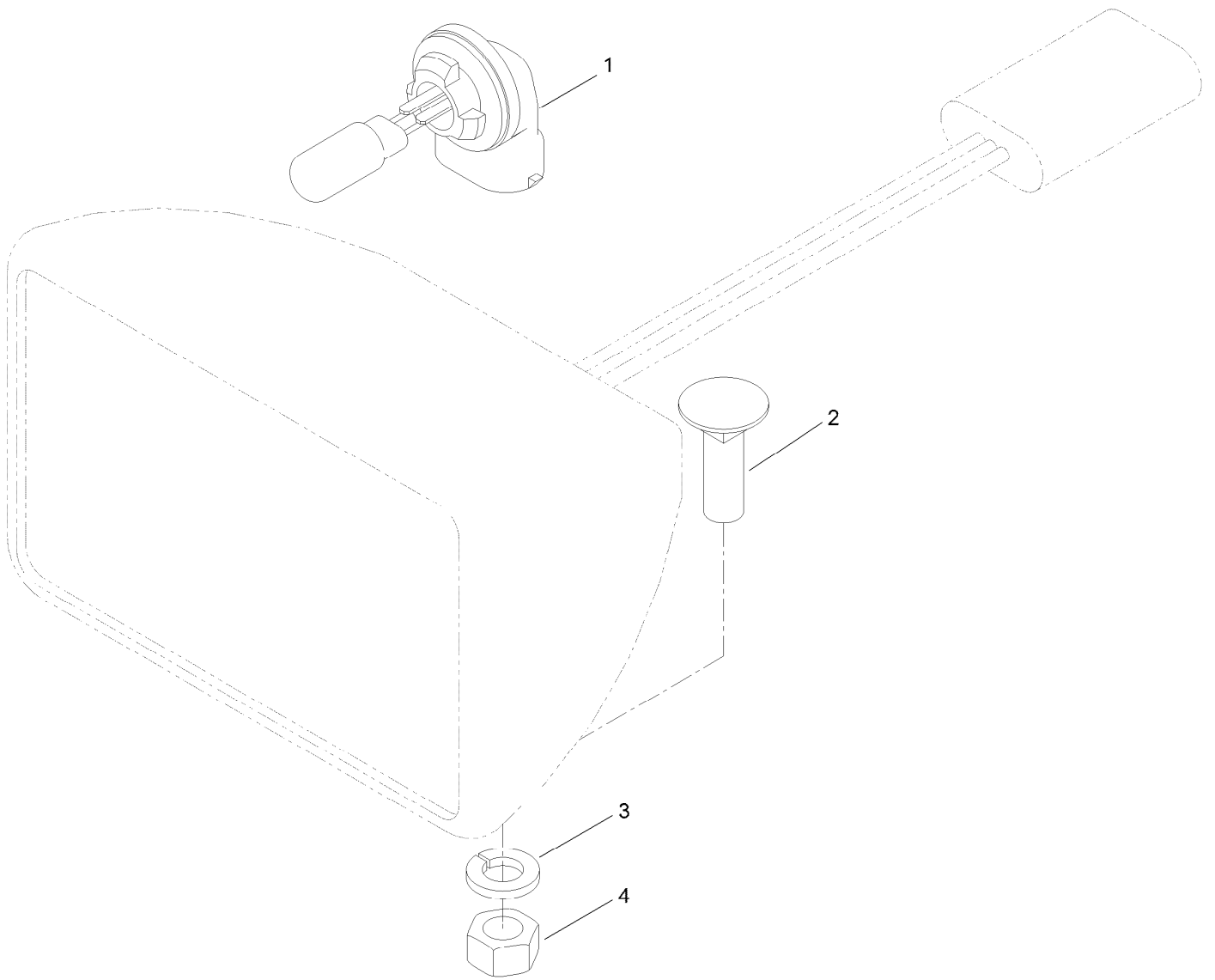
Ref.	Part Number	Qty.	Description	Ref.	Part Number	Qty.	Description
1	106-6716	1	Seal Kit	12		1	Springs ●
1:1		1	Ring-Seal, Dust ●	13		1	Shaft ●
1:2		1	Seal-Shaft ●	14		1	Spacer ●
1:3		1	O-Ring ●	16		1	Plate-Distributor ●
1:4		2	O-Ring ●	17		1	Gearwheel Set ●
1:5		5	O-Ring ●	19		1	Cover-End ●
2		1	Housing ●	22		1	Screw-Special ●
3		1	Ball ●	23		4	Screw-Special ●
4		1	Stop-Ball ●	24		1	Plate-Name ●
7		1	Bearing ASM ●	25	3296-33	1	Nut-Lock, NI
10		1	Ring ●	26	237-22	2	O-Ring
11		1	Pin-Cross ●	27	237-21	2	O-Ring

● Not serviced separately



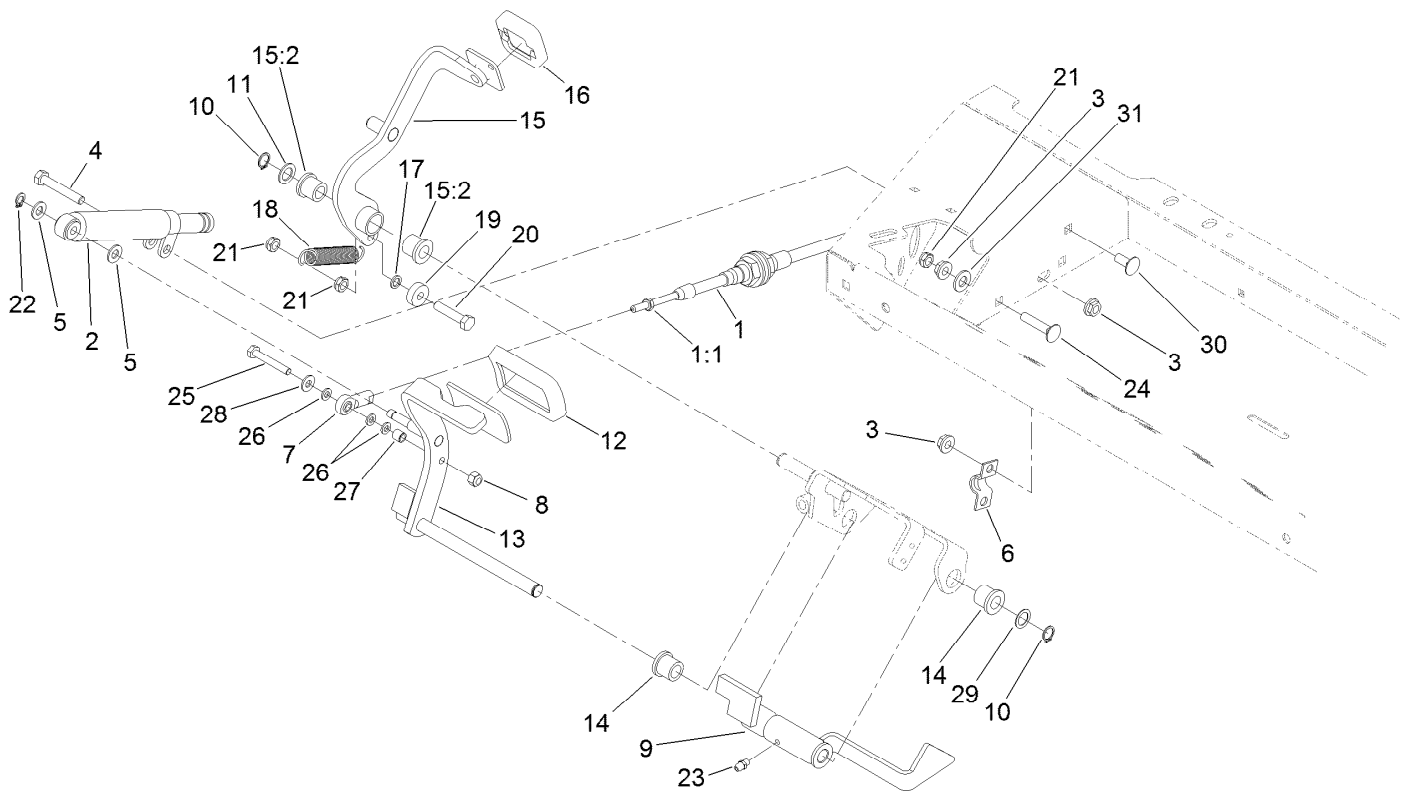
Front Shroud and Floorplate Assembly

<i>Ref.</i>	<i>Part Number</i>	<i>Qty.</i>	<i>Description</i>	<i>Ref.</i>	<i>Part Number</i>	<i>Qty.</i>	<i>Description</i>
1	32128-20	15	Nut-HF	22	99-3565	1	Nut-Square
2	3230-6	1	Bolt-CARR	23	3217-6	1	Nut-Hex
3	3256-3	1	Washer-Flat	24	3256-23	1	Washer-Plain
4	3256-40	1	Washer-Flat	25	3296-29	1	Nut-Lock, NI
5	65-9940	1	Spring	26	100-4871	1	Bracket-Switch, Neutral
6	95-8866	1	Tube-Arm, Rocker	27	100-4872	1	Plate-Switch, Neutral
7	32105-9	2	Screw-HH	28	3229-20	1	Screw-CARR
8	3296-9	2	Nut-Hex	29	3256-14	1	Washer-Flat
9	99-3593	1	Arm-Rocker	31	3296-2	1	Nut-Lock, NI
10	95-8900	1	Switch	32	3229-1	2	Screw-CARR
11	3218-2	1	Nut-Hex Jam	33	3256-22	2	Washer-Flat
12	322-41	1	Bolt-Hex, TAP	34	3255-7	2	Washer-Lock/EXT
13	3230-23	6	Bolt-CARR	35	3217-5	2	Nut-Hex
14	95-8869-03	1	Bracket-Pedal, Traction	36	100-1270	1	Switch-Proximity
15	95-8893	1	Bar-Deflector	37	121-7822-03	1	Bracket-Head Light
16	3274-22	1	Screw-HSH	38	121-7823	1	Shroud-Front
17	120-2189	1	Floorplate ASM	39	94-9024	2	Lamp ASM
17:2	99-3478	1	Tread-Foot	40	93-6028	1	Plate-Logo
17:3	99-3444	1	Decal-Mow / Transport	41	3254-9	4	Washer-Lock, Internal
20	106-2661-01	1	Plate-Support	42	104-8300	4	Nut-HF, NI
21	3234-5	10	Screw-HHF	43	3234-47	2	Screw-HHF



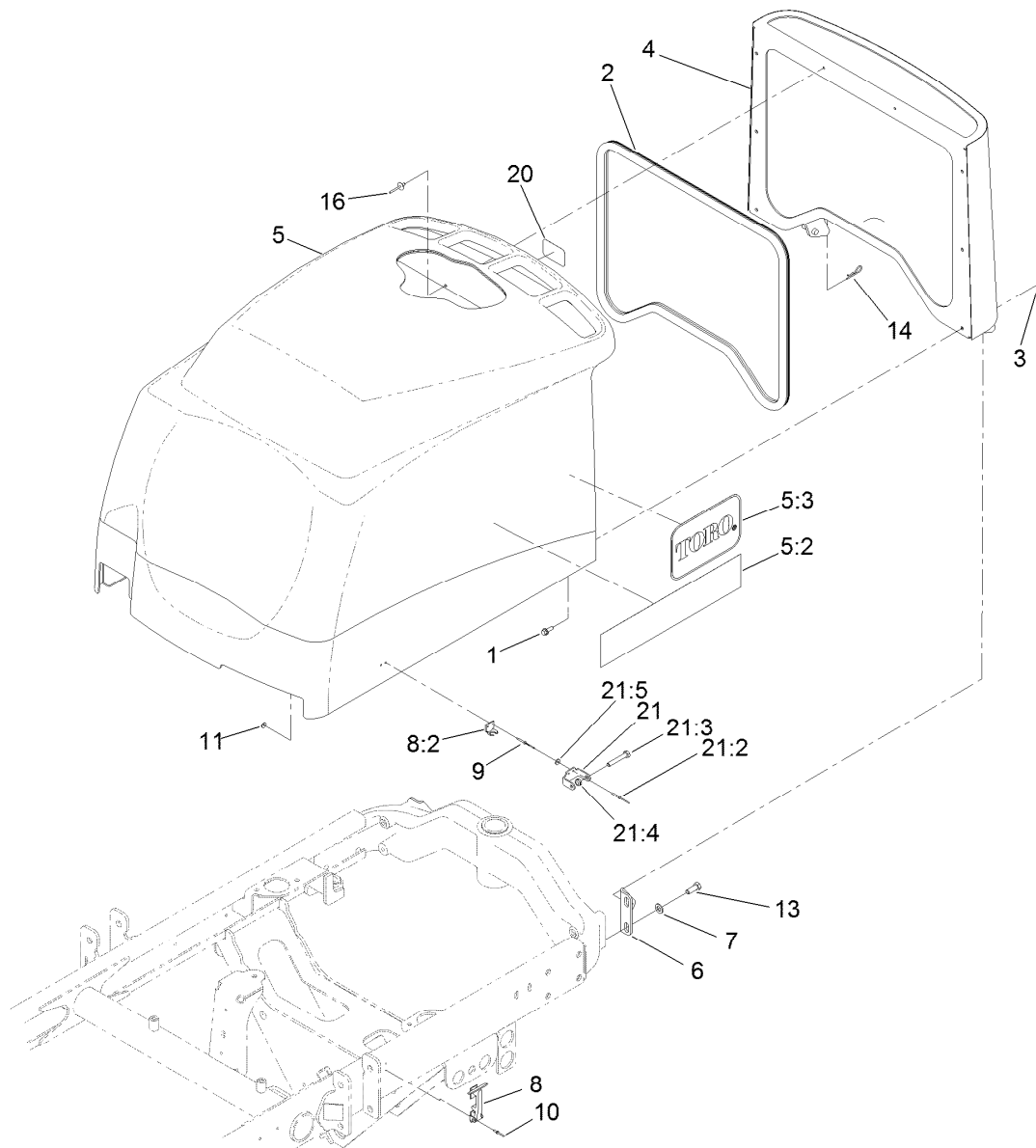
Lamp Assembly No. 94-9024

<i>Ref.</i>	<i>Part Number</i>	<i>Qty.</i>	<i>Description</i>
1	95-0909	1	Lamp-12 Volt
2	3230-28	1	Screw-CARR
3	3253-33	1	Washer-Lock
4	3217-6	1	Nut-Hex



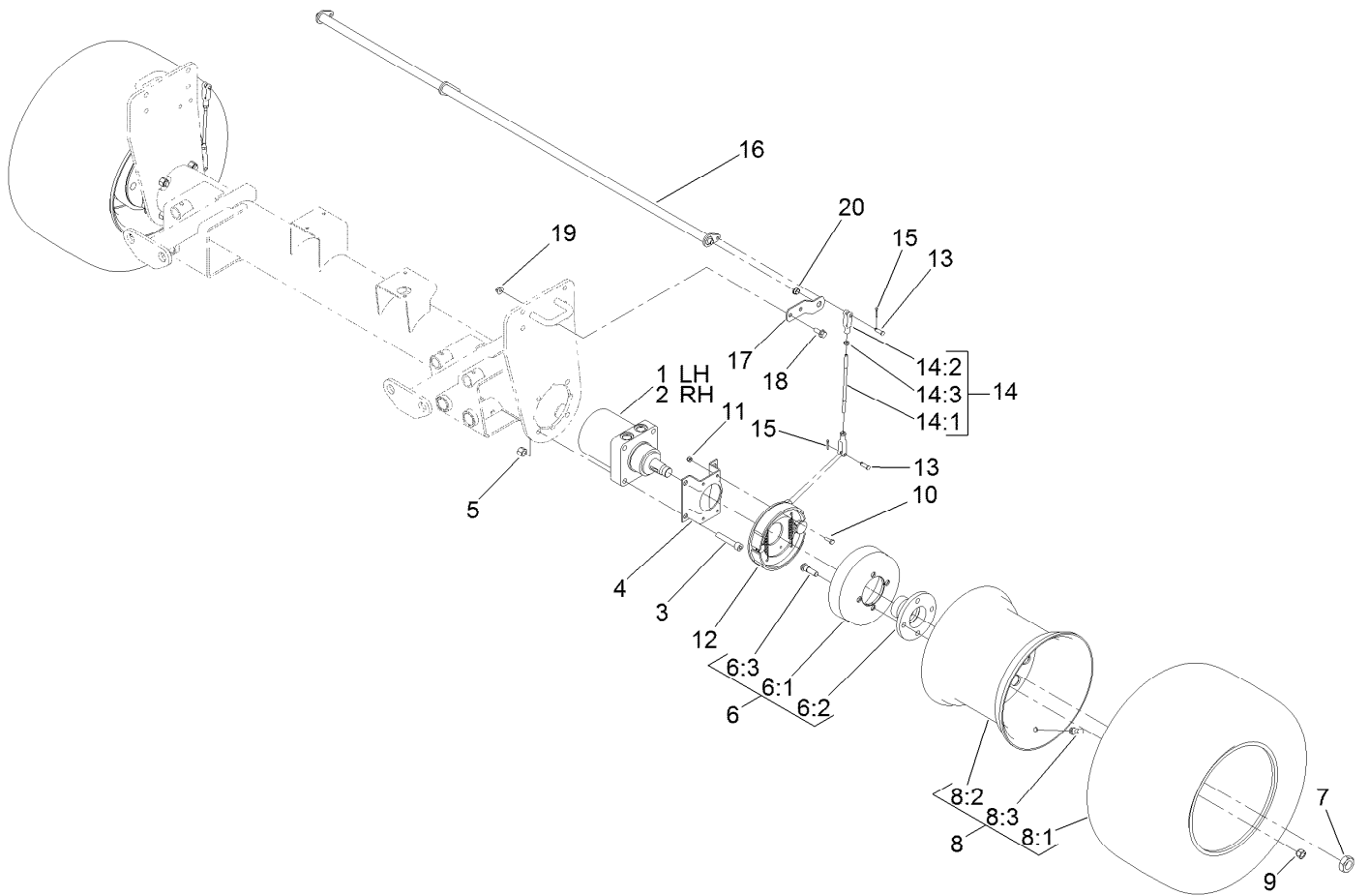
Traction Control Assembly

Ref.	Part Number	Qty.	Description	Ref.	Part Number	Qty.	Description
1	100-4815	1	Cable-Control, Traction	16	74-9110	1	Pad-Pedal, Reverse
1:1	3220-1	2	Nut-Jam	17	75-5470	1	Spacer-Bearing
2	76-8870	1	Damper-Lever	18	99-3476	1	Spring-Extension
3	32128-20	5	Nut-HF	19	251-259	1	Bearing-Ball
4	322-10	1	Screw-HH	20	322-7	1	Screw-HH
5	3256-23	2	Washer-Plain	21	3296-47	3	Nut-Lock,NI
6	93-2092	1	Clamp-Cable	22	32151-3	1	Ring-Grip
7	2411-41	1	Rod End-Ball Joint	23	302-5	1	Fitting-Grease
8	3296-42	1	Nut-Lock, NI	24	3230-27	1	Screw-CARR
9	95-8861	1	Slide	25	321-10	1	Screw-HH
10	32151-84	2	Ring-Shaft, EXT	26	33093-00	3	Washer-Flat
11	41-8440	1	Washer	27	99-3545	1	Spacer
12	74-9100	1	Pad-Pedal, Forward	28	3256-22	1	Washer-Flat
13	104-4852-03	1	Pedal-Traction	29	73-0040	4	Washer-Thrust
14	256-243	2	Bearing-Flange	30	3230-23	2	Bolt-CARR
15	99-3379	1	Pedal-Reverse ASM	31	3256-24	1	Washer-Plain
15:2	256-243	2	Bearing-Flange				



Hood and Screen Assembly

<i>Ref.</i>	<i>Part Number</i>	<i>Qty.</i>	<i>Description</i>	<i>Ref.</i>	<i>Part Number</i>	<i>Qty.</i>	<i>Description</i>
1	3234-4	6	Screw-HHF	10	3290-55	4	Rivet-Pop
2	100-4932	1	Trim-Seal	11	3269-10	4	Washer-Back
3	3296-42	6	Nut-Lock, NI	13	323-6	4	Screw-HH
4	104-4853-03	1	Screen-Hood	14	3290-467	1	Pin-Hair
5	127-8599	1	Hood ASM	16	3269-21	2	Rivet-Pop
5:2	127-8597	2	Decal-Hood	20	110-7135	1	Decal-Toro
5:3	62-7400	2	Decal-Toro Logo	21	119-2004	1	CE Latch Kit
6	95-8728	2	Bracket-Pivot, Hood	21:2	107-0333	2	Rivet-Pop
7	3256-24	8	Washer-Plain	21:3	322-10	1	Screw-HH
8	59-9740	2	Flex Draw Latch ASM	21:4	3296-47	1	Nut-Lock, NI
8:2	249-40	1	Keeper	21:5	3269-10	2	Washer-Back
9	107-0333	4	Rivet-Pop				

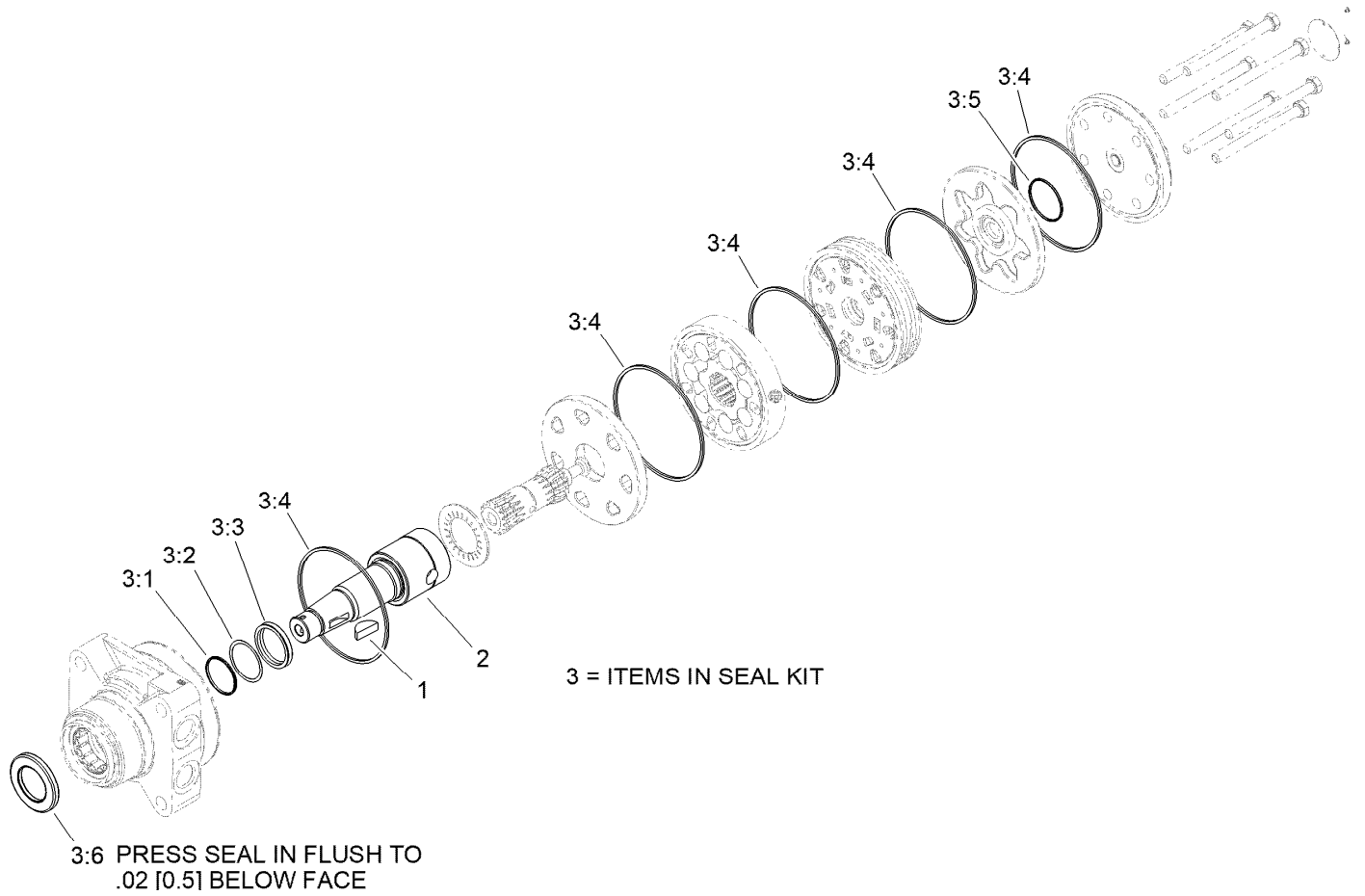


Wheel and Brake Assembly

Ref.	Part Number	Qty.	Description
1	110-8785	1	HYD Motor ASM (CCW)
2	110-8786	1	HYD Motor ASM (CW)
3	3274-93	8	Screw-HSH
4	84-2000-03	2	Bracket-Brake
5	3296-23	8	Nut-Lock, NI
6	127-8568	2	Hub ASM
6:1	127-8536	1	Brake Drum
6:2	93-6838-03	1	Hub-Wheel
6:3	85-6540	4	Stud-Drive
7	26-3790	2	Nut-Lock
8		2	Tire ASM ●
8:1	120-2114	1	Tire-Smooth
8:2	120-2115	1	Wheel-12 Inch
8:3	232-27	1	Stem-Valve
9	242-50	8	Nut-Lug

Ref.	Part Number	Qty.	Description
10	321-5	8	Screw-HH
11	3296-42	8	Nut-Lock, NI
12	127-8535	2	Brake ASM
13	283-1	4	Pin-Clevis
14	127-8455	2	Brake Lever ASM
14:1	127-8456	1	Rod-Brake
14:2	1-303105	2	Yoke-Adjustable
14:3	3220-2	2	Nut-Jam
15	3272-10	4	Pin-Cotter
16	127-8434-03	1	Shaft-Pivot, Brake
17	95-8683	2	Bracket-Pivot, Brake
18	3234-11	4	Screw-HHF
19	104-8301	4	Nut-HF, NI
20	256-156	2	Bushing-Flange

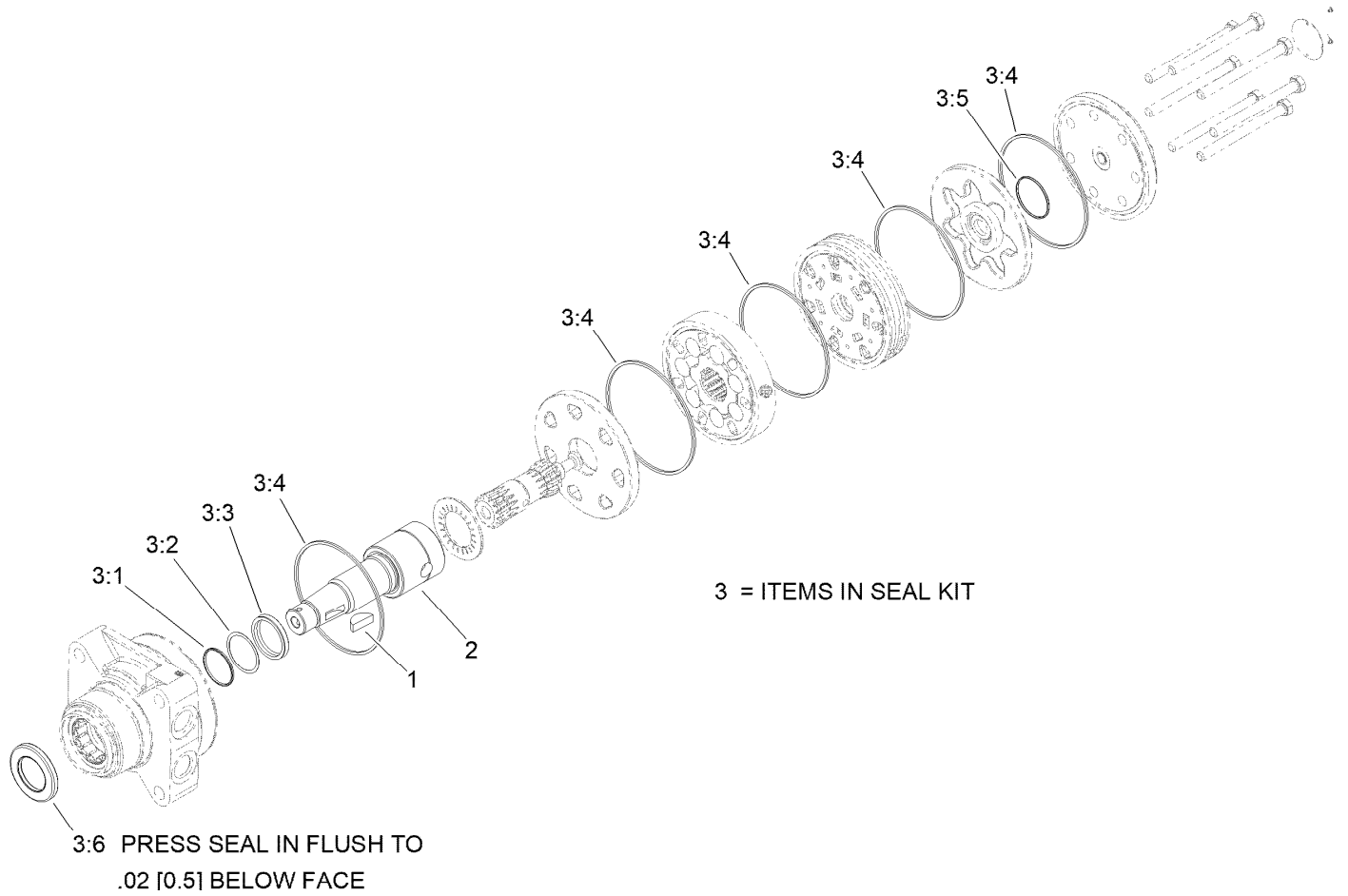
● Not serviced separately



Hydraulic Motor Assembly No. 110-8786

Ref.	Part Number	Qty.	Description
1	3257-42	1	Key-Woodruff
2	99-3090	1	Shaft-Coupling
3	100-6131	1	Seal Kit
3:1		1	Ring-Back Up ●
3:2		1	Washer-Back Up ●
3:3		1	Seal-Shaft ●
3:4		5	Seal-Ring ●
3:5		1	Seal-Commutator ●
3:6		1	Seal-Dirt And Water ●

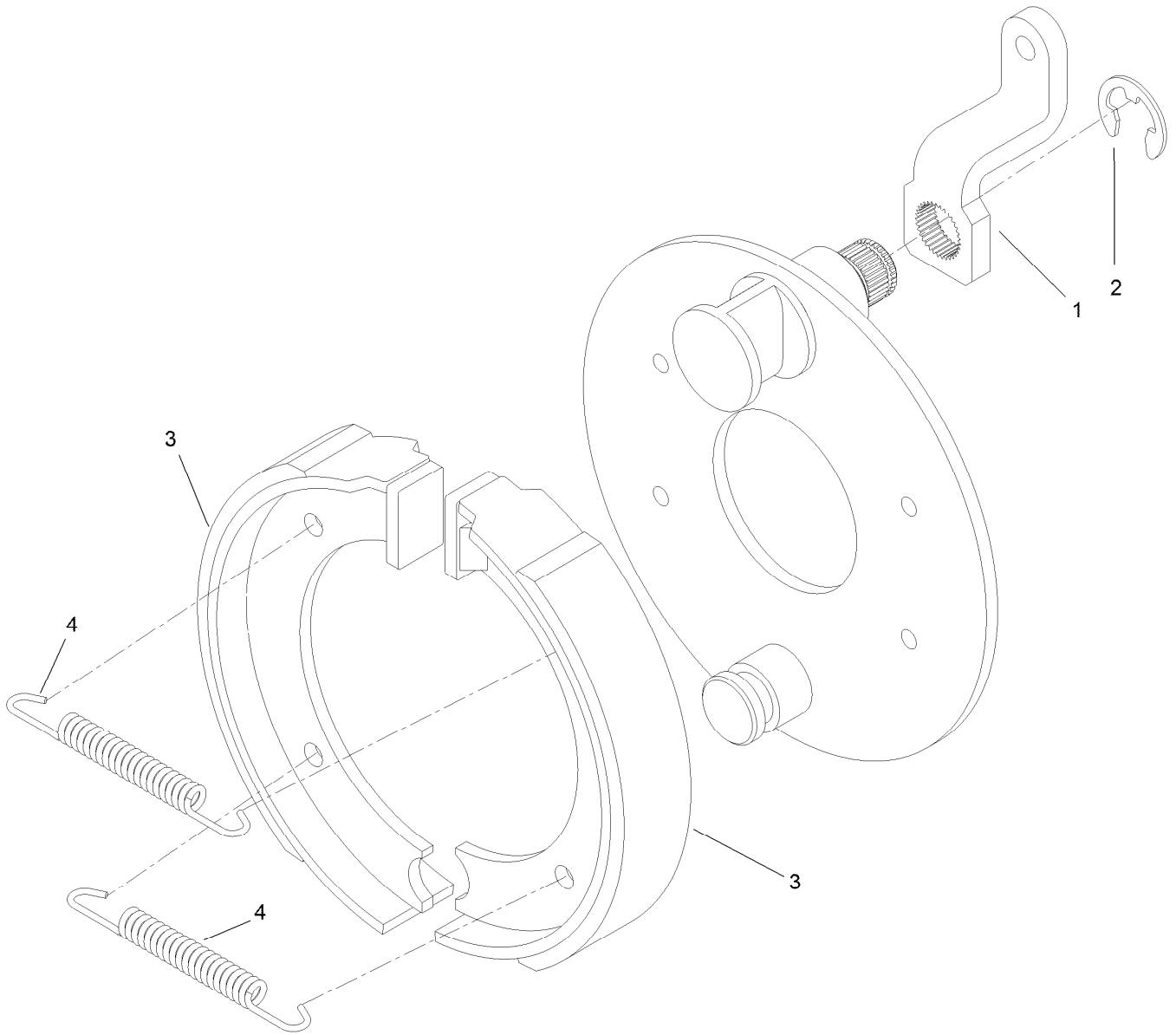
● Not serviced separately



Hydraulic Motor Assembly No. 110-8785

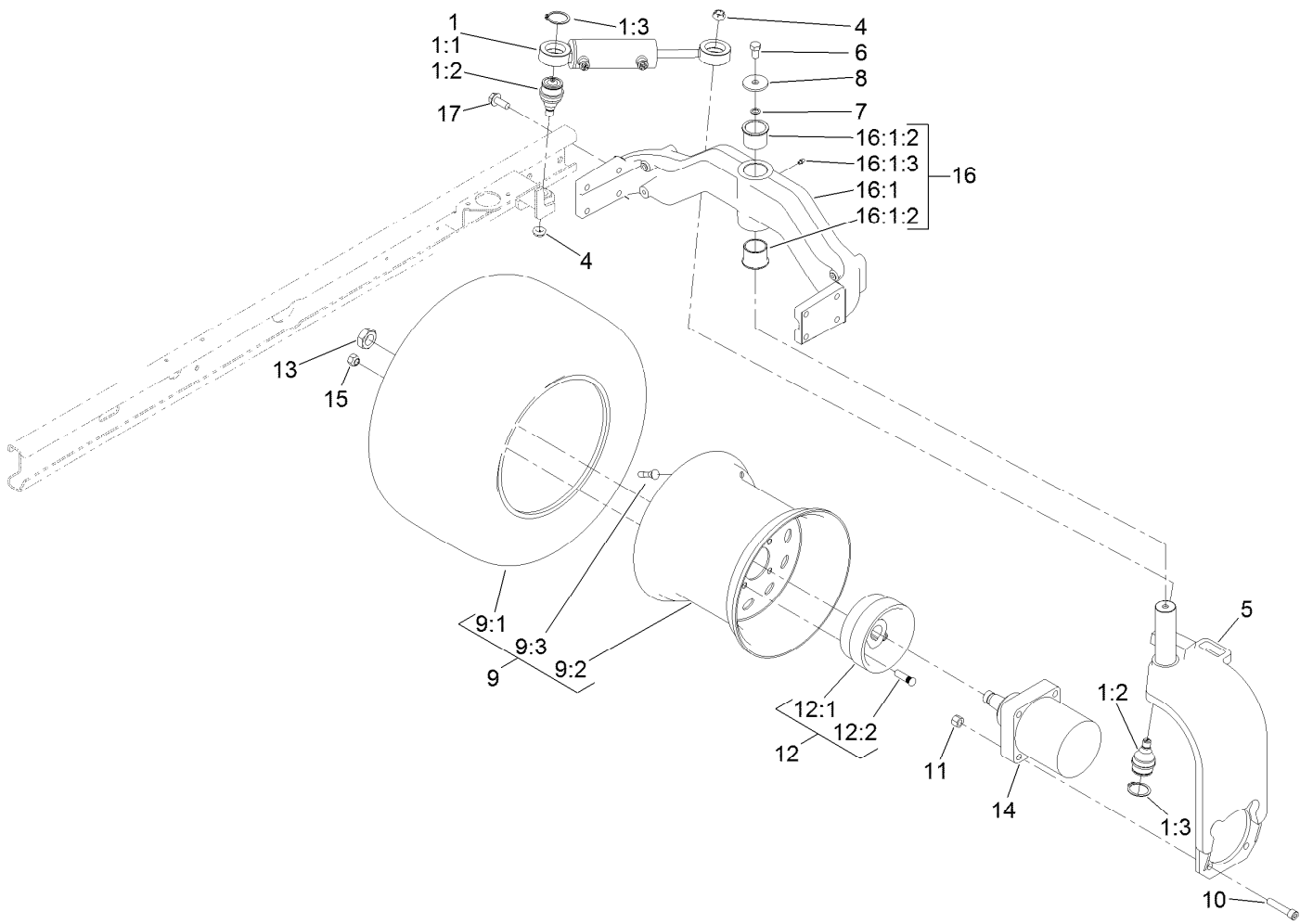
Ref.	Part Number	Qty.	Description
1	3257-42	1	Key-Woodruff
2	99-3090	1	Shaft-Coupling
3	100-6131	1	Seal Kit
3:1		1	Ring-Back Up ●
3:2		1	Washer-Back Up ●
3:3		1	Seal-Shaft ●
3:4		5	Seal-Ring ●
3:5		1	Seal-Commutator ●
3:6		1	Seal-Dirt And Water ●

● Not serviced separately



Brake Assembly No. 127-8535

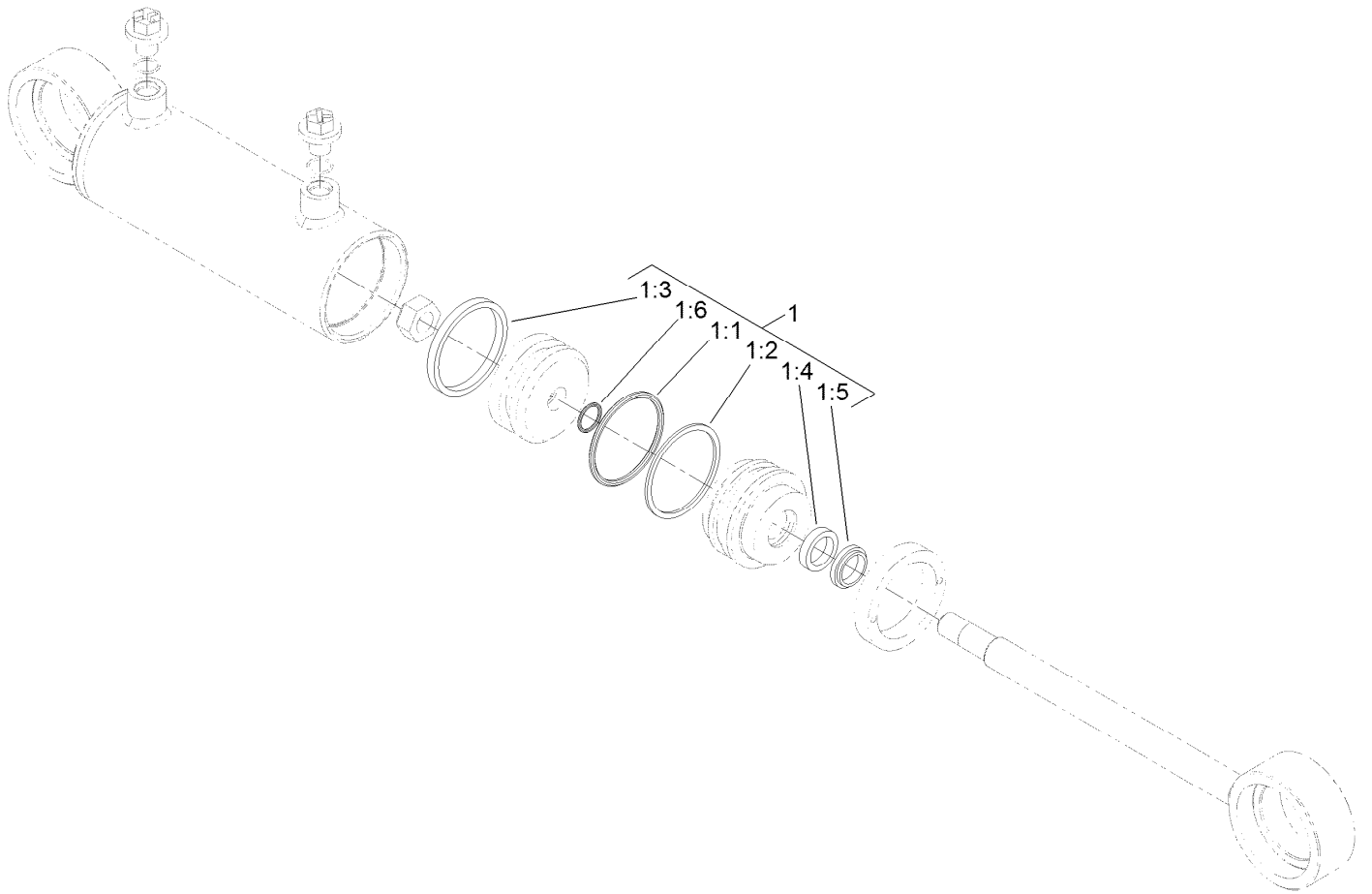
<i>Ref.</i>	<i>Part Number</i>	<i>Qty.</i>	<i>Description</i>
1	127-8567	1	Lever
2	127-8566	1	E-Clip, 15MM External
3	127-8570	2	Brake-Shoe
4	127-8569	2	Brake-Spring



Rear Fork Assembly

Ref.	Part Number	Qty.	Description	Ref.	Part Number	Qty.	Description
1	133-4912	1	Steering Cylinder ASM	10	3274-71	4	Screw-HSH
1:1	121-7835	1	Steering Cylinder ASM	11	3296-23	4	Nut-Lock, NI
1:2	121-3605	2	Ball Joint	12	103-0590	1	Wheel Hub ASM
1:3	32151-104	2	Ring-Retaining, External	12:1	103-0589	1	Hub-Wheel
4	121-3611	2	Nut-Hex, Flextop	12:2	1-633926	4	Stud-Wheel
5	127-8448-01	1	Rear Fork ASM	13	26-3790	1	Nut-Lock
6	325-3	1	Screw-HH	14	95-8694	1	HYD Motor ASM
7	3255-2	1	Washer-Lock, EXT	15	242-50	4	Nut-Lug
8	75-7730	1	Washer-Thrust	16	127-8576-03	1	Rear Casting ASM
9		1	Tire ASM ●	16:1		1	Casting-Rear ●
9:1	120-2114	1	Tire-Smooth	16:1:2	127-8572	2	Bushing-Flange
9:2	120-2115	1	Wheel-12 Inch	16:1:3	302-5	1	Fitting-Grease
9:3	232-27	1	Stem-Valve	17	3234-38	8	Screw-HHF

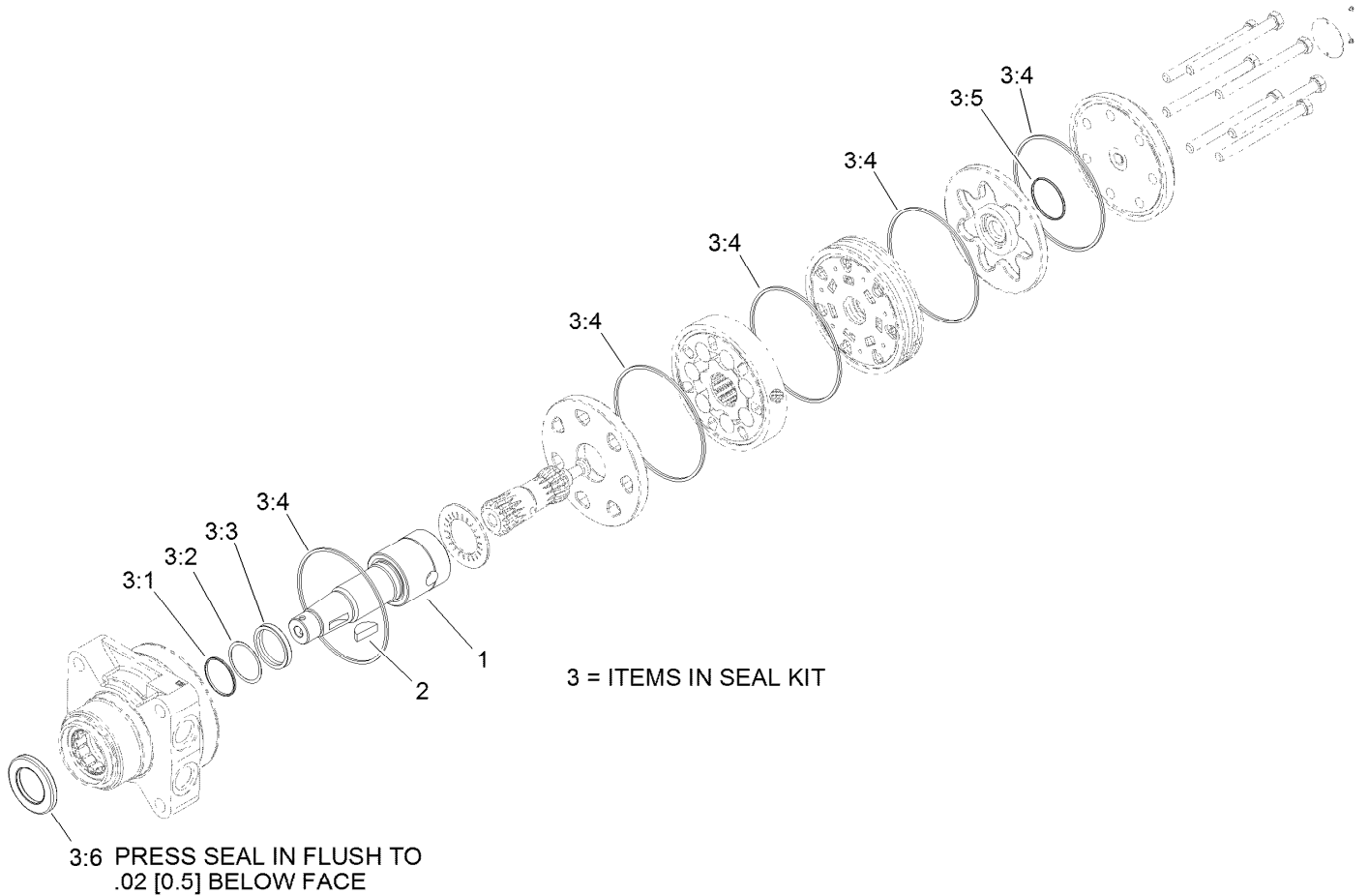
● Not serviced separately



Steering Cylinder Assembly No. 121-7835

<i>Ref.</i>	<i>Part Number</i>	<i>Qty.</i>	<i>Description</i>
1	121-7844	1	Kit-Seal
1:1		1	O-Ring ●
1:2		1	Backup ●
1:3		1	Psp Seal ●
1:4		1	Bs Seal ●
1:5		1	Dust Seal-Dt ●
1:6		1	O-Ring ●

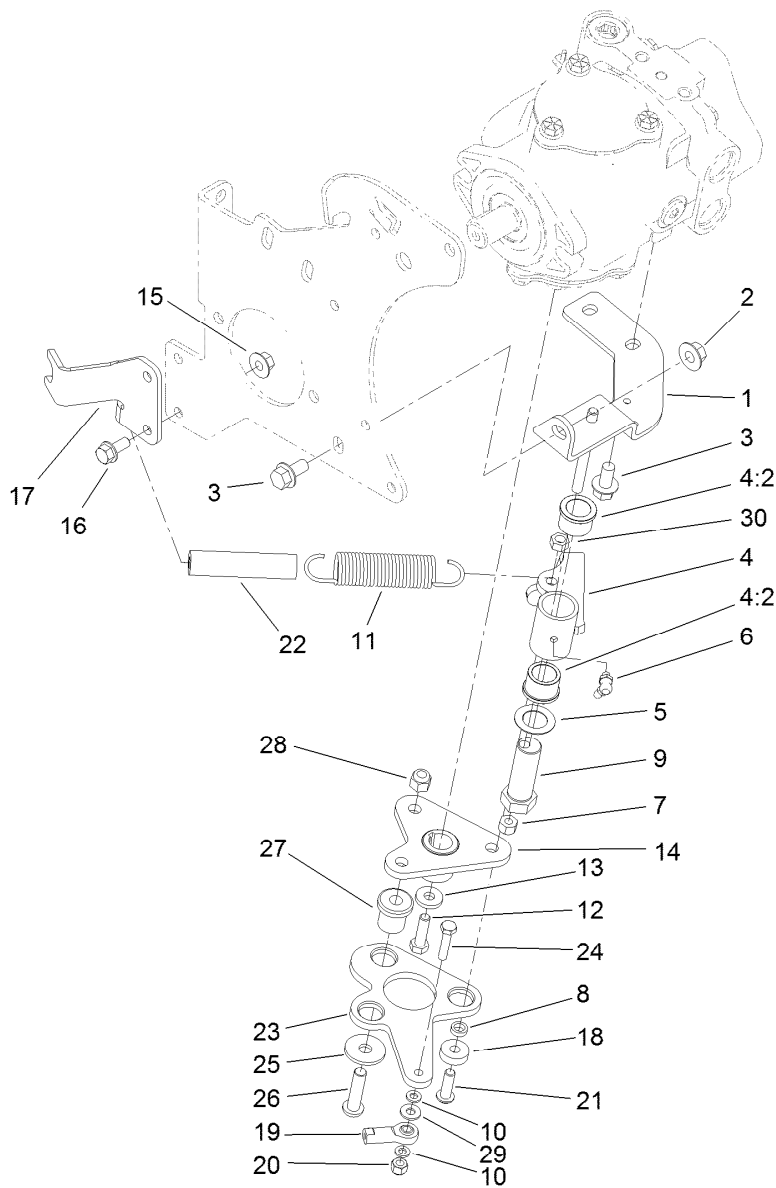
● Not serviced separately



Hydraulic Motor Assembly No. 95-8694

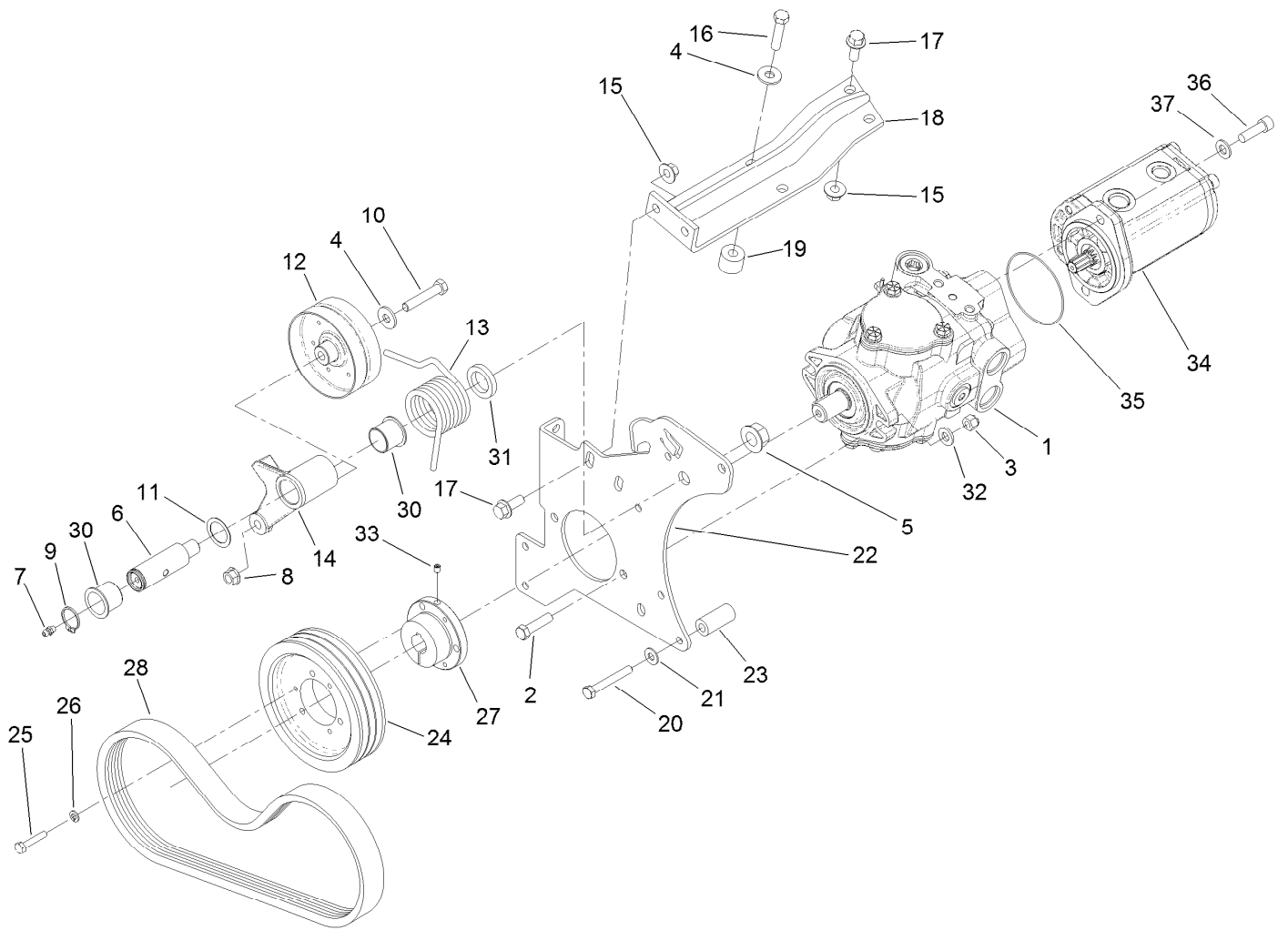
Ref.	Part Number	Qty.	Description
1	99-3090	1	Shaft-Coupling
2	3257-42	1	Key-Woodruff
3	100-6131	1	Seal Kit
3:1		1	Ring-Back Up ●
3:2		1	Washer-Back Up ●
3:3		1	Seal-Shaft ●
3:4		5	Seal-Ring ●
3:5		1	Seal-Commutator ●
3:6		1	Seal-Dirt And Water ●

● Not serviced separately



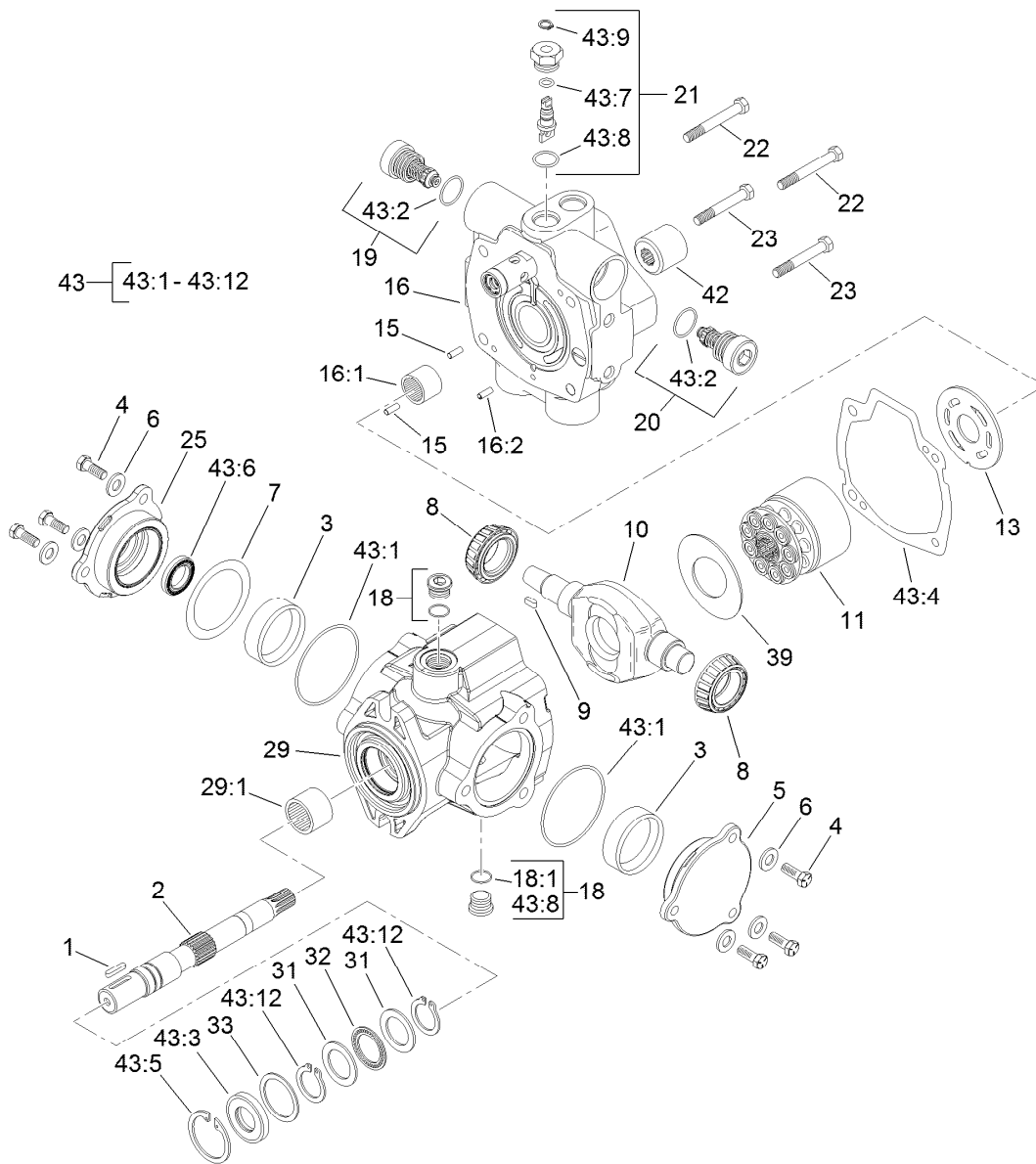
Neutral Arm Assembly

Ref.	Part Number	Qty.	Description	Ref.	Part Number	Qty.	Description
1	95-8960-03	1	Bracket-Neutral	16	3234-5	2	Screw-HHF
2	32128-43	1	Nut-Flange	17	104-0464-03	1	Bracket-Support, Cable
3	3234-1	3	Screw-HHF	18	251-259	1	Bearing-Ball
4	104-0422	1	Neutral Arm ASM	19	2411-41	1	Rod End-Ball Joint
4:2	256-113	2	Bushing-Flange	20	3296-42	1	Nut-Lock, NI
5	3-6498	1	Washer-Thrust	21	3274-104	1	Screw-HSBH
6	302-60	1	Fitting-Grease	22	99-3556	1	Hose
7	3296-29	1	Nut-Lock, NI	23	99-3594-03	1	Lever-Pump
8	100-4817	1	Spacer	24	321-8	1	Screw-HH
9	76-8640	1	Stud-Traction	25	2844	3	Washer
10	33093-00	2	Washer-Flat	26	95-3857	3	Screw-HSBH
11	94-1369	1	Spring-Extension	27	63-9750	3	Mount
12	3210-6	1	Screw-HH	28	3296-39	3	Nut-Lock, NI
13	88-7200	1	Washer-Flat	29	3256-22	1	Washer-Flat
14	120-5566	1	Hub	30	32153-3	1	Nut-Hex, Side Deform
15	32128-44	2	Nut				



Piston Pump and Gear Pump Assembly

Ref.	Part Number	Qty.	Description	Ref.	Part Number	Qty.	Description
1	104-4890	1	Piston Pump ASM	19	99-3440	2	Spacer
2	323-8	2	Screw-HH	20	33114-060	4	Screw-HH
3	3296-39	2	Nut-Lock, NI	21	87-8640	3	Washer-Flat
4	80-6990	2	Washer-Hardened	22	95-8933-03	1	Plate-Mount, Pump
5	32128-54	1	Nut-HF	23	95-8941	4	Spacer-Mount, Pump
6	99-3624	1	Shaft-Pivot, Idler	24	99-3620	1	Pulley-3V, Pump
7	302-5	1	Fitting-Grease	25	321-13	3	Screw-HH
8	32128-21	1	Nut-HF Lock	26	3253-3	3	Washer-Lock
9	32151-36	1	Ring-Retaining	27	100-4813	1	Bushing-Lock, Taper
10	323-10	1	Screw-HH	28	99-3619	1	Belt-3V
11	74-1810	1	Washer	30	126-1963	2	Bushing-Pivot
12	107-7834	1	Pulley-Idler	31	99-3625	1	Spacer-Arm, Idler
13	115-3488	1	Spring-Torsion	32	100-4852	2	Washer-Hardened
14	99-3623-03	1	Arm-Idler	33	3245-7	1	Screw-Set
15	32128-43	4	Nut-Flange	34	121-7841	1	HYD Gear Pump ASM
16	323-19	2	Screw-HH	35	60-3520	1	O-Ring
17	3234-11	4	Screw-HHF	36	323-7	2	Screw-HH
18	99-3436-03	1	Support-Pump	37	3256-24	4	Washer-Plain

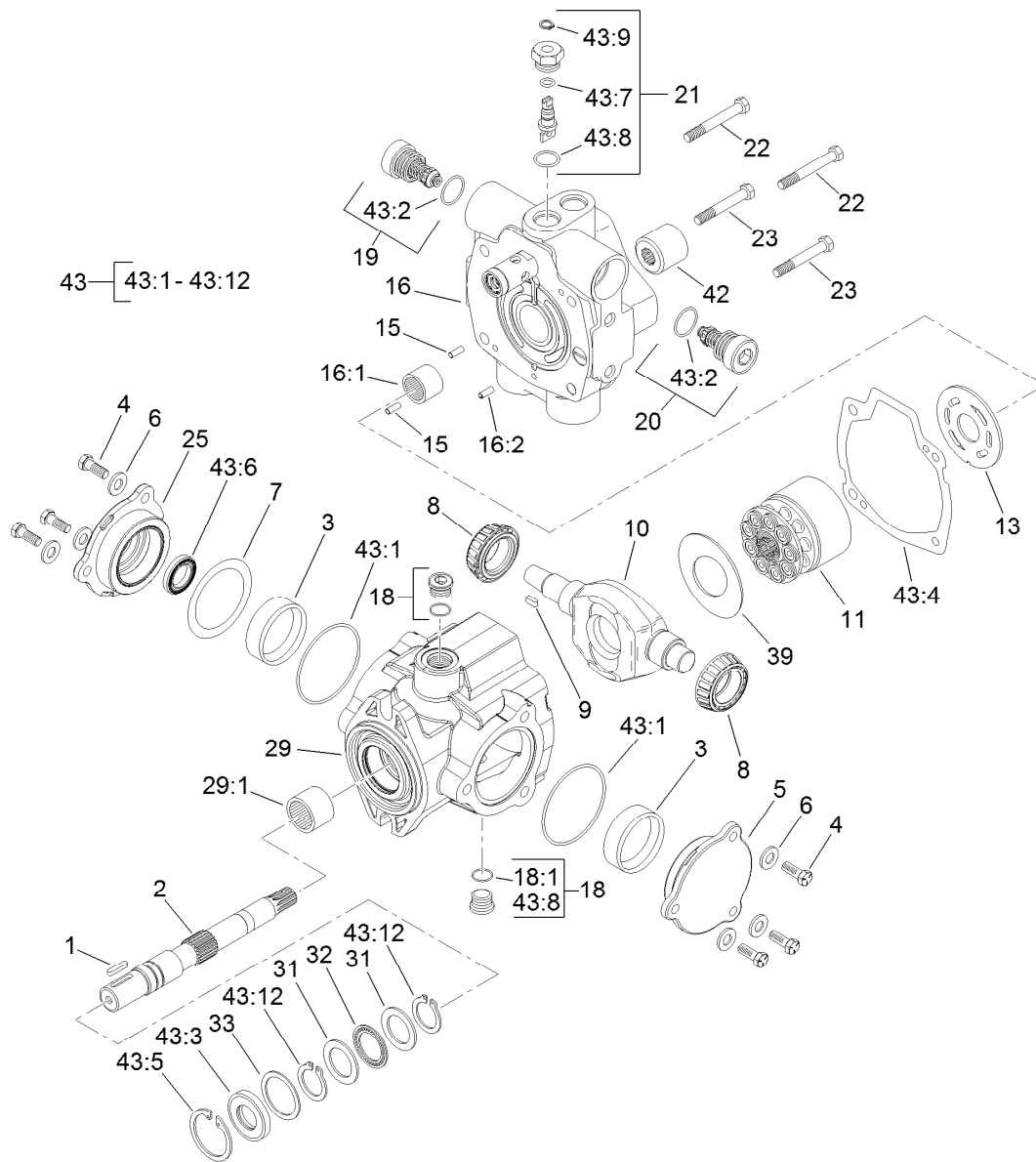


Hydraulic Pump Assembly No. 104-4890

Ref.	Part Number	Qty.	Description	Ref.	Part Number	Qty.	Description
1	94-3645	1	Key	19	104-4889	1	Relief Valve ASM
2	94-6359	1	Shaft-Drive	20	105-3812	1	Valve-Check
3	104-4046	2	Bearing-Cup	21	105-3811	1	Valve-Bypass
4	98-4640	6	Screw-Cap	22	76-6170	2	Capscrew
5	98-4644	1	Plate-Cover	23	76-6160	2	Capscrew
6	105-9762	6	Washer	25	98-4645	1	Plate-Cover
7	100-3182	2	Shim Kit	29	100-3176	1	Housing ASM
8	98-4639	2	Bearing-Cone	29:1	94-6363	1	Bearing
9	94-3646	1	Key	31	252-71	2	Washer-Thrust
10	104-4888	1	Swashplate	32	252-66	1	Bearing-Thrust
11	76-6070	1	Rotating Kit	33	33-3720	1	Washer
13	104-0429	1	Plate-Valve	39	98-4635	1	Insert-Plate, Cam
15	76-6150	2	Pin-Dowel	42	74-9040	1	Coupler
16	105-3813	1	Endcover Sub ASM	43	120-5754	1	Seal Kit
16:1	94-6368	1	Bearing	43:1		2	O-Ring ■
16:2		1	Pin-Roll ■	43:2		2	O-Ring ■
18	74-9280	2	Plug ASM	43:3		1	Seal-Shaft ■
18:1		1	O-Ring ■	43:4		1	Gasket ■

● Not illustrated

■ Not serviced separately

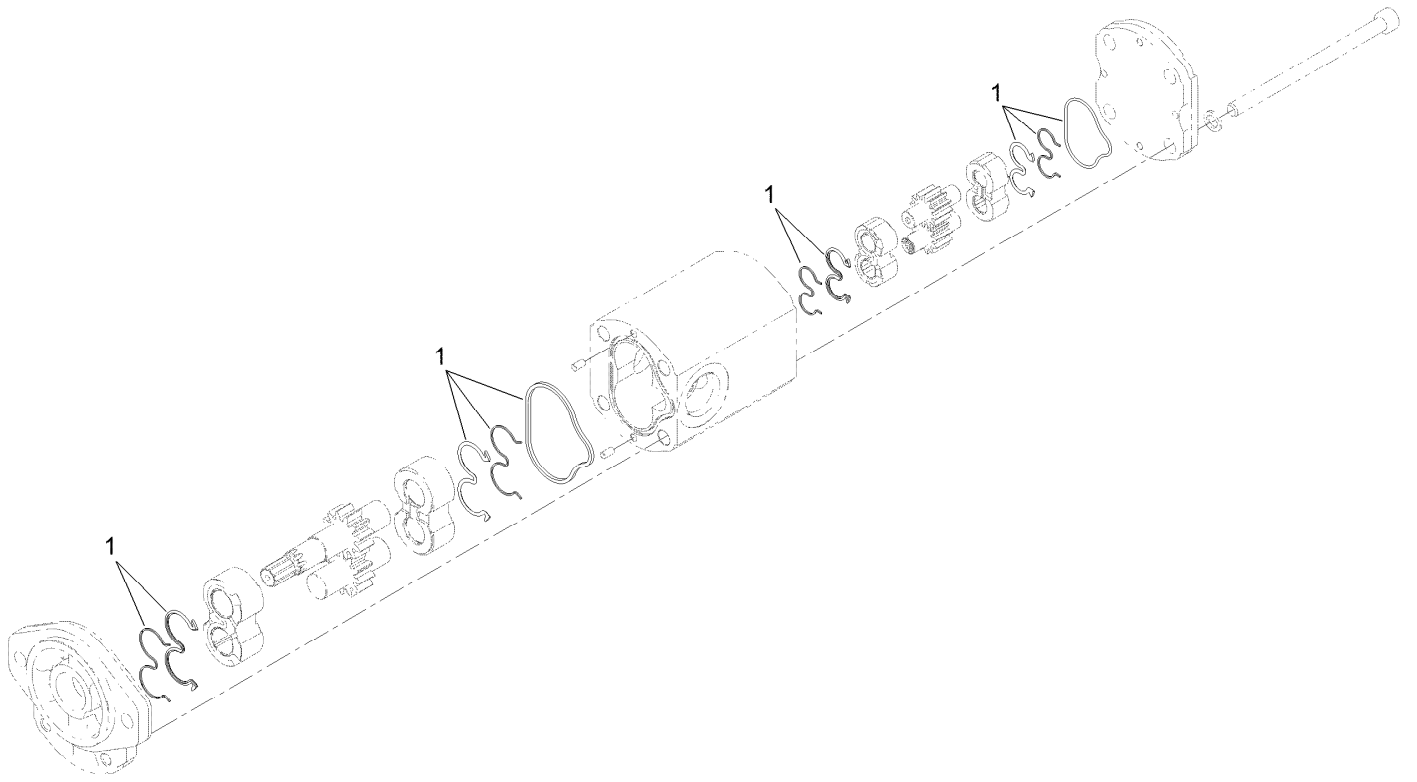


Hydraulic Pump Assembly No. 104-4890 (continued)

<i>Ref.</i>	<i>Part Number</i>	<i>Qty.</i>	<i>Description</i>	<i>Ref.</i>	<i>Part Number</i>	<i>Qty.</i>	<i>Description</i>
43:5		1	Ring-Retaining ■	43:10		1	O-Ring ●■
43:6		1	Seal-Shaft ■	43:11		1	O Ring-Molded ●■
43:7		1	O-Ring ■	43:12		2	Ring-Retaining ■
43:8		5	O-Ring ■	43:13		1	O-Ring ■●
43:9		1	Ring-Retaining ■				

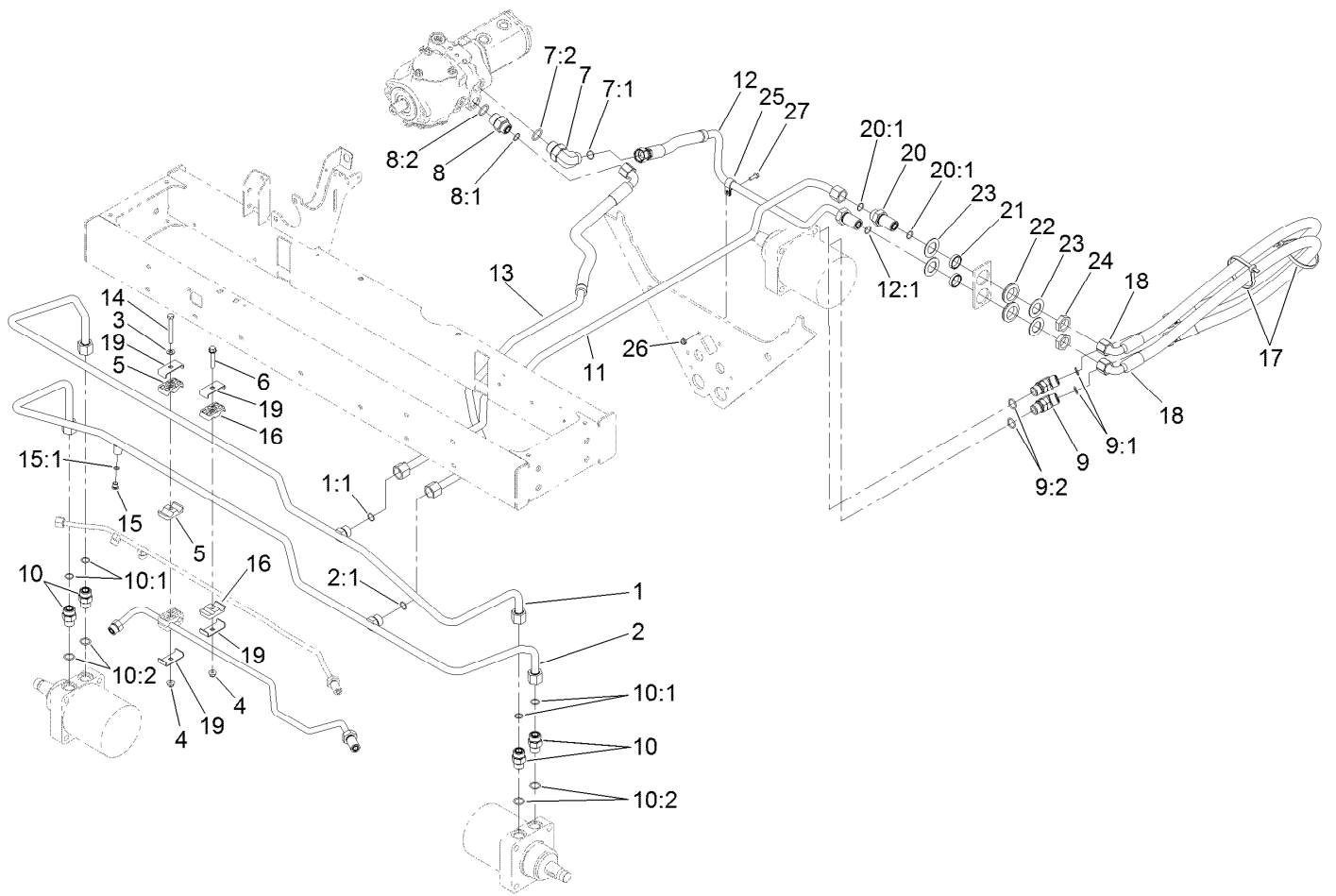
● Not illustrated

■ Not serviced separately



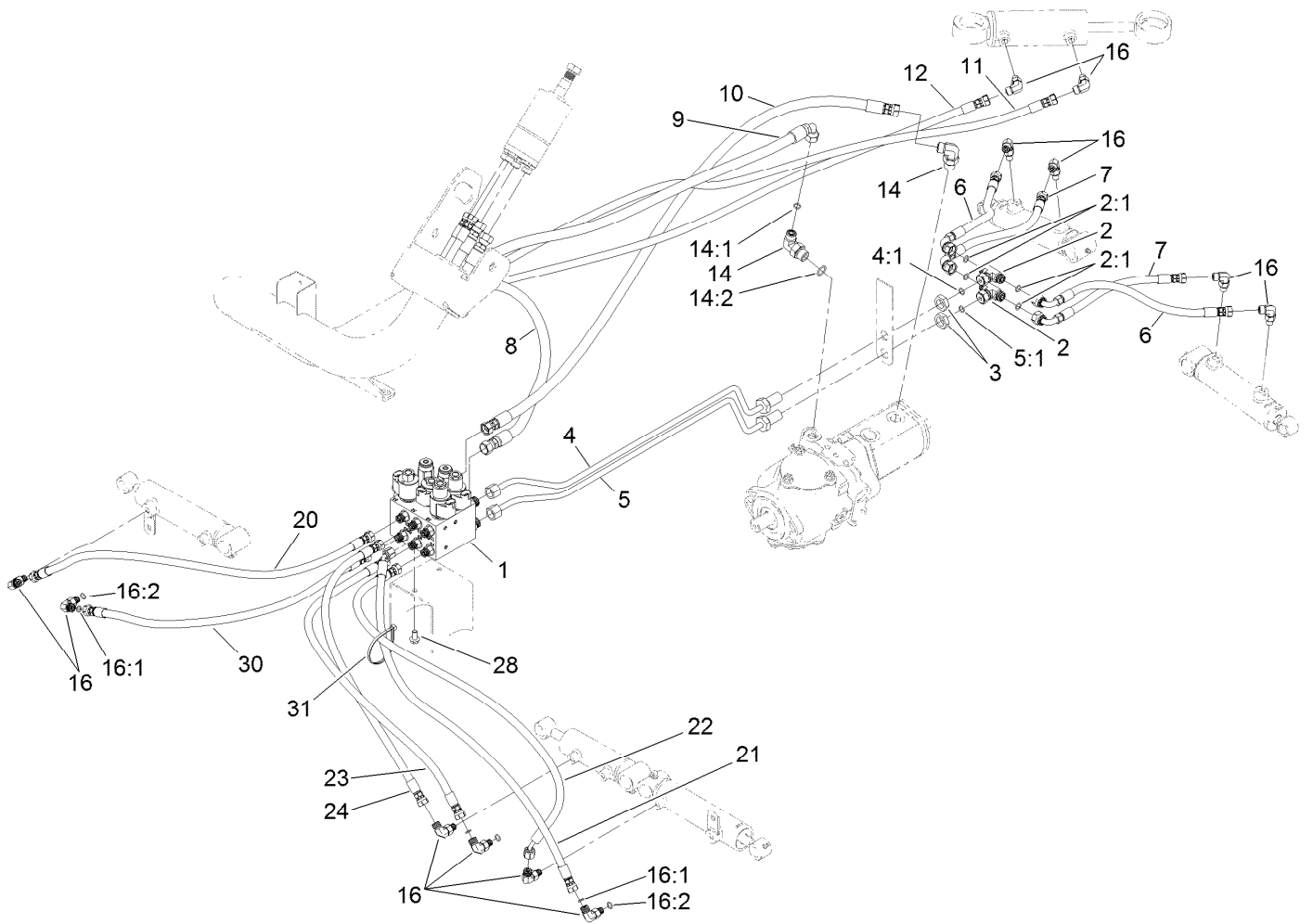
Hydraulic Gear Pump Assembly No. 121-7841

<i>Ref.</i>	<i>Part Number</i>	<i>Qty.</i>	<i>Description</i>
1	119-7134	1	Kit-Seal



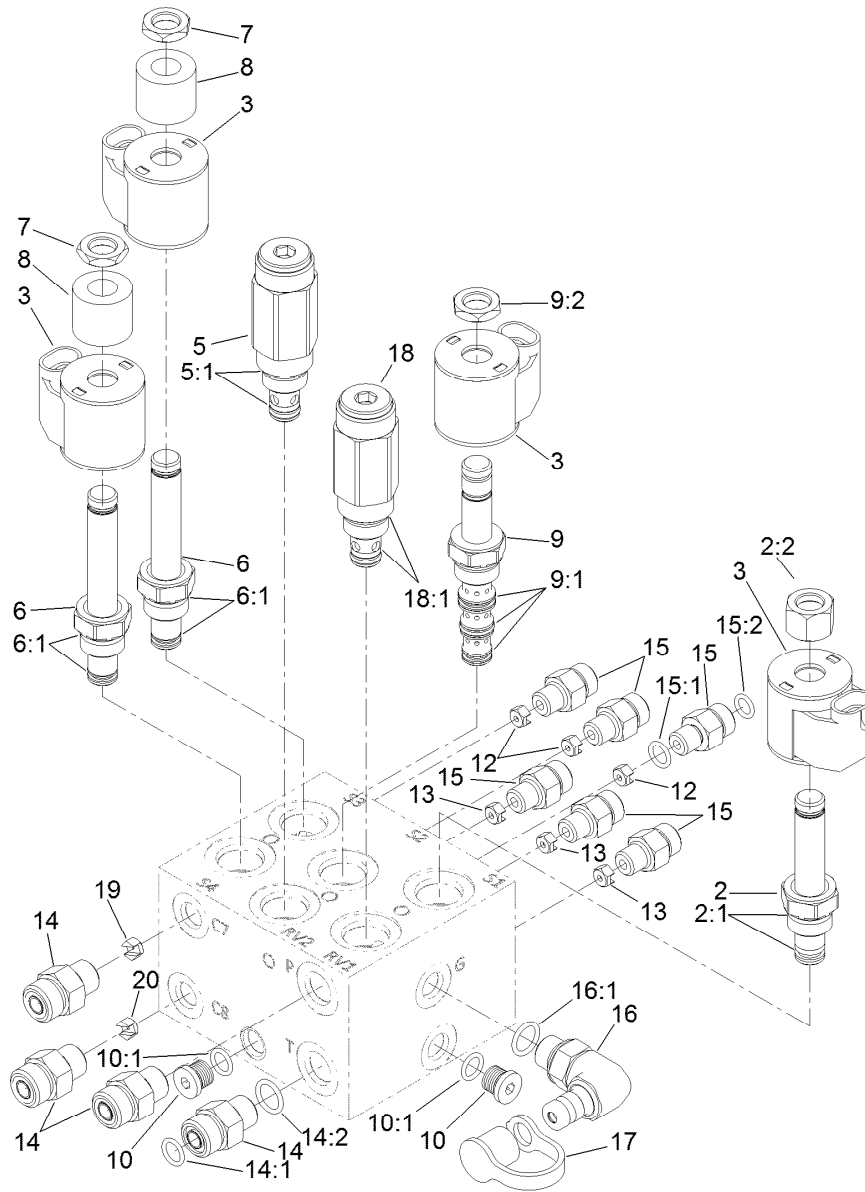
Traction Hydraulic Assembly

Ref.	Part Number	Qty.	Description	Ref.	Part Number	Qty.	Description
1	127-8500	1	Tube-HYD	12	133-4911	1	HYD Tube ASM
1:1	237-65	1	O-Ring	12:1	237-65	1	O-Ring
2	127-8501	1	Tube-HYD	13	127-8514	1	Tube-HYD
2:1	237-65	1	O-Ring	14	322-13	1	Screw-HH
3	3256-23	1	Washer-Plain	15	353-990	1	Plug ASM
4	104-8300	2	Nut-HF, NI	15:1	237-78	1	O-Ring
5	56-7971	2	Clamp-Tube	16	56-7970	2	Clamp-Tube
6	94-5780	1	Screw-HWH	17	3334-945	2	Tie-Cable
7	340-139	1	Fitting-Elbow 90	18	119-3922	2	Hose-HYD
7:1	237-81	1	O-Ring	19	119-1419	4	Plate-Clamp
7:2	237-65	1	O-Ring	20	340-76	1	Fitting-Bulkhead Union, Straight
8	340-8	1	Fitting-Straight	20:1	237-65	2	O-Ring
8:1	237-65	1	O-Ring	21	125-1984	2	Spacer
8:2	237-81	1	O-Ring	22	240-3	2	Grommet-Rubber
9	340-14	2	Fitting-HYD, 45 DEG	23	69-9010	4	Washer
9:1	237-65	1	O-Ring	24	340-74	2	Nut-Lock, Bulkhead
9:2	237-80	1	O-Ring	25	2412-87	1	Clamp-Cable
10	340-7	4	Fitting-Straight	26	104-7201	1	Nut-HF, NI
10:1	237-65	1	O-Ring	27	321-4	1	Screw-HH
10:2	237-80	1	O-Ring				
11	127-8513	1	Tube-HYD				



Lift Hydraulic Assembly

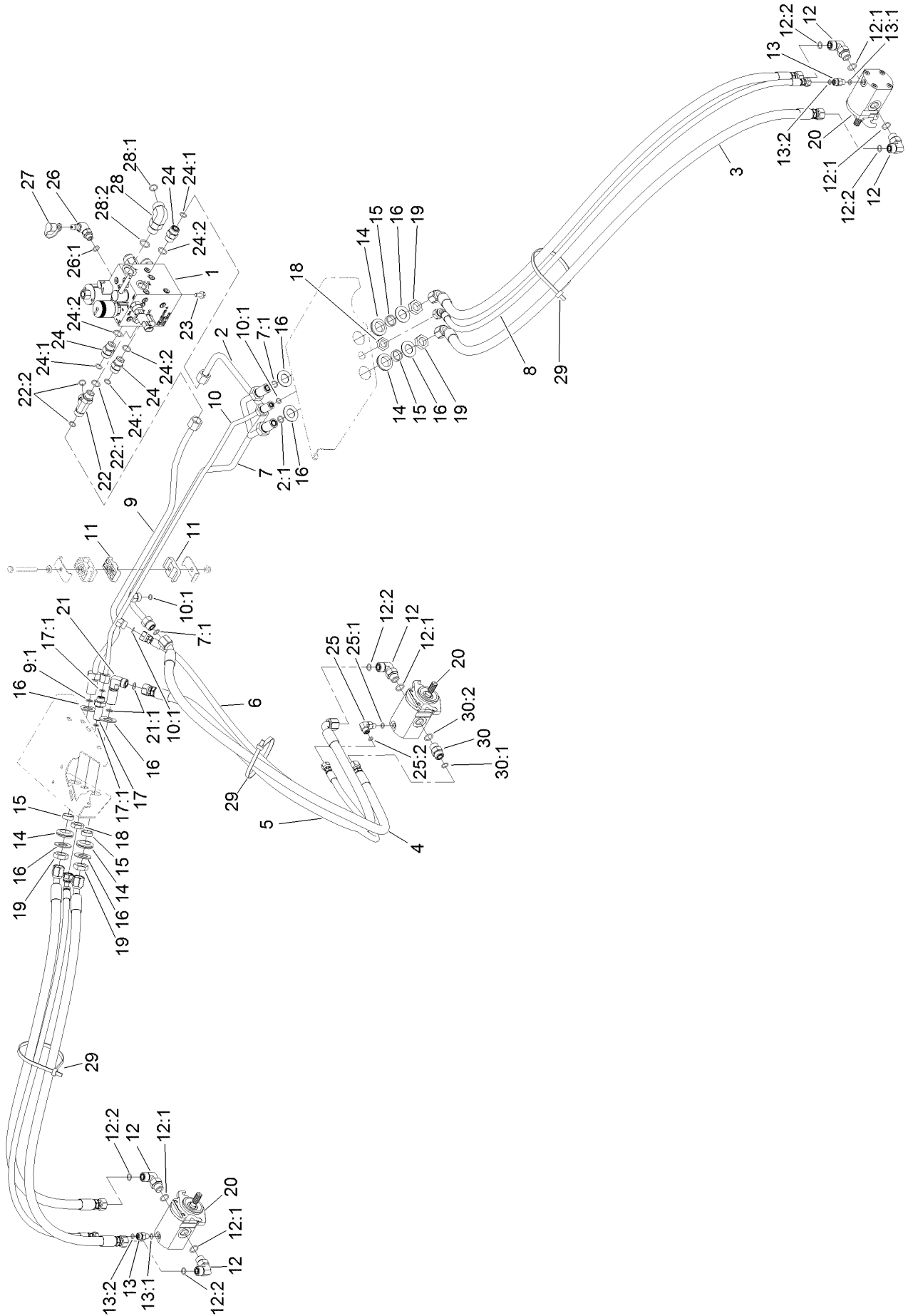
<i>Ref.</i>	<i>Part Number</i>	<i>Qty.</i>	<i>Description</i>	<i>Ref.</i>	<i>Part Number</i>	<i>Qty.</i>	<i>Description</i>
1	127-8444	1	Lift Manifold ASM	14	340-18	2	Fitting-HYD, 90 DEG
2	340-166	2	Fitting-Tee	14:1	237-79	1	O-Ring
2:1	237-22	2	O-Ring	14:2	237-22	1	O-Ring
3	340-70	2	Nut-Lock	16	340-132	12	Fitting-Elbow, 90 DEG
4	133-4926	1	Tube-HYD	16:1	237-78	1	O-Ring
4:1	237-22	1	O-Ring	16:2	237-21	1	O-Ring
5	133-4927	1	Tube-HYD	20	108-6508	1	Hose-HYD
5:1	237-22	1	O-Ring	21	92-7641	1	Hose ASM
6	136-6352	2	Hose-HYD	22	87-4890	1	Hose ASM
7	136-6353	2	Hose-HYD	23	106-9674	1	Hose-HYD
8	120-2060	1	Hose-HYD	24	92-7564	1	Hose-HYD
9	120-2061	1	Hose-HYD	28	3234-7	2	Screw-HHF
10	92-5691	1	Hose-HYD	30	108-6506	1	Hose-HYD
11	121-7836	1	Hose-HYD	31	3290-378	1	Tie-Cable
12	108-5673	1	Hose-HYD				



Lift Manifold Assembly No. 127-8444

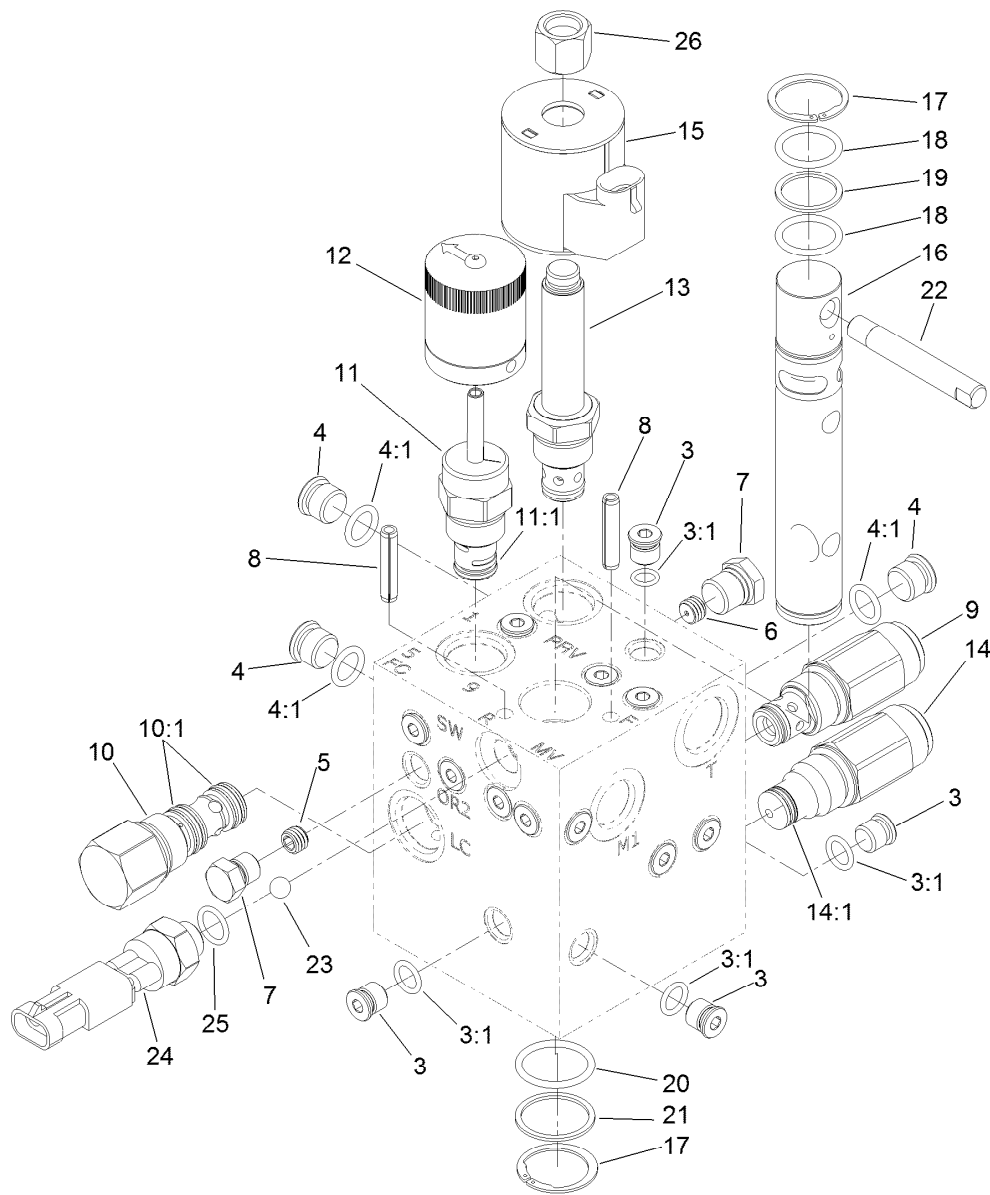
<i>Ref.</i>	<i>Part Number</i>	<i>Qty.</i>	<i>Description</i>	<i>Ref.</i>	<i>Part Number</i>	<i>Qty.</i>	<i>Description</i>
2	107-7517	1	Valve-Solenoid	13	110-8902	3	Orifice-Control, Flow (0.046)
2:1	105-9156	1	Seal Kit	14	340-2	4	Fitting-Straight
2:2	107-7812	1	Nut-Solenoid	14:1	237-22	1	O-Ring
3	110-0497	4	Coil-Solenoid	14:2	237-42	1	O-Ring
5	120-1663	1	Valve-Relief, 500 PSI	15	340-92	6	Fitting-Straight
5:1	105-9156	1	Seal Kit	15:1	237-78	1	O-Ring
6	136-6351	2	Valve-Double Blocking	15:2	237-21	1	O-Ring
6:1	107-7527	1	Seal Kit	16	115-9148	1	Fitting-Elbow-90
7	110-2634	3	Nut-Coil	16:1	237-42	1	O-Ring
8	110-8909	2	Spacer-Coil	17	354-79	1	Cap-Dust
9	120-1665	1	Valve-Solenoid	18	117-8312	1	Valve-Relief
9:1	112-6520	1	Seal Kit	18:1	105-9156	1	Seal Kit
9:2	110-2634	1	Nut-Coil	19	119-5342	1	Orifice-Control, Flow (.035)
10	353-990	2	Plug ASM	20	119-2010	1	Orifice-Control, Flow (0.055)
10:1	237-78	1	O-Ring				
12	121-7879	3	Orifice-Control, Flow (0.040)				

Cutting Unit No. 1, No. 4 and No. 5 Mow Hydraulic Assembly



Cutting Unit No. 1, No. 4 and No. 5 Mow Hydraulic Assembly (continued)

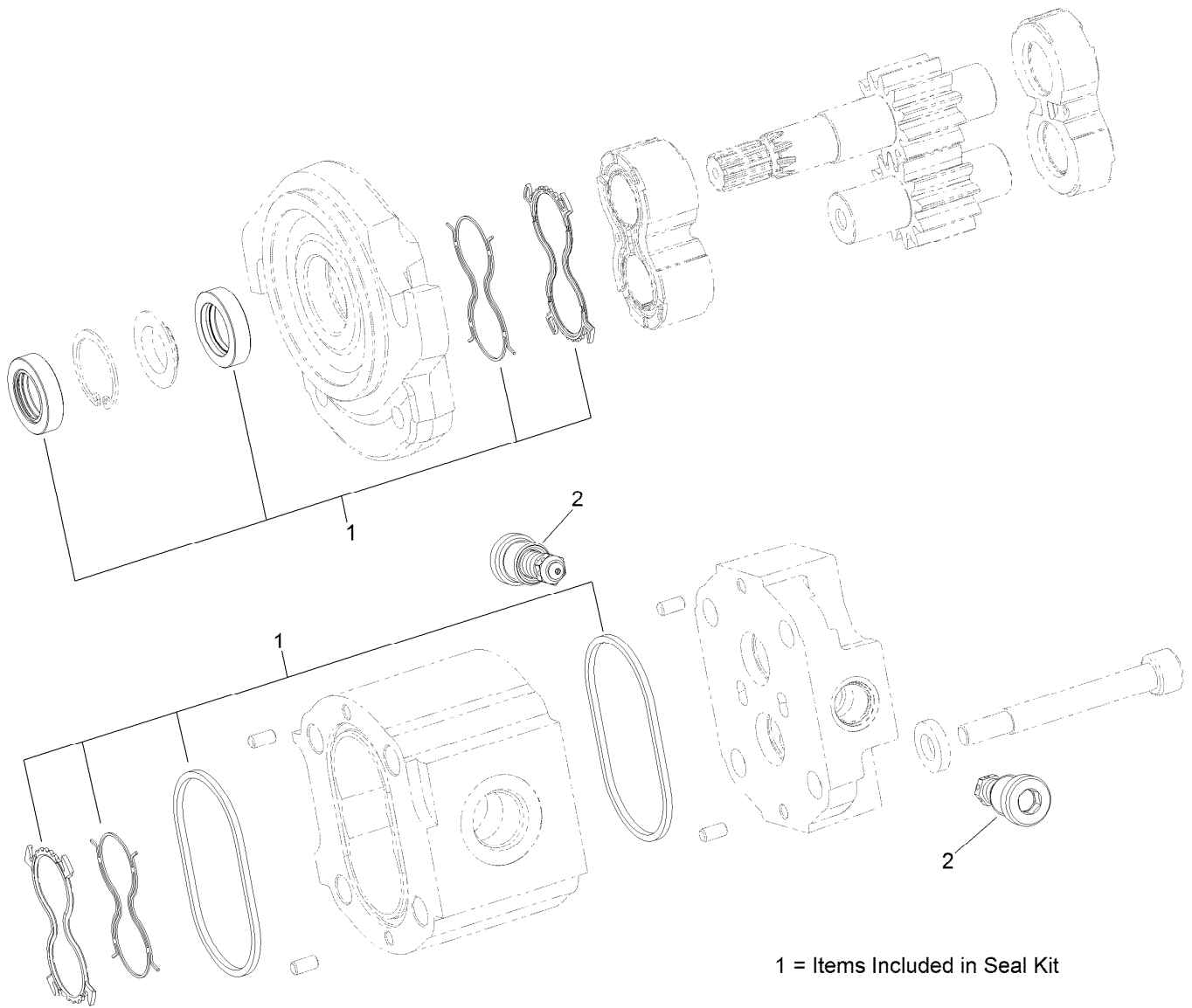
<i>Ref.</i>	<i>Part Number</i>	<i>Qty.</i>	<i>Description</i>	<i>Ref.</i>	<i>Part Number</i>	<i>Qty.</i>	<i>Description</i>
1	120-2058	1	HYD Mow Manifold ASM	18	340-70	2	Nut-Lock
2	127-8511	1	Tube-HYD	19	340-127	4	Nut-Bulkhead
2:1	237-30	1	O-Ring	20	127-8436	3	Motor-HYD, 16Cc
3	127-8545	4	Hose-HYD	21	93-9151	1	Fitting-HYD
4	121-7917	1	Hose-HYD	21:1	237-30	2	O-Ring
5	121-7861	1	Hose-HYD	22	340-109	1	Fitting-Tee
6	121-7862	1	Hose-HYD	22:1	237-79	1	O-Ring
7	127-8551	1	Tube-HYD	22:2	237-30	2	O-Ring
7:1	237-30	2	O-Ring	23	3234-7	2	Screw-HHF
8	127-8546	2	Hose-HYD	24	340-4	3	Fitting-Straight
9	127-8509	1	Tube-HYD	24:1	237-30	1	O-Ring
9:1	237-30	1	O-Ring	24:2	237-79	1	O-Ring
10	120-2104	1	Tube-HYD	25	340-132	1	Fitting-Elbow, 90 DEG
10:1	237-22	3	O-Ring	25:1	237-78	1	O-Ring
11	56-7976	2	Clamp-Tube	25:2	237-21	1	O-Ring
12	340-105	5	Fitting-Elbow, 90 DEG	26	115-9148	1	Fitting-Elbow-90
12:1	237-80	1	O-Ring	26:1	237-42	1	O-Ring
12:2	237-30	1	O-Ring	27	354-79	1	Cap-Dust
13	340-92	2	Fitting-Straight	28	340-17	1	Fitting-Elbow, 90 DEG
13:1	237-78	1	O-Ring	28:1	237-65	1	O-Ring
13:2	237-21	1	O-Ring	28:2	237-80	1	O-Ring
14	240-5	4	Grommet	29	3334-945	3	Tie-Cable
15	69-8960	4	Spacer	30	340-6	1	Fitting-Straight
16	69-8930	8	Washer	30:1	237-30	1	O-Ring
17	340-71	1	Fitting-Straight, Bulkhead	30:2	237-80	1	O-Ring
17:1	237-22	2	O-Ring				



Mow Manifold Assembly No. 120-2058

<i>Ref.</i>	<i>Part Number</i>	<i>Qty.</i>	<i>Description</i>	<i>Ref.</i>	<i>Part Number</i>	<i>Qty.</i>	<i>Description</i>
3	353-990	17	Plug ASM	14	121-7883	1	Valve-Relief, 2000 PSI
3:1	237-78	1	O-Ring	14:1	110-6316	1	Seal Kit ●
4	353-989	4	Plug-Hex, Hollow	15	110-6344	1	Coil-12V, DC
4:1	237-42	1	O-Ring	16	120-1652	1	Spool-Backlap
5	110-8889	1	Plug-Orifice (0.020)	17	120-1653	2	Ring-Retaining, External
6	110-0495	1	Plug-Orifice (0.050 Inch)	18	120-1657	2	O-Ring
7	117-0115	1	Plug	19	120-1656	1	Ring-Backup
8	112-6531	2	Pin-Spring	20	120-1655	1	O-Ring
9	132-4912	1	Valve-Check	21	120-1654	1	Ring-Backup
10	121-7880	1	Spool-Logic	22	120-1651	1	Handle-Spool
10:1	119-2159	1	Seal Kit ●	23	117-4605	1	Ball-SS
11	110-8769	1	Valve-Control, Manual Flow	24	72-4320	1	Switch-Ball
11:1	110-2633	1	Seal Kit	25	110-8757	1	O-Ring
12	110-8767	1	Rotary Handle ASM	26	130-8180	1	Nut-Coil (9/16-24 Unef-2B)
13	110-8799	1	Valve-Relief, Proportional				

● Not illustrated

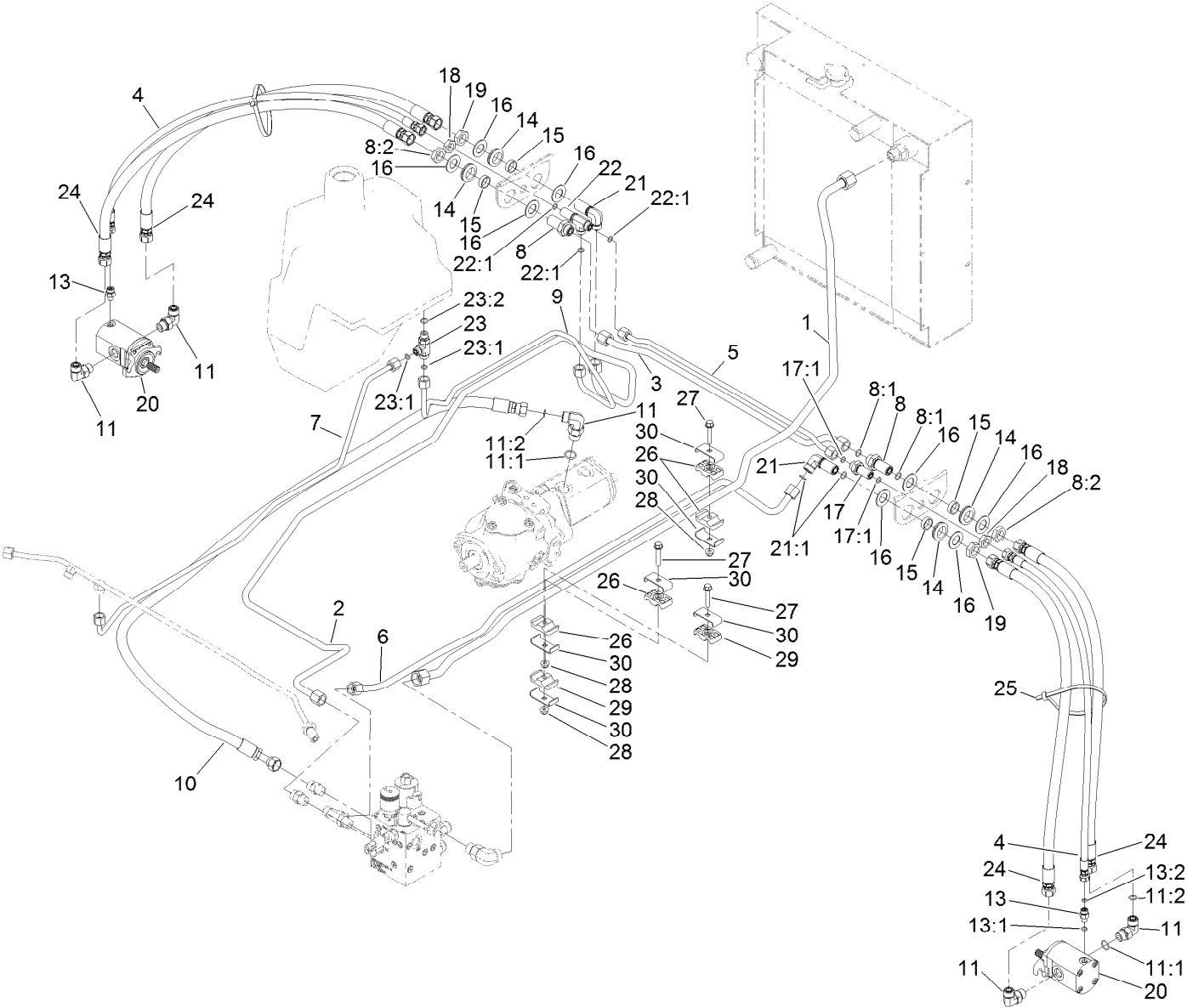


1 = Items Included in Seal Kit

Hydraulic Gear Motor Assembly No. 127-8436

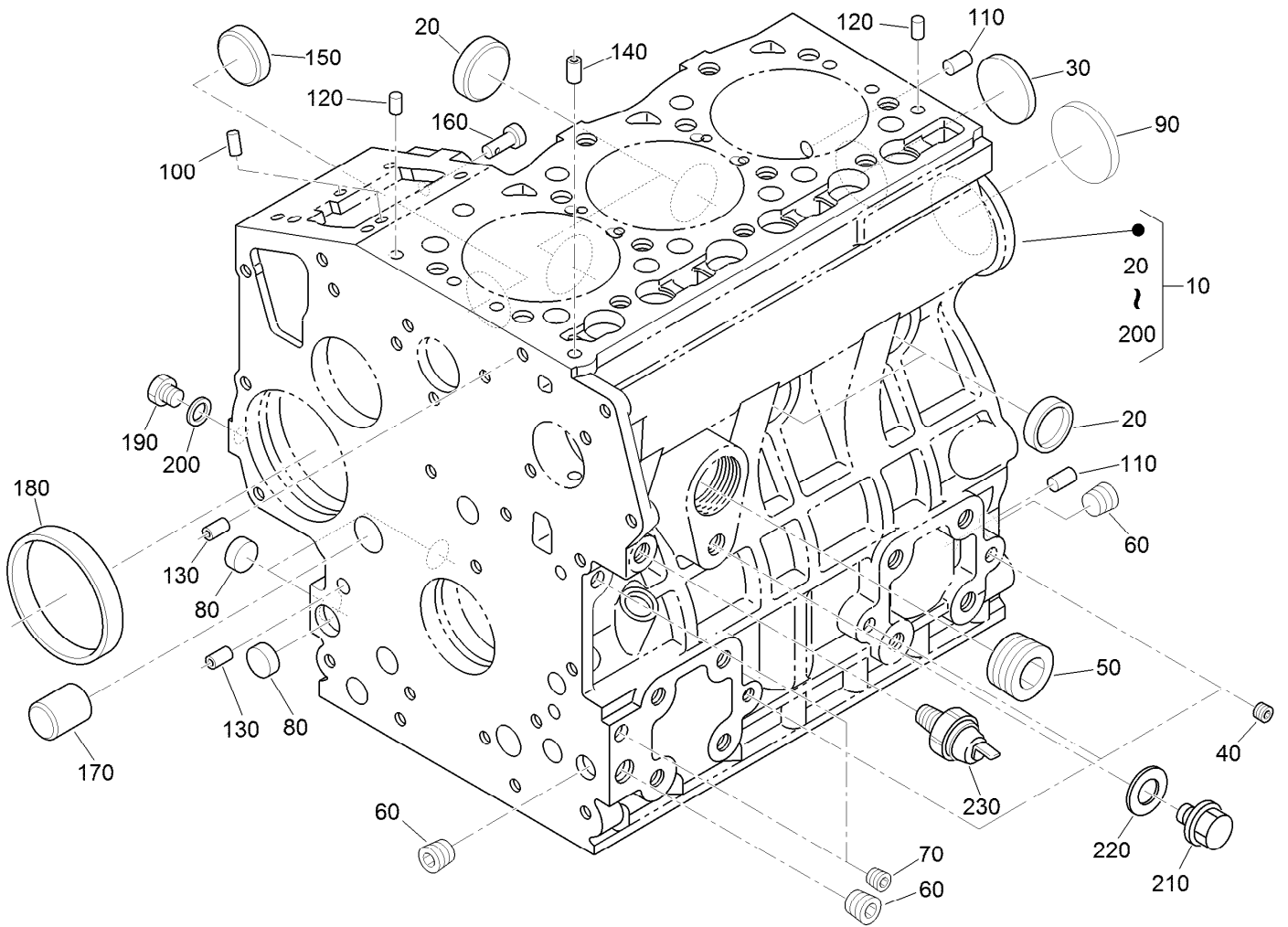
<i>Ref.</i>	<i>Part Number</i>	<i>Qty.</i>	<i>Description</i>
1	138-1234	1	Seal Kit
2	117-5107	1	Valve-Check

Rear Mow Hydraulic Circuit Assembly



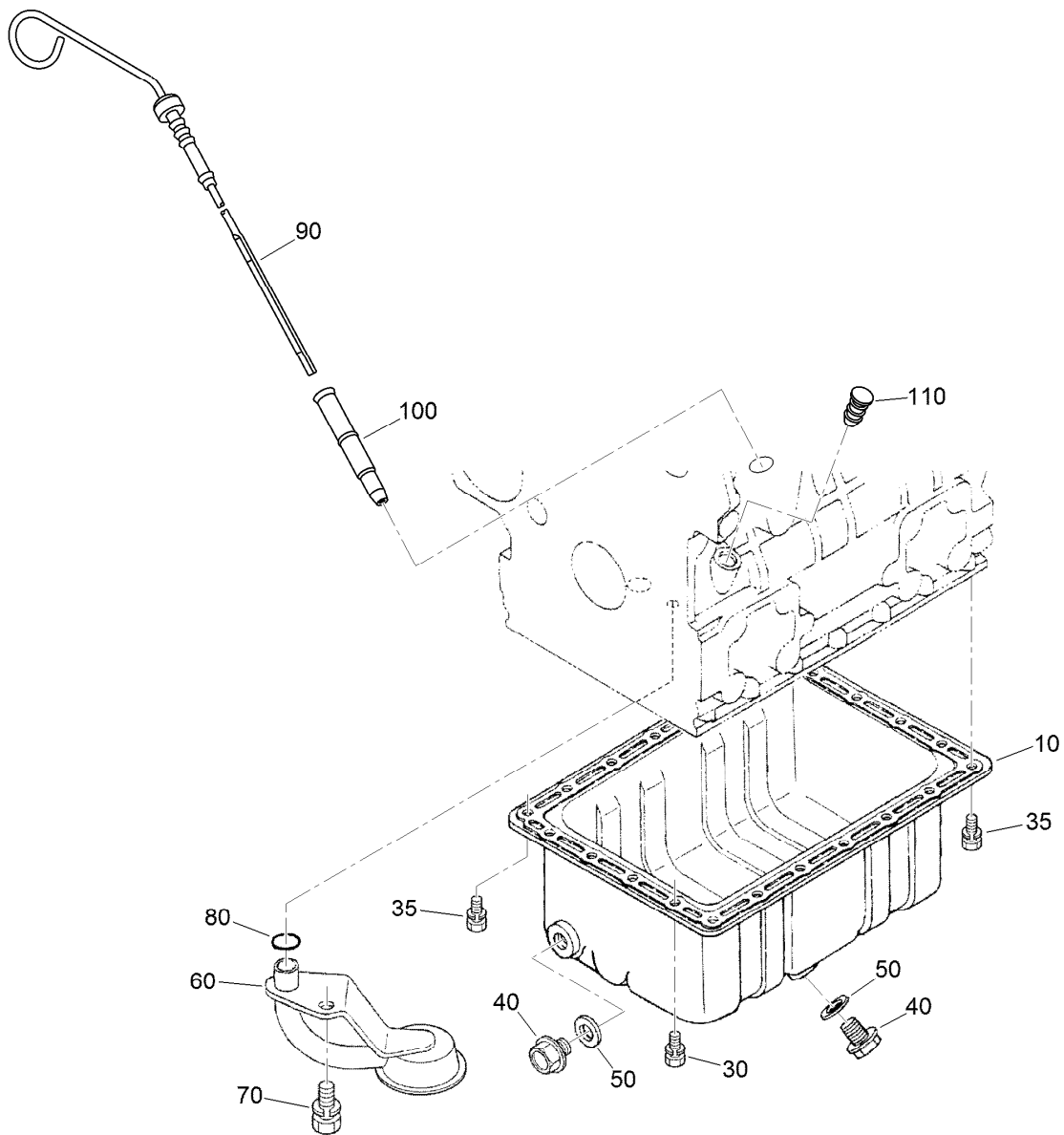
Rear Mow Hydraulic Circuit Assembly (continued)

<i>Ref.</i>	<i>Part Number</i>	<i>Qty.</i>	<i>Description</i>	<i>Ref.</i>	<i>Part Number</i>	<i>Qty.</i>	<i>Description</i>
1	127-8512	1	Tube-HYD	16	69-8930	8	Washer
2	127-8508	1	Tube-HYD	17	340-71	1	Fitting-Straight, Bulkhead
3	120-2173	1	Tube-HYD	17:1	237-22	2	O-Ring
4	133-4921	2	Hose-HYD	18	340-70	2	Nut-Lock
5	120-2174	1	Tube-HYD	19	340-127	2	Nut-Bulkhead
6	127-8510	1	Tube-HYD	20	127-8436	2	Motor-HYD, 16Cc
7	121-7843	1	Tube-HYD	21	93-9151	2	Fitting-HYD
8	340-161	2	Fitting-Bulkhead	21:1	237-30	2	O-Ring
8:1	237-30	2	O-Ring	22	340-68	1	Fitting-Tee, Bulkhead
8:2	340-127	1	Nut-Bulkhead	22:1	237-22	3	O-Ring
9	120-2180	1	Tube-HYD	23	340-86	1	Fitting-Tee
10	121-7812	1	Hose-HYD	23:1	237-22	2	O-Ring
11	340-105	5	Fitting-Elbow, 90 DEG	23:2	237-42	1	O-Ring
11:1	237-80	1	O-Ring	24	95-8824	4	Hose ASM
11:2	237-30	1	O-Ring	25	3334-945	2	Tie-Cable
13	340-92	2	Fitting-Straight	26	56-7977	6	Clamp-Tube
13:1	237-78	1	O-Ring	27	94-5780	5	Screw-HWH
13:2	237-21	1	O-Ring	28	104-8300	5	Nut-HF, NI
14	240-5	4	Grommet	29	56-7971	4	Clamp-Tube
15	69-8960	4	Spacer	30	119-1419	10	Plate-Clamp



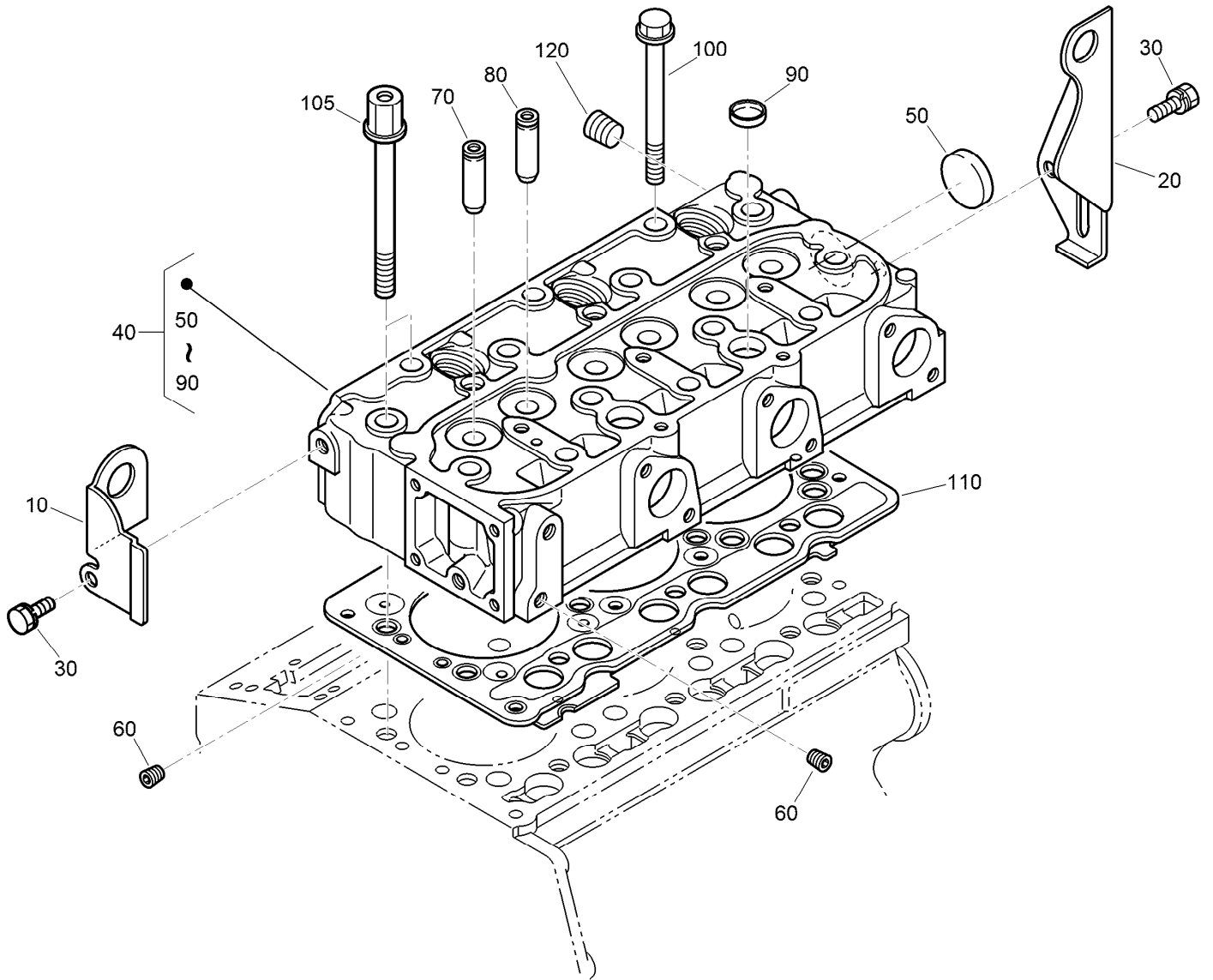
Crankcase Assembly

<i>Ref.</i>	<i>Part Number</i>	<i>Qty.</i>	<i>Description</i>	<i>Ref.</i>	<i>Part Number</i>	<i>Qty.</i>	<i>Description</i>
10	115-3443	1	Crankcase ASM	130	98-9387	2	Pin-Pipe
20	98-9398	4	Cap-Sealing	140	98-9539	1	Pin-Pipe
30	98-7539	1	Cap-Sealing	150	98-9599	1	Plug
40	98-9687	3	Plug	160	98-9630	1	Pin-Spring, Start
50	105-3779	1	Plug	170	98-9675	1	Plug
60	98-9597	3	Plug	180	98-9656	1	Bushing-Governor, Gear
70	98-7487	2	Plug	190	120-2559	1	Plug
80	98-9379	3	Plug-Expansion	200	98-7428	1	Gasket
90	98-9668	1	Plug-Expansion	210	99-3447	1	Plug
100	98-9375	2	Pin-Straight	220	106-7056	1	Gasket
110	98-9377	2	Pin-Straight	230	98-9416	1	Switch-Oil
120	98-9376	2	Pin-Straight				



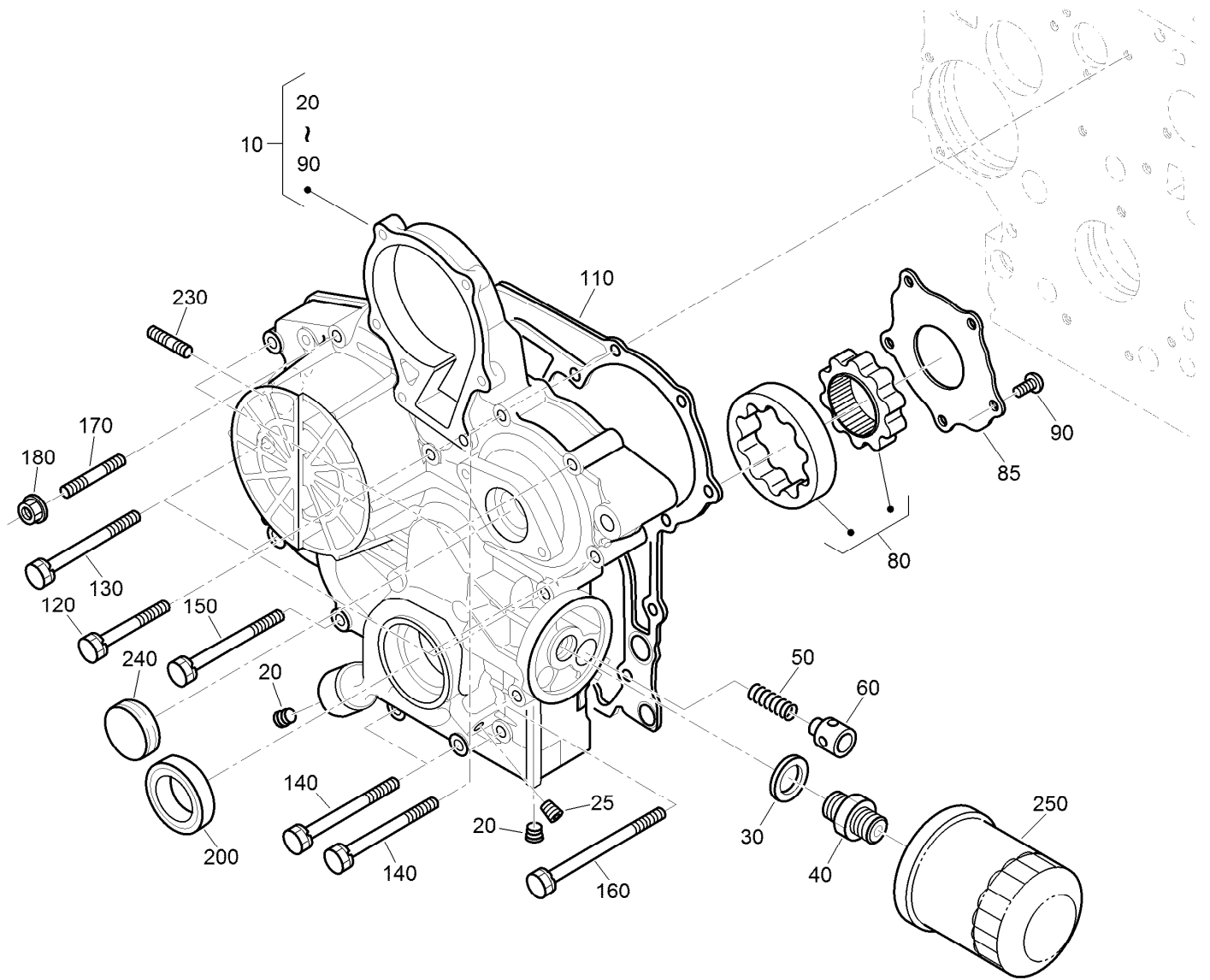
Oil Pan and Dipstick Assembly

<i>Ref.</i>	<i>Part Number</i>	<i>Qty.</i>	<i>Description</i>
10	98-9685	1	Pan-Oil
30	98-9351	20	Bolt
35	98-9351	2	Bolt
40	114-8151	2	Plug-Drain
50	98-7524	2	Gasket
60	108-1401	1	Base-Filter
70	98-7526	1	Bolt
80	105-3776	1	O-Ring
90	104-9348	1	Gauge-Oil
100	105-4580	1	Guide-Gauge, Oil
110	110-3720	1	Plug-Gauge, Oil



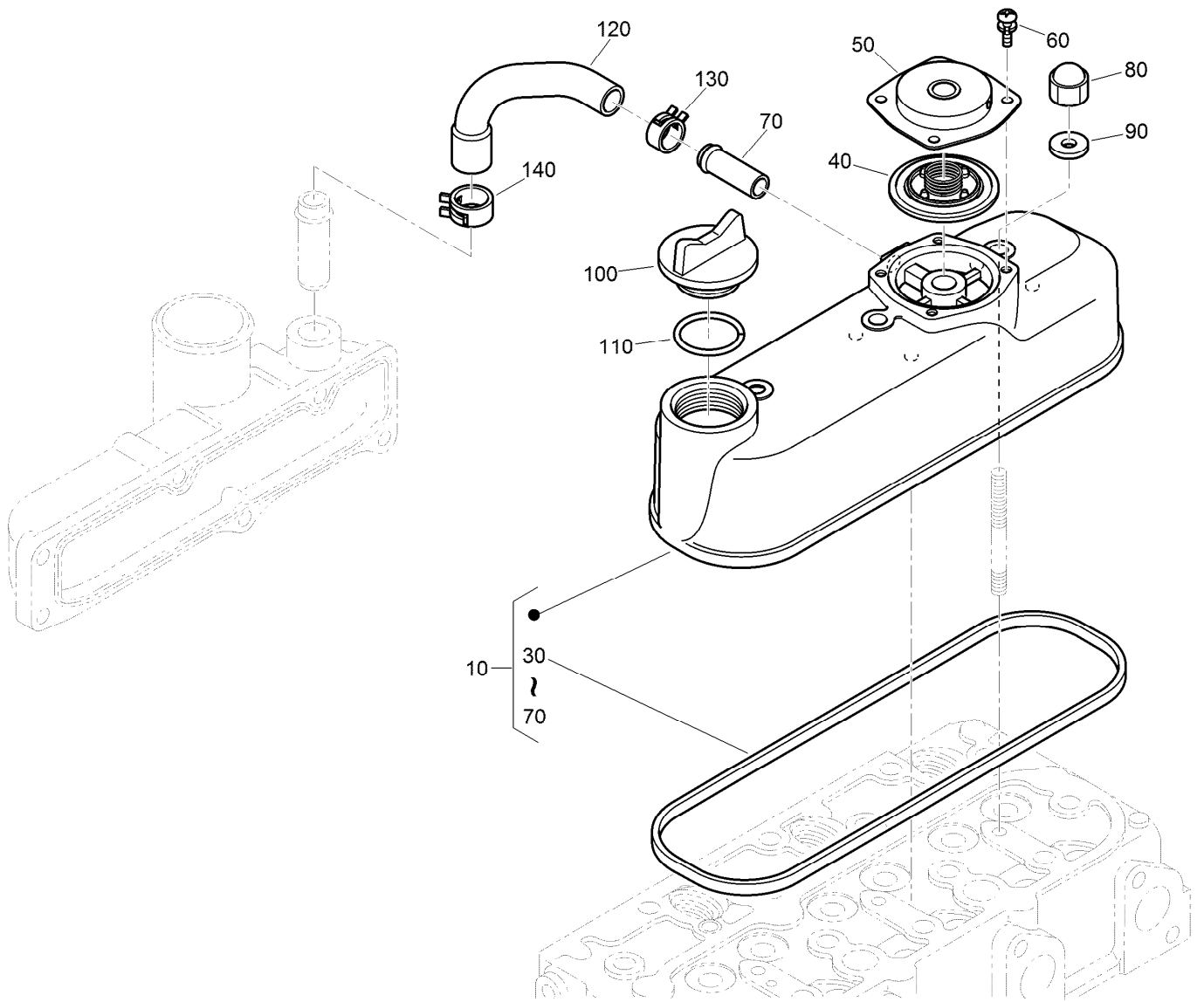
Cylinder Head Assembly

Ref.	Part Number	Qty.	Description
10	130-1231	1	Hook-Engine
20	98-9478	1	Hook-Engine
30	100-9195	2	Bolt
40	130-1544	1	Cylinder Head ASM
50	105-3705	1	Cap-Sealing
60	98-9687	2	Plug
70	107-9066	3	Guide-Valve, Inlet
80	107-9067	3	Guide-Valve, Exhaust
90	98-9389	2	Cap-Sealing
100	98-9479	12	Bolt-Head, Cylinder
105	98-9647	2	Bolt-Head, Cylinder
110	108-6573	1	Gasket-Head, Cylinder
120	98-9444	1	Plug



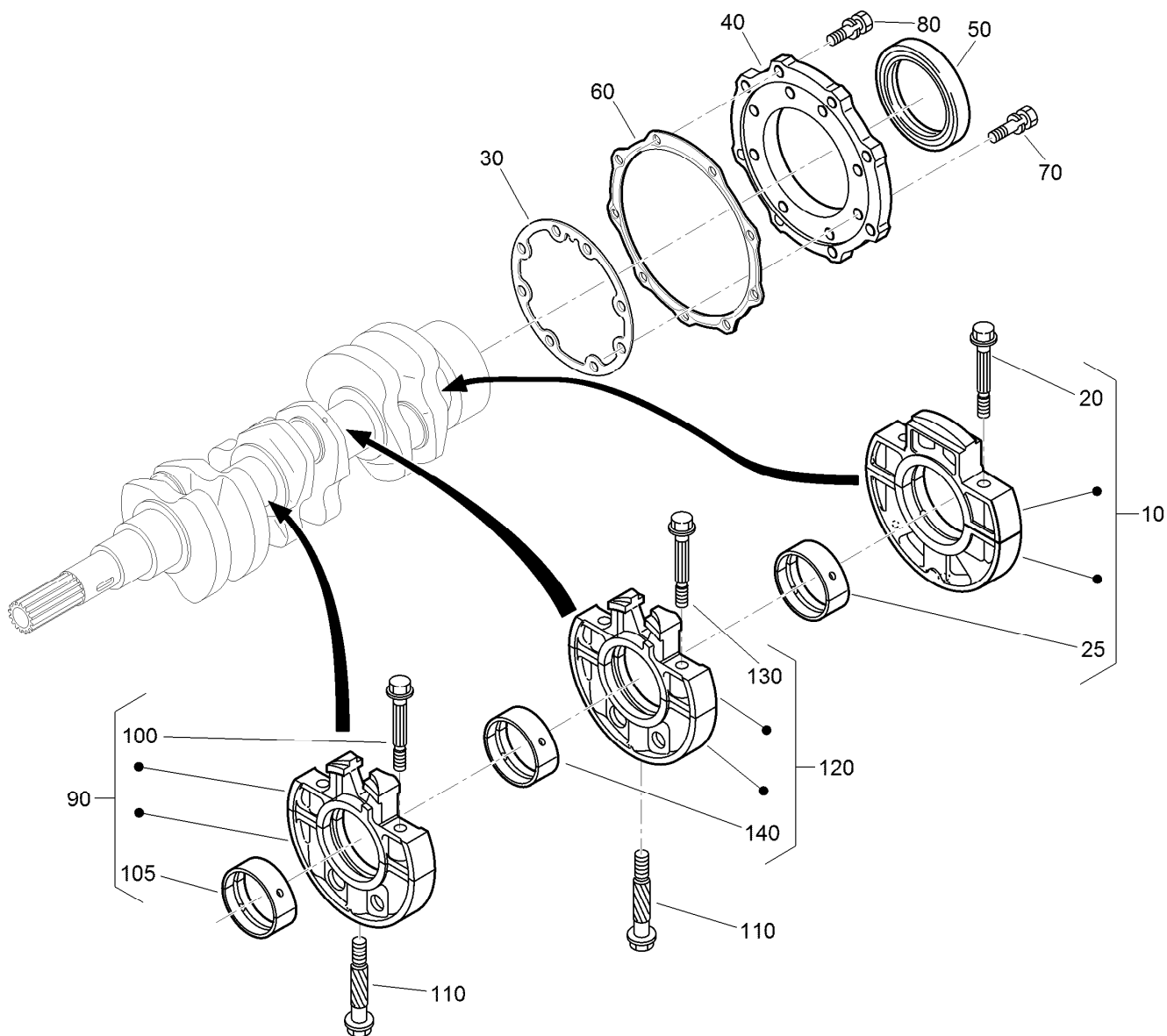
Gear Case and Oil Filter Cartridge Assembly

Ref.	Part Number	Qty.	Description	Ref.	Part Number	Qty.	Description
10	115-4105	1	Gear Case ASM	120	100-1765	3	Bolt
20	127-0425	2	Plug	130	125-9063	4	Bolt-Sems
25	98-7487	1	Plug	140	98-9356	4	Bolt
30	98-7562	1	Washer-Plain	150	107-9074	1	Bolt
40	98-9388	1	Joint-Pipe	160	99-3510	1	Bolt
50	130-1511	1	Spring	170	105-3709	1	Stud
60	130-1510	1	Valve-Relief	180	100-2203	1	Nut-Flange
80	130-1508	1	Rotor ASM	200	119-8038	1	Seal-Oil
85	130-1509	1	Cover-Pump, Oil	230	105-3710	2	Stud
90	130-1164	5	Screw-Binding	240	99-3515	1	Plug-Gearcase
110	98-9633	1	Gasket-Case, Gear	250	108-3841	1	Filter-Oil



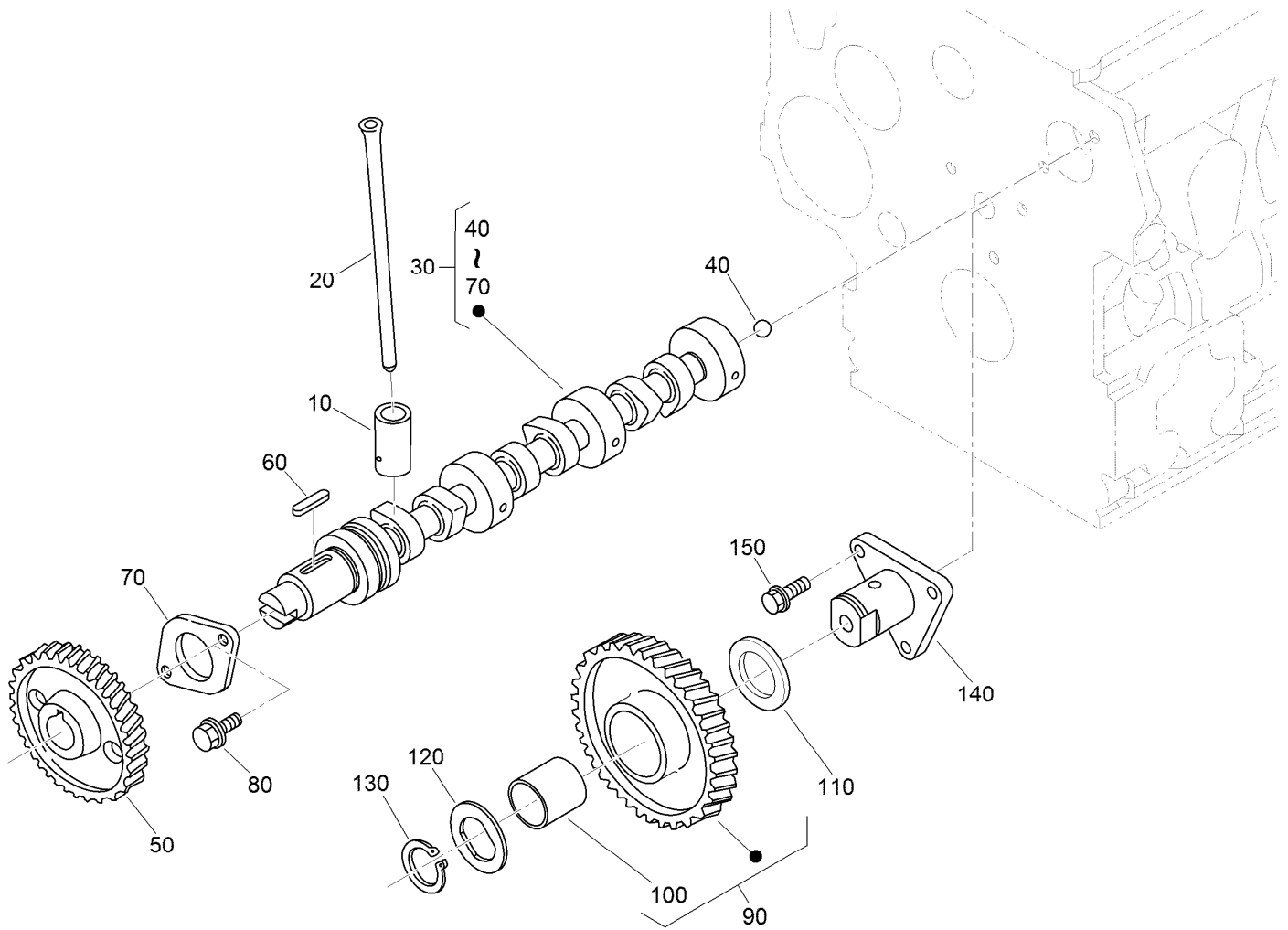
Cylinder Head Cover Assembly

<i>Ref.</i>	<i>Part Number</i>	<i>Qty.</i>	<i>Description</i>
10	115-3446	1	Cylinder Head Cover ASM
30	98-9615	1	Gasket-Cover, Head
40	110-3715	1	Valve-Breather
50	110-3714	1	Cover-Breather
60	98-9364	4	Screw (With Washer)
70	98-7766	1	Pipe-Return, Water
80	98-9455	3	Nut-Cap
90	98-9454	3	Gasket
100	107-9075	1	Plug-Filler, Oil
110	99-3446	1	O-Ring
120	107-7836	1	Tube-Breather
130	108-2859	1	Clamp-Hose
140	108-2860	1	Clamp-Hose



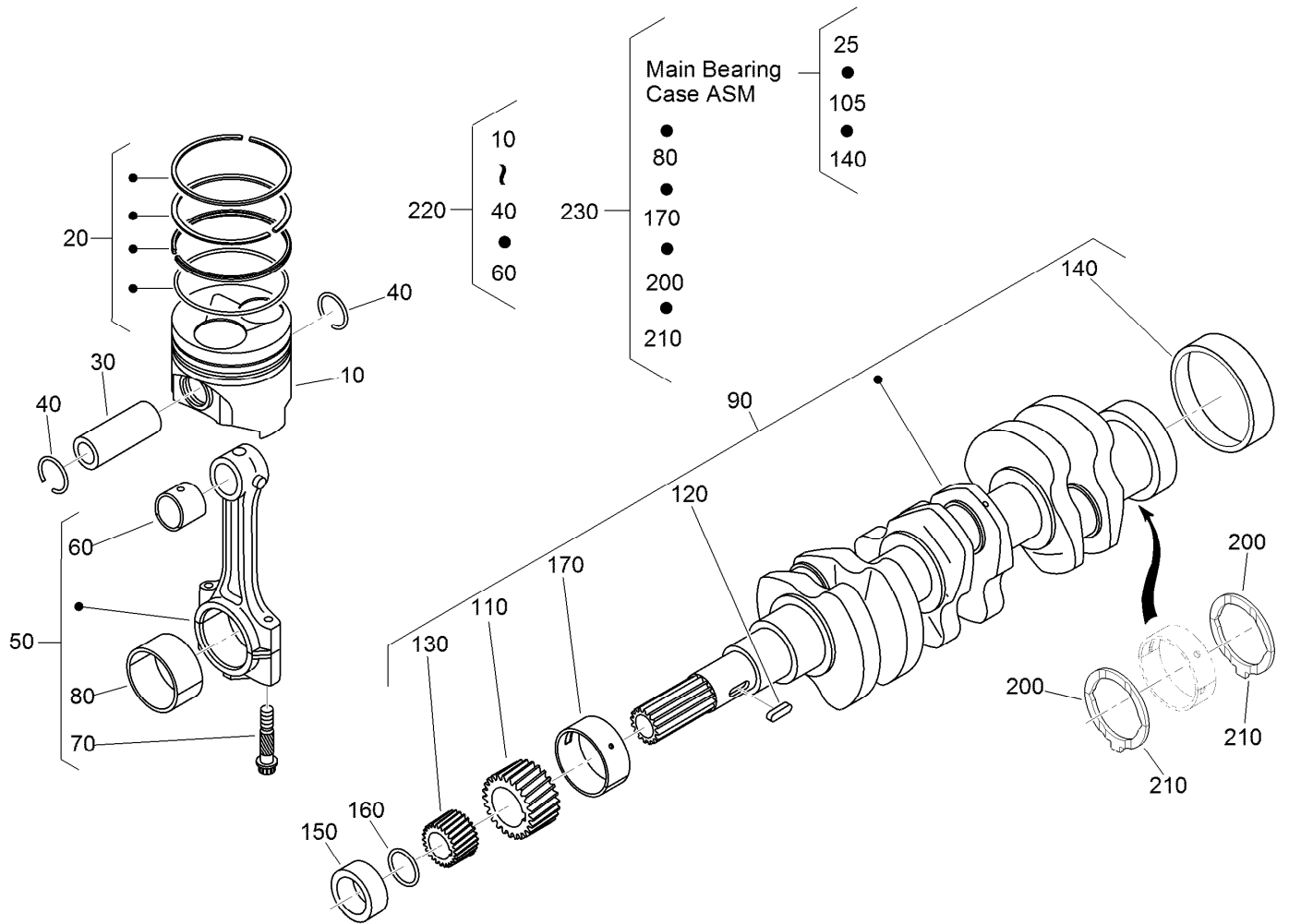
Main Bearing Case Assembly

<i>Ref.</i>	<i>Part Number</i>	<i>Qty.</i>	<i>Description</i>	<i>Ref.</i>	<i>Part Number</i>	<i>Qty.</i>	<i>Description</i>
10	112-7026	1	Wheel Bearing Case ASM	90	115-4106	1	Main Bearing Case ASM
20	98-9484	2	Bolt-Case, Bearing	100	98-9484	2	Bolt-Case, Bearing
25	115-4121	1	Metal-Crankshaft (STD)	105	98-9524	1	Metal-Crankshaft (STD Set)
25	112-7039	1	Metal-Crankshaft (0.2Mm)	105	127-0433	1	Metal-Crankshaft (-0.2MM)
25	112-7040	1	Metal-Crankshaft (-0.4Mm)	105	98-9531	1	Bearing-Main (0.4MM)
30	131-6554	1	Gasket-Case, Bearing	110	98-9485	2	Bolt-Case, Bearing
40	112-7046	1	Cover-Case, Bearing	120	115-4107	1	Main Bearing Case ASM
50	112-0180	1	Seal-Oil	130	98-9484	2	Bolt-Case, Bearing
60	112-7037	1	Gasket-Cover, Case	140	98-9524	1	Metal-Crankshaft (STD Set)
70	127-0441	8	Bolt	140	127-0433	1	Metal-Crankshaft (-0.2MM)
80	127-0442	9	Bolt	140	98-9531	1	Bearing-Main (0.4MM)



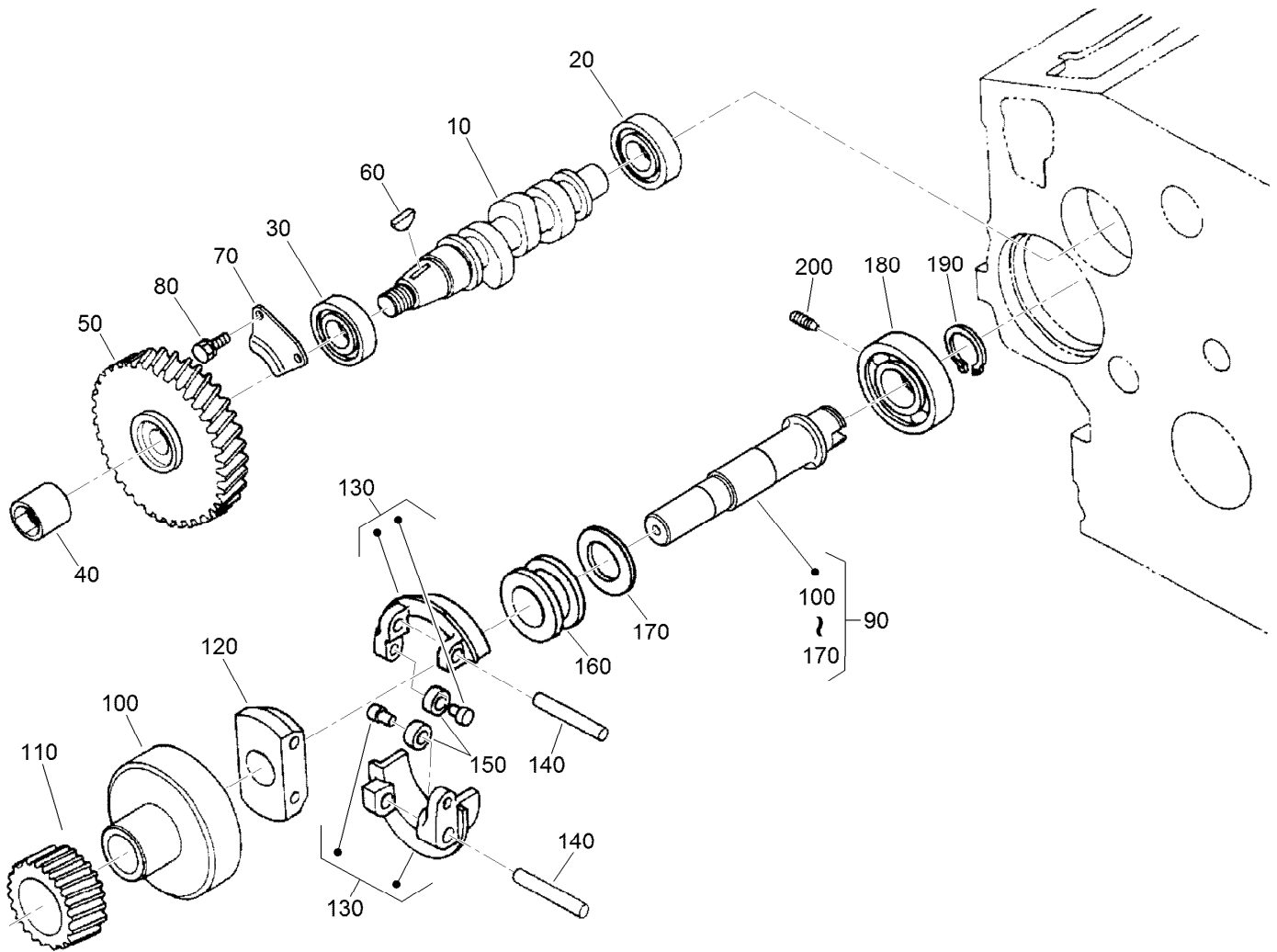
Camshaft and Idle Gear Shaft Assembly

Ref.	Part Number	Qty.	Description
10	112-0185	6	Tappet
20	127-0421	6	Rod-Push
30	130-1545	1	Camshaft ASM
40	110-3729	1	Ball
50	98-9512	1	Gear-Cam
60	98-9378	1	Key-Feather
70	98-9510	1	Stopper-Camshaft
80	98-7692	2	Bolt
90	117-7584	1	Idler Gear ASM
100	117-7585	1	Bushing-Gear, Idle
110	98-9535	1	Collar-Gear, Idle
120	98-9536	1	Collar-Gear, Idle
130	98-9534	1	Circlip-Gear, Idle
140	98-9533	1	Shaft-Gear, Idle
150	98-7692	3	Bolt



Piston and Crankshaft Assembly

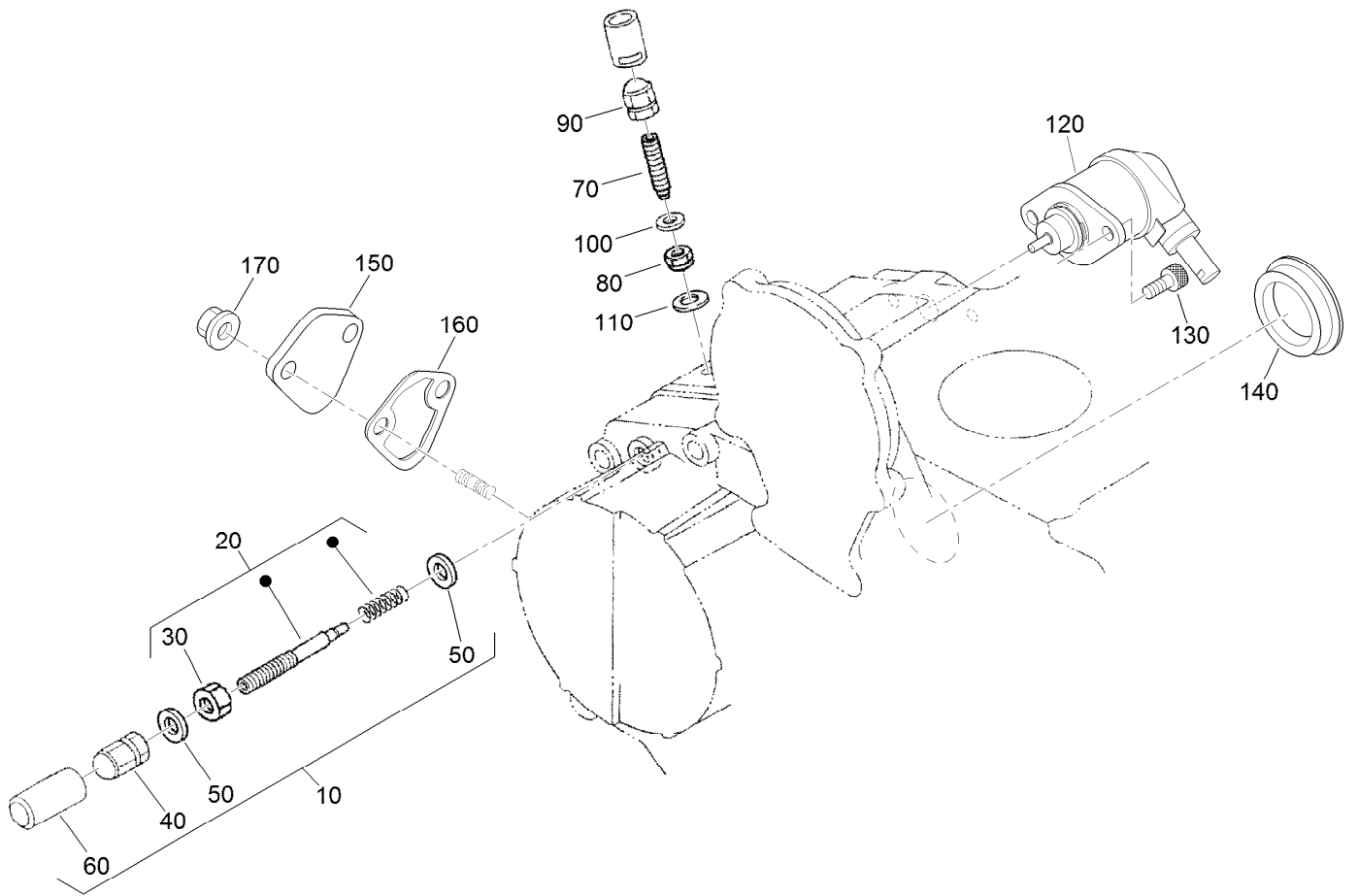
Ref.	Part Number	Qty.	Description	Ref.	Part Number	Qty.	Description
10	130-1546	3	Piston (STD)	160	105-3783	1	O-Ring
10	130-1549	3	Piston (+0.50MM)	170	112-7005	1	Bearing-Main (STD)
20	130-1506	3	Piston Ring ASM (STD)	170	98-9528	1	Bearing-Main (-0.2MM)
20	130-1507	3	Piston Ring ASM (+0.50MM)	170	127-0432	1	Metal-Crankshaft (-0.4MM)
30	98-9513	3	Pin-Piston	200	98-9413	2	Bearing-Thrust (STD)
40	98-9514	6	Circlip-Pin, Piston	200	127-0416	2	Metal-Side (+0.2Mm)
50	117-7586	3	Connecting Rod ASM	200	127-0417	2	Metal-Side (+0.40Mm)
60	115-3014	3	Bushing-Pin, Piston	210	98-9688	2	Bearing-Thrust (STD)
70	98-9517	6	Bolt-Rod, Connecting	210	127-0437	2	Metal-Side (+0.2MM)
80	98-9553	3	Bearing-Rod (STD)	210	127-0438	2	Metal-Side (+0.40MM)
80	98-9519	3	Bearing-Rod (-0.2MM)	220	130-1547	3	Piston Kit
80	117-7588	3	Metal-Crankpin (-0.4MM)	220	130-1548	3	Piston Kit
90	130-1375	1	Crankshaft ASM	230	130-1501	1	Engine Metal Kit (STD)
110	117-7561	1	Gear-Crankshaft	230	130-1498	1	Engine Metal Kit (-0.20Mm/+0.20Mm)
120	98-9666	1	Key	230	130-1499	1	Engine Metal Kit (-0.40Mm/+0.40Mm)
130	127-0445	1	Gear-Drive, Oil Pump				
140	98-9522	1	Sleeve-Crankshaft				
150	127-0444	1	Collar-Crankshaft				



Fuel Camshaft and Governor Shaft Assembly

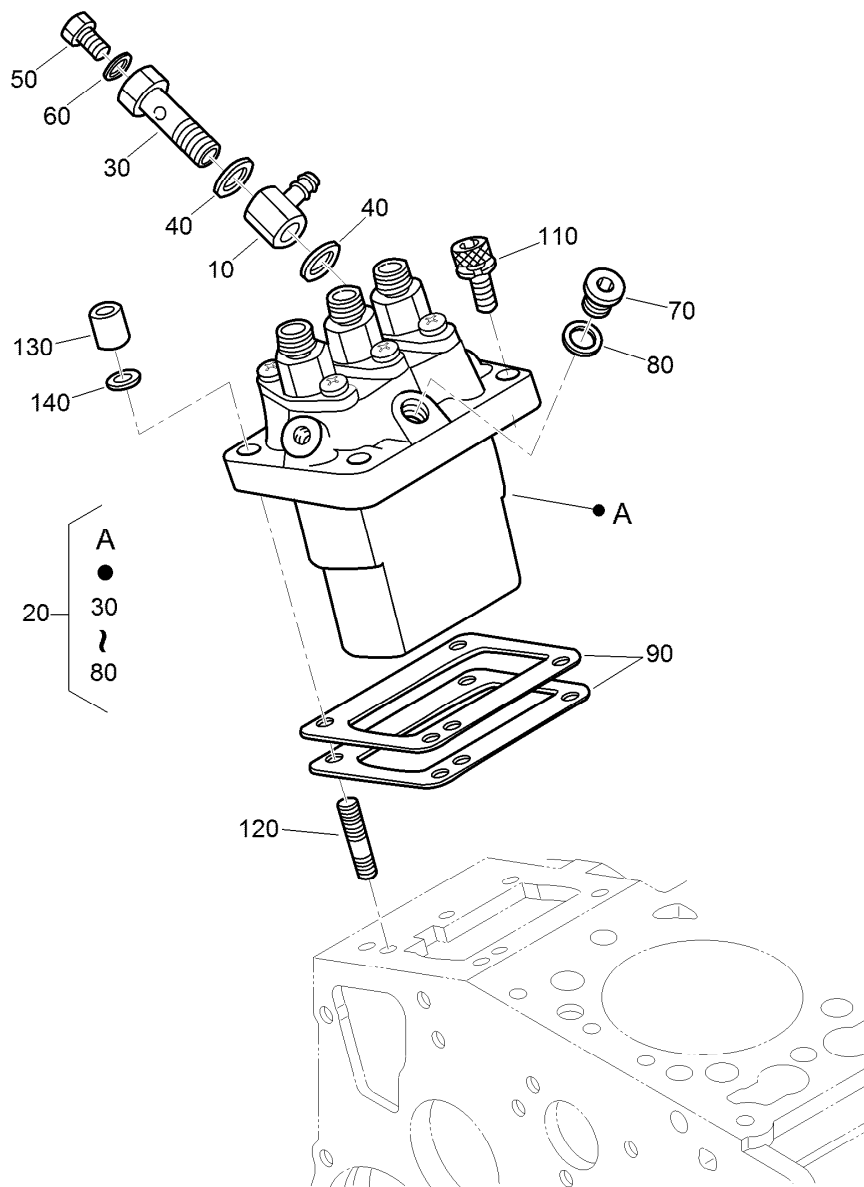
Ref.	Part Number	Qty.	Description
10	98-9459	1	Camshaft-Fuel
20	107-9077	1	Bearing-Ball
30	107-9078	1	Bearing-Ball
40	130-1512	1	Nut
50	120-2562	1	Gear-Pump, Injection
60	98-9595	1	Key-Woodruff
70	98-9511	1	Stopper-Fuel, Camshaft
80	98-7692	2	Bolt
90	98-9644	1	Governor Shaft ASM
100	98-9562	1	Holder-Gear, Governor

Ref.	Part Number	Qty.	Description
110	98-9673	1	Gear-Governor
120	98-9561	1	Holder-Weight, Governor
130	130-1240	2	Governor Weight ASM
140	98-9560	2	Shaft-Weight, Governor
150	98-9692	2	Roller
160	98-9563	1	Sleeve-Governor
170	98-9564	1	Washer-Thrust
180	107-9079	1	Bearing-Ball
190	98-9657	1	Circlip-Shaft, Governor
200	98-9565	1	Screw-Set



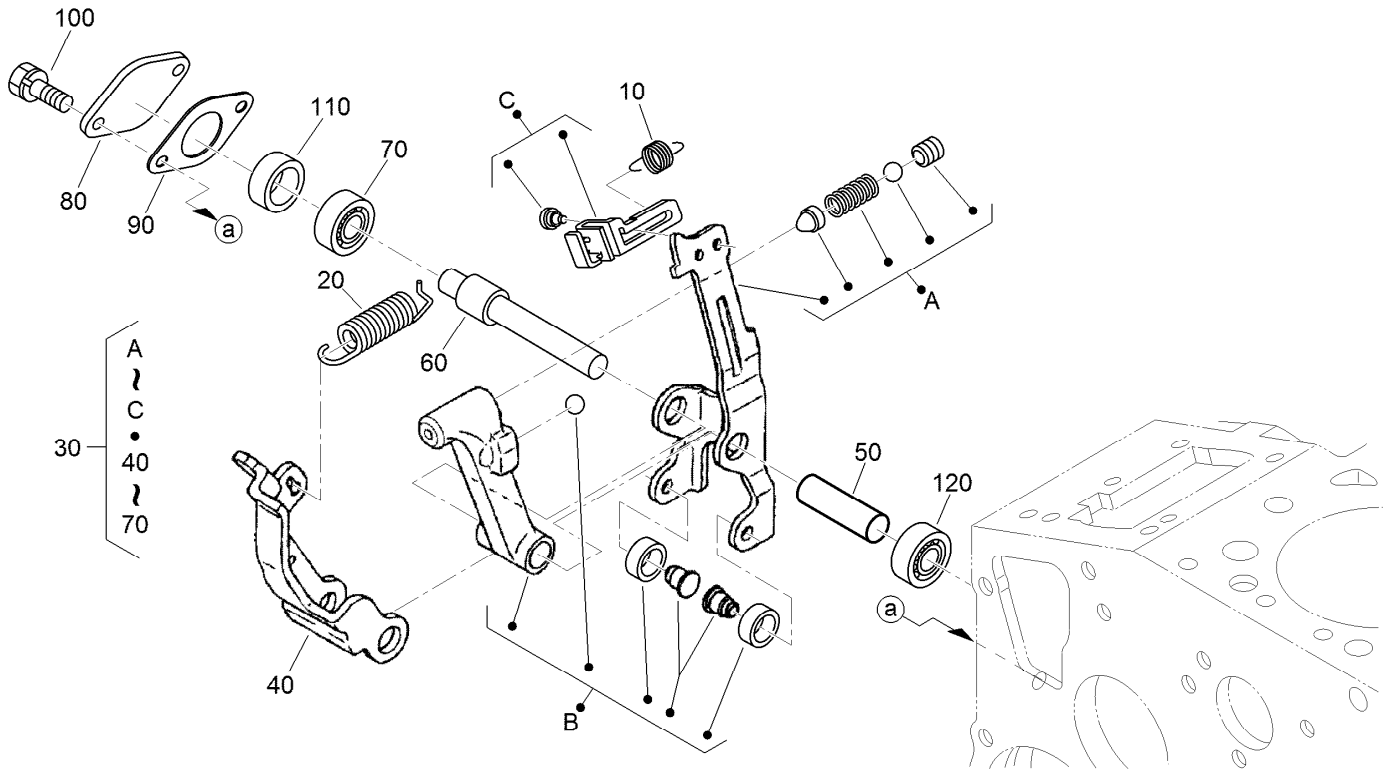
Idle Apparatus and Stop Solenoid Assembly

<i>Ref.</i>	<i>Part Number</i>	<i>Qty.</i>	<i>Description</i>	<i>Ref.</i>	<i>Part Number</i>	<i>Qty.</i>	<i>Description</i>
10	98-9678	1	Idle Apparatus ASM	100	98-7654	1	Gasket
20	112-7014	1	Adjusting Bolt ASM	110	107-9081	1	Gasket
30	98-9439	1	Nut	120	104-5155	1	Solenoid-Stop
40	112-0181	1	Nut	130	130-1155	2	Screw-HSH
50	98-7654	2	Gasket	140	112-7016	1	Cover-Pump
60	98-7656	1	Cap	150	99-3514	1	Cover
70	112-7015	1	Bolt-Adjusting	160	117-7562	1	Gasket-Pump, Fuel
80	100-2175	1	Nut-Lock	170	100-2203	2	Nut-Flange
90	112-0181	1	Nut				



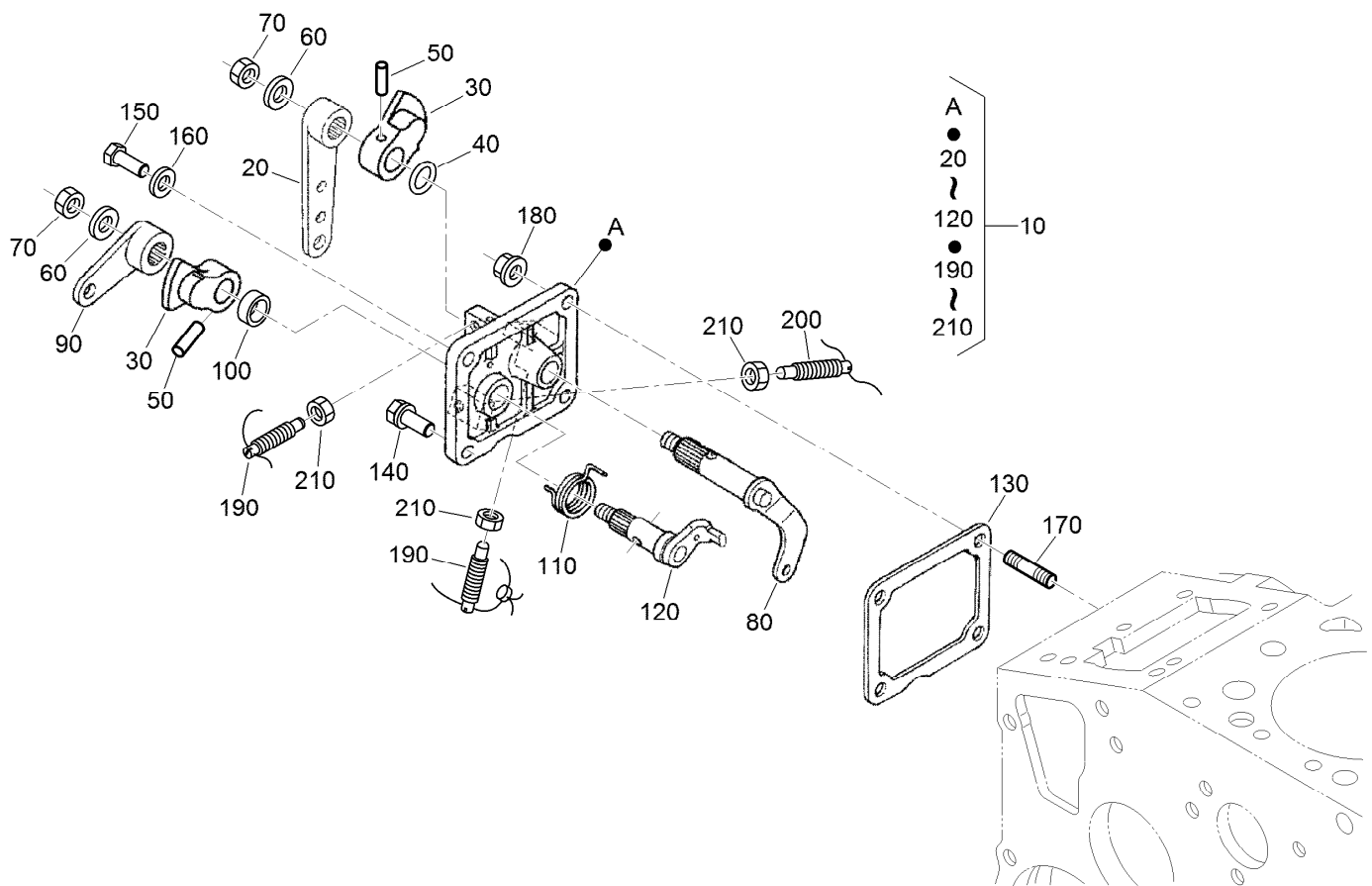
Injection Pump Assembly

<i>Ref.</i>	<i>Part Number</i>	<i>Qty.</i>	<i>Description</i>	<i>Ref.</i>	<i>Part Number</i>	<i>Qty.</i>	<i>Description</i>
10	98-9596	1	Joint-Eye	90	98-9457	1	Shim-Injection (0.25MM)
20	98-9643	1	Injection Pump ASM	90	98-9458	1	Shim-Injection (0.30MM)
30	98-9464	1	Bolt-Joint	90	115-3046	1	Shim-Injection (0.35MM)
40	98-9445	2	Gasket	90	115-3045	1	Shim-Injection (0.175MM)
50	98-9430	1	Screw	110	117-7564	2	Bolt-Hex Soc HD
60	98-9446	1	Gasket	120	98-9438	2	Stud
70	98-9466	1	Plug	130	98-9440	2	Nut-Cap
80	98-9451	1	Gasket	140	98-7699	2	Washer-Spring
90	98-9456	1	Shim-Injection (0.20MM)				



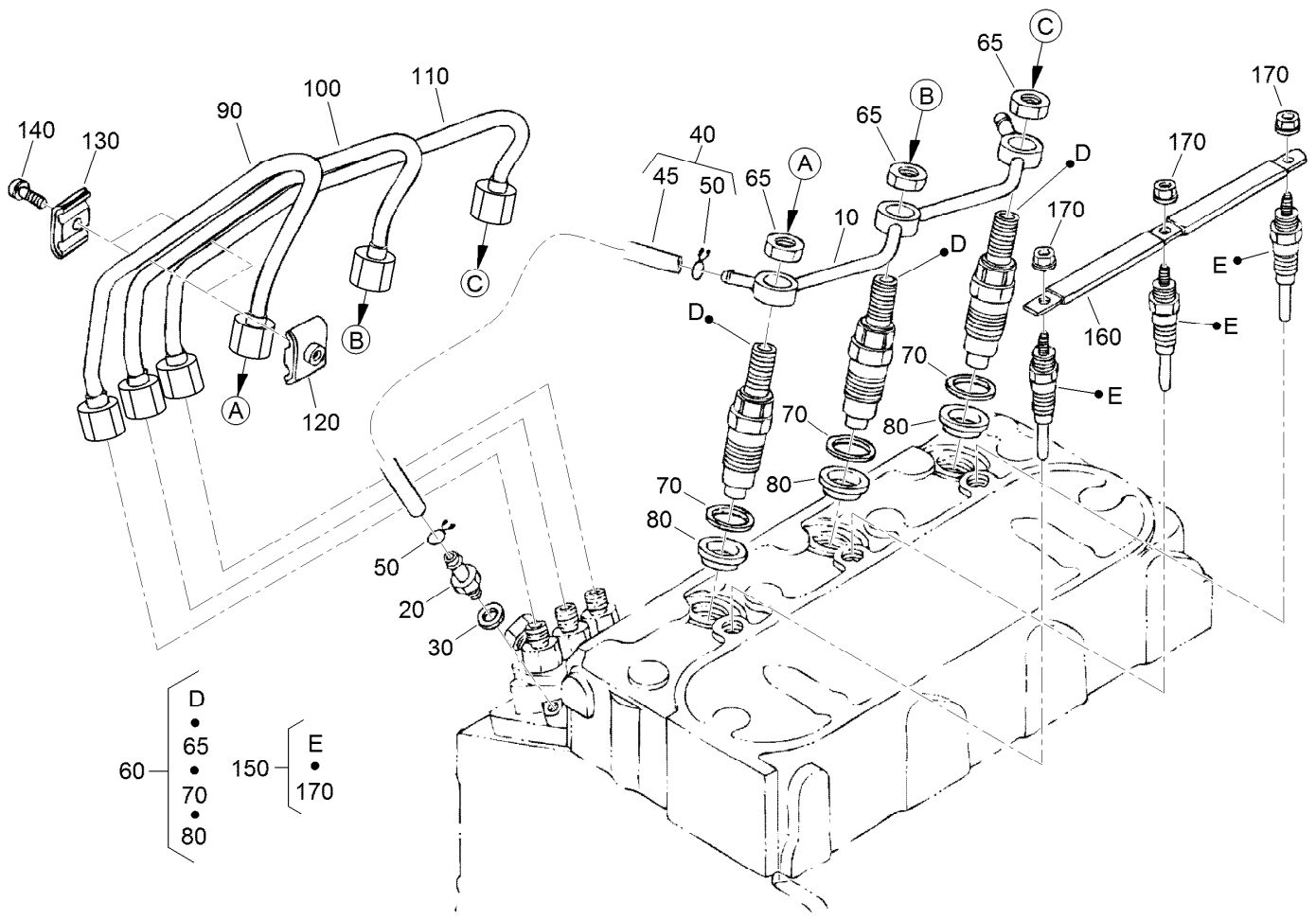
Governor Assembly

Ref.	Part Number	Qty.	Description
10	105-3786	1	Spring-Start
20	98-9681	1	Spring-Governor
30	115-4502	1	Fork Lever ASM
40	107-9084	1	Lever-Fork
50	107-9085	1	Shaft-Lever, Fork
60	107-9086	1	Shaft-Lever, Fork
70	98-9570	1	Bearing-Miniaturize
80	115-4122	1	Cover-Shaft, Fork Lever
90	98-9682	1	Gasket
100	98-9350	2	Bolt
110	98-9567	1	Collar
120	98-9571	1	Bearing-Miniaturize



Speed Control Plate Assembly

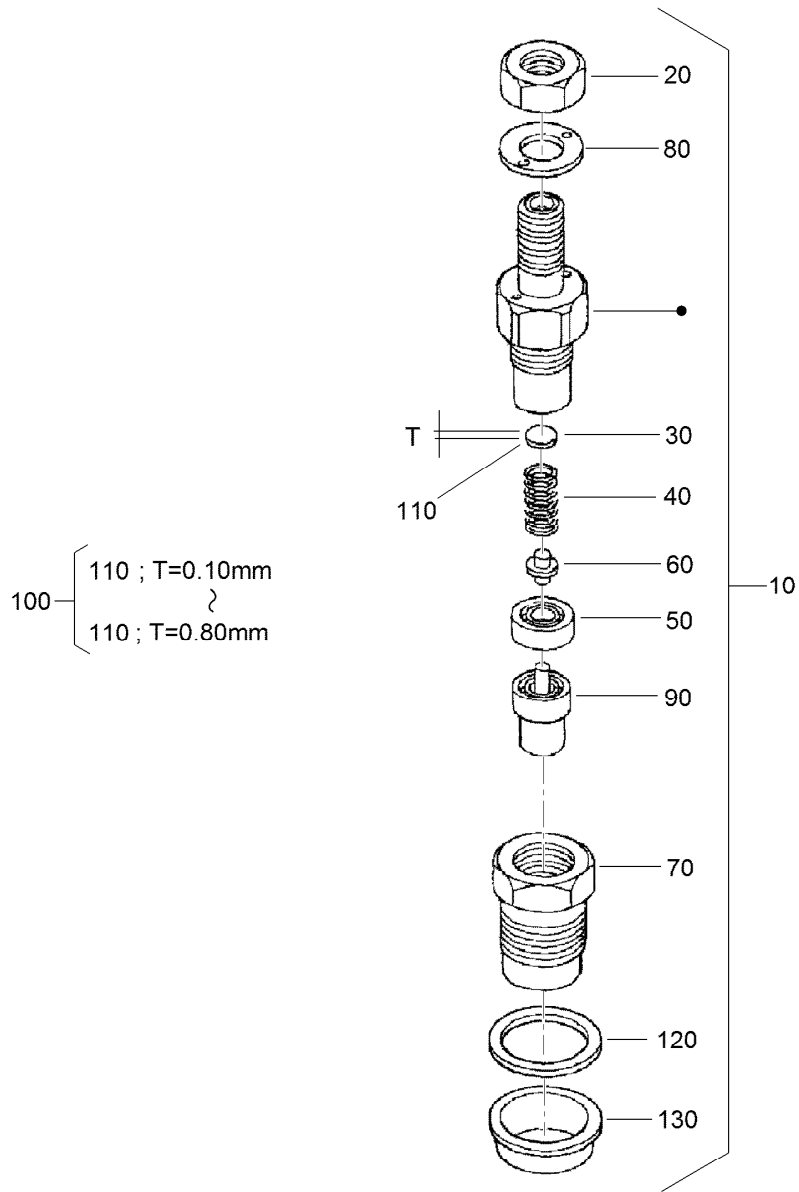
Ref.	Part Number	Qty.	Description	Ref.	Part Number	Qty.	Description
10	105-3735	1	Control Plate ASM	120	98-9664	1	Shaft-Lever, Stop
20	98-9662	1	Lever-Control, Speed	130	98-9637	1	Gasket
30	98-9572	2	Lever-Control, Speed	140	98-7692	1	Bolt
40	105-3788	1	O-Ring	150	127-0401	1	Bolt-Hex
50	98-7602	2	Pin-Spring	160	98-7654	1	Gasket
60	98-9594	2	Washer-Plain	170	105-3710	2	Stud
70	98-9589	2	Nut	180	100-2203	2	Nut-Flange
80	98-9658	1	Governor Lever ASM	190	117-7565	2	Bolt-Adjusting
90	98-9663	1	Lever-Stop, Engine	200	117-7566	1	Bolt-Adjusting
100	98-7601	1	Seal-Oil	210	98-7572	3	Nut
110	98-9472	1	Spring-Return				



Nozzle Holder and Glow Plug Assembly

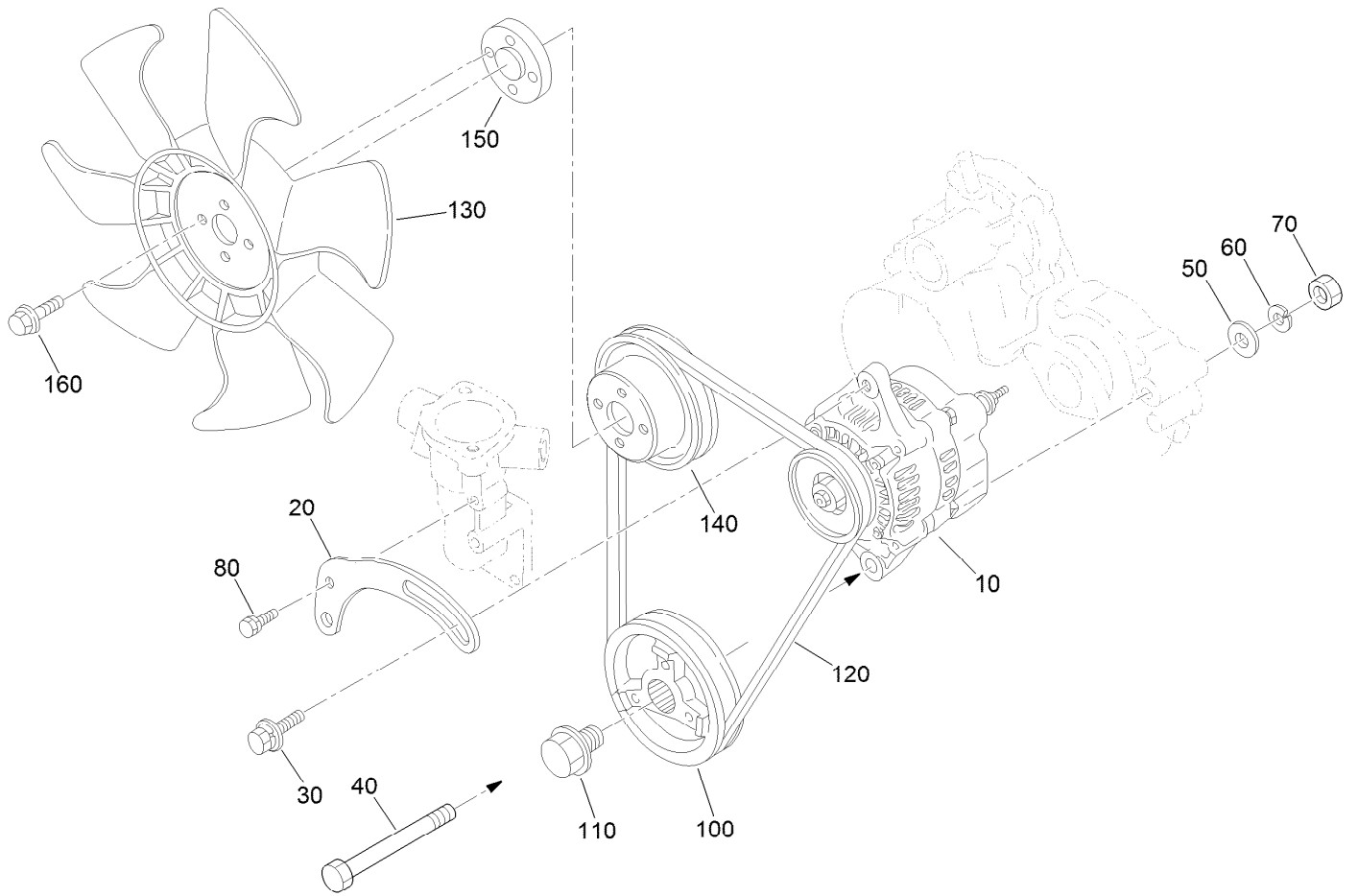
<i>Ref.</i>	<i>Part Number</i>	<i>Qty.</i>	<i>Description</i>
10	98-9620	1	Overflow Pipe ASM
20	98-9431	1	Screw-Bleeder, Air
30	98-7654	1	Gasket
40	98-9420	1	Overflow Pipe ASM
45	112-0182	1	Pipe-Overflow
50	98-7671	2	Clip-Pipe
60	115-3018	3	Nozzle Holder Kit
65	121-2411	3	Nut
70	98-7676	3	Gasket
80	98-7677	3	Seal-Heat

<i>Ref.</i>	<i>Part Number</i>	<i>Qty.</i>	<i>Description</i>
90	98-9622	1	Pipe-Injection
100	98-9654	1	Pipe-Injection
110	98-9655	1	Pipe-Injection
120	98-7682	2	Clamp-Pipe
130	98-7683	2	Clamp-Pipe
140	98-7684	2	Screw (W/Washer)
150	130-1411	3	Plug-Glow
160	98-9631	1	Cord-Plug, Glow
170	99-8377	3	Nut-Flange



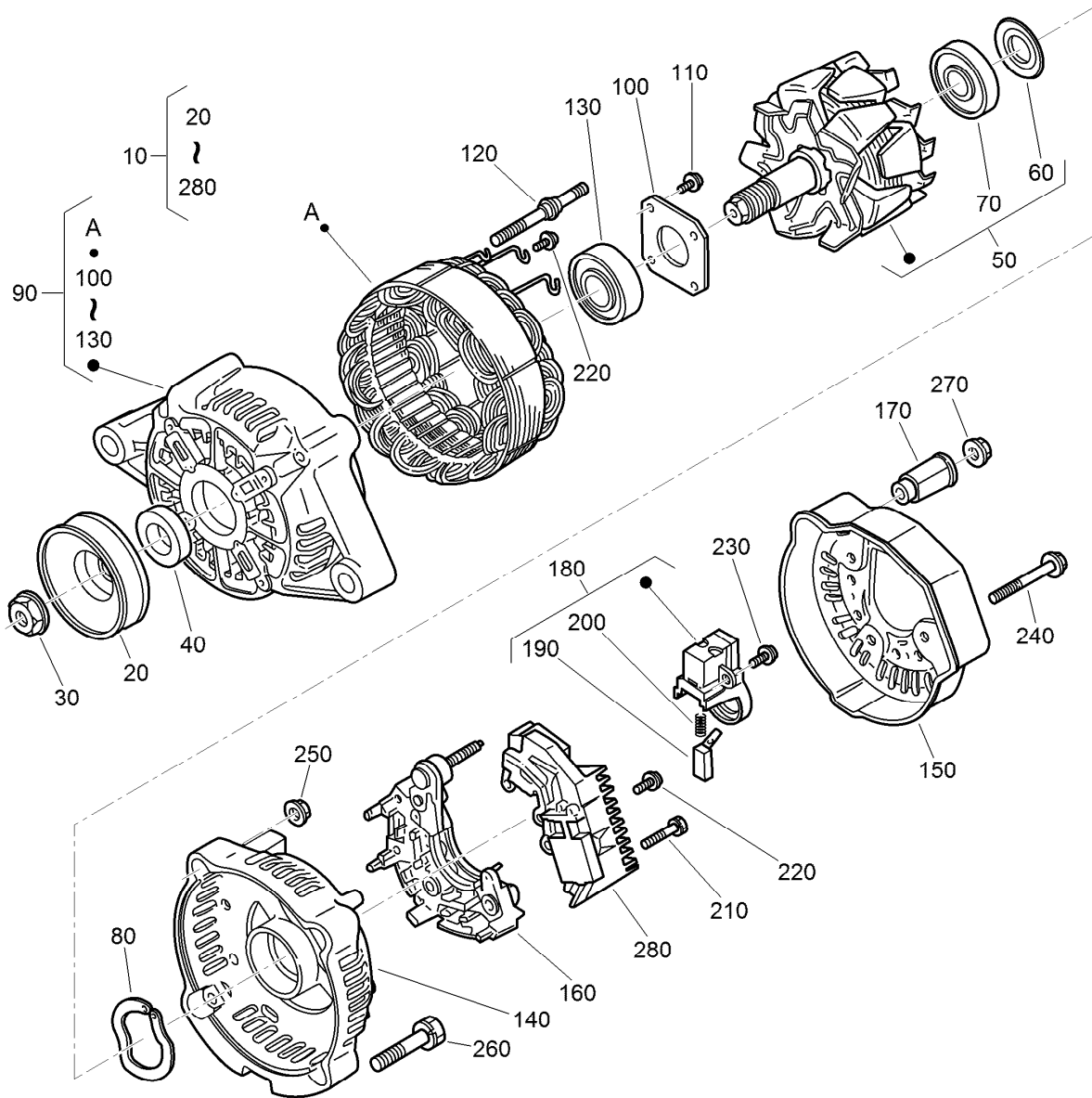
Nozzle Holder Assembly

Ref.	Part Number	Qty.	Description	Ref.	Part Number	Qty.	Description
10	115-3018	3	Nozzle Holder Kit	110	99-8311	3	Washer-Adjust (0.20MM)
20	121-2411	3	Nut	110	99-8312	3	Washer-Adjust (0.30MM)
30	99-8302	3	Washer-Adjusting	110	99-8313	3	Washer-Adjust (0.40MM)
40	99-8303	3	Spring-Nozzle	110	99-8314	3	Washer-Adjust (0.50MM)
50	99-8304	3	Spacer-Distance	110	99-8315	3	Washer-Adjust (0.52MM)
60	99-8305	3	Rod-Push	110	99-8316	3	Washer-Adjust (0.54MM)
70	99-8306	3	Nut-Nozzle	110	99-8317	3	Washer-Adjust (0.56MM)
80	99-8307	3	Washer-Plain	110	99-8318	3	Washer-Adjust (0.58MM)
90	115-3020	3	Piece-Nozzle	110	99-8319	3	Washer-Adjust (0.80MM)
100	99-8309	3	Adjusting Washer ASM	120	98-7676	3	Gasket
110	99-8310	3	Washer-Adjust (0.10MM)	130	98-7677	3	Seal-Heat



Alternator, Pulley and Fan Assembly

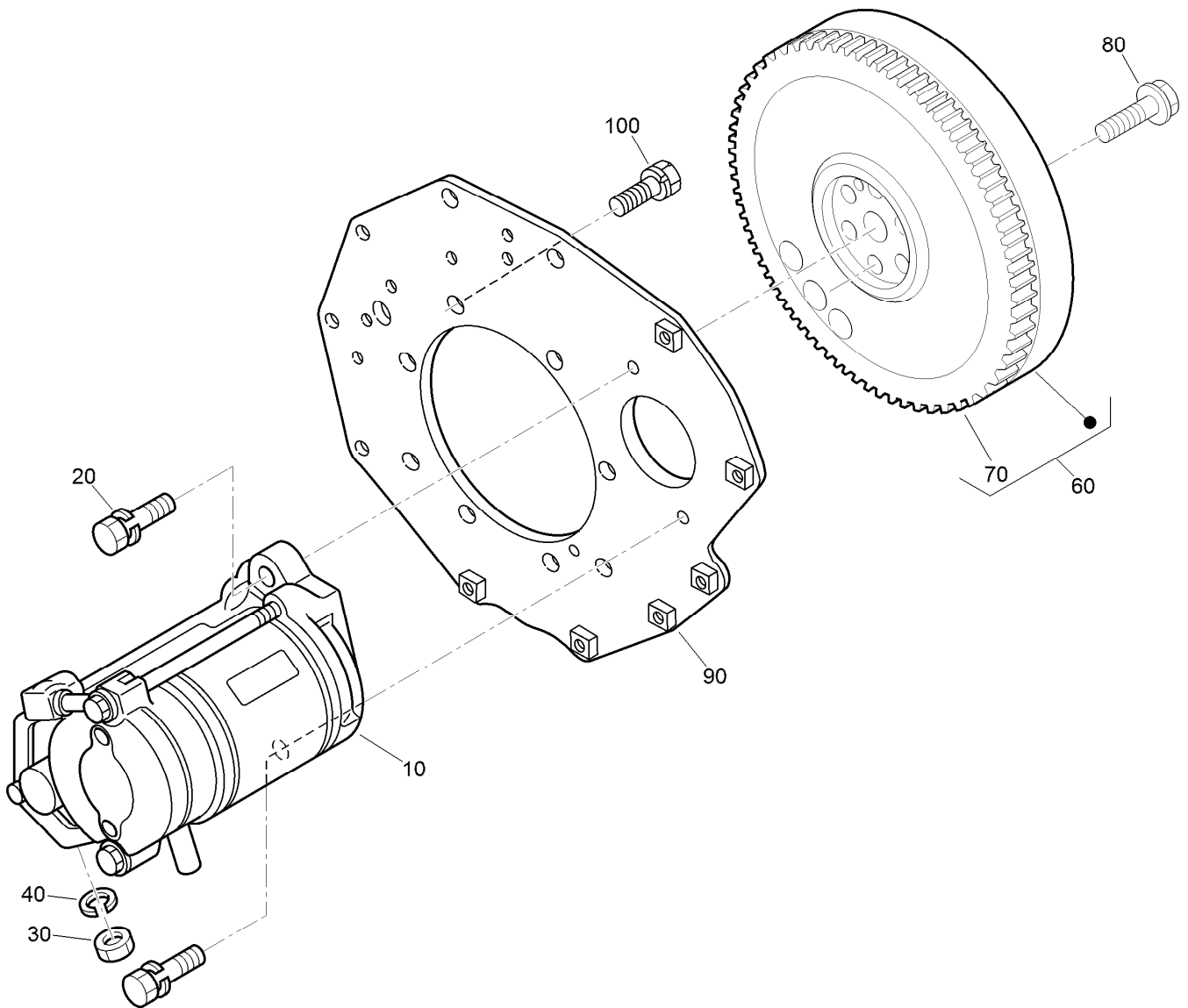
<i>Ref.</i>	<i>Part Number</i>	<i>Qty.</i>	<i>Description</i>
10	131-6557	1	Alternator ASM
20	112-7047	1	Stay-Dynamo
30	108-7088	1	Bolt
40	98-9360	1	Bolt
50	98-9366	1	Washer-Plain
60	98-7738	1	Washer-Spring
70	98-7737	1	Nut
80	98-7692	1	Bolt
100	98-9473	1	Pulley-Drive, Fan
110	98-9585	1	Bolt
120	104-3494	1	Belt-V
130	104-4246	1	Fan-Engine
140	130-1567	1	Pulley-Fan
150	108-2872	1	Collar-Fan
160	108-2873	4	Bolt-Flange



Alternator Components Assembly

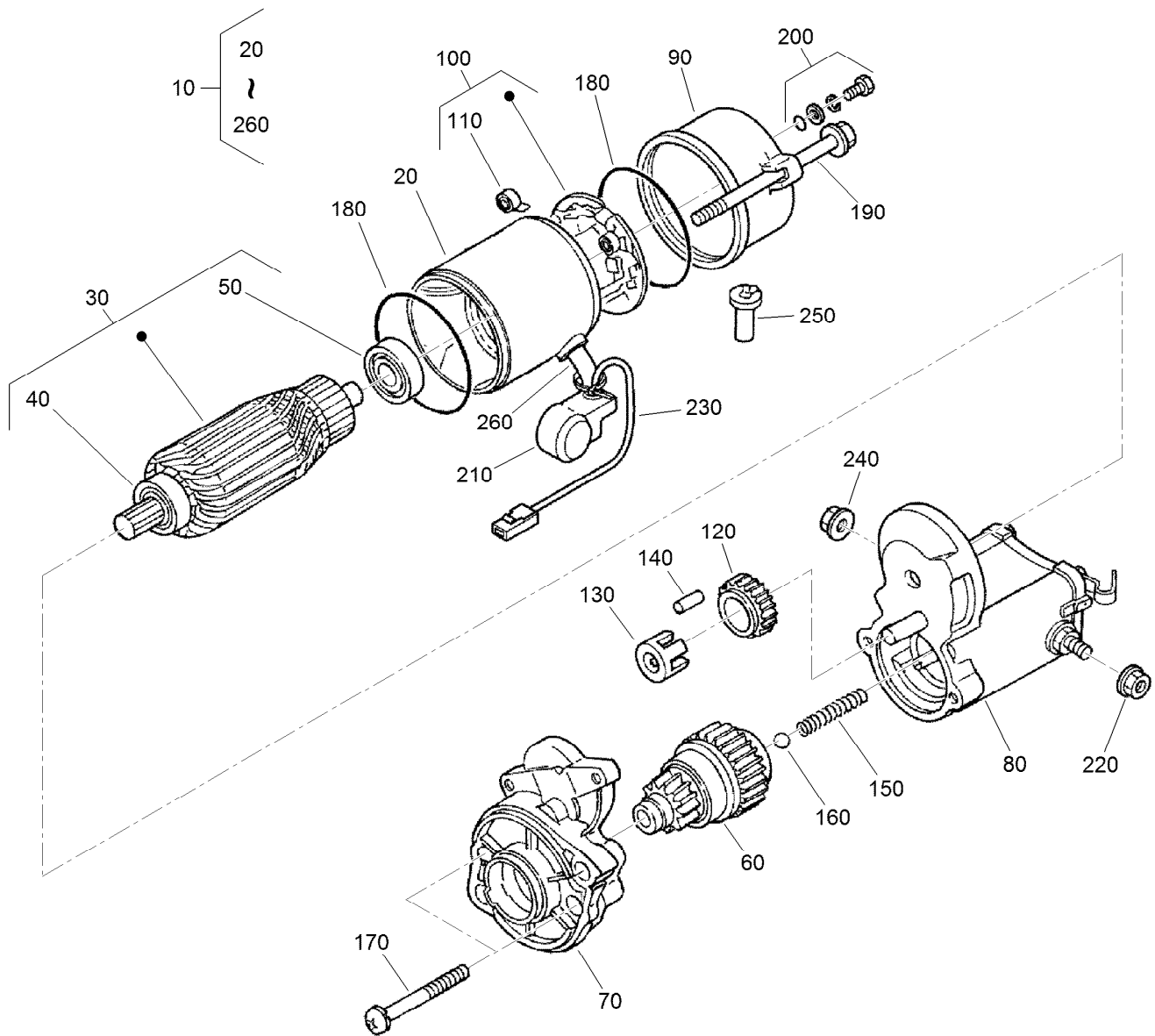
Ref.	Part Number	Qty.	Description
10	131-6557	1	Alternator ASM
20	98-9453	1	Pulley-Dynamo
30	98-7708	1	Nut
40	98-7709	1	Collar
50	107-0136	1	Rotor ASM
60	98-7711	1	Cover-Bearing
70	107-0138	1	Bearing-Ball
80	98-7713	1	Washer-Thrust
90	107-0139	1	Drive End Frame ASM
100	98-7715	1	Plate-Retainer
110	98-7716	4	Screw-Head, Round
120	98-7717	2	Bolt-Through
130	133-2811	1	Bearing
140	107-9087	1	Frame-End

Ref.	Part Number	Qty.	Description
150	107-0140	1	Cover-End
160	127-1612	1	Rectifier ASM
170	98-7722	1	Bushing-Insulation
180	107-0141	1	Brush Holder ASM
190	98-7724	2	Brush
200	98-7725	2	Spring-Brush
210	98-7726	2	Screw-Head, Round
220	98-7727	6	Screw-Head, Round
230	98-7728	1	Screw-Head, Round
240	98-7729	3	Bolt
250	98-7730	2	Nut
260	98-7731	2	Bolt
270	98-7732	1	Nut
280	110-3799	1	Regulator ASM



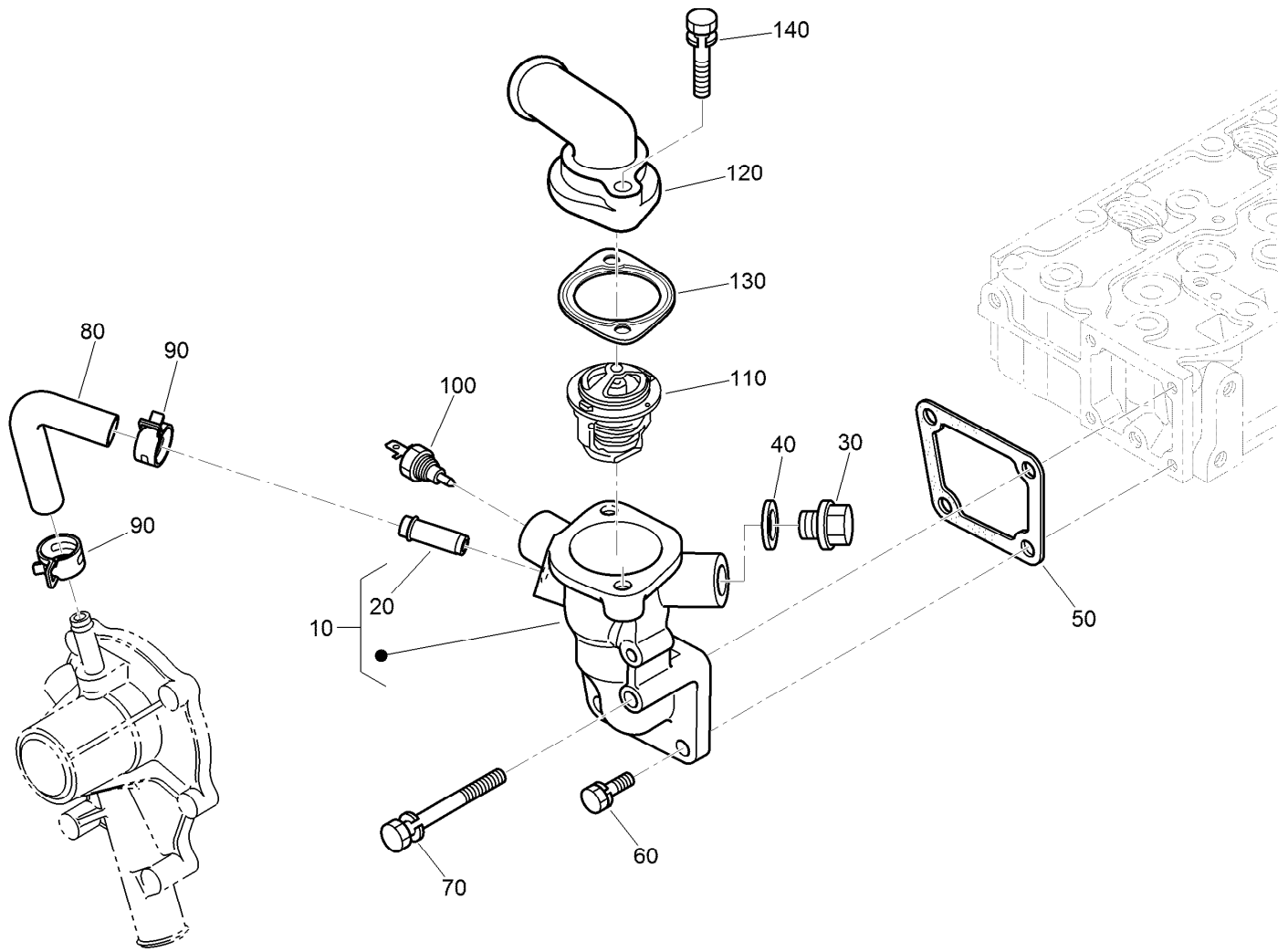
Starter and Flywheel Assembly

Ref.	Part Number	Qty.	Description
10	98-9705	1	Starter ASM
20	98-7697	2	Bolt
30	98-7739	1	Nut
40	105-2893	1	Washer-Spring
60	105-3784	1	Flywheel ASM
70	115-3015	1	Gear-Ring
80	98-9537	6	Bolt-Flywheel
90	98-9486	1	Plate-End, Rear
100	98-9392	8	Bolt



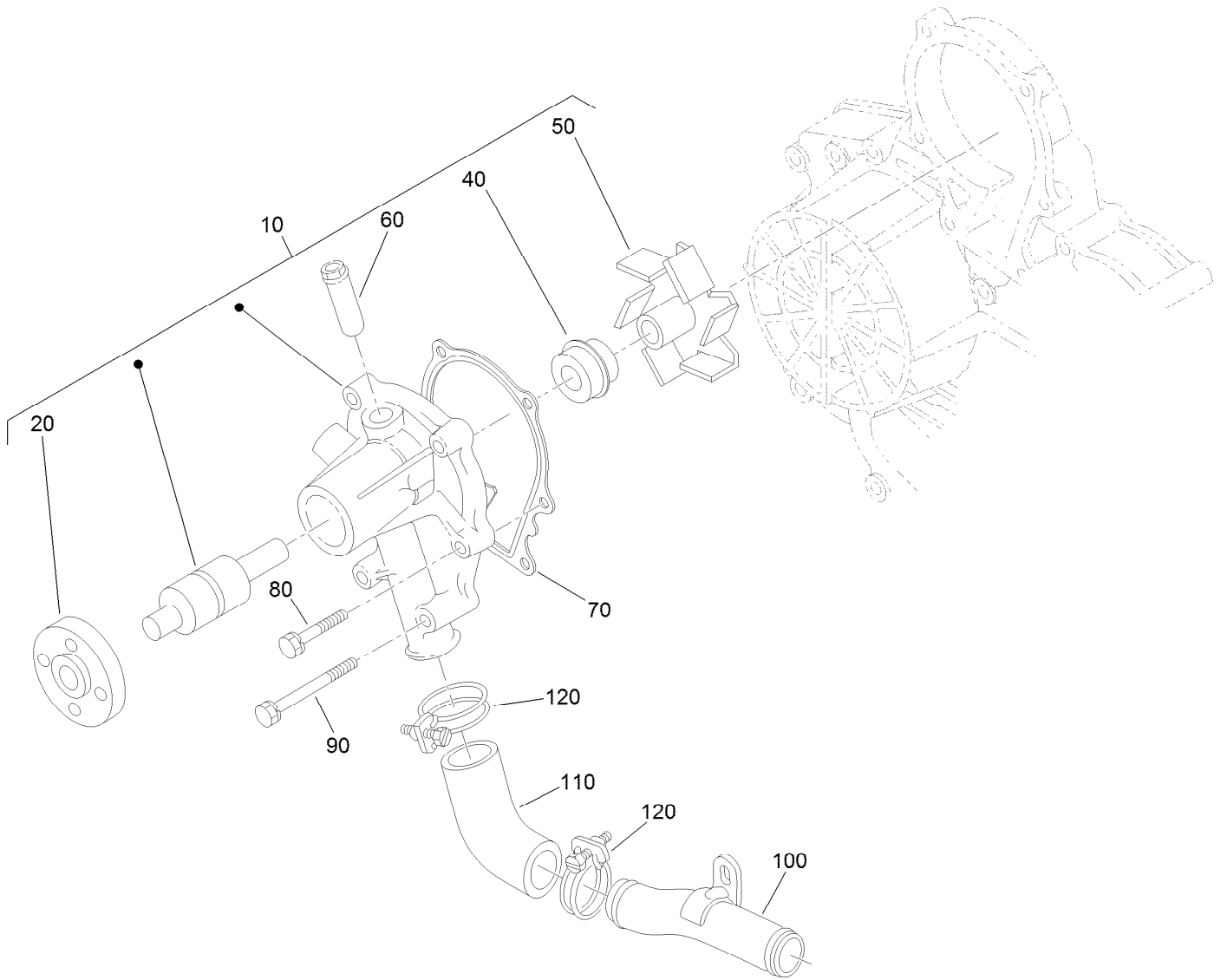
Starter Component Assembly

<i>Ref.</i>	<i>Part Number</i>	<i>Qty.</i>	<i>Description</i>	<i>Ref.</i>	<i>Part Number</i>	<i>Qty.</i>	<i>Description</i>
10	98-9705	1	Starter ASM	140	98-7753	5	Roller
20	104-8608	1	Yoke ASM	150	98-7754	1	Spring
30	98-7742	1	Armature ASM	160	98-7755	1	Ball
40	98-7744	1	Bearing	170	98-7756	2	Bolt
50	98-7743	1	Bearing	180	98-7757	2	O-Ring
60	99-8373	1	Clutch-Running, Over	190	100-9240	2	Bolt
70	99-8374	1	Frame-End, Drive	200	98-7758	2	Bolt ASM
80	105-3746	1	Magnetic Switch ASM	210	99-8375	1	Cover
90	98-7748	1	Frame-End	220	99-8371	1	Nut-Hex
100	98-7749	1	Brush Holder ASM	230	98-9711	1	Cord-Solenoid, Stop
110	98-7750	4	Spring-Brush	240	99-8376	1	Nut-Hex
120	98-7751	1	Gear	250	98-7759	1	Pipe-Drain
130	98-7752	1	Retainer	260	98-9712	1	Band-Cover



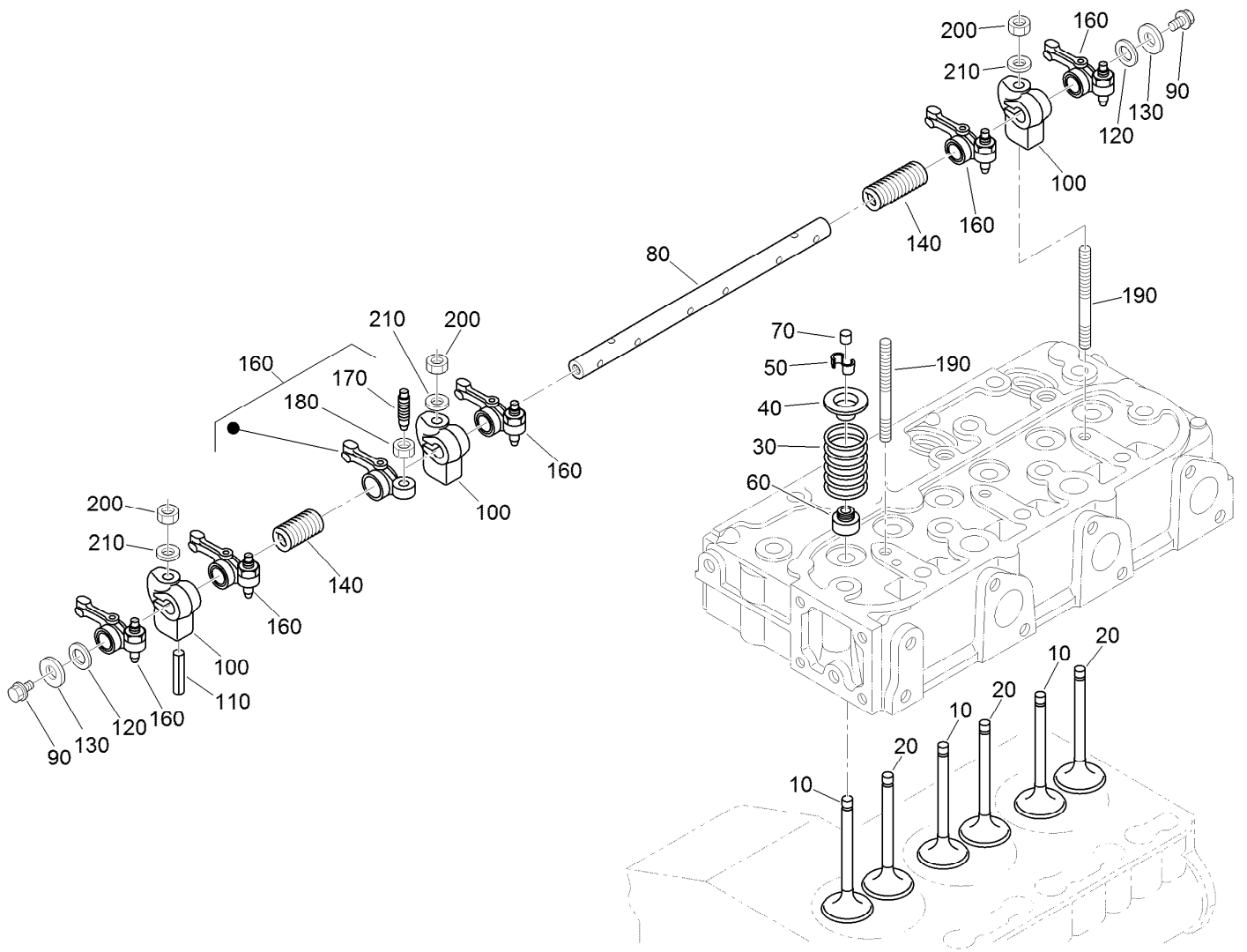
Water Flange and Thermostat Assembly

<i>Ref.</i>	<i>Part Number</i>	<i>Qty.</i>	<i>Description</i>
10	98-9713	1	Water Flange ASM
20	98-9580	1	Pipe-Return, Water
30	105-3747	1	Plug
40	99-3583	1	Gasket
50	98-9638	1	Gasket-Flange, Water
60	98-7692	3	Bolt
70	98-9356	1	Bolt
80	98-9578	1	Pipe-Return, Water
90	125-9078	2	Clamp-Hose
100	98-9719	1	Thermoswitch
110	98-7778	1	Thermostat ASM
120	104-4804	1	Outlet-Water
130	105-3748	1	Gasket-Thermostat
140	98-7777	2	Bolt



Water Pump Assembly

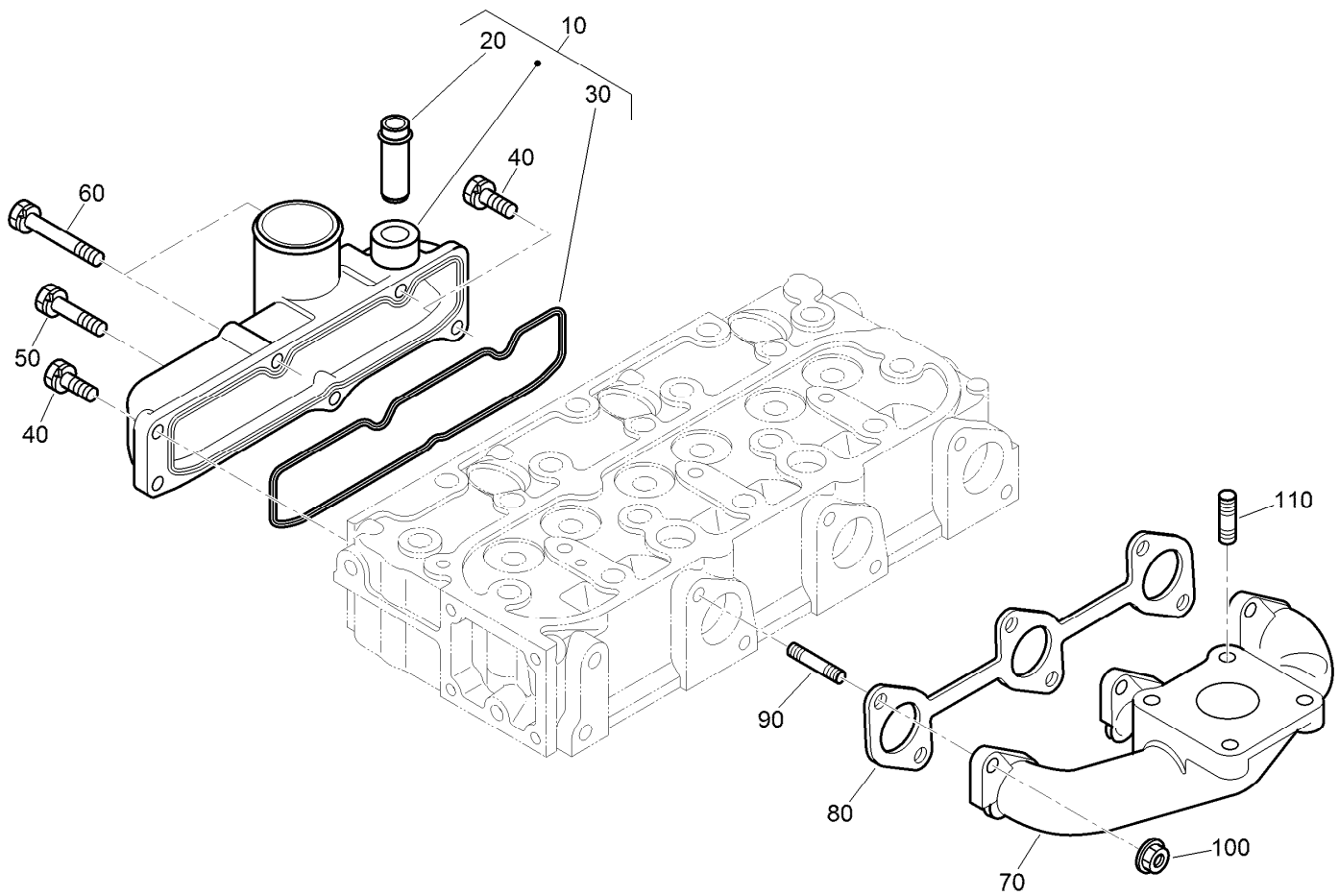
Ref.	Part Number	Qty.	Description
10	107-9089	1	Water Pump ASM
20	99-3516	1	Flange-Pump, Water
40	105-3750	1	Mechanical Seal ASM
50	112-7017	1	Impeller-Pump, Water
60	100-1932	1	Pipe-Return, Water
70	99-3454	1	Gasket-Pump, Water
80	98-9353	4	Bolt
90	107-9090	2	Bolt
100	98-9716	1	Pipe-Water
110	107-9091	1	Pipe-Water
120	127-0439	2	Clamp-Hose



Valve and Rocker Arm Assembly

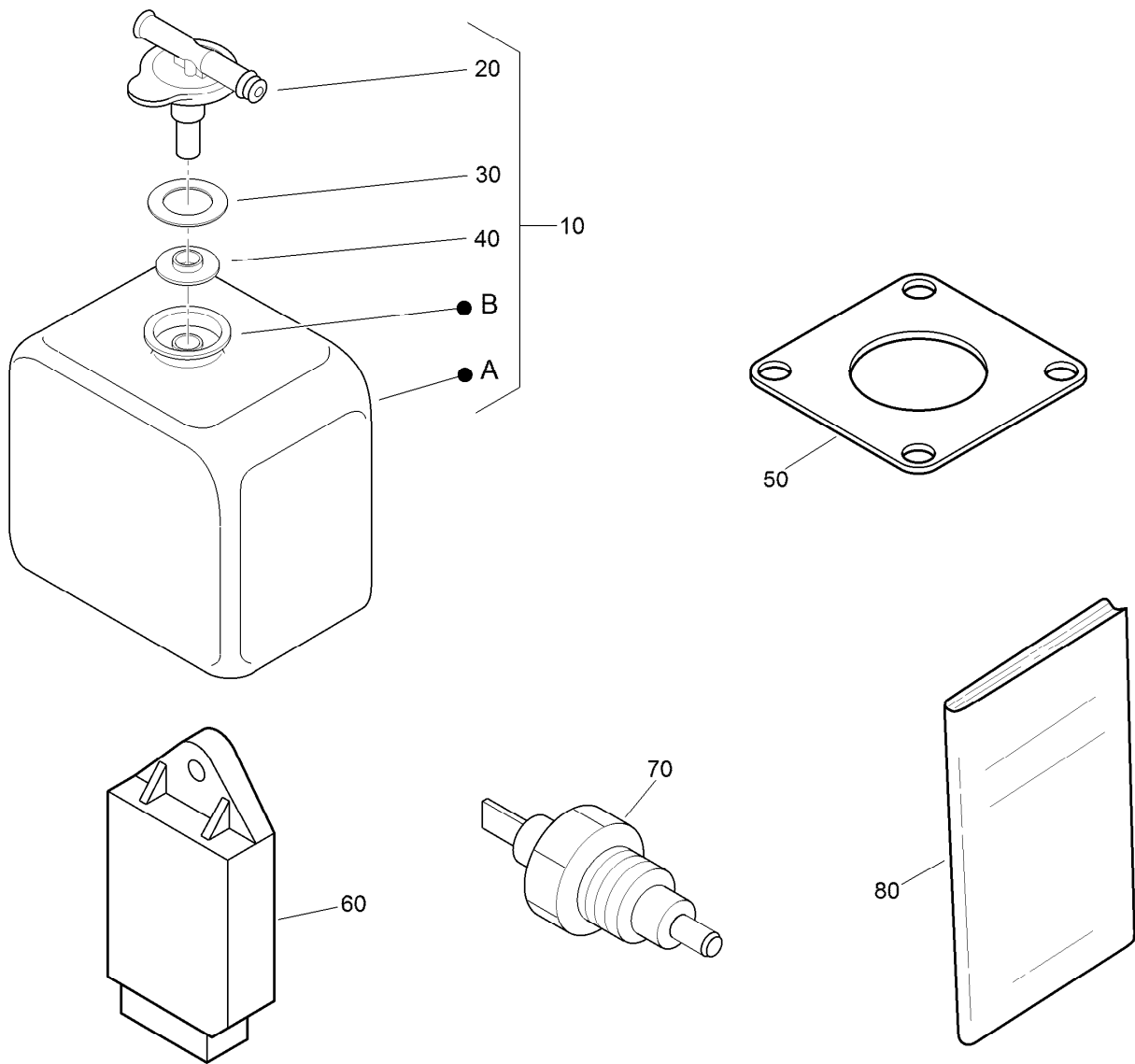
Ref.	Part Number	Qty.	Description
10	112-7018	3	Valve-Inlet
20	120-2564	3	Valve-Exhaust
30	98-9648	6	Spring-Valve
40	107-9092	6	Retainer-Spring
50	117-7572	6	Collet-Spring, Valve
60	99-8385	6	Seal-Stem, Valve
70	98-9497	6	Cap-Valve
80	130-1248	1	Shaft-Arm, Rocker
90	99-8363	2	Bolt-Flange
100	98-9505	3	Bracket-Arm, Rocker

Ref.	Part Number	Qty.	Description
110	105-3758	1	Pin-Spring
120	98-9507	2	Washer-Shaft, Rocker Arm
130	110-3832	2	Washer-Plain
140	98-9504	2	Spring-Arm, Rocker
160	112-7020	6	Rocker Arm ASM
170	98-9502	6	Screw-Adjusting
180	98-9503	6	Nut
190	98-9506	3	Stud
200	98-9393	3	Nut
210	98-9385	3	Washer-Flat



Inlet and Exhaust Manifold Assembly

<i>Ref.</i>	<i>Part Number</i>	<i>Qty.</i>	<i>Description</i>
10	107-7843	1	Manifold Inlet ASM
20	98-9492	1	Joint-Pipe, Breather
30	98-9609	1	Gasket-Manifold, Inlet
40	127-0403	3	Bolt-Flange
50	98-9353	1	Bolt
60	125-9063	2	Bolt-Sems
70	107-9093	1	Manifold-Exhaust
80	99-8327	1	Gasket-Manifold, Exhaust
90	98-9588	6	Stud
100	98-9665	6	Nut
110	98-7769	4	Stud



Miscellaneous Engine Parts

<i>Ref.</i>	<i>Part Number</i>	<i>Qty.</i>	<i>Description</i>
10	104-9318	1	Bottle-Overflow
20	115-4132	1	Cap
30	105-3755	1	Gasket
40	105-3756	1	Plate
50	99-8343	1	Gasket-Muffler
60	98-7611	1	Controller-Glow
70	106-7772	1	Thermoswitch
80	130-1543	1	Manual-Operator

Attachments and Accessories

For 03821 Reelmaster 3575 Traction Unit

Product Name	Model/Part
22in Fairway Flex Grass Basket Kit	03415
22in Fairway Compact Grass Basket Kit.....	03416
8-Blade Radial Reel DPA Cutting Unit with 7in Reel.....	03638
8-Blade Forward Swept Reel DPA Cutting Unit with 7in Reel	03639
11-Blade Forward Swept Reel DPA Cutting Unit with 7in Reel	03641
Premium All Season Hydraulic Fluid (55 Gallon Drum)	108-1177
Premium All Season Hydraulic Fluid (5 Gallon Pail).....	108-1178
Premium All Purpose Grease (Tube)	108-1190
Gauge Bar Assembly	108-6715
Premium Synthetic Bio-Degradable Hydraulic Fluid (5 Gallon Pail)	119-2157
Premium Synthetic Bio-Degradable Hydraulic Fluid (55 Gallon Drum).....	119-2158
Treaded 22-12x12 Tire Asm	121-7924
Step	127-8562-03
Brush and Handle Kit.....	29-9100
400-hour Filter Maintenance MVP Kit	30090
Universal Sunshade	30349
Red Universal Sunshade	30552
Diagnostic Display Box.....	85-4750

Notes:



Count on it.