



Count on it.

Parts Catalog

**Z Master® Professional 7500-D
Series Riding Mower**

**With 60in TURBO FORCE® Rear Discharge
Mower**

Model No. 72028—Serial No. 400000000 and Up



Ordering Replacement Parts

To order replacement parts, please supply the part number, the quantity, and the description of each part desired.

Understanding Reference Numbers

Each identified part in an illustration has a reference number. The reference number for a part also appears in the parts list, along with other information about the part.

This catalog uses two special reference number formats, one to indicate parts in a service assembly and another to indicate the quantity of a given part in an illustration.

Service Assembly Reference Numbers

Parts in service assemblies have reference numbers in the form a:b. The a represents the reference number of the entire service assembly and the b represents a sequential number unique to each part within the service assembly.

For example, a wheel assembly might be identified by reference number 6, the tire by 6:1, the valve by 6:2, and the wheel by 6:3. When you order the assembly identified by reference number 6, you receive all parts identified by reference numbers 6:1, 6:2, and 6:3. However, you may also order any part individually. Reference numbers of this type appear in illustration and in parts lists.

Reference Numbers Indicating Quantity

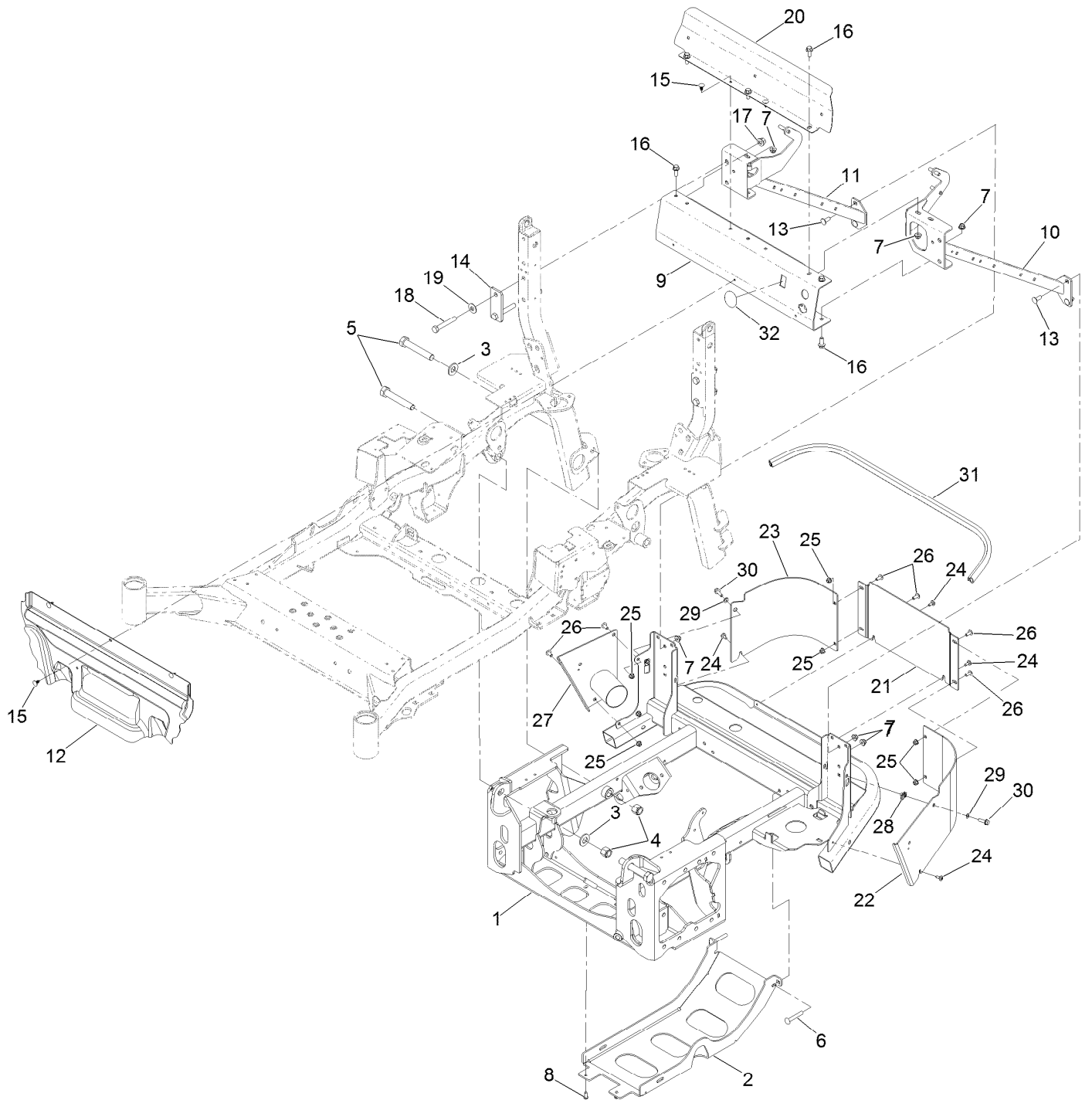
In an illustration, if a reference number indicates more than one part, the reference number has the form nX y. The n represents the quantity of the part, the X is the multiplication symbol, and the y represents the reference number.

For example, in an illustration, the reference number 2X 37 means that two of the parts identified by reference number 37 are indicated.

Contents

Power Frame Assembly	4
Frame Assembly	6
Roll-Over Protection System Assembly No. 135-5786	8
Hydraulic Drive Assembly	10
Hydraulic Assembly	12
Hydraulic Reservoir Assembly No. 126-6764	14
Rear Wheel and Caster Assembly	16
Caster Wheel Assembly	18
Parking Brake Assembly	20
Fuel System Assembly	22
RH Fuel Tank Assembly No. 126-8651	24
LH Fuel Tank Assembly 126-8652	26
Seat Mount Assembly	28
Seat Assembly No. 140-8003	30
Motion Control Assembly	32
Rod Linkage Assembly No. 126-6131	34
Electrical Assembly	36
Harness Assembly No. 126-7387	38
Deck Lift Assembly	40
Hydraulic Lift Fold Assembly	42
Valve Assembly No. 131-1934	44
Engine, Muffler and Air Cleaner Assembly	46
Air Cleaner Assembly No. 126-7646	48
Hood and Cover Assembly	50
Hood Assembly	52
Transmission Assembly	54
Charge Pump Housing Assembly Transmission Assembly No. 131-5510	56
Transmission Assembly (cont.) Center Section Assembly	58
Transmission Assembly (cont.) Gear Case and Clutch Assembly	60
Hydraulic Gear Pump Assembly No. 112-9542	62
Cooling Assembly	64
Cooling Assembly No. 121-3330	66
Deck, Driveshaft and Tunnel Assembly	68
Deck Assembly	70
Deck Decal Assembly No. 140-0965	72
Spindle Assembly No. 137-9780	74
Gearbox and Mount Assembly	76
Gearbox Assembly No. 130-8659	78
Idler Mount Assembly No. 126-3271	80
Discharge Tunnel Assembly No. 126-3317	82
Attachments and Accessories	84

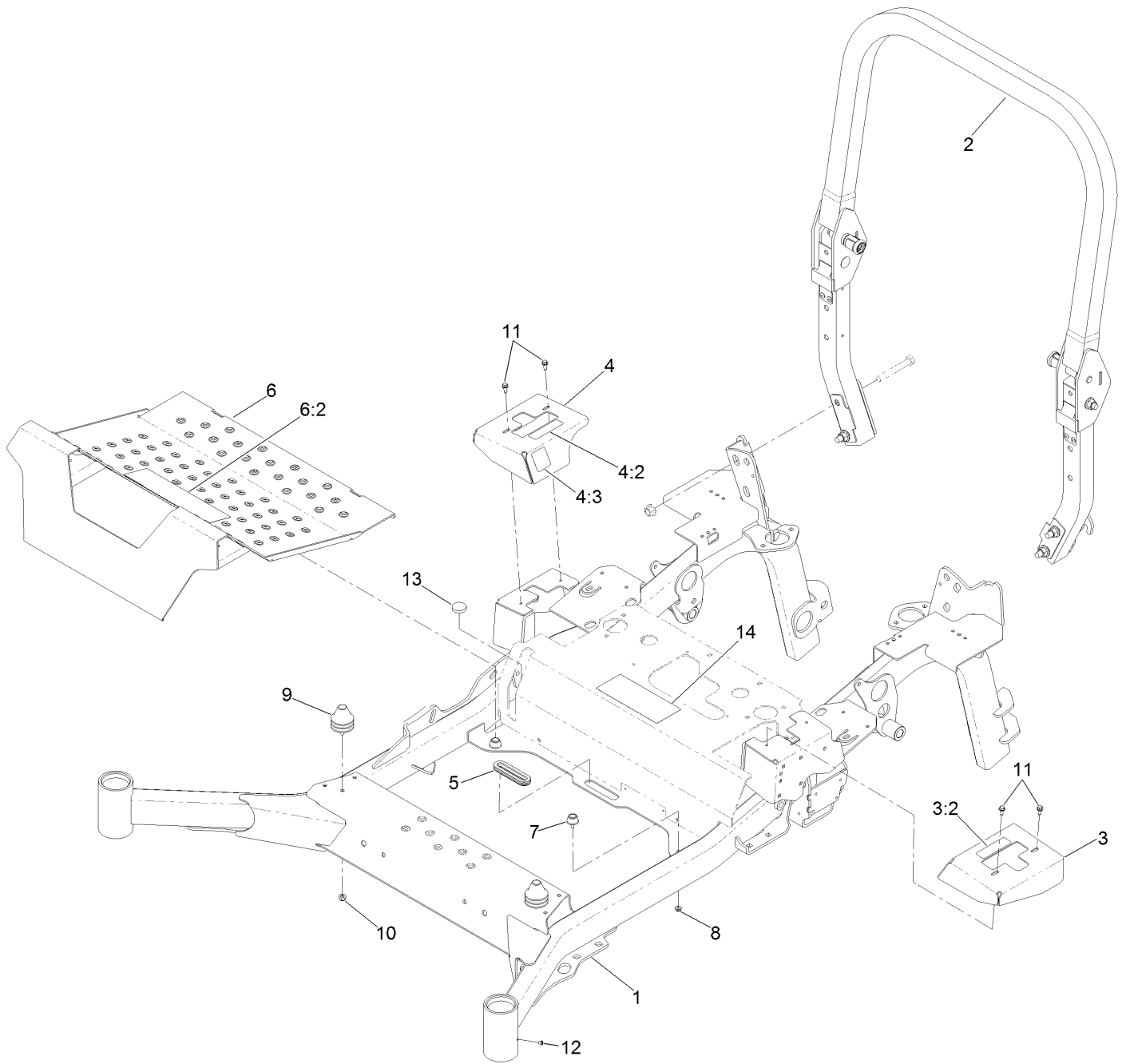
Power Frame Assembly



Power Frame Assembly (continued)

<i>Ref.</i>	<i>Part Number</i>	<i>Qty.</i>	<i>Description</i>	<i>Ref.</i>	<i>Part Number</i>	<i>Qty.</i>	<i>Description</i>
1	126-5929-03	1	Frame-Power	17	99-5107	4	Nut-Lock
2	126-5922-03	1	Plate-Skid	18	112-7264	4	Screw-HH
3	103-2802	4	Washer	19	109-9505	4	Washer-Spring
4	3296-51	4	Nut-Lock, NI	20	126-6557-03	1	Shield-Air
5	328-8	4	Screw-HH	21	126-8954-03	1	Plate-Bumper, Center
6	3231-44	2	Screw-CARR	22	126-8952-03	1	Plate-Bumper, LH
7	104-8301	13	Nut-HF, NI	23	126-8953-03	1	Plate-Bumper, RH
8	613381	2	Screw-Bh-Thd Roll	24	120-7950	4	Screw-Torx
9	126-8567-03	1	Channel-Cross	25	104-8300	7	Nut-HF, NI
10	126-8563-03	1	Brace-ROPS, LH	26	126-6268	7	Screw-TTH
11	126-8565-03	1	Brace-ROPS, RH	27	135-0880	1	Plate-Exhaust
12	126-7458	1	Panel-Deflector, Heat	28	112-3306	2	Nut
13	3231-22	4	Screw-CARR	29	3290-475	2	Washer-Belleville
14	135-0412-03	2	Plate-Spacer	30	3234-29	2	Screw-HHF
15	117-2382	5	Plug-Plastic	31	126-6845	1	Seal-Bulb
16	131-2220	7	Screw-HHF	32	135-3728	1	Decal-Cover

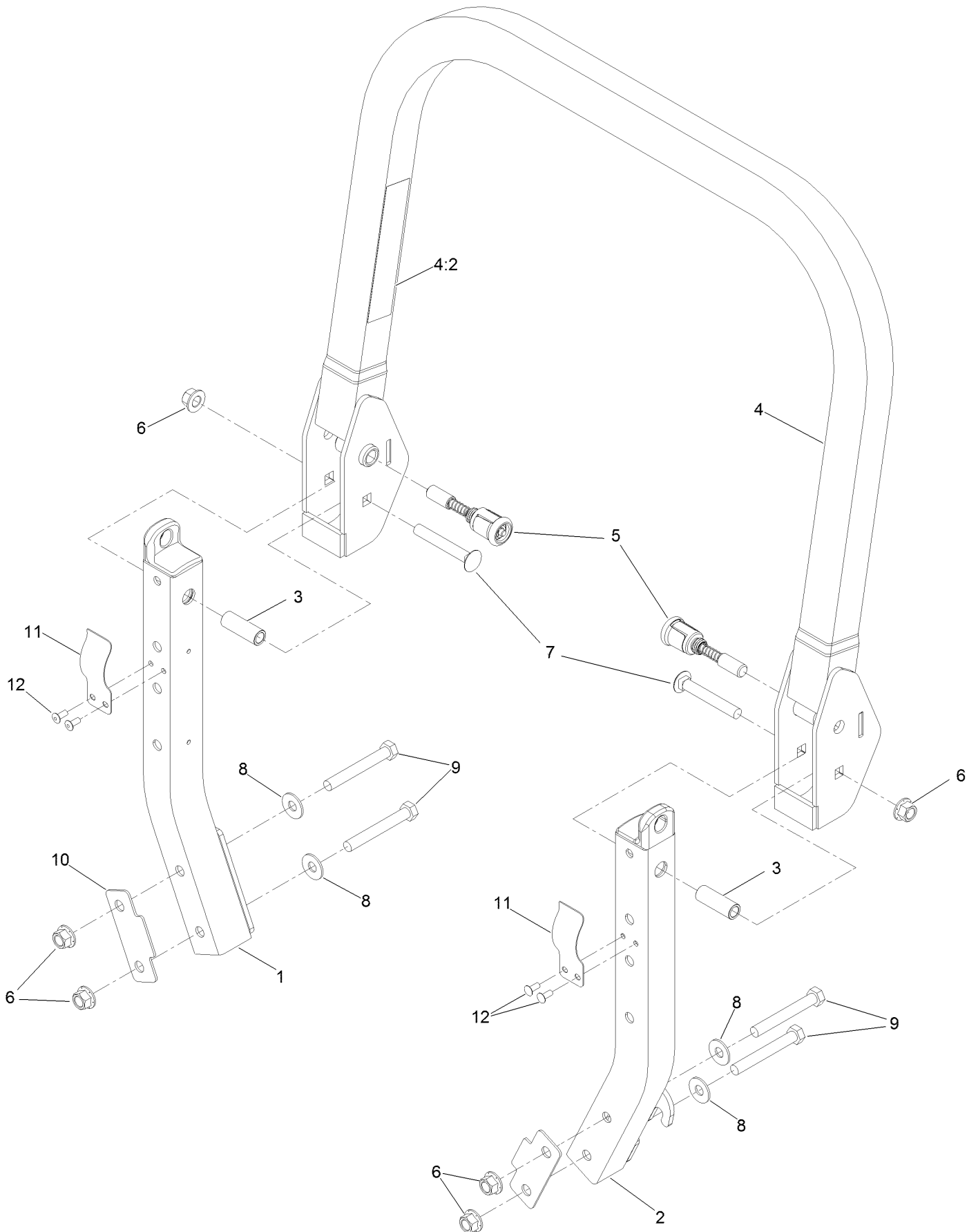
Frame Assembly



Frame Assembly (continued)

<i>Ref.</i>	<i>Part Number</i>	<i>Qty.</i>	<i>Description</i>	<i>Ref.</i>	<i>Part Number</i>	<i>Qty.</i>	<i>Description</i>
1	126-2007-01	1	Frame	6:2	126-8383	1	Decal-Danger
2	135-5786	1	ROPS ASM	7	109-2365	2	Bumper-Rubber
3	126-1821	1	Cover-Motion Control, LH	8	104-7201	2	Nut-HF, NI
3:2	99-8936	1	Decal-Control, Motion	9	126-5491	2	Isolator
4	126-1831	1	Cover-Motion Control, RH	10	104-8300	2	Nut-HF, NI
4:2	99-8936	1	Decal-Control, Motion	11	32144-10	4	Screw-HWH
4:3	116-5988	1	Decal-Park Brake, CE	12	1-811010	2	Plug
5	126-7065	1	Grommet-Rubber	13	109-9233	1	Bumper-Push-In, Rubber
6	126-9066	1	Pan-Floor	14	126-9279	1	Decal-Service Aid

Roll-Over Protection System Assembly No. 135-5786



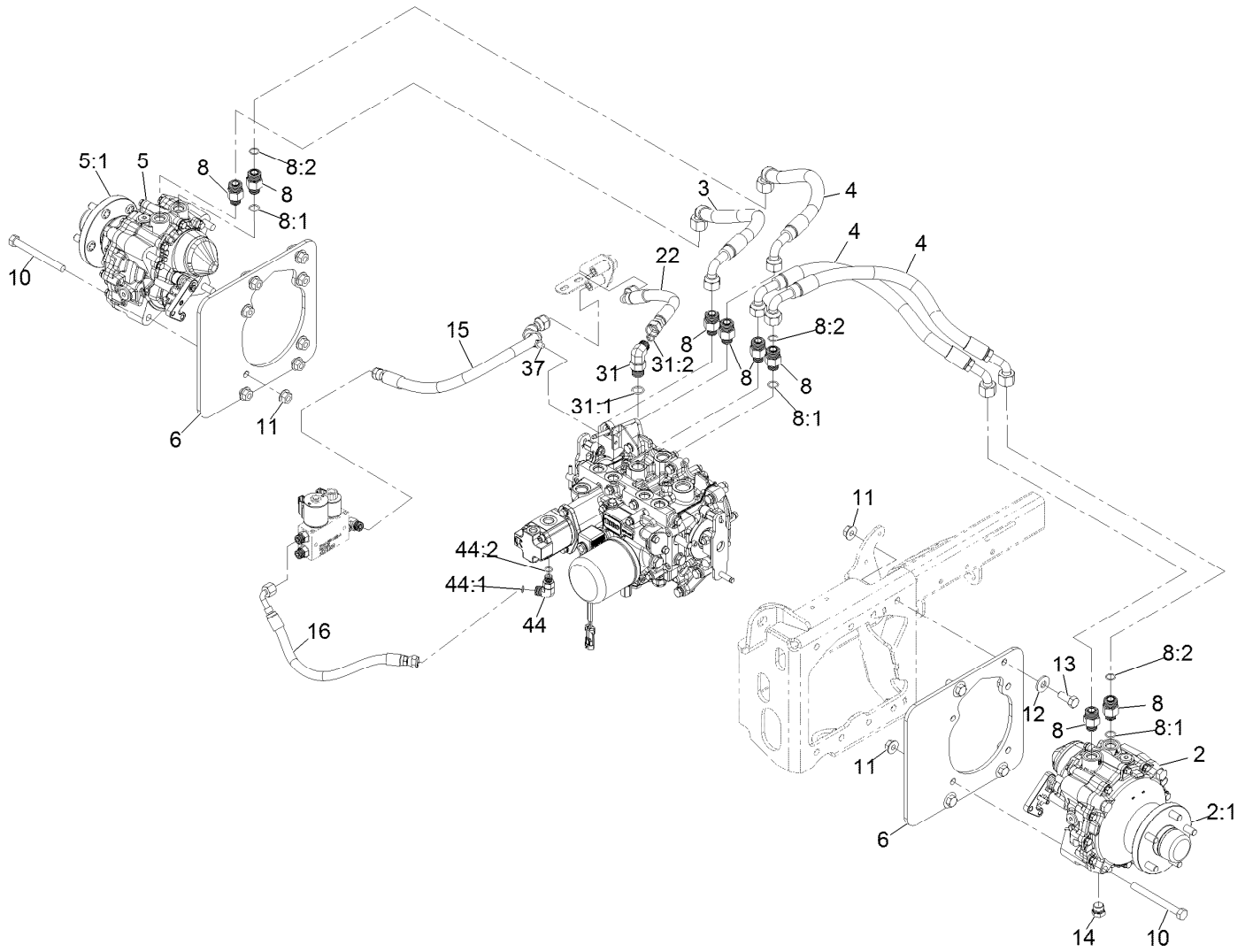
Roll-Over Protection System Assembly No.

135-5786 (continued)

<i>Ref.</i>	<i>Part Number</i>	<i>Qty.</i>	<i>Description</i>	<i>Ref.</i>	<i>Part Number</i>	<i>Qty.</i>	<i>Description</i>
1		1	Lower-ROPS, RH ●	7	3233-10	2	Screw-CARR
2		1	Lower-ROPS, LH ●	8	109-9505	4	Washer-Spring
3	109-6653	2	Spacer	9	325-35	4	Screw-HH
4	126-7085	1	ROPS Upper ASM	10	116-0960	2	Spacer
4:2	107-3069	1	Decal-Warning	11	110-5696	2	Spring-Leaf
5	116-0104	2	Pin-Spring	12	3290-412	4	Rivet-Blind
6	99-5107	6	Nut-Lock				

● Not serviced separately

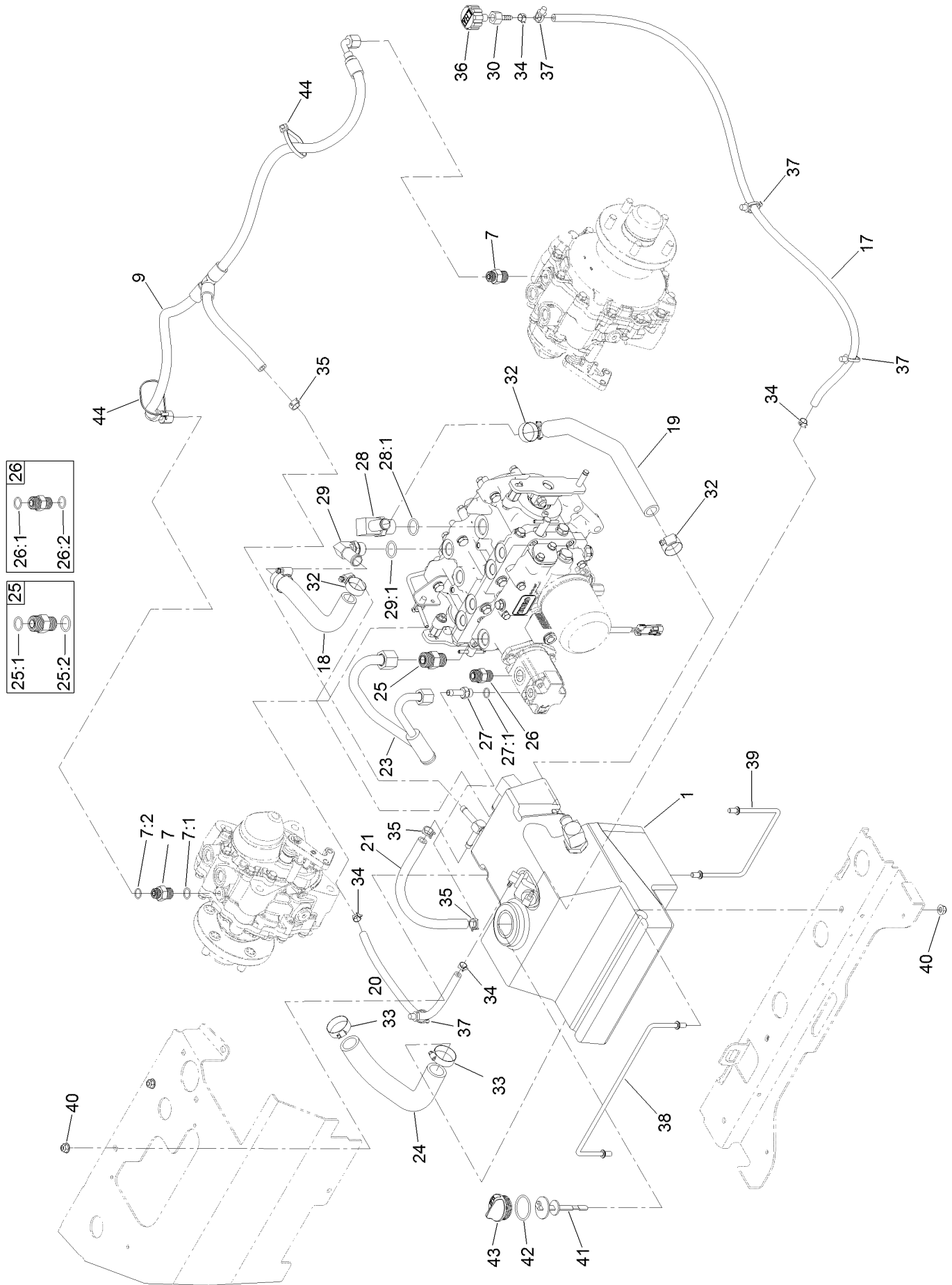
Hydraulic Drive Assembly



Hydraulic Drive Assembly (continued)

<i>Ref.</i>	<i>Part Number</i>	<i>Qty.</i>	<i>Description</i>	<i>Ref.</i>	<i>Part Number</i>	<i>Qty.</i>	<i>Description</i>
2	126-8134	1	Motor-HYD, LH	13	325-5	8	Screw-HH
2:1	135-5333	1	5 Stud Wheel Hub Kit	14	142-2435	2	Plug-Magnetic
3	126-8686	1	Hose ASM, HYD	15	126-8685	1	Hose ASM
4	126-8687	3	Hose ASM, HYD	16	126-8684	1	Hose ASM
5	126-8133	1	Motor-HYD, RH	22	126-8682	1	Hose ASM
5:1	135-5333	1	5 Stud Wheel Hub Kit	31	340-105	1	Fitting-Elbow, 90 DEG
6	126-7469-03	2	Plate-Motor	31:1	237-80	1	O-Ring
8	340-155	8	Fitting-Straight	31:2	237-30	1	O-Ring
8:1	237-79	1	O-Ring	37	32180-030	1	Clip-Tie
8:2	237-151	1	O-Ring	44	340-77	1	Fitting-Elbow, 90 DEG
10	325-19	8	Screw-HH	44:1	237-22	1	O-Ring
11	32128-49	16	Nut-HHF	44:2	237-42	1	O-Ring
12	1-513435	8	Washer-Spring				

Hydraulic Assembly

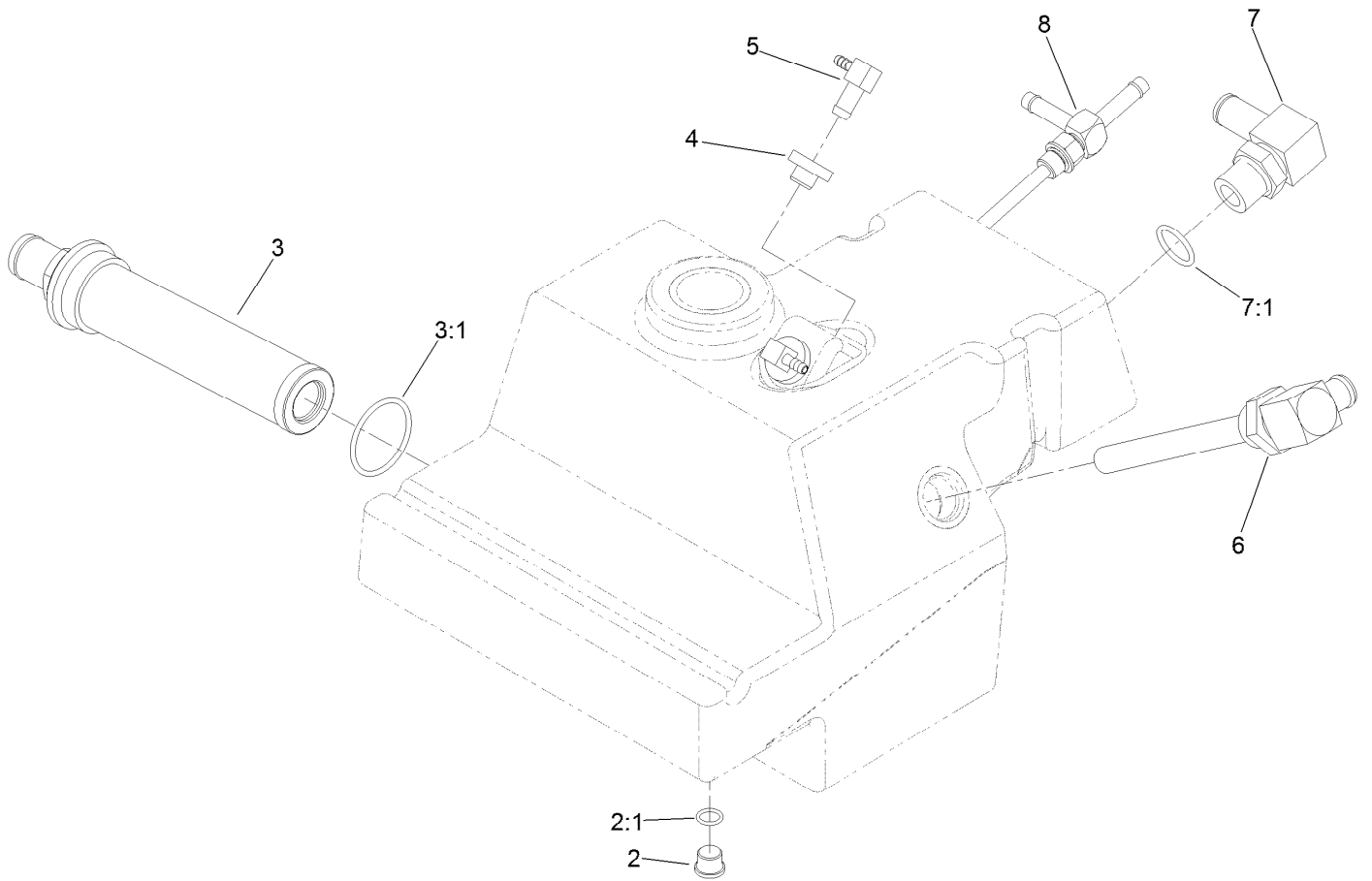


Hydraulic Assembly (continued)

<i>Ref.</i>	<i>Part Number</i>	<i>Qty.</i>	<i>Description</i>	<i>Ref.</i>	<i>Part Number</i>	<i>Qty.</i>	<i>Description</i>
1	126-6764	1	HYD Reservoir ASM	27:1	237-42	1	O-Ring
7	340-3	2	Fitting-Straight	28	353-987	1	Fitting-Elbow, 90
7:1	237-22	1	O-Ring	28:1	237-81	1	O-Ring
7:2	237-79	1	O-Ring	29	87-8170	1	Fitting-90
9	135-3731	1	Tee Hose ASM	29:1	237-80	1	O-Ring
17	126-6776	1	Hose	30	354-95	1	Fitting-Straight
18	126-6767	1	Hose-Return	32	2412-129	4	Clamp-Hose
19	126-6768	1	Hose-Return	33	2412-34	2	Clamp-Hose
20	126-6778	1	Hose	34	2412-98	4	Clamp-Hose
21	126-6766	1	Hose	35	103-1988	3	Clamp-Hose
23	126-8688	1	Tube ASM	36	68-6150	1	Breather
24	126-6774	1	Hose-Suction	37	32180-030	4	Clip-Tie
25	340-7	1	Fitting-Straight	38	126-7547	1	Rod-Support, HYD Tank
25:1	237-65	1	O-Ring ●	39	126-7546	1	Rod-Support, HYD Tank
25:2	237-80	1	O-Ring ●	40	104-8300	4	Nut-HF, NI
26	340-4	1	Fitting-Straight	41	112-6365	1	Dipstick
26:1	237-30	1	O-Ring	42	94-8166	1	O-Ring
26:2	237-79	1	O-Ring	43	93-7498	1	Plug-Plastic
27	103-1912	1	Adapter-Straight	44	1-303335	2	Tie-Plastic

● Not illustrated

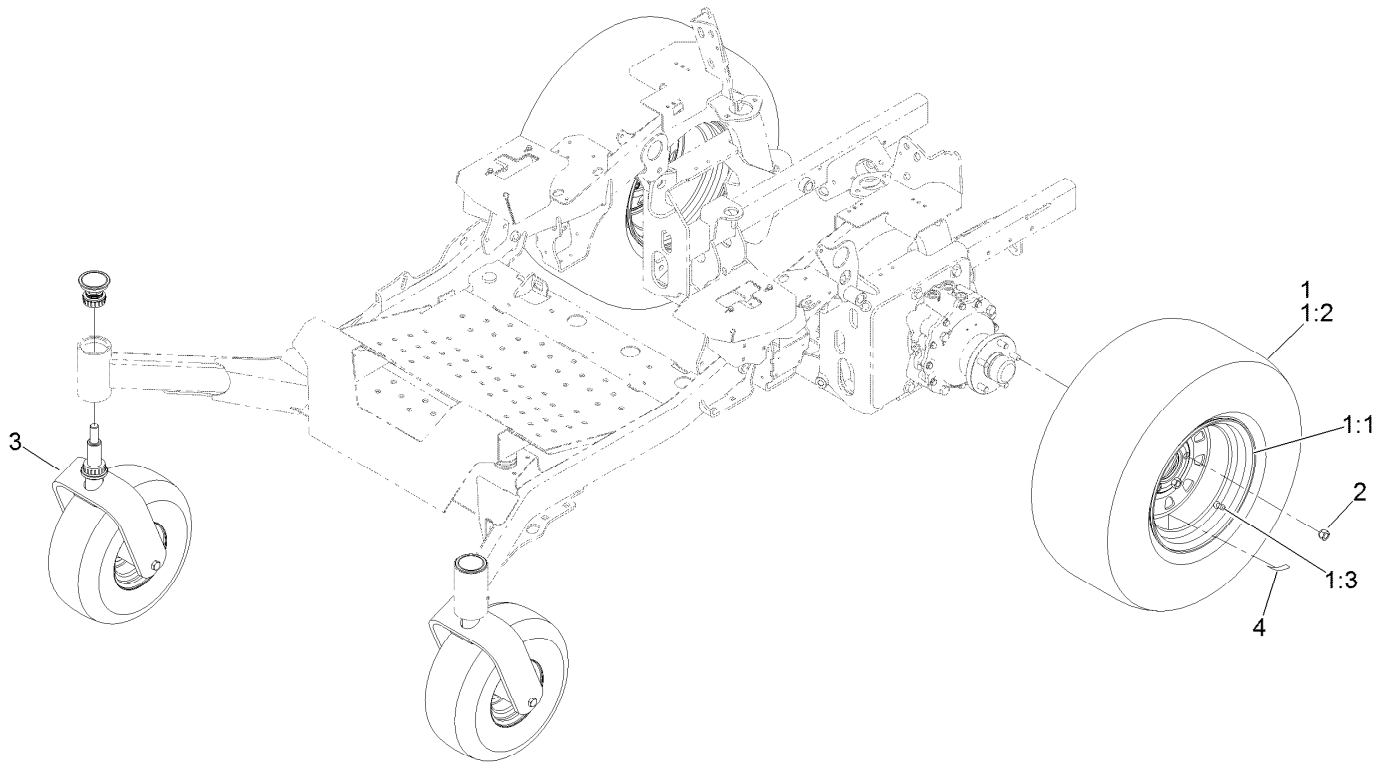
Hydraulic Reservoir Assembly No. 126-6764



Hydraulic Reservoir Assembly No. 126-6764 (continued)

<i>Ref.</i>	<i>Part Number</i>	<i>Qty.</i>	<i>Description</i>	<i>Ref.</i>	<i>Part Number</i>	<i>Qty.</i>	<i>Description</i>
2	353-989	1	Plug-Hex, Hollow	5	104-5228	2	Fitting-Elbow, 90 DEG
2:1	237-42	1	O-Ring	6	126-6782	1	Fitting-Standpipe
3	104-7546	1	Tank Strainer ASM	7	353-987	1	Fitting-Elbow, 90
3:1	340-136	1	O-Ring	7:1	237-81	1	O-Ring
4	46-6560	2	Bushing	8	135-3740	1	Fitting-Tee, Drop Tube

Rear Wheel and Caster Assembly

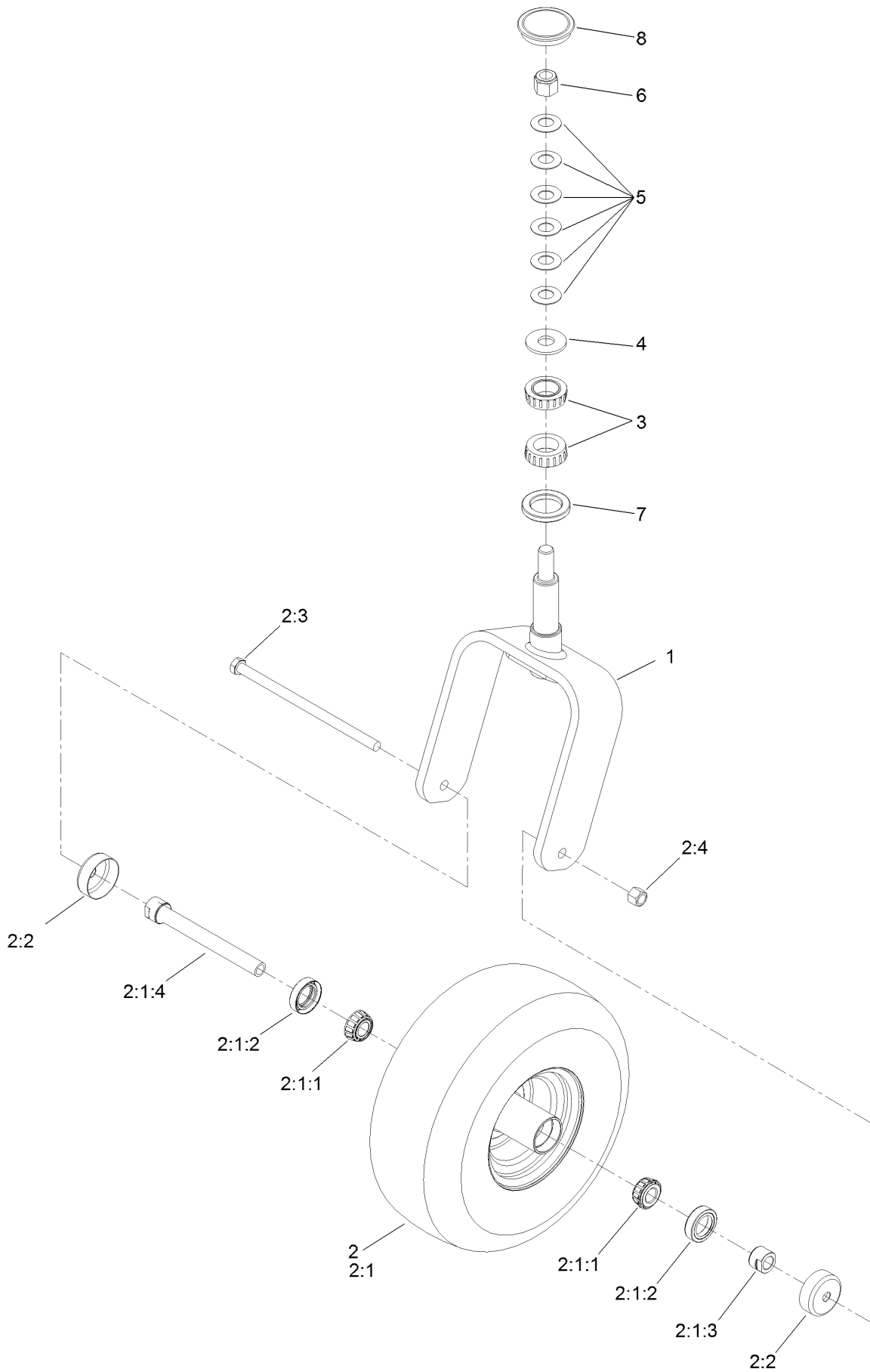


Rear Wheel and Caster Assembly (continued)

<i>Ref.</i>	<i>Part Number</i>	<i>Qty.</i>	<i>Description</i>	<i>Ref.</i>	<i>Part Number</i>	<i>Qty.</i>	<i>Description</i>
1	126-8104	2	Tire ASM	2	242-50	10	Nut-Lug
1:1	126-8106	1	Rim	3		2	Caster Wheel ASM ●
1:2	126-8033	1	Tire	4	135-0328	2	Decal-Torque, Wheel Nut
1:3	232-27	1	Stem-Valve				

● Not serviced separately

Caster Wheel Assembly

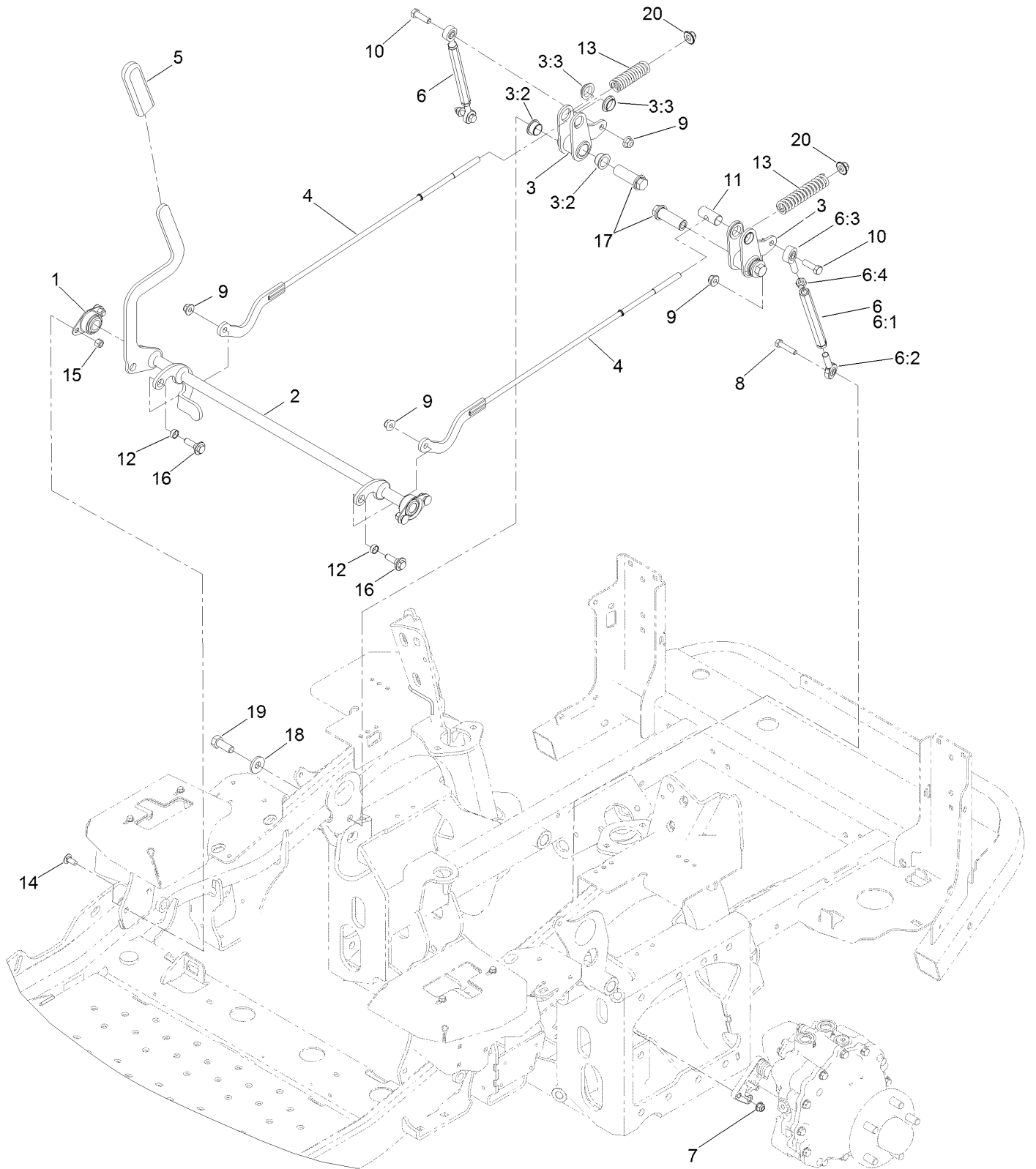


Caster Wheel Assembly (continued)

<i>Ref.</i>	<i>Part Number</i>	<i>Qty.</i>	<i>Description</i>	<i>Ref.</i>	<i>Part Number</i>	<i>Qty.</i>	<i>Description</i>
1	126-8601-01	1	Fork-Caster	2:3	325-39	1	Screw-HH
2	126-9344	1	Wheel And Tire ASM	2:4	3296-23	1	Nut-Lock, NI
2:1		1	Tire And Wheel ASM ●	3	103-9028	2	Bearing-Roller, Cone Taper
2:1:1	1-633585	2	Bearing-Cone, Taper	4	3256-8	1	Washer-Flat
2:1:2	103-0063	2	Seal-Caster	5	1-633508	6	Washer-Bellville
2:1:3	103-3051	1	Spacer-Nut	6	3296-51	1	Nut-Lock, NI
2:1:4	126-5361	1	Axle Caster ASM	7	135-0355	1	Seal-Grease
2:2	103-2768	2	Guard-Seal	8	126-9369	1	Cap-Grease

● Not serviced separately

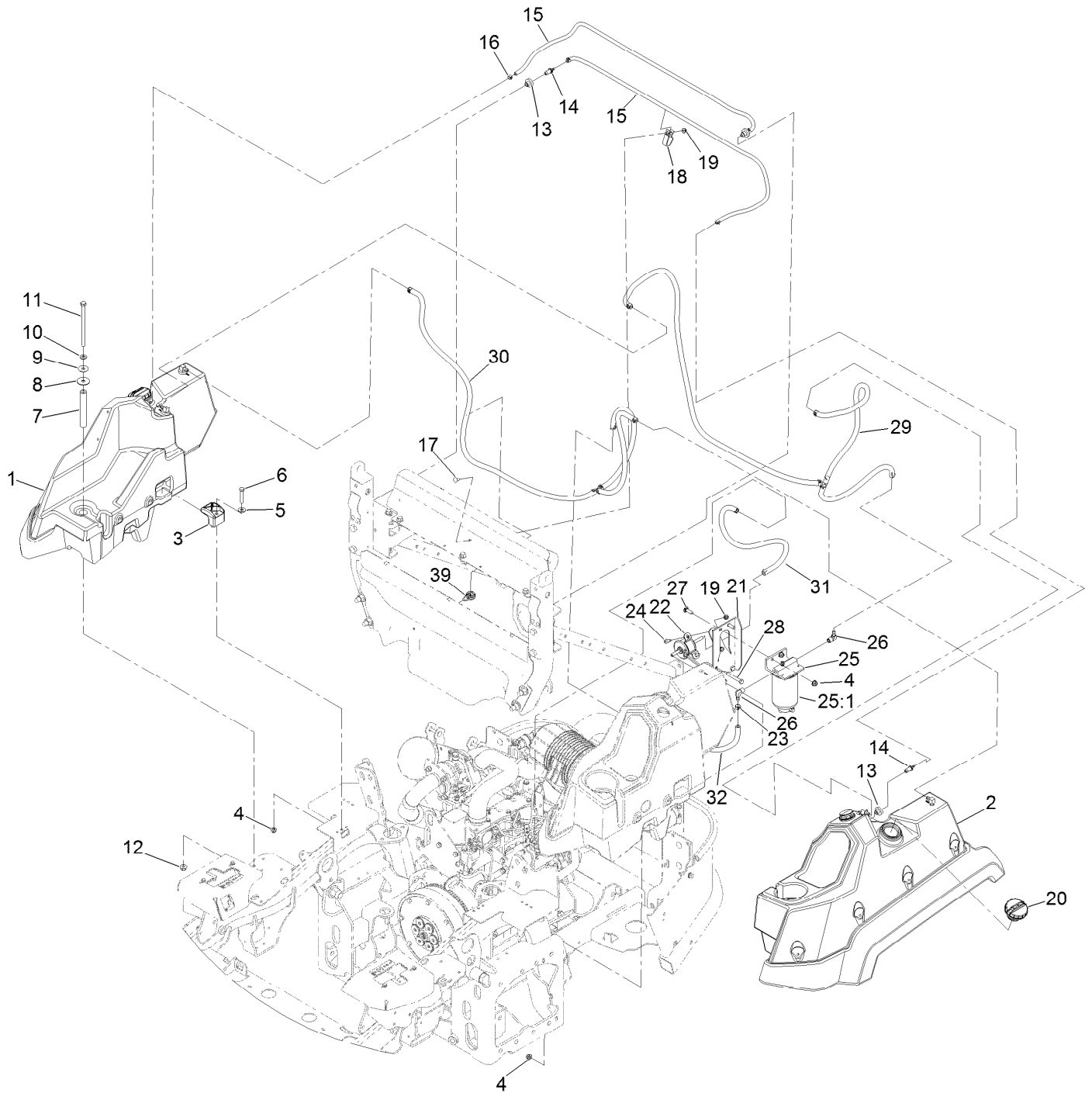
Parking Brake Assembly



Parking Brake Assembly (continued)

<i>Ref.</i>	<i>Part Number</i>	<i>Qty.</i>	<i>Description</i>	<i>Ref.</i>	<i>Part Number</i>	<i>Qty.</i>	<i>Description</i>
1	1-633102	2	Bearing-Flange, Side	8	322-7	2	Screw-HH
2	126-2019	1	Shaft-Brake	9	104-8301	4	Nut-HF, NI
3	126-3010	2	Brake Bellcrank ASM	10	323-7	2	Screw-HH
3:2	109-8054	2	Bushing-Flange	11	1-633144	2	Pin-Trunion
3:3	135-2840	2	Bushing-Flange	12	133-5109	2	Bearing-Sleeve
4	126-3193	2	Link-Brake, Upper	13	109-2230	2	Spring-Compression
5	1-633268	1	Grip-Lever	14	3230-23	4	Bolt-CARR
6	126-9171	2	Turnbuckle ASM	15	3296-29	4	Nut-Lock, NI
6:1	126-9172	1	Turnbuckle	16	614672	2	Screw-Shoulder, HWH
6:2	126-9302	1	Bearing-End, LH Rod	17	109-5891	2	Hub-Threaded
6:3	1-613204	1	Balljoint	18	1-513435	2	Washer-Spring
6:4	3220-3	1	Nut-HJ	19	325-5	2	Screw-HH
7	104-8300	2	Nut-HF, NI	20	109-6658	2	Nut-Flange, NI

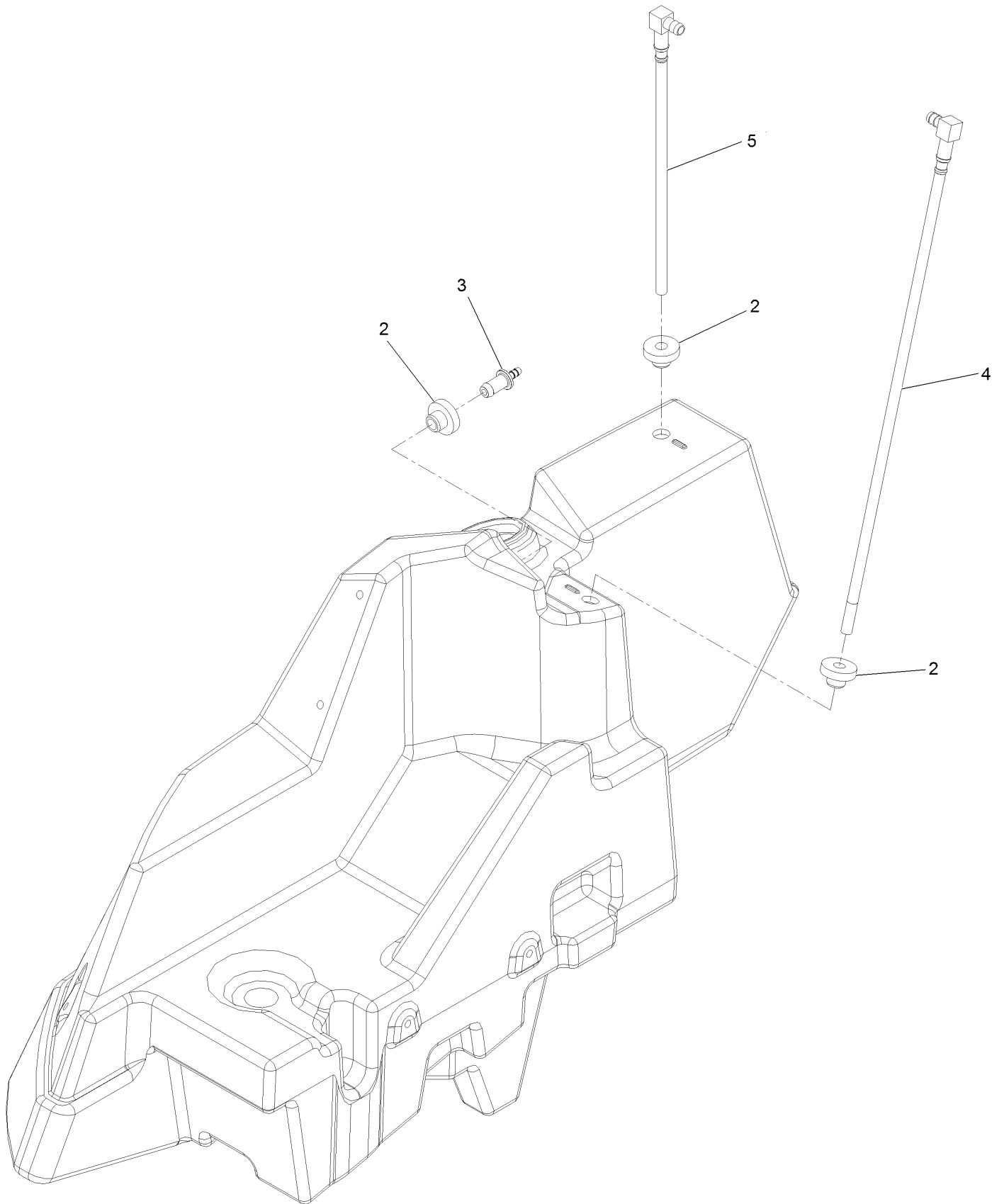
Fuel System Assembly



Fuel System Assembly (continued)

<i>Ref.</i>	<i>Part Number</i>	<i>Qty.</i>	<i>Description</i>	<i>Ref.</i>	<i>Part Number</i>	<i>Qty.</i>	<i>Description</i>
1	126-8651	1	RH Fuel Tank ASM	19	104-7201	5	Nut-HF, NI
2	126-8652	1	LH Fuel Tank ASM	20	135-2715	2	Cap-Fuel, Diesel
3	107-4543	4	Clamp	21	135-0166-03	1	Bracket-Filter And Pump, Fuel
4	104-8300	8	Nut-HF, NI	22	121-5613	1	Pump-Fuel, Electric
5	3256-3	4	Washer-Flat	23	92-2379	4	Clamp-Hose
6	322-21	4	Screw-HH	24	32105-15	2	Screw-HWH
7	126-8335	2	Tube-Spacer	25	110-9044	1	Separator-Filter
8	95-1905	2	Washer-Rubber	25:1	110-9049	1	Filter-Spin On, Fuel/Water
9	105-6814	2	Washer-Plain	26	353-781	2	Fitting-HYD, 90
10	3256-24	2	Washer-Plain	27	3230-22	2	Screw-CARR
11	323-22	2	Screw-HH	28	322-11	2	Screw-HH
12	104-8301	2	Nut-HF, NI	29	135-0510	1	Line-Fuel, Suction
13	46-6560	2	Bushing	30	135-0511	1	Line-Fuel, Return
14	116-4630	2	Fitting-Orifice, Straight	31	109-0308	1	Hose-Fuel
15	117-6395	2	Hose-Vent, Tank	32	110-4105	1	Hose-Fuel
16	2412-80	4	Clamp-Hose	39	32180-030	1	Clip-Tie
17	3229-11	3	Screw-CARR				
18	92-5753	3	Clamp-Hose				

RH Fuel Tank Assembly No. 126-8651

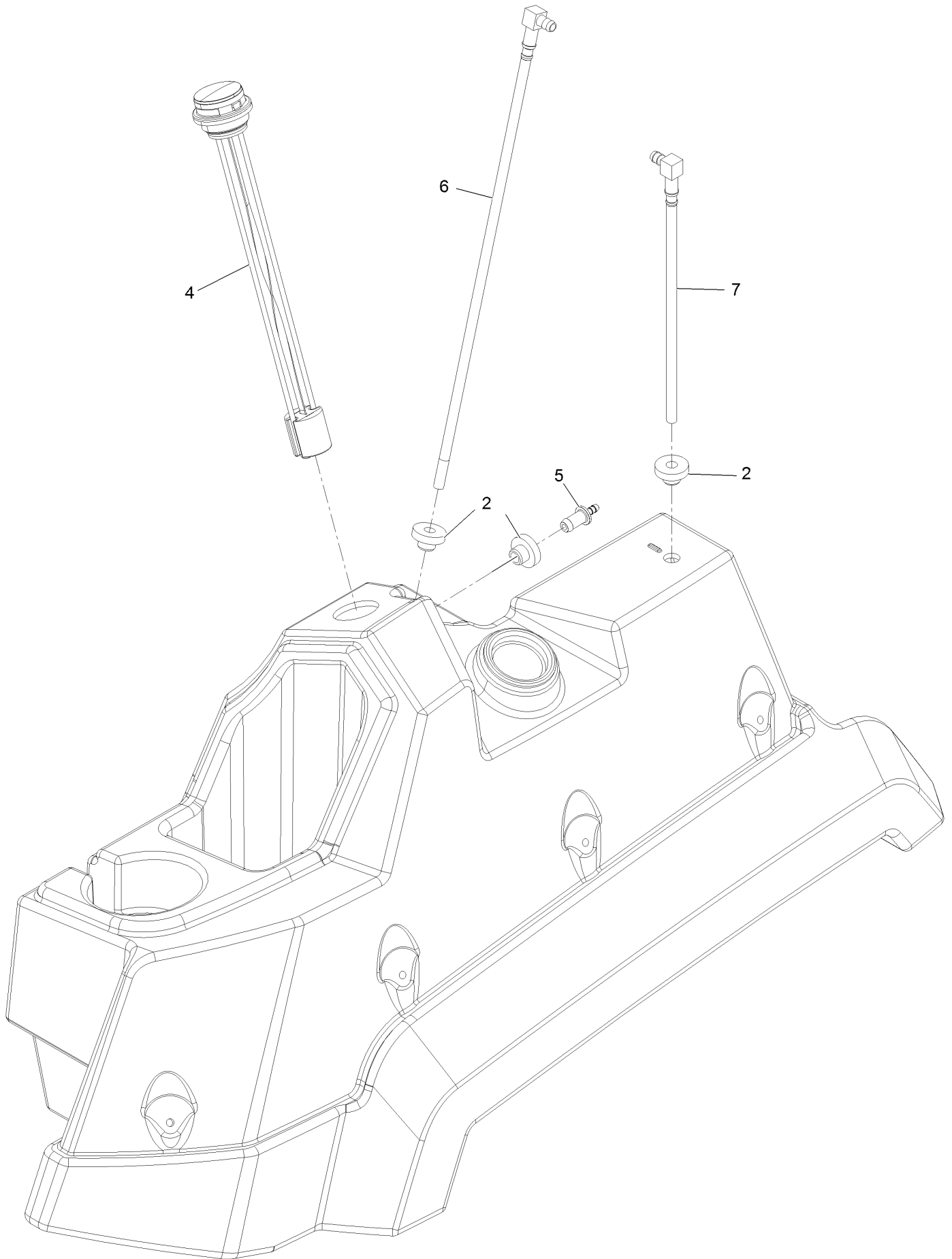


RH Fuel Tank Assembly No. 126-8651 (continued)

<i>Ref.</i>	<i>Part Number</i>	<i>Qty.</i>	<i>Description</i>
2	46-6560	3	Bushing
3	116-4630	1	Fitting-Orifice, Straight

<i>Ref.</i>	<i>Part Number</i>	<i>Qty.</i>	<i>Description</i>
4	126-8647	1	Pick-Up-Fuel
5	126-8649	1	Return-Fuel

LH Fuel Tank Assembly 126-8652

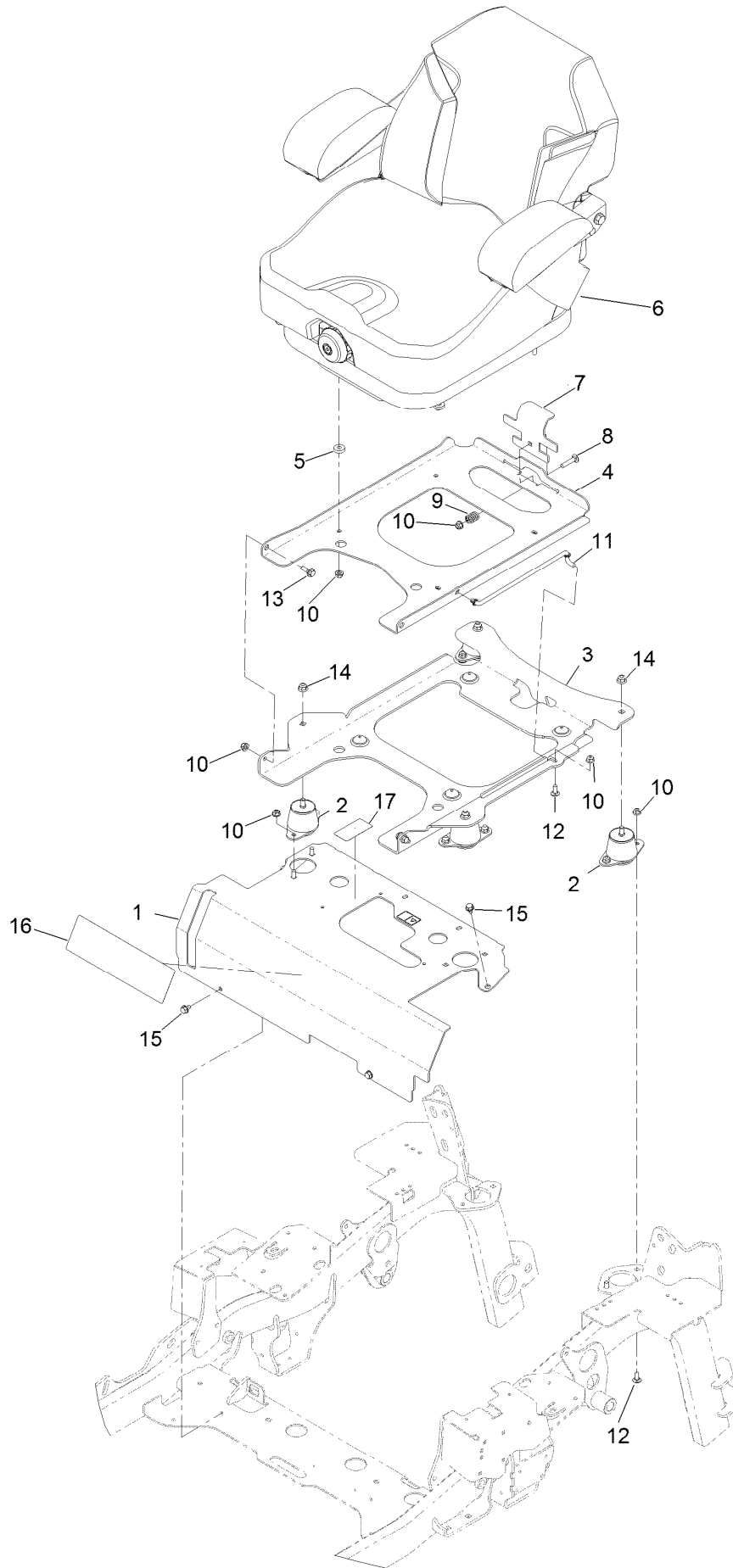


LH Fuel Tank Assembly 126-8652 (continued)

<i>Ref.</i>	<i>Part Number</i>	<i>Qty.</i>	<i>Description</i>
2	46-6560	3	Bushing
4	126-8660	1	Gauge-Fuel
5	116-4630	1	Fitting-Orifice, Straight

<i>Ref.</i>	<i>Part Number</i>	<i>Qty.</i>	<i>Description</i>
6	126-8647	1	Pick-Up-Fuel
7	126-8649	1	Return-Fuel

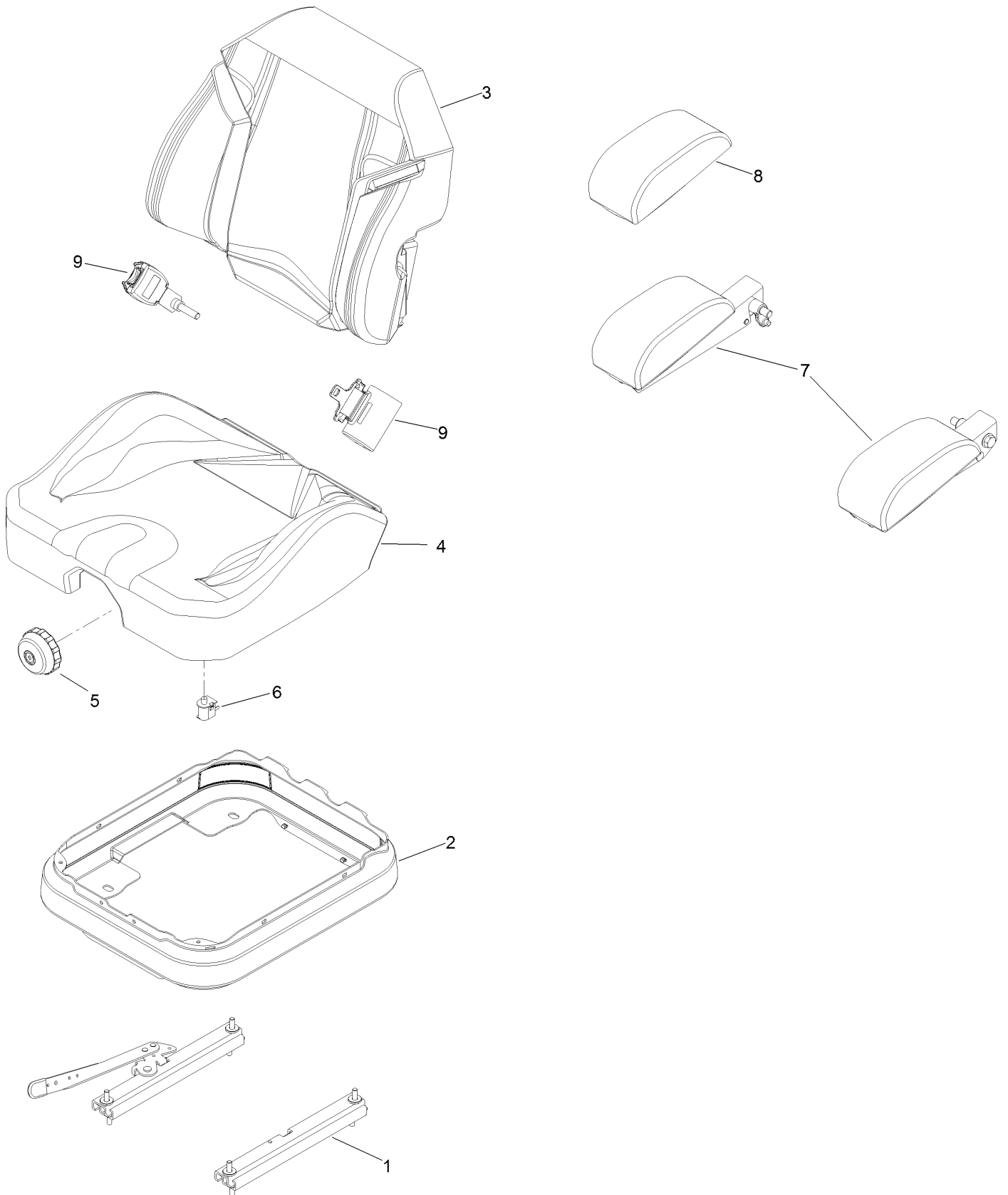
Seat Mount Assembly



Seat Mount Assembly (continued)

<i>Ref.</i>	<i>Part Number</i>	<i>Qty.</i>	<i>Description</i>	<i>Ref.</i>	<i>Part Number</i>	<i>Qty.</i>	<i>Description</i>
1	126-7286	1	Seat Mount ASM	10	104-8300	16	Nut-HF, NI
2	109-9034	4	Isolator-Seat	11	116-0070	1	Rod-Prop
3	126-2701-03	1	Plate-Support, Tilt Seat	12	3230-23	9	Bolt-CARR
4	126-2700-03	1	Plate-Frame, Seat	13	116-1297	2	Screw-Shoulder
5	26-4840	4	Spacer-Pin, Mounting	14	104-8301	4	Nut-HF, NI
6	140-8003	1	Seat-Suspension	15	9266934	4	Screw
7	126-1855	1	Plate-Latch, Seat	16	140-1215	1	Decal-Console
8	3230-4	1	Bolt-CARR	17	135-2837	1	Decal-Fluid, Transmission
9	107-3017	1	Spring-Compression				

Seat Assembly No. 140-8003

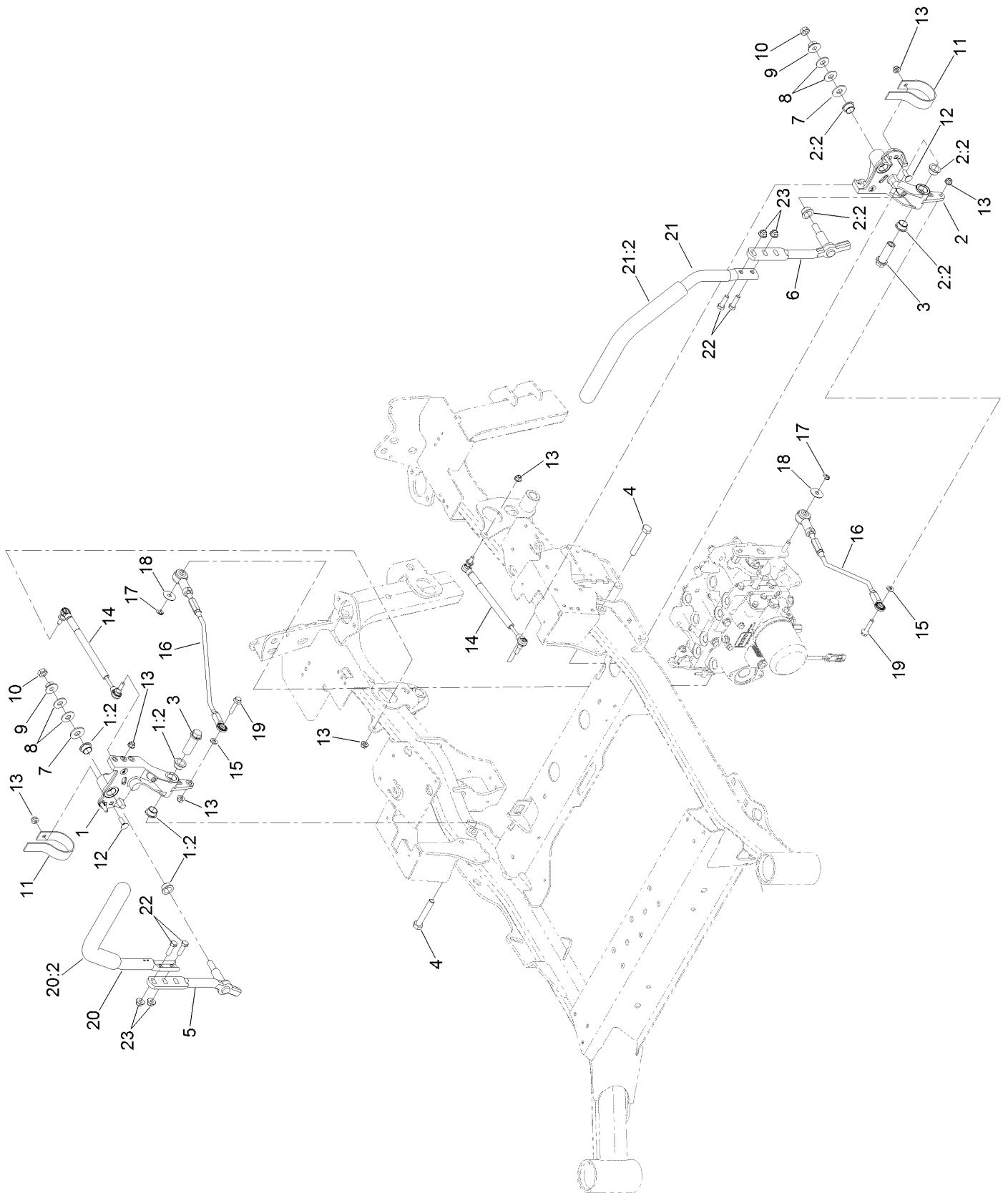


Seat Assembly No. 140-8003 (continued)

<i>Ref.</i>	<i>Part Number</i>	<i>Qty.</i>	<i>Description</i>
1	140-8012	1	Seat Track Set
2	116-5659	1	Cover-Suspension Bellows
3	140-8004	1	Cover-Back
4	140-8005	1	Cover-Cushion
5	116-8911	1	Knob-Adjuster

<i>Ref.</i>	<i>Part Number</i>	<i>Qty.</i>	<i>Description</i>
6	82-2190	1	Switch-Bail
7	109-9803	1	Arm Rest Set
8	109-9802	1	Arm Rest Pad Set
9	126-2061	1	Seat Belt Service Kit

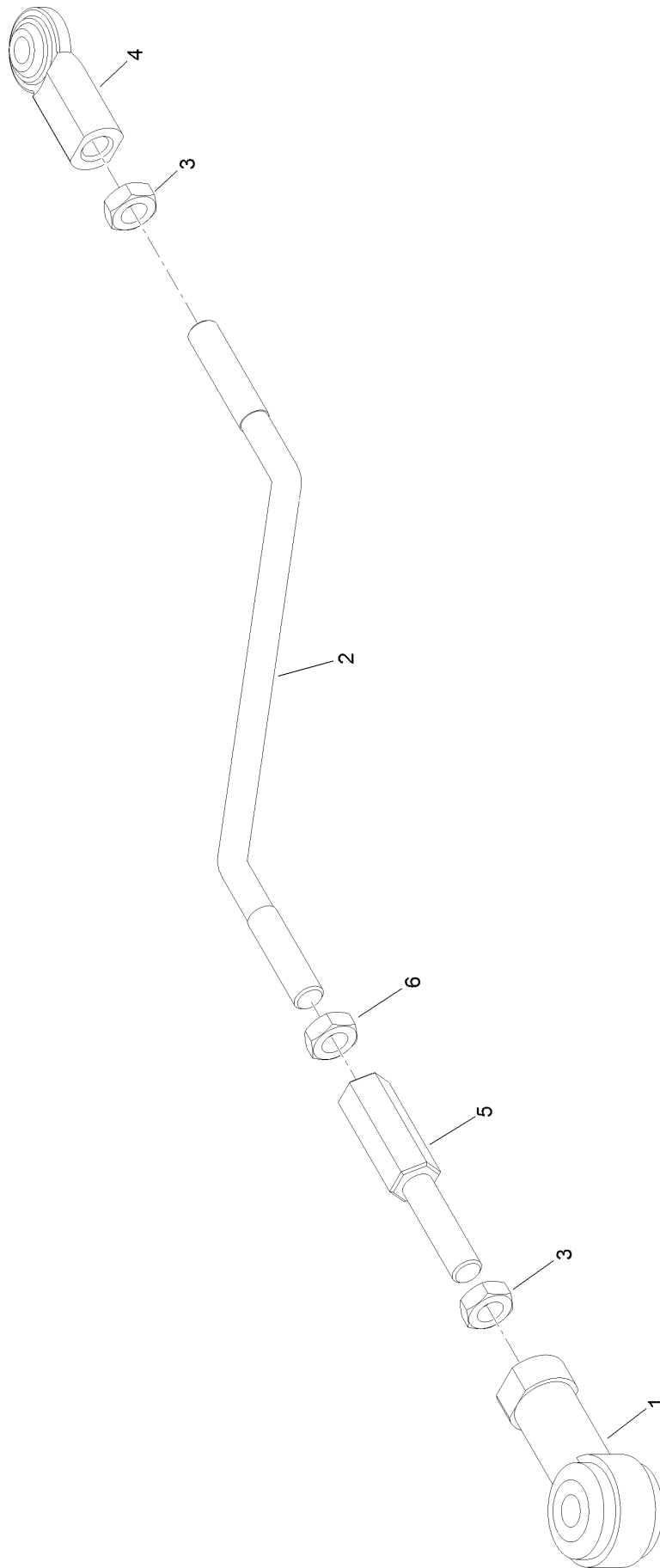
Motion Control Assembly



Motion Control Assembly (continued)

<i>Ref.</i>	<i>Part Number</i>	<i>Qty.</i>	<i>Description</i>	<i>Ref.</i>	<i>Part Number</i>	<i>Qty.</i>	<i>Description</i>
1	116-0880	1	RH Motion Control And Bushing ASM	12	3230-2	2	Bolt-CARR
1:2	109-8054	4	Bushing-Flange	13	104-8300	8	Nut-HF, NI
2	116-0881	1	LH Motion Control And Bushing ASM	14	116-0027	2	Damper-Control, Motion
2:2	109-8054	4	Bushing-Flange	15	3256-23	2	Washer-Plain
3	109-5891	2	Hub-Threaded	16	126-6131	2	Front Linkage Rod ASM
4	325-12	2	Screw-HH	17	32151-47	2	Ring-Retaining
5	116-0039	1	Lever-Control Motion, RH	18	105-6814	2	Washer-Plain
6	116-0040	1	Lever-Control Motion, LH	19	115-1794	2	Screw-HHF
7	3256-6	2	Washer-Flat	20	126-7700	1	RH Steering Handle ASM
8	109-9505	4	Washer-Spring	20:2	109-5668	1	Grip-Lever, Control
9	32128-56	2	Nut-HF	21	126-7699	1	LH Steering Handle ASM
10	3218-5	2	Nut-Jam	21:2	109-5668	1	Grip-Lever, Control
11	109-5575	2	Spring-Leaf	22	323-7	4	Screw-HH
				23	104-8301	4	Nut-HF, NI

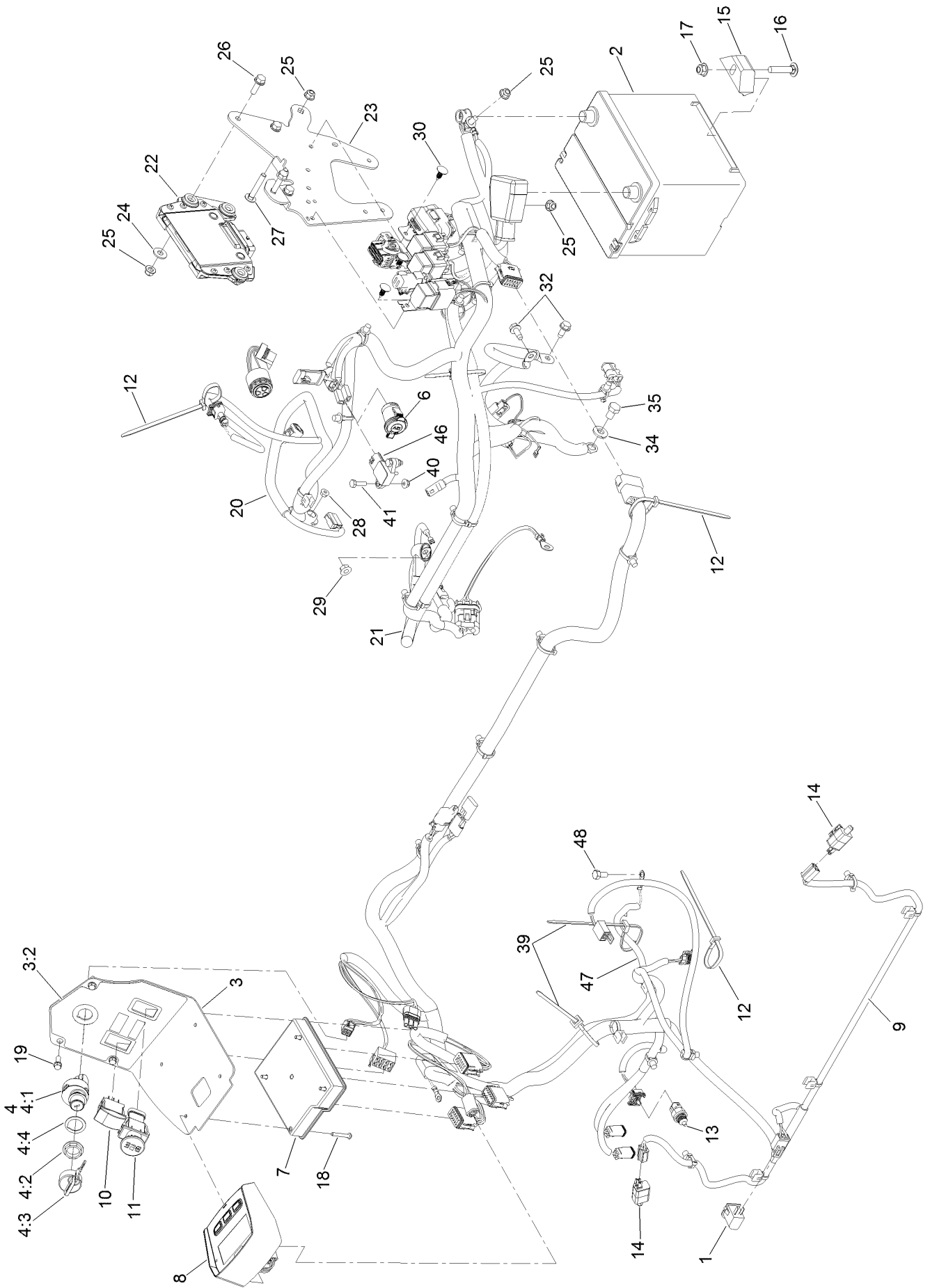
Rod Linkage Assembly No. 126-6131



Rod Linkage Assembly No. 126-6131 (continued)

<i>Ref.</i>	<i>Part Number</i>	<i>Qty.</i>	<i>Description</i>	<i>Ref.</i>	<i>Part Number</i>	<i>Qty.</i>	<i>Description</i>
1	105-7199	1	End-Rod, Isolated	4	103-2463	1	Joint-Ball, End
2	126-6469	1	Rod-Linkage, Rear	5	116-4755	1	Rod-Adjustment
3	3220-3	2	Nut-HJ	6	3220-16	1	Nut-Hex Jam, LH

Electrical Assembly



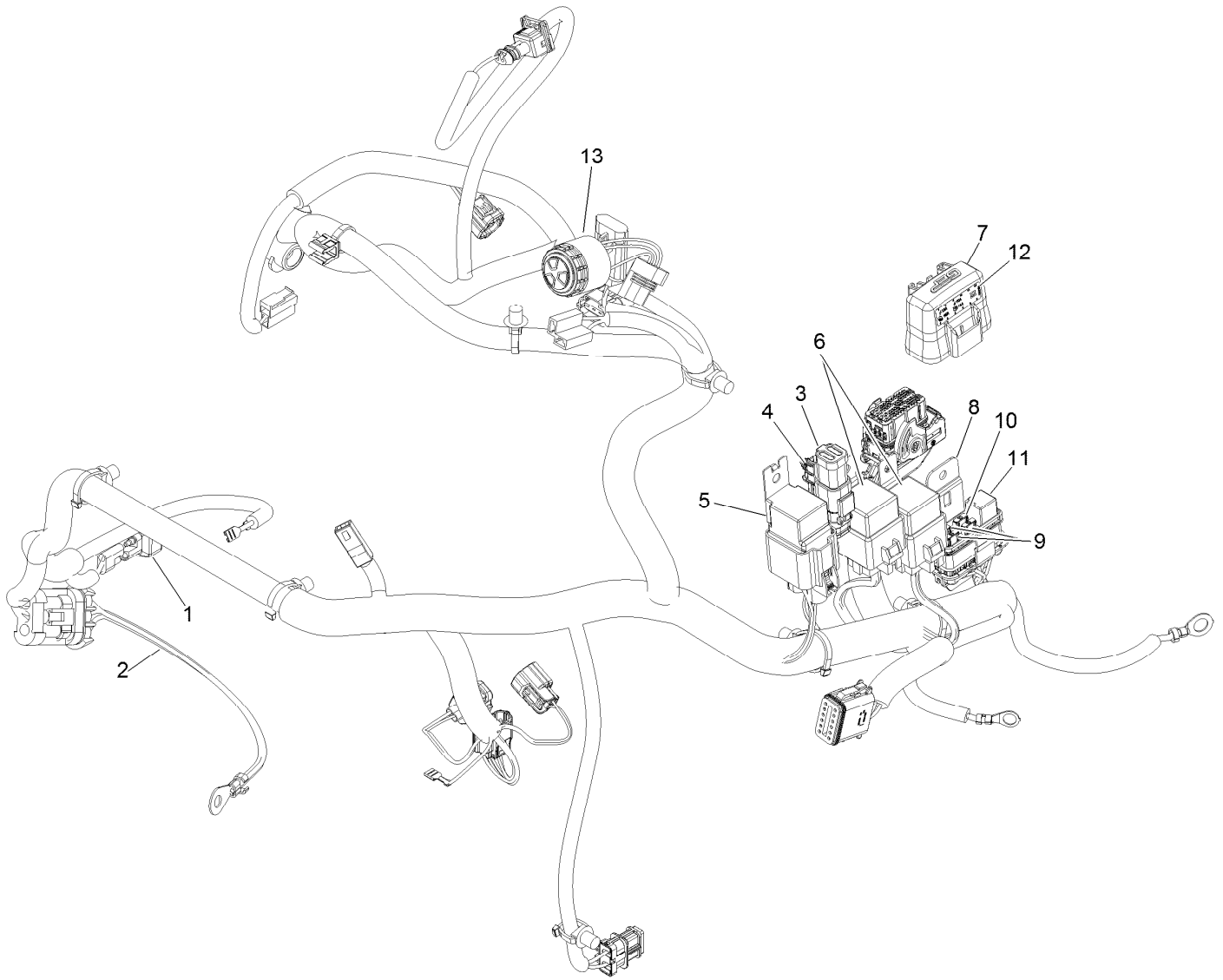
Electrical Assembly (continued)

<i>Ref.</i>	<i>Part Number</i>	<i>Qty.</i>	<i>Description</i>	<i>Ref.</i>	<i>Part Number</i>	<i>Qty.</i>	<i>Description</i>
1	82-2190	1	Switch-Bail	18	126-5092	4	Screw-PPH
2	106-5187	1	Battery, 525 CCA W/O Electrolyte	19	32105-15	3	Screw-HWH
3	135-6122	1	Console ASM	20	126-7387	1	Harness-Wire ■
3:2	126-9278	1	Decal-Control Panel	21	126-7406	1	Cable-Battery
4	126-6285	1	Ignition Switch ASM	22	135-4280	1	Ecu ASM
4:1		1	Switch-Ignition ●	23	135-0503-03	1	Bracket-Mount, Ecu
4:2	108-8660	1	Nut-Mounting	24	3256-3	3	Washer-Flat
4:3	106-5270	1	Ignition Key Set	25	104-8300	7	Nut-HF, NI
4:4	108-8659	1	Washer-Backup	26	3234-29	3	Screw-HHF
6	126-6499	1	Port-Power, 12V	27	3230-6	2	Bolt-CARR
7	135-3427	1	Module-Mcu	28	33003-00	1	Nut-HF
8	126-9976	1	Module-Horizon	29	127-2371	1	Nut-HF
9	126-7262	1	Harness-Wire	30	117-2382	4	Plug-Plastic
10	100-1535	1	Switch-Rocker, (On)-Off-(On)	32	32144-70	2	Screw-HWHTF
11	126-6187	1	Switch-PTO, Sealed	34	98-5975	1	Washer-Belleville
12	1-303335	3	Tie-Plastic	35	33115-016	1	Screw-HH
13	126-7698	1	Sensor-Temperature	39	3290-378	2	Tie-Cable
14	110-6765	2	Switch	40	104-7201	2	Nut-HF, NI
15	138-6335	1	Retainer-Battery	41	321-5	2	Screw-HH
16	3231-5	1	Screw-CARR	46	126-9261	1	Sensor-Atm
17	104-8301	1	Nut-HF, NI	47	135-3998	1	Harness-Wire, Jumper ■
				48	99-5132	1	Bolt

● Not serviced separately

■ Use dielectric grease on all unsealed connectors and terminals only. Do not apply in sealed connectors.

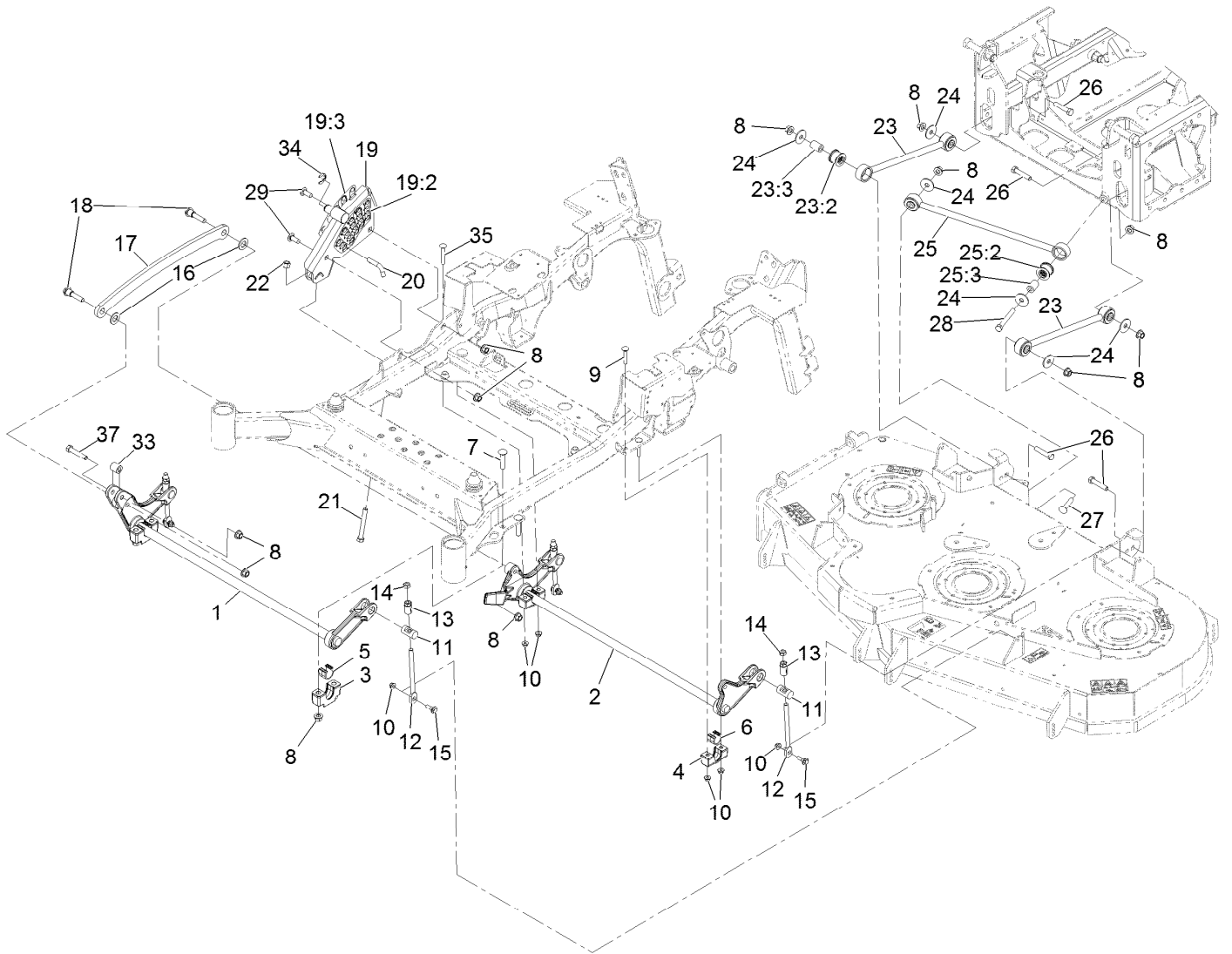
Harness Assembly No. 126-7387



Harness Assembly No. 126-7387 (continued)

<i>Ref.</i>	<i>Part Number</i>	<i>Qty.</i>	<i>Description</i>	<i>Ref.</i>	<i>Part Number</i>	<i>Qty.</i>	<i>Description</i>
1	100-4918	1	Diode	8	32180-177	1	Clip-Mounting
2	99-3441	1	Harness-Wire, Fusible Link	9	121-8867	3	Fuse-Mini Blade, 15 Amp
3	32160-359	1	Connector (6M)	10	121-8866	1	Fuse-Mini Blade, 10 Amp
4	32180-103	1	Clip-Connector	11	126-3991	1	Relay-Micro
5	127-7514	1	Relay-70A	12	126-9100	1	Decal-Fuse
6	99-7430	2	Relay-Mini	13	126-6286	1	Alarm-Dual Tone
7	32180-176	1	Cover-Block, Fuse				

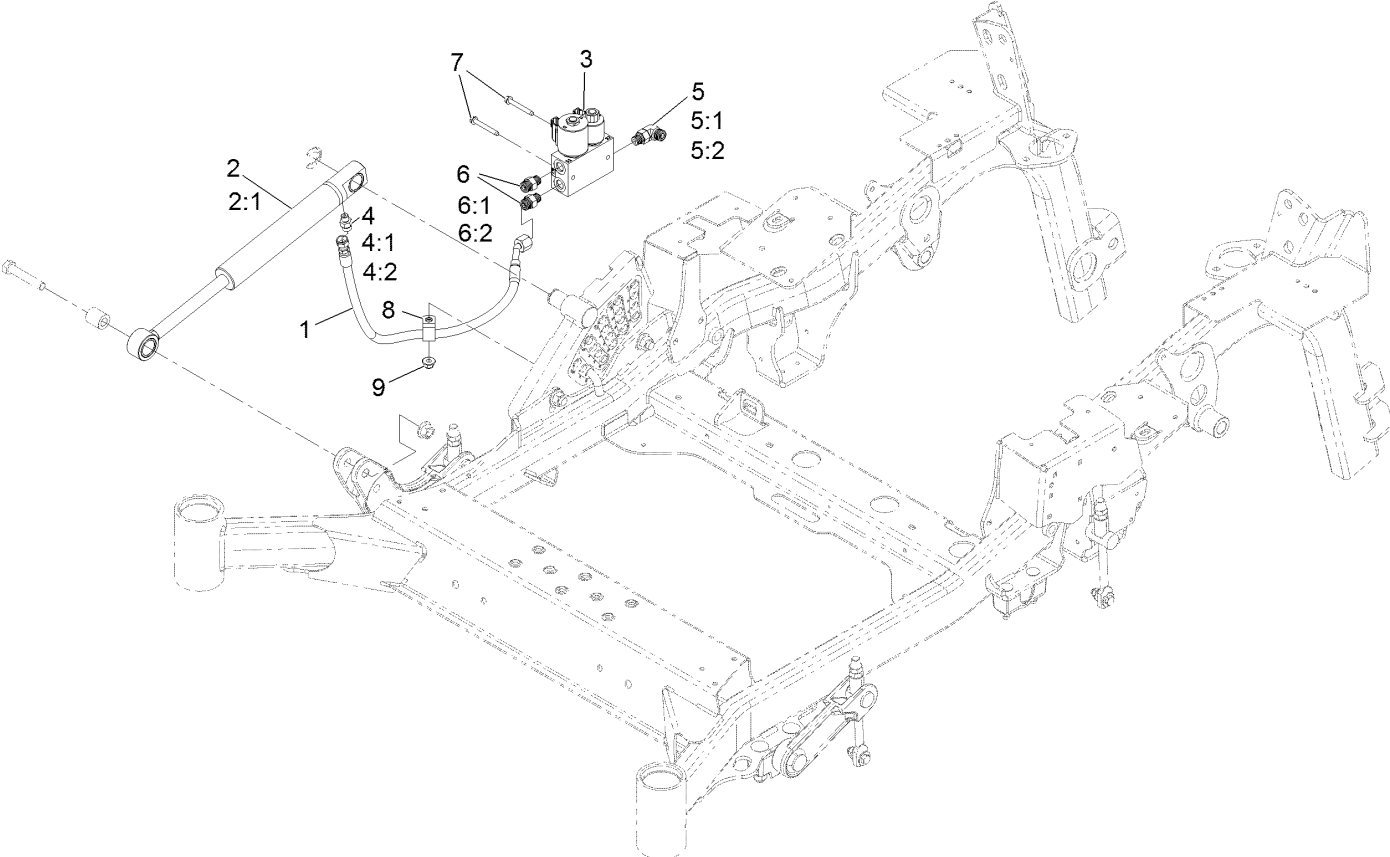
Deck Lift Assembly



Deck Lift Assembly (continued)

<i>Ref.</i>	<i>Part Number</i>	<i>Qty.</i>	<i>Description</i>	<i>Ref.</i>	<i>Part Number</i>	<i>Qty.</i>	<i>Description</i>
1	135-1216-03	1	Lift-Deck, Front	19	126-7866	1	HOC ASM
2	116-2645-03	1	Lift-Deck, Rear	19:2	126-9275	1	Decal-HOC
3	109-9409	2	Support-Bearing, Cross Shaft (Front)	19:3	135-1432	1	Decal-HOC, Outer
4	127-0553	2	Support-Bearing, Cross Shaft (Rear)	20	116-5584	1	Pin-HOC
5	109-9410	2	Bearing-Cross Shaft, Front	21	116-0559	1	Bolt-HH 1/2-13 X 4 Tap
6	109-7173	2	Bearing-Cross Shaft, Rear	22	3296-23	1	Nut-Nyloc 1/2-13
7	116-1700	4	Bolt-Carriage 1/2-13 X 2 1/2 Spl Neck	23	109-7952	2	Deck Strut ASM
8	99-5107	15	Nut-Lock 1/2-13	23:2	109-5009	2	Bushing-Suspension, Rubber
9	3231-7	3	Bolt-Carriage 3/8-16 X 2 1/4	23:3	109-5010	2	Spacer
10	104-8301	8	Nut-Nyloc 3/8-16 Flg	24	86-1990	6	Washer
11	109-8353	4	Trunnion	25	109-5013	1	Panhard Rod ASM
12	109-8007	4	Link-Adjuster, Deck Lift	25:2	109-5009	2	Bushing-Suspension, Rubber
13	109-7840	4	Adjuster-Lift, Deck	25:3	109-5010	2	Spacer
14	3218-5	4	Nut-Jam 1/2-13	26	325-10	4	Screw-HH 1/2-13 X 2 1/2
15	109-9840	4	Screw-Hex Flange 3/8-16 X .80	27	3233-34	1	Bolt-Carriage 1/2-13 X 2 1/2
16	3256-28	2	Washer-3/4 SAE	28	325-17	1	Screw-HH 1/2-13 X 4
17	116-0797-03	1	Link-Lift, Deck	29	3233-26	2	Screw-CARR,Shortneck
18	116-2022	2	Screw-Hex Flange 1/2-13 X 1.90	33	135-1215	1	Spacer-Pivot
				34	32151-91	1	Ring-Retaining
				35	3231-9	1	Bolt-Carriage 3/8-16 X 2 3/4
				37	325-11	1	Screw-HH 1/2-13 X 2 3/4

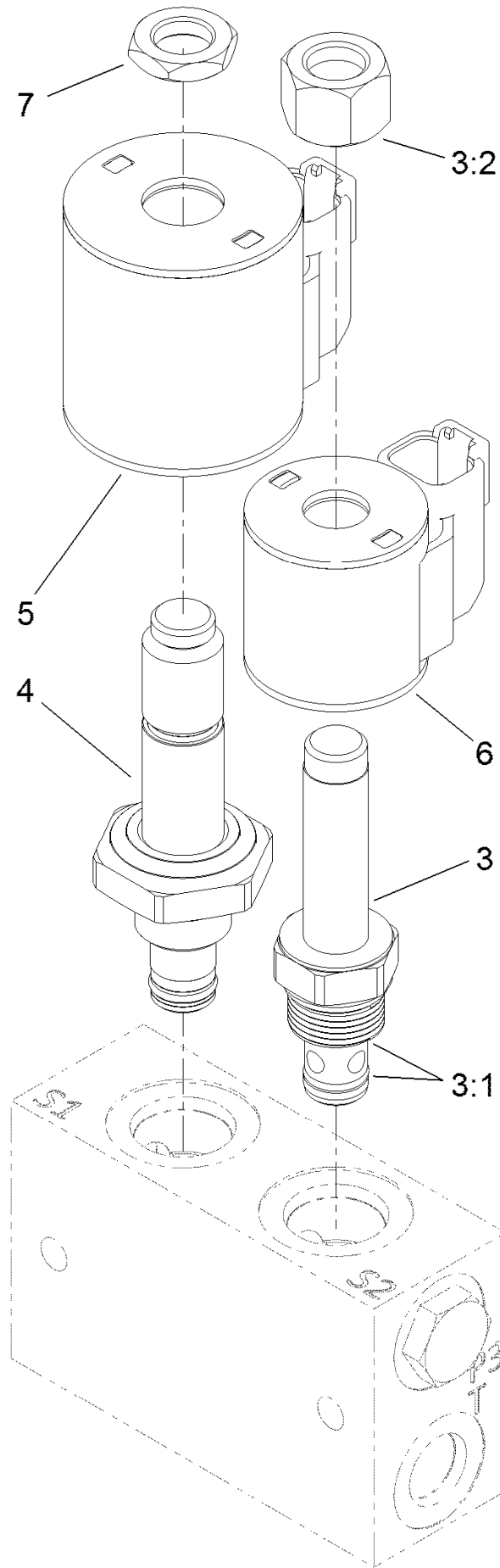
Hydraulic Lift Fold Assembly



Hydraulic Lift Fold Assembly (continued)

<i>Ref.</i>	<i>Part Number</i>	<i>Qty.</i>	<i>Description</i>	<i>Ref.</i>	<i>Part Number</i>	<i>Qty.</i>	<i>Description</i>
1	126-8683	1	Hose ASM	5:1	237-22	1	O-Ring
2	126-7841	1	Lift Cylinder ASM	5:2	237-42	1	O-Ring
2:1	142-2767	1	Kit, CYL Repair	6	340-2	2	Fitting-Straight
3	131-1934	1	Deck Lift Valve ASM	6:1	237-22	1	O-Ring
4	126-8692	1	Fitting-HYD, Straight	6:2	237-42	1	O-Ring
4:1	237-78	1	O-Ring	7	117-5248	2	Screw-HWHTF
4:2	237-21	1	O-Ring	8	1-633396	1	Clip-Loom 5/8
5	340-77	1	Fitting-Elbow, 90 DEG	9	104-8301	1	Nut-Nyloc 3/8-16 Flg

Valve Assembly No. 131-1934

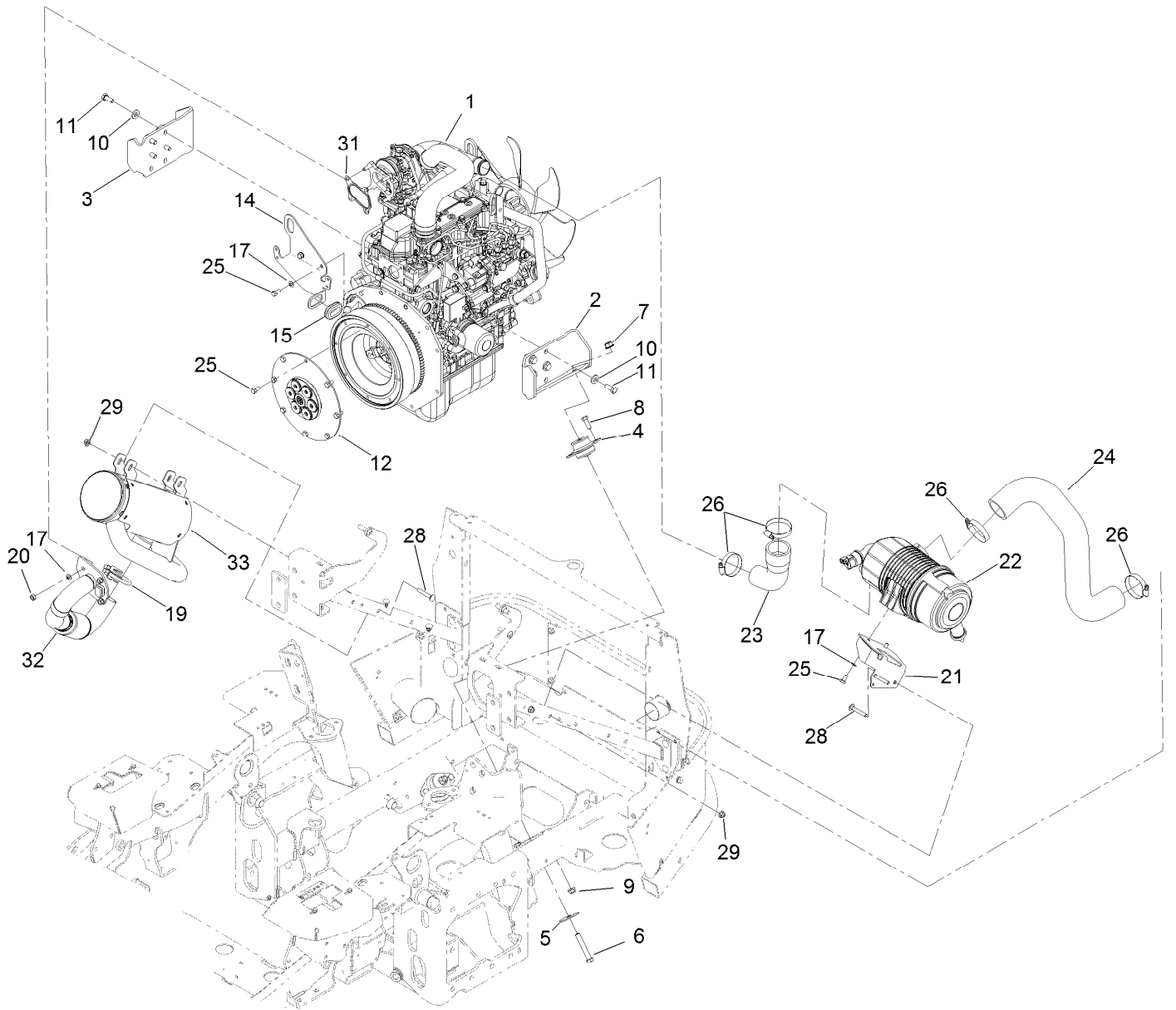


Valve Assembly No. 131-1934 (continued)

<i>Ref.</i>	<i>Part Number</i>	<i>Qty.</i>	<i>Description</i>
3	107-7517	1	Valve-Solenoid
3:1	105-9156	1	Seal Kit
3:2	107-7812	1	Nut-Solenoid
4	131-1935	1	Valve-Solenoid

<i>Ref.</i>	<i>Part Number</i>	<i>Qty.</i>	<i>Description</i>
5	115-3021	1	Coil-12V
6	119-8036	1	Coil
7	110-2634	1	Nut-Coil

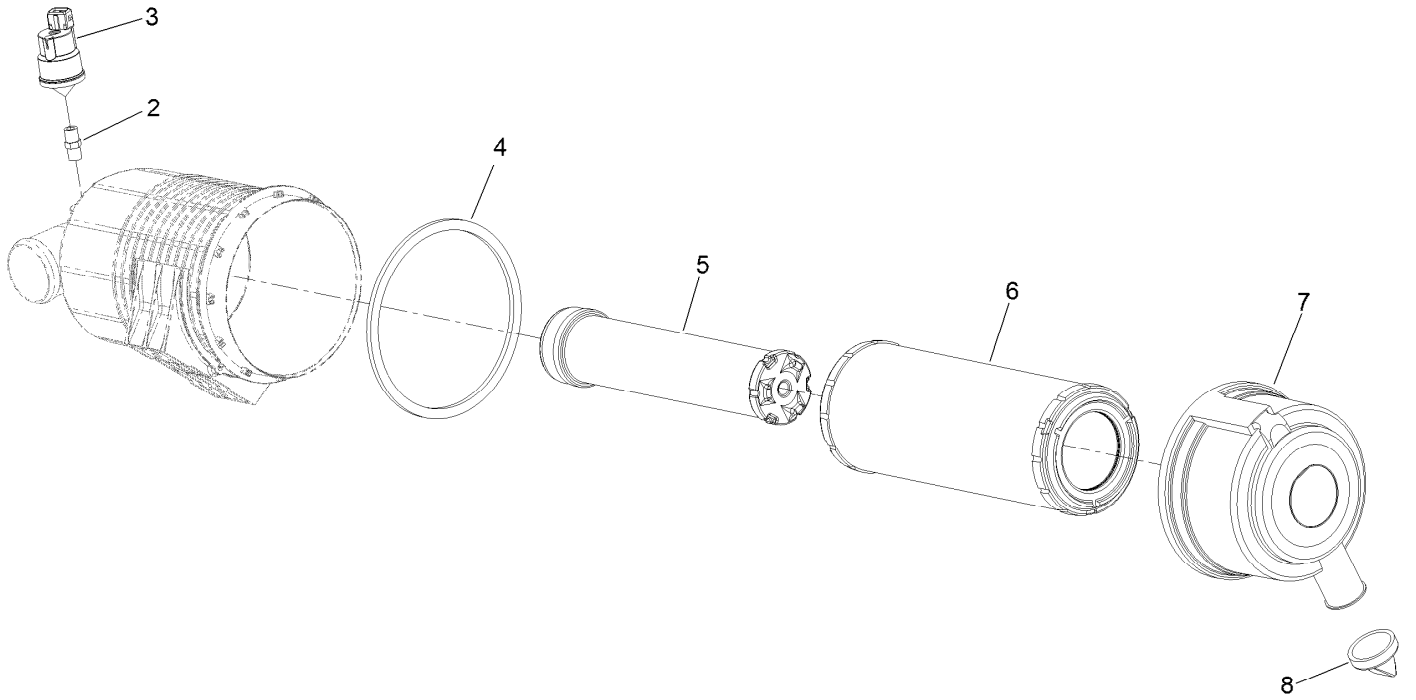
Engine, Muffler and Air Cleaner Assembly



Engine, Muffler and Air Cleaner Assembly (continued)

<i>Ref.</i>	<i>Part Number</i>	<i>Qty.</i>	<i>Description</i>	<i>Ref.</i>	<i>Part Number</i>	<i>Qty.</i>	<i>Description</i>
1	138-6926	1	Engine-Yanmar, 3Tnv80Ft-Zmtr1	17	3290-475	8	Washer-Belleville
2	126-9282-03	1	Mount-Engine, LH	19	18-2130	1	Clamp
3	126-9285-03	1	Mount-Engine, RH	20	33014-00	4	Nut-Hex
4	130-2486	2	Mount	21	126-8730-03	1	Bracket-Cleaner, Air
5	87-5100	2	Washer-Snubbing	22	126-7646	1	Air Cleaner ASM
6	324-11	2	Screw-HH	23	126-7288	1	Hose-Air
7	114-8417	2	Nut-HF, NI	24	120-9177	1	Hose-Air
8	323-6	4	Screw-HH	25	99-5132	12	Bolt
9	104-8301	4	Nut-HF, NI	26	2412-130	4	Clamp-Hose
10	98-5975	8	Washer-Belleville	28	3230-6	4	Bolt-CARR
11	33115-025	8	Screw-HH	29	104-8300	4	Nut-HF, NI
12	126-6531	1	Coupler-Flywheel	31	136-2307	1	Gasket-Header
14	126-7610-03	1	Bracket-Guide	32	126-9329	1	Header Pipe
15	108-3723	1	Grommet	33	126-8911	1	Muffler

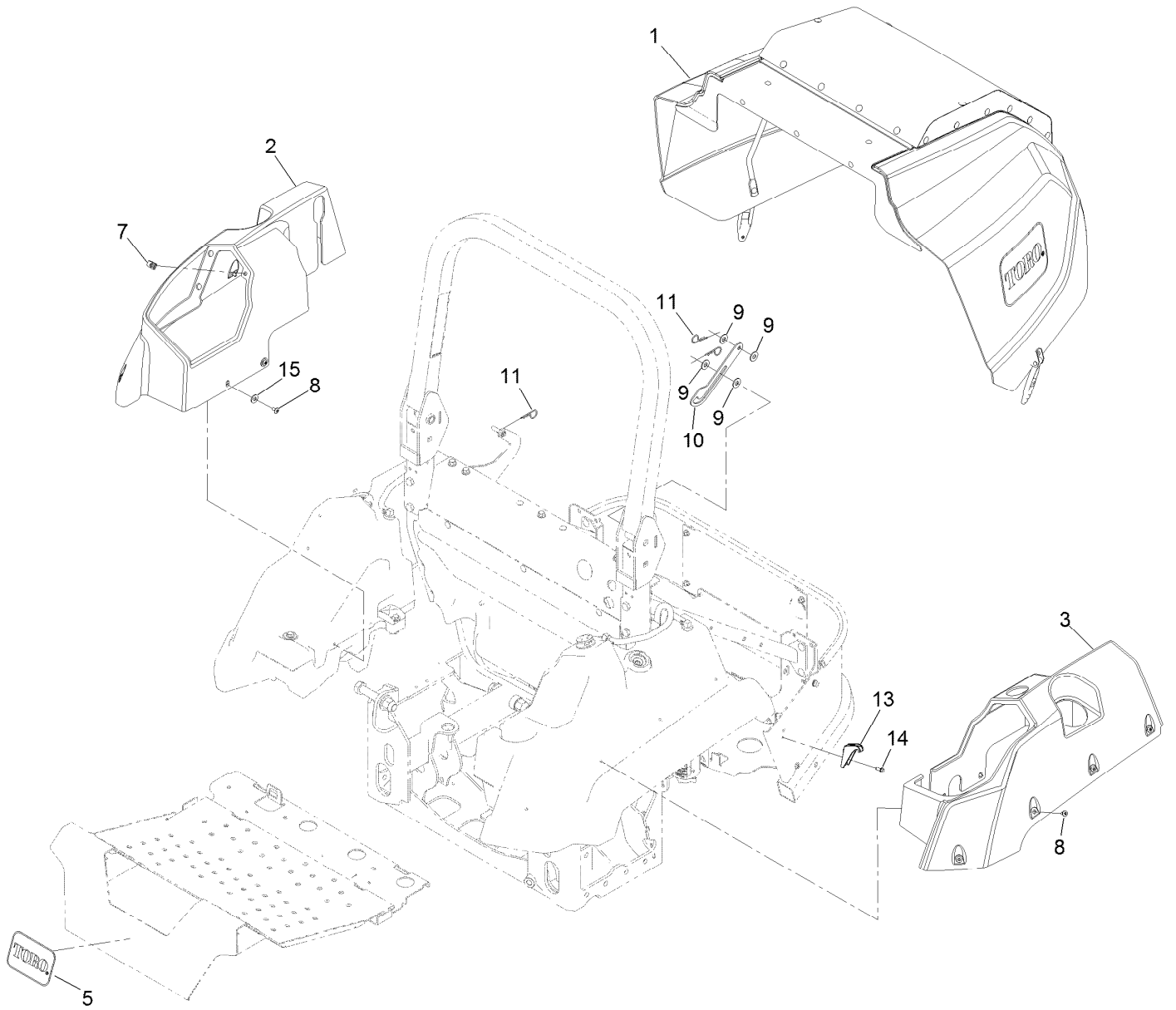
Air Cleaner Assembly No. 126-7646



Air Cleaner Assembly No. 126-7646 (continued)

<i>Ref.</i>	<i>Part Number</i>	<i>Qty.</i>	<i>Description</i>	<i>Ref.</i>	<i>Part Number</i>	<i>Qty.</i>	<i>Description</i>
2	105-4292	1	Nipple-Pipe	6	108-3810	1	Filter-Air
3	126-7651	1	Indicator-Mini	7	104-0497	1	Cover
4	104-4897	1	Gasket	8	104-0498	1	Valve-Vacuator
5	114-4057	1	Element-Safety				

Hood and Cover Assembly

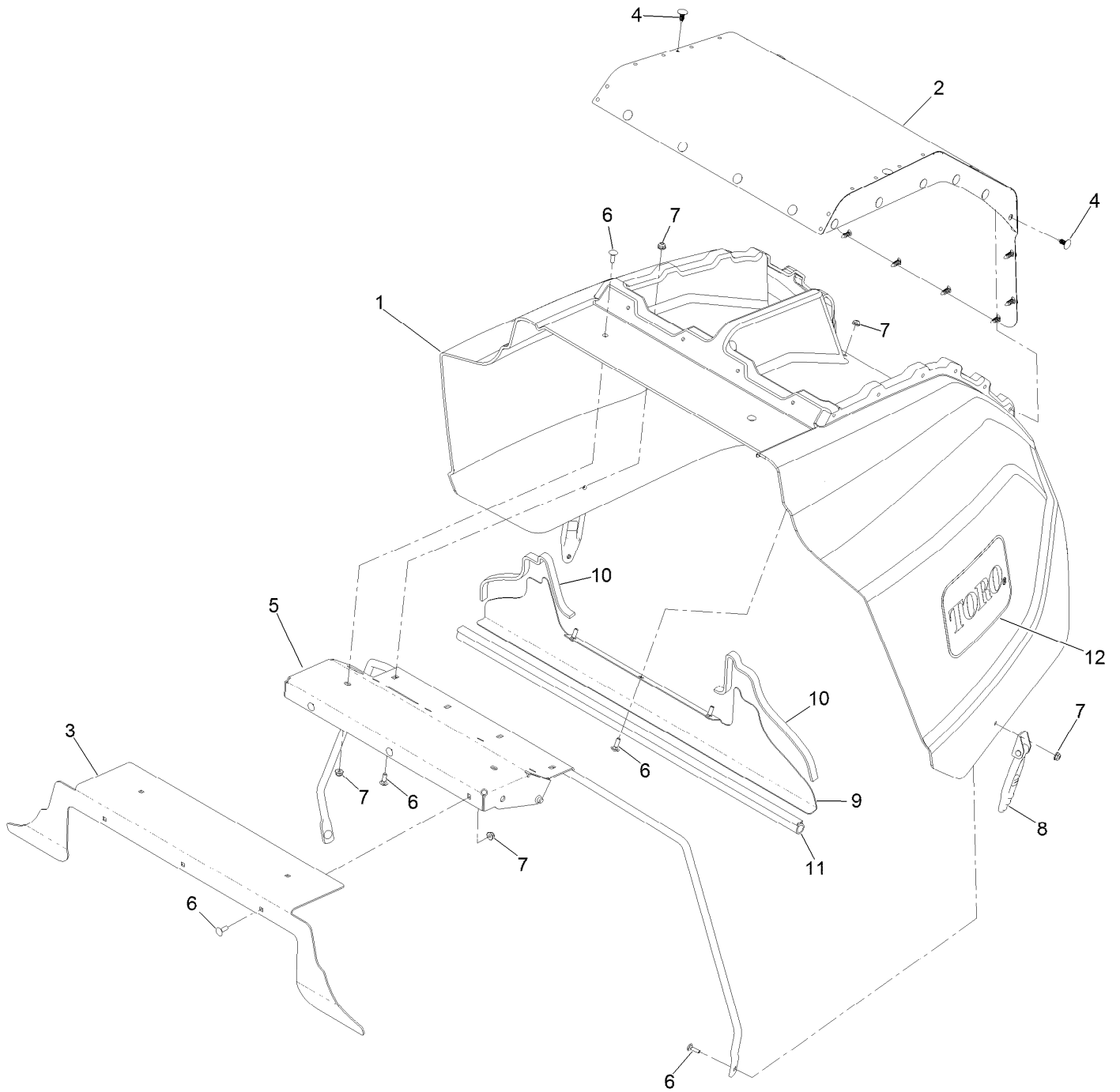


Hood and Cover Assembly (continued)

<i>Ref.</i>	<i>Part Number</i>	<i>Qty.</i>	<i>Description</i>	<i>Ref.</i>	<i>Part Number</i>	<i>Qty.</i>	<i>Description</i>
1		1	Hood ASM ●	9	3256-4	4	Washer-Flat
2	126-8655	1	Cover-Tank, RH	10	120-9129	1	Prop-Hood
3	126-8656	1	Cover-Tank, LH	11	3290-255	3	Pin-Cotter, Hair
5	68-3640	1	Decal	13	126-8672	2	Latch-Catch
7	107069	1	Clip	14	32144-10	2	Screw-HWH
8	126-8216	12	Screw-Torx	15	3256-71	4	Washer-Flat

● Not serviced separately

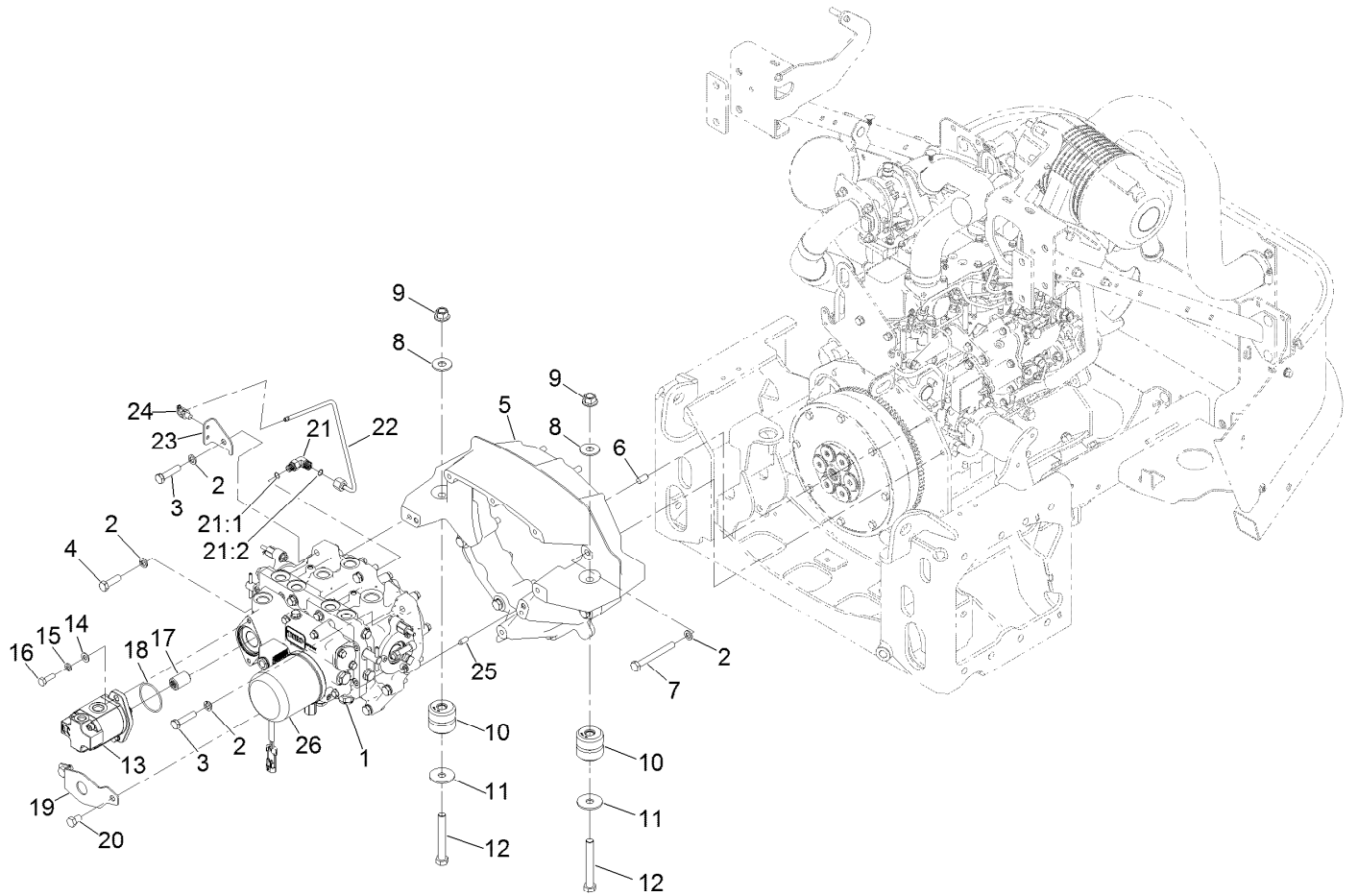
Hood Assembly



Hood Assembly (continued)

<i>Ref.</i>	<i>Part Number</i>	<i>Qty.</i>	<i>Description</i>	<i>Ref.</i>	<i>Part Number</i>	<i>Qty.</i>	<i>Description</i>
1	135-7929	1	Hood	7	104-7201	14	Nut-HF, NI
2	135-6746-03	1	Screen-Intake	8	103-2898	2	Latch-Rubber
3	135-6750-03	1	Block Off-Hood	9	135-7572-03	1	Plate-Seal
4	117-2382	24	Plug-Plastic	10	135-7573	2	Seal-Foam
5	126-6524-03	1	Support-Hood	11	126-6846	1	Seal-Bulb
6	3229-1	14	Screw-CARR	12	62-7400	2	Decal-Toro Logo

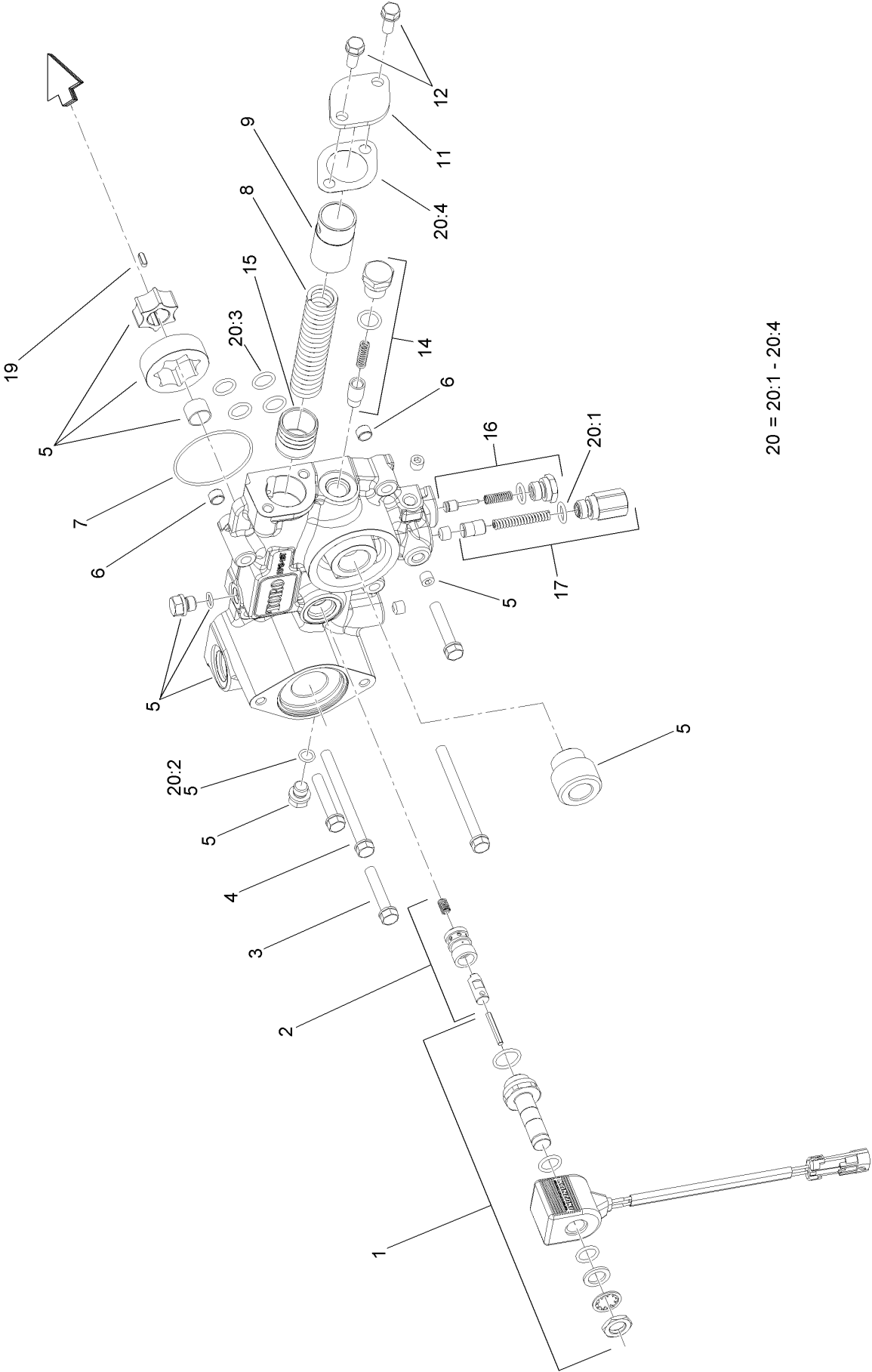
Transmission Assembly



Transmission Assembly (continued)

<i>Ref.</i>	<i>Part Number</i>	<i>Qty.</i>	<i>Description</i>	<i>Ref.</i>	<i>Part Number</i>	<i>Qty.</i>	<i>Description</i>
1	131-5510	1	Transmisson ASM	15	3253-4	2	Washer-Lock 5/16
2	48-9590	14	Washer-Lock	16	33114-025	2	Screw-HH M8-1.25 X 25Mm
3	33115-045	6	Screw-HH	17	108-9920	1	Coupler-Spline
4	33115-035	1	Screw-HH M10-1.5 X 25Mm	18	108-9919	1	O-Ring
5	126-8786	1	Housing-Flywheel	19	114-4088	1	Shield-Seal
6	126-8893	2	Pin-Dowel	20	33115-016	2	Screw-HH
7	33115-090	7	Screw-HH	21	340-132	1	Fitting-Elbow, 90 DEG
8	3256-6	2	Washer	21:1	237-78	1	O-Ring
9	99-5107	2	Nut-Lock 1/2-13	21:2	237-21	1	O-Ring
10	126-6095	2	Mount-Isolator	22	126-8689	1	Tube ASM
11	86-1990	2	Washer	23	126-6806	1	Support-Tube
12	325-15	2	Screw-HH	24	32180-030	1	Clip-Tie
13	112-9542	1	HYD Gear Pump ASM	25	87-1910	2	Pin-Dowel
14	3256-23	2	Washer-5/16 SAE	26	135-3467	1	Filter-Oil, HYD

Charge Pump Housing Assembly Transmission Assembly No. 131-5510



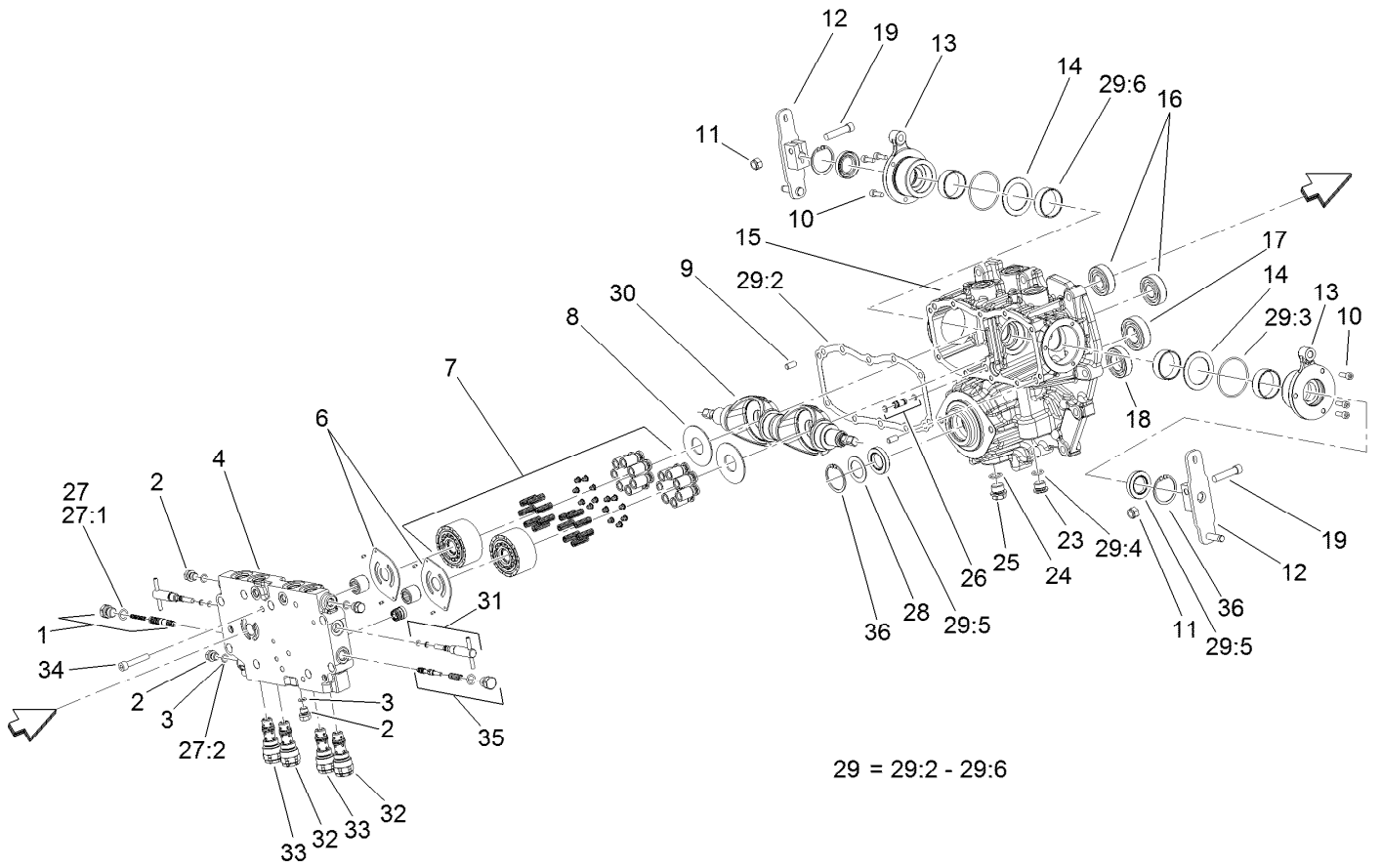
20 = 20:1 - 20:4

Charge Pump Housing Assembly Transmission Assembly No. 131-5510 (continued)

<i>Ref.</i>	<i>Part Number</i>	<i>Qty.</i>	<i>Description</i>	<i>Ref.</i>	<i>Part Number</i>	<i>Qty.</i>	<i>Description</i>
1	107-0851	1	Solenoid ASM	14	107-0843	1	Filter Bypass Valve ASM
2	107-0850	1	Solenoid Valve ASM	15	107-0818	1	Piston
3	107-0863	3	Bolt	16	107-0842	1	Charge Relief Valve ASM
4	107-0864	2	Bolt	17	107-0841	1	Pressure Valve ASM
5	107-0840	1	Pump Body ASM	19	107-0865	1	Key
6	107-0848	2	Pin	20	107-0855	1	Charge Pump Seal Kit
7	107-0856	1	O-Ring	20:1	93-0418	2	O-Ring
8	107-0845	1	Spring	20:2	107-0817	2	O Ring-Plug
9	107-0844	1	Collar	20:3	104-3298	6	Packing
11	107-0846	1	Cover	20:4	107-0847	1	Gasket
12	93-0457	2	Bolt And Washer ASM				

Transmission Assembly (cont.)

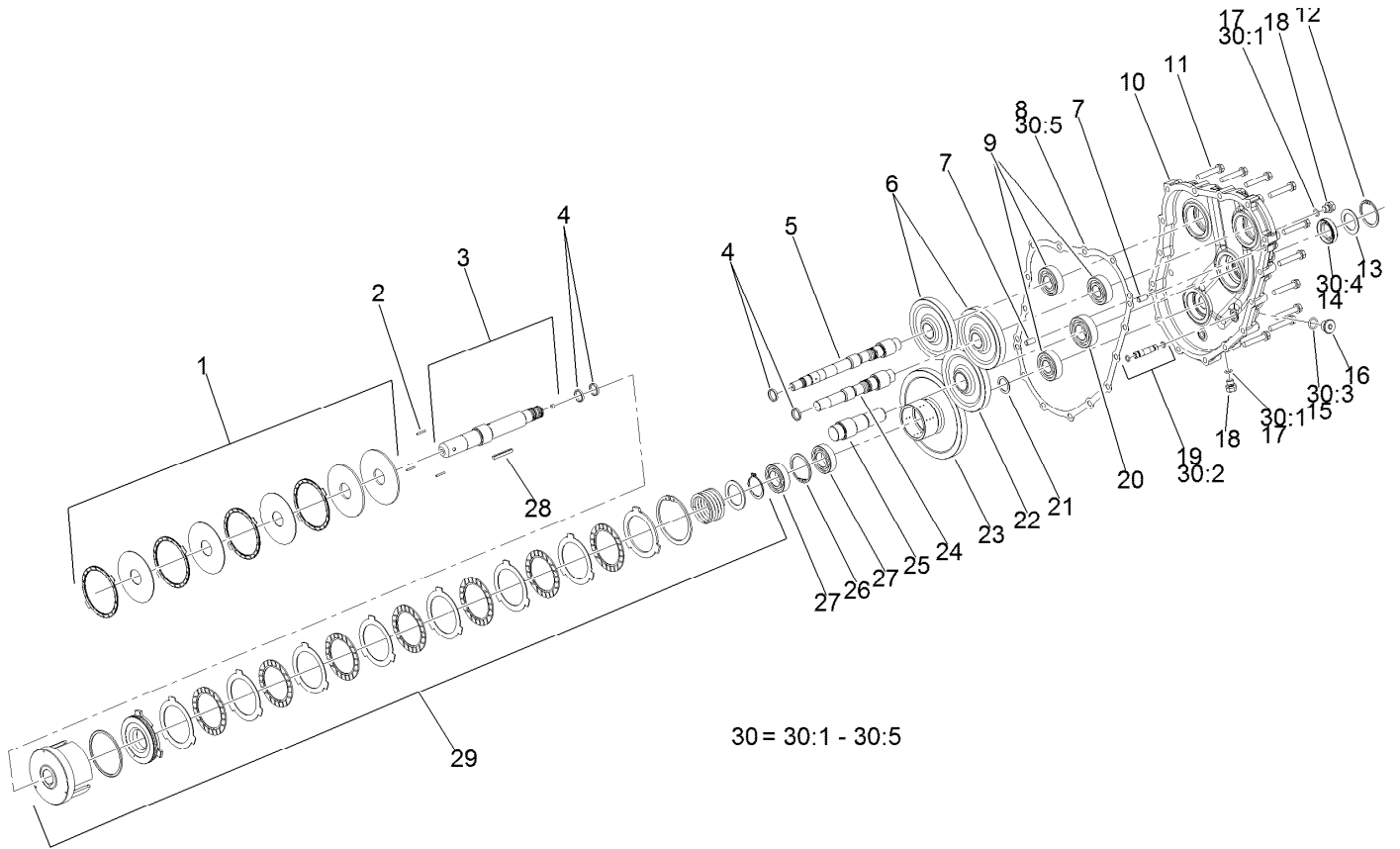
Center Section Assembly



Transmission Assembly (cont.) Center Section Assembly (continued)

<i>Ref.</i>	<i>Part Number</i>	<i>Qty.</i>	<i>Description</i>	<i>Ref.</i>	<i>Part Number</i>	<i>Qty.</i>	<i>Description</i>
1	107-0807	1	Valve-Flushing, RH	25	107-0867	1	Plug
2	107-0857	6	Plug	26	107-0812	1	Pipe
3	107-0817	6	O Ring-Plug	27	107-0852	1	Center Case Seal Kit
4	121-3377	1	Center Case, Complete	27:1	93-0418	2	O-Ring
6	107-0805	2	Plate-Valve	27:2	107-0817	6	O Ring-Plug
7	107-0824	2	Cylinder Block ASM	28	107-0813	1	Spacer
8	107-0830	2	Plate-Thrust	29	107-0853	1	Pump Housing Seal Kit
9	92-0765	4	Pin-Parallel	29:2	107-0810	1	Gasket-Case, Center
10	107-0859	6	Bolt	29:3	107-0817	2	O Ring-Plug
11	120-6681	2	U-Nut	29:4	104-3298	1	Packing
12	120-6680	2	Arm-Control	29:5	107-0814	3	Seal
13	107-0832	2	Side Cover ASM	29:6	107-0825	4	Ring-Seal
14	107-0829	2	Washer	30	120-6679	2	Plate-Swash
15	120-5151	1	Pump Housing ASM	31	107-0808	2	Valve-Bypass
16	107-0826	2	Bearing	32	107-0804	2	Valve-Rear
17	107-0821	1	Bearing	33	107-0803	2	Valve-Front
18	107-0838	1	Bearing	34	107-0863	8	Bolt
19	120-6682	2	Bolt	35	107-0806	1	Valve-Flushing, LH
23	107-0861	1	Plug-NPTF	36	92-0757	2	Ring-Snap
24	237-79	1	O-Ring				

Transmission Assembly (cont.) Gear Case and Clutch Assembly

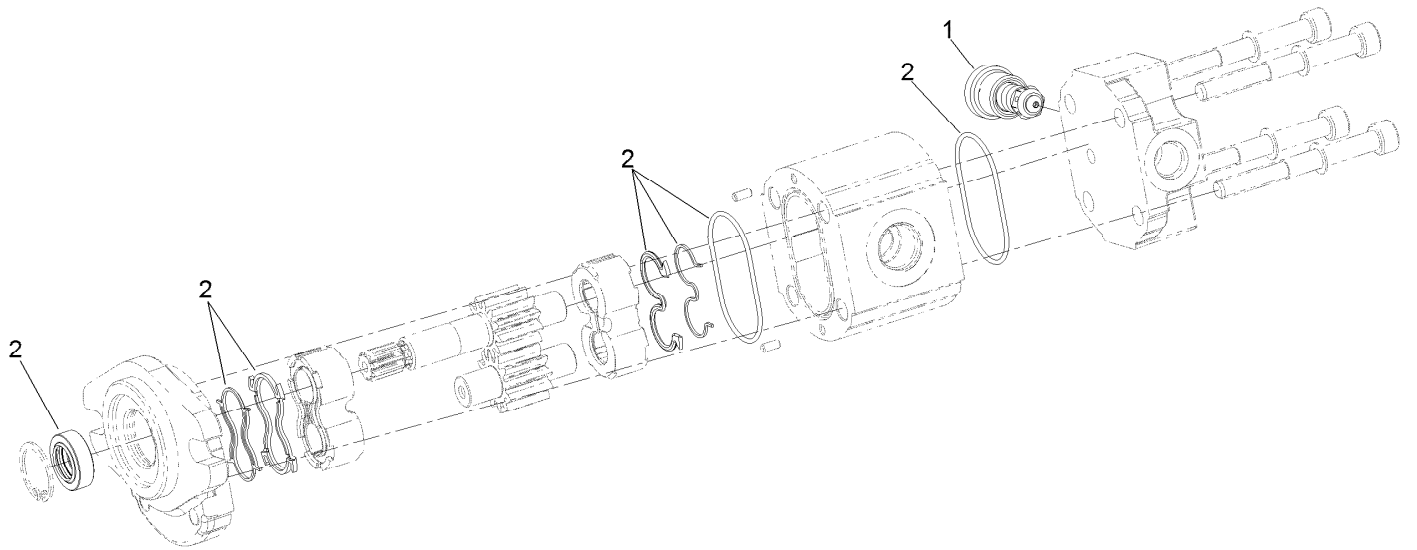


Transmission Assembly (cont.) Gear Case and Clutch Assembly (continued)

<i>Ref.</i>	<i>Part Number</i>	<i>Qty.</i>	<i>Description</i>	<i>Ref.</i>	<i>Part Number</i>	<i>Qty.</i>	<i>Description</i>
1	107-0839	1	PTO Brake ASM	19	107-0811	1	Pipe
2	107-0837	3	Rod-Push	20	107-0821	2	Bearing
3	107-0833	1	PTO Shaft ASM	21	107-0836	1	Spacer
4	107-0825	2	Ring-Seal	22	107-0820	1	Gear-Input
5	107-0827	1	Shaft-Pump	23	107-0834	1	Gear-PTO
6	107-0823	2	Gear-Pump	24	107-0822	1	Shaft-Pump
7	92-0765	4	Pin-Parallel	25	107-0819	1	Shaft-Input
8	107-0816	1	Gasket-Housing, Gear	26	92-0758	1	Ring-Snap
9	107-0826	4	Bearing	27	107-0838	3	Bearing
10	120-5152	1	Housing-Case, Gear	28	107-0866	1	Key
11	107-0863	13	Bolt	29	107-0835	1	Clutch Cylinder ASM
12	92-0757	1	Ring-Snap	30	107-0854	1	Gear Housing Seal Kit
13	107-0813	1	Spacer	30:1	107-0817	2	O Ring-Plug
14	107-0814	1	Seal	30:2		2	O-Ring ●
15	104-3298	1	Packing	30:3	104-3298	1	Packing
16	107-0861	1	Plug-NPTF	30:4	107-0814	1	Seal
17	107-0817	6	O Ring-Plug	30:5	107-0816	1	Gasket-Housing, Gear
18	107-0857	6	Plug				

● Not serviced separately

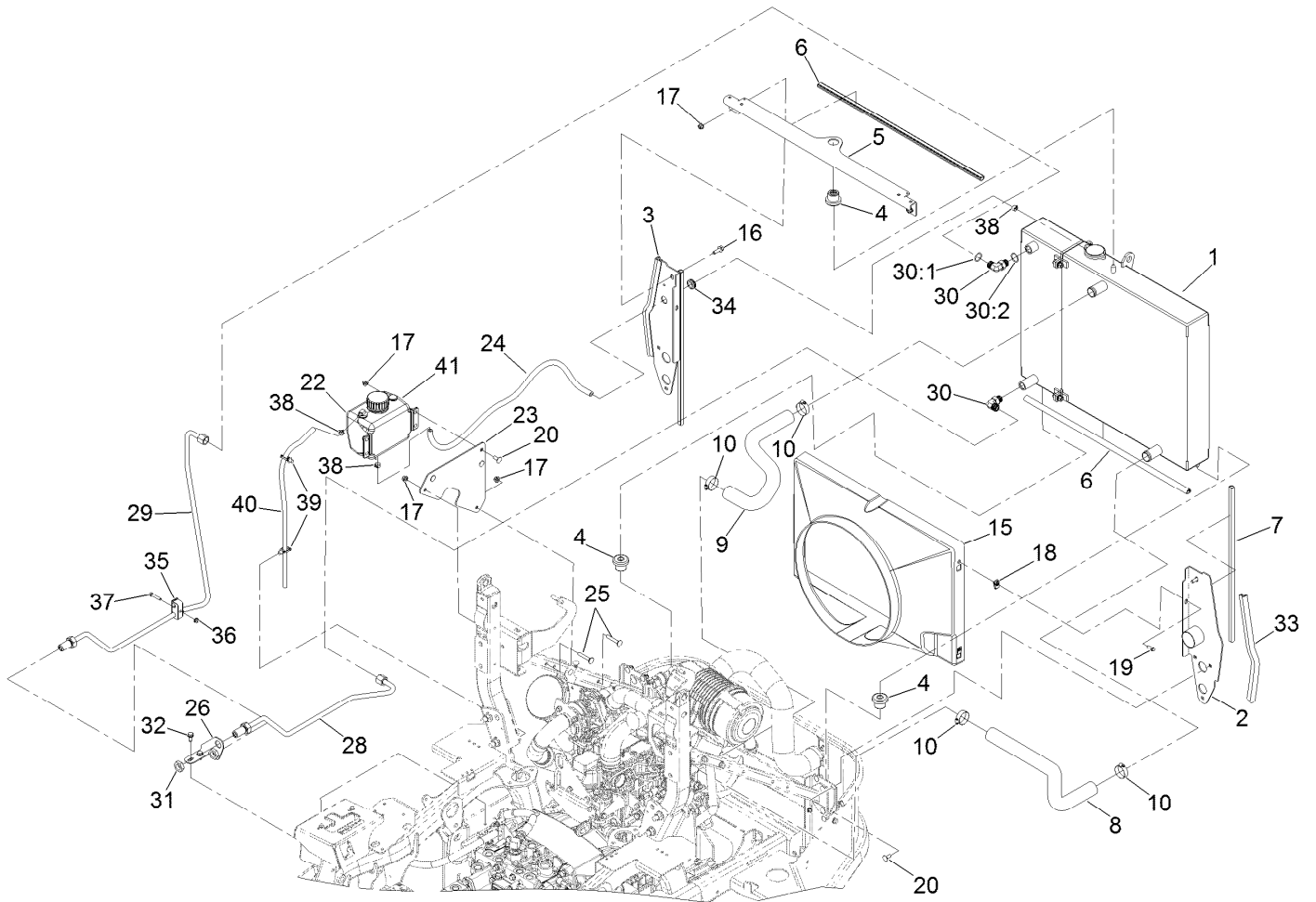
Hydraulic Gear Pump Assembly No. 112-9542



Hydraulic Gear Pump Assembly No. 112-9542 (continued)

<i>Ref.</i>	<i>Part Number</i>	<i>Qty.</i>	<i>Description</i>
1	112-0198	1	Valve
2	112-0199	1	Seal Kit

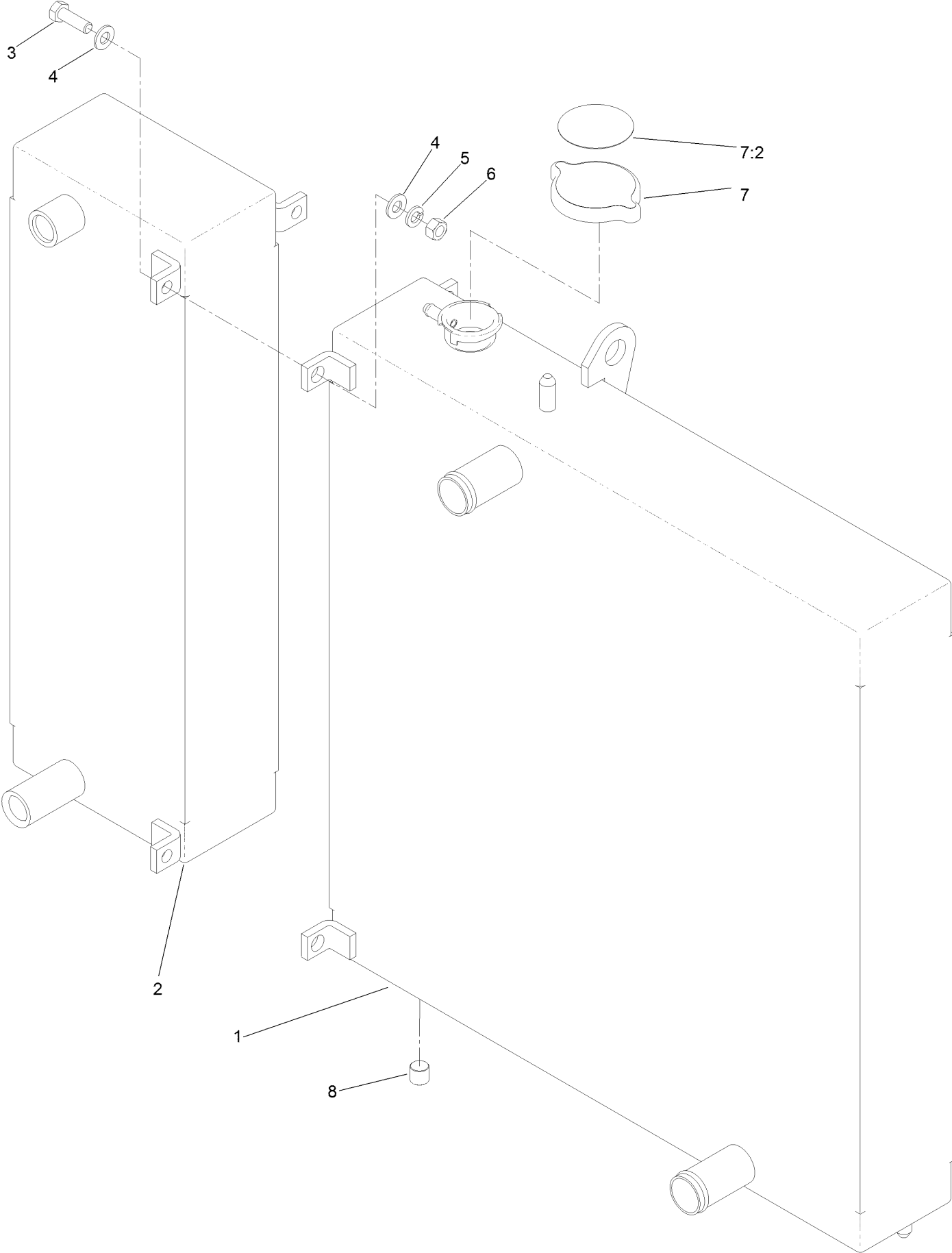
Cooling Assembly



Cooling Assembly (continued)

<i>Ref.</i>	<i>Part Number</i>	<i>Qty.</i>	<i>Description</i>	<i>Ref.</i>	<i>Part Number</i>	<i>Qty.</i>	<i>Description</i>
1	121-3330	1	Cooling ASM	25	3230-6	2	Bolt-CARR
2	126-9026-03	1	Support-Radiator, LH	26	126-6781-03	1	Bracket-Bulkhead
3	126-9028-03	1	Support-Radiator, RH	28	126-8691	1	Hydraulic Tube ASM
4	119-1422	3	Mount-Isolator	29	126-8690	1	Hydraulic Tube ASM
5	120-0068-03	1	Bracket-Cooling, Top	30	340-98	2	Fitting-Elbow, 90 DEG
6	119-1427	2	Seal-Bulb	30:1	237-79	1	O-Ring
7	119-1426	2	Seal-Bulb	30:2	237-30	1	O-Ring
8	126-7787	1	Hose-Radiator, Lower	31	340-127	2	Nut-Bulkhead
9	126-7788	1	Hose-Radiator, Upper	32	32144-70	2	Screw-HWHTF
10	2412-34	4	Clamp-Hose	33	126-6847	2	Seal-Bulb
15	126-6720	1	Shroud-Fan	34	237-124	1	Grommet
16	3234-29	2	Screw-HHF	35	135-0641	1	Clamp-Twin
17	104-8300	13	Nut-HF, NI	36	104-7201	1	Nut-HF, NI
18	107069	4	Clip	37	321-13	1	Screw-HH
19	32105-15	4	Screw-HWH	38	2412-98	3	Clamp-Hose
20	3230-23	9	Bolt-CARR	39	32180-030	2	Clip-Tie
22	135-4692	1	Tank-Overflow, W/Cap	40	110-4103	1	Hose-Fuel
23	126-9178-03	1	Bracket-Bottle	41	135-4693	1	Cap-W/Tether
24	109-0284	1	Hose-Fuel				

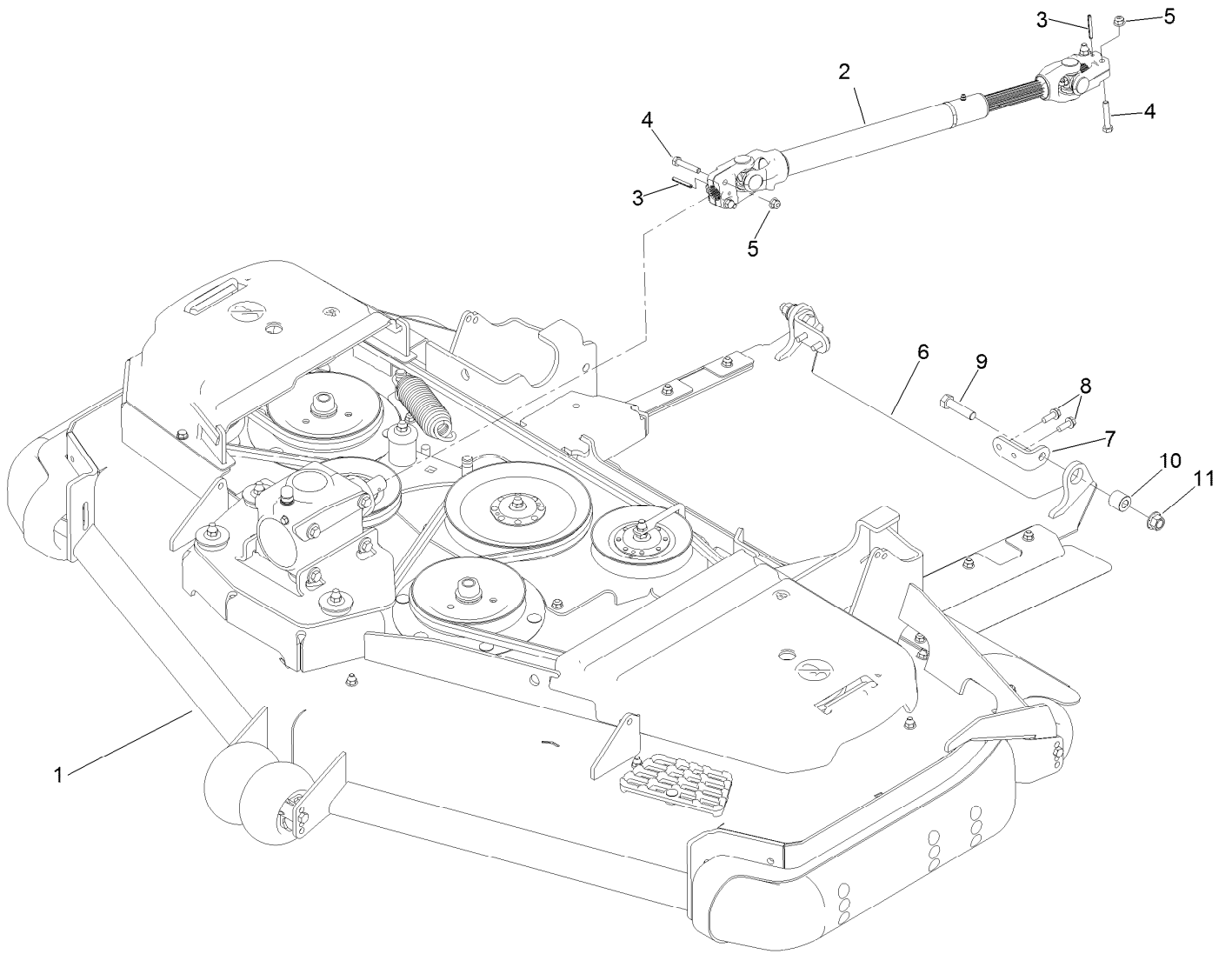
Cooling Assembly No. 121-3330



Cooling Assembly No. 121-3330 (continued)

<i>Ref.</i>	<i>Part Number</i>	<i>Qty.</i>	<i>Description</i>	<i>Ref.</i>	<i>Part Number</i>	<i>Qty.</i>	<i>Description</i>
1	121-3328	1	Radiator	6	3217-6	3	Nut-Hex
2	121-3329	1	Oil Cooler	7	119-1430	1	Radiator Cap ASM
3	322-5	3	Screw-HH	7:2	117-3276	1	Decal-Danger
4	3256-23	6	Washer-Plain	8	99-8551	1	Plug-Pipe
5	3253-4	3	Washer-Lock				

Deck, Driveshaft and Tunnel Assembly

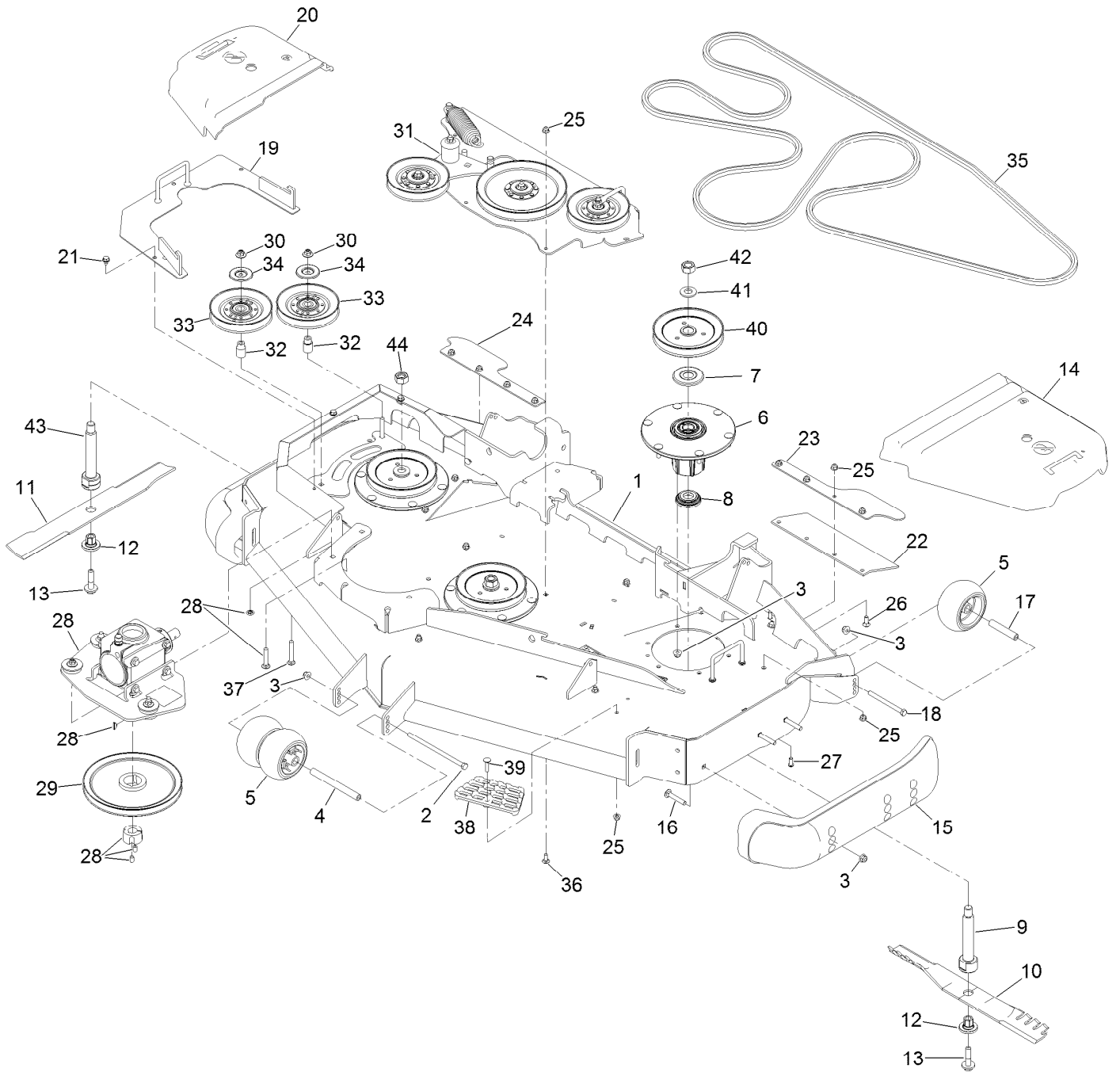


Deck, Driveshaft and Tunnel Assembly (continued)

<i>Ref.</i>	<i>Part Number</i>	<i>Qty.</i>	<i>Description</i>	<i>Ref.</i>	<i>Part Number</i>	<i>Qty.</i>	<i>Description</i>
1		1	Deck ASM-60Rd ●	7	126-2793-03	2	Bracket-Discharge
2	110-3575	1	Driveshaft ASM	8	32144-41	4	Screw-Taptite
3	32121-34	2	Pin-Roll	9	325-8	2	Screw-HH
4	322-9	4	Screw-HH	10	126-1705	2	Bushing-Sleeve
5	104-8300	4	Nut-HF, NI	11	99-5107	2	Nut-Lock
6	126-3317	1	Discharge Tunnel ASM				

● Not serviced separately

Deck Assembly

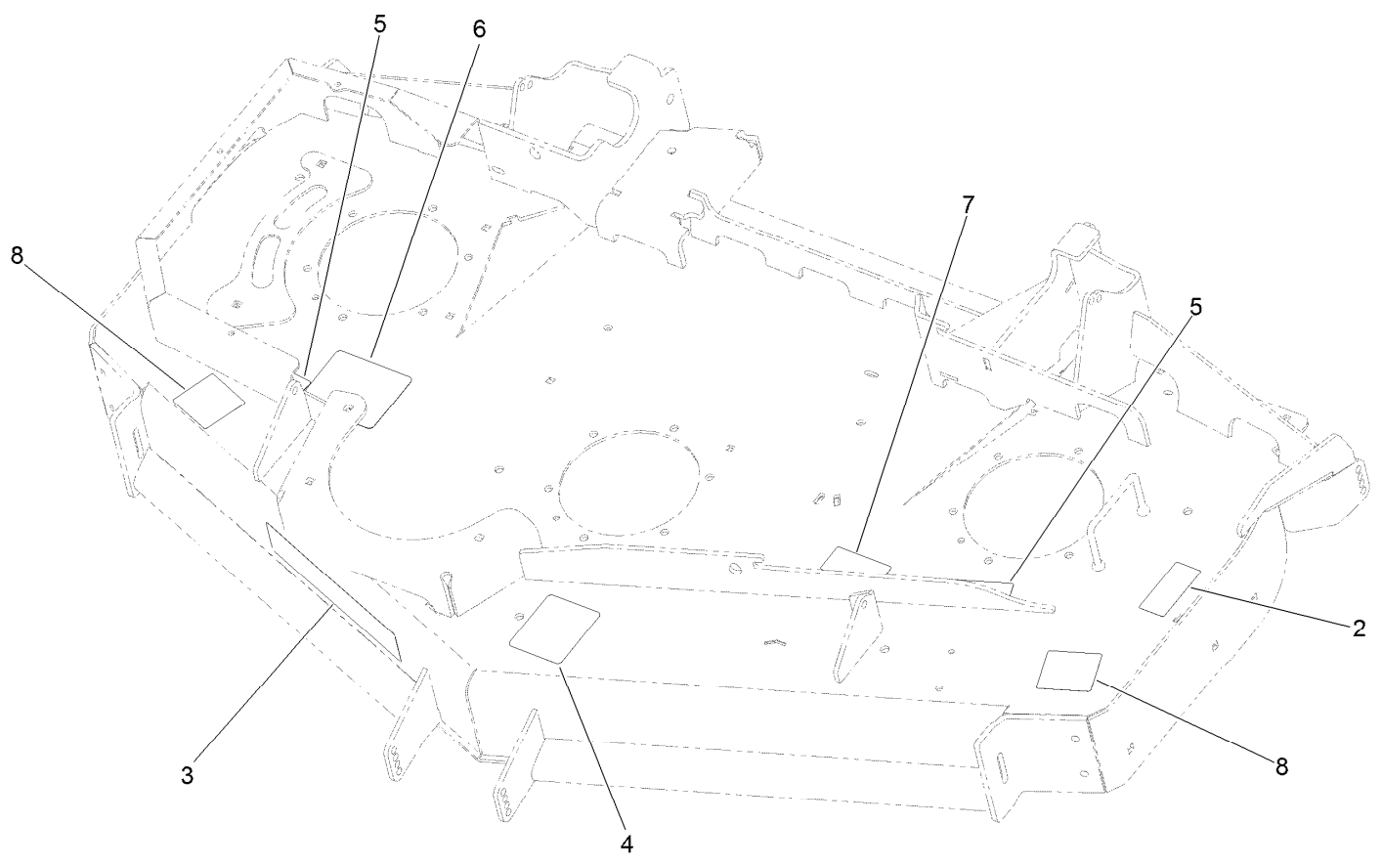


Deck Assembly (continued)

<i>Ref.</i>	<i>Part Number</i>	<i>Qty.</i>	<i>Description</i>	<i>Ref.</i>	<i>Part Number</i>	<i>Qty.</i>	<i>Description</i>
1	140-0965	1	Deck Decal ASM	24	135-0329-01	1	Support-Flap, Outer (RH)
2	108-5388	1	Screw-HH	25	104-8300	21	Nut-HF, NI
3	104-8301	27	Nut-HF, NI	26	3230-16	9	Screw-CARR
4	98-5967	1	Spacer-Wheel	27	3274-55	6	Screw-HSBH
5	1-603299	4	Roller-Scalp, Anti	28		1	Gearbox ASM ●
6	137-9780	3	Spindle ASM	29	126-2822	1	Pulley
7	103-1330	1	Guard-Bearing, Top	30	109-6658	2	Nut-Flange, NI
8	137-9784	3	Guard-Bottom	31	126-3271	1	Idler Mount ASM
9	138-6045	2	Shaft-Spindle	32	126-3312	2	Standoff-Idler
10	140-1241	2	Blade-20.50 Atomic	33	126-8766	2	Idler V
11	140-1244	1	Blade-20.50 Cr Low Flow	34	126-8043	2	Shield-Dust
12	137-9787	3	Bushing-Hex	35	126-7631	1	Belt-Bb
13	109-9220	3	Screw-Sems	36	3230-23	5	Bolt-CARR
14	109-6938	1	Cover-Belt, LH	37	3231-31	2	Screw-CARR
15	112-1479	2	Skid-Bumper, Deck	38	126-4781-03	1	Step-Deck
16	3231-7	6	Screw-CARR	39	3230-3	1	Screw-CARR
17	98-7912	2	Tube-Spanner	40	138-6058	3	Sheave-Blade Drive 6.50
18	323-23	2	Screw-HH	41	103-2802	3	Washer
19	116-8195-01	1	Cover-Drive Reverse	42	116-7306	2	Nut-Hex
20	116-8190	1	Cover-Belt, RH	43	140-1188	1	Shaft-Spindle, Int. Hex LH Thd
21	9266934	3	Screw	44	140-1230	1	Nut-Hex,LH,Lock
22	116-8191	2	Guard-Tire				
23	135-0401-01	1	Support-Flap, Outer (LH)				

● Not serviced separately

Deck Decal Assembly No. 140-0965



Deck Decal Assembly No. 140-0965 (continued)

<i>Ref.</i>	<i>Part Number</i>	<i>Qty.</i>	<i>Description</i>	<i>Ref.</i>	<i>Part Number</i>	<i>Qty.</i>	<i>Description</i>
2	116-8283	1	Decal-Torque, Bolt	6	140-1198	1	Decal-Spindle Cr, CE
3	107-1619	1	Decal	7	126-9280	1	Decal-Belt Routing Rear
4	109-6036	1	Decal-Roller, Anti-Scalp	8	135-0664	2	Decal-Danger, Thrown Object
5	112-9028	2	Decal-Cover, Missing				

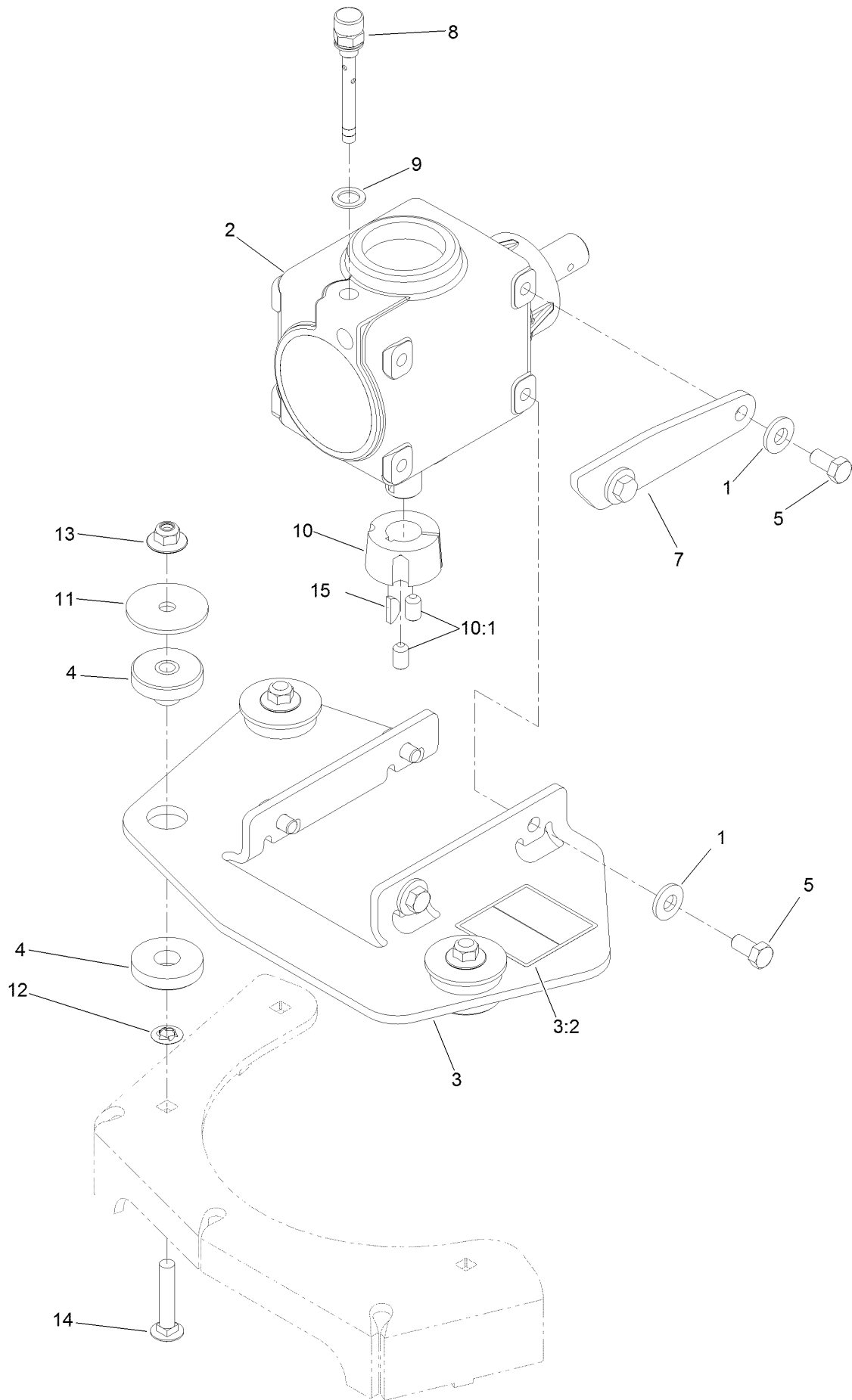
Spindle Assembly No. 137-9780



Spindle Assembly No. 137-9780 (continued)

<i>Ref.</i>	<i>Part Number</i>	<i>Qty.</i>	<i>Description</i>
2	116-0720	2	Bearing-Ball
3	138-6042	1	Spacer-Bearing

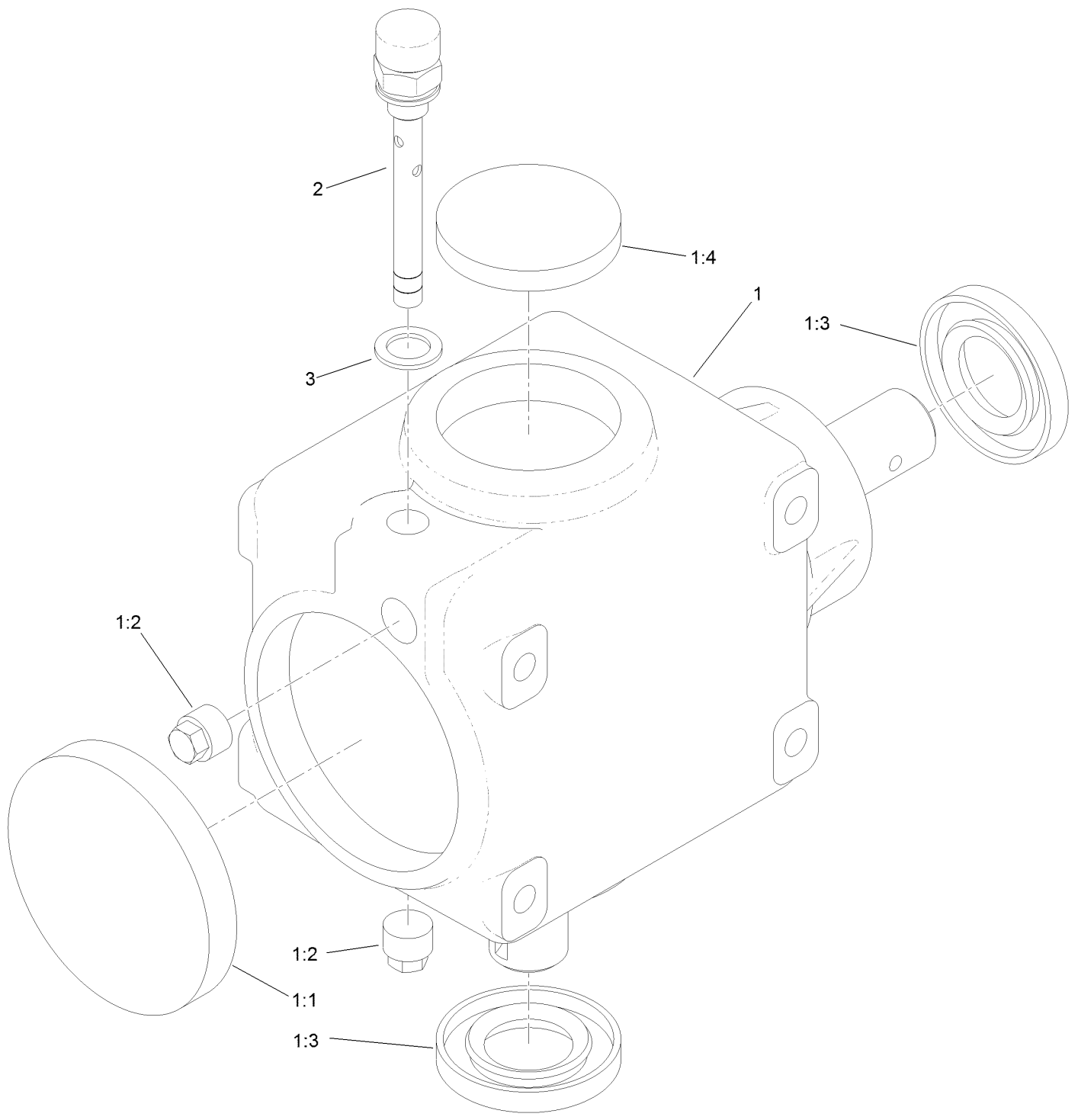
Gearbox and Mount Assembly



Gearbox and Mount Assembly (continued)

<i>Ref.</i>	<i>Part Number</i>	<i>Qty.</i>	<i>Description</i>	<i>Ref.</i>	<i>Part Number</i>	<i>Qty.</i>	<i>Description</i>
1	98-5975	6	Washer-Belleville	9	130-4899	1	Washer
2	130-8659	1	Gearbox ASM	10	23-1640	1	Bushing-Taperlock
3	135-0874	1	Mount-Gearbox	10:1	3247-4	2	Screw-Set
3:2	135-0679	1	Decal-Hazard, Entanglement	11	83-1040	3	Washer-Flat
4	126-3074	3	Mount-ISO	12	107-3154	3	Nut-Push
5	323-4	6	Screw-HH	13	109-6658	3	Nut-Flange, NI
7	126-3544	1	Stop-Gearbox	14	3231-6	3	Screw-CARR
8	130-8661	1	Plug-Breather	15	3257-5	1	Key-Woodruff

Gearbox Assembly No. 130-8659

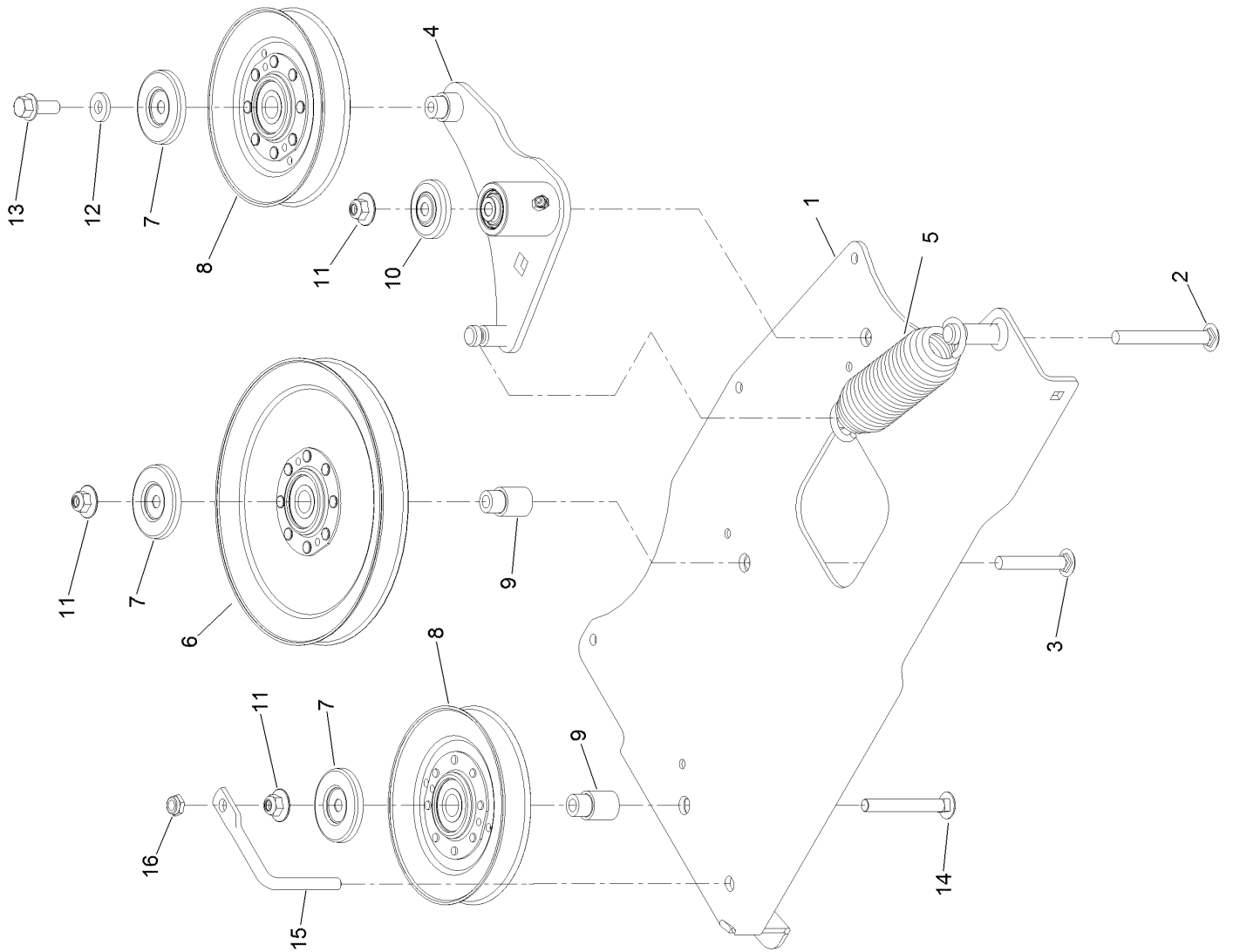
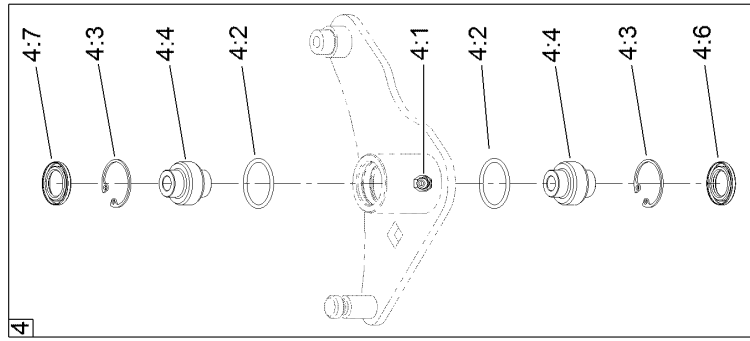


Gearbox Assembly No. 130-8659 (continued)

<i>Ref.</i>	<i>Part Number</i>	<i>Qty.</i>	<i>Description</i>	<i>Ref.</i>	<i>Part Number</i>	<i>Qty.</i>	<i>Description</i>
1		1	Gearbox ASM ●	1:4	107-2935	1	Cap-Oil
1:1	107-2932	1	Cap-Oil	2	130-8661	1	Plug-Breather
1:2	107-2933	2	Plug	3	130-4899	1	Washer
1:3	117-9247	2	Seal				

● Not serviced separately

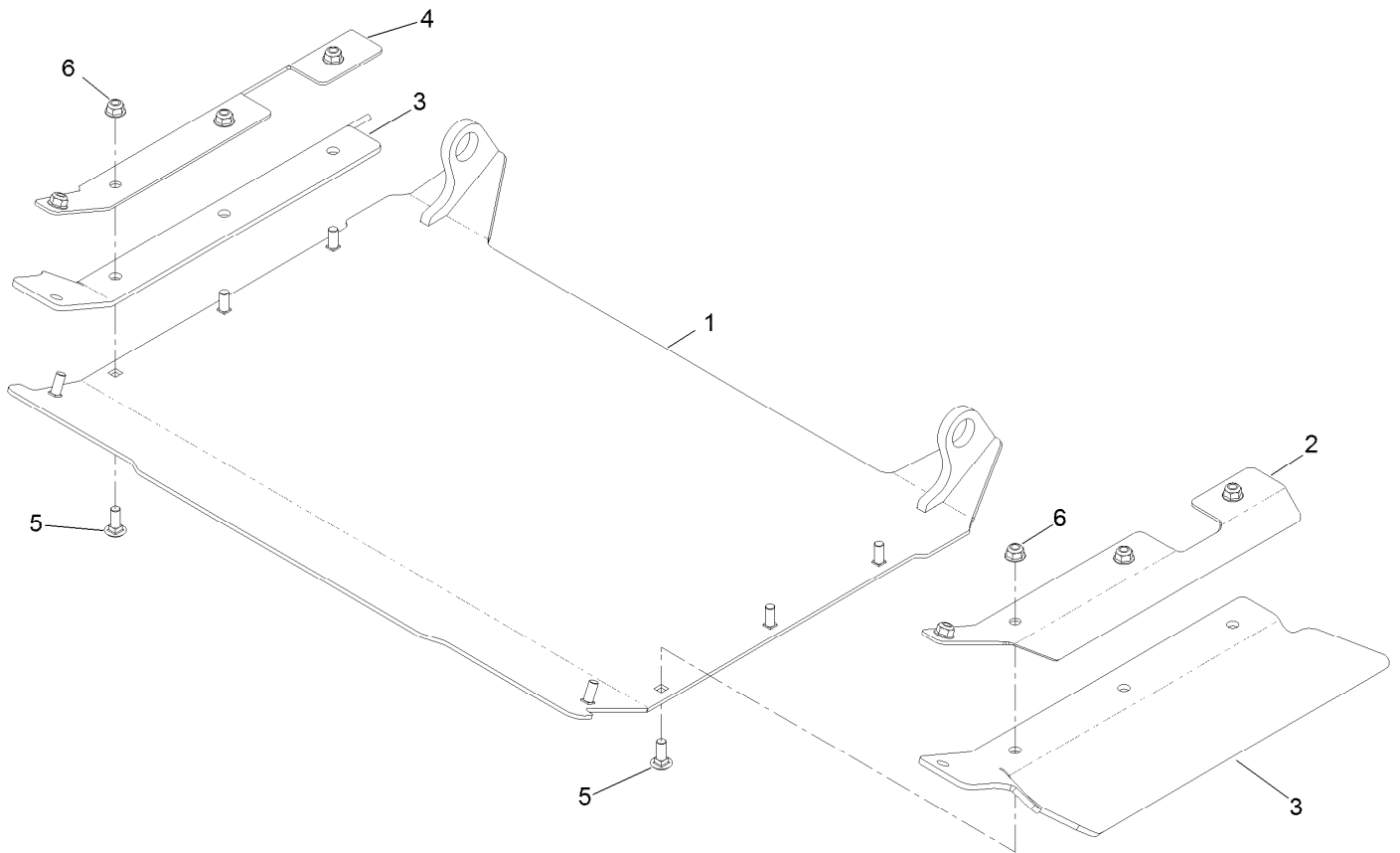
Idler Mount Assembly No. 126-3271



Idler Mount Assembly No. 126-3271 (continued)

<i>Ref.</i>	<i>Part Number</i>	<i>Qty.</i>	<i>Description</i>	<i>Ref.</i>	<i>Part Number</i>	<i>Qty.</i>	<i>Description</i>
1	126-3272-01	1	Mount-Idler	6	126-7460	1	Idler-V
2	116-1502	1	Bolt-Shoulder, Carriage	7	126-8043	3	Shield-Dust
3	3231-44	1	Screw-CARR	8	126-8766	2	Idler V
4	126-2967	1	Idler Arm ASM	9	126-3312	2	Standoff-Idler
4:1	302-11	1	Fitting-Lube, 45 DEG	10	103-2916	1	Guard-Top
4:2	106-7159	2	O-Ring	11	109-6658	3	Nut-Flange, NI
4:3	32120-10	2	Ring-Snap	12	43-0940	1	Spacer
4:4	103-3504	2	Bearing-Spherical	13	3234-11	1	Screw-HHF
4:6	103-3505	1	Seal-Lip, Double	14	3231-10	1	Screw-CARR
4:7	103-3506	1	Seal-Lip, Single	15	135-0362	1	Guide-Belt
5	116-6317	1	Spring-Extension	16	3296-59	1	Nut-Lock, NI

Discharge Tunnel Assembly No. 126-3317



Discharge Tunnel Assembly No. 126-3317 (continued)

<i>Ref.</i>	<i>Part Number</i>	<i>Qty.</i>	<i>Description</i>	<i>Ref.</i>	<i>Part Number</i>	<i>Qty.</i>	<i>Description</i>
1	126-3318-03	1	Tunnel-Discharge	4	126-2798-03	1	Bracket-Flap, RH
2	126-2797-03	1	Bracket-Flap, LH	5	3230-16	8	Screw-CARR
3	126-2799	2	Flap-Rubber	6	104-8300	8	Nut-HF, NI

Attachments and Accessories

For 72028 Z Master Professional 7500-D Series Riding Mower With 60in TURBO FORCE Rear Discharge Mower

Product Name	Model/Part
Premium Transmission/Hydraulic Tractor Fluid (55 Gallon Drum).....	108-1183
Premium Transmission/Hydraulic Tractor Fluid (5 Gallon Pail)	108-1184
Deck Skid Bumper (White).....	126-0854
Sunshade Kit	126-8077
Anti-Scalp and Wear Bar Kit	127-6650
Jack Kit.....	127-6666
Jack Mount Kit	135-1768
Trash Container Kit.....	135-2473
Slow Moving Vehicle Kit.....	135-2891
Rear Guard Kit.....	135-3445
Hitch Kit	135-3616
Worklight Kit	135-7076
Oil-30/10W-30 Synthetic (Quart).....	138-6053
Oil-30/10W-30 Synthetic (Gallon)	138-6054
Blade-20.50 Atomic	140-1241
Blade-20.50 Cr Low Flow.....	140-1244
6 Pack-Blade, 20.5 Atomic.....	140-4880

Notes:

Notes:

Notes:



Count on it.