



**Count on it.**

**Parts Catalog**

**EU Road Light Kit**

**Groundsmaster® e3200 Series Traction Unit**

Model No. 32308



# Ordering Replacement Parts

To order replacement parts, please supply the part number, the quantity, and the description of each part desired.

## Understanding Reference Numbers

Each identified part in an illustration has a reference number. The reference number for a part also appears in the parts list, along with other information about the part.

This catalog uses two special reference number formats, one to indicate parts in a service assembly and another to indicate the quantity of a given part in an illustration.

## Service Assembly Reference Numbers

Parts in service assemblies have reference numbers in the form a:b. The a represents the reference number of the entire service assembly and the b represents a sequential number unique to each part within the service assembly.

For example, a wheel assembly might be identified by reference number 6, the tire by 6:1, the valve by 6:2, and the wheel by 6:3. When you order the assembly identified by reference number 6, you receive all parts identified by reference numbers 6:1, 6:2, and 6:3. However, you may also order any part individually. Reference numbers of this type appear in illustration and in parts lists.

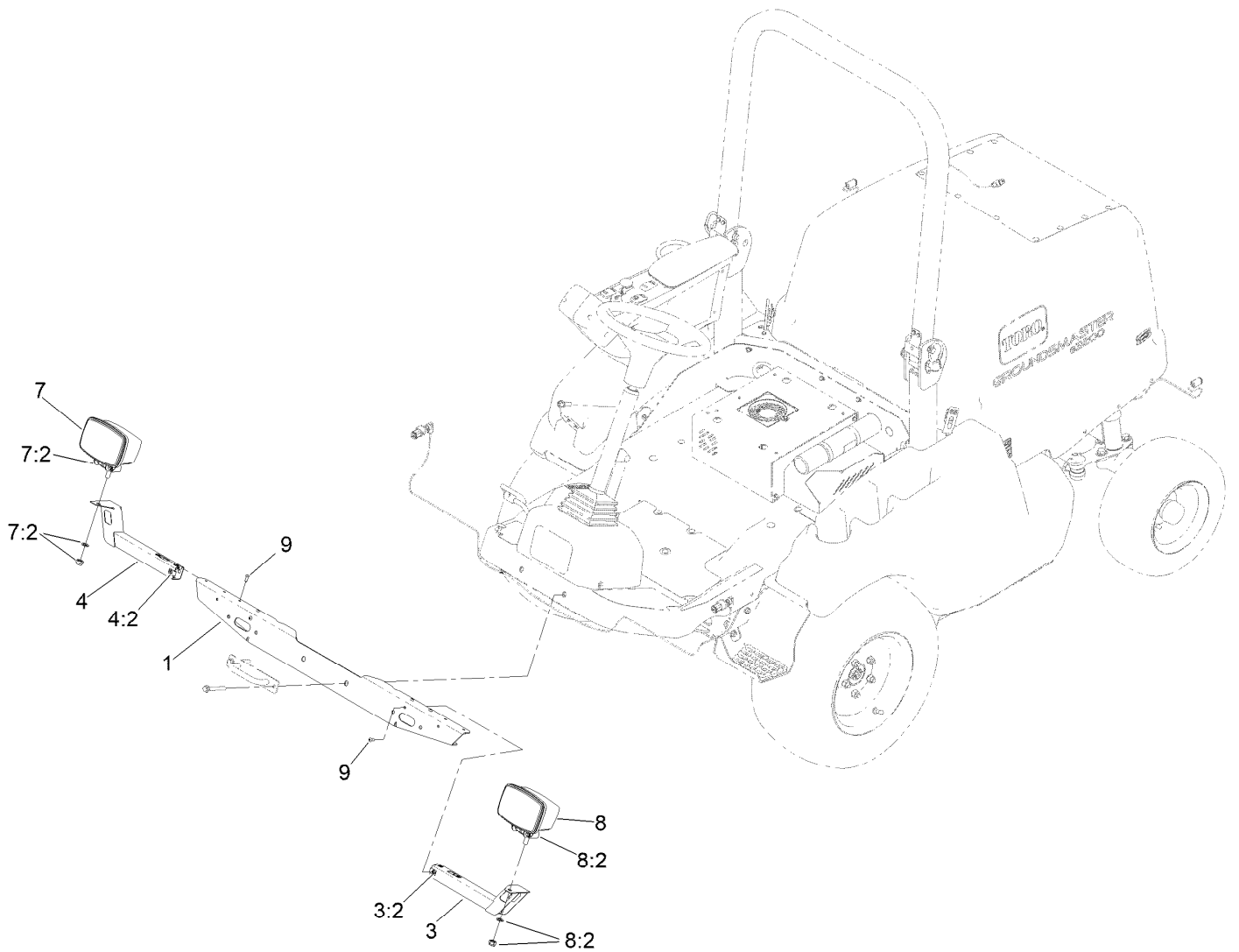
## Reference Numbers Indicating Quantity

In an illustration, if a reference number indicates more than one part, the reference number has the form nX y. The n represents the quantity of the part, the X is the multiplication symbol, and the y represents the reference number.

For example, in an illustration, the reference number 2X 37 means that two of the parts identified by reference number 37 are indicated.

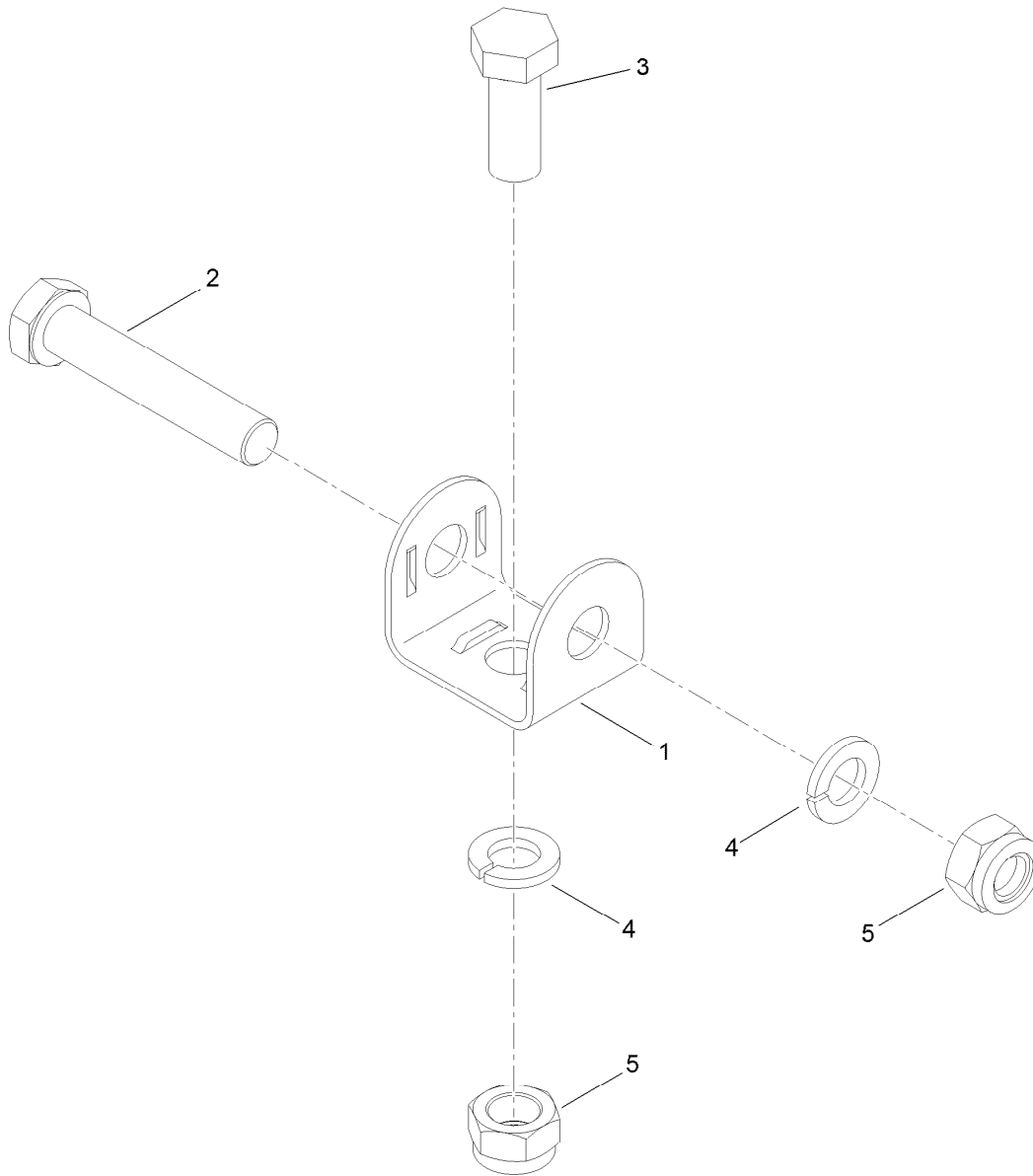
# Contents

Front Light Mount Assembly .....	4
Light Mount Kit Assembly No. 140-6698 .....	5
Rear Light Assembly .....	6
Switchs Assembly .....	7
Wire Harness Routing Assembly .....	8
Wire Harness Assembly No. 122-3137.....	9
Decal Assembly .....	10



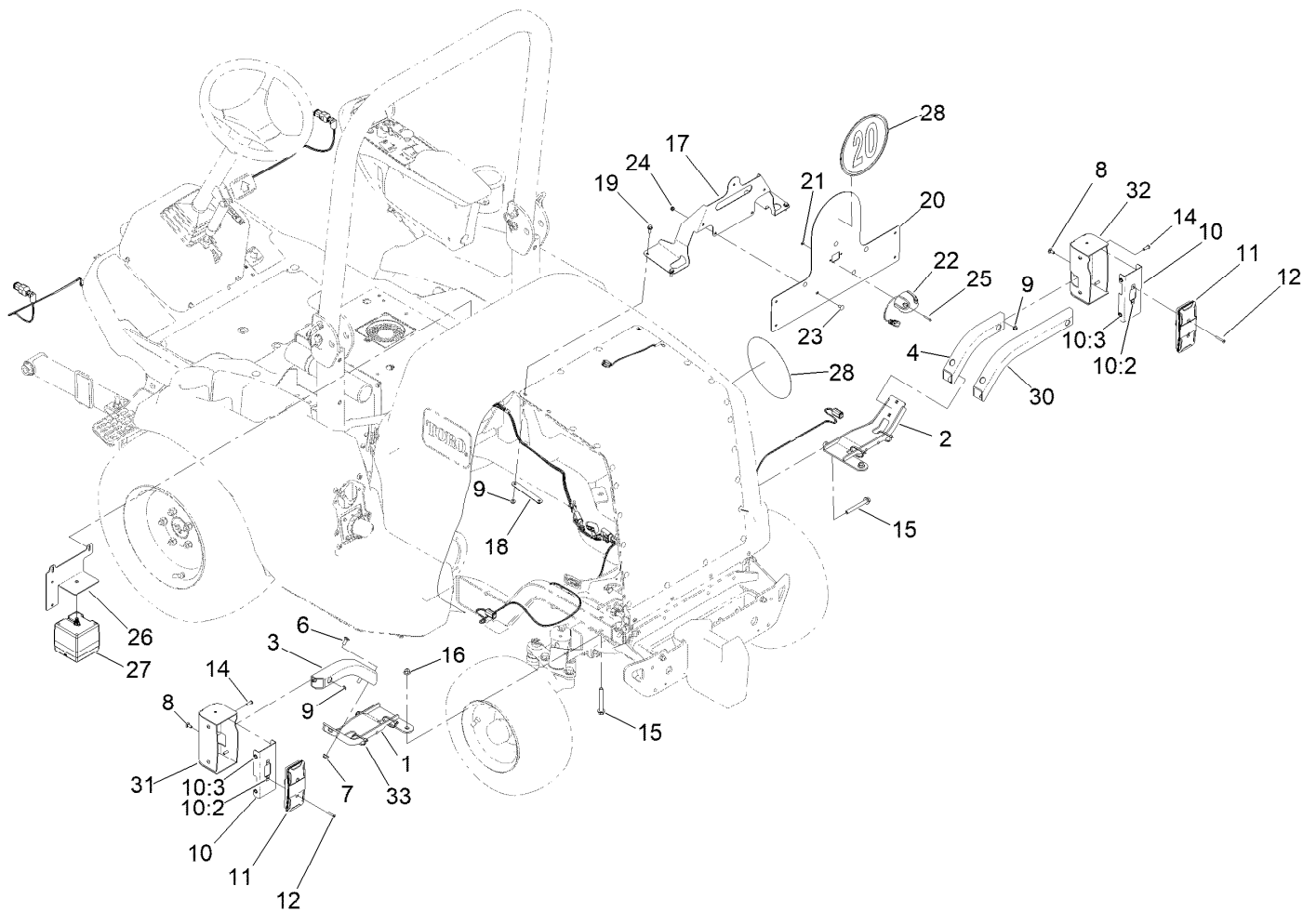
## Front Light Mount Assembly

Ref.	Part Number	Qty.	Description
1	140-1507-03	1	Mount-Cross, Light
3	140-1475	1	Light-Mount, LH
3:2	107069	3	Clip
4	140-1474	1	Light-Mount, RH
4:2	107069	3	Clip
7	140-6772	1	RH Light ASM
7:2	140-6698	1	Light Mount Kit
8	140-6773	1	LH Light ASM
8:2	140-6698	1	Light Mount Kit
9	3274-31	6	Screw-HSBH



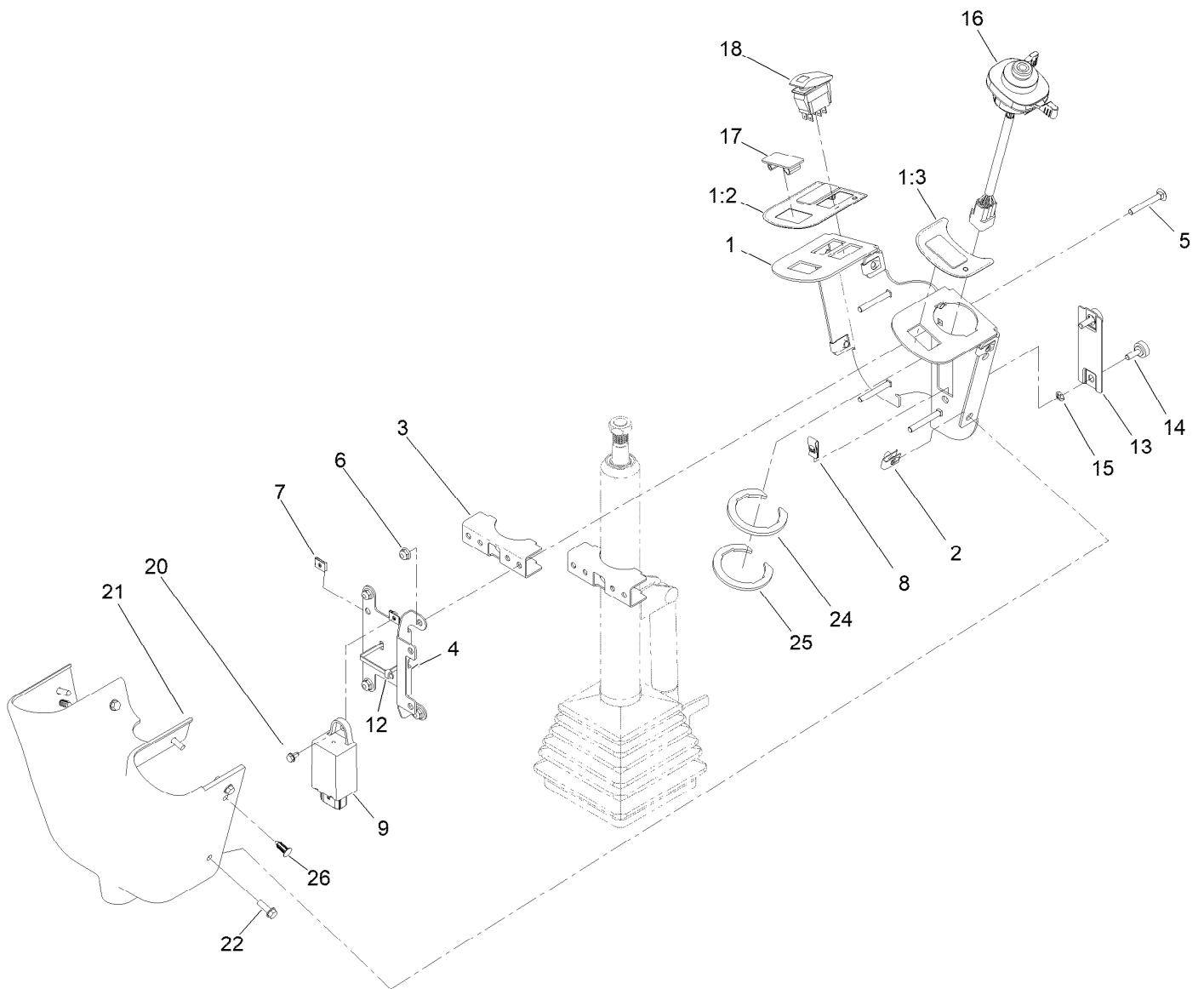
## Light Mount Kit Assembly No. 140-6698

<i>Ref.</i>	<i>Part Number</i>	<i>Qty.</i>	<i>Description</i>
1	139-2092	1	Mount-Light
2	107-7983	1	Screw-HH
3	33116-030	1	Screw-HH
4	48-8070	2	Washer-Lock
5	33026-00	2	Nut-Hex



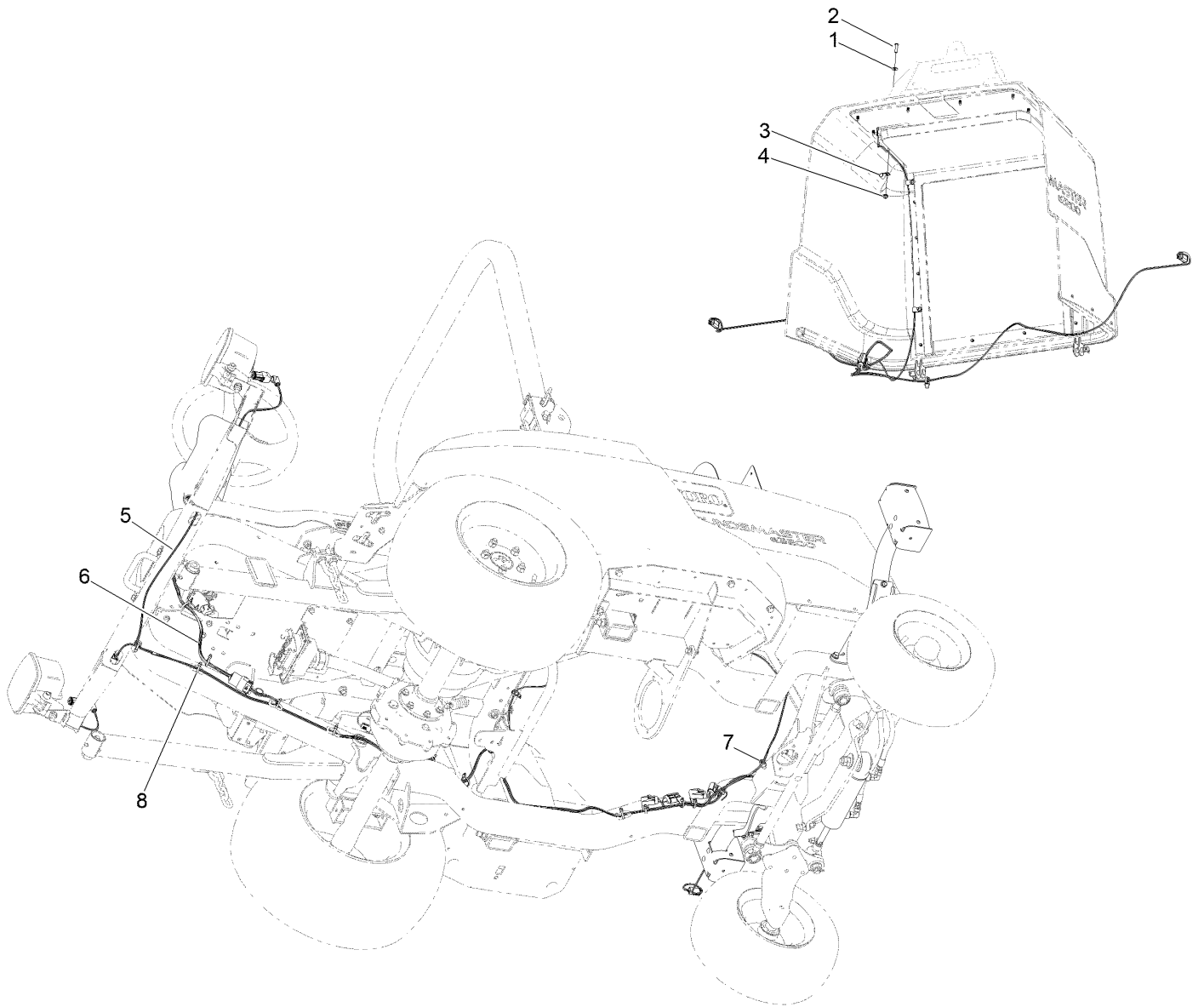
## Rear Light Assembly

Ref.	Part Number	Qty.	Description	Ref.	Part Number	Qty.	Description
1	140-1483-03	1	Mount-LH, Wa	18	139-2340	2	Mount-Back
2	140-1484-03	1	Mount-RH, Wa	19	3234-4	4	Screw-HHF
3	140-1620-03	1	Mount-LH, Short	20	140-6841-03	1	Mount-License, Speed
4	140-1621-03	1	Mount-RH, Short	21	120-9684	2	Nut-Lock
6	3230-23	4	Bolt-CARR	22	139-2074	1	Light-Plate, License (Ece)
7	104-8300	4	Nut-HF, NI	23	116-5611	5	Bolt-Carriage 1/4-20 X 1/2 Short Neck
8	3229-11	4	Screw-CARR	24	3296-56	5	Nut-Lock, NI
9	104-7201	8	Nut-HF, NI	25	120-9693	2	Screw-PPH
10	140-6835	2	Inner Mount ASM	26	147-5078-03	1	Bracket-Mount, Horn
10:2	107-1013	2	Nut-Speed	27	145-4982	1	Horn
10:3	138-2760	4	Nut-Clinch, Hex	28	140-1519	3	Decal-Speed (20Kpm)
11	139-2071	2	Light-Rear Tail/Stop/Turn	30	140-1622-03	1	Mount-RH, Long
12	3250-23	4	Screw-PPH	31	140-6828-03	1	Housing-Light, LH
14	3274-69	8	Screw-HSBH	32	140-6829-03	1	Housing-Light, RH
15	3234-41	4	Screw-HHF	33	3290-378	4	Tie-Cable
16	104-8301	4	Nut-HF, NI				
17	139-2338-03	1	Mount-Marker				



## Switches Assembly

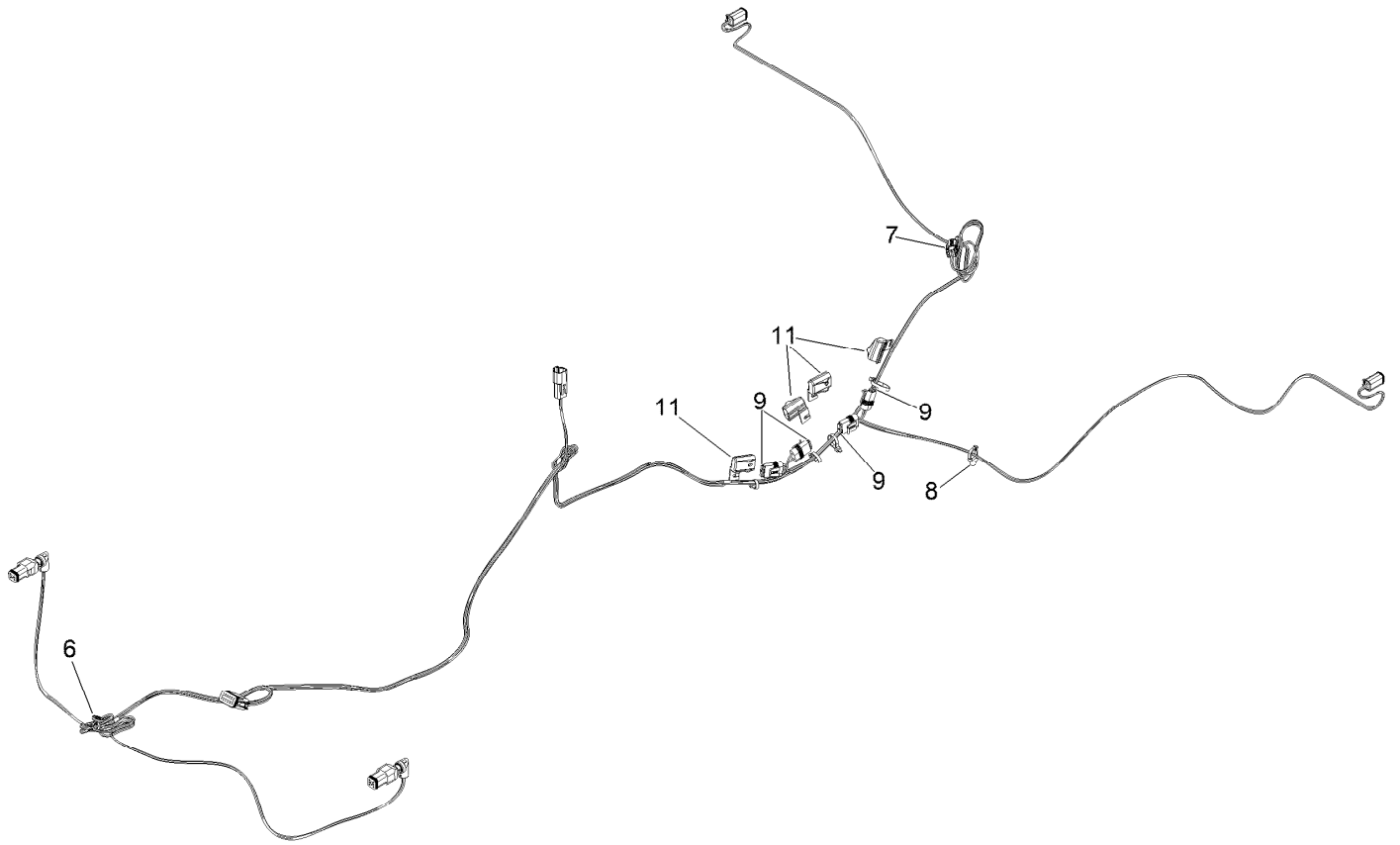
<i>Ref.</i>	<i>Part Number</i>	<i>Qty.</i>	<i>Description</i>	<i>Ref.</i>	<i>Part Number</i>	<i>Qty.</i>	<i>Description</i>
1	140-6606	1	Switch Mount ASM	13	140-1502-03	1	Cover-Fuse
1:2	140-1623	1	Decal-Control, LH	14	125-7438	2	Knob-Screw, Thumb
1:3	140-1531	1	Decal-Control, RH	15	32115-15	2	Nut-Push
2	107069	6	Clip	16	139-1950	1	Switch-Multifunction
3	140-1505-03	2	Bracket-Mount	17	99-7420	3	Plug-Hole
4	140-1506-03	1	Mount-Fuse, Plate	18	119-7769	1	Switch-Rocker, On/None/On
5	3230-33	4	Screw-CARR	20	104-2065	1	Screw-HWH
6	104-7201	4	Nut-HF, NI	21	139-2291	1	Control-Cover
7	107-1013	1	Nut-Speed	22	32105-15	6	Screw-HWH
8	3290-199	2	Nut-Speed	24	139-2247	1	Clip-Switch
9	139-2080	1	Flasher-Dual Rate	25	139-2248	1	Clip-Switch
12	3290-379	1	Tie-Cable	26	114-4899	2	Rivet-Push



## Wire Harness Routing Assembly

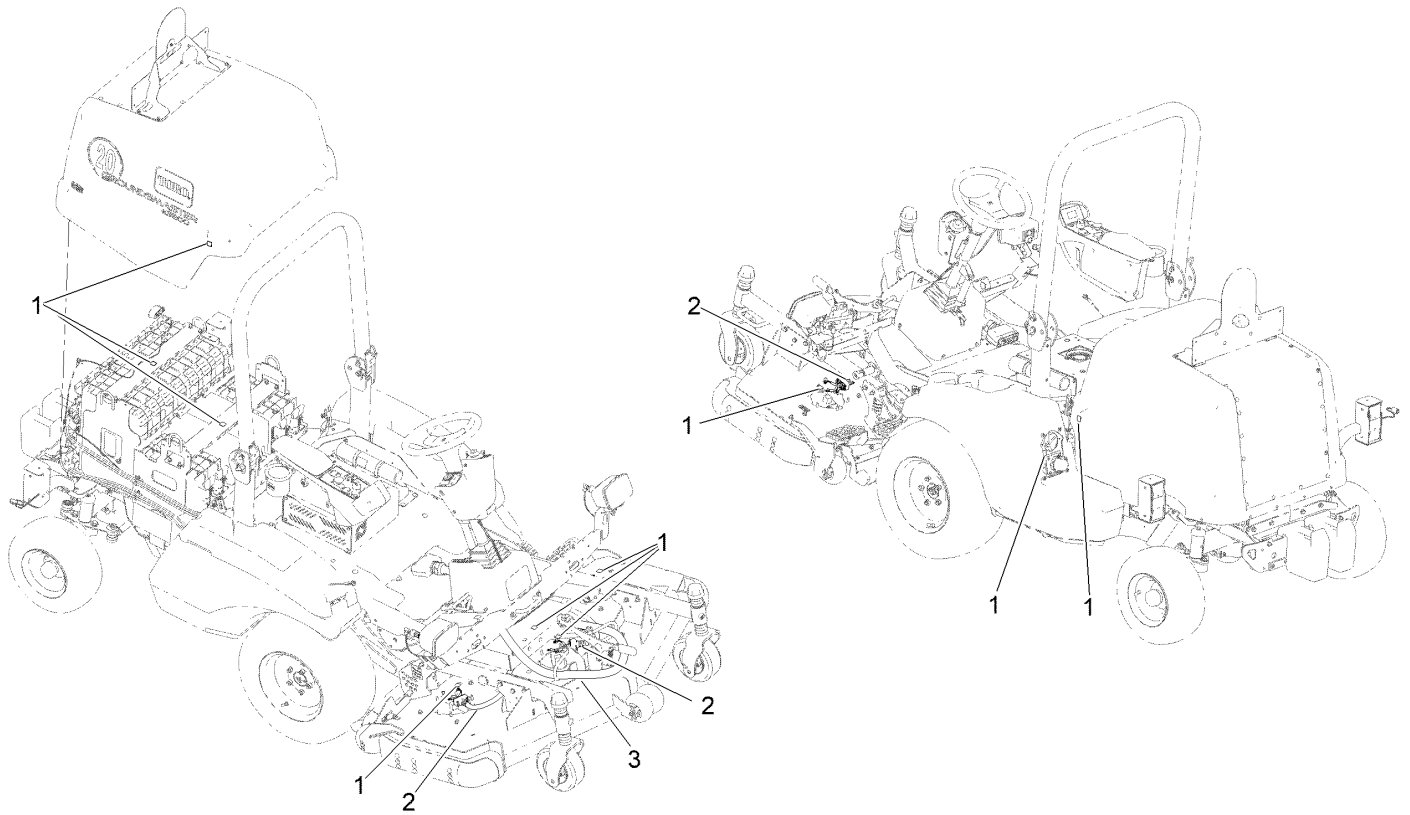
<i>Ref.</i>	<i>Part Number</i>	<i>Qty.</i>	<i>Description</i>
1	3256-1	3	Washer-Flat
2	3274-65	3	Screw-HSBH
3	2412-89	3	Clamp-R
4	104-7201	3	Nut-HF, NI
5	122-3137	1	Harness-Wire, Road Light Kit
6	122-2184	1	Harness-Wire, Pod
7	32180-030	1	Clip-Tie
8	3290-378	11	Tie-Cable





## Wire Harness Assembly No. 122-3137

<i>Ref.</i>	<i>Part Number</i>	<i>Qty.</i>	<i>Description</i>
6	32180-139	1	Mount-Tie Wrap, Magnetic
7	32180-091	1	Cap-Dust, 2 Way
8	32180-030	1	Clip-Tie
9	110928	4	Fuse-Blade, 5 Amp
11	32180-567	4	Cover-Aptiv, Modified



## Decal Assembly

<i>Ref.</i>	<i>Part Number</i>	<i>Qty.</i>	<i>Description</i>
1	145-7345	9	Decal-Voltage, High
2	122-3527	3	Tube-Wrap, Braided, Orange
3	122-3528	1	Tube-Wrap, Braided, Orange

**Notes:**



**Count on it.**