



Count on it.

Parts Catalog

Reelmaster® 5510-D

Traction Unit

Model No. 03607—Serial No. 316000001 and Up



Ordering Replacement Parts

To order replacement parts, please supply the part number, the quantity, and the description of each part desired.

Understanding Reference Numbers

Each identified part in an illustration has a reference number. The reference number for a part also appears in the parts list, along with other information about the part.

This catalog uses two special reference number formats, one to indicate parts in a service assembly and another to indicate the quantity of a given part in an illustration.

Service Assembly Reference Numbers

Parts in service assemblies have reference numbers in the form a:b. The a represents the reference number of the entire service assembly and the b represents a sequential number unique to each part within the service assembly.

For example, a wheel assembly might be identified by reference number 6, the tire by 6:1, the valve by 6:2, and the wheel by 6:3. When you order the assembly identified by reference number 6, you receive all parts identified by reference numbers 6:1, 6:2, and 6:3. However, you may also order any part individually. Reference numbers of this type appear in illustration and in parts lists.

Reference Numbers Indicating Quantity

In an illustration, if a reference number indicates more than one part, the reference number has the form nX y. The n represents the quantity of the part, the X is the multiplication symbol, and the y represents the reference number.

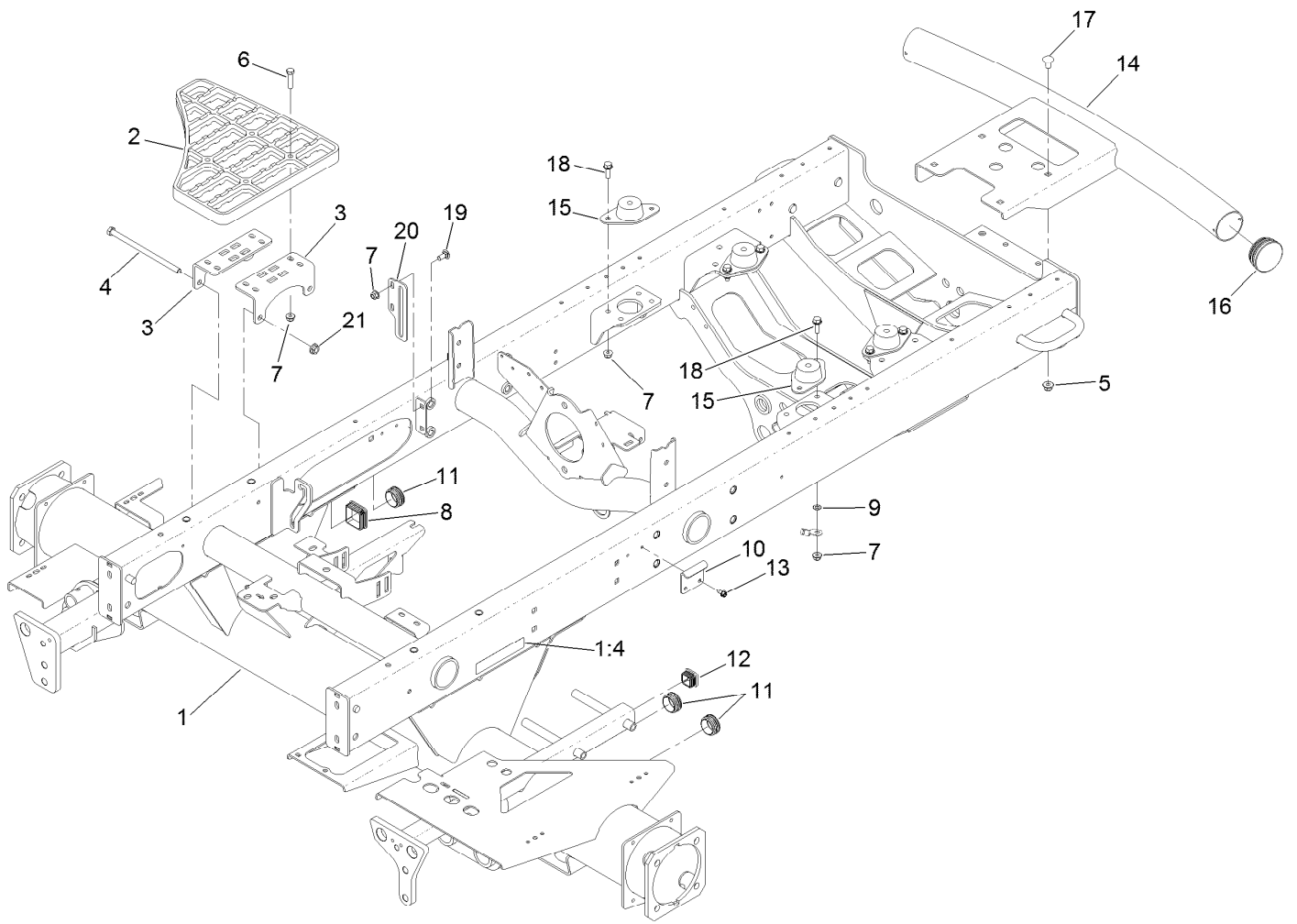
For example, in an illustration, the reference number 2X 37 means that two of the parts identified by reference number 37 are indicated.

Contents

| | |
|--|----|
| Frame Assembly | 5 |
| Operator Platform and Front Shroud Assembly | 6 |
| Pedal Assembly | 7 |
| Steering Assembly | 9 |
| Steering Tilt Column Assembly No. 106-3622 | 10 |
| Steering Valve Assembly No. 106-3621 | 11 |
| Control Arm Assembly | 12 |
| Joystick Bracket Assembly No. 120-5280 | 14 |
| Front Axle Assembly | 15 |
| LH Brake Assembly No. 120-6261 | 16 |
| RH Brake Assembly No. 120-6260 | 17 |
| Rear Axle Assembly | 18 |
| Tie Rod Assembly No. 110-5334-03 | 19 |
| Hub and Spindle Assembly No. 117-8961 | 20 |
| No. 1, 4 and 5 Lift Arm Assembly | 21 |
| No. 2 and 3 Lift Arm Assembly | 22 |
| Seat and Control Arm Wiring Harness Assembly | 23 |
| Main Wiring Harness Assembly | 24 |
| Engine Electrical Assembly | 25 |
| Gear Pump Assembly | 26 |
| Gear Pump Assembly No. 107-4547 | 27 |
| Seat Base Assembly | 28 |
| Hood Assembly | 29 |
| Cooling System Assembly | 30 |
| Hydraulic Tank Assembly | 31 |
| Fuel System Assembly | 32 |
| Seat Mounting and Roll-Over Protection System Assembly | 33 |
| Mechanical Seat Suspension Assembly No. 110-8851 | 34 |
| Traction Pump Mounting Assembly | 35 |
| Hydraulic Pump Assembly No. 119-6972 | 36 |
| Traction Hydraulic Assembly | 38 |
| Hydraulic Motor Assembly No. 120-6264 (CCW) | 39 |
| Hydraulic Motor Assembly No. 120-6265 (CW) | 40 |
| No. 1, 4 and 5 Reel Drive Hydraulic Assembly | 41 |
| Hydraulic Motor Assembly No. 120-6272 | 43 |
| Manifold Assembly No. 121-5628 | 44 |
| No. 2 and 3 Reel Drive Hydraulic Assembly | 45 |
| No. 1, 4 and 5 Lift Arm Hydraulic Assembly | 47 |
| Hydraulic Cylinder Assembly No. 119-6988 | 48 |
| Hydraulic Cylinder Assembly No. 119-6987 | 49 |
| Hydraulic Manifold Block Assembly No. 105-7577 | 50 |
| Rear Lift Hydraulic Assembly | 51 |
| Steering Hydraulic Assembly | 52 |
| Hydraulic Cylinder Assembly No. 110-9035 | 54 |
| Air Cleaner Assembly No. 106-5277 | 55 |
| Drive Shaft Assembly No. 120-3756 | 56 |
| Engine, Air Cleaner and Drive Shaft Assembly | 57 |
| Cylinder Block Assembly | 60 |
| Gear Housing Assembly | 62 |
| Flywheel Housing and Oil Sump Assembly | 64 |
| Cylinder Head Assembly | 66 |
| Suction Manifold Assembly | 68 |
| Exhaust Manifold Assembly | 70 |
| Diesel Particulate Filter Assembly | 72 |

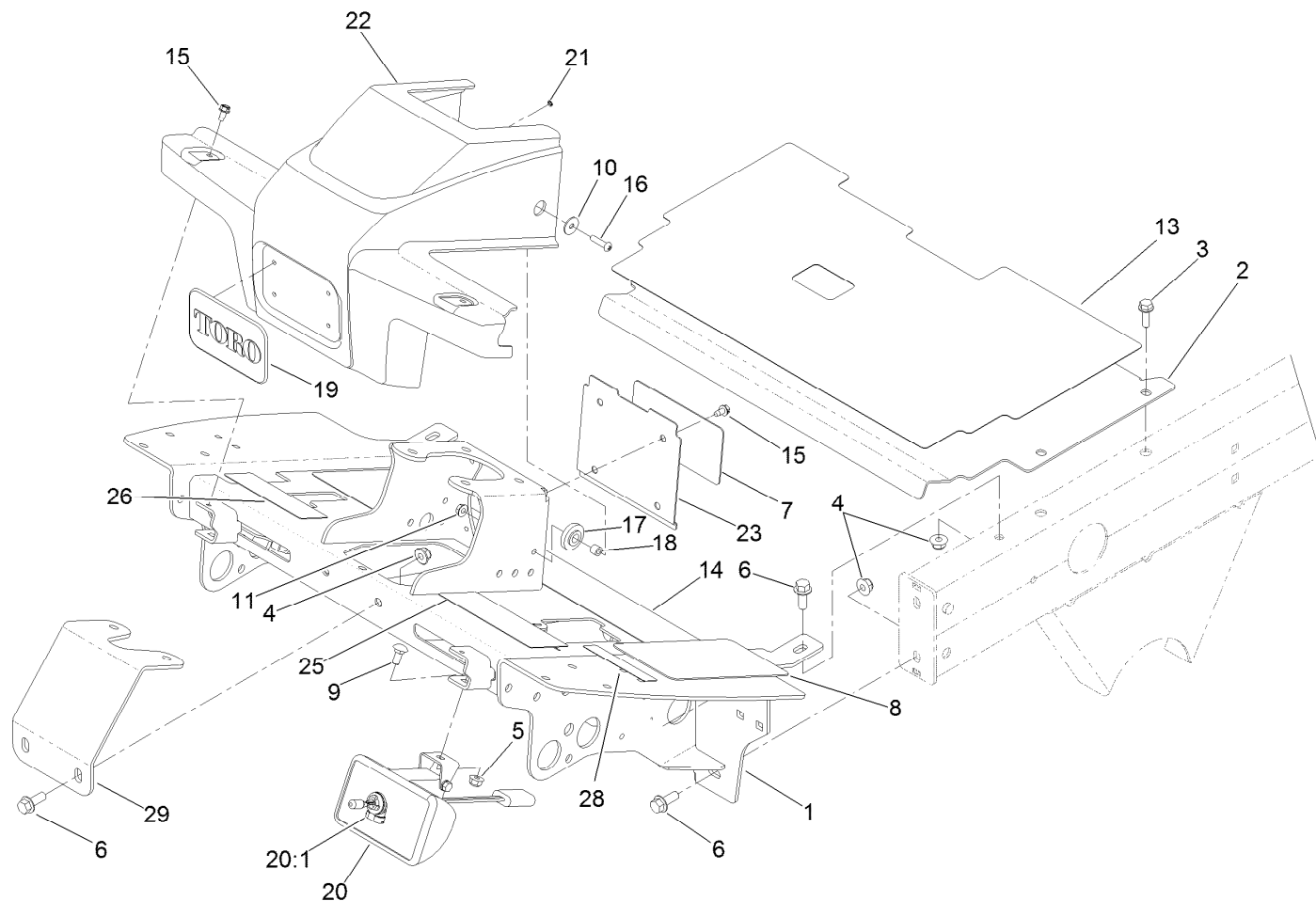
Contents (continued)

| | |
|---|----|
| Camshaft and Driving Gear Assembly | 74 |
| Crankshaft and Piston Assembly | 76 |
| Lubrication and Oil System Assembly | 78 |
| Cooling System Assembly | 80 |
| Fuel System Assembly | 82 |
| Fuel Injection Valve Assembly | 84 |
| Fuel Line Assembly | 86 |
| Starting Motor Assembly | 88 |
| Generator Assembly | 90 |
| Electrical Assembly | 92 |
| Gasket Set | 94 |
| Attachments and Accessories | 96 |



Frame Assembly

| <i>Ref.</i> | <i>Part Number</i> | <i>Qty.</i> | <i>Description</i> | <i>Ref.</i> | <i>Part Number</i> | <i>Qty.</i> | <i>Description</i> |
|-------------|--------------------|-------------|--------------------|-------------|--------------------|-------------|--------------------|
| 1 | 120-3803 | 1 | Frame ASM | 11 | 110-9012 | 3 | Caplug |
| 1:4 | 93-6689 | 2 | Decal-No Riders | 12 | 110-9013 | 1 | Caplug |
| 2 | 110-9041 | 2 | Step-Aluminum | 13 | 32104-17 | 2 | Screw-HWH |
| 3 | 127-2697-01 | 4 | Bracket-Step | 14 | 110-8951-03 | 1 | Bumper |
| 4 | 323-36 | 4 | Screw-HH | 15 | 120-6274 | 4 | Mount-Engine |
| 5 | 104-8301 | 4 | Nut-HF, NI | 16 | 2410-42 | 2 | Cap-End |
| 6 | 322-17 | 8 | Screw-HH | 17 | 3231-21 | 4 | Screw-CARR |
| 7 | 104-8300 | 18 | Nut-HF, NI | 18 | 3234-29 | 8 | Screw-HHF |
| 8 | 95-9495 | 1 | Cap | 19 | 3230-1 | 2 | Bolt-CARR |
| 9 | 3255-8 | 1 | Washer-Lock | 20 | 108-7584-01 | 1 | Plate-Guide, Rod |
| 10 | 110-8972 | 1 | Hook-Latch | 21 | 32128-21 | 4 | Nut-HF Lock |



Items 20:2, 20:3 and 20:4
not used on this model.

Operator Platform and Front Shroud Assembly

| Ref. | Part Number | Qty. | Description | Ref. | Part Number | Qty. | Description |
|------|-------------|------|----------------------|------|-------------|------|-----------------------|
| 1 | 127-2310-01 | 1 | Platform ASM | 18 | 66-8010 | 2 | Spacer |
| 2 | 115-8064-01 | 1 | Plate-Floor | 19 | 93-6028 | 1 | Plate-Logo |
| 3 | 3234-17 | 4 | Screw-HHF | 20 | 94-9024 | 2 | Lamp ASM |
| 4 | 104-8301 | 6 | Nut-HF, NI | 20:1 | 95-0909 | 1 | Lamp-12 Volt |
| 5 | 104-8300 | 2 | Nut-HF, NI | 20:2 | 3230-28 | 1 | Screw-CARR |
| 6 | 3234-11 | 6 | Screw-HHF | 20:3 | 3253-33 | 1 | Washer-Lock |
| 7 | 110-0986 | 1 | Decal-Plate, Cover | 20:4 | 3217-6 | 1 | Nut-Hex |
| 8 | 125-2910 | 2 | Tread-Floor, Side | 21 | 3254-9 | 4 | Washer-Lock, Internal |
| 9 | 3230-1 | 2 | Bolt-CARR | 22 | 110-0944 | 1 | Shroud-Platform |
| 10 | 87-6630 | 2 | Washer-Plain | 23 | 110-0947-03 | 1 | Plate-Cover |
| 11 | 32128-33 | 2 | Nut-HF | 25 | 110-8869 | 1 | Decal-Danger |
| 13 | 125-2911 | 1 | Tread-Panel, Service | 25 | 110-8973 | 1 | Decal-Danger |
| 14 | 125-2909 | 1 | Tread-Floorboard | 26 | 110-8921 | 1 | Decal-Speed, Mow |
| 15 | 32104-17 | 6 | Screw-HWH | 28 | 117-2718 | 1 | Decal-Arrester, Spark |
| 16 | 106-9518 | 2 | Screw-PRH | 29 | 110-8876-01 | 1 | Brace-Column |
| 17 | 240-11 | 2 | Bushing-Flange | | | | |



Pedal Assembly

| Ref. | Part Number | Qty. | Description | Ref. | Part Number | Qty. | Description |
|------|-------------|------|-----------------------|------|-------------|------|-----------------------------|
| 1 | 117-5199 | 1 | Hub-Pedal, Traction | 20:1 | 117-3207 | 2 | Nut-Hex |
| 2 | 117-9507 | 1 | Pedal-Accelerator | 20:2 | 117-3208 | 2 | Washer-Lock, Internal Tooth |
| 3 | 74-9100 | 1 | Pad-Pedal, Forward | 21 | 256-156 | 2 | Bushing-Flange |
| 4 | 256-236 | 2 | Bearing-Mount, Flange | 22 | 323-17 | 1 | Screw-HH |
| 5 | 106-3840 | 1 | Pedal-Traction | 23 | 62-4420 | 8 | Washer |
| 6 | 92-7305 | 1 | Spring-Extension | 24 | 3296-39 | 1 | Nut-Lock, NI |
| 7 | 3234-5 | 6 | Screw-HHF | 25 | 117-8066 | 1 | Mow-Stop |
| 8 | 3296-29 | 6 | Nut-Lock, NI | 26 | 32121-6 | 1 | Pin-Roll, Slotted |
| 9 | 32121-45 | 1 | Pin-Spring | 27 | 106-3731 | 1 | Rod-Pivot |
| 10 | 74-9110 | 1 | Pad-Pedal, Reverse | 28 | 110-8982 | 2 | Washer-Spring |
| 11 | 127-2721 | 1 | Cable-Traction | 29 | 32121-16 | 1 | Pin-Spring |
| 11:1 | 3220-1 | 2 | Nut-Jam | 30 | 115-0120-03 | 1 | Pedal-Brake |
| 12 | 3234-13 | 2 | Screw-HHF | 31 | 125-8775 | 2 | Bushing-Flange |
| 13 | 3296-42 | 1 | Nut-Lock, NI | 32 | 104-7179 | 1 | Pivot-Pedal |
| 14 | 66-8010 | 1 | Spacer | 33 | 32144-4 | 1 | Screw-HWH |
| 15 | 2411-41 | 1 | Rod End-Ball Joint | 34 | 99-7963-03 | 1 | Pedal-Park |
| 16 | 33093-00 | 1 | Washer-Flat | 35 | 115-5300 | 1 | Proximity Switch ASM |
| 17 | 3256-22 | 3 | Washer-Flat | 35:1 | 117-3207 | 2 | Nut-Hex |
| 18 | 321-9 | 1 | Screw-HH | 35:2 | 117-3208 | 2 | Washer-Lock, Internal Tooth |
| 19 | 93-2092 | 1 | Clamp-Cable | 36 | 115-0129 | 1 | Rod-Pawl, Brake |
| 20 | 115-0282 | 1 | Proximity Sensor ASM | 37 | 3272-6 | 2 | Pin-Cotter |



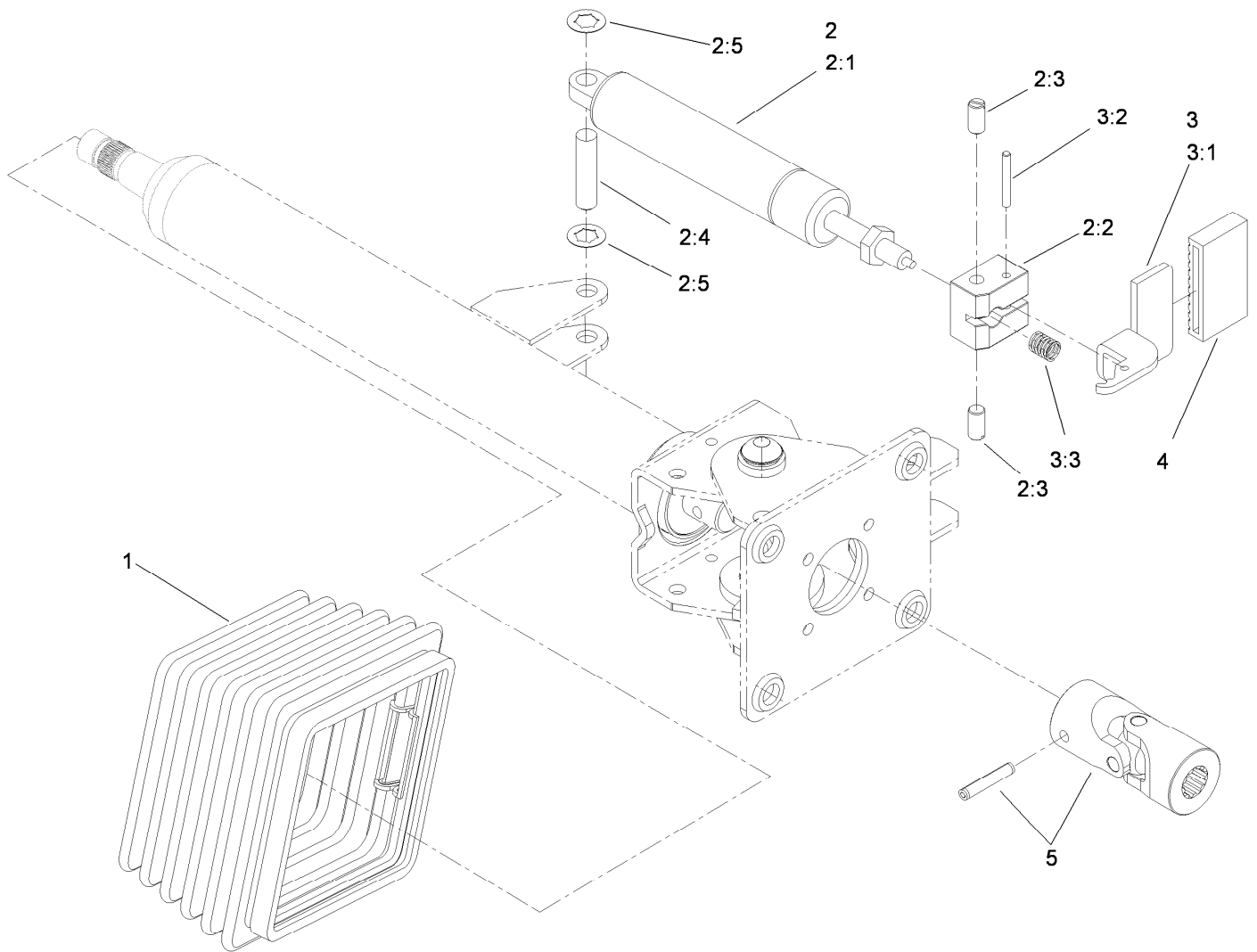
Pedal Assembly (continued)

| <i>Ref.</i> | <i>Part Number</i> | <i>Qty.</i> | <i>Description</i> | <i>Ref.</i> | <i>Part Number</i> | <i>Qty.</i> | <i>Description</i> |
|-------------|--------------------|-------------|------------------------|-------------|--------------------|-------------|--------------------|
| 38 | 104-8301 | 1 | Nut-HF, NI | 46 | 3272-10 | 2 | Pin-Cotter |
| 39 | 99-7214 | 1 | Pawl-Brake | 47 | 117-0106 | 1 | Cable-Brake, RH |
| 40 | 99-7140 | 1 | Spring-Torsion | 48 | 117-0107 | 1 | Cable-Brake, LH |
| 41 | 52-2891 | 2 | Bushing-Flanged, Nylon | 49 | 302-60 | 1 | Fitting-Grease |
| 42 | 323-12 | 1 | Screw-HH | 50 | 115-8060 | 1 | Clevis-Double |
| 43 | 117-0238 | 1 | Detent | 51 | 115-8059 | 1 | Yoke-Cable |
| 44 | 5-0652 | 2 | Spacer | 52 | 104-7201 | 1 | Nut-HF, NI |
| 45 | 283-14 | 2 | Pin-Clevis | | | | |



Steering Assembly

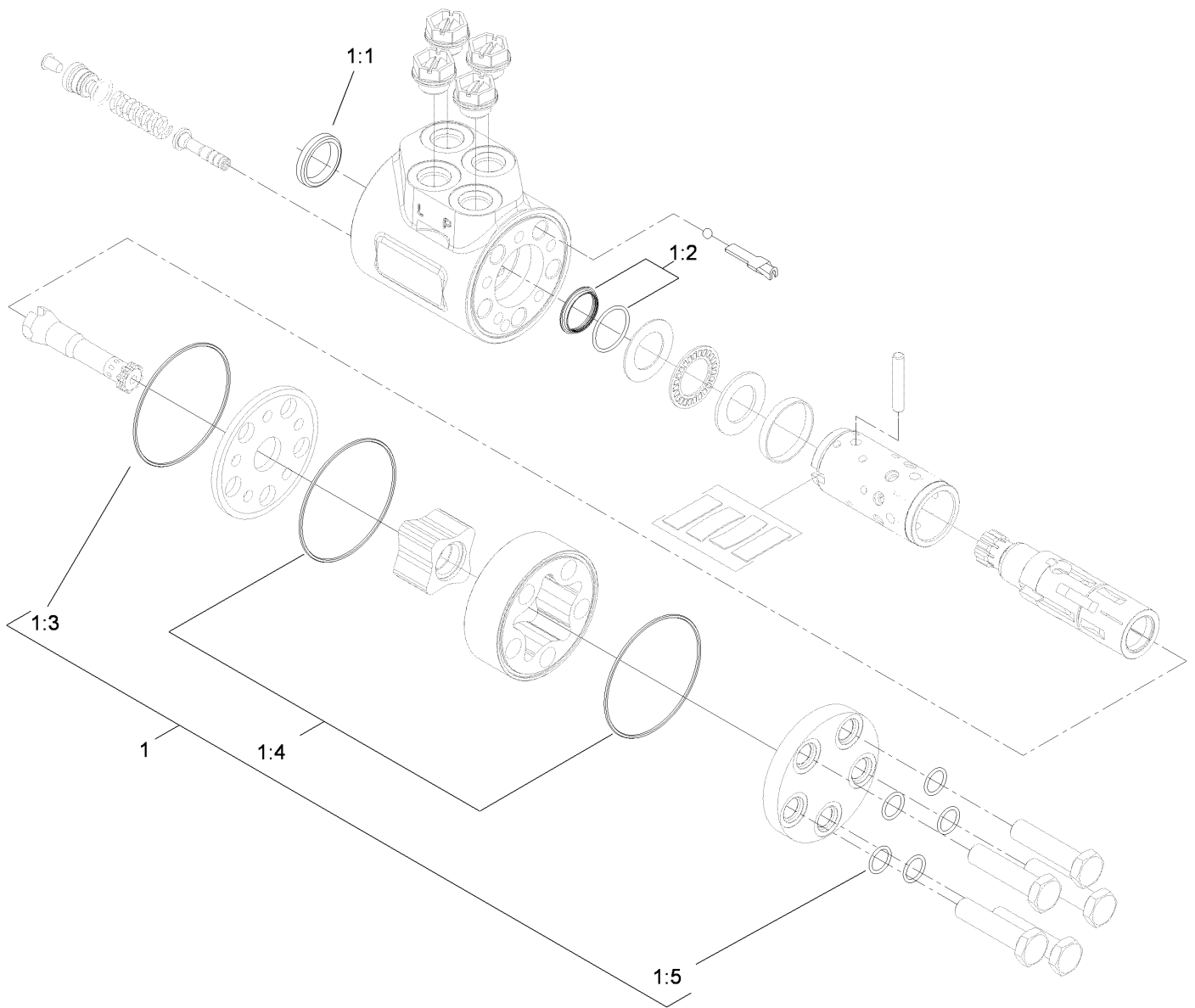
| Ref. | Part Number | Qty. | Description |
|-------------|--------------------|-------------|--------------------------|
| 1 | 106-3622 | 1 | Steering Tilt Column ASM |
| 2 | 340-2 | 4 | Fitting-Straight |
| 2:1 | 237-22 | 1 | O-Ring |
| 2:2 | 237-42 | 1 | O-Ring |
| 3 | 98-1471 | 1 | Wheel-Steering |
| 3:1 | 98-1468 | 1 | Cover-Wheel, Steering |
| 4 | 98-1459 | 1 | Decal |
| 5 | 105-2409 | 4 | Screw-HSH |
| 6 | 106-3621 | 1 | Steering Valve ASM |
| 7 | 3274-1 | 4 | Screw-HSH |
| 8 | 3296-33 | 1 | Nut-Lock, NI |
| 9 | 3256-27 | 1 | Washer-Flat |
| 10 | 104-8301 | 4 | Nut-HF, NI |



Steering Tilt Column Assembly No. 106-3622

| Ref. | Part Number | Qty. | Description |
|------|-------------|------|----------------------|
| 1 | 110-6462 | 1 | Bellows-Rubber |
| 2 | 110-6463 | 1 | Cylinder Service Kit |
| 2:1 | | 1 | Cylinder-Gas ● |
| 2:2 | | 1 | Block-Pedal ● |
| 2:3 | | 2 | Bolt ● |
| 2:4 | | 1 | Pin ● |
| 2:5 | | 2 | Washer-Lock ● |
| 3 | 110-6464 | 1 | Pedal Service Kit |
| 3:1 | | 1 | Pedal ● |
| 3:2 | | 1 | Pin ● |
| 3:3 | | 1 | Spring ● |
| 4 | 110-6465 | 1 | Cover-Pedal |
| 5 | 120-6256 | 1 | Universal Joint Kit |

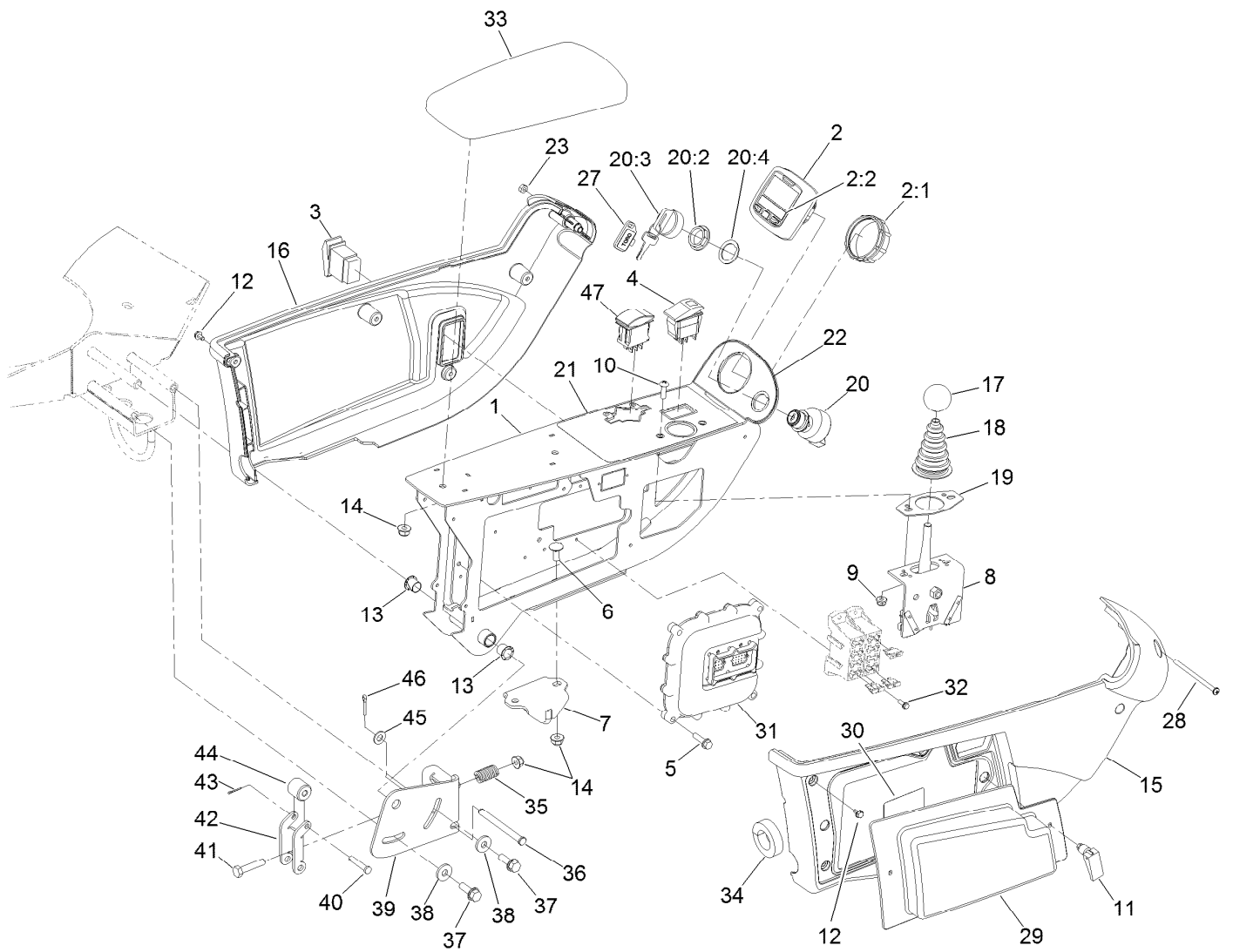
● Not serviced separately



Steering Valve Assembly No. 106-3621

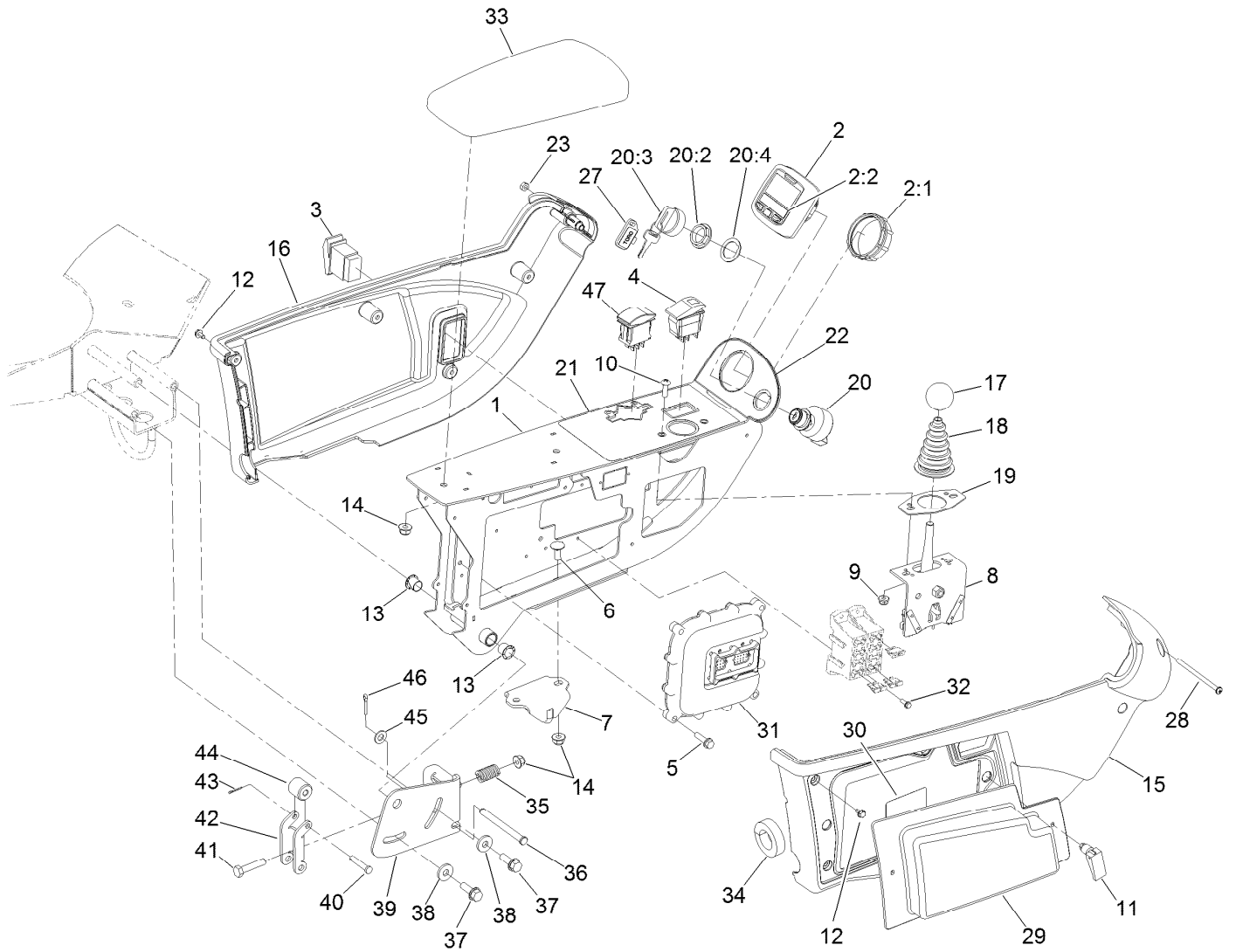
| <i>Ref.</i> | <i>Part Number</i> | <i>Qty.</i> | <i>Description</i> |
|-------------|--------------------|-------------|--------------------|
| 1 | 106-6716 | 1 | Seal Kit |
| 1:1 | | 1 | Ring-Seal, Dust ● |
| 1:2 | | 1 | Seal-Shaft ● |
| 1:3 | | 1 | O-Ring ● |
| 1:4 | | 2 | O-Ring ● |
| 1:5 | | 5 | O-Ring ● |

● Not serviced separately



Control Arm Assembly

| Ref. | Part Number | Qty. | Description | Ref. | Part Number | Qty. | Description |
|------|-------------|------|------------------------------|------|-------------|------|----------------------|
| 1 | 120-3801-03 | 1 | Frame-Arm, Control | 19 | 112-9181 | 1 | Plate-Boot |
| 2 | 120-6310 | 1 | LCD Display ASM | 20 | 106-5269 | 1 | Ignition Switch ASM |
| 2:1 | 120-4630 | 1 | Nut-Display | 20:2 | 108-8660 | 1 | Nut-Mounting |
| 2:2 | 120-6311 | 1 | Decal-Display | 20:3 | 106-5270 | 1 | Ignition Key Set |
| 3 | 95-8999 | 1 | Switch-Rocker, On-None-On | 20:4 | 108-8659 | 1 | Washer-Backup |
| 4 | 105-4232 | 1 | Switch | 21 | 125-8754 | 1 | Decal-Panel, Control |
| 5 | 32144-86 | 4 | Screw-HWHTF | 22 | 120-4158 | 1 | Decal-Console, Upper |
| 6 | 3230-23 | 2 | Bolt-CARR | 23 | 3296-2 | 1 | Nut-Lock, NI |
| 7 | 125-1938 | 1 | Latch | 27 | 99-8970 | 1 | Key-Latch, Hood |
| 8 | 120-5280 | 1 | Bracket-Joystick | 28 | 3250-22 | 1 | Screw-PPH |
| 9 | 104-7201 | 2 | Nut-HF, NI | 29 | 114-0446 | 1 | Panel-Access |
| 10 | 3258-166 | 2 | Screw-PRH | 30 | 117-0169 | 1 | Decal-Fuses |
| 11 | 74-5950 | 2 | Latch-Swell | 31 | 114-3321 | 1 | Controller-Tec |
| 12 | 104-2065 | 10 | Screw-HWH | 32 | 32144-87 | 4 | Screw-HWHTF |
| 13 | 256-257 | 2 | Bushing-Nyliner | 33 | 108-7602 | 1 | Rest-Arm |
| 14 | 104-8300 | 5 | Nut-HF, NI | 34 | 110-8912 | 1 | Seal-Foam |
| 15 | 108-7605 | 1 | Cover-RH | 35 | 110-5331 | 1 | Spring-Compression |
| 16 | 108-7604 | 1 | Cover-LH | 36 | 283-88 | 1 | Pin-Clevis |
| 17 | 233-42 | 1 | Knob | 37 | 32144-41 | 2 | Screw-Taptite |
| 18 | 93-5961 | 1 | Boot-Lever | 38 | 4-2390 | 2 | Washer-Flat |
| | | | | 39 | 110-5313-03 | 1 | Bracket-Retainer |



Control Arm Assembly (continued)

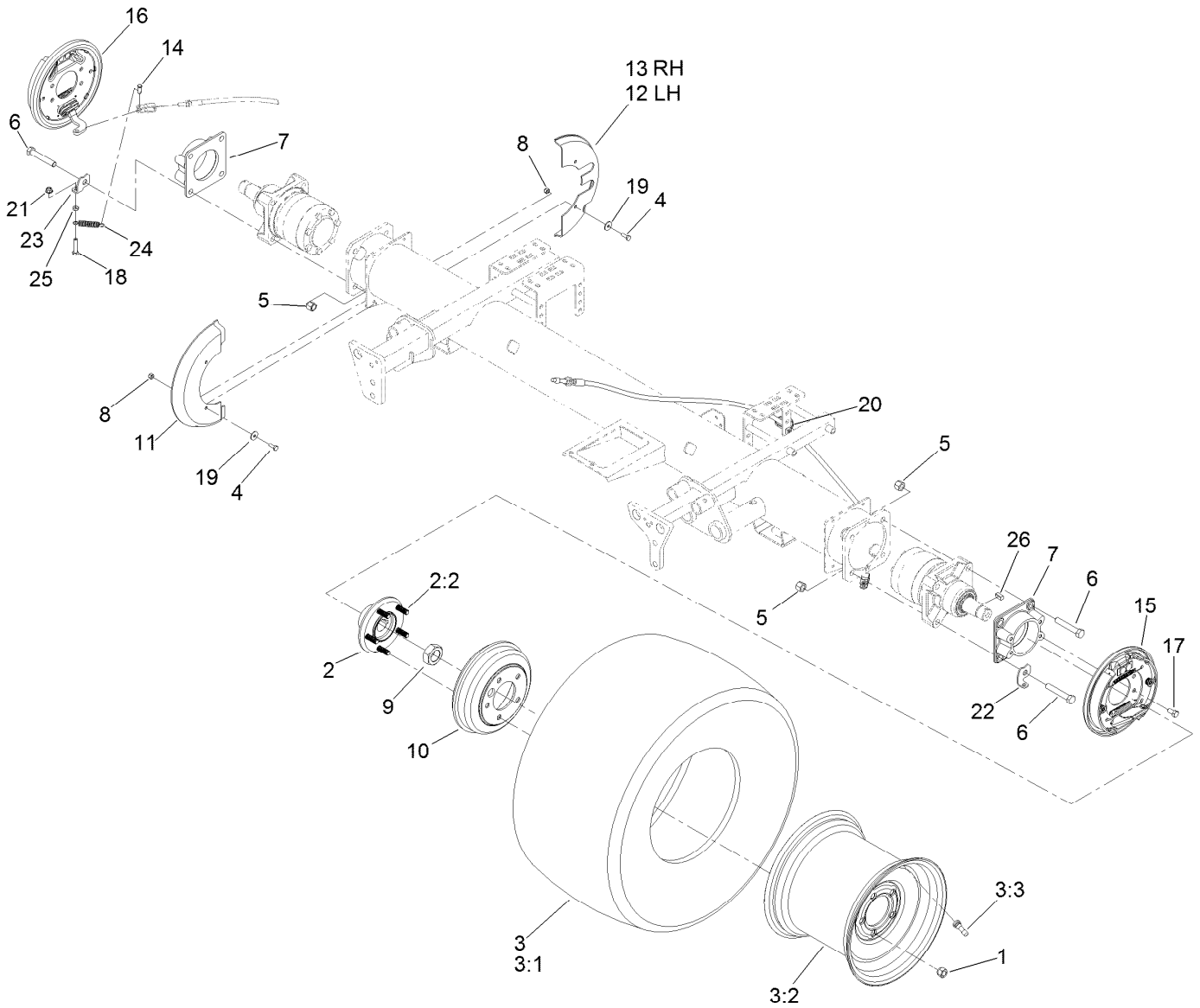
| <i>Ref.</i> | <i>Part Number</i> | <i>Qty.</i> | <i>Description</i> |
|-------------|--------------------|-------------|--------------------|
| 40 | 283-73 | 1 | Pin-Clevis |
| 41 | 322-7 | 1 | Screw-HH |
| 42 | 110-5314 | 1 | Latch |
| 43 | 3272-1 | 1 | Pin-Cotter |
| 44 | 110-8856 | 1 | Spacer |

| <i>Ref.</i> | <i>Part Number</i> | <i>Qty.</i> | <i>Description</i> |
|-------------|--------------------|-------------|---------------------------------|
| 45 | 3256-23 | 1 | Washer-Plain |
| 46 | 3272-10 | 1 | Pin-Cotter |
| 47 | 100-1535 | 1 | Switch-Rocker, (On)-Off-(On) |



Joystick Bracket Assembly No. 120-5280

| <i>Ref.</i> | <i>Part Number</i> | <i>Qty.</i> | <i>Description</i> |
|-------------|--------------------|-------------|-----------------------|
| 1 | 115-5357-03 | 1 | Bracket-Joystick |
| 2 | 106-4192 | 1 | Spacer |
| 3 | 93-5547 | 2 | Bushing-Nylon |
| 4 | 119-3540 | 1 | Hub-Pivot, Joystick |
| 5 | 105-8289 | 1 | Spring-Torsion |
| 6 | 106-4193 | 2 | Washer-Finger, Spring |
| 7 | 322-9 | 1 | Screw-HH |
| 8 | 3296-29 | 1 | Nut-Lock, NI |
| 9 | 3290-354 | 2 | Nut-Speed |
| 10 | 108-6496 | 2 | Switch (W/Boot) |
| 11 | 95-3003 | 4 | Screw-PPHTF |
| 12 | 3256-3 | 1 | Washer-Flat |



Front Axle Assembly

| Ref. | Part Number | Qty. | Description | Ref. | Part Number | Qty. | Description |
|------|-------------|------|---------------------|------|-------------|------|-------------------------|
| 1 | 242-50 | 10 | Nut-Lug | 12 | 110-0951 | 1 | Shield-Wheel, Rear (LH) |
| 2 | 121-5631 | 2 | Hub ASM | 13 | 110-8878 | 1 | Shield-Wheel, Rear (RH) |
| 2:2 | 114-3918 | 5 | Stud-Wheel | 14 | 283-62 | 2 | Pin-Clevis |
| 3 | 117-5194 | 2 | Tire ASM | 15 | 120-6261 | 1 | LH Brake ASM |
| 3:1 | 117-5196 | 1 | Tire | 16 | 120-6260 | 1 | RH Brake ASM |
| 3:2 | 117-5197 | 1 | Wheel | 17 | 323-4 | 8 | Screw-HH |
| 3:3 | 232-27 | 1 | Stem-Valve | 18 | 322-7 | 2 | Screw-HH |
| 4 | 321-4 | 8 | Screw-HH | 19 | 3256-67 | 8 | Washer |
| 5 | 3296-23 | 8 | Nut-Lock, NI | 20 | 3290-378 | 2 | Tie-Cable |
| 6 | 325-12 | 8 | Screw-HH | 21 | 104-8300 | 2 | Nut-HF, NI |
| 7 | 120-6253-03 | 2 | Adapter-Brake | 22 | 120-6267 | 1 | Clip-Spring, LH |
| 8 | 3296-42 | 8 | Nut-Lock, NI | 23 | 120-6266 | 1 | Clip-Spring, RH |
| 9 | 117-3290 | 2 | Nut-Hex | 24 | 87-4020 | 2 | Spring-Extension |
| 10 | 114-8864 | 2 | Drum-Brake | 25 | 3218-2 | 2 | Nut-Hex Jam |
| 11 | 110-0950 | 2 | Shield-Wheel, Front | 26 | 117-5198 | 2 | Key-Square |



LH Brake Assembly No. 120-6261

| Ref. | Part Number | Qty. | Description |
|------|-------------|------|--------------------|
| 1 | 108-6981 | 1 | Brake Shoe Kit |
| 2 | 108-6983 | 1 | Brake Hardware Kit |
| 3 | 110-8910 | 1 | LH Actuator Kit |
| 3:1 | | 1 | Housing ● |
| 3:2 | | 1 | Lever-LH ● |
| 3:3 | | 1 | Pin-Pivot ● |
| 3:4 | | 1 | E-Ring ● |
| 4 | 110-8885 | 1 | Dust Boot Kit |
| 4:1 | | 1 | Boot ● |
| 4:2 | | 1 | Plate-Back Up ● |
| 4:3 | | 2 | Rivet ● |

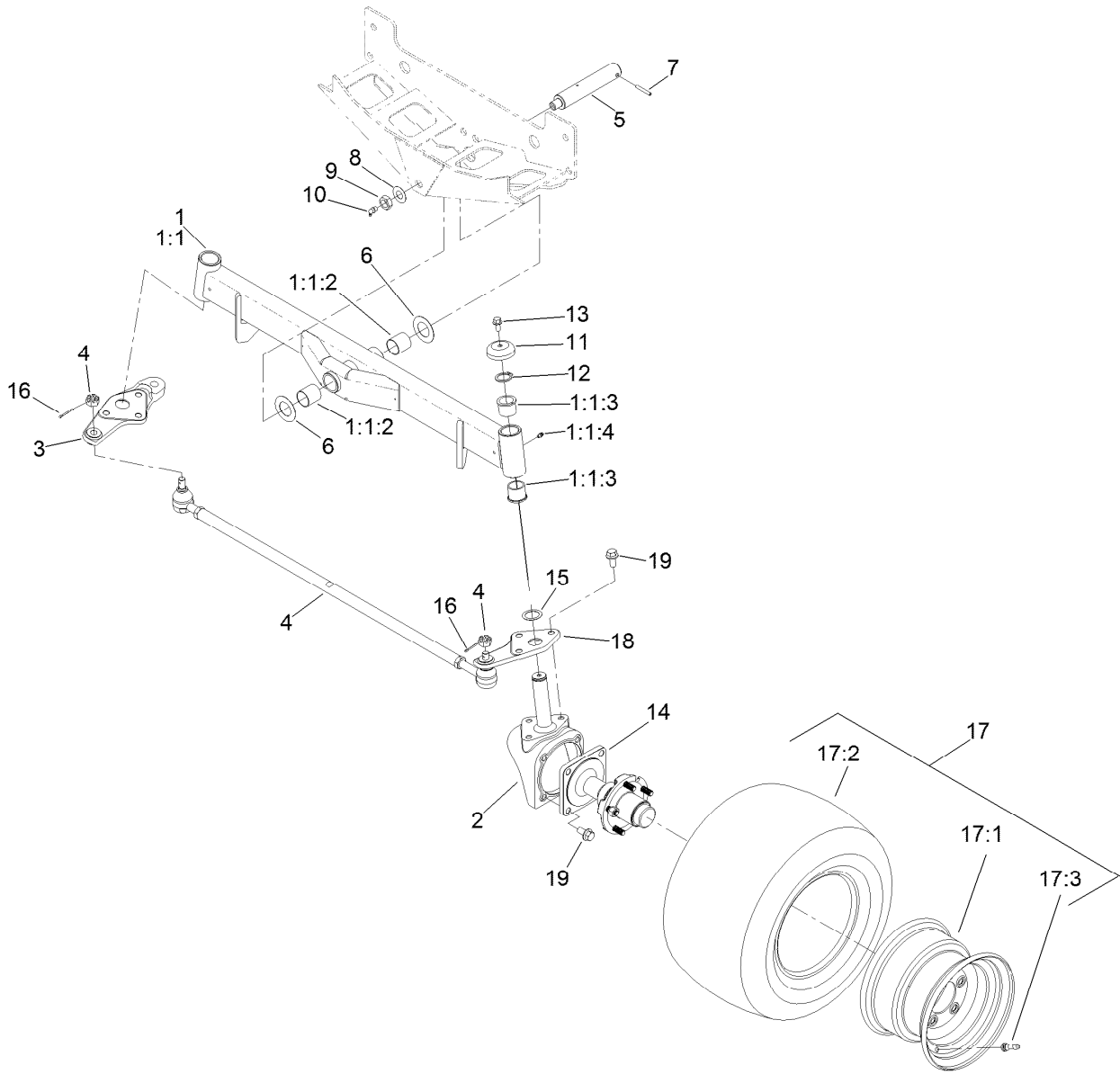
● Not serviced separately



RH Brake Assembly No. 120-6260

| Ref. | Part Number | Qty. | Description |
|------|-------------|------|--------------------|
| 1 | 108-6981 | 1 | Brake Shoe Kit |
| 2 | 108-6983 | 1 | Brake Hardware Kit |
| 3 | 110-8884 | 1 | RH Actuator Kit |
| 3:1 | | 1 | Housing ● |
| 3:2 | | 1 | Lever-RH ● |
| 3:3 | | 1 | Pin-Pivot ● |
| 3:4 | | 1 | E-Ring ● |
| 4 | 110-8885 | 1 | Dust Boot Kit |
| 4:1 | | 1 | Boot ● |
| 4:2 | | 1 | Plate-Back Up ● |
| 4:3 | | 2 | Rivet ● |

● Not serviced separately

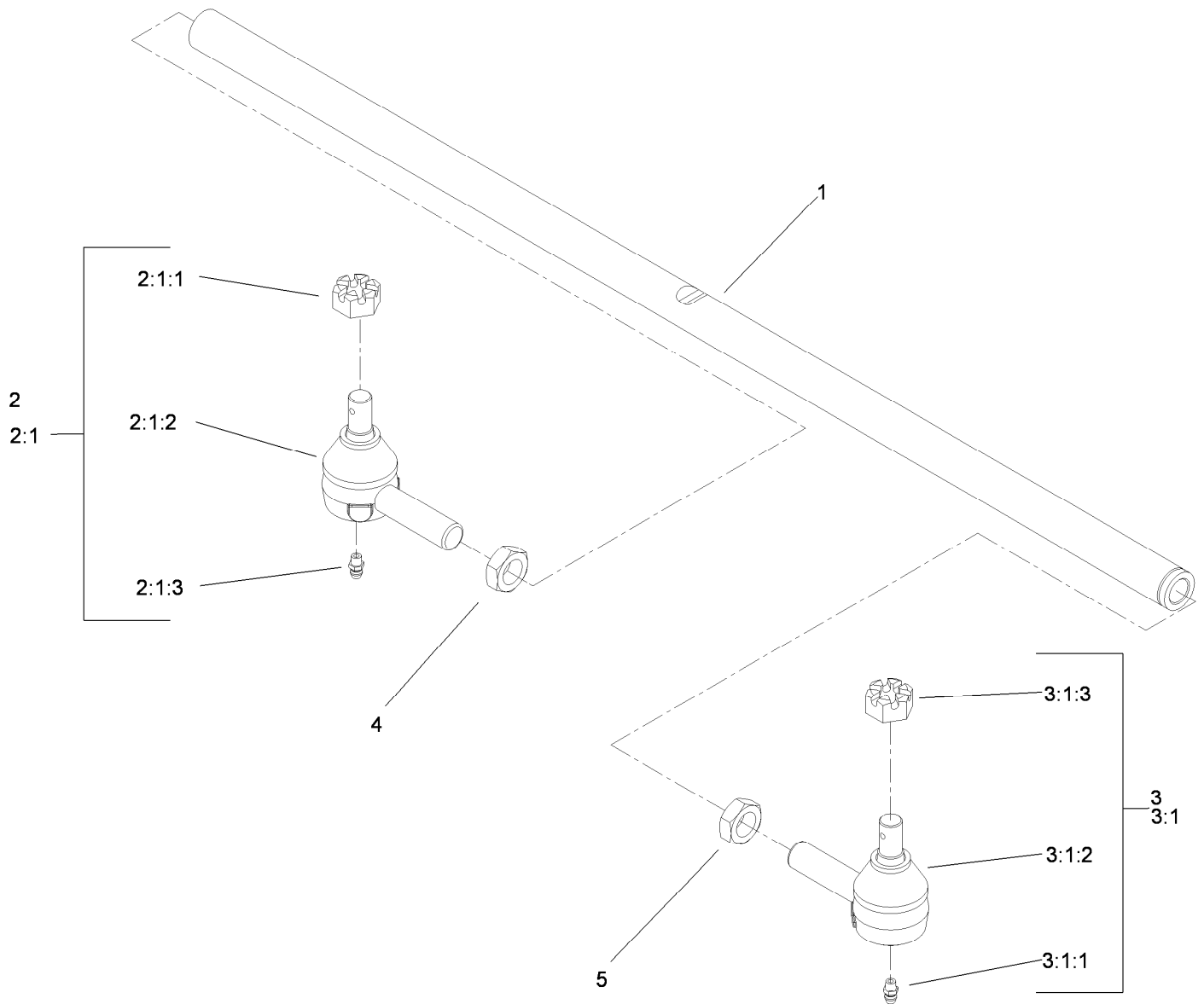


Rear Axle Assembly

| <i>Ref.</i> | <i>Part Number</i> | <i>Qty.</i> | <i>Description</i> |
|-------------|--------------------|-------------|--------------------|
| 1 | 107-4546-03 | 1 | Axle ASM |
| 1:1 | | 1 | Axle ● |
| 1:1:2 | 99-6964 | 2 | Bushing-Axle |
| 1:1:3 | 104-0015 | 4 | Bushing-Flange |
| 1:1:4 | 302-5 | 2 | Fitting-Grease |
| 2 | 107-4517-03 | 2 | Housing-Motor |
| 3 | 110-5295-03 | 1 | Link-Drag, RH |
| 4 | 110-5334-03 | 1 | Tie Rod ASM |
| 5 | 98-8173 | 1 | Pin-Pivot, Axle |
| 6 | 99-8432 | 2 | Washer-Thrust |
| 7 | 32121-32 | 1 | Pin-Roll |
| 8 | 71-4540 | 1 | Washer-Thrust |
| 9 | 3296-15 | 1 | Nut-Lock, NI |

| <i>Ref.</i> | <i>Part Number</i> | <i>Qty.</i> | <i>Description</i> |
|-------------|--------------------|-------------|--------------------------|
| 10 | 302-33 | 1 | Fitting-Grease |
| 11 | 69-8890 | 2 | Cap-Spindle |
| 12 | 32151-77 | 2 | Ring-Retaining, External |
| 13 | 3234-1 | 2 | Screw-HHF |
| 14 | 117-8961 | 2 | Hub And Spindle ASM |
| 15 | 76-2980 | 2 | Washer-Thrust |
| 16 | 3272-12 | 2 | Pin-Cotter |
| 17 | 117-0281 | 2 | Rim And Tire ASM |
| 17:1 | 117-0280 | 1 | Rim |
| 17:2 | 117-5125 | 1 | Tire |
| 17:3 | 232-27 | 1 | Stem-Valve |
| 18 | 110-5297-03 | 1 | Link-Drag, LH |
| 19 | 3234-6 | 14 | Screw-HHF |

● Not serviced separately



Tie Rod Assembly No. 110-5334-03

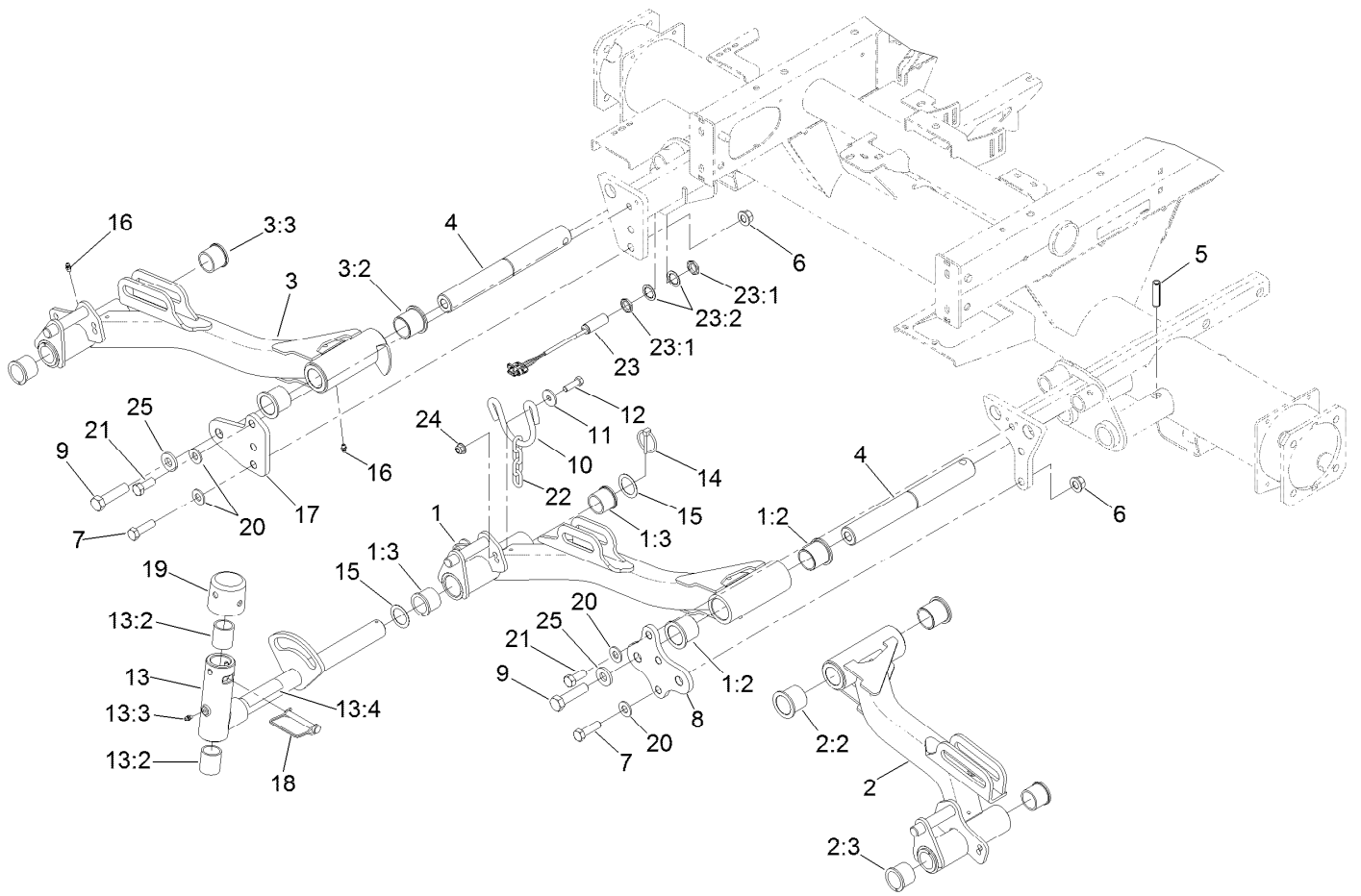
| Ref. | Part Number | Qty. | Description |
|-------|-------------|------|---------------------|
| 1 | 110-5335 | 1 | Rod-Tie |
| 2 | 71-4740-03 | 1 | RH Tie Rod End ASM |
| 2:1 | | 1 | End-Rod, Tie (RH) ● |
| 2:1:1 | 105-7941 | 1 | Nut-Hex, Slotted |
| 2:1:2 | 105-7835 | 1 | Seal |
| 2:1:3 | 302-5 | 1 | Fitting-Grease |
| 3 | 2411-46-03 | 1 | LH Tie Rod ASM |
| 3:1 | | 1 | End-Rod, Tie (LH) ● |
| 3:1:1 | 302-5 | 1 | Fitting-Grease |
| 3:1:2 | 105-7835 | 1 | Seal |
| 3:1:3 | 105-7941 | 1 | Nut-Hex, Slotted |
| 4 | 84-5300 | 1 | Nut-Jam |
| 5 | 110-5337 | 1 | Nut-Jam |

● Not serviced separately



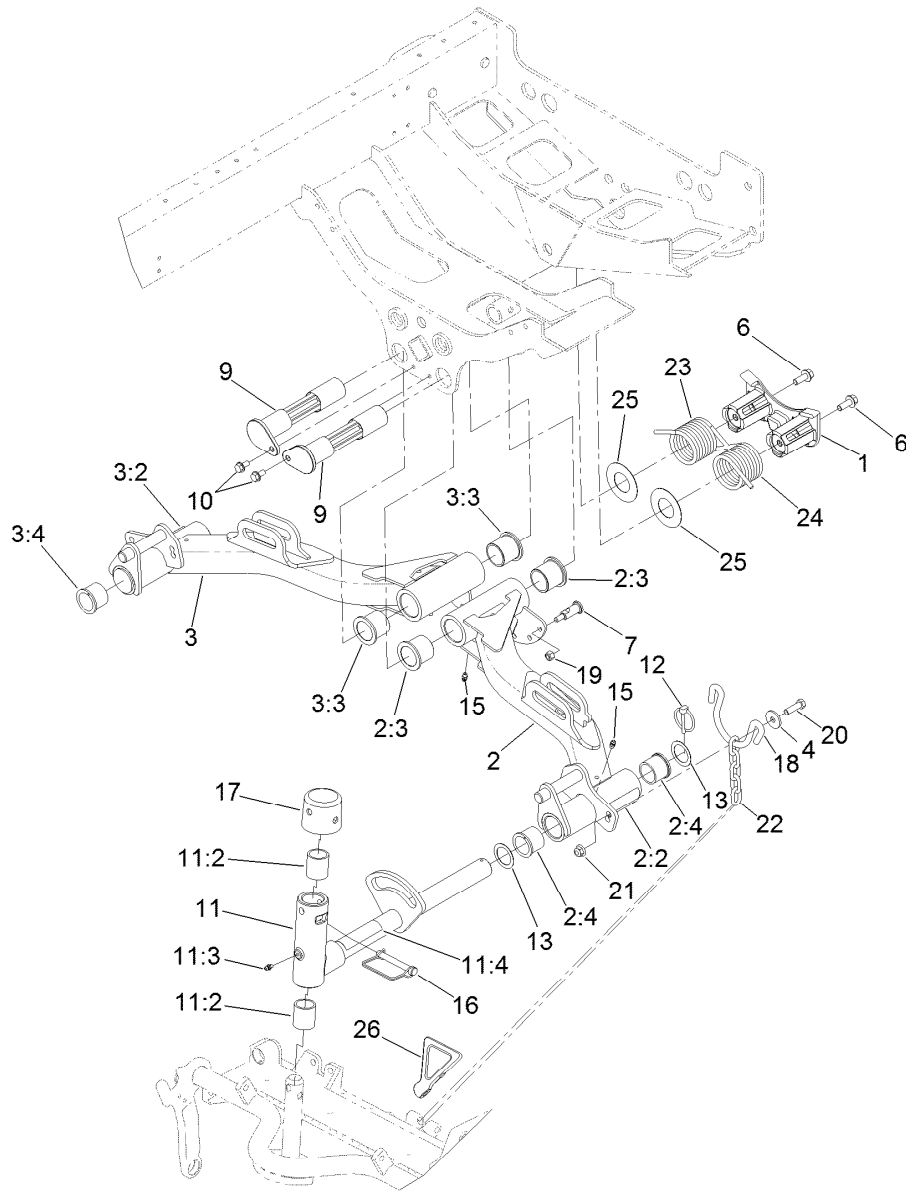
Hub and Spindle Assembly No. 117-8961

| <i>Ref.</i> | <i>Part Number</i> | <i>Qty.</i> | <i>Description</i> |
|-------------|--------------------|-------------|-----------------------|
| 1 | 117-8958 | 1 | Spindle |
| 2 | 117-8963 | 1 | Hub ASM |
| 2:2 | 254-72 | 2 | Bearing-Cup, Tapered |
| 2:3 | 114-3918 | 5 | Stud-Wheel |
| 3 | 254-94 | 2 | Bearing-Cone, Tapered |
| 4 | 112-1690 | 1 | Seal-Oil |
| 5 | 242-50 | 5 | Nut-Lug |
| 6 | 241-119 | 1 | Cap-Dust |
| 7 | 117-8259 | 1 | Washer-Spindle |
| 8 | 117-8260 | 1 | Nut |
| 9 | 93-0307 | 1 | Nut-Lock, Retainer |
| 10 | 3272-18 | 1 | Pin-Cotter |



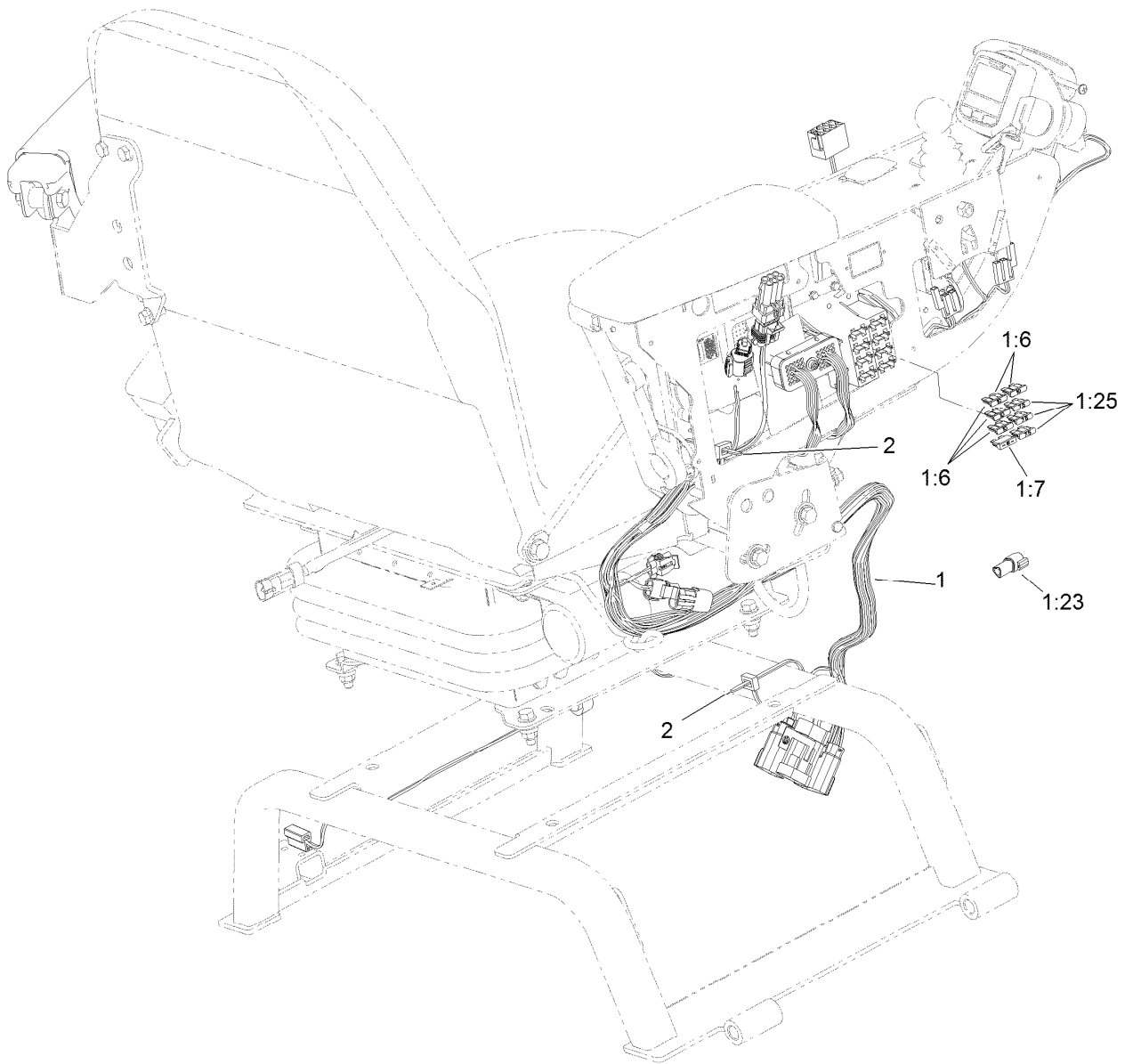
No. 1, 4 and 5 Lift Arm Assembly

| Ref. | Part Number | Qty. | Description | Ref. | Part Number | Qty. | Description |
|------|-------------|------|----------------------|------|-------------|------|-----------------------------|
| 1 | 110-0991 | 1 | No. 1 Lift Arm ASM | 13 | 107-2052 | 3 | Pivot Yoke ASM |
| 1:2 | 69-6470 | 2 | Bushing-Caster | 13:2 | 121-3187 | 2 | Bushing |
| 1:3 | 104-0015 | 2 | Bushing-Flange | 13:3 | 302-5 | 1 | Fitting-Grease |
| 2 | 114-8874 | 1 | No. 4 Lift Arm ASM | 13:4 | 110-9642 | 1 | Decal-Warning |
| 2:2 | 69-6470 | 2 | Bushing-Caster | 14 | 92-1298 | 3 | Pin-Lynch |
| 2:3 | 104-0015 | 2 | Bushing-Flange | 15 | 76-2980 | 6 | Washer-Thrust |
| 3 | 110-0995 | 1 | No. 5 Lift Arm ASM | 16 | 302-5 | 6 | Fitting-Grease |
| 3:2 | 69-6470 | 2 | Bushing-Caster | 17 | 117-5153-01 | 1 | Plate-Bridge 5 |
| 3:3 | 104-0015 | 2 | Bushing-Flange | 18 | 107-7400 | 3 | Pin-Lynch |
| 4 | 117-0208 | 3 | Shaft-Pivot, Liftarm | 19 | 107-4027 | 3 | Cap |
| 5 | 32121-122 | 3 | Pin-Roll | 20 | 87-7270 | 6 | Washer-Thrust |
| 6 | 99-5107 | 4 | Nut-Lock | 21 | 325-5 | 2 | Screw-HH |
| 7 | 325-7 | 4 | Screw-HH | 22 | 84-2451 | 3 | Chain-Straight, 5 Link |
| 8 | 117-5154-01 | 1 | Plate-Bridge 1 And 4 | 23 | 115-5300 | 1 | Proximity Switch ASM |
| 9 | 327-7 | 3 | Screw-HH | 23:1 | 117-3207 | 2 | Nut-Hex |
| 10 | 110-0922 | 3 | Hoop-Chain | 23:2 | 117-3208 | 2 | Washer-Lock, Internal Tooth |
| 11 | 63-8410 | 6 | Washer | 24 | 104-8301 | 6 | Nut-HF, NI |
| 12 | 323-7 | 6 | Screw-HH | 25 | 99-7667 | 3 | Washer-Flat |



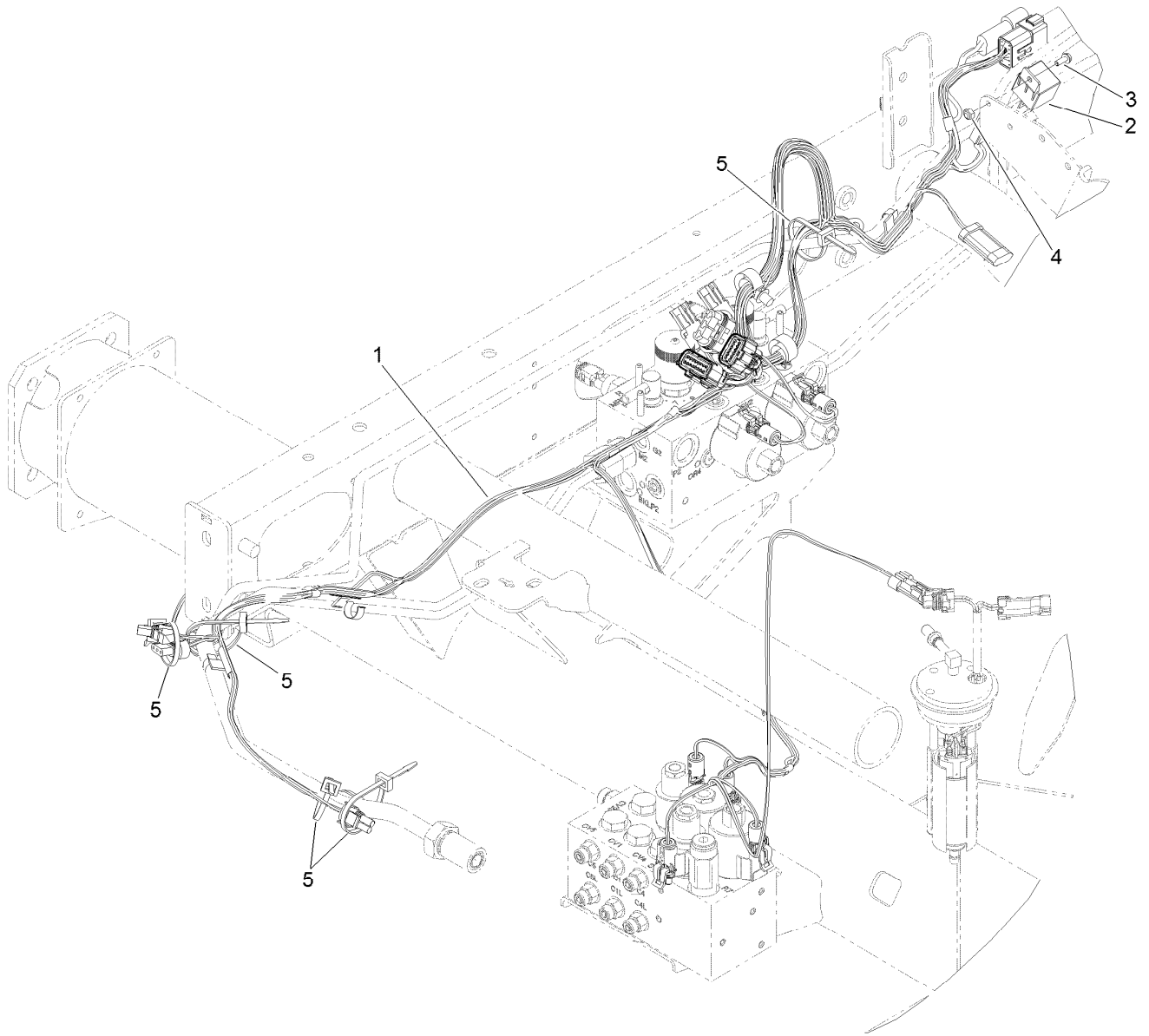
No. 2 and 3 Lift Arm Assembly

| <i>Ref.</i> | <i>Part Number</i> | <i>Qty.</i> | <i>Description</i> | <i>Ref.</i> | <i>Part Number</i> | <i>Qty.</i> | <i>Description</i> |
|-------------|--------------------|-------------|--------------------|-------------|--------------------|-------------|------------------------|
| 1 | 125-2018 | 1 | Housing | 11:3 | 302-5 | 1 | Fitting-Grease |
| 2 | 125-2912 | 1 | Lift Arm 2 ASM | 11:4 | 110-9642 | 1 | Decal-Warning |
| 2:2 | 93-6696 | 1 | Decal-Warning | 12 | 92-1298 | 2 | Pin-Lynch |
| 2:3 | 69-6470 | 2 | Bushing-Caster | 13 | 76-2980 | 4 | Washer-Thrust |
| 2:4 | 104-0015 | 2 | Bushing-Flange | 15 | 302-5 | 4 | Fitting-Grease |
| 3 | 125-2913 | 1 | Lift Arm 3 ASM | 16 | 107-7400 | 2 | Pin-Lynch |
| 3:2 | 93-6696 | 1 | Decal-Warning | 17 | 107-4027 | 2 | Cap |
| 3:3 | 69-6470 | 2 | Bushing-Caster | 18 | 110-0922 | 2 | Hoop-Chain |
| 3:4 | 104-0015 | 2 | Bushing-Flange | 19 | 3296-29 | 6 | Nut-Lock, NI |
| 4 | 63-8410 | 4 | Washer | 20 | 323-7 | 4 | Screw-HH |
| 6 | 3234-11 | 2 | Screw-HHF | 21 | 104-8301 | 4 | Nut-HF, NI |
| 7 | 120-6283 | 6 | Stud-Shouldered | 22 | 84-2451 | 2 | Chain-Straight, 5 Link |
| 9 | 125-2037 | 2 | Shaft | 23 | 99-5608-03 | 1 | Spring-Torsion, RH |
| 10 | 32144-14 | 2 | Screw-HWHTF | 24 | 99-5609-03 | 1 | Spring-Torsion, LH |
| 11 | 107-2052 | 2 | Pivot Yoke ASM | 25 | 110-5345 | 2 | Washer |
| 11:2 | 121-3187 | 2 | Bushing | 26 | 119-8010-03 | 1 | Kickstand |



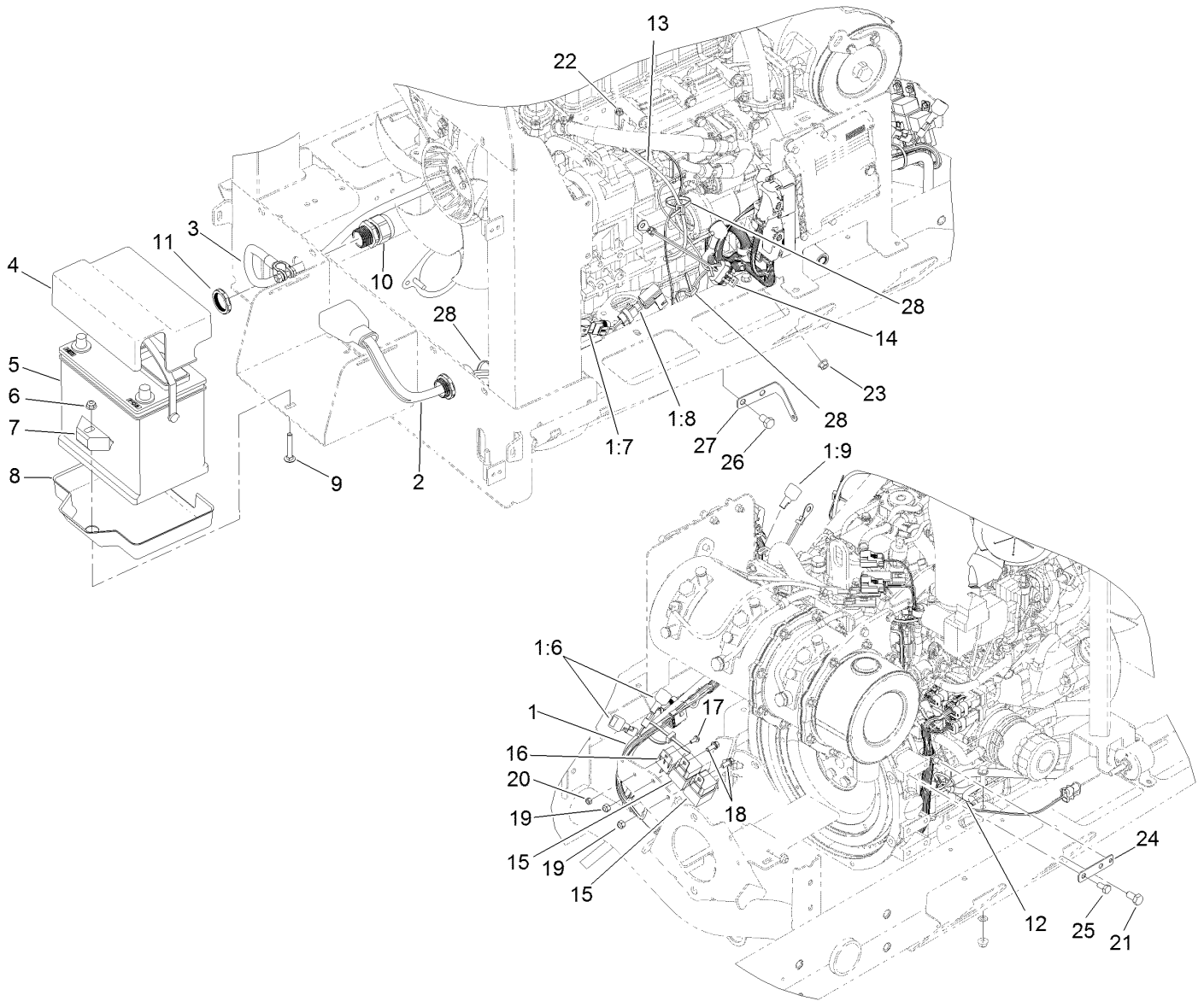
Seat and Control Arm Wiring Harness Assembly

| <i>Ref.</i> | <i>Part Number</i> | <i>Qty.</i> | <i>Description</i> |
|-------------|--------------------|-------------|---------------------|
| 1 | 115-8081 | 1 | Harness-Wire, Seat |
| 1:6 | 218-578 | 3 | Fuse-Blade, 10 Amp |
| 1:7 | 109355 | 1 | Fuse-Blade, 15 Amp |
| 1:23 | 32180-043 | 1 | Resistor-120 Ohm |
| 1:25 | 114241 | 3 | Fuse-Blade, 7.5 Amp |
| 2 | 3290-378 | 3 | Tie-Cable |



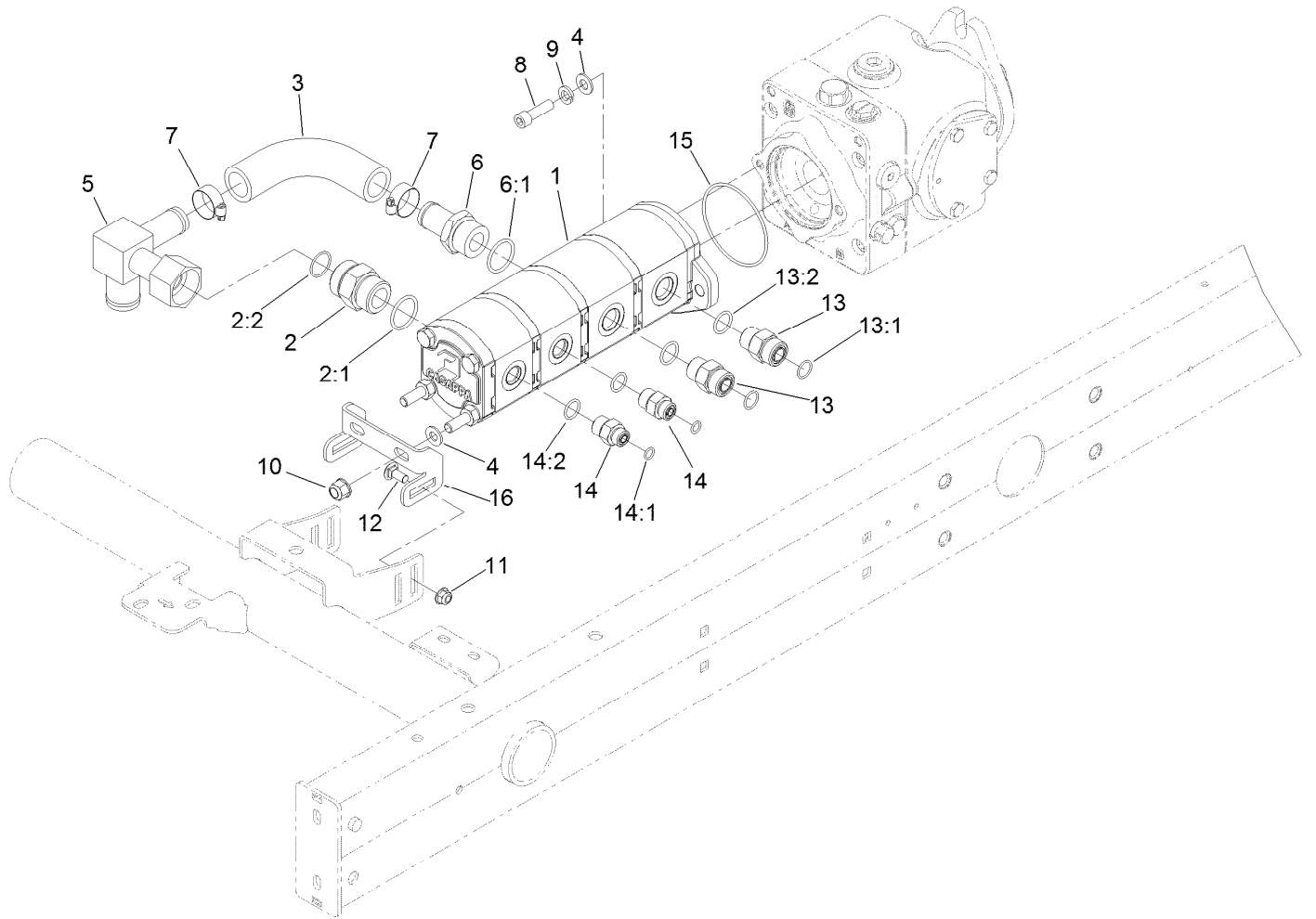
Main Wiring Harness Assembly

| <i>Ref.</i> | <i>Part Number</i> | <i>Qty.</i> | <i>Description</i> |
|-------------|--------------------|-------------|--------------------|
| 1 | 120-6356 | 1 | Harness-Wire, Main |
| 2 | 99-7435 | 1 | Relay |
| 3 | 3290-321 | 1 | Screw-HWH |
| 4 | 3296-2 | 1 | Nut-Lock, NI |
| 5 | 3290-378 | 10 | Tie-Cable |



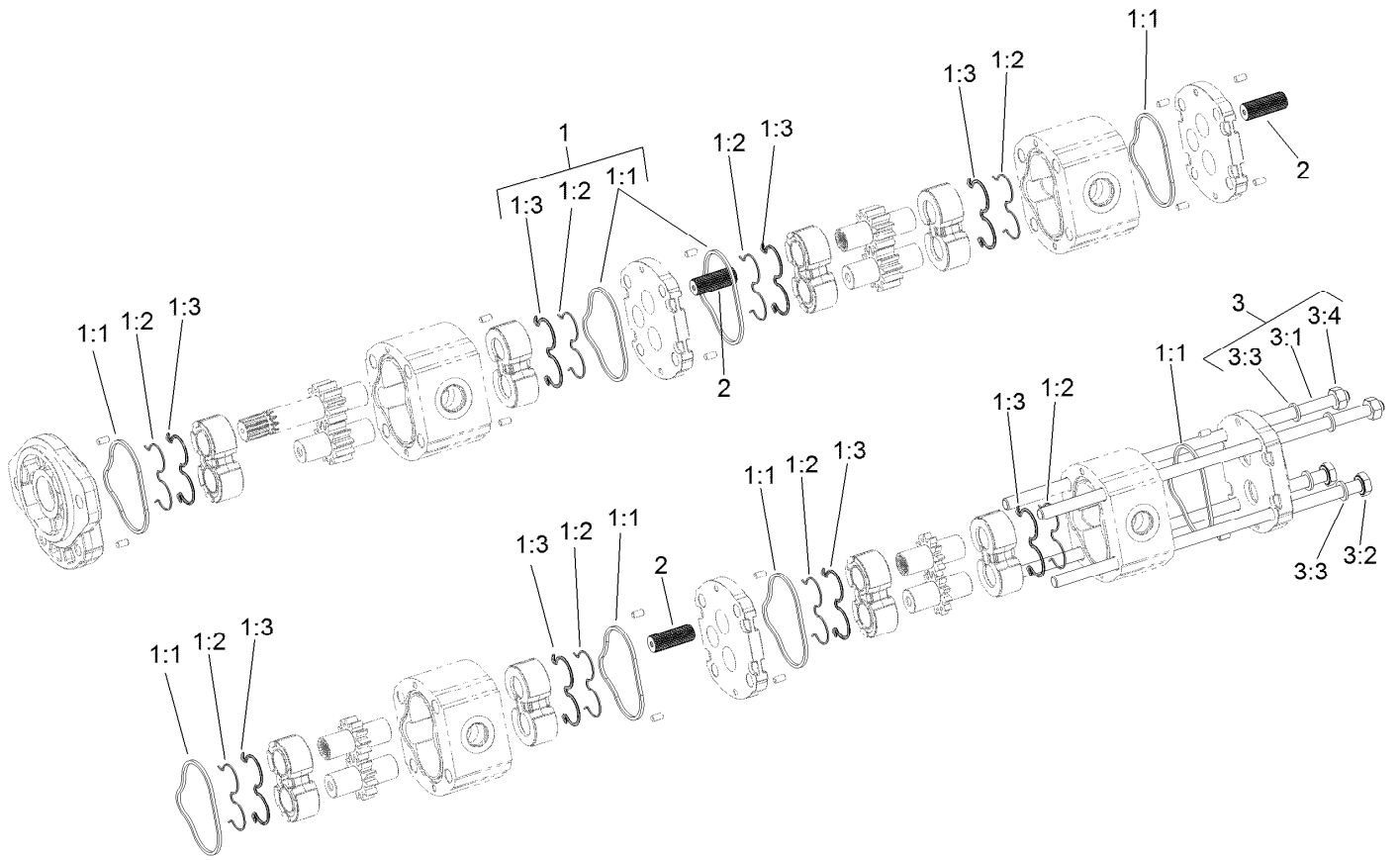
Engine Electrical Assembly

| <i>Ref.</i> | <i>Part Number</i> | <i>Qty.</i> | <i>Description</i> | <i>Ref.</i> | <i>Part Number</i> | <i>Qty.</i> | <i>Description</i> |
|-------------|--------------------|-------------|-------------------------|-------------|--------------------|-------------|----------------------------|
| 1 | 122-0231 | 1 | Harness-Wire, Engine | 13 | 100-5552 | 1 | Harness-Wire |
| 1:6 | 100-4918 | 2 | Diode | 14 | 99-3441 | 1 | Harness-Wire, Fusible Link |
| 1:7 | 94-6710 | 1 | Fuse-2 Amp | 15 | 99-7430 | 2 | Relay-Mini |
| 1:8 | 218-578 | 1 | Fuse-Blade, 10 Amp | 16 | 99-7435 | 1 | Relay |
| 1:9 | 104-4022 | 1 | Resistor-75 Ohm | 17 | 3290-321 | 1 | Screw-HWH |
| 2 | 121-8850 | 1 | Cable-Battery, Positive | 18 | 3234-33 | 2 | Screw-HHF |
| 3 | 121-8851 | 1 | Cable-Battery, Negative | 19 | 3296-42 | 2 | Nut-Lock, NI |
| 4 | 121-5615 | 1 | Cover-Battery | 20 | 3296-2 | 1 | Nut-Lock, NI |
| 5 | 104-9979 | 1 | Battery | 21 | 33115-020 | 1 | Screw-HH |
| 6 | 104-8300 | 1 | Nut-HF, NI | 22 | 33003-00 | 1 | Nut-HF |
| 7 | 66-2490 | 1 | Retainer-Battery | 23 | 33004-00 | 1 | Nut-HF |
| 8 | 127-2781 | 1 | Mat-Battery | 24 | 121-5636 | 1 | Tab-Harness |
| 9 | 3230-6 | 1 | Bolt-CARR | 25 | 33114-016 | 2 | Screw-HH |
| 10 | 121-8854 | 2 | Grip-Cord | 26 | 33115-016 | 2 | Screw-HH |
| 11 | 121-8855 | 2 | Locknut-Grip, Cord | 27 | 121-6580 | 1 | Bracket-Harness |
| 12 | 121-8856 | 1 | Cable-Ground, Engine | 28 | 3290-378 | 6 | Tie-Cable |



Gear Pump Assembly

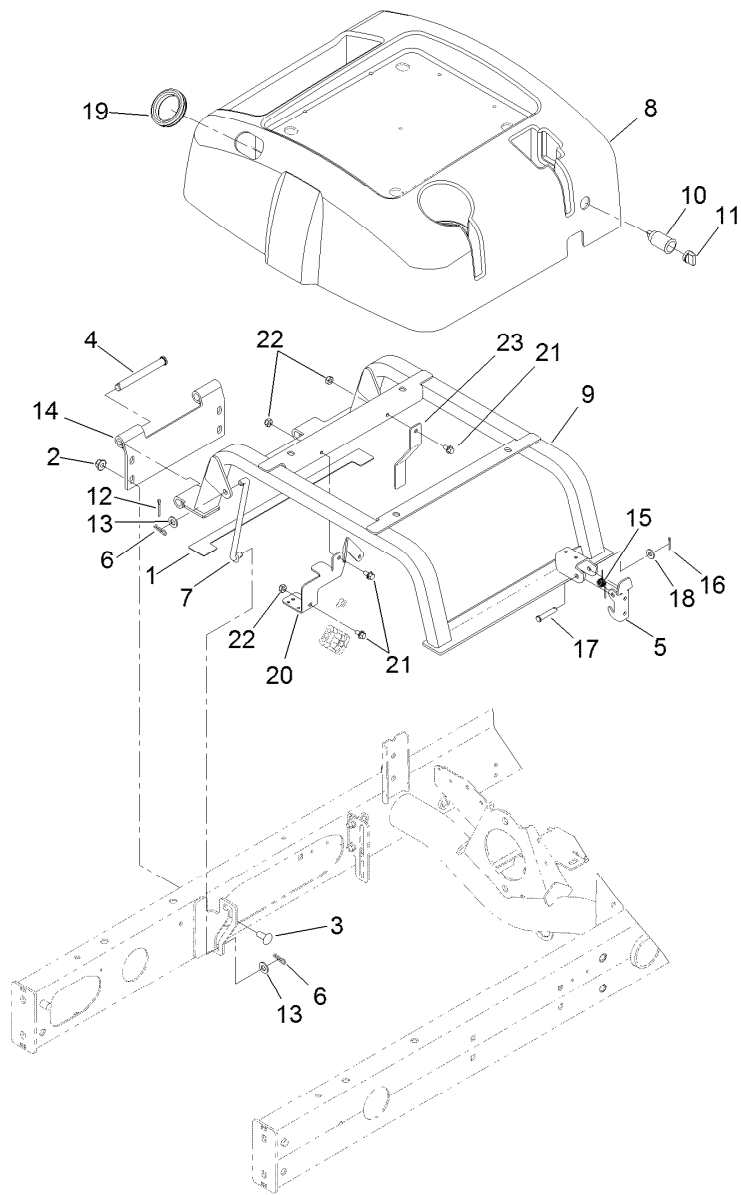
| <i>Ref.</i> | <i>Part Number</i> | <i>Qty.</i> | <i>Description</i> | <i>Ref.</i> | <i>Part Number</i> | <i>Qty.</i> | <i>Description</i> |
|-------------|--------------------|-------------|--------------------|-------------|--------------------|-------------|-----------------------|
| 1 | 107-4547 | 1 | Gear Pump ASM | 10 | 103-9511 | 2 | Nut-Lock, NI |
| 2 | 104-3797 | 1 | Fitting-Straight | 11 | 104-8300 | 2 | Nut-HF, NI |
| 2:1 | 237-146 | 1 | O-Ring | 12 | 3230-1 | 2 | Bolt-CARR |
| 2:2 | 340-65 | 1 | O-Ring | 13 | 340-7 | 2 | Fitting-Straight |
| 3 | 108-1683 | 1 | Hose-Formed | 13:1 | 237-65 | 1 | O-Ring |
| 4 | 3256-24 | 4 | Washer-Plain | 13:2 | 237-80 | 1 | O-Ring |
| 5 | 108-1672 | 1 | Manifold-Tube | 14 | 340-3 | 2 | Fitting-Straight |
| 6 | 354-78 | 1 | Fitting-STR | 14:1 | 237-22 | 1 | O-Ring |
| 6:1 | 237-146 | 1 | O-Ring | 14:2 | 237-79 | 1 | O-Ring |
| 7 | 2412-34 | 2 | Clamp-Hose | 15 | 237-161 | 1 | O-Ring |
| 8 | 3274-1 | 2 | Screw-HSH | 16 | 108-1801-01 | 1 | Bracket-Support, Pump |
| 9 | 3253-5 | 2 | Washer-Lock | | | | |



Gear Pump Assembly No. 107-4547

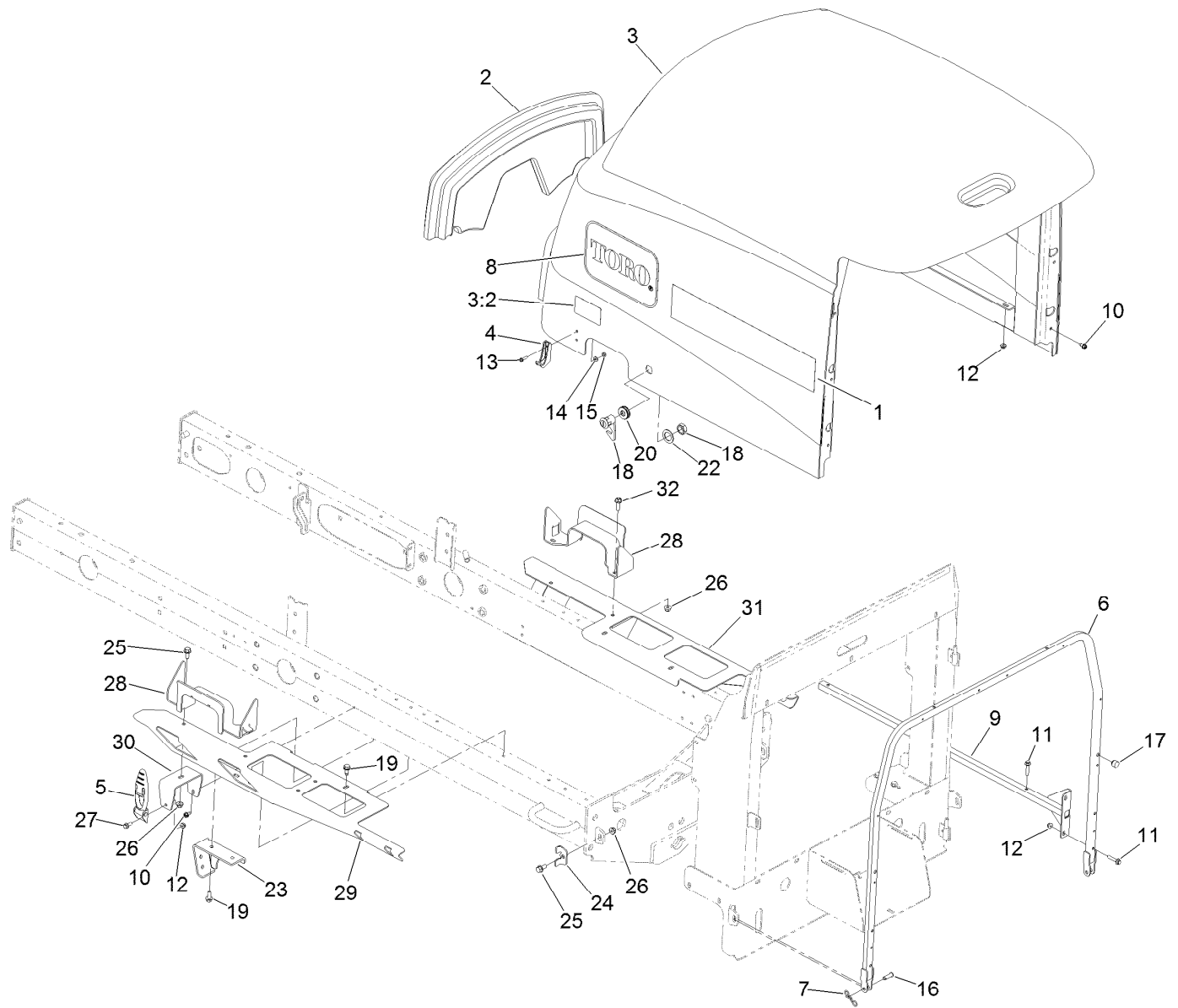
| Ref. | Part Number | Qty. | Description |
|------|-------------|------|----------------|
| 1 | 108-4595 | 1 | Seal Kit |
| 1:1 | | 8 | Seal ● |
| 1:2 | | 8 | Seal ● |
| 1:3 | | 8 | Ring-Back Up ● |
| 2 | 120-6284 | 3 | Hub-Connecting |
| 3 | 125-8760 | 1 | Kit-Bolt |
| 3:1 | | 2 | Bolt-Stud ● |
| 3:2 | | 2 | Screw ● |
| 3:3 | | 4 | Washer ● |
| 3:4 | | 2 | Nut ● |

● Not serviced separately



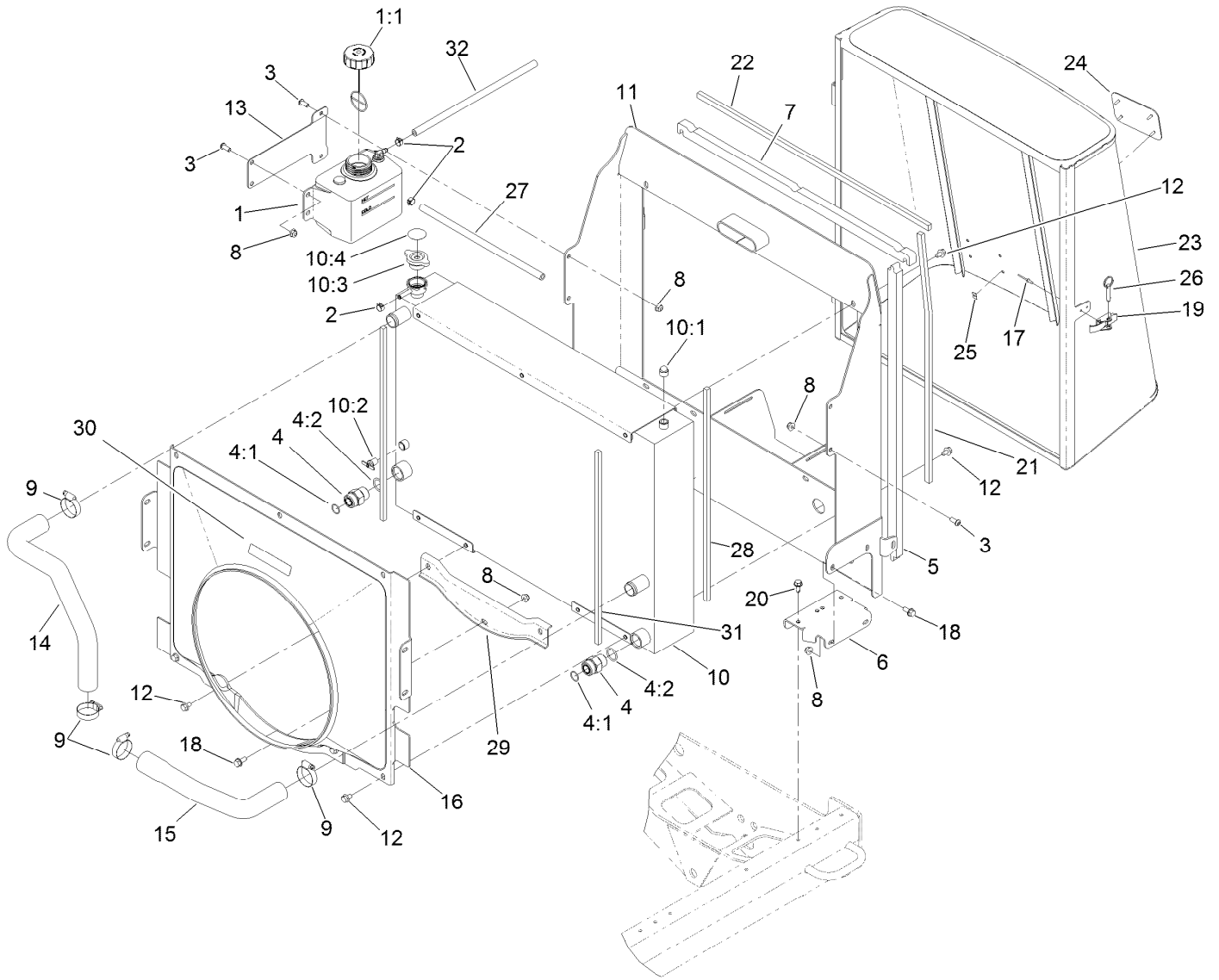
Seat Base Assembly

| <i>Ref.</i> | <i>Part Number</i> | <i>Qty.</i> | <i>Description</i> | <i>Ref.</i> | <i>Part Number</i> | <i>Qty.</i> | <i>Description</i> |
|-------------|--------------------|-------------|--------------------|-------------|--------------------|-------------|-----------------------|
| 1 | 110-5255 | 2 | Bumper-Base, Seat | 13 | 3256-24 | 4 | Washer-Plain |
| 2 | 104-8301 | 4 | Nut-HF, NI | 14 | 125-2121-03 | 1 | Hinge-Seatbase |
| 3 | 3231-27 | 4 | Screw-CARR | 15 | 104-4821 | 1 | Spring-Torsion |
| 4 | 283-83 | 2 | Pin-Clevis | 16 | 3272-6 | 1 | Pin-Cotter |
| 5 | 110-8971 | 1 | Latch | 17 | 94-3829 | 1 | Pin-Clevis |
| 6 | 3290-307 | 4 | Pin-Cotter | 18 | 3256-2 | 1 | Washer-Flat |
| 7 | 98-0917 | 2 | Rod-Prop | 19 | 240-12 | 1 | Grommet-Rubber |
| 8 | 108-1757 | 1 | Cover-Seatbase | 20 | 127-2711-03 | 1 | Bracket-Harness |
| 9 | 125-2122-03 | 1 | Seat Base ASM | 21 | 3234-13 | 3 | Screw-HHF |
| 10 | 99-7411 | 1 | Point-Power | 22 | 3296-16 | 3 | Nut-Lock, NI |
| 11 | 99-7416 | 1 | Cap | 23 | 127-2615-03 | 1 | Bracket-Harness, Wire |
| 12 | 3272-11 | 2 | Pin-Cotter | | | | |



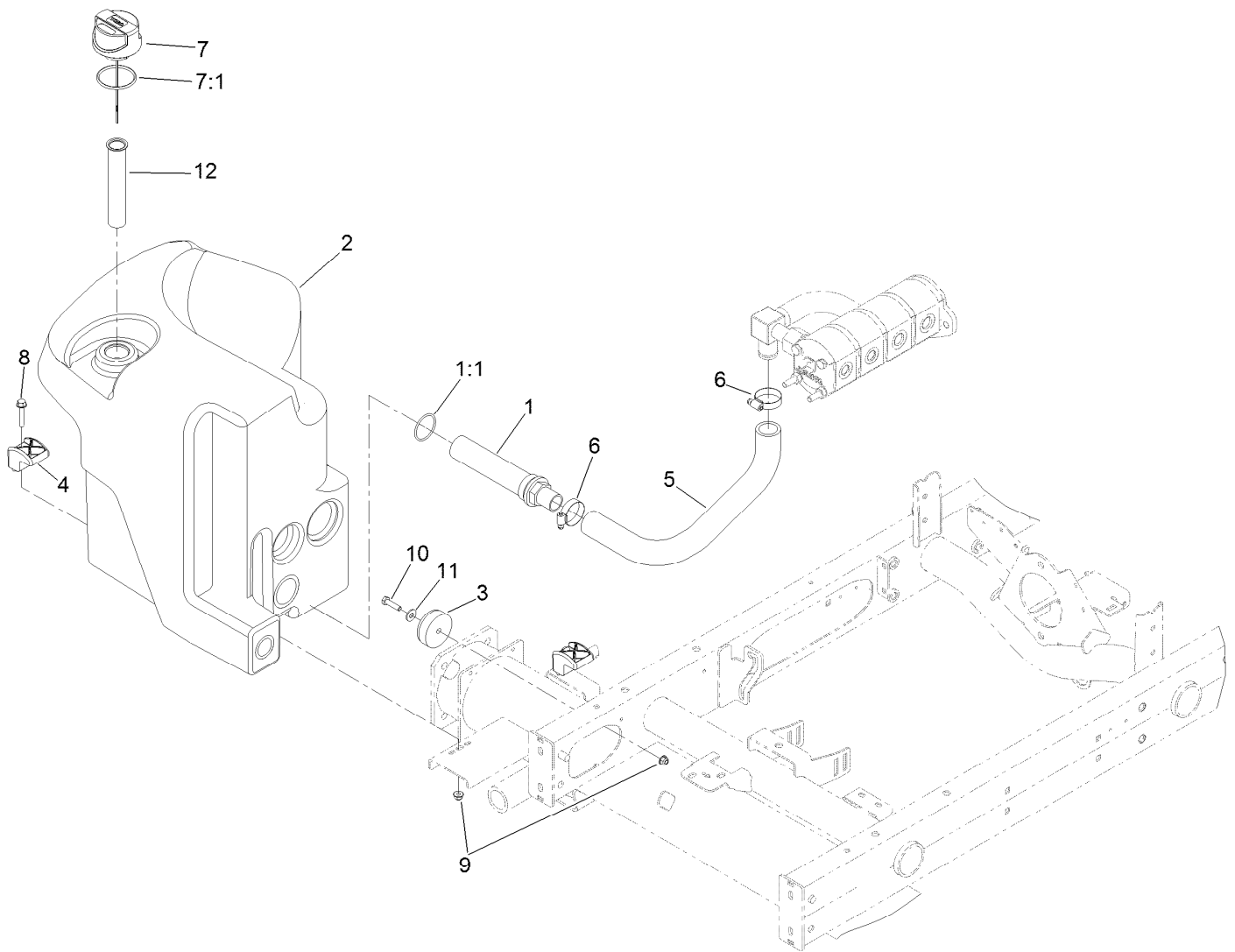
Hood Assembly

| Ref. | Part Number | Qty. | Description | Ref. | Part Number | Qty. | Description |
|------|-------------|------|------------------|------|-------------|------|-----------------------|
| 1 | 125-2929 | 2 | Decal | 16 | 283-61 | 2 | Pin-Yoke |
| 2 | 108-7587 | 1 | Saddle-Hood | 17 | 107-8042 | 2 | Bumper-Rubber |
| 3 | 121-5616 | 1 | Hood ASM | 18 | 98-5398 | 1 | Latch |
| 3:2 | 106-6754 | 1 | Decal-Danger | 19 | 32104-32 | 6 | Screw-HWH |
| 4 | 103-2897 | 2 | Latch-Catch | 20 | 104-1453 | 1 | Grommet |
| 5 | 103-2898 | 2 | Latch-Rubber | 22 | 99-4958 | 1 | Spacer |
| 6 | 125-8813-03 | 1 | Tube-Frame, Hood | 23 | 110-0979-03 | 2 | Bracket-Deflector |
| 7 | 105-7512 | 2 | Pin-Tie, Bow | 24 | 110-8946 | 2 | Clamp-Frame, Radiator |
| 8 | 66-6140 | 2 | Decal | 25 | 3234-5 | 2 | Screw-HHF |
| 9 | 108-1790-03 | 2 | Tube | 26 | 104-8300 | 6 | Nut-HF, NI |
| 10 | 32104-17 | 12 | Screw-HWH | 27 | 3234-33 | 2 | Screw-HHF |
| 11 | 3234-21 | 10 | Screw-HHF | 28 | 121-5627-03 | 2 | Guide-Hood |
| 12 | 104-7201 | 12 | Nut-HF, NI | 29 | 110-5253-01 | 1 | Adapter-Hood, LH |
| 13 | 32105-13 | 4 | Screw-HWH | 30 | 110-5256-01 | 2 | Bracket-Latch, Hood |
| 14 | 3256-14 | 4 | Washer-Flat | 31 | 110-5254-01 | 1 | Adapter-Hood, RH |
| 15 | 3296-12 | 4 | Nut-Lock, NI | 32 | 3234-17 | 4 | Screw-HHF |



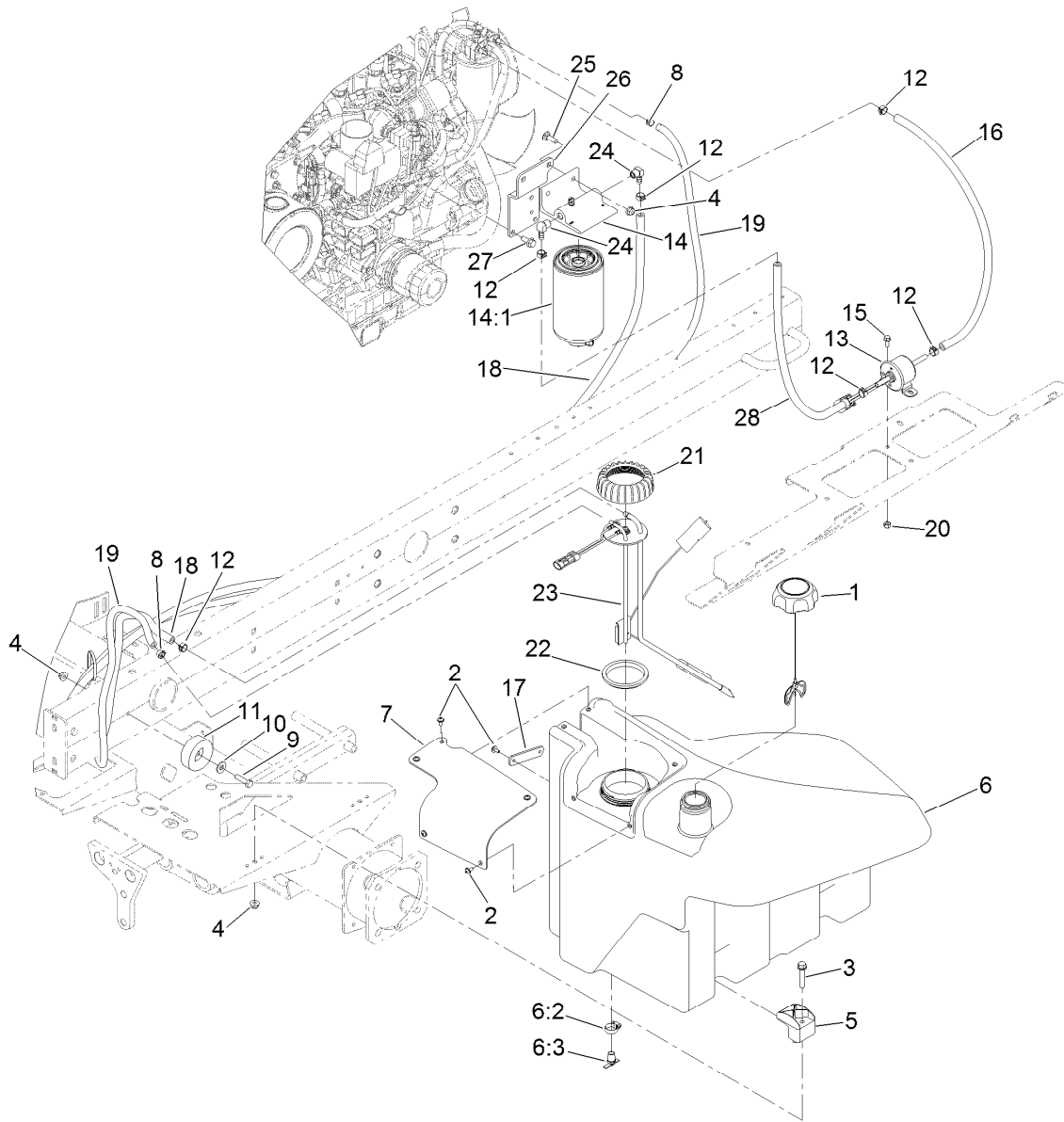
Cooling System Assembly

| Ref. | Part Number | Qty. | Description | Ref. | Part Number | Qty. | Description |
|------|-------------|------|--------------------------------|------|-------------|------|----------------------|
| 1 | 120-5573 | 1 | Coolant Reservoir ASM | 13 | 121-5568-03 | 1 | Bracket-Reservoir |
| 1:1 | 87-7050 | 1 | Cap-Reservoir | 14 | 121-5557 | 1 | Hose-Radiator, Upper |
| 2 | 92-2379 | 3 | Clamp-Hose | 15 | 121-5558 | 1 | Hose-Radiator, Lower |
| 3 | 3274-55 | 5 | Screw-HSBH | 16 | 125-2904 | 1 | Shroud-Fan, Diesel |
| 4 | 340-9 | 2 | Fitting-STR | 17 | 3269-15 | 2 | Rivet-Pop |
| 4:1 | 237-58 | 1 | O-Ring | 18 | 3234-5 | 5 | Screw-HHF |
| 4:2 | 237-81 | 1 | O-Ring | 19 | 115-1554 | 1 | Latch-Draw |
| 5 | 121-5554 | 2 | Seal-Foam | 20 | 32104-32 | 6 | Screw-HWH |
| 6 | 110-5310-01 | 2 | Bracket-Mounting | 21 | 121-5575 | 2 | Seal-Foam |
| 7 | 110-5276 | 2 | Seal-Foam | 22 | 121-5576 | 1 | Seal-Foam |
| 8 | 104-8300 | 10 | Nut-HF, NI | 23 | 120-3844-03 | 1 | Screen |
| 9 | 2412-3 | 4 | Clamp-Hose | 24 | 93-6028 | 1 | Plate-Logo |
| 10 | 120-3840 | 1 | Oil Cooler And Radiator ASM | 25 | 94-2638 | 4 | Nut-Flat |
| 10:1 | 281-13 | 1 | Plug-Pipe | 26 | 115-1556 | 1 | Pin-Ball, Detent |
| 10:2 | 304-46 | 1 | Draincock | 27 | 110-8752 | 1 | Hose-Fuel |
| 10:3 | 93-5957 | 1 | Cap-Radiator | 28 | 110-0969 | 2 | Seal-Foam |
| 10:4 | 106-6755 | 1 | Decal-Cap, Radiator | 29 | 125-2905 | 1 | Cap-Shroud, Diesel |
| 11 | 120-3815-03 | 1 | Frame-Radiator | 30 | 93-7272 | 1 | Decal-Warning |
| 12 | 3234-30 | 14 | Screw-HHF | 31 | 125-8767 | 2 | Seal-Foam |
| | | | | 32 | 110-3257 | 1 | Hose-Fuel |



Hydraulic Tank Assembly

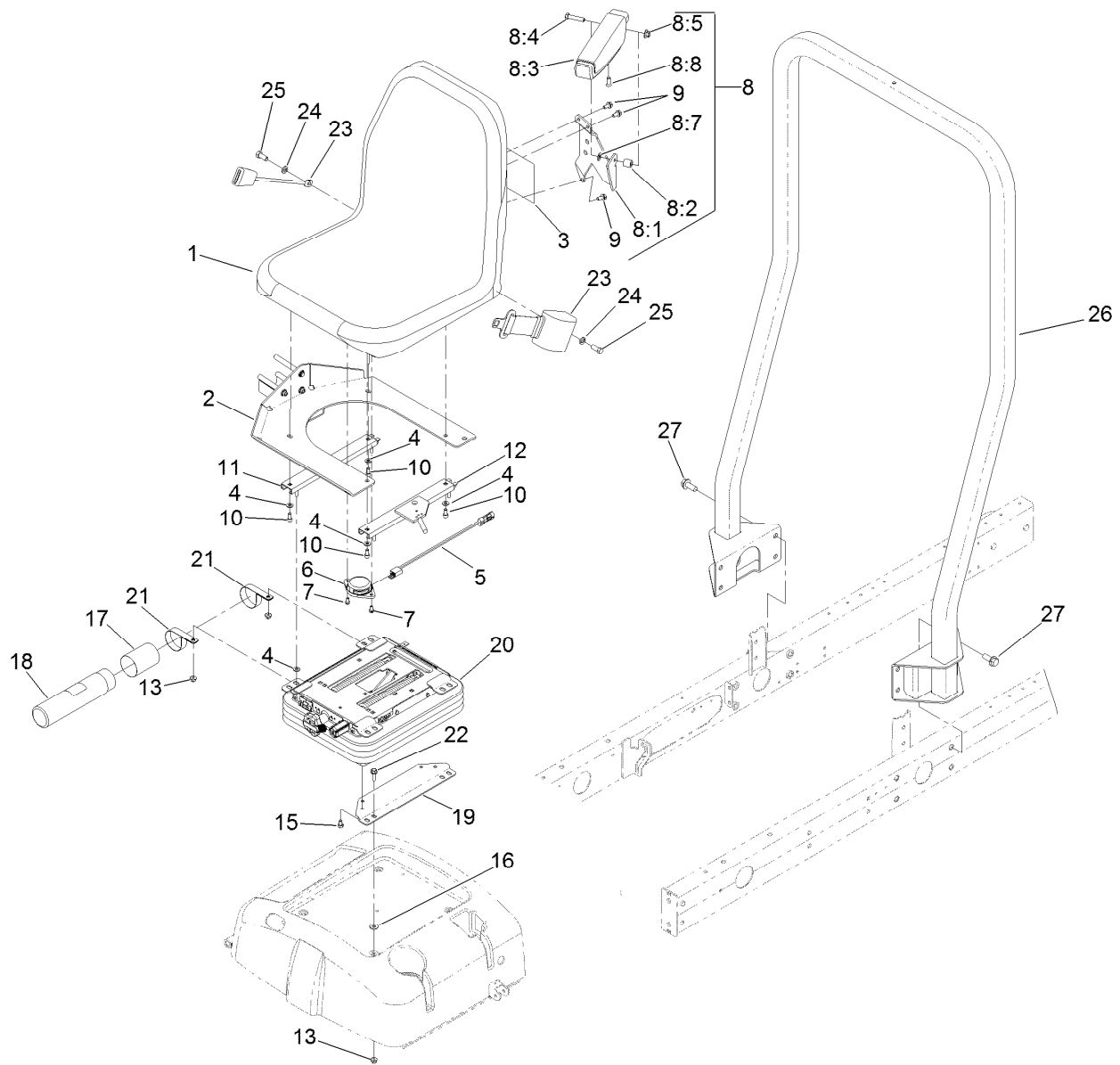
| <i>Ref.</i> | <i>Part Number</i> | <i>Qty.</i> | <i>Description</i> |
|-------------|--------------------|-------------|--------------------------------|
| 1 | 105-0131 | 1 | Strainer-Tank, Oil |
| 1:1 | 340-136 | 1 | O-Ring |
| 2 | 121-5587 | 1 | Tank-Hydraulic |
| 3 | 108-1605 | 1 | Bumper-Recess |
| 4 | 107-4543 | 2 | Clamp |
| 5 | 108-1685 | 1 | Hose-Formed |
| 6 | 2412-111 | 2 | Clamp-Hose, W/Liner |
| 7 | 117-0193 | 1 | Cap-Hydraulic, Vented Breather |
| 7:1 | 237-101 | 1 | O-Ring |
| 8 | 94-5780 | 2 | Screw-HWH |
| 9 | 104-8300 | 3 | Nut-HF, NI |
| 10 | 322-6 | 1 | Screw-HH |
| 11 | 3256-3 | 1 | Washer-Flat |
| 12 | 61-2790 | 1 | Filter-Screen |



Fuel System Assembly

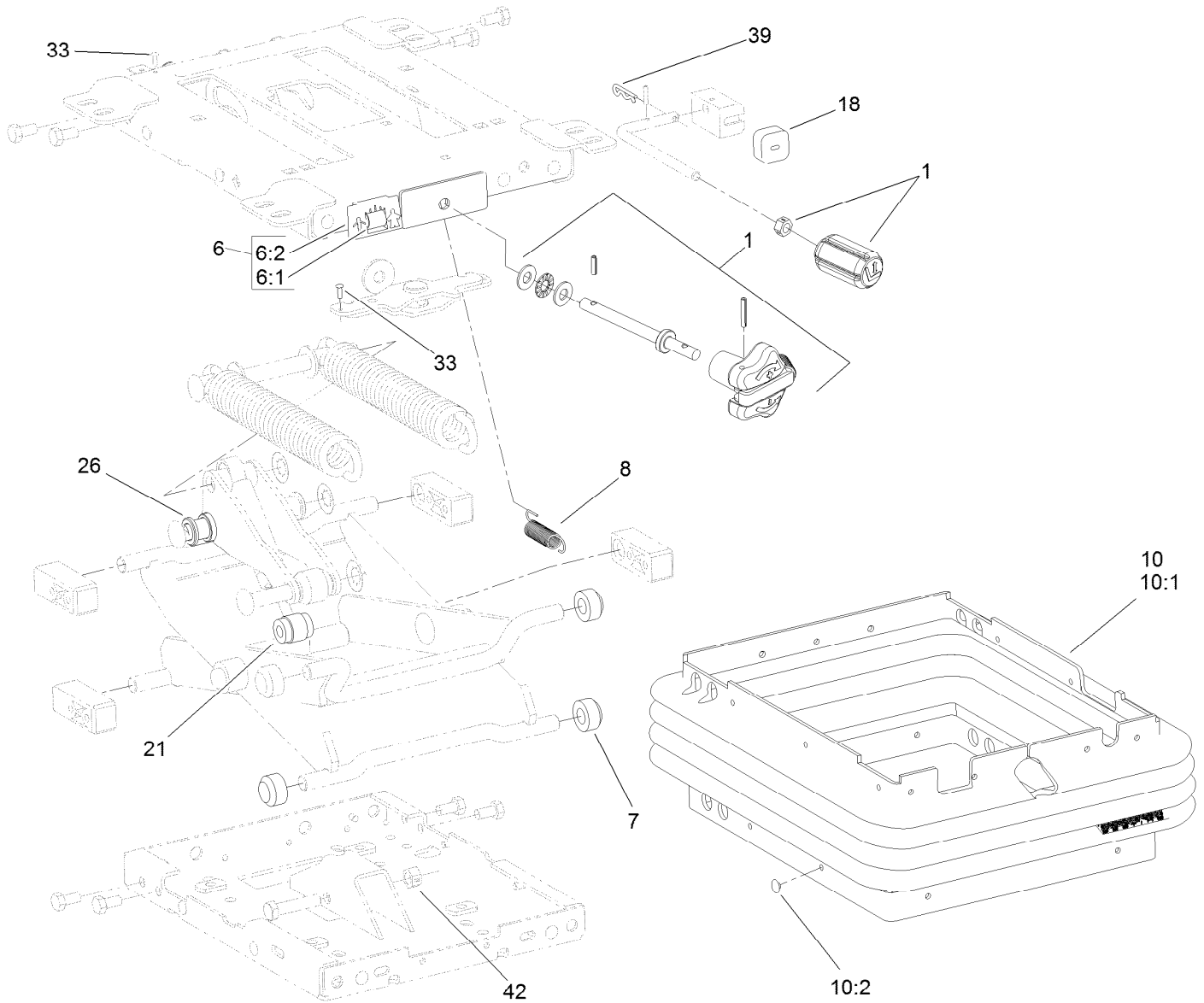
| Ref. | Part Number | Qty. | Description |
|------|-------------|------|------------------------------------|
| 1 | 125-9173 | 1 | Cap-Fuel, Diesel, Ultra Low Sulfur |
| 2 | 109-2661 | 7 | Screw-PPH |
| 3 | 94-5780 | 2 | Screw-HWH |
| 4 | 104-8300 | 5 | Nut-HF, NI |
| 5 | 107-4543 | 2 | Clamp |
| 6 | 125-2907 | 1 | Fuel Tank ASM |
| 6:2 | 2412-36 | 1 | Clamp-Hose |
| 6:3 | 304-46 | 1 | Draincock |
| 7 | 125-2903 | 1 | Cover-Pump/Sender |
| 8 | 2412-98 | 2 | Clamp-Hose |
| 9 | 322-6 | 1 | Screw-HH |
| 10 | 3256-3 | 1 | Washer-Flat |
| 11 | 108-1605 | 1 | Bumper-Recess |
| 12 | 92-2379 | 6 | Clamp-Hose |
| 13 | 121-5613 | 1 | Pump-Fuel, Electric |

| Ref. | Part Number | Qty. | Description |
|------|-------------|------|-----------------------------|
| 14 | 125-2914 | 1 | Filter-Separator |
| 14:1 | 125-2915 | 1 | Filter-Fuel/Water Separator |
| 15 | 3234-33 | 2 | Screw-HHF |
| 16 | 109-0308 | 1 | Hose-Fuel |
| 17 | 125-2945 | 1 | Strap-Cable |
| 18 | 121-5608 | 1 | Hose-Fuel |
| 19 | 121-5614 | 1 | Hose-Fuel |
| 20 | 3296-42 | 2 | Nut-Lock, NI |
| 21 | 115-2162 | 1 | Cap-Pump, Fuel |
| 22 | 115-2163 | 1 | Gasket-Pump, Fuel |
| 23 | 121-5642 | 1 | Sender-Fuel |
| 24 | 353-781 | 2 | Fitting-HYD, 90 |
| 25 | 3230-2 | 2 | Bolt-CARR |
| 26 | 120-6299-03 | 1 | Bracket-Separator |
| 27 | 33104-020 | 3 | Screw-HHF |
| 28 | 109-0274 | 1 | Hose-Fuel |



Seat Mounting and Roll-Over Protection System Assembly

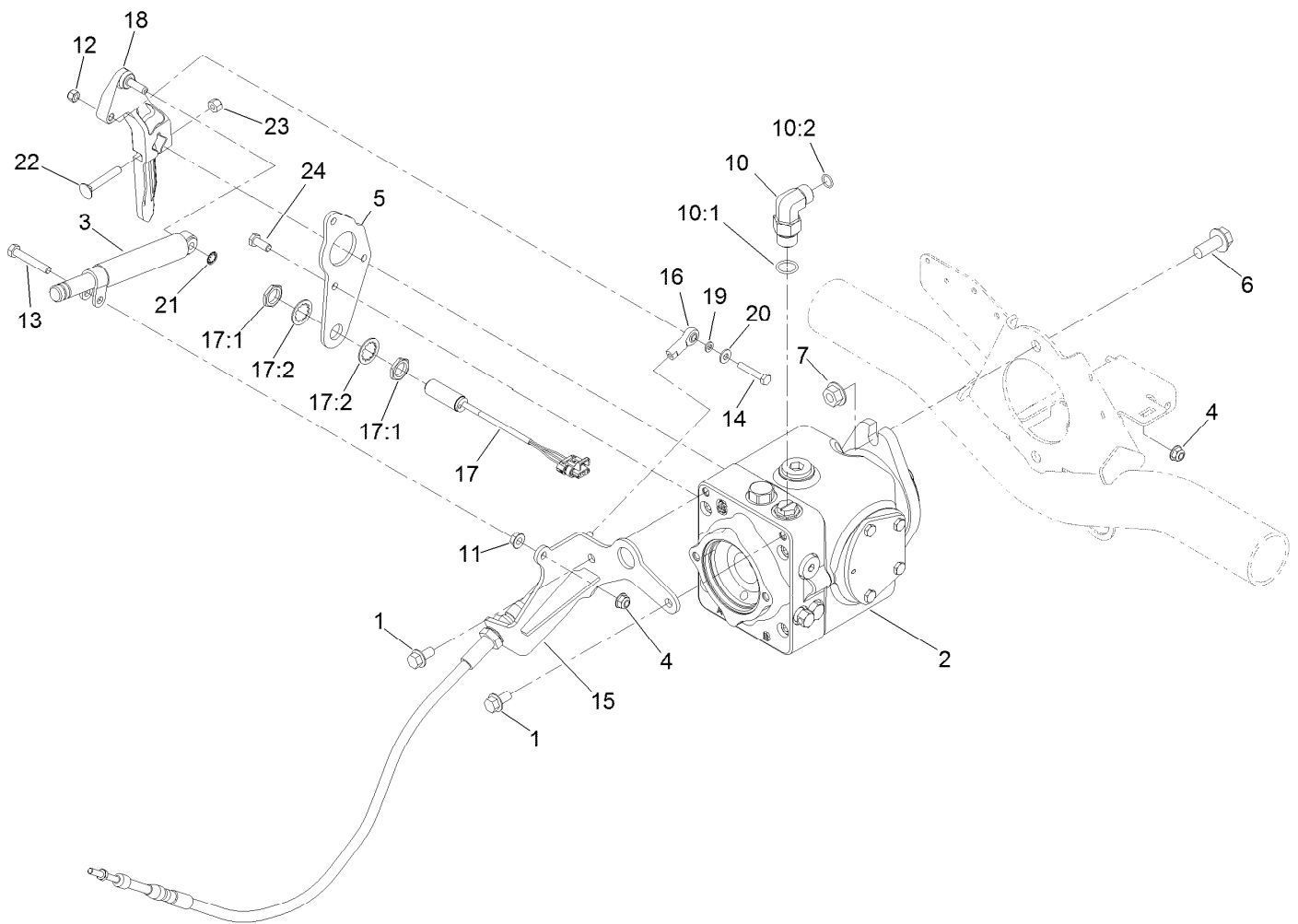
| Ref. | Part Number | Qty. | Description | Ref. | Part Number | Qty. | Description |
|------|-------------|------|------------------------|------|-------------|------|----------------------------|
| 1 | 104-4620 | 1 | Seat | 11 | 92-8990 | 1 | Adjuster-Seat, Non-Locking |
| 2 | 125-2900-03 | 1 | Mount-Seat | 12 | 92-8991 | 1 | Adjuster (W/Latch) |
| 3 | 125-2927 | 1 | Decal-Service | 13 | 104-8300 | 8 | Nut-HF, NI |
| 4 | 3256-23 | 8 | Washer-Plain | 15 | 48-7680 | 4 | Screw-HH |
| 5 | 108-8657 | 1 | Harness-Wire, Seat | 16 | 71-9310 | 4 | Spacer |
| 6 | 92-6282 | 1 | Switch-Seat | 17 | 104-7048 | 1 | Cap-Housing |
| 7 | 9266714 | 2 | Screw-HWH | 18 | 104-7050 | 1 | Tube-Manual |
| 8 | 92-7307 | 1 | LH Armrest ASM | 19 | 108-6590-03 | 2 | Bracket-Seat, Lower |
| 8:1 | 69-0760 | 1 | Bracket-Arm, LH | 20 | 110-8851 | 1 | Mechanical Suspension ASM |
| 8:2 | 92-7301 | 1 | Spacer | 21 | 2412-133 | 2 | Clamp-R |
| 8:3 | 69-1180 | 1 | Armrest | 22 | 3234-17 | 4 | Screw-HHF |
| 8:4 | 323-9 | 1 | Screw-HH | 23 | 100-4928 | 1 | Belt-Seat |
| 8:5 | 32128-19 | 1 | Nut-HF Lock, Large Flg | 24 | 3253-6 | 2 | Washer-Lock |
| 8:7 | 3256-24 | 1 | Washer-Plain | 25 | 3212-4 | 2 | Screw-HH |
| 8:8 | 92-7318 | 1 | Screw | 26 | 125-8821 | 1 | ROPS ASM |
| 9 | 3234-14 | 3 | Screw-HHF | 27 | 3234-38 | 8 | Screw-HHF |
| 10 | 3274-12 | 4 | Screw-HSH | | | | |



Mechanical Seat Suspension Assembly No. 110-8851

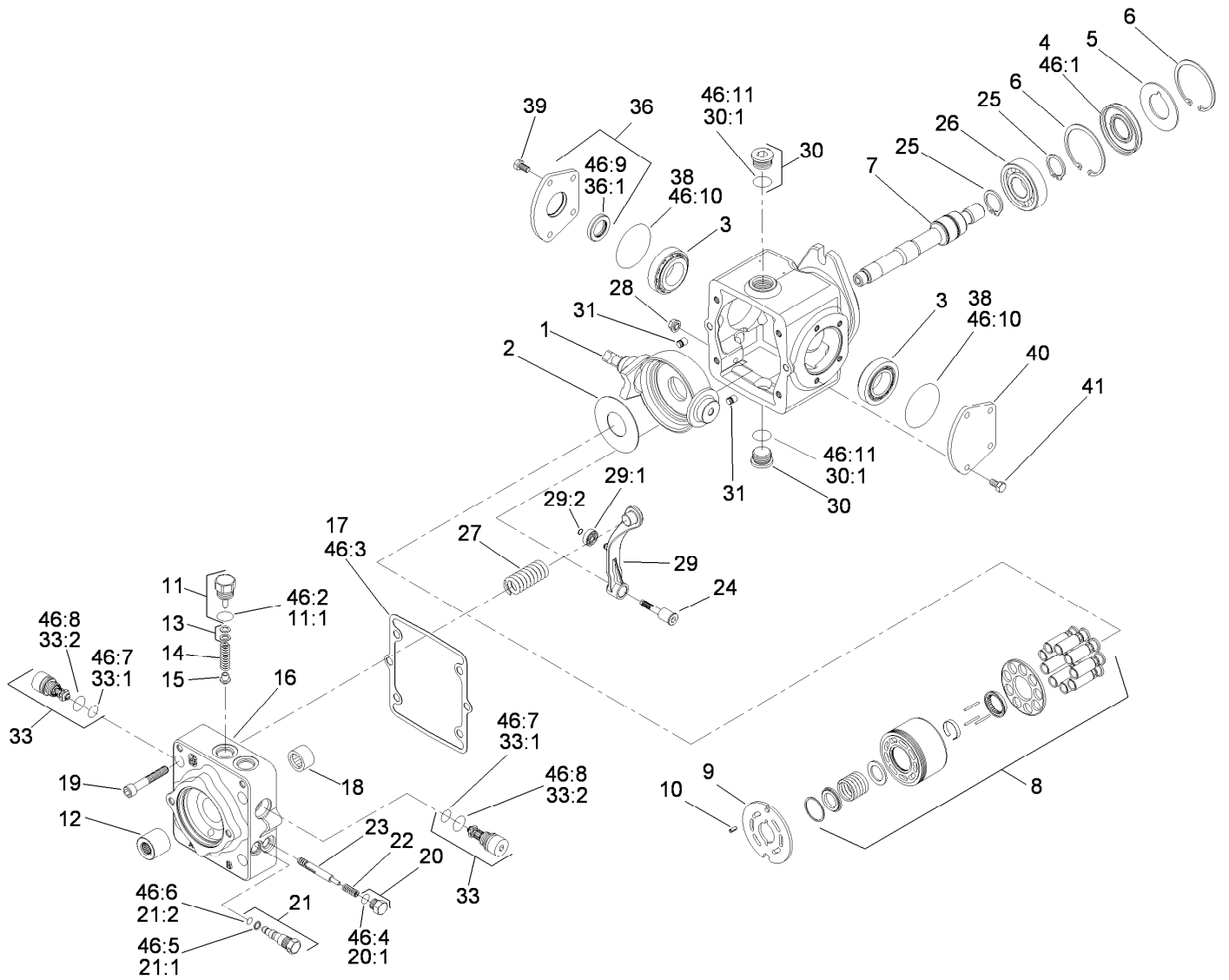
| Ref. | Part Number | Qty. | Description |
|------|-------------|------|------------------------------|
| 1 | 119-8040 | 1 | Knobs Service Kit |
| 6 | 108-4584 | 1 | Weight Indicator Service Kit |
| 6:1 | | 1 | Tape-Weight Adjust ● |
| 6:2 | | 1 | Guide-Weight Adjust ● |
| 7 | 108-9632 | 4 | Roller |
| 8 | 108-9633 | 1 | Spring-Extension |
| 10 | 112-0164 | 1 | Boot Kit |
| 10:1 | | 1 | Boot-Suspension ● |
| 10:2 | 108-9641 | 21 | Clip-Plug |
| 18 | 108-9634 | 1 | Bumper |
| 21 | 108-9614 | 1 | Damper |
| 26 | 108-9622 | 2 | Tube |
| 33 | 3290-54 | 2 | Rivet-Blind |
| 39 | 3272-9 | 1 | Pin-Cotter |
| 42 | 32152-2 | 1 | Nut-Lock, Cone |

● Not serviced separately



Traction Pump Mounting Assembly

| Ref. | Part Number | Qty. | Description | Ref. | Part Number | Qty. | Description |
|------|-------------|------|--------------------------------|------|-------------|------|-----------------------------|
| 1 | 3234-1 | 2 | Screw-HHF | 14 | 321-9 | 1 | Screw-HH |
| 2 | 119-6972 | 1 | Variable Hydraulic Pump ASM | 15 | 127-2356-03 | 1 | Bracket-Cable |
| 3 | 76-8870 | 1 | Damper-Lever | 16 | 2411-41 | 1 | Rod End-Ball Joint |
| 4 | 104-8300 | 1 | Nut-HF, NI | 17 | 115-5300 | 1 | Proximity Switch ASM |
| 5 | 125-8822-03 | 1 | Plate-Pump | 17:1 | 117-3207 | 2 | Nut-Hex |
| 6 | 3234-38 | 2 | Screw-HHF | 17:2 | 117-3208 | 2 | Washer-Lock, Internal Tooth |
| 7 | 32128-49 | 2 | Nut-HHF | 18 | 117-0265 | 1 | Lever-Pump |
| 10 | 340-105 | 1 | Fitting-Elbow, 90 DEG | 19 | 33093-00 | 1 | Washer-Flat |
| 10:1 | 237-80 | 1 | O-Ring | 20 | 3256-22 | 1 | Washer-Flat |
| 10:2 | 237-30 | 1 | O-Ring | 21 | 32151-72 | 1 | Ring-Retaining |
| 11 | 32128-20 | 1 | Nut-HF | 22 | 3230-6 | 1 | Bolt-CARR |
| 12 | 3296-42 | 1 | Nut-Lock, NI | 23 | 3296-29 | 1 | Nut-Lock, NI |
| 13 | 322-10 | 1 | Screw-HH | 24 | 33114-020 | 3 | Screw-HH |

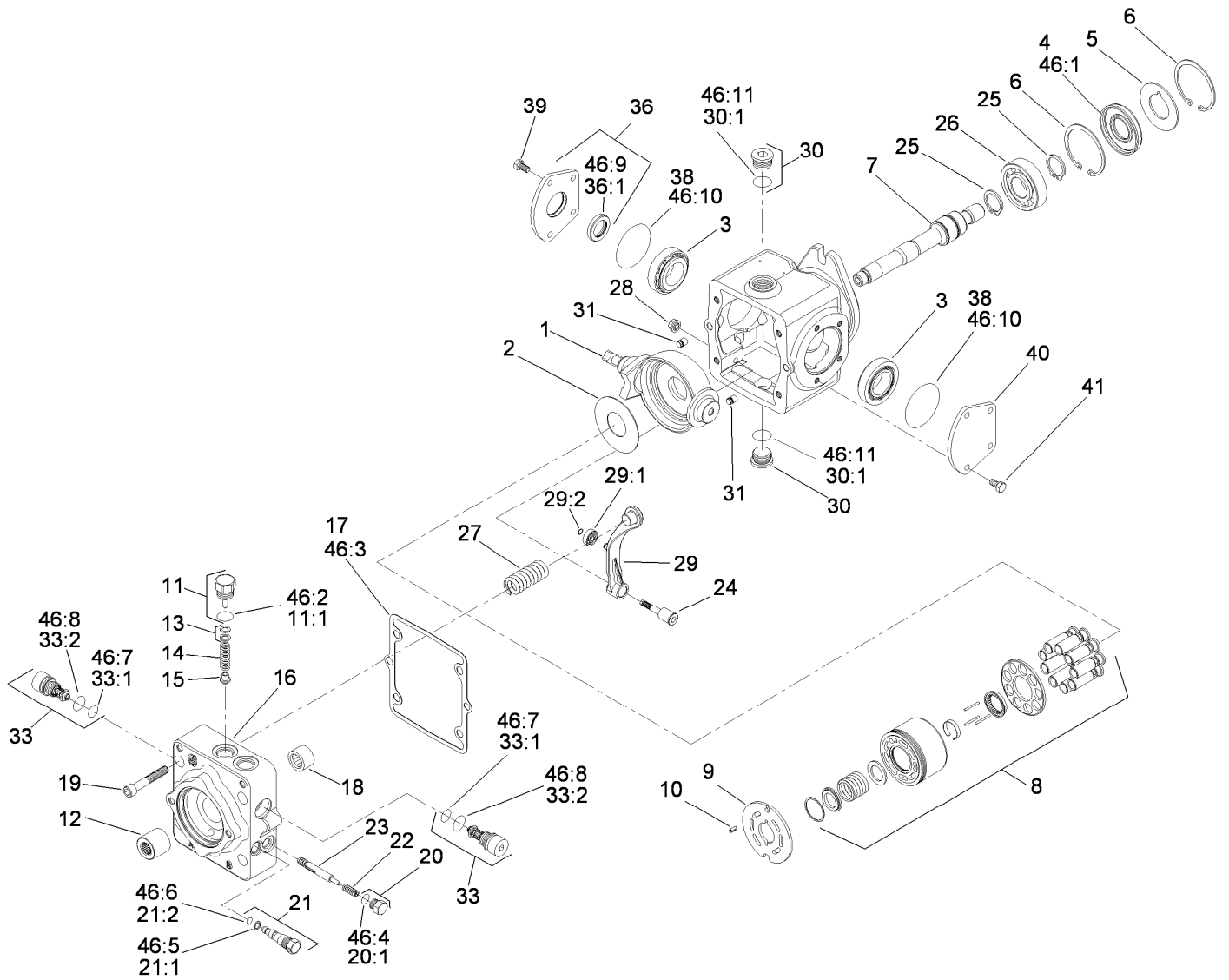


Hydraulic Pump Assembly No. 119-6972

| Ref. | Part Number | Qty. | Description | Ref. | Part Number | Qty. | Description |
|------|-------------|------|-------------------------|------|-------------|------|------------------------|
| 1 | 115-8092 | 1 | Swashplate | 18 | 75-0500 | 1 | Bearing-Needle |
| 2 | 75-0400 | 1 | Plate-Thrust | 19 | 110-6489 | 4 | Screw |
| 3 | 110-6483 | 2 | Bearing Kit | 20 | 94-9415 | 2 | Plug ASM |
| 4 | 110-6471 | 1 | Seal-Lip | 20:1 | | 1 | O-Ring ■ |
| 5 | 95-4400 | 1 | Washer-Backup | 21 | 107-4364 | 1 | Bypass Valve ASM |
| 6 | 69-3200 | 2 | Ring-Retaining | 21:1 | 25-2630 | 1 | Ring-Back Up |
| 7 | 110-6484 | 1 | Shaft-Auxiliary | 21:2 | 110-6498 | 1 | O-Ring |
| 8 | 110-6472 | 1 | Cylinder Block Kit ASM | 22 | 110-6491 | 2 | Spring |
| 9 | 110-6473 | 1 | Plate-Valve (Clockwise) | 23 | 110-6492 | 1 | Spool-Loop, Flush |
| 10 | 110-6485 | 1 | Pin-Slotted | 24 | 110-6493 | 1 | Pivot-Return, Neutral |
| 11 | 110-6486 | 1 | Plug-Relief, Charge | 25 | 69-3170 | 2 | Ring-Retaining |
| 11:1 | 28-3570 | 1 | O-Ring | 26 | 75-0460 | 1 | Bearing-Ball |
| 12 | 110-6480 | 1 | Coupling | 27 | 115-8085 | 1 | Spring-Neutral Return |
| 13 | 92-1353 | 1 | Shim Kit | 28 | 110-6496 | 1 | Nut-Seal |
| 14 | 110-6474 | 1 | Spring | 29 | 110-6497 | 1 | Neutral Return Arm ASM |
| 15 | 110-6475 | 1 | Poppet | 29:1 | 110-6494 | 1 | Bearing-Cam |
| 16 | 115-8087 | 1 | Cap-End | 29:2 | 110-3056 | 1 | Ring-Retaining |
| 17 | 110-6476 | 1 | Gasket-Cap, End | 30 | 69-3130 | 2 | Plug |

● Not illustrated

■ Not serviced separately

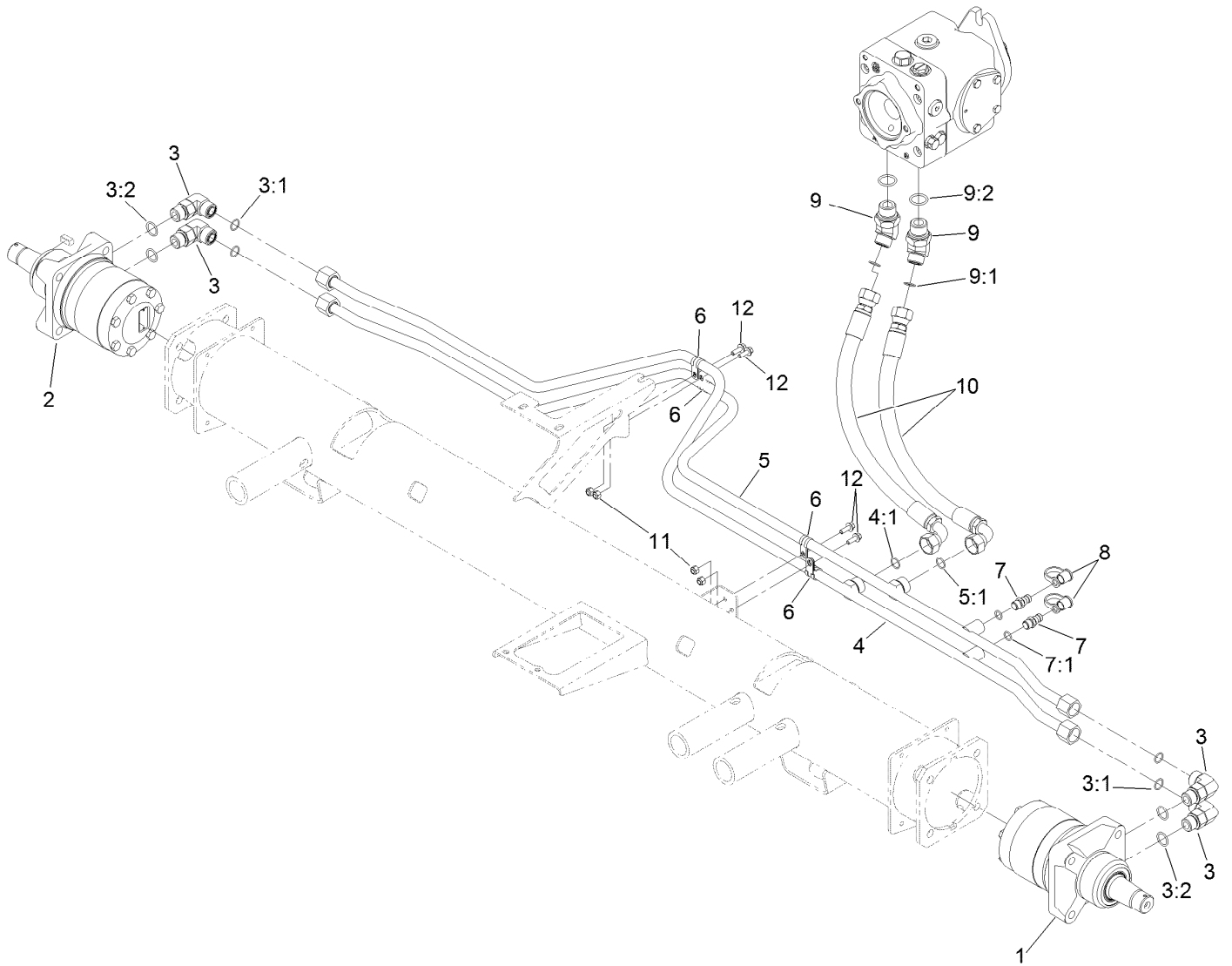


Hydraulic Pump Assembly No. 119-6972 (continued)

| Ref. | Part Number | Qty. | Description | Ref. | Part Number | Qty. | Description |
|------|-------------|------|--------------------|-------|-------------|------|-----------------|
| 30:1 | | 1 | O-Ring ■ | 46:1 | 110-6471 | 1 | Seal-Lip |
| 31 | 112-0158 | 2 | Pin | 46:2 | 28-3570 | 1 | O-Ring |
| 33 | 110-6477 | 2 | Valve-Relief | 46:3 | 110-6476 | 1 | Gasket-Cap, End |
| 33:1 | 75-0240 | 1 | O-Ring | 46:4 | | 1 | O-Ring ■ |
| 33:2 | 84-0560 | 1 | O-Ring | 46:5 | 25-2630 | 1 | Ring-Back Up |
| 36 | 110-6499 | 1 | Trunnion Cover ASM | 46:6 | 110-6498 | 1 | O-Ring |
| 36:1 | 110-6478 | 1 | Seal-Lip | 46:7 | 75-0240 | 2 | O-Ring |
| 38 | 84-0430 | 2 | O-Ring | 46:8 | 84-0560 | 2 | O-Ring |
| 39 | 112-0150 | 4 | Screw | 46:9 | 110-6478 | 1 | Seal-Lip |
| 40 | 84-0440 | 1 | Cover-Trunnion | 46:10 | 84-0430 | 2 | O-Ring |
| 41 | 112-0151 | 4 | Screw | 46:11 | | 2 | O-Ring ■ |
| 46 | 110-6481 | 1 | Seal Kit ● | | | | |

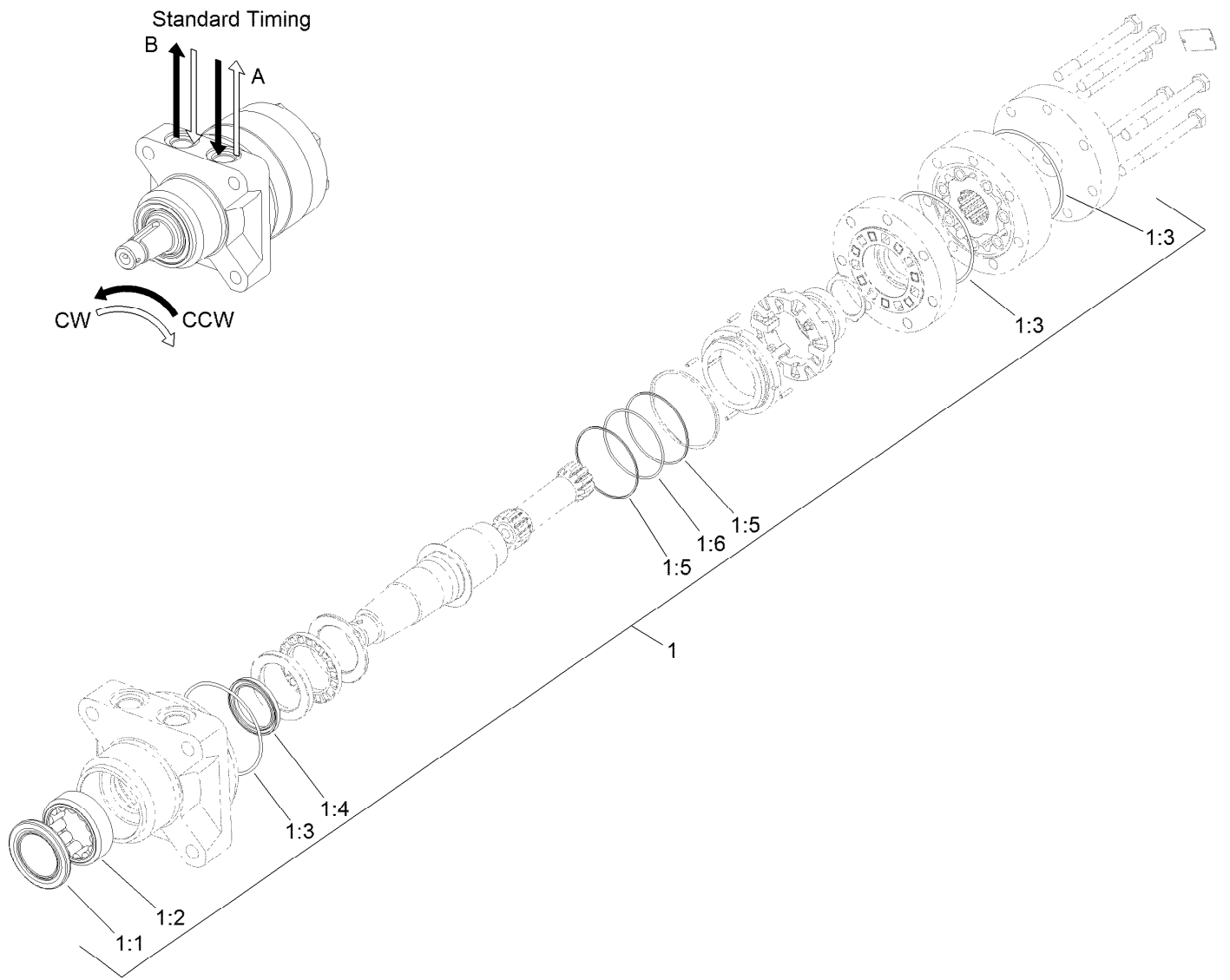
● Not illustrated

■ Not serviced separately



Traction Hydraulic Assembly

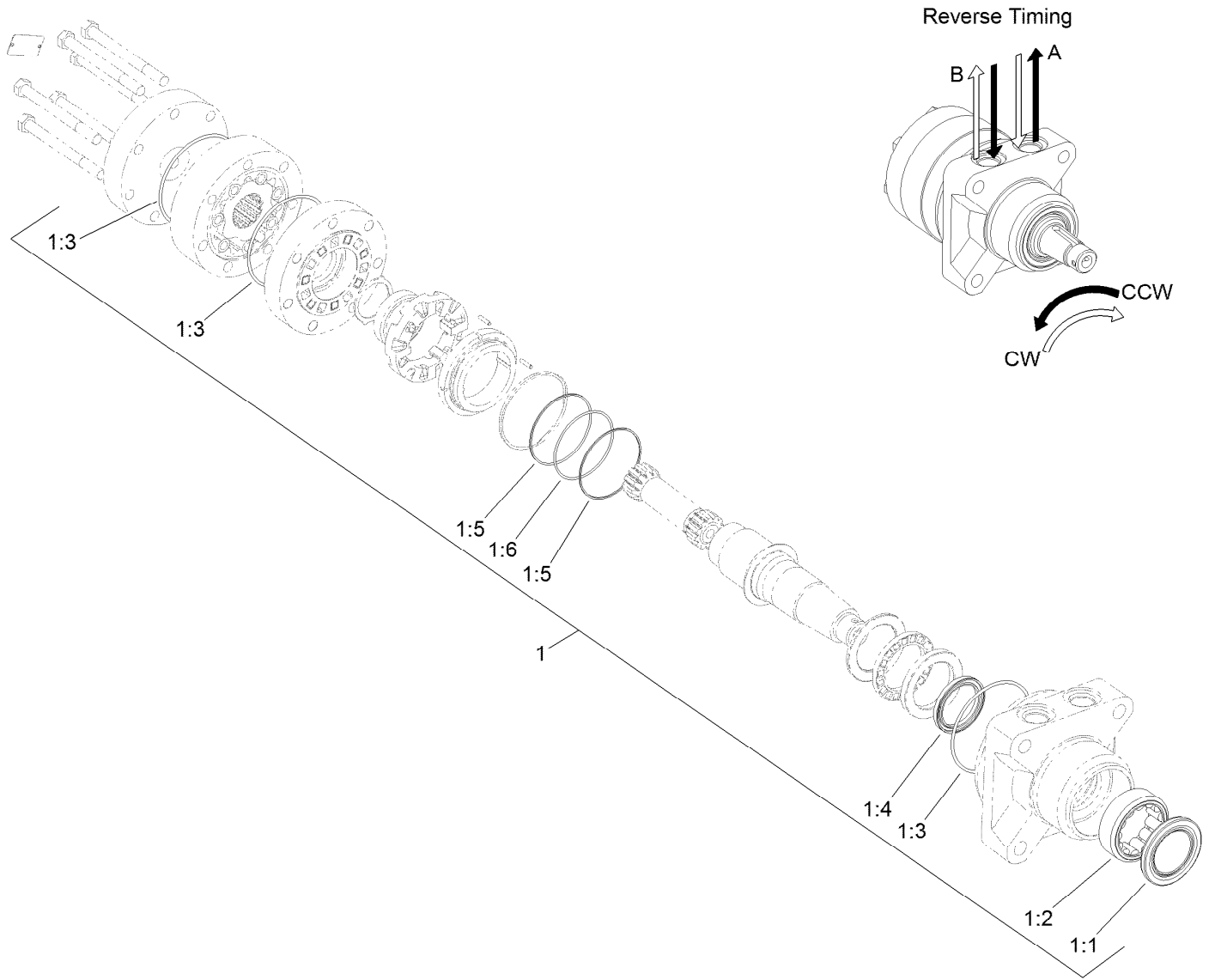
| <i>Ref.</i> | <i>Part Number</i> | <i>Qty.</i> | <i>Description</i> | <i>Ref.</i> | <i>Part Number</i> | <i>Qty.</i> | <i>Description</i> |
|-------------|--------------------|-------------|---------------------------|-------------|--------------------|-------------|--------------------|
| 1 | 120-6264 | 1 | Hydraulic Motor ASM (CCW) | 7 | 59-7410 | 2 | Fitting-Diagnostic |
| 2 | 120-6265 | 1 | Hydraulic Motor ASM (CW) | 7:1 | 237-42 | 1 | O-Ring |
| 3 | 340-17 | 4 | Fitting-Elbow, 90 DEG | 8 | 354-79 | 2 | Cap-Dust |
| 3:1 | 237-65 | 1 | O-Ring | 9 | 340-156 | 2 | Fitting-Elbow 45 |
| 3:2 | 237-80 | 1 | O-Ring | 9:1 | 237-65 | 1 | O-Ring |
| 4 | 108-7632 | 1 | Hydraulic Tube ASM | 9:2 | 237-81 | 1 | O-Ring |
| 4:1 | 237-65 | 1 | O-Ring | 10 | 108-1679 | 2 | Hose-HYD |
| 5 | 108-7633 | 1 | Tube ASM | 11 | 3296-42 | 4 | Nut-Lock, NI |
| 5:1 | 237-65 | 1 | O-Ring | 12 | 3234-4 | 4 | Screw-HHF |
| 6 | 2412-134 | 4 | Clamp-R | | | | |



Hydraulic Motor Assembly No. 120-6264 (CCW)

| Ref. | Part Number | Qty. | Description |
|------|-------------|------|-----------------|
| 1 | 120-6268 | 1 | Seal Kit |
| 1:1 | | 1 | Seal-Grease ● |
| 1:2 | | 1 | Shell-Bearing ● |
| 1:3 | | 3 | O-Ring ● |
| 1:4 | | 1 | Seal-Shaft ● |
| 1:5 | | 2 | Ring-Back Up ● |
| 1:6 | | 1 | O-Ring ● |

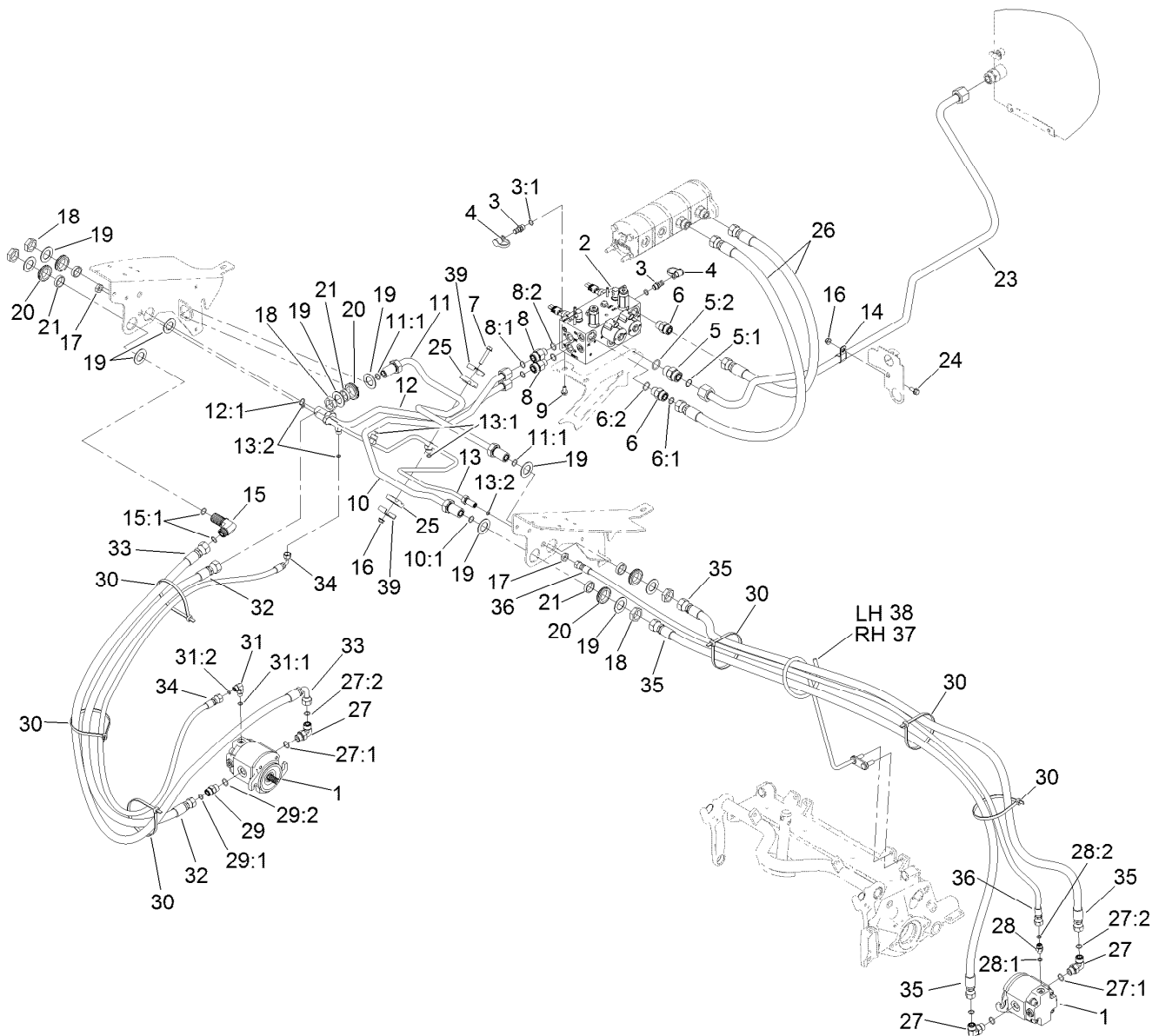
● Not serviced separately



Hydraulic Motor Assembly No. 120-6265 (CW)

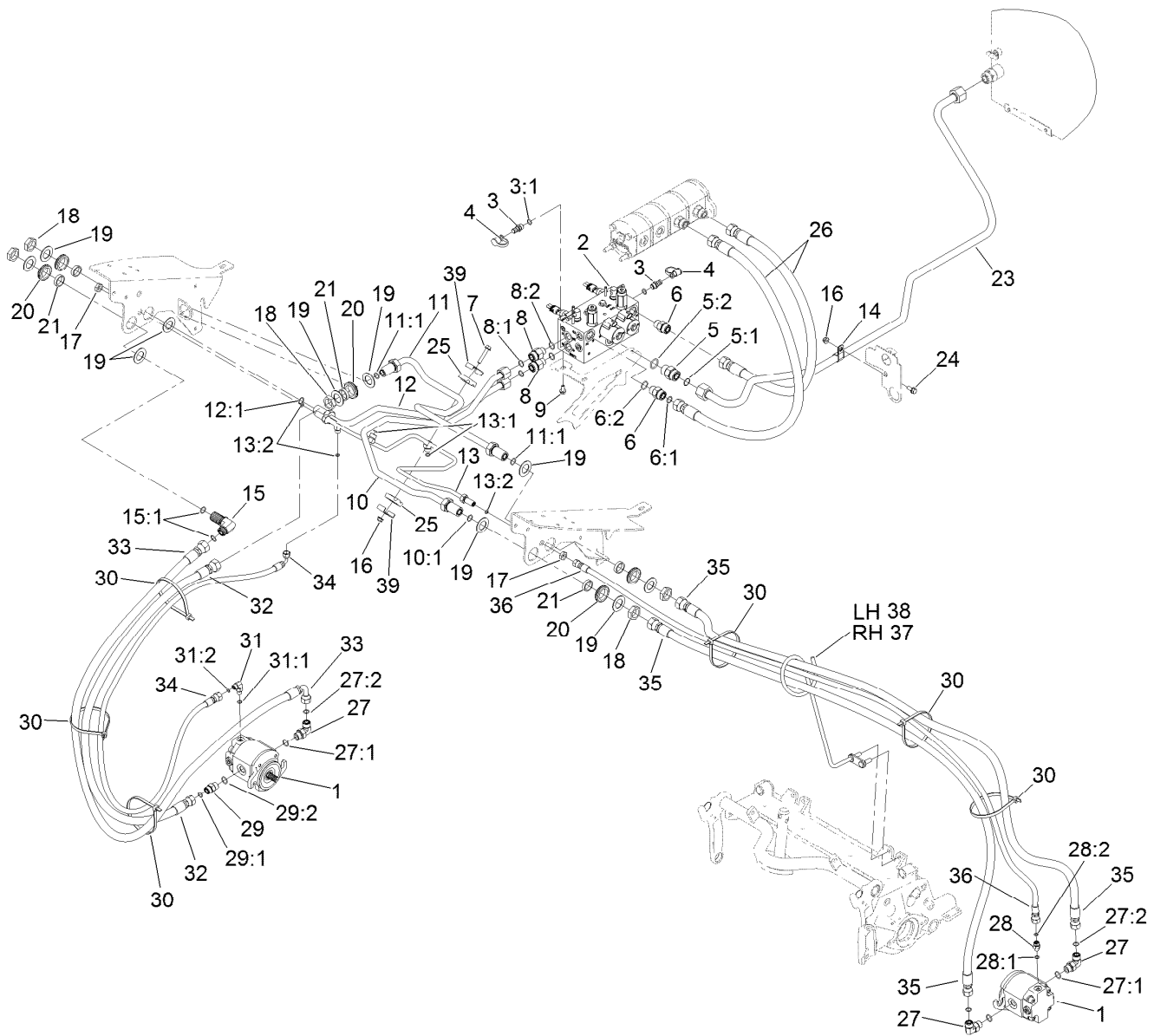
| Ref. | Part Number | Qty. | Description |
|------|-------------|------|-----------------|
| 1 | 120-6268 | 1 | Seal Kit |
| 1:1 | | 1 | Seal-Grease ● |
| 1:2 | | 1 | Shell-Bearing ● |
| 1:3 | | 3 | O-Ring ● |
| 1:4 | | 1 | Seal-Shaft ● |
| 1:5 | | 2 | Ring-Back Up ● |
| 1:6 | | 1 | O-Ring ● |

● Not serviced separately



No. 1, 4 and 5 Reel Drive Hydraulic Assembly

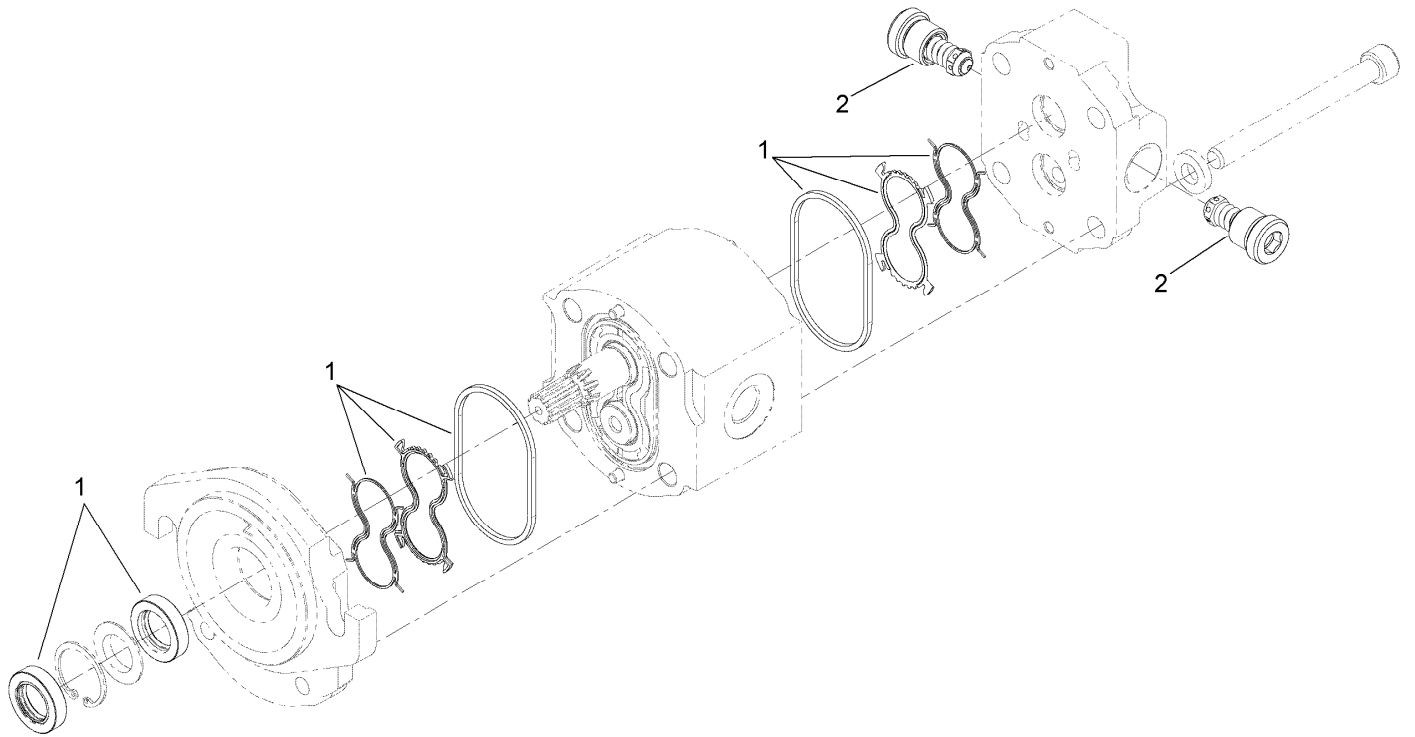
| Ref. | Part Number | Qty. | Description | Ref. | Part Number | Qty. | Description |
|------|-------------|------|------------------------|------|-------------|------|--------------------------|
| 1 | 120-6272 | 3 | HYD Motor ASM | 12:1 | 237-65 | 1 | O-Ring |
| 2 | 121-5628 | 1 | Hydraulic Manifold ASM | 13 | 110-5286 | 1 | Tube ASM |
| 3 | 59-7410 | 2 | Fitting-Diagnostic | 13:1 | 237-22 | 2 | O-Ring |
| 3:1 | 237-42 | 1 | O-Ring | 13:2 | 237-21 | 3 | O-Ring |
| 4 | 354-79 | 2 | Cap-Dust | 14 | 2412-4 | 1 | Clamp-R |
| 5 | 340-9 | 1 | Fitting-STR | 15 | 340-72 | 1 | Fitting-Bulkhead, 90 DEG |
| 5:1 | 237-58 | 1 | O-Ring | 15:1 | 237-65 | 2 | O-Ring |
| 5:2 | 237-81 | 1 | O-Ring | 16 | 104-8300 | 2 | Nut-HF, NI |
| 6 | 340-7 | 2 | Fitting-Straight | 17 | 340-78 | 2 | Nut-Lock |
| 6:1 | 237-65 | 1 | O-Ring | 18 | 340-74 | 5 | Nut-Lock, Bulkhead |
| 6:2 | 237-80 | 1 | O-Ring | 19 | 69-9010 | 10 | Washer |
| 7 | 115-1794 | 1 | Screw-HHF | 20 | 240-3 | 5 | Grommet-Rubber |
| 8 | 340-155 | 2 | Fitting-Straight | 21 | 125-1984 | 5 | Spacer |
| 8:1 | 237-79 | 1 | O-Ring | 23 | 120-3769 | 1 | Hydraulic Tube ASM |
| 8:2 | 237-151 | 1 | O-Ring | 24 | 3234-5 | 1 | Screw-HHF |
| 9 | 3234-14 | 3 | Screw-HHF | 25 | 56-7970 | 2 | Clamp-Tube |
| 10 | 117-0138 | 1 | Tube ASM | 26 | 108-1686 | 2 | Hose-HYD |
| 10:1 | 237-65 | 1 | O-Ring | 27 | 340-98 | 5 | Fitting-Elbow, 90 DEG |
| 11 | 117-0137 | 1 | Tube ASM | 27:1 | 237-79 | 1 | O-Ring |
| 11:1 | 237-65 | 2 | O-Ring | 27:2 | 237-30 | 1 | O-Ring |
| 12 | 117-0139 | 1 | Tube ASM | 28 | 340-92 | 2 | Fitting-Straight |



No. 1, 4 and 5 Reel Drive Hydraulic Assembly (continued)

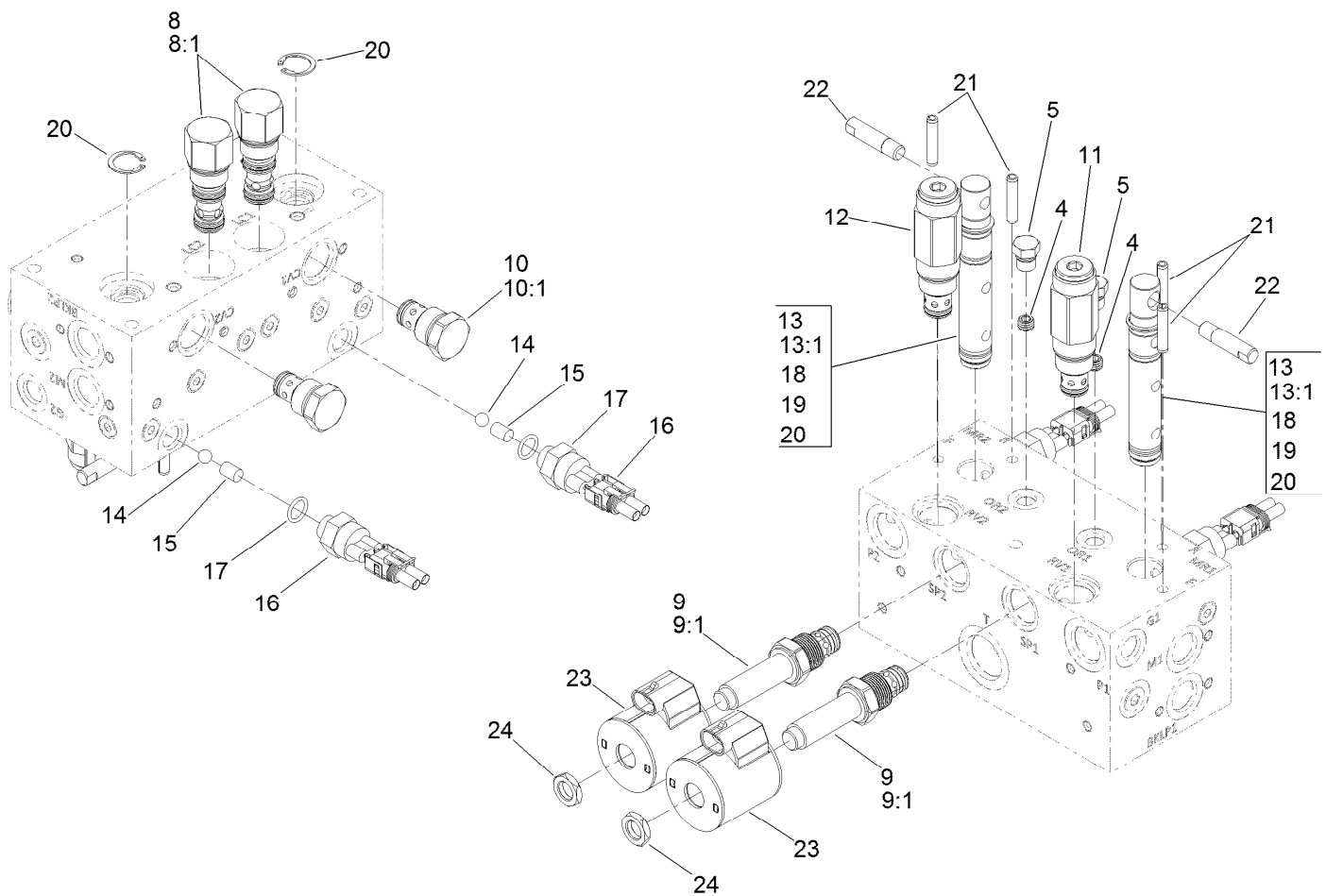
| Ref. | Part Number | Qty. | Description |
|------|-------------|------|-----------------------|
| 28:1 | 237-78 | 1 | O-Ring |
| 28:2 | 237-21 | 1 | O-Ring |
| 29 | 340-4 | 1 | Fitting-Straight |
| 29:1 | 237-30 | 1 | O-Ring |
| 29:2 | 237-79 | 1 | O-Ring |
| 30 | 3334-945 | 9 | Tie-Cable |
| 31 | 340-132 | 1 | Fitting-Elbow, 90 DEG |
| 31:1 | 237-78 | 1 | O-Ring |
| 31:2 | 237-21 | 1 | O-Ring |

| Ref. | Part Number | Qty. | Description |
|------|-------------|------|----------------|
| 32 | 114-0633 | 1 | Hose-HYD |
| 33 | 117-5190 | 1 | Hose-HYD |
| 34 | 106-3671 | 1 | Hose-HYD |
| 35 | 117-5188 | 4 | Hose-HYD |
| 36 | 106-3680 | 2 | Hose-HYD |
| 37 | 119-3920 | 1 | Guide-Hose, RH |
| 38 | 119-3921 | 1 | Guide-Hose, LH |
| 39 | 119-1419 | 2 | Plate-Clamp |



Hydraulic Motor Assembly No. 120-6272

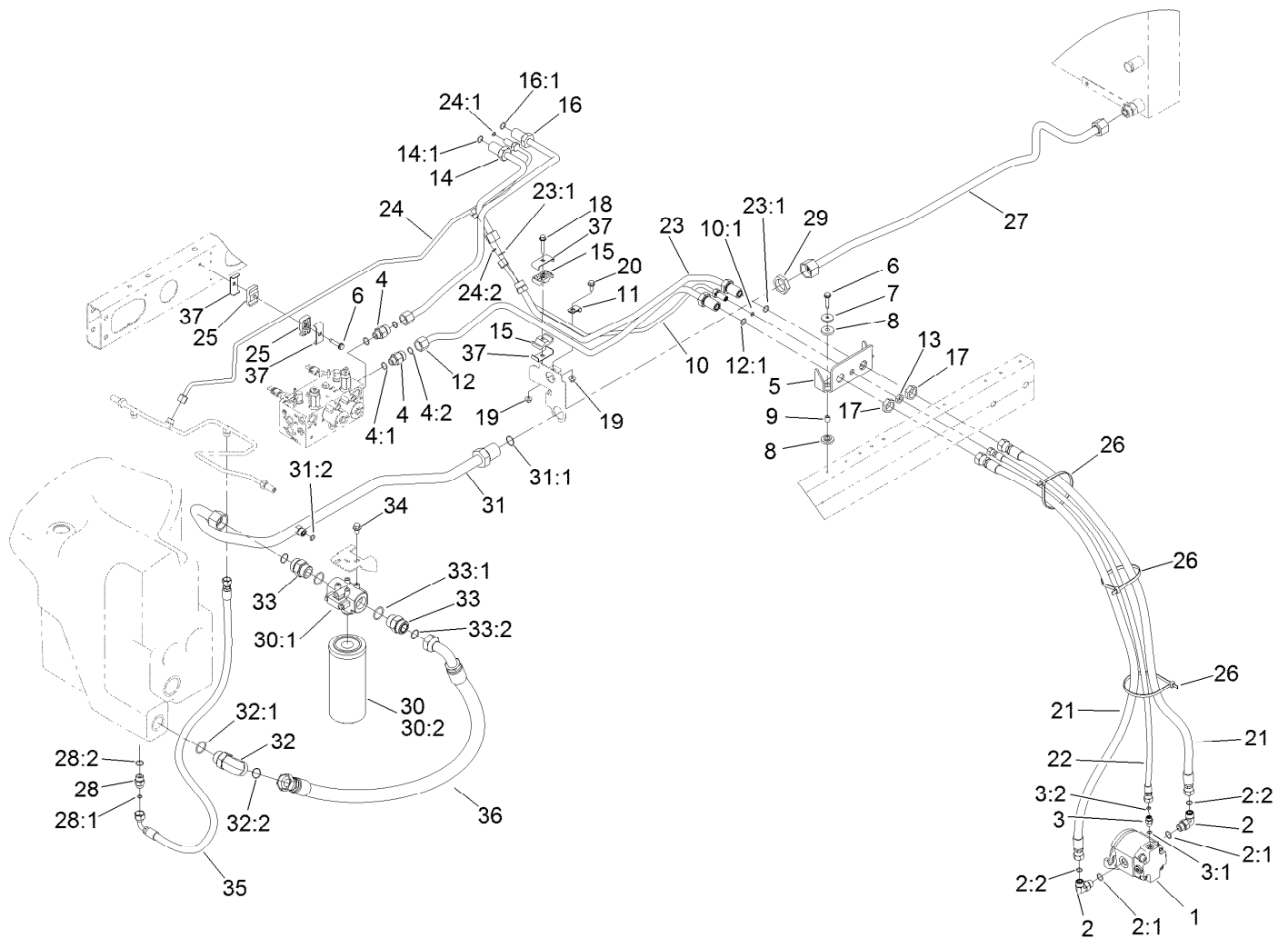
| <i>Ref.</i> | <i>Part Number</i> | <i>Qty.</i> | <i>Description</i> |
|-------------|--------------------|-------------|--------------------|
| 1 | 138-1234 | 1 | Seal Kit |
| 2 | 117-5107 | 1 | Valve-Check |



Manifold Assembly No. 121-5628

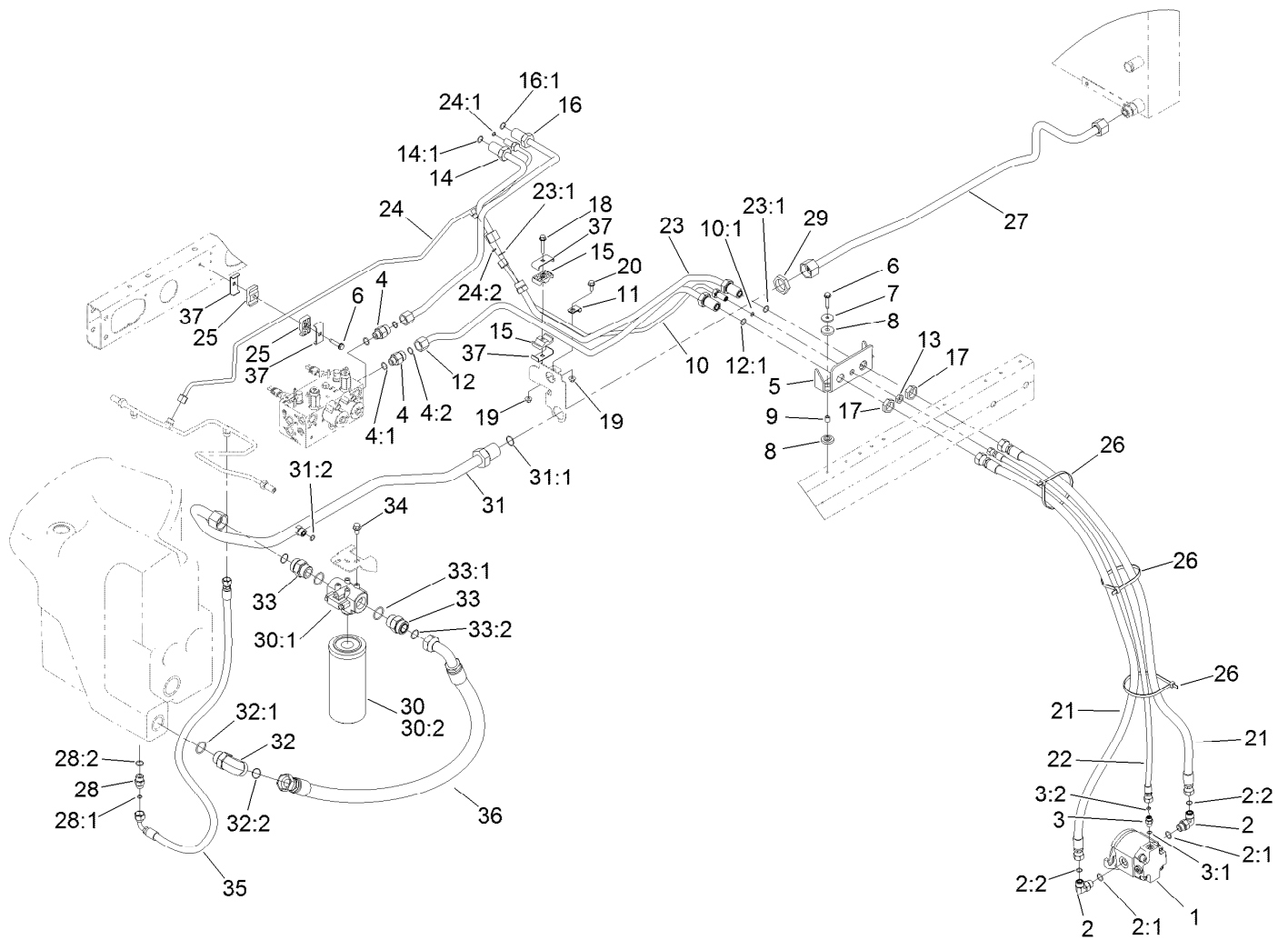
| Ref. | Part Number | Qty. | Description | Ref. | Part Number | Qty. | Description |
|------|-------------|------|------------------------|------|-------------|------|----------------|
| 4 | 110-8883 | 1 | Plug-Orifice (0.040) | 14 | 117-4605 | 2 | Ball-SS |
| 5 | 117-0115 | 1 | Plug | 15 | 120-1650 | 2 | Pin |
| 8 | 120-1693 | 2 | Compensator-Pressure | 16 | 72-4310 | 2 | Switch-Ball |
| 8:1 | 119-2159 | 1 | Seal Kit | 17 | 110-8757 | 2 | O-Ring |
| 9 | 120-1694 | 2 | Valve-Proportional, NC | 18 | 117-4606 | 6 | O-Ring |
| 9:1 | 105-9159 | 1 | Seal Kit | 19 | 112-6534 | 4 | Ring-Back Up |
| 10 | 110-8881 | 2 | Valve-Check | 20 | 112-6532 | 4 | Ring-Retaining |
| 10:1 | 105-9159 | 1 | Seal Kit ● | 21 | 112-6531 | 4 | Pin-Spring |
| 11 | 125-8757 | 1 | Valve-Relief, 2500 PSI | 22 | 110-8758 | 2 | Handle-Spool |
| 12 | 125-8758 | 1 | Valve-Relief | 23 | 110-6344 | 2 | Coil-12V, DC |
| 13 | 117-0108 | 2 | Spool-Rotary | 24 | 110-2634 | 2 | Nut-Coil |
| 13:1 | 117-0109 | 1 | Seal Kit | | | | |

● Not illustrated



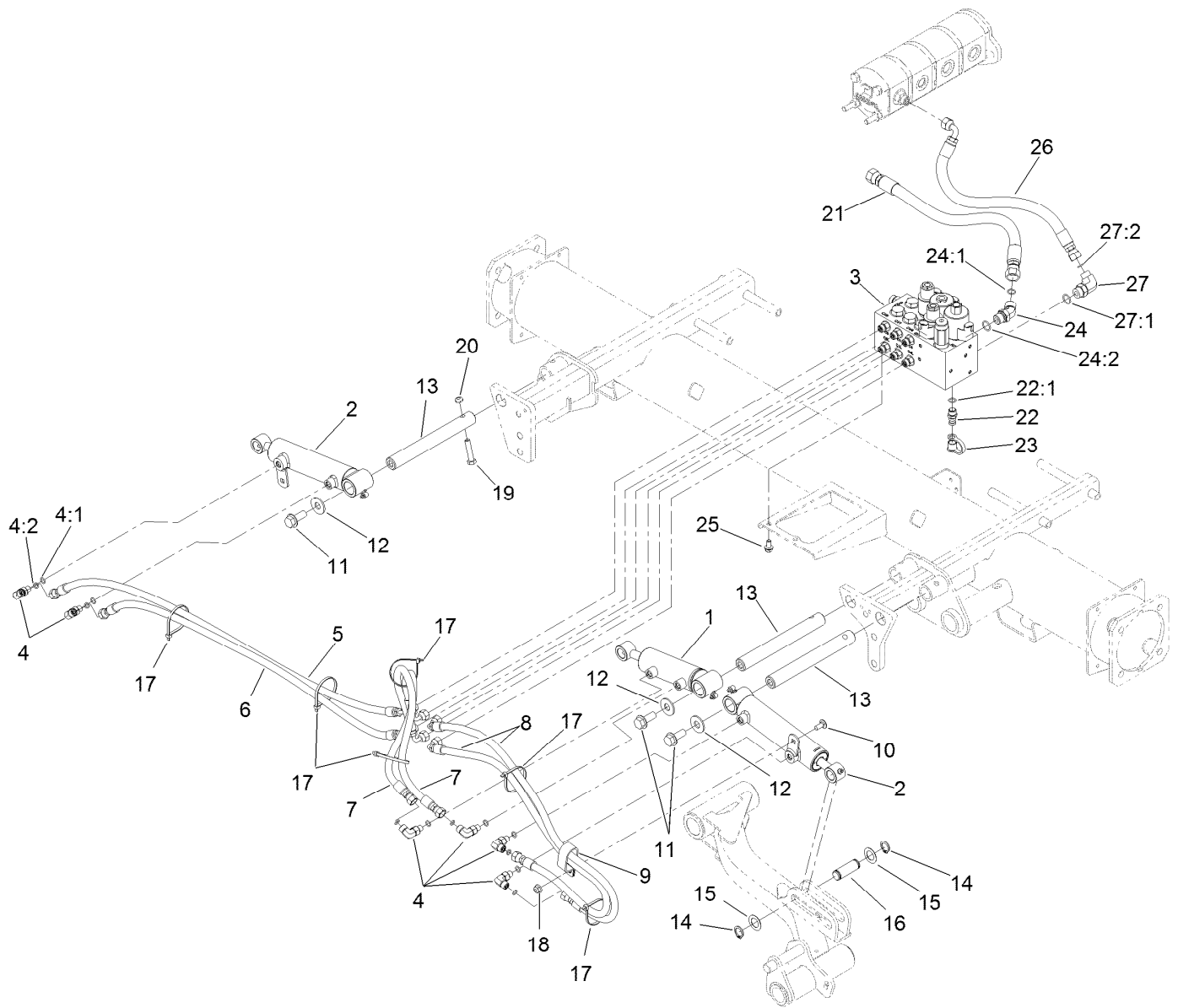
No. 2 and 3 Reel Drive Hydraulic Assembly

| Ref. | Part Number | Qty. | Description | Ref. | Part Number | Qty. | Description |
|------|-------------|------|-----------------------|------|-------------|------|--------------------|
| 1 | 120-6272 | 2 | HYD Motor ASM | 14 | 117-0140 | 1 | Tube ASM |
| 2 | 340-98 | 4 | Fitting-Elbow, 90 DEG | 14:1 | 237-65 | 1 | O-Ring |
| 2:1 | 237-79 | 1 | O-Ring | 15 | 56-7971 | 2 | Clamp-Tube |
| 2:2 | 237-30 | 1 | O-Ring | 16 | 117-0141 | 1 | Tube ASM |
| 3 | 340-92 | 2 | Fitting-Straight | 16:1 | 237-65 | 1 | O-Ring |
| 3:1 | 237-78 | 1 | O-Ring | 17 | 340-74 | 4 | Nut-Lock, Bulkhead |
| 3:2 | 237-21 | 1 | O-Ring | 18 | 115-1794 | 1 | Screw-HHF |
| 4 | 340-155 | 2 | Fitting-Straight | 19 | 104-8300 | 2 | Nut-HF, NI |
| 4:1 | 237-79 | 1 | O-Ring | 20 | 3234-5 | 1 | Screw-HHF |
| 4:2 | 237-151 | 1 | O-Ring | 21 | 114-0633 | 4 | Hose-HYD |
| 5 | 117-0174-03 | 2 | Bracket-Bulkhead | 22 | 98-4590 | 2 | Hose-HYD |
| 6 | 32144-57 | 5 | Screw | 23 | 120-3775 | 1 | HYD Tube ASM |
| 7 | 105-3048 | 4 | Washer-Flat | 23:1 | 237-65 | 2 | O-Ring |
| 8 | 240-11 | 8 | Bushing-Flange | 24 | 120-3811 | 1 | HYD Tube ASM |
| 9 | 99-8611 | 4 | Spacer | 24:1 | 237-21 | 1 | O-Ring |
| 10 | 120-3772 | 1 | HYD Tube ASM | 24:2 | 237-22 | 1 | O-Ring |
| 10:1 | 237-21 | 1 | O-Ring | 25 | 56-7972 | 2 | Clamp-Tube |
| 11 | 2412-113 | 1 | Clamp-R | 26 | 3334-945 | 6 | Tie-Cable |
| 12 | 120-3774 | 1 | HYD Tube ASM | 27 | 121-5600 | 1 | HYD Tube ASM |
| 12:1 | 237-65 | 1 | O-Ring | 28 | 340-3 | 1 | Fitting-Straight |
| 13 | 340-78 | 2 | Nut-Lock | 28:1 | 237-22 | 1 | O-Ring |



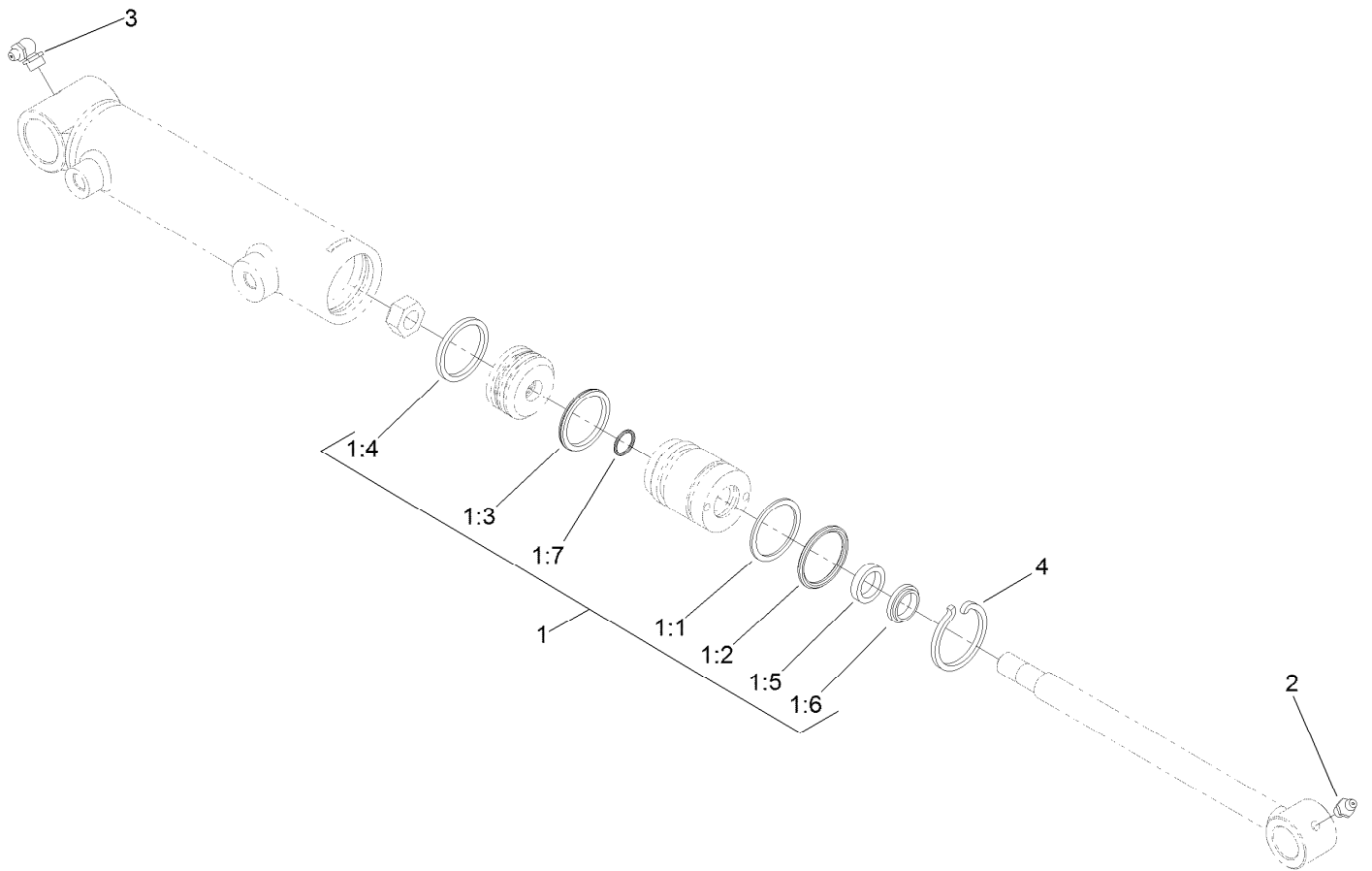
No. 2 and 3 Reel Drive Hydraulic Assembly (continued)

| <i>Ref.</i> | <i>Part Number</i> | <i>Qty.</i> | <i>Description</i> | <i>Ref.</i> | <i>Part Number</i> | <i>Qty.</i> | <i>Description</i> |
|-------------|--------------------|-------------|-----------------------|-------------|--------------------|-------------|--------------------|
| 28:2 | 237-79 | 1 | O-Ring | 32:1 | 237-146 | 1 | O-Ring |
| 29 | 340-128 | 1 | Nut-Bulkhead | 32:2 | 340-65 | 1 | O-Ring |
| 30 | 98-3923 | 1 | Oil Filter ASM | 33 | 104-3797 | 2 | Fitting-Straight |
| 30:1 | 104-0080 | 1 | Filter Head ASM | 33:1 | 237-146 | 1 | O-Ring |
| 30:2 | 94-2621 | 1 | Element-Filter | 33:2 | 340-65 | 1 | O-Ring |
| 31 | 108-1699 | 1 | Tube ASM | 34 | 3234-1 | 2 | Screw-HHF |
| 31:1 | 340-65 | 1 | O-Ring | 35 | 66-8490 | 1 | Hose-HYD |
| 31:2 | 237-30 | 1 | O-Ring | 36 | 108-1689 | 1 | Hose-HYD |
| 32 | 340-129 | 1 | Fitting-Elbow, 90 DEG | 37 | 119-1419 | 4 | Plate-Clamp |



No. 1, 4 and 5 Lift Arm Hydraulic Assembly

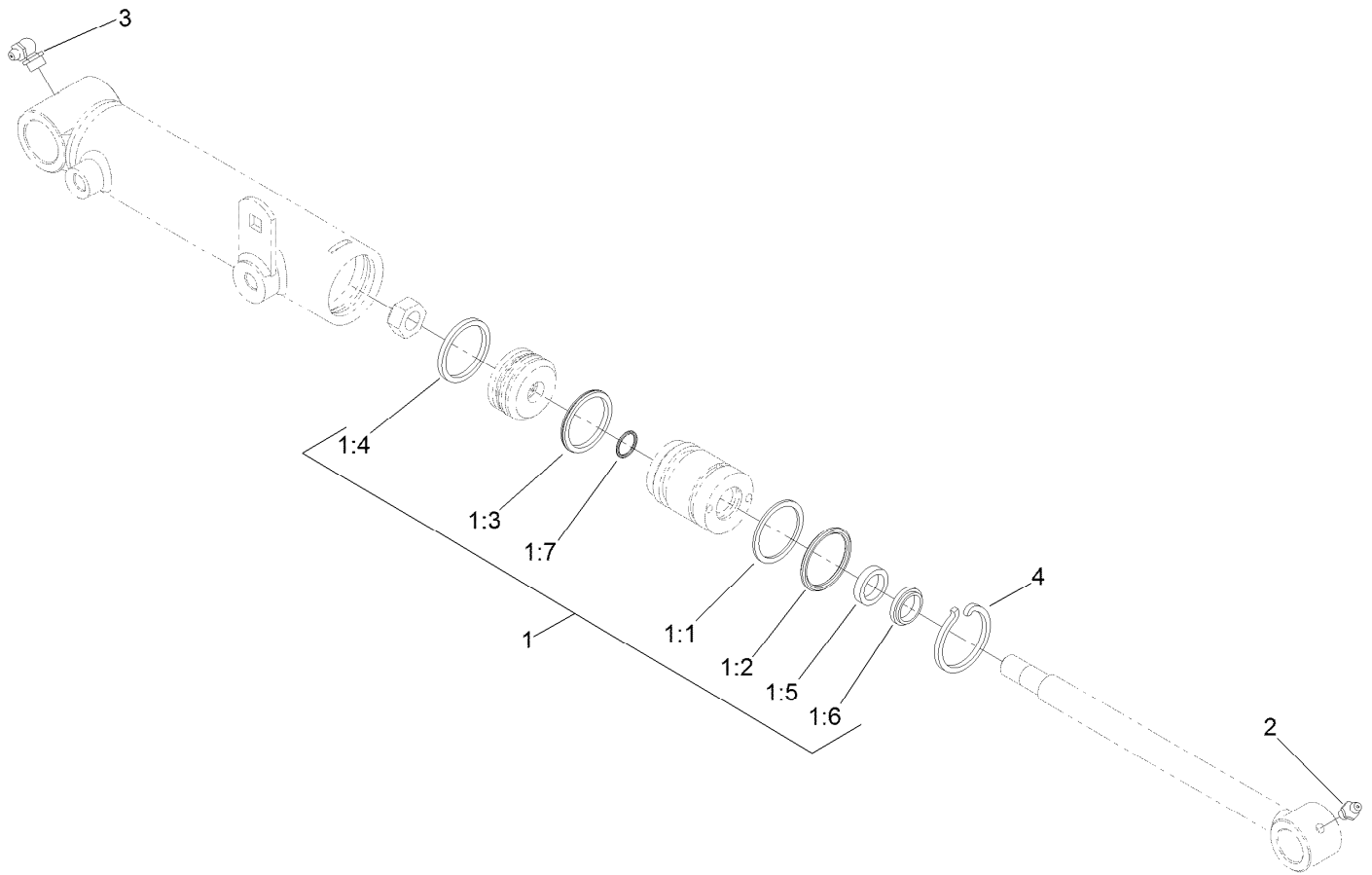
| Ref. | Part Number | Qty. | Description | Ref. | Part Number | Qty. | Description |
|------|-------------|------|-----------------------------|------|-------------|------|---------------------|
| 1 | 119-6988 | 1 | HYD Cylinder ASM | 16 | 104-0046 | 3 | Pin-Slide, Cylinder |
| 2 | 119-6987 | 2 | HYD Cylinder ASM | 17 | 3290-379 | 6 | Tie-Cable |
| 3 | 105-7577 | 1 | HYD Lift Block Manifold ASM | 18 | 104-8300 | 1 | Nut-HF, NI |
| 4 | 340-132 | 6 | Fitting-Elbow, 90 DEG | 19 | 323-9 | 3 | Screw-HH |
| 4:1 | 237-78 | 1 | O-Ring | 20 | 3296-59 | 3 | Nut-Lock, NI |
| 4:2 | 237-21 | 1 | O-Ring | 21 | 117-0180 | 1 | Hose-HYD |
| 5 | 106-3692 | 1 | Hose-HYD | 22 | 59-7410 | 1 | Fitting-Diagnostic |
| 6 | 106-3693 | 1 | Hose-HYD | 22:1 | 237-42 | 1 | O-Ring |
| 7 | 93-6887 | 2 | Hose-HYD | 23 | 354-79 | 1 | Cap-Dust |
| 8 | 85-4940 | 2 | Hose-HYD | 24 | 340-101 | 1 | Fitting-HYD, 45 DEG |
| 9 | 2412-137 | 1 | Clamp-R, Double | 24:1 | 237-30 | 1 | O-Ring |
| 10 | 3230-23 | 1 | Bolt-CARR | 24:2 | 237-79 | 1 | O-Ring |
| 11 | 3234-38 | 3 | Screw-HHF | 25 | 3234-14 | 2 | Screw-HHF |
| 12 | 3256-6 | 3 | Washer-Flat | 26 | 92-5694 | 1 | Hose-Hydraulic |
| 13 | 117-0148 | 3 | Pin-Cylinder | 27 | 340-18 | 1 | Fitting-HYD, 90 DEG |
| 14 | 32120-93 | 6 | Ring-Retaining | 27:1 | 237-79 | 1 | O-Ring |
| 15 | 3-6498 | 6 | Washer-Thrust | 27:2 | 237-22 | 1 | O-Ring |



Hydraulic Cylinder Assembly No. 119-6988

| Ref. | Part Number | Qty. | Description |
|------|-------------|------|----------------|
| 1 | 119-6992 | 1 | Seal Kit |
| 1:1 | | 1 | O-Ring ● |
| 1:2 | | 1 | Backup ● |
| 1:3 | | 1 | Bp Seal ● |
| 1:4 | | 1 | Wear Ring-Ht ● |
| 1:5 | | 1 | Bs Seal ● |
| 1:6 | | 1 | Dust Seal-Dt ● |
| 1:7 | | 1 | O-Ring ● |
| 2 | 302-5 | 1 | Fitting-Grease |
| 3 | 302-33 | 1 | Fitting-Grease |
| 4 | 84-1680 | 1 | Ring-Retaining |

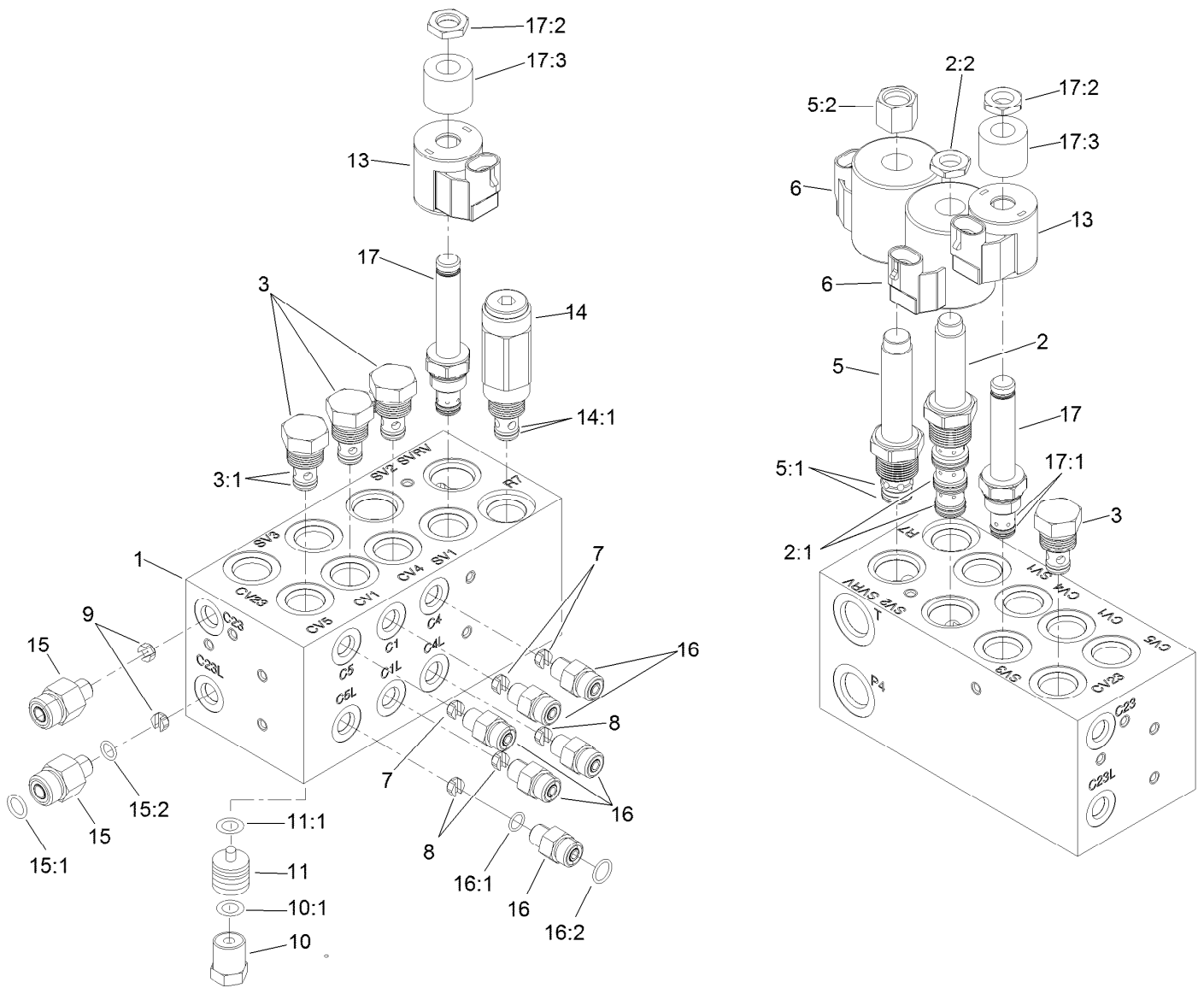
● Not serviced separately



Hydraulic Cylinder Assembly No. 119-6987

| Ref. | Part Number | Qty. | Description |
|------|-------------|------|----------------|
| 1 | 119-6992 | 1 | Seal Kit |
| 1:1 | | 1 | O-Ring ● |
| 1:2 | | 1 | Backup ● |
| 1:3 | | 1 | Bp Seal ● |
| 1:4 | | 1 | Wear Ring-Ht ● |
| 1:5 | | 1 | Bs Seal ● |
| 1:6 | | 1 | Dust Seal-Dt ● |
| 1:7 | | 1 | O-Ring ● |
| 2 | 302-5 | 1 | Fitting-Grease |
| 3 | 302-33 | 1 | Fitting-Grease |
| 4 | 84-1680 | 1 | Ring-Retaining |

● Not serviced separately



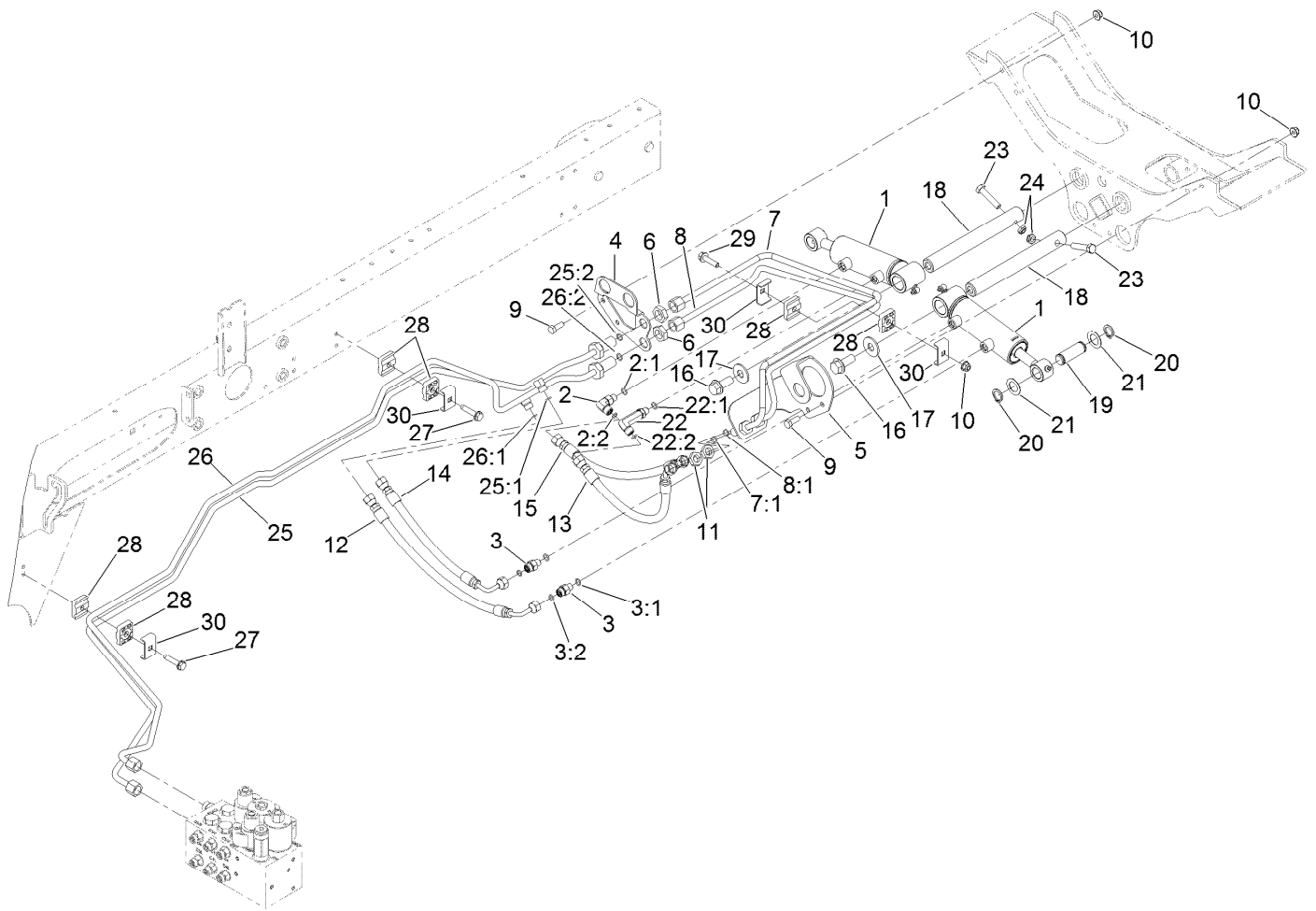
Hydraulic Manifold Block Assembly No. 105-7577

| Ref. | Part Number | Qty. | Description |
|------|-------------|------|-------------------------------|
| 1 | | 1 | Block-Manifold ■ |
| 2 | 110-8906 | 1 | Valve-Solenoid |
| 2:1 | 110-8908 | 1 | Spool Valve Seal Kit |
| 2:2 | 110-2634 | 1 | Nut-Coil |
| 3 | 110-9006 | 4 | Valve-Check |
| 3:1 | 105-9156 | 1 | Seal Kit |
| 5 | 110-8905 | 1 | Valve-Relief, Solenoid |
| 5:1 | 110-6316 | 1 | Seal Kit |
| 5:2 | 130-8180 | 1 | Nut-Coil (9/16-24 Unef-2B) |
| 6 | 110-6344 | 2 | Coil-12V, DC |
| 7 | 110-8904 | 3 | Orifice-Control, Flow (0.028) |
| 7 | 125-8849 | 3 | Orifice-Flow Control ● |
| 8 | 110-8903 | 3 | Orifice-Control, Flow (0.055) |
| 9 | 110-8902 | 2 | Orifice-Control, Flow (0.046) |
| 10 | 354-70 | 4 | Plug-Hex, Hollow |
| 10:1 | 237-80 | 1 | O-Ring |

| Ref. | Part Number | Qty. | Description |
|------|-------------|------|------------------|
| 11 | 110-8901 | 4 | Piston-Pilot |
| 11:1 | 110-8900 | 1 | O-Ring |
| 13 | 110-0497 | 2 | Coil-Solenoid |
| 14 | 110-8899 | 1 | Valve-Relief |
| 14:1 | 105-9156 | 1 | Seal Kit |
| 15 | 340-88 | 2 | Fitting-Straight |
| 15:1 | 237-22 | 1 | O-Ring |
| 15:2 | 237-78 | 1 | O-Ring |
| 16 | 340-92 | 6 | Fitting-Straight |
| 16:1 | 237-78 | 1 | O-Ring |
| 16:2 | 237-21 | 1 | O-Ring |
| 17 | 110-8898 | 2 | Valve-Solenoid |
| 17:1 | 107-7527 | 1 | Seal Kit |
| 17:2 | 110-2634 | 1 | Nut-Coil |
| 17:3 | 110-8909 | 1 | Spacer-Coil |

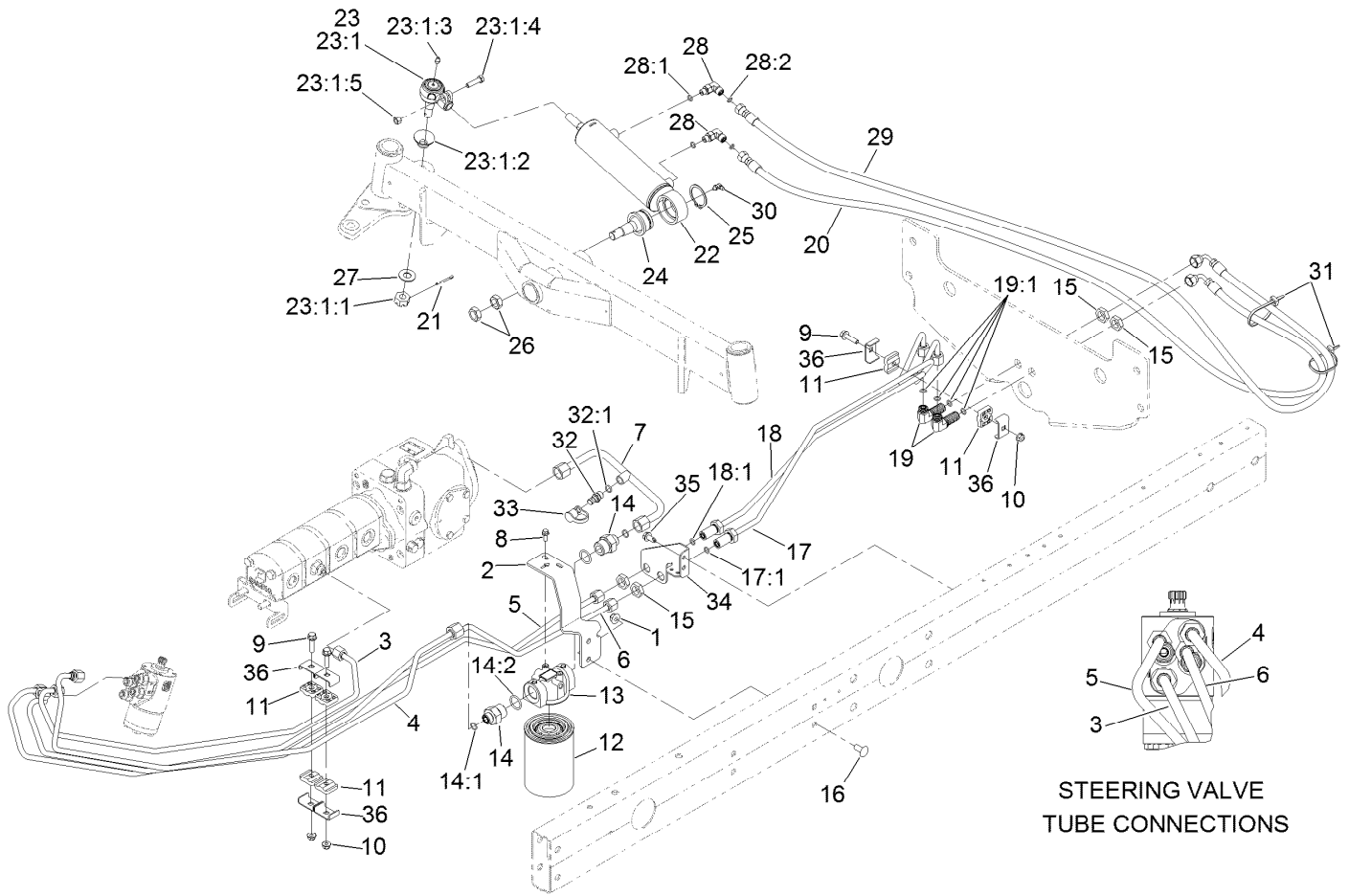
● Optional Equipment

■ Not serviced separately



Rear Lift Hydraulic Assembly

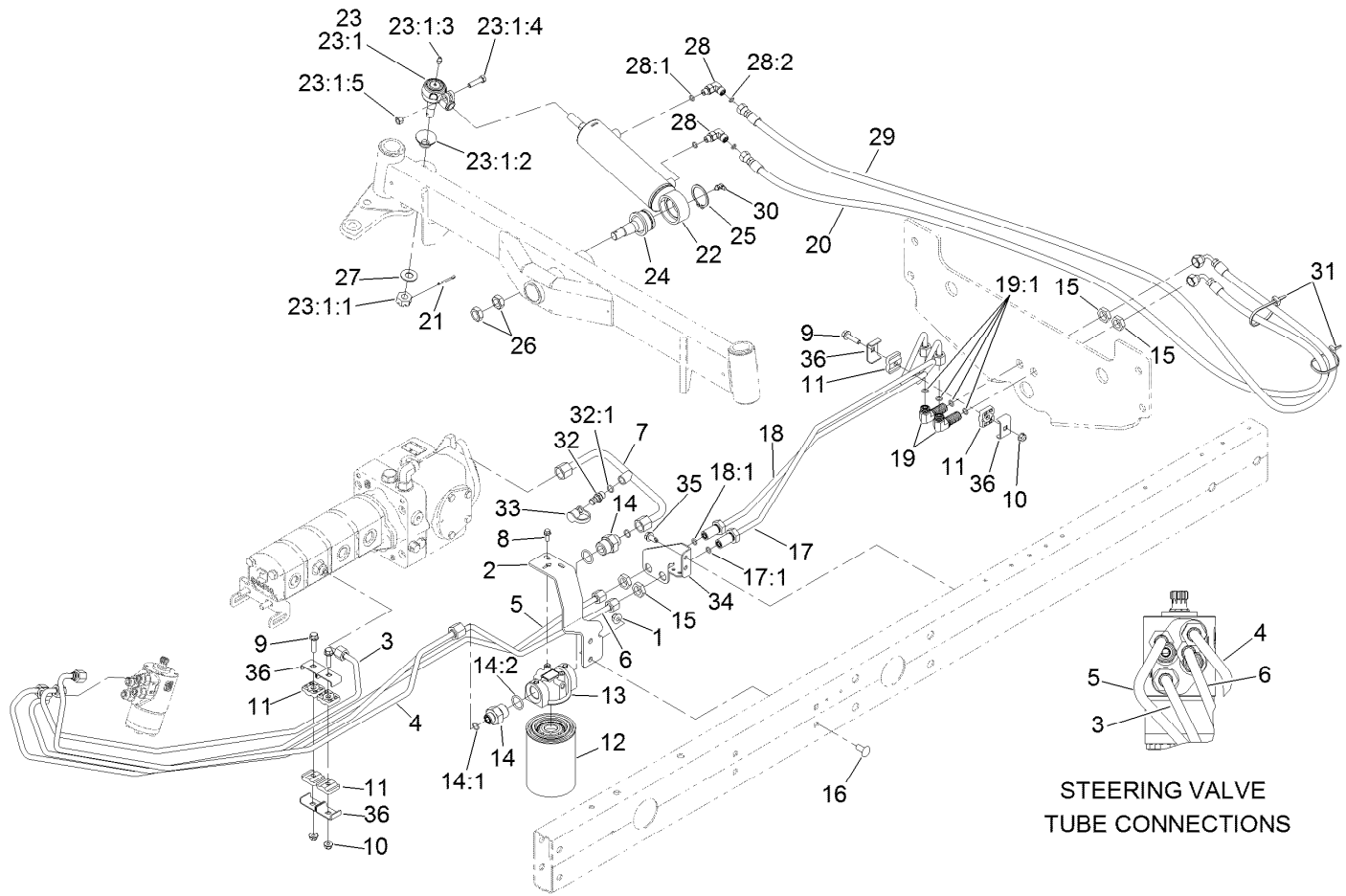
| Ref. | Part Number | Qty. | Description | Ref. | Part Number | Qty. | Description |
|------|-------------|------|-----------------------|------|-------------|------|---------------------|
| 1 | 119-6988 | 2 | HYD Cylinder ASM | 16 | 3234-38 | 2 | Screw-HHF |
| 2 | 340-132 | 1 | Fitting-Elbow, 90 DEG | 17 | 3256-6 | 2 | Washer-Flat |
| 2:1 | 237-78 | 1 | O-Ring | 18 | 117-0148 | 2 | Pin-Cylinder |
| 2:2 | 237-21 | 1 | O-Ring | 19 | 104-0046 | 2 | Pin-Slide, Cylinder |
| 3 | 340-92 | 2 | Fitting-Straight | 20 | 32120-93 | 4 | Ring-Retaining |
| 3:1 | 237-78 | 1 | O-Ring | 21 | 3-6498 | 4 | Washer-Thrust |
| 3:2 | 237-21 | 1 | O-Ring | 22 | 100-7695 | 1 | Fitting-Elbow 90 |
| 4 | 120-3782-01 | 1 | Bracket-Bulkhead, RH | 22:1 | 237-78 | 1 | O-Ring |
| 5 | 110-0917-01 | 1 | Bracket-Bulkhead, LH | 22:2 | 237-21 | 1 | O-Ring |
| 6 | 340-70 | 2 | Nut-Lock | 23 | 323-9 | 2 | Screw-HH |
| 7 | 120-3767 | 1 | HYD Tube ASM | 24 | 3296-59 | 2 | Nut-Lock, NI |
| 7:1 | 237-21 | 1 | O-Ring | 25 | 120-3766 | 1 | HYD Tube ASM |
| 8 | 110-9018 | 1 | Tube-HYD | 25:1 | 237-21 | 1 | O-Ring |
| 8:1 | 237-21 | 1 | O-Ring | 25:2 | 237-22 | 1 | O-Ring |
| 9 | 322-4 | 4 | Screw-HH | 26 | 120-3771 | 1 | HYD Tube ASM |
| 10 | 104-8300 | 5 | Nut-HF, NI | 26:1 | 237-21 | 1 | O-Ring |
| 11 | 340-78 | 2 | Nut-Lock | 26:2 | 237-22 | 1 | O-Ring |
| 12 | 110-0930 | 1 | Hose-HYD | 27 | 32144-57 | 2 | Screw |
| 13 | 110-8966 | 1 | Hose-HYD | 28 | 56-7973 | 6 | Clamp-Tube |
| 14 | 110-0929 | 1 | Hose-HYD | 29 | 3234-36 | 1 | Screw-HHF |
| 15 | 110-0931 | 1 | Hose-HYD | 30 | 119-1418 | 4 | Plate-Clamp, Short |



Steering Hydraulic Assembly

| Ref. | Part Number | Qty. | Description | Ref. | Part Number | Qty. | Description |
|------|-------------|------|---------------------|--------|-------------|------|--------------------------|
| 1 | 104-8301 | 2 | Nut-HF, NI | 17 | 120-3763 | 1 | HYD Tube ASM |
| 2 | 110-0906-01 | 1 | Support-Filter, Oil | 17:1 | 237-22 | 1 | O-Ring |
| 3 | 108-1710 | 1 | Tube ASM | 18 | 121-5586 | 1 | HYD Tube ASM |
| 4 | 108-1711 | 1 | Tube-HYD | 18:1 | 237-22 | 1 | O-Ring |
| 5 | 120-3764 | 1 | Tube-HYD | 19 | 340-154 | 2 | Union-Bulkhead |
| 6 | 120-3765 | 1 | Tube-HYD | 19:1 | 237-22 | 2 | O-Ring |
| 7 | 121-5601 | 1 | Tube-HYD | 20 | 110-0928 | 1 | Hose-HYD |
| 8 | 3234-33 | 2 | Screw-HHF | 21 | 3272-12 | 1 | Pin-Cotter |
| 9 | 3234-36 | 3 | Screw-HHF | 22 | 110-9035 | 1 | HYD Cylinder ASM |
| 10 | 104-8300 | 3 | Nut-HF, NI | 23 | 106-6895-03 | 1 | Ball Joint ASM |
| 11 | 56-7973 | 6 | Clamp-Tube | 23:1 | | 1 | Joint-Ball ● |
| 12 | 86-3010 | 1 | Filter-Oil | 23:1:1 | 32136-13 | 1 | Nut-SHH |
| 13 | 117-5820 | 1 | Head-Filter | 23:1:2 | 106-6896 | 1 | Seal |
| 14 | 100-4240 | 2 | Fitting-STR | 23:1:3 | 302-5 | 1 | Fitting-Grease |
| 14:1 | 237-30 | 1 | O-Ring | 23:1:4 | 3210-7 | 1 | Screw-HH |
| 14:2 | 237-81 | 1 | O-Ring | 23:1:5 | 32152-5 | 1 | Nut-Hex |
| 15 | 340-70 | 4 | Nut-Lock | 24 | 106-6774 | 1 | Joint-Ball |
| 16 | 3231-27 | 2 | Screw-CARR | 25 | 32151-104 | 1 | Ring-Retaining, External |

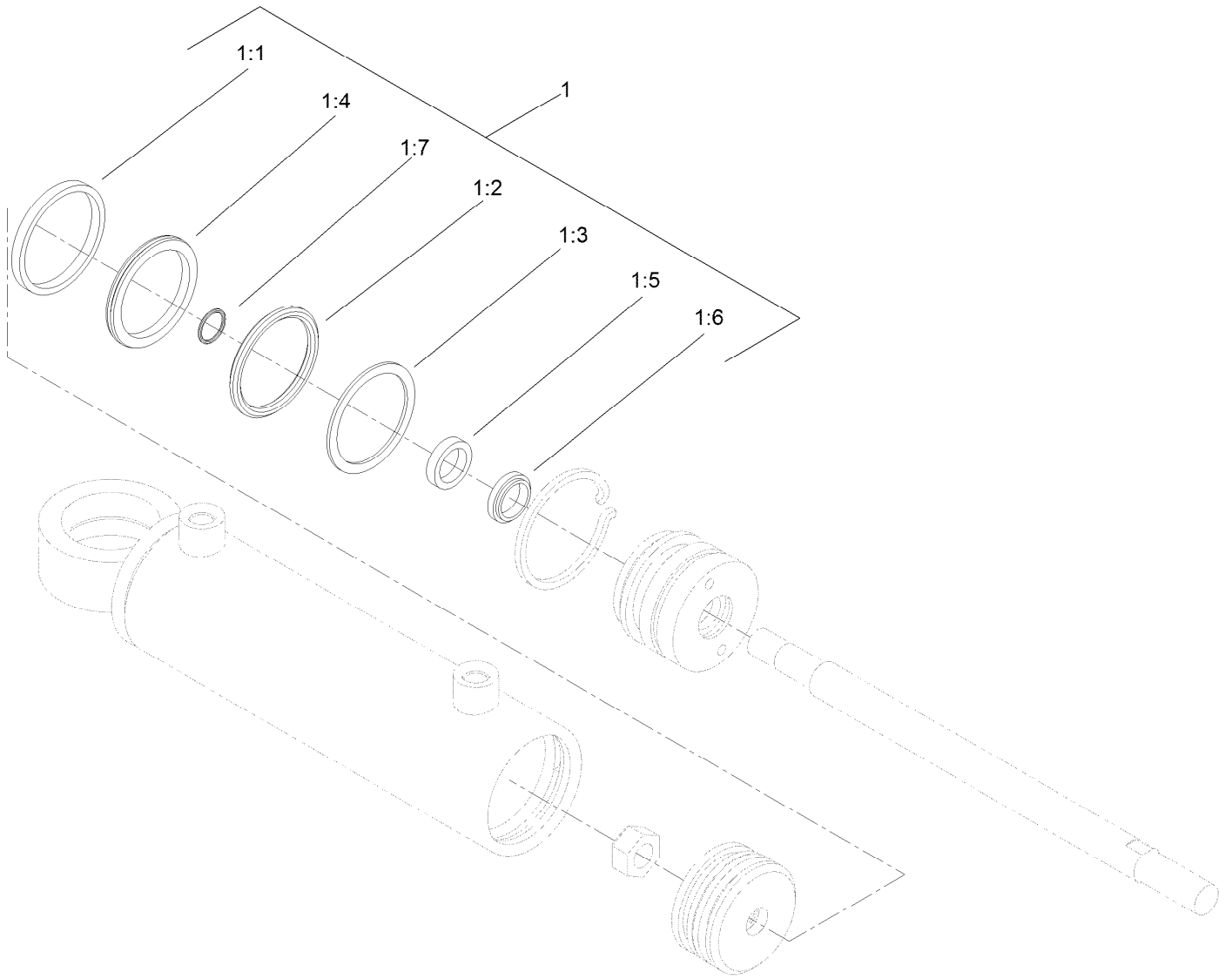
● Not serviced separately



Steering Hydraulic Assembly (continued)

| <i>Ref.</i> | <i>Part Number</i> | <i>Qty.</i> | <i>Description</i> | <i>Ref.</i> | <i>Part Number</i> | <i>Qty.</i> | <i>Description</i> |
|-------------|--------------------|-------------|------------------------|-------------|--------------------|-------------|------------------------|
| 26 | 3220-6 | 2 | Nut-Jam | 31 | 3290-378 | 2 | Tie-Cable |
| 27 | 69-8980 | 1 | Washer | 32 | 59-7410 | 1 | Fitting-Diagnostic |
| 28 | 340-132 | 2 | Fitting-Elbow, 90 DEG | 32:1 | 237-42 | 1 | O-Ring |
| 28:1 | 237-78 | 1 | O-Ring | 33 | 354-79 | 1 | Cap-Dust |
| 28:2 | 237-21 | 1 | O-Ring | 34 | 120-3781-01 | 1 | Bracket-Bulhead, Steer |
| 29 | 110-0973 | 1 | Hose-HYD | 35 | 32104-32 | 2 | Screw-HWH |
| 30 | 302-40 | 1 | Fitting-Grease, 90 DEG | 36 | 119-1418 | 6 | Plate-Clamp, Short |

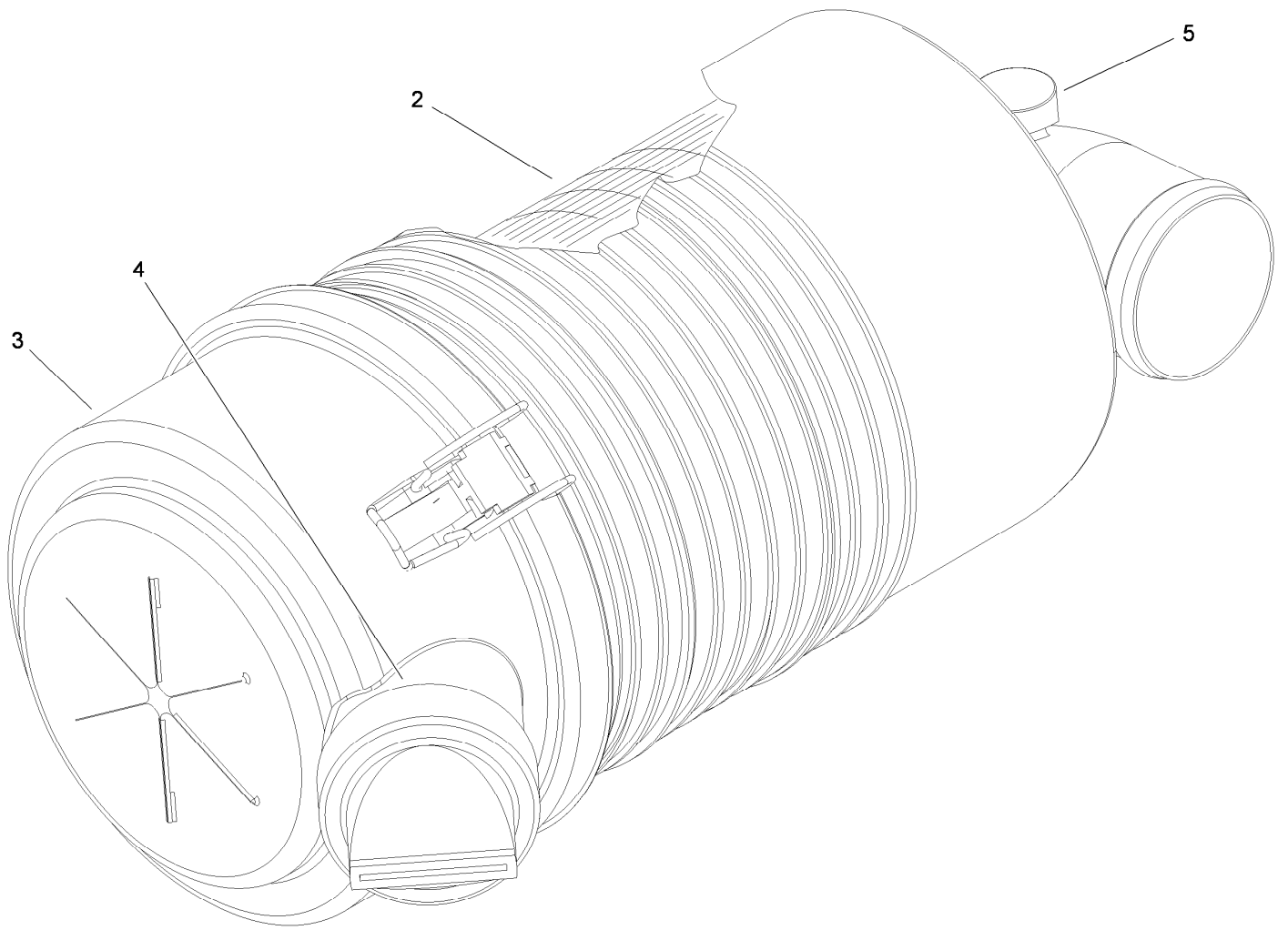
● Not serviced separately



Hydraulic Cylinder Assembly No. 110-9035

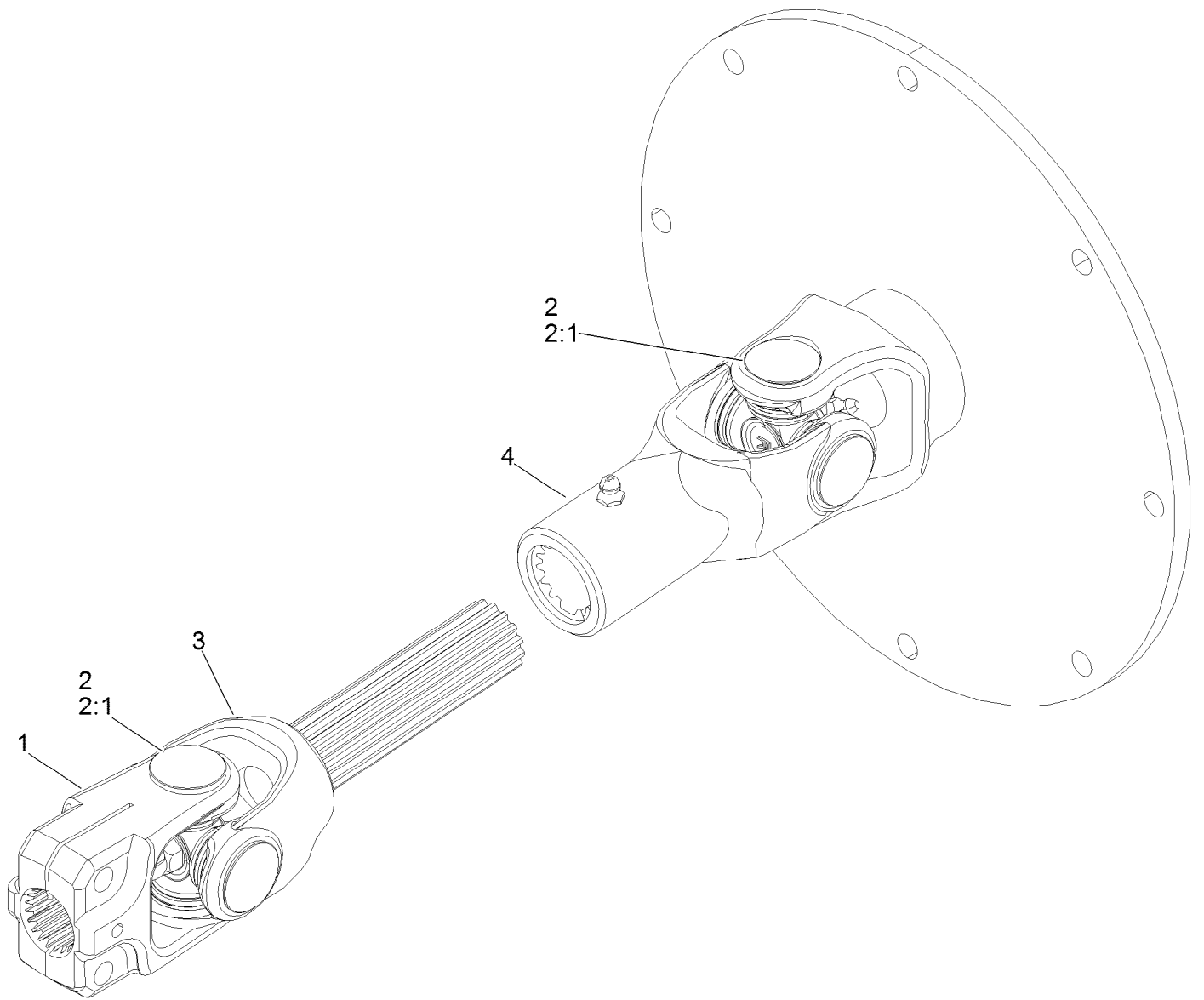
| <i>Ref.</i> | <i>Part Number</i> | <i>Qty.</i> | <i>Description</i> |
|-------------|--------------------|-------------|--------------------|
| 1 | 114-8875 | 1 | Seal Kit |
| 1:1 | | 1 | Wear Ring ● |
| 1:2 | | 1 | O-Ring ● |
| 1:3 | | 1 | Backup ● |
| 1:4 | | 1 | Bp Seal ● |
| 1:5 | | 1 | Bs Seal ● |
| 1:6 | | 1 | Dust Seal ● |
| 1:7 | | 1 | O-Ring ● |

● Not serviced separately



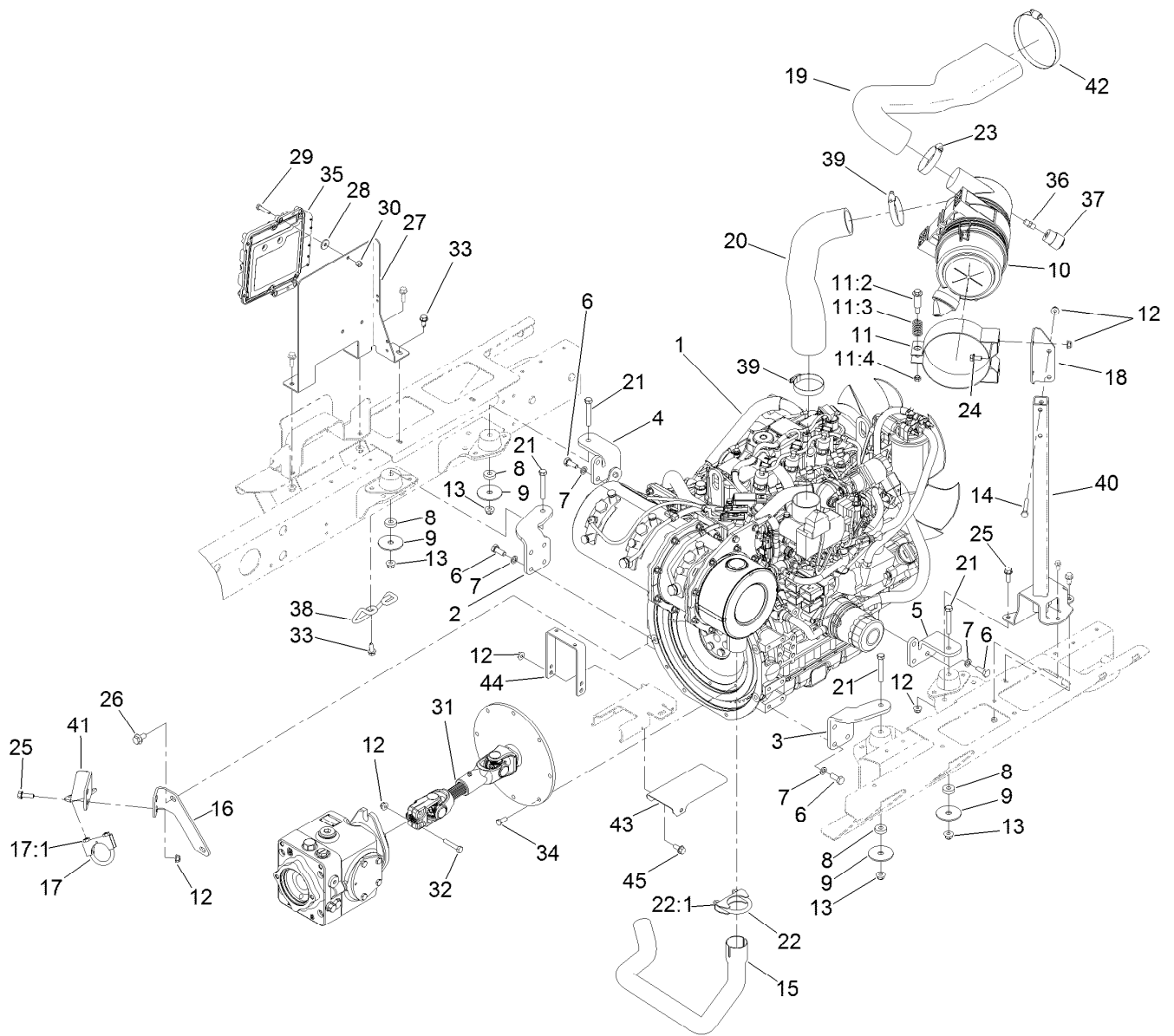
Air Cleaner Assembly No. 106-5277

| <i>Ref.</i> | <i>Part Number</i> | <i>Qty.</i> | <i>Description</i> |
|-------------|--------------------|-------------|--------------------|
| 2 | 108-3810 | 1 | Filter-Air |
| 3 | 98-9771 | 1 | Cover ASM |
| 4 | 87-9400 | 1 | Valve-Vacuator |
| 5 | 285-17 | 1 | Plug-Pipe |



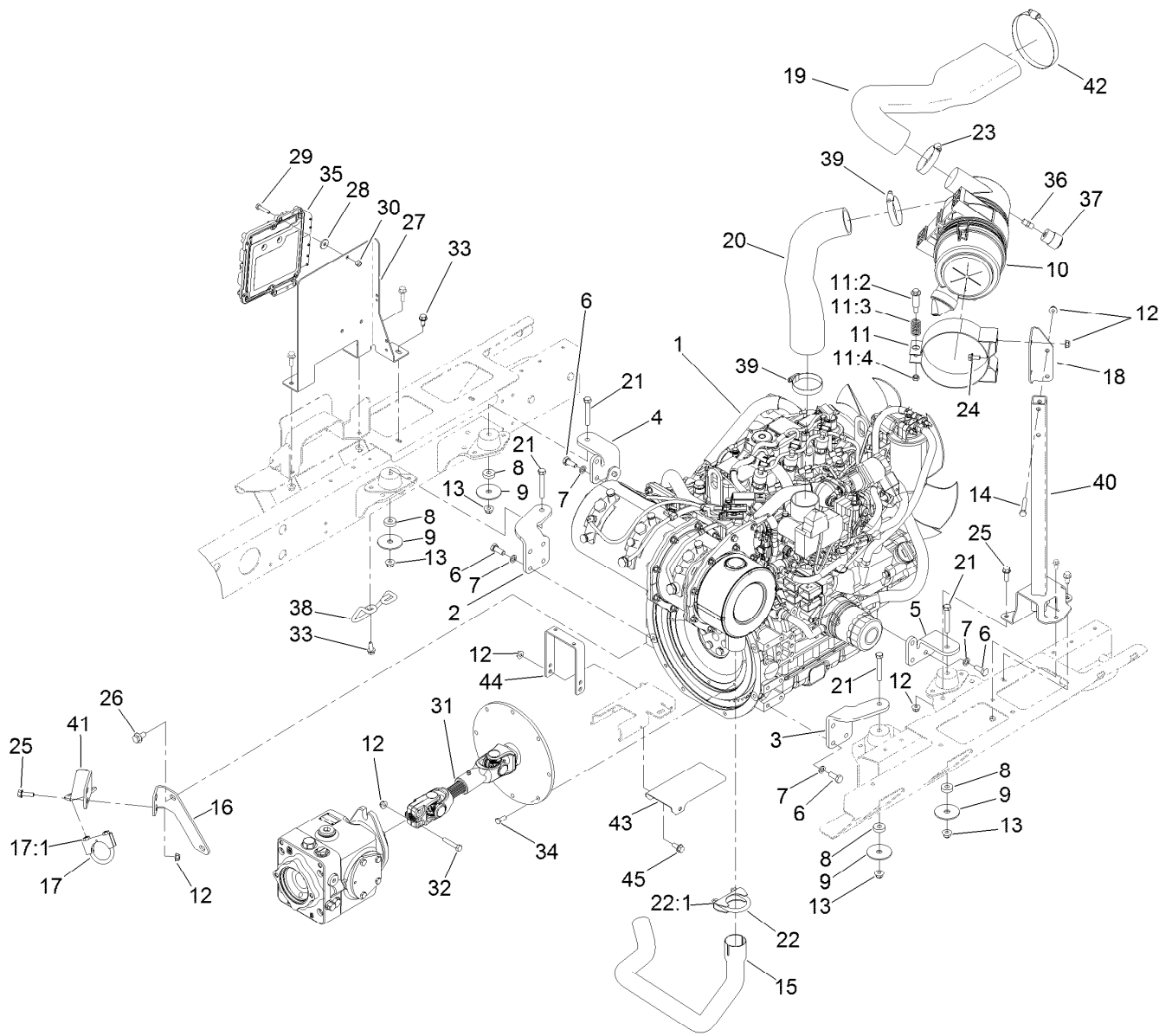
Drive Shaft Assembly No. 120-3756

| <i>Ref.</i> | <i>Part Number</i> | <i>Qty.</i> | <i>Description</i> |
|-------------|--------------------|-------------|---------------------|
| 1 | 54-9040 | 1 | Yoke-End |
| 2 | 54-9180 | 2 | U-Joint Kit |
| 2:1 | 62-3820 | 1 | Fitting-Grease |
| 3 | 125-8768 | 1 | Joint And Shaft ASM |
| 4 | 125-8769 | 1 | Joint And Yoke ASM |



Engine, Air Cleaner and Drive Shaft Assembly

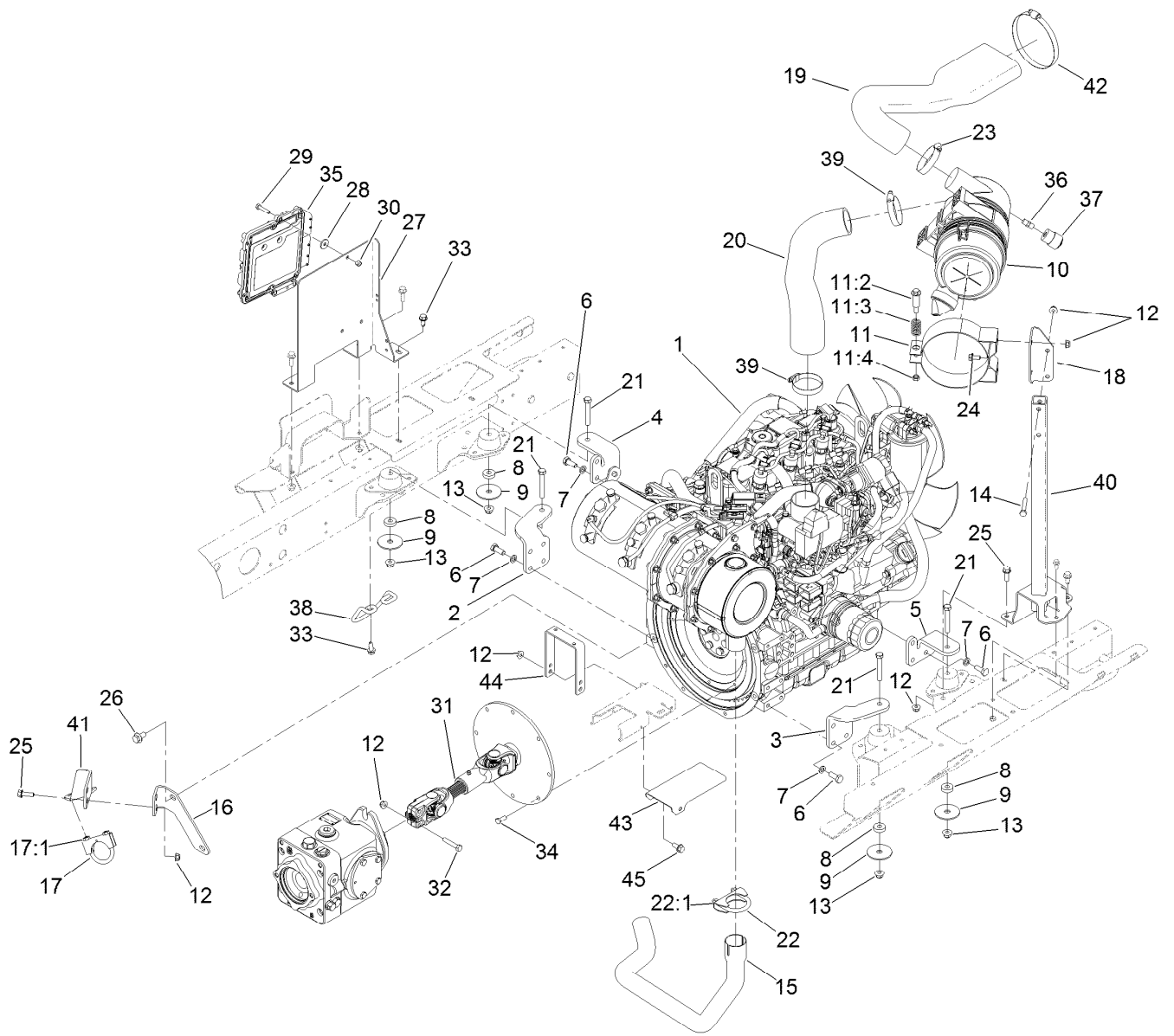
| Ref. | Part Number | Qty. | Description | Ref. | Part Number | Qty. | Description |
|------|-------------|------|----------------------------|------|-------------|------|-------------------------|
| 1 | 120-3796 | 1 | Engine-Yanmar, 3Tnv88C-Dtr | 17:1 | 32128-20 | 2 | Nut-HF |
| 2 | 120-3777-03 | 1 | Mount-Engine, Right Front | 18 | 120-6298-03 | 1 | Bracket-Aircleaner |
| 3 | 120-3778-03 | 1 | Mount-Engine, Left Front | 19 | 121-5559 | 1 | Hose-Air Cleaner |
| 4 | 120-3779-03 | 1 | Mount-Engine, Right Rear | 20 | 120-3786 | 1 | Hose-Air Cleaner |
| 5 | 120-3780-03 | 1 | Mount-Engine, Left Rear | 21 | 323-12 | 4 | Screw-HH |
| 6 | 33115-025 | 14 | Screw-HH | 22 | 2112-6 | 1 | Clamp-Muffler |
| 7 | 48-9590 | 14 | Washer-Lock | 22:1 | 3218-2 | 2 | Nut-Hex Jam |
| 8 | 62-6660 | 4 | Spacer | 23 | 2412-125 | 1 | Clamp-Hose |
| 9 | 87-5100 | 4 | Washer-Snubbing | 24 | 3234-14 | 2 | Screw-HHF |
| 10 | 106-5277 | 1 | Air Cleaner ASM | 25 | 3234-29 | 4 | Screw-HHF |
| 11 | 100-4825 | 1 | Band-Mounting, Air Cleaner | 26 | 33105-020 | 2 | Screw-HHF |
| 11:2 | 94-3653 | 1 | Bolt | 27 | 127-2712-03 | 1 | Bracket-Ecu |
| 11:3 | 94-3654 | 1 | Spring | 28 | 66-2921 | 4 | Washer-Friction |
| 11:4 | 48-9510 | 1 | *obs* Nut | 29 | 321-8 | 4 | Screw-HH |
| 12 | 104-8300 | 12 | Nut-HF, NI | 30 | 3296-42 | 4 | Nut-Lock, NI |
| 13 | 104-8301 | 4 | Nut-HF, NI | 31 | 120-3756 | 1 | Driveshaft ASM |
| 14 | 322-10 | 2 | Screw-HH | 32 | 322-9 | 2 | Screw-HH |
| 15 | 125-8765 | 1 | Tube-Exhaust | 33 | 32104-32 | 3 | Screw-HWH |
| 16 | 125-8763-03 | 1 | Bracket-Tailpipe | 34 | 33114-020 | 8 | Screw-HH |
| 17 | 2112-9 | 1 | Clamp | 35 | 121-5592 | 1 | Electronic Control Unit |
| | | | | 36 | 94-1416 | 1 | Adapter-Indicator |



Engine, Air Cleaner and Drive Shaft Assembly (continued)

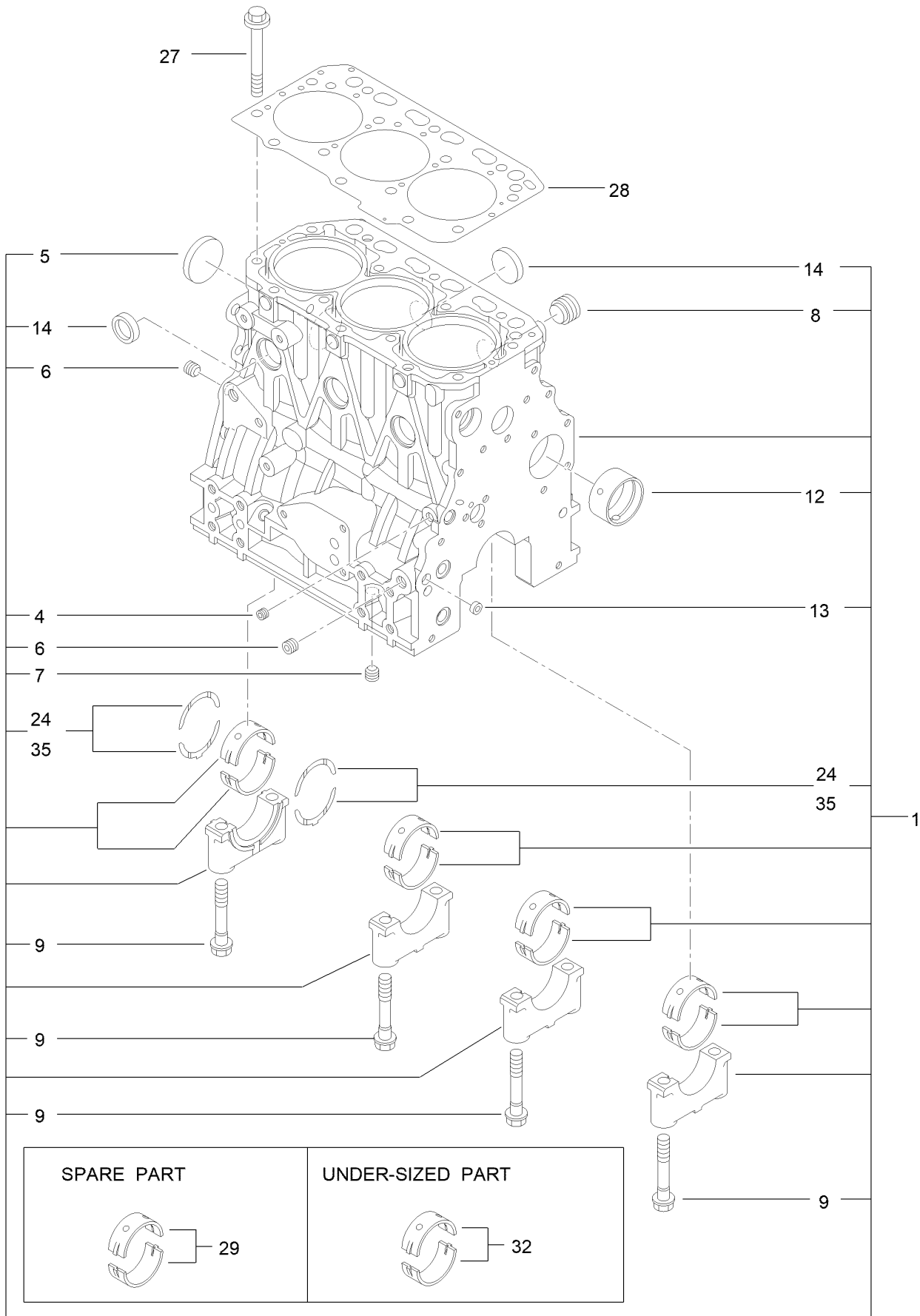
| Ref. | Part Number | Qty. | Description |
|------|-------------|------|------------------|
| 37 | 93-9164 | 1 | Indicator-Mini |
| 38 | 127-2612 | 1 | Guard-Pipe, Tail |
| 39 | 2412-130 | 2 | Clamp-Hose |
| 40 | 120-2949-03 | 1 | Stand |
| 41 | 125-8764-03 | 1 | Bracket-Tailpipe |

| Ref. | Part Number | Qty. | Description |
|------|-------------|------|-------------|
| 42 | 2412-140 | 1 | Clamp-Hose |
| 43 | 125-8766-03 | 1 | Shield-Heat |
| 44 | 108-1799-03 | 1 | Hoop-Guard |
| 45 | 3234-5 | 2 | Screw-HHF |



Engine, Air Cleaner and Drive Shaft Assembly (continued)

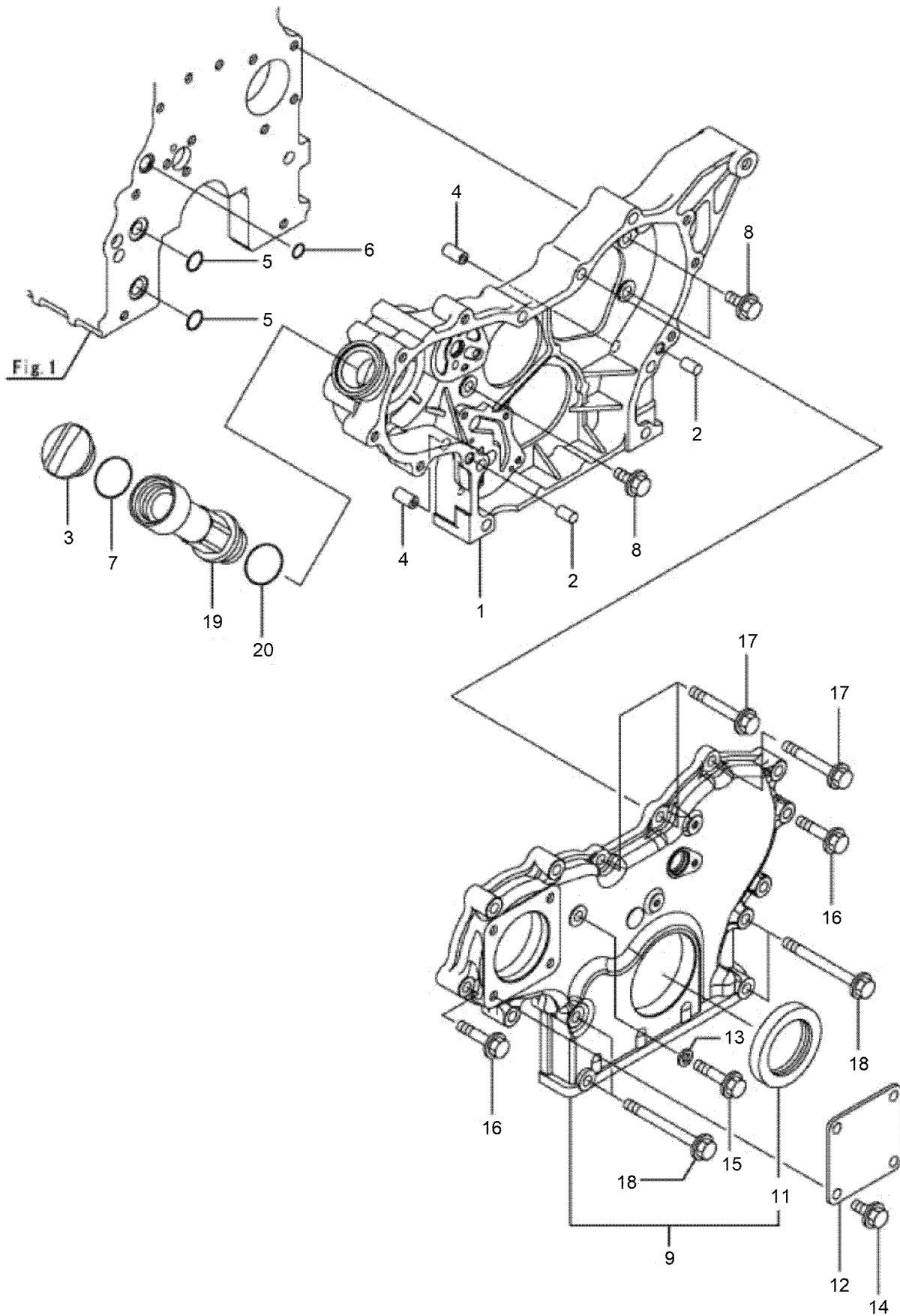
Cylinder Block Assembly



Cylinder Block Assembly (continued)

| <i>Ref.</i> | <i>Part Number</i> | <i>Qty.</i> | <i>Description</i> | <i>Ref.</i> | <i>Part Number</i> | <i>Qty.</i> | <i>Description</i> |
|-------------|--------------------|-------------|--------------------|-------------|--------------------|-------------|---------------------|
| 1 | 127-4717 | 1 | Cylinder Block ASM | 13 | 125-7237 | 1 | Plug |
| 4 | 125-6969 | 1 | Plug | 14 | 125-7239 | 6 | Plug |
| 5 | 125-6980 | 1 | Plug | 24 | 125-7010 | 2 | Metal-Thrust |
| 6 | 125-6973 | 2 | Plug | 27 | 125-7006 | 14 | Bolt |
| 7 | 125-6973 | 1 | Plug | 28 | 127-4716 | 1 | Head Gasket ASM |
| 8 | 125-7170 | 1 | Plug | 29 | 125-6981 | 4 | Metal-Main |
| 9 | 125-7007 | 8 | Bolt | 32 | 125-7009 | 4 | Metal-Main (0.25) |
| 12 | 125-7108 | 1 | Bushing | 35 | 125-7011 | 1 | Metal-Thrust (0.25) |

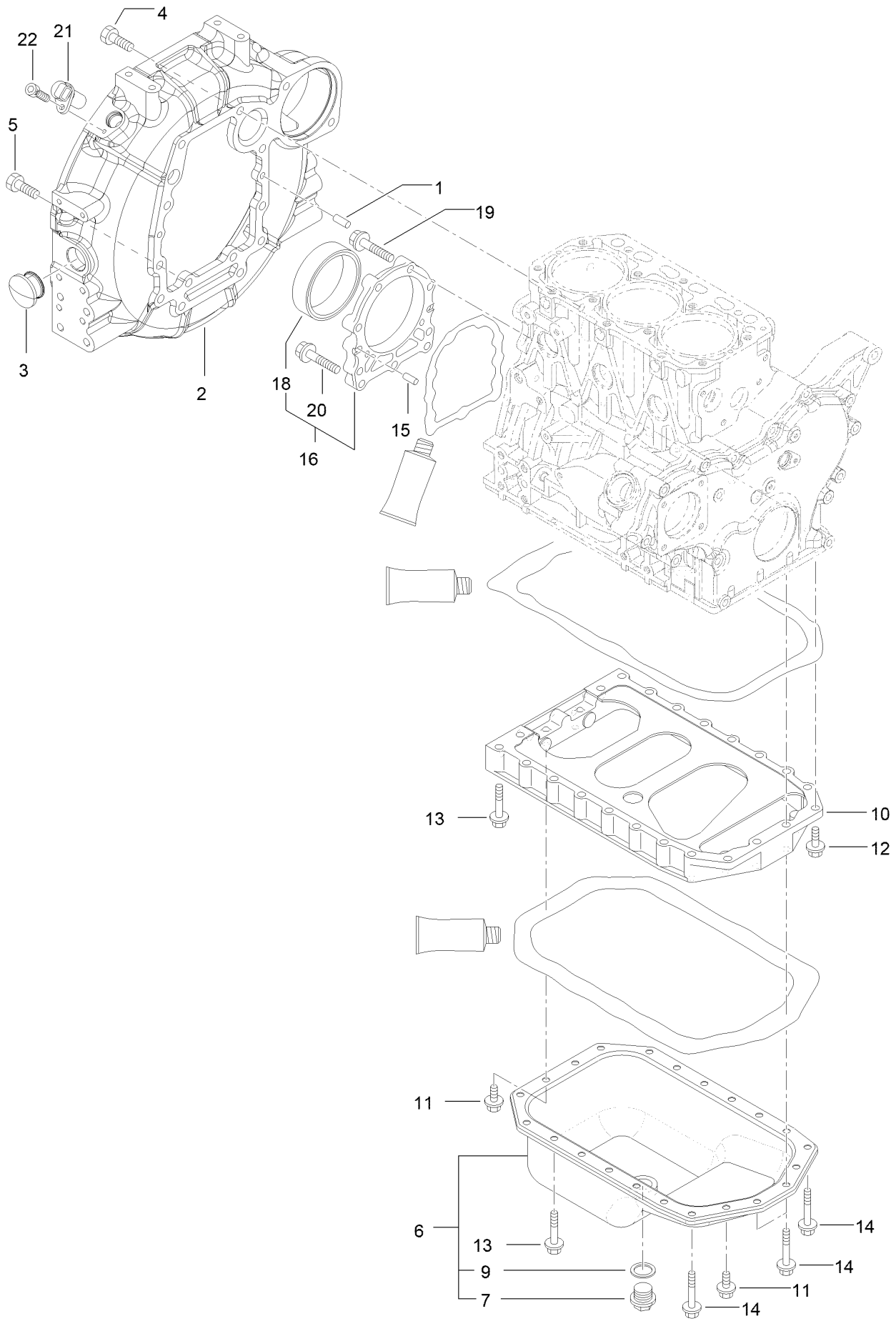
Gear Housing Assembly



Gear Housing Assembly (continued)

| <i>Ref.</i> | <i>Part Number</i> | <i>Qty.</i> | <i>Description</i> | <i>Ref.</i> | <i>Part Number</i> | <i>Qty.</i> | <i>Description</i> |
|-------------|--------------------|-------------|--------------------|-------------|--------------------|-------------|--------------------|
| 1 | 127-3023 | 1 | Case-Gear | 12 | 125-6977 | 1 | Cover |
| 2 | 125-6995 | 2 | Pin | 13 | 125-7174 | 1 | Washer-Seal |
| 3 | 125-6972 | 1 | Cover-Filler | 14 | 100-6928 | 4 | Bolt |
| 4 | 125-7107 | 2 | Pipe | 15 | 125-7217 | 1 | Bolt |
| 5 | 125-6909 | 2 | O-Ring | 16 | 125-7218 | 7 | Bolt |
| 6 | 127-2973 | 1 | O-Ring | 17 | 125-7222 | 3 | Bolt |
| 7 | 125-7197 | 1 | O-Ring | 18 | 125-7224 | 4 | Bolt |
| 8 | 100-6928 | 3 | Bolt | 19 | 127-3754 | 1 | Pipe |
| 9 | 127-3024 | 1 | Gearcase Cover ASM | 20 | 125-7197 | 1 | O-Ring |
| 11 | 125-6944 | 1 | Seal-Oil | | | | |

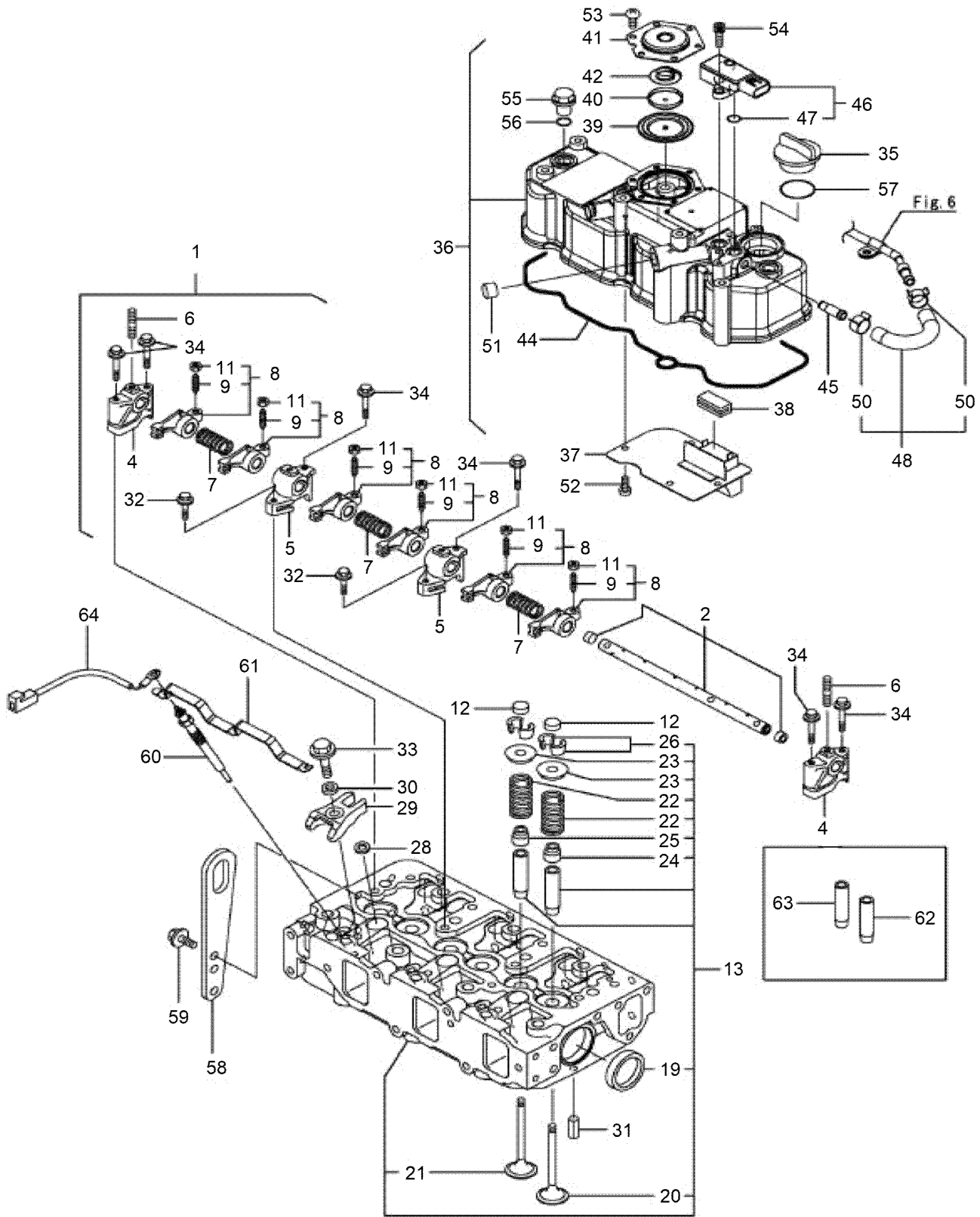
Flywheel Housing and Oil Sump Assembly



Flywheel Housing and Oil Sump Assembly (continued)

| <i>Ref.</i> | <i>Part Number</i> | <i>Qty.</i> | <i>Description</i> | <i>Ref.</i> | <i>Part Number</i> | <i>Qty.</i> | <i>Description</i> |
|-------------|--------------------|-------------|--------------------|-------------|--------------------|-------------|----------------------|
| 1 | 125-6995 | 2 | Pin | 12 | 125-7215 | 2 | Bolt |
| 2 | 127-3025 | 1 | Housing-Flywheel | 13 | 125-7219 | 16 | Bolt |
| 3 | 125-6910 | 1 | Cap | 14 | 125-7220 | 4 | Bolt |
| 4 | 125-7226 | 6 | Bolt | 15 | 125-6995 | 2 | Pin |
| 5 | 125-7227 | 4 | Bolt | 16 | 125-6996 | 1 | Case ASM |
| 6 | 127-3755 | 1 | Oil Pan ASM | 18 | 125-7106 | 1 | Seal-Oil |
| 7 | 125-6912 | 1 | Plug-Drain | 19 | 125-7045 | 6 | Bolt |
| 9 | 125-7177 | 1 | Washer-Seal | 20 | 125-7217 | 3 | Bolt |
| 10 | 127-3756 | 1 | Spacer | 21 | 127-3062 | 1 | Sensor-Rev, Flywheel |
| 11 | 100-6928 | 4 | Bolt | 22 | 127-3184 | 1 | Bolt |

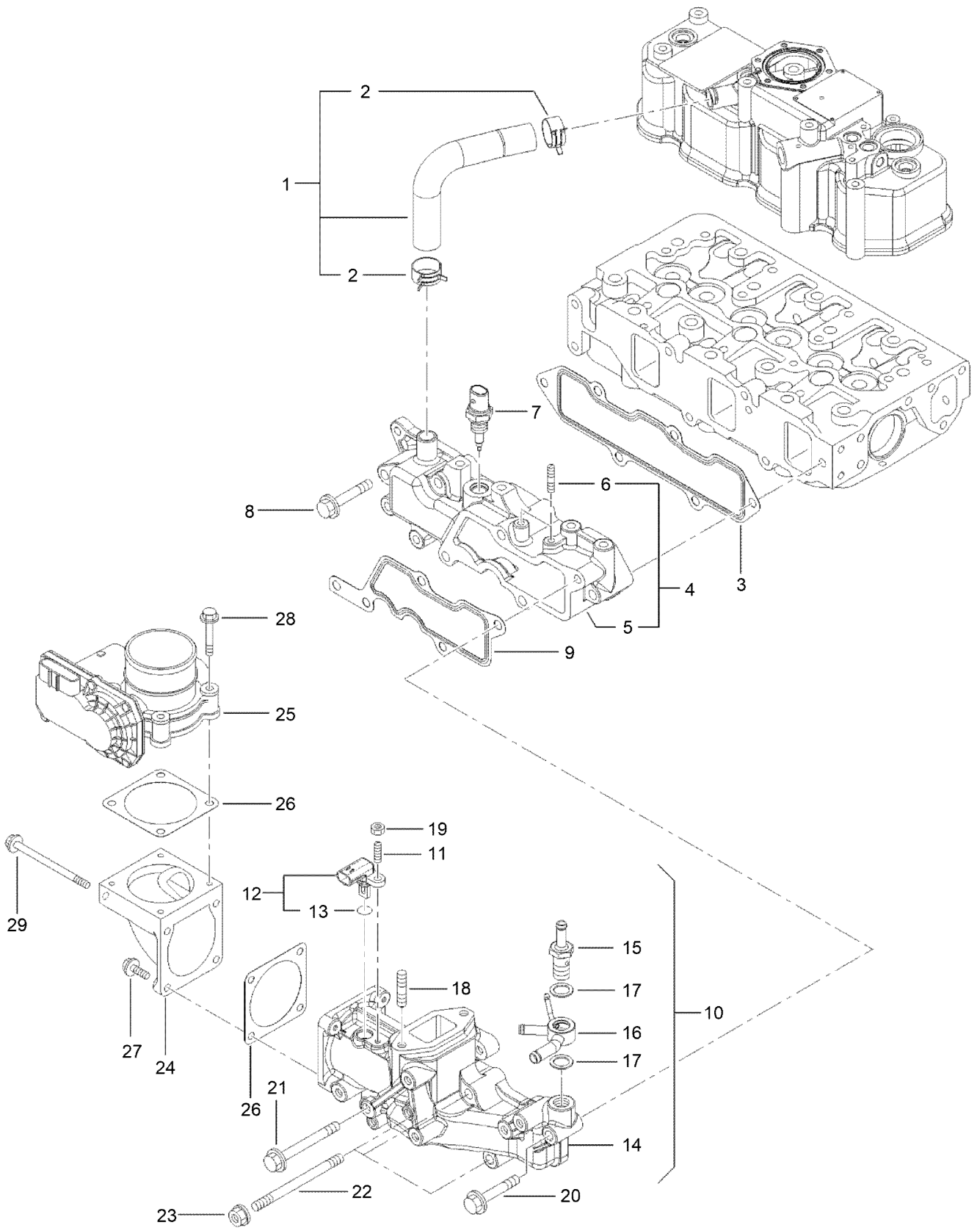
Cylinder Head Assembly



Cylinder Head Assembly (continued)

| <i>Ref.</i> | <i>Part Number</i> | <i>Qty.</i> | <i>Description</i> | <i>Ref.</i> | <i>Part Number</i> | <i>Qty.</i> | <i>Description</i> |
|-------------|--------------------|-------------|---------------------|-------------|--------------------|-------------|-------------------------|
| 1 | 127-3757 | 1 | Shaft ASM | 36 | 127-4719 | 1 | Cylinder Head Cover ASM |
| 2 | 127-3758 | 1 | Shaft | 37 | 127-2988 | 1 | Plate |
| 4 | 127-2974 | 2 | Support | 38 | 125-7012 | 1 | Baffle |
| 5 | 127-2975 | 2 | Support | 39 | 125-6959 | 1 | Diaphragm |
| 6 | 135-4012 | 3 | Bolt,Stud | 40 | 125-6960 | 1 | Plate |
| 7 | 127-2995 | 3 | Spring | 41 | 125-6961 | 1 | Plate-Breather |
| 8 | 127-2989 | 6 | Arm-Rocker | 42 | 125-6962 | 1 | Spring-Diaphragm |
| 9 | 125-7013 | 6 | Screw-Adjust, Valve | 44 | 127-3856 | 1 | Gasket-Valve Cover |
| 11 | 125-7014 | 6 | Nut | 45 | 127-3026 | 1 | Joint |
| 12 | 127-2996 | 6 | Cap-Valve | 46 | 127-3029 | 1 | Sensor-Pressure |
| 13 | 139-6014 | 1 | Cylinder Head ASM | 47 | 127-3032 | 2 | O Ring-Sensor, Pressure |
| 19 | 125-7240 | 2 | Plug | 48 | 127-3040 | 1 | Hose ASM |
| 20 | 127-2990 | 3 | Valve | 50 | 127-3041 | 2 | Clip-Hose |
| 21 | 127-4710 | 3 | Valve | 51 | 125-6913 | 1 | Plug |
| 22 | 127-3012 | 6 | Spring | 52 | 125-7186 | 4 | Screw |
| 23 | 127-3013 | 6 | Retainer-Spring | 53 | 125-7186 | 6 | Screw |
| 24 | 127-2986 | 3 | Seal-Stem, Valve | 54 | 127-3184 | 2 | Bolt |
| 25 | 127-3027 | 3 | Seal-Stem, Valve | 55 | 125-6974 | 3 | Knob |
| 26 | 127-3186 | 6 | Pin-Cotter | 56 | 93-0418 | 3 | O-Ring |
| 28 | 127-3021 | 3 | Gasket-Injector | 57 | 125-7197 | 1 | O-Ring |
| 29 | 127-3028 | 3 | Retainer-Injector | 58 | 125-7111 | 1 | Lifter |
| 30 | 127-2980 | 3 | Washer-Injector | 59 | 100-6928 | 2 | Bolt |
| 31 | 125-7184 | 2 | Pin-Spring | 60 | 127-2991 | 3 | Plug-Glow |
| 32 | 125-7215 | 2 | Bolt | 61 | 127-3768 | 1 | Connector-Plug, Glow |
| 33 | 125-7217 | 3 | Bolt | 62 | 127-2979 | 3 | Guide |
| 34 | 125-7220 | 6 | Bolt | 63 | 127-2997 | 3 | Guide-Valve |
| 35 | 125-6972 | 1 | Cover-Filler | 64 | 131-2704 | 1 | Harness-Wire |

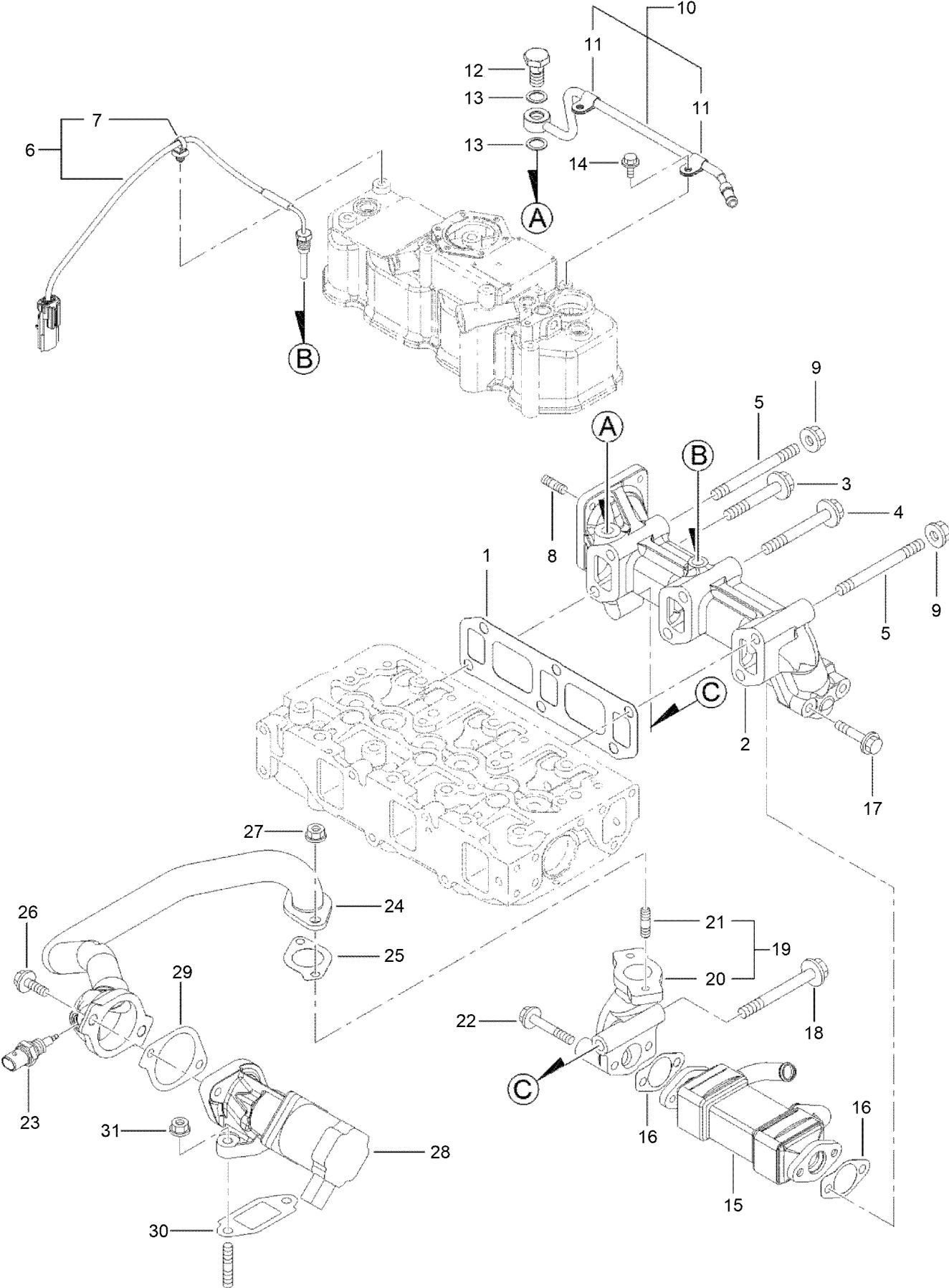
Suction Manifold Assembly



Suction Manifold Assembly (continued)

| <i>Ref.</i> | <i>Part Number</i> | <i>Qty.</i> | <i>Description</i> | <i>Ref.</i> | <i>Part Number</i> | <i>Qty.</i> | <i>Description</i> |
|-------------|--------------------|-------------|-------------------------|-------------|--------------------|-------------|--------------------|
| 1 | 127-4704 | 1 | Pipe | 16 | 127-3081 | 1 | Joint-Hose |
| 2 | 125-7040 | 2 | Clip-Hose | 17 | 127-3166 | 2 | Washer-Seal |
| 3 | 127-3857 | 1 | Gasket-Manifold, Intake | 18 | 127-3181 | 2 | Stud |
| 4 | 127-4722 | 1 | Intake Manifold ASM | 19 | 127-4775 | 1 | Nut |
| 5 | 127-4721 | 1 | Manifold-Intake | 20 | 125-7220 | 1 | Bolt |
| 6 | 127-3180 | 2 | Stud | 21 | 127-3178 | 1 | Bolt |
| 7 | 137-5167 | 1 | Sensor-Temperature, Air | 22 | 127-3182 | 3 | Stud |
| 8 | 125-7220 | 3 | Bolt | 23 | 125-7229 | 3 | Nut |
| 9 | 127-3034 | 1 | Gasket-Collector | 24 | 127-3035 | 1 | Bend-Inlet |
| 10 | 127-4725 | 1 | Intake Collector ASM | 25 | 127-3036 | 1 | Body-Throttle |
| 11 | 127-4701 | 1 | Stud | 26 | 127-3037 | 2 | Gasket-Throttle |
| 12 | 127-3030 | 1 | Sensor-Temp, Air | 27 | 125-7209 | 2 | Bolt |
| 13 | 127-3033 | 1 | O-Ring | 28 | 125-7211 | 4 | Bolt |
| 14 | 127-4724 | 1 | Collector-Intake | 29 | 127-3177 | 2 | Bolt |
| 15 | 127-3080 | 1 | Joint-Hose | | | | |

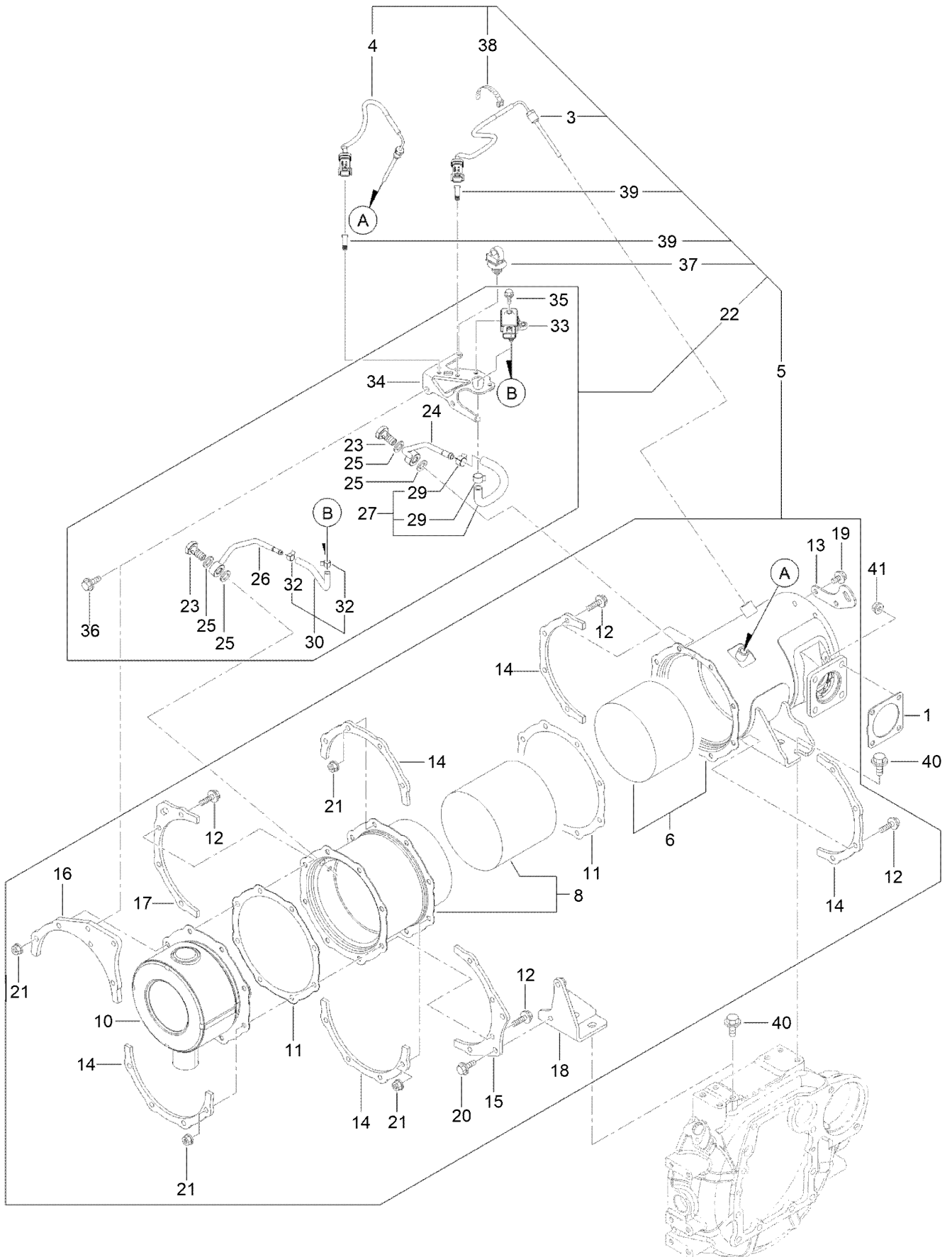
Exhaust Manifold Assembly



Exhaust Manifold Assembly (continued)

| <i>Ref.</i> | <i>Part Number</i> | <i>Qty.</i> | <i>Description</i> | <i>Ref.</i> | <i>Part Number</i> | <i>Qty.</i> | <i>Description</i> |
|-------------|--------------------|-------------|--------------------------|-------------|--------------------|-------------|----------------------------|
| 1 | 127-3775 | 1 | Gasket-Manifold, Exhaust | 17 | 135-4015 | 2 | Bolt |
| 2 | 127-4727 | 1 | Manifold-Exhaust | 18 | 135-4016 | 1 | Bolt |
| 3 | 139-6015 | 1 | Bolt-Flange | 19 | 127-3048 | 1 | E G R Pipe ASM |
| 4 | 135-4014 | 3 | Bolt | 20 | 127-3049 | 1 | Pipe-Out, E G R |
| 5 | 127-4756 | 2 | Stud | 21 | 125-7043 | 2 | Stud |
| 6 | 127-4729 | 1 | Sensor-Temp, Exhaust | 22 | 125-7220 | 2 | Bolt |
| 7 | 127-3087 | 1 | Band-Clip | 23 | 137-5168 | 1 | Sensor-Gas Temp, E G R |
| 8 | 125-6906 | 4 | Stud | 24 | 127-3780 | 1 | E G R Pipe ASM |
| 9 | 125-7230 | 2 | Nut | 25 | 127-3016 | 1 | Gasket |
| 10 | 127-3038 | 1 | Exhaust Pipe ASM | 26 | 125-7215 | 2 | Bolt |
| 11 | 127-3173 | 2 | Clamp | 27 | 125-7229 | 2 | Nut |
| 12 | 127-3039 | 1 | Bolt-Joint, Pipe | 28 | 127-3781 | 1 | Valve-E G R |
| 13 | 127-3174 | 2 | Gasket | 29 | 127-3050 | 1 | Gasket-Intake Valve, E G R |
| 14 | 125-7206 | 2 | Bolt | 30 | 127-3051 | 1 | Gasket-Out Valve, E G R |
| 15 | 127-3042 | 1 | Cooler-E G R | 31 | 125-7229 | 2 | Nut |
| 16 | 127-3043 | 2 | Gasket-Cooler, E G R | | | | |

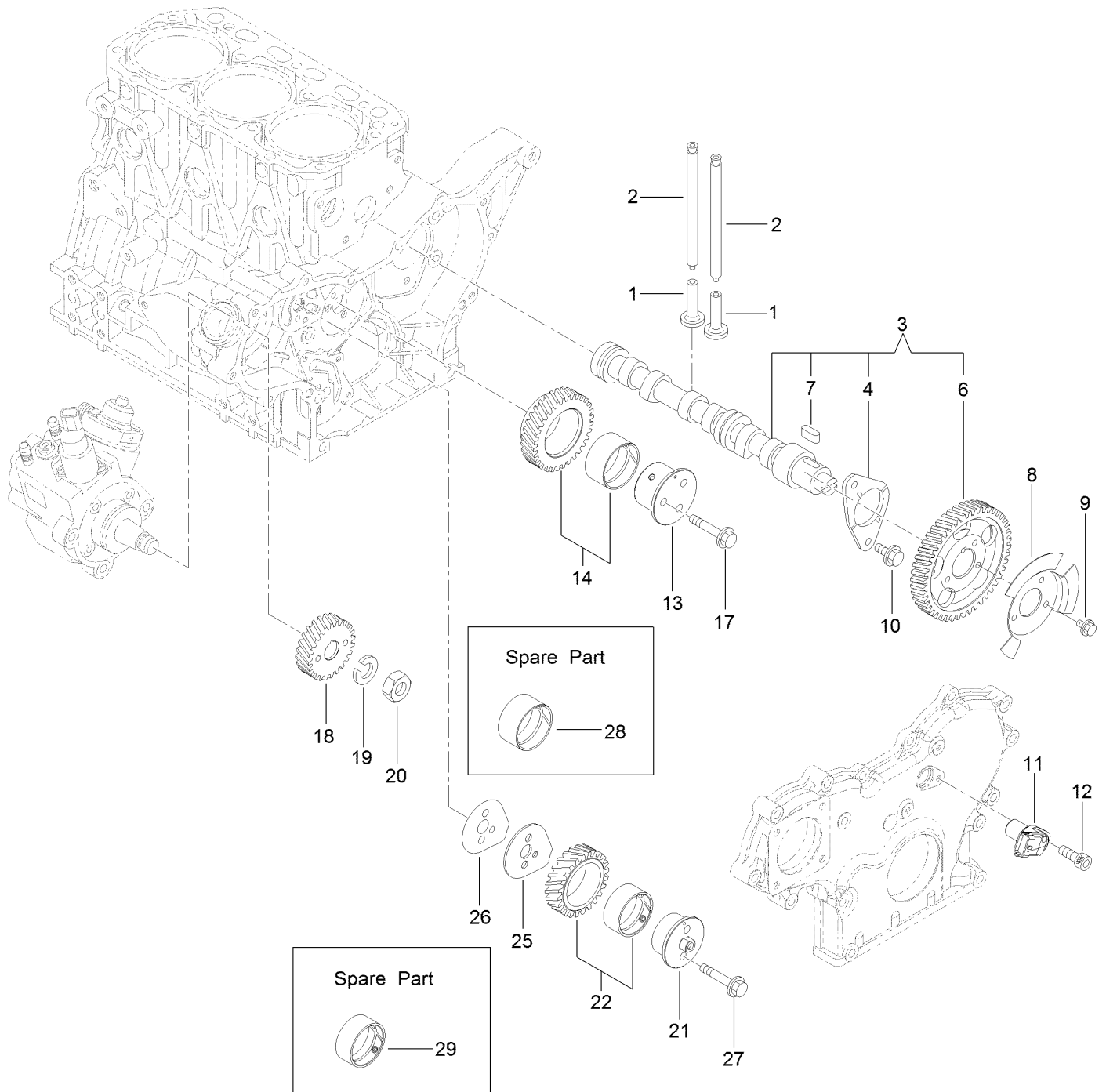
Diesel Particulate Filter Assembly



Diesel Particulate Filter Assembly (continued)

| <i>Ref.</i> | <i>Part Number</i> | <i>Qty.</i> | <i>Description</i> | <i>Ref.</i> | <i>Part Number</i> | <i>Qty.</i> | <i>Description</i> |
|-------------|--------------------|-------------|----------------------|-------------|--------------------|-------------|------------------------------|
| 1 | 127-3019 | 1 | Gasket | 23 | 127-3039 | 2 | Bolt-Joint, Pipe |
| 3 | 127-4764 | 1 | Sensor-Temp, Exhaust | 24 | 127-3795 | 1 | Pipe-Sensor |
| 4 | 127-4765 | 1 | Sensor-Temp, Exhaust | 25 | 127-3056 | 4 | Gasket-Sensor |
| 5 | 127-4730 | 1 | D P F ASM | 26 | 127-3796 | 1 | Pipe-Sensor |
| 6 | 127-4731 | 1 | Case-Doc | 27 | 127-4746 | 1 | Exhaust Hose ASM |
| 8 | 127-4733 | 1 | Case-Soot Filter | 29 | 127-3057 | 2 | Clip-Hose |
| 10 | 127-3786 | 1 | Silencer-D P F | 30 | 127-3059 | 1 | Exhaust Pressure Hose ASM |
| 11 | 127-3859 | 2 | Gasket-D P F | 32 | 127-3058 | 2 | Clip-Hose |
| 12 | 127-3055 | 16 | Bolt | 33 | 127-3060 | 1 | Sensor-Pressure |
| 13 | 127-3788 | 1 | Lifter-D P F | 34 | 127-3061 | 1 | Bracket-Sensor, Pressure |
| 14 | 127-3789 | 5 | Stiffener-D P F, A | 35 | 125-7208 | 2 | Bolt |
| 15 | 127-3790 | 1 | Stiffener-D P F, B | 36 | 125-7595 | 2 | Bolt |
| 16 | 127-3791 | 1 | Stiffener-D P F, C | 37 | 127-3087 | 1 | Band-Clip |
| 17 | 127-3792 | 1 | Stiffener-D P F, C | 38 | 127-3124 | 1 | Band |
| 18 | 127-4737 | 1 | Stay-Dpf | 39 | 127-3088 | 2 | Clip-Connector |
| 19 | 125-7213 | 2 | Bolt | 40 | 127-3179 | 4 | Bolt |
| 20 | 125-7594 | 2 | Bolt | 41 | 125-7229 | 4 | Nut |
| 21 | 125-7229 | 16 | Nut | | | | |
| 22 | 127-4777 | 1 | Sensor Pressure Unit | | | | |

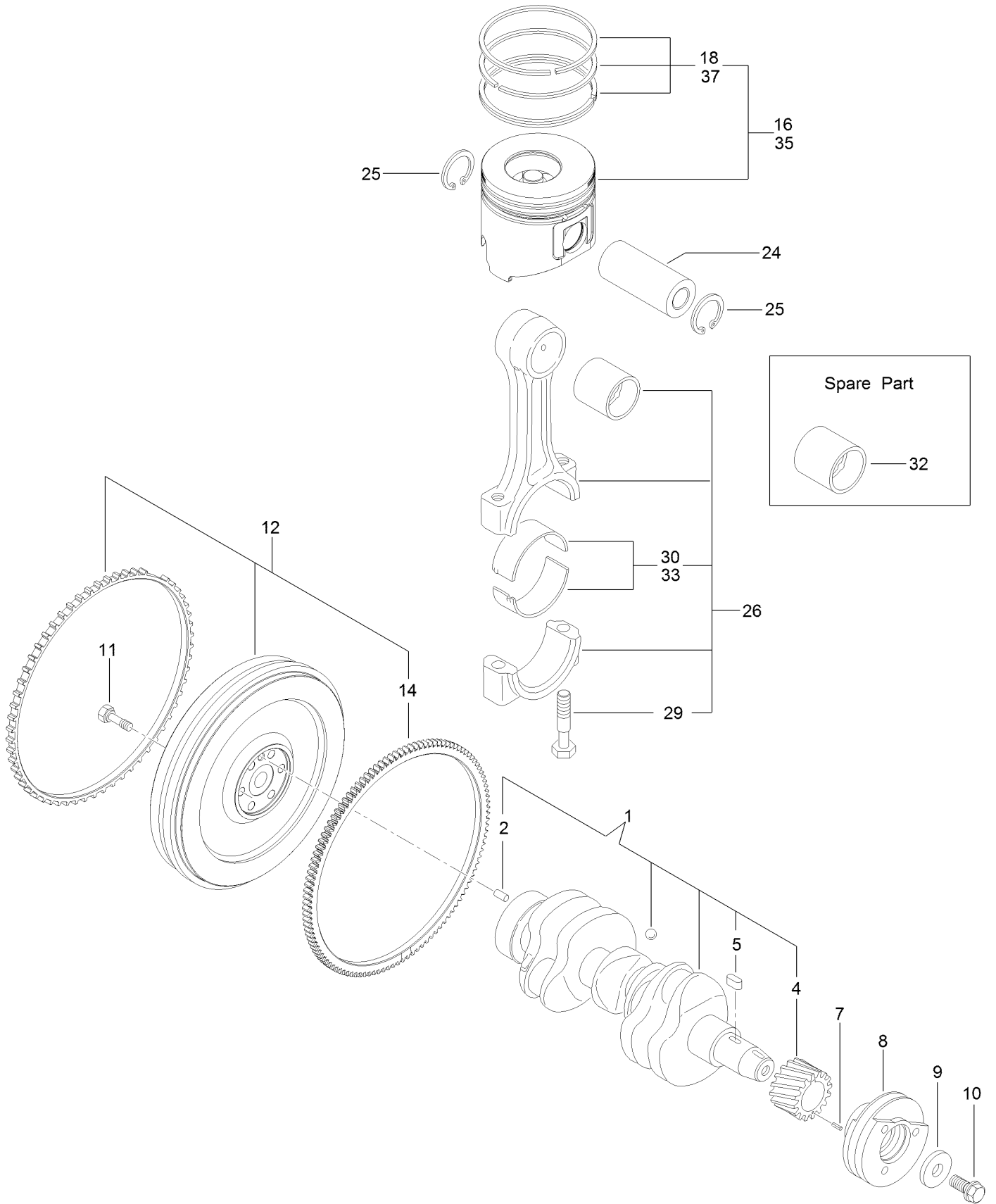
Camshaft and Driving Gear Assembly



Camshaft and Driving Gear Assembly (continued)

| <i>Ref.</i> | <i>Part Number</i> | <i>Qty.</i> | <i>Description</i> | <i>Ref.</i> | <i>Part Number</i> | <i>Qty.</i> | <i>Description</i> |
|-------------|--------------------|-------------|--------------------|-------------|--------------------|-------------|----------------------|
| 1 | 125-7016 | 6 | Tappet | 14 | 127-3066 | 1 | Idle Gear A ASM |
| 2 | 125-7017 | 6 | Rod-Push | 17 | 125-7219 | 3 | Bolt |
| 3 | 127-3797 | 1 | Camshaft ASM | 18 | 127-3070 | 1 | Gear-Pump, Supply |
| 4 | 125-7008 | 1 | Metal-Thrust | 19 | 127-3167 | 1 | Washer-Spring |
| 6 | 127-3052 | 1 | Gear-Camshaft | 20 | 127-3185 | 1 | Nut-Lock |
| 7 | 125-7185 | 1 | Key | 21 | 127-3064 | 1 | Shaft-Idle, Gear B |
| 8 | 127-3053 | 1 | Pulser-Camshaft | 22 | 127-3067 | 1 | Idle Gear B ASM |
| 9 | 125-7205 | 3 | Bolt | 25 | 127-3068 | 1 | Plate-Idle, Shaft |
| 10 | 125-7213 | 2 | Bolt | 26 | 127-3069 | 1 | Gasket-Idle, Shaft B |
| 11 | 127-3054 | 1 | Sensor-Rev, Gear | 27 | 125-7218 | 2 | Bolt |
| 12 | 127-3184 | 1 | Bolt | 28 | 125-6927 | 1 | Bushing |
| 13 | 127-3063 | 1 | Shaft-Idle, Gear A | 29 | 127-3065 | 1 | Bushing |

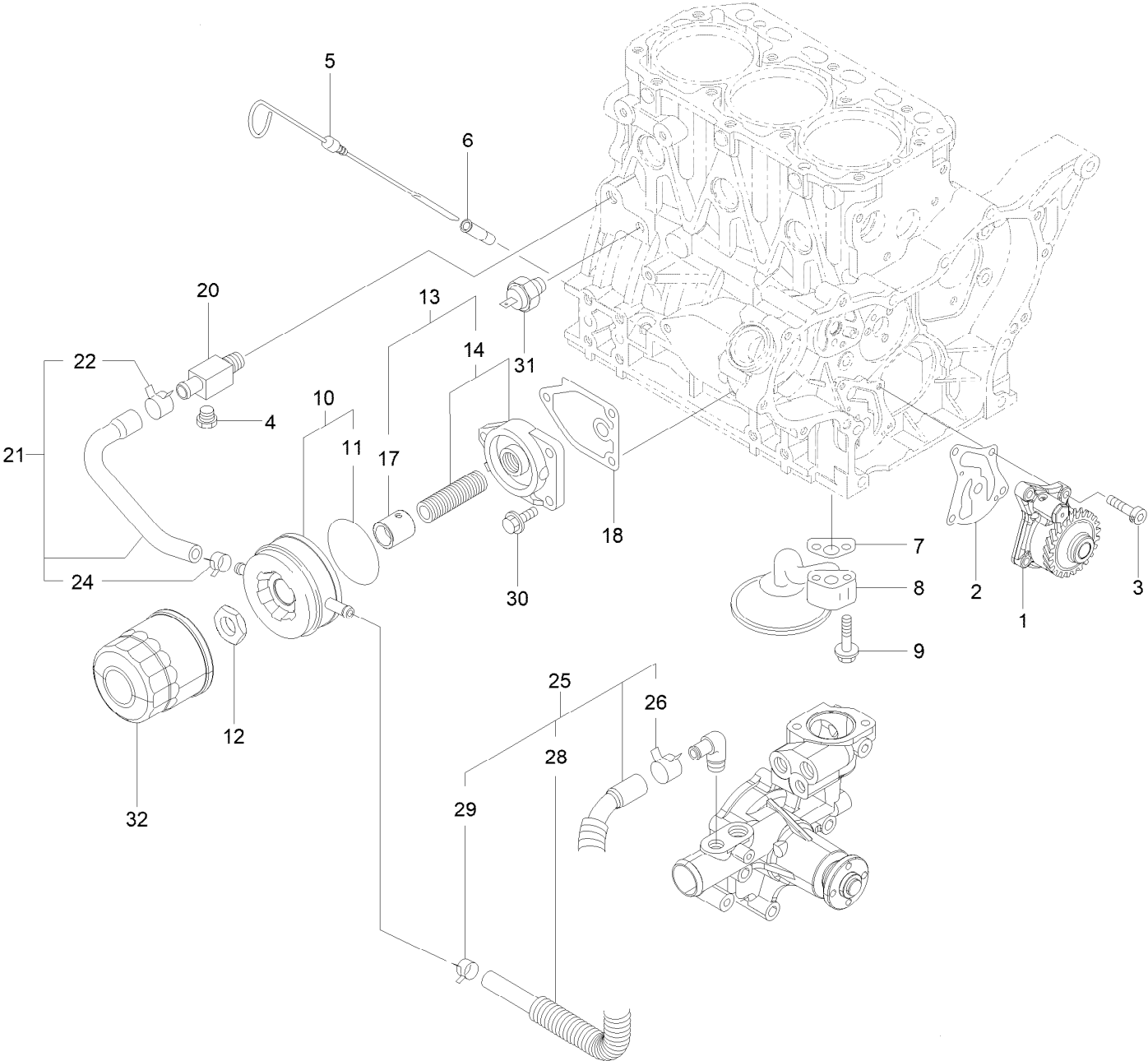
Crankshaft and Piston Assembly



Crankshaft and Piston Assembly (continued)

| <i>Ref.</i> | <i>Part Number</i> | <i>Qty.</i> | <i>Description</i> | <i>Ref.</i> | <i>Part Number</i> | <i>Qty.</i> | <i>Description</i> |
|-------------|--------------------|-------------|--------------------|-------------|--------------------|-------------|-----------------------|
| 1 | 127-3800 | 1 | Crankshaft ASM | 16 | 127-4766 | 3 | Piston ASM |
| 2 | 125-6995 | 1 | Pin | 18 | 127-4751 | 3 | Piston Ring ASM |
| 4 | 125-6937 | 1 | Gear | 24 | 125-7030 | 3 | Pin |
| 5 | 125-7185 | 1 | Key | 25 | 125-7180 | 6 | Ring |
| 7 | 125-7182 | 1 | Pin-Spring | 26 | 125-7242 | 3 | Connecting Rod ASM |
| 8 | 127-3801 | 1 | Pulley-V | 29 | 125-6955 | 6 | Bolt |
| 9 | 125-7109 | 1 | Washer | 30 | 125-7018 | 3 | Pin-Crank |
| 10 | 125-6956 | 1 | Bolt | 32 | 125-6997 | 3 | Pin-Piston |
| 11 | 125-6951 | 6 | Bolt | 33 | 125-7019 | 3 | Pin-Crank (.25) |
| 12 | 127-3802 | 1 | Flywheel ASM | 35 | 127-4767 | 3 | Piston ASM (0.25 O S) |
| 14 | 125-6943 | 1 | Gear | 37 | 127-4752 | 3 | Ring Set (0.25 O S) |

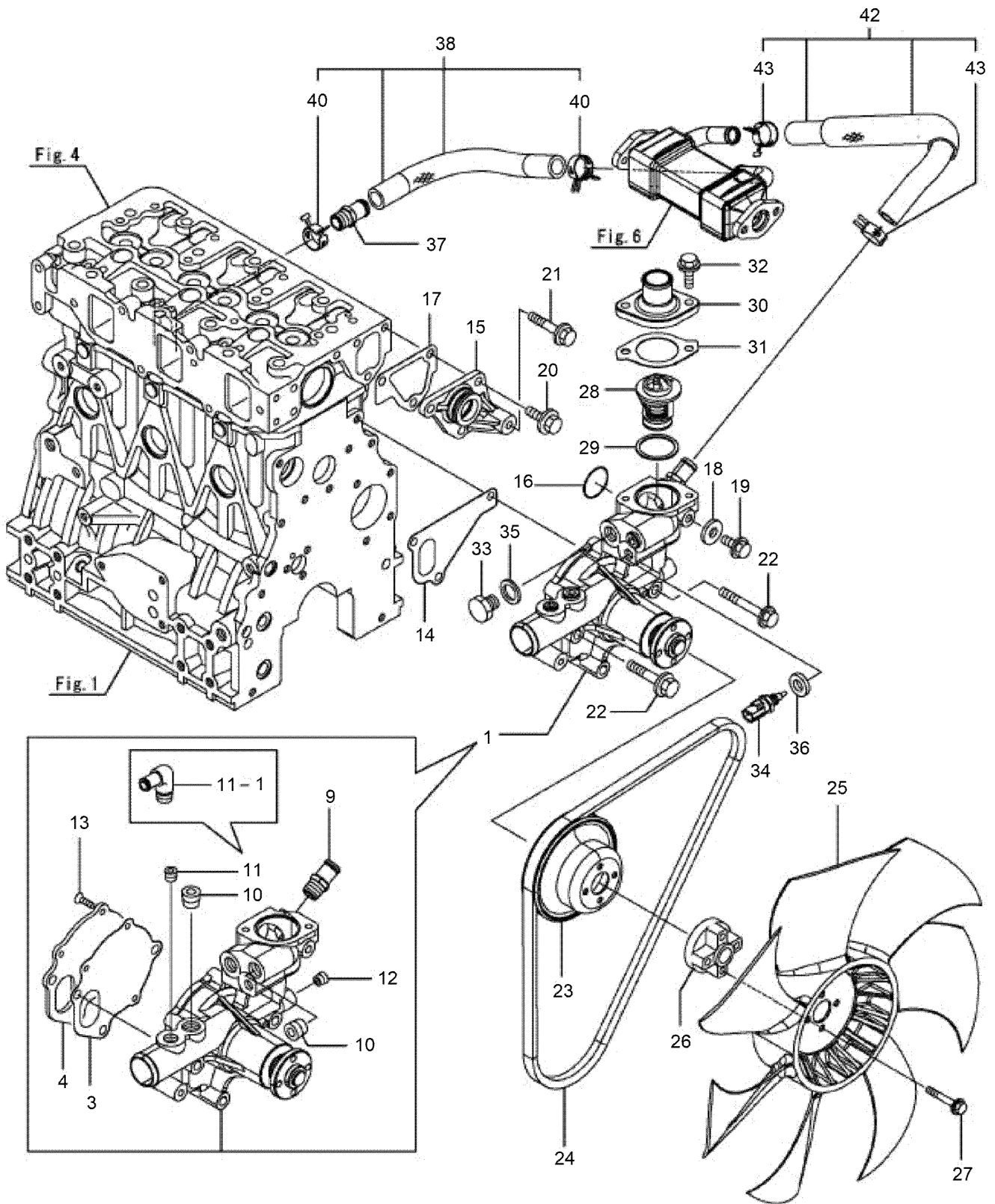
Lubrication and Oil System Assembly



Lubrication and Oil System Assembly (continued)

| <i>Ref.</i> | <i>Part Number</i> | <i>Qty.</i> | <i>Description</i> | <i>Ref.</i> | <i>Part Number</i> | <i>Qty.</i> | <i>Description</i> |
|-------------|--------------------|-------------|-----------------------|-------------|--------------------|-------------|--------------------|
| 1 | 127-4753 | 1 | Oil Pump ASM | 17 | 135-4022 | 1 | Collar-Cooler, Oil |
| 2 | 127-3004 | 1 | Gasket | 18 | 125-7024 | 1 | Gasket |
| 3 | 125-7232 | 4 | Bolt | 20 | 125-6990 | 1 | Joint |
| 4 | 125-7171 | 1 | Plug-Drain | 21 | 125-7078 | 1 | Pipe ASM |
| 5 | 125-6987 | 1 | Dipstick | 22 | 125-7162 | 1 | Clip |
| 6 | 125-6954 | 1 | Guide-Dipstick | 24 | 125-7191 | 1 | Clamp-Hose |
| 7 | 125-7022 | 1 | Gasket | 25 | 127-3804 | 1 | Pipe ASM |
| 8 | 127-3803 | 1 | Pipe ASM | 26 | 125-7162 | 1 | Clip |
| 9 | 125-7217 | 2 | Bolt | 28 | 127-3805 | 1 | Tube |
| 10 | 135-4018 | 1 | Oil Cooler ASM | 29 | 125-7191 | 1 | Clamp-Hose |
| 11 | 135-4019 | 1 | Packing-Oil Cooler | 30 | 125-7595 | 3 | Bolt |
| 12 | 135-4020 | 1 | Nut | 31 | 125-6918 | 1 | Switch-Oil |
| 13 | 135-4021 | 1 | Lo Filter Bracket ASM | 32 | 125-7025 | 1 | Filter-Engine, Oil |
| 14 | 125-6989 | 1 | Bracket ASM | | | | |

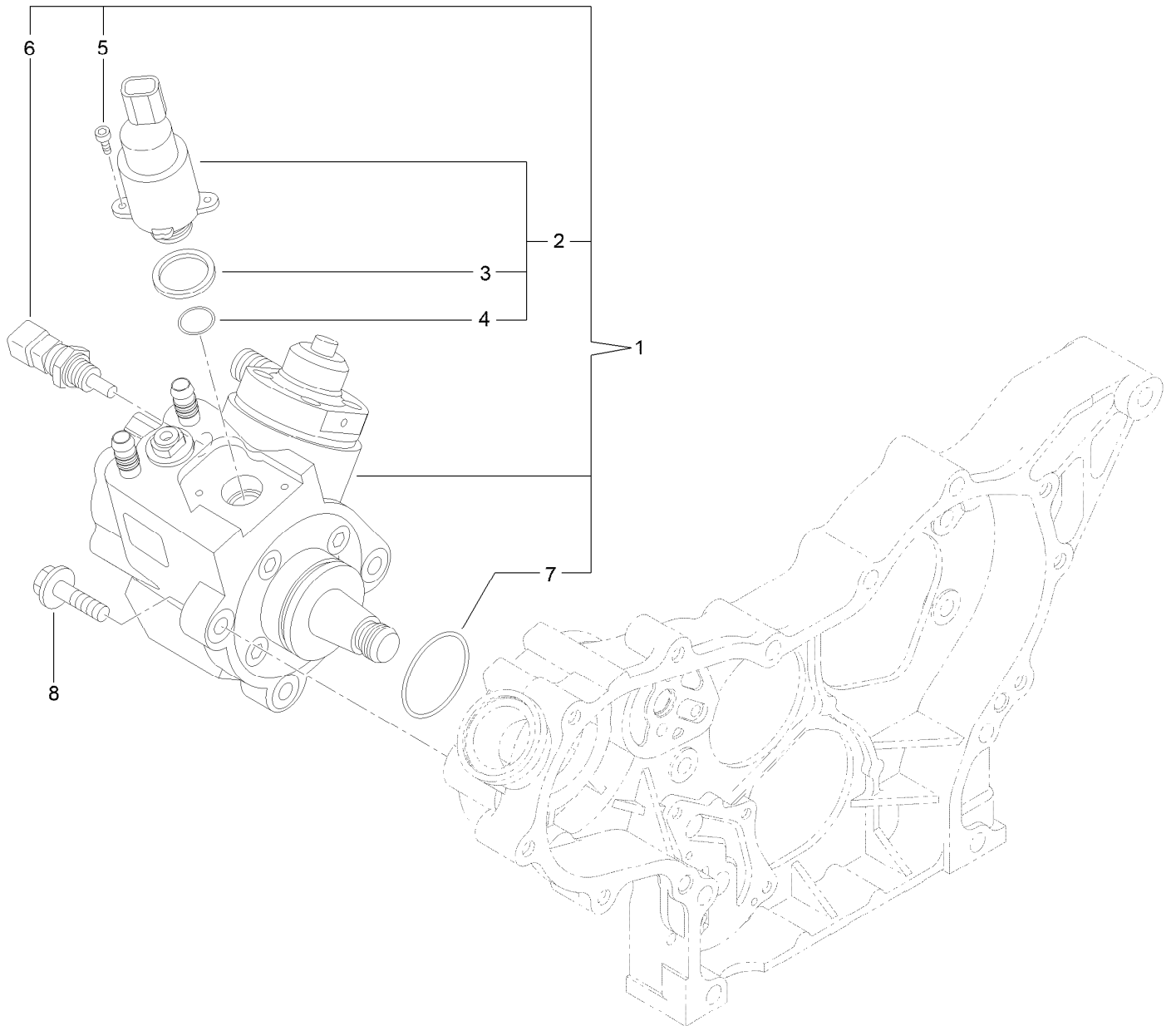
Cooling System Assembly



Cooling System Assembly (continued)

| <i>Ref.</i> | <i>Part Number</i> | <i>Qty.</i> | <i>Description</i> | <i>Ref.</i> | <i>Part Number</i> | <i>Qty.</i> | <i>Description</i> |
|-------------|--------------------|-------------|--------------------|-------------|--------------------|-------------|-----------------------|
| 1 | 131-2714 | 1 | Water Pump ASM | 24 | 127-2998 | 1 | V-Belt |
| 3 | 125-6998 | 1 | Gasket | 25 | 127-4713 | 1 | Fan |
| 4 | 125-6999 | 1 | Plate | 26 | 127-4768 | 1 | Spacer |
| 9 | 127-3017 | 1 | Joint | 27 | 125-7211 | 4 | Bolt |
| 10 | 125-7123 | 2 | Plug | 28 | 125-7029 | 1 | Thermostat |
| 11 | 125-7001 | 1 | Elbow | 29 | 125-7026 | 1 | Gasket |
| 12 | 125-7195 | 1 | Plug | 30 | 125-7034 | 1 | Cover |
| 13 | 125-7234 | 3 | Screw | 31 | 125-7110 | 1 | Gasket |
| 14 | 125-7047 | 1 | Gasket | 32 | 125-7594 | 2 | Bolt |
| 15 | 125-6986 | 1 | Joint | 33 | 125-6953 | 1 | Plug |
| 16 | 125-7048 | 1 | O-Ring | 34 | 125-7124 | 1 | Sensor-Thermostat, CW |
| 17 | 125-6978 | 1 | Gasket | 35 | 125-6979 | 1 | Gasket |
| 18 | 125-7192 | 1 | Gasket | 36 | 125-7176 | 1 | Washer-Seal |
| 19 | 93-0362 | 1 | Bolt | 37 | 127-3017 | 1 | Joint |
| 20 | 100-6928 | 3 | Bolt | 38 | 127-3072 | 1 | Water In Pipe ASM |
| 21 | 125-7219 | 1 | Bolt | 40 | 127-3020 | 2 | Clip-Hose |
| 22 | 125-7222 | 3 | Bolt | 42 | 127-3811 | 1 | CW Pipe ASM |
| 23 | 125-7039 | 1 | V-Pulley | 43 | 127-3020 | 2 | Clip-Hose |

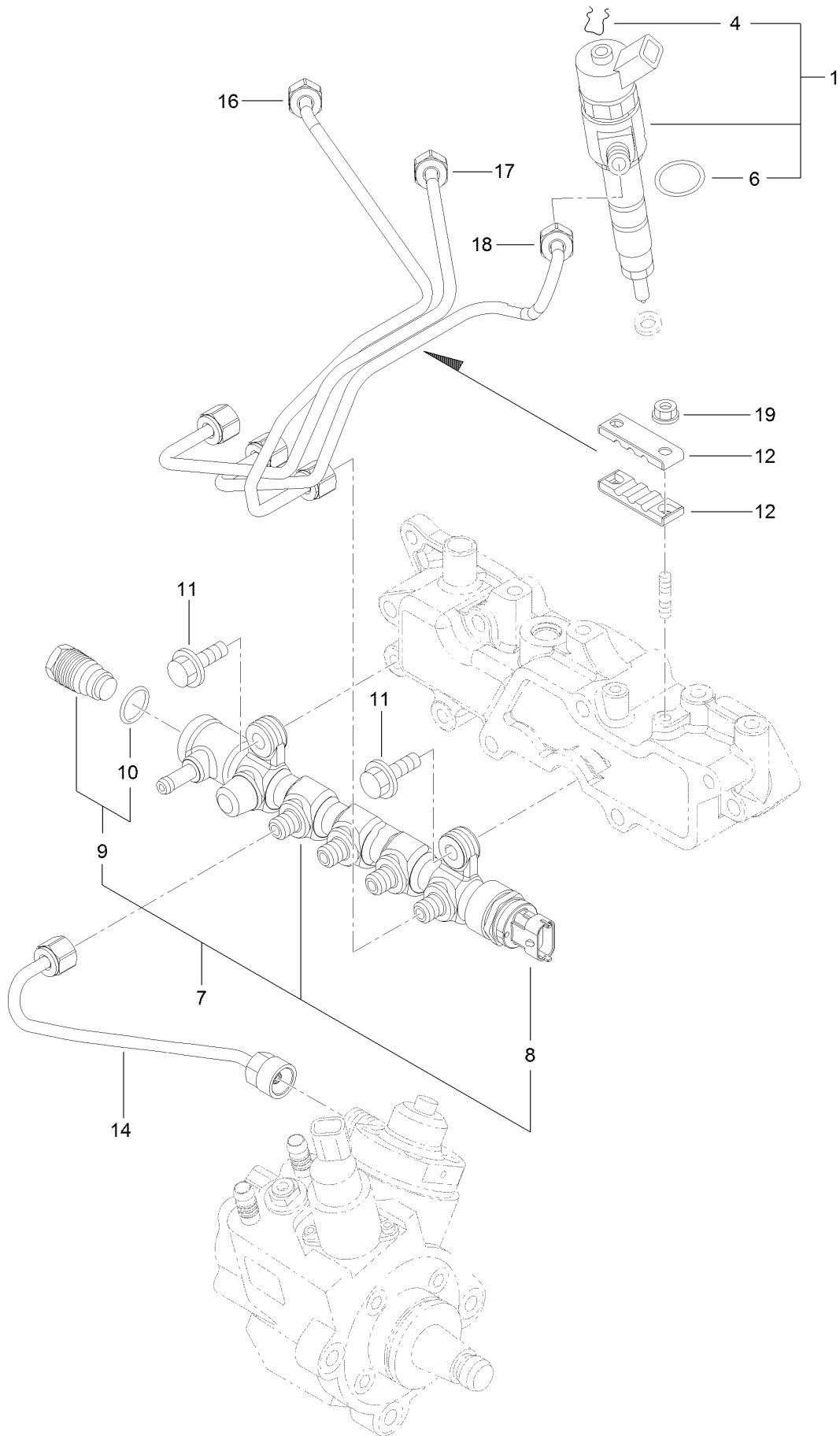
Fuel System Assembly



Fuel System Assembly (continued)

| <i>Ref.</i> | <i>Part Number</i> | <i>Qty.</i> | <i>Description</i> | <i>Ref.</i> | <i>Part Number</i> | <i>Qty.</i> | <i>Description</i> |
|-------------|--------------------|-------------|--------------------|-------------|--------------------|-------------|--------------------|
| 1 | 127-3073 | 1 | Fuel Pump ASM | 5 | 131-2107 | 2 | Bolt |
| 2 | 131-2103 | 1 | Valve ASM | 6 | 131-2108 | 1 | Sensor-Temperature |
| 3 | 131-2105 | 3 | Ring-Sealing | 7 | 127-3074 | 1 | O-Ring |
| 4 | 131-2106 | 1 | O-Ring | 8 | 125-7216 | 3 | Bolt |

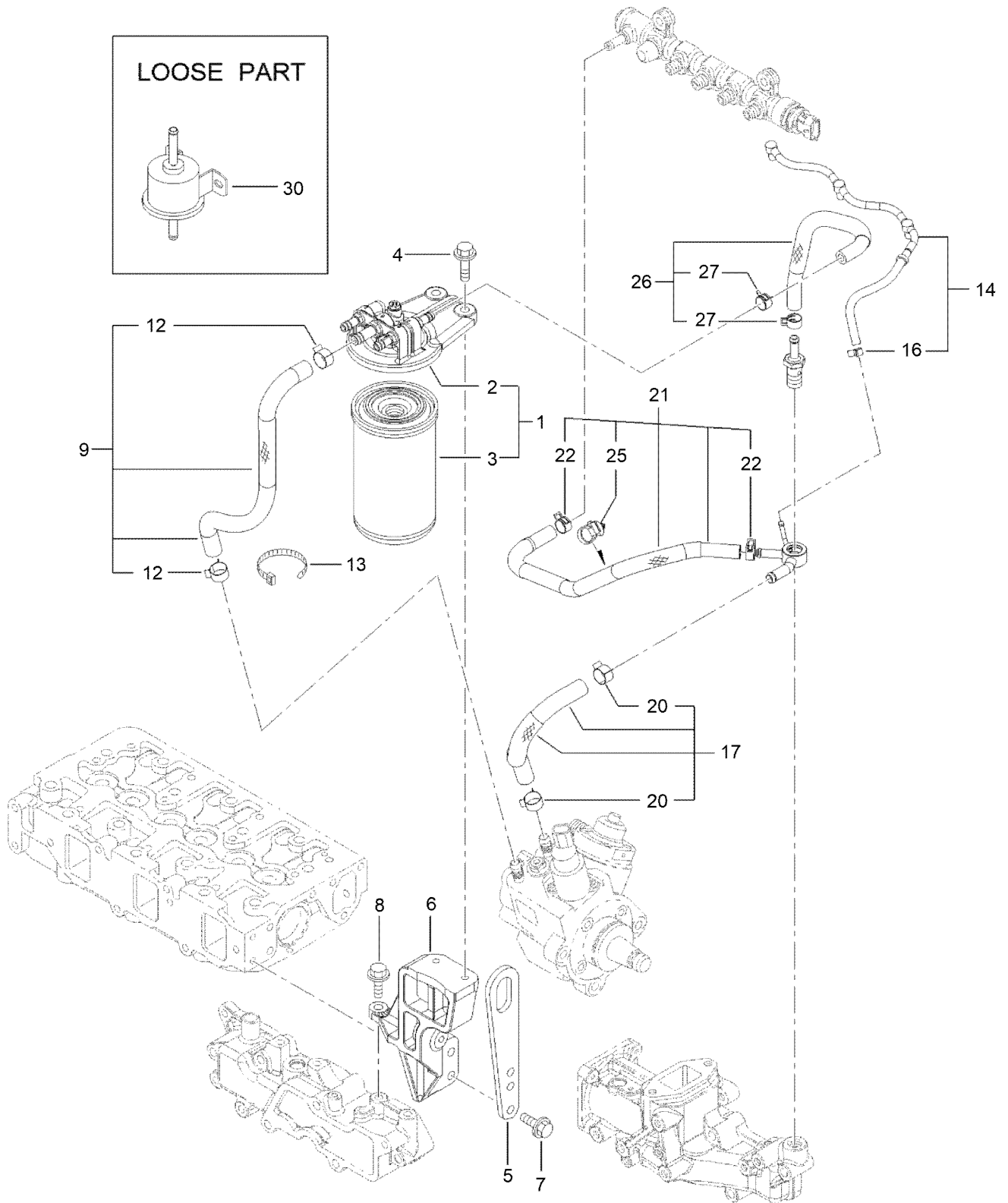
Fuel Injection Valve Assembly



Fuel Injection Valve Assembly (continued)

| <i>Ref.</i> | <i>Part Number</i> | <i>Qty.</i> | <i>Description</i> | <i>Ref.</i> | <i>Part Number</i> | <i>Qty.</i> | <i>Description</i> |
|-------------|--------------------|-------------|-----------------------|-------------|--------------------|-------------|--------------------|
| 1 | 127-4754 | 3 | Injector ASM | 11 | 125-7215 | 2 | Bolt |
| 4 | 130-7430 | 3 | Ring-Retaining | 12 | 127-3813 | 2 | Retainer |
| 6 | 137-5173 | 3 | O-Ring | 14 | 127-3082 | 1 | Rail In Pipe ASM |
| 7 | 127-3812 | 1 | Rail ASM | 16 | 127-3814 | 1 | Injection Pipe ASM |
| 8 | 131-2709 | 1 | Sensor-Pressure, Rail | 17 | 127-3083 | 1 | Injection Pipe ASM |
| 9 | 131-2710 | 1 | Valve ASM | 18 | 127-3084 | 1 | Injection Pipe ASM |
| 10 | 130-7433 | 1 | O-Ring | 19 | 125-7231 | 2 | Nut |

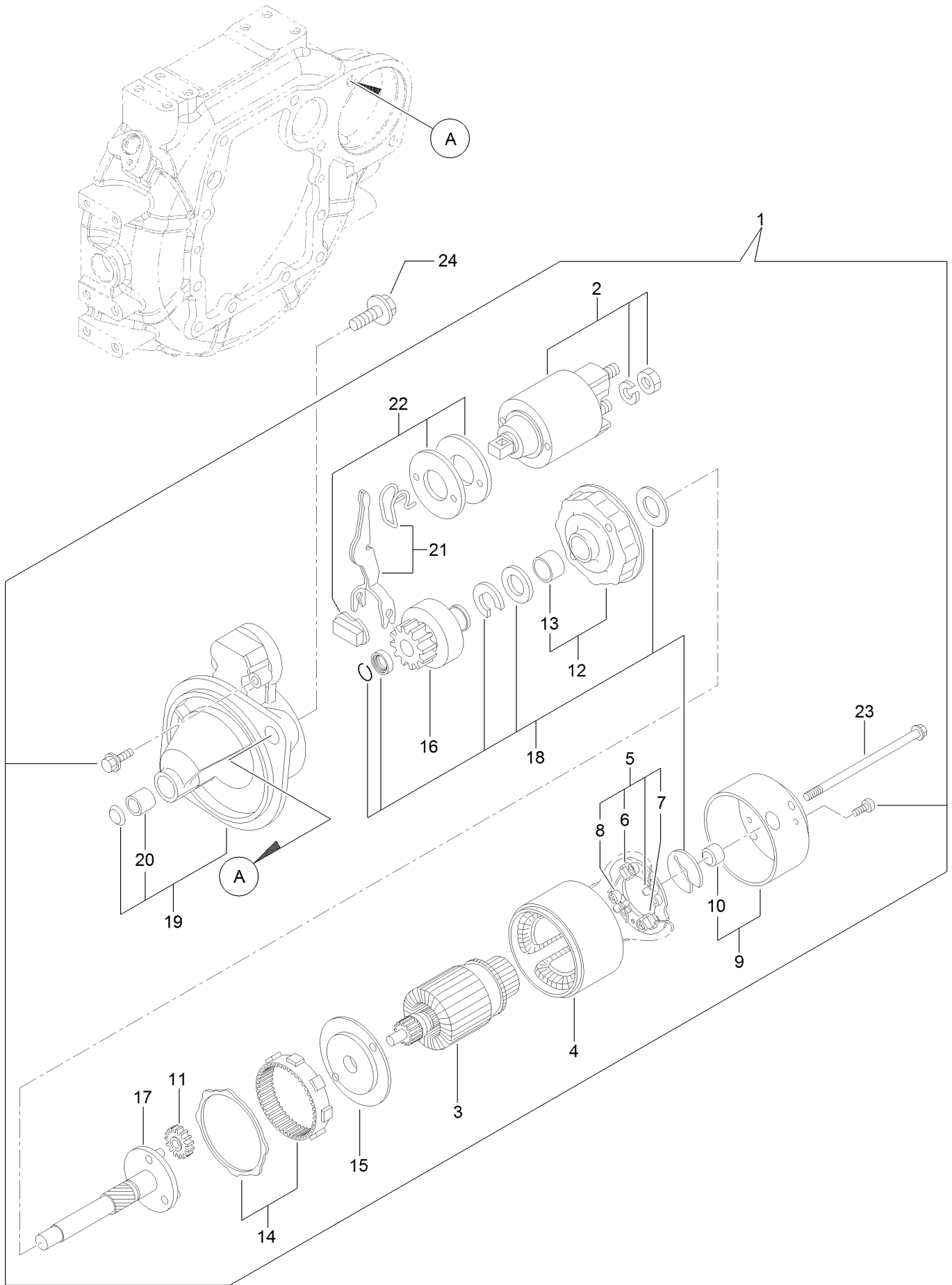
Fuel Line Assembly



Fuel Line Assembly (continued)

| <i>Ref.</i> | <i>Part Number</i> | <i>Qty.</i> | <i>Description</i> | <i>Ref.</i> | <i>Part Number</i> | <i>Qty.</i> | <i>Description</i> |
|-------------|--------------------|-------------|-----------------------------|-------------|--------------------|-------------|---------------------|
| 1 | 139-6016 | 1 | Fuel/Oil Filter ASM | 14 | 131-2729 | 1 | Joint-Hose, 4 Way |
| 2 | 127-3076 | 1 | Fuel/Oil Filter Bracket ASM | 16 | 127-3172 | 1 | Clamp-Hose |
| 3 | 139-6017 | 1 | Filter-Fuel | 17 | 127-3078 | 1 | Fuel Pipe ASM |
| 4 | 125-7216 | 2 | Bolt | 20 | 125-7191 | 2 | Clamp-Hose |
| 5 | 125-7111 | 1 | Lifter | 21 | 127-3817 | 1 | Fuel Pipe ASM |
| 6 | 127-3815 | 1 | Filter Bracket ASM | 22 | 127-2950 | 2 | Clip-Hose |
| 7 | 125-7215 | 2 | Bolt | 25 | 127-3087 | 1 | Band-Clip |
| 8 | 125-7215 | 1 | Bolt | 26 | 127-3079 | 1 | Fuel Pipe ASM |
| 9 | 127-3077 | 1 | Fuel Pipe ASM | 27 | 127-2950 | 2 | Clip-Hose |
| 12 | 125-7191 | 2 | Clamp-Hose | 30 | 121-5613 | 1 | Pump-Fuel, Electric |
| 13 | 127-2981 | 1 | Band | | | | |

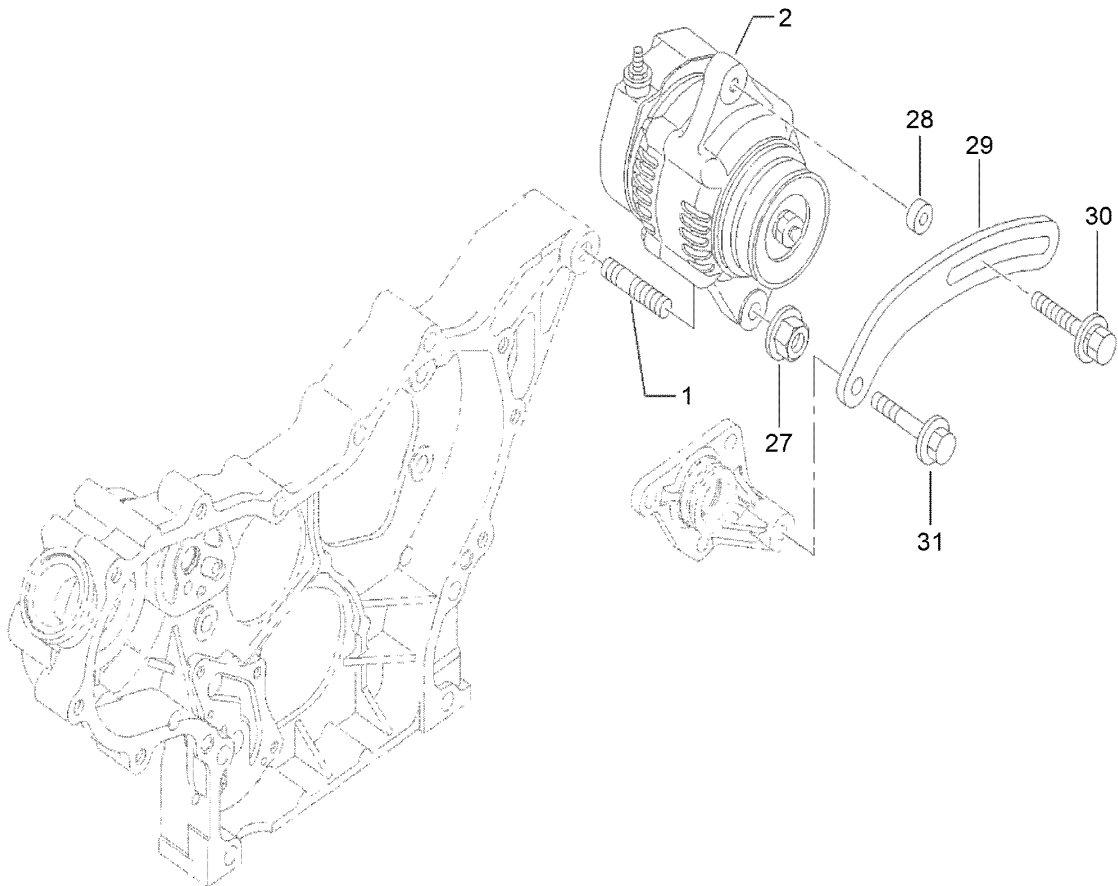
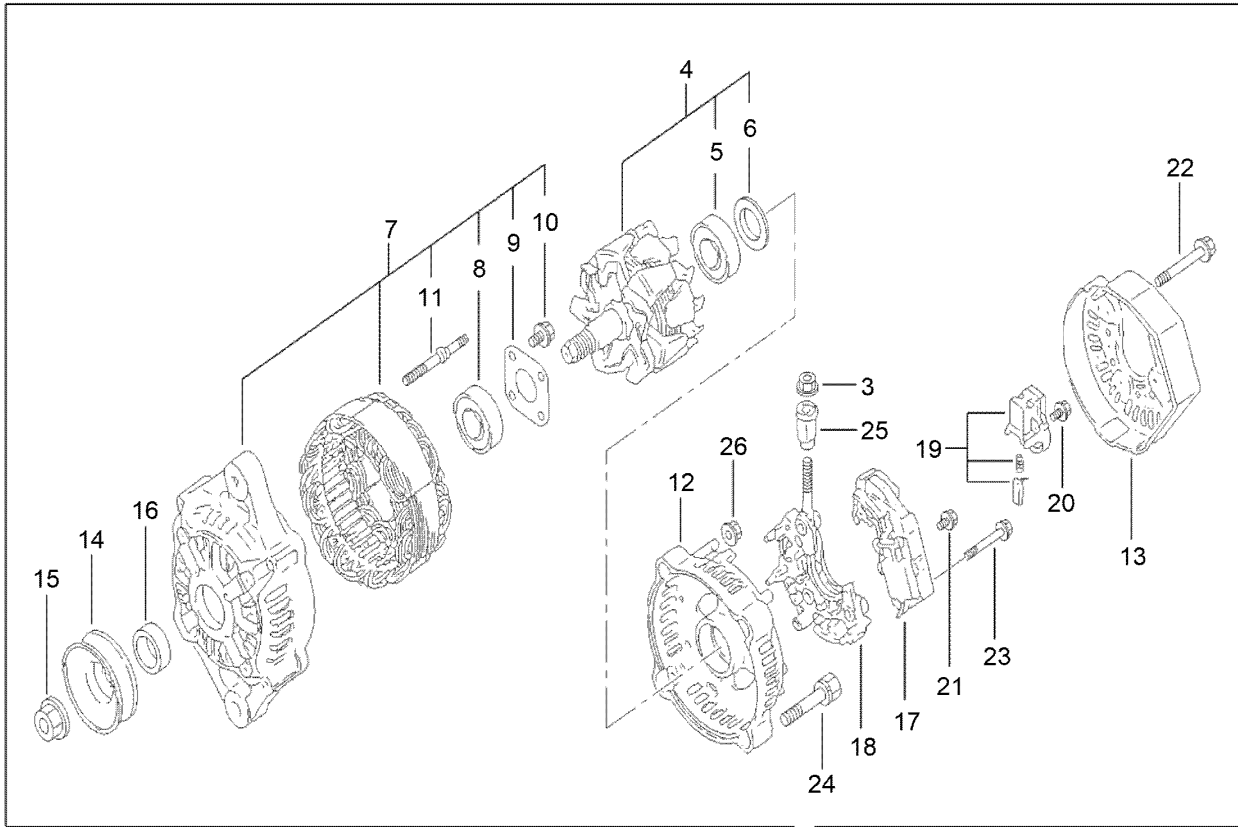
Starting Motor Assembly



Starting Motor Assembly (continued)

| <i>Ref.</i> | <i>Part Number</i> | <i>Qty.</i> | <i>Description</i> | <i>Ref.</i> | <i>Part Number</i> | <i>Qty.</i> | <i>Description</i> |
|-------------|--------------------|-------------|--------------------|-------------|--------------------|-------------|--------------------|
| 1 | 127-3818 | 1 | Starter ASM | 13 | 127-3830 | 1 | Bracket |
| 2 | 127-3819 | 1 | Switch ASM | 14 | 127-3831 | 1 | Gear |
| 3 | 127-3820 | 1 | Armature ASM | 15 | 127-3832 | 1 | Bracket |
| 4 | 127-3821 | 1 | Yoke ASM | 16 | 127-3833 | 1 | Pinion ASM |
| 5 | 127-3822 | 1 | Brush Holder ASM | 17 | 127-3834 | 1 | Shaft |
| 6 | 127-3823 | 2 | Brush | 18 | 127-3835 | 1 | Washer Set |
| 7 | 127-3824 | 1 | Brush Set | 19 | 127-3836 | 1 | Case ASM |
| 8 | 127-3825 | 4 | Spring | 20 | 127-3837 | 1 | Metal-Starter |
| 9 | 127-3826 | 1 | Cover ASM | 21 | 127-3838 | 1 | Lever Set |
| 10 | 127-3827 | 1 | Metal | 22 | 127-3839 | 1 | Dust Cover ASM |
| 11 | 127-3828 | 3 | Gear | 23 | 127-3840 | 2 | Bolt-Through |
| 12 | 127-3829 | 1 | Bracket | 24 | 125-7225 | 2 | Bolt |

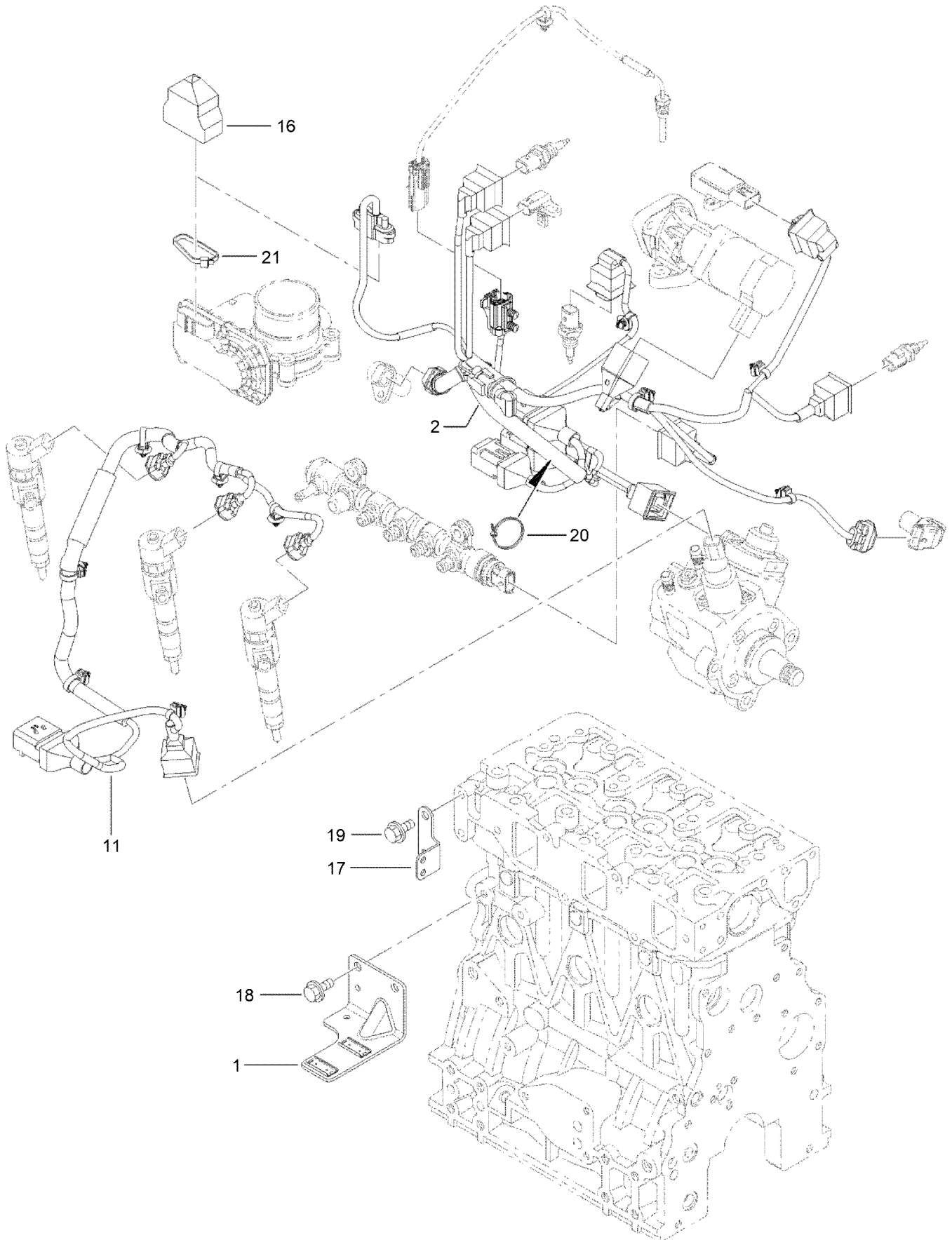
Generator Assembly



Generator Assembly (continued)

| <i>Ref.</i> | <i>Part Number</i> | <i>Qty.</i> | <i>Description</i> | <i>Ref.</i> | <i>Part Number</i> | <i>Qty.</i> | <i>Description</i> |
|-------------|--------------------|-------------|--------------------|-------------|--------------------|-------------|--------------------|
| 1 | 127-3011 | 1 | Stud | 17 | 135-4026 | 1 | Regulator ASM |
| 2 | 139-6018 | 1 | Generator | 18 | 127-3848 | 1 | Holder |
| 3 | 127-3190 | 1 | Nut | 19 | 127-2993 | 1 | Holder |
| 4 | 127-3843 | 1 | Rotor ASM | 20 | 127-2965 | 6 | Screw |
| 5 | 127-2983 | 1 | Bearing-Ball | 21 | 127-2966 | 1 | Screw |
| 6 | 127-2962 | 1 | Cover | 22 | 127-2967 | 3 | Bolt |
| 7 | 135-4025 | 1 | Frame ASM | 23 | 127-2968 | 2 | Screw |
| 8 | 127-2958 | 1 | Bearing-Ball | 24 | 127-2969 | 2 | Bolt |
| 9 | 127-2959 | 1 | Plate-Retainer | 25 | 127-2970 | 1 | Bushing-Insulation |
| 10 | 127-2960 | 4 | Screw | 26 | 127-2971 | 2 | Nut |
| 11 | 127-2961 | 2 | Stud | 27 | 125-7230 | 1 | Nut |
| 12 | 127-3845 | 1 | Frame | 28 | 125-6947 | 1 | Spacer |
| 13 | 127-3846 | 1 | Cover | 29 | 127-2977 | 1 | Adjuster |
| 14 | 127-2954 | 1 | Pulley | 30 | 125-7134 | 1 | Bolt |
| 15 | 127-2955 | 1 | Nut | 31 | 125-7219 | 1 | Bolt |
| 16 | 127-2957 | 1 | Collar | | | | |

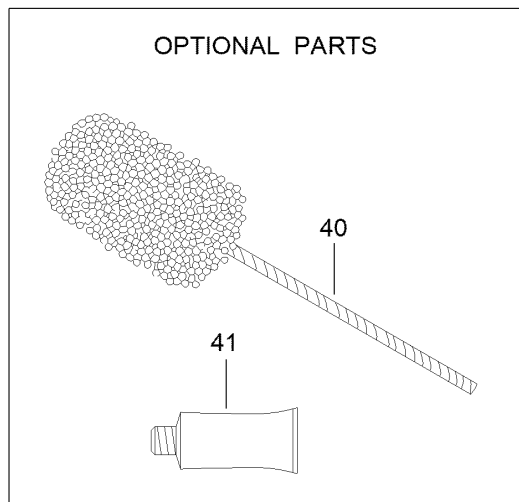
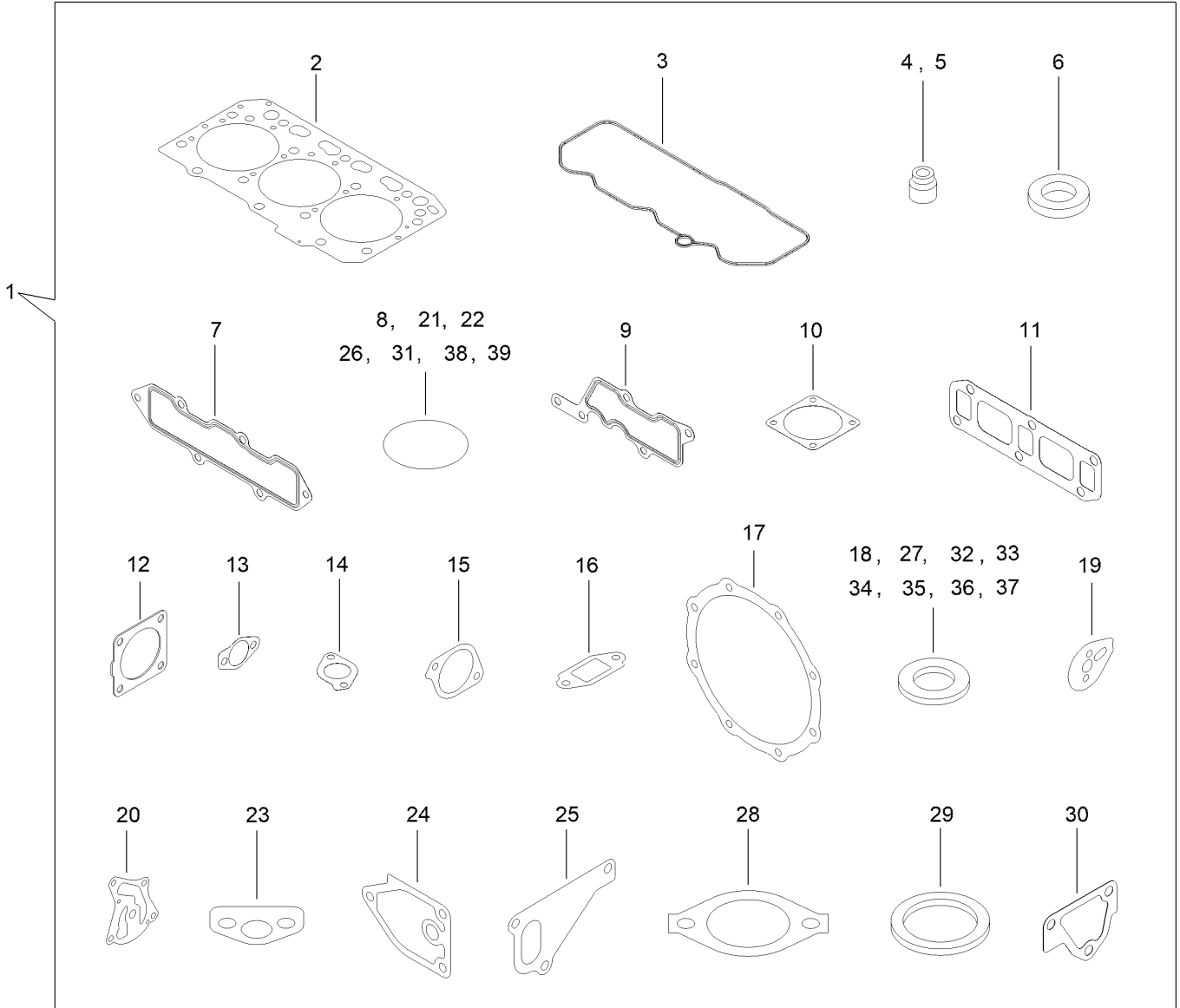
Electrical Assembly



Electrical Assembly (continued)

| <i>Ref.</i> | <i>Part Number</i> | <i>Qty.</i> | <i>Description</i> | <i>Ref.</i> | <i>Part Number</i> | <i>Qty.</i> | <i>Description</i> |
|-------------|--------------------|-------------|--------------------|-------------|--------------------|-------------|--------------------|
| 1 | 130-7436 | 1 | Bracket-Connector | 18 | 125-7213 | 2 | Bolt |
| 2 | 135-4029 | 1 | Harness | 19 | 93-0362 | 2 | Bolt |
| 11 | 130-7438 | 1 | Harness | 20 | 127-3187 | 1 | Band |
| 16 | 131-2713 | 1 | Boot-Cap | 21 | 127-3188 | 1 | Band |
| 17 | 127-3090 | 1 | Bracket-Harness | | | | |

Gasket Set



Gasket Set (continued)

| <i>Ref.</i> | <i>Part Number</i> | <i>Qty.</i> | <i>Description</i> | <i>Ref.</i> | <i>Part Number</i> | <i>Qty.</i> | <i>Description</i> |
|-------------|--------------------|-------------|----------------------------|-------------|--------------------|-------------|--------------------|
| 1 | 127-4776 | 1 | Gasket Kit | 22 | 127-2973 | 1 | O-Ring |
| 2 | 127-4716 | 1 | Head Gasket ASM | 23 | 125-7022 | 1 | Gasket |
| 3 | 127-3856 | 1 | Gasket-Valve Cover | 24 | 125-7024 | 1 | Gasket |
| 4 | 127-2986 | 3 | Seal-Stem, Valve | 25 | 125-7047 | 1 | Gasket |
| 5 | 127-3027 | 3 | Seal-Stem, Valve | 26 | 125-7048 | 1 | O-Ring |
| 6 | 127-3021 | 3 | Gasket-Injector | 27 | 125-6979 | 1 | Gasket |
| 7 | 127-3857 | 1 | Gasket-Manifold, Intake | 28 | 125-7110 | 1 | Gasket |
| 8 | 127-3033 | 1 | O-Ring | 29 | 125-7026 | 1 | Gasket |
| 9 | 127-3034 | 1 | Gasket-Collector | 30 | 125-6978 | 1 | Gasket |
| 10 | 127-3037 | 2 | Gasket-Throttle | 31 | 127-3074 | 1 | O-Ring |
| 11 | 127-3775 | 1 | Gasket-Manifold, Exhaust | 32 | 125-7174 | 1 | Washer-Seal |
| 12 | 127-3019 | 1 | Gasket | 33 | 125-7176 | 1 | Washer-Seal |
| 13 | 127-3043 | 2 | Gasket-Cooler, E G R | 34 | 127-3166 | 2 | Washer-Seal |
| 14 | 127-3016 | 1 | Gasket | 35 | 125-7177 | 1 | Washer-Seal |
| 15 | 127-3050 | 1 | Gasket-Intake Valve, E G R | 36 | 125-7192 | 1 | Gasket |
| 16 | 127-3051 | 1 | Gasket-Out Valve, E G R | 37 | 127-3174 | 2 | Gasket |
| 17 | 127-3859 | 2 | Gasket-D P F | 38 | 93-0418 | 3 | O-Ring |
| 18 | 127-3056 | 4 | Gasket-Sensor | 39 | 125-7197 | 2 | O-Ring |
| 19 | 127-3069 | 1 | Gasket-Idle, Shaft B | 40 | 127-3000 | 1 | Hone |
| 20 | 127-3004 | 1 | Gasket | 41 | 125-7248 | 1 | Gasket-Liquid |
| 21 | 125-6909 | 2 | O-Ring | | | | |

Attachments and Accessories

For 03607 Reelmaster 5510-D Traction Unit

| Product Name | Model/Part |
|---|-------------------|
| CrossTrax All-Wheel Drive Kit | 03655 |
| Air Ride Seat Suspension Kit | 03667 |
| 7 Inch Verticutter | 03684 |
| 7in 8 Blade DPA (radial) | 03696 |
| 7in 11 Blade DPA (radial) | 03697 |
| Turf Evaluator | 04399 |
| Wheel Weight Kit | 104-1478 |
| Premium All Season Hydraulic Fluid (55 Gallon Drum) | 108-1177 |
| Premium All Season Hydraulic Fluid (5 Gallon Pail) | 108-1178 |
| Premium All Purpose Grease (Tube) | 108-1190 |
| Gauge Bar Assembly | 108-6715 |
| ROPS Extension Kit | 110-8030 |
| Operator Fan Kit - US Sales Only, 3in ROPS Post | 110-8804 |
| Weight Plate | 110-8985-03 |
| Rear Lift Cylinder Limit Kit | 110-9604 |
| 5in Air Cleaner Safety Element | 114-4057 |
| Premium Synthetic Bio-Degradable Hydraulic Fluid (5 Gallon Pail) | 119-2157 |
| Premium Synthetic Bio-Degradable Hydraulic Fluid (55 Gallon Drum) | 119-2158 |
| Cutting Unit Hydraulic Hose Kit | 119-6955 |
| Large Seat Cover | 120-5179 |
| Premium Engine Oil 10w30 (55 Gallon Drum) | 121-6392 |
| Premium Engine Oil 10w30 (5 Gallon Pail) | 121-6393 |
| Canopy Completion Kit | 130-5895 |
| Brush and Handle Kit | 29-9100 |
| MVP Filter Kit | 30093 |
| Universal Sunshade | 30349 |
| Red Universal Sunshade | 30552 |
| Spark Arrestor | 98-9099 |

Notes:

Notes:

Notes:



Count on it.