



Count on it.

Parts Catalog

**Groundsmaster® 4300-D
Traction Unit**

Model No. 30864—Serial No. 415021440 and Up



Ordering Replacement Parts

To order replacement parts, please supply the part number, the quantity, and the description of each part desired.

Understanding Reference Numbers

Each identified part in an illustration has a reference number. The reference number for a part also appears in the parts list, along with other information about the part.

This catalog uses two special reference number formats, one to indicate parts in a service assembly and another to indicate the quantity of a given part in an illustration.

Service Assembly Reference Numbers

Parts in service assemblies have reference numbers in the form a:b. The a represents the reference number of the entire service assembly and the b represents a sequential number unique to each part within the service assembly.

For example, a wheel assembly might be identified by reference number 6, the tire by 6:1, the valve by 6:2, and the wheel by 6:3. When you order the assembly identified by reference number 6, you receive all parts identified by reference numbers 6:1, 6:2, and 6:3. However, you may also order any part individually. Reference numbers of this type appear in illustration and in parts lists.

Reference Numbers Indicating Quantity

In an illustration, if a reference number indicates more than one part, the reference number has the form nX y. The n represents the quantity of the part, the X is the multiplication symbol, and the y represents the reference number.

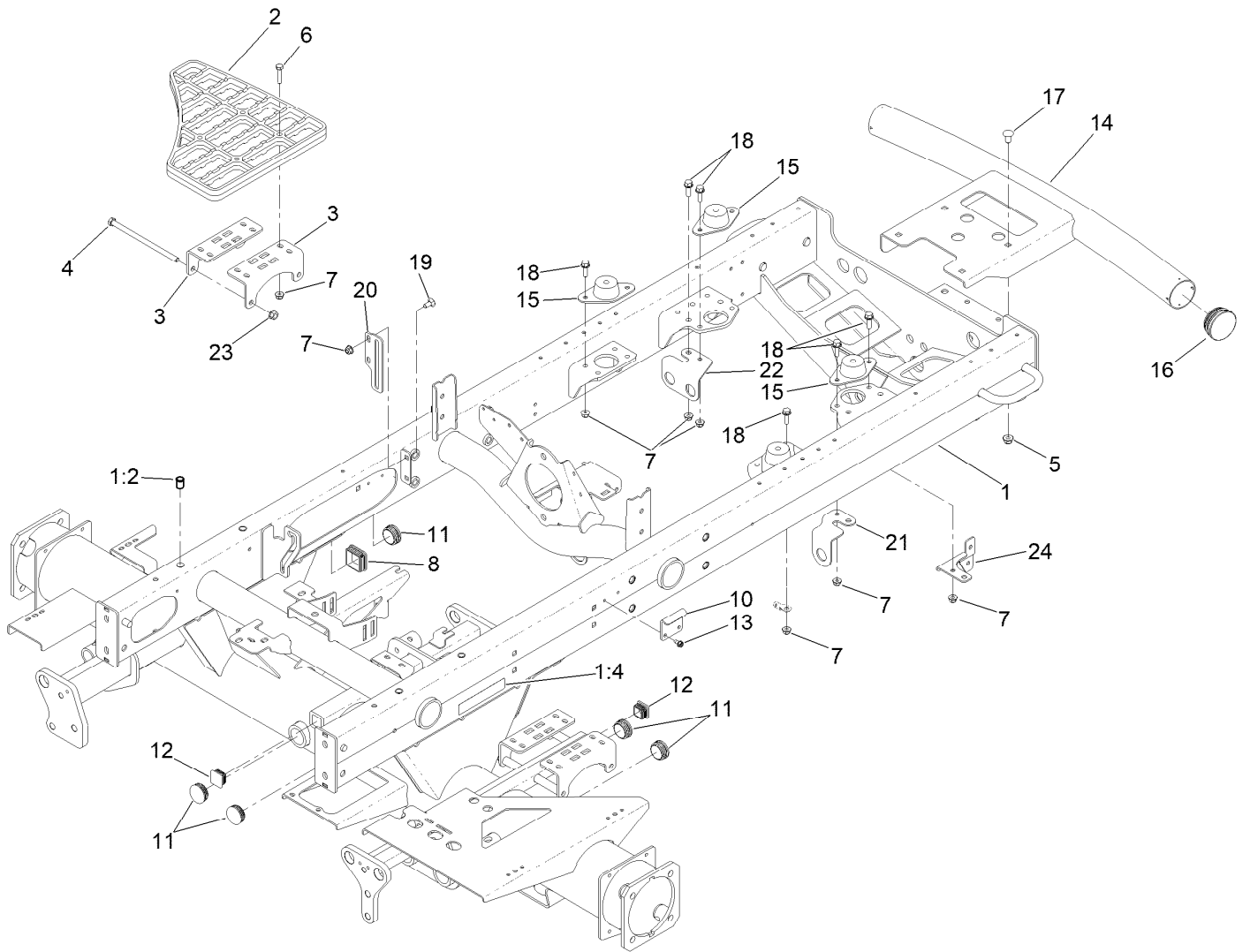
For example, in an illustration, the reference number 2X 37 means that two of the parts identified by reference number 37 are indicated.

Contents

| | |
|---|----|
| Frame Assembly | 5 |
| Operator Platform Assembly | 6 |
| Pedal Assembly | 7 |
| Steering Assembly | 9 |
| Steering Tilt Column Assembly No. 106-3622 | 10 |
| Steering Valve Assembly No. 106-3621 | 11 |
| Control Arm Assembly | 12 |
| Joystick Bracket Assembly No. 120-5280 | 14 |
| Front Axle Assembly | 16 |
| LH Brake Assembly No. 139-5952 | 17 |
| RH Brake Assembly No. 139-5951 | 18 |
| Rear Axle Assembly | 19 |
| Tie Rod Assembly No. 139-6029 | 20 |
| No. 1, 4 and 5 Lift Arm and Deck Assembly | 21 |
| Roller and Carrier Frame Assembly | 23 |
| Roller Assembly No. 137-6143 | 24 |
| Height-of-Cut Assembly | 25 |
| Spindle, Blade and Chamber Assembly | 26 |
| Spindle Assembly No. 121-3666 | 27 |
| No. 2 and 3 Lift Arm and Deck Assembly | 28 |
| Seat and Control Arm Wiring Harness Assembly | 29 |
| Main Wiring Harness Assembly | 30 |
| Electrical Assembly | 31 |
| Gear Pump Mounting Assembly | 32 |
| Gear Pump Assembly No. 121-5645 | 33 |
| Seat Base Assembly | 34 |
| Hood Assembly | 35 |
| Radiator and Shroud Assembly | 36 |
| Hydraulic Tank Assembly | 37 |
| Fuel System Assembly | 38 |
| Seat Mount Assembly | 39 |
| Seat Assembly No. 139-2700 | 40 |
| Mechanical Seat Suspension Assembly No. 145-5295 | 41 |
| Traction Pump Assembly | 42 |
| Hydraulic Pump Assembly No. 119-6972 | 43 |
| Traction Hydraulic Circuit Assembly | 45 |
| Hydraulic Motor Assembly No. 133-2935 (CCW) | 46 |
| Hydraulic Motor Assembly No. 133-2934 (CW) | 47 |
| Rear Traction Hydraulic Circuit | 48 |
| Hydraulic Motor Assembly No. 107-4544 | 49 |
| Hydraulic Motor Assembly No. 110-0901 | 50 |
| Four Wheel Drive Manifold Assembly No. 108-1825 | 51 |
| Deck No. 1, 4 and 5 Hydraulic Circuit Assembly | 52 |
| Gear Motor Assembly No. 108-4004 | 54 |
| Deck Control Manifold Assembly No. 114-0359 | 55 |
| Deck No. 2 and 3 Hydraulic Circuit Assembly | 56 |
| Deck No. 1, 4 and 5 Lift Circuit Hydraulic Assembly | 58 |
| Lift Control Manifold Assembly No. 117-0158 | 59 |
| Hydraulic Cylinder Assembly No. 119-6989 | 60 |
| Hydraulic Cylinder Assembly No. 119-6990 | 61 |
| Hydraulic Cylinder Assembly No. 119-6991 | 62 |
| Deck No. 2 and 3 Lift Circuit Hydraulic Assembly | 63 |
| Hydraulic Cylinder Assembly No. 138-6999 | 64 |
| Steering Hydraulic Assembly | 65 |

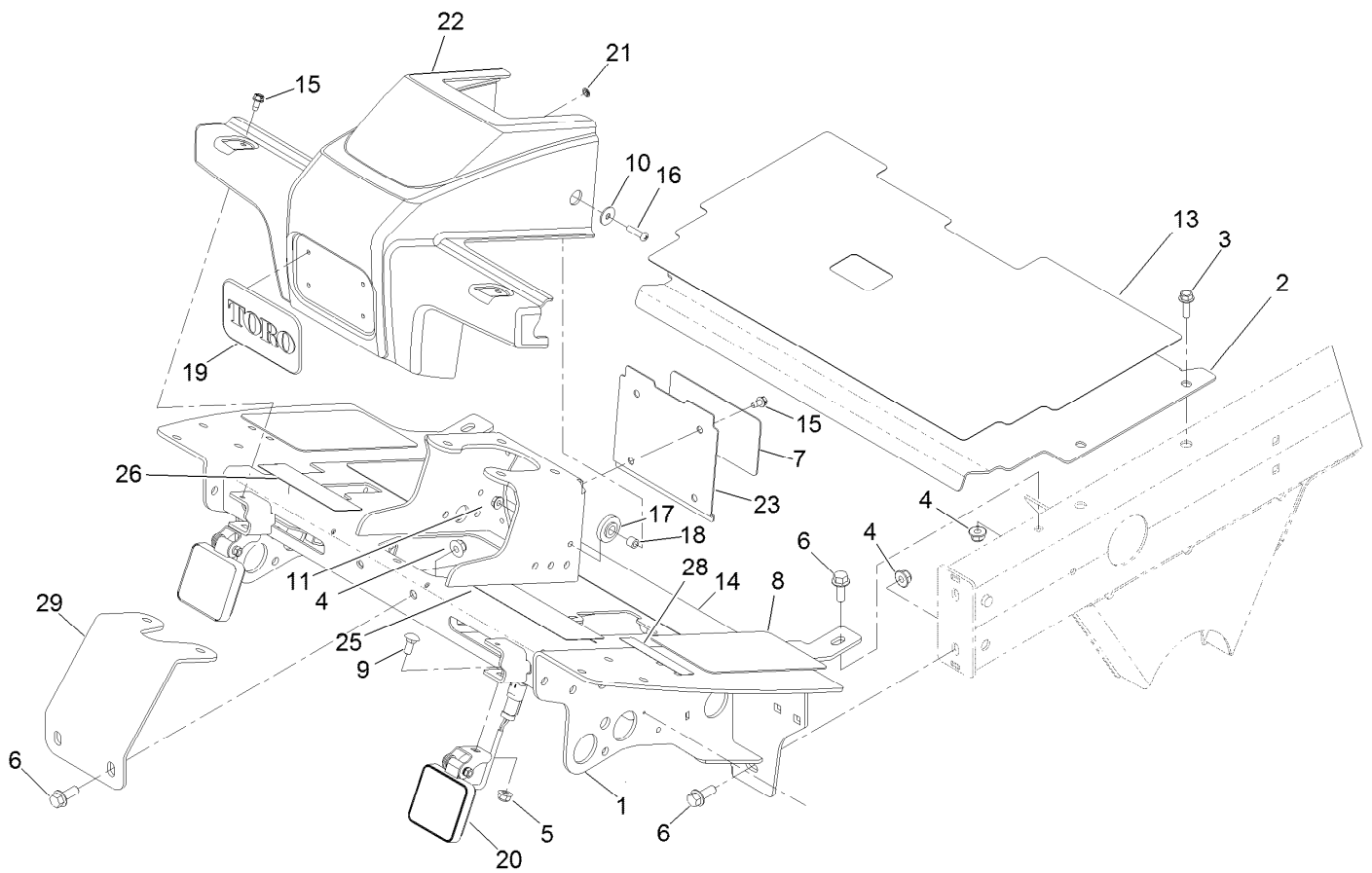
Contents (continued)

| | |
|---|-----|
| Steering Cylinder Assembly No. 138-6994 | 67 |
| Engine, Driveshaft and Air Cleaner Assembly | 68 |
| Air Cleaner Assembly No. 98-4517 | 70 |
| Driveshaft Kit Assembly No. 133-2996 | 71 |
| Cylinder Block Assembly | 72 |
| Gear Housing Assembly | 73 |
| Flywheel Housing and Oil Sump Assembly | 74 |
| Cylinder Head and Cover Assembly | 76 |
| Suction Manifold Assembly | 78 |
| Exhaust Manifold Assembly | 79 |
| Diesel Particulate Filter Assembly | 80 |
| Camshaft and Driving Gear Assembly | 82 |
| Turbine Assembly | 84 |
| Crankshaft and Piston Assembly | 86 |
| Lubrication and Oil System Assembly | 87 |
| Lubrication Oil Line Assembly | 88 |
| Cooling Water System Assembly | 89 |
| Fuel System Assembly | 90 |
| Fuel Injection Valve Assembly | 92 |
| Fuel Line Assembly | 93 |
| Starting Motor Assembly | 94 |
| Generator Assembly | 96 |
| Electric Parts Assembly | 97 |
| Gasket Set | 98 |
| Attachments and Accessories | 100 |



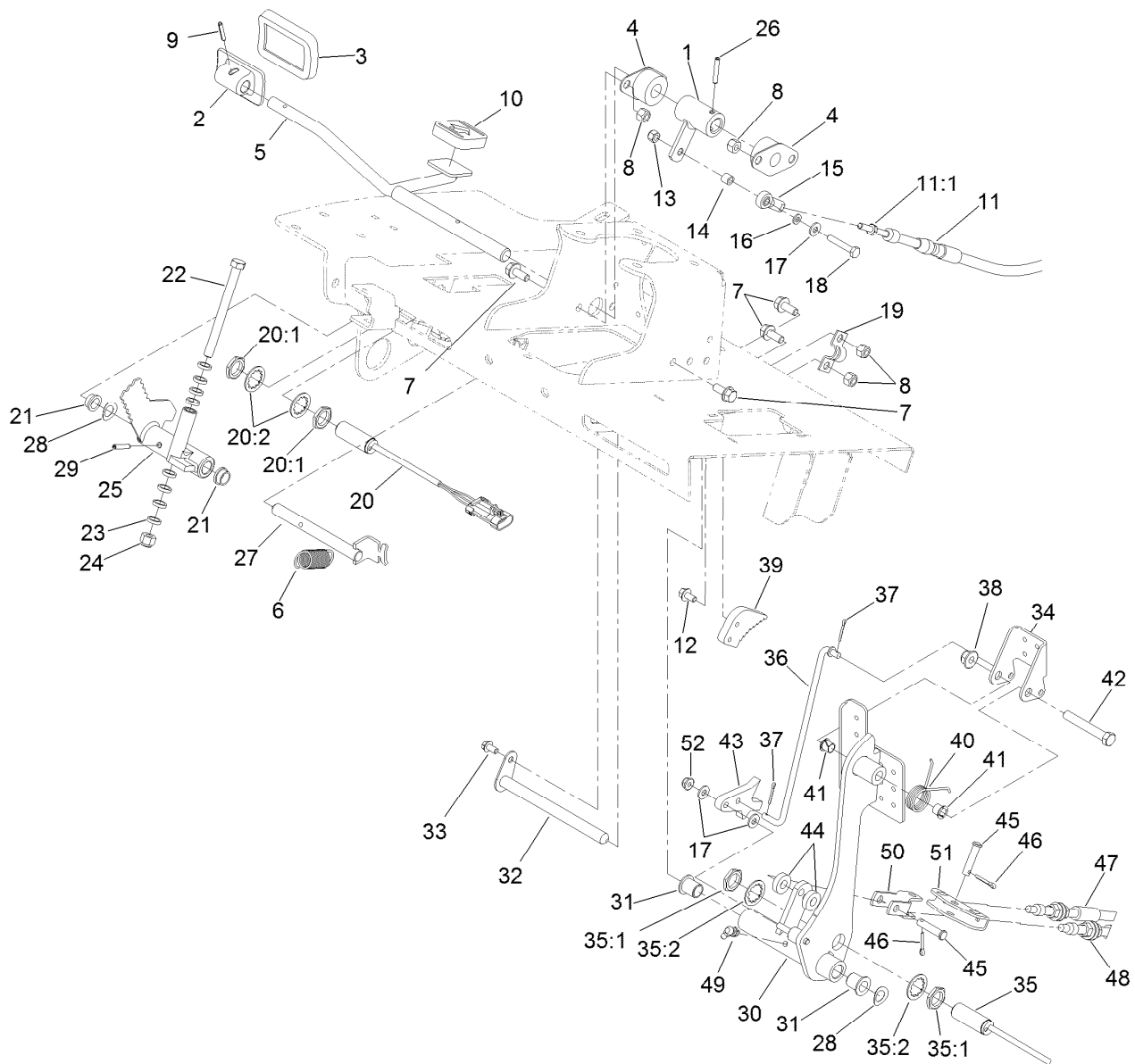
Frame Assembly

| <i>Ref.</i> | <i>Part Number</i> | <i>Qty.</i> | <i>Description</i> | <i>Ref.</i> | <i>Part Number</i> | <i>Qty.</i> | <i>Description</i> |
|-------------|--------------------|-------------|--------------------|-------------|--------------------|-------------|--------------------|
| 1 | 120-3809 | 1 | Frame ASM | 13 | 32104-17 | 2 | Screw-HWH |
| 1:2 | 32148-7 | 4 | Nut-Clinch | 14 | 110-8951-03 | 1 | Bumper |
| 1:4 | 93-6689 | 2 | Decal-No Riders | 15 | 120-6274 | 4 | Mount-Engine |
| 2 | 110-9041 | 2 | Step-Aluminum | 16 | 2410-42 | 2 | Cap-End |
| 3 | 127-2697-01 | 4 | Bracket-Step | 17 | 3231-21 | 4 | Screw-CARR |
| 4 | 323-36 | 4 | Screw-HH | 18 | 3234-29 | 10 | Screw-HHF |
| 5 | 104-8301 | 4 | Nut-HF, NI | 19 | 3230-1 | 2 | Bolt-CARR |
| 6 | 322-17 | 8 | Screw-HH | 20 | 108-7584-01 | 1 | Plate-Guide, Rod |
| 7 | 104-8300 | 20 | Nut-HF, NI | 21 | 117-0155 | 1 | Bracket-4Wd, LH |
| 8 | 95-9495 | 1 | Cap | 22 | 117-0154 | 1 | Bracket-4Wd, RH |
| 10 | 110-8972 | 1 | Hook-Latch | 23 | 32128-21 | 4 | Nut-HF Lock |
| 11 | 110-9012 | 5 | Caplug | 24 | 133-2985 | 1 | Brkt-Tube Clamp |
| 12 | 110-9013 | 2 | Caplug | | | | |



Operator Platform Assembly

| <i>Ref.</i> | <i>Part Number</i> | <i>Qty.</i> | <i>Description</i> | <i>Ref.</i> | <i>Part Number</i> | <i>Qty.</i> | <i>Description</i> |
|-------------|--------------------|-------------|----------------------|-------------|--------------------|-------------|-----------------------|
| 1 | 127-2310-01 | 1 | Platform ASM | 15 | 32104-17 | 6 | Screw-HWH |
| 2 | 115-8064-01 | 1 | Plate-Floor | 16 | 106-9518 | 2 | Screw-PRH |
| 3 | 3234-17 | 4 | Screw-HHF | 17 | 240-11 | 2 | Bushing-Flange |
| 4 | 104-8301 | 6 | Nut-HF, NI | 18 | 66-8010 | 2 | Spacer |
| 5 | 104-8300 | 2 | Nut-HF, NI | 19 | 93-6028 | 1 | Plate-Logo |
| 6 | 3234-11 | 6 | Screw-HHF | 20 | 140-6990 | 2 | Light-Work, LED |
| 7 | 110-0986 | 1 | Decal-Plate, Cover | 21 | 138-6996 | 4 | Nut-Push |
| 8 | 125-2910 | 2 | Tread-Floor, Side | 22 | 110-0944 | 1 | Shroud-Platform |
| 9 | 3230-1 | 2 | Bolt-CARR | 23 | 110-0947-03 | 1 | Plate-Cover |
| 10 | 87-6630 | 2 | Washer-Plain | 25 | 133-2930 | 1 | Decal-Danger |
| 11 | 32128-33 | 2 | Nut-HF | 26 | 110-8921 | 1 | Decal-Speed, Mow |
| 13 | 125-2911 | 1 | Tread-Panel, Service | 28 | 133-8062 | 1 | Decal-Arrestor, Spark |
| 14 | 125-2909 | 1 | Tread-Floorboard | 29 | 110-8876-0P | 1 | Brace-Column |



Pedal Assembly

| Ref. | Part Number | Qty. | Description | Ref. | Part Number | Qty. | Description |
|------|-------------|------|-----------------------|------|-------------|------|-----------------------------|
| 1 | 117-5199 | 1 | Hub-Pedal, Traction | 20:1 | 117-3207 | 2 | Nut-Hex |
| 2 | 117-9507 | 1 | Pedal-Accelerator | 20:2 | 117-3208 | 2 | Washer-Lock, Internal Tooth |
| 3 | 74-9100 | 1 | Pad-Pedal, Forward | 21 | 256-156 | 2 | Bushing-Flange |
| 4 | 256-236 | 2 | Bearing-Mount, Flange | 22 | 323-17 | 1 | Screw-HH |
| 5 | 106-3840 | 1 | Pedal-Traction | 23 | 104662 | 8 | Spacer |
| 6 | 92-7305 | 1 | Spring-Extension | 24 | 3296-39 | 1 | Nut-Lock, NI |
| 7 | 3234-5 | 6 | Screw-HHF | 25 | 117-8066 | 1 | Mow-Stop |
| 8 | 3296-29 | 6 | Nut-Lock, NI | 26 | 32121-6 | 1 | Pin-Roll, Slotted |
| 9 | 32121-45 | 1 | Pin-Spring | 27 | 106-3731 | 1 | Rod-Pivot |
| 10 | 74-9110 | 1 | Pad-Pedal, Reverse | 28 | 110-8982 | 2 | Washer-Spring |
| 11 | 127-2721 | 1 | Cable-Traction | 29 | 32121-16 | 1 | Pin-Spring |
| 11:1 | 3220-1 | 2 | Nut-Jam | 30 | 115-0120-03 | 1 | Pedal-Brake |
| 12 | 3234-13 | 2 | Screw-HHF | 31 | 125-8775 | 2 | Bushing-Flange |
| 13 | 3296-42 | 1 | Nut-Lock, NI | 32 | 104-7179 | 1 | Pivot-Pedal |
| 14 | 66-8010 | 1 | Spacer | 33 | 32144-4 | 1 | Screw-HWH |
| 15 | 2411-41 | 1 | Rod End-Ball Joint | 34 | 99-7963-03 | 1 | Pedal-Park |
| 16 | 33093-00 | 1 | Washer-Flat | 35 | 115-5300 | 1 | Proximity Switch ASM |
| 17 | 3256-22 | 3 | Washer-Flat | 35:1 | 117-3207 | 2 | Nut-Hex |
| 18 | 321-9 | 1 | Screw-HH | 35:2 | 117-3208 | 2 | Washer-Lock, Internal Tooth |
| 19 | 93-2092 | 1 | Clamp-Cable | 36 | 115-0129 | 1 | Rod-Pawl, Brake |
| 20 | 115-0282 | 1 | Proximity Sensor ASM | 37 | 3272-6 | 2 | Pin-Cotter |



Pedal Assembly (continued)

| <i>Ref.</i> | <i>Part Number</i> | <i>Qty.</i> | <i>Description</i> | <i>Ref.</i> | <i>Part Number</i> | <i>Qty.</i> | <i>Description</i> |
|-------------|--------------------|-------------|------------------------|-------------|--------------------|-------------|--------------------|
| 38 | 104-8301 | 1 | Nut-HF, NI | 46 | 3272-10 | 2 | Pin-Cotter |
| 39 | 99-7214 | 1 | Pawl-Brake | 47 | 117-0106 | 1 | Cable-Brake, RH |
| 40 | 99-7140 | 1 | Spring-Torsion | 48 | 117-0107 | 1 | Cable-Brake, LH |
| 41 | 52-2891 | 2 | Bushing-Flanged, Nylon | 49 | 302-60 | 1 | Fitting-Grease |
| 42 | 323-12 | 1 | Screw-HH | 50 | 115-8060 | 1 | Clevis-Double |
| 43 | 117-0238 | 1 | Detent | 51 | 115-8059 | 1 | Yoke-Cable |
| 44 | 5-0652 | 2 | Spacer | 52 | 104-7201 | 1 | Nut-HF, NI |
| 45 | 283-14 | 2 | Pin-Clevis | | | | |



Steering Assembly

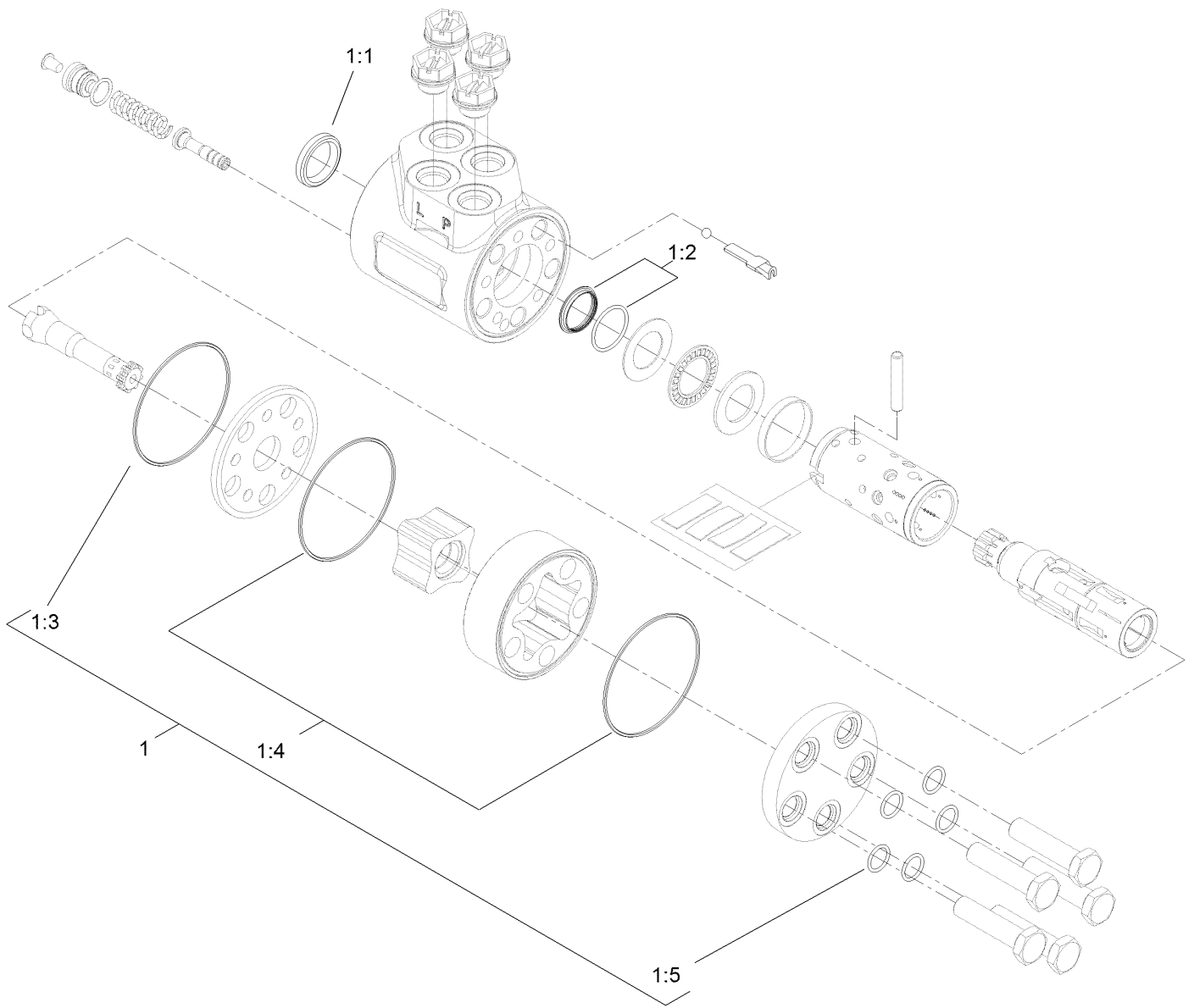
| Ref. | Part Number | Qty. | Description |
|-------------|--------------------|-------------|--------------------------|
| 1 | 106-3622 | 1 | Steering Tilt Column ASM |
| 2 | 340-2 | 4 | Fitting-Straight |
| 2:1 | 237-22 | 1 | O-Ring |
| 2:2 | 237-42 | 1 | O-Ring |
| 3 | 98-1471 | 1 | Wheel-Steering |
| 3:1 | 98-1468 | 1 | Cover-Wheel, Steering |
| 4 | 98-1459 | 1 | Decal |
| 5 | 105-2409 | 4 | Screw-HSH |
| 6 | 106-3621 | 1 | Steering Valve ASM |
| 7 | 3274-1 | 4 | Screw-HSH |
| 8 | 3296-33 | 1 | Nut-Lock, NI |
| 9 | 3256-27 | 1 | Washer-Flat |
| 10 | 104-8301 | 4 | Nut-HF, NI |



Steering Tilt Column Assembly No. 106-3622

| Ref. | Part Number | Qty. | Description |
|------|-------------|------|----------------------|
| 1 | 110-6462 | 1 | Bellows-Rubber |
| 2 | 110-6463 | 1 | Cylinder Service Kit |
| 2:1 | | 1 | Cylinder-Gas ● |
| 2:2 | | 1 | Block-Pedal ● |
| 2:3 | | 2 | Bolt ● |
| 2:4 | | 1 | Pin ● |
| 2:5 | | 2 | Washer-Lock ● |
| 3 | 110-6464 | 1 | Pedal Service Kit |
| 3:1 | | 1 | Pedal ● |
| 3:2 | | 1 | Pin ● |
| 3:3 | | 1 | Spring ● |
| 4 | 110-6465 | 1 | Cover-Pedal |
| 5 | 120-6256 | 1 | Universal Joint Kit |

● Not serviced separately

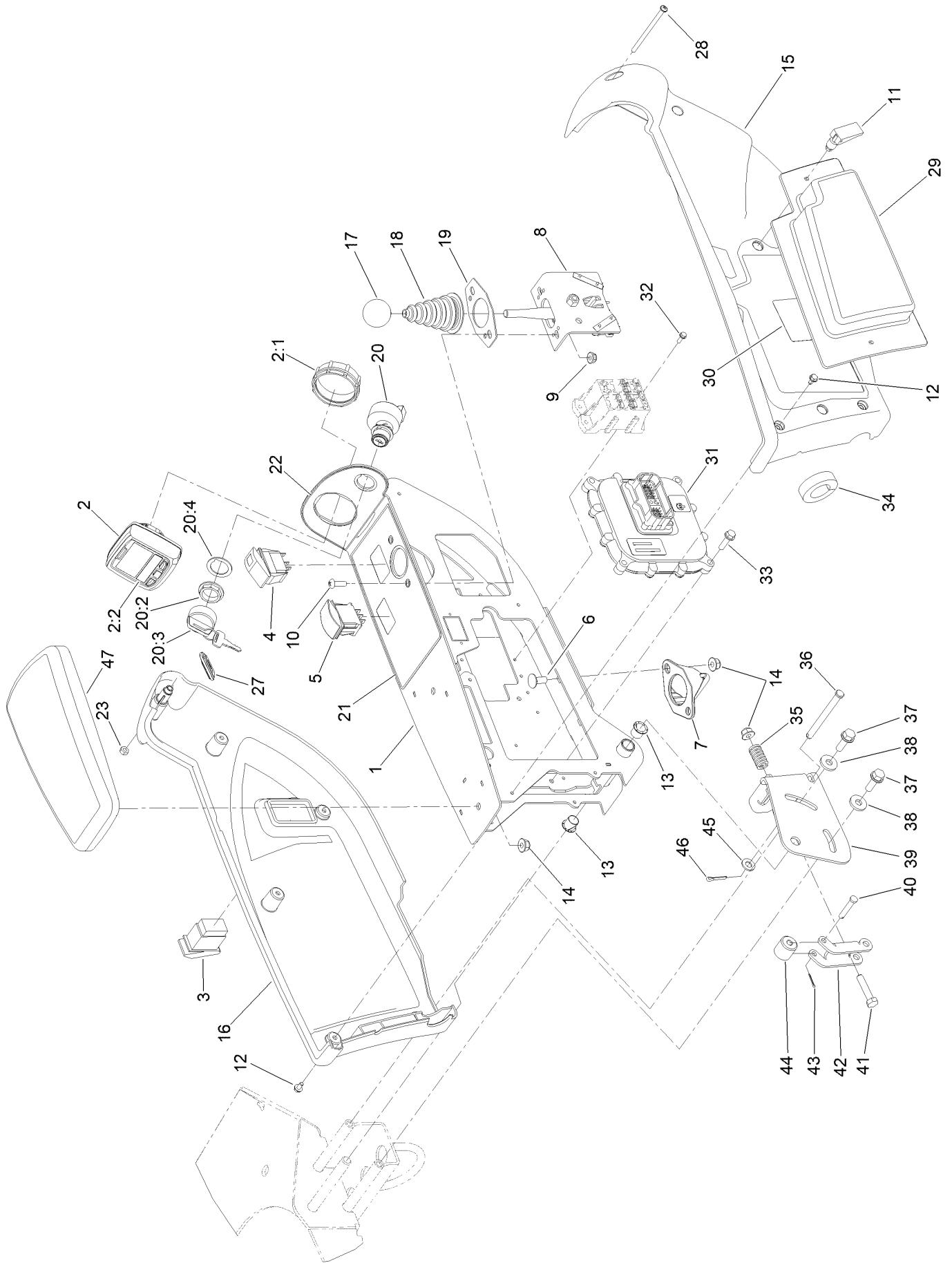


Steering Valve Assembly No. 106-3621

| <i>Ref.</i> | <i>Part Number</i> | <i>Qty.</i> | <i>Description</i> |
|-------------|--------------------|-------------|--------------------|
| 1 | 106-6716 | 1 | Seal Kit |
| 1:1 | | 1 | Ring-Seal, Dust ● |
| 1:2 | | 1 | Seal-Shaft ● |
| 1:3 | | 1 | O-Ring ● |
| 1:4 | | 2 | O-Ring ● |
| 1:5 | | 5 | O-Ring ● |

● Not serviced separately

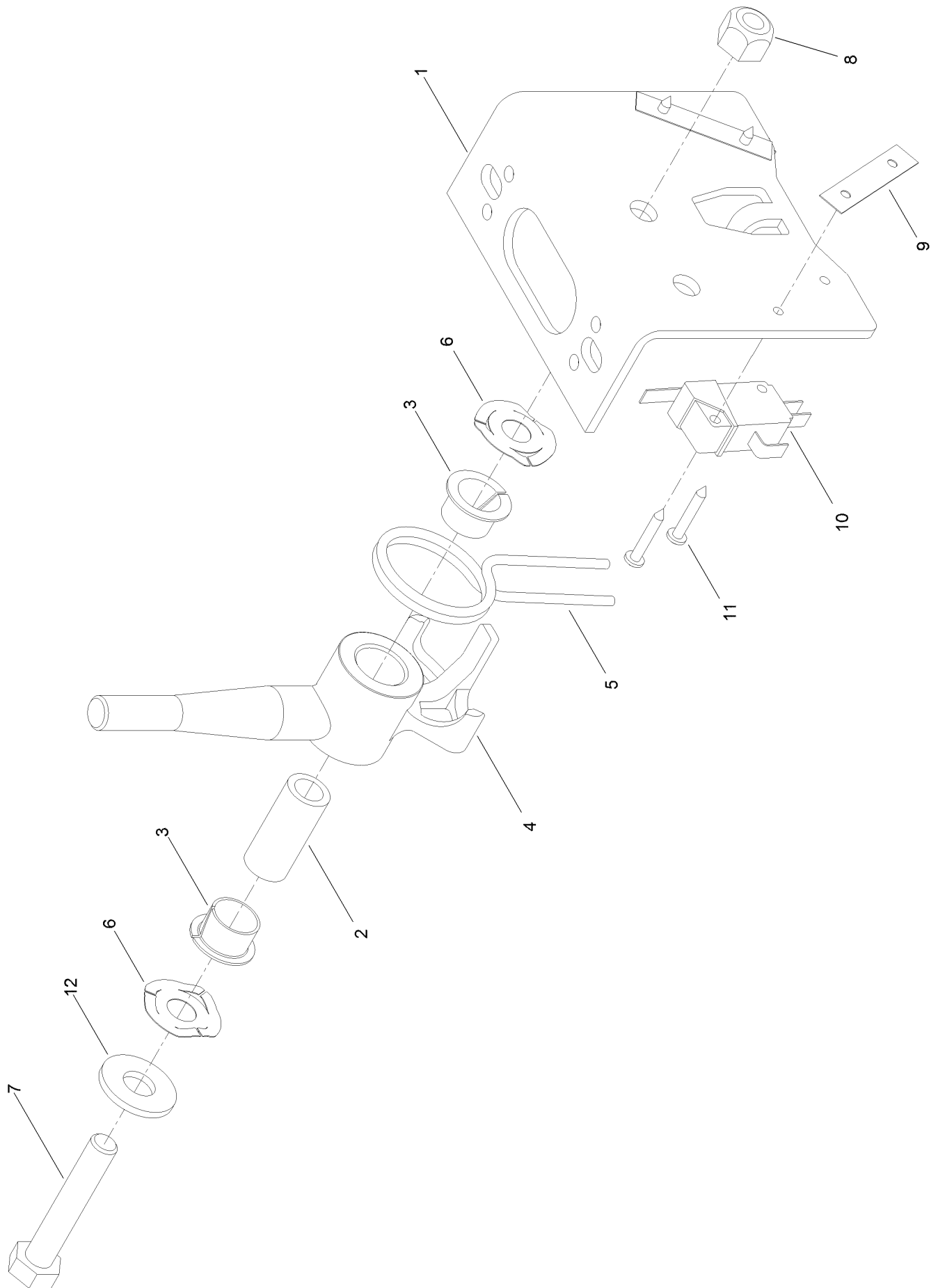
Control Arm Assembly



Control Arm Assembly (continued)

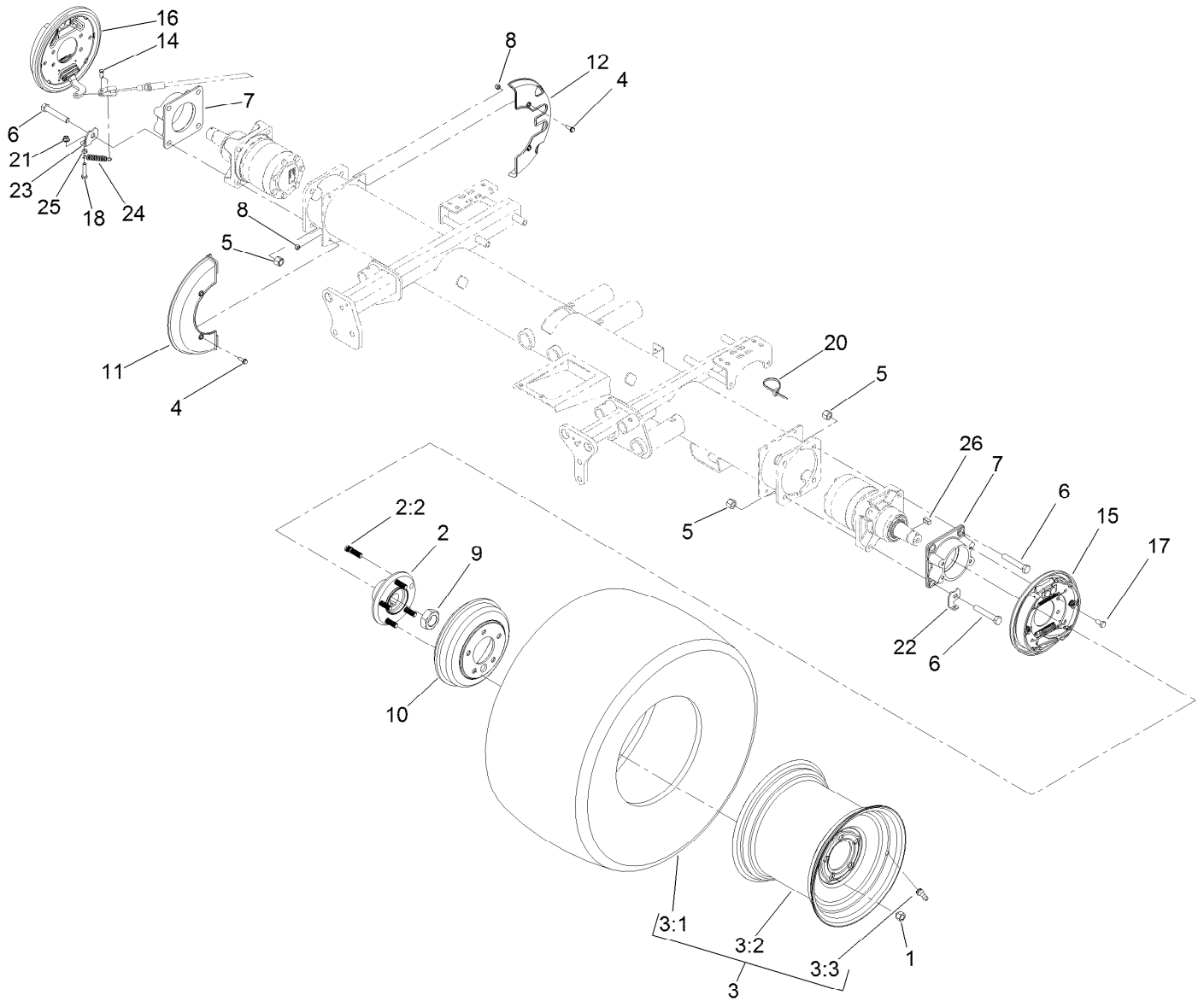
| <i>Ref.</i> | <i>Part Number</i> | <i>Qty.</i> | <i>Description</i> | <i>Ref.</i> | <i>Part Number</i> | <i>Qty.</i> | <i>Description</i> |
|-------------|--------------------|-------------|---------------------------------|-------------|--------------------|-------------|----------------------|
| 1 | 120-3801-03 | 1 | Frame-Arm, Control | 20:4 | 108-8659 | 1 | Washer-Backup |
| 2 | 120-6310 | 1 | LCD Display ASM | 21 | 125-8754 | 1 | Decal-Panel, Control |
| 2:1 | 120-4630 | 1 | Nut-Display | 22 | 120-4158 | 1 | Decal-Console, Upper |
| 2:2 | 120-6311 | 1 | Decal-Display | 23 | 3296-2 | 1 | Nut-Lock, NI |
| 3 | 95-8999 | 1 | Switch-Rocker, On-None-On | 27 | 99-8970 | 1 | Key-Latch, Hood |
| 4 | 105-4232 | 1 | Switch | 28 | 3250-22 | 1 | Screw-PPH |
| 5 | 100-1535 | 1 | Switch-Rocker, (On)-Off-(On) | 29 | 114-0446 | 1 | Panel-Access |
| 6 | 3230-23 | 2 | Bolt-CARR | 30 | 145-5261 | 1 | Decal-Fuse |
| 7 | 125-1938 | 1 | Latch | 31 | 122-3375 | 1 | Controller-Tec |
| 8 | 120-5280 | 1 | Bracket-Joystick | 32 | 32144-87 | 4 | Screw-HWHTF |
| 9 | 104-7201 | 2 | Nut-HF, NI | 33 | 32144-86 | 4 | Screw-HWHTF |
| 10 | 3258-166 | 2 | Screw-PRH | 34 | 110-8912 | 1 | Seal-Foam |
| 11 | 74-5950 | 2 | Latch-Swell | 35 | 110-5331 | 1 | Spring-Compression |
| 12 | 104-2065 | 10 | Screw-HWH | 36 | 283-88 | 1 | Pin-Clevis |
| 13 | 256-257 | 2 | Bushing-Nyliner | 37 | 3234-29 | 2 | Screw-HHF |
| 14 | 104-8300 | 5 | Nut-HF, NI | 38 | 4-2390 | 2 | Washer-Flat |
| 15 | 108-7605 | 1 | Cover-RH | 39 | 110-5313-03 | 1 | Bracket-Retainer |
| 16 | 108-7604 | 1 | Cover-LH | 40 | 283-73 | 1 | Pin-Clevis |
| 17 | 233-42 | 1 | Knob | 41 | 322-7 | 1 | Screw-HH |
| 18 | 93-5961 | 1 | Boot-Lever | 42 | 110-5314 | 1 | Latch |
| 19 | 112-9181 | 1 | Plate-Boot | 43 | 3272-1 | 1 | Pin-Cotter |
| 20 | 106-5269 | 1 | Ignition Switch ASM | 44 | 110-8856 | 1 | Spacer |
| 20:2 | 108-8660 | 1 | Nut-Mounting | 45 | 3256-23 | 1 | Washer-Plain |
| 20:3 | 106-5270 | 1 | Ignition Key Set | 46 | 3272-10 | 1 | Pin-Cotter |
| | | | | 47 | 108-7602 | 1 | Rest-Arm |

Joystick Bracket Assembly No. 120-5280



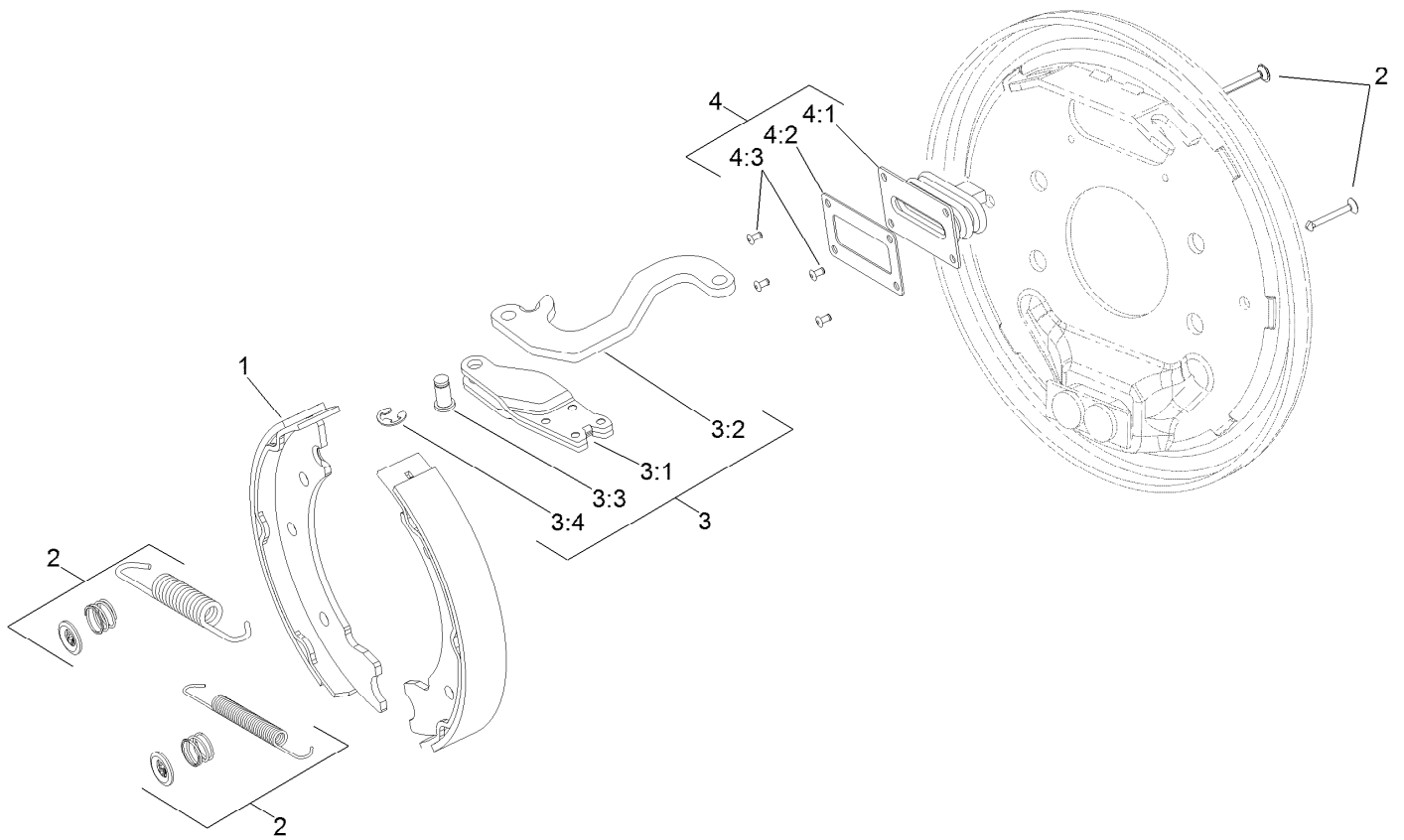
Joystick Bracket Assembly No. 120-5280 (continued)

| <i>Ref.</i> | <i>Part Number</i> | <i>Qty.</i> | <i>Description</i> | <i>Ref.</i> | <i>Part Number</i> | <i>Qty.</i> | <i>Description</i> |
|-------------|--------------------|-------------|-----------------------|-------------|--------------------|-------------|--------------------|
| 1 | 115-5357-03 | 1 | Bracket-Joystick | 7 | 322-9 | 1 | Screw-HH |
| 2 | 106-4192 | 1 | Spacer | 8 | 3296-29 | 1 | Nut-Lock, NI |
| 3 | 93-5547 | 2 | Bushing-Nylon | 9 | 3290-354 | 2 | Nut-Speed |
| 4 | 119-3540 | 1 | Hub-Pivot, Joystick | 10 | 108-6496 | 2 | Switch (W/Boot) |
| 5 | 105-8289 | 1 | Spring-Torsion | 11 | 95-3003 | 4 | Screw-PPHTF |
| 6 | 106-4193 | 2 | Washer-Finger, Spring | 12 | 3256-3 | 1 | Washer-Flat |



Front Axle Assembly

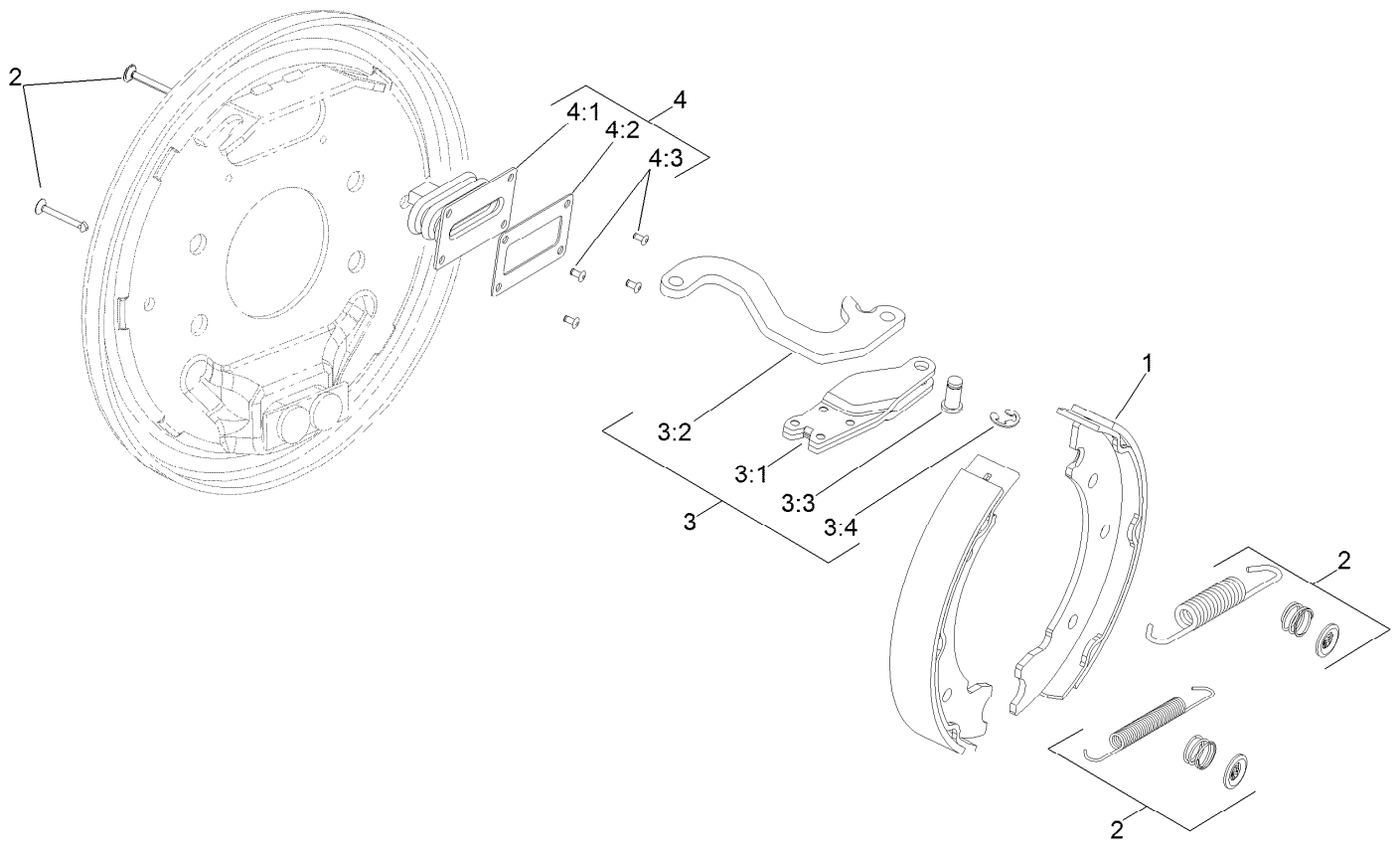
| Ref. | Part Number | Qty. | Description | Ref. | Part Number | Qty. | Description |
|------|-------------|------|---------------|------|-------------|------|---------------------|
| 1 | 242-50 | 10 | Nut-Lug | 11 | 127-2741 | 2 | Shield-Wheel, Front |
| 2 | 121-5631 | 2 | Hub ASM | 12 | 127-2742 | 2 | Shield-Wheel, Rear |
| 2:2 | 114-3918 | 5 | Stud-Wheel | 14 | 283-62 | 2 | Pin-Clevis |
| 3 | 139-6005 | 2 | Tire ASM | 15 | 139-5952 | 1 | LH Brake ASM |
| 3:1 | 133-2724 | 1 | Tire | 16 | 139-5951 | 1 | RH Brake ASM |
| 3:2 | 139-6006 | 1 | Wheel | 17 | 323-4 | 8 | Screw-HH |
| 3:3 | 232-27 | 1 | Stem-Valve | 18 | 322-7 | 2 | Screw-HH |
| 4 | 115-5103 | 8 | Screw-HHF | 20 | 3290-378 | 2 | Tie-Cable |
| 5 | 3296-23 | 8 | Nut-Lock, NI | 21 | 104-8300 | 2 | Nut-HF, NI |
| 6 | 325-12 | 8 | Screw-HH | 22 | 120-6267 | 1 | Clip-Spring, LH |
| 7 | 120-6253-03 | 2 | Adapter-Brake | 23 | 120-6266 | 1 | Clip-Spring, RH |
| 8 | 3296-42 | 8 | Nut-Lock, NI | 24 | 87-4020 | 2 | Spring-Extension |
| 9 | 117-3290 | 2 | Nut-Hex | 25 | 3218-2 | 2 | Nut-Hex Jam |
| 10 | 114-8864 | 2 | Drum-Brake | 26 | 117-5198 | 2 | Key-Square |



LH Brake Assembly No. 139-5952

| Ref. | Part Number | Qty. | Description |
|------|-------------|------|--------------------|
| 1 | 139-5950 | 1 | Brake Shoe Kit |
| 2 | 108-6983 | 1 | Brake Hardware Kit |
| 3 | 110-8910 | 1 | LH Actuator Kit |
| 3:1 | | 1 | Housing ● |
| 3:2 | | 1 | Lever-LH ● |
| 3:3 | | 1 | Pin-Pivot ● |
| 3:4 | | 1 | E-Ring ● |
| 4 | 110-8885 | 1 | Dust Boot Kit |
| 4:1 | | 1 | Boot ● |
| 4:2 | | 1 | Plate-Back Up ● |
| 4:3 | | 2 | Rivet ● |

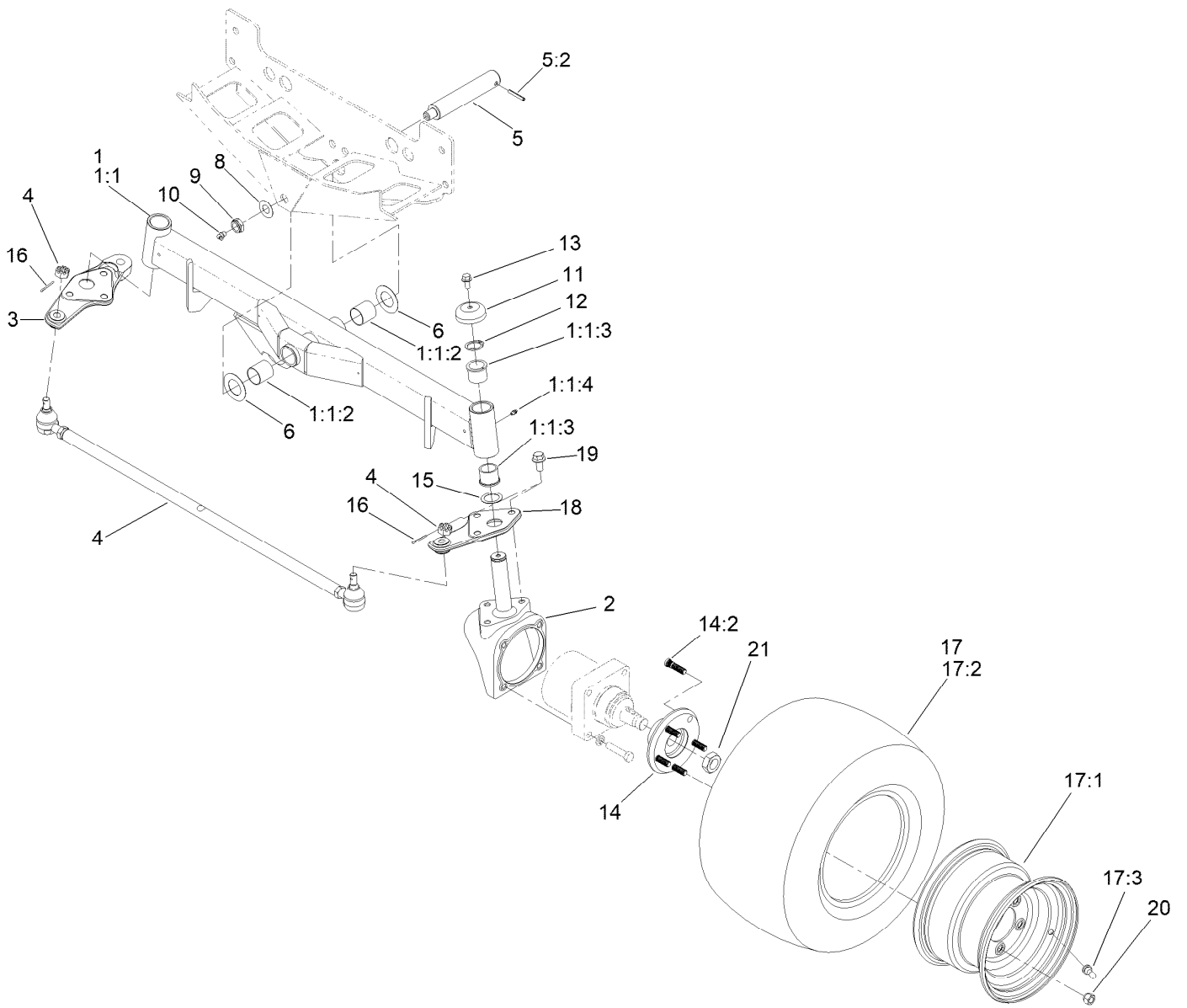
● Not serviced separately



RH Brake Assembly No. 139-5951

| Ref. | Part Number | Qty. | Description |
|------|-------------|------|--------------------|
| 1 | 139-5950 | 1 | Brake Shoe Kit |
| 2 | 108-6983 | 1 | Brake Hardware Kit |
| 3 | 110-8884 | 1 | RH Actuator Kit |
| 3:1 | | 1 | Housing ● |
| 3:2 | | 1 | Lever-RH ● |
| 3:3 | | 1 | Pin-Pivot ● |
| 3:4 | | 1 | E-Ring ● |
| 4 | 110-8885 | 1 | Dust Boot Kit |
| 4:1 | | 1 | Boot ● |
| 4:2 | | 1 | Plate-Back Up ● |
| 4:3 | | 2 | Rivet ● |

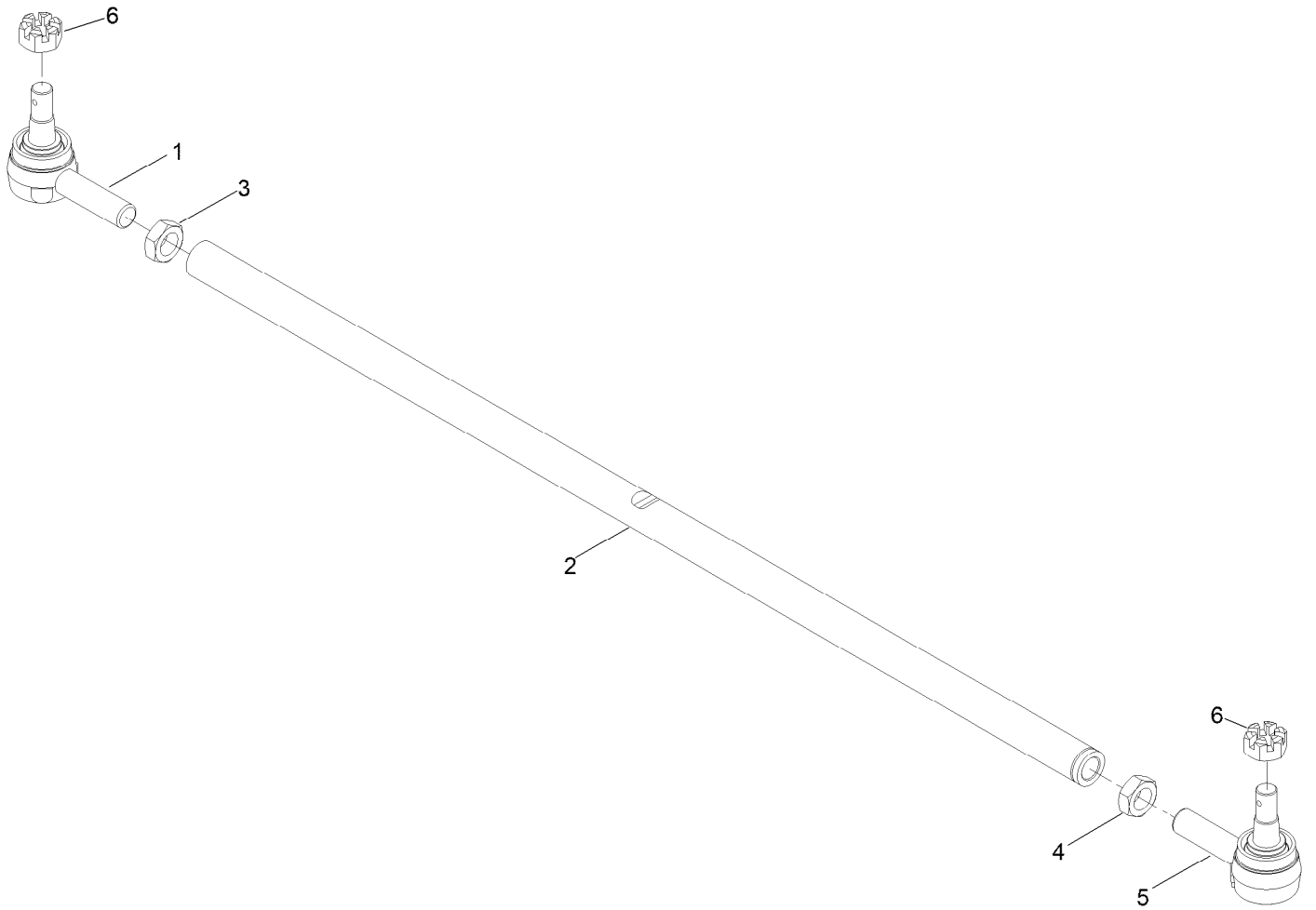
● Not serviced separately



Rear Axle Assembly

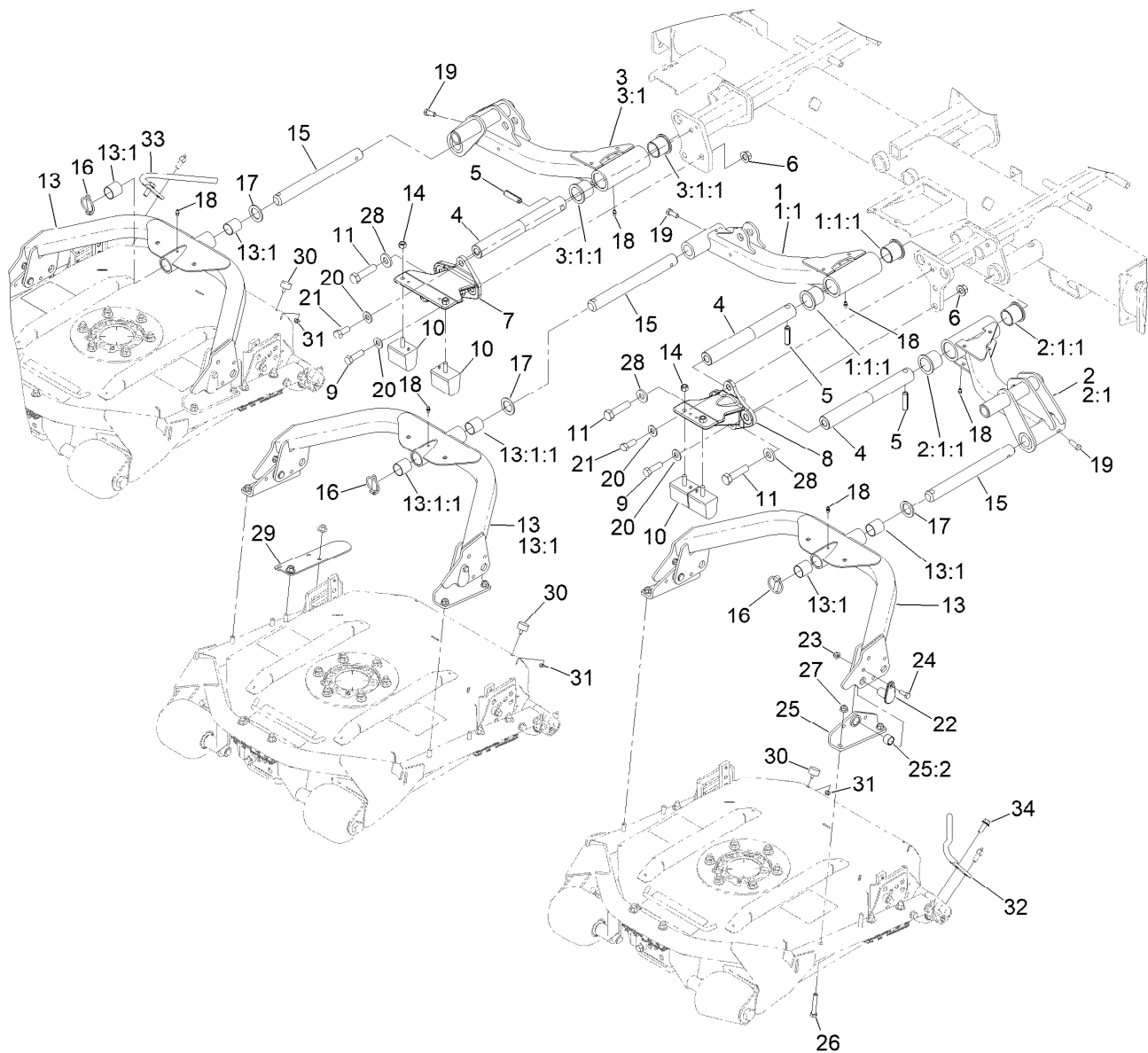
| Ref. | Part Number | Qty. | Description | Ref. | Part Number | Qty. | Description |
|-------|-------------|------|--------------------|------|-------------|------|--------------------------|
| 1 | 117-0256-03 | 1 | Axle ASM | 12 | 32151-77 | 2 | Ring-Retaining, External |
| 1:1 | | 1 | Axle ● | 13 | 3234-1 | 2 | Screw-HHF |
| 1:1:2 | 99-6964 | 2 | Bushing-Axle | 14 | 121-5633 | 2 | Hub ASM |
| 1:1:3 | 104-0015 | 4 | Bushing-Flange | 14:2 | 114-3918 | 5 | Stud-Wheel |
| 1:1:4 | 302-5 | 2 | Fitting-Grease | 15 | 76-2980 | 2 | Washer-Thrust |
| 2 | 107-4517-03 | 2 | Housing-Motor | 16 | 3272-12 | 2 | Pin-Cotter |
| 3 | 140-3142 | 1 | Link-Drag, RH | 17 | 117-0281 | 2 | Rim And Tire ASM |
| 4 | 139-6029 | 1 | Tie Rod ASM | 17:1 | 117-0280 | 1 | Rim |
| 5 | 140-6101 | 1 | Pin ASM-Axle Pivot | 17:2 | 117-5125 | 1 | Tire |
| 5:2 | 32121-32 | 1 | Pin-Roll | 17:3 | 232-27 | 1 | Stem-Valve |
| 6 | 99-8432 | 2 | Washer-Thrust | 18 | 140-3144 | 1 | Link-Drag, LH |
| 8 | 71-4540 | 1 | Washer-Thrust | 19 | 3234-38 | 6 | Screw-HHF |
| 9 | 3296-15 | 1 | Nut-Lock, NI | 20 | 242-50 | 10 | Nut-Lug |
| 10 | 302-33 | 1 | Fitting-Grease | 21 | 26-3790 | 2 | Nut-Lock |
| 11 | 69-8890 | 2 | Cap-Spindle | | | | |

● Not serviced separately



Tie Rod Assembly No. 139-6029

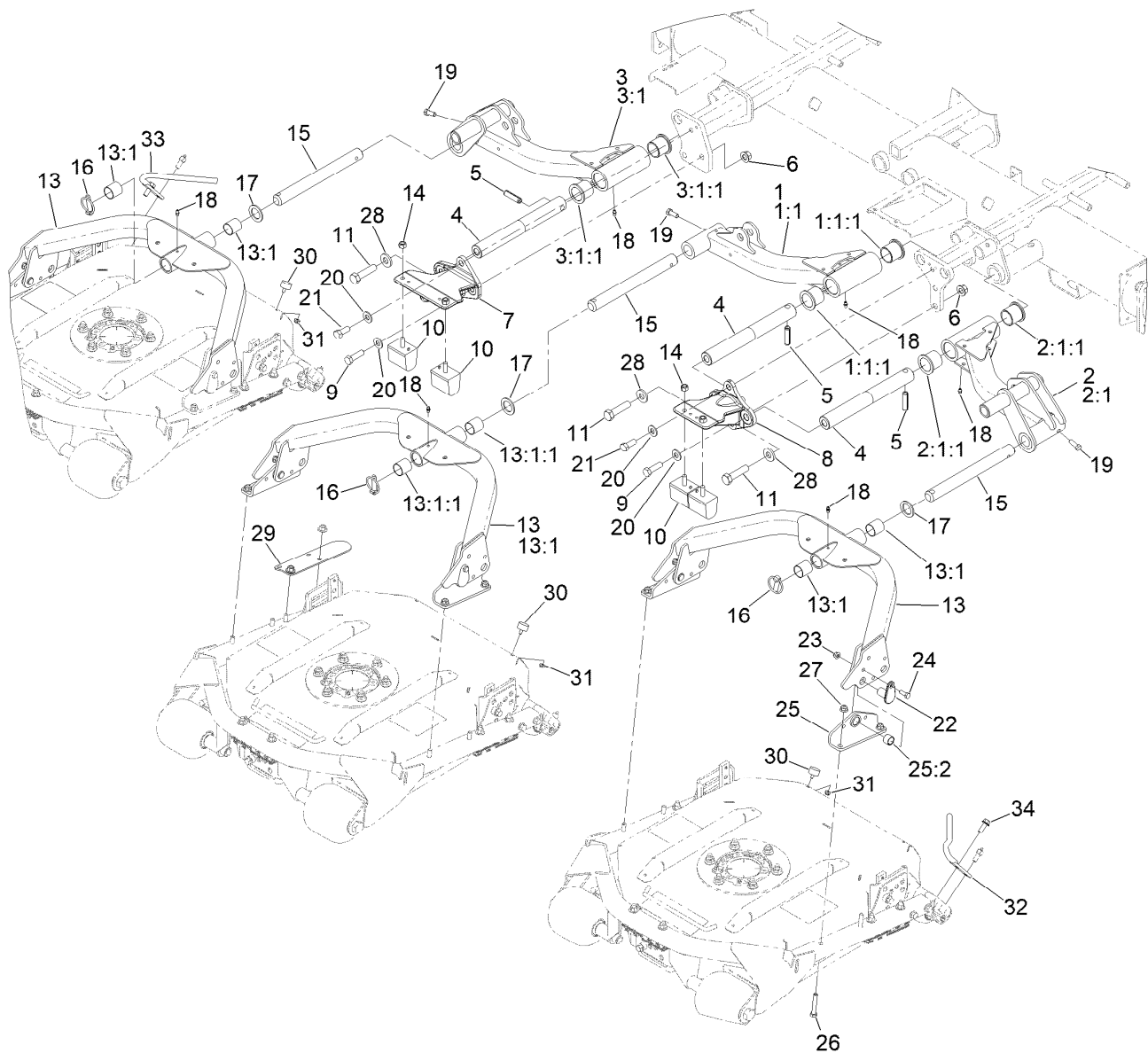
| <i>Ref.</i> | <i>Part Number</i> | <i>Qty.</i> | <i>Description</i> |
|-------------|--------------------|-------------|--------------------|
| 1 | 144-3901 | 1 | Tie Rod End |
| 2 | 139-6030 | 1 | Rod-Tie |
| 3 | 84-5300 | 1 | Nut-Jam |
| 4 | 110-5337 | 1 | Nut-Jam |
| 5 | 144-3902 | 1 | Tie Rod End |
| 6 | 140-6135 | 2 | Nut-Hex, Slotted |



No. 1, 4 and 5 Lift Arm and Deck Assembly

| Ref. | Part Number | Qty. | Description | Ref. | Part Number | Qty. | Description |
|-------|-------------|------|----------------------|--------|-------------|------|-----------------|
| 1 | 114-0381-03 | 1 | Arm No. 1 ASM | 13:1 | | 1 | Frame-Carrier ● |
| 1:1 | | 1 | Arm ● | 13:1:1 | 108-4000 | 2 | Bushing |
| 1:1:1 | 69-6470 | 2 | Bushing-Caster | 14 | 33025-00 | 4 | Nut-Lock, NI |
| 2 | 114-0384-03 | 1 | Arm No. 4 ASM | 15 | 105-7560 | 3 | Shaft-Cu Pivot |
| 2:1 | | 1 | Arm ● | 16 | 283-71 | 3 | Pin-Lynch |
| 2:1:1 | 69-6470 | 2 | Bushing-Caster | 17 | 3-6781 | 3 | Washer-Flat |
| 3 | 114-0385-03 | 1 | Arm No. 5 ASM | 18 | 302-5 | 6 | Fitting-Grease |
| 3:1 | | 1 | Arm ● | 19 | 323-6 | 3 | Screw-HH |
| 3:1:1 | 69-6470 | 2 | Bushing-Caster | 20 | 87-7270 | 6 | Washer-Thrust |
| 4 | 117-0208 | 3 | Shaft-Pivot, Liftarm | 21 | 325-5 | 2 | Screw-HH |
| 5 | 32121-122 | 3 | Pin-Roll | 22 | 136-3568 | 6 | Pin-Flag (Mach) |
| 6 | 99-5107 | 4 | Nut-Lock | 23 | 104-8300 | 6 | Nut-HF, NI |
| 7 | 117-0250-03 | 1 | Tipper-RH | 24 | 322-4 | 6 | Screw-HH |
| 8 | 117-0252-03 | 1 | Tipper-LH | 25 | 117-0118 | 6 | Pivot ASM |
| 9 | 325-7 | 4 | Screw-HH | 25:2 | 108-8482 | 1 | Bushing-Sleeve |
| 10 | 87-3470 | 4 | Bumper | 26 | 323-11 | 12 | Screw-HH |
| 11 | 327-7 | 3 | Screw-HH | 27 | 104-8301 | 12 | Nut-HF, NI |
| 13 | 108-7384-03 | 3 | Carrier Frame ASM | 28 | 99-7667 | 3 | Washer-Flat |

● Not serviced separately

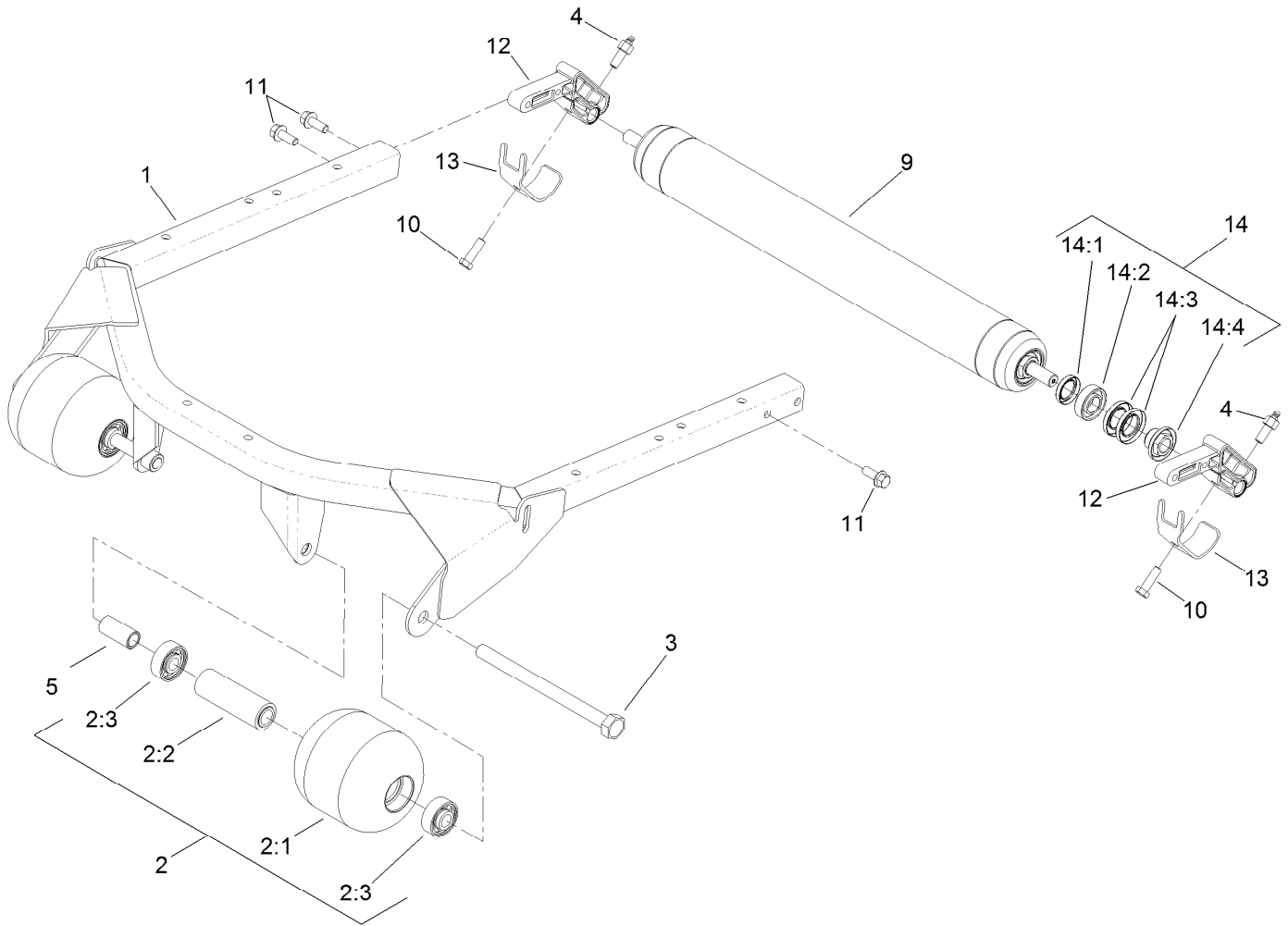


No. 1, 4 and 5 Lift Arm and Deck Assembly (continued)

| Ref. | Part Number | Qty. | Description |
|------|-------------|------|-----------------------|
| 29 | 105-9831-03 | 1 | Bracket-Bumper, No. 1 |
| 30 | 240-14 | 3 | Bumper-Rubber |
| 31 | 104-7201 | 3 | Nut-HF, NI |

| Ref. | Part Number | Qty. | Description |
|------|-------------|------|----------------|
| 32 | 127-2613-03 | 1 | Guard-Foot, LH |
| 33 | 127-2614-03 | 1 | Guard-Foot, RH |
| 34 | 3234-11 | 2 | Screw-HHF |

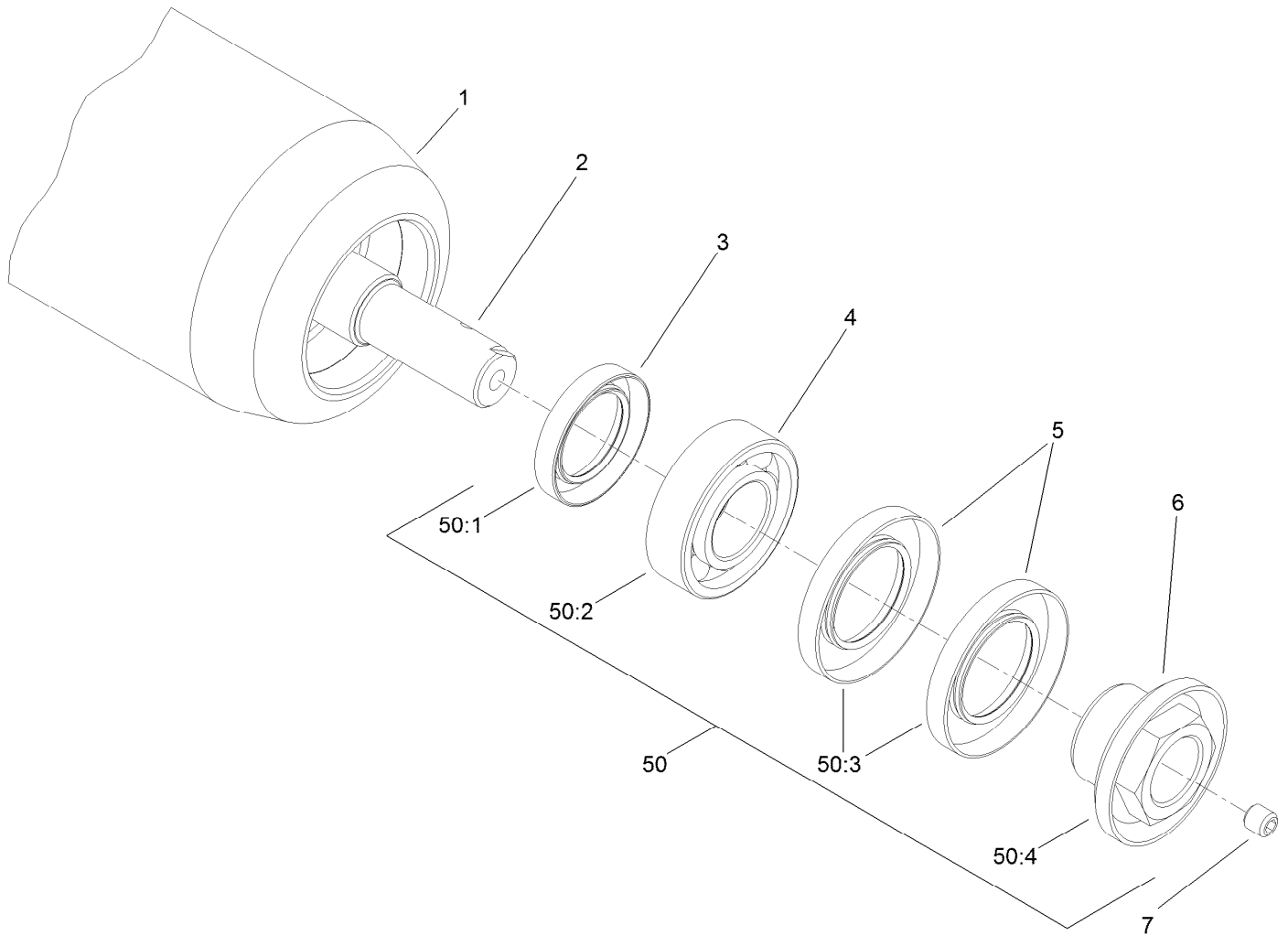
● Not serviced separately



Roller and Carrier Frame Assembly

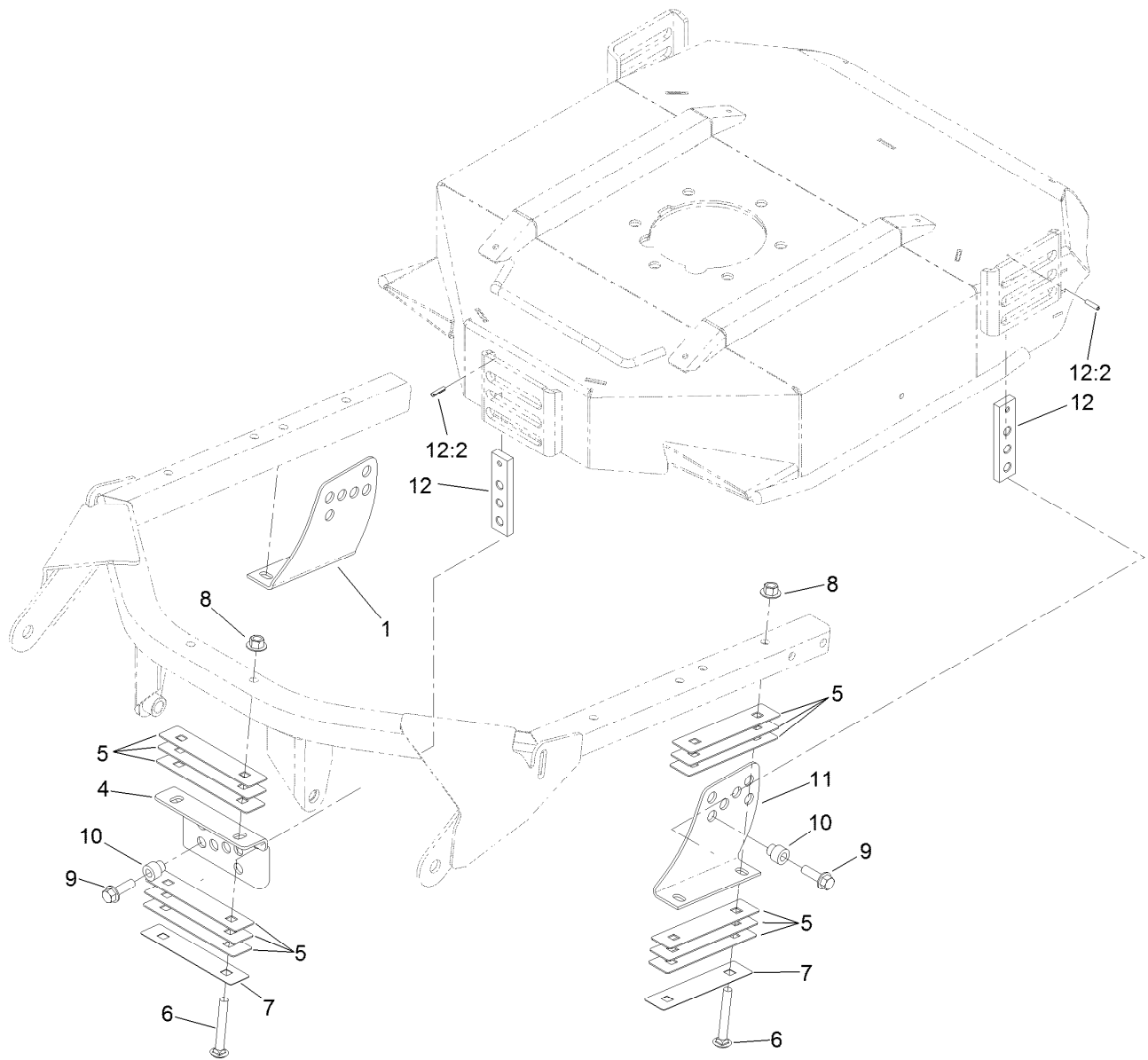
| Ref. | Part Number | Qty. | Description |
|------|-------------|------|----------------------|
| 1 | 114-0440-03 | 1 | Support-Deck |
| 2 | 136-2908 | 2 | Roller ASM |
| 2:1 | 104-1093 | 1 | Roller |
| 2:2 | 100-5762 | 1 | Spacer-Bearing |
| 2:3 | 120-3366 | 2 | Bearing |
| 3 | 117-0172 | 2 | Screw-HH |
| 4 | 127-6422 | 2 | Screw-Grease, Roller |
| 5 | 136-7985 | 2 | Tube-Spacer |
| 9 | 137-6143 | 1 | Rear Roller ASM |

| Ref. | Part Number | Qty. | Description |
|------|-------------|------|--------------------------|
| 10 | 323-7 | 2 | Screw-HH |
| 11 | 3234-11 | 4 | Screw-HHF |
| 12 | 112-5268 | 2 | Mount-Roller |
| 13 | 107-7816 | 2 | Bracket-Skid |
| 14 | 114-5430 | 1 | Roller Rebuild Kit |
| 14:1 | 114-3717 | 2 | Seal-Oil |
| 14:2 | 112-5290 | 2 | Bearing-Steel, Stainless |
| 14:3 | 112-7494 | 4 | Seal |
| 14:4 | 114-5411 | 2 | Nut-Lock, Bearing |



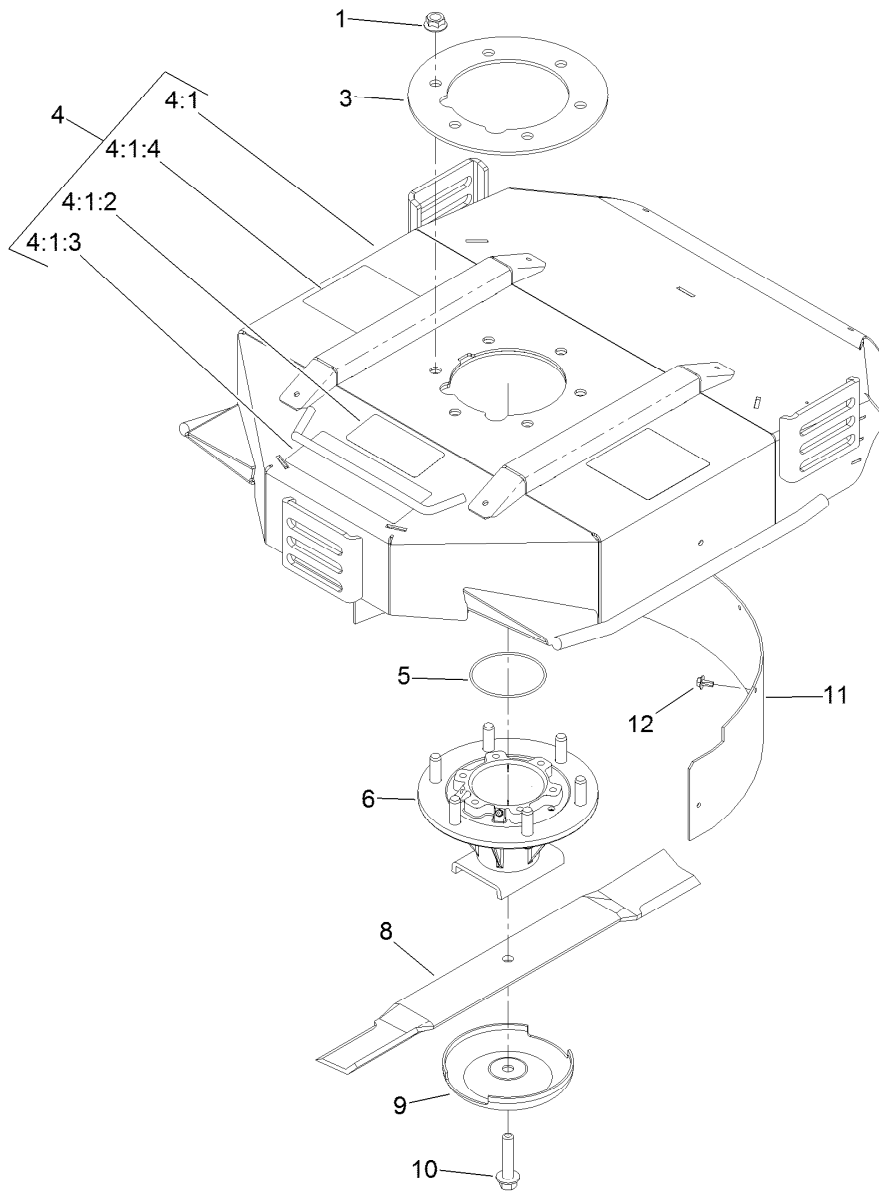
Roller Assembly No. 137-6143

| <i>Ref.</i> | <i>Part Number</i> | <i>Qty.</i> | <i>Description</i> |
|-------------|--------------------|-------------|--------------------------|
| 1 | 137-6142 | 1 | Tube-Roller |
| 2 | 108-7388 | 1 | Shaft-Roller |
| 3 | 114-3717 | 2 | Seal-Oil |
| 4 | 112-5290 | 2 | Bearing-Steel, Stainless |
| 5 | 112-7494 | 4 | Seal |
| 6 | 114-5411 | 2 | Nut-Lock, Bearing |
| 7 | 108-0989 | 2 | Screw-Set |
| 50 | 114-5430 | 1 | Roller Rebuild Kit |
| 50:1 | 114-3717 | 2 | Seal-Oil |
| 50:2 | 112-5290 | 2 | Bearing-Steel, Stainless |
| 50:3 | 112-7494 | 4 | Seal |
| 50:4 | 114-5411 | 2 | Nut-Lock, Bearing |



Height-of-Cut Assembly

| Ref. | Part Number | Qty. | Description |
|------|-------------|------|---------------------|
| 1 | 108-7391-03 | 1 | Bracket-HOC, RH |
| 4 | 104-1052-03 | 1 | Bracket-HOC, Front |
| 5 | 100-5799 | 18 | Shim-HOC, .060 Inch |
| 6 | 3231-9 | 6 | Screw-CARR |
| 7 | 104-4641 | 3 | Shim-HOC, .030 Inch |
| 8 | 32128-43 | 6 | Nut-Flange |
| 9 | 3234-24 | 3 | Screw-HHF |
| 10 | 121-3575 | 3 | Spacer-HOC |
| 11 | 108-7392-03 | 1 | Bracket-HOC,LH |
| 12 | 136-2921 | 3 | HOC Plate ASM |
| 12:2 | 32121-2 | 1 | Pin-Roll, Slotted |

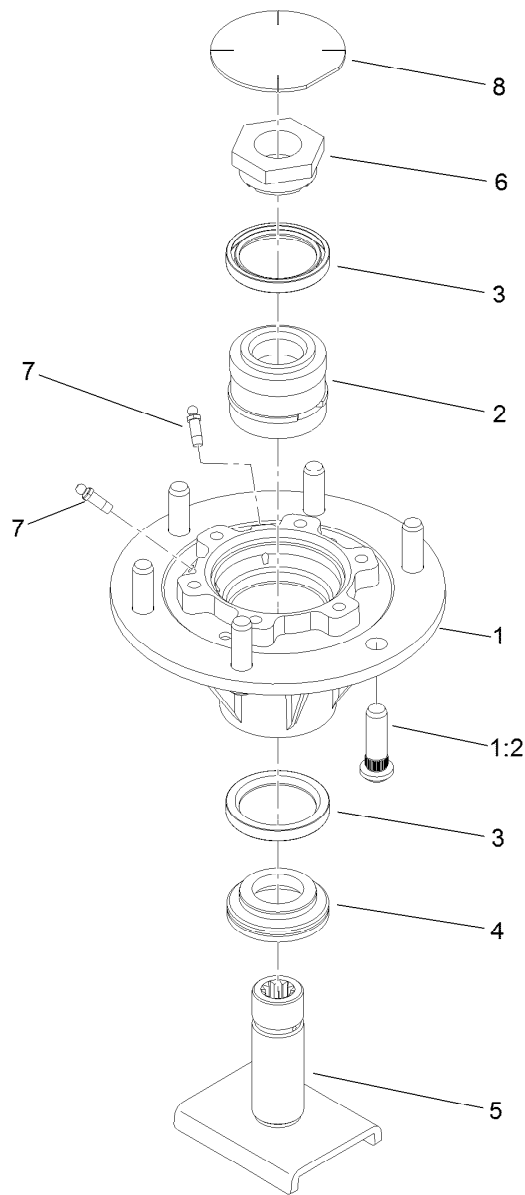


Spindle, Blade and Chamber Assembly

| Ref. | Part Number | Qty. | Description |
|-------|-------------|------|--------------------------|
| 1 | 32128-39 | 6 | Nut-HHF |
| 3 | 104-1051-03 | 1 | Plate-Spindle |
| 4 | 138-1227 | 1 | Deck Chamber ASM |
| 4:1 | | 1 | Chamber ASM ● |
| 4:1:2 | 93-7818 | 1 | Decal-Torque, Blade Bolt |
| 4:1:3 | 121-3627 | 1 | Decal-Height Of Cut |
| 4:1:4 | 117-4764 | 2 | Decal-Danger |
| 5 | 237-161 | 1 | O-Ring |
| 6 | 121-3666 | 1 | Spindle ASM |

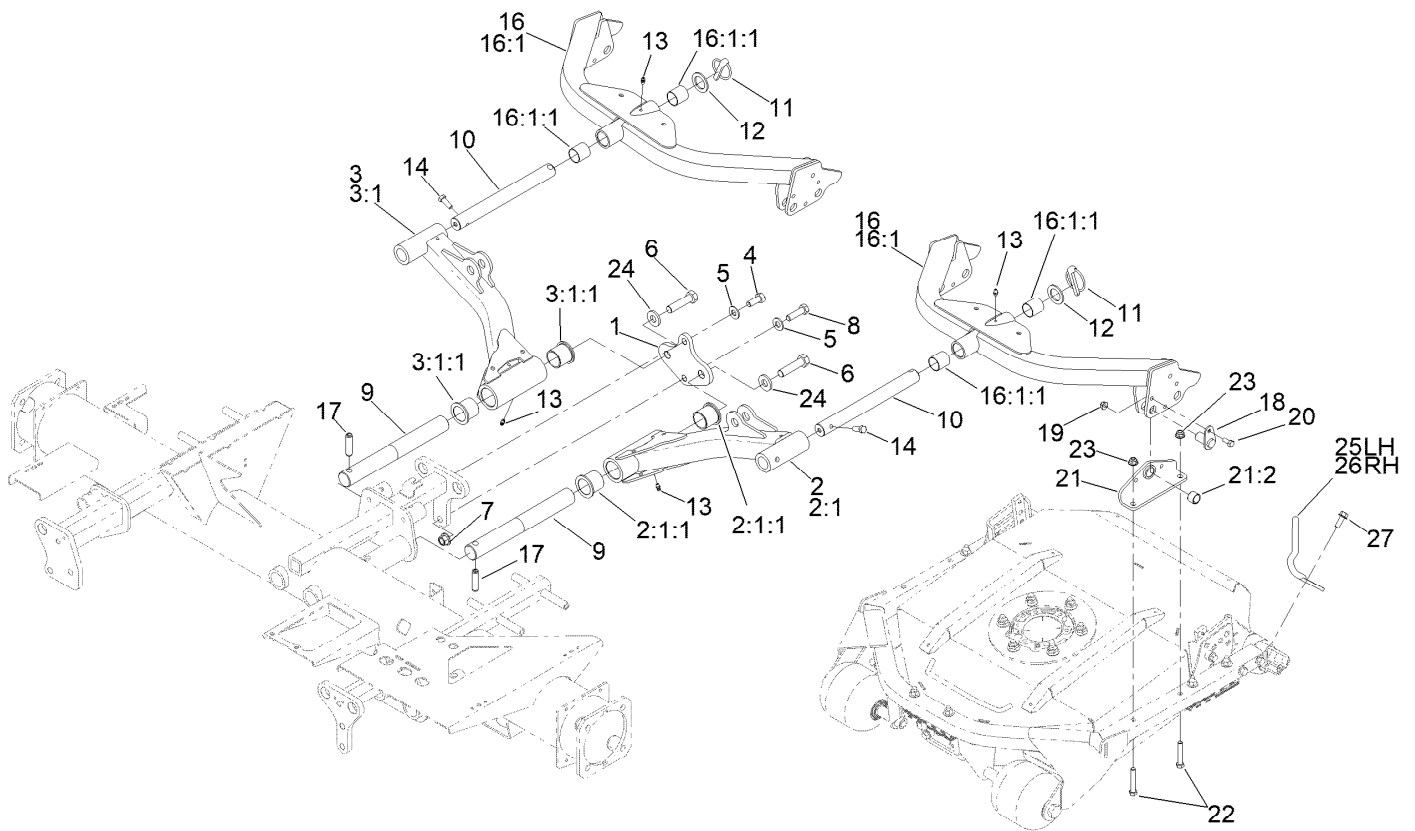
| Ref. | Part Number | Qty. | Description |
|------|-------------|------|------------------------|
| 8 | 108-7395-03 | 1 | Blade-Combo, 22In |
| 8 | 114-0434-03 | 1 | Blade-High Lift, 22In |
| 8 | 114-0435-03 | 1 | Blade-Atomic, 22In |
| 8 | 117-0209-03 | 1 | Blade-Angle Sail, 22In |
| 9 | 72-9361 | 1 | Cup-Scalp, Anti |
| 10 | 92-5816 | 1 | Bolt-Blade |
| 11 | 108-7409-01 | 1 | Baffle-Mulching |
| 12 | 46-8560 | 5 | Screw-HHFTF |

● Not serviced separately



Spindle Assembly No. 121-3666

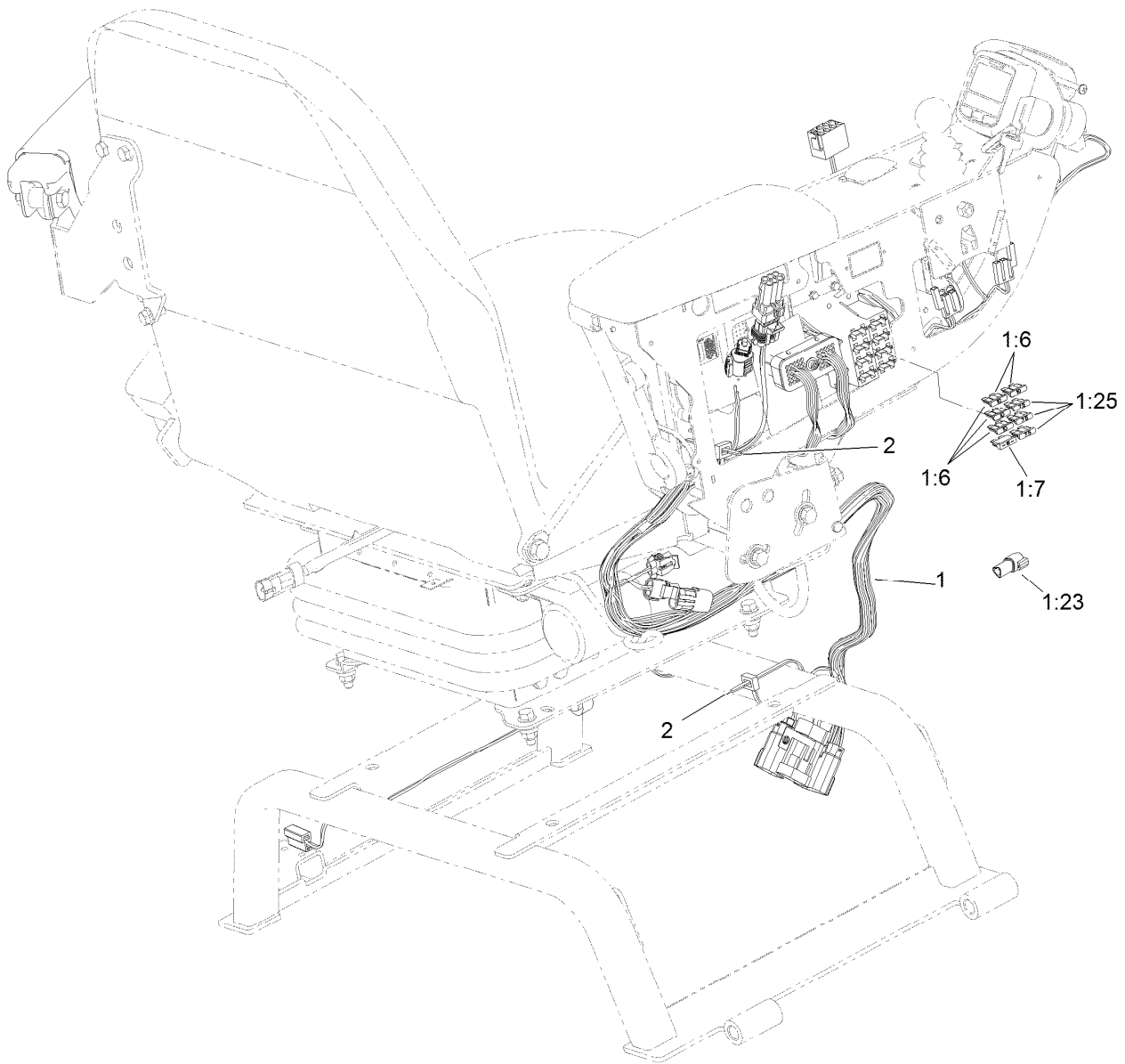
| <i>Ref.</i> | <i>Part Number</i> | <i>Qty.</i> | <i>Description</i> |
|-------------|--------------------|-------------|------------------------|
| 1 | 115-3434 | 1 | Spindle |
| 1:2 | 10-6830 | 6 | Stud-Type, Drive |
| 2 | 100-5703 | 1 | Spacer And Bearing ASM |
| 3 | 253-154 | 2 | Seal-Oil |
| 4 | 138-6416 | 1 | Spacer-Spindle, Shaft |
| 5 | 121-3664 | 1 | Spindle Shaft ASM |
| 6 | 100-5709 | 1 | Nut-Spindle, Spcl |
| 7 | 302-62 | 2 | Fitting-Grease |
| 8 | 94-2703 | 1 | Plug |



No. 2 and 3 Lift Arm and Deck Assembly

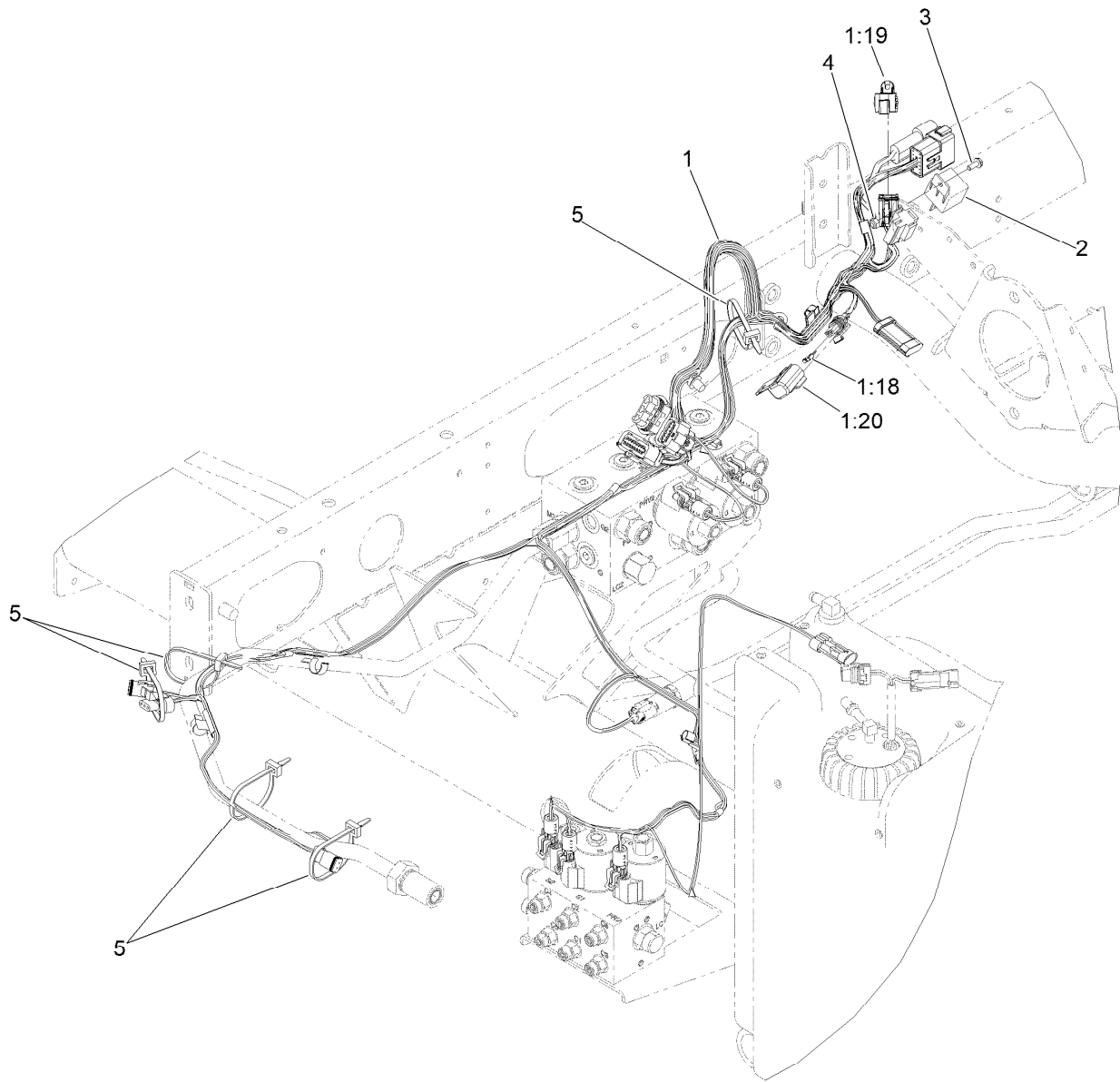
| Ref. | Part Number | Qty. | Description | Ref. | Part Number | Qty. | Description |
|-------|-------------|------|------------------------|--------|-------------|------|-------------------|
| 1 | 114-0352-0P | 1 | Plate - Bridge, No 2&3 | 14 | 323-6 | 2 | Screw-HH |
| 2 | 114-0382-03 | 1 | Arm No. 2 ASM | 16 | 108-7384-03 | 2 | Carrier Frame ASM |
| 2:1 | | 1 | Arm ● | 16:1 | | 1 | Frame-Carrier ● |
| 2:1:1 | 69-6470 | 2 | Bushing-Caster | 16:1:1 | 108-4000 | 2 | Bushing |
| 3 | 114-0383-03 | 1 | Arm No. 3 ASM | 17 | 32121-122 | 2 | Pin-Roll |
| 3:1 | | 1 | Arm ● | 18 | 136-3568 | 4 | Pin-Flag (Mach) |
| 3:1:1 | 69-6470 | 2 | Bushing-Caster | 19 | 104-8300 | 4 | Nut-HF, NI |
| 4 | 325-5 | 1 | Screw-HH | 20 | 322-4 | 4 | Screw-HH |
| 5 | 87-7270 | 2 | Washer-Thrust | 21 | 117-0118 | 4 | Pivot ASM |
| 6 | 327-7 | 2 | Screw-HH | 21:2 | 108-8482 | 1 | Bushing-Sleeve |
| 7 | 99-5107 | 1 | Nut-Lock | 22 | 323-11 | 8 | Screw-HH |
| 8 | 325-7 | 1 | Screw-HH | 23 | 104-8301 | 8 | Nut-HF, NI |
| 9 | 117-0208 | 2 | Shaft-Pivot, Liftarm | 24 | 99-7667 | 2 | Washer-Flat |
| 10 | 105-7560 | 2 | Shaft-Cu Pivot | 25 | 127-2613-03 | 1 | Guard-Foot, LH |
| 11 | 283-71 | 2 | Pin-Lynch | 26 | 127-2614-03 | 1 | Guard-Foot, RH |
| 12 | 3-6781 | 2 | Washer-Flat | 27 | 3234-11 | 2 | Screw-HHF |
| 13 | 302-5 | 4 | Fitting-Grease | | | | |

● Not serviced separately



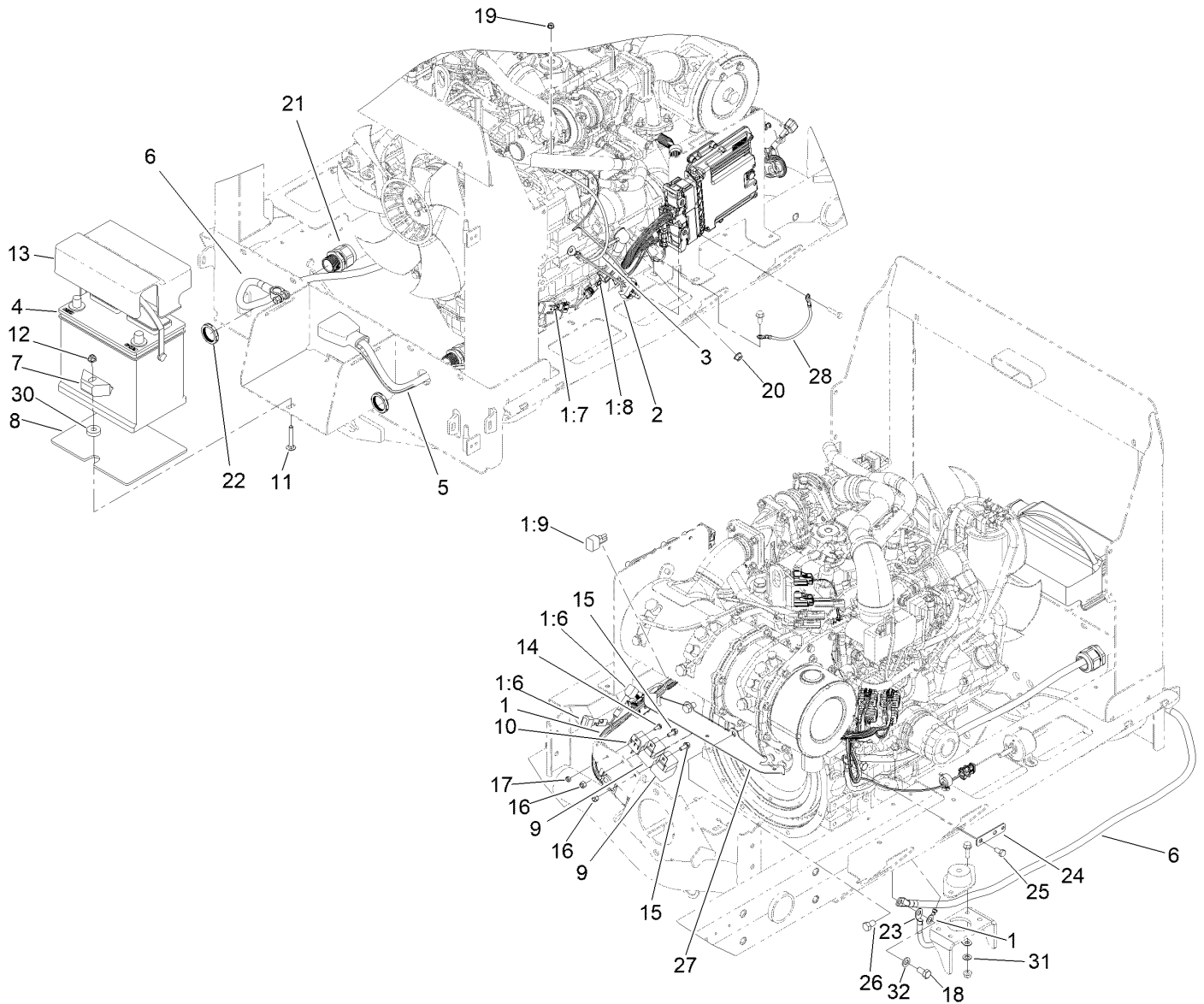
Seat and Control Arm Wiring Harness Assembly

| <i>Ref.</i> | <i>Part Number</i> | <i>Qty.</i> | <i>Description</i> |
|-------------|--------------------|-------------|---------------------|
| 1 | 115-8081 | 1 | Harness-Wire, Seat |
| 1:6 | 218-578 | 3 | Fuse-Blade, 10 Amp |
| 1:7 | 109355 | 1 | Fuse-Blade, 15 Amp |
| 1:23 | 32180-043 | 1 | Resistor-120 Ohm |
| 1:25 | 114241 | 3 | Fuse-Blade, 7.5 Amp |
| 2 | 3290-378 | 3 | Tie-Cable |



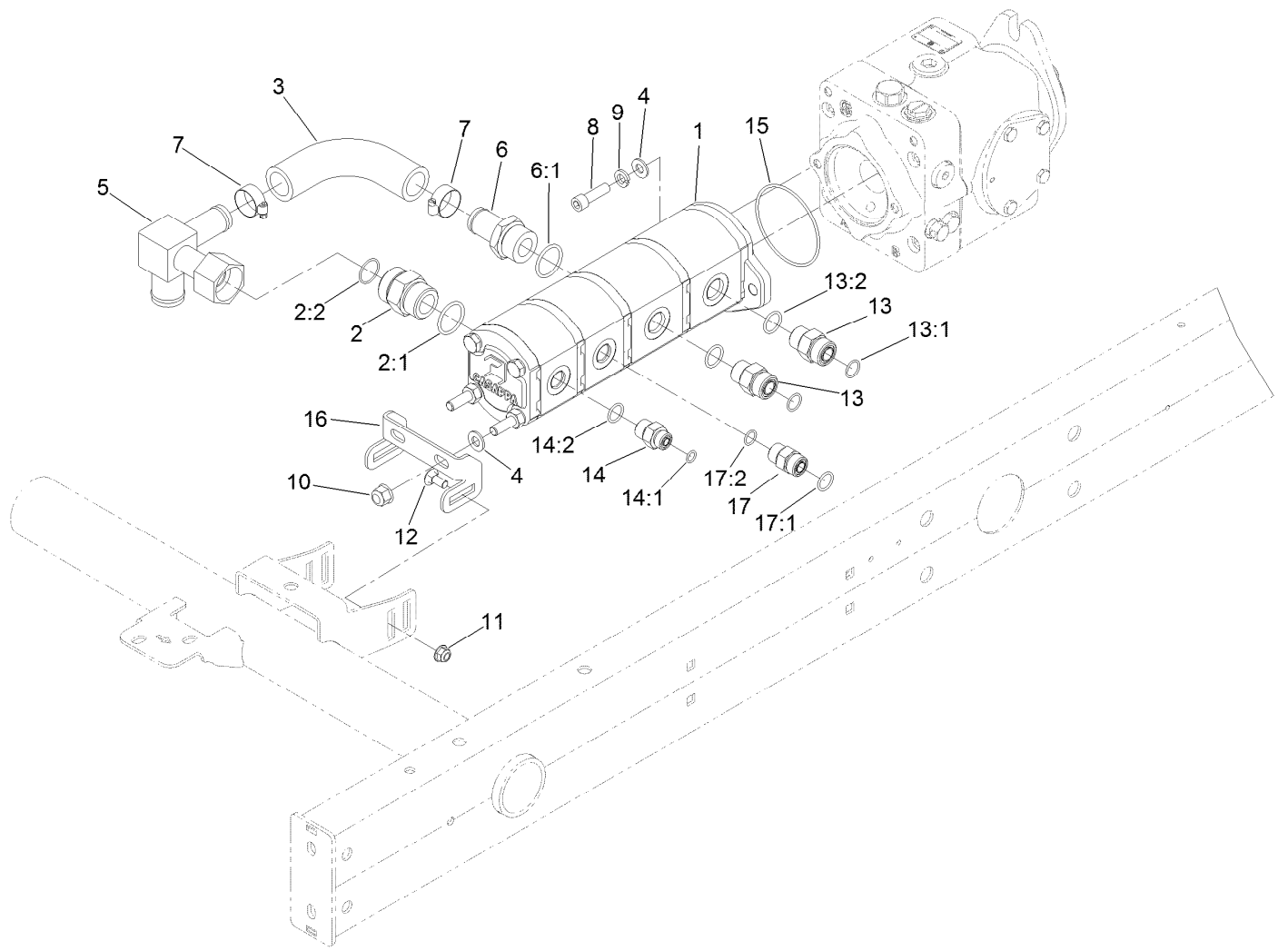
Main Wiring Harness Assembly

| <i>Ref.</i> | <i>Part Number</i> | <i>Qty.</i> | <i>Description</i> |
|-------------|--------------------|-------------|---------------------------|
| 1 | 122-1727 | 1 | Harness-Wire, Gm4300 Main |
| 1:18 | 121-8866 | 1 | Fuse-Mini Blade, 10 Amp |
| 1:19 | 32180-156 | 1 | Cap-Plug, 6 Way |
| 1:20 | 32180-101 | 1 | Cover-Fuse, Single |
| 2 | 99-7435 | 1 | Relay |
| 3 | 3290-321 | 1 | Screw-HWH |
| 4 | 3296-2 | 1 | Nut-Lock, NI |
| 5 | 3290-378 | 10 | Tie-Cable |



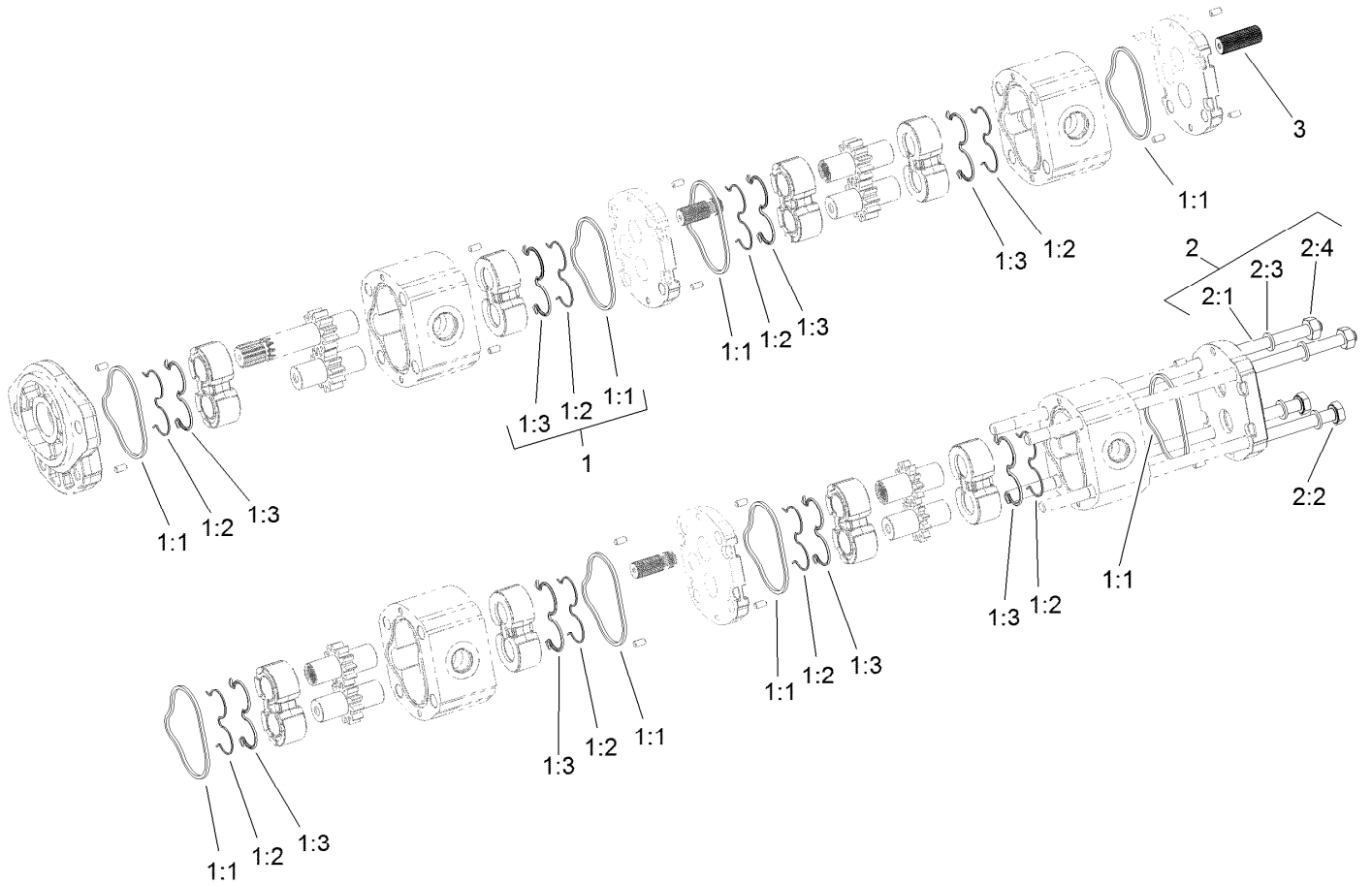
Electrical Assembly

| Ref. | Part Number | Qty. | Description | Ref. | Part Number | Qty. | Description |
|------|-------------|------|----------------------------|------|-------------|------|----------------------|
| 1 | 122-0893 | 1 | Harness-Wire, Engine | 15 | 3234-33 | 2 | Screw-HHF |
| 1:6 | 100-4918 | 2 | Diode | 16 | 3296-42 | 2 | Nut-Lock, NI |
| 1:7 | 121-8861 | 1 | Fuse-Mini Blade, 2 Amp | 17 | 3296-2 | 1 | Nut-Lock, NI |
| 1:8 | 121-8866 | 1 | Fuse-Mini Blade, 10 Amp | 18 | 33115-020 | 1 | Screw-HH |
| 1:9 | 104-4022 | 1 | Resistor-75 Ohm | 19 | 33003-00 | 1 | Nut-HF |
| 2 | 99-3441 | 1 | Harness-Wire, Fusible Link | 20 | 33004-00 | 1 | Nut-HF |
| 3 | 100-5552 | 1 | Harness-Wire | 21 | 121-8854 | 2 | Grip-Cord |
| 4 | 104-9979 | 1 | Battery | 22 | 121-8855 | 2 | Locknut-Grip, Cord |
| 5 | 121-8850 | 1 | Cable-Battery, Positive | 23 | 121-8856 | 1 | Cable-Ground, Engine |
| 6 | 121-8851 | 1 | Cable-Battery, Negative | 24 | 121-5636 | 1 | Tab-Harness |
| 7 | 138-6335 | 1 | Retainer-Battery | 25 | 33114-016 | 2 | Screw-HH |
| 8 | 127-2781 | 1 | Mat-Battery | 26 | 33115-016 | 2 | Screw-HH |
| 9 | 99-7430 | 2 | Relay-Mini | 27 | 132-9706-03 | 1 | Bracket-Harness |
| 10 | 99-7435 | 1 | Relay | 28 | 122-0058 | 1 | Harness-Wire, Ground |
| 11 | 3230-6 | 1 | Bolt-CARR | 30 | 62-6660 | 1 | Spacer |
| 12 | 104-8300 | 1 | Nut-HF, NI | 31 | 120-9683 | 1 | Washer-Plain |
| 13 | 121-5615 | 1 | Cover-Battery | 32 | 33095-00 | 1 | Washer-Flat |
| 14 | 3290-321 | 1 | Screw-HWH | | | | |



Gear Pump Mounting Assembly

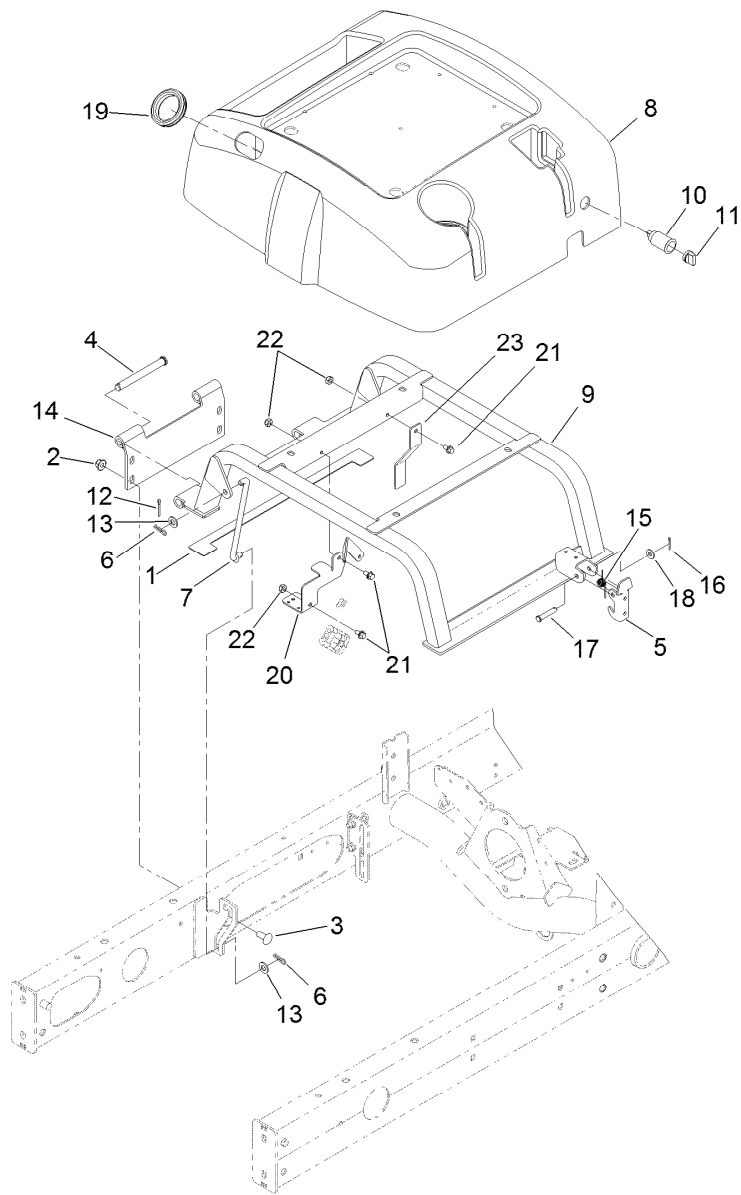
| <i>Ref.</i> | <i>Part Number</i> | <i>Qty.</i> | <i>Description</i> | <i>Ref.</i> | <i>Part Number</i> | <i>Qty.</i> | <i>Description</i> |
|-------------|--------------------|-------------|--------------------|-------------|--------------------|-------------|------------------------|
| 1 | 121-5645 | 1 | Gear Pump ASM | 11 | 104-8300 | 2 | Nut-HF, NI |
| 2 | 104-3797 | 1 | Fitting-Straight | 12 | 3230-1 | 2 | Bolt-CARR |
| 2:1 | 237-146 | 1 | O-Ring | 13 | 340-7 | 2 | Fitting-Straight |
| 2:2 | 340-65 | 1 | O-Ring | 13:1 | 237-65 | 1 | O-Ring |
| 3 | 108-1683 | 1 | Hose-Formed | 13:2 | 237-80 | 1 | O-Ring |
| 4 | 3256-24 | 4 | Washer-Plain | 14 | 340-3 | 1 | Fitting-Straight |
| 5 | 108-1672 | 1 | Manifold-Tube | 14:1 | 237-22 | 1 | O-Ring |
| 6 | 354-78 | 1 | Fitting-STR | 14:2 | 237-79 | 1 | O-Ring |
| 6:1 | 237-146 | 1 | O-Ring | 15 | 237-161 | 1 | O-Ring |
| 7 | 2412-34 | 2 | Clamp-Hose | 16 | 108-1801-0P | 1 | Bracket - Pump Support |
| 8 | 3274-1 | 2 | Screw-HSH | 17 | 340-4 | 1 | Fitting-Straight |
| 9 | 3253-5 | 2 | Washer-Lock | 17:1 | 237-30 | 1 | O-Ring |
| 10 | 103-9511 | 2 | Nut-Lock, NI | 17:2 | 237-79 | 1 | O-Ring |



Gear Pump Assembly No. 121-5645

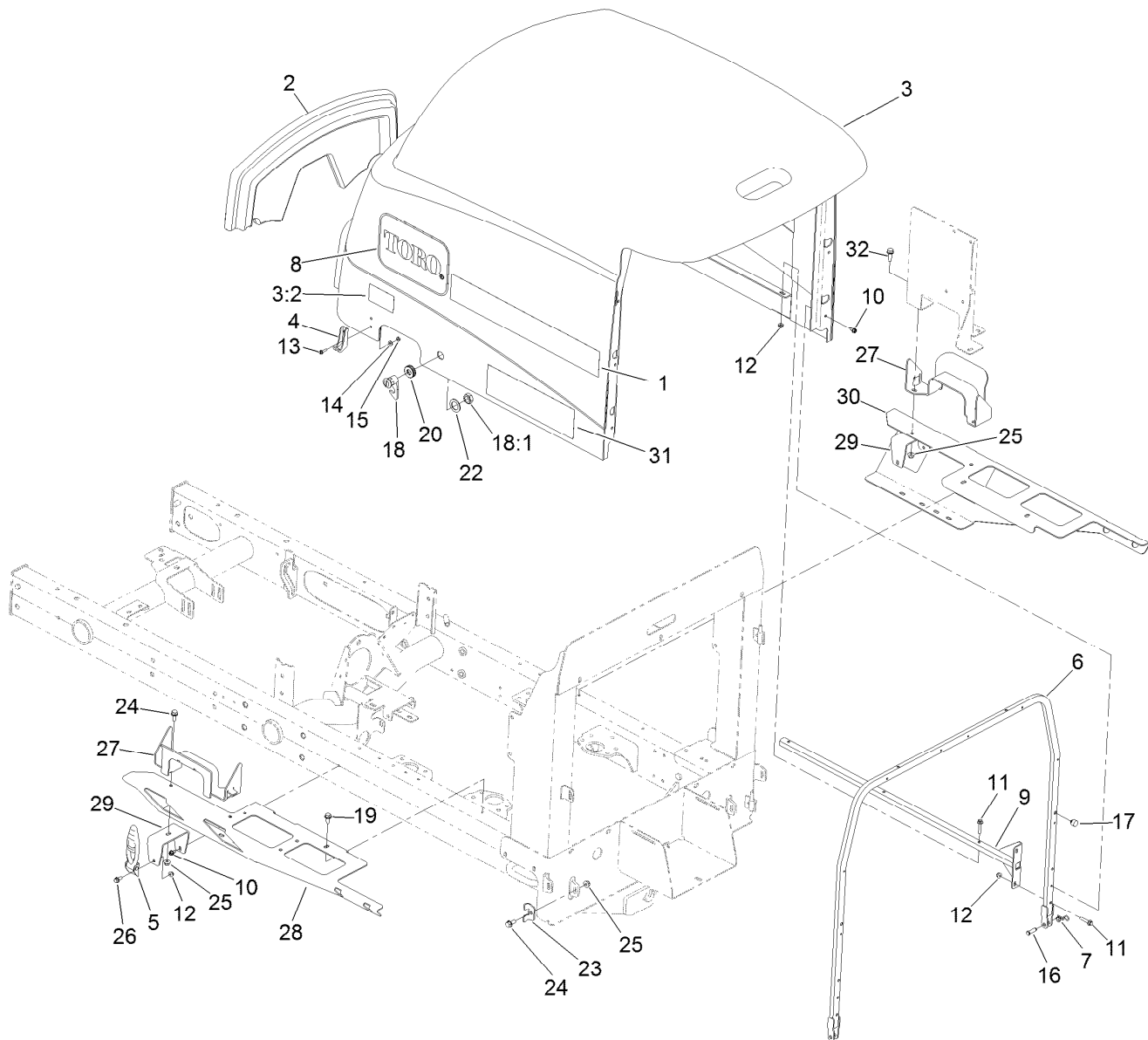
| <i>Ref.</i> | <i>Part Number</i> | <i>Qty.</i> | <i>Description</i> |
|-------------|--------------------|-------------|--------------------|
| 1 | 108-4595 | 1 | Seal Kit |
| 1:1 | | 8 | Seal ● |
| 1:2 | | 8 | Seal ● |
| 1:3 | | 8 | Ring-Back Up ● |
| 2 | 120-6273 | 1 | Bolt Kit |
| 2:1 | | 2 | Stud Bolt ● |
| 2:2 | | 2 | Screw ● |
| 2:3 | | 4 | Washer ● |
| 2:4 | | 2 | Nut ● |
| 3 | 120-6284 | 3 | Hub-Connecting |

● Not serviced separately



Seat Base Assembly

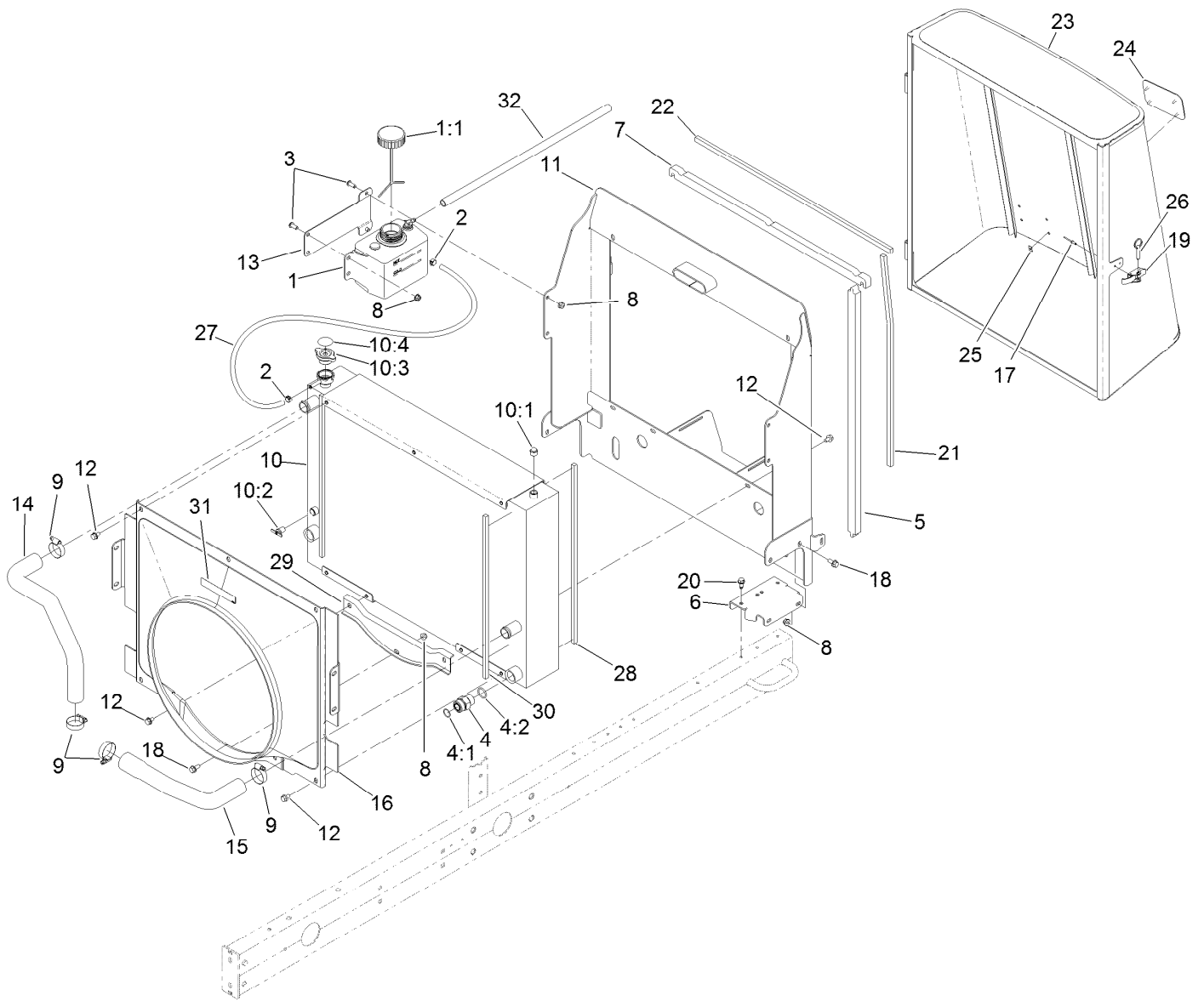
| <i>Ref.</i> | <i>Part Number</i> | <i>Qty.</i> | <i>Description</i> | <i>Ref.</i> | <i>Part Number</i> | <i>Qty.</i> | <i>Description</i> |
|-------------|--------------------|-------------|--------------------|-------------|--------------------|-------------|--------------------|
| 1 | 110-5255 | 2 | Bumper-Base, Seat | 13 | 3256-24 | 4 | Washer-Plain |
| 2 | 104-8301 | 4 | Nut-HF, NI | 14 | 125-2121-03 | 1 | Hinge-Seatbase |
| 3 | 3231-27 | 4 | Screw-CARR | 15 | 104-4821 | 1 | Spring-Torsion |
| 4 | 283-83 | 2 | Pin-Clevis | 16 | 3272-6 | 1 | Pin-Cotter |
| 5 | 110-8971 | 1 | Latch | 17 | 94-3829 | 1 | Pin-Clevis |
| 6 | 3290-307 | 4 | Pin-Cotter | 18 | 3256-2 | 1 | Washer-Flat |
| 7 | 98-0917 | 2 | Rod-Prop | 19 | 240-12 | 1 | Grommet-Rubber |
| 8 | 108-1757 | 1 | Cover-Seatbase | 20 | 127-2711-0P | 1 | Bracket-Harness |
| 9 | 125-2122-03 | 1 | Seat Base ASM | 21 | 3234-13 | 3 | Screw-HHF |
| 10 | 99-7411 | 1 | Point-Power | 22 | 3296-16 | 3 | Nut-Lock, NI |
| 11 | 99-7416 | 1 | Cap | 23 | 127-2615-0P | 1 | Brkt-Wire Harness |
| 12 | 3272-11 | 2 | Pin-Cotter | | | | |



Hood Assembly

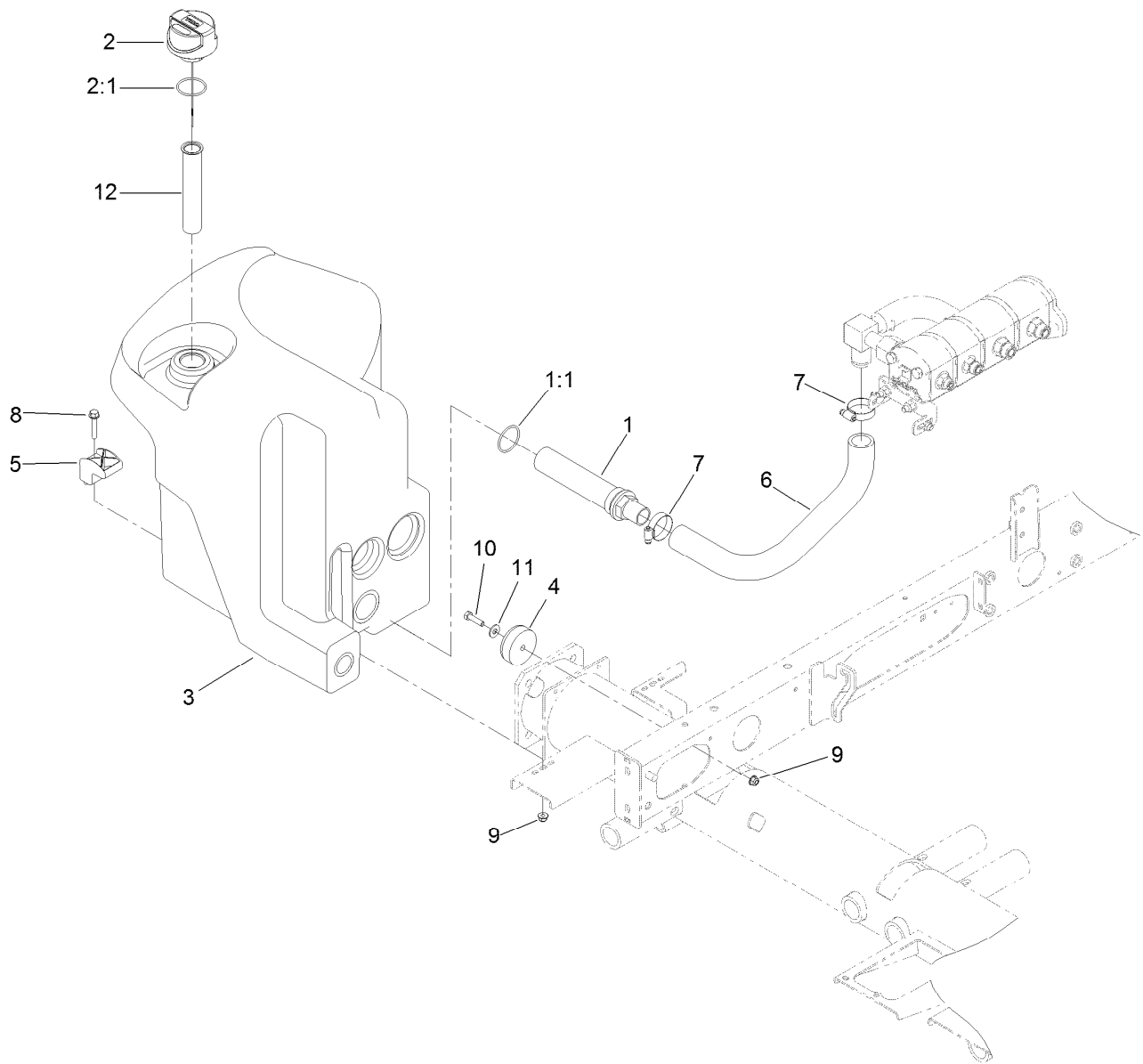
| Ref. | Part Number | Qty. | Description | Ref. | Part Number | Qty. | Description |
|------|-------------|------|------------------|------|-------------|------|-----------------------|
| 1 | 117-0173 | 2 | Decal | 17 | 107-8042 | 2 | Bumper-Rubber |
| 2 | 108-7587 | 1 | Saddle-Hood | 18 | 98-5398 | 1 | Latch |
| 3 | 121-5616 | 1 | Hood ASM | 18:1 | 3218-20 | 1 | Nut-Jam ● |
| 3:2 | 106-6754 | 1 | Decal-Danger | 19 | 32104-32 | 5 | Screw-HWH |
| 4 | 103-2897 | 2 | Latch-Catch | 20 | 104-1453 | 1 | Grommet |
| 5 | 103-2898 | 2 | Latch-Rubber | 22 | 99-4958 | 1 | Spacer |
| 6 | 125-8813-03 | 1 | Tube-Frame, Hood | 23 | 110-8946 | 2 | Clamp-Frame, Radiator |
| 7 | 105-7512 | 2 | Pin-Tie, Bow | 24 | 3234-5 | 4 | Screw-HHF |
| 8 | 66-6140 | 2 | Decal | 25 | 104-8300 | 6 | Nut-HF, NI |
| 9 | 108-1790-03 | 2 | Tube | 26 | 3234-33 | 2 | Screw-HHF |
| 10 | 32104-17 | 12 | Screw-HWH | 27 | 121-5627-03 | 2 | Guide-Hood |
| 11 | 3234-21 | 10 | Screw-HHF | 28 | 110-5253-01 | 1 | Adapter-Hood, LH |
| 12 | 104-7201 | 12 | Nut-HF, NI | 29 | 110-5256-01 | 2 | Bracket-Latch, Hood |
| 13 | 32105-13 | 4 | Screw-HWH | 30 | 110-5254-01 | 1 | Adapter-Hood, RH |
| 14 | 3256-14 | 4 | Washer-Flat | 31 | 110-8859 | 2 | Decal |
| 15 | 3296-12 | 4 | Nut-Lock, NI | 32 | 3234-17 | 2 | Screw-HHF |
| 16 | 283-61 | 2 | Pin-Yoke | | | | |

● Not illustrated



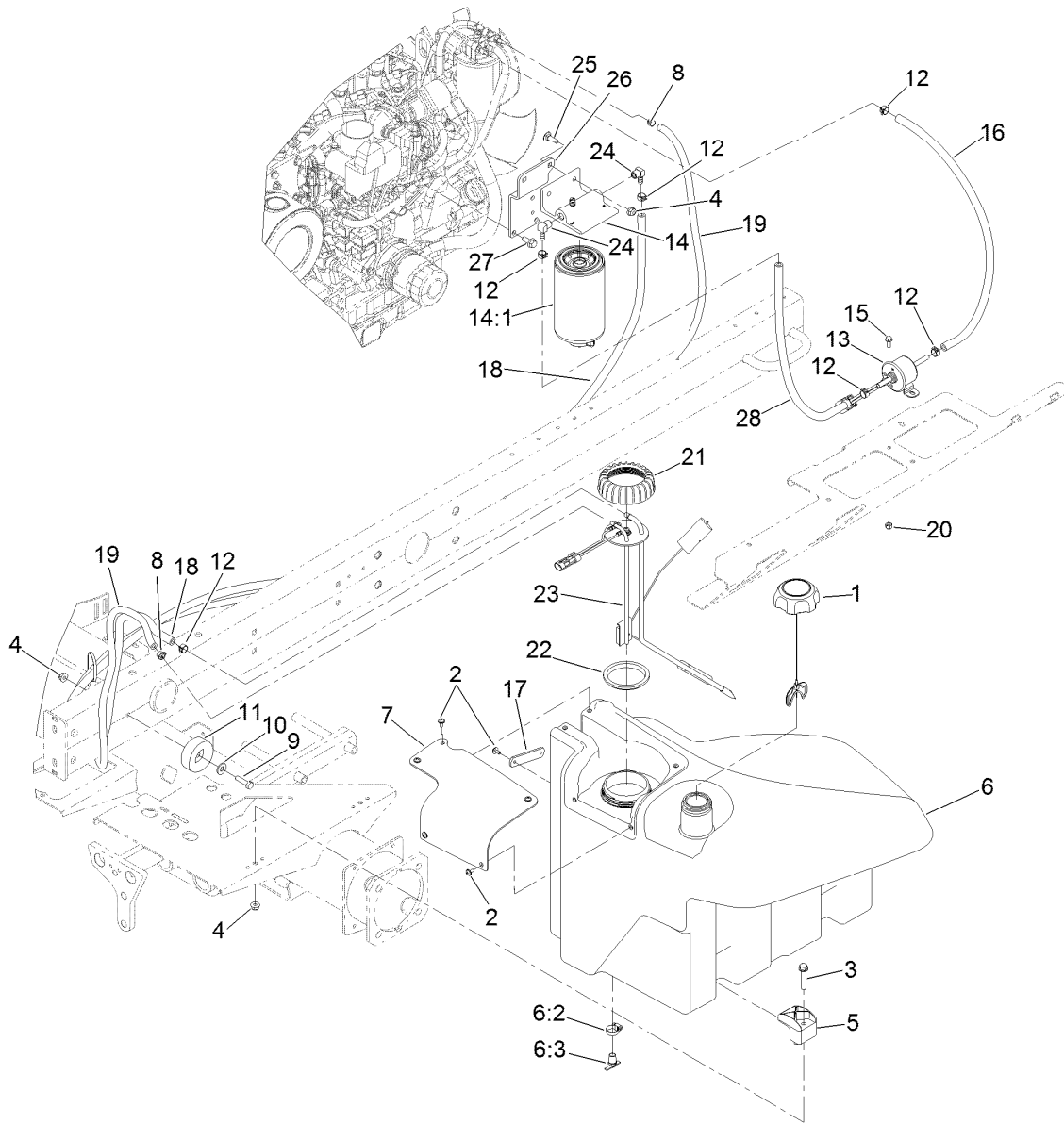
Radiator and Shroud Assembly

| Ref. | Part Number | Qty. | Description | Ref. | Part Number | Qty. | Description |
|------|-------------|------|-----------------------------|------|-------------|------|--------------------------|
| 1 | 120-5573 | 1 | Coolant Reservoir ASM | 13 | 121-5568-0P | 1 | Bracket-Reservoir |
| 1:1 | 87-7050 | 1 | Cap-Reservoir | 14 | 133-2994 | 1 | Hose-Formed |
| 2 | 92-2379 | 3 | Clamp-Hose | 15 | 121-5558 | 1 | Hose-Radiator, Lower |
| 3 | 3274-55 | 5 | Screw-HSBH | 16 | 125-2901 | 1 | Shroud-Fan, Turbo Diesel |
| 4 | 340-9 | 2 | Fitting-STR | 17 | 3269-15 | 2 | Rivet-Pop |
| 4:1 | 237-58 | 1 | O-Ring | 18 | 3234-5 | 5 | Screw-HHF |
| 4:2 | 237-81 | 1 | O-Ring | 19 | 115-1554 | 1 | Latch-Draw |
| 5 | 121-5554 | 2 | Seal-Foam | 20 | 32104-32 | 6 | Screw-HWH |
| 6 | 110-5310-0P | 2 | Bracket - Mounting | 21 | 121-5575 | 2 | Seal-Foam |
| 7 | 110-5276 | 2 | Seal-Foam | 22 | 121-5576 | 1 | Seal-Foam |
| 8 | 104-8300 | 10 | Nut-HF, NI | 23 | 120-3844-03 | 1 | Screen |
| 9 | 2412-3 | 4 | Clamp-Hose | 24 | 93-6028 | 1 | Plate-Logo |
| 10 | 120-3840 | 1 | Oil Cooler And Radiator ASM | 25 | 138-6996 | 4 | Nut-Push |
| 10:1 | 281-13 | 1 | Plug-Pipe | 26 | 115-1556 | 1 | Pin-Ball, Detent |
| 10:2 | 304-46 | 1 | Draincock | 27 | 110-8752 | 1 | Hose-Fuel |
| 10:3 | 93-5957 | 1 | Cap-Radiator | 28 | 110-0969 | 2 | Seal-Foam |
| 10:4 | 106-6755 | 1 | Decal-Cap, Radiator | 29 | 125-2905 | 1 | Cap-Shroud, Diesel |
| 11 | 120-3815-03 | 1 | Frame-Radiator | 30 | 125-8767 | 2 | Seal-Foam |
| 12 | 3234-30 | 14 | Screw-HHF | 31 | 93-7272 | 1 | Decal-Warning |
| | | | | 32 | 110-3257 | 1 | Hose-Fuel |



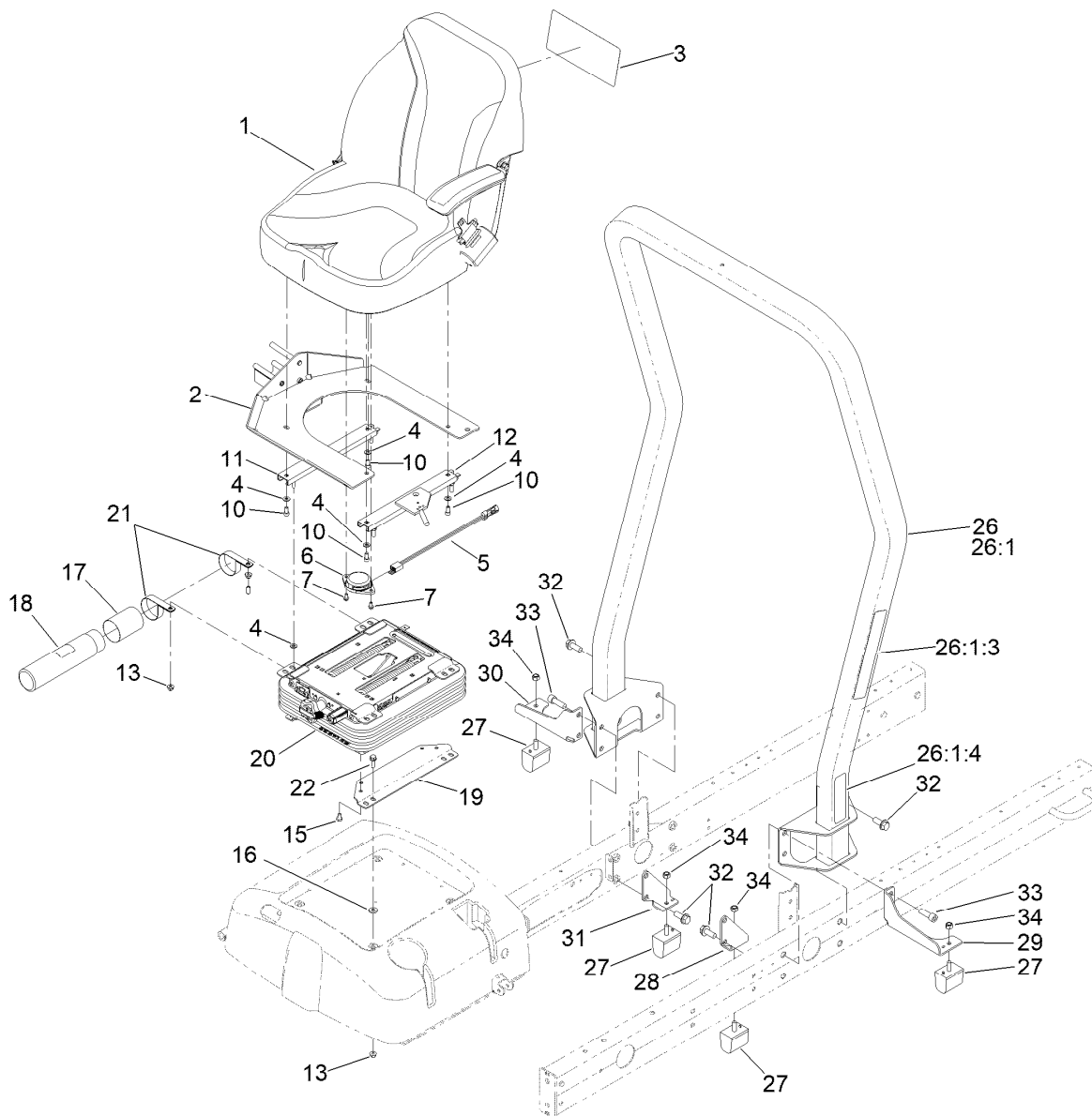
Hydraulic Tank Assembly

| <i>Ref.</i> | <i>Part Number</i> | <i>Qty.</i> | <i>Description</i> |
|-------------|--------------------|-------------|--------------------------------|
| 1 | 145-2463 | 1 | Strainer-Tank, Hydraulic |
| 1:1 | 340-136 | 1 | O-Ring |
| 2 | 117-0193 | 1 | Cap-Hydraulic, Vented Breather |
| 2:1 | 237-101 | 1 | O-Ring |
| 3 | 121-5587 | 1 | Tank-Hydraulic |
| 4 | 108-1605 | 1 | Bumper-Recess |
| 5 | 107-4543 | 2 | Clamp |
| 6 | 108-1685 | 1 | Hose-Formed |
| 7 | 2412-3 | 2 | Clamp-Hose |
| 8 | 94-5780 | 2 | Screw-HWH |
| 9 | 104-8300 | 3 | Nut-HF, NI |
| 10 | 322-6 | 1 | Screw-HH |
| 11 | 3256-3 | 1 | Washer-Flat |
| 12 | 61-2790 | 1 | Filter-Screen |



Fuel System Assembly

| Ref. | Part Number | Qty. | Description | Ref. | Part Number | Qty. | Description |
|------|-------------|------|------------------------------------|------|-------------|------|-----------------------------|
| 1 | 125-9173 | 1 | Cap-Fuel, Diesel, Ultra Low Sulfur | 14 | 125-2914 | 1 | Filter-Separator |
| 2 | 109-2661 | 7 | Screw-PPH | 14:1 | 125-2915 | 1 | Filter-Fuel/Water Separator |
| 3 | 94-5780 | 2 | Screw-HWH | 15 | 3234-33 | 2 | Screw-HHF |
| 4 | 104-8300 | 5 | Nut-HF, NI | 16 | 109-0308 | 1 | Hose-Fuel |
| 5 | 107-4543 | 2 | Clamp | 17 | 125-2945 | 1 | Strap-Cable |
| 6 | 125-2907 | 1 | Fuel Tank ASM | 18 | 121-5608 | 1 | Hose-Fuel |
| 6:2 | 2412-36 | 1 | Clamp-Hose | 19 | 121-5614 | 1 | Hose-Fuel |
| 6:3 | 304-46 | 1 | Draincock | 20 | 3296-42 | 2 | Nut-Lock, NI |
| 7 | 125-2903 | 1 | Cover-Pump/Sender | 21 | 115-2162 | 1 | Cap-Pump, Fuel |
| 8 | 2412-98 | 2 | Clamp-Hose | 22 | 115-2163 | 1 | Gasket-Pump, Fuel |
| 9 | 322-6 | 1 | Screw-HH | 23 | 121-5642 | 1 | Sender-Fuel |
| 10 | 3256-3 | 1 | Washer-Flat | 24 | 353-781 | 2 | Fitting-HYD, 90 |
| 11 | 108-1605 | 1 | Bumper-Recess | 25 | 3230-22 | 2 | Screw-CARR |
| 12 | 92-2379 | 6 | Clamp-Hose | 26 | 120-6299-0P | 1 | Bracket-Separator |
| 13 | 121-5613 | 1 | Pump-Fuel, Electric | 27 | 33104-020 | 3 | Screw-HHF |
| | | | | 28 | 109-0274 | 1 | Hose-Fuel |

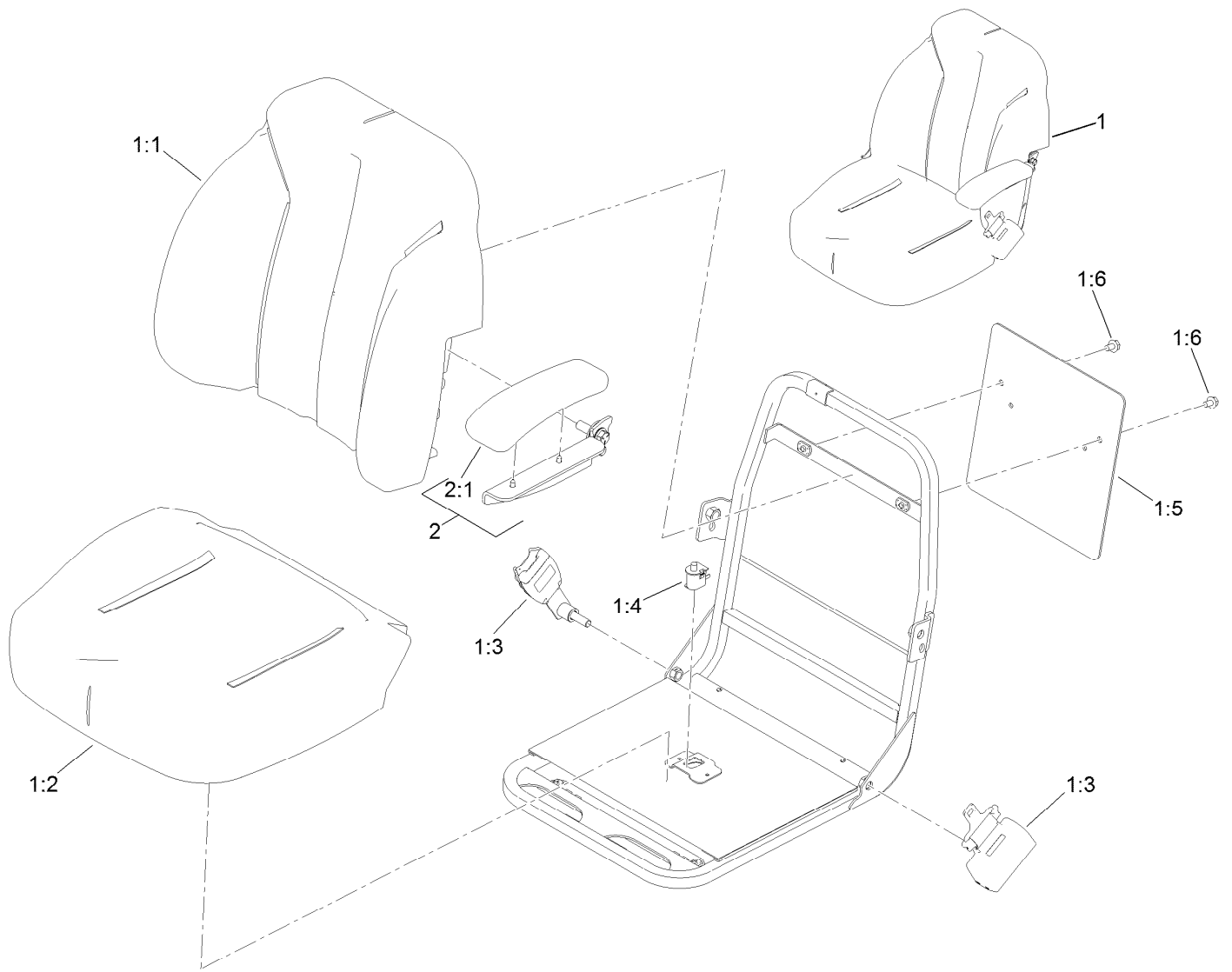


Seat Mount Assembly

| Ref. | Part Number | Qty. | Description |
|------|-------------|------|----------------------------|
| 1 | 139-2700 | 1 | Seat ASM |
| 2 | 138-6985-03 | 1 | Mount-Seat |
| 3 | 136-3723 | 1 | Decal-Service |
| 4 | 3256-23 | 8 | Washer-Plain |
| 5 | 108-8657 | 1 | Harness-Wire, Seat |
| 6 | 136-9002 | 4 | Spacer-Mounting |
| 7 | 130-7100 | 1 | Trim-Seatbase |
| 10 | 3290-511 | 4 | Screw-HSBH |
| 11 | 92-8990 | 1 | Adjuster-Seat, Non-Locking |
| 12 | 92-8991 | 1 | Adjuster (W/Latch) |
| 13 | 104-8300 | 8 | Nut-HF, NI |
| 15 | 48-7680 | 4 | Screw-HH |
| 16 | 71-9310 | 4 | Spacer |
| 17 | 104-7048 | 1 | Cap-Housing |
| 18 | 104-7050 | 1 | Tube-Manual |
| 19 | 108-6590-0P | 2 | Bracket-Seat, Lower |

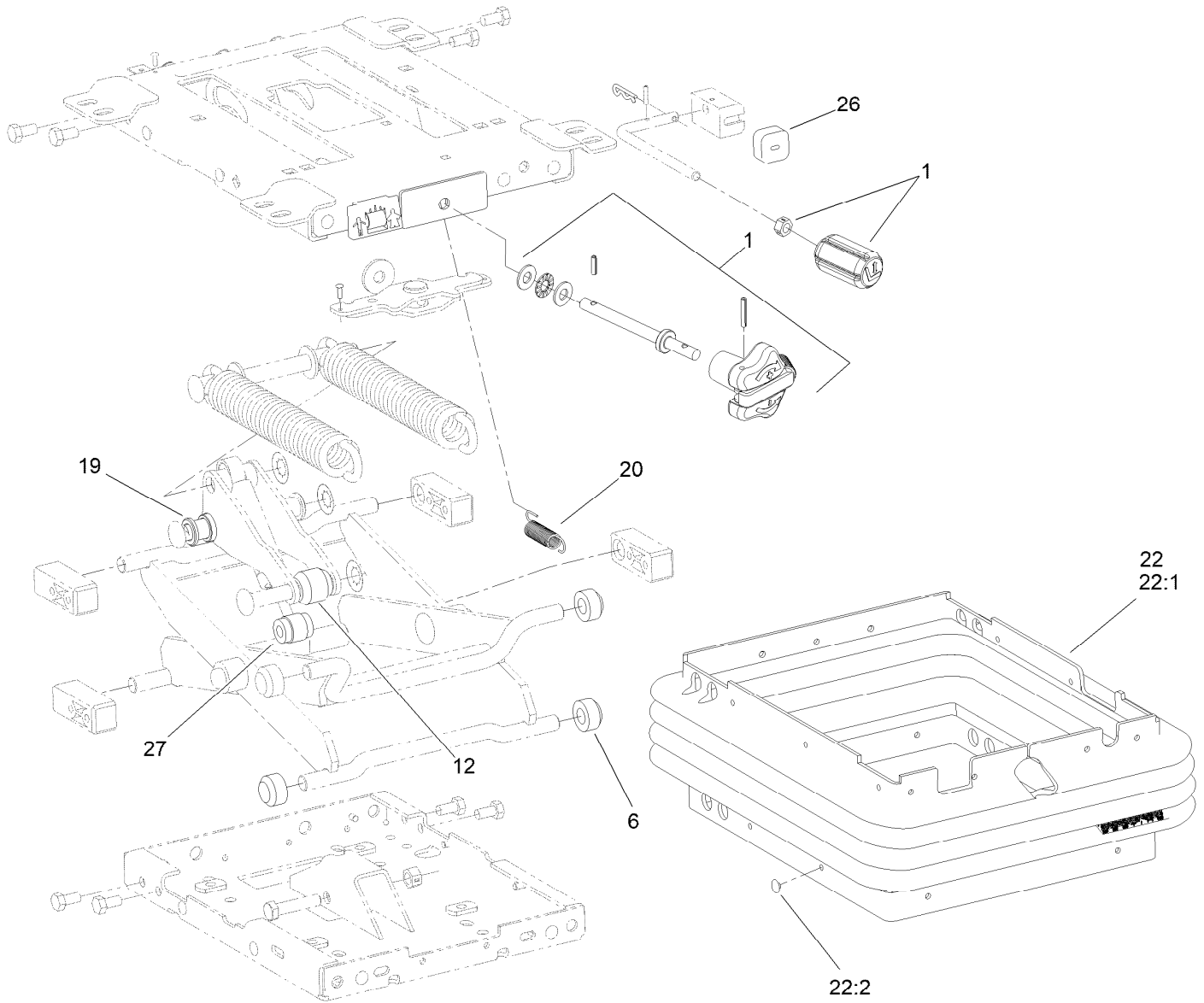
| Ref. | Part Number | Qty. | Description |
|--------|-------------|------|--------------------|
| 20 | 145-5295 | 1 | Suspension ASM |
| 21 | 2412-133 | 2 | Clamp-R |
| 22 | 3234-17 | 4 | Screw-HHF |
| 26 | 136-7954 | 1 | ROPS ASM |
| 26:1 | | 1 | ROPS ASM ● |
| 26:1:3 | 136-3702 | 1 | Decal-Safety, ROPS |
| 26:1:4 | 136-2159 | 1 | Decal-Seat Service |
| 27 | 87-3470 | 4 | Bumper |
| 28 | 117-0183-0P | 1 | Brkt-Bump, LH |
| 29 | 117-0184-03 | 1 | Bracket-Bumper, LH |
| 30 | 117-0233-03 | 1 | Bracket-Bumper, RH |
| 31 | 117-0234-0P | 1 | Brkt - Bump, RH |
| 32 | 3234-38 | 8 | Screw-HHF |
| 33 | 3274-4 | 4 | Screw-HSH |
| 34 | 33025-00 | 4 | Nut-Lock, NI |

● Not serviced separately



Seat Assembly No. 139-2700

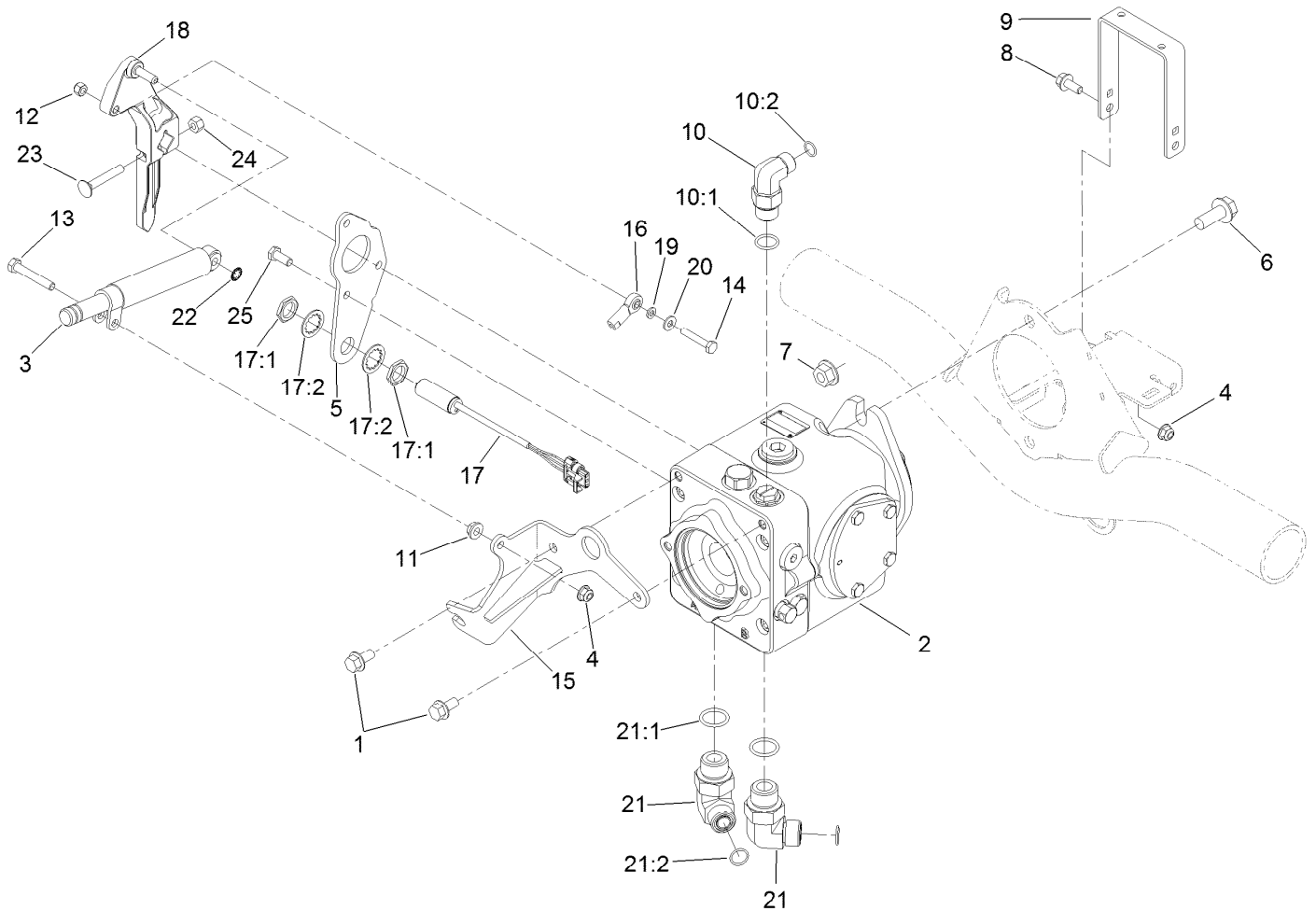
| <i>Ref.</i> | <i>Part Number</i> | <i>Qty.</i> | <i>Description</i> |
|-------------|--------------------|-------------|--------------------|
| 1 | 139-2680 | 1 | Seat ASM |
| 1:1 | 145-0083 | 1 | Cover-Seat, Back |
| 1:2 | 145-0084 | 1 | Cover-Seat, Bottom |
| 1:3 | 139-2707 | 1 | Seat Belt Kit |
| 1:4 | 82-2190 | 1 | Switch-Bail |
| 1:5 | 139-2701 | 1 | Plate-Decal |
| 1:6 | 3234-30 | 2 | Screw-HHF |
| 2 | 121-3660 | 1 | LH Arm Rest Kit |
| 2:1 | 110-4163 | 1 | Cushion-Rest, Arm |



Mechanical Seat Suspension Assembly No. 145-5295

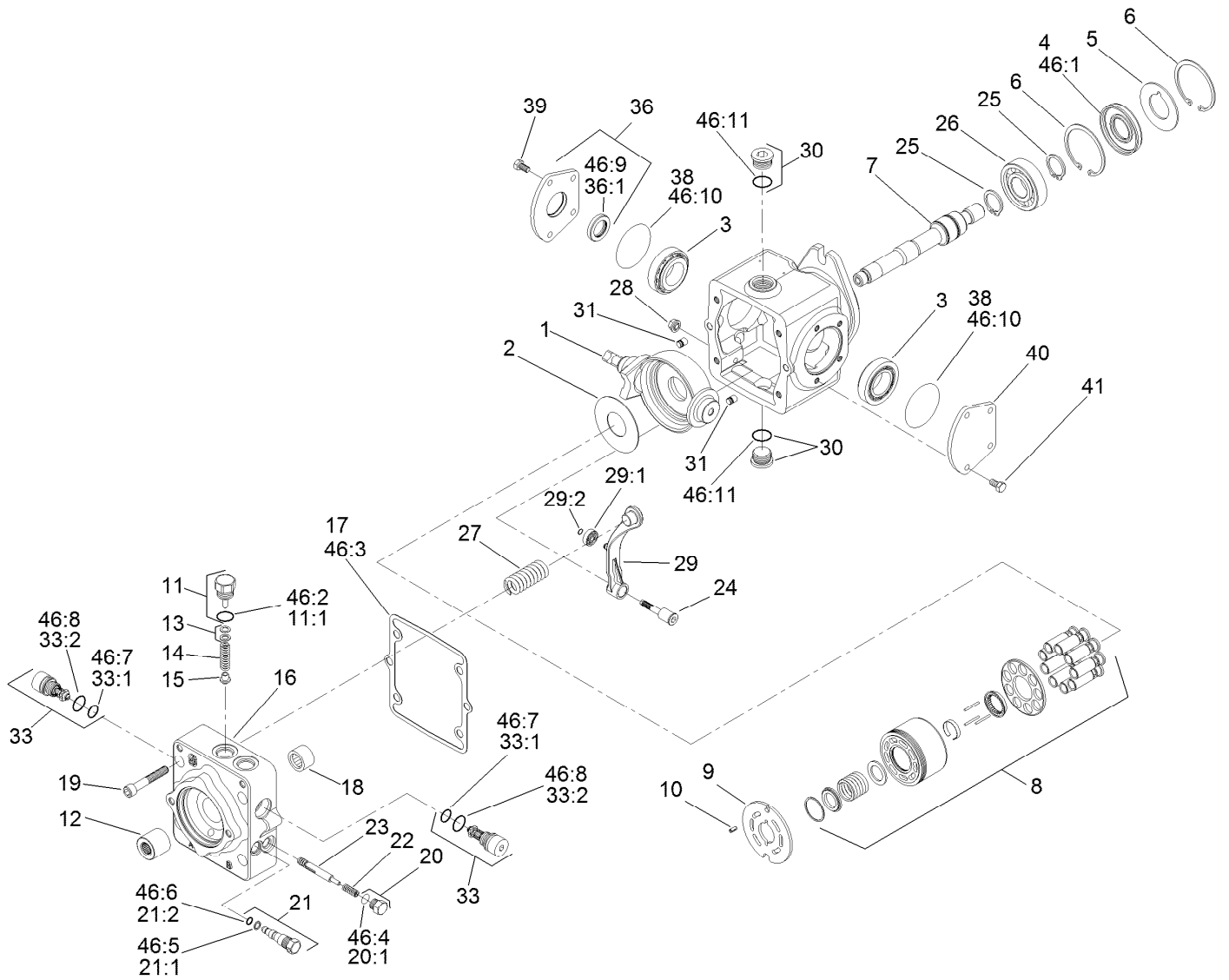
| <i>Ref.</i> | <i>Part Number</i> | <i>Qty.</i> | <i>Description</i> |
|-------------|--------------------|-------------|----------------------|
| 1 | 145-5296 | 1 | Knob Service Kit |
| 6 | 108-9632 | 4 | Roller |
| 12 | 145-5297 | 1 | Roller-Plastic, 36MM |
| 19 | 108-9622 | 2 | Tube |
| 20 | 108-9633 | 1 | Spring-Extension |
| 22 | 112-0164 | 1 | Boot Kit |
| 22:1 | | 1 | Boot-Suspension ● |
| 22:2 | 108-9641 | 21 | Clip-Plug |
| 26 | 108-9634 | 1 | Bumper |
| 27 | 108-9614 | 1 | Damper |

● Not serviced separately



Traction Pump Assembly

| Ref. | Part Number | Qty. | Description | Ref. | Part Number | Qty. | Description |
|------|-------------|------|--------------------------------|------|-------------|------|-----------------------------|
| 1 | 3234-1 | 2 | Screw-HHF | 14 | 321-9 | 1 | Screw-HH |
| 2 | 119-6972 | 1 | Variable Hydraulic Pump ASM | 15 | 127-2356-0P | 1 | Brkt-Cable [primed] |
| 3 | 140-6248 | 1 | Damper | 16 | 2411-41 | 1 | Rod End-Ball Joint |
| 4 | 104-8300 | 3 | Nut-HF, NI | 17 | 115-5300 | 1 | Proximity Switch ASM |
| 5 | 125-8822-0P | 1 | Plate-Pump | 17:1 | 117-3207 | 2 | Nut-Hex |
| 6 | 3234-38 | 2 | Screw-HHF | 17:2 | 117-3208 | 2 | Washer-Lock, Internal Tooth |
| 7 | 32128-49 | 2 | Nut-HHF | 18 | 117-0265 | 1 | Lever-Pump |
| 8 | 3234-5 | 2 | Screw-HHF | 19 | 33093-00 | 1 | Washer-Flat |
| 9 | 108-1799-0P | 1 | Hoop - Guard | 20 | 3256-22 | 1 | Washer-Flat |
| 10 | 340-105 | 1 | Fitting-Elbow, 90 DEG | 21 | 340-139 | 2 | Fitting-Elbow 90 |
| 10:1 | 237-80 | 1 | O-Ring | 21:1 | 237-81 | 1 | O-Ring |
| 10:2 | 237-30 | 1 | O-Ring | 21:2 | 237-65 | 1 | O-Ring |
| 11 | 32128-20 | 1 | Nut-HF | 22 | 32151-72 | 1 | Ring-Retaining |
| 12 | 3296-42 | 1 | Nut-Lock, NI | 23 | 3230-6 | 1 | Bolt-CARR |
| 13 | 322-10 | 1 | Screw-HH | 24 | 3296-29 | 1 | Nut-Lock, NI |
| | | | | 25 | 33114-020 | 3 | Screw-HH |

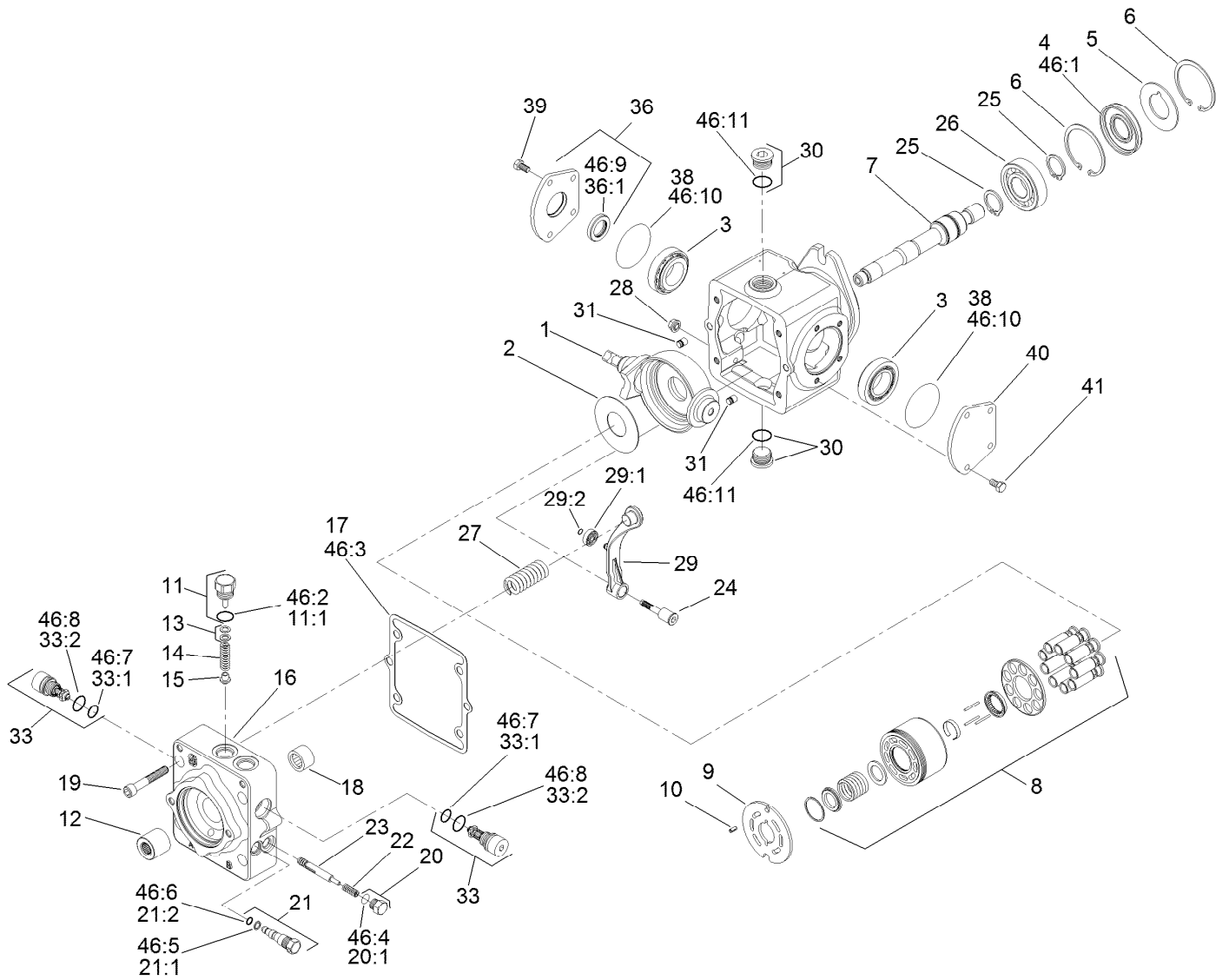


Hydraulic Pump Assembly No. 119-6972

| Ref. | Part Number | Qty. | Description | Ref. | Part Number | Qty. | Description |
|------|-------------|------|-------------------------|------|-------------|------|------------------------|
| 1 | 115-8092 | 1 | Swashplate | 18 | 75-0500 | 1 | Bearing-Needle |
| 2 | 75-0400 | 1 | Plate-Thrust | 19 | 110-6489 | 4 | Screw |
| 3 | 110-6483 | 2 | Bearing Kit | 20 | 94-9415 | 2 | Plug ASM |
| 4 | 110-6471 | 1 | Seal-Lip | 20:1 | | 1 | O-Ring ■ |
| 5 | 95-4400 | 1 | Washer-Backup | 21 | 107-4364 | 1 | Bypass Valve ASM |
| 6 | 69-3200 | 2 | Ring-Retaining | 21:1 | 25-2630 | 1 | Ring-Back Up |
| 7 | 110-6484 | 1 | Shaft-Auxiliary | 21:2 | 110-6498 | 1 | O-Ring |
| 8 | 110-6472 | 1 | Cylinder Block Kit ASM | 22 | 110-6491 | 2 | Spring |
| 9 | 110-6473 | 1 | Plate-Valve (Clockwise) | 23 | 110-6492 | 1 | Spool-Loop, Flush |
| 10 | 110-6485 | 1 | Pin-Slotted | 24 | 110-6493 | 1 | Pivot-Return, Neutral |
| 11 | 110-6486 | 1 | Plug-Relief, Charge | 25 | 69-3170 | 2 | Ring-Retaining |
| 11:1 | 28-3570 | 1 | O-Ring | 26 | 75-0460 | 1 | Bearing-Ball |
| 12 | 110-6480 | 1 | Coupling | 27 | 115-8085 | 1 | Spring-Neutral Return |
| 13 | 92-1353 | 1 | Shim Kit | 28 | 110-6496 | 1 | Nut-Seal |
| 14 | 110-6474 | 1 | Spring | 29 | 110-6497 | 1 | Neutral Return Arm ASM |
| 15 | 110-6475 | 1 | Poppet | 29:1 | 110-6494 | 1 | Bearing-Cam |
| 16 | 115-8087 | 1 | Cap-End | 29:2 | 110-3056 | 1 | Ring-Retaining |
| 17 | 110-6476 | 1 | Gasket-Cap, End | 30 | 69-3130 | 2 | Plug |

● Not illustrated

■ Not serviced separately

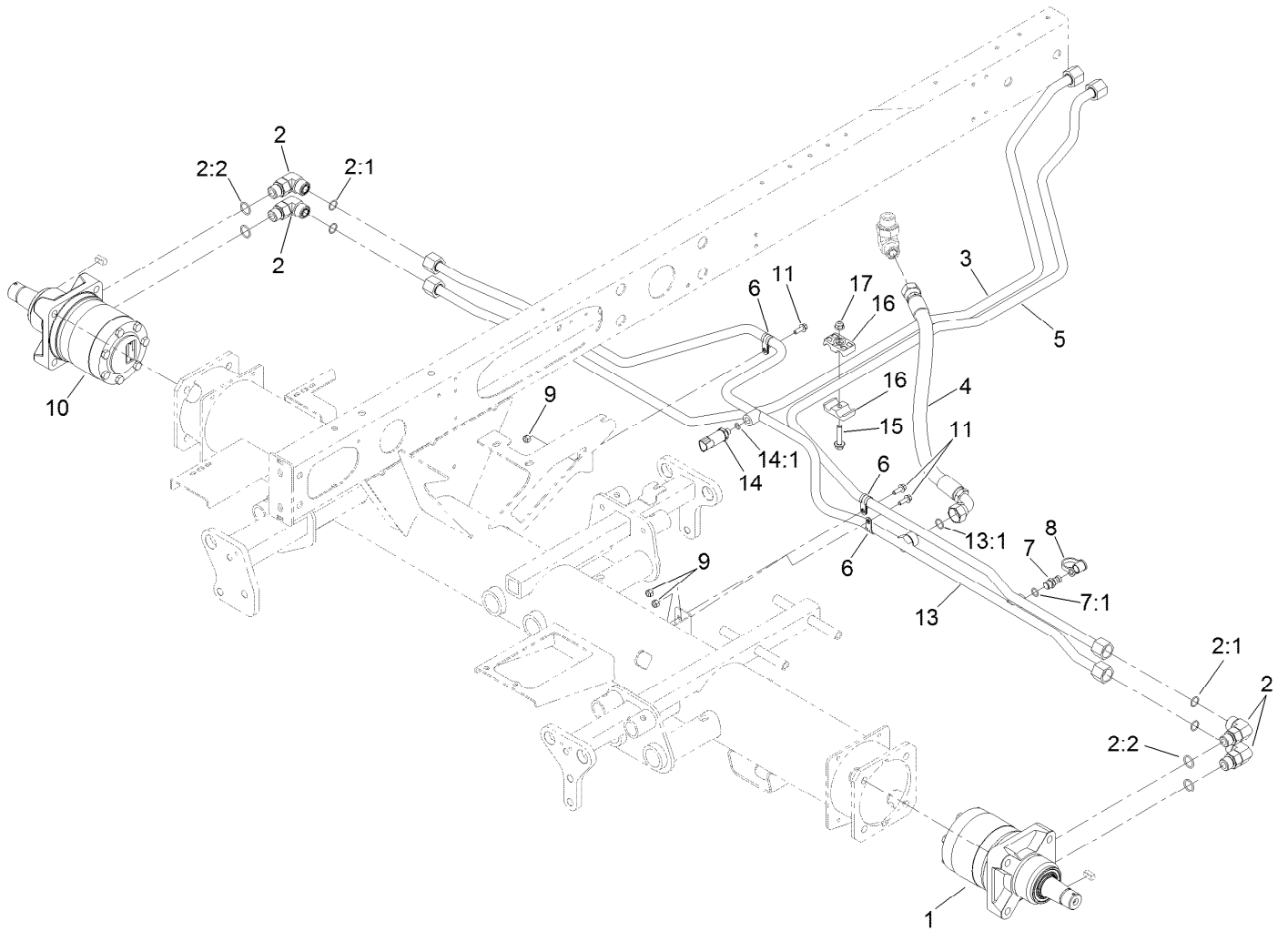


Hydraulic Pump Assembly No. 119-6972 (continued)

| Ref. | Part Number | Qty. | Description | Ref. | Part Number | Qty. | Description |
|------|-------------|------|--------------------|-------|-------------|------|-----------------|
| 31 | 112-0158 | 2 | Pin | 46:1 | 110-6471 | 1 | Seal-Lip |
| 33 | 110-6477 | 2 | Valve-Relief | 46:2 | 28-3570 | 1 | O-Ring |
| 33:1 | 75-0240 | 1 | O-Ring ● | 46:3 | 110-6476 | 1 | Gasket-Cap, End |
| 33:2 | 84-0560 | 1 | O-Ring ● | 46:4 | 131-8631 | 2 | O-Ring |
| 36 | 110-6499 | 1 | Trunnion Cover ASM | 46:5 | 25-2630 | 1 | Ring-Back Up |
| 36:1 | 110-6478 | 1 | Seal-Lip | 46:6 | 110-6498 | 1 | O-Ring |
| 38 | 84-0430 | 2 | O-Ring | 46:7 | 75-0240 | 2 | O-Ring |
| 39 | 112-0150 | 4 | Screw | 46:8 | 84-0560 | 2 | O-Ring |
| 40 | 84-0440 | 1 | Cover-Trunnion | 46:9 | 110-6478 | 1 | Seal-Lip |
| 41 | 112-0151 | 4 | Screw | 46:10 | 84-0430 | 2 | O-Ring |
| 46 | 110-6481 | 1 | Seal Kit ● | 46:11 | 131-8614 | 2 | O-Ring |

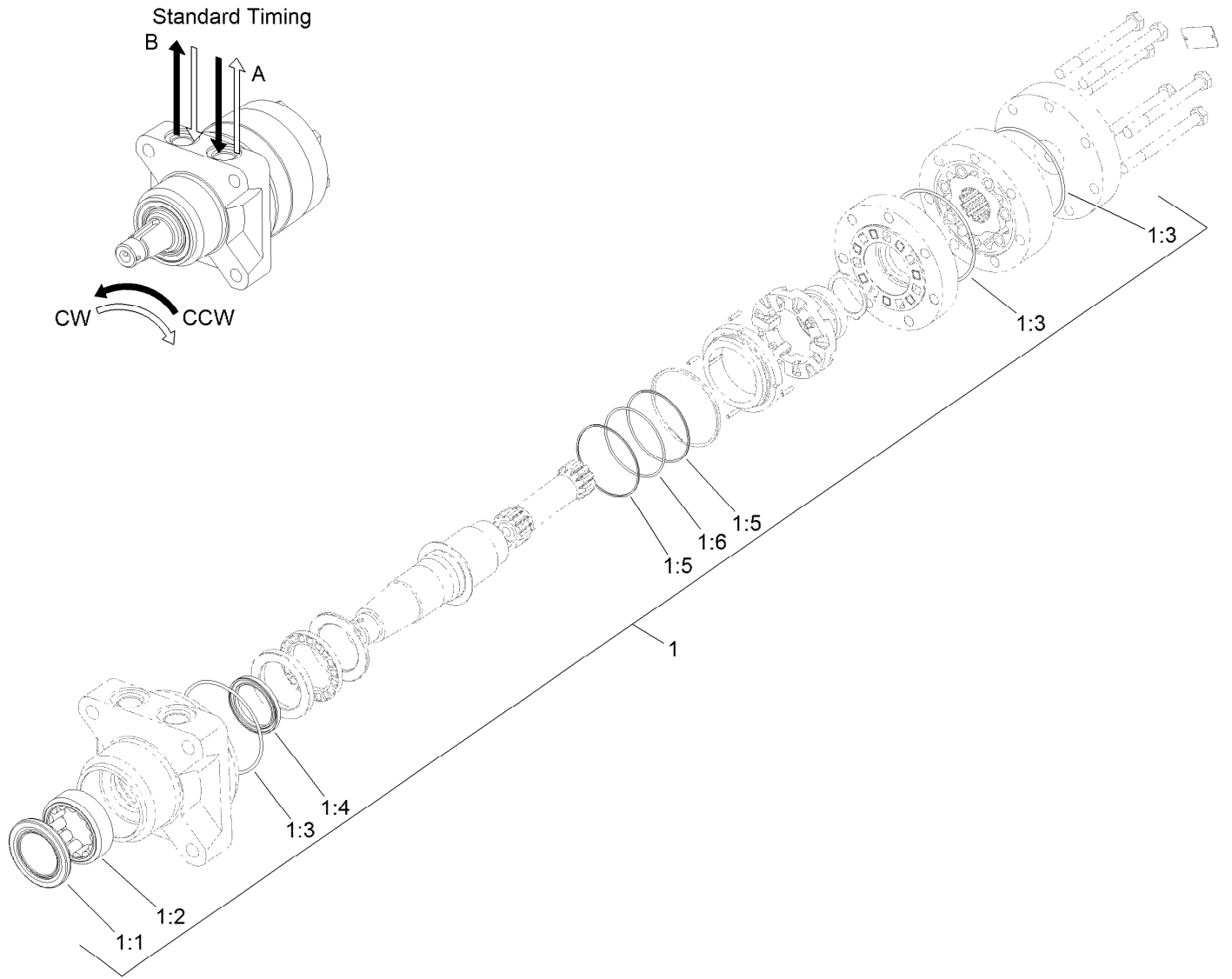
● Not illustrated

■ Not serviced separately



Traction Hydraulic Circuit Assembly

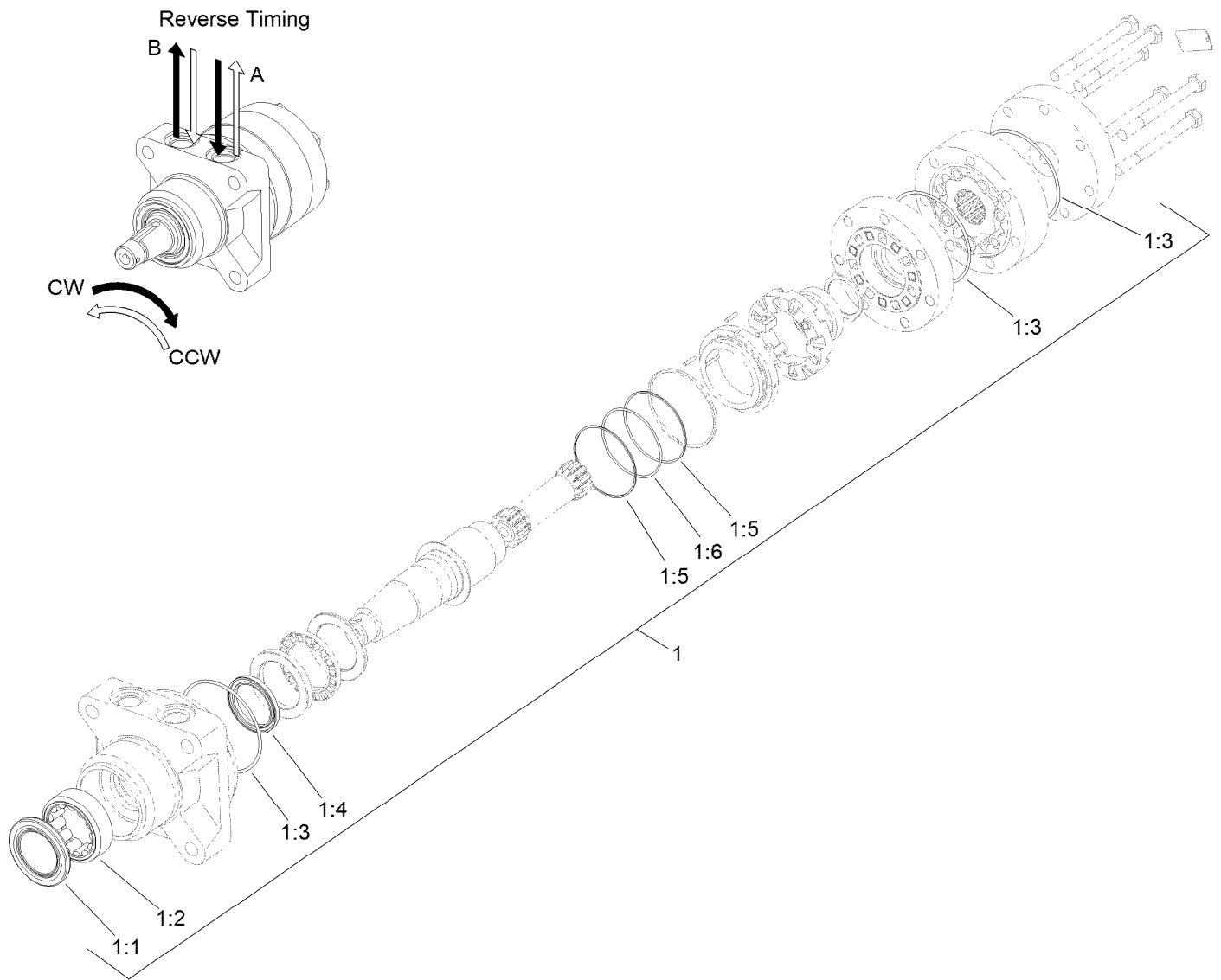
| <i>Ref.</i> | <i>Part Number</i> | <i>Qty.</i> | <i>Description</i> | <i>Ref.</i> | <i>Part Number</i> | <i>Qty.</i> | <i>Description</i> |
|-------------|--------------------|-------------|-----------------------|-------------|--------------------|-------------|-------------------------|
| 1 | 133-2935 | 1 | Hydraulic Motor ASM | 9 | 3296-42 | 3 | Nut-Lock, NI |
| 2 | 340-17 | 4 | Fitting-Elbow, 90 DEG | 10 | 133-2934 | 1 | Hydraulic Motor ASM |
| 2:1 | 237-65 | 1 | O-Ring | 11 | 3234-4 | 3 | Screw-HHF |
| 2:2 | 237-80 | 1 | O-Ring | 13 | 114-0389 | 1 | Hydraulic Tube ASM |
| 3 | 114-0425 | 1 | Hydraulic Tube ASM | 13:1 | 237-65 | 1 | O-Ring |
| 4 | 108-1679 | 1 | Hose-HYD | 14 | 119-0011 | 1 | Pressure Transducer ASM |
| 5 | 114-0424 | 1 | Hydraulic Tube ASM | 14:1 | 237-78 | 1 | O-Ring |
| 6 | 2412-134 | 3 | Clamp-R | 15 | 94-5780 | 1 | Screw-HWH |
| 7 | 59-7410 | 1 | Fitting-Diagnostic | 16 | 56-7971 | 2 | Clamp-Tube |
| 7:1 | 237-42 | 1 | O-Ring | 17 | 104-8300 | 1 | Nut-HF, NI |
| 8 | 354-79 | 1 | Cap-Dust | | | | |



Hydraulic Motor Assembly No. 133-2935 (CCW)

| Ref. | Part Number | Qty. | Description |
|------|-------------|------|-----------------|
| 1 | 120-6268 | 1 | Seal Kit |
| 1:1 | | 1 | Seal-Grease ● |
| 1:2 | | 1 | Shell-Bearing ● |
| 1:3 | | 3 | O-Ring ● |
| 1:4 | | 1 | Seal-Shaft ● |
| 1:5 | | 2 | Ring-Back Up ● |
| 1:6 | | 1 | O-Ring ● |

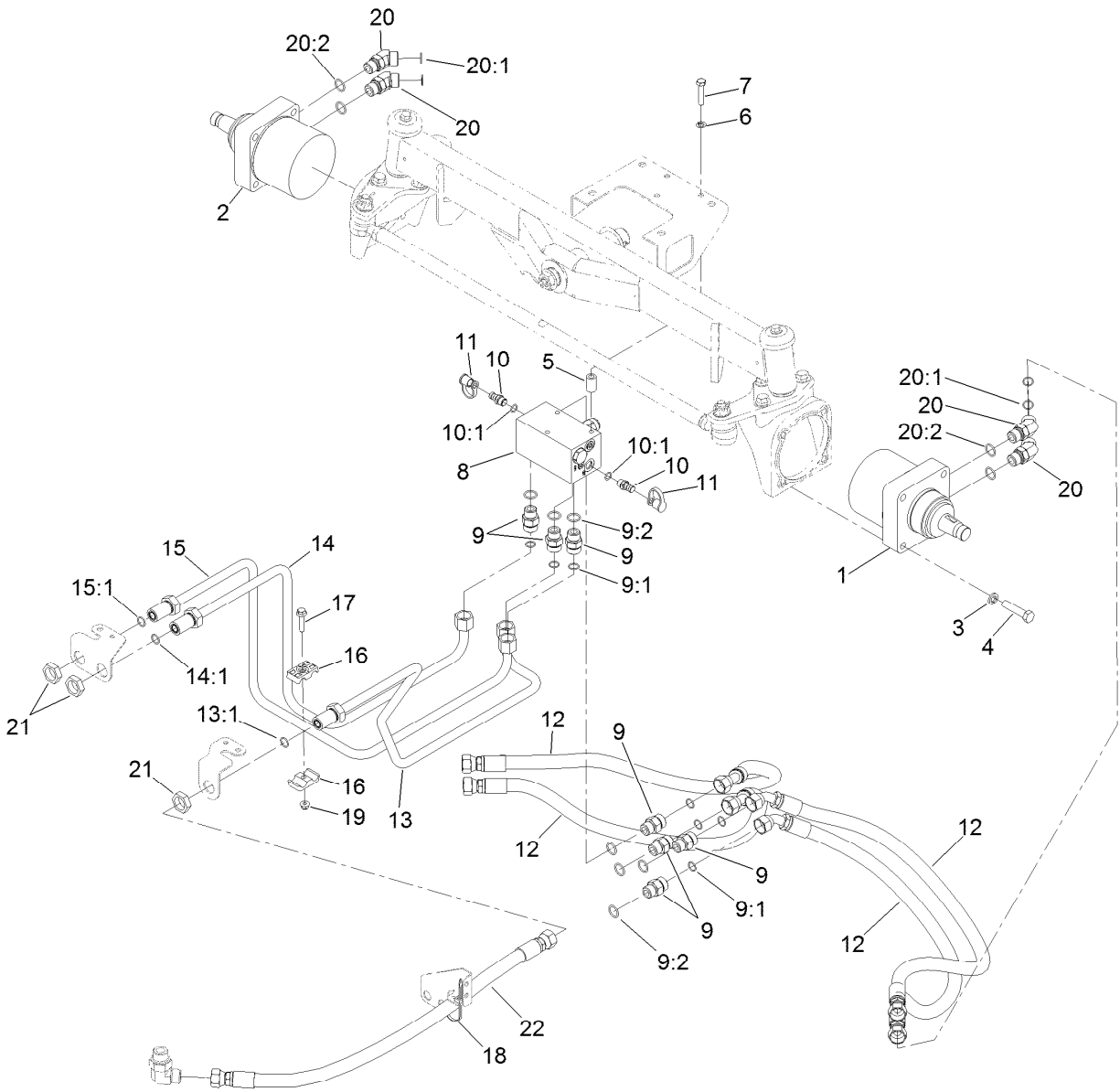
● Not serviced separately



Hydraulic Motor Assembly No. 133-2934 (CW)

| Ref. | Part Number | Qty. | Description |
|------|-------------|------|-----------------|
| 1 | 120-6268 | 1 | Seal Kit |
| 1:1 | | 1 | Seal-Grease ● |
| 1:2 | | 1 | Shell-Bearing ● |
| 1:3 | | 3 | O-Ring ● |
| 1:4 | | 1 | Seal-Shaft ● |
| 1:5 | | 2 | Ring-Back Up ● |
| 1:6 | | 1 | O-Ring ● |

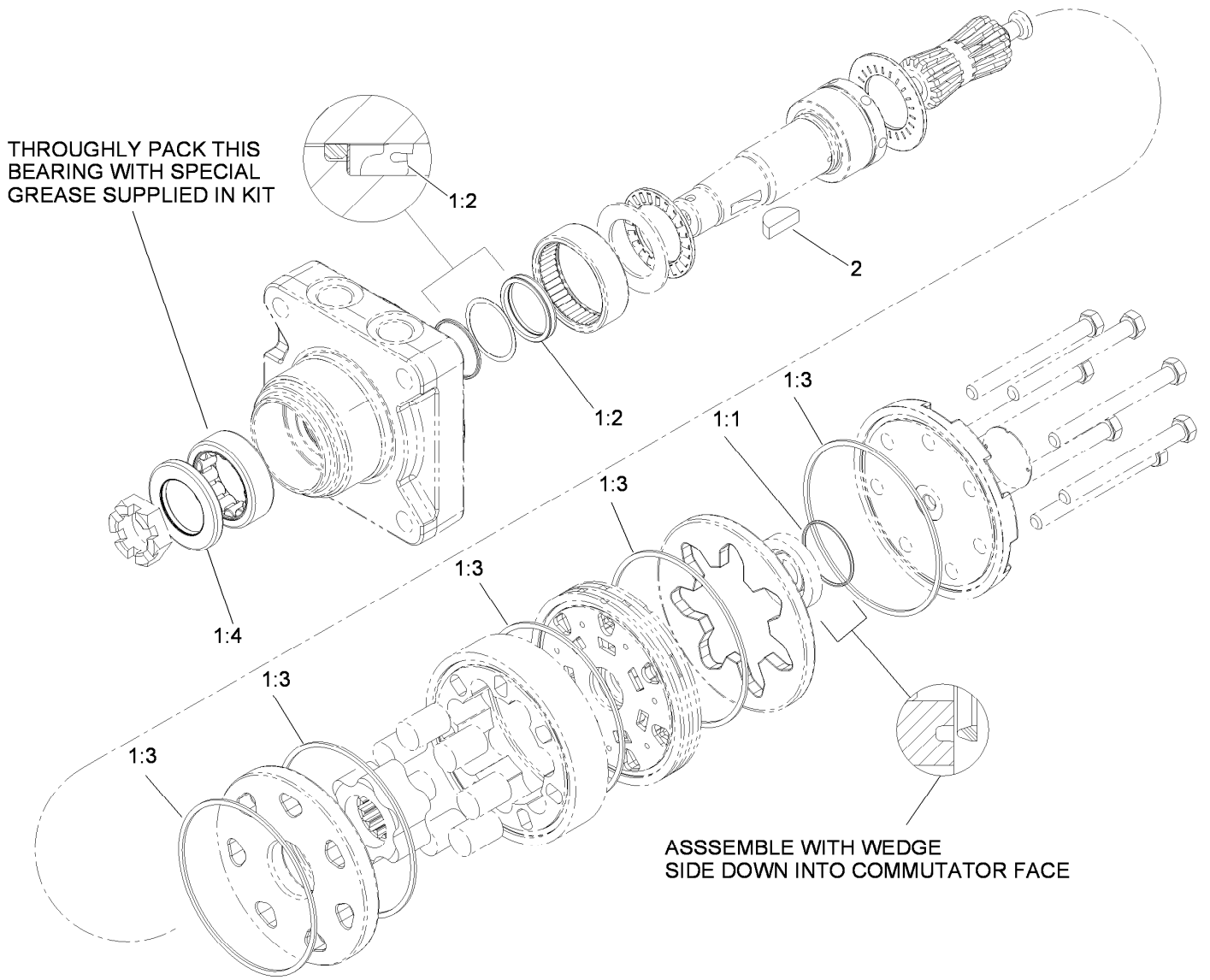
● Not serviced separately



Rear Traction Hydraulic Circuit

| Ref. | Part Number | Qty. | Description |
|------|-------------|------|--------------------|
| 1 | 107-4544 | 1 | HYD Motor ASM |
| 2 | 110-0901 | 1 | HYD Motor ASM |
| 3 | 3253-7 | 8 | Washer-Lock |
| 4 | 325-9 | 8 | Screw-HH |
| 5 | 93-6981 | 3 | Spacer |
| 6 | 3253-21 | 3 | Washer-Lock |
| 7 | 323-9 | 3 | Screw-HH |
| 8 | 108-1825 | 1 | HYD Manifold ASM |
| 9 | 340-7 | 7 | Fitting-Straight |
| 9:1 | 237-65 | 1 | O-Ring |
| 9:2 | 237-80 | 1 | O-Ring |
| 10 | 59-7410 | 2 | Fitting-Diagnostic |
| 10:1 | 237-42 | 1 | O-Ring |
| 11 | 354-79 | 2 | Cap-Dust |
| 12 | 106-3662 | 4 | Hose-HYD |

| Ref. | Part Number | Qty. | Description |
|------|-------------|------|---------------------|
| 13 | 108-7626 | 1 | Tube ASM |
| 13:1 | 237-65 | 1 | O-Ring |
| 14 | 108-7625 | 1 | Tube ASM |
| 14:1 | 237-65 | 1 | O-Ring |
| 15 | 108-7624 | 1 | Tube ASM |
| 15:1 | 237-65 | 1 | O-Ring |
| 16 | 56-7971 | 2 | Clamp-Tube |
| 17 | 94-5780 | 1 | Screw-HWH |
| 18 | 3290-378 | 1 | Tie-Cable |
| 19 | 104-8300 | 1 | Nut-HF, NI |
| 20 | 340-14 | 4 | Fitting-HYD, 45 DEG |
| 20:1 | 237-65 | 1 | O-Ring |
| 20:2 | 237-80 | 1 | O-Ring |
| 21 | 340-74 | 3 | Nut-Lock, Bulkhead |
| 22 | 108-7645 | 1 | Hose-HYD |



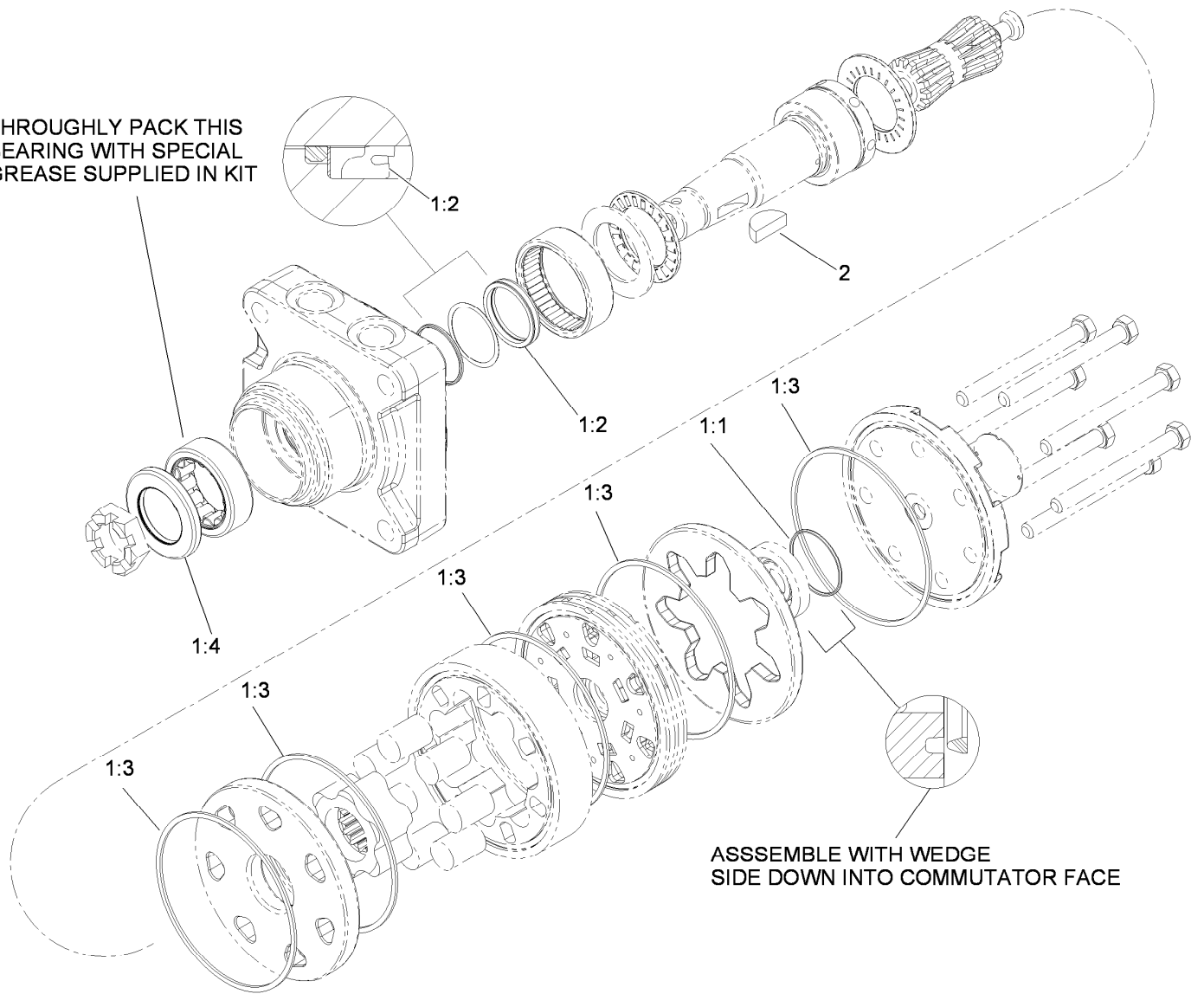
Hydraulic Motor Assembly No. 107-4544

| Ref. | Part Number | Qty. | Description |
|------|-------------|------|---------------------------|
| 1 | 110-8897 | 1 | Seal Kit ● |
| 1:1 | | 1 | Seal-Commutator, Vespel ■ |
| 1:2 | | 1 | Seal-Shaft ■ |
| 1:3 | | 5 | Seal-Body, Buna ■ |
| 1:4 | | 1 | Seal-Dirt / Water ■ |
| 2 | 3257-42 | 1 | Key-Woodruff |

● Not illustrated

■ Not serviced separately

THOROUGHLY PACK THIS BEARING WITH SPECIAL GREASE SUPPLIED IN KIT



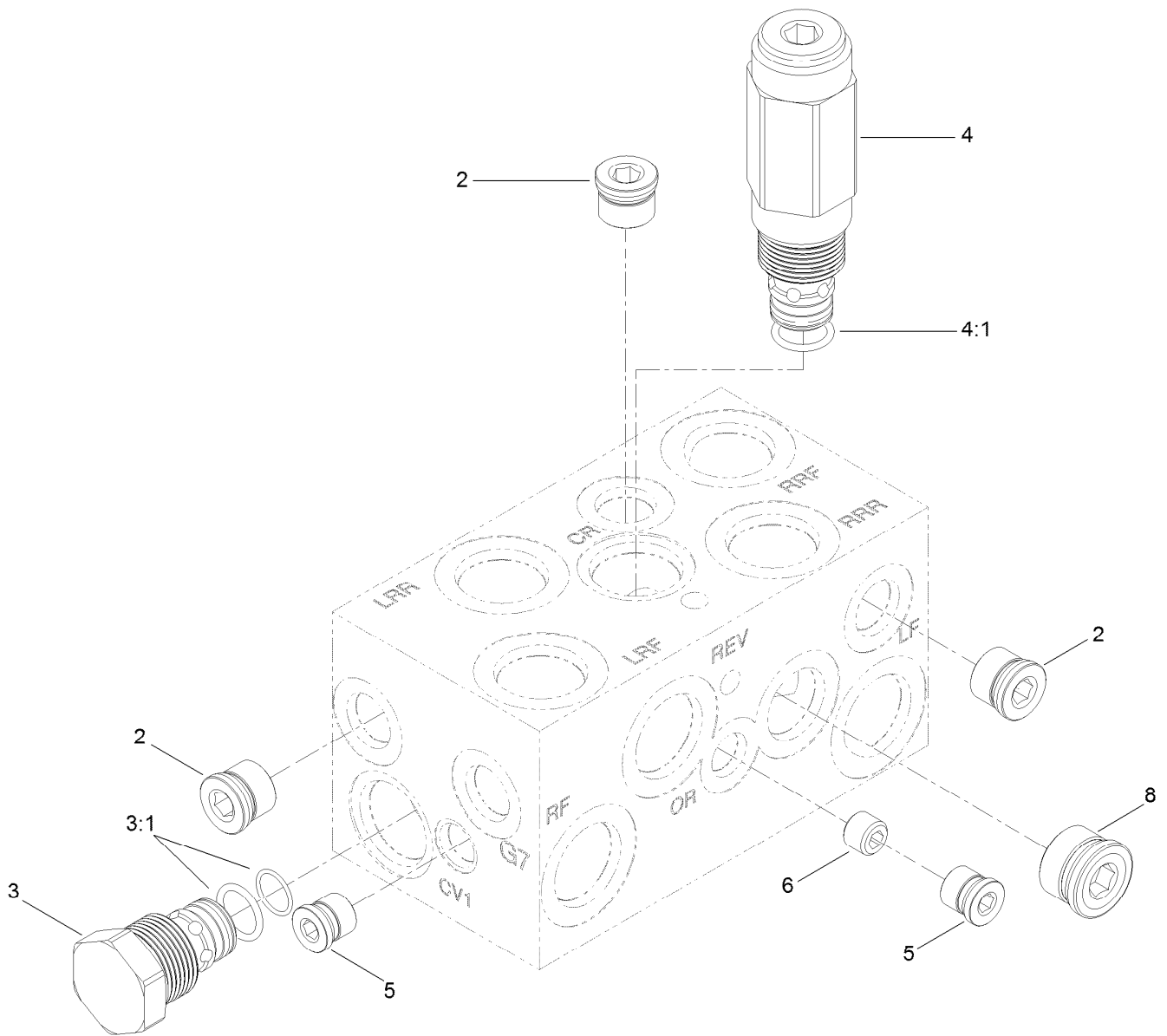
ASSEMBLE WITH WEDGE
SIDE DOWN INTO COMMUTATOR FACE

Hydraulic Motor Assembly No. 110-0901

| Ref. | Part Number | Qty. | Description |
|------|-------------|------|---------------------------|
| 1 | 110-8897 | 1 | Seal Kit ● |
| 1:1 | | 1 | Seal-Commutator, Vespel ■ |
| 1:2 | | 1 | Seal-Shaft ■ |
| 1:3 | | 5 | Seal-Body, Buna ■ |
| 1:4 | | 1 | Seal-Dirt / Water ■ |
| 2 | 3257-42 | 1 | Key-Woodruff |

● Not illustrated

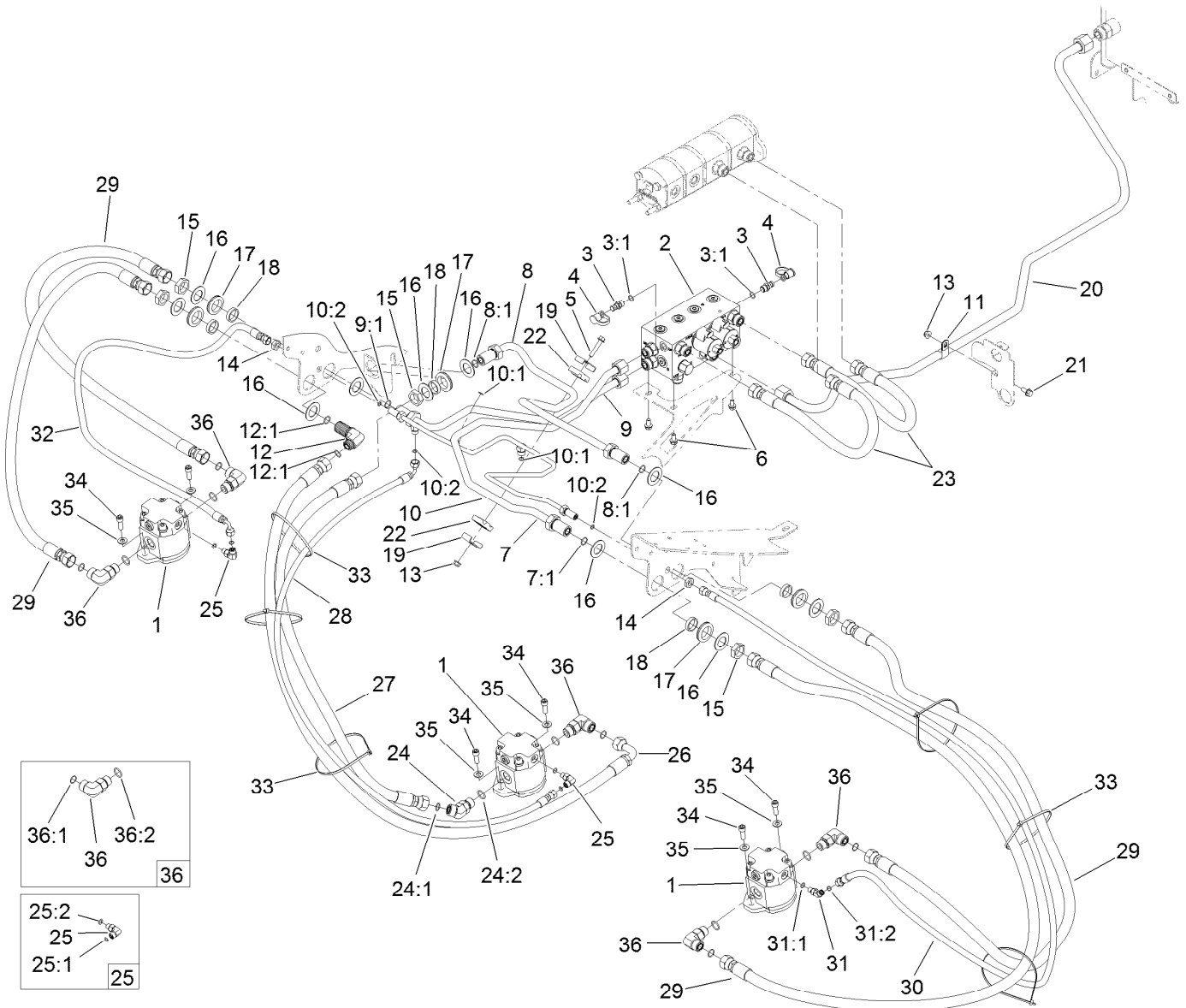
■ Not serviced separately



Four Wheel Drive Manifold Assembly No. 108-1825

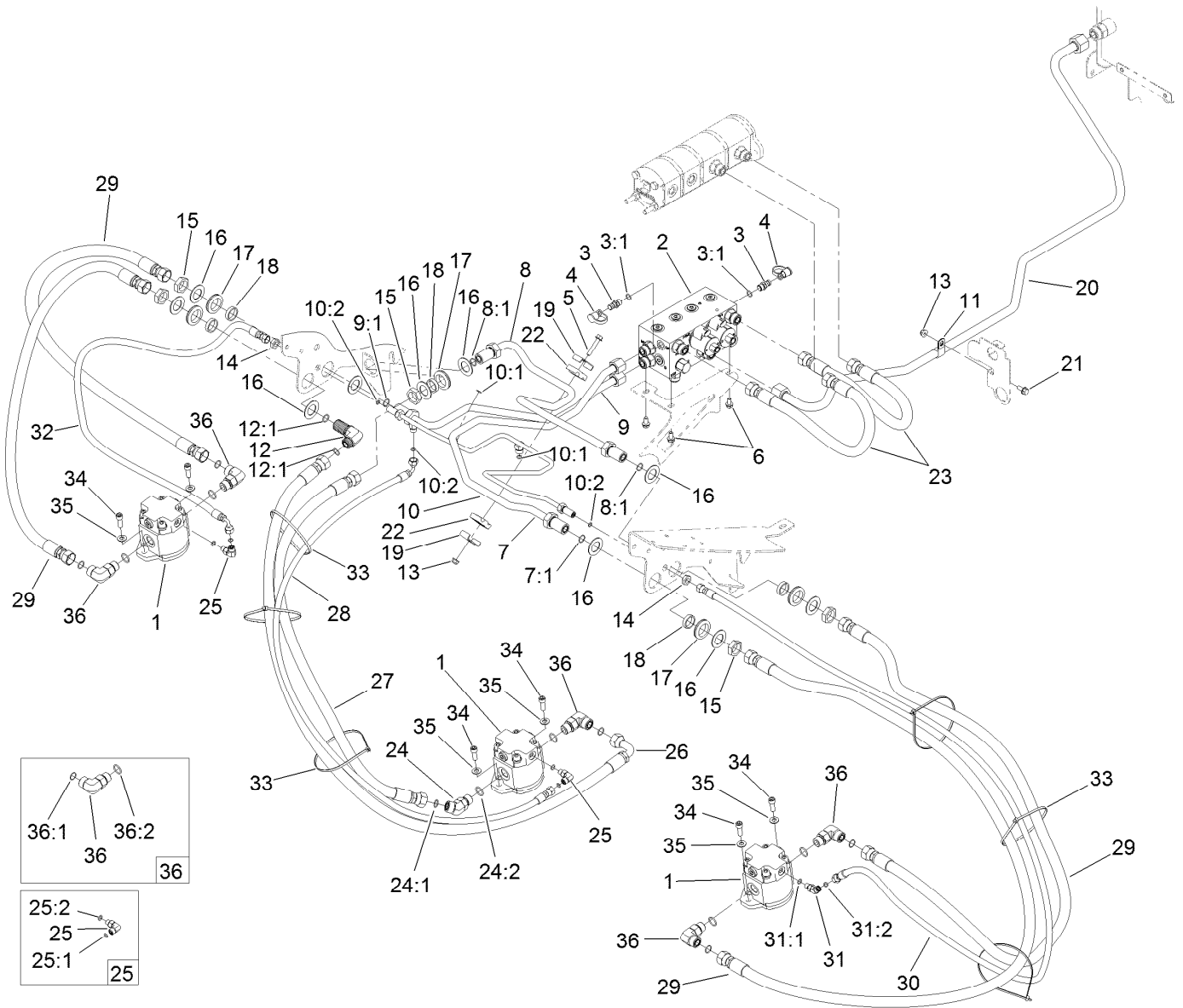
| <i>Ref.</i> | <i>Part Number</i> | <i>Qty.</i> | <i>Description</i> |
|-------------|--------------------|-------------|--------------------------|
| 2 | 106-1026 | 3 | Plug-HYD |
| 3 | 110-8881 | 2 | Valve-Check |
| 3:1 | 105-9159 | 1 | Seal Kit ● |
| 4 | 110-8882 | 1 | Valve-Relief, Cross Over |
| 4:1 | 110-6316 | 1 | Seal Kit |
| 5 | 106-1025 | 2 | Plug-HYD |
| 6 | 110-8883 | 1 | Plug-Orifice (0.040) |
| 8 | 106-1027 | 1 | Plug |

● Not illustrated



Deck No. 1, 4 and 5 Hydraulic Circuit Assembly

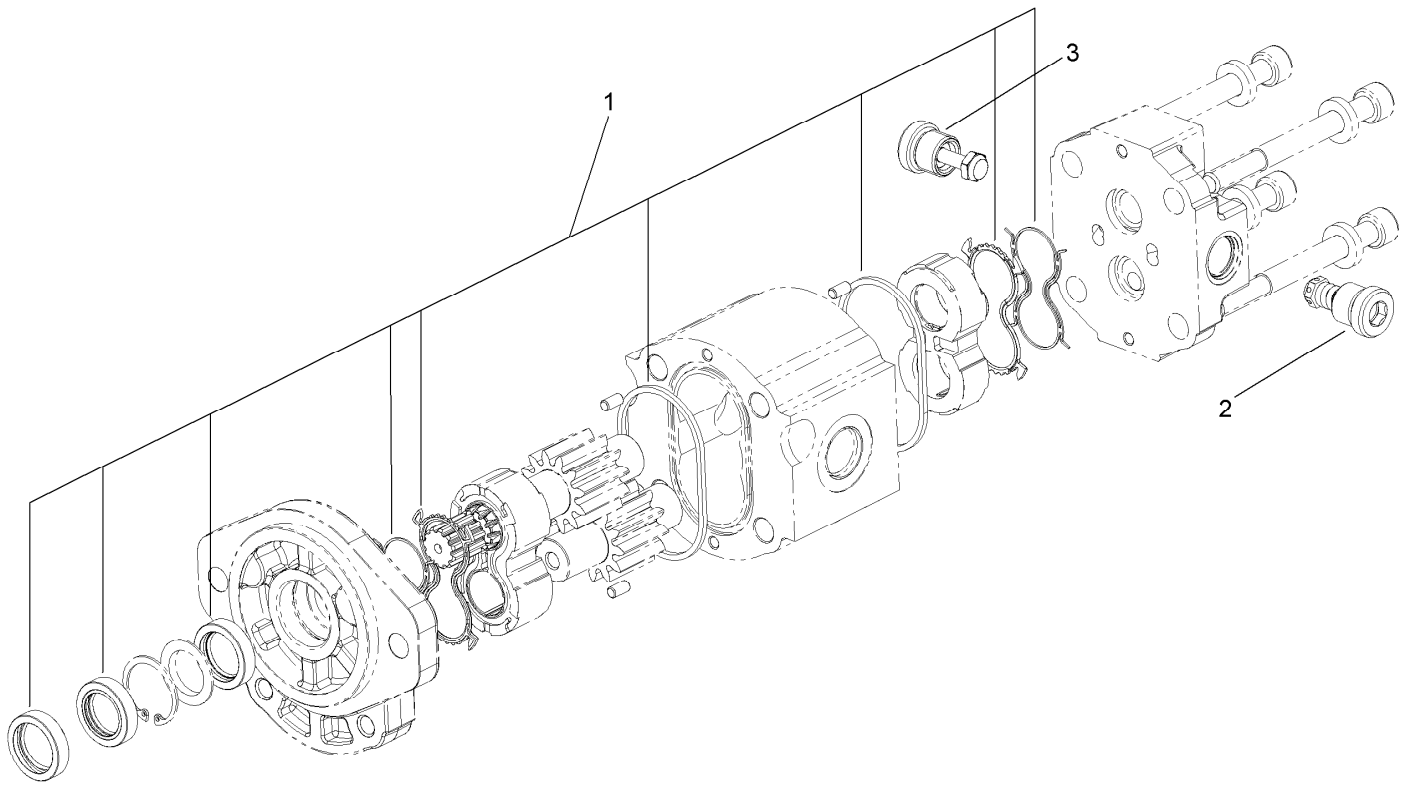
| Ref. | Part Number | Qty. | Description | Ref. | Part Number | Qty. | Description |
|------|-------------|------|---------------------------|------|-------------|------|-----------------------|
| 1 | 108-4004 | 3 | Gear Motor ASM | 15 | 340-74 | 5 | Nut-Lock, Bulkhead |
| 2 | 114-0359 | 1 | Deck Control Manifold ASM | 16 | 69-9010 | 10 | Washer |
| 3 | 59-7410 | 2 | Fitting-Diagnostic | 17 | 240-3 | 5 | Grommet-Rubber |
| 3:1 | 237-42 | 1 | O-Ring | 18 | 125-1984 | 5 | Spacer |
| 4 | 354-79 | 2 | Cap-Dust | 19 | 119-1419 | 2 | Plate-Clamp |
| 5 | 94-5780 | 1 | Screw-HWH | 20 | 120-3769 | 1 | Hydraulic Tube ASM |
| 6 | 3234-14 | 3 | Screw-HHF | 21 | 3234-5 | 1 | Screw-HHF |
| 7 | 117-0138 | 1 | Tube ASM | 22 | 56-7970 | 2 | Clamp-Tube |
| 7:1 | 237-65 | 1 | O-Ring | 23 | 108-1686 | 2 | Hose-HYD |
| 8 | 117-0137 | 1 | Tube ASM | 24 | 340-14 | 1 | Fitting-HYD, 45 DEG |
| 8:1 | 237-65 | 2 | O-Ring | 24:1 | 237-65 | 1 | O-Ring |
| 9 | 117-0139 | 1 | Tube ASM | 24:2 | 237-80 | 1 | O-Ring |
| 9:1 | 237-65 | 1 | O-Ring | 25 | 340-132 | 2 | Fitting-Elbow, 90 DEG |
| 10 | 110-5286 | 1 | Tube ASM | 25:1 | 237-78 | 1 | O-Ring |
| 10:1 | 237-22 | 2 | O-Ring | 25:2 | 237-21 | 1 | O-Ring |
| 10:2 | 237-21 | 3 | O-Ring | 26 | 117-0213 | 1 | HYD Hose ASM |
| 11 | 2412-4 | 1 | Clamp-R | 27 | 117-0211 | 1 | HYD Hose ASM |
| 12 | 340-72 | 1 | Fitting-Bulkhead, 90 DEG | 28 | 117-0212 | 1 | HYD Hose ASM |
| 12:1 | 237-65 | 2 | O-Ring | 29 | 117-0299 | 4 | HYD Hose ASM |
| 13 | 104-8300 | 2 | Nut-HF, NI | 30 | 104-9323 | 1 | Hose-HYD |
| 14 | 340-78 | 2 | Nut-Lock | 31 | 340-103 | 1 | Fitting-HYD, 45 DEG |



Deck No. 1, 4 and 5 Hydraulic Circuit Assembly (continued)

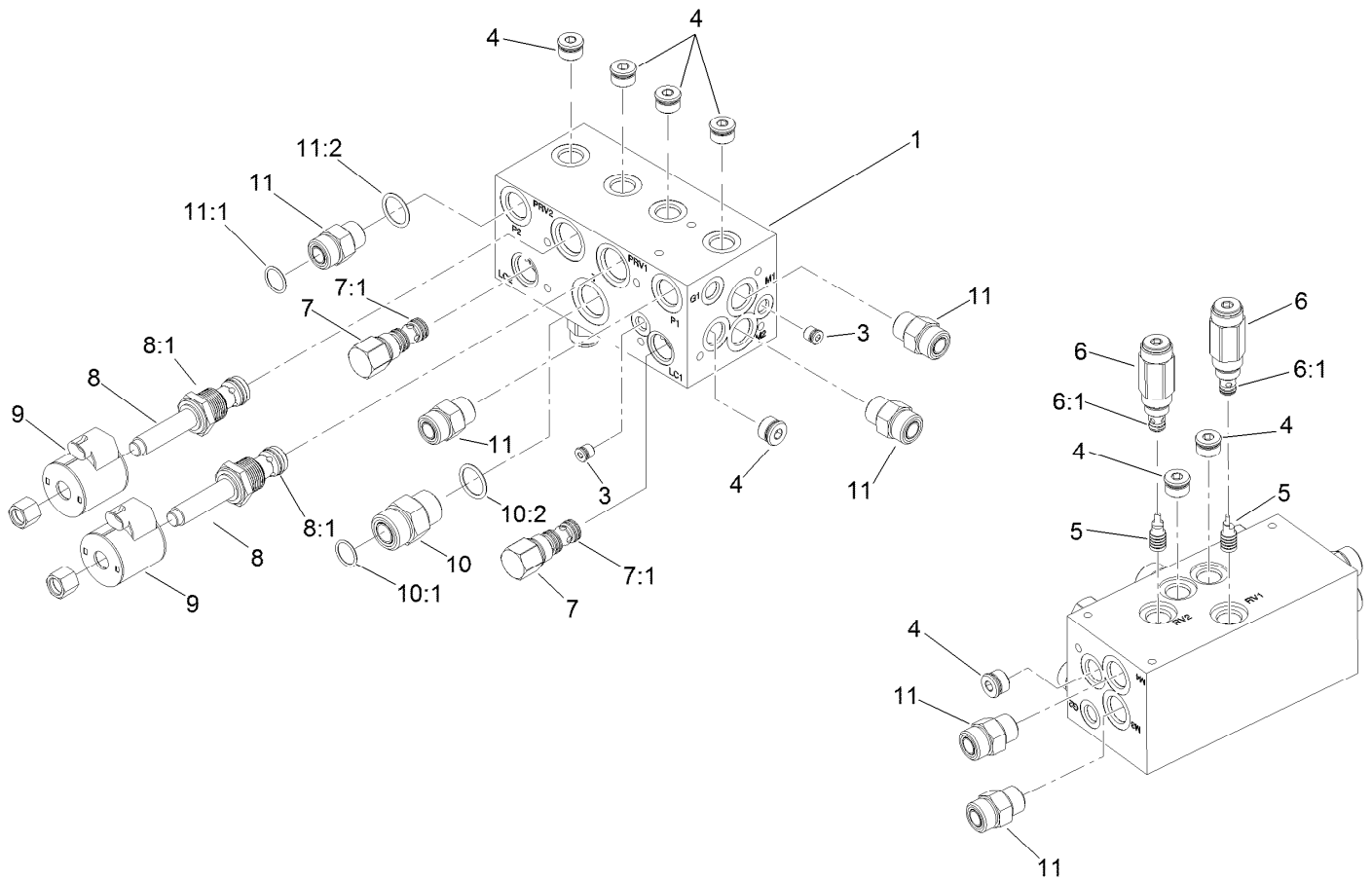
| Ref. | Part Number | Qty. | Description |
|------|-------------|------|-------------|
| 31:1 | 237-78 | 1 | O-Ring |
| 31:2 | 237-21 | 1 | O-Ring |
| 32 | 92-7638 | 1 | Hose ASM |
| 33 | 3334-945 | 9 | Tie-Cable |
| 34 | 3274-7 | 6 | Screw-HSH |

| Ref. | Part Number | Qty. | Description |
|------|-------------|------|-----------------------|
| 35 | 3256-24 | 6 | Washer-Plain |
| 36 | 340-17 | 5 | Fitting-Elbow, 90 DEG |
| 36:1 | 237-65 | 1 | O-Ring |
| 36:2 | 237-80 | 1 | O-Ring |



Gear Motor Assembly No. 108-4004

| <i>Ref.</i> | <i>Part Number</i> | <i>Qty.</i> | <i>Description</i> |
|-------------|--------------------|-------------|----------------------|
| 1 | 117-0235 | 1 | Seal Kit |
| 2 | 107-7820 | 1 | Valve-Relief |
| 3 | 107-7821 | 1 | Valve-Anticavitation |



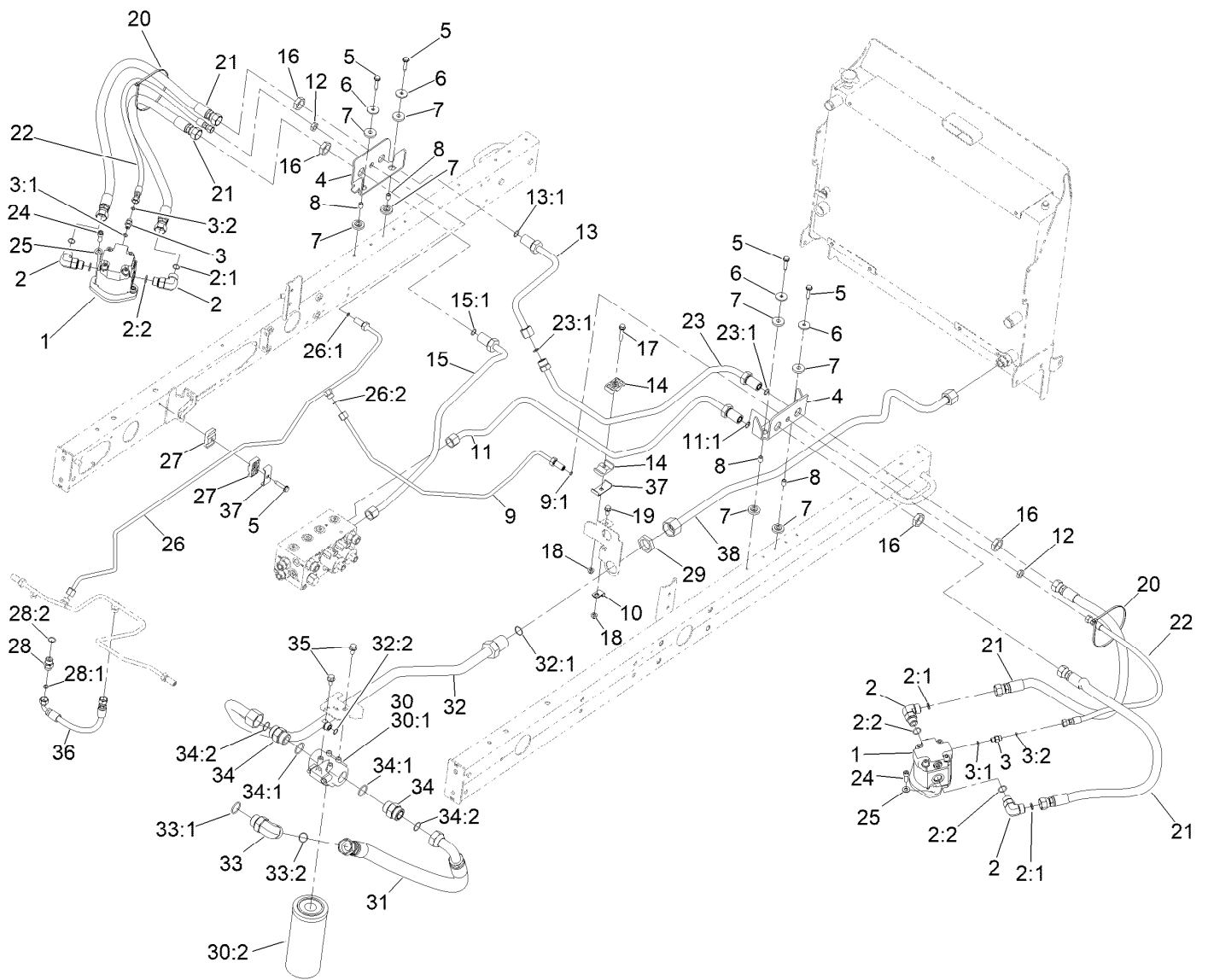
Deck Control Manifold Assembly No. 114-0359

| Ref. | Part Number | Qty. | Description |
|------|-------------|------|----------------------------|
| 1 | | 1 | Hydraulic Manifold ■ |
| 3 | 106-1025 | 2 | Plug-HYD |
| 4 | 106-1027 | 8 | Plug |
| 5 | 105-9157 | 2 | Piston-Pilot |
| 6 | 112-5259 | 2 | Valve-Relief |
| 6:1 | 105-9156 | 1 | Seal Kit |
| 7 | 105-9153 | 2 | Element-Logic, Vented |
| 7:1 | 119-2159 | 1 | Seal Kit ● |
| 8 | 117-0229 | 2 | Valve-Relief, Proportional |

| Ref. | Part Number | Qty. | Description |
|------|-------------|------|------------------|
| 8:1 | 117-1114 | 1 | *obs* Seal Kit |
| 9 | 110-6344 | 2 | Coil-12V, DC |
| 10 | 340-9 | 1 | Fitting-STR |
| 10:1 | 237-58 | 1 | O-Ring |
| 10:2 | 237-81 | 1 | O-Ring |
| 11 | 340-7 | 2 | Fitting-Straight |
| 11:1 | 237-65 | 1 | O-Ring |
| 11:2 | 237-80 | 1 | O-Ring |

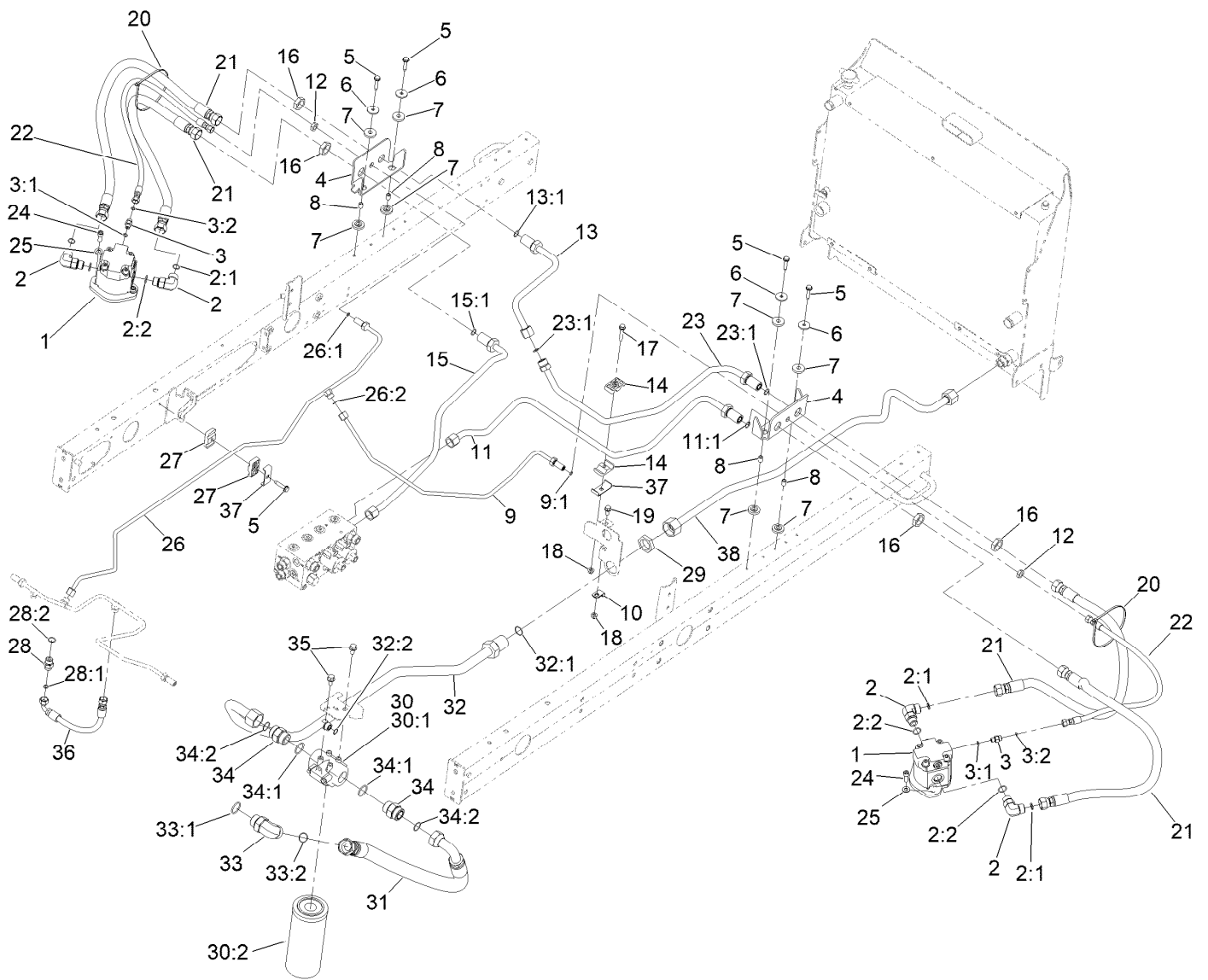
● Not illustrated

■ Not serviced separately



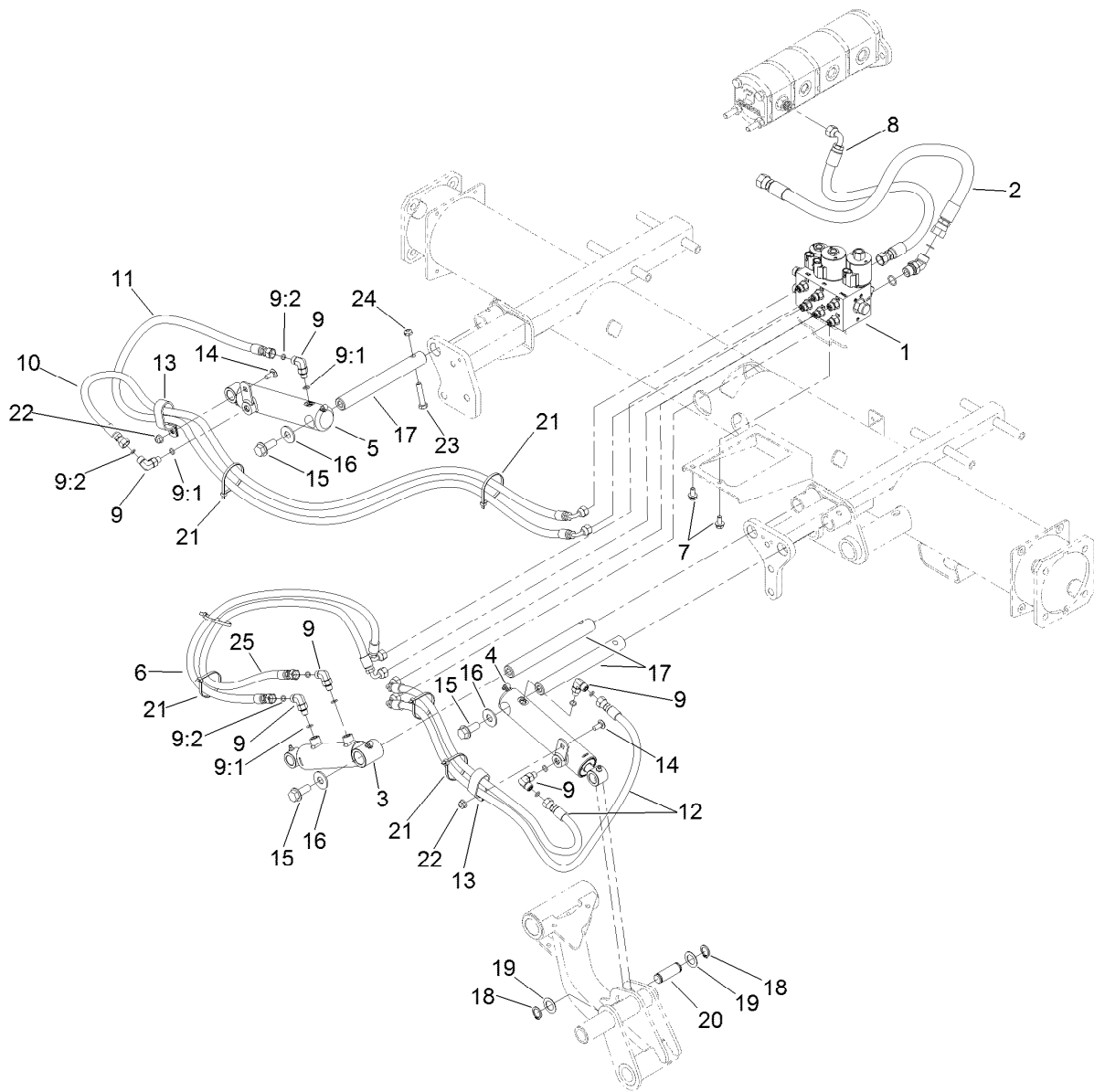
Deck No. 2 and 3 Hydraulic Circuit Assembly

| Ref. | Part Number | Qty. | Description | Ref. | Part Number | Qty. | Description |
|------|-------------|------|-----------------------|------|-------------|------|--------------------|
| 1 | 108-4004 | 2 | Gear Motor ASM | 15 | 120-3773 | 1 | Tube ASM HYD |
| 2 | 340-17 | 4 | Fitting-Elbow, 90 DEG | 15:1 | 237-65 | 1 | O-Ring |
| 2:1 | 237-65 | 1 | O-Ring | 16 | 340-74 | 4 | Nut-Lock, Bulkhead |
| 2:2 | 237-80 | 1 | O-Ring | 17 | 94-5780 | 1 | Screw-HWH |
| 3 | 340-92 | 2 | Fitting-Straight | 18 | 104-8300 | 2 | Nut-HF, NI |
| 3:1 | 237-78 | 1 | O-Ring | 19 | 3234-5 | 1 | Screw-HHF |
| 3:2 | 237-21 | 1 | O-Ring | 20 | 3334-945 | 6 | Tie-Cable |
| 4 | 117-0174-03 | 2 | Bracket-Bulkhead | 21 | 105-1215 | 4 | Hose-HYD |
| 5 | 32144-57 | 5 | Screw | 22 | 108-6507 | 2 | Hose-HYD |
| 6 | 105-3048 | 4 | Washer-Flat | 23 | 120-3775 | 1 | HYD Tube ASM |
| 7 | 240-11 | 8 | Bushing-Flange | 23:1 | 237-65 | 2 | O-Ring |
| 8 | 99-8611 | 4 | Spacer | 24 | 3274-7 | 4 | Screw-HSH |
| 9 | 120-3772 | 1 | HYD Tube ASM | 25 | 3256-24 | 4 | Washer-Plain |
| 9:1 | 237-21 | 1 | O-Ring | 26 | 120-3811 | 1 | HYD Tube ASM |
| 10 | 2412-113 | 1 | Clamp-R | 26:1 | 237-21 | 1 | O-Ring |
| 11 | 120-3774 | 1 | HYD Tube ASM | 26:2 | 237-22 | 1 | O-Ring |
| 11:1 | 237-65 | 1 | O-Ring | 27 | 56-7972 | 2 | Clamp-Tube |
| 12 | 340-78 | 2 | Nut-Lock | 28 | 340-3 | 1 | Fitting-Straight |
| 13 | 117-0140 | 1 | Tube ASM | 28:1 | 237-22 | 1 | O-Ring |
| 13:1 | 237-65 | 1 | O-Ring | 28:2 | 237-79 | 1 | O-Ring |
| 14 | 56-7971 | 2 | Clamp-Tube | 29 | 340-128 | 1 | Nut-Bulkhead |



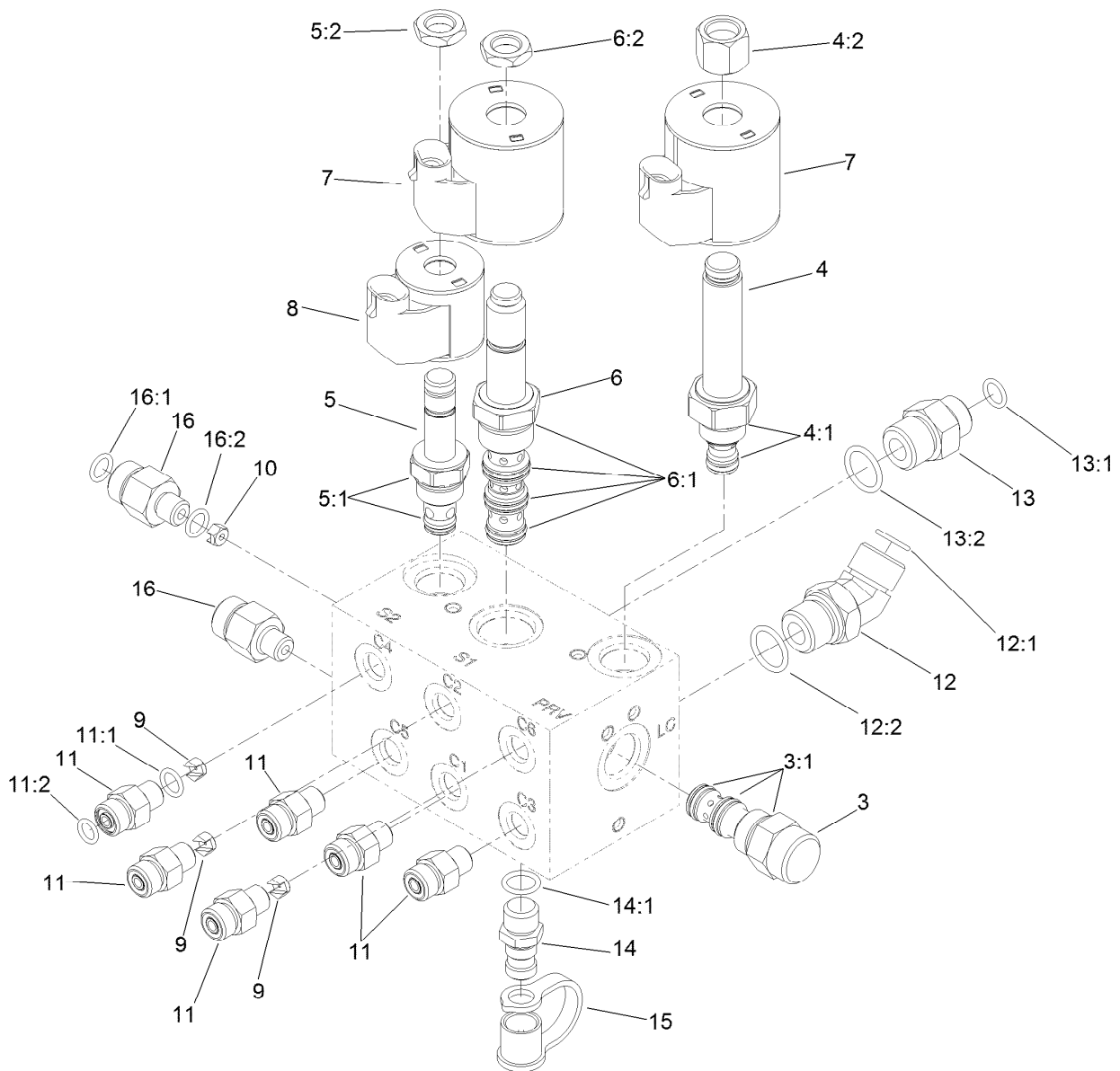
Deck No. 2 and 3 Hydraulic Circuit Assembly (continued)

| <i>Ref.</i> | <i>Part Number</i> | <i>Qty.</i> | <i>Description</i> | <i>Ref.</i> | <i>Part Number</i> | <i>Qty.</i> | <i>Description</i> |
|-------------|--------------------|-------------|-----------------------|-------------|--------------------|-------------|--------------------|
| 30 | 98-3923 | 1 | Oil Filter ASM | 33:2 | 340-65 | 1 | O-Ring |
| 30:1 | 104-0080 | 1 | Filter Head ASM | 34 | 104-3797 | 2 | Fitting-Straight |
| 30:2 | 94-2621 | 1 | Element-Filter | 34:1 | 237-146 | 1 | O-Ring |
| 31 | 108-1689 | 1 | Hose-HYD | 34:2 | 340-65 | 1 | O-Ring |
| 32 | 108-1699 | 1 | Tube ASM | 35 | 3234-1 | 2 | Screw-HHF |
| 32:1 | 340-65 | 1 | O-Ring | 36 | 66-8490 | 1 | Hose-HYD |
| 32:2 | 237-30 | 1 | O-Ring | 37 | 119-1419 | 2 | Plate-Clamp |
| 33 | 340-129 | 1 | Fitting-Elbow, 90 DEG | 38 | 121-5600 | 1 | HYD Tube ASM |
| 33:1 | 237-146 | 1 | O-Ring | | | | |



Deck No. 1, 4 and 5 Lift Circuit Hydraulic Assembly

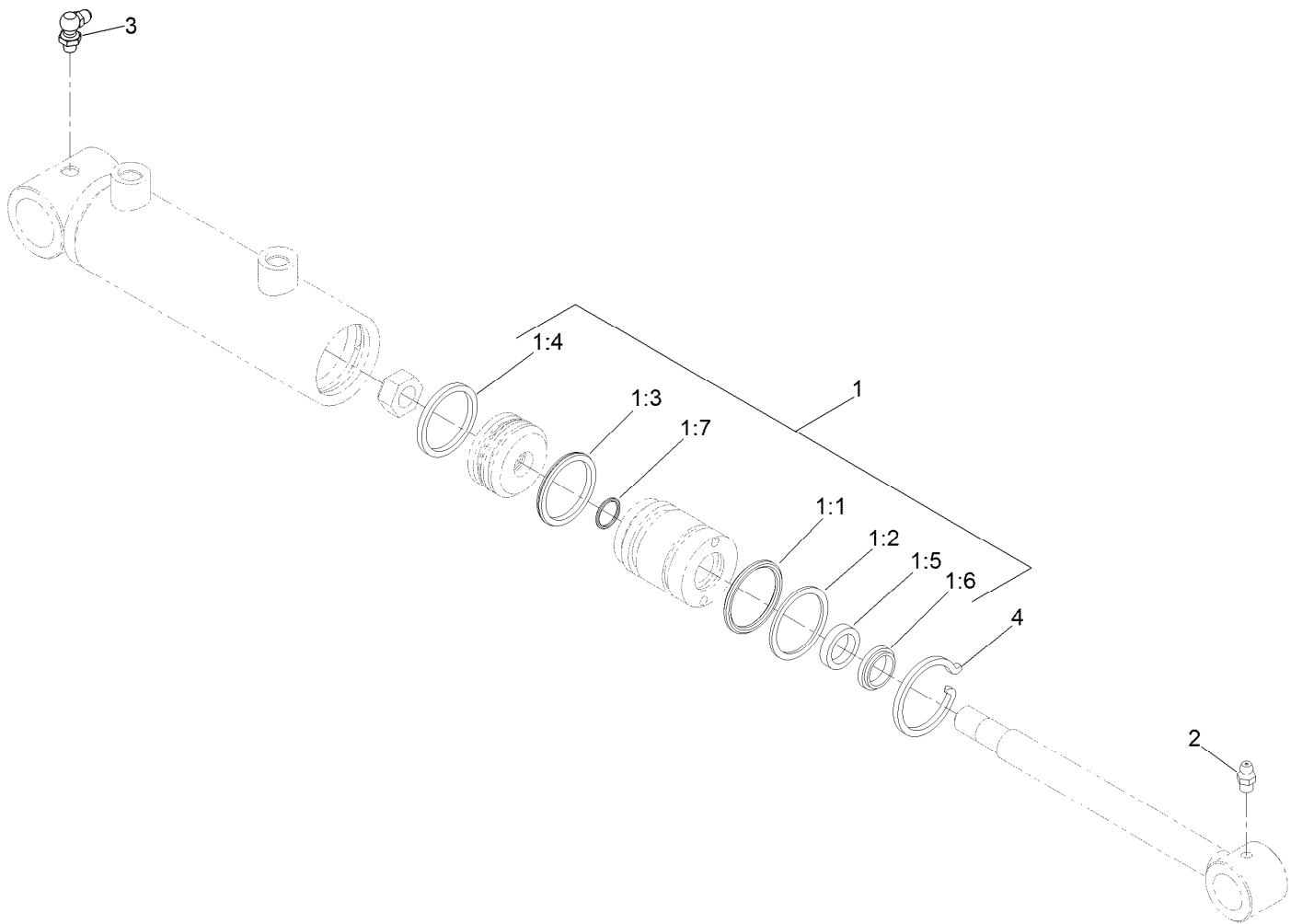
| Ref. | Part Number | Qty. | Description | Ref. | Part Number | Qty. | Description |
|------|-------------|------|---------------------------|------|-------------|------|---------------------|
| 1 | 117-0158 | 1 | Lift Control Manifold ASM | 13 | 2412-137 | 2 | Clamp-R, Double |
| 2 | 117-0180 | 1 | Hose-HYD | 14 | 3230-23 | 2 | Bolt-CARR |
| 3 | 119-6989 | 1 | HYD Cylinder ASM | 15 | 3234-38 | 3 | Screw-HHF |
| 4 | 119-6990 | 1 | HYD Cylinder ASM | 16 | 3256-6 | 3 | Washer-Flat |
| 5 | 119-6991 | 1 | HYD Cylinder ASM | 17 | 117-0148 | 3 | Pin-Cylinder |
| 6 | 117-0253 | 1 | Hose-HYD | 18 | 32120-93 | 6 | Ring-Retaining |
| 7 | 3234-14 | 2 | Screw-HHF | 19 | 3-6498 | 6 | Washer-Thrust |
| 8 | 92-5694 | 1 | Hose-Hydraulic | 20 | 104-0046 | 3 | Pin-Slide, Cylinder |
| 9 | 340-132 | 6 | Fitting-Elbow, 90 DEG | 21 | 3290-379 | 6 | Tie-Cable |
| 9:1 | 237-78 | 1 | O-Ring | 22 | 104-8300 | 2 | Nut-HF, NI |
| 9:2 | 237-21 | 1 | O-Ring | 23 | 323-9 | 3 | Screw-HH |
| 10 | 117-0262 | 1 | Hose-HYD | 24 | 3296-59 | 3 | Nut-Lock, NI |
| 11 | 117-0261 | 1 | Hose-HYD | 25 | 117-0254 | 1 | HP HYD Hose ASM |
| 12 | 85-4940 | 2 | Hose-HYD | | | | |



Lift Control Manifold Assembly No. 117-0158

| Ref. | Part Number | Qty. | Description |
|------|-------------|------|-------------------------------|
| 3 | 117-0228 | 1 | Element-Directional, Pilot |
| 3:1 | 115-5413 | 1 | Seal Kit |
| 4 | 117-0227 | 1 | Valve-Relief, Proportional |
| 4:1 | 105-9156 | 1 | Seal Kit |
| 4:2 | 130-8180 | 1 | Nut-Coil (9/16-24 Unef-2B) |
| 5 | 107-7516 | 1 | Solenoid Valve ASM |
| 5:1 | 105-9156 | 1 | Seal Kit |
| 5:2 | 110-2634 | 1 | Nut-Coil |
| 6 | 110-8906 | 1 | Valve-Solenoid |
| 6:1 | 110-8908 | 1 | Spool Valve Seal Kit |
| 6:2 | 110-2634 | 1 | Nut-Coil |
| 7 | 110-6344 | 2 | Coil-12V, DC |
| 8 | 110-0497 | 1 | Coil-Solenoid |
| 9 | 110-8902 | 3 | Orifice-Control, Flow (0.046) |
| 10 | 114-4682 | 1 | Orifice-Flow Control (.030) |
| 11 | 340-92 | 6 | Fitting-Straight |

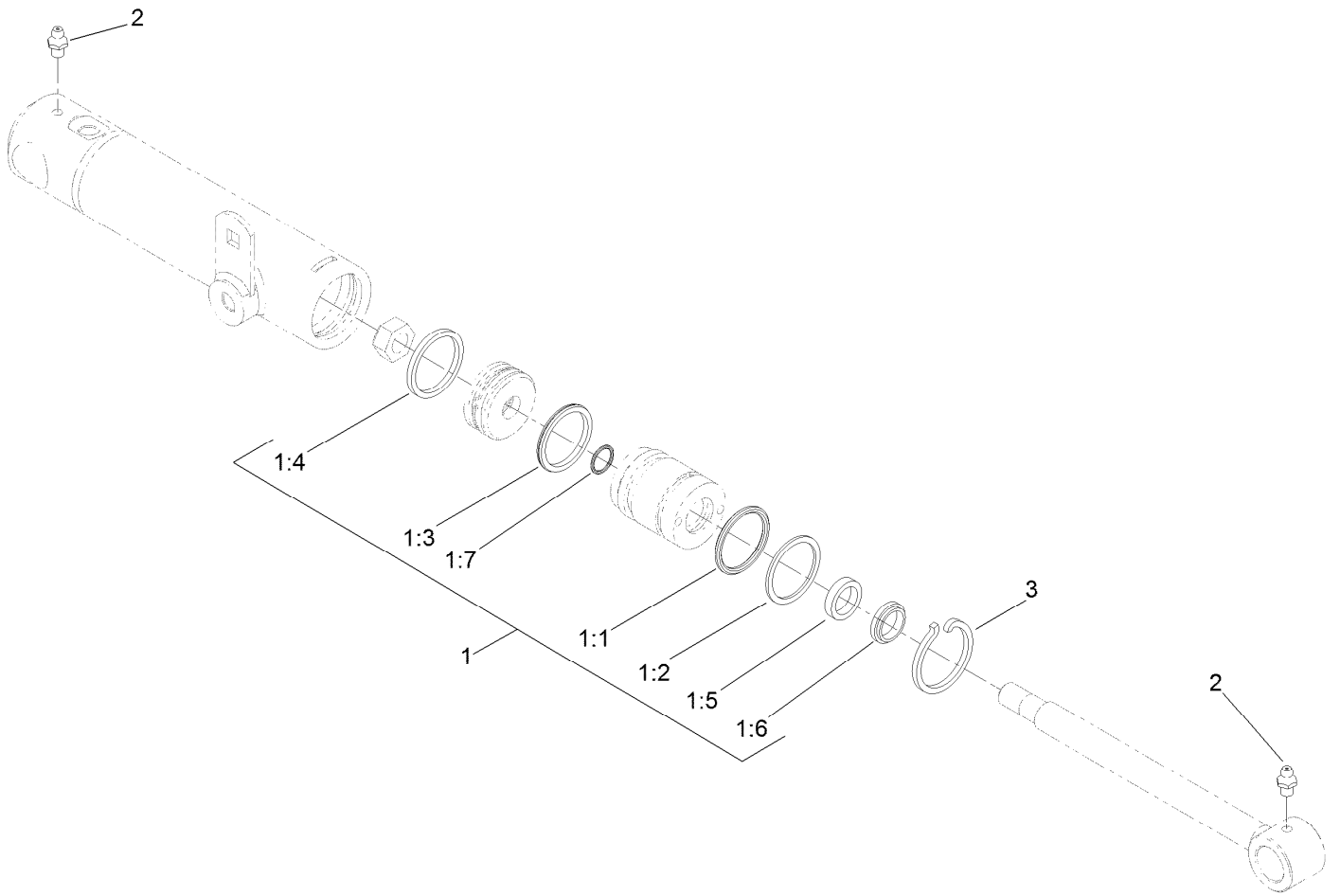
| Ref. | Part Number | Qty. | Description |
|------|-------------|------|---------------------|
| 11:1 | 237-78 | 1 | O-Ring |
| 11:2 | 237-21 | 1 | O-Ring |
| 12 | 340-101 | 1 | Fitting-HYD, 45 DEG |
| 12:1 | 237-30 | 1 | O-Ring |
| 12:2 | 237-79 | 1 | O-Ring |
| 13 | 340-3 | 1 | Fitting-Straight |
| 13:1 | 237-22 | 1 | O-Ring |
| 13:2 | 237-79 | 1 | O-Ring |
| 14 | 59-7410 | 1 | Fitting-Diagnostic |
| 14:1 | 237-42 | 1 | O-Ring |
| 15 | 354-79 | 1 | Cap-Dust |
| 16 | 340-88 | 2 | Fitting-Straight |
| 16:1 | 237-22 | 1 | O-Ring |
| 16:2 | 237-78 | 1 | O-Ring |



Hydraulic Cylinder Assembly No. 119-6989

| Ref. | Part Number | Qty. | Description |
|------|-------------|------|----------------|
| 1 | 133-2900 | 1 | Seal Kit |
| 1:1 | | 1 | O-Ring ● |
| 1:2 | | 1 | Backup ● |
| 1:3 | | 1 | Bp Seal ● |
| 1:4 | | 1 | Wear Ring-Ht ● |
| 1:5 | | 1 | Bt Seal ● |
| 1:6 | | 1 | Dust Seal-Dt ● |
| 1:7 | | 1 | O-Ring ● |
| 2 | 302-5 | 1 | Fitting-Grease |
| 3 | 302-60 | 1 | Fitting-Grease |
| 4 | 84-1680 | 1 | Ring-Retaining |

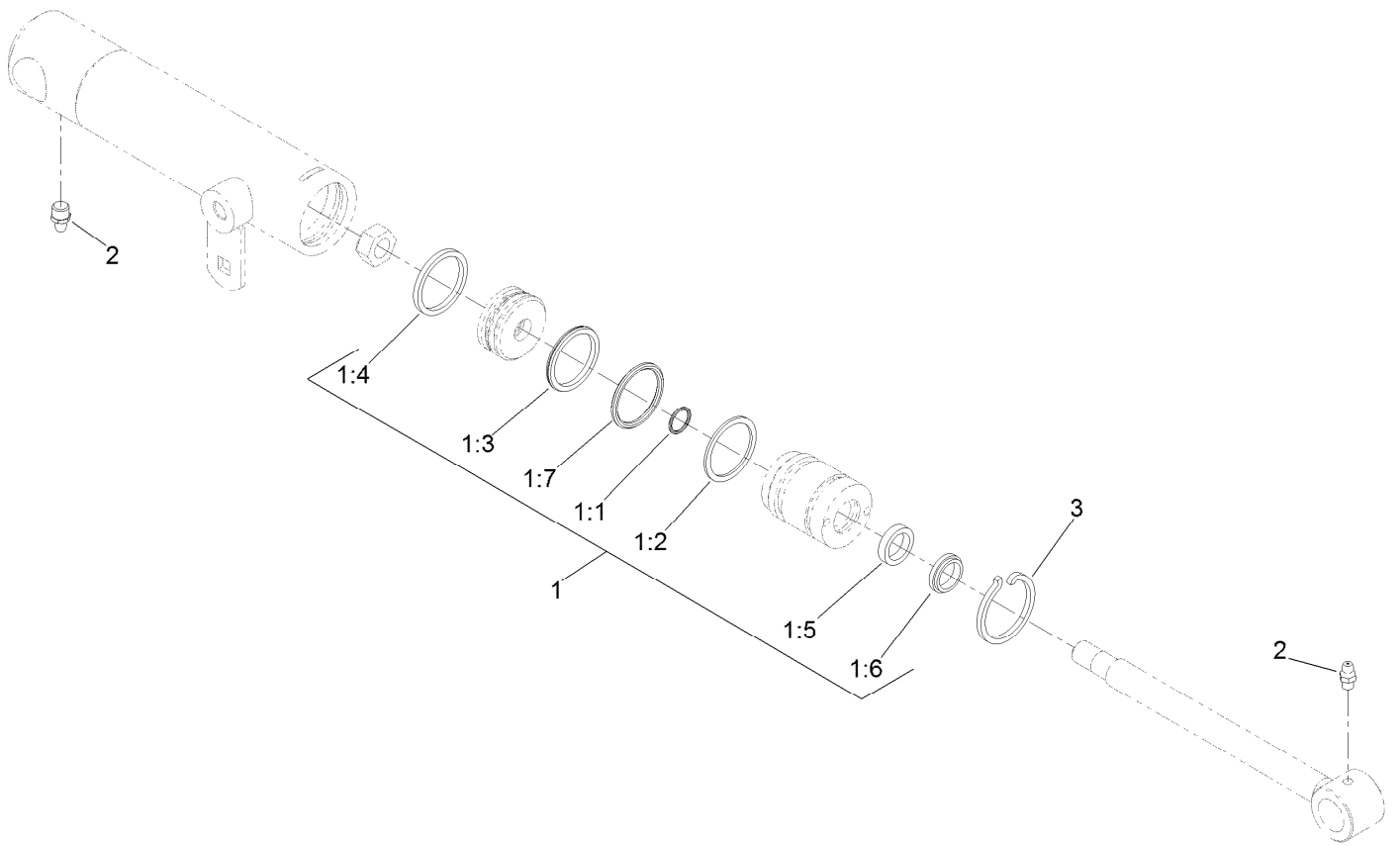
● Not serviced separately



Hydraulic Cylinder Assembly No. 119-6990

| <i>Ref.</i> | <i>Part Number</i> | <i>Qty.</i> | <i>Description</i> |
|-------------|--------------------|-------------|--------------------|
| 1 | 133-2900 | 1 | Seal Kit |
| 1:1 | | 1 | O-Ring ● |
| 1:2 | | 1 | Backup ● |
| 1:3 | | 1 | Bp Seal ● |
| 1:4 | | 1 | Wear Ring-Ht ● |
| 1:5 | | 1 | Bt Seal ● |
| 1:6 | | 1 | Dust Seal-Dt ● |
| 1:7 | | 1 | O-Ring ● |
| 2 | 302-5 | 2 | Fitting-Grease |
| 3 | 84-1680 | 1 | Ring-Retaining |

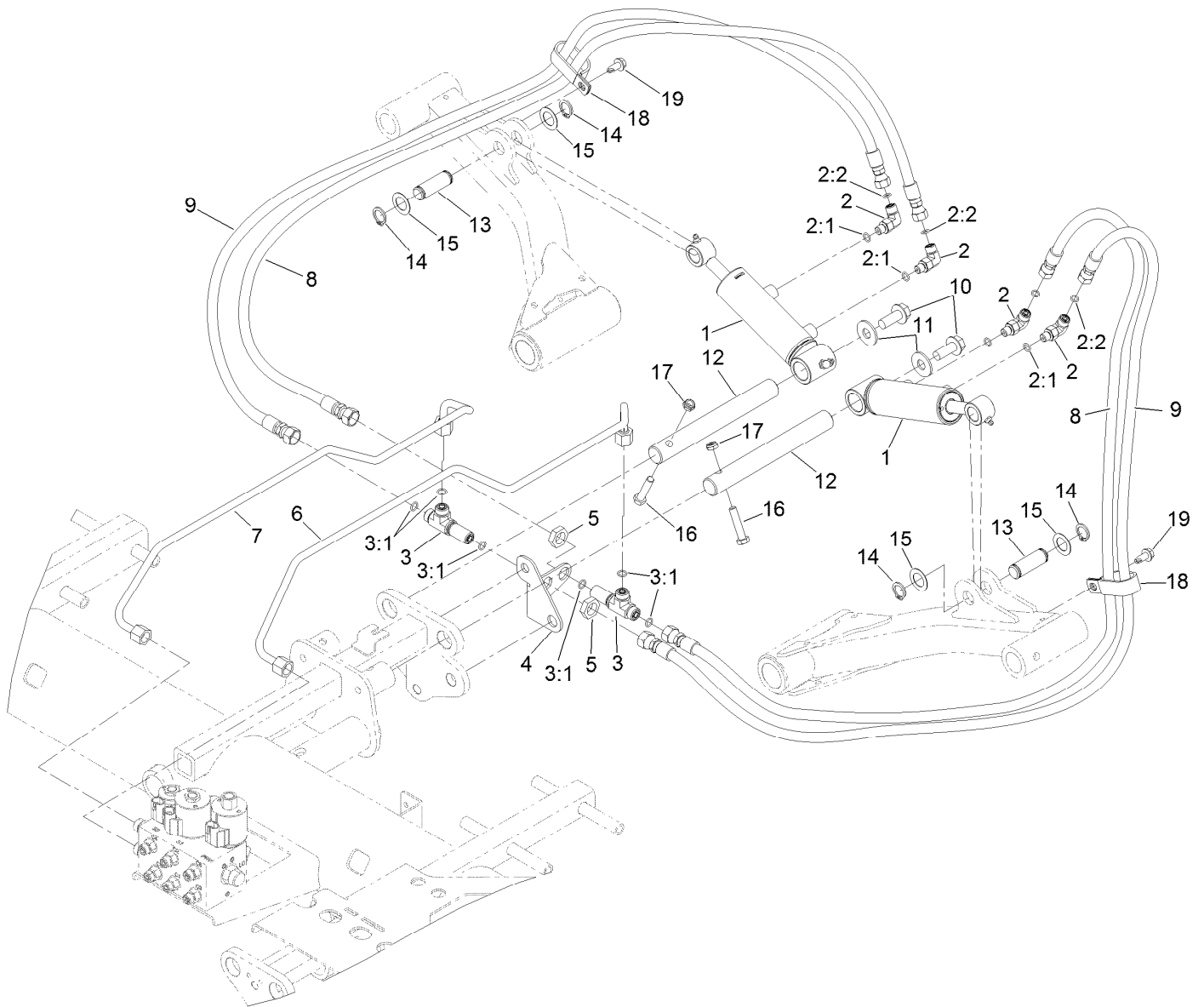
● Not serviced separately



Hydraulic Cylinder Assembly No. 119-6991

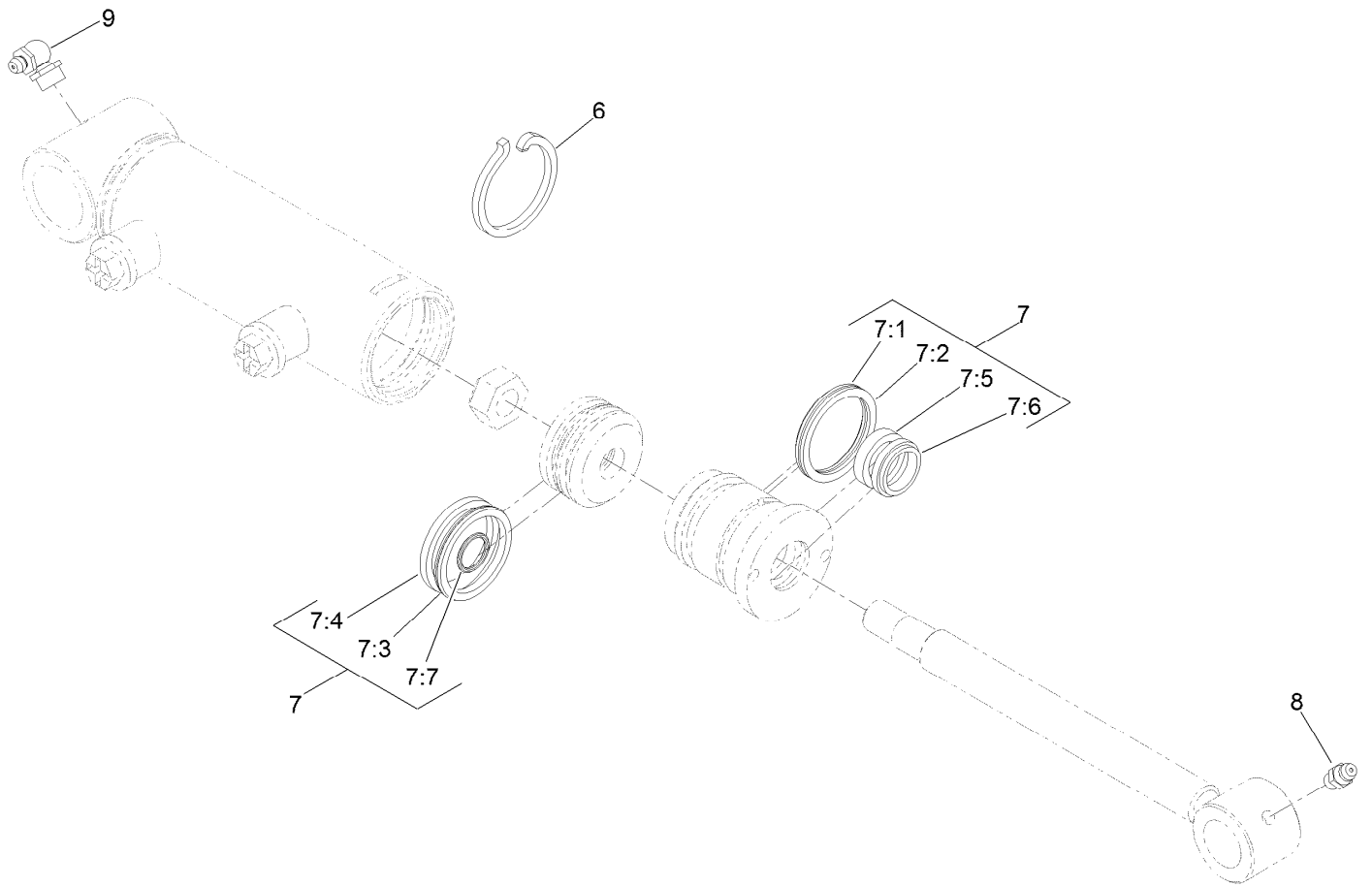
| <i>Ref.</i> | <i>Part Number</i> | <i>Qty.</i> | <i>Description</i> |
|-------------|--------------------|-------------|--------------------|
| 1 | 133-2900 | 1 | Seal Kit |
| 1:1 | | 1 | O-Ring ● |
| 1:2 | | 1 | Backup ● |
| 1:3 | | 1 | Bp Seal ● |
| 1:4 | | 1 | Wear Ring-Ht ● |
| 1:5 | | 1 | Bt Seal ● |
| 1:6 | | 1 | Dust Seal-Dt ● |
| 1:7 | | 1 | O-Ring ● |
| 2 | 302-5 | 2 | Fitting-Grease |
| 3 | 84-1680 | 1 | Ring-Retaining |

● Not serviced separately



Deck No. 2 and 3 Lift Circuit Hydraulic Assembly

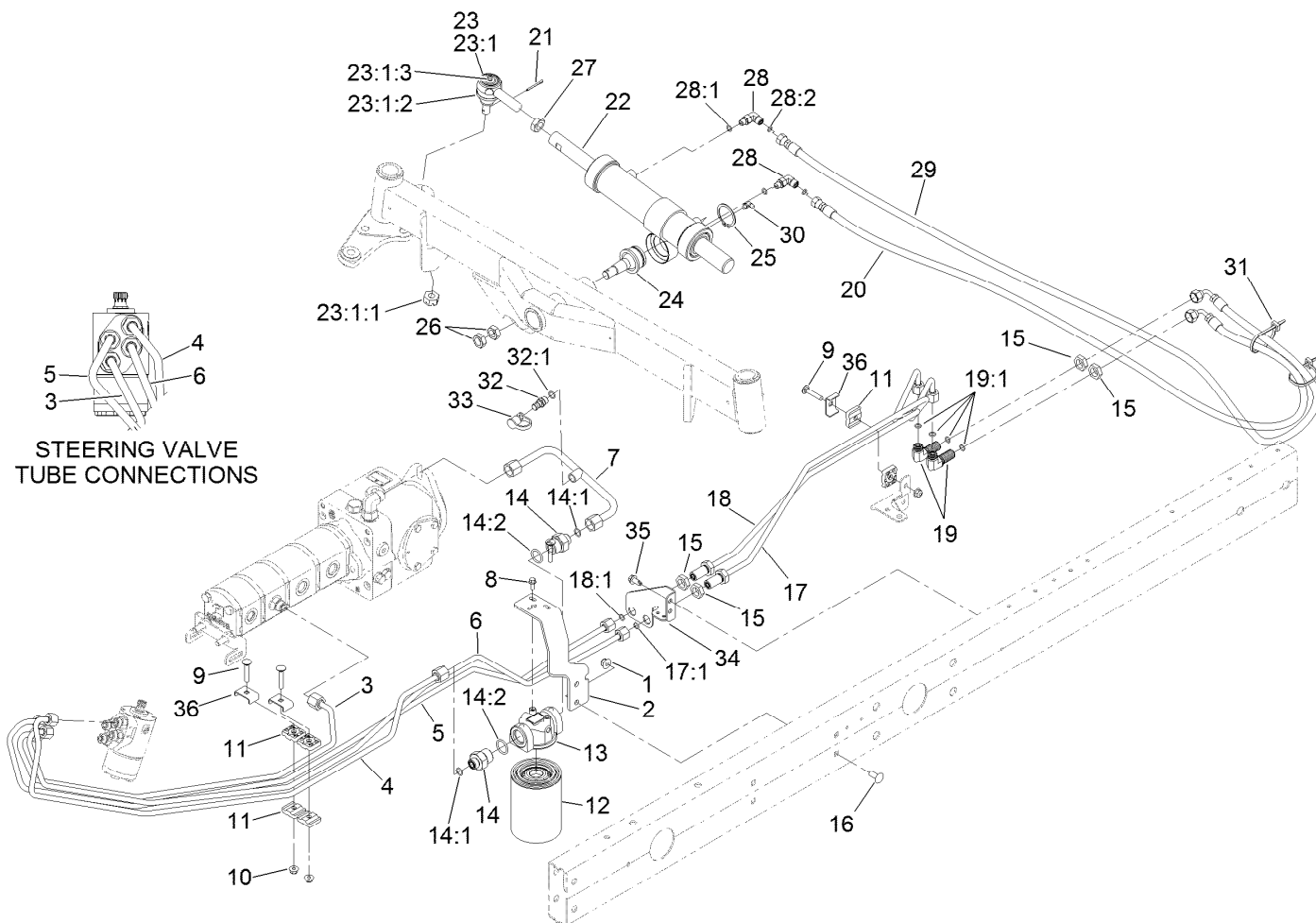
| <i>Ref.</i> | <i>Part Number</i> | <i>Qty.</i> | <i>Description</i> | <i>Ref.</i> | <i>Part Number</i> | <i>Qty.</i> | <i>Description</i> |
|-------------|--------------------|-------------|-----------------------|-------------|--------------------|-------------|---------------------|
| 1 | 138-6999 | 2 | HYD Cylinder ASM | 9 | 105-5405 | 2 | Hose-HYD |
| 2 | 340-132 | 4 | Fitting-Elbow, 90 DEG | 10 | 3234-38 | 2 | Screw-HHF |
| 2:1 | 237-78 | 1 | O-Ring | 11 | 3256-6 | 2 | Washer-Flat |
| 2:2 | 237-21 | 1 | O-Ring | 12 | 117-0148 | 2 | Pin-Cylinder |
| 3 | 340-68 | 2 | Fitting-Tee, Bulkhead | 13 | 104-0046 | 2 | Pin-Slide, Cylinder |
| 3:1 | 237-22 | 3 | O-Ring | 14 | 32120-93 | 4 | Ring-Retaining |
| 4 | 117-0179 | 1 | Bracket-Bulkhead | 15 | 3-6498 | 4 | Washer-Thrust |
| 5 | 340-70 | 2 | Nut-Lock | 16 | 323-9 | 2 | Screw-HH |
| 6 | 117-0175 | 1 | Tube-HYD | 17 | 3296-59 | 2 | Nut-Lock, NI |
| 7 | 117-0176 | 1 | Tube-HYD | 18 | 2412-137 | 2 | Clamp-R, Double |
| 8 | 105-5402 | 2 | Hose-HYD | 19 | 32104-32 | 2 | Screw-HWH |



Hydraulic Cylinder Assembly No. 138-6999

| Ref. | Part Number | Qty. | Description |
|------|-------------|------|----------------|
| 6 | 84-1680 | 1 | Ring-Retaining |
| 7 | 133-2900 | 1 | Seal Kit |
| 7:1 | | 1 | O-Ring ● |
| 7:2 | | 1 | Backup ● |
| 7:3 | | 1 | Bp Seal ● |
| 7:4 | | 1 | Wear Ring-Ht ● |
| 7:5 | | 1 | Bt Seal ● |
| 7:6 | | 1 | Dust Seal-Dt ● |
| 7:7 | | 1 | O-Ring ● |
| 8 | 302-5 | 1 | Fitting-Grease |
| 9 | 302-33 | 1 | Fitting-Grease |

● Not serviced separately

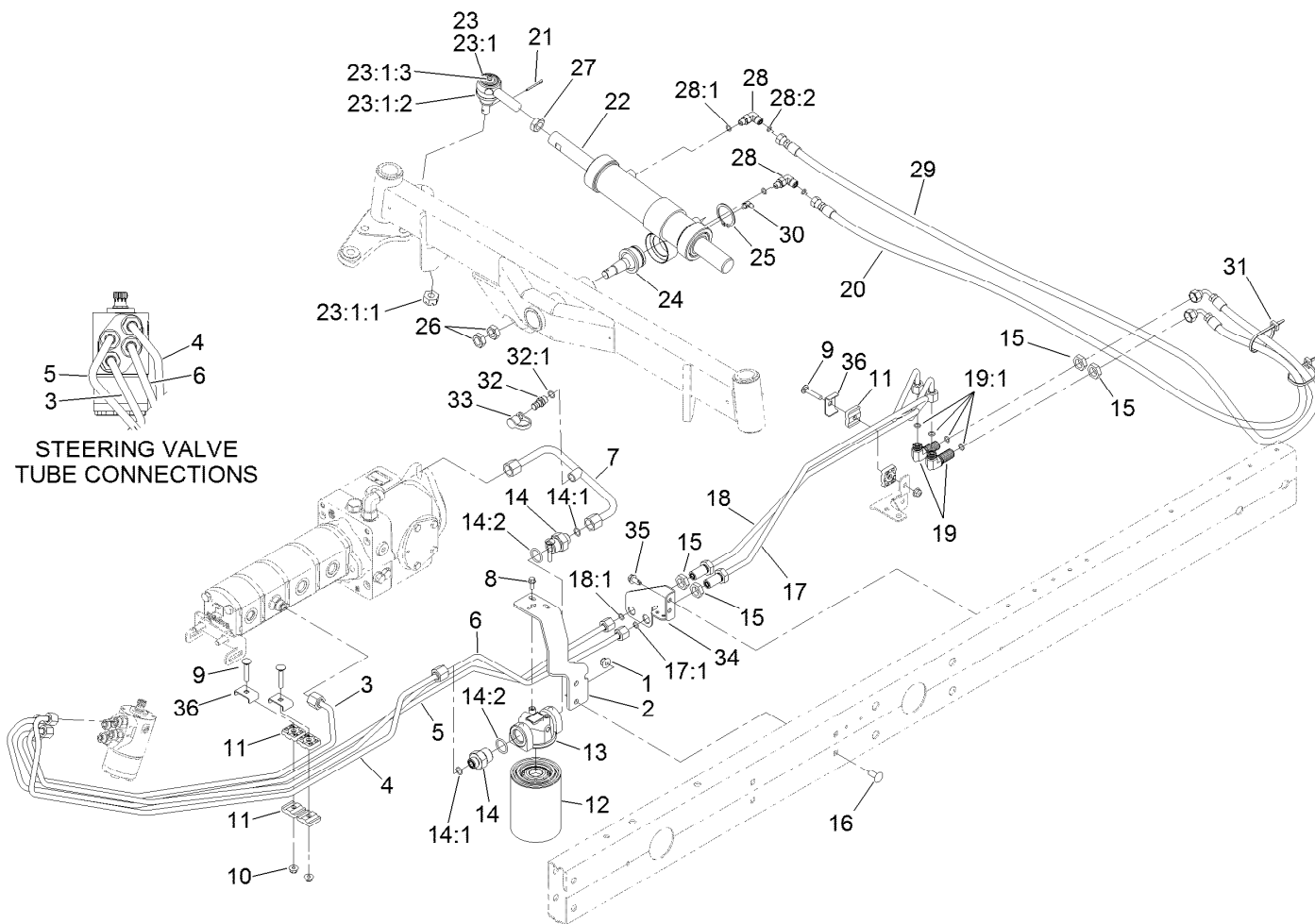


Steering Hydraulic Assembly

| Ref. | Part Number | Qty. | Description | Ref. | Part Number | Qty. | Description |
|------|-------------|------|-----------------------|--------|-------------|------|--------------------------|
| 1 | 104-8301 | 2 | Nut-HF, NI | 17 | 133-2988 | 1 | Tube ASM |
| 2 | 110-0906-0P | 1 | Support - Filter, Oil | 17:1 | 237-22 | 1 | O-Ring |
| 3 | 117-0167 | 1 | Tube-HYD | 18 | 133-2989 | 1 | Tube ASM |
| 4 | 108-1711 | 1 | Tube-HYD | 18:1 | 237-22 | 1 | O-Ring |
| 5 | 120-3764 | 1 | Tube-HYD | 19 | 340-154 | 2 | Union-Bulkhead |
| 6 | 120-3765 | 1 | Tube-HYD | 19:1 | 237-22 | 2 | O-Ring |
| 7 | 121-5601 | 1 | Tube-HYD | 20 | 110-0928 | 1 | Hose-HYD |
| 8 | 3234-33 | 2 | Screw-HHF | 21 | 3272-12 | 1 | Pin-Cotter |
| 9 | 94-5780 | 3 | Screw-HWH | 22 | 138-6994 | 1 | Cylinder-Hydraulic |
| 10 | 104-8300 | 4 | Nut-HF, NI | 23 | 71-4740-03 | 1 | RH Tie Rod End ASM |
| 11 | 56-7973 | 6 | Clamp-Tube | 23:1 | | 1 | End-Rod, Tie (RH) ●■ |
| 12 | 86-3010 | 1 | Filter-Oil | 23:1:1 | 105-7941 | 1 | Nut-Hex, Slotted |
| 13 | 117-5820 | 1 | Head-Filter | 23:1:2 | 105-7835 | 1 | Seal |
| 14 | 100-4240 | 2 | Fitting-STR | 23:1:3 | 302-5 | 1 | Fitting-Grease |
| 14:1 | 237-30 | 1 | O-Ring | 24 | 106-6774 | 1 | Joint-Ball |
| 14:2 | 237-81 | 1 | O-Ring | 25 | 32151-104 | 1 | Ring-Retaining, External |
| 15 | 340-70 | 4 | Nut-Lock | 26 | 3220-6 | 2 | Nut-Jam |
| 16 | 3231-27 | 2 | Screw-CARR | 27 | 84-5300 | 1 | Nut-Jam |

● Not illustrated

■ Not serviced separately



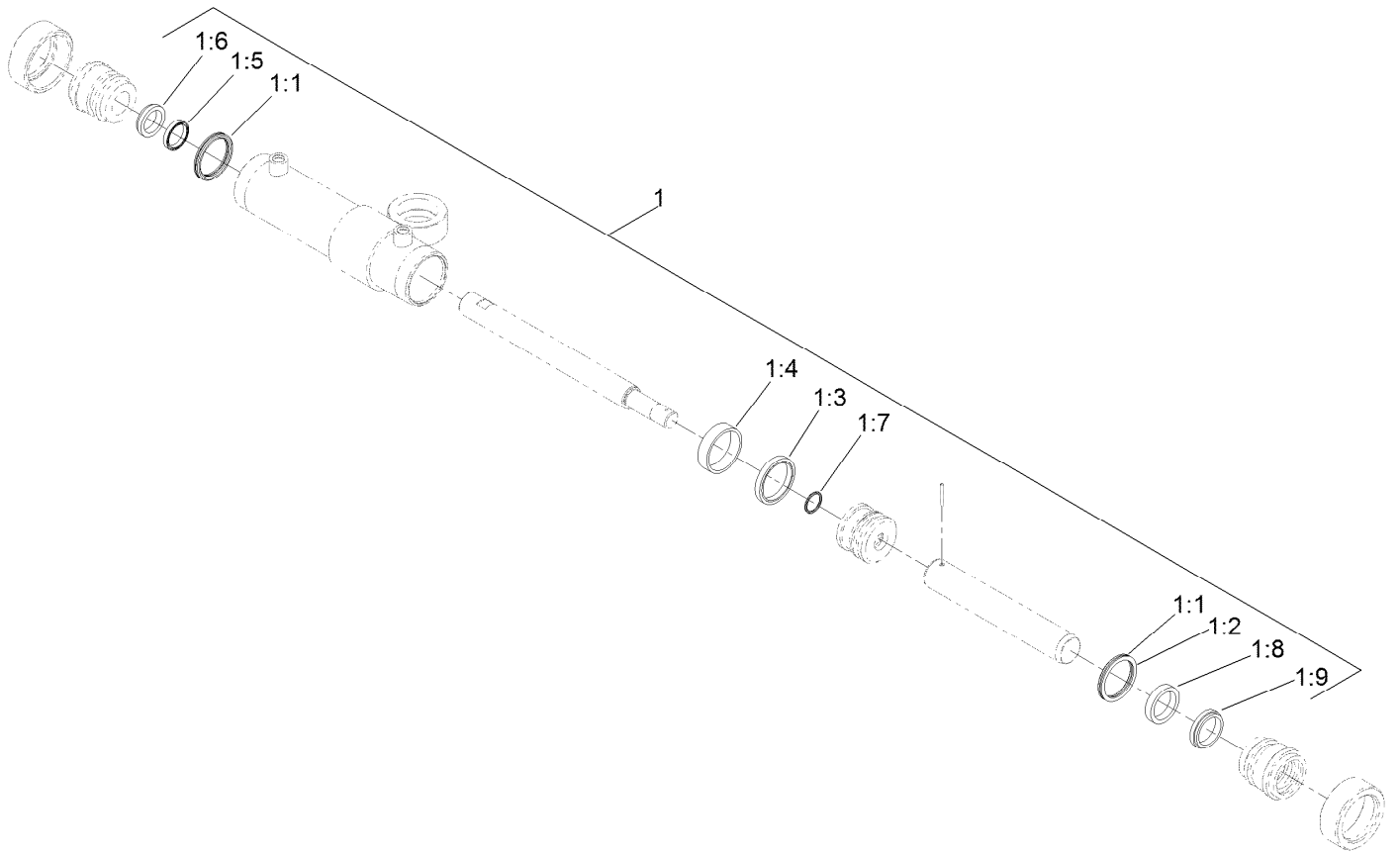
Steering Hydraulic Assembly (continued)

| <i>Ref.</i> | <i>Part Number</i> | <i>Qty.</i> | <i>Description</i> |
|-------------|--------------------|-------------|------------------------|
| 28 | 340-132 | 2 | Fitting-Elbow, 90 DEG |
| 28:1 | 237-78 | 1 | O-Ring |
| 28:2 | 237-21 | 1 | O-Ring |
| 29 | 110-0973 | 1 | Hose-HYD |
| 30 | 302-40 | 1 | Fitting-Grease, 90 DEG |
| 31 | 3290-378 | 2 | Tie-Cable |

| <i>Ref.</i> | <i>Part Number</i> | <i>Qty.</i> | <i>Description</i> |
|-------------|--------------------|-------------|--------------------|
| 32 | 59-7410 | 1 | Fitting-Diagnostic |
| 32:1 | 237-42 | 1 | O-Ring |
| 33 | 354-79 | 1 | Cap-Dust |
| 34 | 120-3781-0P | 1 | Brkt-Bulhead Steer |
| 35 | 32104-32 | 2 | Screw-HWH |
| 36 | 119-1418 | 3 | Plate-Clamp, Short |

● Not illustrated

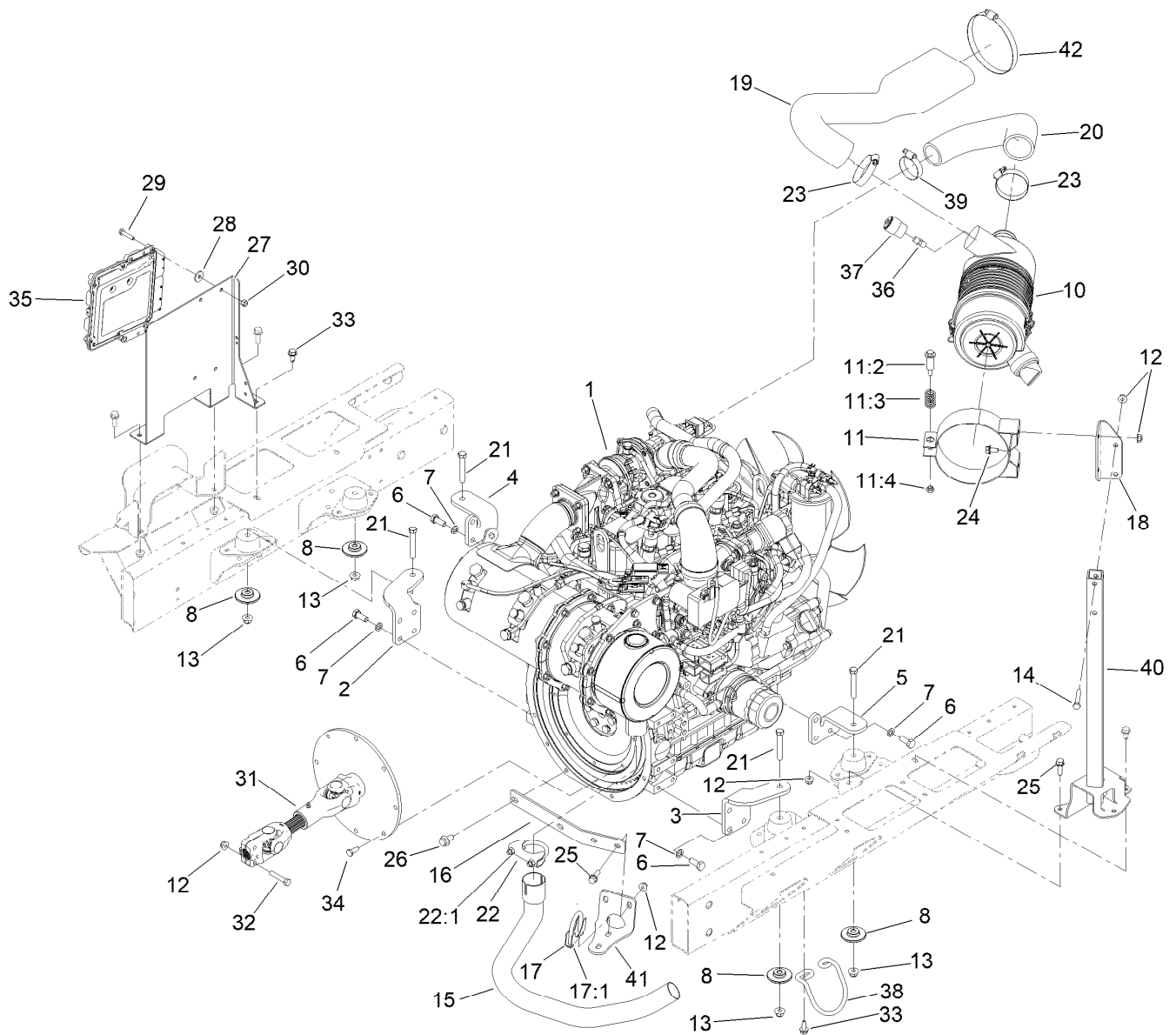
■ Not serviced separately



Steering Cylinder Assembly No. 138-6994

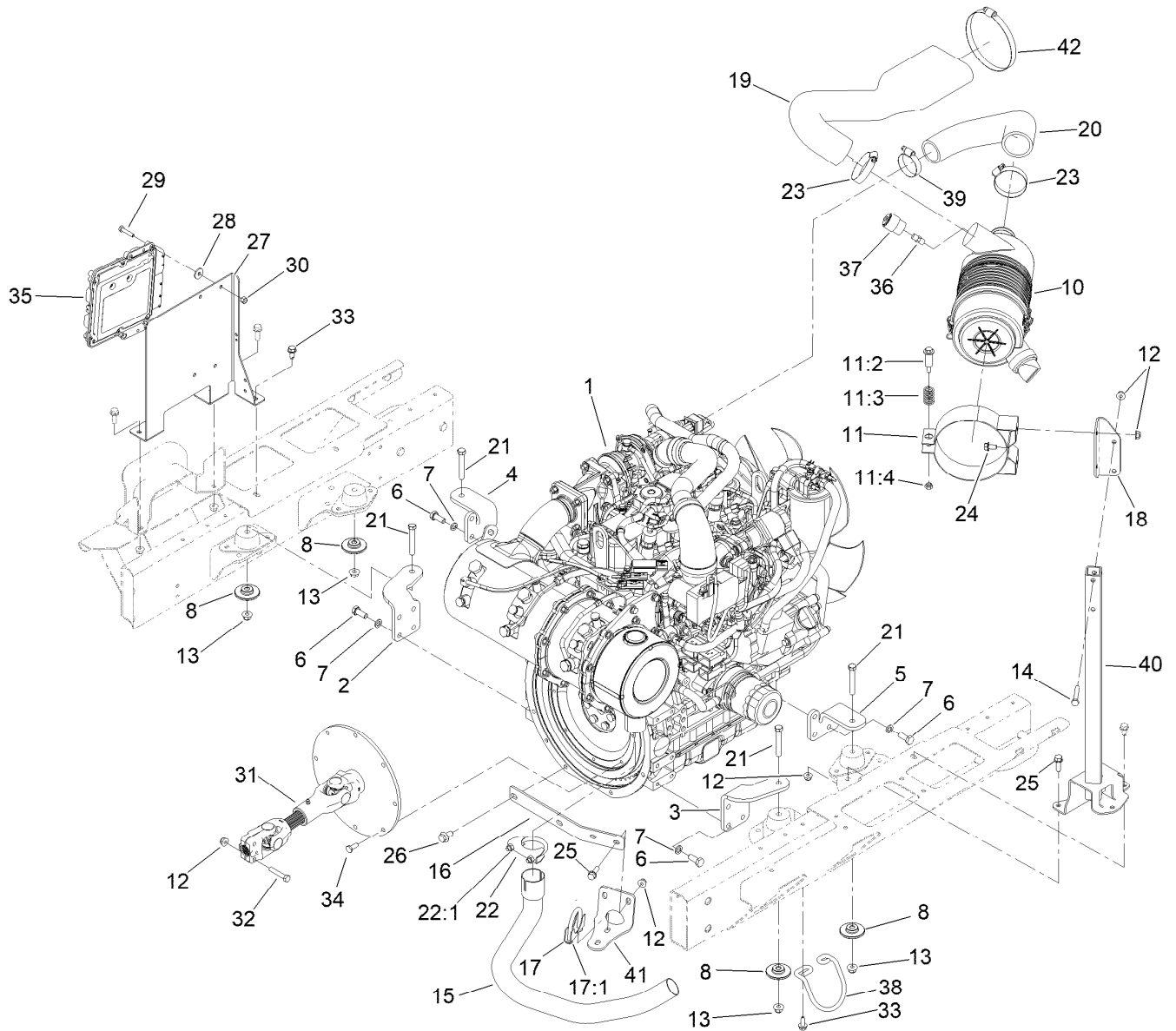
| Ref. | Part Number | Qty. | Description |
|------|-------------|------|-------------|
| 1 | 136-8000 | 1 | Kit-Seal |
| 1:1 | | 2 | O-Ring ● |
| 1:2 | | 2 | Backup ● |
| 1:3 | | 1 | Psp Seal ● |
| 1:4 | | 1 | Wear Ring ● |
| 1:5 | | 1 | Bs Seal ● |
| 1:6 | | 1 | Dust Seal ● |
| 1:7 | | 1 | O-Ring ● |
| 1:8 | | 1 | Bt Seal ● |
| 1:9 | | 1 | Dust Seal ● |

● Not serviced separately



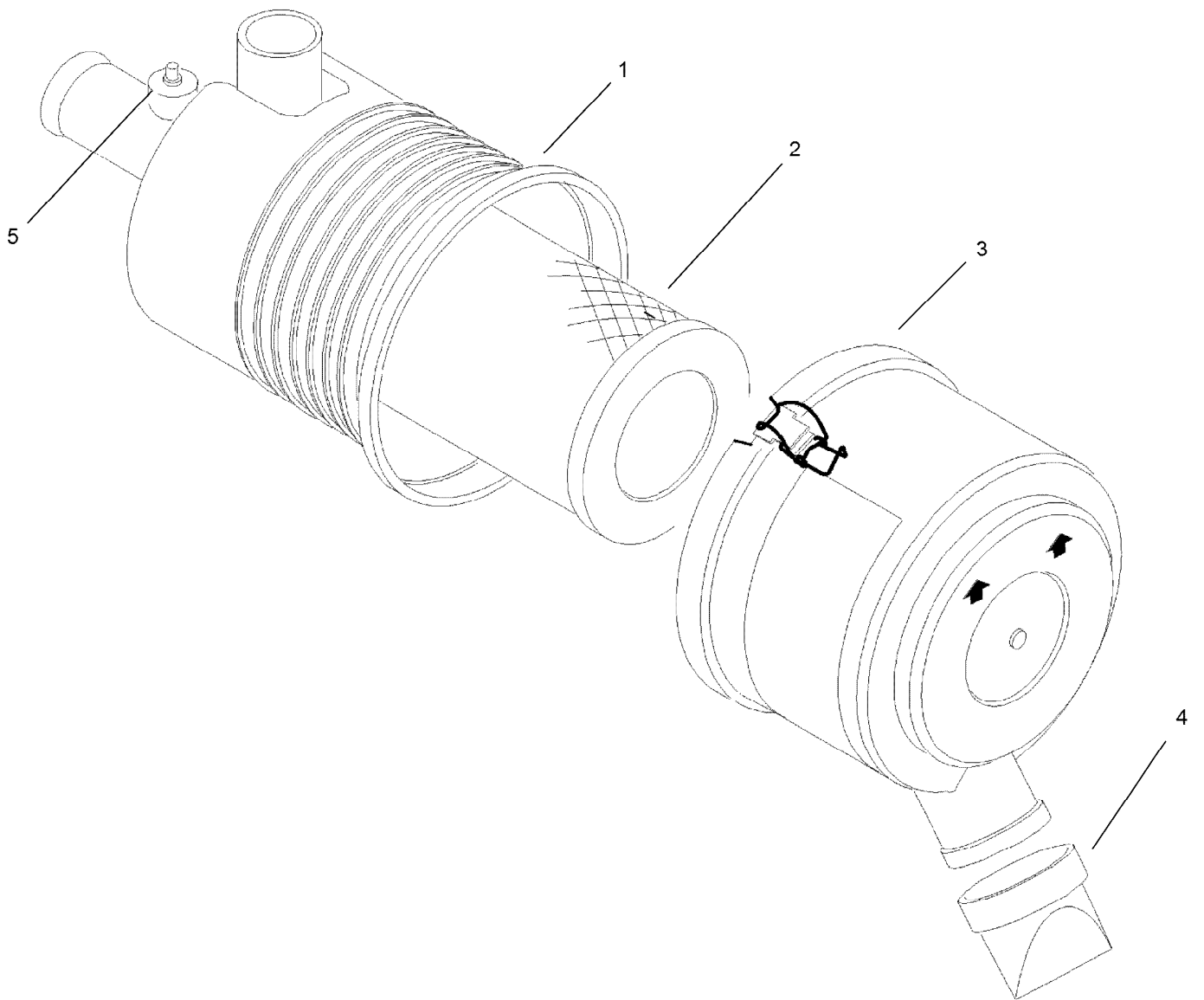
Engine, Driveshaft and Air Cleaner Assembly

| Ref. | Part Number | Qty. | Description | Ref. | Part Number | Qty. | Description |
|------|-------------|------|----------------------------|------|-------------|------|-------------------------|
| 1 | 138-6916 | 1 | Engine-Yanmar | 19 | 121-5559 | 1 | Hose-Air Cleaner |
| 2 | 120-3777-0P | 1 | Mount-Engine Rf | 20 | 133-2991 | 1 | Hose-AC, Out |
| 3 | 120-3778-0P | 1 | Mount-Engine Lf | 21 | 323-14 | 4 | Screw-HH |
| 4 | 120-3779-0P | 1 | Mount-Engine Rr | 22 | 2112-6 | 1 | Clamp-Muffler |
| 5 | 120-3780-0P | 1 | Mount-Engine Lr | 22:1 | 3218-2 | 2 | Nut-Hex Jam |
| 6 | 33115-025 | 14 | Screw-HH | 23 | 2412-125 | 2 | Clamp-Hose |
| 7 | 48-9590 | 14 | Washer-Lock | 24 | 3234-14 | 2 | Screw-HHF |
| 8 | 138-6462 | 4 | Support-Isolator | 25 | 3234-29 | 4 | Screw-HHF |
| 10 | 98-4517 | 1 | Air Cleaner ASM | 26 | 33105-020 | 2 | Screw-HHF |
| 11 | 100-4825 | 1 | Band-Mounting, Air Cleaner | 27 | 122-0898-0P | 1 | Bracket-Ecu |
| 11:2 | 94-3653 | 1 | Bolt | 28 | 66-2921 | 4 | Washer-Friction |
| 11:3 | 94-3654 | 1 | Spring | 29 | 321-8 | 4 | Screw-HH |
| 11:4 | 33024-00 | 1 | Nut-Lock, NI | 30 | 3296-42 | 4 | Nut-Lock, NI |
| 12 | 104-8300 | 10 | Nut-HF, NI | 31 | 133-2996 | 1 | Driveshaft Kit |
| 13 | 104-8301 | 4 | Nut-HF, NI | 32 | 322-9 | 2 | Screw-HH |
| 14 | 322-10 | 2 | Screw-HH | 33 | 32104-32 | 3 | Screw-HWH |
| 15 | 120-3790 | 1 | Tube-Exhaust | 34 | 33104-016 | 8 | Screw-HHF |
| 16 | 121-5594-0P | 1 | Bracket-Tailpipe | 35 | 121-5592 | 1 | Electronic Control Unit |
| 17 | 2112-9 | 1 | Clamp | 36 | 94-1416 | 1 | Adapter-Indicator |
| 17:1 | 32128-20 | 2 | Nut-HF | 37 | 93-9164 | 1 | Indicator-Mini |
| 18 | 120-6298-0P | 1 | Bracket-Aircleaner | 38 | 127-2612 | 1 | Guard-Pipe, Tail |



Engine, Driveshaft and Air Cleaner Assembly (continued)

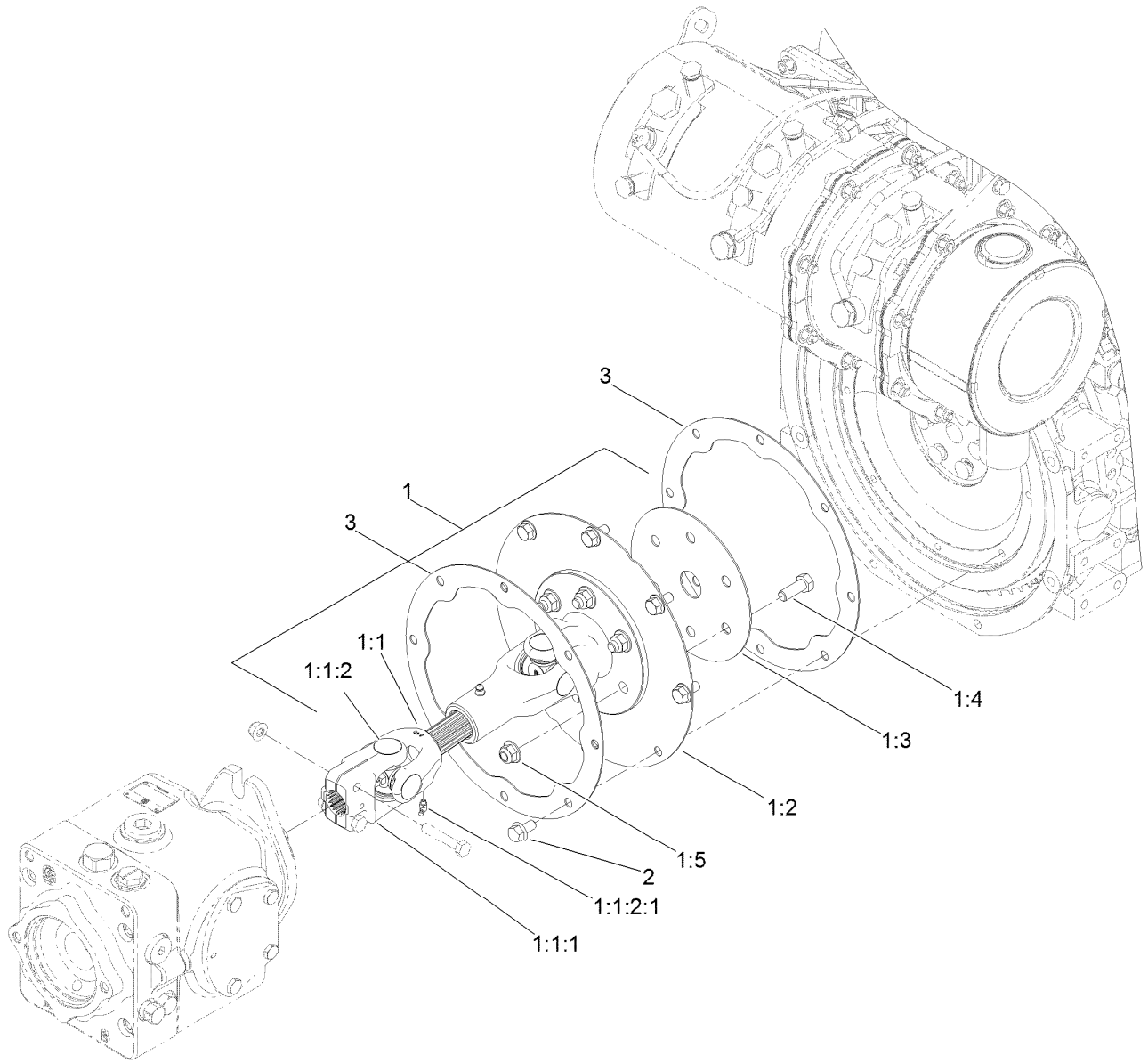
| <i>Ref.</i> | <i>Part Number</i> | <i>Qty.</i> | <i>Description</i> | <i>Ref.</i> | <i>Part Number</i> | <i>Qty.</i> | <i>Description</i> |
|-------------|--------------------|-------------|--------------------|-------------|--------------------|-------------|--------------------|
| 39 | 2412-3 | 1 | Clamp-Hose | 41 | 121-5595-0P | 1 | Bracket-Tailpipe |
| 40 | 120-2949-0P | 1 | Stand ASM [primed] | 42 | 2412-46 | 1 | Clamp |



Air Cleaner Assembly No. 98-4517

| <i>Ref.</i> | <i>Part Number</i> | <i>Qty.</i> | <i>Description</i> |
|-------------|--------------------|-------------|--------------------|
| 1 | | 1 | Body ASM ● |
| 2 | 108-3810 | 1 | Filter-Air |
| 3 | 98-9771 | 1 | Cover ASM |
| 4 | 87-9400 | 1 | Valve-Vacuator |
| 5 | | 1 | Plug ● |

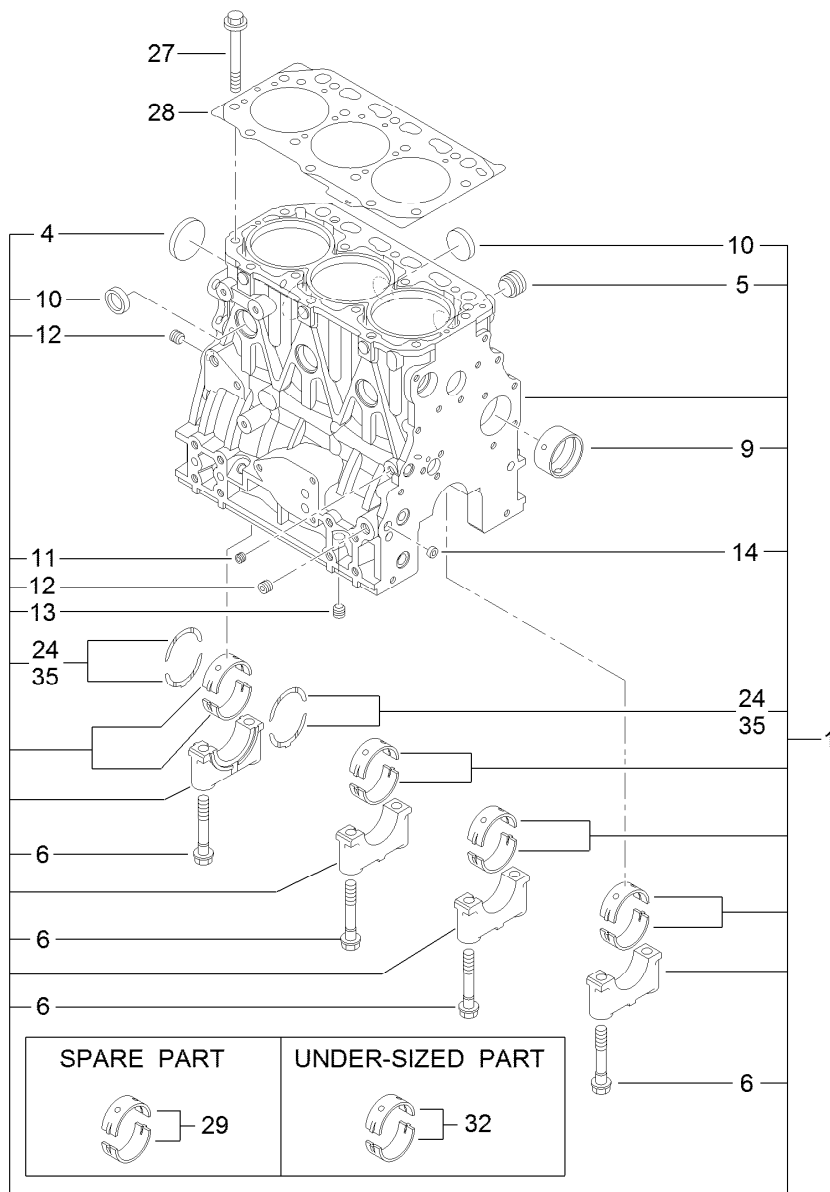
● Not serviced separately



Driveshaft Kit Assembly No. 133-2996

| Ref. | Part Number | Qty. | Description |
|---------|-------------|------|------------------------|
| 1 | | 1 | Driveshaft ASM ● |
| 1:1 | | 1 | Driveshaft ● |
| 1:1:1 | 54-9040 | 1 | Yoke-End |
| 1:1:2 | 54-9180 | 2 | U-Joint Kit |
| 1:1:2:1 | 62-3820 | 1 | Fitting-Grease |
| 1:2 | 138-6933-0P | 1 | Plate-Flywheel Adapter |
| 1:3 | 133-2963-0P | 1 | Ring-Backup |
| 1:4 | 323-6 | 6 | Screw-HH |
| 1:5 | 104-8301 | 6 | Nut-HF, NI |
| 2 | 33104-016 | 8 | Screw-HHF |
| 3 | 136-8040-0P | 2 | Ring - Backup |

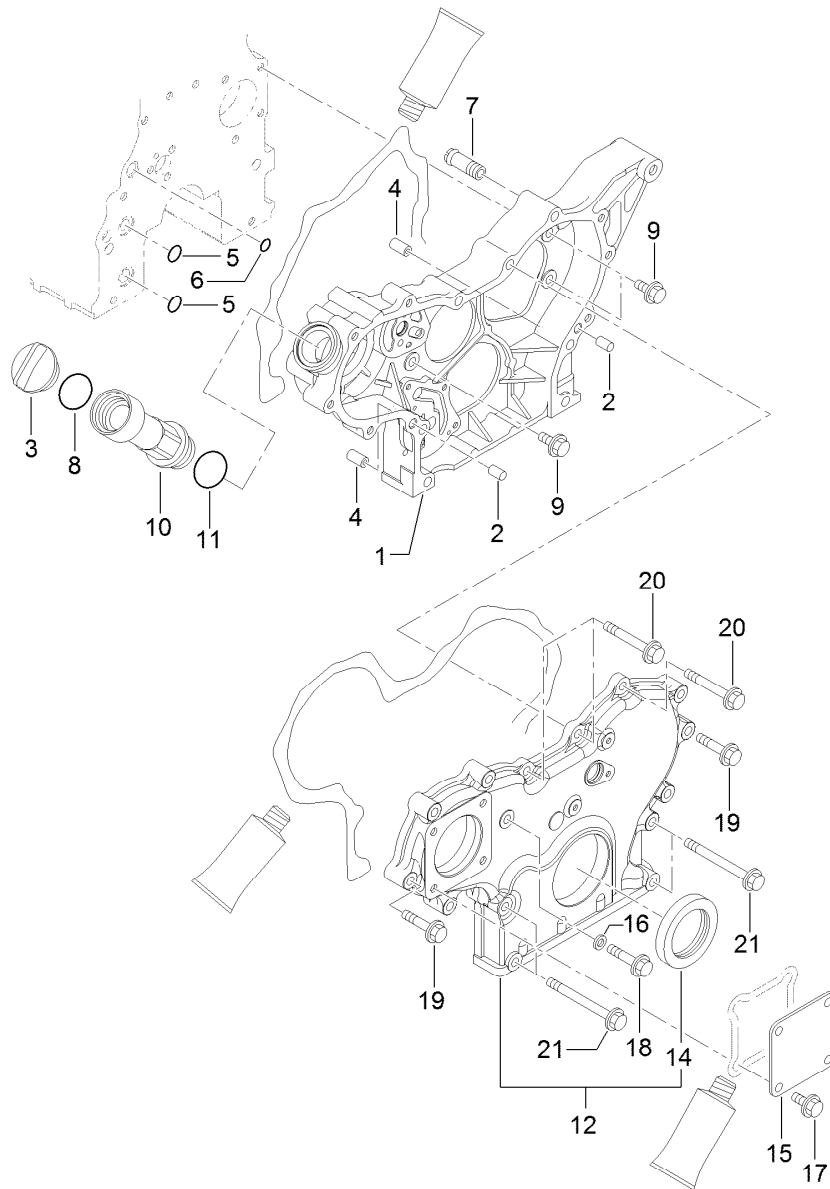
● Not serviced separately



Cylinder Block Assembly

| Ref. | Part Number | Qty. | Description |
|------|-------------|------|--------------------|
| 1 | 127-3750 | 1 | Cylinder Block ASM |
| 4 | 125-6980 | 1 | Plug |
| 5 | 125-7170 | 1 | Plug |
| 6 | 125-7007 | 8 | Bolt |
| 9 | 125-7108 | 1 | Bushing |
| 10 | 125-7239 | 6 | Plug |
| 11 | 125-6969 | 1 | Plug |
| 12 | 125-6973 | 2 | Plug |

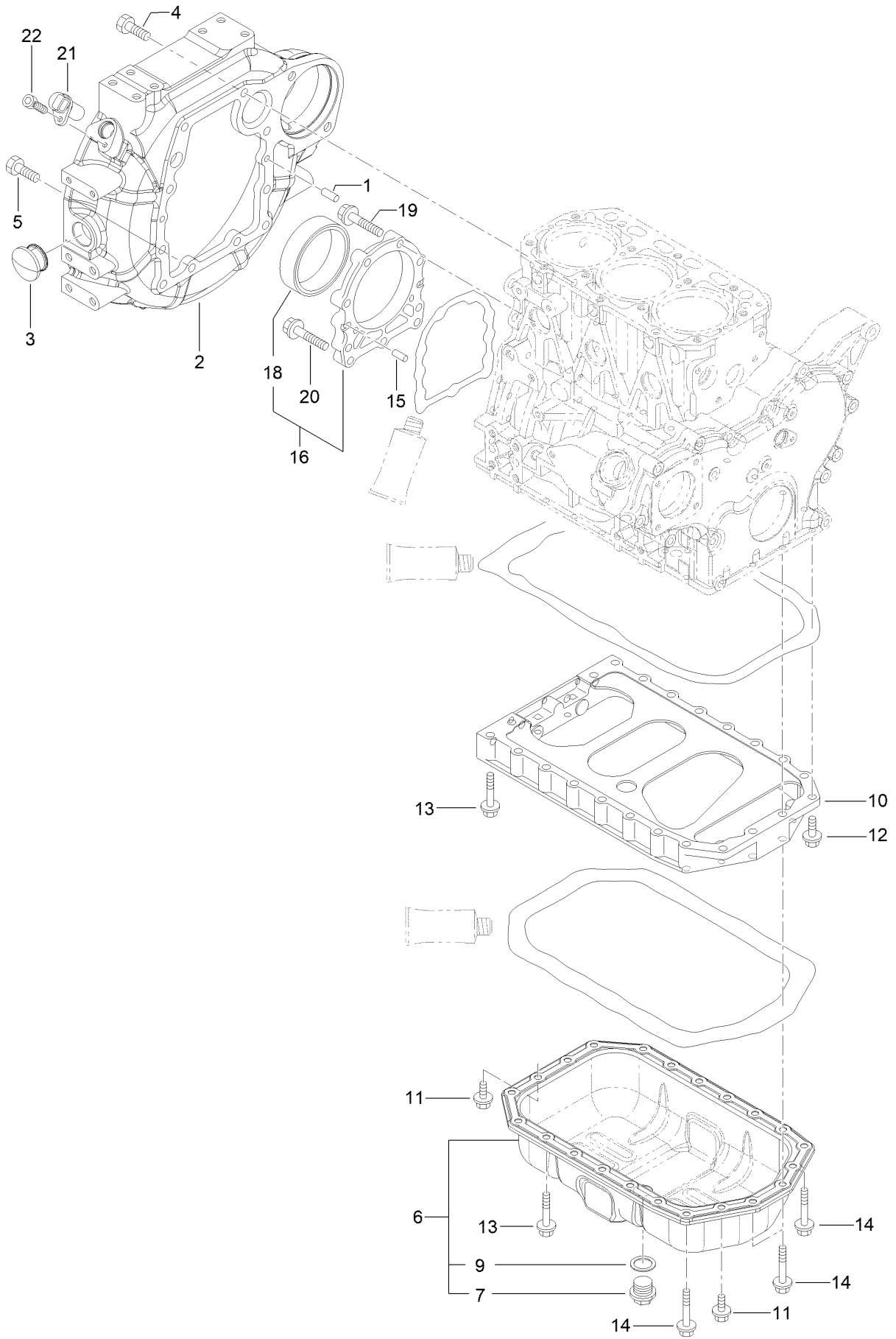
| Ref. | Part Number | Qty. | Description |
|------|-------------|------|---------------------|
| 13 | 125-6973 | 1 | Plug |
| 14 | 125-7237 | 1 | Plug |
| 24 | 125-7010 | 2 | Metal-Thrust |
| 27 | 125-7006 | 14 | Bolt |
| 28 | 127-3751 | 1 | Head Gasket ASM |
| 29 | 125-6981 | 4 | Metal-Main |
| 32 | 125-7009 | 4 | Metal-Main (0.25) |
| 35 | 125-7011 | 1 | Metal-Thrust (0.25) |



Gear Housing Assembly

| <i>Ref.</i> | <i>Part Number</i> | <i>Qty.</i> | <i>Description</i> | <i>Ref.</i> | <i>Part Number</i> | <i>Qty.</i> | <i>Description</i> |
|-------------|--------------------|-------------|--------------------|-------------|--------------------|-------------|--------------------|
| 1 | 127-3752 | 1 | Case-Gear | 11 | 125-7197 | 1 | O-Ring |
| 2 | 125-6995 | 2 | Pin | 12 | 127-3024 | 1 | Gearcase Cover ASM |
| 3 | 125-6972 | 1 | Cover-Filler | 14 | 125-6944 | 1 | Seal-Oil |
| 4 | 125-7107 | 2 | Pipe | 15 | 125-6977 | 1 | Cover |
| 5 | 125-6909 | 2 | O-Ring | 16 | 125-7174 | 1 | Washer-Seal |
| 6 | 127-2973 | 1 | O-Ring | 17 | 125-7214 | 4 | Bolt |
| 7 | 127-3753 | 1 | Joint | 18 | 125-7217 | 1 | Bolt |
| 8 | 125-7197 | 1 | O-Ring | 19 | 125-7218 | 7 | Bolt |
| 9 | 125-7214 | 3 | Bolt | 20 | 125-7222 | 3 | Bolt |
| 10 | 127-3754 | 1 | Pipe | 21 | 125-7224 | 4 | Bolt |

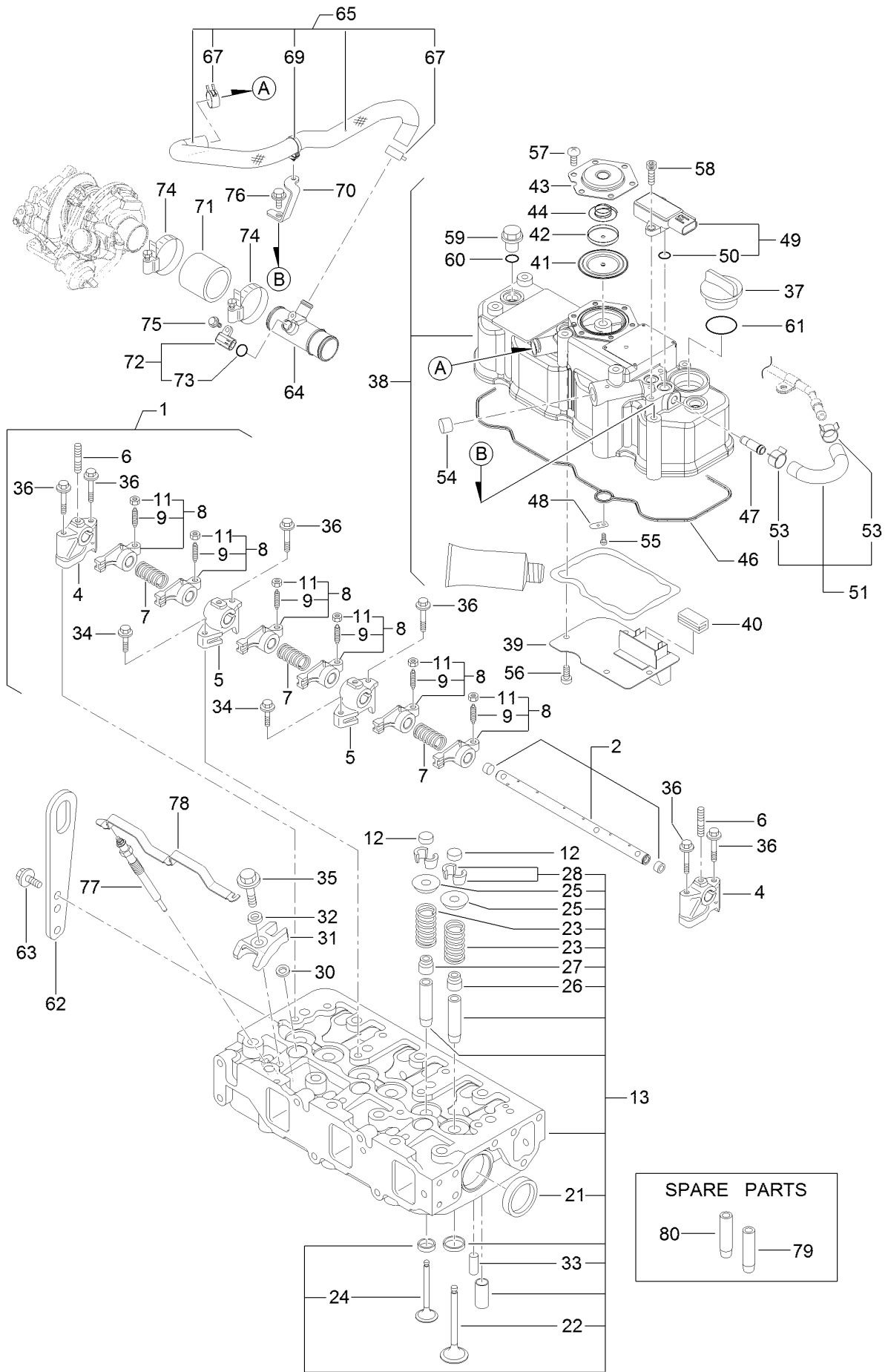
Flywheel Housing and Oil Sump Assembly



Flywheel Housing and Oil Sump Assembly (continued)

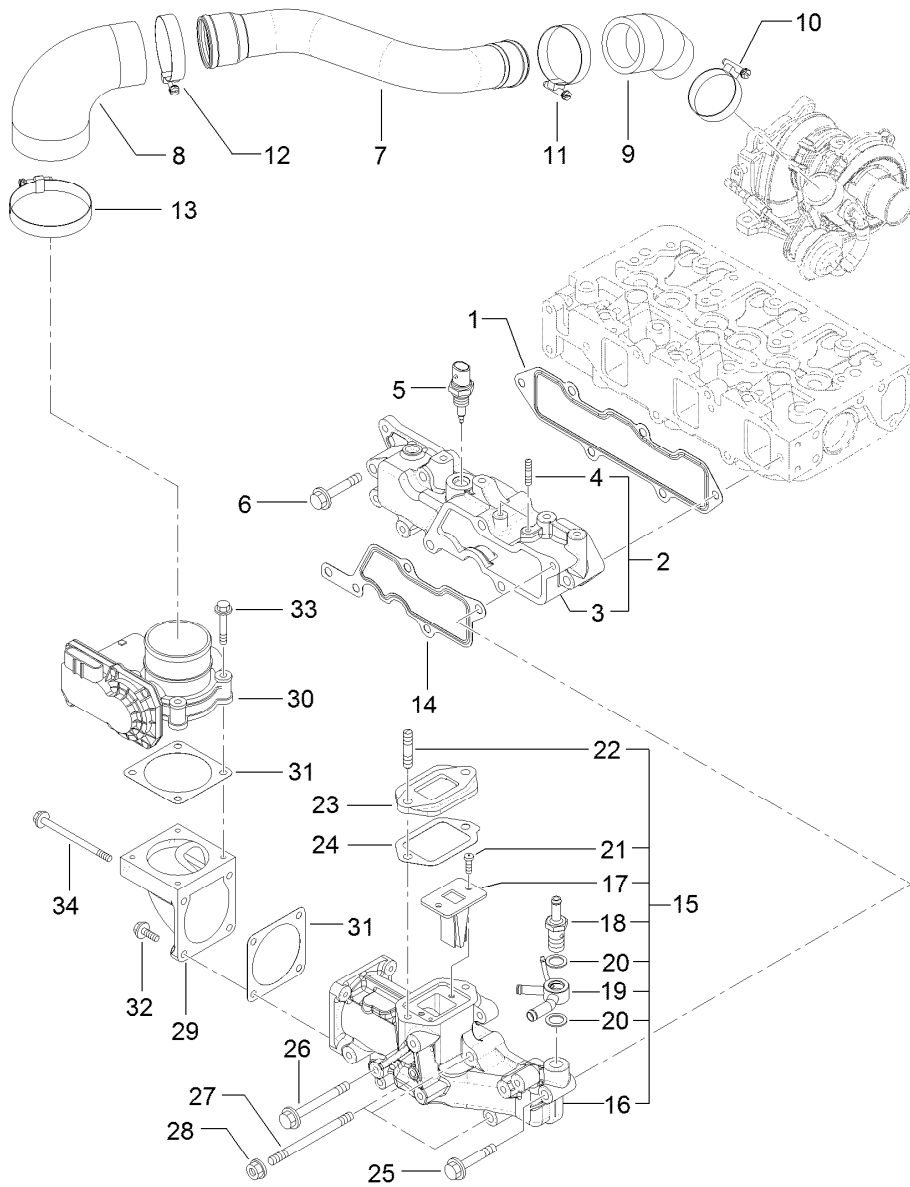
| <i>Ref.</i> | <i>Part Number</i> | <i>Qty.</i> | <i>Description</i> | <i>Ref.</i> | <i>Part Number</i> | <i>Qty.</i> | <i>Description</i> |
|-------------|--------------------|-------------|--------------------|-------------|--------------------|-------------|----------------------|
| 1 | 125-6995 | 1 | Pin | 12 | 125-7215 | 2 | Bolt |
| 2 | 127-3025 | 1 | Housing-Flywheel | 13 | 125-7219 | 16 | Bolt |
| 3 | 125-6910 | 1 | Cap | 14 | 125-7220 | 4 | Bolt |
| 4 | 125-7226 | 6 | Bolt | 15 | 125-6995 | 2 | Pin |
| 5 | 125-7227 | 4 | Bolt | 16 | 125-6996 | 1 | Case ASM |
| 6 | 127-3755 | 1 | Oil Pan ASM | 18 | 125-7106 | 1 | Seal-Oil |
| 7 | 125-6912 | 1 | Plug-Drain | 19 | 125-7045 | 6 | Bolt |
| 9 | 125-7177 | 1 | Washer-Seal | 20 | 125-7217 | 3 | Bolt |
| 10 | 127-3756 | 1 | Spacer | 21 | 127-3062 | 1 | Sensor-Rev, Flywheel |
| 11 | 125-7214 | 4 | Bolt | 22 | 127-3184 | 1 | Bolt |

Cylinder Head and Cover Assembly



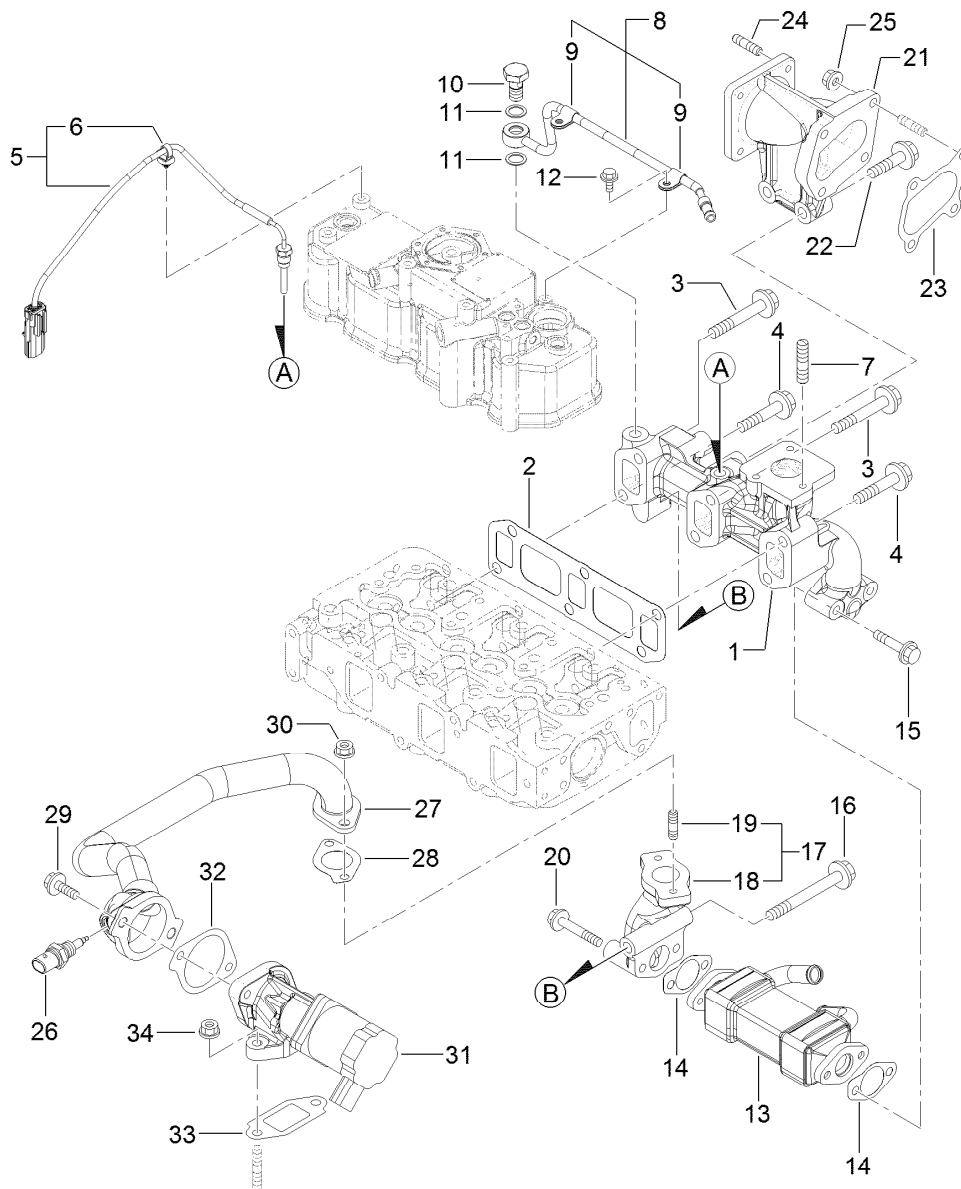
Cylinder Head and Cover Assembly (continued)

| <i>Ref.</i> | <i>Part Number</i> | <i>Qty.</i> | <i>Description</i> | <i>Ref.</i> | <i>Part Number</i> | <i>Qty.</i> | <i>Description</i> |
|-------------|--------------------|-------------|-------------------------|-------------|--------------------|-------------|-----------------------------|
| 1 | 127-3757 | 1 | Shaft ASM | 46 | 127-3762 | 1 | Gasket-Cover, Cylinder Head |
| 2 | 127-3758 | 1 | Shaft | 47 | 127-3026 | 1 | Joint |
| 4 | 127-2974 | 2 | Support | 48 | 125-6994 | 1 | Spring |
| 5 | 127-2975 | 2 | Support | 49 | 127-3029 | 1 | Sensor-Pressure |
| 6 | 127-3759 | 3 | Stud | 50 | 127-3032 | 2 | O Ring-Sensor, Pressure |
| 7 | 127-2995 | 3 | Spring | 51 | 127-3040 | 1 | Hose ASM |
| 8 | 127-2989 | 6 | Arm-Rocker | 53 | 127-3041 | 2 | Clip-Hose |
| 9 | 125-7013 | 6 | Screw-Adjust, Valve | 54 | 125-6913 | 1 | Plug |
| 11 | 125-7014 | 6 | Nut | 55 | 125-7186 | 1 | Screw |
| 12 | 127-2996 | 6 | Cap-Valve | 56 | 125-7186 | 4 | Screw |
| 13 | 127-3760 | 1 | Cylinder Head ASM | 57 | 125-7186 | 6 | Screw |
| 21 | 125-7240 | 2 | Plug | 58 | 127-3184 | 2 | Bolt |
| 22 | 127-2990 | 3 | Valve | 59 | 125-6974 | 3 | Knob |
| 23 | 127-3012 | 6 | Spring | 60 | 93-0418 | 3 | O-Ring |
| 24 | 127-2994 | 3 | Valve | 61 | 125-7197 | 1 | O-Ring |
| 25 | 127-3013 | 6 | Retainer-Spring | 62 | 125-7111 | 1 | Lifter |
| 26 | 127-2986 | 3 | Seal-Stem, Valve | 63 | 125-7214 | 2 | Bolt |
| 27 | 127-3027 | 3 | Seal-Stem, Valve | 64 | 127-3763 | 1 | Joint-Breather |
| 28 | 127-3186 | 6 | Pin-Cotter | 65 | 127-3764 | 1 | Hose Breather ASM |
| 30 | 127-3021 | 3 | Gasket-Injector | 67 | 125-7040 | 2 | Clip-Hose |
| 31 | 127-3028 | 3 | Retainer-Injector | 69 | 127-3087 | 1 | Band-Clip |
| 32 | 127-2980 | 3 | Washer-Injector | 70 | 127-3765 | 1 | Stay-Hose, Breather |
| 33 | 125-7184 | 2 | Pin-Spring | 71 | 127-3766 | 1 | Hose, Air |
| 34 | 125-7215 | 2 | Bolt | 72 | 127-3030 | 1 | Sensor-Temp, Air |
| 35 | 125-7217 | 3 | Bolt | 73 | 127-3033 | 1 | O-Ring |
| 36 | 125-7220 | 6 | Bolt | 74 | 127-3767 | 2 | Clamp 50 |
| 37 | 125-6972 | 1 | Cover-Filler | 75 | 125-7208 | 1 | Bolt |
| 38 | 127-3761 | 1 | Cylinder Head Cover ASM | 76 | 92-0803 | 1 | Bolt |
| 39 | 127-2988 | 1 | Plate | 77 | 127-2991 | 3 | Plug-Glow |
| 40 | 125-7012 | 1 | Baffle | 78 | 127-3768 | 1 | Connector-Plug, Glow |
| 41 | 125-6959 | 1 | Diaphragm | 79 | 127-2979 | 3 | Guide |
| 42 | 125-6960 | 1 | Plate | 80 | 127-2997 | 3 | Guide-Valve |
| 43 | 125-6961 | 1 | Plate-Breather | | | | |
| 44 | 125-6962 | 1 | Spring-Diaphragm | | | | |



Suction Manifold Assembly

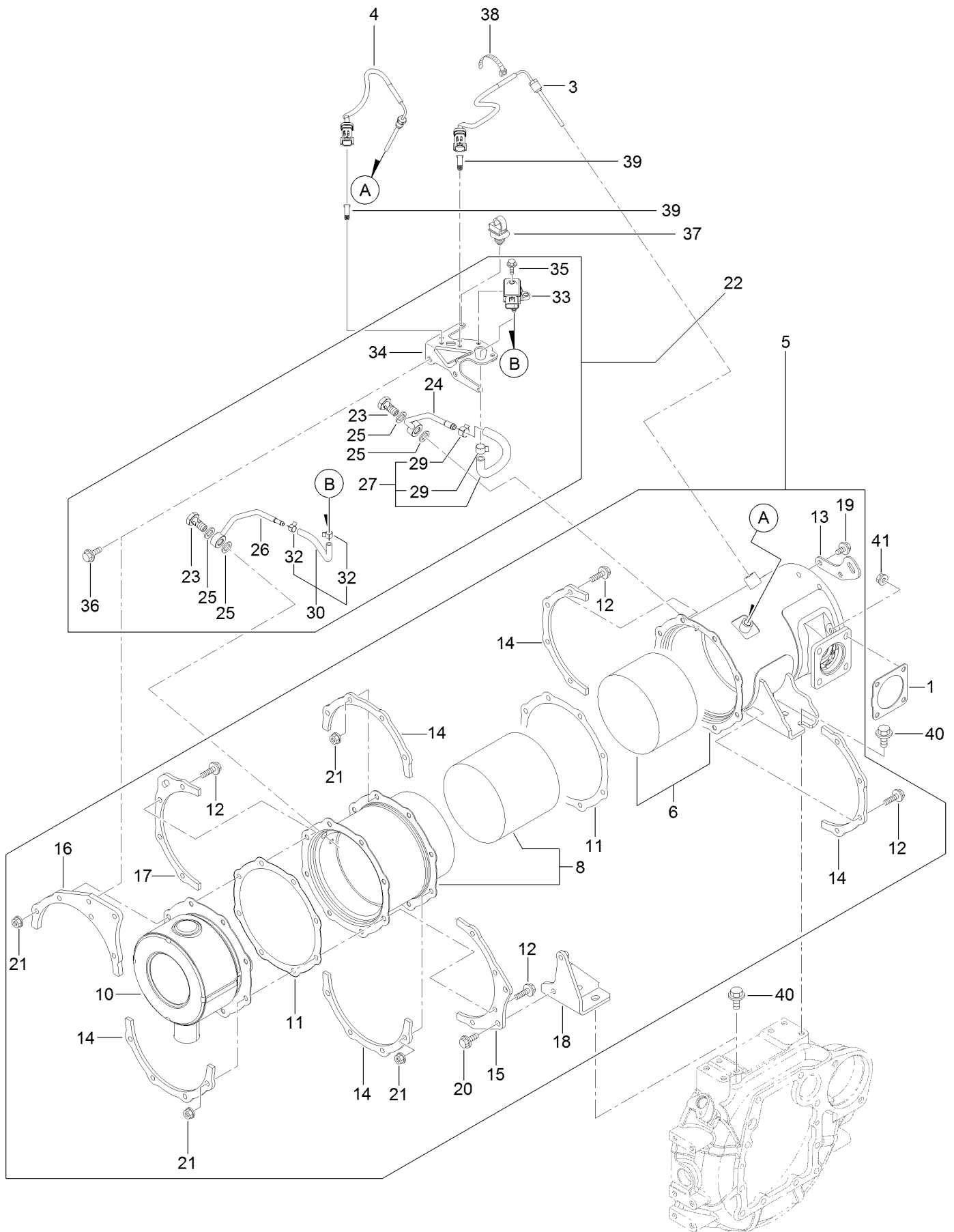
| Ref. | Part Number | Qty. | Description | Ref. | Part Number | Qty. | Description |
|------|-------------|------|-------------------------|------|-------------|------|---------------------|
| 1 | 127-3769 | 1 | Gasket-Manifold, Intake | 18 | 127-3080 | 1 | Joint-Hose |
| 2 | 127-3770 | 1 | Intake Manifold ASM | 19 | 127-3081 | 1 | Joint-Hose |
| 3 | 127-3771 | 1 | Manifold-Intake, Air | 20 | 127-3166 | 1 | Washer-Seal |
| 4 | 127-3180 | 2 | Stud | 21 | 127-3168 | 11 | Screw |
| 5 | 127-3031 | 1 | Sensor-Temp, Air | 22 | 127-3181 | 1 | Stud |
| 6 | 125-7220 | 3 | Bolt | 23 | 127-3045 | 1 | Spacer-Valve, E G R |
| 7 | 127-3772 | 1 | Duct Suction | 24 | 127-3046 | 1 | Gasket-E G R |
| 8 | 127-3096 | 1 | Joint-Rubber | 25 | 125-7220 | 1 | Bolt |
| 9 | 127-3773 | 1 | Joint, Rubber | 26 | 127-3178 | 1 | Bolt |
| 10 | 125-7189 | 1 | Clamp-Hose | 27 | 127-3182 | 3 | Stud |
| 11 | 127-3170 | 1 | Clamp-Hose | 28 | 125-7229 | 3 | Nut |
| 12 | 125-7190 | 1 | Clamp-Hose | 29 | 127-3035 | 1 | Bend-Inlet |
| 13 | 127-3171 | 1 | Clamp-Hose | 30 | 127-3036 | 1 | Body-Throttle |
| 14 | 127-3034 | 1 | Gasket-Collector | 31 | 127-3037 | 2 | Gasket-Throttle |
| 15 | 127-3093 | 1 | Intake Collector ASM | 32 | 125-7209 | 2 | Bolt |
| 16 | 127-3092 | 1 | Collector-Intake | 33 | 125-7211 | 4 | Bolt |
| 17 | 127-3139 | 1 | Valve-Reed | 34 | 127-3177 | 2 | Bolt |



Exhaust Manifold Assembly

| Ref. | Part Number | Qty. | Description | Ref. | Part Number | Qty. | Description |
|------|-------------|------|--------------------------|------|-------------|------|----------------------------|
| 1 | 127-3774 | 1 | Manifold-Exhaust | 18 | 127-3049 | 1 | Pipe-Out, E G R |
| 2 | 127-3775 | 1 | Gasket-Manifold, Exhaust | 19 | 125-7043 | 2 | Stud |
| 3 | 127-3776 | 4 | Bolt-Flange | 20 | 125-7220 | 2 | Bolt |
| 4 | 127-3094 | 2 | Bolt | 21 | 127-3778 | 1 | Pipe Extension ASM |
| 5 | 127-3777 | 1 | Sensor-Temp, Exhaust | 22 | 127-3138 | 2 | Bolt-Flange |
| 6 | 127-3087 | 1 | Band-Clip | 23 | 127-3779 | 1 | Gasket-Out, T C |
| 7 | 125-7043 | 3 | Stud | 24 | 125-6906 | 4 | Stud |
| 8 | 127-3038 | 1 | Exhaust Pipe ASM | 25 | 125-7229 | 4 | Nut |
| 9 | 127-3173 | 2 | Clamp | 26 | 127-3047 | 1 | Sensor-Gas Temp, E G R |
| 10 | 127-3039 | 1 | Bolt-Joint, Pipe | 27 | 127-3780 | 1 | E G R Pipe ASM |
| 11 | 127-3174 | 2 | Gasket | 28 | 127-3016 | 1 | Gasket |
| 12 | 125-7206 | 2 | Bolt | 29 | 125-7215 | 2 | Bolt |
| 13 | 127-3042 | 1 | Cooler-E G R | 30 | 125-7229 | 2 | Nut |
| 14 | 127-3043 | 2 | Gasket-Cooler, E G R | 31 | 127-3781 | 1 | Valve-E G R |
| 15 | 127-2976 | 2 | Bolt | 32 | 127-3050 | 1 | Gasket-Intake Valve, E G R |
| 16 | 127-3022 | 1 | Bolt-Flange | 33 | 127-3051 | 1 | Gasket-Out Valve, E G R |
| 17 | 127-3048 | 1 | E G R Pipe ASM | 34 | 125-7229 | 2 | Nut |

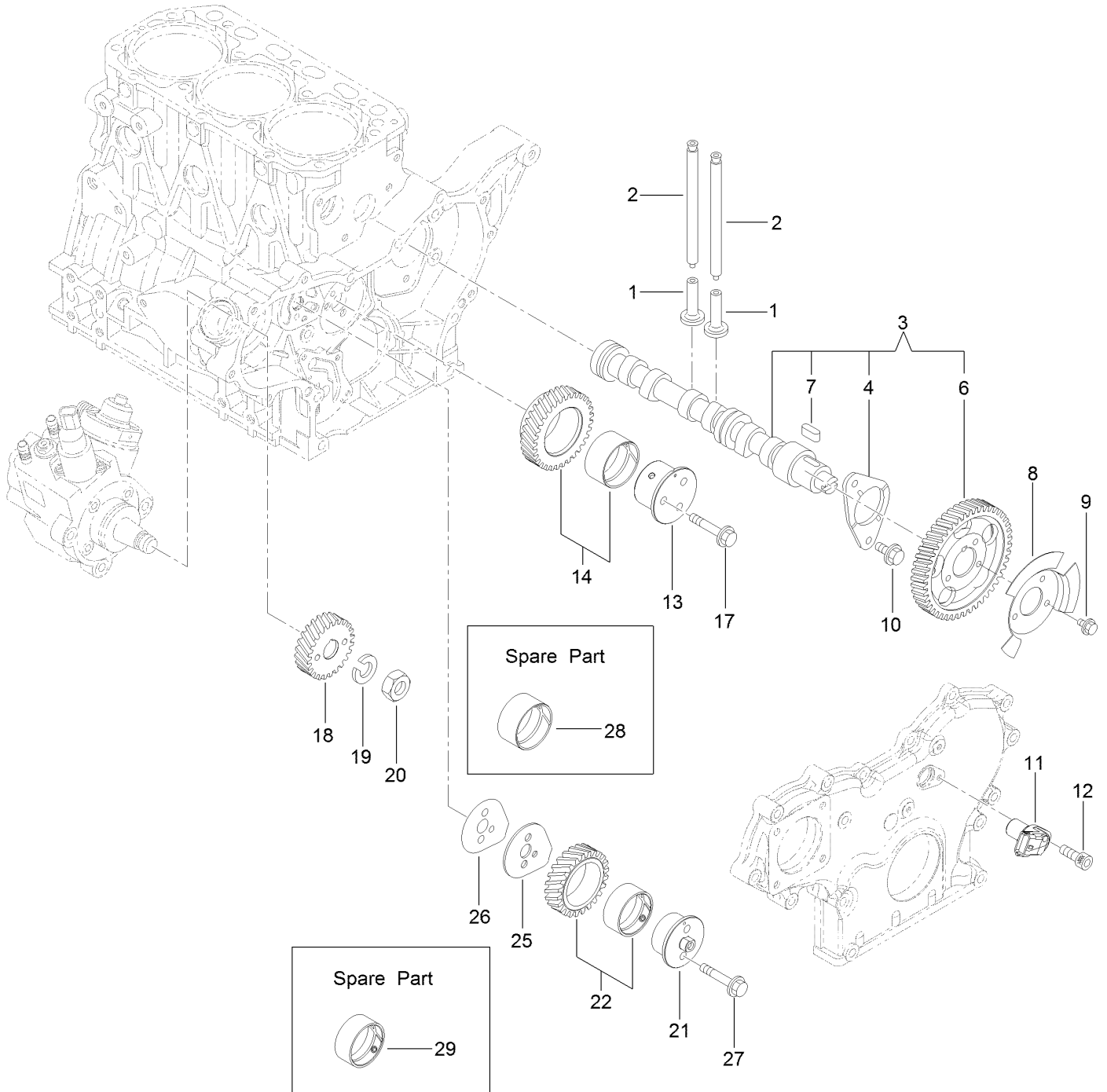
Diesel Particulate Filter Assembly



Diesel Particulate Filter Assembly (continued)

| <i>Ref.</i> | <i>Part Number</i> | <i>Qty.</i> | <i>Description</i> | <i>Ref.</i> | <i>Part Number</i> | <i>Qty.</i> | <i>Description</i> |
|-------------|--------------------|-------------|----------------------|-------------|--------------------|-------------|------------------------------|
| 1 | 127-3019 | 1 | Gasket | 23 | 127-3039 | 2 | Bolt-Joint, Pipe |
| 3 | 127-4764 | 1 | Sensor-Temp, Exhaust | 24 | 127-3795 | 1 | Pipe-Sensor |
| 4 | 127-3112 | 1 | Sensor-Temp, Exhaust | 25 | 127-3056 | 4 | Gasket-Sensor |
| 5 | 127-3783 | 1 | D P F ASM | 26 | 127-3796 | 1 | Pipe-Sensor |
| 6 | 127-3784 | 1 | Case-D O C | 27 | 127-3114 | 1 | Exhaust Hose ASM |
| 8 | 127-3785 | 1 | Case-Filter, Soot | 29 | 127-3057 | 2 | Clip-Hose |
| 10 | 127-3786 | 1 | Silencer-D P F | 30 | 127-3059 | 1 | Exhaust Pressure Hose ASM |
| 11 | 127-3787 | 2 | Gasket-D P F | 32 | 127-3058 | 2 | Clip-Hose |
| 12 | 127-3055 | 16 | Bolt | 33 | 127-3060 | 1 | Sensor-Pressure |
| 13 | 127-3788 | 1 | Lifter-D P F | 34 | 127-3061 | 1 | Bracket-Sensor, Pressure |
| 14 | 127-3789 | 5 | Stiffener-D P F, A | 35 | 125-7208 | 2 | Bolt |
| 15 | 127-3790 | 1 | Stiffener-D P F, B | 36 | 125-7595 | 2 | Bolt |
| 16 | 127-3791 | 1 | Stiffener-D P F, C | 37 | 127-3087 | 1 | Band-Clip |
| 17 | 127-3792 | 1 | Stiffener-D P F, C | 38 | 127-3124 | 1 | Band |
| 18 | 127-3793 | 1 | Stay-D P F | 39 | 127-3088 | 2 | Clip-Connector |
| 19 | 125-7213 | 2 | Bolt | 40 | 127-3179 | 4 | Bolt |
| 20 | 125-7594 | 2 | Bolt | 41 | 125-7229 | 4 | Nut |
| 21 | 125-7229 | 16 | Nut | | | | |
| 22 | 127-3794 | 1 | Pressure Sensor Unit | | | | |

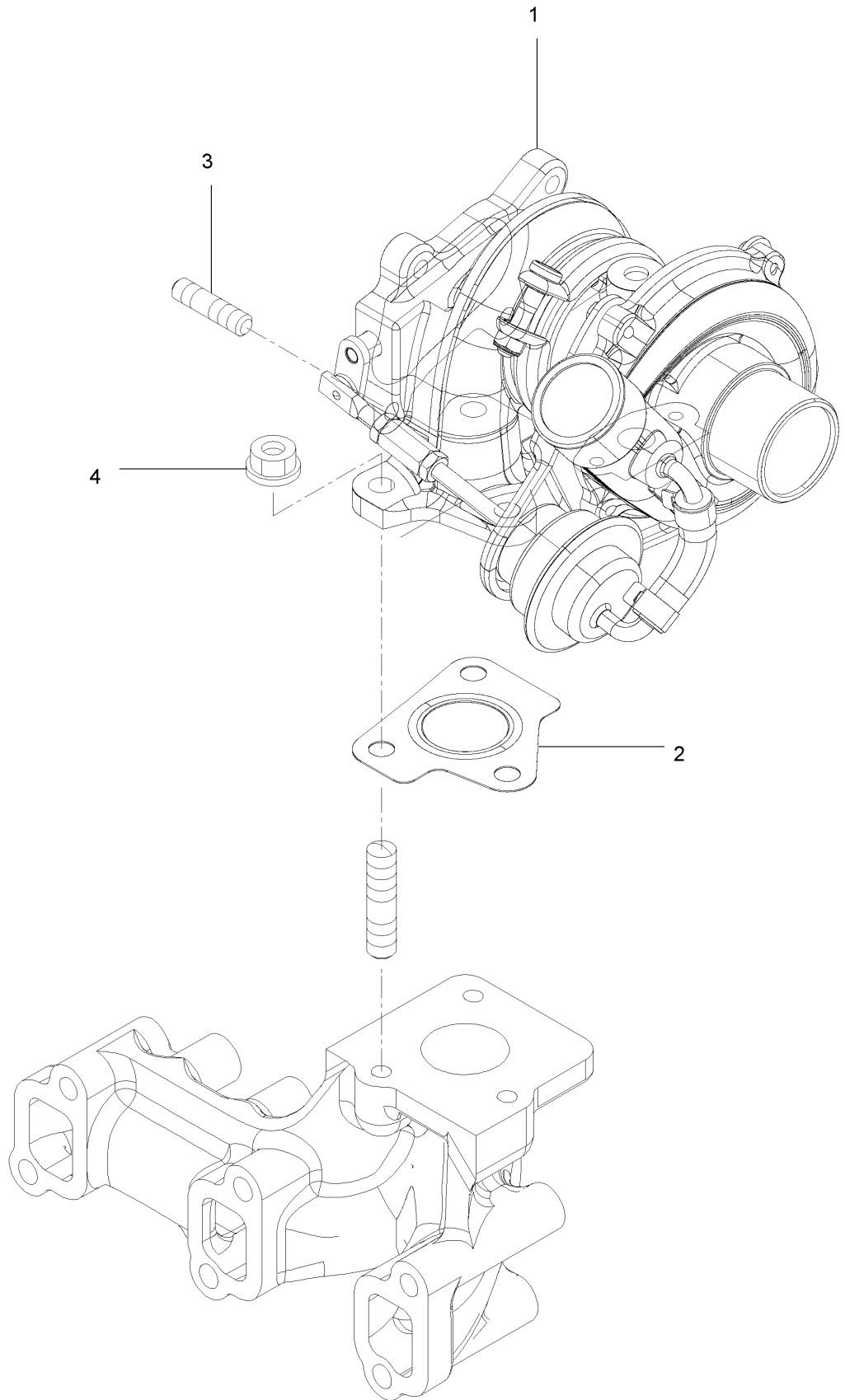
Camshaft and Driving Gear Assembly



Camshaft and Driving Gear Assembly (continued)

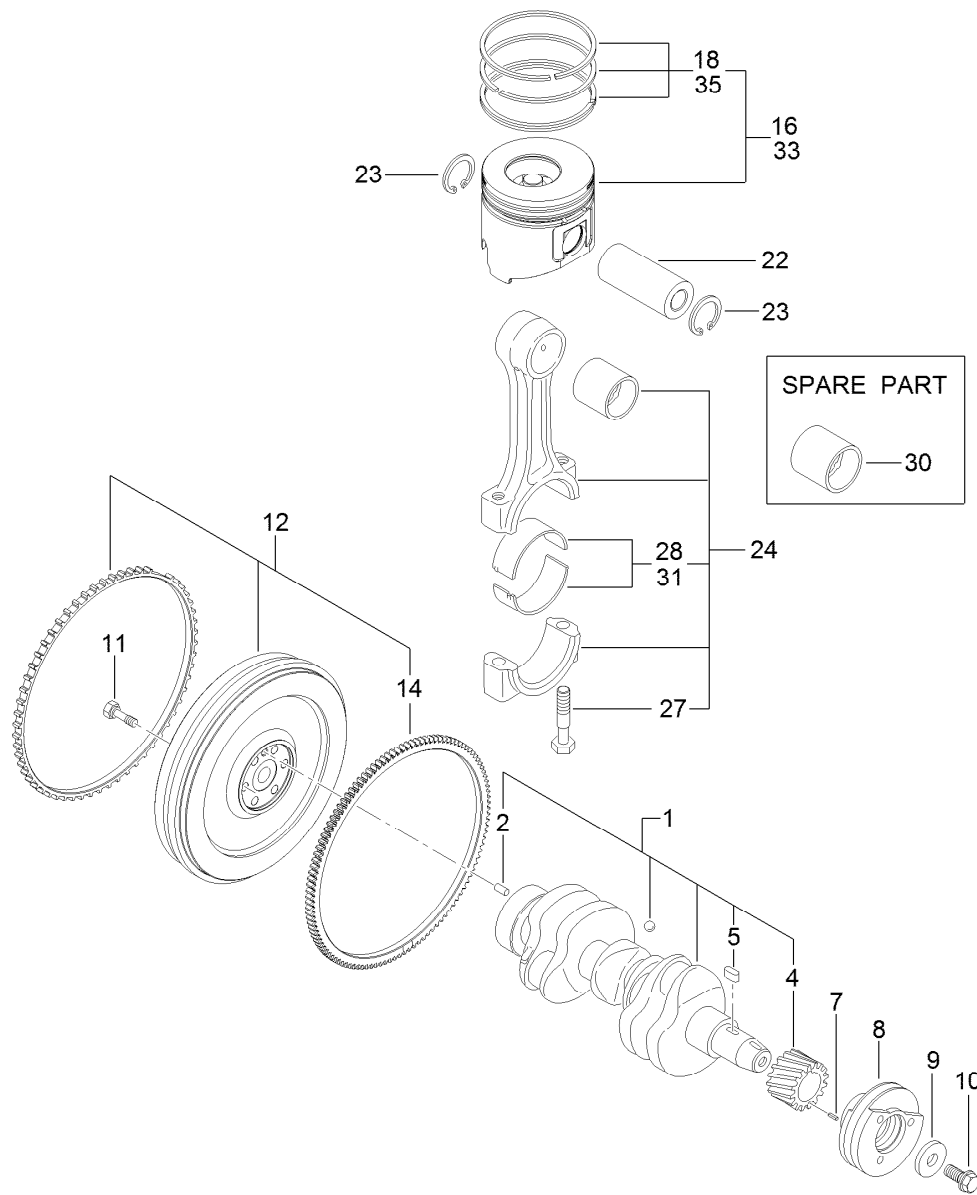
| <i>Ref.</i> | <i>Part Number</i> | <i>Qty.</i> | <i>Description</i> | <i>Ref.</i> | <i>Part Number</i> | <i>Qty.</i> | <i>Description</i> |
|-------------|--------------------|-------------|--------------------|-------------|--------------------|-------------|----------------------|
| 1 | 125-7016 | 6 | Tappet | 14 | 127-3066 | 1 | Idle Gear A ASM |
| 2 | 125-7017 | 6 | Rod-Push | 17 | 125-7219 | 3 | Bolt |
| 3 | 127-3797 | 1 | Camshaft ASM | 18 | 127-3070 | 1 | Gear-Pump, Supply |
| 4 | 125-7008 | 1 | Metal-Thrust | 19 | 127-3167 | 1 | Washer-Spring |
| 6 | 127-3052 | 1 | Gear-Camshaft | 20 | 127-3185 | 1 | Nut-Lock |
| 7 | 125-7185 | 1 | Key | 21 | 127-3064 | 1 | Shaft-Idle, Gear B |
| 8 | 127-3053 | 1 | Pulser-Camshaft | 22 | 127-3067 | 1 | Idle Gear B ASM |
| 9 | 125-7205 | 3 | Bolt | 25 | 127-3068 | 1 | Plate-Idle, Shaft |
| 10 | 125-7213 | 2 | Bolt | 26 | 127-3069 | 1 | Gasket-Idle, Shaft B |
| 11 | 127-3054 | 1 | Sensor-Rev, Gear | 27 | 125-7218 | 2 | Bolt |
| 12 | 127-3184 | 1 | Bolt | 28 | 125-6927 | 1 | Bushing |
| 13 | 127-3063 | 1 | Shaft-Idle, Gear A | 29 | 127-3065 | 1 | Bushing |

Turbine Assembly



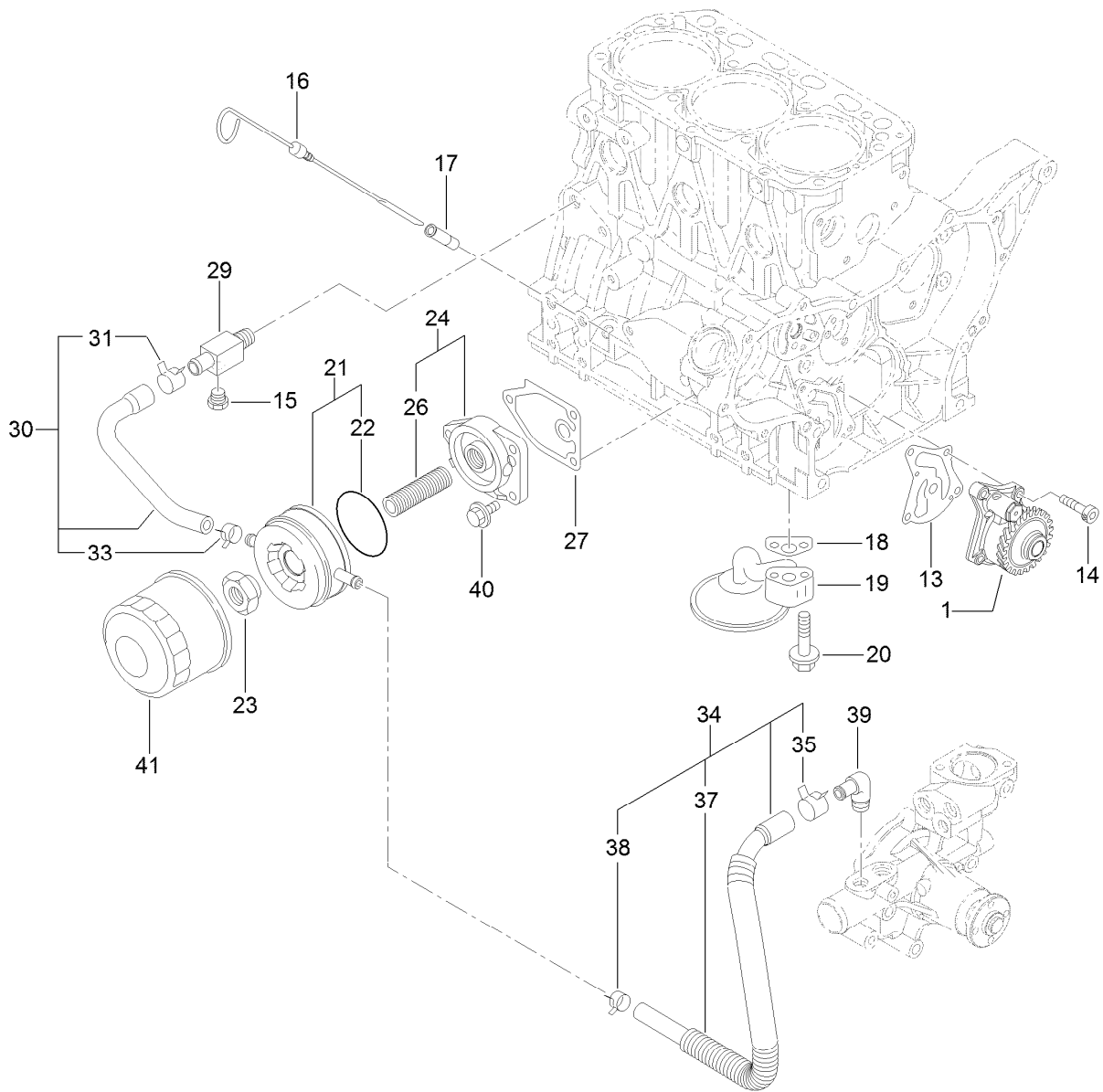
Turbine Assembly (continued)

| <i>Ref.</i> | <i>Part Number</i> | <i>Qty.</i> | <i>Description</i> | <i>Ref.</i> | <i>Part Number</i> | <i>Qty.</i> | <i>Description</i> |
|-------------|--------------------|-------------|--------------------|-------------|--------------------|-------------|--------------------|
| 1 | 135-4151 | 1 | Turbocharger | 3 | 125-6906 | 4 | Stud |
| 2 | 127-3799 | 1 | Gasket-In, T C | 4 | 125-7229 | 3 | Nut |



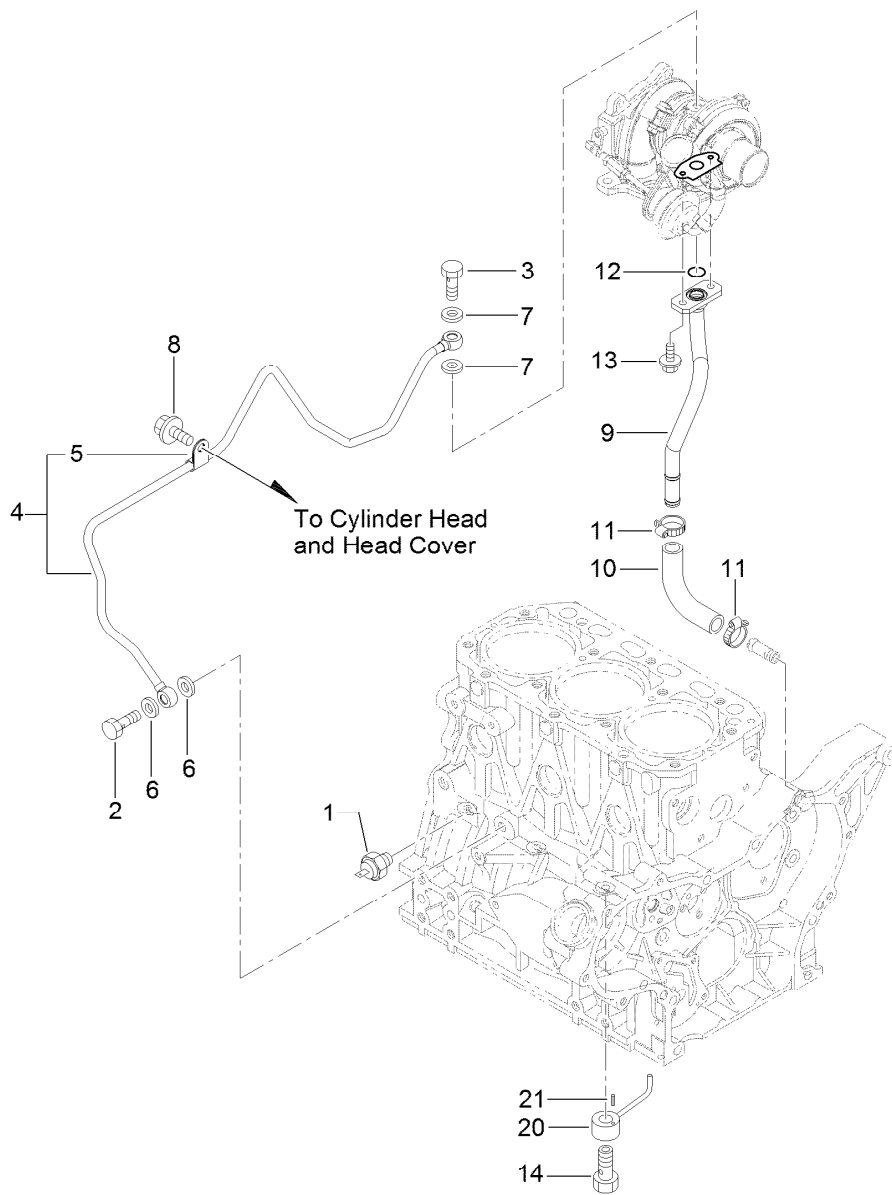
Crankshaft and Piston Assembly

| <i>Ref.</i> | <i>Part Number</i> | <i>Qty.</i> | <i>Description</i> | <i>Ref.</i> | <i>Part Number</i> | <i>Qty.</i> | <i>Description</i> |
|-------------|--------------------|-------------|--------------------|-------------|--------------------|-------------|-----------------------------|
| 1 | 127-3800 | 1 | Crankshaft ASM | 16 | 127-3097 | 3 | Piston ASM |
| 2 | 125-6995 | 1 | Pin | 18 | 127-3098 | 3 | Piston Ring ASM |
| 4 | 125-6937 | 1 | Gear | 22 | 125-7030 | 3 | Pin |
| 5 | 125-7185 | 1 | Key | 23 | 125-7180 | 6 | Ring |
| 7 | 125-7182 | 1 | Pin-Spring | 24 | 125-7242 | 3 | Connecting Rod ASM |
| 8 | 127-3801 | 1 | Pulley-V | 27 | 125-6955 | 6 | Bolt |
| 9 | 125-7109 | 1 | Washer | 28 | 125-7018 | 3 | Pin-Crank |
| 10 | 125-6956 | 1 | Bolt | 30 | 125-6997 | 3 | Pin-Piston |
| 11 | 125-6951 | 6 | Bolt | 31 | 125-7019 | 3 | Pin-Crank (.25) |
| 12 | 127-3802 | 1 | Flywheel ASM | 33 | 127-3099 | 3 | Piston ASM (0.25 O.S.) |
| 14 | 125-6943 | 1 | Gear | 35 | 127-3100 | 3 | Piston Ring ASM (0.25 O.S.) |



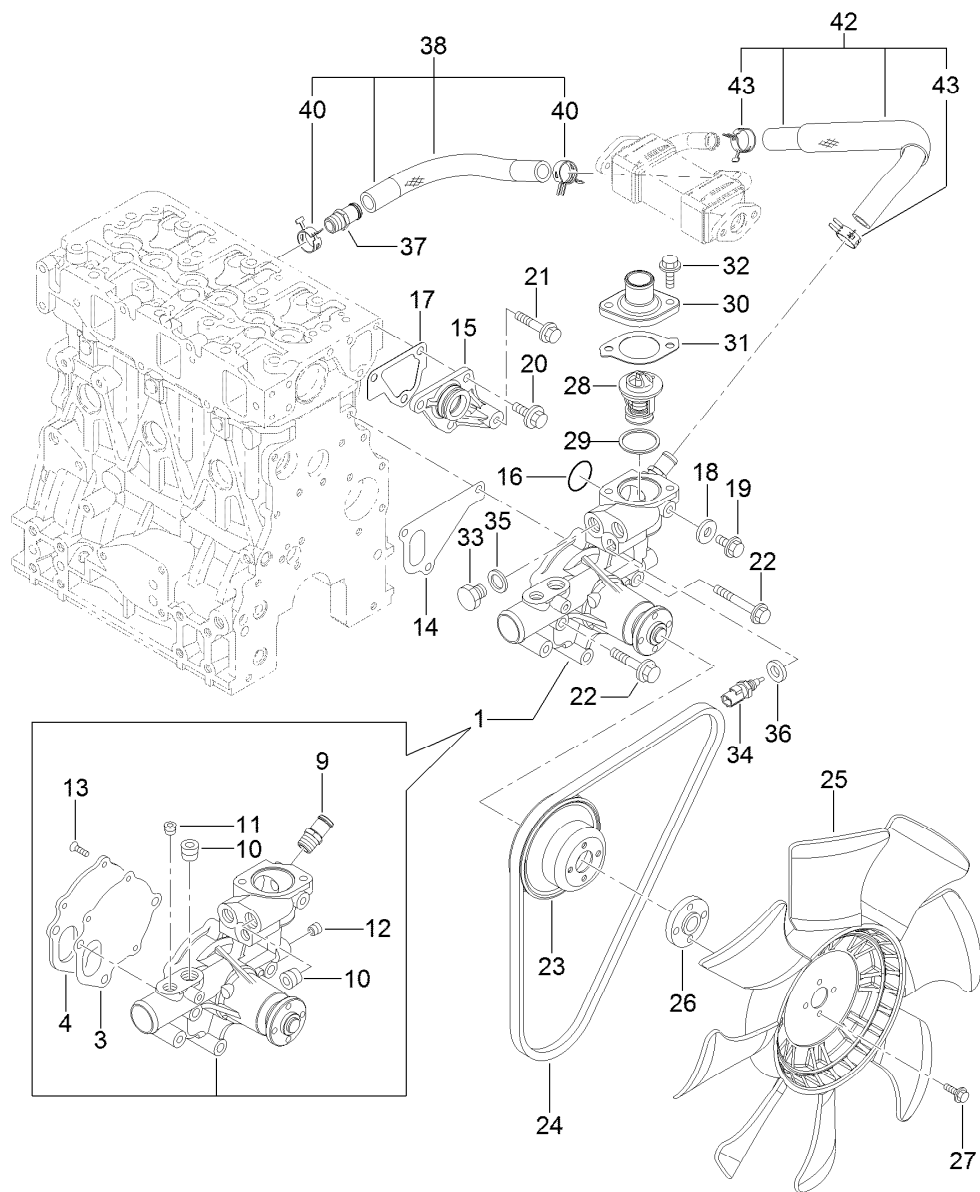
Lubrication and Oil System Assembly

| <i>Ref.</i> | <i>Part Number</i> | <i>Qty.</i> | <i>Description</i> | <i>Ref.</i> | <i>Part Number</i> | <i>Qty.</i> | <i>Description</i> |
|-------------|--------------------|-------------|--------------------|-------------|--------------------|-------------|--------------------|
| 1 | 127-3101 | 1 | Oil Lube Pump ASM | 26 | 125-7042 | 1 | Stud |
| 13 | 127-3004 | 1 | Gasket | 27 | 125-7024 | 1 | Gasket |
| 14 | 125-7232 | 4 | Bolt | 29 | 125-6990 | 1 | Joint |
| 15 | 125-7171 | 1 | Plug-Drain | 30 | 125-7078 | 1 | Pipe ASM |
| 16 | 125-6987 | 1 | Dipstick | 31 | 125-7162 | 1 | Clip |
| 17 | 125-6954 | 1 | Guide-Dipstick | 33 | 125-7191 | 1 | Clamp-Hose |
| 18 | 125-7022 | 1 | Gasket | 34 | 127-3804 | 1 | Pipe ASM |
| 19 | 127-3803 | 1 | Pipe ASM | 35 | 125-7162 | 1 | Clip |
| 20 | 125-7217 | 2 | Bolt | 37 | 127-3805 | 1 | Tube |
| 21 | 125-7074 | 1 | Cooler ASM | 38 | 125-7191 | 1 | Clamp-Hose |
| 22 | 125-7075 | 1 | O-Ring | 39 | 125-7001 | 1 | Elbow |
| 23 | 125-7041 | 1 | Nut-Cooler, Oil | 40 | 125-7595 | 3 | Bolt |
| 24 | 125-6989 | 1 | Bracket ASM | 41 | 125-7025 | 1 | Filter-Engine, Oil |



Lubrication Oil Line Assembly

| <i>Ref.</i> | <i>Part Number</i> | <i>Qty.</i> | <i>Description</i> | <i>Ref.</i> | <i>Part Number</i> | <i>Qty.</i> | <i>Description</i> |
|-------------|--------------------|-------------|--------------------|-------------|--------------------|-------------|-----------------------|
| 1 | 125-6918 | 1 | Switch-Oil | 9 | 127-3807 | 1 | Pipe-Return, Lube Oil |
| 2 | 125-6975 | 1 | Bolt-Joint, Pipe | 10 | 127-3808 | 1 | Joint |
| 3 | 125-6952 | 1 | Bolt-Joint, Pipe | 11 | 127-3169 | 2 | Clamp-Hose |
| 4 | 127-3806 | 1 | Lube Oil Pipe ASM | 12 | 125-7198 | 1 | O-Ring |
| 5 | 125-6976 | 1 | Retainer | 13 | 125-7208 | 2 | Bolt |
| 6 | 125-7175 | 2 | Washer-Seal | 14 | 125-7105 | 3 | Check Valve ASM |
| 7 | 125-7193 | 2 | Gasket | 20 | 125-7098 | 3 | Nozzle |
| 8 | 93-0362 | 1 | Bolt | 21 | 125-7182 | 3 | Pin-Spring |

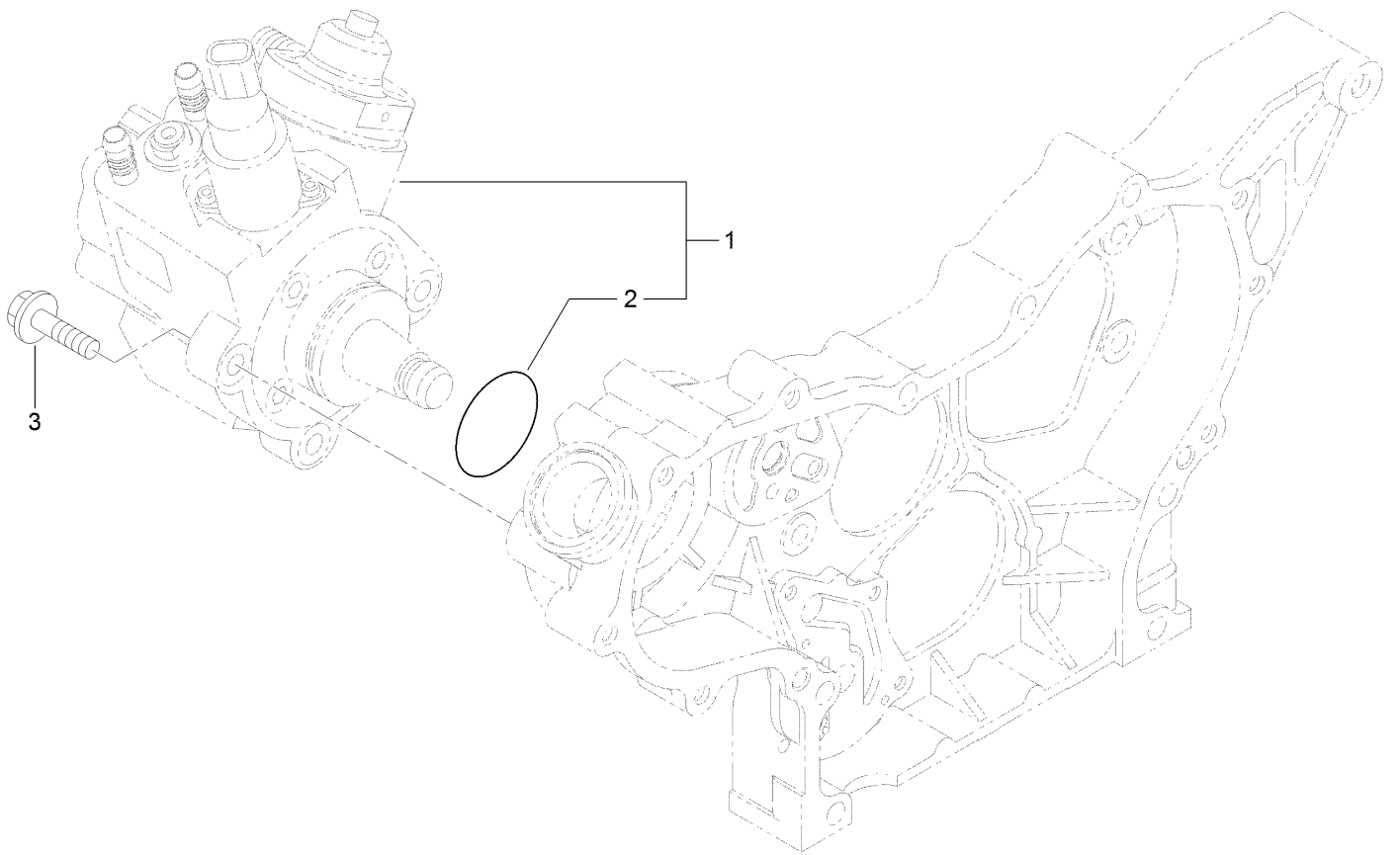


Cooling Water System Assembly

| Ref. | Part Number | Qty. | Description |
|------|-------------|------|----------------|
| 1 | 127-3071 | 1 | Water Pump ASM |
| 3 | 125-6998 | 1 | Gasket |
| 4 | 125-6999 | 1 | Plate |
| 9 | 127-3017 | 1 | Joint |
| 10 | 125-7123 | 2 | Plug |
| 11 | 127-3175 | 1 | Plug |
| 12 | 125-7195 | 1 | Plug |
| 13 | 125-7234 | 3 | Screw |
| 14 | 125-7047 | 1 | Gasket |
| 15 | 125-6986 | 1 | Joint |
| 16 | 125-7048 | 1 | O-Ring |
| 17 | 125-6978 | 1 | Gasket |
| 18 | 125-7192 | 1 | Gasket |
| 19 | 93-0362 | 1 | Bolt |
| 20 | 125-7214 | 3 | Bolt |
| 21 | 125-7219 | 1 | Bolt |
| 22 | 125-7222 | 3 | Bolt |
| 23 | 125-7039 | 1 | V-Pulley |

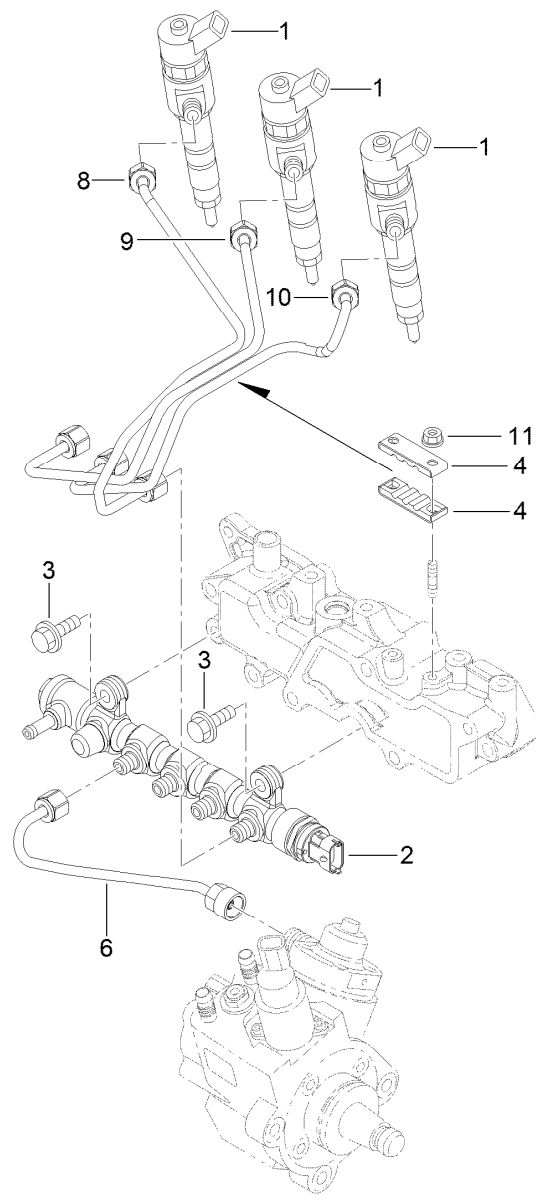
| Ref. | Part Number | Qty. | Description |
|------|-------------|------|-----------------------|
| 24 | 127-2998 | 1 | V-Belt |
| 25 | 127-3809 | 1 | Fan |
| 26 | 127-3810 | 1 | Spacer |
| 27 | 125-7209 | 4 | Bolt |
| 28 | 125-7029 | 1 | Thermostat |
| 29 | 125-7026 | 1 | Gasket |
| 30 | 125-7034 | 1 | Cover |
| 31 | 125-7110 | 1 | Gasket |
| 32 | 125-7594 | 2 | Bolt |
| 33 | 125-6953 | 1 | Plug |
| 34 | 125-7124 | 1 | Sensor-Thermostat, CW |
| 35 | 125-6979 | 1 | Gasket |
| 36 | 125-7176 | 1 | Washer-Seal |
| 37 | 127-3017 | 1 | Joint |
| 38 | 127-3072 | 1 | Water In Pipe ASM |
| 40 | 127-3020 | 2 | Clip-Hose |
| 42 | 127-3811 | 1 | CW Pipe ASM |
| 43 | 127-3020 | 2 | Clip-Hose |

Fuel System Assembly



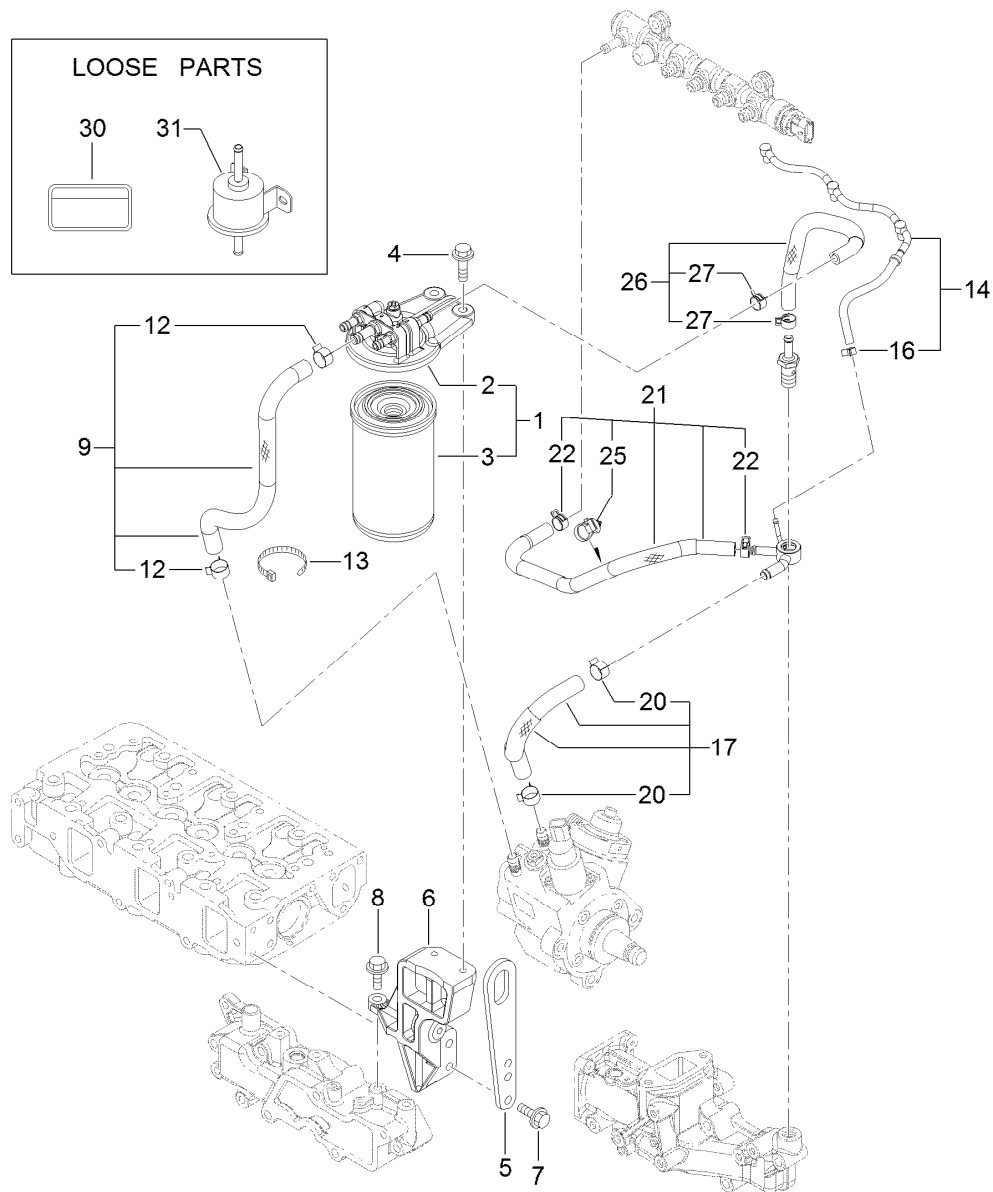
Fuel System Assembly (continued)

| <i>Ref.</i> | <i>Part Number</i> | <i>Qty.</i> | <i>Description</i> |
|-------------|--------------------|-------------|--------------------|
| 1 | 127-3073 | 1 | Fuel Pump ASM |
| 2 | 127-3074 | 1 | O-Ring |
| 3 | 125-7216 | 3 | Bolt |



Fuel Injection Valve Assembly

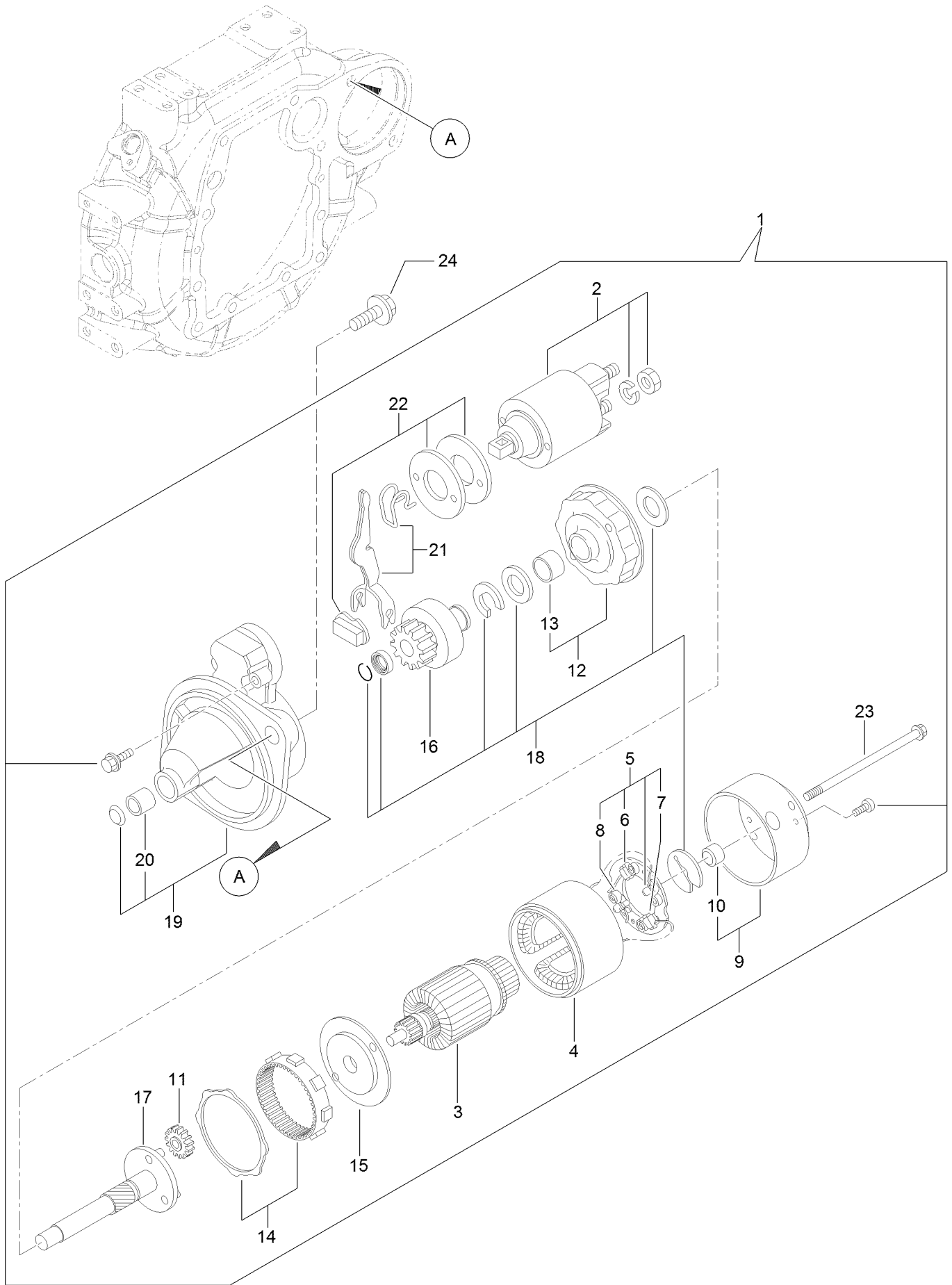
| Ref. | Part Number | Qty. | Description |
|------|-------------|------|--------------------|
| 1 | 127-3104 | 3 | Injector ASM |
| 2 | 127-3812 | 1 | Rail ASM |
| 3 | 125-7215 | 2 | Bolt |
| 4 | 127-3813 | 2 | Retainer |
| 6 | 127-3082 | 1 | Rail In Pipe ASM |
| 8 | 127-3814 | 1 | Injection Pipe ASM |
| 9 | 127-3083 | 1 | Injection Pipe ASM |
| 10 | 127-3084 | 1 | Injection Pipe ASM |
| 11 | 125-7231 | 2 | Nut |



Fuel Line Assembly

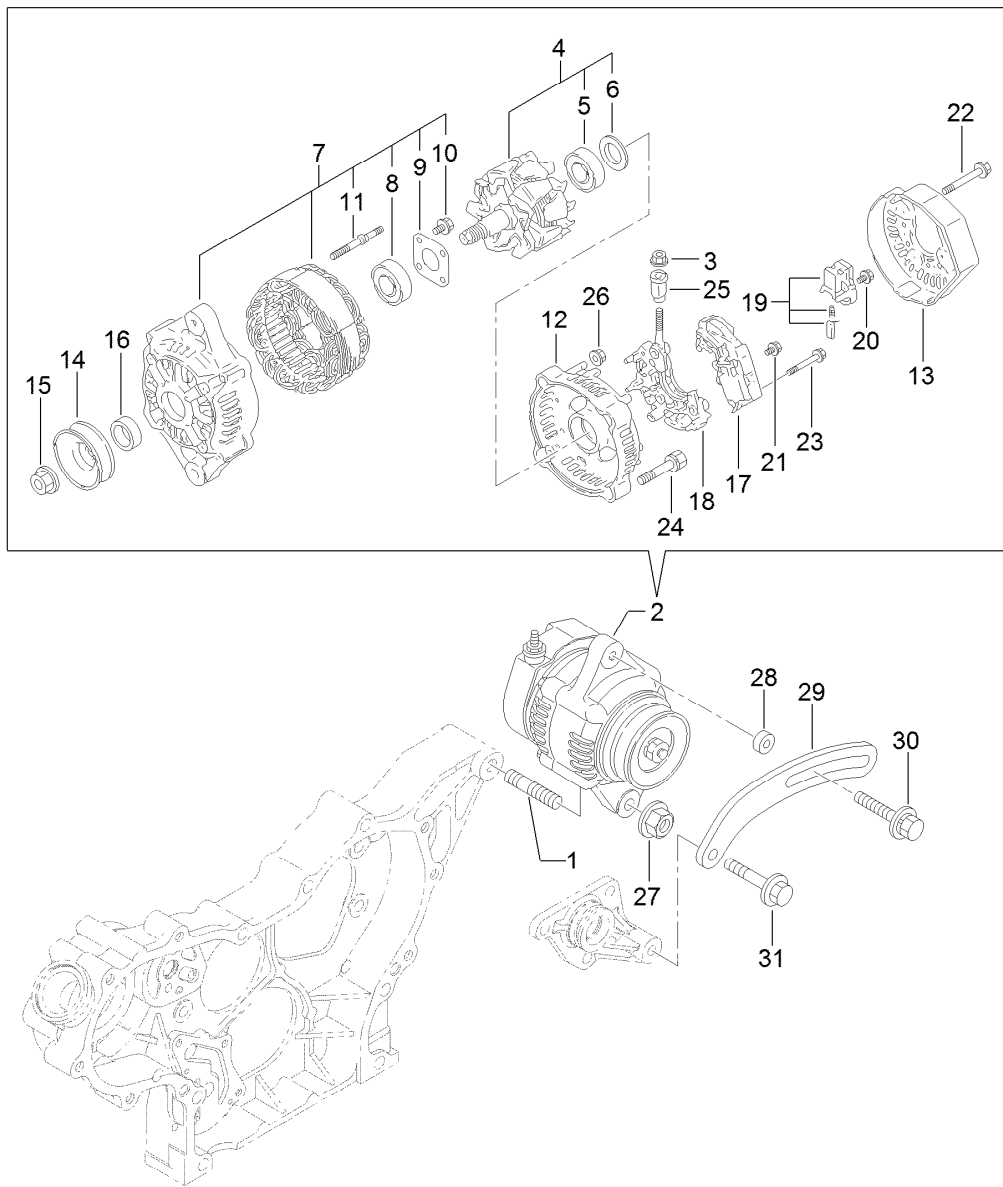
| Ref. | Part Number | Qty. | Description | Ref. | Part Number | Qty. | Description |
|------|-------------|------|-----------------------------|------|-------------|------|--------------------------|
| 1 | 127-3075 | 1 | Fuel/Oil Filter ASM | 14 | 127-3816 | 1 | Fuel/Oil Return Pipe ASM |
| 2 | 127-3076 | 1 | Fuel/Oil Filter Bracket ASM | 16 | 127-3172 | 1 | Clamp-Hose |
| 3 | 125-8752 | 1 | Filter-Fuel/Oil | 17 | 127-3078 | 1 | Fuel Pipe ASM |
| 4 | 125-7216 | 2 | Bolt | 20 | 125-7191 | 2 | Clamp-Hose |
| 5 | 125-7111 | 1 | Lifter | 21 | 127-3817 | 1 | Fuel Pipe ASM |
| 6 | 127-3815 | 1 | Filter Bracket ASM | 22 | 127-2950 | 2 | Clip-Hose |
| 7 | 125-7215 | 2 | Bolt | 25 | 127-3087 | 1 | Band-Clip |
| 8 | 125-7215 | 1 | Bolt | 26 | 127-3079 | 1 | Fuel Pipe ASM |
| 9 | 127-3077 | 1 | Fuel Pipe ASM | 27 | 127-2950 | 2 | Clip-Hose |
| 12 | 125-7191 | 2 | Clamp-Hose | 30 | 125-6900 | 1 | Label-Caution, Fuel Oil |
| 13 | 127-2981 | 1 | Band | 31 | 121-5613 | 1 | Pump-Fuel, Electric |

Starting Motor Assembly



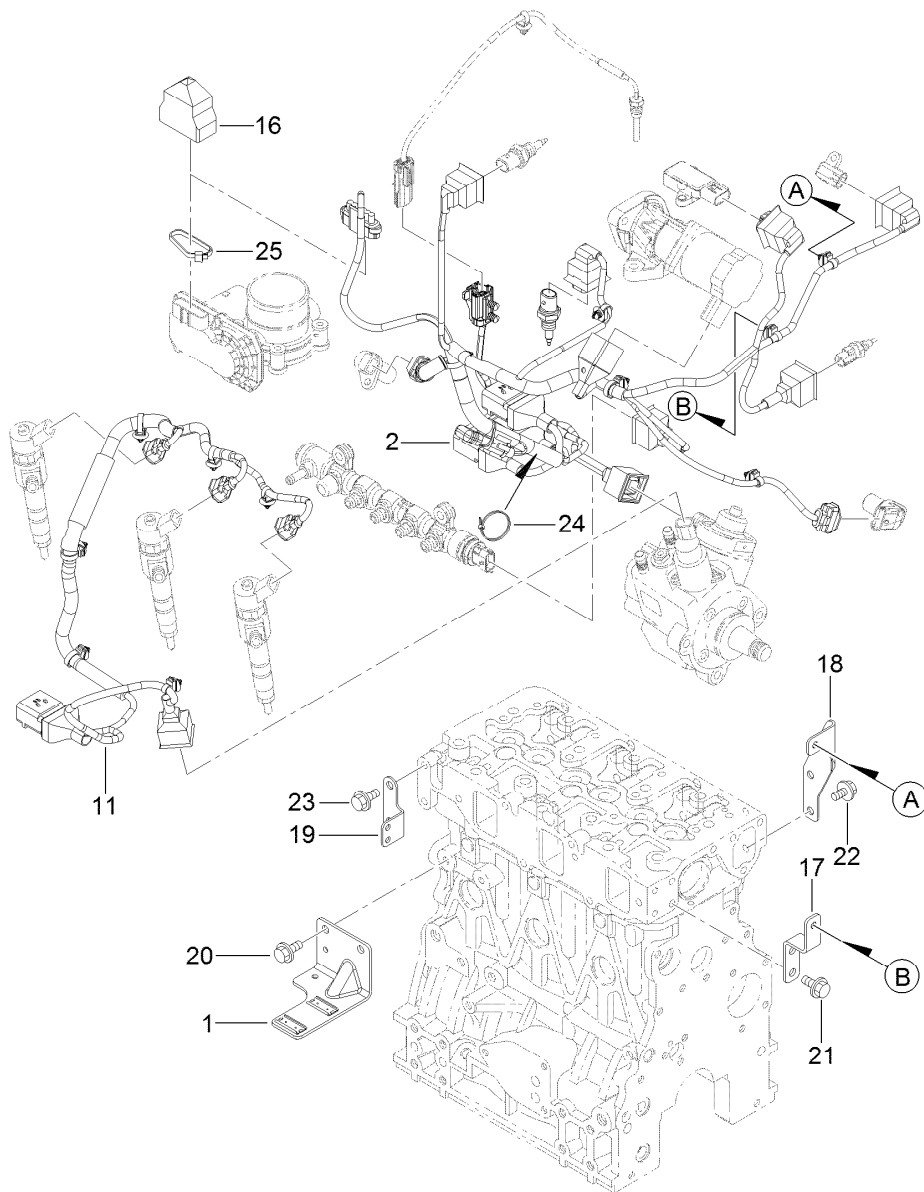
Starting Motor Assembly (continued)

| <i>Ref.</i> | <i>Part Number</i> | <i>Qty.</i> | <i>Description</i> | <i>Ref.</i> | <i>Part Number</i> | <i>Qty.</i> | <i>Description</i> |
|-------------|--------------------|-------------|--------------------|-------------|--------------------|-------------|--------------------|
| 1 | 127-3818 | 1 | Starter ASM | 13 | 127-3830 | 1 | Bracket |
| 2 | 127-3819 | 1 | Switch ASM | 14 | 127-3831 | 1 | Gear |
| 3 | 127-3820 | 1 | Armature ASM | 15 | 127-3832 | 1 | Bracket |
| 4 | 127-3821 | 1 | Yoke ASM | 16 | 127-3833 | 1 | Pinion ASM |
| 5 | 127-3822 | 1 | Brush Holder ASM | 17 | 127-3834 | 1 | Shaft |
| 6 | 127-3823 | 2 | Brush | 18 | 127-3835 | 1 | Washer Set |
| 7 | 127-3824 | 1 | Brush Set | 19 | 127-3836 | 1 | Case ASM |
| 8 | 127-3825 | 4 | Spring | 20 | 127-3837 | 1 | Metal-Starter |
| 9 | 127-3826 | 1 | Cover ASM | 21 | 127-3838 | 1 | Lever Set |
| 10 | 127-3827 | 1 | Metal | 22 | 127-3839 | 1 | Dust Cover ASM |
| 11 | 127-3828 | 3 | Gear | 23 | 127-3840 | 2 | Bolt-Through |
| 12 | 127-3829 | 1 | Bracket | 24 | 125-7225 | 2 | Bolt |



Generator Assembly

| Ref. | Part Number | Qty. | Description | Ref. | Part Number | Qty. | Description |
|------|-------------|------|----------------|------|-------------|------|--------------------|
| 1 | 127-3011 | 1 | Stud | 17 | 127-3847 | 1 | Regulator ASM |
| 2 | 127-3841 | 1 | Generator | 18 | 127-3848 | 1 | Holder |
| 3 | 127-3842 | 1 | Nut | 19 | 127-2993 | 1 | Holder |
| 4 | 127-3843 | 1 | Rotor ASM | 20 | 127-2965 | 6 | Screw |
| 5 | 127-2983 | 1 | Bearing-Ball | 21 | 127-2966 | 1 | Screw |
| 6 | 127-2962 | 1 | Cover | 22 | 127-2967 | 3 | Bolt |
| 7 | 127-3844 | 1 | Frame ASM | 23 | 127-2968 | 2 | Screw |
| 8 | 127-2958 | 1 | Bearing-Ball | 24 | 127-2969 | 2 | Bolt |
| 9 | 127-2959 | 1 | Plate-Retainer | 25 | 127-2970 | 1 | Bushing-Insulation |
| 10 | 127-2960 | 4 | Screw | 26 | 127-2971 | 2 | Nut |
| 11 | 127-2961 | 2 | Stud | 27 | 125-7230 | 1 | Nut |
| 12 | 127-3845 | 1 | Frame | 28 | 125-6947 | 1 | Spacer |
| 13 | 127-3846 | 1 | Cover | 29 | 127-2977 | 1 | Adjuster |
| 14 | 127-2954 | 1 | Pulley | 30 | 125-7134 | 1 | Bolt |
| 15 | 127-2955 | 1 | Nut | 31 | 125-7219 | 1 | Bolt |
| 16 | 127-2957 | 1 | Collar | | | | |

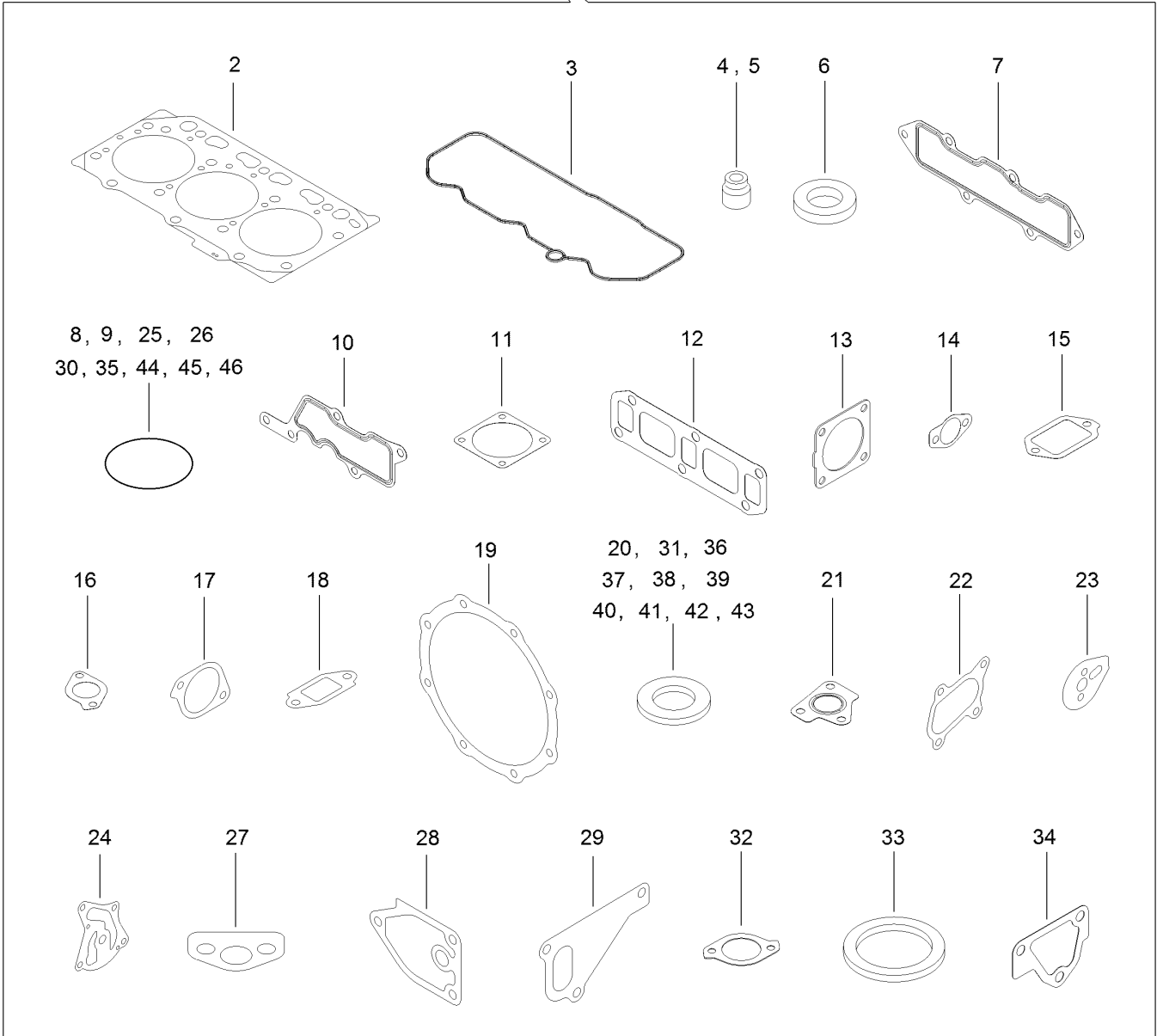


Electric Parts Assembly

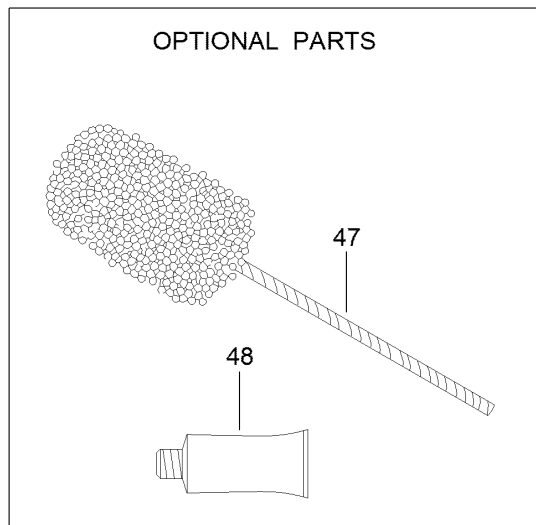
| Ref. | Part Number | Qty. | Description |
|------|-------------|------|-------------------------|
| 1 | 127-3086 | 1 | Bracket-Connector |
| 2 | 127-3850 | 1 | Harness B-Engine, E C O |
| 11 | 130-7438 | 1 | Harness |
| 16 | 127-3089 | 1 | Boot-Type, Cap |
| 17 | 127-3852 | 1 | Bracket-Harness |
| 18 | 127-3853 | 1 | Bracket-Harness |
| 19 | 127-3090 | 1 | Bracket-Harness |
| 20 | 93-0362 | 2 | Bolt |
| 21 | 93-0362 | 2 | Bolt |
| 22 | 93-0362 | 2 | Bolt |
| 23 | 93-0362 | 2 | Bolt |
| 24 | 127-3187 | 1 | Band |
| 25 | 127-3188 | 1 | Band |

Gasket Set

1



OPTIONAL PARTS



Gasket Set (continued)

| <i>Ref.</i> | <i>Part Number</i> | <i>Qty.</i> | <i>Description</i> | <i>Ref.</i> | <i>Part Number</i> | <i>Qty.</i> | <i>Description</i> |
|-------------|--------------------|-------------|--------------------------------|-------------|--------------------|-------------|--------------------|
| 1 | 127-3854 | 1 | Gasket Kit | 25 | 125-6909 | 2 | O-Ring |
| 2 | 127-3751 | 1 | Head Gasket ASM | 26 | 127-2973 | 1 | O-Ring |
| 3 | 127-3762 | 1 | Gasket-Cover, Cylinder Head | 27 | 125-7022 | 1 | Gasket |
| 4 | 127-2986 | 3 | Seal-Stem, Valve | 28 | 125-7024 | 1 | Gasket |
| 5 | 127-3027 | 3 | Seal-Stem, Valve | 29 | 125-7047 | 1 | Gasket |
| 6 | 127-3021 | 3 | Gasket-Injector | 30 | 125-7048 | 1 | O-Ring |
| 7 | 127-3769 | 1 | Gasket-Manifold, Intake | 31 | 125-6979 | 1 | Gasket |
| 8 | 127-3032 | 2 | O Ring-Sensor, Pressure | 32 | 125-7110 | 1 | Gasket |
| 9 | 127-3033 | 1 | O-Ring | 33 | 125-7026 | 1 | Gasket |
| 10 | 127-3034 | 1 | Gasket-Collector | 34 | 125-6978 | 1 | Gasket |
| 11 | 127-3037 | 2 | Gasket-Throttle | 35 | 127-3074 | 1 | O-Ring |
| 12 | 127-3775 | 1 | Gasket-Manifold, Exhaust | 36 | 125-7174 | 1 | Washer-Seal |
| 13 | 127-3019 | 1 | Gasket | 37 | 125-7175 | 2 | Washer-Seal |
| 14 | 127-3043 | 2 | Gasket-Cooler, E G R | 38 | 125-7176 | 1 | Washer-Seal |
| 15 | 127-3046 | 1 | Gasket-E G R | 39 | 127-3166 | 2 | Washer-Seal |
| 16 | 127-3016 | 1 | Gasket | 40 | 125-7177 | 1 | Washer-Seal |
| 17 | 127-3050 | 1 | Gasket-Intake Valve, E G R | 41 | 125-7192 | 1 | Gasket |
| 18 | 127-3051 | 1 | Gasket-Out Valve, E G R | 42 | 125-7193 | 2 | Gasket |
| 19 | 127-3787 | 2 | Gasket-D P F | 43 | 127-3174 | 2 | Gasket |
| 20 | 127-3056 | 4 | Gasket-Sensor | 44 | 93-0418 | 3 | O-Ring |
| 21 | 127-3799 | 1 | Gasket-In, T C | 45 | 125-7197 | 3 | O-Ring |
| 22 | 127-3779 | 1 | Gasket-Out, T C | 46 | 125-7198 | 1 | O-Ring |
| 23 | 127-3069 | 1 | Gasket-Idle, Shaft B | 47 | 125-7038 | 1 | Hone |
| 24 | 127-3004 | 1 | Gasket | 48 | 125-7248 | 1 | Gasket-Liquid |

Attachments and Accessories

For 30864 Groundsmaster 4300-D Traction Unit

| Product Name | Model/Part |
|--|-------------------|
| 22in Rotary Cutting Unit..... | 30845 |
| 22in Angle Sail Blade..... | 117-0209-03 |
| 22in High Lift Blade..... | 114-0434-03 |
| 22in Atomic Blade..... | 114-0435-03 |
| 22in Combo Blade..... | 108-7395-03 |
| Mulching Kit..... | 117-0185 |
| Air Ride Seat Suspension Kit..... | 03667 |
| EU Light Kit..... | 31579 |
| Premium All Purpose Grease (Tube)..... | 108-1190 |
| Weight Plate..... | 110-8985-03 |
| Filter-Air..... | 108-3810 |
| Roller Scraper Kit..... | 117-0149 |
| Wheel Weight Kit..... | 104-1478 |
| Service Pack-Combo Blade..... | 119-6957 |
| 22in Sectional Roller Assembly..... | 137-6147 |
| Spark Arrestor..... | 98-9099 |
| Premium Synthetic Bio-Degradable Hydraulic Fluid (5 Gallon Pail)..... | 119-2157 |
| Premium Synthetic Bio-Degradable Hydraulic Fluid (55 Gallon Drum)..... | 119-2158 |
| Hydraulic Hose Kit..... | 117-0289 |
| MVP Kit 1000 Hour..... | 44964 |
| Hi-Back Seat Cover..... | 133-1308 |
| White Universal Sunshade..... | 30669 |
| Red Universal Sunshade..... | 30671 |
| Operator Cooling Fan..... | 03247 |
| Switch Panel-Universal Sunshade..... | 03248 |
| Beacon Kit..... | 138-2699 |
| Sunshade Work Lights Kit..... | 138-2700 |
| Power Harness Kit..... | 138-2993 |
| Operator Golf Ball Guard, Reelmaster 3100/3500/5010 or Groundsmaster 3500/4300 Series Traction Unit..... | 03614 |
| Fuel Cooler Kit [yanmar Rm5x10, Gm4300]..... | 139-6040 |
| Semi-Gloss Black Spray Paint..... | 361-9 |
| Dark Metallic Gray Aerosol Paint..... | 361-12 |
| New Red Paint - Gallon..... | 361-11 |
| Air Dry Red Paint - Qt..... | 5340 |
| Premium Engine Oil 10w30 (55 Gallon Drum)..... | 121-6392 |
| Premium Engine Oil 10w30 (5 Gallon Pail)..... | 121-6393 |
| PX Hydraulic Fluid (5 Gal)..... | 133-8086 |
| PX Hydraulic Fluid (55 Gal)..... | 133-8087 |

Notes:

Notes:

Notes:



Count on it.