



**Count on it.**

**Parts Catalog**

**TimeCutter® Max 60in  
Zero Turn Riding Mower**

Model No. 77601—Serial No. 40000000 and Up



# Ordering Replacement Parts

To order replacement parts, please supply the part number, the quantity, and the description of each part desired.

## Understanding Reference Numbers

Each identified part in an illustration has a reference number. The reference number for a part also appears in the parts list, along with other information about the part.

This catalog uses two special reference number formats, one to indicate parts in a service assembly and another to indicate the quantity of a given part in an illustration.

## Service Assembly Reference Numbers

Parts in service assemblies have reference numbers in the form a:b. The a represents the reference number of the entire service assembly and the b represents a sequential number unique to each part within the service assembly.

For example, a wheel assembly might be identified by reference number 6, the tire by 6:1, the valve by 6:2, and the wheel by 6:3. When you order the assembly identified by reference number 6, you receive all parts identified by reference numbers 6:1, 6:2, and 6:3. However, you may also order any part individually. Reference numbers of this type appear in illustration and in parts lists.

## Reference Numbers Indicating Quantity

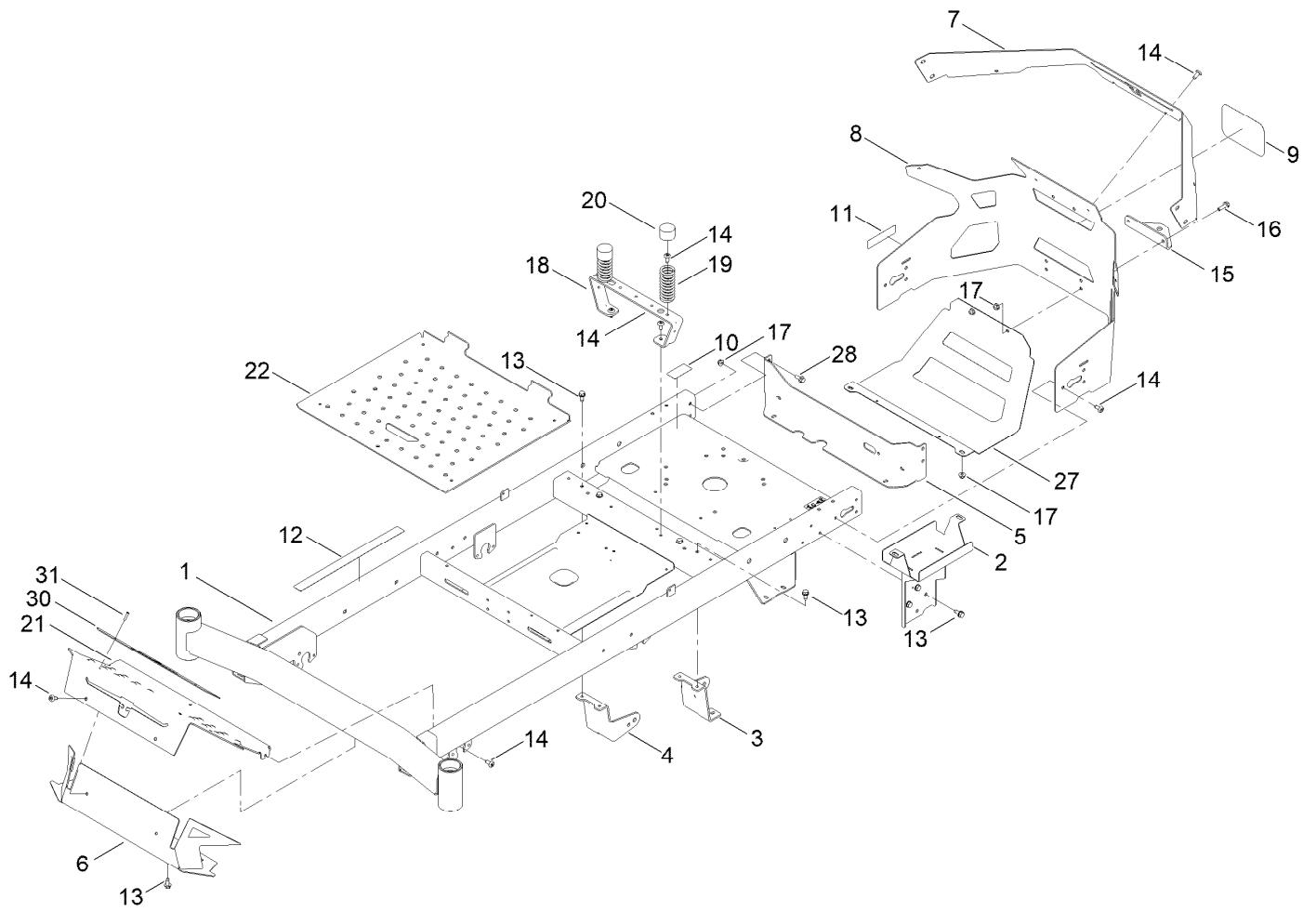
In an illustration, if a reference number indicates more than one part, the reference number has the form nX y. The n represents the quantity of the part, the X is the multiplication symbol, and the y represents the reference number.

For example, in an illustration, the reference number 2X 37 means that two of the parts identified by reference number 37 are indicated.

# Contents

Frame Assembly	4
Decklift Assembly	6
Caster Tire Assembly	8
Tranction Control Assembly	10
LH Hydro Transmission Assembly No. 140-8301	12
RH Hydro Transmission Assembly No. 140-8300	14
Brake Assembly	16
Tire Assembly	18
Seat Pan Assembly	20
Motion Control Assembly	22
Engine and Muffler Assembly	24
Fuel Pod Assembly	26
Electrical Assembly	28
60in Deck and Decal Assembly	30
Frame Decal Assembly	32
Clutch Assembly	34
Attachments and Accessories	36

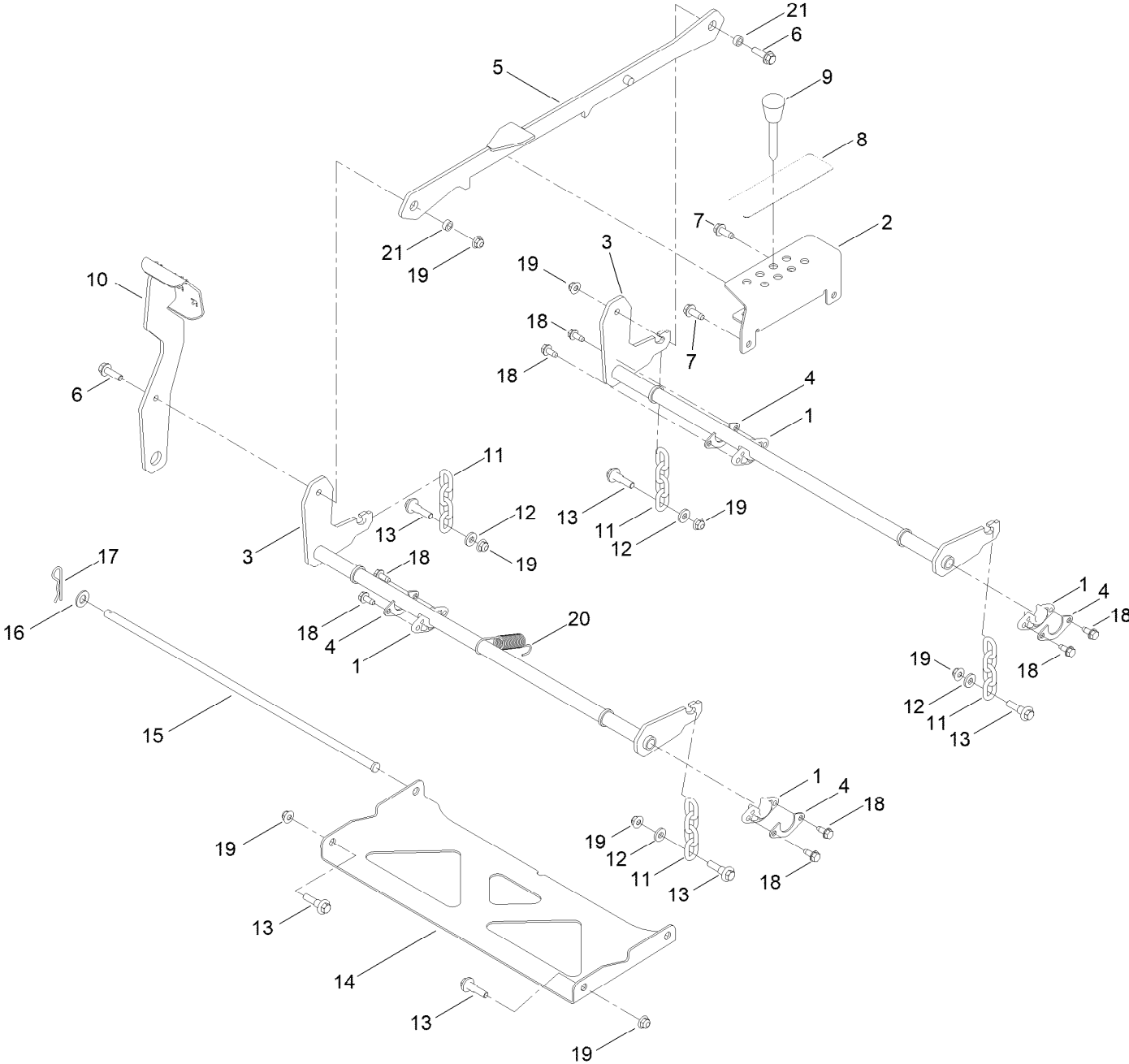
# Frame Assembly



## Frame Assembly (continued)

<i>Ref.</i>	<i>Part Number</i>	<i>Qty.</i>	<i>Description</i>	<i>Ref.</i>	<i>Part Number</i>	<i>Qty.</i>	<i>Description</i>
1	147-8723	1	Service ASM-Frame, Tc	14	138-9753	18	Screw
2	145-6283-01	1	Wa-Battery Mount	15	117-1232-03	1	Bracket-Hitch
3	145-6306-01	1	Mount-Drive, LH	16	139-2596	2	Screw-HHF
4	145-6307-01	1	Mount-Drive, RH	17	119-4041	8	Nut-HF
5	147-8709-03	1	Plate-Mount	18	145-6315-03	1	Support-Seat
6	147-2966-03	1	Footrest-Top	19	138-2548	2	Spring-Compression
7	147-2995-01	1	Plate-Rear Cladding Tc	20	701178	2	Cap-Protector
8	147-2994-03	1	Guard-Engine Tc	21	145-6368-01	1	Plate-Kick
9	99-4693	1	Decal	22	145-6370-01	1	Pan-Floor
10	161-6207	2	Decal-Bypass	27	147-7717-03	1	Guard-Muffler [black]
11	142-5864	1	Decal-Spark Arrester	28	139-2598	4	Screw-HHF
12	144-5288	1	Decal-Warning	30	147-8716-05	1	Plate- Toeboard
13	32144-70	9	Screw-HWHTF	31	130-8451	2	Rivet-Trifold

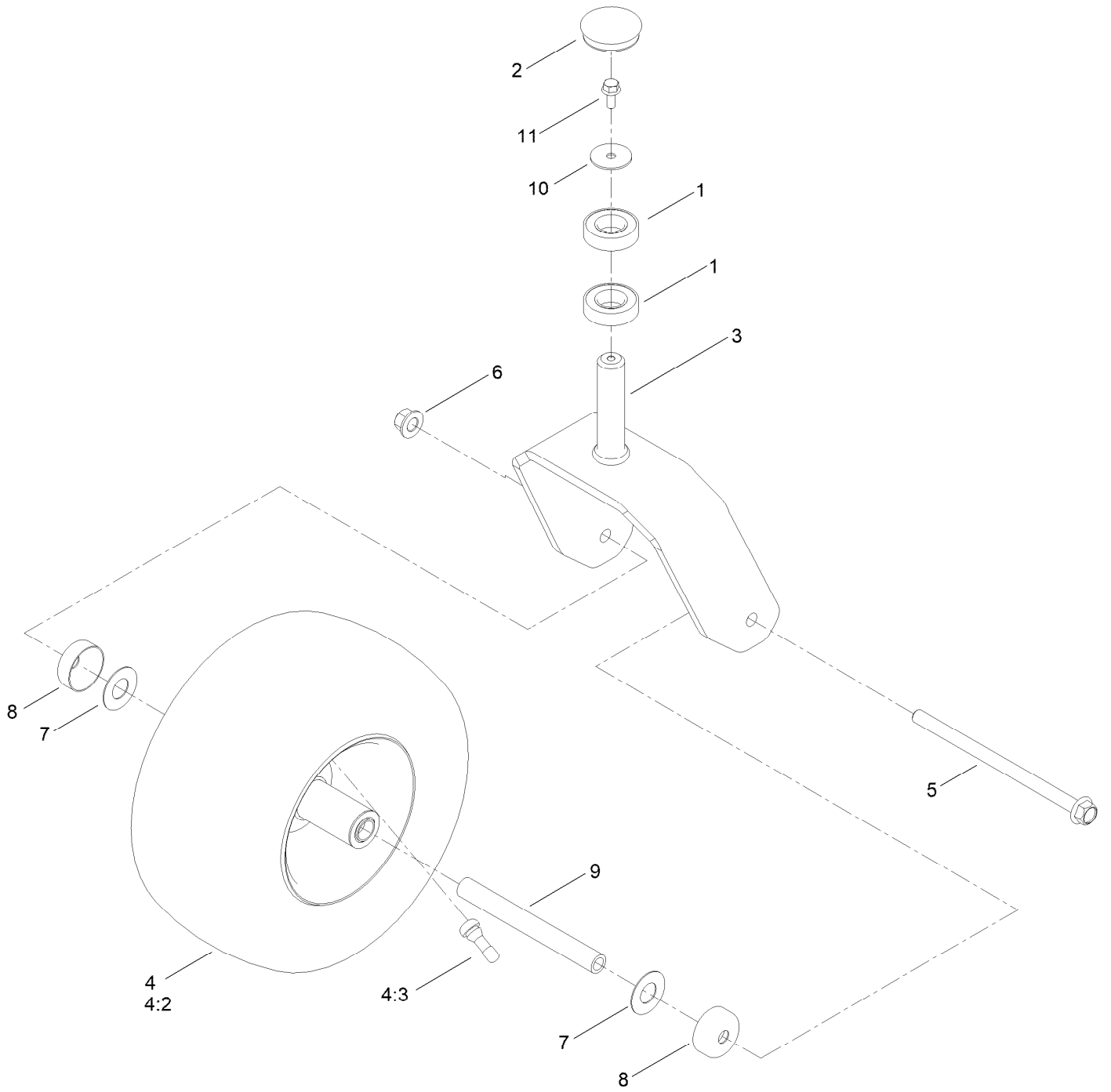
# Decklift Assembly



## Decklift Assembly (continued)

<i>Ref.</i>	<i>Part Number</i>	<i>Qty.</i>	<i>Description</i>	<i>Ref.</i>	<i>Part Number</i>	<i>Qty.</i>	<i>Description</i>
1	139-5872	4	Bearing-Flange	12	138-7207	4	Spacer-Hub, Blower
2	145-6257-01	1	Bracket-HOC	13	130-0742	6	Bolt-Shoulder
3	145-4645-01	2	Pivot ASM-Decklift [red]	14	145-6248-03	1	Pan-Deck Pivot
4	138-7204	4	Gusset-Deck Lift	15	145-6288	1	Pin-Deck
5	145-0557-01	1	Link ASM-HOC [red]	16	139-2611	1	Washer-Flat
6	119-4061	2	Screw-HHF	17	139-2562	1	Pin-Hair
7	139-2428	2	Screw-HWH	18	32144-70	8	Screw-HWHTF
8	147-2866	1	Decal-HOC, Tc	19	119-4042	8	Nut-HF, NI
9	140-2146	1	HOC Pin ASM	20	138-7206	1	Spring-Extension
10	145-6278-01	1	Pedal ASM [red]	21	140-2093	2	Spacer
11	138-7205	4	Chain-Decklift, 4-Link				

# Caster Tire Assembly

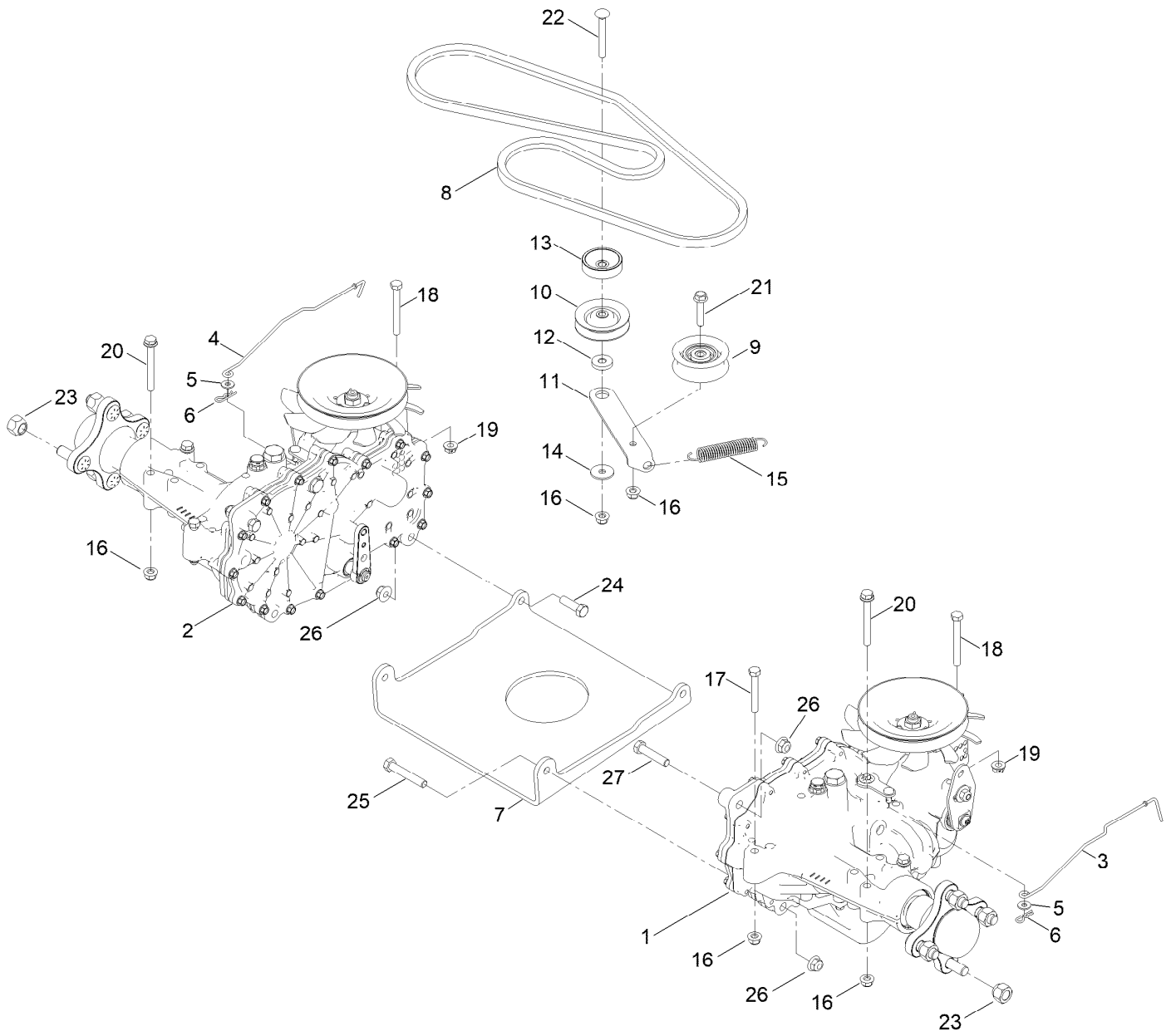




## Caster Tire Assembly (continued)

<i>Ref.</i>	<i>Part Number</i>	<i>Qty.</i>	<i>Description</i>	<i>Ref.</i>	<i>Part Number</i>	<i>Qty.</i>	<i>Description</i>
1	109-3678	4	Bearing-Ball	6	99-5107	2	Nut-Lock
2	144-0375	2	Cap, Grease	7	136-5590	4	Washer
3	133-4375-01	2	Fork ASM	8	138-7208	4	Guard-Seal
4	147-7598	2	Caster Tire ASM 13X6.5-6	9	133-4487	2	Spanner-Wheel
4:2	147-7599	1	Tire 13X6.5-6	10	115-1151	2	Washer-Flat
4:3	232-27	1	Stem-Valve	11	139-2598	2	Screw-HHF
5	126-5389	2	Screw-HHF				

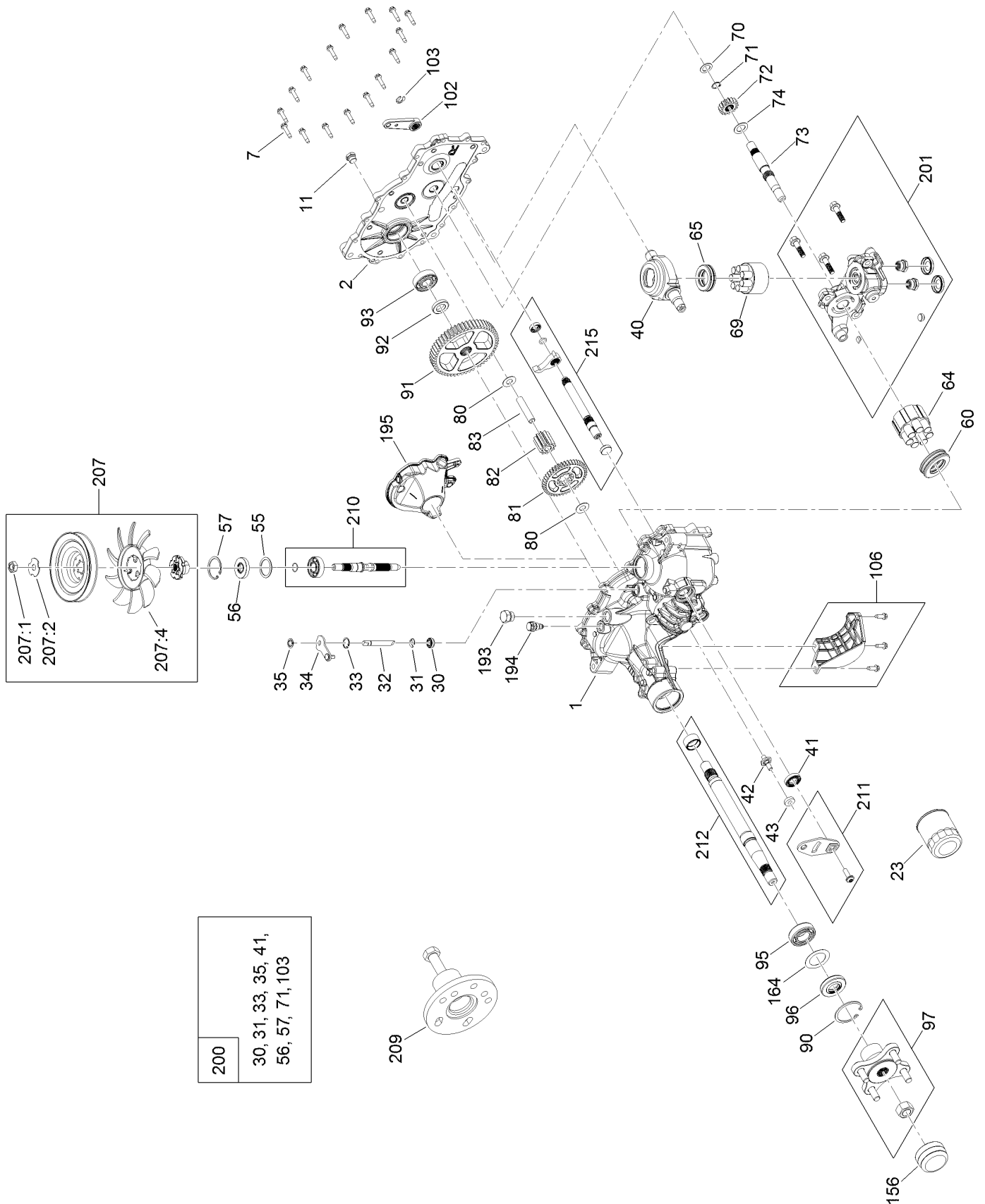
# Tranction Control Assembly



## Tranction Control Assembly (continued)

<i>Ref.</i>	<i>Part Number</i>	<i>Qty.</i>	<i>Description</i>	<i>Ref.</i>	<i>Part Number</i>	<i>Qty.</i>	<i>Description</i>
1	140-8301	1	LH Hydro Transmission ASM	14	5-4460	1	Washer-Pivot
2	140-8300	1	RH Hydro Transmission ASM	15	137-7040	1	Spring-Return, Pedal
3	147-2987	1	Rod-Bypass, LH	16	104-8300	8	Nut-HF, NI
4	147-2986	1	Rod-Bypass, RH	17	322-11	2	Screw-HH
5	119-8952	2	Washer	18	145-6388	2	Screw-HH Spcl
6	3290-307	2	Pin-Cotter	19	139-2574	2	Nut-HF
7	145-6383-03	1	Plate-Hydro	20	138-7590	4	Screw-HHF
8	145-6362	1	V-Belt (A Sec 65.30 EI)	21	115-1794	1	Screw-HHF
9	138-7597	1	Pulley-Idler, Flat	22	3230-8	1	Screw-CARR
10	68-0030	1	Idler	23	242-50	8	Nut-Lug
11	147-2925	1	Arm-Idler	24	323-7	2	Screw-HH
12	138-7277	1	Spacer-Arm, Idler	25	323-11	2	Screw-HH
13	138-9809	1	Spacer	26	104-8301	6	Nut-HF, NI
				27	323-9	2	Screw-HH

# LH Hydro Transmission Assembly No. 140-8301

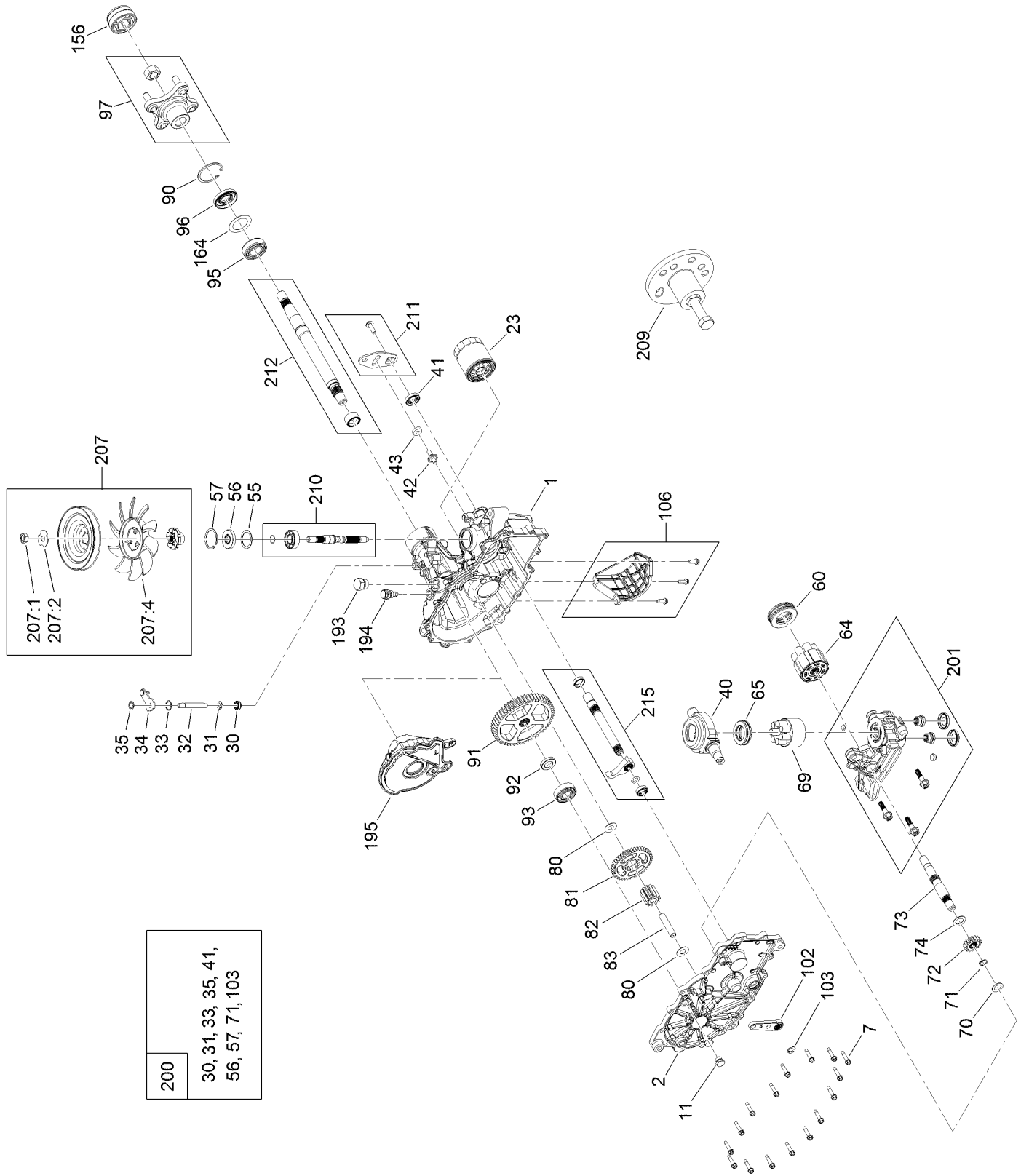


- |  |
|--|
| 200                                    |
| 30, 31, 33, 35, 41,<br>56, 57, 71, 103 |

# LH Hydro Transmission Assembly No. 140-8301 (continued)

<i>Ref.</i>	<i>Part Number</i>	<i>Qty.</i>	<i>Description</i>	<i>Ref.</i>	<i>Part Number</i>	<i>Qty.</i>	<i>Description</i>
1	140-8346	1	RH Control Main Housing Kit	80	94-1933	2	Washer
2	140-8349	1	RH Side Cover Kit	81	125-0000	1	Gear-43T
7	117-5359	16	Screw-HHF	82	114-1693	1	Gear-11T
11	135-1140	1	Plug-Straight	83	104-5329	1	Pin-Jackshaft
23	109-3321	1	Element-Oil Filter, HYD	90	104-2169	1	Ring-Retaining
30	139-7497	1	Seal-Lip	91	114-1694	1	Gear-54T
31	106-8677	1	Ring-Retaining, External	92	120-7975	1	Spacer
32	114-1685	1	Rod-Bypass	93	137-2004	1	Bearing Kit
33	106-8679	1	Ring-Retaining, Internal	95	130-8477	1	Bearing-Ball
34	112-9852	1	Arm-Bypass	96	104-2144	1	Seal
35	106-8681	1	Ring-Retaining, External	97	109-5939	1	Hub Kit
40	104-5304	1	Swashplate-Trunnion	102	125-0021	1	Handle-Brake
41	104-5313	1	Seal-Lip	103	131-0906	1	Ring-Retaining, EXT
42	104-2116	1	Stud	106	139-7499	1	Filter Guard Kit
43	112-9853	1	Puck-Friction	156	115-5057	1	Cover-Nut, Axle
55	104-5308	1	Spacer	164	121-5745	1	Spacer
56	104-5310	1	Seal-Lip	193	140-8343	1	Plug
57	104-5309	1	Ring-Retaining	194	140-8356	1	Breather Fitting ASM
60	112-4154	1	Bearing-Thrust	195	140-8357	1	RH Internal Expansion Tank ASM
64	139-4074	1	Cylinder Block ASM Kit	200	140-8351	1	Seal Kit
65	94-6922	1	Bearing-Thrust	201	132-0940	1	RH Center Section Kit
69	110-8561	1	Pump Block ASM	207	135-7343	1	Fan And Pulley Kit
70	104-5339	1	Washer-Flat	209	114-8467	1	Puller-Hub, 4 Bolt
71	104-5340	1	Ring-Retaining	210	140-8344	1	Input Shaft Kit
72	121-5749	1	Gear-16T	211	117-5362	1	Control Arm Kit
73	114-1691	1	Shaft-Motor	212	114-8470	1	Axle Shaft Kit
74	104-5360	1	Washer	215	140-8352	1	Inboard Kit

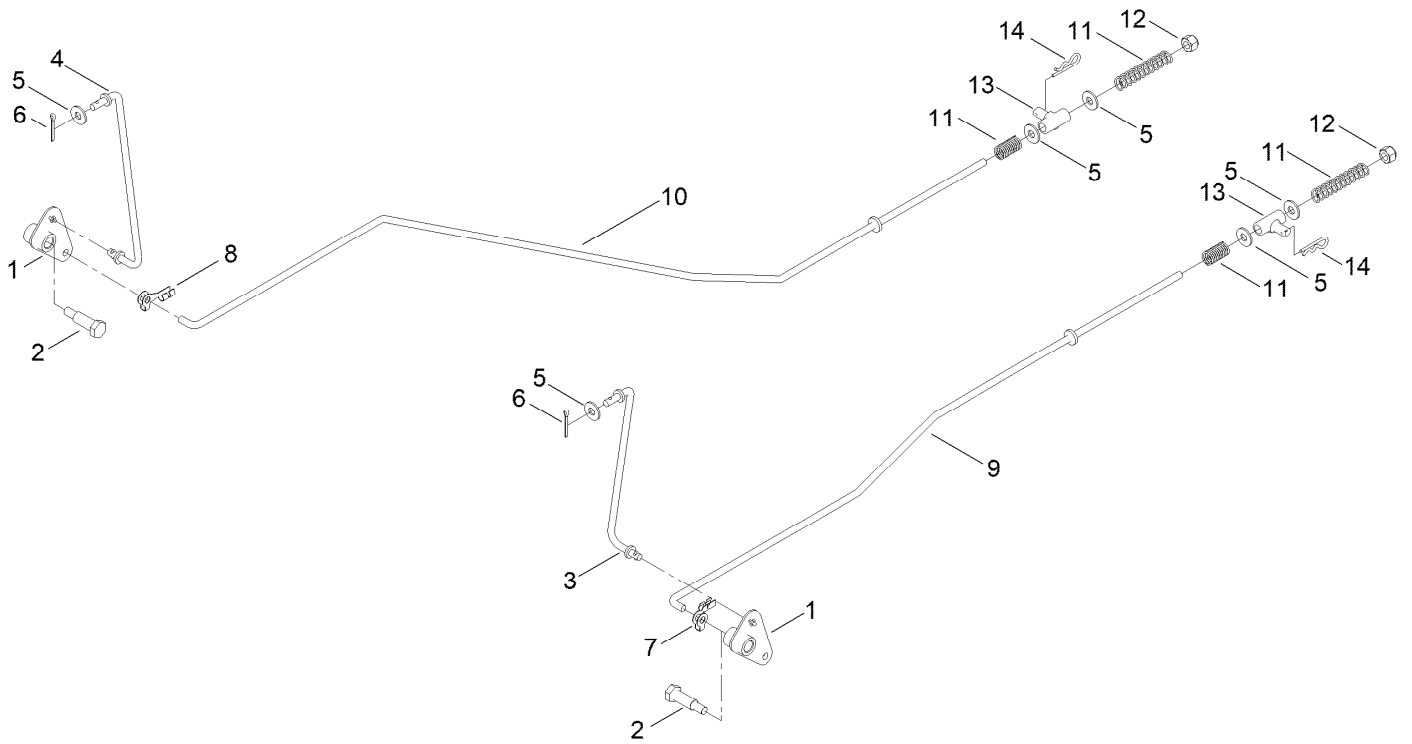
# RH Hydro Transmission Assembly No. 140-8300



# RH Hydro Transmission Assembly No. 140-8300 (continued)

<i>Ref.</i>	<i>Part Number</i>	<i>Qty.</i>	<i>Description</i>	<i>Ref.</i>	<i>Part Number</i>	<i>Qty.</i>	<i>Description</i>
1	140-8348	1	LH Control Main Housing Kit	81	125-0000	1	Gear-43T
2	140-8350	1	LH Side Cover Kit	82	114-1693	1	Gear-11T
7	117-5359	16	Screw-HHF	83	104-5329	1	Pin-Jackshaft
11	135-1140	1	Plug-Straight	90	104-2169	1	Ring-Retaining
23	109-3321	1	Element-Oil Filter, HYD	91	114-1694	1	Gear-54T
30	139-7497	1	Seal-Lip	92	120-7975	1	Spacer
31	106-8677	1	Ring-Retaining, External	93	137-2004	1	Bearing Kit
32	114-1685	1	Rod-Bypass	95	130-8477	1	Bearing-Ball
33	106-8679	1	Ring-Retaining, Internal	96	104-2144	1	Seal
34	107-2490	1	Arm-Bypass	97	109-5939	1	Hub Kit
35	106-8681	1	Ring-Retaining, External	102	125-0021	1	Handle-Brake
40	104-5304	1	Swashplate-Trunnion	103	131-0906	1	Ring-Retaining, EXT
41	104-5313	1	Seal-Lip	106	139-7498	1	Filter Guard Kit
42	104-2116	1	Stud	156	115-5057	1	Cover-Nut, Axle
43	112-9853	1	Puck-Friction	164	121-5745	1	Spacer
55	104-5308	1	Spacer	193	140-8343	1	Plug
56	104-5310	1	Seal-Lip	194	140-8356	1	Breather Fitting ASM
57	104-5309	1	Ring-Retaining	195	140-8358	1	LH Internal Expansion Tank ASM
60	112-4154	1	Bearing-Thrust	200	140-8351	1	Seal Kit
64	139-4074	1	Cylinder Block ASM Kit	201	125-0036	1	Center Section Kit
65	94-6922	1	Bearing-Thrust	207	135-7343	1	Fan And Pulley Kit
69	110-8561	1	Pump Block ASM	209	114-8467	1	Puller-Hub, 4 Bolt
70	104-5339	1	Washer-Flat	210	140-8344	1	Input Shaft Kit
71	104-5340	1	Ring-Retaining	211	117-5362	1	Control Arm Kit
72	121-5749	1	Gear-16T	212	114-8470	1	Axle Shaft Kit
73	114-1691	1	Shaft-Motor	215	140-8353	1	Inboard Kit
74	104-5360	1	Washer				
80	94-1933	2	Washer				

# Brake Assembly

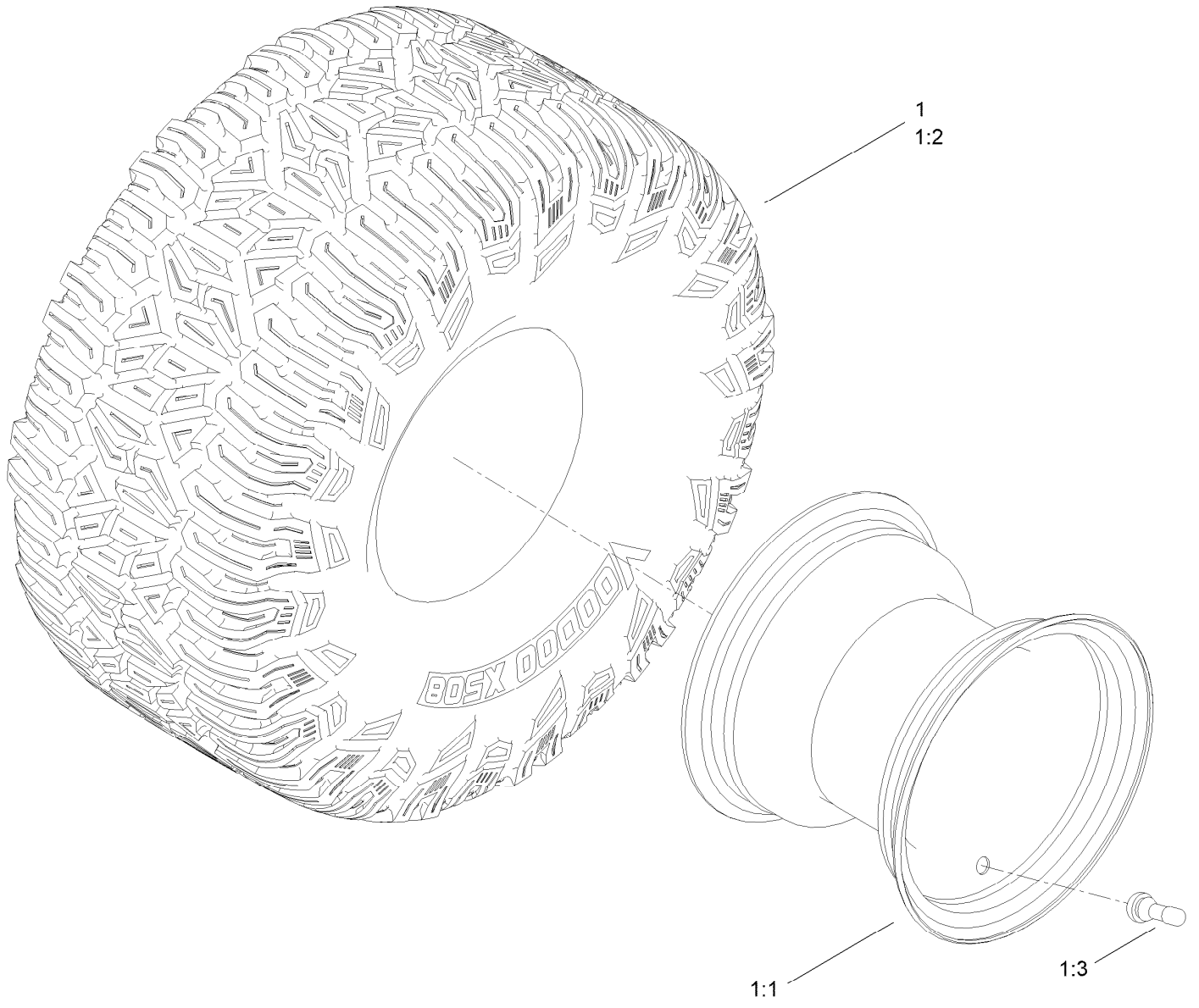




## Brake Assembly (continued)

<i>Ref.</i>	<i>Part Number</i>	<i>Qty.</i>	<i>Description</i>	<i>Ref.</i>	<i>Part Number</i>	<i>Qty.</i>	<i>Description</i>
1	144-1858	2	Bellcrank	8	144-1815	1	Clip, Rod, RH, 7R, 1/4In
2	145-6364	2	Bolt - Shoulder	9	145-6372	1	Rod-Brake LH
3	145-4607	1	Link-Brake, LH	10	145-6371	1	Rod-Brake, RH
4	145-6238	1	Link-Brake, RH	11	121-5654	4	Spring-Compression
5	119-8952	6	Washer	12	3296-42	2	Nut-Lock, NI
6	120-9716	2	Pin-Cotter	13	119-8857	2	Mount-Pivot
7	144-1816	1	Clip, Rod, LH, 7L, 1/4In	14	3290-307	2	Pin-Cotter

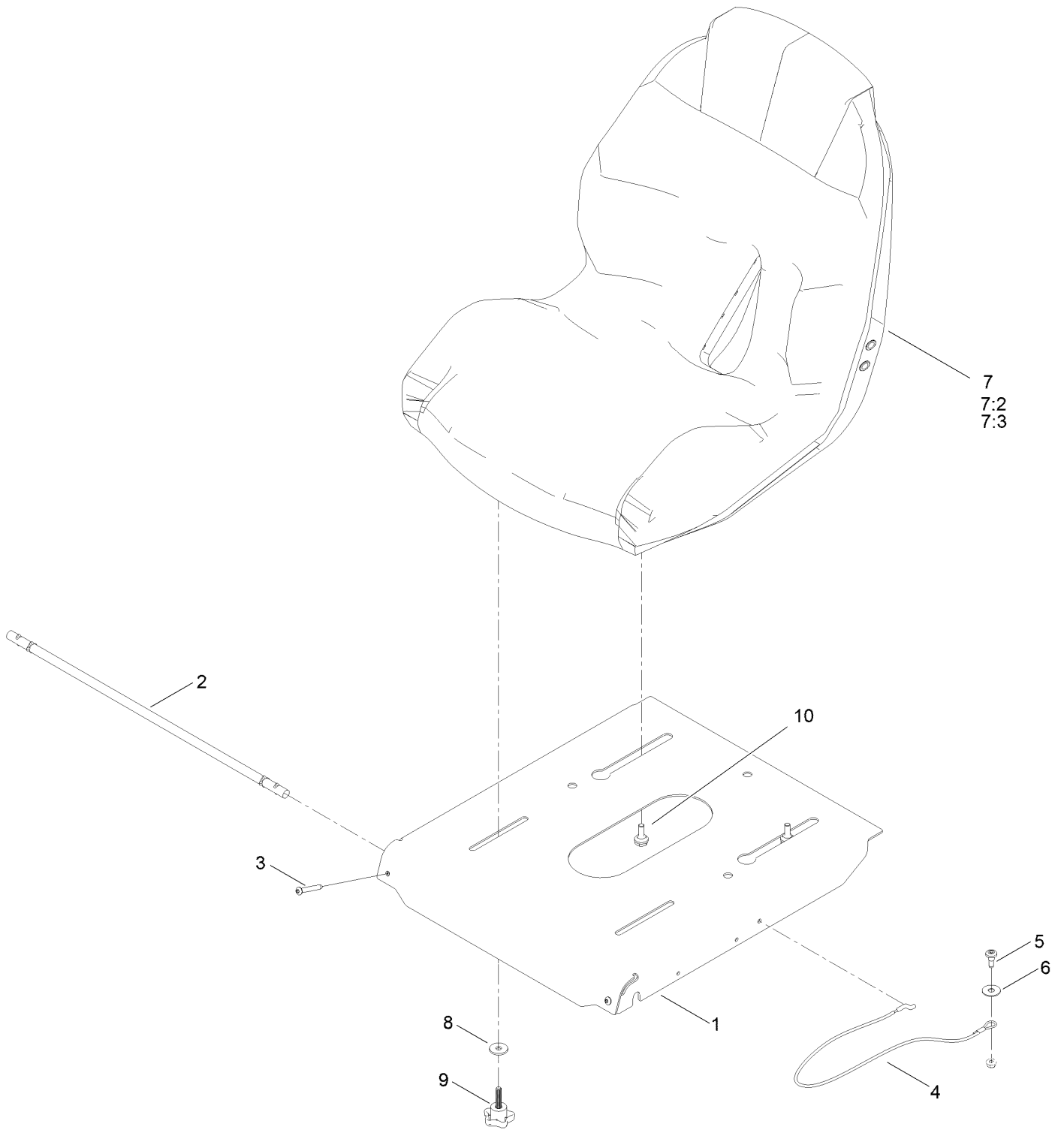
# Tire Assembly



## Tire Assembly (continued)

<i>Ref.</i>	<i>Part Number</i>	<i>Qty.</i>	<i>Description</i>	<i>Ref.</i>	<i>Part Number</i>	<i>Qty.</i>	<i>Description</i>
1	145-6391	2	Tire ASM	1:2	147-5179	1	Tire
1:1	147-5180	1	Rim	1:3	232-27	1	Stem-Valve

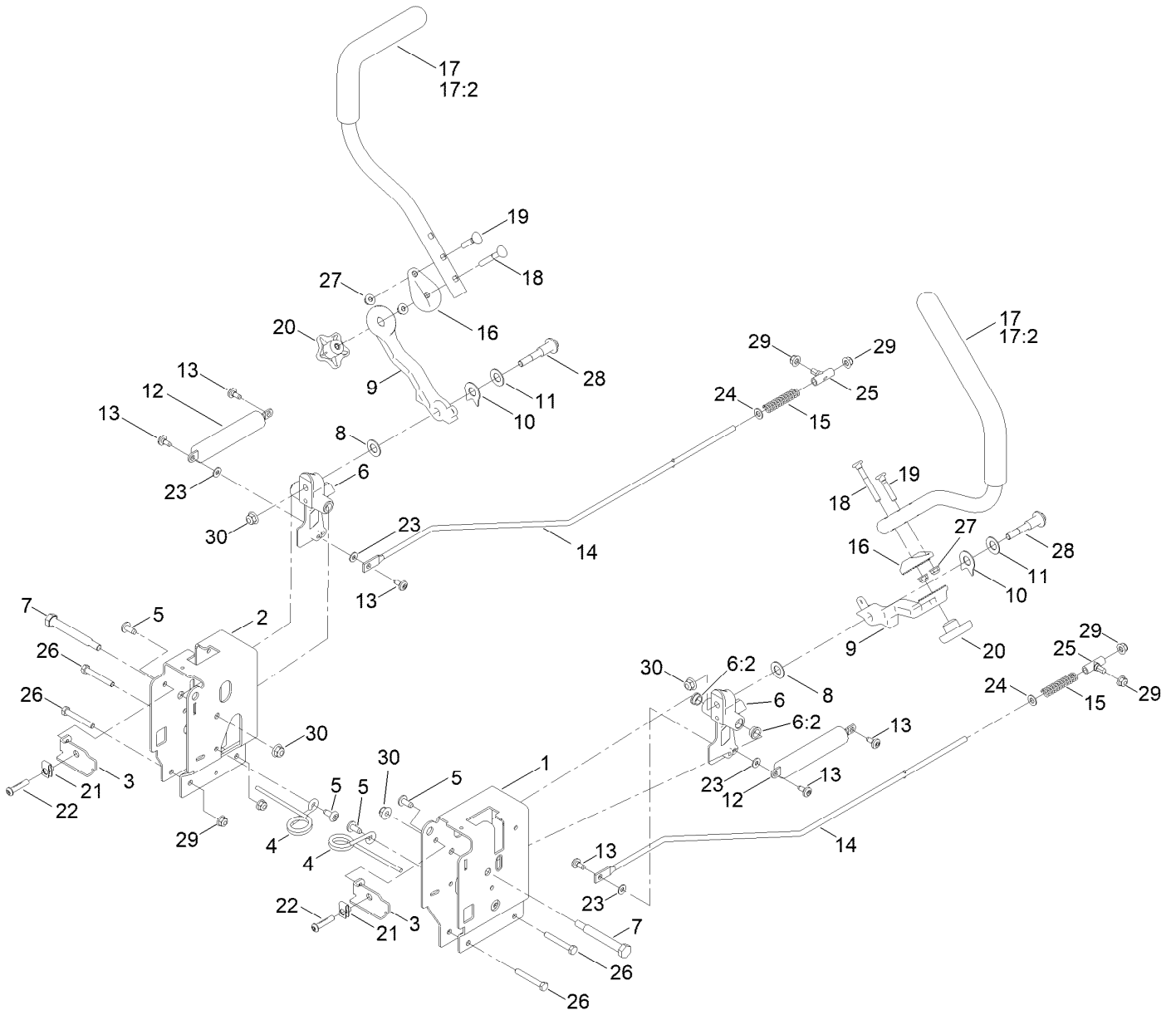
# Seat Pan Assembly



## Seat Pan Assembly (continued)

<i>Ref.</i>	<i>Part Number</i>	<i>Qty.</i>	<i>Description</i>	<i>Ref.</i>	<i>Part Number</i>	<i>Qty.</i>	<i>Description</i>
1	147-3002-03	1	Pan-Seat	7	147-8732	1	Seat ASM - Seat King Sk130
2	147-5169	1	Rod-Pivot	7:2	147-8752	1	Cover-Seat
3	147-5175	2	Screw-Tbh,Thd Roll	7:3	82-2190	1	Switch-Bail
4	161-4452	1	Cable-Lanyard, 26.75"	8	1-603716	2	Washer-Friction
5	135-2015	1	Screw-Shoulder	9	139-2401	2	Knob
6	147-5287	1	Washer-Flat	10	147-5174	2	Bolt-Shoulder,Hfh

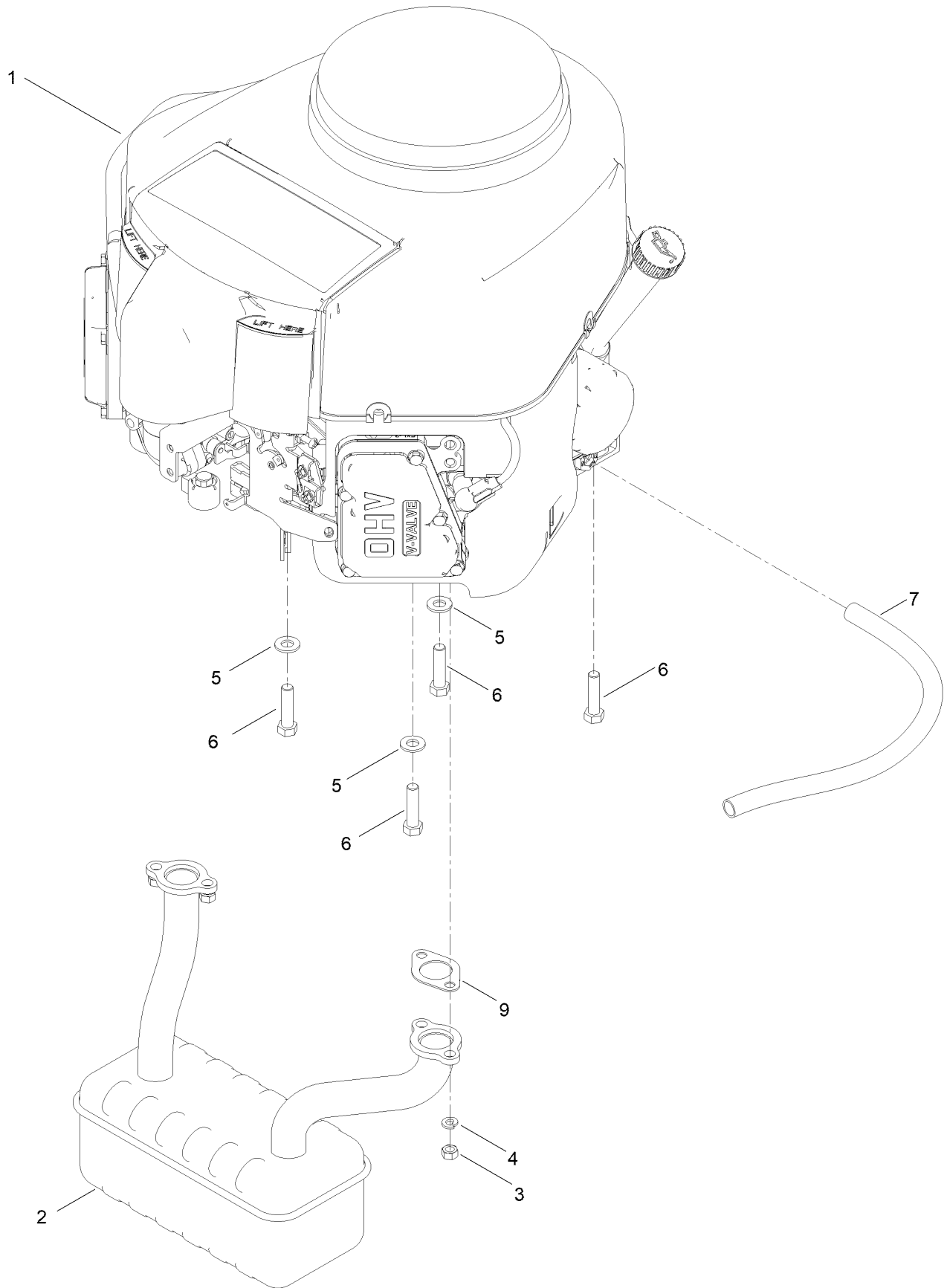
# Motion Control Assembly



## Motion Control Assembly (continued)

<i>Ref.</i>	<i>Part Number</i>	<i>Qty.</i>	<i>Description</i>	<i>Ref.</i>	<i>Part Number</i>	<i>Qty.</i>	<i>Description</i>
1	145-4615-03	1	Control Box - LH G7	16	147-5192-05	2	Disc-Adjustment Handle, 32 Teeth
2	145-4647-03	1	Control Box - RH G7	17	145-6327	2	Handle-Control,
3	147-7580-03	2	Adjustment Plate-Control Box	17:2	147-3029	1	Grip
4	145-6253	2	Spring-Torsion	18	145-6366	2	Screw-Handle
5	138-9753	4	Screw	19	137-3008	2	Screw-Handle
6	145-4648	2	Pivot Arm ASM	20	117-5976	2	Knob-Handle
6:2	256-156	2	Bushing-Flange	21	112-3306	2	Nut
7	115-5099	2	Bolt-Pivot	22	126-4299	2	Screw-HSBH
8	120-2273	2	Washer-Nylon	23	119-8952	4	Washer
9	147-5191-05	2	Arm-Control, 32 Teeth	24	120-9683	2	Washer-Plain
10	142-8478	2	Spacer, Anti-Rotation	25	138-7218	2	Mount-Rod, Hydro
11	119-8925	2	Washer-Belleville	26	120-9738	4	Screw-HH
12	132-6853	2	Damper-Non Cavitating	27	138-8401	4	Nut-HF
13	120-7950	6	Screw-Torx	28	117-1198	2	Bolt-Pivot
14	145-4699	2	Rod - Hydro, LH	29	104-8300	8	Nut-HF, NI
15	138-7252	2	Spring-Compression	30	104-8301	4	Nut-HF, NI

# Engine and Muffler Assembly





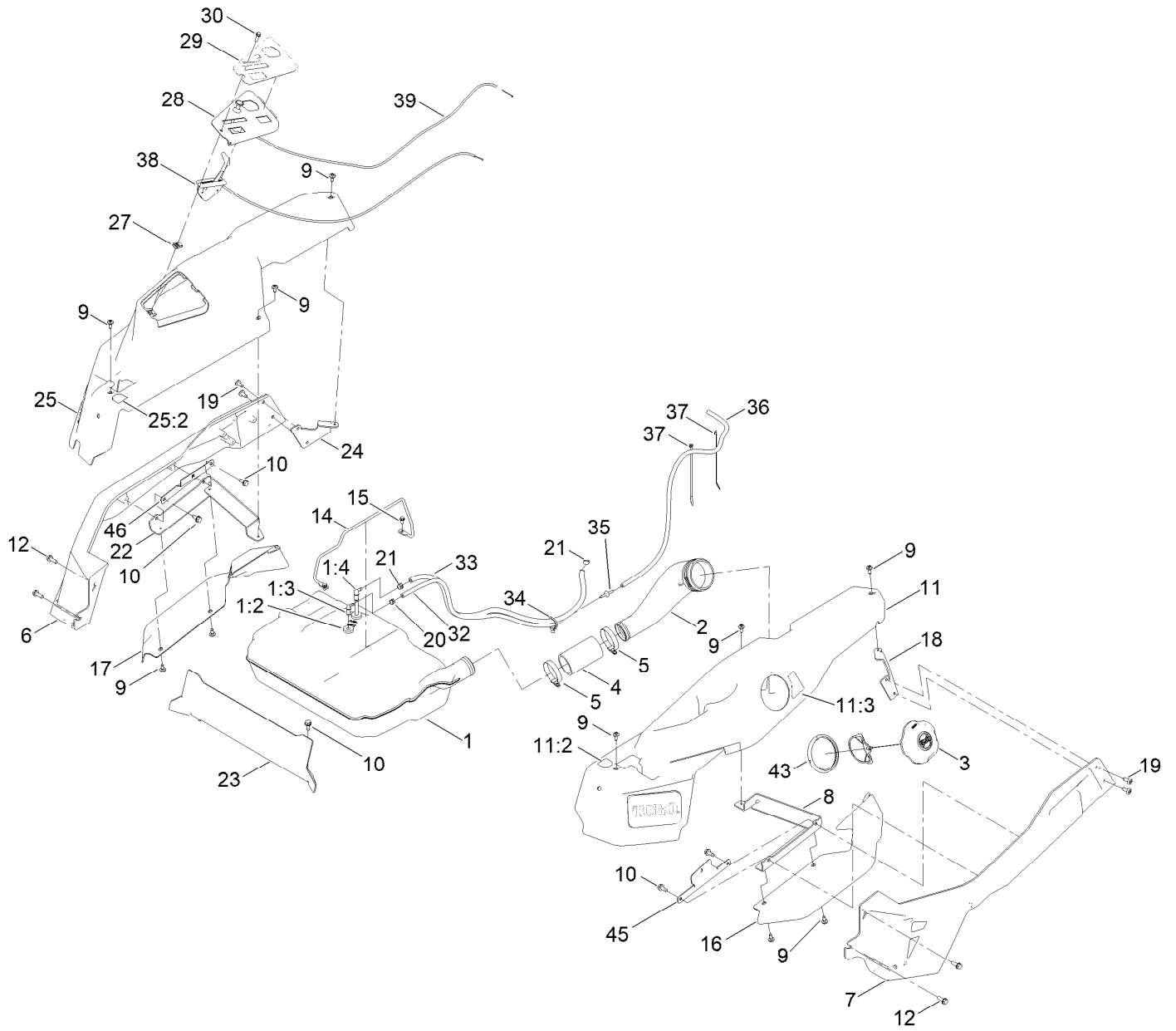
## Engine and Muffler Assembly (continued)

<i>Ref.</i>	<i>Part Number</i>	<i>Qty.</i>	<i>Description</i>	<i>Ref.</i>	<i>Part Number</i>	<i>Qty.</i>	<i>Description</i>
1		1	Engine-Kawasaki, Fr691V-_s07-R ●■	5	3256-24	3	Washer-Plain
2	139-5867	1	Muffler	6	323-50	4	Bolt-HH
3	114-3549	4	Nut	7	106-7022	1	Tube-Drain, Oil
4	114-3550	4	Washer-Lock	9	1-653313	2	Gasket-Exhaust

● Not serviced separately

■ Obtain parts from [www.kawpower.com](http://www.kawpower.com)

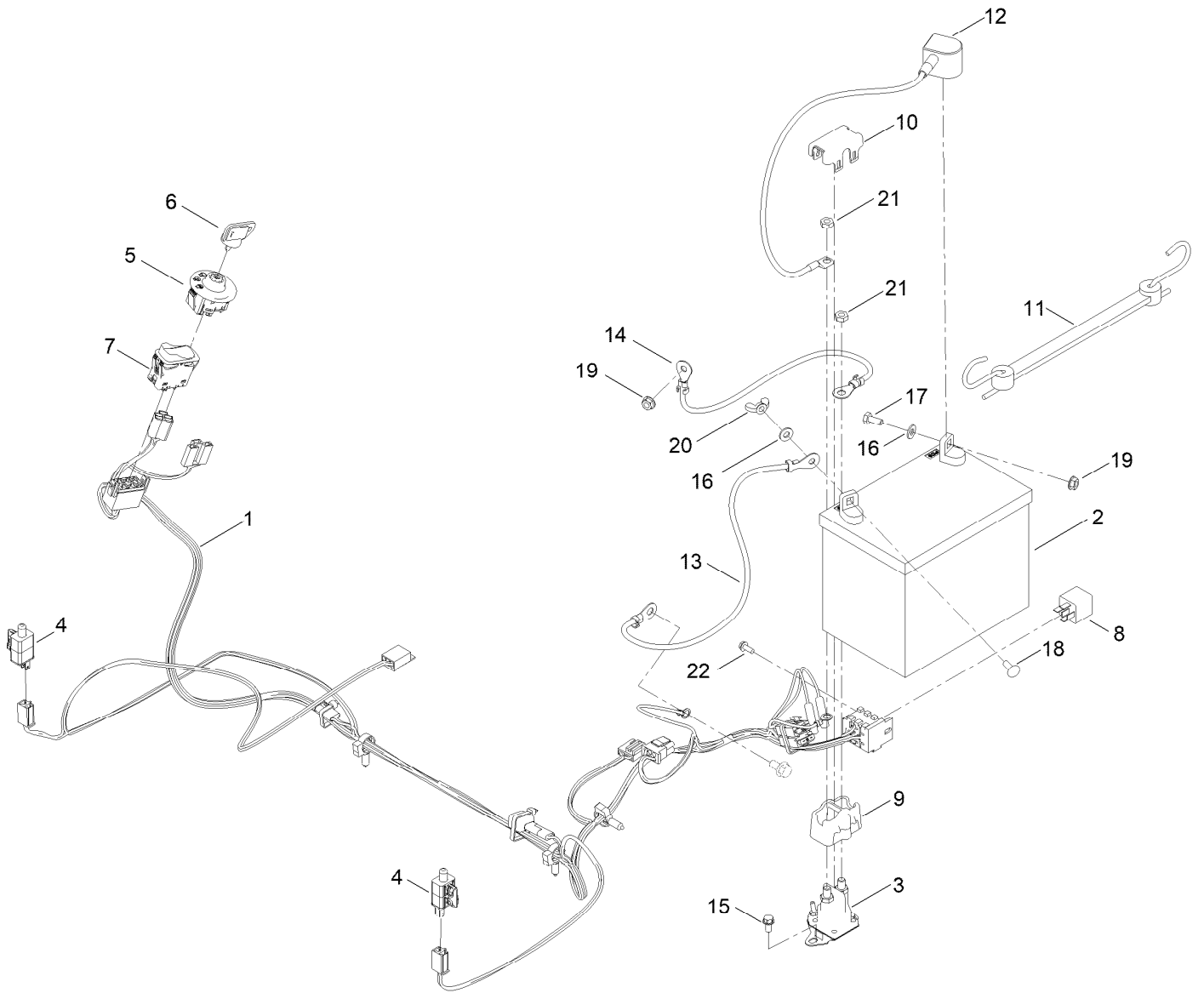
# Fuel Pod Assembly



## Fuel Pod Assembly (continued)

<i>Ref.</i>	<i>Part Number</i>	<i>Qty.</i>	<i>Description</i>	<i>Ref.</i>	<i>Part Number</i>	<i>Qty.</i>	<i>Description</i>
1	145-6304	1	Tank-Fuel ASM	20	2412-80	1	Clamp-Hose
1:2	46-6560	2	Bushing	21	2412-98	2	Clamp-Hose
1:3	144-5302	1	Fitting-Elbow 90	22	147-2975-03	1	Mount-Pod Bracket RH
1:4	147-2934	1	Fitting - Pickup, Fuel	23	147-5170-03	1	Plate-Kick
2	147-7657	1	Neck-Filler, Fuel	24	147-2977-03	1	Mount-Pod Bracket RH
3	137-4119	1	Cap-Fuel, Ratcheting	25	147-8742	1	Pod ASM - RH W/Decals
4	145-4698	1	Hose-Filler, Fuel	25:2	139-2394	1	Decal-Control Lever, RH
5	2412-130	2	Clamp-Hose	27	107069	1	Clip
6	147-2973-01	1	Cast-Tube, RH [red]	28	147-2990-03	1	Panel-Control
7	147-2972-01	1	Cast-Tube, LH [red]	29	147-8753	1	Decal - Control Panel W/Out Hour Meter
8	147-2974-03	1	Mount-Pod Bracket LH	30	32105-15	1	Screw-HWH
9	120-7950	10	Screw-Torx	32	140-4956	1	Hose-Fuel
10	32144-70	6	Screw-HWHTF	33	109-0275	1	Hose-Fuel
11	147-8741	1	Pod ASM - LH W/Decals	34	32180-030	1	Clip-Tie
11:2	139-2395	1	Decal-Control Lever, LH	35	144-1983	1	Adapter Orifice
11:3	147-2399	1	Decal-Fuel Fill	36	108-6344	1	Hose-Fuel
12	32144-41	4	Screw-Taptite	37	614249	2	Tie-Cable
14	147-5176	1	Rod-Hold Down	38	139-2403	1	Cable-Throttle
15	32144-4	2	Screw-HWH	39	139-2402	1	Cable-Choke
16	147-2978	1	Fender-Time Cutter, LH	43	147-7712	1	Ring-Retaining
17	147-2979	1	Fender-Time Cutter, RH	45	161-4609-03	1	Bracket-Alignment, Pod LH
18	147-2976-03	1	Bracket-Rear Pod, LH	46	161-4610-03	1	Bracket-Alignment, Pod RH
19	138-9753	4	Screw				

# Electrical Assembly

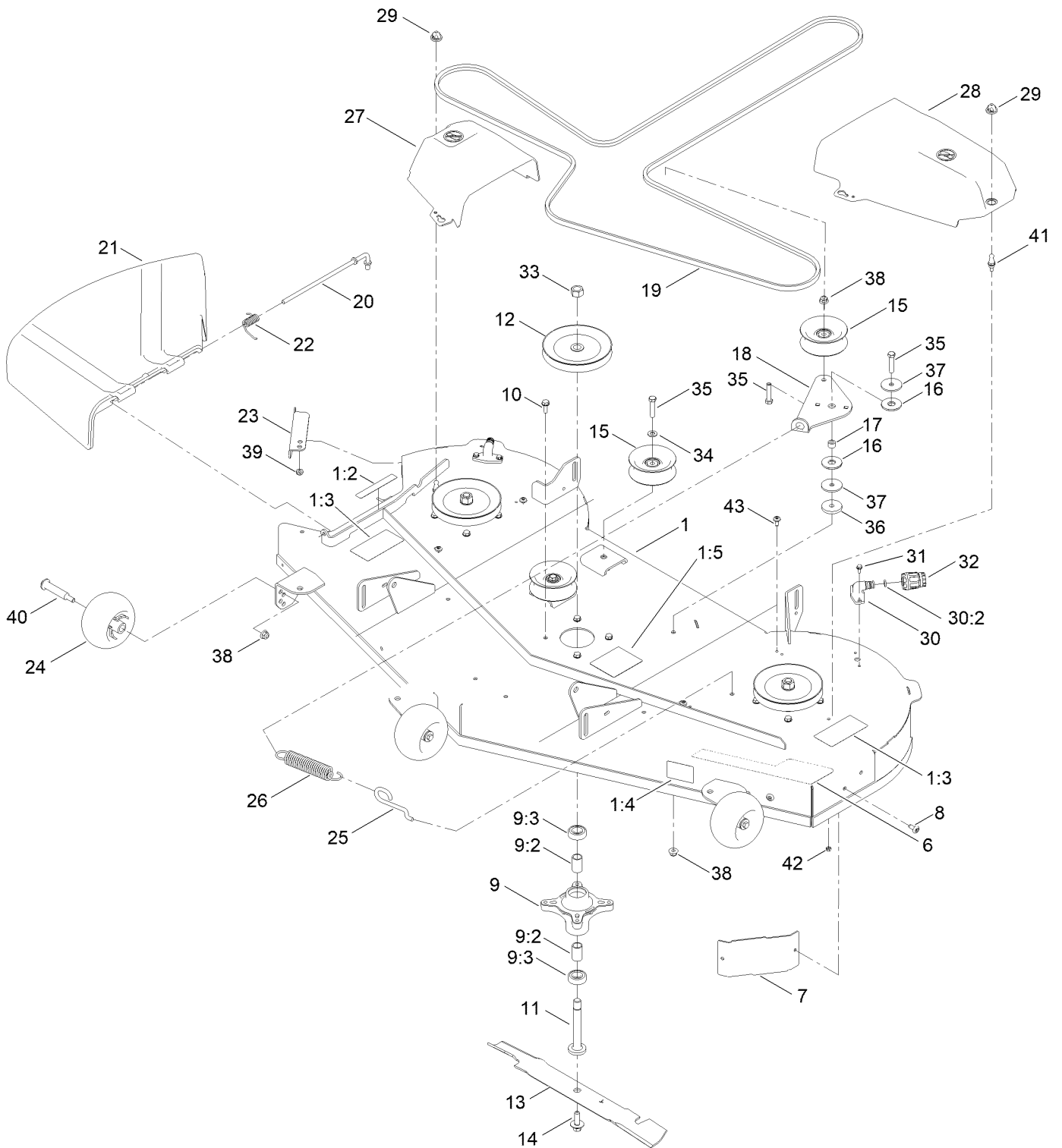


## Electrical Assembly (continued)

<i>Ref.</i>	<i>Part Number</i>	<i>Qty.</i>	<i>Description</i>	<i>Ref.</i>	<i>Part Number</i>	<i>Qty.</i>	<i>Description</i>
1	145-6382	1	Harness-Wire, Main	9	140-2080	1	Cover-Solenoid
1:7	109355	1	Fuse-Blade, 15 Amp ●	10	140-2081	1	Cap-Solenoid
1:8	109102	1	Fuse-Blade, 25 Amp ●	11	104-2466	1	Holddown-Battery
1:9	32180-435	1	Cap-Over Mold, 1M/1F ●	12	147-2941	1	Cable-Battery,Red
1:10	100-4918	1	Diode ●	13	119-8899	1	Cable-Battery, Black
1:11	32180-047	3	Clip-Tubing, Harness ●	14	121-0711	1	Cable-Battery, Positive
2	140-2076	1	Battery - Wet	15	32144-4	2	Screw-HWH
3	117-1197	1	Solenoid	16	3256-22	2	Washer-Flat
4	110-6765	2	Switch	17	321-3	1	Screw-HH
5	137-4100	1	Switch-Ignition	18	3229-1	1	Screw-CARR
6	63-8360	1	Key-Ignition	19	32128-33	2	Nut-HF
7	139-6368	1	Switch-Rocker, On-None-On	20	32103-22	1	Nut-Wing
8	1-643275	1	Relay	21	3220-2	2	Nut-Jam
				22	139-1713	1	Screw-Thd Roll

● Not illustrated

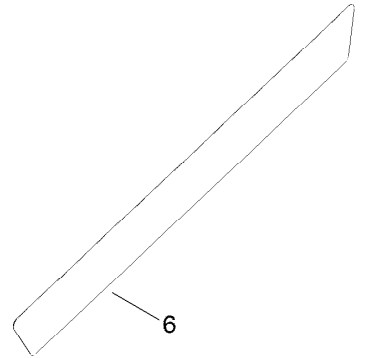
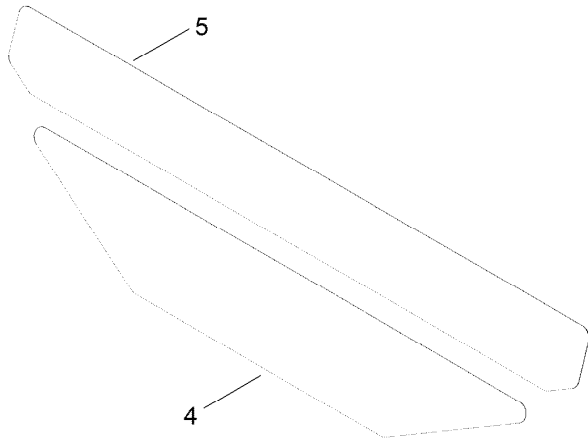
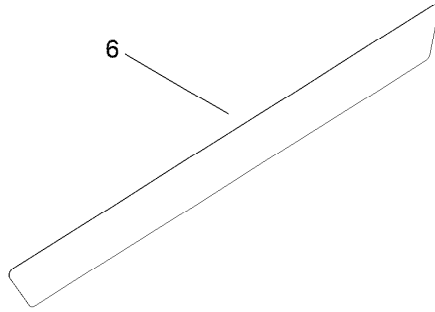
# 60in Deck and Decal Assembly



## 60in Deck and Decal Assembly (continued)

<i>Ref.</i>	<i>Part Number</i>	<i>Qty.</i>	<i>Description</i>	<i>Ref.</i>	<i>Part Number</i>	<i>Qty.</i>	<i>Description</i>
1	147-8747	1	60 In Deck & Decal ASM	22	138-7268	1	Spring-Torsion
1:2	130-0731	1	Decal-Danger	23	138-9800-03	1	Baffle-Cutoff
1:3	132-0872	2	Decal-Danger, Deck	24	1-603299	3	Roller-Scalp, Anti
1:4	112-9840	1	Decal-Scalp, Anti	25	138-7266	1	Spring-Return, Hook
1:5	99-3943	1	Decal-Routing, Belt	26	138-7264	1	Spring-Extension
6	147-7564	1	Decal - Iron Forged 60	27	147-2853	1	Cover-Belt, RH
7	139-2448-03	1	Baffle-Corner	28	147-2854	1	Cover-Belt, LH
8	138-9753	2	Screw	29	147-2871	2	Grommet-Ball
9	139-3214	3	Spindle ASM	30	133-9289	2	Fitting-Washout
9:2	120-7935	2	Spacer	30:2	133-9290	1	O-Ring
9:3	138-9770	2	Bearing-Ball	31	32144-4	4	Screw-HWH
10	32144-41	12	Screw-Taptite	32	95-3270	1	Connector-Hose
11	117-7268	3	Shaft-Spindle	33	3219-6	3	Nut-Hex
12	133-1199	3	Pulley	34	3256-24	2	Washer-Plain
13	115-9649-03	3	Blade-Hi Flow	35	323-9	4	Screw-HH
14	145-0411	3	Bolt-Blade, Sems	36	110-9981	1	Washer-Plain
15	132-9420	3	Pulley-Idler, Flat	37	63-7400	2	Washer-Rebound
16	114-0463	2	Washer-Friction, Composite	38	104-8301	5	Nut-HF, NI
17	115-4986	1	Spacer	39	3296-59	1	Nut-Lock, NI
18	138-7262	1	Arm-Idler	40	112-3977	3	Bolt-Shoulder
19	147-2911	1	Belt-V (A Sec, 154.96 EI)	41	147-2872	2	Stud-Ball
20	137-2019	1	Rod-Pivot	42	115-7373	2	Nut-Lock
21	138-7502	1	Deflector-Discharge	43	120-7950	4	Screw-Torx

# Frame Decal Assembly

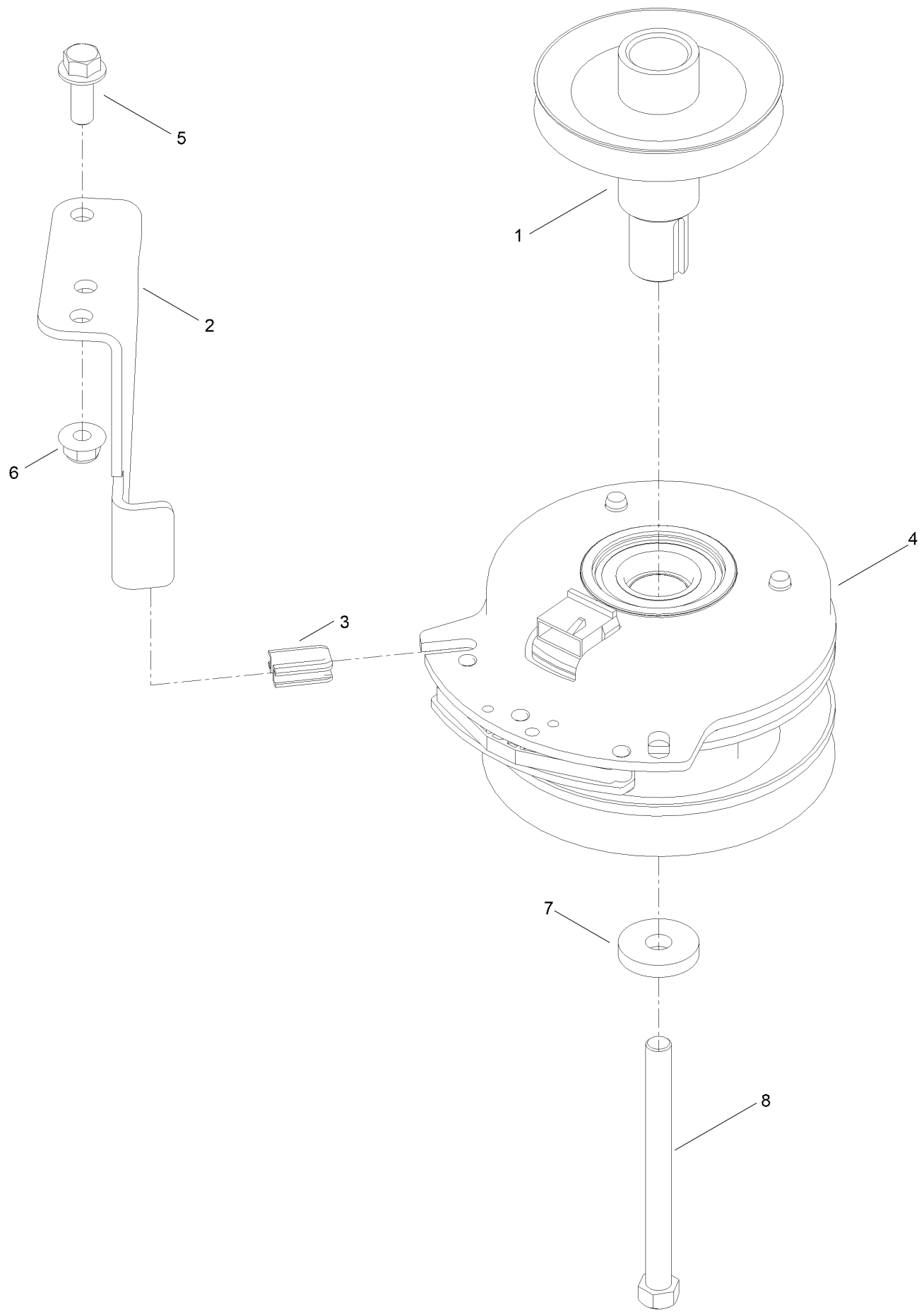




## Frame Decal Assembly (continued)

<i>Ref.</i>	<i>Part Number</i>	<i>Qty.</i>	<i>Description</i>
4	147-7573	1	Decal-Max
5	147-7561	1	Decal-Timecutter
6	147-7560	2	Decal-Timecutter

# Clutch Assembly



## Clutch Assembly (continued)

<i>Ref.</i>	<i>Part Number</i>	<i>Qty.</i>	<i>Description</i>	<i>Ref.</i>	<i>Part Number</i>	<i>Qty.</i>	<i>Description</i>
1	138-9792	1	Pulley-Engine	5	3234-42	1	Screw-HHF
2	137-7000	1	Stop-Clutch (Wide)	6	104-8301	1	Nut-HF, NI
3	120-2217	1	Isolator-Clutch	7	112843	1	Washer
4	127-3410	1	Clutch-PTO	8	3212-19	1	Screw-HH

# Attachments and Accessories

## For 77601 TimeCutter Max 60in Zero Turn Riding Mower

<b>Product Name</b>	<b>Model/Part</b>
Residential Z Max 60in Bagger .....	79601
60 Inch Recycler Kit .....	139-3290
60 Inch Bagging Enhancement Kit .....	140-3508
Kit-Striping, 54/60" .....	147-8781
ROPS Kit .....	79487
Floormat Kit .....	147-8765
Led Light Kit .....	147-8757
Kit, Hour Meter .....	147-8791
Assist Bar Kit .....	161-4450
Mount, Jack TC .....	147-8836
Kit-Slope Sensor .....	79489
Transport Lock Kit .....	161-4510
Arm Rest Kit .....	147-8774
Flat Free Caster Wheel Kit .....	145-0489
Hydro Service Kit .....	144-5347
Toro Deluxe Rider Cover .....	490-7319

**Notes:**

**Notes:**

**Notes:**



**Count on it.**