



Count on it.

Parts Catalog

**Greensmaster® eTriFlex 3360
Traction Unit**

Model No. 04580—Serial No. 415078385 and Up



Ordering Replacement Parts

To order replacement parts, please supply the part number, the quantity, and the description of each part desired.

Understanding Reference Numbers

Each identified part in an illustration has a reference number. The reference number for a part also appears in the parts list, along with other information about the part.

This catalog uses two special reference number formats, one to indicate parts in a service assembly and another to indicate the quantity of a given part in an illustration.

Service Assembly Reference Numbers

Parts in service assemblies have reference numbers in the form a:b. The a represents the reference number of the entire service assembly and the b represents a sequential number unique to each part within the service assembly.

For example, a wheel assembly might be identified by reference number 6, the tire by 6:1, the valve by 6:2, and the wheel by 6:3. When you order the assembly identified by reference number 6, you receive all parts identified by reference numbers 6:1, 6:2, and 6:3. However, you may also order any part individually. Reference numbers of this type appear in illustration and in parts lists.

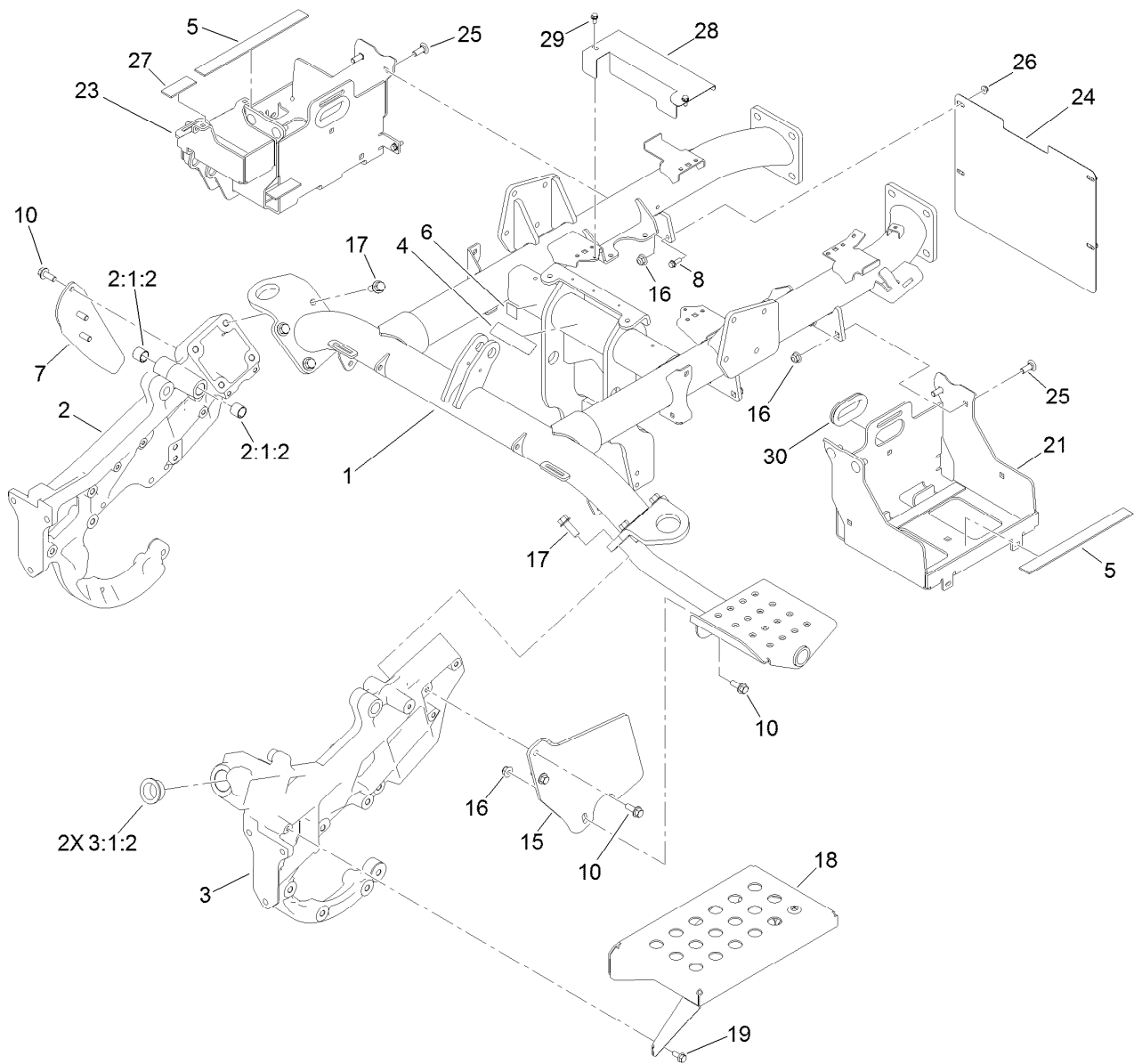
Reference Numbers Indicating Quantity

In an illustration, if a reference number indicates more than one part, the reference number has the form nX y. The n represents the quantity of the part, the X is the multiplication symbol, and the y represents the reference number.

For example, in an illustration, the reference number 2X 37 means that two of the parts identified by reference number 37 are indicated.

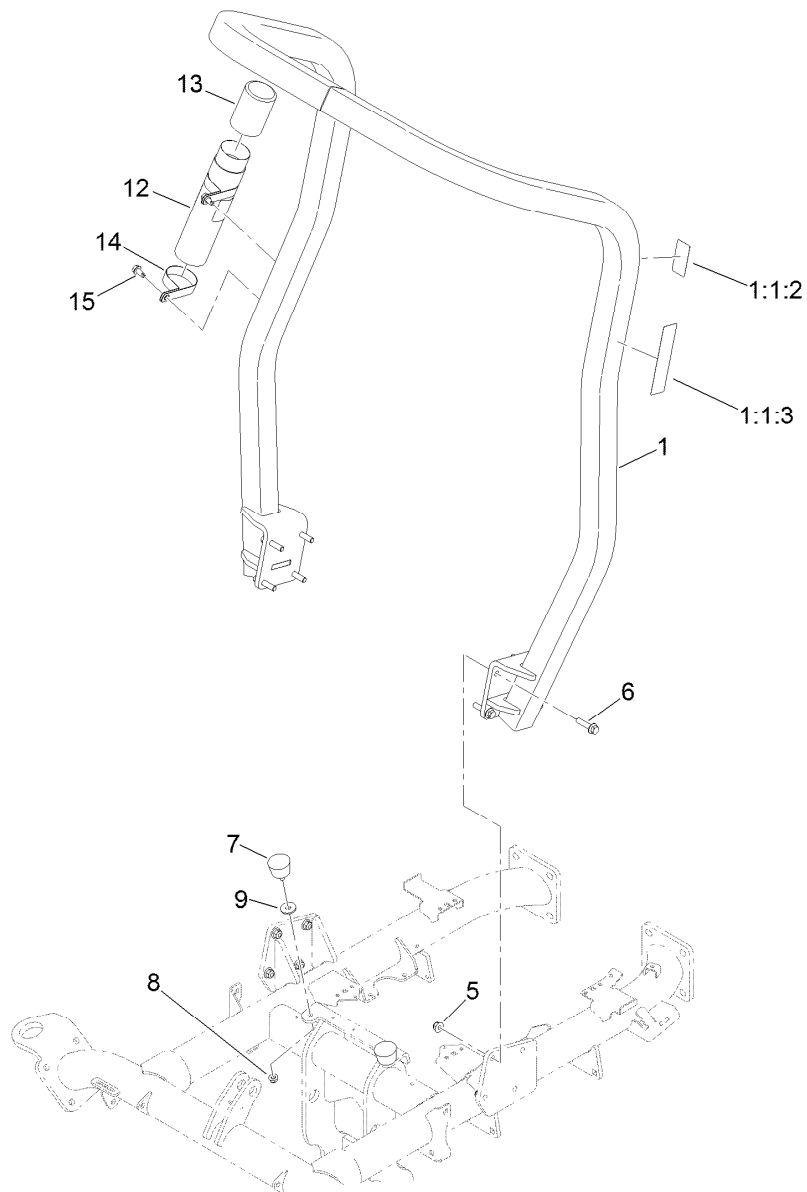
Contents

Frame Assembly	4
ROPS Assembly	5
Platform Assembly	6
Traction Pedal Assembly	7
Brake Pedal Assembly	8
Brake Actuator Assembly	9
Brake Rod Assembly No. 137-2185	10
Steering Assembly	11
Wheel and Tire Assembly	12
Wheel Spindle Assembly No. 119-4490	13
Console Assembly	14
Joystick Bracket Assembly No. 120-5280	15
Seat Plate Assembly	16
Engine Assembly	17
Generator/Controller Assembly No. 127-2580	19
Generator Assembly No. 127-2579	20
Generator Service Assembly No. 127-2578	21
Traction Assembly	22
RH Wheel Motor Assembly No. 139-8565	23
Gearbox Assembly No. 127-1529	24
LH Wheel Motor Assembly No. 139-8567	25
Lift Assembly	26
Suspension, Reel Motor and Basket Assembly	27
Electric Reel Motor Assembly No. 138-8905	28
Electric Motor Assembly	29
Basket Assembly No. 132-9599	30
Suspension Pin Position Assembly	31
Fuel Tank and Hood Assembly	32
Hood Assembly No. 139-8316	33
Electrical Assembly	34
Wire Harness Assembly No. 122-1921	36
Controller Assembly	37
Battery Assembly	38
Suspension A-Arm Assembly	39
Suspension Crossarm Assembly	40
Attachments and Accessories	41



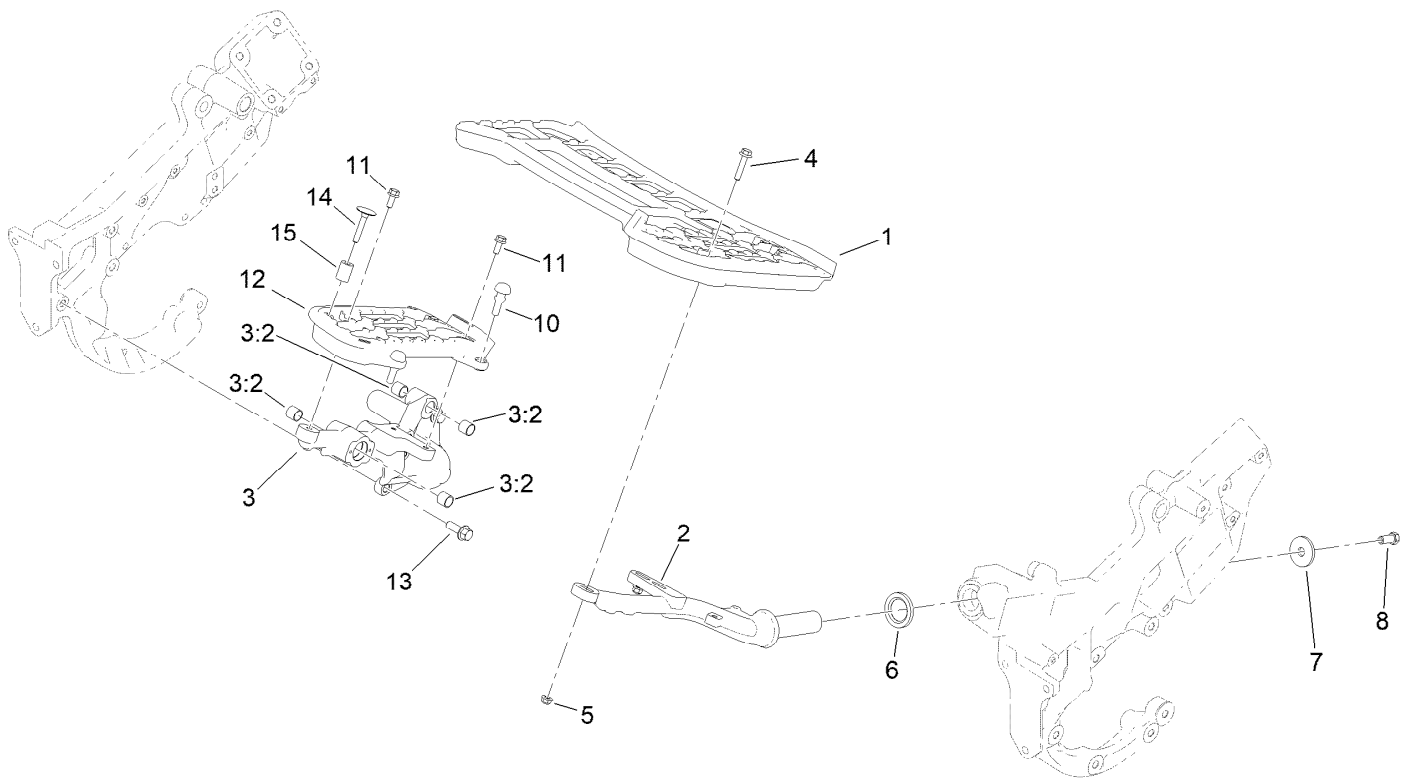
Frame Assembly

<i>Ref.</i>	<i>Part Number</i>	<i>Qty.</i>	<i>Description</i>	<i>Ref.</i>	<i>Part Number</i>	<i>Qty.</i>	<i>Description</i>
1	139-8585SP	1	Frame ASM	17	117-9035	8	Screw-HHF
2	139-8318	1	Side Casting, RH	18	132-9994-01	1	Step
2:1:2	94-9609	2	Bushing-Straight	19	3234-47	4	Screw-HHF
3	139-8319	1	Side Casting, LH	21	137-7972-01	1	Tray-Battery
3:1:2	60-0080	2	Bushing	23	137-7797-01	1	Tray-Battery, RH
4	133-8062	1	Decal-Arrestor, Spark	24	137-7799-01	1	Shield-Heat
5	133-5782	4	Strip-Foam	25	3231-22	8	Screw-CARR
6	138-9470	1	Decal-Markings, CE-Uk	26	104-7201	4	Nut-HF, NI
7	133-0062-01	1	Bracket-Jack	27	133-0081	2	Strip-Foam
8	115-5103	4	Screw-HHF	28	139-8571-03	1	Cover-Pulley
10	3234-42	6	Screw-HHF	29	32144-4	2	Screw-HWH
15	133-0004-01	1	Bracket-Step	30	240-12	2	Grommet-Rubber
16	104-8301	9	Nut-HF, NI				



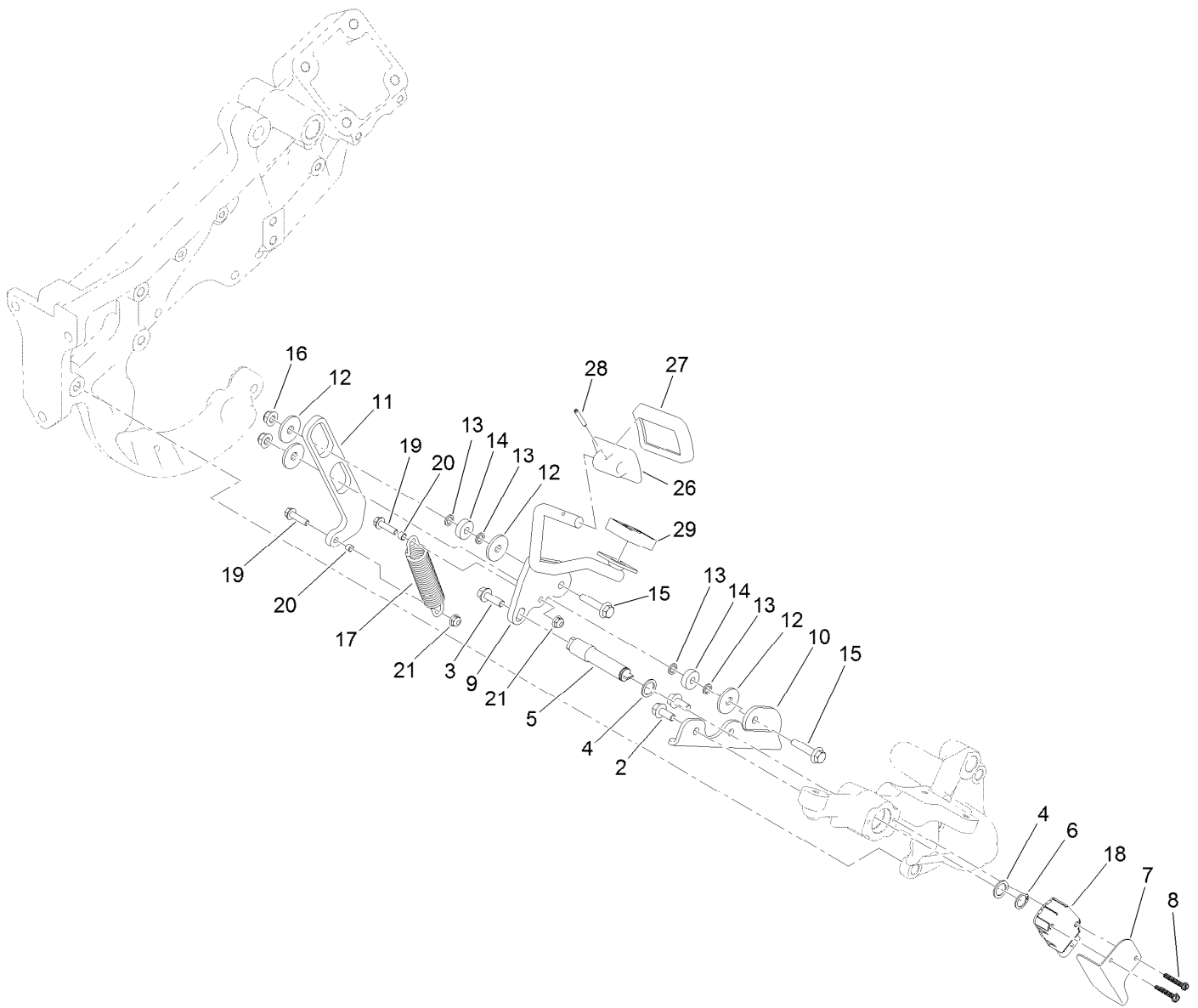
ROPS Assembly

<i>Ref.</i>	<i>Part Number</i>	<i>Qty.</i>	<i>Description</i>
1	139-8311	1	ROPS ASM
1:1:2	115-8199	1	Decal-ROPS
1:1:3	115-8226	1	Decal-ROPS
5	104-8301	8	Nut-HF, NI
6	137-7951	8	Screw-HHF
7	68-3270	2	Bumper-Rubber
8	104-8300	2	Nut-HF, NI
9	52-2861	2	Washer
12	104-7050	1	Tube-Manual
13	104-7048	1	Cap-Housing
14	2412-133	2	Clamp-R
15	32104-32	2	Screw-HWH



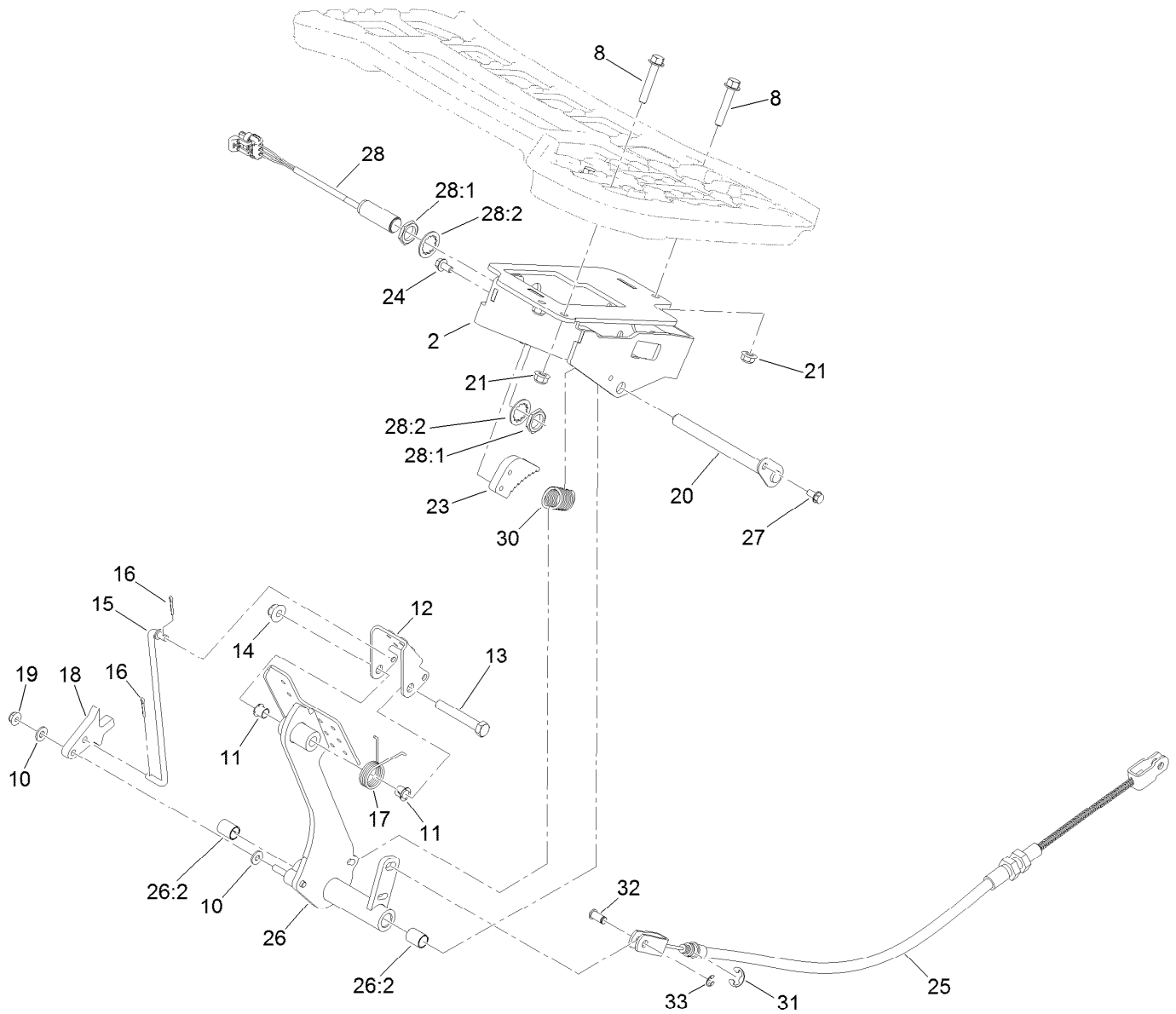
Platform Assembly

Ref.	Part Number	Qty.	Description
1	137-7768	1	Platform-LH
2	139-8575-01	1	Support-Platform, LH (Mach)
3	132-9895	1	Support-Platform, RH
3:2	256-311	4	Bushing-Split
4	115-1794	3	Screw-HHF
5	104-8300	3	Nut-HF, NI
6	94-8946	1	Washer-Thrust
7	84-1560	1	Washer-Thrust
8	324-4	1	Screw-HH
10	117-9072	2	Bumper-Rubber
11	3234-47	3	Screw-HHF
12	117-9008	1	Platform-RH
13	117-9035	3	Screw-HHF
14	115-8240	1	Screw-Elevator
15	119-0718	1	Spacer



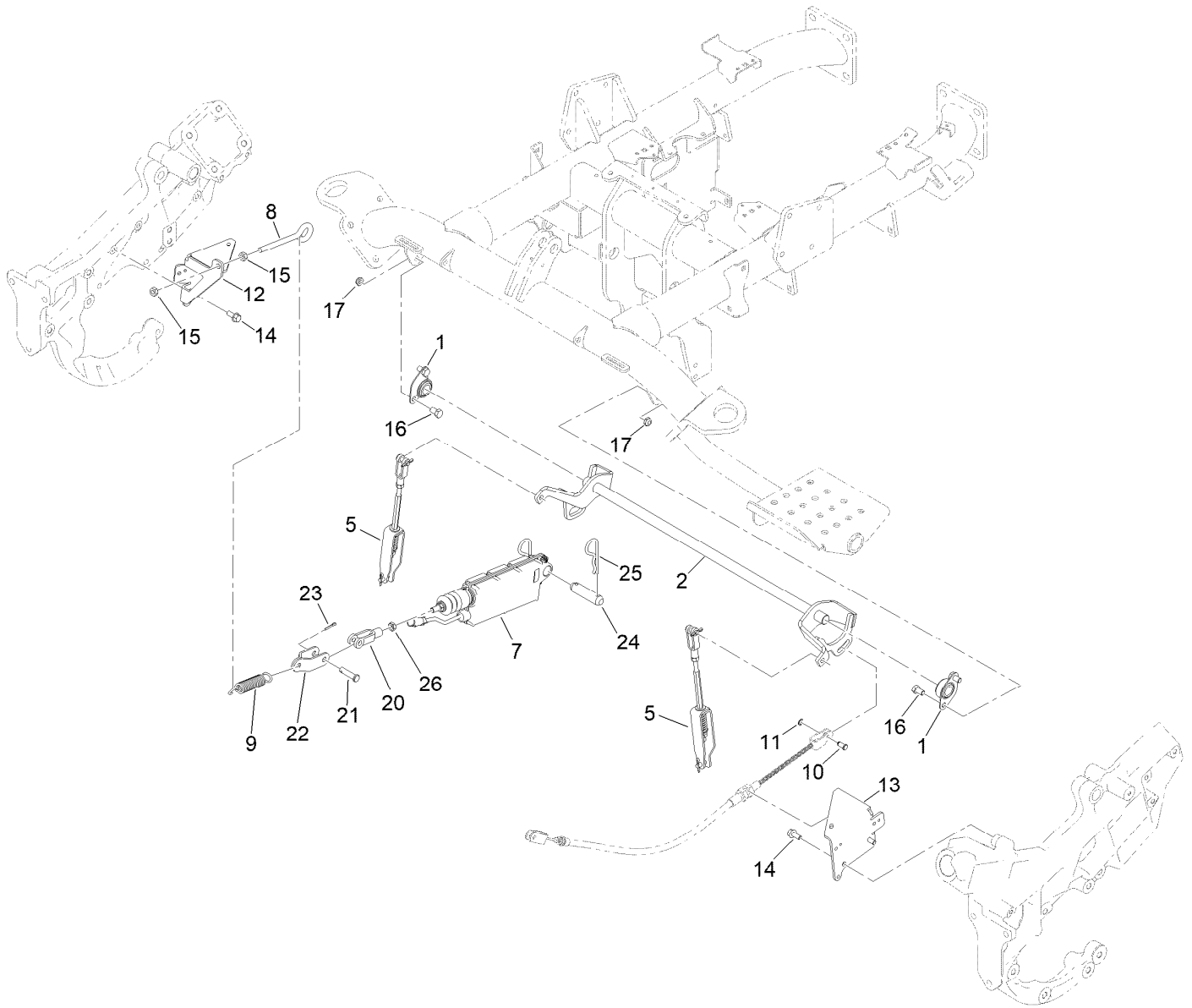
Traction Pedal Assembly

<i>Ref.</i>	<i>Part Number</i>	<i>Qty.</i>	<i>Description</i>	<i>Ref.</i>	<i>Part Number</i>	<i>Qty.</i>	<i>Description</i>
2	98-9940	2	Screw-HHF	14	251-259	2	Bearing-Ball
3	115-5142	1	Screw-HHF	15	115-1794	2	Screw-HHF
4	7-3590	2	Washer	16	104-8300	2	Nut-HF, NI
5	132-9852	1	Shaft-Pedal	17	137-7944	1	Spring-Extension
6	32151-62	1	Ring-Retaining	18	122-0917	1	Sensor-Position
7	121-7035	1	Shield-Sensor	19	120-4654	2	Screw-HHF
8	692501	2	Screw-SHWH	20	121-2015	2	Spacer
9	137-7814-01	1	Rod-Traction	21	104-7201	2	Nut-HF, NI
10	137-7811-01	1	Bracket-Control, Motion	26	117-9507	1	Pedal-Accelerator
11	145-1063	1	Link-Connecting	27	74-9100	1	Pad-Pedal, Forward
12	107675	4	Washer	28	32121-45	1	Pin-Spring
13	75-5470	4	Spacer-Bearing	29	74-9110	1	Pad-Pedal, Reverse



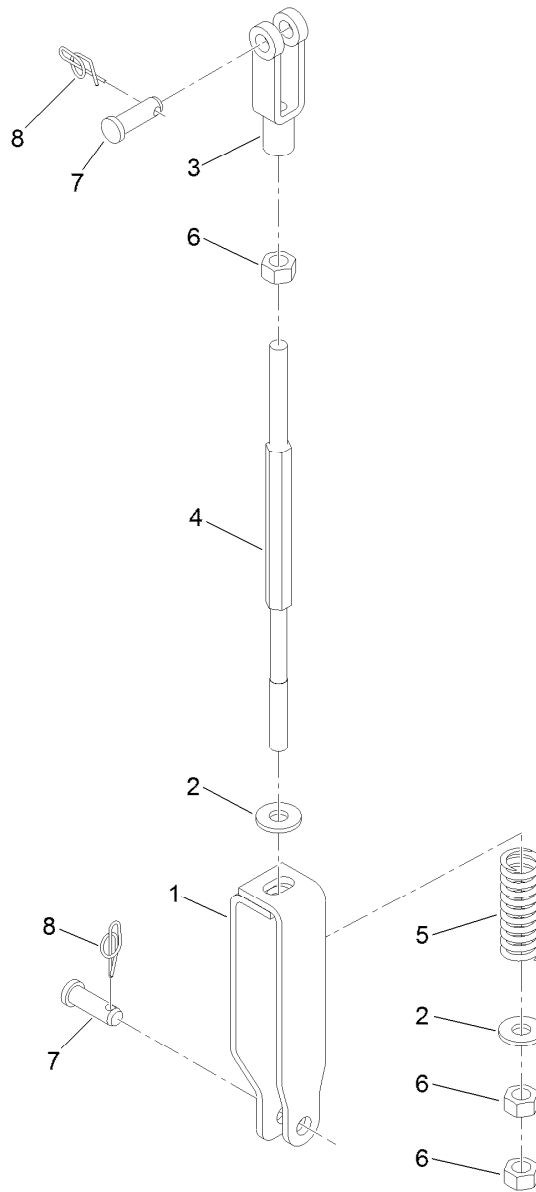
Brake Pedal Assembly

<i>Ref.</i>	<i>Part Number</i>	<i>Qty.</i>	<i>Description</i>	<i>Ref.</i>	<i>Part Number</i>	<i>Qty.</i>	<i>Description</i>
2	132-9890-03	1	Support-Pedal	23	99-7214	1	Pawl-Brake
8	94-5780	3	Screw-HWH	24	119-1065	2	Screw-HWH
10	3256-22	2	Washer-Flat	25	137-7770	1	Cable-Brake
11	52-2891	2	Bushing-Flanged, Nylon	26	137-8109	1	Brake Pedal ASM
12	99-7963-03	1	Pedal-Park	26:2	133-0090	2	Bushing-Split
13	323-12	1	Screw-HH	27	32144-4	1	Screw-HWH
14	104-8301	1	Nut-HF, NI	28	115-5300	1	Proximity Switch ASM
15	115-0129	1	Rod-Pawl, Brake	28:1	117-3207	2	Nut-Hex
16	3272-6	2	Pin-Cotter	28:2	117-3208	2	Washer-Lock, Internal Tooth
17	99-7140	1	Spring-Torsion	30	136-7316	1	Spring-Extension
18	117-0238	1	Detent	31	32120-47	1	Ring-Retaining, External
19	104-7201	1	Nut-HF, NI	32	109-6887	1	Pin-Clevis
20	133-0089	1	Pivot-Pedals	33	701197	1	E-Ring
21	104-8300	3	Nut-HF, NI				



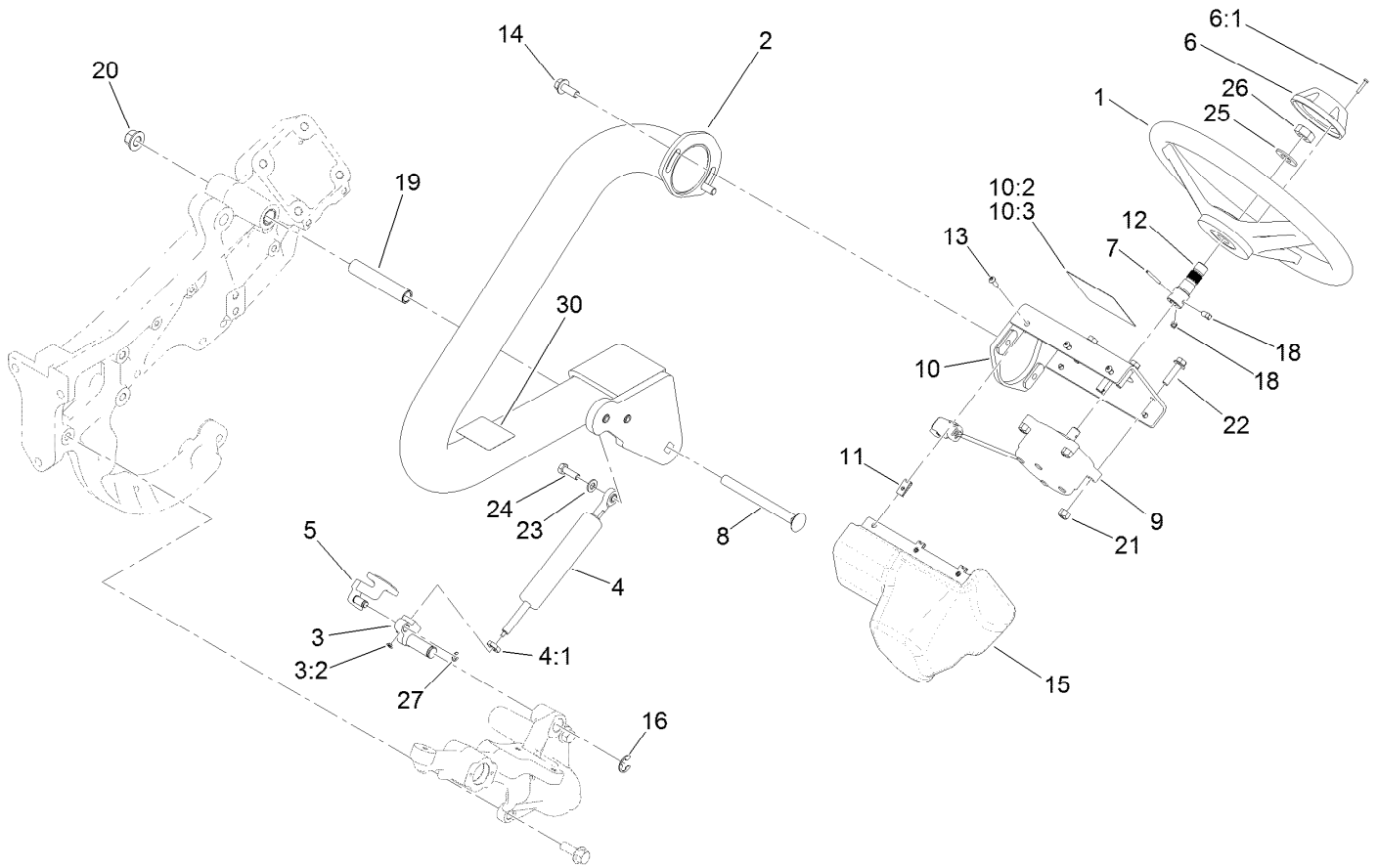
Brake Actuator Assembly

Ref.	Part Number	Qty.	Description	Ref.	Part Number	Qty.	Description
1	1-633102	2	Bearing-Flange, Side	15	3217-7	2	Nut-Hex
2	145-0060-03	1	Cross Shaft-Brake [black]	16	323-34	4	Screw-HH
5	137-2185	2	Brake Rod ASM	17	3296-59	4	Nut-Lock, NI
7	139-8587	1	Actuator-Brake	20	1-633131	1	Yoke-Linkage, Brake
8	137-8026	1	Bolt-Eye	21	283-10	1	Pin-Clevis
9	93-5985	1	Spring-Extension	22	137-7838	1	Link ASM
10	109-6887	1	Pin-Clevis	23	3272-10	1	Pin-Cotter
11	701197	1	E-Ring	24	27-4240	1	Pin-Cylinder
12	137-7790-03	1	Bracket-Spring	25	3290-256	2	Pin-Hair
13	137-7769-03	1	Bracket-Cable	26	3220-3	1	Nut-HJ
14	98-9940	4	Screw-HHF				



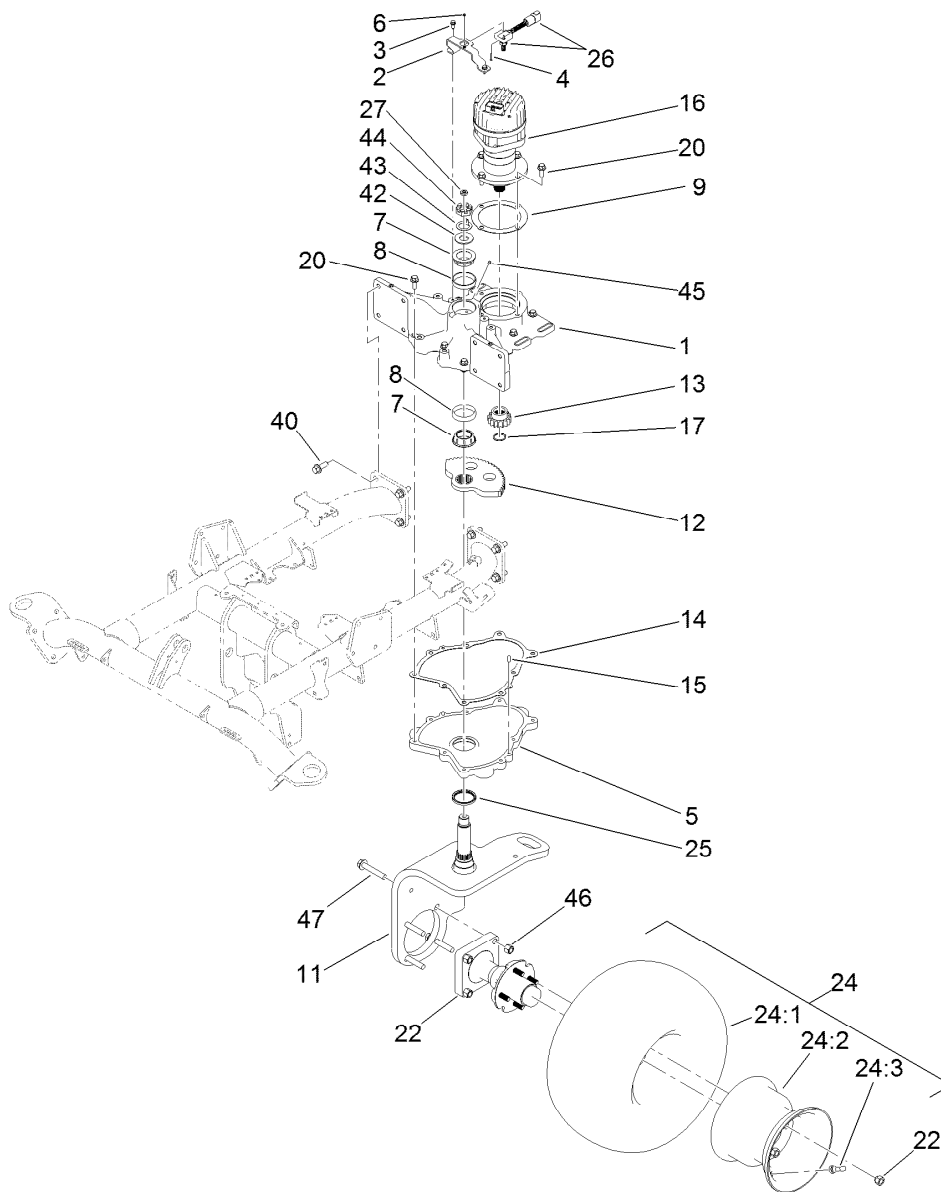
Brake Rod Assembly No. 137-2185

Ref.	Part Number	Qty.	Description
1	137-2180	1	Brake Clevis ASM
2	120-9646	2	Washer-Flat
3	282-2	1	Yoke
4	137-8056	1	Rod-Brake
5	137-8085	1	Spring-Seat, Compression
6	3219-2	3	Nut-Hex
7	283-1	2	Pin-Clevis
8	116-6639	2	Pin-Cotter, Locking



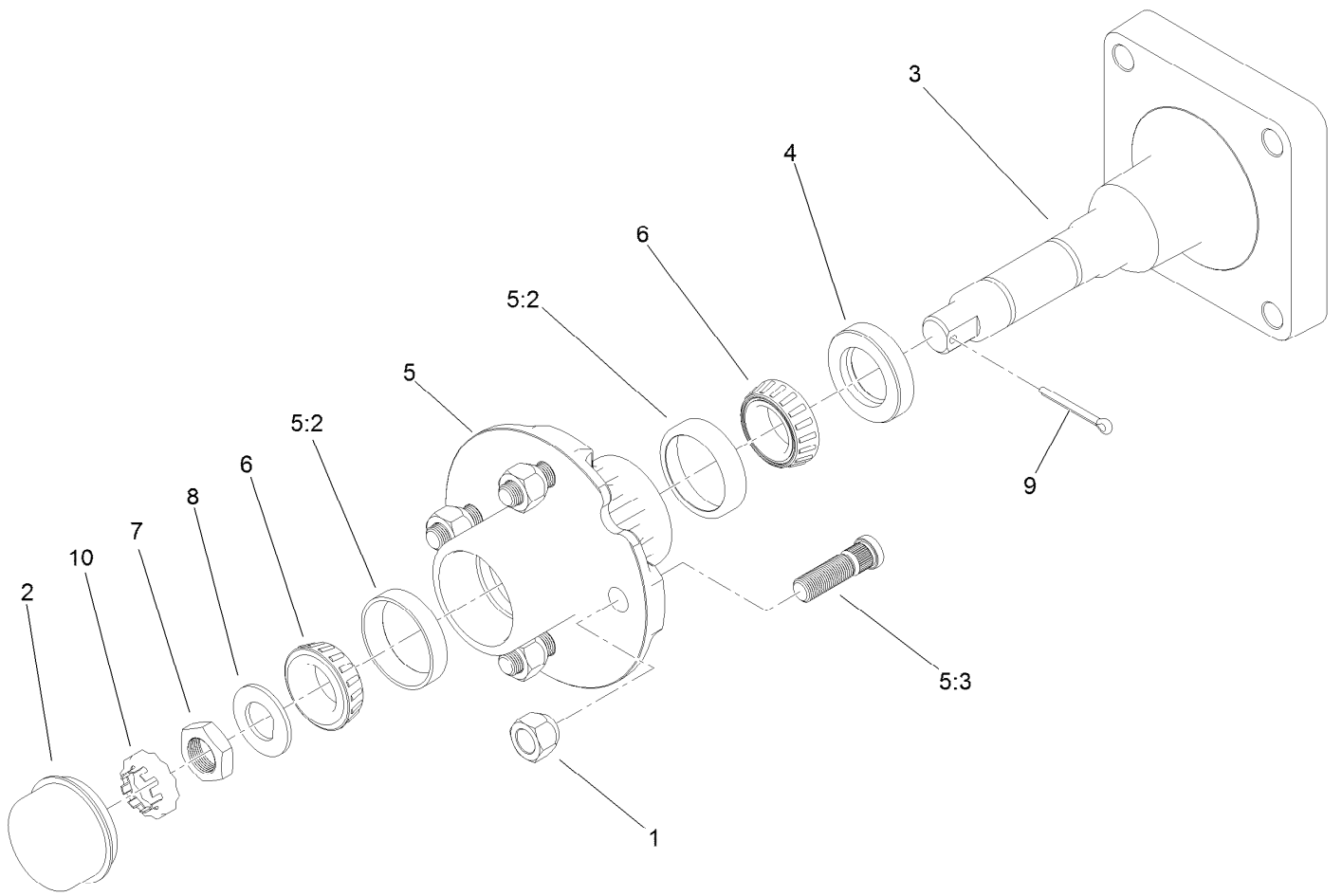
Steering Assembly

Ref.	Part Number	Qty.	Description	Ref.	Part Number	Qty.	Description
1	145-0051	1	Steering Wheel	12	136-4262	1	Shaft-Adapter, Steering
2	145-0093-01	1	Steering Arm ASM [red]	13	3274-39	6	Screw-HSBH
3	133-9030	1	Pivot Lever ASM	14	3234-42	2	Screw-HHF
3:2	133-8995	1	Bushing	15	119-9300	1	Cover-Valve, Steering
4	133-9036	1	Cylinder-Gas	16	32120-19	1	E-Ring
4:1	112-8617	1	Nut-Hex	18	126-3824	2	Screw-Set, SQH
5	138-6456	1	Lever (Mach)	19	117-9002	1	Spacer
6	68-5140	1	Cap-Wheel, Steering	20	99-5107	1	Nut-Lock
6:1	32144-21	1	Screw	21	3296-29	4	Nut-Lock, NI
7	933156	1	Pin-Roll	22	119-4036	4	Screw-HHF
8	140-7029	1	Screw-CARR	23	3256-23	1	Washer-Plain
9	132-9935	1	Steering Unit	24	322-5	1	Screw-HH
10	137-8092	1	Steering Mount ASM	25	3256-27	1	Washer-Flat
10:2	139-8320	1	Decal-Danger	26	3296-33	1	Nut-Lock, NI
10:3	139-8321	1	Decal-Danger, CE	27	701197	1	E-Ring
11	3290-277	6	Nut-Speed	30	119-9346	1	Decal-Arm, Steering



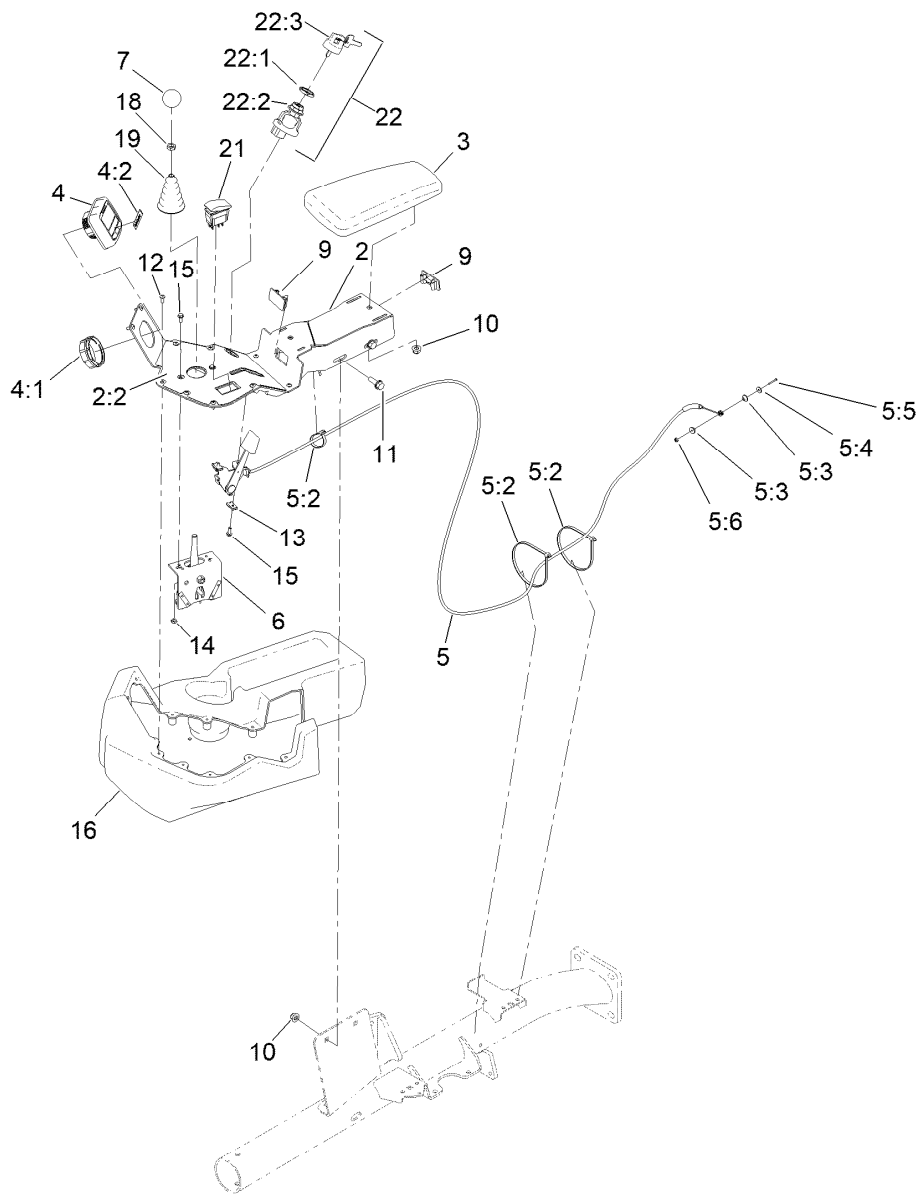
Wheel and Tire Assembly

Ref.	Part Number	Qty.	Description	Ref.	Part Number	Qty.	Description
1	139-8314	1	Housing-Steering	22	119-4490	1	Wheel Spindle ASM
2	137-7868-03	1	Bracket-Sensor, Steering	24	117-9033	1	Wheel And Tire ASM
3	32144-10	2	Screw-HWH	24:1	120-2783	1	Tire
4	3290-313	2	Screw-SPH	24:2	217-60	1	Rim
5	137-8166-03	1	Housing	24:3	232-27	1	Stem-Valve
6	3296-52	2	Nut-Lock, NI	25	108-7019	1	Seal-Shaft
7	107-7589	2	Cone-Bearing (W/ Seal)	26	122-0914	1	Sensor-Rotary, Body/Magnet Matched Set
8	107-7590	2	Cup-Bearing	27	112-8617	1	Nut-Hex
9	133-0347	1	Gasket	40	117-9035	8	Screw-HHF
11	139-8313	1	Fork-Caster	42	137-8171	1	Washer
12	137-8170	1	Gear-Spur, 64T	43	137-7943	1	Washer-Tang
13	133-0346	1	Pinion-16T	44	137-7942	1	Nut-Castle
14	133-0348	1	Gasket	45	302-59	1	Plug-EXT Hex Spl
15	136-2667	2	Pin-Dowel	46	3296-23	4	Nut-Lock, NI
16	133-0349	1	Steering Unit ASM	47	3234-40	4	Screw-HF
17	32120-2	1	Ring-Retaining				
20	3234-42	13	Screw-HHF				



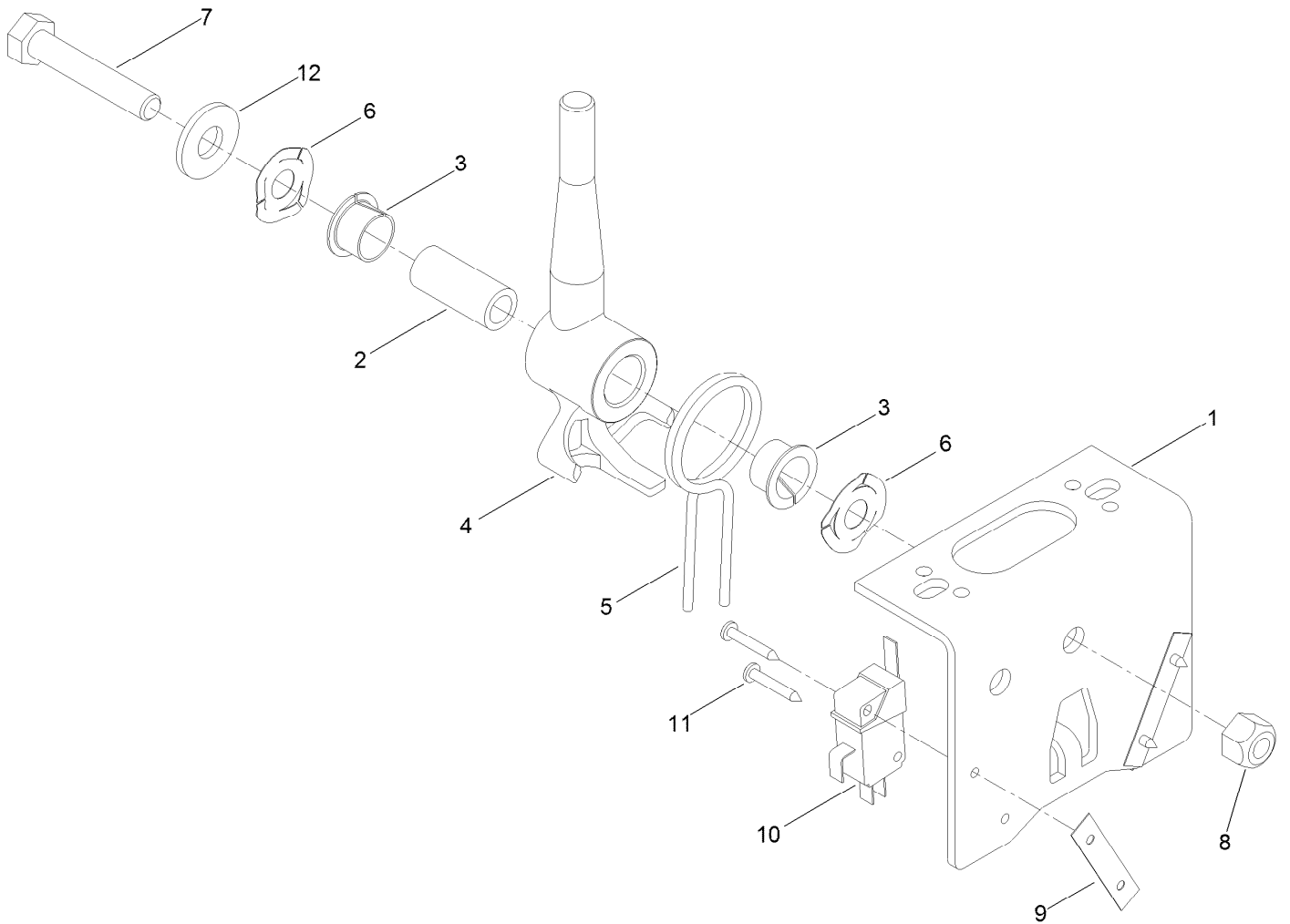
Wheel Spindle Assembly No. 119-4490

Ref.	Part Number	Qty.	Description
1	242-50	4	Nut-Lug
2	241-119	1	Cap-Dust
3	112-7173	1	Spindle
4	112-1690	1	Seal-Oil
5	117-9093	1	Hub ASM
5:2	254-72	2	Bearing-Cup, Tapered
5:3	114-3918	4	Stud-Wheel
6	254-92	2	Cone-Bearing, Outer
7	117-8260	1	Nut
8	117-8259	1	Washer-Spindle
9	3272-18	1	Pin-Cotter
10	93-0307	1	Nut-Lock, Retainer



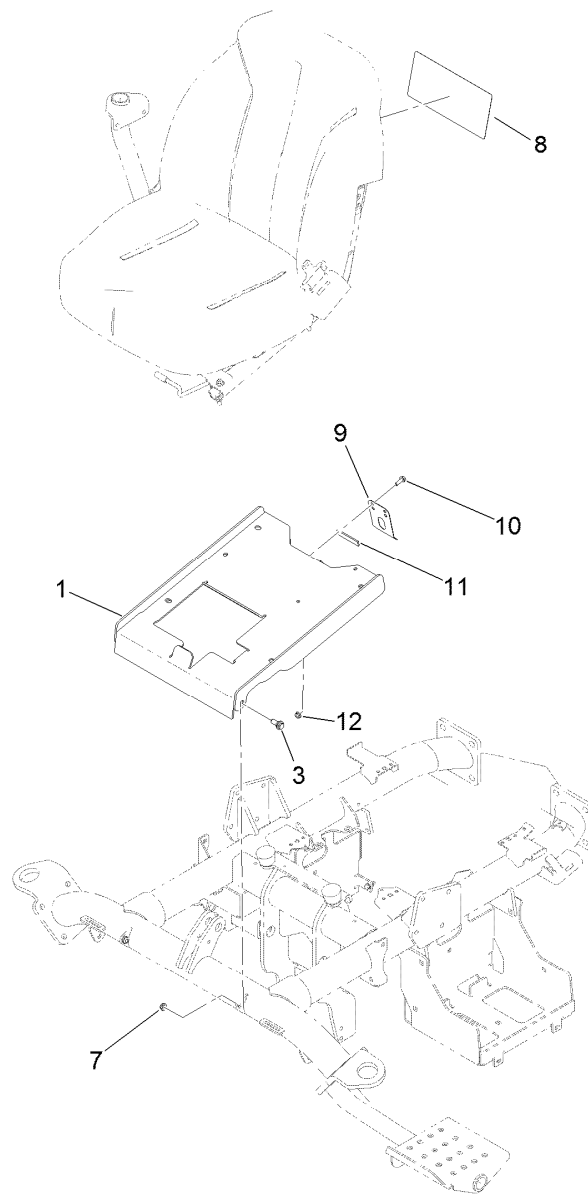
Console Assembly

<i>Ref.</i>	<i>Part Number</i>	<i>Qty.</i>	<i>Description</i>	<i>Ref.</i>	<i>Part Number</i>	<i>Qty.</i>	<i>Description</i>
2	137-8093	1	Console ASM	9	99-7420	2	Plug-Hole
2:2	139-8588	1	Decal-Console	10	104-8300	4	Nut-HF, NI
3	108-7602	1	Rest-Arm	11	3234-29	2	Screw-HHF
4	120-6310	1	LCD Display ASM	12	115-9830	10	Screw-HSBH
4:1	120-4630	1	Nut-Display	13	3290-277	2	Nut-Speed
4:2	120-6311	1	Decal-Display	14	3296-12	2	Nut-Lock, NI
5	147-3066	1	Choke Cable Kit	15	3290-321	4	Screw-HWH
5:2	3290-379	3	Tie-Cable	16	132-9955	1	Cover-Console
5:3	145-4596	2	Spacer, Choke Cable Adapter	18	3218-3	1	Nut-Jam
5:4	3269-10	1	Washer-Back	19	93-5961	1	Boot-Lever
5:5	147-3074	1	Screw, HSBH	21	112-3530	1	Switch-Rocker, On-On-On
5:6	147-3075	1	Nut-Hex	22	121-5159	1	Switch-Ignition
6	120-5280	1	Bracket-Joystick	22:1	121-5160	1	Nut-Hex
7	120-9752	1	Knob-Round, Yellow	22:2	122-2704	1	Nut-Face, M22 (Plastic)
				22:3	121-5162	1	Set-Key, Ignition



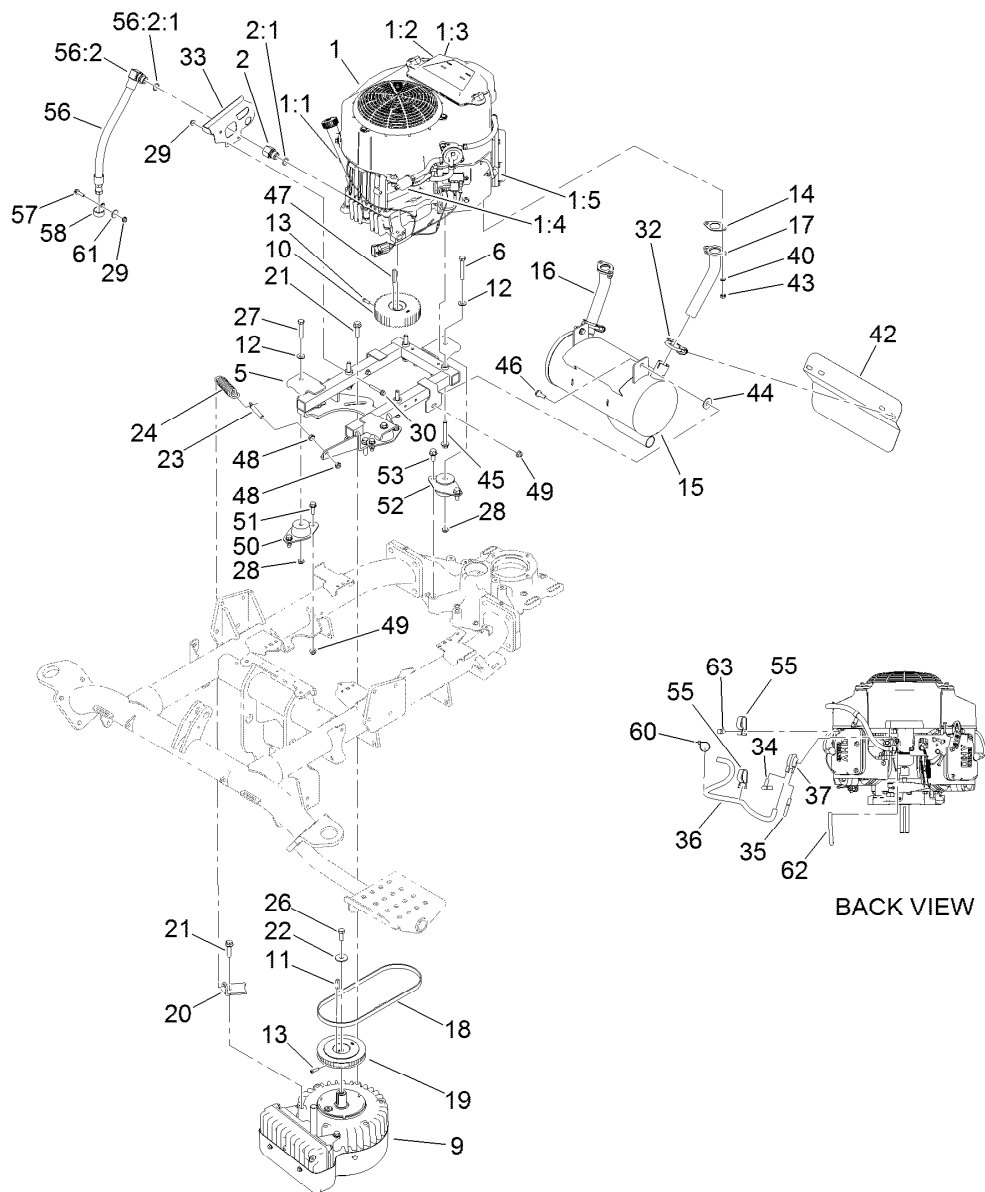
Joystick Bracket Assembly No. 120-5280

<i>Ref.</i>	<i>Part Number</i>	<i>Qty.</i>	<i>Description</i>
1	115-5357-03	1	Bracket-Joystick
2	106-4192	1	Spacer
3	93-5547	2	Bushing-Nylon
4	119-3540	1	Hub-Pivot, Joystick
5	105-8289	1	Spring-Torsion
6	106-4193	2	Washer-Finger, Spring
7	322-9	1	Screw-HH
8	3296-29	1	Nut-Lock, NI
9	3290-354	2	Nut-Speed
10	108-6496	2	Switch (W/Boot)
11	95-3003	4	Screw-PPHTF
12	3256-3	1	Washer-Flat



Seat Plate Assembly

<i>Ref.</i>	<i>Part Number</i>	<i>Qty.</i>	<i>Description</i>
1	139-8552-03	1	Seat Plate ASM [black]
3	94-7582	2	Bolt-Shoulder
7	3296-59	2	Nut-Lock, NI
8	137-8132	1	Decal-Service
9	139-8557	1	Latch-Seat
10	115-5103	2	Screw-HHF
11	120-5753	1	Strip-Foam
12	104-7201	2	Nut-HF, NI

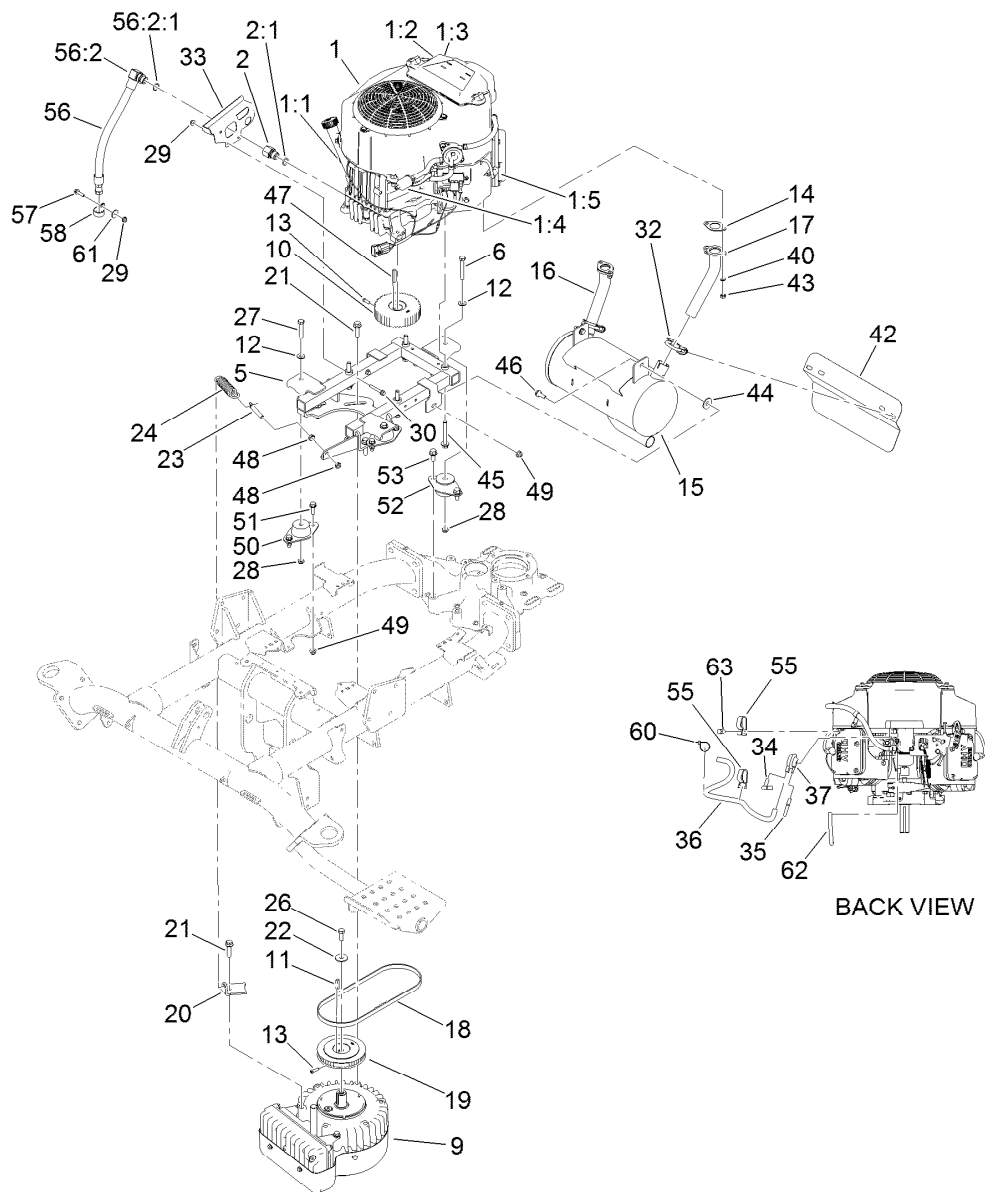


Engine Assembly

Ref.	Part Number	Qty.	Description	Ref.	Part Number	Qty.	Description
1		1	Engine-Kawasaki, Fs481V-S34 ●■	16	133-5750	1	Pipe-Exhaust, LH
1:1	119-5852	1	Filter-Oil	17	133-5751	1	Pipe-Exhaust, RH
1:2	120-7447	1	Filter-Air, Foam	18	137-7828	1	Belt-Timing
1:3	120-7448	1	Filter-Air, Paper	19	137-8131	1	Pulley ASM
1:4	121-4570	1	Filter-Fuel	20	133-5737	1	Bracket-Spring
1:5	92-2153	1	Plug-Spark	21	114-4681	5	Screw-HHF
2	139-8416	1	Fitting-Straight	22	63-8410	1	Washer
2:1	237-69	1	O-Ring	23	133-0332	1	Pin-Adjustment, Generator
5	133-5797-03	1	Frame-Engine	24	133-5738	1	Spring-Extension
6	323-12	1	Screw-HH	26	3211-4	1	Screw-HH
9	127-2580	1	Generator/Controller ASM	27	323-10	2	Screw-HH
10	137-8128	1	Pulley-Belt	28	3296-59	3	Nut-Lock, NI
11	5-0698	1	Key	29	104-7201	3	Nut-HF, NI
12	3256-24	3	Washer-Plain	30	32105-18	2	Screw-HHF
13	3241-6	4	Screw-SQH	32	104-4090	2	Clamp-Muffler
14	1-653313	2	Gasket-Exhaust	33	132-9908	1	Shield-Drip
15	133-5745	1	Muffler	34	119-8502	1	Hose-Vent, Formed
				35	119-8501	1	Hose-Vent, Formed

● Not serviced separately

■ Obtain parts from www.kawpower.com

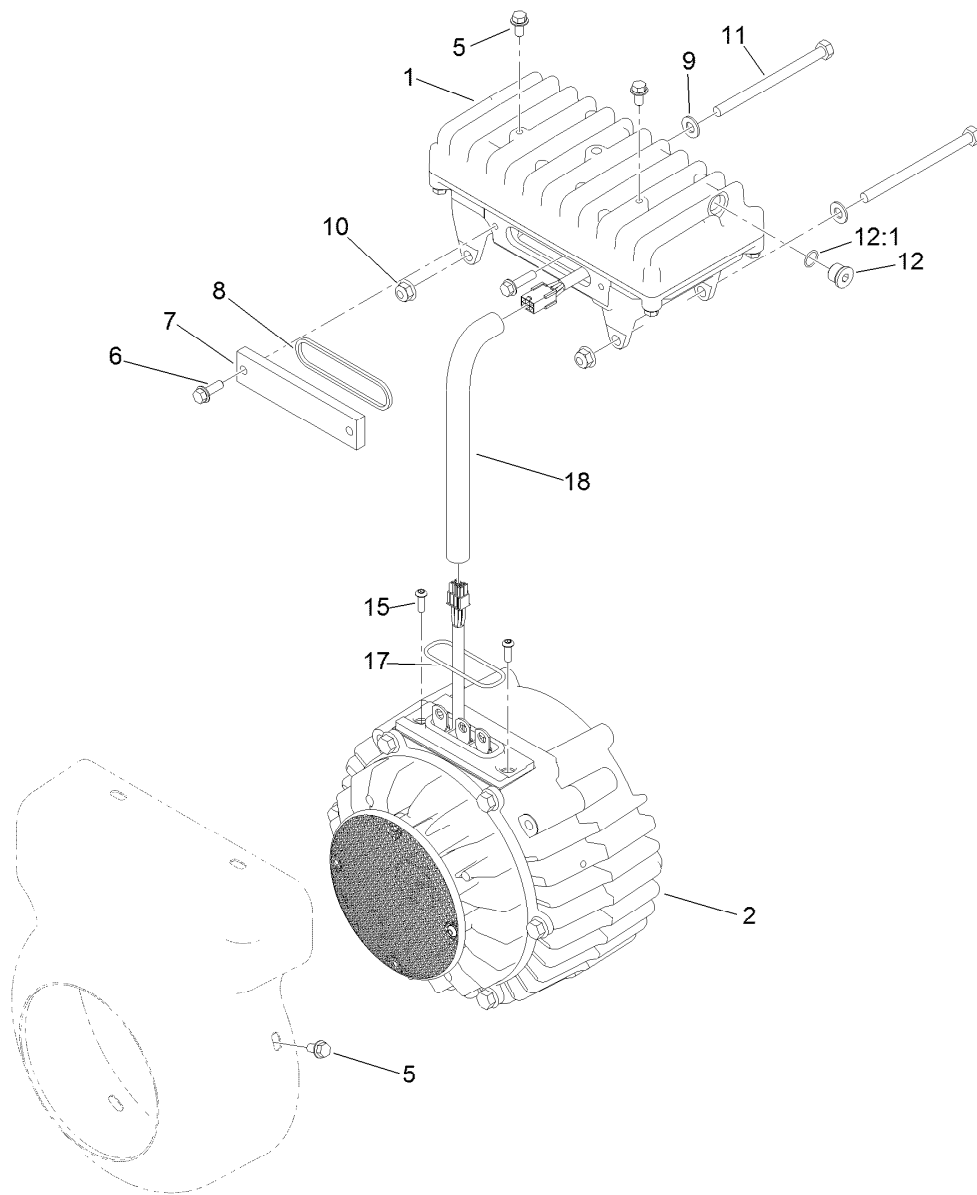


Engine Assembly (continued)

Ref.	Part Number	Qty.	Description	Ref.	Part Number	Qty.	Description
36	110-5701	1	Hose-Fuel	52	131-1821	1	Mount-Engine
37	116-2232	1	Valve-Control, Vacuum	53	3234-25	2	Screw-HHF
40	114-3550	4	Washer-Lock	55	92-5753	2	Clamp-Hose
42	132-9915-03	1	Shield-Exhaust, Rear	56	137-7864	1	Drain Hose ASM
43	114-3549	4	Nut	56:2		1	Plug-HH ●
44	3290-465	2	Washer-Belleville	56:2:1	237-42	1	O-Ring
45	132-9947	4	Screw-Hfh	57	120-4654	1	Screw-HHF
46	27-0410	2	Screw-Shoulder	58	2412-106	1	Clamp-R
47	67-7490	1	Key-Square	60	3290-379	1	Tie-Cable
48	3220-3	2	Nut-HJ	61	3256-67	1	Washer
49	104-8300	6	Nut-HF, NI	62	139-8415	1	Tubing-Convolved, Slit
50	121-9076	2	Mount-Engine	63	33114-016	1	Screw-HH
51	3234-29	4	Screw-HHF				

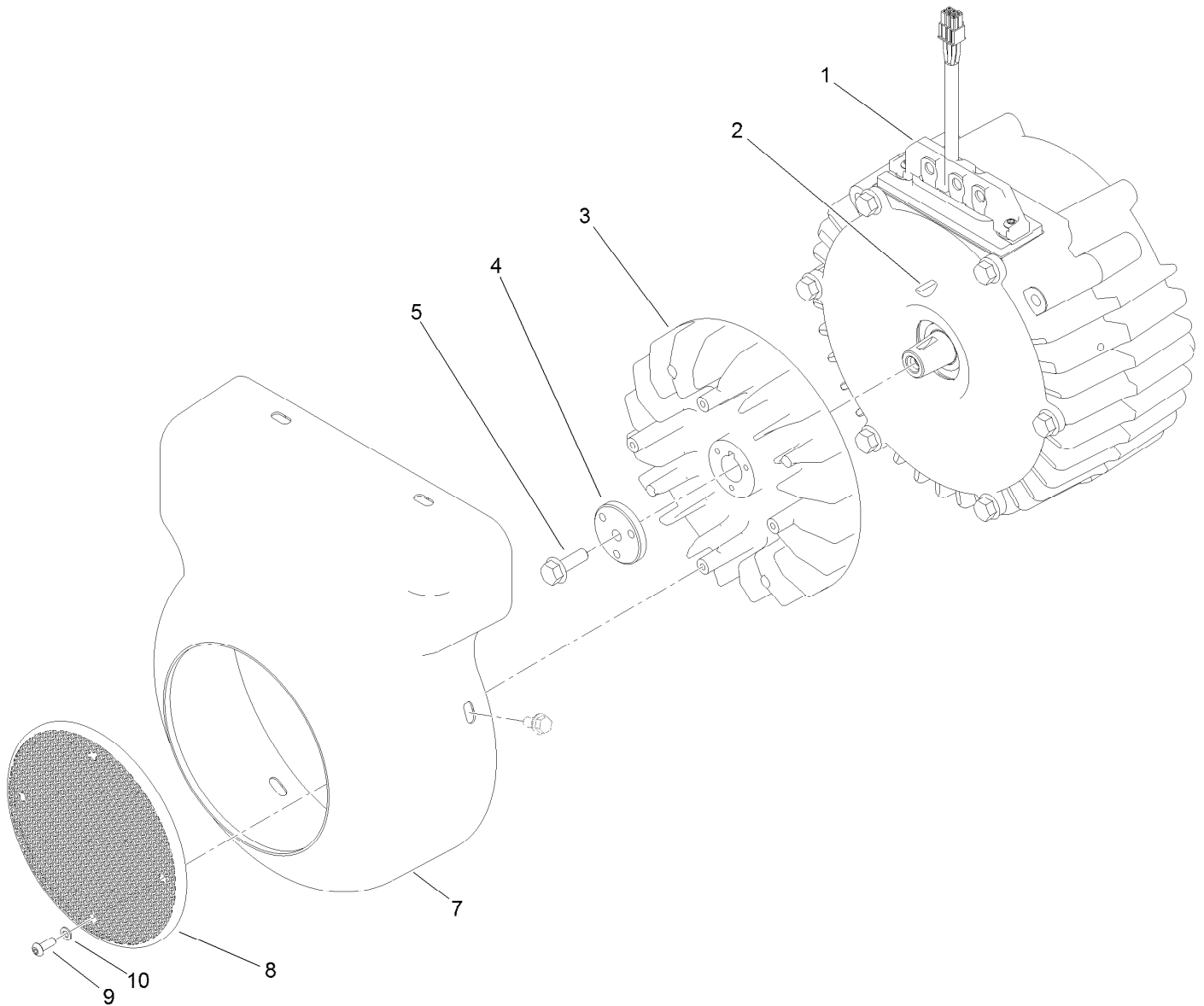
● Not serviced separately

■ Obtain parts from www.kawpower.com



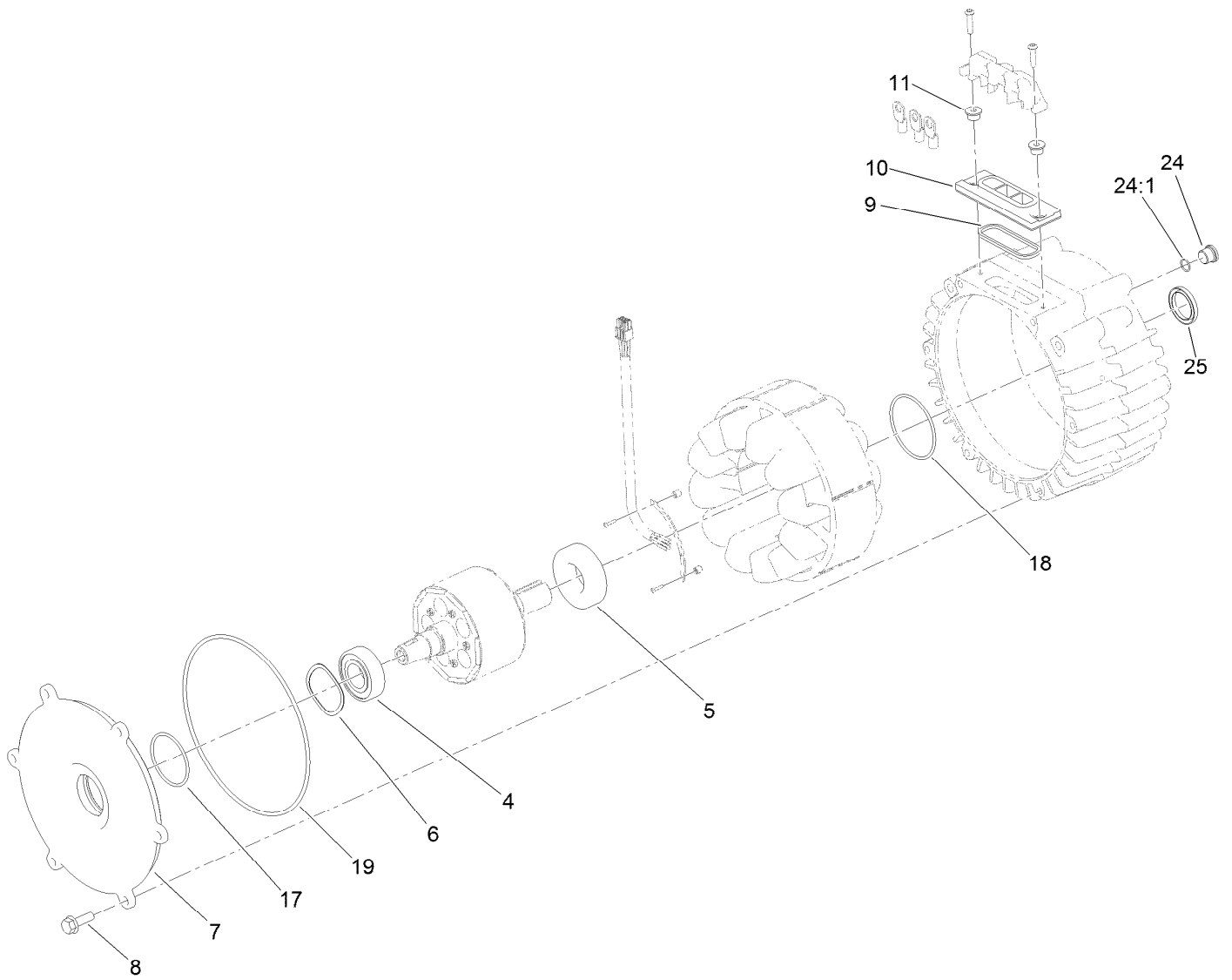
Generator/Controller Assembly No. 127-2580

<i>Ref.</i>	<i>Part Number</i>	<i>Qty.</i>	<i>Description</i>
1	117-8181	1	Controller ASM
2	127-2579	1	Generator ASM
5	119-1065	6	Screw-HWH
6	119-1138	2	Screw-HHF
7	120-4511	1	Cover-Access
8	120-4513	1	Gasket-Cover, Access
9	3256-23	2	Washer-Plain
10	104-8300	2	Nut-HF, NI
11	322-38	2	Screw-HH
12	353-989	1	Plug-Hex, Hollow
12:1	237-42	1	O-Ring
15	119-7568	2	Screw-HSBH
17	117-8176	1	O-Ring
18	127-2747	1	Sleeve-Harness, Expandable



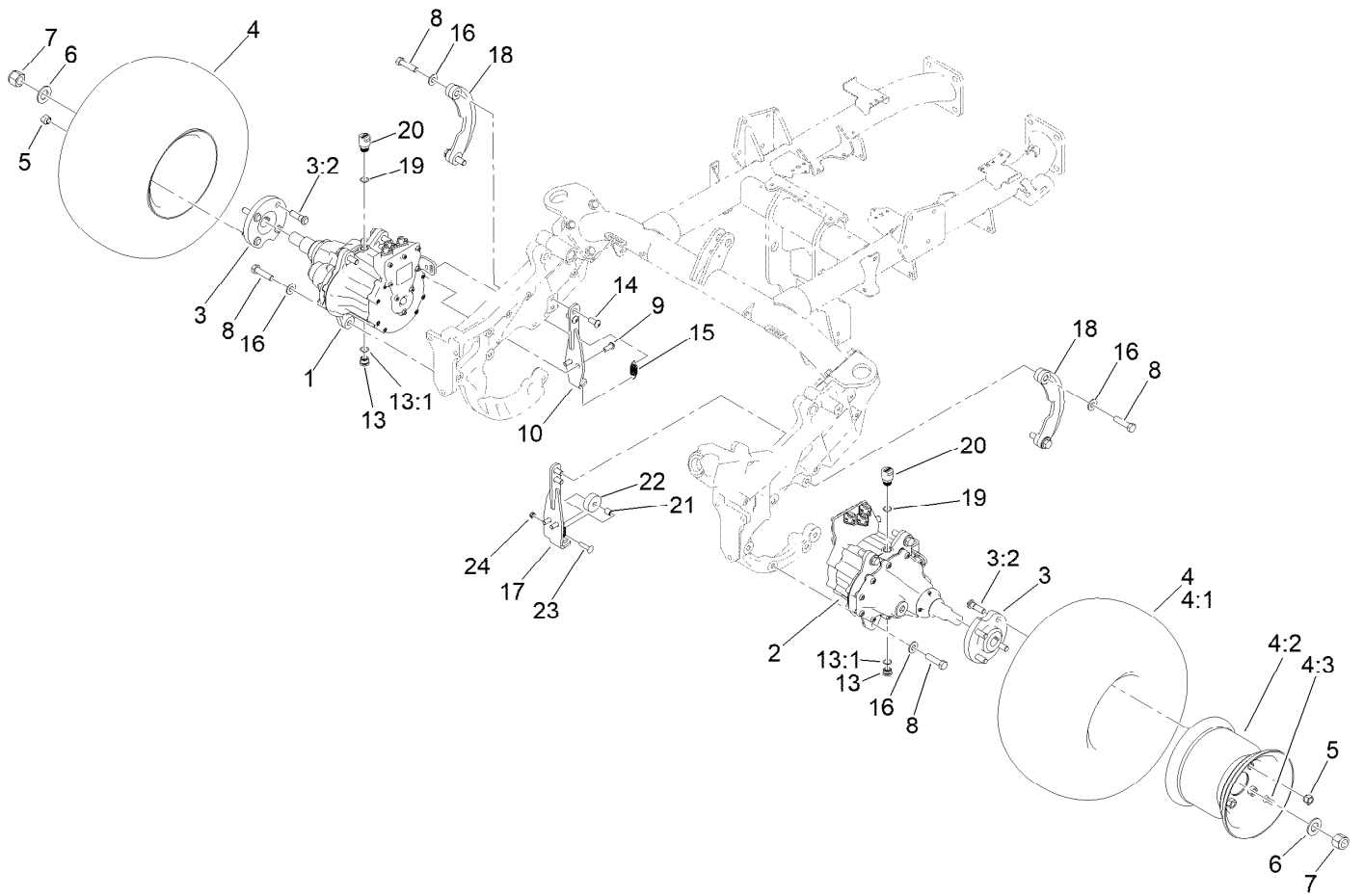
Generator Assembly No. 127-2579

<i>Ref.</i>	<i>Part Number</i>	<i>Qty.</i>	<i>Description</i>
1	127-2578	1	Generator Service ASM
2	112-5193	1	Key-Woodruff
3	117-8184	1	Fan-Generator
4	112-9604	1	Collar
5	33104-025	1	Screw-HHF
7	121-7082	1	Cover-Generator
8	120-4582	1	Screen-Fan
9	120-4564	4	Screw-BHCS
10	120-4563	4	Washer-Flat



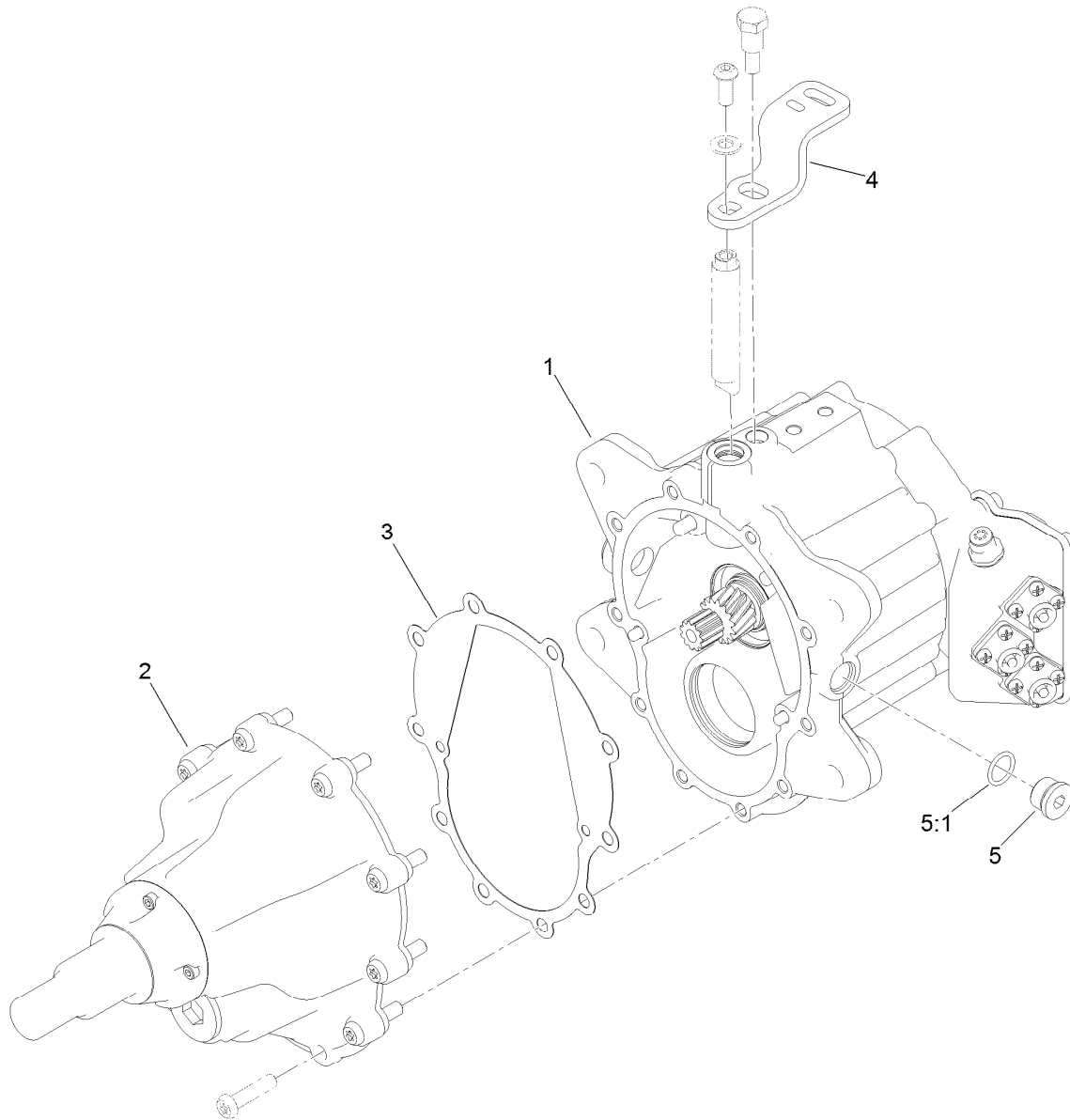
Generator Service Assembly No. 127-2578

<i>Ref.</i>	<i>Part Number</i>	<i>Qty.</i>	<i>Description</i>
4	120-4621	1	Bearing
5	120-4622	1	Bearing
6	117-8148	1	Washer-Wave
7	117-4514	1	Cover-Generator
8	33104-025	6	Screw-HHF
9	120-4518	1	Gasket-Isolator
10	112-5155	1	Isolator-Thermal
11	117-4501	2	Spacer-Shoulder
17	107-3244	1	O-Ring
18	117-8177	1	O-Ring
19	112-5199	1	O-Ring
24	353-989	1	Plug-Hex, Hollow
24:1	237-42	1	O-Ring
25	125-1509	1	Seal



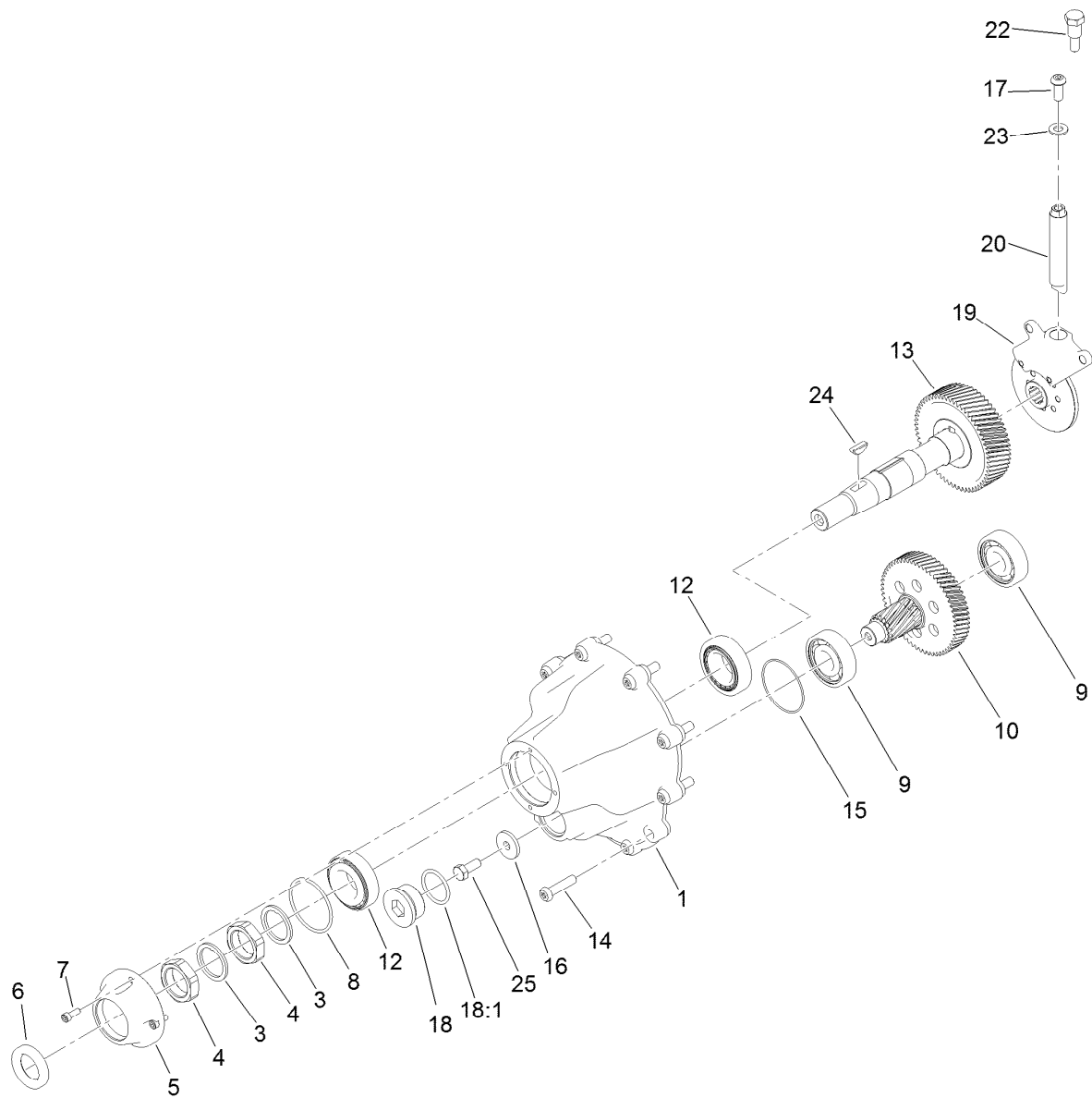
Traction Assembly

<i>Ref.</i>	<i>Part Number</i>	<i>Qty.</i>	<i>Description</i>	<i>Ref.</i>	<i>Part Number</i>	<i>Qty.</i>	<i>Description</i>
1	139-8565	1	RH Wheel Motor ASM	13	133-7659	2	Plug ASM
2	139-8567	1	LH Wheel Motor ASM	13:1	237-79	1	O-Ring
3	140-6228	2	Hub ASM-Wheel	14	3274-105	4	Screw-HSBH
3:2	10-6830	4	Stud-Type, Drive	15	136-7153	2	Spring-Extension
4	117-9030	2	Wheel And Tire ASM	16	87-7270	12	Washer-Thrust
4:1	120-2783	1	Tire	17	139-8348-01	1	Gusset-LH
4:2	117-9032	1	Rim	18	132-9996-01	2	Link-Support
4:3	232-27	1	Stem-Valve	19	237-79	2	O-Ring
5	242-50	8	Nut-Lug	20	139-8576	2	Valve-Breather
6	AU496-11094	2	Washer-Flat	21	88-7450	1	Spacer-Lever, Control
7	137-7973	2	Nut-Hex	22	139-8346	1	Roller
8	325-8	12	Screw-HH	23	112-6950	1	Screw-CARR
9	3274-94	4	Screw-HSBH	24	3296-47	1	Nut-Lock,NI
10	137-7727-01	1	Gusset-Motor, RH				



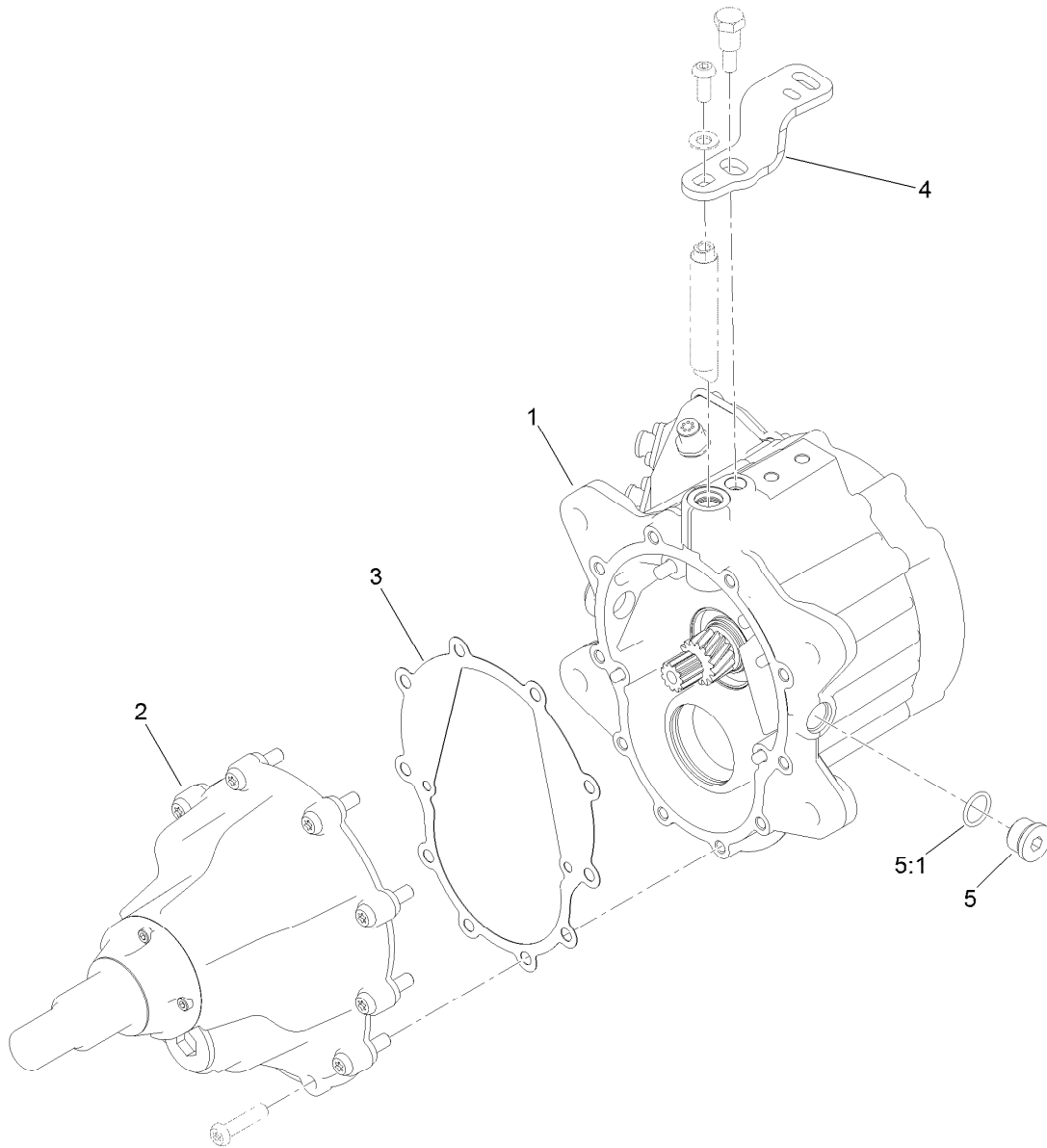
RH Wheel Motor Assembly No. 139-8565

<i>Ref.</i>	<i>Part Number</i>	<i>Qty.</i>	<i>Description</i>
1	139-8566SP	1	RH Motor ASM
2	127-1529	1	Gear Box ASM
3	121-9254	1	Gasket-Gearbox
4	132-9873	1	Lever-Brake, RH
5	353-988	2	Plug-Hex
5:1	237-79	1	O-Ring



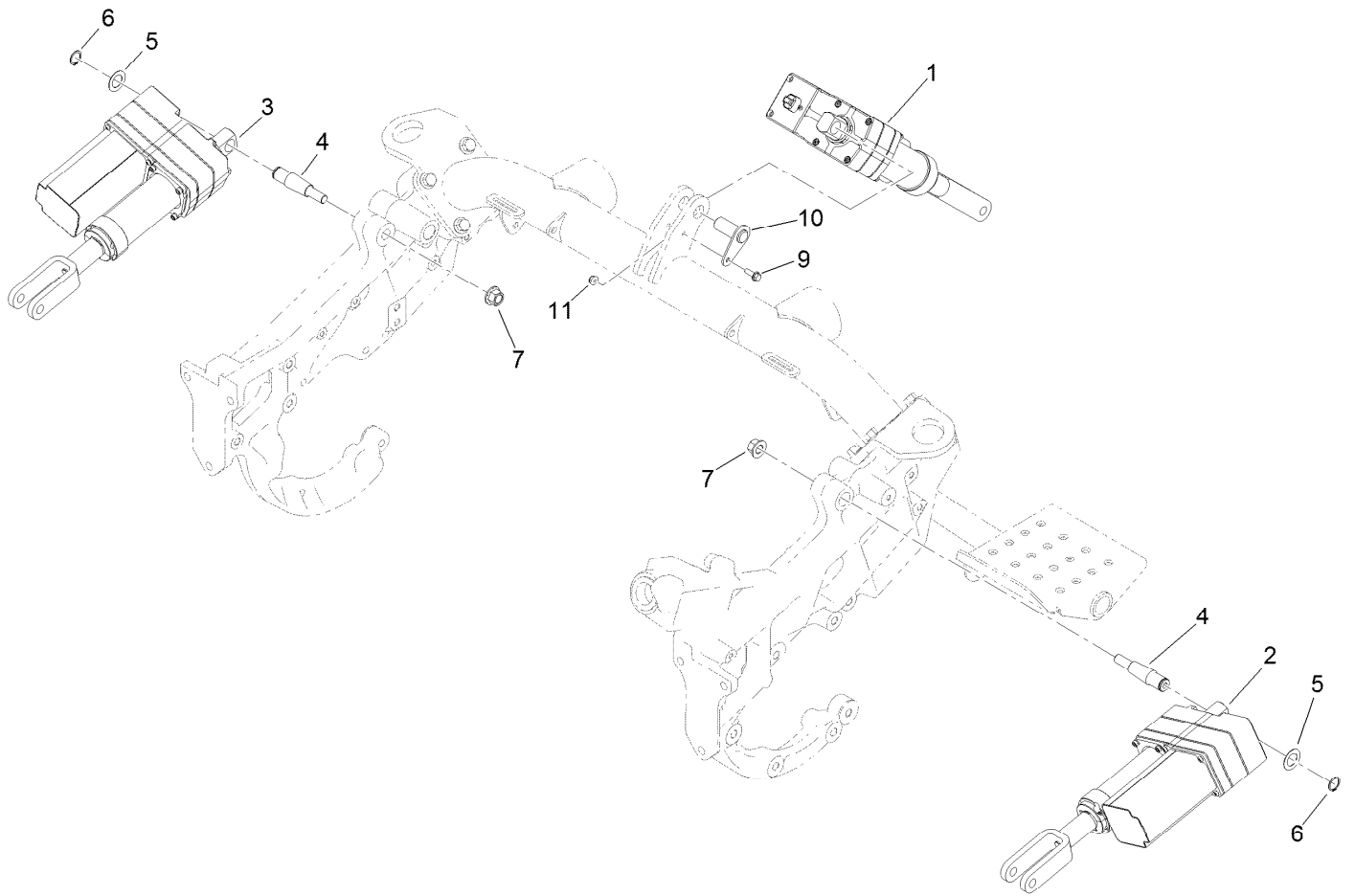
Gearbox Assembly No. 127-1529

<i>Ref.</i>	<i>Part Number</i>	<i>Qty.</i>	<i>Description</i>	<i>Ref.</i>	<i>Part Number</i>	<i>Qty.</i>	<i>Description</i>
1	127-1559	1	Cover-Motor, Axle	15	121-9273	1	O-Ring
3	121-5235	2	Washer-Special	16	132-9927	1	Washer-Flat
4	121-9263	2	Nut-Jam	17	3274-96	1	Screw-HSBH
5	127-1561	1	Cover-Nose, Axle	18	105-3921	1	Fitting-Plug
6	137-7857	1	Seal-Shaft	18:1	237-146	1	O-Ring
7	112-5181	4	Screw -HSH	19	132-9974	1	Brake ASM
8	108-9919	1	O-Ring	20	121-9247	1	Shaft-Brake
9	121-9266	2	Bearing-Ball	22	121-9250	1	Pin-Lever, Stop
10	132-9978	1	Countershaft Gear ASM	23	120-9683	1	Washer-Plain
12	121-9256	2	Bearing-Taper	24	132-9904	1	Key-Woodruff #91
13	132-9841	1	Shaft ASM	25	137-7767	1	Screw-HH
14	127-1519	10	Screw-BHCS				



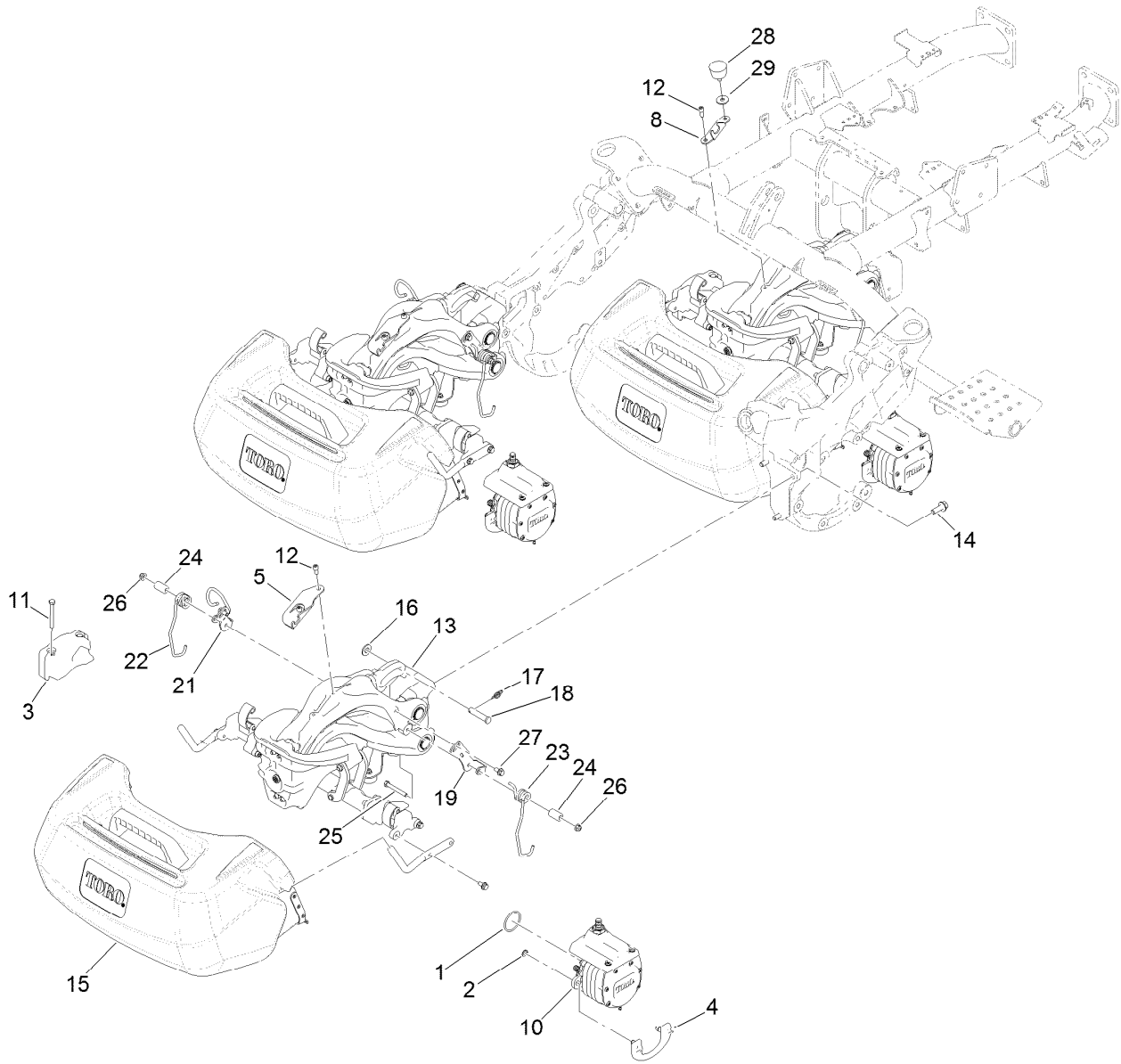
LH Wheel Motor Assembly No. 139-8567

<i>Ref.</i>	<i>Part Number</i>	<i>Qty.</i>	<i>Description</i>
1	139-8568SP	1	LH Motor ASM
2	127-1529	1	Gear Box ASM
3	121-9254	1	Gasket-Gearbox
4	132-9874	1	Lever-Brake, LH
5	353-988	2	Plug-Hex
5:1	237-79	1	O-Ring



Lift Assembly

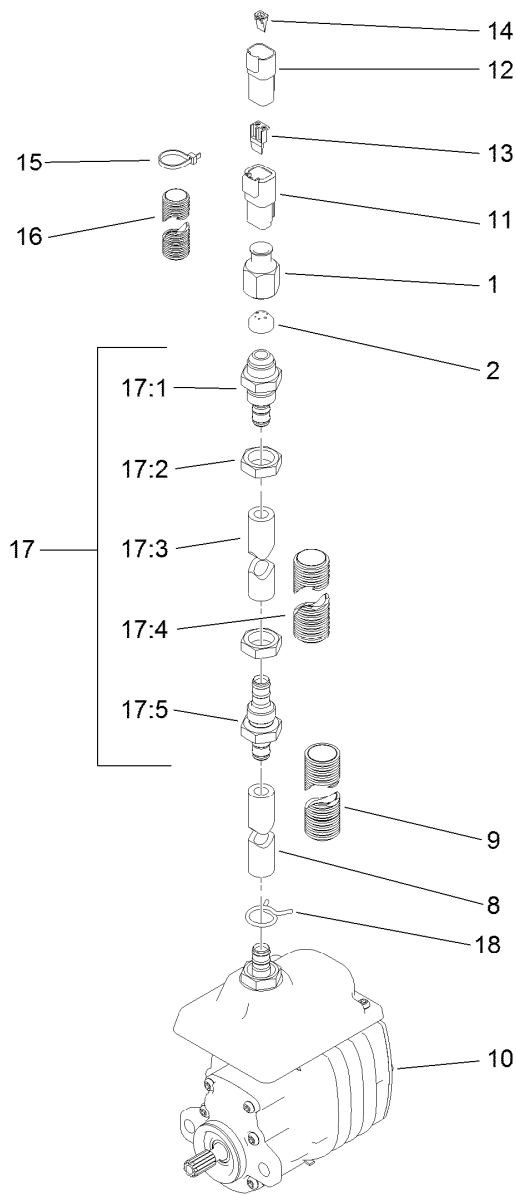
Ref.	Part Number	Qty.	Description
1	137-7933	1	Actuator-1 Crown
2	137-7934	1	Actuator-2 Crown
3	137-7935	1	Actuator-3 Crown
4	136-2691	2	Pin-Tapered
5	9202574	2	Washer-Flat
6	32120-72	2	Ring-Snap
7	99-5107	2	Nut-Lock
9	115-5103	1	Screw-HHF
10	137-7766	1	Pin ASM
11	104-7201	1	Nut-HF, NI



Suspension, Reel Motor and Basket Assembly

Ref.	Part Number	Qty.	Description	Ref.	Part Number	Qty.	Description
1	115-3298	3	O-Ring	17	112-1491	3	Pin-Cotter
2	133-8926	6	Ring-Retaining (Metric)	18	92-2739	3	Pin-Clevis
3	117-6774-03	3	Weight-Electric	19	133-8998	3	Retainer-Spring, LH
4	115-5389	3	Cam-Mount, Motor	21	133-9025	3	Bracket ASM
5	119-7487	2	Bracket-Clamp, Hose	22	117-6826	3	Spring-Stabilizer, RH
8	119-7540	1	Bracket-Hose, Rear	23	117-6827	3	Spring-Stabilizer, LH
10	138-8905	3	Electric Motor ASM	24	117-6825	6	Spacer
11	322-13	6	Screw-HH	25	322-12	6	Screw-HH
12	100-2401	5	Screw-HSH	26	104-8300	6	Nut-HF, NI
13		3	Suspension ASM ●	27	114-7728	6	Screw-HF
14	117-9035	9	Screw-HHF	28	68-3270	1	Bumper-Rubber
15	132-9599	3	Basket ASM	29	52-2861	1	Washer
16	29-8910	3	Washer				

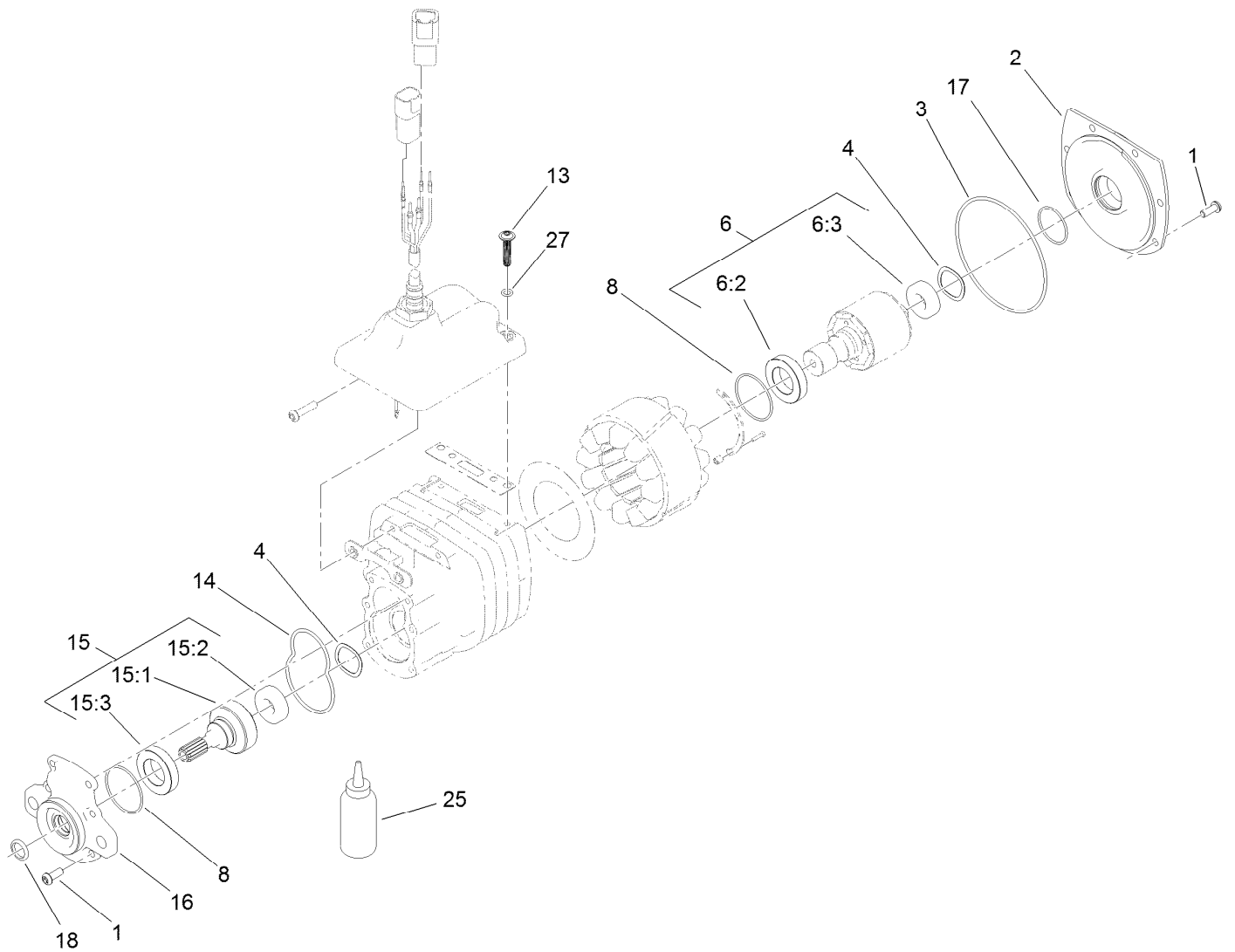
● Not serviced separately



Electric Reel Motor Assembly No. 138-8905

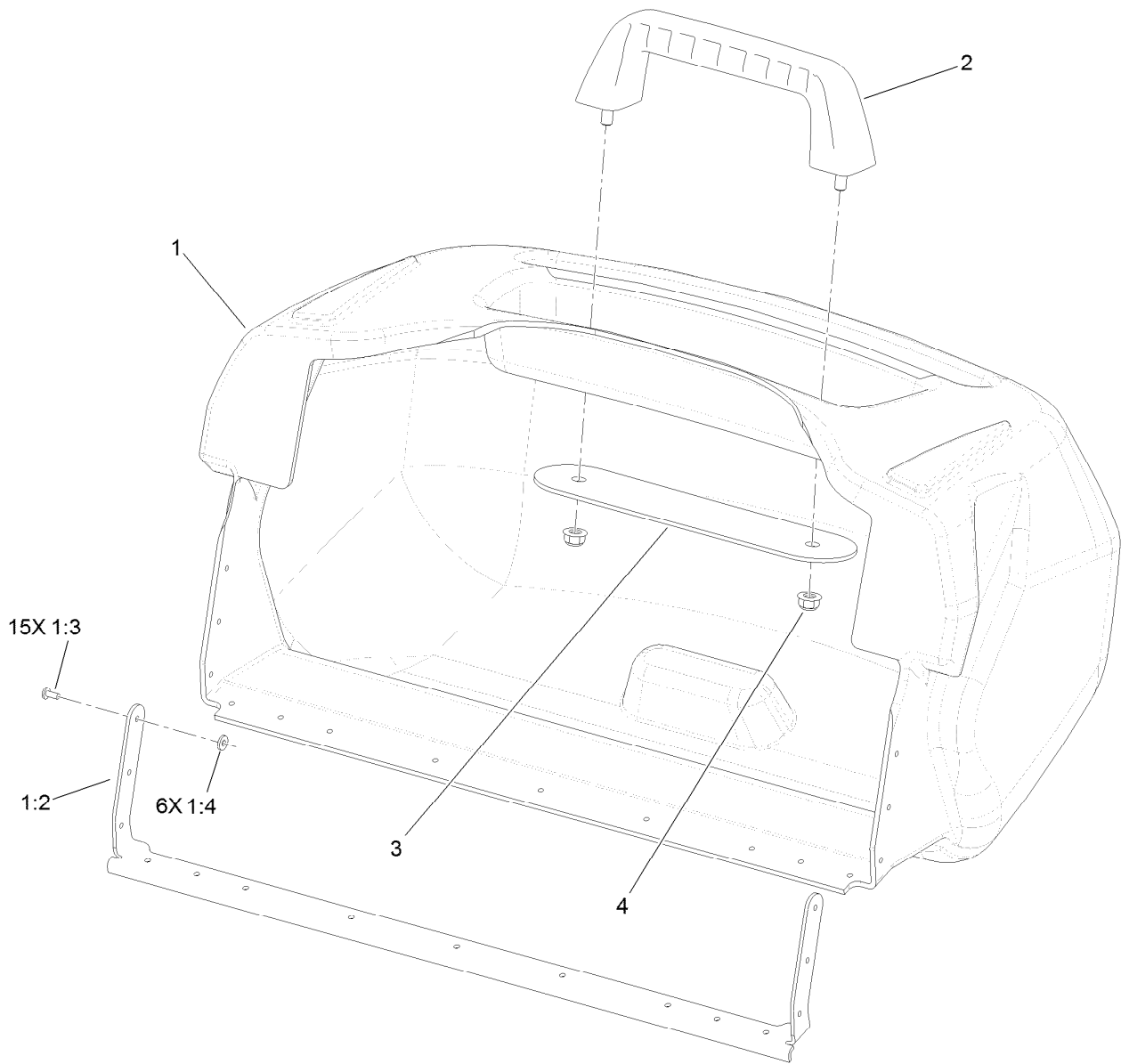
<i>Ref.</i>	<i>Part Number</i>	<i>Qty.</i>	<i>Description</i>	<i>Ref.</i>	<i>Part Number</i>	<i>Qty.</i>	<i>Description</i>
1	119-7481	1	Nut-Ferrule	15	3290-378	4	Tie-Cable
2	119-7480	1	Ferrule	16	120-3223	1	Tubing-Convoluted, Slit
8	119-7476	1	Hose	17	120-4532	1	Hose ASM
9	119-7558	1	Tubing-Convoluted, Slit	17:1	119-7545	1	Fitting-Bulkhead
10		1	Motor-Electric ●	17:2	119-7457	2	Nut
11	32160-245	1	Connector	17:3	119-7524	1	Hose
12	32160-315	1	Connector	17:4	119-7559	1	Tubing-Convoluted, Slit
13	32180-083	1	Wedge	17:5	119-7544	1	Fitting-Bulkhead
14	32180-084	1	Wedge	18	138-8924	1	Clamp-Hose

● Not serviced separately



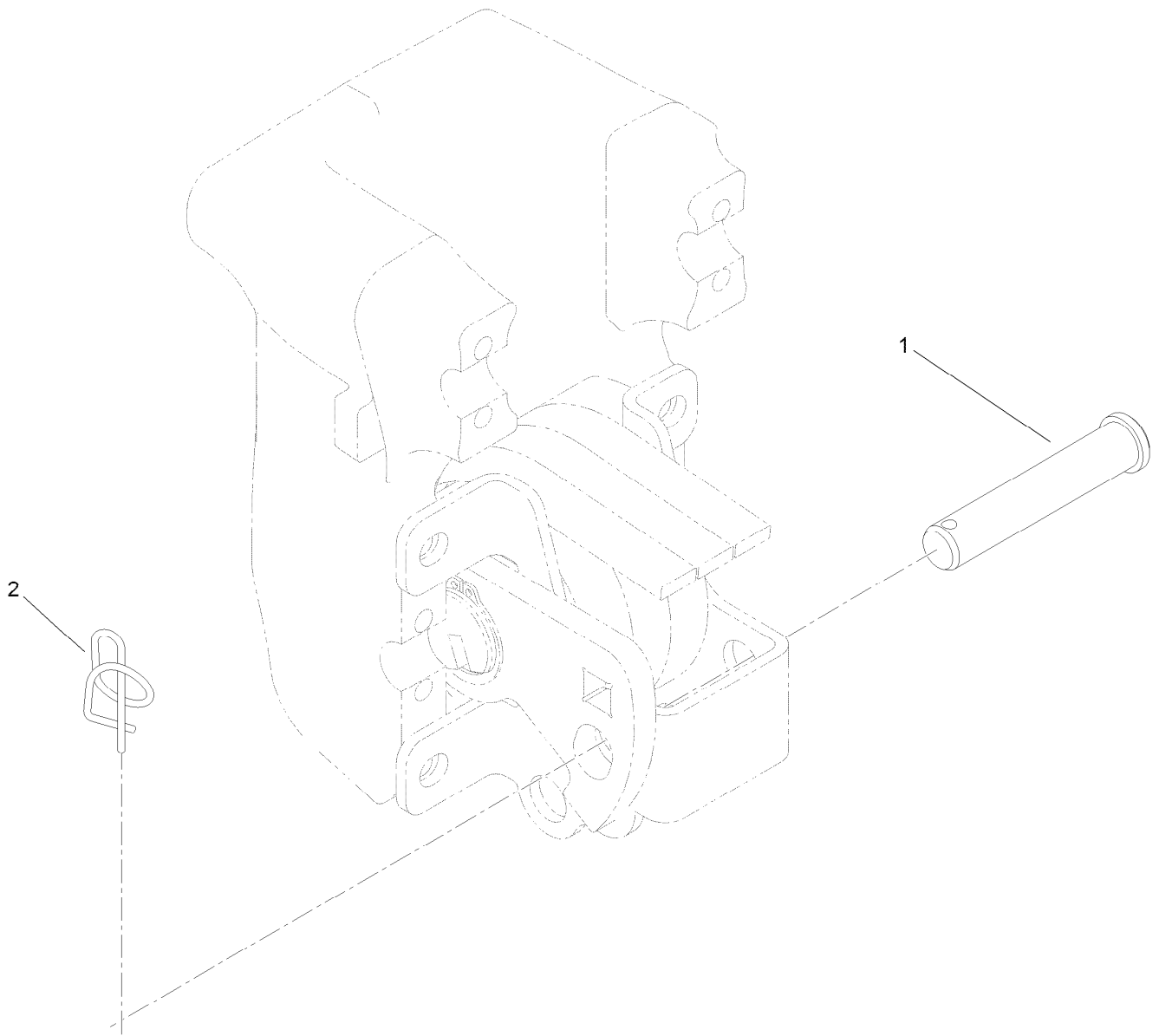
Electric Motor Assembly

<i>Ref.</i>	<i>Part Number</i>	<i>Qty.</i>	<i>Description</i>	<i>Ref.</i>	<i>Part Number</i>	<i>Qty.</i>	<i>Description</i>
1	120-4559	12	Screw-BHCS	15	115-4782	1	Output Gear ASM
2	115-4779	1	Cover-Motor	15:1	112-5153	1	Gear-Output
3	112-9609	1	O-Ring	15:2	120-4557	1	Bearing
4	112-5163	2	Washer-Wave	15:3	112-5158	1	Bearing-Ball
6	119-7450	1	Rotor ASM	16	115-4777	1	Cover-Gearbox
6:2	112-5158	1	Bearing-Ball	17	119-1156	1	O-Ring
6:3	120-4557	1	Bearing	18	119-7451	1	Seal-Oil
8	112-9616	2	O-Ring	25	136-8595	1	Grease-Synthetic
13	138-8918	2	Screw-Fbhcs	27	138-8916	2	O-Ring
14	112-9611	1	O-Ring				



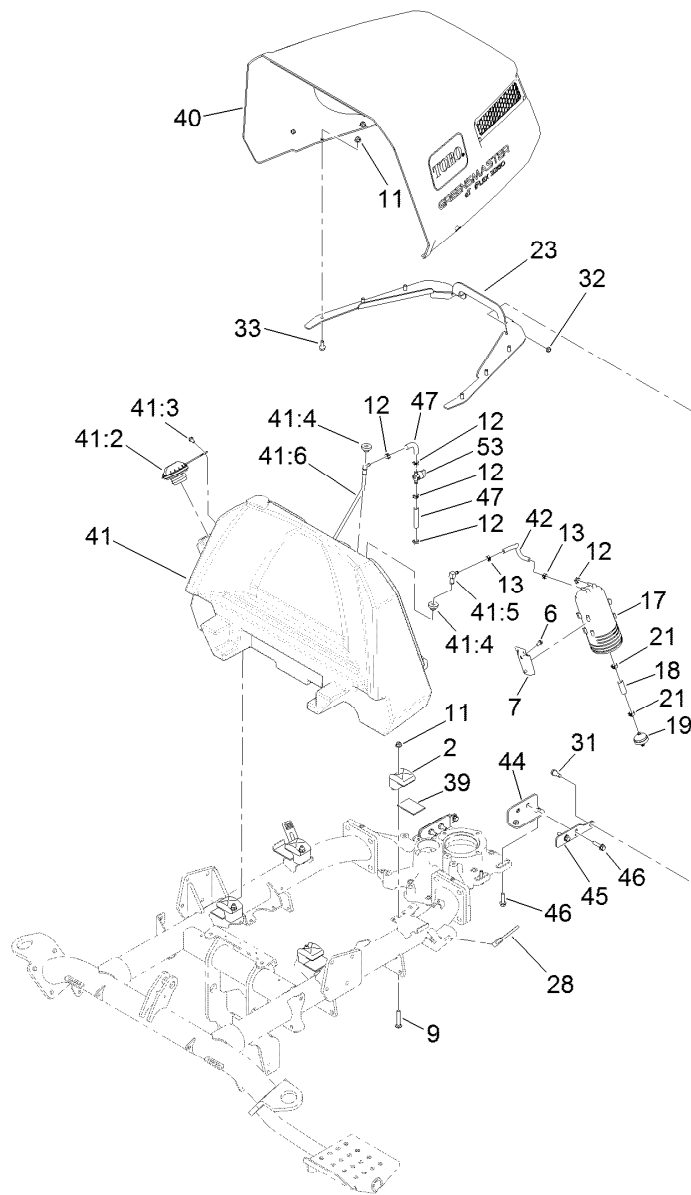
Basket Assembly No. 132-9599

<i>Ref.</i>	<i>Part Number</i>	<i>Qty.</i>	<i>Description</i>
1	132-9510	1	Basket Assembly
1:2	132-3806	1	Support-Basket
1:3	3269-25	15	Rivet-Pop
1:4	3256-75	6	Washer-Flat
2	117-8088	1	Handle-Grab
3	117-8092-03	1	Plate-Mounting
4	104-8300	2	Nut-HF, NI



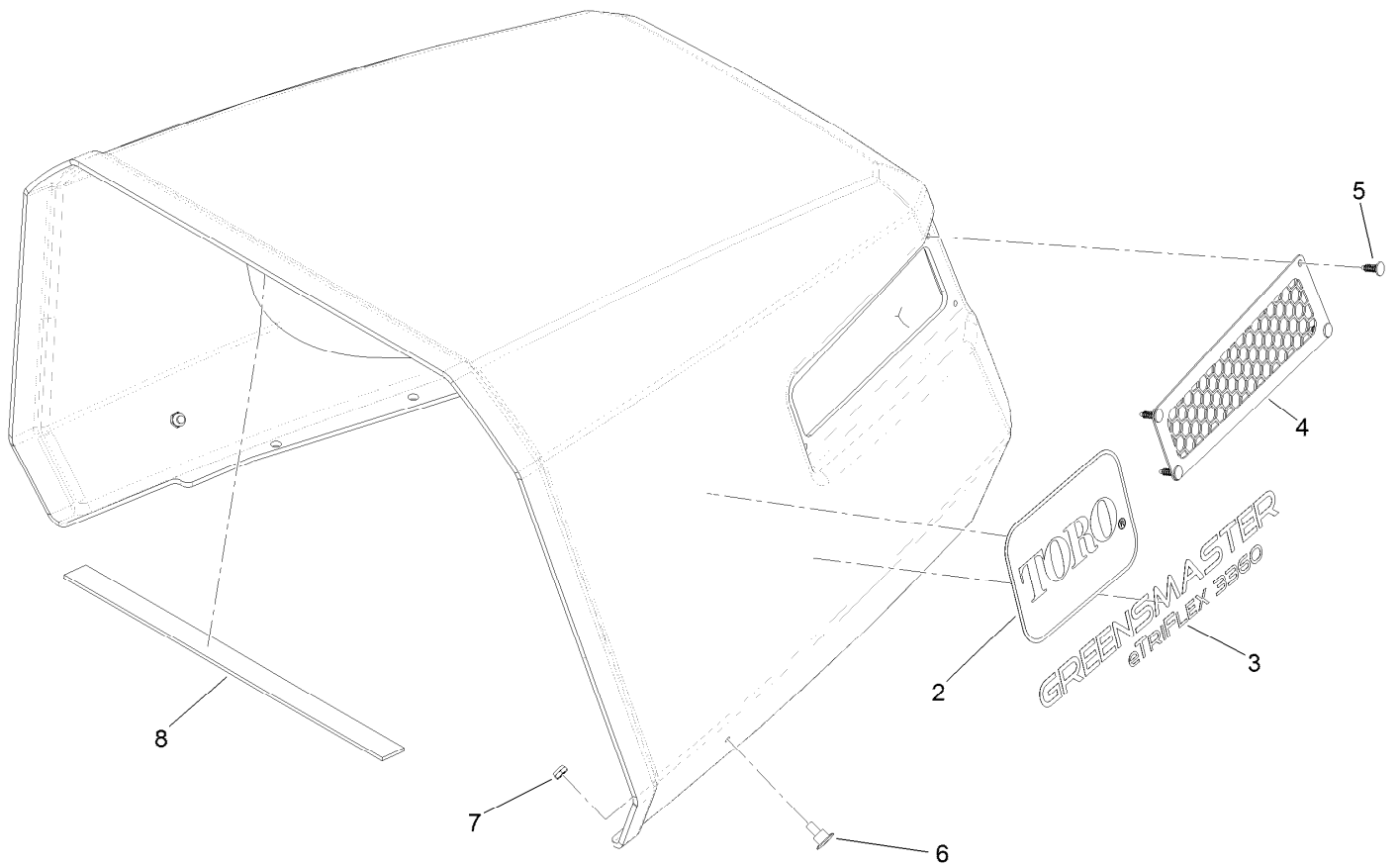
Suspension Pin Position Assembly

<i>Ref.</i>	<i>Part Number</i>	<i>Qty.</i>	<i>Description</i>
1	100-6541	3	Pin-Clevis
2	112-1491	3	Pin-Cotter



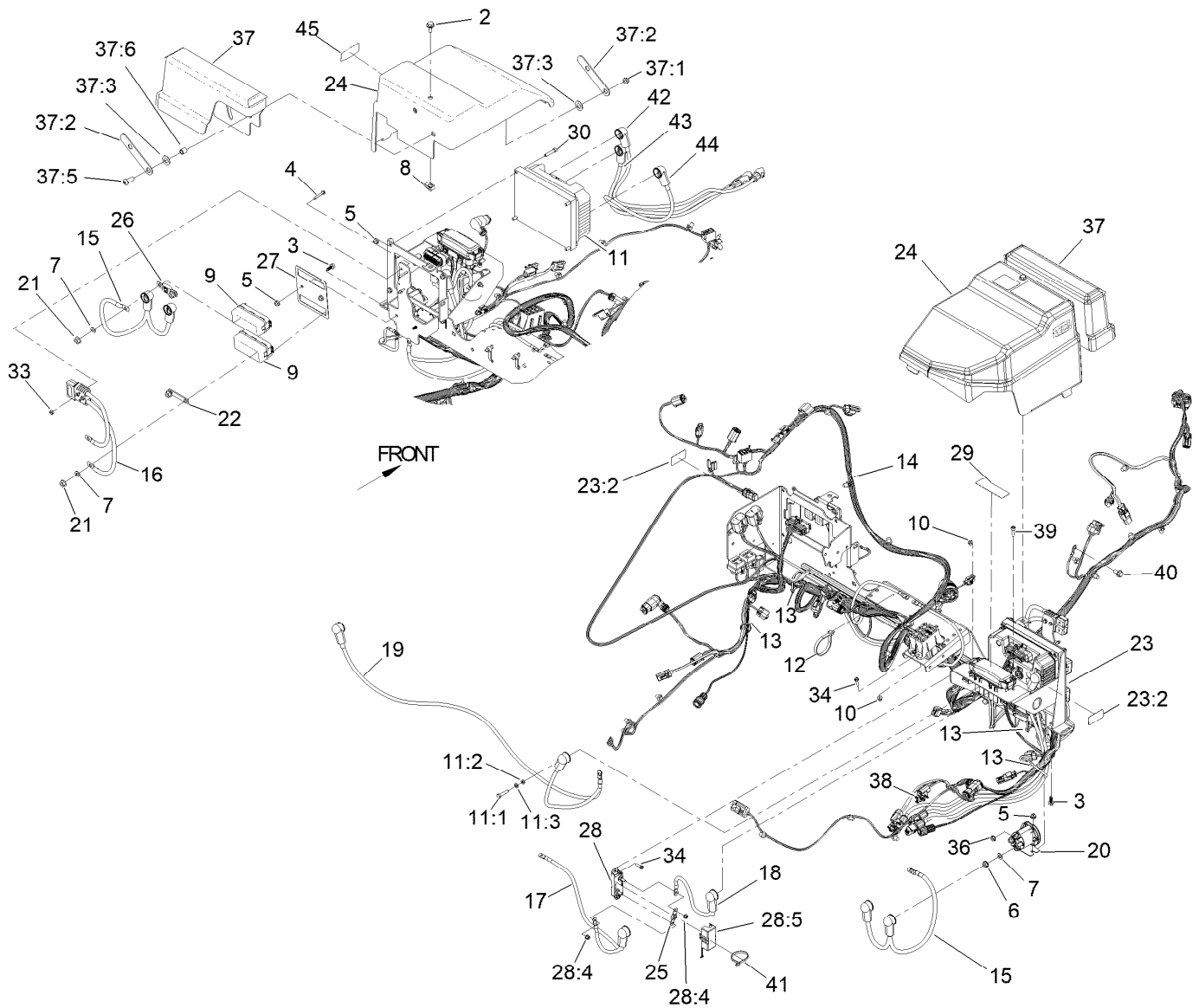
Fuel Tank and Hood Assembly

<i>Ref.</i>	<i>Part Number</i>	<i>Qty.</i>	<i>Description</i>	<i>Ref.</i>	<i>Part Number</i>	<i>Qty.</i>	<i>Description</i>
2	107-4543	4	Clamp	33	3234-47	6	Screw-HHF
6	32144-4	2	Screw-HWH	39	136-4259	4	Foam-Strip, Tank
7	114-0292	1	Bracket-Canister, Carbon	40	139-8316	1	Engine Hood ASM
9	3230-6	4	Bolt-CARR	41	137-8108	1	Fuel Tank ASM
11	104-8300	10	Nut-HF, NI	41:2	117-1722	1	Cap-Fuel
12	2412-98	5	Clamp-Hose	41:3	32144-4	1	Screw-HWH
13	2412-146	2	Clamp-Hose	41:4	46-6560	2	Bushing
17	117-1221	1	Canister-Carbon, 800Cc	41:5	116-2288	1	Fitting-Elbow, 90 DEG
18	106-5317	1	Hose-Fuel	41:6	132-9905	1	Pipe-Stand
19	115-7854	1	Filter-Fuel, Inline	42	51-3210	1	Hose-Fuel
21	92-2379	2	Clamp-Hose	44	137-2242-03	2	Bracket-Hood
23	137-2193-03	1	Bracket-Hinge, Shroud	45	137-7914	2	Bracket-Hood
28	131-8402	2	Strap-Down, Hold	46	119-4036	8	Screw-HHF
31	115-1958	2	Bolt-Shoulder	47	109-0304	2	Hose-Fuel
32	99-6007	2	Nut-Lock, NI	53	1-603770	1	Valve-Fuel



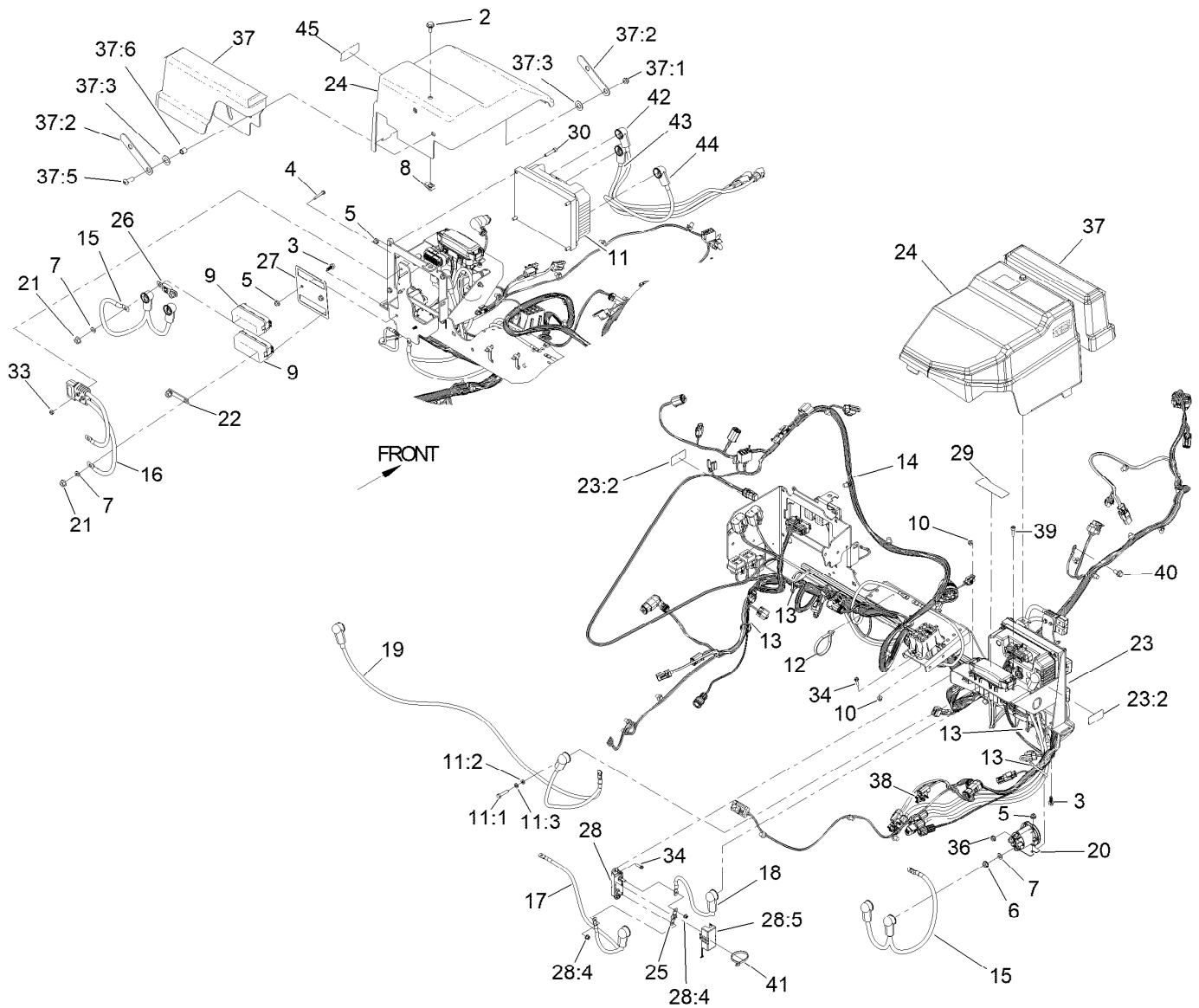
Hood Assembly No. 139-8316

Ref.	Part Number	Qty.	Description
2	62-5550	2	Decal
3	137-7827	2	Decal
4	137-7911-03	2	Screen
5	120-6737	8	Plug-Plastic
6	125-1122	2	Screw
7	3296-56	2	Nut-Lock, NI
8	137-8082	1	Strip-Foam



Electrical Assembly

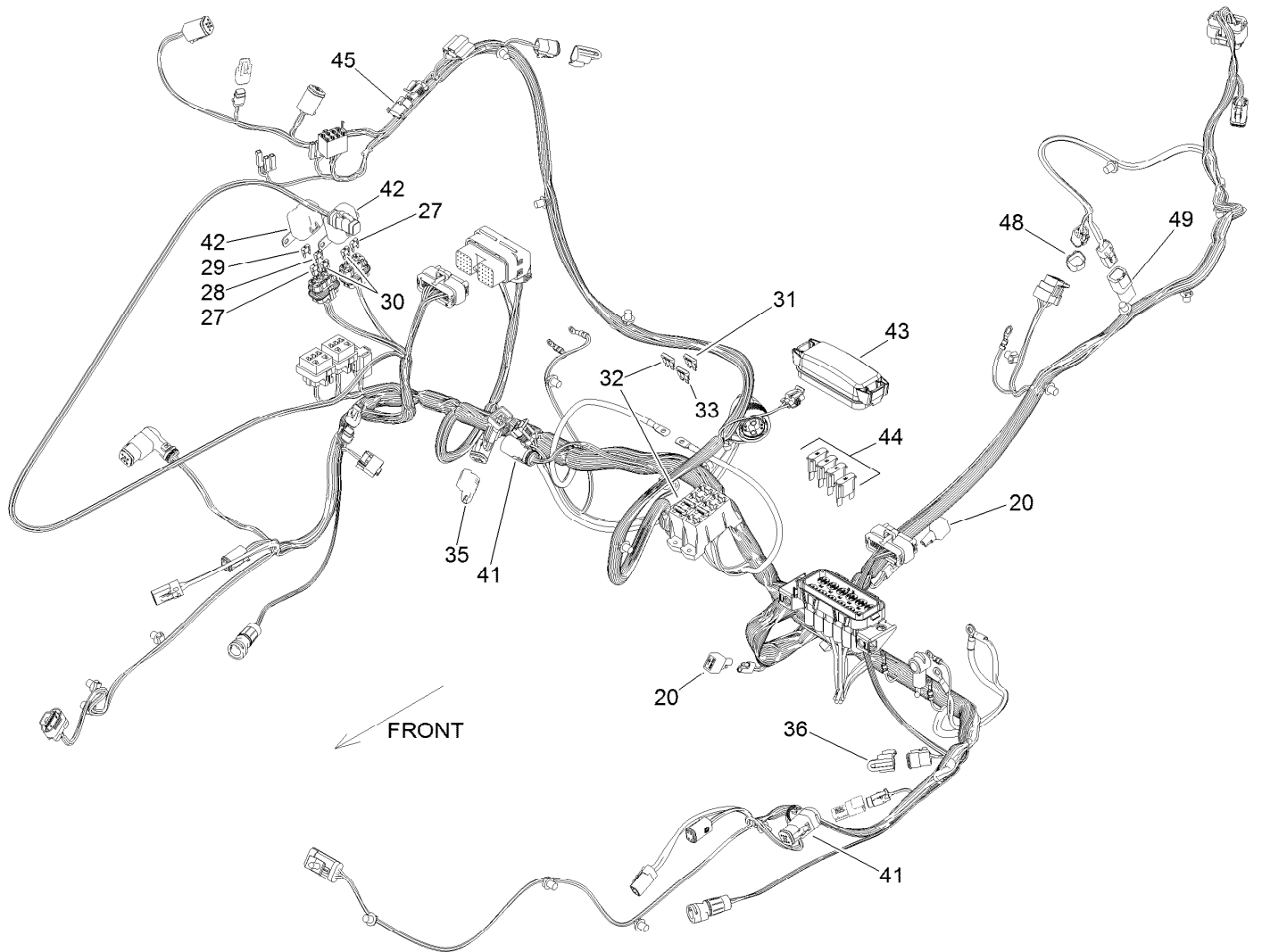
Ref.	Part Number	Qty.	Description	Ref.	Part Number	Qty.	Description
2	19-1470	1	Screw-Shoulder	20	122-1274	2	Contactora-DC, 48V
3	99-6810	6	Screw-HHF	21	127-2371	4	Nut-HF
4	100-4352	2	Screw-HWH	22	132-9815	1	Strap-Jumper
5	104-7201	10	Nut-HF, NI	23	137-8196	1	Bracket-Components
6	107-0380	4	Nut-HF	23:2	137-8127	2	Decal-No Spray
7	107-0394	8	Washer-Flat	24	147-3084	1	Cover-LH
8	112-3306	1	Nut	25	137-7707	1	Fuse-60 Amp
9	114-3318	2	Holder-Fuse, Mega	26	137-7722	1	Fuse-150 Amp
10	120-4578	6	Nut-HF	27	137-7835	1	Bracket-Fuses
11	120-4780	1	Controller-Motor, Traction	28	137-7861	1	Fuse Block ASM
11:1	33113-030	5	Screw-HH	28:4	120-4580	2	Nut-HF
11:2	33093-00	5	Washer-Flat	28:5	137-7863	1	Cover-Fuse
11:3	43-5930	5	Washer-Lock, Spring	29	137-8037	1	Decal-Fuses, Cutting Unit
12	3334-945	3	Tie-Cable	30	3274-51	4	Screw-HSH
13	3290-379	4	Tie-Cable	33	3296-2	2	Nut-Lock, NI
14	122-1921	1	Harness-Wire, E-Tri-Flex	34	32105-13	6	Screw-HWH
15	122-1695	1	Cable-Battery, Positive	36	32149-8	4	Nut-Keys
16	122-1698	1	Cable-Battery, Pos And Neg	37	145-4587	1	Charge Port Cover Kit
17	122-1108	1	Cable-Battery, Positive	37:1	121-4600	2	Nut-Hex
18	122-1112	1	Cable-Battery, Positive	37:2	145-4563	2	Bar-Pivot
19	122-1115	1	Cable-Battery, Negative	37:3	110-4068	4	Washer-Plastic



Electrical Assembly (continued)

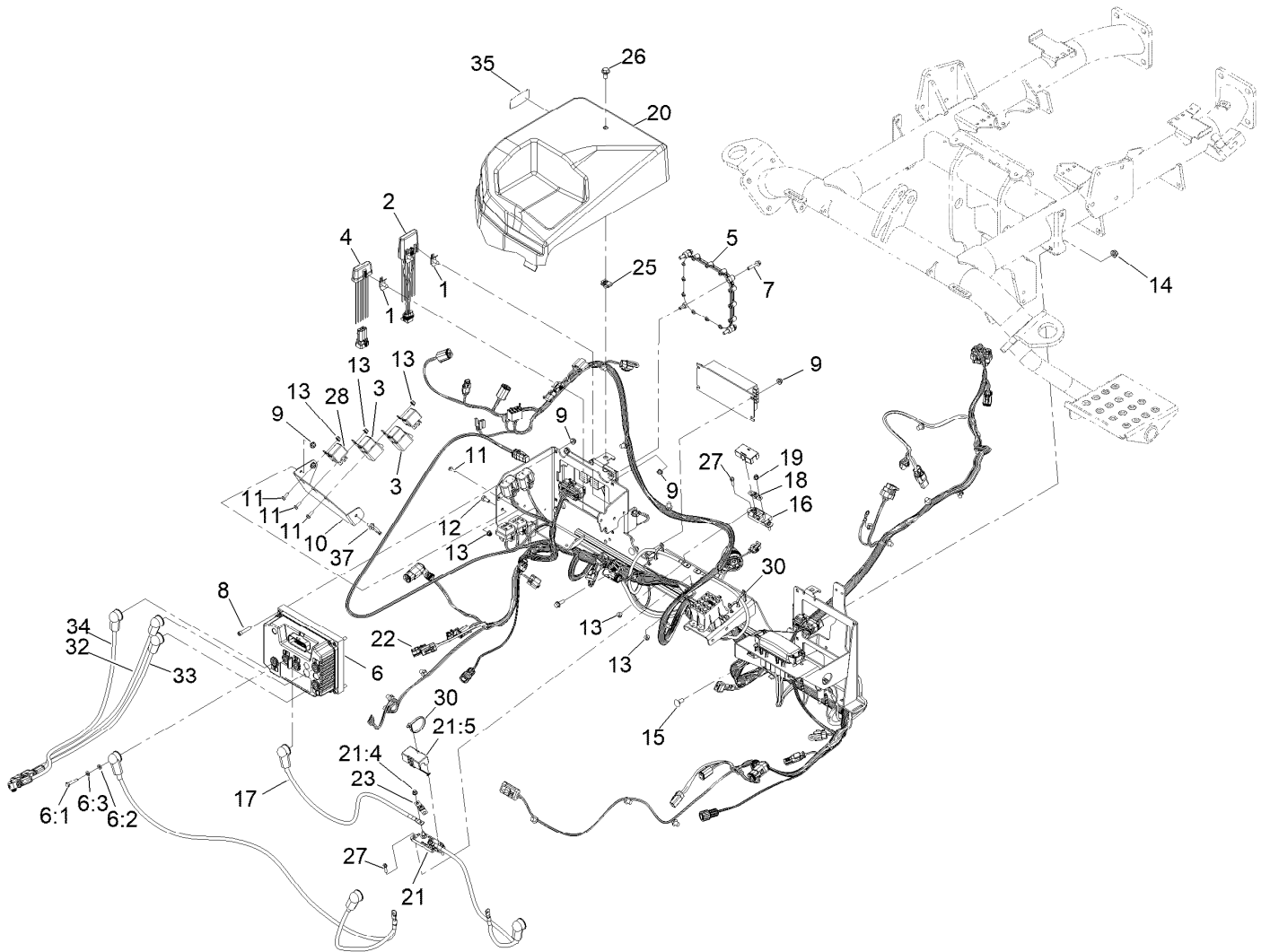
<i>Ref.</i>	<i>Part Number</i>	<i>Qty.</i>	<i>Description</i>
37:5	3274-94	2	Screw-HSBH
37:6	103-1166	2	Spacer-Tube, Pump Link
38	32180-103	2	Clip-Connector
39	52-6290	2	Screw-HSH
40	33104-016	1	Screw-HHF

<i>Ref.</i>	<i>Part Number</i>	<i>Qty.</i>	<i>Description</i>
41	3290-378	1	Tie-Cable
42	122-1611	1	Cable-Battery, Positive
43	122-1612	1	Cable-Battery, Positive
44	122-1613	1	Cable-Battery, Positive
45	119-7580	1	Decal-Smart, Energy



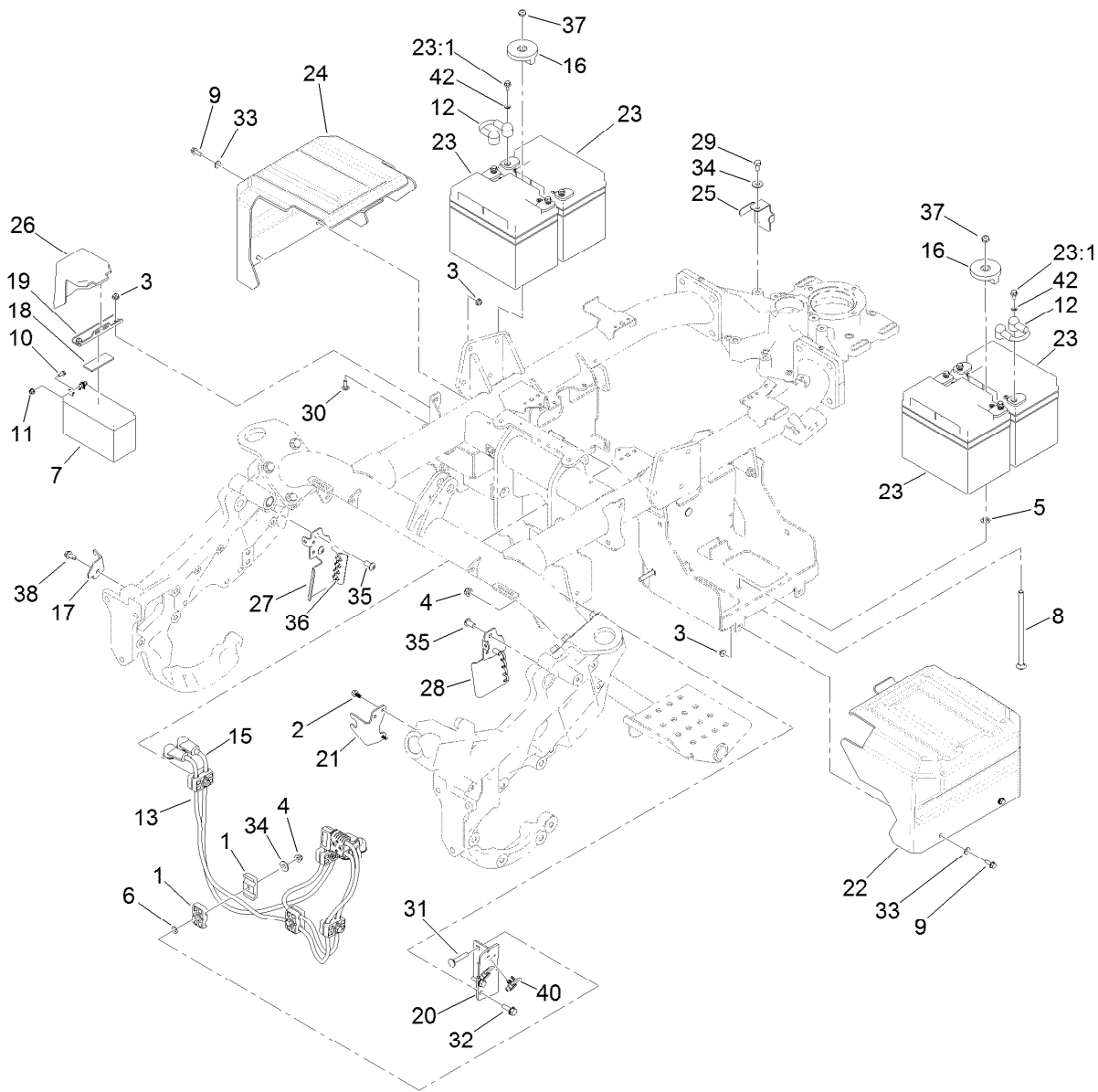
Wire Harness Assembly No. 122-1921

<i>Ref.</i>	<i>Part Number</i>	<i>Qty.</i>	<i>Description</i>	<i>Ref.</i>	<i>Part Number</i>	<i>Qty.</i>	<i>Description</i>
20	100-4918	2	Diode	36	32180-089	2	Cap-Plug, 3 Way
27	121-8861	2	Fuse-Mini Blade, 2 Amp	41	32180-090	3	Backshell-Deutsch, Dt06-06S 90 DEG
28	121-8865	1	Fuse-Mini Blade, 7.5 Amp	42	32180-179	2	Cover-Bussman
29	121-8866	1	Fuse-Mini Blade, 10 Amp	43	32180-146	1	Cover-Fuse
30	121-8867	2	Fuse-Mini Blade, 15 Amp	44	122-0255	3	Fuse-Maxi, 35 Amp-58V
31	117-4722	1	Fuse-Blade, 5A	45	32180-056	1	Cap
32	117-4724	4	Fuse-Blade, 10A	48	32180-260	1	Cap-Deutsch, Dust, 4 Way
33	117-4728	1	Fuse-Blade, 30A	49	32160-245	1	Connector
35	32180-156	1	Cap-Plug, 6 Way				



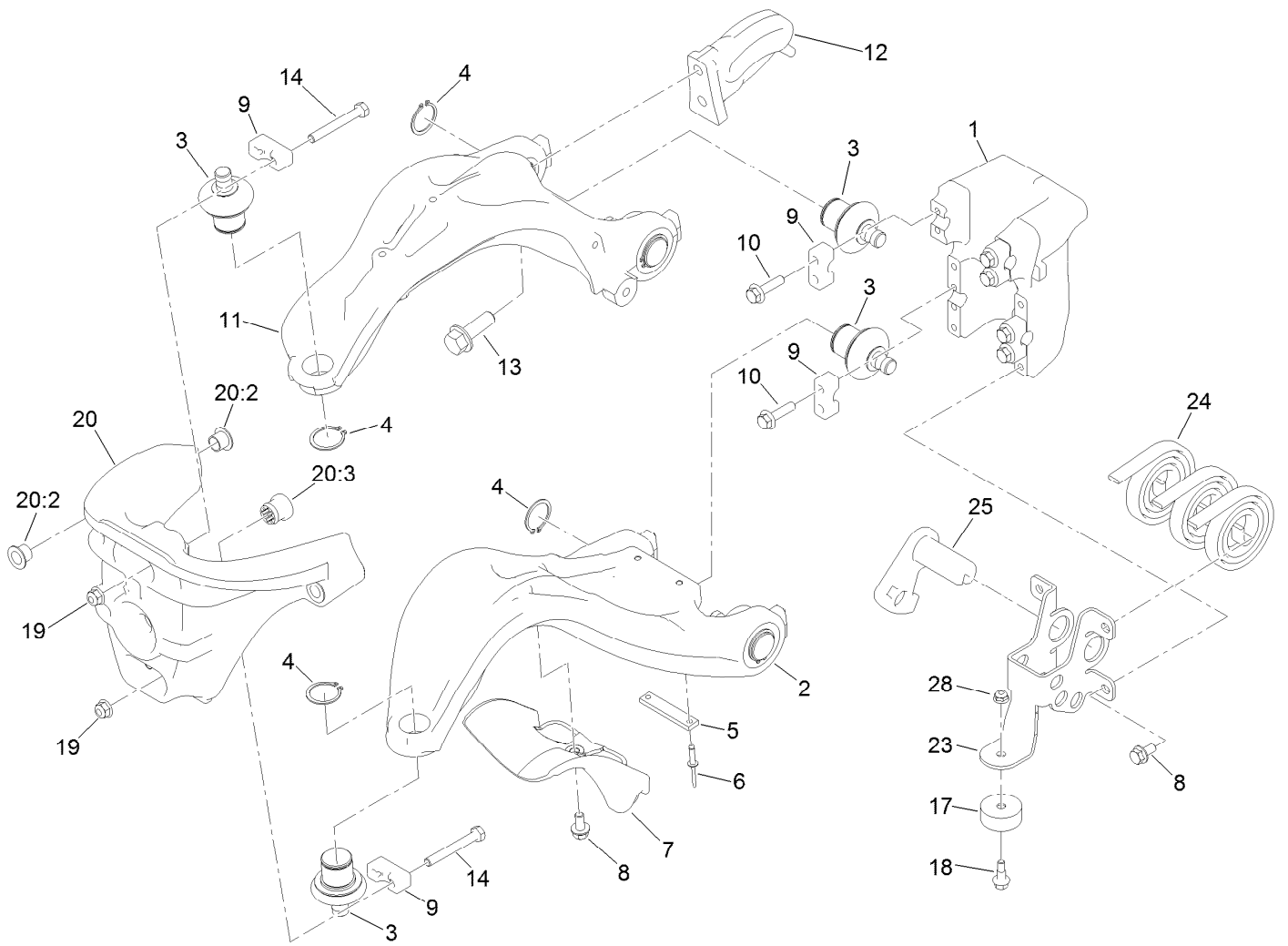
Controller Assembly

Ref.	Part Number	Qty.	Description	Ref.	Part Number	Qty.	Description
1	32180-011	3	Clip-Connector	17	122-1110	1	Cable-Battery, Positive
2	119-4330	1	Isolated Can Module ASM	18	137-7708	1	Fuse-100 Amp
3	99-7430	2	Relay-Mini	19	120-4580	2	Nut-HF
4	112-9630	1	Module-Reel, I.D.	20	133-0095	1	Cover-RH
5	127-2770	1	Controller	21	137-7861	1	Fuse Block ASM
6	120-4780	1	Controller-Motor, Traction	21:4	120-4580	2	Nut-HF
6:1	33113-030	5	Screw-HH	21:5	137-7863	1	Cover-Fuse
6:2	33093-00	5	Washer-Flat	22	32180-103	2	Clip-Connector
6:3	43-5930	5	Washer-Lock, Spring	23	137-7707	1	Fuse-60 Amp
7	127-8639	4	Screw-HHF	25	112-3306	1	Nut
8	3274-51	4	Screw-HSH	26	19-1470	1	Screw-Shoulder
9	104-7201	10	Nut-HF, NI	27	32105-13	4	Screw-HWH
10	147-3088-0P	1	Bracket-Component	28	122-2400	1	Relay, 12V Coil, 50A At 48V
11	32105-23	7	Screw	30	3290-378	5	Tie-Cable
12	321-3	2	Screw-HH	32	122-1614	1	Cable-Battery, Positive ASM
13	120-4578	11	Nut-HF	33	122-1615	1	Cable-Battery, Positive ASM
14	104-8300	4	Nut-HF, NI	34	122-1616	1	Cable-Battery, Positive ASM
15	3230-1	4	Bolt-CARR	35	119-7580	1	Decal-Smart, Energy
16	132-9796	1	Fuse-Holder, Midi Fuse	37	32180-030	1	Clip-Tie



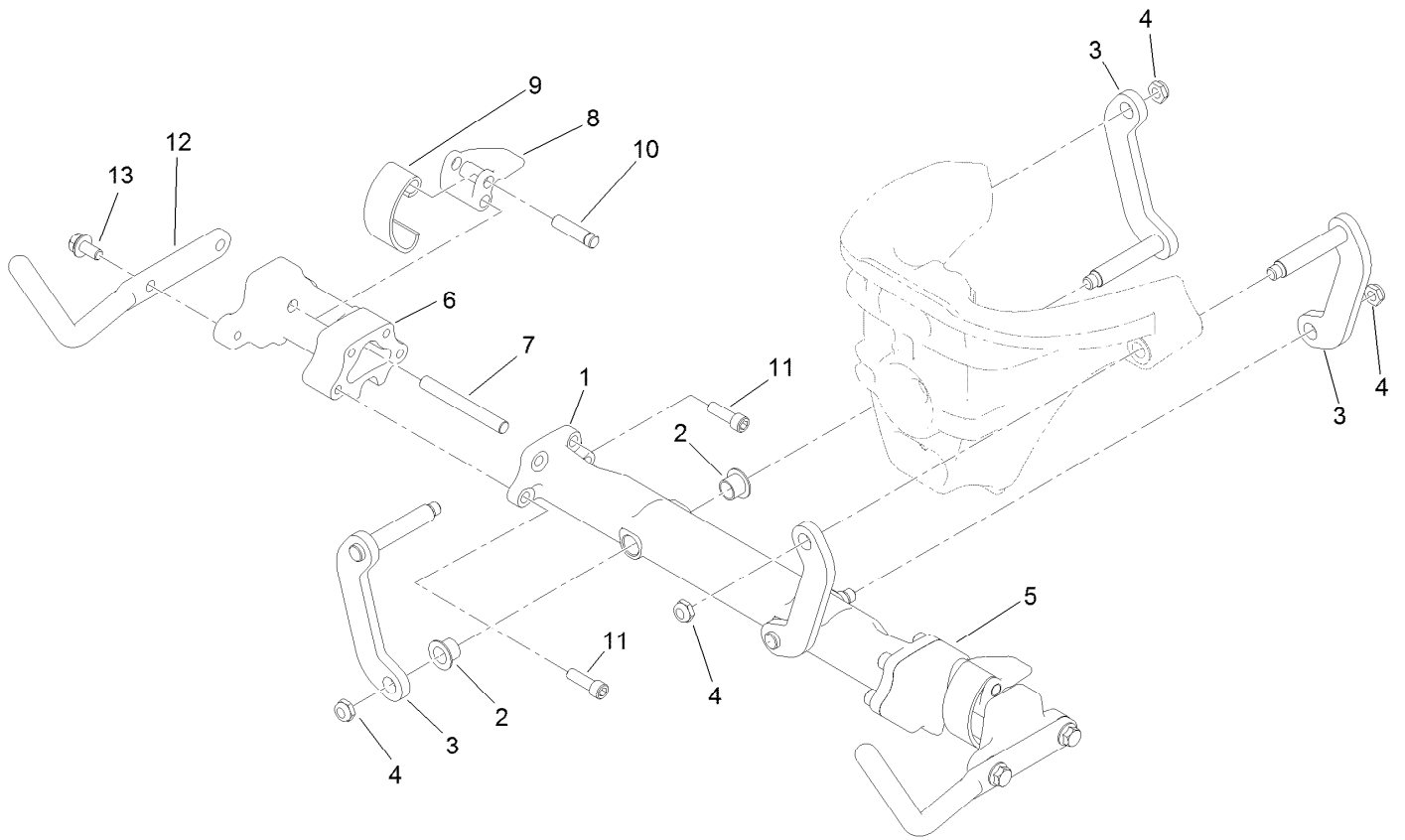
Battery Assembly

Ref.	Part Number	Qty.	Description	Ref.	Part Number	Qty.	Description
1	56-7976	10	Clamp-Tube	22	137-7711	1	Cover-Battery
2	99-6810	2	Screw-HHF	23	137-7734	4	Battery-12V (33 Ah)
3	104-7201	6	Nut-HF, NI	23:1	33113-012	2	Screw-HH
4	104-8300	7	Nut-HF, NI	24	137-7849	1	Cover-Battery, RH
5	107-3154	2	Nut-Push	25	137-7859	1	Bracket-Harness
6	109-5667	5	Nut-Push	26	137-7867	1	Cover-Battery
7	112-9621	1	Battery-Nonspillable	27	137-7905-01	1	Bracket-Harness, RH
8	117-1399	2	Bolt-Carriage	28	137-7906-01	1	Bracket-Harness, LH
9	32105-15	4	Screw-HWH	29	3210-2	1	Screw-HH
10	120-4579	2	Screw-HHF	30	3229-1	2	Screw-CARR
11	120-4580	2	Nut-HF	31	3230-5	5	Bolt-CARR
12	122-1105	2	Positive Battery Cable ASM	32	3234-29	2	Screw-HHF
13	122-1113	1	Positive And Negative Battery Cable ASM	33	3256-1	4	Washer-Flat
15	122-1381	1	Positive Battery Cable ASM	34	3256-3	6	Washer-Flat
16	127-2393	2	Hold Down-Battery	35	3274-80	4	Screw-HH
17	139-8409	1	Brkt-Hose	36	3290-378	8	Tie-Cable
18	133-0081	1	Strip-Foam	37	3296-59	2	Nut-Lock, NI
19	133-0082	1	Channel-Clamp, Battery	38	32104-32	1	Screw-HWH
20	133-0083-03	1	Bracket-Hose, Rear	40	32180-103	2	Clip-Connector
21	136-2697	1	Bracket-Hose	42	43-5930	8	Washer-Lock, Spring



Suspension A-Arm Assembly

Ref.	Part Number	Qty.	Description	Ref.	Part Number	Qty.	Description
1	117-9480	1	Mount-Pivot, A-Arms	13	100-6116	2	Screw-HHF
2	117-6656	1	A-Arm, Lower	14	132-3838	4	Screw-HH
3	132-6959	6	Balljoint	17	133-0308	1	Bumper-Rubber
4	120-3225	6	Ring-Retaining, EXT	18	133-0315	1	Screw-Shoulder, HF
5	117-6674	1	Plate-Striker	19	104-8300	4	Nut-HF, NI
6	3269-28	2	Rivet-Pop	20	120-3216	1	Steering Head ASM
7	117-6755	1	Stop-Steering	20:2	125-5239	4	Bushing-Flange
8	114-7728	5	Screw-HF	20:3	131-1836	1	Grommet
9	112-5647	6	Clamp	23	140-5232	1	C-Balance Mount
10	132-3837	8	Screw-HHF	24	114-9306	3	Spring
11	139-6452	1	A-Arm, Upper	25	140-5234	1	Tensioner
12	139-8407	1	Plate-Lift	28	104-7201	1	Nut-HF, NI



Suspension Crossarm Assembly

Ref.	Part Number	Qty.	Description
1	120-3217	1	Crossarm
2	125-5239	4	Bushing-Flange
3	117-6654	4	Link
4	3296-59	4	Nut-Lock, NI
5	117-9482	1	Mount-Cross Arm, LH
6	117-9492	1	Mount-Cross Arm, RH
7	114-8051	2	Pin-Pivot
8	114-8047	2	Lever
9	114-8048	2	Spring
10	114-8049	2	Pin-Pivot
11	120-3227	8	Screw-HSH
12	120-2784-01	2	Horn-Basket
13	114-7728	4	Screw-HF

Attachments and Accessories

For 04580 Greensmaster eTriFlex 3360 Traction Unit

Product Name	Model/Part
Turf Evaluator	04399
Light Kit.....	04500
3WD Kit, Electric Triflex	04503
Standard Greensmower Seat Kit	04508
8-Blade DPA Reel Mower	04651
11-Blade DPA Reel Mower	04653
14-Blade DPA Reel Mower	04655
Anti-Bobbing Kit.....	04716
Dethatching Unit	04720
Tri-Roller	04722
Spiker	04723
Premium Seat.....	04729
Wireless Hourmeter	115-4754
Oil Filter	119-5852
Premium Armrest Kit.....	119-7105
Weight Kit	119-7129
Air Filter Element	120-7447
Filter-Air, Paper.....	120-7448
Armrest Kit.....	121-3660
Fuel Filter.....	121-4570
Rear Light Kit.....	137-7945
Spark Arrestor, 1.25 I.D.	137-8098
Bag Kit.....	137-8130
Bimini Shade Kit	138-8579
Kit-Fuses	139-8482
Tire - 20 X 10.00-8, 4ply.....	144-3665
400 Hour MVP Kit	44971
Spark Plug	92-2153
Height-of-Cut Bar.....	94-9010

Notes:

Notes:



Count on it.