



**Count on it.**

**Parts Catalog**

**STX-38 EFI Stump Grinder  
with Intelli-Sweep®**

Model No. 23214—Serial No. 315000001 and Up



# Ordering Replacement Parts

To order replacement parts, please supply the part number, the quantity, and the description of each part desired.

## Understanding Reference Numbers

Each identified part in an illustration has a reference number. The reference number for a part also appears in the parts list, along with other information about the part.

This catalog uses two special reference number formats, one to indicate parts in a service assembly and another to indicate the quantity of a given part in an illustration.

## Service Assembly Reference Numbers

Parts in service assemblies have reference numbers in the form a:b. The a represents the reference number of the entire service assembly and the b represents a sequential number unique to each part within the service assembly.

For example, a wheel assembly might be identified by reference number 6, the tire by 6:1, the valve by 6:2, and the wheel by 6:3. When you order the assembly identified by reference number 6, you receive all parts identified by reference numbers 6:1, 6:2, and 6:3. However, you may also order any part individually. Reference numbers of this type appear in illustration and in parts lists.

## Reference Numbers Indicating Quantity

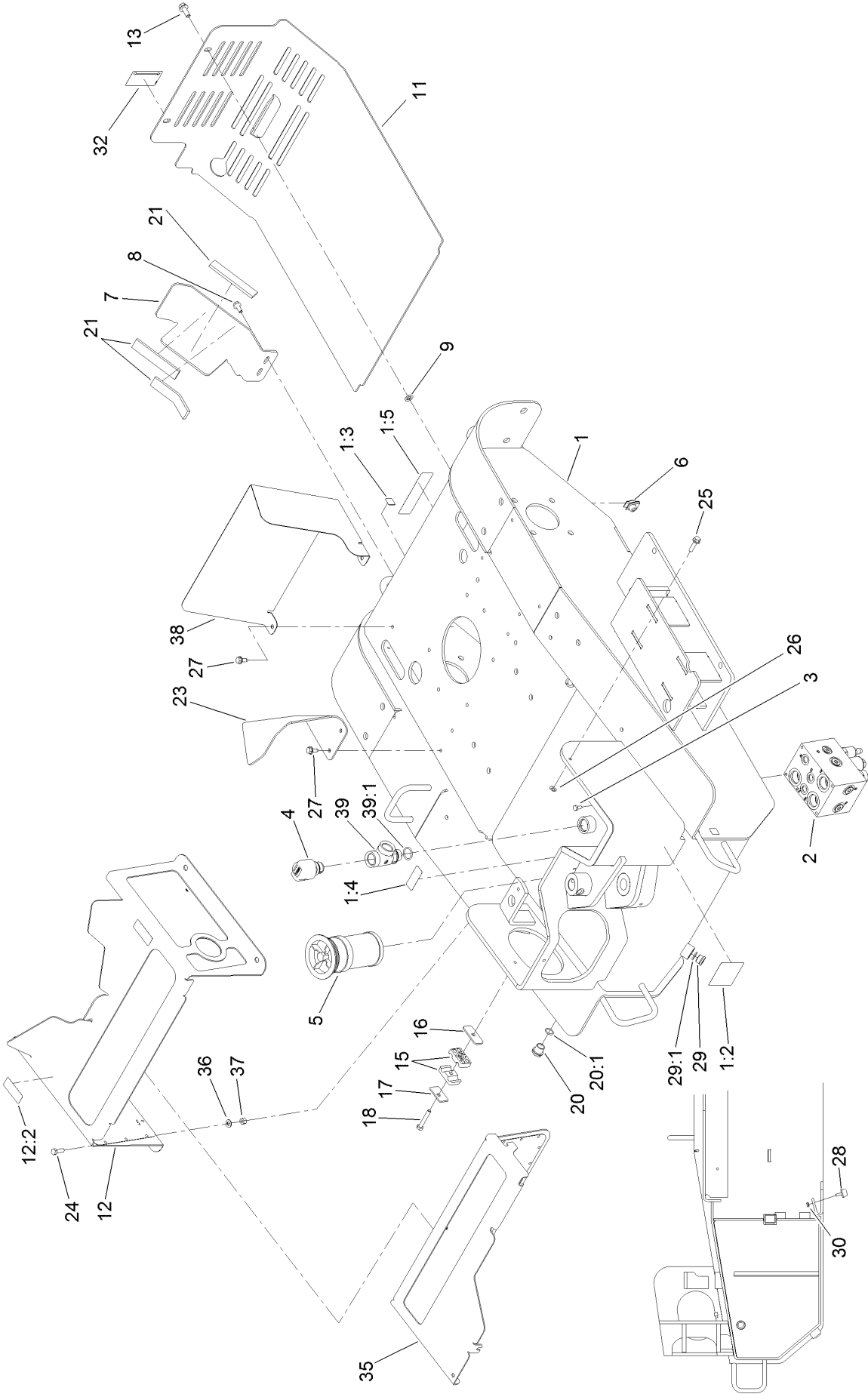
In an illustration, if a reference number indicates more than one part, the reference number has the form nX y. The n represents the quantity of the part, the X is the multiplication symbol, and the y represents the reference number.

For example, in an illustration, the reference number 2X 37 means that two of the parts identified by reference number 37 are indicated.

# Contents

|  |    |
|--|----|
| Main Frame Assembly .....                          | 4  |
| Cutter Valve Assembly No. 121-1022 .....           | 6  |
| Track and Drive Assembly .....                     | 8  |
| Hydraulic Motor Assembly No. 121-1957 .....        | 10 |
| Parking Brake Assembly .....                       | 12 |
| Engine Assembly .....                              | 14 |
| Hydraulic Gear Pump Assembly No. 121-1952 .....    | 16 |
| Control Assembly .....                             | 18 |
| Grinder Head Assembly .....                        | 20 |
| Hydraulic Motor Assembly No. 121-4325 .....        | 22 |
| Tower and Fuel Tank Assembly .....                 | 24 |
| Control Valve Assembly No. 119-4585 .....          | 26 |
| Two-Button Handle Grip Assembly No. 119-4587 ..... | 27 |
| Cooler Assembly .....                              | 28 |
| Hydraulic Hose Routing Assembly .....              | 30 |
| Electrical Assembly .....                          | 32 |

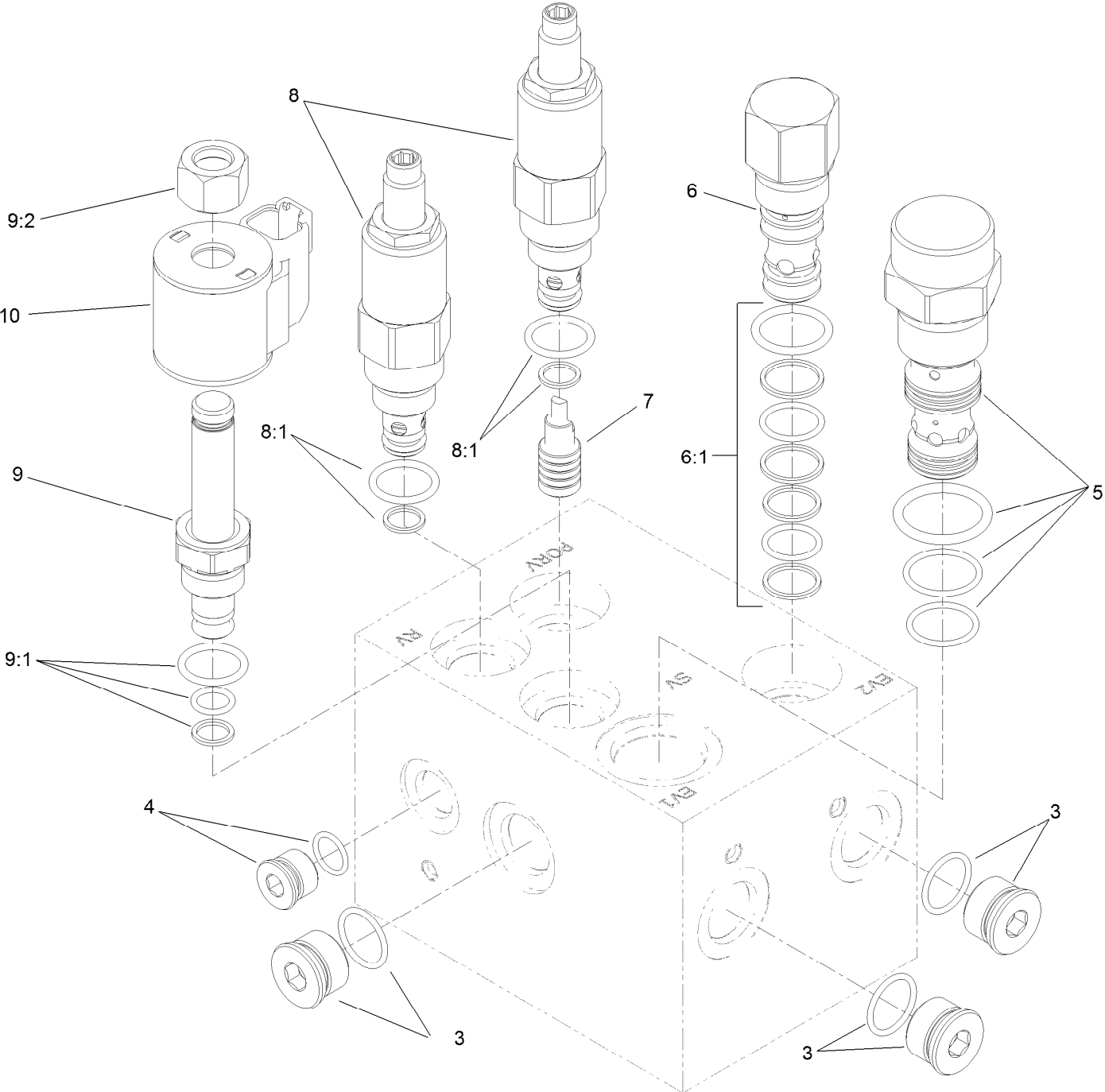
# Main Frame Assembly



## Main Frame Assembly (continued)

| <i>Ref.</i> | <i>Part Number</i> | <i>Qty.</i> | <i>Description</i> | <i>Ref.</i> | <i>Part Number</i> | <i>Qty.</i> | <i>Description</i>   |
|-------------|--------------------|-------------|--------------------|-------------|--------------------|-------------|----------------------|
| 1           | 131-0747           | 1           | Frame-Main         | 18          | 322-10             | 1           | Screw-HH             |
| 1:2         | 100-4650           | 1           | Decal-Warning      | 20          | 114-3075           | 1           | Sight Glass ASM      |
| 1:3         | 93-9084            | 4           | Decal-Point, Lift  | 20:1        | 237-79             | 1           | O-Ring               |
| 1:4         | 93-6686            | 1           | Decal-Oil, HYD     | 21          | 121-0894           | 3           | Pad-Foam             |
| 1:5         | 93-7814            | 1           | Decal-Danger       | 23          | 131-0640-01        | 1           | Plate-Deflector, RH  |
| 2           | 121-1022           | 1           | Valve-Cutter       | 24          | 322-5              | 4           | Screw-HH             |
| 3           | 321-3              | 4           | Screw-HH           | 25          | 3234-36            | 2           | Screw-HHF            |
| 4           | 115-9793           | 1           | Breather           | 26          | 117-2749           | 2           | Nut-Push             |
| 5           | 115-5745           | 1           | Cartridge-Filter   | 27          | 32144-70           | 4           | Screw-HWHTF          |
| 6           | 105-4886           | 2           | Nut-Tinnerman      | 28          | 1-523420           | 2           | Bumper               |
| 7           | 121-1141-01        | 1           | Bracket-Tank       | 29          | 353-988            | 1           | Plug-Hex             |
| 8           | 3234-47            | 2           | Screw-HHF          | 29:1        | 237-79             | 1           | O-Ring               |
| 9           | 107-3154           | 2           | Nut-Push           | 30          | 32128-33           | 2           | Nut-HF               |
| 11          | 121-4532           | 1           | Cover-Rear         | 32          | 93-9363            | 1           | Decal-Brake, Parking |
| 12          | 121-4562           | 1           | Muffler Cover ASM  | 35          | 131-0748-03        | 1           | Cover                |
| 12:2        | 115-2047           | 2           | Decal-Surface, Hot | 36          | 3256-23            | 4           | Washer-Plain         |
| 13          | 3234-11            | 2           | Screw-HHF          | 37          | 3296-29            | 4           | Nut-Lock, NI         |
| 15          | 56-7976            | 2           | Clamp-Tube         | 38          | 127-9644           | 1           | Bracket-Deflector    |
| 16          | 119-4636           | 1           | Plate-Clamp        | 39          | 130-7571           | 1           | Fitting-Tee          |
| 17          | 69-9760            | 1           | Plate-Cover        | 39:1        | 237-81             | 1           | O-Ring               |

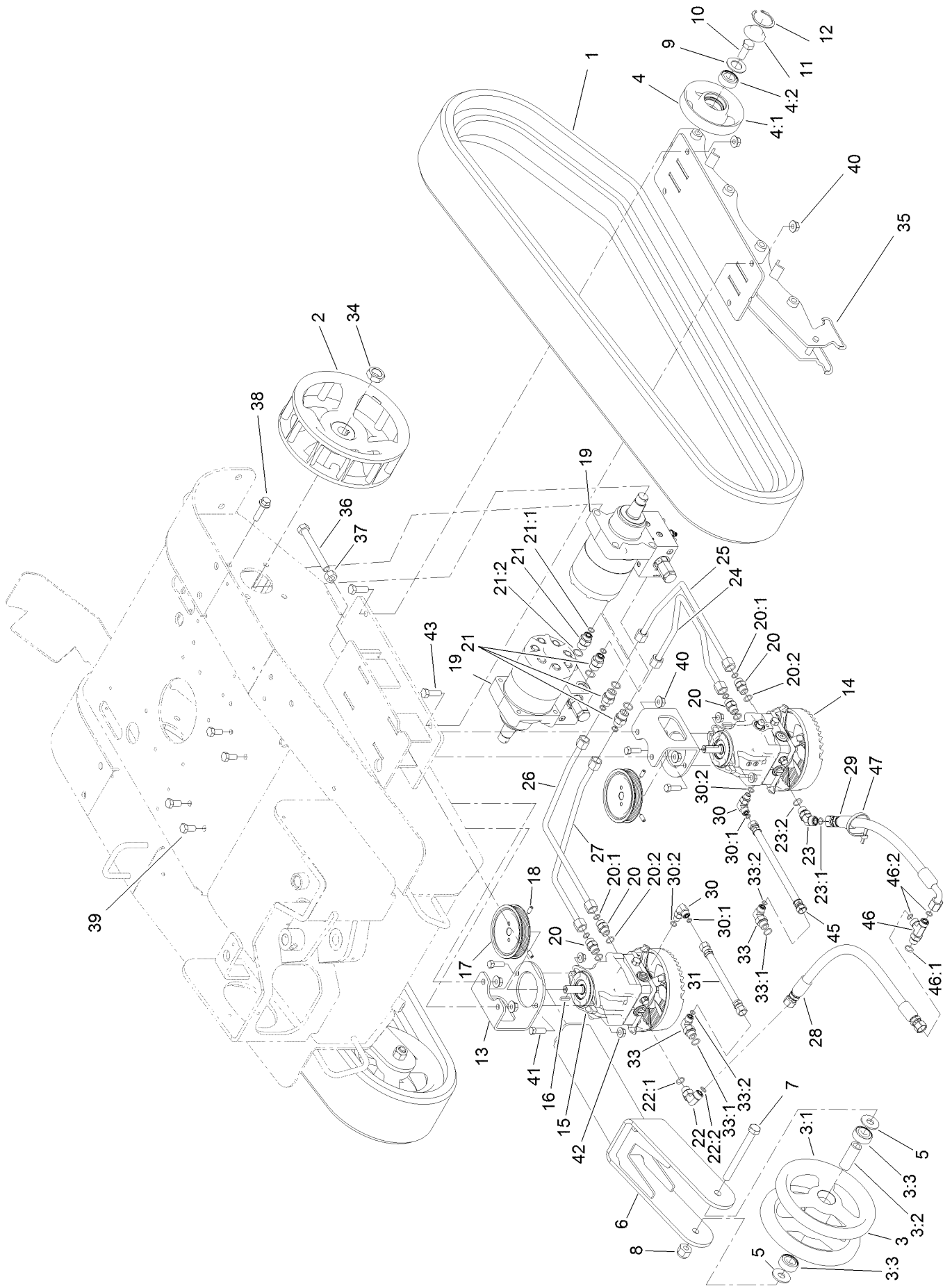
# Cutter Valve Assembly No. 121-1022



## Cutter Valve Assembly No. 121-1022 (continued)

| <i>Ref.</i> | <i>Part Number</i> | <i>Qty.</i> | <i>Description</i>    | <i>Ref.</i> | <i>Part Number</i> | <i>Qty.</i> | <i>Description</i> |
|-------------|--------------------|-------------|-----------------------|-------------|--------------------|-------------|--------------------|
| 3           | 112-9214           | 3           | Plug                  | 8           | 119-4620           | 2           | Valve-Relief       |
| 4           | 112-9213           | 1           | Plug                  | 8:1         | 105-9156           | 1           | Seal Kit           |
| 5           | 121-4561           | 1           | Element-Logic, Vented | 9           | 107-7517           | 1           | Valve-Solenoid     |
| 6           | 105-9153           | 1           | Element-Logic, Vented | 9:1         | 105-9156           | 1           | Seal Kit           |
| 6:1         | 119-2159           | 1           | Seal Kit              | 9:2         | 107-7812           | 1           | Nut-Solenoid       |
| 7           | 105-9157           | 1           | Piston-Pilot          | 10          | 112-0197           | 1           | E Coil-12V DC      |

# Track and Drive Assembly

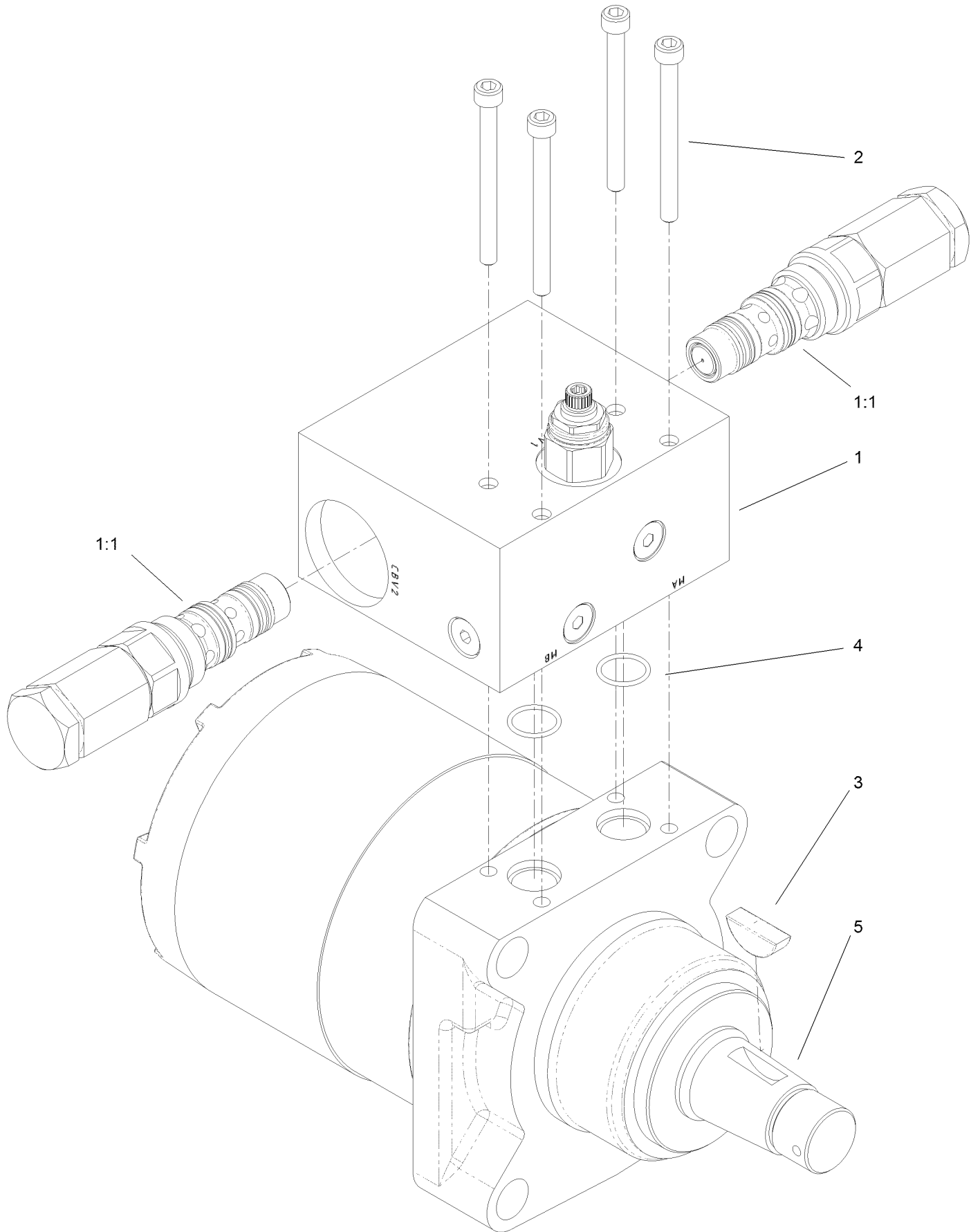




## Track and Drive Assembly (continued)

| <i>Ref.</i> | <i>Part Number</i> | <i>Qty.</i> | <i>Description</i>      | <i>Ref.</i> | <i>Part Number</i> | <i>Qty.</i> | <i>Description</i>    |
|-------------|--------------------|-------------|-------------------------|-------------|--------------------|-------------|-----------------------|
| 1           | 121-1021           | 2           | Track-Rubber            | 22:2        | 237-30             | 1           | O-Ring                |
| 2           | 117-6426-03        | 2           | Wheel-Drive             | 23          | 340-101            | 1           | Fitting-HYD, 45 DEG   |
| 3           | 104-5745           | 2           | Tensioner Wheel ASM     | 23:1        | 237-30             | 1           | O-Ring                |
| 3:1         | 104-5747-03        | 1           | Wheel-Tensioner         | 23:2        | 237-79             | 1           | O-Ring                |
| 3:2         | 98-9835            | 1           | Spacer-Wheel, Tensioner | 24          | 121-1124           | 1           | Tube-HYD              |
| 3:3         | 120-5378           | 2           | Bearing-Ball            | 25          | 121-1125           | 1           | Tube-HYD              |
| 4           | 112-4817           | 16          | Wheel-Tensioner         | 26          | 121-1126           | 1           | Tube-HYD              |
| 4:1         | 114-3014-03        | 1           | Wheel-Track             | 27          | 121-1127           | 1           | Tube-HYD              |
| 4:2         | 120-5378           | 1           | Bearing-Ball            | 28          | 131-0650           | 1           | Hose-HYD              |
| 5           | 3256-7             | 4           | Washer-Flat             | 29          | 131-0614           | 1           | Hose-HYD              |
| 6           | 121-1018-03        | 2           | Arm-Tensioner           | 30          | 340-77             | 2           | Fitting-Elbow, 90 DEG |
| 7           | 327-17             | 2           | Screw-HH                | 30:1        | 237-22             | 1           | O-Ring                |
| 8           | 3296-24            | 2           | Nut-Hex                 | 30:2        | 237-42             | 1           | O-Ring                |
| 9           | 106-7585           | 16          | Gasket-Bogie            | 31          | 94-4712            | 1           | Hose-HYD              |
| 10          | 327-4              | 16          | Screw-HH                | 33          | 340-18             | 2           | Fitting-HYD, 90 DEG   |
| 11          | 106-7557           | 16          | Cap-Wheel, Bearing      | 33:1        | 237-79             | 1           | O-Ring                |
| 12          | 106-7595           | 16          | Ring-Snap, Internal     | 33:2        | 237-22             | 1           | O-Ring                |
| 13          | 115-1289-03        | 2           | Bracket-Mount, Pump     | 34          | 106-8159           | 2           | Nut-Lock              |
| 14          | 121-1953           | 1           | Pump-HYD, LH            | 35          | 121-0883-01        | 2           | Mount-Wheel           |
| 15          | 121-1954           | 1           | Pump-HYD, RH            | 36          | 125-0357           | 2           | Screw-HH, TAP         |
| 16          | 80-6090            | 2           | Key-Pump                | 37          | 3217-11            | 2           | Nut-Hex               |
| 17          | 109-2202           | 2           | Sheave                  | 38          | 3234-27            | 8           | Screw-HHF             |
| 18          | 3246-6             | 4           | Screw-Set, HSH          | 39          | 325-4              | 4           | Screw-HH              |
| 19          | 121-1957           | 2           | HYD Motor ASM           | 40          | 32128-49           | 12          | Nut-HHF               |
| 20          | 340-4              | 4           | Fitting-Straight        | 41          | 324-5              | 4           | Screw-HH              |
| 20:1        | 237-30             | 1           | O-Ring                  | 42          | 32128-42           | 4           | Nut-HF                |
| 20:2        | 237-79             | 1           | O-Ring                  | 43          | 325-6              | 8           | Screw-HH              |
| 21          | 340-6              | 4           | Fitting-Straight        | 45          | 76-9420            | 1           | Hose-HYD              |
| 21:1        | 237-30             | 1           | O-Ring                  | 46          | 340-109            | 1           | Fitting-Tee           |
| 21:2        | 237-80             | 1           | O-Ring                  | 46:1        | 237-79             | 1           | O-Ring                |
| 22          | 340-98             | 1           | Fitting-Elbow, 90 DEG   | 46:2        | 237-30             | 2           | O-Ring                |
| 22:1        | 237-79             | 1           | O-Ring                  | 47          | 3334-945           | 1           | Tie-Cable             |

# Hydraulic Motor Assembly No. 121-1957

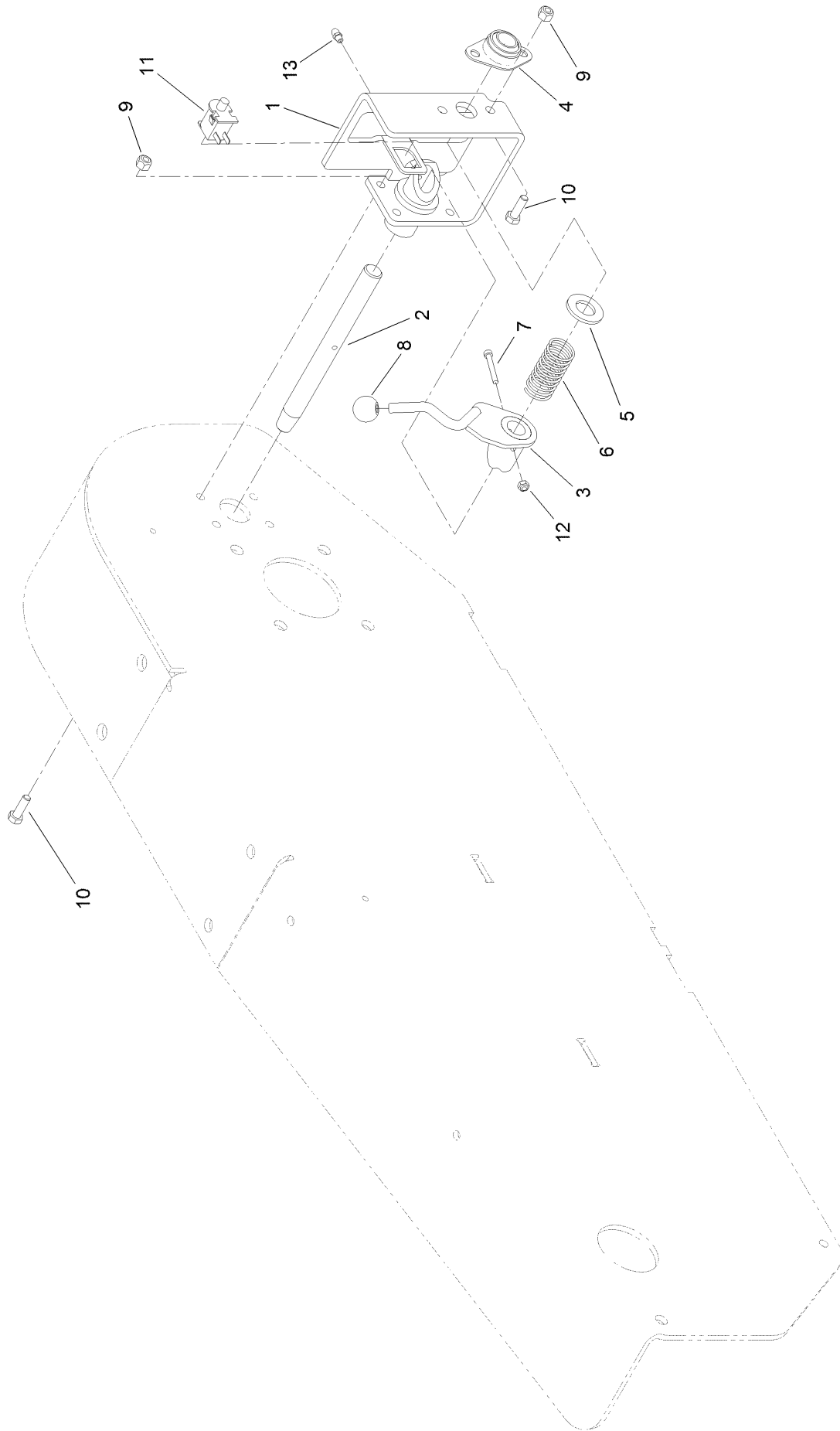


# Hydraulic Motor Assembly No. 121-1957 (continued)

| <i>Ref.</i> | <i>Part Number</i> | <i>Qty.</i> | <i>Description</i>       | <i>Ref.</i> | <i>Part Number</i> | <i>Qty.</i> | <i>Description</i> |
|-------------|--------------------|-------------|--------------------------|-------------|--------------------|-------------|--------------------|
| 1           | 121-4464           | 1           | Counterbalance Valve ASM | 4           | 120-0691           | 2           | O-Ring             |
| 1:1         | 121-4463           | 2           | Cartridge-CB             | 5           | 76-0860            | 1           | Shaft-Coupling     |
| 2           | 119-4611           | 4           | Bolt-HSH                 | 6           | 100-6131           | 1           | Seal Kit ●         |
| 3           | 3257-42            | 1           | Key-Woodruff             |             |                    |             |                    |

● Not illustrated

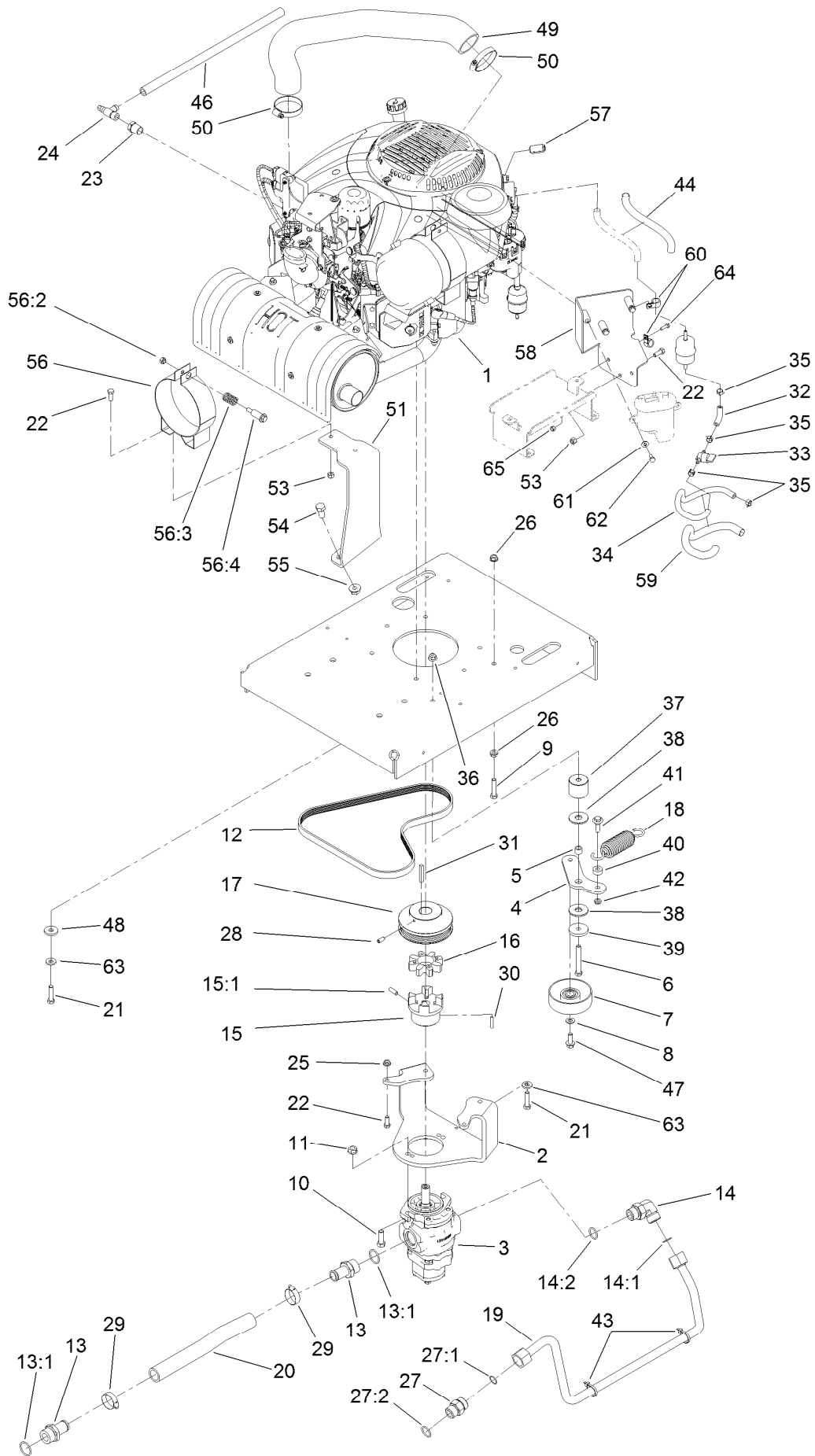
# Parking Brake Assembly



## Parking Brake Assembly (continued)

| <i>Ref.</i> | <i>Part Number</i> | <i>Qty.</i> | <i>Description</i> | <i>Ref.</i> | <i>Part Number</i> | <i>Qty.</i> | <i>Description</i> |
|-------------|--------------------|-------------|--------------------|-------------|--------------------|-------------|--------------------|
| 1           | 125-0259-03        | 1           | Bracket-Brake      | 8           | 233-69             | 1           | Knob               |
| 2           | 121-4352           | 1           | Shaft-Brake        | 9           | 3296-29            | 6           | Nut-Lock, NI       |
| 3           | 121-4356-03        | 1           | Handle-Brake       | 10          | 322-5              | 6           | Screw-HH           |
| 4           | 27-2320            | 1           | Bearing            | 11          | 740275             | 1           | Switch             |
| 5           | 3256-28            | 1           | Washer-Flat        | 12          | 3296-2             | 1           | Nut-Lock, NI       |
| 6           | 125-0344           | 1           | Spring-Compression | 13          | 302-5              | 1           | Fitting-Grease     |
| 7           | 3274-59            | 1           | Screw-HSH          |             |                    |             |                    |

# Engine Assembly



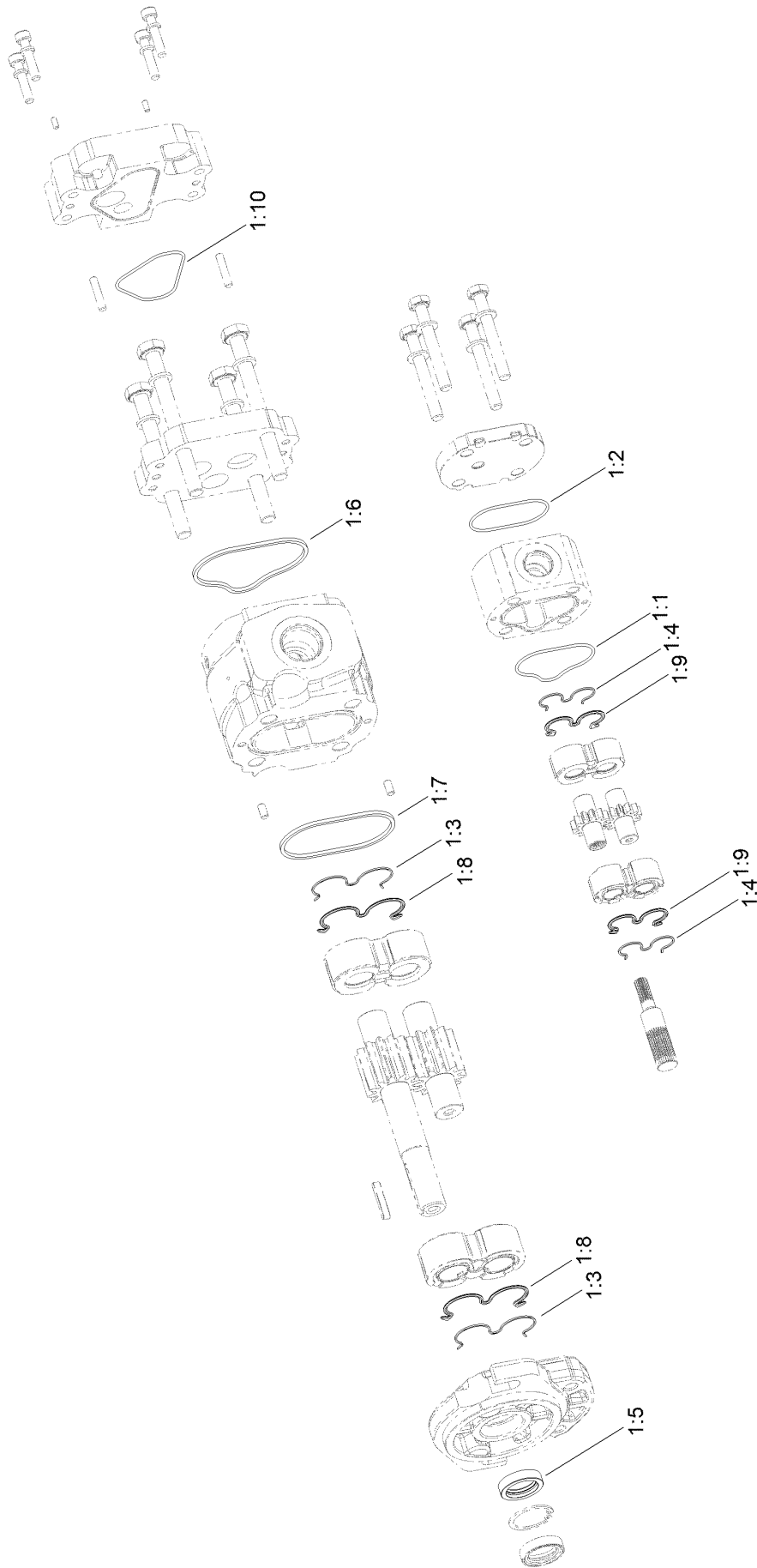
## Engine Assembly (continued)

| <i>Ref.</i> | <i>Part Number</i> | <i>Qty.</i> | <i>Description</i>     | <i>Ref.</i> | <i>Part Number</i> | <i>Qty.</i> | <i>Description</i>         |
|-------------|--------------------|-------------|------------------------|-------------|--------------------|-------------|----------------------------|
| 1           |                    | 1           | Engine-Kohler Cv224 ●■ | 31          | 608006             | 1           | Key-Square                 |
| 2           | 131-0743-01        | 1           | Plate-Mount, Pump      | 32          | 99-9415            | 1           | Hose-Fuel                  |
| 3           | 121-1952           | 1           | Gear Pump ASM          | 33          | 1-603770           | 1           | Valve-Fuel                 |
| 4           | 125-0252           | 1           | Arm-Idler              | 34          | 109-0298           | 1           | Line-Fuel                  |
| 5           | 1-413088           | 1           | Bushing-Lever, Lift    | 35          | 2412-98            | 4           | Clamp-Hose                 |
| 6           | 323-14             | 1           | Screw-HH               | 36          | 104-8301           | 1           | Nut-HF, NI                 |
| 7           | 95-8802            | 1           | Pulley-Idler           | 37          | 125-0251           | 1           | Spacer-Idler               |
| 8           | 3256-24            | 1           | Washer-Plain           | 38          | 114-0463           | 2           | Washer-Friction, Composite |
| 9           | 323-9              | 1           | Screw-HH               | 39          | 110-9981           | 1           | Washer-Plain               |
| 10          | 324-5              | 2           | Screw-HH               | 40          | 104-8426           | 1           | Spacer                     |
| 11          | 32128-37           | 2           | Nut-HF                 | 41          | 614672             | 1           | Screw-Shoulder, HWH        |
| 12          | 121-4326           | 1           | Belt-V                 | 42          | 3296-59            | 1           | Nut-Lock, NI               |
| 13          | 354-78             | 2           | Fitting-STR            | 43          | 3290-379           | 2           | Tie-Cable                  |
| 13:1        | 237-146            | 1           | O-Ring                 | 44          | 131-0736           | 1           | Sleeve-Thermal             |
| 14          | 340-142            | 1           | Fitting-Elbow, 90 DEG  | 46          | 98-4667            | 1           | Hose                       |
| 14:1        | 237-58             | 1           | O-Ring                 | 47          | 3234-11            | 1           | Screw-HHF                  |
| 14:2        | 237-81             | 1           | O-Ring                 | 48          | 1-373034           | 2           | Washer                     |
| 15          | 121-4330           | 1           | Hub-Coupler            | 49          | 131-0616           | 1           | Hose-Intake, Air           |
| 15:1        | 100-7594           | 1           | Screw-Set              | 50          | 2412-42            | 2           | Clamp-Hose                 |
| 16          | 104-3542           | 1           | Spider                 | 51          | 131-0730-01        | 1           | Plate-Mount, Filter        |
| 17          | 121-1028           | 1           | Pulley-Engine          | 53          | 3296-29            | 4           | Nut-Lock, NI               |
| 18          | 121-4523           | 1           | Spring-Extension       | 54          | 325-4              | 2           | Screw-HH                   |
| 19          | 121-1128           | 1           | Tube-HYD               | 55          | 32128-49           | 2           | Nut-HHF                    |
| 20          | 121-4340           | 1           | Hose-Suction           | 56          | 100-4825           | 1           | Band-Mounting, Air Cleaner |
| 21          | 323-8              | 4           | Screw-HH               | 56:2        | 94-3653            | 1           | Bolt                       |
| 22          | 322-4              | 6           | Screw-HH               | 56:3        | 94-3654            | 1           | Spring                     |
| 23          | 103-1390           | 1           | Bushing                | 56:4        | 48-9510            | 1           | *obs* Nut                  |
| 24          | 103-1965           | 1           | Valve-Drain, Oil       | 57          | 112-1540           | 1           | Ferrite-Snap On            |
| 25          | 32128-20           | 2           | Nut-HF                 | 58          | 131-0728-01        | 1           | Bracket-Pump, Fuel         |
| 26          | 3290-357           | 2           | Nut-HSF                | 59          | 131-0575           | 1           | Sleeve-Thermal             |
| 27          | 340-9              | 1           | Fitting-STR            | 60          | 2412-87            | 2           | Clamp-Cable                |
| 27:1        | 237-58             | 1           | O-Ring                 | 61          | 3256-22            | 3           | Washer-Flat                |
| 27:2        | 237-81             | 1           | O-Ring                 | 62          | 321-3              | 3           | Screw-HH                   |
| 28          | 3246-6             | 2           | Screw-Set, HSH         | 63          | 98-5975            | 4           | Washer-Belleville          |
| 29          | 2412-34            | 2           | Clamp-Hose             | 64          | 321-5              | 1           | Screw-HH                   |
| 30          | 27-8590            | 1           | Key-Square             | 65          | 3296-42            | 1           | Nut-Lock, NI               |

● Not serviced separately

■ Obtain parts from [www.kohlerplus.com](http://www.kohlerplus.com)

# Hydraulic Gear Pump Assembly No. 121-1952



1 = ITEMS 1:1 - 1:10

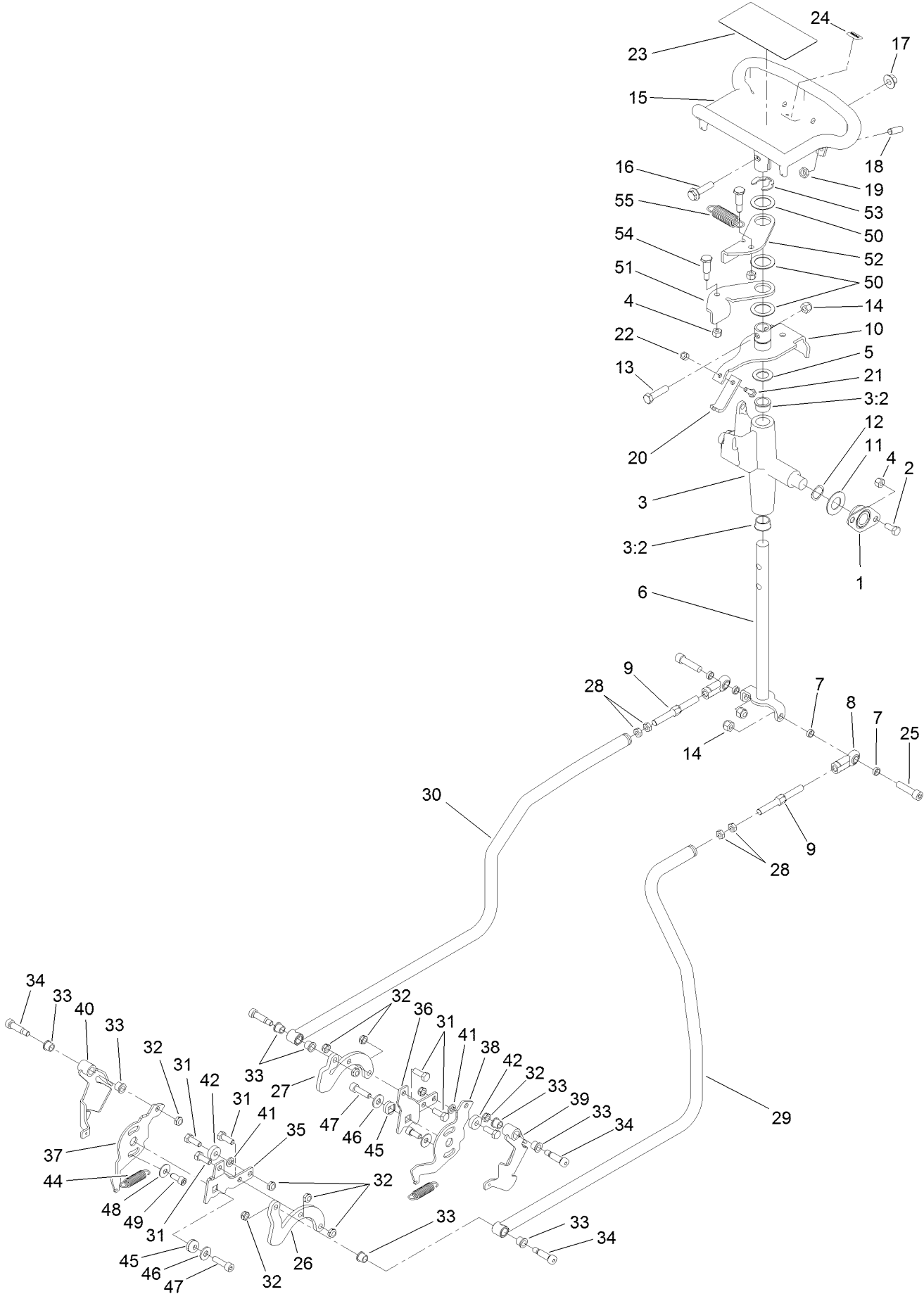


# Hydraulic Gear Pump Assembly No. 121-1952 (continued)

| <i>Ref.</i> | <i>Part Number</i> | <i>Qty.</i> | <i>Description</i> | <i>Ref.</i> | <i>Part Number</i> | <i>Qty.</i> | <i>Description</i> |
|-------------|--------------------|-------------|--------------------|-------------|--------------------|-------------|--------------------|
| 1           | 147-1924           | 1           | Seal Kit           | 1:6         |                    | 1           | Seal ●             |
| 1:1         |                    | 1           | O-Ring ●           | 1:7         |                    | 1           | Standard Seal ●    |
| 1:2         |                    | 1           | O-Ring Seal ●      | 1:8         |                    | 2           | Seal ●             |
| 1:3         |                    | 2           | Anti-Extrusion ●   | 1:9         |                    | 2           | Seal ●             |
| 1:4         |                    | 2           | Anti-Extrusion ●   | 1:10        |                    | 1           | O-Ring Seal ●      |
| 1:5         |                    | 2           | Shaft Seal ●       |             |                    |             |                    |

● Not serviced separately

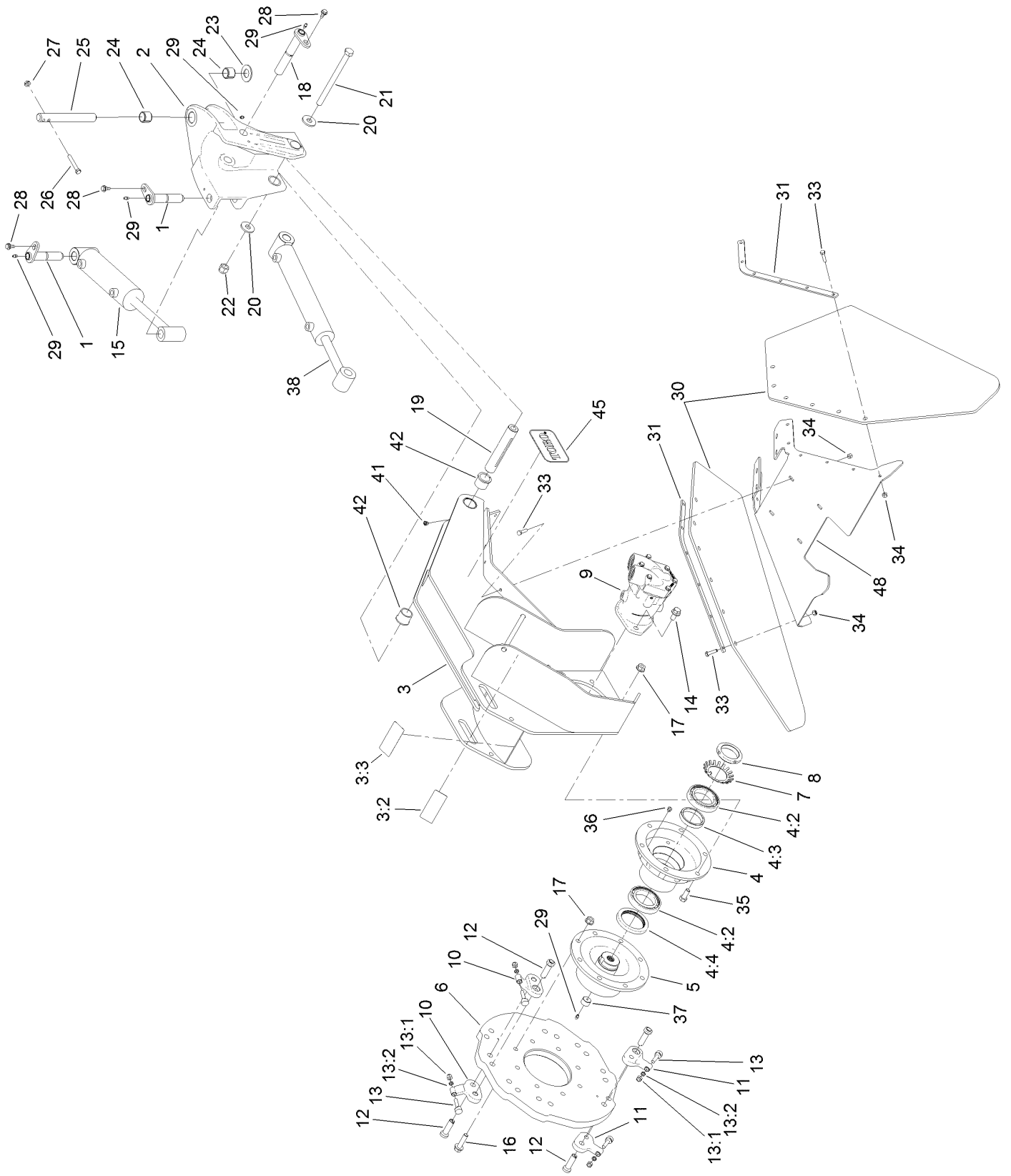
# Control Assembly



## Control Assembly (continued)

| <i>Ref.</i> | <i>Part Number</i> | <i>Qty.</i> | <i>Description</i>       | <i>Ref.</i> | <i>Part Number</i> | <i>Qty.</i> | <i>Description</i>    |
|-------------|--------------------|-------------|--------------------------|-------------|--------------------|-------------|-----------------------|
| 1           | 27-2320            | 2           | Bearing                  | 28          | 3220-3             | 4           | Nut-HJ                |
| 2           | 322-3              | 4           | Screw-HH                 | 29          | 121-4513           | 1           | Rod-Control, LH       |
| 3           | 106-5737           | 1           | Control Support ASM      | 30          | 121-4514           | 1           | Rod-Control, RH       |
| 3:2         | 256-252            | 2           | Bearing-Flange           | 31          | 322-4              | 6           | Screw-HH              |
| 4           | 3296-29            | 6           | Nut-Lock, NI             | 32          | 3296-47            | 10          | Nut-Lock,NI           |
| 5           | 257-8              | 1           | Washer-Thrust            | 33          | 256-116            | 8           | Bushing-Flange        |
| 6           | 117-6335           | 1           | Rod-Drive                | 34          | 114-8629           | 4           | Bolt-Shldr            |
| 7           | 108-0634           | 4           | Spacer-Plate, Retaining  | 35          | 115-6628           | 1           | Plate-Arm, Return, LH |
| 8           | 103-1167           | 2           | Joint-Ball End, LH       | 36          | 115-6536           | 1           | Plate-Arm, Return     |
| 9           | 121-4506           | 2           | Link-Control, Adjustment | 37          | 115-6549           | 1           | Plate-Base, LH        |
| 10          | 112-2783           | 1           | Lever-Pivot              | 38          | 115-6535           | 1           | Plate-Base, RH        |
| 11          | 3256-39            | 2           | Washer-Flat              | 39          | 115-6636           | 1           | Pivot-RH              |
| 12          | 95-3703            | 2           | Washer-Spring, Wave      | 40          | 115-6637           | 1           | Pivot-LH              |
| 13          | 323-8              | 1           | Screw-HH                 | 41          | 3253-4             | 2           | Washer-Lock           |
| 14          | 3296-39            | 3           | Nut-Lock, NI             | 42          | 251-259            | 2           | Bearing-Ball          |
| 15          | 120-5380-03        | 1           | Handle-Control           | 44          | 121-4409           | 2           | Spring-Extension      |
| 16          | 3234-18            | 1           | Screw-HHF                | 45          | 117-6429           | 2           | Lock-Trunion          |
| 17          | 32128-43           | 1           | Nut-Flange               | 46          | 3256-3             | 2           | Washer-Flat           |
| 18          | 3247-6             | 2           | Screw-Set                | 47          | 94-3559            | 2           | Screw-HSH             |
| 19          | 3218-3             | 2           | Nut-Jam                  | 48          | 3290-456           | 2           | Washer-Belleville     |
| 20          | 115-1204           | 1           | Plate-Neutral            | 49          | 3273-14            | 2           | Screw-HSH             |
| 21          | 321-4              | 1           | Screw-HH                 | 50          | 108-9743           | 3           | Washer-Plain          |
| 22          | 3296-42            | 1           | Nut-Lock, NI             | 51          | 98-8407            | 1           | Lever-Return, RH      |
| 23          | 115-4020           | 1           | Decal-Traction           | 52          | 98-8408            | 1           | Lever-Return, LH      |
| 24          | 98-1459            | 1           | Decal                    | 53          | 32151-91           | 1           | Ring-Retaining        |
| 25          | 3274-2             | 2           | Screw-HSH                | 54          | 63-2650            | 2           | Screw-Shoulder        |
| 26          | 121-1123           | 1           | Plate-Control, LH        | 55          | 108-4724           | 1           | Spring-Extension      |
| 27          | 121-1122           | 1           | Plate-Control, RH        |             |                    |             |                       |

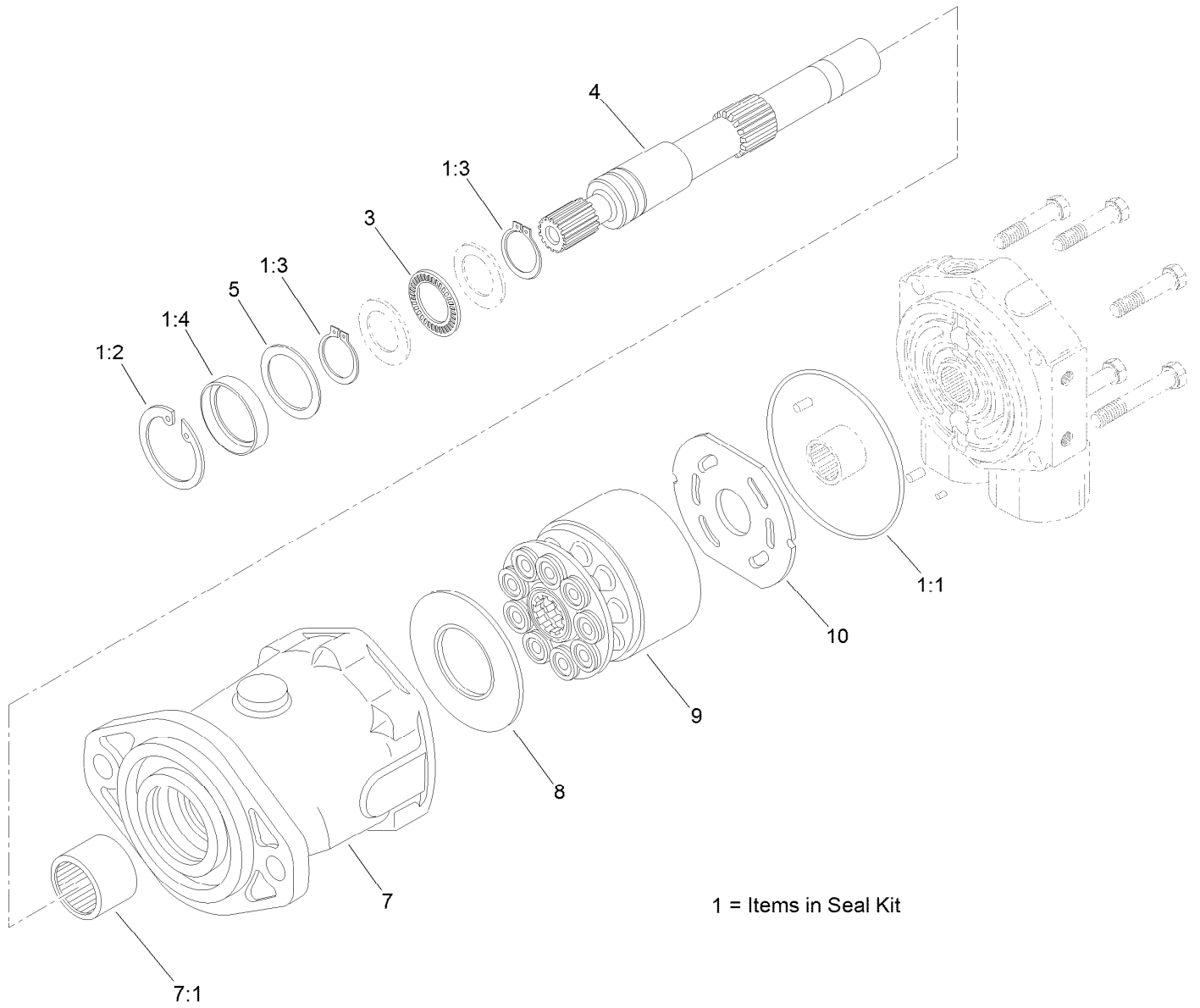
# Grinder Head Assembly



## Grinder Head Assembly (continued)

| <i>Ref.</i> | <i>Part Number</i> | <i>Qty.</i> | <i>Description</i>           | <i>Ref.</i> | <i>Part Number</i> | <i>Qty.</i> | <i>Description</i>   |
|-------------|--------------------|-------------|------------------------------|-------------|--------------------|-------------|----------------------|
| 1           | 121-1113           | 2           | Pin-Pivot                    | 18          | 121-0860           | 2           | Pin-Pivot            |
| 2           | 121-4565-01        | 1           | Head-Pivot                   | 19          | 121-4571           | 1           | Spacer-Pivot         |
| 3           | 121-4575           | 1           | Grinder Head ASM             | 20          | 104-9216           | 2           | Washer-Hardened      |
| 3:2         | 93-7321            | 2           | Decal-Danger                 | 21          | 117-6327           | 1           | Bolt-HH              |
| 3:3         | 107-9366           | 1           | Decal-Warning                | 22          | 3296-53            | 1           | Nut-Lock, NI         |
| 4           | 121-4458           | 1           | Wheel Bearing Housing<br>ASM | 23          | 256-121            | 1           | Washer-Thrust        |
| 4:2         | 121-4378           | 2           | Bearing-Ball                 | 24          | 98-4871            | 2           | Bushing-Tension      |
| 4:3         | 121-0872           | 1           | Spacer-Bearing               | 25          | 121-1112           | 1           | Pin-Pivot, Grinder   |
| 4:4         | 121-4379           | 1           | Seal-Grease                  | 26          | 323-47             | 1           | Screw-HH             |
| 5           | 121-4337           | 1           | Shaft-Cutter                 | 27          | 3290-357           | 1           | Nut-HSF              |
| 6           | 121-1012-03        | 1           | Plate-Wheel, Cutter          | 28          | 99-5105            | 4           | Screw-Shoulder       |
| 7           | 104-5915           | 1           | Washer-Lock, Bearing         | 29          | 302-5              | 6           | Fitting-Grease       |
| 8           | 104-1973           | 1           | Nut-Lock, Bearing            | 30          | 121-4557           | 2           | Shield-Chip          |
| 9           | 121-4325           | 1           | HYD Motor ASM                | 31          | 121-4558-03        | 2           | Plate-Clamp, Chip    |
| 10          | 115-9384           | 12          | Pocket-Angled                | 33          | 322-6              | 20          | Screw-HH             |
| 11          | 115-9388           | 4           | Pocket-Straight              | 34          | 3296-29            | 20          | Nut-Lock, NI         |
| 12          | 121-4318           | 16          | Bolt-HSH                     | 35          | 325-5              | 6           | Screw-HH             |
| 13          | 115-9385           | 16          | Grinder Tooth ASM            | 36          | 302-34             | 1           | Fitting-Lube         |
| 13:1        | 3296-39            | 1           | Nut-Lock, NI                 | 37          | 121-0875           | 1           | Plug-Shaft, Cutter   |
| 13:2        | 121-4365           | 1           | Spacer-Tooth                 | 38          | 121-1955           | 1           | HYD Cylinder ASM     |
| 14          | 3234-6             | 2           | Screw-HHF                    | 41          | 302-11             | 1           | Fitting-Lube, 45 DEG |
| 15          | 121-1956           | 1           | HYD Cylinder ASM             | 42          | 104-0015           | 2           | Bushing-Flange       |
| 16          | 3234-27            | 8           | Screw-HHF                    | 45          | 104-3989           | 2           | Decal                |
| 17          | 32128-49           | 14          | Nut-HHF                      | 48          | 130-7583-03        | 1           | Plate-Mount, Guard   |

# Hydraulic Motor Assembly No. 121-4325

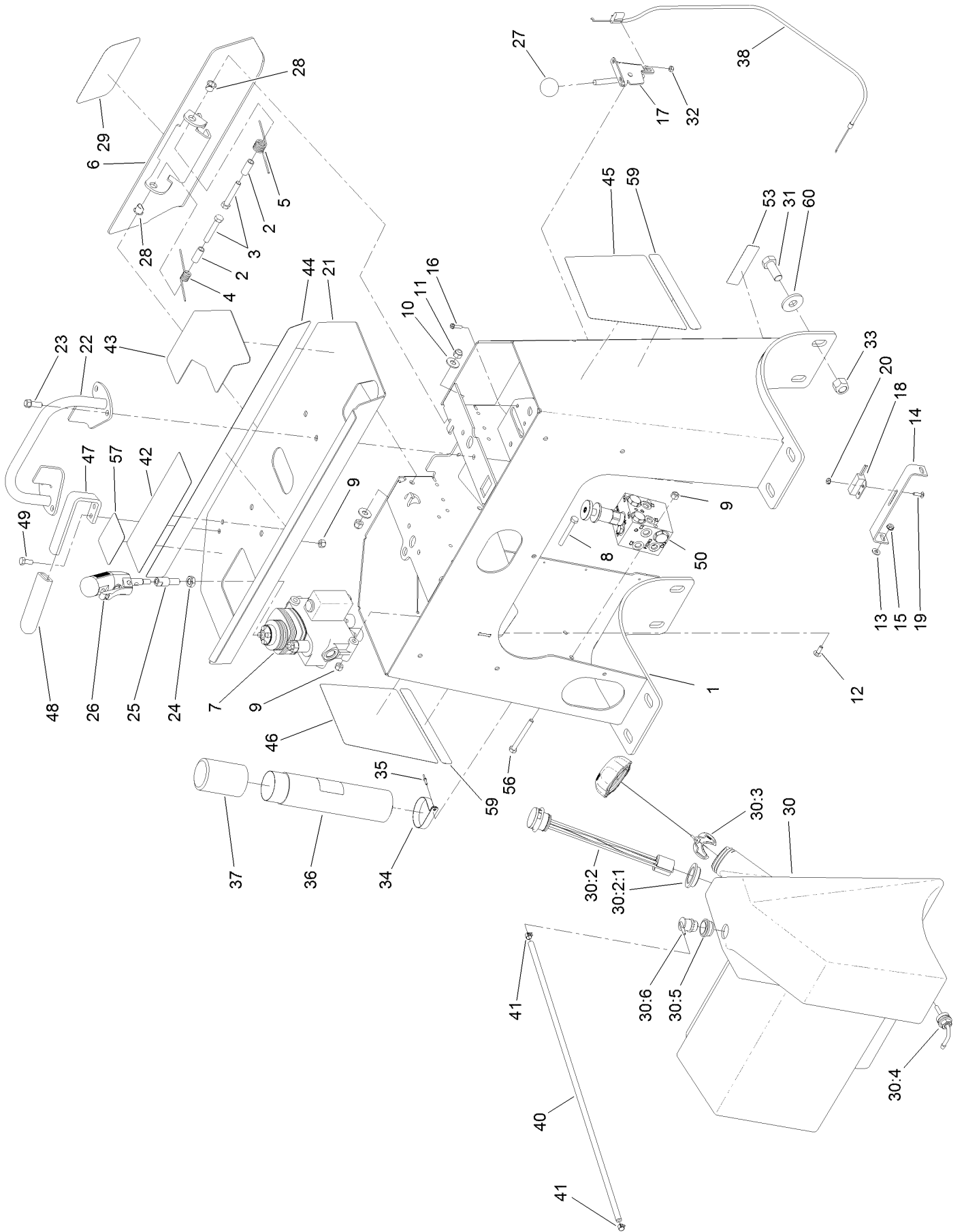


# Hydraulic Motor Assembly No. 121-4325 (continued)

| <i>Ref.</i> | <i>Part Number</i> | <i>Qty.</i> | <i>Description</i> | <i>Ref.</i> | <i>Part Number</i> | <i>Qty.</i> | <i>Description</i> |
|-------------|--------------------|-------------|--------------------|-------------|--------------------|-------------|--------------------|
| 1           | 106-6876           | 1           | Seal Kit           | 5           | 60-6240            | 1           | Washer             |
| 1:1         |                    | 1           | O-Ring ●           | 7           | 105-2852           | 1           | Housing ASM        |
| 1:2         | 76-7010            | 1           | Ring-Retaining     | 7:1         |                    | 1           | Bearing-Needle ●   |
| 1:3         | 76-7000            | 2           | Ring-Retaining     | 8           | 76-6970            | 1           | Insert-Plate, Cam  |
| 1:4         |                    | 1           | Seal-Shaft ●       | 9           | 106-6875           | 1           | Rotating Kit       |
| 3           | 76-6960            | 1           | Bearing-Thrust     | 10          | 94-3003            | 1           | Plate-Valve        |
| 4           | 106-6874           | 1           | Shaft-Drive        |             |                    |             |                    |

● Not serviced separately

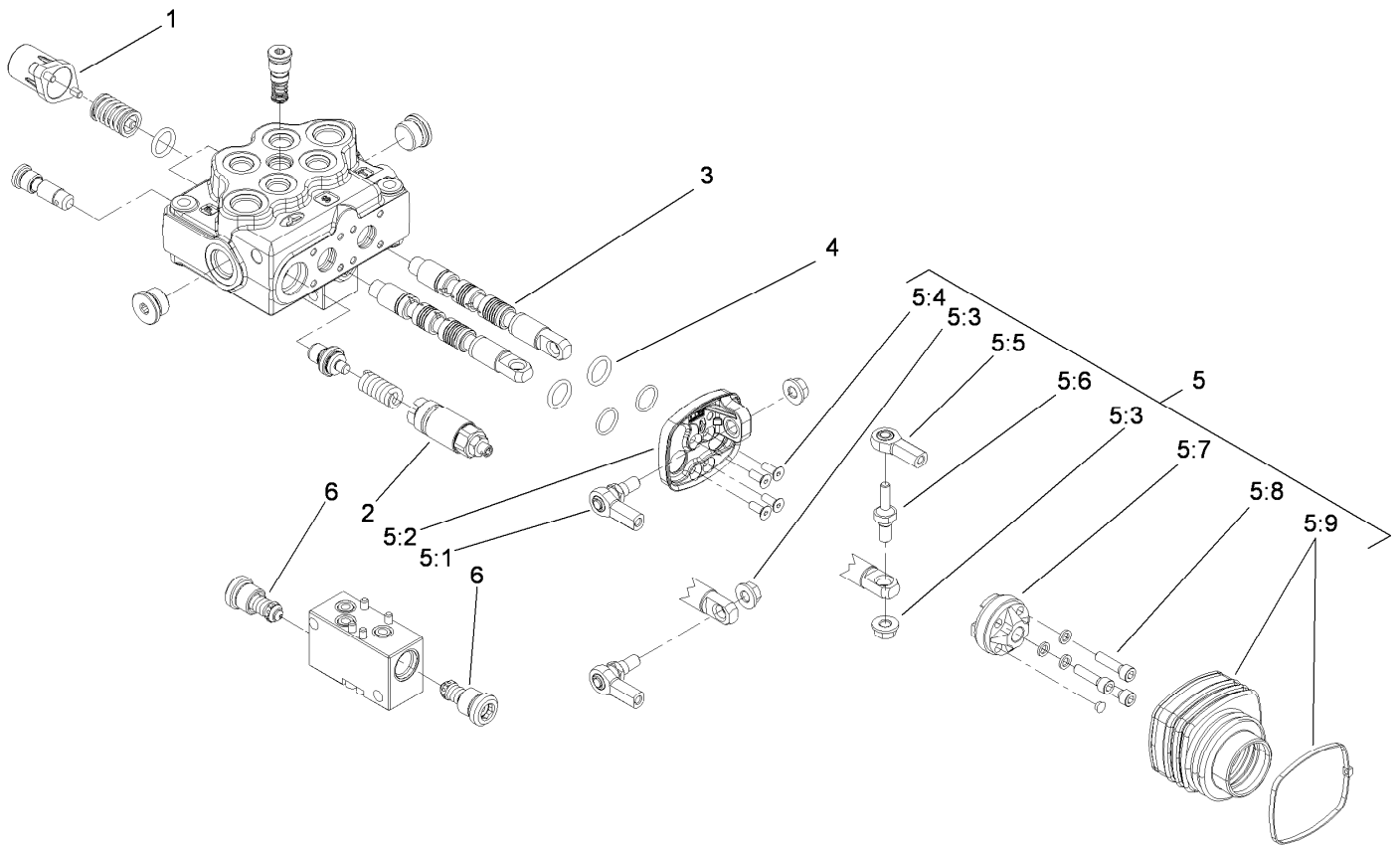
# Tower and Fuel Tank Assembly





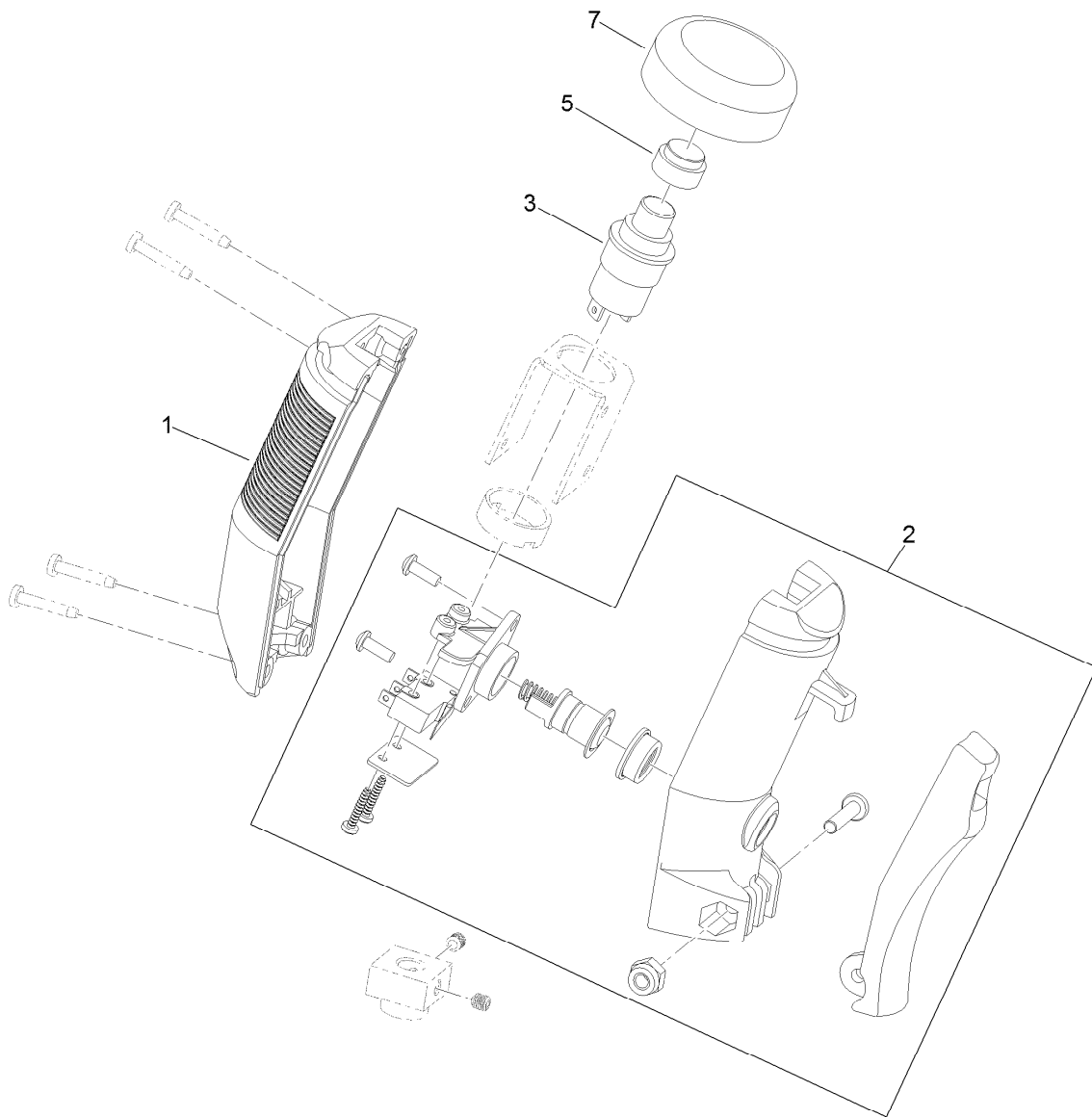
## Tower and Fuel Tank Assembly (continued)

| <i>Ref.</i> | <i>Part Number</i> | <i>Qty.</i> | <i>Description</i>            | <i>Ref.</i> | <i>Part Number</i> | <i>Qty.</i> | <i>Description</i>     |
|-------------|--------------------|-------------|-------------------------------|-------------|--------------------|-------------|------------------------|
| 1           | 121-4568-01        | 1           | Tower                         | 30:2        | 117-8362           | 1           | Guage-Fuel             |
| 2           | 114-1337           | 2           | Spacer-Spring                 | 30:2:1      | 117-8403           | 1           | Seal                   |
| 3           | 323-11             | 2           | Screw-HH                      | 30:3        | 115-7788           | 1           | Cap-Fuel               |
| 4           | 98-8425            | 1           | Spring-Torsion, LH            | 30:4        | 103-2605           | 1           | Fitting-Fuel, Bulkhead |
| 5           | 98-8424            | 1           | Spring-Torsion, RH            | 30:5        | 114-0284           | 1           | Grommet                |
| 6           | 121-1110-03        | 1           | Plate-Backup                  | 30:6        | 114-0285           | 1           | Valve-Rollover         |
| 7           | 119-4585           | 1           | HYD Valve ASM                 | 31          | 327-4              | 8           | Screw-HH               |
| 8           | 322-12             | 3           | Screw-HH                      | 32          | 3296-2             | 2           | Nut-Lock, NI           |
| 9           | 3296-29            | 7           | Nut-Lock, NI                  | 33          | 3296-53            | 8           | Nut-Lock, NI           |
| 10          | 3256-4             | 2           | Washer-Flat                   | 34          | 2412-120           | 2           | Clamp-R                |
| 11          | 3296-39            | 2           | Nut-Lock, NI                  | 35          | 3269-17            | 2           | Rivet-Pop              |
| 12          | 3229-1             | 2           | Screw-CARR                    | 36          | 104-7050           | 1           | Tube-Manual            |
| 13          | 3256-22            | 2           | Washer-Flat                   | 37          | 104-7048           | 1           | Cap-Housing            |
| 14          | 100-1263           | 1           | Plate-Switch                  | 38          | 115-1211           | 1           | Cable-Control          |
| 15          | 32149-2            | 2           | Nut-Keps                      | 40          | 110-3254           | 1           | Hose-Fuel              |
| 16          | 32105-13           | 2           | Screw-HWH                     | 41          | 2412-80            | 2           | Clamp-Hose             |
| 17          | 108-9730           | 1           | Lever-Control                 | 42          | 119-4606           | 1           | Decal-Warning          |
| 18          | 100-1270           | 1           | Switch-Proximity              | 43          | 130-7580           | 1           | Decal-Console, LH      |
| 19          | 3229-20            | 2           | Screw-CARR                    | 44          | 121-4382           | 1           | Decal-Console, RH      |
| 20          | 32149-7            | 2           | Nut-Keps                      | 45          | 130-7575           | 1           | Decal-Logo,LH          |
| 21          | 131-0649           | 1           | Panel-Control                 | 46          | 130-7576           | 1           | Decal-Logo,RH          |
| 22          | 106-7715           | 1           | Bar-Reference                 | 47          | 125-3570-03        | 1           | Bar-Arm Rest           |
| 23          | 95-1726            | 4           | Screw-Taptite                 | 48          | 1-633268           | 1           | Grip-Lever             |
| 24          | 51-2070            | 1           | Nut                           | 49          | 322-3              | 2           | Screw-HH               |
| 25          | 119-5103           | 1           | Adapter-Handle                | 50          | 121-4466           | 1           | Sweep Manifold ASM     |
| 26          | 119-4587           | 1           | Two Button Handle Grip<br>ASM | 53          | 117-2718           | 1           | Decal-Arrester, Spark  |
| 27          | 233-42             | 2           | Knob                          | 56          | 322-14             | 2           | Screw-HH               |
| 28          | 256-257            | 2           | Bushing-Nyliner               | 57          | 121-4402           | 1           | Decal-Joystick         |
| 29          | 105-1217           | 1           | Decal                         | 59          | 130-7577           | 2           | Decal-Intellisweep     |
| 30          | 121-4350           | 1           | Fuel Tank ASM                 | 60          | 104-9216           | 8           | Washer-Hardened        |



## Control Valve Assembly No. 119-4585

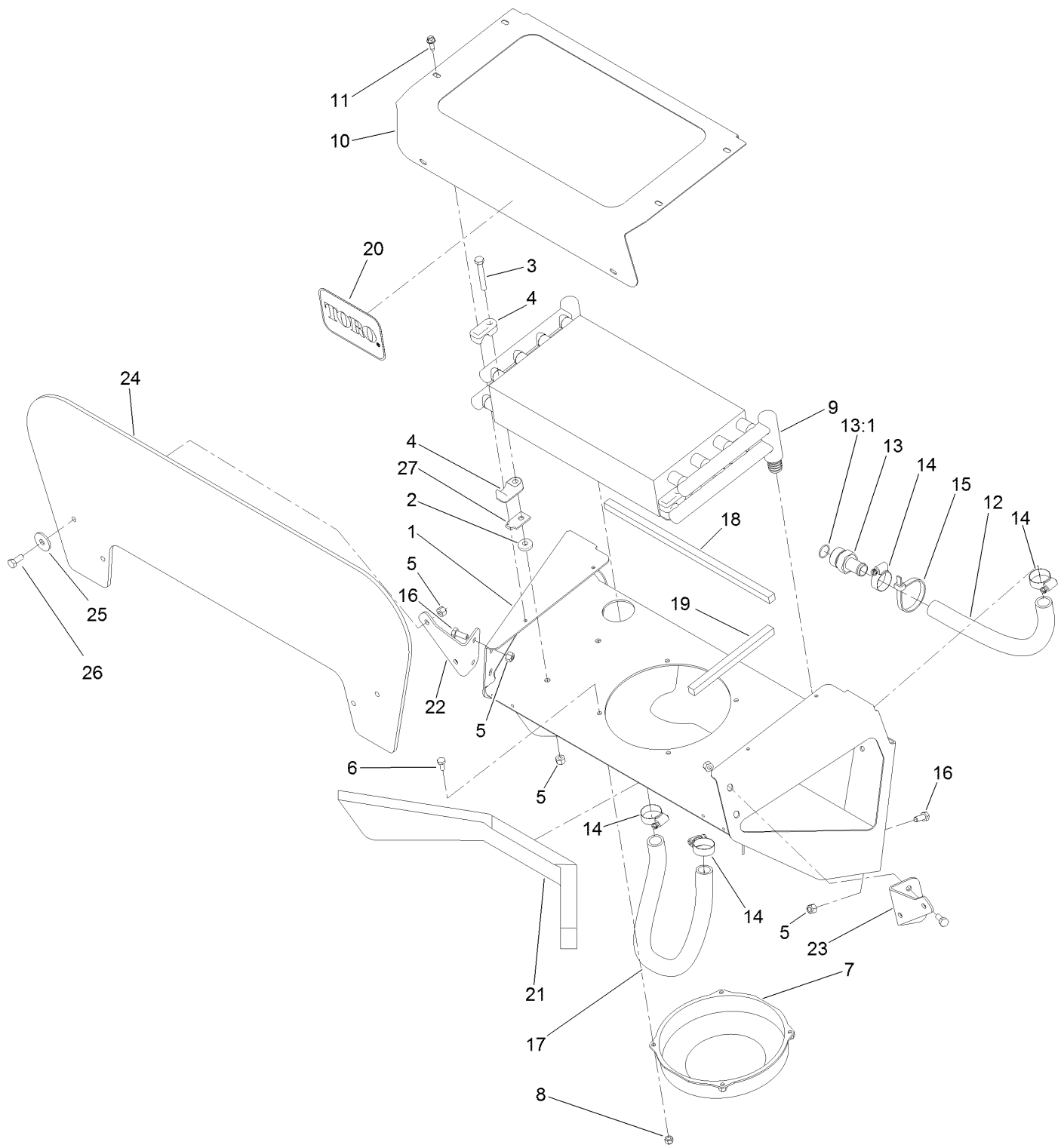
| Ref. | Part Number | Qty. | Description           |
|------|-------------|------|-----------------------|
| 1    | 100-8801    | 2    | High Force Spring Kit |
| 2    | 100-8805    | 1    | Valve-Relief          |
| 3    | 114-8625    | 2    | Valve-Spool           |
| 4    | 106-7719    | 4    | Seal-Valve            |
| 5    | 119-4622    | 1    | Joystick Kit          |
| 5:1  | 119-4623    | 2    | Joint-Joystick        |
| 5:2  | 119-4624    | 1    | Base-Joystick         |
| 5:3  | 117-1350    | 3    | Nut-HF, Lock          |
| 5:4  | 119-4625    | 4    | Screw-Joystick        |
| 5:5  | 119-4626    | 1    | Joint-Joystick        |
| 5:6  | 119-4627    | 1    | Pin-Spool             |
| 5:7  | 119-4628    | 1    | Holder-Joystick       |
| 5:8  | 3273-42     | 3    | Screw-HSH             |
| 5:9  | 119-4629    | 1    | Boot-Joystick         |
| 6    | 119-4630    | 2    | Valve Kit             |



## Two-Button Handle Grip Assembly No. 119-4587

| <i>Ref.</i> | <i>Part Number</i> | <i>Qty.</i> | <i>Description</i> |
|-------------|--------------------|-------------|--------------------|
| 1           | 119-4637           | 1           | Halve-Handle       |
| 2           | 132-8660           | 1           | Swich Kit          |
| 3           | 119-4640           | 1           | Button-Push, Top   |
| 5           | 119-4642           | 1           | Button-Actuator    |
| 7           | 119-4641           | 1           | Boot-Button        |

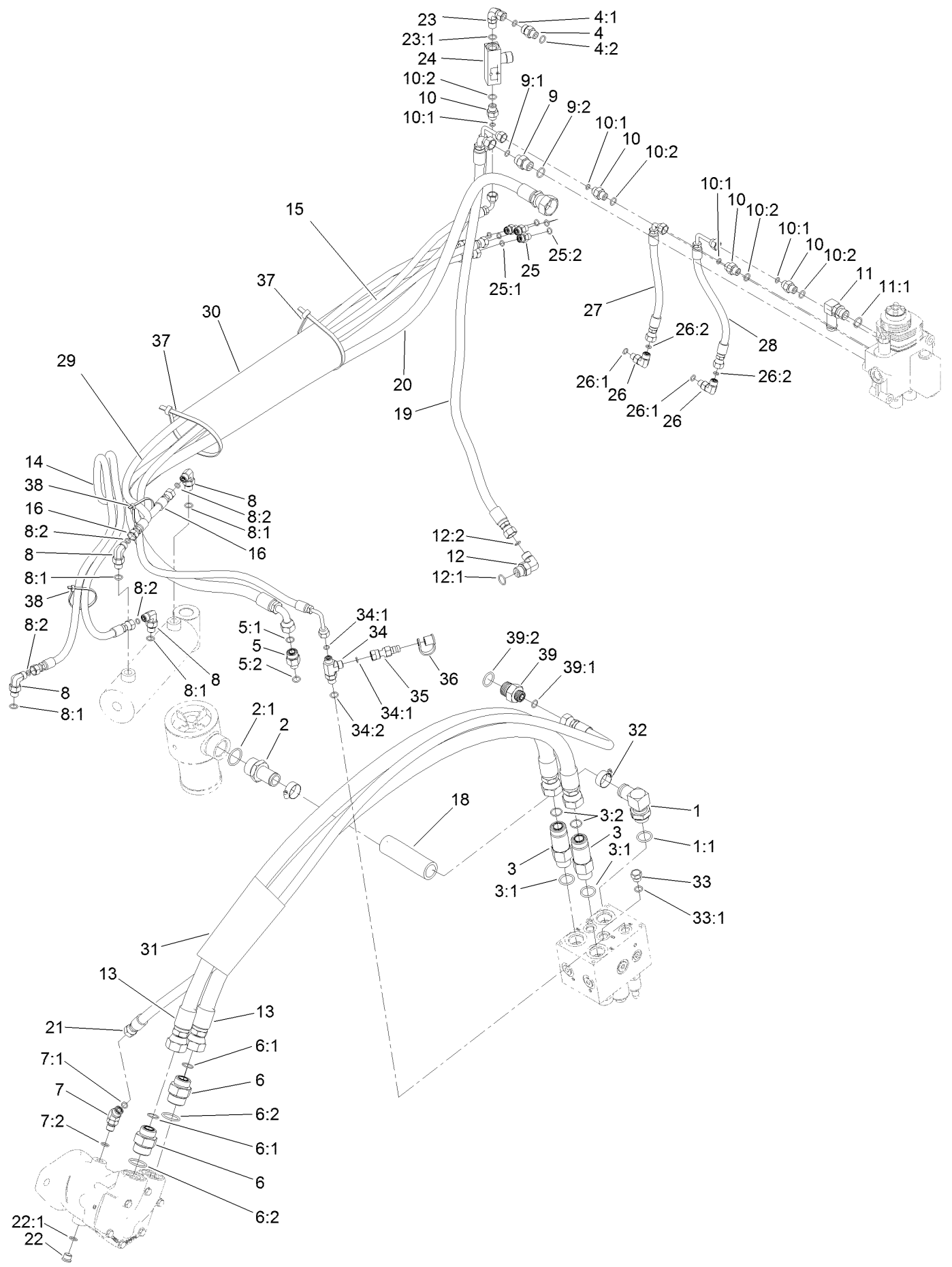
# Cooler Assembly



## Cooler Assembly (continued)

| <i>Ref.</i> | <i>Part Number</i> | <i>Qty.</i> | <i>Description</i> | <i>Ref.</i> | <i>Part Number</i> | <i>Qty.</i> | <i>Description</i>   |
|-------------|--------------------|-------------|--------------------|-------------|--------------------|-------------|----------------------|
| 1           | 131-0612-01        | 1           | Mount-Cooler       | 14          | 2412-129           | 4           | Clamp-Hose           |
| 2           | 115-5118           | 4           | Washer             | 15          | 3334-945           | 1           | Tie-Cable            |
| 3           | 322-11             | 4           | Screw-HH           | 16          | 322-3              | 8           | Screw-HH             |
| 4           | 131-0733           | 8           | Clamp              | 17          | 125-0266           | 1           | Hose-Return          |
| 5           | 3296-29            | 16          | Nut-Lock, NI       | 18          | 125-0319           | 2           | Foam-Seal            |
| 6           | 321-3              | 4           | Screw-HH           | 19          | 125-0324           | 2           | Foam-Seal            |
| 7           | 120-7390           | 1           | Fan                | 20          | 104-3989           | 1           | Decal                |
| 8           | 3296-42            | 4           | Nut-Lock, NI       | 21          | 131-0731           | 1           | Seal-Foam            |
| 9           | 117-6320           | 1           | Cooler-Oil         | 22          | 125-0350-01        | 1           | Bracket-Shield, RH   |
| 10          | 125-0308-01        | 1           | Cover-Cooler       | 23          | 125-0351-01        | 1           | Bracket-Shield, LH   |
| 11          | 32104-95           | 6           | Screw-HWH          | 24          | 125-0340           | 1           | Shield-Chip          |
| 12          | 121-4537           | 1           | Hose-HYD           | 25          | 63-8410            | 4           | Washer               |
| 13          | 107-8652           | 1           | Fitting-Straight   | 26          | 322-4              | 4           | Screw-HH             |
| 13:1        | 237-58             | 1           | O-Ring             | 27          | 131-0642           | 4           | Plate-Support, Clamp |

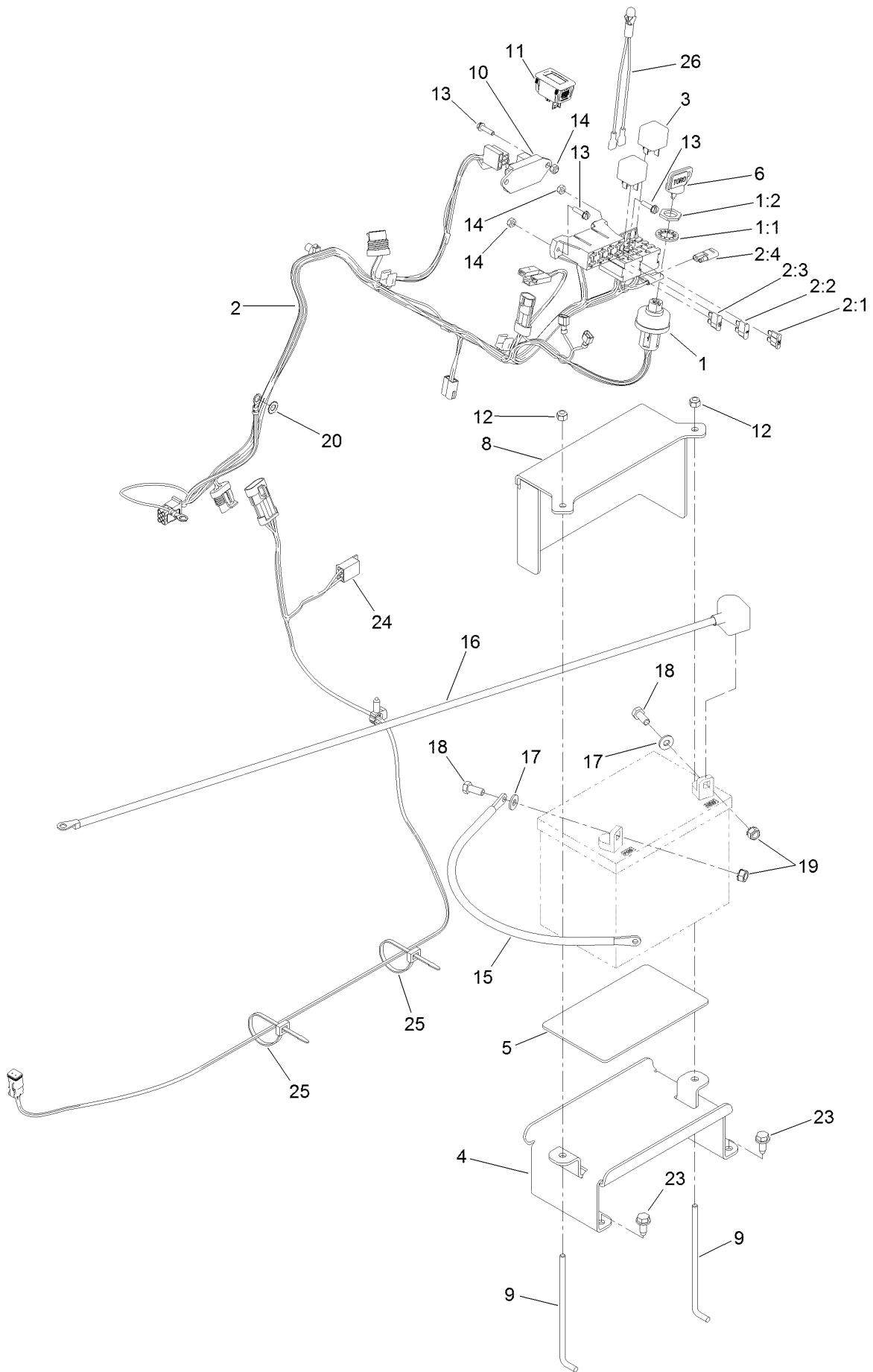
# Hydraulic Hose Routing Assembly



## Hydraulic Hose Routing Assembly (continued)

| <i>Ref.</i> | <i>Part Number</i> | <i>Qty.</i> | <i>Description</i>    | <i>Ref.</i> | <i>Part Number</i> | <i>Qty.</i> | <i>Description</i>     |
|-------------|--------------------|-------------|-----------------------|-------------|--------------------|-------------|------------------------|
| 1           | 100-4202           | 1           | Fitting-90            | 15          | 121-4346           | 1           | Hose-HYD               |
| 1:1         | 237-81             | 1           | O-Ring                | 16          | 121-4347           | 2           | Hose-HYD               |
| 2           | 354-78             | 1           | Fitting-STR           | 18          | 121-4341           | 1           | Hose-Return            |
| 2:1         | 237-146            | 1           | O-Ring                | 19          | 121-1199           | 1           | Hose-HYD               |
| 3           | 92-6058            | 2           | Fitting-STR           | 20          | 121-4344           | 1           | Hose-HYD               |
| 3:1         | 237-81             | 1           | O-Ring                | 21          | 130-7574           | 1           | Hose-HYD               |
| 3:2         | 237-58             | 1           | O-Ring                | 22          | 353-989            | 1           | Plug-Hex, Hollow       |
| 4           | 340-2              | 1           | Fitting-Straight      | 22:1        | 237-42             | 1           | O-Ring                 |
| 4:1         | 237-22             | 1           | O-Ring                | 23          | 340-110            | 1           | Fitting-Swivel, 90 DEG |
| 4:2         | 237-42             | 1           | O-Ring                | 23:1        | 237-42             | 1           | O-Ring                 |
| 5           | 340-5              | 1           | Fitting-Straight      | 24          | 98-9742            | 1           | Valve-Control, Flow    |
| 5:1         | 237-42             | 1           | O-Ring                | 25          | 340-92             | 3           | Fitting-Straight       |
| 5:2         | 237-30             | 1           | O-Ring                | 25:1        | 237-78             | 1           | O-Ring                 |
| 6           | 340-91             | 2           | Fitting-STR           | 25:2        | 237-21             | 1           | O-Ring                 |
| 6:1         | 237-58             | 1           | O-Ring                | 26          | 340-132            | 2           | Fitting-Elbow, 90 DEG  |
| 6:2         | 237-146            | 1           | O-Ring                | 26:1        | 237-78             | 1           | O-Ring                 |
| 7           | 340-87             | 1           | Fitting-Elbow, 45 DEG | 26:2        | 237-21             | 1           | O-Ring                 |
| 7:1         | 237-22             | 1           | O-Ring                | 27          | 121-4455           | 1           | Hose-HYD               |
| 7:2         | 237-42             | 1           | O-Ring                | 28          | 121-4456           | 1           | Hose-HYD               |
| 8           | 340-82             | 4           | Fitting-Elbow, 90 DEG | 29          | 119-4601           | 1           | Hose-HYD               |
| 8:1         | 237-42             | 1           | O-Ring                | 30          | 121-4454           | 1           | Sleeve-Protective      |
| 8:2         | 237-21             | 1           | O-Ring                | 31          | 99-5648            | 1           | Sleeve-Protective      |
| 9           | 340-3              | 1           | Fitting-Straight      | 32          | 2412-34            | 2           | Clamp-Hose             |
| 9:1         | 237-22             | 1           | O-Ring                | 33          | 353-508            | 1           | Plug-HH                |
| 9:2         | 237-79             | 1           | O-Ring                | 33:1        | 237-42             | 1           | O-Ring                 |
| 10          | 340-1              | 4           | Fitting-Straight      | 34          | 108-5688           | 1           | Fitting-Tee            |
| 10:1        | 237-21             | 1           | O-Ring                | 34:1        | 237-21             | 2           | O-Ring                 |
| 10:2        | 237-42             | 1           | O-Ring                | 34:2        | 237-42             | 1           | O-Ring                 |
| 11          | 353-954            | 1           | Fitting-Elbow, 90     | 35          | 115-8886           | 1           | Nipple-Test            |
| 11:1        | 237-79             | 1           | O-Ring                | 36          | 354-79             | 1           | Cap-Dust               |
| 12          | 340-18             | 1           | Fitting-HYD, 90 DEG   | 37          | 3334-945           | 2           | Tie-Cable              |
| 12:1        | 237-79             | 1           | O-Ring                | 38          | 3290-379           | 2           | Tie-Cable              |
| 12:2        | 237-22             | 1           | O-Ring                | 39          | 100-4240           | 1           | Fitting-STR            |
| 13          | 121-4342           | 2           | Hose-HYD              | 39:1        | 237-30             | 1           | O-Ring                 |
| 14          | 121-4345           | 1           | Hose-HYD              | 39:2        | 237-81             | 1           | O-Ring                 |

# Electrical Assembly





## Electrical Assembly (continued)

| <i>Ref.</i> | <i>Part Number</i> | <i>Qty.</i> | <i>Description</i>  | <i>Ref.</i> | <i>Part Number</i> | <i>Qty.</i> | <i>Description</i>      |
|-------------|--------------------|-------------|---------------------|-------------|--------------------|-------------|-------------------------|
| 1           | 111216             | 1           | Ignition Switch ASM | 11          | 120-2244           | 1           | Hourmeter               |
| 1:1         | 9201604            | 1           | Washer-Lock         | 12          | 3296-42            | 2           | Nut-Lock, NI            |
| 1:2         | 101884             | 1           | Nut                 | 13          | 32105-13           | 5           | Screw-HWH               |
| 2           | 130-7572           | 1           | Harness-Wire        | 14          | 3296-2             | 5           | Nut-Lock, NI            |
| 2:1         | 109103             | 1           | Fuse-Blade, 30 Amp  | 15          | 131-0738           | 1           | Cable-Battery, Positive |
| 2:2         | 110928             | 1           | Fuse-Blade, 5 Amp   | 16          | 121-4437           | 1           | Cable-Battery, Negative |
| 2:3         | 109101             | 1           | Fuse-Blade, 20 Amp  | 17          | 3256-2             | 2           | Washer-Flat             |
| 2:4         | 116-0053           | 1           | Cap-Plug            | 18          | 322-3              | 2           | Screw-HH                |
| 3           | 98-7249            | 2           | Relay               | 19          | 32149-1            | 2           | Nut-Keps                |
| 4           | 131-0727-01        | 1           | Tray-Battery        | 20          | 3255-8             | 1           | Washer-Lock             |
| 5           | 62-4300            | 1           | Pad-Skid, Anti      | 23          | 32144-70           | 4           | Screw-HWHTF             |
| 6           | 63-8360            | 1           | Key-Ignition        | 24          | 121-4319           | 1           | Harness-Wire            |
| 8           | 131-0739-03        | 1           | Cover-Battery       | 25          | 3290-378           | 2           | Tie-Cable               |
| 9           | 104-8567           | 2           | Holdown-Battery     | 26          | 1-643267           | 1           | Indicator-LED, Red      |
| 10          | 100-6170           | 1           | Module-Delay        |             |                    |             |                         |

**Notes:**

**Notes:**



**Count on it.**