



Count on it.

Parts Catalog

**STX-38 EFI Stump Grinder
with Intelli-Sweep®**

Model No. 23214—Serial No. 402000000 and Up



Ordering Replacement Parts

To order replacement parts, please supply the part number, the quantity, and the description of each part desired.

Understanding Reference Numbers

Each identified part in an illustration has a reference number. The reference number for a part also appears in the parts list, along with other information about the part.

This catalog uses two special reference number formats, one to indicate parts in a service assembly and another to indicate the quantity of a given part in an illustration.

Service Assembly Reference Numbers

Parts in service assemblies have reference numbers in the form a:b. The a represents the reference number of the entire service assembly and the b represents a sequential number unique to each part within the service assembly.

For example, a wheel assembly might be identified by reference number 6, the tire by 6:1, the valve by 6:2, and the wheel by 6:3. When you order the assembly identified by reference number 6, you receive all parts identified by reference numbers 6:1, 6:2, and 6:3. However, you may also order any part individually. Reference numbers of this type appear in illustration and in parts lists.

Reference Numbers Indicating Quantity

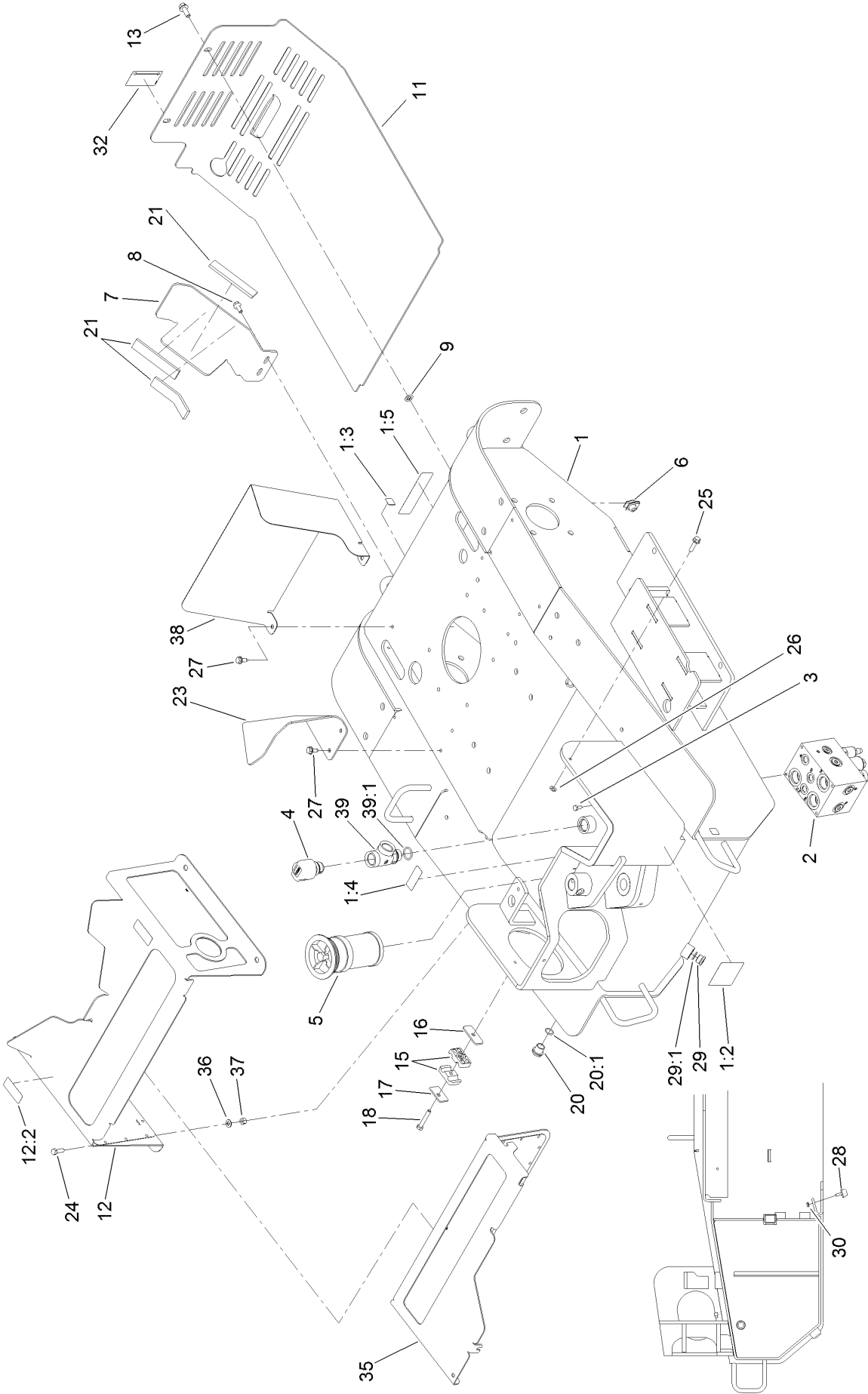
In an illustration, if a reference number indicates more than one part, the reference number has the form nX y. The n represents the quantity of the part, the X is the multiplication symbol, and the y represents the reference number.

For example, in an illustration, the reference number 2X 37 means that two of the parts identified by reference number 37 are indicated.

Contents

Main Frame Assembly	4
Cutter Valve Assembly No. 121-1022	6
Track and Drive Assembly	8
Hydraulic Motor Assembly No. 121-1957	10
Parking Brake Assembly	12
Engine Assembly	14
Hydraulic Gear Pump Assembly No. 121-1952	16
Control Assembly	18
Grinder Head Assembly	20
Hydraulic Motor Assembly No. 121-4325	22
Tower and Fuel Tank Assembly	24
Control Valve Assembly No. 119-4585	26
Two-Button Handle Grip Assembly No. 119-4587	27
Cooler Assembly	28
Hydraulic Hose Routing Assembly	30
Electrical Assembly	32

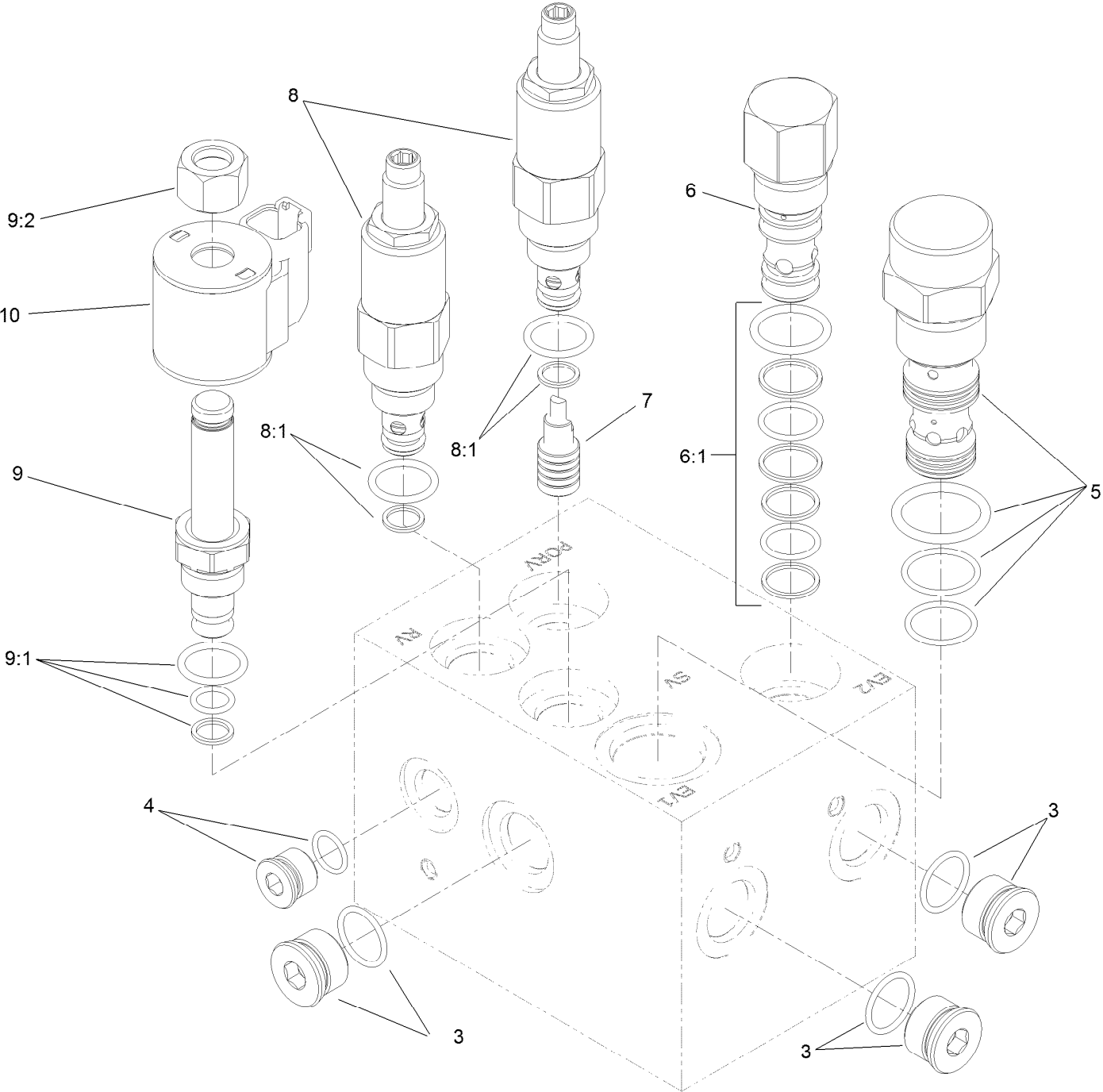
Main Frame Assembly



Main Frame Assembly (continued)

<i>Ref.</i>	<i>Part Number</i>	<i>Qty.</i>	<i>Description</i>	<i>Ref.</i>	<i>Part Number</i>	<i>Qty.</i>	<i>Description</i>
1	131-0747	1	Frame-Main	18	322-10	1	Screw-HH
1:2	100-4650	1	Decal-Warning	20	114-3075	1	Sight Glass ASM
1:3	93-9084	4	Decal-Point, Lift	20:1	237-79	1	O-Ring
1:4	93-6686	1	Decal-Oil, HYD	21	121-0894	3	Pad-Foam
1:5	93-7814	1	Decal-Danger	23	131-0640-01	1	Plate-Deflector, RH
2	121-1022	1	Valve-Cutter	24	322-5	4	Screw-HH
3	321-3	4	Screw-HH	25	3234-36	2	Screw-HHF
4	115-9793	1	Breather	26	117-2749	2	Nut-Push
5	115-5745	1	Cartridge-Filter	27	32144-70	4	Screw-HWHTF
6	105-4886	2	Nut-Tinnerman	28	1-523420	2	Bumper
7	121-1141-01	1	Bracket-Tank	29	353-988	1	Plug-Hex
8	3234-47	2	Screw-HHF	29:1	237-79	1	O-Ring
9	107-3154	2	Nut-Push	30	32128-33	2	Nut-HF
11	121-4532	1	Cover-Rear	32	93-9363	1	Decal-Brake, Parking
12	121-4562	1	Muffler Cover ASM	35	131-0748-03	1	Cover
12:2	115-2047	2	Decal-Surface, Hot	36	3256-23	4	Washer-Plain
13	3234-11	2	Screw-HHF	37	3296-29	4	Nut-Lock, NI
15	56-7976	2	Clamp-Tube	38	127-9644	1	Bracket-Deflector
16	119-4636	1	Plate-Clamp	39	130-7571	1	Fitting-Tee
17	69-9760	1	Plate-Cover	39:1	237-81	1	O-Ring

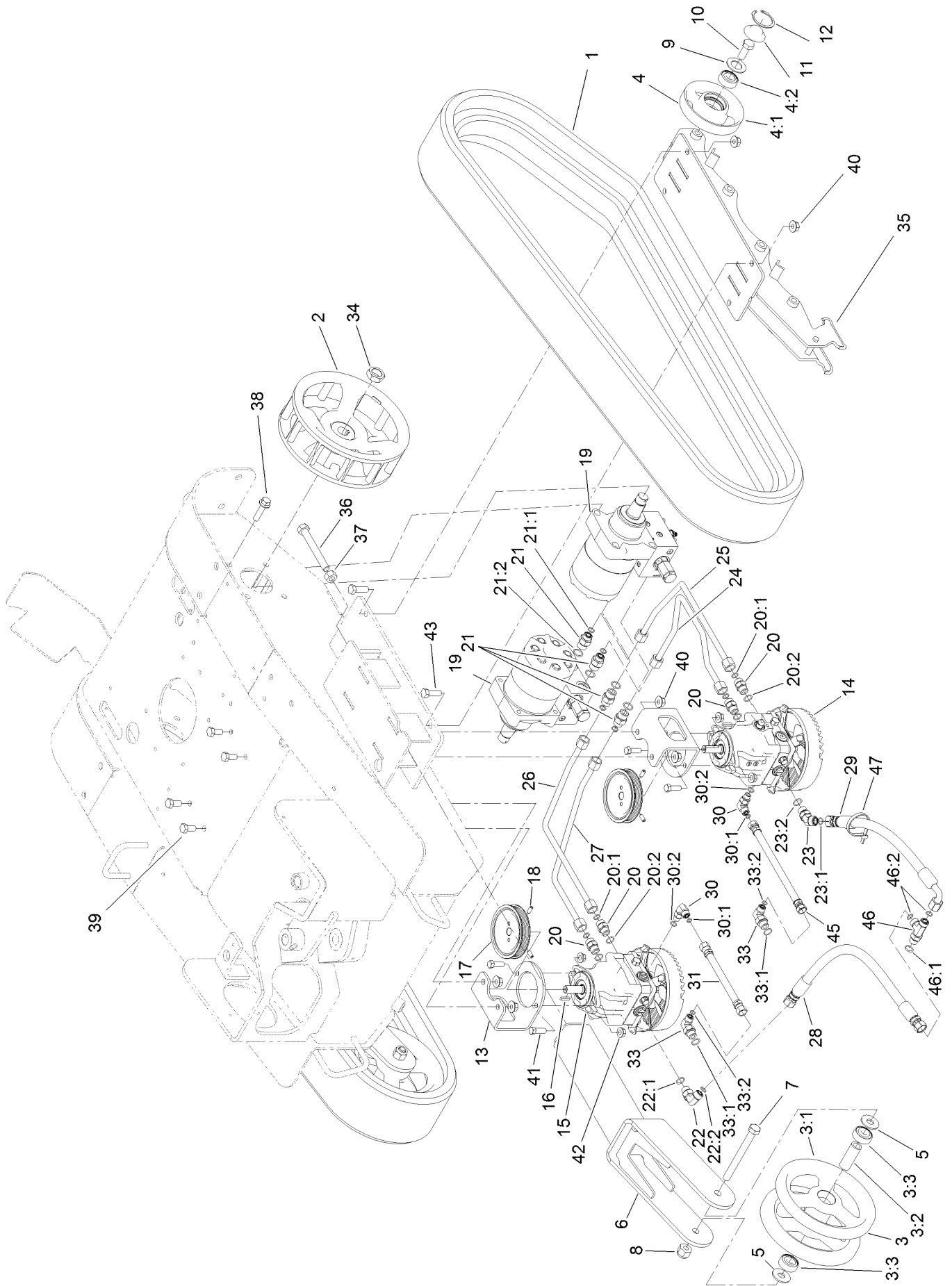
Cutter Valve Assembly No. 121-1022



Cutter Valve Assembly No. 121-1022 (continued)

<i>Ref.</i>	<i>Part Number</i>	<i>Qty.</i>	<i>Description</i>	<i>Ref.</i>	<i>Part Number</i>	<i>Qty.</i>	<i>Description</i>
3	106-1027	3	Plug	8	119-4620	2	Valve-Relief
4	112-9213	1	Plug	8:1	105-9156	1	Seal Kit
5	121-4561	1	Element-Logic, Vented	9	107-7517	1	Valve-Solenoid
6	105-9153	1	Element-Logic, Vented	9:1	105-9156	1	Seal Kit
6:1	119-2159	1	Seal Kit	9:2	107-7812	1	Nut-Solenoid
7	105-9157	1	Piston-Pilot	10	112-0197	1	E Coil-12V DC

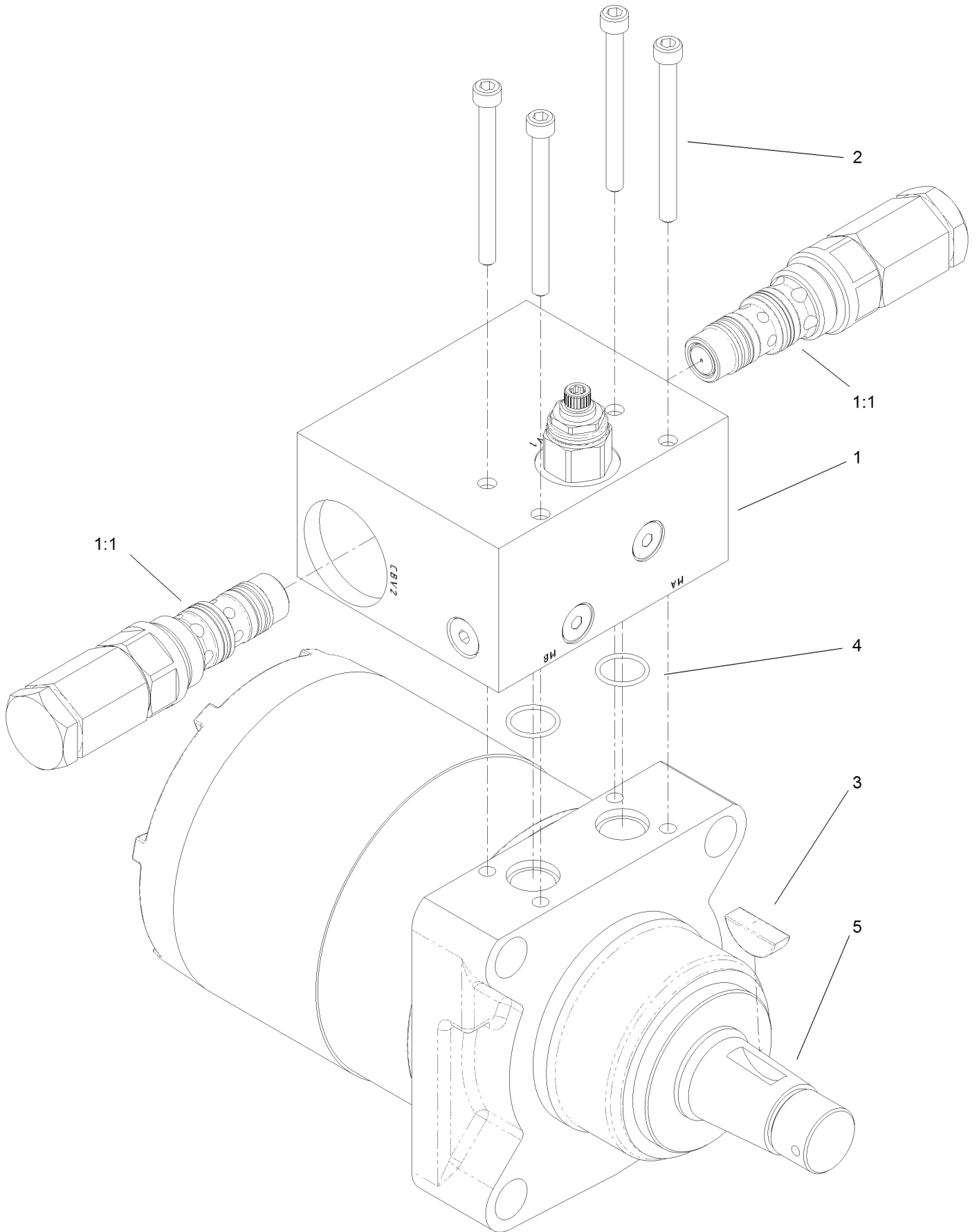
Track and Drive Assembly



Track and Drive Assembly (continued)

<i>Ref.</i>	<i>Part Number</i>	<i>Qty.</i>	<i>Description</i>	<i>Ref.</i>	<i>Part Number</i>	<i>Qty.</i>	<i>Description</i>
1	121-1021	2	Track-Rubber	22:2	237-30	1	O-Ring
2	117-6426-03	2	Wheel-Drive	23	340-101	1	Fitting-HYD, 45 DEG
3	104-5745	2	Tensioner Wheel ASM	23:1	237-30	1	O-Ring
3:1	104-5747-03	1	Wheel-Tensioner	23:2	237-79	1	O-Ring
3:2	98-9835	1	Spacer-Wheel, Tensioner	24	121-1124	1	Tube-HYD
3:3	120-5378	2	Bearing-Ball	25	121-1125	1	Tube-HYD
4	112-4817	16	Wheel-Tensioner	26	121-1126	1	Tube-HYD
4:1	114-3014-03	1	Wheel-Track	27	121-1127	1	Tube-HYD
4:2	120-5378	1	Bearing-Ball	28	131-0650	1	Hose-HYD
5	3256-7	4	Washer-Flat	29	131-0614	1	Hose-HYD
6	121-1018-03	2	Arm-Tensioner	30	340-77	2	Fitting-Elbow, 90 DEG
7	327-17	2	Screw-HH	30:1	237-22	1	O-Ring
8	3296-24	2	Nut-Hex	30:2	237-42	1	O-Ring
9	106-7585	16	Gasket-Bogie	31	94-4712	1	Hose-HYD
10	327-4	16	Screw-HH	33	340-18	2	Fitting-HYD, 90 DEG
11	106-7557	16	Cap-Wheel, Bearing	33:1	237-79	1	O-Ring
12	106-7595	16	Ring-Snap, Internal	33:2	237-22	1	O-Ring
13	115-1289-03	2	Bracket-Mount, Pump	34	106-8159	2	Nut-Lock
14	121-1953	1	Pump-HYD, LH	35	121-0883-01	2	Mount-Wheel
15	121-1954	1	Pump-HYD, RH	36	125-0357	2	Screw-HH, TAP
16	80-6090	2	Key-Pump	37	3217-11	2	Nut-Hex
17	109-2202	2	Sheave	38	3234-27	8	Screw-HHF
18	3246-6	4	Screw-Set, HSH	39	325-4	4	Screw-HH
19	121-1957	2	HYD Motor ASM	40	32128-49	12	Nut-HHF
20	340-4	4	Fitting-Straight	41	324-5	4	Screw-HH
20:1	237-30	1	O-Ring	42	32128-42	4	Nut-HF
20:2	237-79	1	O-Ring	43	325-6	8	Screw-HH
21	340-6	4	Fitting-Straight	45	76-9420	1	Hose-HYD
21:1	237-30	1	O-Ring	46	340-109	1	Fitting-Tee
21:2	237-80	1	O-Ring	46:1	237-79	1	O-Ring
22	340-98	1	Fitting-Elbow, 90 DEG	46:2	237-30	2	O-Ring
22:1	237-79	1	O-Ring	47	3334-945	1	Tie-Cable

Hydraulic Motor Assembly No. 121-1957

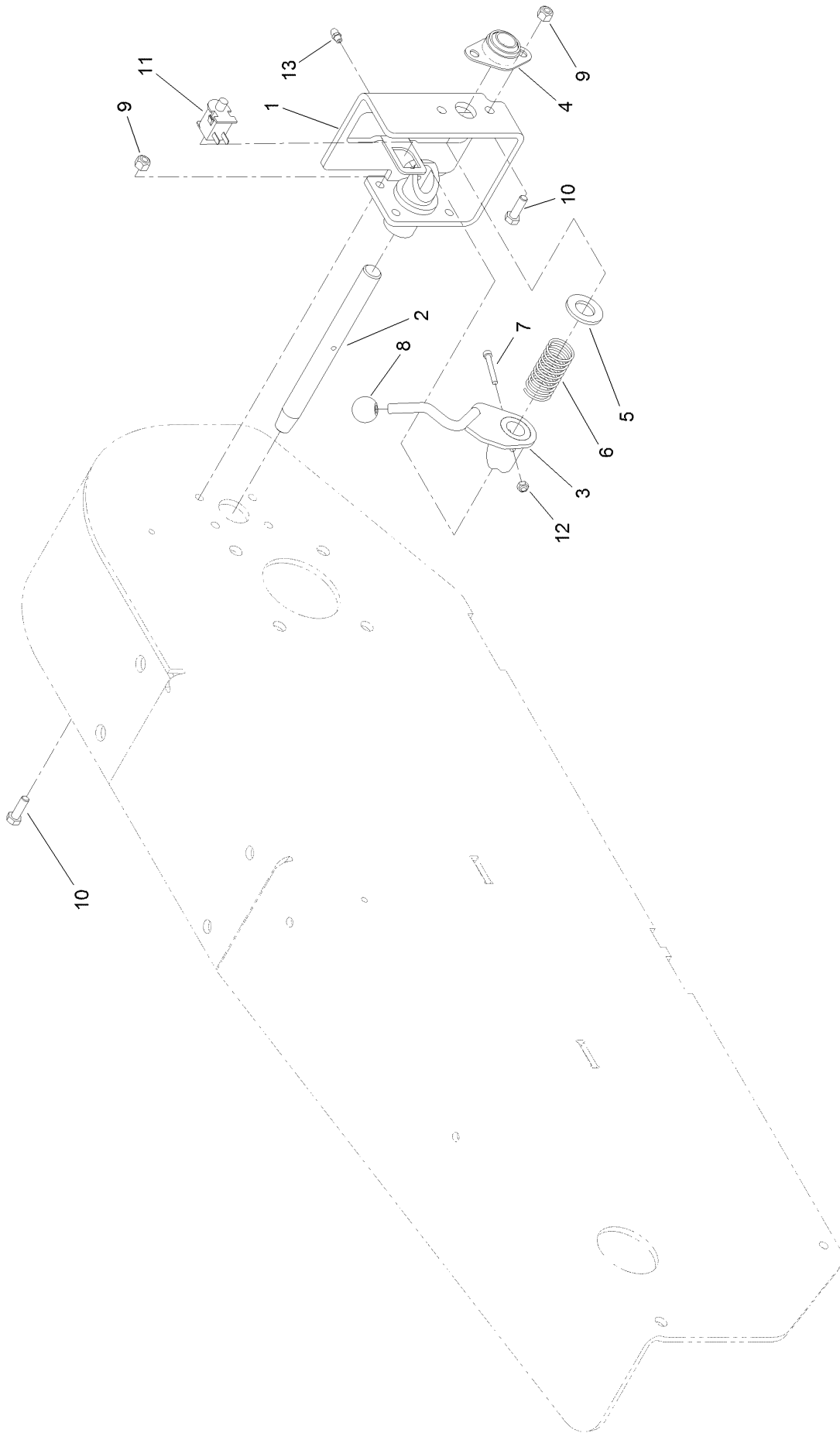


Hydraulic Motor Assembly No. 121-1957 (continued)

<i>Ref.</i>	<i>Part Number</i>	<i>Qty.</i>	<i>Description</i>	<i>Ref.</i>	<i>Part Number</i>	<i>Qty.</i>	<i>Description</i>
1	121-4464	1	Counterbalance Valve ASM	4	120-0691	2	O-Ring
1:1	121-4463	2	Cartridge-CB	5	76-0860	1	Shaft-Coupling
2	119-4611	4	Bolt-HSH	6	100-6131	1	Seal Kit ●
3	3257-42	1	Key-Woodruff				

● Not illustrated

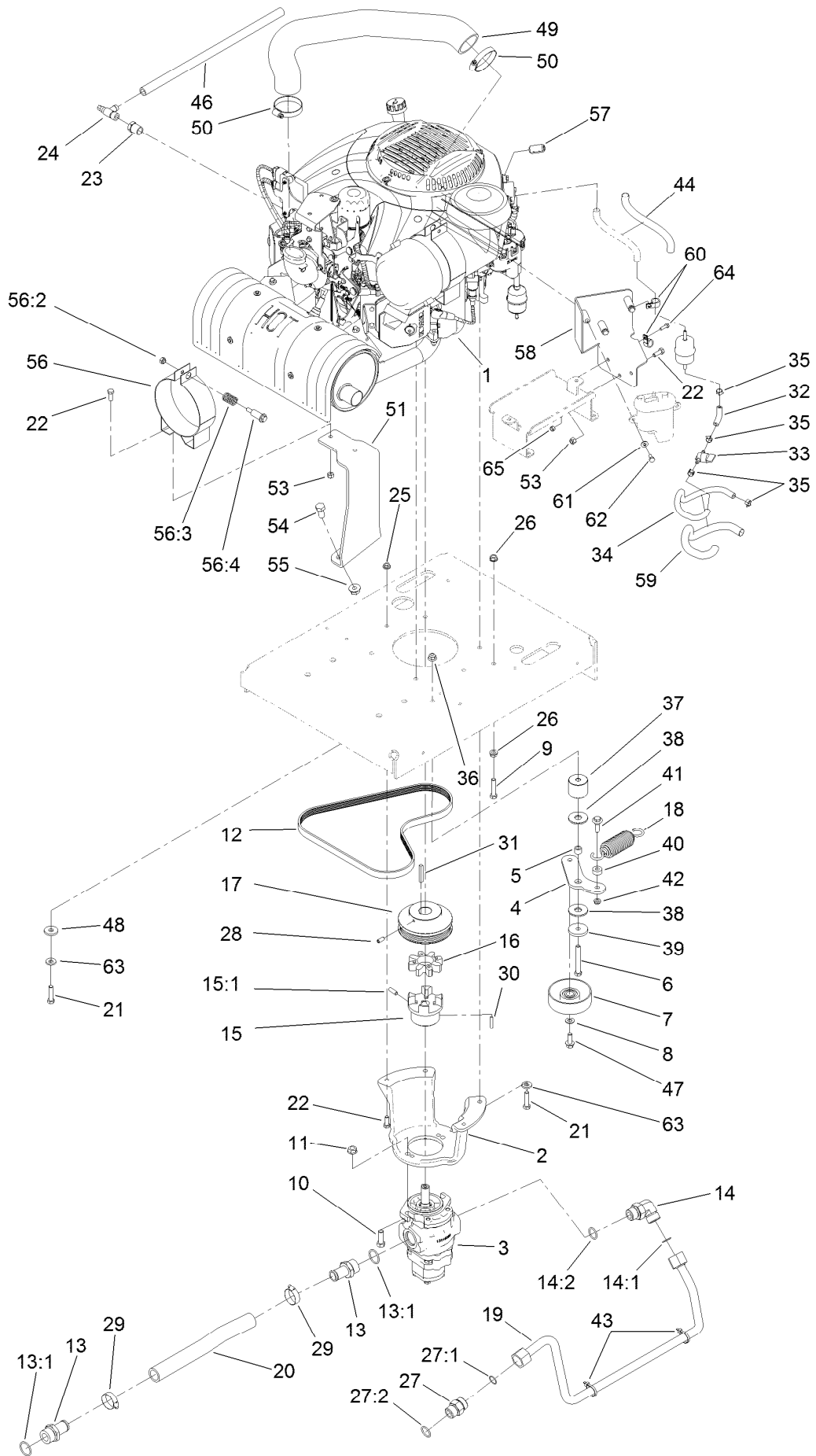
Parking Brake Assembly



Parking Brake Assembly (continued)

<i>Ref.</i>	<i>Part Number</i>	<i>Qty.</i>	<i>Description</i>	<i>Ref.</i>	<i>Part Number</i>	<i>Qty.</i>	<i>Description</i>
1	125-0259-03	1	Bracket-Brake	8	233-69	1	Knob
2	121-4352	1	Shaft-Brake	9	3296-29	6	Nut-Lock, NI
3	121-4356-03	1	Handle-Brake	10	322-5	6	Screw-HH
4	27-2320	1	Bearing	11	740275	1	Switch
5	3256-28	1	Washer-Flat	12	3296-2	1	Nut-Lock, NI
6	125-0344	1	Spring-Compression	13	302-5	1	Fitting-Grease
7	3274-59	1	Screw-HSH				

Engine Assembly



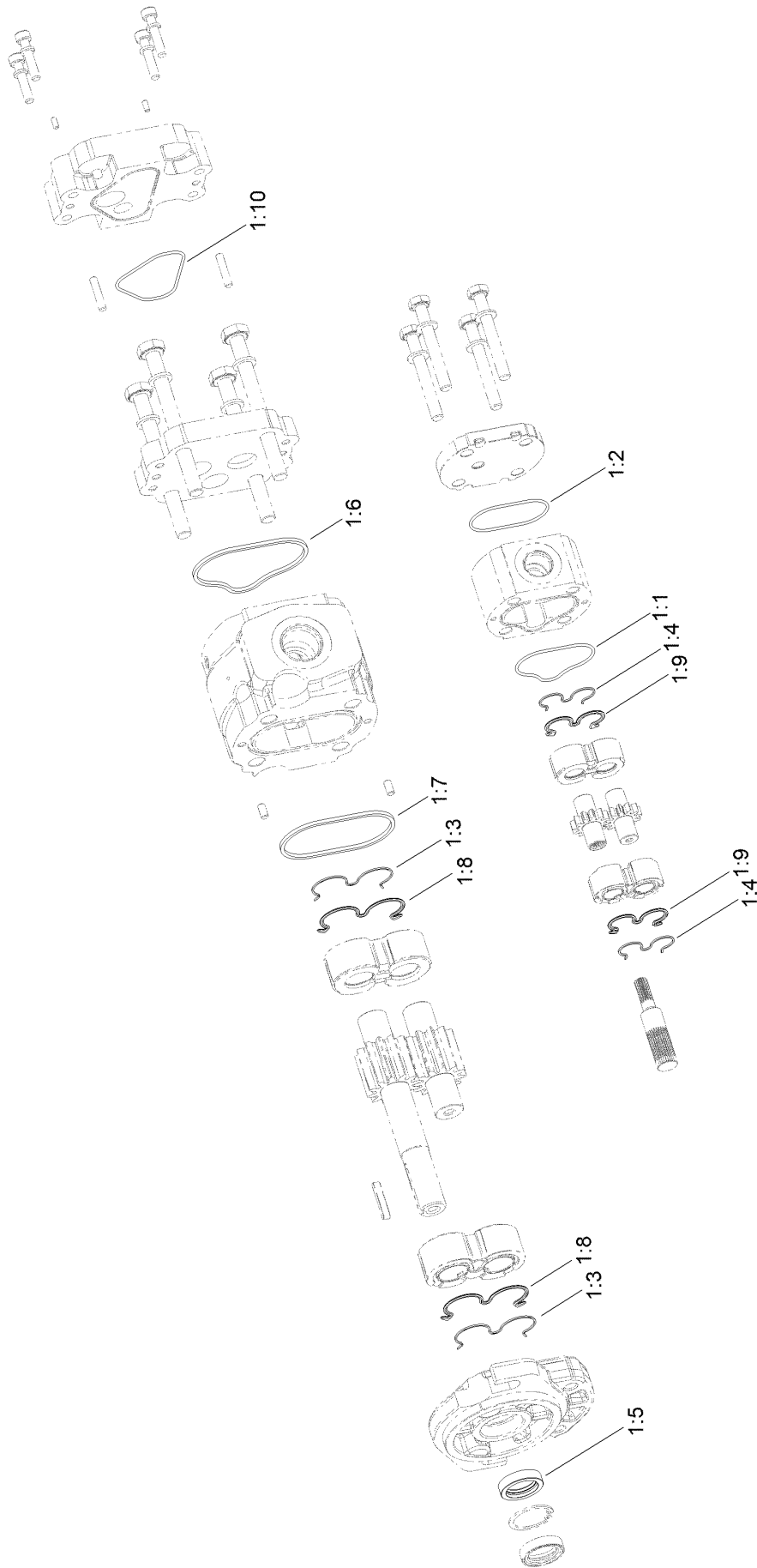
Engine Assembly (continued)

<i>Ref.</i>	<i>Part Number</i>	<i>Qty.</i>	<i>Description</i>	<i>Ref.</i>	<i>Part Number</i>	<i>Qty.</i>	<i>Description</i>
1		1	Engine-Kohler Cv224 ●■	31	608006	1	Key-Square
2	132-8665-03	1	Mount-Pump	32	99-9415	1	Hose-Fuel
3	121-1952	1	Gear Pump ASM	33	1-603770	1	Valve-Fuel
4	125-0252	1	Arm-Idler	34	109-0298	1	Line-Fuel
5	1-413088	1	Bushing-Lever, Lift	35	2412-98	4	Clamp-Hose
6	323-14	1	Screw-HH	36	104-8301	1	Nut-HF, NI
7	95-8802	1	Pulley-Idler	37	125-0251	1	Spacer-Idler
8	3256-24	1	Washer-Plain	38	114-0463	2	Washer-Friction, Composite
9	323-9	1	Screw-HH	39	110-9981	1	Washer-Plain
10	324-5	2	Screw-HH	40	104-8426	1	Spacer
11	32128-37	2	Nut-HF	41	614672	1	Screw-Shoulder, HWH
12	121-4326	1	Belt-V	42	3296-59	1	Nut-Lock, NI
13	354-78	2	Fitting-STR	43	3290-379	2	Tie-Cable
13:1	237-146	1	O-Ring	44	131-0736	1	Sleeve-Thermal
14	340-142	1	Fitting-Elbow, 90 DEG	46	98-4667	1	Hose
14:1	237-58	1	O-Ring	47	3234-11	1	Screw-HHF
14:2	237-81	1	O-Ring	48	1-373034	2	Washer
15	121-4330	1	Hub-Coupler	49	131-0616	1	Hose-Intake, Air
15:1	100-7594	1	Screw-Set	50	2412-42	2	Clamp-Hose
16	104-3542	1	Spider	51	131-0730-01	1	Plate-Mount, Filter
17	121-1028	1	Pulley-Engine	53	3296-29	4	Nut-Lock, NI
18	121-4523	1	Spring-Extension	54	325-4	2	Screw-HH
19	121-1128	1	Tube-HYD	55	32128-49	2	Nut-HHF
20	121-4340	1	Hose-Suction	56	100-4825	1	Band-Mounting, Air Cleaner
21	323-8	4	Screw-HH	56:2	94-3653	1	Bolt
22	322-4	6	Screw-HH	56:3	94-3654	1	Spring
23	103-1390	1	Bushing	56:4	48-9510	1	*obs* Nut
24	103-1965	1	Valve-Drain, Oil	57	112-1540	1	Ferrite-Snap On
25	32128-20	2	Nut-HF	58	131-0728-01	1	Bracket-Pump, Fuel
26	3290-357	2	Nut-HSF	59	131-0575	1	Sleeve-Thermal
27	340-9	1	Fitting-STR	60	2412-87	2	Clamp-Cable
27:1	237-58	1	O-Ring	61	3256-22	3	Washer-Flat
27:2	237-81	1	O-Ring	62	321-3	3	Screw-HH
28	3246-6	2	Screw-Set, HSH	63	98-5975	4	Washer-Belleville
29	2412-34	2	Clamp-Hose	64	321-5	1	Screw-HH
30	27-8590	1	Key-Square	65	3296-42	1	Nut-Lock, NI

● Not serviced separately

■ Obtain parts from www.kohlerplus.com

Hydraulic Gear Pump Assembly No. 121-1952



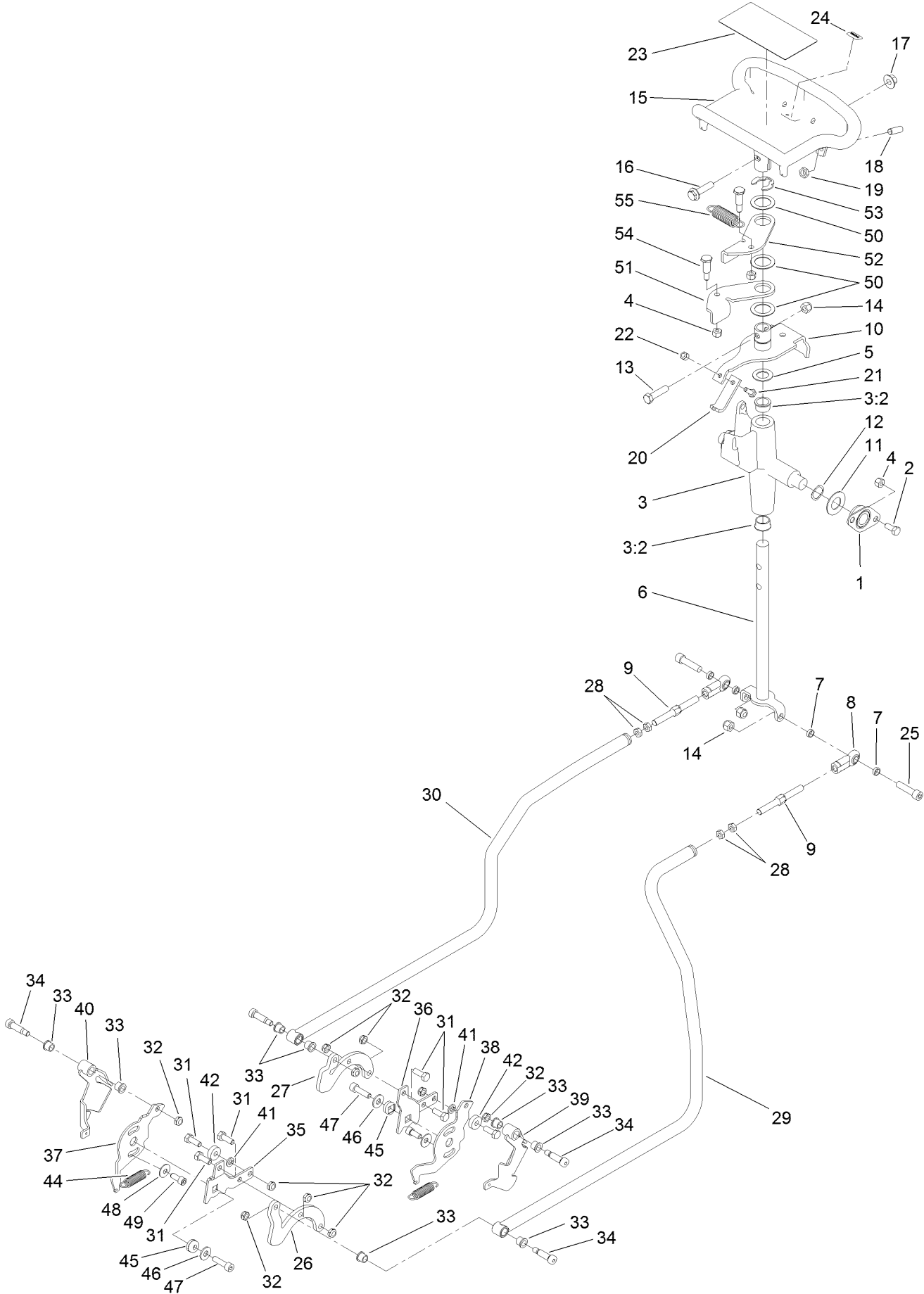
1 = ITEMS 1:1 - 1:10

Hydraulic Gear Pump Assembly No. 121-1952 (continued)

<i>Ref.</i>	<i>Part Number</i>	<i>Qty.</i>	<i>Description</i>	<i>Ref.</i>	<i>Part Number</i>	<i>Qty.</i>	<i>Description</i>
1	147-1924	1	Seal Kit	1:6		1	Seal ●
1:1		1	O-Ring ●	1:7		1	Standard Seal ●
1:2		1	O-Ring Seal ●	1:8		2	Seal ●
1:3		2	Anti-Extrusion ●	1:9		2	Seal ●
1:4		2	Anti-Extrusion ●	1:10		1	O-Ring Seal ●
1:5		2	Shaft Seal ●				

● Not serviced separately

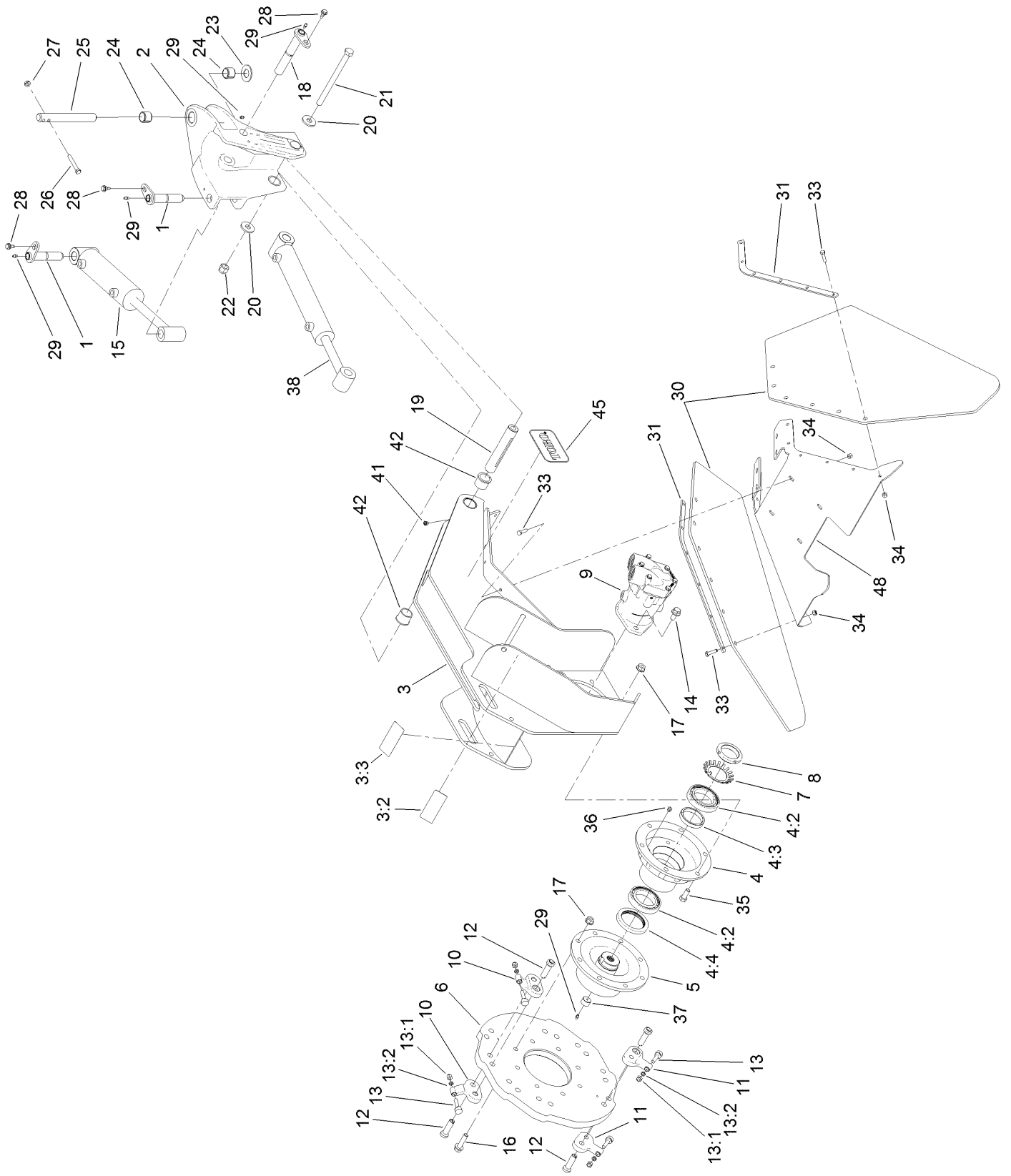
Control Assembly



Control Assembly (continued)

<i>Ref.</i>	<i>Part Number</i>	<i>Qty.</i>	<i>Description</i>	<i>Ref.</i>	<i>Part Number</i>	<i>Qty.</i>	<i>Description</i>
1	27-2320	2	Bearing	28	3220-3	4	Nut-HJ
2	322-3	4	Screw-HH	29	121-4513	1	Rod-Control, LH
3	106-5737	1	Control Support ASM	30	121-4514	1	Rod-Control, RH
3:2	256-252	2	Bearing-Flange	31	322-4	6	Screw-HH
4	3296-29	6	Nut-Lock, NI	32	3296-47	10	Nut-Lock,NI
5	257-8	1	Washer-Thrust	33	256-116	8	Bushing-Flange
6	117-6335	1	Rod-Drive	34	114-8629	4	Bolt-Shldr
7	108-0634	4	Spacer-Plate, Retaining	35	115-6628	1	Plate-Arm, Return, LH
8	103-1167	2	Joint-Ball End, LH	36	115-6536	1	Plate-Arm, Return
9	121-4506	2	Link-Control, Adjustment	37	115-6549	1	Plate-Base, LH
10	112-2783	1	Lever-Pivot	38	115-6535	1	Plate-Base, RH
11	3256-39	2	Washer-Flat	39	115-6636	1	Pivot-RH
12	95-3703	2	Washer-Spring, Wave	40	115-6637	1	Pivot-LH
13	323-8	1	Screw-HH	41	3253-4	2	Washer-Lock
14	3296-39	3	Nut-Lock, NI	42	251-259	2	Bearing-Ball
15	120-5380-03	1	Handle-Control	44	121-4409	2	Spring-Extension
16	3234-18	1	Screw-HHF	45	117-6429	2	Lock-Trunion
17	32128-43	1	Nut-Flange	46	3256-3	2	Washer-Flat
18	3247-6	2	Screw-Set	47	94-3559	2	Screw-HSH
19	3218-3	2	Nut-Jam	48	3290-456	2	Washer-Belleville
20	115-1204	1	Plate-Neutral	49	3273-14	2	Screw-HSH
21	321-4	1	Screw-HH	50	108-9743	3	Washer-Plain
22	3296-42	1	Nut-Lock, NI	51	98-8407	1	Lever-Return, RH
23	115-4020	1	Decal-Traction	52	98-8408	1	Lever-Return, LH
24	98-1459	1	Decal	53	32151-91	1	Ring-Retaining
25	3274-2	2	Screw-HSH	54	63-2650	2	Screw-Shoulder
26	121-1123	1	Plate-Control, LH	55	108-4724	1	Spring-Extension
27	121-1122	1	Plate-Control, RH				

Grinder Head Assembly

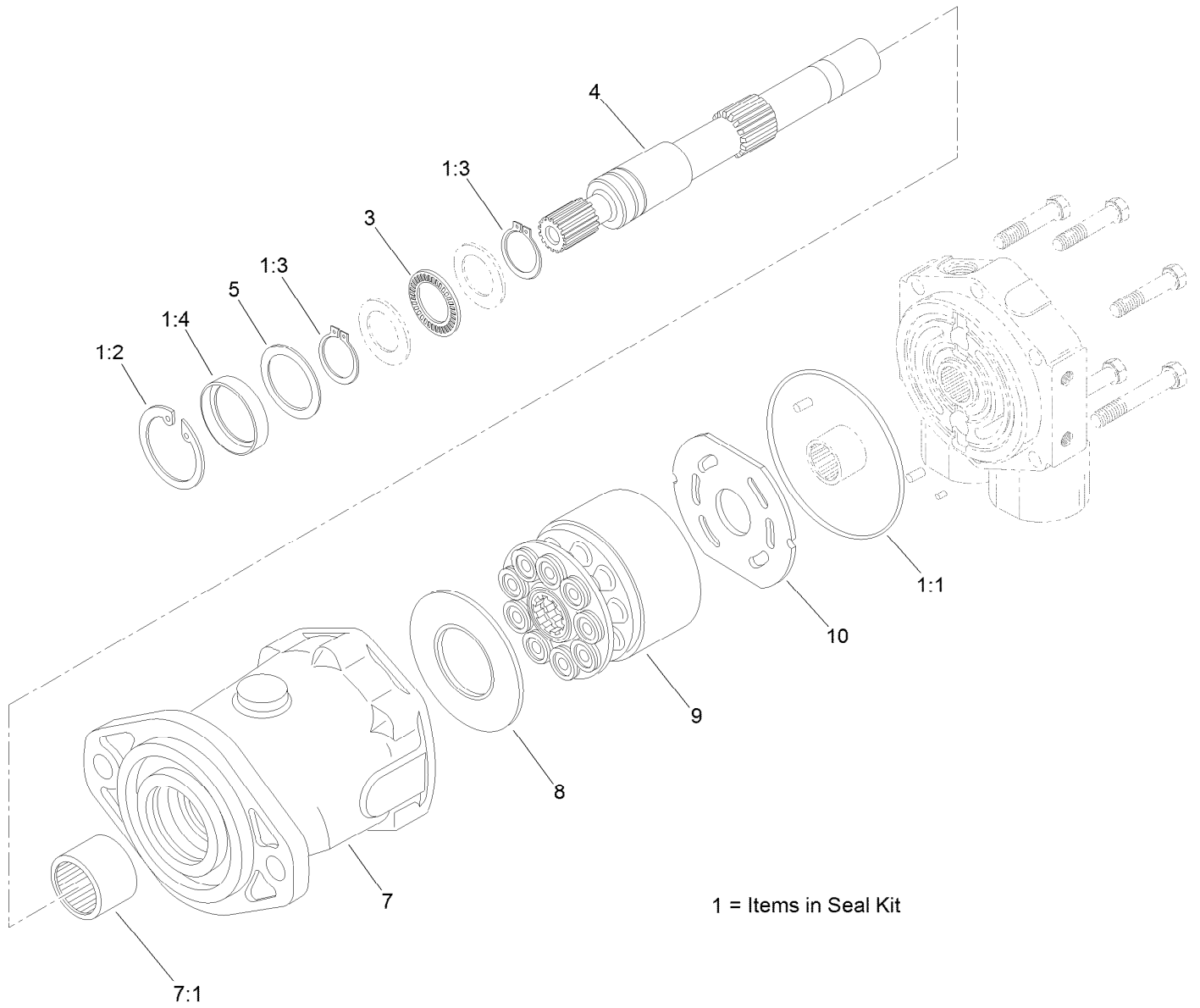


Grinder Head Assembly (continued)

<i>Ref.</i>	<i>Part Number</i>	<i>Qty.</i>	<i>Description</i>	<i>Ref.</i>	<i>Part Number</i>	<i>Qty.</i>	<i>Description</i>
1	121-1113	2	Pin-Pivot	17	32128-49	14	Nut-HHF
2	121-4565-01	1	Head-Pivot	18	121-0860	2	Pin-Pivot
3	121-4575	1	Grinder Head ASM	19	121-4571	1	Spacer-Pivot
3:2	93-7321	2	Decal-Danger	20	104-9216	2	Washer-Hardened
3:3	107-9366	1	Decal-Warning	21	117-6327	1	Bolt-HH
4	121-4458	1	Wheel Bearing Housing ASM	22	3296-53	1	Nut-Lock, NI
4:2	121-4378	2	Bearing-Ball	23	256-121	1	Washer-Thrust
4:3	121-0872	1	Spacer-Bearing	24	98-4871	2	Bushing-Tension
4:4	121-4379	1	Seal-Grease	25	121-1112	1	Pin-Pivot, Grinder
5	121-4337	1	Shaft-Cutter	26	323-47	1	Screw-HH
6	121-1012-03	1	Plate-Wheel, Cutter	27	3290-357	1	Nut-HSF
7	104-5915	1	Washer-Lock, Bearing	28	99-5105	4	Screw-Shoulder
8	104-1973	1	Nut-Lock, Bearing	29	302-5	6	Fitting-Grease
9	121-4325	1	HYD Motor ASM	30	121-4557	2	Shield-Chip
10	115-9384	12	Pocket-Angled	31	121-4558-03	2	Plate-Clamp, Chip
11	115-9388	4	Pocket-Straight	33	322-6	20	Screw-HH
12	121-4318	16	Bolt-HSH	34	3296-29	20	Nut-Lock, NI
13	115-9385	16	Grinder Tooth ASM	35	325-5	6	Screw-HH
13:1	3296-39	1	Nut-Lock, NI	36	302-34	1	Fitting-Lube
13:2	121-4365	1	Spacer-Tooth	37	121-0875	1	Plug-Shaft, Cutter
14	3234-6	2	Screw-HHF	38	121-1955	1	HYD Cylinder ASM
15	121-1956	1	HYD Cylinder ASM	41	302-11	1	Fitting-Lube, 45 DEG
15:99	137-4885	1	Seal Kit ●	42	104-0015	2	Bushing-Flange
16	3234-27	8	Screw-HHF	45	104-3989	2	Decal
				48	130-7583-03	1	Plate-Mount, Guard

● Not illustrated

Hydraulic Motor Assembly No. 121-4325



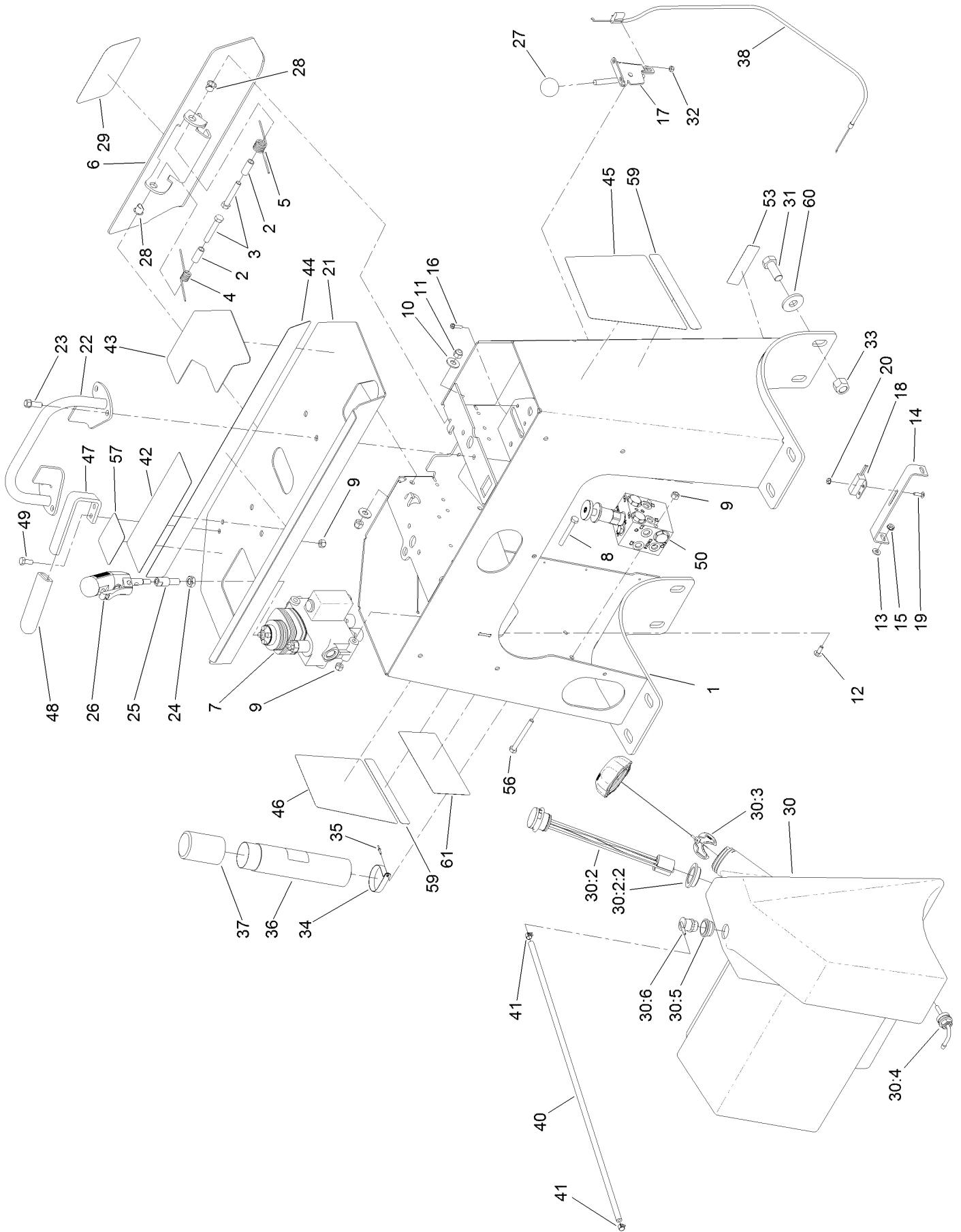
Hydraulic Motor Assembly No. 121-4325 (continued)

<i>Ref.</i>	<i>Part Number</i>	<i>Qty.</i>	<i>Description</i>	<i>Ref.</i>	<i>Part Number</i>	<i>Qty.</i>	<i>Description</i>
1	106-6876	1	Seal Kit	5	60-6240	1	Washer
1:1		1	O-Ring ●■	7	105-2852	1	Housing ASM
1:2	76-7010	1	Ring-Retaining ●	7:1		1	Bearing-Needle ■
1:3	76-7000	2	Ring-Retaining ●	8	76-6970	1	Insert-Plate, Cam
1:4		1	Seal-Shaft ●■	9	106-6875	1	Rotating Kit
3	76-6960	1	Bearing-Thrust	10	94-3003	1	Plate-Valve
4	106-6874	1	Shaft-Drive				

● Not illustrated

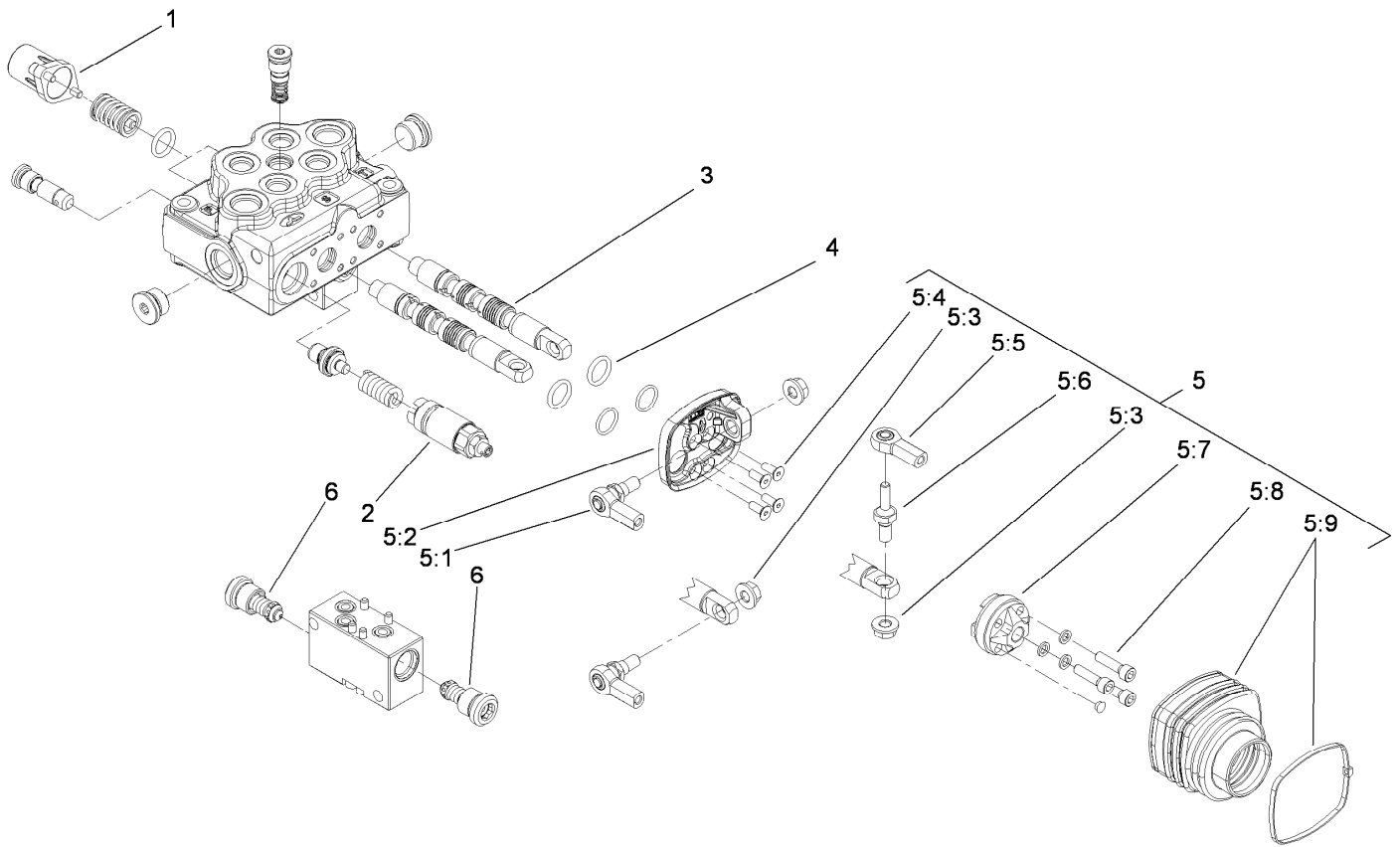
■ Not serviced separately

Tower and Fuel Tank Assembly



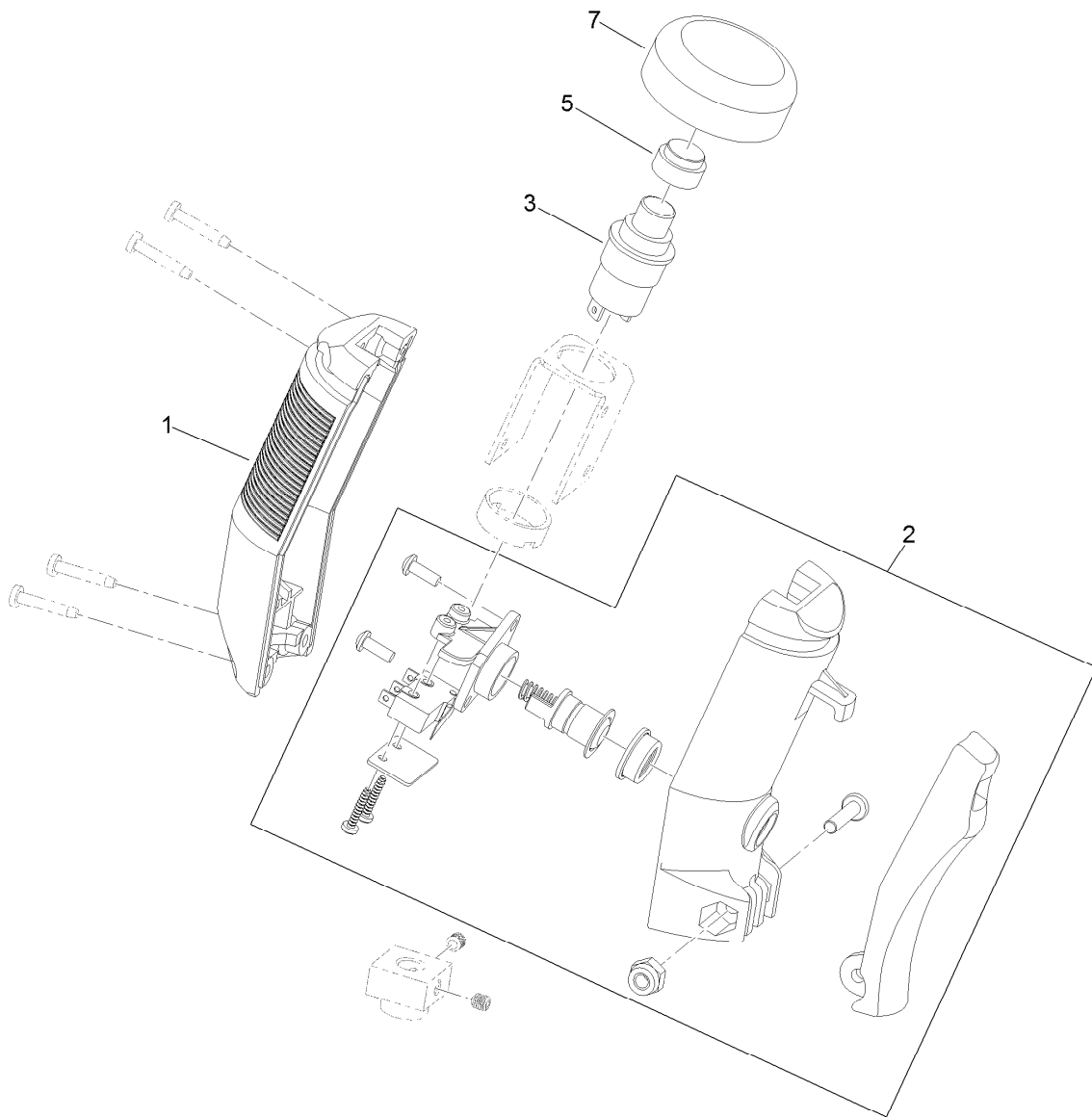
Tower and Fuel Tank Assembly (continued)

<i>Ref.</i>	<i>Part Number</i>	<i>Qty.</i>	<i>Description</i>	<i>Ref.</i>	<i>Part Number</i>	<i>Qty.</i>	<i>Description</i>
1	121-4568-01	1	Tower	30:2	119-0509	1	Gauge ASM
2	114-1337	2	Spacer-Spring	30:2:2	119-0508	1	Seal
3	323-11	2	Screw-HH	30:3	115-7788	1	Cap-Fuel
4	98-8425	1	Spring-Torsion, LH	30:4	103-2605	1	Fitting-Fuel, Bulkhead
5	98-8424	1	Spring-Torsion, RH	30:5	114-0284	1	Grommet
6	121-1110-03	1	Plate-Backup	30:6	119-3547	1	Valve-Vent, Fuel
7	119-4585	1	HYD Valve ASM	31	327-4	8	Screw-HH
8	322-12	3	Screw-HH	32	3296-2	2	Nut-Lock, NI
9	3296-29	7	Nut-Lock, NI	33	3296-53	8	Nut-Lock, NI
10	3256-4	2	Washer-Flat	34	2412-120	2	Clamp-R
11	3296-39	2	Nut-Lock, NI	35	3269-17	2	Rivet-Pop
12	3229-1	2	Screw-CARR	36	104-7050	1	Tube-Manual
13	3256-22	2	Washer-Flat	37	104-7048	1	Cap-Housing
14	100-1263	1	Plate-Switch	38	115-1211	1	Cable-Control
15	32149-2	2	Nut-Keps	40	110-3254	1	Hose-Fuel
16	32105-13	2	Screw-HWH	41	2412-80	2	Clamp-Hose
17	108-9730	1	Lever-Control	42	119-4606	1	Decal-Warning
18	100-1270	1	Switch-Proximity	43	130-7580	1	Decal-Console, LH
19	3229-20	2	Screw-CARR	44	121-4382	1	Decal-Console, RH
20	32149-7	2	Nut-Keps	45	130-7575	1	Decal-Logo,LH
21	131-0649	1	Panel-Control	46	130-7576	1	Decal-Logo,RH
22	106-7715	1	Bar-Reference	47	125-3570-03	1	Bar-Arm Rest
23	95-1726	4	Screw-Taptite	48	1-633268	1	Grip-Lever
24	51-2070	1	Nut	49	322-3	2	Screw-HH
25	119-5103	1	Adapter-Handle	50	121-4466	1	Sweep Manifold ASM
26	119-4587	1	Two Button Handle Grip ASM	53	133-8056	1	Decal-Arrester, Spark
27	233-42	1	Knob	56	322-14	2	Screw-HH
28	256-257	2	Bushing-Nyliner	57	121-4402	1	Decal-Joystick
29	105-1217	1	Decal	59	130-7577	2	Decal-Intellisweep
30	121-4350	1	Fuel Tank ASM	60	104-9216	8	Washer-Hardened
				61	137-4869	1	Decal-Service



Control Valve Assembly No. 119-4585

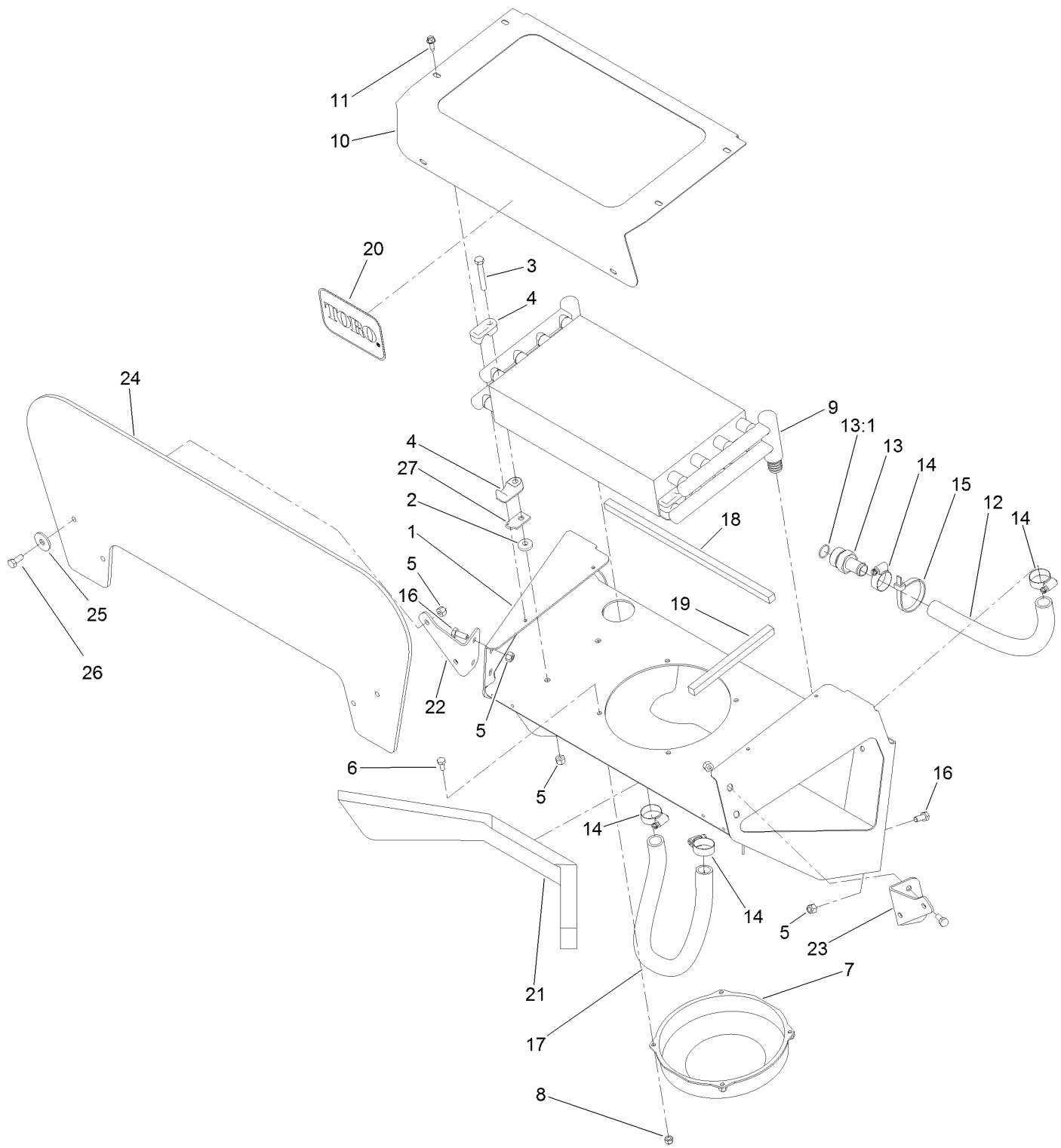
Ref.	Part Number	Qty.	Description
1	100-8801	2	High Force Spring Kit
2	100-8805	1	Valve-Relief
3	114-8625	2	Valve-Spool
4	106-7719	4	Seal-Valve
5	119-4622	1	Joystick Kit
5:1	119-4623	2	Joint-Joystick
5:2	119-4624	1	Base-Joystick
5:3	117-1350	3	Nut-HF, Lock
5:4	119-4625	4	Screw-Joystick
5:5	119-4626	1	Joint-Joystick
5:6	119-4627	1	Pin-Spool
5:7	119-4628	1	Holder-Joystick
5:8	3273-42	3	Screw-HSH
5:9	119-4629	1	Boot-Joystick
6	119-4630	2	Valve Kit



Two-Button Handle Grip Assembly No. 119-4587

<i>Ref.</i>	<i>Part Number</i>	<i>Qty.</i>	<i>Description</i>
1	119-4637	1	Halve-Handle
2	132-8660	1	Swich Kit
3	119-4640	1	Button-Push, Top
5	119-4642	1	Button-Actuator
7	119-4641	1	Boot-Button

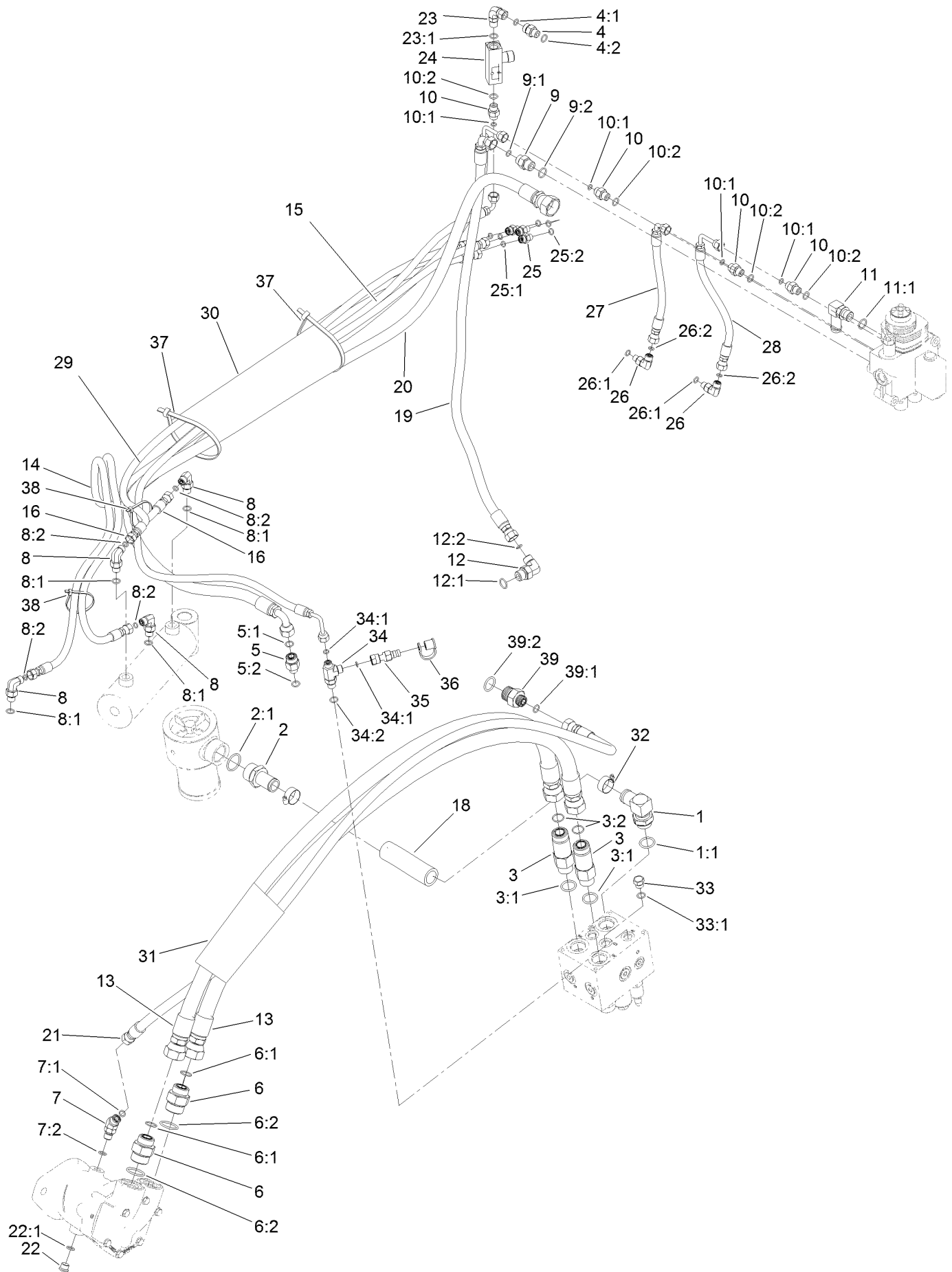
Cooler Assembly



Cooler Assembly (continued)

<i>Ref.</i>	<i>Part Number</i>	<i>Qty.</i>	<i>Description</i>	<i>Ref.</i>	<i>Part Number</i>	<i>Qty.</i>	<i>Description</i>
1	131-0612-01	1	Mount-Cooler	14	2412-129	4	Clamp-Hose
2	105-5723	4	Spacer-Tube	15	3334-945	1	Tie-Cable
3	322-11	4	Screw-HH	16	322-3	8	Screw-HH
4	131-0733	8	Clamp	17	125-0266	1	Hose-Return
5	3296-29	16	Nut-Lock, NI	18	125-0319	2	Foam-Seal
6	321-3	4	Screw-HH	19	125-0324	2	Foam-Seal
7	120-7390	1	Fan	20	104-3989	1	Decal
8	104-7201	4	Nut-HF, NI	21	131-0731	1	Seal-Foam
9	117-6320	1	Cooler-Oil	22	125-0350-01	1	Bracket-Shield, RH
10	125-0308-01	1	Cover-Cooler	23	125-0351-01	1	Bracket-Shield, LH
11	32104-95	6	Screw-HWH	24	125-0340	1	Shield-Chip
12	121-4537	1	Hose-HYD	25	63-8410	4	Washer
13	107-8652	1	Fitting-Straight	26	322-4	4	Screw-HH
13:1	237-58	1	O-Ring	27	131-0642	4	Plate-Support, Clamp

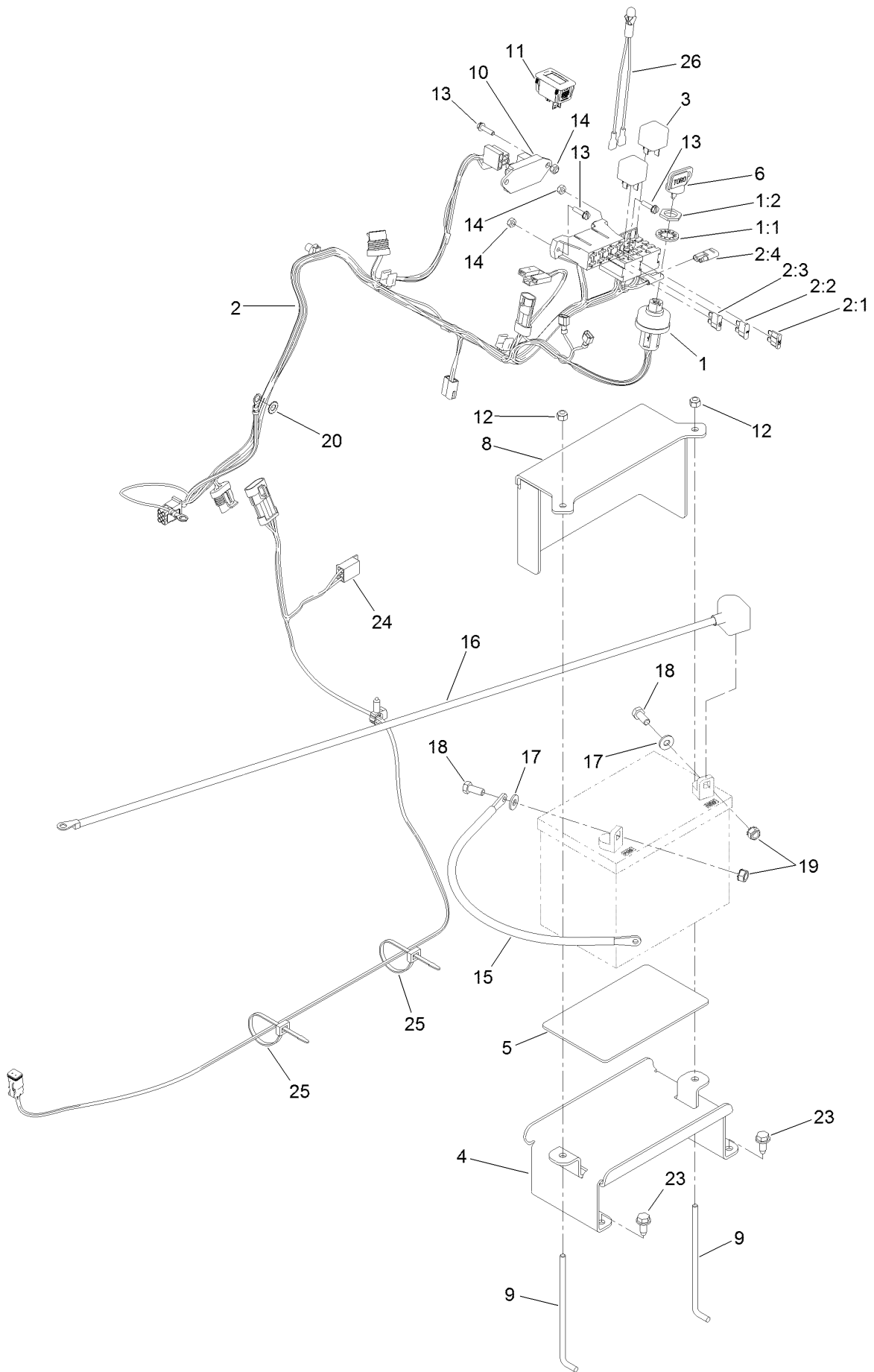
Hydraulic Hose Routing Assembly



Hydraulic Hose Routing Assembly (continued)

<i>Ref.</i>	<i>Part Number</i>	<i>Qty.</i>	<i>Description</i>	<i>Ref.</i>	<i>Part Number</i>	<i>Qty.</i>	<i>Description</i>
1	100-4202	1	Fitting-90	15	121-4346	1	Hose-HYD
1:1	237-81	1	O-Ring	16	121-4347	2	Hose-HYD
2	354-78	1	Fitting-STR	18	121-4341	1	Hose-Return
2:1	237-146	1	O-Ring	19	121-1199	1	Hose-HYD
3	92-6058	2	Fitting-STR	20	121-4344	1	Hose-HYD
3:1	237-81	1	O-Ring	21	130-7574	1	Hose-HYD
3:2	237-58	1	O-Ring	22	353-989	1	Plug-Hex, Hollow
4	340-2	1	Fitting-Straight	22:1	237-42	1	O-Ring
4:1	237-22	1	O-Ring	23	340-110	1	Fitting-Swivel, 90 DEG
4:2	237-42	1	O-Ring	23:1	237-42	1	O-Ring
5	340-5	1	Fitting-Straight	24	98-9742	1	Valve-Control, Flow
5:1	237-42	1	O-Ring	25	340-92	3	Fitting-Straight
5:2	237-30	1	O-Ring	25:1	237-78	1	O-Ring
6	340-91	2	Fitting-STR	25:2	237-21	1	O-Ring
6:1	237-58	1	O-Ring	26	340-132	2	Fitting-Elbow, 90 DEG
6:2	237-146	1	O-Ring	26:1	237-78	1	O-Ring
7	340-87	1	Fitting-Elbow, 45 DEG	26:2	237-21	1	O-Ring
7:1	237-22	1	O-Ring	27	121-4455	1	Hose-HYD
7:2	237-42	1	O-Ring	28	121-4456	1	Hose-HYD
8	340-82	4	Fitting-Elbow, 90 DEG	29	119-4601	1	Hose-HYD
8:1	237-42	1	O-Ring	30	121-4454	1	Sleeve-Protective
8:2	237-21	1	O-Ring	31	99-5648	1	Sleeve-Protective
9	340-3	1	Fitting-Straight	32	2412-34	2	Clamp-Hose
9:1	237-22	1	O-Ring	33	353-508	1	Plug-HH
9:2	237-79	1	O-Ring	33:1	237-42	1	O-Ring
10	340-1	4	Fitting-Straight	34	108-5688	1	Fitting-Tee
10:1	237-21	1	O-Ring	34:1	237-21	2	O-Ring
10:2	237-42	1	O-Ring	34:2	237-42	1	O-Ring
11	353-954	1	Fitting-Elbow, 90	35	115-8886	1	Nipple-Test
11:1	237-79	1	O-Ring	36	354-79	1	Cap-Dust
12	340-18	1	Fitting-HYD, 90 DEG	37	3334-945	2	Tie-Cable
12:1	237-79	1	O-Ring	38	3290-379	2	Tie-Cable
12:2	237-22	1	O-Ring	39	100-4240	1	Fitting-STR
13	121-4342	2	Hose-HYD	39:1	237-30	1	O-Ring
14	121-4345	1	Hose-HYD	39:2	237-81	1	O-Ring

Electrical Assembly



Electrical Assembly (continued)

<i>Ref.</i>	<i>Part Number</i>	<i>Qty.</i>	<i>Description</i>	<i>Ref.</i>	<i>Part Number</i>	<i>Qty.</i>	<i>Description</i>
1	111216	1	Ignition Switch ASM	11	120-2244	1	Hourmeter
1:1	9201604	1	Washer-Lock	12	3296-42	2	Nut-Lock, NI
1:2	101884	1	Nut	13	32105-13	5	Screw-HWH
2	130-7572	1	Harness-Wire	14	3296-2	5	Nut-Lock, NI
2:1	109103	1	Fuse-Blade, 30 Amp	15	131-0738	1	Cable-Battery, Positive
2:2	110928	1	Fuse-Blade, 5 Amp	16	121-4437	1	Cable-Battery, Negative
2:3	109101	1	Fuse-Blade, 20 Amp	17	3256-2	2	Washer-Flat
2:4	116-0053	1	Cap-Plug	18	322-3	2	Screw-HH
3	98-7249	2	Relay	19	32149-1	2	Nut-Keps
4	131-0727-01	1	Tray-Battery	20	3255-8	1	Washer-Lock
5	62-4300	1	Pad-Skid, Anti	23	32144-70	4	Screw-HWHTF
6	63-8360	1	Key-Ignition	24	121-4319	1	Harness-Wire
8	131-0739-03	1	Cover-Battery	25	3290-378	2	Tie-Cable
9	104-8567	2	Holdown-Battery	26	1-643267	1	Indicator-LED, Red
10	100-6170	1	Module-Delay				

Notes:

Notes:



Count on it.