



**Count on it.**

**Parts Catalog**

**STX-38 EFI**

**Stump Grinder with Intelli-Sweep®**

Model No. 23214—Serial No. 410500000 and Up



# Ordering Replacement Parts

To order replacement parts, please supply the part number, the quantity, and the description of each part desired.

## Understanding Reference Numbers

Each identified part in an illustration has a reference number. The reference number for a part also appears in the parts list, along with other information about the part.

This catalog uses two special reference number formats, one to indicate parts in a service assembly and another to indicate the quantity of a given part in an illustration.

## Service Assembly Reference Numbers

Parts in service assemblies have reference numbers in the form a:b. The a represents the reference number of the entire service assembly and the b represents a sequential number unique to each part within the service assembly.

For example, a wheel assembly might be identified by reference number 6, the tire by 6:1, the valve by 6:2, and the wheel by 6:3. When you order the assembly identified by reference number 6, you receive all parts identified by reference numbers 6:1, 6:2, and 6:3. However, you may also order any part individually. Reference numbers of this type appear in illustration and in parts lists.

## Reference Numbers Indicating Quantity

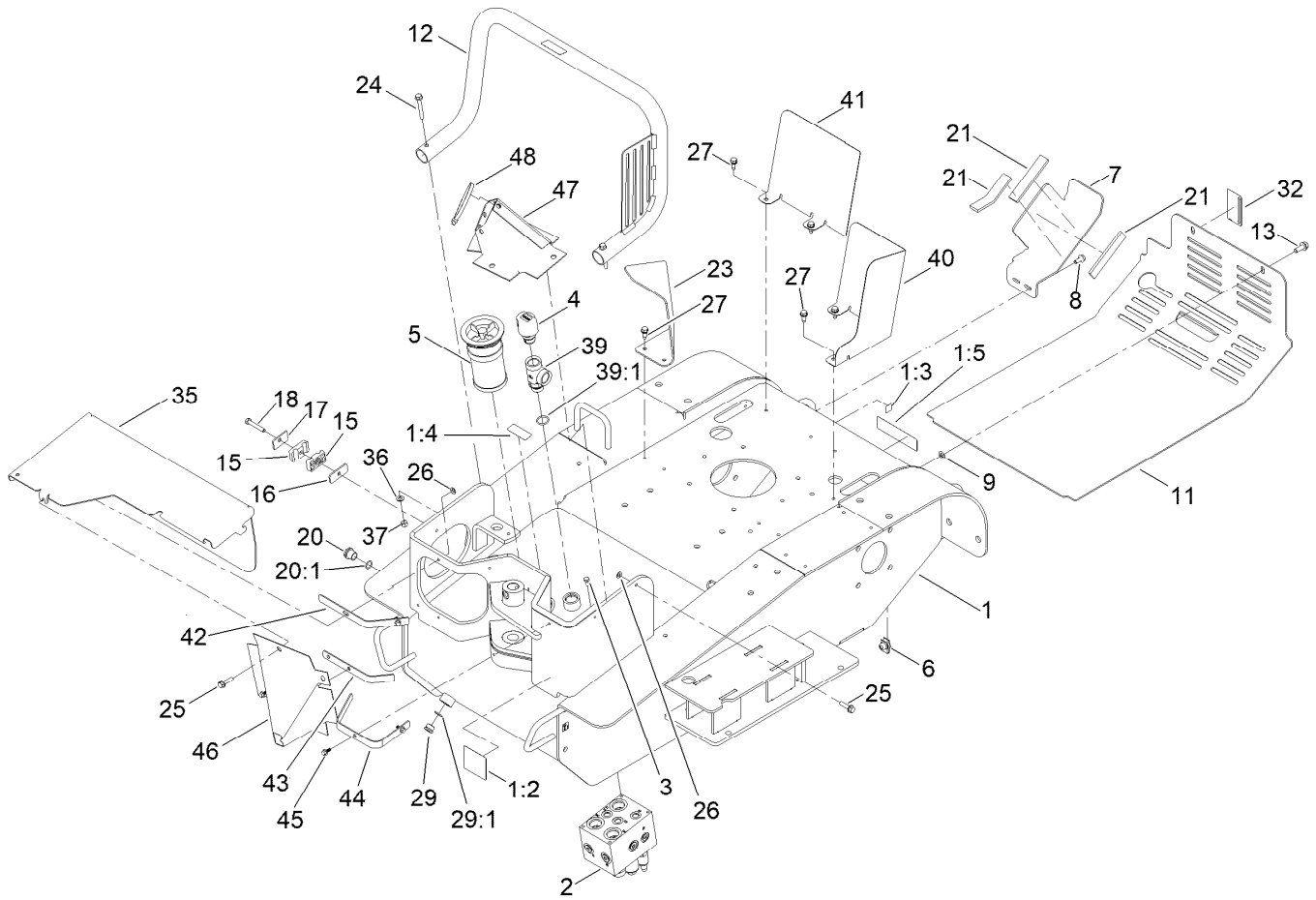
In an illustration, if a reference number indicates more than one part, the reference number has the form nX y. The n represents the quantity of the part, the X is the multiplication symbol, and the y represents the reference number.

For example, in an illustration, the reference number 2X 37 means that two of the parts identified by reference number 37 are indicated.

# Contents

Main Frame Assembly .....	4
Cutter Valve Assembly No. 121-1022 .....	6
Track and Drive Assembly .....	8
Hydraulic Motor Assembly No. 121-1957 .....	10
Parking Brake Assembly .....	12
Engine Assembly .....	14
Hydraulic Gear Pump Assembly No. 121-1952 .....	16
Control Assembly .....	18
Grinder Head Assembly .....	20
Hydraulic Motor Assembly No. 121-4325 .....	22
Hydraulic Cylinder Assembly No. 121-1955 .....	24
Tower and Fuel Tank Assembly .....	26
Control Valve Assembly No. 119-4585 .....	28
Two-Button Handle Grip Assembly No. 119-4587 .....	29
Cooler Assembly .....	30
Hydraulic Hose Routing Assembly .....	32
Electrical Assembly .....	34

# Main Frame Assembly

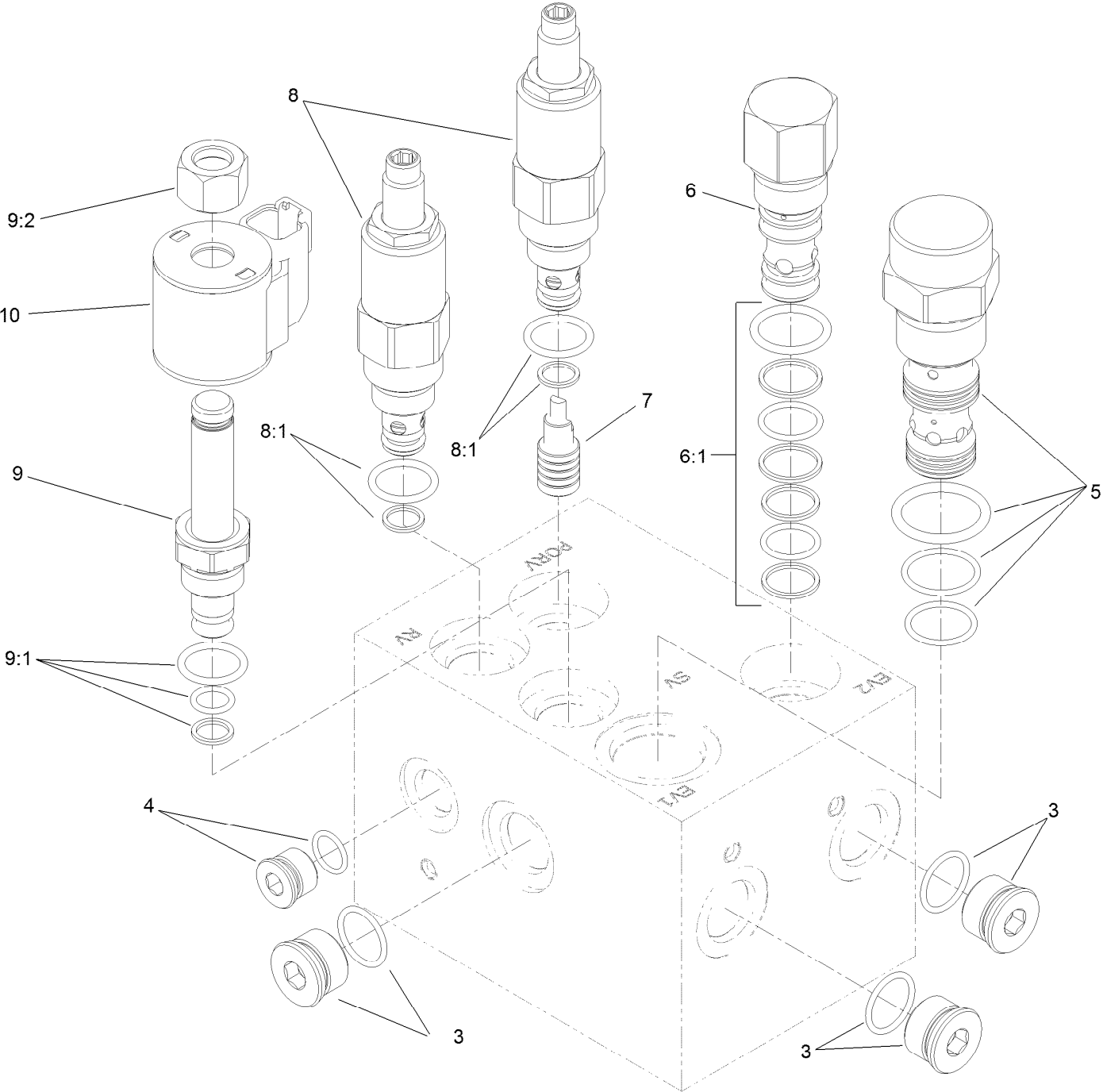


## Main Frame Assembly (continued)

<i>Ref.</i>	<i>Part Number</i>	<i>Qty.</i>	<i>Description</i>	<i>Ref.</i>	<i>Part Number</i>	<i>Qty.</i>	<i>Description</i>
1	131-0747	1	Frame-Main	24	135-6323	2	Screw-HHF
1:2	100-4650	1	Decal-Warning	25	3234-36	2	Screw-HHF
1:3	93-9084	4	Decal-Point, Lift	26	117-2749	2	Nut-Push
1:4	93-6686	1	Decal-Oil, HYD	27	32144-70	6	Screw-HWHTF
1:5	93-7814	1	Decal-Danger	28	1-523420	2	Bumper ●
2	121-1022	1	Valve-Cutter	29	353-988	1	Plug-Hex
3	321-3	4	Screw-HH	29:1	237-79	1	O-Ring
4	115-9793	1	Breather	30	32128-33	2	Nut-HF ●
5	115-5745	1	Cartridge-Filter	32	93-9363	1	Decal-Brake, Parking
6	105-4886	2	Nut-Tinnerman	35	140-3615-03	1	Cover, Hydraulic
7	121-1141-01	1	Bracket-Tank	36	3256-23	2	Washer-Plain
8	3234-47	2	Screw-HHF	37	3296-29	2	Nut-Lock, NI
9	107-3154	2	Nut-Push	39	130-7571	1	Fitting-Tee
11	121-4532	1	Cover-Rear	39:1	237-81	1	O-Ring
12	140-7612	1	Muffler Guard Decal ASM	40	138-9891	1	Bracket-Deflector
13	3234-11	2	Screw-HHF	41	138-9893	1	Bracket-Deflector 2
15	56-7976	2	Clamp-Tube	42	140-3625	1	Bracket-Frame, Top
16	119-4636	1	Plate-Clamp	43	138-5201	1	Bracket-Frame, Bottom
17	69-9760	1	Plate-Cover	44	138-5227	1	Bracket-Boot
18	322-10	1	Screw-HH	45	99-6810	5	Screw-HHF
20	114-3075	1	Sight Glass ASM	46	140-3580	1	Cover, Canvas Cylinder
20:1	237-79	1	O-Ring	47	140-3581	1	Cover, Canvas HYD Hoses
21	121-0894	3	Pad-Foam	48	3334-945	1	Tie-Cable
23	131-0640-01	1	Plate-Deflector, RH				

● Not illustrated

# Cutter Valve Assembly No. 121-1022

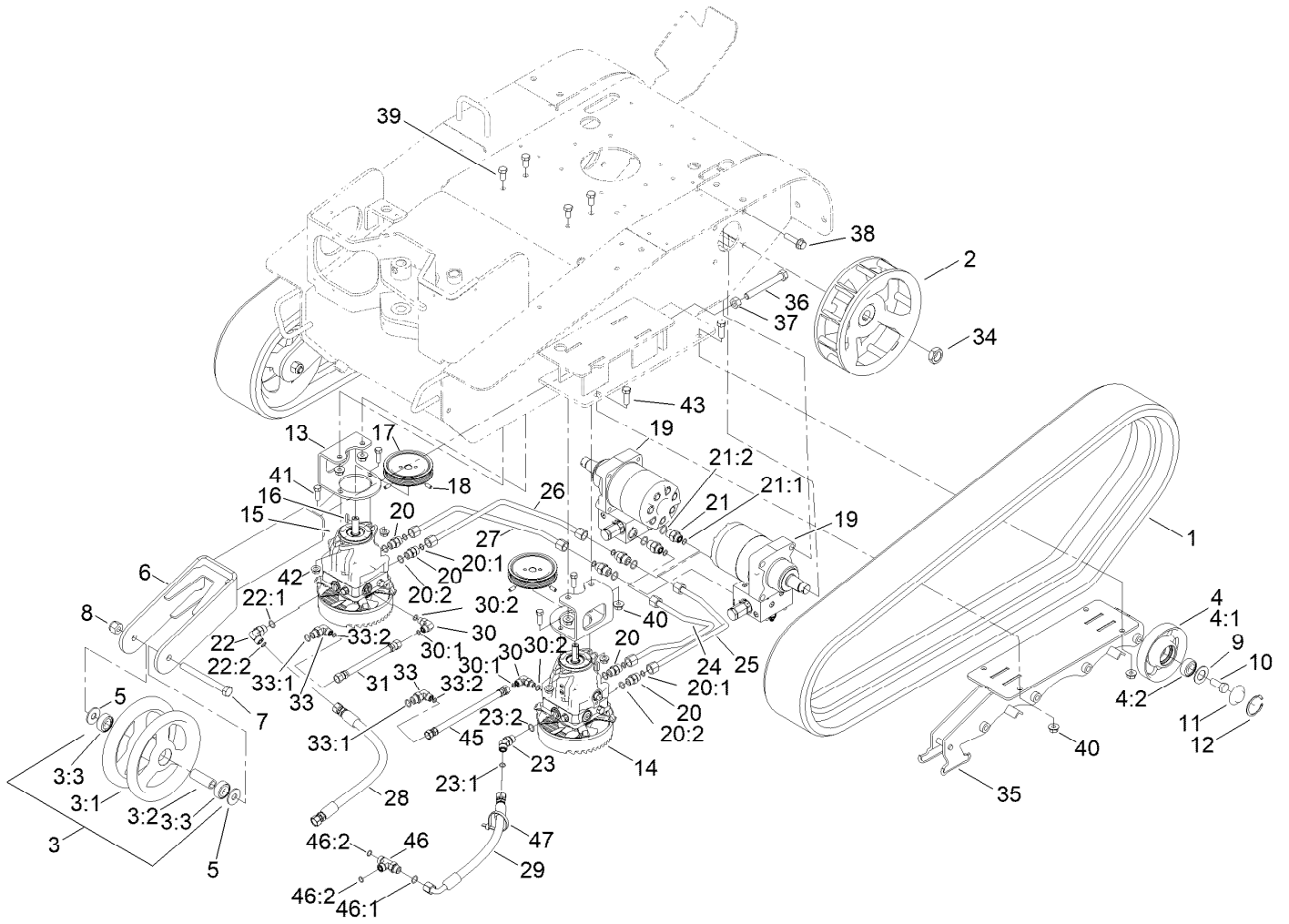


# Cutter Valve Assembly No. 121-1022 (continued)

<i>Ref.</i>	<i>Part Number</i>	<i>Qty.</i>	<i>Description</i>	<i>Ref.</i>	<i>Part Number</i>	<i>Qty.</i>	<i>Description</i>
3	106-1027	3	Plug	8	119-4620	2	Valve-Relief
4	112-9213	1	Plug	8:1	105-9156	1	Seal Kit
5	121-4561	1	Element-Logic, Vented	9	107-7517	1	Valve-Solenoid
6	105-9153	1	Element-Logic, Vented	9:1	105-9156	1	Seal Kit
6:1	119-2159	1	Seal Kit ●	9:2	107-7812	1	Nut-Solenoid
7	105-9157	1	Piston-Pilot	10	112-0197	1	E Coil-12V DC

● Not illustrated

# Track and Drive Assembly

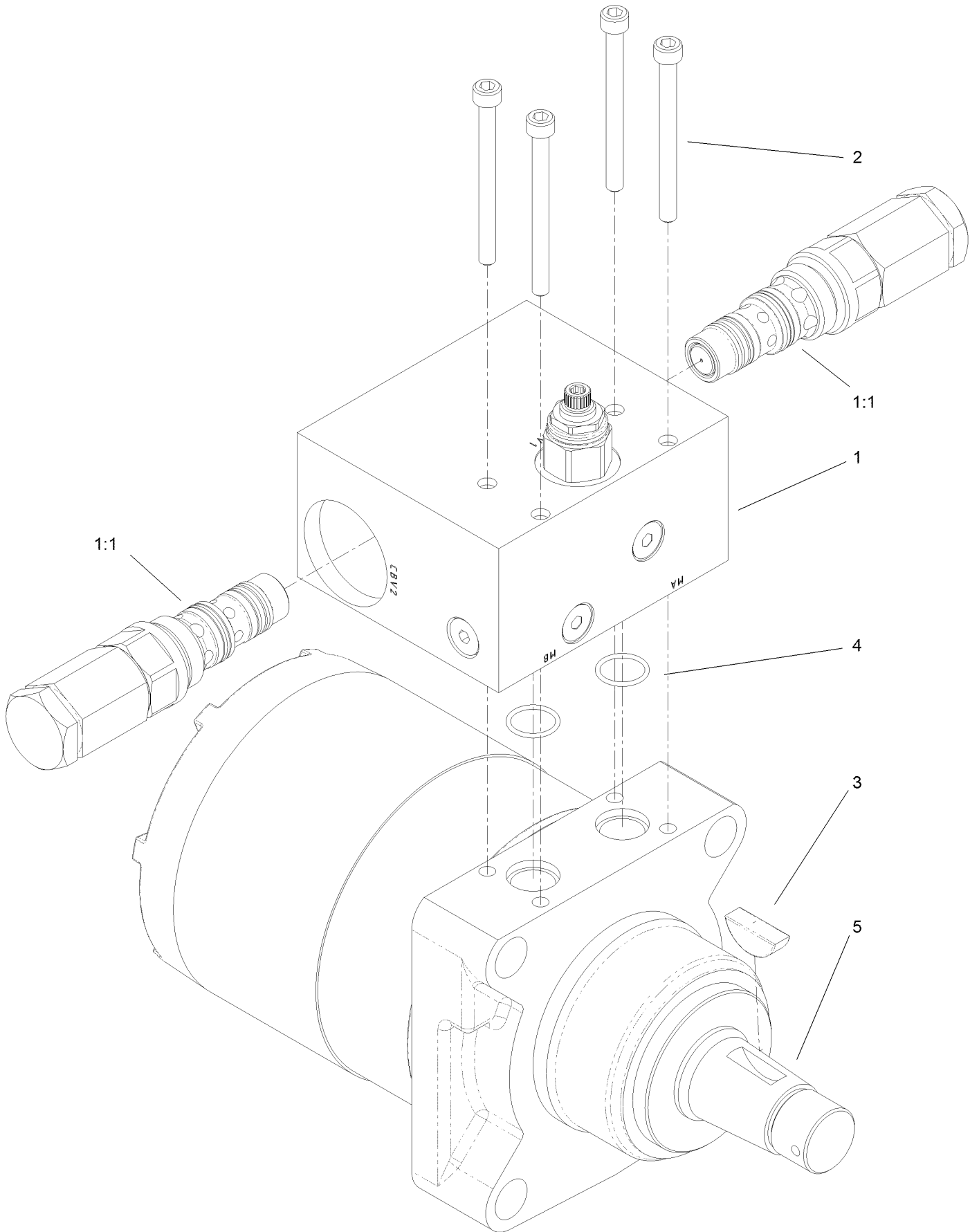




## Track and Drive Assembly (continued)

<i>Ref.</i>	<i>Part Number</i>	<i>Qty.</i>	<i>Description</i>	<i>Ref.</i>	<i>Part Number</i>	<i>Qty.</i>	<i>Description</i>
1	121-1021	2	Track-Rubber	22:2	237-30	1	O-Ring
2	117-6426-03	2	Wheel-Drive	23	340-101	1	Fitting-HYD, 45 DEG
3	104-5745	2	Tensioner Wheel ASM	23:1	237-30	1	O-Ring
3:1	104-5747-03	1	Wheel-Tensioner	23:2	237-79	1	O-Ring
3:2	98-9835	1	Spacer-Wheel, Tensioner	24	121-1124	1	Tube-HYD
3:3	120-5378	2	Bearing-Ball	25	121-1125	1	Tube-HYD
4	138-3139	16	Tensioner Wheel ASM	26	121-1126	1	Tube-HYD
4:1	138-7118	1	Wheel-Track	27	121-1127	1	Tube-HYD
4:2	120-5378	1	Bearing-Ball	28	131-0650	1	Hose-HYD
5	3256-7	4	Washer-Flat	29	131-0614	1	Hose-HYD
6	121-1018-03	2	Arm-Tensioner	30	340-77	2	Fitting-Elbow, 90 DEG
7	327-17	2	Screw-HH	30:1	237-22	1	O-Ring
8	3296-24	2	Nut-Hex	30:2	237-42	1	O-Ring
9	106-7585	16	Gasket-Bogie	31	94-4712	1	Hose-HYD
10	327-4	16	Screw-HH	33	340-18	2	Fitting-HYD, 90 DEG
11	106-7557	16	Cap-Wheel, Bearing	33:1	237-79	1	O-Ring
12	106-7595	16	Ring-Snap, Internal	33:2	237-22	1	O-Ring
13	115-1289-03	2	Bracket-Mount, Pump	34	106-8159	2	Nut-Lock
14	121-1953	1	Pump-HYD, LH	35	121-0883-01	2	Mount-Wheel
15	121-1954	1	Pump-HYD, RH	36	125-0357	2	Screw-HH, TAP
16	80-6090	2	Key-Pump	37	3217-11	2	Nut-Hex
17	109-2202	2	Sheave	38	3234-27	8	Screw-HHF
18	3246-6	4	Screw-Set, HSH	39	325-4	4	Screw-HH
19	121-1957	2	HYD Motor ASM	40	32128-49	12	Nut-HHF
20	340-4	4	Fitting-Straight	41	324-5	4	Screw-HH
20:1	237-30	1	O-Ring	42	32128-42	4	Nut-HF
20:2	237-79	1	O-Ring	43	325-6	8	Screw-HH
21	340-6	4	Fitting-Straight	45	76-9420	1	Hose-HYD
21:1	237-30	1	O-Ring	46	340-109	1	Fitting-Tee
21:2	237-80	1	O-Ring	46:1	237-79	1	O-Ring
22	340-98	1	Fitting-Elbow, 90 DEG	46:2	237-30	2	O-Ring
22:1	237-79	1	O-Ring	47	3334-945	1	Tie-Cable

# Hydraulic Motor Assembly No. 121-1957



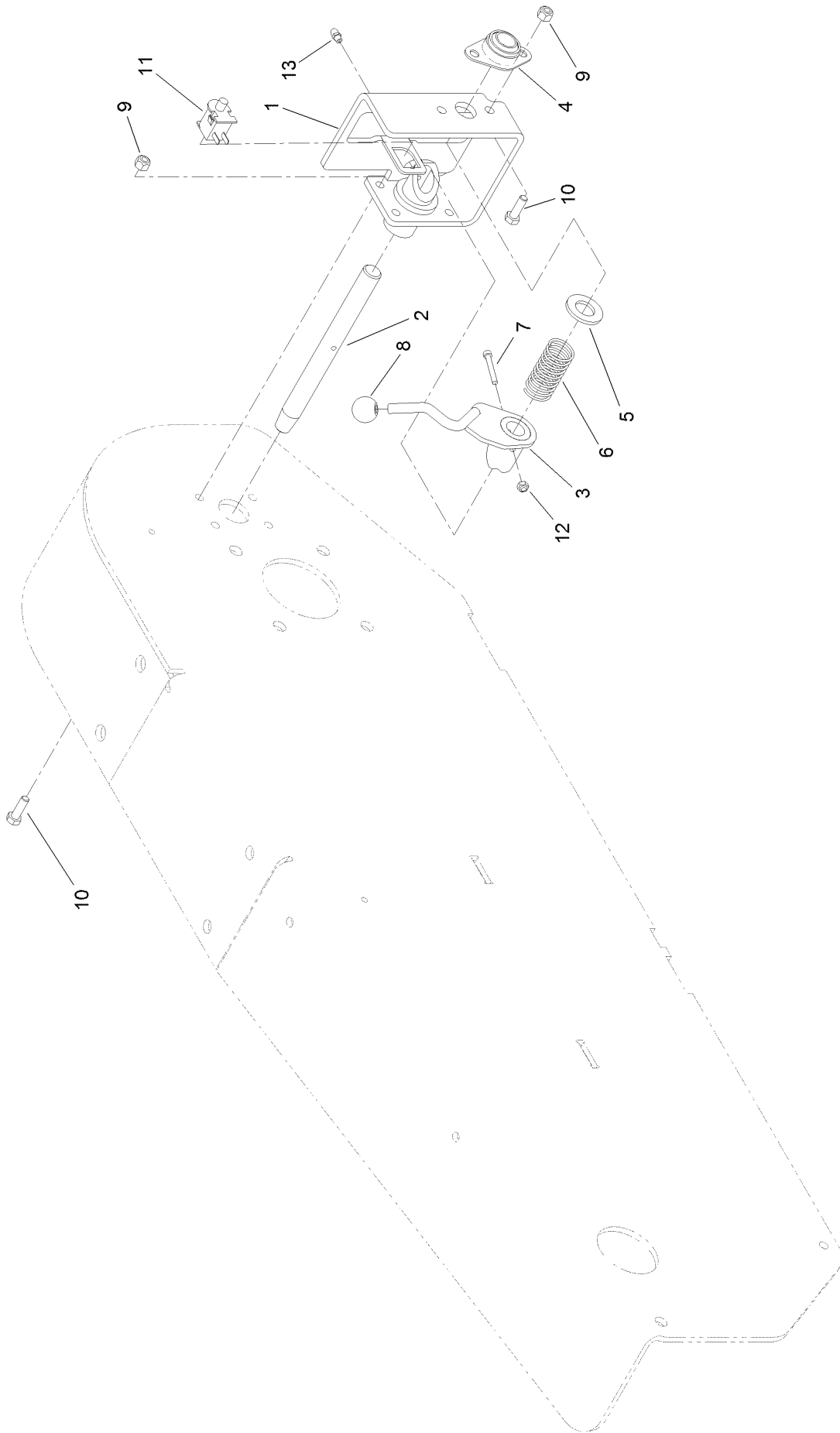
# Hydraulic Motor Assembly No. 121-1957 (continued)

<i>Ref.</i>	<i>Part Number</i>	<i>Qty.</i>	<i>Description</i>
1	121-4464	1	Counterbalance Valve ASM
1:1	121-4463	2	Cartridge-CB
2	119-4611	4	Bolt-HSH
3	3257-42	1	Key-Woodruff

<i>Ref.</i>	<i>Part Number</i>	<i>Qty.</i>	<i>Description</i>
4	120-0691	2	O-Ring
5	76-0860	1	Shaft-Coupling
6	100-6131	1	Seal Kit ●

● Not illustrated

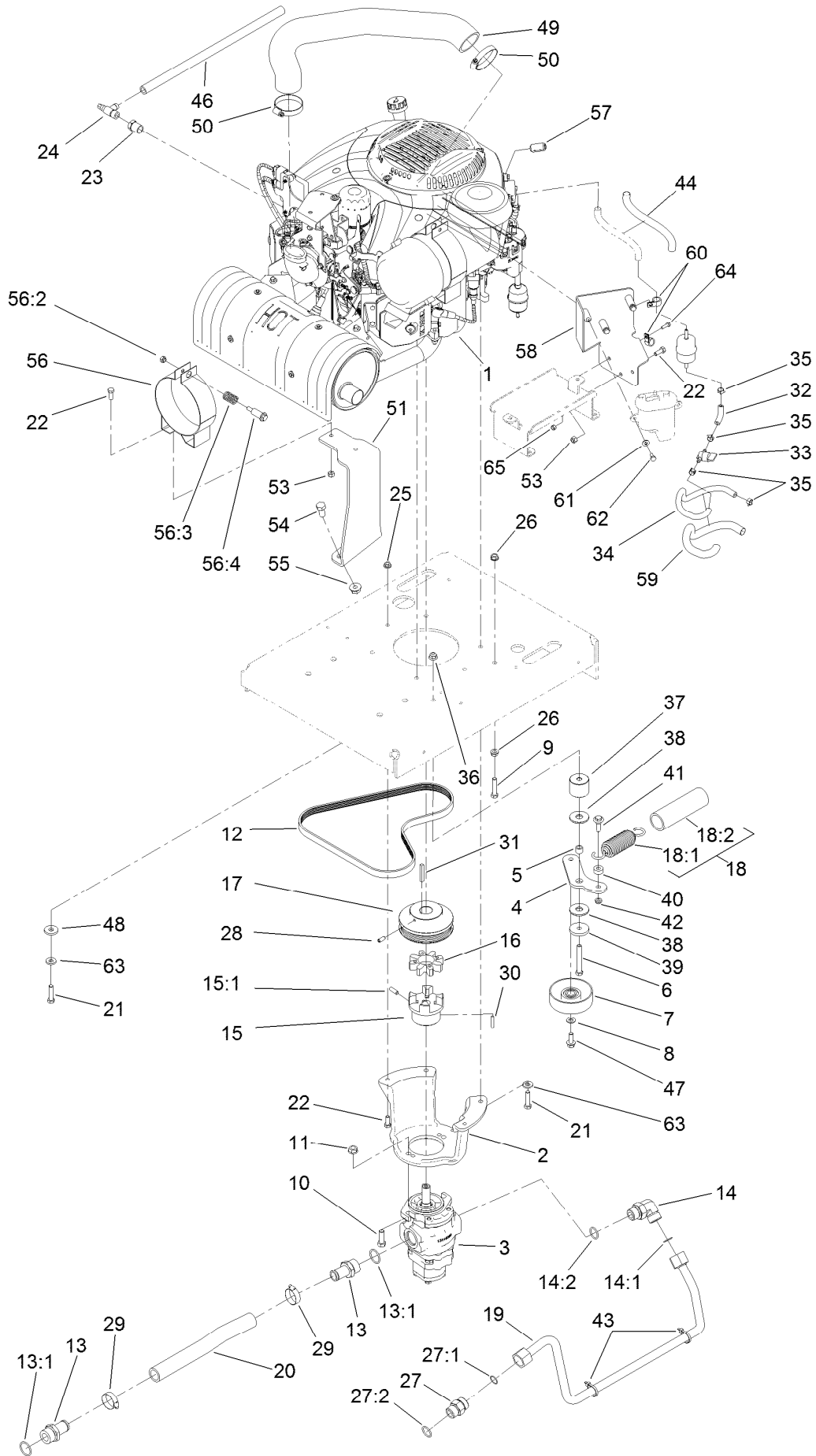
# Parking Brake Assembly



## Parking Brake Assembly (continued)

<i>Ref.</i>	<i>Part Number</i>	<i>Qty.</i>	<i>Description</i>	<i>Ref.</i>	<i>Part Number</i>	<i>Qty.</i>	<i>Description</i>
1	125-0259-03	1	Bracket-Brake	8	233-69	1	Knob
2	121-4352	1	Shaft-Brake	9	3296-29	6	Nut-Lock, NI
3	121-4356-03	1	Handle-Brake	10	322-5	6	Screw-HH
4	27-2320	1	Bearing	11	740275	1	Switch
5	3256-28	1	Washer-Flat	12	3296-2	1	Nut-Lock, NI
6	125-0344	1	Spring-Compression	13	302-5	1	Fitting-Grease
7	3274-59	1	Screw-HSH				

# Engine Assembly

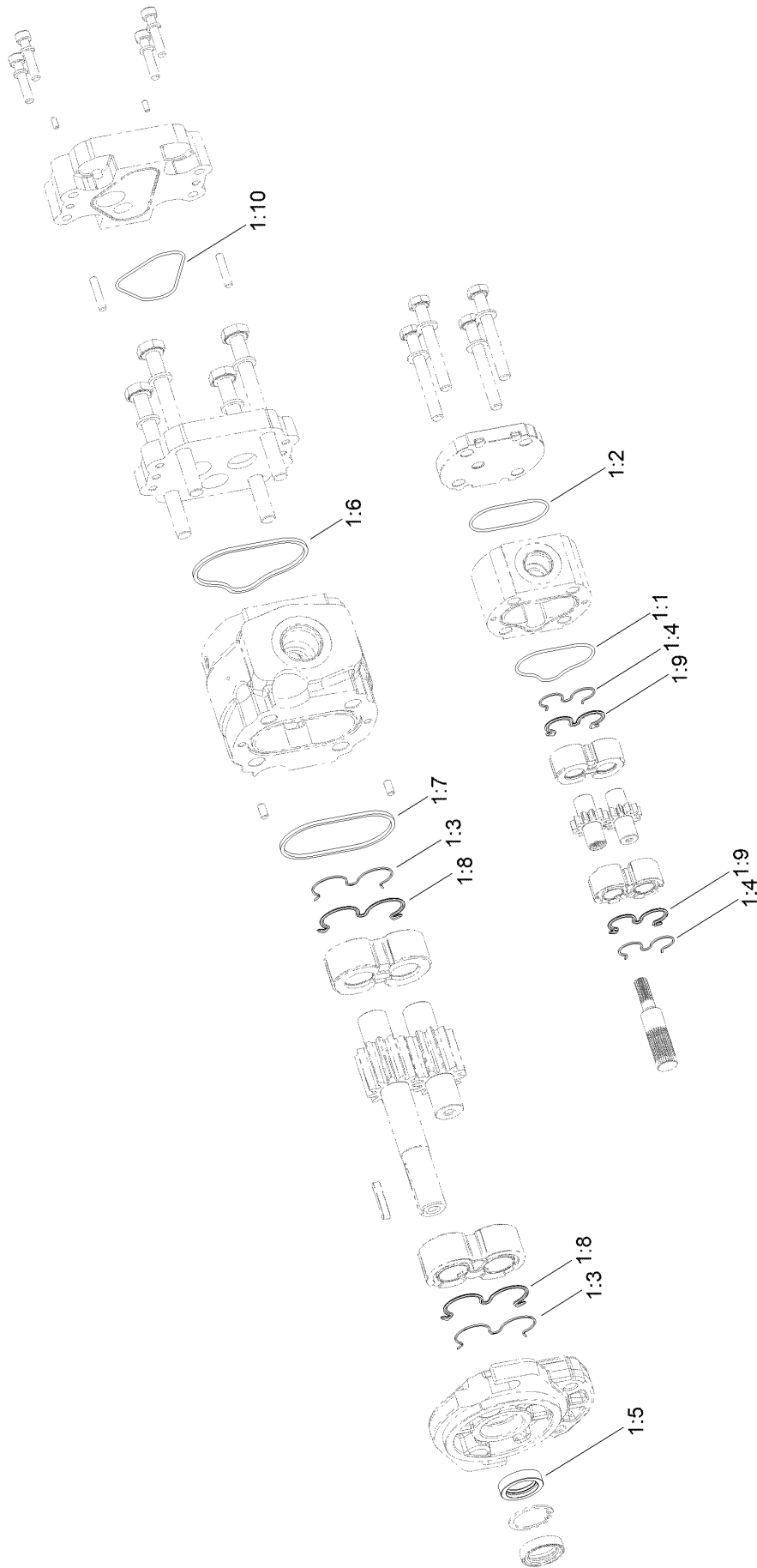


## Engine Assembly (continued)

<i>Ref.</i>	<i>Part Number</i>	<i>Qty.</i>	<i>Description</i>	<i>Ref.</i>	<i>Part Number</i>	<i>Qty.</i>	<i>Description</i>
1	140-3630	1	Engine-Kohler ●	30	27-8590	1	Key-Square
2	132-8665-0P	1	Mount-Pump [primed]	31	608006	1	Key-Square
3	121-1952	1	Gear Pump ASM	32	99-9415	1	Hose-Fuel
4	125-0252	1	Arm-Idler	33	1-603770	1	Valve-Fuel
5	1-413088	1	Bushing-Lever, Lift	34	109-0298	1	Line-Fuel
6	323-14	1	Screw-HH	35	2412-98	4	Clamp-Hose
7	95-8802	1	Pulley-Idler	36	104-8301	1	Nut-HF, NI
8	3256-24	1	Washer-Plain	37	125-0251	1	Spacer-Idler
9	323-9	1	Screw-HH	38	114-0463	2	Washer-Friction, Composite
10	324-5	2	Screw-HH	39	110-9981	1	Washer-Plain
11	32128-37	2	Nut-HF	40	104-8426	1	Spacer
12	121-4326	1	Belt-V	41	614672	1	Screw-Shoulder, HWH
13	354-78	2	Fitting-STR	42	3296-59	1	Nut-Lock, NI
13:1	237-146	1	O-Ring	43	3290-379	2	Tie-Cable
14	340-142	1	Fitting-Elbow, 90 DEG	44	131-0736	1	Sleeve-Thermal
14:1	237-58	1	O-Ring	46	98-4667	1	Hose
14:2	237-81	1	O-Ring	47	3234-11	1	Screw-HHF
15	121-4330	1	Hub-Coupler	48	1-373034	2	Washer
15:1	100-7594	1	Screw-Set	49	131-0616	1	Hose-Intake, Air
16	104-3542	1	Spider	50	2412-42	2	Clamp-Hose
17	121-1028	1	Pulley-Engine	51	131-0730-01	1	Plate-Mount, Filter
18	138-3161	1	Spring And Retainer Kit	53	3296-29	4	Nut-Lock, NI
18:1	121-4523	1	Spring-Extension	54	325-4	2	Screw-HH
18:2	138-3160	1	Retainer-Spring	55	32128-49	2	Nut-HHF
19	121-1128	1	Tube-HYD	56	100-4825	1	Band-Mounting, Air Cleaner
20	121-4340	1	Hose-Suction	56:2	94-3653	1	Bolt
21	323-8	4	Screw-HH	56:3	94-3654	1	Spring
22	322-4	6	Screw-HH	56:4	48-9510	1	*obs* Nut
23	103-1390	1	Bushing	57	112-1540	1	Ferrite-Snap On
24	103-1965	1	Valve-Drain, Oil	58	131-0728-01	1	Bracket-Pump, Fuel
25	32128-20	2	Nut-HF	59	131-0575	1	Sleeve-Thermal
26	3290-357	2	Nut-HSF	60	2412-87	2	Clamp-Cable
27	340-9	1	Fitting-STR	61	3256-22	3	Washer-Flat
27:1	237-58	1	O-Ring	62	321-3	3	Screw-HH
27:2	237-81	1	O-Ring	63	98-5975	4	Washer-Belleville
28	3246-6	2	Screw-Set, HSH	64	321-5	1	Screw-HH
29	2412-34	2	Clamp-Hose	65	3296-42	1	Nut-Lock, NI

● Obtain parts from [www.kohlerplus.com](http://www.kohlerplus.com)

# Hydraulic Gear Pump Assembly No. 121-1952



1 = ITEMS 1:1 - 1:10

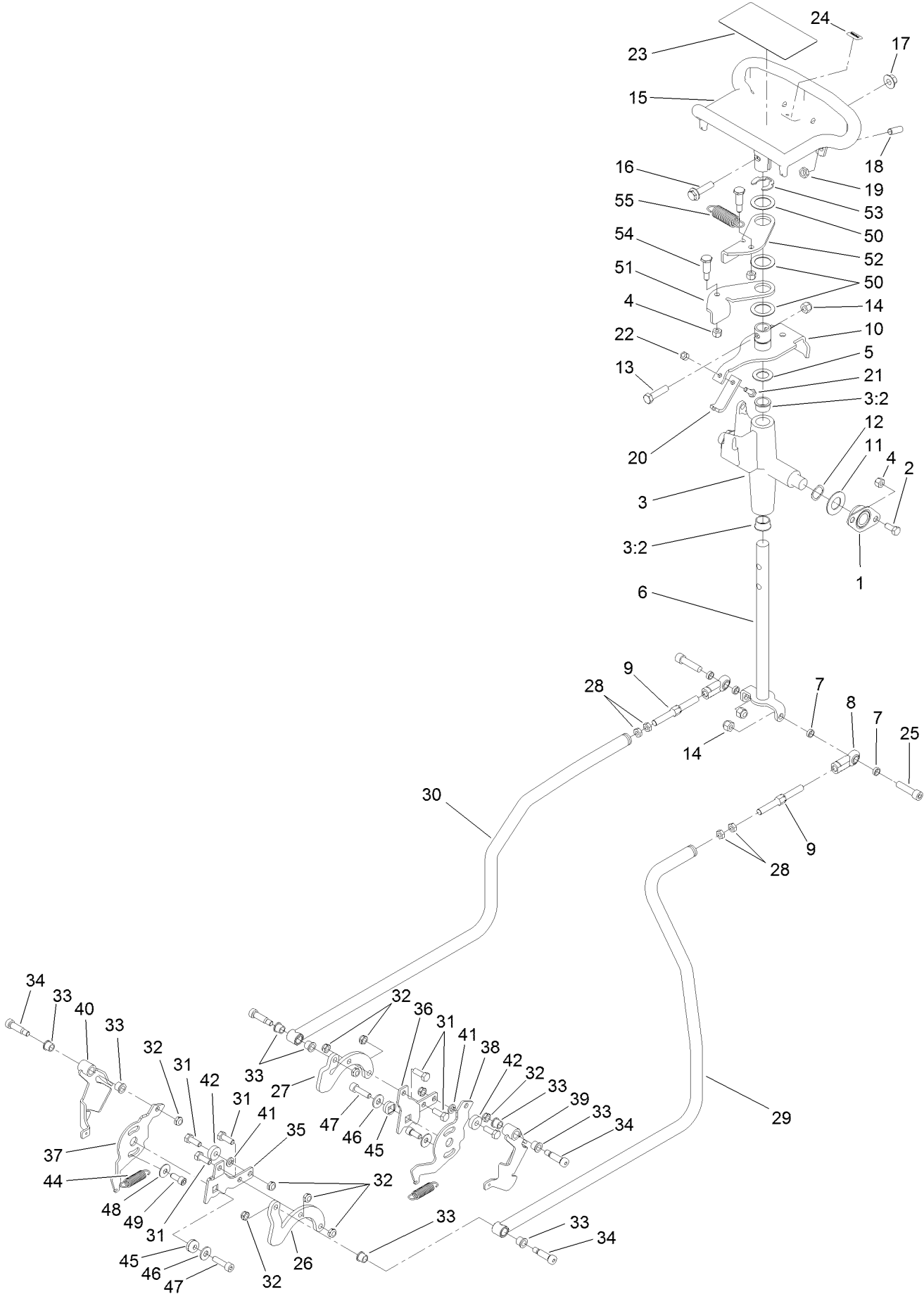


# Hydraulic Gear Pump Assembly No. 121-1952 (continued)

<i>Ref.</i>	<i>Part Number</i>	<i>Qty.</i>	<i>Description</i>	<i>Ref.</i>	<i>Part Number</i>	<i>Qty.</i>	<i>Description</i>
1	147-1924	1	Seal Kit	1:6		1	Seal ●
1:1		1	O-Ring ●	1:7		1	Standard Seal ●
1:2		1	O-Ring Seal ●	1:8		2	Seal ●
1:3		2	Anti-Extrusion ●	1:9		2	Seal ●
1:4		2	Anti-Extrusion ●	1:10		1	O-Ring Seal ●
1:5		2	Shaft Seal ●				

● Not serviced separately

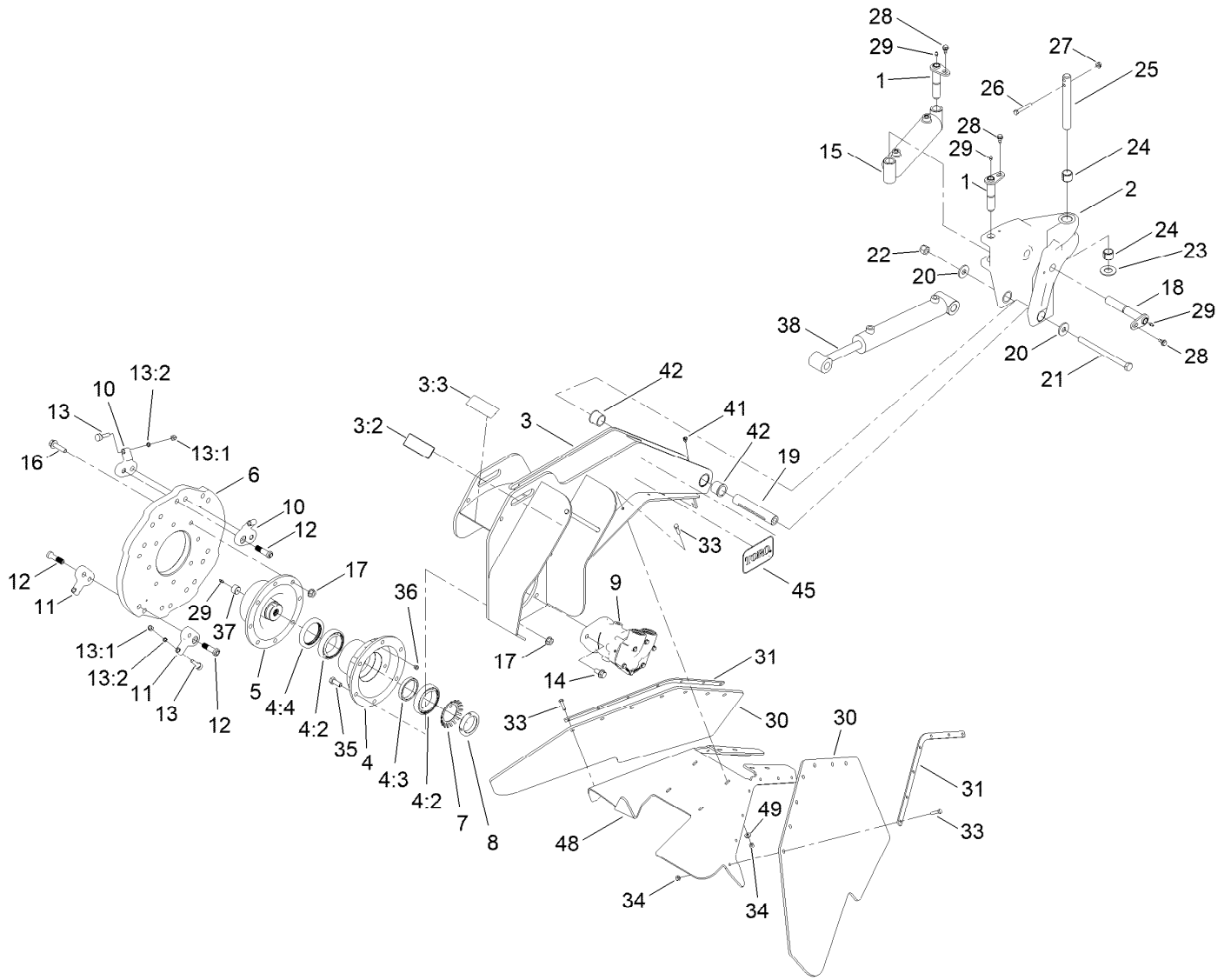
# Control Assembly



## Control Assembly (continued)

<i>Ref.</i>	<i>Part Number</i>	<i>Qty.</i>	<i>Description</i>	<i>Ref.</i>	<i>Part Number</i>	<i>Qty.</i>	<i>Description</i>
1	27-2320	2	Bearing	28	3220-3	4	Nut-HJ
2	322-3	4	Screw-HH	29	121-4513	1	Rod-Control, LH
3	106-5737	1	Control Support ASM	30	121-4514	1	Rod-Control, RH
3:2	256-252	2	Bearing-Flange	31	322-4	6	Screw-HH
4	3296-29	6	Nut-Lock, NI	32	3296-47	10	Nut-Lock,NI
5	257-8	1	Washer-Thrust	33	256-116	8	Bushing-Flange
6	117-6335	1	Rod-Drive	34	114-8629	4	Bolt-Shldr
7	108-0634	4	Spacer-Plate, Retaining	35	115-6628	1	Plate-Arm, Return, LH
8	103-1167	2	Joint-Ball End, LH	36	115-6536	1	Plate-Arm, Return
9	121-4506	2	Link-Control, Adjustment	37	115-6549	1	Plate-Base, LH
10	112-2783	1	Lever-Pivot	38	115-6535	1	Plate-Base, RH
11	3256-39	2	Washer-Flat	39	115-6636	1	Pivot-RH
12	95-3703	2	Washer-Spring, Wave	40	115-6637	1	Pivot-LH
13	323-8	1	Screw-HH	41	3253-4	2	Washer-Lock
14	3296-39	3	Nut-Lock, NI	42	251-259	2	Bearing-Ball
15	120-5380-03	1	Handle-Control	44	121-4409	2	Spring-Extension
16	3234-18	1	Screw-HHF	45	117-6429	2	Lock-Trunion
17	32128-43	1	Nut-Flange	46	3256-3	2	Washer-Flat
18	3247-6	2	Screw-Set	47	94-3559	2	Screw-HSH
19	3218-3	2	Nut-Jam	48	3290-456	2	Washer-Belleville
20	115-1204	1	Plate-Neutral	49	3273-14	2	Screw-HSH
21	321-4	1	Screw-HH	50	108-9743	3	Washer-Plain
22	3296-42	1	Nut-Lock, NI	51	98-8407	1	Lever-Return, RH
23	115-4020	1	Decal-Traction	52	98-8408	1	Lever-Return, LH
24	98-1459	1	Decal	53	32151-91	1	Ring-Retaining
25	3274-2	2	Screw-HSH	54	63-2650	2	Screw-Shoulder
26	121-1123	1	Plate-Control, LH	55	108-4724	1	Spring-Extension
27	121-1122	1	Plate-Control, RH				

# Grinder Head Assembly

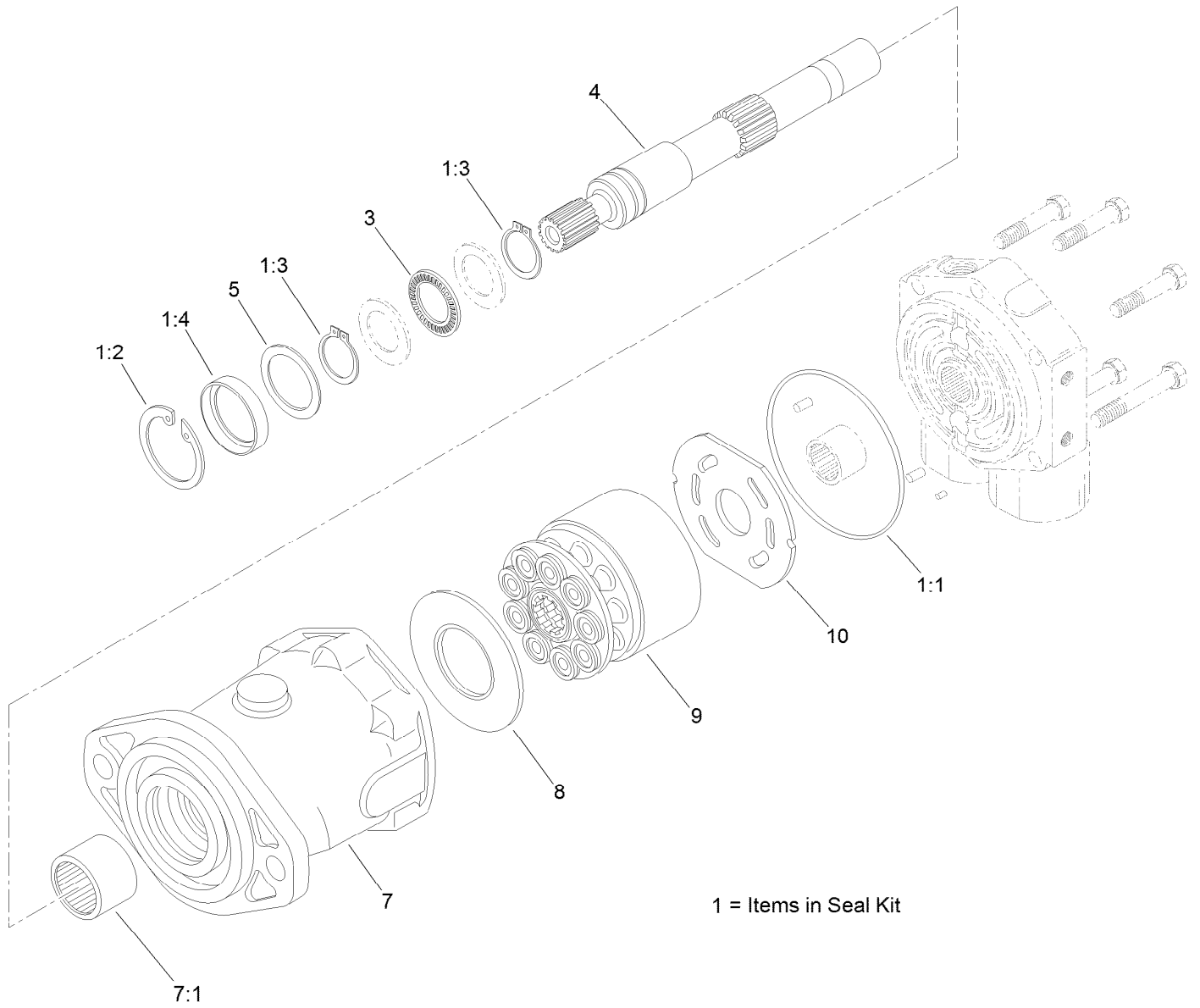


## Grinder Head Assembly (continued)

<i>Ref.</i>	<i>Part Number</i>	<i>Qty.</i>	<i>Description</i>	<i>Ref.</i>	<i>Part Number</i>	<i>Qty.</i>	<i>Description</i>
1	121-1113	2	Pin-Pivot	18	121-0860	2	Pin-Pivot
2	121-4565-01	1	Head-Pivot	19	121-4571	1	Spacer-Pivot
3	121-4575	1	Grinder Head ASM	20	104-9216	2	Washer-Hardened
3:2	93-7321	2	Decal-Danger	21	117-6327	1	Bolt-HH
3:3	107-9366	1	Decal-Warning	22	3296-53	1	Nut-Lock, NI
4	121-4458	1	Wheel Bearing Housing ASM	23	256-121	1	Washer-Thrust
4:2	121-4378	2	Bearing-Ball	24	98-4871	2	Bushing-Tension
4:3	121-0872	1	Spacer-Bearing	25	121-1112	1	Pin-Pivot, Grinder
4:4	121-4379	1	Seal-Grease	26	323-47	1	Screw-HH
5	121-4337	1	Shaft-Cutter	27	3290-357	1	Nut-HSF
6	121-1012-03	1	Plate-Wheel, Cutter	28	99-5105	4	Screw-Shoulder
7	104-5915	1	Washer-Lock, Bearing	29	302-5	6	Fitting-Grease
8	104-1973	1	Nut-Lock, Bearing	30	121-4557	2	Shield-Chip
9	121-4325	1	HYD Motor ASM	31	140-3603-03	2	Plate-Clamp,Chip
10	115-9384	12	Pocket-Angled	33	322-6	22	Screw-HH
11	115-9388	4	Pocket-Straight	34	3296-29	22	Nut-Lock, NI
12	121-4318	16	Bolt-HSH	35	325-5	6	Screw-HH
13	115-9385	16	Grinder Tooth ASM	36	302-34	1	Fitting-Lube
13:1	3296-39	1	Nut-Lock, NI	37	121-0875	1	Plug-Shaft, Cutter
13:2	121-4365	1	Spacer-Tooth	38	121-1955	1	HYD Cylinder ASM
14	3234-6	2	Screw-HHF	41	302-11	1	Fitting-Lube, 45 DEG
15	137-8829	1	HYD Cylinder ASM	42	104-0015	2	Bushing-Flange
15:99	140-1145	1	Kit-Seal ●	45	104-3989	2	Decal
16	3234-27	8	Screw-HHF	48	140-3601-03	1	Plate-Mount,Guard
17	32128-49	14	Nut-HHF	49	3256-2	8	Washer-Flat

● Not illustrated

# Hydraulic Motor Assembly No. 121-4325



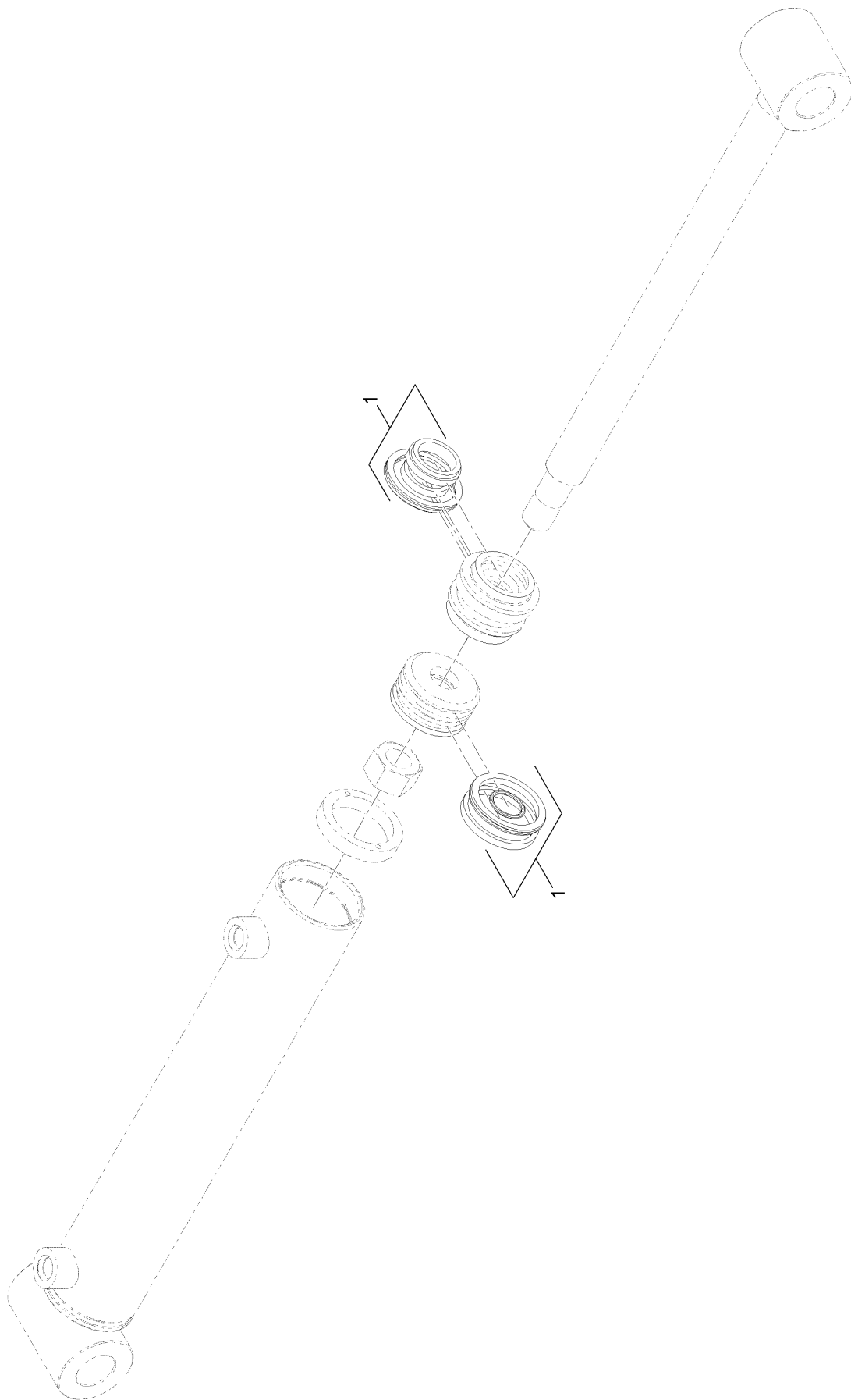
# Hydraulic Motor Assembly No. 121-4325 (continued)

<i>Ref.</i>	<i>Part Number</i>	<i>Qty.</i>	<i>Description</i>	<i>Ref.</i>	<i>Part Number</i>	<i>Qty.</i>	<i>Description</i>
1	106-6876	1	Seal Kit	5	60-6240	1	Washer
1:1		1	O-Ring ●■	7	105-2852	1	Housing ASM
1:2	76-7010	1	Ring-Retaining ●	7:1		1	Bearing-Needle ■
1:3	76-7000	2	Ring-Retaining ●	8	76-6970	1	Insert-Plate, Cam
1:4		1	Seal-Shaft ●■	9	106-6875	1	Rotating Kit
3	76-6960	1	Bearing-Thrust	10	94-3003	1	Plate-Valve
4	106-6874	1	Shaft-Drive				

● Not illustrated

■ Not serviced separately

# Hydraulic Cylinder Assembly No. 121-1955

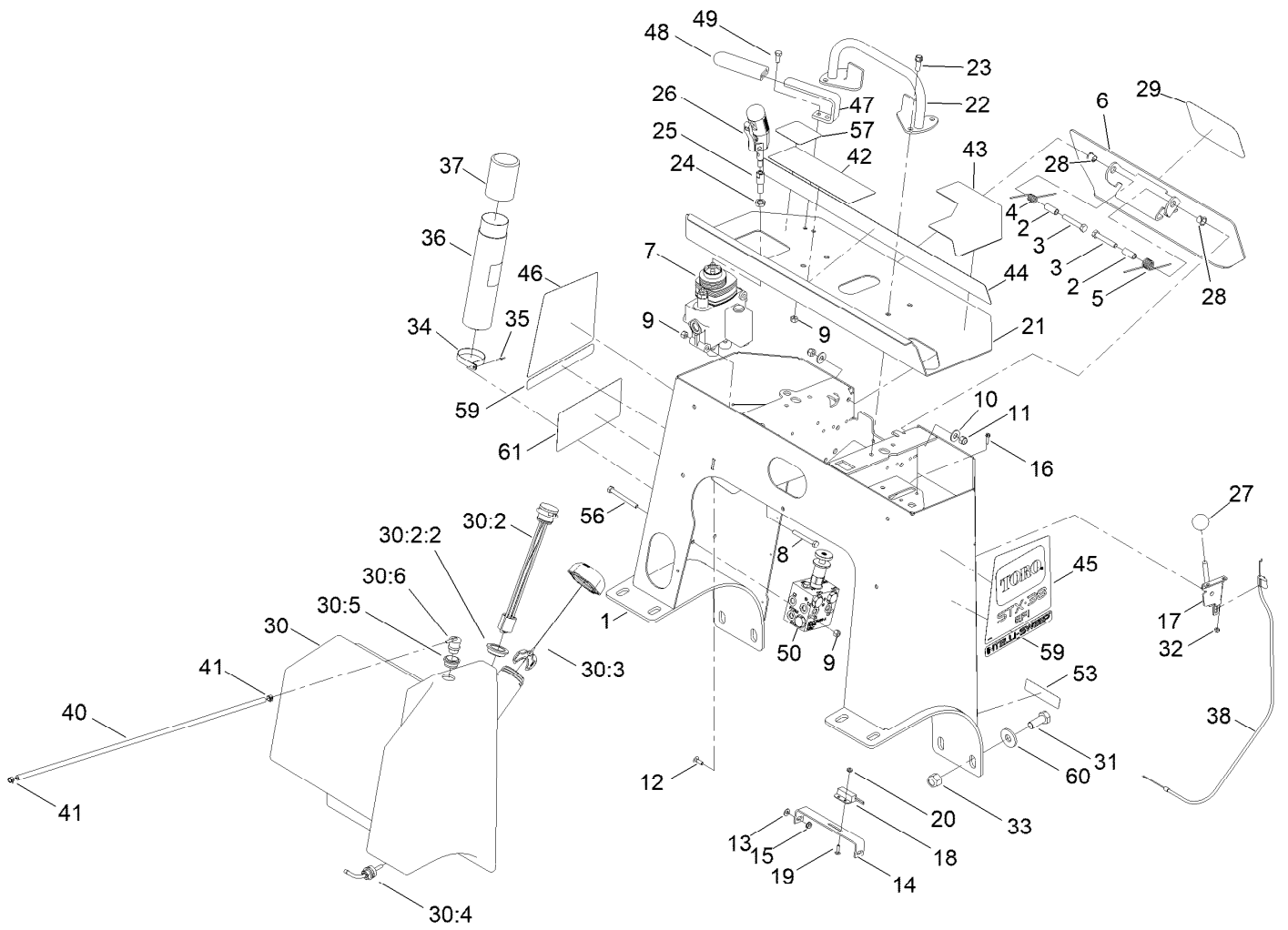




# Hydraulic Cylinder Assembly No. 121-1955 (continued)

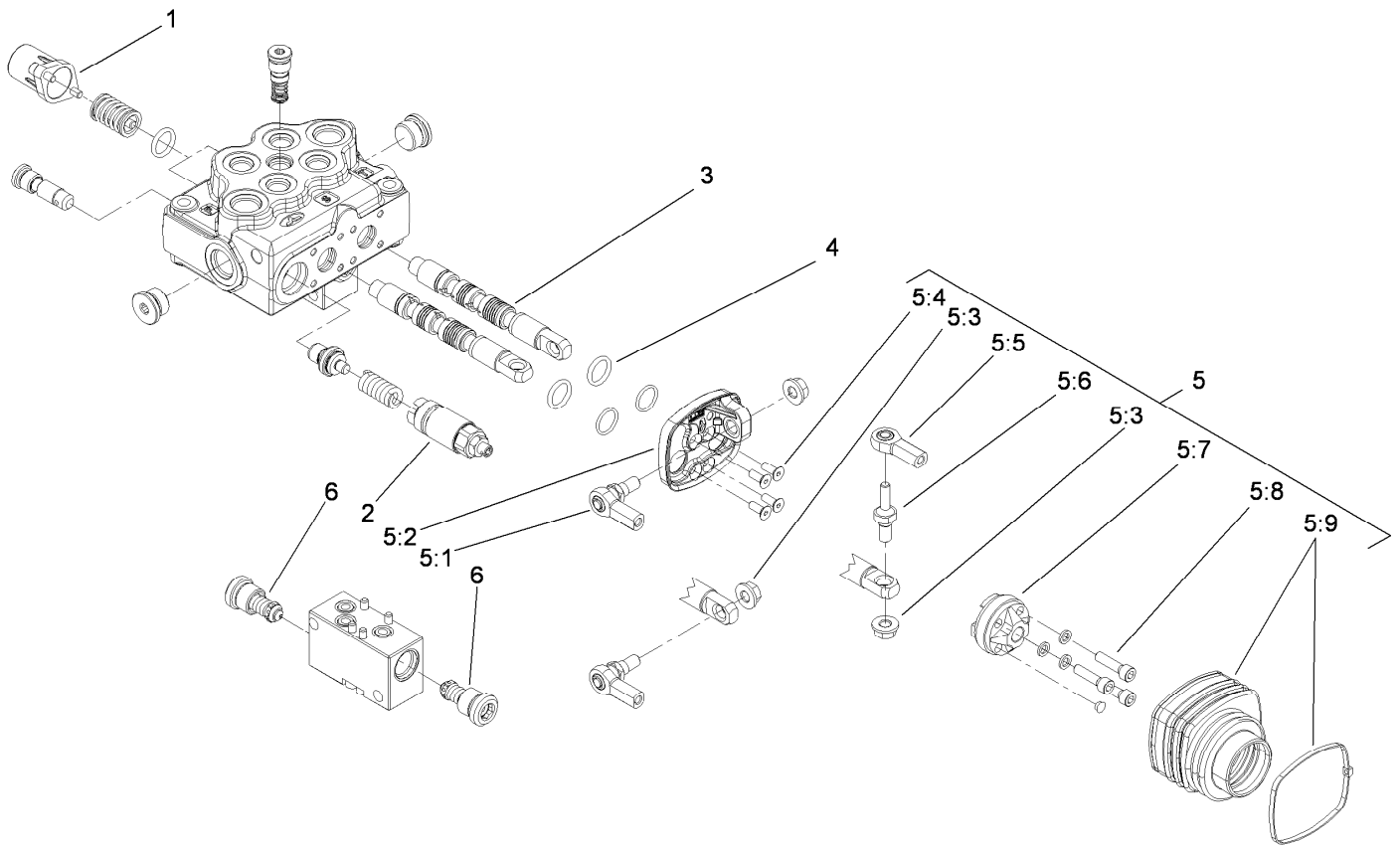
<i>Ref.</i>	<i>Part Number</i>	<i>Qty.</i>	<i>Description</i>
1	131-0665	1	Seal Kit

# Tower and Fuel Tank Assembly



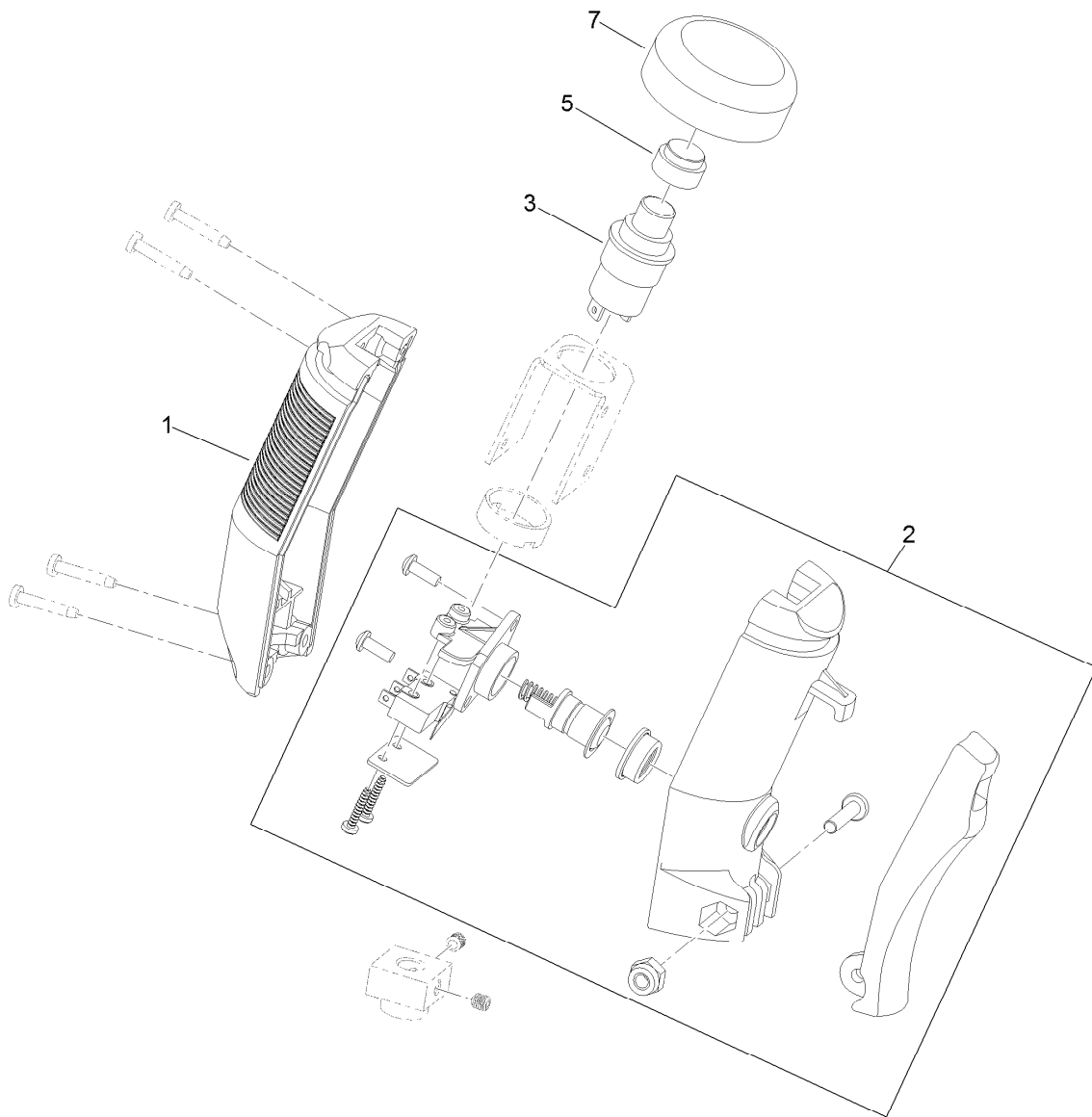
## Tower and Fuel Tank Assembly (continued)

<i>Ref.</i>	<i>Part Number</i>	<i>Qty.</i>	<i>Description</i>	<i>Ref.</i>	<i>Part Number</i>	<i>Qty.</i>	<i>Description</i>
1	121-4568-01	1	Tower	30:2	119-0509	1	Gauge ASM
2	114-1337	2	Spacer-Spring	30:2:2	119-0508	1	Seal
3	323-11	2	Screw-HH	30:3	115-7788	1	Cap-Fuel
4	98-8425	1	Spring-Torsion, LH	30:4	103-2605	1	Fitting-Fuel, Bulkhead
5	98-8424	1	Spring-Torsion, RH	30:5	114-0284	1	Grommet
6	121-1110-03	1	Plate-Backup	30:6	119-3547	1	Valve-Vent, Fuel
7	119-4585	1	HYD Valve ASM	31	327-4	8	Screw-HH
8	322-12	3	Screw-HH	32	3296-2	2	Nut-Lock, NI
9	3296-29	7	Nut-Lock, NI	33	3296-53	8	Nut-Lock, NI
10	3256-4	2	Washer-Flat	34	2412-120	2	Clamp-R
11	3296-39	2	Nut-Lock, NI	35	3269-17	2	Rivet-Pop
12	3229-1	2	Screw-CARR	36	104-7050	1	Tube-Manual
13	3256-22	2	Washer-Flat	37	104-7048	1	Cap-Housing
14	100-1263	1	Plate-Switch	38	115-1211	1	Cable-Control
15	32149-2	2	Nut-Keps	40	110-3254	1	Hose-Fuel
16	32105-13	2	Screw-HWH	41	2412-80	2	Clamp-Hose
17	108-9730	1	Lever-Control	42	119-4606	1	Decal-Warning
18	100-1270	1	Switch-Proximity	43	130-7580	1	Decal-Console, LH
19	3229-20	2	Screw-CARR	44	121-4382	1	Decal-Console, RH
20	32149-7	2	Nut-Keps	45	130-7575	1	Decal-Logo,LH
21	131-0649	1	Panel-Control	46	130-7576	1	Decal-Logo,RH
22	106-7715	1	Bar-Reference	47	125-3570-03	1	Bar-Arm Rest
23	95-1726	4	Screw-Taptite	48	1-633268	1	Grip-Lever
24	51-2070	1	Nut	49	322-3	2	Screw-HH
25	119-5103	1	Adapter-Handle	50	121-4466	1	Sweep Manifold ASM
26	119-4587	1	Two Button Handle Grip ASM	53	133-8062	1	Decal-Arrestor, Spark
27	233-42	1	Knob	56	322-14	2	Screw-HH
28	256-257	2	Bushing-Nyliner	57	121-4402	1	Decal-Joystick
29	105-1217	1	Decal	59	130-7577	2	Decal-Intellisweep
30	121-4350	1	Fuel Tank ASM	60	104-9216	8	Washer-Hardened
				61	145-6921	1	Decal - Service



## Control Valve Assembly No. 119-4585

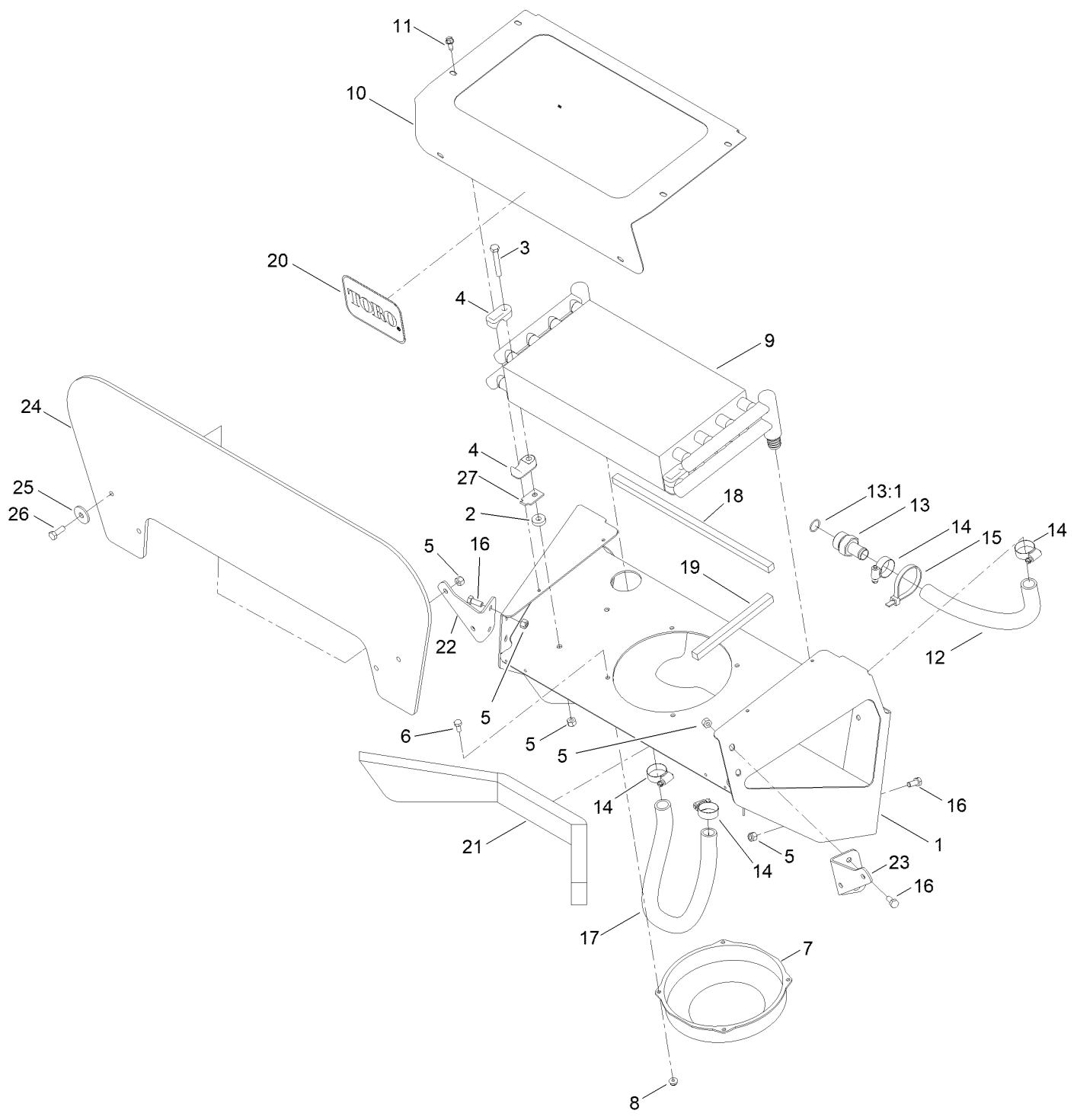
Ref.	Part Number	Qty.	Description
1	100-8801	2	High Force Spring Kit
2	100-8805	1	Valve-Relief
3	114-8625	2	Valve-Spool
4	106-7719	4	Seal-Valve
5	119-4622	1	Joystick Kit
5:1	119-4623	2	Joint-Joystick
5:2	119-4624	1	Base-Joystick
5:3	117-1350	3	Nut-HF, Lock
5:4	119-4625	4	Screw-Joystick
5:5	119-4626	1	Joint-Joystick
5:6	119-4627	1	Pin-Spool
5:7	119-4628	1	Holder-Joystick
5:8	3273-42	3	Screw-HSH
5:9	119-4629	1	Boot-Joystick
6	119-4630	2	Valve Kit



## Two-Button Handle Grip Assembly No. 119-4587

<i>Ref.</i>	<i>Part Number</i>	<i>Qty.</i>	<i>Description</i>
1	119-4637	1	Halve-Handle
2	132-8660	1	Swich Kit
3	119-4640	1	Button-Push, Top
5	119-4642	1	Button-Actuator
7	119-4641	1	Boot-Button

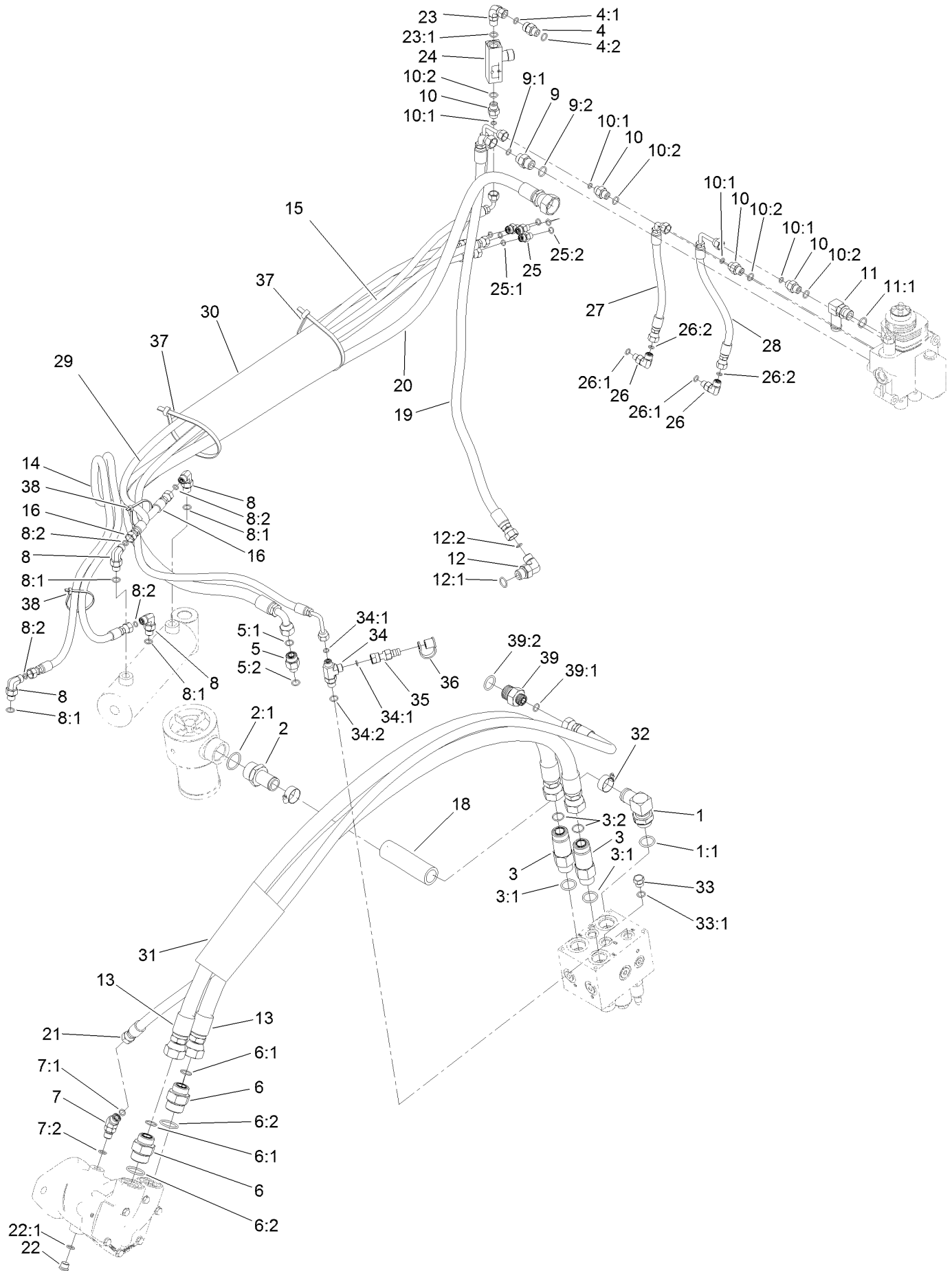
# Cooler Assembly



## Cooler Assembly (continued)

<i>Ref.</i>	<i>Part Number</i>	<i>Qty.</i>	<i>Description</i>	<i>Ref.</i>	<i>Part Number</i>	<i>Qty.</i>	<i>Description</i>
1	131-0612-01	1	Mount-Cooler	14	2412-129	4	Clamp-Hose
2	26-4840	4	Spacer-Pin, Mounting	15	3334-945	1	Tie-Cable
3	322-11	4	Screw-HH	16	322-3	8	Screw-HH
4	131-0733	8	Clamp	17	125-0266	1	Hose-Return
5	3296-29	16	Nut-Lock, NI	18	125-0319	2	Foam-Seal
6	321-3	4	Screw-HH	19	125-0324	2	Foam-Seal
7	120-7390	1	Fan	20	104-3989	1	Decal
8	104-7201	4	Nut-HF, NI	21	131-0731	1	Seal-Foam
9	117-6320	1	Cooler-Oil	22	125-0350-01	1	Bracket-Shield, RH
10	125-0308-01	1	Cover-Cooler	23	125-0351-01	1	Bracket-Shield, LH
11	32104-95	6	Screw-HWH	24	125-0340	1	Shield-Chip
12	121-4537	1	Hose-HYD	25	63-8410	4	Washer
13	107-8652	1	Fitting-Straight	26	322-4	4	Screw-HH
13:1	237-58	1	O-Ring	27	131-0642	4	Plate-Support, Clamp

# Hydraulic Hose Routing Assembly

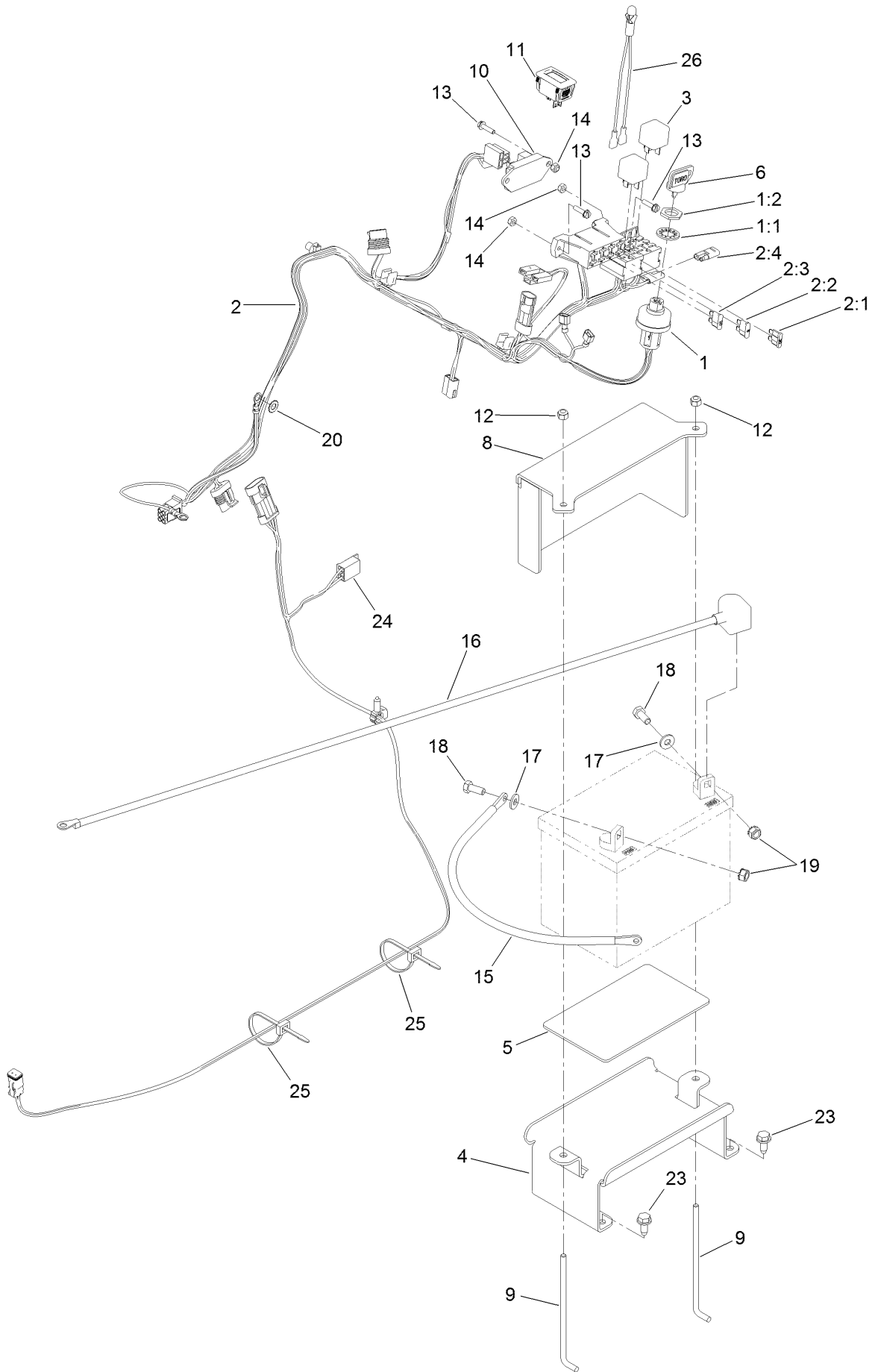




## Hydraulic Hose Routing Assembly (continued)

<i>Ref.</i>	<i>Part Number</i>	<i>Qty.</i>	<i>Description</i>	<i>Ref.</i>	<i>Part Number</i>	<i>Qty.</i>	<i>Description</i>
1	100-4202	1	Fitting-90	15	121-4346	1	Hose-HYD
1:1	237-81	1	O-Ring	16	121-4347	2	Hose-HYD
2	354-78	1	Fitting-STR	18	121-4341	1	Hose-Return
2:1	237-146	1	O-Ring	19	121-1199	1	Hose-HYD
3	92-6058	2	Fitting-STR	20	121-4344	1	Hose-HYD
3:1	237-81	1	O-Ring	21	130-7574	1	Hose-HYD
3:2	237-58	1	O-Ring	22	353-989	1	Plug-Hex, Hollow
4	340-2	1	Fitting-Straight	22:1	237-42	1	O-Ring
4:1	237-22	1	O-Ring	23	340-110	1	Fitting-Swivel, 90 DEG
4:2	237-42	1	O-Ring	23:1	237-42	1	O-Ring
5	340-5	1	Fitting-Straight	24	98-9742	1	Valve-Control, Flow
5:1	237-42	1	O-Ring	25	340-92	3	Fitting-Straight
5:2	237-30	1	O-Ring	25:1	237-78	1	O-Ring
6	340-91	2	Fitting-STR	25:2	237-21	1	O-Ring
6:1	237-58	1	O-Ring	26	340-132	2	Fitting-Elbow, 90 DEG
6:2	237-146	1	O-Ring	26:1	237-78	1	O-Ring
7	340-87	1	Fitting-Elbow, 45 DEG	26:2	237-21	1	O-Ring
7:1	237-22	1	O-Ring	27	121-4455	1	Hose-HYD
7:2	237-42	1	O-Ring	28	121-4456	1	Hose-HYD
8	340-82	4	Fitting-Elbow, 90 DEG	29	119-4601	1	Hose-HYD
8:1	237-42	1	O-Ring	30	121-4454	1	Sleeve-Protective
8:2	237-21	1	O-Ring	31	99-5648	1	Sleeve-Protective
9	340-3	1	Fitting-Straight	32	2412-34	2	Clamp-Hose
9:1	237-22	1	O-Ring	33	353-508	1	Plug-HH
9:2	237-79	1	O-Ring	33:1	237-42	1	O-Ring
10	340-1	4	Fitting-Straight	34	108-5688	1	Fitting-Tee
10:1	237-21	1	O-Ring	34:1	237-21	2	O-Ring
10:2	237-42	1	O-Ring	34:2	237-42	1	O-Ring
11	353-954	1	Fitting-Elbow, 90	35	115-8886	1	Nipple-Test
11:1	237-79	1	O-Ring	36	354-79	1	Cap-Dust
12	340-18	1	Fitting-HYD, 90 DEG	37	3334-945	2	Tie-Cable
12:1	237-79	1	O-Ring	38	3290-379	2	Tie-Cable
12:2	237-22	1	O-Ring	39	100-4240	1	Fitting-STR
13	121-4342	2	Hose-HYD	39:1	237-30	1	O-Ring
14	121-4345	1	Hose-HYD	39:2	237-81	1	O-Ring

# Electrical Assembly



## Electrical Assembly (continued)

<i>Ref.</i>	<i>Part Number</i>	<i>Qty.</i>	<i>Description</i>	<i>Ref.</i>	<i>Part Number</i>	<i>Qty.</i>	<i>Description</i>
1	111216	1	Ignition Switch ASM	11	120-2244	1	Hourmeter
1:1	9201604	1	Washer-Lock	12	3296-42	2	Nut-Lock, NI
1:2	101884	1	Nut	13	32105-13	5	Screw-HWH
2	130-7572	1	Harness-Wire	14	3296-2	5	Nut-Lock, NI
2:1	109103	1	Fuse-Blade, 30 Amp	15	131-0738	1	Cable-Battery, Positive
2:2	110928	1	Fuse-Blade, 5 Amp	16	121-4437	1	Cable-Battery, Negative
2:3	109101	1	Fuse-Blade, 20 Amp	17	3256-2	2	Washer-Flat
2:4	116-0053	1	Cap-Plug	18	322-3	2	Screw-HH
3	98-7249	2	Relay	19	32149-1	2	Nut-Keps
4	131-0727-01	1	Tray-Battery	20	3255-8	1	Washer-Lock
5	62-4300	1	Pad-Skid, Anti	23	32144-70	4	Screw-HWHTF
6	63-8360	1	Key-Ignition	24	121-4319	1	Harness-Wire
8	131-0739-03	1	Cover-Battery	25	3290-378	2	Tie-Cable
9	104-8567	2	Holdown-Battery	26	1-643267	1	Indicator-LED, Red
10	100-6170	1	Module-Delay				



**Count on it.**