



Count on it.

Parts Catalog

TRX-26 Trencher

Model No. 22974—Serial No. 31000301 and Up



Ordering Replacement Parts

To order replacement parts, please supply the part number, the quantity, and the description of each part desired.

Understanding Reference Numbers

Each identified part in an illustration has a reference number. The reference number for a part also appears in the parts list, along with other information about the part.

This catalog uses two special reference number formats, one to indicate parts in a service assembly and another to indicate the quantity of a given part in an illustration.

Service Assembly Reference Numbers

Parts in service assemblies have reference numbers in the form a:b. The a represents the reference number of the entire service assembly and the b represents a sequential number unique to each part within the service assembly.

For example, a wheel assembly might be identified by reference number 6, the tire by 6:1, the valve by 6:2, and the wheel by 6:3. When you order the assembly identified by reference number 6, you receive all parts identified by reference numbers 6:1, 6:2, and 6:3. However, you may also order any part individually. Reference numbers of this type appear in illustration and in parts lists.

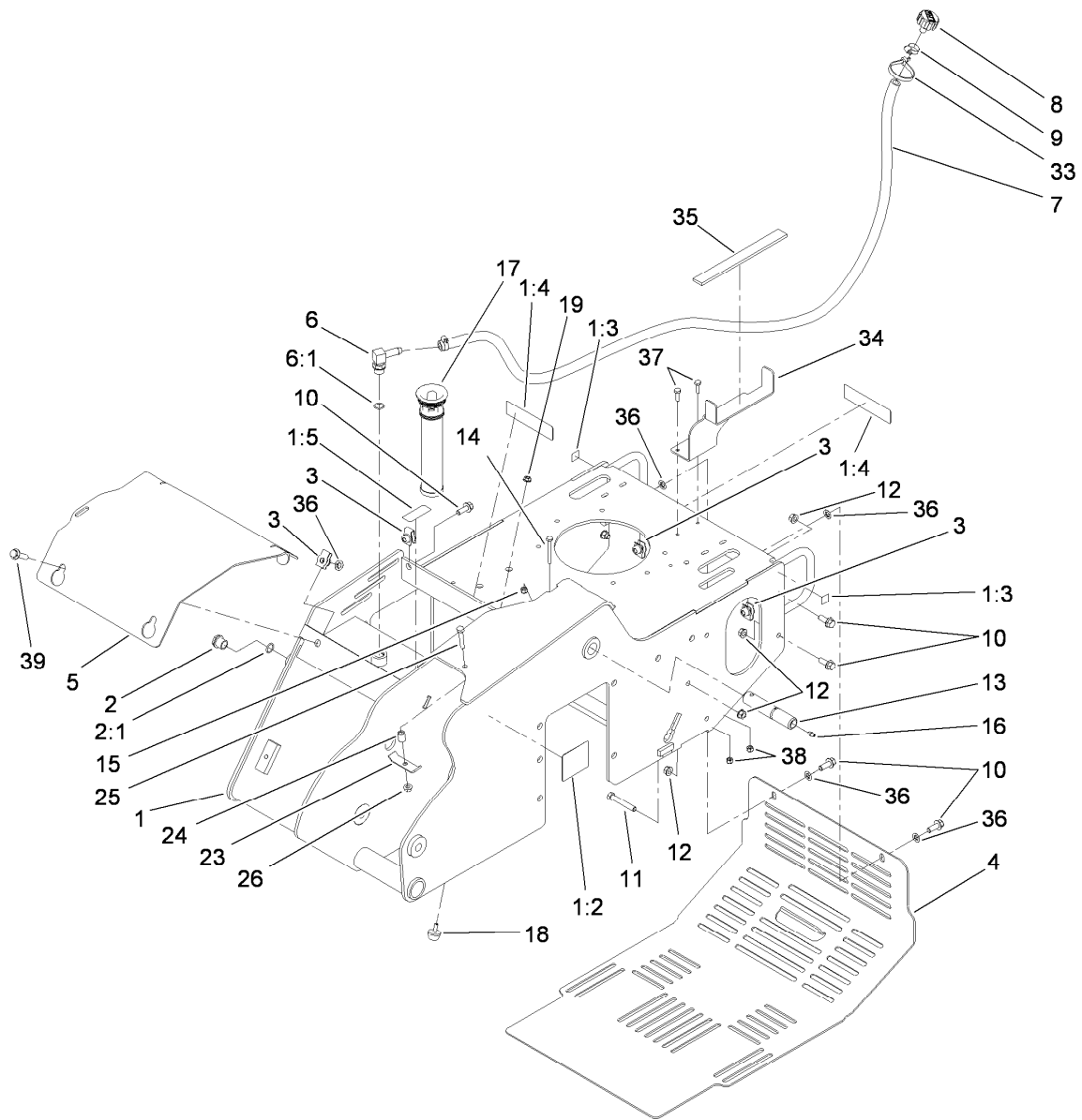
Reference Numbers Indicating Quantity

In an illustration, if a reference number indicates more than one part, the reference number has the form nX y. The n represents the quantity of the part, the X is the multiplication symbol, and the y represents the reference number.

For example, in an illustration, the reference number 2X 37 means that two of the parts identified by reference number 37 are indicated.

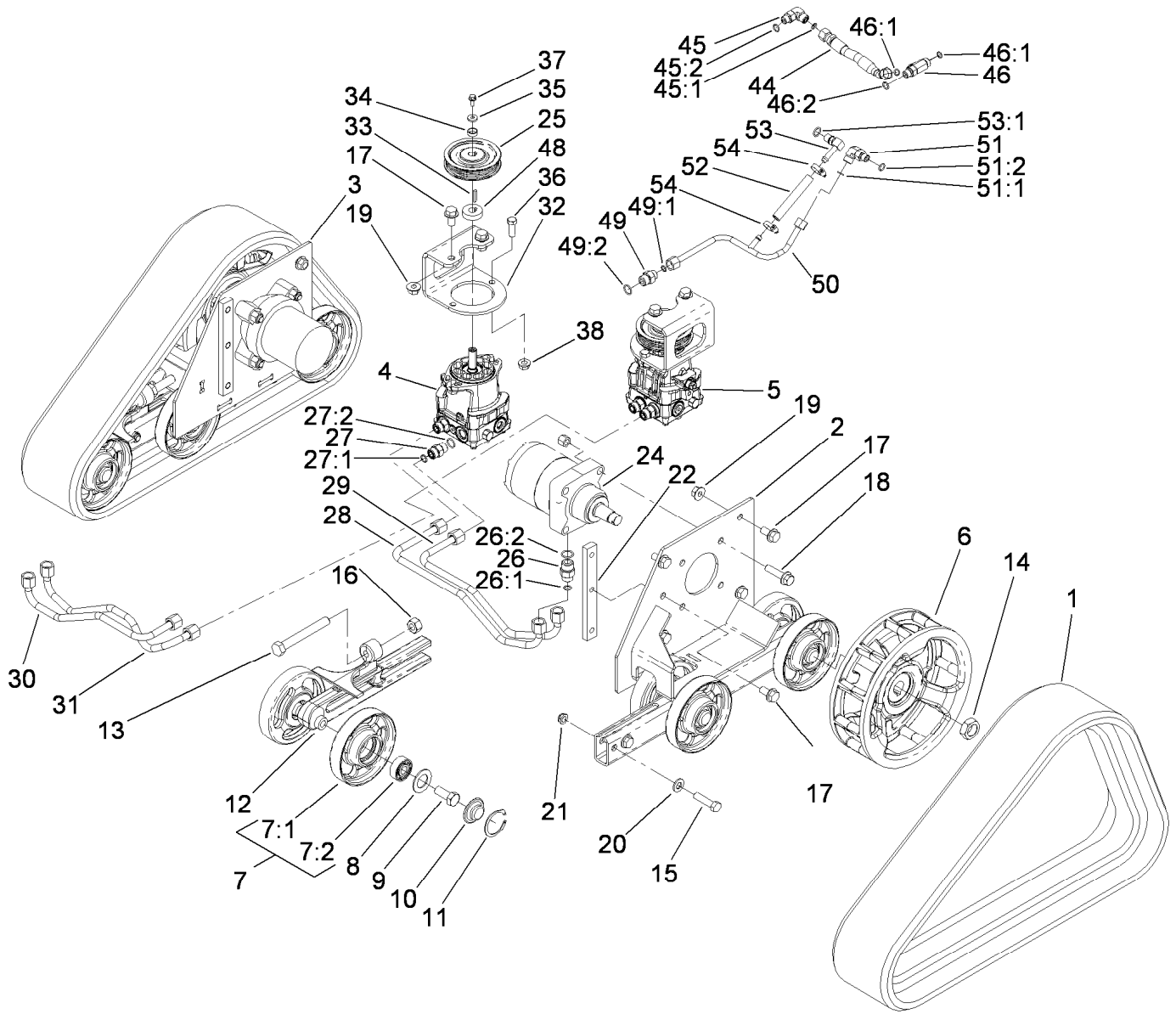
Contents

Frame Assembly	4
Track and Drive Assembly	5
Hydraulic Pump Assembly No. 117-6409	7
Hydraulic Pump Assembly No. 117-6410	8
Hydraulic Motor Assembly No. 104-8470	9
Parking Brake Assembly	10
Engine Assembly	11
Gear Pump Assembly No. 117-6307	13
Control Assembly	14
Trencher Assembly	16
Hydraulic Cylinder Assembly No. 112-2602	17
Control Tower Assembly	18
Hydraulic Control Assembly	20
2-Spool Valve Assembly No. 115-4062	21
Oil Cooler Assembly	22
Hydraulic Hose Routing Assembly	23
Electrical Assembly	24
Cylinder and Crankcase Assembly	25
Piston and Crankshaft Assembly	26
Valve and Camshaft Assembly	27
Lubrication Equipment Assembly	28
Cooling Equipment Assembly	29
Electric Equipment Assembly	30
Control Equipment Assembly	31
Carburetor Assembly	32
Air Filter and Muffler Assembly	34
Fuel Tank and Valve Assembly	35
Starter Assembly	36
Label Set	37
Attachments and Accessories	38



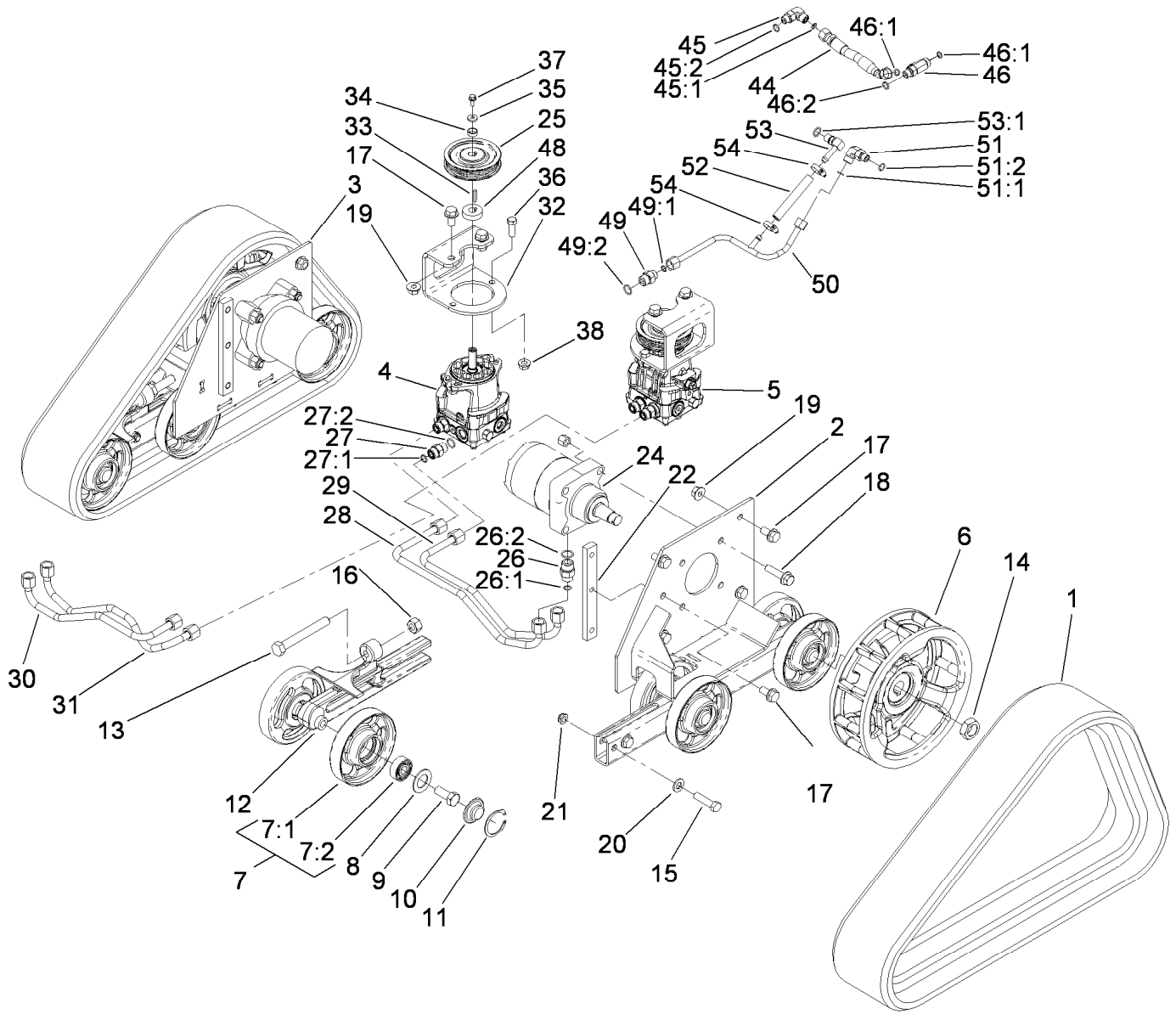
Frame Assembly

Ref.	Part Number	Qty.	Description	Ref.	Part Number	Qty.	Description
1	114-8630	1	Main Frame ASM	13	114-2937	1	Pin-Pivot
1:2	100-4650	1	Decal-Warning	14	321-18	1	Screw-HH
1:3	93-9084	2	Decal-Point, Lift	15	3296-42	1	Nut-Lock, NI
1:4	93-7814	2	Decal-Danger	16	302-5	1	Fitting-Grease
1:5	93-6686	1	Decal-Oil, HYD	17	114-3039	1	Filter-Tank, In
2	114-3075	1	Sight Glass ASM	18	1-523420	1	Bumper
2:1	237-79	1	O-Ring	19	32128-33	1	Nut-HF
3	112-4576	5	Nut-Clip, U	23	100-4860	1	Bracket-Clamp
4	115-6503-01	1	Cover-Rear	24	93-5023	1	Spacer
5	119-4566-03	1	Plate-Cover, Front	25	322-10	1	Screw-HH
6	354-120	1	Fitting-Elbow, 90	26	32128-20	1	Nut-HF
6:1	237-79	1	O-Ring	33	3334-945	1	Tie-Cable
7	114-3042	1	Hose-Breather	34	117-6407-01	1	Bracket-Fuel Tank
8	68-6150	1	Breather	35	117-6417	1	Pad-Foam
9	2412-36	2	Clamp-Hose	36	107-3154	5	Nut-Push
10	3234-11	3	Screw-HHF	37	321-5	2	Screw-HH
11	323-12	1	Screw-HH	38	3296-42	2	Nut-Lock, NI
12	32128-40	2	Nut-Flange	39	3234-18	2	Screw-HHF



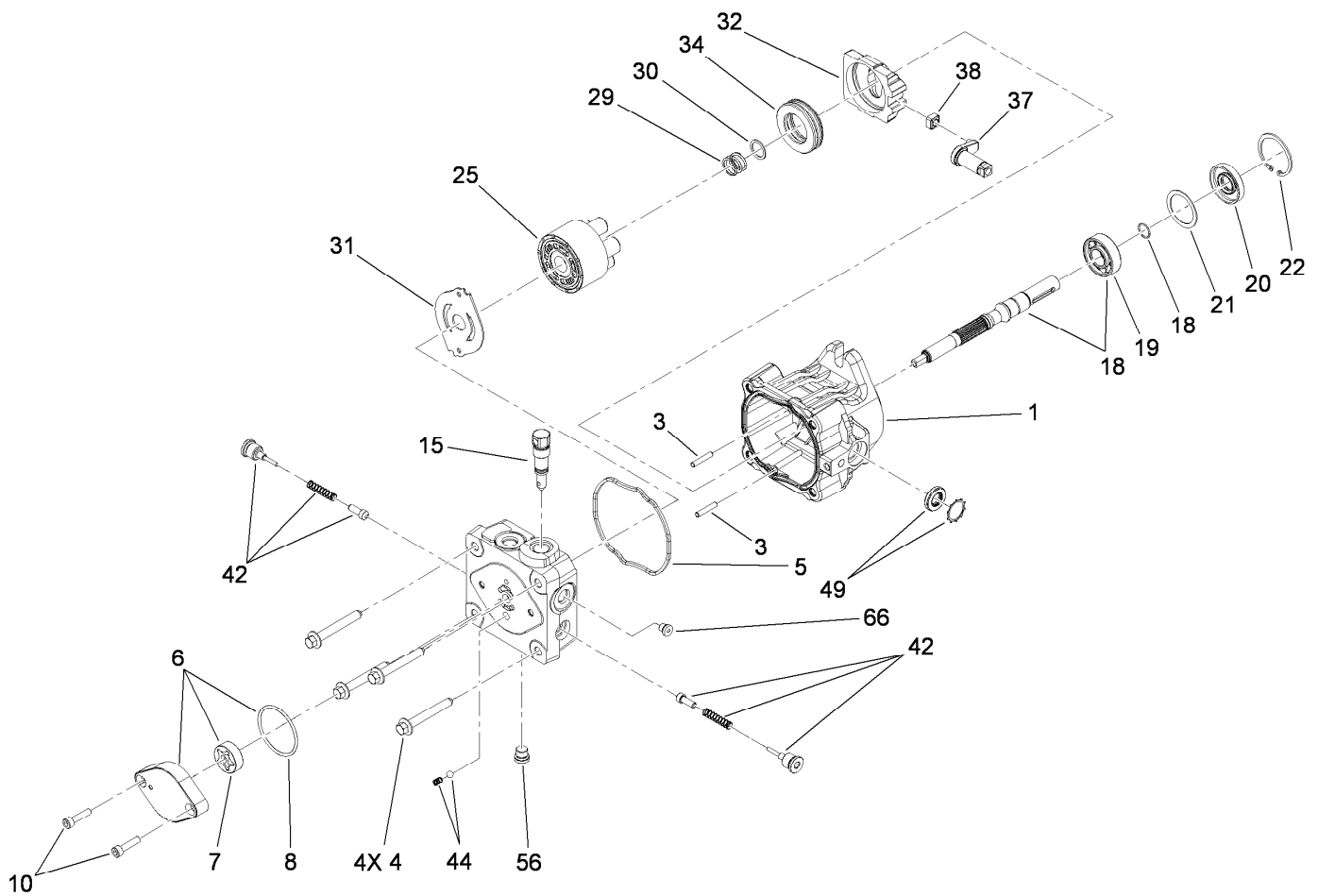
Track and Drive Assembly

Ref.	Part Number	Qty.	Description	Ref.	Part Number	Qty.	Description
1	112-4816	2	Track-Rubber	20	3256-26	4	Washer-Flat
2	114-2992-03	1	Frame-Track, LH	21	3296-45	4	Nut-Hex
3	114-2993-03	1	Frame-Track, RH	22	114-3091	2	Bar-Thread
4	117-6409	1	RH HYD Pump ASM	24	104-8470	2	HYD Wheel Motor ASM
5	117-6410	1	LH HYD Pump ASM	25	115-1298	2	Sheave
6	117-6426-03	2	Wheel-Drive	26	340-6	4	Fitting-Straight
7	112-4817	12	Wheel-Tensioner	26:1	237-30	1	O-Ring
7:1	114-3014-03	1	Wheel-Track	26:2	237-80	1	O-Ring
7:2	93-4237	1	Bearing	27	340-4	4	Fitting-Straight
8	106-7585	12	Gasket-Bogie	27:1	237-30	1	O-Ring
9	327-4	12	Screw-HH	27:2	237-79	1	O-Ring
10	106-7557	12	Cap-Wheel, Bearing	28	115-1285	1	Tube-HYD
11	106-7595	12	Ring-Snap, Internal	29	115-1286	1	Tube-HYD
12	114-3077-03	2	Tensioner-Track	30	115-1287	1	Tube-HYD
13	112-4874	2	Screw-HH, TAP	31	115-1288	1	Tube-HYD
14	106-8159	2	Nut-Lock	32	115-1289-01	2	Bracket-Mount, Pump
15	325-8	4	Screw-HH	33	80-6090	2	Key-Pump
16	3217-11	2	Nut-Hex	34	108-4211	2	Bushing
17	3234-6	10	Screw-HHF	35	73-3580	2	Washer
18	3234-27	8	Screw-HHF	36	324-5	4	Screw-HH
19	32128-49	8	Nut-HHF	37	33103-016	2	Screw-HHF



Track and Drive Assembly (continued)

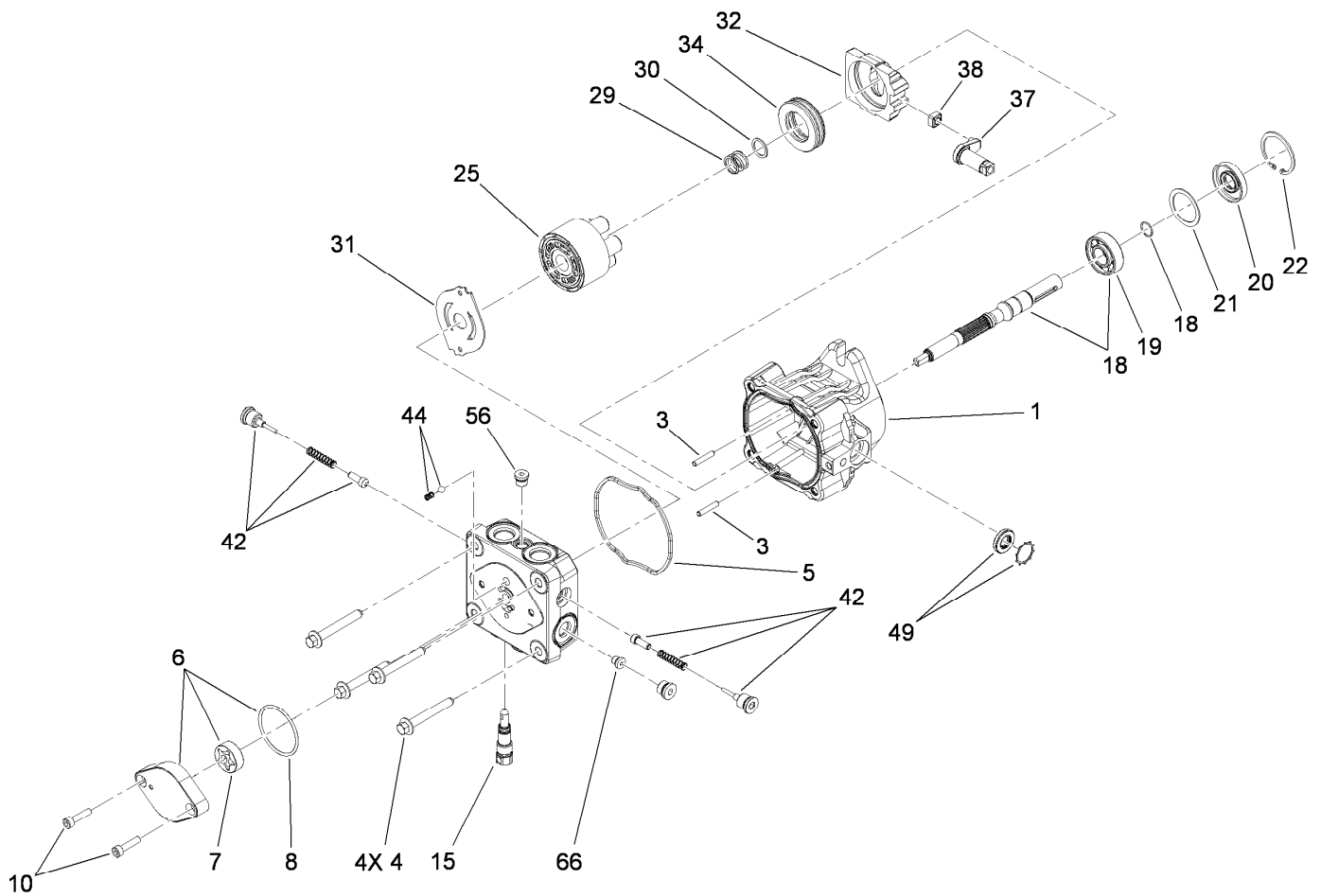
<i>Ref.</i>	<i>Part Number</i>	<i>Qty.</i>	<i>Description</i>	<i>Ref.</i>	<i>Part Number</i>	<i>Qty.</i>	<i>Description</i>
38	32128-42	4	Nut-HF	49:1	237-22	1	O-Ring
44	115-1297	1	Hose-HYD	49:2	237-79	1	O-Ring
45	340-77	1	Fitting-Elbow, 90 DEG	50	117-1305	1	Tube-HYD
45:1	237-22	1	O-Ring	51	340-77	1	Fitting-Elbow, 90 DEG
45:2	237-42	1	O-Ring	51:1	237-22	1	O-Ring
46	340-86	1	Fitting-Tee	51:2	237-42	1	O-Ring
46:1	237-22	2	O-Ring	52	115-4083	1	Hose
46:2	237-42	1	O-Ring	53	100-4887	1	Fitting-Elbow, 90
48	115-4002	2	Spacer	53:1	237-42	1	O-Ring
49	340-3	1	Fitting-Straight	54	2412-36	2	Clamp-Hose



Hydraulic Pump Assembly No. 117-6409

Ref.	Part Number	Qty.	Description	Ref.	Part Number	Qty.	Description
1	115-4464	1	Housing Kit	29	94-1936	1	Spring-Block
3	106-8753	2	Pin-Headless, Straight	30	94-1937	1	Washer-Thrust
4	106-8754	4	Bolt-HF	31	105-6185	1	Plate-Valve
5	106-8755	1	O-Ring	32	94-1907	1	Swashplate-Variable
6	106-8756	1	Charge Pump Kit	34	94-6922	1	Bearing-Thrust
7	104-2122	1	Gerotor ASM	37	115-4458	1	Arm-Trunnion, Tapered Square
8	106-8757	1	O-Ring	38	94-1910	1	Guide-Slot
10	104-2111	2	Capscrew	42	98-3252	2	Valve-Check (W/Poppet)
15	106-8759	1	Bypass Valve Kit	44	106-8760	1	Charge Relief Valve Kit
18	103-2664	1	Input Shaft Kit	49	114-8155	1	Trunnion Seal Kit
19	104-5311	1	Bearing-Ball	56	106-8762	1	Plug-HSH
20	104-5310	1	Seal-Lip	66	106-8763	1	Plug-HSH
21	104-5308	1	Spacer	99	105-6184	1	Seal Overhaul Kit ●
22	104-5309	1	Ring-Retaining				
25	103-2666	1	Cylinder Block Kit				

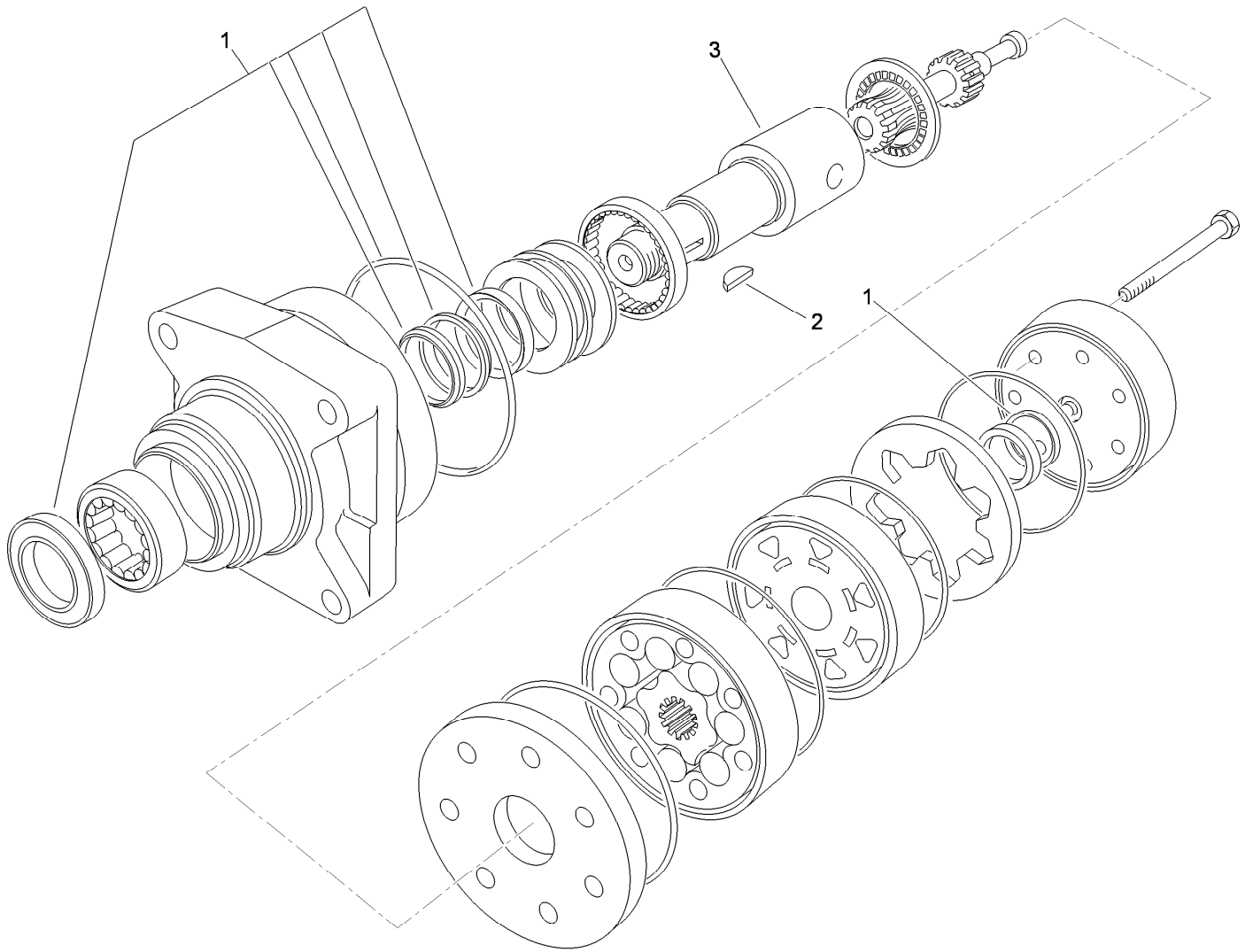
● Not illustrated



Hydraulic Pump Assembly No. 117-6410

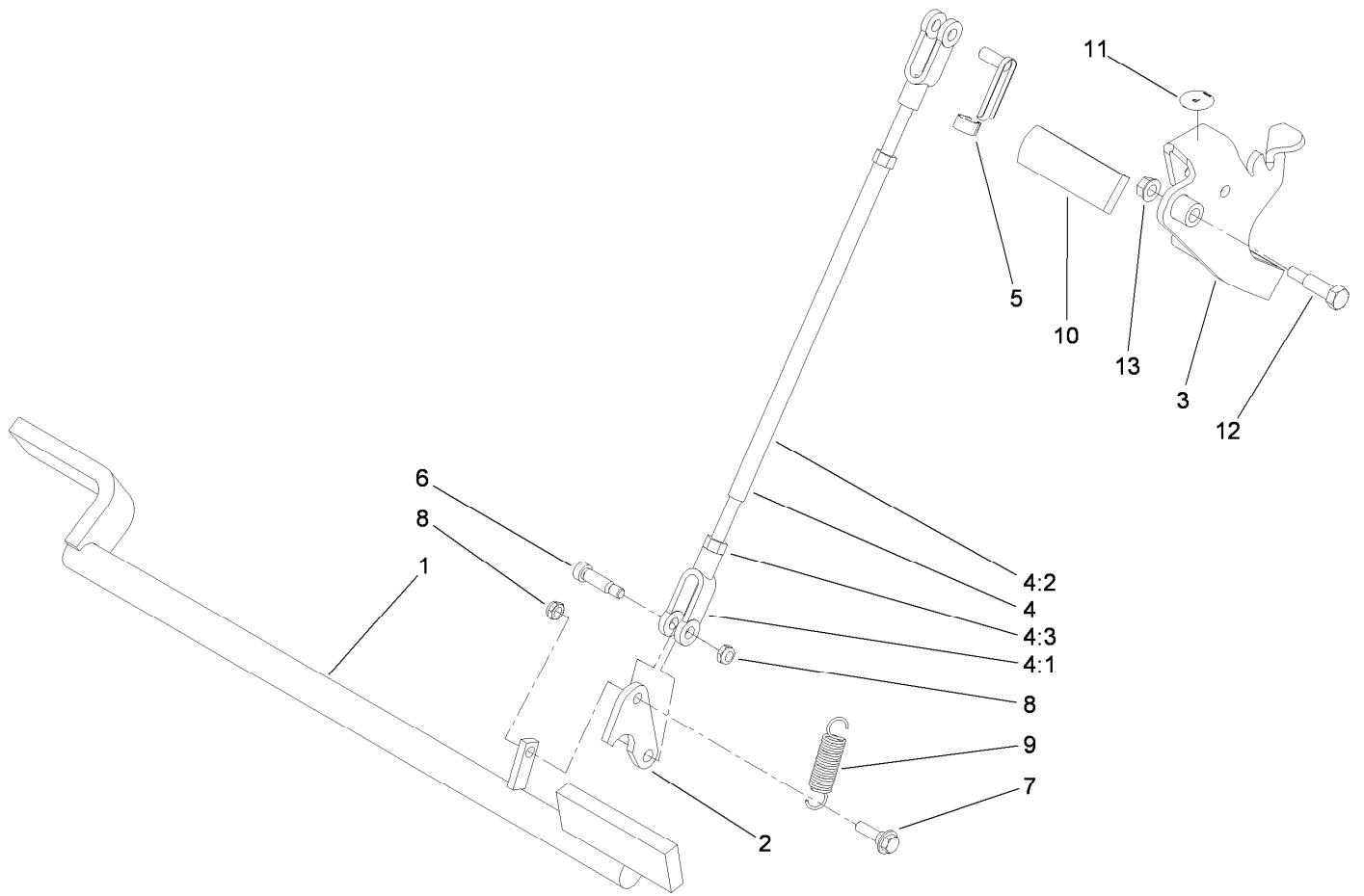
Ref.	Part Number	Qty.	Description	Ref.	Part Number	Qty.	Description
1	115-4464	1	Housing Kit	29	94-1936	1	Spring-Block
3	106-8753	2	Pin-Headless, Straight	30	94-1937	1	Washer-Thrust
4	106-8754	4	Bolt-HF	31	105-6185	1	Plate-Valve
5	106-8755	1	O-Ring	32	94-1907	1	Swashplate-Variable
6	106-8756	1	Charge Pump Kit	34	94-6922	1	Bearing-Thrust
7	104-2122	1	Gerotor ASM	37	115-4458	1	Arm-Trunnion, Tapered Square
8	106-8757	1	O-Ring	38	94-1910	1	Guide-Slot
10	104-2111	2	Capscrew	42	98-3252	2	Valve-Check (W/Poppet)
15	106-8759	1	Bypass Valve Kit	44	106-8760	1	Charge Relief Valve Kit
18	103-2664	1	Input Shaft Kit	49	114-8155	1	Trunnion Seal Kit
19	104-5311	1	Bearing-Ball	56	106-8762	1	Plug-HSH
20	104-5310	1	Seal-Lip	66	106-8763	1	Plug-HSH
21	104-5308	1	Spacer	99	105-6184	1	Seal Overhaul Kit ●
22	104-5309	1	Ring-Retaining				
25	103-2666	1	Cylinder Block Kit				

● Not illustrated



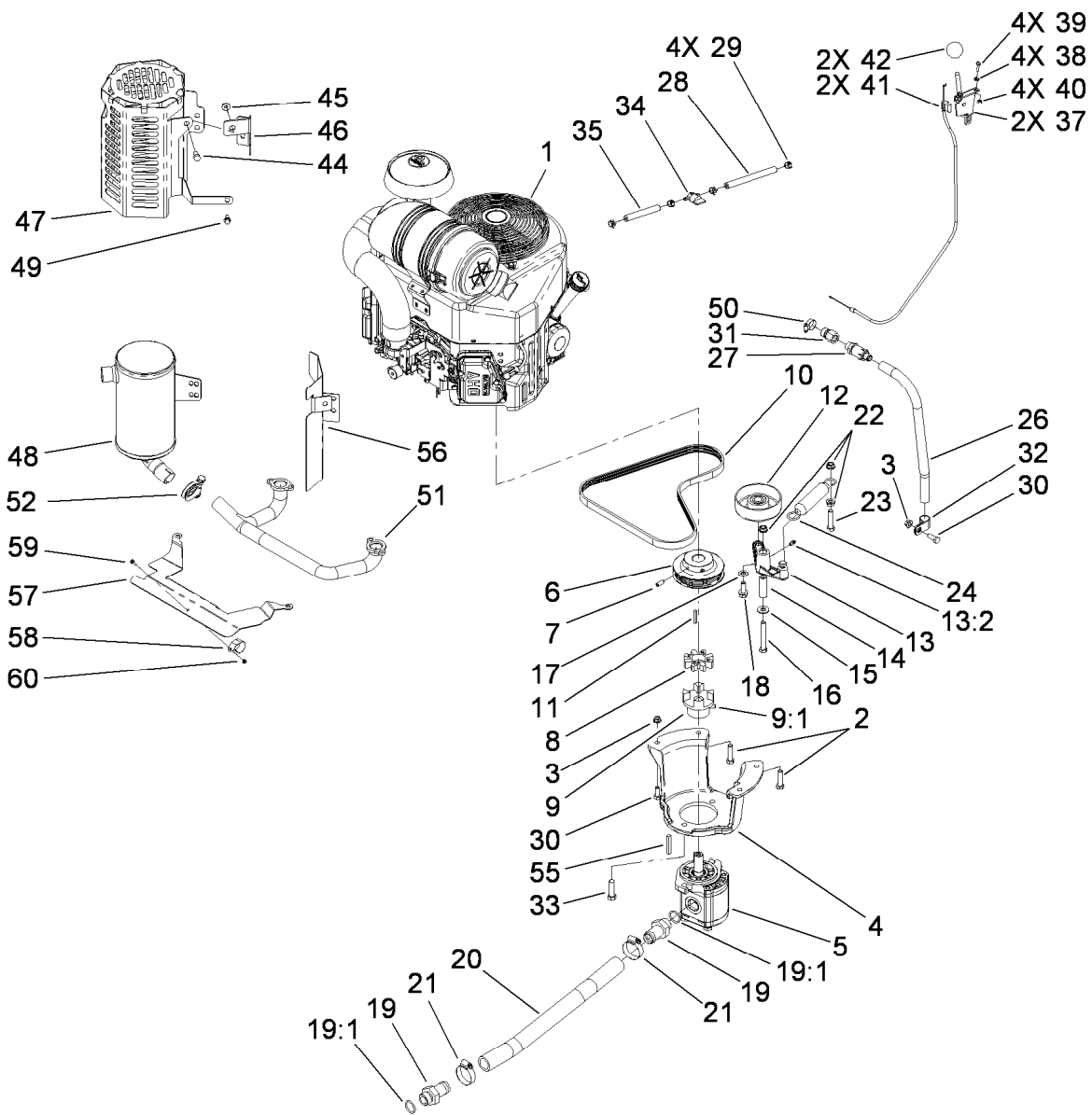
Hydraulic Motor Assembly No. 104-8470

<i>Ref.</i>	<i>Part Number</i>	<i>Qty.</i>	<i>Description</i>
1	115-4061	1	Seal Kit
2	3257-42	1	Key-Woodruff
3	99-3090	1	Shaft-Coupling



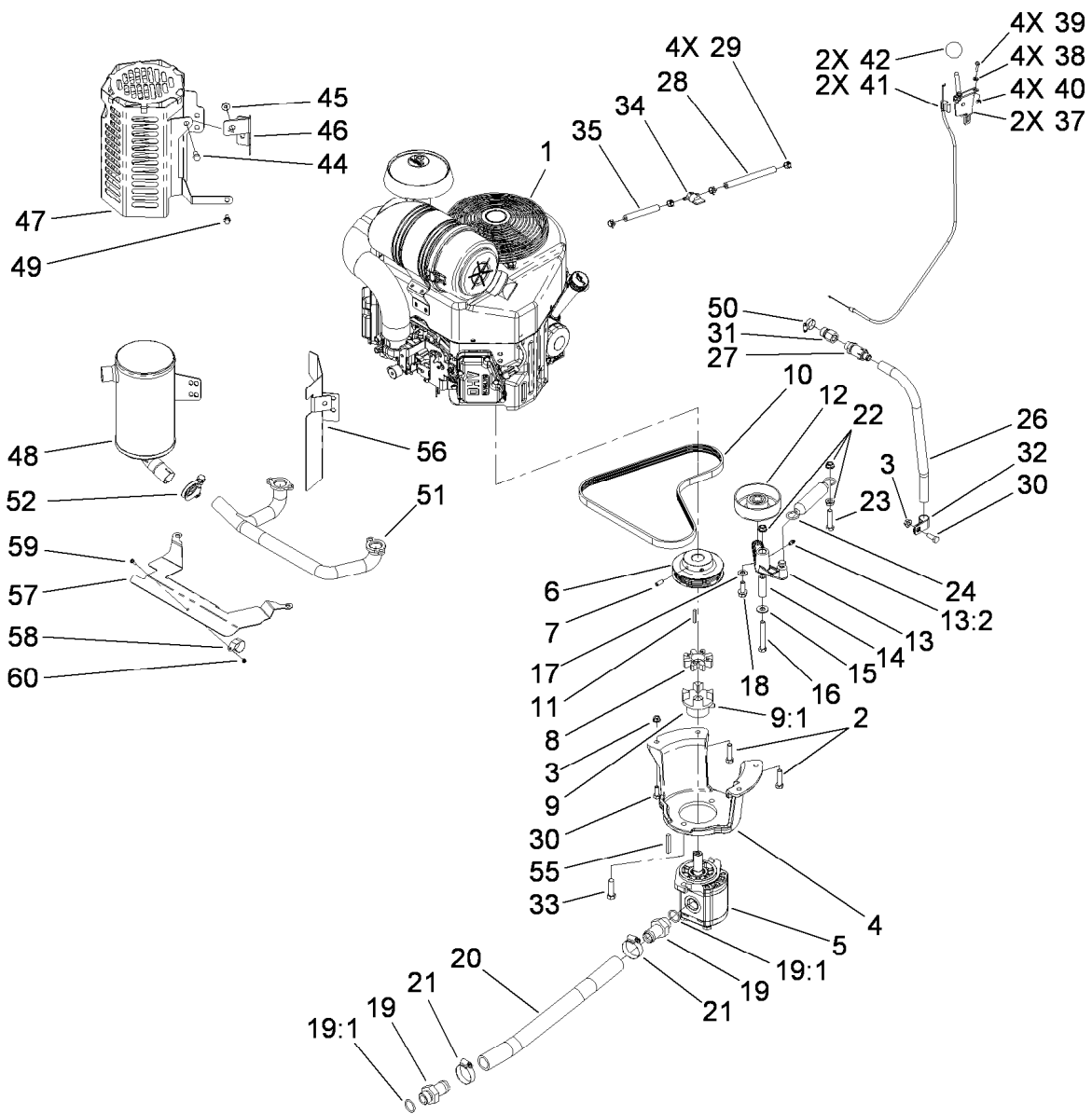
Parking Brake Assembly

<i>Ref.</i>	<i>Part Number</i>	<i>Qty.</i>	<i>Description</i>	<i>Ref.</i>	<i>Part Number</i>	<i>Qty.</i>	<i>Description</i>
1	114-2972-03	1	Bar-Brake	6	114-8629	1	Bolt-Shldr
2	114-2975	1	Link-Mounting	7	27-7211	1	Screw-Shoulder
3	117-6421-03	1	Handle-Brake	8	3296-47	2	Nut-Lock,NI
4	103-4335	1	Brake Rod ASM	9	67-1450	1	Spring-Idler
4:1	1-633131	2	Yoke-Linkage, Brake	10	62-9130	1	Grip-Handle
4:2	103-3907	1	Linkage-Handle, Brake	11	107-8495	1	Decal-Brake, Parking
4:3	3219-3	2	Nut-Hex	12	7-0030	1	Screw-Shoulder, HH
5	103-2399	1	Pin-Spring, Clevis	13	32128-20	1	Nut-HF



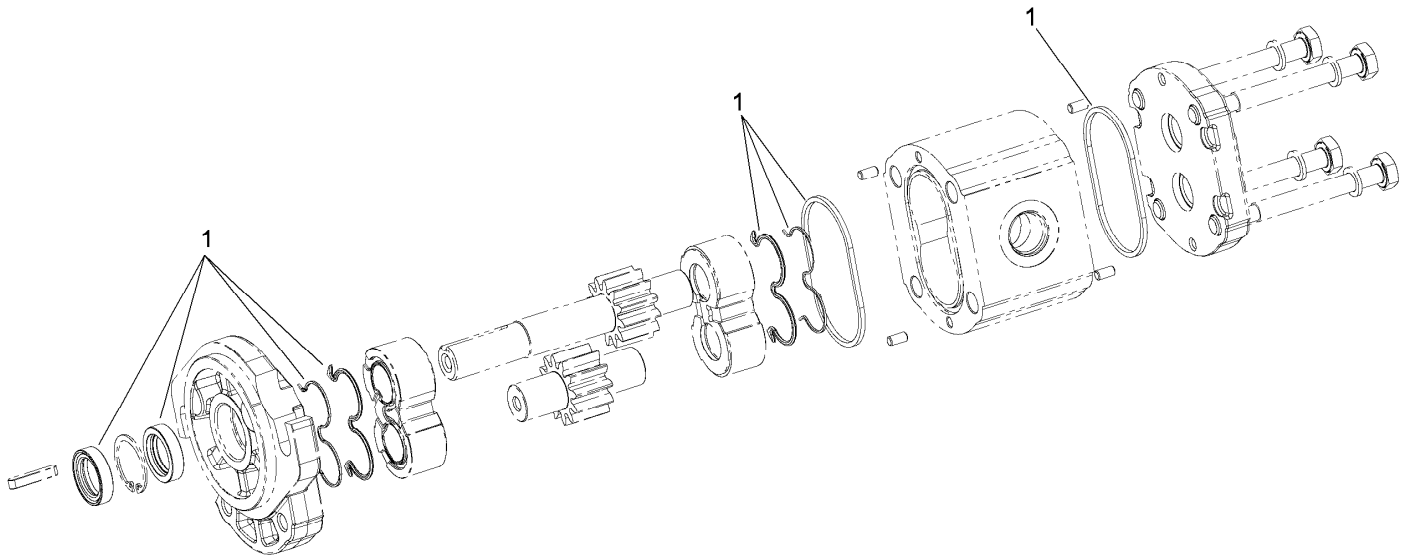
Engine Assembly

Ref.	Part Number	Qty.	Description	Ref.	Part Number	Qty.	Description
1	117-6305	1	Engine-Kawasaki, Fx730V	19:1	237-81	1	O-Ring
2	323-8	4	Screw-HH	20	114-2917	1	Hose-Suction
3	32128-20	3	Nut-HF	21	2412-111	2	Clamp-Hose, W/Liner
4	115-1480-01	1	Mount-Pump	22	3290-357	3	Nut-HSF
5	117-6307	1	Gear Pump ASM	23	323-9	1	Screw-HH
6	114-8559-03	1	Pulley-Engine	24	66-4270	1	Spring-Extension
7	3246-6	2	Screw-Set, HSH	26	106-5709	1	Hose-Vent
8	93-8827	1	Coupler-Spider	27	92-6877	1	Valve-Drain, Oil
9	114-2933	1	Coupler-Flex	28	109-0306	1	Hose-Fuel
9:1	100-7594	1	Screw-Set	29	2412-98	4	Clamp-Hose
10	114-2991	1	Belt-V	30	322-4	3	Screw-HH
11	608006	1	Key-Square	31	103-1966	1	Adapter-STR
12	95-8802	1	Pulley-Idler	32	2412-81	1	Clamp-R
13	117-6323	1	Idler Arm ASM	33	324-6	2	Screw-HH
13:2	302-5	1	Fitting-Grease	34	1-603770	1	Valve-Fuel
14	114-2916	1	Bushing-Idler	35	109-0295	1	Hose-Fuel
15	3256-4	1	Washer-Flat	37	108-9730	2	Lever-Control
16	323-13	1	Screw-HH	38	3256-21	4	Washer-Flat
17	3256-24	1	Washer-Plain	39	3290-134	4	Screw
18	3234-11	1	Screw-HHF	40	3296-2	4	Nut-Lock, NI
19	99-3017	2	Fitting	41	115-1211	2	Cable-Control



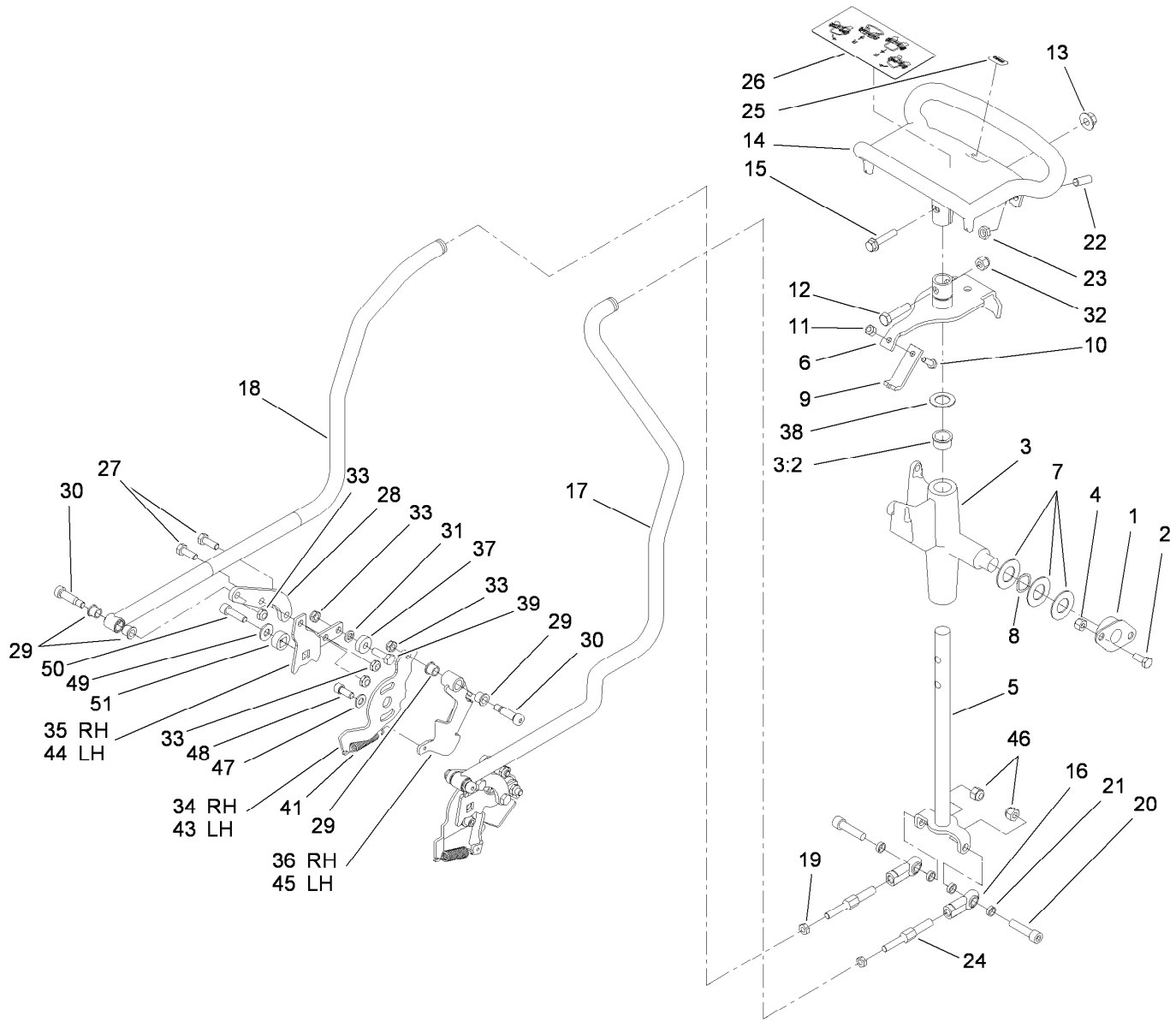
Engine Assembly (continued)

<i>Ref.</i>	<i>Part Number</i>	<i>Qty.</i>	<i>Description</i>	<i>Ref.</i>	<i>Part Number</i>	<i>Qty.</i>	<i>Description</i>
42	233-42	2	Knob	51	117-6318	1	Manifold
44	33114-016	5	Screw-HH	52	2112-11	1	Clamp-Muffler
45	112-2844	3	Nut-HF	55	27-8590	1	Key-Square
46	115-9233-03	1	Bracket-Mount, Muffler	56	117-6337	1	Bracket-Shield, Heat
47	115-9234-03	1	Shield-Muffler	57	115-9227	1	Plate-Shield, Heat
48	117-6319	1	Muffler	58	115-6488	1	Clamp
49	33103-016	1	Screw-HHF	59	115-6494	1	Screw-Pan
50	2412-36	1	Clamp-Hose	60	115-6495	1	Nut-Hex



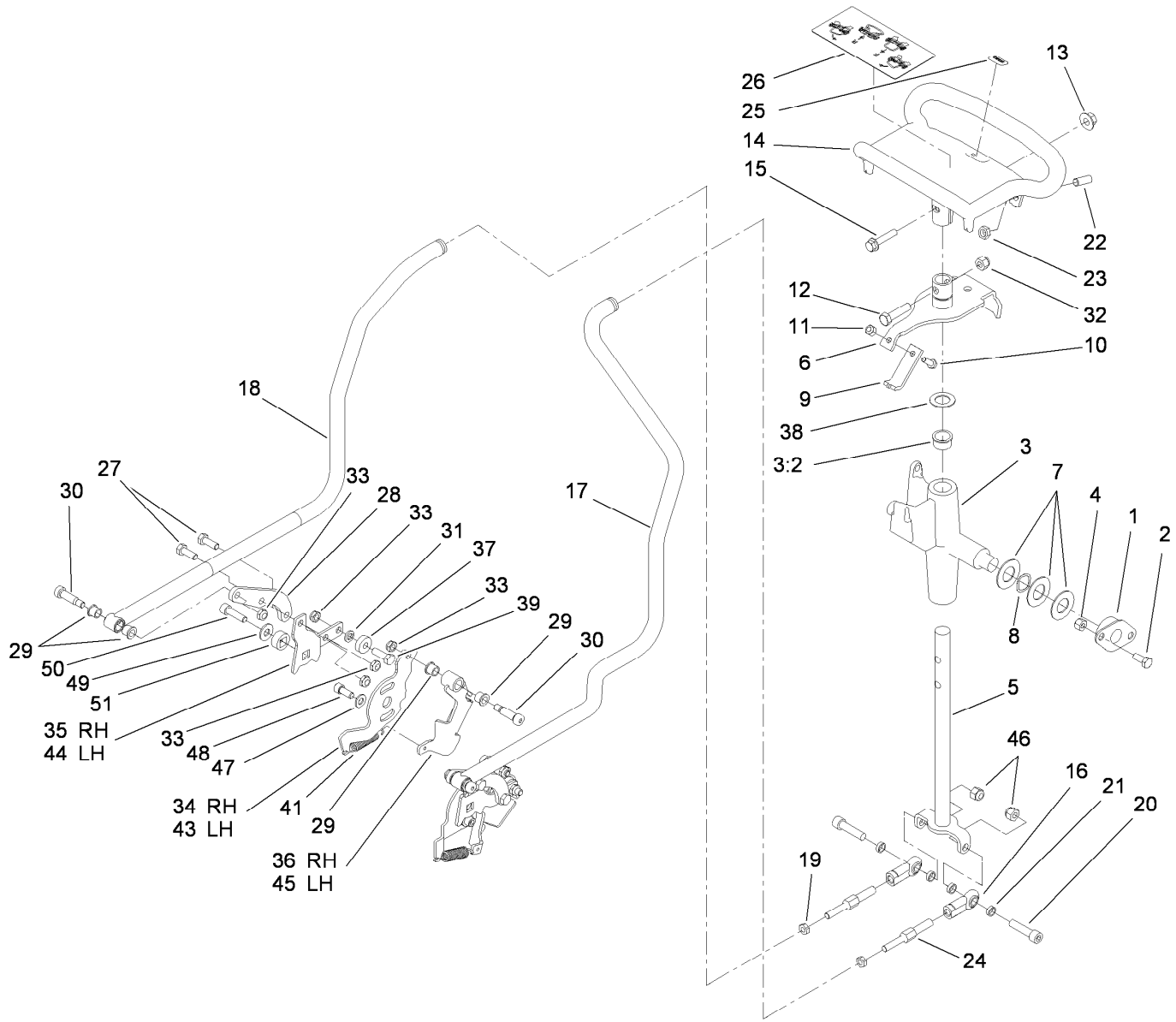
Gear Pump Assembly No. 117-6307

<i>Ref.</i>	<i>Part Number</i>	<i>Qty.</i>	<i>Description</i>
1	115-1265	1	Seal Kit



Control Assembly

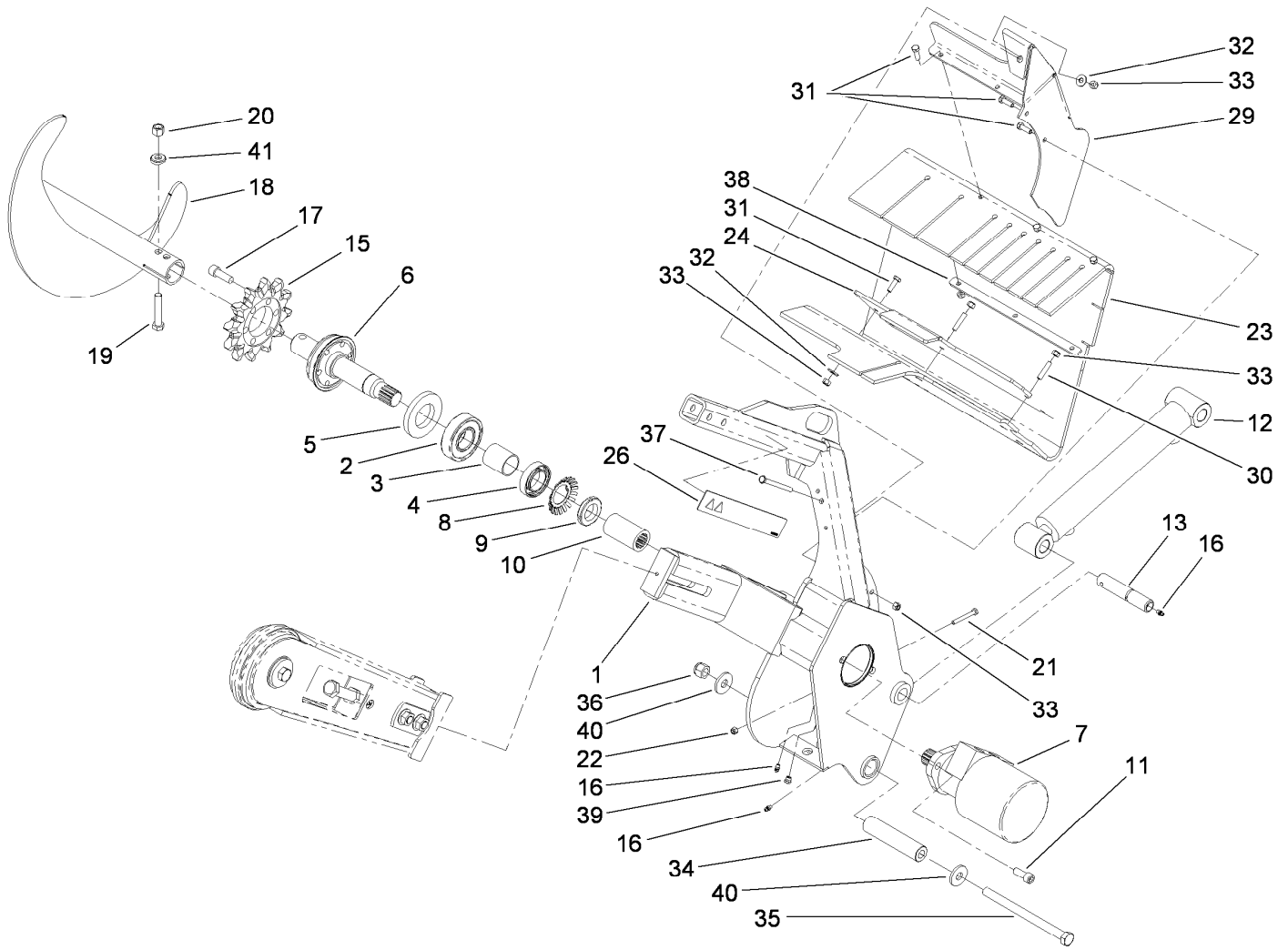
Ref.	Part Number	Qty.	Description	Ref.	Part Number	Qty.	Description
1	68-2970	2	Bushing	21	108-0634	4	Spacer-Plate, Retaining
2	322-3	4	Screw-HH	22	3247-6	2	Screw-Set
3	106-5737	1	Control Support ASM	23	3218-3	2	Nut-Jam
3:2	256-252	2	Bearing-Flange	24	117-6334	2	Link-Control, Adjustment
4	3296-29	4	Nut-Lock, NI	25	98-1459	1	Decal
5	117-6335	1	Rod-Drive	26	115-4020	1	Decal-Traction
6	112-2783	1	Lever-Pivot	27	322-4	4	Screw-HH
7	3256-39	4	Washer-Flat	28	115-1290	2	Plate-Adapter, Control, RH
8	95-3703	2	Washer-Spring, Wave	29	256-116	8	Bushing-Flange
9	115-1204	1	Plate-Neutral	30	114-8629	4	Bolt-Shldr
10	321-4	1	Screw-HH	31	3253-4	2	Washer-Lock
11	3296-42	1	Nut-Lock, NI	32	3296-39	1	Nut-Lock, NI
12	323-8	1	Screw-HH	33	3296-47	10	Nut-Lock,NI
13	32128-43	1	Nut-Flange	34	115-6535	1	Plate-Base, RH
14	106-7614-03	1	Handle-Control	35	115-6536	1	Plate-Arm, Return
15	3234-18	1	Screw-HHF	36	115-6636	1	Pivot-RH
16	103-1167	2	Joint-Ball End, LH	37	251-259	2	Bearing-Ball
17	114-2901	1	Rod-Control, LH	38	257-8	1	Washer-Thrust
18	114-2902	1	Rod-Control, RH	39	322-5	2	Screw-HH
19	3220-2	2	Nut-Jam	41	63-2870	2	Spring-Extension
20	3274-2	2	Screw-HSH	43	115-6549	1	Plate-Base, LH



Control Assembly (continued)

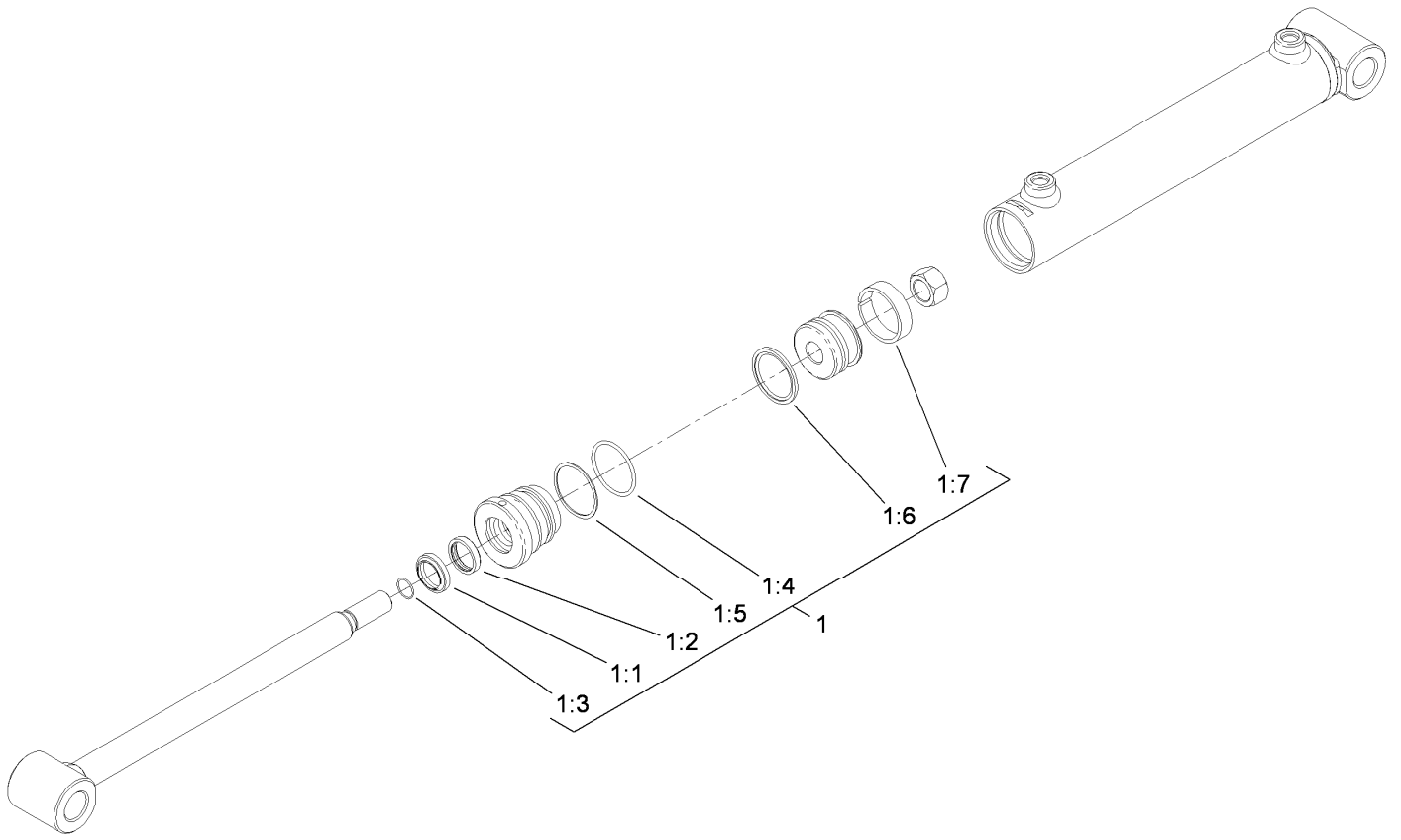
<i>Ref.</i>	<i>Part Number</i>	<i>Qty.</i>	<i>Description</i>
44	115-6628	1	Plate-Arm, Return, LH
45	115-6637	1	Pivot-LH
46	3296-39	2	Nut-Lock, NI
47	3256-23	2	Washer-Plain

<i>Ref.</i>	<i>Part Number</i>	<i>Qty.</i>	<i>Description</i>
48	3273-14	2	Screw-HSH
49	3256-3	2	Washer-Flat
50	94-3559	2	Screw-HSH
51	117-6429	2	Lock-Trunion



Trencher Assembly

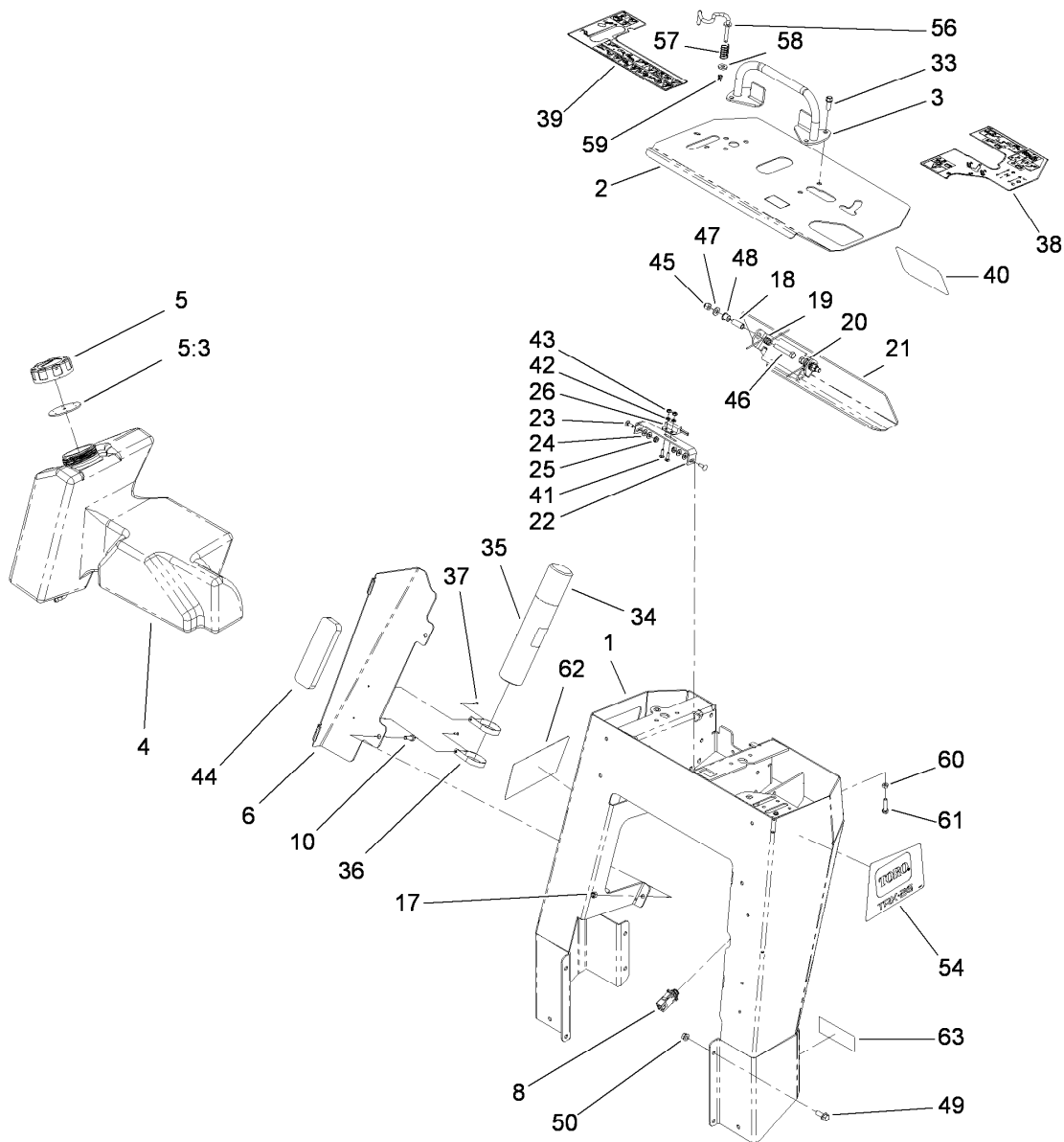
Ref.	Part Number	Qty.	Description	Ref.	Part Number	Qty.	Description
1	117-6423	1	Trencher Head ASM	21	321-18	1	Screw-HH
2	106-8871	1	Bearing-Ball	22	3296-42	1	Nut-Lock, NI
3	112-4979	1	Spacer	23	117-6317	1	Shield-Dirt
4	111199	1	Bearing-Ball	24	117-6316-03	1	Clamp-Bar
5	114-2955	1	Seal-Grease	26	99-9952	2	Decal-Danger
6	117-6308	1	Shaft-Trencher	29	115-1279-03	1	Bracket-Shield
7	117-6306	1	Hydraulic Motor ASM	30	115-4049	2	Screw-HSH
8	114-2956	1	Lockwasher-Bearing	31	322-5	8	Screw-HH
9	88-1450	1	Locknut-Bearing	32	3256-3	4	Washer-Flat
10	117-6315	1	Collar-Splined	33	3296-29	11	Nut-Lock, NI
11	3274-89	2	Screw-HSH	34	114-8573	1	Spacer-Pivot
12	112-2602	1	HYD Cylinder ASM	35	117-6327	1	Bolt-HH
13	114-2937	1	Pin-Pivot	36	3296-53	1	Nut-Lock, NI
15	104-1964	1	Sprocket-Trencher	37	322-23	1	Screw-HH
16	302-5	3	Fitting-Grease	38	115-4001-03	1	Plate-Strap, Shield
17	3274-4	6	Screw-HSH	39	302-34	1	Fitting-Lube
18	117-8852-03	1	Auger-Trencher	40	104-9216	2	Washer-Hardened
19	325-13	1	Screw-HH	41	117-3479	2	Washer-Saddle
20	3296-23	1	Nut-Lock, NI				



Hydraulic Cylinder Assembly No. 112-2602

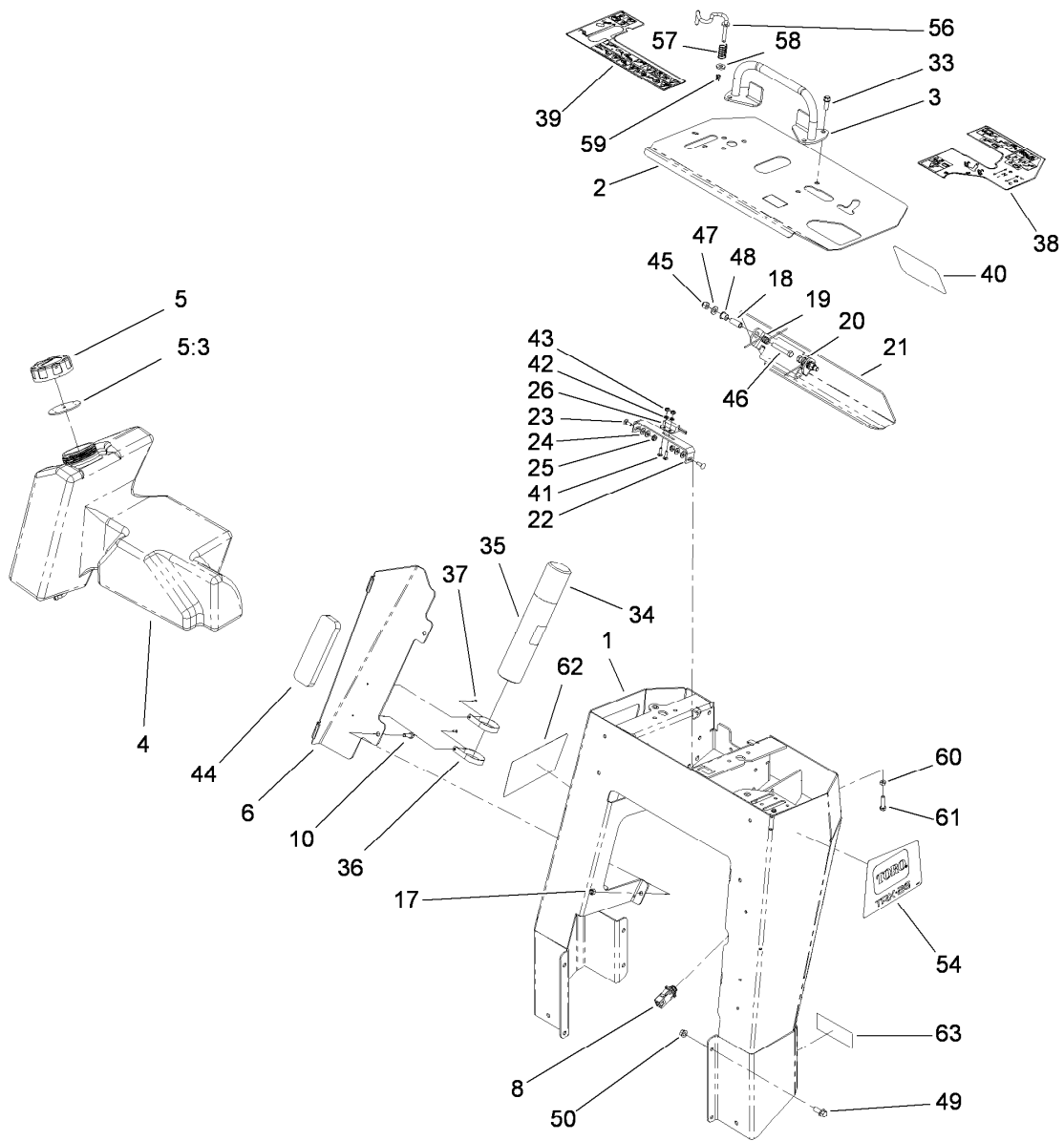
<i>Ref.</i>	<i>Part Number</i>	<i>Qty.</i>	<i>Description</i>
1	107-1183	1	Seal Kit
1:1		1	Wiper ●
1:2		1	U-Cup ●
1:3		1	Ring-Retaining ●
1:4		1	Ring-Retaining ●
1:5		1	Back-Up Ring ●
1:6		1	Capseal ●
1:7		1	Wear Ring ●

● Not serviced separately



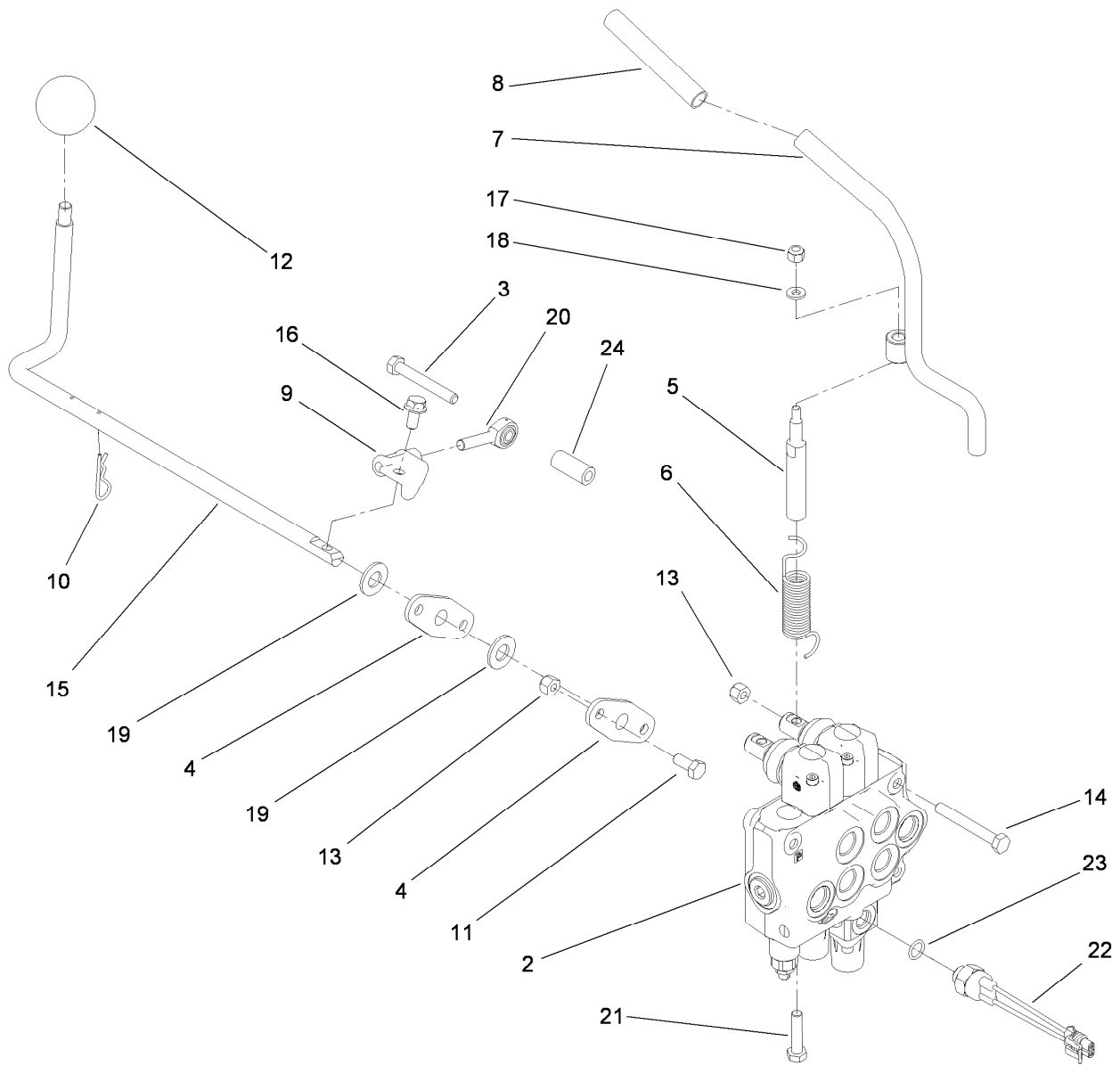
Control Tower Assembly

Ref.	Part Number	Qty.	Description	Ref.	Part Number	Qty.	Description
1	117-6419-01	1	Tower	35	104-7050	1	Tube-Manual
2	115-9242-01	1	Panel-Control	36	2412-120	2	Clamp-R
3	106-7715	1	Bar-Reference	37	3269-17	2	Rivet-Pop
4	117-6350	1	Tank-Fuel	38	115-1230	1	Decal-Console, LH
5	104-7418	1	Cap-Fuel, Gas	39	115-1231	1	Decal-Console, RH
5:3	104-7420	1	Gasket-Vented	40	105-1217	1	Decal
6	114-3065-01	1	Bracket-Cover, Tank	41	3229-20	2	Screw-CARR
8	100-1268	1	Switch-Plunger	42	3256-51	2	Washer-Flat
10	322-5	2	Screw-HH	43	32149-7	2	Nut-Keps
17	3296-29	2	Nut-Lock, NI	44	107-7507	1	Pad-Foam
18	114-1337	2	Spacer-Spring	45	3296-39	2	Nut-Lock, NI
19	98-8425	1	Spring-Torsion, LH	46	323-11	2	Screw-HH
20	98-8424	1	Spring-Torsion, RH	47	3256-24	2	Washer-Plain
21	114-3012-03	1	Plate-Reverse	48	256-257	2	Bushing-Nyliner
22	100-1263	1	Plate-Switch	49	3234-11	8	Screw-HHF
23	3229-1	2	Screw-CARR	50	32128-40	8	Nut-Flange
24	3256-22	4	Washer-Flat	54	117-6415	1	Decal-Side, LH
25	32149-2	2	Nut-Keps	56	114-8727	1	Rod-Interlock
26	100-1270	1	Switch-Proximity	57	85-6750	1	Spring-Control
33	95-1726	4	Screw-Taptite	58	88-7200	1	Washer-Flat
34	104-7048	1	Cap-Housing	59	3290-307	1	Pin-Cotter



Control Tower Assembly (continued)

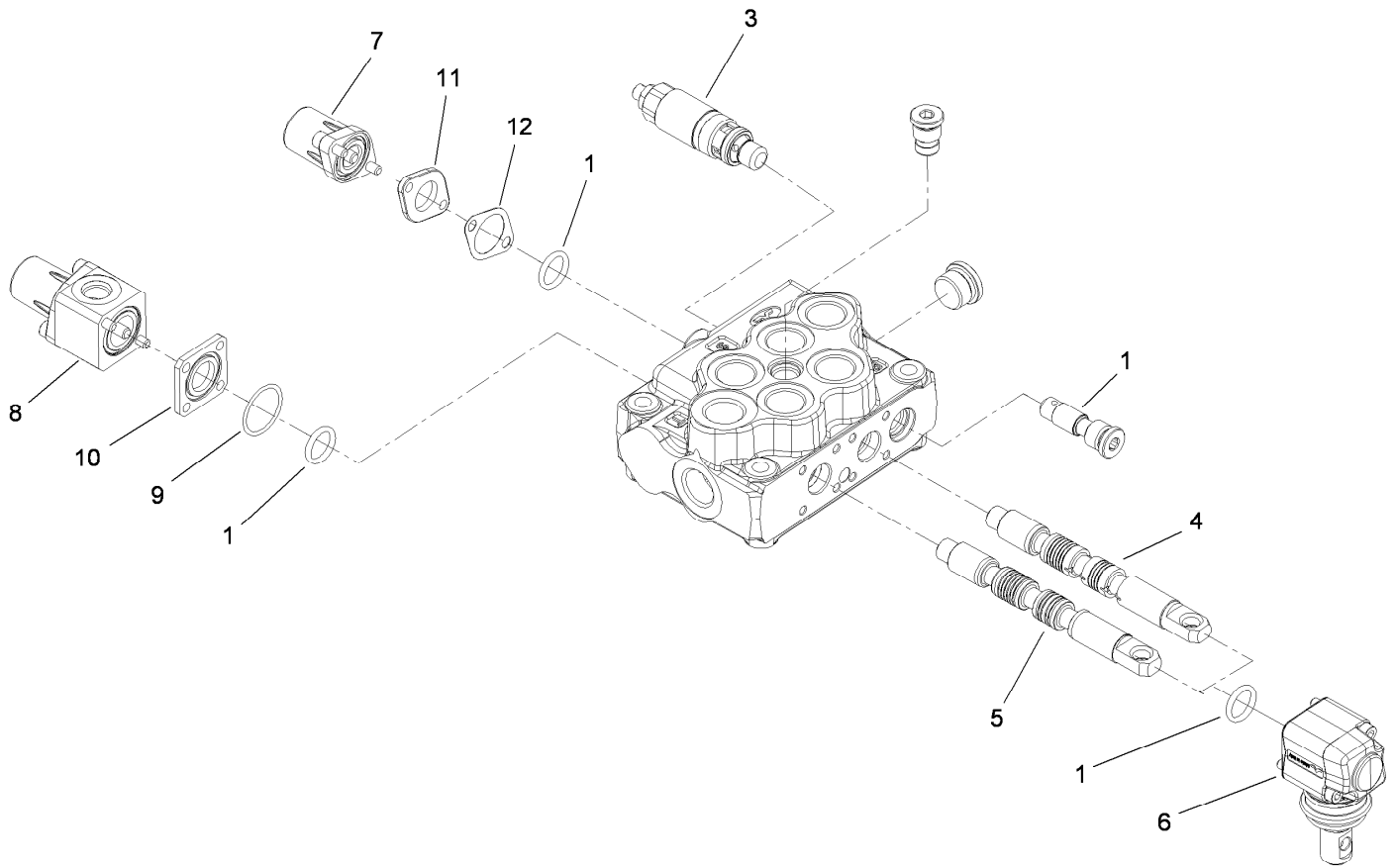
Ref.	Part Number	Qty.	Description	Ref.	Part Number	Qty.	Description
60	3210-7	1	Screw-HH	62	117-6416	1	Decal-Side, RH
61	3220-2	1	Nut-Jam	63	117-2718	1	Decal-Arrester, Spark



Hydraulic Control Assembly

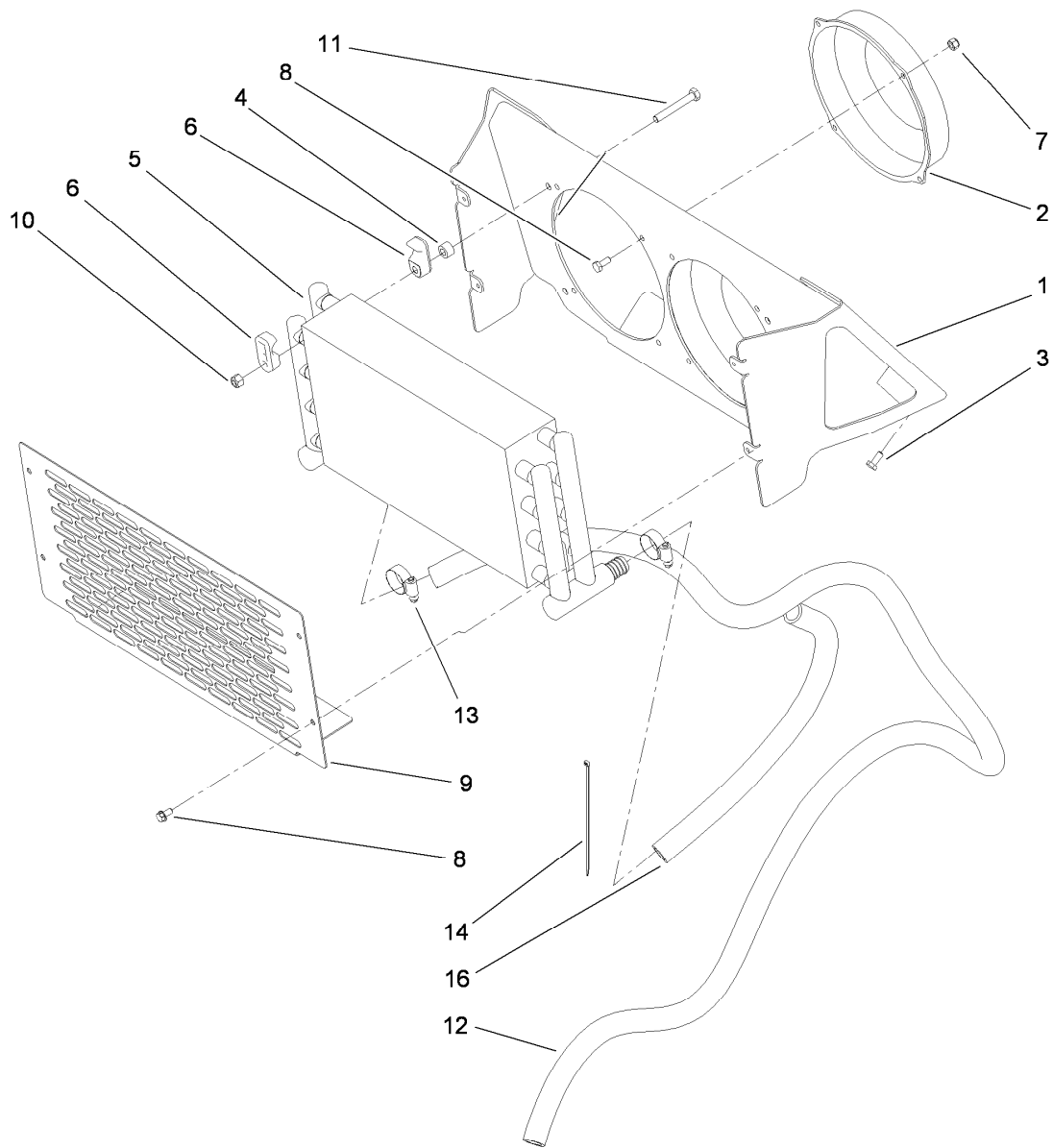
Ref.	Part Number	Qty.	Description
2	115-4062	1	HYD Valve ASM
3	33114-060	1	Screw-HH
4	20-1620	2	Bearing-Wheel, Friction
5	104-2827	1	Spacer-Hiflo
6	112-2738	1	Spring-Torsion
7	112-2739	1	Lever-Auxiliary
8	112-2605	1	Grip-Rubber
9	112-7210	1	Bracket-Control
10	3290-467	2	Pin-Hair
11	322-3	4	Screw-HH
12	233-21	1	Knob
13	3296-29	7	Nut-Lock, NI

Ref.	Part Number	Qty.	Description
14	322-12	3	Screw-HH
15	114-8598	1	Rod-Lever, Cylinder
16	3234-14	1	Screw-HHF
17	3296-42	1	Nut-Lock, NI
18	3256-16	1	Washer-Flat
19	3256-26	2	Washer-Flat
20	115-1273	1	Bearing-Rod End
21	48-7740	1	Screw
22	72-4310	1	Switch-Ball
23	237-42	1	O-Ring
24	103-0384	1	Spacer



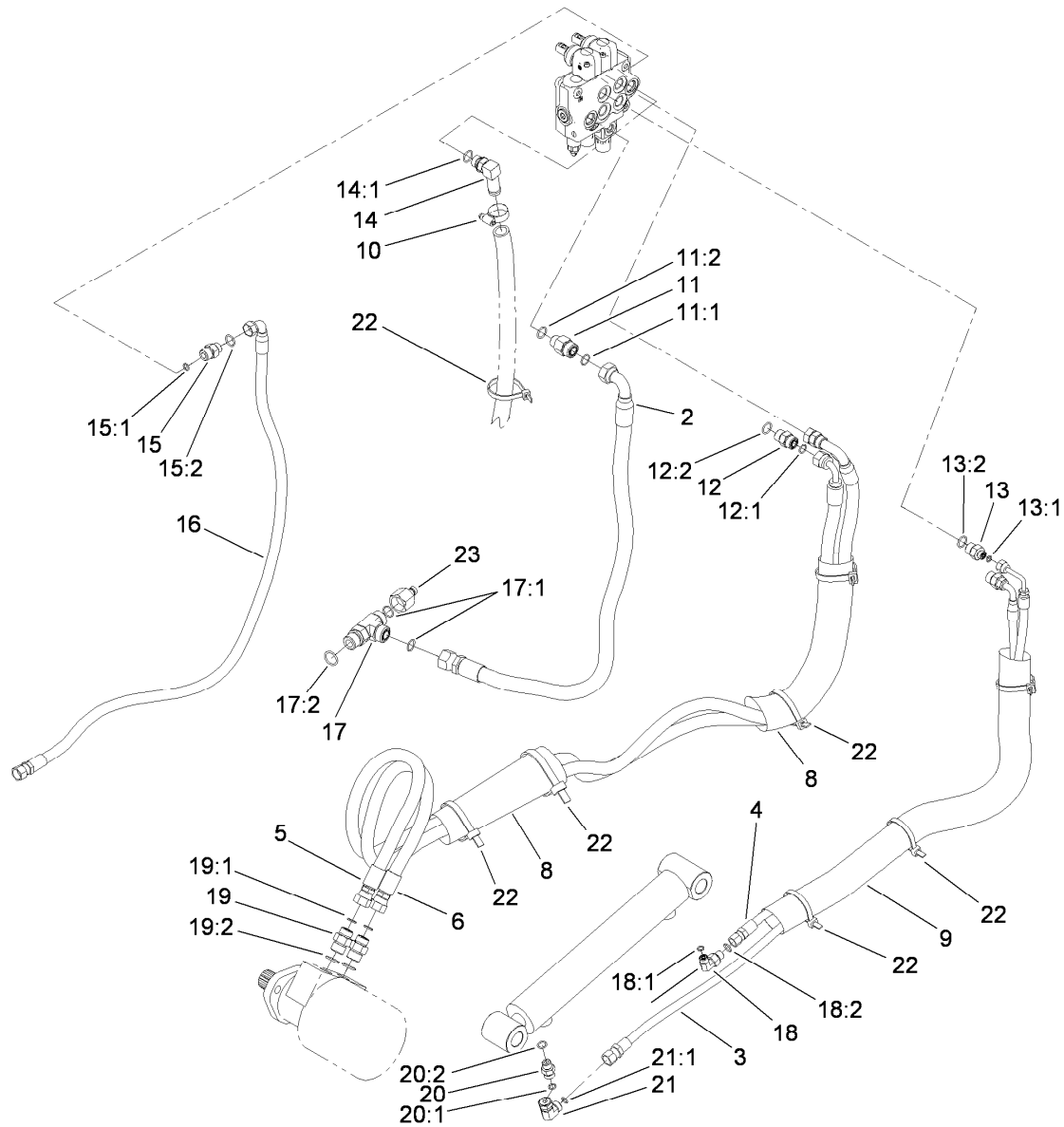
2-Spool Valve Assembly No. 115-4062

<i>Ref.</i>	<i>Part Number</i>	<i>Qty.</i>	<i>Description</i>
1	106-7719	4	Seal-Valve
3	100-8805	1	Valve-Relief
4	115-4084	1	Spool-Valve
5	106-7572	1	Spool
6	100-7229	2	Lever Kit
7	115-4092	1	Spring Return Kit
8	115-4093	1	Switch Spring Return Kit
9	115-4097	1	Seal-Return
10	115-4094	1	Spacer-Square
11	115-4089	1	Spacer-Spring Return
12	115-4088	1	Gasket-Return



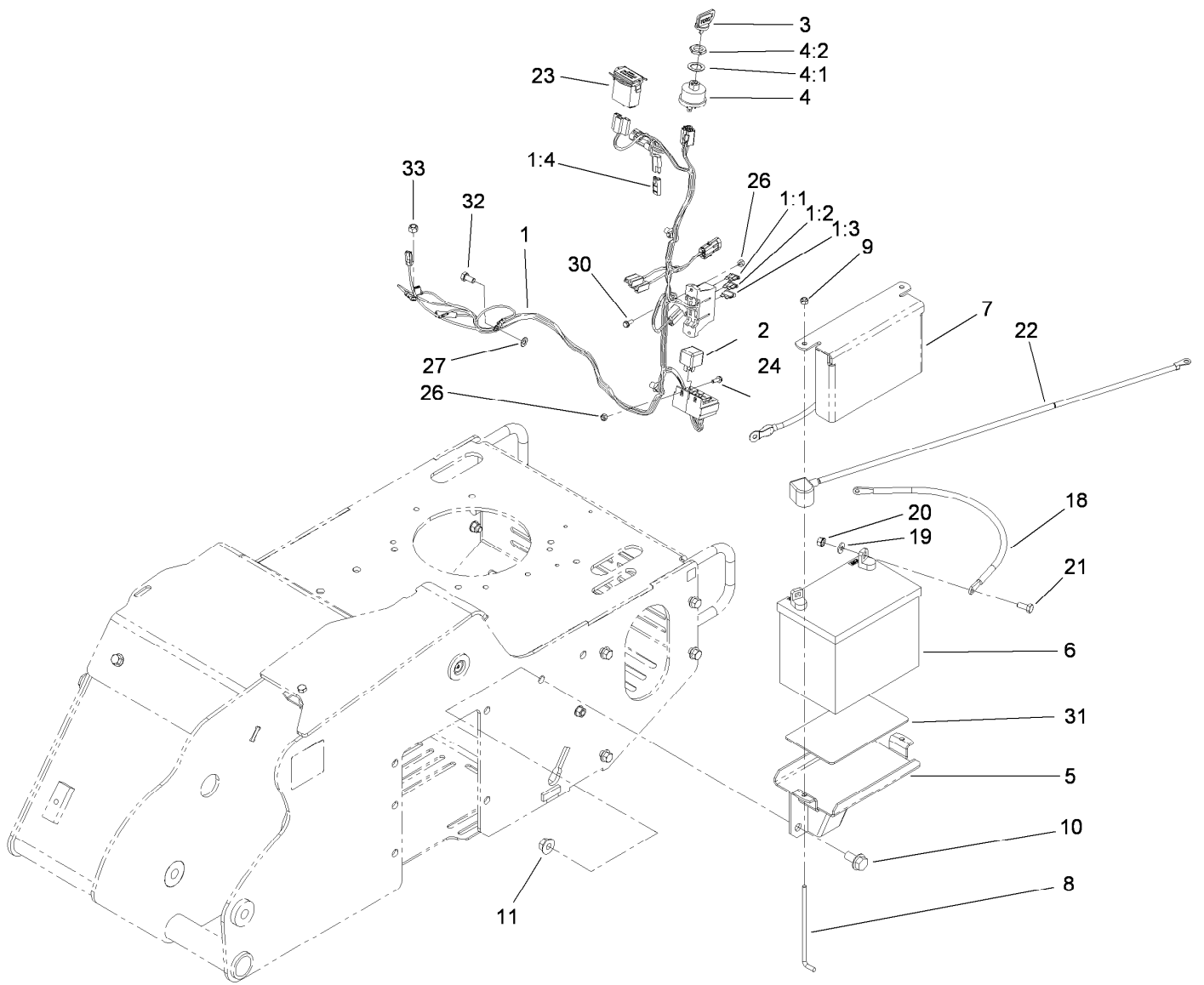
Oil Cooler Assembly

<i>Ref.</i>	<i>Part Number</i>	<i>Qty.</i>	<i>Description</i>
1	115-9240-01	1	Mount-Cooler
2	104-2809	2	Fan
3	321-3	12	Screw-HH
4	98-4695	4	Spacer
5	117-6320	1	Cooler-Oil
6	105-3943	8	Clamp-Cooler, Oil
7	3296-29	4	Nut-Lock, NI
8	32144-4	4	Screw-HWH
9	115-9241-01	1	Cover-Cooler
10	3296-42	12	Nut-Lock, NI
11	322-11	4	Screw-HH
12	115-1207	1	Hose-Return
13	2412-129	2	Clamp-Hose
14	3334-945	1	Tie-Cable
16	117-3966	1	Hose-Cooler



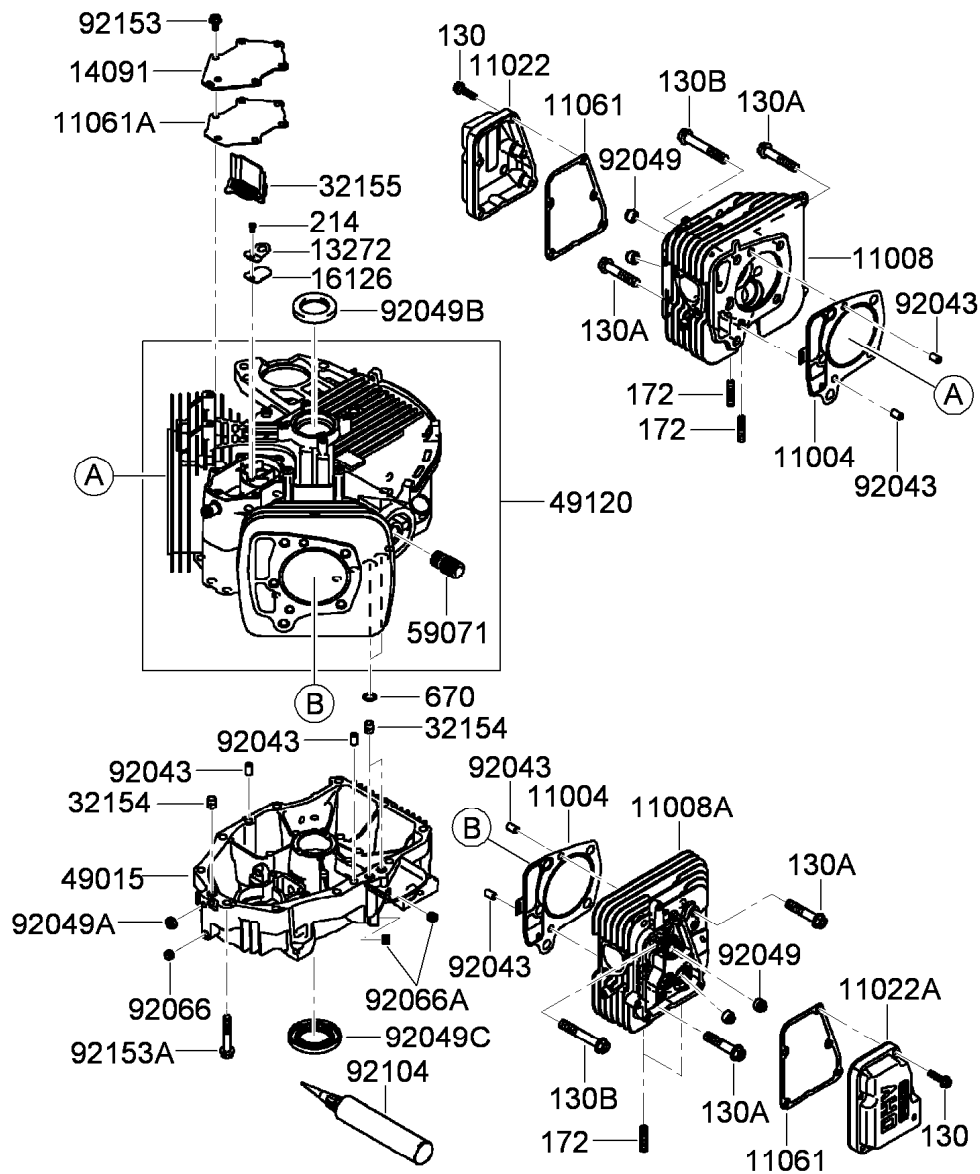
Hydraulic Hose Routing Assembly

Ref.	Part Number	Qty.	Description	Ref.	Part Number	Qty.	Description
2	114-3043	1	Hose-HYD	15:1	237-22	1	O-Ring
3	114-3044	1	Hose-HYD	15:2	237-79	1	O-Ring
4	114-3045	1	Hose-HYD	16	117-4038	1	Hose-HYD
5	114-3046	1	Hose-HYD	17	340-22	1	Fitting-Tee
6	114-3085	1	Hose-HYD	17:1	237-65	2	O-Ring
8	99-5648	2	Sleeve-Protective	17:2	237-80	1	O-Ring
9	115-4064	1	Sleeve-Protective	18	340-82	1	Fitting-Elbow, 90 DEG
10	2412-129	2	Clamp-Hose	18:1	237-42	1	O-Ring
11	340-155	1	Fitting-Straight	18:2	237-21	1	O-Ring
11:1	237-79	1	O-Ring	19	340-6	2	Fitting-Straight
11:2	237-151	1	O-Ring	19:1	237-30	1	O-Ring
12	340-4	2	Fitting-Straight	19:2	237-80	1	O-Ring
12:1	237-30	1	O-Ring	20	115-4081	1	Valve-Check
12:2	237-79	1	O-Ring	20:1	237-42	1	O-Ring
13	340-133	2	Fitting-STR	20:2	237-22	1	O-Ring
13:1	237-79	1	O-Ring	21	340-159	1	Elbow-90
13:2	237-21	1	O-Ring	21:1	237-22	2	O-Ring
14	353-954	1	Fitting-Elbow, 90	22	3334-945	9	Tie-Cable
14:1	237-79	1	O-Ring	23	86-5860	1	Nipple
15	340-3	1	Fitting-Straight				



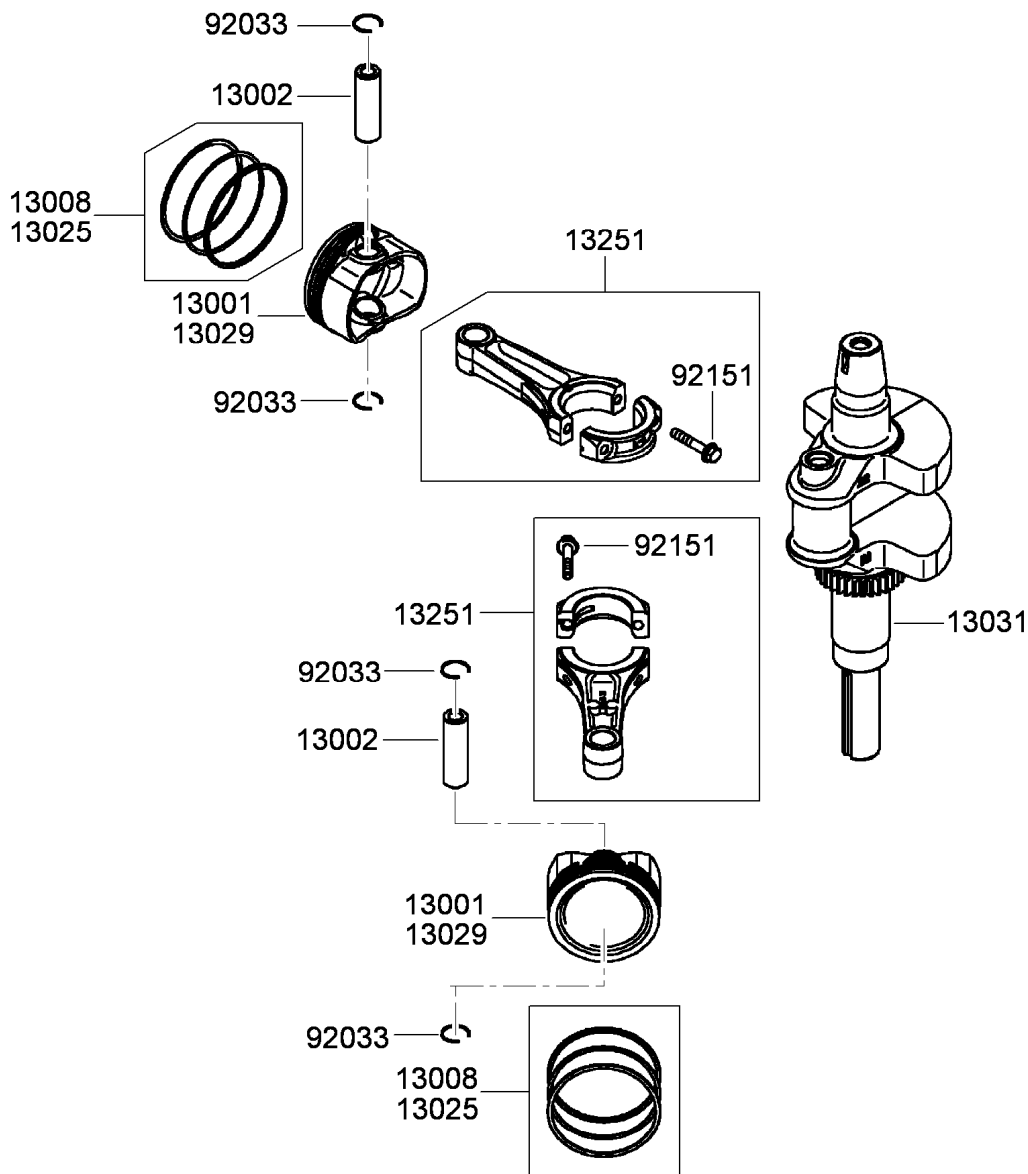
Electrical Assembly

Ref.	Part Number	Qty.	Description	Ref.	Part Number	Qty.	Description
1	117-6338	1	Harness-Wire	10	3234-6	2	Screw-HHF
1:1	109103	1	Fuse-Blade, 30 Amp	11	32128-49	2	Nut-HHF
1:2	109102	1	Fuse-Blade, 25 Amp	18	106-8945	1	Cable-Battery, Positive
1:3	109101	1	Fuse-Blade, 20 Amp	19	3256-2	2	Washer-Flat
1:4	116-0053	1	Cap-Plug	20	32149-1	2	Nut-Keps
2	98-7249	2	Relay	21	322-3	2	Screw-HH
3	63-8360	1	Key-Ignition	22	117-6422	1	Cable-Battery, Black
4	88-9830	1	Key Switch ASM	23	1-513374	1	Meter-Hour
4:1	3254-5	1	Washer-Lock	24	32105-23	1	Screw
4:2	218-461	1	Nut-HH	26	3296-2	2	Nut-Lock, NI
5	105-3150-01	1	Tray-Battery	27	3255-8	1	Washer-Lock
6	104-8162	1	Battery	30	32105-13	1	Screw-HWH
7	115-6621-03	1	Plate-Hold Down, Battery	31	62-4300	1	Pad-Skid, Anti
8	104-8567	2	Holdown-Battery	32	33114-016	1	Screw-HH
9	3296-42	2	Nut-Lock, NI	33	33004-00	1	Nut-HF



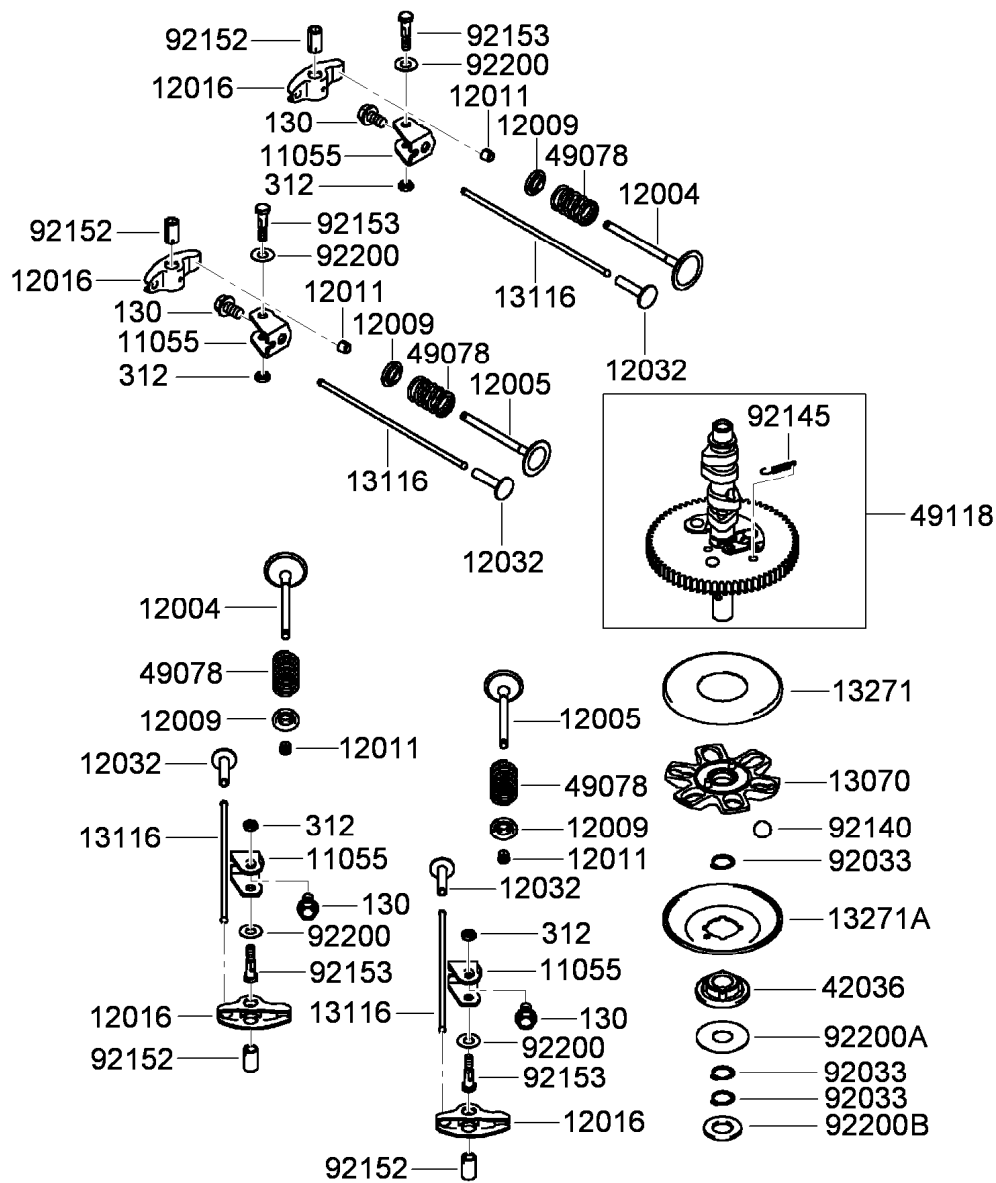
Cylinder and Crankcase Assembly

Ref.	Part Number	Qty.	Description	Ref.	Part Number	Qty.	Description
130	93-8548	10	Bolt-Flanged (6X25)	32154	119-5811	3	Pipe
130A	119-5822	4	Bolt-Flanged (10X50)	32155	119-5812	1	Pipe-Breather
130B	119-5823	6	Bolt-Flanged (10X65)	49015	119-5813	1	Cover-Crankcase
172	114-8658	4	Bolt-Stud (8X18)	49120	119-5814	1	Crankcase ASM
214	115-6422	1	Screw-Pan (4X8)	59071	95-9715	1	Joint
670	95-9771	2	O-Ring (11Mm)	92043	KW10694	6	Pin
11004	119-5800	2	Gasket-Head	92049	114-8650	4	Seal-Oil, Rv C2 (6X11X10.2)
11008	119-5801	1	Head-Cylinder (No.1)	92049A	119-5816	1	Seal-Oil, So (8X14X5) Hs
11008A	119-5802	1	Head-Cylinder (No.2)	92049B	119-5817	1	Seal-Oil, Sd (35X48X8) R Hs
11022	119-5803	1	Case-Rocker (No.1)	92049C	119-5818	1	Seal-Oil (38X62X8) Mtclv
11022A	119-5804	1	Case-Rocker (No.2)	92066	119-5819	1	Plug
11061	119-5805	2	Gasket-Case, Rocker	92066A	119-5820	2	Plug
11061A	119-5806	1	Gasket-Breather	92104	119-5821	1	Gasket-Liquid (Tb1217H)
13272	119-5808	1	Plate-Breather	92153	114-8655	6	Bolt (6X12)
14091	119-5809	1	Cover-Breather	92153A	114-8656	10	Bolt (8X50)
16126	119-5810	1	Valve-Breather				



Piston and Crankshaft Assembly

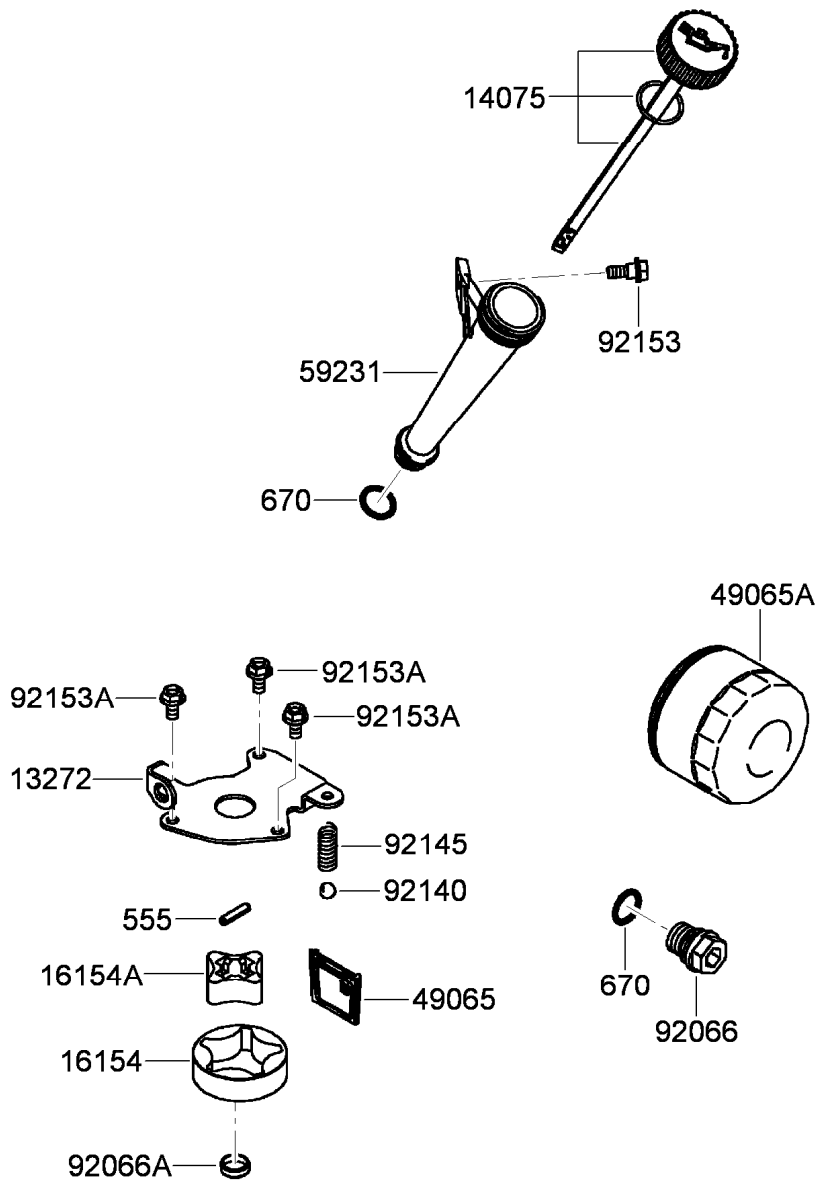
<i>Ref.</i>	<i>Part Number</i>	<i>Qty.</i>	<i>Description</i>
13001	119-5824	2	Piston-Engine
13002	119-5825	2	Pin-Piston
13008	119-5826	2	Piston Ring Set
13025	119-5827	1	Piston Ring Set, L (0.5)
13029	119-5828	1	Piston-Engine, L (0.5)
13031	119-5829	1	Crankshaft ASM
13251	119-5830	2	Connecting Rod ASM
92033	119-5831	4	Ring-Snap
92151	115-6565	4	Bolt (6X35)



Valve and Camshaft Assembly

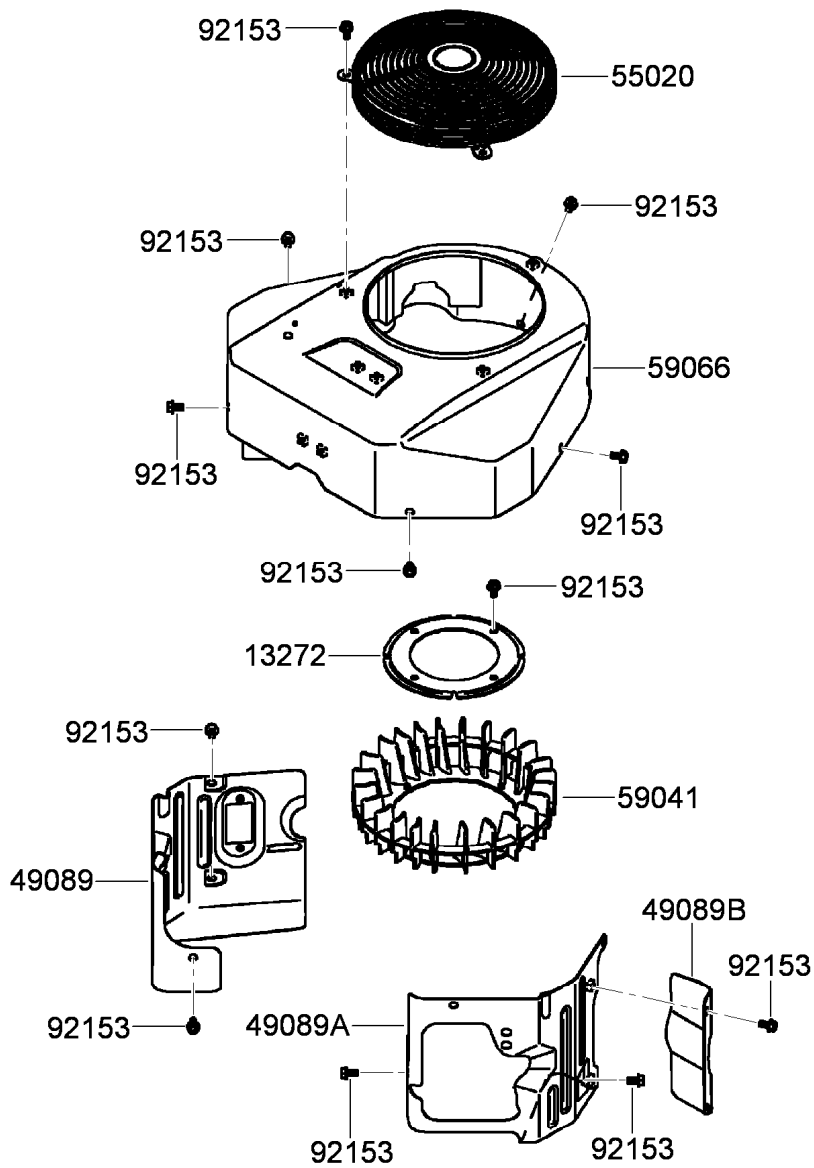
Ref.	Part Number	Qty.	Description
130	119-5845	4	Bolt-Flanged (8X14)
312	119-5846	4	Nut-Hex (6MM)
11055	119-5832	4	Bracket
12004	119-5833	2	Valve-Intake
12005	119-5834	2	Valve-Exhaust
12009	108-2525	4	Retainer-Spring, Valve
12011	95-9744	8	Collet
12016	119-5835	4	Arm-Rocker
12032	108-2527	4	Tappet
13070	119-5836	1	Guide-Governor
13116	119-5837	4	Rod-Push
13271	114-8671	1	Plate

Ref.	Part Number	Qty.	Description
13271A	114-8672	1	Plate-Governor
42036	114-8673	1	Sleeve
49078	119-5838	4	Spring-Valve, Engine (In)
49118	119-5839	1	Camshaft ASM
92033	114-8675	3	Ring-Snap
92140	114-8676	6	Ball
92145	114-8677	1	Spring
92152	119-5840	4	Collar
92153	119-5841	4	Bolt (6X29.5)
92200	119-5842	4	Washer (8.1X18X0.5)
92200A	119-5843	1	Washer (16X42X0.91)
92200B	119-5844	1	Washer (16.3X30X2.28)



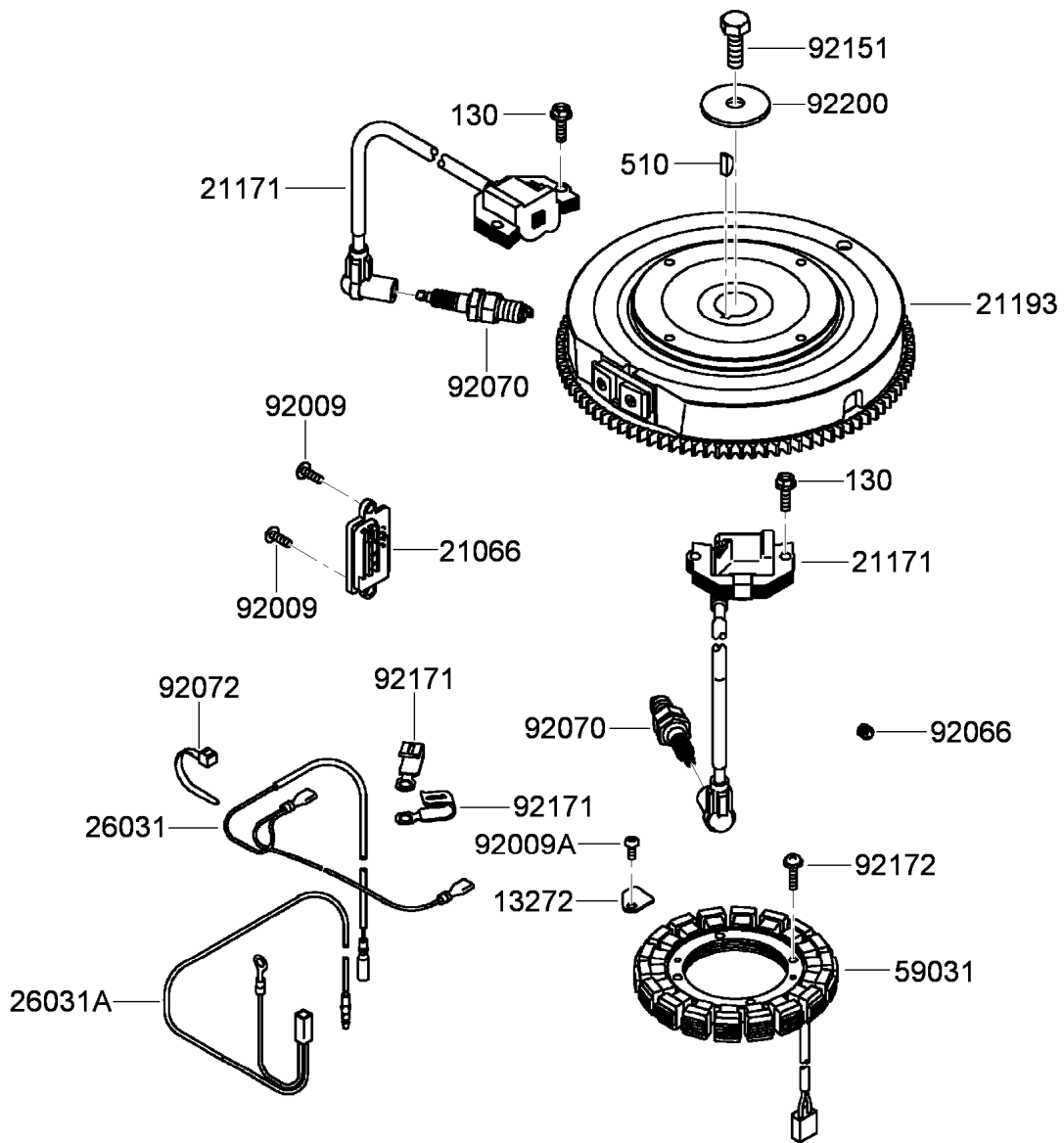
Lubrication Equipment Assembly

Ref.	Part Number	Qty.	Description
555	119-5859	1	Pin-Spring (4X20)
670	1-413506	2	O-Ring (16MM)
13272	119-5847	1	Plate-Rotor
14075	119-5848	1	Oil Gauge Cap ASM
16154	119-5849	1	Rotor-Pump, Outer
16154A	119-5850	1	Rotor-Pump, Inner
49065	119-5851	1	Filter-Oil
49065A	119-5852	1	Filter-Oil
59231	119-5853	1	Tube-Filler, Oil
92066	119-5854	1	Plug
92066A	119-5855	1	Plug
92140	119-5856	1	Ball
92145	119-5857	1	Spring
92153	119-5858	1	Bolt
92153A	115-6419	3	Bolt (6X12)



Cooling Equipment Assembly

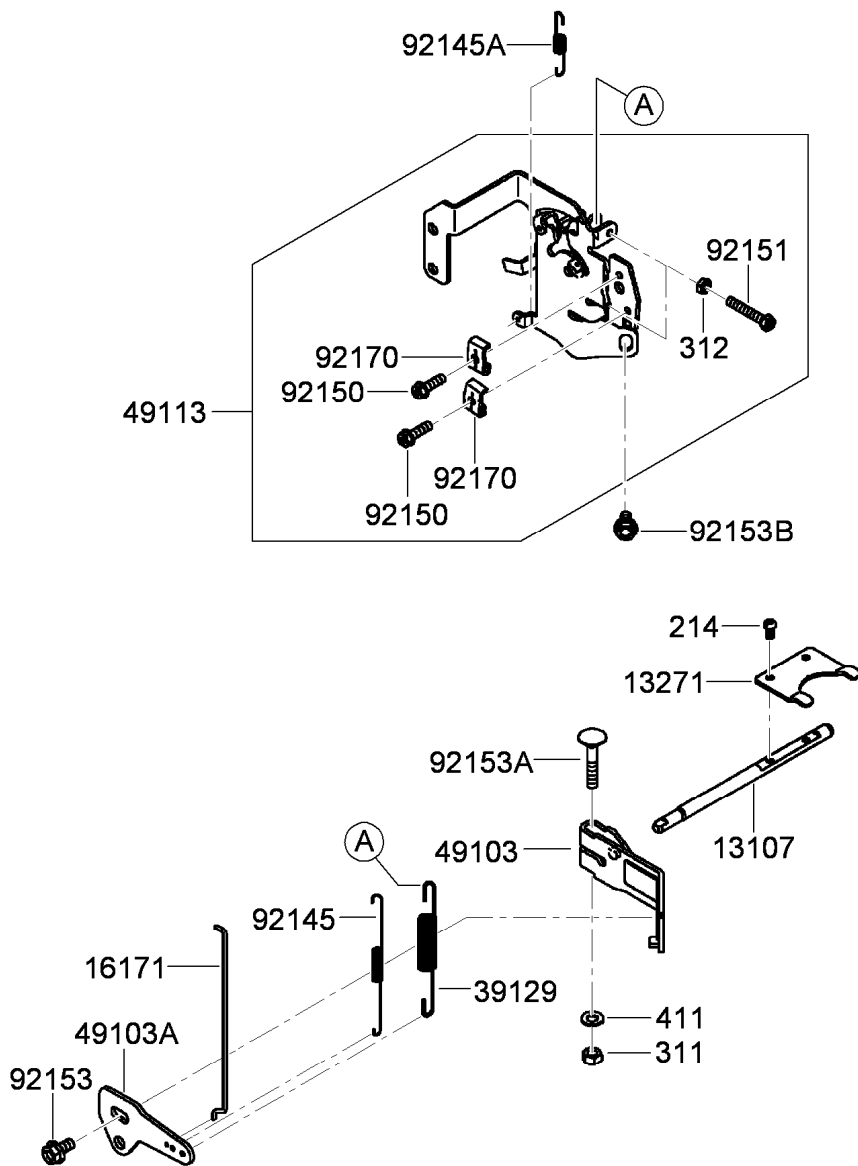
<i>Ref.</i>	<i>Part Number</i>	<i>Qty.</i>	<i>Description</i>
13272	119-5860	1	Plate-Fan
49089	119-5862	1	Shroud-Engine
49089A	119-5863	1	Shroud-Engine
49089B	119-5864	1	Shroud-Engine
55020	119-5865	1	Guard
59041	119-5867	1	Fan
59066	119-5868	1	Housing-Fan
92153	114-8655	18	Bolt (6X12)



Electric Equipment Assembly

<i>Ref.</i>	<i>Part Number</i>	<i>Qty.</i>	<i>Description</i>
130	95-9893	4	Bolt-Flanged (6X20)
510	KW10163	1	Key-Woodruff
13272	119-5870	1	Plate
21066	119-5871	1	Regulator-Voltage
21171	119-5872	2	Ignition Coil ASM
21193	119-5874	1	Flywheel ASM
26031	119-5876	1	Harness
26031A	119-5877	1	Harness
59031	119-5878	1	Coil-Charging

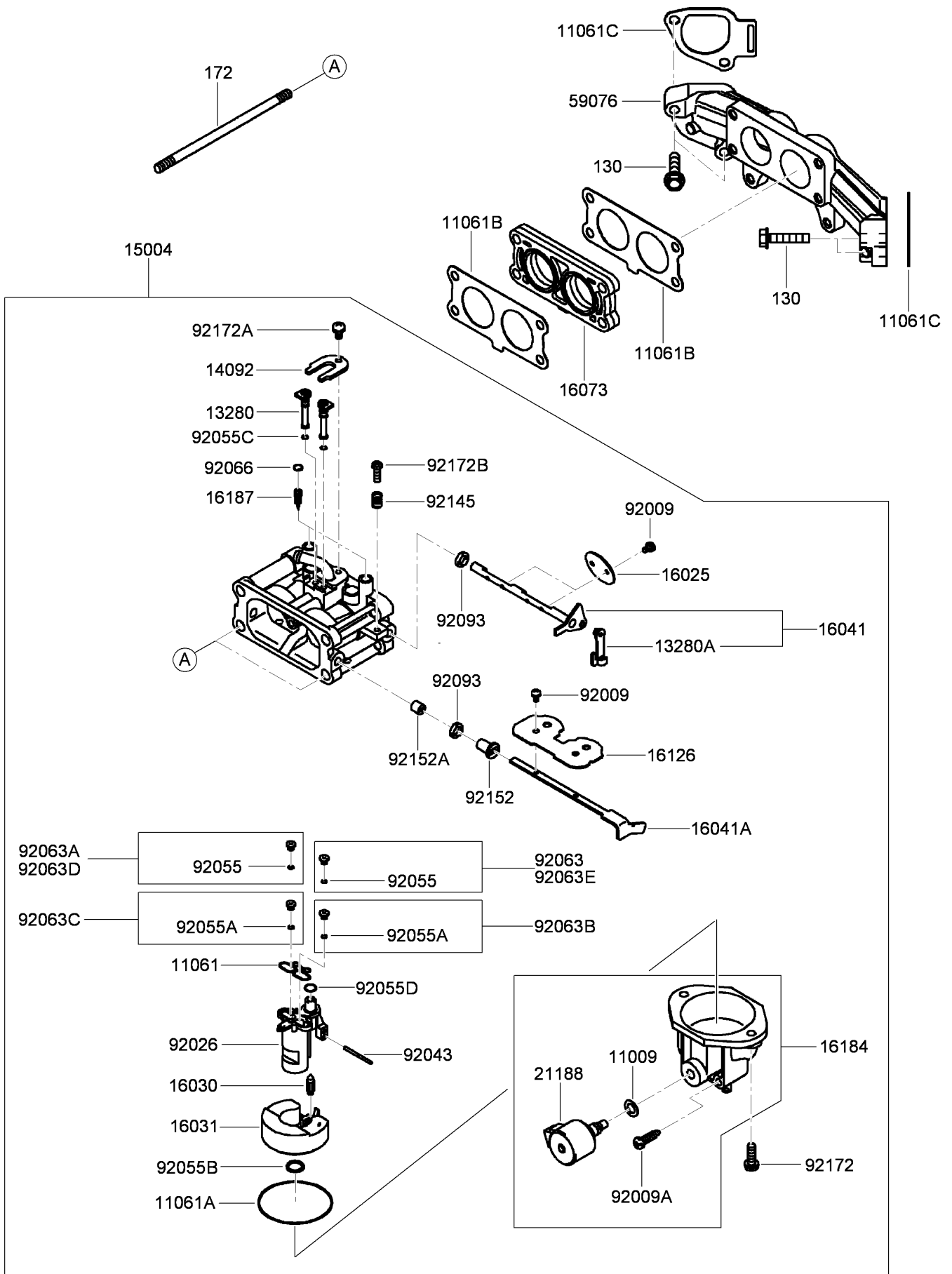
<i>Ref.</i>	<i>Part Number</i>	<i>Qty.</i>	<i>Description</i>
92009	119-5879	2	Screw
92009A	95-9716	1	Screw
92066	119-5820	1	Plug
92070	92-2153	2	Plug-Spark
92072	115-6585	1	Band
92151	115-6408	1	Bolt (12X30)
92171	115-8665	2	Clamp
92172	115-4030	4	Screw (5X20)
92200	115-4031	1	Washer (12.2X46X3)



Control Equipment Assembly

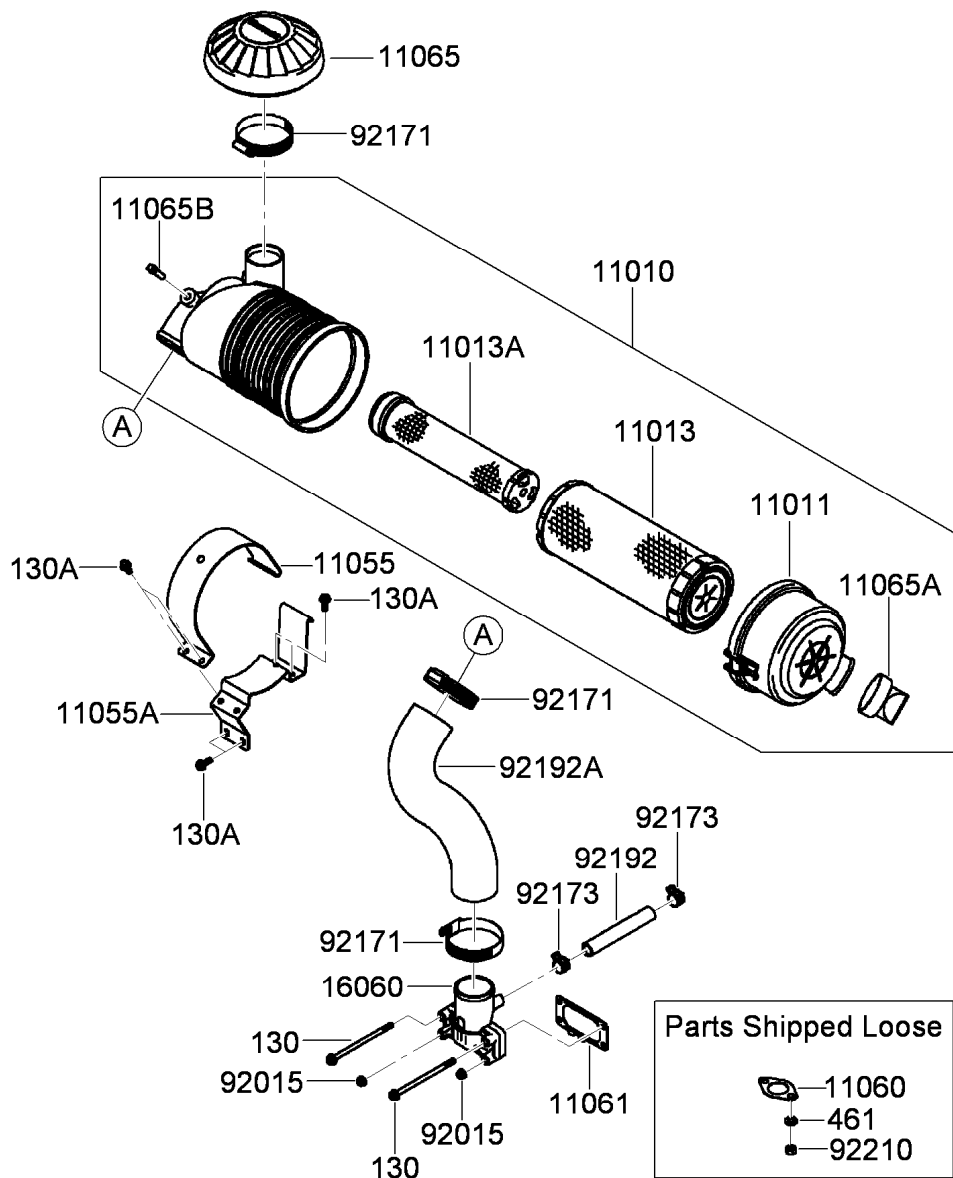
<i>Ref.</i>	<i>Part Number</i>	<i>Qty.</i>	<i>Description</i>	<i>Ref.</i>	<i>Part Number</i>	<i>Qty.</i>	<i>Description</i>
214	115-6422	2	Screw-Pan (4X8)	49113	119-5888	1	Control Panel ASM
311	114-8698	1	Nut-Hex (6MM)	92145	119-5889	1	Spring
312	119-5894	2	Nut-Hex (5MM)	92145A	119-5890	1	Spring
411	115-6423	1	Washer-Plain (6MM)	92150	95-9853	2	Bolt (5X18)
13107	119-5882	1	Shaft-Governor	92151	119-5891	2	Bolt (5X30)
13271	119-5883	1	Plate	92153	119-5892	1	Bolt (6X12)
16171	119-5884	1	Link	92153A	115-6420	1	Bolt (6X35)
39129	119-5885	1	Spring-Governor	92153B	119-5892	1	Bolt (6X12)
49103	119-5886	1	Arm-Governor	92170	115-6421	2	Clamp
49103A	119-5887	1	Arm-Governor				

Carburetor Assembly



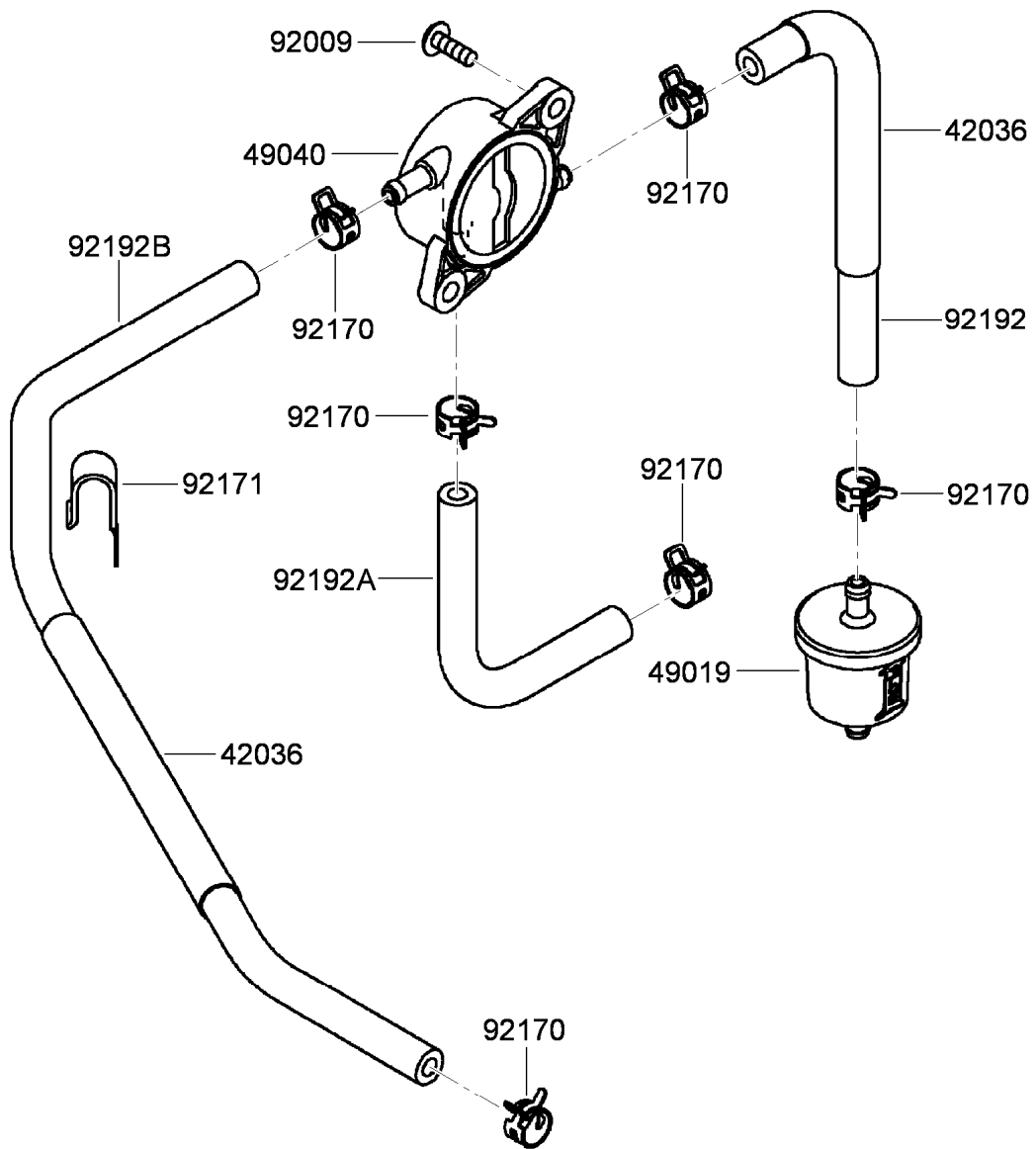
Carburetor Assembly (continued)

<i>Ref.</i>	<i>Part Number</i>	<i>Qty.</i>	<i>Description</i>	<i>Ref.</i>	<i>Part Number</i>	<i>Qty.</i>	<i>Description</i>
130	119-5940	4	Bolt-Flanged (6X30)	92009A	119-5917	1	Screw-Drain
172	119-5941	2	Bolt-Stud (6X115)	92026	119-5918	1	Spacer
11009	119-5895	1	Gasket	92043	119-5919	1	Pin-Float
11061	119-5896	1	Gasket	92055	119-5920	1	O-Ring
11061A	119-5897	1	Gasket	92055A	119-5921	2	O-Ring
11061B	119-5898	2	Gasket-Carburetor/Manifold	92055B	119-5921	1	O-Ring
11061C	119-5899	2	Gasket-Manifold	92055C	119-5923	2	O-Ring
13280	119-5901	2	Holder	92055D	119-5924	1	O-Ring
13280A	119-5902	1	Holder	92063	119-5926	1	Jet-Main (No. 108)
14092	119-5903	1	Cover	92063A	119-5927	1	Jet-Main (No. 104)
15004	119-5904	1	Carburetor ASM	92063B	119-5928	1	Jet-Main (No. 114)
16025	119-5905	2	Valve-Throttle	92063C	119-5929	1	Jet-Main (No. 110)
16030	119-5906	1	Valve-Float	92063D	119-5930	1	Jet-Main (No. 107)
16031	119-5907	1	Float	92063E	119-5931	1	Jet-Main (No. 111)
16041	119-5908	1	Carburetor Throttle Shaft ASM	92066	119-5932	2	Plug-Expansion
16041A	119-5909	1	Shaft-Choke, Carburetor	92093	119-5933	2	Seal (6.9)
16073	119-5910	1	Insulator	92145	119-5934	1	Spring
16126	119-5911	1	Valve	92152	119-5935	1	Collar
16184	119-5912	1	Float Chamber ASM	92152A	119-5936	1	Collar
16187	119-5913	2	Needle-Jet	92172	119-5937	2	Screw (M5)
21188	119-5914	1	Solenoid	92172A	119-5938	1	Screw (M4)
59076	119-5915	1	Manifold-Intake	92172B	119-5939	1	Screw-Adjust, Throttle
92009	119-5916	6	Screw				



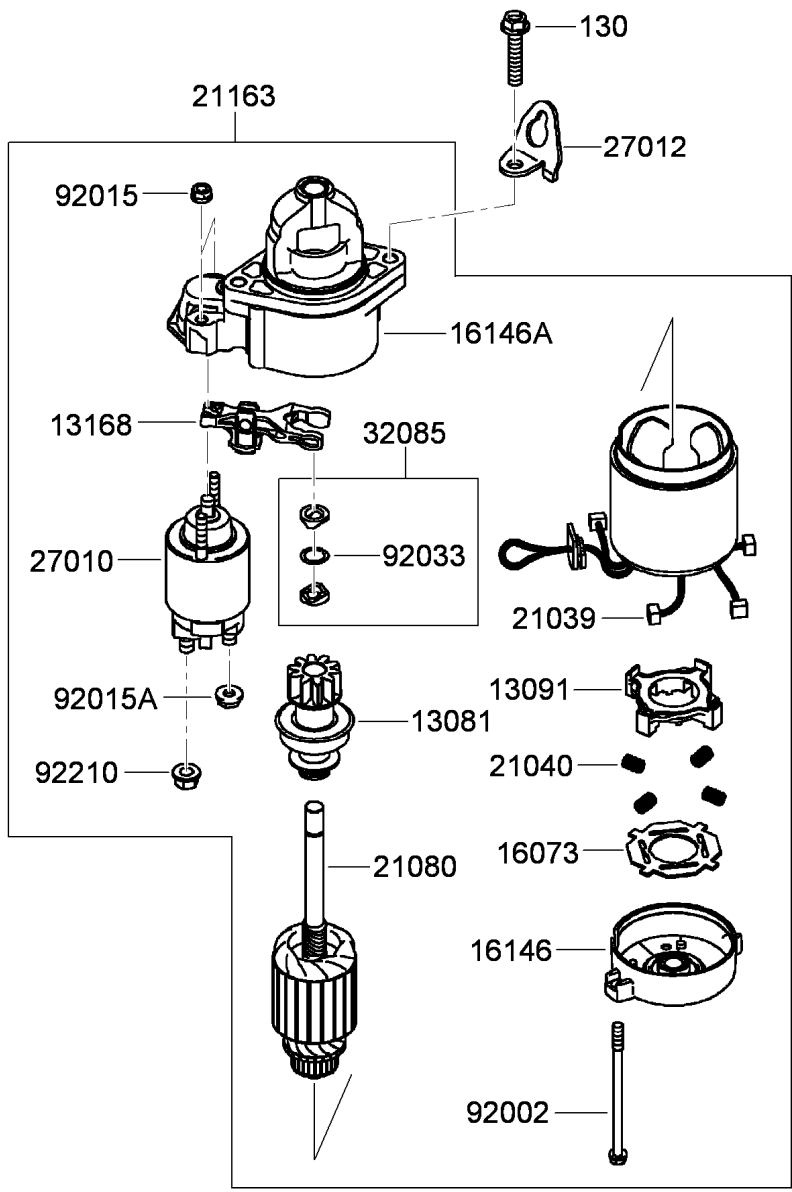
Air Filter and Muffler Assembly

Ref.	Part Number	Qty.	Description	Ref.	Part Number	Qty.	Description
130	119-5960	2	Bolt-Flanged (6X110)	11065	119-5950	1	Cap
130A	119-5961	6	Bolt-Flanged (6X16)	11065A	119-5951	1	Cap
461	119-5962	4	Washer-Spring (8MM)	11065B	119-5952	1	Cap
11010	119-5942	1	Air Filter ASM	16060	119-5953	1	Pipe-Intake
11011	119-5943	1	Case-Filter, Air	92015	119-5954	2	Nut
11013	119-5944	1	Element-Filter, Air (Outer)	92171	119-5955	3	Clamp
11013A	119-5945	1	Element-Filter, Air (Inner)	92173	119-5956	2	Clamp
11055	119-5946	1	Bracket	92192	119-5957	1	Tube (12.6X18.6X118)
11055A	119-5947	1	Bracket	92192A	119-5958	1	Tube
11060	119-5948	2	Gasket-Muffler	92210	119-5959	4	Nut (M8)
11061	119-5949	1	Gasket				



Fuel Tank and Valve Assembly

Ref.	Part Number	Qty.	Description
42036	119-5963	2	Sleeve
49019	119-5964	1	Filter-Fuel
49040	119-5965	1	Pump-Fuel
92009	119-5879	2	Screw
92170	119-5967	6	Clamp
92171	119-5968	1	Clamp
92192	119-5969	1	Tube (6.35X12.7X185)
92192A	119-5970	1	Tube (6.4X12.7X150)
92192B	119-5971	1	Tube (6.35X12.7X390)



Starter Assembly

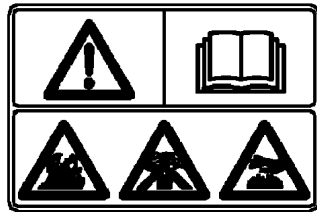
Ref.	Part Number	Qty.	Description
130	119-5991	2	Bolt-Flanged (8X40)
13081	119-5972	1	Clutch ASM
13091	119-5973	1	Holder-Brush
13168	119-5974	1	Lever-Shift
16073	119-5975	1	Insulator
16146	119-5976	1	Cover ASM
16146A	119-5977	1	Cover ASM
21039	119-5978	4	Brush
21040	119-5979	4	Spring-Brush
21080	119-5980	1	Armature

Ref.	Part Number	Qty.	Description
21163	119-5981	1	Starter-Electric
27010	119-5982	1	Switch
27012	119-5983	1	Hook
32085	119-5985	1	Stopper
92002	119-5986	2	Bolt
92015	119-5987	2	Nut
92015A	119-5988	1	Nut
92033	119-5989	1	Ring-Snap
92210	119-5990	1	Nut

56014



56070



Label Set

<i>Ref.</i>	<i>Part Number</i>	<i>Qty.</i>	<i>Description</i>
56014	119-5992	1	Emblem
56070	115-6469	1	Label-Warning

Attachments and Accessories

For 22974 TRX-26 Trencher

Product Name	Model/Part
8in Chain Conversion Kit for 36in Soil Chain	117-3480
Crumber Kit	22477
24in X 4in Soil Chain	22480
24in X 4in Combination Chain	22481
24in X 4in Rock Tooth Chain	22482
24in X 6in Soil Chain	22483
24in X 6in Combination Chain	22484
24in X 6in Rock Tooth Chain	22485
36in X 4in Soil Chain	22486
36in X 4in Combination Chain	22487
36in X 4in Rock Tooth Chain	22488
36in X 6in Rock Tooth Chain	22489
36in X 6in Soil Chain	22490
36in X 6in Combination Chain	22491
48in x 4in Soil Chain	22492
48in x 4in Combination Chain	22493
48in x 6in Soil Chain	22494
48in x 6in Combination Chain	22495
24in Trencher Boom	22975
36in Trencher Boom	22976
48in Trencher Boom	22977
Backfill Blade	22980
Spark Arrestor Screen	94-8157

Notes:



Count on it.