



Count on it.

Parts Catalog

**320-D Compact
Utility Loader**

Model No. 22337CP—Serial No. 314000001 and Up



Ordering Replacement Parts

To order replacement parts, please supply the part number, the quantity, and the description of each part desired.

Understanding Reference Numbers

Each identified part in an illustration has a reference number. The reference number for a part also appears in the parts list, along with other information about the part.

This catalog uses two special reference number formats, one to indicate parts in a service assembly and another to indicate the quantity of a given part in an illustration.

Service Assembly Reference Numbers

Parts in service assemblies have reference numbers in the form a:b. The a represents the reference number of the entire service assembly and the b represents a sequential number unique to each part within the service assembly.

For example, a wheel assembly might be identified by reference number 6, the tire by 6:1, the valve by 6:2, and the wheel by 6:3. When you order the assembly identified by reference number 6, you receive all parts identified by reference numbers 6:1, 6:2, and 6:3. However, you may also order any part individually. Reference numbers of this type appear in illustration and in parts lists.

Reference Numbers Indicating Quantity

In an illustration, if a reference number indicates more than one part, the reference number has the form nX y. The n represents the quantity of the part, the X is the multiplication symbol, and the y represents the reference number.

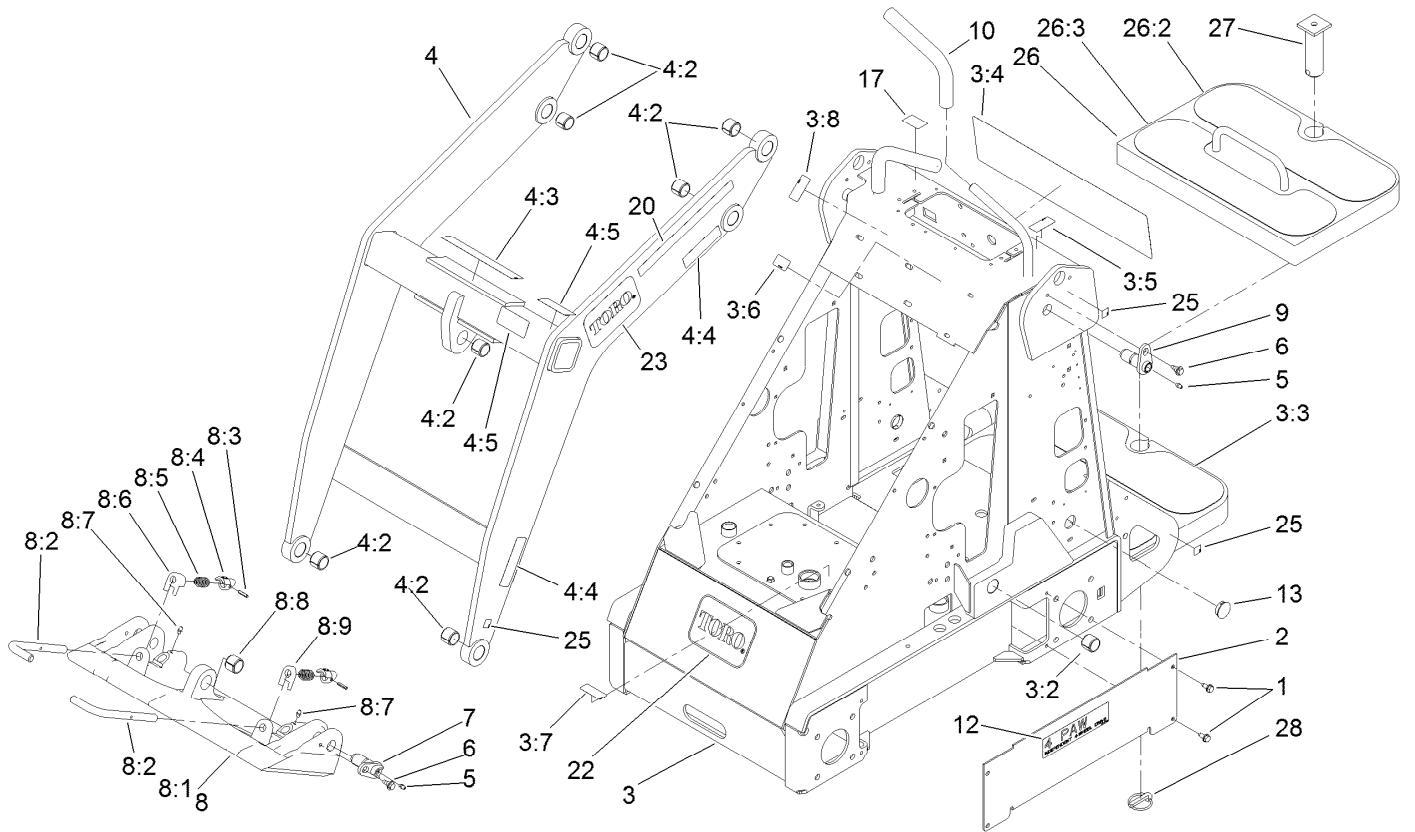
For example, in an illustration, the reference number 2X 37 means that two of the parts identified by reference number 37 are indicated.

Contents

Frame and Loader Arm Assembly	5
Hood and Screen Assembly	6
Wheel and Motor Assembly	7
Hydraulic Motor Assembly No. 99-3052	8
Engine Assembly	9
Tandem Hydraulic Pump Assembly No. 108-4710	11
Engine Mounting Assembly	12
Fuel Tank and Air Filter Assembly	13
Air Cleaner Assembly No. 117-9989	14
Radiator Mount Assembly	15
Hydraulic Tank and Filter Assembly	16
Auxiliary Control Lever Assembly	17
Hydraulic Valve Assembly	18
Auxiliary Hydraulic Valve Assembly No. 99-3077	19
Hydraulic Valve Assembly No. 104-4221	20
Hydraulic Selector Valve Assembly No. 99-3072	21
4-Spool Valve Assembly	22
Four Spool Hydraulic Valve Assembly No. 105-8377	23
Hydraulic Motor Assembly	24
Counterbalance Valve Assembly No. 99-3040	25
Hydraulic Cylinder Assembly	26
Hydraulic Cylinder Assembly No. 117-1834	27
Rear Cover Assembly	28
Battery Mount Assembly	29
Electrical Component Assembly	30
Parking Brake Assembly	31
Loader Lever Lock Assembly	32
Crankcase Assembly	33
Oil Pan and Oil Pump Assembly	34
Cylinder Head Assembly	35
Gear Case and Oil Filter Cartridge Assembly	36
Cylinder Head Cover Assembly	37
Dipstick and Guide Assembly	38
Main Bearing Case Assembly	39
Camshaft and Idle Gear Shaft Assembly	40
Piston and Crankshaft Assembly	41
Flywheel Assembly	42
Fuel Camshaft Assembly	43
Idle Apparatus Assembly	44
Injection Pump Assembly	45
Speed Control Plate Assembly	46
Nozzle Holder and Glow Plug Assembly	47
Nozzle Holder Assembly	48
Fork Lever (Governor) Assembly	50
Fuel Pump (Mechanical) Assembly	51
Dynamo, Pulley and Fan Assembly	52
Dynamo Component Assembly No. 100-2168	53
Starter Installation Assembly	54
Starter Component Assembly No. 100-2179	55
Water Flange and Thermostat Assembly	56
Water Pump and Water Pipe Assembly	57
Valve and Rocker Arm Assembly	58
Inlet and Exhaust Manifold Assembly	59
Miscellaneous Engine Parts	60

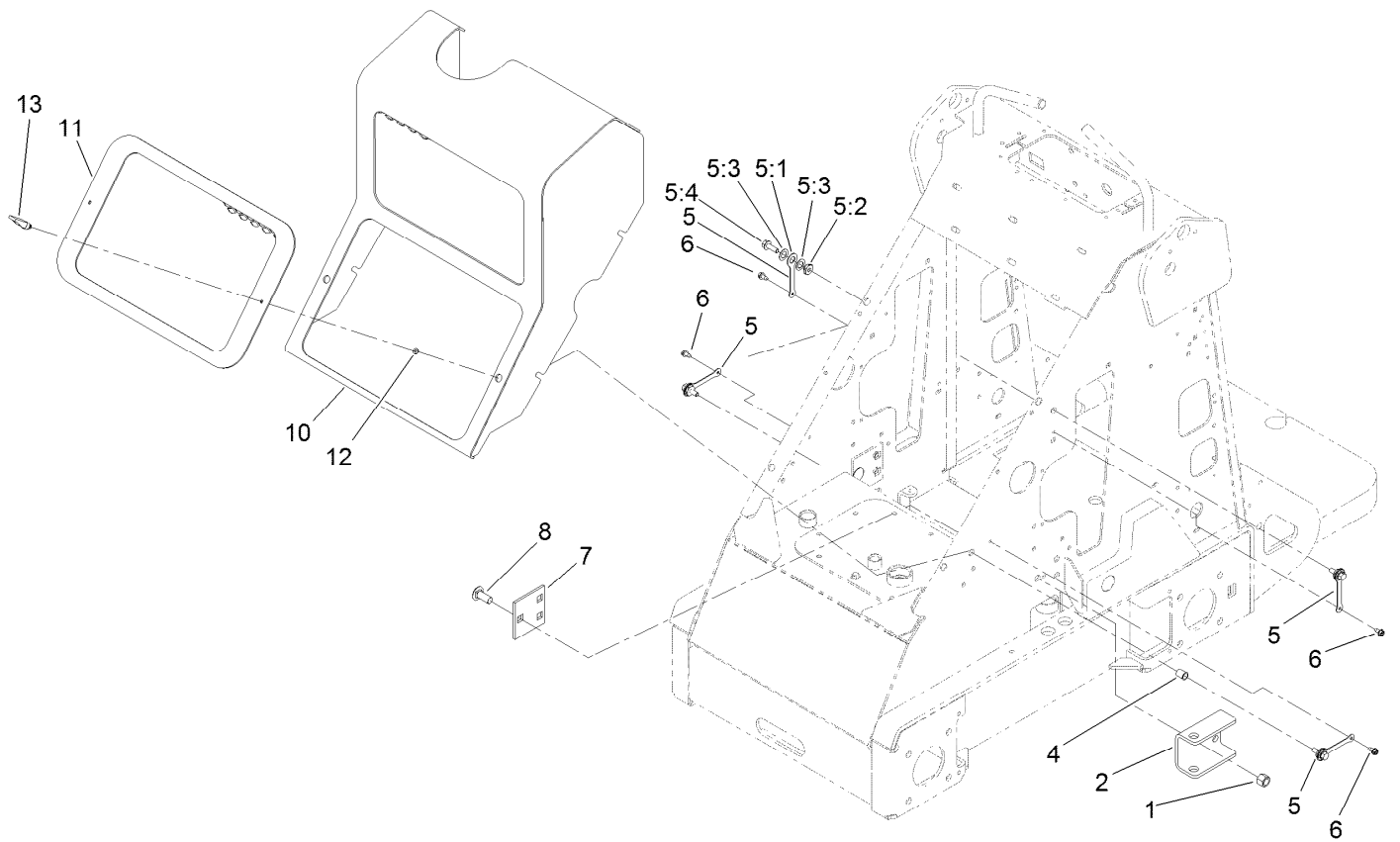
Contents (continued)

Upper Engine Gasket Kit..... 61
Lower Engine Gasket Kit..... 62
Attachments and Accessories 63



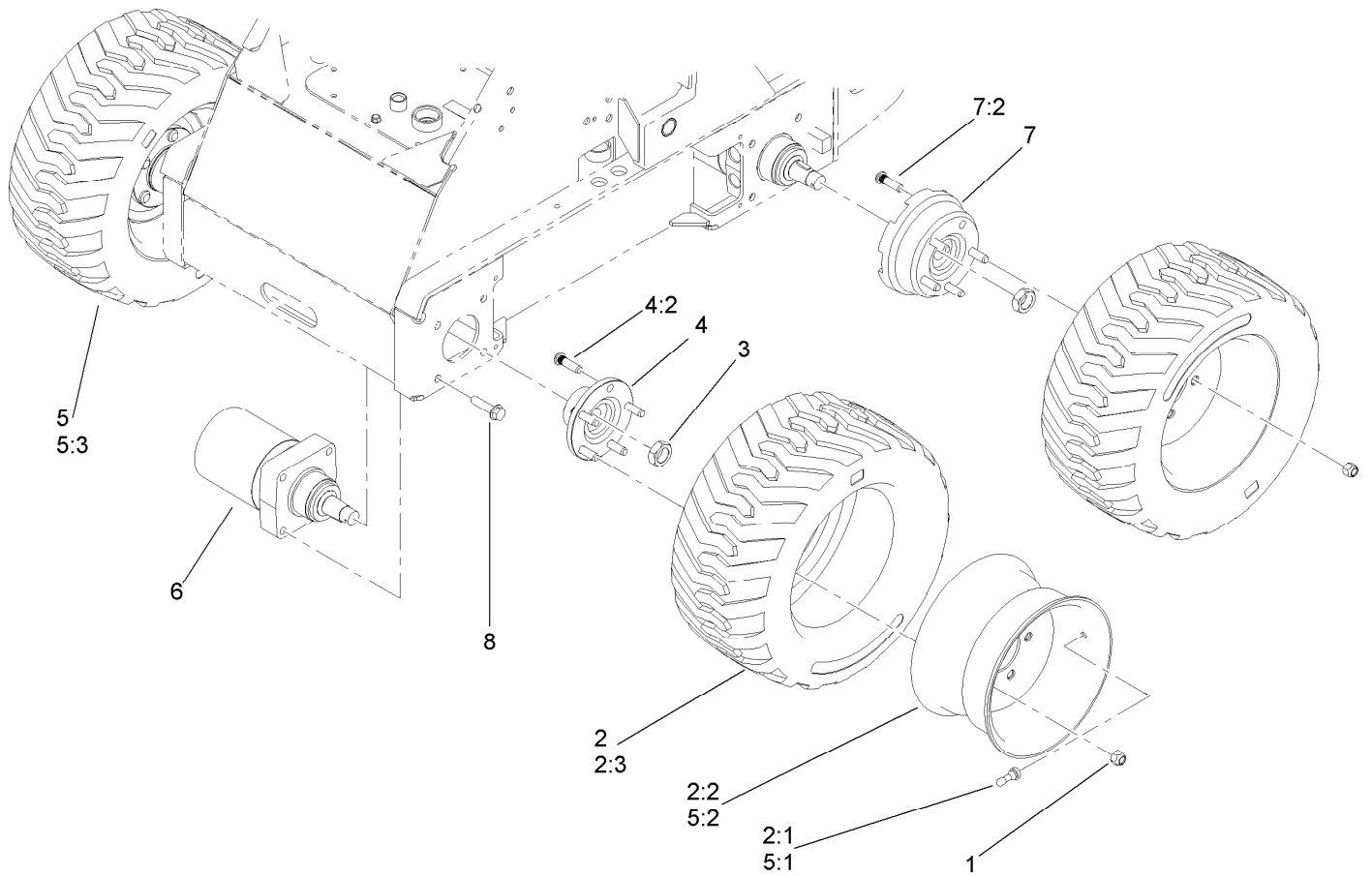
Frame and Loader Arm Assembly

Ref.	Part Number	Qty.	Description	Ref.	Part Number	Qty.	Description
1	32144-70	8	Screw-HWHTF	8:3	3285-1	2	Pin-Grooved
2	106-8178-01	2	Cover-Hose	8:4	105-0246	2	Cam
3	114-1753	1	Frame ASM	8:5	98-4694	2	Spring-Compression
3:2	98-4871	2	Bushing-Tension	8:6	104-5909	1	Stop-RH
3:3	98-9947	2	Tread-Foot	8:7	302-5	2	Fitting-Grease
3:4	108-9733	1	Decal-Control Panel, CE	8:8	98-4871	1	Bushing-Tension
3:5	98-8219	1	Decal-Throttle	8:9	104-5903	1	Stop-LH
3:6	100-1703	1	Decal-Limiter, Speed	9	120-5363	2	Pin-Pivot
3:7	93-6686	1	Decal-Oil, HYD	10	98-4845	2	Grip-Cushion
3:8	98-8235	1	Decal-Selector	12	105-8429	2	Decal
4	114-1754	1	Loader ASM	13	94-1402	2	Plug-Hole
4:2	98-4871	7	Bushing-Tension	17	98-4387	1	Decal-Protection, Ear
4:3	100-1702	1	Decal-Caution	20	117-1816	2	Decal
4:4	100-8821	4	Decal-Warning, Pinch	22	62-5550	1	Decal
4:5	100-8822	2	Decal-No Rider	23	93-7340	2	Decal
5	302-5	4	Fitting-Grease	25	93-9084	6	Decal-Point, Lift
6	99-5105	4	Screw-Shoulder	26	112-4947	1	Counterweight ASM
7	112-2609	2	Pin-Pivot	26:2	98-9947	1	Tread-Foot
8	115-0788	1	Quick Attach ASM	26:3	112-4948	1	Tread
8:1	115-0774-03	1	Mount-Qtach	27	99-8638	1	Pin
8:2	105-8367	2	Pin-Locking	28	99-9978	1	Pin-Lynch



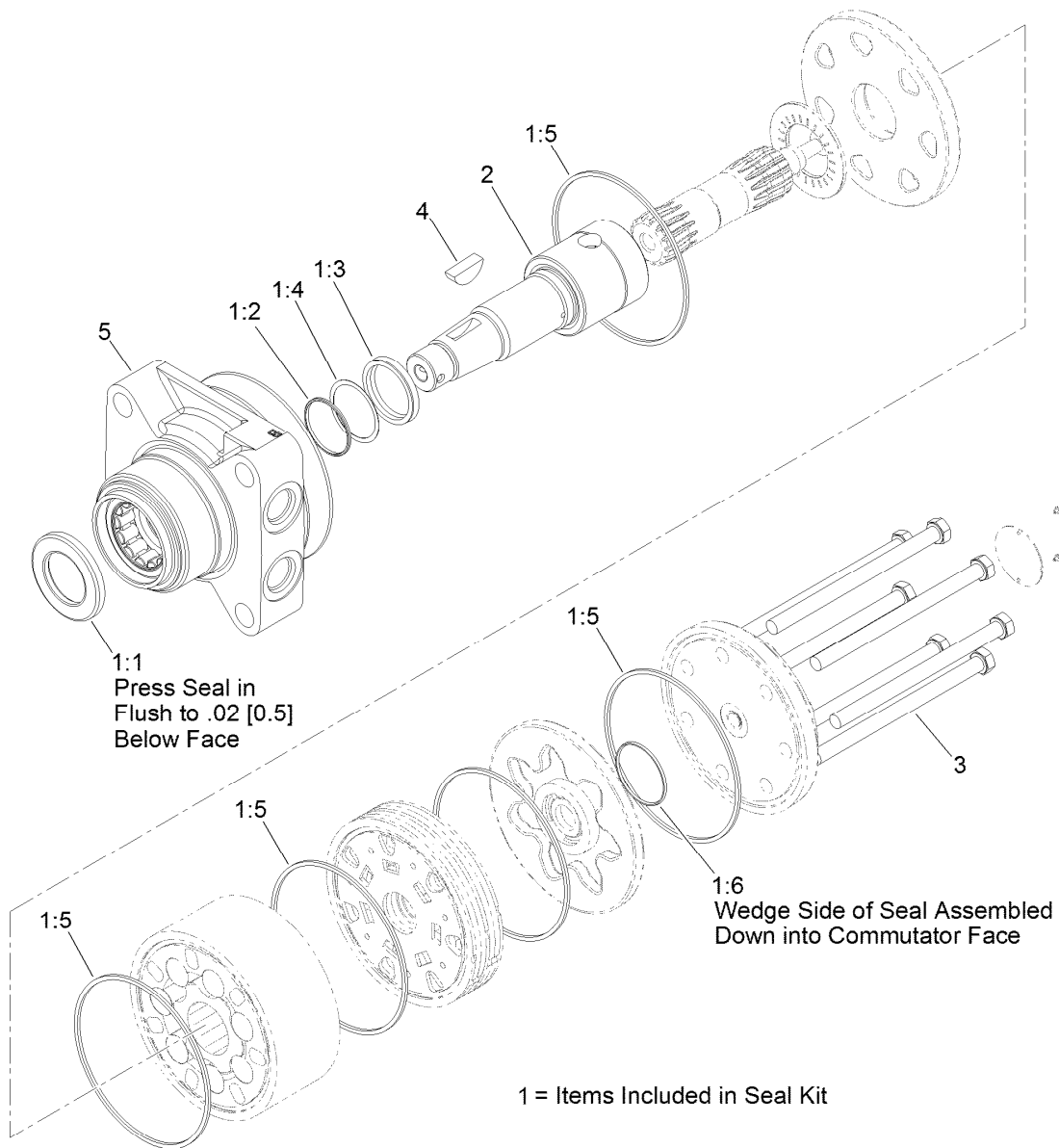
Hood and Screen Assembly

Ref.	Part Number	Qty.	Description
1	3296-23	6	Nut-Lock, NI
2	100-4122-01	2	Bracket-Anchor
4	32148-8	4	Nut-Clinch
5	117-1762	4	Lanyard ASM
5:1	117-8339	1	Lanyard-3 Inch
5:2	117-1764	1	Nut-Shoulder
5:3	98-1629	2	Washer
5:4	3234-29	1	Screw-HHF
6	32104-17	4	Screw-HWH
7	100-4116-01	2	Plate-Anchor
8	3233-26	6	Screw-CARR, Shortneck
10	99-3120-03	1	Hood
11	99-3118-03	1	Cover
12	99-3058	2	Washer
13	74-5950	2	Latch-Swell



Wheel and Motor Assembly

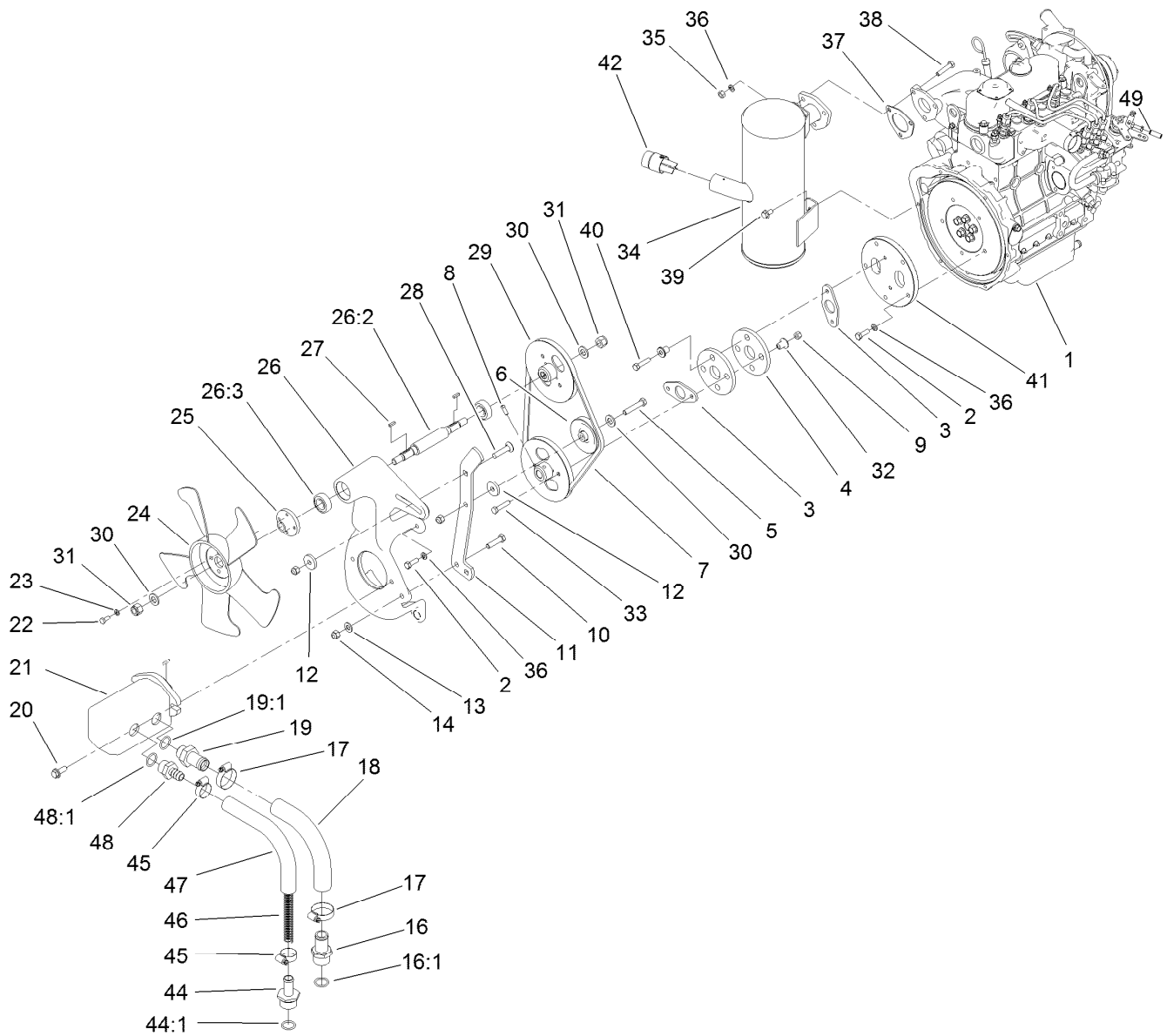
Ref.	Part Number	Qty.	Description
1	242-50	20	Nut-Lug
2	98-2747	2	LH Wheel And Tire ASM
2:1	232-27	1	Stem-Valve
2:2	98-2748	1	Wheel
2:3	98-2749	1	Tire
3	106-8159	4	Nut-Lock
4	99-3064	2	Hub ASM
4:2	10-6830	5	Stud-Type, Drive
5	99-1447	2	RH Wheel And Tire ASM
5:1	232-27	1	Stem-Valve
5:2	98-2748	1	Wheel
5:3	98-2749	1	Tire
6	99-3052	4	HYD Motor ASM
7	105-4056	2	Wheel Hub ASM
7:2	10-6830	5	Stud-Type, Drive
8	3234-27	16	Screw-HHF



Hydraulic Motor Assembly No. 99-3052

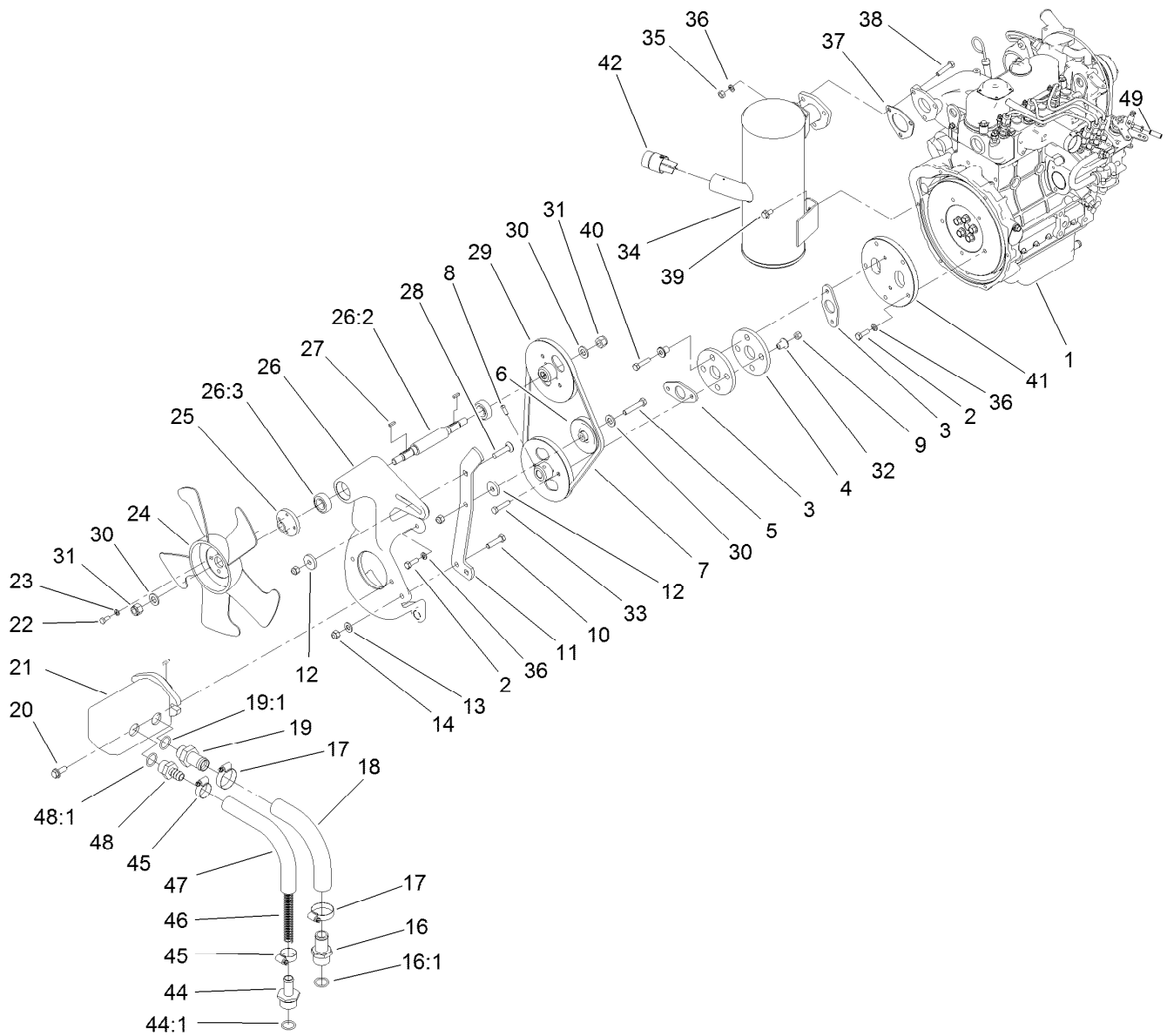
Ref.	Part Number	Qty.	Description
1	94-8178	1	Seal Kit
1:1		1	Seal-Dirt And Water ●
1:2		1	Backup-Ring ●
1:3		1	Seal-Shaft ●
1:4		1	Washer-Backup ●
1:5		5	Seal-Square, Ring (Inner) ●
1:6		1	Seal-Commutator ●
2	99-3090	1	Shaft-Coupling
3	99-3091	7	Screw-Cap, HH
4	3257-42	1	Key-Woodruff
5	120-5392	1	Motor Housing ASM

● Not serviced separately



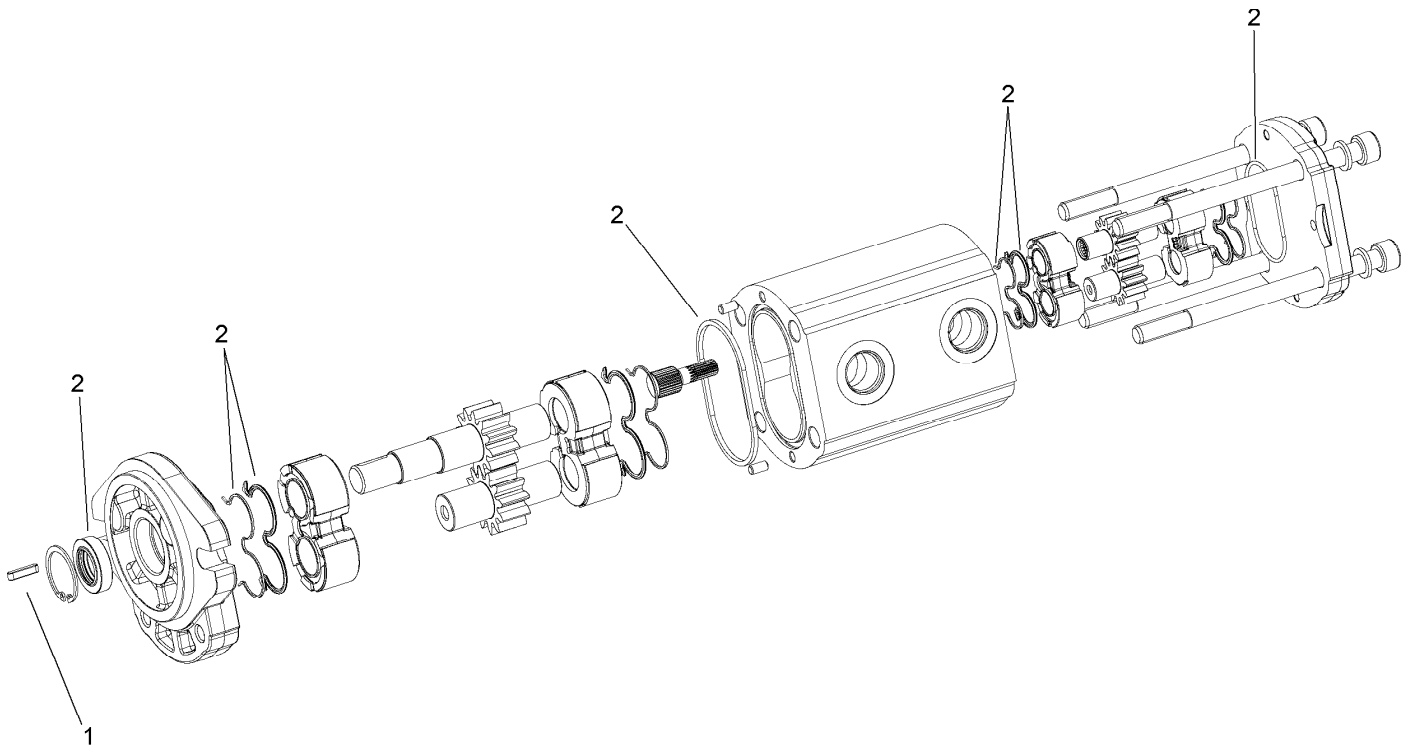
Engine Assembly

Ref.	Part Number	Qty.	Description	Ref.	Part Number	Qty.	Description
1	127-9651	1	Engine-Kubota, D722	21	108-4710	1	HYD Pump ASM
2	99-5131	9	Bolt	22	321-2	4	Screw-HH
3	99-1430	2	Spacer-Coupler	23	3253-3	4	Washer-Lock
4	115-4523	2	Coupling-Rubber	24	43-1911	1	Fan
5	323-10	1	Screw-HH	25	106-8153	1	Adapter-Fan
6	63-8140	1	Pulley-Idler	26	106-8163	1	Pump Mount ASM
7	92-8876	1	V-Belt	26:2	98-0068	1	Shaft-Fan
8	3241-5	2	Screw-Set	26:3	38-7820	2	Bearing-Ball
9	104-9469	2	Nut-Lock	27	100-1715	2	Key-Square
10	323-8	1	Screw-HH	28	3231-5	1	Screw-CARR
11	106-7649-03	1	Arm-Tensioner	29	99-5111	2	Pulley-Keyed
12	99-5121	2	Spacer	30	41-8440	2	Washer
13	3256-24	2	Washer-Plain	31	98-8089	2	Nut-Lock
14	3296-39	3	Nut-Lock, NI	32	71-4411	4	Spacer
16	354-78	1	Fitting-STR	33	5-1470	2	Screw-HH
16:1	237-146	1	O-Ring	34	117-1828	1	Muffler
17	2412-111	2	Clamp-Hose, W/Liner	35	3217-6	3	Nut-Hex
18	99-3046	1	Hose-Suction, Formed	36	3253-4	12	Washer-Lock
19	99-3017	1	Fitting	37	100-2238	1	Gasket-Muffler
19:1	237-81	1	O-Ring	38	322-7	3	Screw-HH
20	66-9300	2	Screw-HHF	39	117-1836	1	Screw-HHF, Lock



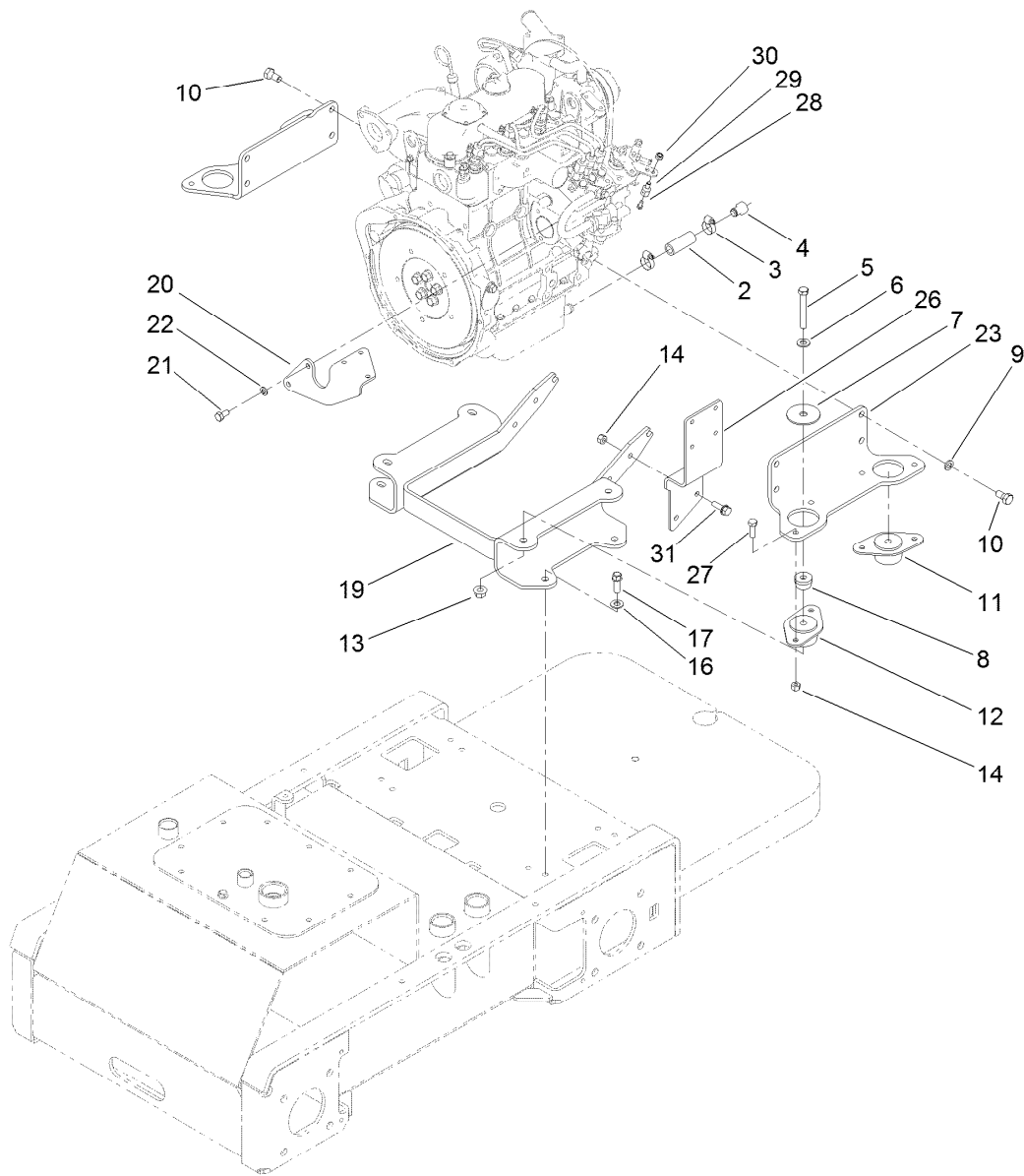
Engine Assembly (continued)

<i>Ref.</i>	<i>Part Number</i>	<i>Qty.</i>	<i>Description</i>	<i>Ref.</i>	<i>Part Number</i>	<i>Qty.</i>	<i>Description</i>
40	99-5133	2	Bolt	46	99-5349	1	Spring-Compression
41	99-1431	1	Adapter-Flywheel	47	98-2713	1	Hose-Suction, HYD
42	75-6880	1	Screen-Arrester, Spark	48	354-73	1	Fitting
44	99-6932	1	Fitting-STR	48:1	237-81	1	O-Ring
44:1	237-117	1	O-Ring	49	117-1765	1	Tube-Aluminum
45	2412-129	2	Clamp-Hose				



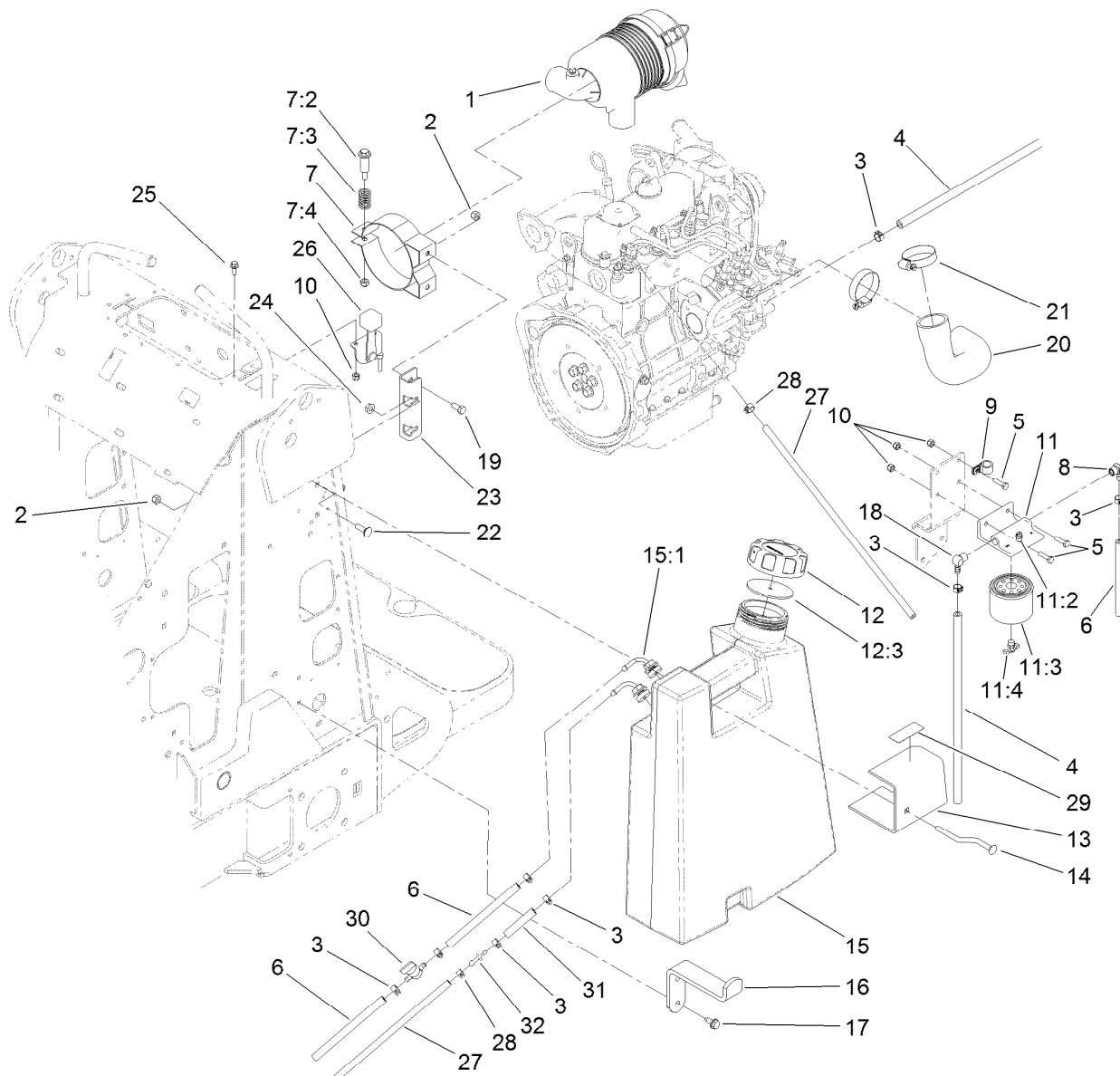
Tandem Hydraulic Pump Assembly No. 108-4710

<i>Ref.</i>	<i>Part Number</i>	<i>Qty.</i>	<i>Description</i>
1	98-4700	1	Key-Square
2	99-1353	1	Seal Kit



Engine Mounting Assembly

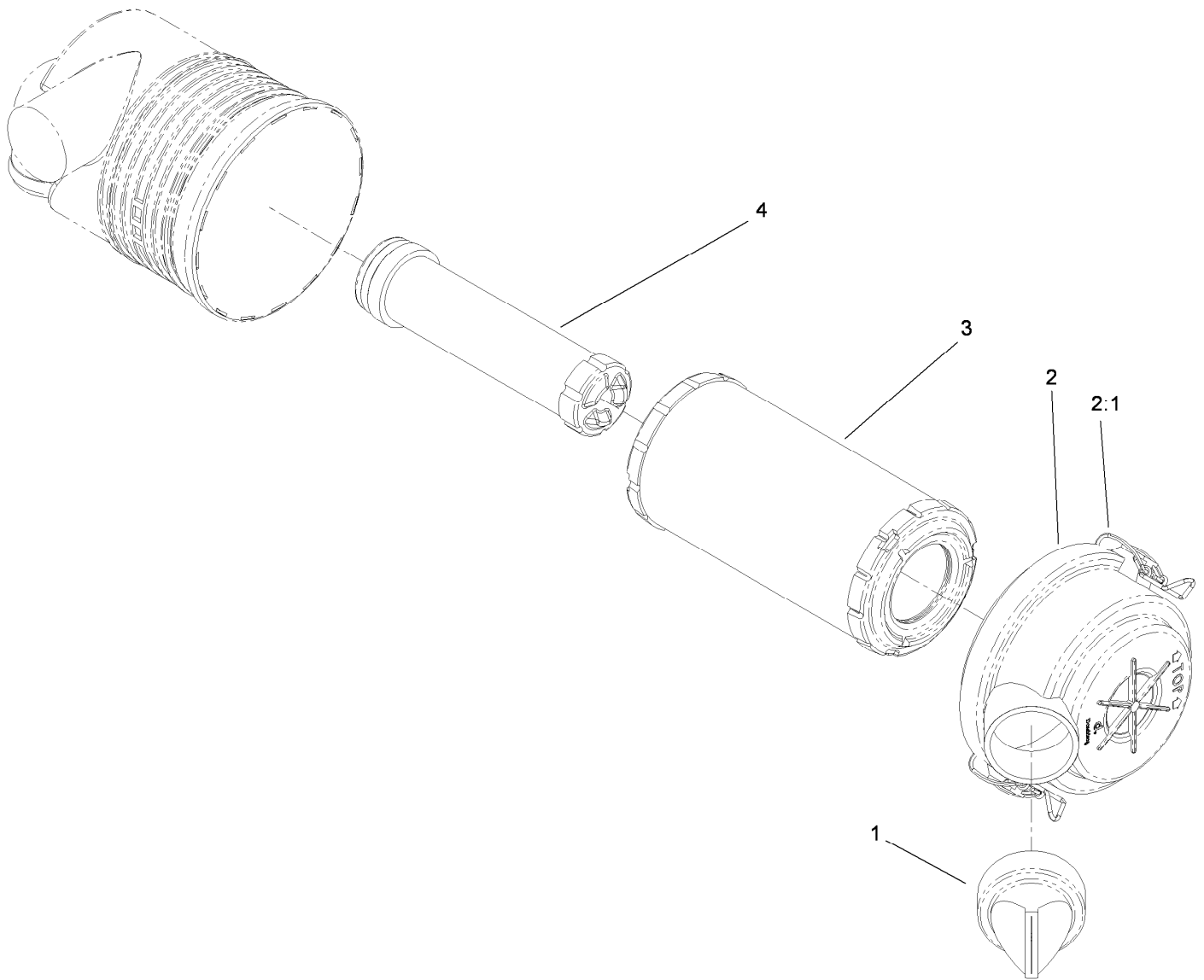
<i>Ref.</i>	<i>Part Number</i>	<i>Qty.</i>	<i>Description</i>	<i>Ref.</i>	<i>Part Number</i>	<i>Qty.</i>	<i>Description</i>
2	56-2230	1	Hose-Fuel	16	3256-80	4	Washer-Plain
3	2412-36	2	Clamp-Hose	17	95-1726	4	Screw-Taptite
4	99-1445	1	Plug-Oil	19	98-0066-01	1	Mount-Engine
5	323-13	4	Screw-HH	20	105-4054-01	1	Mount-Solenoid
6	3256-24	4	Washer-Plain	21	99-5132	2	Bolt
7	87-5100	4	Washer-Snubbing	22	3253-4	2	Washer-Lock
8	117-1859	4	Snubber-Engine Mount	23	98-0055-01	2	Plate-Mount, Engine
9	42-9600	6	Washer-Lock	26	98-0059-01	1	Mount-Filter, Fuel
10	99-5130	8	Screw-HH	27	322-5	8	Screw-HH
11	83-1030	2	Mount-Engine	28	25-8640	1	Screw-HH
12	93-5265	2	Mount-Engine	29	93-0021	1	Swivel-Cable, Throttle
13	32128-29	4	Nut-Lock, Flange	30	3296-13	1	Nut-Lock, NI
14	3296-29	10	Nut-Lock, NI	31	3234-29	2	Screw-HHF



Fuel Tank and Air Filter Assembly

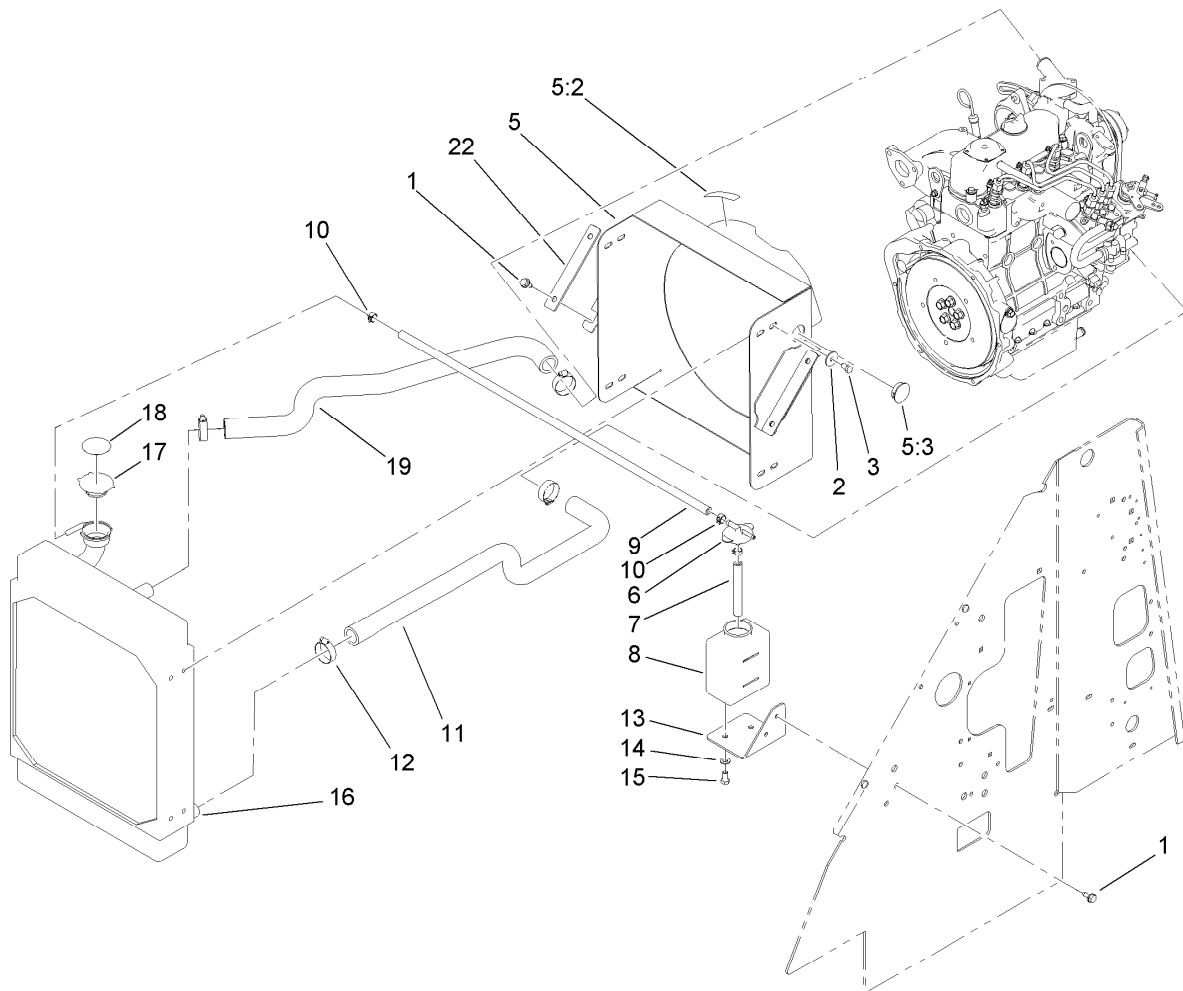
Ref.	Part Number	Qty.	Description
1	117-9989	1	Air Cleaner ASM
2	3296-29	3	Nut-Lock, NI
3	92-2379	8	Clamp-Hose
4	110-4113	1	Hose-Fuel
5	321-6	3	Screw-HH
6	107-0588	2	Hose-Fuel
7	93-2191	1	Air Cleaner Mounting Band ASM
7:2	94-3653	1	Bolt
7:3	94-3654	1	Spring
7:4	48-9510	1	*obs* Nut
8	304-96	1	Elbow
9	2412-87	1	Clamp-Cable
10	3296-42	5	Nut-Lock, NI
11	109-2678	1	Filter ASM
11:2	63-8290	1	Vent-Air
11:3	109-3117	1	Filter-Separator, Water
11:4	63-8310	1	Valve-Drain
12	104-7419	1	Cap-Fuel, Diesel
12:3	104-7420	1	Gasket-Vented
13	99-1444-03	1	Plate-Mount, Left

Ref.	Part Number	Qty.	Description
14	98-4657	1	Bolt-Mount
15	105-8438	1	LH Fuel Tank ASM
15:1	103-2615	2	Fitting-Fuel, Bulkhead
16	98-4656-03	1	Mount-Bottom, Tank
17	32144-70	2	Screw-HWHTF
18	353-781	1	Fitting-HYD, 90
19	322-3	2	Screw-HH
20	99-5041	1	Hose-Cleaner, Air
21	2412-92	2	Clamp-Hose
22	3230-2	2	Bolt-CARR
23	99-3080-03	1	Mount-Cleaner, Air
24	32128-20	2	Nut-HF
25	3234-33	2	Screw-HHF
26	99-1422	1	Control-Throttle
27	110-8751	1	Hose-Fuel
28	2412-80	2	Clamp-Hose
29	114-9600	1	Decal-Low Sulfur
30	1-603770	1	Valve-Fuel
31	109-0304	1	Hose-Fuel
32	106-8150	1	Fitting-Straight



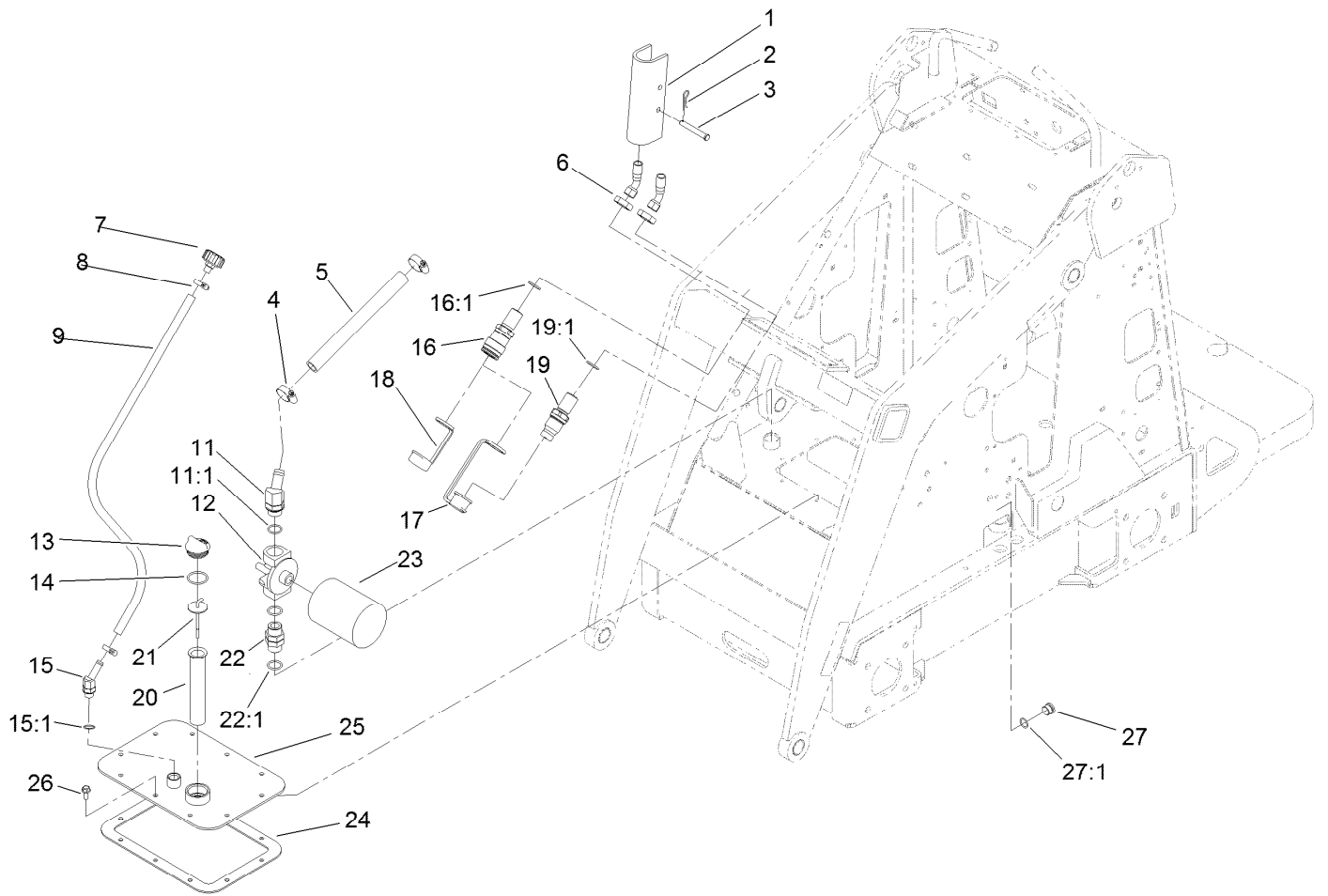
Air Cleaner Assembly No. 117-9989

<i>Ref.</i>	<i>Part Number</i>	<i>Qty.</i>	<i>Description</i>
1	87-9400	1	Valve-Vacuator
2	94-3652	1	Cover ASM
2:1	1-643283	2	Latch-Cleaner, Air
3	108-3811	1	Filter-Air
4	98-2982	1	Filter-Element, Safety



Radiator Mount Assembly

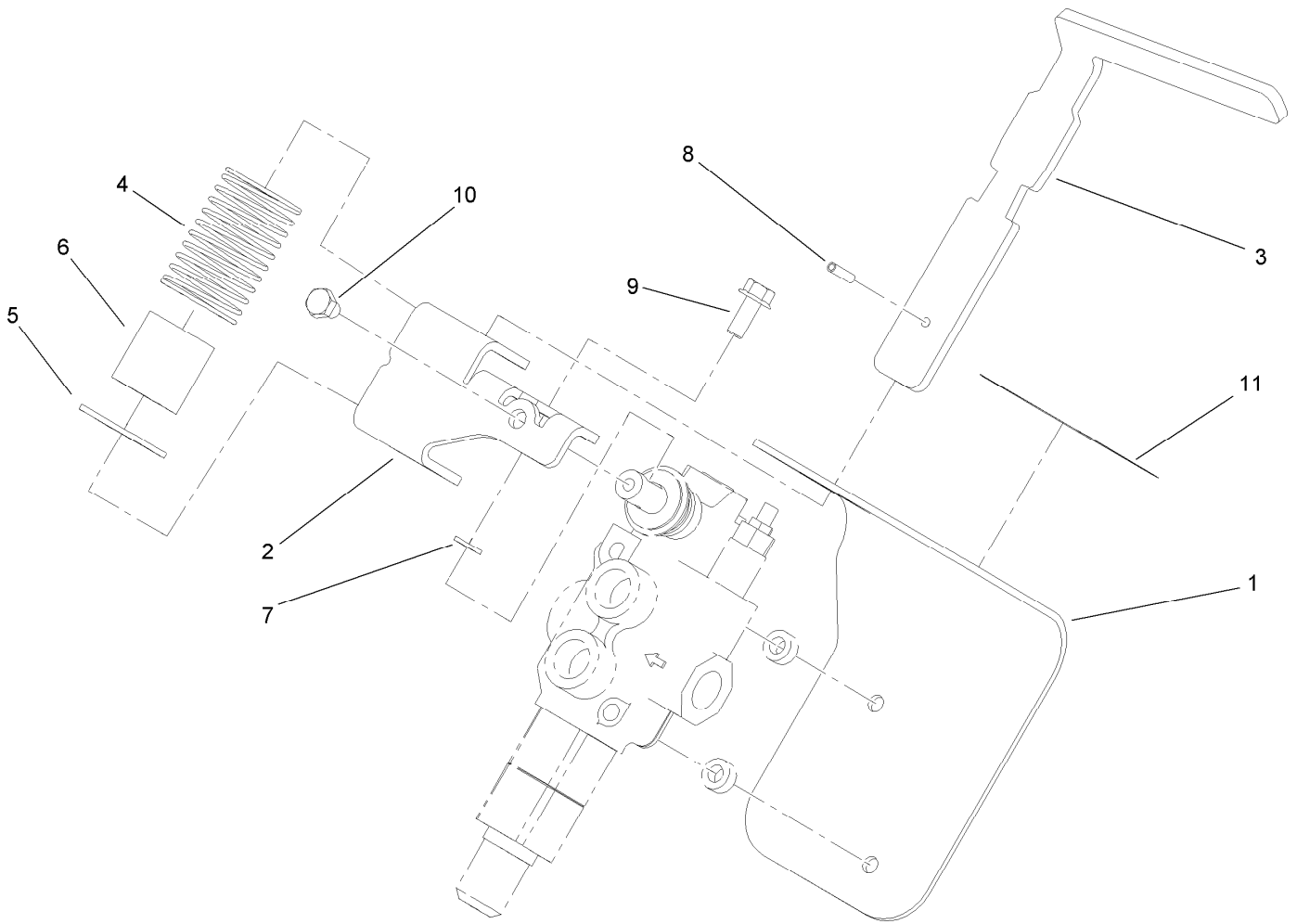
<i>Ref.</i>	<i>Part Number</i>	<i>Qty.</i>	<i>Description</i>
1	32144-70	6	Screw-HWHTF
2	3256-82	8	Washer-Flat
3	322-1	8	Screw-HH
5	104-4648	1	Mount-Radiator
5:2	93-6681	2	Decal-Warning, Fan
5:3	94-1402	1	Plug-Hole
6	93-2048	1	Cap-Tank, Overflow
7	108-3283	1	Hose-Fuel
8	93-2049	1	Tank-Overflow
9	110-6186	1	Hose-Fuel
10	92-2379	3	Clamp-Hose
11	99-5042	1	Hose-Radiator, Lower
12	2412-34	4	Clamp-Hose
13	99-1446-01	1	Mount-Tank, Overflow
14	3256-23	2	Washer-Plain
15	99-5132	2	Bolt
16	99-5125	1	Radiator
17	66-3240	1	Cap-Radiator
18	106-5976	1	Decal-Warning
19	99-5043	1	Hose-Radiator, Upper
22	108-9746-01	2	Plate-Clamp, Radiator



Hydraulic Tank and Filter Assembly

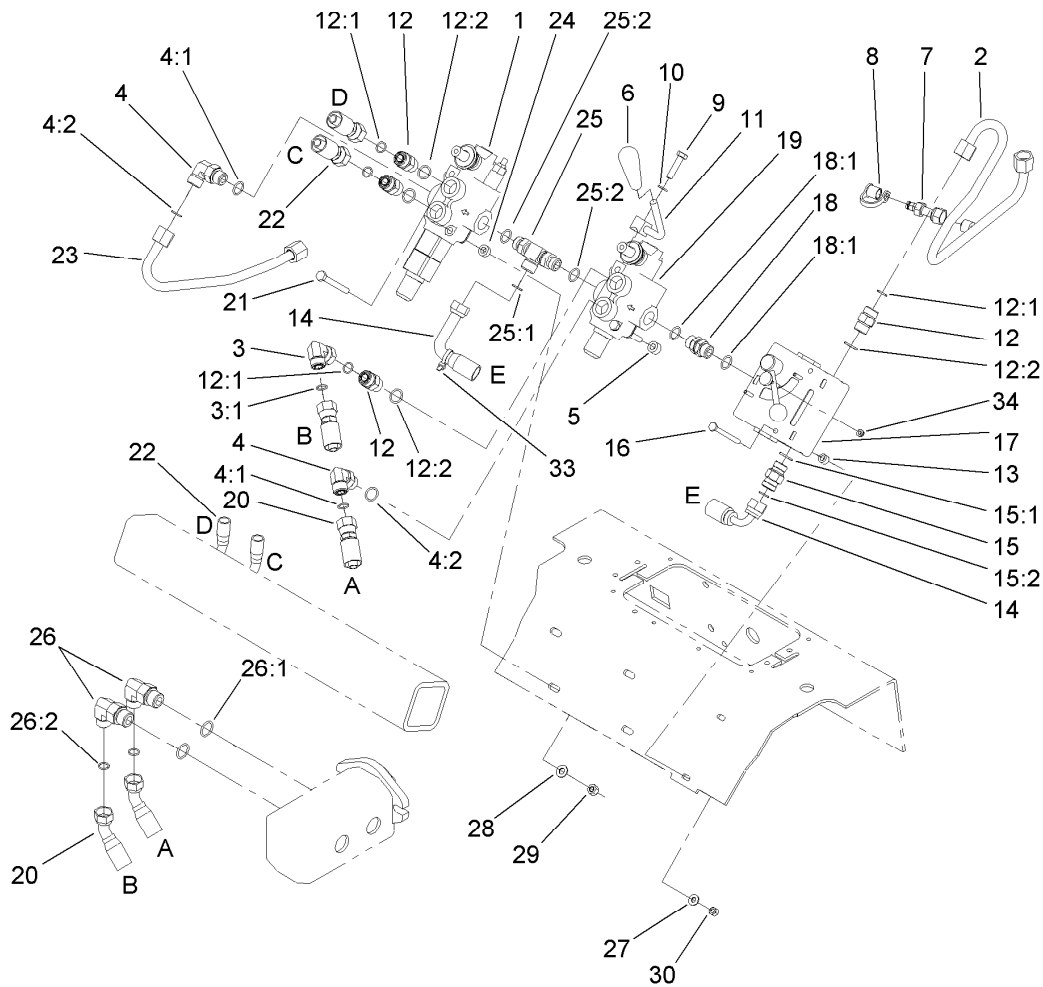
Ref.	Part Number	Qty.	Description	Ref.	Part Number	Qty.	Description
1	98-4675-01	2	Lock-Cylinder	16:1	237-65	1	O-Ring
2	3290-467	2	Pin-Hair	17	100-8815	1	Cap-Dust, Nipple
3	283-52	2	Pin-Clevis	18	100-8816	1	Cap-Dust, Coupler
4	2412-129	2	Clamp-Hose	19	105-8395	1	Bulkhead Nipple ASM
5	98-4745	1	Hose-HYD, Suction, Hi	19:1	237-65	1	O-Ring
6	340-74	2	Nut-Lock, Bulkhead	19:2	100-6120	1	Seal Kit ●
7	68-6150	1	Breather	20	61-2790	1	Filter-Screen
8	2412-36	2	Clamp-Hose	21	100-2097	1	Dipstick-Oil
9	100-1748	1	Hose-Vent	22	98-9906	1	Fitting-Thread, Straight
11	354-127	1	Fitting-Elbow45	22:1	237-81	2	O-Ring
11:1	237-81	1	O-Ring	23	54-0110	1	Filter-Oil, Transmission
12	92-5821	1	Head-Filter	24	98-9927	1	Gasket-Cover
13	93-7498	1	Plug-Plastic	25	100-1713-01	1	Cover
14	237-123	1	O-Ring	26	98-9940	10	Screw-HHF
15	354-126	1	Fitting-Elbow, 45	27	353-988	1	Plug-Hex
15:1	237-79	1	O-Ring	27:1	237-79	1	O-Ring
16	105-8394	1	Bulkhead Coupler ASM				

● Not illustrated



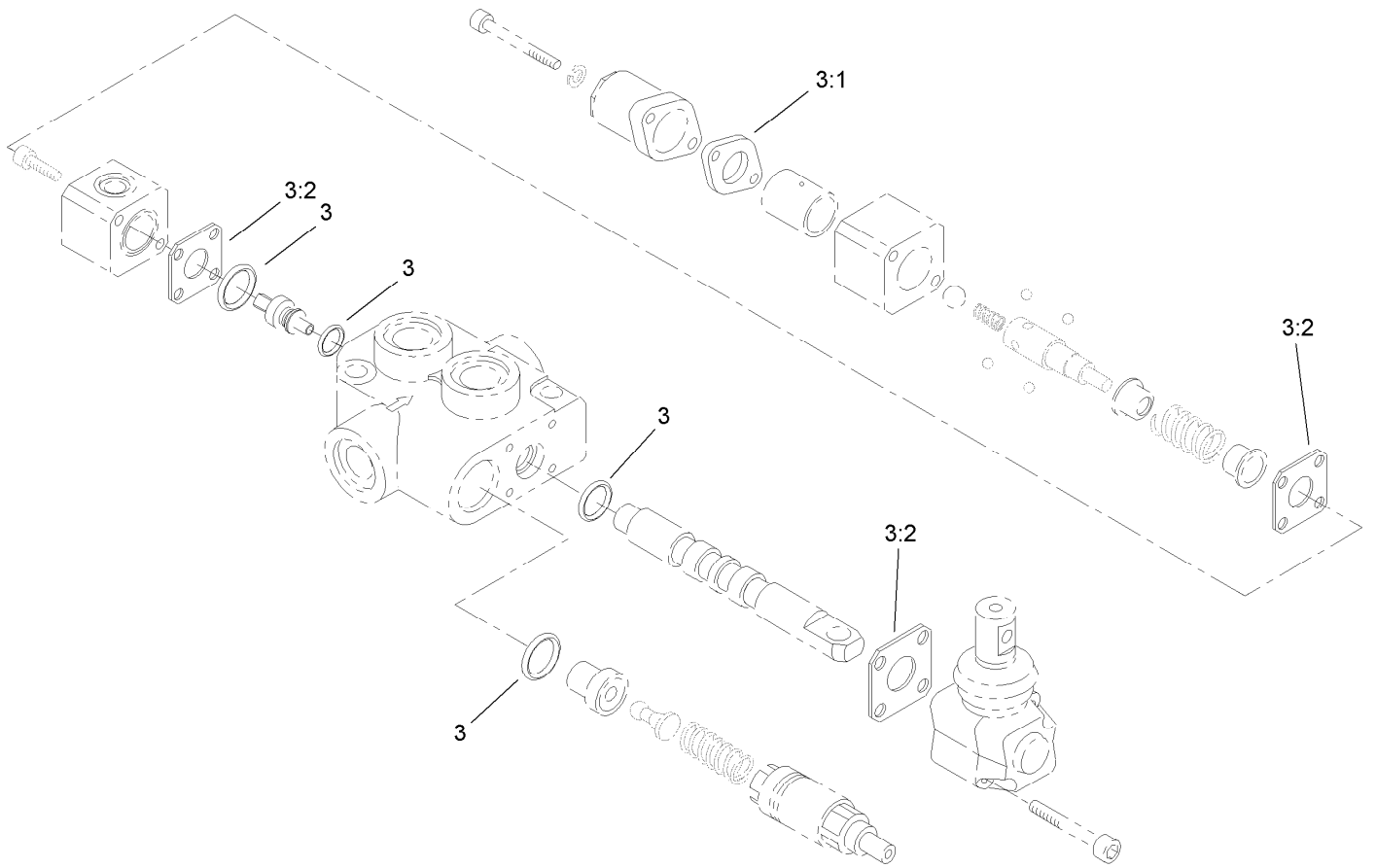
Auxiliary Control Lever Assembly

<i>Ref.</i>	<i>Part Number</i>	<i>Qty.</i>	<i>Description</i>
1	110-0121-03	1	Bracket-Auxiliary
2	114-1263-03	1	Mount-Lever, Auxiliary
3	110-0123	1	Handle-Lever, Auxiliary
4	110-0124	1	Spring
5	110-0125	1	Retainer-Spring, Auxiliary
6	110-0160	1	Tube-Spring
7	3253-4	1	Washer-Lock
8	32121-3	1	Pin-Spring
9	33104-020	1	Screw-HHF
10	33114-010	1	Screw-HH
11	108-4723	1	Decal-Auxiliary, CE



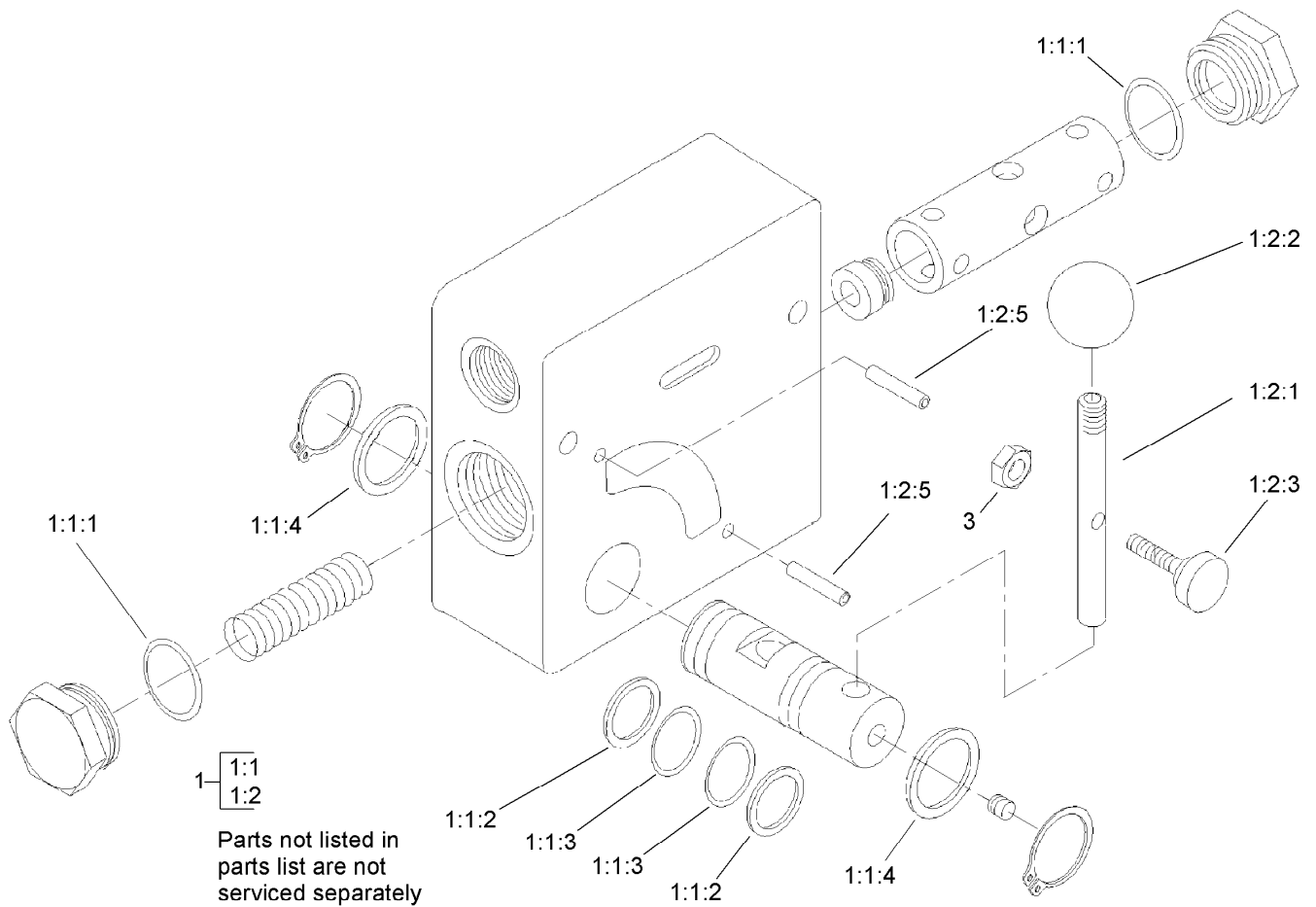
Hydraulic Valve Assembly

Ref.	Part Number	Qty.	Description	Ref.	Part Number	Qty.	Description
1	99-3077	1	Valve-HYD, Auxiliary	16	321-14	2	Screw-HH
2	105-7878	1	Tube-HYD	17	104-4221	1	HYD Valve Kit
3	94-6031	1	Elbow-90	18	95-3209	1	Fitting-Thread, Straight
3:1	237-30	1	O-Ring	18:1	237-79	2	O-Ring
4	340-98	2	Fitting-Elbow, 90 DEG	19	99-3072	1	Valve-Selector, HYD
4:1	237-79	1	O-Ring	20	100-1730	2	Hose-Pump, HYD
4:2	237-30	1	O-Ring	21	322-13	4	Screw-HH
5	98-4695	2	Spacer	22	100-8817	2	Hose-HYD
6	98-0152	1	Knob-Tapered	23	105-7879	1	Tube-HYD
7	86-5480	1	Nipple-Test	24	100-2085	2	Spacer
8	354-79	1	Cap-Dust	25	98-9079	1	Adapter-Tee, Adjustable
9	33114-035	1	Screw-HH	25:1	237-30	1	O-Ring
10	3253-4	1	Washer-Lock	25:2	237-79	2	O-Ring
11	108-9709-03	1	Lever-Control	26	340-105	2	Fitting-Elbow, 90 DEG
12	340-4	4	Fitting-Straight	26:1	237-80	1	O-Ring
12:1	237-30	1	O-Ring	26:2	237-30	1	O-Ring
12:2	237-79	1	O-Ring	27	3256-22	2	Washer-Flat
13	98-4799	2	Spacer	28	3256-23	4	Washer-Plain
14	100-2245	1	Hose-HYD	29	3296-29	4	Nut-Lock, NI
15	98-4735	1	Valve-Check, HYD	30	3296-42	2	Nut-Lock, NI
15:1	237-30	1	O-Ring	33	3290-379	18	Tie-Cable
15:2	237-79	1	O-Ring	34	3296-27	1	Nut-Lock, NI



Auxiliary Hydraulic Valve Assembly No. 99-3077

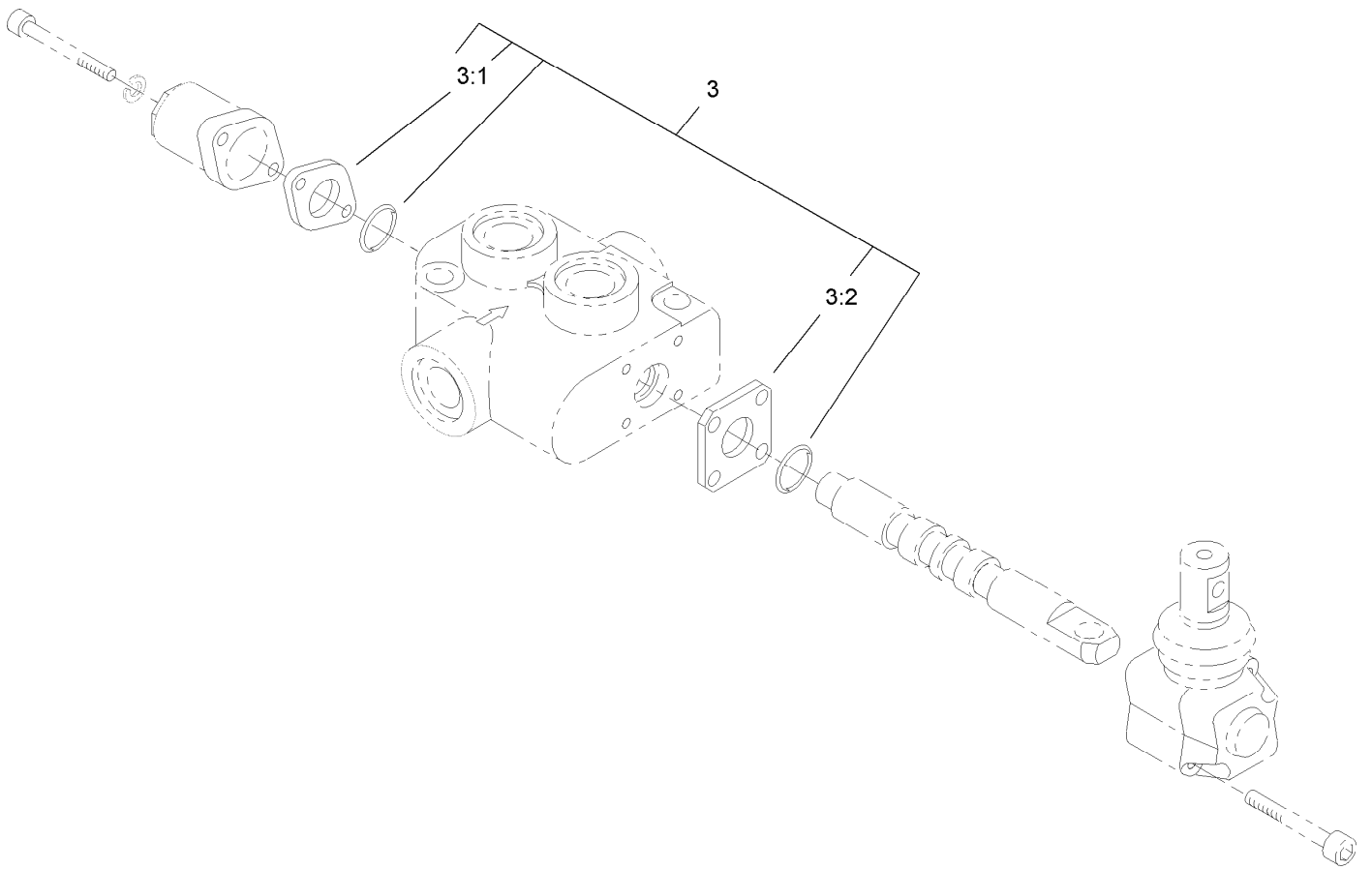
<i>Ref.</i>	<i>Part Number</i>	<i>Qty.</i>	<i>Description</i>
3	99-4390	1	Seal Kit
3:1	99-3074	4	Gasket
3:2	99-3075	8	Gasket



Hydraulic Valve Assembly No. 104-4221

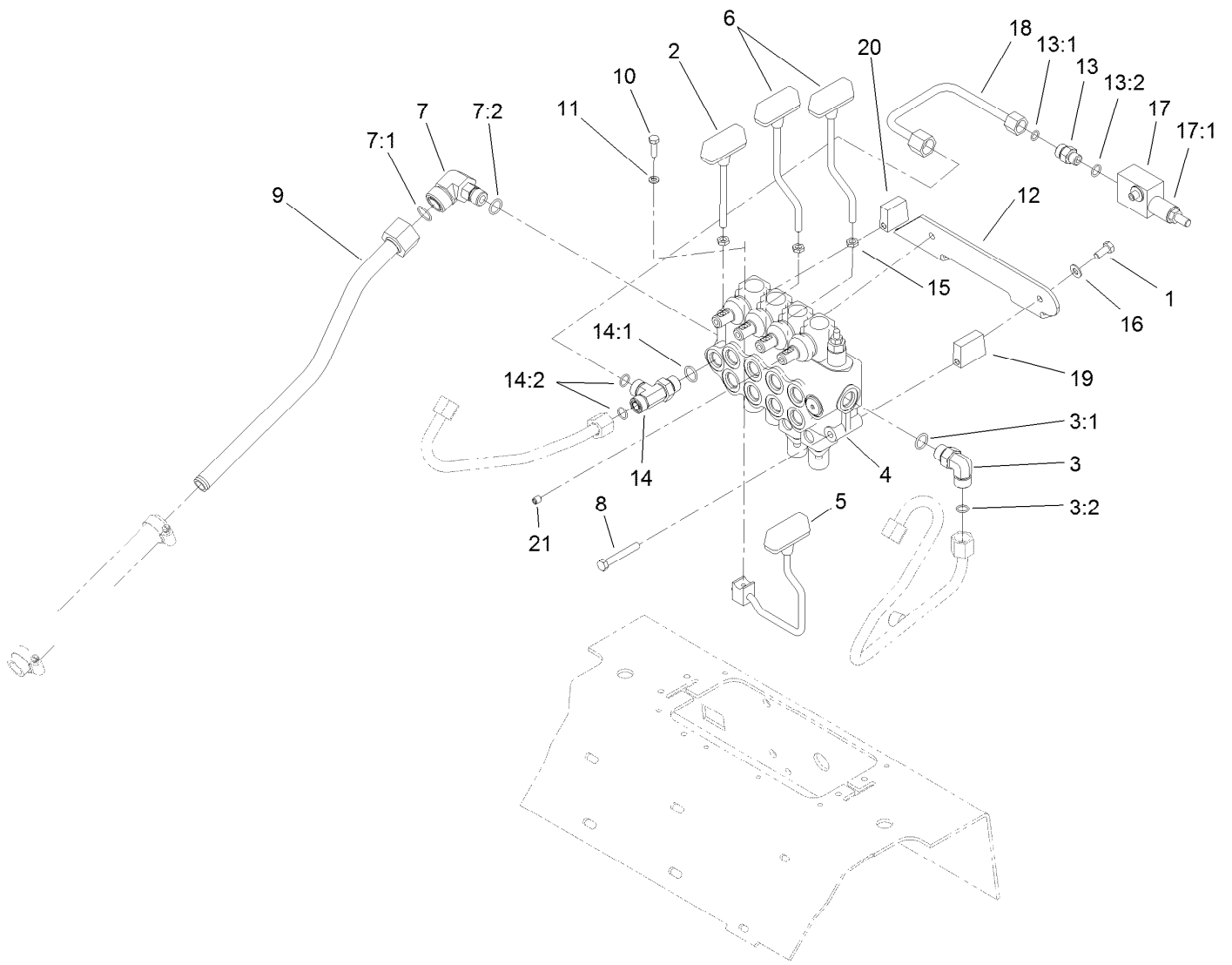
Ref.	Part Number	Qty.	Description
1		1	Valve-Flow, Hydraulic ●
1:1	104-4231	1	Seal Kit
1:1:1		2	O-Ring ●
1:1:2		2	Back-Up ●
1:1:3		2	O-Ring ●
1:1:4		2	Quad Ring ●
1:2	98-9098	1	Handle Hardware Kit
1:2:1		1	Handle ●
1:2:2		1	Knob ●
1:2:3		1	Screw-Thumb ●
1:2:5		2	Pin-Roll ●
3	3296-27	1	Nut-Lock, NI

● Not serviced separately



Hydraulic Selector Valve Assembly No. 99-3072

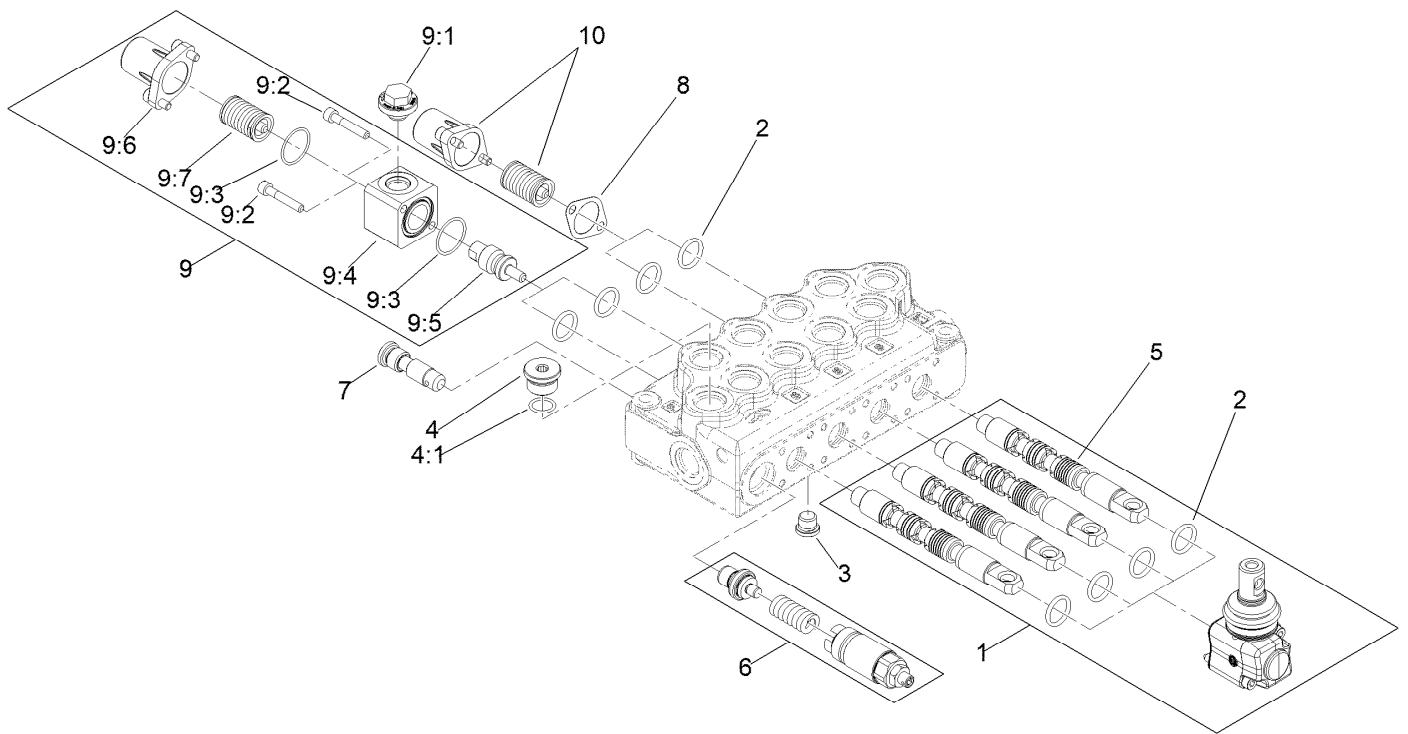
<i>Ref.</i>	<i>Part Number</i>	<i>Qty.</i>	<i>Description</i>
3	99-4390	1	Seal Kit
3:1	99-3074	4	Gasket
3:2	99-3075	8	Gasket



4-Spool Valve Assembly

Ref.	Part Number	Qty.	Description	Ref.	Part Number	Qty.	Description
1	322-3	3	Screw-HH	13	340-2	1	Fitting-Straight
2	105-7881	1	Lever-Cylinder	13:1	237-22	1	O-Ring
3	340-98	1	Fitting-Elbow, 90 DEG	13:2	237-42	1	O-Ring
3:1	237-79	1	O-Ring	14	340-109	1	Fitting-Tee
3:2	237-30	1	O-Ring	14:1	237-79	1	O-Ring
4	105-8377	1	HYD Four Spool Valve ASM	14:2	237-30	2	O-Ring
5	106-8165	1	Lever-Control	15	42-9580	3	Nut-Hex
6	104-5733	2	Lever-Drive	16	3256-23	3	Washer-Plain
7	92-5696	1	Fitting-Elbow, 90 DEG	17	105-7882	1	Relief Valve ASM
7:1	237-58	1	O-Ring	17:1	105-8358	1	Cartridge-Valve, Relief
7:2	237-79	1	O-Ring	17:2	105-8357	1	Seal Kit ●
8	322-11	3	Screw-HH	18	105-7866	1	Line-HYD
9	106-8177	1	Tube-Tank, HYD	19	105-8354	2	Spacer-Lower V
10	3274-56	1	Screw-HSH	20	105-7870	1	Spacer-Upper V
11	108-4705	1	Spacer	21	105-4068	3	Screw-Set, HSH
12	104-4222-03	1	Bracket-Cover, Mount				

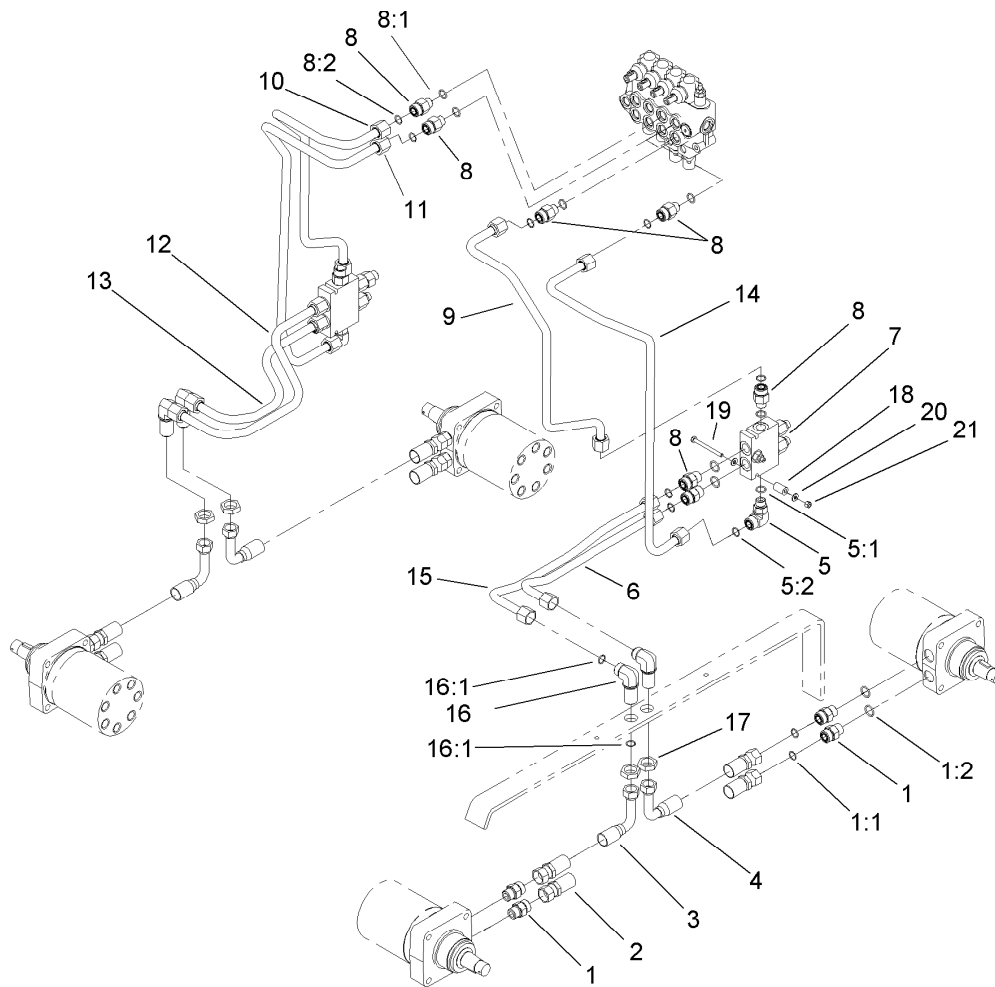
● Not illustrated



Four Spool Hydraulic Valve Assembly No. 105-8377

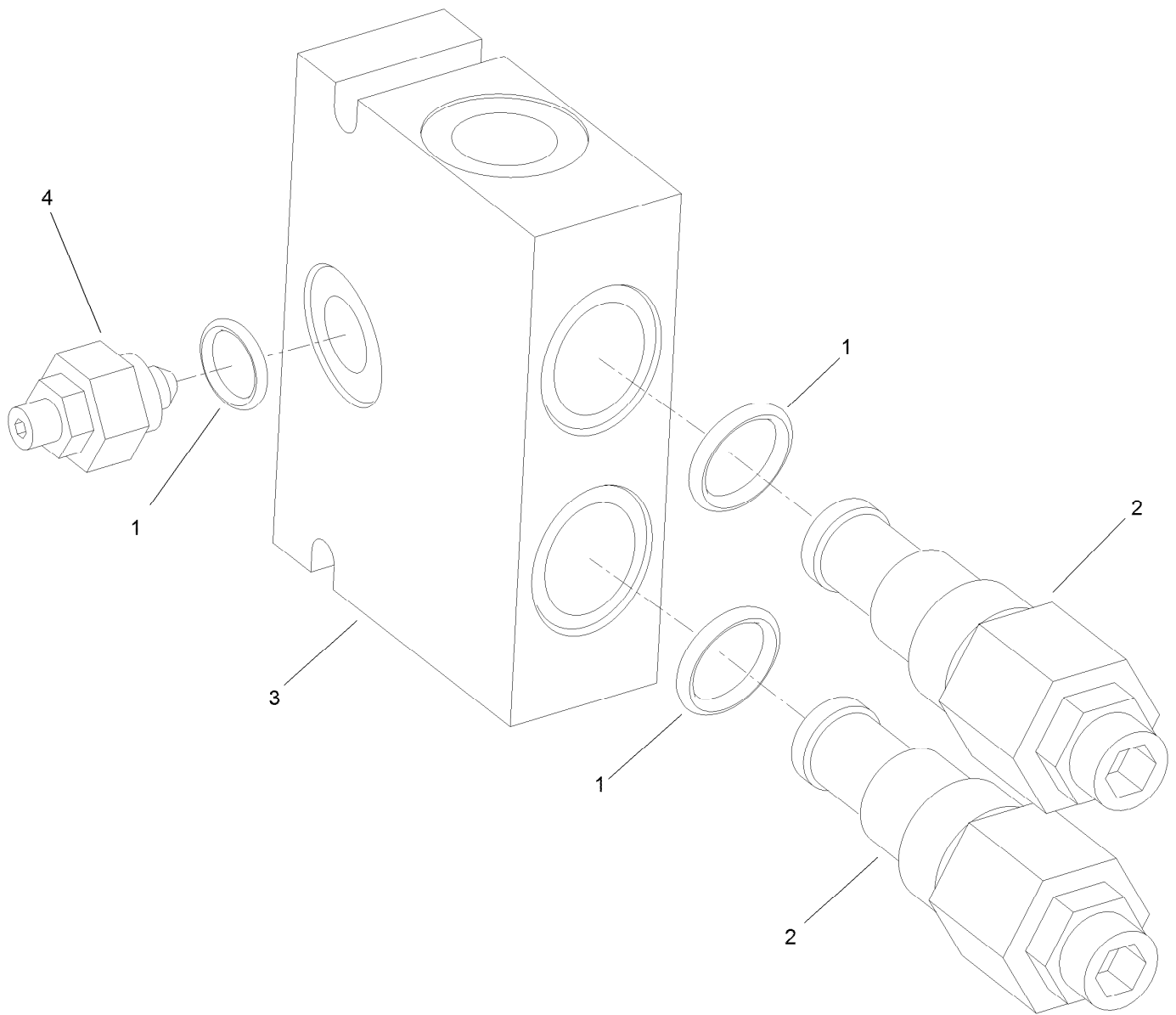
Ref.	Part Number	Qty.	Description	Ref.	Part Number	Qty.	Description
1	139-8891	4	Lsg/S5 Lever Kit With Screws	9	139-8887	2	S5 Command Kit
2	139-8886	8	O-Ring Seal, 70 Sh	9:1		1	Plug ●
3	139-8884	1	SAE 4 Plug	9:2		2	Screw ●
4	353-988	1	Plug-Hex	9:3		2	O-ring ●
4:1	237-79	1	O-Ring	9:4		1	Block ●
5	105-8441	4	Spool-Valve	9:5		1	Pin ●
6	139-8890	1	Vmd5 (Jn) Inlet Part	9:6		1	End Cap ●
7	139-8880	1	Kit-Valve Body	9:7		1	Spring ●
8	99-3074	2	Gasket	10	161-1080	2	S5 End Cap Kit

● Not serviced separately



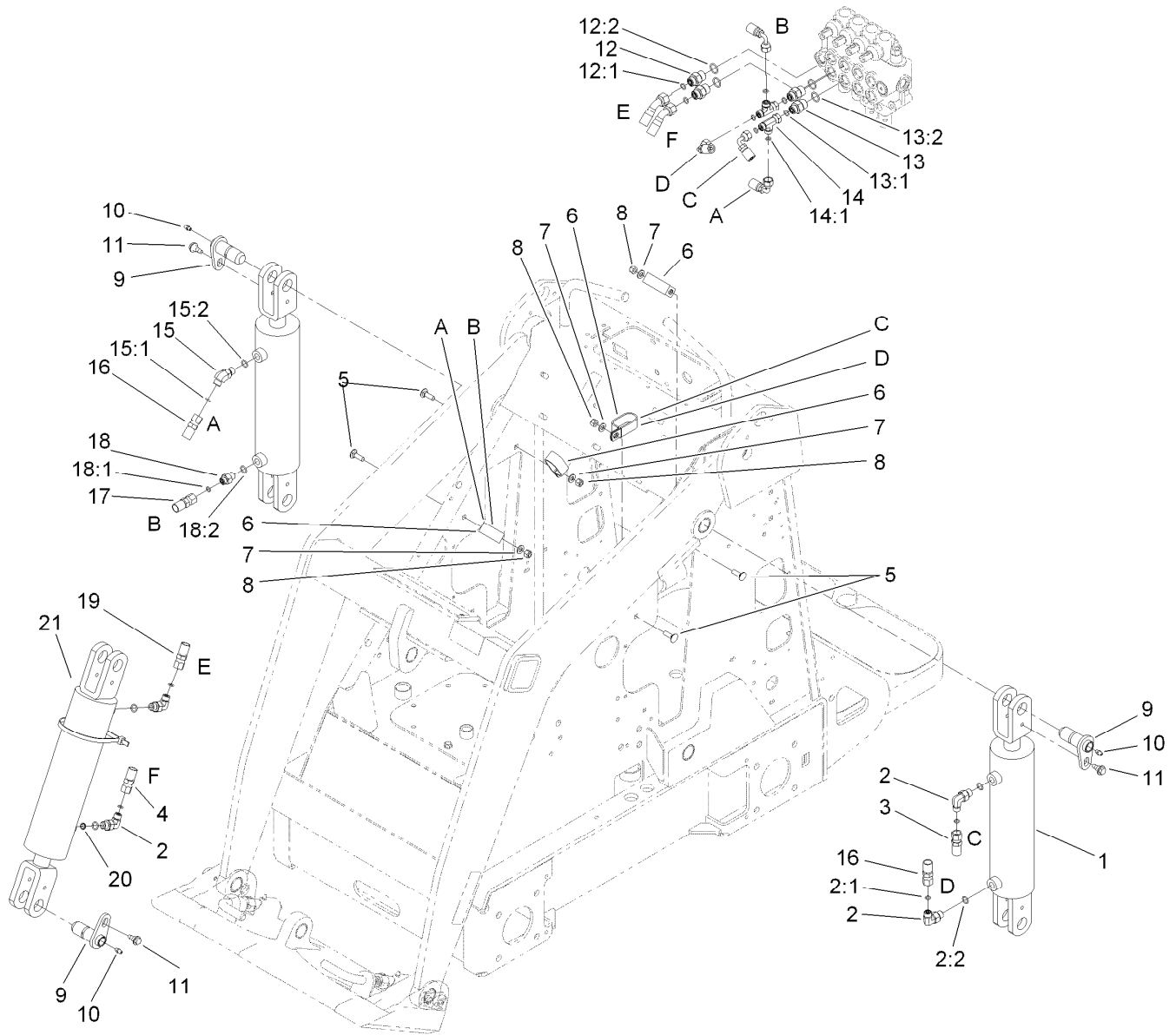
Hydraulic Motor Assembly

<i>Ref.</i>	<i>Part Number</i>	<i>Qty.</i>	<i>Description</i>	<i>Ref.</i>	<i>Part Number</i>	<i>Qty.</i>	<i>Description</i>
1	340-7	8	Fitting-Straight	9	108-9729	1	Tube-HYD
1:1	237-65	1	O-Ring	10	108-9727	1	Tube-HYD
1:2	237-80	1	O-Ring	11	108-9726	1	Tube-HYD
2	99-3012	2	Hose-HYD	12	99-3025	1	Tube-HYD
3	99-3010	2	Hose-HYD	13	99-3028	1	Tube-HYD
4	99-3011	2	Hose-HYD	14	108-9725	1	Tube-HYD
5	340-153	2	Fitting-Elbow, 90 DEG	15	99-3026	1	Tube-HYD
5:1	237-79	1	O-Ring	16	340-72	4	Fitting-Bulkhead, 90 DEG
5:2	237-151	1	O-Ring	16:1	237-65	2	O-Ring
6	99-3022	1	Tube-HYD	17	340-74	4	Nut-Lock, Bulkhead
7	99-3040	2	HYD Counterbalance Valve ASM	18	99-3057	2	Spacer-Valve
8	340-155	10	Fitting-Straight	19	321-23	2	Screw-HH
8:1	237-79	1	O-Ring	20	3256-22	4	Washer-Flat
8:2	237-151	1	O-Ring	21	3296-42	2	Nut-Lock, NI



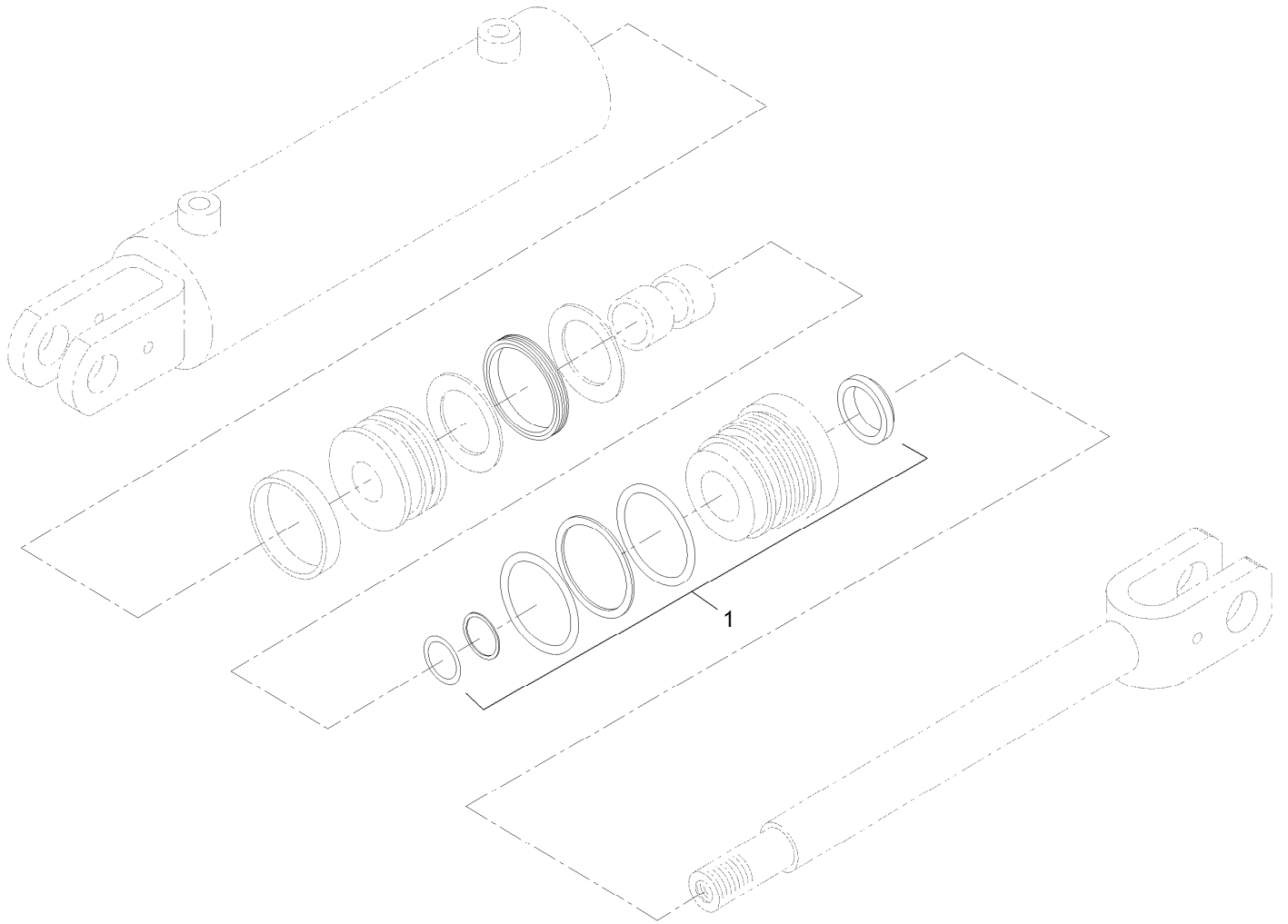
Counterbalance Valve Assembly No. 99-3040

<i>Ref.</i>	<i>Part Number</i>	<i>Qty.</i>	<i>Description</i>
1	105-4099	1	Seal Kit
2	99-3271	2	Valve-Cartridge
3	100-8864	1	Manifold ASM
4	100-8865	1	Needle Valve ASM



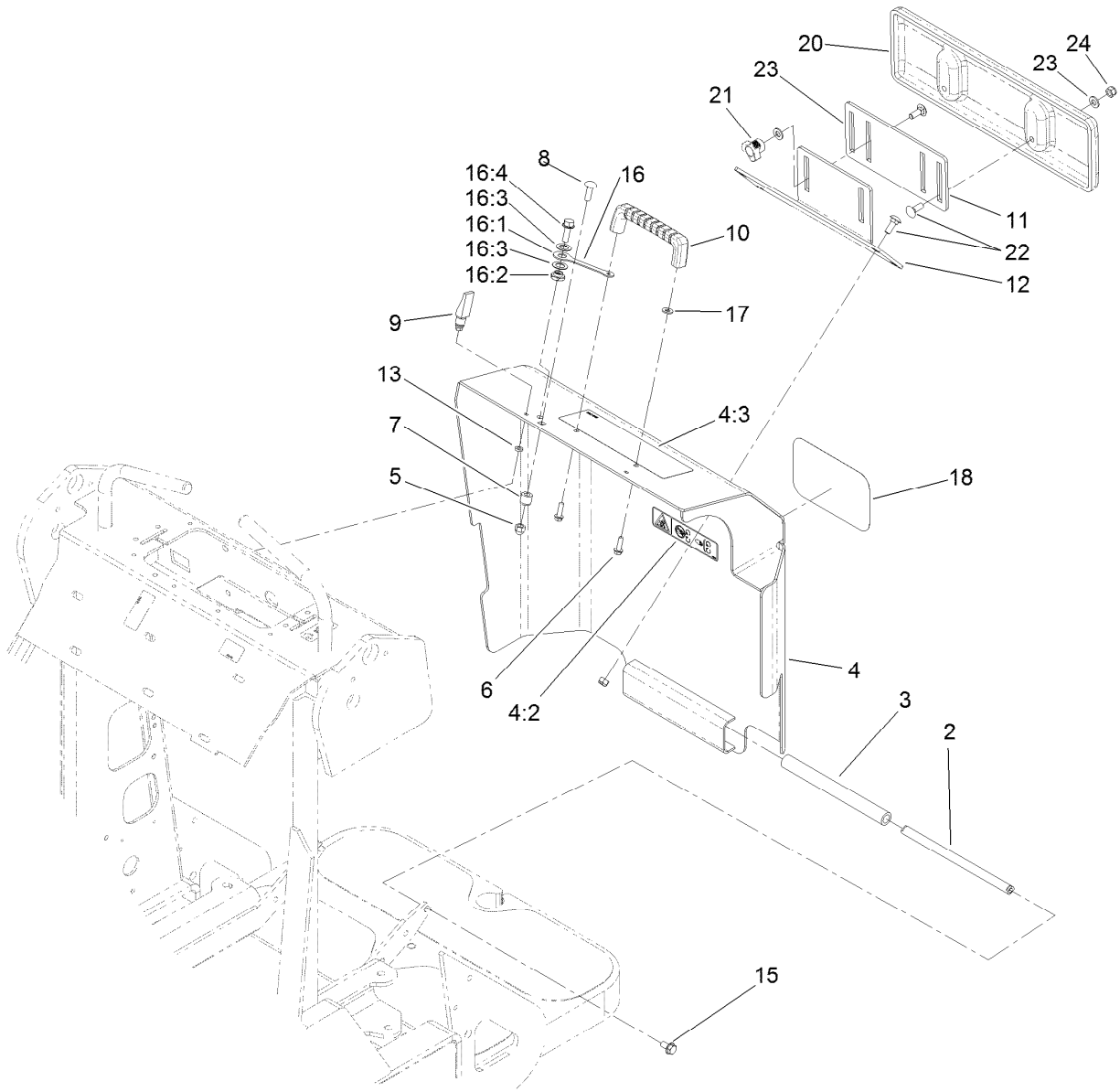
Hydraulic Cylinder Assembly

Ref.	Part Number	Qty.	Description	Ref.	Part Number	Qty.	Description
1	117-1834	3	Cylinder-HYD	13	340-133	2	Fitting-STR
2	340-82	4	Fitting-Elbow, 90 DEG	13:1	237-79	1	O-Ring
2:1	237-42	1	O-Ring	13:2	237-21	1	O-Ring
2:2	237-21	1	O-Ring	14	340-151	2	Fitting-Tee
3	98-4748	1	HYD Hose ASM	14:1	237-75	3	O-Ring
4	98-4726	1	Hose-HYD	15	340-137	1	Fitting
5	3230-2	4	Bolt-CARR	15:1	237-21	1	O-Ring
6	2412-137	4	Clamp-R, Double	15:2	237-42	1	O-Ring
7	3256-23	4	Washer-Plain	16	98-4725	2	Hose-HYD
8	3296-29	4	Nut-Lock, NI	17	100-1731	1	Hose-HYD, Right
9	112-2609	6	Pin-Pivot	18	340-1	1	Fitting-Straight
10	302-5	6	Fitting-Grease	18:1	237-21	1	O-Ring
11	99-5105	6	Screw-Shoulder	18:2	237-42	1	O-Ring
12	340-3	2	Fitting-Straight	19	98-4727	1	Hose-HYD
12:1	237-22	1	O-Ring	20	108-4714	1	Orifice-Port Insert, One Way
12:2	237-79	1	O-Ring	21	3334-945	1	Tie-Cable



Hydraulic Cylinder Assembly No. 117-1834

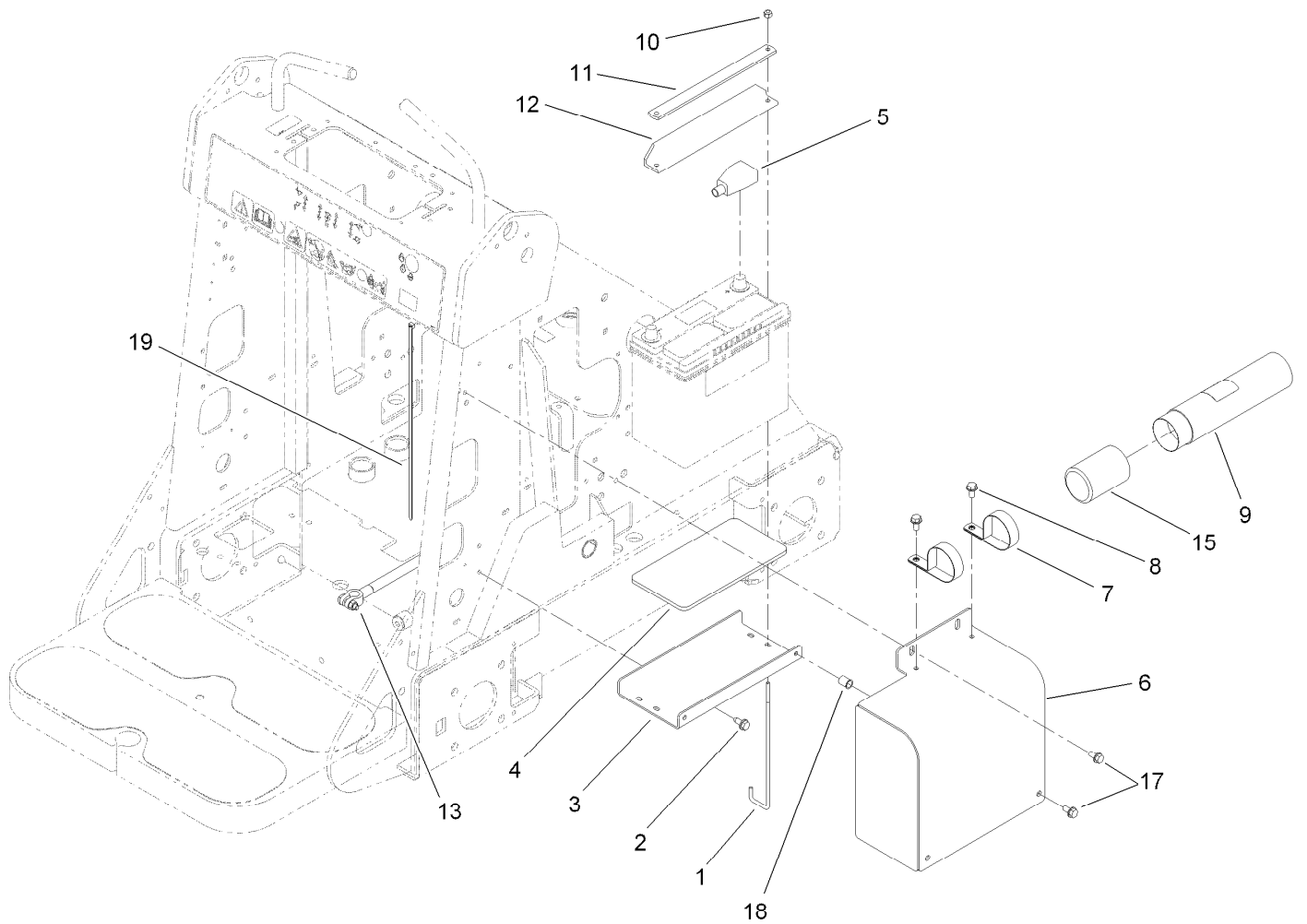
<i>Ref.</i>	<i>Part Number</i>	<i>Qty.</i>	<i>Description</i>
1	117-1837	1	Kit-Seal



Rear Cover Assembly

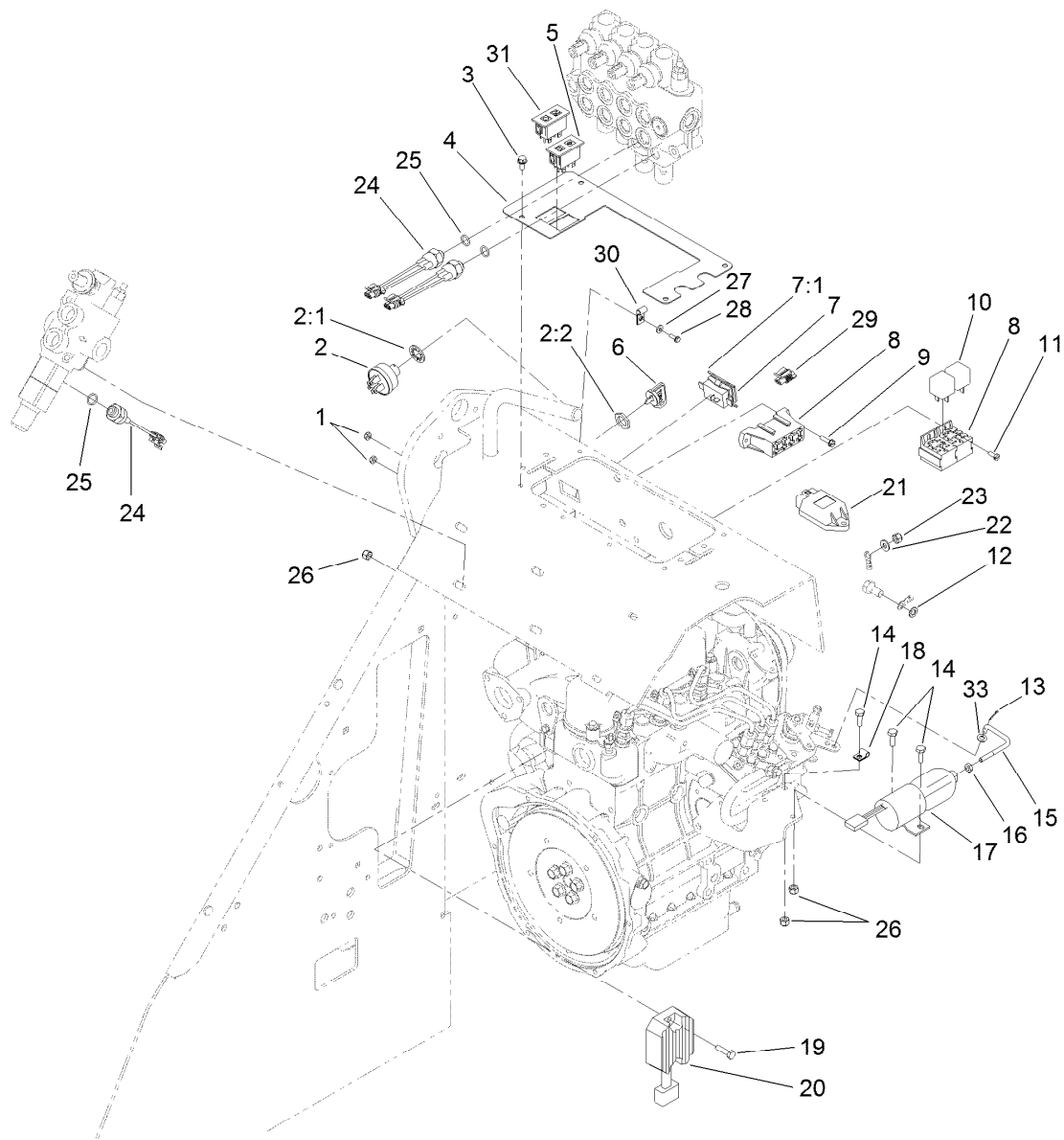
<i>Ref.</i>	<i>Part Number</i>	<i>Qty.</i>	<i>Description</i>
2	99-3083	1	Bar-Hinge
3	99-3085	1	Hose-Hinge
4	114-1755	1	Cover ASM
4:2	93-7814	1	Decal-Danger
4:3	100-1701	1	Decal-Danger
5	32111-8	1	Nut-Acorn
6	46-8091	2	Screw-HWH
7	99-3035	1	Spacer-Guide
8	3230-22	1	Screw-CARR
9	74-5950	2	Latch-Swell
10	65-5100	1	Handle-Door
11	105-0337-03	1	Plate-Adjusting
12	105-0331-03	1	Bracket-Support, Thigh
13	99-3058	2	Washer

<i>Ref.</i>	<i>Part Number</i>	<i>Qty.</i>	<i>Description</i>
15	3234-7	2	Screw-HHF
16	117-1762	1	Lanyard ASM
16:1	117-8339	1	Lanyard-3 Inch
16:2	117-1764	1	Nut-Shoulder
16:3	98-1629	2	Washer
16:4	3234-29	1	Screw-HHF
17	3256-22	1	Washer-Flat
18	93-7340	1	Decal
20	105-0333	1	Support-Thigh
21	104-6156	2	Knob-Adjustment
22	3230-16	8	Screw-CARR
23	3256-70	4	Washer-Flat
24	3296-72	6	Nut-Lock, NI



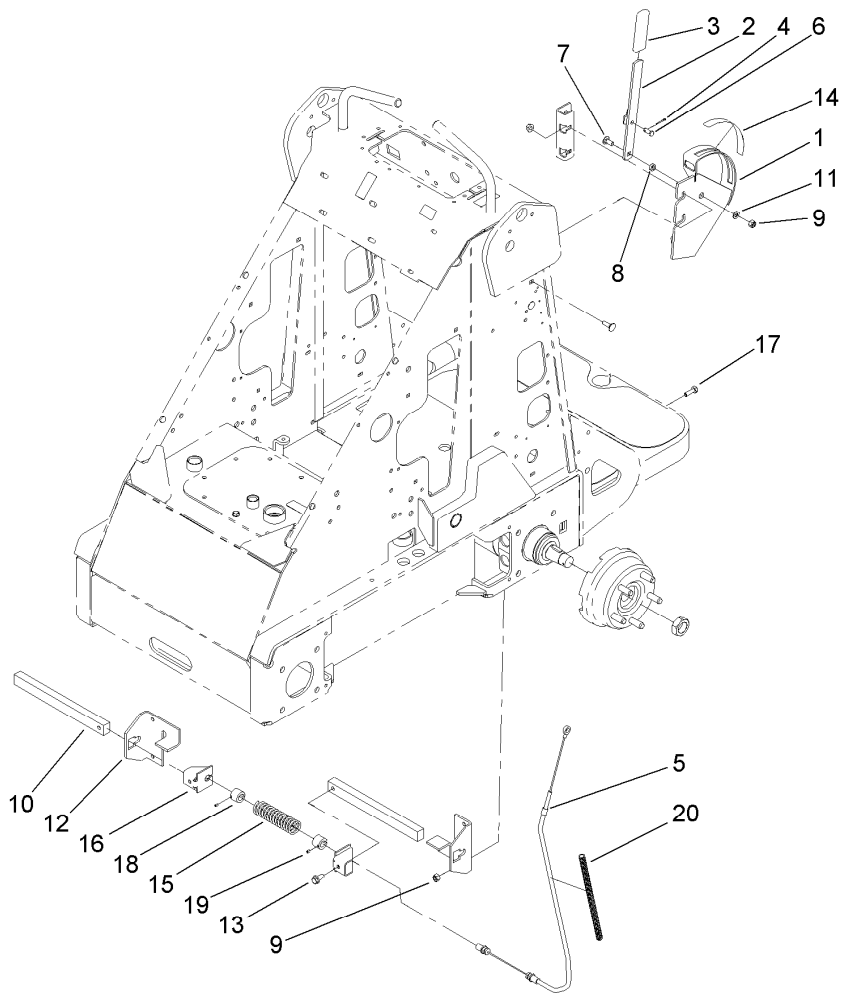
Battery Mount Assembly

<i>Ref.</i>	<i>Part Number</i>	<i>Qty.</i>	<i>Description</i>	<i>Ref.</i>	<i>Part Number</i>	<i>Qty.</i>	<i>Description</i>
1	99-5035	2	Retainer-Battery	10	3296-42	2	Nut-Lock, NI
2	32144-70	2	Screw-HWHTF	11	99-5008-01	1	Retainer-Battery
3	98-2665-03	1	Mount-Battery	12	99-5039	1	Retainer-Battery
4	99-5030	1	Pad-Battery	13	100-1709	1	Cable-Battery, Negative
5	100-1708	1	Cable-Battery, Positive	15	104-7048	1	Cap-Housing
6	98-2670-03	1	Cover-Battery	17	3234-29	2	Screw-HHF
7	2412-133	2	Clamp-R	18	32148-7	2	Nut-Clinch
8	32144-14	4	Screw-HWHTF	19	3290-379	1	Tie-Cable
9	104-7050	1	Tube-Manual				



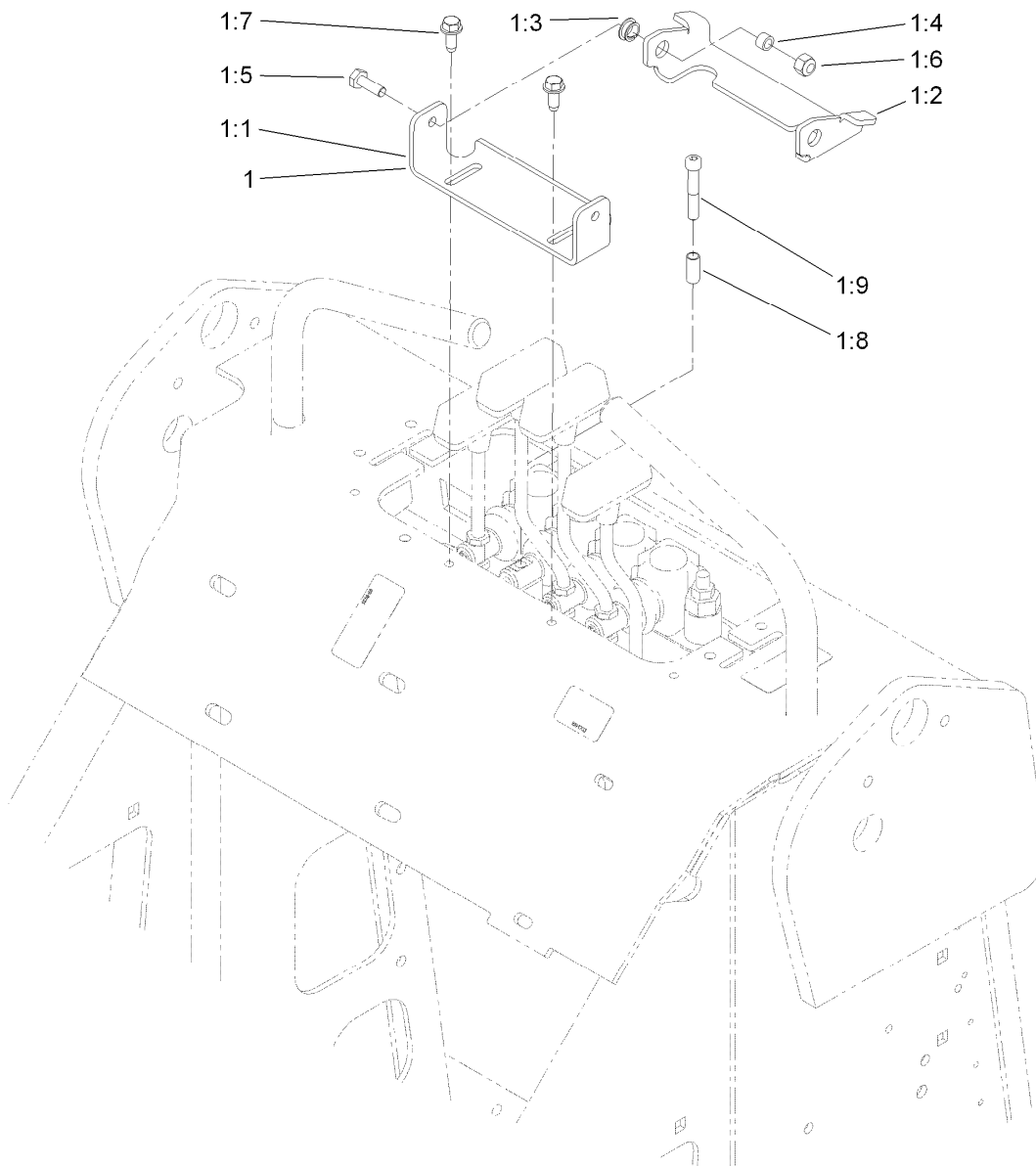
Electrical Component Assembly

Ref.	Part Number	Qty.	Description	Ref.	Part Number	Qty.	Description
1	3296-12	4	Nut-Lock, NI	16	3220-1	1	Nut-Jam
2	88-9830	1	Key Switch ASM	17	99-5006	1	Solenoid
2:1	3254-5	1	Washer-Lock	18	2412-31	1	Clamp-Boden
2:2	218-461	1	Nut-HH	19	321-6	3	Screw-HH
3	32144-4	4	Screw-HWH	20	100-2057	1	Regulator ASM
4	105-8351-03	1	Plate-Cover	21	107-9097	1	Controller-Glow
5	100-8070	1	Lamp-Warning	22	100-2215	1	Washer-Spring
6	63-8360	2	Key-Ignition	23	100-2171	1	Nut-Hex
7	104-7429	1	Hour Meter ASM	24	72-4310	3	Switch-Ball
7:1	104-4234	1	Clip-Mounting	25	237-42	3	O-Ring
8	105-4069	1	Harness-Wire	26	3296-42	6	Nut-Lock, NI
9	32105-13	2	Screw-HWH	27	3256-21	1	Washer-Flat
10	98-7249	2	Relay	28	32144-87	1	Screw-HWHTF
11	32105-8	1	Screw-SHH	29	99-1433	2	Connector-Female
12	3255-9	1	Washer-Lock	30	2412-72	1	Clip-Closed, Insulated
13	3272-1	2	Pin-Cotter	31	100-8071	1	Lamp-Warning
14	321-4	3	Screw-HH	33	93-6073	1	Washer-Nylon
15	105-6243	1	Rod-Linkage				



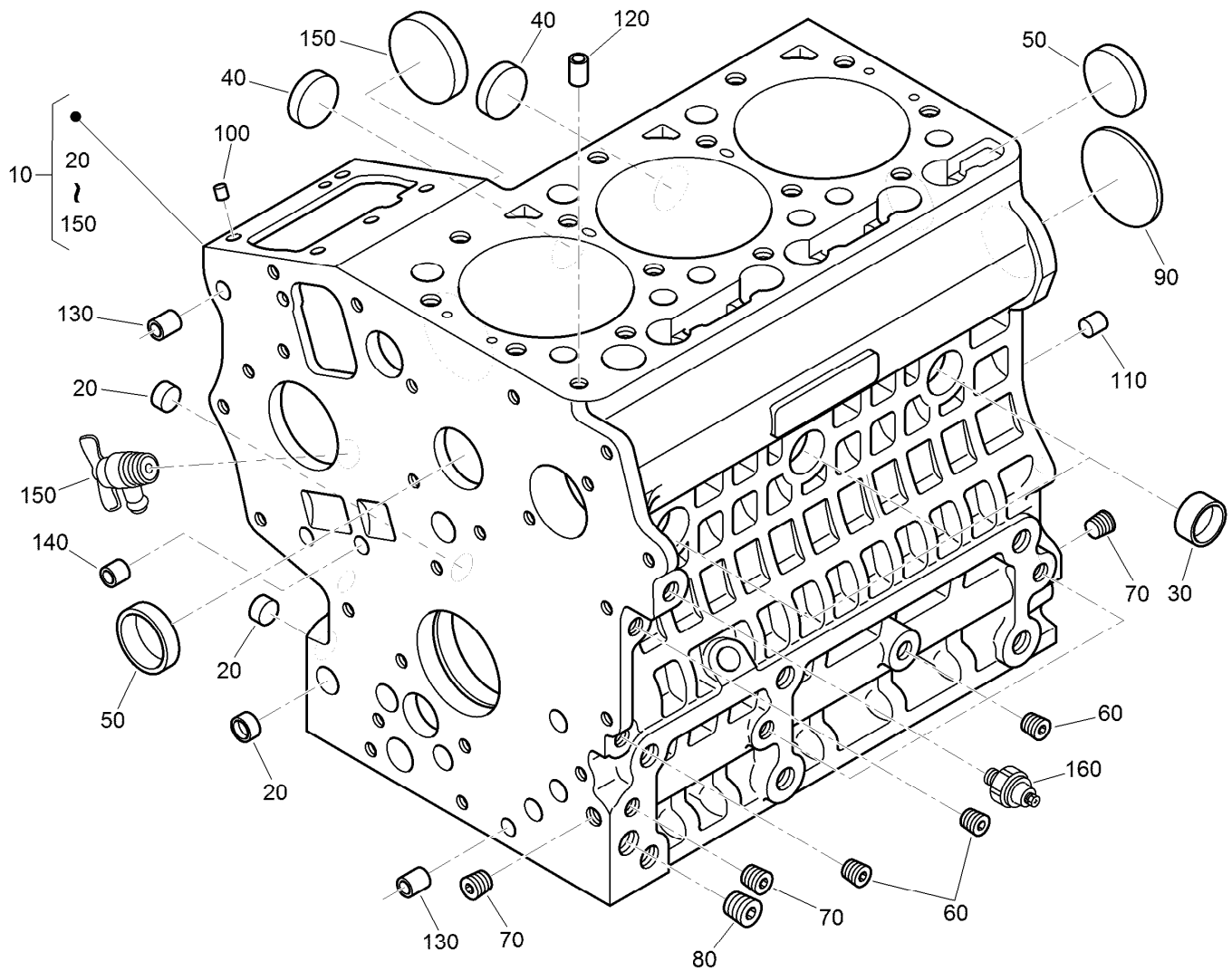
Parking Brake Assembly

<i>Ref.</i>	<i>Part Number</i>	<i>Qty.</i>	<i>Description</i>
1	105-8414-03	1	Plate-Brake
2	100-1684-03	1	Lever-Brake
3	62-9130	1	Grip-Handle
4	3272-6	1	Pin-Cotter
5	100-1679	1	Cable
6	283-62	1	Pin-Clevis
7	3230-23	1	Bolt-CARR
8	100-1683	1	Hub-Lever
9	3296-29	5	Nut-Lock, NI
10	100-1674-03	2	Bar-Brake
11	3256-23	1	Washer-Plain
12	100-1676-03	2	Bracket-Brake
13	100-1668	2	Screw-HHF
14	100-1692	1	Decal-Brake
15	100-1678-03	1	Spring
16	100-1677-03	2	Bracket-Cable
17	322-5	4	Screw-HH
18	100-6274	2	Tube-Guide
19	3245-20	2	Screw-Set
20	100-4697	1	Tube-Convolute



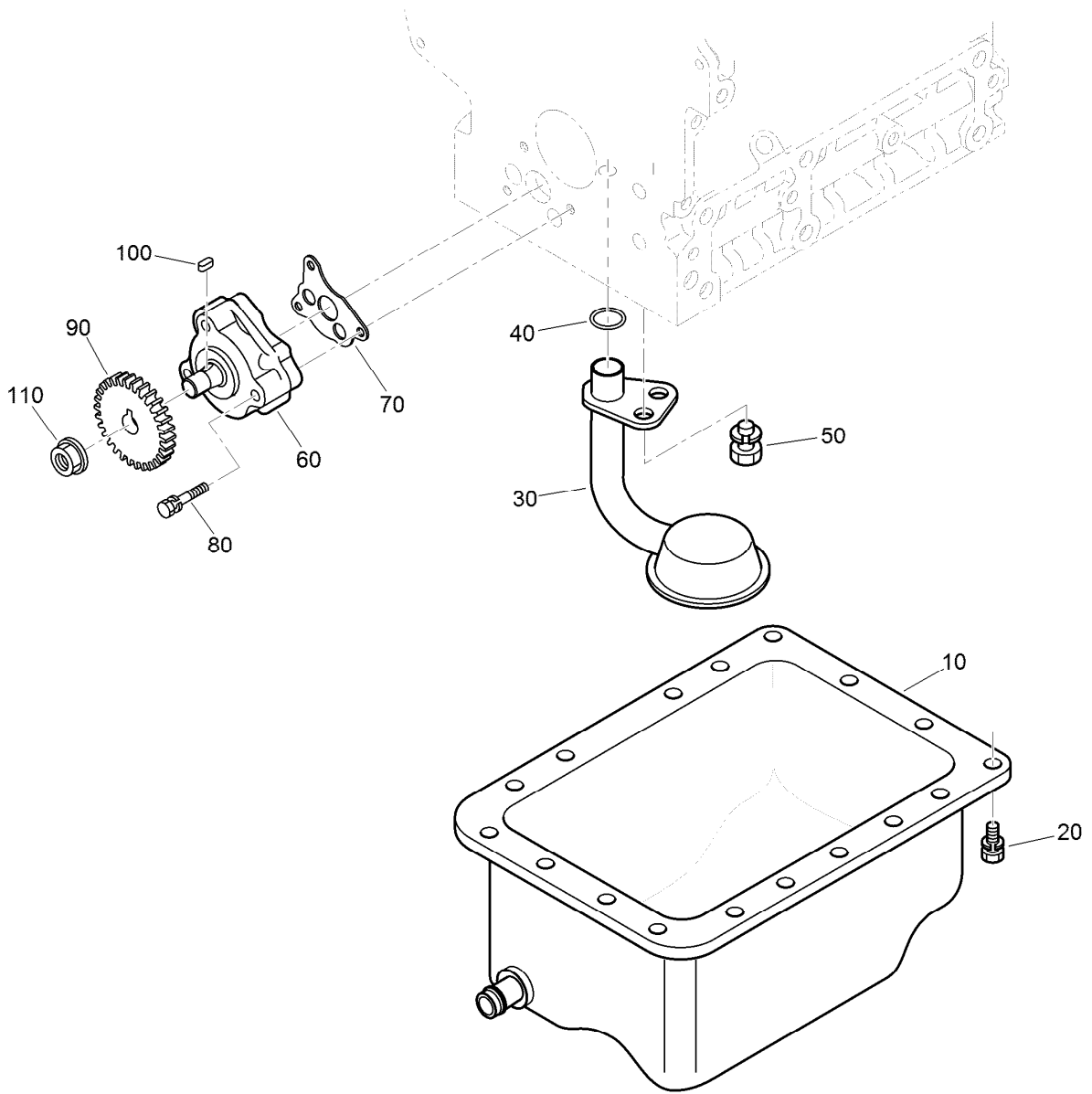
Loader Lever Lock Assembly

<i>Ref.</i>	<i>Part Number</i>	<i>Qty.</i>	<i>Description</i>
1	108-4702	1	Lever Lock ASM
1:1	108-4703-03	1	Bracket-Lever Lock
1:2	108-4704-03	1	Arm-Lever Lock
1:3	5979	2	Bushing-Nyliner
1:4	88-7860	2	Spacer
1:5	321-4	2	Screw-HH
1:6	3296-42	2	Nut-Lock, NI
1:7	32144-10	2	Screw-HWH
1:8	108-4705	1	Spacer
1:9	3274-19	1	Screw-HSH



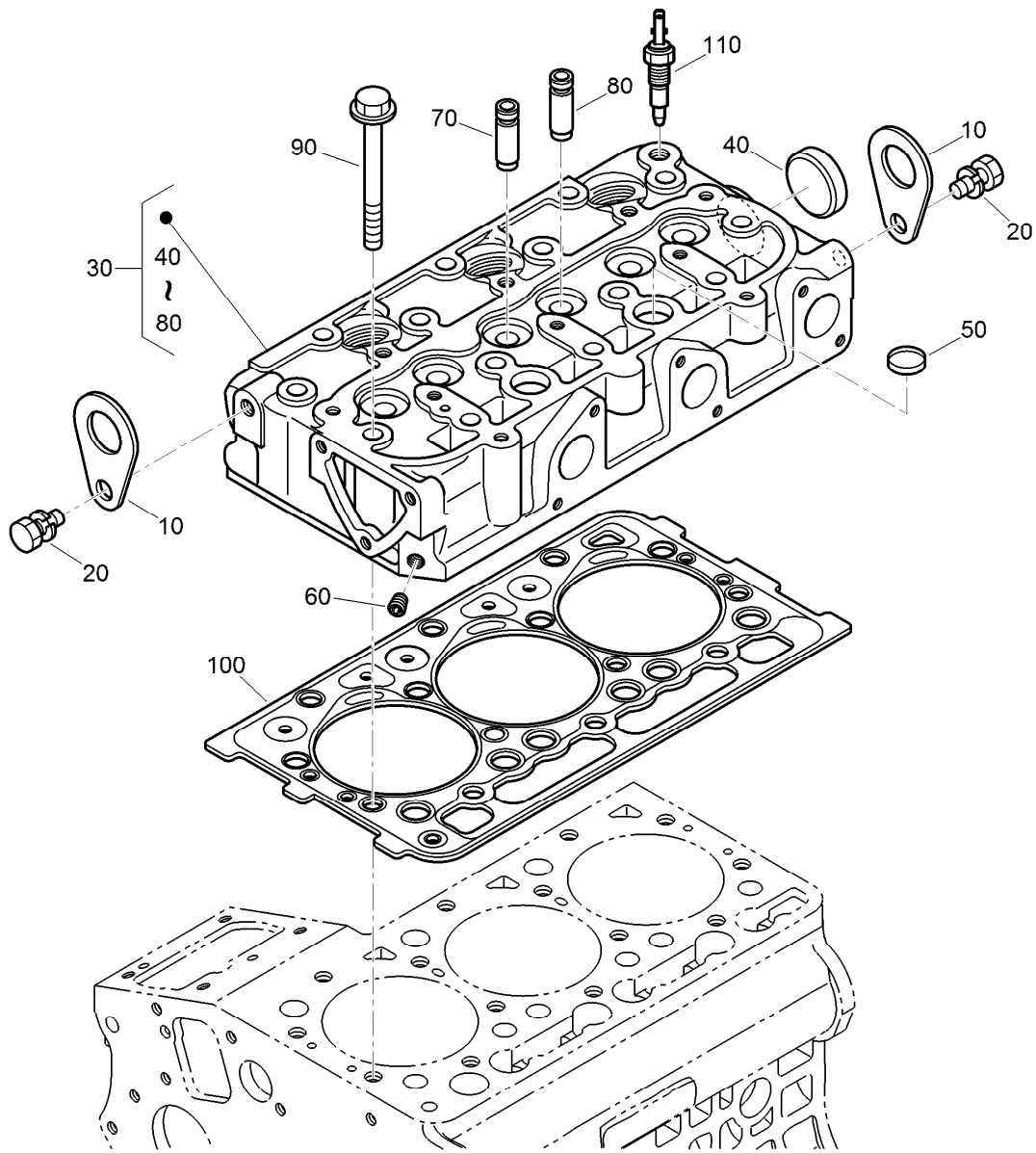
Crankcase Assembly

<i>Ref.</i>	<i>Part Number</i>	<i>Qty.</i>	<i>Description</i>	<i>Ref.</i>	<i>Part Number</i>	<i>Qty.</i>	<i>Description</i>
10	130-1503	1	Crankcase ASM	90	98-9375	2	Pin-Straight
20	100-2019	3	Cap-Sealing	100	98-9377	2	Pin-Straight
30	100-2020	5	Cap-Sealing	110	98-7506	1	Pin-Pipe
40	98-9398	2	Cap-Sealing	120	100-2051	2	Pin-Pipe
50	98-9687	5	Plug	130	100-2051	2	Pin-Pipe
60	98-7487	3	Plug	140	100-1991	1	Cover-Fuel, Camshaft
70	98-7488	1	Plug	150	120-3121	1	Draincock ASM
80	100-1851	1	Plug-Expansion	160	98-7764	1	Switch-Oil



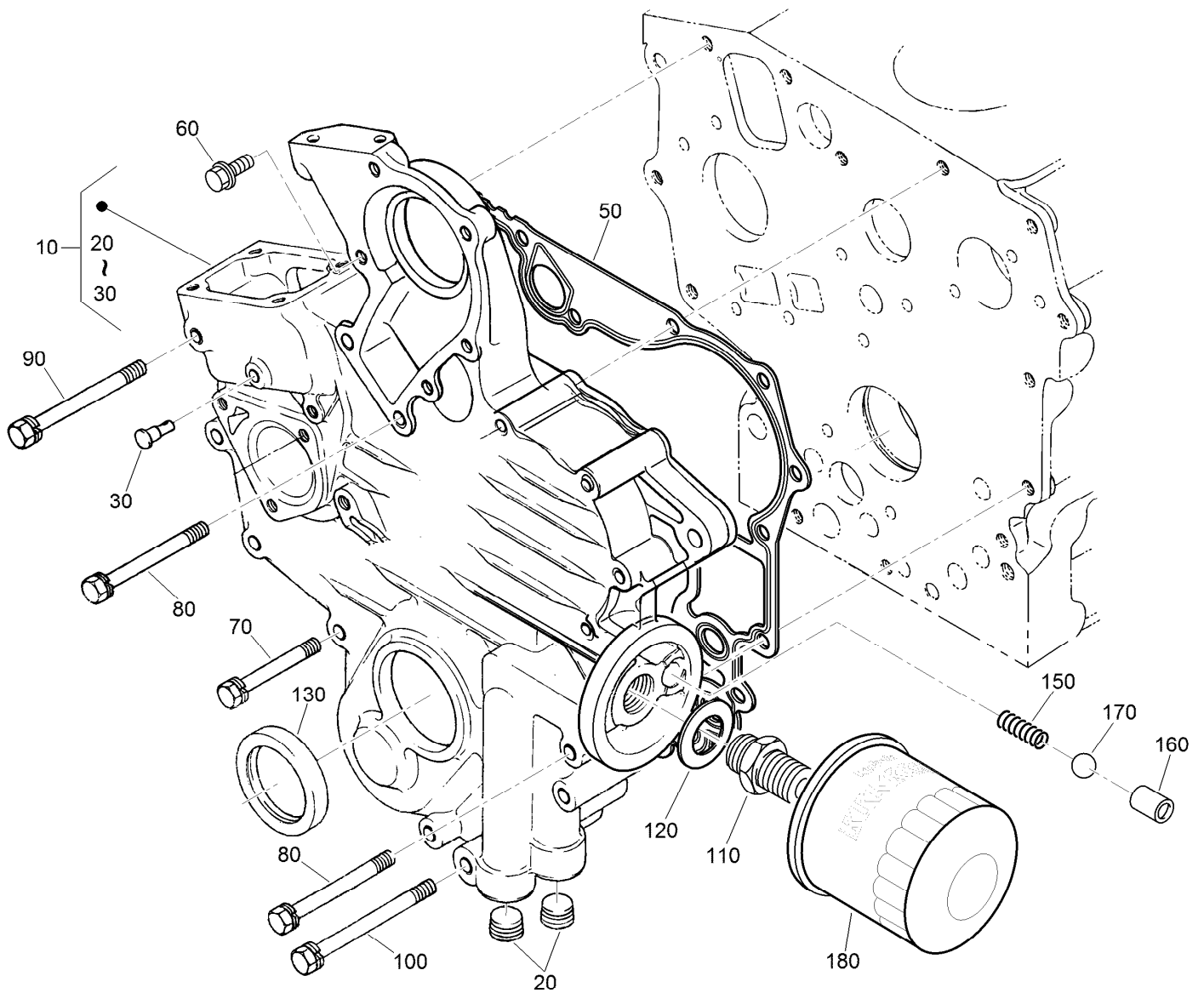
Oil Pan and Oil Pump Assembly

Ref.	Part Number	Qty.	Description
10	100-2239	1	Pan-Oil
20	98-9350	18	Bolt
30	100-2001	1	Strainer-Pickup, Oil
40	105-3776	1	O-Ring
50	100-9195	1	Bolt
60	100-2002	1	Oil Pump ASM
70	100-2003	1	Gasket-Pump, Oil
80	100-1923	3	Bolt
90	130-1419	1	Gear-Drive, Oil Pump
100	98-7658	1	Key-Feather
110	100-1779	1	Nut-Flange



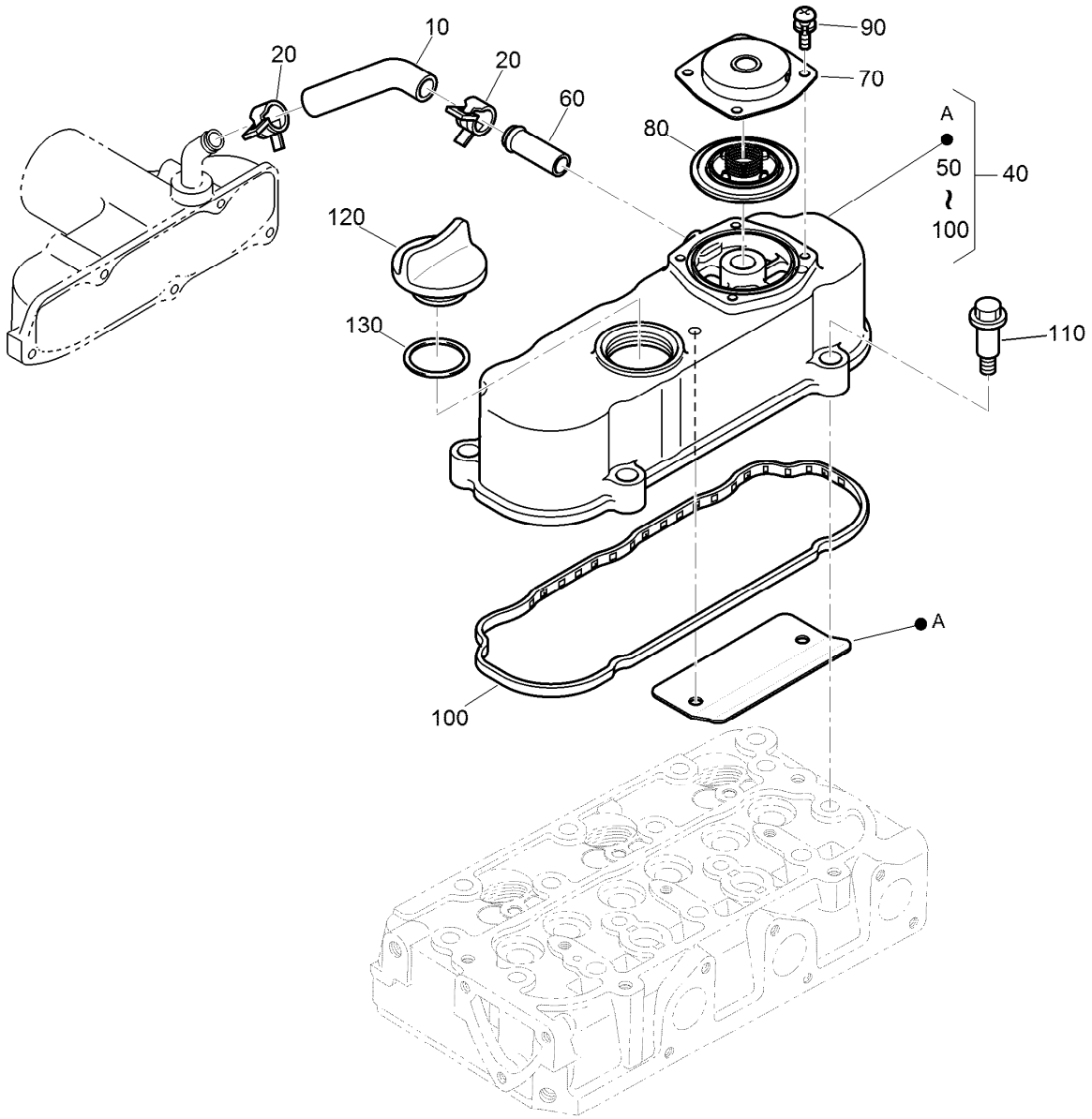
Cylinder Head Assembly

<i>Ref.</i>	<i>Part Number</i>	<i>Qty.</i>	<i>Description</i>
10	98-7531	2	Hook-Engine
20	100-9195	2	Bolt
30	130-1524	1	Cylinder Head ASM
40	105-3705	1	Cap-Sealing
50	98-9389	2	Cap-Sealing
60	98-9687	1	Plug
70	100-1882	3	Guide-Valve, Inlet
80	100-1883	3	Guide-Valve, Exhaust
90	100-1820	14	Bolt-Head, Cylinder
100	130-1525	1	Gasket-Head, Cylinder
110	99-3582	1	Thermoswitch



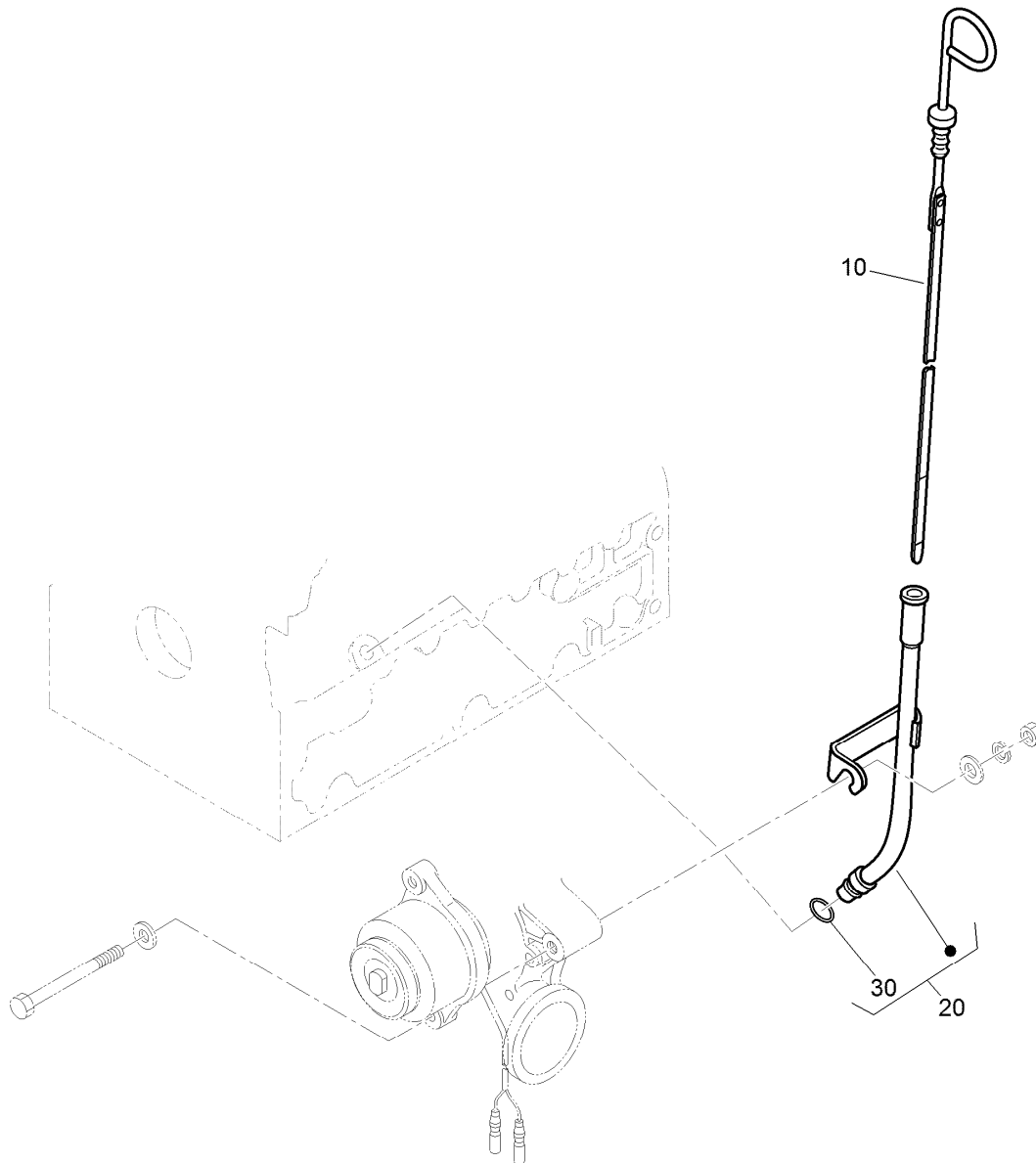
Gear Case and Oil Filter Cartridge Assembly

<i>Ref.</i>	<i>Part Number</i>	<i>Qty.</i>	<i>Description</i>	<i>Ref.</i>	<i>Part Number</i>	<i>Qty.</i>	<i>Description</i>
10	130-1293	1	Gear Case ASM	100	100-1767	1	Bolt
20	98-7488	2	Plug	110	98-9388	1	Joint-Pipe
30	100-1910	1	Pin-Spring, Start	120	100-1926	1	Washer-Plain
50	130-1302	1	Gasket-Case, Gear	130	120-7852	1	Seal-Oil
60	127-0403	1	Bolt-Flange	150	100-2004	1	Spring
70	125-9063	8	Bolt-Sems	160	100-1894	1	Seat-Valve
80	100-1922	5	Bolt	170	100-1792	1	Ball
90	100-1766	1	Bolt	180	115-8189	1	Filter-Oil, Engine



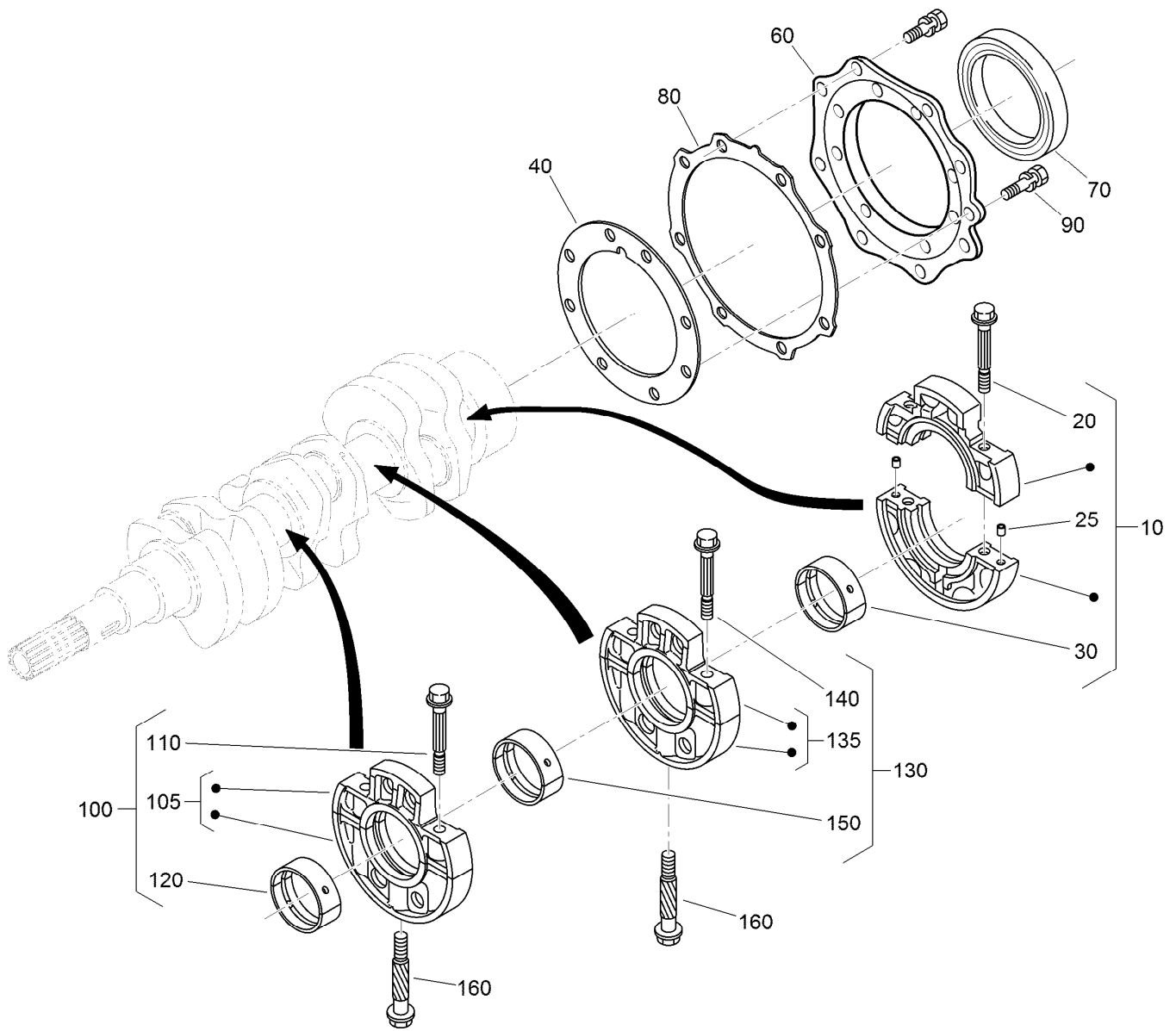
Cylinder Head Cover Assembly

Ref.	Part Number	Qty.	Description
10	130-1488	1	Tube-Breather
20	110-3712	2	Clamp-Hose
40	130-1489	1	Cover-Cylinder Head
50	130-1490	1	Cylinder Head ASM
60	98-9580	1	Pipe-Return, Water
70	110-3714	1	Cover-Breather
80	110-3715	1	Valve-Breather
90	98-9364	4	Screw (With Washer)
100	112-2807	1	Gasket-Cover, Head
110	108-7063	4	Bolt
120	107-9075	1	Plug-Filler, Oil
130	99-3446	1	O-Ring



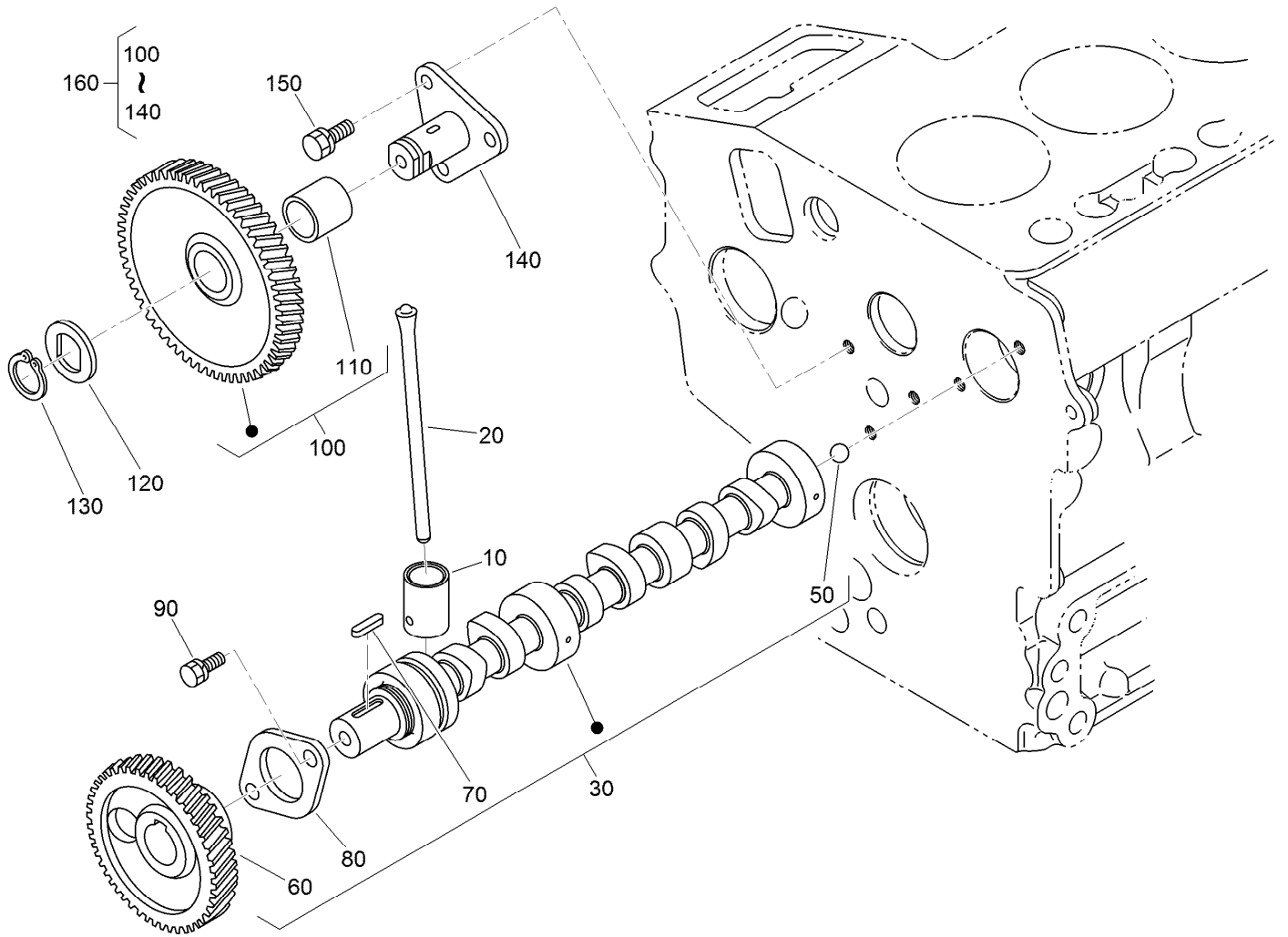
Dipstick and Guide Assembly

<i>Ref.</i>	<i>Part Number</i>	<i>Qty.</i>	<i>Description</i>
10	112-2811	1	Gauge-Oil
20	130-1386	1	Oil Gauge Guide ASM
30	98-9722	1	O-Ring



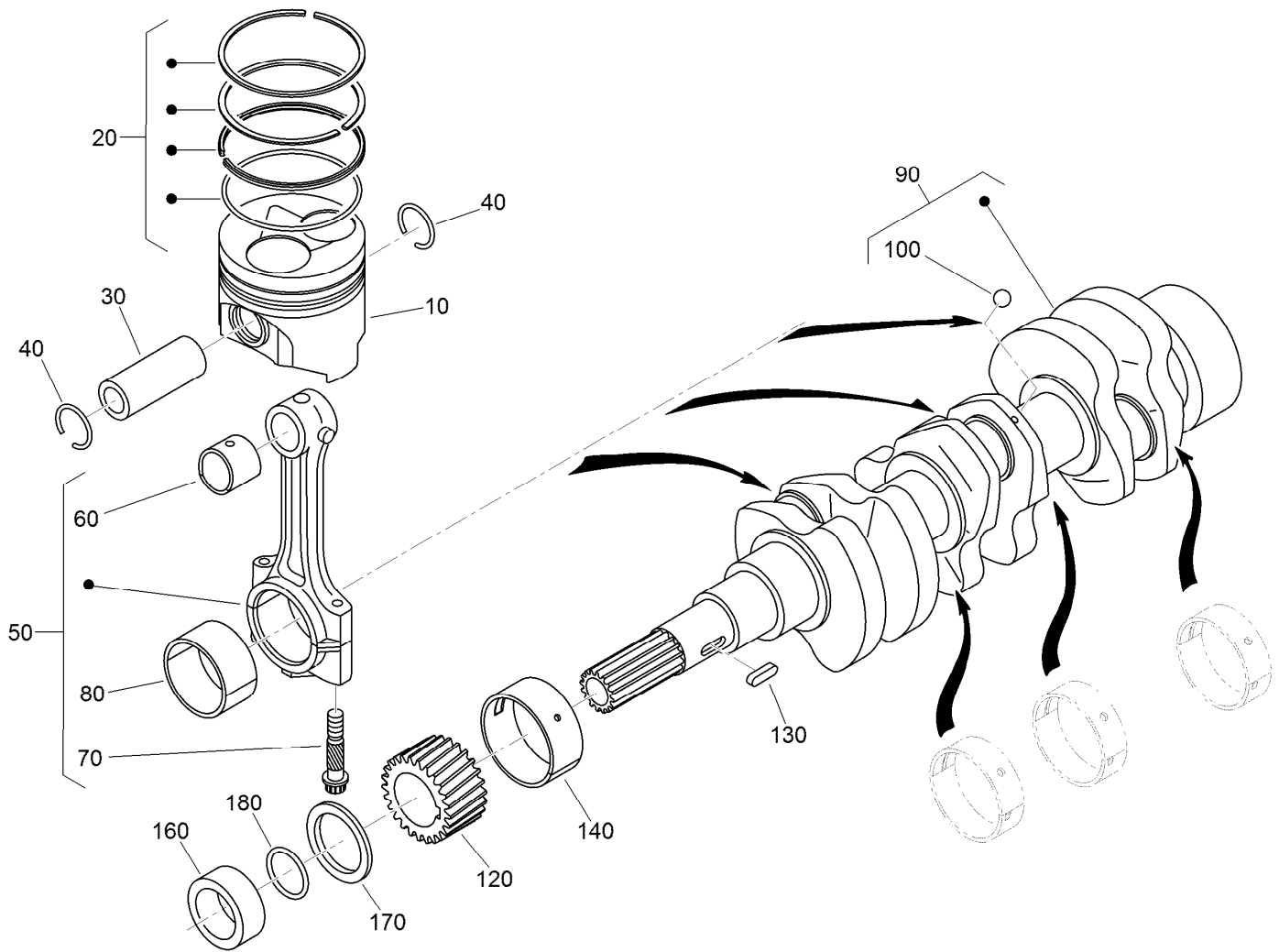
Main Bearing Case Assembly

<i>Ref.</i>	<i>Part Number</i>	<i>Qty.</i>	<i>Description</i>	<i>Ref.</i>	<i>Part Number</i>	<i>Qty.</i>	<i>Description</i>
10	125-9064	1	Wheel Bearing Case ASM	105	100-1987	1	Main Bearing Case ASM
20	125-9065	2	Bolt-Flange	110	100-1757	2	Bolt-Case, Bearing
25	125-9082	2	Pin-Straight	120	130-1215	1	Metal-Crankshaft
30	130-1209	1	Metal-Crankshaft	120	130-1216	1	Metal-Crankshaft
30	100-1870	1	Crankshaft-Metal (-0.2MM Set)	120	130-1217	1	Metal-Crankshaft
30	130-1210	1	Metal-Crankshaft	130	130-1299	1	Bearing Case ASM
40	100-1873	1	Gasket-Case, Bearing	135	100-2027	1	Main Bearing Case ASM
60	112-8334	1	Cover-Case, Bearing	140	100-1757	2	Bolt-Case, Bearing
70	110-3724	1	Seal-Oil	150	130-1215	1	Metal-Crankshaft
80	100-1876	1	Gasket-Cover, Case	150	130-1216	1	Metal-Crankshaft
90	100-1750	16	Bolt	150	130-1217	1	Metal-Crankshaft
100	130-1177	1	Bearing Case ASM	160	100-1874	2	Bolt-Case, Bearing



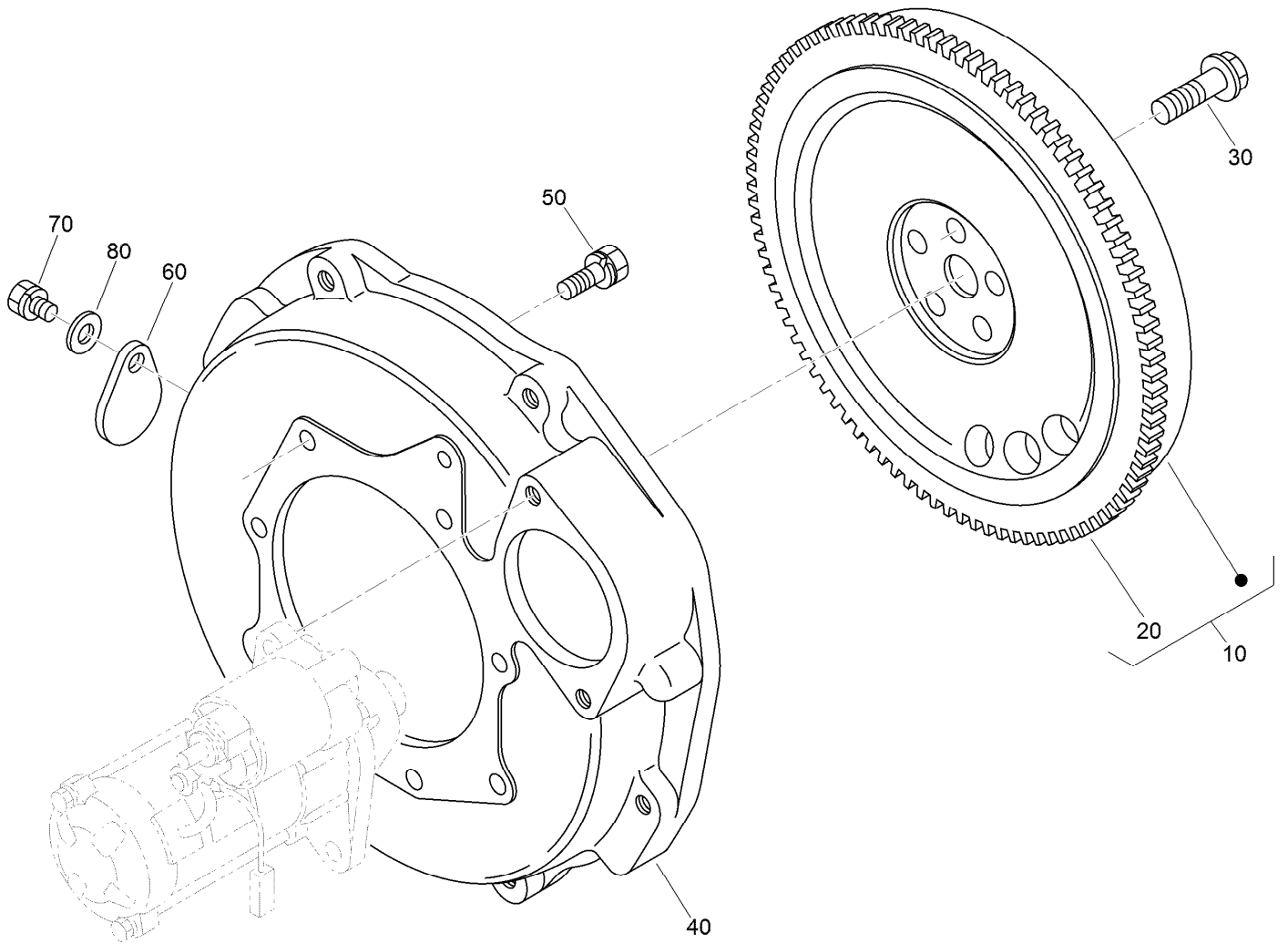
Camshaft and Idle Gear Shaft Assembly

Ref.	Part Number	Qty.	Description
10	110-3727	6	Tappet
20	100-1989	6	Rod-Push
30	130-1526	1	Camshaft ASM
50	110-3729	1	Ball
60	130-1534	1	Gear-Cam
70	98-9378	1	Key-Feather
80	100-1887	1	Stopper-Camshaft
90	98-9350	2	Bolt
100	121-2421	1	Idle Gear ASM
110	121-2422	1	Bushing
120	100-1970	1	Collar-Gear, Idle
130	100-1969	1	Ring-Snap
140	100-1967	1	Shaft-Gear, Idle
150	100-1774	3	Bolt-Flange
160	100-2240	1	Idle Gear ASM



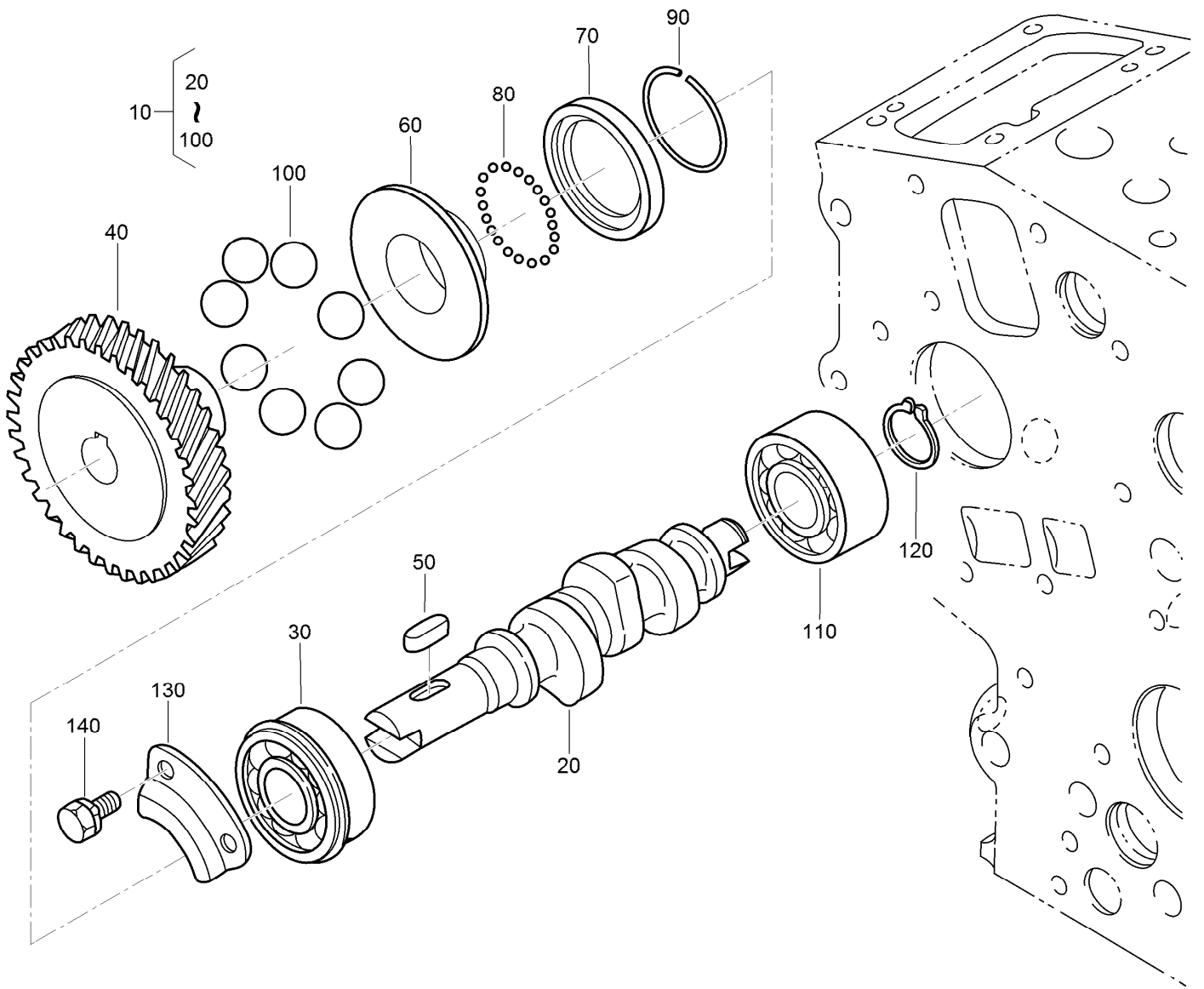
Piston and Crankshaft Assembly

Ref.	Part Number	Qty.	Description	Ref.	Part Number	Qty.	Description
10	130-1530	3	Piston	80	121-2420	3	Metal-Crankpin (-.40MM)
10	130-1531	3	Piston	90	100-2160	1	Crankshaft
20	130-1528	3	Piston Ring ASM	100	100-1791	3	Ball
20	130-1529	3	Piston Ring ASM	120	100-1891	1	Gear-Crankshaft
30	110-3734	3	Pin-Piston	130	100-1752	1	Key-Feather
40	100-1835	6	Circlip-Internal	140	130-1214	1	Metal-Crankshaft
50	125-9070	3	Connecting Rod ASM	140	130-1218	1	Metal-Crankshaft
60	110-3736	3	Bushing-Pin, Piston	140	130-1219	1	Metal-Crankshaft
70	100-1999	6	Bolt-Rod, Connecting	160	100-1890	1	Collar-Crankshaft
80	100-2000	3	Metal-Crankpin (STD)	170	100-1974	1	Slinger-Oil
80	121-3849	3	Metal-Crankpin (-.20MM)	180	100-2209	1	O-Ring



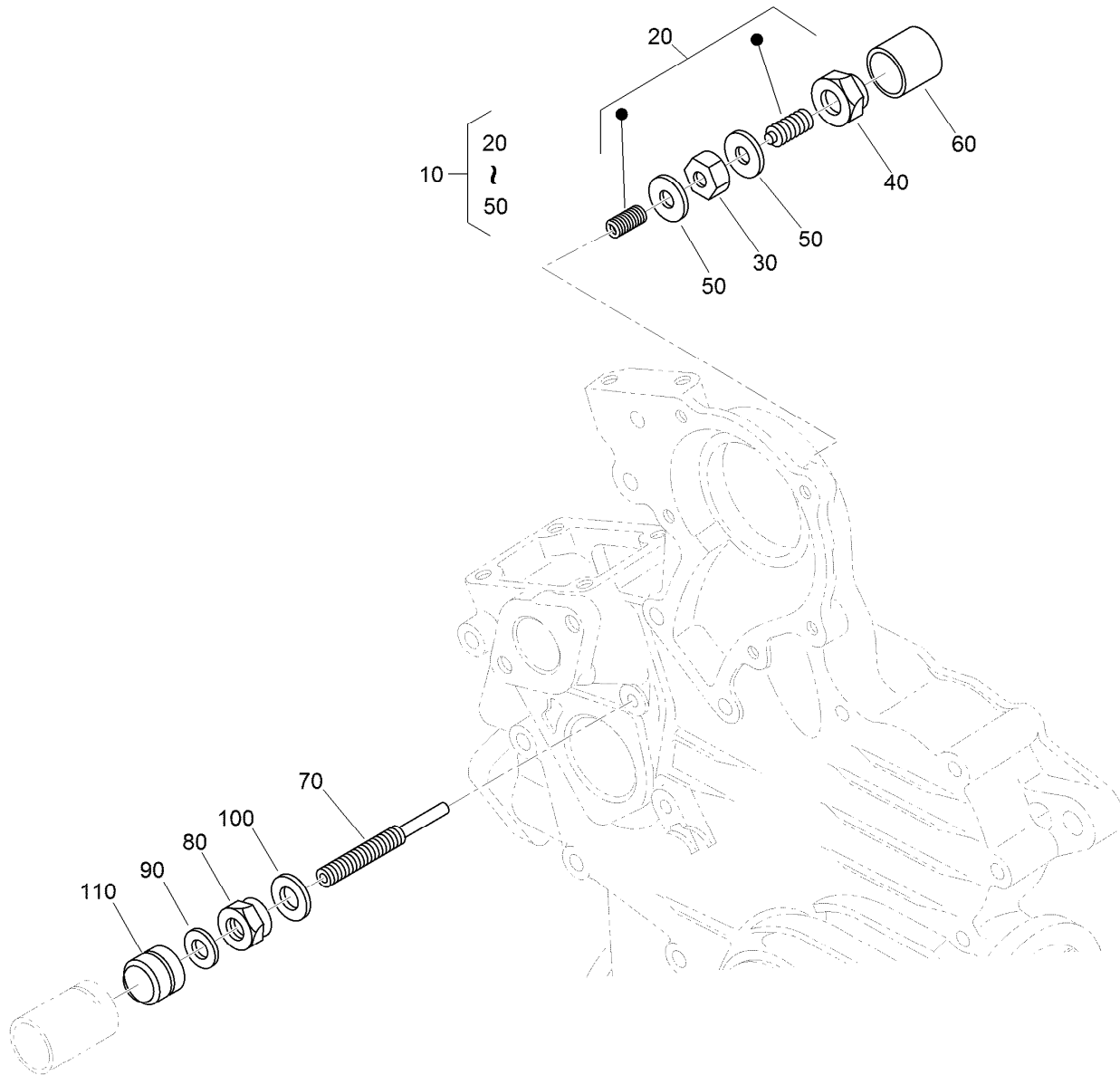
Flywheel Assembly

<i>Ref.</i>	<i>Part Number</i>	<i>Qty.</i>	<i>Description</i>
10	130-1300	1	Flywheel ASM
20	127-1604	1	Gear-Ring
30	100-1930	5	Bolt-Flywheel
40	117-1703	1	Housing-Flywheel
50	98-9359	8	Bolt
60	100-2177	1	Cover
70	100-9195	1	Bolt
80	120-5832	1	Washer-Plain



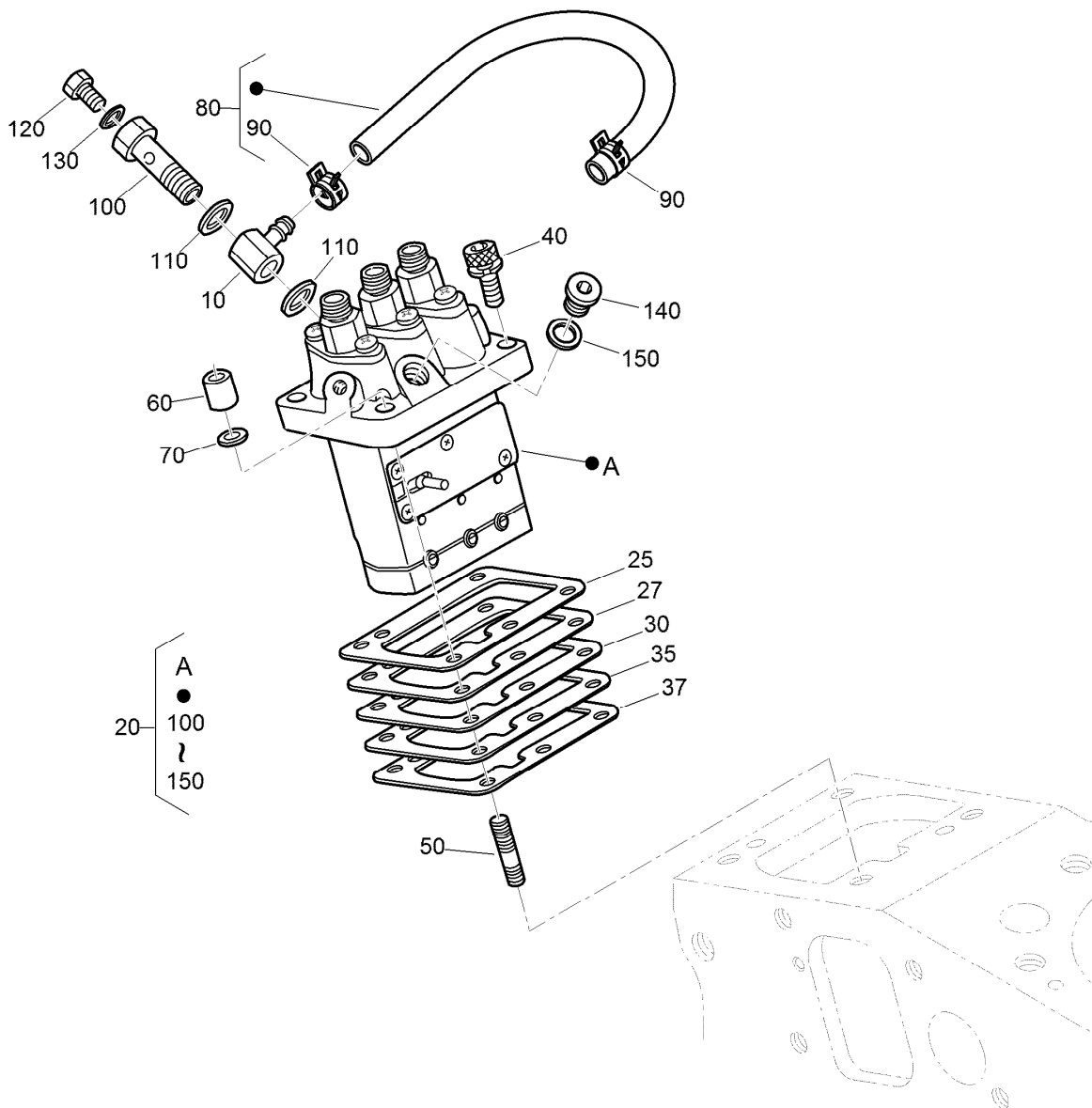
Fuel Camshaft Assembly

Ref.	Part Number	Qty.	Description
10	130-1527	1	Fuel Camshaft ASM
20	110-3756	1	Camshaft-Fuel
30	100-1795	1	Bearing-Ball
40	130-1521	1	Pump-Gear, Injection
50	100-1752	1	Key-Feather
60	112-8336	1	Sleeve-Governor
70	100-1904	1	Case-Ball, Governor
80	100-1790	32	Ball
90	100-1843	1	Circ-Clip
100	100-1793	8	Ball
110	110-3757	1	Bearing-Ball
120	100-1784	1	Circ-Clip, External
130	100-1888	1	Stopper-Fuel, Camshaft
140	98-9350	2	Bolt



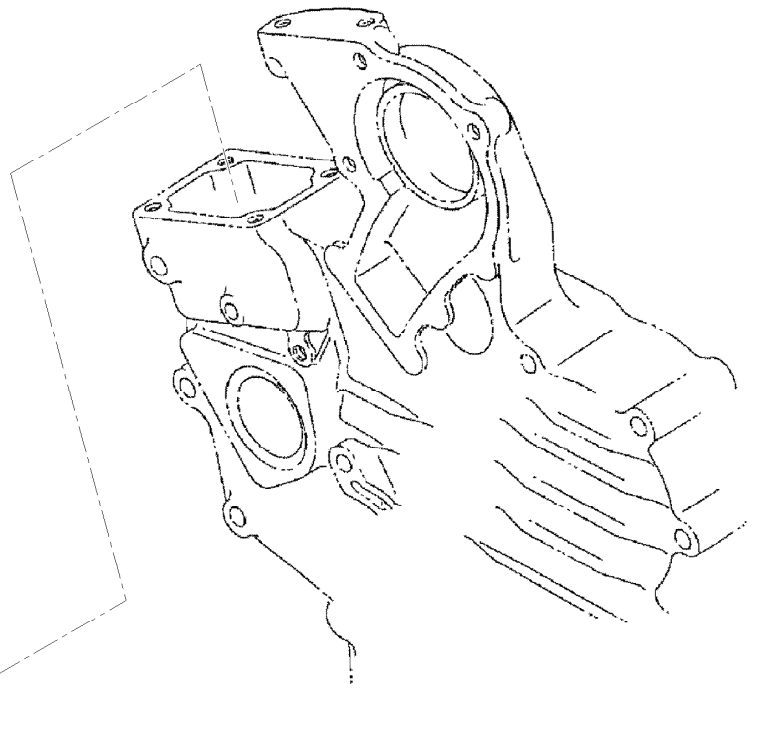
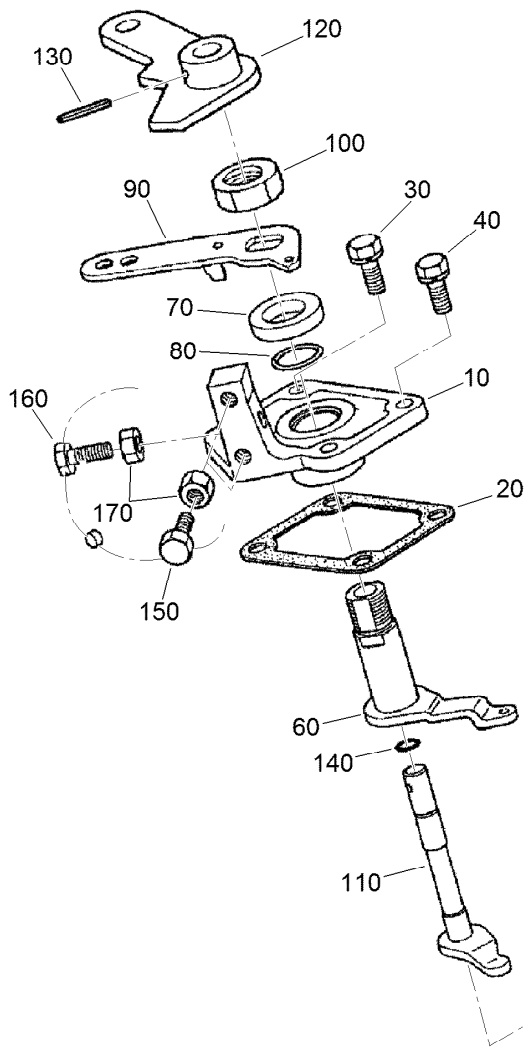
Idle Apparatus Assembly

<i>Ref.</i>	<i>Part Number</i>	<i>Qty.</i>	<i>Description</i>
10	100-1898	1	Idle Apparatus ASM
20	100-1899	1	Adjusting Bolt ASM
30	100-1846	1	Nut
40	100-1901	1	Nut-Cap
50	98-7428	2	Gasket
60	100-1902	1	Cap
70	110-3758	1	Bolt-Adjusting
80	100-2175	1	Nut-Lock
90	98-7654	1	Gasket
100	107-9081	1	Gasket
110	99-8387	1	Nut-Cap



Injection Pump Assembly

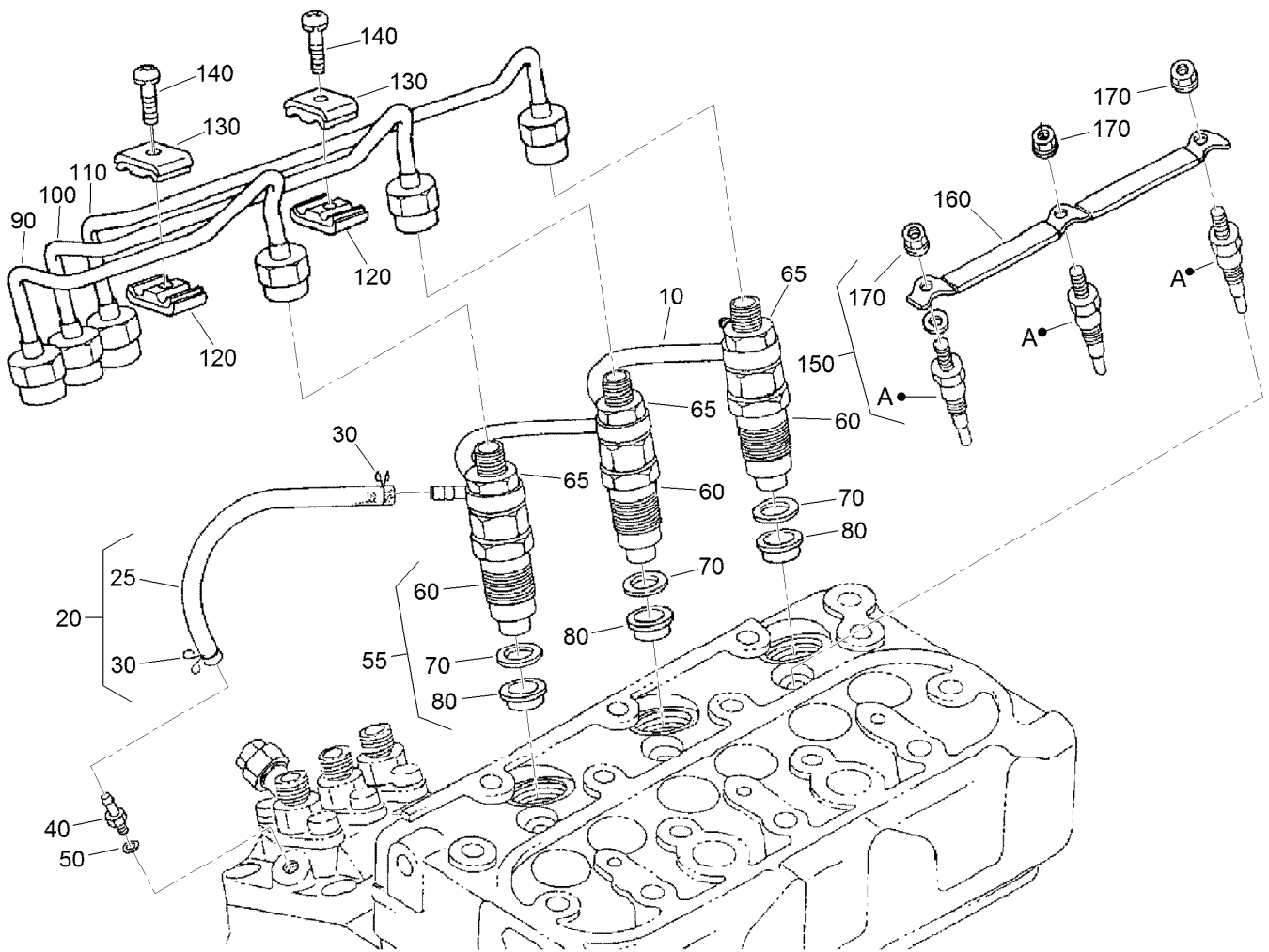
<i>Ref.</i>	<i>Part Number</i>	<i>Qty.</i>	<i>Description</i>	<i>Ref.</i>	<i>Part Number</i>	<i>Qty.</i>	<i>Description</i>
10	100-1928	1	Joint-Eye	70	98-7699	2	Washer-Spring
20	130-1223	1	Injection Pump ASM	80	100-1842	1	Fuel Pipe ASM
25	115-3045	1	Shim-Injection (0.175MM)	90	100-2217	2	Clip-Pipe
27	98-9456	1	Shim-Injection (0.20MM)	100	100-1896	1	Screw-Hollow
30	98-9457	1	Shim-Injection (0.25MM)	110	98-9445	2	Gasket
35	98-9458	1	Shim-Injection (0.30MM)	120	98-9430	1	Screw
37	115-3046	1	Shim-Injection (0.35MM)	130	98-9446	1	Gasket
40	117-7564	2	Bolt-Hex Soc HD	140	98-9466	1	Plug
50	98-9438	2	Stud	150	98-9451	1	Gasket
60	98-9440	2	Nut-Cap				



Speed Control Plate Assembly

<i>Ref.</i>	<i>Part Number</i>	<i>Qty.</i>	<i>Description</i>
10	110-3770	1	Plate-Control, Speed
20	100-1962	1	Gasket-Plate, Control
30	127-0403	2	Bolt-Flange
40	112-2507	2	Bolt
60	112-2822	1	Lever-Governor
70	110-3772	1	Collar
80	100-2208	1	O-Ring
90	110-3773	1	Lever-Control, Speed

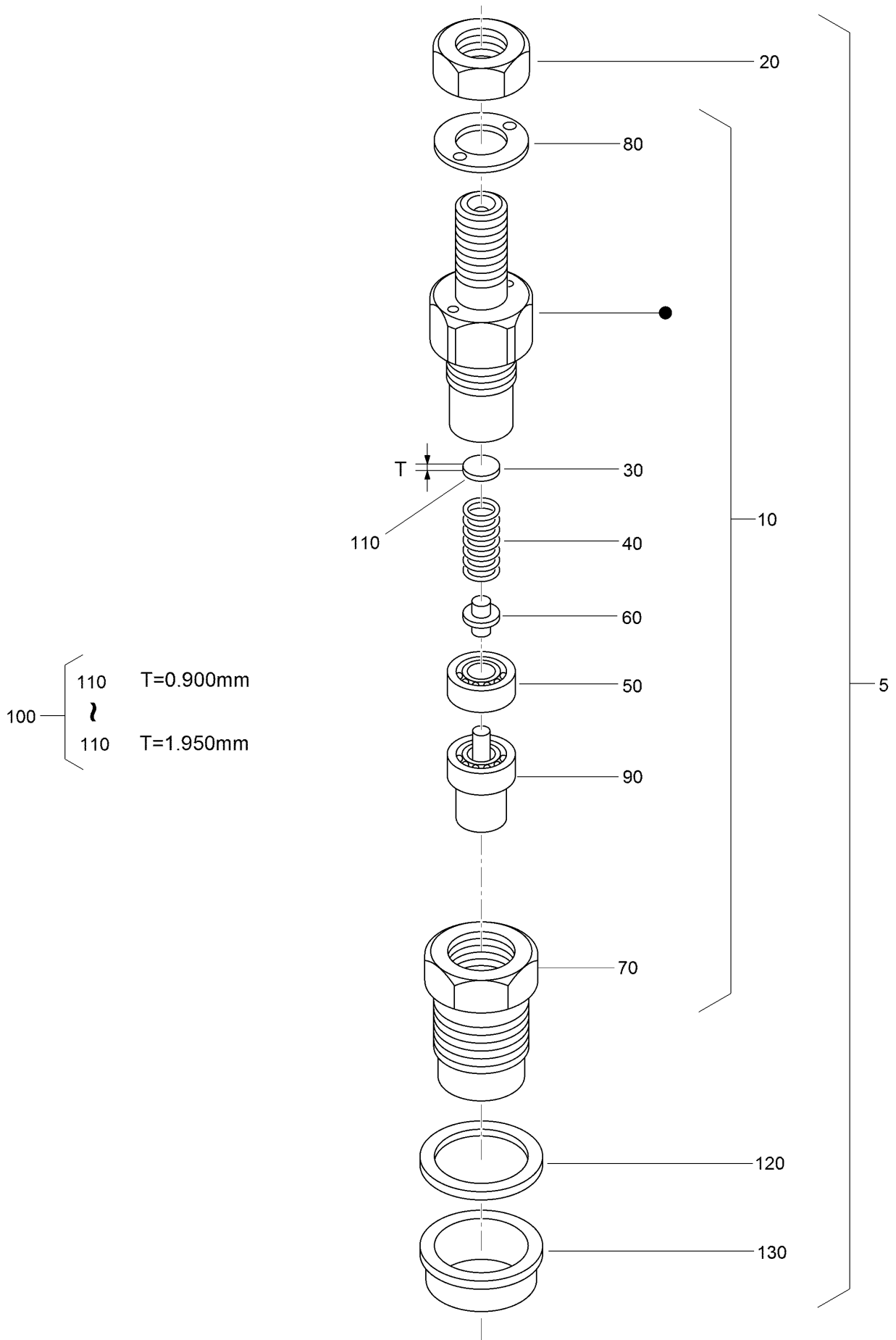
<i>Ref.</i>	<i>Part Number</i>	<i>Qty.</i>	<i>Description</i>
100	110-3774	1	Nut-Control, Speed
110	112-2826	1	Shaft-Lever
120	112-2827	1	Lever-Stop, Engine
130	110-3777	1	Pin-Spring
140	100-2207	1	O-Ring
150	120-3133	2	Screw-Stopper
160	120-3134	1	Bolt
170	98-7572	3	Nut



Nozzle Holder and Glow Plug Assembly

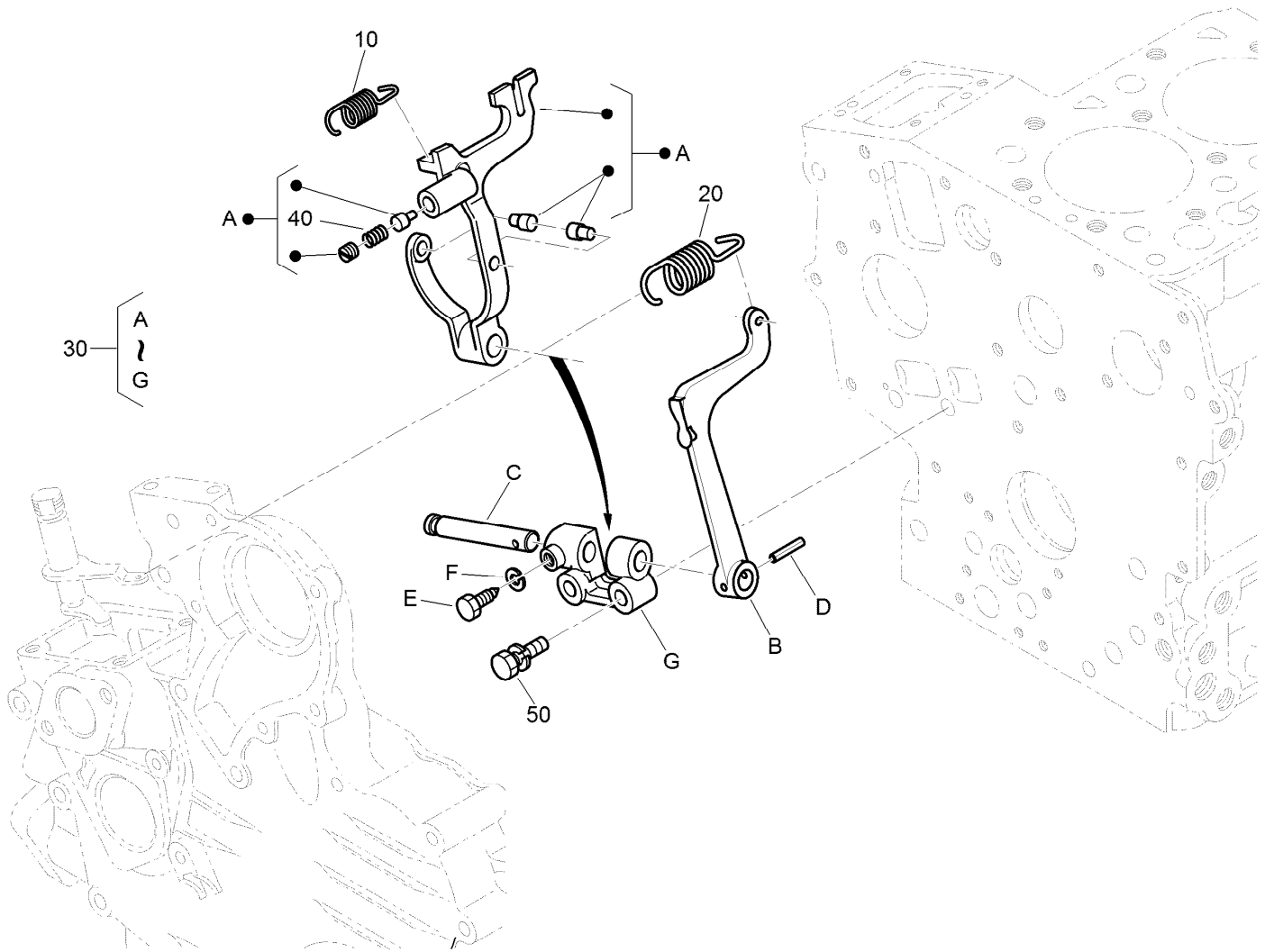
Ref.	Part Number	Qty.	Description	Ref.	Part Number	Qty.	Description
10	100-1960	1	Over Flow Pipe ASM	80	98-7677	3	Seal-Heat
20	98-9420	1	Overflow Pipe ASM	90	130-1414	1	Pipe-Injection
25	112-0182	1	Pipe-Overflow	100	130-1415	1	Pipe-Injection
30	98-7671	2	Clip-Pipe	110	130-1416	1	Pipe-Injection
40	98-9431	1	Screw-Bleeder, Air	120	98-7682	2	Clamp-Pipe
50	98-7654	1	Gasket	130	98-7683	2	Clamp-Pipe
55	130-1305	3	Nozzle Holder Kit	140	98-7684	2	Screw (W/Washer)
60	130-1303	3	Nozzle Holder ASM	150	130-1411	3	Plug-Glow
65	121-2411	3	Nut	160	100-2037	1	Cord-Plug, Glow
70	98-7676	3	Gasket	170	99-8377	3	Nut-Flange

Nozzle Holder Assembly



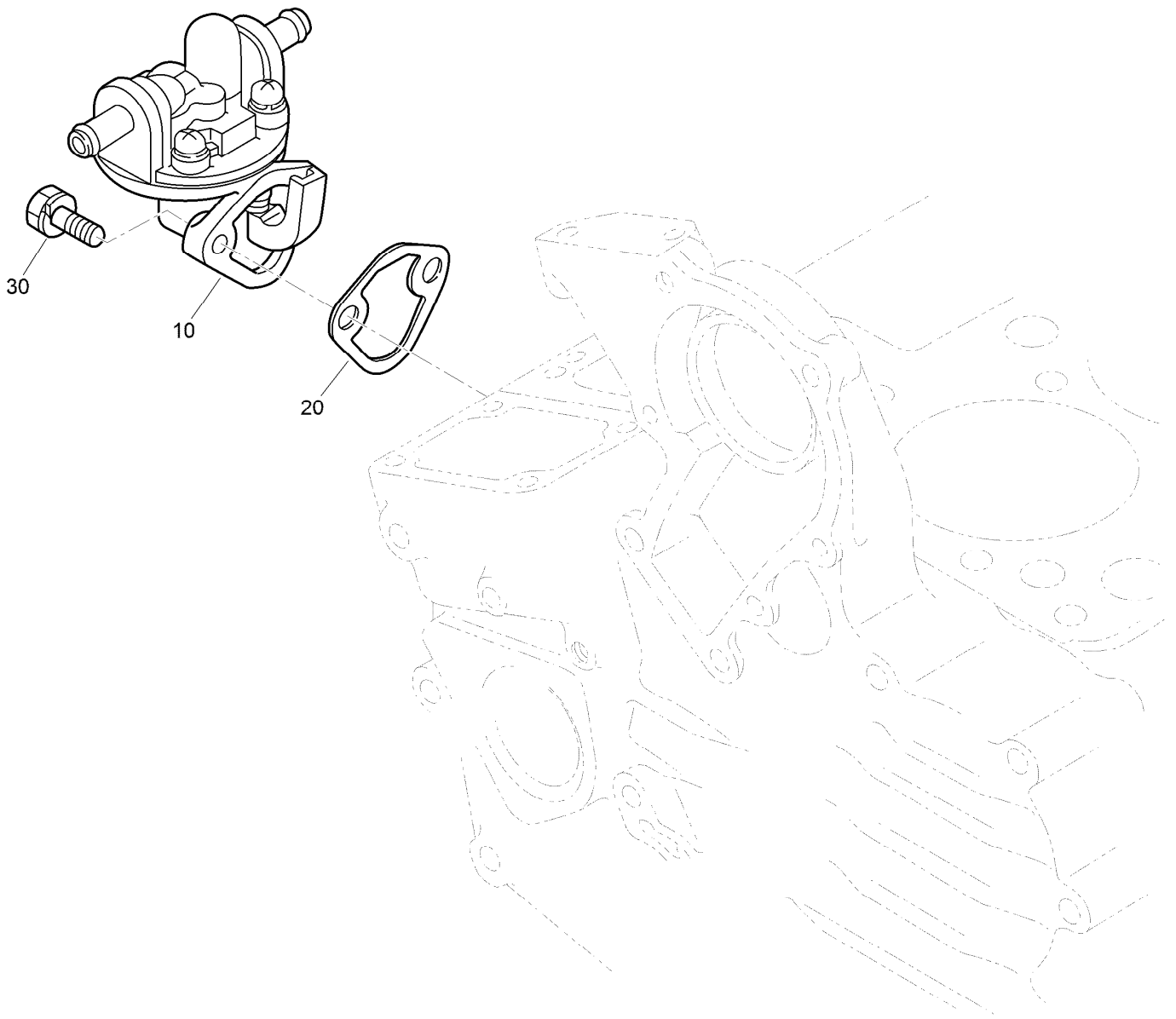
Nozzle Holder Assembly (continued)

<i>Ref.</i>	<i>Part Number</i>	<i>Qty.</i>	<i>Description</i>	<i>Ref.</i>	<i>Part Number</i>	<i>Qty.</i>	<i>Description</i>
5	130-1305	3	Nozzle Holder Kit	110	98-7860	3	Washer-Adjusting (1.400MM)
10	130-1303	3	Nozzle Holder ASM	110	98-7861	3	Washer-Adjusting (1.425MM)
20	121-2411	3	Nut	110	98-7862	3	Washer-Adjusting (1.450MM)
30	99-8302	3	Washer-Adjusting	110	98-7863	3	Washer-Adjusting (1.475MM)
40	99-8303	3	Spring-Nozzle	110	98-7864	3	Washer-Adjusting (1.500MM)
50	99-8304	3	Spacer-Distance	110	98-7865	3	Washer-Adjusting (1.525MM)
60	99-8305	3	Rod-Push	110	98-7866	3	Washer-Adjusting (1.550MM)
70	130-1304	3	Nut-Nozzle	110	98-7867	3	Washer-Adjusting (1.575MM)
80	99-8307	3	Washer-Plain	110	98-7868	3	Washer-Adjusting (1.600MM)
90	130-1497	3	Nozzle-Piece	110	98-7869	3	Washer-Adjusting (1.625MM)
100	98-9448	3	Adjusting Washer ASM	110	98-7870	3	Washer-Adjusting (1.650MM)
110	98-7642	3	Washer-Adjusting (0.900Mm)	110	98-7871	3	Washer-Adjusting (1.675MM)
110	98-7841	3	Washer-Adjusting (0.925Mm)	110	98-7872	3	Washer-Adjusting (1.700MM)
110	98-7842	3	Washer-Adjusting (0.950Mm)	110	98-7873	3	Washer-Adjusting (1.725MM)
110	98-7843	3	Washer-Adjusting (0.975Mm)	110	98-7874	3	Washer-Adjusting (1.750MM)
110	98-7844	3	Washer-Adjusting (1.000Mm)	110	98-7875	3	Washer-Adjusting (1.775MM)
110	98-7845	3	Washer-Adjusting (1.025Mm)	110	98-7876	3	Washer-Adjusting (1.800MM)
110	98-7846	3	Washer-Adjusting (1.050Mm)	110	98-7877	3	Washer-Adjusting (1.825MM)
110	98-7847	3	Washer-Adjusting (1.075MM)	110	98-7878	3	Washer-Adjusting (1.850MM)
110	98-7848	3	Washer-Adjusting (1.100MM)	110	98-7879	3	Washer-Adjusting (1.875MM)
110	98-7849	3	Washer-Adjusting (1.125MM)	110	98-7880	3	Washer-Adjusting (1.900MM)
110	98-7850	3	Washer-Adjusting (1.150MM)	110	98-7881	3	Washer-Adjusting (1.925MM)
110	98-7851	3	Washer-Adjusting (1.175MM)	110	98-7882	3	Washer-Adjusting (1.950MM)
110	98-7852	3	Washer-Adjusting (1.200MM)	120	98-7676	3	Gasket
110	98-7853	3	Washer-Adjusting (1.225MM)	130	98-7677	3	Seal-Heat
110	98-7854	3	Washer-Adjusting (1.250MM)				
110	98-7855	3	Washer-Adjusting (1.275MM)				
110	98-7856	3	Washer-Adjusting 1.300MM)				
110	98-7857	3	Washer-Adjusting (1.325MM)				
110	98-7858	3	Washer-Adjusting (1.350MM)				
110	98-7859	3	Washer-Adjusting (1.375MM)				



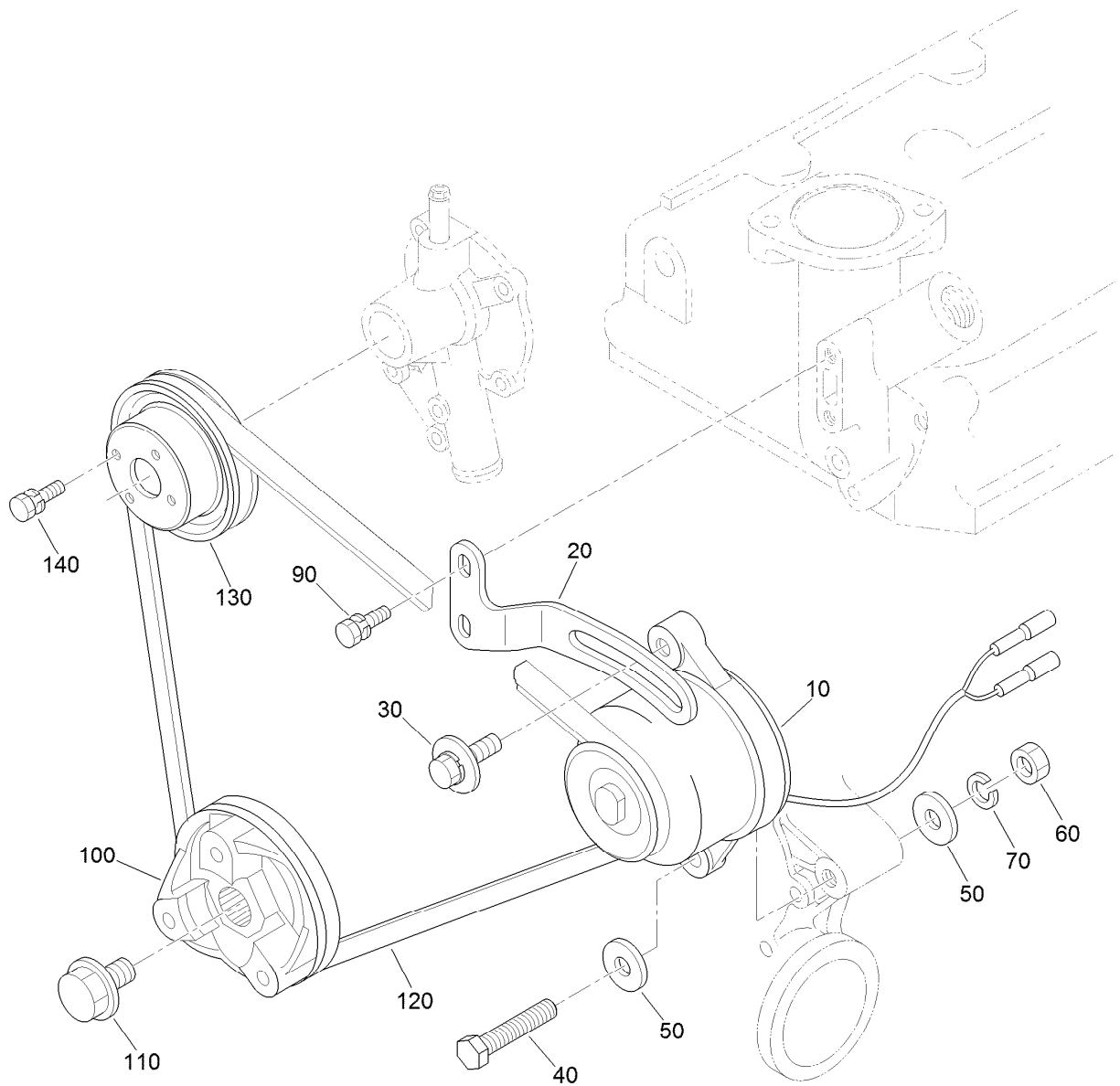
Fork Lever (Governor) Assembly

<i>Ref.</i>	<i>Part Number</i>	<i>Qty.</i>	<i>Description</i>
10	100-1911	1	Spring-Start
20	100-2059	1	Spring-Governor
30	130-1532	1	Fork Lever ASM
40	117-0313	1	Spring
50	100-1763	2	Bolt



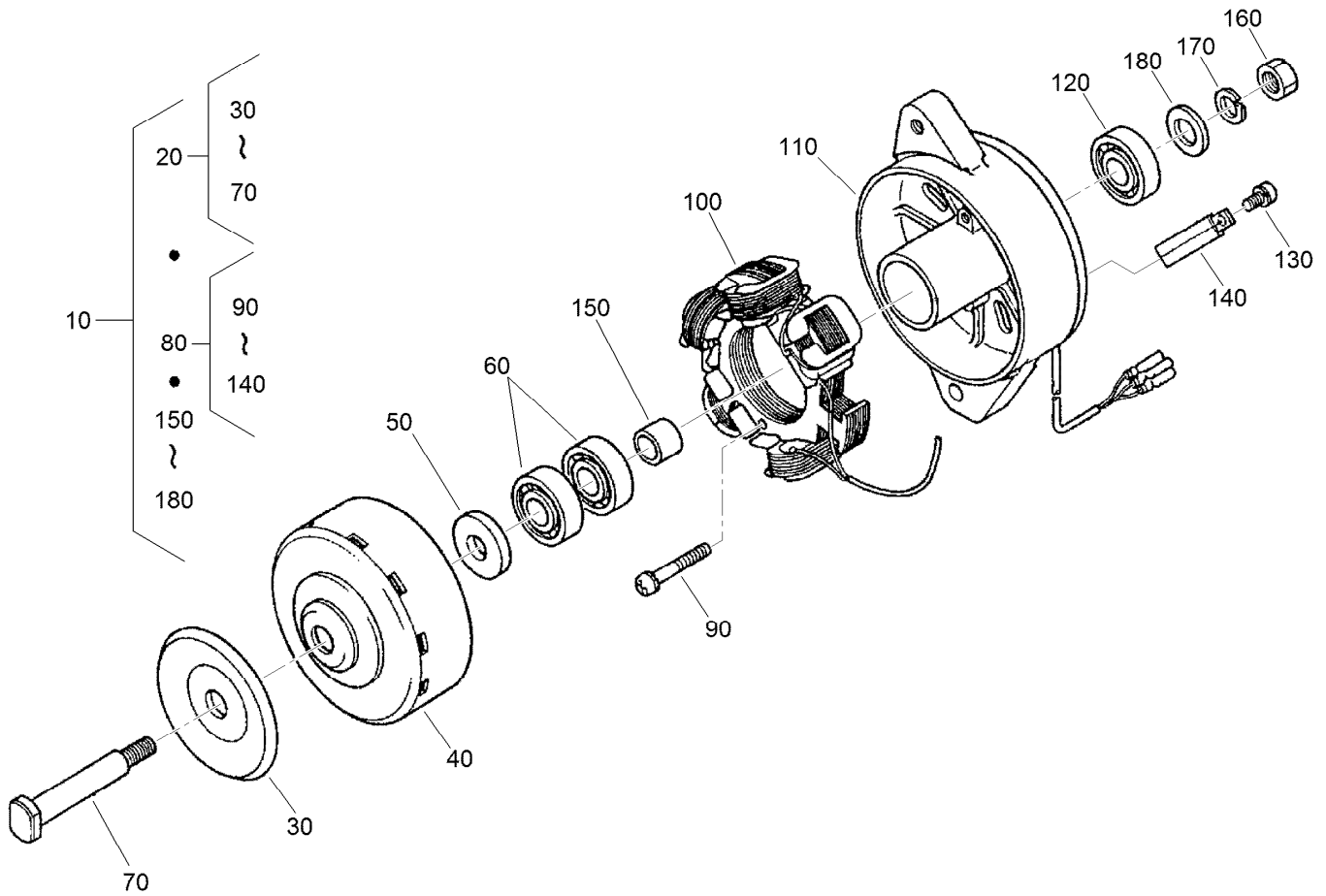
Fuel Pump (Mechanical) Assembly

<i>Ref.</i>	<i>Part Number</i>	<i>Qty.</i>	<i>Description</i>
10	100-2232	1	Fuel Pump ASM
20	98-9636	1	Gasket-Pump, Fuel
30	98-7692	2	Bolt



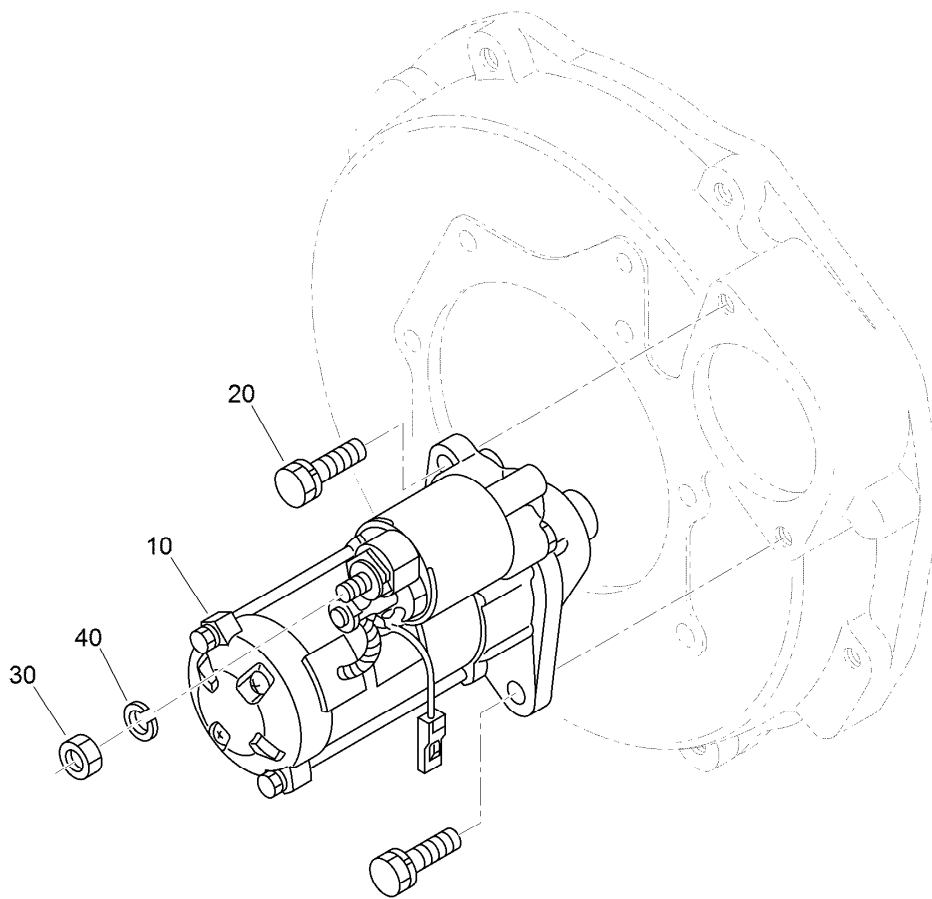
Dynamo, Pulley and Fan Assembly

<i>Ref.</i>	<i>Part Number</i>	<i>Qty.</i>	<i>Description</i>
10	100-2168	1	Dynamo ASM
20	100-2214	1	Stay-Dynamo
30	121-2413	1	Bolt
40	130-1154	1	Screw-Hex HD
50	120-5832	2	Washer-Plain
60	98-7534	1	Nut
70	105-2893	1	Washer-Spring
90	98-7692	2	Bolt
100	100-2039	1	Pulley-Drive, Fan
110	100-1978	1	Bolt
120	100-1979	1	V-Belt
130	100-1921	1	Pulley-Fan
140	99-8363	4	Bolt-Flange



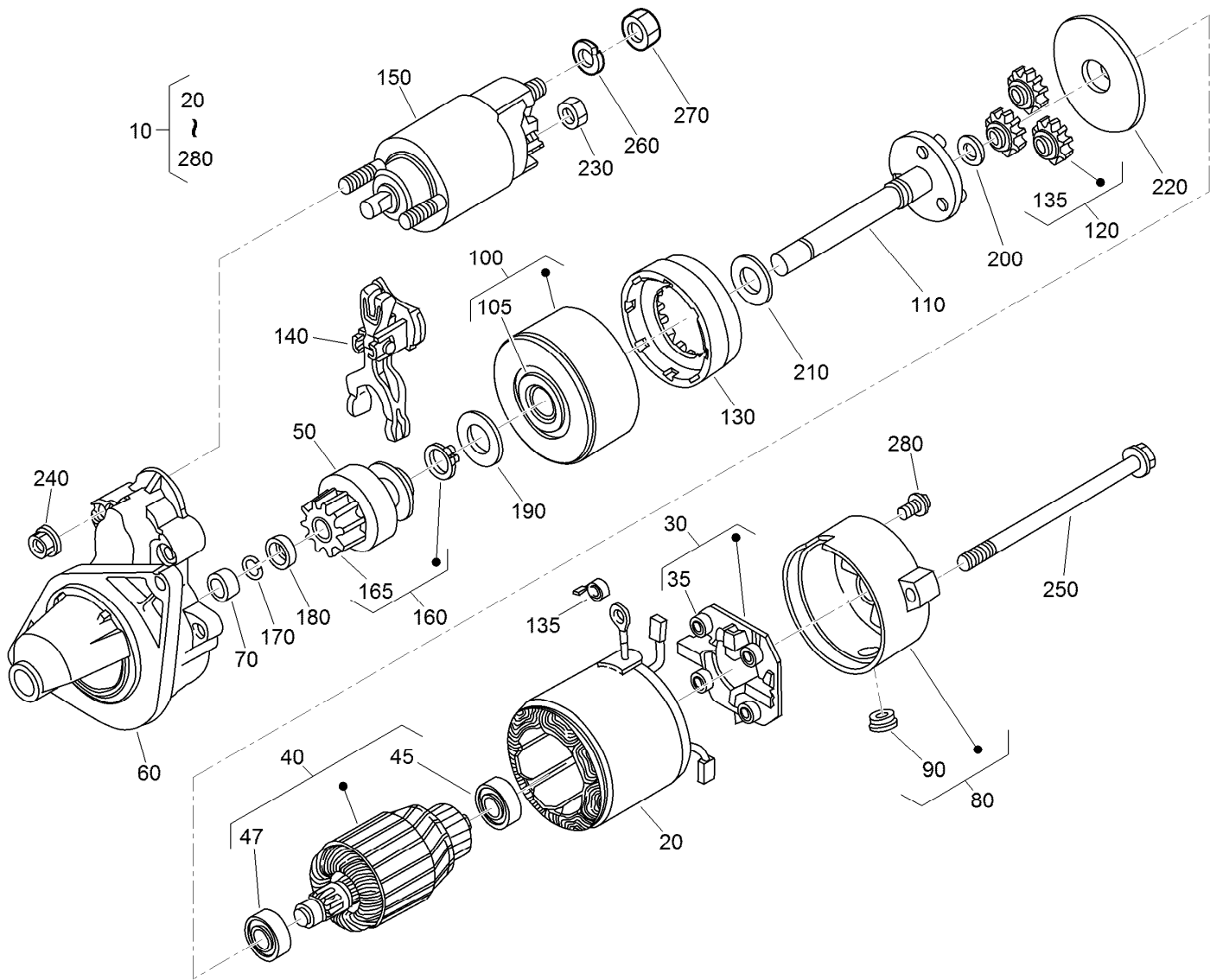
Dynamo Component Assembly No. 100-2168

<i>Ref.</i>	<i>Part Number</i>	<i>Qty.</i>	<i>Description</i>	<i>Ref.</i>	<i>Part Number</i>	<i>Qty.</i>	<i>Description</i>
10	100-2168	1	Dynamo ASM	100	100-1865	1	Stator
20	130-1205	1	Flywheel ASM	110	130-1204	1	Plate
30	100-2228	1	Pulley	120	100-1756	1	Bearing-Ball
40	130-1203	1	Flywheel	130	100-1868	1	Screw-Head, Round
50	100-2184	1	Collar	140	130-1191	1	Clamp-Cord
60	100-1756	2	Bearing-Ball	150	100-1844	1	Collar
70	130-1207	1	Shaft-Fan	160	100-1847	1	Nut
80	130-1206	1	Stator ASM	170	100-1850	1	Washer-Spring
90	100-1848	2	Screw-Head, Round	180	100-1849	1	Washer-Plain



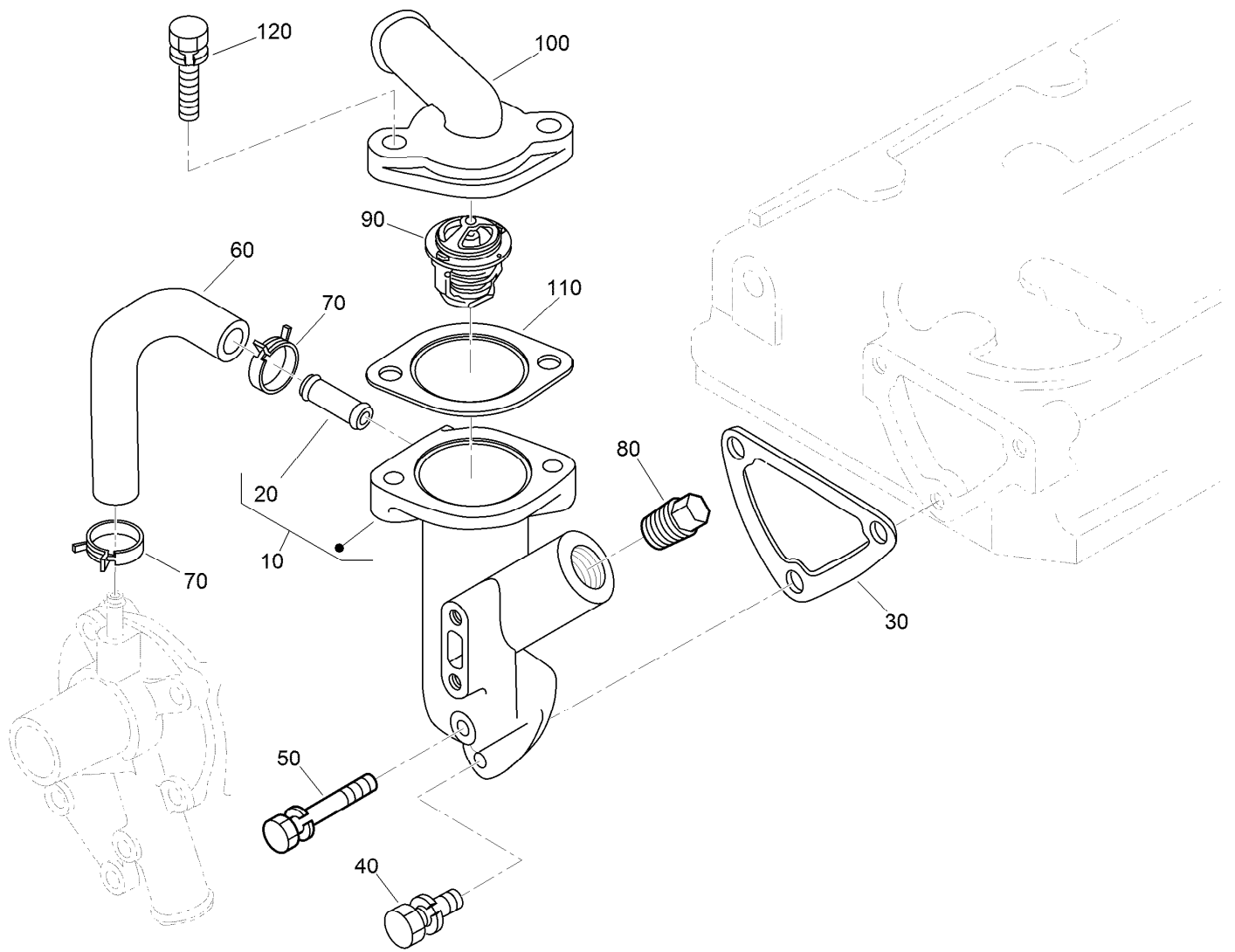
Starter Installation Assembly

<i>Ref.</i>	<i>Part Number</i>	<i>Qty.</i>	<i>Description</i>
10	100-2179	1	Starter ASM
20	98-7438	2	Bolt
30	98-7534	1	Nut
40	105-2893	1	Washer-Spring



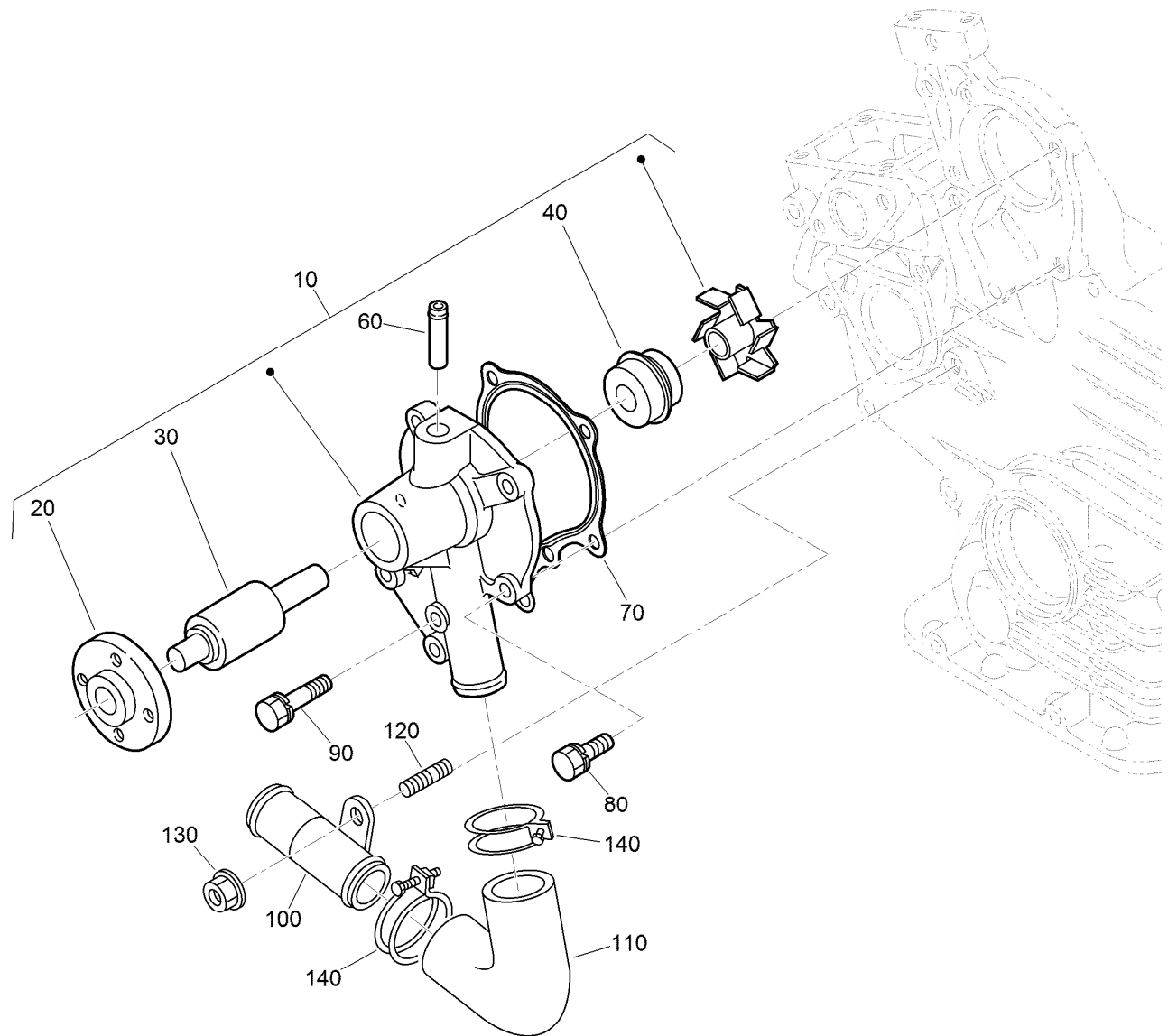
Starter Component Assembly No. 100-2179

Ref.	Part Number	Qty.	Description	Ref.	Part Number	Qty.	Description
10	100-2179	1	Starter ASM	135	98-7750	4	Spring-Brush
20	100-2181	1	Starter Yoke ASM	140	100-2218	1	Lever
30	100-2222	1	Holder ASM	150	100-2211	1	Magnetic Switch ASM
35	127-0415	4	Spring-Brush	160	100-2219	1	Ring-Snap
40	100-2182	1	Armature ASM	165	112-2833	1	Gear-Pinion
45	98-9412	1	Bearing-Ball	170	100-2212	1	Ring-Snap
47	98-9411	1	Bearing-Ball	180	100-2216	1	Collar
50	100-2185	1	Starter Clutch ASM	190	100-2224	1	Washer-Plain
60	100-2180	1	Starter Housing ASM	200	100-2225	1	Washer-Plain
70	100-2183	1	Bearing	210	100-2226	1	Washer-Plain
80	100-2186	1	Frame ASM	220	100-2227	1	Plate
90	100-2213	1	Cover	230	99-8371	1	Nut-Hex
100	100-2223	1	Bearing ASM	240	100-1813	2	Nut
105	127-0414	1	Bearing	250	100-2210	2	Bolt-Through
110	100-2187	1	Starter Shaft ASM	260	100-2215	1	Washer-Spring
120	100-2220	3	Gear	270	100-2171	1	Nut-Hex
130	100-2221	1	Gear	280	100-2188	2	Screw



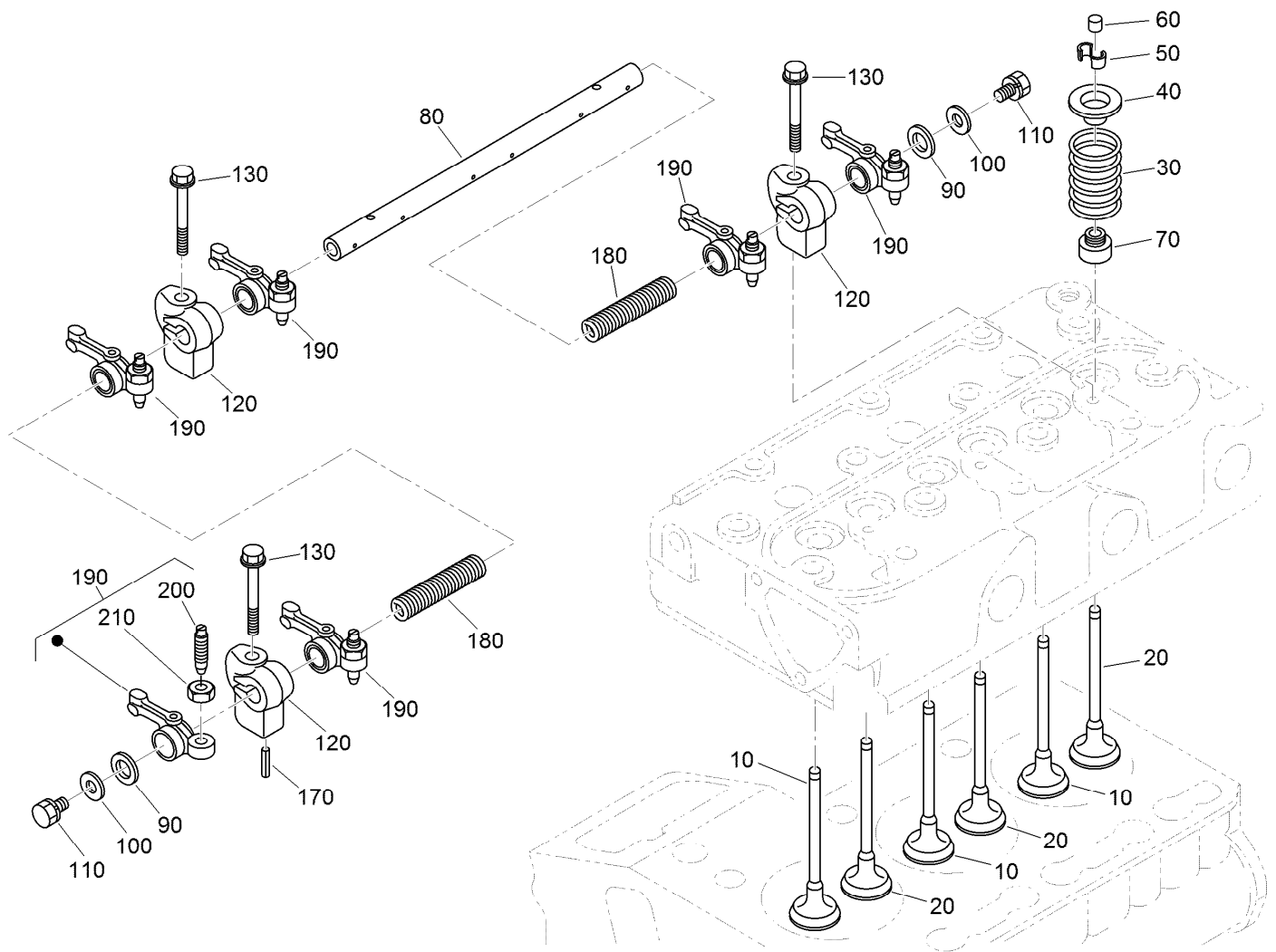
Water Flange and Thermostat Assembly

<i>Ref.</i>	<i>Part Number</i>	<i>Qty.</i>	<i>Description</i>
10	100-2165	1	Water Flange ASM
20	98-9580	1	Pipe-Return, Water
30	110-3820	1	Gasket-Flange, Water
40	98-7692	2	Bolt
50	125-9063	1	Bolt-Sems
60	100-2017	1	Pipe-Return, Water
70	125-9078	2	Clamp-Hose
80	110-3821	1	Plug
90	130-1327	1	Thermostat ASM
100	100-2231	1	Cover-Thermostat
110	100-2157	1	Gasket-Thermostat
120	98-9353	2	Bolt



Water Pump and Water Pipe Assembly

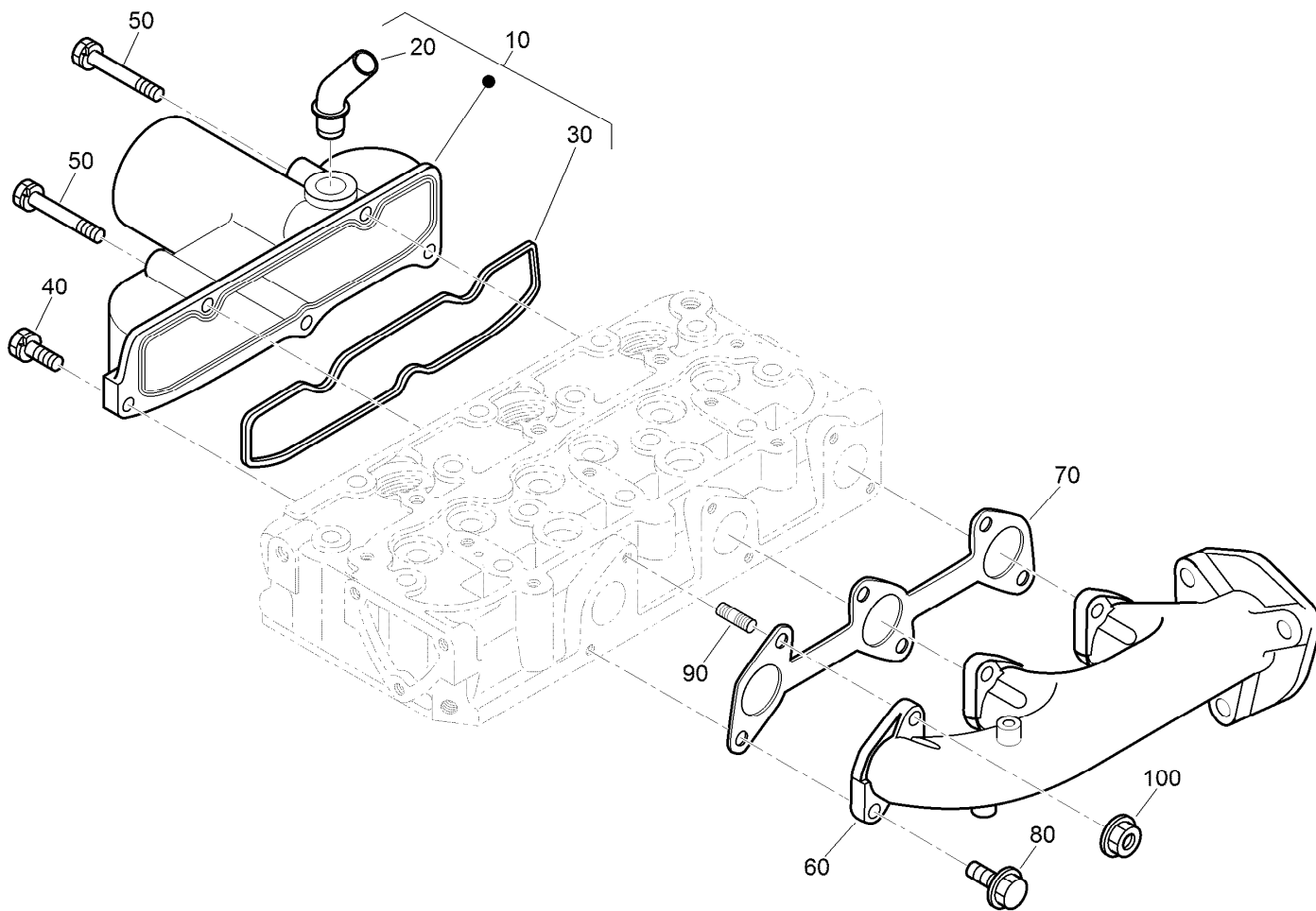
<i>Ref.</i>	<i>Part Number</i>	<i>Qty.</i>	<i>Description</i>
10	127-1607	1	Water Pump ASM
20	125-9081	1	Flange-Pump, Water
30	100-1934	1	Bearing-Ball
40	99-3518	1	Water Pump Seal ASM
60	100-1932	1	Pipe-Return, Water
70	117-8846	1	Gasket-Pump, Water
80	100-1750	4	Bolt
90	100-1764	1	Bolt
100	112-2835	1	Pipe-Water
110	112-2836	1	Hose-Water
120	100-1924	1	Stud
130	100-2203	1	Nut-Flange
140	110-3828	2	Band-Pipe



Valve and Rocker Arm Assembly

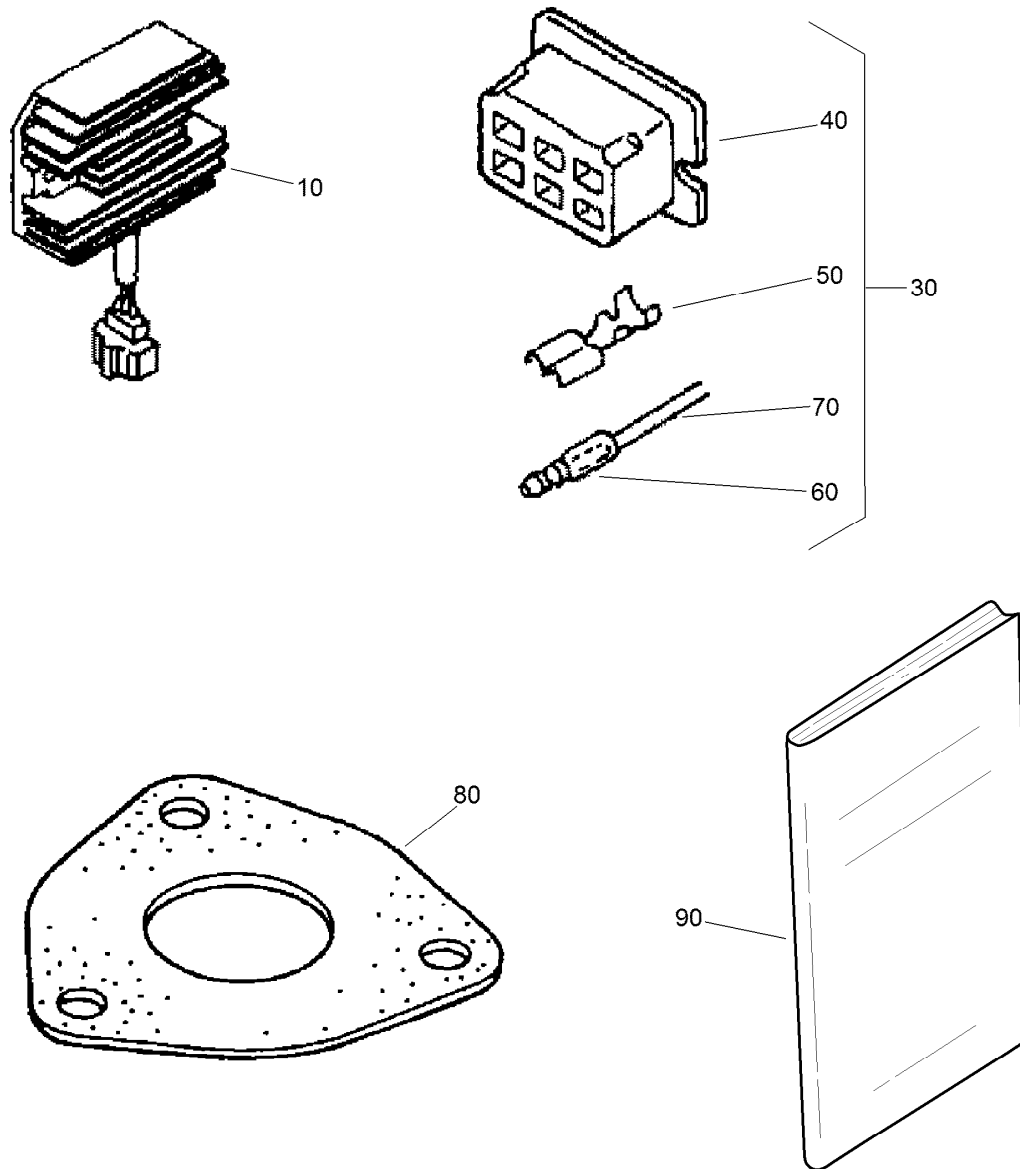
Ref.	Part Number	Qty.	Description
10	130-1412	3	Valve-Intake
20	130-1413	3	Valve-Exhaust
30	100-1823	6	Spring-Valve
40	100-1825	6	Retainer-Spring, Valve
50	120-3136	6	Collet-Spring, Valve
60	100-2155	6	Cap-Valve
70	100-1797	6	Seal-Stem, Valve
80	130-1213	1	Shaft-Rocker Arm
90	100-2044	2	Washer

Ref.	Part Number	Qty.	Description
100	110-3832	2	Washer-Plain
110	100-1762	2	Bolt
120	112-2838	3	Bracket-Arm, Rocker
130	110-3834	3	Bolt-Flange
170	98-7602	1	Pin-Spring
180	130-1178	2	Spring-Rocker Arm
190	100-1884	6	Rocker Arm ASM
200	100-1885	6	Screw-Adjusting
210	100-1827	6	Nut



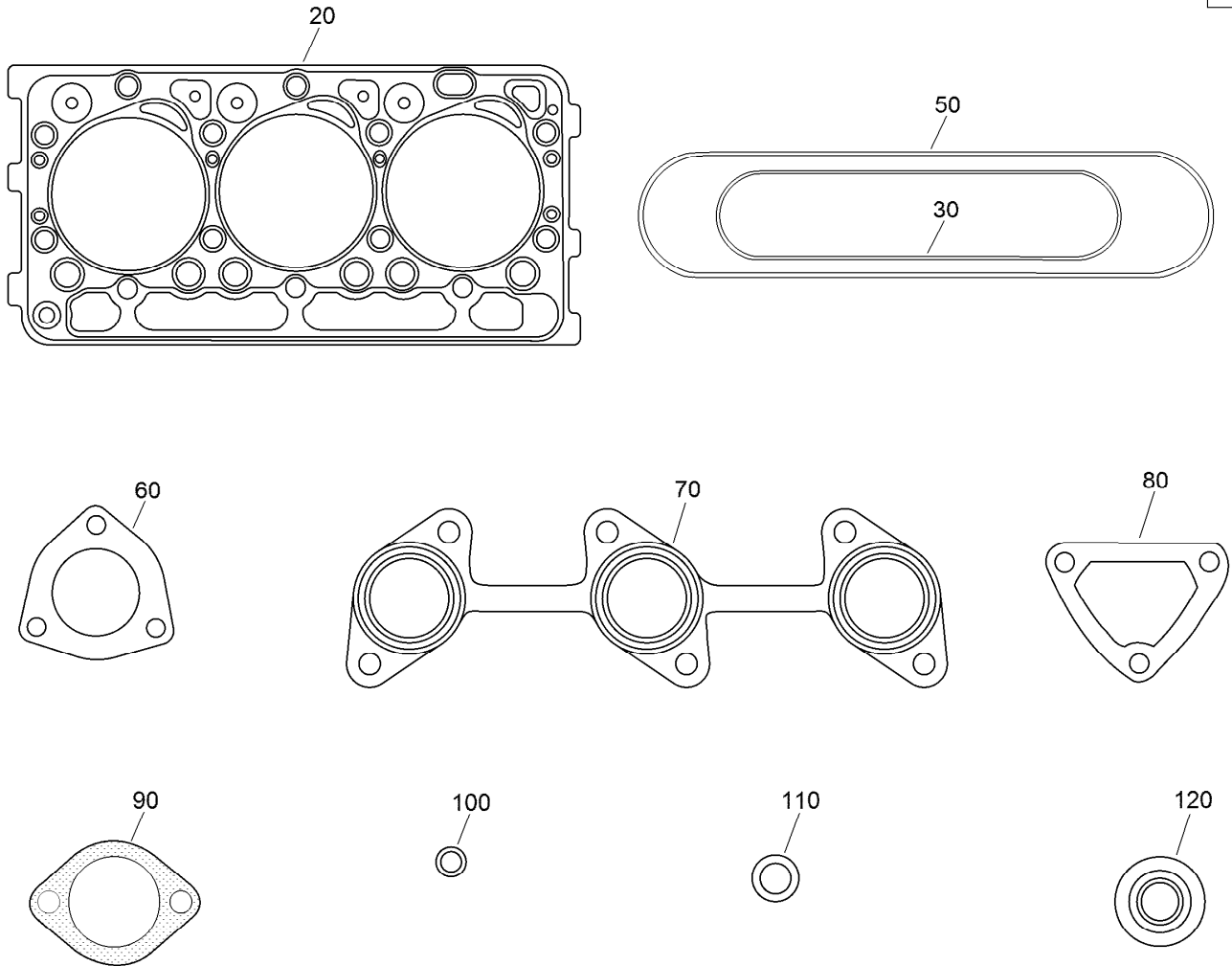
Inlet and Exhaust Manifold Assembly

<i>Ref.</i>	<i>Part Number</i>	<i>Qty.</i>	<i>Description</i>
10	112-2839	1	Intake Manifold ASM
20	110-3837	1	Pipe-Breather
30	100-1937	1	Gasket-Manifold, Intake
40	127-0403	2	Bolt-Flange
50	100-1765	3	Bolt
60	100-2244	1	Manifold-Exhaust
70	130-1384	1	Gasket-Manifold, Exhaust
80	130-1514	3	Bolt-Ubs
90	130-1156	3	Bolt-Stud
100	100-1778	3	Nut



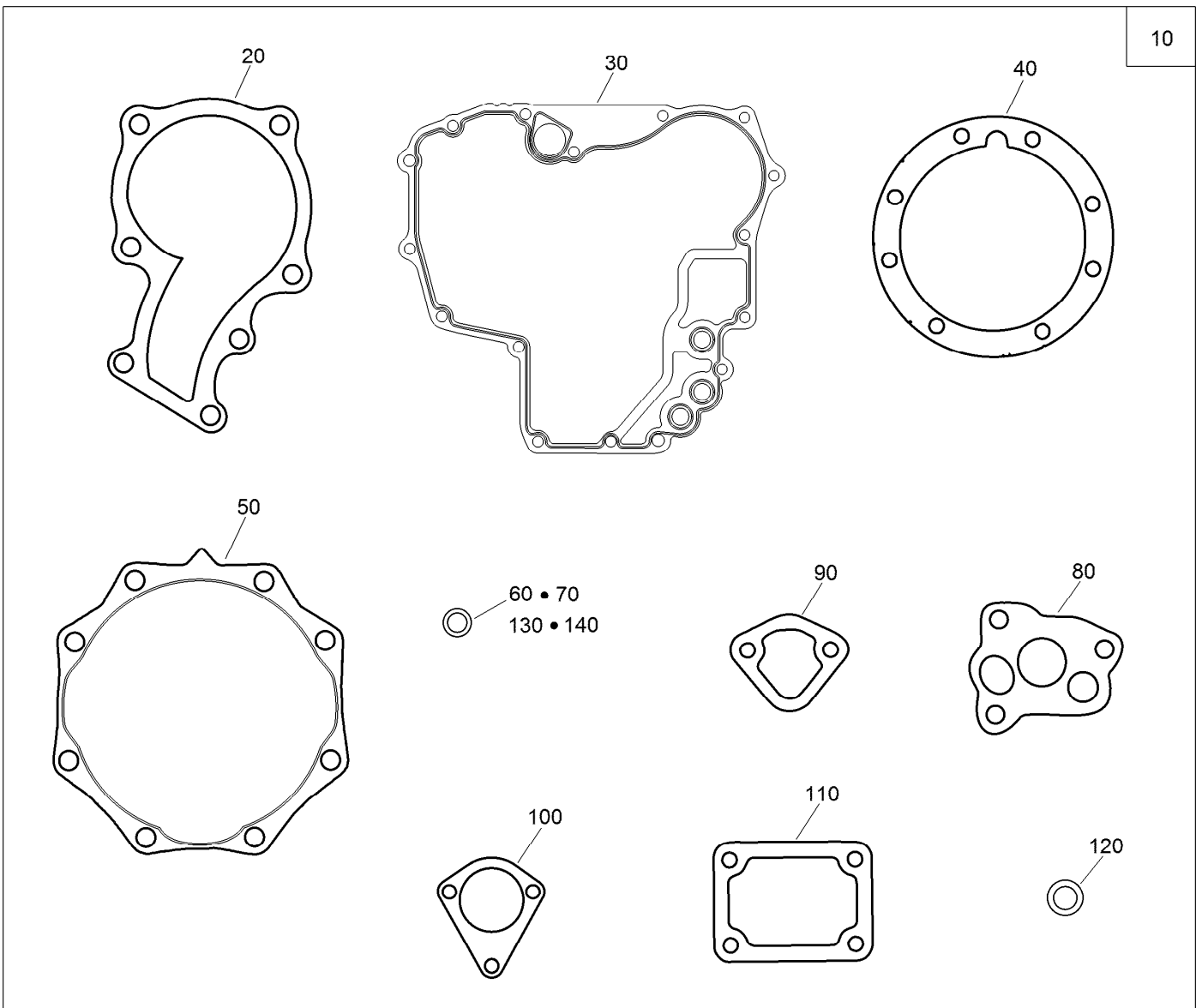
Miscellaneous Engine Parts

<i>Ref.</i>	<i>Part Number</i>	<i>Qty.</i>	<i>Description</i>
10	130-1570	1	Regulator ASM
30	100-2058	1	Coupler ASM
40	100-2056	1	Connector
50	98-9699	6	Terminal
60	98-9701	2	Terminal
70	98-9702	2	Sleeve
80	100-2238	1	Gasket-Muffler
90	130-1513	1	Manual-Operator



Upper Engine Gasket Kit

Ref.	Part Number	Qty.	Description
10	130-1383	1	Upper Gasket Kit
20	130-1525	1	Gasket-Head, Cylinder
30	112-2842	1	Gasket-Cover, Head
50	100-1937	1	Gasket-Manifold, Intake
60	100-2238	1	Gasket-Muffler
70	130-1384	1	Gasket-Manifold, Exhaust
80	110-3820	1	Gasket-Flange, Water
90	100-2157	1	Gasket-Thermostat
100	99-3446	1	O-Ring
110	98-7654	3	Gasket
120	100-1797	6	Seal-Stem, Valve



Lower Engine Gasket Kit

Ref.	Part Number	Qty.	Description
10	130-1365	1	Lower Gasket Kit
20	117-8846	1	Gasket-Pump, Water
30	130-1302	1	Gasket-Case, Gear
40	100-1873	1	Gasket-Case, Bearing
50	100-1876	1	Gasket-Cover, Case
60	100-2209	1	O-Ring
70	105-3776	1	O-Ring
80	100-2003	1	Gasket-Pump, Oil
90	98-9636	1	Gasket-Pump, Fuel
100	100-2062	1	Gasket
110	100-1962	1	Gasket-Plate, Control
120	98-7428	2	Gasket
130	100-2208	1	O-Ring
140	100-2207	1	O-Ring

Attachments and Accessories

For 22337CP 320-D Compact Utility Loader

Product Name	Model/Part
Tire Chain Kit	100-4140
Helmet-Face Shield	100-4143
Light Kit.....	100-8940
Narrow Tire ASM	104-0572
Tube-Tire (18 x 8.50-10)	105-4070
Rubber Foot Mat.....	105-5805
Tube-Tire (18 X 8.50-8).....	106396
4 Cubic Foot Standard Bucket	22409
Loose Materials Bucket	22410
48in Hydraulic Blade	22414
Rotary Broom	22415
Bore Drive Head	22420
Rod and Reamer	22421
Multi-Purpose Tool.....	22423
Power Box Rake.....	22425
Stump Grinder	22429
Tree Forks	22438
Cement Bowl	22442
40in Tiller	22445
Snowthrower.....	22456
Trencher Head.....	22470
High-Speed Trencher Head	22471
Trench Filler.....	22472
Narrow Bucket.....	22520
Grapple Rake	22521
Over-the-Tire Rubber Tracks	22662
Auger Head	22805
Universal Swivel Auger Head	22806
Vibratory Plow	22911
Soil Cultivator	23101
Concrete Breaker	23135
Backhoe.....	23163
Adjustable Forks.....	23164
Leveler.....	23165
Tube	232-37
LH Wheel And Tire ASM.....	98-2747
Wheel and Tire ASM.....	98-4709
RH Wheel And Tire ASM	99-1447
RH Wheel And Tire ASM (Powerlug)	99-3140
LH Wheel And Tire ASM (Powerlug).....	99-3141
Hydraulic Relief Valve Kit.....	99-4360



Count on it.