



**Count on it.**

**Parts Catalog**

**Dingo® 320-D  
Compact Utility Loader**

Model No. 22303—Serial No. 260000001 and Up



# Ordering Replacement Parts

To order replacement parts, please supply the part number, the quantity, and the description of each part desired.

## Understanding Reference Numbers

Each identified part in an illustration has a reference number. The reference number for a part also appears in the parts list, along with other information about the part.

This catalog uses two special reference number formats, one to indicate parts in a service assembly and another to indicate the quantity of a given part in an illustration.

## Service Assembly Reference Numbers

Parts in service assemblies have reference numbers in the form a:b. The a represents the reference number of the entire service assembly and the b represents a sequential number unique to each part within the service assembly.

For example, a wheel assembly might be identified by reference number 6, the tire by 6:1, the valve by 6:2, and the wheel by 6:3. When you order the assembly identified by reference number 6, you receive all parts identified by reference numbers 6:1, 6:2, and 6:3. However, you may also order any part individually. Reference numbers of this type appear in illustration and in parts lists.

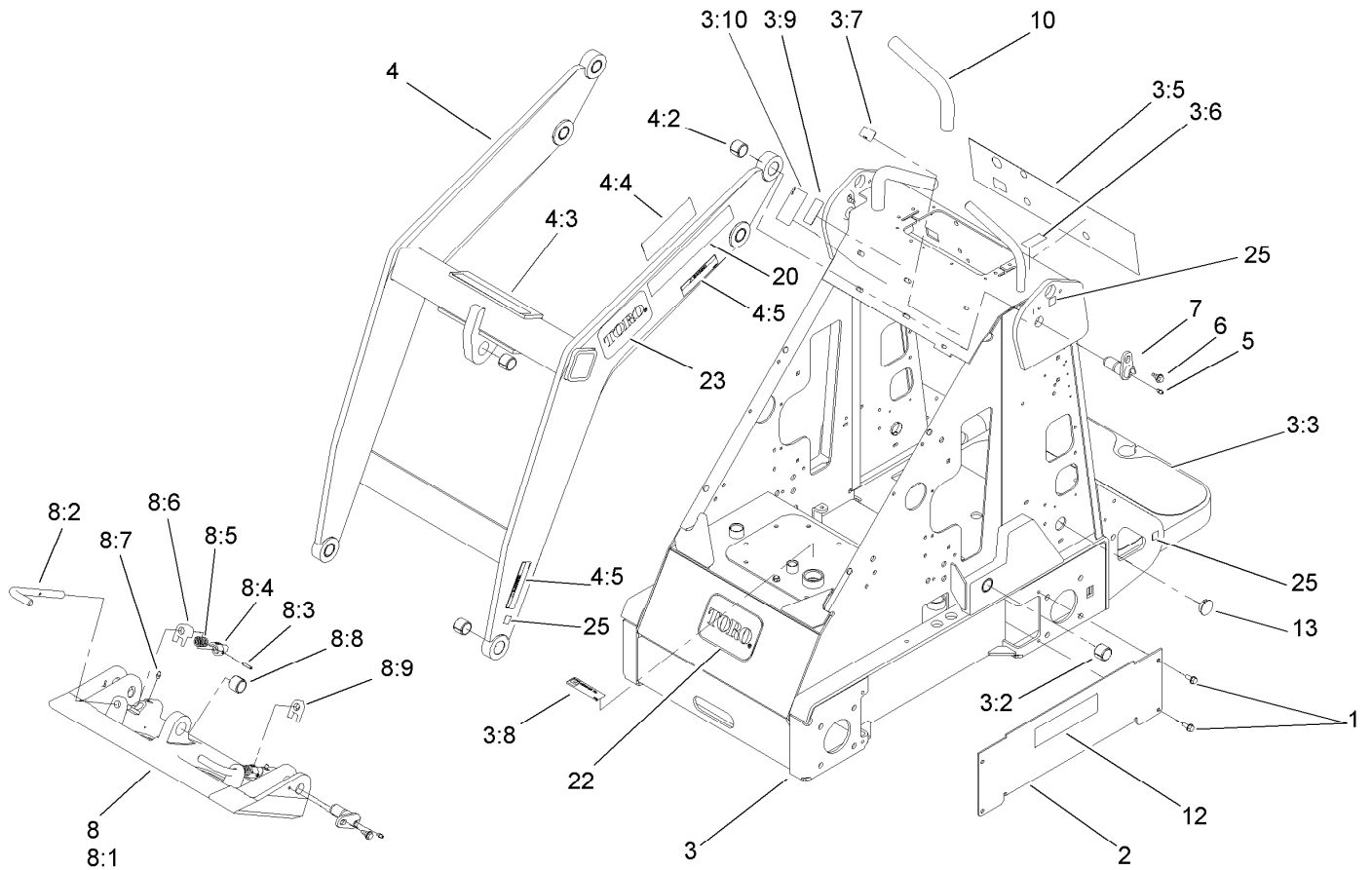
## Reference Numbers Indicating Quantity

In an illustration, if a reference number indicates more than one part, the reference number has the form nX y. The n represents the quantity of the part, the X is the multiplication symbol, and the y represents the reference number.

For example, in an illustration, the reference number 2X 37 means that two of the parts identified by reference number 37 are indicated.

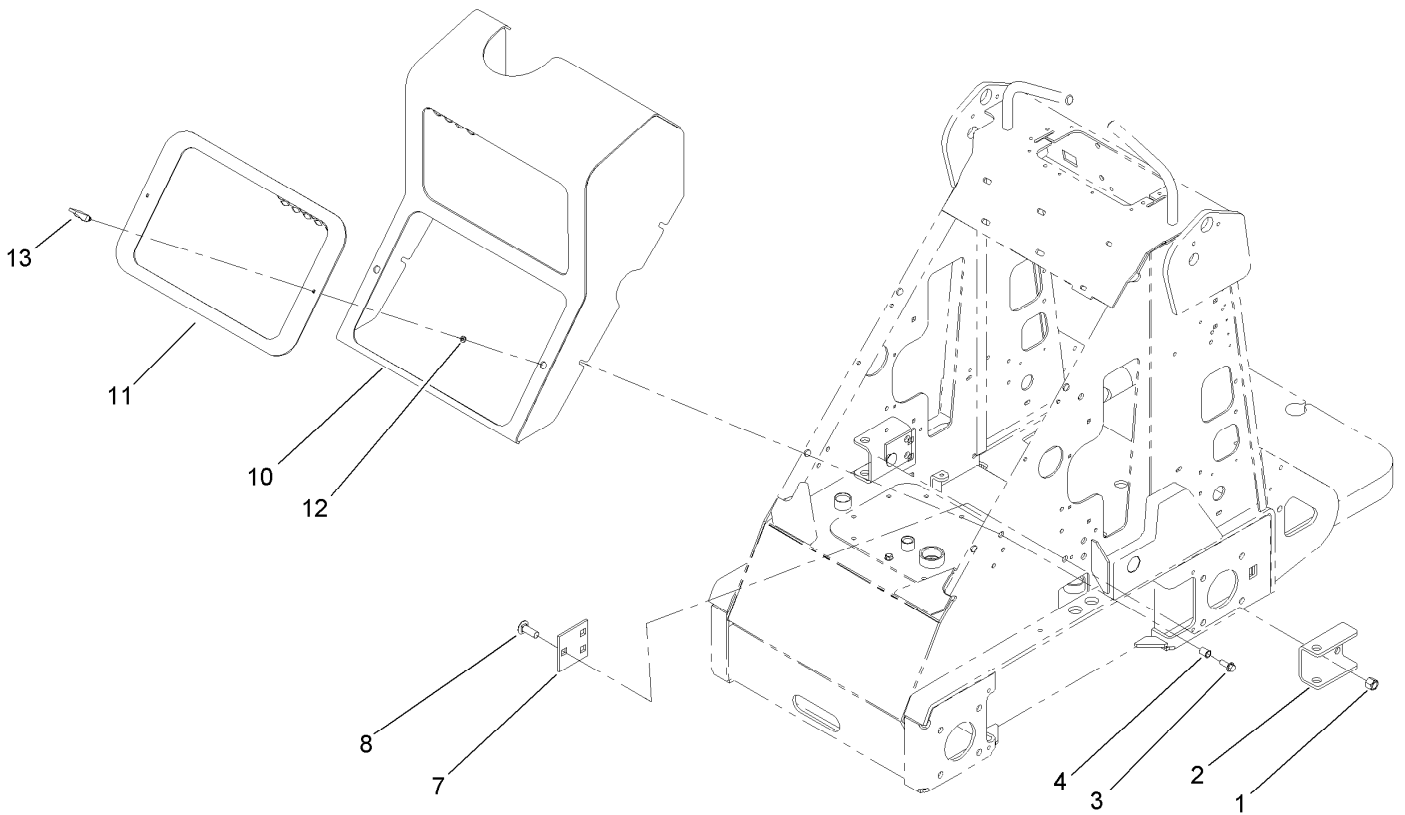
# Contents

Frame and Loader Arm Assembly	4
Hood and Screen Assembly	5
Wheel and Motor Assembly	6
Hydraulic Motor Assembly No. 99-3052	7
Engine Assembly	8
Engine Mounting Assembly	10
Fuel Tank and Air Filter Assembly	11
Air Cleaner Assembly No. 99-3160	12
Radiator Mount Assembly	13
Hydraulic Tank and Filter Assembly	14
Auxillary Control Lever Assembly	15
Hydraulic Valve Assembly	16
Auxiliary Hydraulic Valve Assembly No. 99-3077	17
Hydraulic Valve Assembly No. 104-4221	18
Hydraulic Selector Valve Assembly No. 99-3072	19
4-Spool Valve Assembly	20
Four Spool Hydraulic Valve Assembly No. 105-8377	21
Hydraulic Motor Assembly	22
Counterbalance Valve Assembly No. 99-3040	23
Hydraulic Cylinder Assembly	24
Rear Cover Assembly	25
Battery Mount Assembly	26
Electrical Component Assembly	27
Crankcase Assembly	28
Oil Pan Assembly	29
Cylinder Head Assembly	30
Gear Case and Oil Filter Assembly	31
Head Cover Assembly	32
Dipstick and Guide Assembly	33
Main Bearing Case Assembly	34
Camshaft and Idle Gear Shaft Assembly	35
Piston and Crankshaft Assembly	36
Flywheel Assembly	37
Fuel Camshaft and Governor Shaft Assembly	38
Idle Apparatus Assembly	39
Injection Pump Assembly	40
Governor Assembly	41
Speed Control Plate Assembly	42
Nozzle Holder and Glow Plug Assembly	43
Nozzle Holder Assembly	44
Fuel Pump Installation Assembly	46
Dynamo Pulley Assembly	47
Dynamo Assembly	48
Starter Installation Assembly	49
Starter Assembly	50
Oil Switch and Thermometer Assembly	51
Water Flange and Thermostat Assembly	52
Water Pump Assembly	53
Water Pipe Assembly	54
Valve and Rocker Arm Assembly	55
Intake Manifold Assembly	56
Exhaust Manifold Assembly	57
Gasket Kit Assembly	58
Attachments and Accessories	59



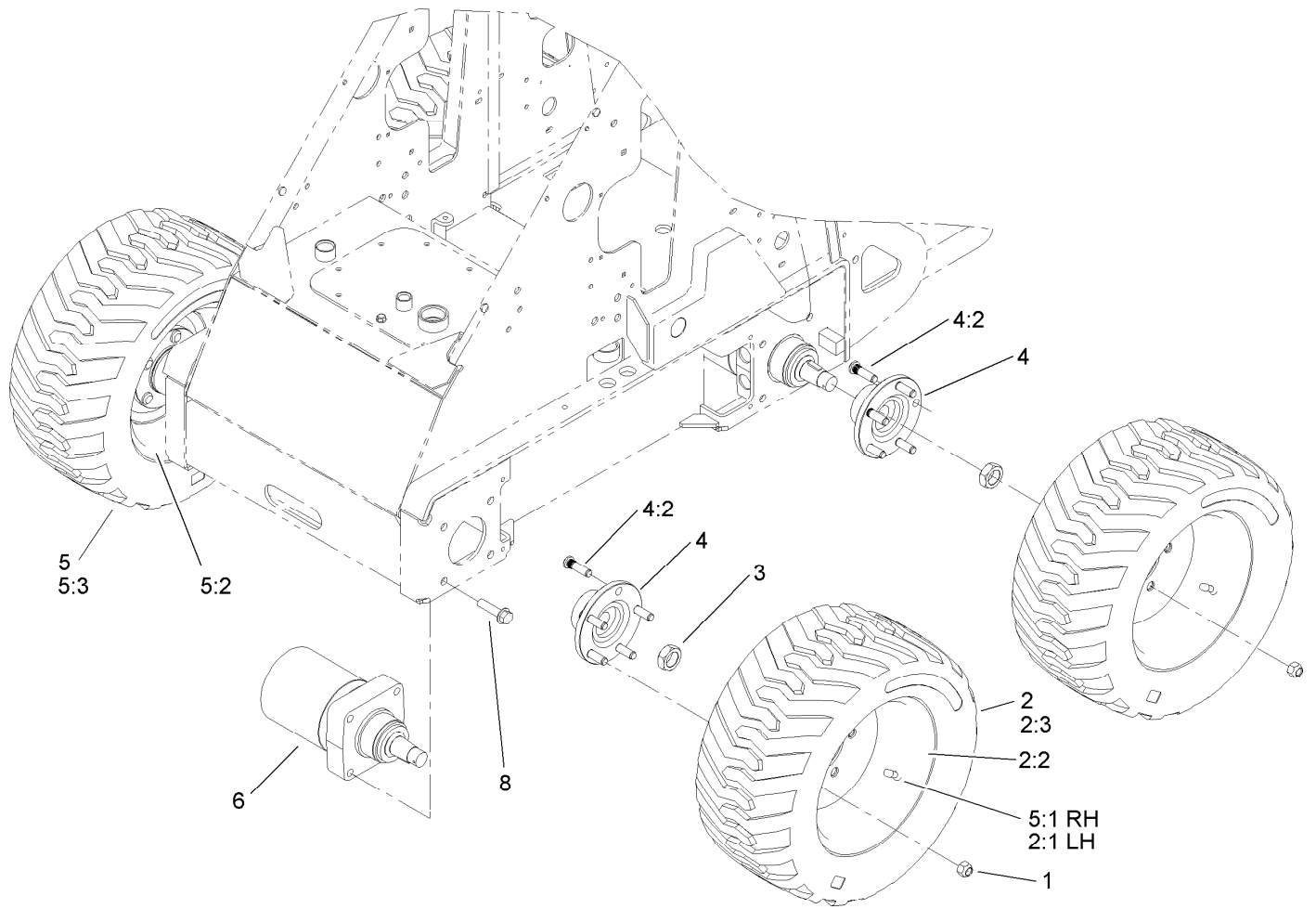
## Frame and Loader Arm Assembly

Ref.	Part Number	Qty.	Description	Ref.	Part Number	Qty.	Description
1	32144-70	8	Screw-HWHTF	7	99-1414	4	Pin-Pivot
2	106-8178-01	2	Cover-Hose	8	105-8364	1	Quick Attach ASM
3	106-8185	1	Frame ASM	8:1	105-0245-03	1	Mount-Attach, Quick
3:2	98-4871	2	Bushing-Tension	8:2	105-8367	2	Pin-Locking
3:3	98-9947	2	Tread-Foot	8:3	3285-1	2	Pin-Grooved
3:5	108-9732	1	Decal-Panel, Control	8:4	105-0246	2	Cam
3:6	98-8219	1	Decal-Throttle	8:5	98-4694	2	Spring-Compression
3:7	98-8220	1	Decal-Limiter, Speed	8:6	104-5909	1	Stop-RH
3:8	105-8432	1	Decal-Oil, HYD	8:7	302-5	2	Fitting-Grease
3:9	98-8235	1	Decal-Selector	8:8	98-4871	1	Bushing-Tension
3:10	98-4677	1	Decal-Power, Auxiliary	8:9	104-5903	1	Stop-LH
4	106-8155	1	Loader ASM	10	98-4845	2	Grip-Cushion
4:2	98-4871	7	Bushing-Tension	12	105-8429	2	Decal
4:3	98-4682	1	Decal-Caution	13	94-1402	2	Plug-Hole
4:4	98-9051	1	Decal-Danger	20	105-8428	2	Decal
4:5	100-6141	4	Decal-Pinch	22	62-5550	1	Decal
5	302-5	4	Fitting-Grease	23	93-7340	2	Decal
6	99-5105	4	Screw-Shoulder	25	93-9084	6	Decal-Point, Lift



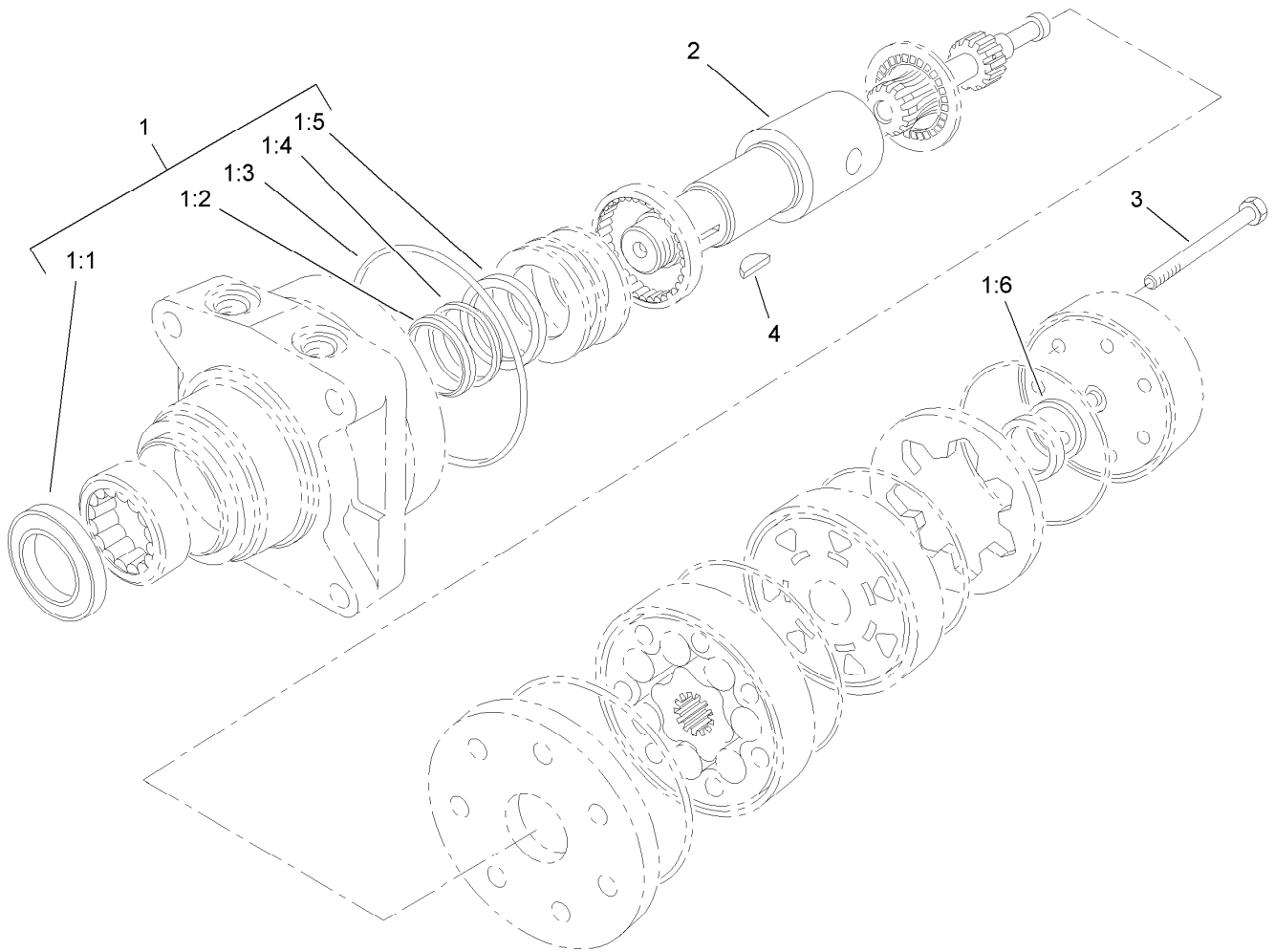
## Hood and Screen Assembly

<i>Ref.</i>	<i>Part Number</i>	<i>Qty.</i>	<i>Description</i>
1	3296-23	6	Nut-Lock, NI
2	100-4122-01	2	Bracket-Anchor
3	3234-29	4	Screw-HHF
4	32148-8	4	Nut-Clinch
7	100-4116-01	2	Plate-Anchor
8	3233-26	6	Screw-CARR, Shortneck
10	99-3120-03	1	Hood
11	99-3118-03	1	Cover
12	99-3058	2	Washer
13	74-5950	2	Latch-Swell



## Wheel and Motor Assembly

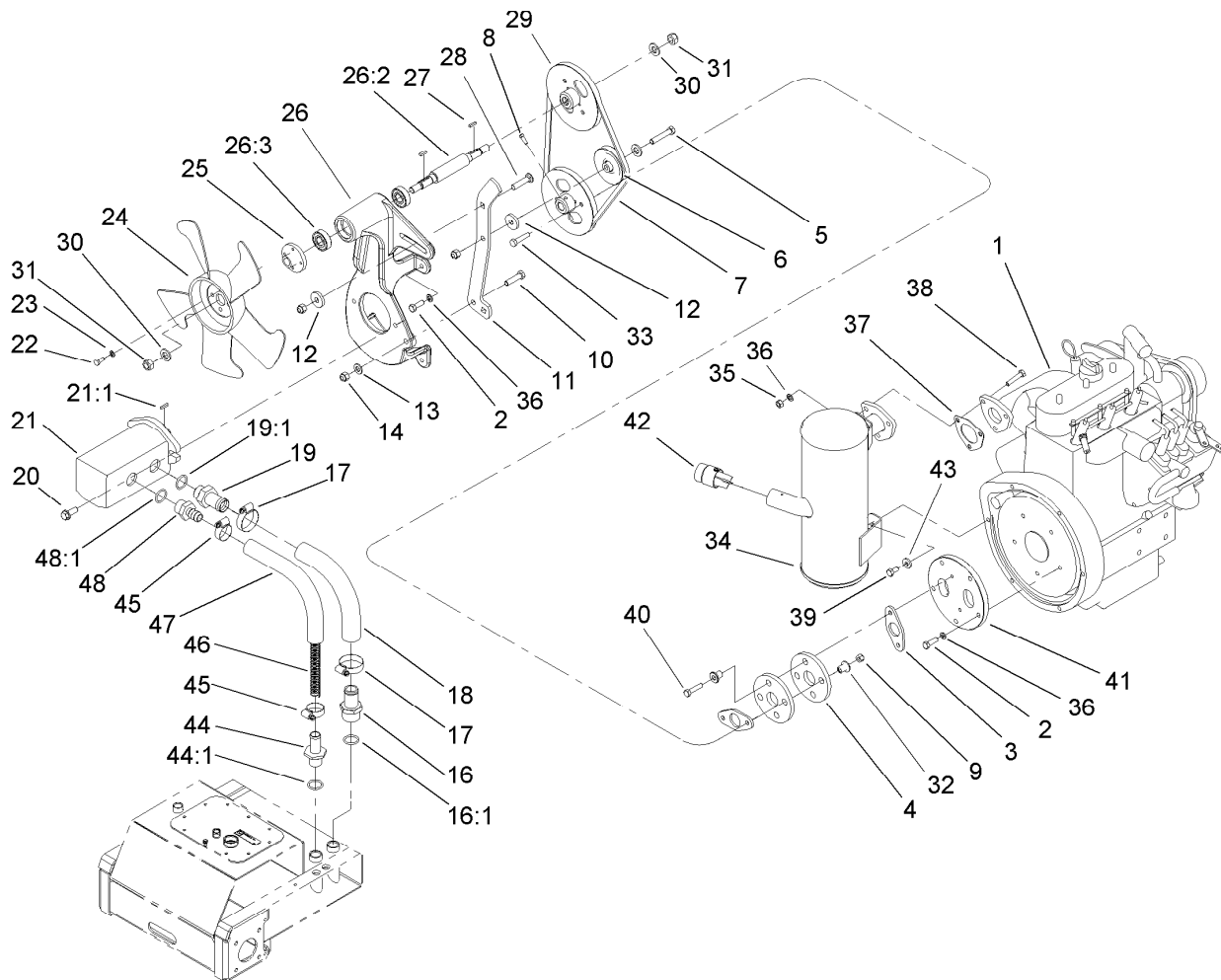
<i>Ref.</i>	<i>Part Number</i>	<i>Qty.</i>	<i>Description</i>
1	242-50	20	Nut-Lug
2	98-2747	2	LH Wheel And Tire ASM
2:1	232-27	1	Stem-Valve
2:2	98-2748	1	Wheel
2:3	98-2749	1	Tire
3	106-8159	4	Nut-Lock
4	99-3064	4	Hub ASM
4:2	10-6830	5	Stud-Type, Drive
5	99-1447	2	RH Wheel And Tire ASM
5:1	232-27	1	Stem-Valve
5:2	98-2748	1	Wheel
5:3	98-2749	1	Tire
6	99-3052	4	HYD Motor ASM
8	3234-27	16	Screw-HHF



## Hydraulic Motor Assembly No. 99-3052

<i>Ref.</i>	<i>Part Number</i>	<i>Qty.</i>	<i>Description</i>
1	94-8178	1	Seal Kit
1:1		1	Seal-Dirt And Water ●
1:2		1	Washer-Backup ●
1:3		5	Seal-Ring ●
1:4		1	Washer-Backup ●
1:5		1	Seal-Inner ●
1:6		1	Seal-Commutator ●
2	99-3090	1	Shaft-Coupling
3	99-3091	7	Screw-Cap, HH
4	3257-42	1	Key-Woodruff

● Not serviced separately

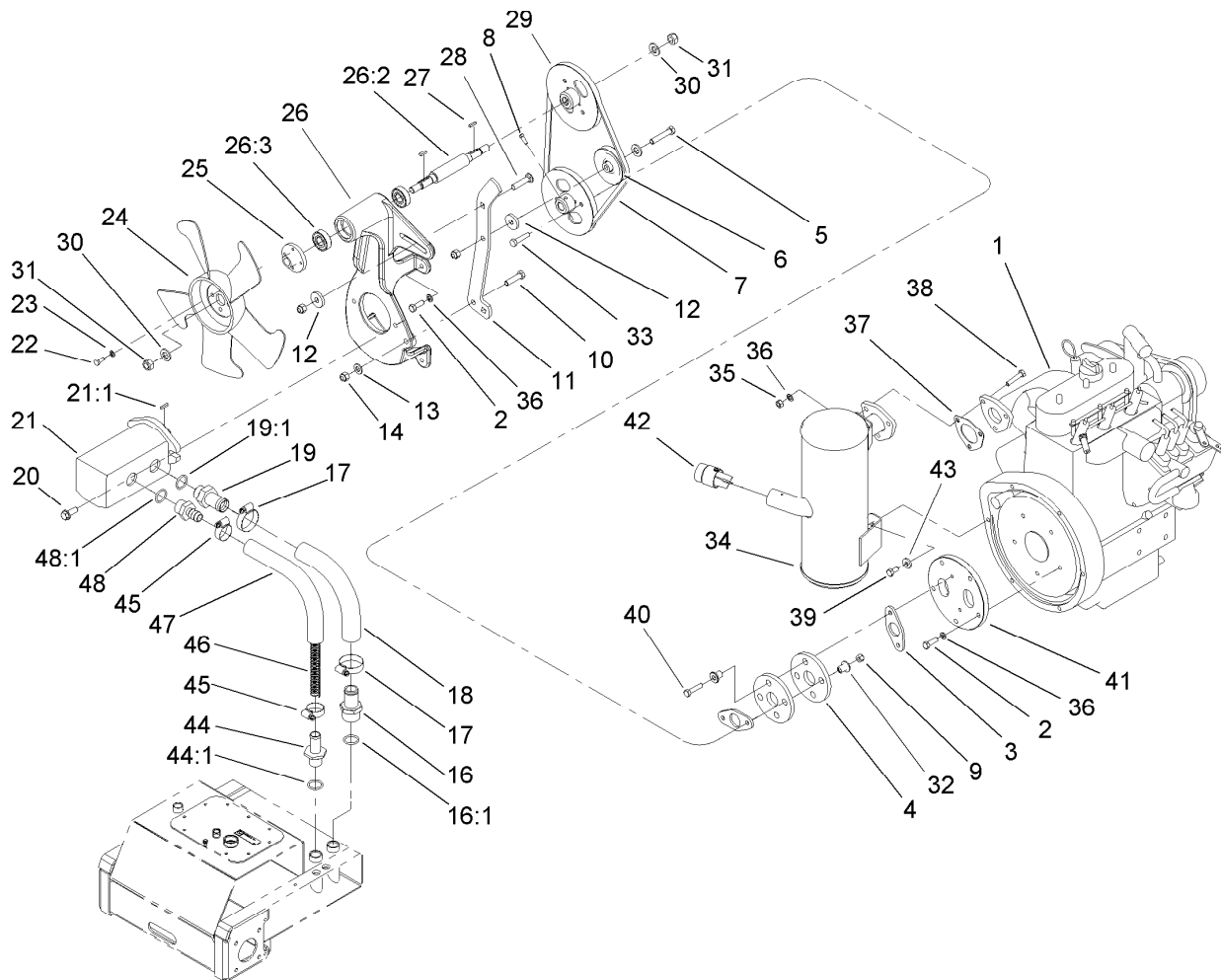


## Engine Assembly

Ref.	Part Number	Qty.	Description	Ref.	Part Number	Qty.	Description
1	106-8195	1	Engine-Kubota	23	3253-3	4	Washer-Lock
2	99-5131	9	Bolt	24	43-1911	1	Fan
3	99-1430	2	Spacer-Coupler	25	106-8153	1	Adapter-Fan
4	44-2230	2	Coupling-Rubber	26	106-8163	1	Pump Mount ASM
5	323-10	1	Screw-HH	26:2	98-0068	1	Shaft-Fan
6	63-8140	1	Pulley-Idler	26:3	38-7820	2	Bearing-Ball
7	92-8876	1	V-Belt	27	100-1715	2	Key-Square
8	3241-5	2	Screw-Set	28	3231-5	1	Screw-CARR
9	104-9469	2	Nut-Lock	29	99-5111	2	Pulley-Keyed
10	323-8	1	Screw-HH	30	33096-00	2	Washer-Flat
11	106-7649-03	1	Arm-Tensioner	31	98-8089	2	Nut-Lock
12	99-5121	2	Spacer	32	71-4411	4	Spacer
13	3256-24	2	Washer-Plain	33	5-1470	2	Screw-HH
14	3296-39	3	Nut-Lock, NI	34	105-8390	1	Muffler
16	354-78	1	Fitting-STR	35	3217-6	3	Nut-Hex
16:1	237-146	1	O-Ring	36	3253-4	12	Washer-Lock
17	2412-111	2	Clamp-Hose, W/Liner	37	100-2238	1	Gasket-Muffler
18	99-3046	1	Hose-Suction, Formed	38	322-7	3	Screw-HH
19	99-3017	1	Fitting	39	99-5132	1	Bolt
19:1	237-81	1	O-Ring	40	99-5133	2	Bolt
20	66-9300	2	Screw-HHF	41	99-1431	1	Adapter-Flywheel
21	98-4702	1	Pump-Gear, Tandem	42	75-6880	1	Screen-Arrester, Spark
21:1	98-4700	1	Key-Square	43	88-7200	1	Washer-Flat
21:2	99-1353	1	Seal Kit ●	44	99-6932	1	Fitting-STR
22	321-2	4	Screw-HH	44:1	237-117	1	O-Ring

● Not illustrated



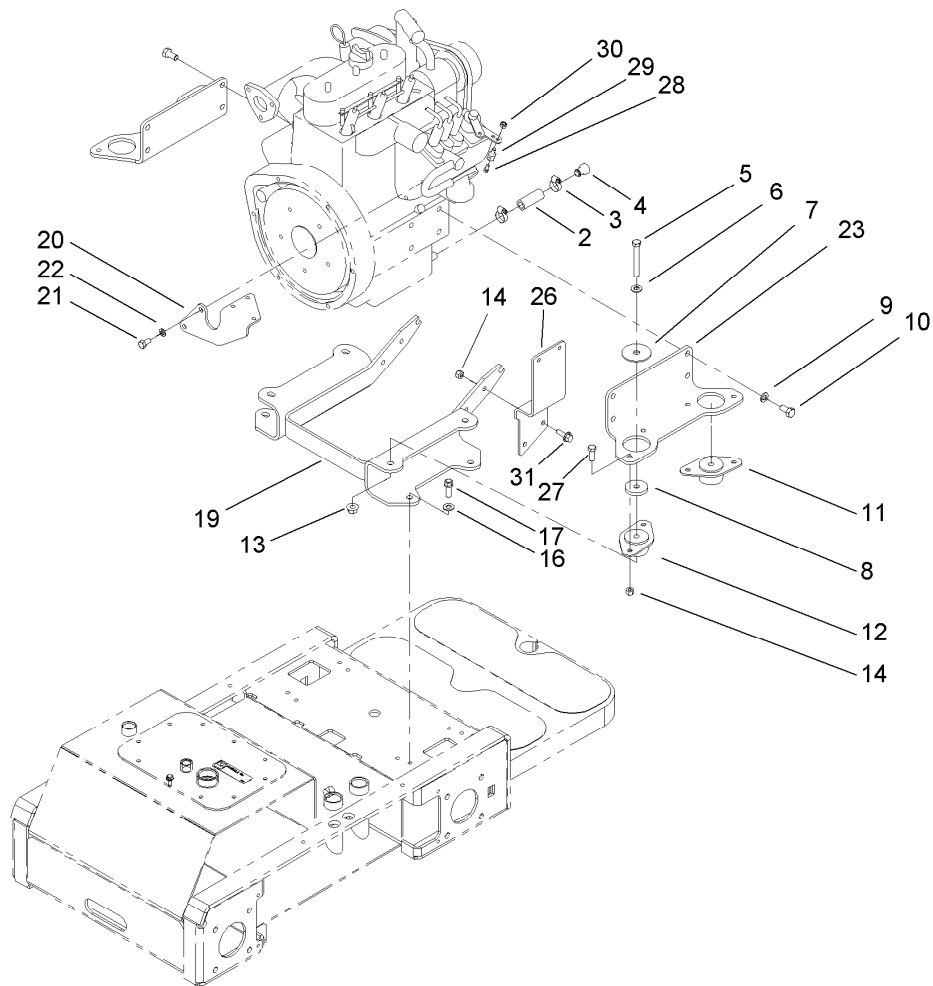


## Engine Assembly (continued)

<i>Ref.</i>	<i>Part Number</i>	<i>Qty.</i>	<i>Description</i>
45	2412-129	2	Clamp-Hose
46	99-5349	1	Spring-Compression
47	98-2713	1	Hose-Suction, HYD

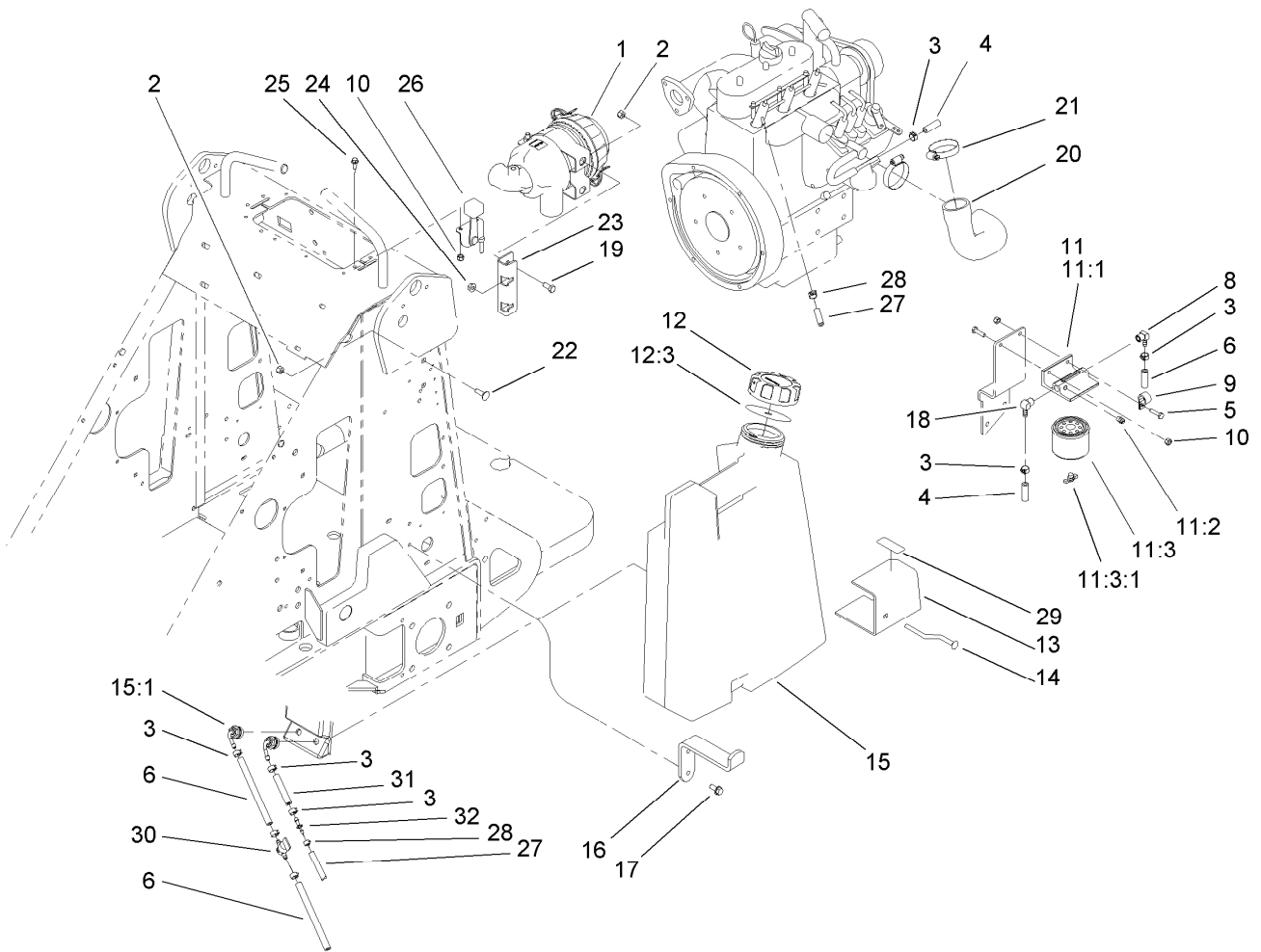
<i>Ref.</i>	<i>Part Number</i>	<i>Qty.</i>	<i>Description</i>
48	354-73	1	Fitting
48:1	237-81	1	O-Ring

● Not illustrated



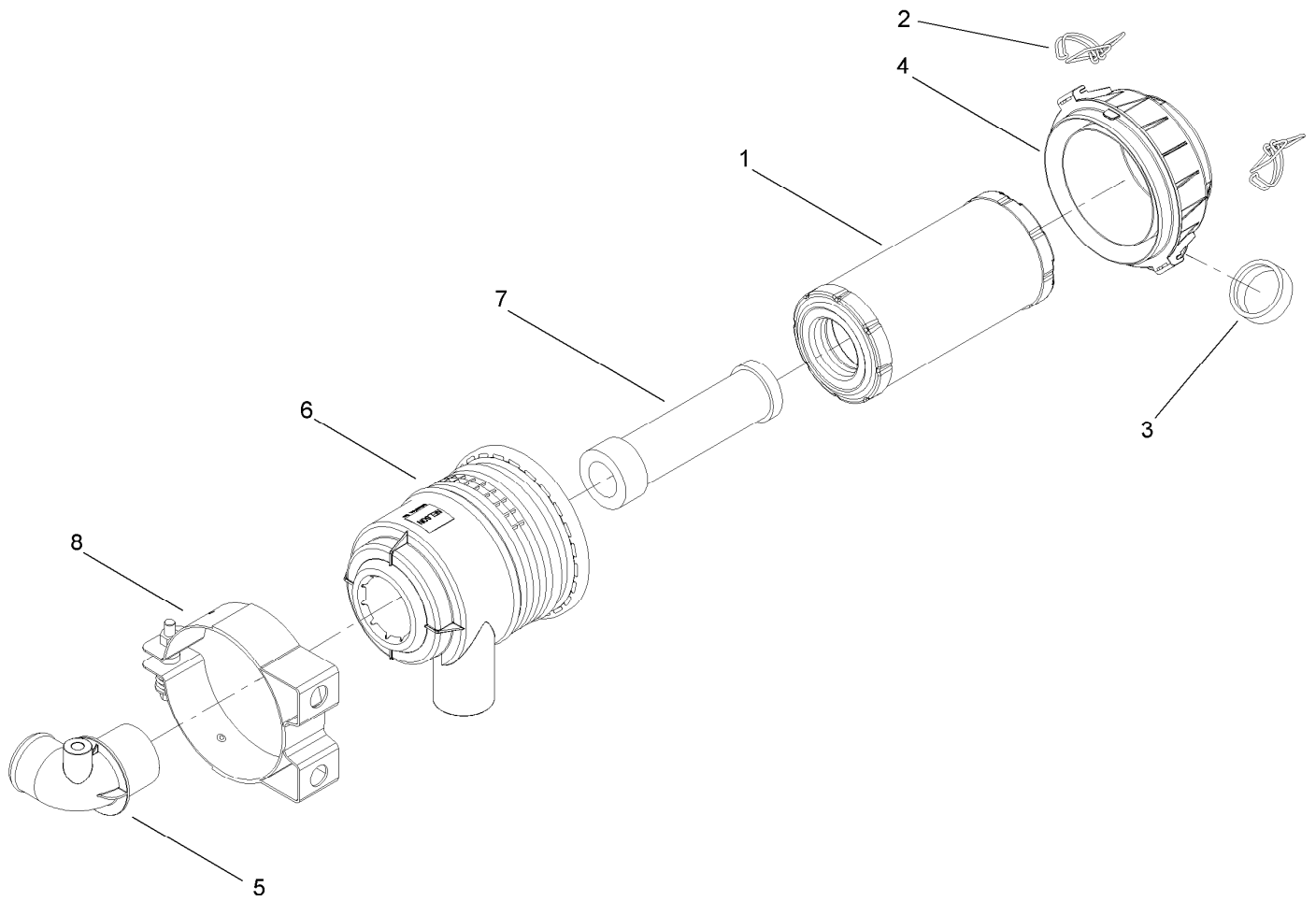
## Engine Mounting Assembly

<i>Ref.</i>	<i>Part Number</i>	<i>Qty.</i>	<i>Description</i>	<i>Ref.</i>	<i>Part Number</i>	<i>Qty.</i>	<i>Description</i>
2	56-2230	1	Hose-Fuel	16	3256-80	4	Washer-Plain
3	2412-36	2	Clamp-Hose	17	95-1726	4	Screw-Taptite
4	99-1445	1	Plug-Oil	19	98-0066-01	1	Mount-Engine
5	323-13	4	Screw-HH	20	105-4054-01	1	Mount-Solenoid
6	3256-24	4	Washer-Plain	21	99-5132	2	Bolt
7	87-5100	4	Washer-Snubbing	22	3253-4	2	Washer-Lock
8	98-4596	4	Washer-Mount, Engine	23	98-0055-01	2	Plate-Mount, Engine
9	42-9600	6	Washer-Lock	26	98-0059-01	1	Mount-Filter, Fuel
10	99-5130	8	Screw-HH	27	322-5	8	Screw-HH
11	83-1030	2	Mount-Engine	28	25-8640	1	Screw-HH
12	93-5265	2	Mount-Engine	29	93-0021	1	Swivel-Cable, Throttle
13	32128-29	4	Nut-Lock, Flange	30	3296-13	1	Nut-Lock, NI
14	3296-29	10	Nut-Lock, NI	31	3234-29	2	Screw-HHF



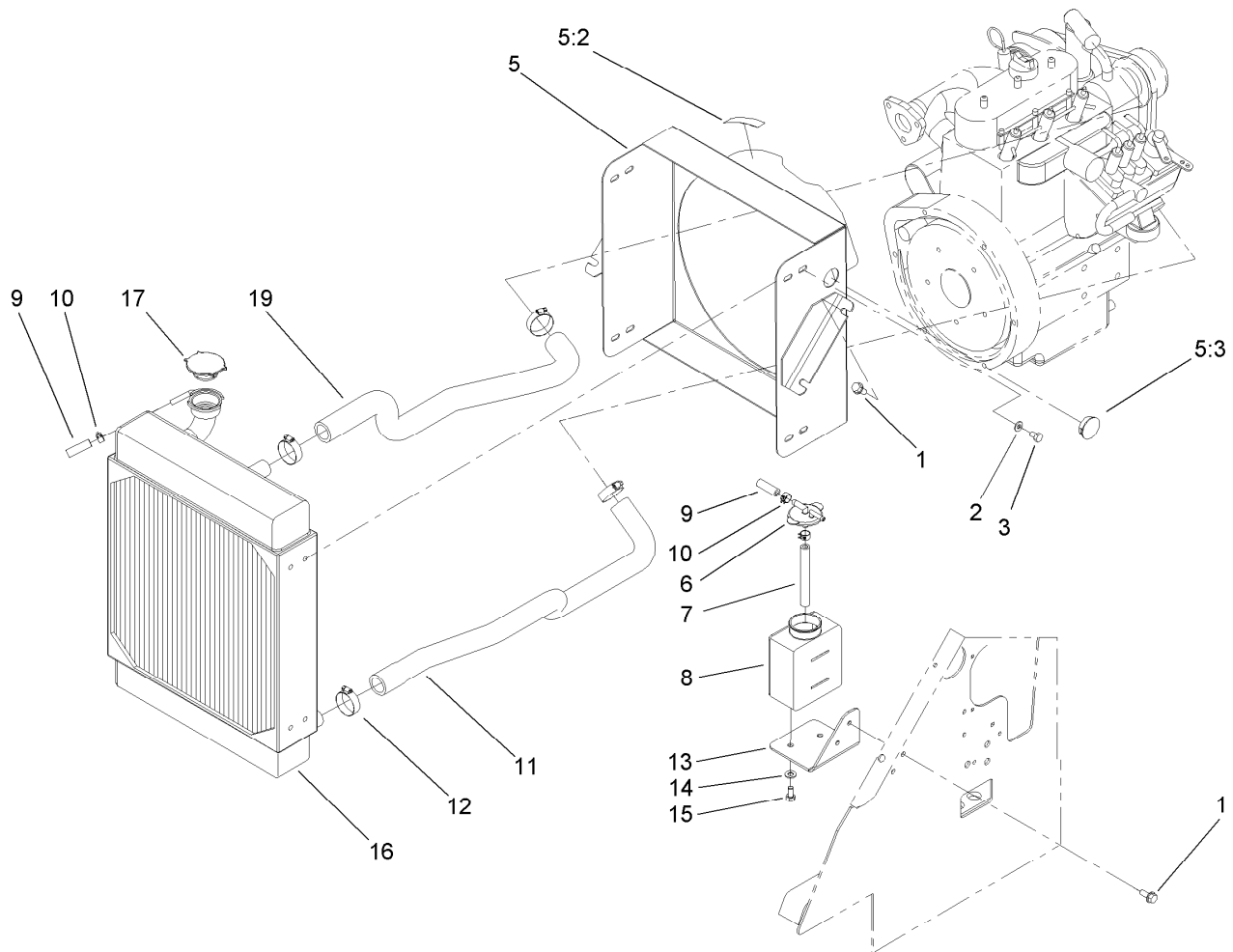
## Fuel Tank and Air Filter Assembly

Ref.	Part Number	Qty.	Description	Ref.	Part Number	Qty.	Description
1	99-3160	1	Air Cleaner ASM	15:1	103-2615	2	Fitting-Fuel, Bulkhead
2	3296-29	3	Nut-Lock, NI	16	98-4656-03	1	Mount-Bottom, Tank
3	92-2379	8	Clamp-Hose	17	32144-70	2	Screw-HWHTF
4	110-4113	1	Hose-Fuel	18	353-781	1	Fitting-HYD, 90
5	321-6	2	Screw-HH	19	322-3	2	Screw-HH
6	107-0588	2	Hose-Fuel	20	99-5041	1	Hose-Cleaner, Air
8	304-96	1	Elbow	21	2412-92	2	Clamp-Hose
9	2412-87	1	Clamp-Cable	22	3230-2	2	Bolt-CARR
10	3296-42	4	Nut-Lock, NI	23	99-3080-03	1	Mount-Cleaner, Air
11	63-7650	1	Separator-Filter / Water	24	32128-20	2	Nut-HF
11:1	63-8280	1	Head ASM	25	3234-33	2	Screw-HHF
11:2	63-8290	1	Vent-Air	26	99-1422	1	Control-Throttle
11:3	63-8300	1	Element-Spin On	27	110-8751	1	Hose-Fuel
11:3:1	63-8310	1	Valve-Drain	28	2412-80	2	Clamp-Hose
12	104-7419	1	Cap-Fuel, Diesel	29	93-6680	1	Decal-Diesel
12:3	104-7420	1	Gasket-Vented	30	1-603770	1	Valve-Fuel
13	99-1444-03	1	Plate-Mount, Left	31	109-0304	1	Hose-Fuel
14	98-4657	1	Bolt-Mount	32	106-8150	1	Fitting-Straight
15	105-8438	1	LH Fuel Tank ASM				



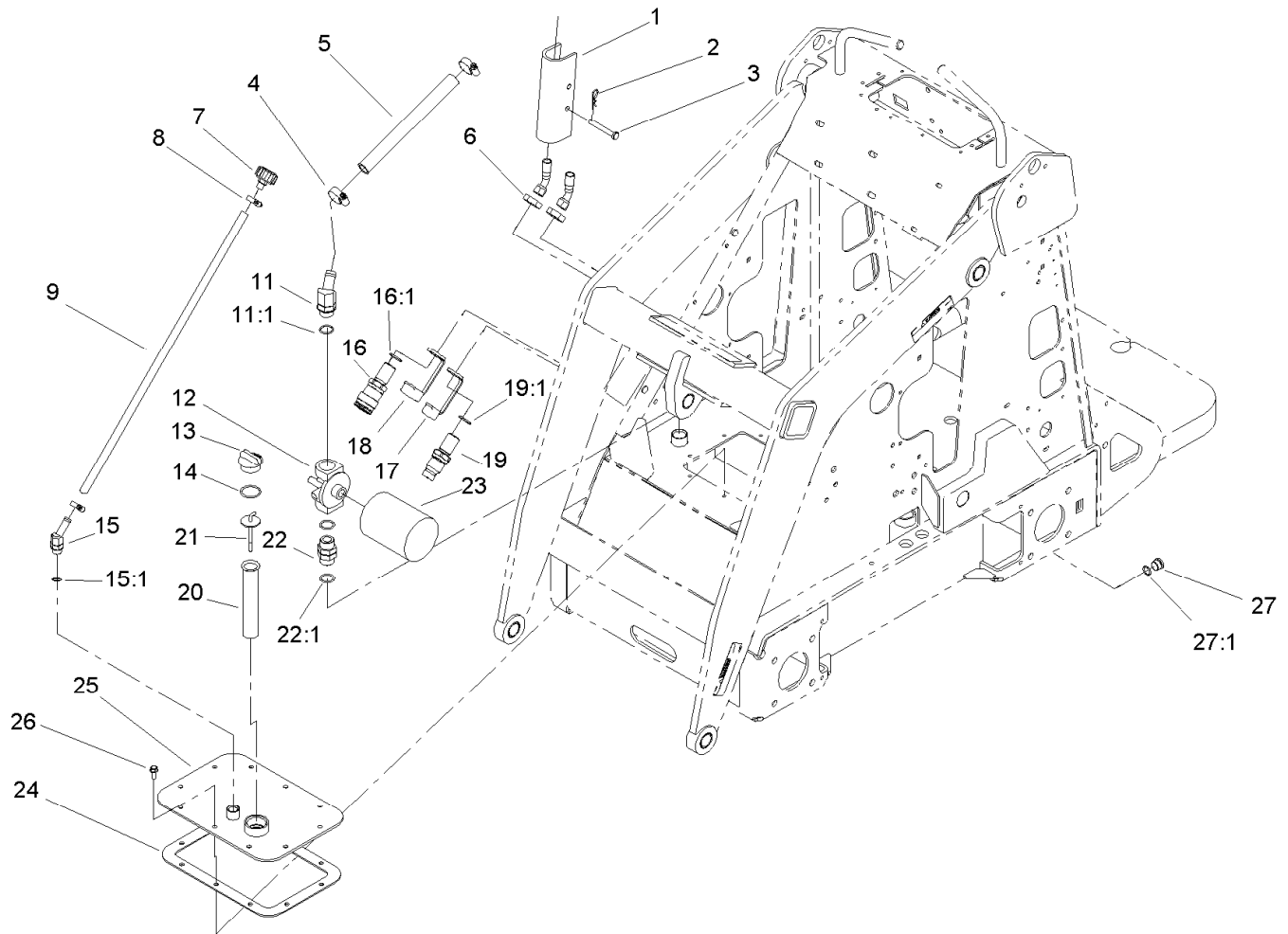
## Air Cleaner Assembly No. 99-3160

<i>Ref.</i>	<i>Part Number</i>	<i>Qty.</i>	<i>Description</i>
1	99-3173	1	Element-Filter, Air
2	99-3174	2	Clip-Cleaner, Air
3	99-3175	1	Valve-Ejector, Dust
4	99-3176	1	Cover
5	99-3183	1	Tube ASM
6	99-3184	1	Housing
7	99-3198	1	Filter-Safety
8	99-3197	1	Mounting Bracket ASM



## Radiator Mount Assembly

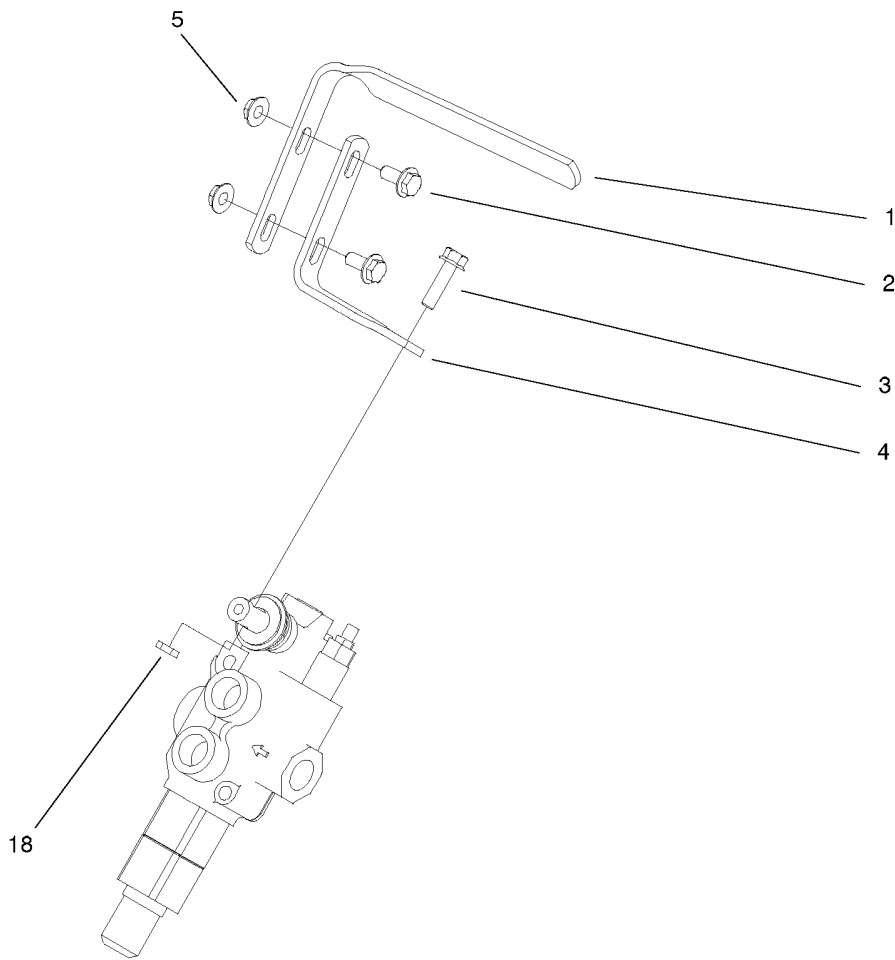
<i>Ref.</i>	<i>Part Number</i>	<i>Qty.</i>	<i>Description</i>
1	32144-70	6	Screw-HWHTF
2	3256-82	8	Washer-Flat
3	322-1	8	Screw-HH
5	104-4648	1	Mount-Radiator
5:2	93-6681	1	Decal-Warning, Fan
5:3	94-1402	1	Plug-Hole
6	93-2048	1	Cap-Tank, Overflow
7	94-1348	1	Hose-Fuel
8	93-2049	1	Tank-Overflow
9	71-3383	1	Hose-Fuel
10	92-2379	3	Clamp-Hose
11	99-5042	1	Hose-Radiator, Lower
12	2412-34	4	Clamp-Hose
13	99-1446-01	1	Mount-Tank, Overflow
14	3256-23	2	Washer-Plain
15	99-5132	2	Bolt
16	99-5125	1	Radiator
17	66-3240	1	Cap-Radiator
19	99-5043	1	Hose-Radiator, Upper



## Hydraulic Tank and Filter Assembly

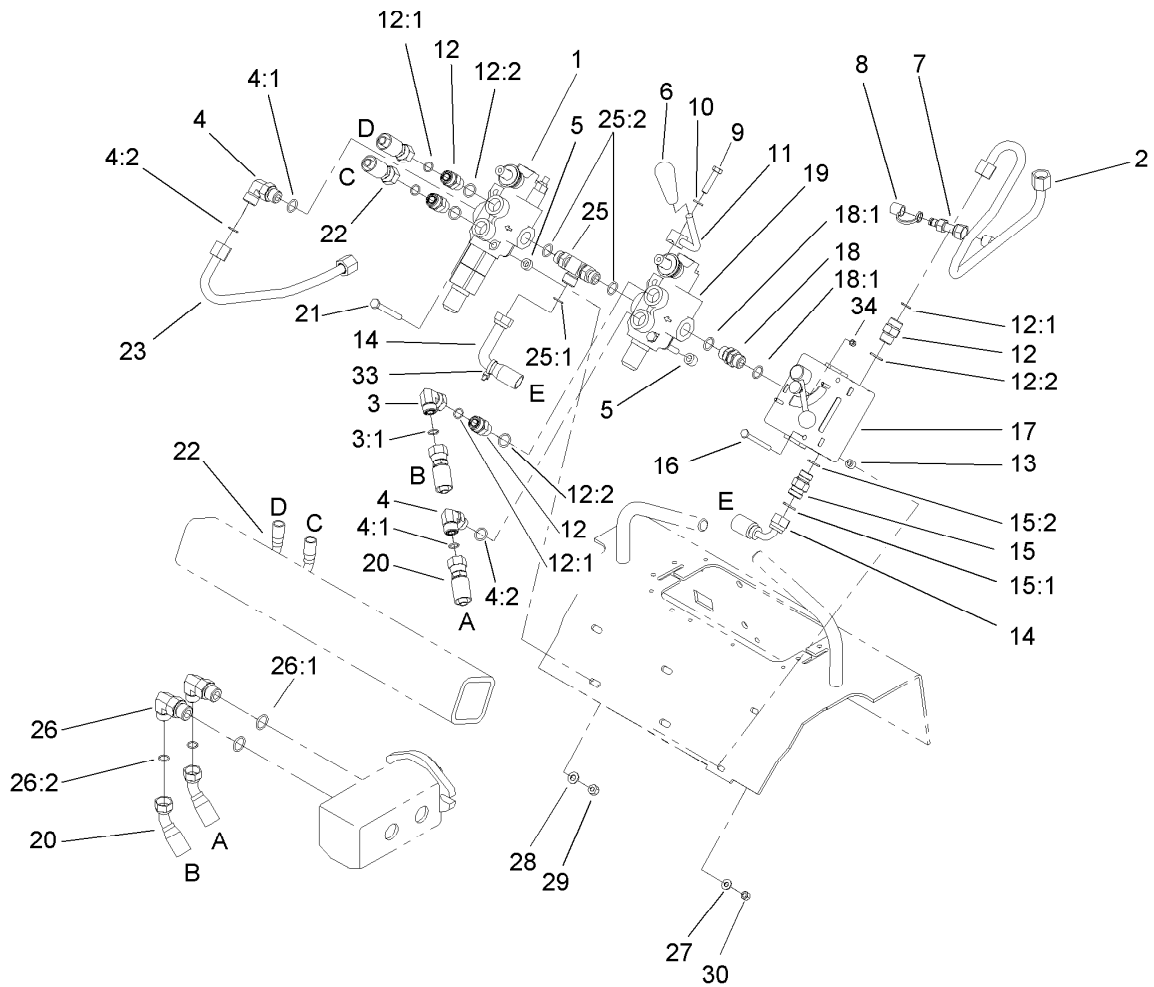
Ref.	Part Number	Qty.	Description	Ref.	Part Number	Qty.	Description
1	98-4675-01	2	Lock-Cylinder	16:1	237-65	1	O-Ring
2	3290-467	2	Pin-Hair	16:2	105-8396	1	Seal Kit ●
3	283-52	2	Pin-Clevis	17	100-8815	1	Cap-Dust, Nipple
4	2412-129	2	Clamp-Hose	18	100-8816	1	Cap-Dust, Coupler
5	98-4745	1	Hose-HYD, Suction, Hi	19	105-8395	1	Bulkhead Nipple ASM
6	340-74	2	Nut-Lock, Bulkhead	19:1	237-65	1	O-Ring
7	68-6150	1	Breather	19:2	100-6120	1	Seal Kit ●
8	2412-36	2	Clamp-Hose	20	61-2790	1	Filter-Screen
9	100-1748	1	Hose-Vent	21	100-2097	1	Dipstick-Oil
11	354-127	1	Fitting-Elbow45	22	98-9906	1	Fitting-Thread, Straight
11:1	237-81	1	O-Ring	22:1	237-81	2	O-Ring
12	92-5821	1	Head-Filter	23	54-0110	1	Filter-Oil, Transmission
13	93-7498	1	Plug-Plastic	24	98-9927	1	Gasket-Cover
14	237-123	1	O-Ring	25	100-1713-01	1	Cover
15	354-126	1	Fitting-Elbow, 45	26	98-9940	10	Screw-HHF
15:1	237-79	1	O-Ring	27	353-988	1	Plug-Hex
16	105-8394	1	Bulkhead Coupler ASM	27:1	237-79	1	O-Ring

● Not illustrated



## Auxillary Control Lever Assembly

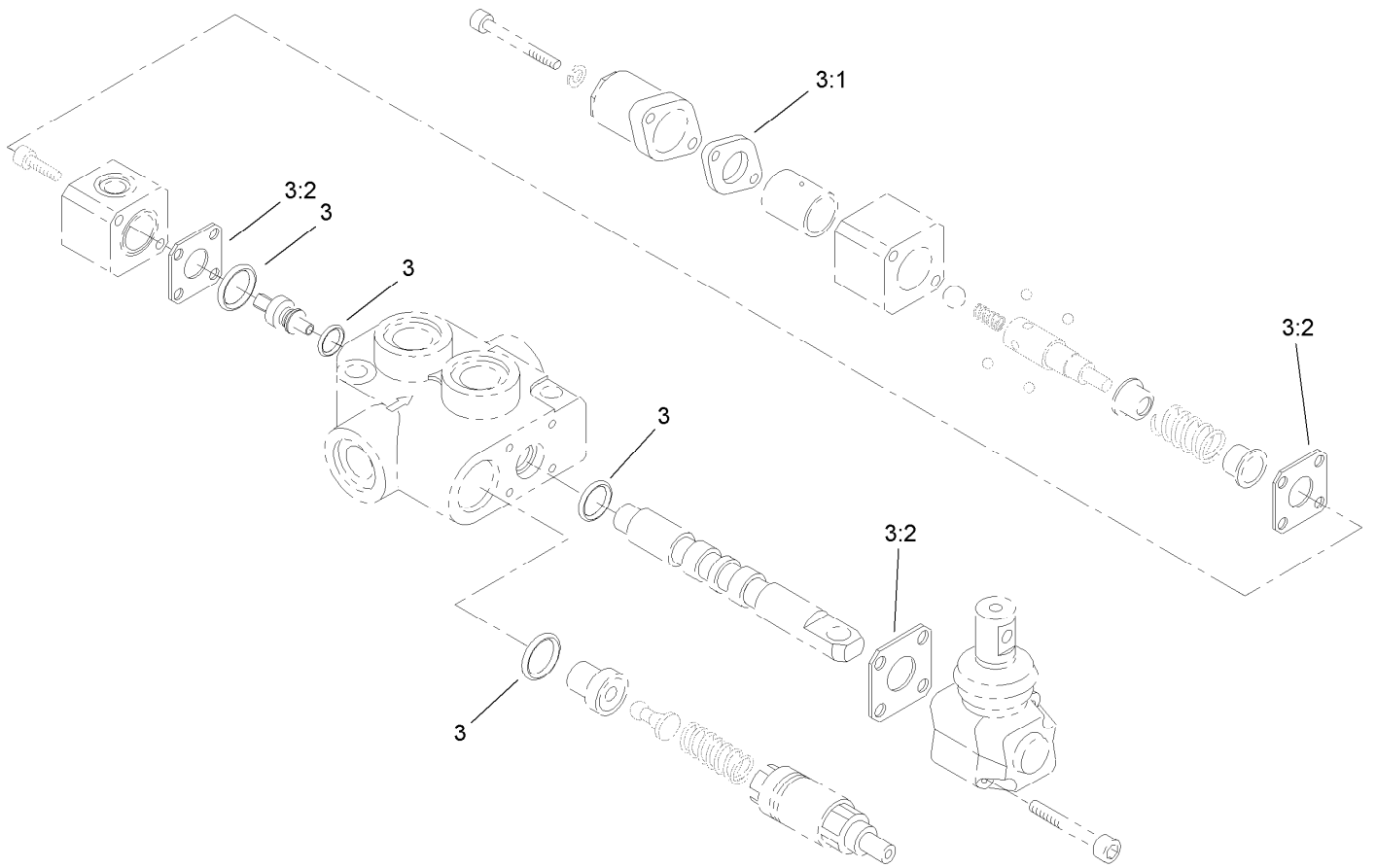
<i>Ref.</i>	<i>Part Number</i>	<i>Qty.</i>	<i>Description</i>
1	98-9090	1	Grip-Control
2	3234-5	2	Screw-HHF
3	33104-030	1	Screw-HHF
4	99-1376	1	Mount-Control
5	32128-44	2	Nut
18	42-9580	1	Nut-Hex



## Hydraulic Valve Assembly

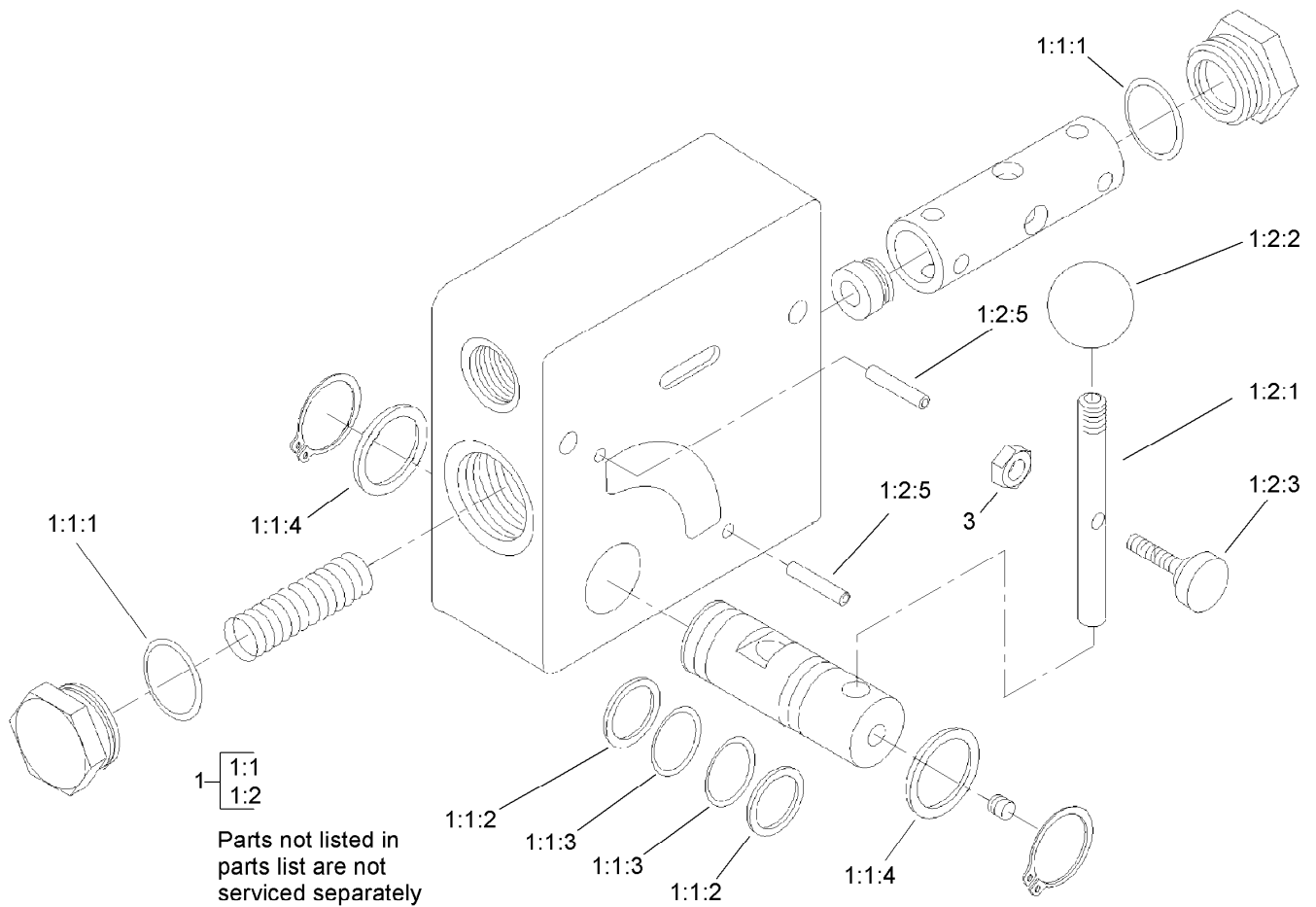
Ref.	Part Number	Qty.	Description	Ref.	Part Number	Qty.	Description
1	99-3077	1	Valve-HYD, Auxiliary	16	321-14	2	Screw-HH
2	105-7878	1	Tube-HYD	17	104-4221	1	HYD Valve Kit
3	94-6031	1	Elbow-90	18	95-3209	1	Fitting-Thread, Straight
3:1	237-30	1	O-Ring	18:1	237-79	2	O-Ring
4	340-98	2	Fitting-Elbow, 90 DEG	19	99-3072	1	Valve-Selector, HYD
4:1	237-79	1	O-Ring	20	100-1730	2	Hose-Pump, HYD
4:2	237-30	1	O-Ring	21	322-13	4	Screw-HH
5	98-4695	4	Spacer	22	100-8817	2	Hose-HYD
6	98-0152	1	Knob-Tapered	23	105-7879	1	Tube-HYD
7	86-5480	1	Nipple-Test	25	98-9079	1	Adapter-Tee, Adjustable
8	354-79	1	Cap-Dust	25:1	237-30	1	O-Ring
9	33114-035	1	Screw-HH	25:2	237-79	2	O-Ring
10	3253-4	1	Washer-Lock	26	340-105	2	Fitting-Elbow, 90 DEG
11	108-9709-03	1	Lever-Control	26:1	237-80	1	O-Ring
12	340-4	4	Fitting-Straight	26:2	237-30	1	O-Ring
12:1	237-30	1	O-Ring	27	3256-22	2	Washer-Flat
12:2	237-79	1	O-Ring	28	3256-23	4	Washer-Plain
13	98-4799	2	Spacer	29	3296-29	4	Nut-Lock, NI
14	100-2245	1	Hose-HYD	30	3296-42	2	Nut-Lock, NI
15	98-4735	1	Valve-Check, HYD	33	3290-379	18	Tie-Cable
15:1	237-30	1	O-Ring	34	3296-27	1	Nut-Lock, NI
15:2	237-79	1	O-Ring				





## Auxiliary Hydraulic Valve Assembly No. 99-3077

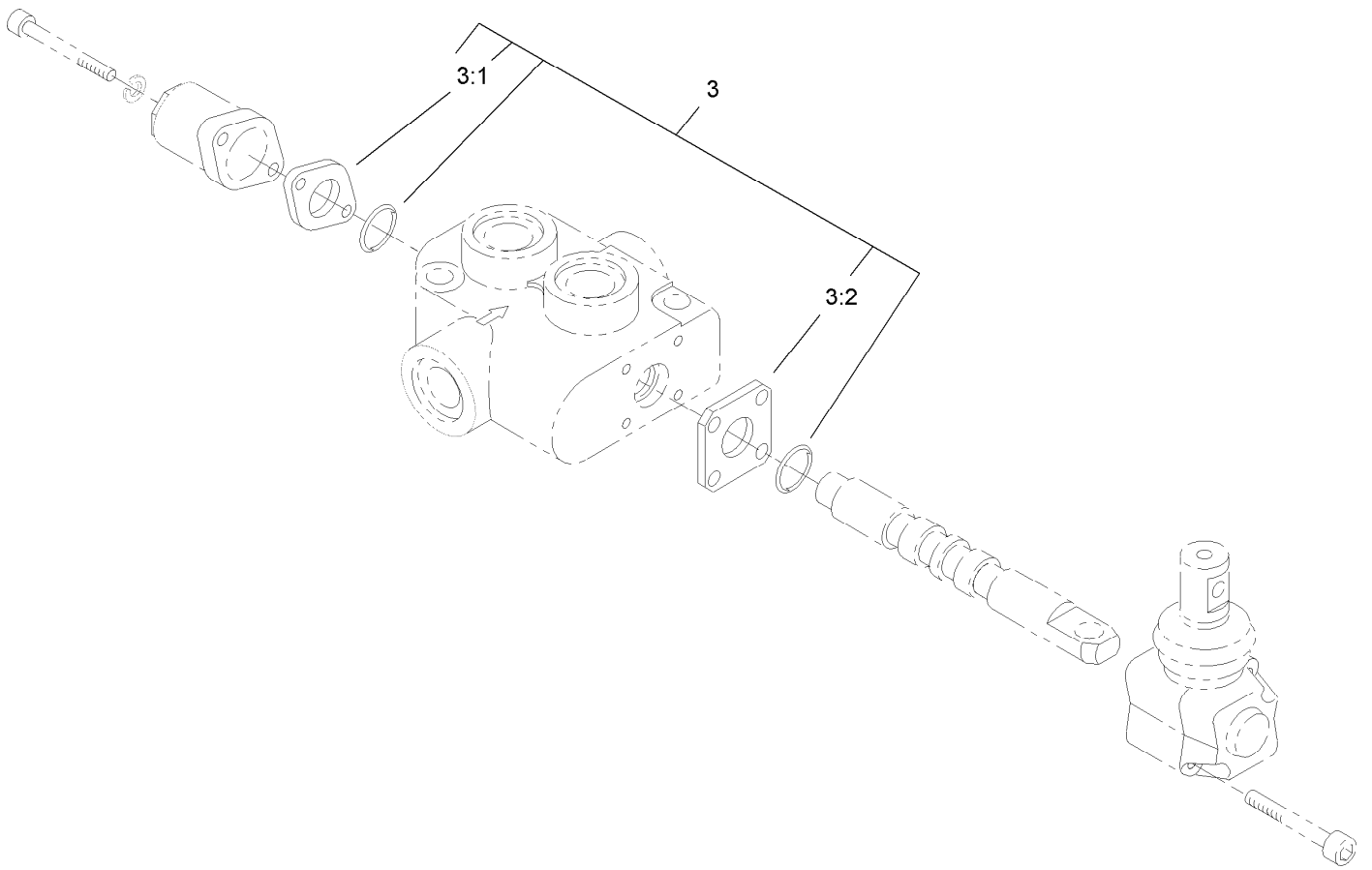
<i>Ref.</i>	<i>Part Number</i>	<i>Qty.</i>	<i>Description</i>
3	99-4391	1	Seal Kit
3:1	99-3074	1	Gasket
3:2	99-3075	3	Gasket



## Hydraulic Valve Assembly No. 104-4221

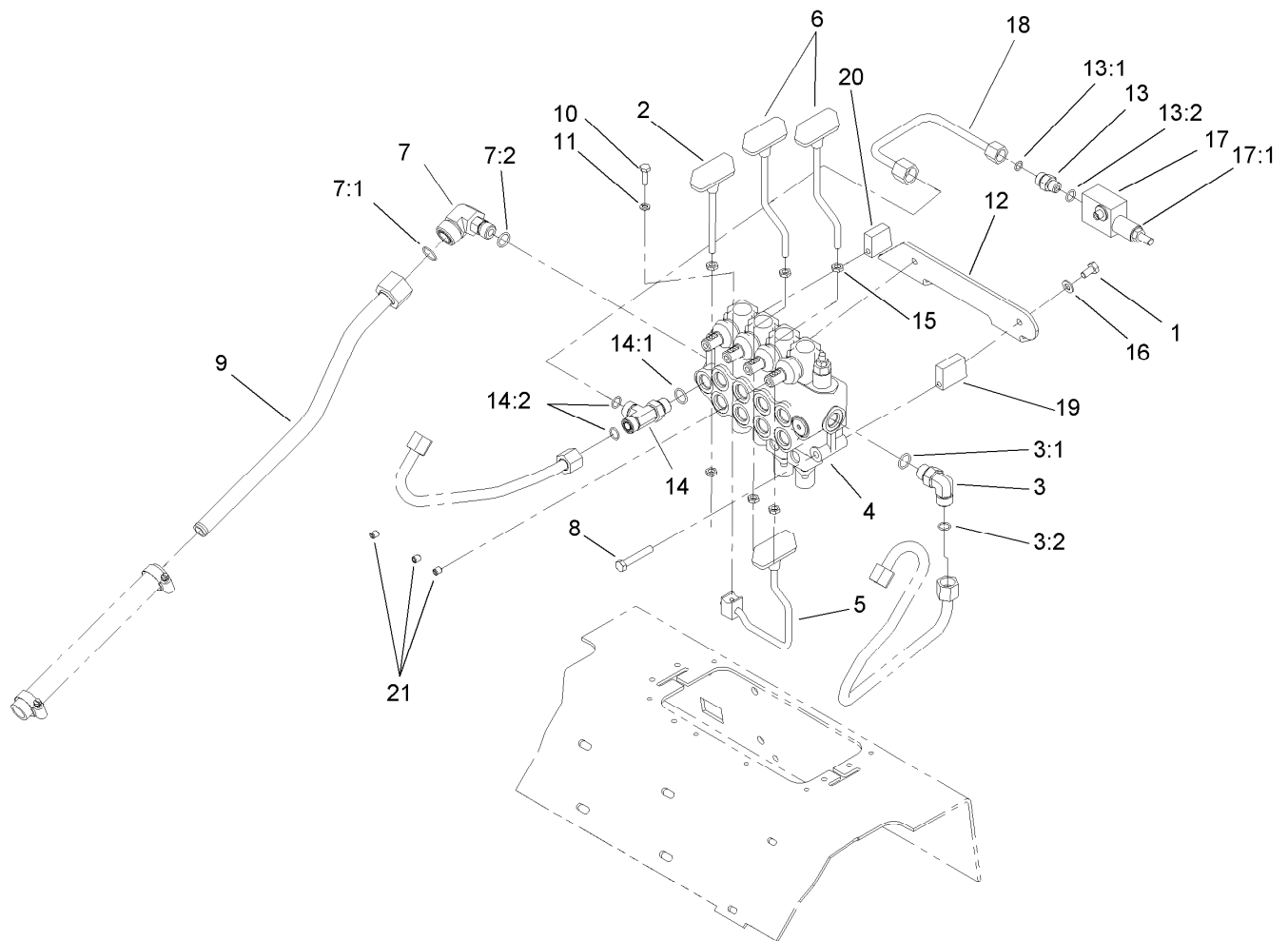
Ref.	Part Number	Qty.	Description
1		1	Valve-Flow, Hydraulic ●
1:1	104-4231	1	Seal Kit
1:1:1		2	Seal-Dust ●
1:1:2		2	Back-Up ●
1:1:3		2	Seal-Dust ●
1:1:4		2	Quad Ring ●
1:2	98-9098	1	Handle Hardware Kit
1:2:1		1	Handle ●
1:2:2		1	Knob ●
1:2:3		1	Screw-Thumb ●
1:2:5		2	Pin-Roll ●
3	3296-27	1	Nut-Lock, NI

● Not serviced separately



## Hydraulic Selector Valve Assembly No. 99-3072

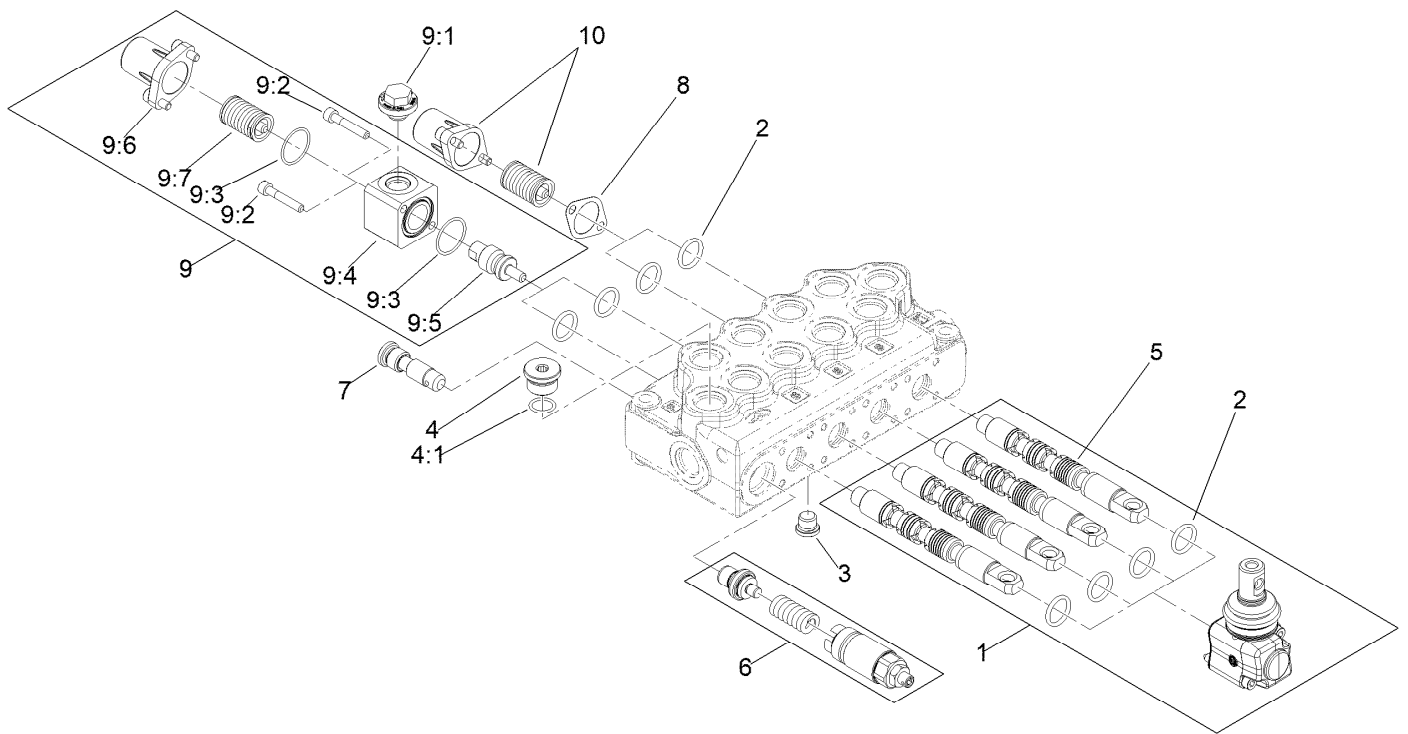
<i>Ref.</i>	<i>Part Number</i>	<i>Qty.</i>	<i>Description</i>
3	99-4391	1	Seal Kit
3:1	99-3074	1	Gasket
3:2	99-3075	3	Gasket



## 4-Spool Valve Assembly

Ref.	Part Number	Qty.	Description	Ref.	Part Number	Qty.	Description
1	322-2	3	Screw-HH	13	340-2	1	Fitting-Straight
2	105-7881	1	Lever-Cylinder	13:1	237-22	1	O-Ring
3	340-98	1	Fitting-Elbow, 90 DEG	13:2	237-42	1	O-Ring
3:1	237-79	1	O-Ring	14	340-109	1	Fitting-Tee
3:2	237-30	1	O-Ring	14:1	237-79	1	O-Ring
4	105-8377	1	HYD Four Spool Valve ASM	14:2	237-30	2	O-Ring
5	106-8165	1	Lever-Control	15	42-9580	6	Nut-Hex
6	104-5733	2	Lever-Drive	16	3256-23	3	Washer-Plain
7	92-5696	1	Fitting-Elbow, 90 DEG	17	105-7882	1	Relief Valve ASM
7:1	237-58	1	O-Ring	17:1	105-8358	1	Cartridge-Valve, Relief
7:2	237-79	1	O-Ring	17:2	105-8357	1	Seal Kit ●
8	322-11	3	Screw-HH	18	105-7866	1	Line-HYD
9	106-8177	1	Tube-Tank, HYD	19	105-8354	2	Spacer-Lower V
10	321-5	1	Screw-HH	20	105-7870	1	Spacer-Upper V
11	3253-3	1	Washer-Lock	21	105-4068	3	Screw-Set, HSH
12	104-4222-03	1	Bracket-Cover, Mount				

● Not illustrated

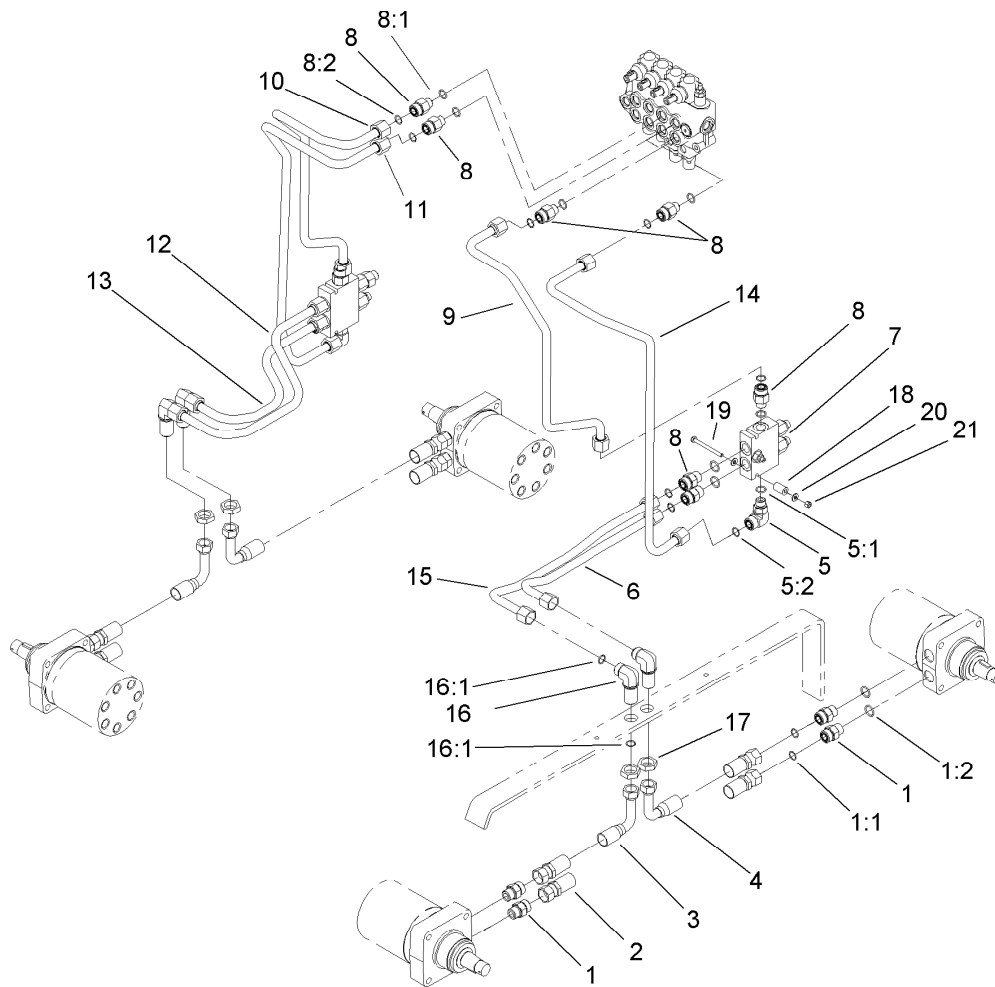


## Four Spool Hydraulic Valve Assembly No. 105-8377

Ref.	Part Number	Qty.	Description
1	139-8891	4	Lsg/S5 Lever Kit With Screws
2	139-8886	8	O-Ring Seal, 70 Sh
3	139-8884	1	SAE 4 Plug
4	353-988	1	Plug-Hex
4:1	237-79	1	O-Ring
5	105-8441	4	Spool-Valve
6	139-8890	1	Vmd5 (Jn) Inlet Part
7	139-8880	1	Kit-Valve Body
8	99-3074	2	Gasket

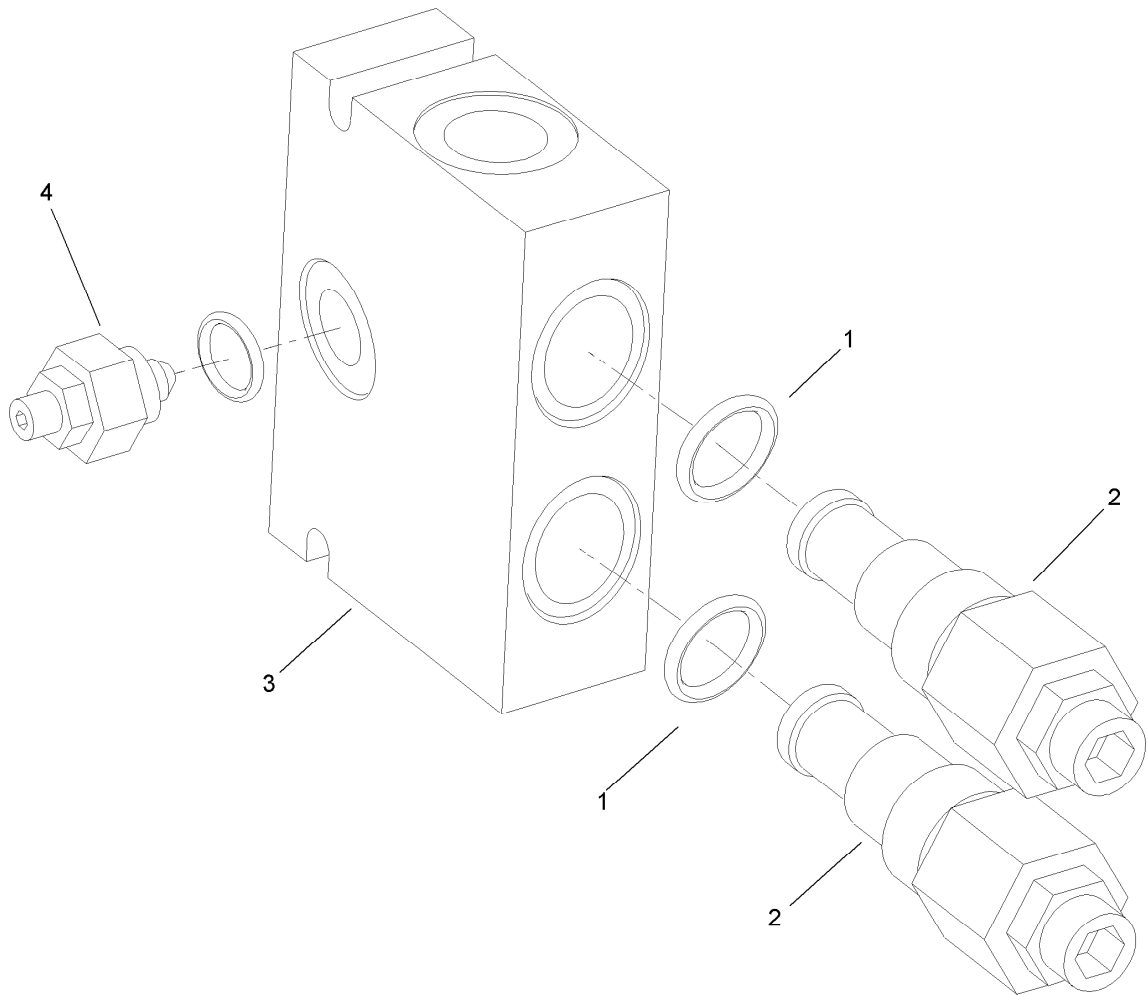
Ref.	Part Number	Qty.	Description
9	139-8887	2	S5 Command Kit
9:1		1	Plug ●
9:2		2	Screw ●
9:3		2	Oring ●
9:4		1	Block ●
9:5		1	Pin ●
9:6		1	End Cap ●
9:7		1	Spring ●
10	161-1080	2	S5 End Cap Kit

● Not serviced separately



## Hydraulic Motor Assembly

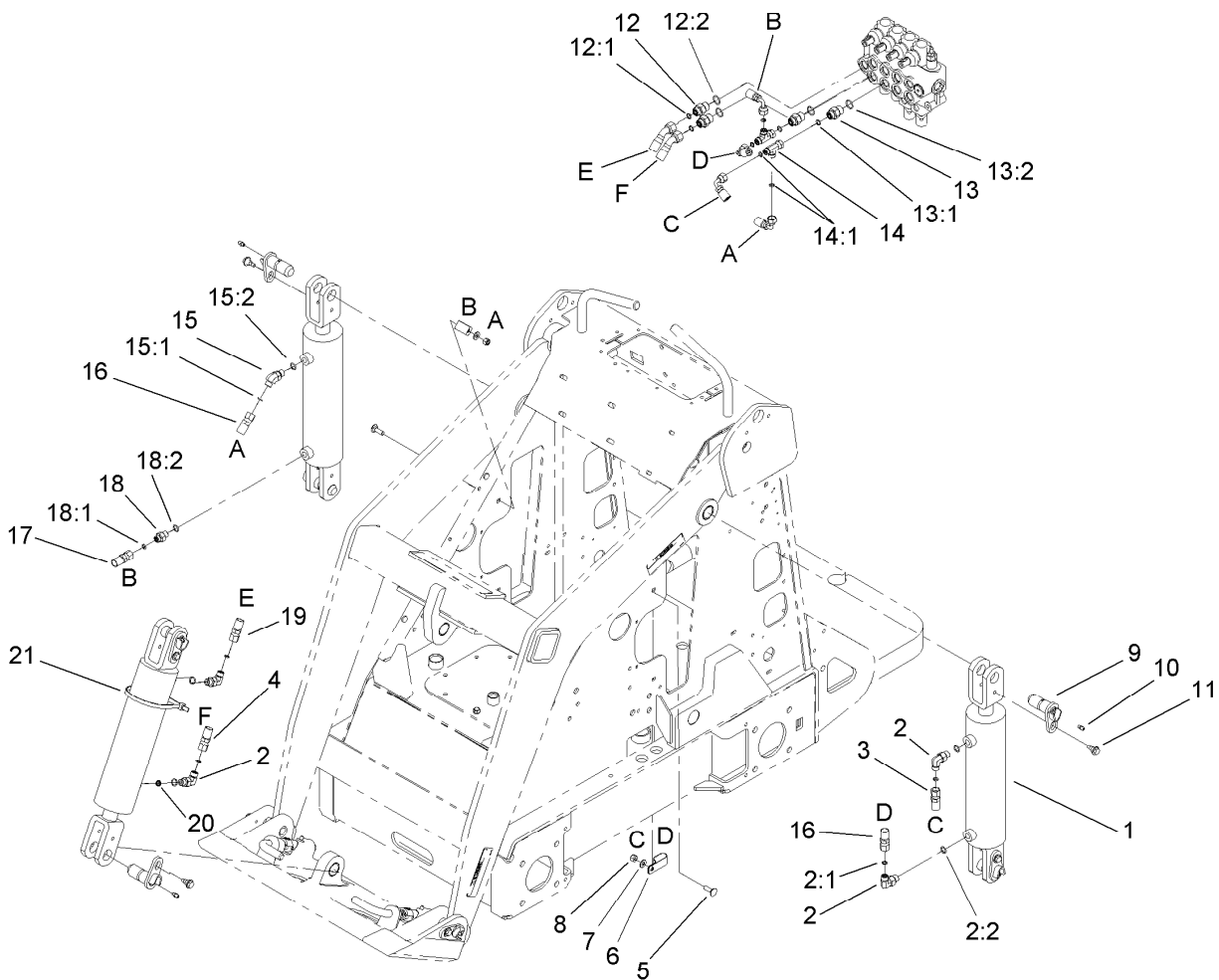
<i>Ref.</i>	<i>Part Number</i>	<i>Qty.</i>	<i>Description</i>	<i>Ref.</i>	<i>Part Number</i>	<i>Qty.</i>	<i>Description</i>
1	340-7	8	Fitting-Straight	9	108-9729	1	Tube-HYD
1:1	237-65	1	O-Ring	10	108-9727	1	Tube-HYD
1:2	237-80	1	O-Ring	11	108-9726	1	Tube-HYD
2	99-3012	2	Hose-HYD	12	99-3025	1	Tube-HYD
3	99-3010	2	Hose-HYD	13	99-3028	1	Tube-HYD
4	99-3011	2	Hose-HYD	14	108-9725	1	Tube-HYD
5	340-153	2	Fitting-Elbow, 90 DEG	15	99-3026	1	Tube-HYD
5:1	237-79	1	O-Ring	16	340-72	4	Fitting-Bulkhead, 90 DEG
5:2	237-151	1	O-Ring	16:1	237-65	2	O-Ring
6	99-3022	1	Tube-HYD	17	340-74	4	Nut-Lock, Bulkhead
7	99-3040	2	HYD Counterbalance Valve ASM	18	99-3057	2	Spacer-Valve
8	340-155	10	Fitting-Straight	19	321-23	2	Screw-HH
8:1	237-79	1	O-Ring	20	3256-22	4	Washer-Flat
8:2	237-151	1	O-Ring	21	3296-42	2	Nut-Lock, NI



## Counterbalance Valve Assembly No. 99-3040

<i>Ref.</i>	<i>Part Number</i>	<i>Qty.</i>	<i>Description</i>
1	105-4099	1	Seal Kit ●
2	99-3271	2	Valve-Cartridge
3	100-8864	1	Manifold ASM
4	100-8865	1	Needle Valve ASM

● Not illustrated

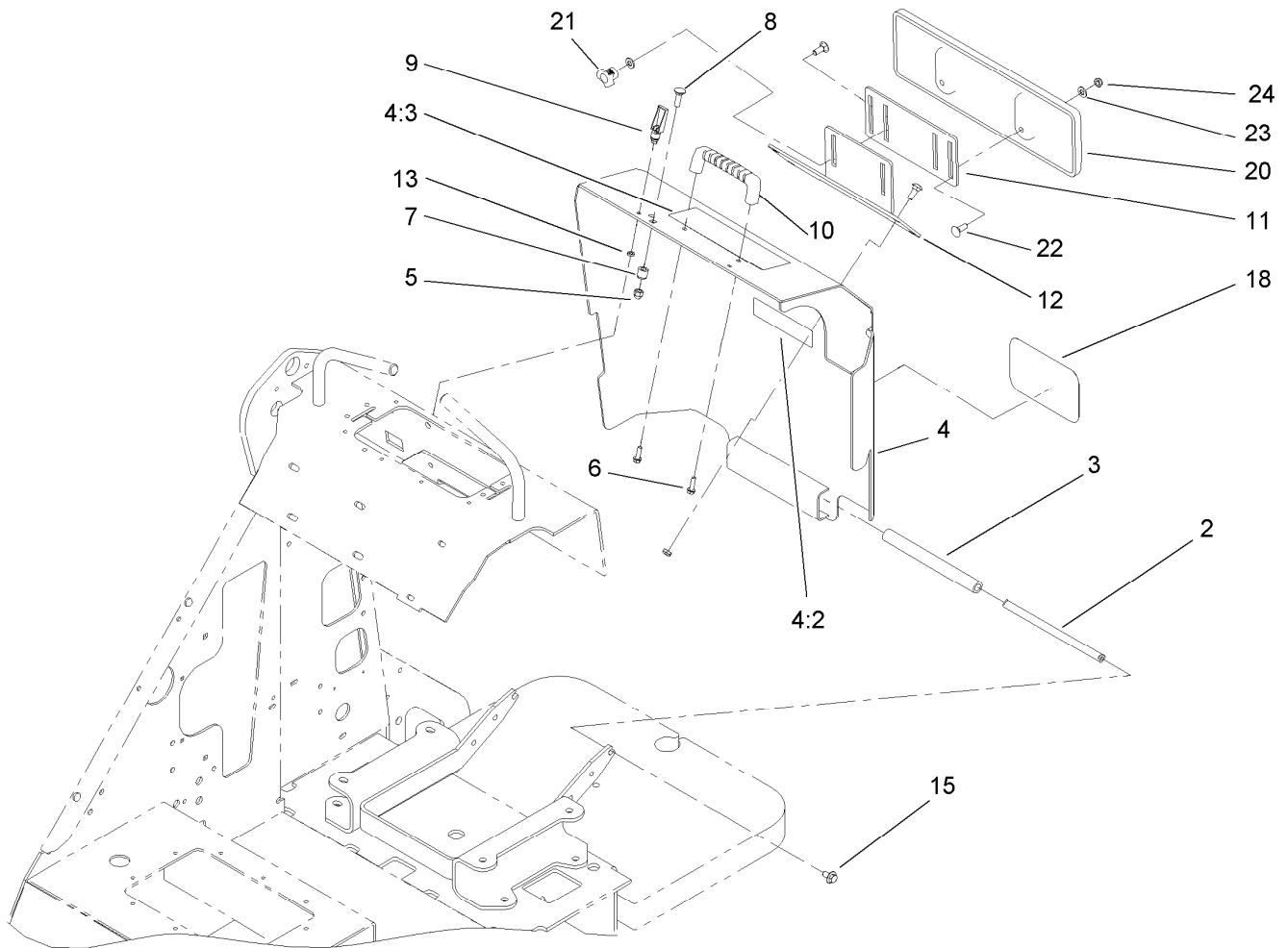


## Hydraulic Cylinder Assembly

Ref.	Part Number	Qty.	Description	Ref.	Part Number	Qty.	Description
1	105-7867	3	HYD Cylinder ASM	13	340-133	2	Fitting-STR
1:1	105-8356	1	Seal Kit ●	13:1	237-79	1	O-Ring
2	340-82	4	Fitting-Elbow, 90 DEG	13:2	237-21	1	O-Ring
2:1	237-42	1	O-Ring	14	340-151	2	Fitting-Tee
2:2	237-21	1	O-Ring	14:1	237-75	3	O-Ring
3	98-4748	1	HYD Hose ASM	15	340-137	1	Fitting
4	98-4726	1	Hose-HYD	15:1	237-21	1	O-Ring
5	3230-2	2	Bolt-CARR	15:2	237-42	1	O-Ring
6	2412-137	2	Clamp-R, Double	16	98-4725	2	Hose-HYD
7	3256-23	2	Washer-Plain	17	100-1731	1	Hose-HYD, Right
8	3296-29	2	Nut-Lock, NI	18	340-1	1	Fitting-Straight
9	99-1414	6	Pin-Pivot	18:1	237-21	1	O-Ring
10	302-5	6	Fitting-Grease	18:2	237-42	1	O-Ring
11	99-5105	6	Screw-Shoulder	19	98-4727	1	Hose-HYD
12	340-3	2	Fitting-Straight	20	108-4714	1	Orifice-Port Insert, One Way
12:1	237-22	1	O-Ring	21	3334-945	1	Tie-Cable
12:2	237-79	1	O-Ring				

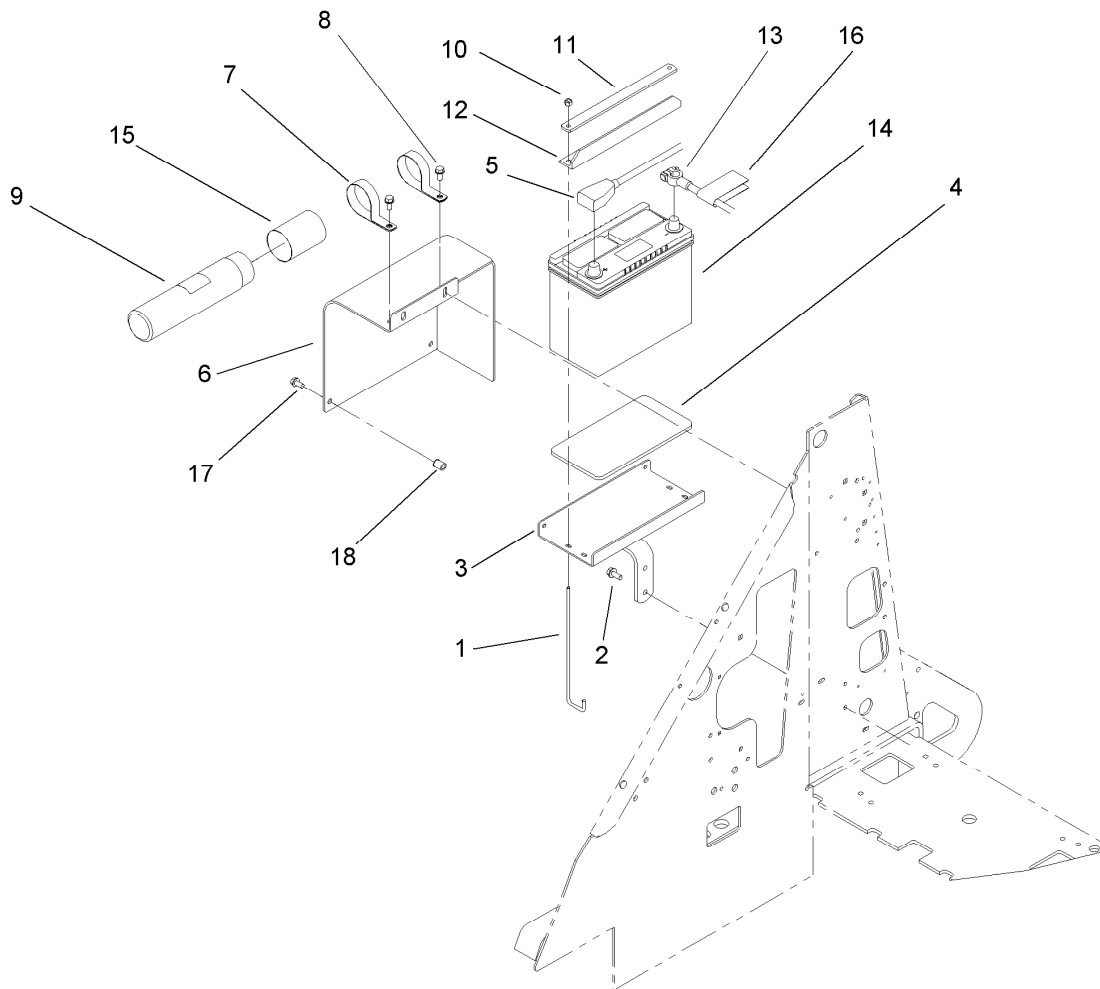
● Not illustrated





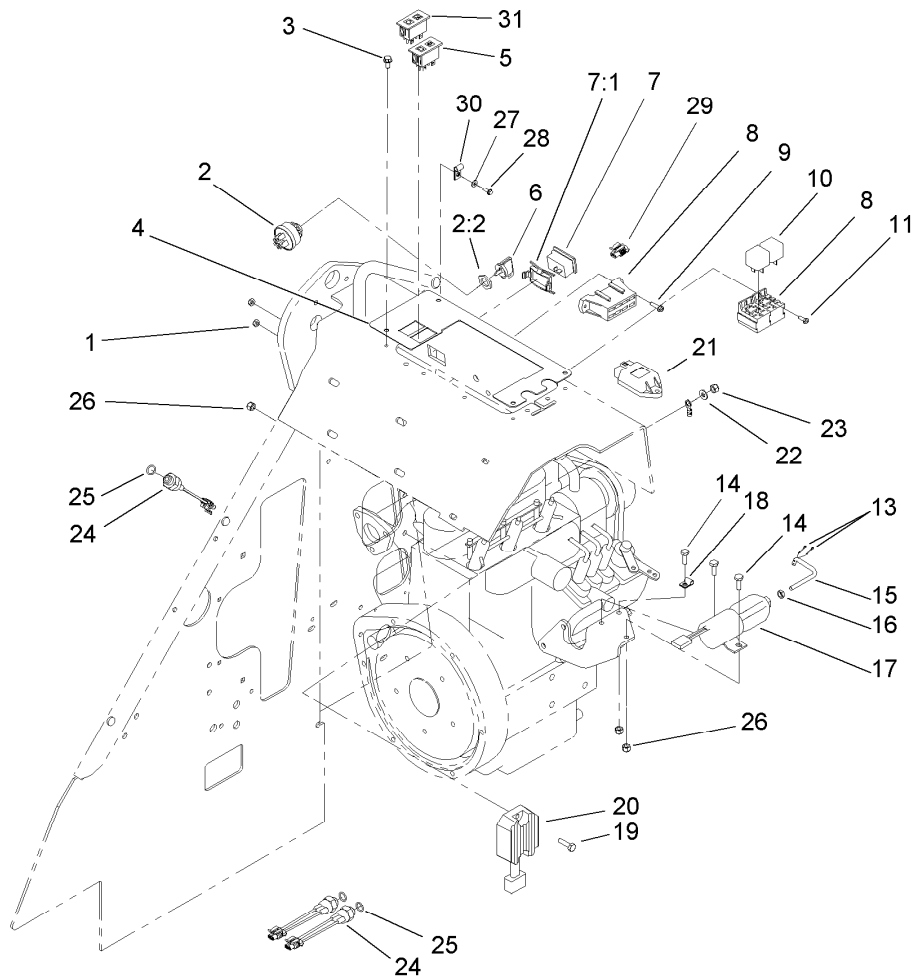
## Rear Cover Assembly

<i>Ref.</i>	<i>Part Number</i>	<i>Qty.</i>	<i>Description</i>
2	99-3083	1	Bar-Hinge
3	99-3085	1	Hose-Hinge
4	104-9450	1	Cover ASM
4:2	93-7814	1	Decal-Danger
4:3	98-9051	1	Decal-Danger
5	32111-8	1	Nut-Acorn
6	46-8091	2	Screw-HWH
7	99-3035	1	Spacer-Guide
8	3230-22	1	Screw-CARR
9	74-5950	2	Latch-Swell
10	65-5100	1	Handle-Door
11	105-0337-03	1	Plate-Adjusting
12	105-0331-03	1	Bracket-Support, Thigh
13	99-3058	2	Washer
15	3234-7	2	Screw-HHF
18	93-7340	1	Decal
20	105-0333	1	Support-Thigh
21	104-6156	2	Knob-Adjustment
22	3230-16	8	Screw-CARR
23	3256-70	4	Washer-Flat
24	3296-72	6	Nut-Lock, NI



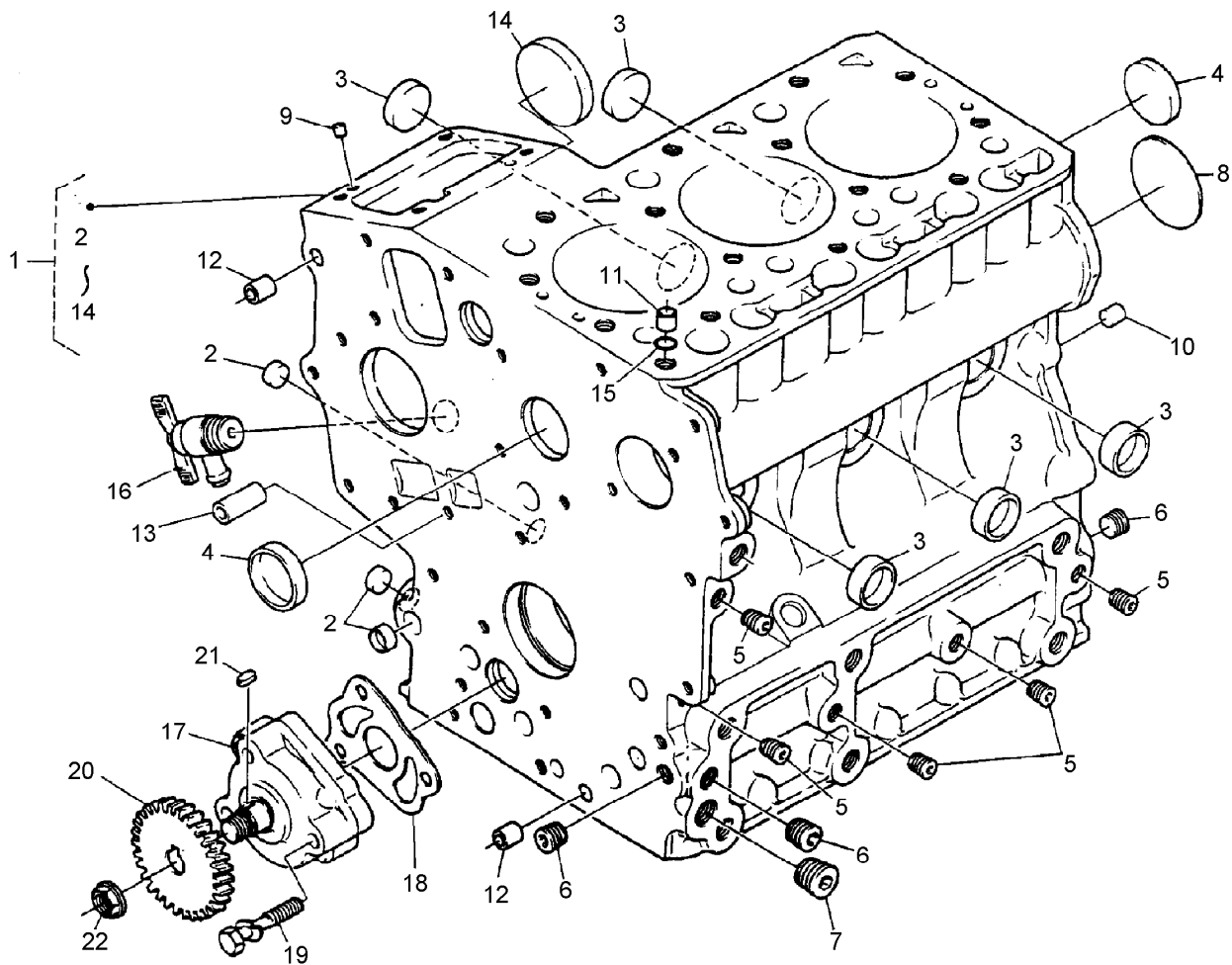
## Battery Mount Assembly

<i>Ref.</i>	<i>Part Number</i>	<i>Qty.</i>	<i>Description</i>
1	99-5035	2	Retainer-Battery
2	32144-70	2	Screw-HWHTF
3	98-2665-03	1	Mount-Battery
4	99-5030	1	Pad-Battery
5	100-1708	1	Cable-Battery, Positive
6	98-2670-03	1	Cover-Battery
7	2412-133	2	Clamp-R
8	32144-14	4	Screw-HWHTF
9	104-7050	1	Tube-Manual
10	3296-42	2	Nut-Lock, NI
11	99-5008-01	1	Retainer-Battery
12	99-5039	1	Retainer-Battery
13	100-1709	1	Cable-Battery, Negative
14	99-1441	1	Battery
15	104-7048	1	Cap-Housing
16	107-9309	1	Decal-Instructions, Charging
17	3234-29	2	Screw-HHF
18	32148-7	2	Nut-Clinch



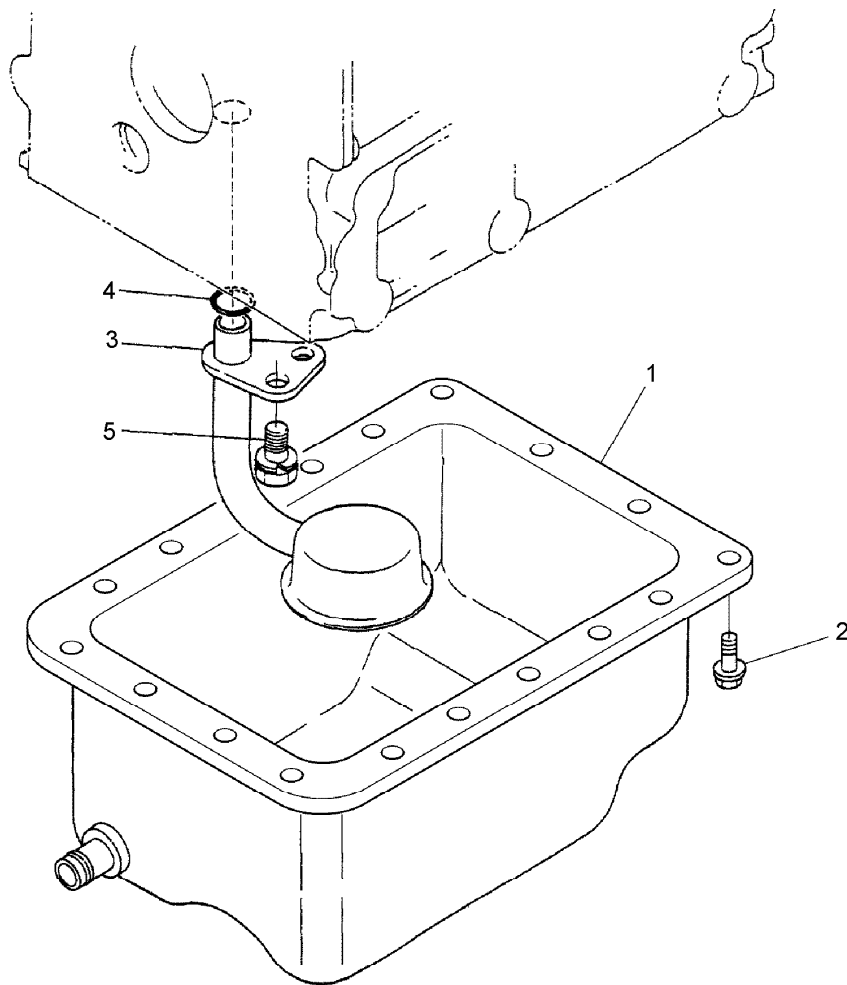
## Electrical Component Assembly

<i>Ref.</i>	<i>Part Number</i>	<i>Qty.</i>	<i>Description</i>	<i>Ref.</i>	<i>Part Number</i>	<i>Qty.</i>	<i>Description</i>
1	3296-12	4	Nut-Lock, NI	16	3220-1	1	Nut-Jam
2	88-9830	1	Key Switch ASM	17	99-5006	1	Solenoid
2:2	218-461	1	Nut-HH	18	2412-31	1	Clamp-Boden
3	32144-4	4	Screw-HWH	19	321-6	3	Screw-HH
4	105-8351-03	1	Plate-Cover	20	100-2057	1	Regulator ASM
5	100-8070	1	Lamp-Warning	21	98-7611	1	Controller-Glow
6	63-8360	2	Key-Ignition	22	100-2215	1	Washer-Spring
7	104-7429	1	Hour Meter ASM	23	100-2171	1	Nut-Hex
7:1	104-4234	1	Clip-Mounting	24	72-4310	3	Switch-Ball
8	105-4069	1	Harness-Wire	25	237-42	3	O-Ring
9	32105-13	2	Screw-HWH	26	3296-42	6	Nut-Lock, NI
10	98-7249	2	Relay	27	3256-21	1	Washer-Flat
11	32105-8	1	Screw-SHH	28	32144-87	1	Screw-HWHTF
13	3272-1	2	Pin-Cotter	29	99-1433	2	Connector-Female
14	321-4	3	Screw-HH	30	2412-72	1	Clip-Closed, Insulated
15	105-6243	1	Rod-Linkage	31	100-8071	1	Lamp-Warning



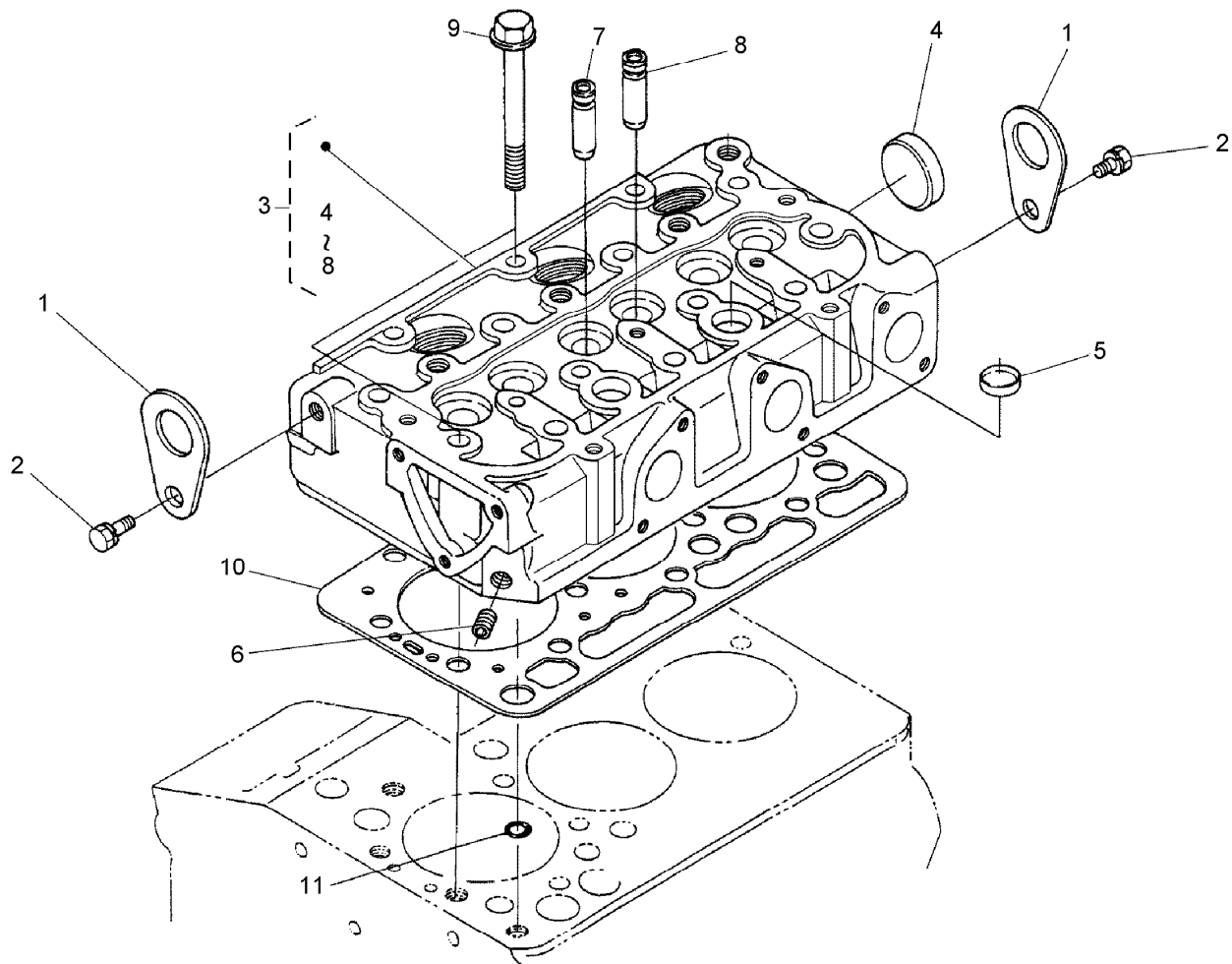
## Crankcase Assembly

<i>Ref.</i>	<i>Part Number</i>	<i>Qty.</i>	<i>Description</i>
1	112-2801	1	Crankcase ASM
2	100-2019	3	Cap-Sealing
3	100-2020	5	Cap-Sealing
4	98-9398	2	Cap-Sealing
5	98-7540	5	Plug
6	98-7487	3	Plug
7	98-7488	1	Plug
8	100-1851	1	Plug-Expansion
9	98-9375	2	Pin-Straight
10	98-9377	2	Pin-Straight
11	98-7506	1	Pin-Pipe
12	98-9387	2	Pin-Pipe
13	100-2051	2	Pin-Pipe
14	100-1991	1	Cover-Fuel, Camshaft
15	98-7509	1	O-Ring
16	98-9436	1	Drain Cock ASM
17	112-2802	1	Oil Pump ASM
18	100-2003	1	Gasket-Pump, Oil
19	100-1923	3	Bolt
20	100-1893	1	Gear-Drive, Oil Pump
21	98-7658	1	Key-Feather
22	100-1779	1	Nut-Flange



## Oil Pan Assembly

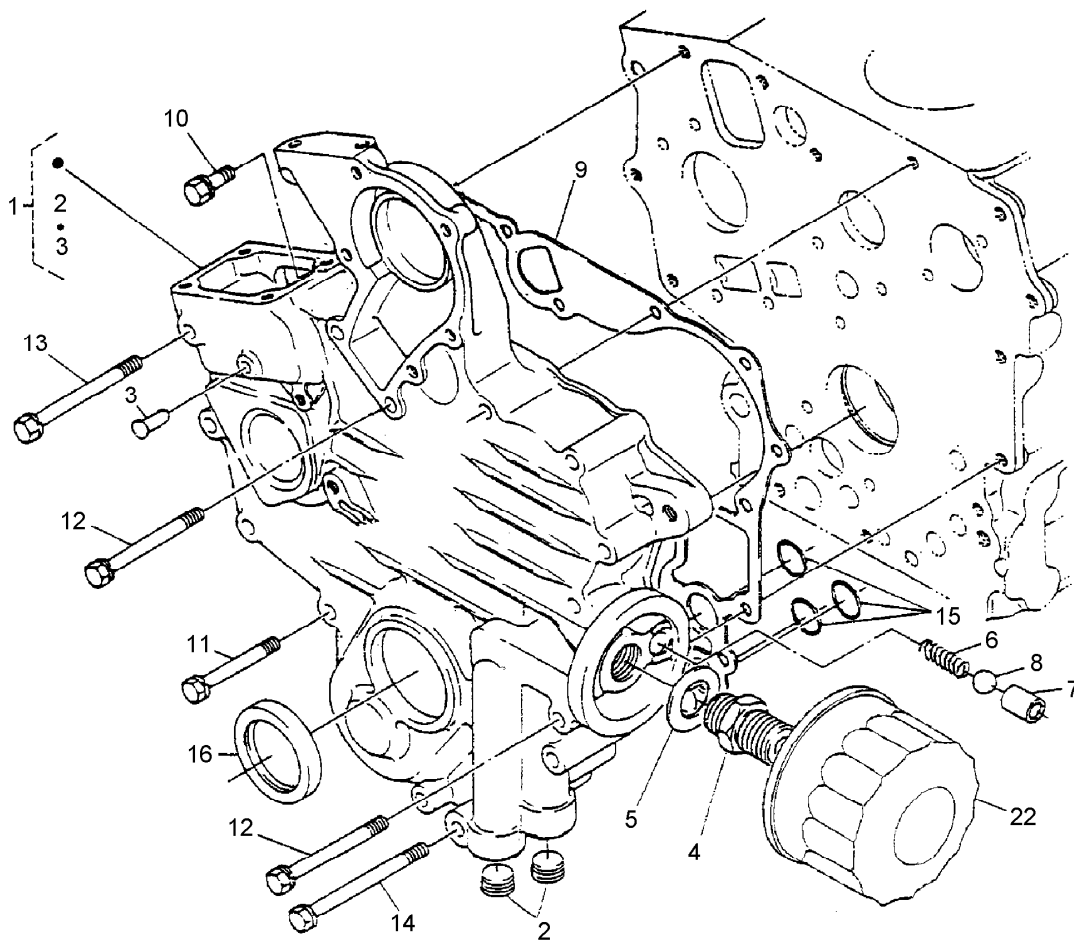
<i>Ref.</i>	<i>Part Number</i>	<i>Qty.</i>	<i>Description</i>
1	100-2239	1	Pan-Oil
2	98-9350	18	Bolt
3	100-2001	1	Strainer-Pickup, Oil
4	105-3776	1	O-Ring
5	100-9195	1	Bolt



## Cylinder Head Assembly

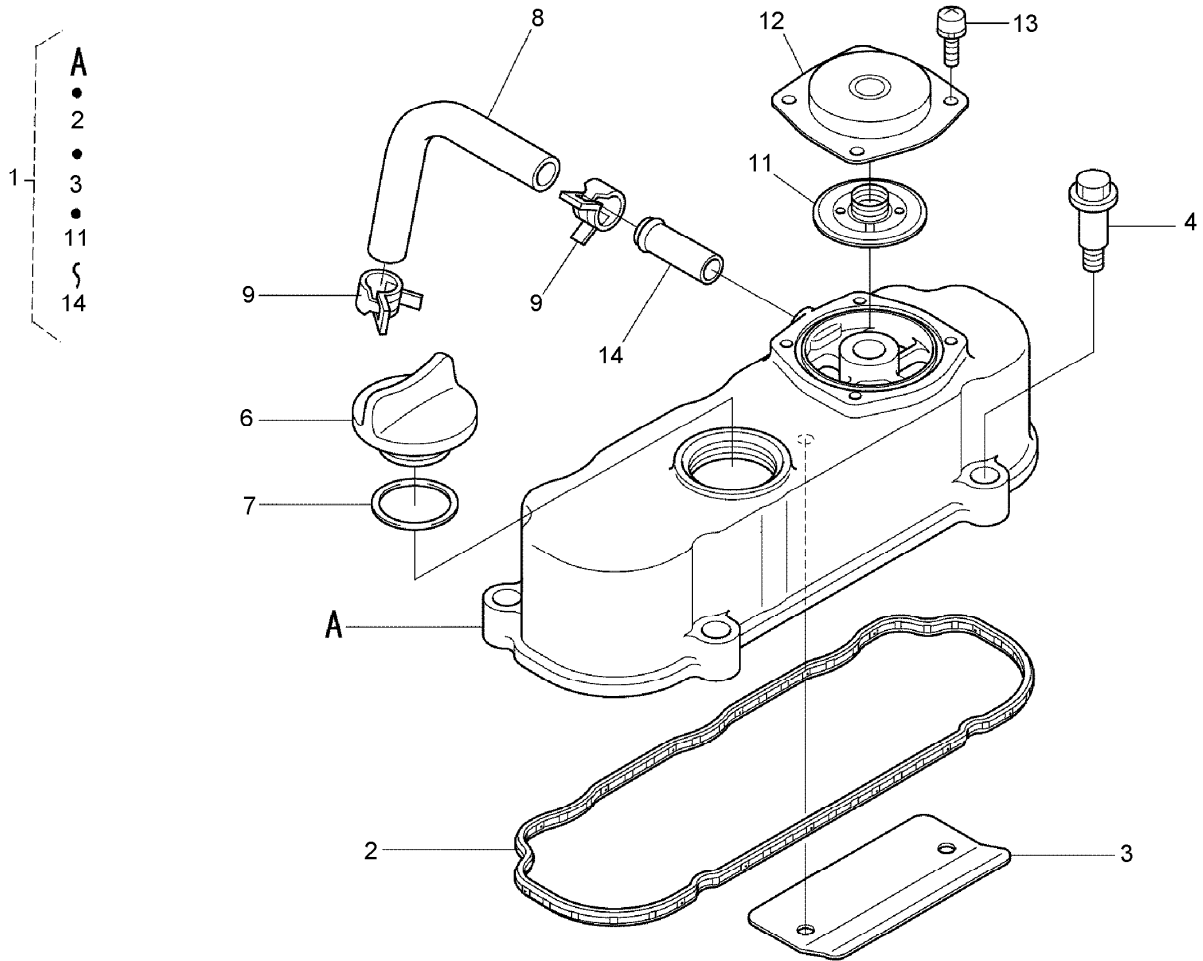
<i>Ref.</i>	<i>Part Number</i>	<i>Qty.</i>	<i>Description</i>
1	98-7531	2	Hook-Engine
2	98-7526	2	Bolt
3	112-2803	1	Cylinder Head ASM
4	98-9395	1	*obs* Cap-Sealing
5	98-9389	2	Cap-Sealing
6	98-7540	1	Plug
7	100-1882	3	Guide-Valve, Inlet
8	100-1883	3	Guide-Valve, Exhaust
9	100-1820	14	Bolt-Head, Cylinder
10	100-2043	1	Gasket-Head, Cylinder
11	98-7509	1	O-Ring
99	98-2651	1	Heater-Head, Cylinder ●

● Not illustrated



## Gear Case and Oil Filter Assembly

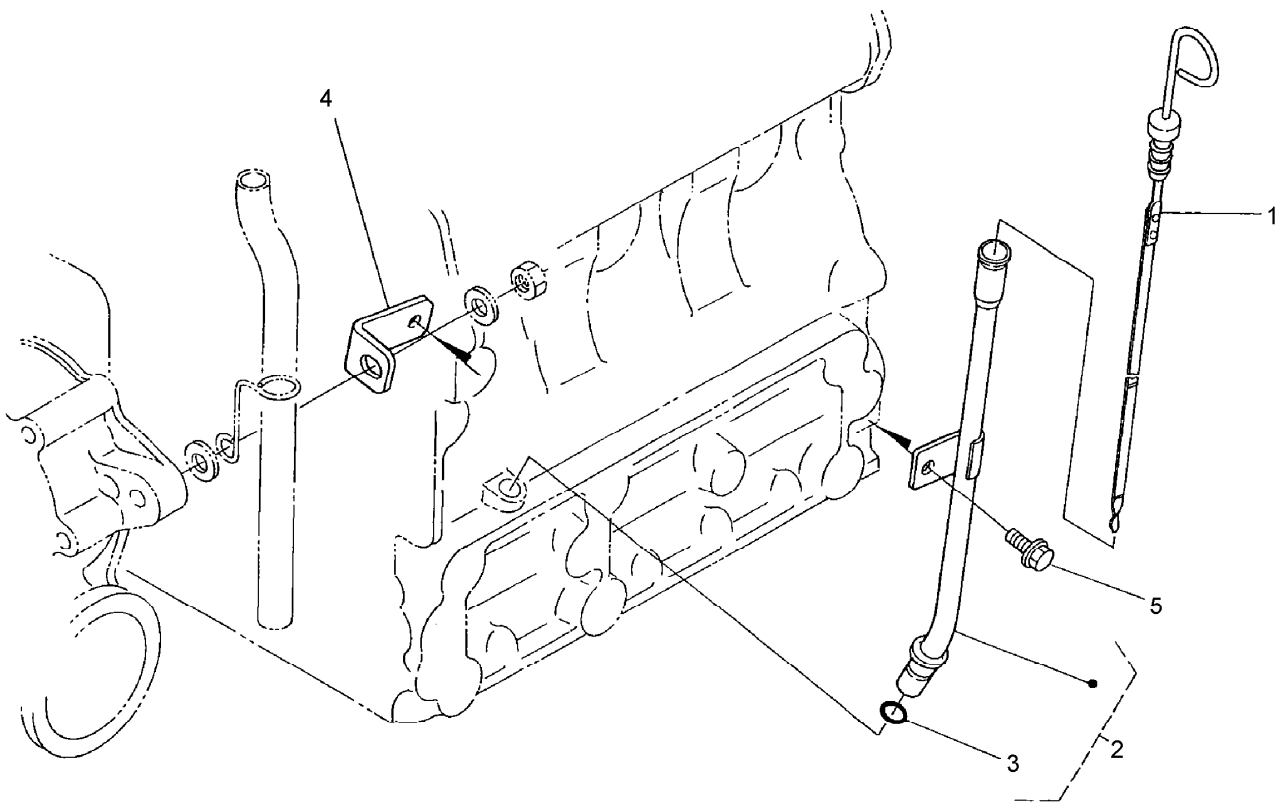
<i>Ref.</i>	<i>Part Number</i>	<i>Qty.</i>	<i>Description</i>
1	112-2804	1	Gear Case ASM
2	98-7488	1	Plug
3	100-1910	1	Pin-Spring, Start
4	98-9388	1	Joint-Pipe
5	100-1926	1	Washer-Plain
6	100-2004	1	Spring
7	100-1894	1	Seat-Valve
8	100-1792	1	Ball
9	112-2805	1	Gasket-Case, Gear
10	98-7605	1	Bolt
11	105-3797	8	Bolt
12	100-1922	5	Bolt
13	100-1766	1	Bolt
14	100-1767	1	Bolt
15	100-1785	1	O-Ring
16	100-1971	1	Seal-Oil
22	100-1892	1	Cartridge-Filter, Oil



## Head Cover Assembly

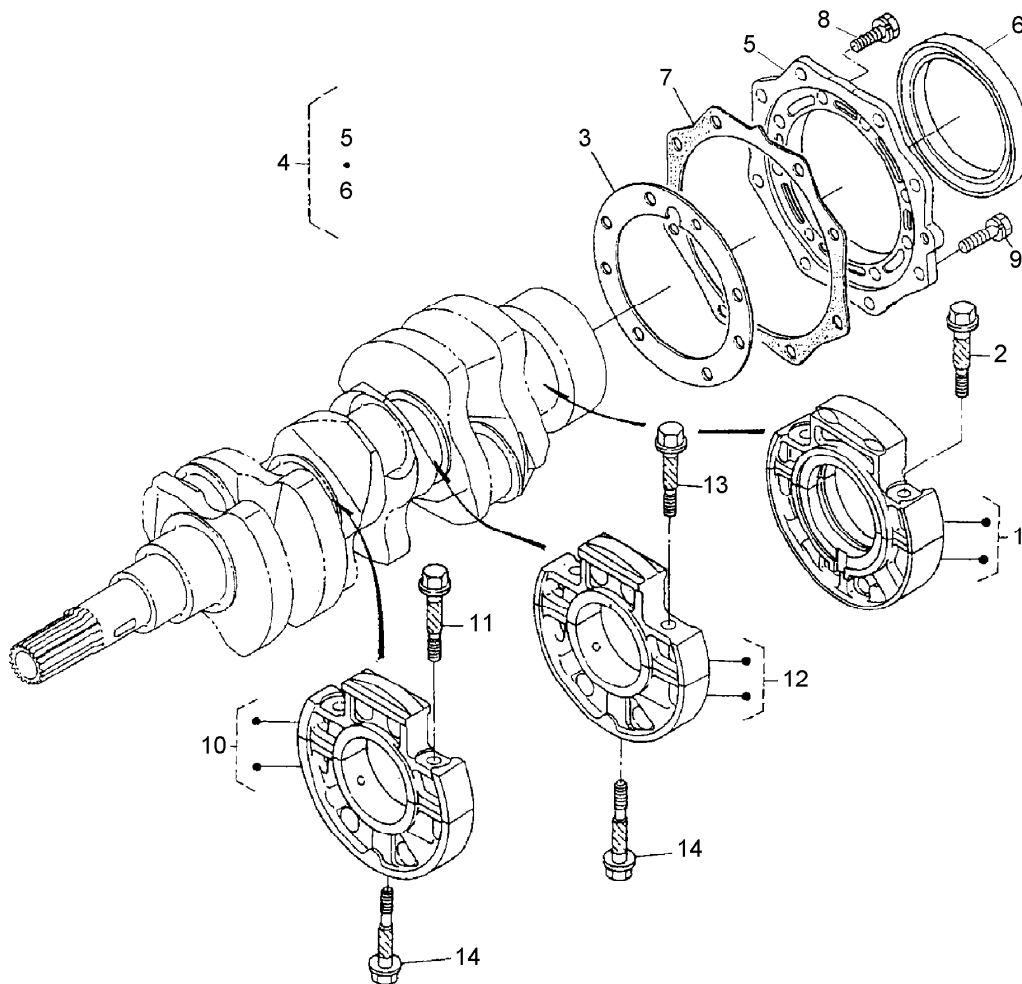
<i>Ref.</i>	<i>Part Number</i>	<i>Qty.</i>	<i>Description</i>
1	112-2806	1	Cylinder Head Cover ASM
2	112-2807	1	Gasket-Cover, Head
3	112-2808	1	Shield-Breather
4	108-7063	4	Bolt
6	107-9075	1	Plug-Filler, Oil
7	99-3446	1	O-Ring
8	112-2809	1	Tube-Breather
9	110-3712	2	Clamp-Hose
11	112-2810	1	Valve-Breather
12	108-2862	1	Cover-Breather
13	98-9364	4	Screw (With Washer)
14	98-9580	1	Pipe-Return, Water





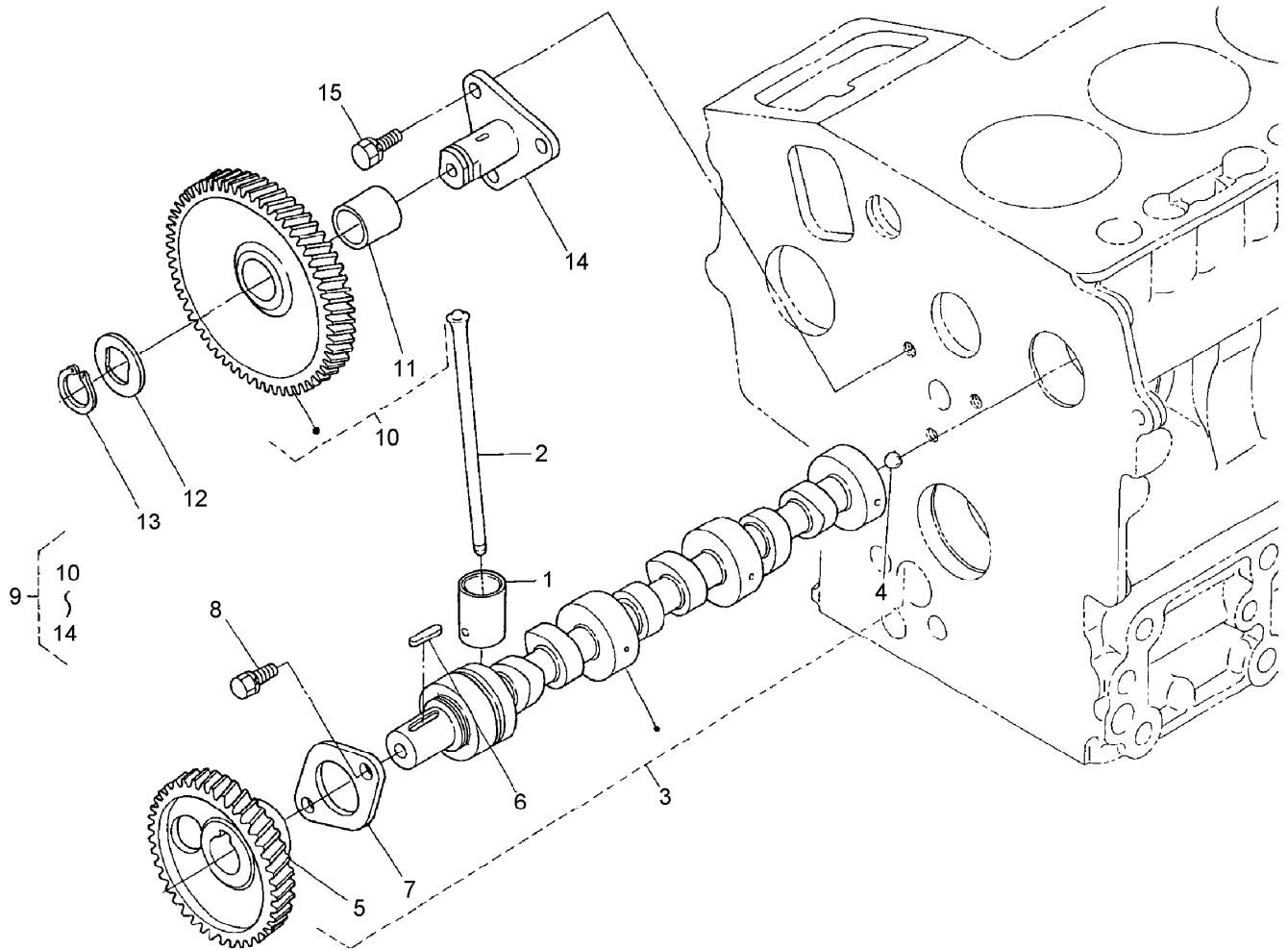
## Dipstick and Guide Assembly

<i>Ref.</i>	<i>Part Number</i>	<i>Qty.</i>	<i>Description</i>
1	112-2811	1	Gauge-Oil
2	100-2249	1	Oil Gauge Guide ASM
3	98-9374	1	*obs* O-Ring
4	100-2248	1	Support-Guide, Gauge
5	100-1774	1	Bolt-Flange



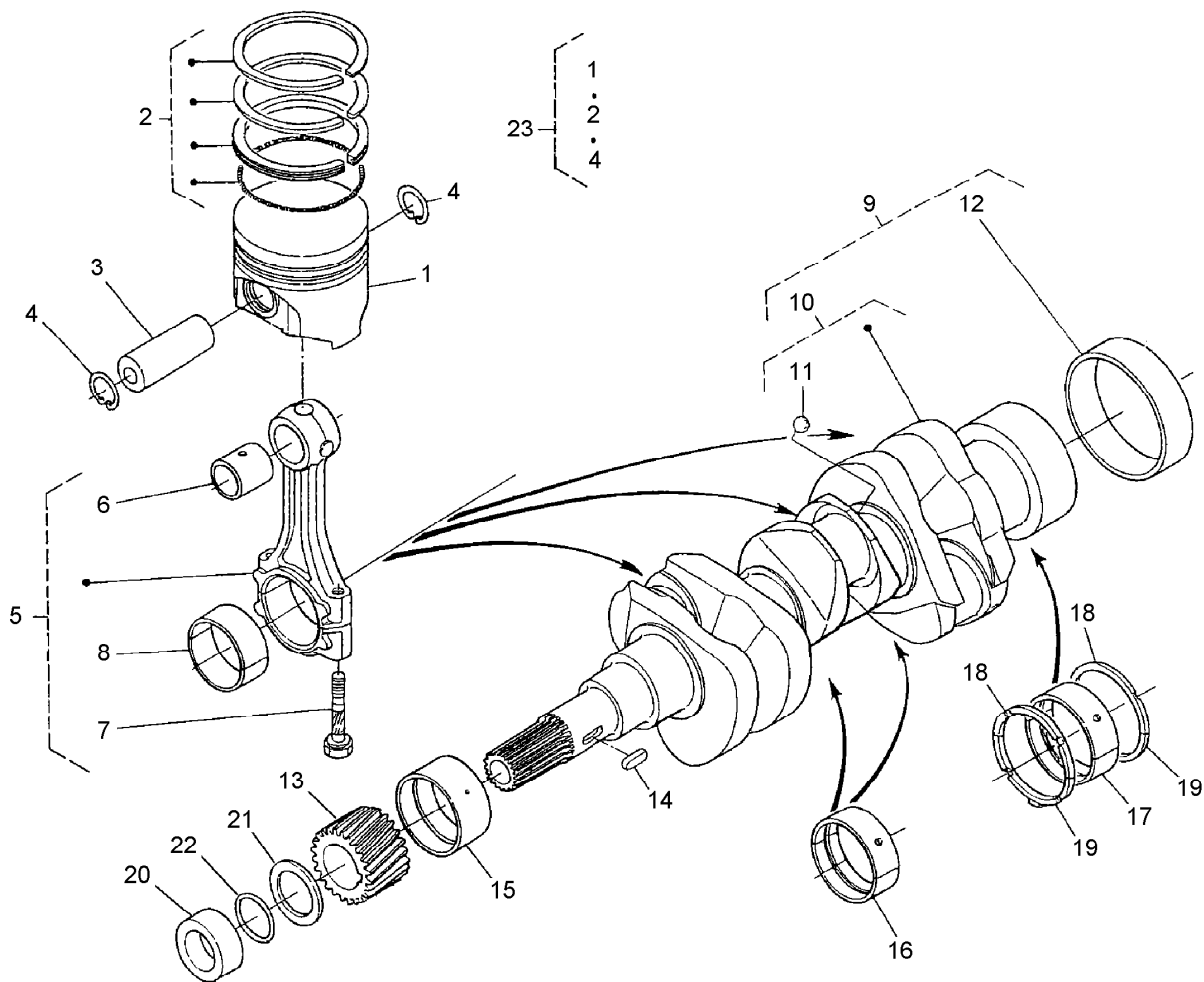
## Main Bearing Case Assembly

<i>Ref.</i>	<i>Part Number</i>	<i>Qty.</i>	<i>Description</i>
1	100-1988	1	Main Bearing Case ASM
2	100-1757	2	Bolt-Case, Bearing
3	112-2812	1	Gasket-Case, Bearing
4	100-2233	1	Bearing Case Cover ASM
5	100-1875	1	Cover-Case, Bearing
6	100-2055	1	Seal-Oil
7	100-1876	1	Gasket-Cover, Case
8	98-7568	8	Bolt
9	100-1750	8	Bolt
10	100-1987	1	Main Bearing Case ASM
11	100-1757	2	Bolt-Case, Bearing
12	100-2027	1	Main Bearing Case ASM
13	100-1757	2	Bolt-Case, Bearing
14	100-1874	2	Bolt-Case, Bearing



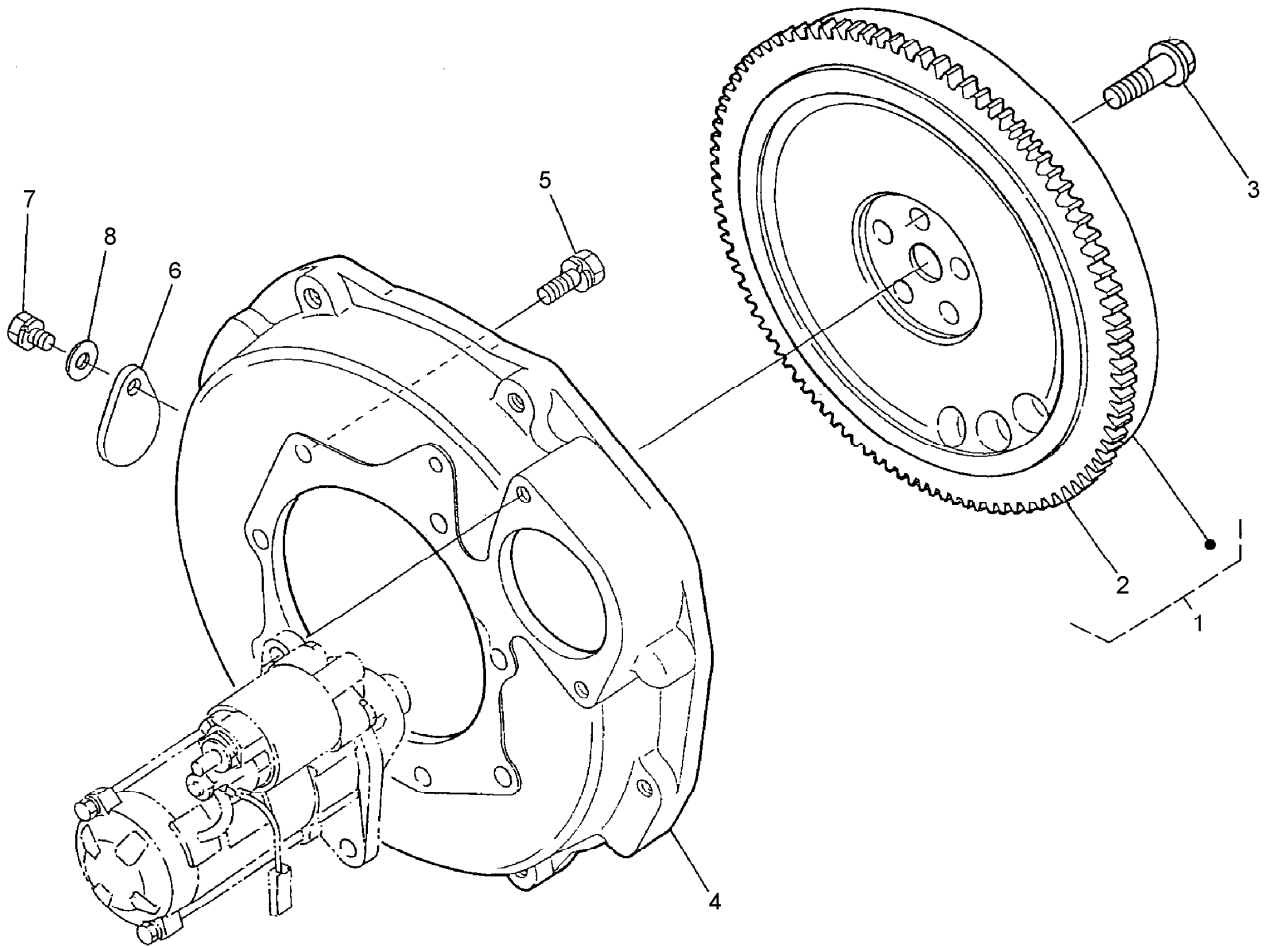
## Camshaft and Idle Gear Shaft Assembly

<i>Ref.</i>	<i>Part Number</i>	<i>Qty.</i>	<i>Description</i>
1	100-1990	6	Tappet
2	100-1989	6	Rod-Push
3	100-2162	1	Camshaft ASM
4	98-7473	1	Ball
5	100-2163	1	Gear-Cam
6	98-9378	1	Key-Feather
7	100-1887	1	Stopper-Camshaft
8	98-9350	2	Bolt
9	100-2240	1	Idle Gear ASM
10	100-1966	1	Gear-Idle
11	100-1968	1	Bushing
12	100-1970	1	Collar-Gear, Idle
13	100-1969	1	Ring-Snap
14	100-1967	1	Shaft-Gear, Idle
15	98-9351	3	Bolt



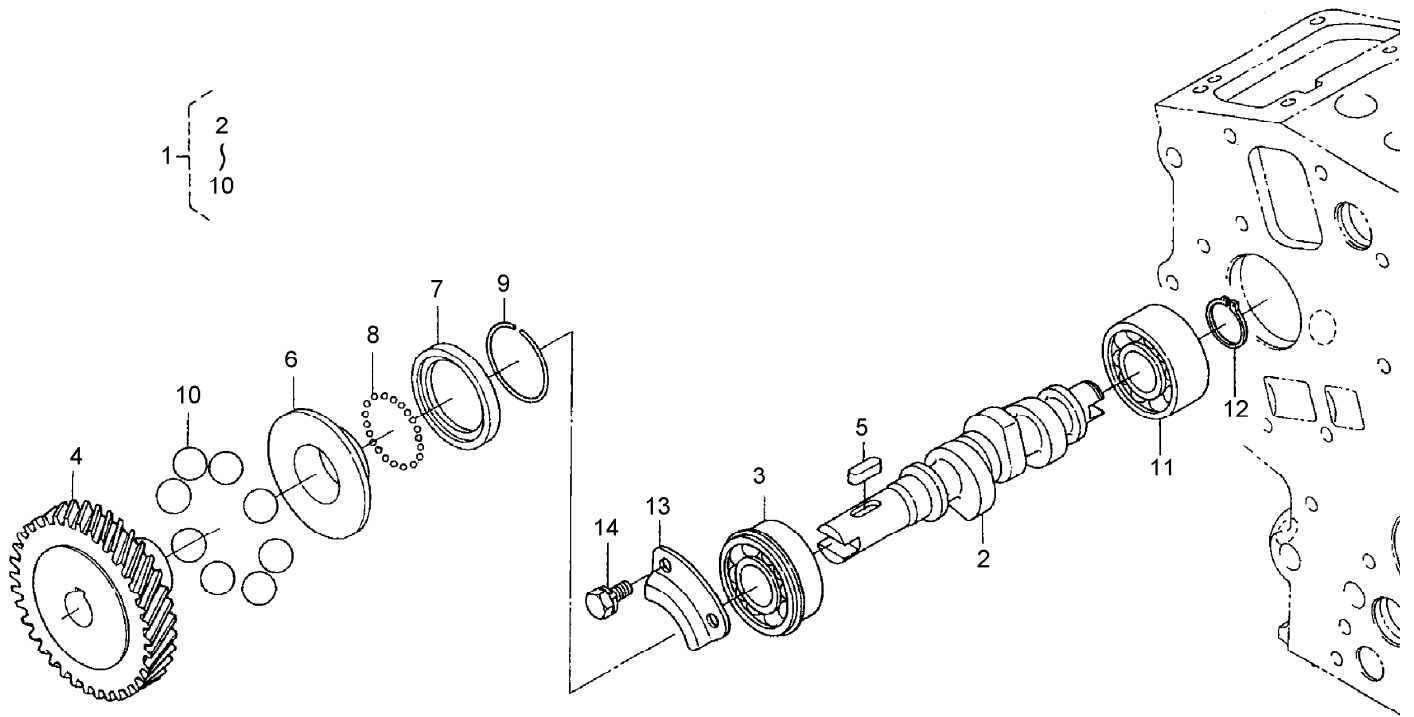
## Piston and Crankshaft Assembly

<i>Ref.</i>	<i>Part Number</i>	<i>Qty.</i>	<i>Description</i>	<i>Ref.</i>	<i>Part Number</i>	<i>Qty.</i>	<i>Description</i>
1	100-1994	3	Piston (STD)	16	100-1945	2	Crankshaft-Metal (-0.2MM Set)
1	100-1996	3	Piston (+0.25MM)	16	100-1946	2	Crankshaft-Metal (-0.4MM Set)
2	100-2158	3	Piston Ring ASM	16	100-2033	2	Crankshaft-Metal (STD Set)
2	100-2159	3	Piston Ring ASM	17	100-1870	1	Crankshaft-Metal (-0.2MM Set)
3	112-2813	3	Pin-Piston	17	100-1871	1	Crankshaft-Metal (-0.4MM Set)
4	100-1835	6	Circlip-Internal	17	100-2032	1	Crankshaft-Metal (STD Set)
5	100-1998	3	Connecting Rod ASM	18	100-1836	2	Metal-Side (STD)
6	112-2814	3	Bushing-Pin, Piston	18	100-1838	2	Metal-Side (+0.20MM)
7	100-1999	6	Bolt-Rod, Connecting	18	100-1839	2	Metal-Side (+0.40MM)
8	100-1942	3	Metal-Crankpin (-0.20Mm)	19	100-1837	2	Metal-Side (STD)
8	100-1943	3	Metal-Crankpin (-0.40Mm)	19	100-1840	2	Metal-Side (+0.2MM)
8	100-2000	3	Metal-Crankpin (STD)	19	100-1841	2	Metal-Side (+0.4MM)
9	100-2161	1	Crankshaft ASM	20	100-1890	1	Collar-Crankshaft
10	100-2160	1	Crankshaft	21	100-1974	1	Slinger-Oil
11	100-1791	3	Ball	22	100-2209	1	O-Ring
12	100-2054	1	Sleeve-Crankshaft	23	100-2164	1	Piston Kit
13	100-1891	1	Gear-Crankshaft				
14	100-1752	1	Key-Feather				
15	100-1944	1	Crankshaft-Metal (STD)				
15	100-1947	1	Crankshaft-Metal (-0.2MM)				
15	100-1948	1	Crankshaft-Metal (-0.4MM)				



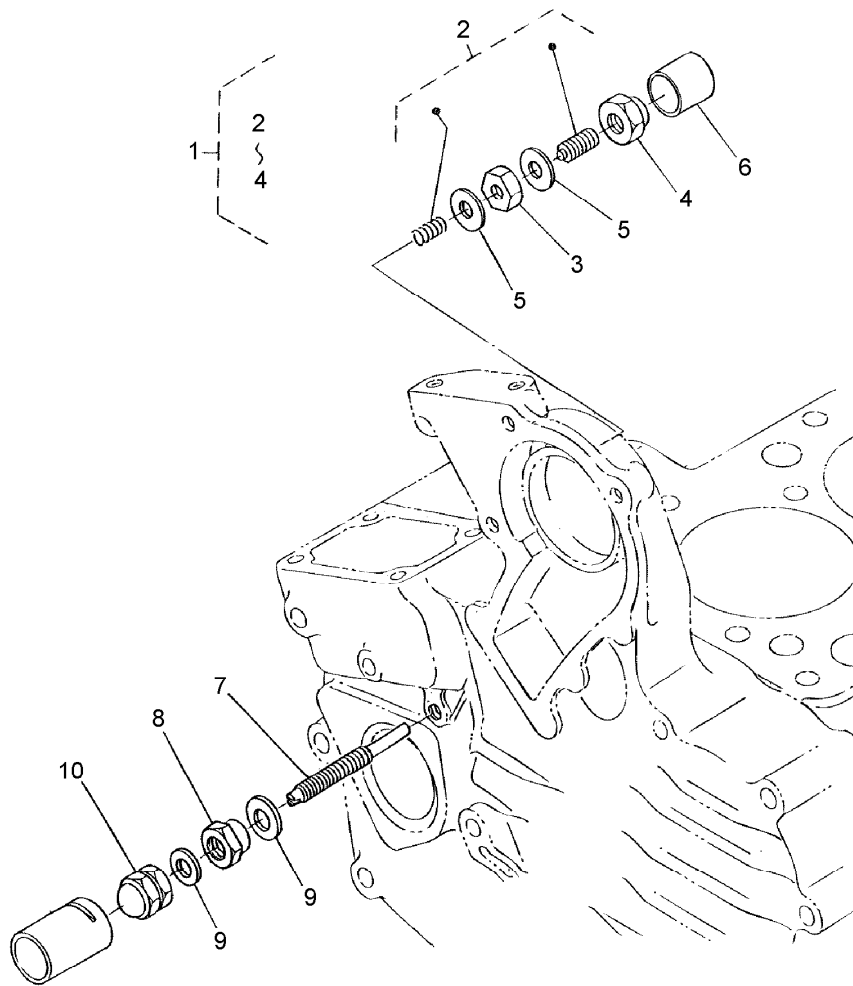
## Flywheel Assembly

<i>Ref.</i>	<i>Part Number</i>	<i>Qty.</i>	<i>Description</i>
1	112-2815	1	Flywheel ASM
2	112-2816	1	Gear-Ring
3	100-1930	1	Bolt-Flywheel
4	100-2234	1	Housing-Flywheel
5	98-9359	10	Bolt
6	100-2177	1	Cover
7	100-9195	1	Bolt
8	98-7660	1	Washer-Plain



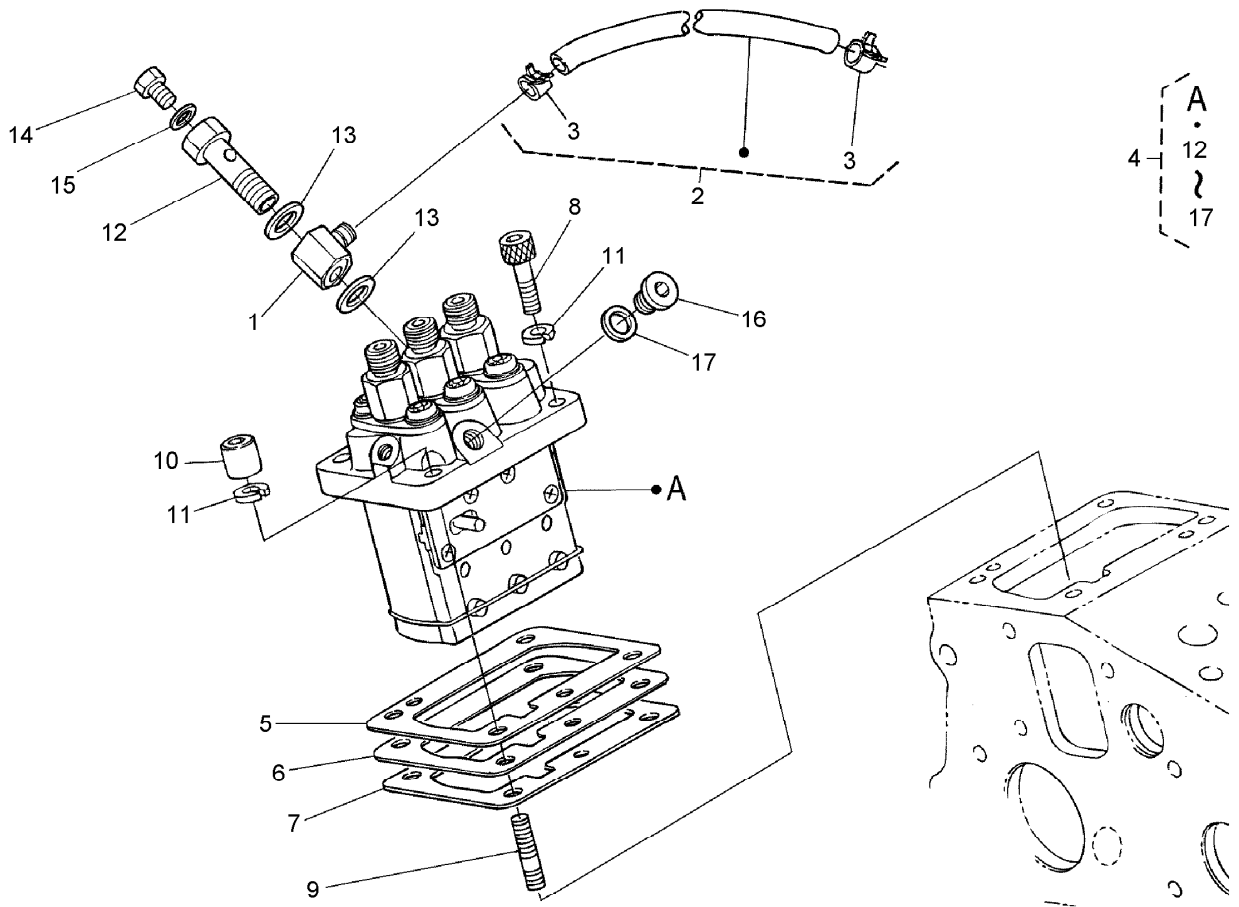
## Fuel Camshaft and Governor Shaft Assembly

<i>Ref.</i>	<i>Part Number</i>	<i>Qty.</i>	<i>Description</i>
1	112-2817	1	Camshaft ASM
2	112-2818	1	Camshaft-Fuel
3	100-1795	1	Bearing-Ball
4	100-2006	1	Gear-Pump, Injection
5	100-1752	1	Key-Feather
6	100-1903	1	Sleeve-Governor
7	100-1904	1	Case-Ball, Governor
8	100-1790	32	Ball
9	100-1843	1	Circ-Clip
10	100-1793	8	Ball
11	112-2819	1	Bearing-Ball
12	100-1784	1	Circ-Clip, External
13	100-1888	1	Stopper-Fuel, Camshaft
14	98-9350	2	Bolt



## Idle Apparatus Assembly

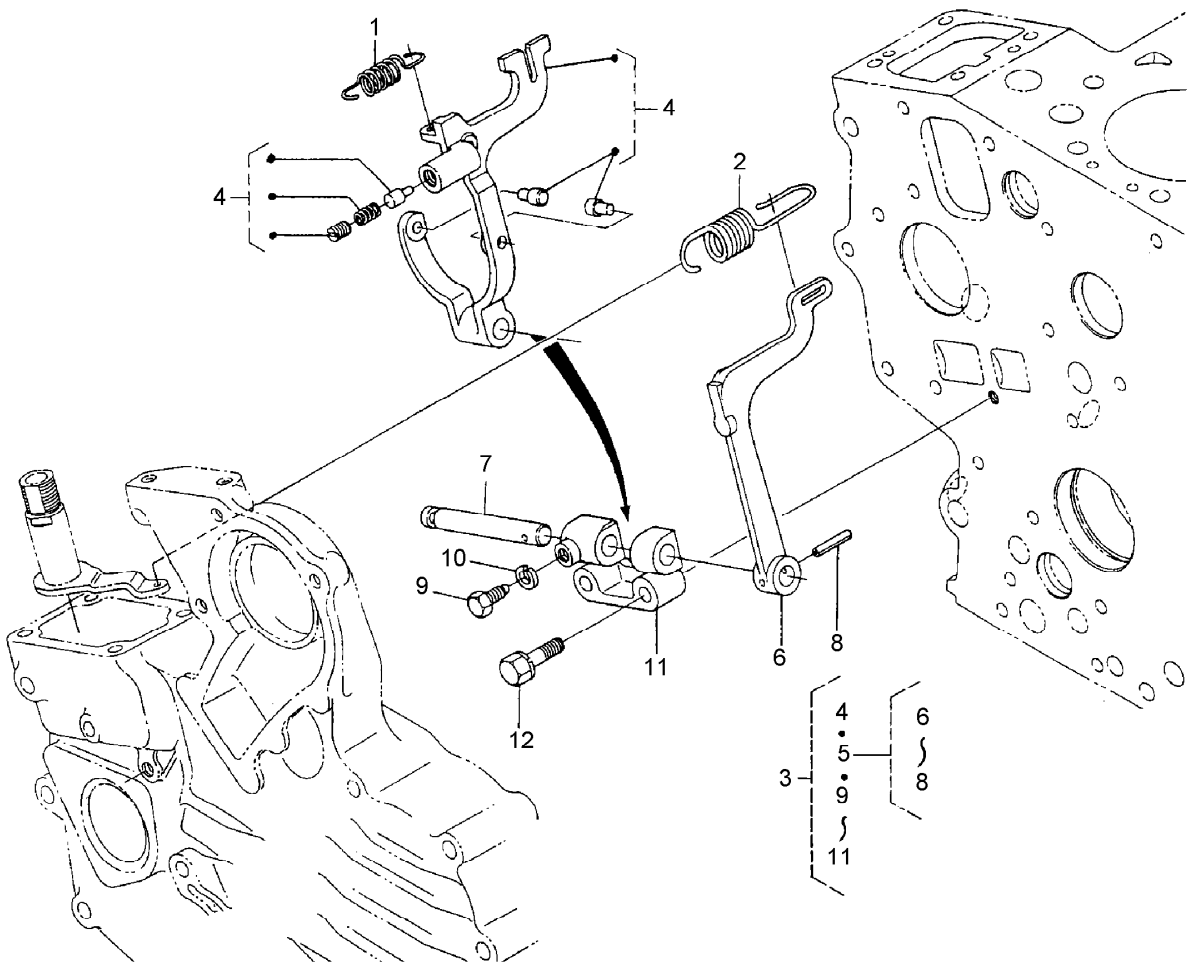
<i>Ref.</i>	<i>Part Number</i>	<i>Qty.</i>	<i>Description</i>
1	100-1898	1	Idle Apparatus ASM
2	100-1899	1	Adjusting Bolt ASM
3	100-1846	1	Nut
4	100-1901	1	Nut-Cap
5	98-7428	2	Gasket
6	100-1902	1	Cap
7	112-2820	1	Bolt-Adjusting
8	100-2175	1	Nut-Lock
9	107-9081	2	Gasket
10	98-9441	1	Nut-Cap



## Injection Pump Assembly

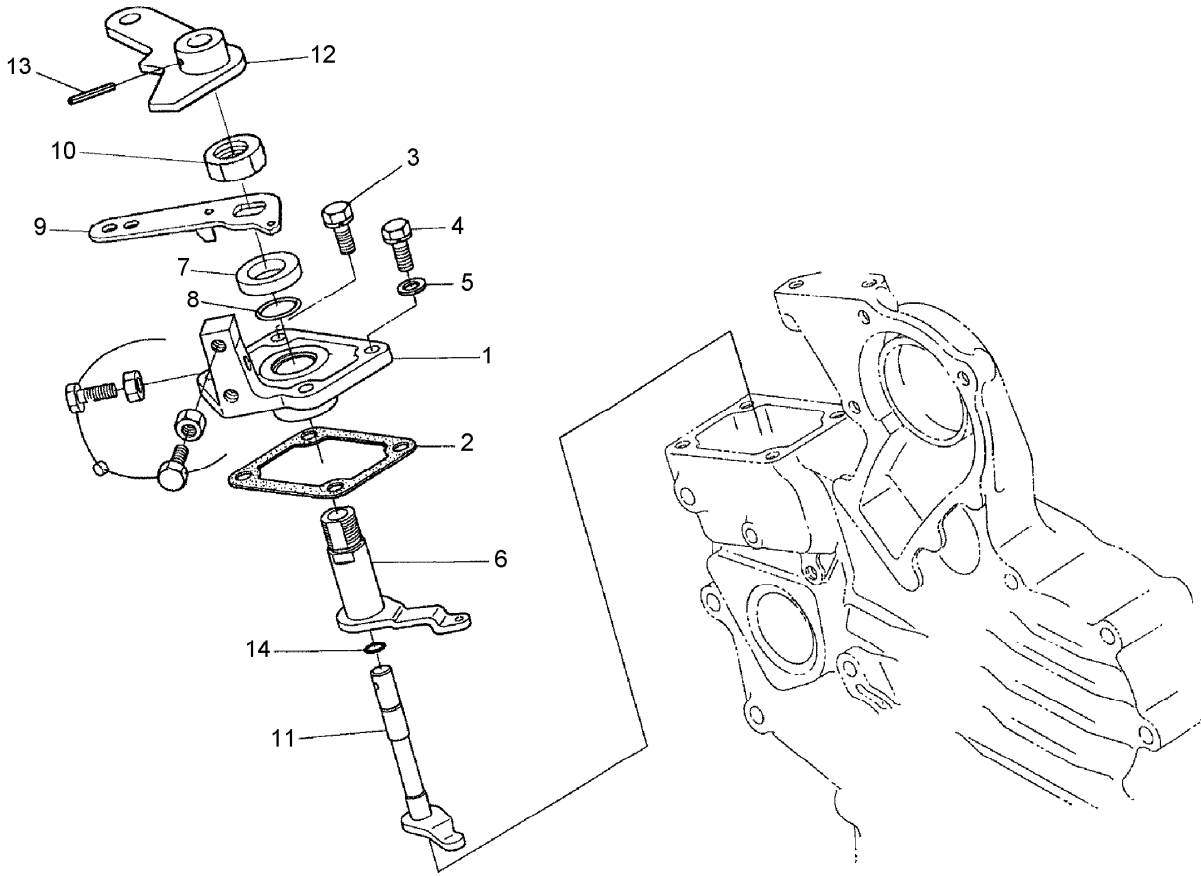
Ref.	Part Number	Qty.	Description
1	100-1928	1	Joint-Eye
2	100-1842	1	Fuel Pipe ASM
3	100-2217	2	Clip-Pipe
4	100-1759	1	Injection Pump ASM
5	98-9456	1	Shim-Injection (0.20MM)
6	98-9457	1	Shim-Injection (0.25MM)
7	98-9458	1	Shim-Injection (0.30MM)
8	98-9361	2	Bolt-HSH
9	98-9438	2	Stud
10	98-9440	2	Nut-Cap
11	98-7699	4	Washer-Spring
12	100-1896	1	Screw-Hollow
13	98-9445	2	Gasket
14	98-9430	1	Screw
15	98-9446	1	Gasket
16	98-9466	1	Plug
17	98-9451	1	Gasket





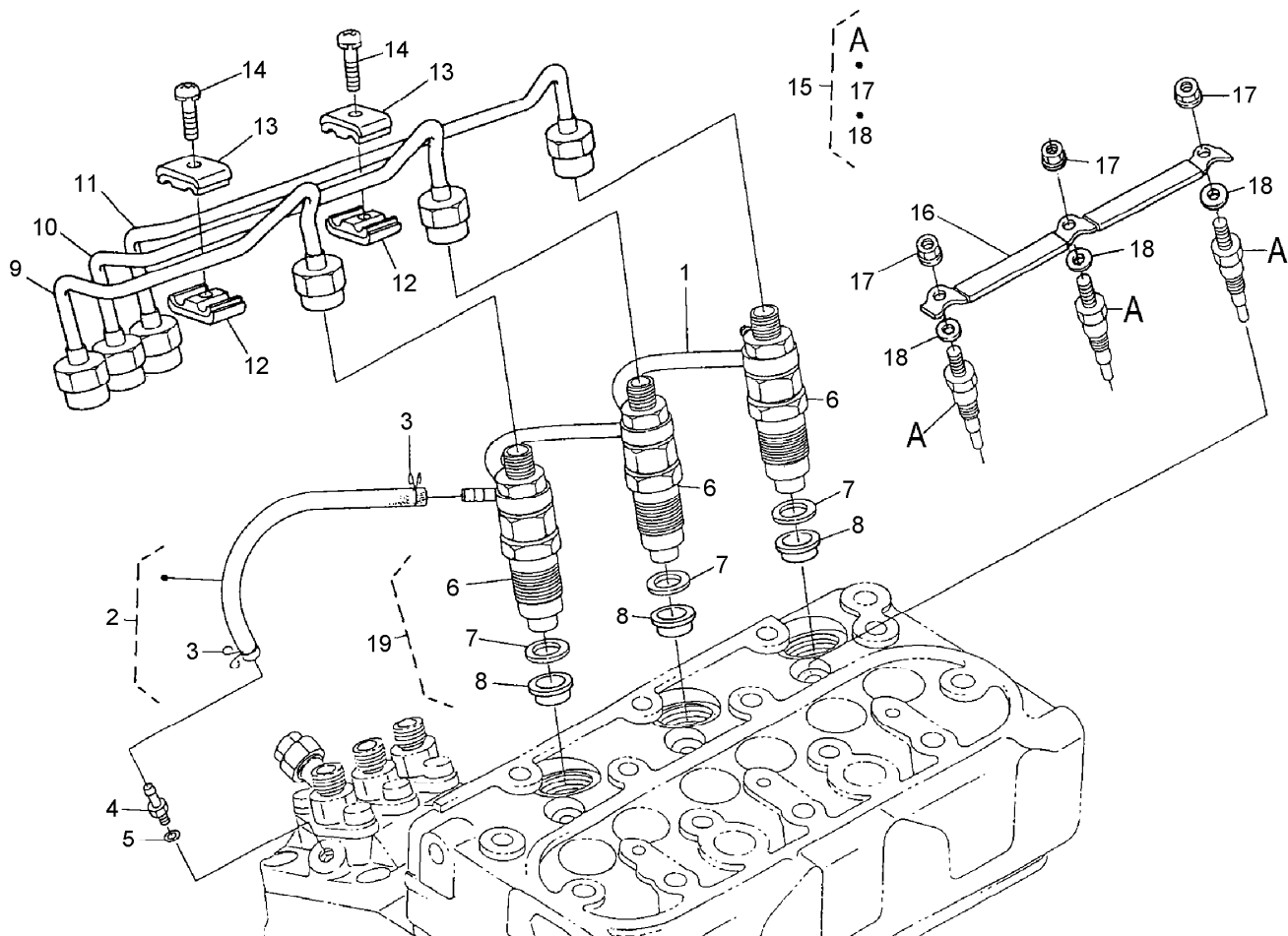
## Governor Assembly

<i>Ref.</i>	<i>Part Number</i>	<i>Qty.</i>	<i>Description</i>
1	100-1911	1	Spring-Start
2	100-2059	1	Spring-Governor
3	100-1981	1	Fork Lever ASM
4	100-2241	1	Lever-Fork
5	100-1905	1	Fork Lever ASM
6	100-1907	1	Lever-Fork
7	100-1908	1	Shaft-Lever, Fork
8	100-1751	1	Pin-Spring
9	100-1845	1	Bolt
10	100-2204	1	Washer-Spring
11	100-1909	1	Holder-Lever, Fork
12	100-1763	2	Bolt



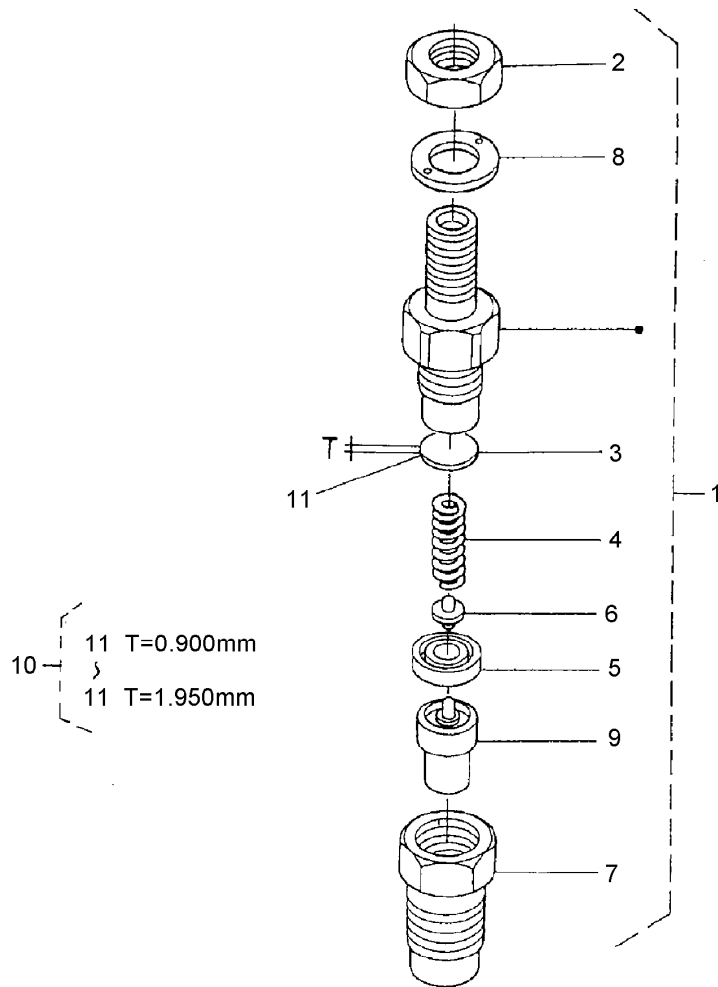
## Speed Control Plate Assembly

<i>Ref.</i>	<i>Part Number</i>	<i>Qty.</i>	<i>Description</i>
1	112-2821	1	Plate-Control, Speed
2	100-1914	1	Gasket
3	98-7605	2	Bolt
4	100-1769	2	Bolt
5	98-7654	2	Gasket
6	112-2822	1	Lever-Governor
7	112-2823	1	Collar
8	100-2208	1	O-Ring
9	112-2824	1	Lever-Control, Speed
10	112-2825	1	Nut-Control, Speed
11	112-2826	1	Shaft-Lever
12	112-2827	1	Lever-Stop, Engine
13	110-3777	1	Pin-Spring
14	100-2207	1	O-Ring



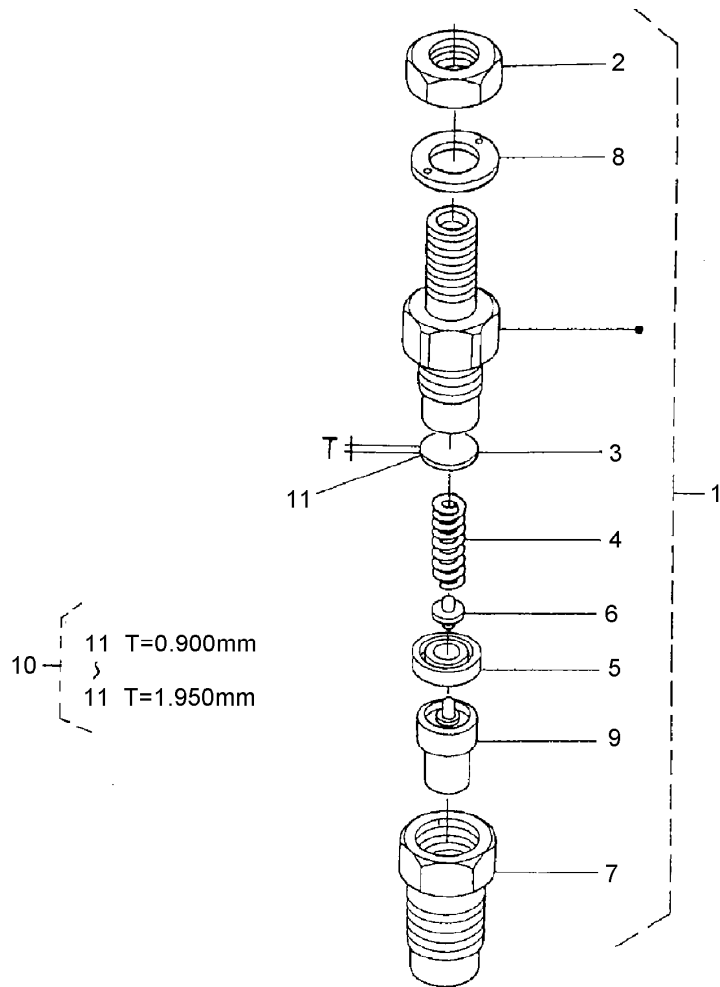
## Nozzle Holder and Glow Plug Assembly

Ref.	Part Number	Qty.	Description
1	100-1960	1	Over Flow Pipe ASM
2	98-9420	1	Overflow Pipe ASM
3	98-7671	2	Clip-Pipe
4	98-9431	1	Screw-Bleeder, Air
5	98-7654	1	Gasket
6	100-1758	3	Nozzle Holder ASM
7	98-7676	3	Gasket
8	98-7677	3	Seal-Heat
9	112-2828	1	Pipe-Injection
10	112-2829	1	Pipe-Injection
11	112-2830	1	Pipe-Injection
12	98-7682	2	Clamp-Pipe
13	98-7683	2	Clamp-Pipe
14	98-7684	2	Screw (W/Washer)
15	112-2831	3	Plug-Glow
16	100-2037	1	Cord-Plug, Glow
17	99-8377	3	Nut-Flange
18	99-8378	3	Washer-Plain
19	100-1982	3	Nozzle Holder Kit



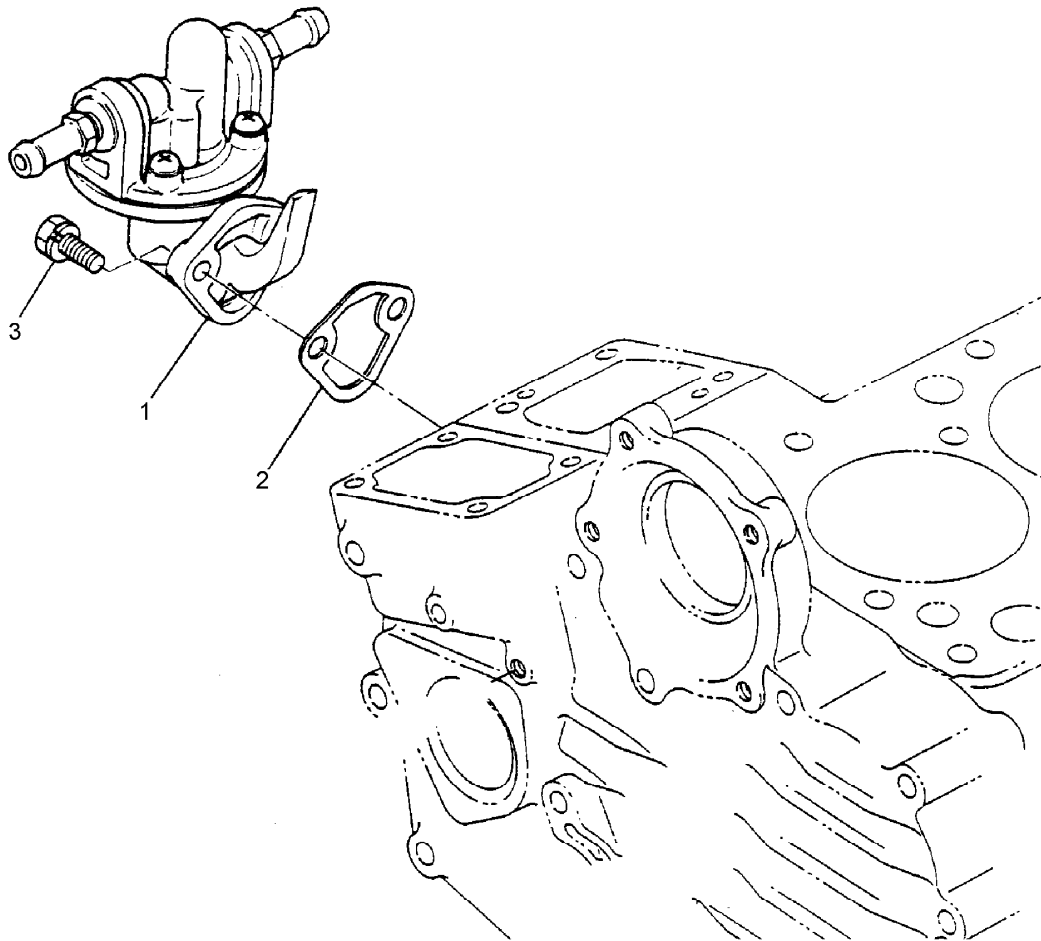
## Nozzle Holder Assembly

<i>Ref.</i>	<i>Part Number</i>	<i>Qty.</i>	<i>Description</i>	<i>Ref.</i>	<i>Part Number</i>	<i>Qty.</i>	<i>Description</i>
1	100-1758	3	Nozzle Holder ASM	11	98-7848	3	Washer-Adjusting (1.100MM)
2	98-7613	3	Nut	11	98-7849	3	Washer-Adjusting (1.125MM)
3	98-7642	3	Washer-Adjusting (0.900Mm)	11	98-7850	3	Washer-Adjusting (1.150MM)
4	98-7647	3	Spring-Nozzle	11	98-7851	3	Washer-Adjusting (1.175MM)
5	98-7665	3	Spacer-Distance	11	98-7852	3	Washer-Adjusting (1.200MM)
6	98-7666	3	Rod-Push	11	98-7853	3	Washer-Adjusting (1.225MM)
7	100-2242	3	Nut-Nozzle	11	98-7854	3	Washer-Adjusting (1.250MM)
8	98-7668	3	Washer	11	98-7855	3	Washer-Adjusting (1.275MM)
9	100-2009	3	Piece-Nozzle	11	98-7856	3	Washer-Adjusting 1.300MM)
10	98-9448	3	Adjusting Washer ASM	11	98-7857	3	Washer-Adjusting (1.325MM)
11	98-7642	3	Washer-Adjusting (0.900Mm)	11	98-7858	3	Washer-Adjusting (1.350MM)
11	98-7841	3	Washer-Adjusting (0.925Mm)	11	98-7859	3	Washer-Adjusting (1.375MM)
11	98-7842	3	Washer-Adjusting (0.950Mm)	11	98-7860	3	Washer-Adjusting (1.400MM)
11	98-7843	3	Washer-Adjusting (0.975Mm)	11	98-7861	3	Washer-Adjusting (1.425MM)
11	98-7844	3	Washer-Adjusting (1.000Mm)				
11	98-7845	3	Washer-Adjusting (1.025Mm)				
11	98-7846	3	Washer-Adjusting (1.050Mm)				
11	98-7847	3	Washer-Adjusting (1.075MM)				



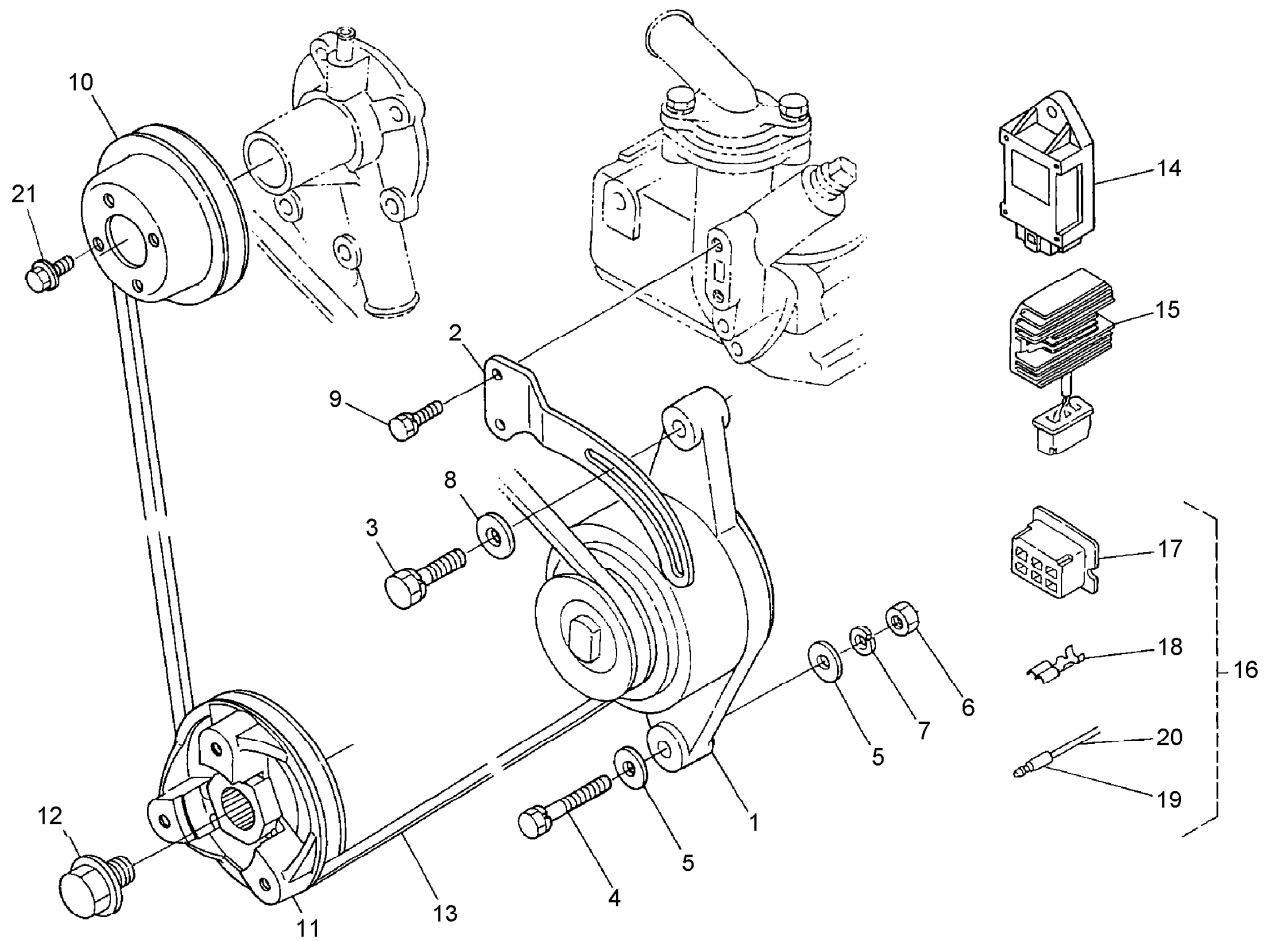
## Nozzle Holder Assembly (continued)

Ref.	Part Number	Qty.	Description	Ref.	Part Number	Qty.	Description
11	98-7862	3	Washer-Adjusting (1.450MM)	11	98-7873	3	Washer-Adjusting (1.725MM)
11	98-7863	3	Washer-Adjusting (1.475MM)	11	98-7874	3	Washer-Adjusting (1.750MM)
11	98-7864	3	Washer-Adjusting (1.500MM)	11	98-7875	3	Washer-Adjusting (1.775MM)
11	98-7865	3	Washer-Adjusting (1.525MM)	11	98-7876	3	Washer-Adjusting (1.800MM)
11	98-7866	3	Washer-Adjusting (1.550MM)	11	98-7877	3	Washer-Adjusting (1.825MM)
11	98-7867	3	Washer-Adjusting (1.575MM)	11	98-7878	3	Washer-Adjusting (1.850MM)
11	98-7868	3	Washer-Adjusting (1.600MM)	11	98-7879	3	Washer-Adjusting (1.875MM)
11	98-7869	3	Washer-Adjusting (1.625MM)	11	98-7880	3	Washer-Adjusting (1.900MM)
11	98-7870	3	Washer-Adjusting (1.650MM)	11	98-7881	3	Washer-Adjusting (1.925MM)
11	98-7871	3	Washer-Adjusting (1.675MM)	11	98-7882	3	Washer-Adjusting (1.950MM)
11	98-7872	3	Washer-Adjusting (1.700MM)				



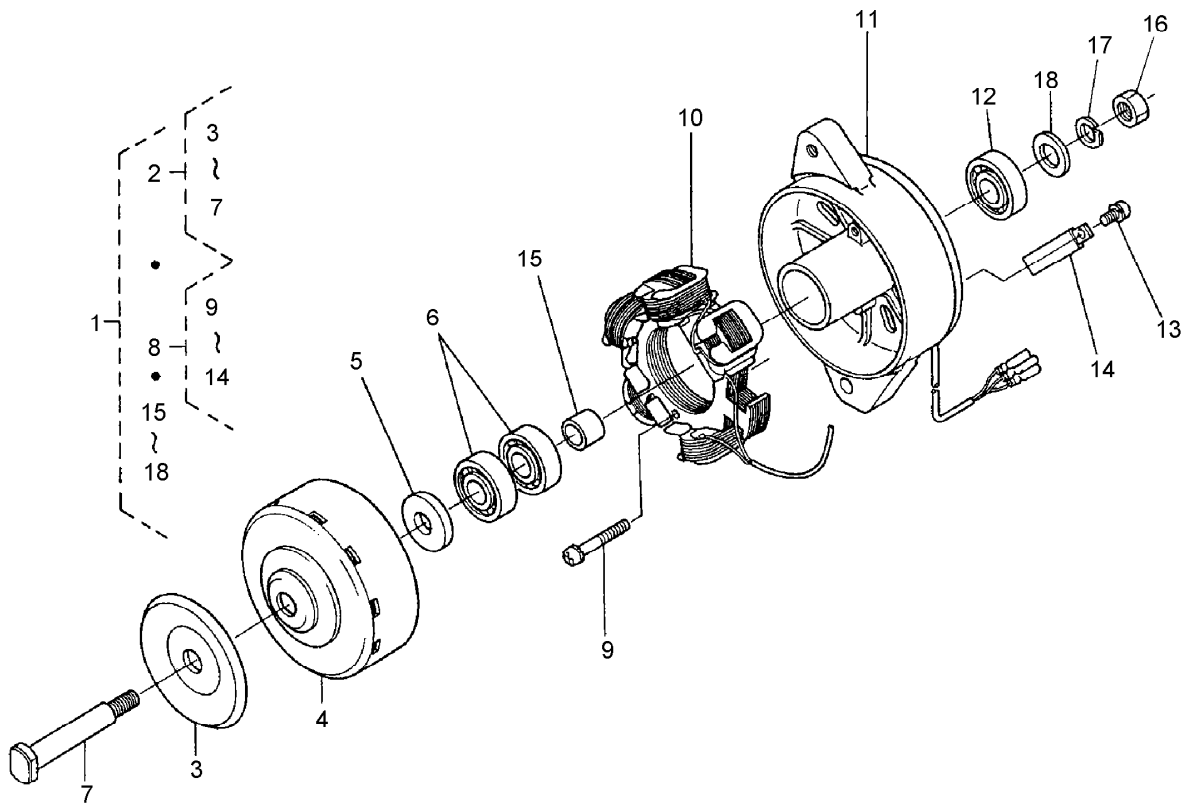
## Fuel Pump Installation Assembly

<i>Ref.</i>	<i>Part Number</i>	<i>Qty.</i>	<i>Description</i>
1	100-2232	1	Fuel Pump ASM
2	98-9636	1	Gasket-Pump, Fuel
3	98-7692	2	Bolt



## Dynamo Pulley Assembly

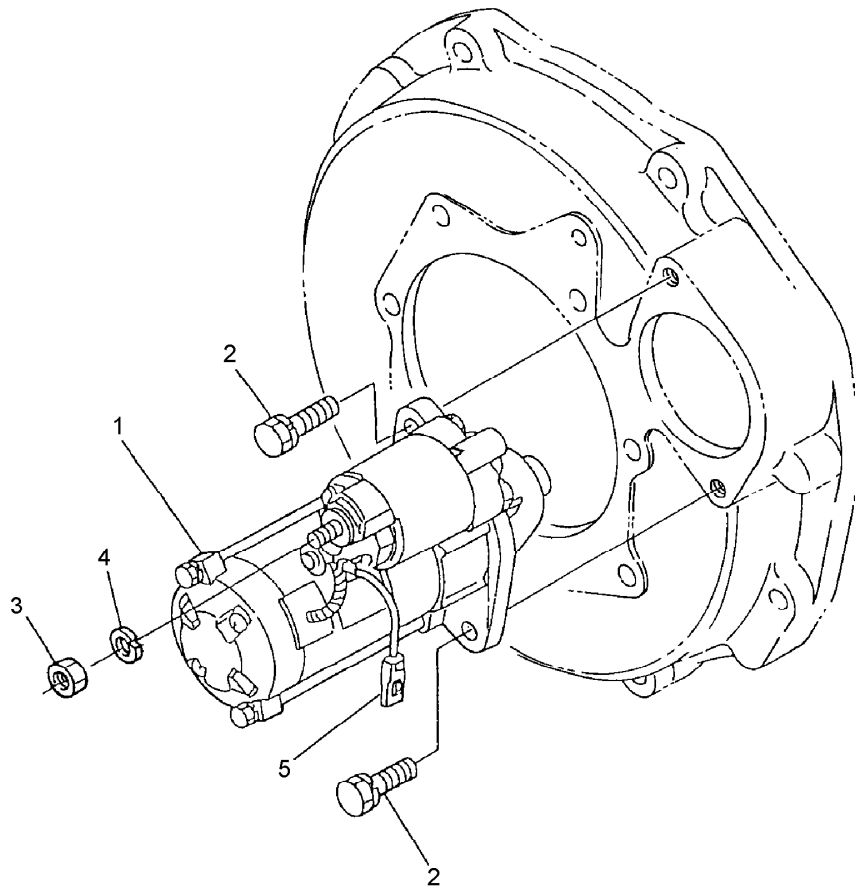
Ref.	Part Number	Qty.	Description
1	100-2168	1	Dynamo ASM
2	100-2214	1	Stay-Dynamo
3	98-7697	1	Bolt
4	100-1771	1	Bolt
5	98-7660	2	Washer-Plain
6	98-7739	1	Nut
7	98-7535	1	Washer-Spring
8	100-9233	1	Washer-Plain
9	98-7692	2	Bolt
10	100-1921	1	Pulley-Fan
11	100-2039	1	Pulley-Drive, Fan
12	100-1978	1	Bolt
13	100-1979	1	V-Belt
14	98-7611	1	Controller-Glow
15	100-2057	1	Regulator ASM
16	100-2058	1	Coupler ASM
17	100-2056	1	Connector
18	98-9699	6	Terminal
19	98-9701	2	Terminal
20	98-9702	2	Sleeve
21	99-8363	4	Bolt-Flange



## Dynamo Assembly

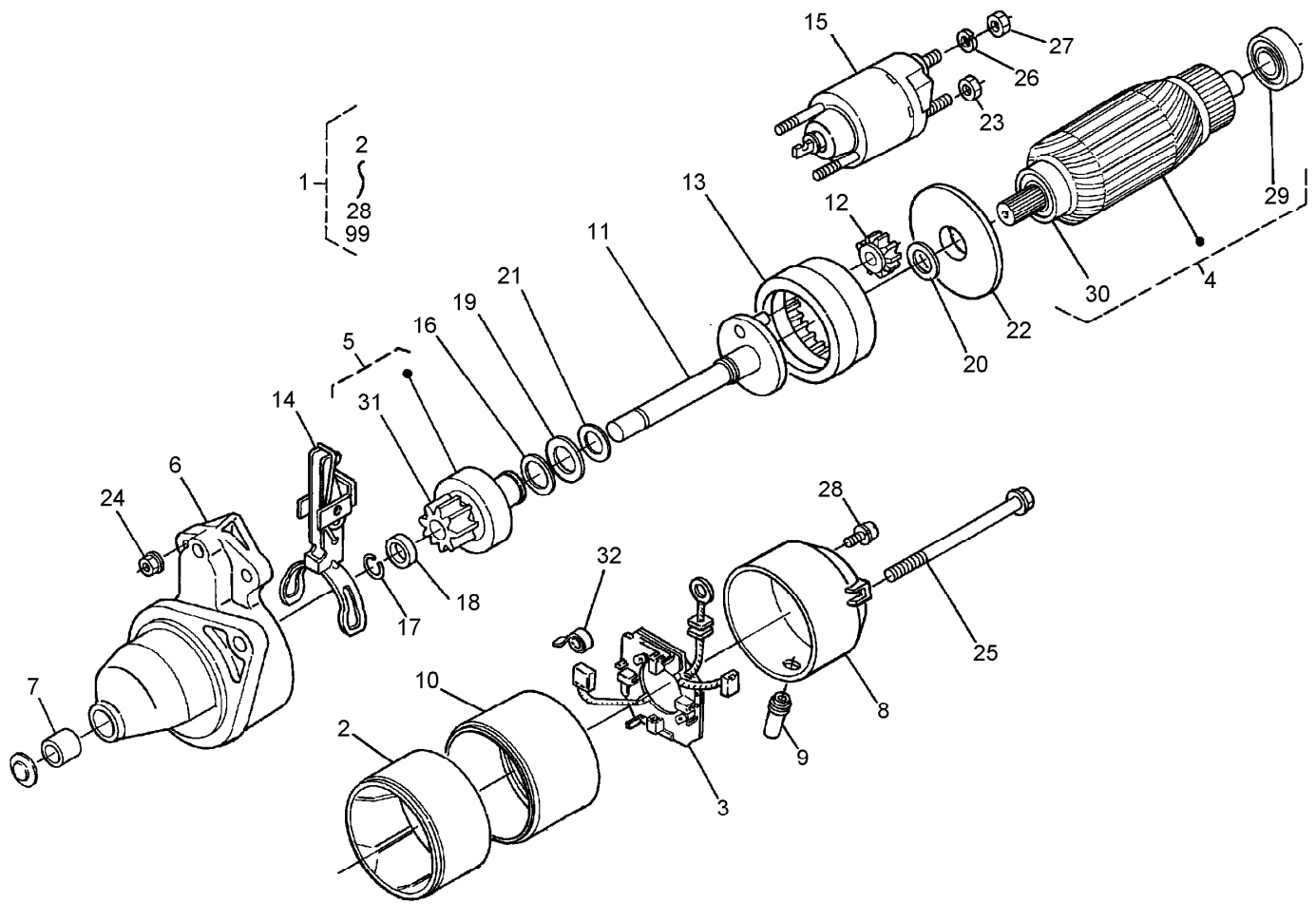
<i>Ref.</i>	<i>Part Number</i>	<i>Qty.</i>	<i>Description</i>
1	100-2168	1	Dynamo ASM
2	100-1862	1	Rotor ASM
3	100-2228	1	Pulley
4	100-1860	1	Rotor
5	100-2184	1	Collar
6	100-1756	2	Bearing-Ball
7	100-1867	1	Shaft-Fan
8	100-1866	1	Stator ASM
9	100-1848	2	Screw-Head, Round
10	100-1865	1	Stator
11	100-1861	1	Plate
12	100-1756	1	Bearing-Ball
13	100-1868	1	Screw-Head, Round
14	100-1864	1	Clamp-Cord
15	100-1844	1	Collar
16	100-1847	1	Nut
17	100-1850	1	Washer-Spring
18	100-1849	1	Washer-Plain





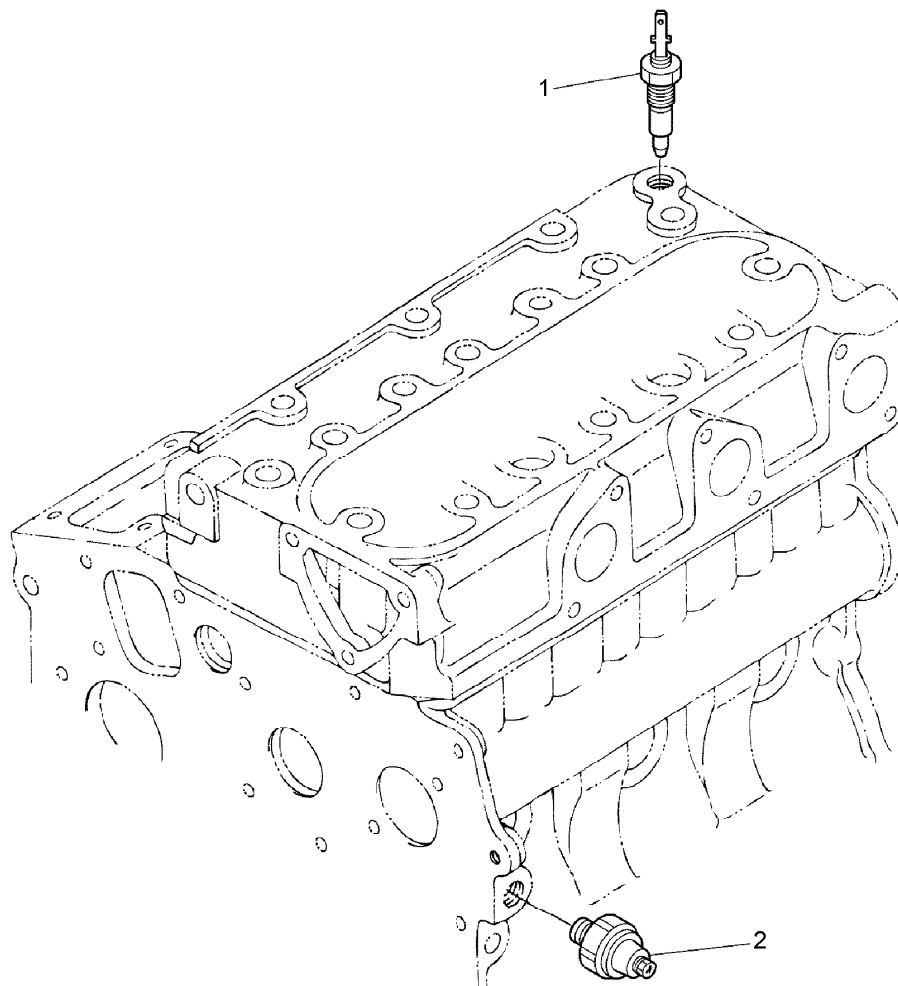
## Starter Installation Assembly

<i>Ref.</i>	<i>Part Number</i>	<i>Qty.</i>	<i>Description</i>
1	112-2832	1	Starter ASM
2	98-7438	2	Bolt
3	98-7739	1	Nut
4	98-7535	1	Washer-Spring
5	99-1434	1	Wire-Lead



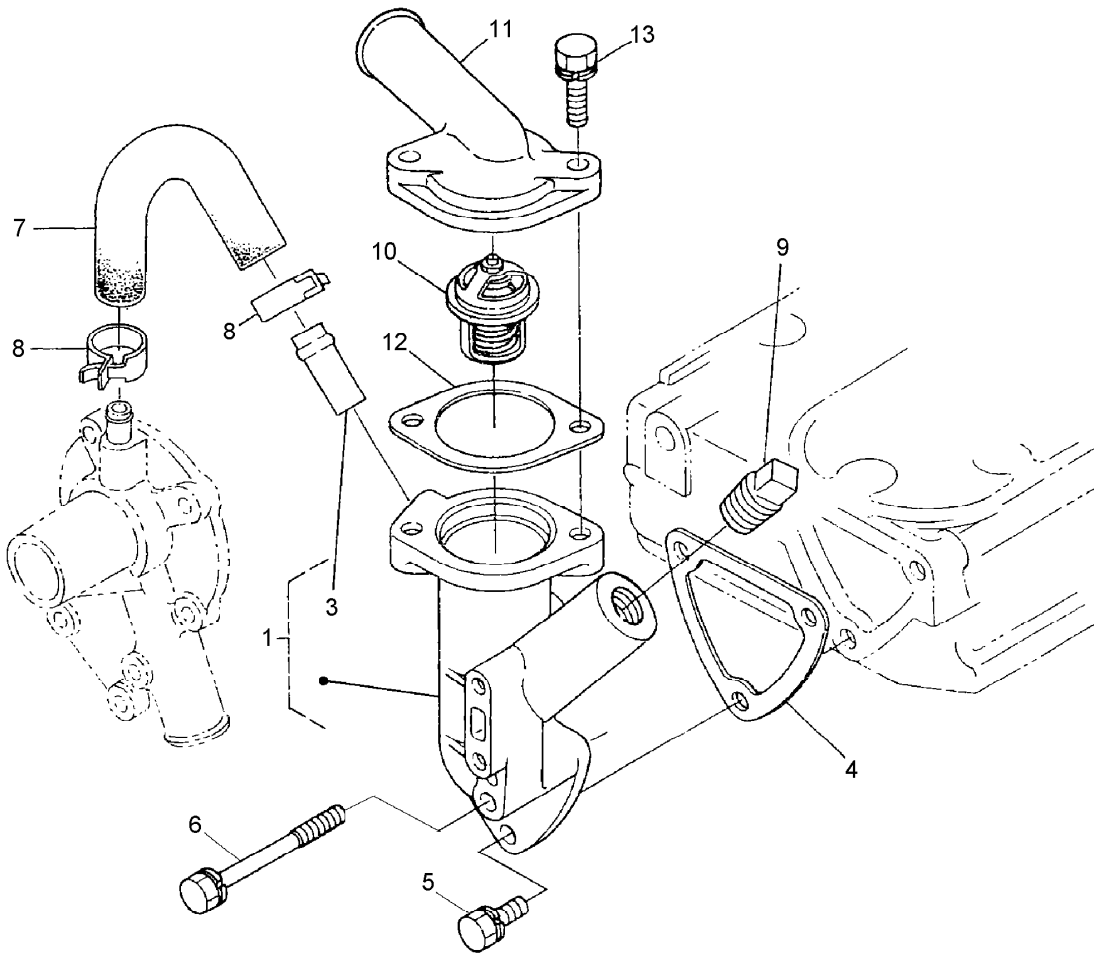
## Starter Assembly

<i>Ref.</i>	<i>Part Number</i>	<i>Qty.</i>	<i>Description</i>	<i>Ref.</i>	<i>Part Number</i>	<i>Qty.</i>	<i>Description</i>
1	112-2832	1	Starter ASM	18	100-2216	1	Collar
2	100-2181	1	Starter Yoke ASM	19	100-2224	1	Washer-Plain
3	100-2222	1	Holder ASM	20	100-2225	1	Washer-Plain
4	100-2182	1	Armature ASM	21	100-2226	1	Washer-Plain
5	100-2185	1	Starter Clutch ASM	22	100-2227	1	Plate
6	100-2180	1	Starter Housing ASM	23	100-2243	1	Nut-Hex
7	100-2183	1	Bearing	24	100-1813	2	Nut
8	100-2186	1	Frame ASM	25	100-2210	2	Bolt-Through
9	100-2213	1	Cover	26	100-2215	1	Washer-Spring
10	100-2223	1	Bearing ASM	27	100-2171	1	Nut-Hex
11	100-2187	1	Starter Shaft ASM	28	100-2188	2	Screw
12	100-2220	3	Gear	29	98-9412	1	Bearing-Ball
13	100-2221	1	Gear	30	98-9411	1	Bearing-Ball
14	100-2218	1	Lever	31	112-2833	1	Gear-Pinion
15	100-2211	1	Magnetic Switch ASM	32	98-7750	12	Spring-Brush
16	100-2219	1	Ring-Snap	99	99-1434	1	Wire-Lead
17	100-2212	1	Ring-Snap				



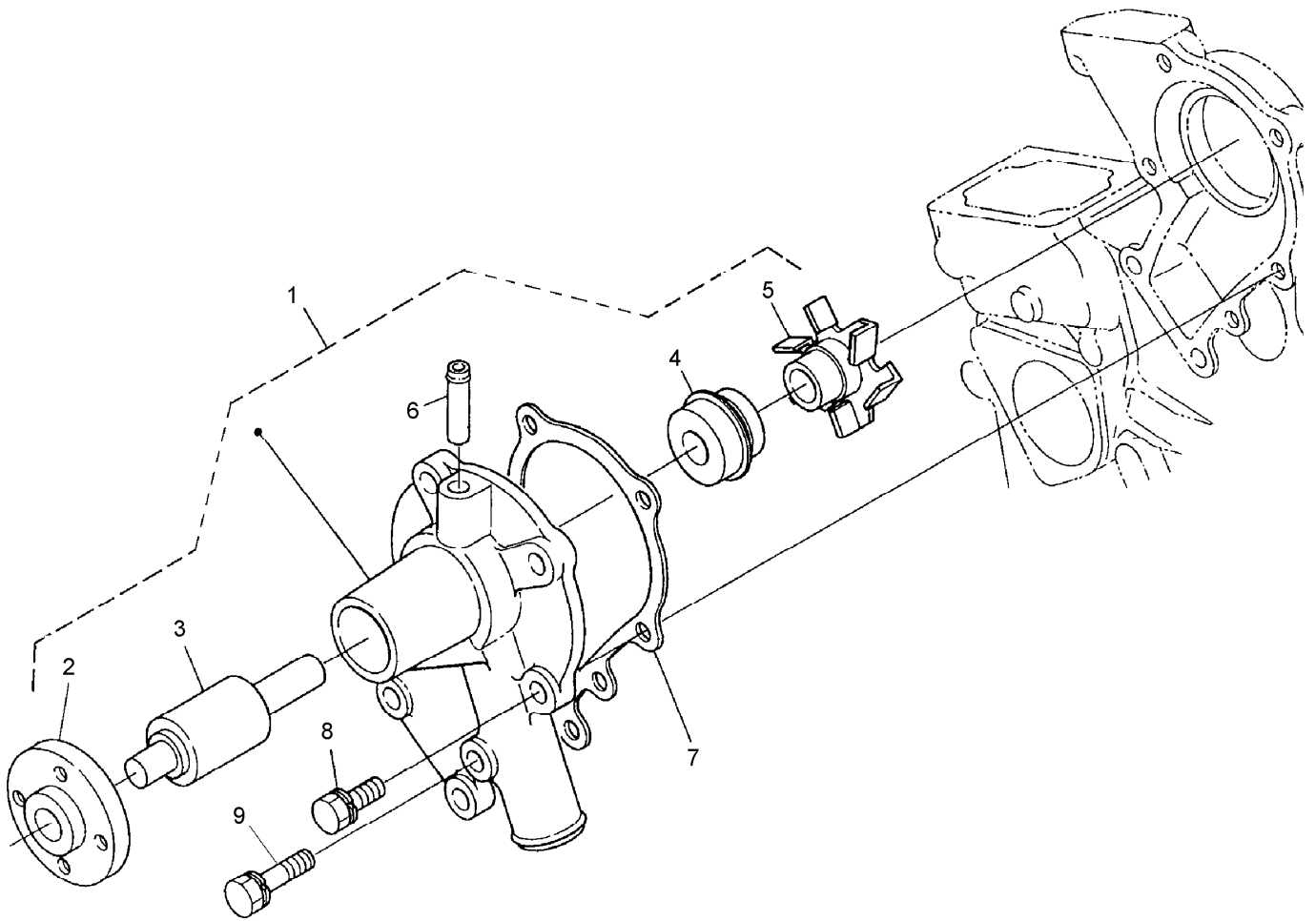
## Oil Switch and Thermometer Assembly

<i>Ref.</i>	<i>Part Number</i>	<i>Qty.</i>	<i>Description</i>
1	99-3582	1	Thermoswitch
2	98-7764	1	Switch-Oil



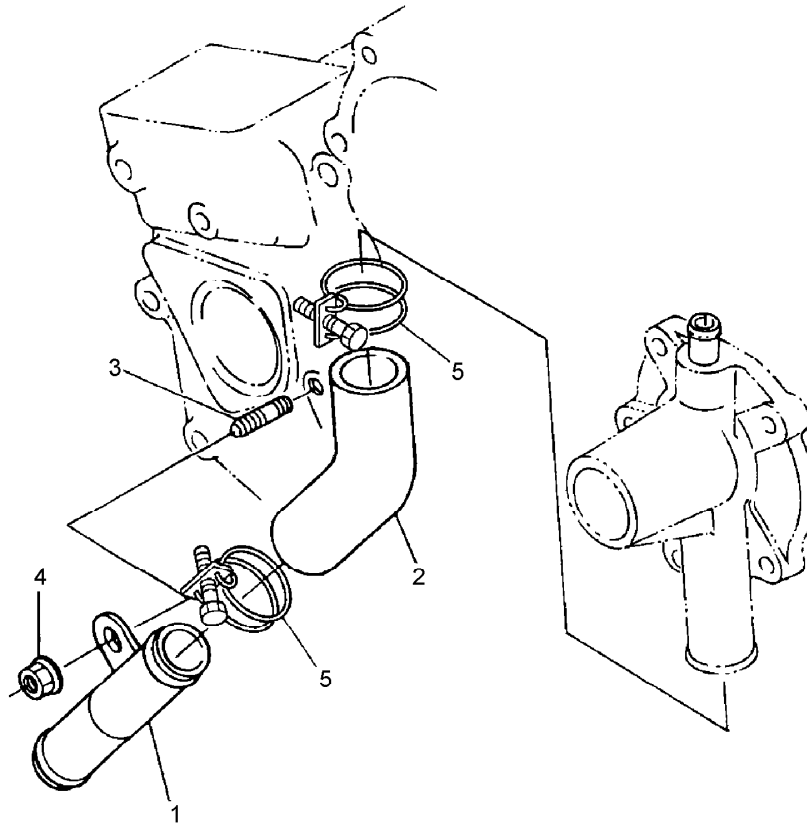
## Water Flange and Thermostat Assembly

<i>Ref.</i>	<i>Part Number</i>	<i>Qty.</i>	<i>Description</i>
1	100-2165	1	Water Flange ASM
3	98-9580	1	Pipe-Return, Water
4	112-2834	1	Gasket-Flange, Water
5	98-7692	2	Bolt
6	105-3797	1	Bolt
7	100-2017	1	Pipe-Return, Water
8	98-9579	2	Band-Pipe
9	100-2169	1	Plug
10	100-2053	1	Thermostat ASM
11	100-2231	1	Cover-Thermostat
12	100-2157	1	Gasket-Thermostat
13	98-9353	2	Bolt



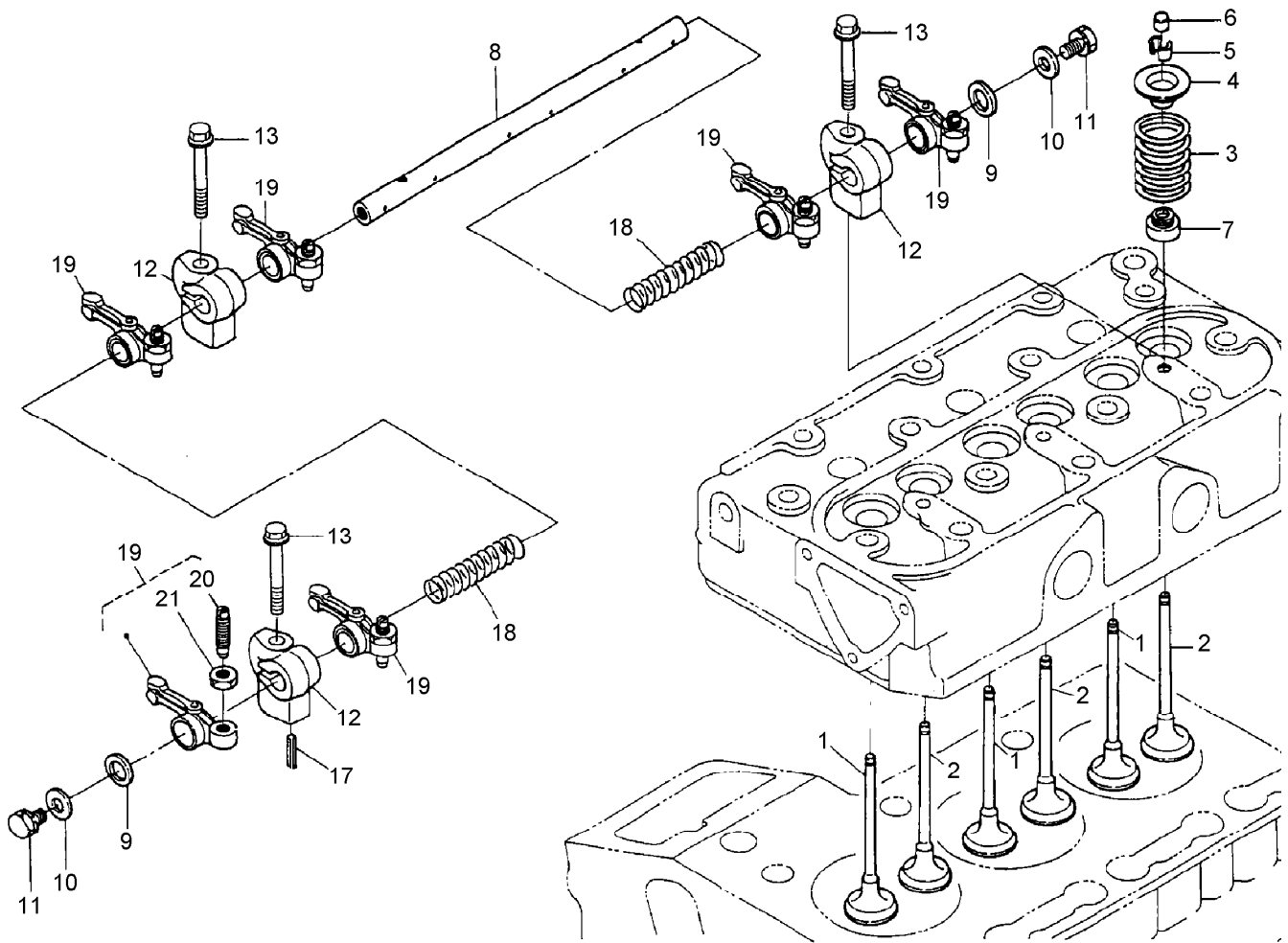
## Water Pump Assembly

<i>Ref.</i>	<i>Part Number</i>	<i>Qty.</i>	<i>Description</i>
1	100-2065	1	Water Pump ASM
2	100-1933	1	Flange-Pump, Water
3	100-1934	1	Bearing-Ball
4	99-3518	1	Water Pump Seal ASM
5	100-2067	1	Impeller-Pump, Water
6	100-1932	1	Pipe-Return, Water
7	100-1976	1	Gasket-Pump, Water
8	100-1750	4	Bolt
9	100-1764	1	Bolt



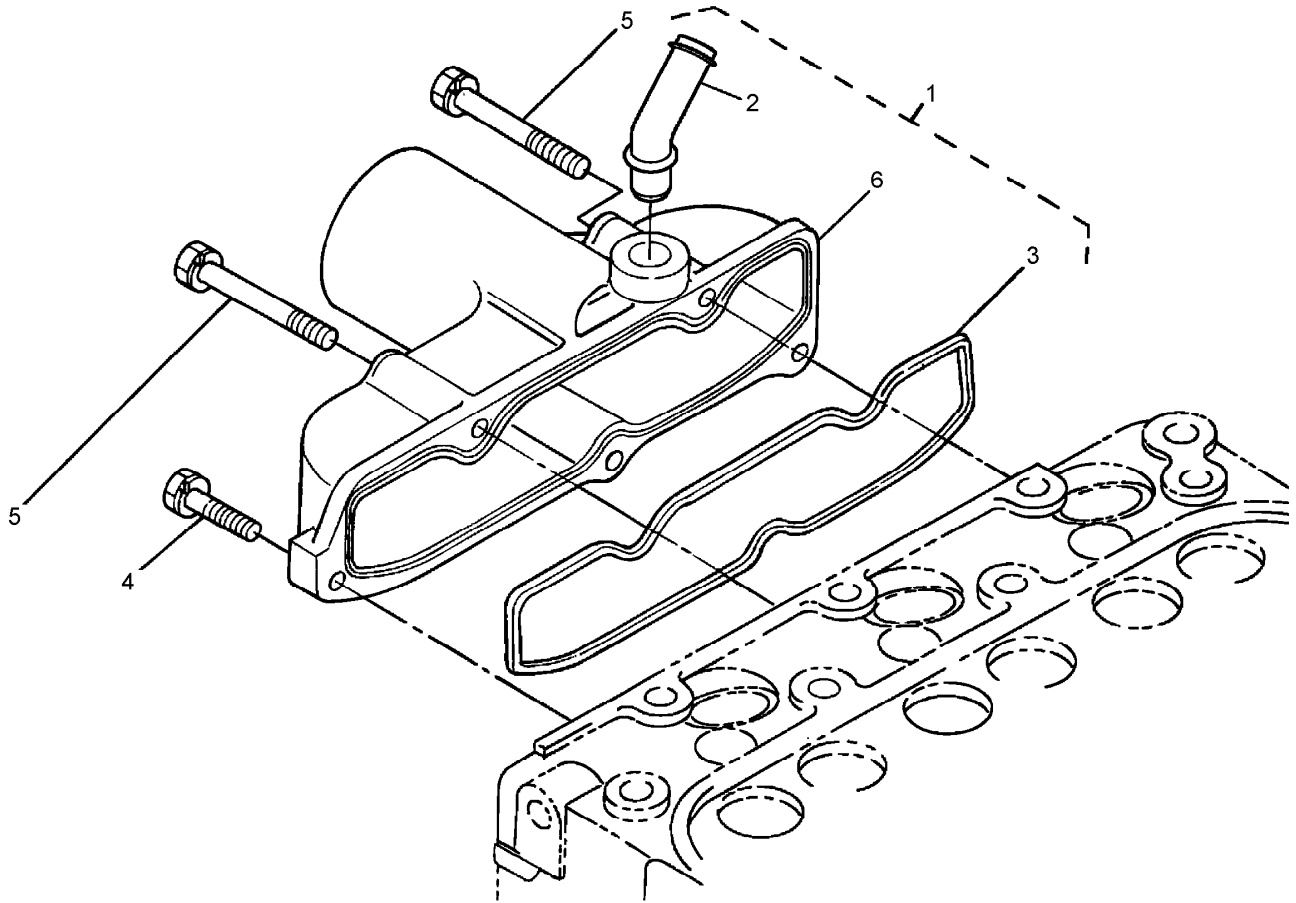
## Water Pipe Assembly

<i>Ref.</i>	<i>Part Number</i>	<i>Qty.</i>	<i>Description</i>
1	112-2835	1	Pipe-Water
2	112-2836	1	Hose-Water
3	100-1924	1	Stud
4	100-2203	1	Nut-Flange
5	112-2837	2	Clamp-Pipe



## Valve and Rocker Arm Assembly

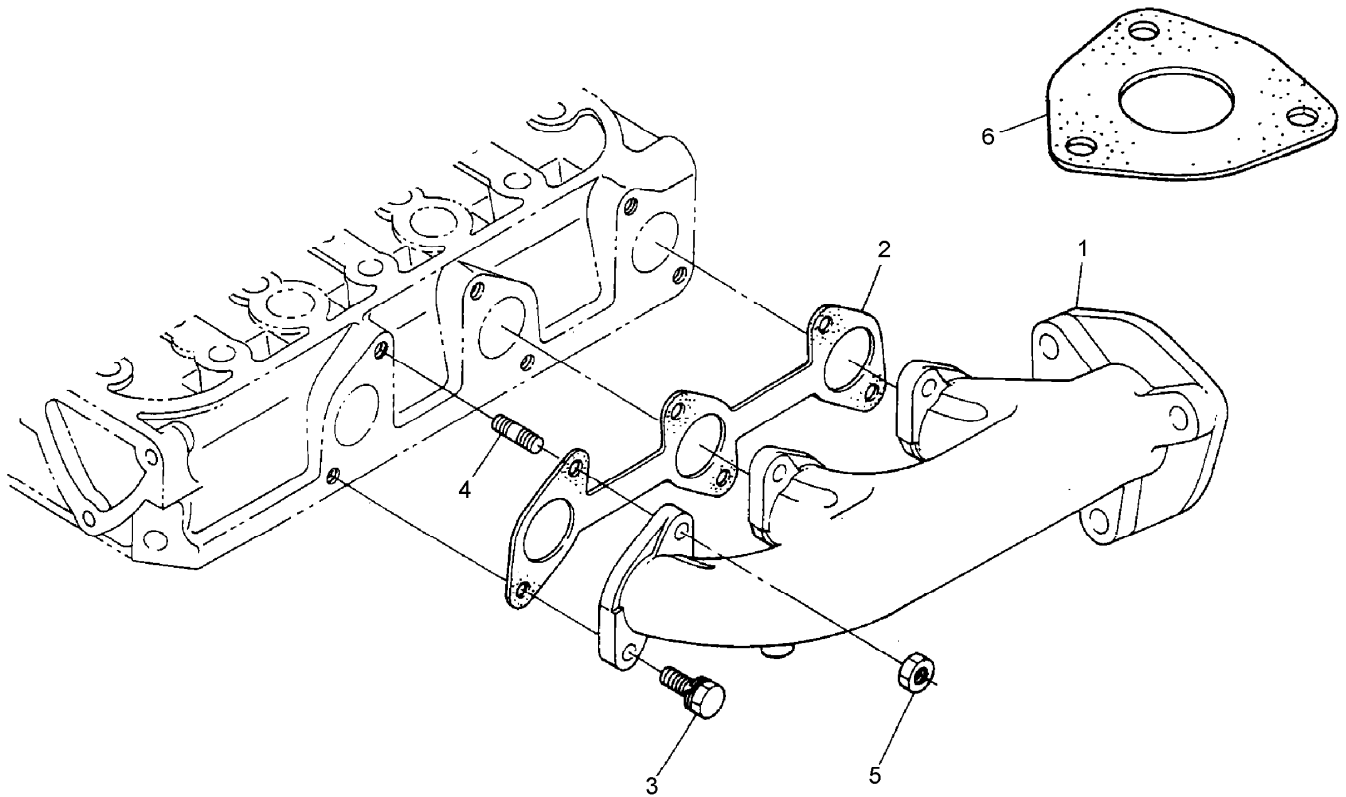
Ref.	Part Number	Qty.	Description
1	100-1821	3	Valve-Inlet
2	100-1822	3	Valve-Exhaust
3	100-1823	6	Spring-Valve
4	100-1825	6	Retainer-Spring, Valve
5	100-1826	6	Collet-Spring, Valve
6	100-2155	6	Cap-Valve
7	100-1797	6	Seal-Stem, Valve
8	100-2237	1	Shaft-Arm, Rocker
9	100-2044	2	Washer
10	100-1927	2	Washer-Plain
11	100-1762	2	Bolt
12	112-2838	3	Bracket-Arm, Rocker
13	110-3834	3	Bolt-Flange
17	98-7602	1	Pin-Spring
18	100-1828	2	Spring-Arm, Rocker
19	100-1884	6	Rocker Arm ASM
20	100-1885	6	Screw-Adjusting
21	100-1827	6	Nut



## Intake Manifold Assembly

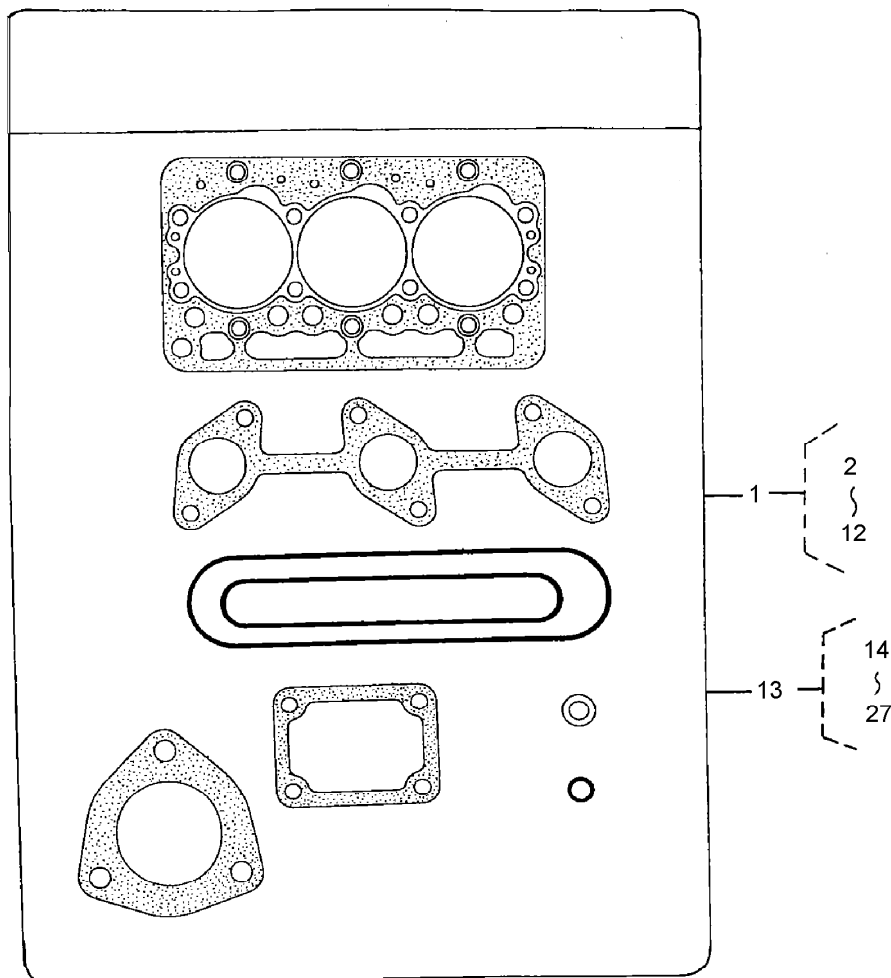
<i>Ref.</i>	<i>Part Number</i>	<i>Qty.</i>	<i>Description</i>
1	112-2839	1	Intake Manifold ASM
2	112-2840	1	Pipe-Breather
3	100-1937	1	Gasket-Manifold, Intake
4	98-7605	2	Bolt
5	100-1765	3	Bolt
6	112-2841	1	Manifold-Intake





## Exhaust Manifold Assembly

<i>Ref.</i>	<i>Part Number</i>	<i>Qty.</i>	<i>Description</i>
1	100-2244	1	Manifold-Exhaust
2	100-1957	1	Gasket
3	100-1775	3	Bolt
4	100-2202	3	Stud
5	100-1778	3	Nut
6	100-2238	1	Gasket-Muffler



## Gasket Kit Assembly

<i>Ref.</i>	<i>Part Number</i>	<i>Qty.</i>	<i>Description</i>	<i>Ref.</i>	<i>Part Number</i>	<i>Qty.</i>	<i>Description</i>
1	100-2176	1	Upper Gasket Kit	15	112-2805	1	Gasket-Case, Gear
2	98-7509	1	O-Ring	16	100-2206	3	O-Ring
3	100-2043	1	Gasket-Head, Cylinder	17	112-2812	1	Gasket-Case, Bearing
4	100-1937	1	Gasket-Manifold, Intake	18	100-1876	1	Gasket-Cover, Case
5	100-1957	1	Gasket	19	100-2209	1	O-Ring
6	100-1797	6	Seal-Stem, Valve	20	105-3776	1	O-Ring
7	112-2842	1	Gasket-Cover, Head	21	100-2003	1	Gasket-Pump, Oil
8	98-7654	3	Gasket	22	98-9636	1	Gasket-Pump, Fuel
9	99-3446	1	O-Ring	23	100-2061	1	Gasket-Gearcase
10	112-2834	1	Gasket-Flange, Water	24	100-1914	1	Gasket
11	100-2157	1	Gasket-Thermostat	25	98-7428	2	Gasket
12	100-2238	1	Gasket-Muffler	26	100-2208	1	O-Ring
13	100-2174	1	Lower Gasket Kit	27	100-2207	1	O-Ring
14	100-1976	1	Gasket-Pump, Water				

# Attachments and Accessories

## For 22303 Dingo 320-D Compact Utility Loader

<b>Product Name</b>	<b>Model/Part</b>
Tire Chain Kit .....	100-4140
Helmet-Face Shield .....	100-4143
Narrow Tire ASM .....	104-0572
Tube-Tire (18 x 8.50-10) .....	105-4070
CE Kit .....	22360
Auger Head .....	22400
4 Cubic Foot Standard Bucket .....	22409
Loose Materials Bucket .....	22410
Four In One Bucket.....	22411
48in Hydraulic Blade.....	22414
Rotary Broom .....	22415
Counterweight .....	22417
Adjustable Forks .....	22418
Leveler.....	22419
Bore Drive Head .....	22420
Multi-Purpose Tool.....	22423
U-Blade.....	22424
Stump Grinder .....	22429
Tree Forks .....	22438
Concrete Breaker .....	22441
The Eliminator Scarifier/Groomer .....	22443
40in Tiller .....	22445
Trencher Head.....	22447
Snowthrower.....	22456
Trencher Head.....	22459
Narrow Bucket.....	22520
Over-the-Tire Rubber Tracks .....	22662
Steel Track Kit .....	22665
Auger Head .....	22802
Universal Swivel Auger Head .....	22803
Vibratory Plow .....	22910
Soil Cultivator .....	23101
Backhoe.....	23160
Wheel and Tire ASM.....	98-4709
RH Wheel And Tire ASM (Powerlug) .....	99-3140
LH Wheel And Tire ASM (Powerlug).....	99-3141



**Count on it.**