



**Count on it.**

**Parts Catalog**

**Dingo® 323  
Compact Utility Loader**

Model No. 22318—Serial No. 25000001 and Up



# Ordering Replacement Parts

To order replacement parts, please supply the part number, the quantity, and the description of each part desired.

## Understanding Reference Numbers

Each identified part in an illustration has a reference number. The reference number for a part also appears in the parts list, along with other information about the part.

This catalog uses two special reference number formats, one to indicate parts in a service assembly and another to indicate the quantity of a given part in an illustration.

## Service Assembly Reference Numbers

Parts in service assemblies have reference numbers in the form a:b. The a represents the reference number of the entire service assembly and the b represents a sequential number unique to each part within the service assembly.

For example, a wheel assembly might be identified by reference number 6, the tire by 6:1, the valve by 6:2, and the wheel by 6:3. When you order the assembly identified by reference number 6, you receive all parts identified by reference numbers 6:1, 6:2, and 6:3. However, you may also order any part individually. Reference numbers of this type appear in illustration and in parts lists.

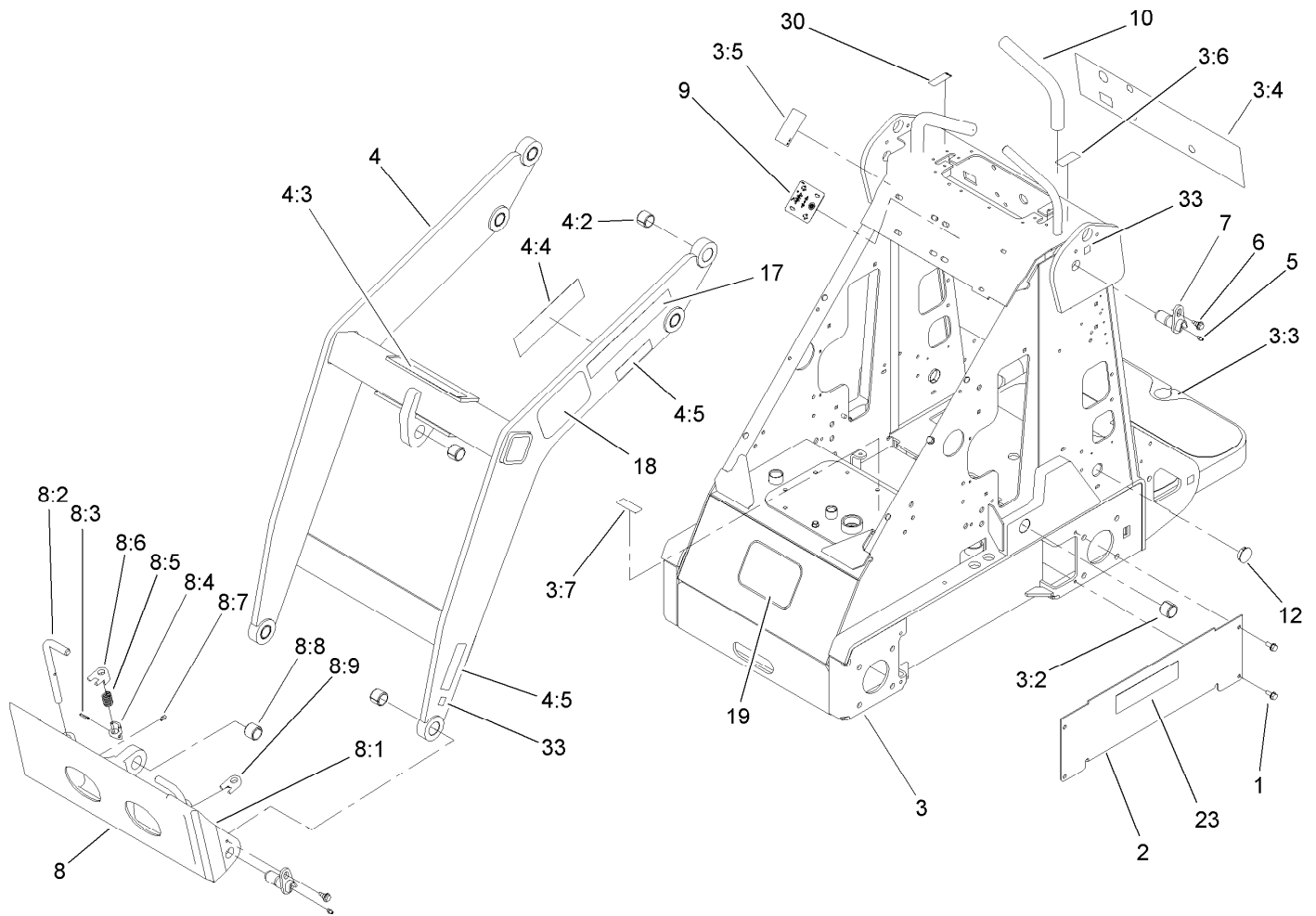
## Reference Numbers Indicating Quantity

In an illustration, if a reference number indicates more than one part, the reference number has the form nX y. The n represents the quantity of the part, the X is the multiplication symbol, and the y represents the reference number.

For example, in an illustration, the reference number 2X 37 means that two of the parts identified by reference number 37 are indicated.

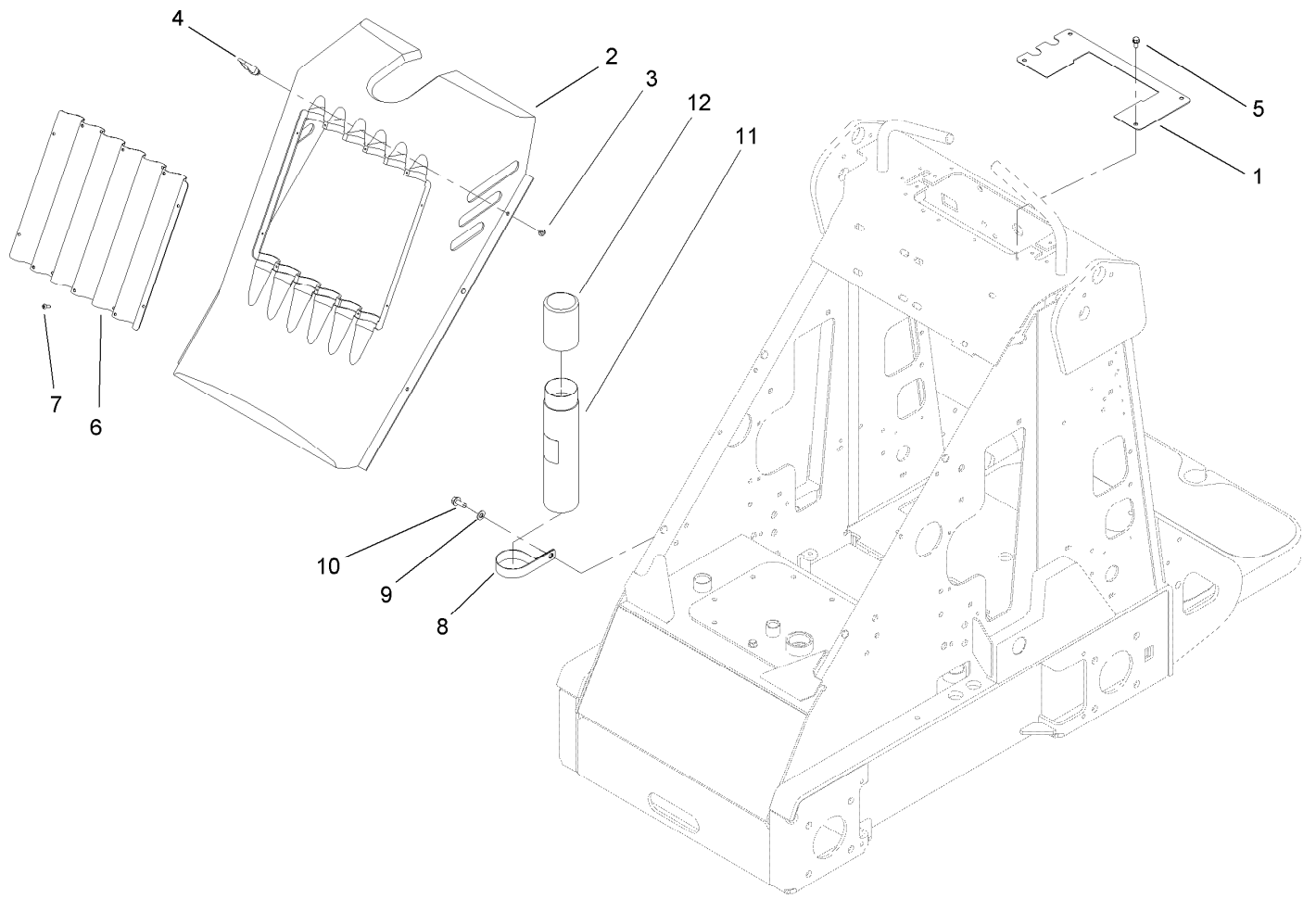
# Contents

Frame and Loader Arm Assembly .....	4
Hood and Screen Assembly .....	5
Wheel and Motor Assembly .....	6
Hydraulic Motor Assembly No. 99-3052 .....	7
Engine and Pump Assembly .....	8
Tandem Hydraulic Pump Assembly No. 108-4710 .....	9
Fuel Tank and Air Filter Assembly .....	10
Air Cleaner Assembly No. 99-3160 .....	11
Hydraulic Tank and Filter Assembly .....	12
Auxiliary Control Lever Assembly .....	13
Hydraulic Valve Assembly .....	14
Hydraulic Valve Assembly No. 99-3077 .....	15
Hydraulic Selector Valve Assembly No. 99-3072 .....	16
4-Spool Valve Assembly .....	17
Four Spool Hydraulic Valve Assembly No. 105-8377 .....	18
Hydraulic Motor Assembly .....	19
Counterbalance Valve Assembly No. 99-3040 .....	20
Hydraulic Cylinder Assembly .....	21
Hydraulic Cylinder Assembly No. 105-7867 .....	22
Electrical Component Assembly .....	23
Thigh Support Assembly .....	24
Crankshaft Assembly Kohler CH23S-76549 .....	25
Crankcase Assembly Kohler CH23S-76549 .....	26
Oil Pan / Lubrication Assembly Kohler CH23S-76549 .....	27
Head / Valve / Breather Assembly Kohler CH23S-76549 .....	28
Ignition / Electrical Assembly Kohler CH23S-76549 .....	30
Blower Housing Assembly Kohler CH23S-76549 .....	31
Starter Assembly Kohler CH23S-76549 .....	33
Fuel System Assembly Kohler CH23S-76549 .....	34
Engine Control Assembly Kohler CH23S-76549 .....	35
Air Intake / Filtration Assembly Kohler CH23S-76549 .....	36
Exhaust Assembly Kohler CH23S-76549 .....	37
Attachments and Accessories .....	38



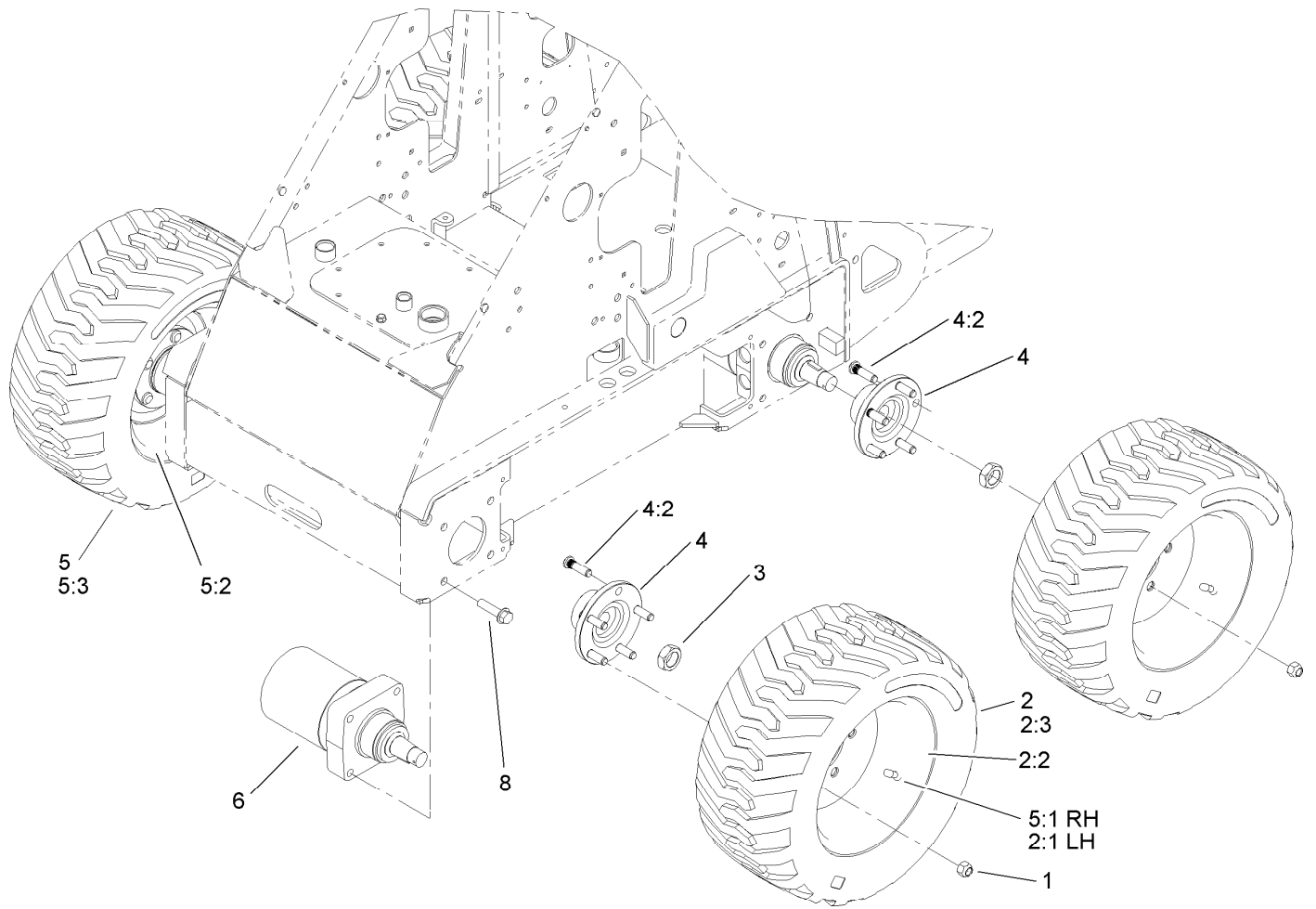
## Frame and Loader Arm Assembly

Ref.	Part Number	Qty.	Description	Ref.	Part Number	Qty.	Description
1	32144-70	8	Screw-HWHTF	8:1	105-0245-03	1	Mount-Attach, Quick
2	106-8178-01	2	Cover-Hose	8:2	105-8367	2	Pin-Locking
3	108-9710	1	Frame ASM	8:3	3285-1	2	Pin-Grooved
3:2	98-4871	2	Bushing-Tension	8:4	105-0246	2	Cam
3:3	98-9947	2	Tread-Foot	8:5	98-4694	2	Spring-Compression
3:4	108-4727	1	Decal-Panel, Control	8:6	104-5909	1	Stop-RH
3:5	98-4677	1	Decal-Power, Auxiliary	8:7	302-5	2	Fitting-Grease
3:6	98-8219	1	Decal-Throttle	8:8	98-4871	1	Bushing-Tension
3:7	105-8432	1	Decal-Oil, HYD	8:9	104-5903	1	Stop-LH
4	106-8155	1	Loader ASM	9	108-9716	1	Decal-Selector, Speed
4:2	98-4871	7	Bushing-Tension	10	98-4845	2	Grip-Cushion
4:3	98-4682	1	Decal-Caution	12	94-1402	2	Plug-Hole
4:4	98-9051	1	Decal-Danger	17	105-8427	2	Decal
4:5	100-6141	4	Decal-Pinch	18	93-7340	2	Decal
5	302-5	4	Fitting-Grease	19	62-5550	1	Decal
6	99-5105	4	Screw-Shoulder	23	105-8429	2	Decal
7	99-1414	4	Pin-Pivot	30	94-2551	1	Decal-Choke
8	105-8364	1	Quick Attach ASM	33	93-9084	6	Decal-Point, Lift



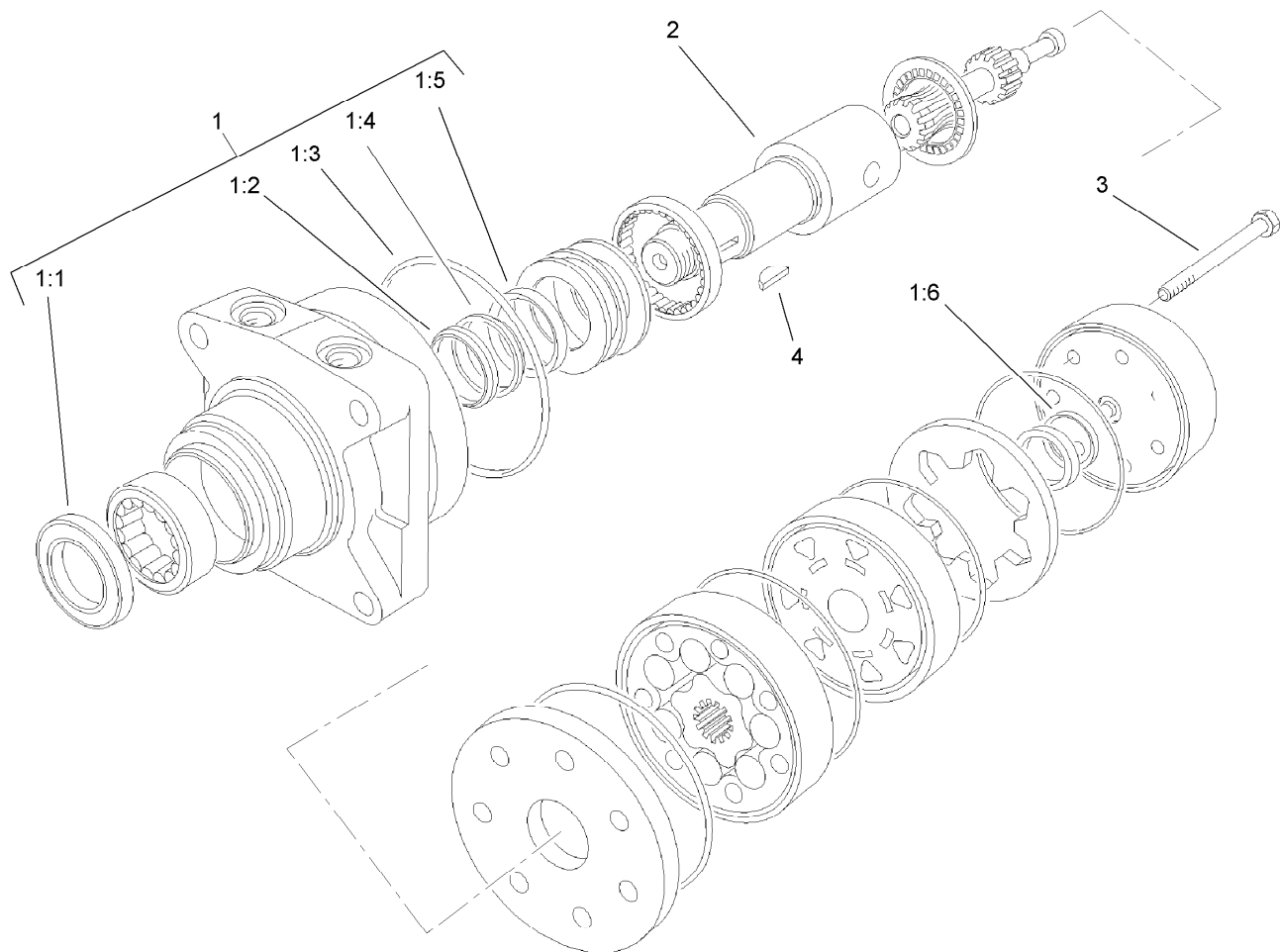
## Hood and Screen Assembly

<i>Ref.</i>	<i>Part Number</i>	<i>Qty.</i>	<i>Description</i>
1	108-9714-03	1	Plate-Cover
2	99-3164	1	Cover-Hood
3	99-3058	4	Washer
4	74-5950	4	Latch-Swell
5	32144-4	4	Screw-HWH
6	99-3147-03	1	Grille-Screen
7	32144-111	10	Screw-PPH
8	2412-133	1	Clamp-R
9	3256-23	1	Washer-Plain
10	32144-70	1	Screw-HWHTF
11	104-7050	1	Tube-Manual
12	104-7048	1	Cap-Housing



## Wheel and Motor Assembly

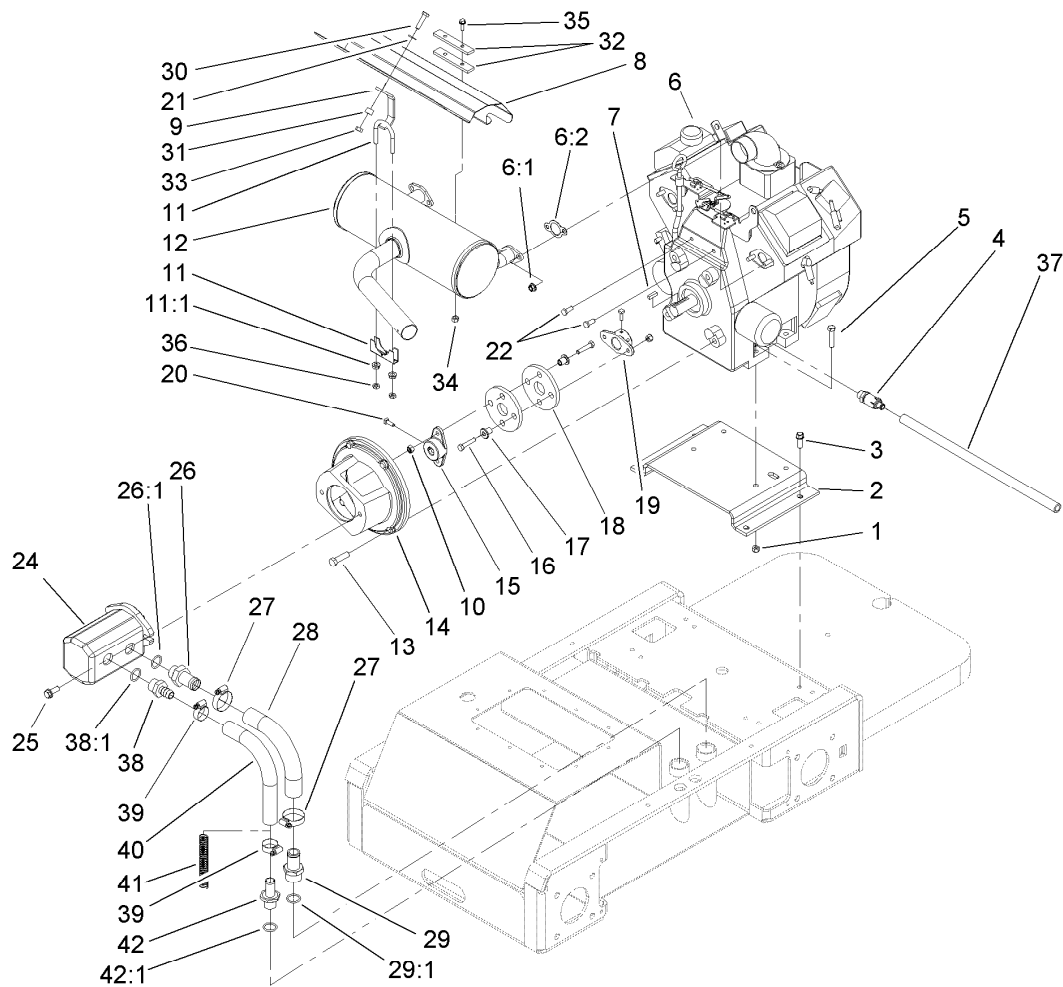
<i>Ref.</i>	<i>Part Number</i>	<i>Qty.</i>	<i>Description</i>
1	242-50	20	Nut-Lug
2	98-2747	2	LH Wheel And Tire ASM
2:1	232-27	1	Stem-Valve
2:2	98-2748	1	Wheel
2:3	98-2749	1	Tire
3	106-8159	4	Nut-Lock
4	99-3064	4	Hub ASM
4:2	10-6830	5	Stud-Type, Drive
5	99-1447	2	RH Wheel And Tire ASM
5:1	232-27	1	Stem-Valve
5:2	98-2748	1	Wheel
5:3	98-2749	1	Tire
6	99-3052	4	HYD Motor ASM
8	3234-27	16	Screw-HHF



## Hydraulic Motor Assembly No. 99-3052

<i>Ref.</i>	<i>Part Number</i>	<i>Qty.</i>	<i>Description</i>
1	94-8178	1	Seal Kit
1:1		1	Seal-Dirt And Water ●
1:2		1	Washer-Backup ●
1:3		5	Seal-Ring ●
1:4		1	Washer-Backup ●
1:5		1	Seal-Inner ●
1:6		1	Seal-Commutator ●
2	99-3090	1	Shaft-Coupling
3	99-3091	7	Screw-Cap, HH
4	3257-42	1	Key-Woodruff

● Not serviced separately

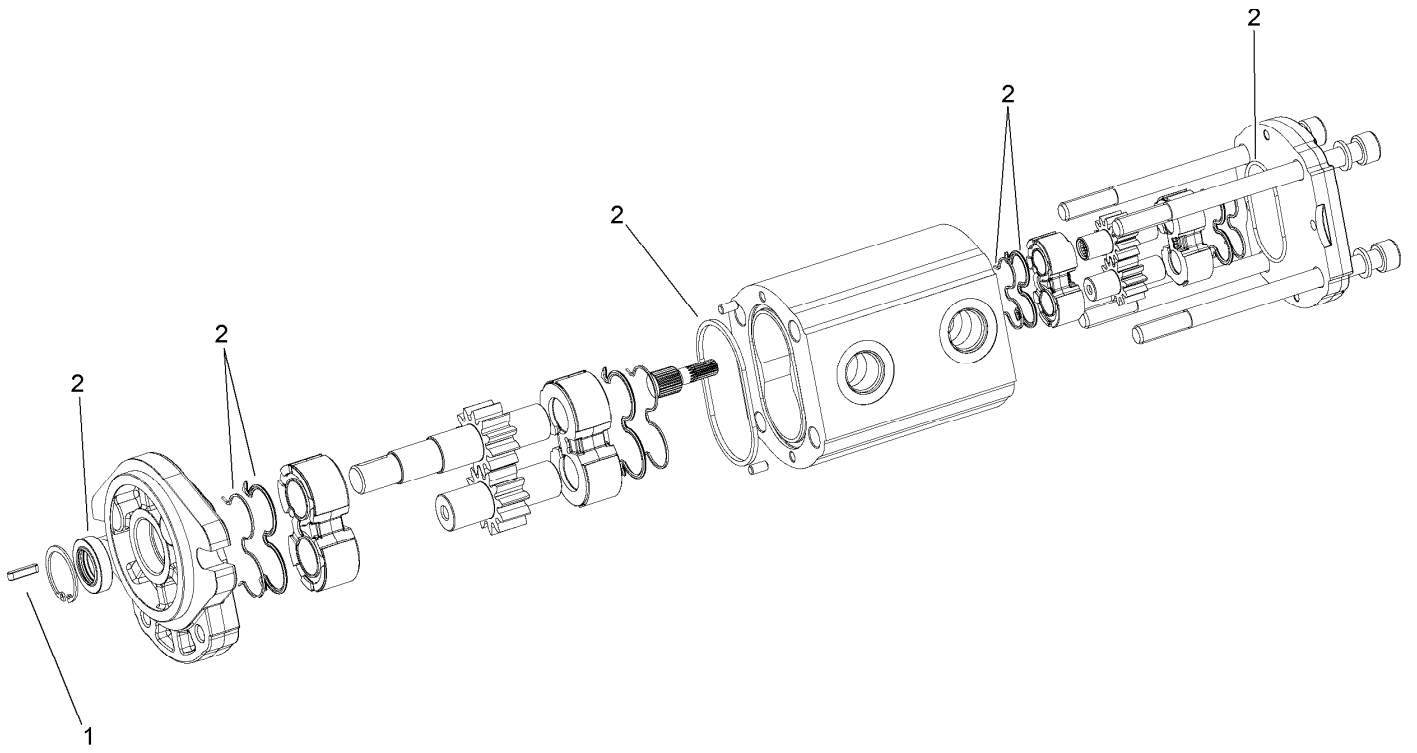


## Engine and Pump Assembly

Ref.	Part Number	Qty.	Description	Ref.	Part Number	Qty.	Description
1	3296-39	4	Nut-Lock, NI	22	33114-020	2	Screw-HH
2	98-4666-03	1	Mount-Engine	24	108-4710	1	HYD Pump ASM
3	95-1726	4	Screw-Taptite	25	66-9300	2	Screw-HHF
4	92-6877	1	Valve-Drain, Oil	26	99-3017	1	Fitting
5	323-9	4	Screw-HH	26:1	237-81	1	O-Ring
6		1	Engine-Kohler, Ch680-3015 ●	27	2412-111	2	Clamp-Hose, W/Liner
6:1	92-6780	4	Nut-HF	28	99-3046	1	Hose-Suction, Formed
6:2	93-0350	2	Gasket-Exhaust	29	354-78	1	Fitting-STR
7	10-7070	1	Key-Square	29:1	237-146	1	O-Ring
8	99-3115-03	1	Shield-Muffler	30	322-6	1	Screw-HH
9	99-3138-03	1	Support-Shield	31	98-4695	1	Spacer
10	3296-29	4	Nut-Lock, NI	32	99-3116-03	2	Spacer-Bar
11	2112-9	1	Clamp	33	32152-1	1	Nut-Lock, Cone
11:1	32128-20	2	Nut-HF	34	32152-4	2	Nut-Lock, Cone
12	105-8381	1	Muffler	35	3234-21	2	Screw-HHF
13	324-6	4	Screw-HH	36	3218-2	2	Nut-Hex Jam
14	98-2751-03	1	Mount-Pump	37	98-4667	1	Hose
15	98-4701	1	Hub-Pump	38	354-73	1	Fitting
16	322-7	4	Screw-HH	38:1	237-81	1	O-Ring
17	71-4411	4	Spacer	39	2412-129	2	Clamp-Hose
18	44-2230	2	Coupling-Rubber	40	98-2713	1	Hose-Suction, HYD
19	27-1960	1	Hub-Engine	41	99-5349	1	Spring-Compression
20	3241-6	4	Screw-SQH	42	99-6932	1	Fitting-STR
21	3256-23	1	Washer-Plain	42:1	237-117	1	O-Ring

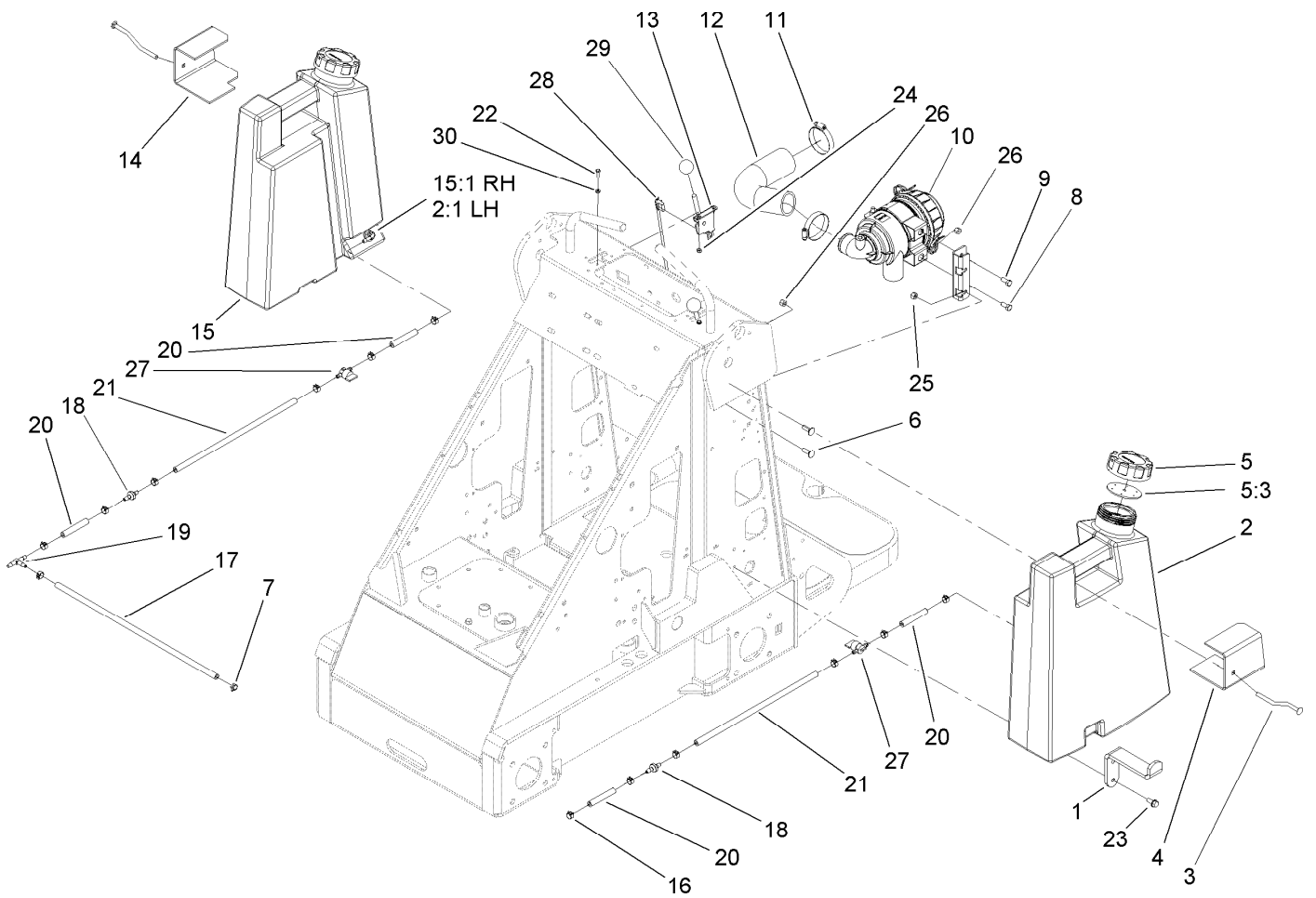
● Not serviced separately





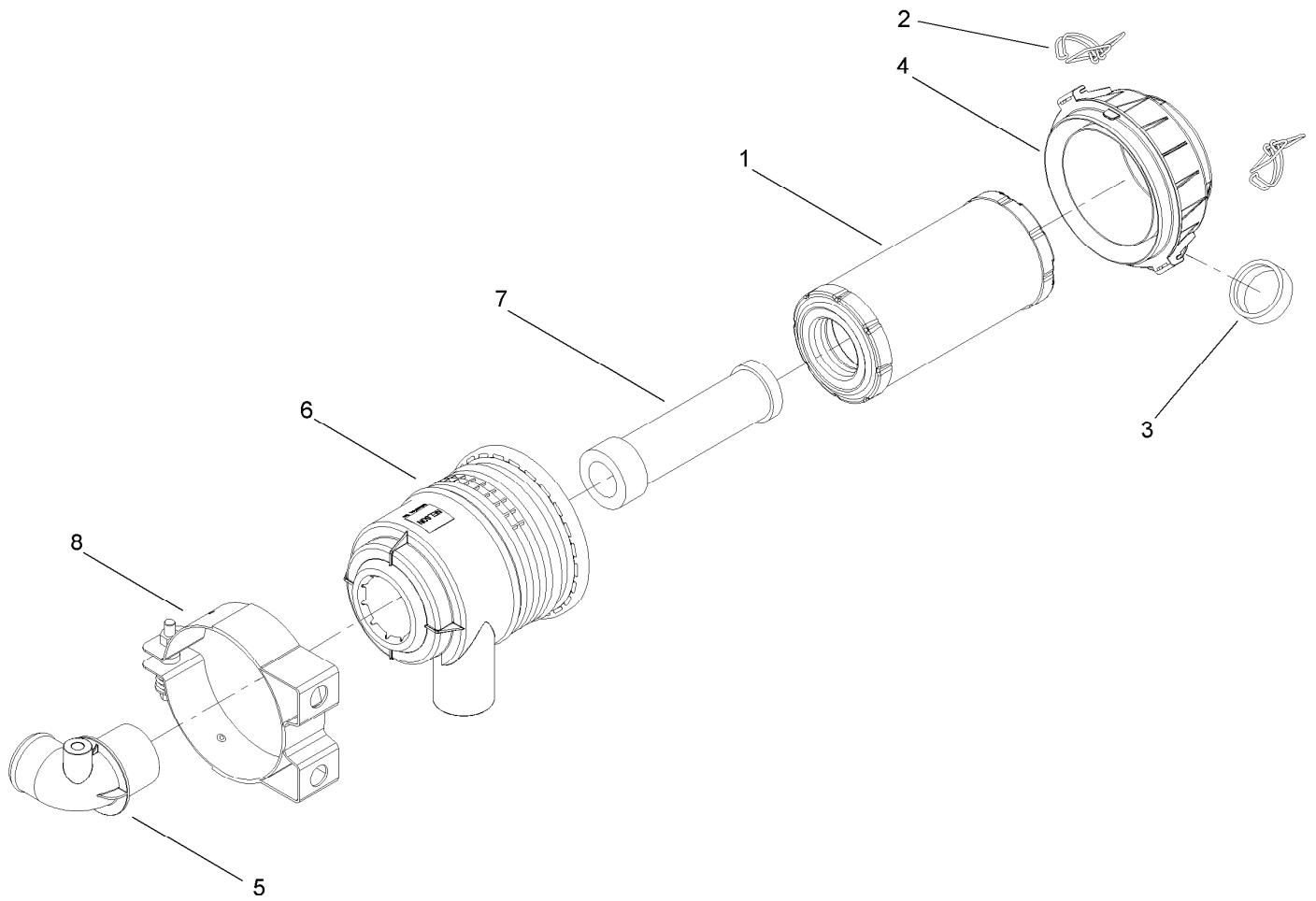
## Tandem Hydraulic Pump Assembly No. 108-4710

<i>Ref.</i>	<i>Part Number</i>	<i>Qty.</i>	<i>Description</i>
1	98-4700	1	Key-Square
2	99-1353	1	Seal Kit



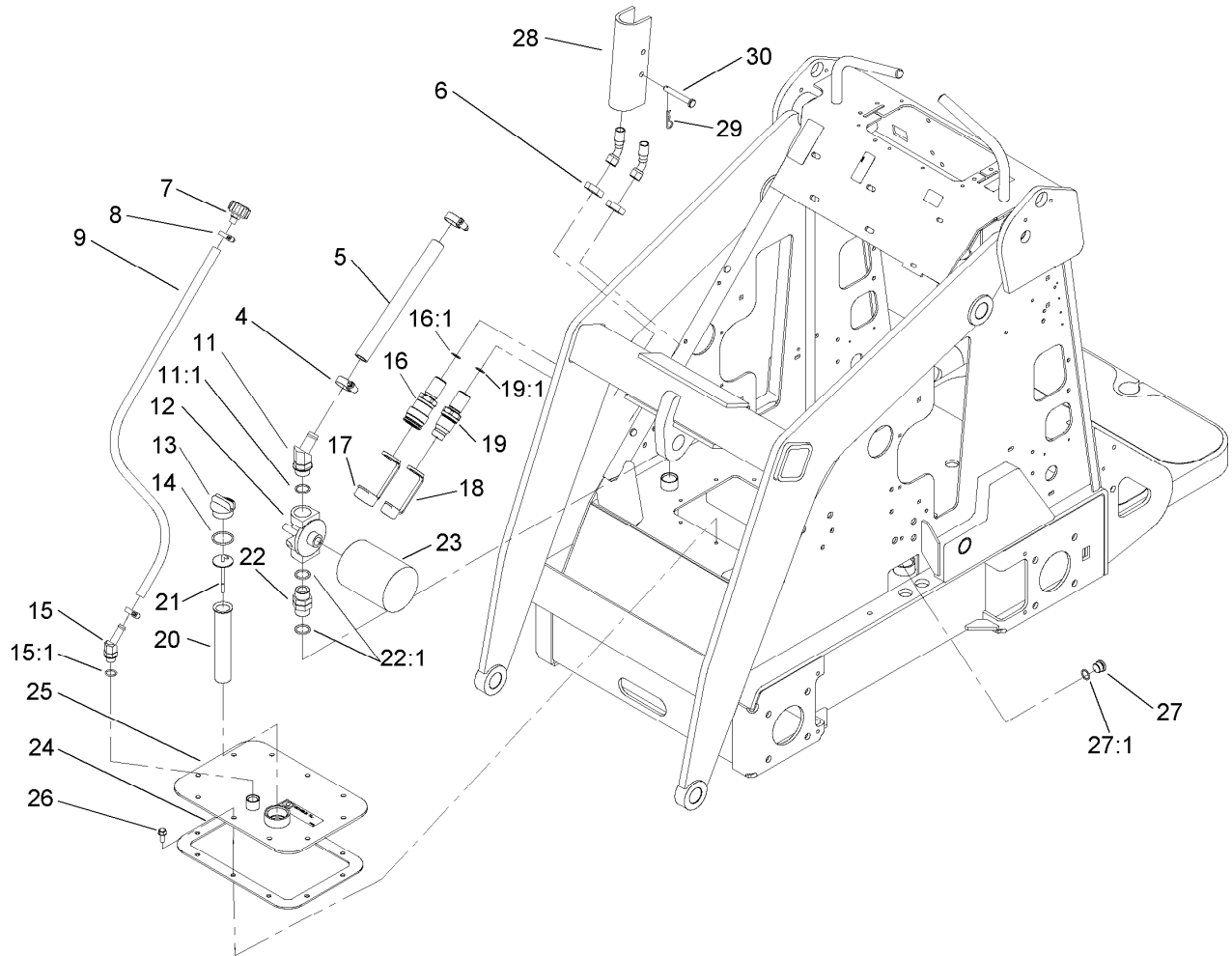
## Fuel Tank and Air Filter Assembly

Ref.	Part Number	Qty.	Description	Ref.	Part Number	Qty.	Description
1	98-4656-03	2	Mount-Bottom, Tank	15:1	103-2605	1	Fitting-Fuel, Bulkhead
2	105-8439	1	LH Fuel Tank ASM	16	92-2379	13	Clamp-Hose
2:1	103-2605	1	Fitting-Fuel, Bulkhead	17	99-3185	1	Hose-Fuel
3	98-4657	2	Bolt-Mount	18	99-5000	2	Valve-Check, Fuel
4	99-1444-03	1	Plate-Mount, Left	19	99-5005	1	Fitting-Tee, Barbed
5	104-7418	2	Cap-Fuel, Gas	20	99-5101	4	Hose-Fuel
5:3	104-7420	1	Gasket-Vented	21	94-1349	2	Hose-Fuel
6	3230-2	2	Bolt-CARR	22	3290-134	4	Screw
7	2412-98	1	Clamp-Hose	23	32144-70	4	Screw-HWHTF
8	322-3	2	Screw-HH	24	32149-7	4	Nut-Keps
9	99-3080-03	1	Mount-Cleaner, Air	25	32128-20	2	Nut-HF
10	99-3160	1	Air Cleaner ASM	26	3296-29	4	Nut-Lock, NI
11	2412-42	2	Clamp-Hose	27	1-603770	2	Valve-Fuel
12	99-3148	1	Hose-Air	28	108-4718	2	Cable-Control
13	108-9730	2	Lever-Control	29	233-42	2	Knob
14	98-4655-03	1	Plate-Mount	30	3256-51	4	Washer-Flat
15	105-8440	1	RH Fuel Tank ASM				



## Air Cleaner Assembly No. 99-3160

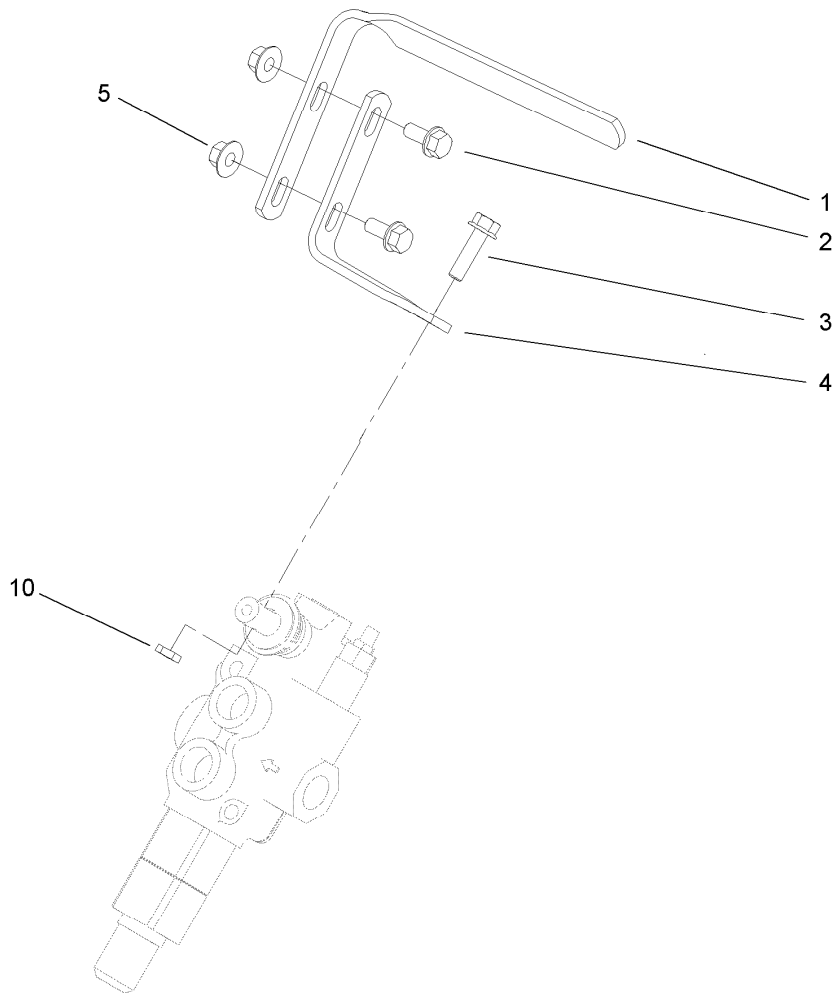
<i>Ref.</i>	<i>Part Number</i>	<i>Qty.</i>	<i>Description</i>
1	99-3173	1	Element-Filter, Air
2	99-3174	2	Clip-Cleaner, Air
3	99-3175	1	Valve-Ejector, Dust
4	99-3176	1	Cover
5	99-3183	1	Tube ASM
6	99-3184	1	Housing
7	99-3198	1	Filter-Safety
8	99-3197	1	Mounting Bracket ASM



## Hydraulic Tank and Filter Assembly

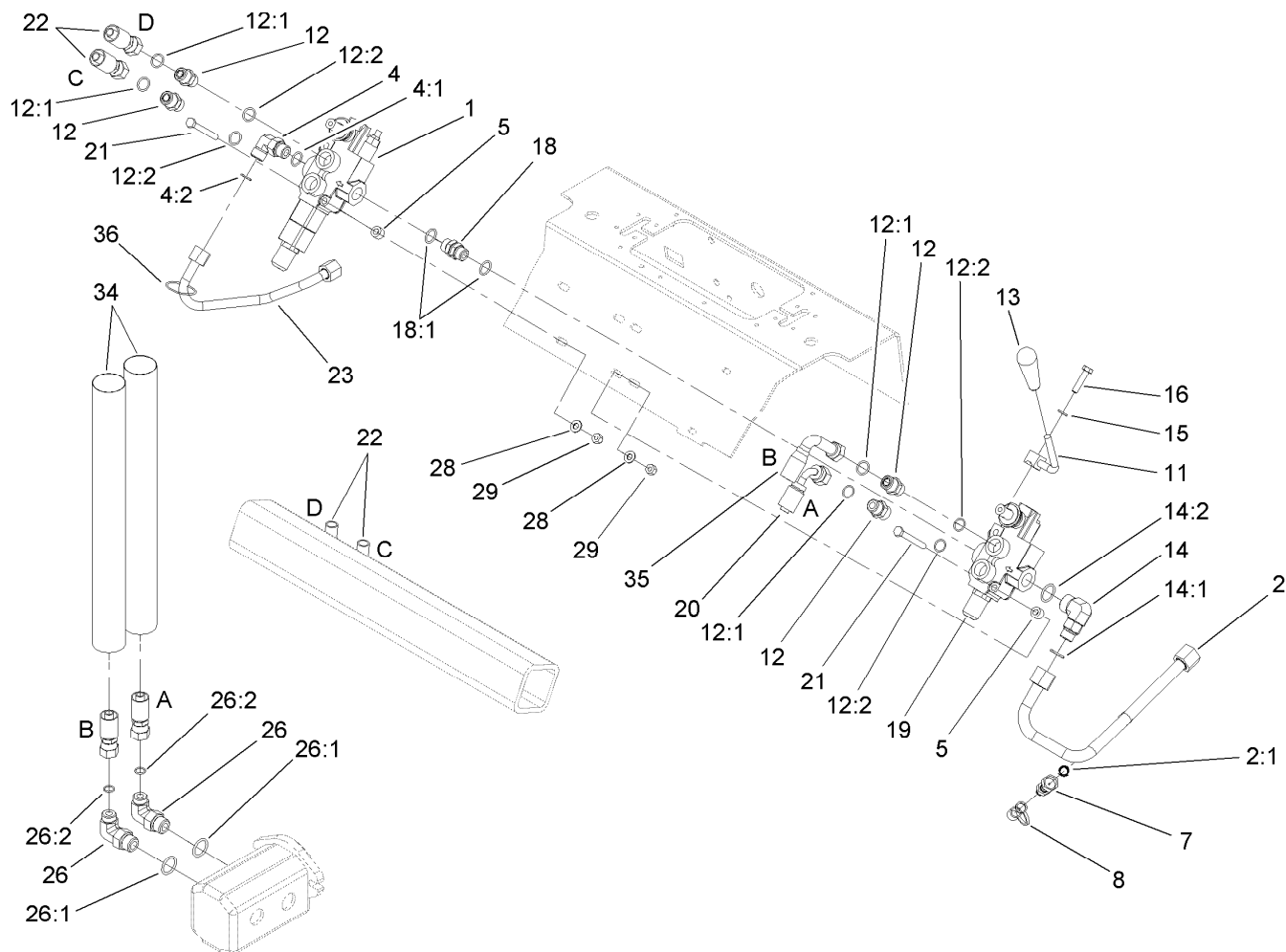
Ref.	Part Number	Qty.	Description	Ref.	Part Number	Qty.	Description
4	2412-129	2	Clamp-Hose	18	100-8815	1	Cap-Dust, Nipple
5	98-4745	1	Hose-HYD, Suction, Hi	19	105-8395	1	Bulkhead Nipple ASM
6	340-74	2	Nut-Lock, Bulkhead	19:1	237-65	1	O-Ring
7	68-6150	1	Breather	19:2	100-6120	1	Seal Kit ●
8	2412-36	2	Clamp-Hose	20	61-2790	1	Filter-Screen
9	98-2708	1	Hose-Vent	21	100-2097	1	Dipstick-Oil
11	354-127	1	Fitting-Elbow45	22	98-9906	1	Fitting-Thread, Straight
11:1	237-81	1	O-Ring	22:1	237-81	2	O-Ring
12	92-5821	1	Head-Filter	23	54-0110	1	Filter-Oil, Transmission
13	93-7498	1	Plug-Plastic	24	98-9927	1	Gasket-Cover
14	237-123	1	O-Ring	25	100-1713-01	1	Cover
15	354-126	1	Fitting-Elbow, 45	26	98-9940	10	Screw-HHF
15:1	237-79	1	O-Ring	27	353-988	1	Plug-Hex
16	105-8394	1	Bulkhead Coupler ASM	27:1	237-79	1	O-Ring
16:1	237-65	1	O-Ring	28	98-4675-01	2	Lock-Cylinder
16:2	105-8396	1	Seal Kit ●	29	3290-467	2	Pin-Hair
17	100-8816	1	Cap-Dust, Coupler	30	283-52	2	Pin-Clevis

● Not illustrated



## Auxiliary Control Lever Assembly

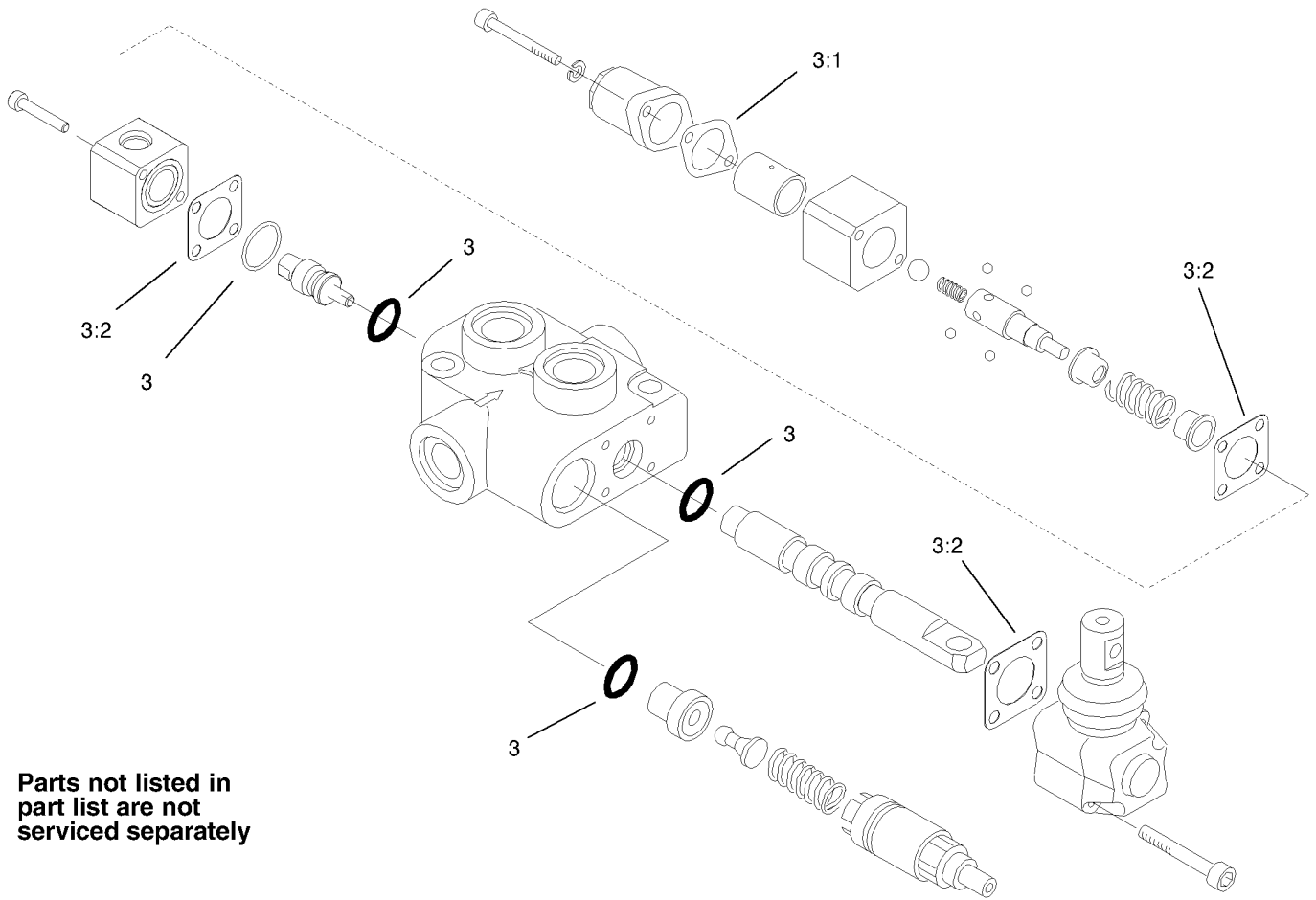
<i>Ref.</i>	<i>Part Number</i>	<i>Qty.</i>	<i>Description</i>
1	98-9090	1	Grip-Control
2	3234-5	2	Screw-HHF
3	33104-030	1	Screw-HHF
4	99-1376	1	Mount-Control
5	32128-44	2	Nut
10	33014-00	1	Nut-Hex



## Hydraulic Valve Assembly

Ref.	Part Number	Qty.	Description
1	99-3077	1	Valve-HYD, Auxiliary
2	108-4716	1	HYD Tube ASM
2:1	237-22	1	O-Ring
4	340-98	1	Fitting-Elbow, 90 DEG
4:1	237-79	1	O-Ring
4:2	237-30	1	O-Ring
5	98-4695	4	Spacer
7	86-5480	1	Nipple-Test
8	354-79	1	Cap-Dust
11	108-9709-03	1	Lever-Control
12	340-4	4	Fitting-Straight
12:1	237-30	1	O-Ring
12:2	237-79	1	O-Ring
13	98-0152	1	Knob-Tapered
14	340-153	1	Fitting-Elbow, 90 DEG
14:1	237-79	1	O-Ring
14:2	237-151	1	O-Ring

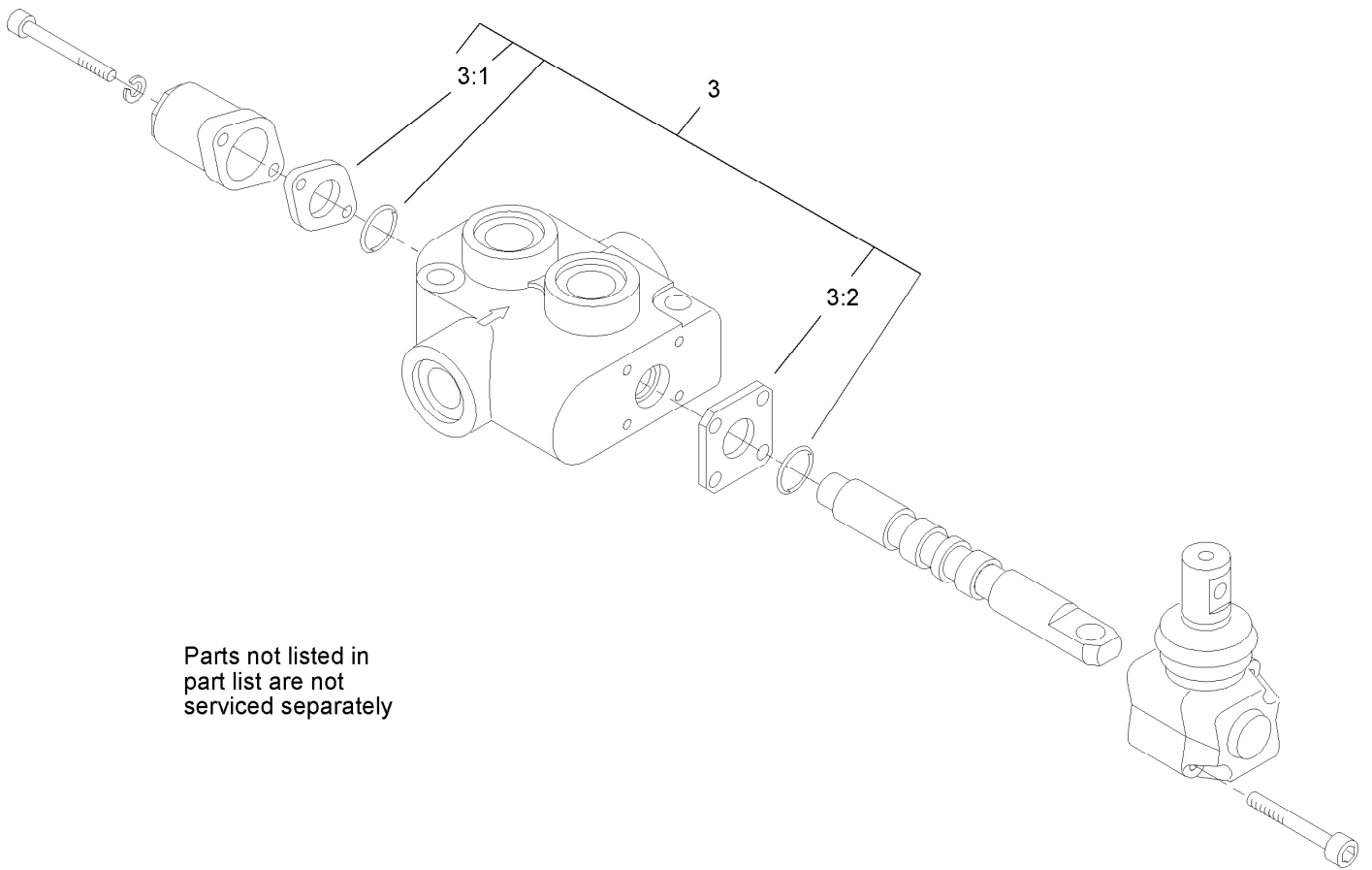
Ref.	Part Number	Qty.	Description
15	3253-4	1	Washer-Lock
16	33114-035	1	Screw-HH
18	95-3209	1	Fitting-Thread, Straight
18:1	237-79	2	O-Ring
19	99-3072	1	Valve-Selector, HYD
20	98-4747	1	Hose-HYD
21	322-13	4	Screw-HH
22	100-8817	2	Hose-HYD
23	105-7879	1	Tube-HYD
26	340-105	2	Fitting-Elbow, 90 DEG
26:1	237-80	1	O-Ring
26:2	237-30	1	O-Ring
28	3256-23	4	Washer-Plain
29	3296-29	4	Nut-Lock, NI
34	100-8818	2	Sleeve-Guard, Hose
35	99-3008	1	Hose-HYD
36	3290-379	8	Tie-Cable



Parts not listed in  
part list are not  
serviced separately

## Hydraulic Valve Assembly No. 99-3077

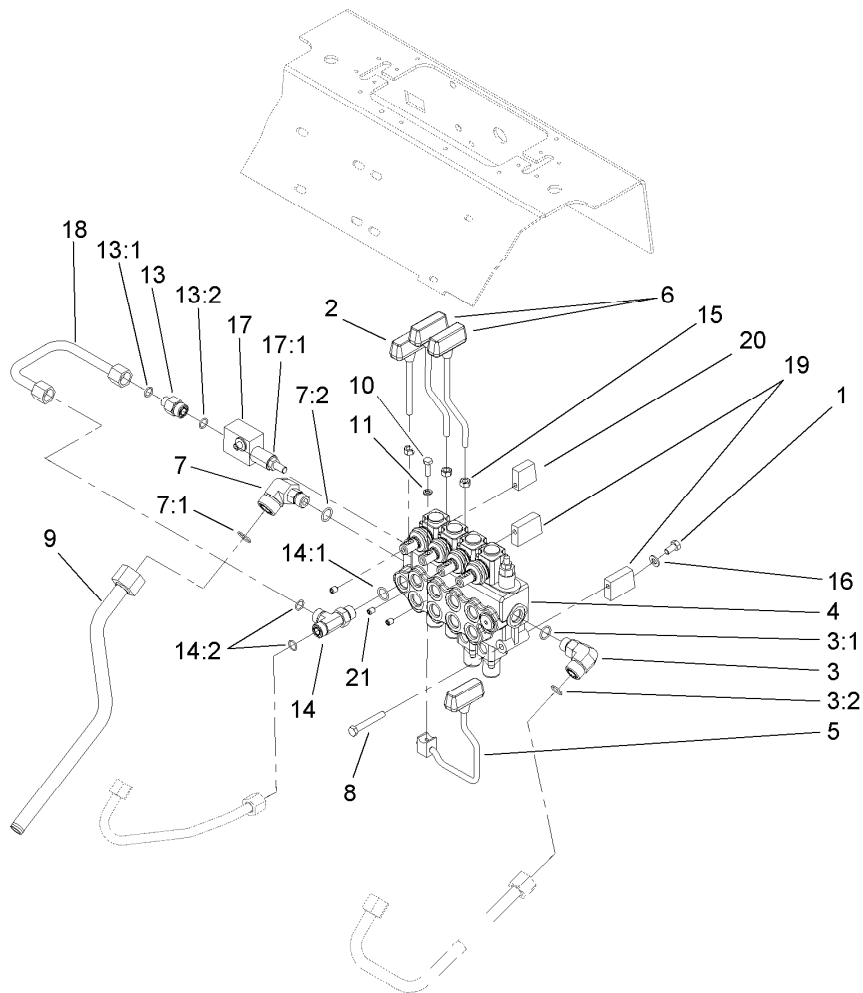
<i>Ref.</i>	<i>Part Number</i>	<i>Qty.</i>	<i>Description</i>
3	99-4391	1	Seal Kit
3:1	99-3074	1	Gasket
3:2	99-3075	3	Gasket



## Hydraulic Selector Valve Assembly No. 99-3072

<i>Ref.</i>	<i>Part Number</i>	<i>Qty.</i>	<i>Description</i>
3	99-4391	1	Seal Kit
3:1	99-3074	1	Gasket
3:2	99-3075	3	Gasket

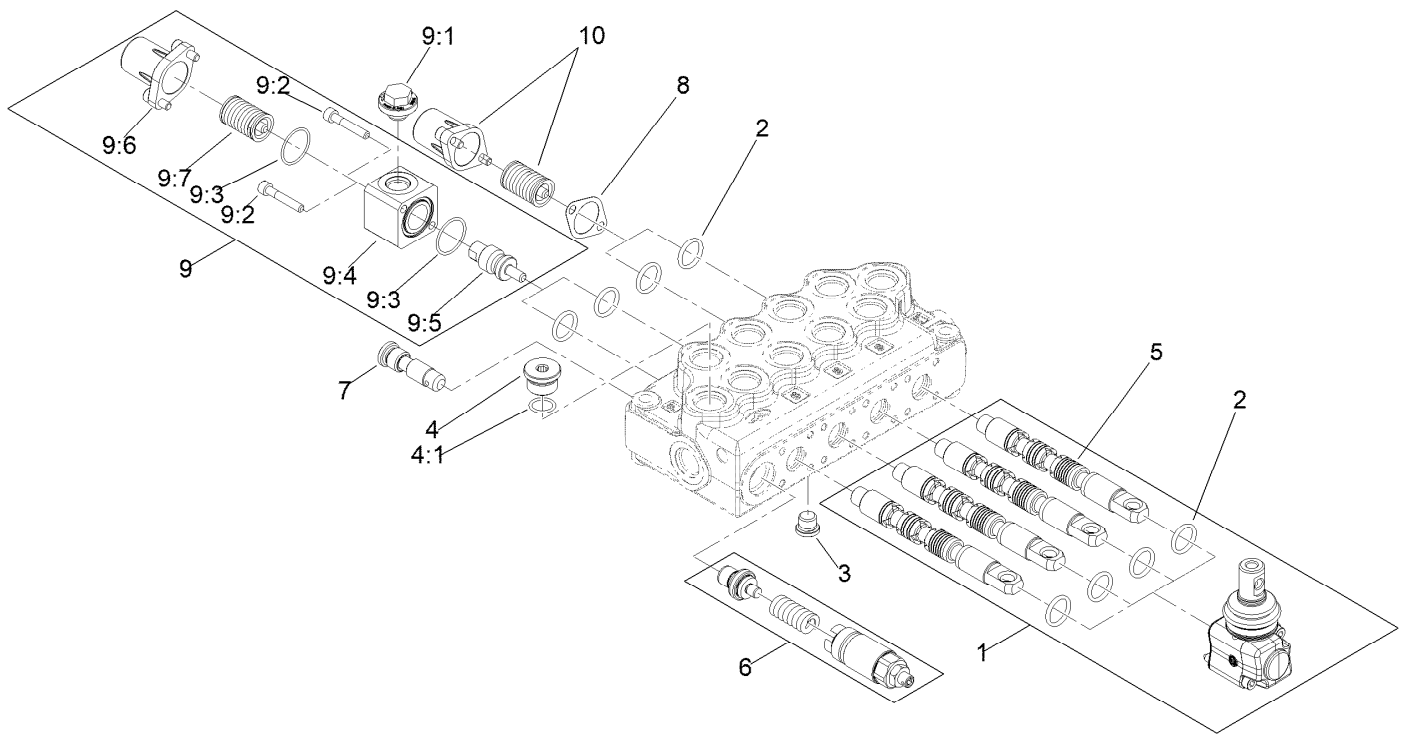




## 4-Spool Valve Assembly

Ref.	Part Number	Qty.	Description	Ref.	Part Number	Qty.	Description
1	322-2	3	Screw-HH	13	340-5	1	Fitting-Straight
2	105-7881	1	Lever-Cylinder	13:1	237-42	1	O-Ring
3	340-153	1	Fitting-Elbow, 90 DEG	13:2	237-30	1	O-Ring
3:1	237-79	1	O-Ring	14	340-109	1	Fitting-Tee
3:2	237-151	1	O-Ring	14:1	237-79	1	O-Ring
4	105-8377	1	HYD Four Spool Valve ASM	14:2	237-30	2	O-Ring
5	106-8165	1	Lever-Control	15	33014-00	3	Nut-Hex
6	104-5733	2	Lever-Drive	16	3256-23	3	Washer-Plain
7	92-5696	1	Fitting-Elbow, 90 DEG	17	105-7882	1	Relief Valve ASM
7:1	237-58	1	O-Ring	17:1	105-8358	1	Cartridge-Valve, Relief
7:2	237-79	1	O-Ring	17:2	105-8357	1	Seal Kit ●
8	322-11	3	Screw-HH	18	108-4717	1	Tube-HYD
9	106-8177	1	Tube-Tank, HYD	19	108-4728	2	Spacer V
10	321-5	1	Screw-HH	20	105-7870	1	Spacer-Upper V
11	3253-3	1	Washer-Lock	21	105-4068	3	Screw-Set, HSH

● Not illustrated

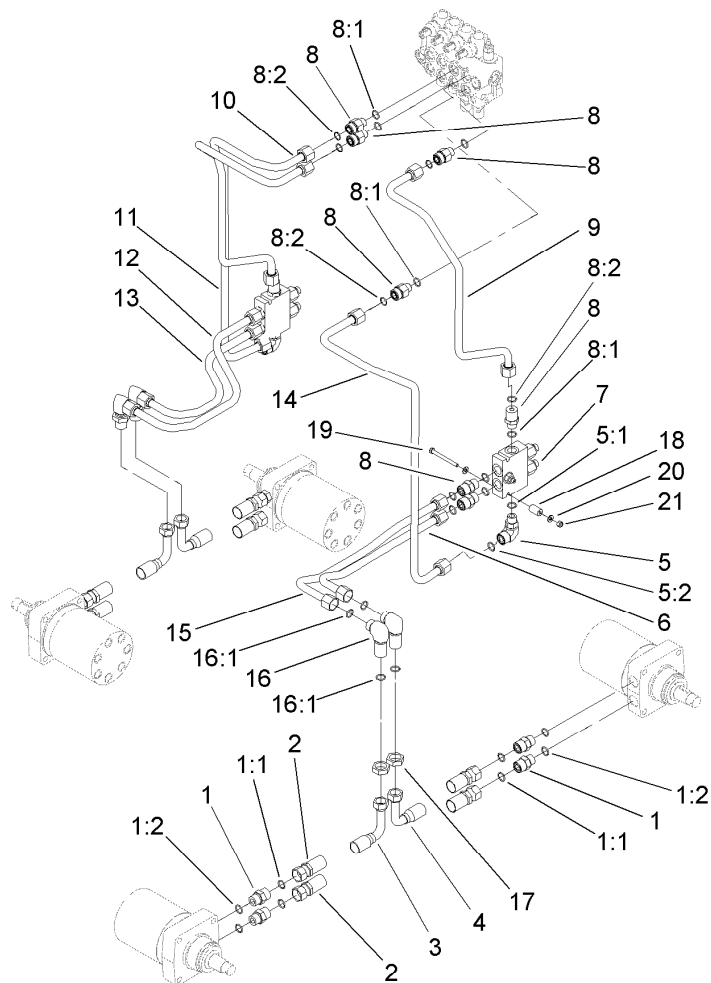


## Four Spool Hydraulic Valve Assembly No. 105-8377

Ref.	Part Number	Qty.	Description
1	139-8891	4	Lsg/S5 Lever Kit With Screws
2	139-8886	8	O-Ring Seal, 70 Sh
3	139-8884	1	SAE 4 Plug
4	353-988	1	Plug-Hex
4:1	237-79	1	O-Ring
5	105-8441	4	Spool-Valve
6	139-8890	1	Vmd5 (Jn) Inlet Part
7	139-8880	1	Kit-Valve Body
8	99-3074	2	Gasket

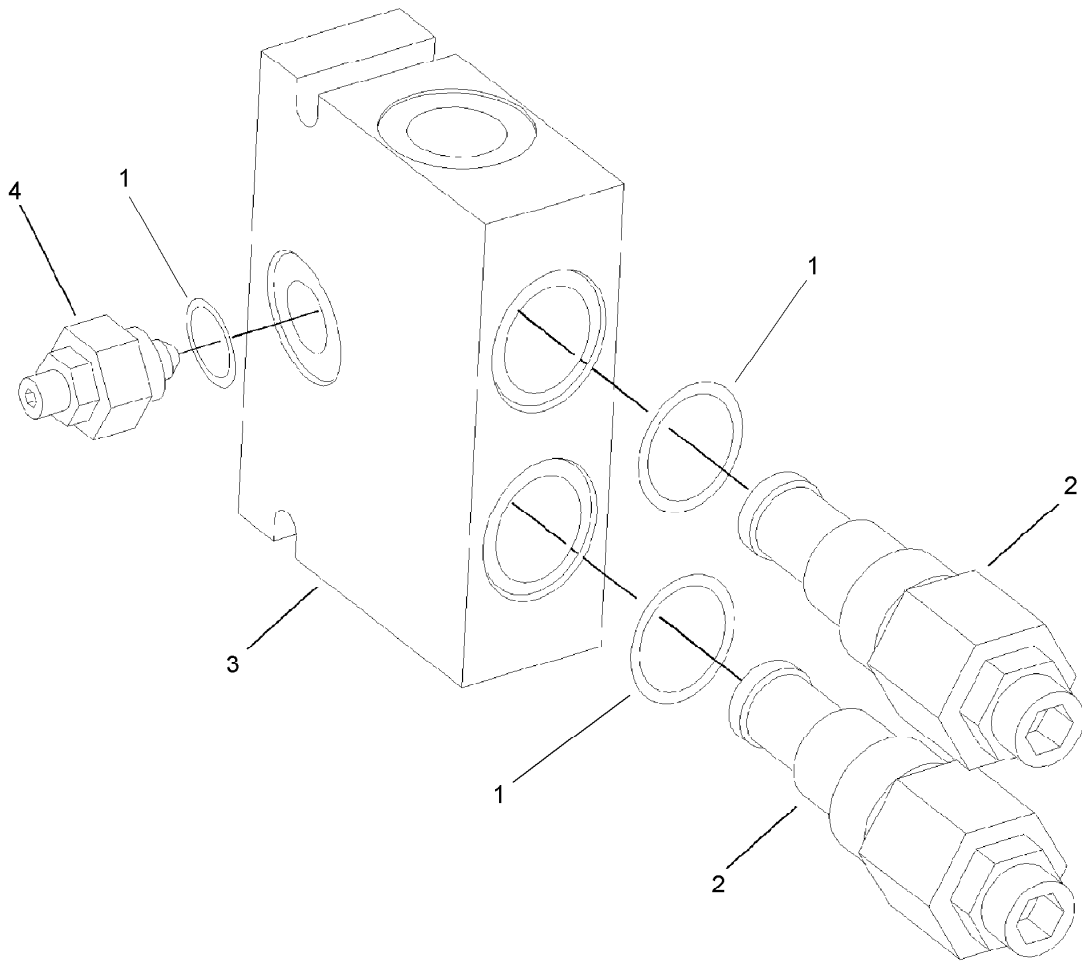
Ref.	Part Number	Qty.	Description
9	139-8887	2	S5 Command Kit
9:1		1	Plug ●
9:2		2	Screw ●
9:3		2	Oring ●
9:4		1	Block ●
9:5		1	Pin ●
9:6		1	End Cap ●
9:7		1	Spring ●
10	161-1080	2	S5 End Cap Kit

● Not serviced separately



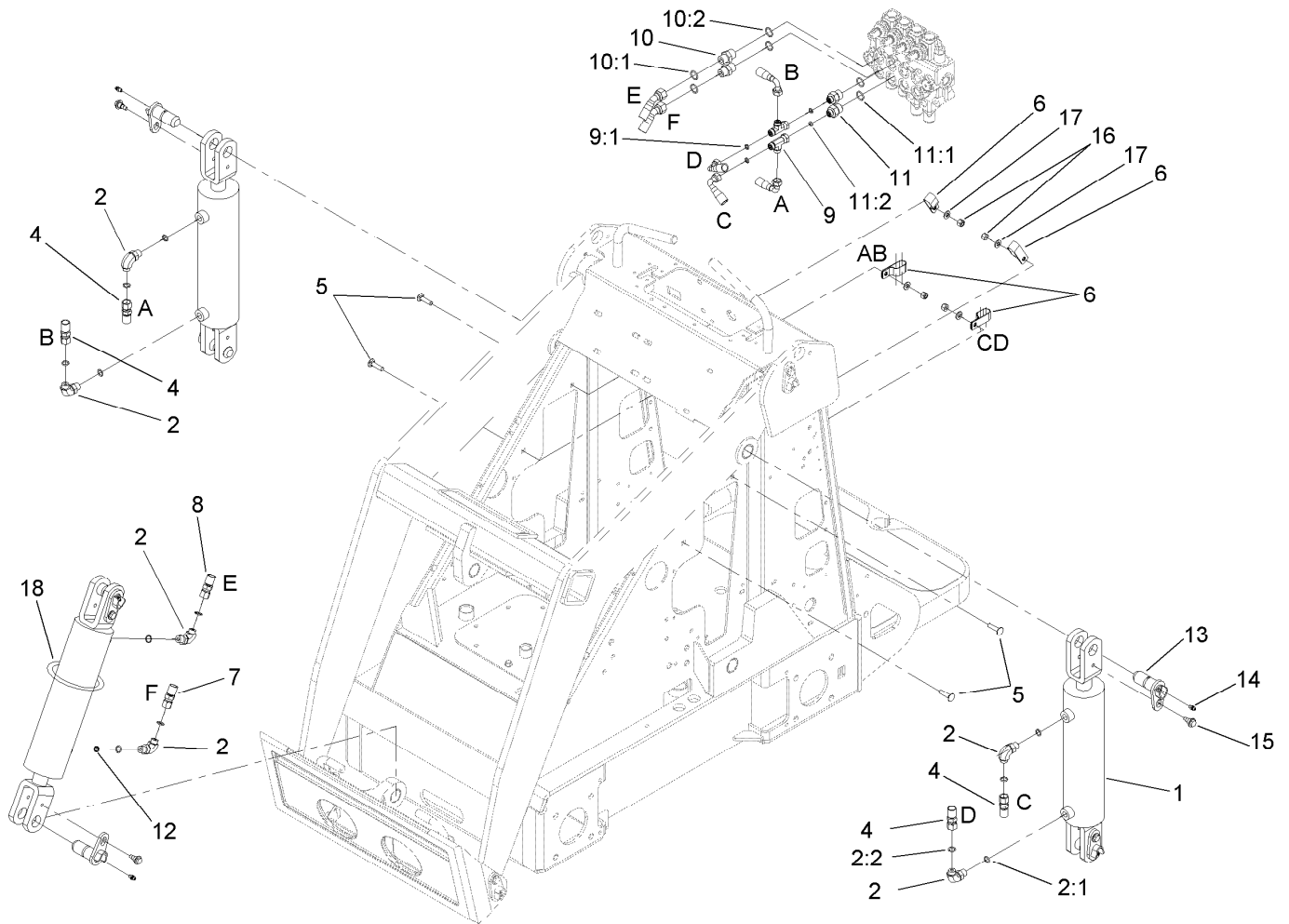
## Hydraulic Motor Assembly

Ref.	Part Number	Qty.	Description	Ref.	Part Number	Qty.	Description
1	340-7	8	Fitting-Straight	9	105-7898	1	Line-Hydraulic (Left B)
1:1	237-65	1	O-Ring	10	105-7899	1	Line-Hydraulic (Right B)
1:2	237-80	1	O-Ring	11	105-7897	1	Line-Hydraulic (Right A)
2	99-3012	2	Hose-HYD	12	99-3025	1	Tube-HYD
3	99-3010	2	Hose-HYD	13	99-3028	1	Tube-HYD
4	99-3011	2	Hose-HYD	14	105-7896	1	Line-Hydraulic (Left A)
5	340-153	2	Fitting-Elbow, 90 DEG	15	99-3026	1	Tube-HYD
5:1	237-79	1	O-Ring	16	340-72	4	Fitting-Bulkhead, 90 DEG
5:2	237-151	1	O-Ring	16:1	237-65	2	O-Ring
6	99-3022	1	Tube-HYD	17	340-74	4	Nut-Lock, Bulkhead
7	99-3040	2	HYD Counterbalance Valve ASM	18	99-3057	2	Spacer-Valve
8	340-155	10	Fitting-Straight	19	321-23	2	Screw-HH
8:1	237-79	1	O-Ring	20	3256-22	4	Washer-Flat
8:2	237-151	1	O-Ring	21	3296-42	2	Nut-Lock, NI



## Counterbalance Valve Assembly No. 99-3040

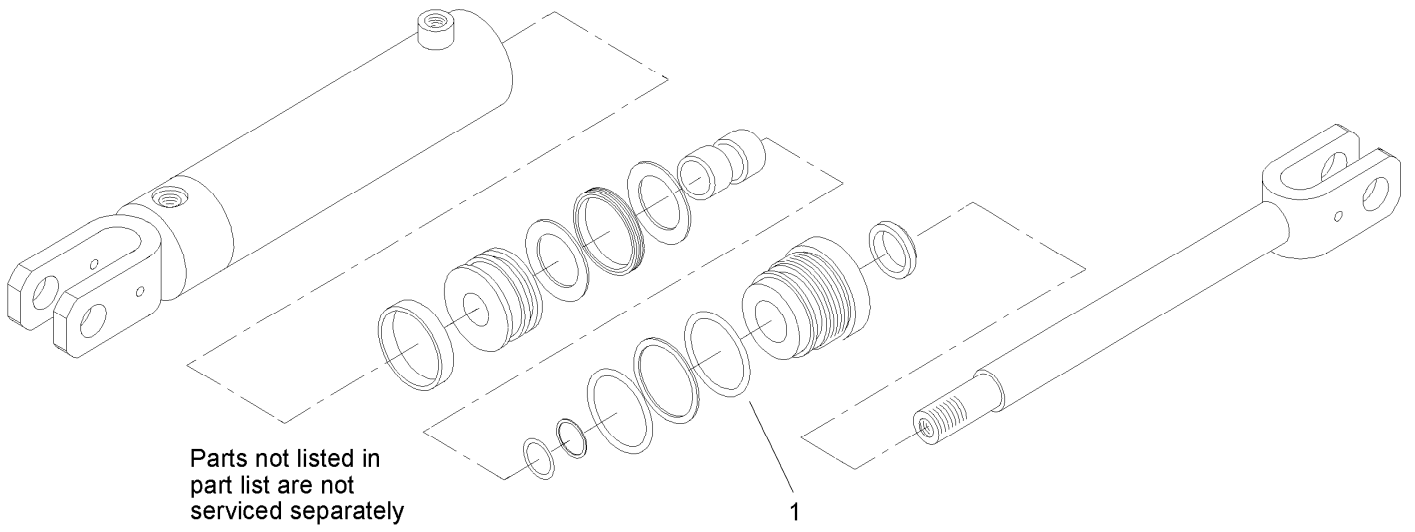
<i>Ref.</i>	<i>Part Number</i>	<i>Qty.</i>	<i>Description</i>
1	105-4099	1	Seal Kit
2	99-3271	2	Valve-Cartridge
3	100-8864	1	Manifold ASM
4	100-8865	1	Needle Valve ASM



## Hydraulic Cylinder Assembly

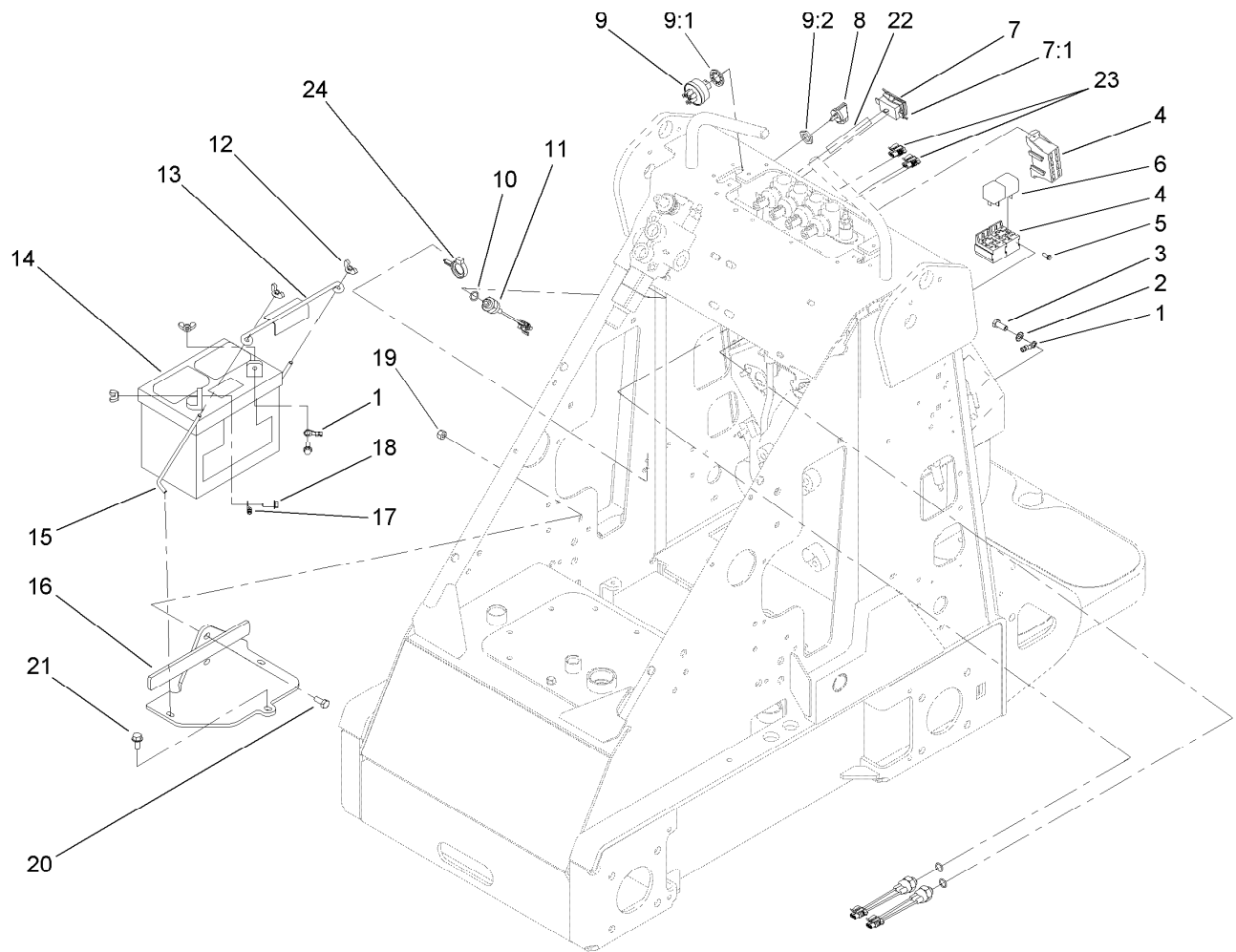
Ref.	Part Number	Qty.	Description
1	105-7867	3	HYD Cylinder ASM
2	340-82	6	Fitting-Elbow, 90 DEG
2:1	237-42	1	O-Ring
2:2	237-21	1	O-Ring
4	98-4725	4	Hose-HYD
5	3230-3	4	Screw-CARR
6	2412-137	4	Clamp-R, Double
7	98-4726	1	Hose-HYD
8	98-4727	1	Hose-HYD
9	340-151	2	Fitting-Tee
9:1	237-75	3	O-Ring
10	340-3	2	Fitting-Straight
10:1	237-22	1	O-Ring
10:2	237-79	1	O-Ring
11	340-133	2	Fitting-STR
11:1	237-79	1	O-Ring
11:2	237-21	1	O-Ring
12	108-4714	1	Orifice-Port Insert, One Way
13	99-1414	6	Pin-Pivot
14	302-5	6	Fitting-Grease
15	99-5105	6	Screw-Shoulder
16	3296-29	4	Nut-Lock, NI
17	3256-23	4	Washer-Plain
18	3334-945	1	Tie-Cable

● Not illustrated



## Hydraulic Cylinder Assembly No. 105-7867

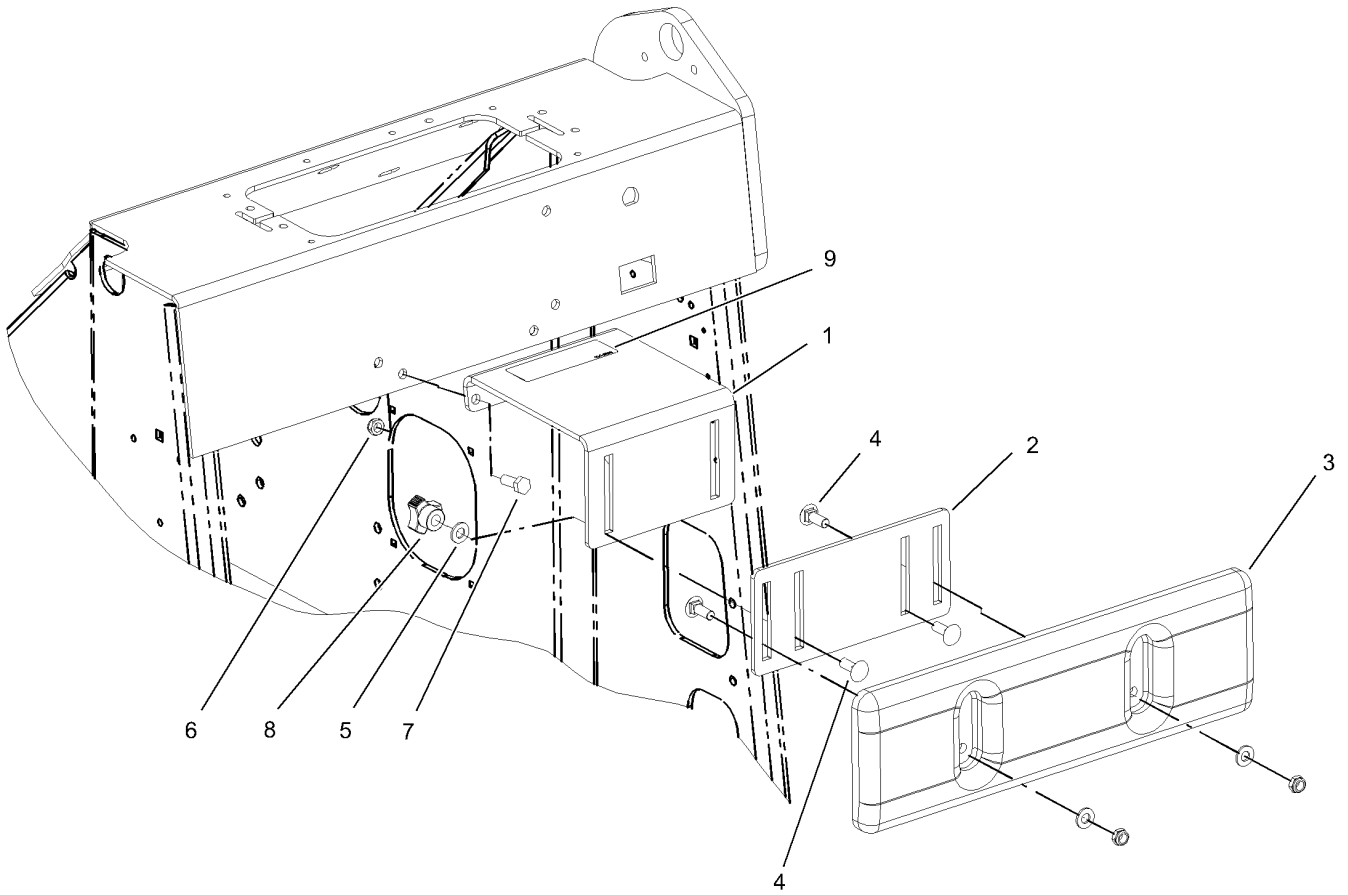
<i>Ref.</i>	<i>Part Number</i>	<i>Qty.</i>	<i>Description</i>
1	105-8356	1	Seal Kit



## Electrical Component Assembly

<i>Ref.</i>	<i>Part Number</i>	<i>Qty.</i>	<i>Description</i>	<i>Ref.</i>	<i>Part Number</i>	<i>Qty.</i>	<i>Description</i>
1	111075	1	Wire ASM	12	32103-22	4	Nut-Wing
2	3255-8	1	Washer-Lock	13	113010	1	Holddown-Battery
3	33114-020	1	Screw-HH	14	104-2492	1	Battery-Dry
4	104-7411	1	Harness-Wire	15	99-5027	2	Retainer-Battery
5	32144-87	3	Screw-HWHTF	16	99-3060-03	1	Battery Mount ASM
6	98-7249	2	Relay	17	100-1712	1	Cable-Positive
7	105-4067	1	Hourmeter-Inductive	18	3234-4	2	Screw-HHF
7:1	104-4234	1	Clip-Mounting	19	3296-29	2	Nut-Lock, NI
8	63-8360	2	Key-Ignition	20	322-4	2	Screw-HH
9	111216	1	Ignition Switch ASM	21	32144-70	1	Screw-HWHTF
9:1	9201604	1	Washer-Lock	22	104-7408	1	Wire-Hourmeter
9:2	101884	1	Nut	23	99-1433	2	Connector-Female
10	237-42	3	O-Ring	24	105-1853	1	Clamp-Hose
11	72-4310	3	Switch-Ball	99	3290-381	5	Tie-Cable ●

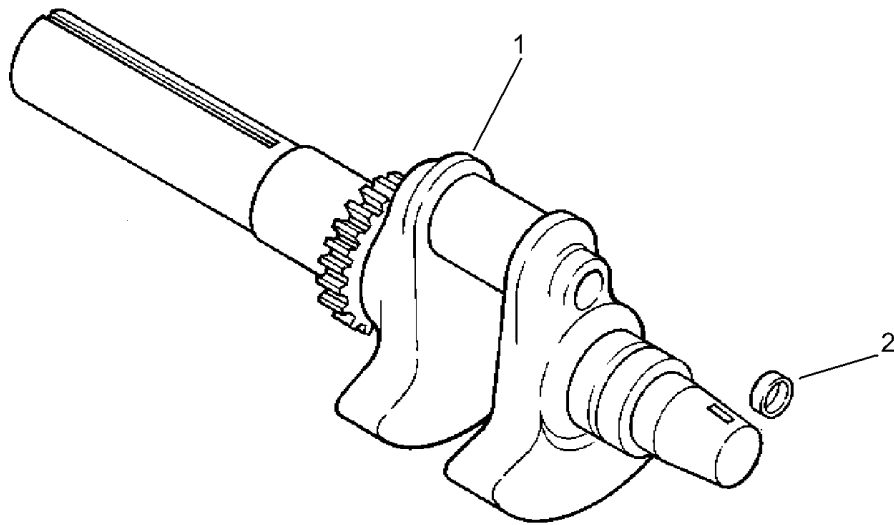
● Not illustrated



## Thigh Support Assembly

<i>Ref.</i>	<i>Part Number</i>	<i>Qty.</i>	<i>Description</i>
1	105-0297-03	1	Thigh Support ASM
2	105-0337-03	1	Plate-Adjusting
3	105-0333	1	Support-Thigh
4	3230-16	4	Screw-CARR
5	3256-70	4	Washer-Flat
6	3296-72	4	Nut-Lock, NI
7	322-4	2	Screw-HH
8	104-6156	2	Knob-Adjustment
9	104-6108	1	Decal-Manual

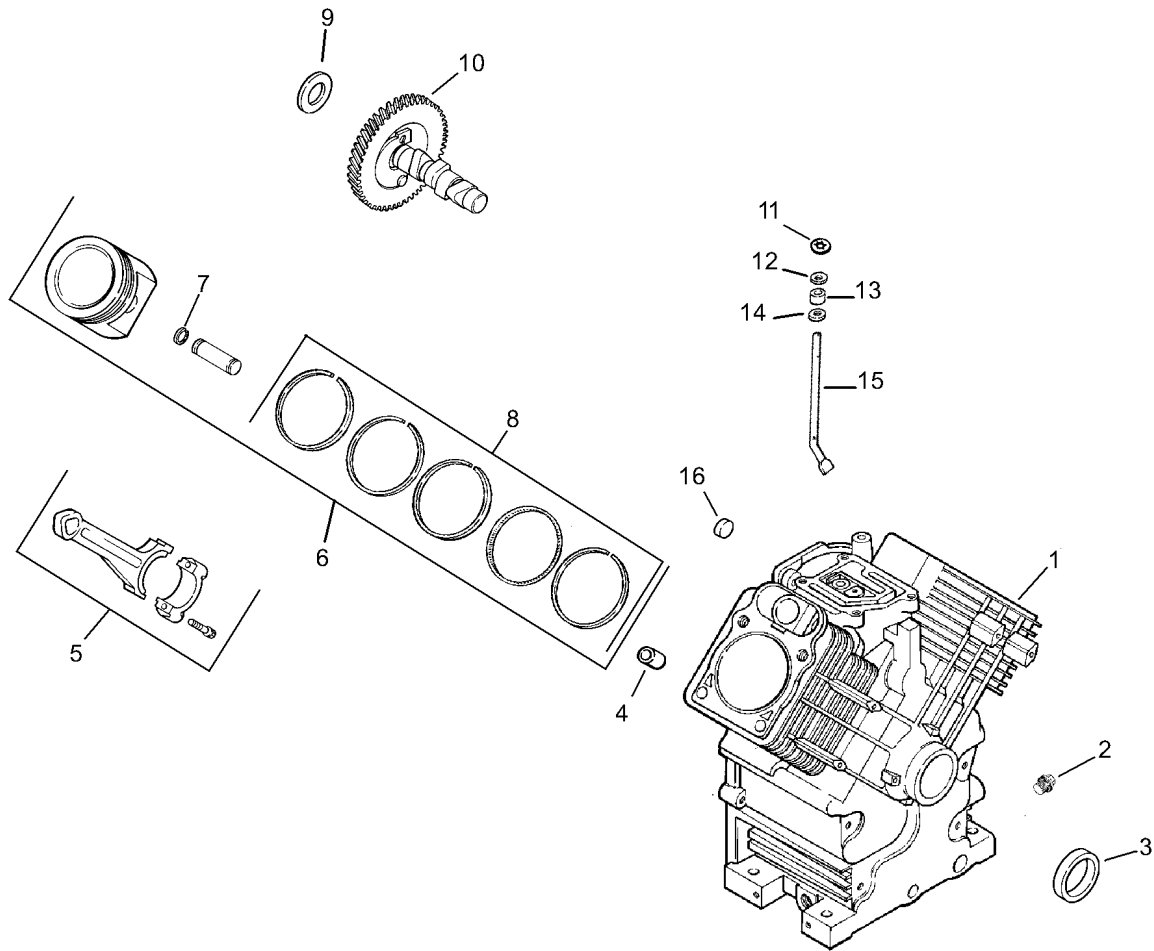




## Crankshaft Assembly Kohler CH23S-76549

<i>Ref.</i>	<i>Part Number</i>	<i>Qty.</i>	<i>Description</i>
1	24 014 90-S	1	Crankshaft Assembly (Includes 2) ●
2	52 139 09-S	1	Plug-Cup ●

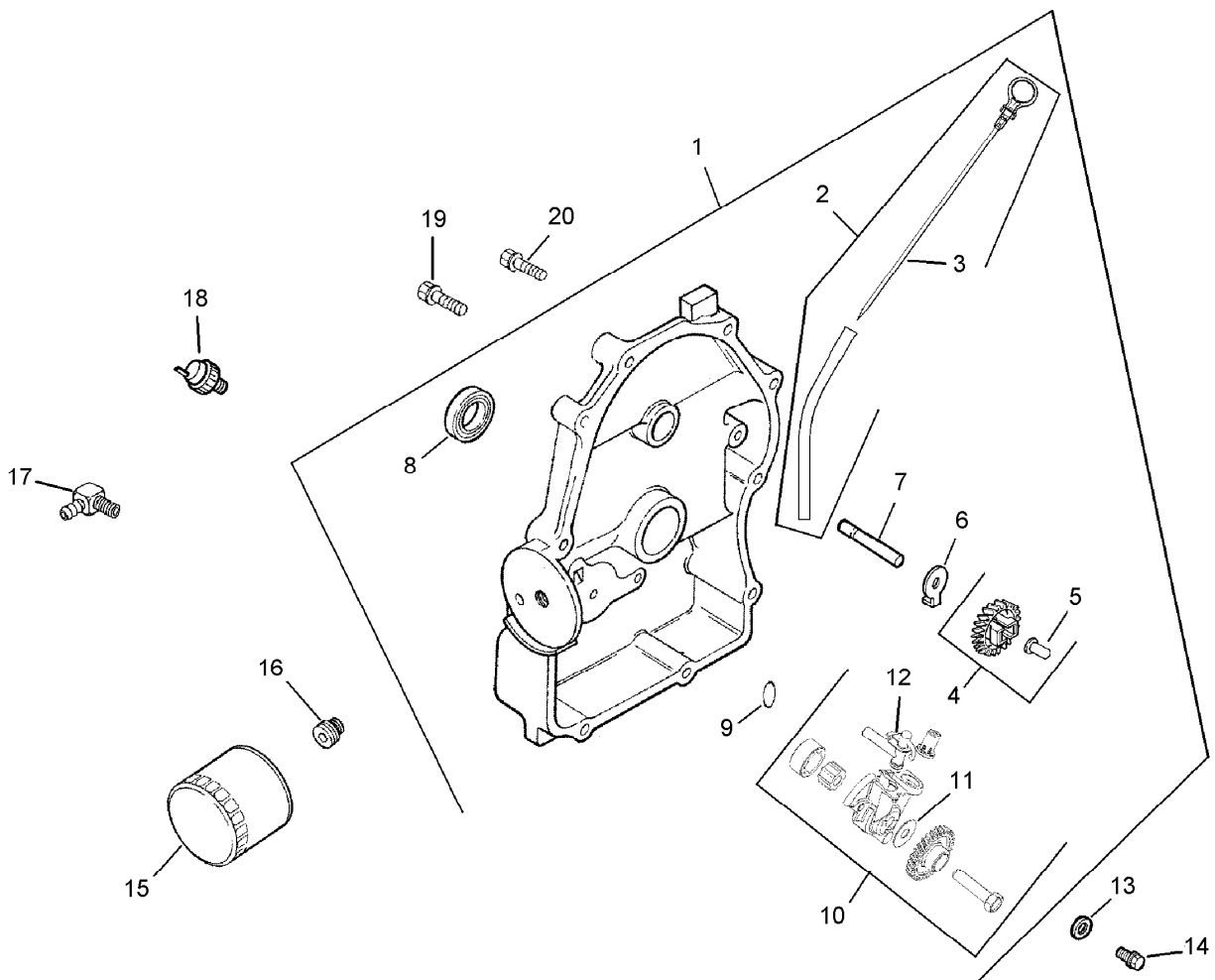
● Obtain Parts From Kohler



## Crankcase Assembly Kohler CH23S-76549

Ref.	Part Number	Qty.	Description	Ref.	Part Number	Qty.	Description
1		1	Crankcase (Use Miniblock 24 782 15) ●	9	12 422 09-S	0	Shim-Camshaft (Red .032) ●
2	25 139 57-S	2	Plug-Pipe, Sq HD (3/8) ●		12 422 13-S	0	Shim-Camshaft (Black .04) ●
3	24 032 01-S	1	Seal-Oil ●		12 422 07-S	0	Shim-Camshaft (White .028) ●
4	24 380 13-S	6	Pin-Locating ●		12 422 08-S	0	Shim-Camshaft (Blue .03) ●
5	24 067 13-S	2	Rod-Connecting (Standard) ●		12 422 10-S	1	Shim-Camshaft (Yellow .034) ●
	24 067 14-S	2	Rod-Connecting (.25) ●		12 422 11-S	0	Shim-Camshaft (Green .036) ●
6	24 874 09-S	2	Piston W/Ring Set (Std.)(Includes 7, 8) ●		12 422 12-S	0	Shim-Camshaft (Gray .038) ●
	24 874 10-S	2	Piston W/Ring Set (.25)(Includes 7, 8) ●	10	24 012 10-S	1	Camshaft Kit ●
	24 874 11-S	2	Piston W/Ring Set (.50)(Includes 7, 8) ●	11	24 018 09-S	1	Retainer-Ring ●
	24 874 15-S	2	Piston W/Ring Set (.080)(Includes 7, 8) ●	12	M-931010-S	1	Washer-Flat (9MM) ●
7	24 018 01-S	4	Retainer-Pin, Piston ●	13	28 032 09-S	1	Seal-Cross Shaft, Governor ●
8	24 108 08-S	2	Ring Set (STD And .08) ●	14	24 468 15-S	1	Washer-Flat (11/32) ●
	24 108 09-S	2	Ring Set (.25) ●	15	24 144 38-S	1	Shaft-Cross, Governor ●
	24 108 10-S	2	Ring Set (.50) ●	16	52 139 09-S	1	Plug-Cup ●

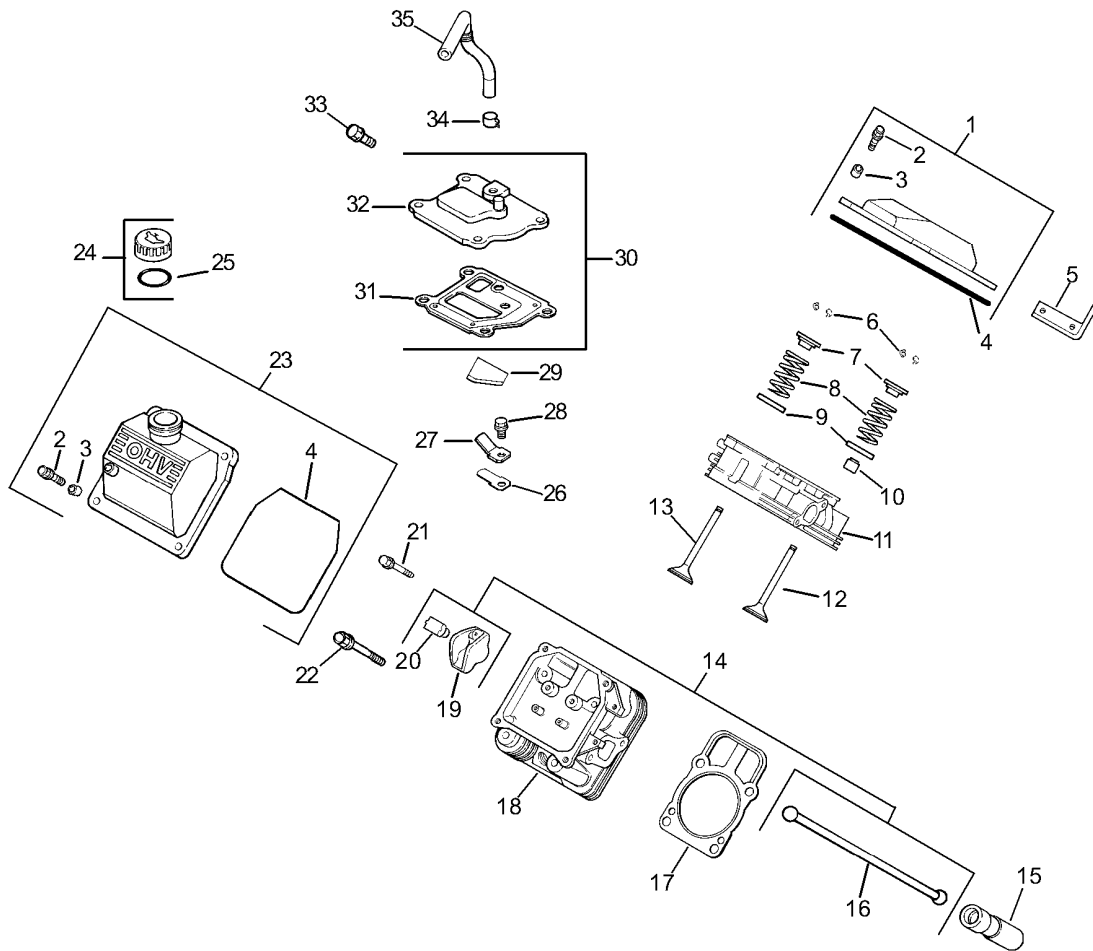
● Obtain Parts From Kohler



## Oil Pan / Lubrication Assembly Kohler CH23S-76549

Ref.	Part Number	Qty.	Description
1	24 009 82-S	1	Closure Plate Kit ●
2	24 755 121-S	1	Dipstick And Dipstick Tube ASM ●
3	24 038 10-S	1	Dipstick ●
4	24 043 12-S	1	Governor Gear W/Pin Kit ●
5	12 380 01-S	1	Pin-Regulating, Governor ●
6	52 448 02-S	1	Tab-Locking ●
7	12 144 02-S	1	Shaft-Gear, Governor ●
8	52 032 08-S	1	Seal-Oil (P-T-O End) ●
9	24 153 08-S	2	O-Ring ●
10	24 393 10-S	1	Oil Pump ASM ●
11	24 153 01-S	1	O-Ring ●
12	24 381 04-S	1	Tube-Pick Up, Oil ●
13	M-631005-S	2	Washer-Flat (6 MM) ●
14	M-645025-S	2	Screw-Flange, Thread Forming (M6X1.0X25) ●
15	52 050 02-S	1	Filter-Oil ●
16	24 136 01-S	1	Nipple-Filter, Oil ●
17	25 155 02-S	1	Connector-Hose, 90 Deg ●
18	24 099 03-S	1	Switch-Pressure, Oil ●
19	24 086 16-S	9	Screw-HF (M8X1.25X45) ●
20	24 086 17-S	1	Screw-Flange (M8X1.25X45) ●

● Obtain Parts From Kohler

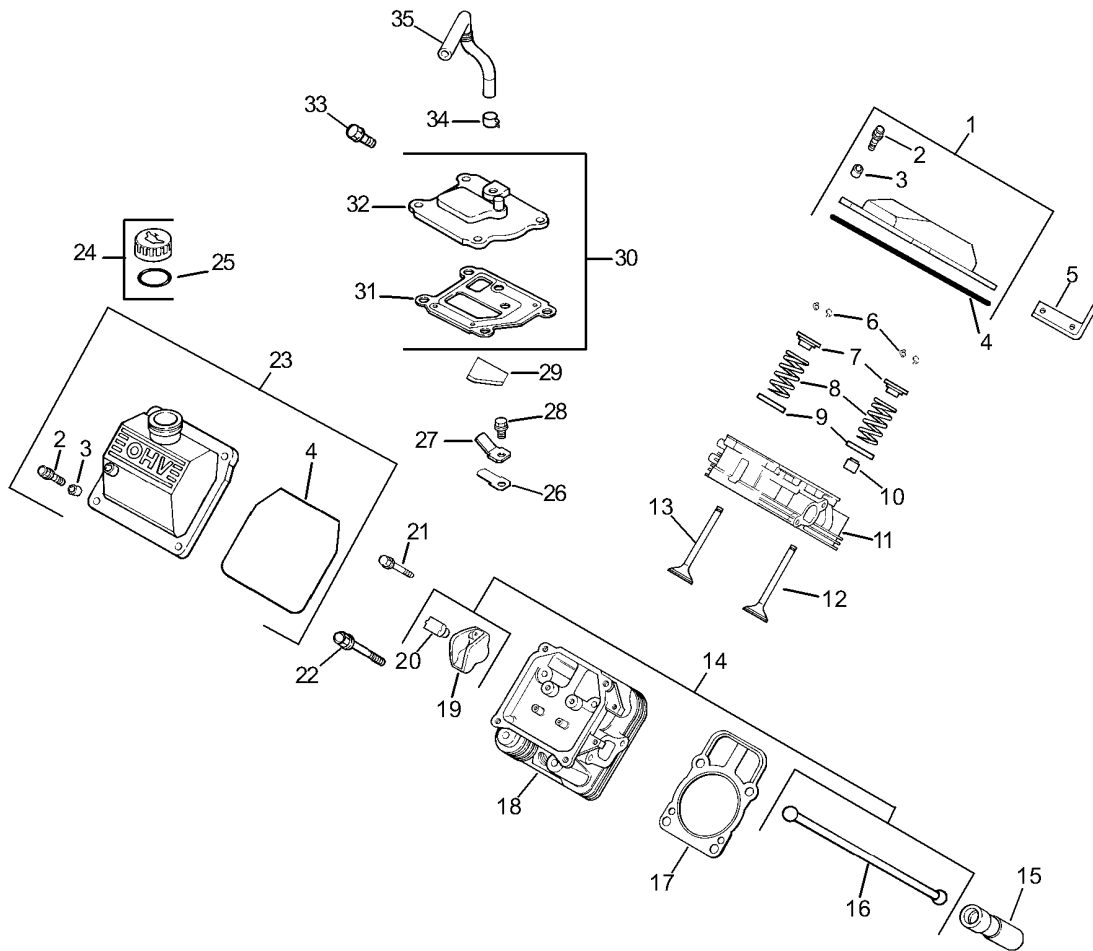


## Head / Valve / Breather Assembly Kohler CH23S-76549

Ref.	Part Number	Qty.	Description	Ref.	Part Number	Qty.	Description
1	24 755 74-S	1	Plain Valve Cover Kit (Includes 2-4) ■	19	25 186 01-S	4	Arm-Rocker ■
2	M-651030-S	4	Screw-Flange (M6X1.0X30) ■	20	24 599 01-S	4	Pivot-Arm, Rocker ■
3	24 112 08-S	4	Spacer ■	21	M-640034-S	8	Screw-Flange (M6X1.0X34) ■
4	24 153 23-S	1	O-Ring ■	22	24 072 09-S	8	Stud (M8X1.25Xm10X1.5X105MM) ■
5	24 445 01-S	1	Strap-Lifting ■	23	24 468 16-S	8	Washer-Flat (8.6 MM) ■
6	12 755 03-S	4	Retainer Kit ■	24	24 100 10-S	8	Nut-Flange (M8X1.25) ■
7	12 173 01-S	4	Cap-Spring, Valve ■	25	24 755 75-S	1	Oil Fill Valve Cover Kit (Includes 2-4) ■
8	24 089 02-S	4	Spring-Valve ■	26	24 755 46-S	1	Oil Fill Cap Kit (Includes 27) ■
9	235011-S	4	Retainer-Spring ■	27	25 153 02-S	1	O-Ring ■
10	66 032 05-S	2	Seal-Stem, Valve ■	28	24 402 03-S	1	Reed-Breather ■
11	24 318 68-S	1	No. 1 Cylinder Head ASM ■	29	12 018 01-S	1	Retainer-Reed, Breather ■
12	24 017 01-S	2	Valve-Intake (STD) ■	30	M-545010-S	1	Screw-HHFTF (M5X.80X10) ■
	24 017 02-S	2	Valve-Intake (.25) ■	31	24 050 01-S	1	Filter-Breather ■
13	24 016 01-S	2	Valve-Exhaust (STD) ■	32	24 033 01-S	1	Breather Kit (Includes 32-34) ■
	24 016 02-S	2	Valve-Exhaust (.25) ■	33	24 041 23-S	1	Gasket-Breather ■
14	24 755 66-S	1	Train Valve Kit (Includes 16, 19, 20) ■	34	24 096 86-S	1	Cover-Breather ■
15	25 351 01-S	4	Lifter-Valve ■				
16	24 411 05-S	4	Rod-Push ■				
17	24 041 40-S	2	Gasket-Cylinder Head ■				
18	24 318 71-S	1	No. 2 Cylinder Head ASM ■				

● Not illustrated

■ Obtain Parts From Kohler

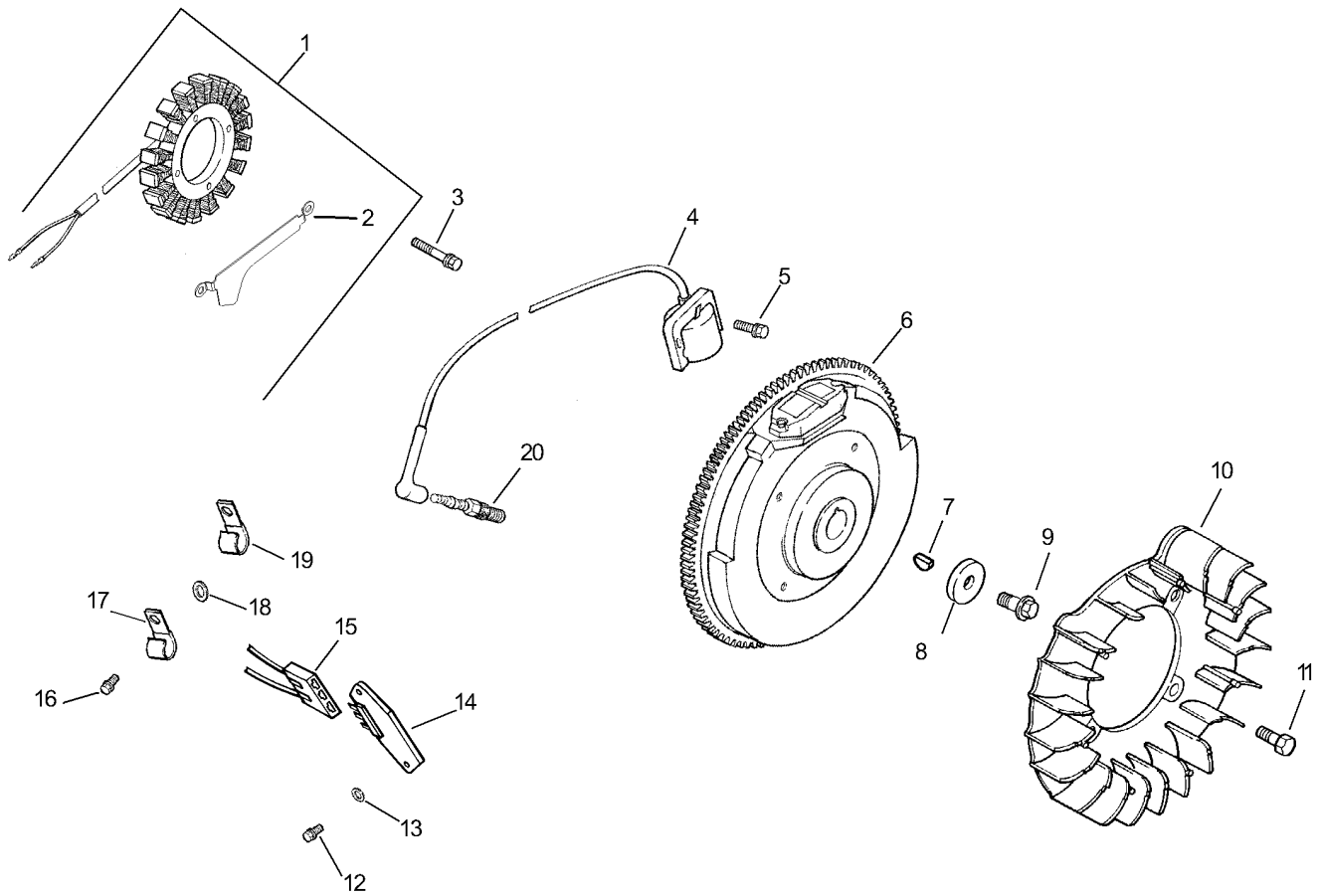


## Head / Valve / Breather Assembly Kohler CH23S-76549 (continued)

Ref.	Part Number	Qty.	Description	Ref.	Part Number	Qty.	Description
35	M-645020-S	4	Screw-HHFTF (M6X1.0X20) ■	36	25 237 08-S	2	Clamp-Hose ■●
				37	24 326 31-S	1	Hose-Breather ■●

● Not illustrated

■ Obtain Parts From Kohler

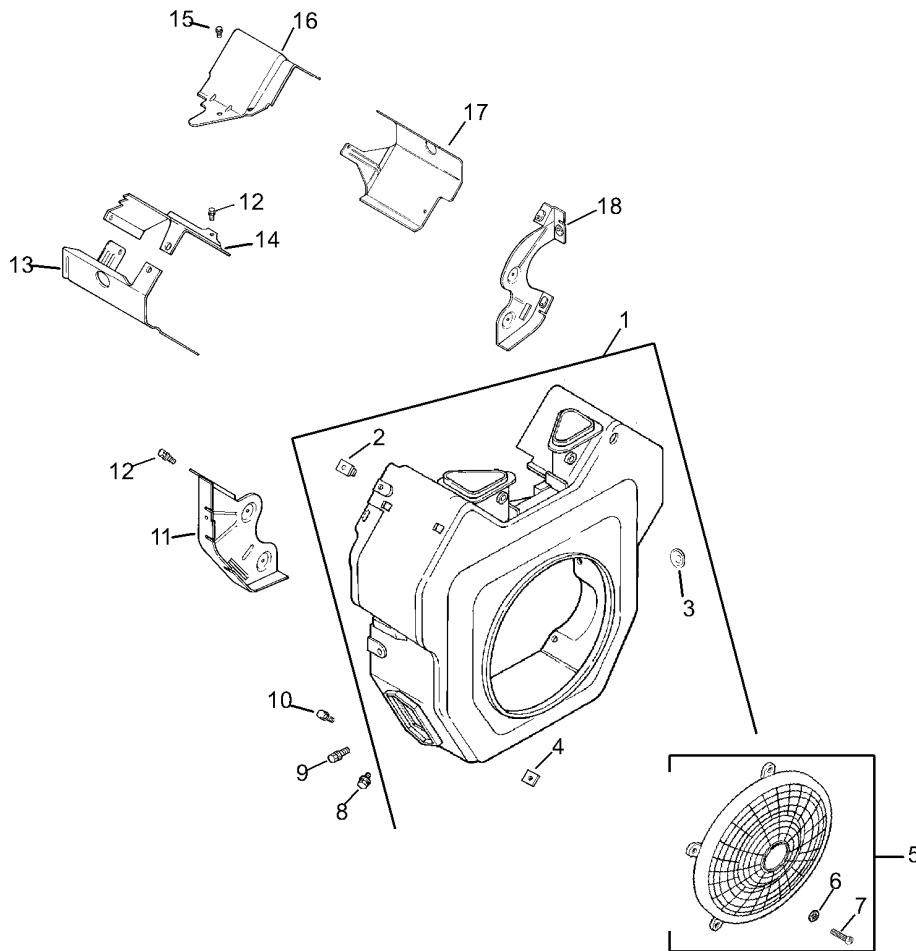


## Ignition / Electrical Assembly Kohler CH23S-76549

Ref.	Part Number	Qty.	Description	Ref.	Part Number	Qty.	Description
1	54 755 09-S	1	15 Amp Stator Kit (Includes 2) ■	13	X-25-92-S	2	Washer-Flat (.188) ■
2	24 126 71-S	1	Bracket-Wire, Stator ■	14	25 403 03-S	1	Rectifier-Regulator, 15 Amp ■
3	M-548025-S	2	Screw-Thread Forming (M5X0.8X25) ■	15	236602-S	1	Connector (3 Contact) ■
4	24 584 01-S	2	Module-Ignition ■	16	25 086 91-S	2	Screw-Wsh HD Tap (8-18X.50) ■
5	M-545020-S	4	Screw-Flange, Thread Forming (M5X.8X20) ■	17	235173-S	1	Clip-Cable ■
6	24 025 01-S	1	Flywheel ■	18	X-25-63-S	1	Washer-Flat (1/4) ■
7	X-42-15-S	1	Key (3/16 X 5/8) ■	19	48 154 02-S	1	Clip-Cable ■
8	12 468 03-S	1	Washer-Flat (13/32) ■	20	12 132 06-S	2	Spark Plug ■
9	12 086 14-S	1	Screw-Flange (M10X1.5X45) ■		X-22-11-S	1	Washer-Lock, Internal Tooth (1/4) ■●
10	24 157 07-S	1	Fan ■		24 176 08-S	1	Harness-Wiring ■●
11	25 086 47-S	4	Bolt-Shoulder (M6X1.0X16) ■		24 518 12-S	1	Lead-Black ■●
12	24 086 18-S	2	Screw-Phi HD (11-16X.88) ■		25 454 03-S	2	Tie-Wire ■●
					25 113 24-S	1	Decal-Screen, Grass ■●

● Not illustrated

■ Obtain Parts From Kohler

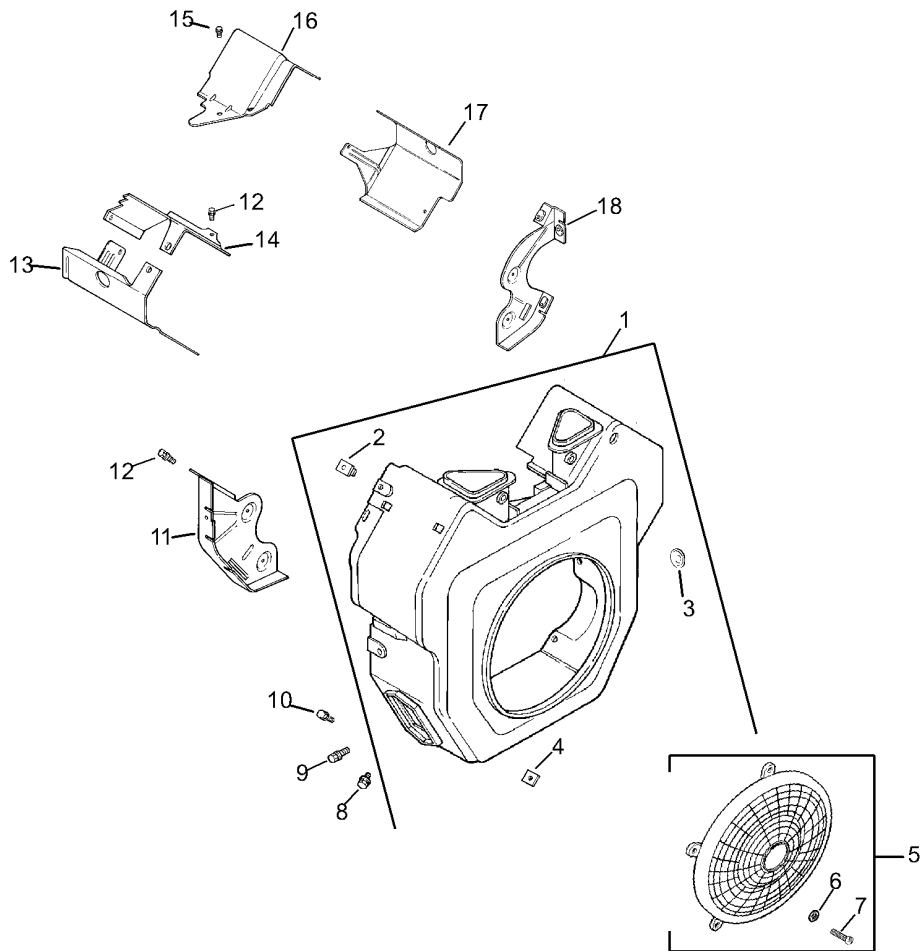


## Blower Housing Assembly Kohler CH23S-76549

Ref.	Part Number	Qty.	Description
1	24 027 196-S	1	Blower Housing ASM (Includes 2-4 And 24 096 85-S) ■
2	24 100 02-S	2	Nut-Plastic ■
4	24 100 01-S	3	Nut-Plastic ■
	25 086 43-S	1	Screw-Set (10-24X.25) ■
5	24 755 81-S	1	Kit, Fixed Guard (Includes 6, 7, 24 332 01-S And 24 113 18-S) ■
8	M-551016-S	1	Screw-Hex Flange, Heavy (M5X0.8X16) ■
9	M-545016-S	3	Screw-Flange, Thread Forming (M5X0.8X16) ■
10	M-545020-S	4	Screw-Flange, Thread Forming (M5X.8X20) ■
11	24 146 16-S	1	Plate-Backing (No. 2 Side) ■
12	M-645016-S	10	Screw-Flange, Thread Forming (M6X1.0X16) ■
13	24 063 20-S	1	Baffle-Barrel, Cylinder (No. 2 Side) ■
14	24 063 17-S	1	Baffle-Valley (No. 2 Side) ■
15	M-545010-S	2	Screw-HHFTF (M5X.80X10) ■
16	24 063 59-S	1	Baffle-Valley (No. 1 Side) ■
17	24 063 58-S	1	Baffle-Barrel, Cylinder (No. 1 Side) ■
18	24 146 20-S	1	Plate-Backing (No. 1 Side) ■
	24 096 85-S	1	Cover-Housing, Blower ■ ●

● Not illustrated

■ Obtain Parts From Kohler



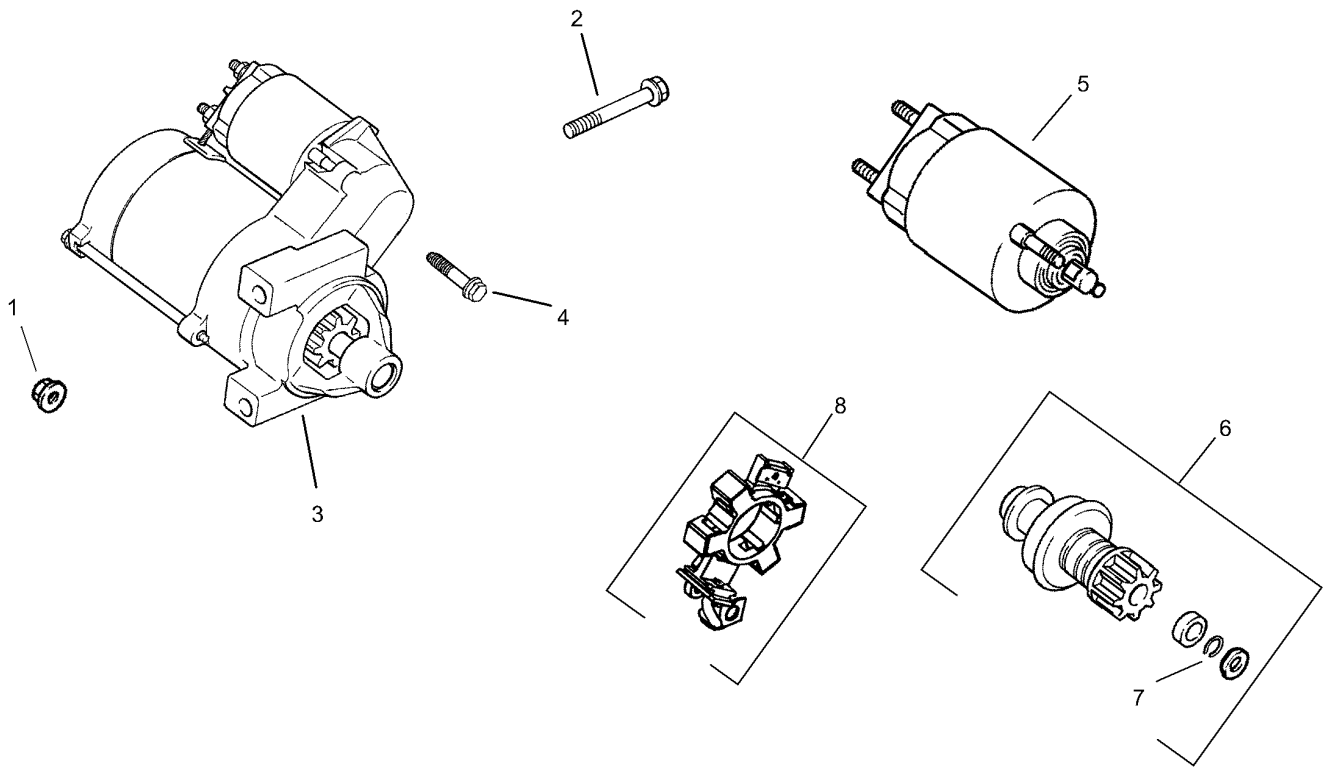
## Blower Housing Assembly Kohler CH23S-76549 (continued)

<i>Ref.</i>	<i>Part Number</i>	<i>Qty.</i>	<i>Description</i>
	24 332 01-S	5	Insert-Threaded ■●
	24 113 18-S	1	Decal-Screen, Grass ■●
	24 113 96-S	1	Decal-22HP ■

● Not illustrated

■ Obtain Parts From Kohler

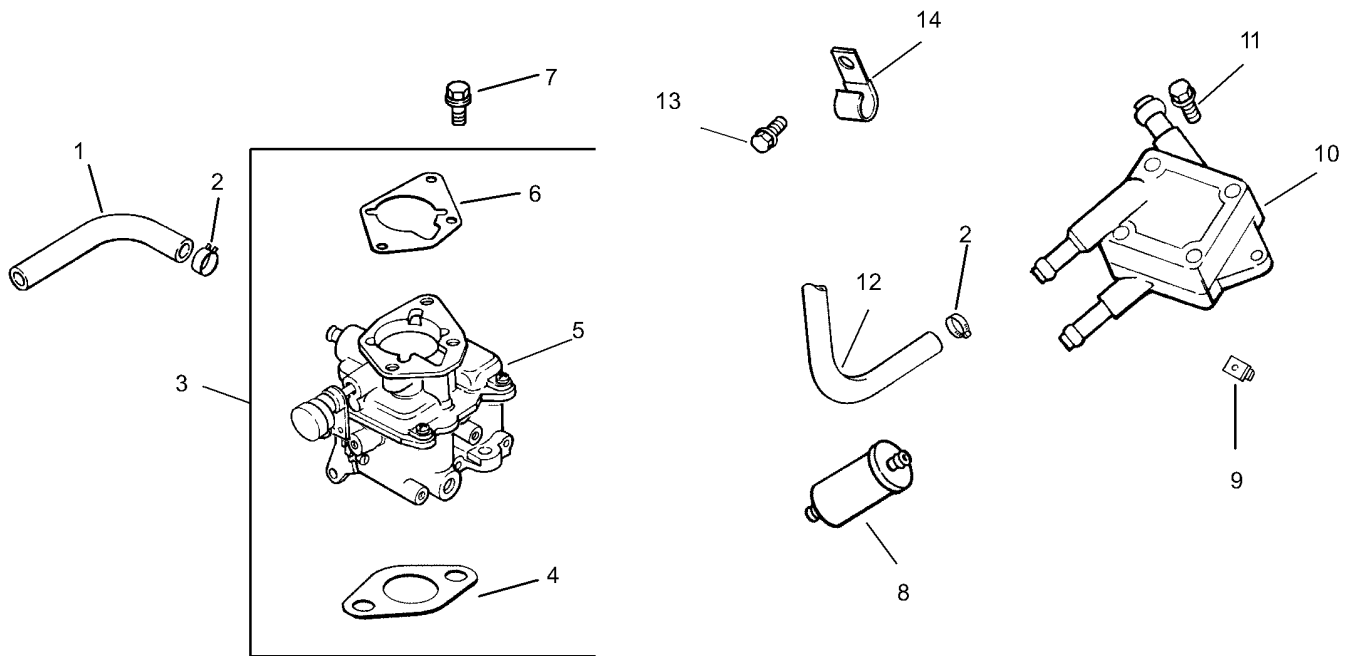




## Starter Assembly Kohler CH23S-76549

<b>Ref.</b>	<b>Part Number</b>	<b>Qty.</b>	<b>Description</b>
1	M-841080-S	1	Nut-Flange (M8X1.25) ●
2	M-839080-S	2	Screw-Flg (M8X1.25X80) ●
3	25 098 09-S	1	Starter ASM (Includes 4-8) ●
4	25 086 113	3	Screw-External Torx Head ●
5	25 435 05-S	1	Solenoid Kit (Includes 4) ●
6	25 755 33-S	1	Pinion Drive Kit (Includes 7) ●
7	25 141 05-S	1	Ring-Retaining ●
8	25 221 01-S	1	Brush Holder Kit ●

● Obtain Parts From Kohler

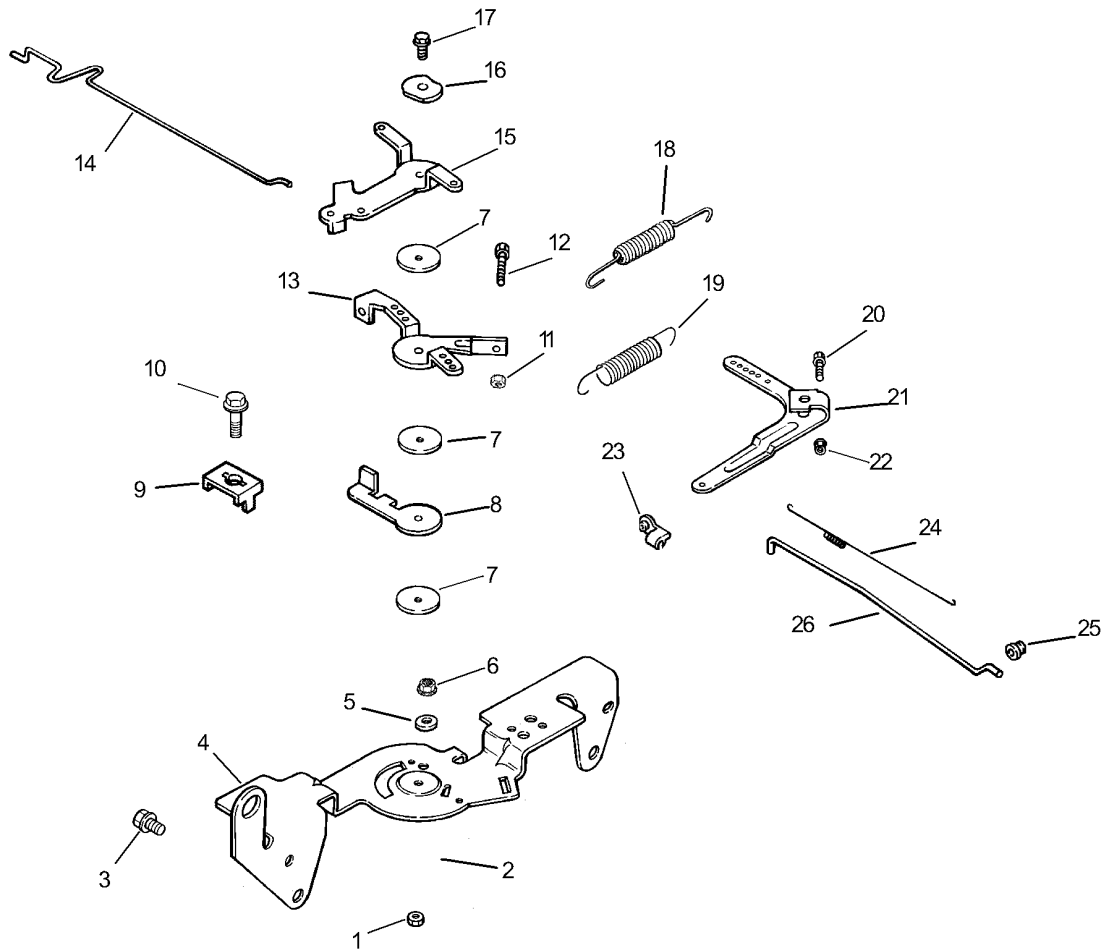


## Fuel System Assembly Kohler CH23S-76549

Ref.	Part Number	Qty.	Description
1	25 353 32-S	1	Line-Fuel (9.5) ■
2	25 237 14-S	6	Clamp-Hose, Spring (1/2) ■
3	24 853 59-S	1	Carburetor Kit (Includes 4-6) ■
4	24 041 17-S	1	Gasket-Carburetor ■
5	24 053 59	1	Carburetor ASM ■
6	24 041 06-S	1	Gasket-Base, Air Cleaner ■
7	M-651030-S	2	Screw-Flange (M6X1.0X30) ■
8	24 050 02-S	1	Filter-Fuel ■
	25 353 15-S	1	Line-Fuel (3.5) ■
9	24 100 01-S	2	Nut-Plastic ■
10	24 393 16-S	1	Pump-Fuel ■
11	24 086 12-S	2	Screw-TAP (M6X1.7X18) ■
12	24 353 02-S	1	Line-Fuel, Flexible (15.5) ■
13	M-650012-S	1	Screw-HF (M6X1.0X12) ■
14	47 154 01-S	1	Clip-Cable ■
	24 757 01-S	1	Solenoid Repair Kit ■●
	24 757 02-S	1	Float Repair Kit ■●
	24 757 03-S	1	Carburetor Repair Kit ■●
	24 757 07-S	1	Choke Repair Kit ■●
	24 757 125-S	1	High Altitude Kit With Gaskets ■●

● Not illustrated

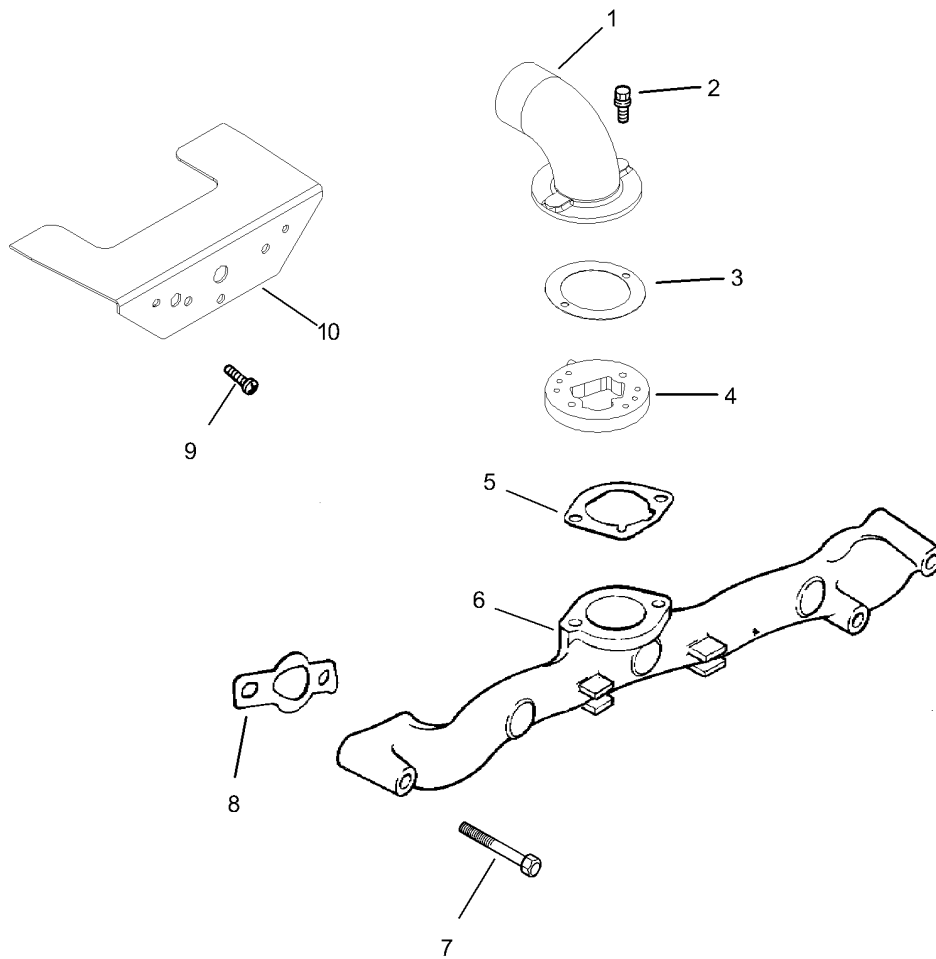
■ Obtain Parts From Kohler



## Engine Control Assembly Kohler CH23S-76549

Ref.	Part Number	Qty.	Description	Ref.	Part Number	Qty.	Description
1	M-547050-S	1	Nut-Lock (M5X.8) ●	15	24 090 05-S	1	Lever-Choke ●
2	24 089 03-S	1	Spring-Return, Choke ●	16	41 468 03-S	1	Washer-Spring (1/4) ●
3	M-645016-S	4	Screw-Flange, Thread Forming (M6X1.0X16) ●	17	M-545020-S	1	Screw-Flange, Thread Forming (M5X.8X20) ●
4	24 126 56-S	1	Bracket-Control ●	18	24 089 51-S	1	Spring-Limiter, Throttle ●
5	X-20-1-S	1	Washer-Lock (.25) ●	19	24 089 46-S	1	Spring-Governor ●
6	M-541050-S	1	Nut-HF (M5X0.8) ●	20	24 211 03-S	1	Bolt-Sq Neck, Rd HD (M6X1.0X25) ●
7	24 468 01-S	3	Washer-Flat (5.5MM) ●	21	24 090 33-S	1	Lever-Governor ●
8	24 090 07-S	1	Lever-Actuator, Throttle ●	22	M-641060-S	1	Nut-Flange (M6X1.0) ●
9	12 237 01-S	2	Clamp-Cable ●	23	25 158 11-S	1	Bushing-Retaining, Linkage ●
10	M-545016-S	3	Screw-Flange, Thread Forming (M5X0.8X16) ●	24	24 089 01-S	1	Spring-Linkage ●
11	M-446030-S	1	Nut (M4X0.7) ●	25	25 158 08-S	1	Bushing-Linkage, Throttle ●
12	M-401030-S	1	Screw (M4X0.7X30) ●	26	24 079 01-S	1	Linkage-Throttle ●
13	24 090 03-S	1	Lever-Control, Throttle ●				
14	24 079 21-S	1	Linkage-Choke ●				

● Obtain Parts From Kohler

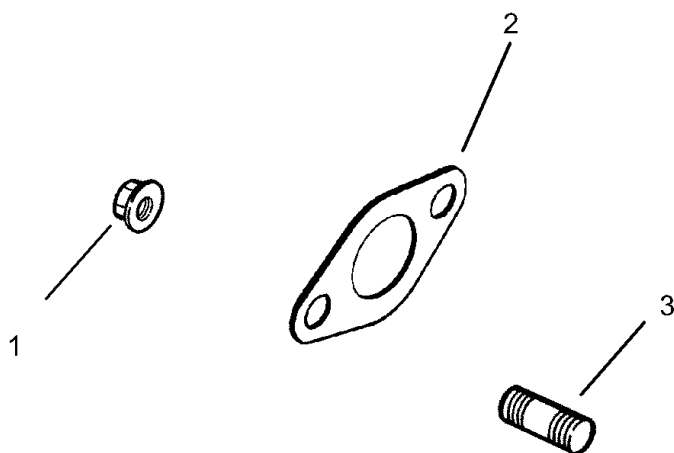


## Air Intake / Filtration Assembly Kohler CH23S-76549

Ref.	Part Number	Qty.	Description
1	24 029 21-S	1	Adapter-Cleaner, Air ■
2	M-639016-S	6	Screw-HF (M6X1.0X16) ■
3	24 041 34-S	1	Gasket-Adapter ■
4	24 029 31-S	1	Adapter ■
5	24 041 06-S	1	Gasket-Base, Air Cleaner ■
6	24 164 14-S	1	Manifold-Intake ■
7	25 086 84-S	4	Screw-HF (M6X1.0X55) ■
8	24 041 01-S	2	Gasket-Manifold, Intake ■
9	24 086 06-S	2	Screw-PPH (11-16X3/4) ■
10	24 314 25-S	1	Shield-Debris ■
	25 113 27-S	1	Decal-Cleaner, Air ■●
	24 146 25-S	1	Decal-22HP ■●

● Not illustrated

■ Obtain Parts From Kohler



## Exhaust Assembly Kohler CH23S-76549

<i>Ref.</i>	<i>Part Number</i>	<i>Qty.</i>	<i>Description</i>
1	M-841080-S	4	Nut-Flange (M8X1.25) ●
2	24 041 49-S	2	Gasket-Exhaust ●
3	25 072 04-S	4	Stud (M8X1.25X33) ●

● Obtain Parts From Kohler

# Attachments and Accessories

## For 22318 Dingo 323 Compact Utility Loader

<b>Product Name</b>	<b>Model/Part</b>
Tire Chain Kit .....	100-4140
Helmet-Face Shield .....	100-4143
Light Kit.....	100-8940
Narrow Tire ASM .....	104-0572
Tube-Tire (18 x 8.50-10) .....	105-4070
Rubber Foot Mat.....	105-5805
Tube-Tire (18 X 8.50-8).....	106396
CE Conversion Kit .....	22366
4 Cubic Foot Standard Bucket .....	22409
Loose Materials Bucket .....	22410
48in Hydraulic Blade .....	22414
Rotary Broom .....	22415
Counterweight .....	22417
Bore Drive Head .....	22420
Rod and Reamer .....	22421
Multi-Purpose Tool.....	22423
Power Box Rake .....	22425
Stump Grinder .....	22429
Tree Forks .....	22438
Cement Bowl .....	22442
The Eliminator Scarifier/Groomer .....	22443
40in Tiller .....	22445
Snowthrower.....	22456
Trencher Head.....	22470
High-Speed Trencher Head .....	22471
Narrow Bucket .....	22520
Over-the-Tire Rubber Tracks .....	22662
Steel Track Kit .....	22665
Auger Head .....	22802
Universal Swivel Auger Head .....	22803
Vibratory Plow .....	22910
Soil Cultivator .....	23101
Seeder Box Kit, Soil Cultivator .....	23120
Concrete Breaker .....	23135
Backhoe.....	23163
Adjustable Forks.....	23164
Leveler.....	23165
Tube .....	232-37
LH Wheel And Tire ASM .....	98-2747
Wheel and Tire ASM.....	98-4709
Spark Arrestor .....	98-9099
RH Wheel And Tire ASM .....	99-1447
RH Wheel And Tire ASM (Powerlug) .....	99-3140
LH Wheel And Tire ASM (Powerlug).....	99-3141
Hydraulic Relief Valve Kit.....	99-4360

**Notes:**



**Count on it.**