



Count on it.

Parts Catalog

**Dingo® 323
Compact Utility Loader**

Model No. 22318—Serial No. 260000001 and Up



Ordering Replacement Parts

To order replacement parts, please supply the part number, the quantity, and the description of each part desired.

Understanding Reference Numbers

Each identified part in an illustration has a reference number. The reference number for a part also appears in the parts list, along with other information about the part.

This catalog uses two special reference number formats, one to indicate parts in a service assembly and another to indicate the quantity of a given part in an illustration.

Service Assembly Reference Numbers

Parts in service assemblies have reference numbers in the form a:b. The a represents the reference number of the entire service assembly and the b represents a sequential number unique to each part within the service assembly.

For example, a wheel assembly might be identified by reference number 6, the tire by 6:1, the valve by 6:2, and the wheel by 6:3. When you order the assembly identified by reference number 6, you receive all parts identified by reference numbers 6:1, 6:2, and 6:3. However, you may also order any part individually. Reference numbers of this type appear in illustration and in parts lists.

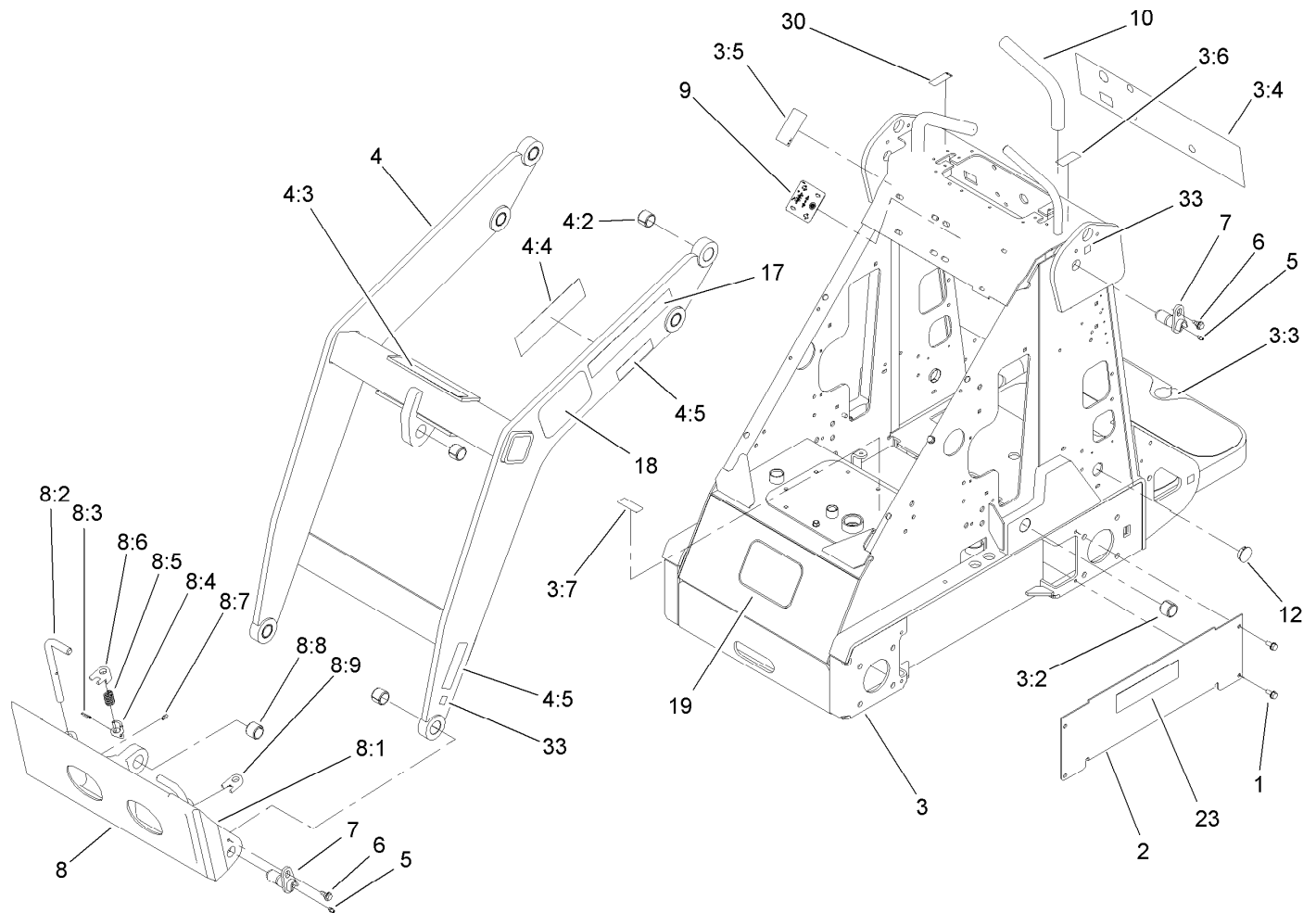
Reference Numbers Indicating Quantity

In an illustration, if a reference number indicates more than one part, the reference number has the form nX y. The n represents the quantity of the part, the X is the multiplication symbol, and the y represents the reference number.

For example, in an illustration, the reference number 2X 37 means that two of the parts identified by reference number 37 are indicated.

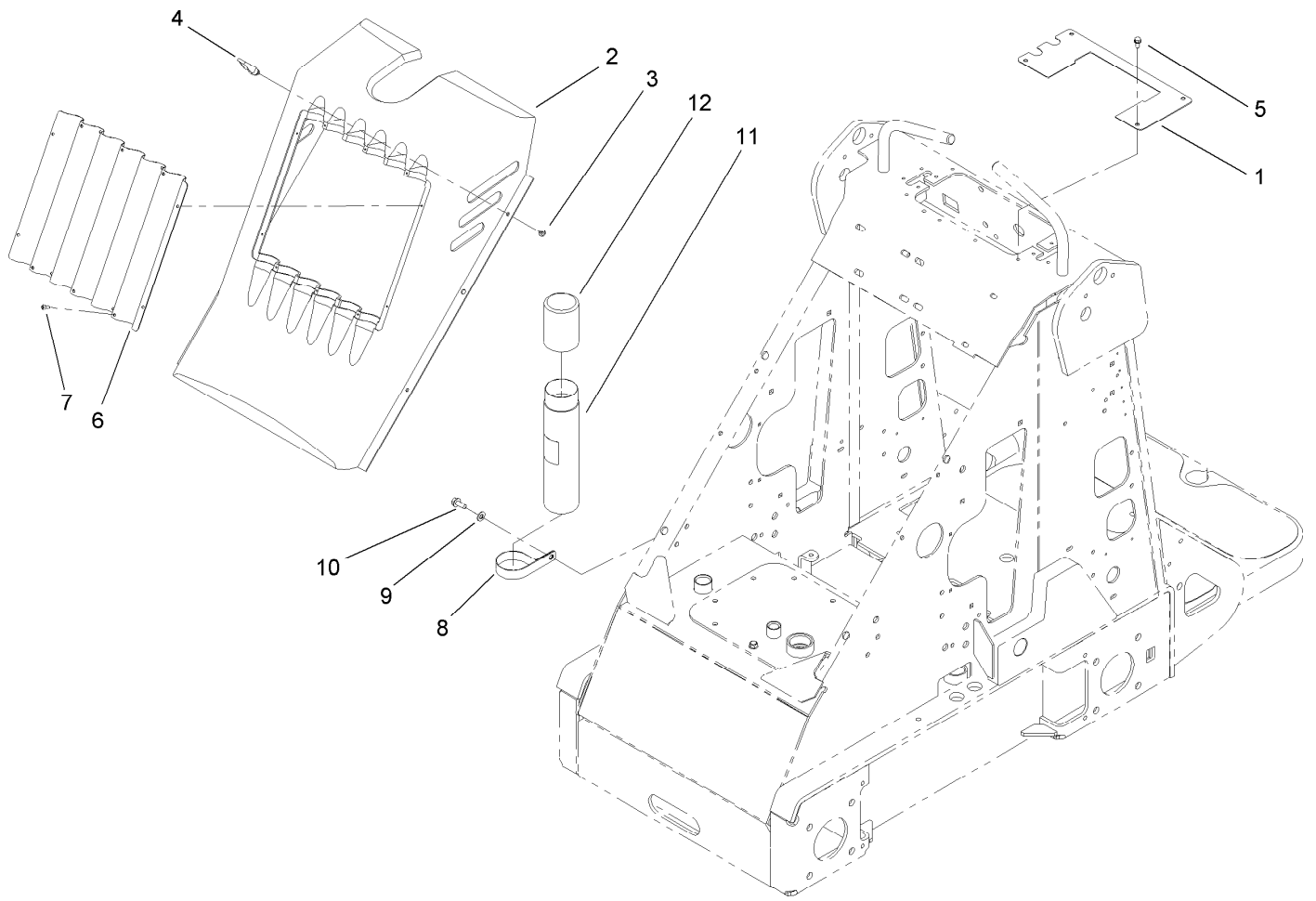
Contents

Frame and Loader Arm Assembly	4
Hood and Screen Assembly	5
Wheel and Motor Assembly	6
Hydraulic Motor Assembly No. 99-3052	7
Engine and Pump Assembly	8
Tandem Hydraulic Pump Assembly No. 108-4710	9
Fuel Tank and Air Filter Assembly	10
Air Cleaner Assembly No. 99-3160	11
Hydraulic Tank and Filter Assembly	12
Auxiliary Control Lever Assembly	13
Hydraulic Valve Assembly	14
Auxiliary Hydraulic Valve Assembly No. 99-3077	15
Hydraulic Selector Valve Assembly No. 99-3072	16
Four Spool Valve Assembly	17
Four Spool Hydraulic Valve Assembly No. 105-8377	18
Hydraulic Motor Assembly	19
Counterbalance Valve Assembly No. 99-3040	20
Hydraulic Cylinder Assembly	21
Hydraulic Cylinder Assembly No. 105-7867	22
Electrical Component Assembly	23
Thigh Support Assembly	24
Crankshaft Assembly Kohler CH23S-76549	25
Crankcase Assembly Kohler CH23S-76549	26
Oil Pan and Lubrication Assembly Kohler CH23S-76549	27
Head and Valve and Breather Assembly Kohler CH23S-76549	28
Ignition and Electrical Assembly Kohler CH23S-76549	30
Blower Housing Assembly Kohler CH23S-76549	32
Starter Assembly Kohler CH23S-76549	33
Fuel System Assembly Kohler CH23S-76549	34
Engine Control Assembly Kohler CH23S-76549	35
Air Intake and Filtration Assembly Kohler CH23S-76549	36
Exhaust Assembly Kohler CH23S-76549	37
Attachments and Accessories	38



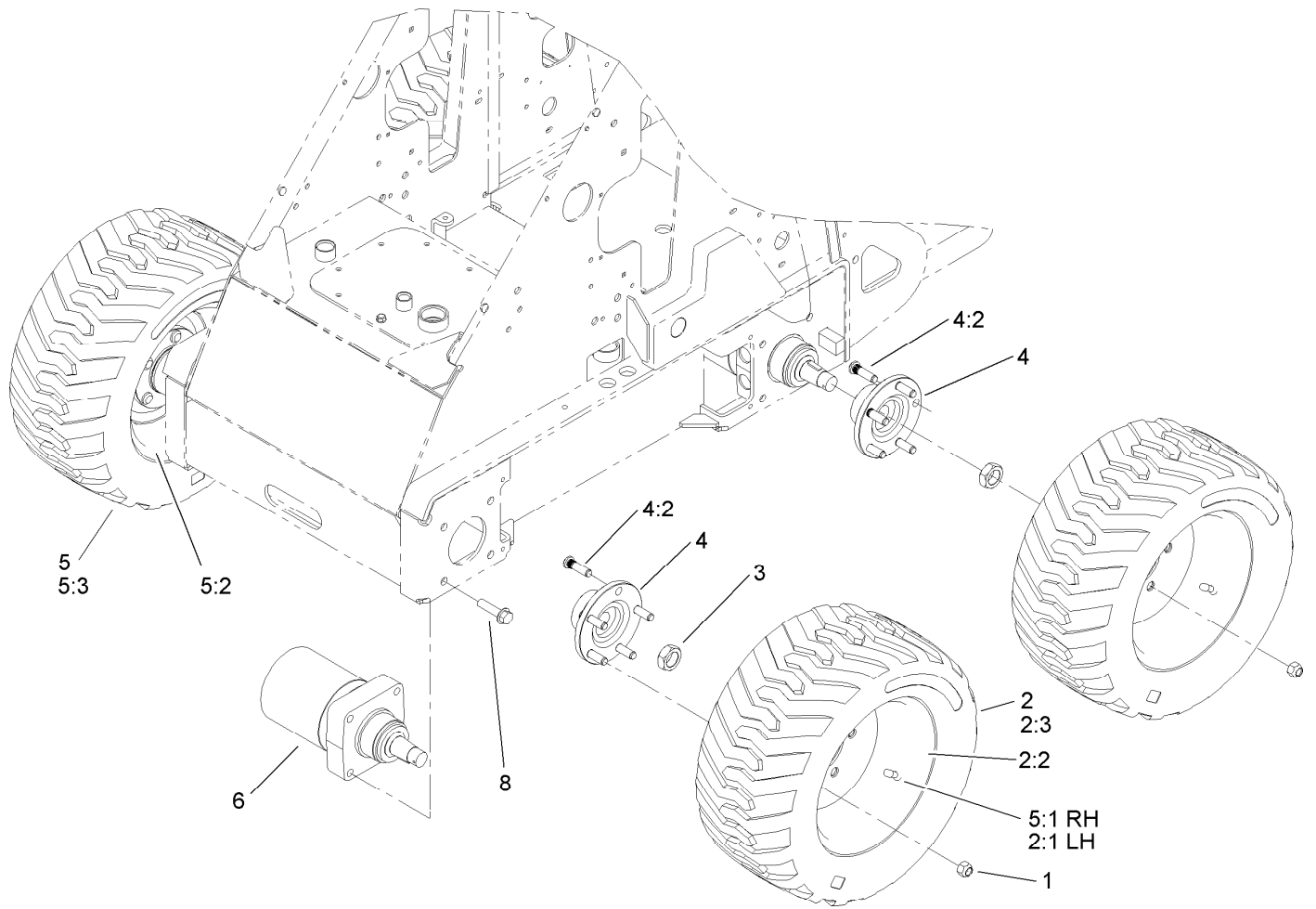
Frame and Loader Arm Assembly

Ref.	Part Number	Qty.	Description	Ref.	Part Number	Qty.	Description
1	32144-70	8	Screw-HWHTF	8:1	105-0245-03	1	Mount-Attach, Quick
2	106-8178-01	2	Cover-Hose	8:2	105-8367	2	Pin-Locking
3	108-9710	1	Frame ASM	8:3	3285-1	2	Pin-Grooved
3:2	98-4871	2	Bushing-Tension	8:4	105-0246	2	Cam
3:3	98-9947	2	Tread-Foot	8:5	98-4694	2	Spring-Compression
3:4	108-9732	1	Decal-Panel, Control	8:6	104-5909	1	Stop-RH
3:5	98-4677	1	Decal-Power, Auxiliary	8:7	302-5	2	Fitting-Grease
3:6	98-8219	1	Decal-Throttle	8:8	98-4871	1	Bushing-Tension
3:7	105-8432	1	Decal-Oil, HYD	8:9	104-5903	1	Stop-LH
4	106-8155	1	Loader ASM	9	108-9716	1	Decal-Selector, Speed
4:2	98-4871	7	Bushing-Tension	10	98-4845	2	Grip-Cushion
4:3	98-4682	1	Decal-Caution	12	94-1402	2	Plug-Hole
4:4	98-9051	1	Decal-Danger	17	105-8427	2	Decal
4:5	100-6141	4	Decal-Pinch	18	93-7340	2	Decal
5	302-5	4	Fitting-Grease	19	62-5550	1	Decal
6	99-5105	4	Screw-Shoulder	23	105-8429	2	Decal
7	99-1414	4	Pin-Pivot	30	94-2551	1	Decal-Choke
8	105-8364	1	Quick Attach ASM	33	93-9084	6	Decal-Point, Lift



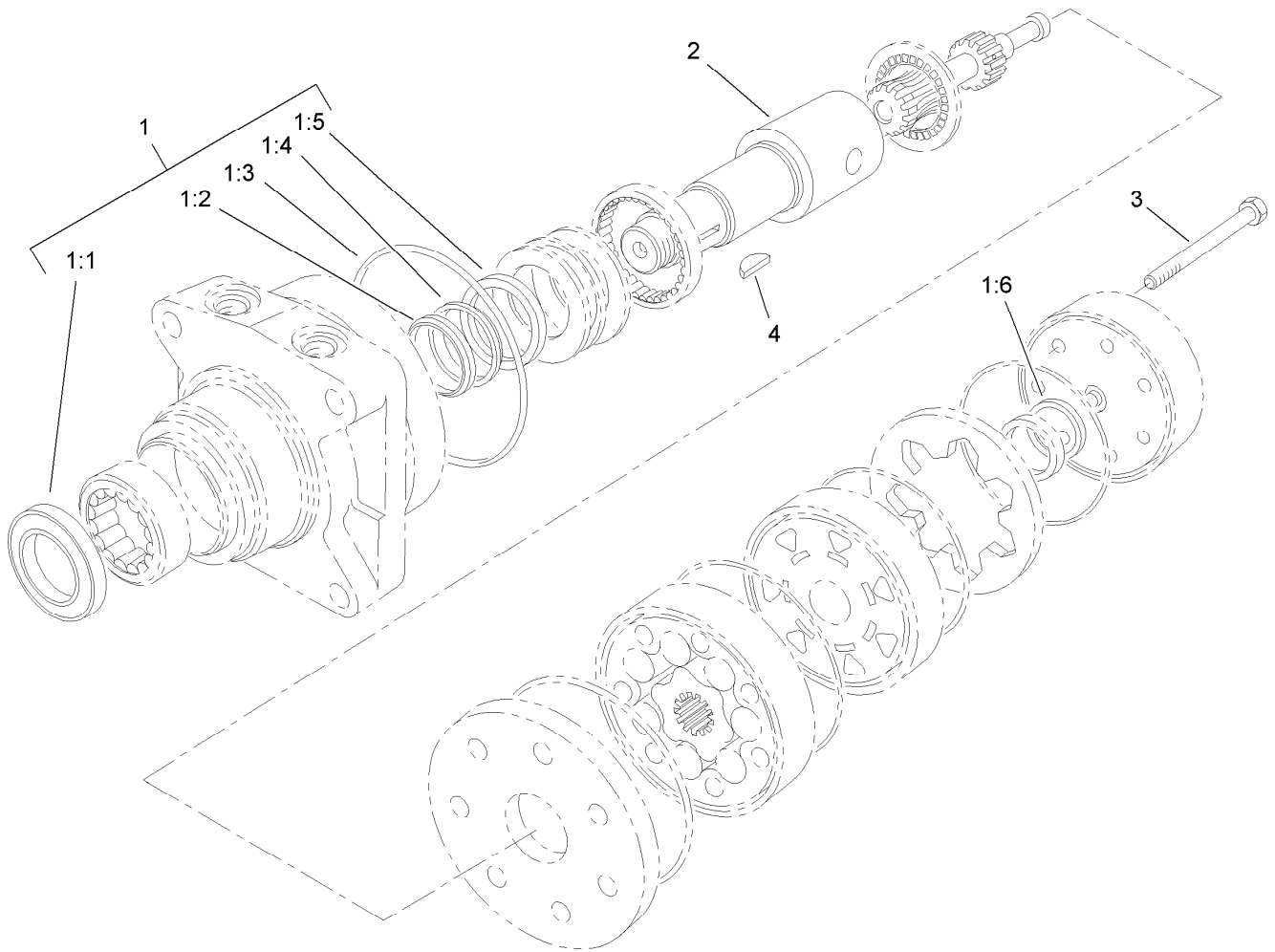
Hood and Screen Assembly

<i>Ref.</i>	<i>Part Number</i>	<i>Qty.</i>	<i>Description</i>
1	108-9731-03	1	Plate-Cover
2	99-3164	1	Cover-Hood
3	99-3058	4	Washer
4	74-5950	4	Latch-Swell
5	32144-4	4	Screw-HWH
6	99-3147-03	1	Grille-Screen
7	32144-111	10	Screw-PPH
8	2412-133	1	Clamp-R
9	3256-23	1	Washer-Plain
10	32144-70	1	Screw-HWHTF
11	104-7050	1	Tube-Manual
12	104-7048	1	Cap-Housing



Wheel and Motor Assembly

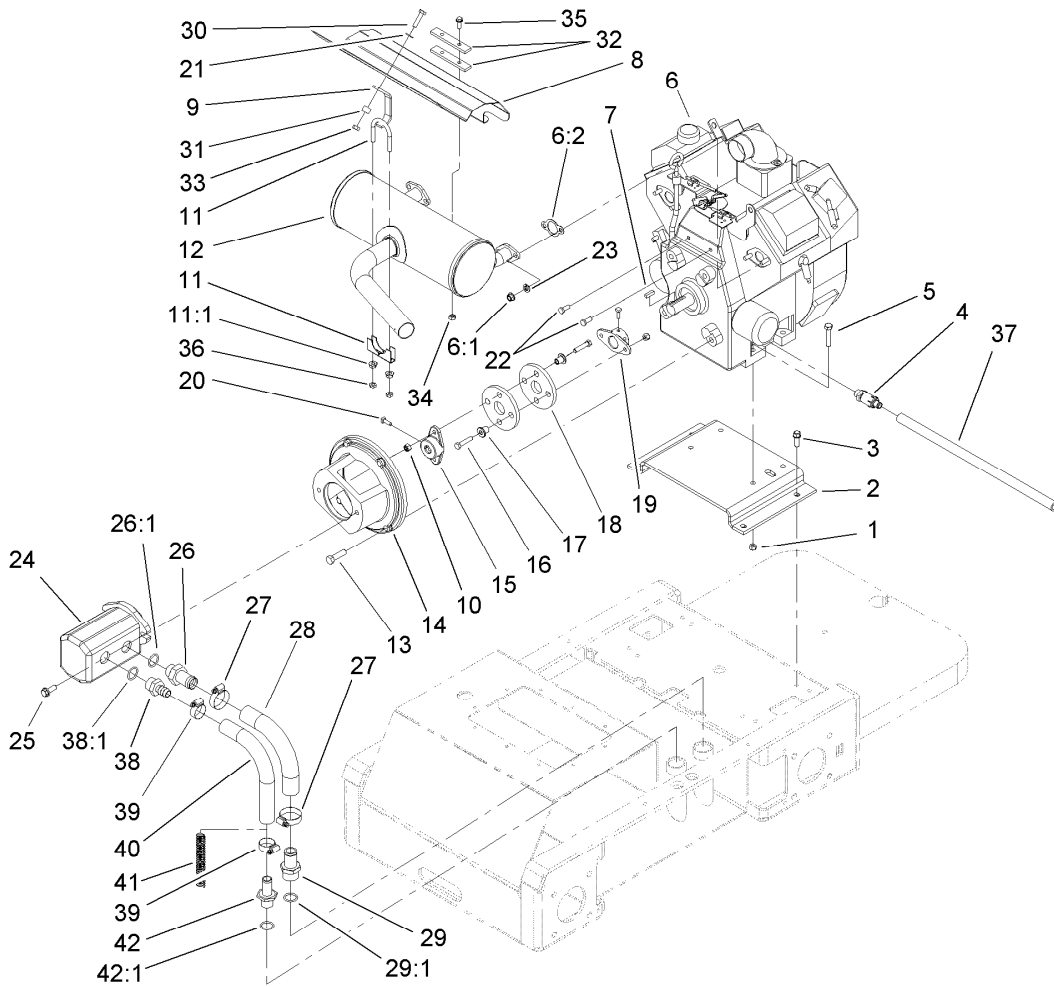
<i>Ref.</i>	<i>Part Number</i>	<i>Qty.</i>	<i>Description</i>
1	242-50	20	Nut-Lug
2	98-2747	2	LH Wheel And Tire ASM
2:1	232-27	1	Stem-Valve
2:2	98-2748	1	Wheel
2:3	98-2749	1	Tire
3	106-8159	4	Nut-Lock
4	99-3064	4	Hub ASM
4:2	10-6830	5	Stud-Type, Drive
5	99-1447	2	RH Wheel And Tire ASM
5:1	232-27	1	Stem-Valve
5:2	98-2748	1	Wheel
5:3	98-2749	1	Tire
6	99-3052	4	HYD Motor ASM
8	3234-27	16	Screw-HHF



Hydraulic Motor Assembly No. 99-3052

<i>Ref.</i>	<i>Part Number</i>	<i>Qty.</i>	<i>Description</i>
1	94-8178	1	Seal Kit
1:1		1	Seal-Dirt And Water ●
1:2		1	Washer-Backup ●
1:3		5	Seal-Ring ●
1:4		1	Washer-Backup ●
1:5		1	Seal-Inner ●
1:6		1	Seal-Commutator ●
2	99-3090	1	Shaft-Coupling
3	99-3091	7	Screw-Cap, HH
4	3257-42	1	Key-Woodruff

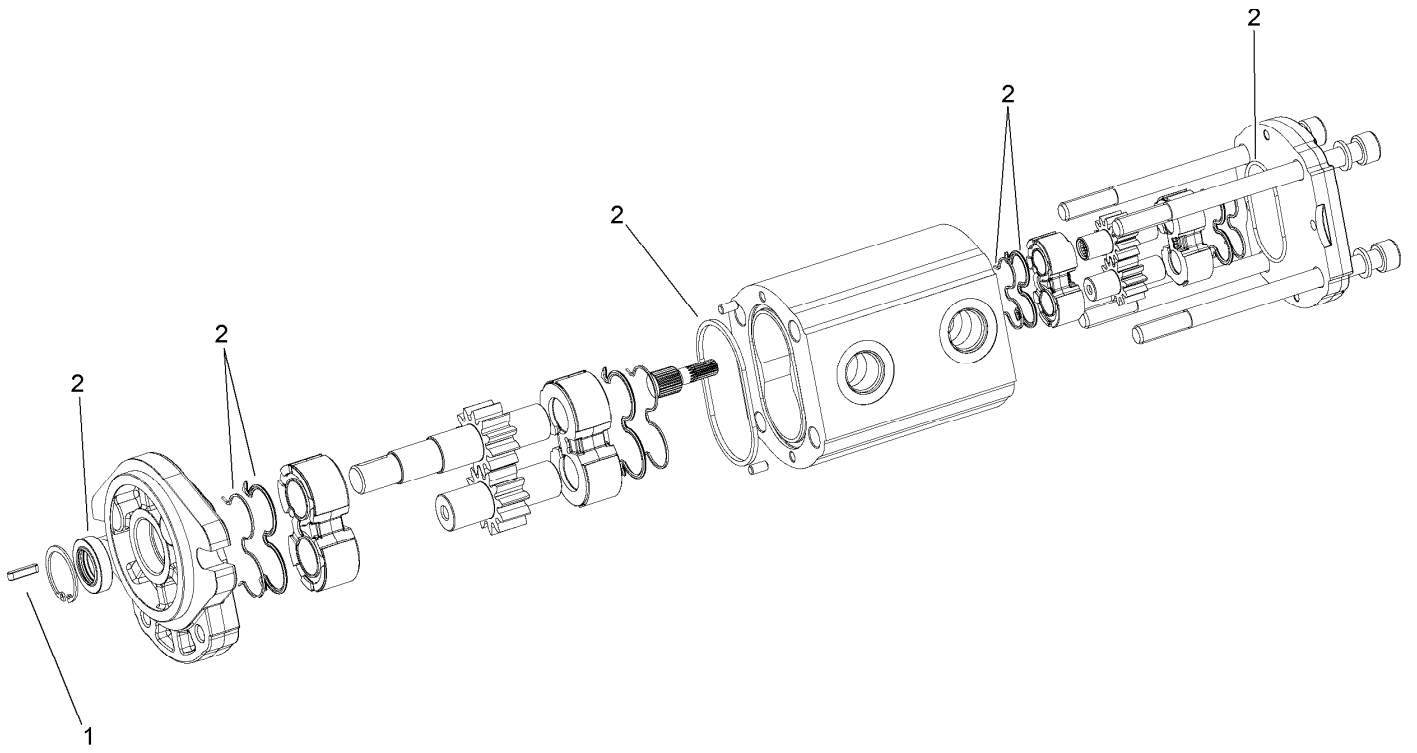
● Not serviced separately



Engine and Pump Assembly

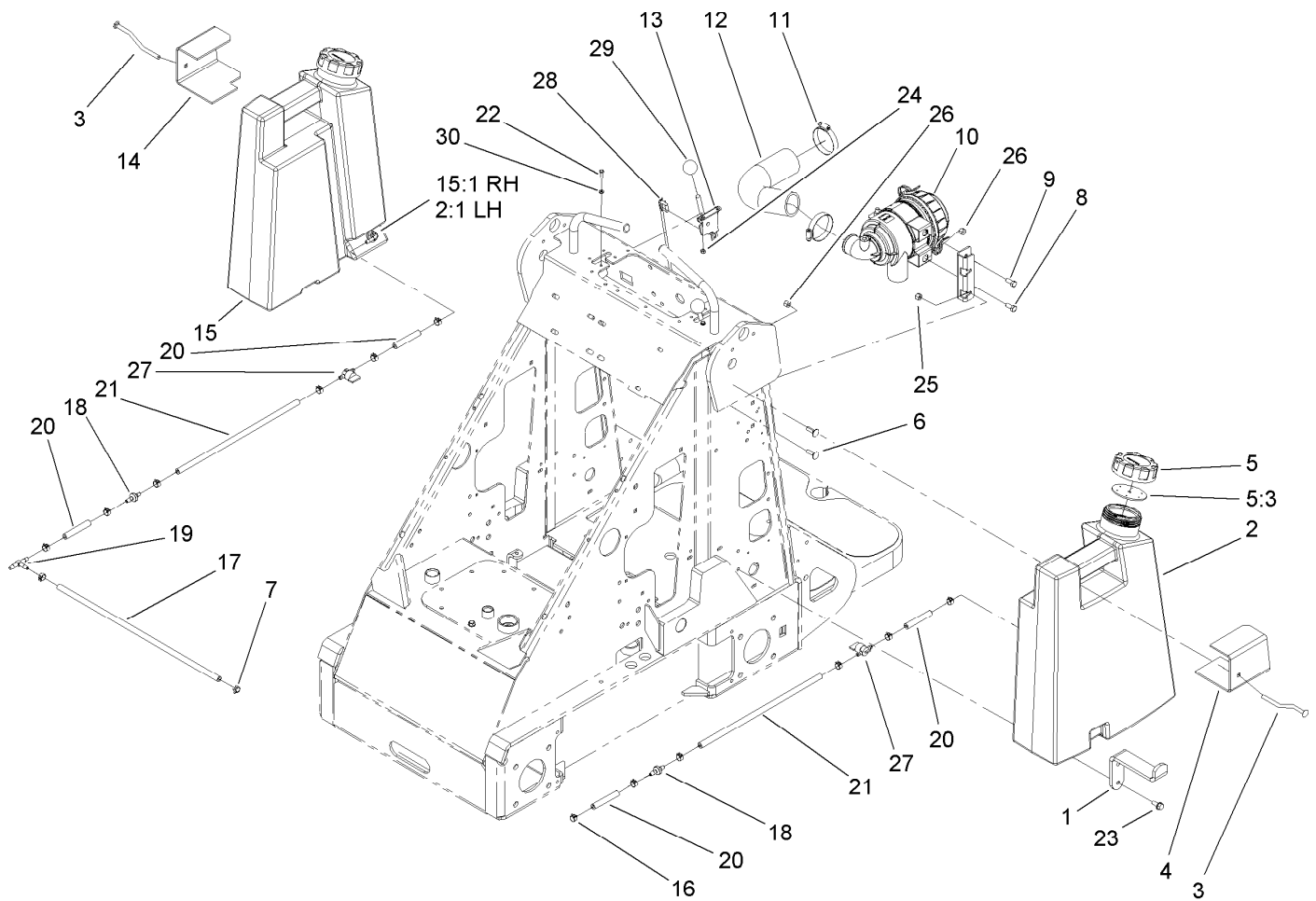
Ref.	Part Number	Qty.	Description	Ref.	Part Number	Qty.	Description
1	3296-39	4	Nut-Lock, NI	22	33114-020	2	Screw-HH
2	98-4666-03	1	Mount-Engine	23	3253-4	4	Washer-Lock
3	95-1726	4	Screw-Taptite	24	108-4710	1	HYD Pump ASM
4	92-6877	1	Valve-Drain, Oil	25	66-9300	2	Screw-HHF
5	323-9	4	Screw-HH	26	99-3017	1	Fitting
6		1	Engine-Kohler, Ch680-3015 ●	26:1	237-81	1	O-Ring
6:1	92-6780	4	Nut-HF	27	2412-111	2	Clamp-Hose, W/Liner
6:2	93-0350	2	Gasket-Exhaust	28	99-3046	1	Hose-Suction, Formed
7	10-7070	1	Key-Square	29	354-78	1	Fitting-STR
8	99-3115-03	1	Shield-Muffler	29:1	237-146	1	O-Ring
9	99-3138-03	1	Support-Shield	30	322-6	1	Screw-HH
10	3296-29	4	Nut-Lock, NI	31	98-4695	1	Spacer
11	2112-9	1	Clamp	32	99-3116-03	2	Spacer-Bar
11:1	32128-20	2	Nut-HF	33	32152-1	1	Nut-Lock, Cone
12	105-8381	1	Muffler	34	32152-4	2	Nut-Lock, Cone
13	324-6	4	Screw-HH	35	3234-21	2	Screw-HHF
14	98-2751-03	1	Mount-Pump	36	3218-2	2	Nut-Hex Jam
15	98-4701	1	Hub-Pump	37	98-4667	1	Hose
16	322-7	4	Screw-HH	38	354-73	1	Fitting
17	71-4411	4	Spacer	38:1	237-81	1	O-Ring
18	44-2230	2	Coupling-Rubber	39	2412-129	2	Clamp-Hose
19	27-1960	1	Hub-Engine	40	98-2713	1	Hose-Suction, HYD
20	3241-6	4	Screw-SQH	41	99-5349	1	Spring-Compression
21	3256-23	1	Washer-Plain	42	99-6932	1	Fitting-STR
				42:1	237-117	1	O-Ring

● Not serviced separately



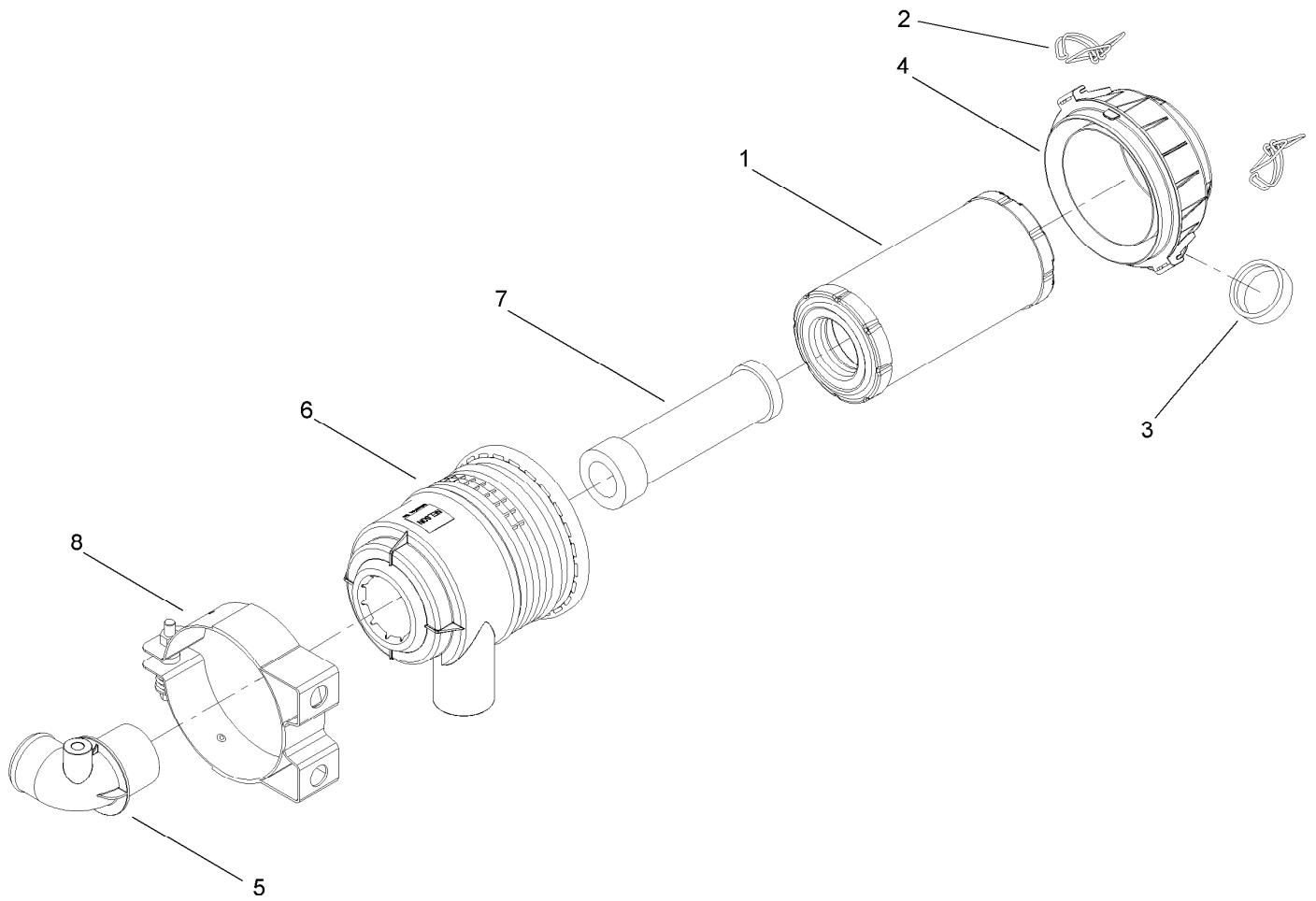
Tandem Hydraulic Pump Assembly No. 108-4710

<i>Ref.</i>	<i>Part Number</i>	<i>Qty.</i>	<i>Description</i>
1	98-4700	1	Key-Square
2	99-1353	1	Seal Kit



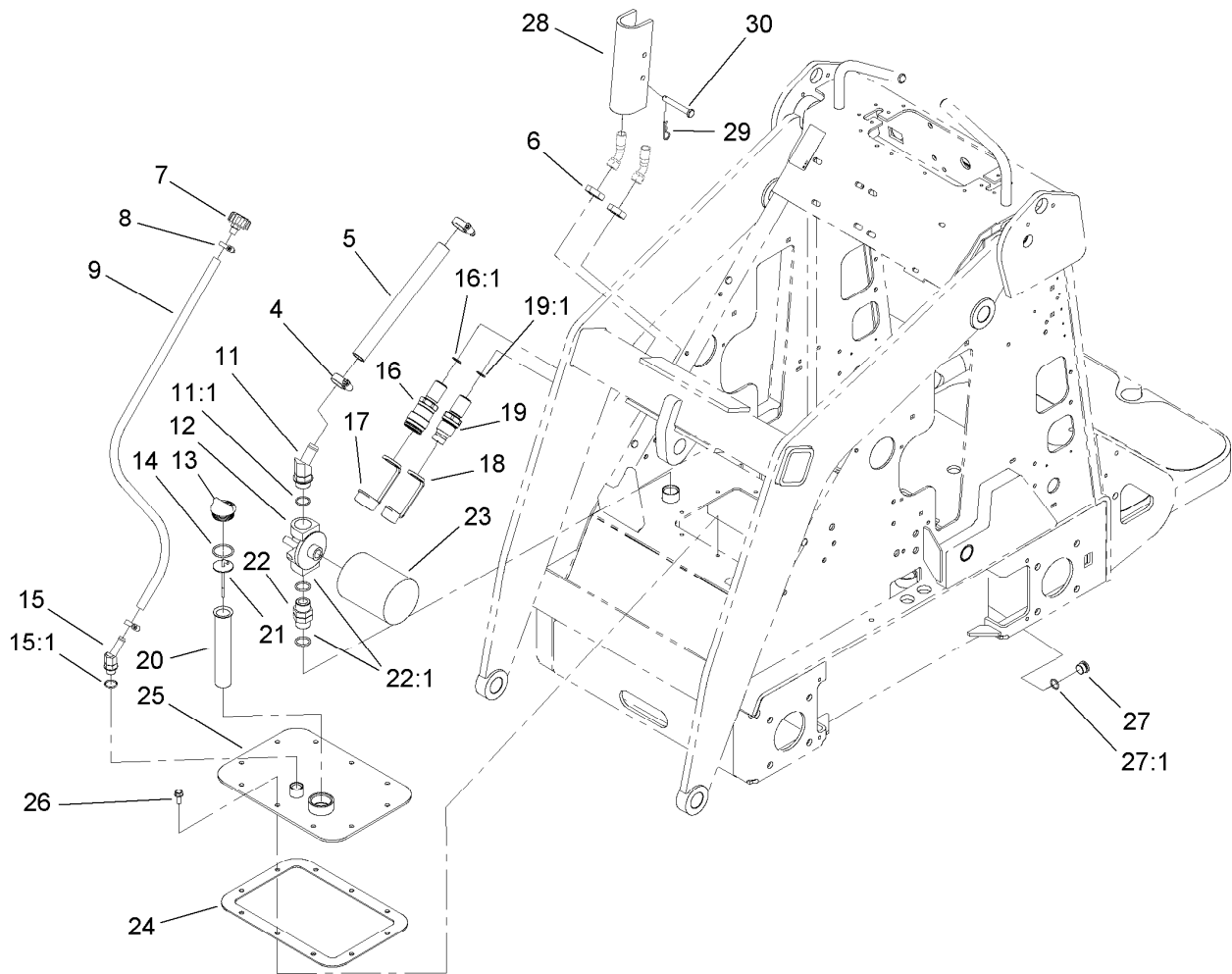
Fuel Tank and Air Filter Assembly

Ref.	Part Number	Qty.	Description	Ref.	Part Number	Qty.	Description
1	98-4656-03	2	Mount-Bottom, Tank	15:1	103-2605	1	Fitting-Fuel, Bulkhead
2	105-8439	1	LH Fuel Tank ASM	16	92-2379	13	Clamp-Hose
2:1	103-2605	1	Fitting-Fuel, Bulkhead	17	110-5701	1	Hose-Fuel
3	98-4657	2	Bolt-Mount	18	99-5000	2	Valve-Check, Fuel
4	99-1444-03	1	Plate-Mount, Left	19	99-5005	1	Fitting-Tee, Barbed
5	104-7418	2	Cap-Fuel, Gas	20	109-0304	4	Hose-Fuel
5:3	104-7420	1	Gasket-Vented	21	109-0296	2	Hose-Fuel
6	3230-2	2	Bolt-CARR	22	3290-134	4	Screw
7	2412-98	1	Clamp-Hose	23	32144-70	4	Screw-HWHTF
8	322-3	2	Screw-HH	24	32149-7	4	Nut-Keps
9	99-3080-03	1	Mount-Cleaner, Air	25	32128-20	2	Nut-HF
10	99-3160	1	Air Cleaner ASM	26	3296-29	4	Nut-Lock, NI
11	2412-42	2	Clamp-Hose	27	1-603770	2	Valve-Fuel
12	99-3148	1	Hose-Air	28	108-4718	2	Cable-Control
13	108-9730	2	Lever-Control	29	233-42	2	Knob
14	98-4655-03	1	Plate-Mount	30	3256-51	4	Washer-Flat
15	105-8440	1	RH Fuel Tank ASM				



Air Cleaner Assembly No. 99-3160

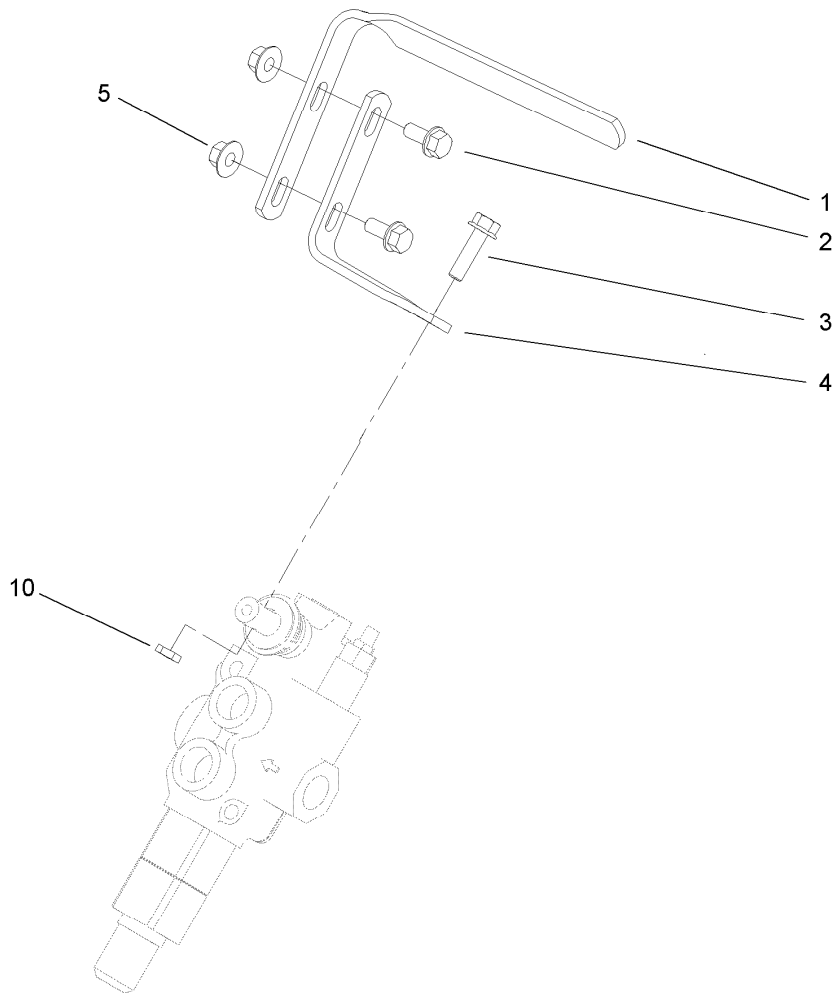
<i>Ref.</i>	<i>Part Number</i>	<i>Qty.</i>	<i>Description</i>
1	99-3173	1	Element-Filter, Air
2	99-3174	2	Clip-Cleaner, Air
3	99-3175	1	Valve-Ejector, Dust
4	99-3176	1	Cover
5	99-3183	1	Tube ASM
6	99-3184	1	Housing
7	99-3198	1	Filter-Safety
8	99-3197	1	Mounting Bracket ASM



Hydraulic Tank and Filter Assembly

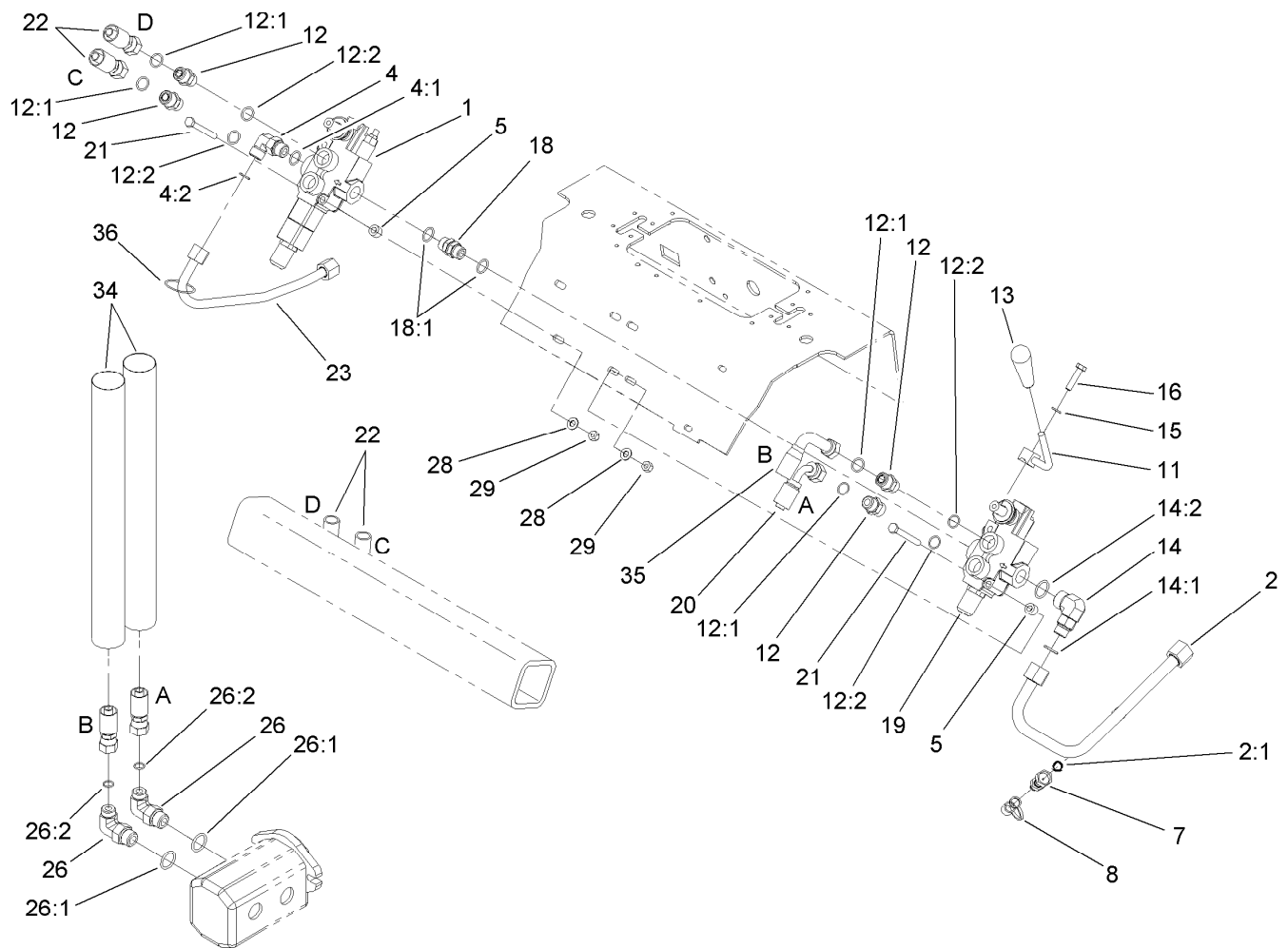
Ref.	Part Number	Qty.	Description	Ref.	Part Number	Qty.	Description
4	2412-129	2	Clamp-Hose	18	100-8815	1	Cap-Dust, Nipple
5	98-4745	1	Hose-HYD, Suction, Hi	19	105-8395	1	Bulkhead Nipple ASM
6	340-74	2	Nut-Lock, Bulkhead	19:1	237-65	1	O-Ring
7	68-6150	1	Breather	19:2	100-6120	1	Seal Kit ●
8	2412-36	2	Clamp-Hose	20	61-2790	1	Filter-Screen
9	98-2708	1	Hose-Vent	21	100-2097	1	Dipstick-Oil
11	354-127	1	Fitting-Elbow45	22	98-9906	1	Fitting-Thread, Straight
11:1	237-81	1	O-Ring	22:1	237-81	2	O-Ring
12	92-5821	1	Head-Filter	23	54-0110	1	Filter-Oil, Transmission
13	93-7498	1	Plug-Plastic	24	98-9927	1	Gasket-Cover
14	237-123	1	O-Ring	25	100-1713-01	1	Cover
15	354-126	1	Fitting-Elbow, 45	26	98-9940	10	Screw-HHF
15:1	237-79	1	O-Ring	27	353-988	1	Plug-Hex
16	105-8394	1	Bulkhead Coupler ASM	27:1	237-79	1	O-Ring
16:1	237-65	1	O-Ring	28	98-4675-01	2	Lock-Cylinder
16:2	105-8396	1	Seal Kit ●	29	3290-467	2	Pin-Hair
17	100-8816	1	Cap-Dust, Coupler	30	283-52	2	Pin-Clevis

● Not illustrated



Auxiliary Control Lever Assembly

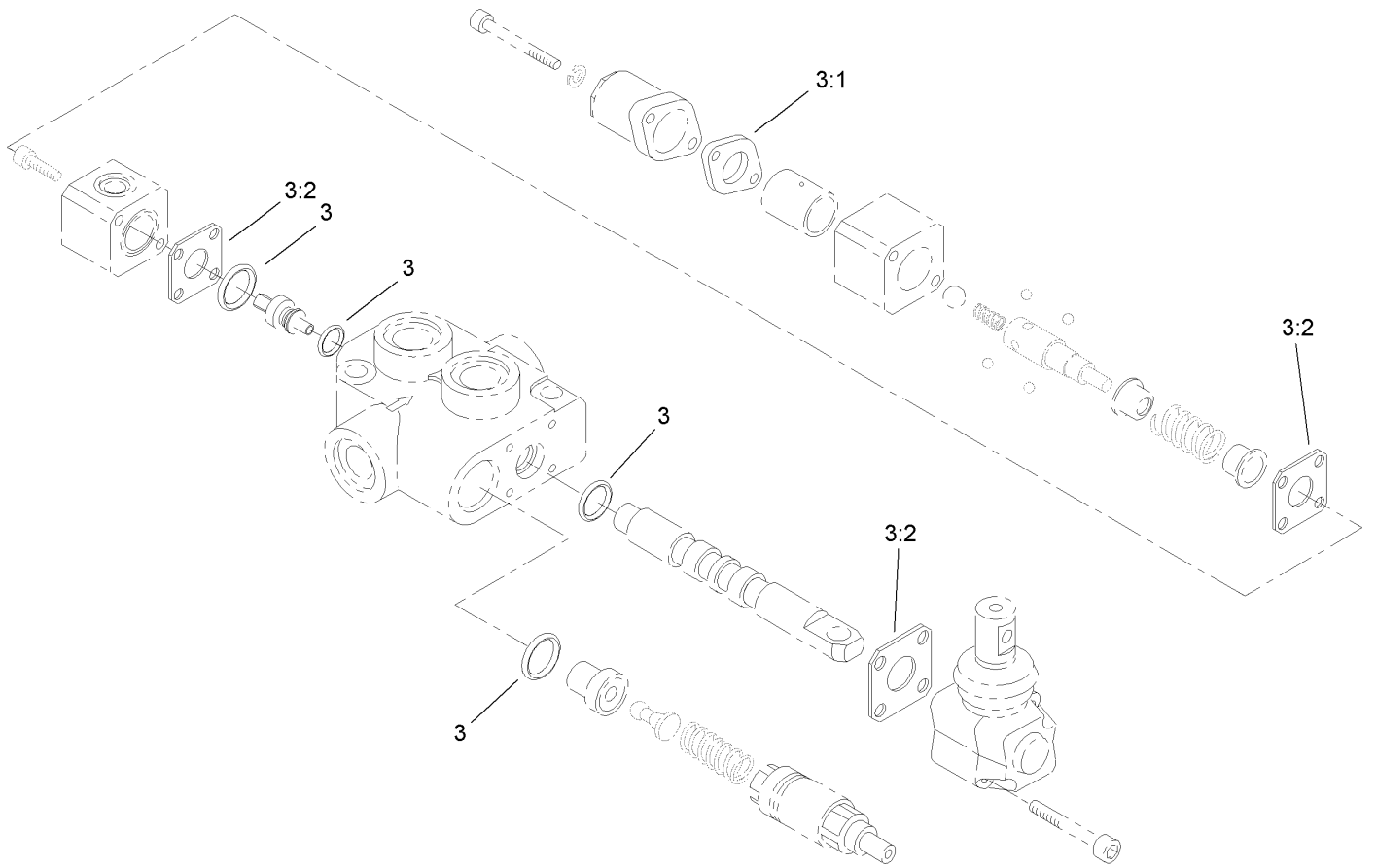
<i>Ref.</i>	<i>Part Number</i>	<i>Qty.</i>	<i>Description</i>
1	98-9090	1	Grip-Control
2	3234-5	2	Screw-HHF
3	33104-030	1	Screw-HHF
4	99-1376	1	Mount-Control
5	32128-44	2	Nut
10	33014-00	1	Nut-Hex



Hydraulic Valve Assembly

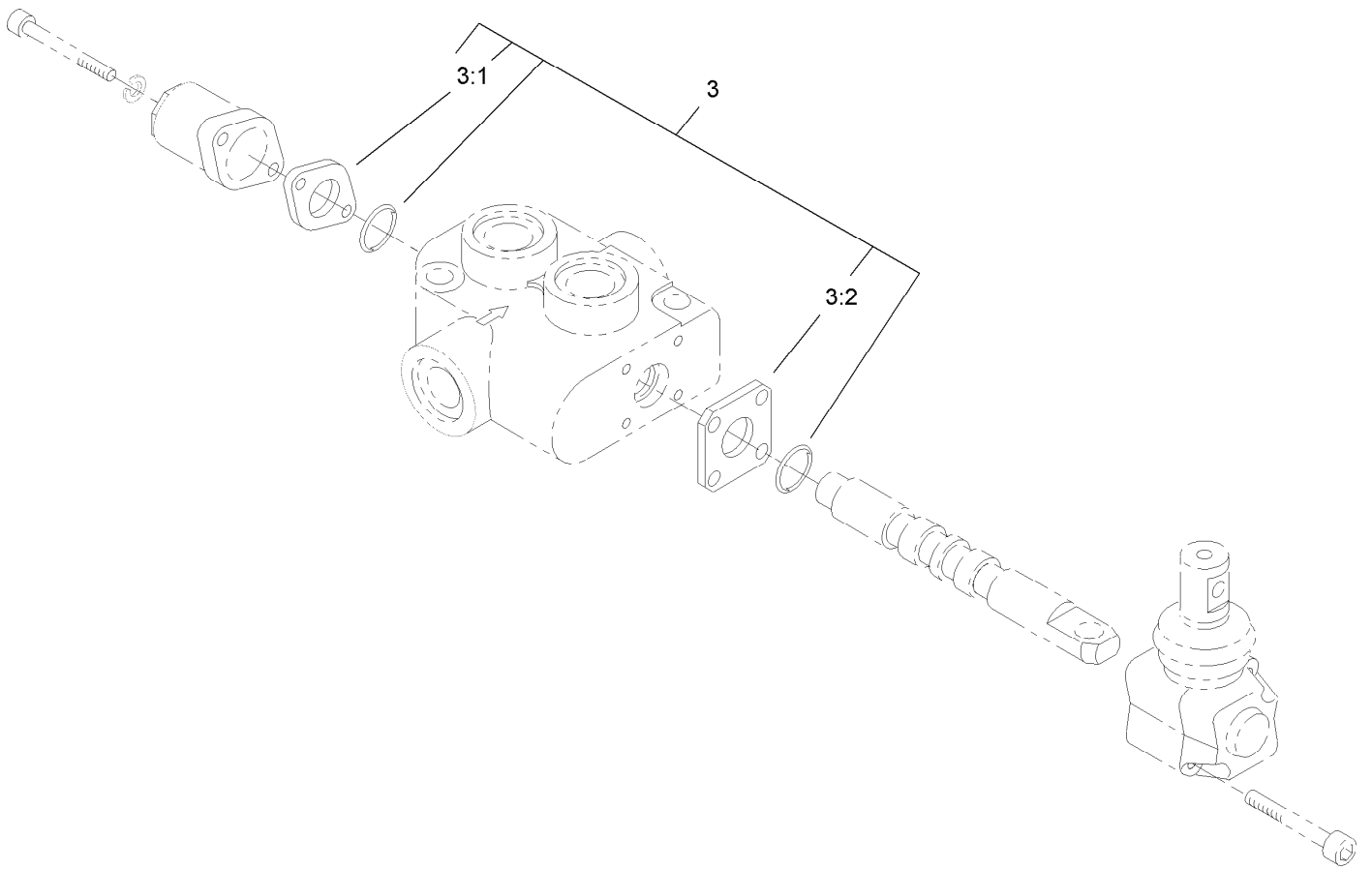
Ref.	Part Number	Qty.	Description
1	99-3077	1	Valve-HYD, Auxiliary
2	108-4716	1	HYD Tube ASM
2:1	237-22	1	O-Ring
4	340-98	1	Fitting-Elbow, 90 DEG
4:1	237-79	1	O-Ring
4:2	237-30	1	O-Ring
5	98-4695	4	Spacer
7	86-5480	1	Nipple-Test
8	354-79	1	Cap-Dust
11	108-9709-03	1	Lever-Control
12	340-4	4	Fitting-Straight
12:1	237-30	1	O-Ring
12:2	237-79	1	O-Ring
13	98-0152	1	Knob-Tapered
14	340-153	1	Fitting-Elbow, 90 DEG
14:1	237-79	1	O-Ring
14:2	237-151	1	O-Ring

Ref.	Part Number	Qty.	Description
15	3253-4	1	Washer-Lock
16	33114-035	1	Screw-HH
18	95-3209	1	Fitting-Thread, Straight
18:1	237-79	2	O-Ring
19	99-3072	1	Valve-Selector, HYD
20	98-4747	1	Hose-HYD
21	322-13	4	Screw-HH
22	100-8817	2	Hose-HYD
23	105-7879	1	Tube-HYD
26	340-105	2	Fitting-Elbow, 90 DEG
26:1	237-80	1	O-Ring
26:2	237-30	1	O-Ring
28	3256-23	4	Washer-Plain
29	3296-29	4	Nut-Lock, NI
34	100-8818	2	Sleeve-Guard, Hose
35	99-3008	1	Hose-HYD
36	3290-379	8	Tie-Cable



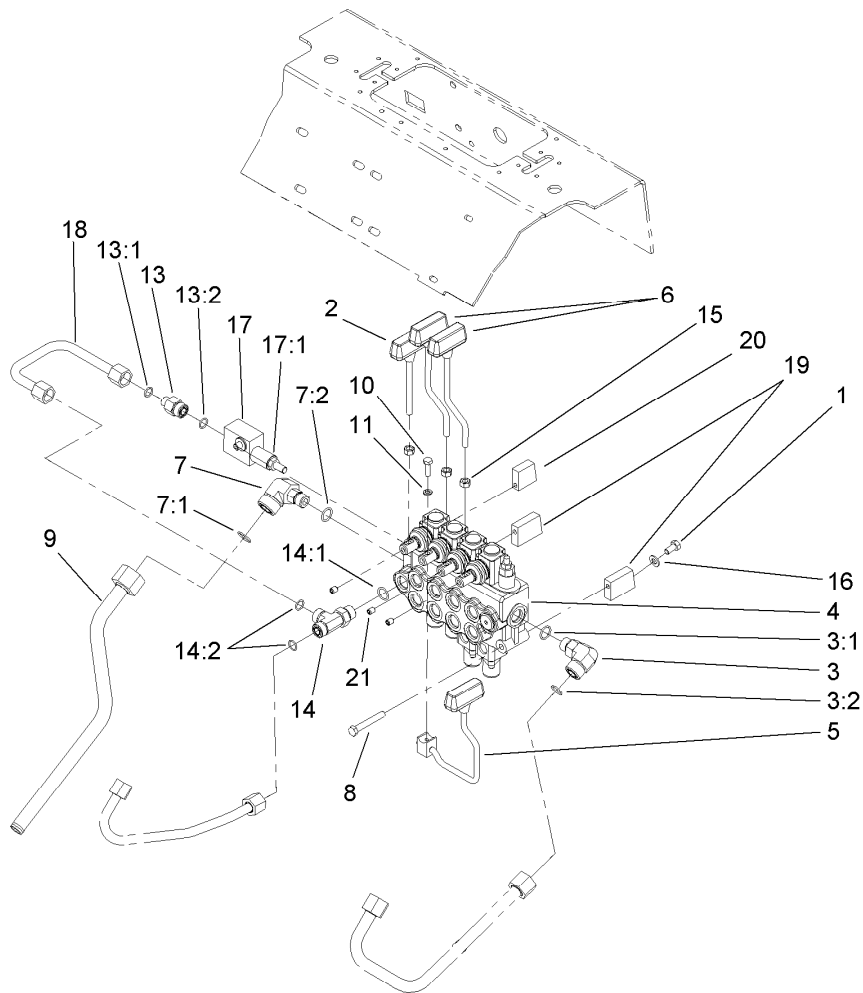
Auxiliary Hydraulic Valve Assembly No. 99-3077

<i>Ref.</i>	<i>Part Number</i>	<i>Qty.</i>	<i>Description</i>
3	99-4391	1	Seal Kit
3:1	99-3074	1	Gasket
3:2	99-3075	3	Gasket



Hydraulic Selector Valve Assembly No. 99-3072

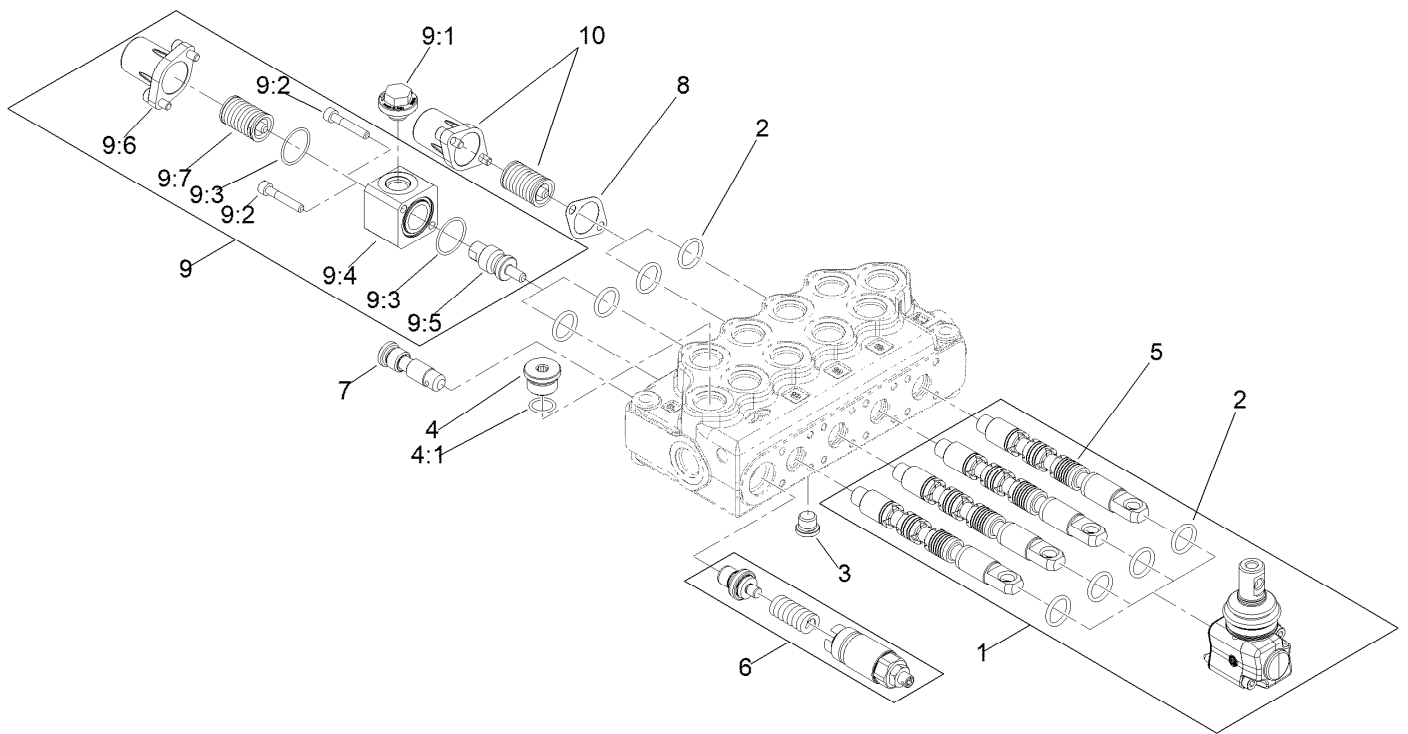
<i>Ref.</i>	<i>Part Number</i>	<i>Qty.</i>	<i>Description</i>
3	99-4391	1	Seal Kit
3:1	99-3074	1	Gasket
3:2	99-3075	3	Gasket



Four Spool Valve Assembly

Ref.	Part Number	Qty.	Description	Ref.	Part Number	Qty.	Description
1	322-2	3	Screw-HH	13	340-5	1	Fitting-Straight
2	105-7881	1	Lever-Cylinder	13:1	237-42	1	O-Ring
3	340-153	1	Fitting-Elbow, 90 DEG	13:2	237-30	1	O-Ring
3:1	237-79	1	O-Ring	14	340-109	1	Fitting-Tee
3:2	237-151	1	O-Ring	14:1	237-79	1	O-Ring
4	105-8377	1	HYD Four Spool Valve ASM	14:2	237-30	2	O-Ring
5	106-8165	1	Lever-Control	15	33014-00	3	Nut-Hex
6	104-5733	2	Lever-Drive	16	33094-00	3	Washer-Plain
7	92-5696	1	Fitting-Elbow, 90 DEG	17	105-7882	1	Relief Valve ASM
7:1	237-58	1	O-Ring	17:1	105-8358	1	Cartridge-Valve, Relief
7:2	237-79	1	O-Ring	17:2	105-8357	1	Seal Kit ●
8	322-11	3	Screw-HH	18	108-4717	1	Tube-HYD
9	106-8177	1	Tube-Tank, HYD	19	108-4728	2	Spacer V
10	321-5	1	Screw-HH	20	105-7870	1	Spacer-Upper V
11	3253-3	1	Washer-Lock	21	105-4068	3	Screw-Set, HSH

● Not illustrated

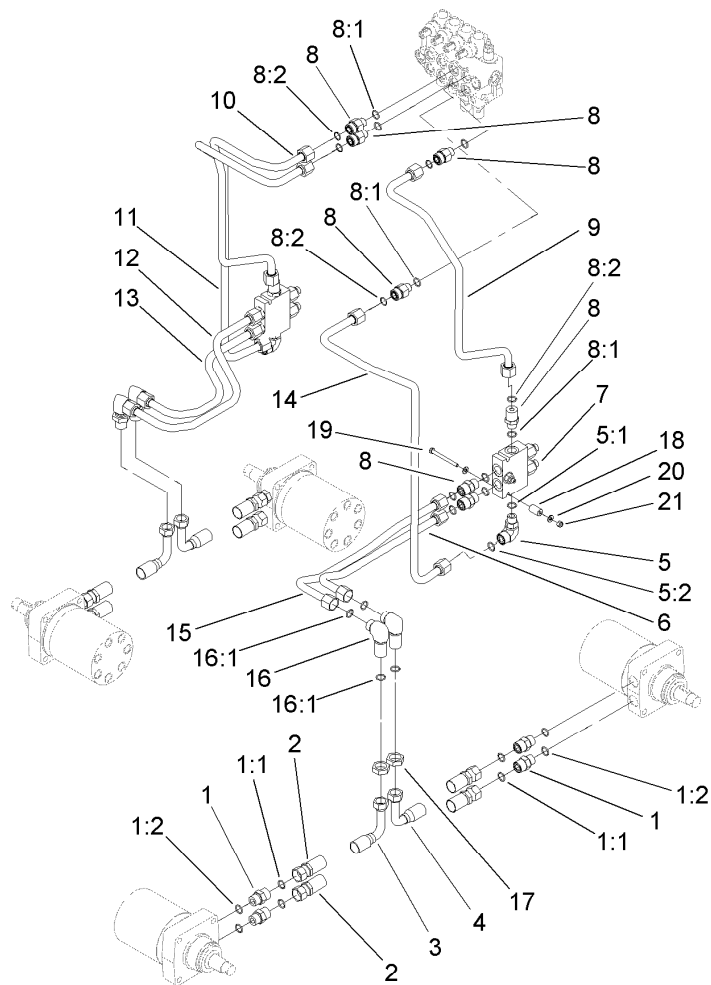


Four Spool Hydraulic Valve Assembly No. 105-8377

Ref.	Part Number	Qty.	Description
1	139-8891	4	Lsg/S5 Lever Kit With Screws
2	139-8886	8	O-Ring Seal, 70 Sh
3	139-8884	1	SAE 4 Plug
4	353-988	1	Plug-Hex
4:1	237-79	1	O-Ring
5	105-8441	4	Spool-Valve
6	139-8890	1	Vmd5 (Jn) Inlet Part
7	139-8880	1	Kit-Valve Body
8	99-3074	2	Gasket

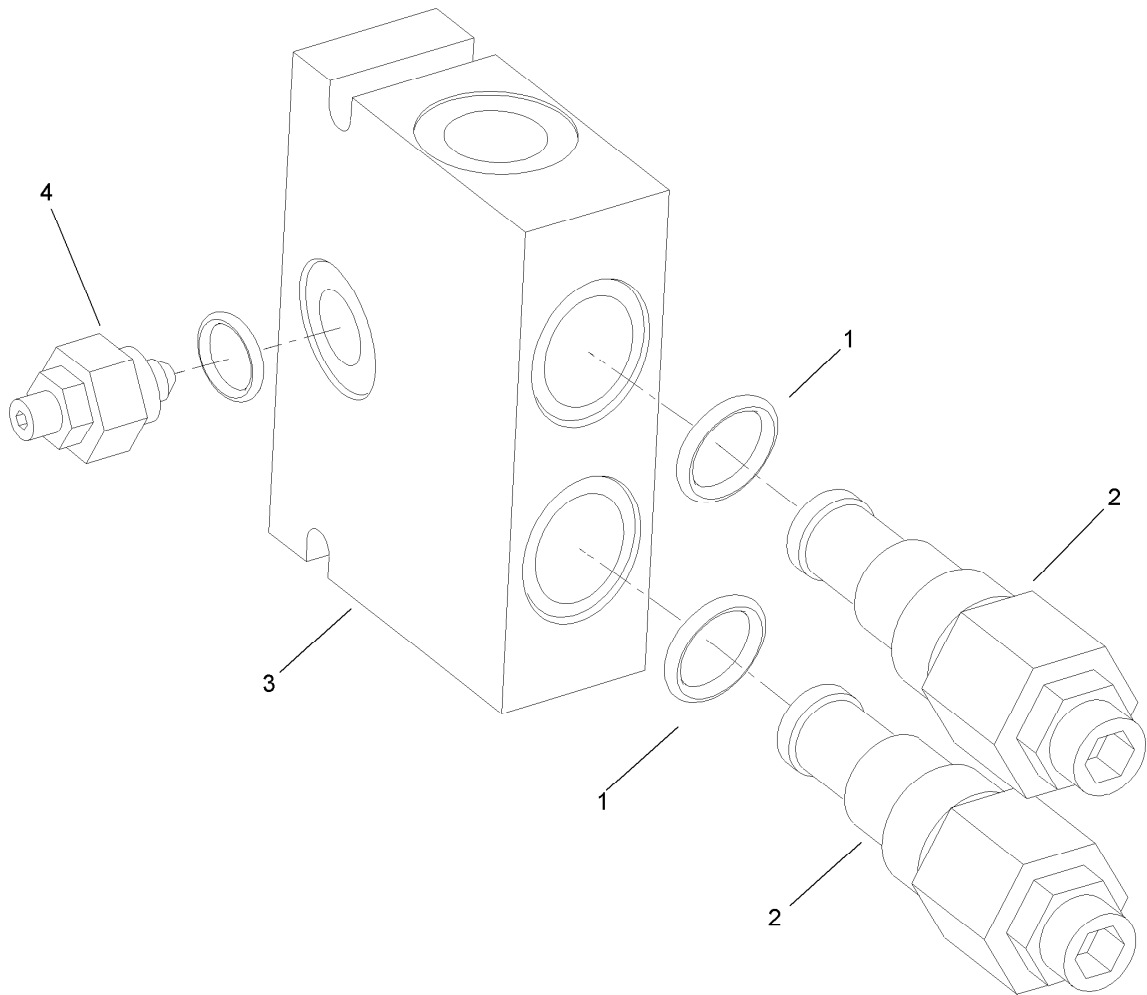
Ref.	Part Number	Qty.	Description
9	139-8887	2	S5 Command Kit
9:1		1	Plug ●
9:2		2	Screw ●
9:3		2	Oring ●
9:4		1	Block ●
9:5		1	Pin ●
9:6		1	End Cap ●
9:7		1	Spring ●
10	161-1080	2	S5 End Cap Kit

● Not serviced separately



Hydraulic Motor Assembly

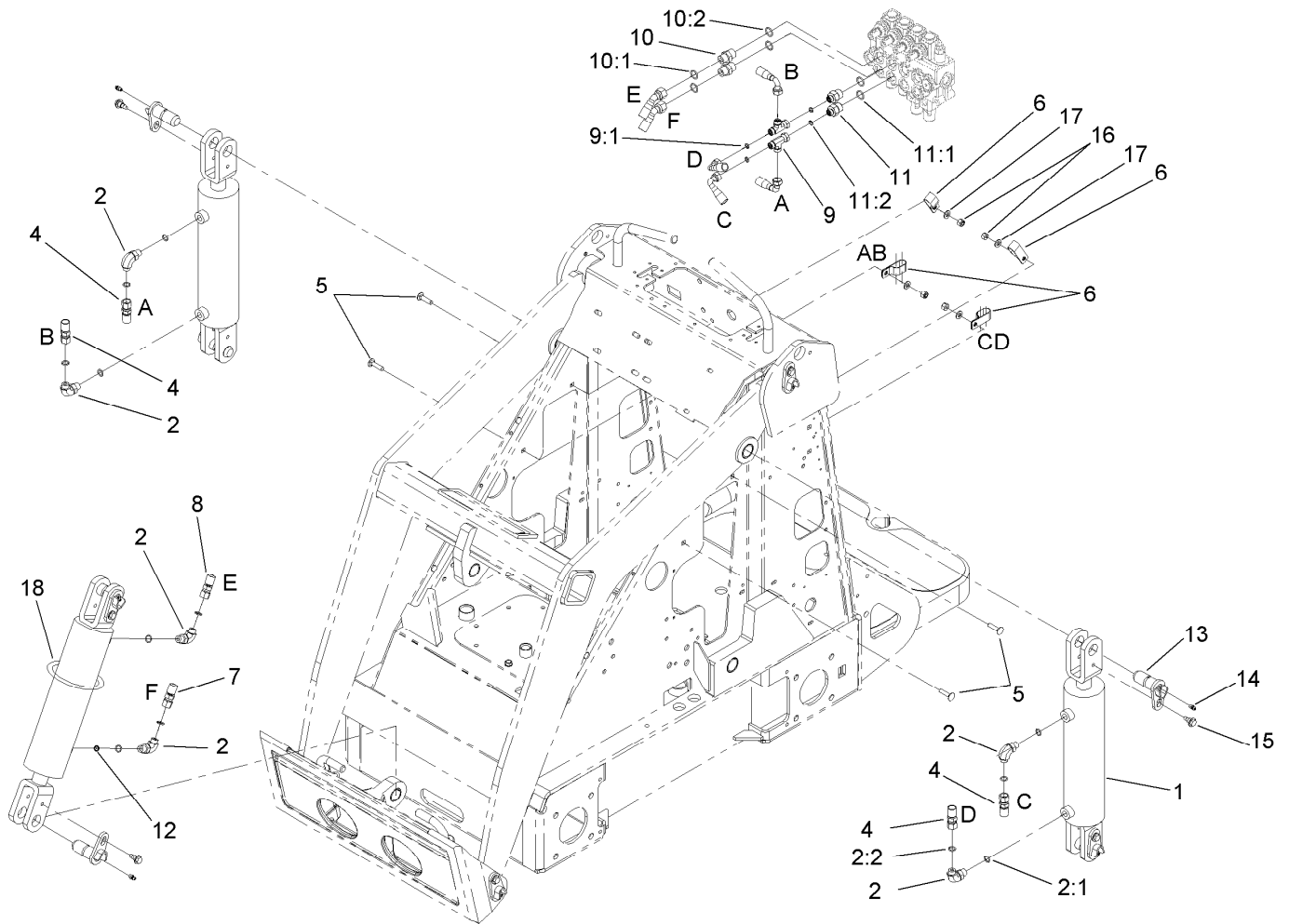
<i>Ref.</i>	<i>Part Number</i>	<i>Qty.</i>	<i>Description</i>	<i>Ref.</i>	<i>Part Number</i>	<i>Qty.</i>	<i>Description</i>
1	340-7	8	Fitting-Straight	9	108-9729	1	Tube-HYD
1:1	237-65	1	O-Ring	10	108-9727	1	Tube-HYD
1:2	237-80	1	O-Ring	11	108-9726	1	Tube-HYD
2	99-3012	2	Hose-HYD	12	99-3025	1	Tube-HYD
3	99-3010	2	Hose-HYD	13	99-3028	1	Tube-HYD
4	99-3011	2	Hose-HYD	14	108-9725	1	Tube-HYD
5	340-153	2	Fitting-Elbow, 90 DEG	15	99-3026	1	Tube-HYD
5:1	237-79	1	O-Ring	16	340-72	4	Fitting-Bulkhead, 90 DEG
5:2	237-151	1	O-Ring	16:1	237-65	2	O-Ring
6	99-3022	1	Tube-HYD	17	340-74	4	Nut-Lock, Bulkhead
7	99-3040	2	HYD Counterbalance Valve ASM	18	99-3057	2	Spacer-Valve
8	340-155	10	Fitting-Straight	19	321-23	2	Screw-HH
8:1	237-79	1	O-Ring	20	3256-22	4	Washer-Flat
8:2	237-151	1	O-Ring	21	3296-42	2	Nut-Lock, NI



Counterbalance Valve Assembly No. 99-3040

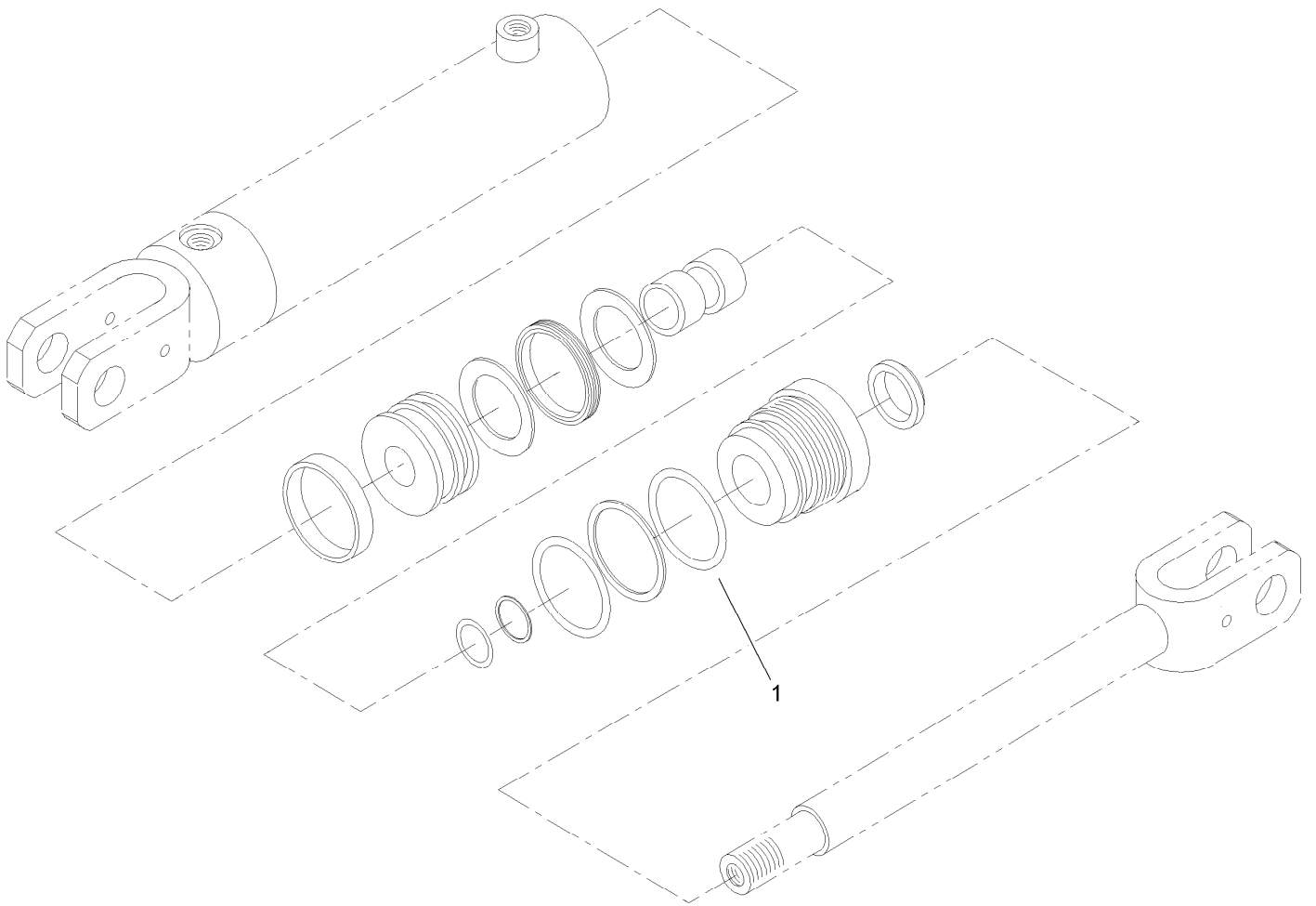
<i>Ref.</i>	<i>Part Number</i>	<i>Qty.</i>	<i>Description</i>
1	105-4099	1	Seal Kit ●
2	99-3271	2	Valve-Cartridge
3	100-8864	1	Manifold ASM
4	100-8865	1	Needle Valve ASM

● Not illustrated



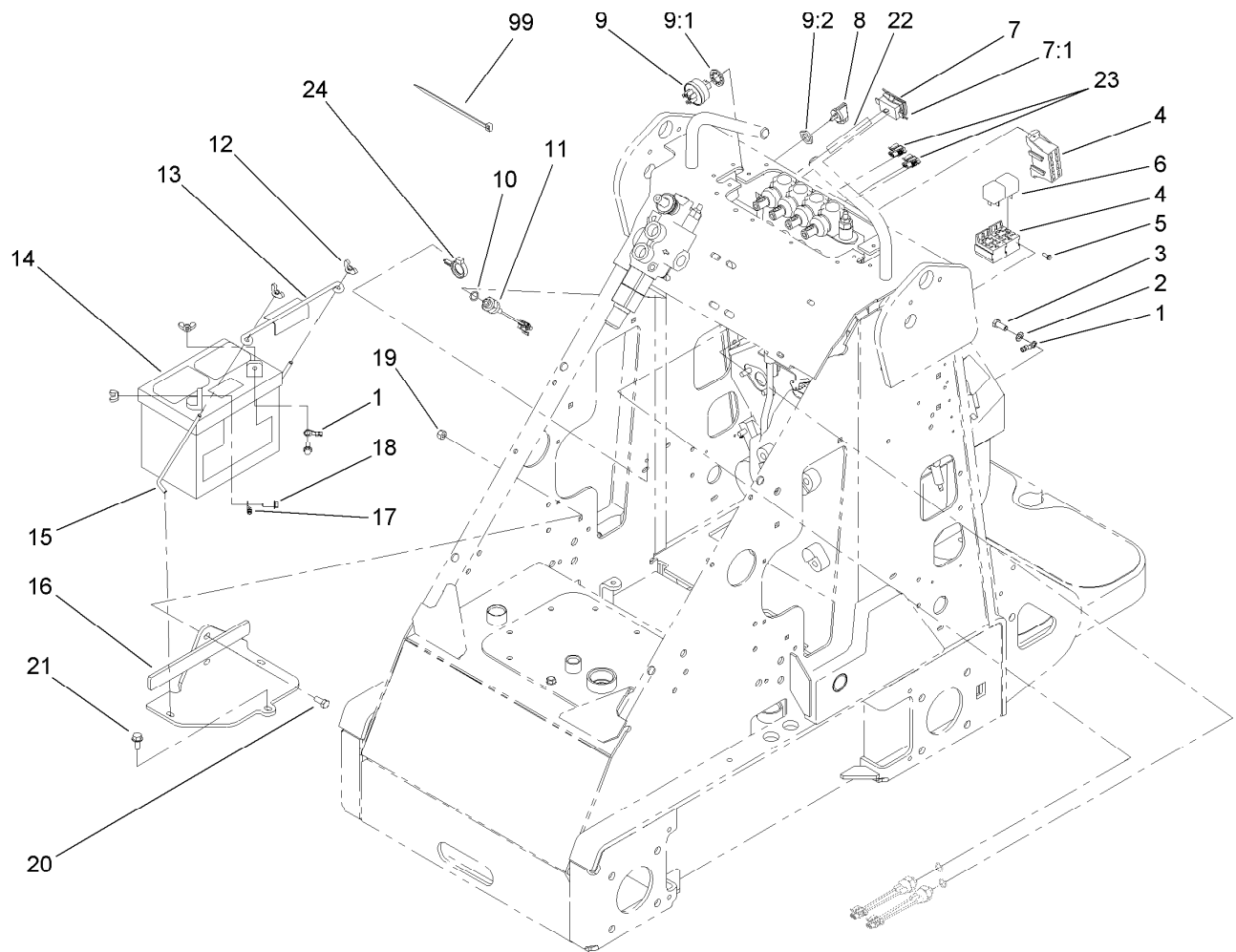
Hydraulic Cylinder Assembly

Ref.	Part Number	Qty.	Description
1	105-7867	3	HYD Cylinder ASM
2	340-82	6	Fitting-Elbow, 90 DEG
2:1	237-42	1	O-Ring
2:2	237-21	1	O-Ring
4	98-4725	4	Hose-HYD
5	3230-3	4	Screw-CARR
6	2412-137	4	Clamp-R, Double
7	98-4726	1	Hose-HYD
8	98-4727	1	Hose-HYD
9	340-151	2	Fitting-Tee
9:1	237-75	3	O-Ring
10	340-3	2	Fitting-Straight
10:1	237-22	1	O-Ring
10:2	237-79	1	O-Ring
11	340-133	2	Fitting-STR
11:1	237-79	1	O-Ring
11:2	237-21	1	O-Ring
12	108-4714	1	Orifice-Port Insert, One Way
13	99-1414	6	Pin-Pivot
14	302-5	6	Fitting-Grease
15	99-5105	6	Screw-Shoulder
16	3296-29	4	Nut-Lock, NI
17	3256-23	4	Washer-Plain
18	3334-945	1	Tie-Cable



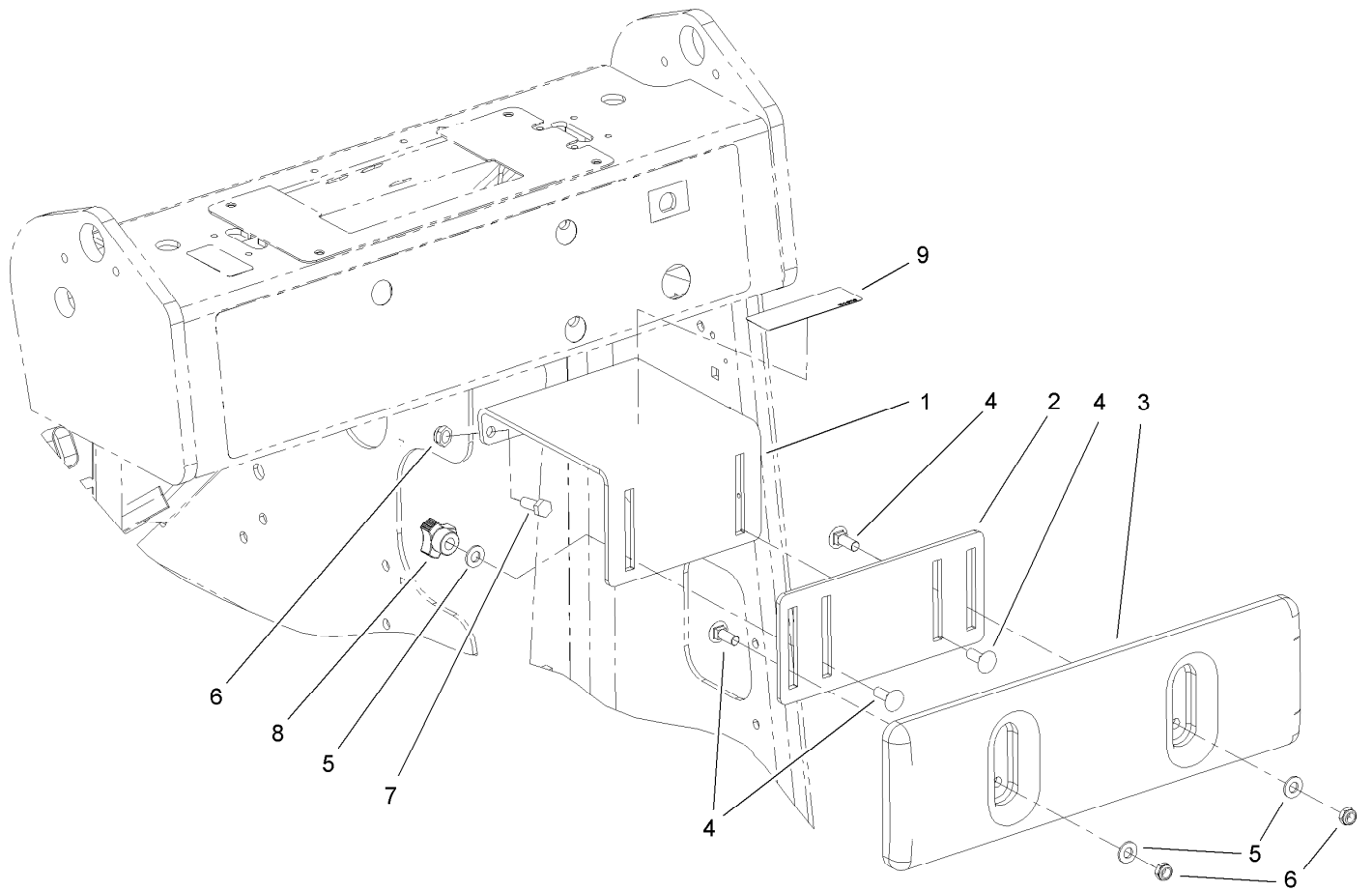
Hydraulic Cylinder Assembly No. 105-7867

<i>Ref.</i>	<i>Part Number</i>	<i>Qty.</i>	<i>Description</i>
1	105-8356	1	Seal Kit



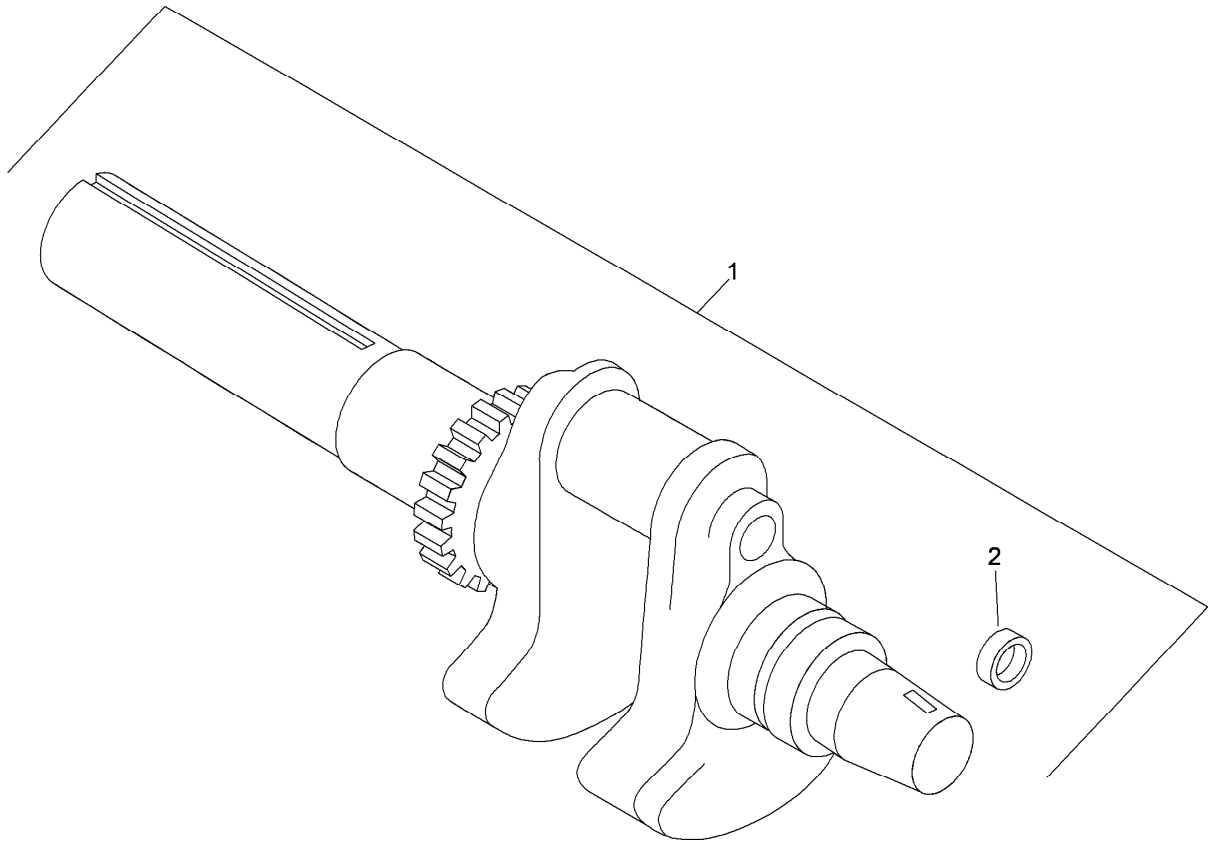
Electrical Component Assembly

<i>Ref.</i>	<i>Part Number</i>	<i>Qty.</i>	<i>Description</i>	<i>Ref.</i>	<i>Part Number</i>	<i>Qty.</i>	<i>Description</i>
1	111075	1	Wire ASM	12	32103-22	4	Nut-Wing
2	3255-8	1	Washer-Lock	13	113010	1	Holddown-Battery
3	33114-020	1	Screw-HH	14	104-2492	1	Battery-Dry
4	104-7411	1	Harness-Wire	15	99-5027	2	Retainer-Battery
5	32144-87	3	Screw-HWHTF	16	99-3060-03	1	Battery Mount ASM
6	98-7249	2	Relay	17	100-1712	1	Cable-Positive
7	105-4067	1	Hourmeter-Inductive	18	3234-4	2	Screw-HHF
7:1	104-4234	1	Clip-Mounting	19	3296-29	2	Nut-Lock, NI
8	63-8360	2	Key-Ignition	20	322-4	2	Screw-HH
9	111216	1	Ignition Switch ASM	21	32144-70	1	Screw-HWHTF
9:1	9201604	1	Washer-Lock	22	104-7408	1	Wire-Hourmeter
9:2	101884	1	Nut	23	99-1433	2	Connector-Female
10	237-42	3	O-Ring	24	105-1853	1	Clamp-Hose
11	72-4310	3	Switch-Ball	99	3290-381	5	Tie-Cable



Thigh Support Assembly

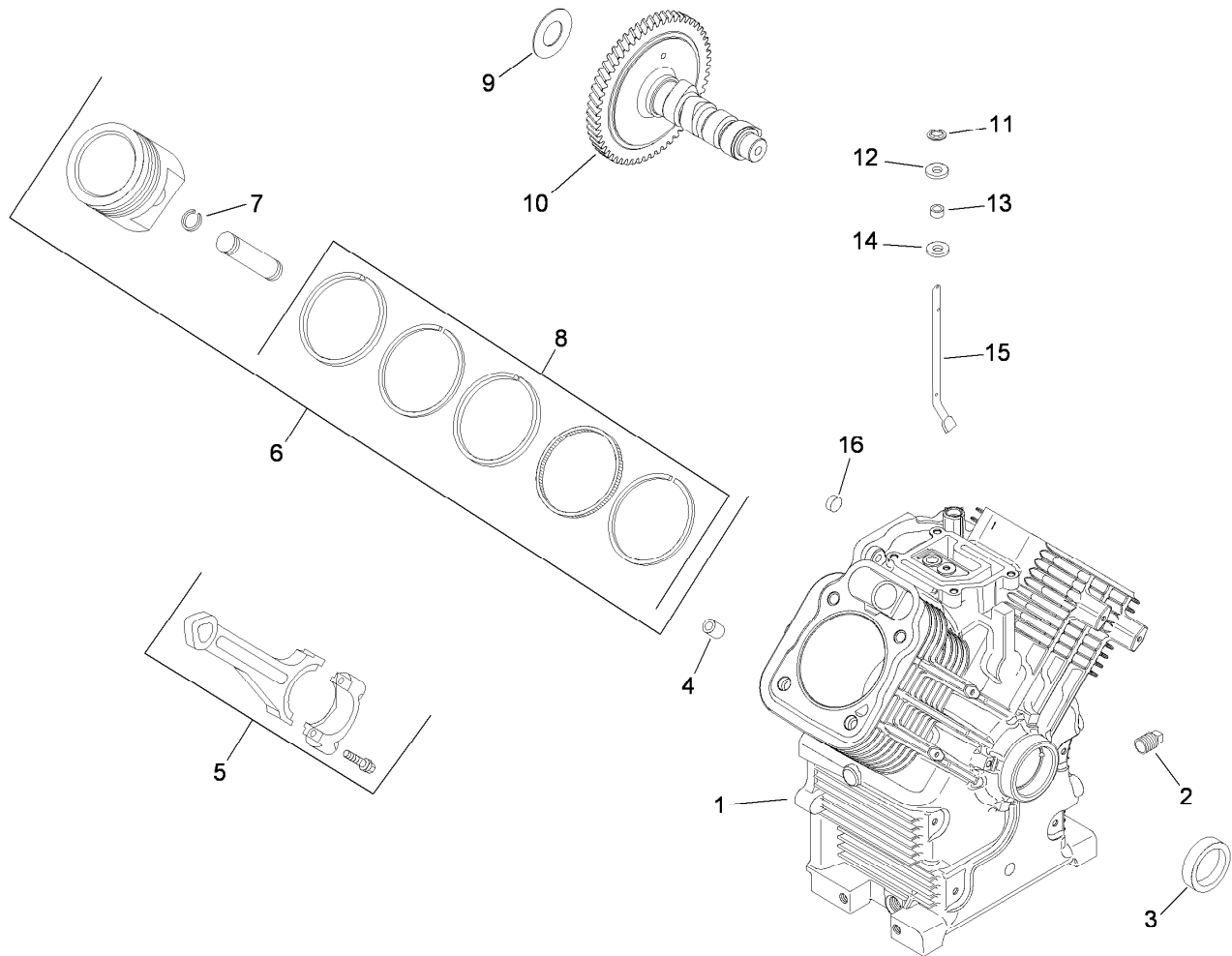
<i>Ref.</i>	<i>Part Number</i>	<i>Qty.</i>	<i>Description</i>
1	105-0297-03	1	Thigh Support ASM
2	105-0337-03	1	Plate-Adjusting
3	105-0333	1	Support-Thigh
4	3230-16	4	Screw-CARR
5	3256-70	4	Washer-Flat
6	3296-72	4	Nut-Lock, NI
7	322-4	2	Screw-HH
8	104-6156	2	Knob-Adjustment
9	104-6108	1	Decal-Manual



Crankshaft Assembly Kohler CH23S-76549

<i>Ref.</i>	<i>Part Number</i>	<i>Qty.</i>	<i>Description</i>
1	24 014 90-S	1	Crankshaft (Includes 2) ●
2	52 139 09-S	1	Plug-Cup ●

● Obtain parts from www.kohlerplus.com

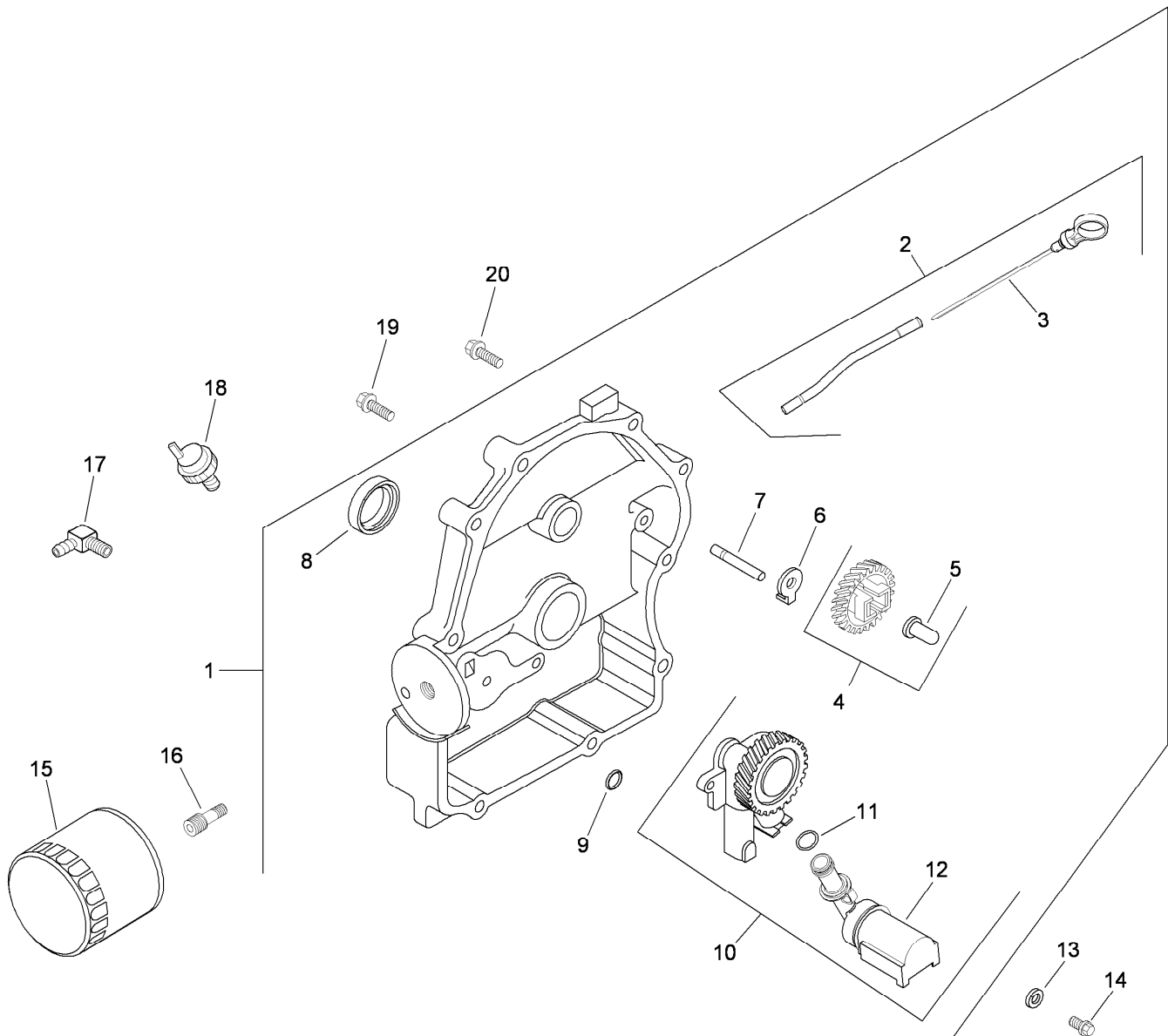


Crankcase Assembly Kohler CH23S-76549

Ref.	Part Number	Qty.	Description	Ref.	Part Number	Qty.	Description
1	24 782 15	1	Miniblock ■	9	12 422 07-S	1	Shim-Camshaft (White .028) ■
2	25 139 57-S	2	Plug-Pipe, Sq HD (3/8) ■	9	12 422 08-S	1	Shim-Camshaft (Blue .03) ■
3	24 032 01-S	1	Seal-Oil ■	9	12 422 10-S	1	Shim-Camshaft (Yellow .034) ■
4	24 380 13-S	6	Pin-Locating ■	9	12 422 11-S	1	Shim-Camshaft (Green .036) ■
5	24 067 13-S	2	Rod-Connecting (Standard) ■	9	12 422 12-S	1	Shim-Camshaft (Gray .038) ■
5	24 067 14-S	2	Rod-Connecting (.25) ■	10	24 012 10-S	1	Camshaft Kit (Includes 25 357 14-S) ■
6	24 874 09-S	2	Piston W/Ring Set (STD) (Includes Ref 7, 8) ■	11	24 018 09-S	1	Retainer-Ring ■
6	24 874 10-S	2	Piston W/Ring Set (.25) (Includes Ref 7, 8) ■	12	M-931010-S	1	Washer-Flat (9MM) ■
6	24 874 11-S	2	Piston W/Ring Set (.50) (Includes Ref 7, 8) ■	13	28 032 09-S	1	Seal-Cross Shaft, Governor ■
6	24 874 15-S	2	Piston W/Ring Set (.08) (Includes Ref 7, 8) ■	14	24 468 15-S	1	Washer-Flat (11/32) ■
7	24 018 01-S	4	Retainer-Pin, Piston ■	15	24 144 38-S	1	Shaft-Cross, Governor ■
8	24 108 08-S	2	Ring Set (STD) ■	16	52 139 09-S	1	Plug-Cup ■
8	24 108 09-S	2	Ring Set (.25) ■		25 357 14-S	1	Lubricant-Camshaft ■●
8	24 108 10-S	2	Ring Set (.50) ■				
9	12 422 09-S	1	Shim-Camshaft (Red .032) ■				
9	12 422 13-S	1	Shim-Camshaft (Black .04) ■				

● Not illustrated

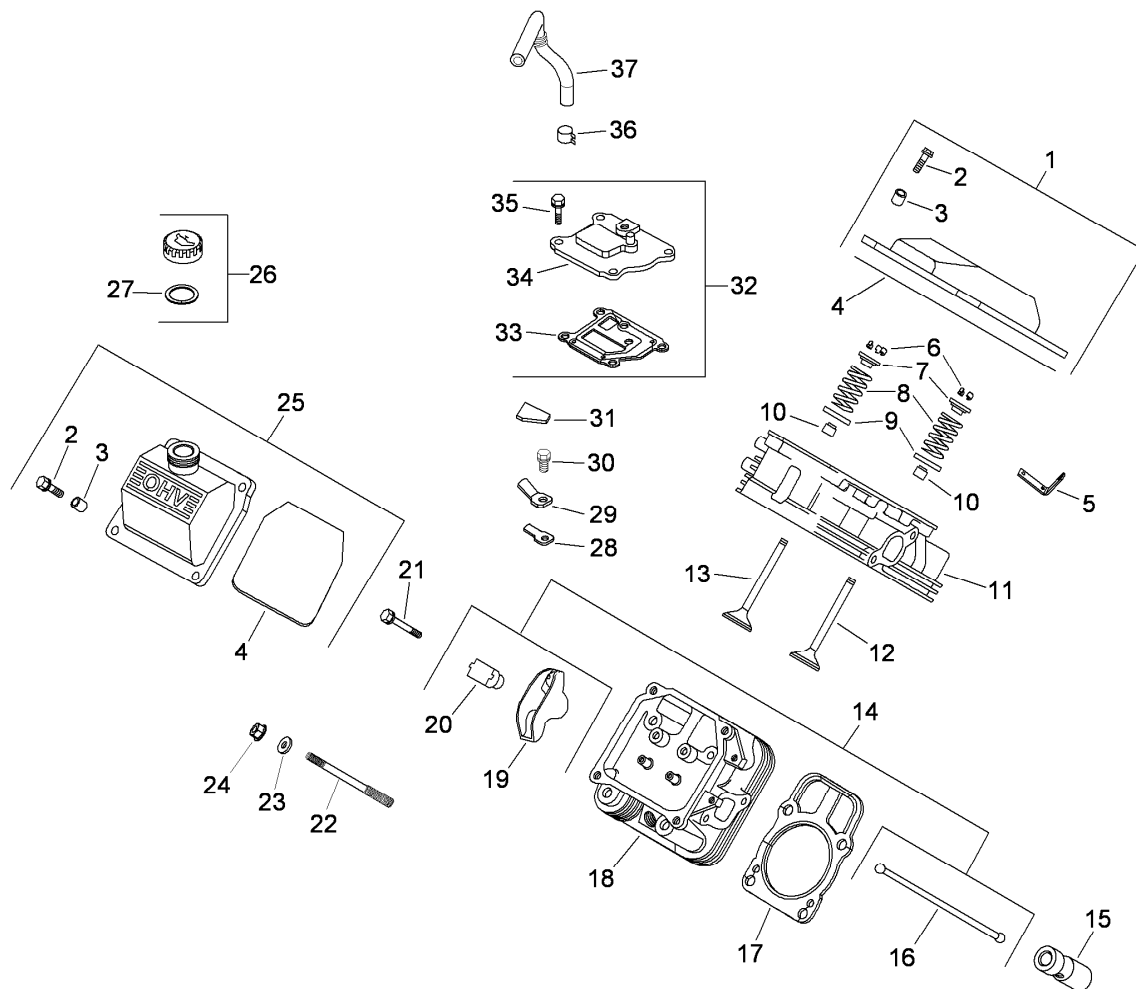
■ Obtain parts from www.kohlerplus.com



Oil Pan and Lubrication Assembly Kohler CH23S-76549

Ref.	Part Number	Qty.	Description	Ref.	Part Number	Qty.	Description
1	24 009 82-S	1	Closure Plate Kit (Includes Ref 2-12) ●	11	24 153 01-S	1	O-Ring (Oil Pick up) ●
2	24 755 121-S	1	Dipstick And Dipstick Tube ASM (Includes Ref 3) ●	12	24 381 04-S	1	Tube-Pick Up, Oil ●
3	24 038 10-S	1	Dipstick ●	13	M-631005-S	2	Washer-Flat (6 MM) ●
4	24 043 12-S	1	Governor Gear W/Pin Kit (Includes Ref 5) ●	14	M-645025-S	2	Screw-Flange, Thread Forming (M6X1.0X25) ●
5	12 380 01-S	1	Pin-Regulating, Governor ●	15	52 050 02-S	1	Filter-Oil ●
6	52 448 02-S	1	Tab-Locking ●	16	24 136 01-S	1	Nipple-Filter, Oil ●
7	12 144 02-S	1	Shaft-Gear, Governor ●	17	25 155 02-S	1	Connector-Hose, 90 Deg ●
8	52 032 08-S	1	Seal-Oil (P-T-O End) ●	18	24 099 03-S	1	Switch-Pressure, Oil ●
9	24 153 08-S	2	O-Ring ●	19	24 086 16-S	9	Screw-HF (M8X1.25X45) ●
10	24 393 10-S	1	Oil Pump ASM (Includes Ref 11, 12) ●	20	24 086 17-S	1	Screw-Flange (M8X1.25X45) ●

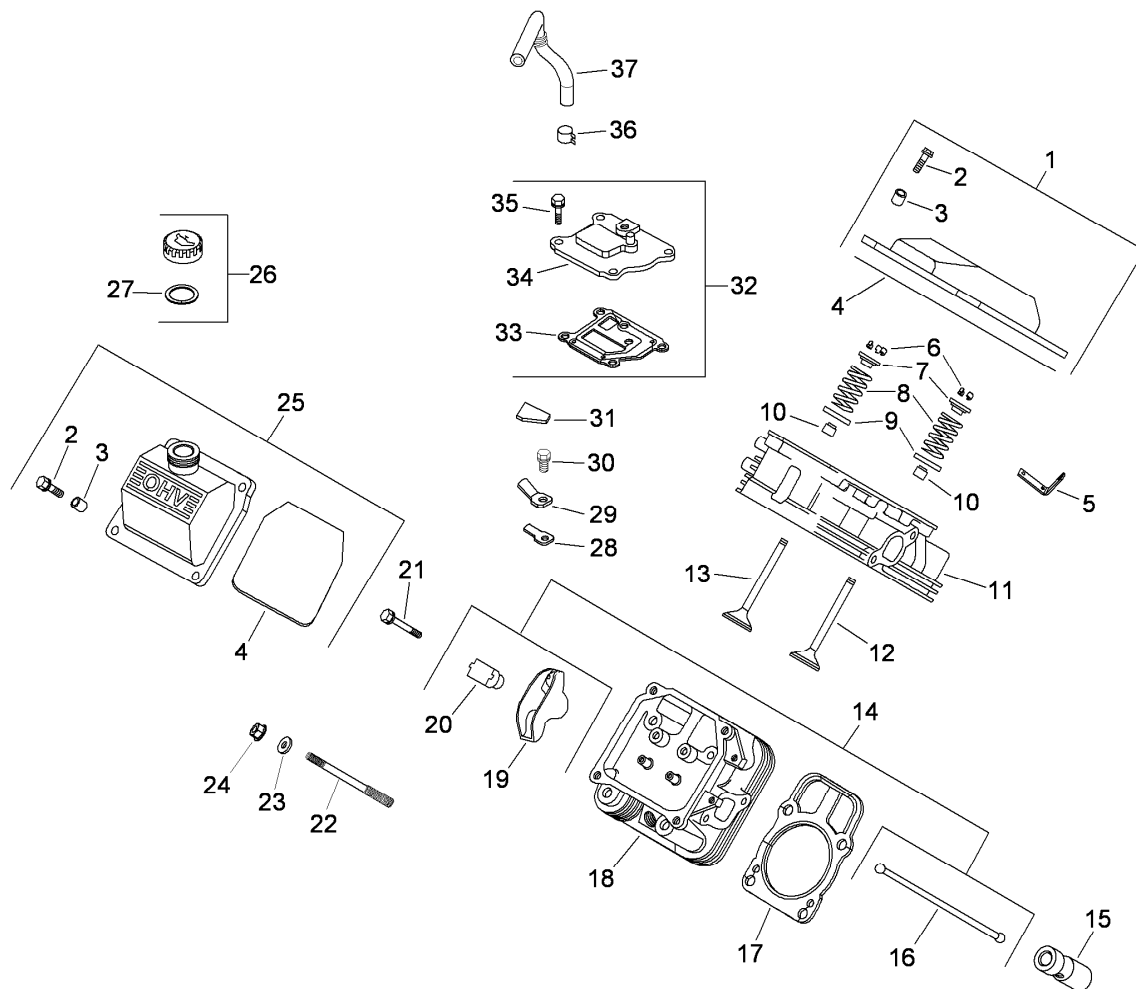
● Obtain parts from www.kohlerplus.com



Head and Valve and Breather Assembly Kohler CH23S-76549

Ref.	Part Number	Qty.	Description	Ref.	Part Number	Qty.	Description
1	24 755 74-S	1	Plain Valve Cover Kit (Includes Ref 2-4) ●	19	25 186 01-S	4	Arm-Rocker ●
2	M-651030-S	4	Screw-Flange (M6X1.0X30) ●	20	24 599 01-S	4	Pivot-Arm, Rocker ●
3	24 112 08-S	4	Spacer ●	21	M-640034-S	8	Screw-Flange (M6X1.0X34) ●
4	24 153 23-S	1	O-Ring ●	22	24 072 09-S	8	Stud (M8X1.25Xm10X1.5X105MM) (Cylinder Head) ●
5	24 445 01-S	1	Strap-Lifting ●	23	24 468 16-S	8	Washer-Flat (8.6 MM) ●
6	12 755 03-S	4	Retainer Kit ●	24	24 100 10-S	8	Nut-Flange (M8X1.25) ●
7	12 173 01-S	4	Cap-Spring, Valve ●	25	24 755 75-S	1	Oil Fill Valve Cover Kit (Includes Ref 2-4) ●
8	24 089 02-S	4	Spring-Valve ●	26	24 755 46-S	1	Oil Fill Cap Kit (Yellow) (Includes Ref 27) ●
9	235011-S	4	Retainer-Spring ●	27	25 153 02-S	1	O-Ring (Oil Fill Cap) ●
10	66 032 05-S	2	Seal-Stem, Valve ●	28	24 402 03-S	1	Reed-Breather ●
11	24 318 68-S	1	No. 1 Cylinder Head ASM ●	29	12 018 01-S	1	Retainer-Reed, Breather ●
12	24 017 01-S	2	Valve-Intake (STD) ●	30	M-545010-S	1	Screw-HHFTF (M5X.80X10) ●
12	24 017 02-S	2	Valve-Intake (.25) ●	31	24 050 01-S	1	Filter-Breather ●
13	24 016 01-S	2	Valve-Exhaust (STD) ●	32	24 033 01-S	1	Breather ASM (Includes Ref 33-35) ●
13	24 016 02-S	2	Valve-Exhaust (.25) ●	33	24 041 23-S	1	Gasket-Breather ●
14	24 755 66-S	1	Valve Train Kit (Includes Ref 16, 19, 20) ●	34	24 096 86-S	1	Cover-Breather ●
15	25 351 01-S	4	Lifter-Valve ●				
16	24 411 05-S	4	Rod-Push ●				
17	24 041 40-S	2	Gasket-Cylinder Head ●				
18	24 318 71-S	1	No. 2 Cylinder Head ASM ●				

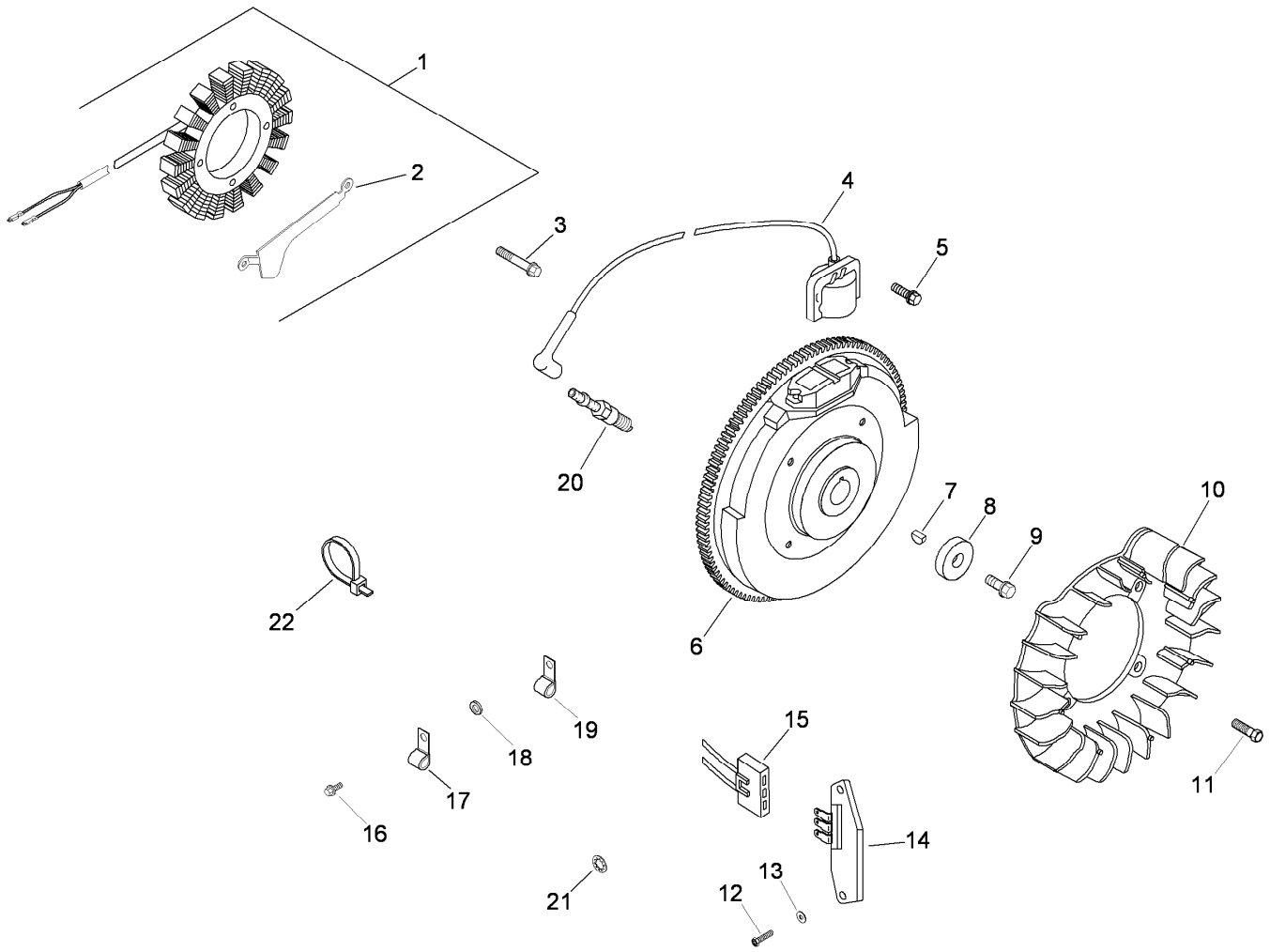
● Obtain parts from www.kohlerplus.com



Head and Valve and Breather Assembly Kohler CH23S-76549 (continued)

Ref.	Part Number	Qty.	Description	Ref.	Part Number	Qty.	Description
35	M-645020-S	4	Screw-HHFTF (M6X1.0X20) ●	36	25 237 08-S	2	Clamp-Hose ●
				37	24 326 31-S	1	Hose-Breather ●

● Obtain parts from www.kohlerplus.com

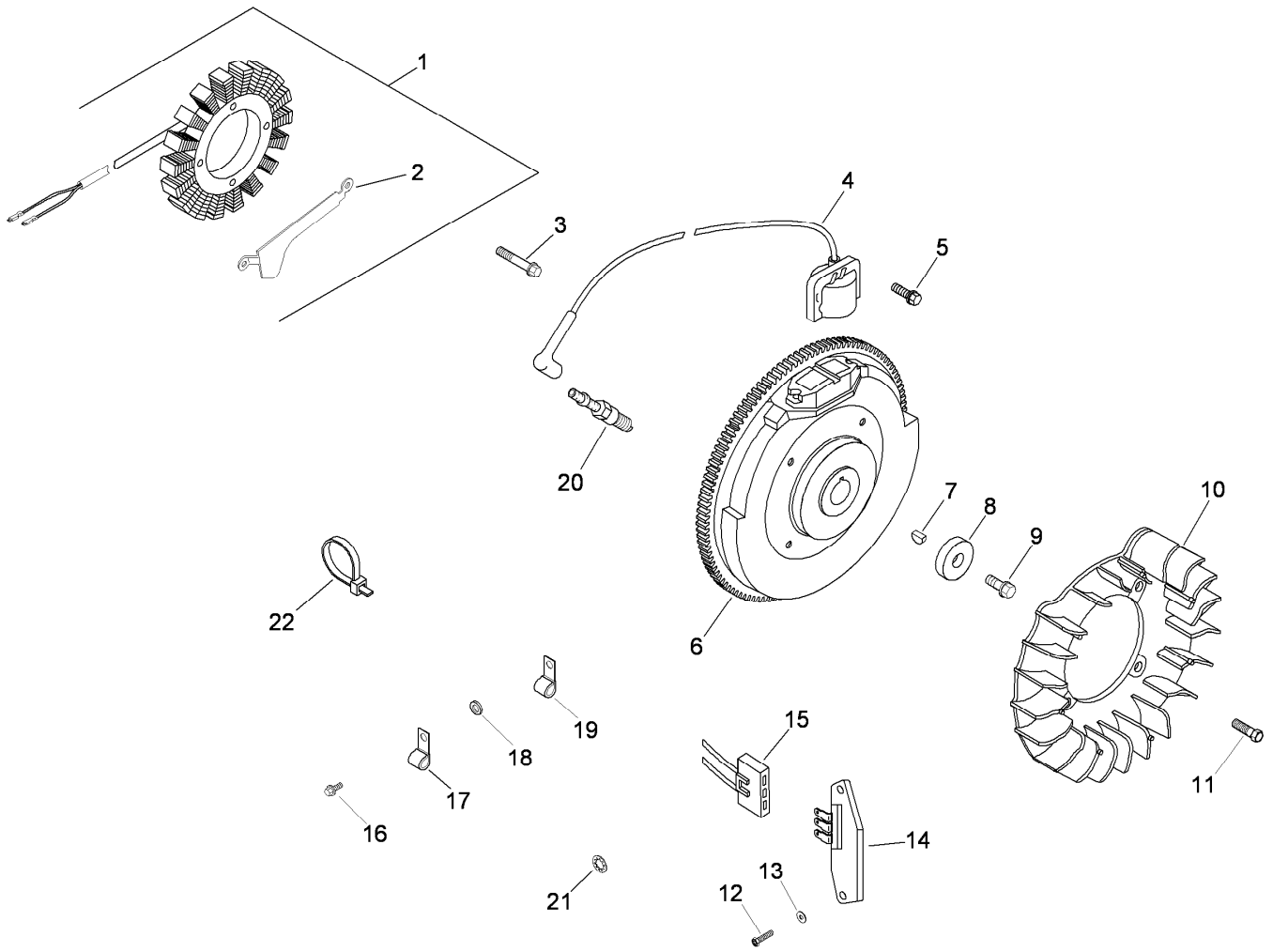


Ignition and Electrical Assembly Kohler CH23S-76549

Ref.	Part Number	Qty.	Description	Ref.	Part Number	Qty.	Description
1	54 755 09-S	1	15 Amp Stator Kit (Includes Ref 2) ■	12	24 086 18-S	2	Screw-Phl HD (11-16X.88) ■
2	24 126 71-S	1	Bracket-Wire, Stator ■	13	X-25-92-S	2	Washer-Flat (.188) ■
3	M-548025-S	2	Screw-Thread Forming (M5X0.8X25) ■	14	25 403 03-S	1	Rectifier-Regulator, 15 Amp ■
4	24 584 01-S	2	Module-Ignition ■	15	236602-S	1	Connector (3 Contact) ■
5	M-545020-S	4	Screw-Flange, Thread Forming (M5X.8X20) ■	16	25 086 91-S	2	Screw-Wsh HD Tap (8-18X.50) ■
6	24 025 01-S	1	Flywheel ■	17	235173-S	1	Clip-Cable (B+ Lead) ■
7	X-42-15-S	1	Key (3/16 X 5/8) ■	18	X-25-63-S	1	Washer-Flat (1/4) ■
8	12 468 03-S	1	Washer-Flat (13/32) ■	19	48 154 02-S	1	Clip-Cable (Clamps Wires To Intake Manifold) ■
9	12 086 14-S	1	Screw-Flange (M10X1.5X45) ■	20	12 132 06-S	2	Spark Plug ■
10	24 157 07-S	1	Fan ■	21	X-22-11-S	1	Washer-Lock, Internal Tooth (1/4) ■
11	25 086 47-S	4	Bolt-Shoulder (M6X1.0X16) ■	22	25 454 03-S	2	Tie-Wire ■

● Not illustrated

■ Obtain parts from www.kohlerplus.com

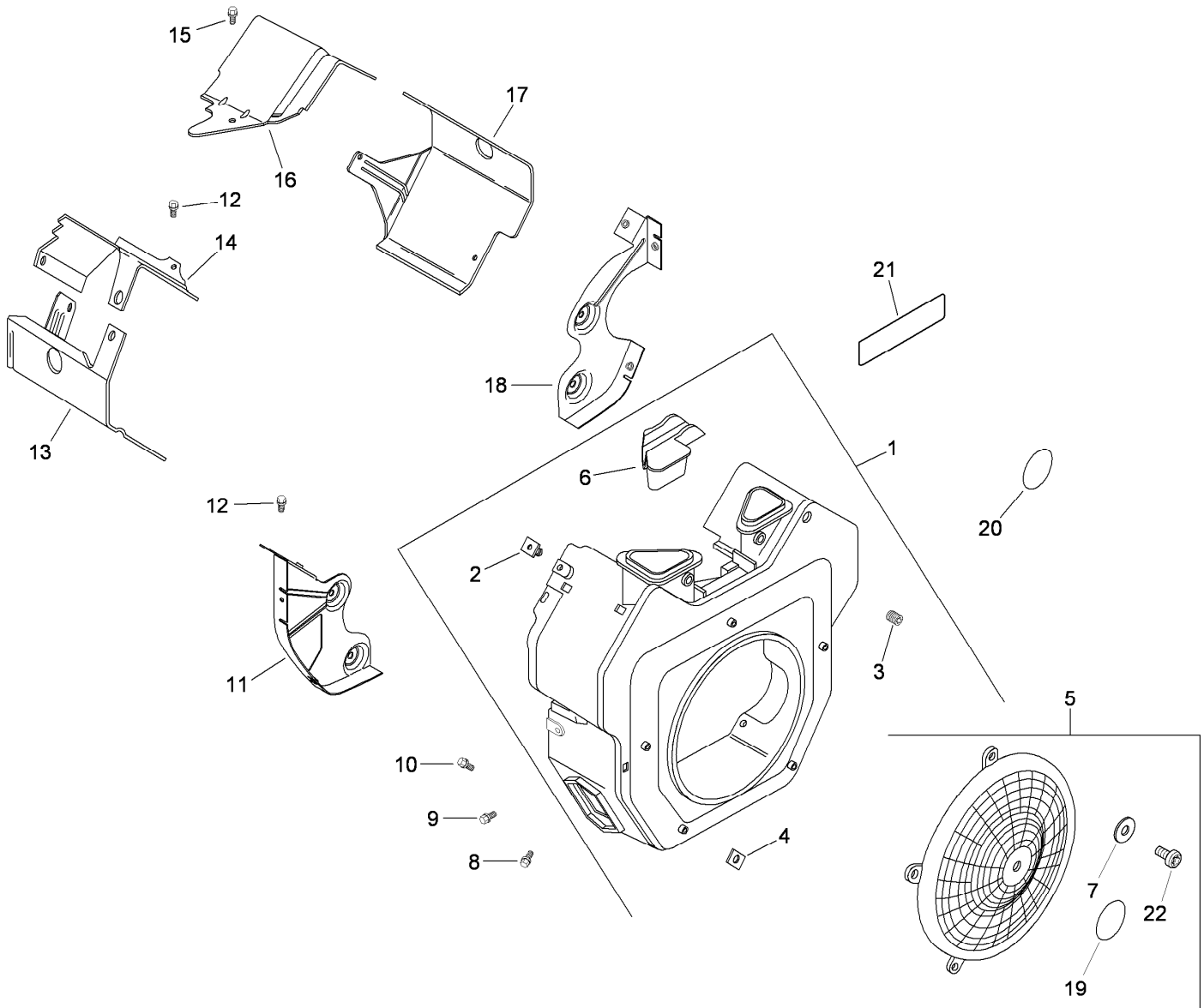


Ignition and Electrical Assembly Kohler CH23S-76549 (continued)

Ref.	Part Number	Qty.	Description
			● Not illustrated
24 176 08-S		1	Harness-Wiring ■●
24 518 12-S		1	Lead-Black (5-12 Insulated Grip Barrel Eyelet Terminals) ■●

● Not illustrated

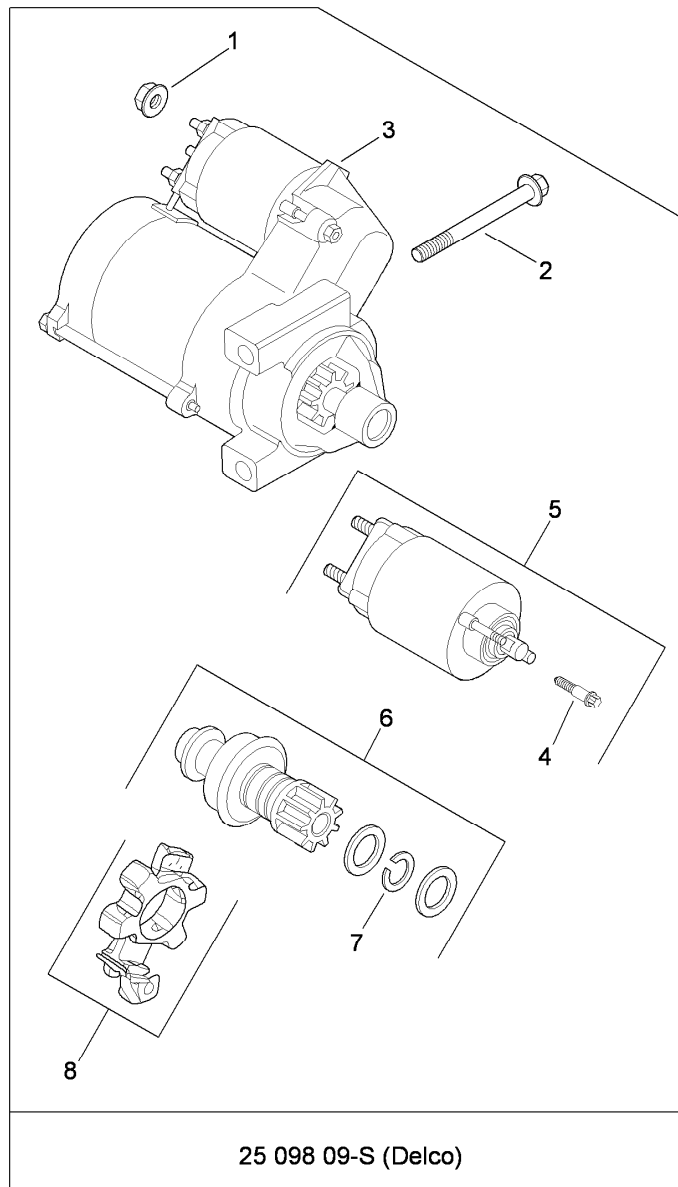
■ Obtain parts from www.kohlerplus.com



Blower Housing Assembly Kohler CH23S-76549

Ref.	Part Number	Qty.	Description	Ref.	Part Number	Qty.	Description
1	24 027 196-S	1	Blower Housing ASM (Includes Ref 2-4, 6) ●	12	M-645016-S	10	Screw-Flange, Thread Forming (M6X1.0X16) ●
2	24 100 02-S	2	Nut-Plastic ●	13	24 063 20-S	1	Baffle-Barrel, Cylinder (No. 2 Side) ●
3	25 086 43-S	1	Screw-Set (10-24X.25) ●	14	24 063 17-S	1	Baffle-Valley (No. 2 Side) ●
4	24 100 01-S	3	Nut-Plastic ●	15	M-545010-S	2	Screw-HHFTF (M5X.80X10) ●
5	24 755 81-S	1	Fixed Guard Kit (Includes Ref 7, 19, 22) ●	16	24 063 59-S	1	Baffle-Valley (No. 1 Side) ●
6	24 096 85-S	1	Cover-Housing, Blower ●	17	24 063 58-S	1	Baffle-Barrel, Cylinder (No. 1 Side) ●
7	24 332 01-S	5	Insert-Threaded ●	18	24 146 20-S	1	Plate-Backing (No. 1 Side) ●
8	M-551016-S	1	Screw-Hex Flange, Heavy (M5X0.8X16) ●	19	24 113 18-S	1	Decal-Screen, Grass ●
9	M-545016-S	3	Screw-Flange, Thread Forming (M5X0.8X16) ●	20	25 113 24-S	1	Decal-Screen, Grass ●
10	M-545020-S	4	Screw-Flange, Thread Forming (M5X.8X20) ●	21	24 113 96-S	1	Decal-22HP ●
11	24 146 16-S	1	Plate-Backing (No. 2 Side) ●	22	25 086 160-S	5	Screw-Sems ●

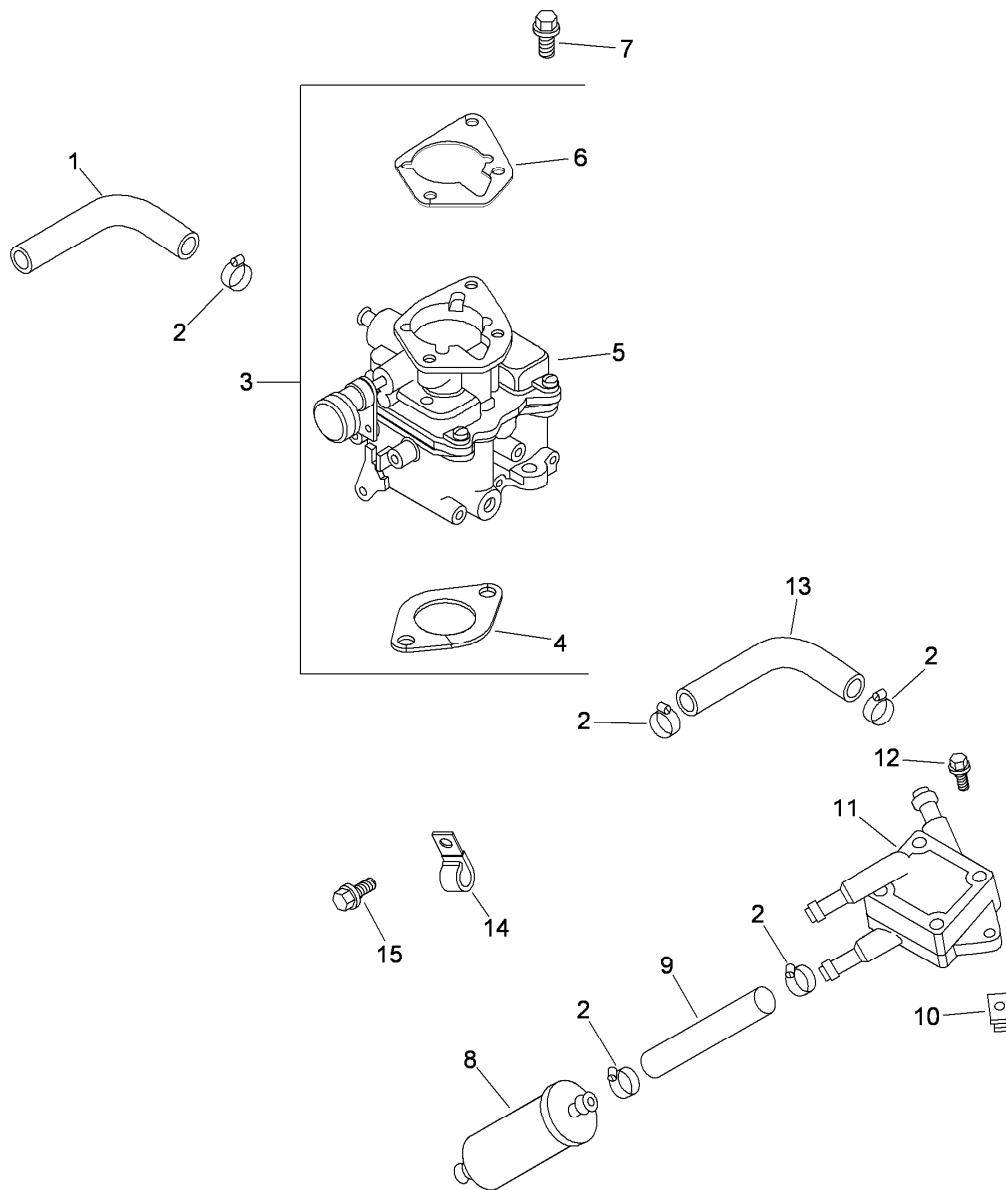
● Obtain parts from www.kohlerplus.com



Starter Assembly Kohler CH23S-76549

<i>Ref.</i>	<i>Part Number</i>	<i>Qty.</i>	<i>Description</i>
1	M-841080-S	1	Nut-Flange (M8X1.25) ●
2	M-839080-S	2	Screw-Flg (M8X1.25X80) ●
3	25 098 09-S	1	Starter ASM (Solenoid Shift) (Includes Ref 4-8) ●
4	25 086 113	3	Screw-External Torx Head ●
5	25 435 05-S	1	Solenoid Kit (Includes Ref 4) ●
6	25 755 33-S	1	Pinion Drive Kit (Includes Ref 7) ●
7	25 141 05-S	1	Ring-Retaining ●
8	25 221 01-S	1	Brush Holder Kit ●

● Obtain parts from www.kohlerplus.com

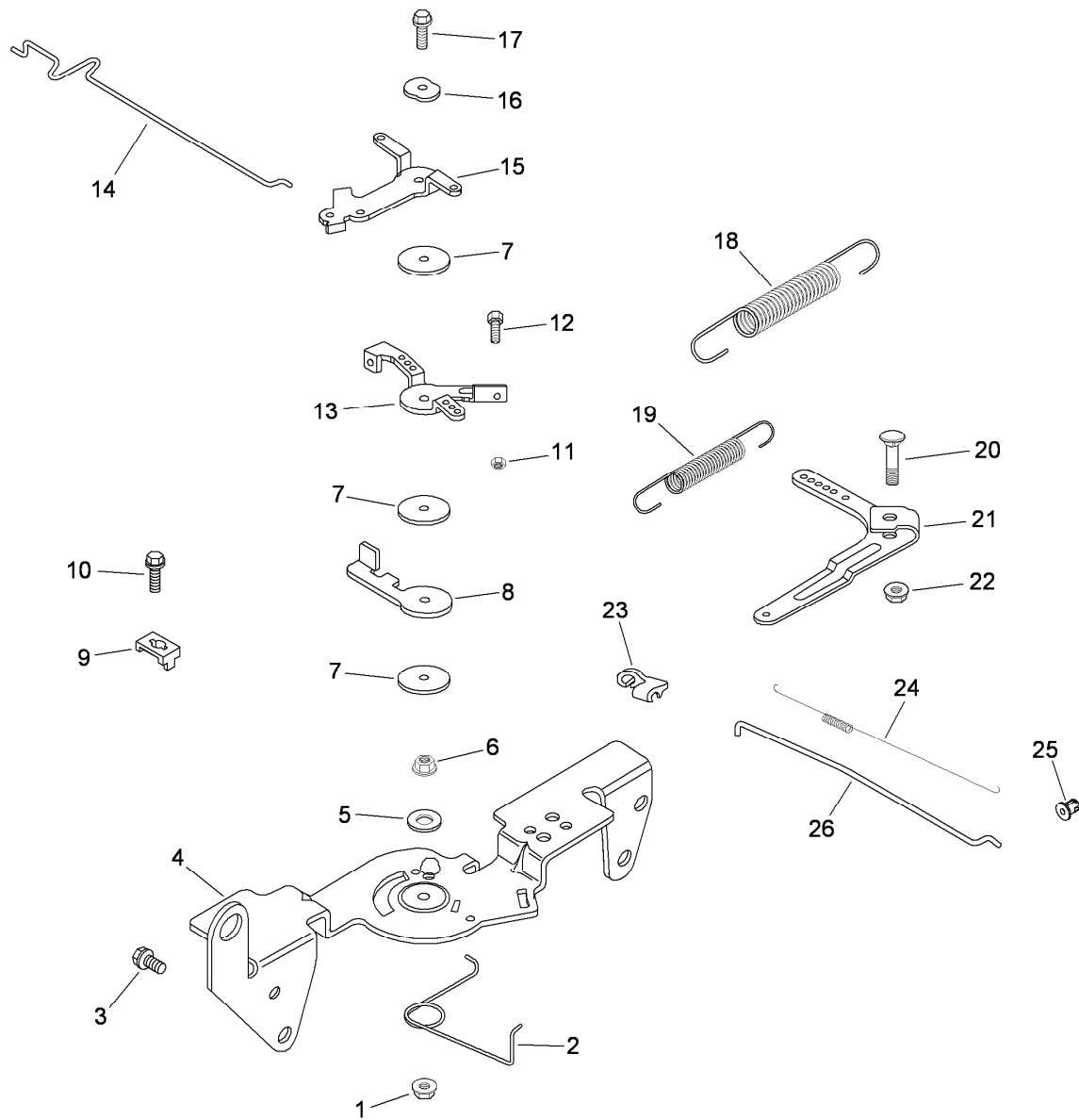


Fuel System Assembly Kohler CH23S-76549

Ref.	Part Number	Qty.	Description	Ref.	Part Number	Qty.	Description
1	25 353 32-S	1	Line-Fuel (9.5) ■	11	24 393 16-S	1	Pump-Fuel ■
2	25 237 14-S	6	Clamp-Hose, Spring (1/2) ■	12	24 086 12-S	2	Screw-TAP (M6X1.7X18) ■
3	24 853 59-S	1	Carburetor Kit (Includes Ref 4-6) ■	13	24 353 02-S	1	Line-Fuel, Flexible (15.5) ■
4	24 041 17-S	1	Gasket-Carburetor ■	14	M-650012-S	1	Screw-HF (M6X1.0X12) ■
5	24 053 59	1	Carburetor ASM ■	15	47 154 01-S	1	Clip-Cable ■
6	24 041 06-S	1	Gasket-Base, Air Cleaner ■		24 757 01-S	1	Solenoid Repair Kit ■●
7	M-651030-S	2	Screw-Flange (M6X1.0X30) ■		24 757 02-S	1	Float Repair Kit ■●
8	24 050 02-S	1	Filter-Fuel ■		24 757 03-S	1	Carburetor Repair Kit ■●
9	25 353 15-S	1	Line-Fuel (3.5) ■		24 757 07-S	1	Choke Repair Kit ■●
10	24 100 01-S	2	Nut-Plastic ■		24 757 125-S	1	High Altitude Kit With Gaskets ■●

● Not illustrated

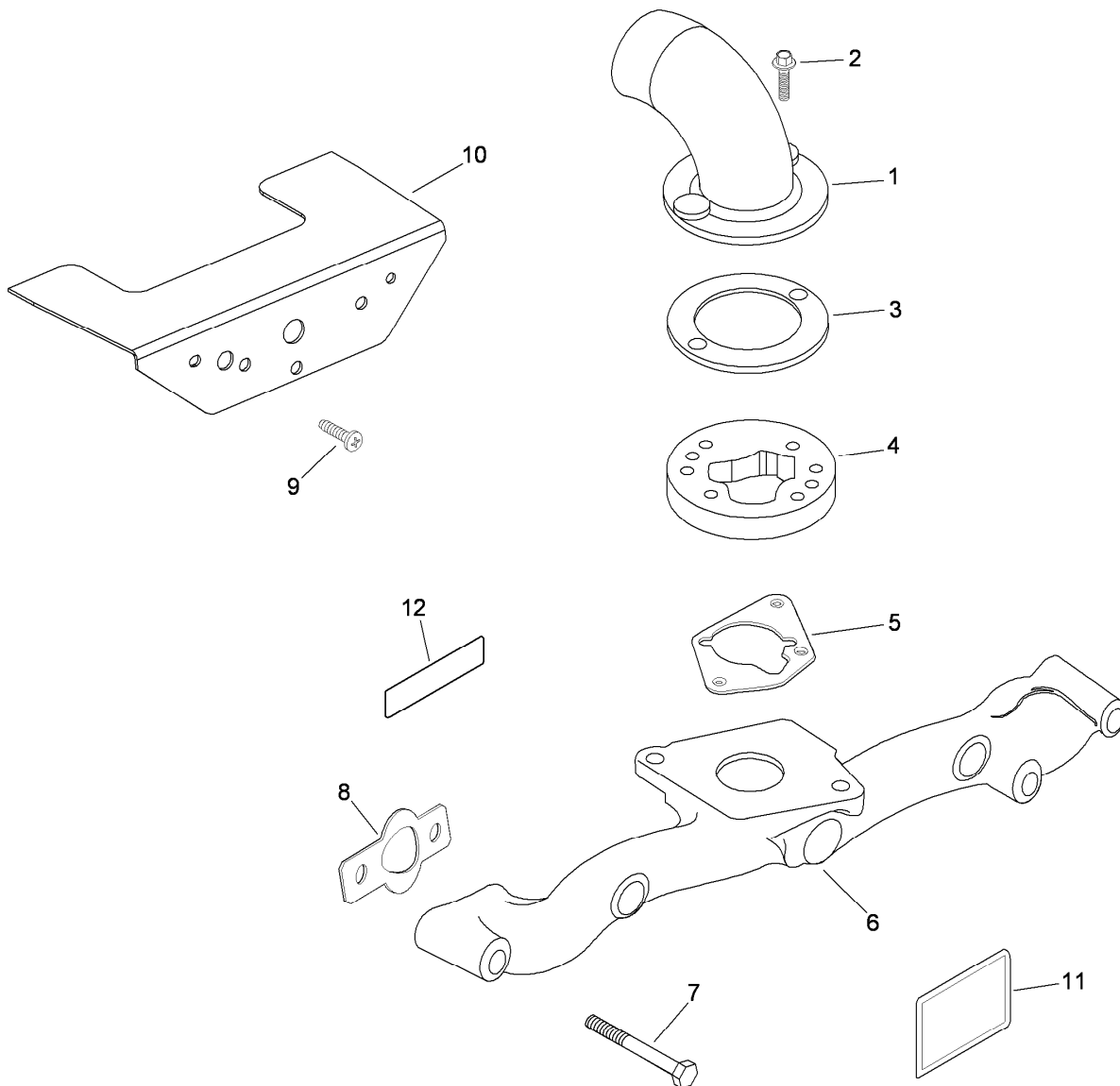
■ Obtain parts from www.kohlerplus.com



Engine Control Assembly Kohler CH23S-76549

Ref.	Part Number	Qty.	Description	Ref.	Part Number	Qty.	Description
1	M-547050-S	1	Nut-Lock (M5X.8) ●	15	24 090 05-S	1	Lever-Choke ●
2	24 089 03-S	1	Spring-Return, Choke ●	16	41 468 03-S	1	Washer-Spring (1/4) ●
3	M-645016-S	4	Screw-Flange, Thread Forming (M6X1.0X16) ●	17	M-545020-S	1	Screw-Flange, Thread Forming (M5X.8X20) ●
4	24 126 56-S	1	Bracket-Control ●	18	24 089 51-S	1	Spring-Limiter, Throttle ●
5	X-20-1-S	1	Washer-Lock (.25) ●	19	24 089 46-S	1	Spring-Governor ●
6	M-541050-S	1	Nut-HF (M5X0.8) ●	20	24 211 03-S	1	Bolt-Sq Neck, Rd HD (M6X1.0X25) ●
7	24 468 01-S	3	Washer-Flat (5.5MM) ●	21	24 090 33-S	1	Lever-Governor ●
8	24 090 07-S	1	Lever-Actuator, Throttle ●	22	M-641060-S	1	Nut-Flange (M6X1.0) ●
9	12 237 01-S	2	Clamp-Cable ●	23	25 158 11-S	1	Bushing-Retaining, Linkage ●
10	M-545016-S	3	Screw-Flange, Thread Forming (M5X0.8X16) ●	24	24 089 01-S	1	Spring-Linkage ●
11	M-446030-S	1	Nut (M4X0.7) ●	25	25 158 08-S	1	Bushing-Linkage, Throttle ●
12	M-401030-S	1	Screw (M4X0.7X30) ●	26	24 079 01-S	1	Linkage-Throttle ●
13	24 090 03-S	1	Lever-Control, Throttle ●				
14	24 079 21-S	1	Linkage-Choke ●				

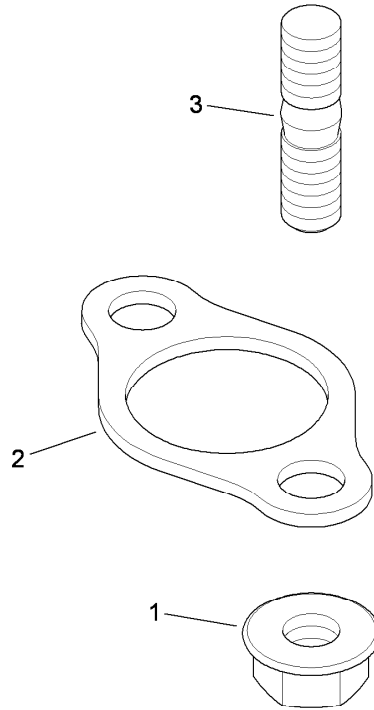
● Obtain parts from www.kohlerplus.com



Air Intake and Filtration Assembly Kohler CH23S-76549

<i>Ref.</i>	<i>Part Number</i>	<i>Qty.</i>	<i>Description</i>
1	24 029 21-S	1	Adapter-Cleaner, Air ●
2	M-639016-S	6	Screw-HF (M6X1.0X16) ●
3	24 041 34-S	1	Gasket-Adapter ●
4	24 029 31-S	1	Adapter ●
5	24 041 06-S	1	Gasket-Base, Air Cleaner ●
6	24 164 14-S	1	Manifold-Intake ●
7	25 086 84-S	4	Screw-HF (M6X1.0X55) ●
8	24 041 01-S	2	Gasket-Manifold, Intake ●
9	24 086 06-S	2	Screw-PPH (11-16X3/4) ●
10	24 314 25-S	1	Shield-Debris ●
11	25 113 27-S	1	Decal-Cleaner, Air ●
12	24 146 25-S	1	Decal-22HP ●

● Obtain parts from www.kohlerplus.com



Exhaust Assembly Kohler CH23S-76549

<i>Ref.</i>	<i>Part Number</i>	<i>Qty.</i>	<i>Description</i>
1	M-841080-S	4	Nut-Flange (M8X1.25) ■
2	24 041 49-S	2	Gasket-Exhaust ■
3	25 072 04-S	4	Stud (M8X1.25X33) ■

● Not illustrated

■ Obtain parts from www.kohlerplus.com

Attachments and Accessories

For 22318 Dingo 323 Compact Utility Loader

Product Name	Model/Part
Tire Chain Kit	100-4140
Helmet-Face Shield	100-4143
Light Kit.....	100-8940
Narrow Tire ASM	104-0572
Tube-Tire (18 x 8.50-10)	105-4070
Rubber Foot Mat.....	105-5805
Tube-Tire (18 X 8.50-8).....	106396
CE Conversion Kit	22366
4 Cubic Foot Standard Bucket	22409
Loose Materials Bucket	22410
48in Hydraulic Blade	22414
Rotary Broom	22415
Counterweight	22417
Bore Drive Head	22420
Rod and Reamer	22421
Multi-Purpose Tool.....	22423
Power Box Rake	22425
Stump Grinder	22429
Tree Forks	22438
Cement Bowl	22442
The Eliminator Scarifier/Groomer	22443
40in Tiller	22445
Snowthrower.....	22456
Trencher Head.....	22470
High-Speed Trencher Head	22471
Narrow Bucket	22520
Over-the-Tire Rubber Tracks	22662
Steel Track Kit	22665
Auger Head	22802
Universal Swivel Auger Head	22803
Vibratory Plow	22910
Soil Cultivator	23101
Seeder Box Kit, Soil Cultivator	23120
Concrete Breaker	23135
Backhoe.....	23163
Adjustable Forks.....	23164
Leveler.....	23165
Tube	232-37
LH Wheel And Tire ASM	98-2747
Wheel and Tire ASM.....	98-4709
Spark Arrestor	98-9099
RH Wheel And Tire ASM	99-1447
RH Wheel And Tire ASM (Powerlug)	99-3140
LH Wheel And Tire ASM (Powerlug).....	99-3141
Hydraulic Relief Valve Kit.....	99-4360

Notes:



Count on it.