



Count on it.

Parts Catalog

**Greensmaster® 3300 TriFlex®
Traction Unit**

Model No. 04510—Serial No. 410400000 and Up



Ordering Replacement Parts

To order replacement parts, please supply the part number, the quantity, and the description of each part desired.

Understanding Reference Numbers

Each identified part in an illustration has a reference number. The reference number for a part also appears in the parts list, along with other information about the part.

This catalog uses two special reference number formats, one to indicate parts in a service assembly and another to indicate the quantity of a given part in an illustration.

Service Assembly Reference Numbers

Parts in service assemblies have reference numbers in the form a:b. The a represents the reference number of the entire service assembly and the b represents a sequential number unique to each part within the service assembly.

For example, a wheel assembly might be identified by reference number 6, the tire by 6:1, the valve by 6:2, and the wheel by 6:3. When you order the assembly identified by reference number 6, you receive all parts identified by reference numbers 6:1, 6:2, and 6:3. However, you may also order any part individually. Reference numbers of this type appear in illustration and in parts lists.

Reference Numbers Indicating Quantity

In an illustration, if a reference number indicates more than one part, the reference number has the form nX y. The n represents the quantity of the part, the X is the multiplication symbol, and the y represents the reference number.

For example, in an illustration, the reference number 2X 37 means that two of the parts identified by reference number 37 are indicated.

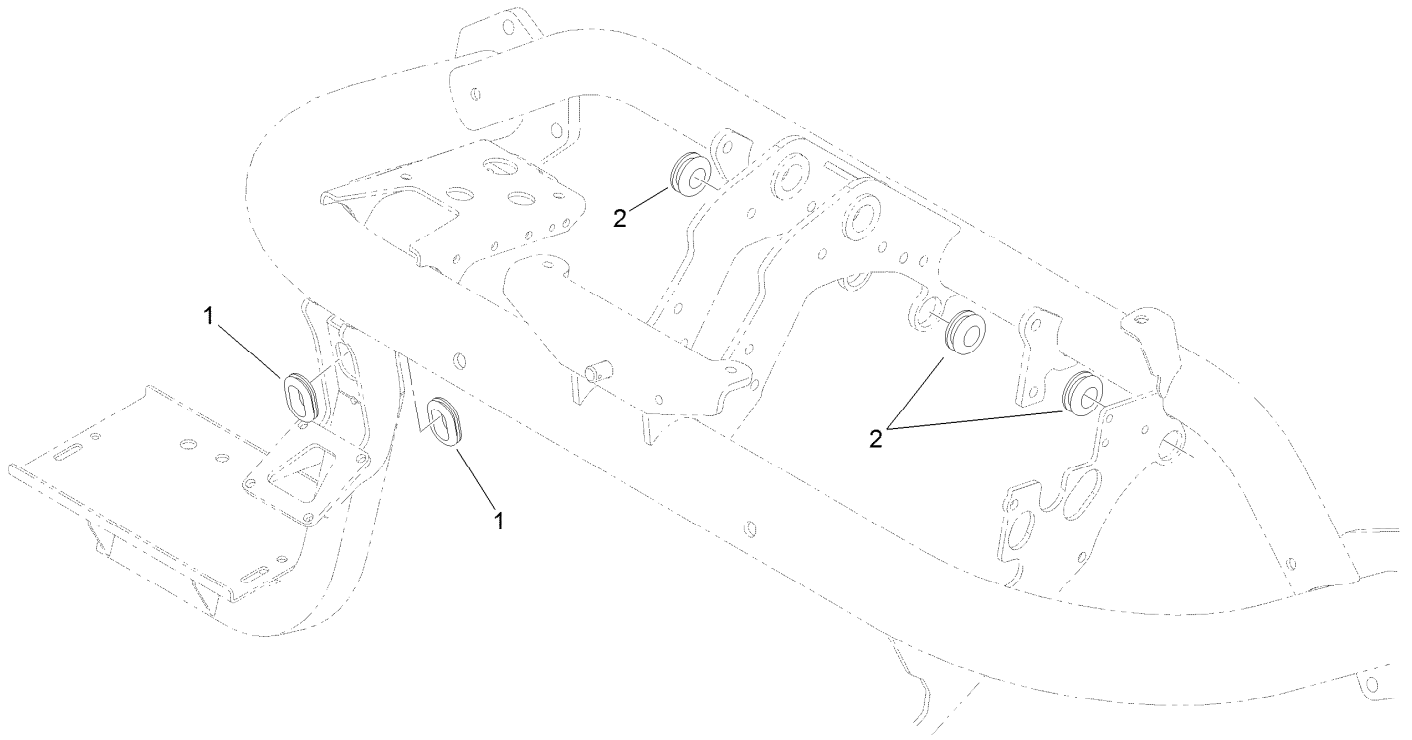
Contents

| | |
|---|----|
| Roll-Over Protection System Assembly | 4 |
| Brake Cable Grommet Assembly | 5 |
| Frame Assembly | 6 |
| Platform Assembly | 7 |
| Right Hand Support Platform Assembly | 8 |
| Seatbase Assembly | 9 |
| Steering Arm and Adjuster Assembly | 10 |
| Brake Cable and Lever Assembly | 11 |
| Back Wheel Assembly | 12 |
| Hydraulic Cylinder Assembly No. 117-4480 | 13 |
| Front Wheel Assembly | 14 |
| Right Hand Brake Assembly No. 139-2722 | 15 |
| Left Hand Brake Assembly No. 139-2721 | 16 |
| Right Hand Wheel Motor Assembly No. 117-4302 | 17 |
| Left Hand Wheel Motor Assembly No. 117-4303 | 18 |
| Console and Reel Control Assembly | 19 |
| Traction Interface Control Assembly | 20 |
| Ignition, Throttle and Choke Control Assembly | 21 |
| Console Cable Routing Assembly | 22 |
| Engine and Exhaust Assembly | 23 |
| Battery Assembly | 24 |
| Wire Harness Assembly | 25 |
| Pump Coupling Assembly | 26 |
| Neutral Centering Assembly | 27 |
| Traction Drive Hydraulic Line Assembly | 28 |
| Traction Drive Hose Routing Assembly | 29 |
| Hydraulic Mow Assembly | 30 |
| Hydraulic Mow Manifold Assembly | 31 |
| Hydraulic Mow Manifold Assembly No. 117-9858 | 32 |
| Hydraulic Mow Clamp Assembly | 33 |
| Hydraulic Mow Hose Routing Assembly | 34 |
| Hydraulic Mow Reel Motor Assembly | 35 |
| Hydraulic Reel Motor Assembly No. 115-3321 | 36 |
| Hydraulic Mow Gear Pump Assembly | 37 |
| Hydraulic Gear Pump Assembly No. 114-9956 | 38 |
| Lift Circuit Assembly | 39 |
| Steering Valve Assembly No. 114-4672 | 41 |
| Hydraulic Cylinder Assembly No. 119-8129 | 42 |
| Hydraulic Cylinder Assembly No. 119-8128 | 43 |
| Hydraulic Lift Manifold Assembly | 44 |
| Hydraulic Lift Manifold Assembly No. 125-5187 | 45 |
| Steering Circuit Assembly | 46 |
| Fuel Line and Carbon Canister Hose Routing Assembly | 47 |
| Fuel Tank Assembly | 48 |
| Hydraulic Tank and Leak Detector Assembly | 49 |
| Suspension and Basket Assembly | 51 |
| Basket Assembly No. 132-9599 | 52 |
| Suspension Pin Position Assembly | 53 |
| Suspension A-Arm Assembly | 54 |
| Suspension Crossarm Assembly | 55 |
| Attachments and Accessories | 56 |



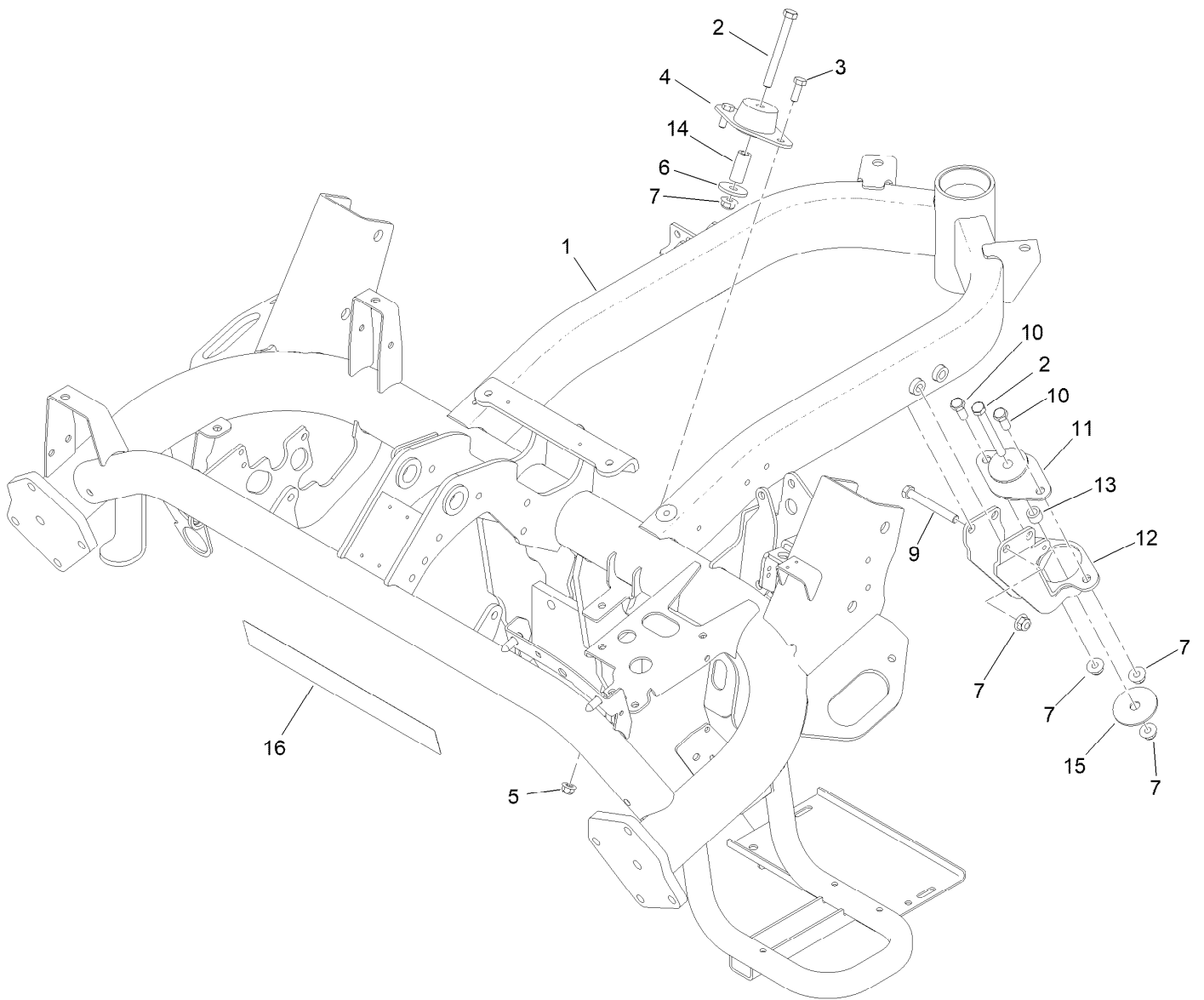
Roll-Over Protection System Assembly

| <i>Ref.</i> | <i>Part Number</i> | <i>Qty.</i> | <i>Description</i> | <i>Ref.</i> | <i>Part Number</i> | <i>Qty.</i> | <i>Description</i> |
|-------------|--------------------|-------------|--------------------|-------------|--------------------|-------------|-----------------------|
| 1 | 115-8206 | 1 | ROPS ASM | 7 | 117-9051-01 | 1 | Step |
| 1:2 | 115-8199 | 1 | Decal-ROPS | 8 | 119-4468-01 | 1 | Plate-Step |
| 1:3 | 115-8226 | 1 | Decal-ROPS | 9 | 32104-32 | 9 | Screw-HWH |
| 2 | 325-35 | 4 | Screw-HH | 11 | 2412-133 | 2 | Clamp-R |
| 3 | 117-9023 | 1 | Casting-Side, RH | 12 | 104-7050 | 1 | Tube-Manual |
| 3:2 | 94-9609 | 2 | Bushing-Straight | 13 | 104-7048 | 1 | Cap-Housing |
| 4 | 99-5107 | 4 | Nut-Lock | 14 | 302-59 | 1 | Plug-EXT Hex Spl |
| 5 | 117-9035 | 8 | Screw-HHF | 17 | 119-1730 | 1 | Receptacle-Clip, Mini |
| 6 | 117-9022 | 1 | Casting-Side, LH | 18 | 3269-32 | 2 | Rivet-Pop |
| 6:2 | 60-0080 | 2 | Bushing | 19 | 121-5865 | 1 | Clip-Cover, Back |



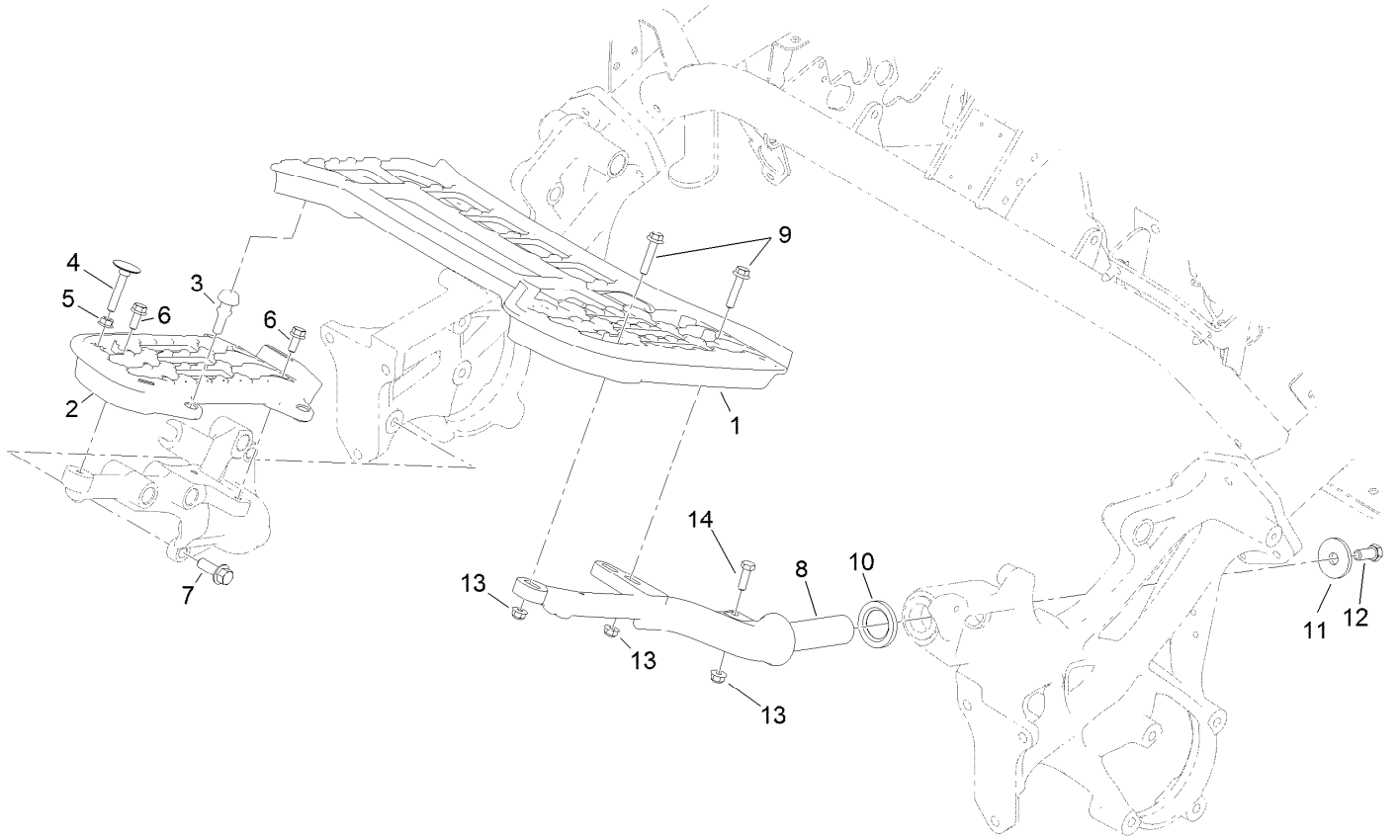
Brake Cable Grommet Assembly

| <i>Ref.</i> | <i>Part Number</i> | <i>Qty.</i> | <i>Description</i> |
|-------------|--------------------|-------------|--------------------|
| 1 | 240-5 | 2 | Grommet |
| 2 | 98-8529 | 3 | Grommet |



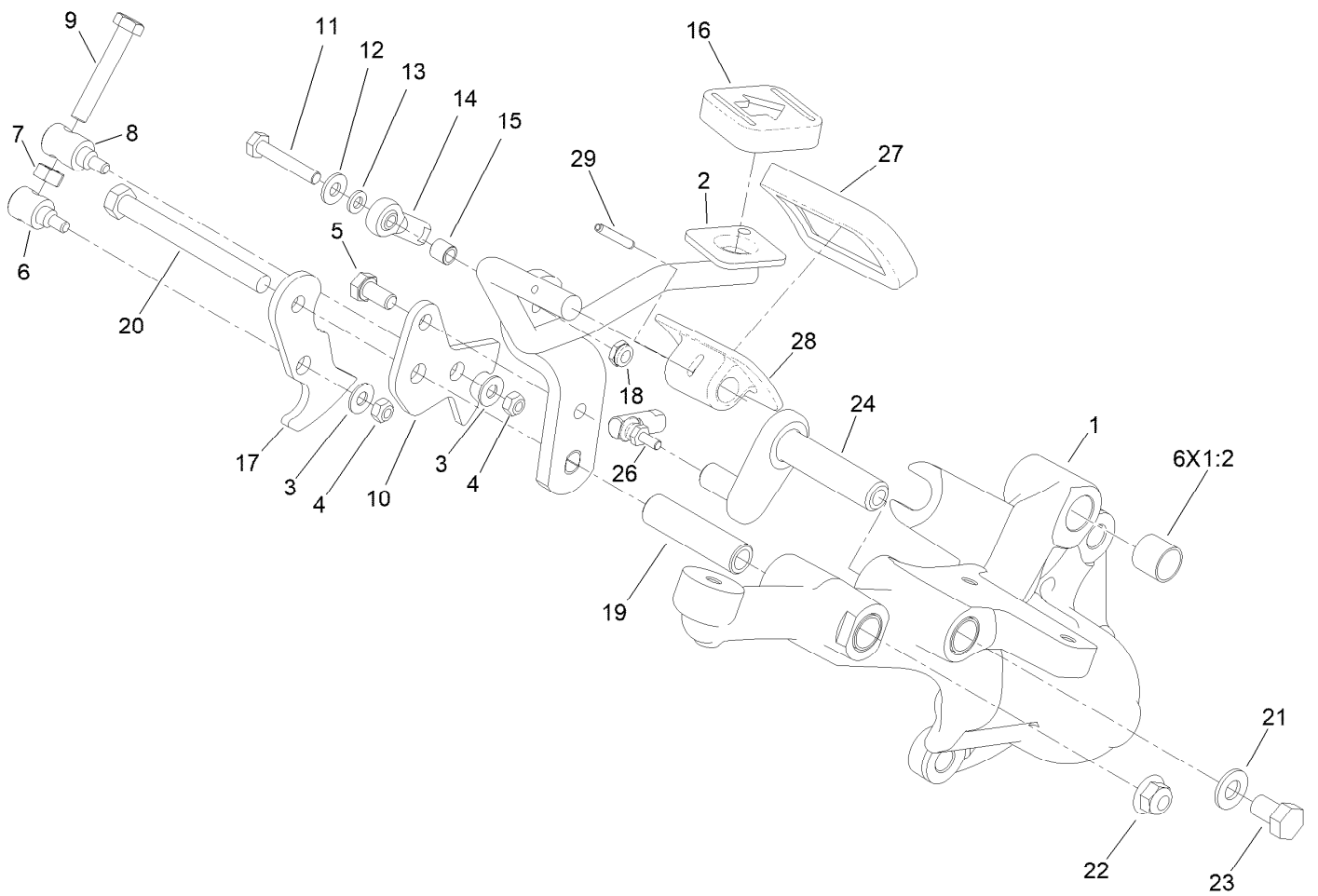
Frame Assembly

| Ref. | Part Number | Qty. | Description |
|-------------|--------------------|-------------|--------------------|
| 1 | 140-5297-01 | 1 | Frame ASM |
| 2 | 323-15 | 3 | Screw-HH |
| 3 | 322-4 | 4 | Screw-HH |
| 4 | 121-9076 | 2 | Mount-Engine |
| 5 | 104-8300 | 4 | Nut-HF, NI |
| 6 | 117-9330 | 2 | Spacer |
| 7 | 104-8301 | 7 | Nut-HF, NI |
| 9 | 323-14 | 2 | Screw-HH |
| 10 | 323-5 | 2 | Screw-HH |
| 11 | 131-1821 | 1 | Mount-Engine |
| 12 | 117-9256-01 | 1 | Mount-Engine, Rear |
| 13 | 52-2480 | 1 | Spacer-Wheel |
| 14 | 104-0151 | 2 | Spacer |
| 15 | 87-5100 | 1 | Washer-Snubbing |
| 16 | 119-9348 | 1 | Decal |



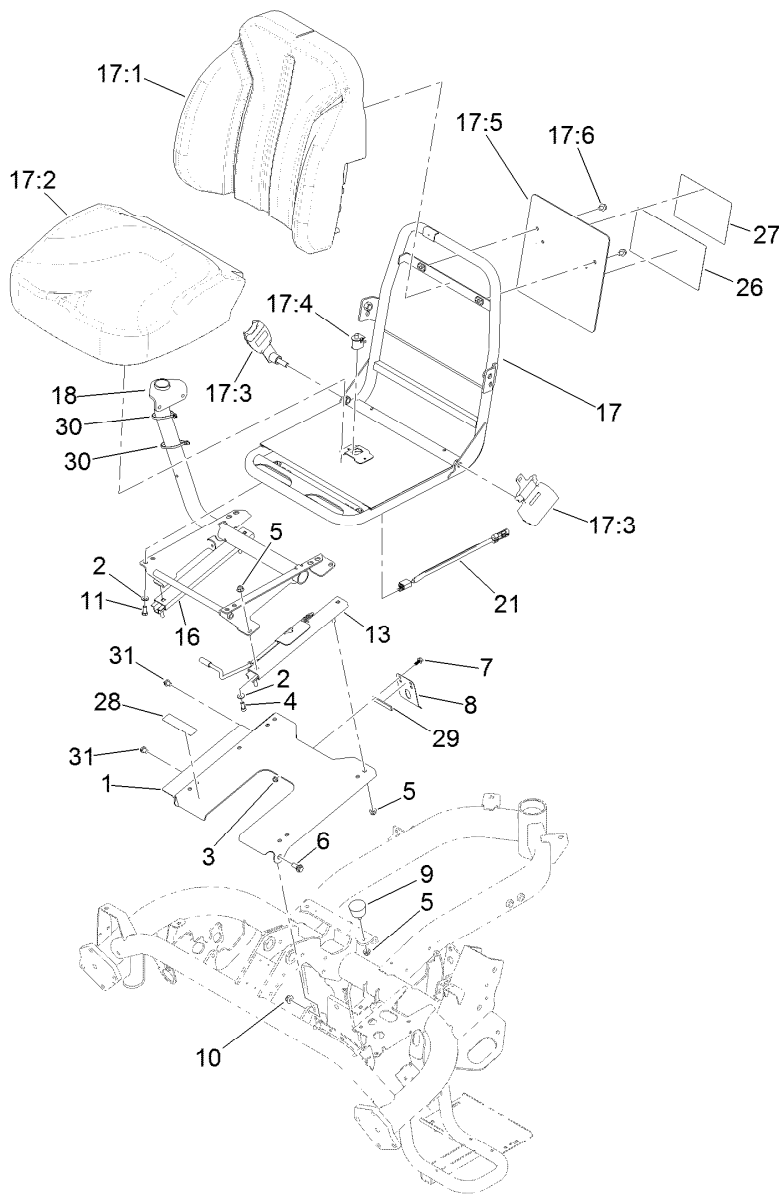
Platform Assembly

| <i>Ref.</i> | <i>Part Number</i> | <i>Qty.</i> | <i>Description</i> |
|-------------|--------------------|-------------|----------------------|
| 1 | 137-7768 | 1 | Platform-LH |
| 2 | 117-9008 | 1 | Platform-RH |
| 3 | 117-9072 | 2 | Bumper-Rubber |
| 4 | 115-8240 | 1 | Screw-Elevator |
| 5 | 32128-20 | 1 | Nut-HF |
| 6 | 3234-47 | 3 | Screw-HHF |
| 7 | 117-9035 | 3 | Screw-HHF |
| 8 | 117-9006-01 | 1 | Support-Platform, LH |
| 9 | 115-1794 | 3 | Screw-HHF |
| 10 | 94-8946 | 1 | Washer-Thrust |
| 11 | 84-1560 | 1 | Washer-Thrust |
| 12 | 324-4 | 1 | Screw-HH |
| 13 | 104-8300 | 4 | Nut-HF, NI |
| 14 | 322-5 | 1 | Screw-HH |



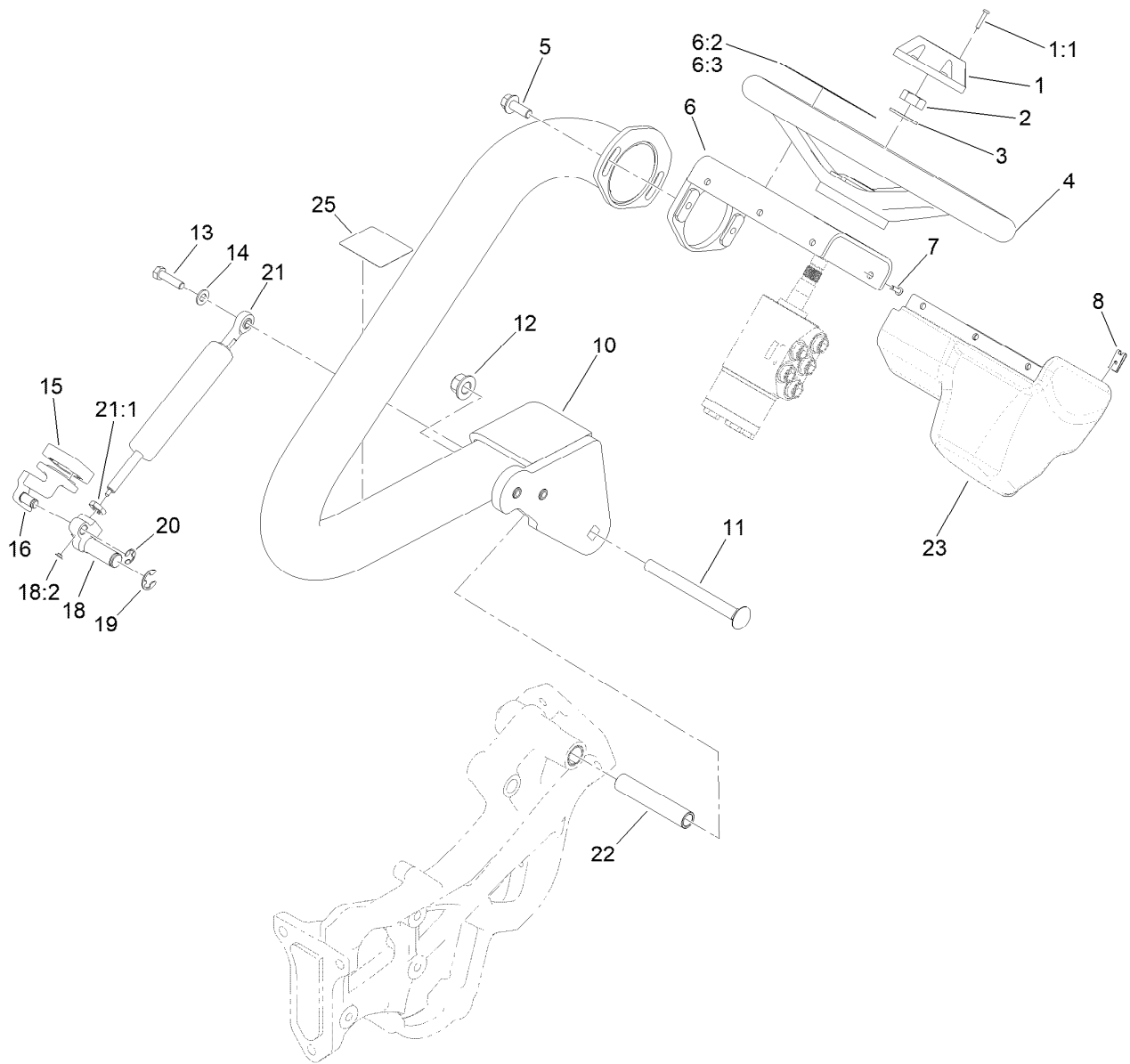
Right Hand Support Platform Assembly

| <i>Ref.</i> | <i>Part Number</i> | <i>Qty.</i> | <i>Description</i> | <i>Ref.</i> | <i>Part Number</i> | <i>Qty.</i> | <i>Description</i> |
|-------------|--------------------|-------------|------------------------|-------------|--------------------|-------------|------------------------|
| 1 | 133-2313 | 1 | Support-Platform, RH | 15 | 99-3545 | 1 | Spacer |
| 1:2 | 256-311 | 6 | Bushing-Split | 16 | 74-9110 | 1 | Pad-Pedal, Reverse |
| 2 | 119-1725-01 | 1 | Rod-Traction | 17 | 140-5246 | 1 | Bracket-Mow |
| 3 | 3256-1 | 2 | Washer-Flat | 18 | 3296-56 | 1 | Nut-Lock, NI |
| 4 | 33023-00 | 2 | Nut-Lock | 19 | 94-1371 | 1 | Spacer |
| 5 | 33114-016 | 1 | Screw-HH | 20 | 323-42 | 1 | Screw-HH |
| 6 | 94-1374 | 1 | Trunnion-Bracket, Mow | 21 | 3256-24 | 1 | Washer-Plain |
| 7 | 33014-00 | 1 | Nut-Hex | 22 | 104-8301 | 1 | Nut-HF, NI |
| 8 | 94-1375 | 1 | Trunnion-Bracket, Lock | 23 | 33115-016 | 1 | Screw-HH |
| 9 | 94-3489 | 1 | Screw-HH | 24 | 140-6108 | 1 | Pin-Flag, Neutral Lock |
| 10 | 117-9021 | 1 | Bracket-Lock | 26 | 2411-38 | 1 | Joint-Ball |
| 11 | 321-9 | 1 | Screw-HH | 27 | 74-9100 | 1 | Pad-Pedal, Forward |
| 12 | 3256-22 | 1 | Washer-Flat | 28 | 117-9507 | 1 | Pedal-Accelerator |
| 13 | 33093-00 | 1 | Washer-Flat | 29 | 32121-45 | 1 | Pin-Spring |
| 14 | 2411-41 | 1 | Rod End-Ball Joint | | | | |



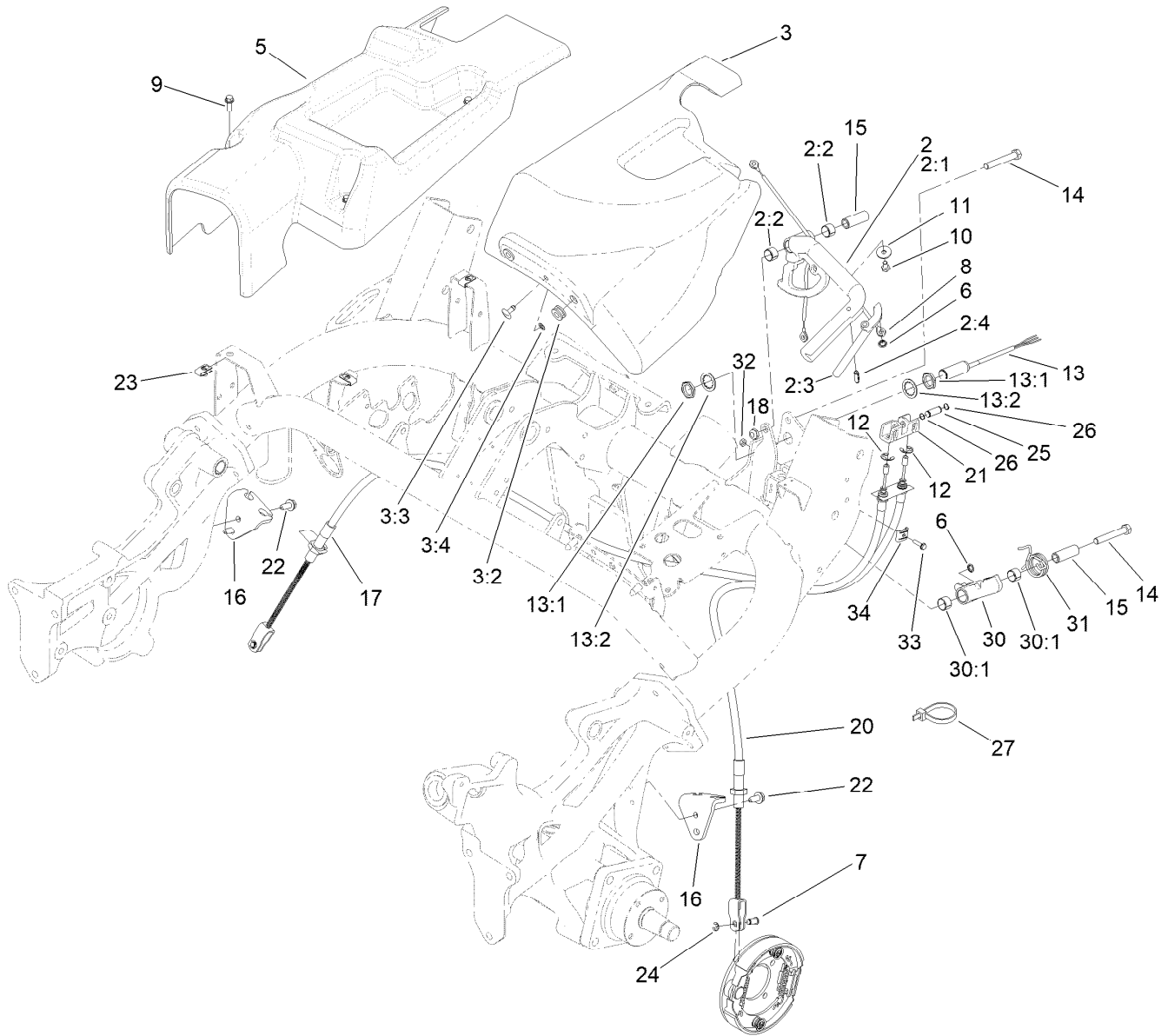
Seatbase Assembly

| <i>Ref.</i> | <i>Part Number</i> | <i>Qty.</i> | <i>Description</i> | <i>Ref.</i> | <i>Part Number</i> | <i>Qty.</i> | <i>Description</i> |
|-------------|--------------------|-------------|----------------------------|-------------|--------------------|-------------|----------------------------|
| 1 | 136-8405-03 | 1 | Plate-Seat | 18 | 139-6453-03 | 1 | Console Mount ASM, Welded |
| 2 | 3256-23 | 8 | Washer-Plain | 21 | 108-8657 | 1 | Harness-Wire, Seat |
| 3 | 104-7201 | 2 | Nut-HF, NI | 26 | 115-8159 | 1 | Decal-Service, Spanish |
| 4 | 3274-10 | 4 | Screw-HSH | 26 | 115-8160 | 1 | Decal-Service, French |
| 5 | 104-8300 | 10 | Nut-HF, NI | 26 | 115-8161 | 1 | Decal-Service, German |
| 6 | 94-7582 | 2 | Bolt-Shoulder | 26 | 115-8162 | 1 | Decal-Service, Swedish |
| 7 | 99-6810 | 2 | Screw-HHF | 26 | 115-8163 | 1 | Decal-Service, Italian |
| 8 | 66-2630 | 1 | Latch-Seat | 26 | 115-8164 | 1 | Decal-Service, Portuguese |
| 9 | 68-3270 | 2 | Bumper-Rubber | 26 | 115-8165 | 1 | Decal-Service, Norwegian |
| 10 | 104-8301 | 2 | Nut-HF, NI | 26 | 115-8166 | 1 | Decal-Service, Finnish |
| 11 | 322-3 | 4 | Screw-HH | 26 | 115-8167 | 1 | Decal-Service, Danish |
| 13 | 133-8896 | 1 | Seat Adjuster Lever ASM | 26 | 115-8168 | 1 | Decal-Service, Dutch |
| 16 | 92-8990 | 1 | Adjuster-Seat, Non-Locking | 26 | 115-8169 | 1 | Decal-Service, Japanese |
| 17 | 139-2680 | 1 | Seat ASM | 26 | 139-2727 | 1 | Decal-Service, GR3300/3320 |
| 17:1 | 145-0083 | 1 | Cover-Seat, Back | 27 | 115-8156 | 1 | Decal-Speed, Clip |
| 17:2 | 145-0084 | 1 | Cover-Seat, Bottom | 28 | 133-8062 | 1 | Decal-Arrestor, Spark |
| 17:3 | 139-2707 | 1 | Seat Belt Kit | 29 | 120-5753 | 1 | Strip-Foam |
| 17:4 | 82-2190 | 1 | Switch-Bail | 30 | 3290-379 | 2 | Tie-Cable |
| 17:5 | 139-2701 | 1 | Plate-Decal | 31 | 32180-030 | 2 | Clip-Tie |
| 17:6 | 3234-30 | 2 | Screw-HHF | | | | |



Steering Arm and Adjuster Assembly

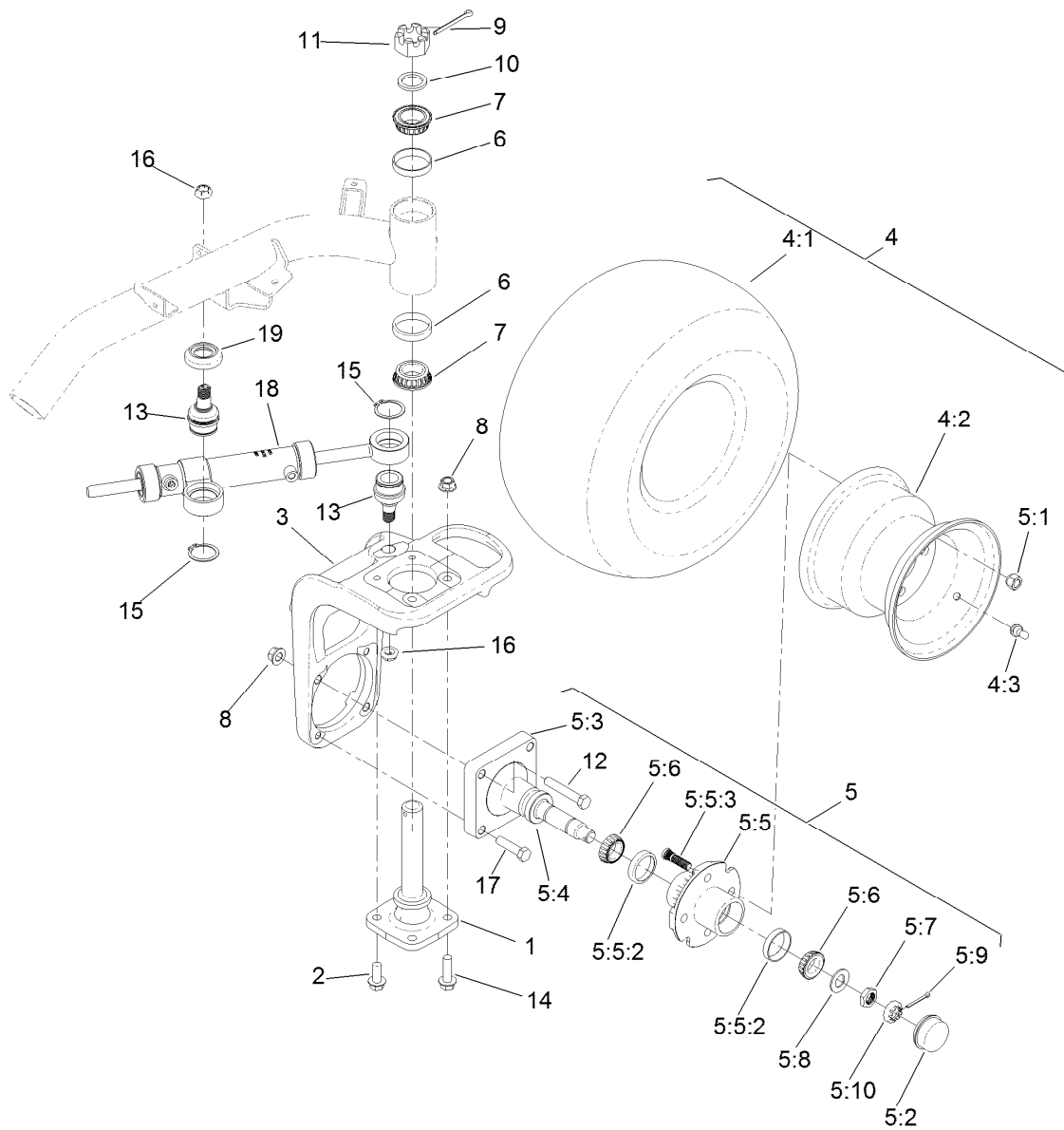
| <i>Ref.</i> | <i>Part Number</i> | <i>Qty.</i> | <i>Description</i> | <i>Ref.</i> | <i>Part Number</i> | <i>Qty.</i> | <i>Description</i> |
|-------------|--------------------|-------------|------------------------|-------------|--------------------|-------------|-----------------------|
| 1 | 68-5140 | 1 | Cap-Wheel, Steering | 13 | 322-5 | 1 | Screw-HH |
| 1:1 | 32144-21 | 1 | Screw | 14 | 3256-23 | 1 | Washer-Plain |
| 2 | 3296-33 | 1 | Nut-Lock, NI | 15 | 74-9110 | 1 | Pad-Pedal, Reverse |
| 3 | 3256-27 | 1 | Washer-Flat | 16 | 138-6456 | 1 | Lever (Mach) |
| 4 | 145-0051 | 1 | Steering Wheel | 18 | 133-9030 | 1 | Pivot Lever ASM |
| 5 | 3234-42 | 2 | Screw-HHF | 18:2 | 133-8995 | 1 | Bushing |
| 6 | 136-8571 | 1 | Mount-Steering | 19 | 32120-19 | 1 | E-Ring |
| 6:2 | 136-8506 | 1 | Decal-Danger | 20 | 105-7004 | 1 | E-Ring |
| 6:3 | 136-8505 | 1 | Decal-Danger, CE | 21 | 133-9036 | 1 | Cylinder-Gas |
| 7 | 3274-39 | 6 | Screw-HSBH | 21:1 | 112-8617 | 1 | Nut-Hex |
| 8 | 3290-277 | 6 | Nut-Speed | 22 | 117-9002 | 1 | Spacer |
| 10 | 139-8582-01 | 1 | Steering Arm ASM [red] | 23 | 119-9300 | 1 | Cover-Valve, Steering |
| 11 | 114-7723 | 1 | Screw-CARR | 25 | 119-9346 | 1 | Decal-Arm, Steering |
| 12 | 99-5107 | 1 | Nut-Lock | | | | |



Brake Cable and Lever Assembly

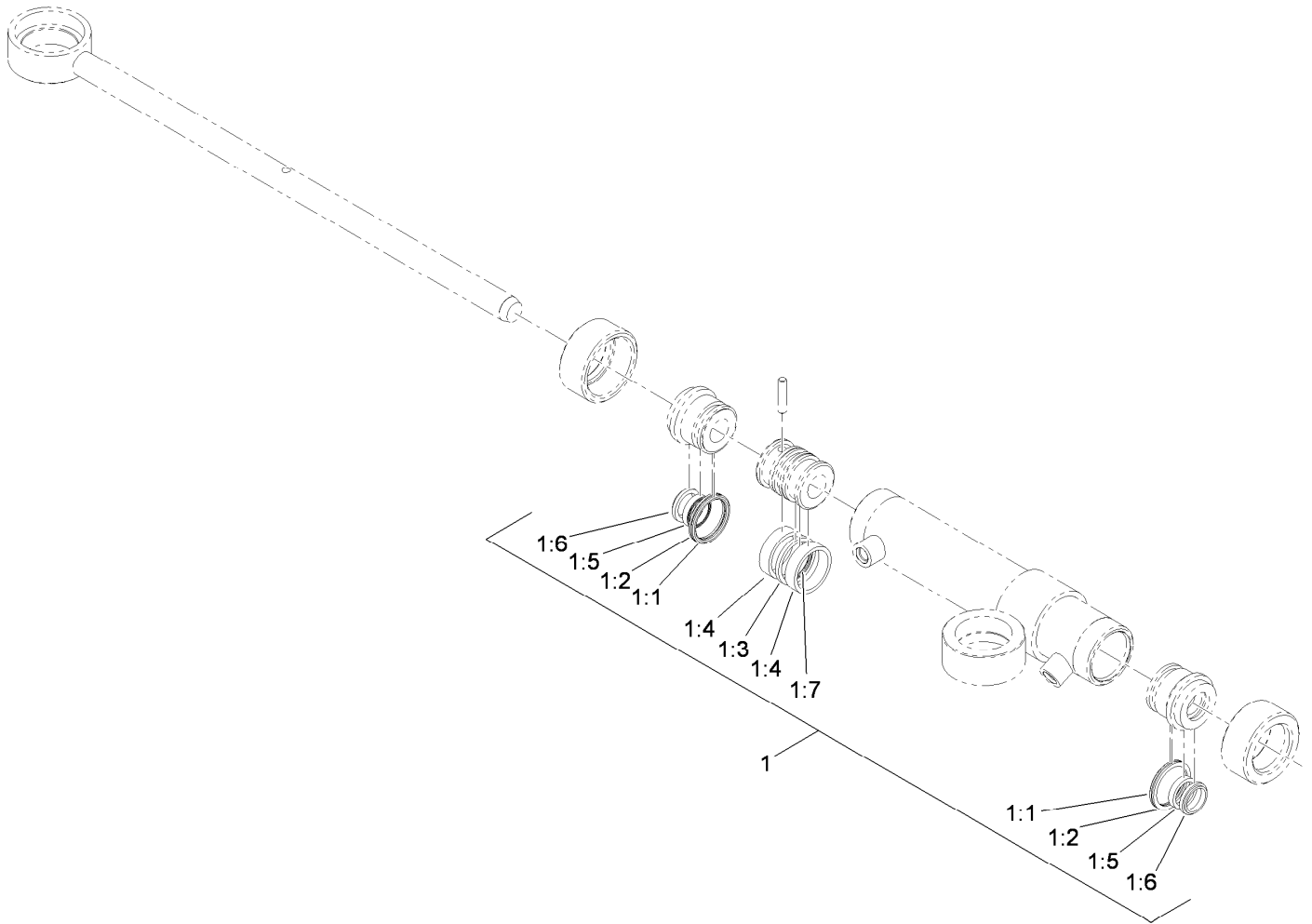
| Ref. | Part Number | Qty. | Description |
|------|-------------|------|-----------------------------|
| 2 | 140-6217 | 1 | Hand Brake Lever Assembly |
| 2:1 | 131-3024 | 1 | Lever-Brake, Hand |
| 2:2 | 1-653600 | 2 | Bushing |
| 2:3 | 131-3003 | 1 | Lever-Release |
| 2:4 | 32121-24 | 1 | Pin-Spring |
| 3 | 131-3025 | 1 | LH Cover ASM |
| 3:2 | 119-1728 | 1 | Stud-1/4 Turn |
| 3:3 | 119-1729 | 1 | Retainer-Stud |
| 3:4 | 92-5972 | 2 | Grommet-Rubber |
| 5 | 138-5029 | 1 | Cover-Side, RH |
| 6 | 104-8310 | 2 | Ring-Retaining |
| 7 | 109-6887 | 2 | Pin-Clevis |
| 8 | 131-3004 | 1 | Cable |
| 9 | 115-5103 | 3 | Screw-HHF |
| 10 | 321-2 | 1 | Screw-HH |
| 11 | 3256-67 | 1 | Washer |
| 12 | 32120-47 | 2 | Ring-Retaining, External |
| 13 | 115-5300 | 1 | Proximity Switch ASM |
| 13:1 | 117-3207 | 2 | Nut-Hex |
| 13:2 | 117-3208 | 2 | Washer-Lock, Internal Tooth |

| Ref. | Part Number | Qty. | Description |
|------|-------------|------|----------------------|
| 14 | 323-12 | 2 | Screw-HH |
| 15 | 131-3017 | 2 | Spacer |
| 16 | 133-8901 | 2 | Bracket-Cable, Brake |
| 17 | 131-1833 | 1 | Cable-Brake, RH |
| 18 | 3296-59 | 2 | Nut-Lock, NI |
| 20 | 131-1834 | 1 | Cable-Brake, LH |
| 21 | 131-3065 | 1 | Equalizer-Cable |
| 22 | 32104-32 | 4 | Screw-HWH |
| 23 | 107069 | 3 | Clip |
| 24 | 701197 | 2 | E-Ring |
| 25 | 131-3021 | 1 | Pin |
| 26 | 32120-46 | 2 | Ring-Retaining |
| 27 | 3290-379 | 1 | Tie-Cable |
| 30 | 137-1659 | 1 | Brake Pawl ASM |
| 30:1 | 1-653600 | 2 | Bushing |
| 31 | 132-3833 | 1 | Spring-Torsion |
| 32 | 3296-2 | 1 | Nut-Lock, NI |
| 33 | 3290-126 | 1 | Screw-HWH |
| 34 | 81-1690 | 1 | Clamp-Cable |



Back Wheel Assembly

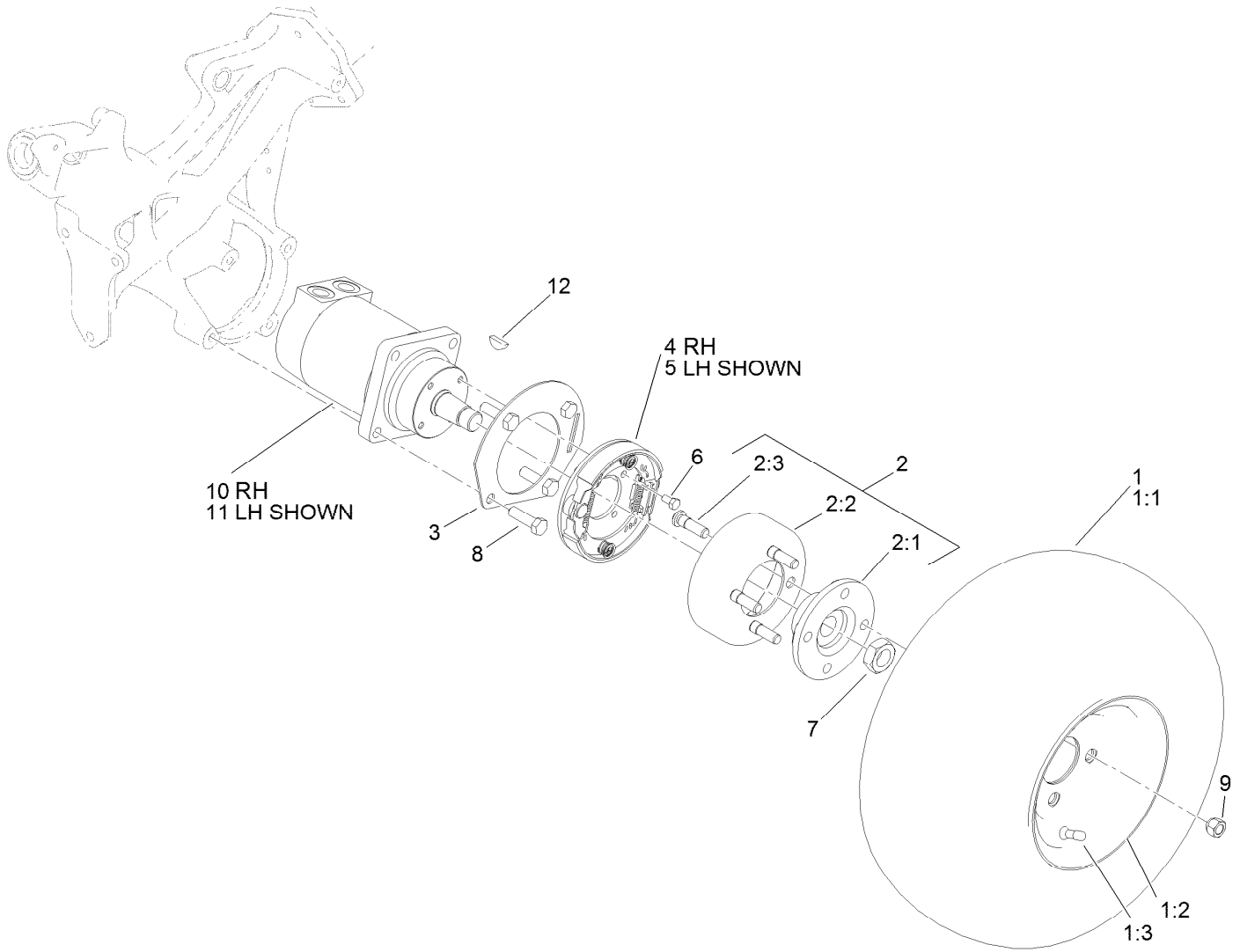
| Ref. | Part Number | Qty. | Description | Ref. | Part Number | Qty. | Description |
|-------|-------------|------|----------------------|------|-------------|------|--------------------------|
| 1 | 115-2657 | 1 | Spindle-Steering | 5:8 | 117-8259 | 1 | Washer-Spindle |
| 2 | 3234-38 | 2 | Screw-HHF | 5:9 | 3272-18 | 1 | Pin-Cotter |
| 3 | 117-4366-01 | 1 | Base-Fork, Rear | 5:10 | 93-0307 | 1 | Nut-Lock, Retainer |
| 4 | 117-9033 | 1 | Wheel And Tire ASM | 6 | 115-9471 | 2 | Bearing-Cup |
| 4:1 | 120-2783 | 1 | Tire | 7 | 115-9472 | 2 | Bearing-Cone And Seal |
| 4:2 | 217-60 | 1 | Rim | 8 | 99-5107 | 4 | Nut-Lock |
| 4:3 | 232-27 | 1 | Stem-Valve | 9 | 3272-37 | 1 | Pin-Cotter |
| 5 | 119-4490 | 1 | Wheel Spindle ASM | 10 | 18-6320 | 1 | Washer-Steering |
| 5:1 | 242-50 | 4 | Nut-Lug | 11 | 32136-9 | 1 | Nut-Hex, Slotted |
| 5:2 | 241-119 | 1 | Cap-Dust | 12 | 325-12 | 2 | Screw-HH |
| 5:3 | 112-7173 | 1 | Spindle | 13 | 121-3605 | 2 | Ball Joint |
| 5:4 | 112-1690 | 1 | Seal-Oil | 14 | 3234-22 | 2 | Screw-HHF |
| 5:5 | 117-9093 | 1 | Hub ASM | 15 | 32151-104 | 2 | Ring-Retaining, External |
| 5:5:2 | 254-72 | 2 | Bearing-Cup, Tapered | 16 | 121-3611 | 2 | Nut-Hex, Flextop |
| 5:5:3 | 114-3918 | 4 | Stud-Wheel | 17 | 325-8 | 2 | Screw-HH |
| 5:6 | 254-92 | 2 | Cone-Bearing, Outer | 18 | 117-4480 | 1 | HYD Cylinder ASM |
| 5:7 | 117-8260 | 1 | Nut | 19 | 120-2026 | 1 | Spacer-Cylinder |



Hydraulic Cylinder Assembly No. 117-4480

| <i>Ref.</i> | <i>Part Number</i> | <i>Qty.</i> | <i>Description</i> |
|-------------|--------------------|-------------|--------------------|
| 1 | 119-7124 | 1 | Kit-Seal |
| 1:1 | | 2 | O-Ring ● |
| 1:2 | | 2 | Ring-Backup ● |
| 1:3 | | 1 | Seal-Psp ● |
| 1:4 | | 2 | Ring-Wear ● |
| 1:5 | | 2 | Seal-Bs ● |
| 1:6 | | 2 | Seal-Dust ● |
| 1:7 | | 1 | O-Ring ● |

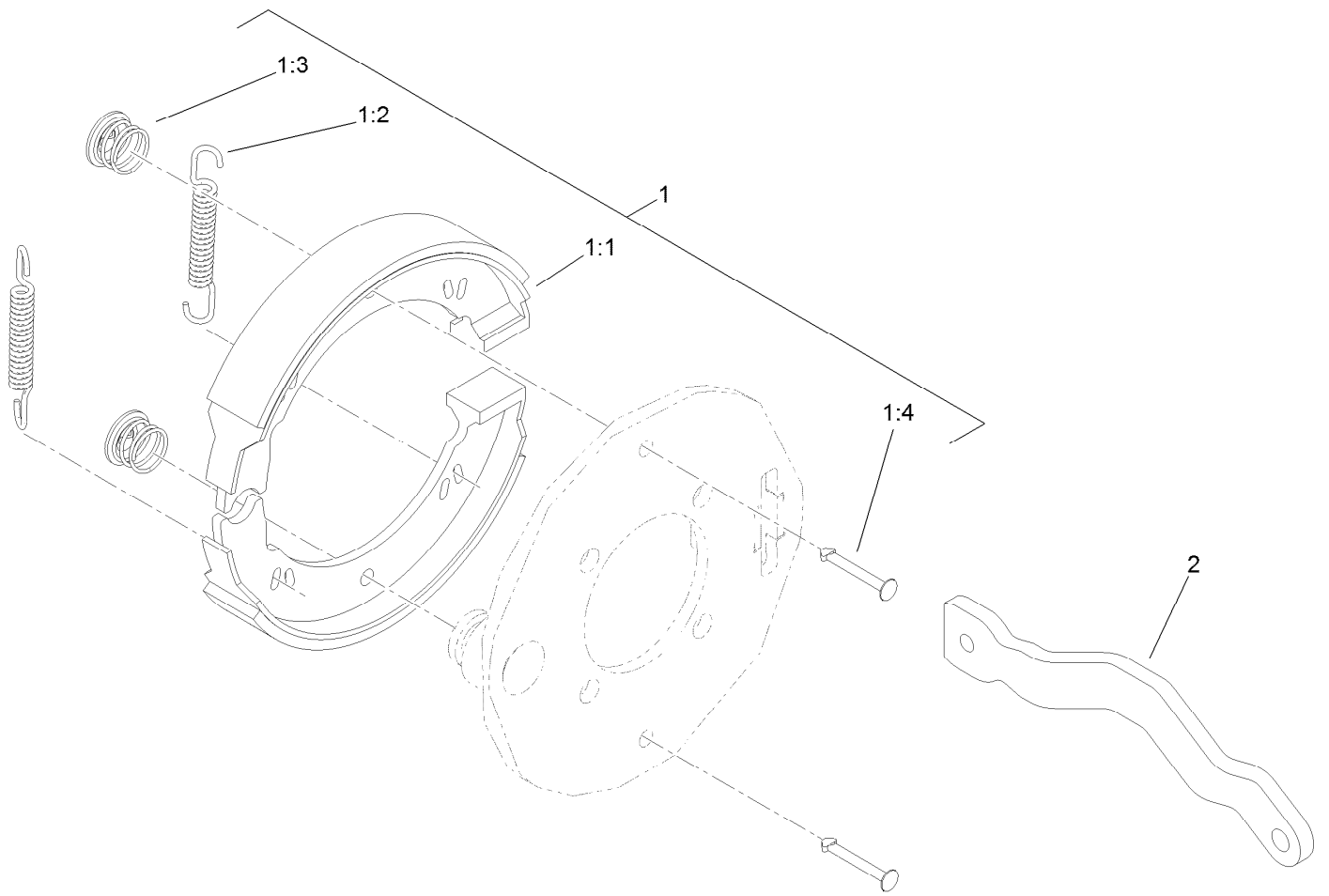
● Not serviced separately



Front Wheel Assembly

| Ref. | Part Number | Qty. | Description |
|------|-------------|------|--------------------|
| 1 | 117-9030 | 2 | Wheel And Tire ASM |
| 1:1 | 120-2783 | 1 | Tire |
| 1:2 | 117-9032 | 1 | Rim |
| 1:3 | 232-27 | 1 | Stem-Valve |
| 2 | 115-2661 | 2 | Brake Drum ASM |
| 2:1 | 115-2662-0P | 1 | Hub-Wheel [primed] |
| 2:2 | 115-2663 | 1 | Drum-Brake |
| 2:3 | 85-6540 | 4 | Stud-Drive |
| 3 | 114-9998-03 | 2 | Tab-Lever, Brake |

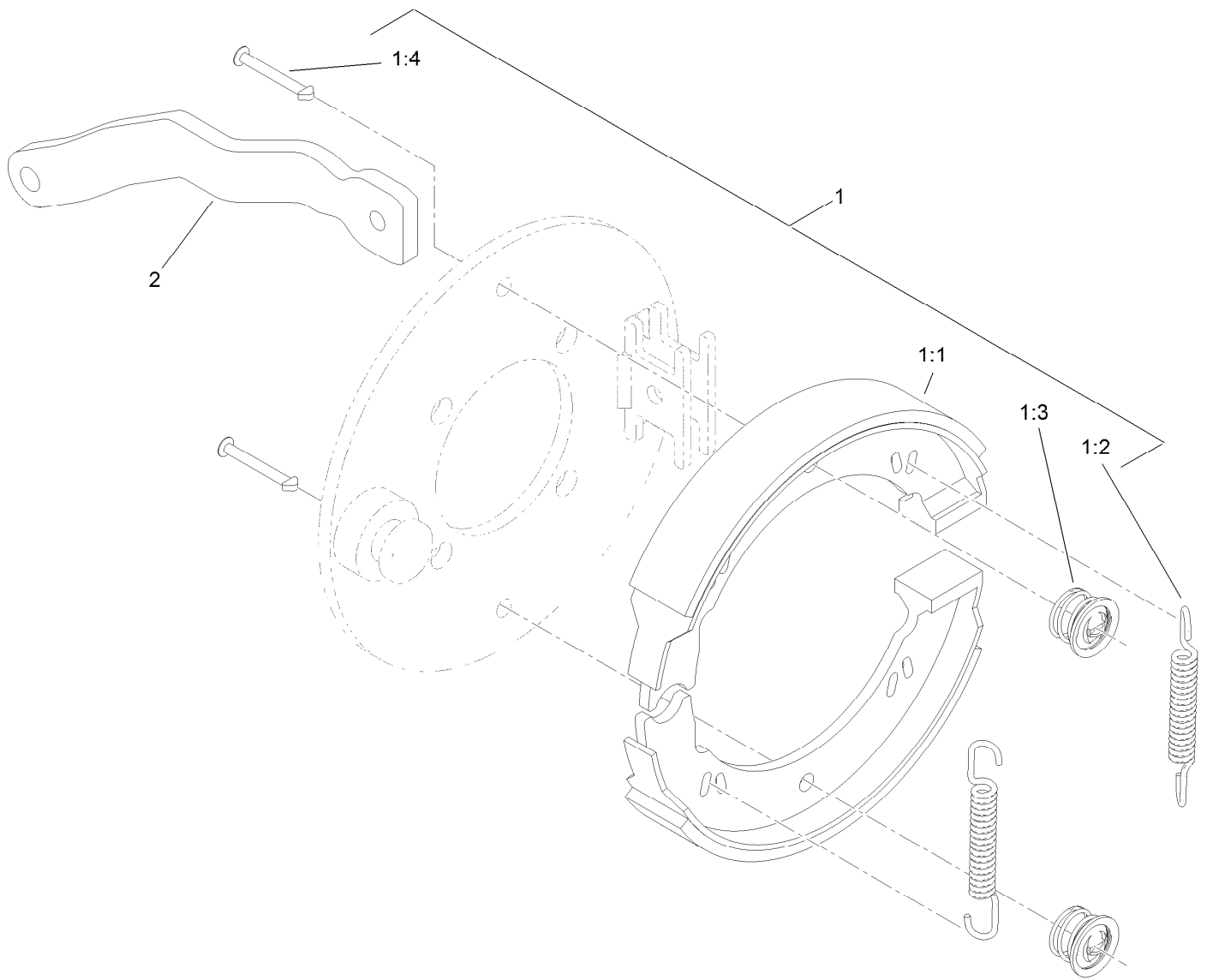
| Ref. | Part Number | Qty. | Description |
|------|-------------|------|--------------------|
| 4 | 139-2722 | 1 | RH Brake ASM |
| 5 | 139-2721 | 1 | LH Brake ASM |
| 6 | 322-2 | 8 | Screw-HH |
| 7 | 26-3790 | 2 | Nut-Lock |
| 8 | 325-7 | 8 | Screw-HH |
| 9 | 242-50 | 8 | Nut-Lug |
| 10 | 117-4302 | 1 | RH Wheel Motor ASM |
| 11 | 117-4303 | 1 | LH Wheel Motor ASM |
| 12 | 3257-42 | 1 | Key-Woodruff |



Right Hand Brake Assembly No. 139-2722

| Ref. | Part Number | Qty. | Description |
|------|-------------|------|-----------------|
| 1 | 139-2723 | 1 | Kit-Brake |
| 1:1 | | 2 | Shoe-Brake ● |
| 1:2 | | 2 | Spring ● |
| 1:3 | | 2 | Clip ● |
| 1:4 | | 2 | Pin-Retainer ● |
| 2 | 115-5789 | 1 | Lever-Brake, RH |

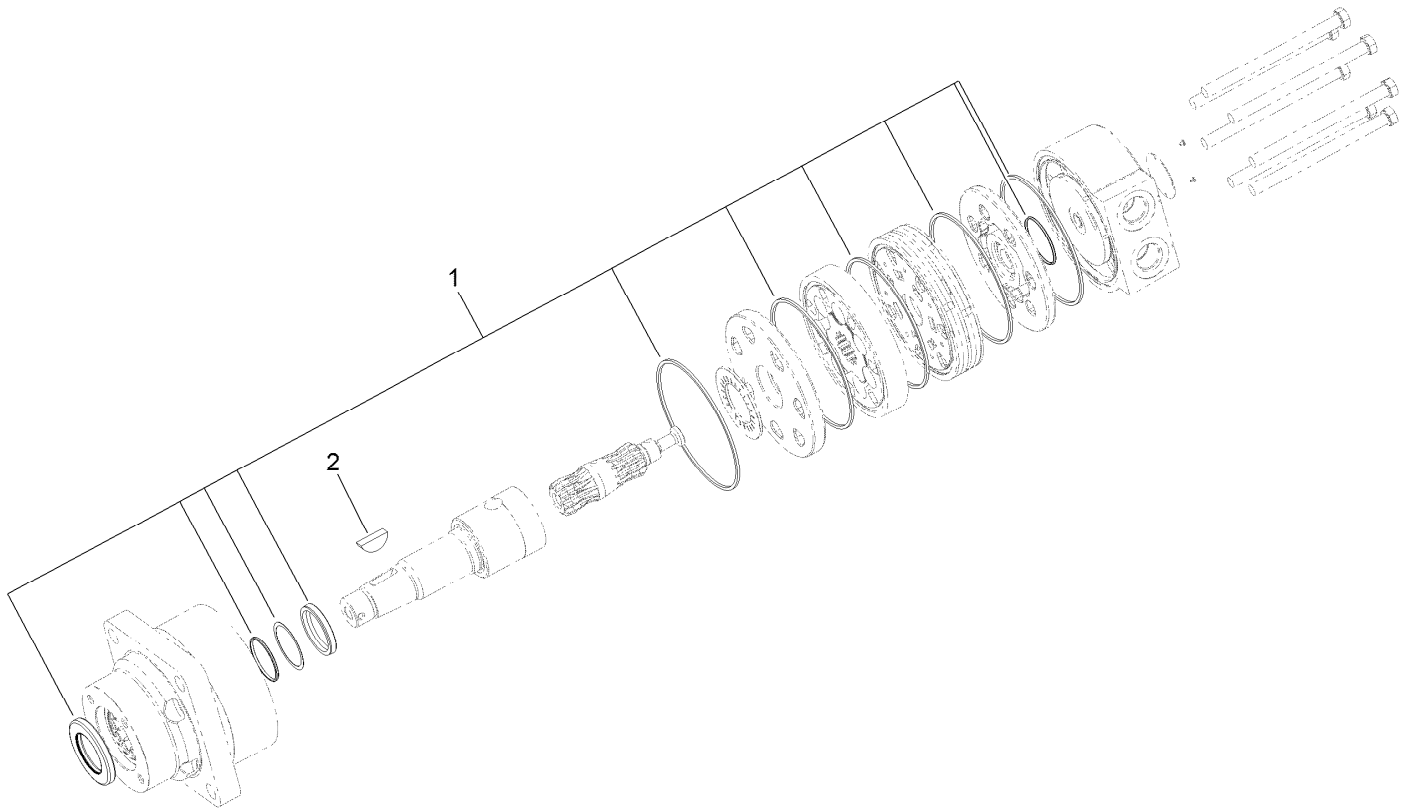
● Not serviced separately



Left Hand Brake Assembly No. 139-2721

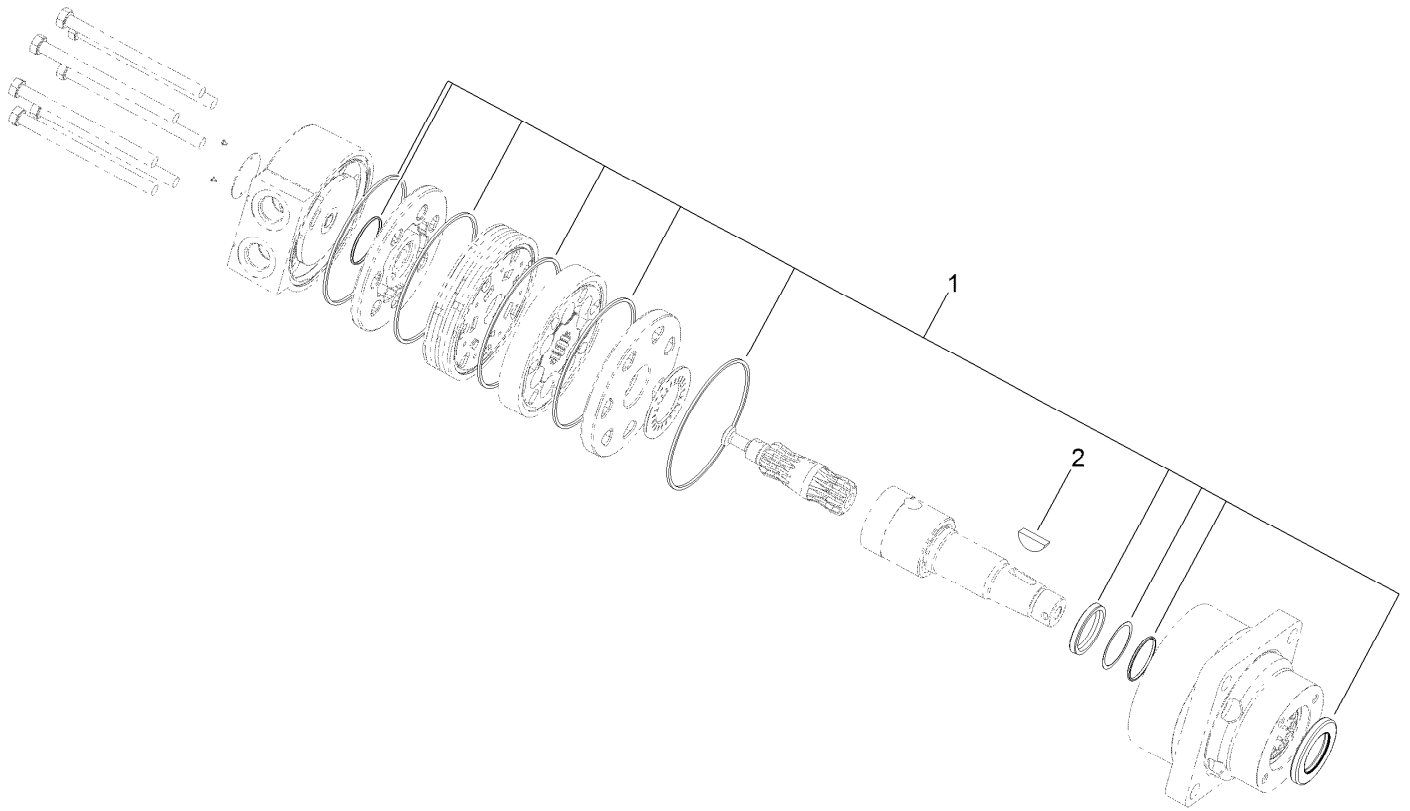
| Ref. | Part Number | Qty. | Description |
|------|-------------|------|-----------------|
| 1 | 139-2723 | 1 | Kit-Brake |
| 1:1 | | 2 | Shoe-Brake ● |
| 1:2 | | 2 | Spring ● |
| 1:3 | | 2 | Clip ● |
| 1:4 | | 2 | Pin-Retainer ● |
| 2 | 115-2664 | 1 | Lever-Brake, LH |

● Not serviced separately



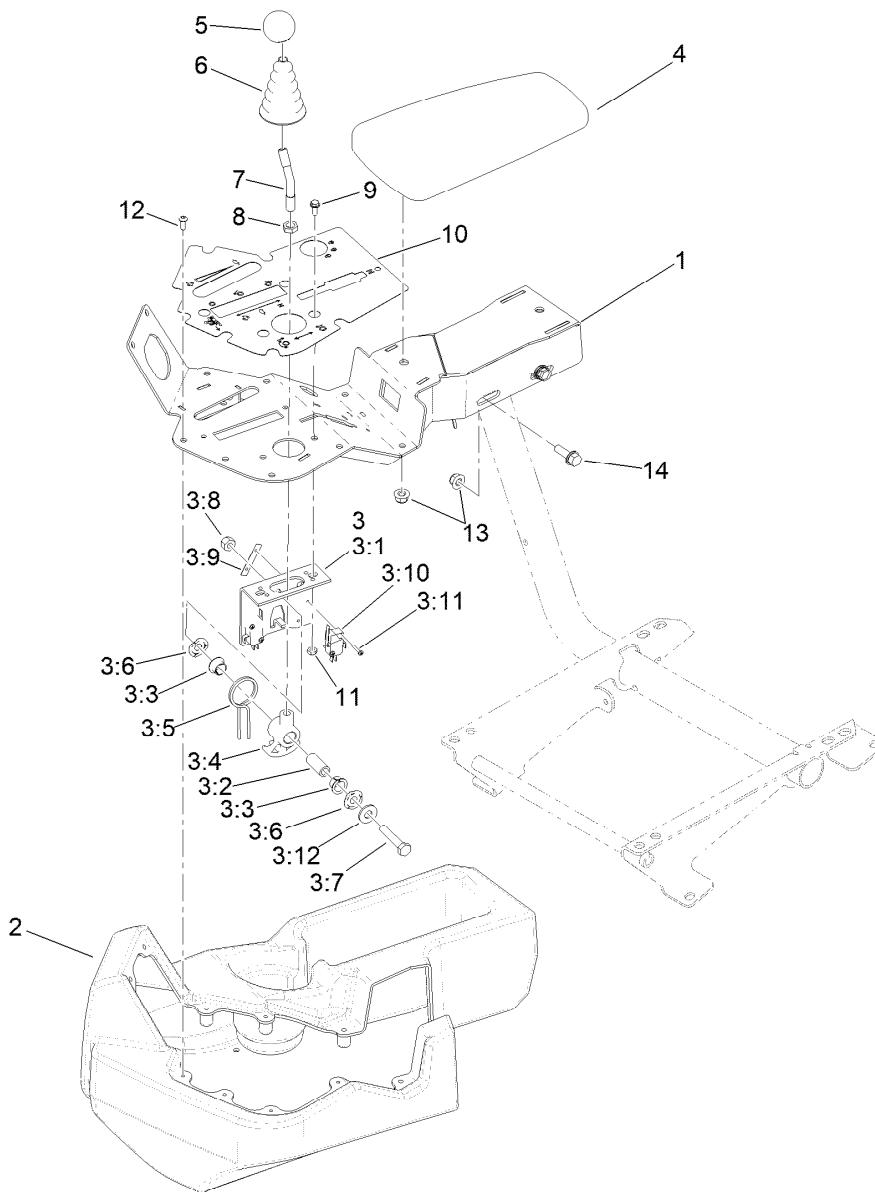
Right Hand Wheel Motor Assembly No. 117-4302

| <i>Ref.</i> | <i>Part Number</i> | <i>Qty.</i> | <i>Description</i> |
|-------------|--------------------|-------------|--------------------|
| 1 | 94-8178 | 1 | Seal Kit |
| 2 | 3257-42 | 1 | Key-Woodruff |



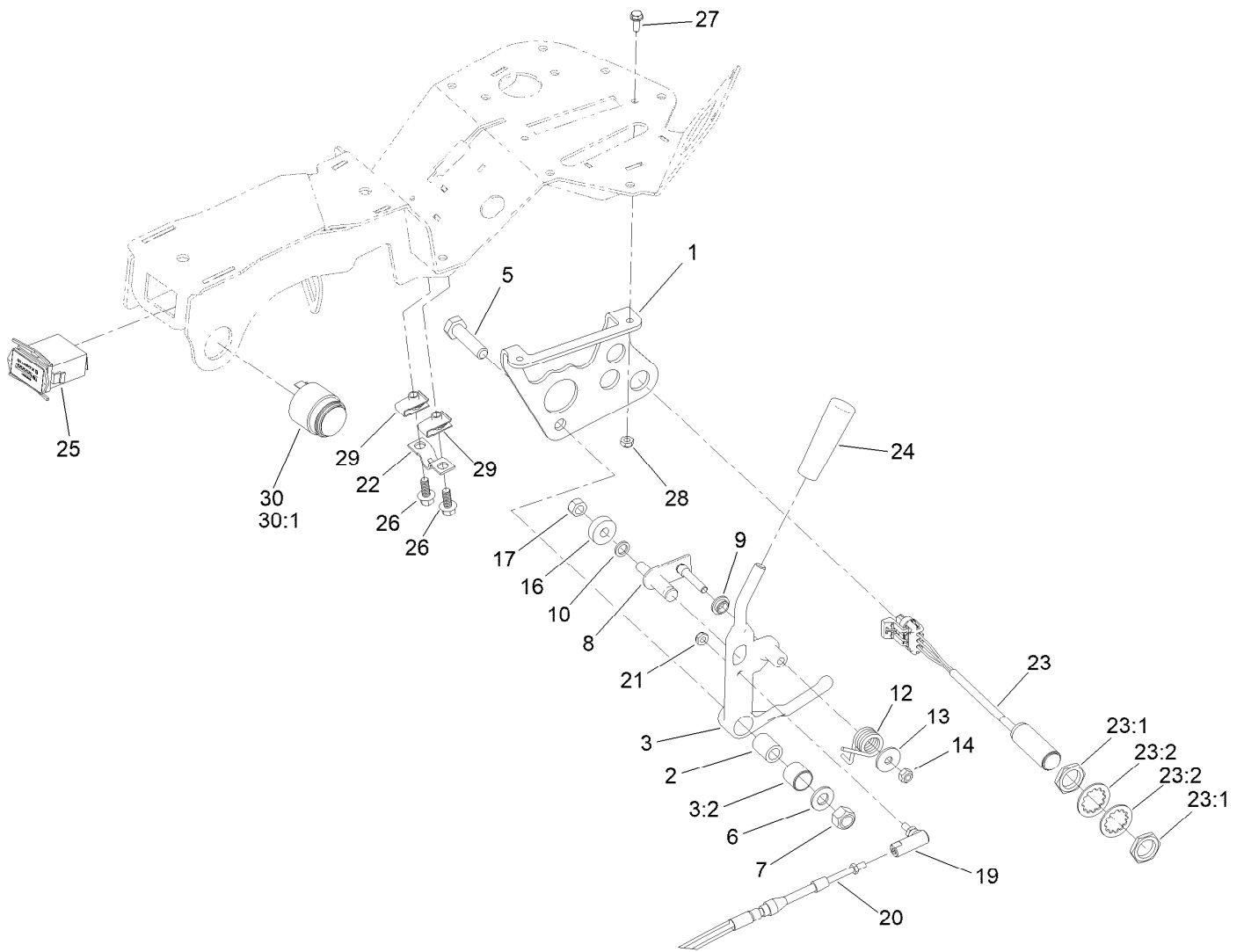
Left Hand Wheel Motor Assembly No. 117-4303

| <i>Ref.</i> | <i>Part Number</i> | <i>Qty.</i> | <i>Description</i> |
|-------------|--------------------|-------------|--------------------|
| 1 | 94-8178 | 1 | Seal Kit |
| 2 | 3257-42 | 1 | Key-Woodruff |



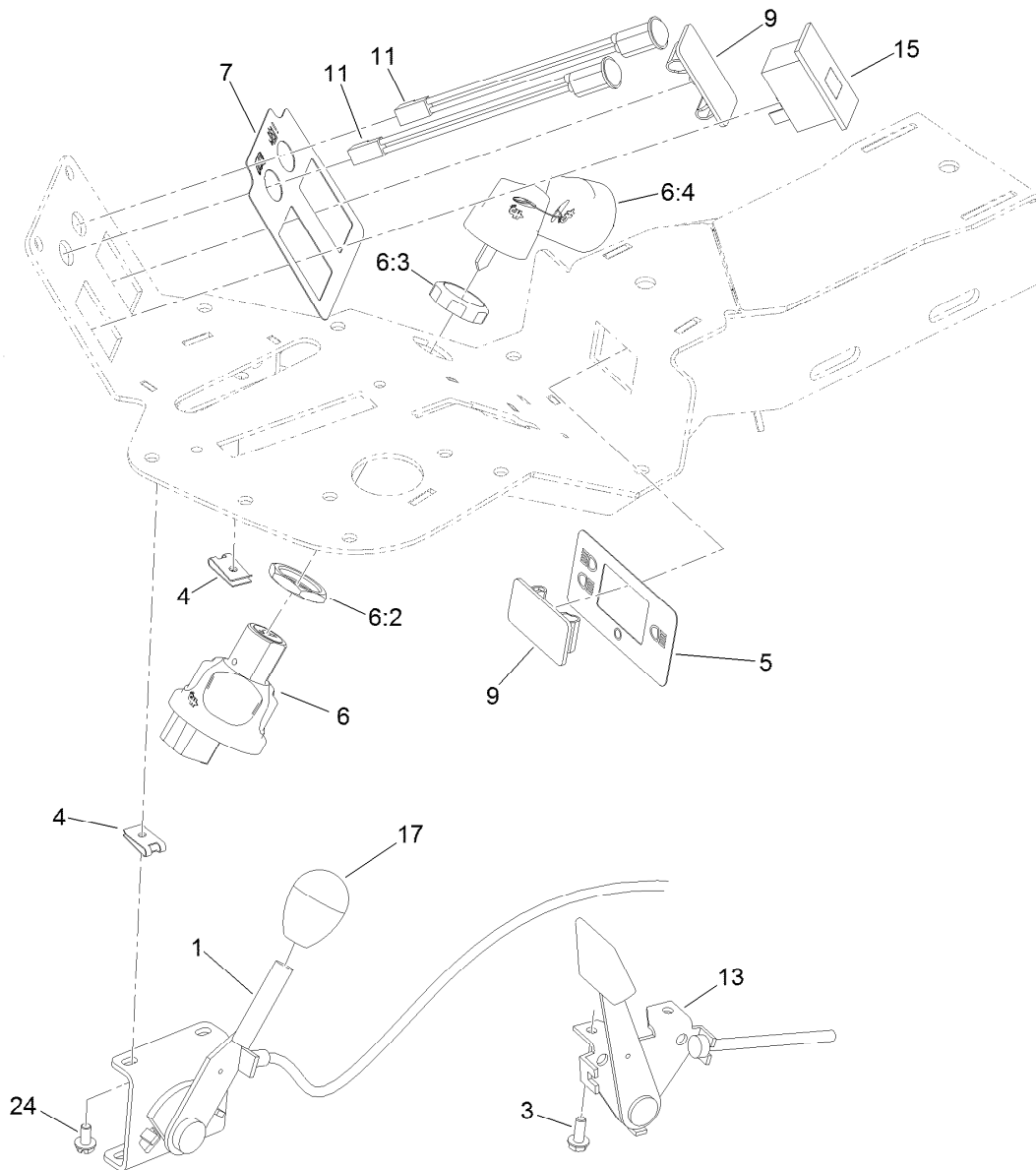
Console and Reel Control Assembly

| <i>Ref.</i> | <i>Part Number</i> | <i>Qty.</i> | <i>Description</i> | <i>Ref.</i> | <i>Part Number</i> | <i>Qty.</i> | <i>Description</i> |
|-------------|--------------------|-------------|-----------------------|-------------|--------------------|-------------|--------------------|
| 1 | 140-5245-03 | 1 | Console ASM [black] | 3:11 | 95-3003 | 4 | Screw-PPHTF |
| 2 | 132-9955 | 1 | Cover-Console | 3:12 | 3256-3 | 1 | Washer-Flat |
| 3 | 106-4167 | 1 | Joystick Bracket ASM | 4 | 108-7602 | 1 | Rest-Arm |
| 3:1 | 115-5357-03 | 1 | Bracket-Joystick | 5 | 120-9752 | 1 | Knob-Round, Yellow |
| 3:2 | 106-4192 | 1 | Spacer | 6 | 93-5961 | 1 | Boot-Lever |
| 3:3 | 93-5547 | 2 | Bushing-Nylon | 7 | 121-6681 | 1 | Stem-Joystick |
| 3:4 | 105-7507 | 1 | Hub-Pivot, Joystick | 8 | 3218-3 | 1 | Nut-Jam |
| 3:5 | 105-8289 | 1 | Spring-Torsion | 9 | 3290-321 | 2 | Screw-HWH |
| 3:6 | 106-4193 | 2 | Washer-Finger, Spring | 10 | 139-6493 | 1 | Decal-Console |
| 3:7 | 322-9 | 1 | Screw-HH | 11 | 3296-12 | 2 | Nut-Lock, NI |
| 3:8 | 3296-29 | 1 | Nut-Lock, NI | 12 | 115-9830 | 8 | Screw-HSBH |
| 3:9 | 3290-354 | 2 | Nut-Speed | 13 | 104-8300 | 4 | Nut-HF, NI |
| 3:10 | 108-6496 | 2 | Switch (W/Boot) | 14 | 3234-29 | 2 | Screw-HHF |



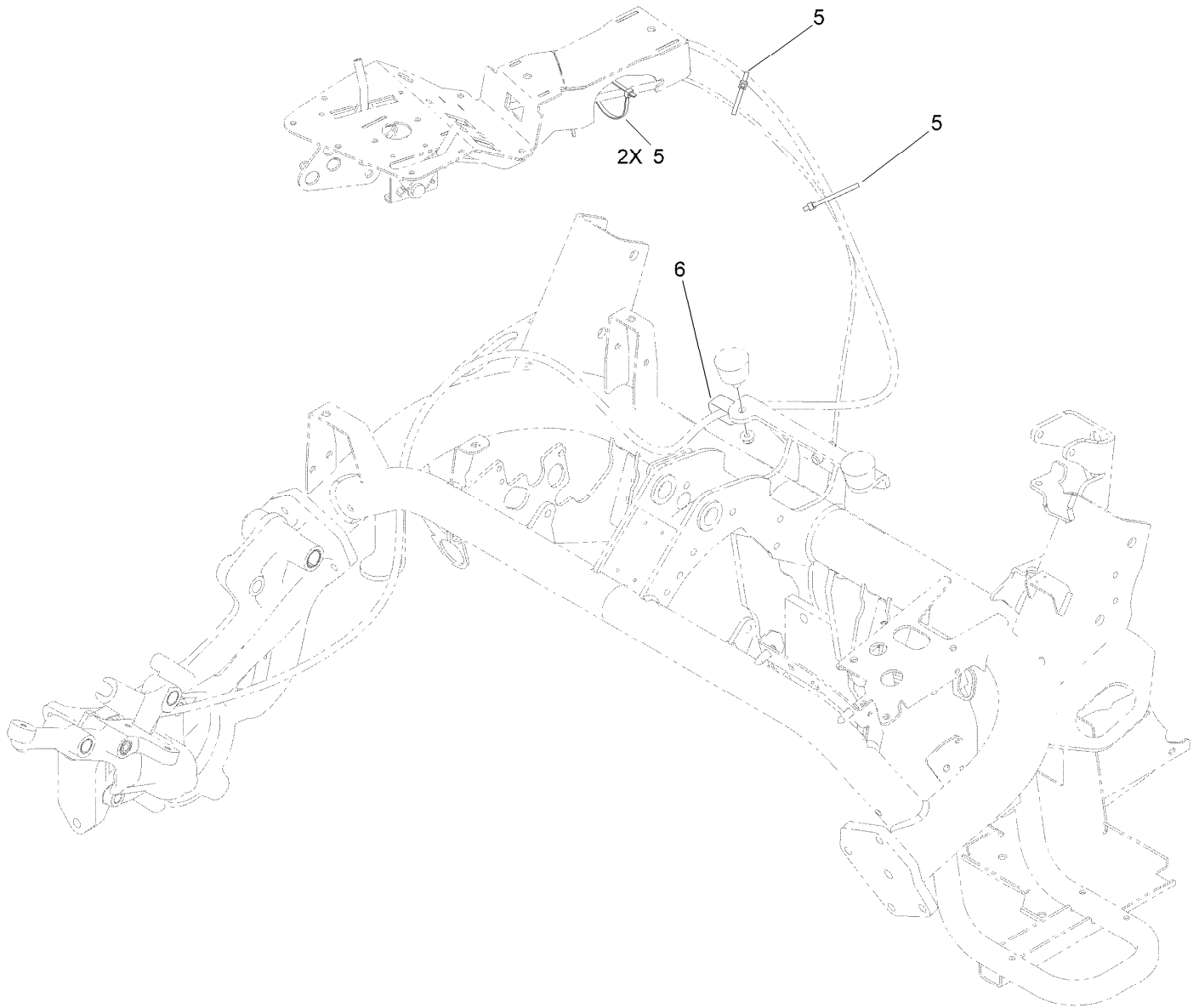
Traction Interface Control Assembly

| <i>Ref.</i> | <i>Part Number</i> | <i>Qty.</i> | <i>Description</i> | <i>Ref.</i> | <i>Part Number</i> | <i>Qty.</i> | <i>Description</i> |
|-------------|--------------------|-------------|--------------------|-------------|--------------------|-------------|-----------------------------|
| 1 | 132-3822-03 | 1 | Bracket | 19 | 2411-38 | 1 | Joint-Ball |
| 2 | 94-1378 | 1 | Tube-Pivot, Handle | 20 | 132-6991 | 1 | Cable-Lock, Neutral |
| 3 | 145-0062 | 1 | Handle ASM | 21 | 3296-27 | 1 | Nut-Lock, NI |
| 3:2 | 136-8417 | 1 | Bushing | 22 | 93-2279 | 1 | Clamp-Cable |
| 5 | 33115-040 | 1 | Screw-HH | 23 | 115-5300 | 2 | Proximity Switch ASM |
| 6 | 3256-24 | 1 | Washer-Plain | 23:1 | 117-3207 | 2 | Nut-Hex |
| 7 | 33025-00 | 1 | Nut-Lock, NI | 23:2 | 117-3208 | 2 | Washer-Lock, Internal Tooth |
| 8 | 125-1928 | 1 | Pin | 24 | 233-39 | 1 | Knob-Control |
| 9 | 94-9619 | 1 | Bushing | 25 | 120-2244 | 1 | Hourmeter |
| 10 | 75-5470 | 1 | Spacer-Bearing | 26 | 99-6810 | 2 | Screw-HHF |
| 12 | 94-9620 | 1 | Spring-Torsion | 27 | 3290-321 | 2 | Screw-HWH |
| 13 | 3256-67 | 1 | Washer | 28 | 3296-12 | 2 | Nut-Lock, NI |
| 14 | 33023-00 | 1 | Nut-Lock | 29 | 107069 | 2 | Clip |
| 16 | 251-259 | 1 | Bearing-Ball | 30 | 80-9330 | 1 | Audio Alarm ASM |
| 17 | 33024-00 | 1 | Nut-Lock, NI | 30:1 | 104-5107 | 1 | Nut-Plastic, Knurled |



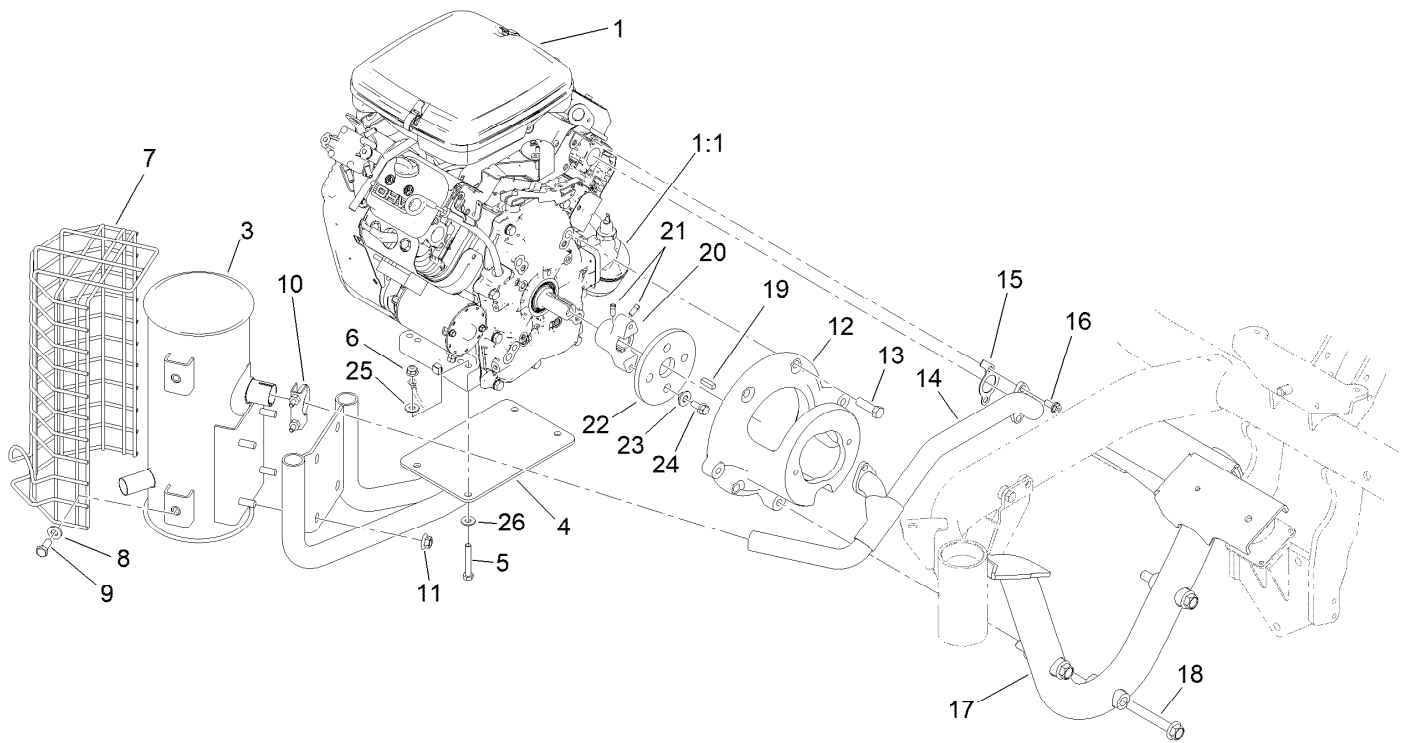
Ignition, Throttle and Choke Control Assembly

| Ref. | Part Number | Qty. | Description |
|------|-------------|------|-----------------------------------|
| 1 | 119-1652 | 1 | Throttle |
| 3 | 3290-321 | 2 | Screw-HWH |
| 4 | 3290-277 | 4 | Nut-Speed |
| 5 | 131-2046 | 1 | Decal-Light, Console |
| 6 | 121-5159 | 1 | Switch-Ignition |
| 6:2 | 121-5160 | 1 | Nut-Hex |
| 6:3 | 121-5161 | 1 | Nut-Face |
| 6:4 | 121-5162 | 1 | Set-Key, Ignition |
| 7 | 139-6492 | 1 | Decal-Warning Lights |
| 9 | 99-7420 | 2 | Plug-Hole |
| 11 | 140-5288 | 2 | Light-Indicator |
| 13 | 132-9540 | 1 | Lever-Choke |
| 15 | 99-7410 | 1 | Indicator-Light, Low-Oil Pressure |
| 17 | 120-9751 | 1 | Knob-Oval, Black |
| 24 | 3290-144 | 2 | Screw-SHWH |



Console Cable Routing Assembly

| <i>Ref.</i> | <i>Part Number</i> | <i>Qty.</i> | <i>Description</i> |
|-------------|--------------------|-------------|--------------------|
| 5 | 3290-379 | 4 | Tie-Cable |
| 6 | 120-1959 | 1 | Clamp |

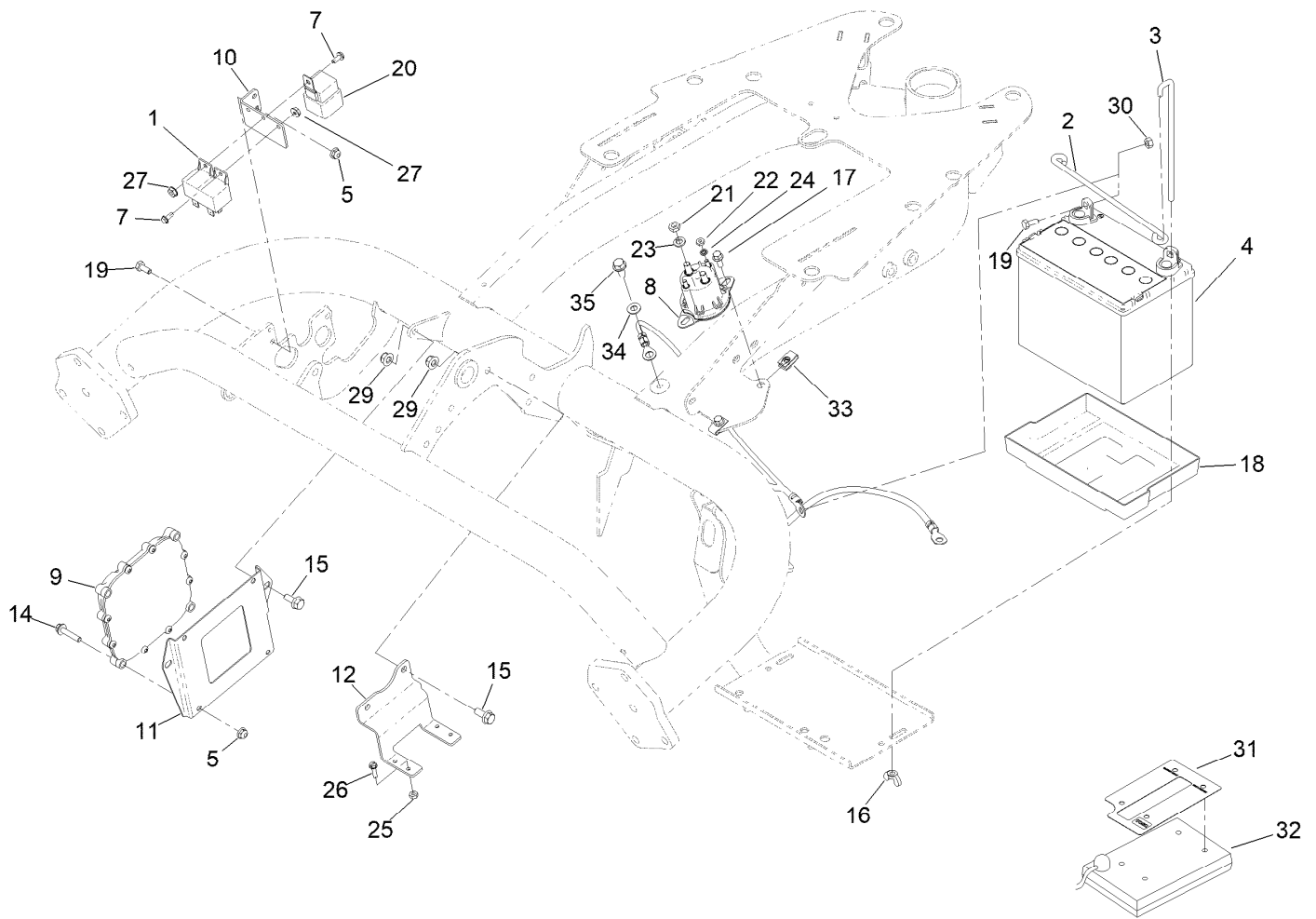


Engine and Exhaust Assembly

| Ref. | Part Number | Qty. | Description | Ref. | Part Number | Qty. | Description |
|------|-------------|------|--------------------------------------|------|-------------|------|--------------------------|
| 1 | 139-6522 | 1 | Engine-Briggs Stratton,Vanguard ■ | 13 | 324-32 | 4 | Screw-HH |
| 1:1 | 107-7817 | 1 | Filter-Oil, Engine | 14 | 117-4379 | 1 | Manifold-Exhaust |
| 1:2 | 147-3139 | 1 | Filter-Air ● | 15 | 115-8154 | 2 | Gasket-Manifold, Exhaust |
| 3 | 110-4001 | 1 | Muffler | 16 | 94-5300 | 4 | Screw-HHF |
| 4 | 117-4364-03 | 1 | Mount-Muffler | 17 | 117-4442-03 | 1 | Frame-Engine |
| 5 | 322-10 | 4 | Screw-HH | 18 | 126-3900 | 3 | Screw-HHF |
| 6 | 104-8300 | 4 | Nut-HF, NI | 19 | 10-7070 | 1 | Key-Square |
| 7 | 112-0291 | 1 | Shield-Muffler | 20 | 117-9278 | 1 | Hub-Engine |
| 8 | 100-4852 | 4 | Washer-Hardened | 21 | 3241-7 | 2 | Screw-SQH |
| 9 | 323-5 | 4 | Screw-HH | 22 | 115-5129 | 1 | Coupling-Rubber |
| 10 | 2112-11 | 1 | Clamp-Muffler | 23 | 125-9249 | 2 | Spacer-Coupler, Rubber |
| 11 | 32128-19 | 4 | Nut-HF Lock, Large Flg | 24 | 98-9940 | 2 | Screw-HHF |
| 12 | 117-4363-0P | 1 | Mount-Pump (Machining) | 25 | 3256-23 | 1 | Washer-Plain |
| | | | | 26 | 87-8640 | 4 | Washer-Flat |

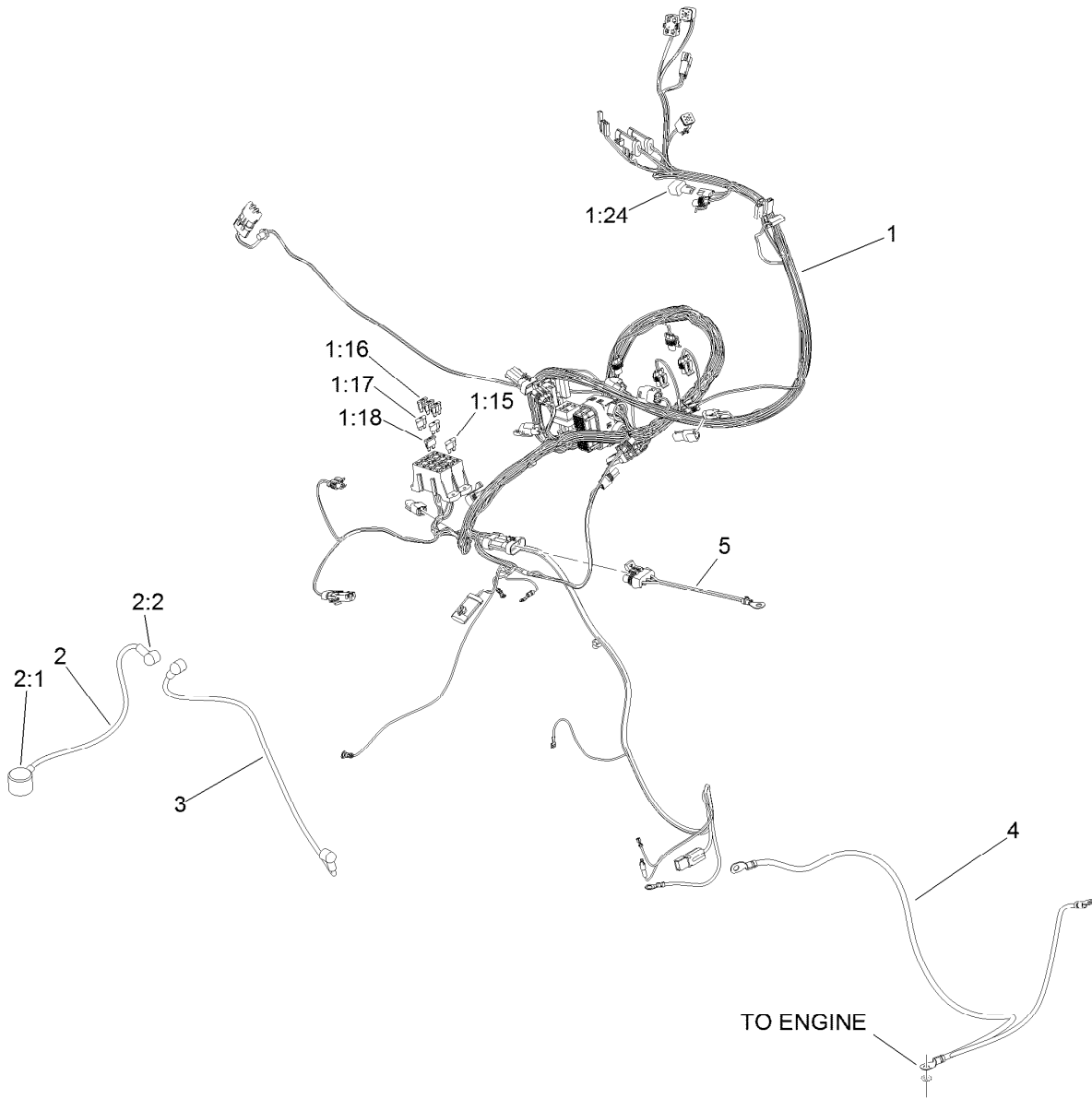
● Not illustrated

■ Obtain parts from www.briggsandstratton.com



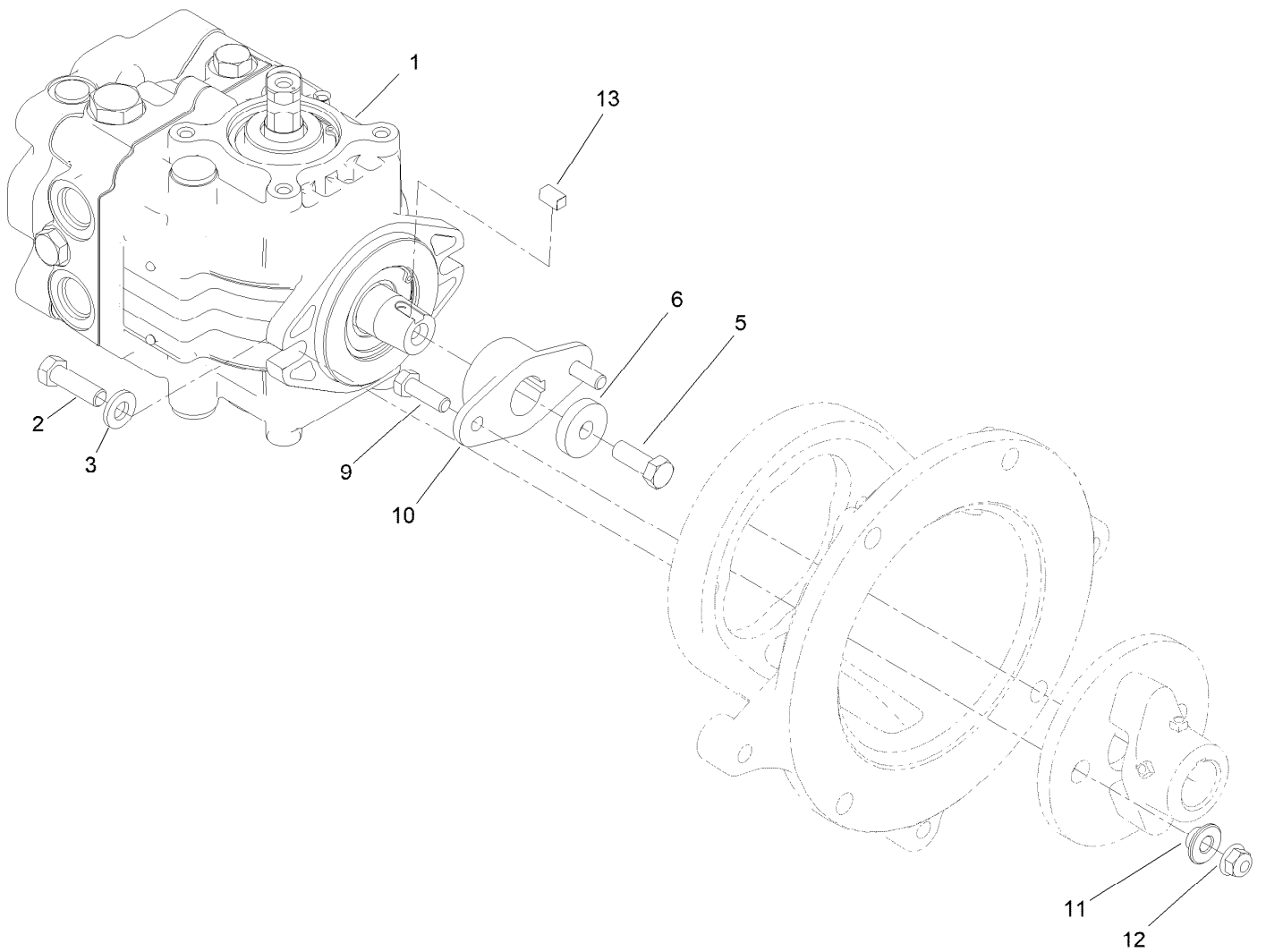
Battery Assembly

| Ref. | Part Number | Qty. | Description | Ref. | Part Number | Qty. | Description |
|------|-------------|------|-------------------------------|------|-------------|------|-------------------------|
| 1 | 99-7435 | 2 | Relay | 19 | 321-3 | 2 | Screw-HH |
| 2 | 100-6434 | 1 | Rod-Hold Down, Battery | 20 | 99-7430 | 1 | Relay-Mini |
| 3 | 100-6435 | 2 | Post-Battery | 21 | 3220-2 | 2 | Nut-Jam |
| 4 | 99-7421 | 1 | Battery - Wet (300 CCA, 12 V) | 22 | 3219-14 | 2 | Nut-Hex |
| 5 | 104-7201 | 6 | Nut-HF, NI | 23 | 3253-4 | 2 | Washer-Lock |
| 7 | 112-6349 | 2 | Screw-HWH | 24 | 3254-1 | 2 | Washer-Lock, Int |
| 8 | 114-3315 | 1 | Solenoid | 25 | 3296-2 | 4 | Nut-Lock, NI |
| 9 | 115-1900 | 1 | Controller | 26 | 32105-13 | 4 | Screw-HWH |
| 10 | 119-2097-01 | 1 | Bracket-Relay | 27 | 32149-8 | 2 | Nut-Keps |
| 11 | 119-2099-01 | 1 | Plate-Mounting, Controller | 29 | 104-8300 | 4 | Nut-HF, NI |
| 12 | 119-2119-01 | 1 | Bracket-Block, Fuse | 30 | 3217-5 | 2 | Nut-Hex |
| 14 | 3234-21 | 4 | Screw-HHF | 31 | 115-8227 | 1 | Decal-Controller |
| 15 | 3234-47 | 4 | Screw-HHF | 32 | 85-4750 | 1 | Box-Display, Diagnostic |
| 16 | 32103-22 | 2 | Nut-Wing | 33 | 107069 | 2 | Clip |
| 17 | 3234-33 | 2 | Screw-HHF | 34 | 3256-23 | 1 | Washer-Plain |
| 18 | 106948 | 1 | Tray-Battery | 35 | 32104-32 | 1 | Screw-HWH |



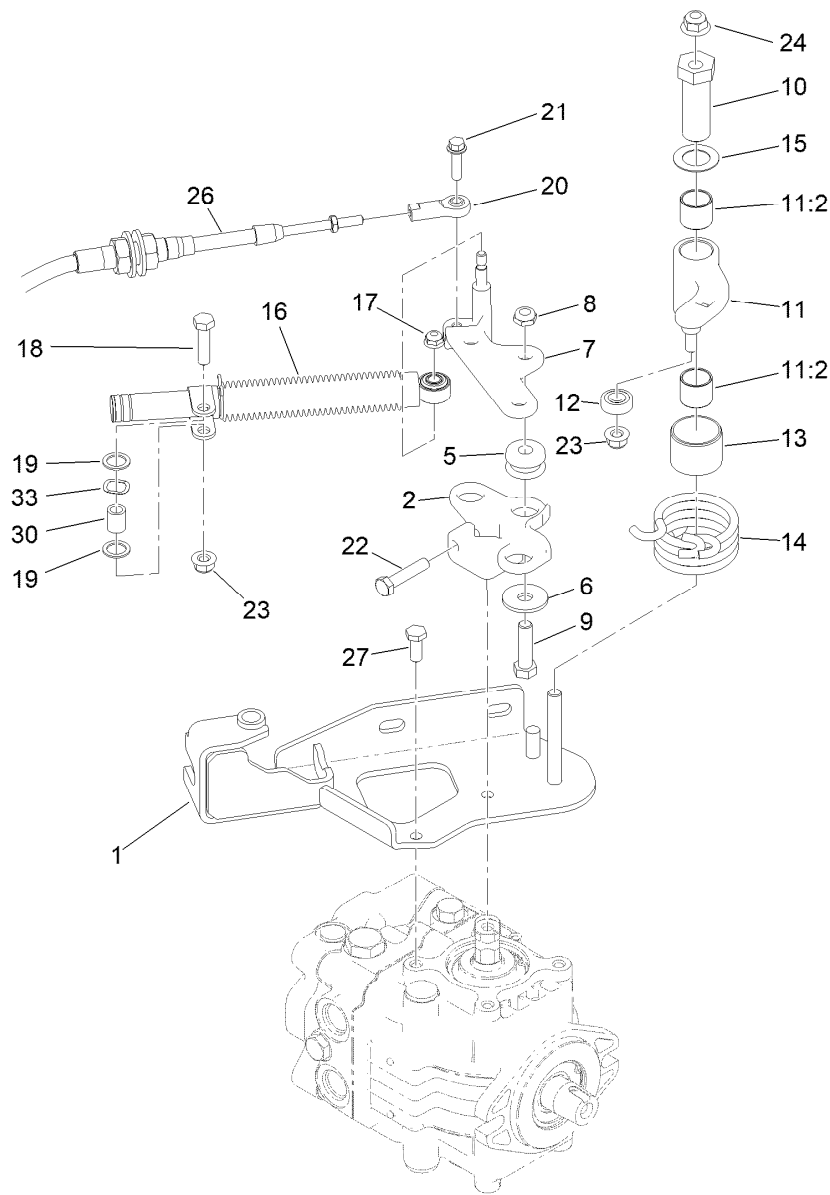
Wire Harness Assembly

| <i>Ref.</i> | <i>Part Number</i> | <i>Qty.</i> | <i>Description</i> |
|-------------|--------------------|-------------|----------------------------|
| 1 | 122-1736 | 1 | Harness-Wire, Triflex Gas |
| 1:15 | 94-6710 | 1 | Fuse-2 Amp |
| 1:16 | 114241 | 3 | Fuse-Blade, 7.5 Amp |
| 1:17 | 218-578 | 2 | Fuse-Blade, 10 Amp |
| 1:18 | 109355 | 1 | Fuse-Blade, 15 Amp |
| 1:24 | 104-4022 | 1 | Resistor-75 Ohm |
| 2 | 109-7653 | 1 | Positive Battery Cable ASM |
| 2:1 | 109-2407 | 1 | Insulator-Battery |
| 2:2 | 1-543393 | 1 | Insulator-Solenoid |
| 3 | 119-1781 | 1 | Cable-Battery, Positive |
| 4 | 114-9748 | 1 | Cable-Battery, Negative |
| 5 | 99-3441 | 1 | Harness-Wire, Fusible Link |



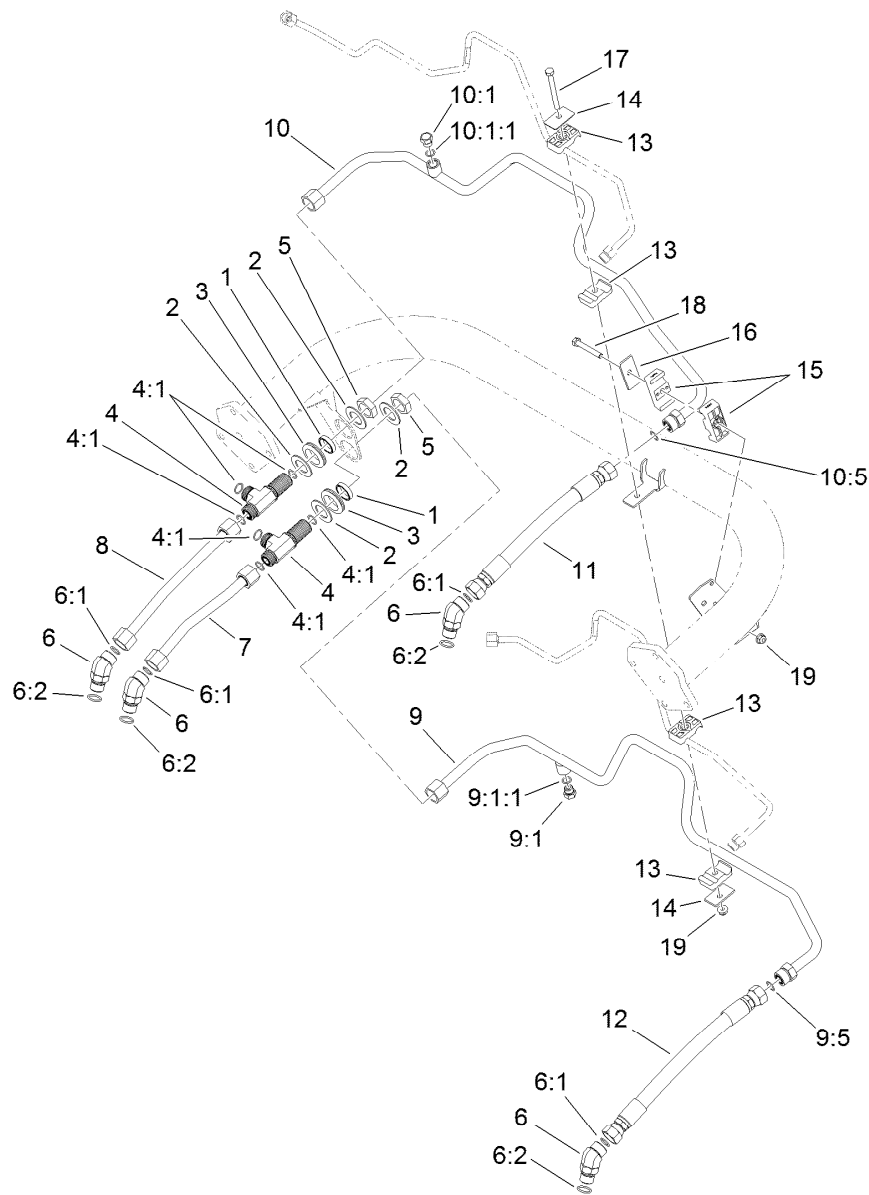
Pump Coupling Assembly

| <i>Ref.</i> | <i>Part Number</i> | <i>Qty.</i> | <i>Description</i> |
|-------------|--------------------|-------------|------------------------|
| 1 | 139-6474 | 1 | Pump-Hydro, Danfoss |
| 2 | 323-7 | 2 | Screw-HH |
| 3 | 100-4852 | 2 | Washer-Hardened |
| 5 | 3211-4 | 1 | Screw-HH |
| 6 | 138-8594 | 1 | Spacer |
| 9 | 322-5 | 2 | Screw-HH |
| 10 | 119-4485 | 1 | Hub-Pump |
| 11 | 125-9249 | 2 | Spacer-Coupler, Rubber |
| 12 | 104-8300 | 2 | Nut-HF, NI |
| 13 | 145-4589 | 1 | Key-Squ |



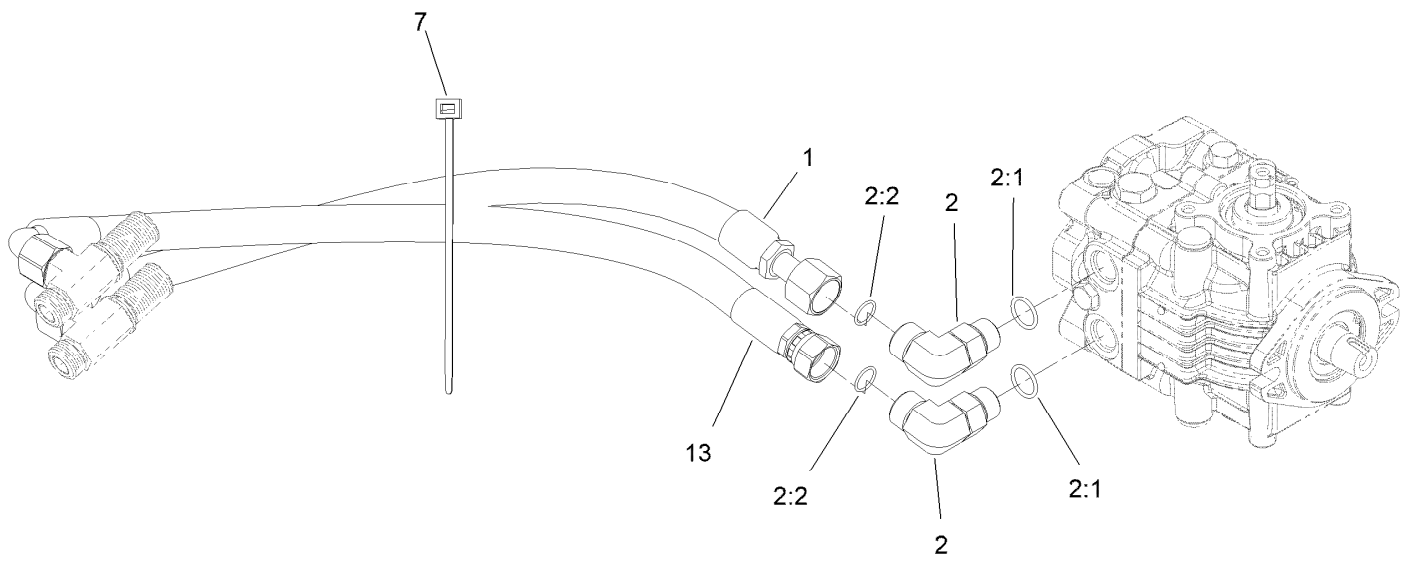
Neutral Centering Assembly

| <i>Ref.</i> | <i>Part Number</i> | <i>Qty.</i> | <i>Description</i> | <i>Ref.</i> | <i>Part Number</i> | <i>Qty.</i> | <i>Description</i> |
|-------------|--------------------|-------------|---------------------------------|-------------|--------------------|-------------|-------------------------|
| 1 | 140-5211-03 | 1 | Bracket-Cable, Hydro [black] | 15 | 119-8199 | 1 | Washer-Nylon |
| 2 | 140-5231 | 1 | Cam-Neutral | 16 | 140-6248 | 1 | Damper |
| 5 | 63-9750 | 3 | Mount | 17 | 104-7201 | 1 | Nut-HF, NI |
| 6 | 93-8806 | 3 | Washer-Hardened | 18 | 322-6 | 1 | Screw-HH |
| 7 | 140-5221 | 1 | Lever-Hydro | 19 | 94-8196 | 2 | Washer-Nylon |
| 8 | 3296-59 | 3 | Nut-Lock, NI | 20 | 2411-41 | 1 | Rod End-Ball Joint |
| 9 | 323-29 | 3 | Screw-HH | 21 | 119-1066 | 1 | Screw-HF |
| 10 | 117-9046 | 1 | Stud-Eccentric | 22 | 120-2779 | 1 | Screw-HH |
| 11 | 145-0071 | 1 | Neutral Arm ASM | 23 | 104-8300 | 2 | Nut-HF, NI |
| 11:2 | 94-9609 | 2 | Bushing-Straight | 24 | 104-8301 | 1 | Nut-HF, NI |
| 12 | 251-259 | 1 | Bearing-Ball | 26 | 119-1735 | 1 | Cable-Control, Traction |
| 13 | 136-8418 | 1 | Bushing | 27 | 33114-020 | 2 | Screw-HH |
| 14 | 117-9047 | 1 | Spring-Torsion | 30 | 94-8197 | 1 | Tube-Pivot |
| | | | | 33 | 108473 | 1 | Washer-Wave |



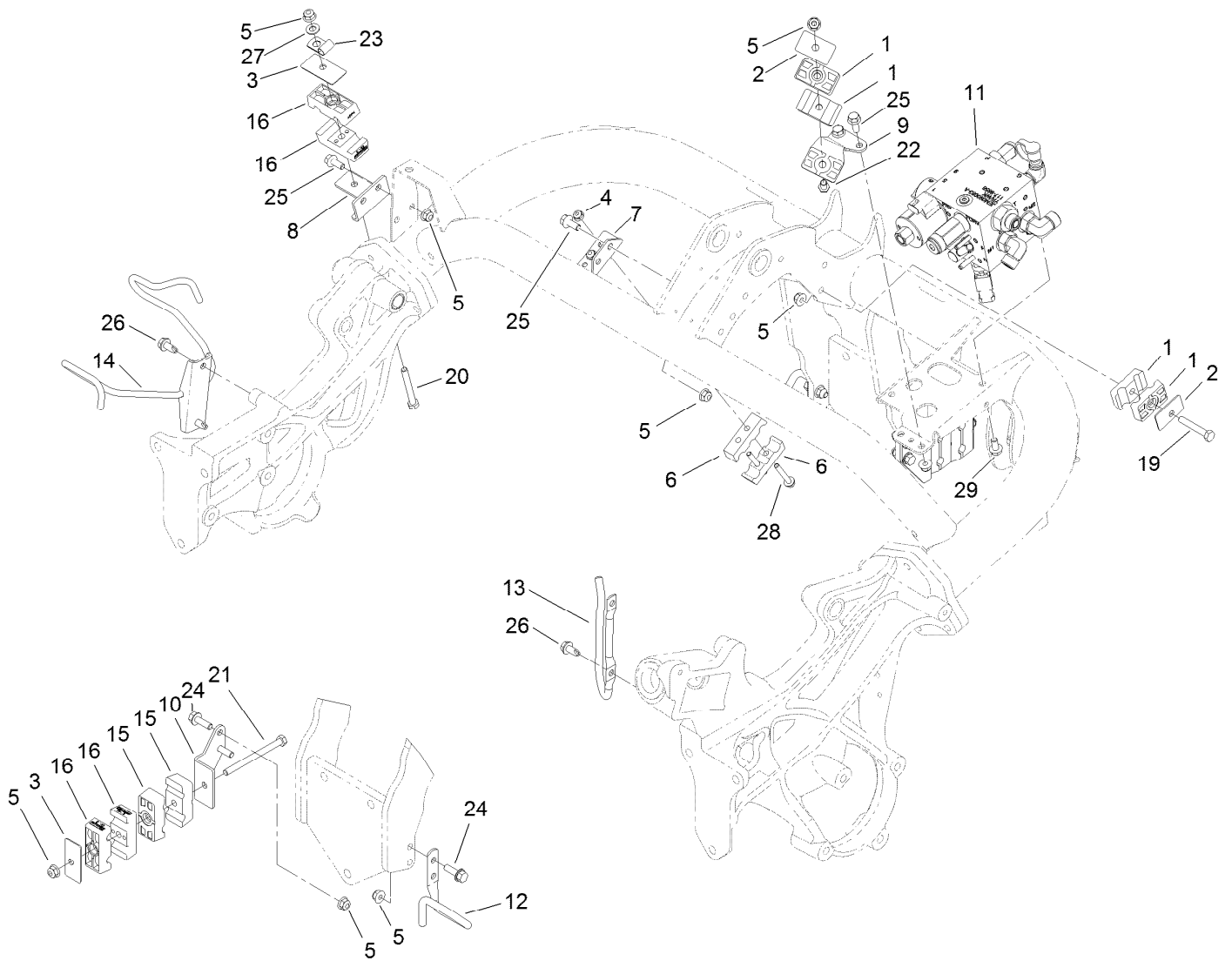
Traction Drive Hydraulic Line Assembly

| Ref. | Part Number | Qty. | Description | Ref. | Part Number | Qty. | Description |
|-------|-------------|------|---------------------|--------|-------------|------|--------------|
| 1 | 125-1984 | 2 | Spacer | 9:5 | 237-65 | 1 | O-Ring |
| 2 | 69-9010 | 4 | Washer | 10 | 119-2064 | 1 | HYD Tube ASM |
| 3 | 240-3 | 2 | Grommet-Rubber | 10:1 | 353-508 | 1 | Plug-HH |
| 4 | 94-5350 | 2 | Fitting-Tee | 10:1:1 | 237-42 | 1 | O-Ring |
| 4:1 | 237-65 | 3 | O-Ring | 10:5 | 237-65 | 1 | O-Ring |
| 5 | 340-74 | 2 | Nut-Lock, Bulkhead | 11 | 115-9484 | 1 | Hose-HYD |
| 6 | 340-14 | 4 | Fitting-HYD, 45 DEG | 12 | 115-9485 | 1 | Hose-HYD |
| 6:1 | 237-65 | 1 | O-Ring | 13 | 56-7970 | 4 | Clamp-Tube |
| 6:2 | 237-80 | 1 | O-Ring | 14 | 69-9760 | 2 | Plate-Cover |
| 7 | 119-2057 | 1 | Tube-HYD | 15 | 138-5045 | 2 | Clamp-Tube |
| 8 | 119-2058 | 1 | Tube-HYD | 16 | 69-9761 | 1 | Plate-Cover |
| 9 | 119-2063 | 1 | Tube-HYD | 17 | 322-20 | 1 | Screw-HH |
| 9:1 | 353-508 | 1 | Plug-HH | 18 | 322-12 | 1 | Screw-HH |
| 9:1:1 | 237-42 | 1 | O-Ring | 19 | 104-8300 | 2 | Nut-HF, NI |



Traction Drive Hose Routing Assembly

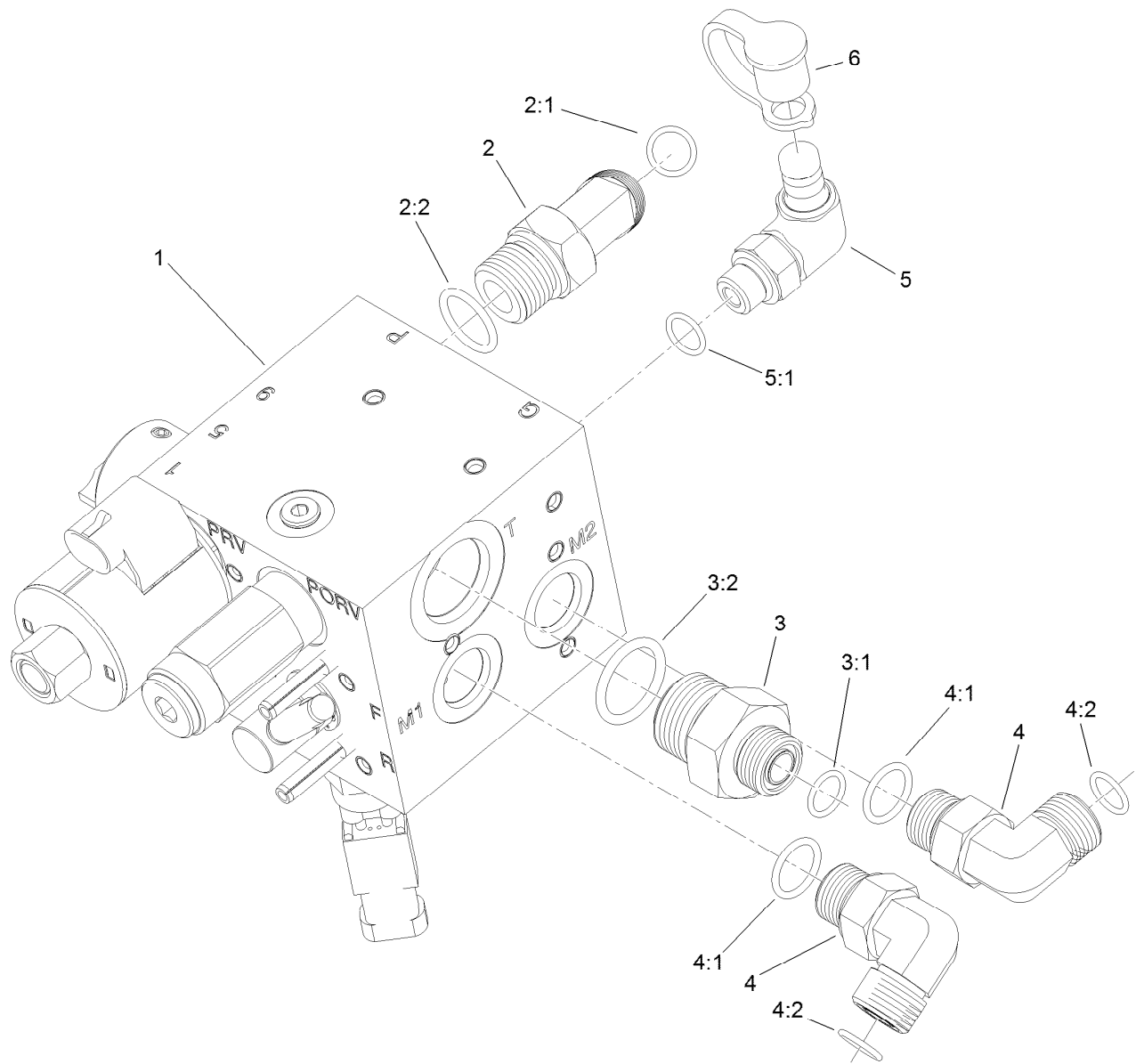
| <i>Ref.</i> | <i>Part Number</i> | <i>Qty.</i> | <i>Description</i> |
|-------------|--------------------|-------------|-----------------------|
| 1 | 119-2060 | 1 | Hose-HYD |
| 2 | 340-17 | 2 | Fitting-Elbow, 90 DEG |
| 2:1 | 237-65 | 1 | O-Ring |
| 2:2 | 237-80 | 1 | O-Ring |
| 7 | 3290-378 | 1 | Tie-Cable |
| 13 | 120-1988 | 1 | Hose-HYD |



Hydraulic Mow Assembly

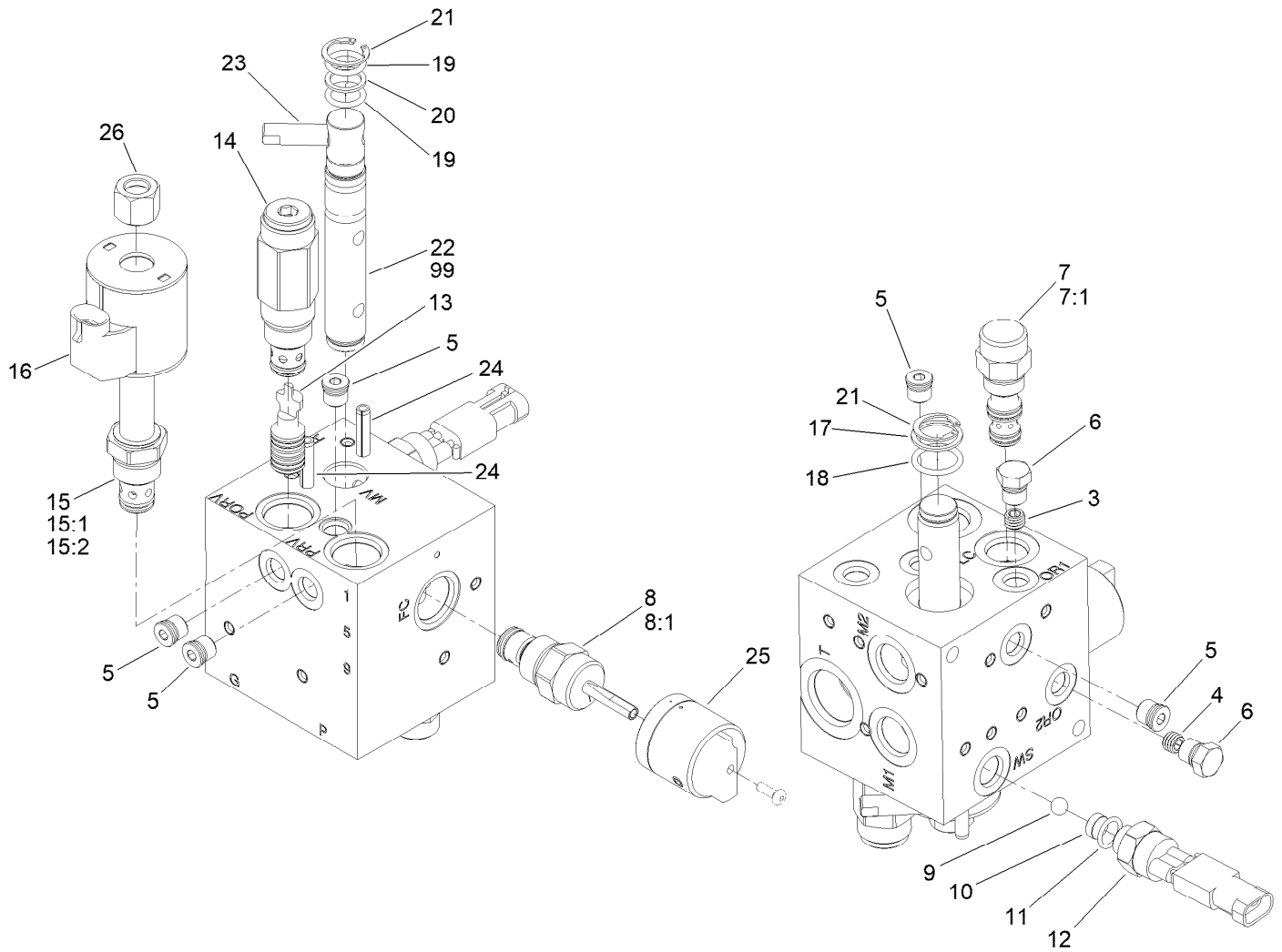
| Ref. | Part Number | Qty. | Description | Ref. | Part Number | Qty. | Description |
|------|-------------|------|-----------------------|------|-------------|------|--------------|
| 1 | 56-7972 | 4 | Clamp-Tube | 15 | 119-8156 | 2 | Clamp-Tube |
| 2 | 69-9760 | 2 | Plate-Cover | 16 | 138-5044 | 4 | Clamp-Tube |
| 3 | 69-9761 | 2 | Plate-Cover | 19 | 322-10 | 1 | Screw-HH |
| 4 | 104-7201 | 2 | Nut-HF, NI | 20 | 322-12 | 1 | Screw-HH |
| 5 | 104-8300 | 14 | Nut-HF, NI | 21 | 322-19 | 1 | Screw-HH |
| 6 | 119-2082 | 2 | Clamp-Tube | 22 | 322-21 | 1 | Screw-HH |
| 7 | 119-2091 | 1 | Bracket-Tube | 23 | 2412-113 | 1 | Clamp-R |
| 8 | 119-2095 | 1 | Bracket-Tube | 24 | 3234-29 | 4 | Screw-HHF |
| 9 | 119-2106 | 1 | Bracket-Clamp | 25 | 3234-47 | 6 | Screw-HHF |
| 10 | 119-4493 | 1 | Bracket-Support, Tube | 26 | 32104-32 | 4 | Screw-HWH |
| 11 | | 1 | Mow Manifold ASM ● | 27 | 3256-23 | 1 | Washer-Plain |
| 12 | 121-6671 | 1 | Wireform Hose Support | 28 | 32105-18 | 2 | Screw-HHF |
| 13 | 121-6667 | 1 | Wireform-Hose, HYD | 29 | 3234-7 | 2 | Screw-HHF |
| 14 | 119-8109-03 | 1 | Bracket-Hose | | | | |

● Not serviced separately



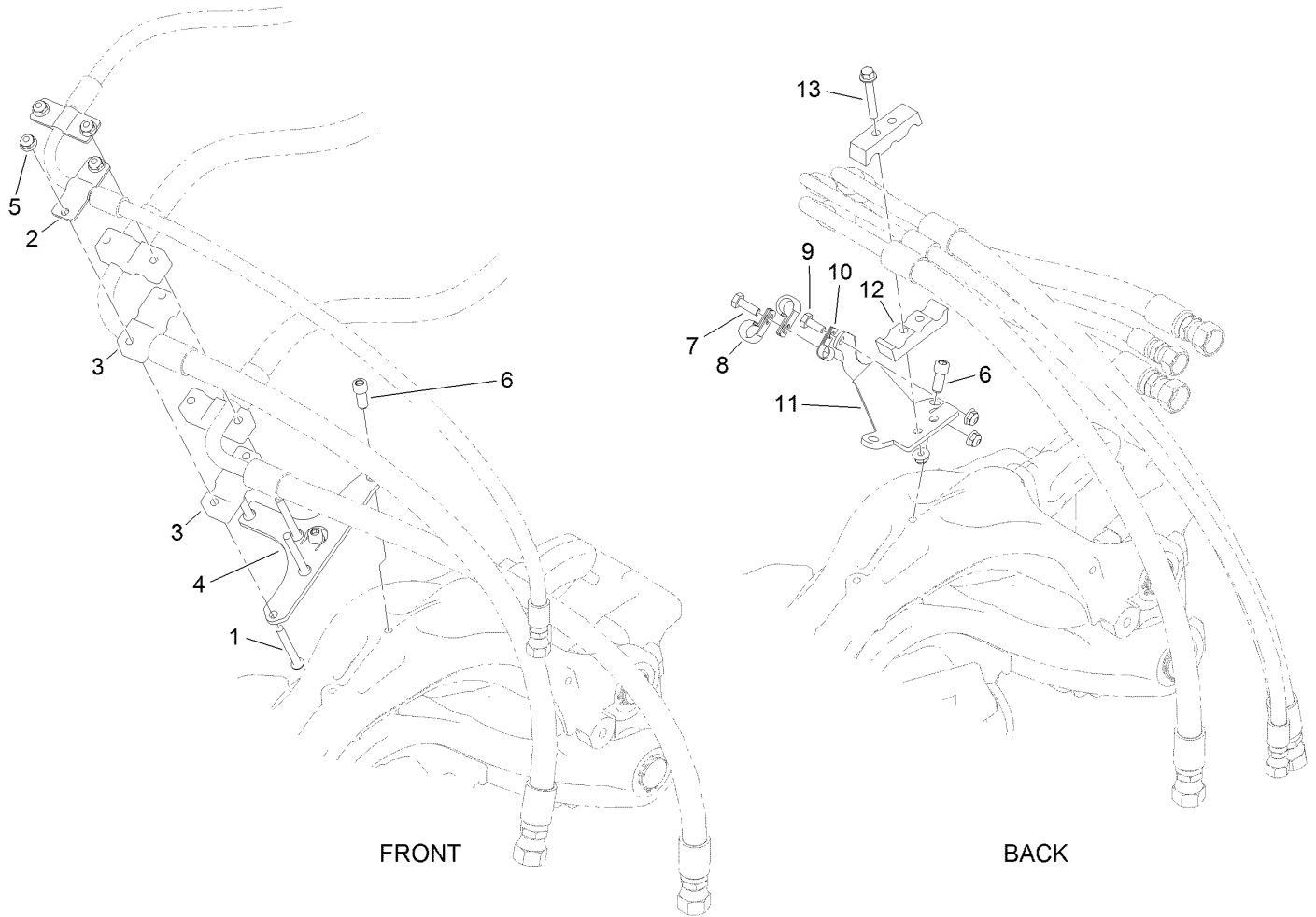
Hydraulic Mow Manifold Assembly

| Ref. | Part Number | Qty. | Description |
|------|-------------|------|-----------------------------|
| 1 | 117-9858 | 1 | Manifold-HYD, Mow (Backlap) |
| 2 | 340-89 | 1 | Fitting-HYD, 45 DEG |
| 2:1 | 237-30 | 1 | O-Ring |
| 2:2 | 237-80 | 1 | O-Ring |
| 3 | 100-4240 | 1 | Fitting-STR |
| 3:1 | 237-30 | 1 | O-Ring |
| 3:2 | 237-81 | 1 | O-Ring |
| 4 | 340-98 | 2 | Fitting-Elbow, 90 DEG |
| 4:1 | 237-79 | 1 | O-Ring |
| 4:2 | 237-30 | 1 | O-Ring |
| 5 | 115-9147 | 1 | Fitting-Elbow, 90 DEG |
| 5:1 | 237-78 | 1 | O-Ring |
| 6 | 354-79 | 1 | Cap-Dust |



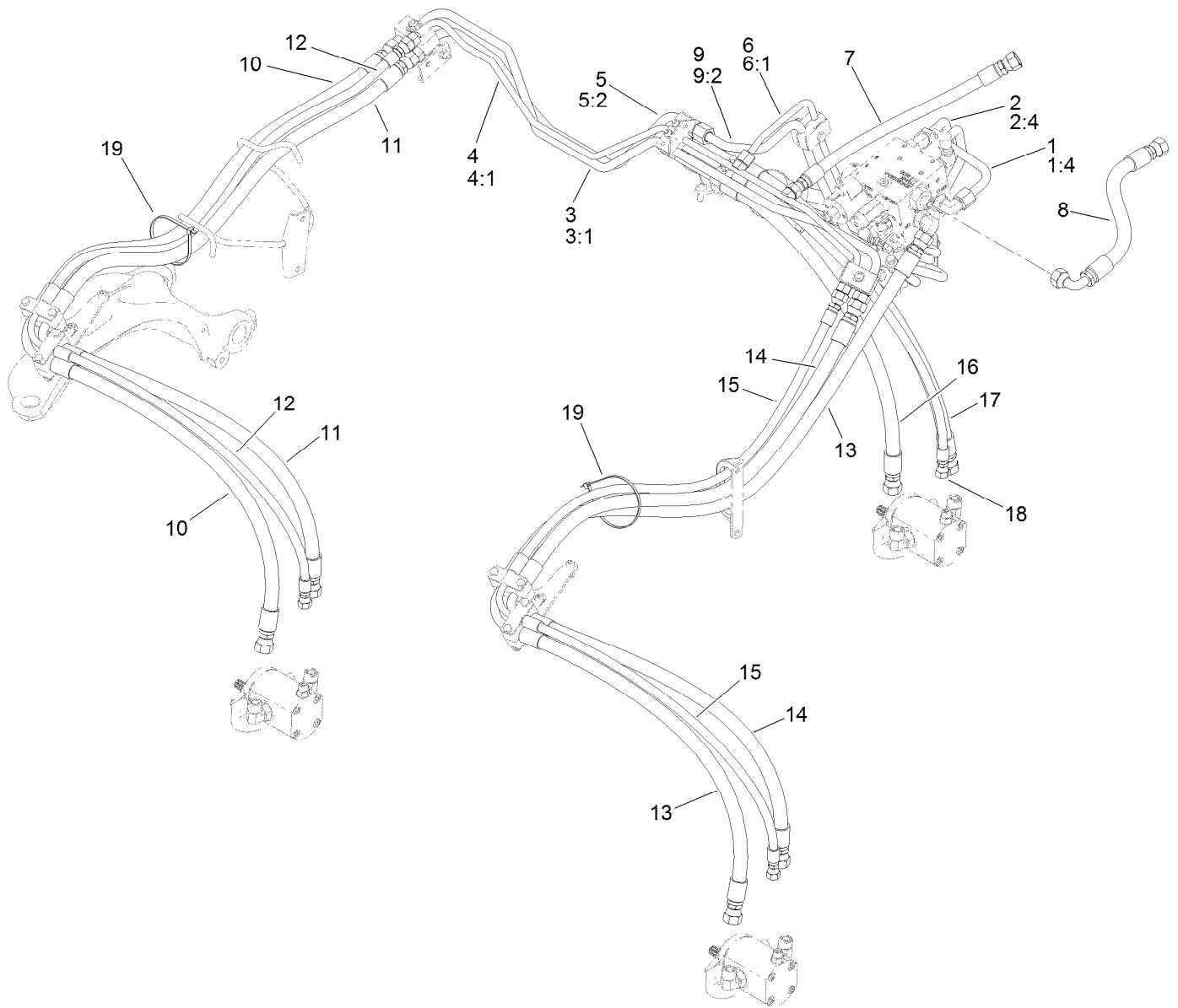
Hydraulic Mow Manifold Assembly No. 117-9858

| Ref. | Part Number | Qty. | Description | Ref. | Part Number | Qty. | Description |
|------|-------------|------|------------------------------|------|-------------|------|----------------------------|
| 3 | 120-5761 | 1 | Orifice (.020) | 15:1 | 110-6316 | 1 | Seal Kit |
| 4 | 112-9202 | 1 | Orifice-Flow, Control (.060) | 15:2 | 130-8180 | 1 | Nut-Coil (9/16-24 Unef-2B) |
| 5 | 106-1025 | 3 | Plug-HYD | 16 | 110-6344 | 1 | Coil-12V, DC |
| 6 | 117-0115 | 2 | Plug | 17 | 106-8139 | 1 | Ring-Back Up |
| 7 | 120-5762 | 1 | Element-Logic | 18 | 117-4607 | 1 | O-Ring |
| 7:1 | 110-8773 | 1 | Seal Kit | 19 | 117-4606 | 2 | O-Ring |
| 8 | 139-2665 | 1 | Valve-Control, Manual Flow | 20 | 112-6534 | 1 | Ring-Back Up |
| 8:1 | 132-6231 | 1 | Seal Kit | 21 | 112-6532 | 2 | Ring-Retaining |
| 9 | 117-4605 | 1 | Ball-SS | 22 | 119-7141 | 1 | Spool |
| 10 | 119-7145 | 1 | Shim-SS | 23 | 110-8758 | 1 | Handle-Spool |
| 11 | 110-8757 | 1 | O-Ring | 24 | 112-6531 | 2 | Pin-Spring |
| 12 | 72-4320 | 1 | Switch-Ball | 25 | 119-7140 | 1 | Knob |
| 13 | 119-7146 | 1 | Piston-Pilot (With Seals) | 26 | 130-8180 | 1 | Nut-Coil (9/16-24 Unef-2B) |
| 14 | 119-7147 | 1 | Valve-Relief | 99 | 119-7142 | 1 | Kit-Seal, Spool |
| 15 | 110-8799 | 1 | Valve-Relief, Proportional | | | | |



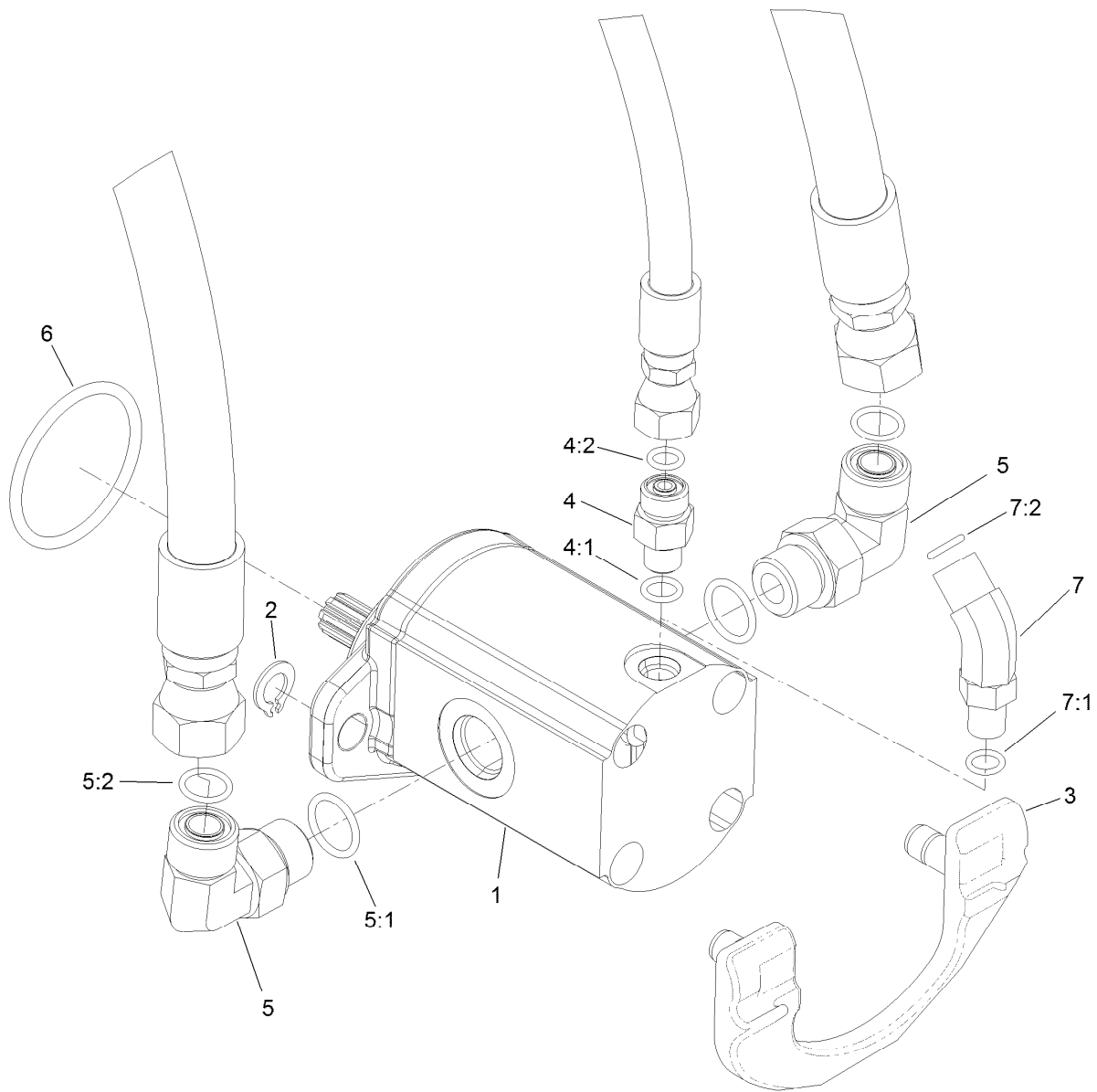
Hydraulic Mow Clamp Assembly

| <i>Ref.</i> | <i>Part Number</i> | <i>Qty.</i> | <i>Description</i> |
|-------------|--------------------|-------------|---------------------|
| 1 | 120-2011 | 8 | Screw-HSBH |
| 2 | 119-8142 | 4 | Strap |
| 3 | 119-8141 | 8 | Clamp-Tube |
| 4 | 119-8143-03 | 2 | Bracket-Clamp, Hose |
| 5 | 104-7201 | 12 | Nut-HF, NI |
| 6 | 100-2401 | 6 | Screw-HSH |
| 7 | 321-4 | 1 | Screw-HH |
| 8 | 2412-73 | 2 | Clamp-R |
| 9 | 321-3 | 1 | Screw-HH |
| 10 | 2412-89 | 1 | Clamp-R |
| 11 | 119-8172-03 | 1 | Bracket-Hose |
| 12 | 119-2082 | 2 | Clamp-Tube |
| 13 | 32105-18 | 2 | Screw-HHF |



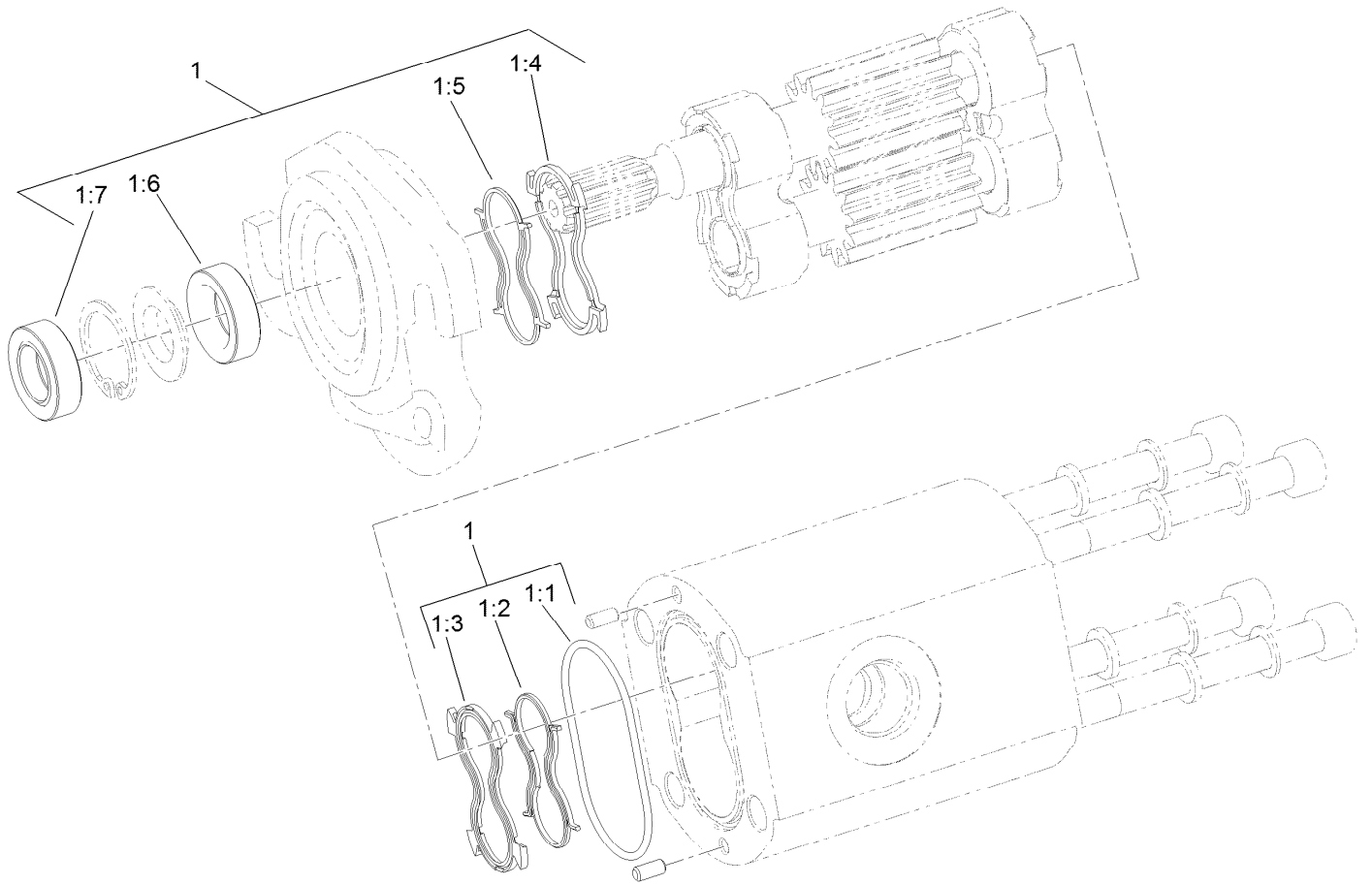
Hydraulic Mow Hose Routing Assembly

| <i>Ref.</i> | <i>Part Number</i> | <i>Qty.</i> | <i>Description</i> | <i>Ref.</i> | <i>Part Number</i> | <i>Qty.</i> | <i>Description</i> |
|-------------|--------------------|-------------|---------------------------|-------------|--------------------|-------------|----------------------------|
| 1 | 117-9347 | 1 | HYD Tube ASM | 9 | 119-8122 | 1 | HYD Tube ASM |
| 1:4 | 237-30 | 1 | O-Ring | 9:2 | 237-30 | 1 | O-Ring |
| 2 | 119-2073 | 1 | HYD Tube ASM | 10 | 140-5282 | 1 | HYD Hose ASM (Pressure #3) |
| 2:4 | 237-30 | 1 | O-Ring | 11 | 140-5283 | 1 | HYD Hose ASM (Return #3) |
| 3 | 119-2078 | 1 | HYD Tube ASM | 12 | 139-6536 | 1 | Hose ASM Case 3 |
| 3:1 | 237-30 | 2 | O-Ring | 13 | 140-5284 | 1 | HYD Hose ASM (Pressure #2) |
| 4 | 119-2079 | 1 | HYD Tube ASM | 14 | 140-5285 | 1 | HYD Hose ASM (Return #2) |
| 4:1 | 237-22 | 4 | O-Ring | 15 | 139-6535 | 1 | Hose ASM Case 2 |
| 5 | 119-2084 | 1 | HYD Tube ASM | 16 | 140-5286 | 1 | HYD Hose ASM (Pressure #1) |
| 5:2 | 237-30 | 2 | O-Ring | 17 | 140-5287 | 1 | HYD Hose ASM (Return #1) |
| 6 | 119-2085 | 1 | HYD Tube ASM | 18 | 139-6534 | 1 | Hose ASM Case 1 |
| 6:1 | 237-22 | 1 | O-Ring | 19 | 3290-379 | 2 | Tie-Cable |
| 7 | 119-2089 | 1 | Hose-HYD (Case To Tank) | | | | |
| 8 | 119-8106 | 1 | Hose-HYD (Mow Block/Tank) | | | | |



Hydraulic Mow Reel Motor Assembly

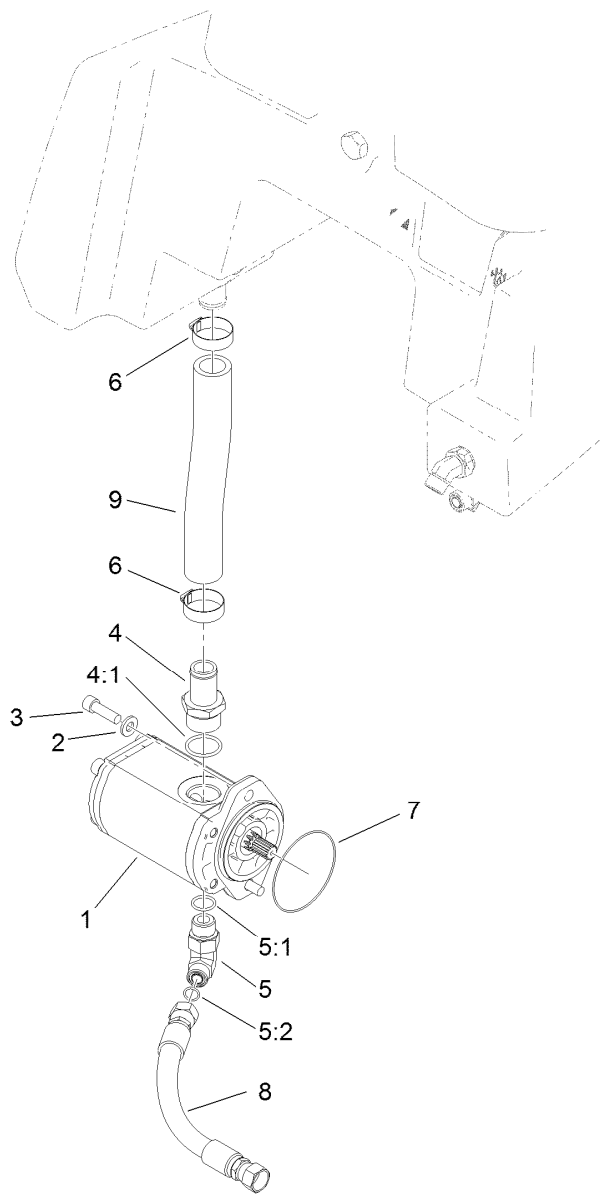
| Ref. | Part Number | Qty. | Description |
|-------------|--------------------|-------------|-------------------------|
| 1 | 115-3321 | 3 | HYD Reel Motor ASM |
| 2 | 133-8926 | 6 | Ring-Retaining (Metric) |
| 3 | 115-5389 | 3 | Cam-Mount, Motor |
| 4 | 340-92 | 2 | Fitting-Straight |
| 4:1 | 237-78 | 1 | O-Ring |
| 4:2 | 237-21 | 1 | O-Ring |
| 5 | 340-98 | 6 | Fitting-Elbow, 90 DEG |
| 5:1 | 237-79 | 1 | O-Ring |
| 5:2 | 237-30 | 1 | O-Ring |
| 6 | 115-3298 | 3 | O-Ring |
| 7 | 340-103 | 1 | Fitting-HYD, 45 DEG |
| 7:1 | 237-78 | 1 | O-Ring |
| 7:2 | 237-21 | 1 | O-Ring |



Hydraulic Reel Motor Assembly No. 115-3321

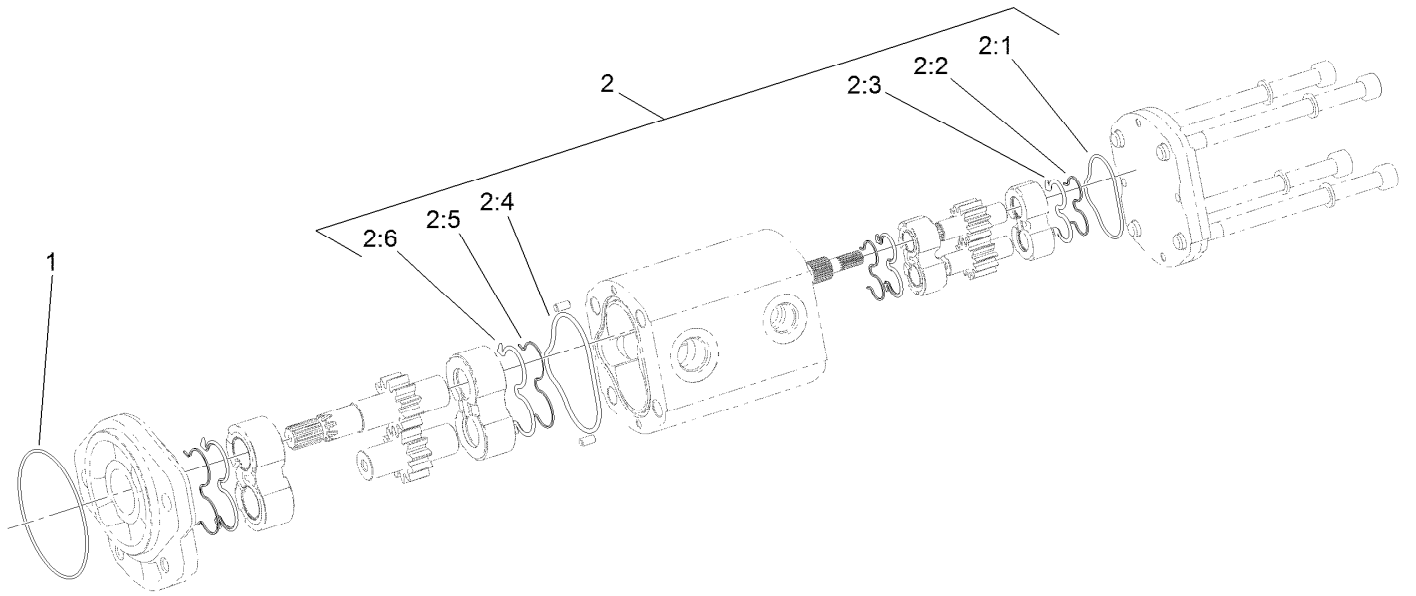
| <i>Ref.</i> | <i>Part Number</i> | <i>Qty.</i> | <i>Description</i> |
|-------------|--------------------|-------------|-------------------------|
| 1 | 119-7113 | 1 | Seal Kit |
| 1:1 | | 1 | O-Ring Housing ● |
| 1:2 | | 1 | Seal-Anti Extrusion ● |
| 1:3 | | 1 | Seal-Plate, Balancing ● |
| 1:4 | | 1 | Seal-Plate, Balancing ● |
| 1:5 | | 1 | Seal-Anti Extrusion ● |
| 1:6 | | 1 | Seal-Shaft (Inboard) ● |
| 1:7 | | 1 | Seal-Shaft (Outboard) ● |

● Not serviced separately



Hydraulic Mow Gear Pump Assembly

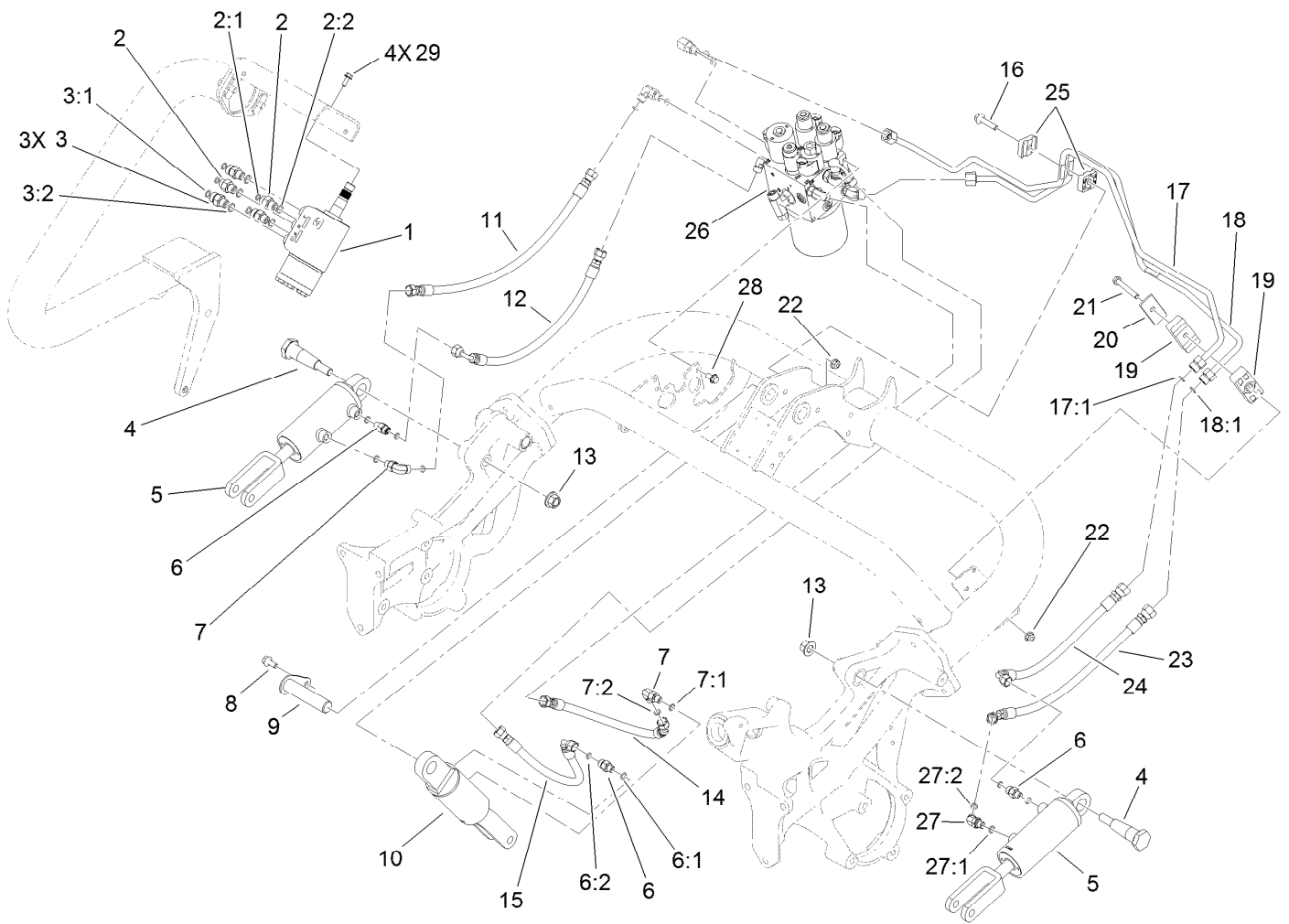
| Ref. | Part Number | Qty. | Description |
|-------------|--------------------|-------------|-----------------------|
| 1 | 114-9956 | 1 | HYD Gear Pump ASM |
| 2 | 100-4852 | 2 | Washer-Hardened |
| 3 | 3274-1 | 2 | Screw-HSH |
| 4 | 354-78 | 1 | Fitting-STR |
| 4:1 | 237-146 | 1 | O-Ring |
| 5 | 340-105 | 1 | Fitting-Elbow, 90 DEG |
| 5:1 | 237-80 | 1 | O-Ring |
| 5:2 | 237-30 | 1 | O-Ring |
| 6 | 2412-34 | 2 | Clamp-Hose |
| 7 | 353-949 | 1 | O-Ring |
| 8 | 119-2074 | 1 | Hose-HYD |
| 9 | 119-2069 | 1 | Hose-Suction |



Hydraulic Gear Pump Assembly No. 114-9956

| <i>Ref.</i> | <i>Part Number</i> | <i>Qty.</i> | <i>Description</i> |
|-------------|--------------------|-------------|------------------------|
| 1 | 353-949 | 1 | O-Ring |
| 2 | 119-7134 | 1 | Kit-Seal |
| 2:1 | | 1 | O-Ring ● |
| 2:2 | | 2 | Seal-Extrusion, Anti ● |
| 2:3 | | 2 | Seal-Backup ● |
| 2:4 | | 1 | O-Ring ● |
| 2:5 | | 2 | Seal-Extrusion, Anti ● |
| 2:6 | | 2 | Seal-Backup ● |

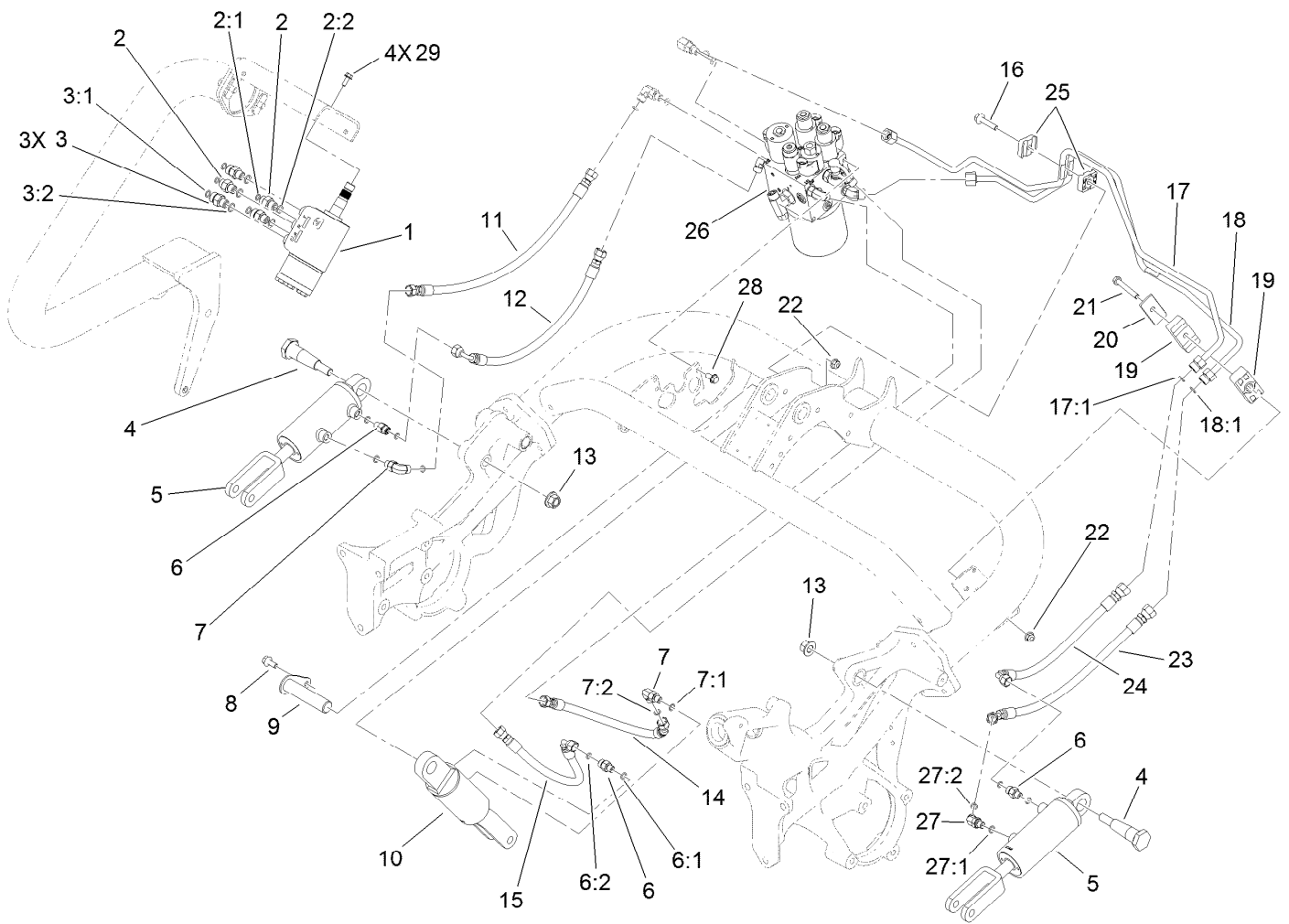
● Not serviced separately



Lift Circuit Assembly

| Ref. | Part Number | Qty. | Description | Ref. | Part Number | Qty. | Description |
|------|-------------|------|------------------------------|------|-------------|------|------------------------|
| 1 | 114-4672 | 1 | Steering Valve ASM | 10 | 119-8128 | 1 | No. 1 HYD Cylinder ASM |
| 2 | 340-1 | 2 | Fitting-Straight | 11 | 119-2052 | 1 | Hose-HYD |
| 2:1 | 237-21 | 1 | O-Ring | 12 | 119-2053 | 1 | Hose-HYD |
| 2:2 | 237-42 | 1 | O-Ring | 13 | 99-5107 | 2 | Nut-Lock |
| 3 | 340-2 | 3 | Fitting-Straight | 14 | 119-2051 | 1 | Hose-HYD |
| 3:1 | 237-22 | 1 | O-Ring | 15 | 119-2050 | 1 | Hose-HYD |
| 3:2 | 237-42 | 1 | O-Ring | 16 | 115-1794 | 1 | Screw-HHF |
| 4 | 112-5709 | 2 | Pin-Tapered | 17 | 119-8126 | 1 | HYD Tube ASM |
| 5 | 119-8129 | 2 | No. 2 And 3 HYD Cylinder ASM | 17:1 | 237-22 | 1 | O-Ring |
| 6 | 340-92 | 3 | Fitting-Straight | 18 | 119-8127 | 1 | HYD Tube ASM |
| 6:1 | 237-78 | 1 | O-Ring | 18:1 | 237-22 | 1 | O-Ring |
| 6:2 | 237-21 | 1 | O-Ring | 19 | 120-3200 | 2 | Clamp-Tube |
| 7 | 340-132 | 2 | Fitting-Elbow, 90 DEG | 20 | 69-9761 | 1 | Plate-Cover |
| 7:1 | 237-78 | 1 | O-Ring | 21 | 322-12 | 1 | Screw-HH |
| 7:2 | 237-21 | 1 | O-Ring | 22 | 104-8300 | 3 | Nut-HF, NI |
| 8 | 3234-47 | 1 | Screw-HHF | 23 | 119-2066 | 1 | Hose-HYD |
| 9 | 119-8104 | 1 | Pin | 24 | 119-2065 | 1 | Hose-HYD |
| | | | | 25 | 56-7973 | 2 | Clamp-Tube |

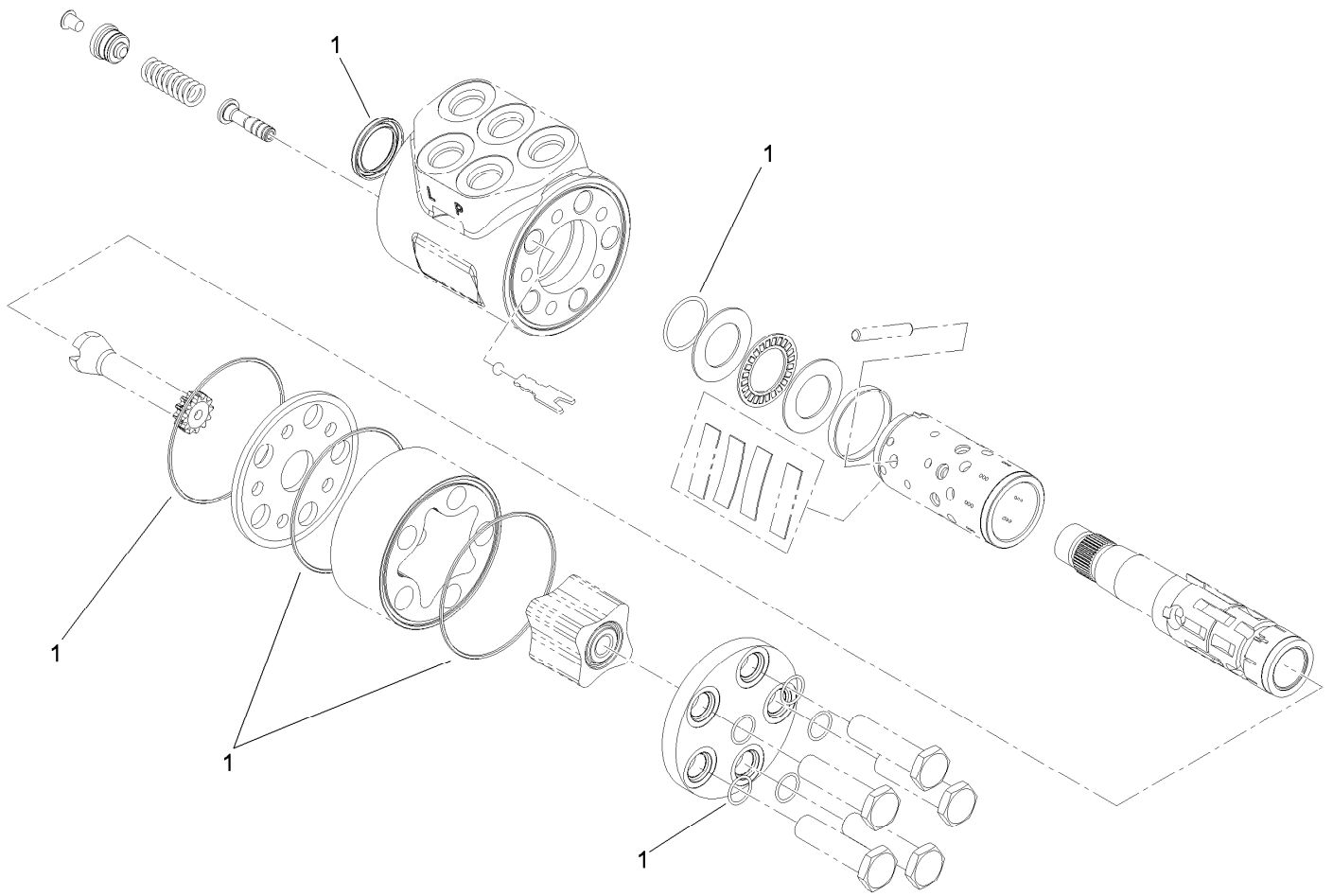
● Not serviced separately



Lift Circuit Assembly (continued)

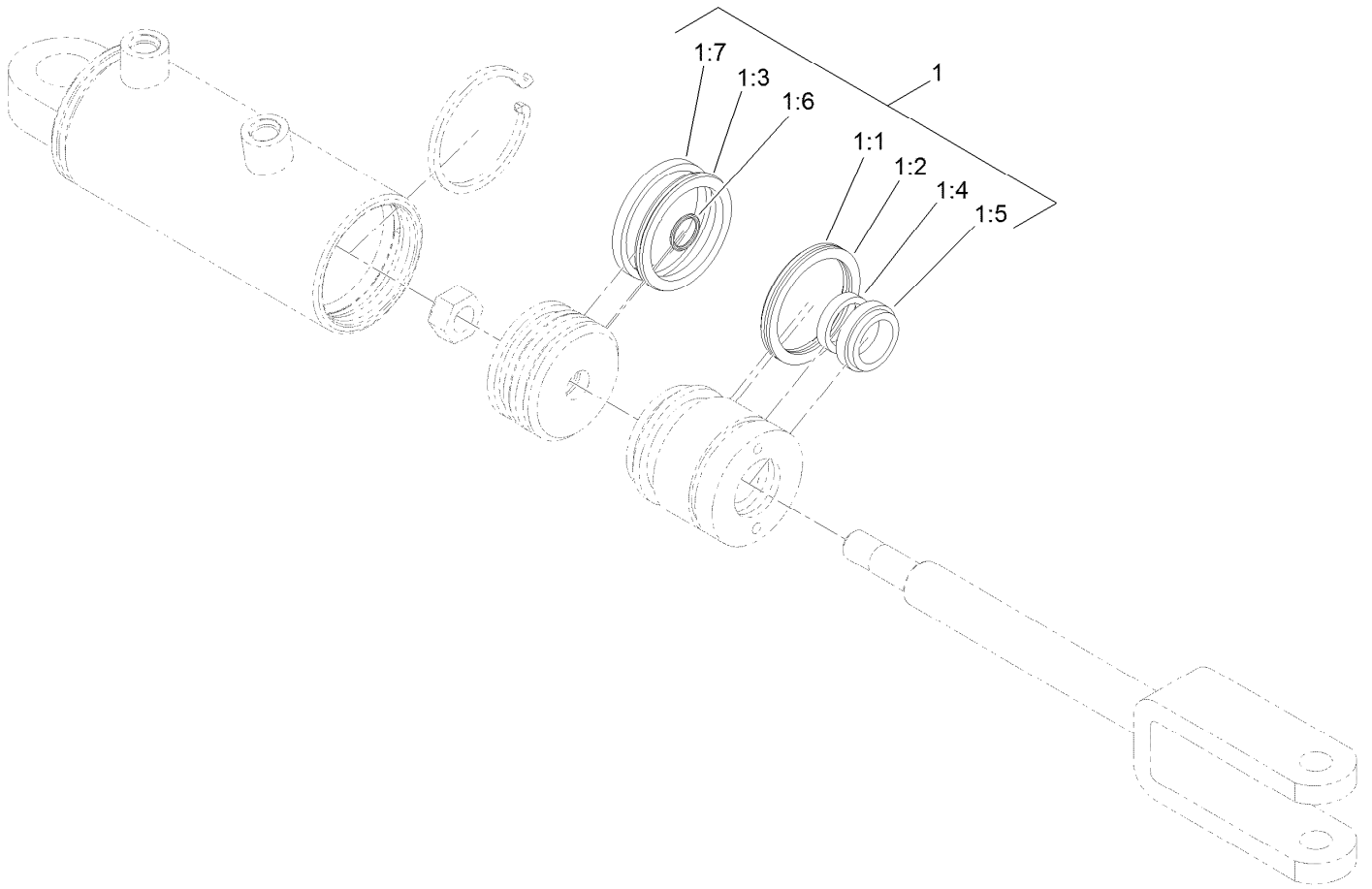
| <i>Ref.</i> | <i>Part Number</i> | <i>Qty.</i> | <i>Description</i> | <i>Ref.</i> | <i>Part Number</i> | <i>Qty.</i> | <i>Description</i> |
|-------------|--------------------|-------------|-----------------------------|-------------|--------------------|-------------|--------------------|
| 26 | | 1 | Hydraulic Lift Manifold ASM | 27:2 | 237-21 | 1 | O-Ring |
| 27 | 340-103 | 1 | Fitting-HYD, 45 DEG | 28 | 3234-7 | 2 | Screw-HHF |
| 27:1 | 237-78 | 1 | O-Ring | 29 | 33103-016 | 4 | Screw-HHF |

● Not serviced separately



Steering Valve Assembly No. 114-4672

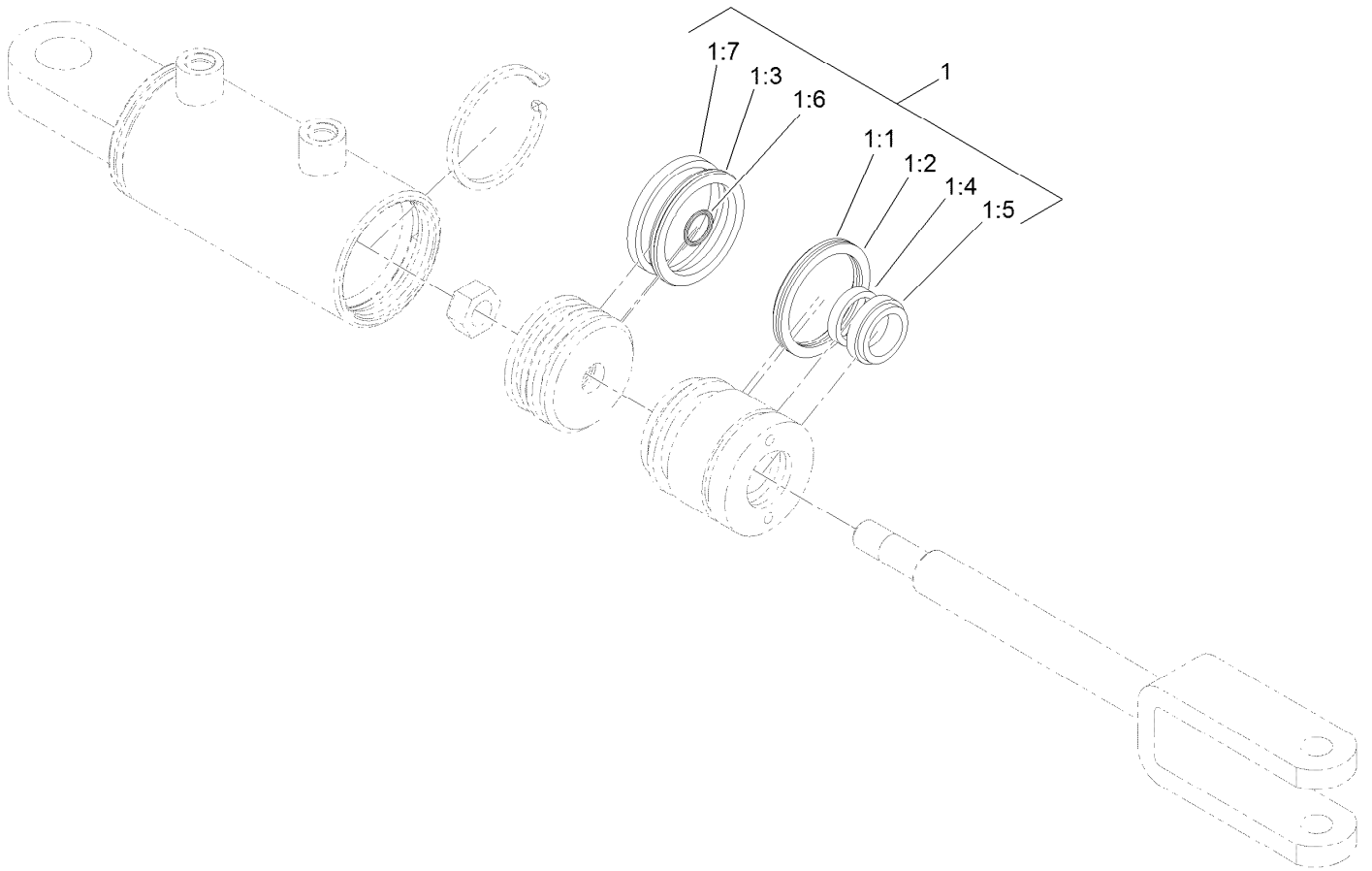
| <i>Ref.</i> | <i>Part Number</i> | <i>Qty.</i> | <i>Description</i> |
|-------------|--------------------|-------------|--------------------|
| 1 | 106-6716 | 1 | Seal Kit |



Hydraulic Cylinder Assembly No. 119-8129

| <i>Ref.</i> | <i>Part Number</i> | <i>Qty.</i> | <i>Description</i> |
|-------------|--------------------|-------------|--------------------|
| 1 | 115-3410 | 1 | Seal Kit |
| 1:1 | | 1 | O-Ring ● |
| 1:2 | | 1 | Backup ● |
| 1:3 | | 1 | Bp Seal ● |
| 1:4 | | 1 | Bs Seal ● |
| 1:5 | | 1 | Seal-Dust ● |
| 1:6 | | 1 | O-Ring ● |
| 1:7 | | 1 | Ring-Wear ● |

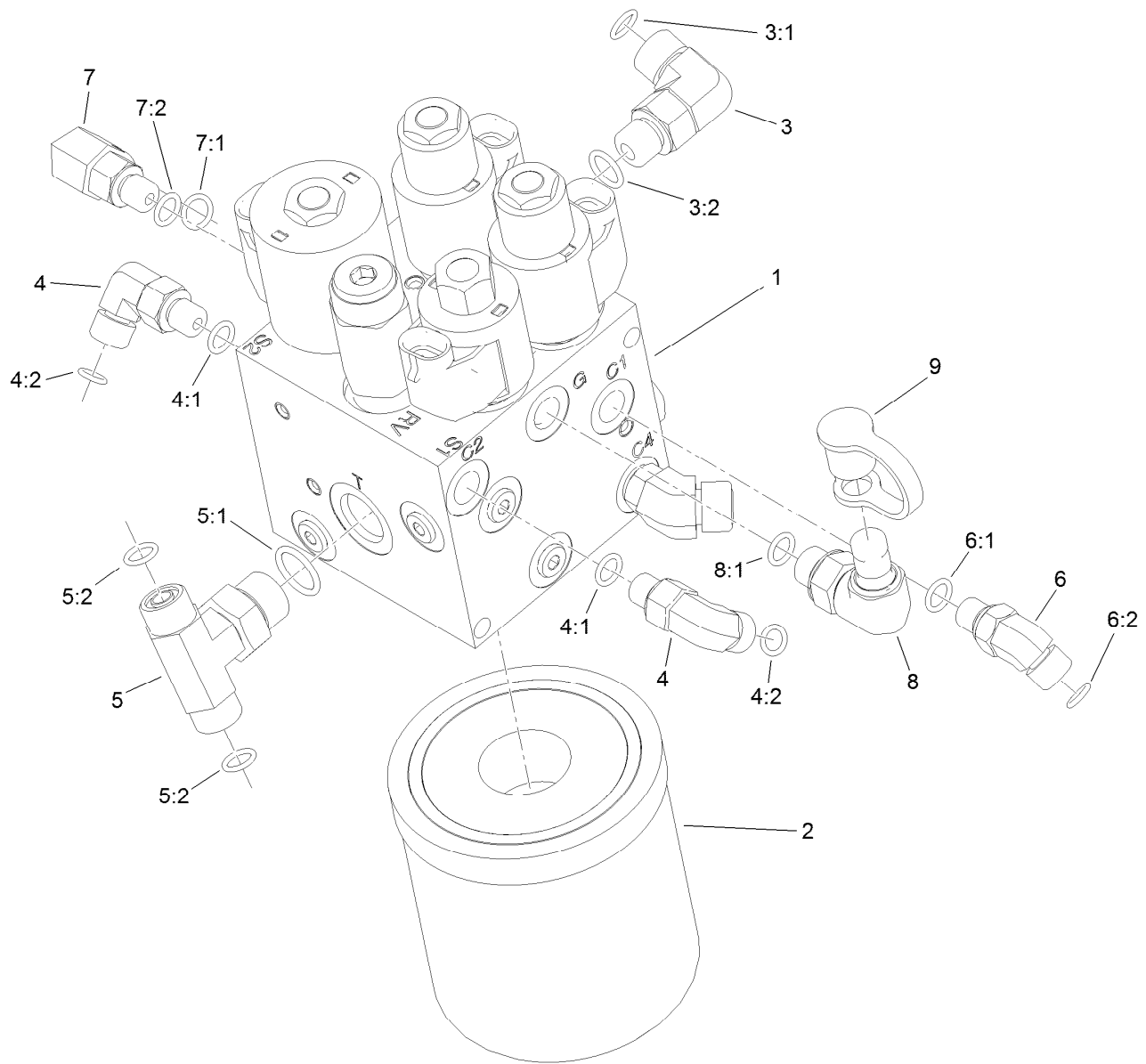
● Not serviced separately



Hydraulic Cylinder Assembly No. 119-8128

| <i>Ref.</i> | <i>Part Number</i> | <i>Qty.</i> | <i>Description</i> |
|-------------|--------------------|-------------|--------------------|
| 1 | 115-3410 | 1 | Seal Kit |
| 1:1 | | 1 | O-Ring ● |
| 1:2 | | 1 | Backup ● |
| 1:3 | | 1 | Bp Seal ● |
| 1:4 | | 1 | Bs Seal ● |
| 1:5 | | 1 | Seal-Dust ● |
| 1:6 | | 1 | O-Ring ● |
| 1:7 | | 1 | Ring-Wear ● |

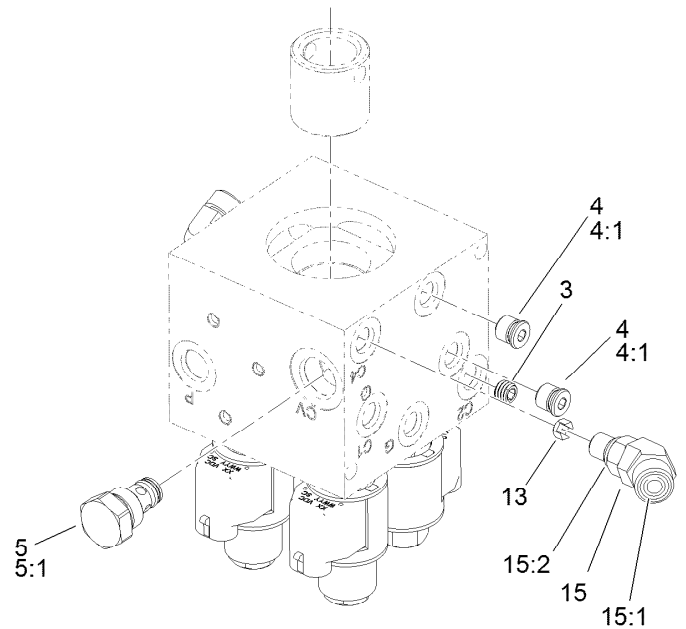
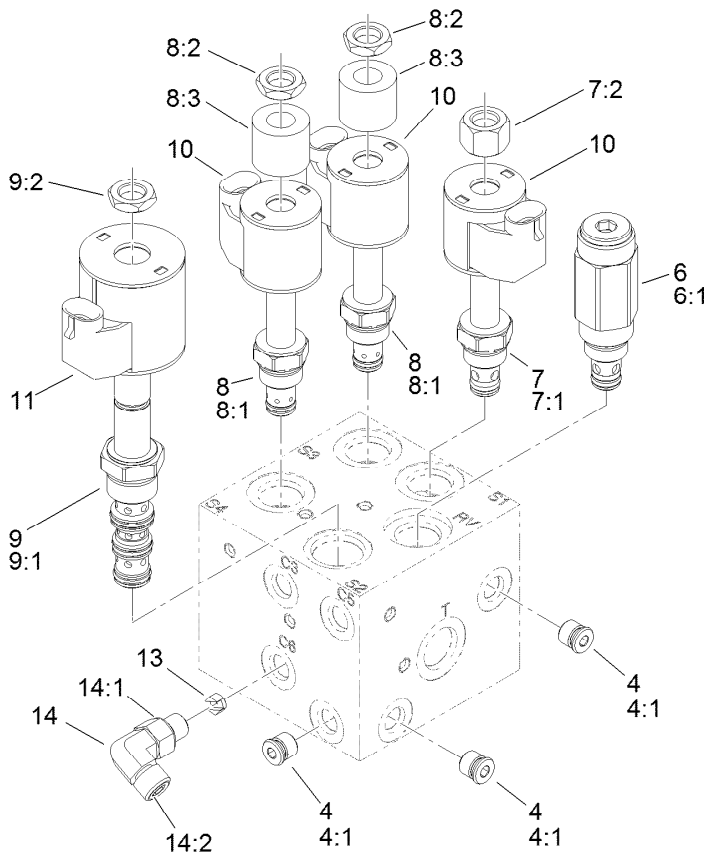
● Not serviced separately



Hydraulic Lift Manifold Assembly

| Ref. | Part Number | Qty. | Description |
|------|-------------|------|-----------------------|
| 1 | 125-5187 | 1 | Manifold-Lift, HYD |
| 2 | 108-5194 | 1 | Filter-Oil, HYD |
| 3 | 340-77 | 1 | Fitting-Elbow, 90 DEG |
| 3:1 | 237-22 | 1 | O-Ring |
| 3:2 | 237-42 | 1 | O-Ring |
| 4 | 340-132 | 2 | Fitting-Elbow, 90 DEG |
| 4:1 | 237-78 | 1 | O-Ring |
| 4:2 | 237-21 | 1 | O-Ring |
| 5 | 92-4799 | 1 | Fitting-Tee, HYD |
| 5:1 | 237-79 | 1 | O-Ring |

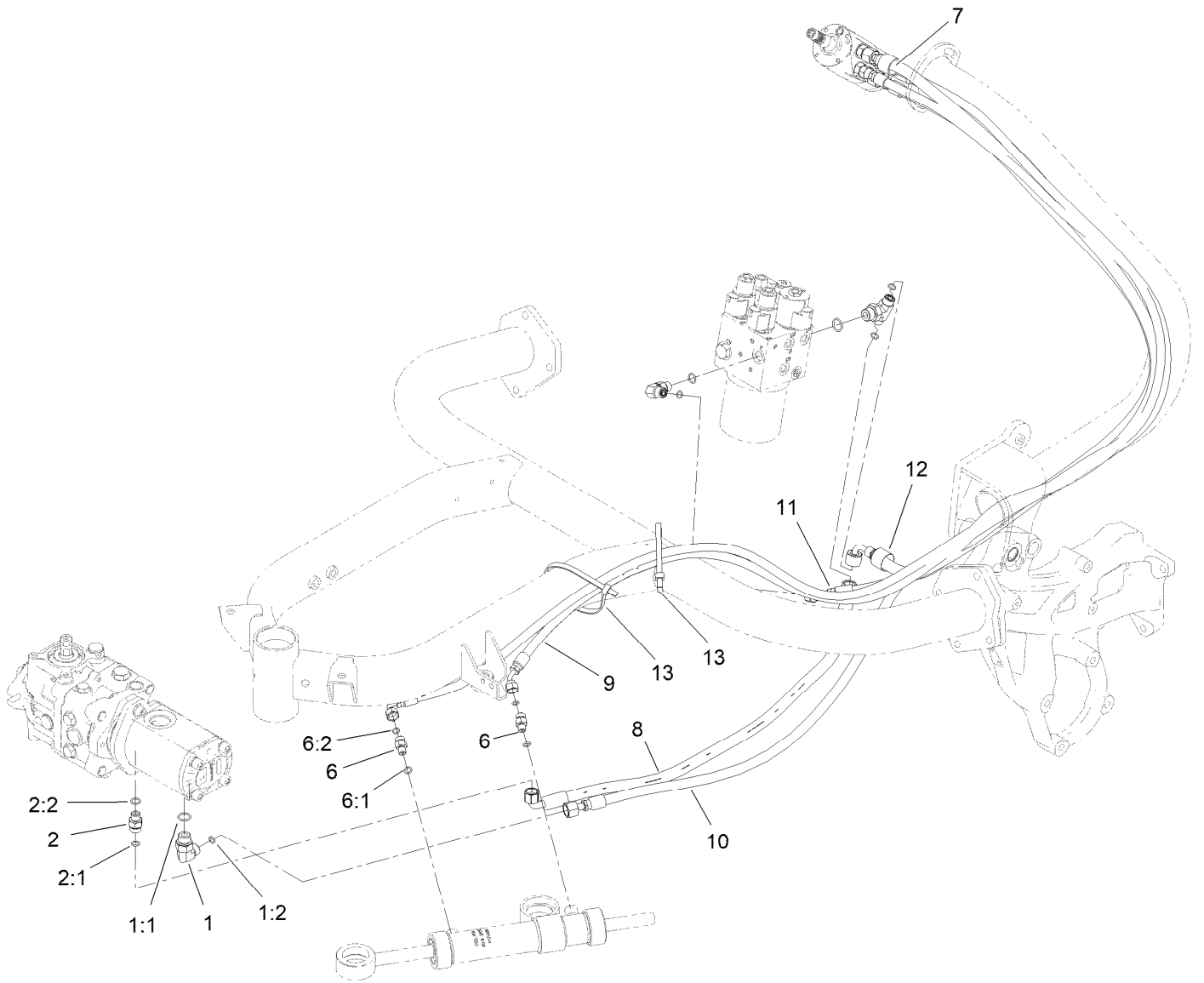
| Ref. | Part Number | Qty. | Description |
|------|-------------|------|-----------------------|
| 5:2 | 237-22 | 2 | O-Ring |
| 6 | 340-103 | 1 | Fitting-HYD, 45 DEG |
| 6:1 | 237-78 | 1 | O-Ring |
| 6:2 | 237-21 | 1 | O-Ring |
| 7 | 340-97 | 1 | Fitting-Elbow, 90 DEG |
| 7:1 | 237-22 | 1 | O-Ring |
| 7:2 | 237-78 | 1 | O-Ring |
| 8 | 115-9147 | 1 | Fitting-Elbow, 90 DEG |
| 8:1 | 237-78 | 1 | O-Ring |
| 9 | 354-79 | 1 | Cap-Dust |



Hydraulic Lift Manifold Assembly No. 125-5187

| Ref. | Part Number | Qty. | Description |
|------|-------------|------|---------------------|
| 3 | 119-7144 | 1 | Orifice (.037 Inch) |
| 4 | 353-990 | 5 | Plug ASM |
| 4:1 | 237-78 | 1 | O-Ring |
| 5 | 107-7524 | 1 | Check Valve ASM |
| 5:1 | 105-9156 | 1 | Seal Kit |
| 6 | 112-9207 | 1 | Valve-Relief |
| 6:1 | 105-9156 | 1 | Seal Kit |
| 7 | 107-7517 | 1 | Valve-Solenoid |
| 7:1 | 105-9156 | 1 | Seal Kit |
| 7:2 | 107-7812 | 1 | Nut-Solenoid |
| 8 | 110-8898 | 2 | Valve-Solenoid |
| 8:1 | 107-7527 | 1 | Seal Kit |
| 8:2 | 110-2634 | 1 | Nut-Coil |

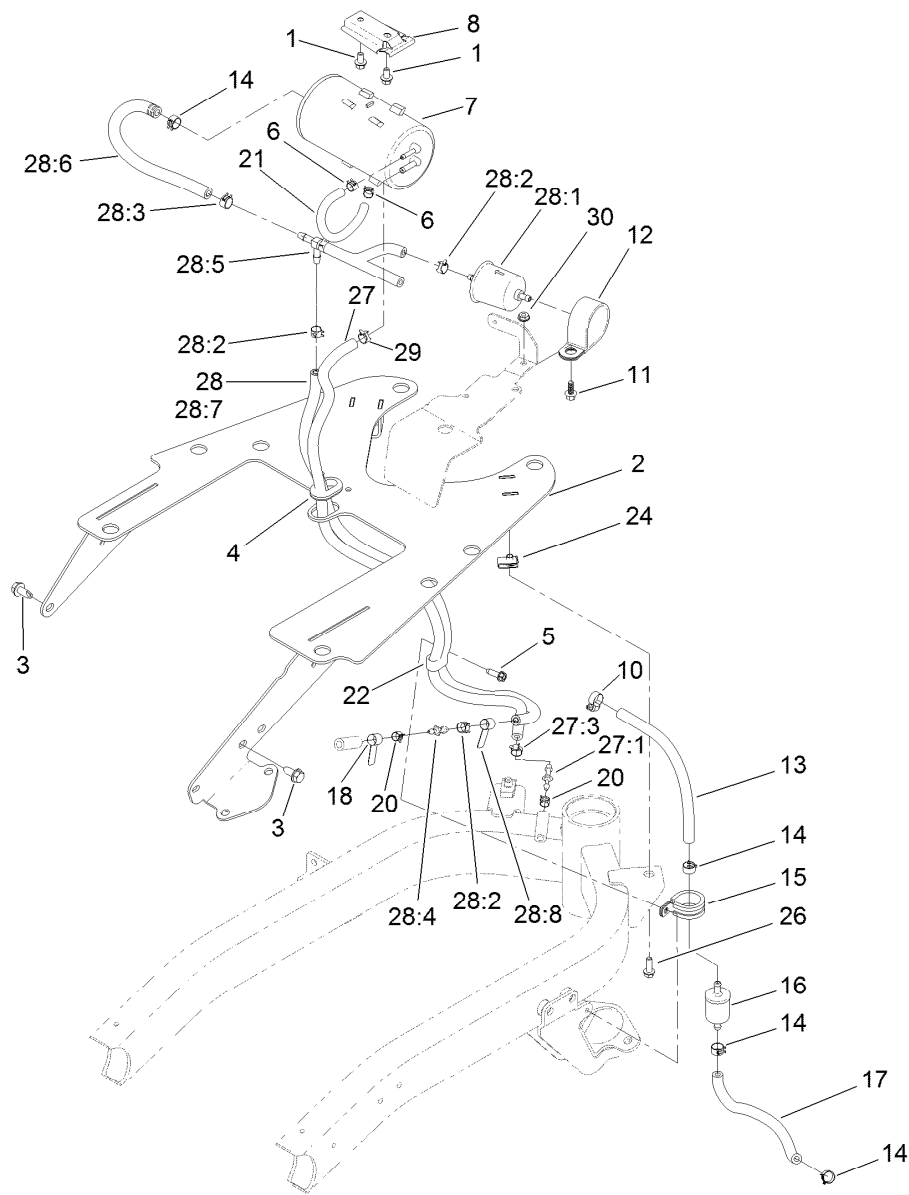
| Ref. | Part Number | Qty. | Description |
|------|-------------|------|-------------------------------|
| 8:3 | 110-8909 | 1 | Spacer-Coil |
| 9 | 110-8906 | 1 | Valve-Solenoid |
| 9:1 | 110-8908 | 1 | Spool Valve Seal Kit |
| 9:2 | 110-2634 | 1 | Nut-Coil |
| 10 | 110-0497 | 3 | Coil-Solenoid |
| 11 | 110-6344 | 1 | Coil-12V, DC |
| 13 | 125-5211 | 2 | Orifice-Control, Flow (0.030) |
| 14 | 340-132 | 1 | Fitting-Elbow, 90 DEG |
| 14:1 | 237-78 | 1 | O-Ring |
| 14:2 | 237-21 | 1 | O-Ring |
| 15 | 340-54 | 1 | Elbow-45 DEG |
| 15:1 | 237-22 | 1 | O-Ring |
| 15:2 | 237-78 | 1 | O-Ring |



Steering Circuit Assembly

| Ref. | Part Number | Qty. | Description |
|------|-------------|------|---------------------|
| 1 | 340-18 | 1 | Fitting-HYD, 90 DEG |
| 1:1 | 237-79 | 1 | O-Ring |
| 1:2 | 237-22 | 1 | O-Ring |
| 2 | 340-2 | 1 | Fitting-Straight |
| 2:1 | 237-22 | 1 | O-Ring |
| 2:2 | 237-42 | 1 | O-Ring |
| 6 | 340-92 | 2 | Fitting-Straight |
| 6:1 | 237-78 | 1 | O-Ring |

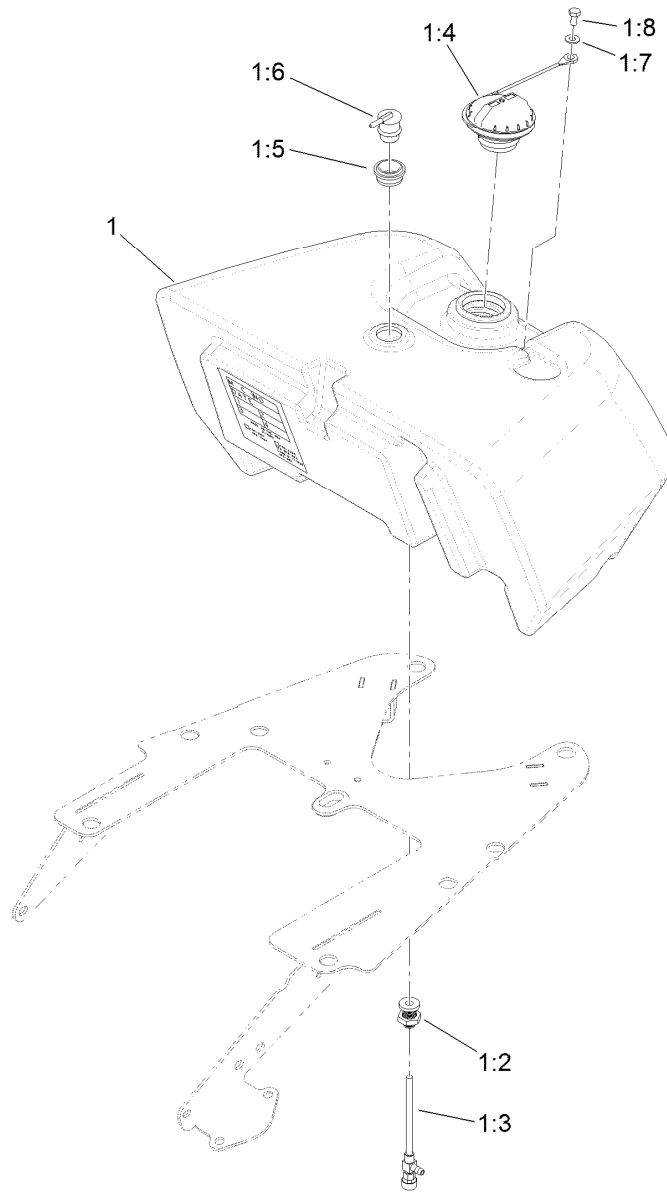
| Ref. | Part Number | Qty. | Description |
|------|-------------|------|---------------|
| 6:2 | 237-21 | 1 | O-Ring |
| 7 | 119-8124 | 1 | Hose-HYD |
| 8 | 140-5230 | 1 | Hose ASM |
| 9 | 119-8123 | 1 | Hose-HYD |
| 10 | 145-0056 | 1 | HYD Hose ASM |
| 11 | 117-3683 | 1 | Hose-HYD |
| 12 | 140-5270 | 1 | Hose ASM, HYD |
| 13 | 3334-945 | 2 | Tie-Cable |



Fuel Line and Carbon Canister Hose Routing Assembly

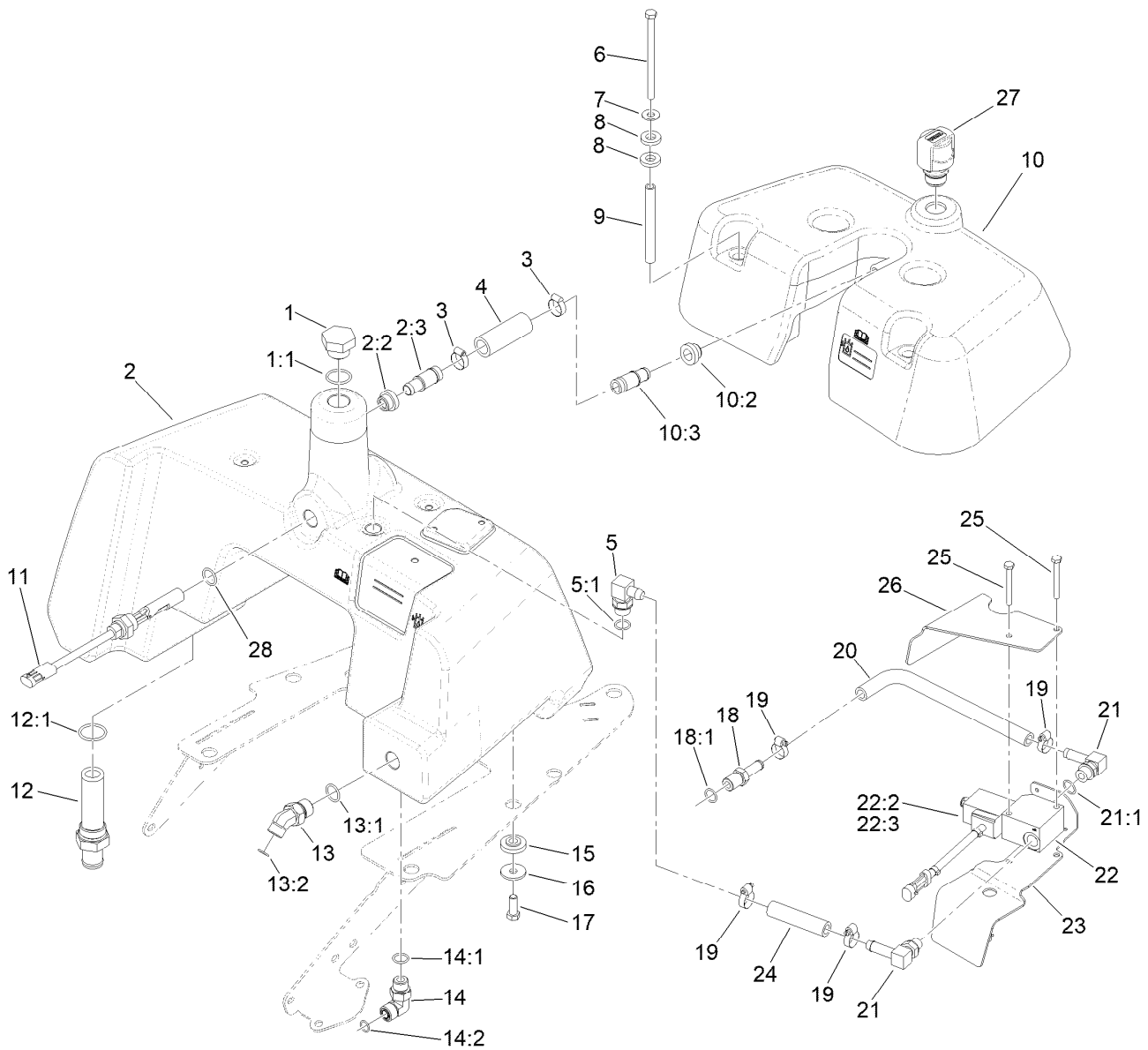
| Ref. | Part Number | Qty. | Description | Ref. | Part Number | Qty. | Description |
|------|-------------|------|--------------------------|------|-------------|------|----------------------|
| 1 | 3234-13 | 2 | Screw-HHF | 21 | 119-8523 | 1 | Hose-Fuel |
| 2 | 132-9597-03 | 1 | Plate Wa [black] | 22 | 119-8153 | 1 | Clamp-R, Double Tube |
| 3 | 32104-32 | 2 | Screw-HWH | 24 | 107069 | 2 | Clip |
| 4 | 240-5 | 2 | Grommet | 26 | 115-5103 | 2 | Screw-HHF |
| 5 | 49-2040 | 1 | Screw-HWHTF | 27 | 121-5181 | 1 | Purge Hose ASM |
| 6 | 2412-146 | 3 | Clamp-Hose | 27:1 | 121-2573 | 1 | Fitting-Straight |
| 7 | 127-8685 | 1 | Canister-Carbon | 27:3 | 2412-98 | 2 | Clamp-Hose |
| 8 | 114-0292 | 1 | Bracket-Canister, Carbon | 28 | | 1 | Tee Hose ASM ● |
| 10 | 2412-108 | 1 | Clamp-Worm | 28:1 | 121-2583 | 1 | Filter-Fuel, Inline |
| 11 | 99-6810 | 1 | Screw-HHF | 28:2 | 2412-98 | 3 | Clamp-Hose |
| 12 | 100-1424 | 1 | Clamp-R | 28:3 | 92-2379 | 2 | Clamp-Hose |
| 13 | 109-0282 | 1 | Hose-Fuel | 28:4 | 121-2573 | 1 | Fitting-Straight |
| 14 | 92-2379 | 3 | Clamp-Hose | 28:5 | 121-6663 | 1 | Check Valve Hose ASM |
| 15 | 120-2037 | 1 | R-Clamp | 28:6 | 139-6544 | 1 | Hose-Formed |
| 16 | 94-2690 | 1 | Filter-Fuel | 28:7 | 109-3491 | 1 | Hose-Fuel |
| 17 | 109-0293 | 1 | Hose-Fuel | 28:8 | 121-6664 | 1 | Decal-Cleaner, Air |
| 18 | 121-6664 | 1 | Decal-Cleaner, Air | 29 | 2412-98 | 1 | Clamp-Hose |
| 20 | 2412-80 | 2 | Clamp-Hose | 30 | 32149-2 | 1 | Nut-Keps |

● Not serviced separately



Fuel Tank Assembly

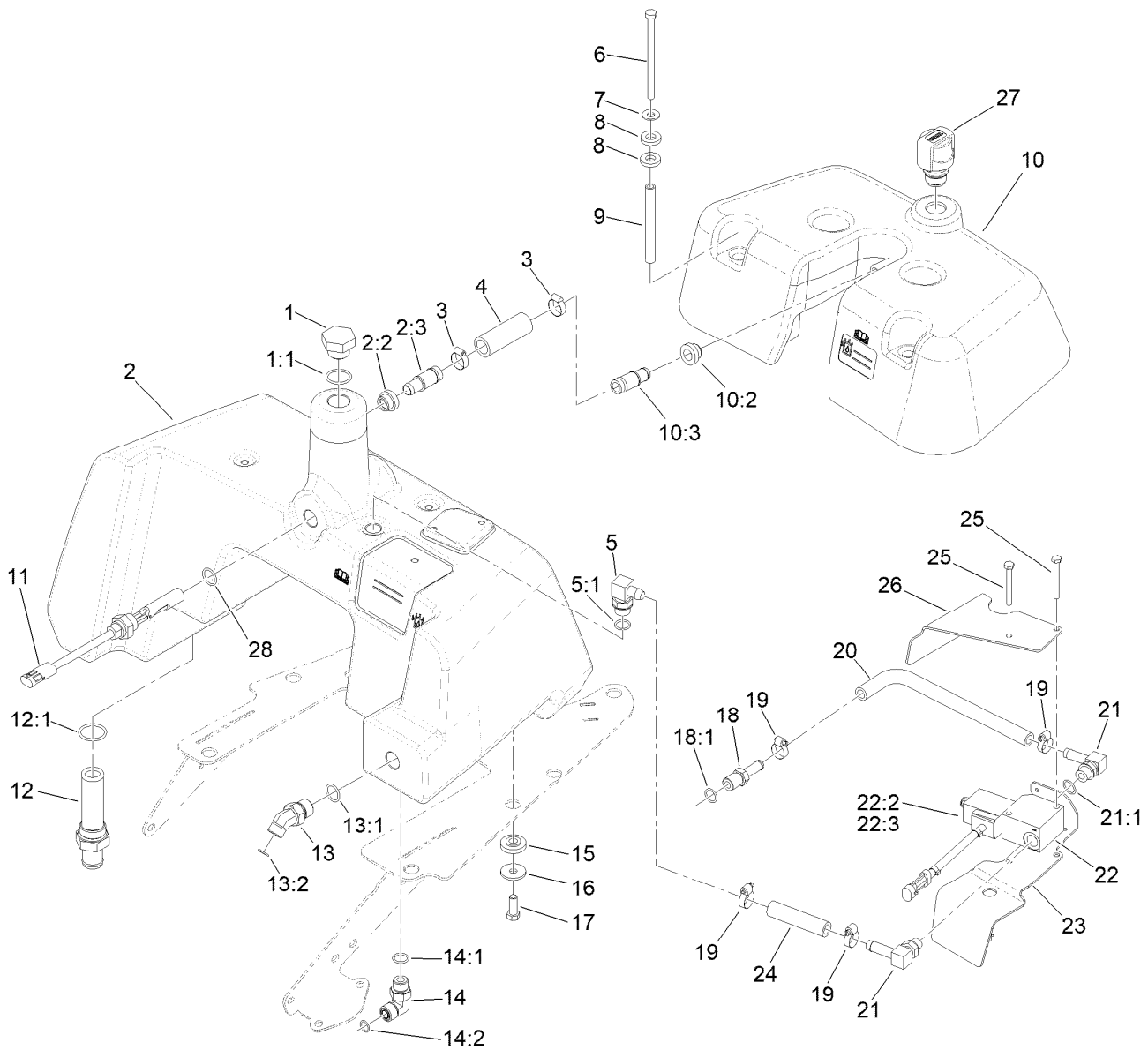
| <i>Ref.</i> | <i>Part Number</i> | <i>Qty.</i> | <i>Description</i> |
|-------------|--------------------|-------------|------------------------|
| 1 | 139-2664 | 1 | Fuel Tank ASM, Gas |
| 1:2 | 114-4677 | 1 | Bulkhead ASM |
| 1:3 | 114-4679 | 1 | Fitting-Shut Off, Fuel |
| 1:4 | 117-1722 | 1 | Cap-Fuel |
| 1:5 | 114-0284 | 1 | Grommet |
| 1:6 | 119-3547 | 1 | Valve-Vent, Fuel |
| 1:7 | 3256-1 | 1 | Washer-Flat |
| 1:8 | 321-2 | 1 | Screw-HH |



Hydraulic Tank and Leak Detector Assembly

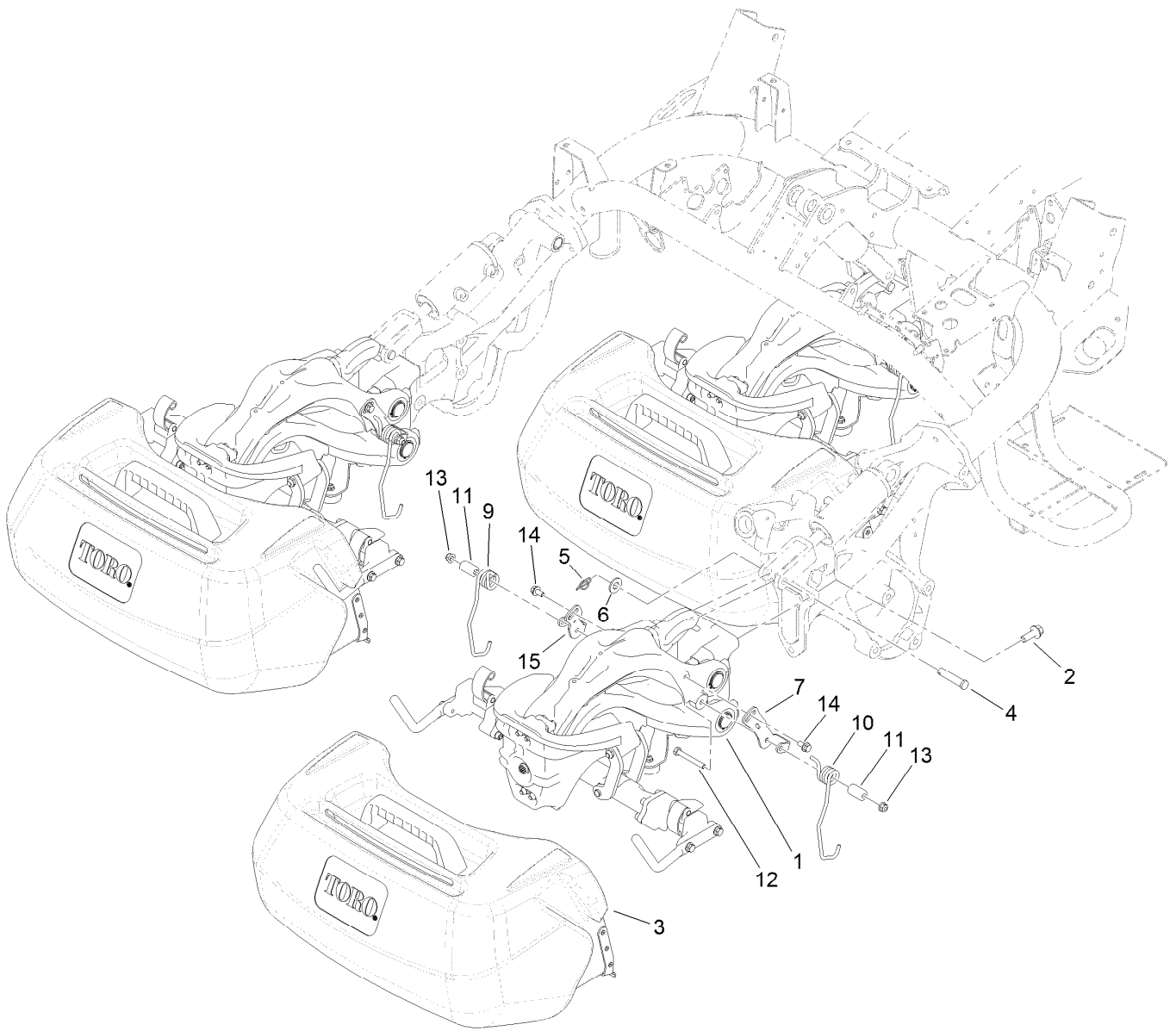
| Ref. | Part Number | Qty. | Description |
|------|-------------|------|------------------------|
| 1 | 354-74 | 1 | Plug-HH |
| 1:1 | 237-81 | 1 | O-Ring |
| 2 | 136-8529 | 1 | HYD Tank ASM |
| 2:2 | 136-8531 | 1 | Grommet |
| 2:3 | 136-8532 | 1 | Spout |
| 3 | 2412-141 | 2 | Clamp-Drive, Worm |
| 4 | 139-2716 | 1 | Hose-Formed |
| 5 | 119-9331 | 1 | Fitting-HYD 90 Spcl |
| 5:1 | 237-79 | 1 | O-Ring |
| 6 | 322-29 | 4 | Screw-HH |
| 7 | 3256-71 | 4 | Washer-Flat |
| 8 | 83-1470 | 8 | Washer-Neoprene |
| 9 | 115-9825 | 4 | Spacer-Tube, Long |
| 10 | 136-8535 | 1 | Leak Detector Tank ASM |
| 10:2 | 136-8531 | 1 | Grommet |
| 10:3 | 136-8532 | 1 | Spout |
| 11 | 83-1450 | 1 | Sensor-Level, Oil |
| 12 | 112-0211 | 1 | Strainer Fitting ASM |
| 12:1 | 237-146 | 1 | O-Ring |
| 13 | 340-89 | 1 | Fitting-HYD, 45 DEG |
| 13:1 | 237-30 | 1 | O-Ring |

| Ref. | Part Number | Qty. | Description |
|------|-------------|------|-----------------------|
| 13:2 | 237-80 | 1 | O-Ring |
| 14 | 340-98 | 1 | Fitting-Elbow, 90 DEG |
| 14:1 | 237-79 | 1 | O-Ring |
| 14:2 | 237-30 | 1 | O-Ring |
| 15 | 240-11 | 8 | Bushing-Flange |
| 16 | 63-8410 | 8 | Washer |
| 17 | 323-6 | 8 | Screw-HH |
| 18 | 354-121 | 1 | Fitting-STR |
| 18:1 | 237-79 | 1 | O-Ring |
| 19 | 2412-36 | 4 | Clamp-Hose |
| 20 | 140-5278 | 1 | Hose-Formed |
| 21 | 354-120 | 2 | Fitting-Elbow, 90 |
| 21:1 | 237-79 | 1 | O-Ring |
| 22 | 83-1460 | 1 | Solenoid Valve ASM |
| 22:2 | 83-2000 | 1 | Spool-Valve |
| 22:3 | 83-2010 | 1 | Coil ASM |
| 23 | 121-5175-03 | 1 | Cover-Level, Oil |
| 24 | 83-2080 | 1 | Hose-Valve, Tank |
| 25 | 321-18 | 2 | Screw-HH |
| 26 | 120-2027-03 | 1 | Bracket-Shield |



Hydraulic Tank and Leak Detector Assembly (continued)

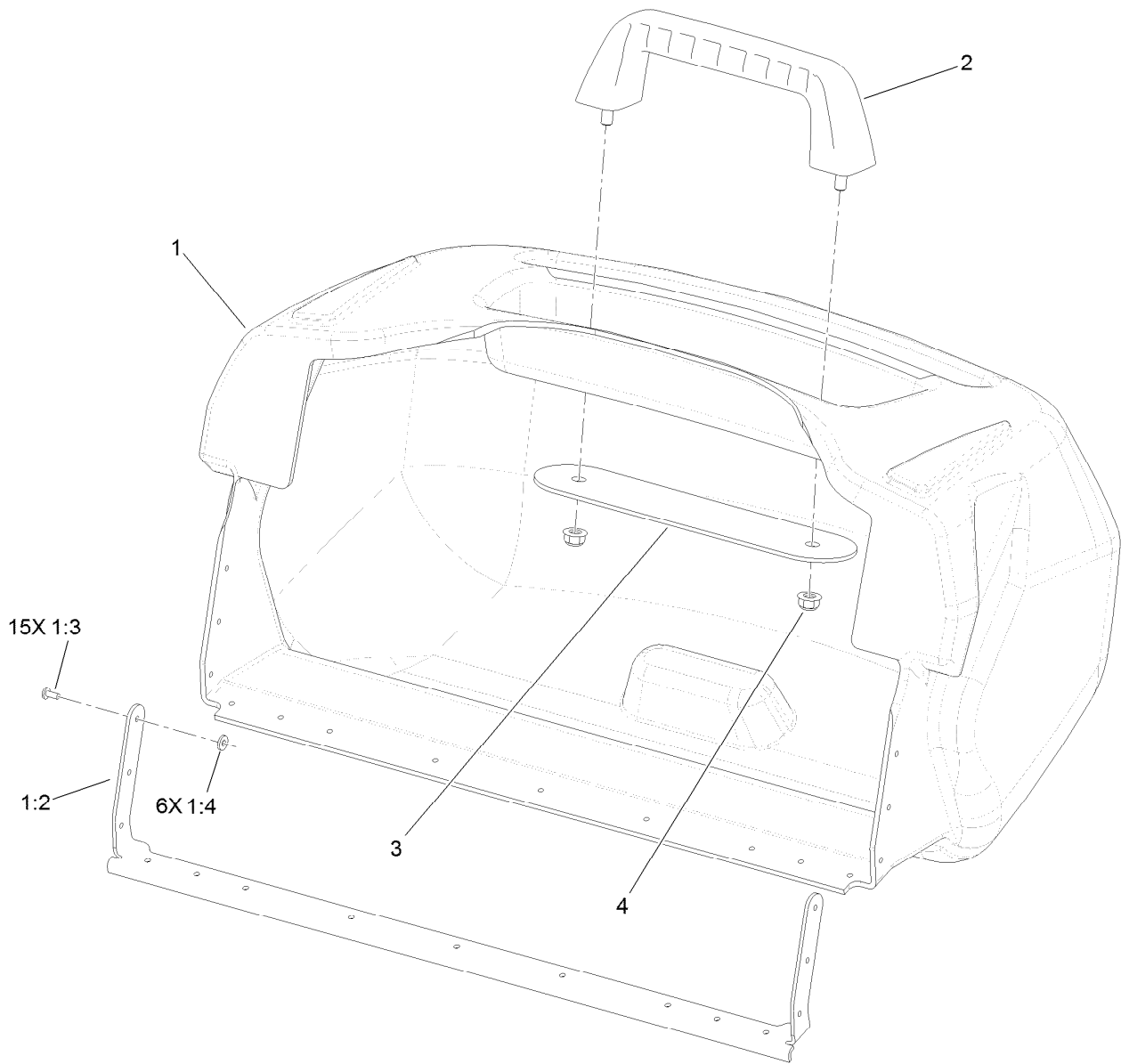
| Ref. | Part Number | Qty. | Description |
|------|-------------|------|-------------------|
| 27 | 136-8559 | 1 | Dipstick-Breather |
| 28 | 237-80 | 1 | O-Ring |



Suspension and Basket Assembly

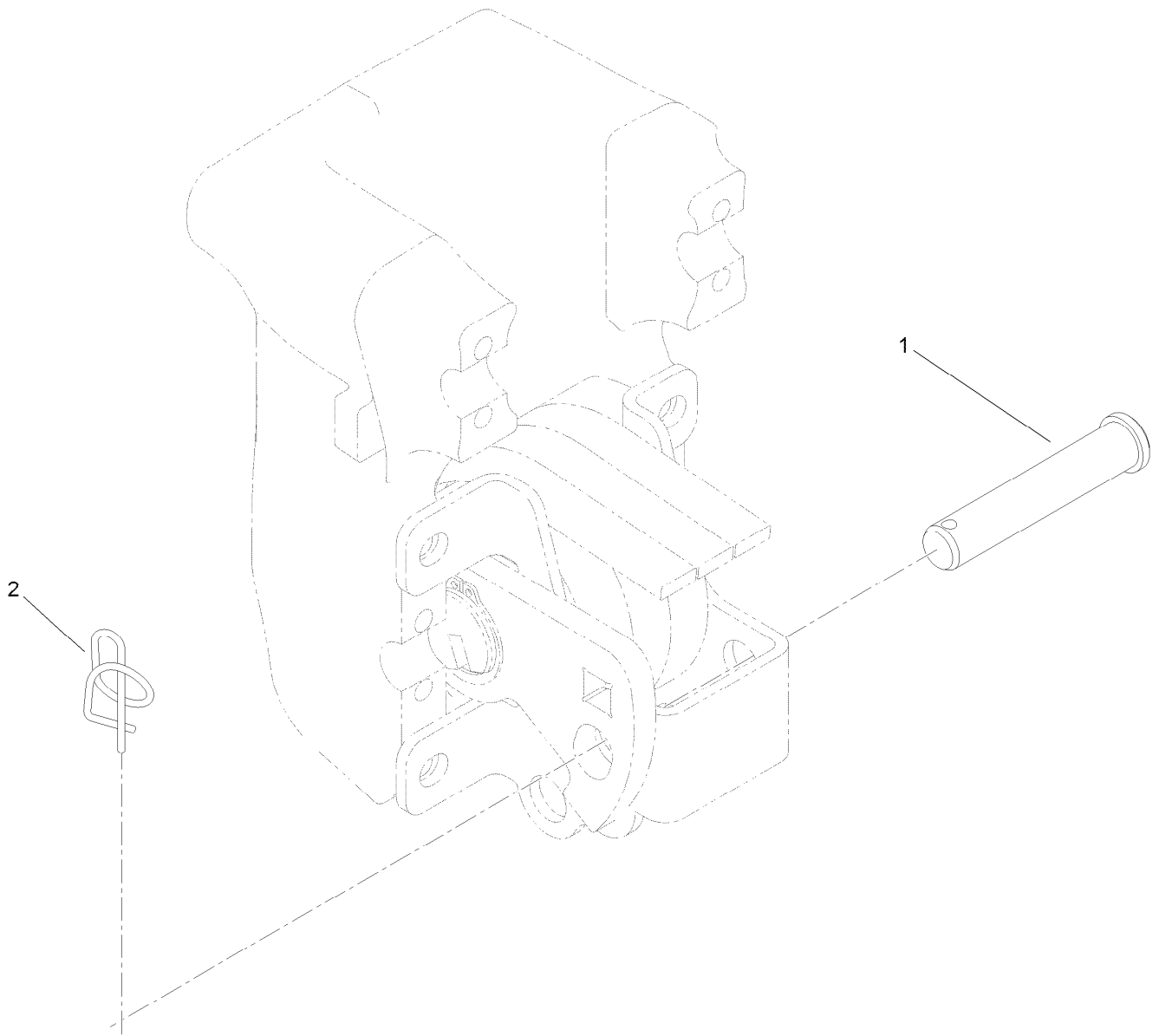
| Ref. | Part Number | Qty. | Description |
|------|-------------|------|-----------------------|
| 1 | | 3 | Suspension ASM ● |
| 2 | 117-9035 | 9 | Screw-HHF |
| 3 | 132-9599 | 3 | Basket ASM |
| 4 | 92-2739 | 3 | Pin-Clevis |
| 5 | 112-1491 | 3 | Pin-Cotter |
| 6 | 29-8910 | 3 | Washer |
| 7 | 133-8998 | 3 | Retainer-Spring, LH |
| 9 | 117-6826 | 3 | Spring-Stabilizer, RH |
| 10 | 117-6827 | 3 | Spring-Stabilizer, LH |
| 11 | 117-6825 | 6 | Spacer |
| 12 | 322-12 | 6 | Screw-HH |
| 13 | 104-8300 | 6 | Nut-HF, NI |
| 14 | 114-7728 | 6 | Screw-HF |
| 15 | 133-8997 | 3 | Retainer-Spring-RH |

● Not serviced separately



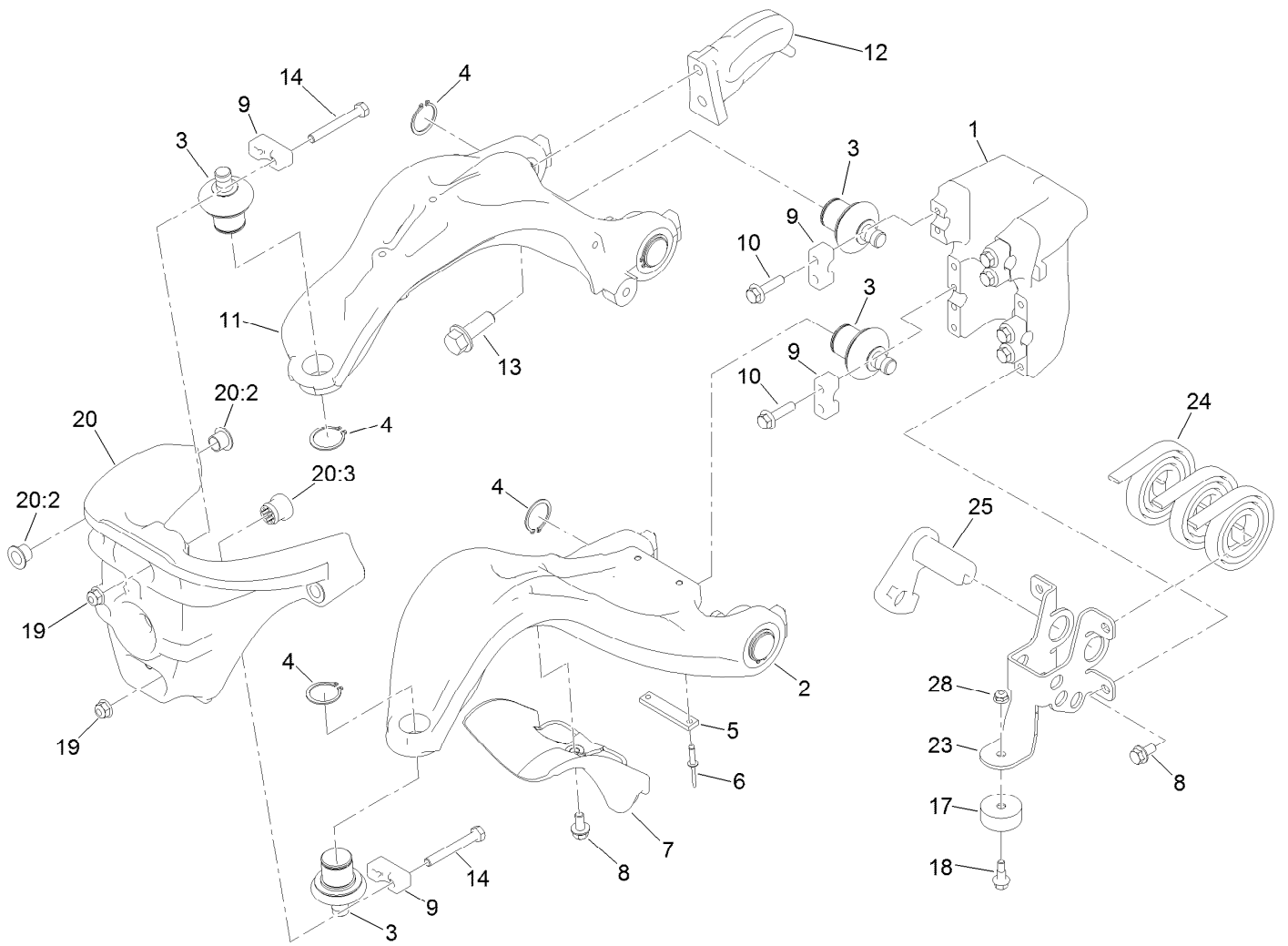
Basket Assembly No. 132-9599

| Ref. | Part Number | Qty. | Description |
|------|-------------|------|-----------------|
| 1 | 132-9510 | 1 | Basket Assembly |
| 1:2 | 132-3806 | 1 | Support-Basket |
| 1:3 | 3269-25 | 15 | Rivet-Pop |
| 1:4 | 3256-75 | 6 | Washer-Flat |
| 2 | 117-8088 | 1 | Handle-Grab |
| 3 | 117-8092-03 | 1 | Plate-Mounting |
| 4 | 104-8300 | 2 | Nut-HF, NI |



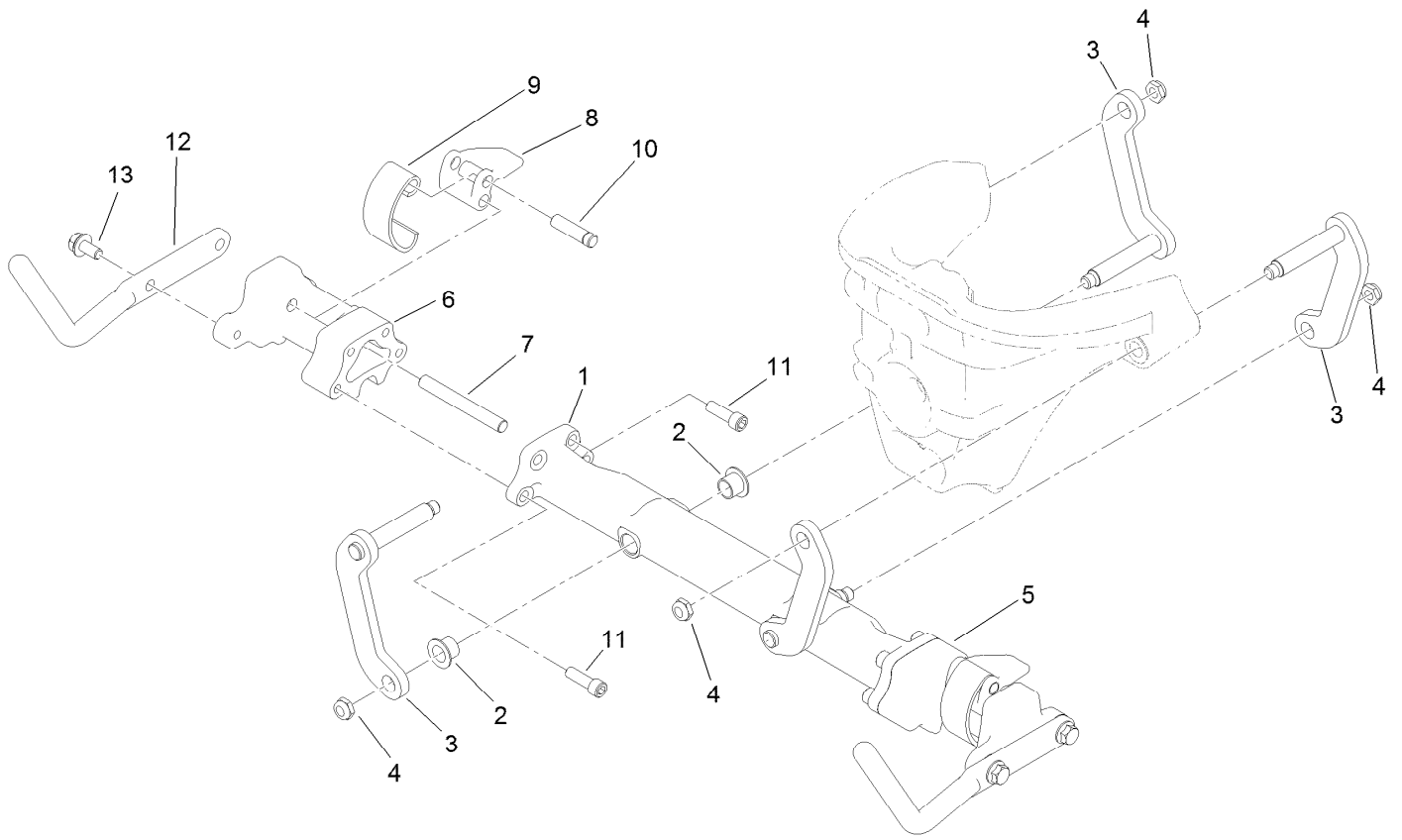
Suspension Pin Position Assembly

| <i>Ref.</i> | <i>Part Number</i> | <i>Qty.</i> | <i>Description</i> |
|-------------|--------------------|-------------|--------------------|
| 1 | 100-6541 | 3 | Pin-Clevis |
| 2 | 112-1491 | 3 | Pin-Cotter |



Suspension A-Arm Assembly

| <i>Ref.</i> | <i>Part Number</i> | <i>Qty.</i> | <i>Description</i> | <i>Ref.</i> | <i>Part Number</i> | <i>Qty.</i> | <i>Description</i> |
|-------------|--------------------|-------------|---------------------|-------------|--------------------|-------------|--------------------|
| 1 | 117-9480 | 1 | Mount-Pivot, A-Arms | 13 | 100-6116 | 2 | Screw-HHF |
| 2 | 117-6656 | 1 | A-Arm, Lower | 14 | 132-3838 | 4 | Screw-HH |
| 3 | 132-6959 | 6 | Balljoint | 17 | 133-0308 | 1 | Bumper-Rubber |
| 4 | 120-3225 | 6 | Ring-Retaining, EXT | 18 | 133-0315 | 1 | Screw-Shoulder, HF |
| 5 | 117-6674 | 1 | Plate-Striker | 19 | 104-8300 | 4 | Nut-HF, NI |
| 6 | 3269-28 | 2 | Rivet-Pop | 20 | 120-3216 | 1 | Steering Head ASM |
| 7 | 117-6755 | 1 | Stop-Steering | 20:2 | 125-5239 | 4 | Bushing-Flange |
| 8 | 114-7728 | 5 | Screw-HF | 20:3 | 131-1836 | 1 | Grommet |
| 9 | 112-5647 | 6 | Clamp | 23 | 140-5232 | 1 | C-Balance Mount |
| 10 | 132-3837 | 8 | Screw-HHF | 24 | 114-9306 | 3 | Spring |
| 11 | 139-6452 | 1 | A-Arm, Upper | 25 | 140-5234 | 1 | Tensioner |
| 12 | 139-8407 | 1 | Plate-Lift | 28 | 104-7201 | 1 | Nut-HF, NI |



Suspension Crossarm Assembly

| <i>Ref.</i> | <i>Part Number</i> | <i>Qty.</i> | <i>Description</i> |
|-------------|--------------------|-------------|---------------------|
| 1 | 120-3217 | 1 | Crossarm |
| 2 | 125-5239 | 4 | Bushing-Flange |
| 3 | 117-6654 | 4 | Link |
| 4 | 3296-59 | 4 | Nut-Lock, NI |
| 5 | 117-9482 | 1 | Mount-Cross Arm, LH |
| 6 | 117-9492 | 1 | Mount-Cross Arm, RH |
| 7 | 114-8051 | 2 | Pin-Pivot |
| 8 | 114-8047 | 2 | Lever |
| 9 | 114-8048 | 2 | Spring |
| 10 | 114-8049 | 2 | Pin-Pivot |
| 11 | 120-3227 | 8 | Screw-HSH |
| 12 | 120-2784-01 | 2 | Horn-Basket |
| 13 | 114-7728 | 4 | Screw-HF |

Attachments and Accessories

For 04510 Greensmaster 3300 TriFlex Traction Unit

| Product Name | Model/Part |
|--|-------------------|
| Turf Evaluator | 04399 |
| Standard Greensmower Seat Kit | 04508 |
| Light Kit..... | 04554 |
| 8-Blade DPA Reel Mower | 04651 |
| 11-Blade DPA Reel Mower | 04653 |
| 14-Blade DPA Reel Mower | 04655 |
| Three-Wheel Drive Kit | 04714 |
| Anti-Bobbing Kit..... | 04716 |
| Dethatching Unit | 04720 |
| Tri-Roller | 04722 |
| Spiker | 04723 |
| Premium Seat..... | 04729 |
| Hydraulic Oil Leak Detector Kit | 04730 |
| Spark Arrestor Screen | 104-6540 |
| Wireless Hourmeter | 115-4754 |
| Oil Cooler Kit..... | 119-1691 |
| Premium Synthetic Bio-Degradable Hydraulic Fluid (5 Gallon Pail) | 119-2157 |
| Premium Synthetic Bio-Degradable Hydraulic Fluid (55 Gallon Drum)..... | 119-2158 |
| Premium Armrest Kit..... | 119-7105 |
| Weight Kit | 119-7129 |
| Three-Wheel Drive Weight Kit | 120-5750 |
| Armrest Kit..... | 121-3660 |
| Premium Engine Oil 10w30 (55 Gallon Drum) | 121-6392 |
| Premium Engine Oil 10w30 (5 Gallon Pail) | 121-6393 |
| Hi-Back Seat Cover | 133-1308 |
| PX Hydraulic Fluid (5 Gal) | 133-8086 |
| PX Hydraulic Fluid (55 Gal)..... | 133-8087 |
| Bag Kit..... | 137-8130 |
| Bimini Shade Kit | 138-8579 |
| TriFlex Hydraulic Hose Rebuild MVP Kit..... | 140-5233 |
| MVP KIT 1000 HOUR - GR3300/3320..... | 44969 |
| Height-of-Cut Bar..... | 94-9010 |
| Tire-TURFMATE | 99-4506 |

Notes:

Notes:

Notes:



Count on it.