



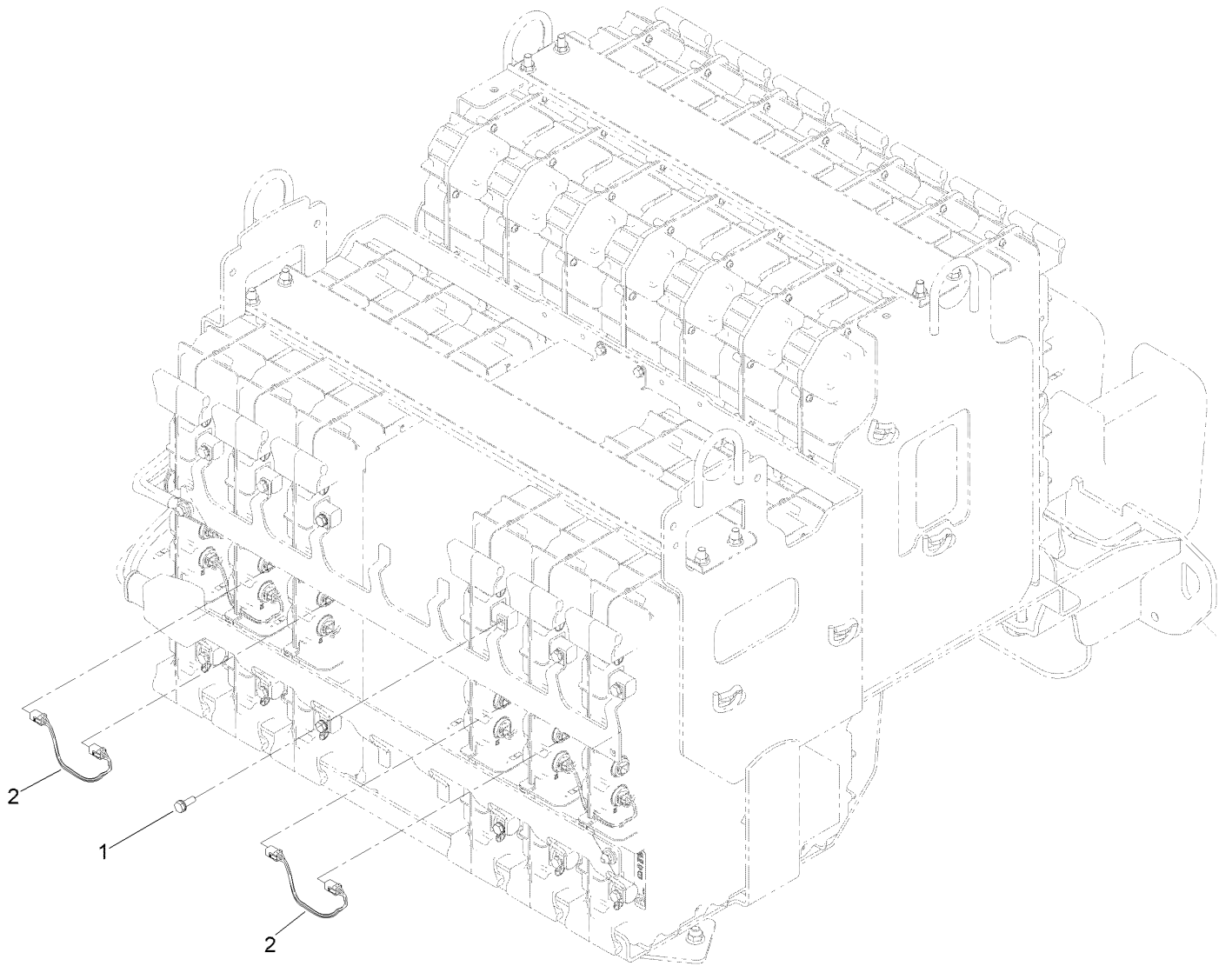
Count on it.

Parts Catalog

Energy Expansion Kit
Groundsmaster® e3200 Traction Unit

Model No. 161-0859





Energy Expansion Kit Assembly No. 161-0859

<i>Ref.</i>	<i>Part Number</i>	<i>Qty.</i>	<i>Description</i>
1	145-5783	4	Screw-Sems
2	140-9565	2	Harness-Wire, Data Interface