



**Count on it.**

**Parts Catalog**

**Workman® HDX  
Utility Vehicle with Bed**

Model No. 07384—Serial No. 411900000 and Up



# Ordering Replacement Parts

To order replacement parts, please supply the part number, the quantity, and the description of each part desired.

## Understanding Reference Numbers

Each identified part in an illustration has a reference number. The reference number for a part also appears in the parts list, along with other information about the part.

This catalog uses two special reference number formats, one to indicate parts in a service assembly and another to indicate the quantity of a given part in an illustration.

## Service Assembly Reference Numbers

Parts in service assemblies have reference numbers in the form a:b. The a represents the reference number of the entire service assembly and the b represents a sequential number unique to each part within the service assembly.

For example, a wheel assembly might be identified by reference number 6, the tire by 6:1, the valve by 6:2, and the wheel by 6:3. When you order the assembly identified by reference number 6, you receive all parts identified by reference numbers 6:1, 6:2, and 6:3. However, you may also order any part individually. Reference numbers of this type appear in illustration and in parts lists.

## Reference Numbers Indicating Quantity

In an illustration, if a reference number indicates more than one part, the reference number has the form nX y. The n represents the quantity of the part, the X is the multiplication symbol, and the y represents the reference number.

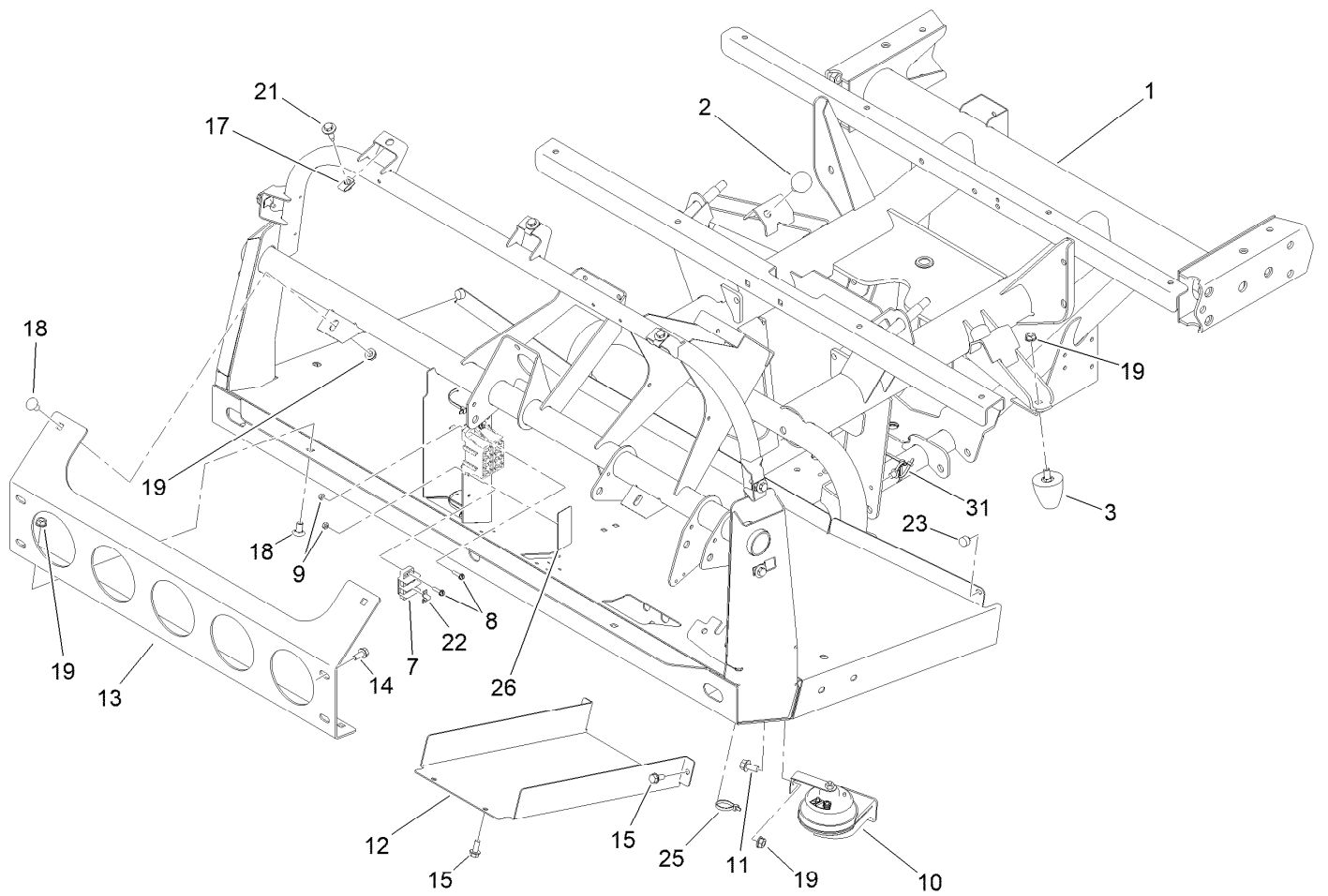
For example, in an illustration, the reference number 2X 37 means that two of the parts identified by reference number 37 are indicated.

# Contents

|   |    |
|---|----|
| Front Frame Assembly .....  | 5  |
| Rear Frame and Suspension Assembly .....                            | 6  |
| Rear Axle Assembly .....  | 7  |
| Brake Caliper Assembly No. 127-7424 .....                           | 8  |
| Front and Rear Brake Line Assembly .....                            | 9  |
| Front Suspension Assembly .....                                     | 10 |
| Steering and Front Wheel Assembly .....                             | 11 |
| Steering Linkage Assembly .....                                     | 12 |
| Hydraulic Cylinder Assembly No. 112-3217 .....                      | 13 |
| Front Control Arm Assembly .....                                    | 14 |
| Brake and Clutch Pedal Assembly .....                               | 15 |
| Master Cylinder Assembly No. 104-6782 .....                         | 16 |
| Accelerator Assembly .....  | 17 |
| Console Assembly .....  | 18 |
| Shift Assembly No. 106-7887 .....                                   | 20 |
| Bumper, Hood and Seat Base Assembly .....                           | 21 |
| Dash Assembly .....   | 22 |
| Steering Hydraulic Assembly .....                                   | 23 |
| Steering Valve Assembly No. 120-4813 .....                          | 24 |
| Seat Assembly .....   | 25 |
| Roll-Over Protection System Assembly .....                          | 26 |
| Full Bed and Side Panel Assembly .....                              | 27 |
| Engine Sub Frame Assembly .....                                     | 28 |
| Engine and Exhaust Assembly .....                                   | 29 |
| Cooling System Assembly .....                                       | 30 |
| Radiator Assembly .....   | 31 |
| Clutch Linkage Assembly .....                                       | 32 |
| Transaxle Assembly .....  | 33 |
| Case Assembly Transaxle Assembly No. 115-7783 .....                 | 34 |
| Center Plate Assembly Transaxle Assembly No. 115-7783 .....         | 35 |
| Main Shaft Assembly Transaxle Assembly No. 115-7783 .....           | 36 |
| Reduction Shaft Assembly Transaxle Assembly No. 115-7783 .....      | 37 |
| Reverse Shaft Assembly Transaxle Assembly No. 115-7783 .....        | 38 |
| Main Shift Assembly Transaxle Assembly No. 115-7783 .....           | 39 |
| Hi-Lo Shift Assembly Transaxle Assembly No. 115-7783 .....          | 40 |
| Countershaft Assembly Transaxle Assembly No. 115-7783 .....         | 41 |
| Differential Gear Assembly Transaxle Assembly No. 115-7783 .....    | 42 |
| Differential Carrier Assembly Transaxle Assembly No. 115-7783 ..... | 43 |
| Differential Lock Assembly Transaxle Assembly No. 115-7783 .....    | 44 |
| Axle Shaft Assembly Transaxle Assembly No. 115-7783 .....           | 45 |
| Battery Assembly .....  | 46 |
| Tail Light and Fender Assembly .....                                | 47 |
| Fuel System Assembly .....  | 48 |
| Hydraulic Lift Cylinder Assembly .....                              | 49 |
| Hydraulic Cylinder Assembly No. 133-0620 .....                      | 51 |
| Main Hydraulic Pump and Lift Valve Assembly .....                   | 52 |
| Control Valve Assembly No. 43-1950 .....                            | 54 |
| Hydraulic Gear Pump Assembly No. 114-8302 .....                     | 55 |
| Air Cleaner Assembly .....  | 56 |
| Air Cleaner Assembly No. 138-5650 .....                             | 57 |
| Front and Rear Wire Harness Assembly .....                          | 58 |
| Crankcase Assembly .....  | 59 |
| Oil Pan Assembly .....  | 60 |
| Cylinder Head Assembly .....  | 61 |

# Contents (continued)

|  |    |
|--|----|
| Gear Case and Oil Filter Cartridge Assembly .....    | 62 |
| Cylinder Head Cover Assembly .....                   | 63 |
| Dipstick, Guide and Oil Pump Assembly .....          | 64 |
| Main Bearing Case Assembly .....                     | 65 |
| Cam Shaft and Idle Gear Shaft Assembly .....         | 66 |
| Piston and Crankshaft Assembly .....                 | 67 |
| Flywheel, Starter and Sensor Switch Assembly .....   | 68 |
| Injection and Fuel Pump Covers Assembly .....        | 69 |
| Alternator and Pulley Assembly .....                 | 70 |
| Alternator Components Assembly .....                 | 71 |
| Starter Components Assembly .....                    | 72 |
| Thermostat and Water Pump Assembly .....             | 73 |
| Valve and Rocker Arm Assembly .....                  | 74 |
| Inlet Manifold Assembly .....                        | 75 |
| Exhaust Manifold Assembly .....                      | 76 |
| Wire Harness Assembly .....                          | 77 |
| Electronic Control Unit Assembly .....               | 78 |
| Operator Manual and Miscellaneous Engine Parts ..... | 79 |
| Upper Engine Gasket Kit .....                        | 80 |
| Lower Engine Gasket Kit .....                        | 81 |
| Attachments and Accessories .....                    | 82 |



## Front Frame Assembly

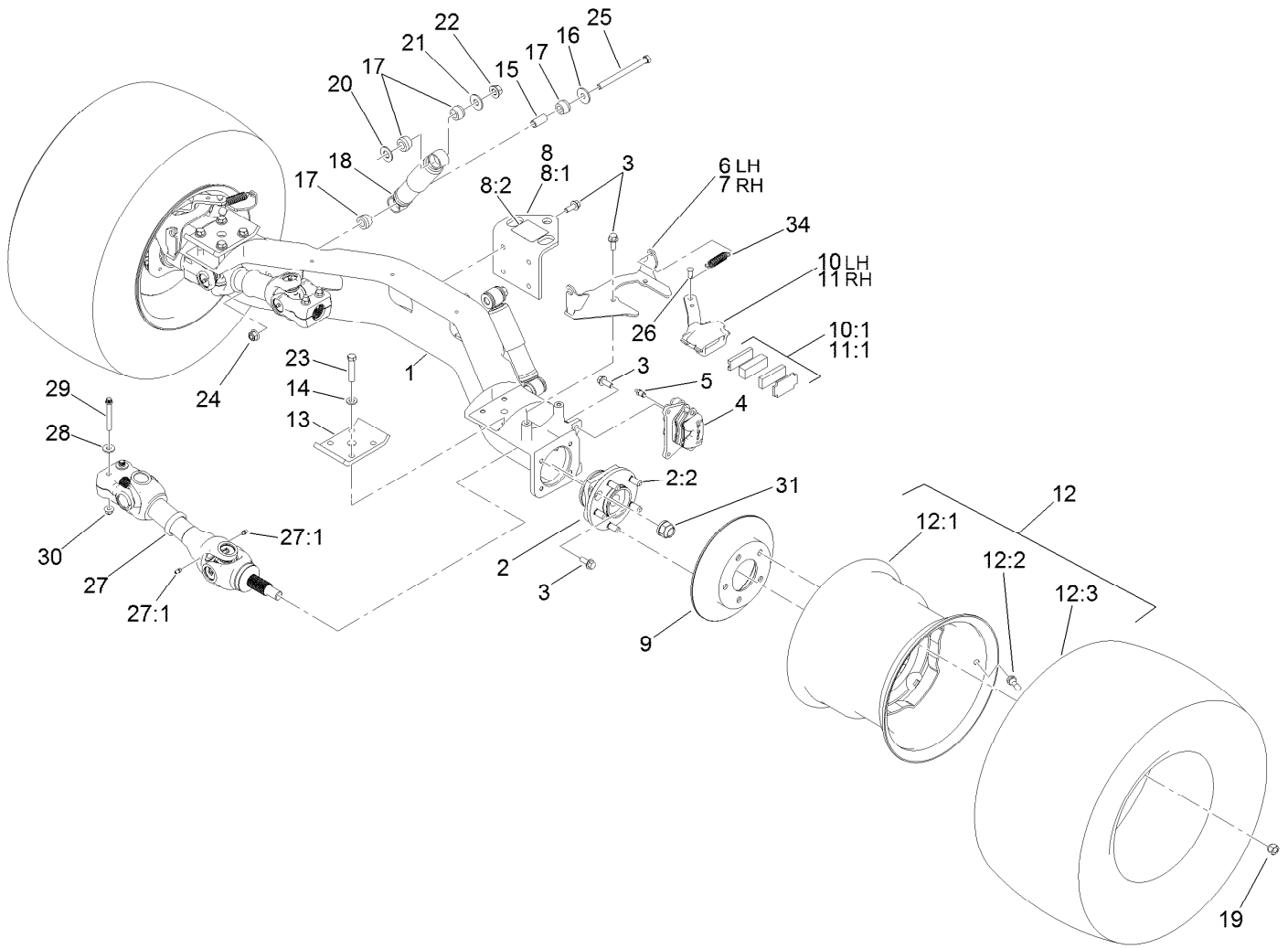
| <i>Ref.</i> | <i>Part Number</i> | <i>Qty.</i> | <i>Description</i>     | <i>Ref.</i> | <i>Part Number</i> | <i>Qty.</i> | <i>Description</i> |
|-------------|--------------------|-------------|------------------------|-------------|--------------------|-------------|--------------------|
| 1           | 138-9251           | 1           | Frame-Front            | 15          | 32144-70           | 4           | Screw-HWHTF        |
| 2           | 87-2440            | 2           | Bumper-Rubber          | 17          | 94-2413            | 7           | Nut-U              |
| 3           | 26-0071            | 2           | Snubber-Rubber         | 18          | 3231-21            | 4           | Screw-CARR         |
| 7           | 42862              | 1           | Block-Terminal, Ground | 19          | 3290-357           | 7           | Nut-HSF            |
| 8           | 32105-13           | 6           | Screw-HWH              | 21          | 114-8418           | 7           | Screw-HWH, Sems    |
| 9           | 3296-2             | 6           | Nut-Lock, NI           | 22          | 42863              | 1           | Strip-Jumper       |
| 10          | 110-2594           | 1           | Horn                   | 23          | 107-8042           | 2           | Bumper-Rubber      |
| 11          | 3234-1             | 1           | Screw-HHF              | 25          | 3290-379           | 9           | Tie-Cable          |
| 12          | 106-2427-03        | 1           | Cover                  | 26          | 145-2286           | 1           | Decal-Fuse Block   |
| 13          | 114-8272-03        | 1           | Bracket-Bumper         | 31          | 32180-030          | 2           | Clip-Tie           |
| 14          | 3234-5             | 4           | Screw-HHF              |             |                    |             |                    |



## Rear Frame and Suspension Assembly

| <i>Ref.</i> | <i>Part Number</i> | <i>Qty.</i> | <i>Description</i> |
|-------------|--------------------|-------------|--------------------|
| 1           | 115-2255-03        | 1           | Frame-Rear         |
| 2           | 131-3474           | 1           | Mount-Spring, LH   |
| 3           | 131-3472           | 1           | Mount-Spring, RH   |
| 4           | 104-8301           | 10          | Nut-HF, NI         |
| 5           | 87-4760            | 12          | Bushing-Rubber     |
| 6           | 87-1490            | 2           | Spring-Leaf, Rear  |
| 7           | 131-3476           | 4           | Shackle            |
| 8           | 3234-38            | 18          | Screw-HHF          |
| 9           | 99-5107            | 18          | Nut-Lock           |
| 10          | 32148-9            | 4           | Nut-Clinch         |
| 11          | 87-5800-03         | 2           | Mount-Transaxle    |
| 12          | 106-7865           | 2           | Mount-Engine       |

| <i>Ref.</i> | <i>Part Number</i> | <i>Qty.</i> | <i>Description</i> |
|-------------|--------------------|-------------|--------------------|
| 13          | 87-5100            | 4           | Washer-Snubbing    |
| 14          | 3234-24            | 4           | Screw-HHF          |
| 15          | 108-3109           | 2           | Retainer-Cylinder  |
| 16          | 3229-1             | 2           | Screw-CARR         |
| 17          | 104-7201           | 3           | Nut-HF, NI         |
| 18          | 87-3470            | 2           | Bumper             |
| 19          | 103-9511           | 2           | Nut-Lock, NI       |
| 20          | 115-2047           | 2           | Decal-Surface, Hot |
| 21          | 33116-080          | 2           | Screw-HH           |
| 22          | 119-8952           | 1           | Washer             |
| 23          | 321-3              | 1           | Screw-HH           |



## Rear Axle Assembly

| Ref. | Part Number | Qty. | Description             | Ref. | Part Number | Qty. | Description            |
|------|-------------|------|-------------------------|------|-------------|------|------------------------|
| 1    | 119-9515    | 1    | Axle-Rear               | 14   | 87-7480     | 8    | Washer                 |
| 2    | 121-9751    | 2    | Hub-Bearing, Wheel      | 15   | 87-3600     | 2    | Spacer-Absorber, Shock |
| 2:2  | 121-9752    | 5    | Stud-Wheel              | 16   | 87-5330     | 2    | Washer                 |
| 3    | 3234-11     | 20   | Screw-HHF               | 17   | 87-3920     | 8    | Bushing                |
| 4    | 127-7424    | 2    | Brake Caliper ASM       | 18   | 121-9774    | 2    | Absorber-Shock         |
| 5    | 119-9509    | 2    | Screw-Bleed             | 19   | 242-50      | 10   | Nut-Lug                |
| 6    | 115-2362-0P | 1    | Bracket ASM-Caliper, LH | 20   | 3256-27     | 2    | Washer-Flat            |
| 7    | 115-2359-0P | 1    | Bracket ASM-Caliper, RH | 21   | 3256-6      | 2    | Washer-Flat            |
| 8    | 115-7742    | 1    | Hitch ASM               | 22   | 99-5107     | 2    | Nut-Lock               |
| 8:1  | 92-5951-03  | 1    | Angle-Hitch             | 23   | 115-2398    | 8    | Bolt-HH                |
| 8:2  | 136-1163    | 1    | Decal-Load, Towing      | 24   | 114-8417    | 2    | Nut-HF, NI             |
| 9    | 114-8351    | 2    | Rotor-Brake             | 25   | 114-8424    | 2    | Screw-HH               |
| 10   | 114-8365    | 1    | Caliper-Mechanical, LH  | 26   | 283-85      | 2    | Pin-Clevis             |
| 10:1 | 115-7847    | 1    | Parking Brake Pad Kit   | 27   | 138-5600    | 2    | Driveshaft ASM         |
| 11   | 114-8366    | 1    | Caliper-Mechanical, RH  | 27:1 | 302-5       | 2    | Fitting-Grease         |
| 11:1 | 115-7847    | 1    | Parking Brake Pad Kit   | 28   | 80-6990     | 4    | Washer-Hardened        |
| 12   | 131-8428    | 2    | Tire/Wheel ASM          | 29   | 98-2939     | 4    | Screw-Cap              |
| 12:1 | 131-6673    | 1    | Tire-Rear               | 30   | 104-8301    | 4    | Nut-HF, NI             |
| 12:2 | 131-8429    | 1    | Wheel                   | 31   | 115-2164    | 2    | Nut-Spindle            |
| 12:3 | 232-27      | 1    | Stem-Valve              | 34   | 104-6415    | 2    | Spring-Return, Pedal   |
| 13   | 87-7470-0P  | 2    | Plate - Sprg Clamp *b   |      |             |      |                        |



## Brake Caliper Assembly No. 127-7424

| <i>Ref.</i> | <i>Part Number</i> | <i>Qty.</i> | <i>Description</i> |
|-------------|--------------------|-------------|--------------------|
| 1           | 133-0628           | 1           | Brake Pad Kit      |
| 2           | 119-9511           | 1           | Bracket Kit        |
| 3           | 133-0614           | 1           | Piston Kit         |





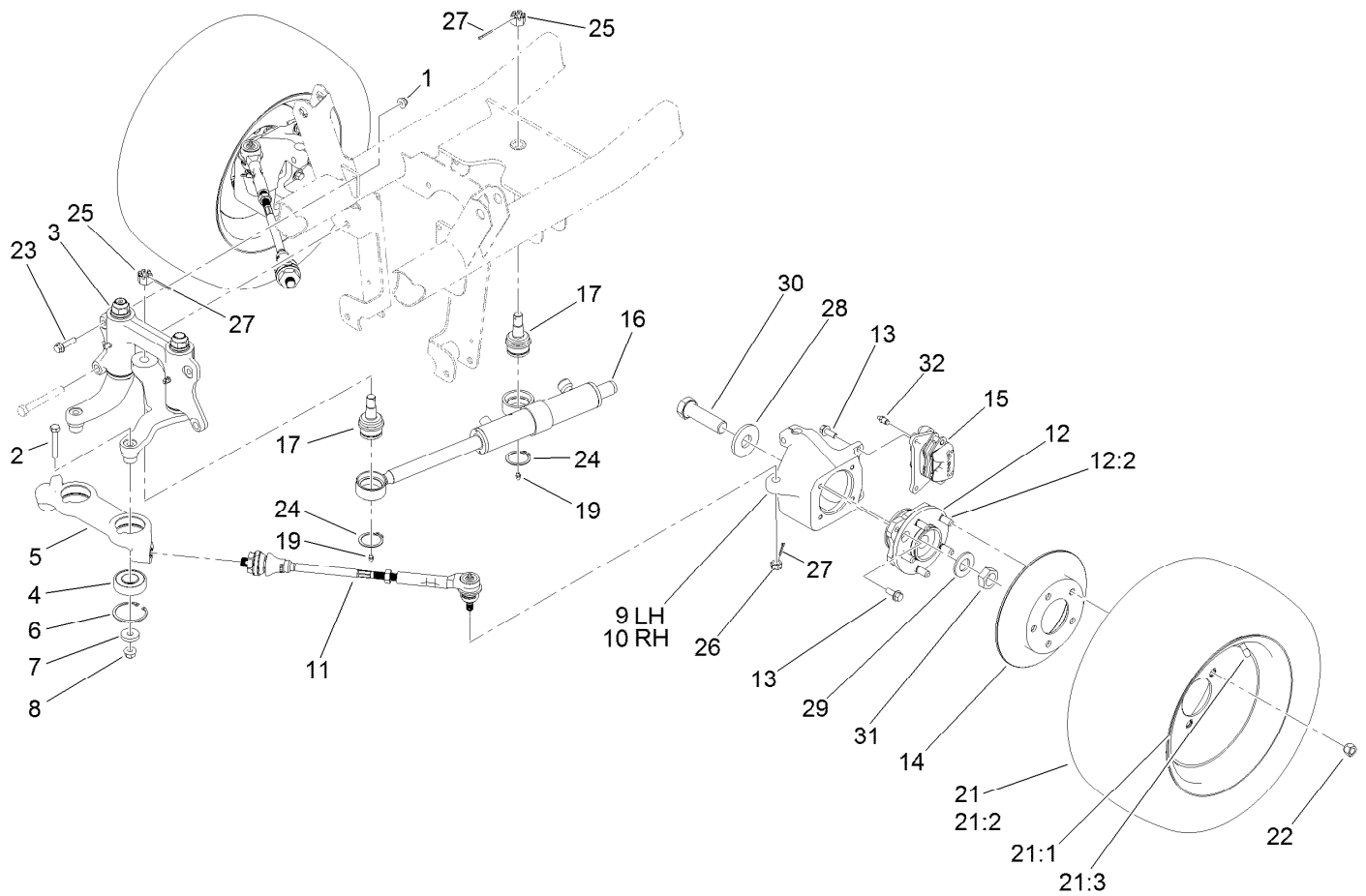
## Front and Rear Brake Line Assembly

| <i>Ref.</i> | <i>Part Number</i> | <i>Qty.</i> | <i>Description</i>   |
|-------------|--------------------|-------------|----------------------|
| 1           | 119-9682           | 1           | Front Brake Line ASM |
| 2           | 119-9681           | 1           | Rear Brake Line ASM  |
| 3           | 32144-70           | 1           | Screw-HWHTF          |
| 4           | 321-6              | 3           | Screw-HH             |
| 5           | 104-7201           | 3           | Nut-HF, NI           |
| 6           | 3234-21            | 3           | Screw-HHF            |
| 7           | 32128-33           | 3           | Nut-HF               |
| 8           | 115-2341           | 8           | Washer-Banjo         |
| 9           | 120-4875           | 4           | Bolt-Flange, Banjo   |



## Front Suspension Assembly

| Ref. | Part Number | Qty. | Description            | Ref. | Part Number | Qty. | Description            |
|------|-------------|------|------------------------|------|-------------|------|------------------------|
| 1    | 137-1693    | 1    | Control Arm-LH         | 11   | 119-6725    | 2    | Link, Anti-Sway Bar    |
| 1:1  | 87-0160-03  | 1    | Tower-Control Arm, LH  | 12   | 87-3920     | 24   | Bushing                |
| 1:2  | 33-3090     | 2    | Bushing                | 13   | 133-0633-0P | 1    | Bar-Anti-Sway, HD      |
| 1:3  | 302-11      | 1    | Fitting-Lube, 45 DEG   | 15   | 87-3910     | 2    | Bushing-Rubber         |
| 2    | 137-1692    | 1    | Control Arm-RH         | 16   | 87-4010     | 2    | Clamp, Anti-Sway Bar   |
| 2:1  | 87-0150-03  | 1    | Tower-Control Arm, RH  | 17   | 87-3890     | 2    | Bracket, Anti-Sway Bar |
| 2:2  | 33-3090     | 2    | Bushing                | 18   | 3231-25     | 4    | Bolt-CARR              |
| 2:3  | 302-11      | 1    | Fitting-Lube, 45 DEG   | 19   | 104-8301    | 12   | Nut-HF, NI             |
| 4    | 3234-39     | 8    | Screw-HHF              | 20   | 119-6724    | 2    | Link-Stabilizer        |
| 5    | 87-2500     | 2    | Sleeve-Spring, Pivot   | 21   | 324-10      | 8    | Screw-HH               |
| 6    | 105-7958    | 2    | Spring Cradle ASM      | 22   | 140-2566    | 2    | Spring-Compression     |
| 6:2  | 93-9879     | 1    | Decal-Warning          | 24   | 121-9774    | 2    | Absorber-Shock         |
| 7    | 325-13      | 2    | Screw-HH               | 25   | 324-13      | 2    | Screw-HH               |
| 8    | 99-5107     | 4    | Nut-Lock               | 26   | 3256-6      | 2    | Washer-Flat            |
| 9    | 87-3600     | 10   | Spacer-Absorber, Shock | 27   | 3256-27     | 2    | Washer-Flat            |
| 10   | 87-5330     | 12   | Washer                 | 28   | 114-8417    | 10   | Nut-HF, NI             |



## Steering and Front Wheel Assembly

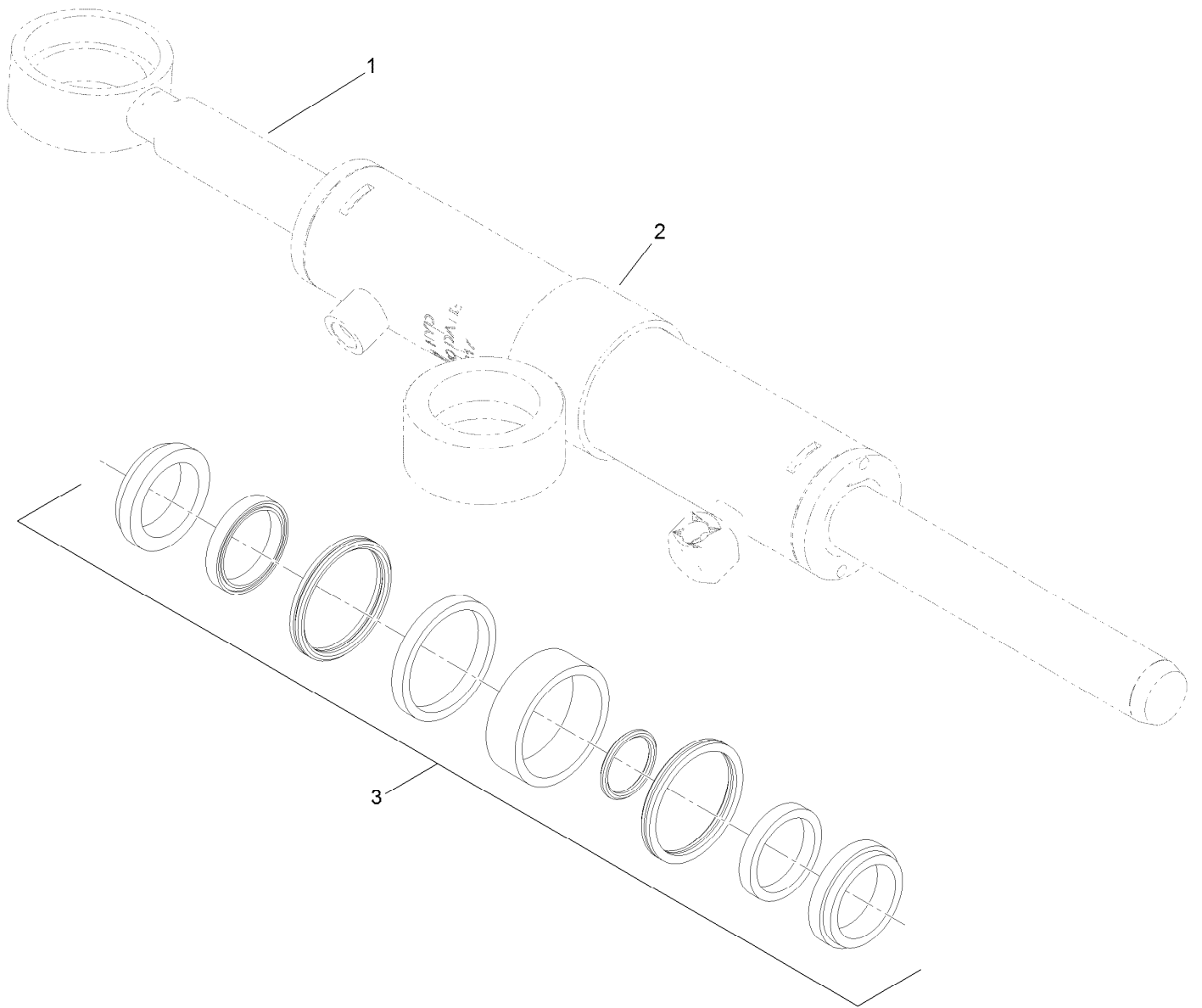
| Ref. | Part Number | Qty. | Description            | Ref. | Part Number | Qty. | Description              |
|------|-------------|------|------------------------|------|-------------|------|--------------------------|
| 1    | 104-8301    | 2    | Nut-HF, NI             | 17   | 106-6774    | 2    | Joint-Ball               |
| 2    | 324-10      | 2    | Screw-HH               | 19   | 302-5       | 2    | Fitting-Grease           |
| 3    |             | 1    | Steering Linkage ASM ● | 21   | 131-8430    | 2    | Tire/Wheel ASM           |
| 4    | 119-9548    | 2    | Bearing-Ball           | 21:1 | 131-8431    | 1    | Wheel                    |
| 5    | 114-8296    | 1    | Link-Center            | 21:2 | 131-6670    | 1    | Tire                     |
| 6    | 32120-22    | 2    | Ring-Snap, Internal    | 21:3 | 232-27      | 1    | Stem-Valve               |
| 7    | 112843      | 2    | Washer                 | 22   | 242-50      | 10   | Nut-Lug                  |
| 8    | 114-8417    | 2    | Nut-HF, NI             | 23   | 114-4681    | 2    | Screw-HHF                |
| 9    | 119-9513    | 1    | Knuckle-LH             | 24   | 32151-104   | 2    | Ring-Retaining, External |
| 10   | 119-9514    | 1    | Knuckle-RH             | 25   | 32136-14    | 2    | Nut-Hst                  |
| 11   | 114-8356    | 2    | Tie Rod ASM            | 26   | 32136-3     | 2    | Nut-SHH                  |
| 12   | 121-9751    | 2    | Hub-Bearing, Wheel     | 27   | 3272-11     | 4    | Pin-Cotter               |
| 12:2 | 121-9752    | 5    | Stud-Wheel             | 28   | 104-0719    | 2    | Washer-Hardened          |
| 13   | 3234-11     | 12   | Screw-HHF              | 29   | 3256-62     | 2    | Washer-Flat              |
| 14   | 114-8351    | 2    | Rotor-Brake            | 30   | 115-2173    | 2    | Screw-HH                 |
| 15   | 127-7424    | 2    | Brake Caliper ASM      | 31   | 3296-49     | 2    | Nut-Lock, NI             |
| 16   | 112-3217    | 1    | HYD Cylinder ASM       | 32   | 119-9509    | 2    | Screw-Bleed              |

● Not serviced separately



## Steering Linkage Assembly

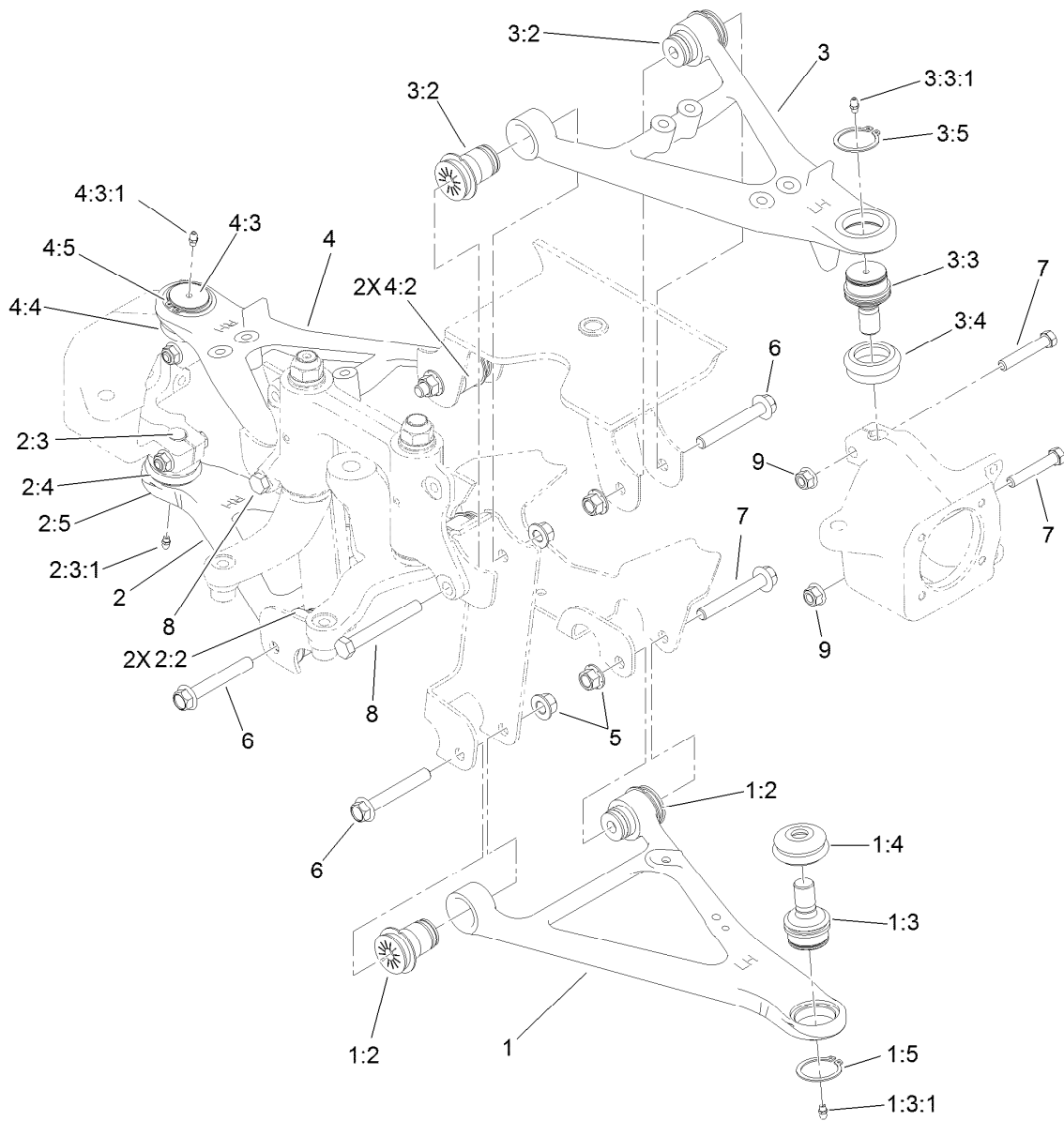
| <i>Ref.</i> | <i>Part Number</i> | <i>Qty.</i> | <i>Description</i>               |
|-------------|--------------------|-------------|----------------------------------|
| 1           | 132-6767           | 1           | Mount-Pivot, W/Bushings          |
| 7           | 115-2164           | 2           | Nut-Spindle                      |
| 9           | 302-60             | 2           | Fitting-Grease                   |
| 10          | 132-0794           | 1           | Idler Arm ASM                    |
| 10:1        | 132-0792           | 1           | Idler Arm And Thrust Washer ASM  |
| 10:2        | 93-7510            | 1           | Ring-Quad                        |
| 10:3        | 131-3499           | 1           | O-Ring                           |
| 11          | 132-0795           | 1           | Pitman Arm ASM                   |
| 11:1        | 132-0793           | 1           | Pitman Arm And Thrust Washer ASM |
| 11:2        | 93-7510            | 1           | Ring-Quad                        |
| 11:3        | 131-3499           | 1           | O-Ring                           |



## Hydraulic Cylinder Assembly No. 112-3217

| <i>Ref.</i> | <i>Part Number</i> | <i>Qty.</i> | <i>Description</i>  |
|-------------|--------------------|-------------|---------------------|
| 1           |                    | 1           | Rod-Cylinder ●      |
| 2           |                    | 1           | Body-Cylinder ●     |
| 3           | 115-2160           | 1           | Cylinder Repair Kit |

● Not serviced separately



## Front Control Arm Assembly

| Ref.  | Part Number | Qty. | Description              | Ref.  | Part Number | Qty. | Description              |
|-------|-------------|------|--------------------------|-------|-------------|------|--------------------------|
| 1     | 115-2405    | 1    | Lower LH Control Arm ASM | 3:3:1 | 302-5       | 1    | Fitting-Grease           |
| 1:2   | 87-1450     | 2    | Bushing-Flange           | 3:4   | 87-2420     | 1    | Seal-Joint, Ball         |
| 1:3   | 115-2165    | 1    | Ball Joint               | 3:5   | 32151-104   | 1    | Ring-Retaining, External |
| 1:3:1 | 302-5       | 1    | Fitting-Grease           | 4     | 115-2406    | 1    | Upper RH Control Arm ASM |
| 1:4   | 87-2420     | 1    | Seal-Joint, Ball         | 4:2   | 87-1450     | 2    | Bushing-Flange           |
| 1:5   | 32151-104   | 1    | Ring-Retaining, External | 4:3   | 115-2165    | 1    | Ball Joint               |
| 2     | 115-2407    | 1    | Lower RH Control Arm ASM | 4:3:1 | 302-5       | 1    | Fitting-Grease           |
| 2:2   | 87-1450     | 2    | Bushing-Flange           | 4:4   | 87-2420     | 1    | Seal-Joint, Ball         |
| 2:3   | 115-2165    | 1    | Ball Joint               | 4:5   | 32151-104   | 1    | Ring-Retaining, External |
| 2:3:1 | 302-5       | 1    | Fitting-Grease           | 5     | 99-5107     | 8    | Nut-Lock                 |
| 2:4   | 87-2420     | 1    | Seal-Joint, Ball         | 6     | 114-8419    | 6    | Screw-HHF                |
| 2:5   | 32151-104   | 1    | Ring-Retaining, External | 7     | 324-10      | 4    | Screw-HH                 |
| 3     | 115-2404    | 1    | Upper LH Control Arm ASM | 8     | 325-17      | 2    | Screw-HH                 |
| 3:2   | 87-1450     | 2    | Bushing-Flange           | 9     | 114-8417    | 4    | Nut-HF, NI               |
| 3:3   | 115-2165    | 1    | Ball Joint               |       |             |      |                          |



## Brake and Clutch Pedal Assembly

| Ref. | Part Number | Qty. | Description         |
|------|-------------|------|---------------------|
| 1    | 127-7357-03 | 1    | Pedal-Clutch        |
| 2    | 115-2269    | 1    | Pin-Pivot           |
| 3    | 120-5023-03 | 1    | Pedal-Brake         |
| 4    | 256-156     | 4    | Bushing-Flange      |
| 5    | 104-6782    | 1    | Master Cylinder ASM |
| 6    | 3234-11     | 2    | Screw-HHF           |
| 7    | 104-8301    | 2    | Nut-HF, NI          |
| 8    | 283-2       | 1    | Pin-Clevis          |
| 9    | 3272-10     | 1    | Pin-Cotter          |
| 10   | 137-6729    | 1    | Shaft-Brake         |
| 11   | 63-3410     | 2    | Screw-Shoulder      |

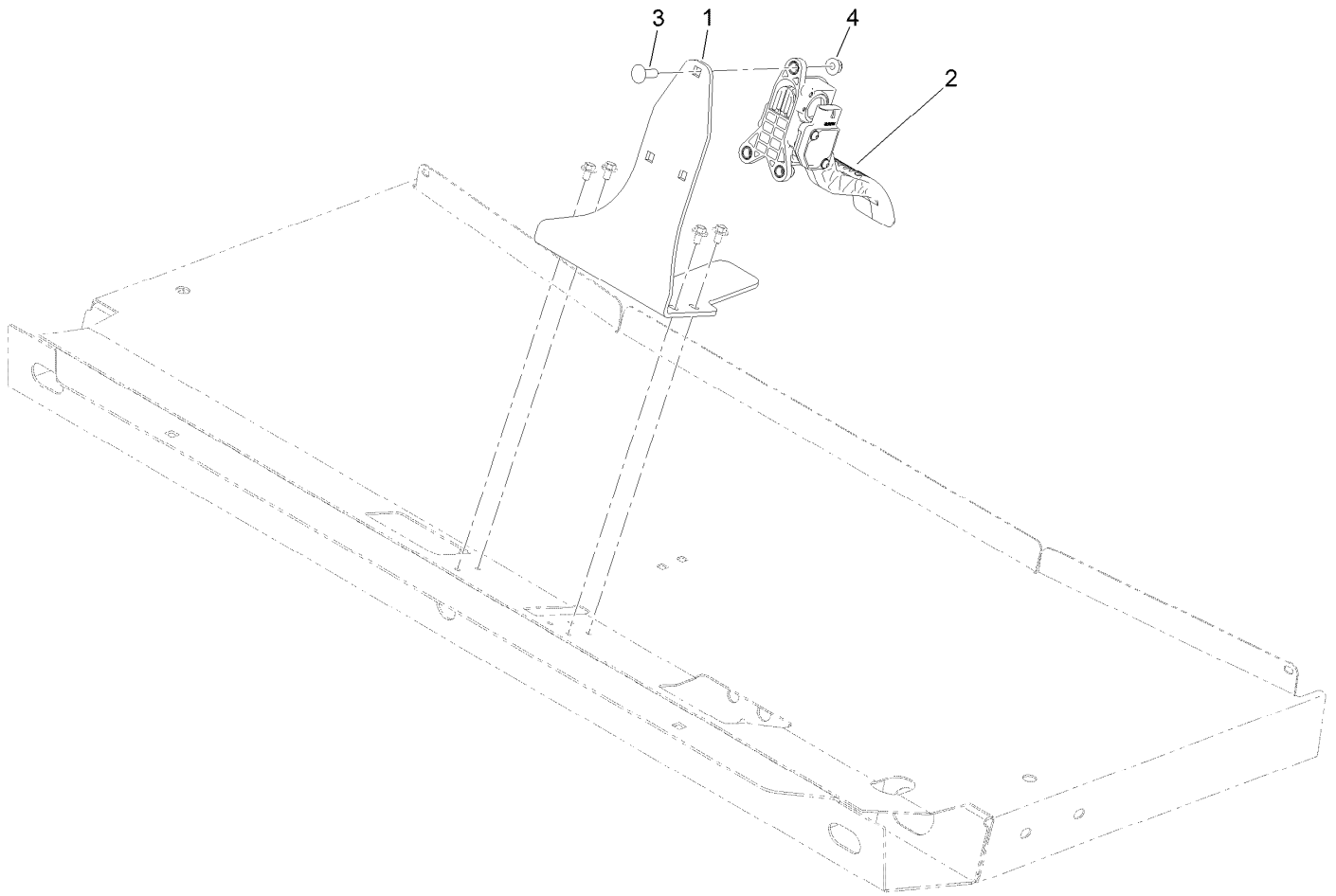
| Ref. | Part Number | Qty. | Description         |
|------|-------------|------|---------------------|
| 12   | 32128-33    | 2    | Nut-HF              |
| 13   | 95-1653     | 1    | Switch-Pole, Single |
| 15   | 110-2554    | 1    | Rod End-Spherical   |
| 16   | 302-5       | 1    | Fitting-Grease      |
| 17   | 3256-21     | 4    | Washer-Flat         |
| 18   | 3269-25     | 4    | Rivet-Pop           |
| 19   | 105-0023    | 1    | Switch-Proximity    |
| 20   | 115-2284    | 1    | Cable-Clutch        |
| 21   | 3296-13     | 1    | Nut-Lock, NI        |
| 22   | 49-2040     | 4    | Screw-HWHTF         |
| 23   | 302-60      | 1    | Fitting-Grease      |



## Master Cylinder Assembly No. 104-6782

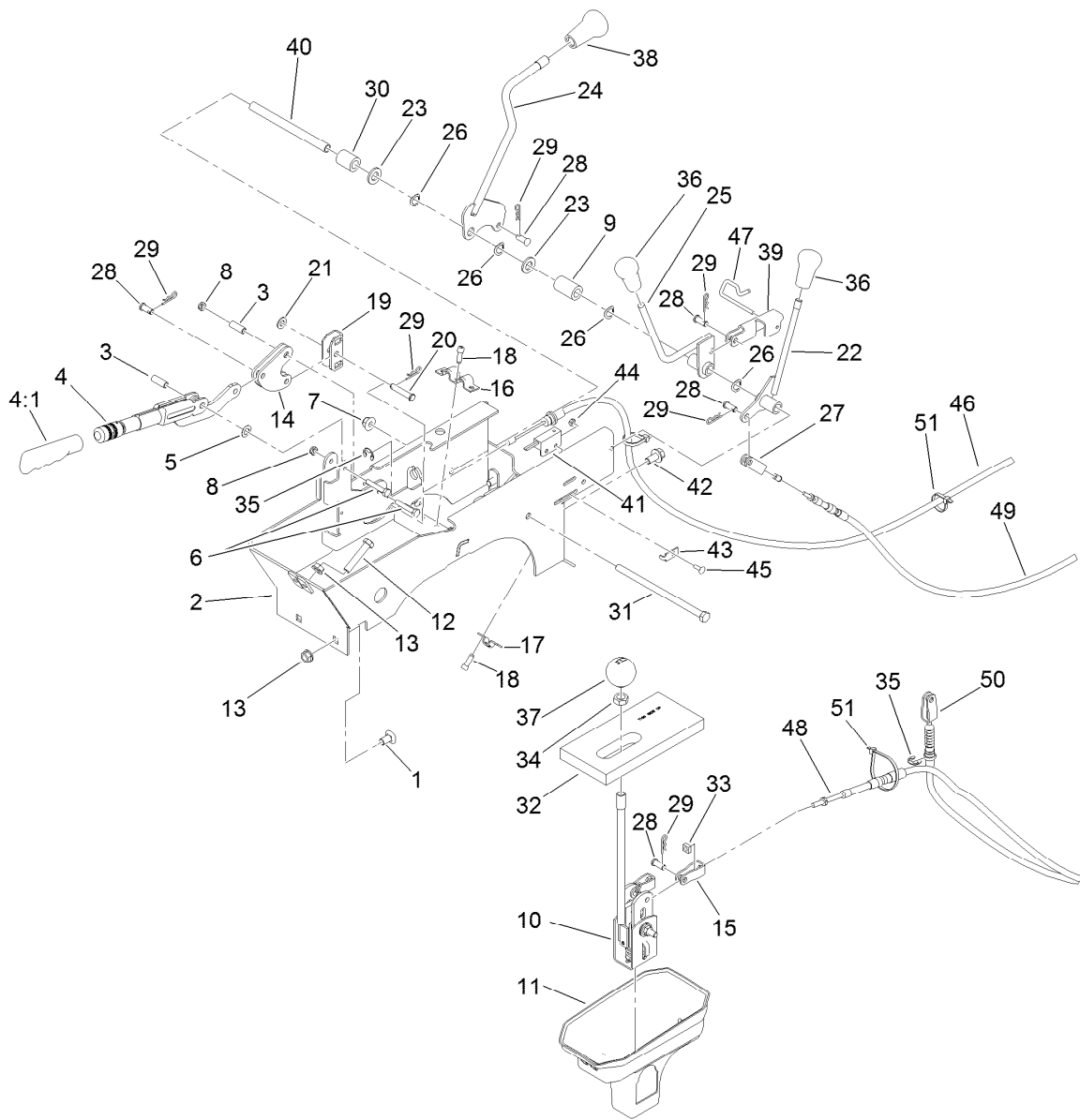
| Ref. | Part Number | Qty. | Description          |
|------|-------------|------|----------------------|
| 1    | 104-6845    | 1    | Reservoir ASM        |
| 1:1  | 92-4112     | 1    | Cap ASM              |
| 2    | 93-8971     | 2    | Seal-Port, Flange    |
| 3    | 92-4103     | 1    | Pin-Stop             |
| 4    | 92-4102     | 1    | Secondary Piston ASM |
| 5    | 92-4110     | 1    | Clevis               |
| 6    | 21-0360     | 1    | Nut-Hex              |
| 7    | 94-5209     | 1    | Cover-Dust           |
| 8    | 94-5210     | 1    | Rod-Push             |
| 9    | 92-4109     | 1    | Ring-Snap            |
| 10   | 92-4108     | 1    | Retainer-Washer      |
| 11   | 92-4101     | 1    | Primary Piston ASM   |





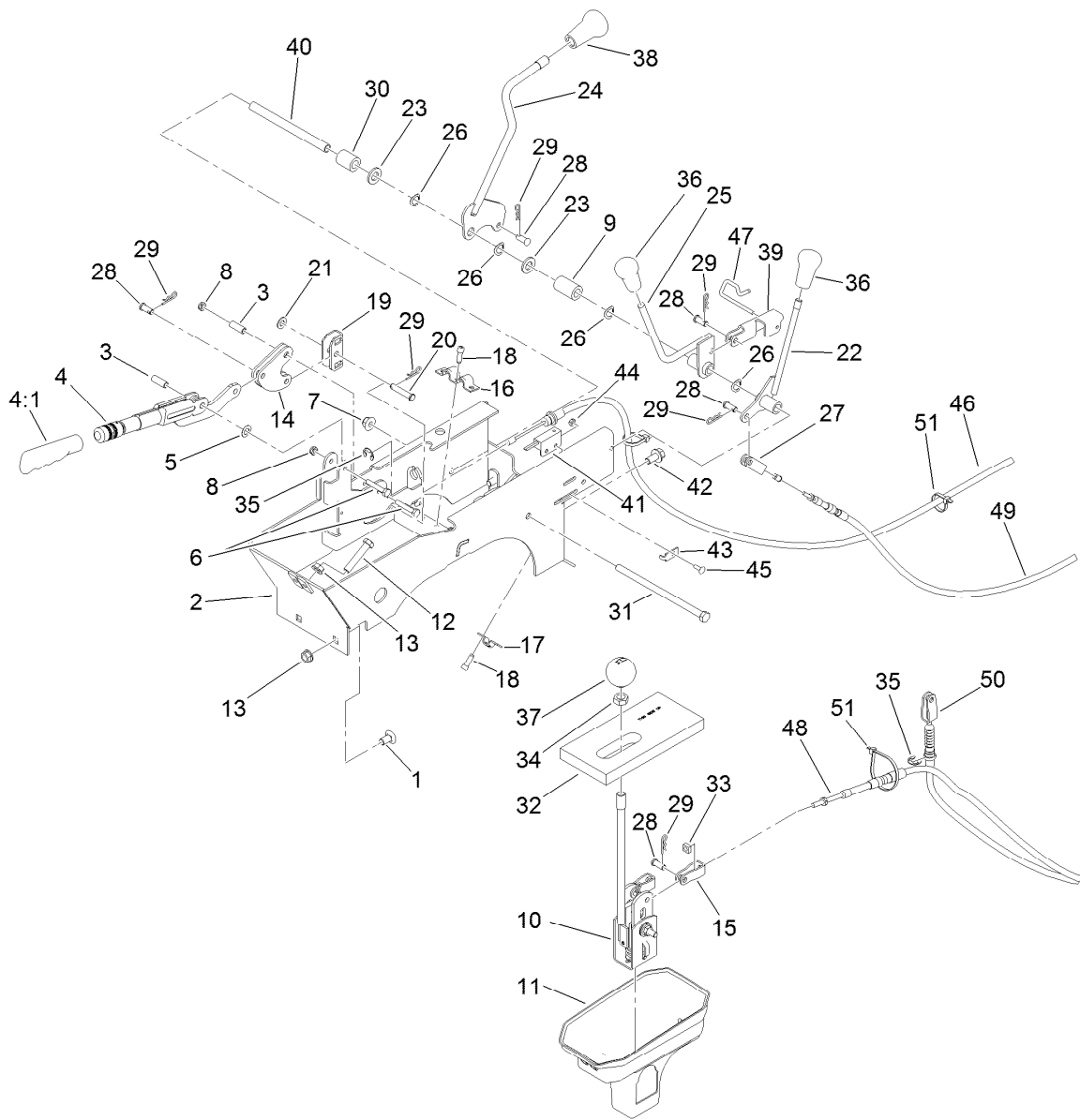
## Accelerator Assembly

| <i>Ref.</i> | <i>Part Number</i> | <i>Qty.</i> | <i>Description</i>   |
|-------------|--------------------|-------------|----------------------|
| 1           | 132-6711-03        | 1           | Bracket-Mount, Pedal |
| 2           | 121-9675           | 1           | Pedal-Accelerator    |
| 3           | 3230-22            | 3           | Screw-CARR           |
| 4           | 104-8300           | 3           | Nut-HF, NI           |



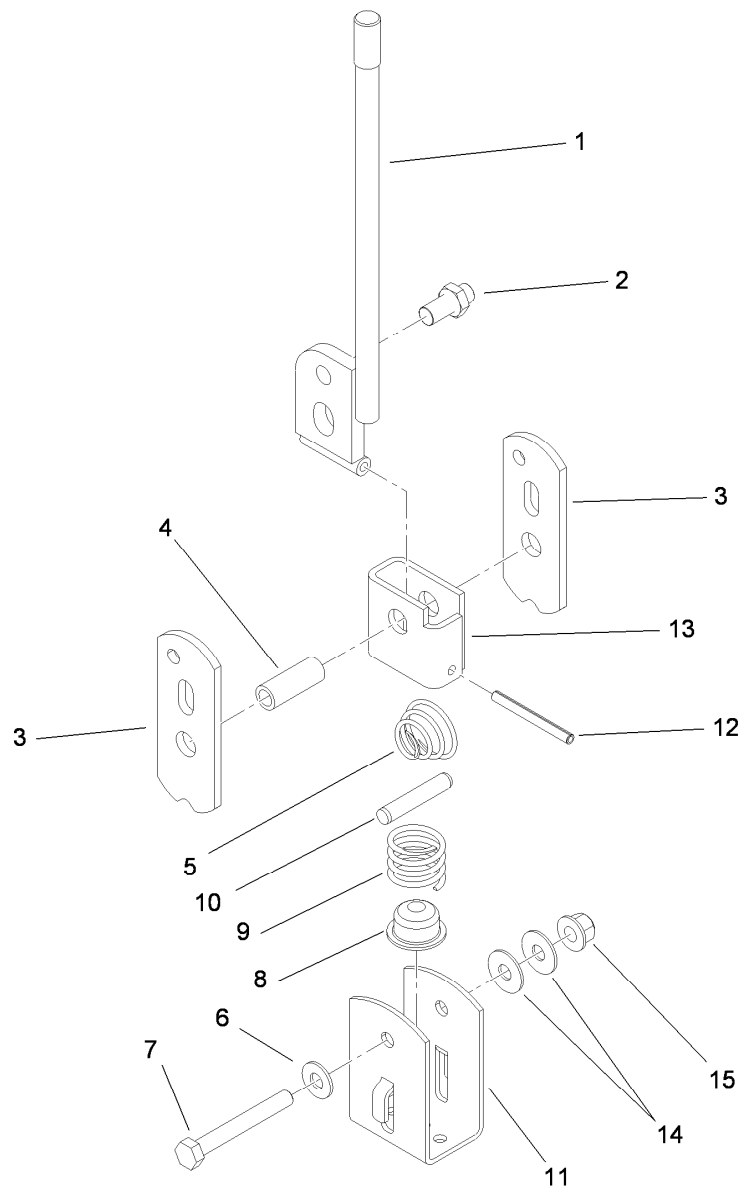
## Console Assembly

| Ref. | Part Number | Qty. | Description              | Ref. | Part Number | Qty. | Description              |
|------|-------------|------|--------------------------|------|-------------|------|--------------------------|
| 1    | 3231-21     | 2    | Screw-CARR               | 21   | 3256-23     | 1    | Washer-Plain             |
| 2    | 108-6914-03 | 1    | Support-Lever            | 22   | 106-7828    | 1    | Lever                    |
| 3    | 114402      | 2    | Spacer                   | 23   | 33096-00    | 2    | Washer-Flat              |
| 4    | 127-8863    | 1    | Lever-Brake, Park        | 24   | 131-3479    | 1    | Lever-Lock, Differential |
| 4:1  | 127-8864    | 1    | Grip-Handle              | 25   | 106-7960    | 1    | Lever-HYD                |
| 5    | 3290-477    | 1    | Washer-Curved            | 26   | 3290-221    | 4    | Washer-Spring            |
| 6    | 321-37      | 2    | Screw-HH                 | 27   | 87-7160     | 1    | Clevis-Cable             |
| 7    | 104-8301    | 1    | Nut-HF, NI               | 28   | 283-62      | 6    | Pin-Clevis               |
| 8    | 3296-56     | 2    | Nut-Lock, NI             | 29   | 3290-307    | 7    | Pin-Cotter               |
| 9    | 120-5037    | 1    | Spacer                   | 30   | 66-6501     | 1    | Spacer-Wheel             |
| 10   | 106-7887    | 1    | Shift ASM                | 31   | 323-36      | 1    | Screw-HH                 |
| 11   | 106-2376    | 1    | Boot-Shift, Lower        | 32   | 87-6570     | 1    | Seal-Boot, Lower         |
| 12   | 323-10      | 2    | Screw-HH                 | 33   | 140-4804    | 2    | Nut-Square               |
| 13   | 3290-357    | 4    | Nut-HSF                  | 34   | 3218-18     | 1    | Nut-Jam                  |
| 14   | 106-7814    | 2    | Bellcrank                | 35   | 32120-47    | 3    | Ring-Retaining, External |
| 15   | 87-2310     | 2    | Clevis-Cable             | 36   | 106-7903    | 2    | Knob-Control             |
| 16   | 87-4960     | 1    | Clamp-Cable              | 37   | 87-6720     | 1    | Knob-Shift               |
| 17   | 87-4340     | 1    | Clamp-Cable              | 38   | 106-7952    | 1    | Knob                     |
| 18   | 65-5221     | 5    | Screw-Hshtf              | 39   | 115-2250    | 1    | Link                     |
| 19   | 87-3480     | 1    | Bracket-Equalizer, Cable | 40   | 106-7833    | 1    | Spacer                   |
| 20   | 94-3829     | 1    | Pin-Clevis               | 41   | 100-1270    | 1    | Switch-Proximity         |



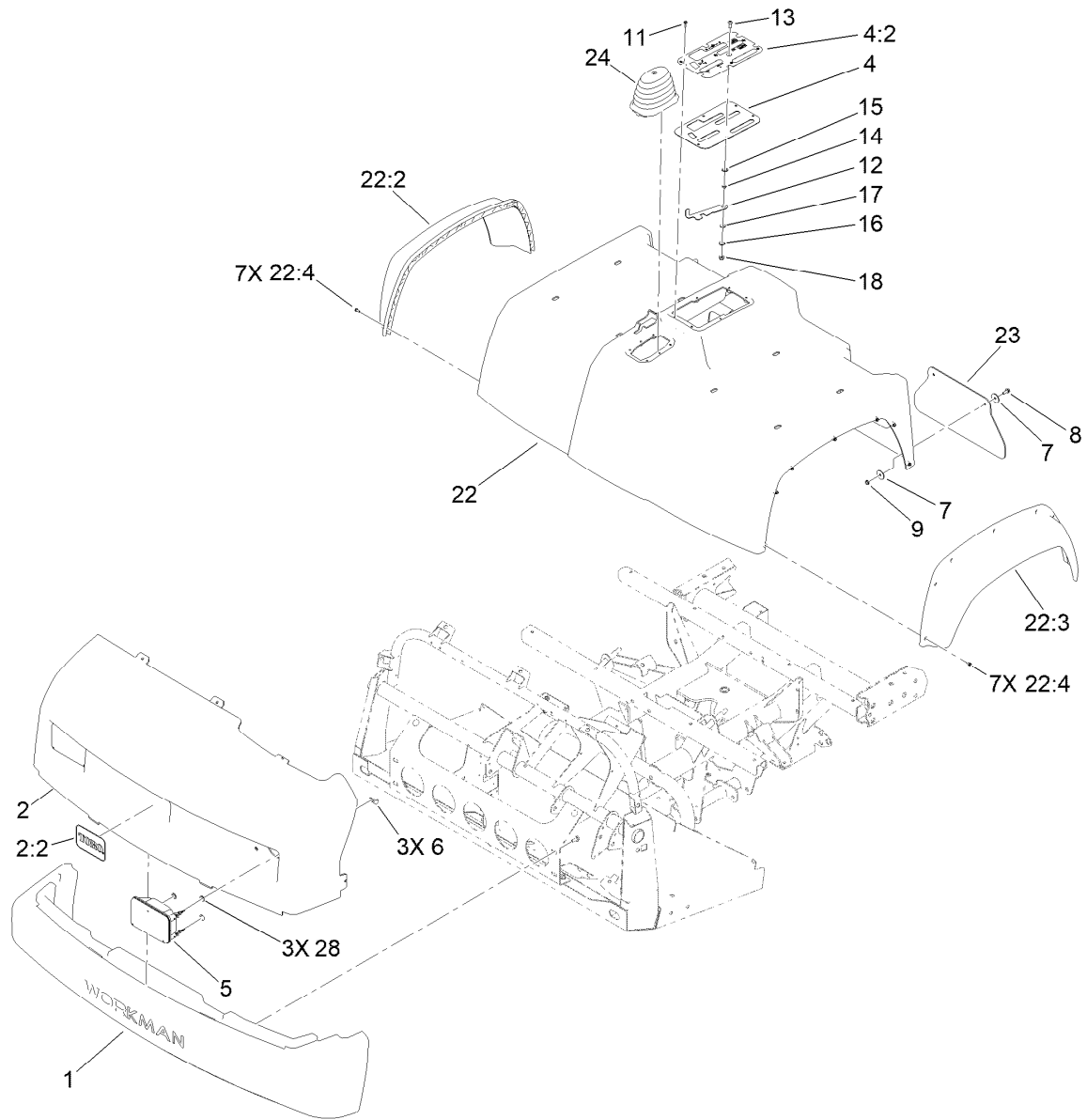
## Console Assembly (continued)

| <i>Ref.</i> | <i>Part Number</i> | <i>Qty.</i> | <i>Description</i>    | <i>Ref.</i> | <i>Part Number</i> | <i>Qty.</i> | <i>Description</i>       |
|-------------|--------------------|-------------|-----------------------|-------------|--------------------|-------------|--------------------------|
| 42          | 3234-12            | 2           | Screw-HHF             | 47          | 115-2350           | 1           | Pin-Retainer             |
| 43          | 100-4872           | 1           | Plate-Switch, Neutral | 48          | 121-6327           | 2           | Cable-Selector, Gear     |
| 44          | 3296-2             | 1           | Nut-Lock, NI          | 49          | 115-7812           | 1           | Cable-Hi Low             |
| 45          | 3229-34            | 1           | Screw-CARR            | 50          | 115-2287           | 1           | Cable-Lock, Differential |
| 46          | 115-2283           | 2           | Cable-Brake, Park     | 51          | 3290-379           | 5           | Tie-Cable                |



## Shift Assembly No. 106-7887

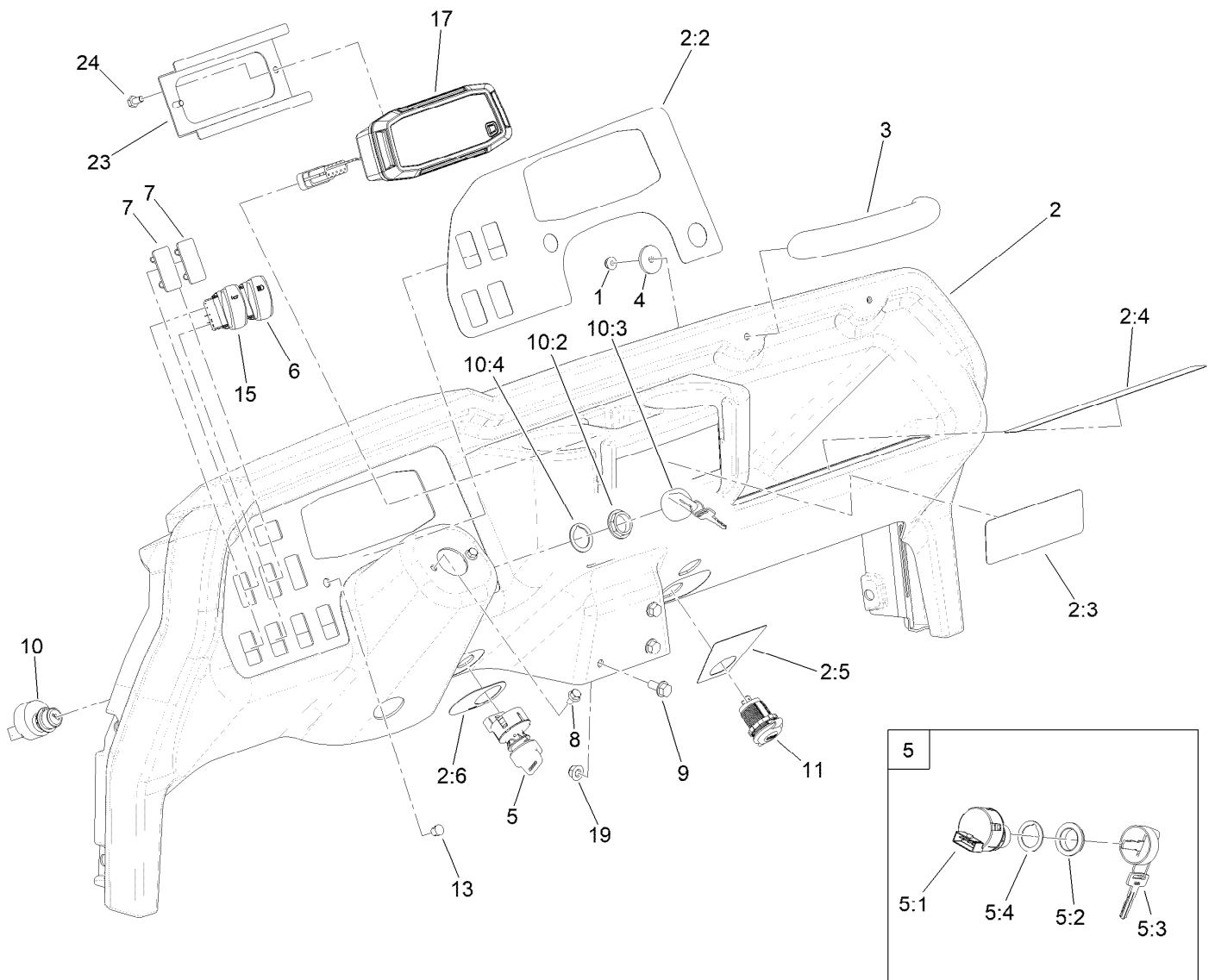
| <i>Ref.</i> | <i>Part Number</i> | <i>Qty.</i> | <i>Description</i> |
|-------------|--------------------|-------------|--------------------|
| 1           | 131-3469           | 1           | Lever-Shift        |
| 2           | 87-3650            | 1           | Pin-Shift          |
| 3           | 87-3540            | 2           | Link-Shift         |
| 4           | 87-2520            | 1           | Tube-Pivot         |
| 5           | 87-2900            | 1           | Spring-Compression |
| 6           | 87-8640            | 1           | Washer-Flat        |
| 7           | 322-12             | 1           | Screw-HH           |
| 8           | 87-3530            | 1           | Button-Shifter     |
| 9           | 87-3660            | 1           | Spring-Compression |
| 10          | 3290-507           | 1           | Pin-Dowel          |
| 11          | 87-3520            | 1           | Clevis             |
| 12          | 32121-48           | 1           | Pin-Spring         |
| 13          | 87-6040            | 1           | Bracket-Shifter    |
| 14          | 3290-456           | 2           | Washer-Belleville  |
| 15          | 104-8300           | 1           | Nut-HF, NI         |



## Bumper, Hood and Seat Base Assembly

| Ref. | Part Number | Qty. | Description       |
|------|-------------|------|-------------------|
| 1    | 112-3185    | 1    | Bumper            |
| 2    | 145-2284    | 1    | Hood ASM          |
| 2:2  | 117-4950    | 1    | Decal             |
| 4    | 106-7886    | 1    | Control Plate ASM |
| 4:2  | 106-2377    | 1    | Decal-Console     |
| 5    | 138-9260    | 2    | Headlight ASM     |
| 6    | 114-8341    | 6    | Clip-Speed        |
| 7    | 3256-55     | 8    | Washer-Flat       |
| 8    | 3234-4      | 4    | Screw-HHF         |
| 9    | 104-7201    | 4    | Nut-HF, NI        |
| 11   | 98-1375     | 6    | Screw-HWH         |
| 12   | 106-7984    | 1    | Lever-Detent      |
| 13   | 3274-55     | 1    | Screw-HSBH        |

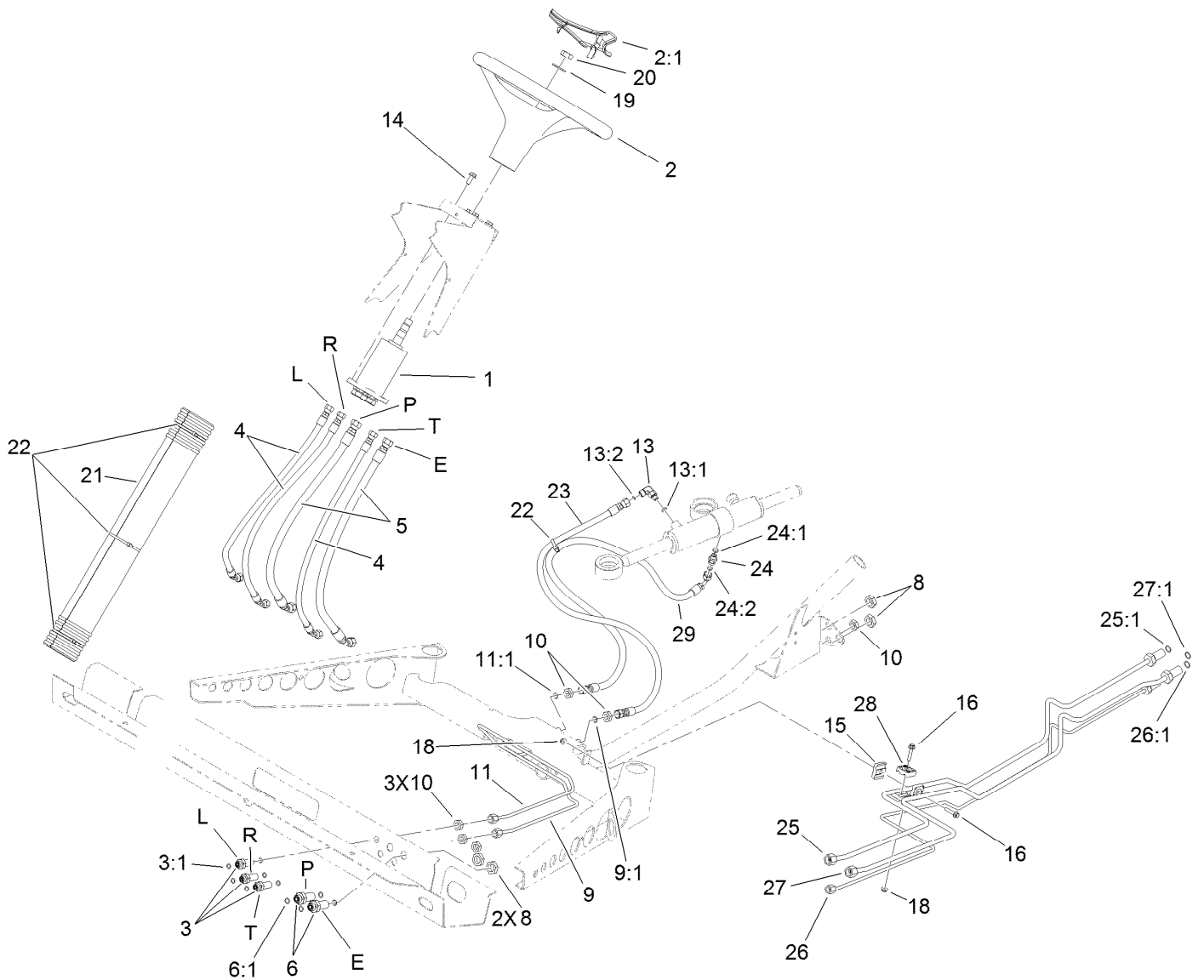
| Ref. | Part Number | Qty. | Description        |
|------|-------------|------|--------------------|
| 14   | 82-4240     | 1    | Spacer-Bearing     |
| 15   | 94-8196     | 1    | Washer-Nylon       |
| 16   | 3290-221    | 1    | Washer-Spring      |
| 17   | 3256-23     | 1    | Washer-Plain       |
| 18   | 104-8300    | 1    | Nut-HF, NI         |
| 22   | 133-0566    | 1    | Seatbase ASM       |
| 22:2 | 114-8407    | 1    | Fender-Front, RH   |
| 22:3 | 114-8408    | 1    | Fender-Front, LH   |
| 22:4 | 117-5036    | 14   | Screw-Plastic, HWH |
| 23   | 106-2378    | 2    | Mudflap            |
| 24   | 117-8063    | 1    | Boot-Shift         |
| 28   | 112-6957    | 6    | Washer-Hardened    |



## Dash Assembly

| Ref. | Part Number | Qty. | Description                | Ref. | Part Number | Qty. | Description                  |
|------|-------------|------|----------------------------|------|-------------|------|------------------------------|
| 1    | 104-7201    | 2    | Nut-HF, NI                 | 7    | 99-7420     | 2    | Plug-Hole                    |
| 2    | 145-2283    | 1    | Dash ASM                   | 8    | 33103-012   | 2    | Screw-HHF                    |
| 2:2  | 145-2276    | 1    | Decal-Control Panel, HD    | 9    | 3234-5      | 3    | Screw-HHF                    |
| 2:3  | 121-9776    | 1    | Decal-Danger, Vehicle (CE) | 10   | 106-5269    | 1    | Ignition Switch ASM          |
| 2:4  | 115-2282    | 1    | Decal-Warning, Dash        | 10:2 | 108-8660    | 1    | Nut-Mounting                 |
| 2:5  | 145-2282    | 1    | Decal-USB                  | 10:3 | 106-5270    | 1    | Ignition Key Set             |
| 2:6  | 106-2355    | 1    | Decal-Switch, Supervisor   | 10:4 | 108-8659    | 1    | Washer-Backup                |
| 3    | 117-4948    | 1    | Handle-Grab                | 11   | 131-8388    | 1    | Socket-USB                   |
| 4    | 103995      | 2    | Washer                     | 13   | 104-9368    | 1    | Plug-Dome                    |
| 5    | 110-2580    | 1    | Switch-Key, Supervisor     | 15   | 144-2415    | 1    | Switch-Rocker, (On)-None-Off |
| 5:1  |             | 1    | Switch-Key ●               | 17   | 145-2080    | 1    | Cluster-Instrument           |
| 5:2  | 108-8660    | 1    | Nut-Mounting               | 19   | 104-8300    | 3    | Nut-HF, NI                   |
| 5:3  | 110-5221    | 1    | Set-Key, Supervisor        | 23   | 140-4556-0P | 1    | Retainer-Display             |
| 5:4  | 108-8659    | 1    | Washer-Backup              | 24   | 321-2       | 2    | Screw-HH                     |
| 6    | 144-2405    | 1    | Switch-Rocker, On-None-On  |      |             |      |                              |

● Not serviced separately



## Steering Hydraulic Assembly

| Ref. | Part Number | Qty. | Description                | Ref. | Part Number | Qty. | Description           |
|------|-------------|------|----------------------------|------|-------------|------|-----------------------|
| 1    | 120-4813    | 1    | Pump-Steering              | 15   | 106-7839    | 2    | Clamp-Tube            |
| 2    | 98-1471     | 1    | Wheel-Steering             | 16   | 3234-21     | 2    | Screw-HHF             |
| 2:1  | 98-1468     | 1    | Cover-Wheel, Steering      | 18   | 104-7201    | 2    | Nut-HF, NI            |
| 3    | 94-1444     | 3    | Union-Bulkhead             | 19   | 3256-27     | 1    | Washer-Flat           |
| 3:1  | 237-21      | 2    | O-Ring                     | 20   | 3296-33     | 1    | Nut-Lock, NI          |
| 4    | 106-7974    | 3    | Hose-HYD                   | 21   | 106-6713    | 1    | Cover-Lines, Steering |
| 5    | 106-7975    | 2    | Hose-HYD                   | 22   | 3290-379    | 4    | Tie-Cable             |
| 6    | 340-71      | 2    | Fitting-Straight, Bulkhead | 23   | 108-6505    | 1    | Hose-HYD              |
| 6:1  | 237-22      | 2    | O-Ring                     | 24   | 340-92      | 1    | Fitting-Straight      |
| 8    | 340-70      | 4    | Nut-Lock                   | 24:1 | 237-78      | 1    | O-Ring                |
| 9    | 106-7804    | 1    | Tube-HYD                   | 24:2 | 237-21      | 1    | O-Ring                |
| 9:1  | 237-21      | 1    | O-Ring                     | 25   | 115-7701    | 1    | Tube-HYD              |
| 10   | 3219-10     | 6    | Nut-Hex                    | 25:1 | 237-22      | 1    | O-Ring                |
| 11   | 106-7806    | 1    | Tube-HYD                   | 26   | 115-7702    | 1    | Tube-HYD              |
| 11:1 | 237-21      | 1    | O-Ring                     | 26:1 | 237-22      | 1    | O-Ring                |
| 13   | 340-132     | 1    | Fitting-Elbow, 90 DEG      | 27   | 115-7703    | 1    | Tube-HYD              |
| 13:1 | 237-78      | 1    | O-Ring                     | 27:1 | 237-21      | 1    | O-Ring                |
| 13:2 | 237-21      | 1    | O-Ring                     | 28   | 56-7973     | 2    | Clamp-Tube            |
| 14   | 98-7977     | 4    | Screw-HHF                  | 29   | 117-4861    | 1    | Hose-HYD              |

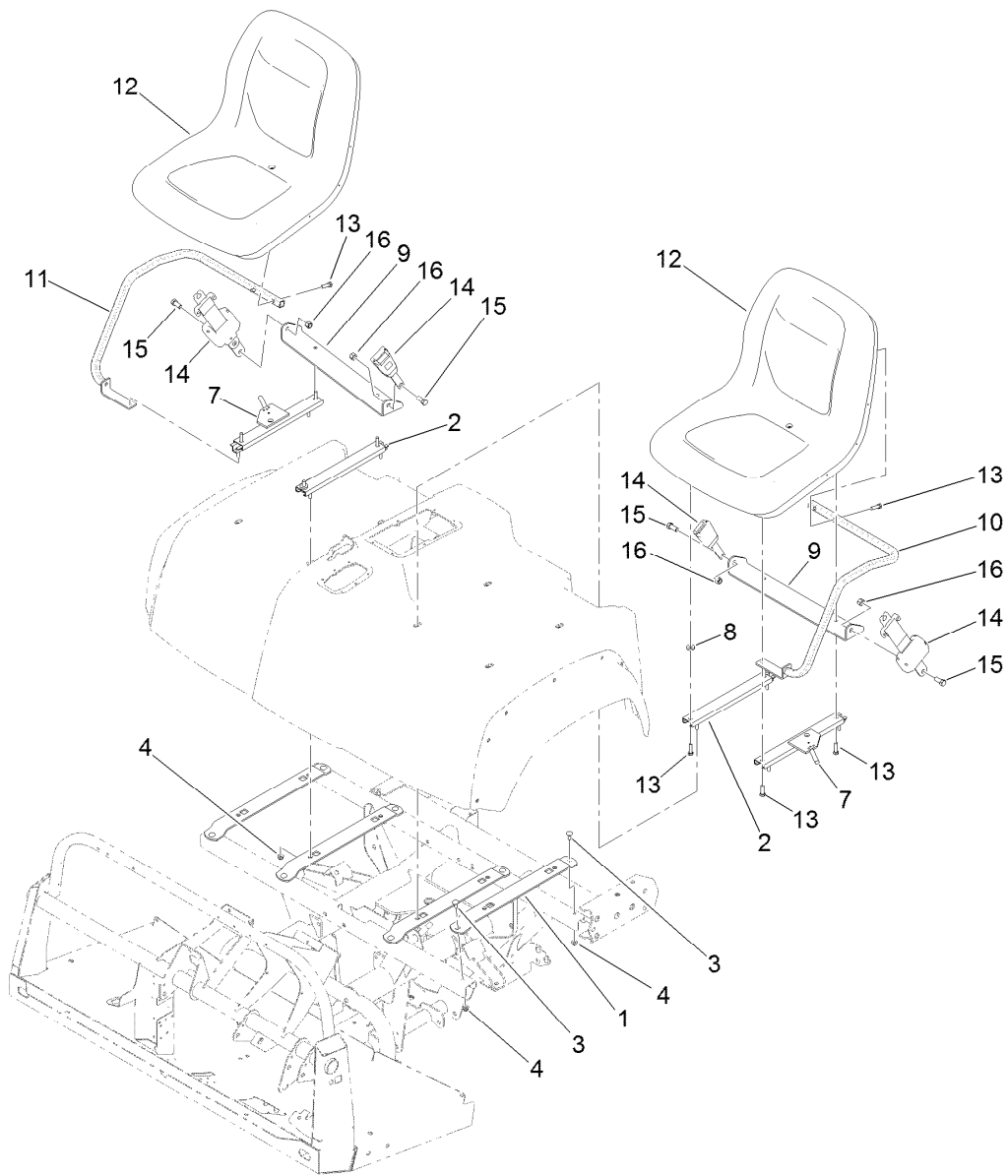


## Steering Valve Assembly No. 120-4813

| <i>Ref.</i> | <i>Part Number</i> | <i>Qty.</i> | <i>Description</i> |
|-------------|--------------------|-------------|--------------------|
| 1           | 106-6716           | 1           | Seal Kit           |
| 1:1         |                    | 1           | Ring-Seal, Dust ●  |
| 1:2         |                    | 1           | Seal-Shaft ●       |
| 1:3         |                    | 1           | O-Ring ●           |
| 1:4         |                    | 2           | O-Ring ●           |
| 1:5         |                    | 5           | O-Ring ●           |

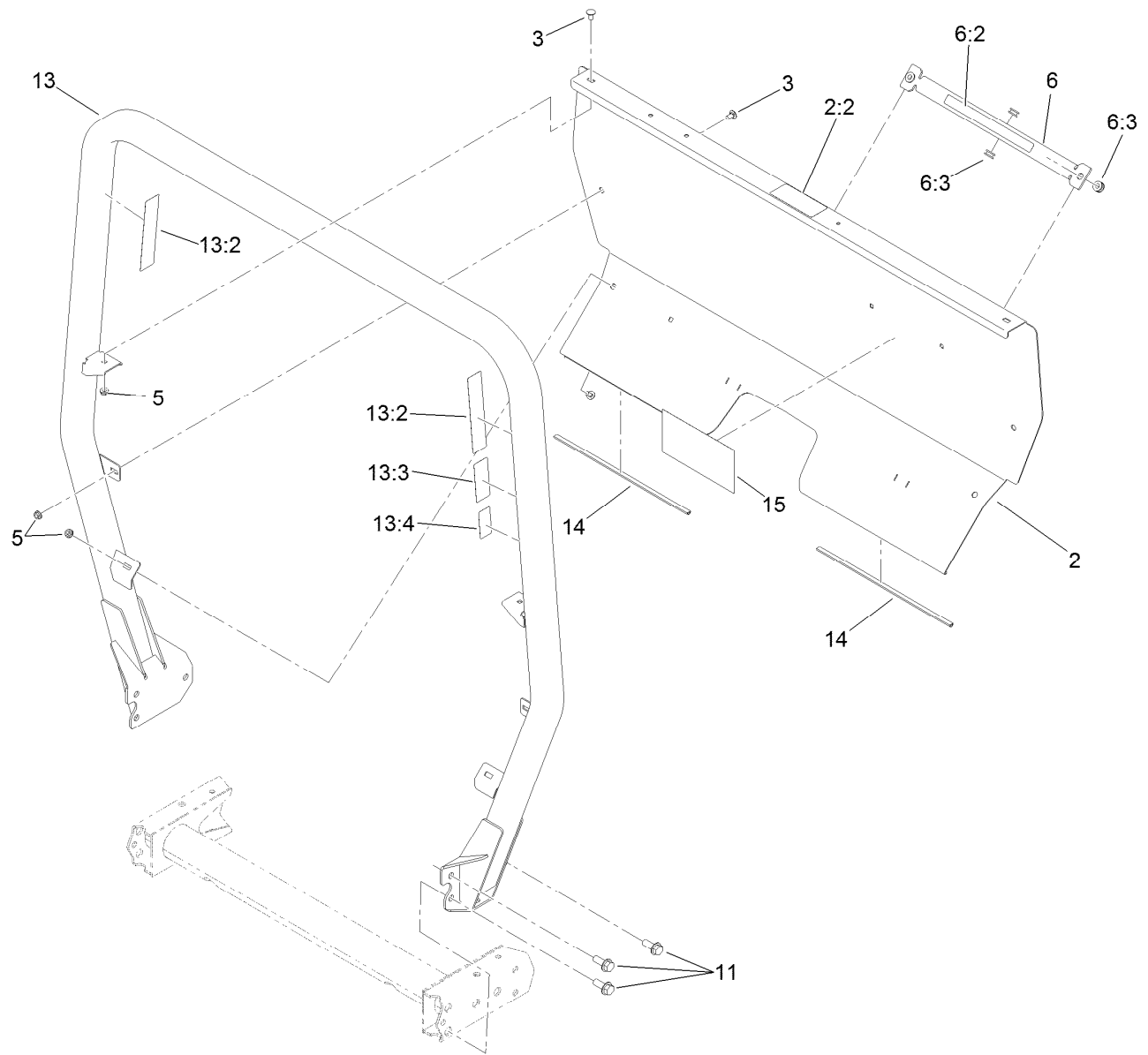
● Not serviced separately





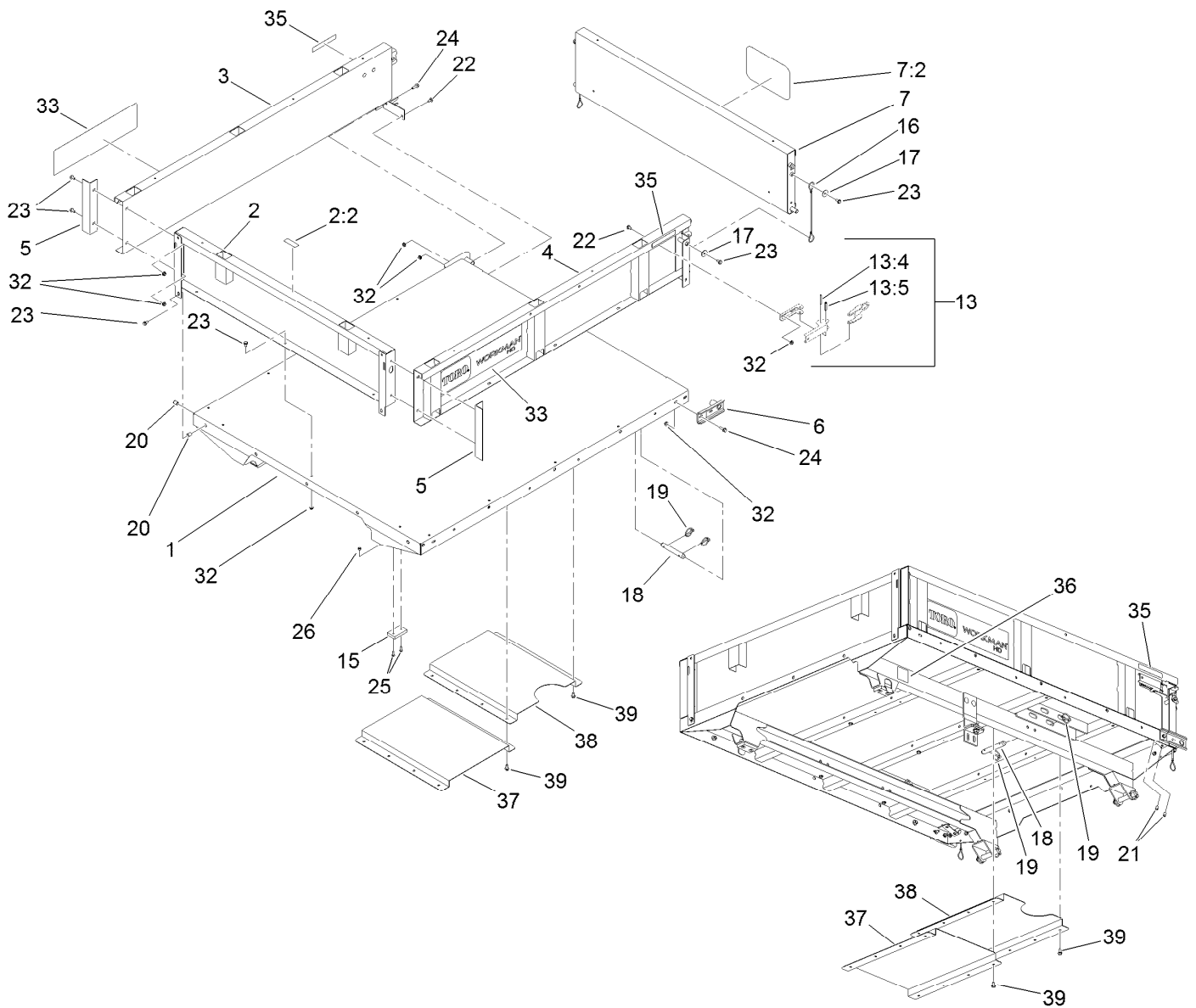
## Seat Assembly

| <b>Ref.</b> | <b>Part Number</b> | <b>Qty.</b> | <b>Description</b>         |
|-------------|--------------------|-------------|----------------------------|
| 1           | 115-2435-0P        | 4           | Bracket-Seat               |
| 2           | 92-8990            | 2           | Adjuster-Seat, Non-Locking |
| 3           | 3230-1             | 8           | Bolt-CARR                  |
| 4           | 104-8300           | 16          | Nut-HF, NI                 |
| 7           | 92-8991            | 2           | Adjuster (W/Latch)         |
| 8           | 104-7658           | 2           | Spacer                     |
| 9           | 119-0727-03        | 2           | Bracket-Belt, Seat         |
| 10          | 119-0731-03        | 1           | Armrest-LH                 |
| 11          | 119-0732-03        | 1           | Armrest-RH                 |
| 12          | 133-0577           | 2           | Seat ASM                   |
| 13          | 33114-030          | 12          | Screw-HH                   |
| 14          | 110-0413           | 2           | Seatbelt-Retractable       |
| 15          | 3212-4             | 4           | Screw-HH                   |
| 16          | 3296-7             | 4           | Nut-Lock                   |



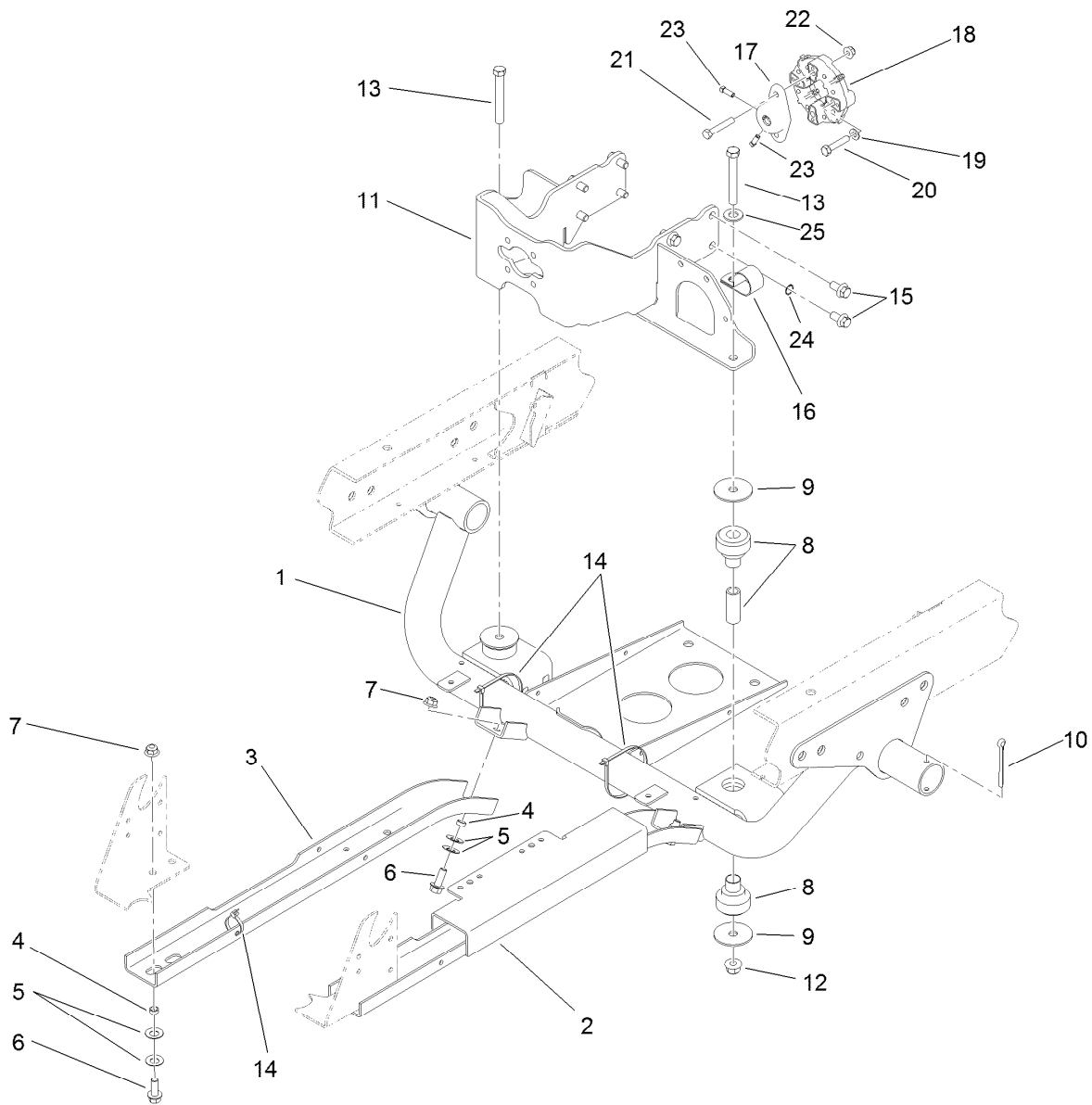
## Roll-Over Protection System Assembly

| <i>Ref.</i> | <i>Part Number</i> | <i>Qty.</i> | <i>Description</i>     |
|-------------|--------------------|-------------|------------------------|
| 2           | 115-2213           | 1           | ROPS Cover ASM         |
| 2:2         | 105-4215           | 1           | Decal-Caution          |
| 3           | 3230-18            | 6           | Screw-CARR             |
| 5           | 32128-20           | 6           | Nut-HF                 |
| 6           | 105-7960           | 1           | Bed Support ASM        |
| 6:2         | 93-9852            | 1           | Decal-Warning          |
| 6:3         | 92-5972            | 4           | Grommet-Rubber         |
| 11          | 3234-38            | 6           | Screw-HHF              |
| 13          | 115-7910           | 1           | ROPS ASM               |
| 13:2        | 106-7767           | 2           | Decal-ROPS             |
| 13:3        | 93-9850            | 1           | Decal-ROPS, CE         |
| 13:4        | 117-4969           | 1           | Decal-ROPS, ISO        |
| 14          | 127-7382           | 2           | Seal-ROPS              |
| 15          | 115-7814           | 1           | Decal-Reference, Quick |



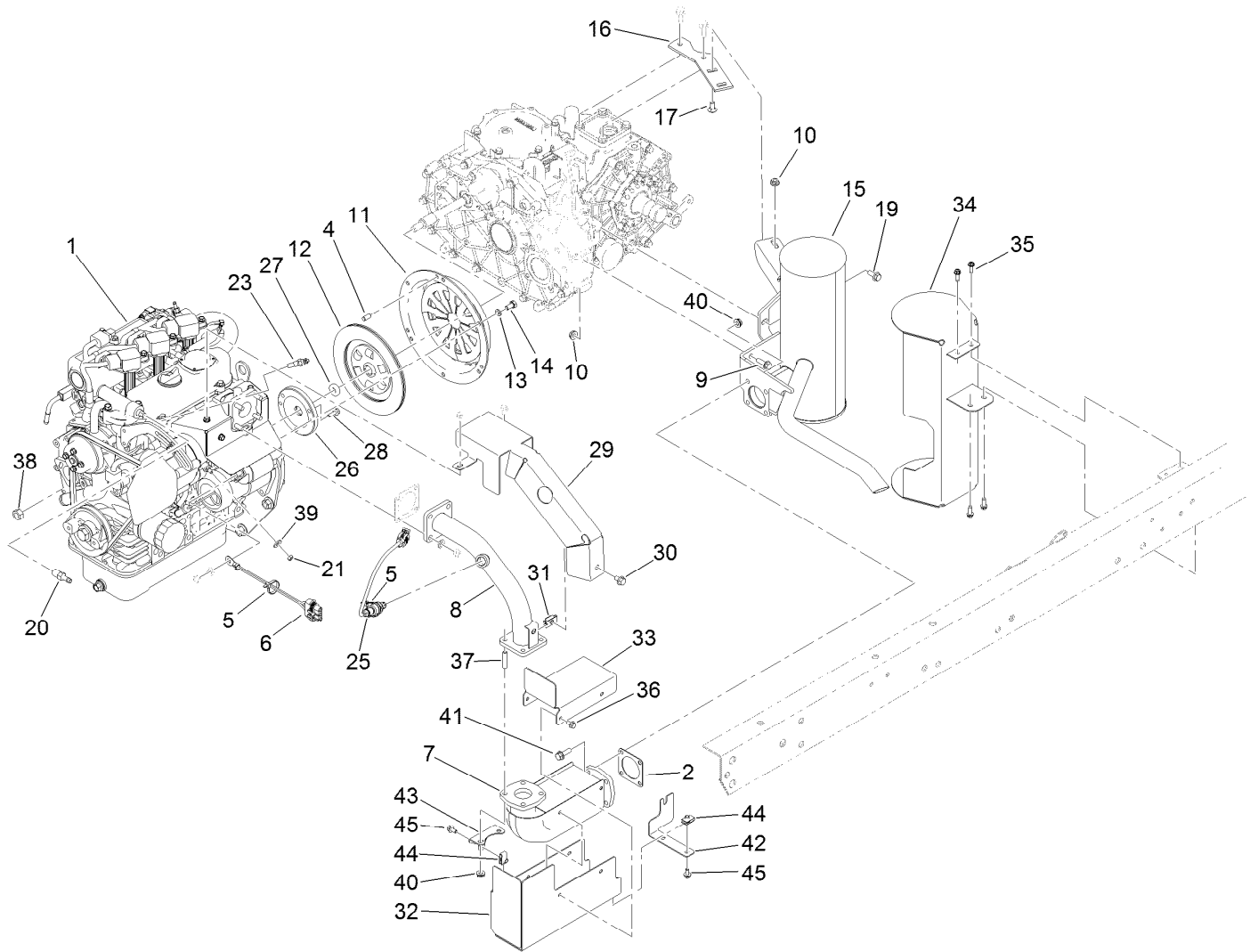
## Full Bed and Side Panel Assembly

| Ref. | Part Number | Qty. | Description     | Ref. | Part Number | Qty. | Description              |
|------|-------------|------|-----------------|------|-------------|------|--------------------------|
| 1    | 138-5675    | 1    | Flatbed ASM     | 19   | 92-1298     | 8    | Pin-Lynch                |
| 2    | 133-0645    | 1    | Front Panel ASM | 20   | 32148-7     | 4    | Nut-Clinch               |
| 2:2  | 115-7739    | 1    | Decal-No Riders | 21   | 32148-6     | 4    | Nut-Clinch               |
| 3    | 133-0617    | 1    | Panel-Side, RH  | 22   | 3230-18     | 6    | Screw-CARR               |
| 4    | 133-0616    | 1    | Panel-Side, LH  | 23   | 3234-7      | 21   | Screw-HHF                |
| 5    | 92-1320-03  | 2    | Angle-Side      | 24   | 3234-29     | 6    | Screw-HHF                |
| 6    | 92-1265-03  | 2    | Bracket-Pivot   | 25   | 3250-45     | 4    | Screw-SPH                |
| 7    | 133-0644    | 1    | Tailgate        | 26   | 3296-42     | 4    | Nut-Lock, NI             |
| 7:2  | 105-4222    | 1    | Decal           | 32   | 32128-20    | 27   | Nut-HF                   |
| 13   | 140-4795    | 2    | Latch ASM       | 33   | 115-7914    | 2    | Decal                    |
| 13:4 | 32121-78    | 1    | Pin-Roll        | 35   | 93-9868     | 2    | Decal-Caution            |
| 13:5 | 32121-25    | 1    | Pin-Roll        | 36   | 93-9899     | 2    | Decal-Warning            |
| 15   | 93-9719     | 2    | Block-Wear      | 37   | 121-6300    | 1    | Shield-Heat, Bed (Front) |
| 16   | 93-9595     | 2    | Lanyard         | 38   | 121-6301    | 1    | Shield-Heat, Bed (Rear)  |
| 17   | 3256-57     | 4    | Washer-Flat     | 39   | 32144-70    | 12   | Screw-HWHTF              |
| 18   | 92-1233     | 4    | Pin-Clevis      |      |             |      |                          |



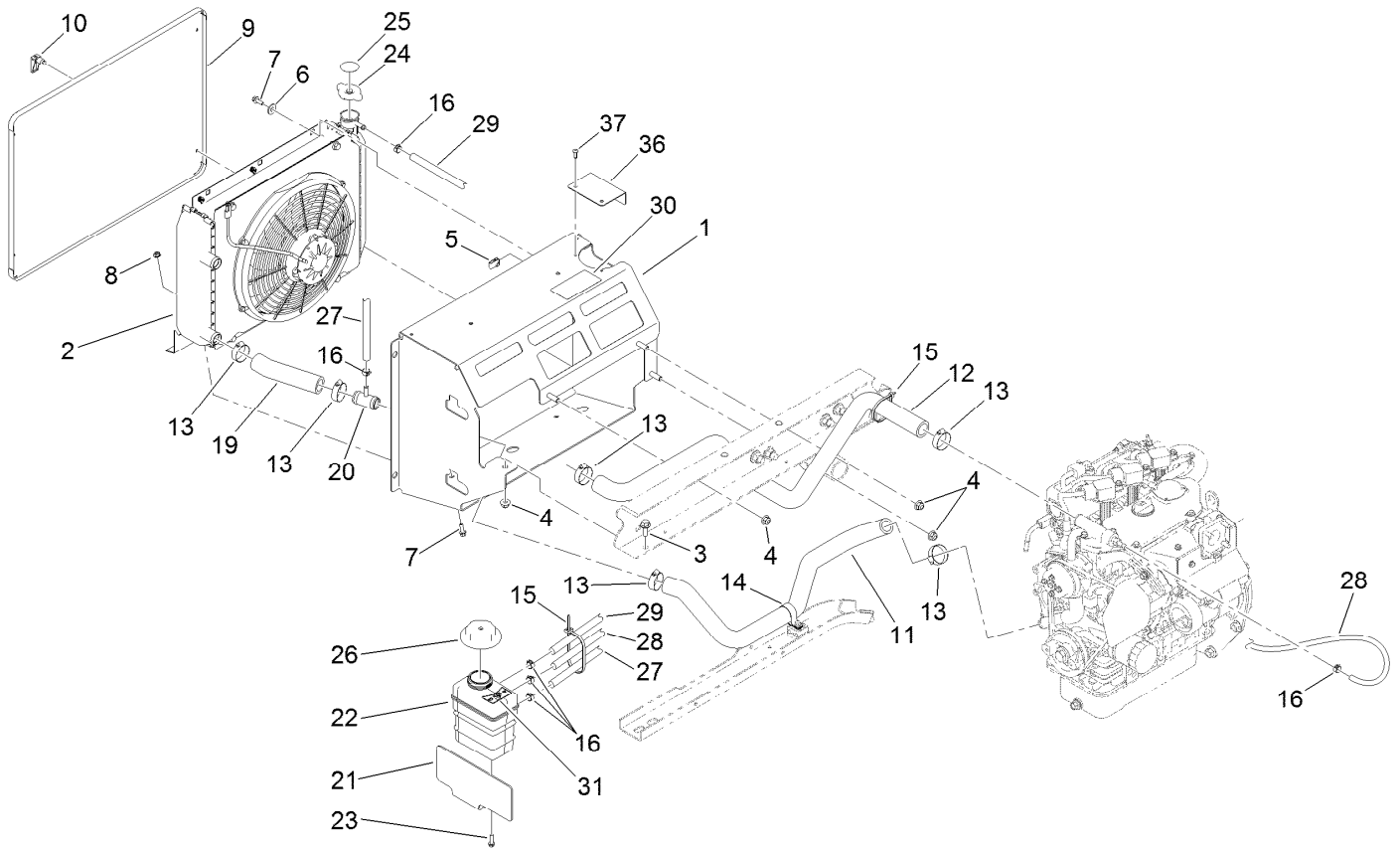
## Engine Sub Frame Assembly

| Ref. | Part Number | Qty. | Description                       | Ref. | Part Number | Qty. | Description      |
|------|-------------|------|-----------------------------------|------|-------------|------|------------------|
| 1    | 119-9679-03 | 1    | Support-Engine                    | 13   | 324-13      | 2    | Screw-HH         |
| 2    | 115-2215-03 | 1    | Guard-LH                          | 14   | 3290-379    | 4    | Tie-Cable        |
| 3    | 87-4730-03  | 1    | Guard-Belly                       | 15   | 120-4839    | 8    | Screw-HHF        |
| 4    | 76-9100     | 6    | Spacer                            | 16   | 2412-82     | 1    | Clamp-R          |
| 5    | 3290-413    | 12   | Washer-Belleville                 | 17   | 115-2169    | 1    | Hub-Pump         |
| 6    | 3234-11     | 6    | Screw-HHF                         | 18   | 119-0652    | 1    | Coupler-Rubber   |
| 7    | 104-8301    | 6    | Nut-HF, NI                        | 19   | 3256-23     | 2    | Washer-Plain     |
| 8    | 106-7865    | 2    | Mount-Engine                      | 20   | 33114-040   | 2    | Screw-HH         |
| 9    | 87-5100     | 4    | Washer-Snubbing                   | 21   | 322-21      | 2    | Screw-HH         |
| 10   | 3272-37     | 2    | Pin-Cotter                        | 22   | 104-8300    | 2    | Nut-HF, NI       |
| 11   | 121-6259-0P | 1    | Engine Pump Mount ASM<br>[primed] | 23   | 3241-6      | 2    | Screw-SQH        |
| 12   | 114-8417    | 2    | Nut-HF, NI                        | 24   | 3254-20     | 1    | Washer-Lock, Int |
|      |             |      |                                   | 25   | 3256-26     | 1    | Washer-Flat      |



## Engine and Exhaust Assembly

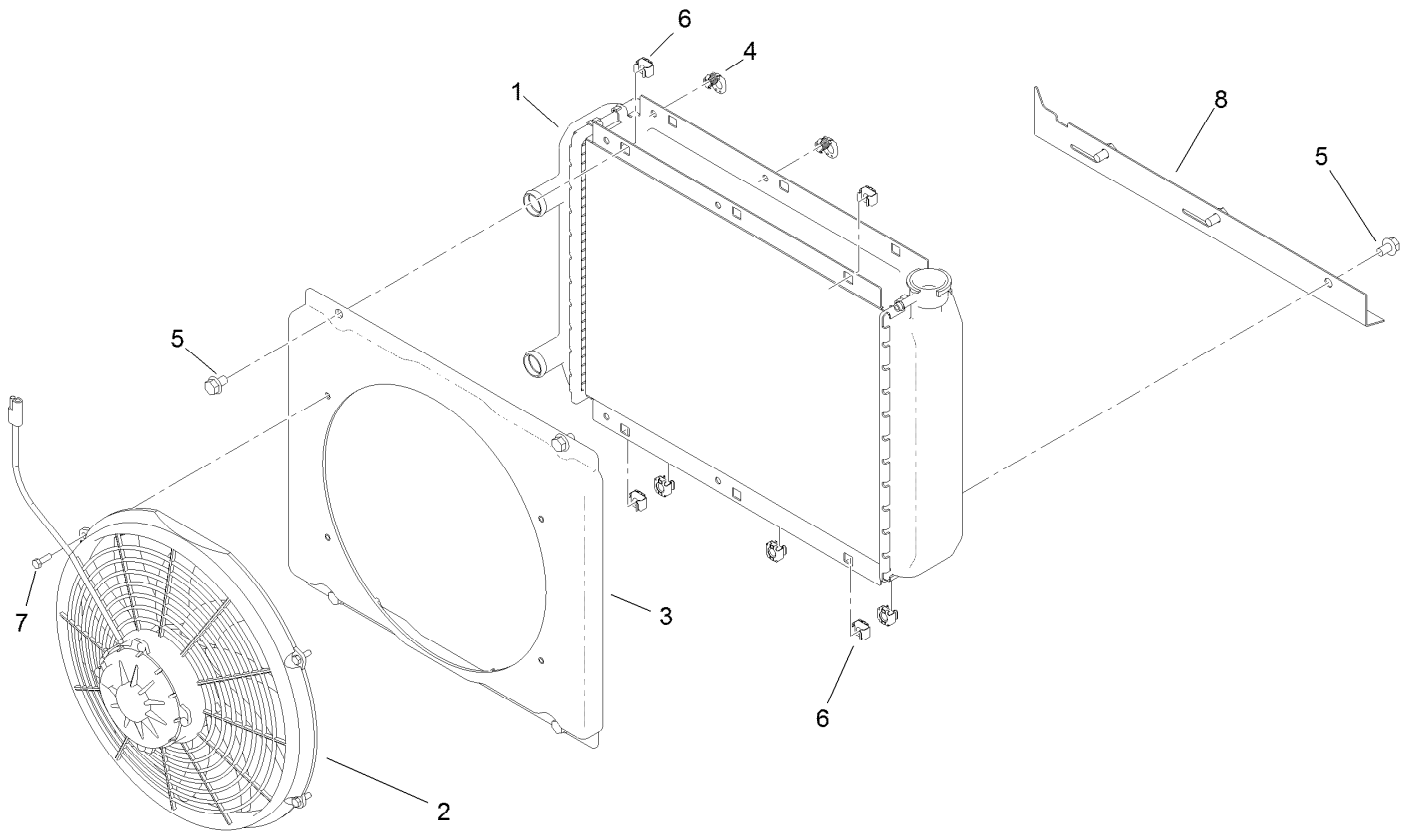
| Ref. | Part Number | Qty. | Description                      | Ref. | Part Number | Qty. | Description                |
|------|-------------|------|----------------------------------|------|-------------|------|----------------------------|
| 1    | 120-4880    | 1    | Engine ASM                       | 25   | 121-3511    | 1    | Sensor-O2 F/W              |
| 2    | 105-4209    | 1    | Gasket-Muffler                   | 26   | 120-5006    | 1    | Holder-Bearing, Pilot      |
| 4    | 42-7160     | 3    | Pin                              | 27   | 115-6870    | 1    | Bearing-Ball, Sealed       |
| 5    | 3290-379    | 2    | Tie-Cable                        | 28   | 33103-020   | 3    | Screw-HHF                  |
| 6    | 99-3441     | 1    | Harness-Wire, Fusible Link       | 29   | 121-6305    | 1    | Shield-Exhaust             |
| 7    | 125-9118    | 1    | Converter-Catalytic (F/W Engine) | 30   | 3234-30     | 1    | Screw-HHF                  |
| 8    | 121-6291    | 1    | Pipe-Exhaust                     | 31   | 110-3510    | 1    | Nut-Retainer               |
| 9    | 3234-17     | 2    | Screw-HHF                        | 32   | 121-6307    | 1    | Shield-Heat, Lower         |
| 10   | 32128-20    | 4    | Nut-HF                           | 33   | 121-6308    | 1    | Shield-Heat, Upper         |
| 11   | 87-4690     | 1    | Cover-Clutch                     | 34   | 121-6302    | 1    | Shield-Heat, Muffler       |
| 12   | 87-4700     | 1    | Disc-Clutch                      | 35   | 49-2040     | 4    | Screw-HWHTF                |
| 13   | 3253-4      | 6    | Washer-Lock                      | 36   | 33103-012   | 4    | Screw-HHF                  |
| 14   | 33114-016   | 6    | Screw-HH                         | 37   | 121-6289    | 4    | Stud-Exhaust               |
| 15   | 133-0613    | 1    | Muffler                          | 38   | 110-8815    | 1    | Nut-Hex                    |
| 16   | 105-9472    | 1    | Plate-Mount, Muffler             | 39   | 3256-2      | 1    | Washer-Flat                |
| 17   | 3230-2      | 2    | Bolt-CARR                        | 40   | 121-6322    | 8    | Nut-HF, Serrated           |
| 19   | 98-7977     | 1    | Screw-HHF                        | 41   | 121-6324    | 4    | Screw-HHF                  |
| 20   | 115-1448    | 1    | Fitting-Straight                 | 42   | 121-6328    | 1    | Mount-Muffler, Heat Shield |
| 21   | 33013-00    | 1    | Nut-Hex                          | 43   | 121-6329    | 1    | Mount-Muffler, Heat Shield |
| 23   | 120-5075    | 1    | Sender-Temperature               | 44   | 107069      | 3    | Clip                       |
|      |             |      |                                  | 45   | 3234-13     | 3    | Screw-HHF                  |



## Cooling System Assembly

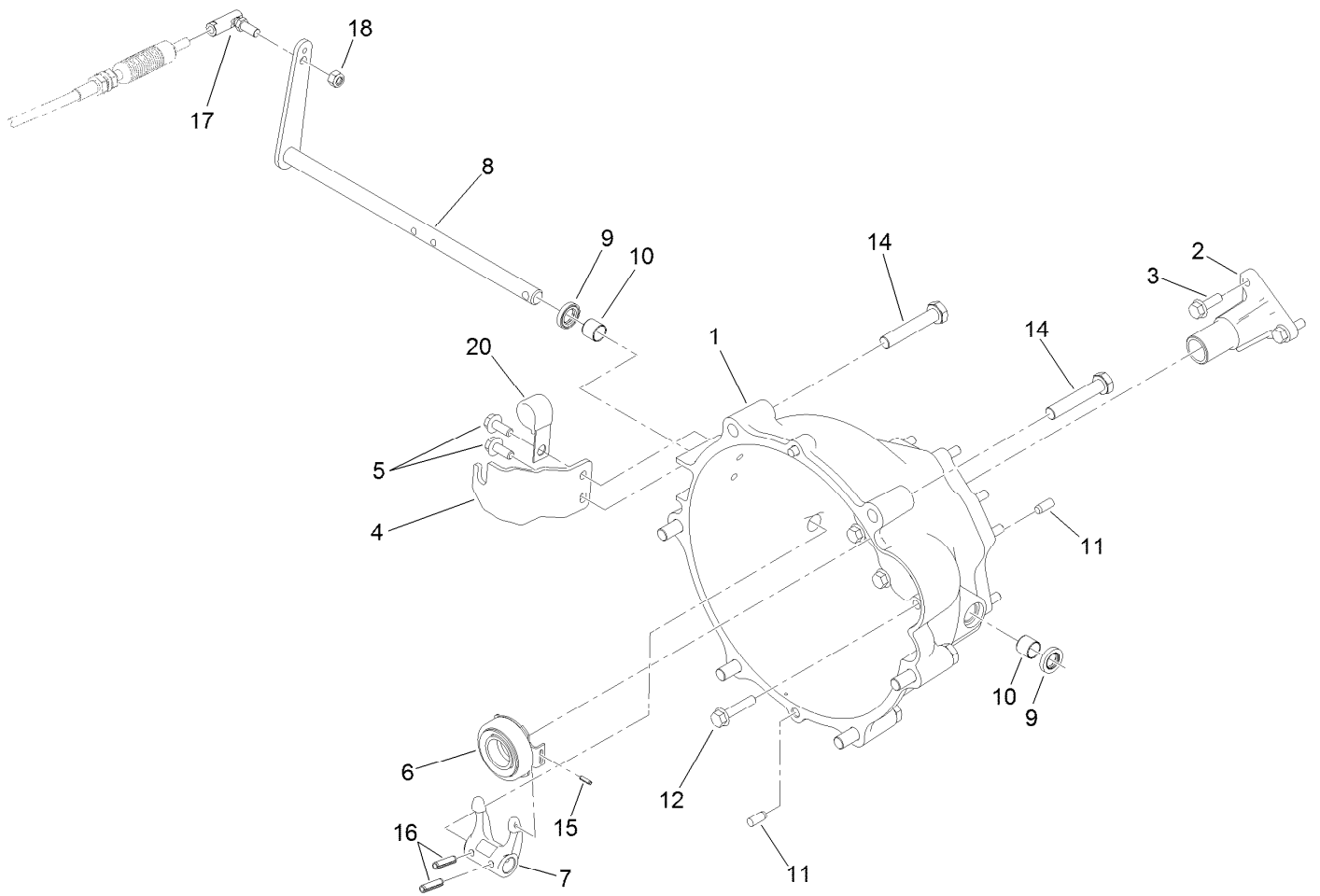
| Ref. | Part Number | Qty. | Description         | Ref. | Part Number | Qty. | Description                    |
|------|-------------|------|---------------------|------|-------------|------|--------------------------------|
| 1    | 115-2434    | 1    | Mount-Radiator      | 19   | 120-4905    | 1    | Hose-Coolant, Lower            |
| 2    |             | 1    | Radiator ASM ●      | 20   | 120-4851    | 1    | Tee                            |
| 3    | 3234-11     | 1    | Screw-HHF           | 21   | 120-4906-0P | 1    | Plate-Mount, Tank              |
| 4    | 104-8301    | 4    | Nut-HF, NI          | 22   | 120-4856    | 1    | Tank-Surge                     |
| 5    | 107069      | 2    | Clip                | 23   | 46-8091     | 2    | Screw-HWH                      |
| 6    | 3256-3      | 2    | Washer-Flat         | 24   | 120-4866    | 1    | Cap-System, Cooling            |
| 7    | 3234-4      | 4    | Screw-HHF           | 25   | 106-6755    | 1    | Decal-Cap, Radiator            |
| 8    | 32128-33    | 2    | Nut-HF              | 26   | 120-4867    | 1    | Cap-Coolant, Threaded (15 PSI) |
| 9    | 115-2428-03 | 1    | Screen-Radiator     | 27   | 120-5019    | 1    | Hose-Coolant                   |
| 10   | 74-5950     | 4    | Latch-Swell         | 28   | 120-5020    | 1    | Hose-Coolant                   |
| 11   | 119-9487    | 1    | Hose-Coolant, Lower | 29   | 120-5021    | 1    | Hose-Coolant                   |
| 12   | 119-9486    | 1    | Hose-Coolant, Upper | 30   | 121-6286    | 1    | Decal-Fill, Radiator           |
| 13   | 2412-34     | 6    | Clamp-Hose          | 31   | 121-6287    | 1    | Decal-Tank, Overflow           |
| 14   | 2412-74     | 1    | R-Clamp             | 36   | 136-6288    | 1    | Cover-Cap, Radiator            |
| 15   | 3290-379    | 4    | Tie-Cable           | 37   | 63-8590     | 2    | Screw                          |
| 16   | 92-2379     | 6    | Clamp-Hose          |      |             |      |                                |

● Not serviced separately



## Radiator Assembly

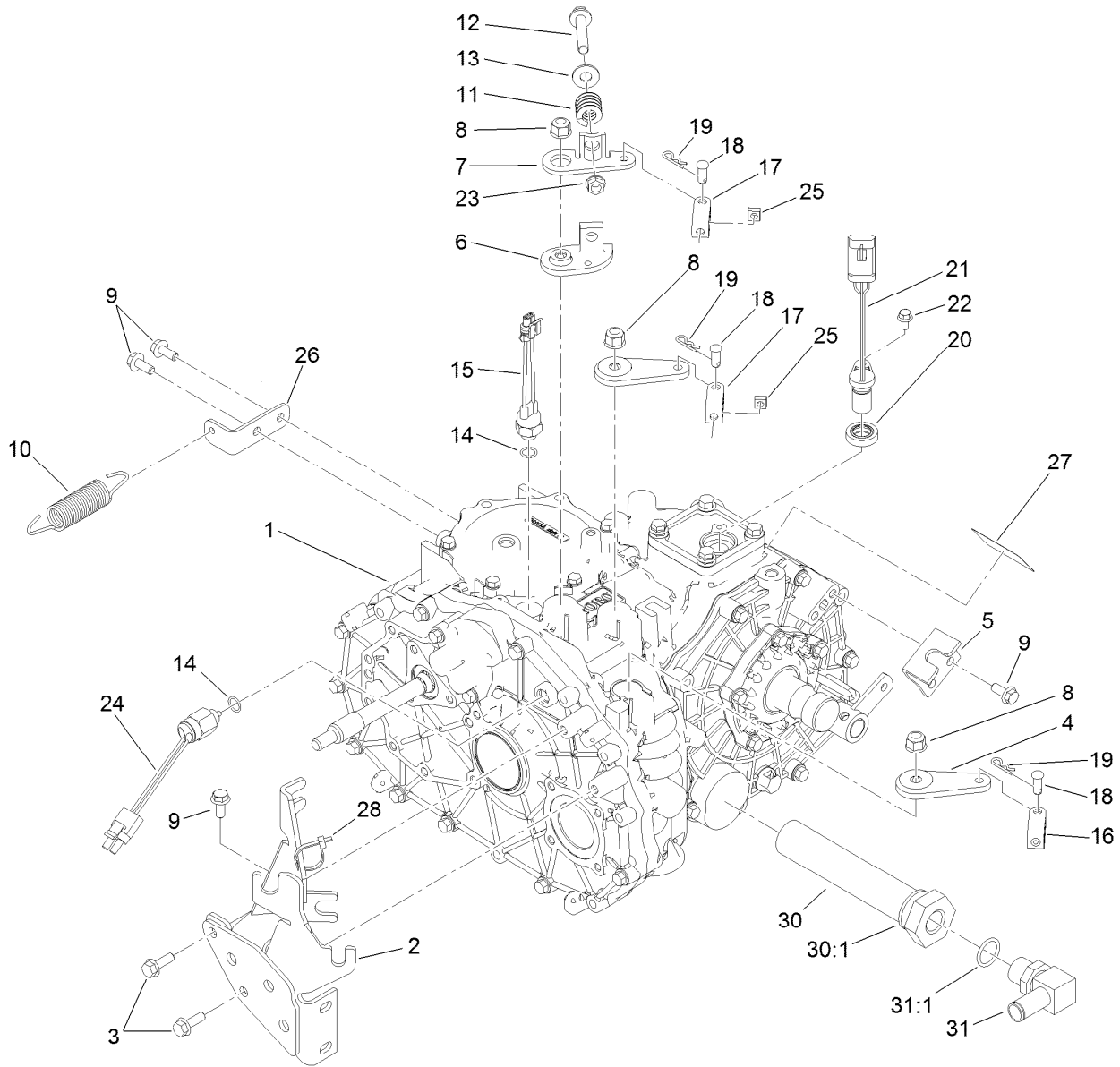
| <i>Ref.</i> | <i>Part Number</i> | <i>Qty.</i> | <i>Description</i> |
|-------------|--------------------|-------------|--------------------|
| 1           | 114-8384           | 1           | Radiator           |
| 2           | 114-8385           | 1           | Fan-Electric       |
| 3           | 114-8386           | 1           | Shroud             |
| 4           | 114-8387           | 2           | Latch-Spring       |
| 5           | 3234-30            | 7           | Screw-HHF          |
| 6           | 703856             | 7           | Nut-Sq, Caged      |
| 7           | 60-6910            | 4           | Screw-HH           |
| 8           | 115-7765           | 1           | Plate-Mount, Lower |



## Clutch Linkage Assembly

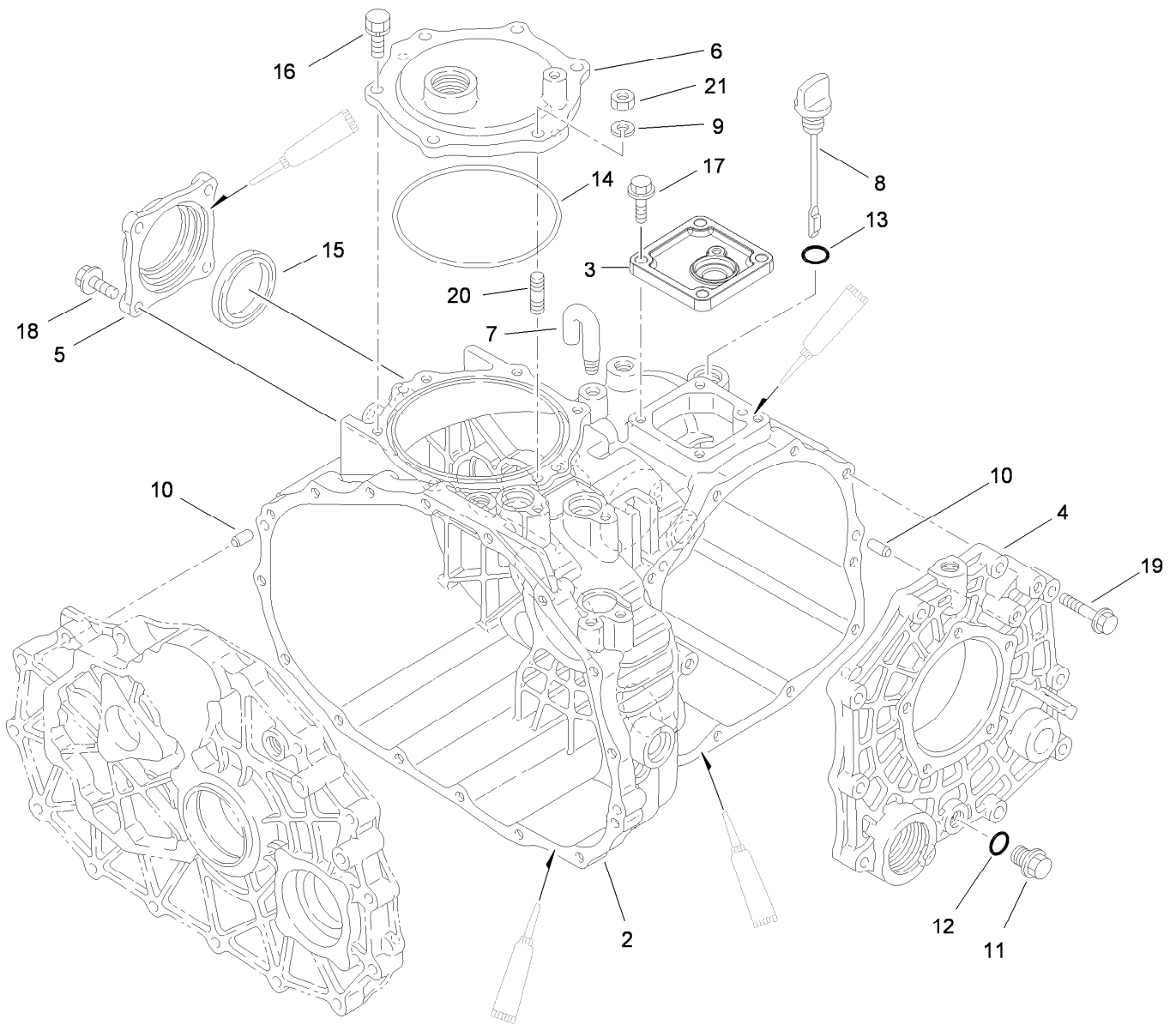
| <i>Ref.</i> | <i>Part Number</i> | <i>Qty.</i> | <i>Description</i>      | <i>Ref.</i> | <i>Part Number</i> | <i>Qty.</i> | <i>Description</i>       |
|-------------|--------------------|-------------|-------------------------|-------------|--------------------|-------------|--------------------------|
| 1           | 119-9498           | 1           | Bell Housing            | 10          | 87-3770            | 2           | Bushing-Housing, Bell    |
| 2           | 120-4886           | 1           | Guide-Release           | 11          | 87-1910            | 4           | Pin-Dowel                |
| 3           | 33104-025          | 3           | Screw-HHF               | 12          | 33104-040          | 9           | Screw-HHF                |
| 4           | 115-2313           | 1           | Bracket-Cable, Clutch   | 14          | 107-7983           | 6           | Screw-HH                 |
| 5           | 98-7977            | 2           | Screw-HHF               | 15          | 32121-7            | 1           | Pin-Roll, Slotted        |
| 6           | 110-2538           | 1           | Bearing-Release, Clutch | 16          | 32121-24           | 2           | Pin-Spring               |
| 7           | 87-5300            | 1           | Fork-Clutch             | 17          | 2411-33            | 1           | Balljoint-RH (W/Grommet) |
| 8           | 115-2311           | 1           | Lever-Clutch            | 18          | 3296-4             | 1           | Nut-Lock                 |
| 9           | 87-1920            | 2           | Seal-Oil                | 20          | 120-5018           | 1           | Clip-Open J, Coated      |





## Transaxle Assembly

| Ref. | Part Number | Qty. | Description                 | Ref. | Part Number | Qty. | Description             |
|------|-------------|------|-----------------------------|------|-------------|------|-------------------------|
| 1    | 115-7783    | 1    | 2 Wheel Drive Transaxle ASM | 17   | 87-2310     | 2    | Clevis-Cable            |
| 2    | 105-4207-0P | 1    | Cable Mount ASM,Welded      | 18   | 283-62      | 3    | Pin-Clevis              |
| 3    | 33104-025   | 2    | Screw-HHF                   | 19   | 3290-307    | 3    | Pin-Cotter              |
| 4    | 132-6764    | 2    | Lever-Shift                 | 20   | 92-3735     | 1    | Seal-Sensor, Oil        |
| 5    | 87-4470     | 1    | Bracket-Lock, Differential  | 21   | 120-4800    | 1    | Sensor-Gear tooth       |
| 6    | 87-7970     | 1    | Arm-Shift                   | 22   | 33103-012   | 1    | Screw-HHF               |
| 7    | 87-8250     | 1    | Plate-Arm, Shift            | 23   | 3290-357    | 1    | Nut-HSF                 |
| 8    | 103-9511    | 3    | Nut-Lock, NI                | 24   | 87-6710     | 1    | Switch-Transmission     |
| 9    | 98-7977     | 5    | Screw-HHF                   | 25   | 140-4804    | 2    | Nut-Square              |
| 10   | 68-9950     | 1    | Spring-Traction             | 26   | 131-3488    | 1    | Bracket-Spring, Clutch  |
| 11   | 87-6910     | 1    | Spring-Compression          | 27   | 115-7741    | 1    | Decal-Oil, Transmission |
| 12   | 66-9302     | 1    | Screw-HHF Lock              | 28   | 3290-379    | 1    | Tie-Cable               |
| 13   | 3256-4      | 1    | Washer-Flat                 | 30   | 87-3990     | 1    | Strainer-Transaxle      |
| 14   | 237-30      | 2    | O-Ring                      | 30:1 | 237-101     | 1    | O-Ring                  |
| 15   | 72-4310     | 1    | Switch-Ball                 | 31   | 353-987     | 1    | Fitting-Elbow, 90       |
| 16   | 87-7160     | 1    | Clevis-Cable                | 31:1 | 237-81      | 1    | O-Ring                  |



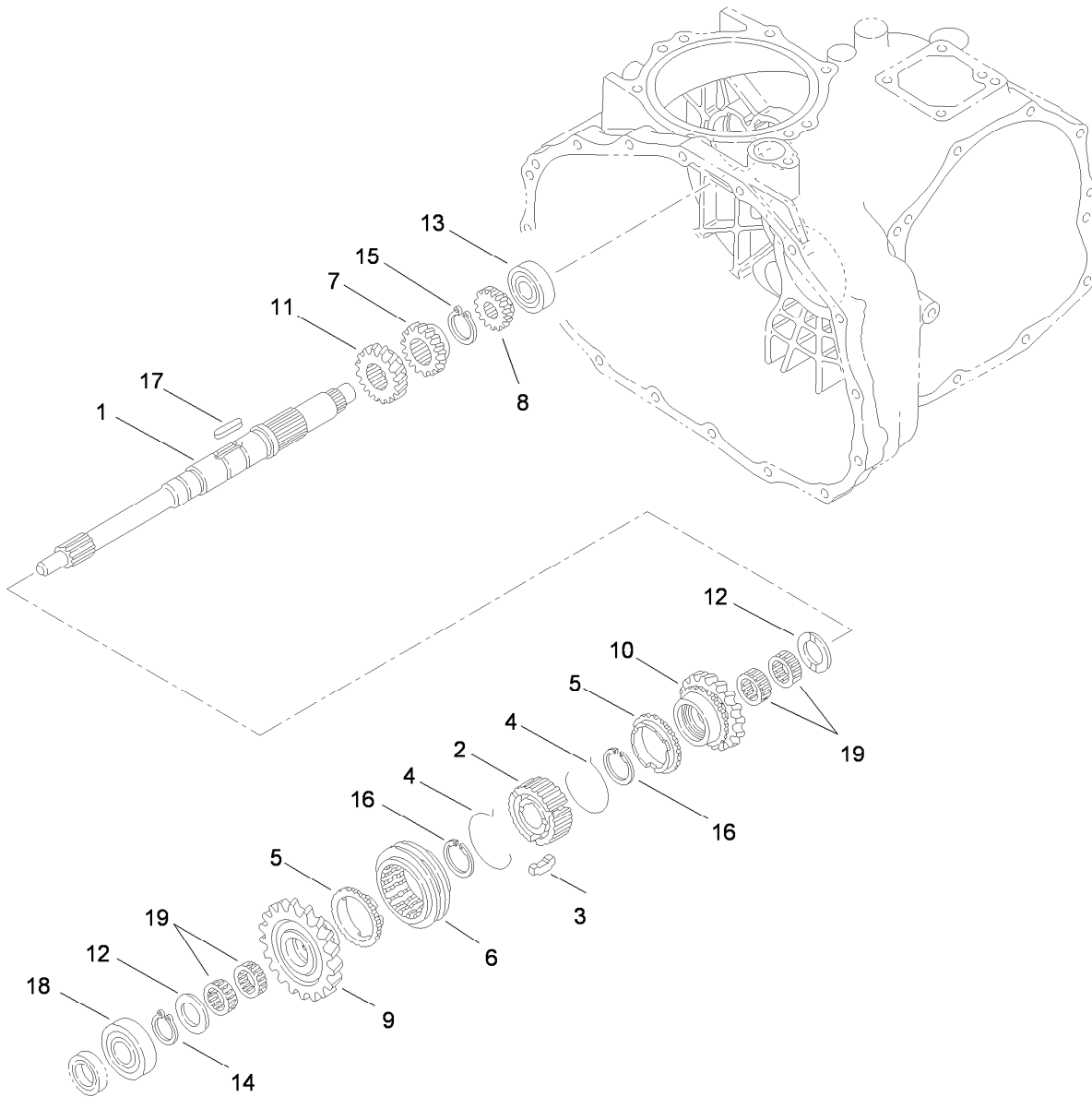
## Case Assembly Transaxle Assembly No. 115-7783

| <i>Ref.</i> | <i>Part Number</i> | <i>Qty.</i> | <i>Description</i>  | <i>Ref.</i> | <i>Part Number</i> | <i>Qty.</i> | <i>Description</i> |
|-------------|--------------------|-------------|---------------------|-------------|--------------------|-------------|--------------------|
| 2           | 92-0651            | 1           | Case-Transmission   | 12          | 92-0787            | 1           | O-Ring             |
| 3           | 92-0810            | 1           | Cover-Upper, Sensor | 13          | 92-0788            | 1           | O-Ring             |
| 4           | 92-0653            | 1           | Cover-Side          | 14          | 92-0790            | 1           | O-Ring             |
| 5           | 92-0655            | 1           | Cover-Seal, Axle    | 15          | 92-0793            | 1           | Seal-Oil           |
| 6           | 92-0656            | 1           | Cover-Upper, PTO    | 16          | 92-0796            | 5           | Bolt               |
| 7           | 92-0743            | 1           | Breather-Air        | 17          | 33104-025          | 4           | Screw-HHF          |
| 8           | 92-0662            | 1           | Cap-Oil             | 18          | 33104-025          | 4           | Screw-HHF          |
| 9           | 92-0762            | 1           | Washer-Spring       | 19          | 33104-040          | 10          | Screw-HHF          |
| 10          | 92-0765            | 4           | Pin-Parallel        | 20          | 92-0805            | 1           | Bolt 8X20          |
| 11          | 92-0773            | 1           | Plug-Drain          | 21          | 68-9400            | 1           | Nut-Flange         |



## Center Plate Assembly Transaxle Assembly No. 115-7783

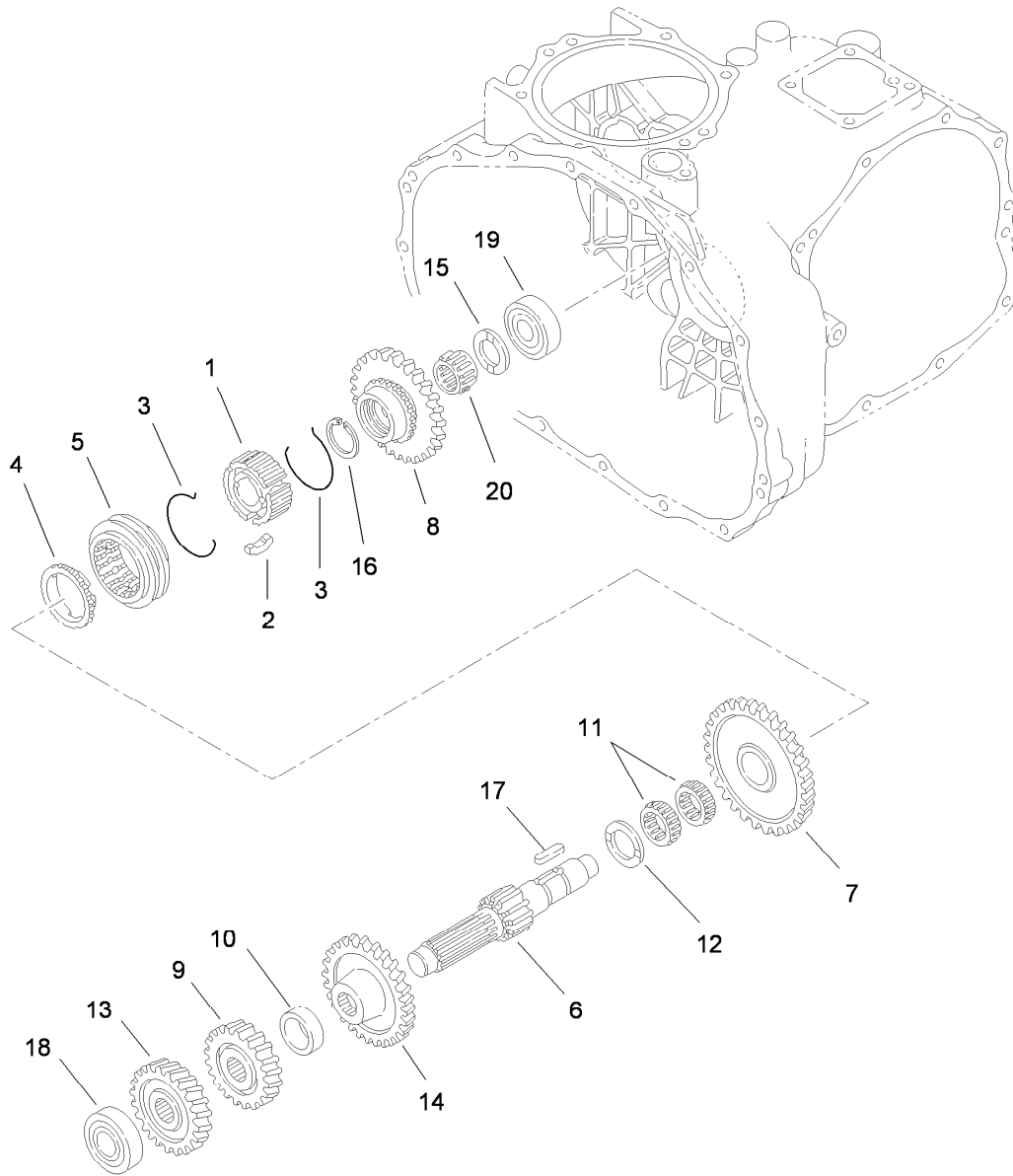
| <i>Ref.</i> | <i>Part Number</i> | <i>Qty.</i> | <i>Description</i> |
|-------------|--------------------|-------------|--------------------|
| 1           | 100-4461           | 1           | Plate-Center       |
| 2           | 100-4460           | 1           | Shim-Set           |
| 3           | 92-0706            | 1           | Shaft-Fork         |
| 4           | 92-0759            | 1           | Ring-Snap          |
| 5           | 92-0791            | 1           | Seal-Oil           |
| 6           | 33104-025          | 3           | Screw-HHF          |
| 7           | 33104-040          | 15          | Screw-HHF          |
| 8           | 33104-050          | 1           | Screw-HHF          |
| 9           | 92-0807            | 1           | Cap-Sealing        |
| 10          | 100-4465           | 1           | Shim (W/Tab)       |



## Main Shaft Assembly Transaxle Assembly No. 115-7783

| <i>Ref.</i> | <i>Part Number</i> | <i>Qty.</i> | <i>Description</i>   |
|-------------|--------------------|-------------|----------------------|
| 1           | 92-0663            | 1           | Shaft-Main           |
| 2           | 92-0664            | 1           | Hub-Synchro          |
| 3           | 92-0665            | 3           | Key-Synchro          |
| 4           | 92-0666            | 2           | Spring-Synchro       |
| 5           | 92-0667            | 2           | Ring-Synchro         |
| 6           | 92-0668            | 1           | Shifter-Synchro      |
| 7           | 92-0672            | 1           | Gear-Main, 18 Tooth  |
| 8           | 92-0673            | 1           | Gear-Main, 14 Tooth  |
| 9           | 110-2521           | 1           | Gear-Main, 27 Tooth  |
| 10          | 110-2522           | 1           | Gear- Main, 24 Tooth |

| <i>Ref.</i> | <i>Part Number</i> | <i>Qty.</i> | <i>Description</i>  |
|-------------|--------------------|-------------|---------------------|
| 11          | 92-0687            | 1           | Gear-Main, 16 Tooth |
| 12          | 92-0740            | 2           | Washer-Thrust       |
| 13          | 92-0650            | 1           | Bearing             |
| 14          | 92-0753            | 1           | Ring-Snap           |
| 15          | 92-0754            | 1           | Ring-Snap           |
| 16          | 92-0763            | 2           | Ring-Snap           |
| 17          | 92-0772            | 1           | Key                 |
| 18          | 251-8              | 1           | Bearing-Ball        |
| 19          | 92-0781            | 4           | Bearing-Needle      |



## Reduction Shaft Assembly Transaxle Assembly No. 115-7783

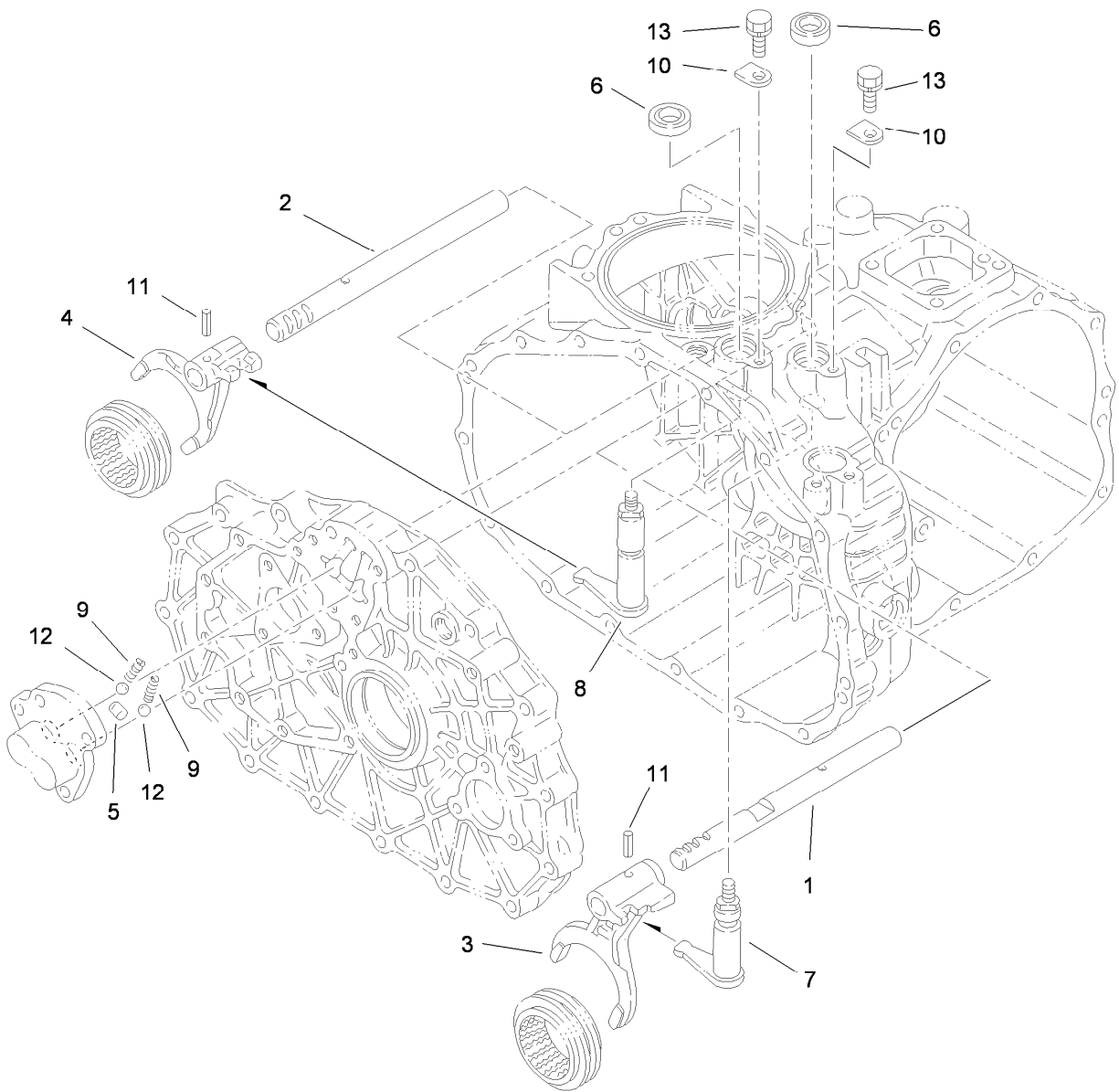
| <i>Ref.</i> | <i>Part Number</i> | <i>Qty.</i> | <i>Description</i>        |
|-------------|--------------------|-------------|---------------------------|
| 1           | 92-0664            | 1           | Hub-Synchro               |
| 2           | 92-0665            | 3           | Key-Synchro               |
| 3           | 92-0666            | 2           | Spring-Synchro            |
| 4           | 92-0667            | 1           | Ring-Synchro              |
| 5           | 92-0668            | 1           | Shifter-Synchro           |
| 6           | 92-0674            | 1           | Shaft-Reduction           |
| 7           | 110-2524           | 1           | Gear- Reduction, 49 Tooth |
| 8           | 92-0819            | 1           | Gear-Reduction, 40 Tooth  |
| 9           | 92-0679            | 1           | Gear-Reduction, H23 Tooth |
| 10          | 92-0680            | 1           | Collar                    |

| <i>Ref.</i> | <i>Part Number</i> | <i>Qty.</i> | <i>Description</i>       |
|-------------|--------------------|-------------|--------------------------|
| 11          | 92-0681            | 2           | Bearing-Needle           |
| 12          | 92-0682            | 1           | Washer-Thrust            |
| 13          | 92-0822            | 1           | Gear-Reduction, 28 Tooth |
| 14          | 92-0823            | 1           | Gear-Reduction, 43 Tooth |
| 15          | 92-0740            | 1           | Washer-Thrust            |
| 16          | 92-0763            | 1           | Ring-Snap                |
| 17          | 92-0772            | 1           | Key                      |
| 18          | 105-7985           | 1           | Bearing                  |
| 19          | 92-0778            | 1           | Bearing                  |
| 20          | 92-0782            | 1           | Bearing-Needle           |



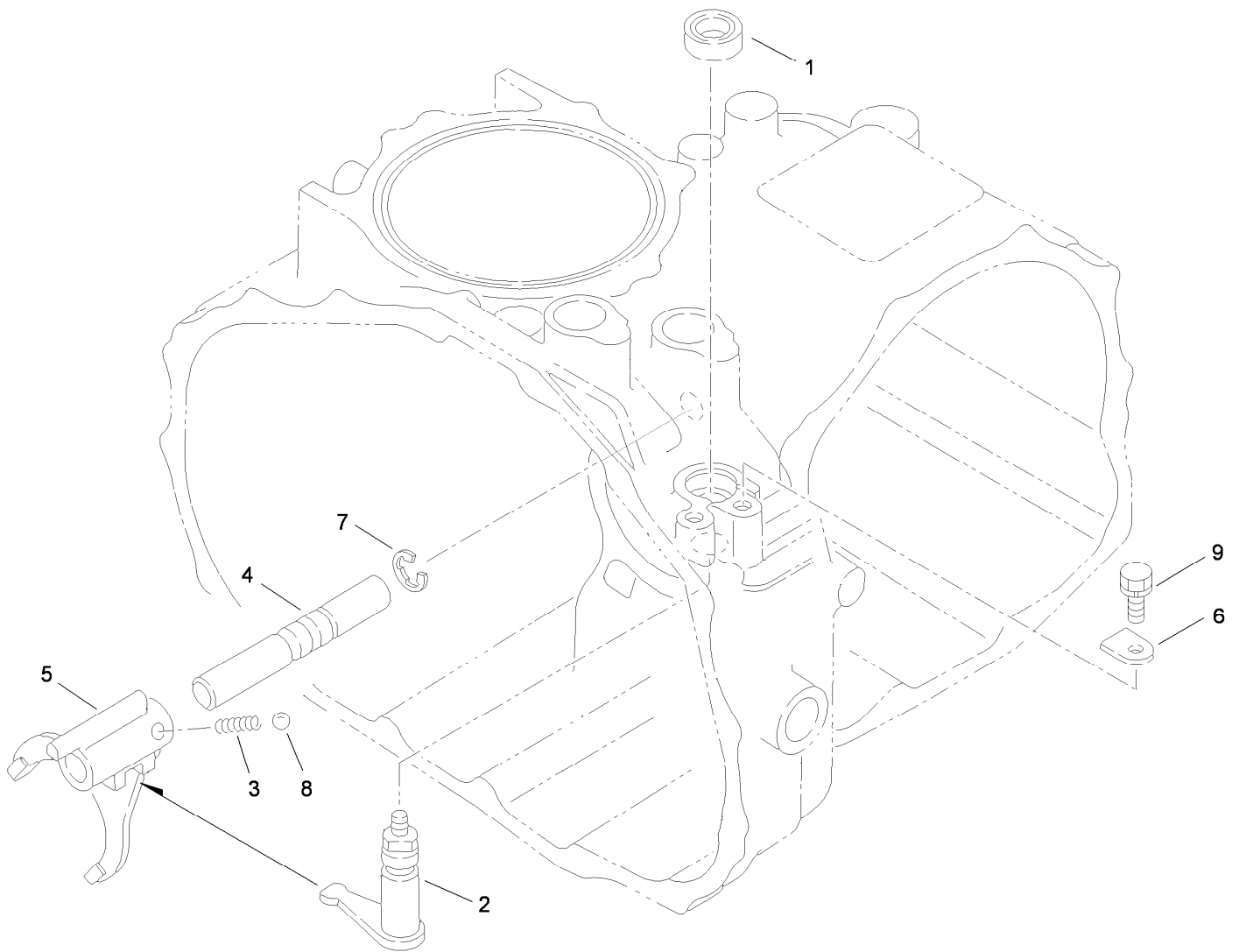
## Reverse Shaft Assembly Transaxle Assembly No. 115-7783

| <i>Ref.</i> | <i>Part Number</i> | <i>Qty.</i> | <i>Description</i>     |
|-------------|--------------------|-------------|------------------------|
| 1           | 92-0684            | 1           | Gear-Reverse, 33 Tooth |
| 2           | 92-0824            | 1           | Shaft-Idler, Reverse   |
| 3           | 251-346            | 1           | Bearing-Ball           |
| 4           | 92-0778            | 1           | Bearing                |



## Main Shift Assembly Transaxle Assembly No. 115-7783

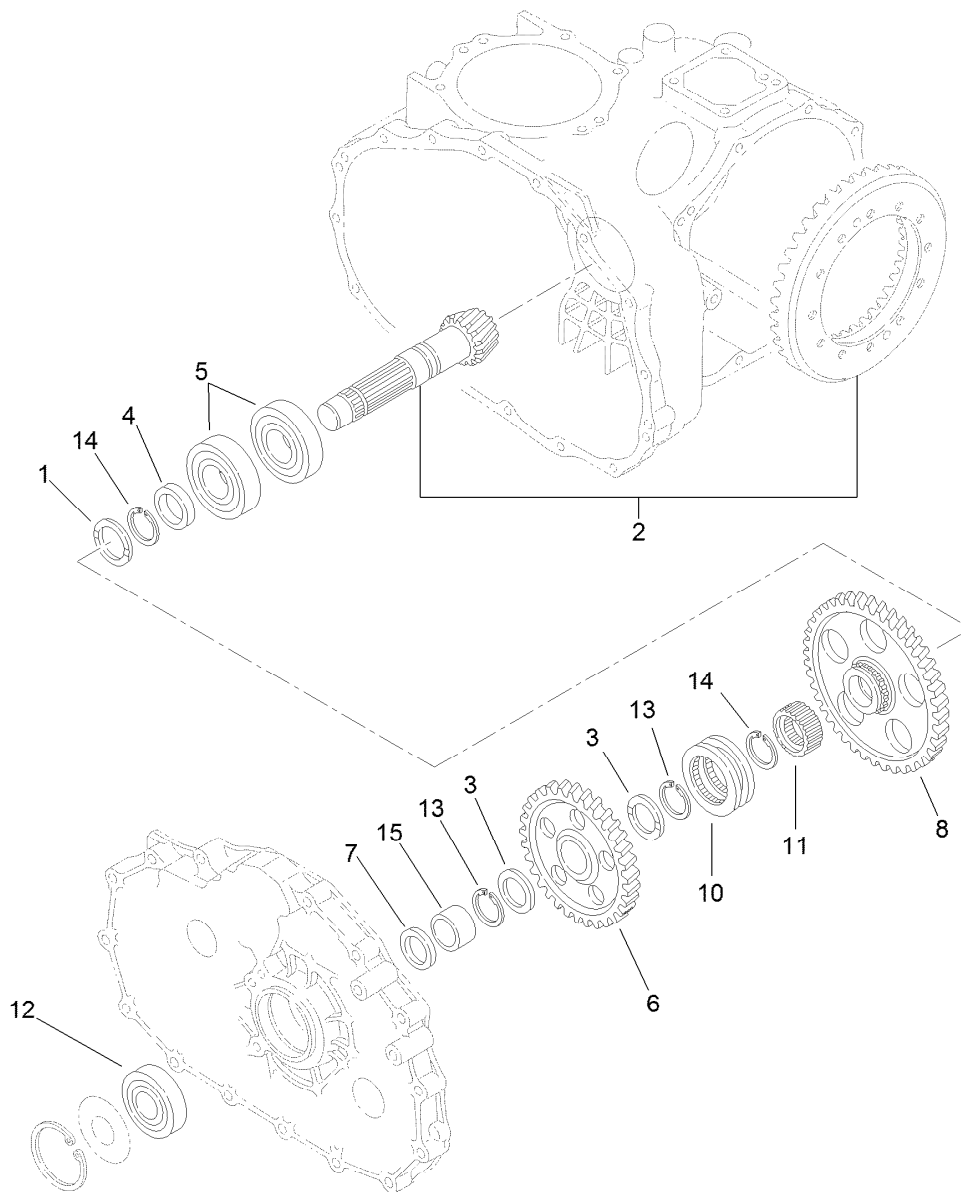
| <i>Ref.</i> | <i>Part Number</i> | <i>Qty.</i> | <i>Description</i> |
|-------------|--------------------|-------------|--------------------|
| 1           | 92-0698            | 1           | Shaft-Fork         |
| 2           | 92-0699            | 1           | Shaft-Fork         |
| 3           | 92-0700            | 1           | Fork-Shift         |
| 4           | 92-0701            | 1           | Fork-Shift         |
| 5           | 92-0705            | 1           | Lock-Spindle       |
| 6           | 92-0729            | 2           | Seal-Oil           |
| 7           | 92-0816            | 1           | Arm-Shift          |
| 8           | 92-0817            | 1           | Arm-Shift          |
| 9           | 92-0731            | 2           | Spring             |
| 10          | 92-0732            | 2           | Plate-Keeper       |
| 11          | 92-0769            | 2           | Pin-Roll           |
| 12          | 92-0785            | 2           | Ball-Steel         |
| 13          | 33104-016          | 2           | Screw-HHF          |



## Hi-Lo Shift Assembly Transaxle Assembly No. 115-7783

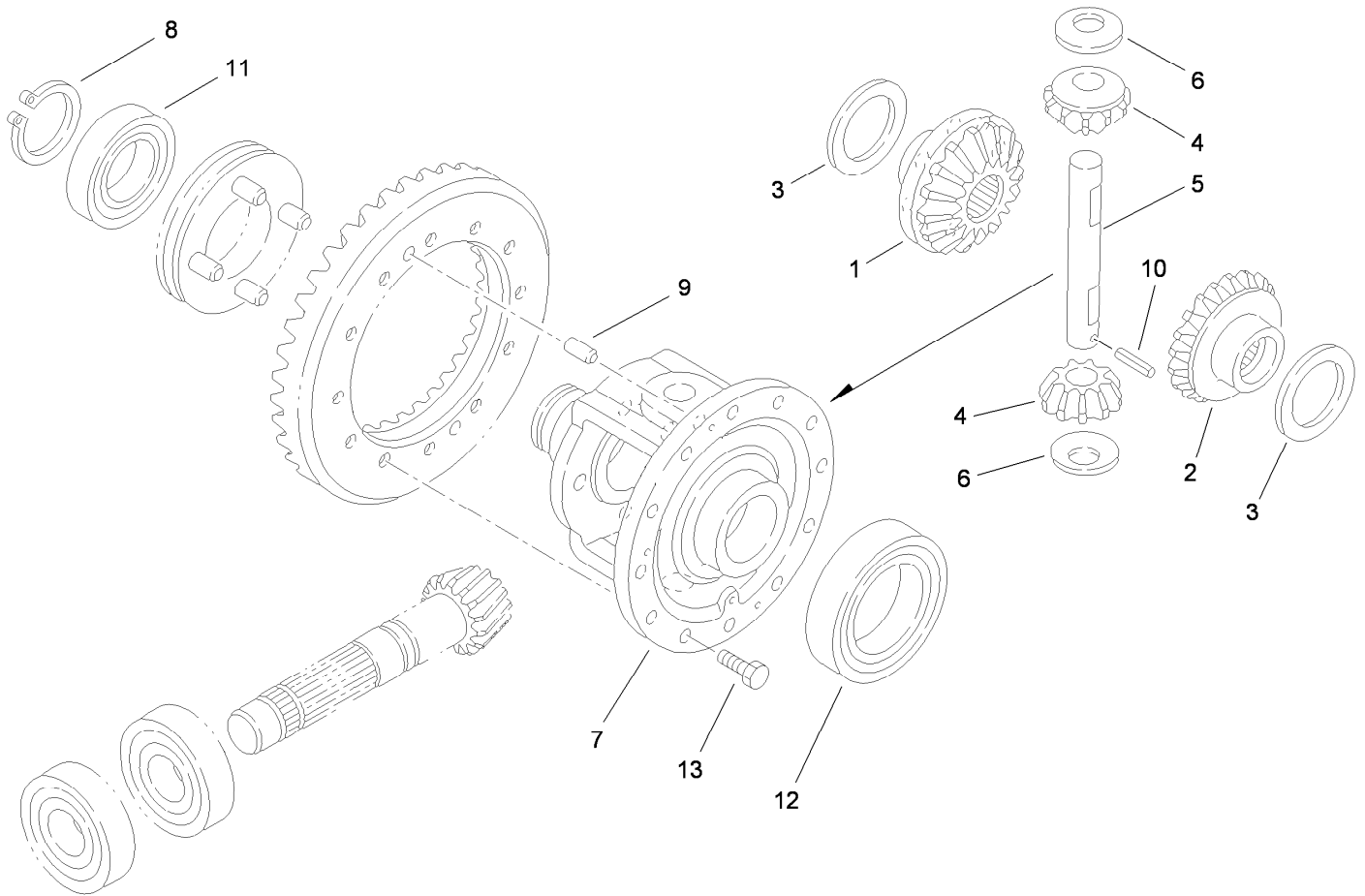
| <i>Ref.</i> | <i>Part Number</i> | <i>Qty.</i> | <i>Description</i> |
|-------------|--------------------|-------------|--------------------|
| 1           | 92-0729            | 1           | Seal-Oil           |
| 2           | 92-0818            | 1           | Arm-Shift          |
| 3           | 92-0731            | 1           | Spring             |
| 4           | 92-0708            | 1           | Shaft-Fork         |
| 5           | 92-0709            | 1           | Fork-Shift         |
| 6           | 92-0732            | 1           | Plate-Keeper       |
| 7           | 92-0761            | 1           | Ring-E             |
| 8           | 92-0785            | 1           | Ball-Steel         |
| 9           | 33104-016          | 1           | Screw-HHF          |





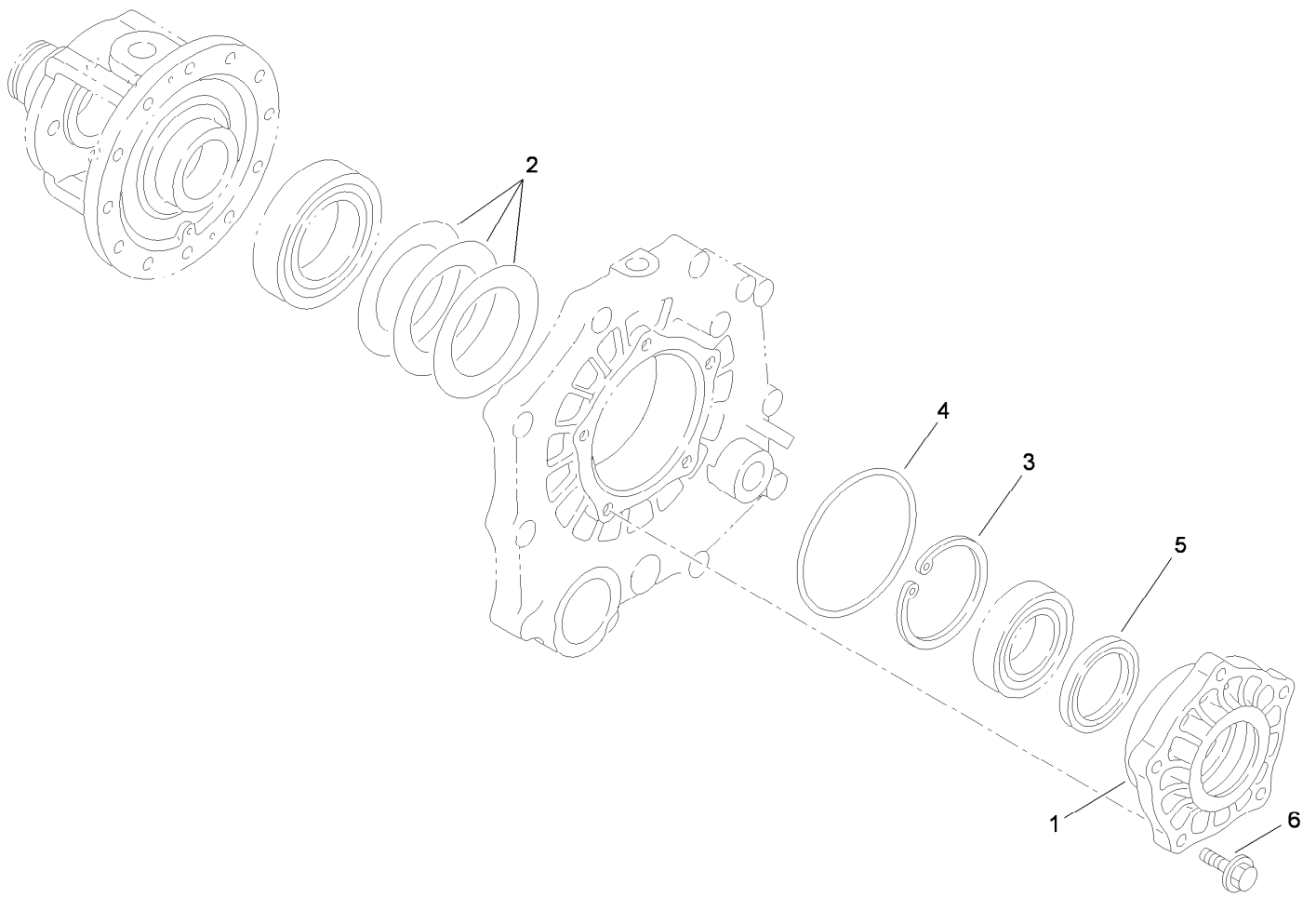
## Countershaft Assembly Transaxle Assembly No. 115-7783

| <i>Ref.</i> | <i>Part Number</i> | <i>Qty.</i> | <i>Description</i>             |
|-------------|--------------------|-------------|--------------------------------|
| 1           | 92-0741            | 1           | Washer-Thrust                  |
| 2           | 105-7983           | 1           | Countershaft And Ring Gear ASM |
| 3           | 92-0711            | 2           | Washer-Thrust                  |
| 4           | 92-0713            | 1           | Collar                         |
| 5           | 92-0714            | 2           | Bearing                        |
| 6           | 92-0715            | 1           | Gear-Countershaft              |
| 7           | 92-0716            | 1           | Collar                         |
| 8           | 92-0717            | 1           | Gear-Countershaft              |
| 10          | 92-0718            | 1           | Shifter                        |
| 11          | 105-7986           | 1           | Collar-Spline                  |
| 12          | 92-0712            | 1           | Bearing-Ball                   |
| 13          | 105-7987           | 2           | Ring-Snap                      |
| 14          | 92-0755            | 2           | Ring-Snap                      |
| 15          | 92-0783            | 1           | Race-Inner                     |



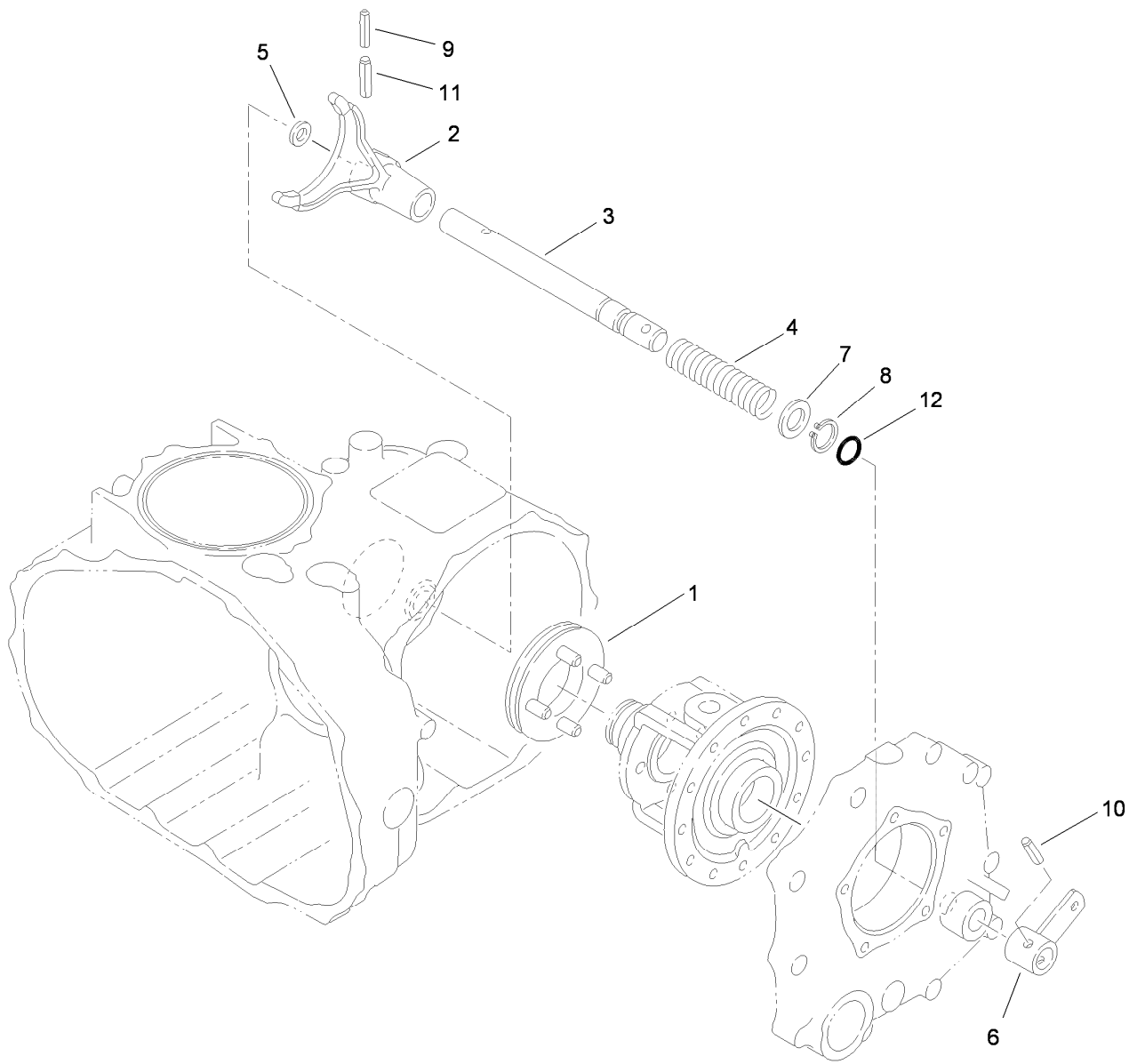
## Differential Gear Assembly Transaxle Assembly No. 115-7783

| <i>Ref.</i> | <i>Part Number</i> | <i>Qty.</i> | <i>Description</i>    |
|-------------|--------------------|-------------|-----------------------|
| 1           | 92-0745            | 1           | Gear-Side, LH         |
| 2           | 92-0746            | 1           | Gear-Side, RH         |
| 3           | 92-0747            | 2           | Side-Gear, Left Inner |
| 4           | 92-0748            | 2           | Pinion-Differential   |
| 5           | 92-0749            | 1           | Shaft-Pinion          |
| 6           | 92-0750            | 2           | Washer                |
| 7           | 92-0720            | 1           | Case-Differential     |
| 8           | 92-0756            | 1           | Ring-Snap             |
| 9           | 92-0765            | 2           | Pin-Parallel          |
| 10          | 92-0768            | 1           | Pin-Roll, Spring      |
| 11          | 92-0775            | 1           | Bearing               |
| 12          | 92-0776            | 1           | Bearing               |
| 13          | 92-0803            | 12          | Bolt                  |



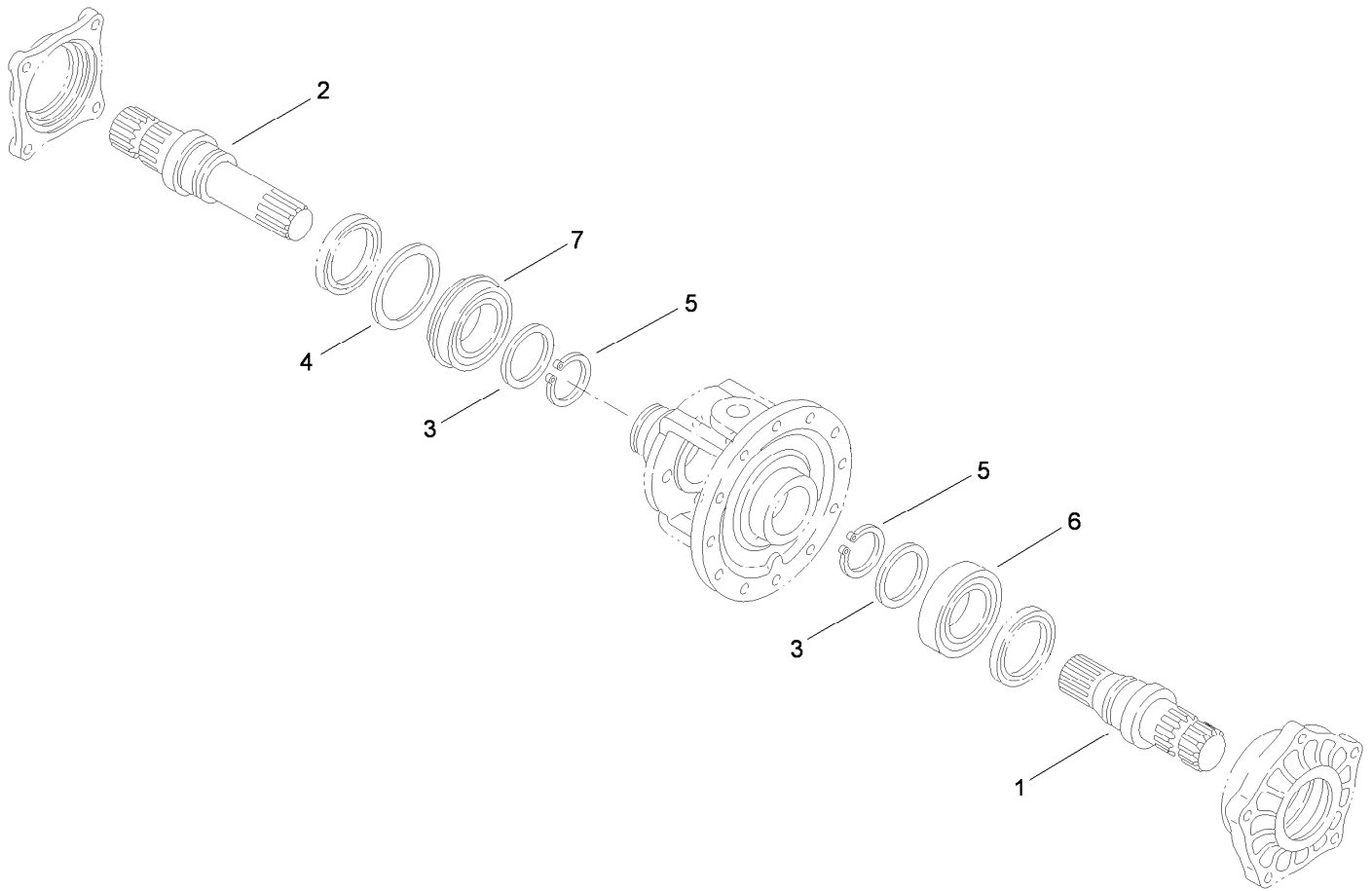
## Differential Carrier Assembly Transaxle Assembly No. 115-7783

| <i>Ref.</i> | <i>Part Number</i> | <i>Qty.</i> | <i>Description</i>   |
|-------------|--------------------|-------------|----------------------|
| 1           | 92-0654            | 1           | Carrier-Differential |
| 2           | 92-0809            | 1           | Set-Shim             |
| 3           | 92-0760            | 1           | Ring-Snap            |
| 4           | 92-0789            | 1           | O-Ring               |
| 5           | 92-0793            | 1           | Seal-Oil             |
| 6           | 33104-030          | 5           | Screw-HHF            |



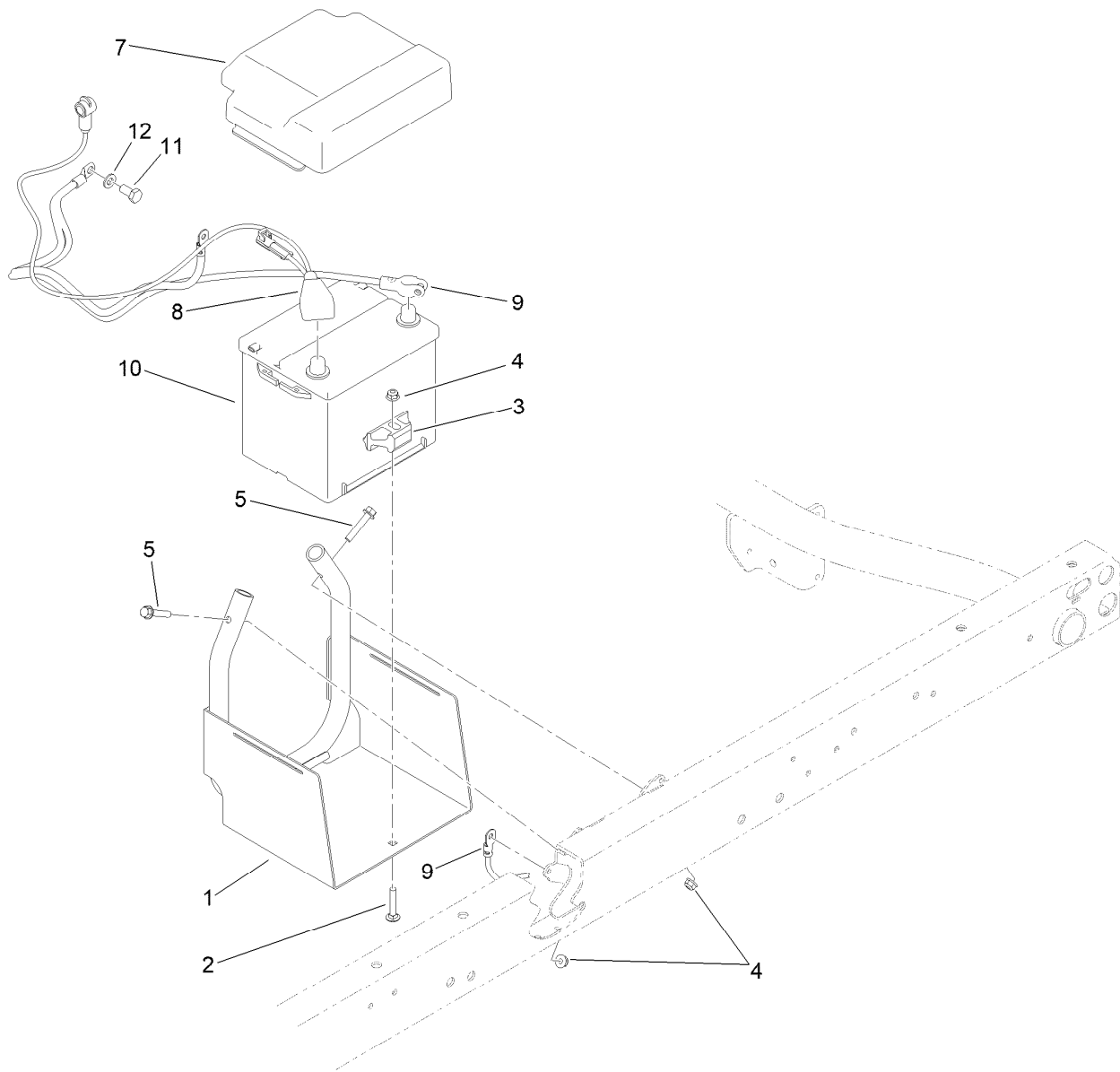
## Differential Lock Assembly Transaxle Assembly No. 115-7783

| <i>Ref.</i> | <i>Part Number</i> | <i>Qty.</i> | <i>Description</i>            |
|-------------|--------------------|-------------|-------------------------------|
| 1           | 92-0730            | 1           | Slider-Differential, Lock     |
| 2           | 92-0721            | 1           | Fork-Lock, Differential       |
| 3           | 92-0722            | 1           | Shaft-Fork, Lock Differential |
| 4           | 92-0723            | 1           | Spring-Lock, Differential     |
| 5           | 92-0744            | 1           | Washer                        |
| 6           | 92-0724            | 1           | Arm-Lock, Differential        |
| 7           | 92-0733            | 1           | Washer                        |
| 8           | 92-0753            | 1           | Ring-Snap                     |
| 9           | 92-0768            | 1           | Pin-Roll, Spring              |
| 10          | 92-0770            | 1           | Pin-Roll, Spring              |
| 11          | 92-0771            | 1           | Pin-Roll, Spring              |
| 12          | 92-0787            | 1           | O-Ring                        |



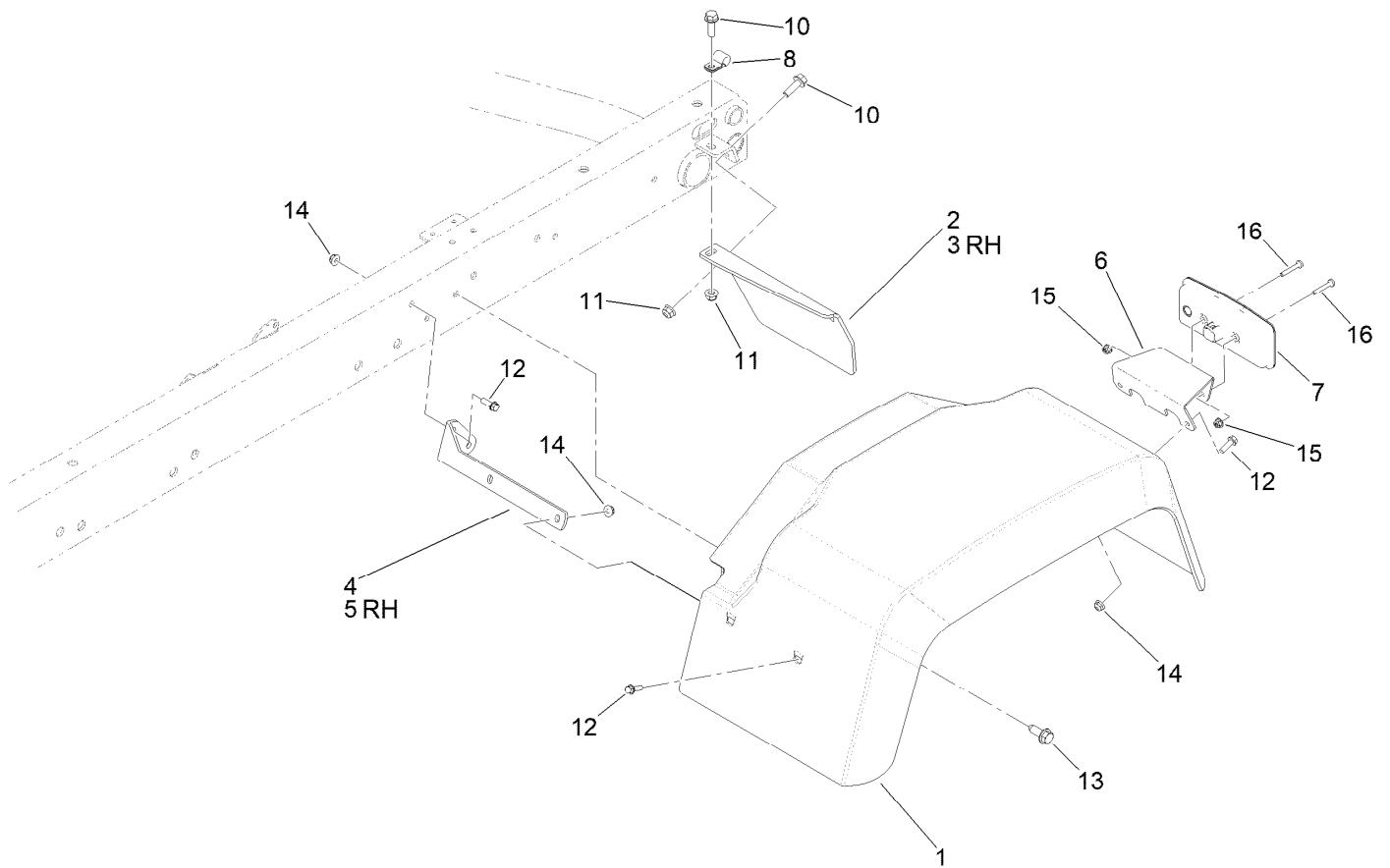
## Axle Shaft Assembly Transaxle Assembly No. 115-7783

| <i>Ref.</i> | <i>Part Number</i> | <i>Qty.</i> | <i>Description</i> |
|-------------|--------------------|-------------|--------------------|
| 1           | 92-0725            | 1           | Shaft-Axle, Left   |
| 2           | 92-0726            | 1           | Shaft-Axle, Right  |
| 3           | 92-0727            | 2           | Washer             |
| 4           | 92-0728            | 1           | Washer             |
| 5           | 92-0756            | 2           | Ring-Snap          |
| 6           | 92-0775            | 1           | Bearing            |
| 7           | 92-0780            | 1           | Bearing            |



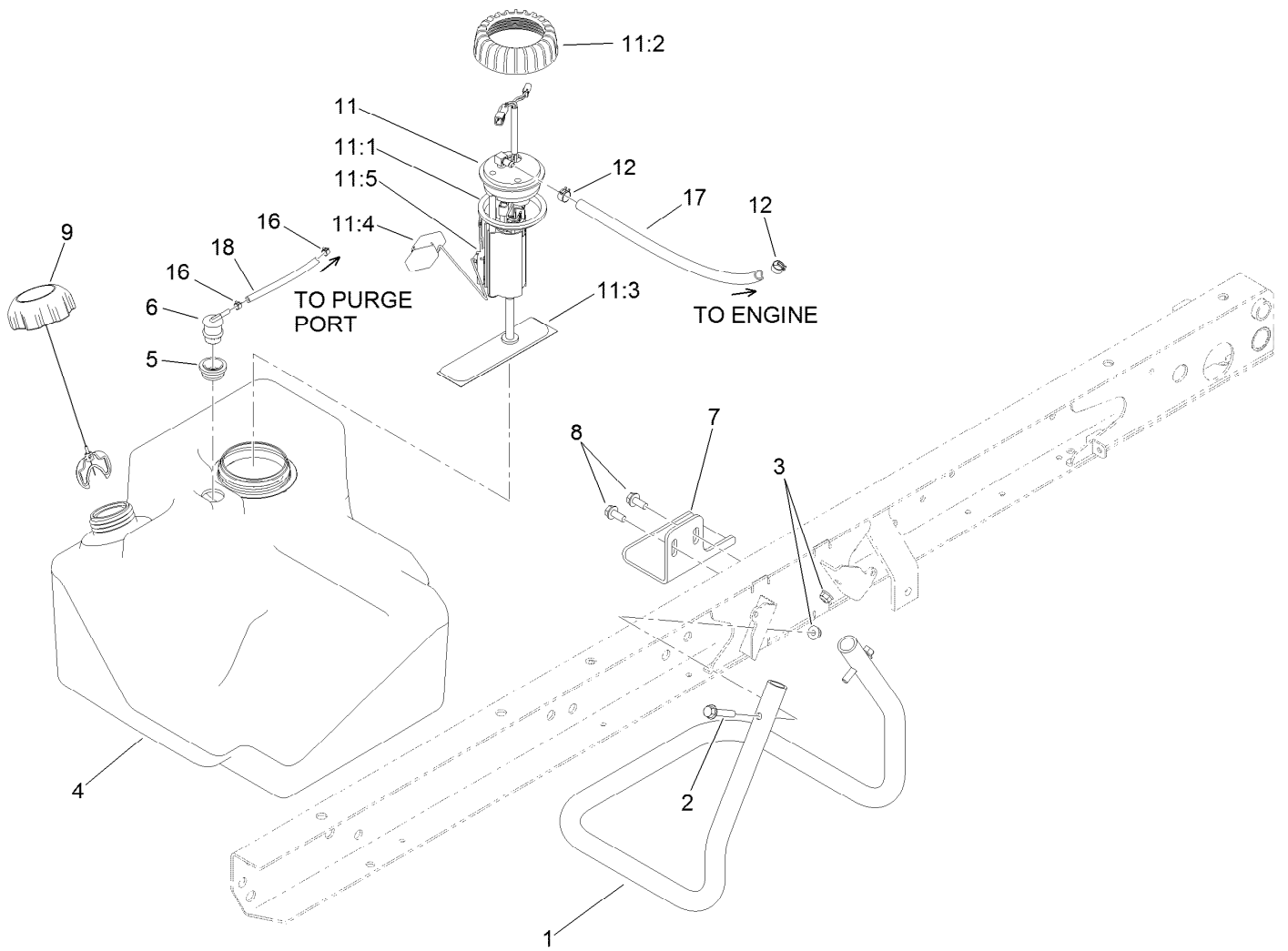
## Battery Assembly

| <i>Ref.</i> | <i>Part Number</i> | <i>Qty.</i> | <i>Description</i>               |
|-------------|--------------------|-------------|----------------------------------|
| 1           | 115-2237-03        | 1           | Tray-Battery                     |
| 2           | 3230-5             | 1           | Bolt-CARR                        |
| 3           | 138-6335           | 1           | Retainer-Battery                 |
| 4           | 104-8300           | 3           | Nut-HF, NI                       |
| 5           | 94-5780            | 2           | Screw-HWH                        |
| 7           | 119-9496           | 1           | Cover-Battery                    |
| 8           | 122-0281           | 1           | Cable-Battery, Positive          |
| 9           | 122-1024           | 1           | Cable-Battery, Negative          |
| 10          | 106-5187           | 1           | Battery, 525 CCA W/O Electrolyte |
| 11          | 63-7790            | 1           | Screw-Cap                        |
| 12          | 33095-00           | 1           | Washer-Flat                      |



## Tail Light and Fender Assembly

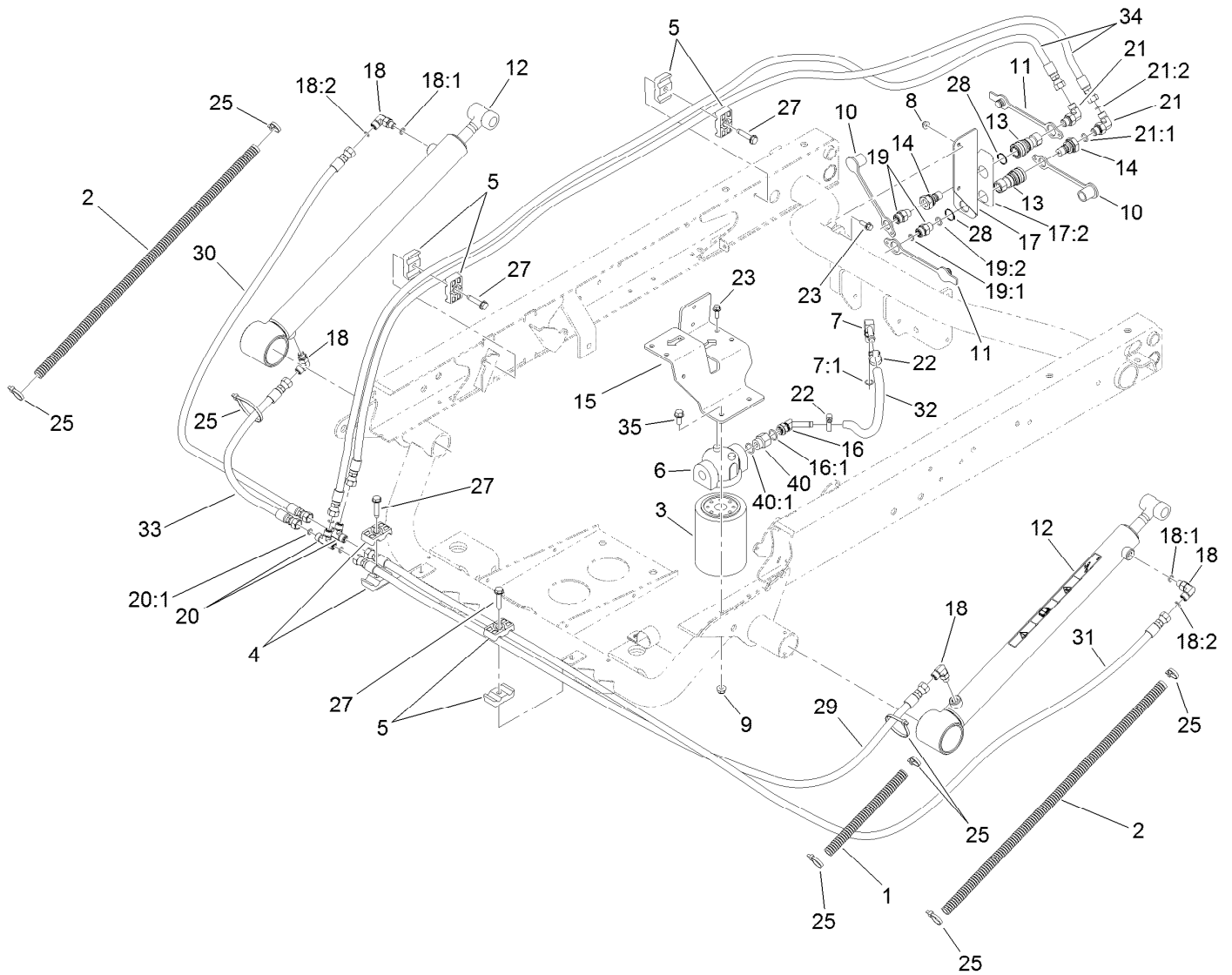
| <i>Ref.</i> | <i>Part Number</i> | <i>Qty.</i> | <i>Description</i>         |
|-------------|--------------------|-------------|----------------------------|
| 1           | 132-6701           | 2           | Fender-Rear                |
| 2           | 93-8943-03         | 1           | Bracket-Fender, Rear (LH)  |
| 3           | 93-8944-03         | 1           | Bracket-Fender, Rear (RH)  |
| 4           | 93-8941-03         | 1           | Bracket-Fender, Front (LH) |
| 5           | 93-8942-03         | 1           | Bracket-Fender, Front (RH) |
| 6           | 144-2190-03        | 2           | Bracket-Tail Light, LED    |
| 7           | 139-2071           | 2           | Light-Rear Tail/Stop/Turn  |
| 8           | 2412-93            | 2           | Clamp-R                    |
| 10          | 3234-17            | 4           | Screw-HHF                  |
| 11          | 104-8300           | 4           | Nut-HF, NI                 |
| 12          | 32105-15           | 12          | Screw-HWH                  |
| 13          | 126-1696           | 6           | Screw-HWHTF                |
| 14          | 104-7201           | 12          | Nut-HF, NI                 |
| 15          | 120-4578           | 4           | Nut-HF                     |
| 16          | 3250-52            | 4           | Screw-PPH                  |



## Fuel System Assembly

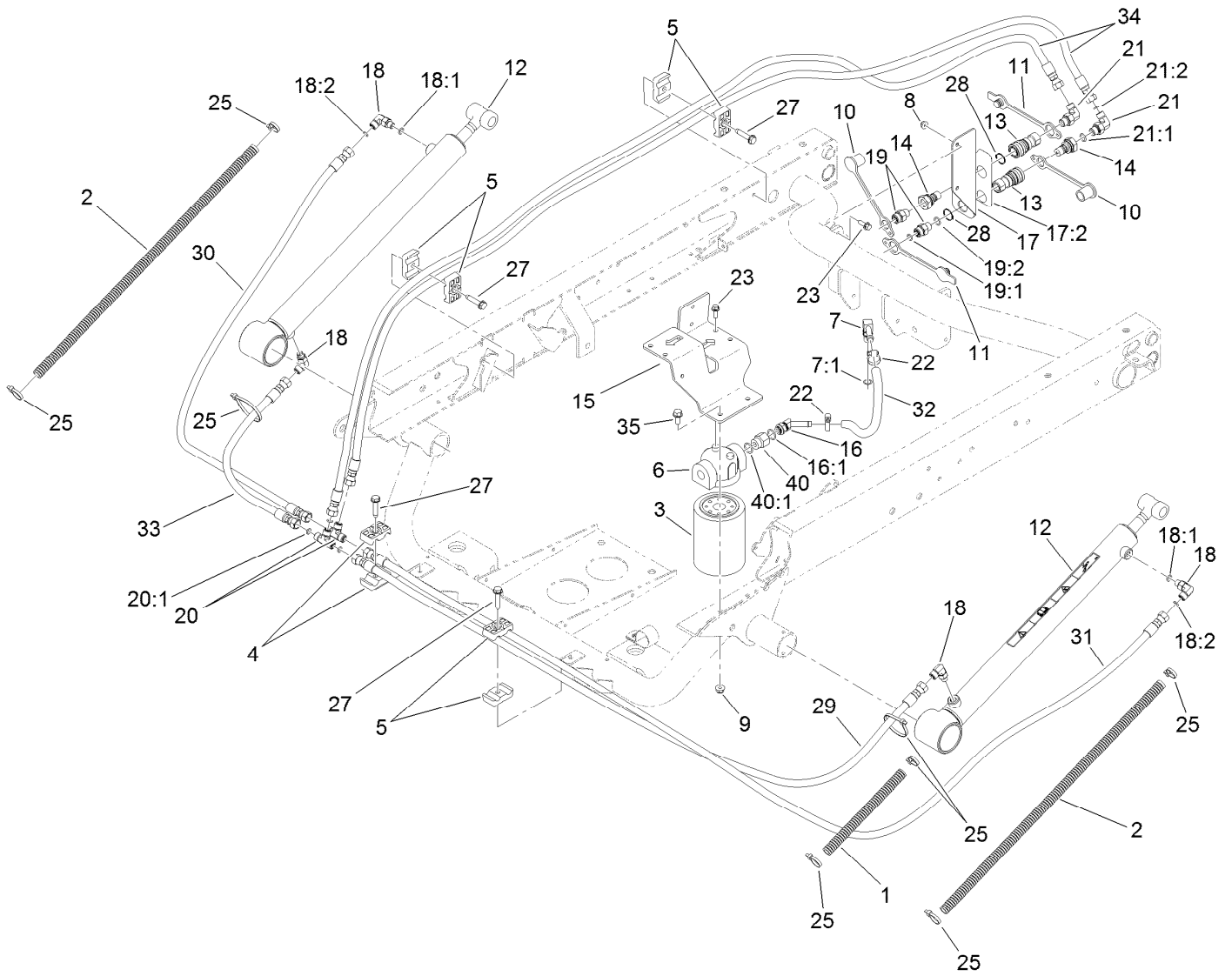
| <i>Ref.</i> | <i>Part Number</i> | <i>Qty.</i> | <i>Description</i> | <i>Ref.</i> | <i>Part Number</i> | <i>Qty.</i> | <i>Description</i> |
|-------------|--------------------|-------------|--------------------|-------------|--------------------|-------------|--------------------|
| 1           | 115-7767-0P        | 1           | Tube-Support       | 11:1        | 115-2163           | 1           | Gasket-Pump, Fuel  |
| 2           | 94-5780            | 2           | Screw-HWH          | 11:2        | 115-2162           | 1           | Cap-Pump, Fuel     |
| 3           | 104-8300           | 2           | Nut-HF, NI         | 11:3        | 115-7818           | 1           | Fuel Filter ASM    |
| 4           | 115-7700           | 1           | Tank-Fuel          | 11:4        | 120-4812           | 1           | Float              |
| 5           | 114-0284           | 1           | Grommet            | 11:5        | 127-8691           | 1           | Sender-Fuel Level  |
| 6           | 114-0285           | 1           | Valve-Rollover     | 12          | 92-2379            | 2           | Clamp-Hose         |
| 7           | 114-8404           | 1           | Plate-Retainer     | 16          | 2412-146           | 2           | Clamp-Hose         |
| 8           | 32144-70           | 2           | Screw-HWHTF        | 17          | 109-0287           | 1           | Hose-Fuel          |
| 9           | 137-4127           | 1           | Cap-Fuel           | 18          | 110-3254           | 1           | Hose-Fuel          |
| 11          | 115-2399           | 1           | Pump-Fuel          |             |                    |             |                    |





## Hydraulic Lift Cylinder Assembly

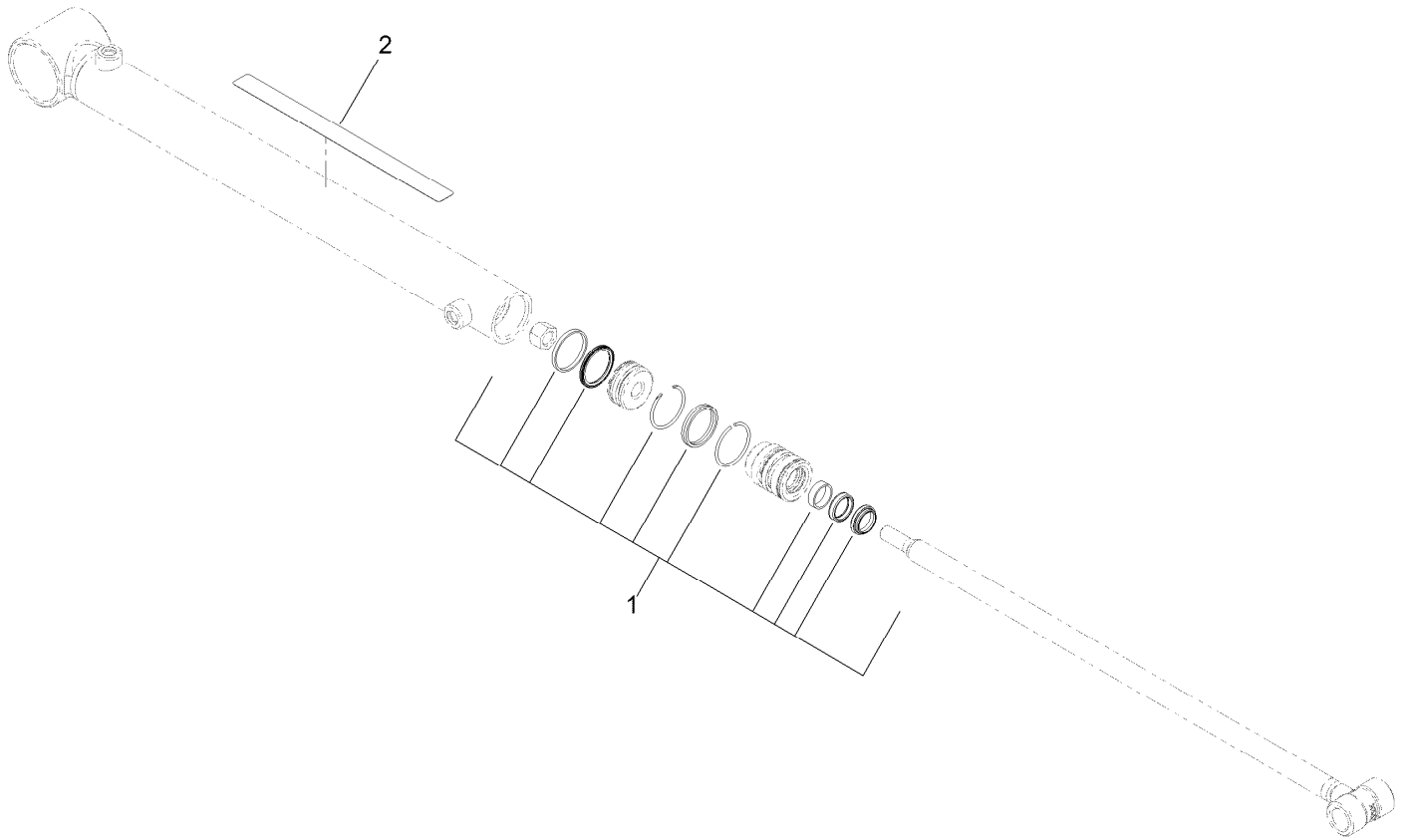
| Ref. | Part Number | Qty. | Description              | Ref. | Part Number | Qty. | Description           |
|------|-------------|------|--------------------------|------|-------------|------|-----------------------|
| 1    | 24-7922     | 1    | Conduit-Convolved, Split | 18:1 | 237-78      | 1    | O-Ring                |
| 2    | 24-7923     | 2    | Conduit-Convolved, Split | 18:2 | 237-21      | 1    | O-Ring                |
| 3    | 54-0110     | 1    | Filter-Oil, Transmission | 19   | 340-2       | 2    | Fitting-Straight      |
| 4    | 56-7971     | 2    | Clamp-Tube               | 19:1 | 237-22      | 1    | O-Ring                |
| 5    | 56-7976     | 6    | Clamp-Tube               | 19:2 | 237-42      | 1    | O-Ring                |
| 6    | 87-8780     | 1    | Head-Filter              | 20   | 340-21      | 2    | Fitting               |
| 7    | 100-4887    | 1    | Fitting-Elbow, 90        | 20:1 | 237-21      | 3    | O-Ring                |
| 7:1  | 237-42      | 1    | O-Ring                   | 21   | 340-82      | 2    | Fitting-Elbow, 90 DEG |
| 8    | 104-7201    | 2    | Nut-HF, NI               | 21:1 | 237-42      | 1    | O-Ring                |
| 9    | 104-8300    | 2    | Nut-HF, NI               | 21:2 | 237-21      | 1    | O-Ring                |
| 10   | 106-7881    | 2    | Cap-Dust, HYD            | 22   | 2412-36     | 2    | Clamp-Hose            |
| 11   | 106-7882    | 2    | Plug-Dust, HYD           | 23   | 3234-4      | 4    | Screw-HHF             |
| 12   | 133-0620    | 2    | HYD Cylinder ASM         | 25   | 3290-379    | 6    | Tie-Cable             |
| 13   | 106-7968    | 2    | Coupler-Quick, Female    | 27   | 32144-57    | 4    | Screw                 |
| 14   | 106-7969    | 2    | Coupler-Quick, Male      | 28   | 32151-83    | 2    | Ring-Snap             |
| 15   | 115-2168-OP | 1    | Bracket-Mount-Filter     | 29   | 115-7711    | 1    | Hose-HYD              |
| 16   | 103-1807    | 1    | Fitting-Barbed, 45 DEG   | 30   | 108-6508    | 1    | Hose-HYD              |
| 16:1 | 237-42      | 1    | O-Ring                   | 31   | 104-3716    | 1    | Hose-HYD              |
| 17   | 139-4530    | 1    | Coupler Bracket ASM      | 32   | 115-2228    | 1    | Hose-HYD              |
| 17:2 | 115-7723    | 1    | Decal-Disconnect, Quick  | 33   | 110-0931    | 1    | Hose-HYD              |
| 18   | 340-132     | 4    | Fitting-Elbow, 90 DEG    | 34   | 106-3680    | 2    | Hose-HYD              |



## Hydraulic Lift Cylinder Assembly (continued)

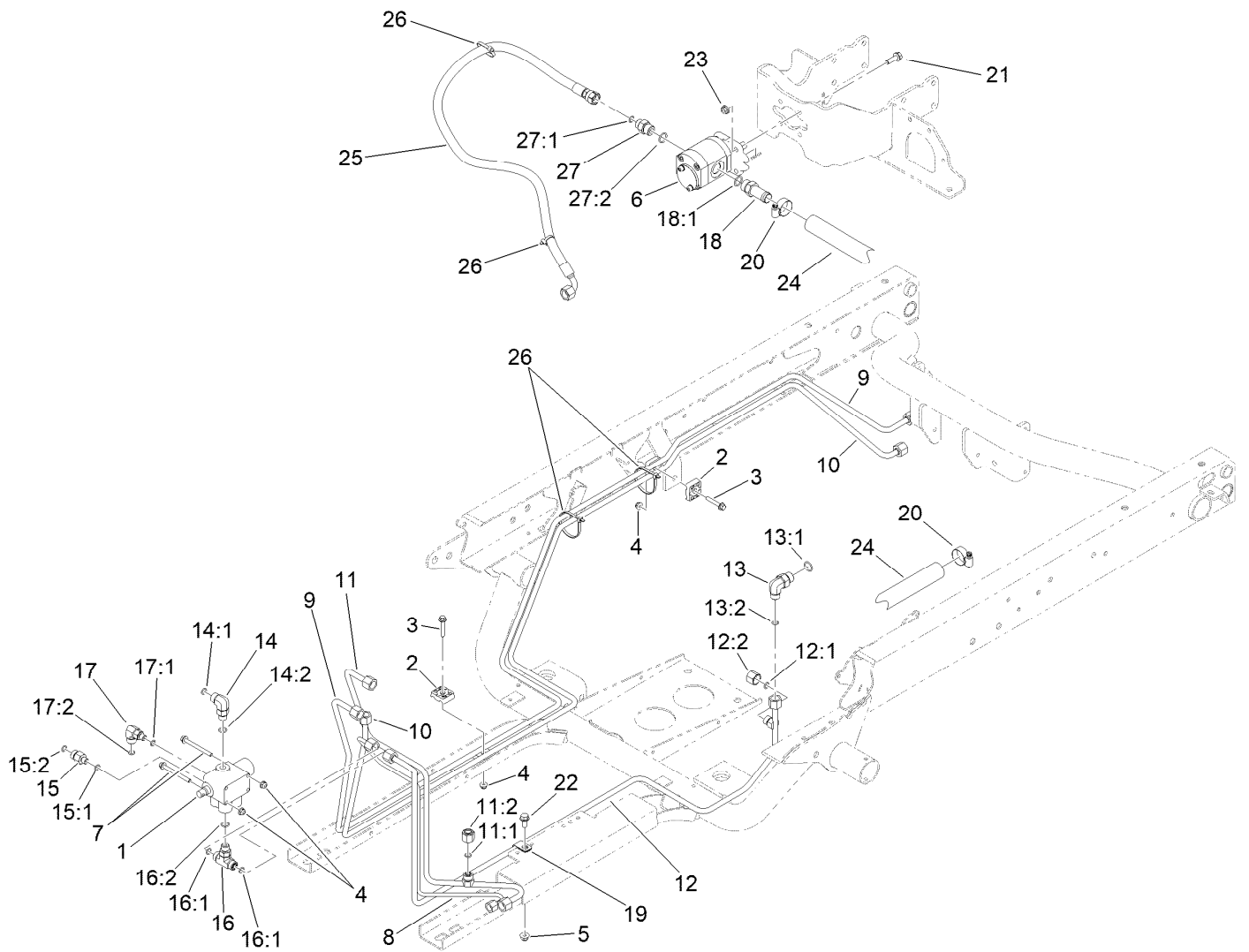
| <i>Ref.</i> | <i>Part Number</i> | <i>Qty.</i> | <i>Description</i> |
|-------------|--------------------|-------------|--------------------|
| 35          | 3234-5             | 2           | Screw-HHF          |

| <i>Ref.</i> | <i>Part Number</i> | <i>Qty.</i> | <i>Description</i> |
|-------------|--------------------|-------------|--------------------|
| 40          | 353-397            | 1           | Reducer-Adapter    |
| 40:1        | 237-79             | 1           | O-Ring             |



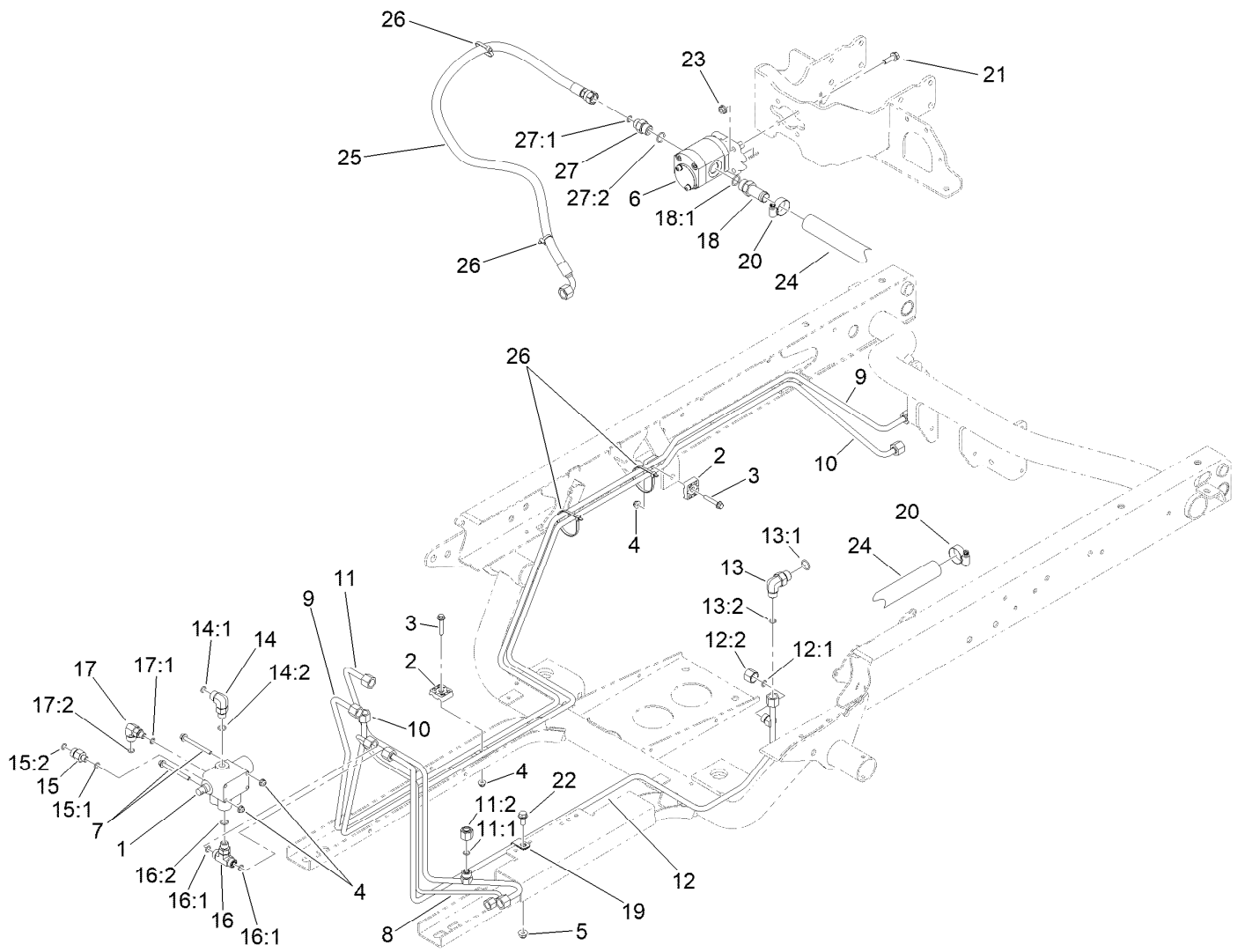
## Hydraulic Cylinder Assembly No. 133-0620

| <i>Ref.</i> | <i>Part Number</i> | <i>Qty.</i> | <i>Description</i> |
|-------------|--------------------|-------------|--------------------|
| 1           | 133-0618           | 1           | Cylinder Seal Kit  |
| 2           | 93-9852            | 1           | Decal-Warning      |



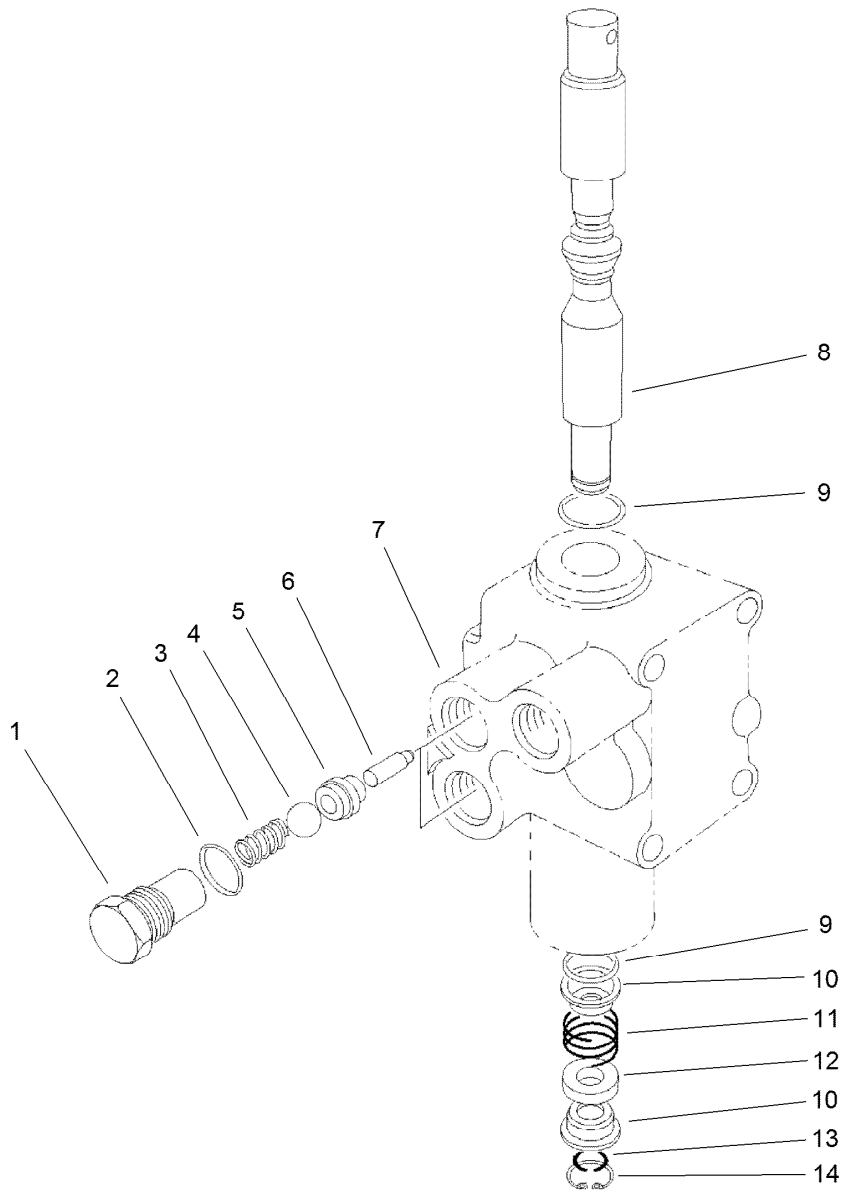
## Main Hydraulic Pump and Lift Valve Assembly

| Ref. | Part Number | Qty. | Description           | Ref. | Part Number | Qty. | Description           |
|------|-------------|------|-----------------------|------|-------------|------|-----------------------|
| 1    | 43-1950     | 1    | HYD Control Valve ASM | 14:2 | 237-42      | 1    | O-Ring                |
| 2    | 56-7973     | 4    | Clamp-Tube            | 15   | 340-88      | 1    | Fitting-Straight      |
| 3    | 94-5781     | 2    | Screw-HHF             | 15:1 | 237-22      | 1    | O-Ring                |
| 4    | 104-7201    | 4    | Nut-HF, NI            | 15:2 | 237-78      | 1    | O-Ring                |
| 5    | 104-8300    | 1    | Nut-HF, NI            | 16   | 340-94      | 1    | Adapter               |
| 6    | 114-8302    | 1    | HYD Pump ASM          | 16:1 | 237-22      | 2    | O-Ring                |
| 7    | 114-8410    | 2    | Screw-HHF             | 16:2 | 237-42      | 1    | O-Ring                |
| 8    | 127-8605    | 1    | Tube-HYD              | 17   | 340-97      | 1    | Fitting-Elbow, 90 DEG |
| 9    | 115-2217    | 1    | Tube-HYD              | 17:1 | 237-22      | 1    | O-Ring                |
| 10   | 115-2218    | 1    | Tube-HYD              | 17:2 | 237-78      | 1    | O-Ring                |
| 11   | 127-8604    | 1    | Tube-HYD              | 18   | 354-136     | 1    | Fitting-STR           |
| 11:1 | 237-22      | 1    | O-Ring                | 18:1 | 237-80      | 1    | O-Ring                |
| 11:2 | 340-117     | 1    | Cap                   | 19   | 2412-113    | 1    | Clamp-R               |
| 12   | 127-8752    | 1    | Tube-HYD              | 20   | 2412-129    | 2    | Clamp-Hose            |
| 12:1 | 237-22      | 1    | O-Ring                | 21   | 3234-17     | 4    | Screw-HHF             |
| 12:2 | 340-117     | 1    | Cap                   | 22   | 3234-5      | 1    | Screw-HHF             |
| 13   | 340-18      | 1    | Fitting-HYD, 90 DEG   | 23   | 32128-20    | 4    | Nut-HF                |
| 13:1 | 237-79      | 1    | O-Ring                | 24   | 87-3670     | 1    | Hose-Suction          |
| 13:2 | 237-22      | 1    | O-Ring                | 25   | 145-2295    | 1    | Hydraulic Hose ASM    |
| 14   | 340-77      | 1    | Fitting-Elbow, 90 DEG | 26   | 3290-379    | 4    | Tie-Cable             |
| 14:1 | 237-22      | 1    | O-Ring                | 27   | 340-3       | 1    | Fitting-Straight      |



## Main Hydraulic Pump and Lift Valve Assembly (continued)

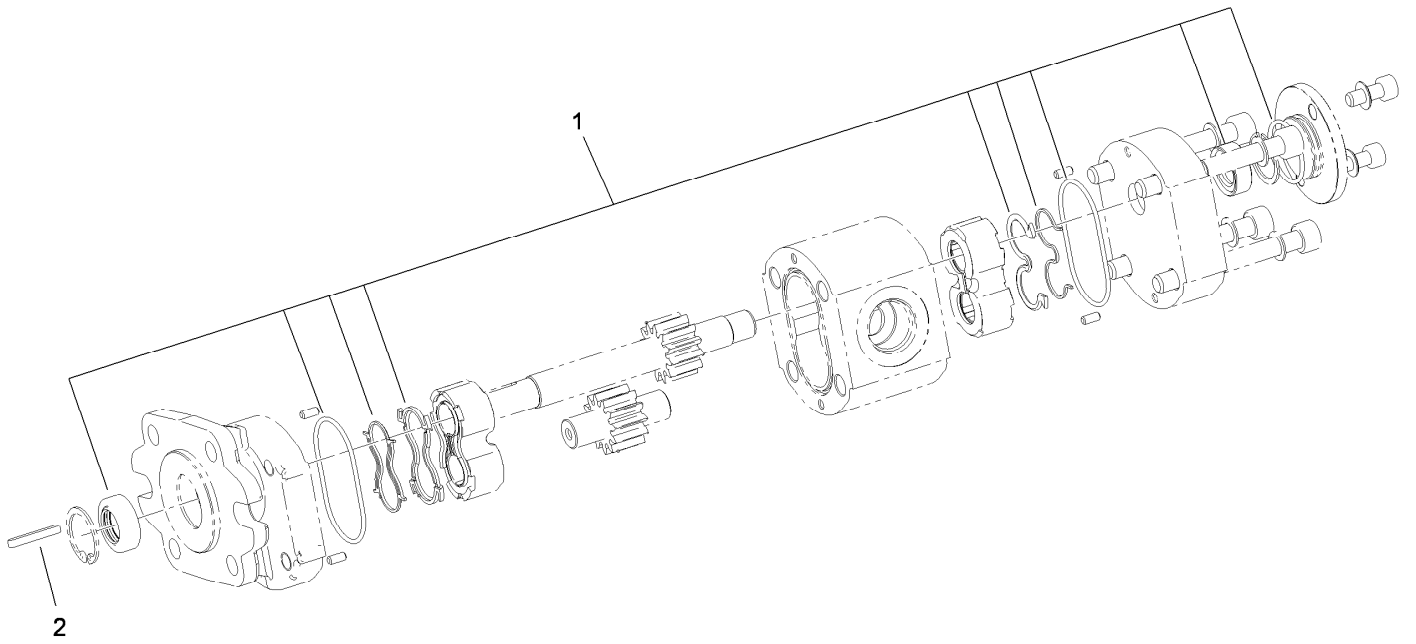
| Ref. | Part Number | Qty. | Description |
|------|-------------|------|-------------|
| 27:1 | 237-22      | 1    | O-Ring      |
| 27:2 | 237-79      | 1    | O-Ring      |



## Control Valve Assembly No. 43-1950

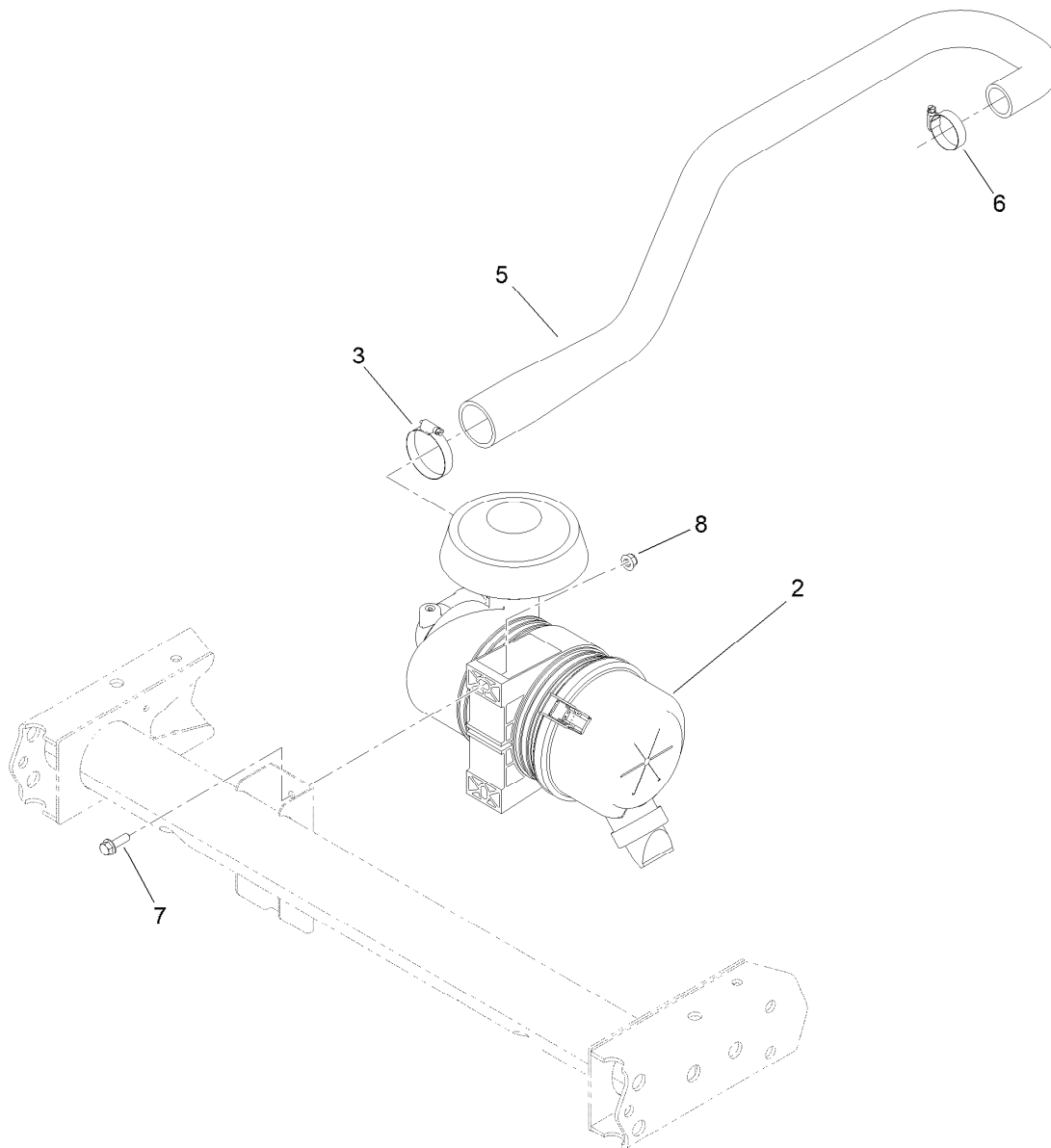
| <i>Ref.</i> | <i>Part Number</i> | <i>Qty.</i> | <i>Description</i> |
|-------------|--------------------|-------------|--------------------|
| 1           | 22-8330            | 2           | Plug               |
| 2           | 237-42             | 2           | O-Ring             |
| 3           | 22-8340            | 2           | Spring             |
| 4           | 22-8350            | 2           | Ball               |
| 5           | 22-8370            | 2           | Seat-Valve         |
| 6           | 22-8360            | 2           | Pin                |
| 7           |                    | 1           | Body ●             |
| 8           | 22-8420            | 1           | Spool              |
| 9           | 22-8500            | 2           | O-Ring             |
| 10          | 22-8380            | 2           | Retainer           |
| 11          | 22-8410            | 1           | Spring             |
| 12          | 23-3030            | 1           | Spacer             |
| 13          | 22-8480            | 1           | Ring-Snap          |
| 14          | 22-8490            | 1           | Ring-Snap          |

● Not serviced separately



## Hydraulic Gear Pump Assembly No. 114-8302

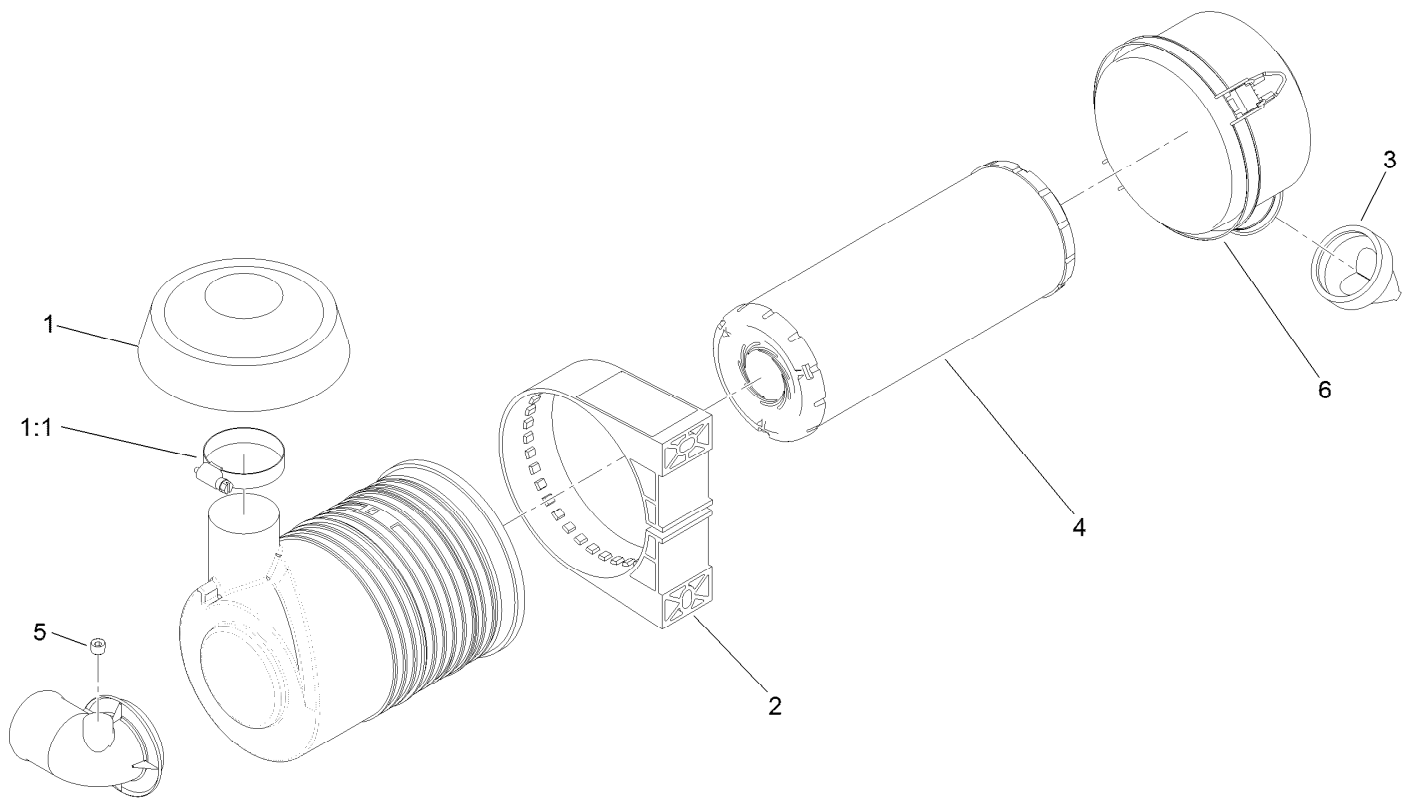
| <i>Ref.</i> | <i>Part Number</i> | <i>Qty.</i> | <i>Description</i> |
|-------------|--------------------|-------------|--------------------|
| 1           | 115-8696           | 1           | Seal Kit           |
| 2           | 115-7855           | 1           | Key-Square         |



## Air Cleaner Assembly

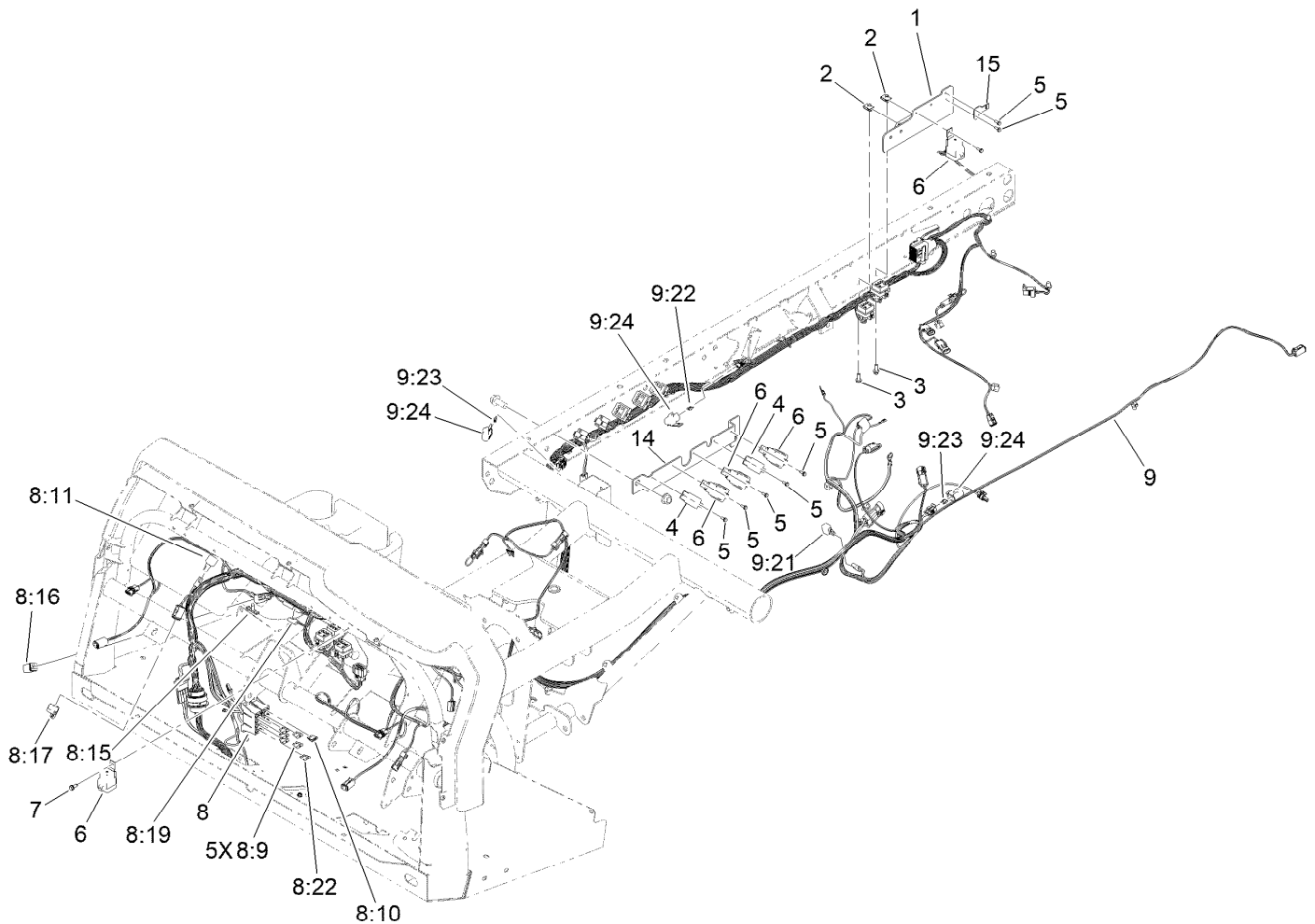
| <i>Ref.</i> | <i>Part Number</i> | <i>Qty.</i> | <i>Description</i> |
|-------------|--------------------|-------------|--------------------|
| 2           | 138-5650           | 1           | Air Cleaner ASM    |
| 3           | 2412-130           | 1           | Clamp-Hose         |
| 5           | 120-5098           | 1           | Hose-Intake, Air   |
| 6           | 2412-3             | 1           | Clamp-Hose         |
| 7           | 3234-29            | 2           | Screw-HHF          |
| 8           | 104-8300           | 2           | Nut-HF, NI         |





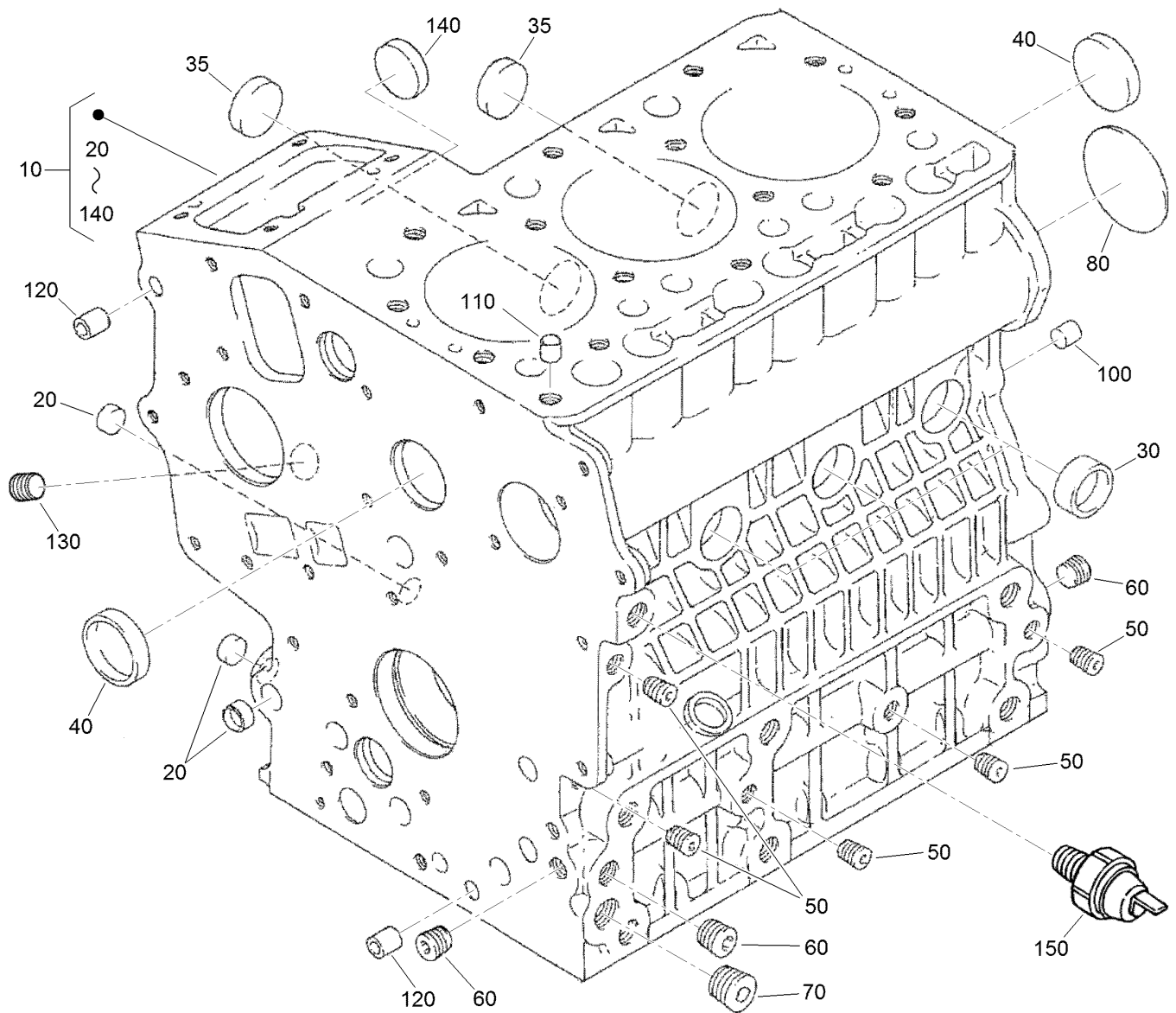
## Air Cleaner Assembly No. 138-5650

| <i>Ref.</i> | <i>Part Number</i> | <i>Qty.</i> | <i>Description</i>   |
|-------------|--------------------|-------------|----------------------|
| 1           | 139-0686           | 1           | Rain Cap ASM         |
| 1:1         | 2412-130           | 1           | Clamp-Hose           |
| 2           | 98-4525            | 1           | Bracket-Cleaner, Air |
| 3           | 87-9400            | 1           | Valve-Vacuator       |
| 4           | 108-3810           | 1           | Filter-Air           |
| 5           | 285-17             | 1           | Plug-Pipe            |
| 6           | 98-9771            | 1           | Cover ASM            |



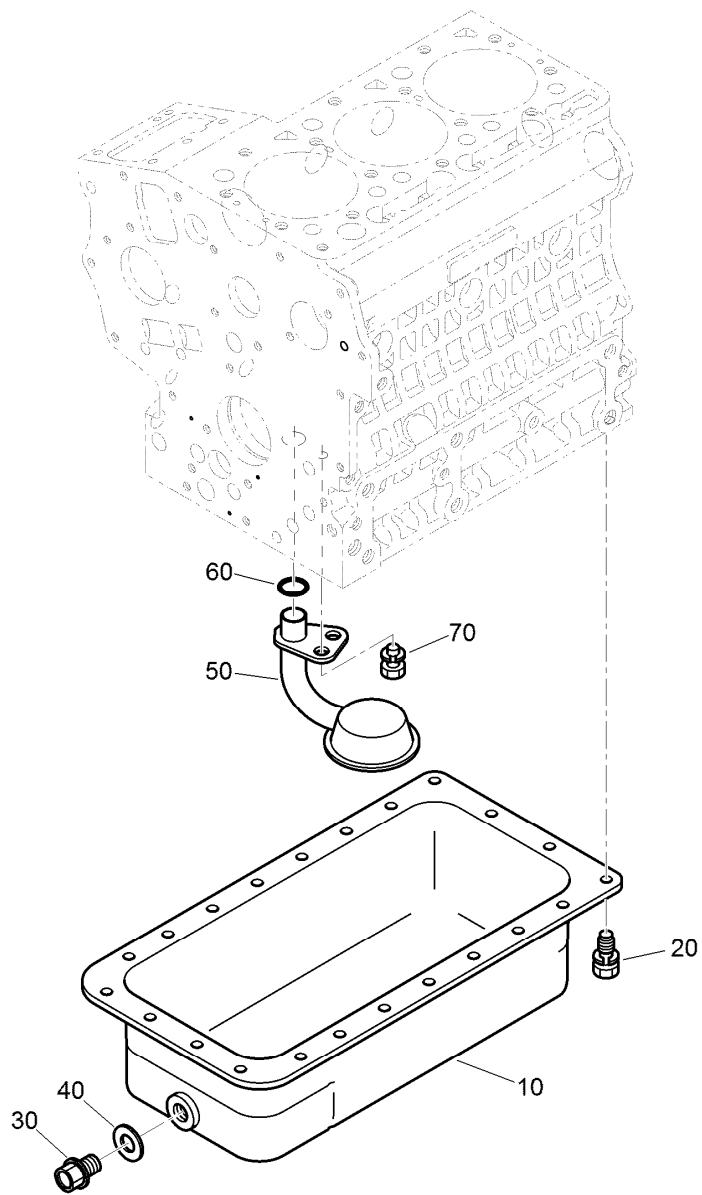
## Front and Rear Wire Harness Assembly

| <i>Ref.</i> | <i>Part Number</i> | <i>Qty.</i> | <i>Description</i>            | <i>Ref.</i> | <i>Part Number</i> | <i>Qty.</i> | <i>Description</i>           |
|-------------|--------------------|-------------|-------------------------------|-------------|--------------------|-------------|------------------------------|
| 1           | 132-6714-0P        | 1           | Bracket-Mount, Filter         | 8:16        | 32180-106          | 1           | Resistor-Sealed              |
| 2           | 107069             | 2           | Clip                          | 8:17        | 32180-156          | 1           | Cap-Plug, 6 Way              |
| 3           | 3234-4             | 2           | Screw-HHF                     | 8:19        | 32180-416          | 1           | Cap-Tethered                 |
| 4           | 99-7435            | 2           | Relay                         | 8:22        | 109101             | 1           | Fuse-Blade, 20 Amp           |
| 5           | 32144-112          | 8           | Screw-HWH                     | 9           | 122-2357           | 1           | Harness-Wire, HDX, EFI, Rear |
| 6           | 99-7430            | 5           | Relay-Mini                    | 9:21        | 100-4918           | 1           | Diode                        |
| 7           | 32144-10           | 1           | Screw-HWH                     | 9:22        | 121-8867           | 1           | Fuse-Mini Blade, 15 Amp      |
| 8           | 122-2356           | 1           | Harness-Wire, HDX, EFI, Front | 9:23        | 121-8870           | 2           | Fuse-Mini Blade, 30 Amp      |
| 8:9         | 218-578            | 5           | Fuse-Blade, 10 Amp            | 9:24        | 32180-101          | 3           | Cover-Fuse, Single           |
| 8:10        | 109355             | 1           | Fuse-Blade, 15 Amp            | 14          | 132-6713-0P        | 1           | Bracket-Mount, Relay         |
| 8:11        | 100-4918           | 1           | Diode                         | 15          | 132-6716           | 1           | Mount-Harness, Engine        |
| 8:15        | 32180-012          | 4           | Clip-Harness                  |             |                    |             |                              |



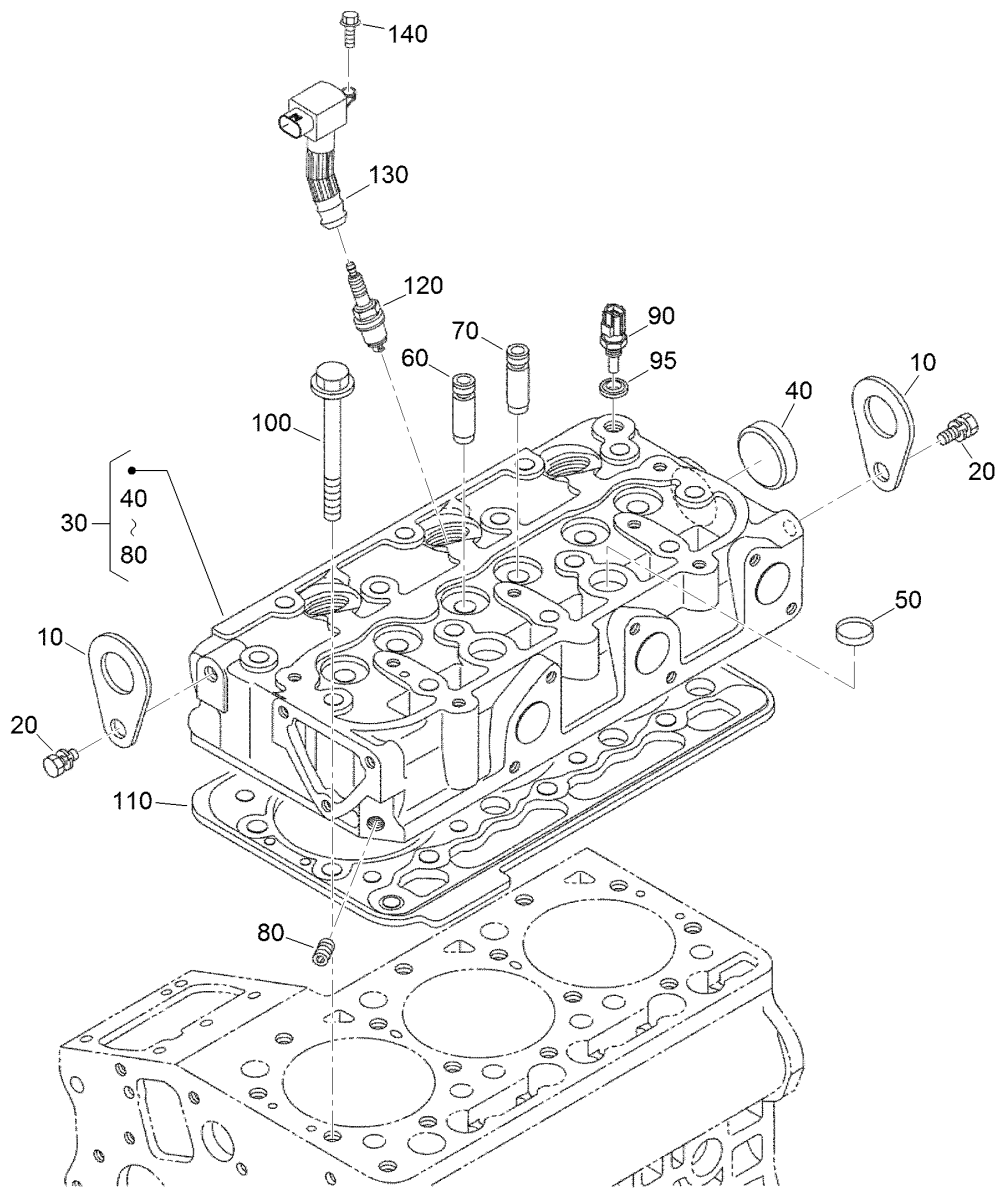
## Crankcase Assembly

| <b>Ref.</b> | <b>Part Number</b> | <b>Qty.</b> | <b>Description</b>   |
|-------------|--------------------|-------------|----------------------|
| 10          | 125-9060           | 1           | Crankcase ASM        |
| 20          | 100-2019           | 3           | Cap-Sealing          |
| 30          | 100-2020           | 3           | Cap-Sealing          |
| 35          | 110-3702           | 2           | Cap-Sealing          |
| 40          | 98-9398            | 2           | Cap-Sealing          |
| 50          | 98-9687            | 5           | Plug                 |
| 60          | 98-7487            | 3           | Plug                 |
| 70          | 98-7488            | 1           | Plug                 |
| 80          | 100-1851           | 1           | Plug-Expansion       |
| 100         | 98-9377            | 2           | Pin-Straight         |
| 110         | 98-7506            | 1           | Pin-Pipe             |
| 120         | 100-2051           | 2           | Pin-Pipe             |
| 130         | 98-7488            | 1           | Plug                 |
| 140         | 100-1991           | 1           | Cover-Fuel, Camshaft |
| 150         | 98-9416            | 1           | Switch-Oil           |



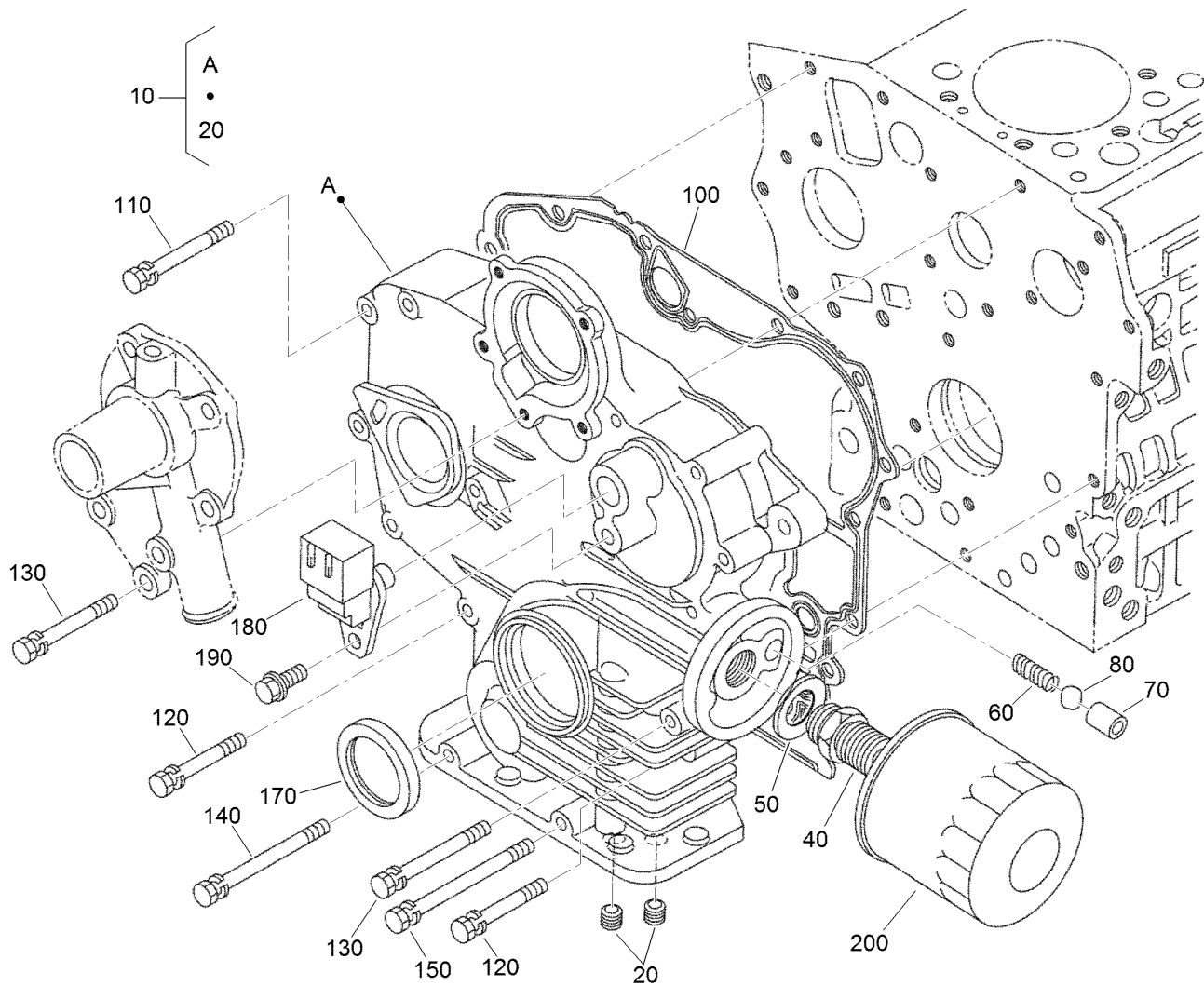
## Oil Pan Assembly

| <i>Ref.</i> | <i>Part Number</i> | <i>Qty.</i> | <i>Description</i> |
|-------------|--------------------|-------------|--------------------|
| 10          | 125-9056           | 1           | Oil Pan ASM        |
| 20          | 98-9350            | 22          | Bolt               |
| 30          | 114-8151           | 1           | Plug-Drain         |
| 40          | 98-7524            | 1           | Gasket             |
| 50          | 125-9052           | 1           | Tube-Pick Up, Oil  |
| 60          | 105-3776           | 1           | O-Ring             |
| 70          | 100-9195           | 1           | Bolt               |



## Cylinder Head Assembly

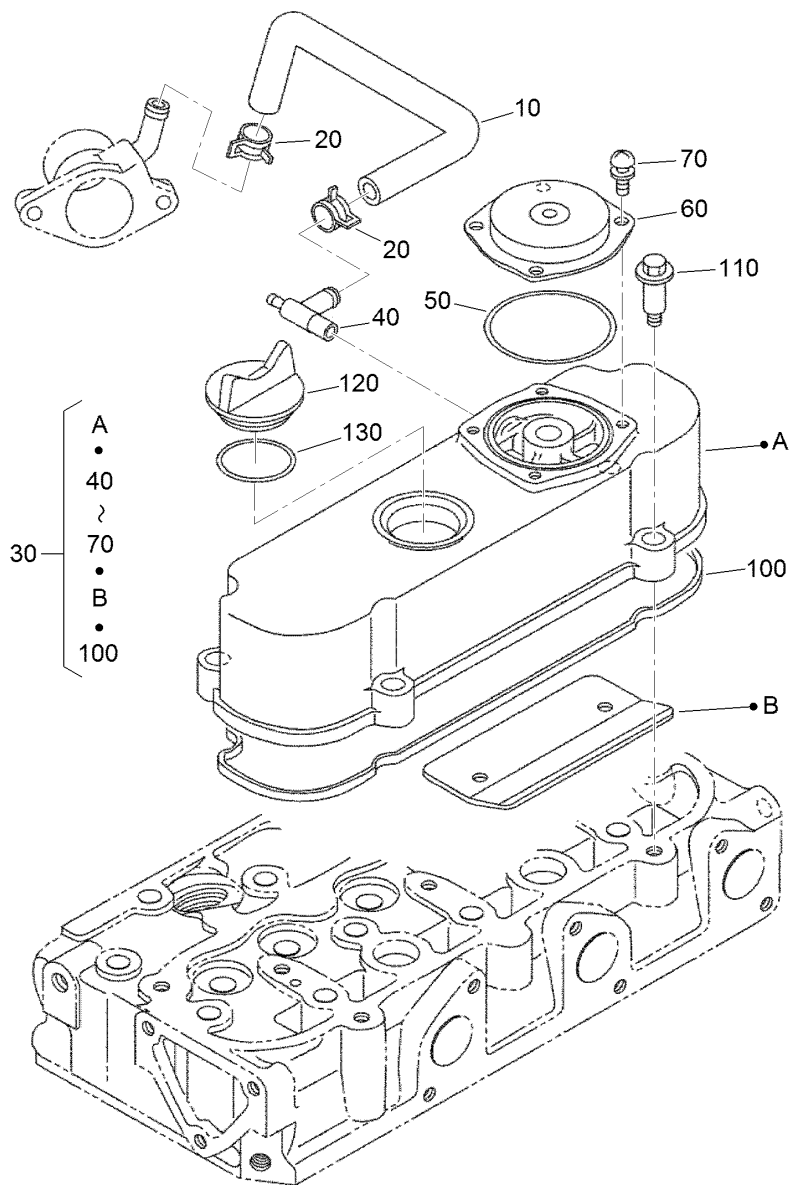
| Ref. | Part Number | Qty. | Description               |
|------|-------------|------|---------------------------|
| 10   | 98-7531     | 2    | Hook-Engine               |
| 20   | 98-7526     | 2    | Bolt                      |
| 30   | 125-9119    | 1    | Cylinder Head ASM         |
| 40   | 105-3705    | 1    | Cap-Sealing               |
| 50   | 98-9389     | 2    | Cap-Sealing               |
| 60   | 100-1882    | 3    | Guide-Valve, Inlet        |
| 70   | 100-1883    | 3    | Guide-Valve, Exhaust      |
| 80   | 98-9687     | 1    | Plug                      |
| 90   | 125-9102    | 1    | Sensor-Temperature, Water |
| 95   | 125-9096    | 1    | Gasket                    |
| 100  | 100-1820    | 14   | Bolt-Head, Cylinder       |
| 110  | 125-9113    | 1    | Gasket-Head               |
| 120  | 125-9139    | 3    | Spark Plug                |
| 130  | 125-9145    | 3    | Coil-Ignition             |
| 140  | 99-8363     | 3    | Bolt-Flange               |



## Gear Case and Oil Filter Cartridge Assembly

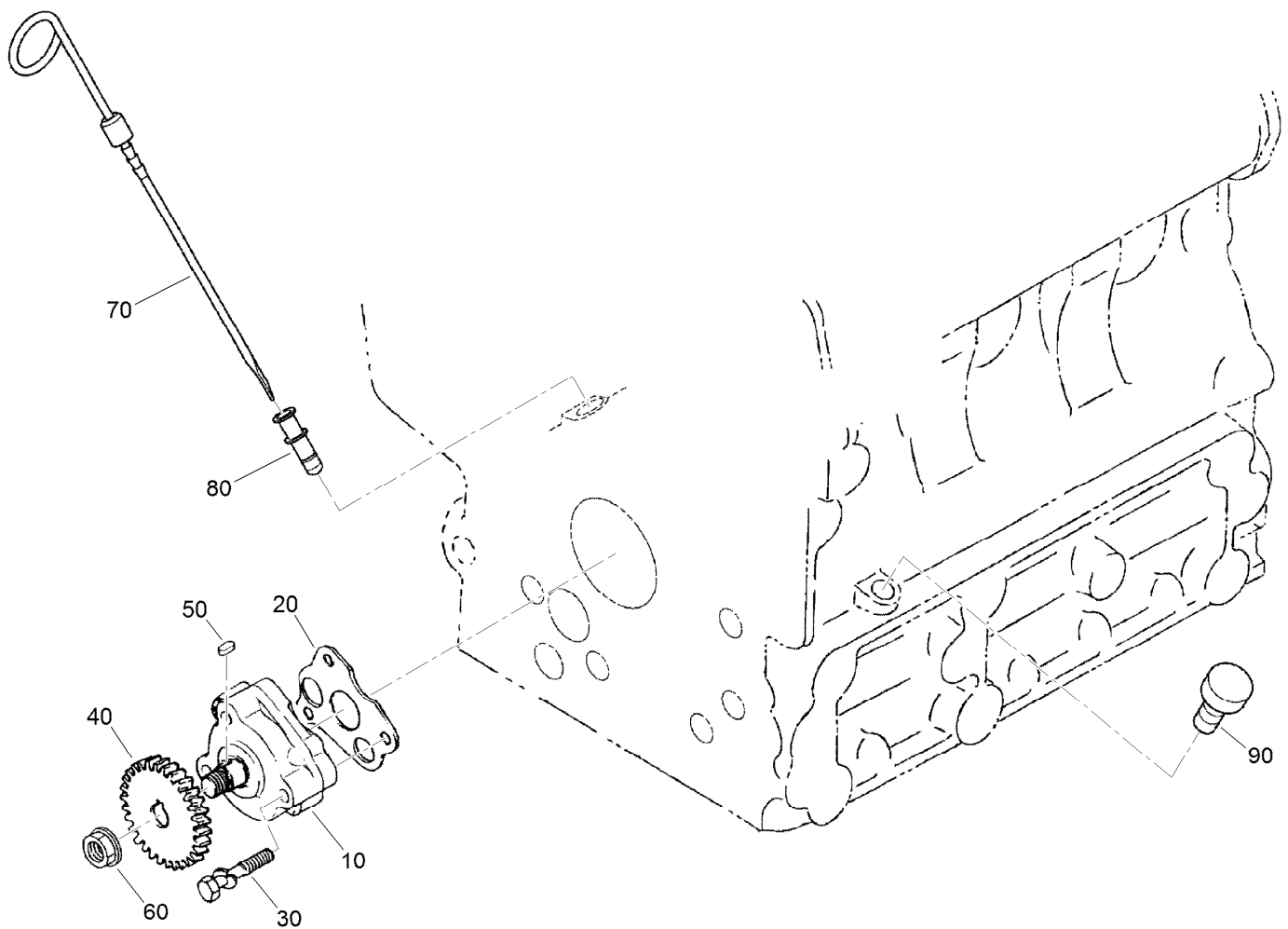
| <i>Ref.</i> | <i>Part Number</i> | <i>Qty.</i> | <i>Description</i> |
|-------------|--------------------|-------------|--------------------|
| 10          | 125-9151           | 1           | Gear Case ASM      |
| 20          | 98-7488            | 2           | Plug               |
| 40          | 98-9388            | 1           | Joint-Pipe         |
| 50          | 100-1926           | 1           | Washer-Plain       |
| 60          | 100-2004           | 1           | Spring             |
| 70          | 100-1894           | 1           | Seat-Valve         |
| 80          | 100-1792           | 1           | Ball               |
| 100         | 117-0327           | 1           | Gasket-Case, Gear  |
| 110         | 99-8320            | 1           | Bolt               |

| <i>Ref.</i> | <i>Part Number</i> | <i>Qty.</i> | <i>Description</i> |
|-------------|--------------------|-------------|--------------------|
| 120         | 98-9356            | 10          | Bolt               |
| 130         | 100-1922           | 2           | Bolt               |
| 140         | 98-9357            | 1           | Bolt               |
| 150         | 110-3710           | 1           | Bolt               |
| 170         | 120-7852           | 1           | Seal-Oil           |
| 180         | 125-9142           | 1           | Sensor             |
| 190         | 99-8363            | 1           | Bolt-Flange        |
| 200         | 115-8189           | 1           | Filter-Oil, Engine |



## Cylinder Head Cover Assembly

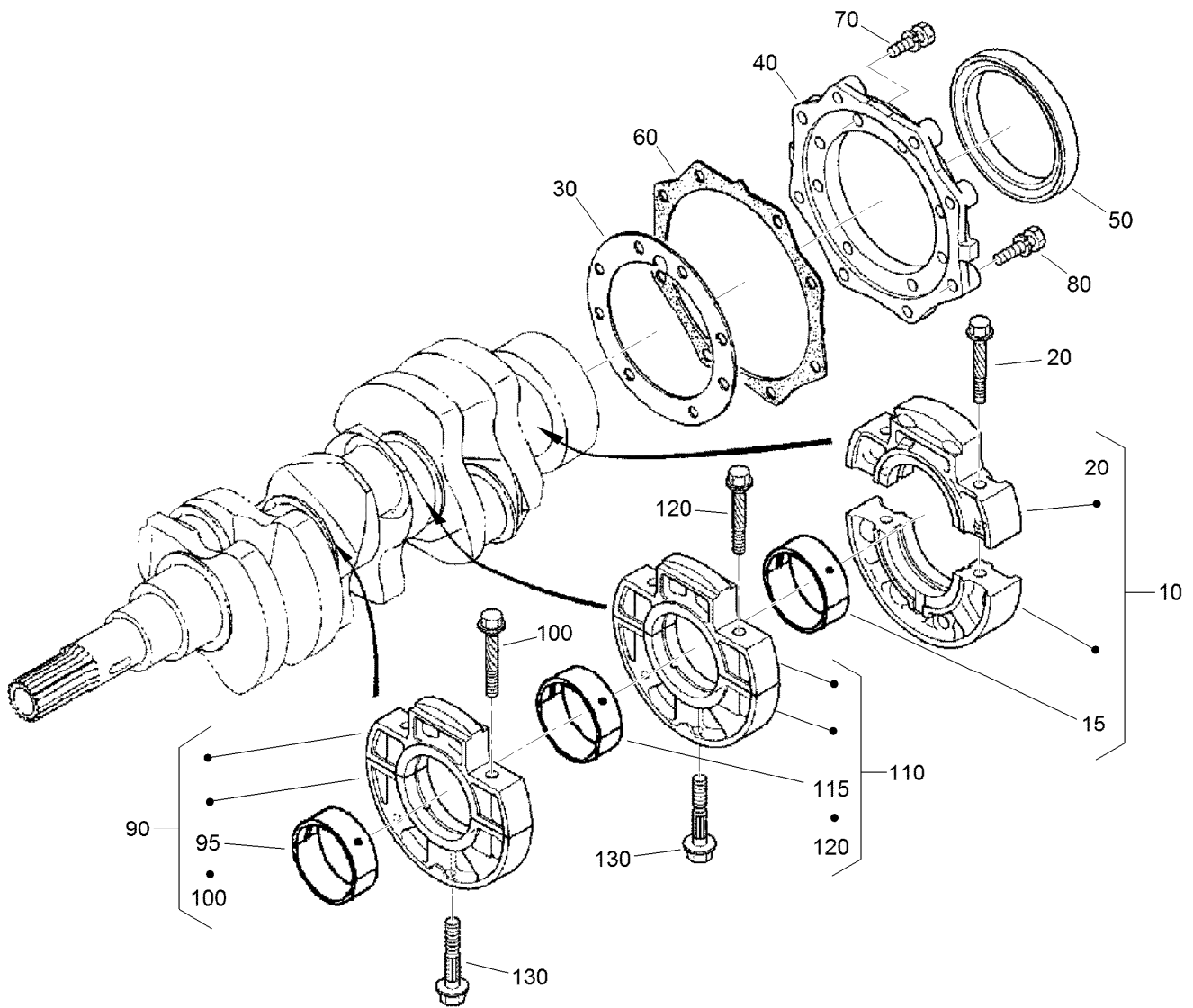
| <i>Ref.</i> | <i>Part Number</i> | <i>Qty.</i> | <i>Description</i>      |
|-------------|--------------------|-------------|-------------------------|
| 10          | 125-9120           | 1           | Tube-Breather           |
| 20          | 98-9579            | 2           | Band-Pipe               |
| 30          | 125-9129           | 1           | Cylinder Head Cover ASM |
| 40          | 125-9117           | 1           | Pipe-Breather           |
| 50          | 110-3846           | 1           | O Ring-Breather         |
| 60          | 108-7060           | 1           | Cover-Breather          |
| 70          | 98-9364            | 4           | Screw (With Washer)     |
| 100         | 125-9130           | 1           | Gasket-Cover, Head      |
| 110         | 108-7063           | 4           | Bolt                    |
| 120         | 107-9075           | 1           | Plug-Filler, Oil        |
| 130         | 99-3446            | 1           | O-Ring                  |



## Dipstick, Guide and Oil Pump Assembly

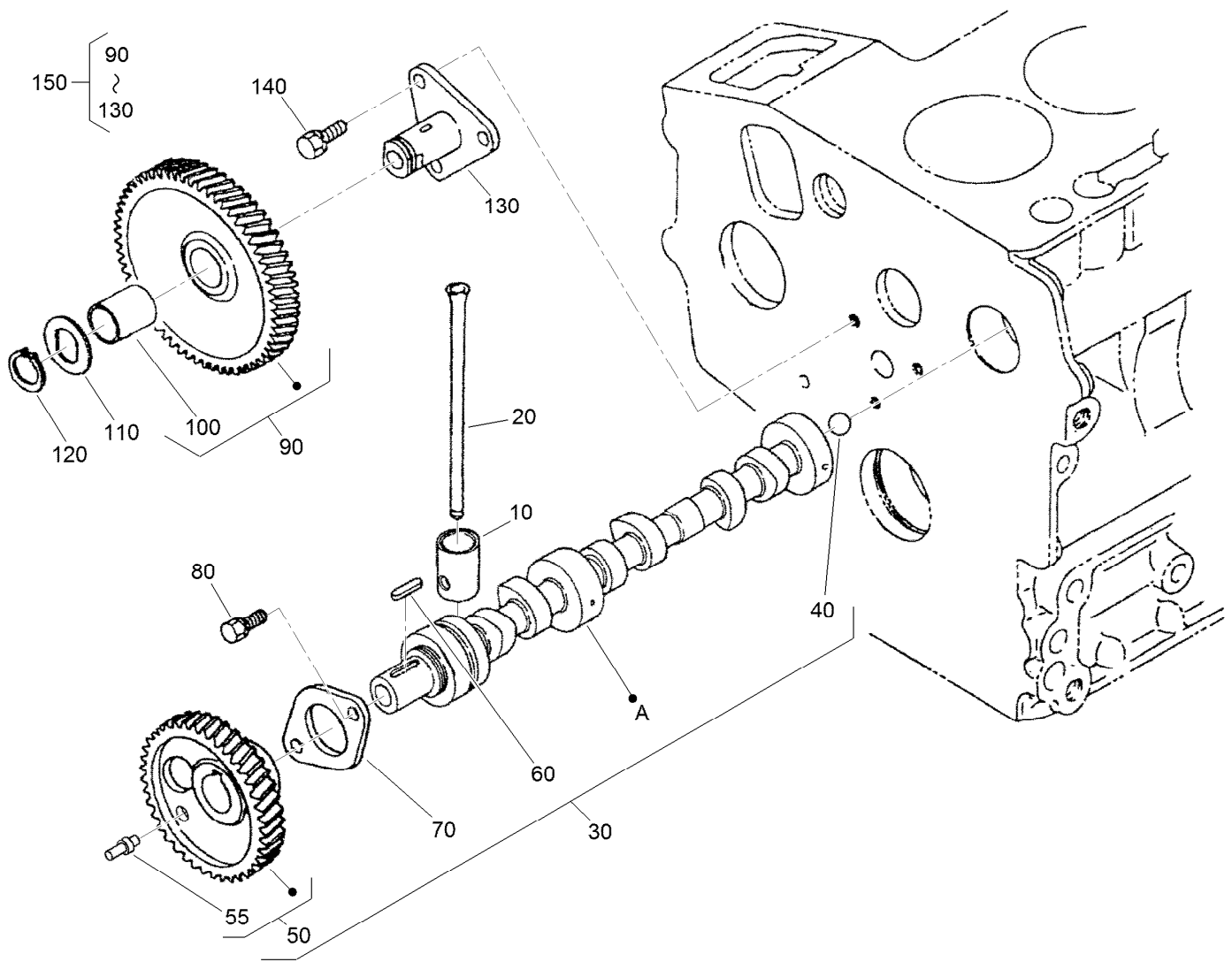
| <i>Ref.</i> | <i>Part Number</i> | <i>Qty.</i> | <i>Description</i>   |
|-------------|--------------------|-------------|----------------------|
| 10          | 100-2002           | 1           | Oil Pump ASM         |
| 20          | 100-2003           | 1           | Gasket-Pump, Oil     |
| 30          | 100-1923           | 3           | Bolt                 |
| 40          | 130-1419           | 1           | Gear-Drive, Oil Pump |
| 50          | 98-7658            | 1           | Key-Feather          |
| 60          | 100-1779           | 1           | Nut-Flange           |
| 70          | 110-3719           | 1           | Gauge-Oil            |
| 80          | 105-4580           | 1           | Guide-Gauge, Oil     |
| 90          | 110-3720           | 1           | Plug-Gauge, Oil      |





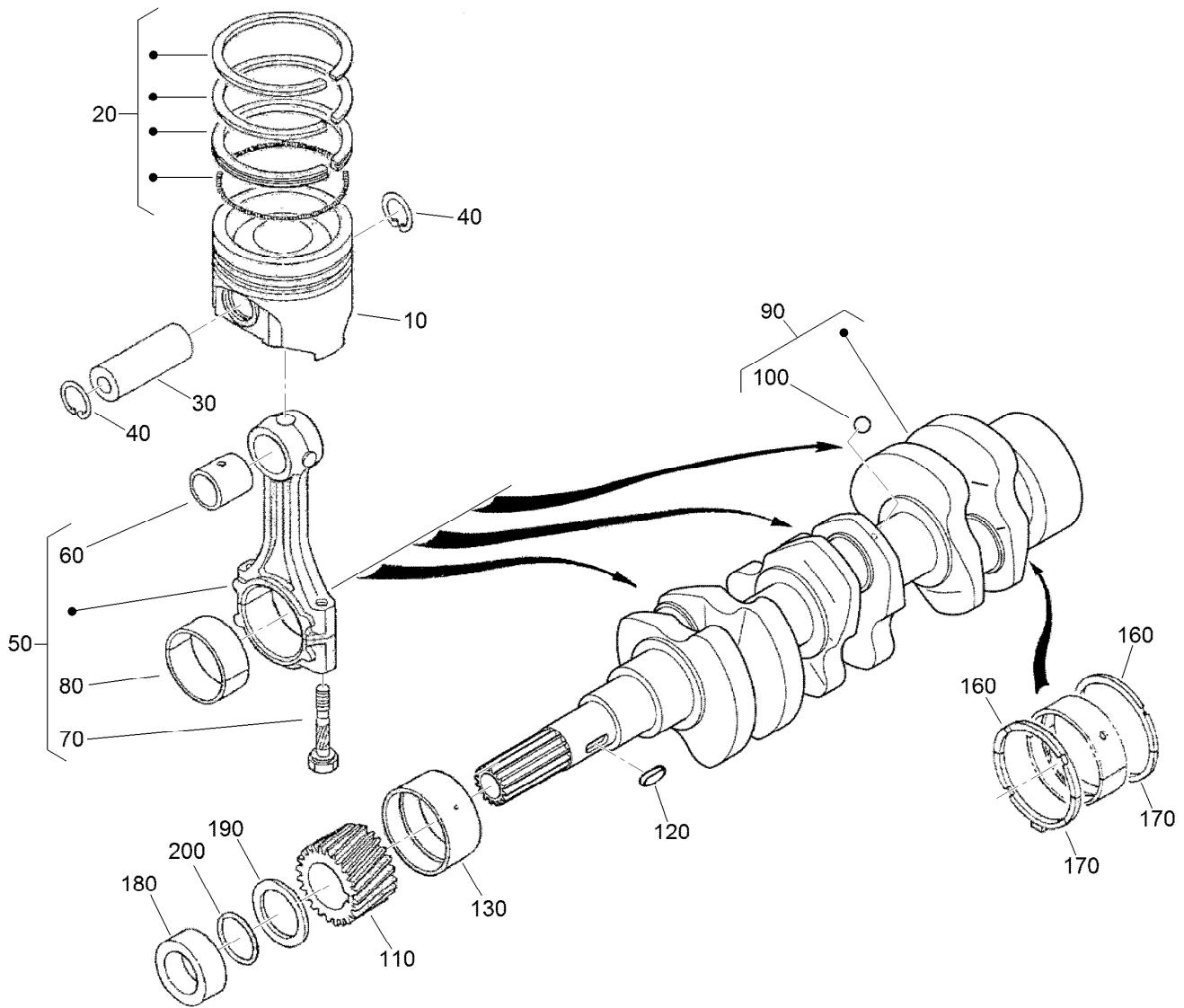
## Main Bearing Case Assembly

| Ref. | Part Number | Qty. | Description                    | Ref. | Part Number | Qty. | Description                    |
|------|-------------|------|--------------------------------|------|-------------|------|--------------------------------|
| 10   | 121-2426    | 1    | Bearing Case Wheel ASM         | 95   | 125-9083    | 1    | Crankshaft Metal ASM (-0.20Mm) |
| 15   | 110-3744    | 1    | Crankshaft Metal ASM (STD)     | 95   | 110-3743    | 1    | Crankshaft Metal ASM (-0.40Mm) |
| 15   | 110-3745    | 1    | Crankshaft Metal ASM (-0.20MM) | 100  | 110-3723    | 2    | Bolt-Case, Bearing             |
| 15   | 110-3746    | 1    | Crankshaft Metal ASM (-0.40MM) | 110  | 110-3725    | 1    | Main Bearing Case ASM          |
| 20   | 110-3723    | 2    | Bolt-Case, Bearing             | 115  | 110-3741    | 1    | Crankshaft Metal ASM (STD)     |
| 30   | 100-1873    | 1    | Gasket-Case, Bearing           | 115  | 125-9083    | 1    | Crankshaft Metal ASM (-0.20Mm) |
| 40   | 112-8334    | 1    | Cover-Case, Bearing            | 115  | 110-3743    | 1    | Crankshaft Metal ASM (-0.40Mm) |
| 50   | 110-3724    | 1    | Seal-Oil                       | 120  | 110-3723    | 2    | Bolt-Case, Bearing             |
| 60   | 100-1876    | 1    | Gasket-Cover, Case             | 130  | 100-1874    | 2    | Bolt-Case, Bearing             |
| 70   | 98-7568     | 8    | Bolt                           |      |             |      |                                |
| 80   | 100-1750    | 8    | Bolt                           |      |             |      |                                |
| 90   | 110-3725    | 1    | Main Bearing Case ASM          |      |             |      |                                |
| 95   | 110-3741    | 1    | Crankshaft Metal ASM (STD)     |      |             |      |                                |



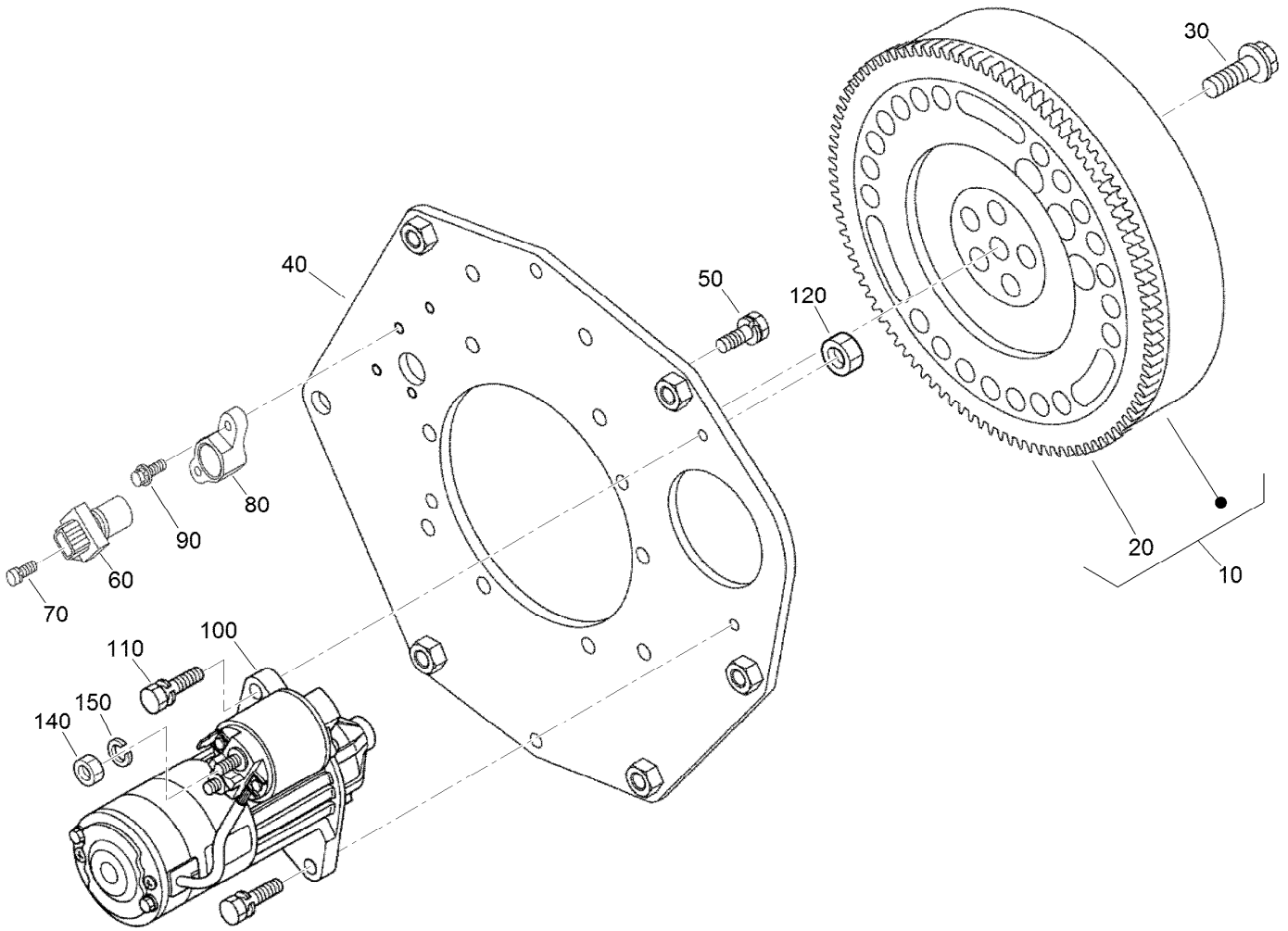
## Cam Shaft and Idle Gear Shaft Assembly

| <i>Ref.</i> | <i>Part Number</i> | <i>Qty.</i> | <i>Description</i> | <i>Ref.</i> | <i>Part Number</i> | <i>Qty.</i> | <i>Description</i> |
|-------------|--------------------|-------------|--------------------|-------------|--------------------|-------------|--------------------|
| 10          | 110-3727           | 6           | Tappet             | 80          | 98-9350            | 2           | Bolt               |
| 20          | 100-1989           | 6           | Rod-Push           | 90          | 121-2421           | 1           | Idle Gear ASM      |
| 30          | 125-9131           | 1           | Camshaft ASM       | 100         | 121-2422           | 1           | Bushing            |
| 40          | 110-3729           | 1           | Ball               | 110         | 100-1970           | 1           | Collar-Gear, Idle  |
| 50          | 125-9132           | 1           | Cam Gear ASM       | 120         | 100-1969           | 1           | Ring-Snap          |
| 55          | 125-9133           | 2           | Pin-Gear, Cam      | 130         | 100-1967           | 1           | Shaft-Gear, Idle   |
| 60          | 98-9378            | 1           | Key-Feather        | 140         | 100-1774           | 3           | Bolt-Flange        |
| 70          | 100-1887           | 1           | Stopper-Camshaft   | 150         | 100-2240           | 1           | Idle Gear ASM      |



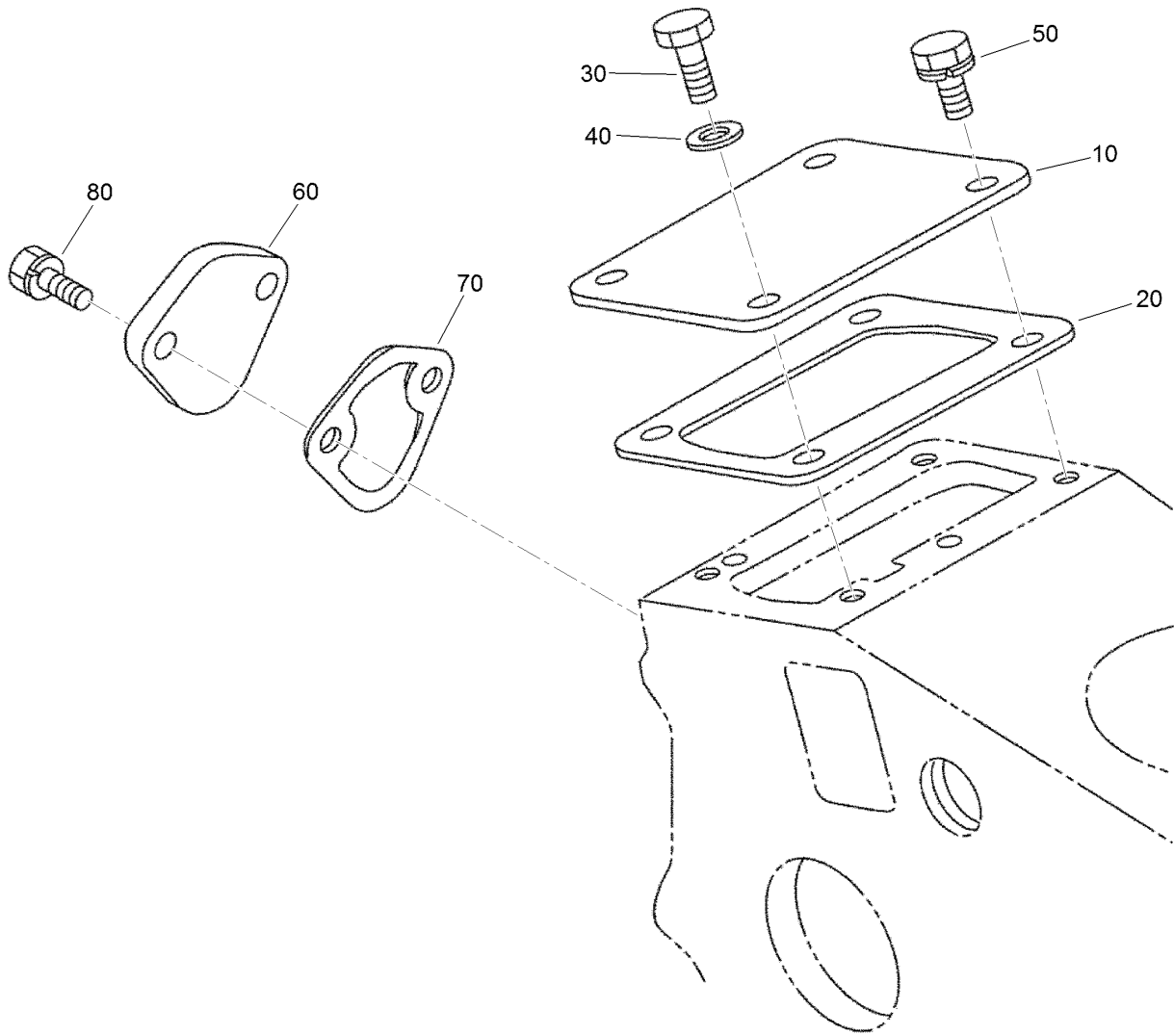
## Piston and Crankshaft Assembly

| <i>Ref.</i> | <i>Part Number</i> | <i>Qty.</i> | <i>Description</i>        | <i>Ref.</i> | <i>Part Number</i> | <i>Qty.</i> | <i>Description</i>         |
|-------------|--------------------|-------------|---------------------------|-------------|--------------------|-------------|----------------------------|
| 10          | 125-9115           | 3           | Piston (STD)              | 110         | 100-1891           | 1           | Gear-Crankshaft            |
| 10          | 125-9116           | 3           | Piston (+0.50Mm)          | 120         | 100-1752           | 1           | Key-Feather                |
| 20          | 125-9134           | 3           | Piston Ring ASM (STD)     | 130         | 110-3738           | 1           | Metal-Crankshaft (STD)     |
| 20          | 125-9135           | 3           | Piston Ring ASM (+0.50Mm) | 130         | 121-2424           | 1           | Metal-Crankshaft (-.20MM)  |
| 30          | 110-3734           | 3           | Pin-Piston                | 130         | 110-3740           | 1           | Metal-Crankshaft (-0.40MM) |
| 40          | 100-1835           | 6           | Circlip-Internal          | 160         | 100-1836           | 2           | Metal-Side (STD)           |
| 50          | 125-9070           | 3           | Connecting Rod ASM        | 160         | 121-3847           | 2           | Metal-Side (+.20MM)        |
| 60          | 110-3736           | 3           | Bushing-Pin, Piston       | 160         | 100-1839           | 2           | Metal-Side (+0.40MM)       |
| 70          | 100-1999           | 6           | Bolt-Rod, Connecting      | 170         | 117-0309           | 2           | Metal-Side (STD)           |
| 80          | 100-2000           | 3           | Metal-Crankpin (STD)      | 170         | 121-2428           | 2           | Metal-Side (+.20MM)        |
| 80          | 100-1942           | 3           | Metal-Crankpin (-0.20Mm)  | 170         | 100-1841           | 2           | Metal-Side (+0.4MM)        |
| 80          | 100-1943           | 3           | Metal-Crankpin (-0.40Mm)  | 180         | 100-1890           | 1           | Collar-Crankshaft          |
| 90          | 117-0308           | 1           | Crankshaft                | 190         | 100-1974           | 1           | Slinger-Oil                |
| 100         | 100-1791           | 3           | Ball                      | 200         | 100-2209           | 1           | O-Ring                     |



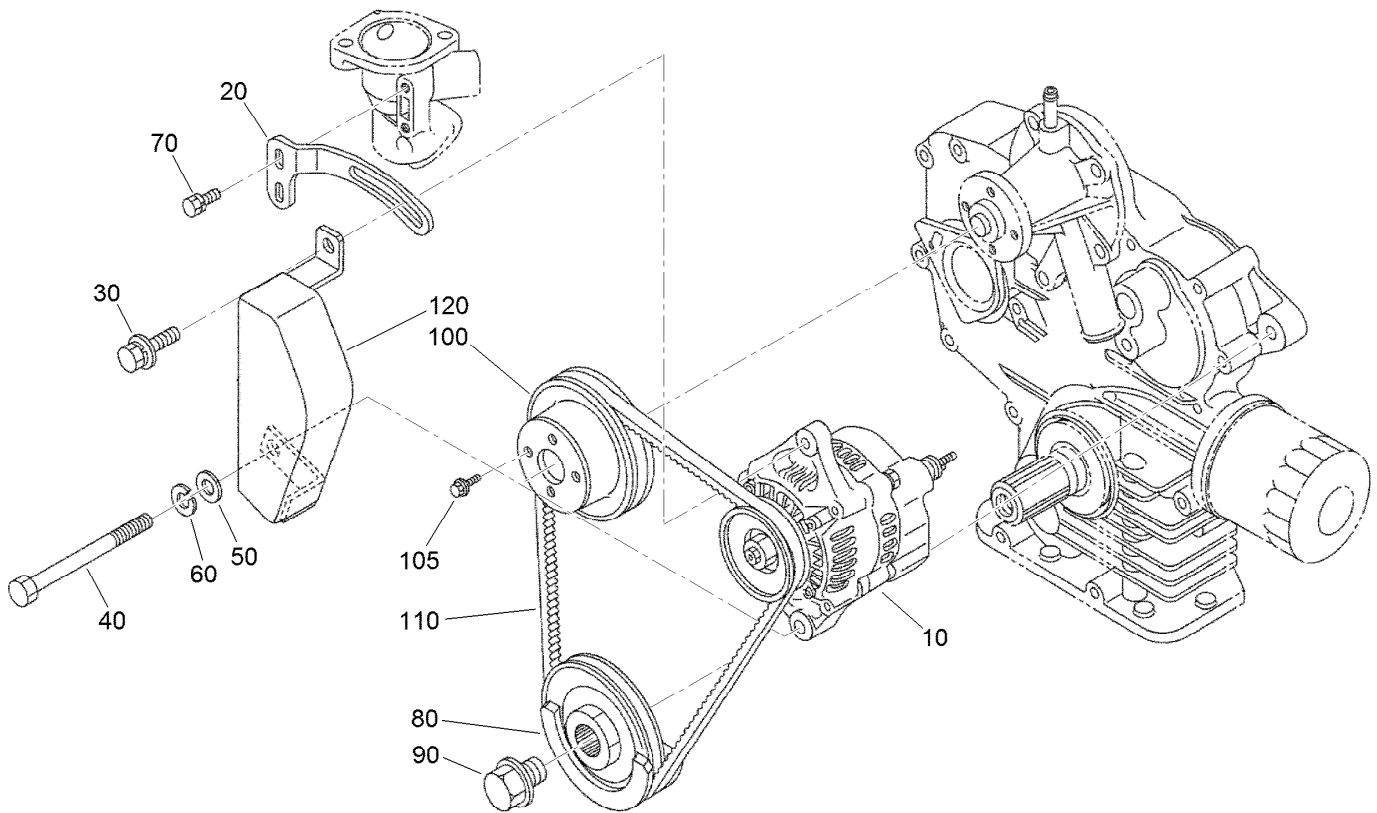
## Flywheel, Starter and Sensor Switch Assembly

| <i>Ref.</i> | <i>Part Number</i> | <i>Qty.</i> | <i>Description</i>             |
|-------------|--------------------|-------------|--------------------------------|
| 10          | 125-9153           | 1           | Flywheel ASM                   |
| 20          | 105-3722           | 1           | Gear-Ring                      |
| 30          | 125-9051           | 5           | Bolt-Flywheel                  |
| 40          | 145-2653           | 1           | Rear End Plate Replacement Kit |
| 50          | 110-3754           | 10          | Bolt                           |
| 60          | 125-9103           | 1           | Sensor Stick ASM               |
| 70          | 125-9094           | 1           | Bolt-Flange                    |
| 80          | 125-9144           | 1           | Holder-Sensor                  |
| 90          | 108-2873           | 1           | Bolt-Flange                    |
| 100         | 110-3800           | 1           | Starter ASM                    |
| 110         | 98-7697            | 2           | Bolt                           |
| 120         | 98-7534            | 2           | Nut                            |
| 140         | 98-7534            | 1           | Nut                            |
| 150         | 105-2893           | 1           | Washer-Spring                  |



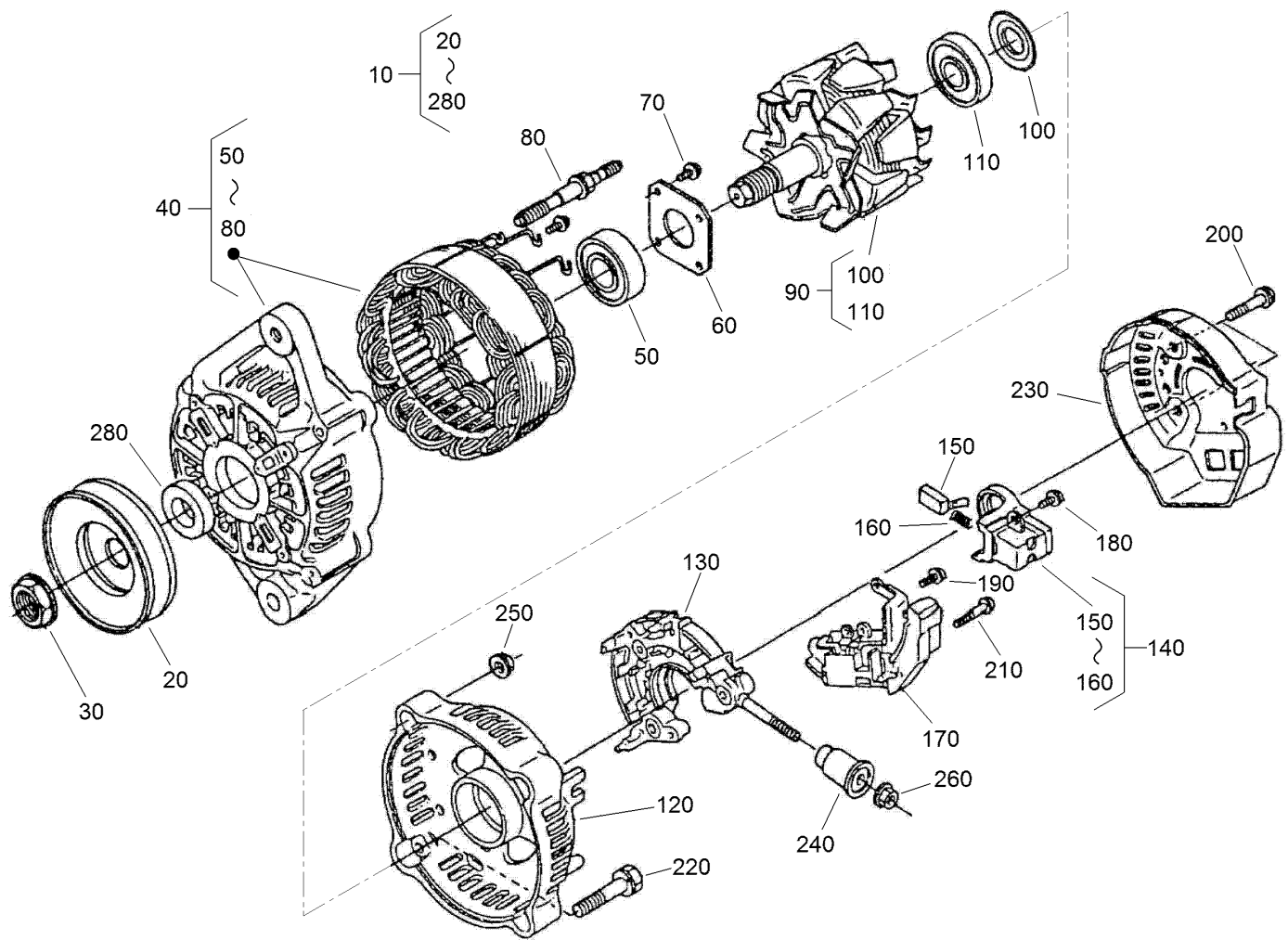
## Injection and Fuel Pump Covers Assembly

| <i>Ref.</i> | <i>Part Number</i> | <i>Qty.</i> | <i>Description</i> |
|-------------|--------------------|-------------|--------------------|
| 10          | 125-9098           | 1           | Cover              |
| 20          | 125-9105           | 1           | Gasket             |
| 30          | 99-8348            | 1           | Bolt               |
| 40          | 98-7654            | 1           | Gasket             |
| 50          | 98-9350            | 3           | Bolt               |
| 60          | 99-3514            | 1           | Cover              |
| 70          | 98-9636            | 1           | Gasket-Pump, Fuel  |
| 80          | 98-7692            | 2           | Bolt               |



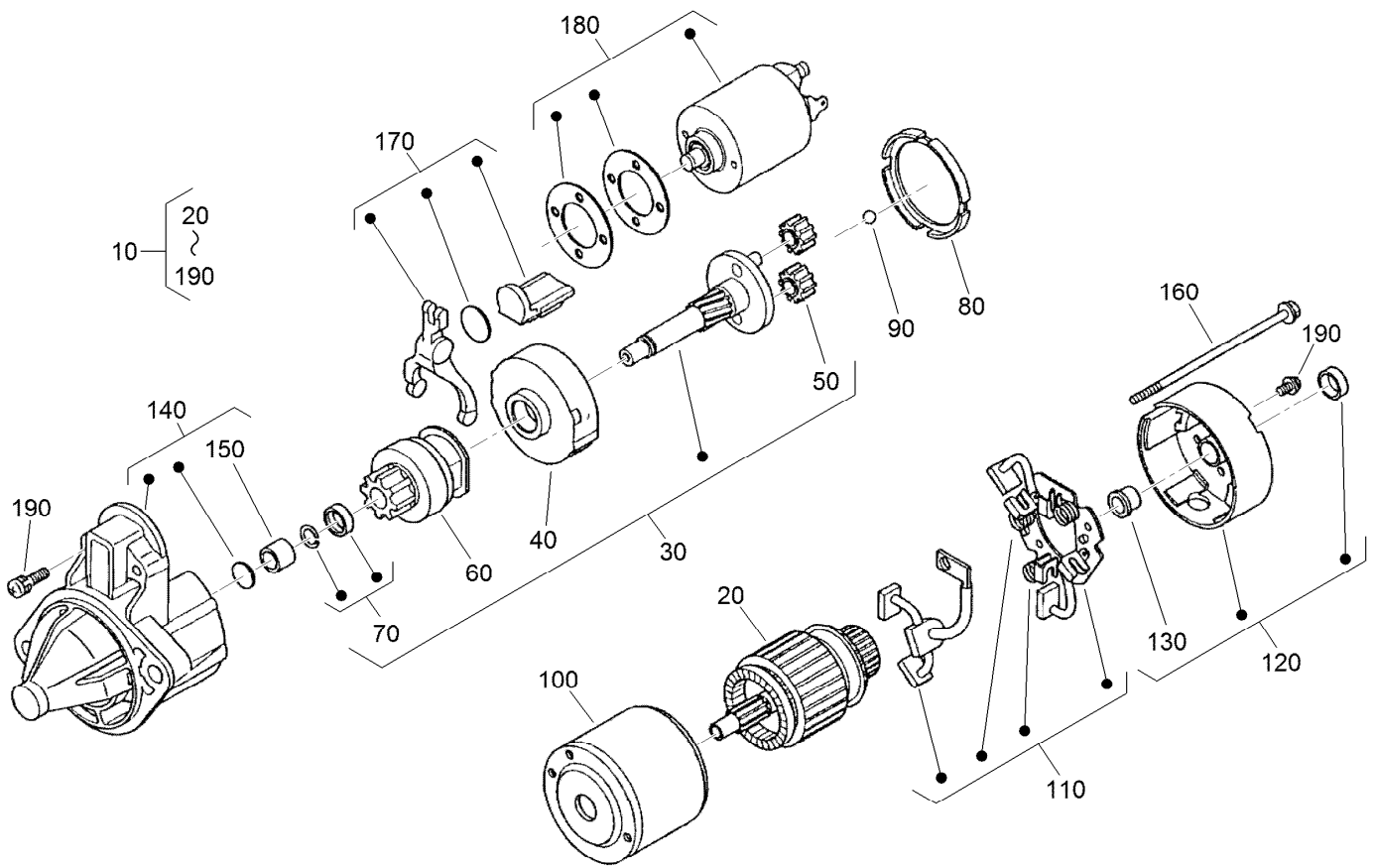
## Alternator and Pulley Assembly

| <i>Ref.</i> | <i>Part Number</i> | <i>Qty.</i> | <i>Description</i>    |
|-------------|--------------------|-------------|-----------------------|
| 10          | 117-5541           | 1           | 60 Amp Alternator ASM |
| 20          | 117-0314           | 1           | Stay-Alternator       |
| 30          | 121-3800           | 1           | Bolt-Sems             |
| 40          | 125-9091           | 1           | Bolt-Hex              |
| 50          | 120-5832           | 1           | Washer-Plain          |
| 60          | 105-2893           | 1           | Washer-Spring         |
| 70          | 98-7692            | 2           | Bolt                  |
| 80          | 100-1921           | 1           | Pulley-Fan            |
| 90          | 100-1978           | 1           | Bolt                  |
| 100         | 125-9154           | 1           | Pulley-Drive, Fan     |
| 105         | 99-8363            | 4           | Bolt-Flange           |
| 110         | 110-3796           | 1           | Belt-V                |
| 120         | 117-0315           | 1           | Cover-Alternator      |



## Alternator Components Assembly

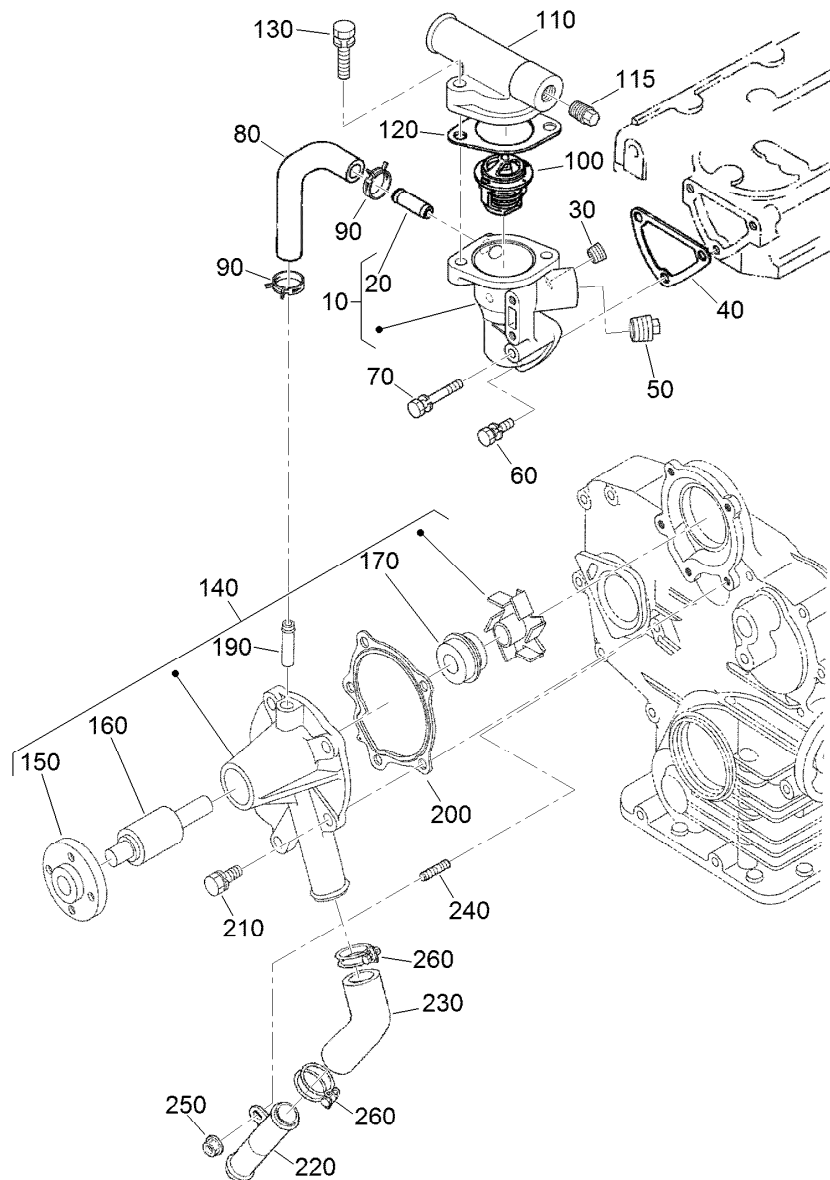
| Ref. | Part Number | Qty. | Description           | Ref. | Part Number | Qty. | Description       |
|------|-------------|------|-----------------------|------|-------------|------|-------------------|
| 10   | 117-5541    | 1    | 60 Amp Alternator ASM | 150  | 98-7724     | 2    | Brush             |
| 20   | 98-9453     | 1    | Pulley-Dynamo         | 160  | 98-7725     | 2    | Spring-Brush      |
| 30   | 98-7708     | 1    | Nut                   | 170  | 117-0319    | 1    | Regulator ASM     |
| 40   | 117-0316    | 1    | Drive End Frame ASM   | 180  | 98-7727     | 6    | Screw-Head, Round |
| 50   | 133-2811    | 1    | Bearing               | 190  | 98-7728     | 1    | Screw-Head, Round |
| 60   | 98-7715     | 1    | Plate-Retainer        | 200  | 98-7729     | 3    | Bolt              |
| 70   | 98-7716     | 4    | Screw-Head, Round     | 210  | 98-7726     | 2    | Screw-Head, Round |
| 80   | 98-7717     | 2    | Bolt-Through          | 220  | 98-7731     | 2    | Bolt              |
| 90   | 117-0317    | 1    | Rotor ASM             | 230  | 117-0320    | 1    | Cover-End         |
| 100  | 98-7711     | 1    | Cover-Bearing         | 240  | 117-0321    | 1    | Insulation-Brush  |
| 110  | 107-0138    | 1    | Bearing-Ball          | 250  | 98-7730     | 2    | Nut               |
| 120  | 133-2813    | 1    | Frame-End             | 260  | 98-7732     | 1    | Nut               |
| 130  | 117-0322    | 1    | Holder                | 280  | 98-7709     | 1    | Collar            |
| 140  | 107-0141    | 1    | Brush Holder ASM      |      |             |      |                   |



## Starter Components Assembly

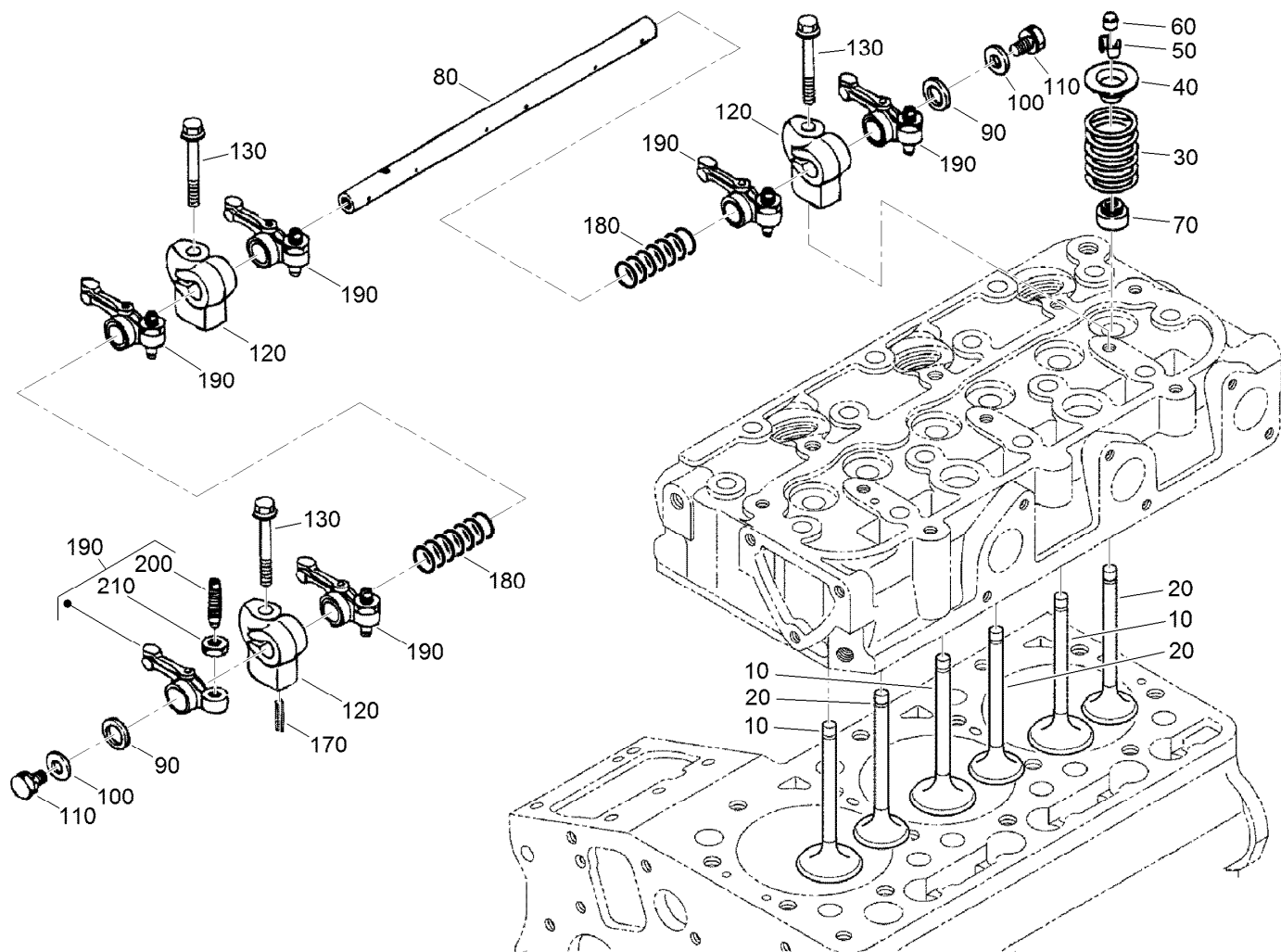
| <i>Ref.</i> | <i>Part Number</i> | <i>Qty.</i> | <i>Description</i>   | <i>Ref.</i> | <i>Part Number</i> | <i>Qty.</i> | <i>Description</i> |
|-------------|--------------------|-------------|----------------------|-------------|--------------------|-------------|--------------------|
| 10          | 110-3800           | 1           | Starter ASM          | 110         | 110-3810           | 1           | Brush Holder ASM   |
| 20          | 110-3801           | 1           | Armature             | 120         | 110-3811           | 1           | Rear Bracket ASM   |
| 30          | 110-3802           | 1           | Shaft ASM            | 130         | 110-3812           | 1           | Bushing            |
| 40          | 120-3142           | 1           | Gear-Internal        | 140         | 110-3813           | 1           | Front Bracket ASM  |
| 50          | 110-3804           | 3           | Gear-Planetary       | 150         | 110-3814           | 1           | Bushing            |
| 60          | 110-3805           | 1           | Clutch-Running, Over | 160         | 110-3815           | 2           | Bolt               |
| 70          | 110-3806           | 1           | Stopper              | 170         | 110-3816           | 1           | Fork Lever ASM     |
| 80          | 120-3143           | 1           | Gasket               | 180         | 125-9099           | 1           | Switch-Magnetic    |
| 90          | 110-3808           | 1           | Ball                 | 190         | 110-3818           | 1           | Screws (Set Of 4)  |
| 100         | 110-3809           | 1           | Yoke                 |             |                    |             |                    |





## Thermostat and Water Pump Assembly

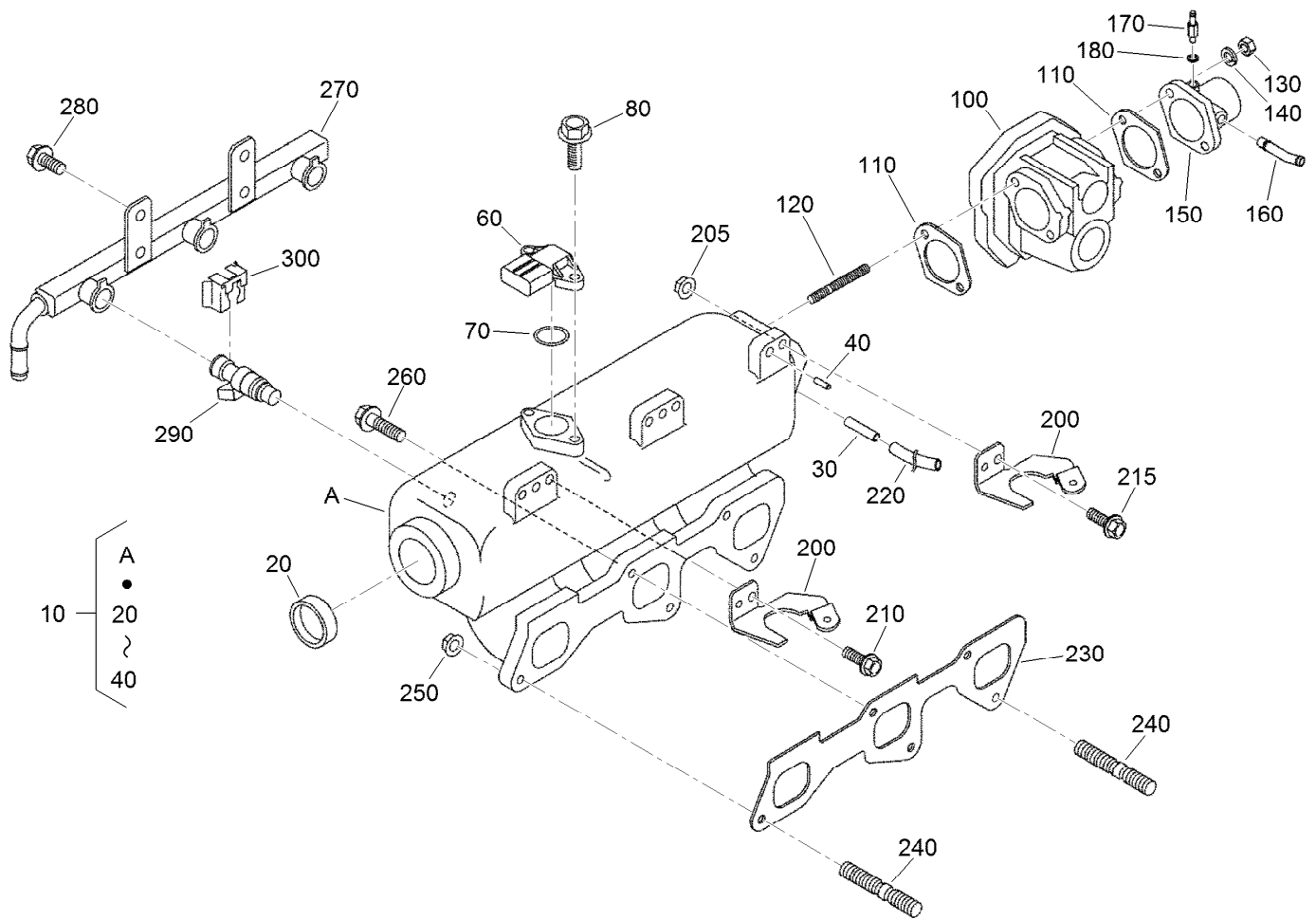
| <i>Ref.</i> | <i>Part Number</i> | <i>Qty.</i> | <i>Description</i>   | <i>Ref.</i> | <i>Part Number</i> | <i>Qty.</i> | <i>Description</i>  |
|-------------|--------------------|-------------|----------------------|-------------|--------------------|-------------|---------------------|
| 10          | 110-3819           | 1           | Water Flange ASM     | 130         | 98-7777            | 2           | Bolt                |
| 20          | 98-9580            | 1           | Pipe-Return, Water   | 140         | 110-3824           | 1           | Water Pump ASM      |
| 30          | 98-9444            | 1           | Plug                 | 150         | 100-1933           | 1           | Flange-Pump, Water  |
| 40          | 110-3820           | 1           | Gasket-Flange, Water | 160         | 100-1934           | 1           | Bearing-Ball        |
| 50          | 110-3821           | 1           | Plug                 | 170         | 99-3518            | 1           | Water Pump Seal ASM |
| 60          | 98-7692            | 2           | Bolt                 | 190         | 100-1932           | 1           | Pipe-Return, Water  |
| 70          | 105-3797           | 1           | Bolt                 | 200         | 117-0330           | 1           | Gasket-Pump, Water  |
| 80          | 110-3822           | 1           | Pipe-Return, Water   | 210         | 100-1750           | 4           | Bolt                |
| 90          | 125-9078           | 2           | Clamp-Hose           | 220         | 100-1918           | 1           | Pipe-Water          |
| 100         | 98-7778            | 1           | Thermostat ASM       | 230         | 110-3827           | 1           | Pipe-Water          |
| 110         | 120-7575           | 1           | Cover-Thermostat     | 240         | 100-1924           | 1           | Stud                |
| 115         | 125-9079           | 1           | Plug                 | 250         | 100-2203           | 1           | Nut-Flange          |
| 120         | 105-3748           | 1           | Gasket-Thermostat    | 260         | 110-3828           | 2           | Band-Pipe           |



## Valve and Rocker Arm Assembly

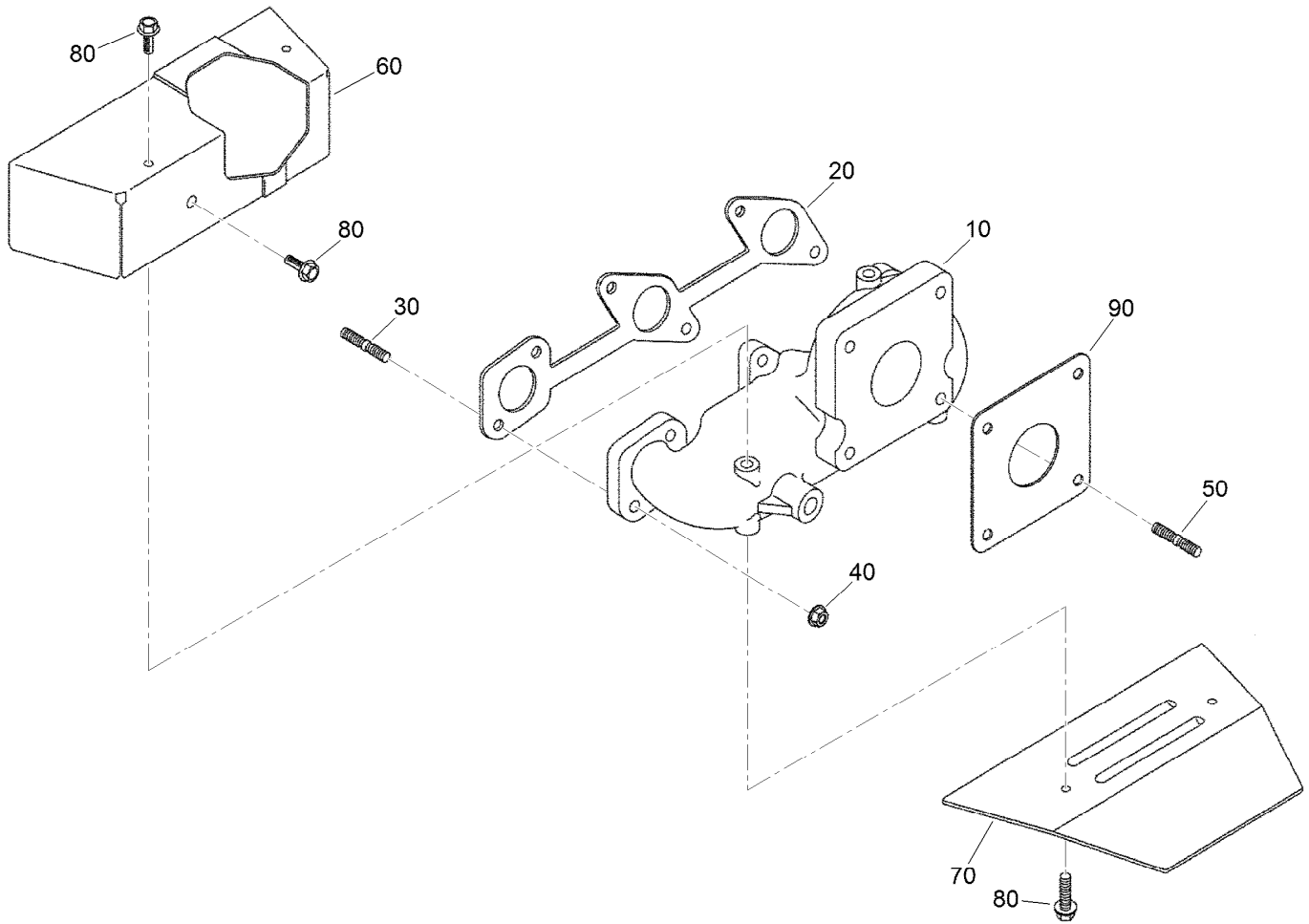
| Ref. | Part Number | Qty. | Description            |
|------|-------------|------|------------------------|
| 10   | 125-9106    | 3    | Valve-Inlet            |
| 20   | 125-9114    | 3    | Valve-Exhaust          |
| 30   | 100-1823    | 6    | Spring-Valve           |
| 40   | 100-1825    | 6    | Retainer-Spring, Valve |
| 50   | 120-3136    | 6    | Collet-Spring, Valve   |
| 60   | 100-2155    | 6    | Cap-Valve              |
| 70   | 125-9128    | 6    | Seal-Stem, Valve       |
| 80   | 110-3831    | 1    | Shaft-Arm, Rocker      |
| 90   | 100-2044    | 2    | Washer                 |

| Ref. | Part Number | Qty. | Description         |
|------|-------------|------|---------------------|
| 100  | 100-1927    | 2    | Washer-Plain        |
| 110  | 100-1762    | 2    | Bolt                |
| 120  | 110-3833    | 3    | Bracket-Arm, Rocker |
| 130  | 110-3834    | 3    | Bolt-Flange         |
| 170  | 98-7602     | 1    | Pin-Spring          |
| 180  | 110-3835    | 2    | Spring              |
| 190  | 100-1884    | 6    | Rocker Arm ASM      |
| 200  | 100-1885    | 6    | Screw-Adjusting     |
| 210  | 100-1827    | 6    | Nut                 |



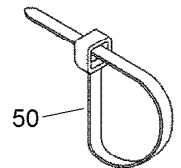
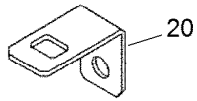
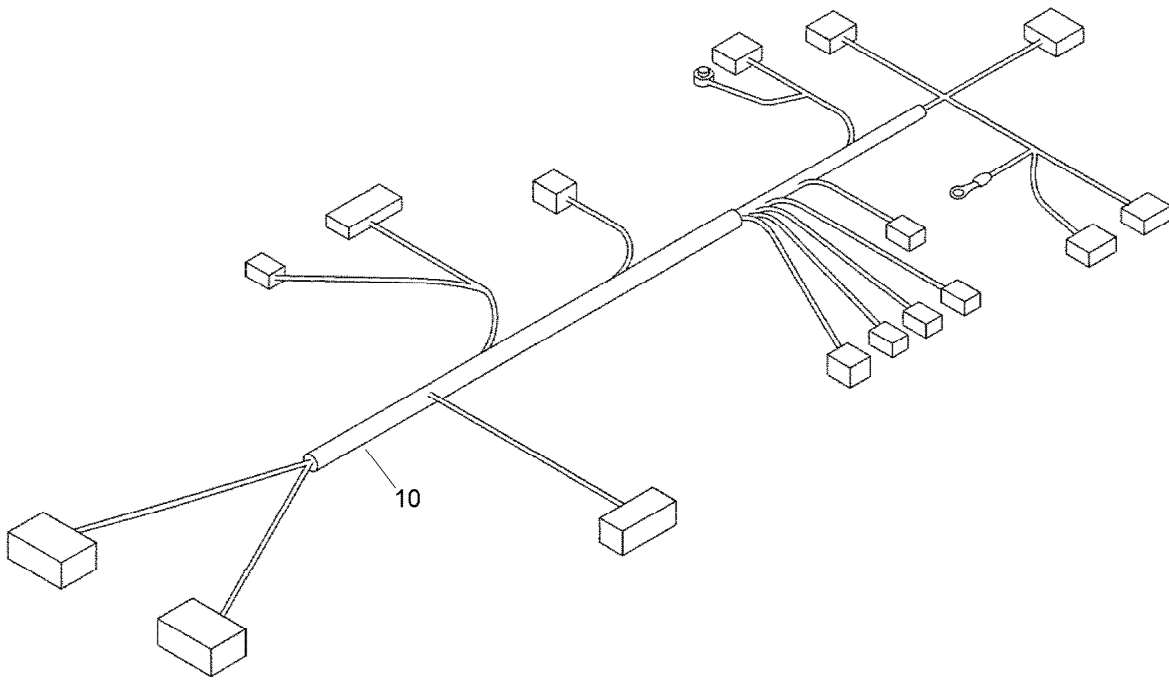
## Inlet Manifold Assembly

| <i>Ref.</i> | <i>Part Number</i> | <i>Qty.</i> | <i>Description</i>  | <i>Ref.</i> | <i>Part Number</i> | <i>Qty.</i> | <i>Description</i>      |
|-------------|--------------------|-------------|---------------------|-------------|--------------------|-------------|-------------------------|
| 10          | 125-9122           | 1           | Intake Manifold ASM | 180         | 98-7654            | 1           | Gasket                  |
| 20          | 98-7539            | 1           | Cap-Sealing         | 200         | 125-9146           | 3           | Stay-Coil, Ignition     |
| 30          | 125-9158           | 1           | Pin-Pipe            | 205         | 100-2203           | 1           | Nut-Flange              |
| 40          | 98-9375            | 3           | Pin-Straight        | 210         | 99-8363            | 2           | Bolt-Flange             |
| 60          | 125-9110           | 1           | Sensor (Tmap)       | 215         | 105-3789           | 1           | Bolt                    |
| 70          | 125-9112           | 1           | O Ring              | 220         | 125-9097           | 1           | Tube-Fuel               |
| 80          | 125-9111           | 2           | Bolt-Flange         | 230         | 125-9123           | 1           | Gasket-Manifold, Intake |
| 100         | 125-9136           | 1           | Throttle Body ASM   | 240         | 125-9092           | 2           | Stud                    |
| 110         | 125-9104           | 2           | Gasket-Cleaner, Air | 250         | 100-2203           | 2           | Nut-Flange              |
| 120         | 125-9093           | 2           | Stud                | 260         | 98-9352            | 3           | Bolt                    |
| 130         | 98-7534            | 2           | Nut                 | 270         | 125-9137           | 1           | Rail-Ignition, Fuel     |
| 140         | 105-2893           | 2           | Washer-Spring       | 280         | 98-7692            | 2           | Bolt                    |
| 150         | 125-9121           | 1           | Flange-Cleaner, Air | 290         | 125-9107           | 3           | Injector                |
| 160         | 110-3837           | 1           | Pipe-Breather       | 300         | 125-9138           | 3           | Stopper-Injector        |
| 170         | 98-9431            | 1           | Screw-Bleeder, Air  |             |                    |             |                         |



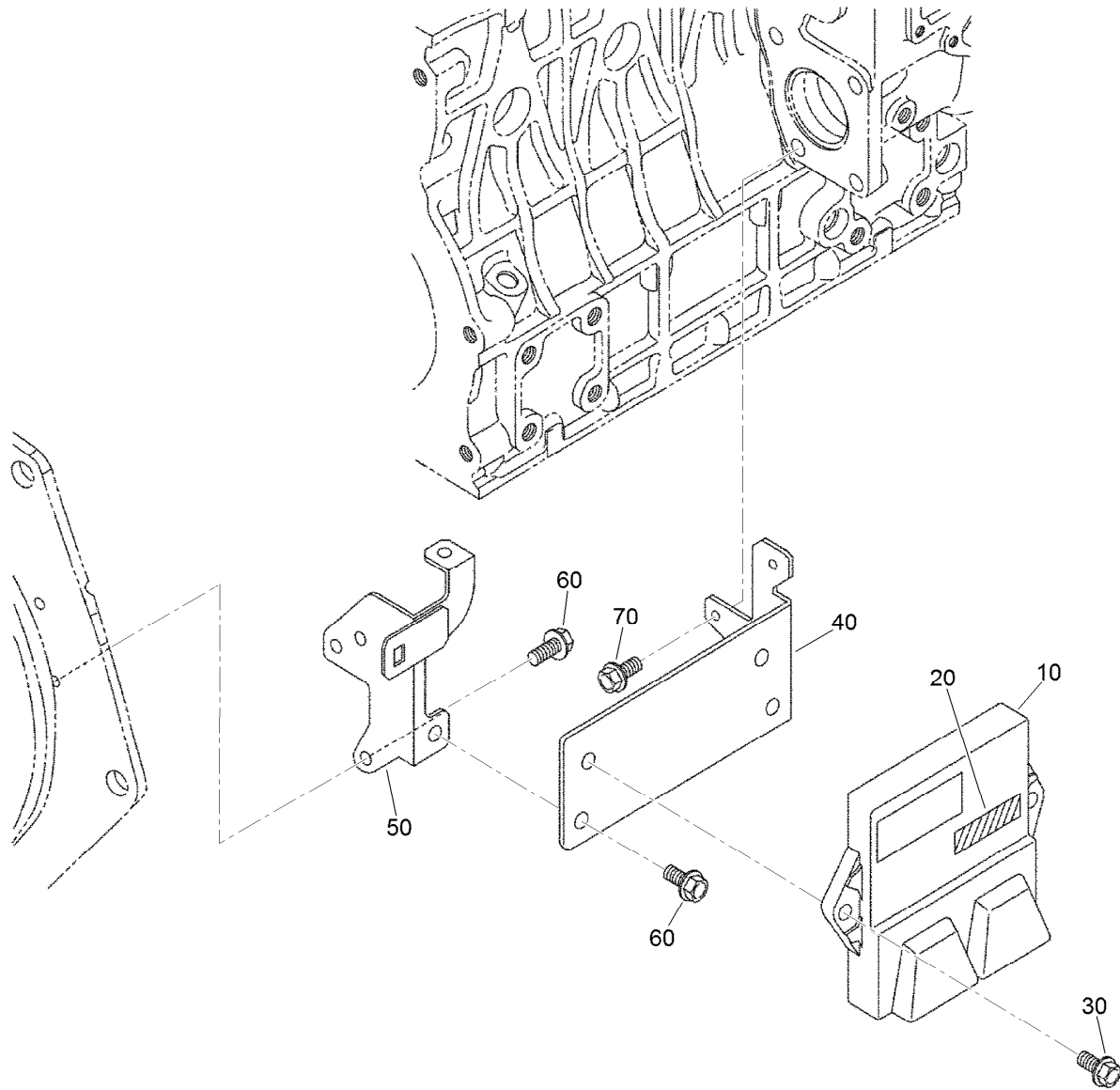
## Exhaust Manifold Assembly

| Ref. | Part Number | Qty. | Description              |
|------|-------------|------|--------------------------|
| 10   | 125-9125    | 1    | Manifold-Exhaust         |
| 20   | 110-3840    | 1    | Gasket-Manifold, Exhaust |
| 30   | 125-9149    | 6    | Bolt-Stud                |
| 40   | 100-1778    | 6    | Nut                      |
| 50   | 125-9100    | 4    | Stud                     |
| 60   | 125-9126    | 1    | Cover-Upper              |
| 70   | 125-9127    | 1    | Cover-Lower              |
| 80   | 125-9090    | 5    | Bolt                     |
| 90   | 125-9108    | 1    | Gasket-Muffler           |



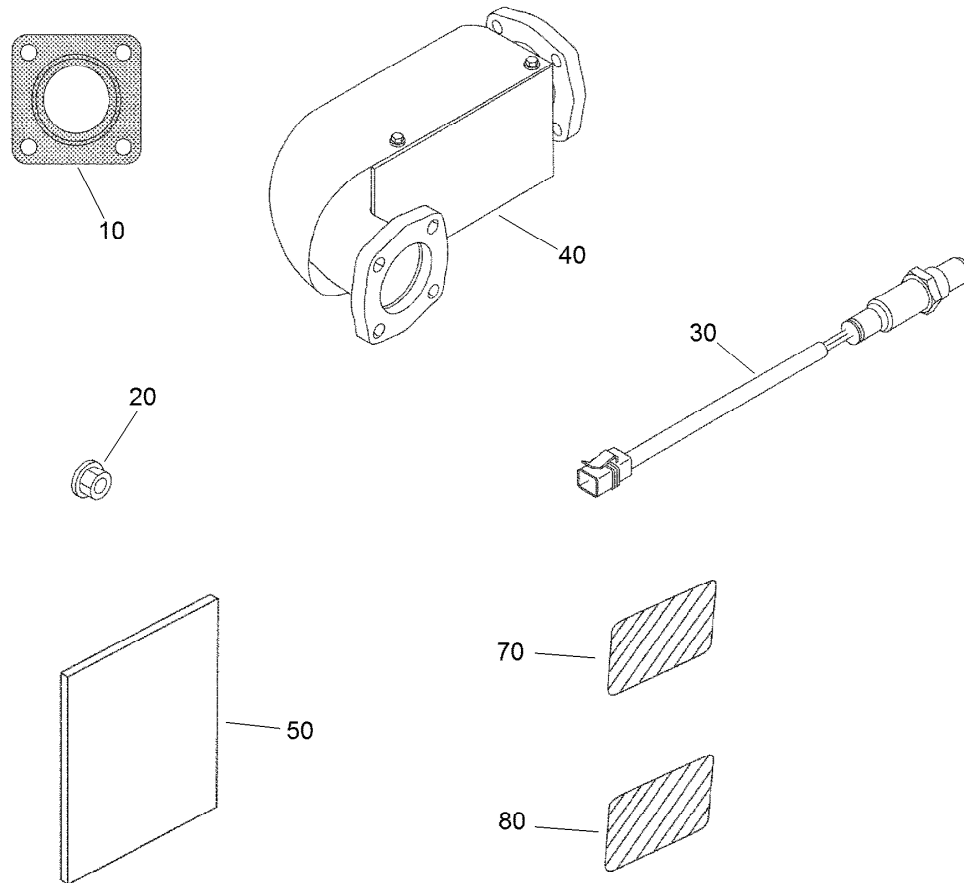
## Wire Harness Assembly

| <i>Ref.</i> | <i>Part Number</i> | <i>Qty.</i> | <i>Description</i>  |
|-------------|--------------------|-------------|---------------------|
| 10          | 125-9143           | 1           | Harness-Wire, E C U |
| 20          | 125-9157           | 1           | Stay-Boom, Harness  |
| 30          | 115-8504           | 1           | Bolt-Flange         |
| 50          | 125-9101           | 2           | Band-Cord           |



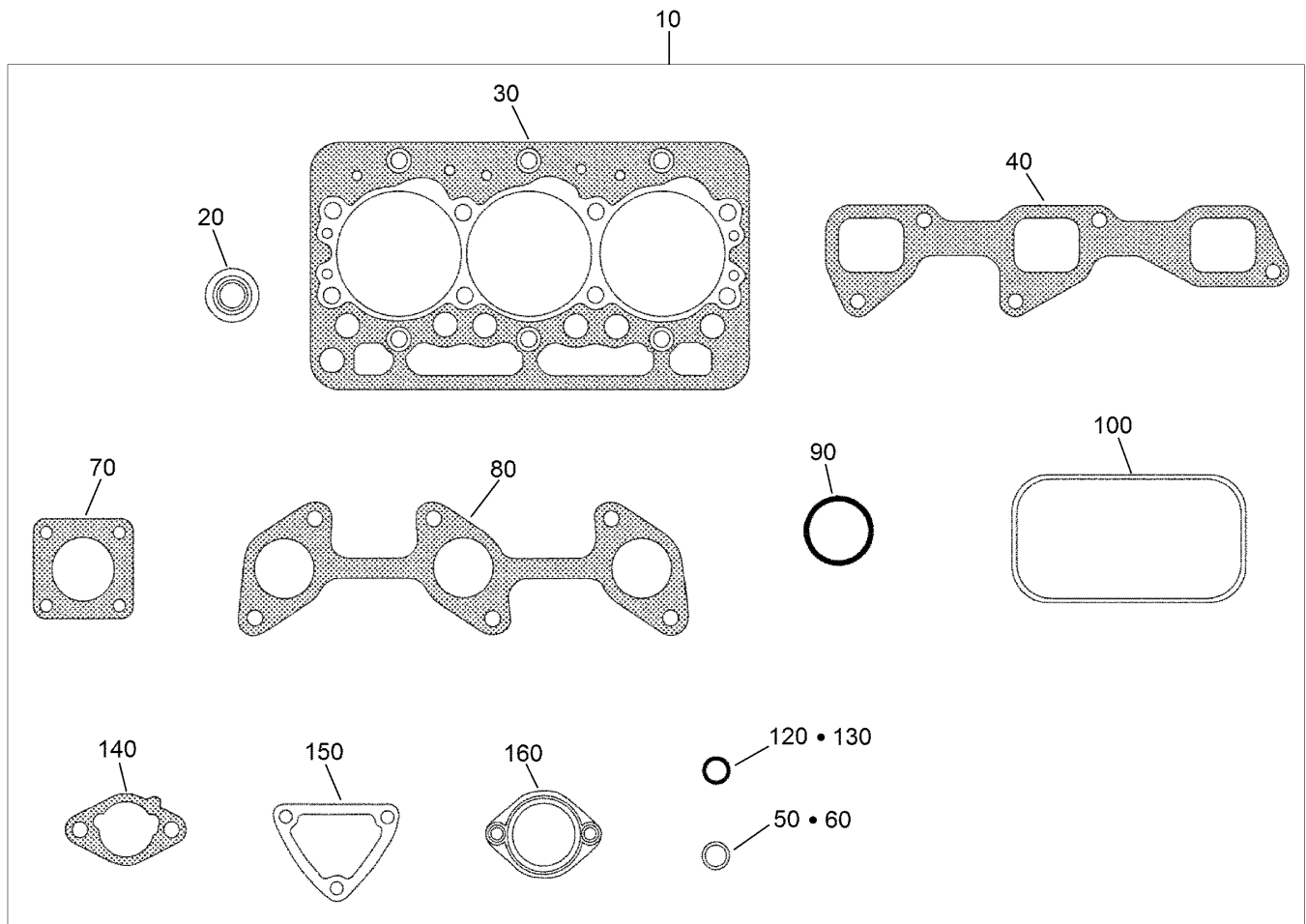
## Electronic Control Unit Assembly

| <i>Ref.</i> | <i>Part Number</i> | <i>Qty.</i> | <i>Description</i> |
|-------------|--------------------|-------------|--------------------|
| 10          | 125-9156           | 1           | E C U ASM          |
| 20          | 125-9147           | 1           | Label              |
| 30          | 108-2873           | 2           | Bolt-Flange        |
| 40          | 125-9140           | 1           | Stay-E C U         |
| 50          | 125-9141           | 1           | Stay-E C U         |
| 60          | 100-1774           | 3           | Bolt-Flange        |
| 70          | 115-8504           | 2           | Bolt-Flange        |



## Operator Manual and Miscellaneous Engine Parts

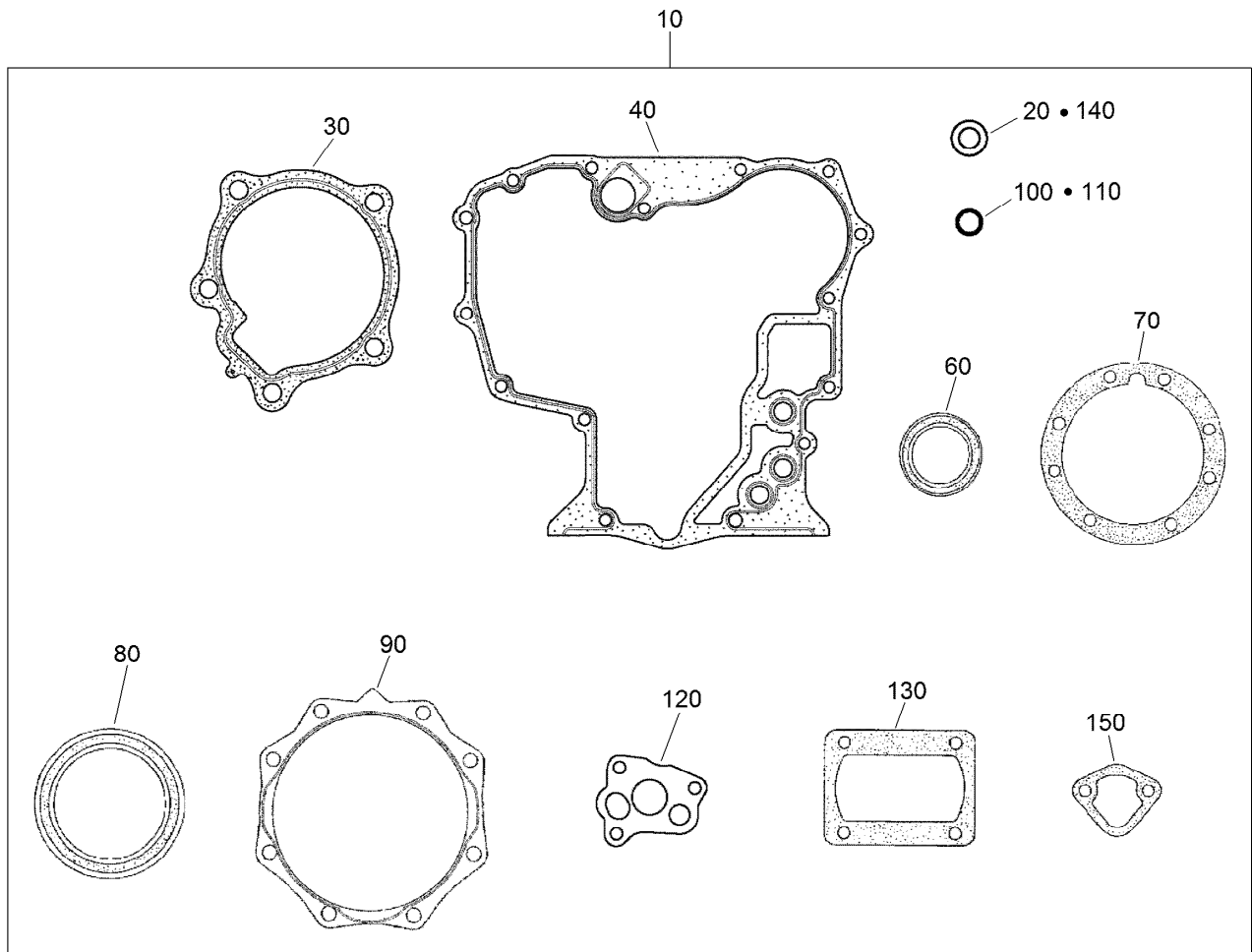
| <i>Ref.</i> | <i>Part Number</i> | <i>Qty.</i> | <i>Description</i>               |
|-------------|--------------------|-------------|----------------------------------|
| 10          | 125-9108           | 1           | Gasket-Muffler                   |
| 20          | 125-9095           | 4           | Nut                              |
| 30          | 121-3511           | 1           | Sensor-O2 F/W                    |
| 40          | 125-9118           | 1           | Converter-Catalytic (F/W Engine) |
| 50          | 125-9148           | 1           | Operator Manual                  |
| 70          | 110-0806           | 1           | Decal-Caution                    |
| 80          | 110-3843           | 1           | Label-Instruction                |



## Upper Engine Gasket Kit

| Ref. | Part Number | Qty. | Description              |
|------|-------------|------|--------------------------|
| 10   | 125-9150    | 1    | Upper Gasket Kit         |
| 20   | 125-9128    | 6    | Seal-Stem, Valve         |
| 30   | 125-9113    | 1    | Gasket-Head              |
| 40   | 125-9123    | 1    | Gasket-Manifold, Intake  |
| 50   | 125-9112    | 1    | O Ring                   |
| 60   | 99-3446     | 1    | O-Ring                   |
| 70   | 125-9108    | 1    | Gasket-Muffler           |
| 80   | 110-3840    | 1    | Gasket-Manifold, Exhaust |
| 90   | 110-3846    | 1    | O Ring-Breather          |
| 100  | 125-9130    | 1    | Gasket-Cover, Head       |
| 120  | 125-9096    | 1    | Gasket                   |
| 130  | 98-7654     | 1    | Gasket                   |
| 140  | 125-9104    | 2    | Gasket-Cleaner, Air      |
| 150  | 110-3820    | 1    | Gasket-Flange, Water     |
| 160  | 105-3748    | 1    | Gasket-Thermostat        |





## Lower Engine Gasket Kit

| <i>Ref.</i> | <i>Part Number</i> | <i>Qty.</i> | <i>Description</i>   |
|-------------|--------------------|-------------|----------------------|
| 10          | 125-9155           | 1           | Lower Gasket Kit     |
| 20          | 98-7524            | 1           | Gasket               |
| 30          | 117-0330           | 1           | Gasket-Pump, Water   |
| 40          | 117-0327           | 1           | Gasket-Case, Gear    |
| 60          | 120-7852           | 1           | Seal-Oil             |
| 70          | 100-1873           | 1           | Gasket-Case, Bearing |
| 80          | 110-3724           | 1           | Seal-Oil             |
| 90          | 100-1876           | 1           | Gasket-Cover, Case   |
| 100         | 100-2209           | 1           | O-Ring               |
| 110         | 105-3776           | 1           | O-Ring               |
| 120         | 100-2003           | 1           | Gasket-Pump, Oil     |
| 130         | 125-9105           | 1           | Gasket               |
| 140         | 98-7654            | 1           | Gasket               |
| 150         | 98-9636            | 1           | Gasket-Pump, Fuel    |

# Attachments and Accessories

## For 07384 Workman HDX Utility Vehicle with Bed

| Product Name   | Model/Part  |
|--|-------------|
| Hitch Pin .....  | 100-4523    |
| Pro Sweep Turf Sweeper .....   | 07068       |
| Jack Stand .....   | 105-9482-03 |
| High-Flow Hydraulic Kit .....  | 07316       |
| Spreader Base Unit .....   | 41253       |
| Vicon Spreader .....   | 41256       |
| Backup Alarm Kit .....   | 127-8729    |
| Bed Liner .....  | 07331       |
| Work Light Kit .....   | 130-5485    |
| Beacon Kit .....   | 130-5484    |
| Topdresser 1800 .....  | 44225       |
| Exterior Mirror Kit .....  | 130-5448    |
| Topdresser 1800 Lift Kit .....   | 92-4452     |
| Interior Mirror Kit .....  | 130-5449    |
| Windshield Washer Fluid Kit, 2015 and after Workman MD/HD Series Utility Vehicle .....             | 130-5615    |
| MVP Kit 400hr Workman HDX(07386)2013+ .....  | 30248       |
| Topdresser 2500 .....  | 44507       |
| Core Harvester Adapter Kit .....   | 44242       |
| Synthetic Turf Conditioner, Tow-Behind Accessory .....   | 08791       |
| Spark Arrestor Screen .....  | 94-8157     |
| Rear PTO Kit .....   | 07419       |
| Brake and Signal LED Light Kit, Serial number 410500000 and After Workman HD Utility Vehicle ..... | 145-2296    |
| Multi Pro WM Turf Sprayer .....  | 41240       |
| Hitch ASM .....  | 131-3462    |
| Cab Kit .....  | 07392       |
| Door Kit with Sliding Window .....   | 07393       |
| Heater Kit .....   | 07349       |
| Premium All Purpose Grease (Tube) .....  | 108-1190    |
| 12 Inch Rear Wheel Weights .....   | 81115       |
| Worklight Kit .....  | 117-4827    |
| Backup Alarm Kit .....   | 107-8037    |
| High Air Intake Kit .....  | 121-6285    |
| Side Mirror Kit .....  | 115-7849    |
| Horn Kit .....   | 115-7825    |
| Tailpipe Extension Kit .....   | 127-7397    |
| LED Worklight Kit .....  | 133-0554    |
| ROPS Beacon Kit .....  | 133-0609    |
| PTO Over Running Clutch Kit .....  | 92-2655     |
| Fuse Block .....   | 92-2641     |
| 1/3 Area Cover Kit .....   | 127-8739    |
| Remote Hydraulic Float Kit .....   | 117-4828    |
| Canopy .....   | 07372       |
| Windshield .....   | 07373       |
| Wireless Hourmeter .....   | 115-4754    |
| Door Mount Mirror Kit .....  | 136-1997    |

## Attachments and Accessories (continued)

|   |          |
|---|----------|
| Premium ATF (Drum).....   | 108-1185 |
| Premium ATF (Pail) .....  | 108-1186 |
| Remote Hydraulics Manifold Kit.....   | 110-2626 |
| 4 Post Roll-Over Protection System.....   | 07378    |
| Small Seat Cover.....   | 131-6690 |
| Receiver Hitch Kit .....  | 117-4831 |
| Trailer Signal Kit .....  | 117-4836 |
| Trailer Brake Kit.....  | 125-0123 |
| Tire/Wheel ASM (24 X 13-12).....  | 131-8432 |
| External Antenna Kit, Wireless Hourmeter System.....                                  | 115-9524 |
| Base Station Kit, Wireless Hourmeter System .....                                     | 115-9542 |
| Repeater Kit, Wireless Hourmeter System .....   | 115-9543 |
| Canopy for Four-Post Roll-Over Protection System Kit.....                             | 119-9457 |
| Tire-Rear, Industrial .....   | 99-1091  |
| Wheel-12in x 8.0in .....  | 114-8260 |
| Road Light and Homologation Kit .....   | 120-5030 |
| ProPass 200 Top Dresser with Twin Spinner and Wireless Control .....                  | 44751    |
| ProPass 200 Top Dresser with Twin Spinner .....                                       | 44701    |
| Pro Force Debris Blower.....  | 44553    |
| Pro Force Debris Blower.....  | 44552    |
| Aggressive Tire Kit.....  | 07422    |
| Bracket-light, Canopy .....   | 133-0627 |
| Pro Force Debris Blower.....  | 44554    |
| Wheel/Tire ASM, A404 (20X9-12)Smooth .....  | 136-6334 |
| Wheel/Tire ASM, A404 (24X12-12)Smooth .....   | 136-6335 |
| Wheel/Tire ASM, A502 (20X9-12)Semi-Aggressive .....                                   | 136-6308 |
| Wheel/Tire ASM, K502 (24X12-12)Semi-Aggressive.....                                   | 136-6309 |
| Hand Throttle Kit, Serial Number 400000000 and After Workman HDX Utility Vehicle..... | 07408    |
| Wireless Hourmeter Kit.....   | 138-5655 |



**Count on it.**