



**Count on it.**

**Parts Catalog**

**SnowMaster® 724 QXE  
Snowthrower**

Model No. 36002—Serial No. 416000000 and Up



# Ordering Replacement Parts

To order replacement parts, please supply the part number, the quantity, and the description of each part desired.

## Understanding Reference Numbers

Each identified part in an illustration has a reference number. The reference number for a part also appears in the parts list, along with other information about the part.

This catalog uses two special reference number formats, one to indicate parts in a service assembly and another to indicate the quantity of a given part in an illustration.

## Service Assembly Reference Numbers

Parts in service assemblies have reference numbers in the form a:b. The a represents the reference number of the entire service assembly and the b represents a sequential number unique to each part within the service assembly.

For example, a wheel assembly might be identified by reference number 6, the tire by 6:1, the valve by 6:2, and the wheel by 6:3. When you order the assembly identified by reference number 6, you receive all parts identified by reference numbers 6:1, 6:2, and 6:3. However, you may also order any part individually. Reference numbers of this type appear in illustration and in parts lists.

## Reference Numbers Indicating Quantity

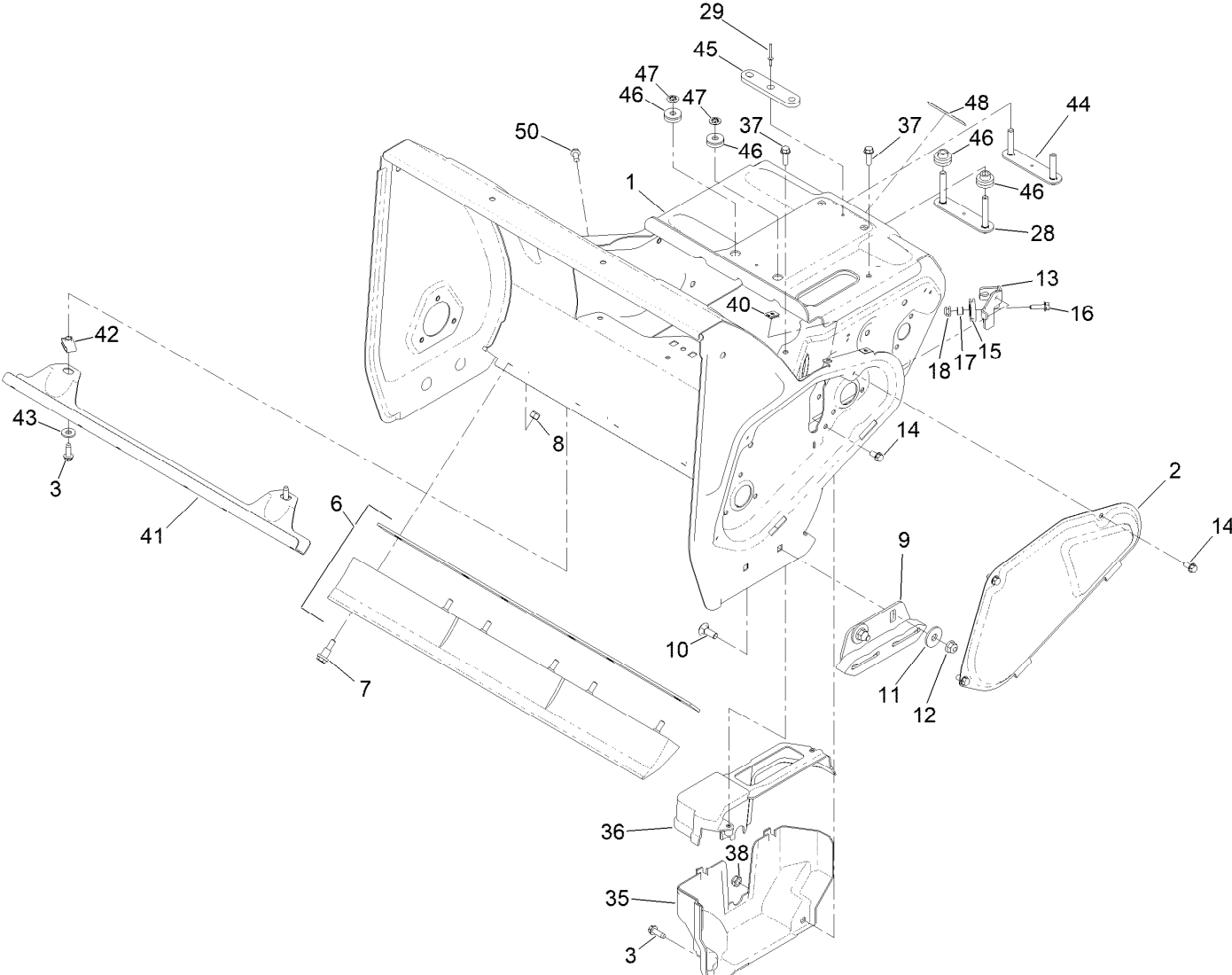
In an illustration, if a reference number indicates more than one part, the reference number has the form nX y. The n represents the quantity of the part, the X is the multiplication symbol, and the y represents the reference number.

For example, in an illustration, the reference number 2X 37 means that two of the parts identified by reference number 37 are indicated.

# Contents

Main Frame Assembly . . . . .	4
Rotor Assembly . . . . .	6
Rotor Drive Assembly . . . . .	8
Transmission, Drive and Tire Assembly . . . . .	10
Engine Assembly . . . . .	12
Fuel System and Carburetor Assembly . . . . .	14
Intake and Exhaust Assembly . . . . .	16
Ignition and Electrical Assembly . . . . .	18
Crankcase Assembly . . . . .	20
Governor Assembly . . . . .	22
Piston and Head Assembly . . . . .	24
Blower Housing and Shrouds Assembly . . . . .	26
Engine Decal Assembly . . . . .	28
Chute Assembly . . . . .	30
Chute Control Lever Assembly . . . . .	32
Handle and Control Assembly . . . . .	34
Attachments and Accessories . . . . .	36

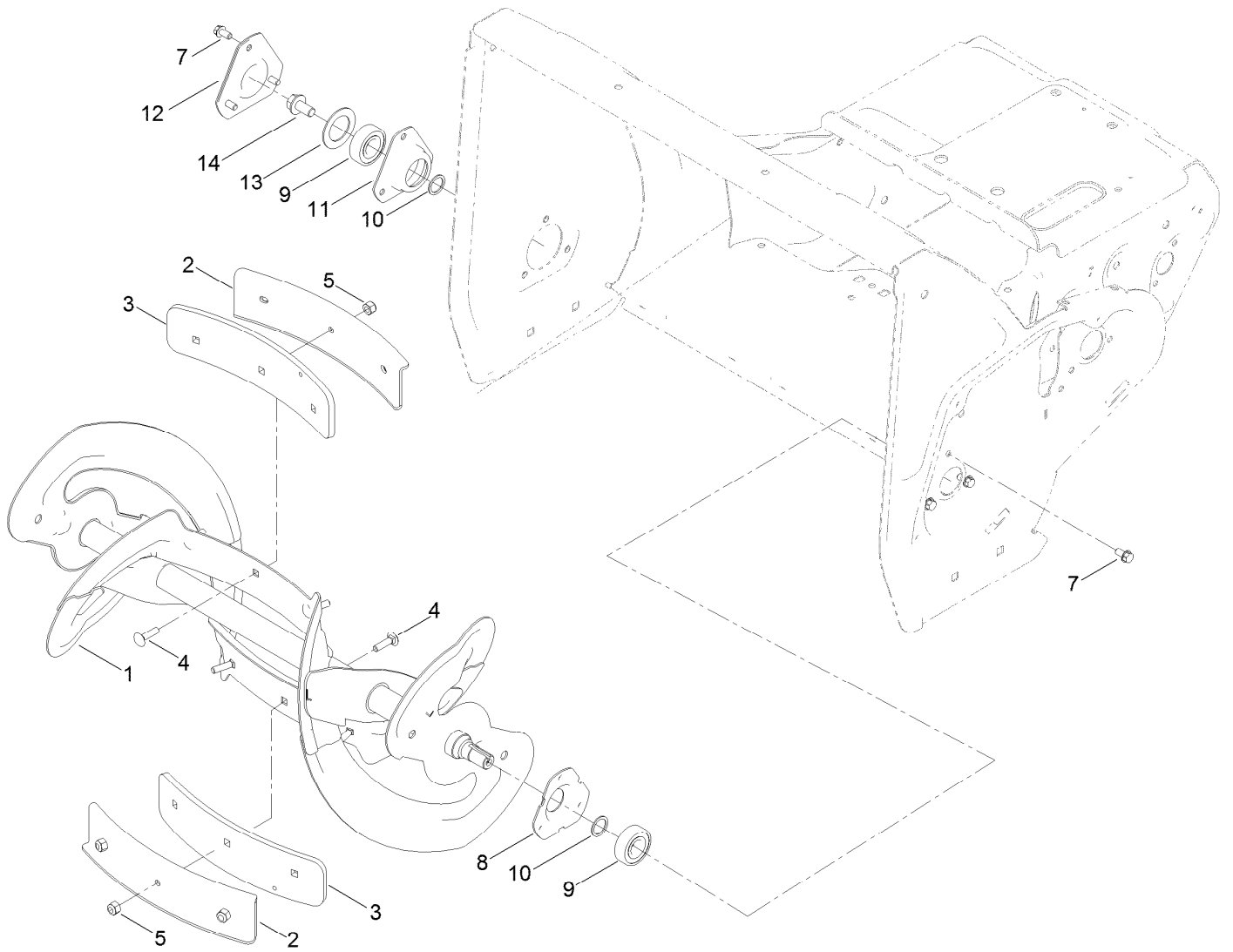
# Main Frame Assembly



## Main Frame Assembly (continued)

<i>Ref.</i>	<i>Part Number</i>	<i>Qty.</i>	<i>Description</i>	<i>Ref.</i>	<i>Part Number</i>	<i>Qty.</i>	<i>Description</i>
1	130-9550-01	1	Frame	28	136-7172	1	Plate-Stud, Front
2	130-9581-01	1	Cover-Belt	29	923786	1	Rivet
3	49-2040	3	Screw-HWHTF	35	131-1763	1	Cover-Belt, Lower
6	130-9628	1	Scraper ASM	36	131-1764	1	Cover-Belt, Upper
7	104-0858	6	Bolt-Shoulder	37	46-8091	2	Screw-HWH
8	3296-42	6	Nut-Lock, NI	38	3296-47	1	Nut-Lock,NI
9	130-9619	2	Skid ASM	40	107-1013	2	Nut-Speed
10	3230-16	4	Screw-CARR	41	131-1797-01	1	Support-Frame, Lower
11	52-2861	4	Washer	42	107069	2	Clip
12	104-8300	4	Nut-HF, NI	43	3256-2	2	Washer-Flat
13	131-1793-03	1	Bracket-Cable	44	136-7177	1	Plate-Stud, Rear
14	32144-4	4	Screw-HWH	45	131-5944-01	1	Plate-Spacer
15	95-7949	1	Cable-Pulley	46	131-5945	2	Isolator-Engine
16	115-5103	1	Screw-HHF	47	109-5667	2	Nut-Push
17	55-9370	1	Spacer-Blade, Rotor	48	133-8061	1	Decal-Warning
18	104-7201	1	Nut-HF, NI	50	32144-85	1	Screw-HWH Thd Form

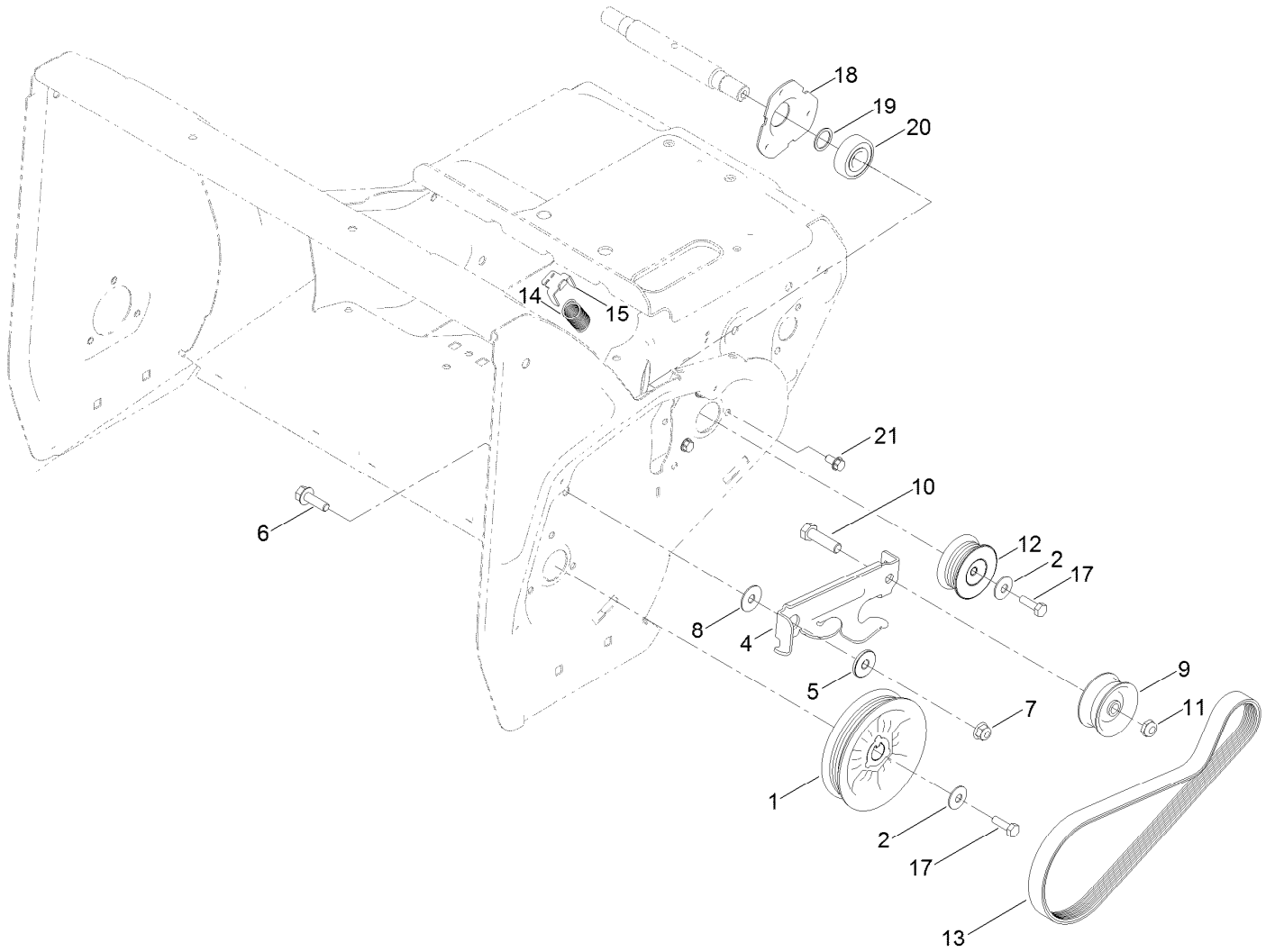
# Rotor Assembly



## Rotor Assembly (continued)

<i>Ref.</i>	<i>Part Number</i>	<i>Qty.</i>	<i>Description</i>	<i>Ref.</i>	<i>Part Number</i>	<i>Qty.</i>	<i>Description</i>
1	130-9571-03	1	Rotor ASM	9	38-7820	2	Bearing-Ball
2	130-9568-03	2	Support-Center, Rotor	10	52-7280	2	Washer-Thrust
3	130-9569	2	Paddle-Center	11	136-7169	1	Flange-Bearing
4	3229-2	6	Screw-CARR	12	130-9558-01	1	Cap-Bearing
5	3296-42	6	Nut-Lock, NI	13	131-5905	1	Washer-Rubber
7	32144-4	6	Screw-HWH	14	110-9380	1	Screw-HWH
8	136-7134	1	Flange-Bearing				

# Rotor Drive Assembly

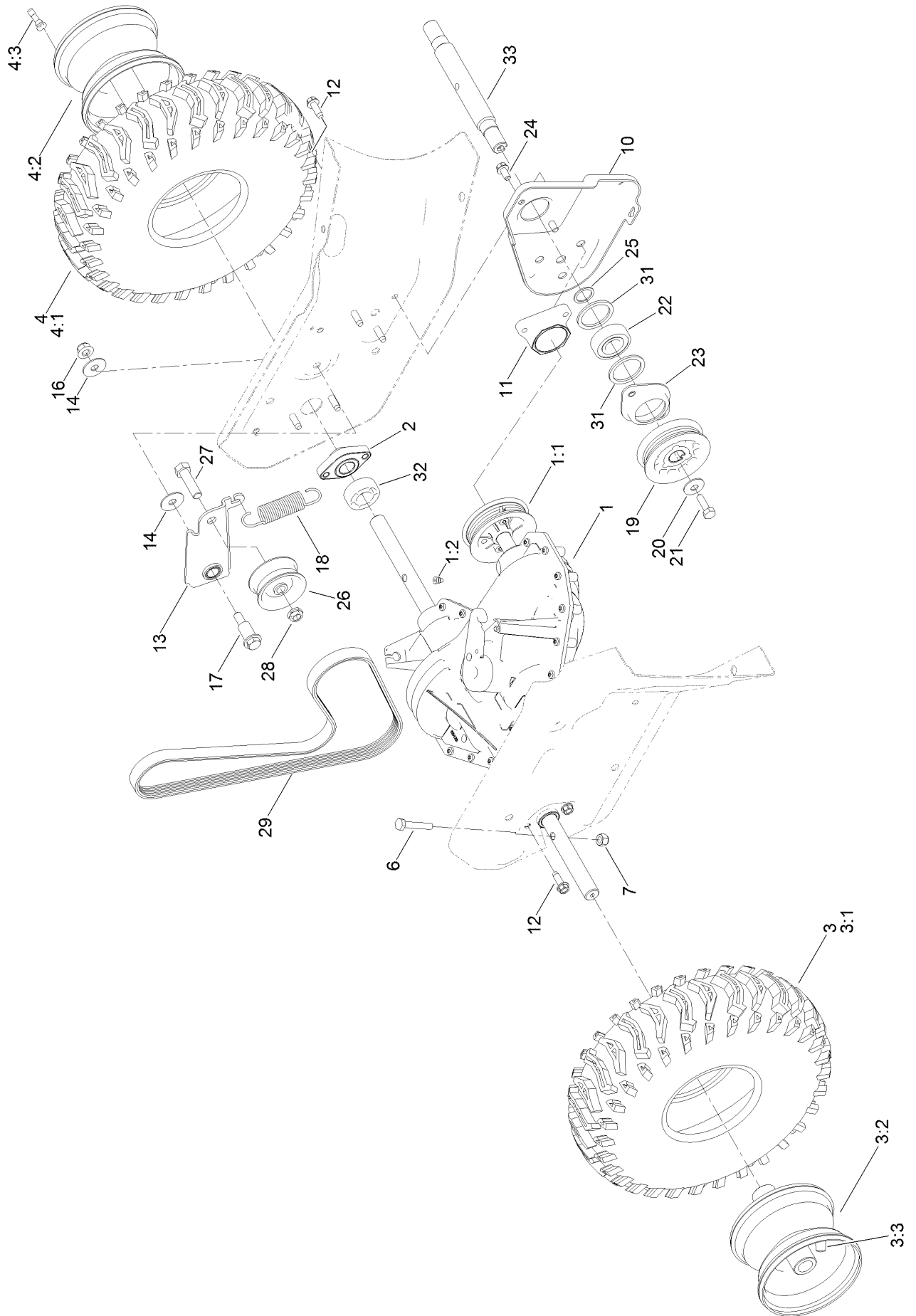




## Rotor Drive Assembly (continued)

<i>Ref.</i>	<i>Part Number</i>	<i>Qty.</i>	<i>Description</i>	<i>Ref.</i>	<i>Part Number</i>	<i>Qty.</i>	<i>Description</i>
1	130-9574	1	Pulley-Rotor	12	130-9577	1	Pulley-Jackshaft, Rotor
2	3290-456	2	Washer-Belleville	13	131-5967	1	Belt-Poly V
4	136-7179	1	Arm-Engagement, Rotor	14	130-9572	1	Spring-Extension
5	117-7711	1	Bushing-Idler	15	136-7133	1	Clip-Spring
6	3234-29	1	Screw-HHF	17	9080046	2	Screw-HH
7	104-8300	1	Nut-HF, NI	18	136-7134	1	Flange-Bearing
8	108-4925	1	Washer	19	52-7280	1	Washer-Thrust
9	131-5988	1	Pulley-Idler, Flat	20	38-7820	1	Bearing-Ball
10	323-29	1	Screw-HH	21	32144-4	3	Screw-HWH
11	3296-59	1	Nut-Lock, NI				

# Transmission, Drive and Tire Assembly

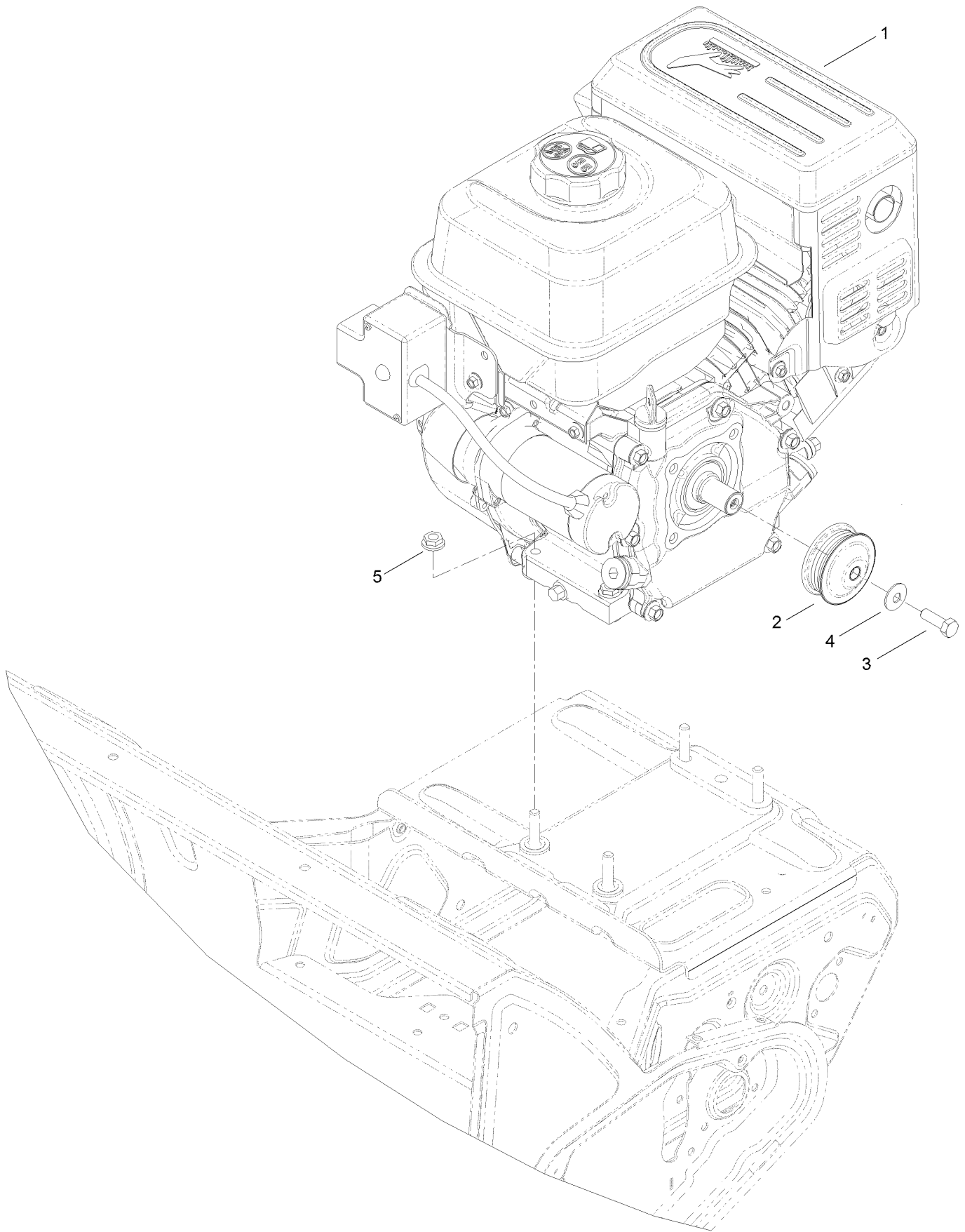


## Transmission, Drive and Tire Assembly (continued)

<i>Ref.</i>	<i>Part Number</i>	<i>Qty.</i>	<i>Description</i>	<i>Ref.</i>	<i>Part Number</i>	<i>Qty.</i>	<i>Description</i>
1	130-9642	1	Transmission	14	108-4925	2	Washer
1:1	131-5973	1	Pulley Repair Kit	16	104-8300	1	Nut-HF, NI
1:2	131-5984	1	Plug-Oil	17	136-7192	1	Bolt-Shoulder, HHF
2	130-9643	2	Bearing-Axle	18	130-9645	1	Spring-Extension
3		1	RH Wheel And Tire ASM ●	19	130-9583	1	Pulley-Jackshaft
3:1	130-9559	1	Tire	20	3290-456	1	Washer-Belleville
3:2	130-9560	1	Wheel	21	9080046	1	Screw-HH
3:3	232-27	1	Stem-Valve	22	38-7820	1	Bearing-Ball
4		1	LH Wheel And Tire ASM ●	23	136-7171	1	Retainer-Bearing
4:1	130-9559	1	Tire	24	32144-4	2	Screw-HWH
4:2	130-9560	1	Wheel	25	52-7280	1	Washer-Thrust
4:3	232-27	1	Stem-Valve	26	131-5988	1	Pulley-Idler, Flat
6	321-9	2	Screw-HH	27	323-29	1	Screw-HH
7	3296-42	2	Nut-Lock, NI	28	3296-59	1	Nut-Lock, NI
10	130-9586-03	1	Plate-Support, Jackshaft	29	131-5968	1	Belt-Poly V
11	131-1794	1	Support-Bearing	31	131-5904	2	Washer-Rubber
12	49-2040	7	Screw-HWHTF	32	131-5910	1	Spacer-Axle
13	131-1795	1	Idler-Traction	33	130-9585	1	Jackshaft

● Not serviced separately

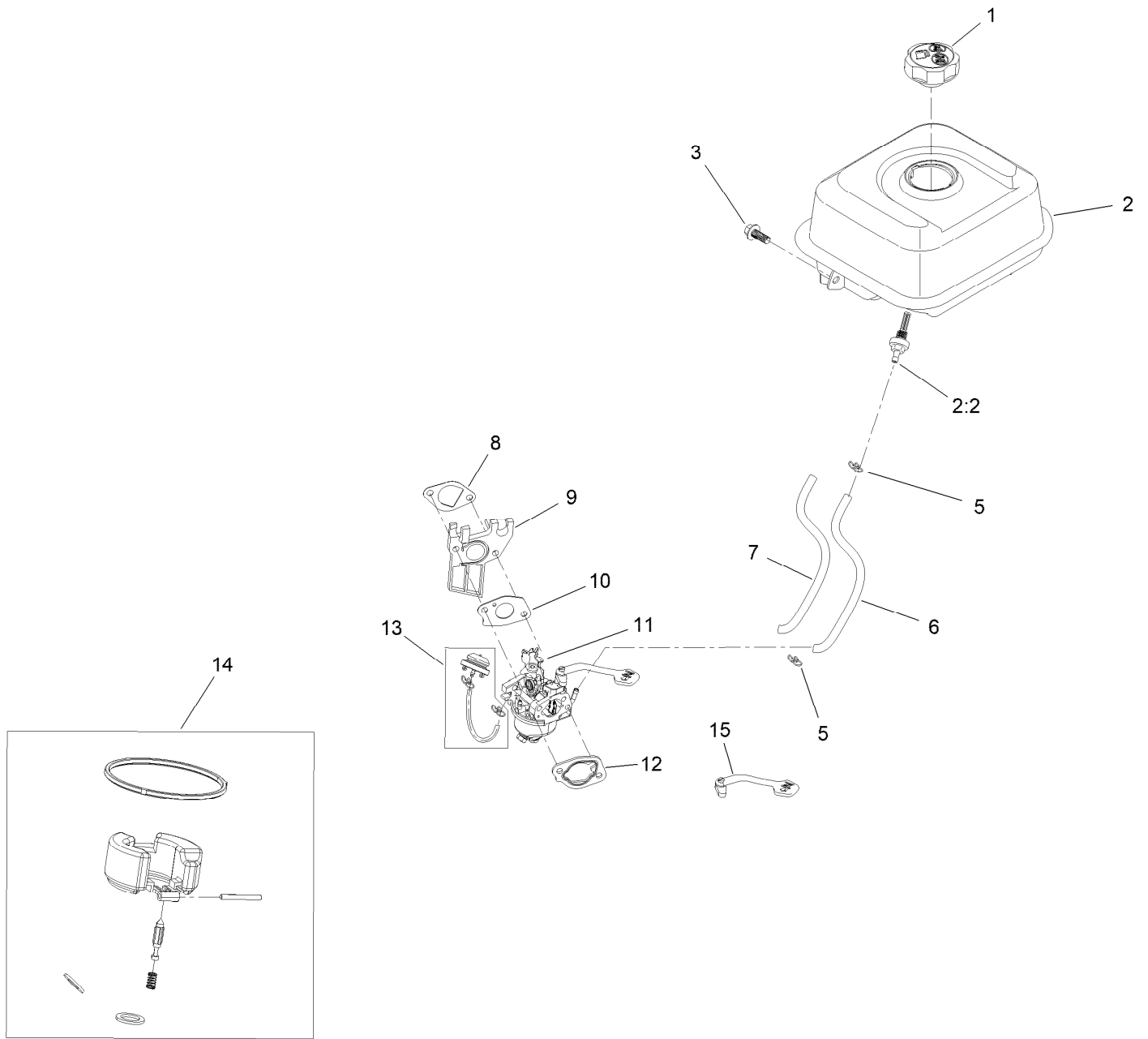
# Engine Assembly



## Engine Assembly (continued)

<i>Ref.</i>	<i>Part Number</i>	<i>Qty.</i>	<i>Description</i>	<i>Ref.</i>	<i>Part Number</i>	<i>Qty.</i>	<i>Description</i>
1	144-1047	1	Engine-G210Fds-2	4	3290-456	1	Washer-Belleville
2	131-5908	1	Pulley-Engine	5	32128-20	4	Nut-HF
3	131-5919	1	Screw-HH, Patch				

# Fuel System and Carburetor Assembly

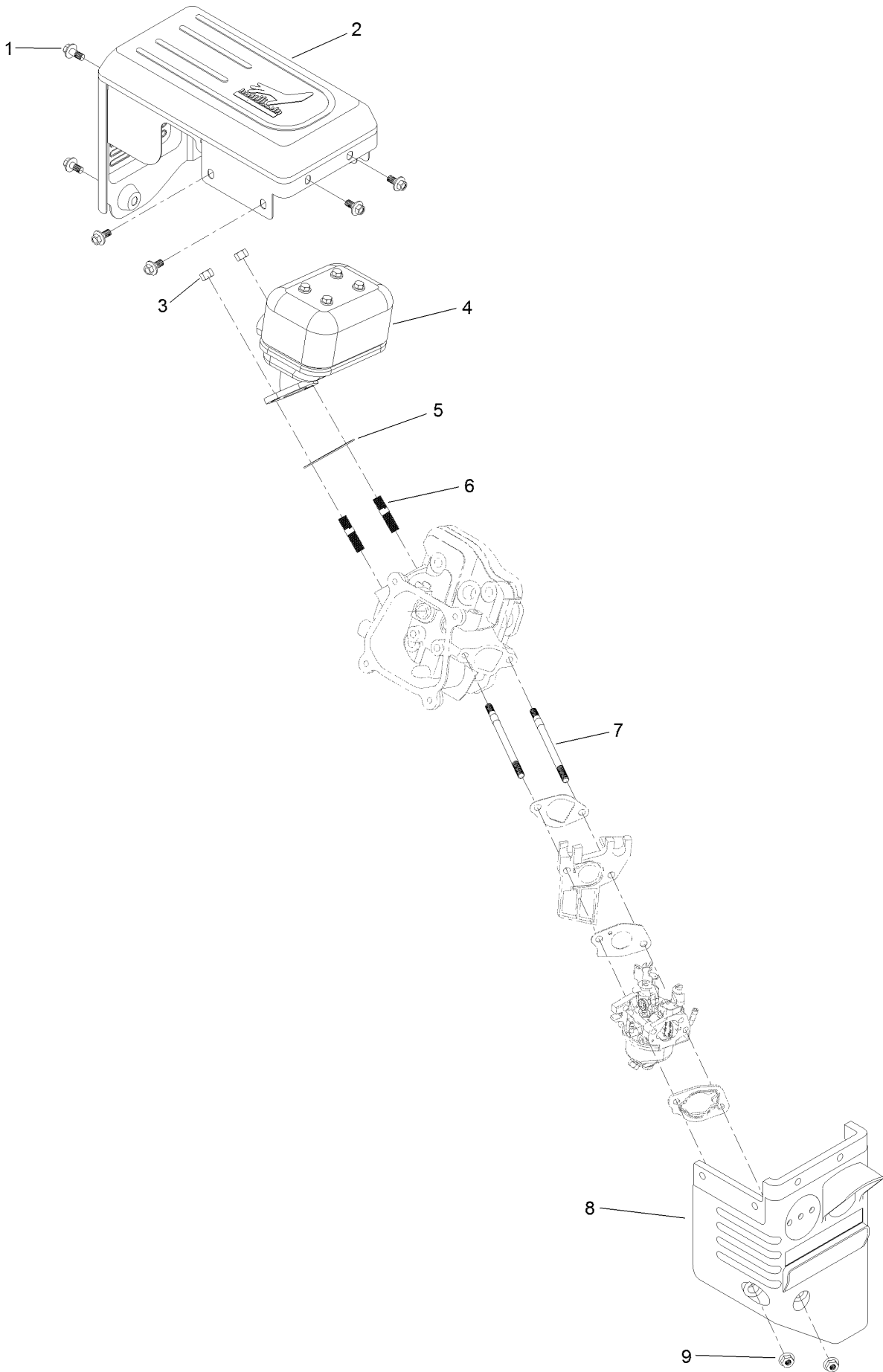


## Fuel System and Carburetor Assembly (continued)

<i>Ref.</i>	<i>Part Number</i>	<i>Qty.</i>	<i>Description</i>	<i>Ref.</i>	<i>Part Number</i>	<i>Qty.</i>	<i>Description</i>
1	133-9823	1	Cap-Fuel	9	121-0077	1	Insulator-Carburetor
2	127-9497	1	Fuel Tank And Filter ASM	10	121-0078	1	Gasket-Carburetor
2:2	127-9065	1	Filter-Fuel	11	127-9111	1	Carburetor ASM
3	121-0294	1	Screw-HHF	12	121-0080	1	Gasket-Carburetor
5	147-7077	2	Clip-Hose	13	127-9079	1	Primer Kit
6	147-7085	1	Hose-Fuel	14	127-9394	1	Internal Carb Service Kit
7	147-7088	1	Sleeve-Abrasion	15	147-7095	1	Lever-Choke
8	121-0076	1	Gasket-Carburetor	99	127-9301	1	High Altitude Kit - G210 ●

● Not illustrated

# Intake and Exhaust Assembly

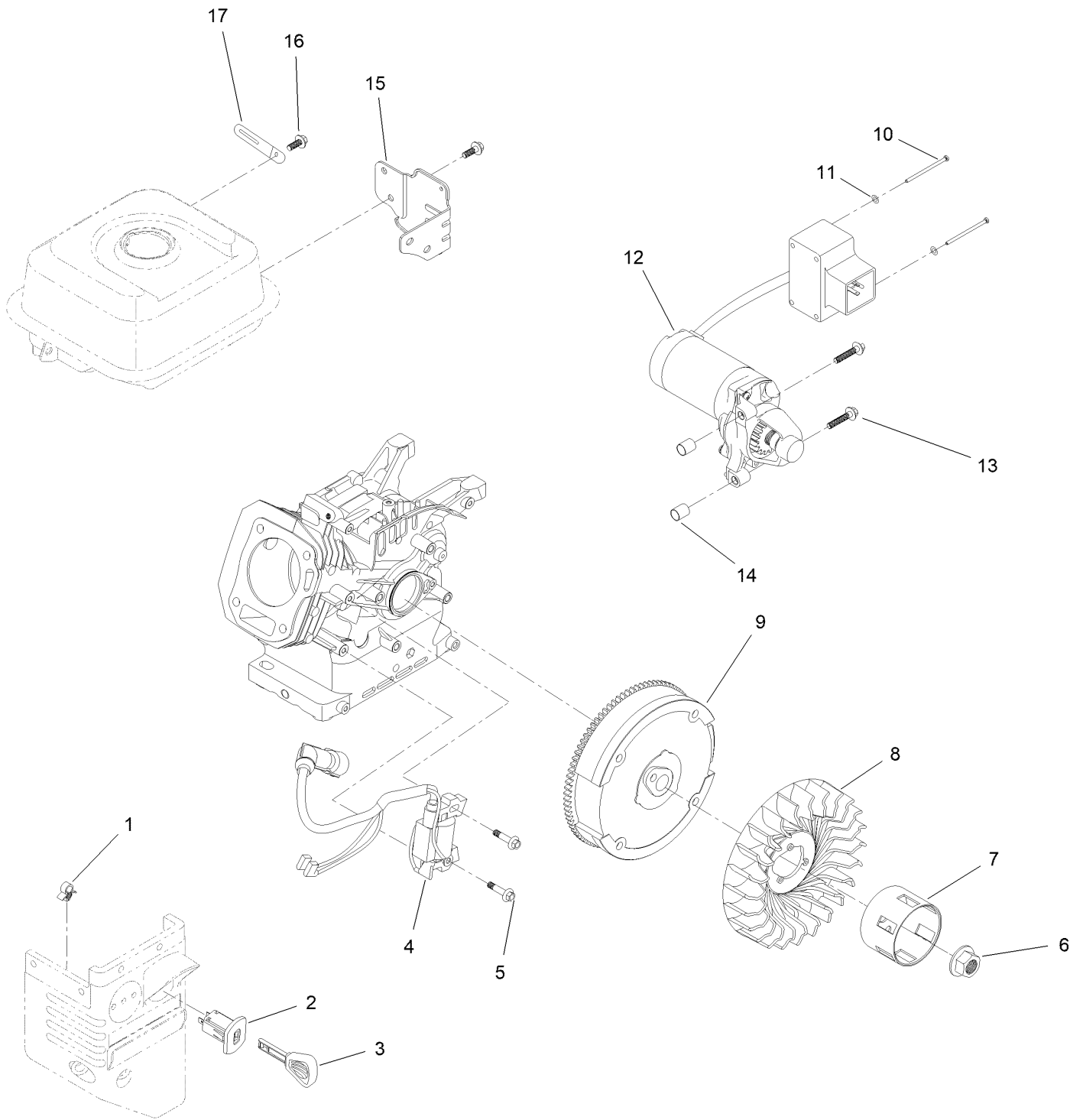




## Intake and Exhaust Assembly (continued)

<i>Ref.</i>	<i>Part Number</i>	<i>Qty.</i>	<i>Description</i>	<i>Ref.</i>	<i>Part Number</i>	<i>Qty.</i>	<i>Description</i>
1	121-0294	6	Screw-HHF	6	121-0464	2	Stud-Exhaust
2	136-7778	1	Guard-Muffler	7	121-4112	2	Stud-Intake
3	121-0199	2	Nut-HH	8	127-9112	1	Box-Heater
4	133-9846	1	Muffler ASM	9	121-0308	2	Nut-Flange
5	121-0167	1	Gasket-Exhaust				

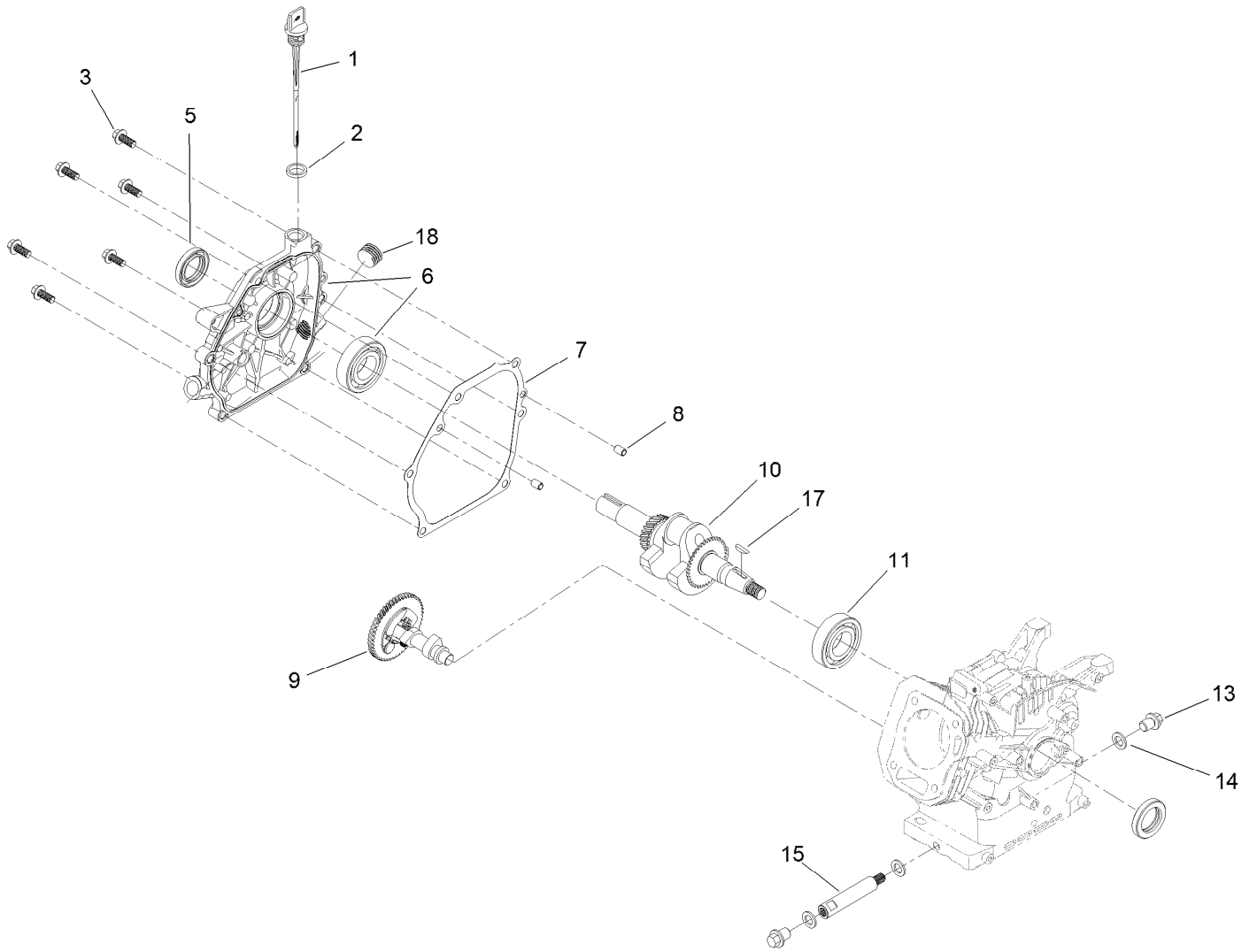
# Ignition and Electrical Assembly



## Ignition and Electrical Assembly (continued)

<i>Ref.</i>	<i>Part Number</i>	<i>Qty.</i>	<i>Description</i>	<i>Ref.</i>	<i>Part Number</i>	<i>Qty.</i>	<i>Description</i>
1	121-0326	1	Clip	10	121-0306	2	Screw-Bhp
2	121-0283	1	Switch-Key	11	121-0312	2	Washer-Plain
3	117-7728	1	Key	12	144-0986	1	Motor-Starter
4	136-7769	1	Ignition Coil ASM	13	133-1546	2	Screw-Flange
5	121-0097	2	Screw-HHF	14	121-0055	2	Pin-Dowel
6	121-0047	1	Nut-Flange	15	127-9407	1	Bracket-Box, Switch
7	127-9106	1	Cup-Starter	16	127-9123	2	Screw-HHF
8	127-9002	1	Fan	17	121-0017	1	Clip-Harness, Wire
9	127-9005	1	Flywheel				

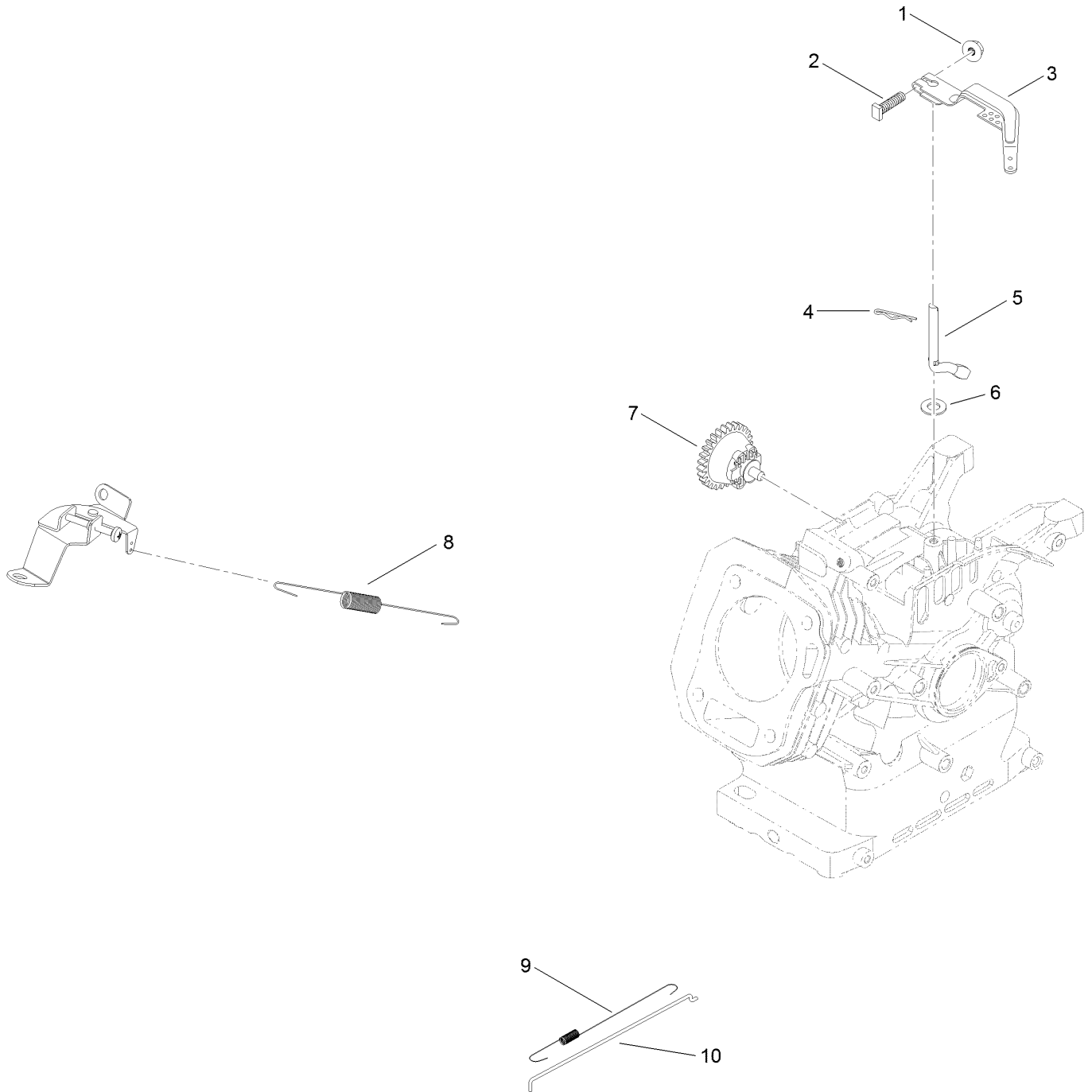
# Crankcase Assembly



## Crankcase Assembly (continued)

<i>Ref.</i>	<i>Part Number</i>	<i>Qty.</i>	<i>Description</i>	<i>Ref.</i>	<i>Part Number</i>	<i>Qty.</i>	<i>Description</i>
1	127-9409	1	Dipstick-Oil	10	127-9399	1	Crankshaft
2	127-9492	1	Gasket-Dipstick, Rubber	11	121-0056	1	Bearing-Ball
3	121-4114	6	Screw-HHF	13	121-0030	2	Screw-HHF
5	121-0209	1	Seal-Oil	14	121-0048	3	Washer-Plain
6	133-9843	1	Crankcase Cover ASM	15	127-9104	1	Tube-Drain, Oil
7	121-0105	1	Gasket-Cover, Crankcase	17	120-4320	1	Key-Woodruff
8	121-0054	2	Pin-Dowel	18	133-9805	1	Plug-Drain
9	139-0733	1	Camshaft				

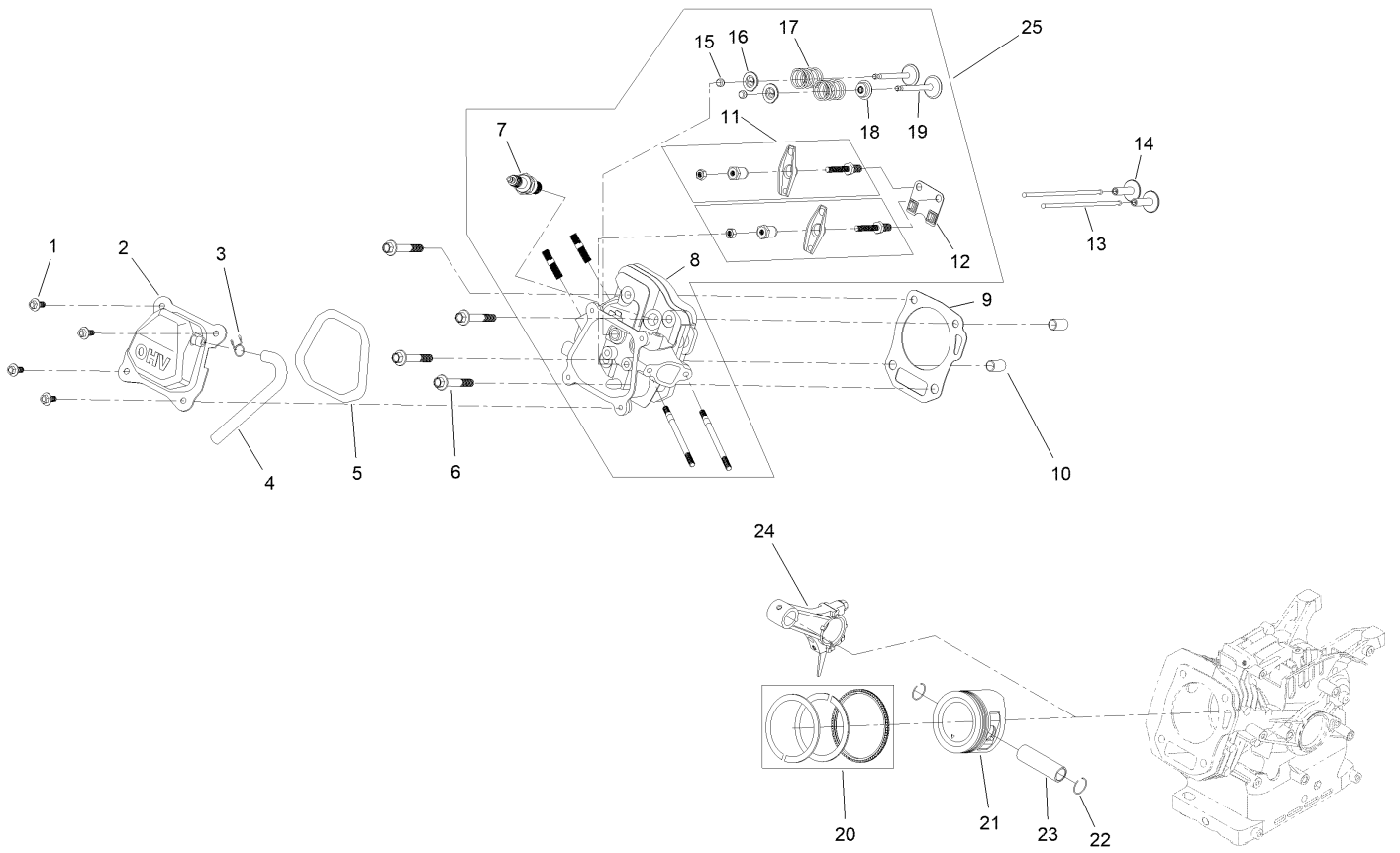
# Governor Assembly



## Governor Assembly (continued)

<i>Ref.</i>	<i>Part Number</i>	<i>Qty.</i>	<i>Description</i>	<i>Ref.</i>	<i>Part Number</i>	<i>Qty.</i>	<i>Description</i>
1	120-4236	1	Nut-Flange	6	121-0498	1	Washer-Plain
2	120-4238	1	Bolt-Arm, Governor	7	133-9994	1	Governor Gear ASM
3	121-0155	1	Arm-Governor	8	127-9398	1	Spring-Governor
4	120-4256	1	Pin-Hair	9	121-0153	1	Spring-Return, Throttle
5	136-7763	1	Shaft-Governor	10	121-0148	1	Rod-Governor

# Piston and Head Assembly

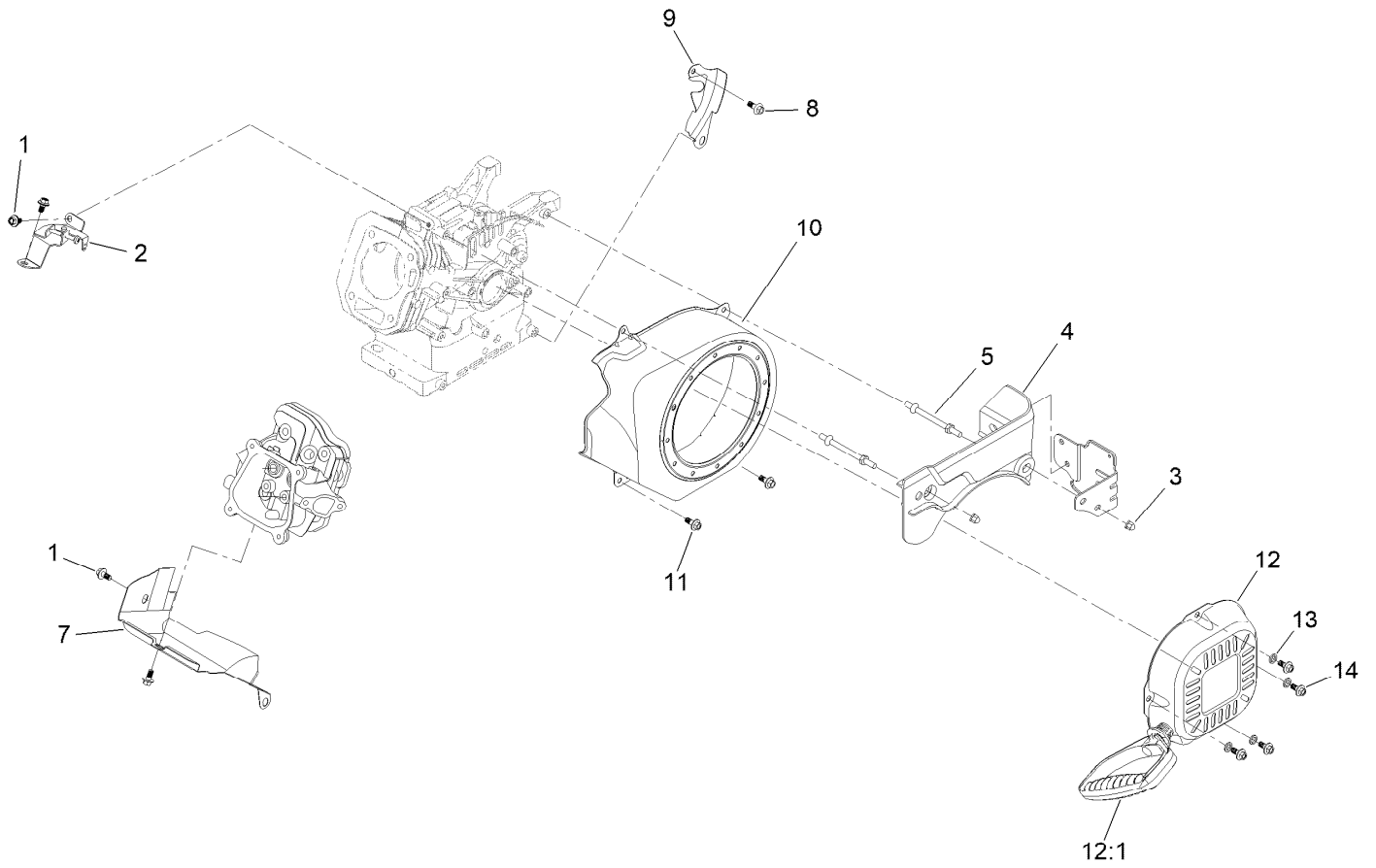




## Piston and Head Assembly (continued)

<i>Ref.</i>	<i>Part Number</i>	<i>Qty.</i>	<i>Description</i>	<i>Ref.</i>	<i>Part Number</i>	<i>Qty.</i>	<i>Description</i>
1	120-4454	4	Screw-HHF	14	127-9015	2	Tappet-Valve
2	127-9094	1	Cover-Valve	15	121-4116	2	Rotator-Valve
3	127-9408	1	Clamp-Hose	16	121-4117	2	Retainer-Spring, Valve
4	139-0631	1	Tube-Breather	17	127-9014	2	Spring-Valve
5	121-0109	1	Gasket-Cover, Valve	18	121-4202	1	Seal-Stem, Valve
6	121-4110	4	Screw-HHF	19	147-7097	1	Valve Set
7	81-3250	1	Spark Plug	20	121-4295	1	Ring Set, Piston
8	127-9013	1	Head-Cylinder	21	121-4293	1	Piston
9	127-9000	1	Gasket-Head, Cylinder	22	121-0313	2	Clip-Pin, Piston
10	121-0053	2	Pin-Dowel	23	121-4128	1	Pin-Piston
11	120-4475	2	Rocker Arm ASM	24	127-9017	1	Connecting Rod ASM
12	121-4120	1	Plate-Guide, Push Rod	25	133-9839	1	Complete Head ASM
13	121-4121	2	Rod-Push				

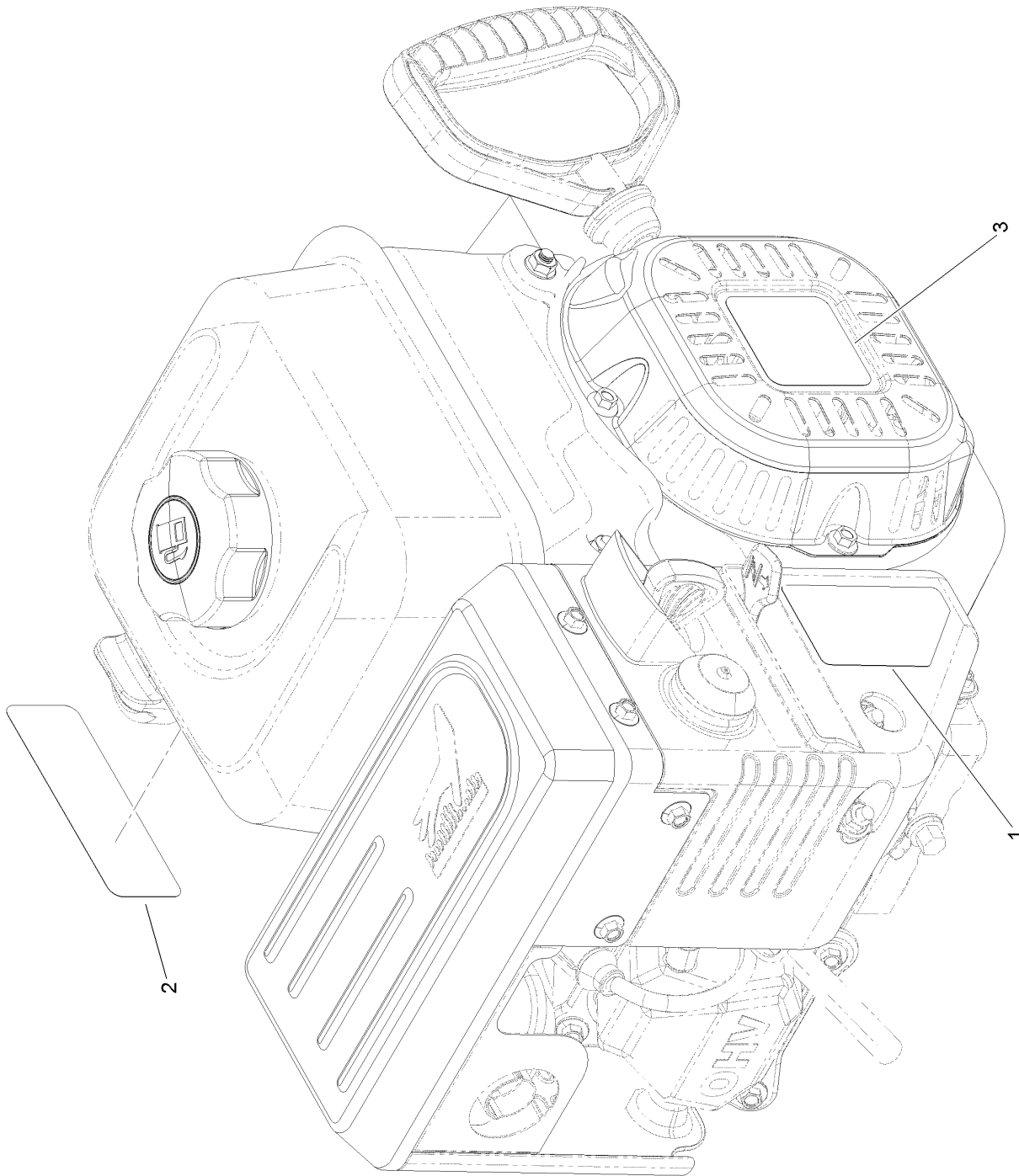
# Blower Housing and Shrouds Assembly



## Blower Housing and Shrouds Assembly (continued)

<i>Ref.</i>	<i>Part Number</i>	<i>Qty.</i>	<i>Description</i>	<i>Ref.</i>	<i>Part Number</i>	<i>Qty.</i>	<i>Description</i>
1	121-0118	4	Screw-HHF	9	127-9121	1	Shield-Flywheel
2	147-7101	1	Speed Control ASM	10	127-9401	1	Shroud-Blower
3	127-9383	2	Nut-Acorn	11	121-0294	2	Screw-HHF
4	127-9406	1	Panel-Front	12	127-9402	1	Recoil Starter ASM
5	127-9110	2	Stud-Mount	12:1	121-0287	1	Handle-Recoil
7	127-9096	1	Shroud-Lower	13	127-9380	4	Washer-Plain
8	120-4454	1	Screw-HHF	14	127-9031	4	Screw-HHF

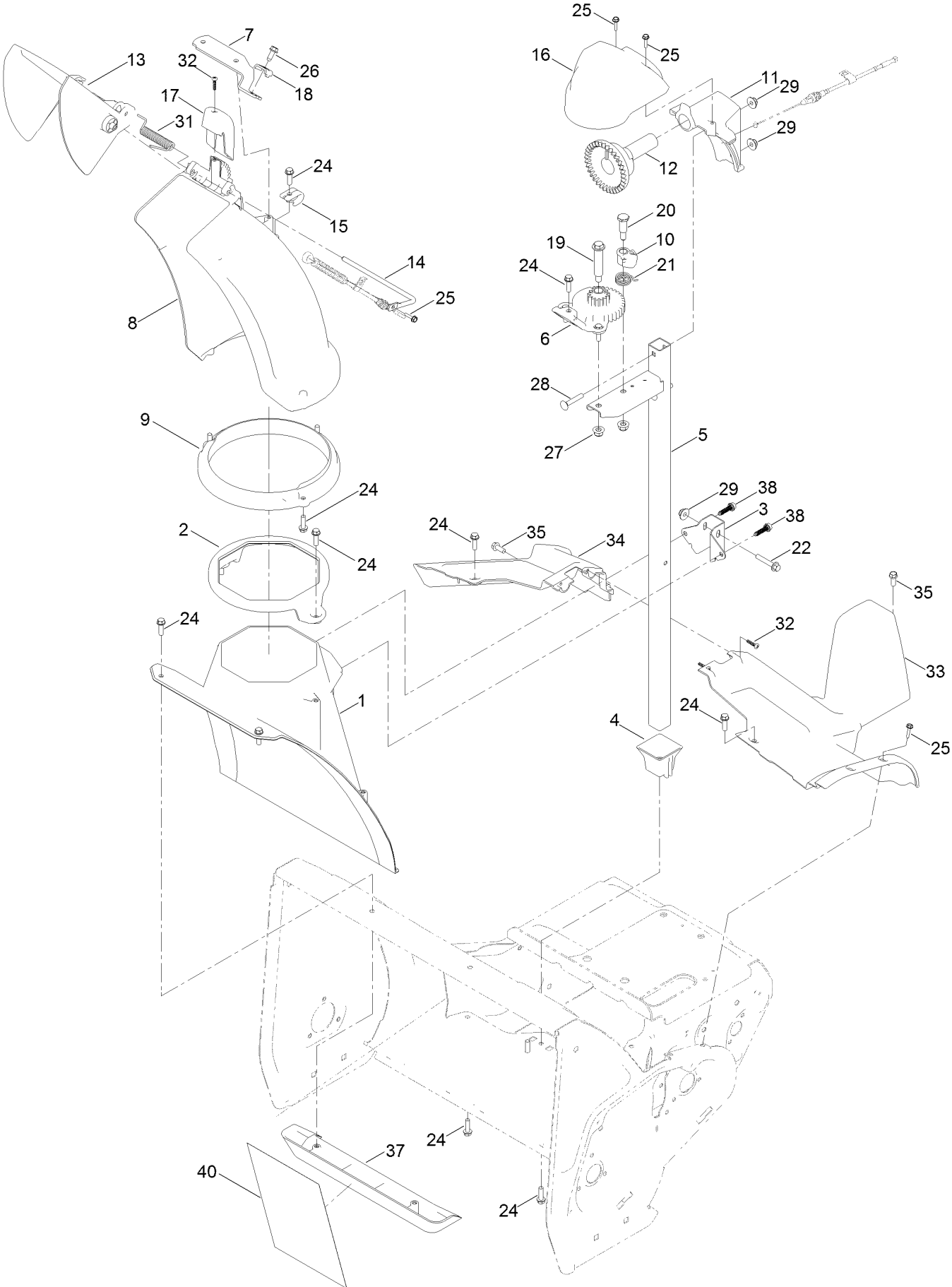
# Engine Decal Assembly



## Engine Decal Assembly (continued)

<i>Ref.</i>	<i>Part Number</i>	<i>Qty.</i>	<i>Description</i>
1	120-9805	1	Decal-Control, Engine
2	120-9806	1	Decal-Engine, Series G210
3	120-9809	1	Decal-Recoil, G210

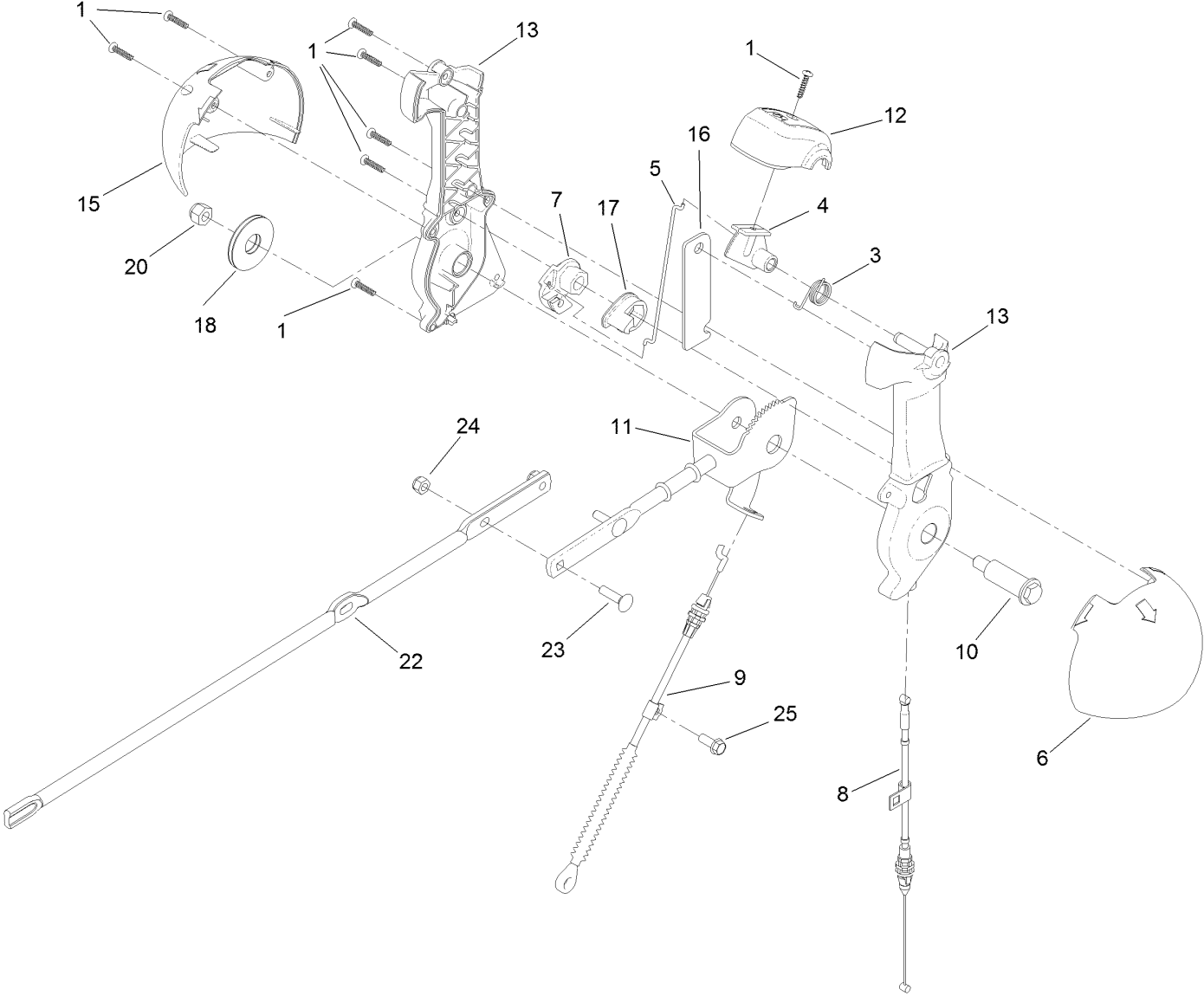
# Chute Assembly



## Chute Assembly (continued)

<i>Ref.</i>	<i>Part Number</i>	<i>Qty.</i>	<i>Description</i>	<i>Ref.</i>	<i>Part Number</i>	<i>Qty.</i>	<i>Description</i>
1	130-9587	1	Chute-Lower	19	136-7199	1	Bolt-Shoulder
2	130-9588	1	Guide-Chute	20	63-2650	1	Screw-Shoulder
3	130-9589-03	1	Bracket-Post, Support (Chute)	21	130-9616	1	Spring-Torsion, Latch (Chute)
4	130-9590	1	Retainer- Post, Chute	22	131-5927	1	Screw-HHF
5	130-9603-03	1	Post-Chute	24	46-8091	17	Screw-HWH
6	130-9605	1	Gear-Chute	25	98-1375	5	Screw-HWH
7	136-7170	1	Bracket-Cable	26	32144-10	1	Screw-HWH
8	133-5591	1	Chute-Discharge	27	104-8300	2	Nut-HF, NI
9	130-9596	1	Ring-Chute	28	108-0988	2	Screw-CARR
10	130-9607	1	Latch-Chute	29	114-3778	3	Nut-HF
11	130-9608	1	Mount-Gear, Chute	31	136-7143	1	Spring-Torsion
12	106-4471	1	Gear-Face	32	94-4496	3	Screw-PPH
13	131-5915	1	Deflector-Chute	33	131-1754	1	Shroud-Upper, LH
14	136-7145	1	Rod-Deflector	34	131-1765	1	Shroud-Lower, RH
15	130-9609	1	Guide-Cable	35	32144-85	2	Screw-HWH Thd Form
16	130-9611	1	Cover-Gear, Chute	37	131-1768	1	Kicker-Housing
17	120-9299	1	Chute-Cover	38	130-6658	2	Screw-Flange, Plastic
18	136-7191	1	Clamp-Cable	40	133-5592	1	Decal

# Chute Control Lever Assembly

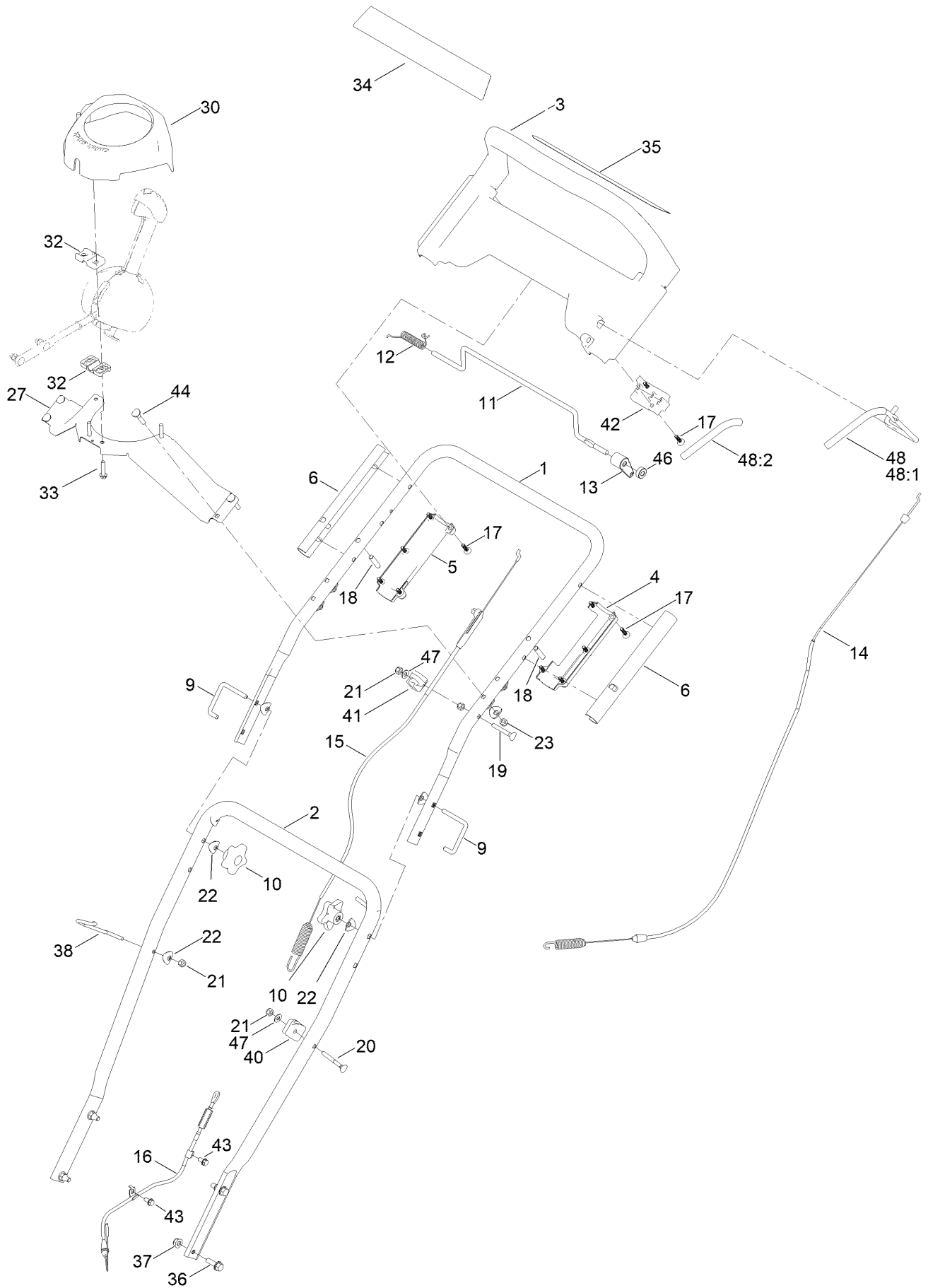




## Chute Control Lever Assembly (continued)

<i>Ref.</i>	<i>Part Number</i>	<i>Qty.</i>	<i>Description</i>	<i>Ref.</i>	<i>Part Number</i>	<i>Qty.</i>	<i>Description</i>
1	94-4496	8	Screw-PPH	13	137-6235	1	Lever-Control, Chute (RH)
3	105-9982	1	Spring-Torsion	13	137-6236	1	Lever-Control, Chute (LH)
4	137-6238	1	Trigger-Latch	15	136-6677	1	Globe-Quickstick, RH
5	138-0688	1	Link-Latch	16	136-6632	1	Plate-Stiffner
6	136-6678	1	Globe-Quickstick, LH	17	106-7310	1	Pawl-Latch
7	105-9988	1	Lever-Cable, Deflector	18	138-0744	1	Washer-Friction, Composite
8	130-9614	1	Cable-Release, Chute	20	137-3087	1	Nut-Hex
9	130-9613	1	Cable-Control, Deflector	22	144-1236	1	Rod-Chute
10	138-0659	1	Screw-Shoulder, HWH	23	137-3056	3	Bolt-CARR
11	138-0662	1	Rod-Control, Chute	24	137-3094	3	Nut-Hex
12	137-6239	1	Cap-Lever	25	32144-85	1	Screw-HWH Thd Form

# Handle and Control Assembly



## Handle and Control Assembly (continued)

<i>Ref.</i>	<i>Part Number</i>	<i>Qty.</i>	<i>Description</i>	<i>Ref.</i>	<i>Part Number</i>	<i>Qty.</i>	<i>Description</i>
1	120-2333-03	1	Handle-Upper	23	3296-73	4	Nut-Lock, NI
2	120-2334-03	1	Handle-Lower	27	120-2342-03	1	Bracket-Chute, Control
3	145-0722	1	Handle	30	139-3507	1	Cover-Top
4	120-2336	1	Handle-Bottom, LH	32	105-9987	2	Support-Rod
5	131-1770	1	Handle-Bottom, RH	33	137-3101	4	Screw-Plastic, HWH
6	120-2343	2	Sleeve Handle	34	131-1787	1	Decal-Display
9	136-7130	2	Lock-Handle	35	131-1785	1	Decal-Control, Panel
10	106-4161	2	Knob-Handle	36	3234-29	4	Screw-HHF
11	136-7150	1	Bar-Control, Traction	37	104-8300	4	Nut-HF, NI
12	136-7166	1	Spring-Torsion	38	136-7147	1	Guide-Rope
13	131-5917	1	Lever-Traction	40	92-7729	1	Anchor-Cable, Upper
14	131-5924	1	Cable-Transmission	41	131-5903	1	Cable-Guide
15	120-2338	1	Cable-Rotor, Upper	42	131-5901	1	Bail-Mount
16	131-1753	1	Cable-Rotor, Lower	43	32144-4	2	Screw-HWH
17	120-2349	12	Screw	44	117-7737	4	Screw-Handle
18	131-1771	2	Pin-Dowel	46	130-2343	1	Spacer
19	95-4453	1	Screw	47	3256-1	2	Washer-Flat
20	92-2269	1	Screw-Handle	48	131-5943	1	Bail ASM
21	3296-73	3	Nut-Lock, NI	48:1		1	Bail-Auger ●
22	107-3844	7	Washer	48:2	131-5902	1	Cover-Bail

● Not serviced separately

# Attachments and Accessories

## For 36002 SnowMaster 724 QXE Snowthrower

<b>Product Name</b>	<b>Model/Part</b>
Center Paddle Replacement Kit.....	130-9569P
Skid Replacement Kit .....	130-9619P
Scraper Kit.....	130-9628P
Rotor Belt.....	131-5967P
Engine Maintenance Kit.....	138-0699
Case of 24 20-Ounce Bottles 5W30 Winter Oil .....	38908
Toro Snow Oil 0W30 Synthetic 20-Ounce Bottle .....	38913
Toro 2-Stage Cover.....	490-7466

**Notes:**

**Notes:**

**Notes:**



**Count on it.**