



**Count on it.**

**Parts Catalog**

**30in TurfMaster HDX  
Walk-Behind Lawn Mower**

Model No. 22225—Serial No. 41020000 and Up



# Ordering Replacement Parts

To order replacement parts, please supply the part number, the quantity, and the description of each part desired.

## Understanding Reference Numbers

Each identified part in an illustration has a reference number. The reference number for a part also appears in the parts list, along with other information about the part.

This catalog uses two special reference number formats, one to indicate parts in a service assembly and another to indicate the quantity of a given part in an illustration.

## Service Assembly Reference Numbers

Parts in service assemblies have reference numbers in the form a:b. The a represents the reference number of the entire service assembly and the b represents a sequential number unique to each part within the service assembly.

For example, a wheel assembly might be identified by reference number 6, the tire by 6:1, the valve by 6:2, and the wheel by 6:3. When you order the assembly identified by reference number 6, you receive all parts identified by reference numbers 6:1, 6:2, and 6:3. However, you may also order any part individually. Reference numbers of this type appear in illustration and in parts lists.

## Reference Numbers Indicating Quantity

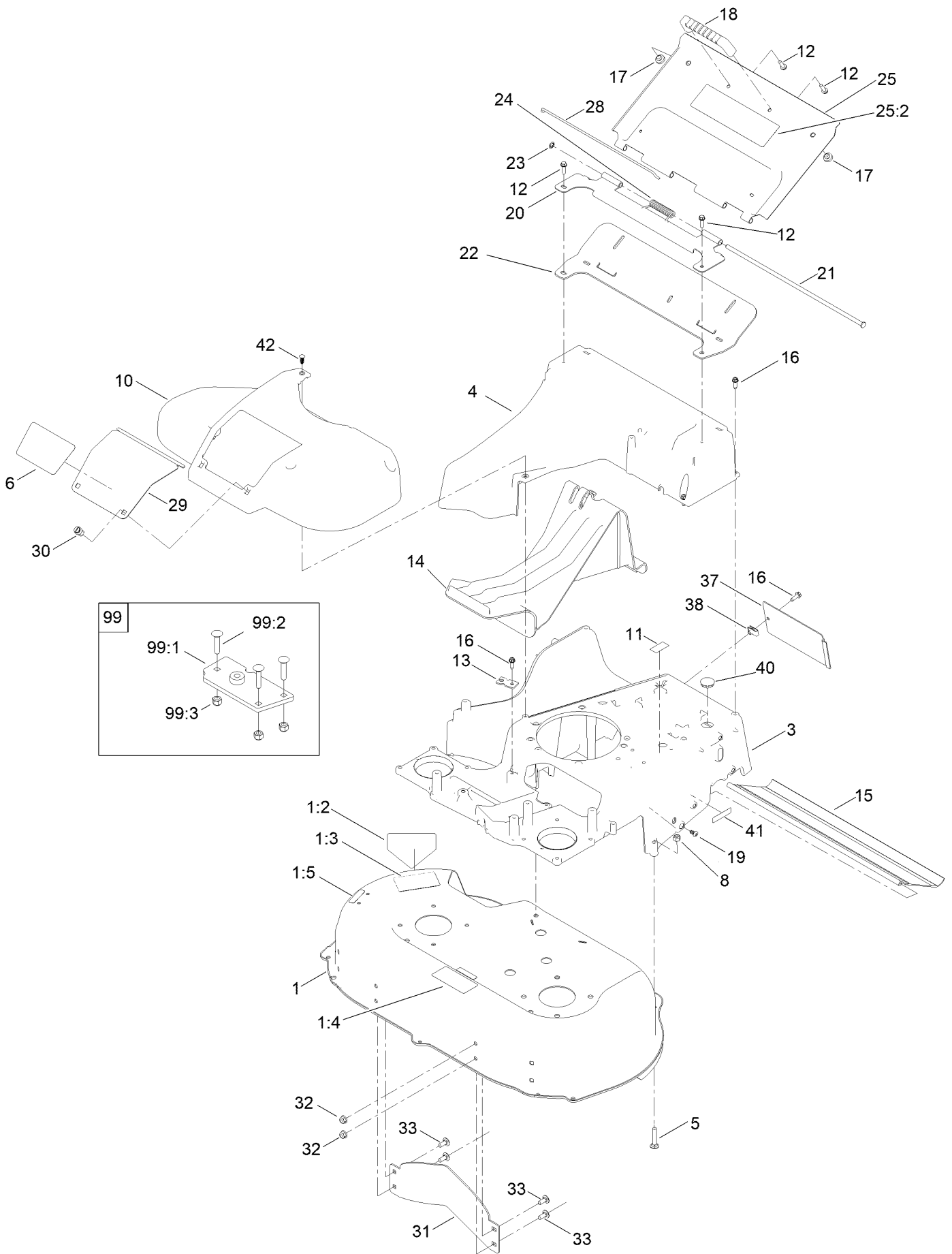
In an illustration, if a reference number indicates more than one part, the reference number has the form nX y. The n represents the quantity of the part, the X is the multiplication symbol, and the y represents the reference number.

For example, in an illustration, the reference number 2X 37 means that two of the parts identified by reference number 37 are indicated.

# Contents

|   |    |
|---|----|
| Deck, Frame and Chute Assembly .....          | 4  |
| Spindle and Blade Assembly .....              | 6  |
| Pulleys and Idler Assembly No. 126-7890 ..... | 8  |
| Side Discharge Chute Assembly .....           | 10 |
| Grass Bag Assembly .....                      | 12 |
| Engine and Fuel Tank Assembly .....           | 14 |
| Front Bumper and Wheel Assembly .....         | 16 |
| Traction and Height-of-Cut Assembly .....     | 18 |
| Handle Assembly .....                         | 20 |
| Attachments and Accessories .....             | 22 |

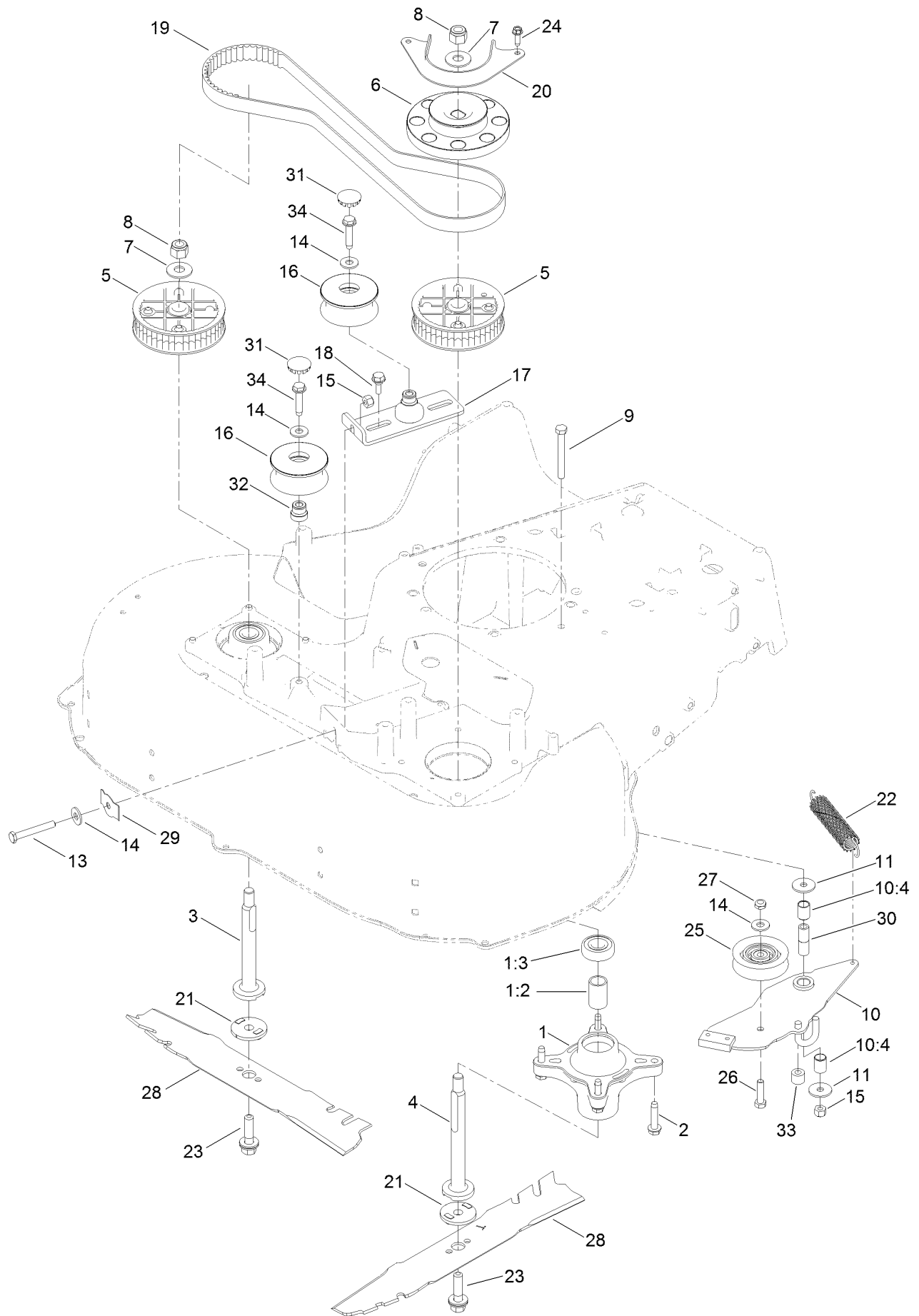
# Deck, Frame and Chute Assembly



## Deck, Frame and Chute Assembly (continued)

| <i>Ref.</i> | <i>Part Number</i> | <i>Qty.</i> | <i>Description</i>      | <i>Ref.</i> | <i>Part Number</i> | <i>Qty.</i> | <i>Description</i>    |
|-------------|--------------------|-------------|-------------------------|-------------|--------------------|-------------|-----------------------|
| 1           | 136-5900           | 1           | Deck ASM                | 21          | 116-6933           | 1           | Pin-Hinge             |
| 1:2         | 94-8072            | 1           | Decal-Danger            | 22          | 116-6229           | 1           | Seal-Door             |
| 1:3         | 145-3851           | 1           | Decal-Danger, CE        | 23          | 32151-72           | 1           | Ring-Retaining        |
| 1:4         | 116-8528           | 1           | Decal                   | 24          | 116-7573           | 1           | Spring-Torsion, Cover |
| 1:5         | 120-9570           | 2           | Decal-Warning           | 25          | 116-8355           | 1           | Rear Door ASM         |
| 3           | 133-8107-01        | 1           | Frame                   | 25:2        | 116-7583           | 1           | Decal-Warning         |
| 4           | 133-8177           | 1           | Chute                   | 28          | 116-6966           | 1           | Clip-Seal             |
| 5           | 3230-5             | 2           | Bolt-CARR               | 29          | 121-5793-03        | 1           | Door-Access           |
| 6           | 139-1674           | 1           | Decal                   | 30          | 121-5840           | 2           | Fastener              |
| 8           | 3296-29            | 2           | Nut-Lock, NI            | 31          | 130-2352-01        | 1           | Baffle-Control        |
| 10          | 139-5406           | 1           | Cover-Belt              | 32          | 104-8300           | 4           | Nut-HF, NI            |
| 11          | 126-4345           | 1           | Decal-Patent            | 33          | 3230-23            | 4           | Bolt-CARR             |
| 12          | 46-8091            | 4           | Screw-HWH               | 37          | 138-5332-01        | 1           | Cover-Frame           |
| 13          | 138-3224           | 1           | Bracket-Cable, Traction | 38          | 107069             | 1           | Clip                  |
| 14          | 120-5225           | 1           | Plug-Mulch              | 40          | 126-7151           | 1           | Plug-Button           |
| 15          | 121-5841           | 1           | Shield-Trailing         | 41          | 133-8062           | 1           | Decal-Arrestor, Spark |
| 16          | 49-2040            | 9           | Screw-HWHTF             | 42          | 140-1341           | 1           | Clip-Xmas Tree        |
| 17          | 1-513658           | 2           | Bumper                  | 99          | 125-5072           | 1           | Frame Plate Kit       |
| 18          | 65-5100            | 1           | Handle-Door             | 99:1        | 125-2542           | 1           | Plate-Frame           |
| 19          | 117-1092           | 2           | Screw-PTH               | 99:2        | 3229-3             | 3           | Screw-CARR            |
| 20          | 116-6351-03        | 1           | Bracket-Hinge           | 99:3        | 3296-42            | 3           | Nut-Lock, NI          |

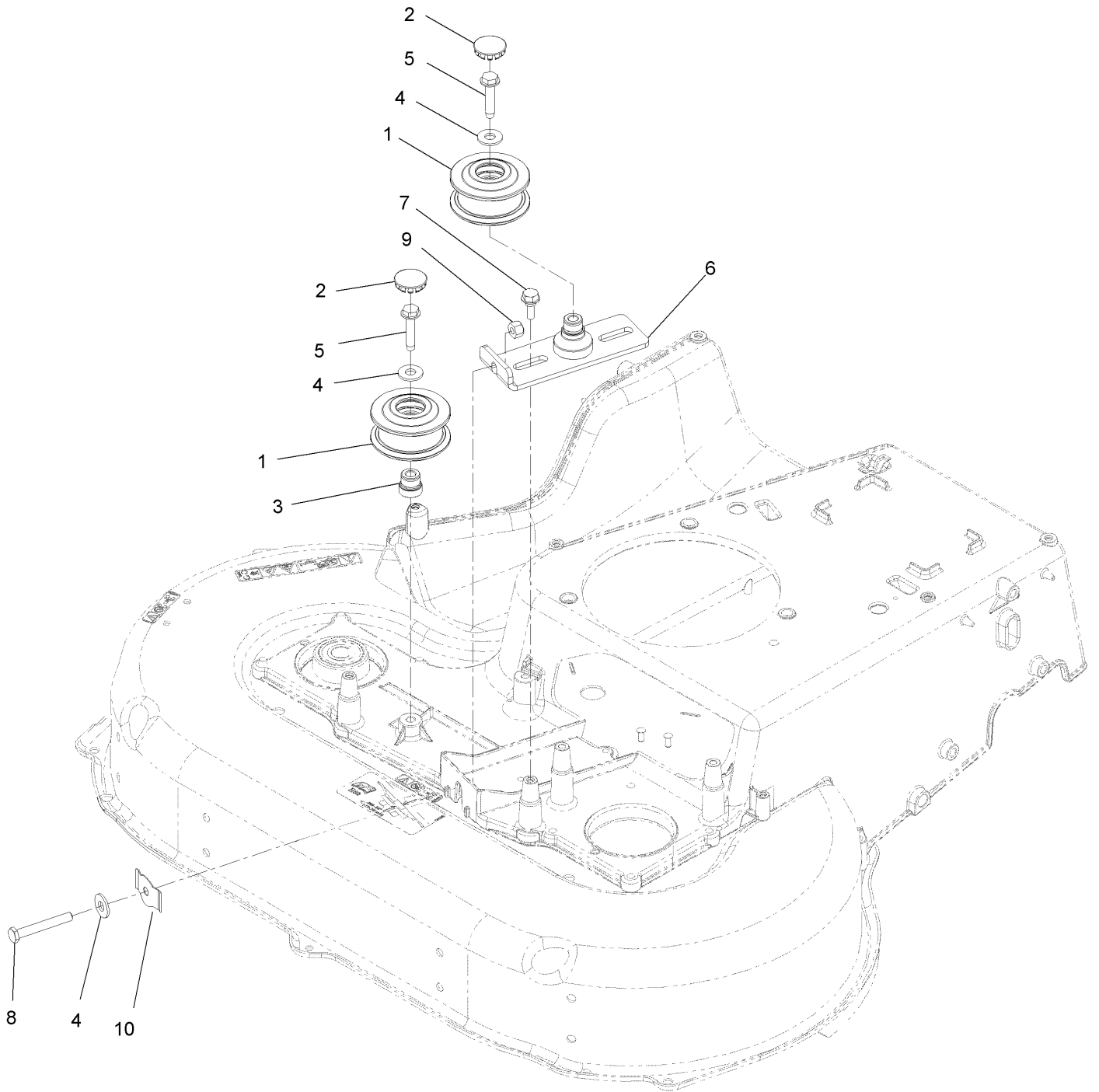
# Spindle and Blade Assembly



## Spindle and Blade Assembly (continued)

| <i>Ref.</i> | <i>Part Number</i> | <i>Qty.</i> | <i>Description</i>    | <i>Ref.</i> | <i>Part Number</i> | <i>Qty.</i> | <i>Description</i>      |
|-------------|--------------------|-------------|-----------------------|-------------|--------------------|-------------|-------------------------|
| 1           | 121-9107           | 2           | Spindle ASM           | 17          | 126-6453           | 1           | Bracket-Idler           |
| 1:2         | 120-7935           | 2           | Spacer                | 18          | 120-7024           | 2           | Screw-Shoulder, HWH     |
| 1:3         | 136-5441           | 2           | Bearing-Ball          | 19          | 120-3335           | 1           | Belt-Synchronous        |
| 2           | 139-1731           | 8           | Screw-Thd Roll, HWH   | 20          | 120-5245-03        | 1           | Guide-Belt, Spindle     |
| 3           | 139-6612           | 1           | Shaft-Spindle         | 21          | 120-5236           | 2           | Adapter-Blade           |
| 4           | 139-6613           | 1           | Shaft-Spindle         | 22          | 121-5808           | 1           | Spring-Extension, Brake |
| 5           | 121-9100           | 2           | Sprocket              | 23          | 125-2466           | 2           | Bolt-Blade              |
| 6           | 130-6664           | 1           | Pulley-Brake, Spindle | 24          | 49-2040            | 2           | Screw-HWHTF             |
| 7           | 109-9505           | 2           | Washer-Spring         | 25          | 120-7082           | 1           | Pulley-Idler            |
| 8           | 3296-19            | 2           | Nut-Hex               | 26          | 322-6              | 1           | Screw-HH                |
| 9           | 322-13             | 1           | Screw-HH              | 27          | 3296-47            | 1           | Nut-Lock,NI             |
| 10          | 136-5903           | 1           | Brake Arm ASM         | 28          | 116-6358-03        | 2           | Blade-Rotary            |
| 10:4        | 131-0819           | 2           | Bushing-Sleeve        | 29          | 121-2336           | 1           | Spring-Flat             |
| 11          | 5-4460             | 2           | Washer-Pivot          | 30          | 131-0823           | 1           | Spacer-Brake            |
| 13          | 9114524            | 1           | Bolt-TAP, HH          | 31          | 126-7151           | 2           | Plug-Button             |
| 14          | 3256-3             | 4           | Washer-Flat           | 32          | 131-4504           | 1           | Adapter-Bore            |
| 15          | 3296-29            | 2           | Nut-Lock, NI          | 33          | 133-1964           | 1           | Spacer                  |
| 16          | 126-7890           | 1           | Pulleys And Idler Kit | 34          | 32144-57           | 2           | Screw                   |

# Pulleys and Idler Assembly No. 126-7890

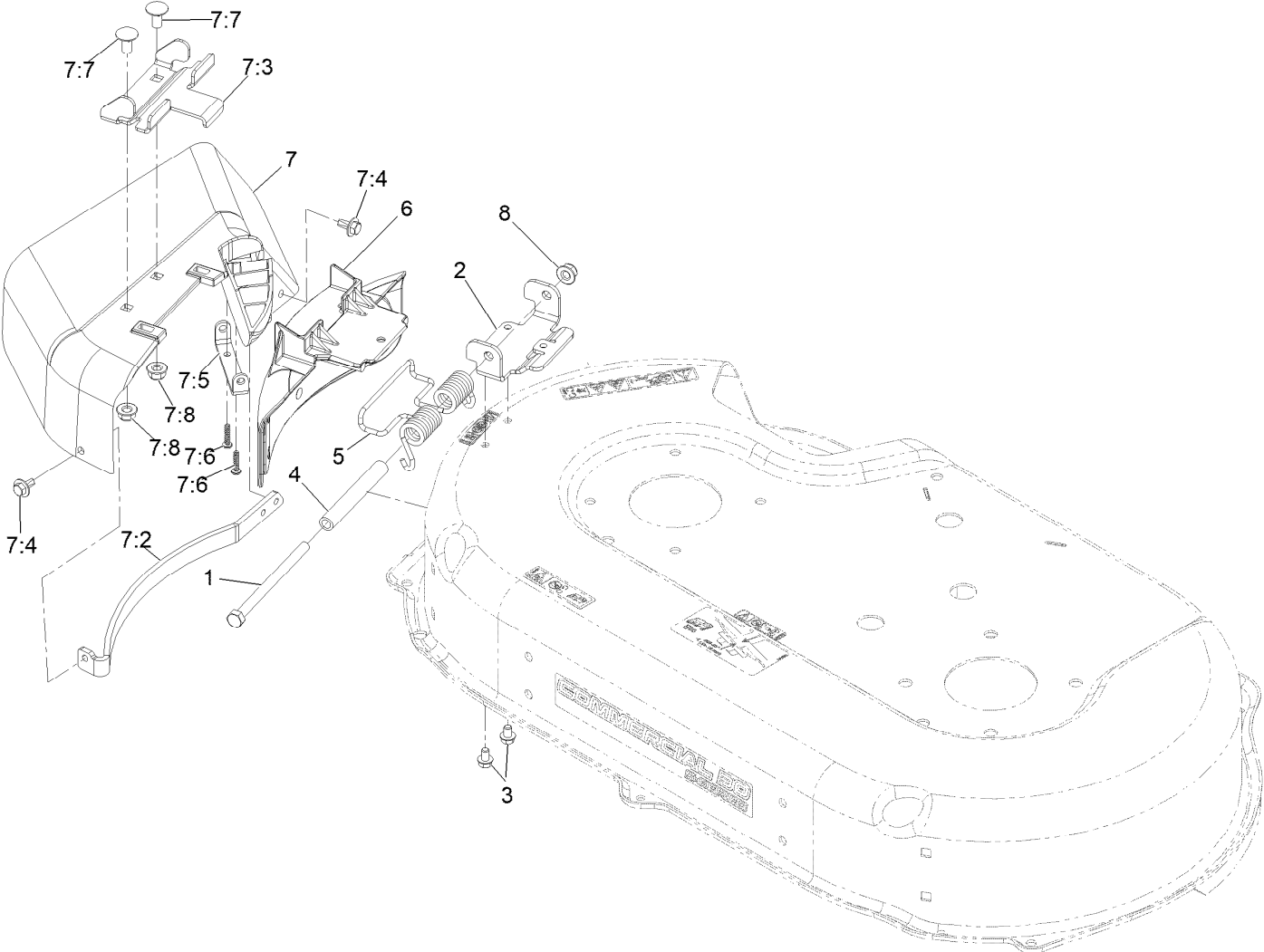




## Pulleys and Idler Assembly No. 126-7890 (continued)

| <i>Ref.</i> | <i>Part Number</i> | <i>Qty.</i> | <i>Description</i> | <i>Ref.</i> | <i>Part Number</i> | <i>Qty.</i> | <i>Description</i>  |
|-------------|--------------------|-------------|--------------------|-------------|--------------------|-------------|---------------------|
| 1           | 126-5880           | 2           | Pulley-Idler, Flat | 6           | 126-6453           | 1           | Bracket-Idler       |
| 2           | 126-7151           | 2           | Plug-Button        | 7           | 120-7024           | 2           | Screw-Shoulder, HWH |
| 3           | 131-4504           | 1           | Adapter-Bore       | 8           | 9114524            | 1           | Bolt-TAP, HH        |
| 4           | 3256-3             | 3           | Washer-Flat        | 9           | 3296-29            | 1           | Nut-Lock, NI        |
| 5           | 32144-57           | 2           | Screw              | 10          | 121-2336           | 1           | Spring-Flat         |

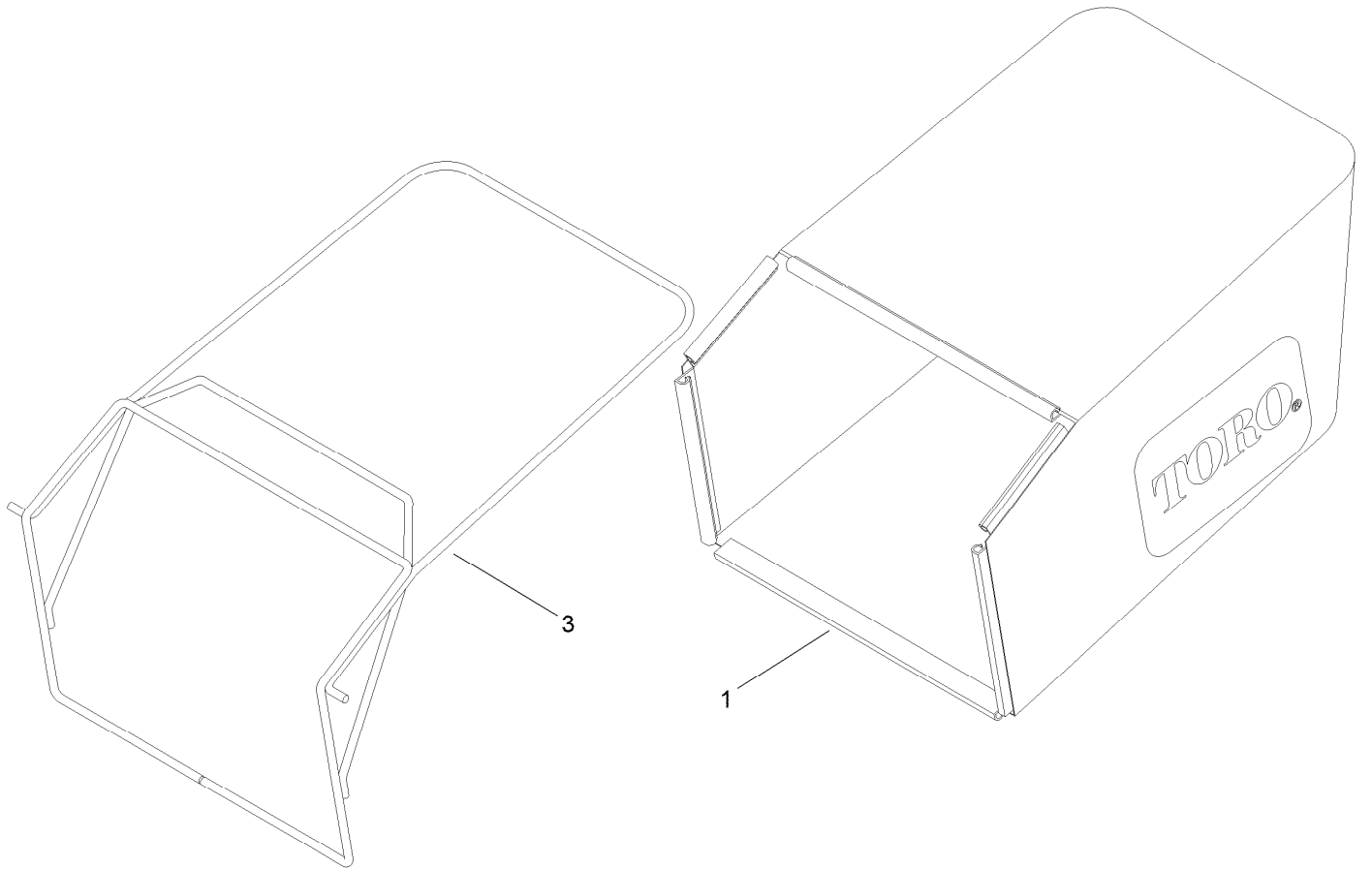
# Side Discharge Chute Assembly



## Side Discharge Chute Assembly (continued)

| <i>Ref.</i> | <i>Part Number</i> | <i>Qty.</i> | <i>Description</i>       | <i>Ref.</i> | <i>Part Number</i> | <i>Qty.</i> | <i>Description</i> |
|-------------|--------------------|-------------|--------------------------|-------------|--------------------|-------------|--------------------|
| 1           | 322-38             | 1           | Screw-HH                 | 7:3         | 121-9196           | 1           | Bracket-Chute      |
| 2           | 121-9195           | 1           | Hinge                    | 7:4         | 46-8560            | 2           | Screw-HHFTF        |
| 3           | 137-4795           | 2           | Screw                    | 7:5         | 112-6416           | 1           | Bracket-Cover      |
| 4           | 125-2478           | 1           | Spacer                   | 7:6         | 94-4496            | 2           | Screw-PPH          |
| 5           | 121-9193           | 1           | Spring-Torsion           | 7:7         | 3230-18            | 2           | Screw-CARR         |
| 6           | 125-5093-01        | 1           | Cover-Discharge          | 7:8         | 104-8300           | 2           | Nut-HF, NI         |
| 7           | 116-9754           | 1           | Side Discharge Chute ASM | 8           | 104-8300           | 1           | Nut-HF, NI         |
| 7:2         | 116-9752-03        | 1           | Guard-Chute              |             |                    |             |                    |

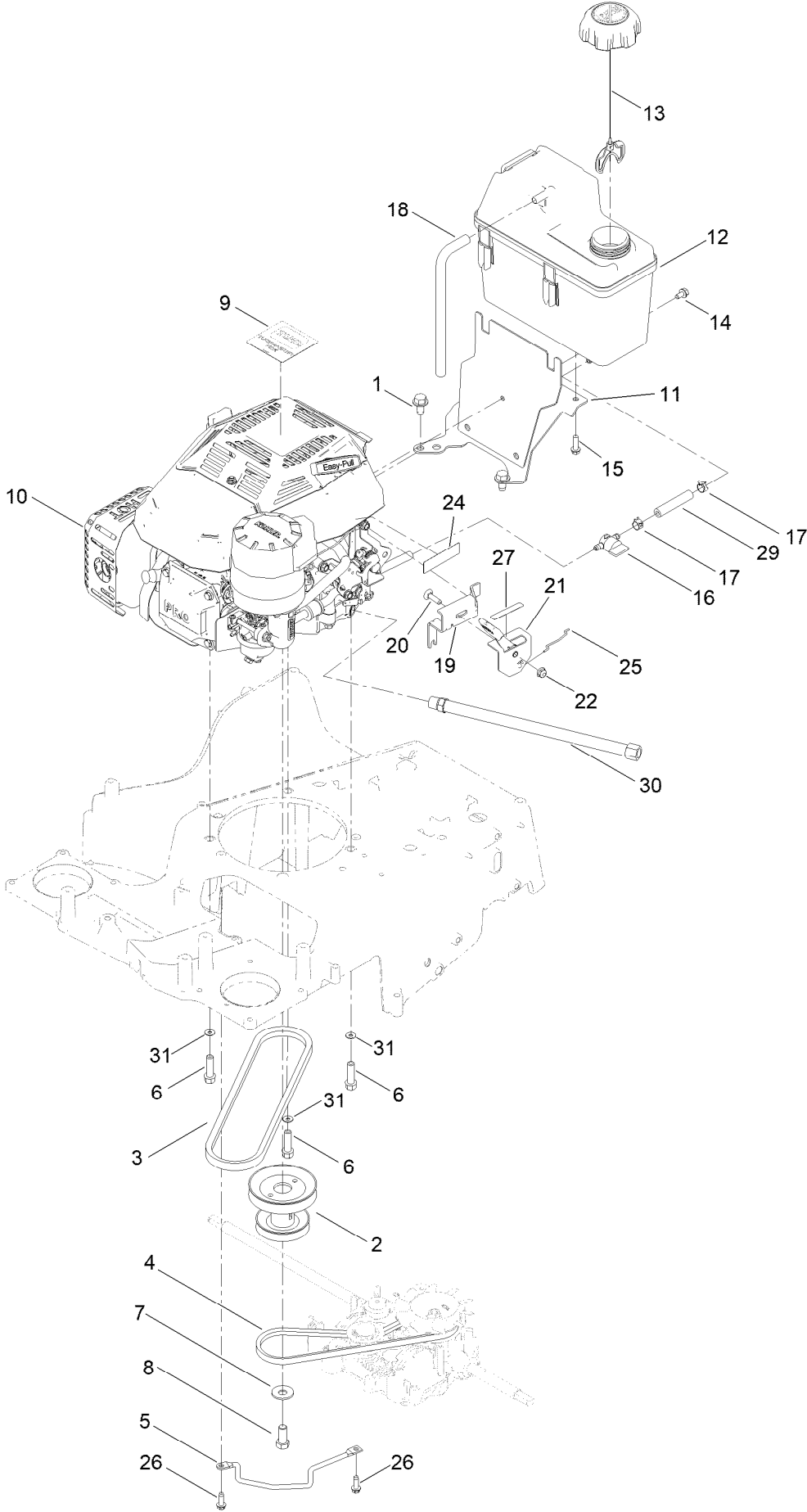
# Grass Bag Assembly



## Grass Bag Assembly (continued)

| <i>Ref.</i> | <i>Part Number</i> | <i>Qty.</i> | <i>Description</i> |
|-------------|--------------------|-------------|--------------------|
| 1           | 121-5775           | 1           | Grass Bag ASM      |
| 3           | 116-5596-03        | 1           | Frame-Bag          |

# Engine and Fuel Tank Assembly



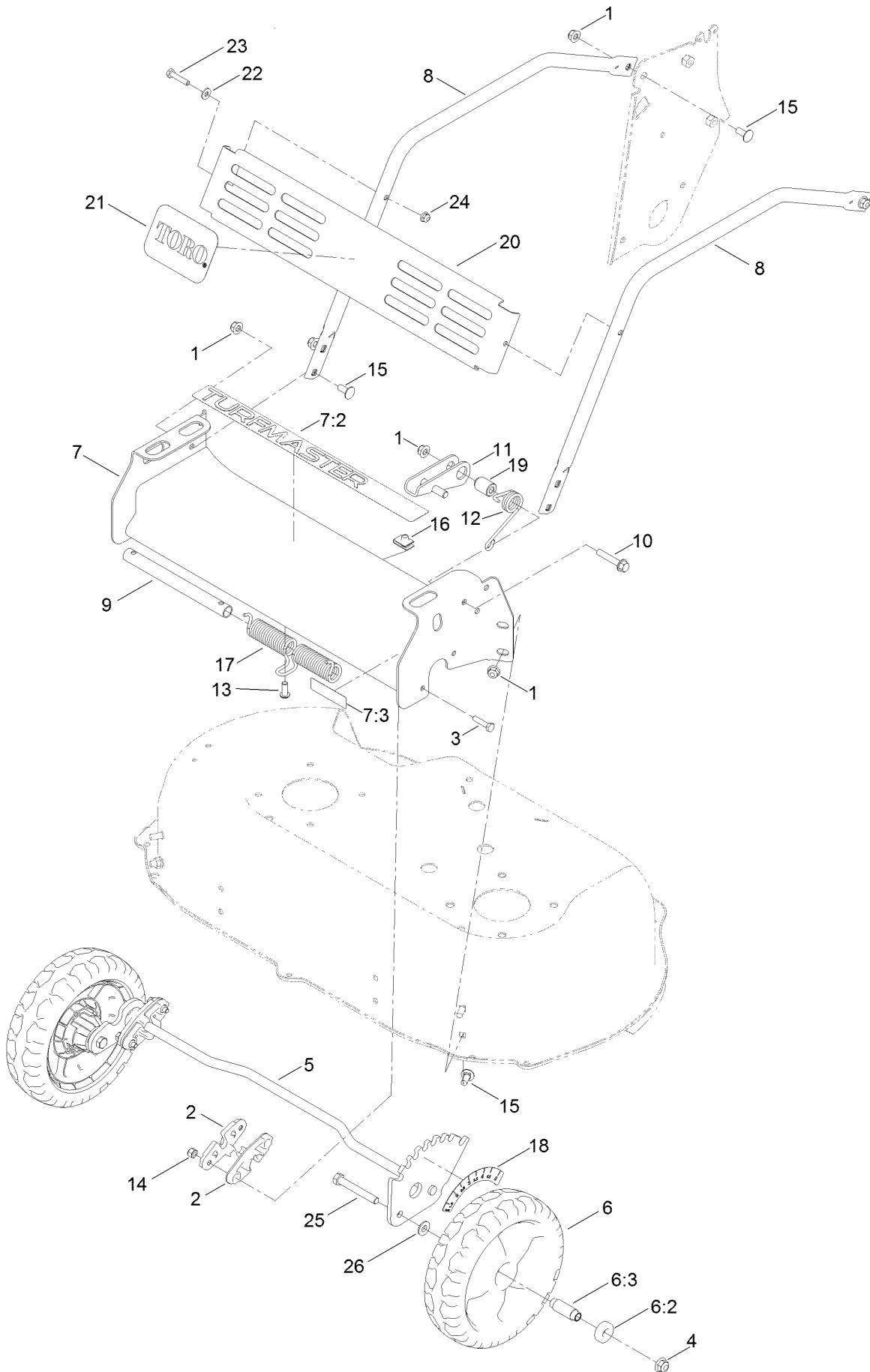
## Engine and Fuel Tank Assembly (continued)

| <i>Ref.</i> | <i>Part Number</i> | <i>Qty.</i> | <i>Description</i> | <i>Ref.</i> | <i>Part Number</i> | <i>Qty.</i> | <i>Description</i>    |
|-------------|--------------------|-------------|--------------------|-------------|--------------------|-------------|-----------------------|
| 1           | 110-9380           | 2           | Screw-HWH          | 16          | 1-603770           | 1           | Valve-Fuel            |
| 2           | 137-9181           | 1           | Pulley-Engine      | 17          | 2412-98            | 2           | Clamp-Hose            |
| 3           | 121-5765           | 1           | V-Belt             | 18          | 115-0962           | 1           | Hose-Vent, Canister   |
| 4           | 133-8151           | 1           | Belt-V             | 19          | 145-1504-03        | 1           | Bracket-Throttle      |
| 5           | 138-5331-03        | 1           | Rod-Guide, Belt    | 20          | 3229-30            | 1           | Screw-CARR            |
| 6           | 95-1727            | 3           | Screw-Taptite      | 21          | 130-9655           | 1           | Control-Throttle      |
| 7           | 3290-465           | 1           | Washer-Belleville  | 22          | 104-7201           | 1           | Nut-HF, NI            |
| 8           | 3212-4             | 1           | Screw-HH           | 24          | 116-9313           | 1           | Decal-Warning, Engine |
| 9           | 139-1807           | 1           | Decal-Toro         | 25          | 138-5387           | 1           | Wire-Link             |
| 10          |                    | 1           | Engine-Kohler ● ■  | 26          | 49-2040            | 2           | Screw-HWHTF           |
| 11          | 137-9180-03        | 1           | Tank Mount ASM     | 27          | 130-9656           | 1           | Decal-Throttle, Choke |
| 12          | 114-0280           | 1           | Tank-Fuel          | 29          | 109-0304           | 1           | Hose-Fuel             |
| 13          | 137-4127           | 1           | Cap-Fuel           | 30          | 117-1261           | 1           | Hose-Drain, Oil       |
| 14          | 116-8929           | 1           | Screw-HWH          | 31          | 145-3960           | 3           | Washer-Lock           |
| 15          | 46-8091            | 2           | Screw-HWH          |             |                    |             |                       |

● Not serviced separately

■ Obtain parts from [www.kohlerplus.com](http://www.kohlerplus.com)

# Front Bumper and Wheel Assembly

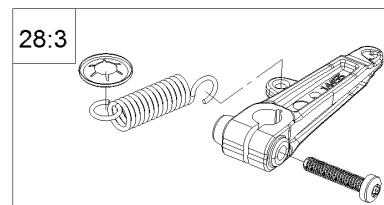
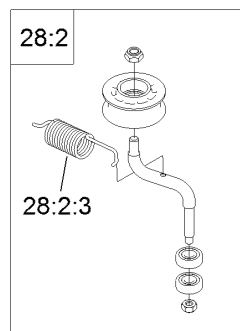
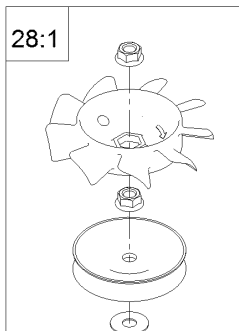
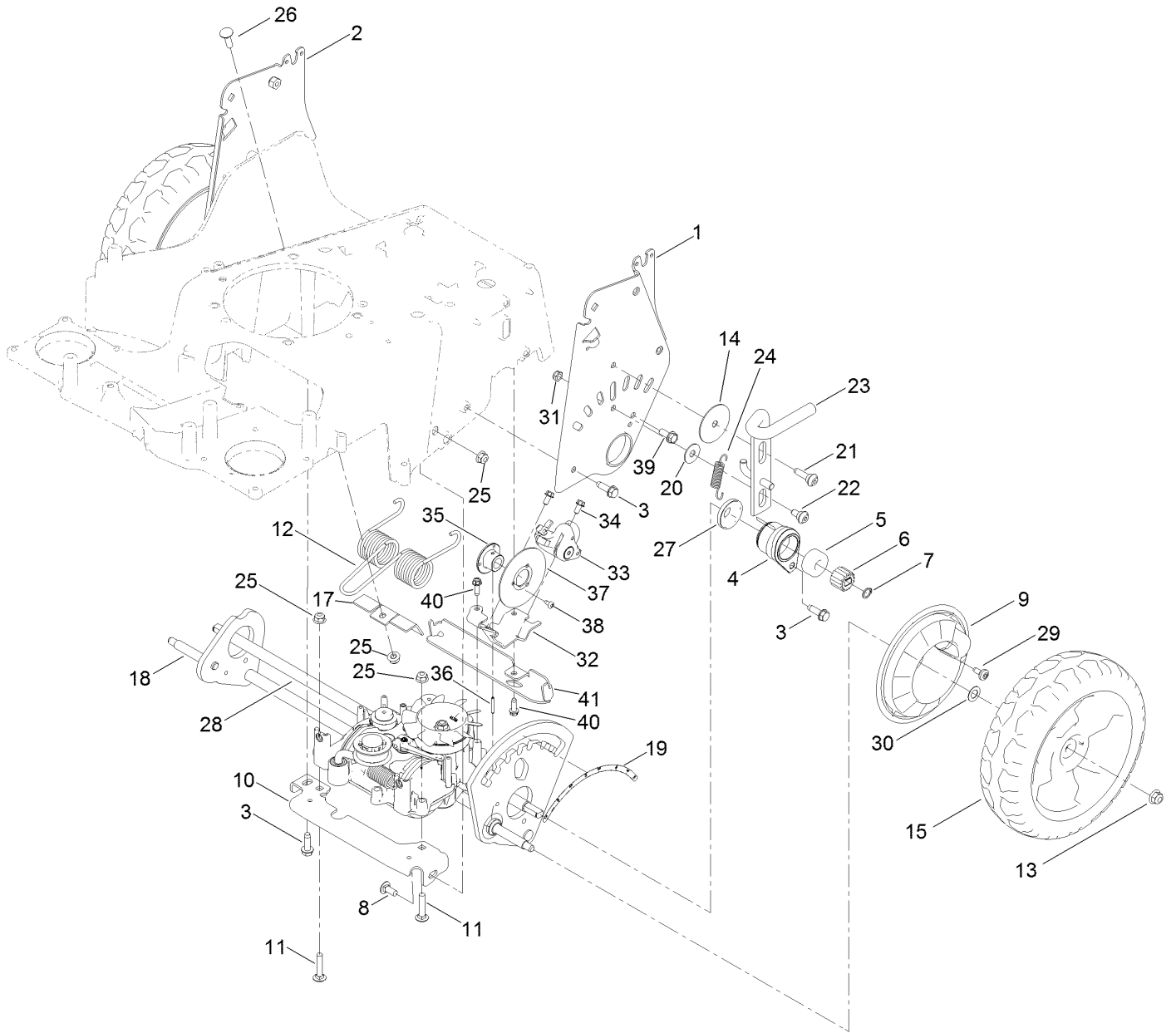




## Front Bumper and Wheel Assembly (continued)

| <i>Ref.</i> | <i>Part Number</i> | <i>Qty.</i> | <i>Description</i>   | <i>Ref.</i> | <i>Part Number</i> | <i>Qty.</i> | <i>Description</i>  |
|-------------|--------------------|-------------|----------------------|-------------|--------------------|-------------|---------------------|
| 1           | 104-8300           | 11          | Nut-HF, NI           | 12          | 120-9465           | 1           | Spring-Torsion      |
| 2           | 121-5781           | 4           | Bushing-Front        | 13          | 3274-55            | 1           | Screw-HSBH          |
| 3           | 321-7              | 4           | Screw-HH             | 14          | 3296-42            | 4           | Nut-Lock, NI        |
| 4           | 104-8301           | 2           | Nut-HF, NI           | 15          | 3230-23            | 10          | Bolt-CARR           |
| 5           | 139-8968           | 1           | Front Axle ASM       | 16          | 94-2413            | 1           | Nut-U               |
| 6           | 133-2639           | 2           | Wheel                | 17          | 121-2337           | 1           | Spring-Torsion      |
| 6:2         | 133-2603           | 2           | Bearing-Ball         | 18          | 136-9077           | 1           | Decal-HOC, Front    |
| 6:3         | 125-1077           | 1           | Spacer               | 19          | 125-2486           | 1           | Spacer              |
| 7           | 139-6616           | 1           | Front Bumper ASM     | 20          | 121-9187-03        | 1           | Shield              |
| 7:2         | 139-1675           | 1           | Decal-Turfmaster HDX | 21          | 117-0871           | 1           | Decal               |
| 7:3         | 116-7581           | 1           | Decal-Warning        | 22          | 3256-22            | 2           | Washer-Flat         |
| 8           | 121-9168-03        | 2           | Brace                | 23          | 321-8              | 2           | Screw-HH            |
| 9           | 131-9690           | 1           | Mandrell-Spring      | 24          | 104-7201           | 2           | Nut-HF, NI          |
| 10          | 94-5780            | 1           | Screw-HWH            | 25          | 323-13             | 2           | Screw-HH            |
| 11          | 139-1744           | 1           | Lock-Height, Adj     | 26          | 74-1671            | 2           | Spacer-Cover, Wheel |

# Traction and Height-of-Cut Assembly

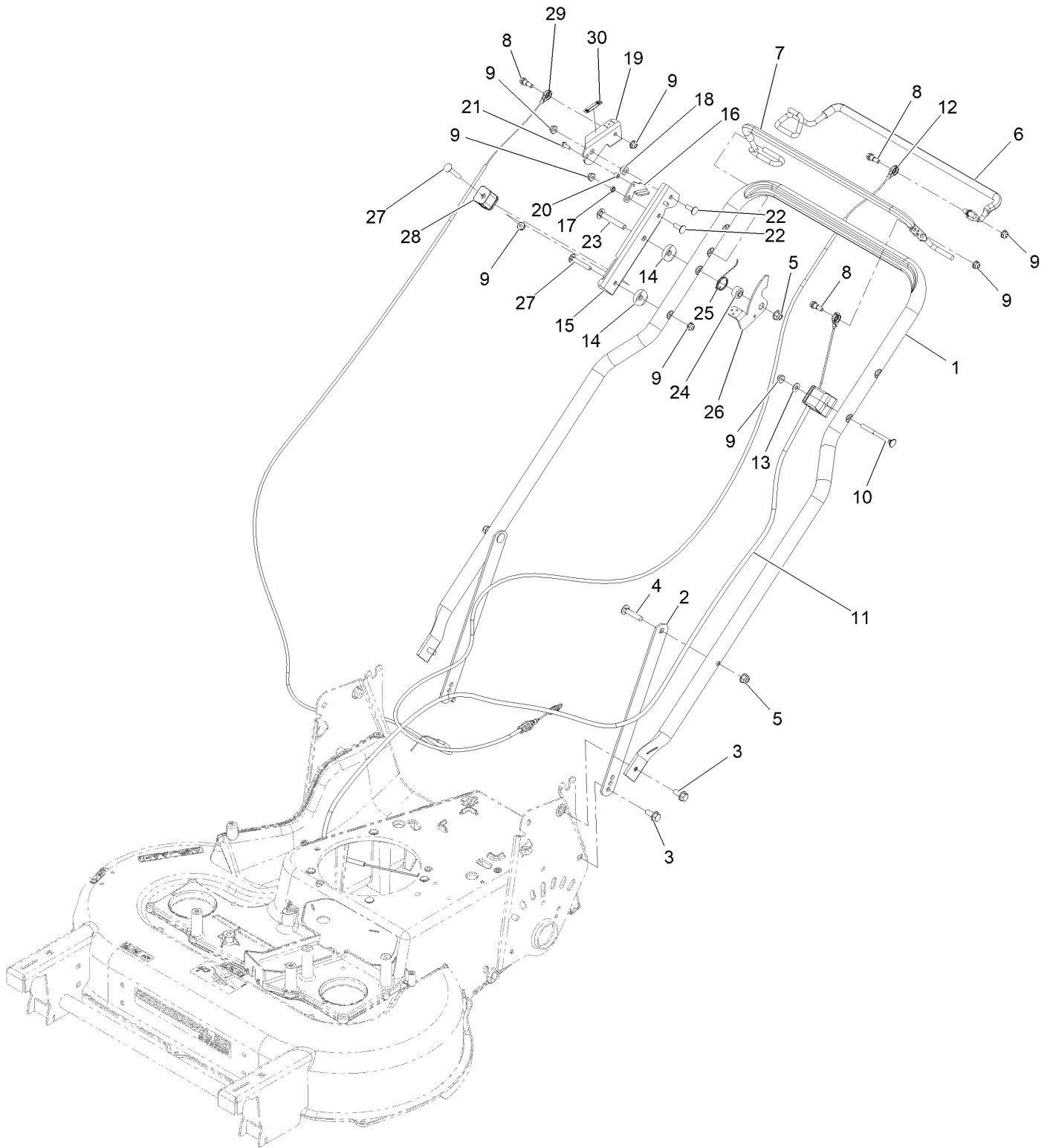


## Traction and Height-of-Cut Assembly (continued)

| <i>Ref.</i> | <i>Part Number</i> | <i>Qty.</i> | <i>Description</i>          | <i>Ref.</i> | <i>Part Number</i> | <i>Qty.</i> | <i>Description</i>      |
|-------------|--------------------|-------------|-----------------------------|-------------|--------------------|-------------|-------------------------|
| 1           | 137-9172-03        | 1           | HOC Plate Assembly          | 25          | 104-8300           | 4           | Nut-HF, NI              |
| 2           | 137-9173-03        | 1           | HOC Plate Assembly          | 26          | 3230-2             | 1           | Bolt-CARR               |
| 3           | 701243             | 7           | Screw-Thd Roll, HWH         | 27          | 137-9185           | 2           | Cover-Bearing           |
| 4           | 137-9183           | 2           | Bearing Retainer ASM        | 28          | 133-2670           | 1           | Transmission-Mv702      |
| 5           | 137-4779           | 4           | Bearing-Ball, Custom        | 28:1        | 139-1837           | 1           | Pulley & Fan Repair Kit |
| 6           | 136-9111           | 2           | Gear-Pinion, 15T            | 28:2        | 139-1842           | 1           | Idler Pulley Repair Kit |
| 7           | 32151-61           | 2           | Ring-Retaining              | 28:2:3      | 139-1845           | 1           | Spring-Tension, Belt    |
| 8           | 3230-23            | 1           | Bolt-CARR                   | 28:3        | 139-8974           | 1           | Clutch Lever Repair Kit |
| 9           | 136-7095           | 2           | Cover-Wheel                 | 29          | 120-7950           | 2           | Screw-Torx              |
| 10          | 133-8104-03        | 1           | Bracket-Transmission, Front | 30          | 36-4780            | 2           | Washer-Plain            |
| 11          | 3230-4             | 2           | Bolt-CARR                   | 31          | 3296-47            | 1           | Nut-Lock,NI             |
| 12          | 121-2368           | 1           | Spring-Torsion              | 32          | 138-5394-03        | 1           | Bracket-Mount, Brake    |
| 13          | 104-8301           | 2           | Nut-HF, NI                  | 33          | 138-5398           | 1           | Caliper-Brake, Disc     |
| 14          | 125-2540           | 1           | Washer-Plain                | 33:1        | 139-8999           | 2           | Pad-Brake, Disc ●       |
| 15          | 137-9174           | 2           | 10.5 In. Wheel ASM          | 34          | 32144-4            | 2           | Screw-HWH               |
| 17          | 121-2397           | 1           | Bracket                     | 35          | 139-8990           | 1           | Hub-Rotor               |
| 18          | 139-8967           | 1           | Rear Axle ASM               | 36          | 933156             | 1           | Pin-Roll                |
| 19          | 116-7127           | 1           | Decal-HOC, Rear             | 37          | 138-5396           | 1           | Disc-Rotor              |
| 20          | 52-2860            | 1           | Washer                      | 38          | 139-8960           | 3           | Screw-Torx PH Thd Roll  |
| 21          | 119-2267           | 1           | Screw-Shoulder, BHTF        | 39          | 609471             | 1           | Screw                   |
| 22          | 120-9471           | 1           | Bolt-Shoulder               | 40          | 49-2040            | 2           | Screw-HWHTF             |
| 23          | 139-1737           | 1           | Lock-Height, Adj            | 41          | 140-1262-01        | 1           | Bracket-Support, Cable  |
| 24          | 138-5393           | 1           | Spring-Extension            |             |                    |             |                         |

● Not illustrated

# Handle Assembly



## Handle Assembly (continued)

| <i>Ref.</i> | <i>Part Number</i> | <i>Qty.</i> | <i>Description</i>               | <i>Ref.</i> | <i>Part Number</i> | <i>Qty.</i> | <i>Description</i>                       |
|-------------|--------------------|-------------|----------------------------------|-------------|--------------------|-------------|--|
| 1           | 137-4767-03        | 1           | Handle                           | 18          | 139-1817           | 1           | Washer-Stepped                           |
| 2           | 116-8208-03        | 2           | Support-Handle                   | 19          | 139-1819           | 1           | Lever-Brake                              |
| 3           | 116-7230           | 4           | Screw-HHF                        | 20          | 117-9965           | 1           | Spacer                                   |
| 4           | 3230-4             | 2           | Bolt-Carriage 5/16-18 X 1<br>1/2 | 21          | 32144-1            | 1           | Screw-HWH #10-24 X 1/2<br>Taptite        |
| 5           | 104-8300           | 3           | Nut-Nyloc 5/16-18 Flg            | 22          | 1-807512           | 2           | Bolt-Carriage 1/4-20 X 3/4<br>Short Neck |
| 6           | 139-1815           | 1           | Bail-Traction, Coated            | 23          | 3230-7             | 1           | Bolt-Carriage 5/16-18 X 2<br>1/4         |
| 7           | 137-4810           | 1           | Bail-BBC, Coated                 | 24          | 116-2690           | 1           | Bushing-Stepped                          |
| 8           | 42-3560            | 3           | Bolt-Shoulder                    | 25          | 109-9318           | 1           | Spring-Lever, BBC                        |
| 9           | 104-7201           | 8           | Nut-Nyloc 1/4-20 Flg             | 26          | 116-2998           | 1           | Lever-BBC                                |
| 10          | 140-3985           | 1           | Screw-Handle                     | 27          | 3229-5             | 2           | Screw-CARR                               |
| 11          | 137-4759           | 1           | Cable-BBC                        | 28          | 106-6801           | 1           | Anchor-Cable                             |
| 12          | 137-4807           | 1           | Cable-Traction                   | 29          | 138-5399           | 1           | Cable-Brake, Parking                     |
| 13          | 3256-1             | 1           | Washer-Flat                      | 30          | 139-5405           | 1           | Decal-Brake, Parking                     |
| 14          | 106-7260           | 2           | Washer-Curved                    | 99          | 614249             | 4           | Tie-Cable ●                              |
| 15          | 139-1818-03        | 1           | Mount-Lever, Brake               |             |                    |             |  |
| 16          | 139-1813           | 1           | Link-Actuation, Brake            |             |                    |             |  |
| 17          | 138-5368           | 1           | Spacer                           |             |                    |             |  |

● Not illustrated

# Attachments and Accessories

## For 22225 30in TurfMaster HDX Walk-Behind Lawn Mower

| <b>Product Name</b>           | <b>Model/Part</b> |
|-------------------------------|-------------------|
| Mulch Kit Commercial 30 ..... | 116-8841          |
| Atomic Blade 15.4in .....     | 120-9500-03       |
| Mulching Kit .....            | 125-5064          |
| Idler Pulley Kit.....         | 126-7890          |

**Notes:**



**Count on it.**