



Count on it.

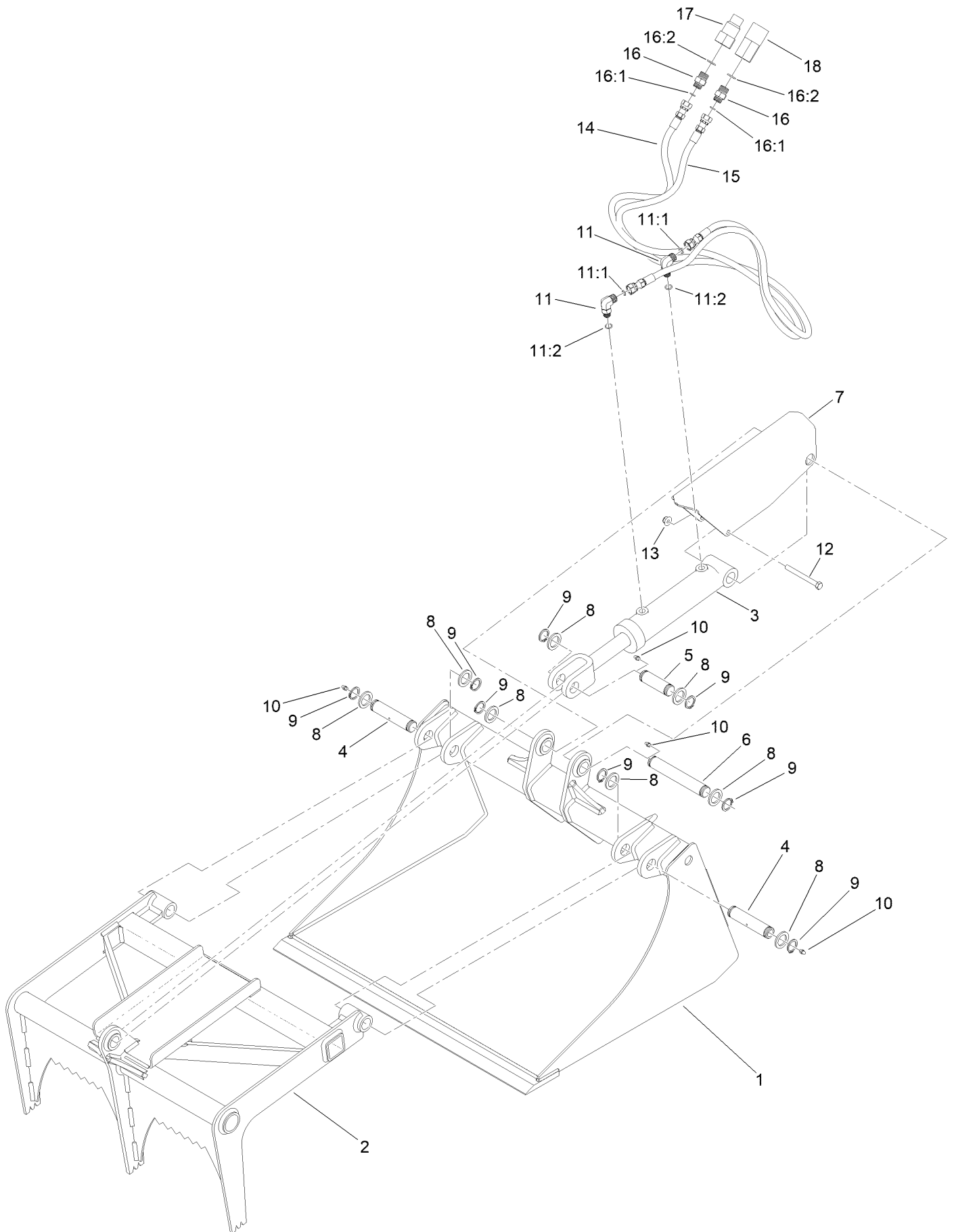
Parts Catalog

**30in Grapple Bucket
Compact Tool Carriers**

Model No. 23176—Serial No. 323000000 and Up



30in Grapple Bucket Assembly



30in Grapple Bucket Assembly (continued)

<i>Ref.</i>	<i>Part Number</i>	<i>Qty.</i>	<i>Description</i>	<i>Ref.</i>	<i>Part Number</i>	<i>Qty.</i>	<i>Description</i>
1	161-1061	1	Bucket-Grapple, 30"	11:1	237-22	1	O-Ring
2	161-1059	1	Jaw-Grapple, 30"	11:2	237-42	1	O-Ring
3	139-7173	1	Cylinder-HYD	12	323-42	1	Screw-HH
4	139-7175	2	Pin-Pivot	13	104-8301	1	Nut-HF, NI
5	139-7176	1	Pin-Pivot	14	145-4456	1	HYD Hose ASM
6	137-8968	1	Pin-Hinge	15	145-4455	1	HYD Hose ASM
7	138-9935	1	Guard - Grpl Bucket	16	340-3	2	Fitting-Straight
8	131-8570	8	Spacer-Hardened	16:1	237-22	1	O-Ring
9	32151-36	8	Ring-Retaining	16:2	237-79	1	O-Ring
10	137-9002	4	Fitting-Zerk	17	139-7168	1	Coupler-Male
11	340-77	2	Fitting-Elbow, 90 DEG	18	139-7167	1	Coupler-Female



Count on it.