



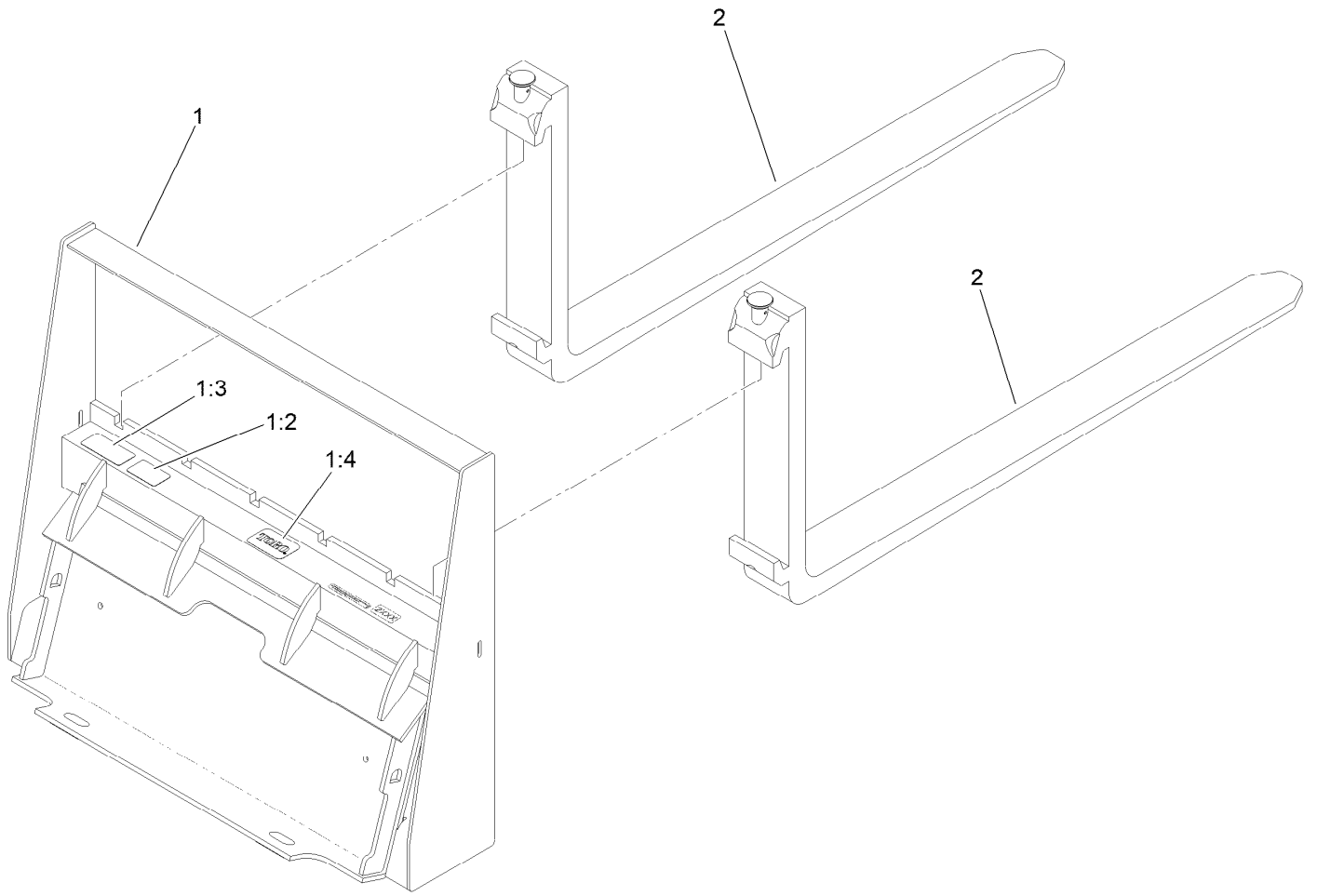
**Count on it.**

**Parts Catalog**

**30in Pallet Fork  
Compact Tool Carriers**

Model No. 23175—Serial No. 323000000 and Up





## 30in Pallet Fork Assembly

Ref.	Part Number	Qty.	Description
1	161-1070	1	Fork Frame ASM,
1:2	161-1097	1	Decal-Load Rating
1:3	161-1098	1	Decal-Warning, No Riders
1:4	98-3206	1	Decal
2	161-1069	2	Tine-Fork