



Dual Blade Kit

21in 60V Lawn Mower

Model No. 161-3138

Installation Instructions

Installation

Replacing the Existing Blade(s)

Important: You will need a torque wrench to install the blade properly. If you do not have a torque wrench or are uncomfortable performing this procedure, contact an Authorized Service Dealer.

⚠ WARNING

When servicing the blade, the blade can still move even though the power source is off. The blade is sharp; contacting the blade can result in serious personal injury.

- Keep your hands and feet away from a moving blade.
 - Wear gloves when servicing the blade.
1. Remove the electric-start button and battery pack from the machine.
 2. Use a block of wood to hold the blade(s) steady (Figure 1).
 3. Remove all mounting hardware and remove the blade(s); save all mounting hardware (Figure 1).

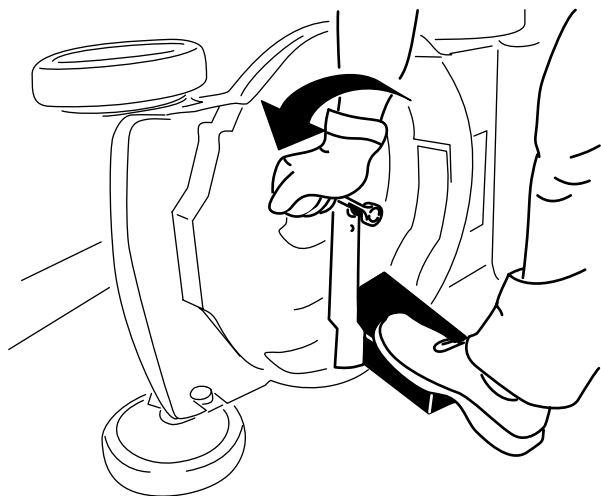
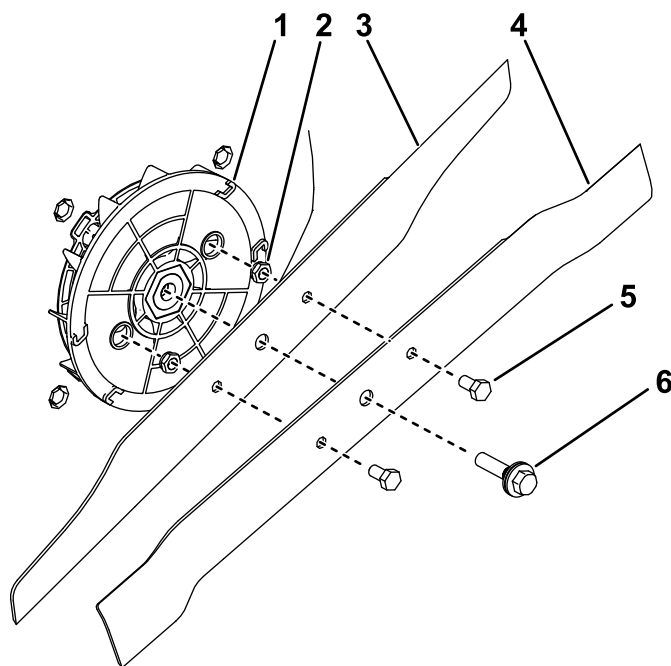


Figure 1

g423077

4. Secure the new blades to each other as shown in Figure 2; torque the nuts securing the blades together to 18.9 to 19.6 N·m (167 to 173 in-lb).

Note: Ensure that the blade is installed between the tabs on the underside of the fan.



g423066

Figure 2

- | | |
|---------------------------|------------------------------|
| 1. Tab markings on fan | 4. Bottom blade cutting edge |
| 2. Locknut | 5. Hex-head bolts |
| 3. Top blade cutting edge | 6. Blade bolt |

5. Install the new blades using the blade bolt (Figure 2).
6. Use a torque wrench to tighten the blade bolt to 61 to 74 N·m (45 to 55 ft-lb).

