



**Count on it.**

**Parts Catalog**

**60in Rear Discharge Rotary  
Mower**

**Groundsmaster® 3200 or 3300 Series  
Traction Unit**

**Model No. 31971—Serial No. 407970000 and Up**



# Ordering Replacement Parts

To order replacement parts, please supply the part number, the quantity, and the description of each part desired.

## Understanding Reference Numbers

Each identified part in an illustration has a reference number. The reference number for a part also appears in the parts list, along with other information about the part.

This catalog uses two special reference number formats, one to indicate parts in a service assembly and another to indicate the quantity of a given part in an illustration.

## Service Assembly Reference Numbers

Parts in service assemblies have reference numbers in the form a:b. The a represents the reference number of the entire service assembly and the b represents a sequential number unique to each part within the service assembly.

For example, a wheel assembly might be identified by reference number 6, the tire by 6:1, the valve by 6:2, and the wheel by 6:3. When you order the assembly identified by reference number 6, you receive all parts identified by reference numbers 6:1, 6:2, and 6:3. However, you may also order any part individually. Reference numbers of this type appear in illustration and in parts lists.

## Reference Numbers Indicating Quantity

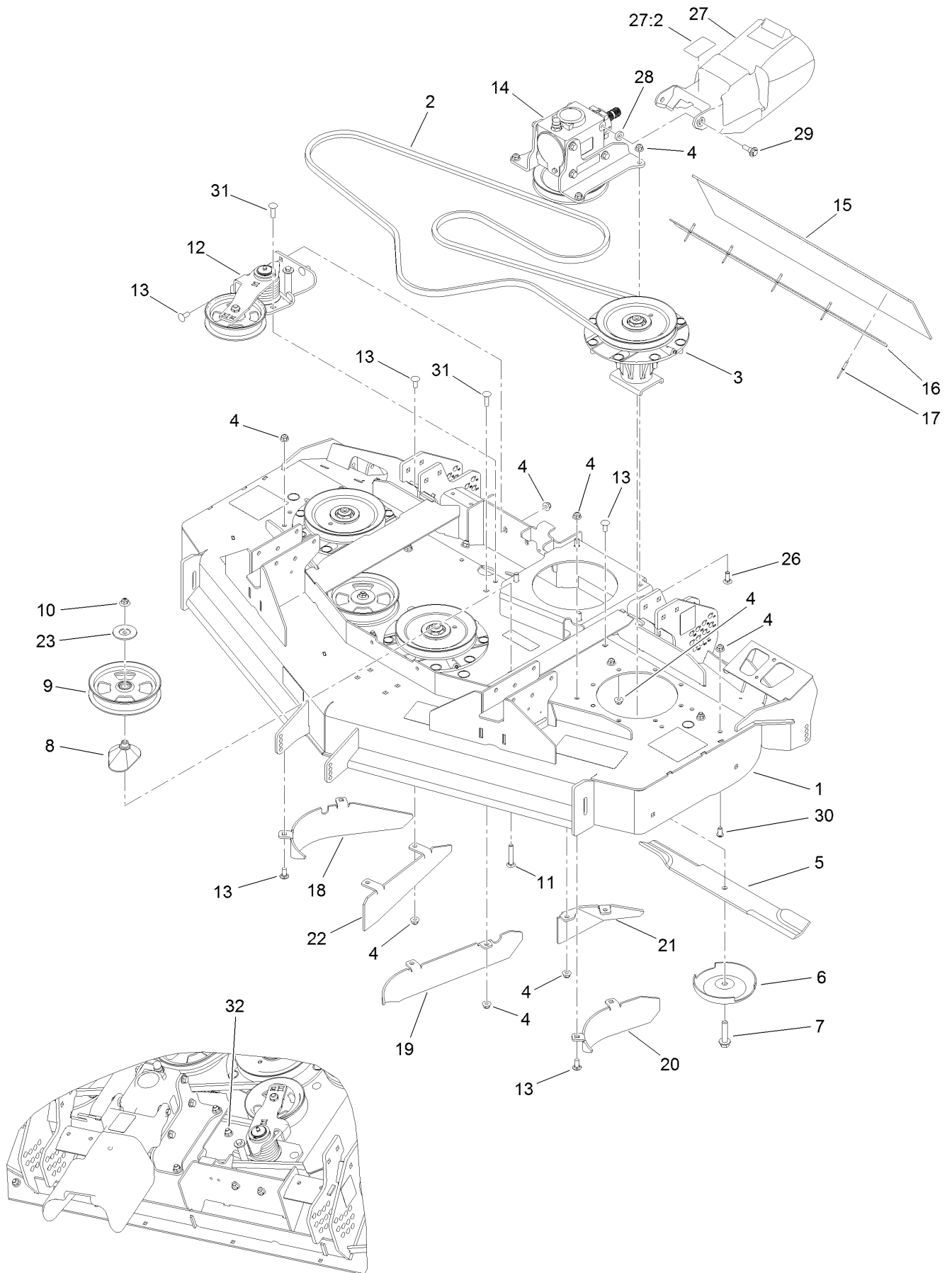
In an illustration, if a reference number indicates more than one part, the reference number has the form nX y. The n represents the quantity of the part, the X is the multiplication symbol, and the y represents the reference number.

For example, in an illustration, the reference number 2X 37 means that two of the parts identified by reference number 37 are indicated.

# Contents

Deck Assembly .....	4
Deck Decal Assembly No. 138-4446SP .....	6
Spindle Assembly No. 138-4449 .....	8
Tensioner Assembly No. 140-9026 .....	10
Gearbox Assembly .....	12
Gearbox Assembly No. 145-5990 .....	14
Belt Cover, Caster Arm and Wheel Assembly .....	16
Wheel Assembly No. 137-5529 .....	18
Latch Assembly No. 139-0888 .....	20

# Deck Assembly

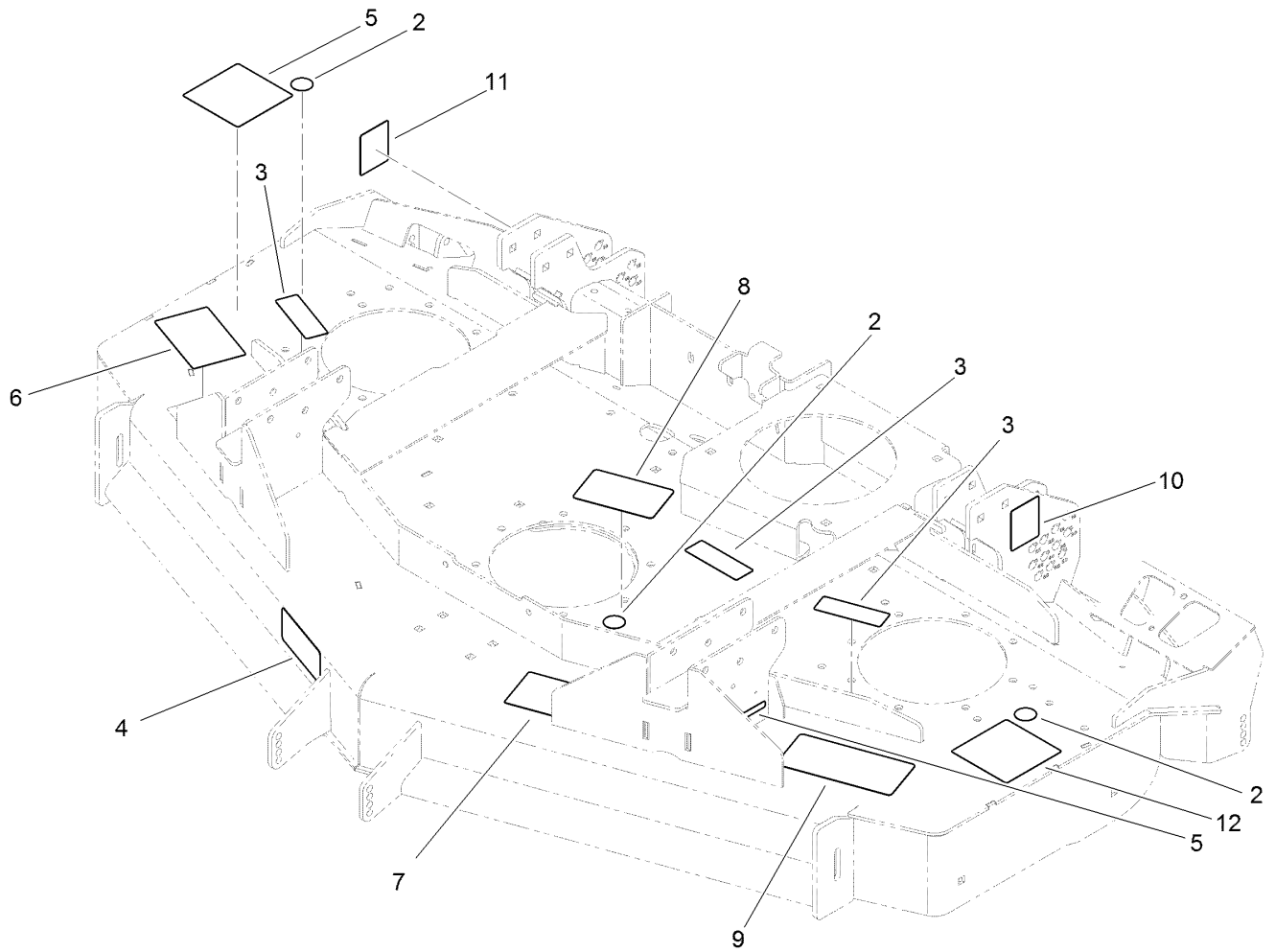


## Deck Assembly (continued)

<i>Ref.</i>	<i>Part Number</i>	<i>Qty.</i>	<i>Description</i>	<i>Ref.</i>	<i>Part Number</i>	<i>Qty.</i>	<i>Description</i>
1	138-4446SP	1	Deck W/Decals	17	103-0138	5	Rivet-Pop
2	139-6342	1	Belt-V	18	138-0252-0P	1	Baffle-Inner, RH
3	138-4449	3	Spindle ASM	19	140-9041-0P	1	Baffle-Inner, Center
4	104-8301	50	Nut-HF, NI	20	137-5800-0P	1	Baffle-Inner, RH
5	110-4701-03	3	Blade-Rotary, 20.5 Med Flow	21	137-5903-0P	1	Baffle-Kicker, LH
6	72-9361	3	Cup-Scalp, Anti	22	137-5902-0P	1	Baffle, Long RH
7	92-5816	3	Bolt-Blade	23	126-8043	2	Shield-Dust
8	109-2872	2	Spacer-Pulley	26	3231-22	4	Screw-CARR
9	136-5404	2	Pulley-Idler, Flat	27	139-6301	1	PTO Guard W/Decals
10	109-6658	2	Nut-Flange, NI	27:2	139-6303	1	Decal-Danger, Entanglement
11	3231-40	2	Bolt-CARR	28	5-0652	2	Spacer
12	140-9026	1	Tensioner ASM	29	109-9840	2	Screw-Shoulder, HHF
13	3231-27	10	Screw-CARR	30	3274-80	7	Screw-HH
14		1	Gearbox ASM ●	31	3231-28	4	Screw-CARR
15	140-3054	1	Flap-Rubber, Middle	32	3274-94	1	Screw-HSBH
16	140-3053-0P	1	Bracket-Flap, Middle				

● Not serviced separately

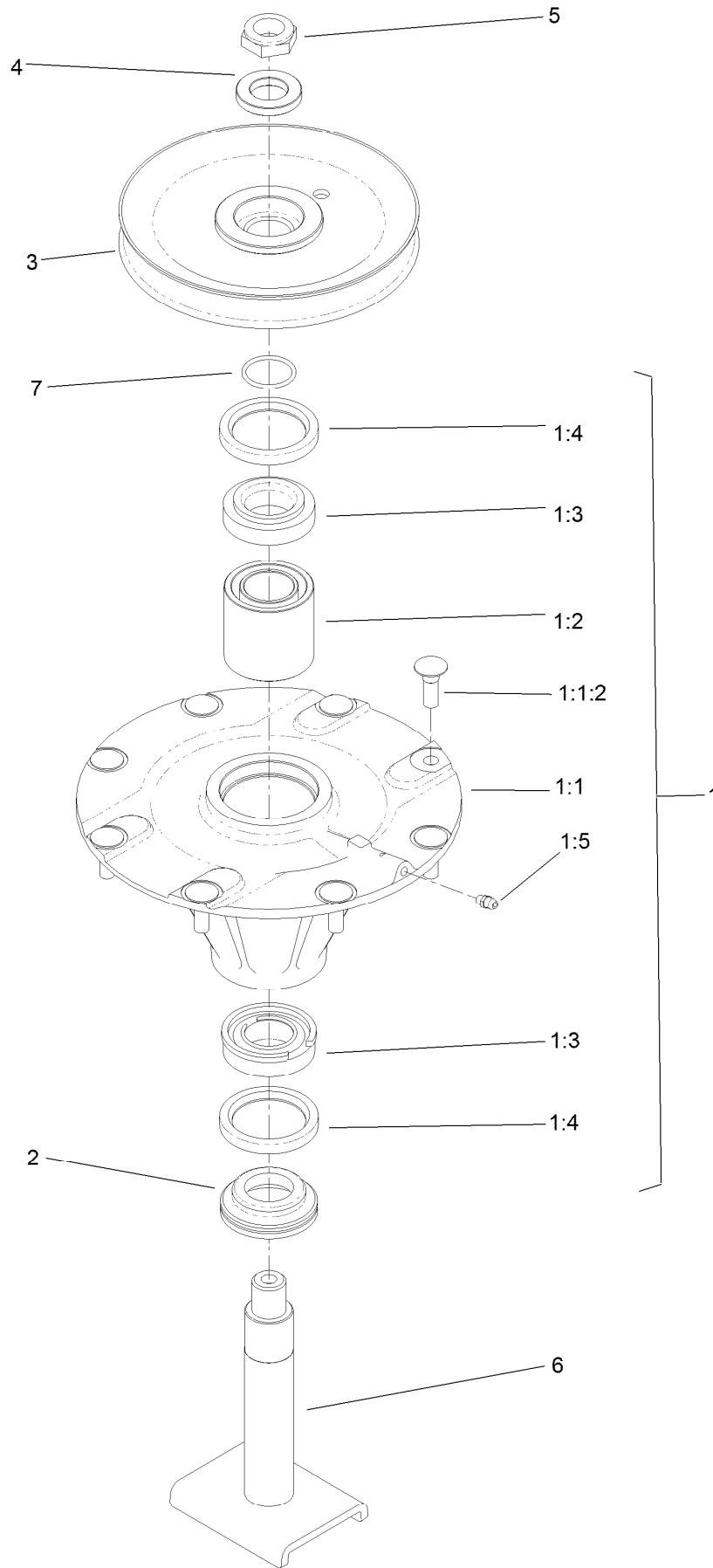
# Deck Decal Assembly No. 138-4446SP



## Deck Decal Assembly No. 138-4446SP (continued)

<i>Ref.</i>	<i>Part Number</i>	<i>Qty.</i>	<i>Description</i>	<i>Ref.</i>	<i>Part Number</i>	<i>Qty.</i>	<i>Description</i>
2	58-6520	3	Decal-Grease	8	138-7359	1	Decal-Routing, Belt
3	117-4979	3	Decal-Warning	9	137-5949	1	Decal-HOC
4	93-7818	1	Decal-Torque, Blade Bolt	10	144-0542	1	Decal-HOC, LH
5	120-6604	2	Decal-Danger	11	144-0543	1	Decal-HOC, RH
6	108-1990	1	Decal	12	133-8061	1	Decal-Warning
7	127-0326	1	Decal-Scalp, Anti				

# Spindle Assembly No. 138-4449



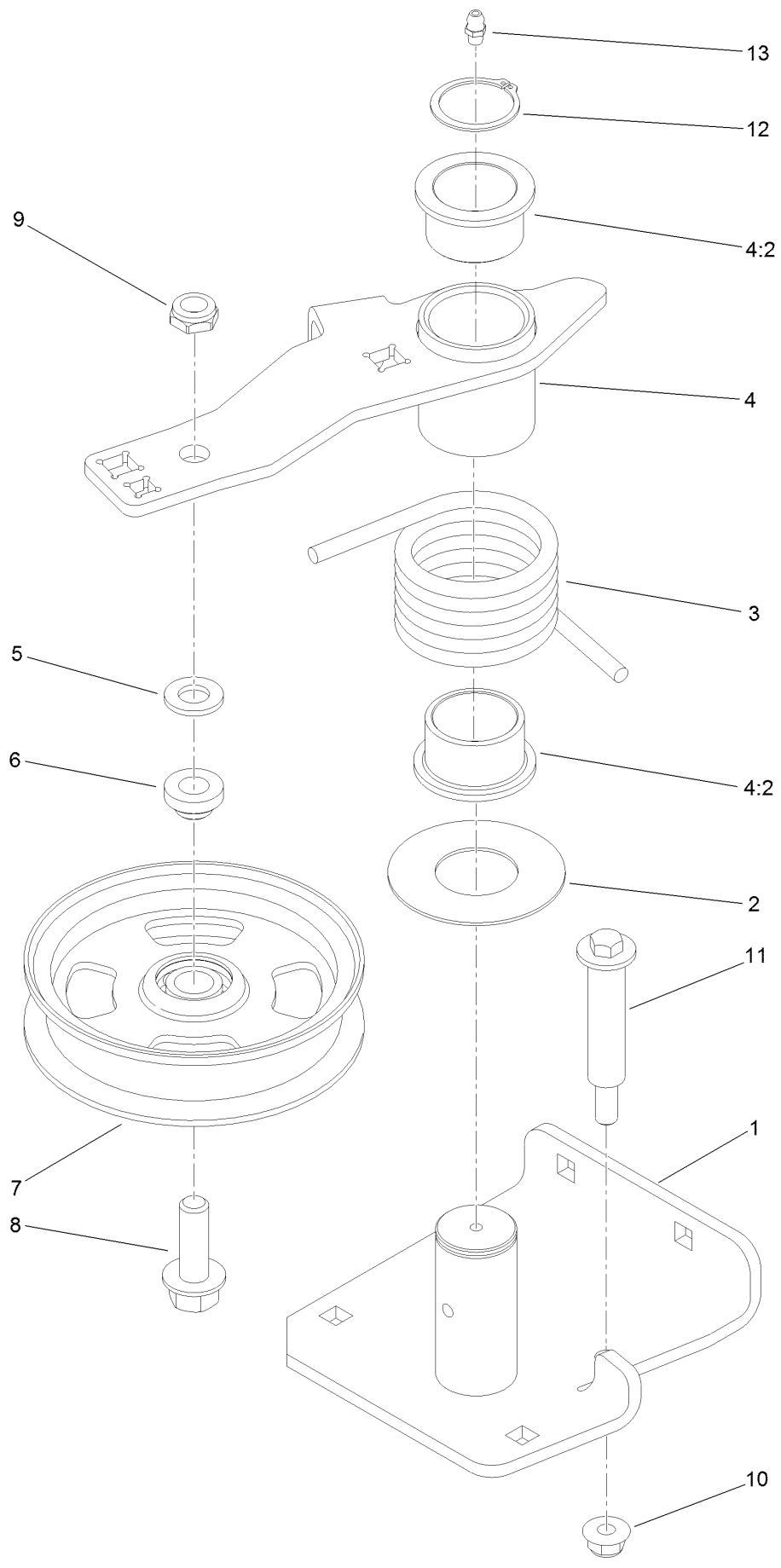


## Spindle Assembly No. 138-4449 (continued)

<i>Ref.</i>	<i>Part Number</i>	<i>Qty.</i>	<i>Description</i>	<i>Ref.</i>	<i>Part Number</i>	<i>Qty.</i>	<i>Description</i>
1	139-6338	1	Spindle Housing ASM	2	138-6416	1	Spacer-Spindle, Shaft
1:1		1	Spindle ASM ●	3	138-4521	1	Pulley ASM
1:1:2	114-8195	8	Bolt-Neck, Ribbed	4	120-5576	1	Washer-Hardened
1:2	108-1954	1	Bearing Spacer Set	5	3296-60	1	Nut-Lock, NI
1:3	110-8297	1	Bearing ASM	6	139-1042	1	Spindle-Shaft
1:4	253-154	2	Seal-Oil	7	106-7159	1	O-Ring
1:5	302-5	1	Fitting-Grease				

● Not serviced separately

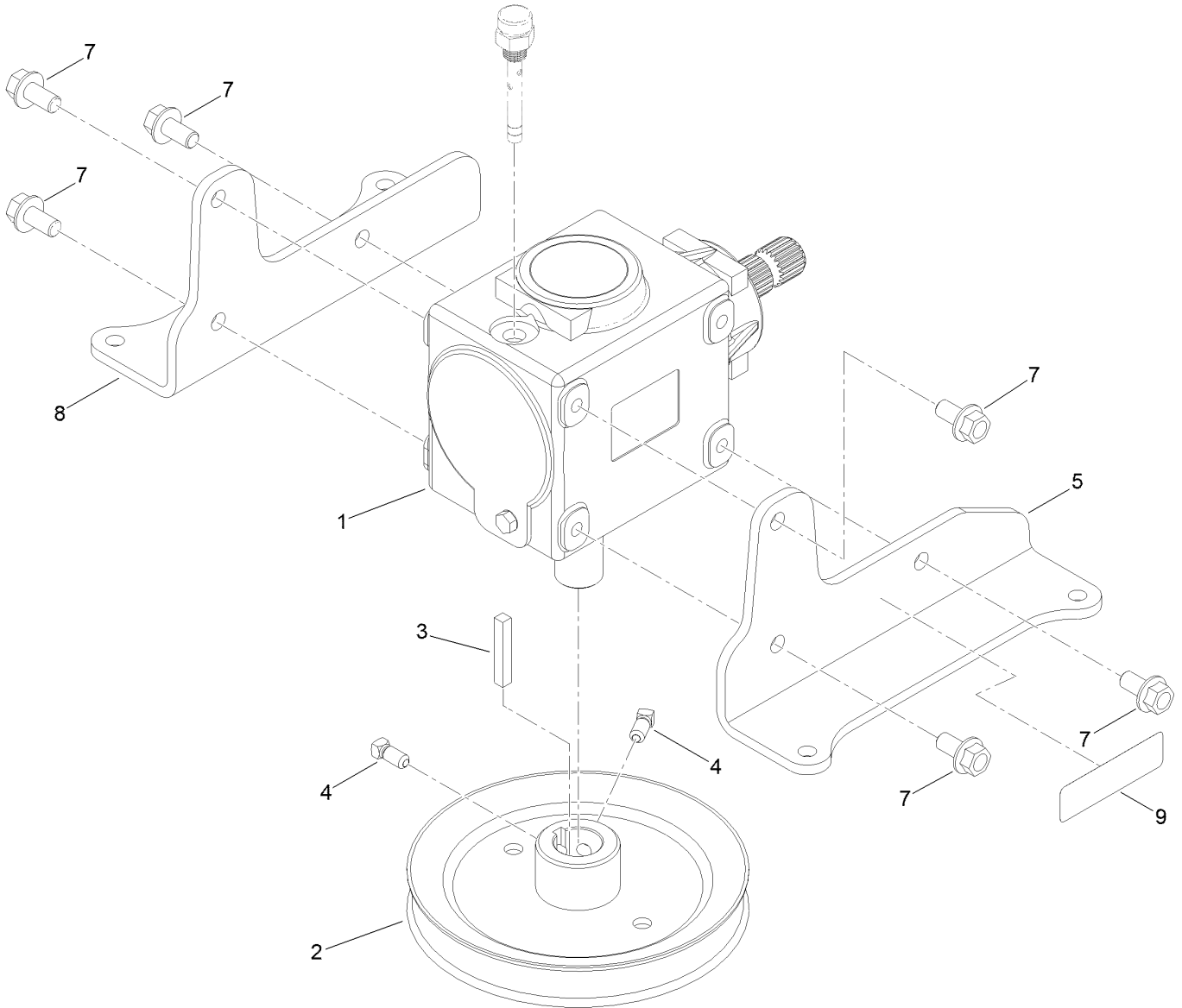
# Tensioner Assembly No. 140-9026



## Tensioner Assembly No. 140-9026 (continued)

<i>Ref.</i>	<i>Part Number</i>	<i>Qty.</i>	<i>Description</i>	<i>Ref.</i>	<i>Part Number</i>	<i>Qty.</i>	<i>Description</i>
1	140-9021	1	Pivot-Idler	7	136-5405	1	Pulley-Idler, Flat
2	108-1926	1	Washer	8	100-6116	1	Screw-HHF
3	112-7395	1	Spring-Torsion	9	3296-45	1	Nut-Hex
4	144-0503	1	High Idler Arm ASM	10	104-8301	1	Nut-HF, NI
4:2	93-4510	2	Bushing-Caster	11	112-3977	1	Bolt-Shoulder
5	106-9888	1	Washer-Flat	12	32120-84	1	Ring-Snap, External
6	108-1924	1	Spacer-Idler	13	302-5	1	Fitting-Grease

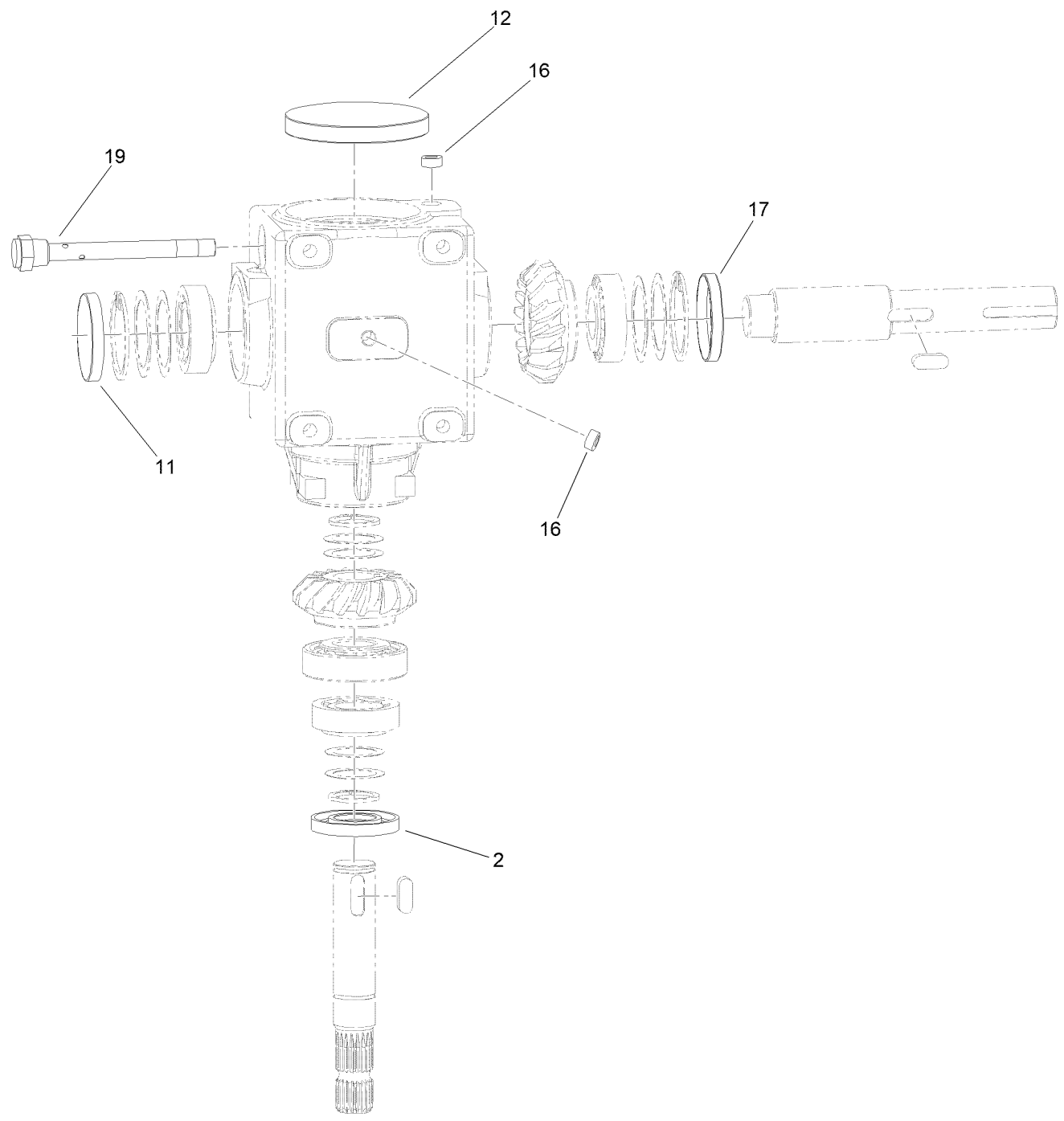
# Gearbox Assembly



## Gearbox Assembly (continued)

<i>Ref.</i>	<i>Part Number</i>	<i>Qty.</i>	<i>Description</i>	<i>Ref.</i>	<i>Part Number</i>	<i>Qty.</i>	<i>Description</i>
1	145-5990	1	Gearbox	5	144-0494-03	1	Bracket-Gearbox, LH
2	140-9038	1	Pulley	7	139-6300	6	Screw-Hfl
3	94-2425	1	Key-Square	8	144-0495-03	1	Bracket-Gearbox, RH
4	1-803022	2	Screw-Set	9	93-6697	1	Decal-Lube

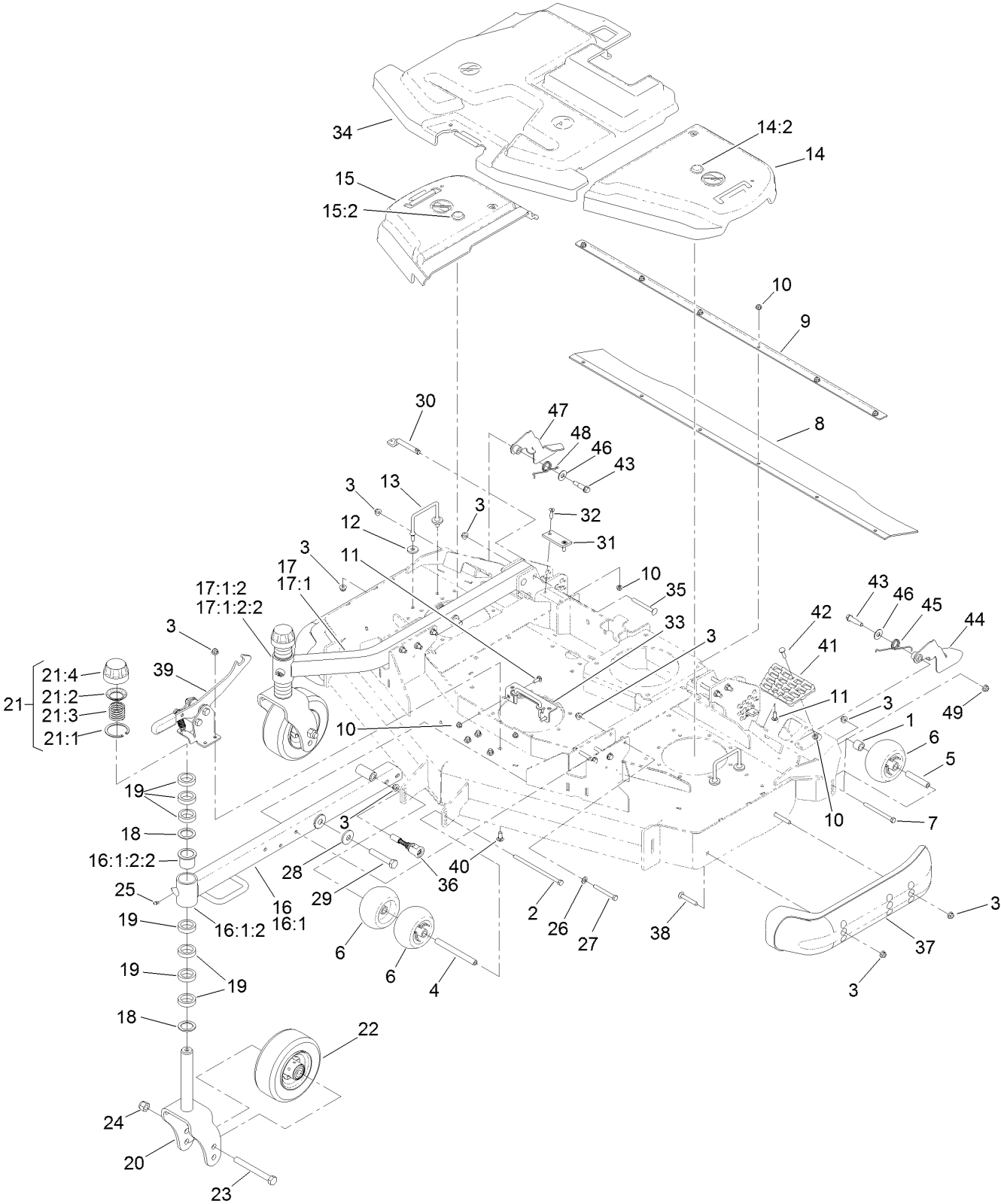
# Gearbox Assembly No. 145-5990



## Gearbox Assembly No. 145-5990 (continued)

<i>Ref.</i>	<i>Part Number</i>	<i>Qty.</i>	<i>Description</i>	<i>Ref.</i>	<i>Part Number</i>	<i>Qty.</i>	<i>Description</i>
2	140-7133	1	Seal-Oil	16	140-7132	3	Plug
11	140-7129	1	Plug-Cap	17	145-5989	1	Seal-Oil
12	140-7131	1	Plug-Cap	19	140-7130	1	Dipstick

# Belt Cover, Caster Arm and Wheel Assembly



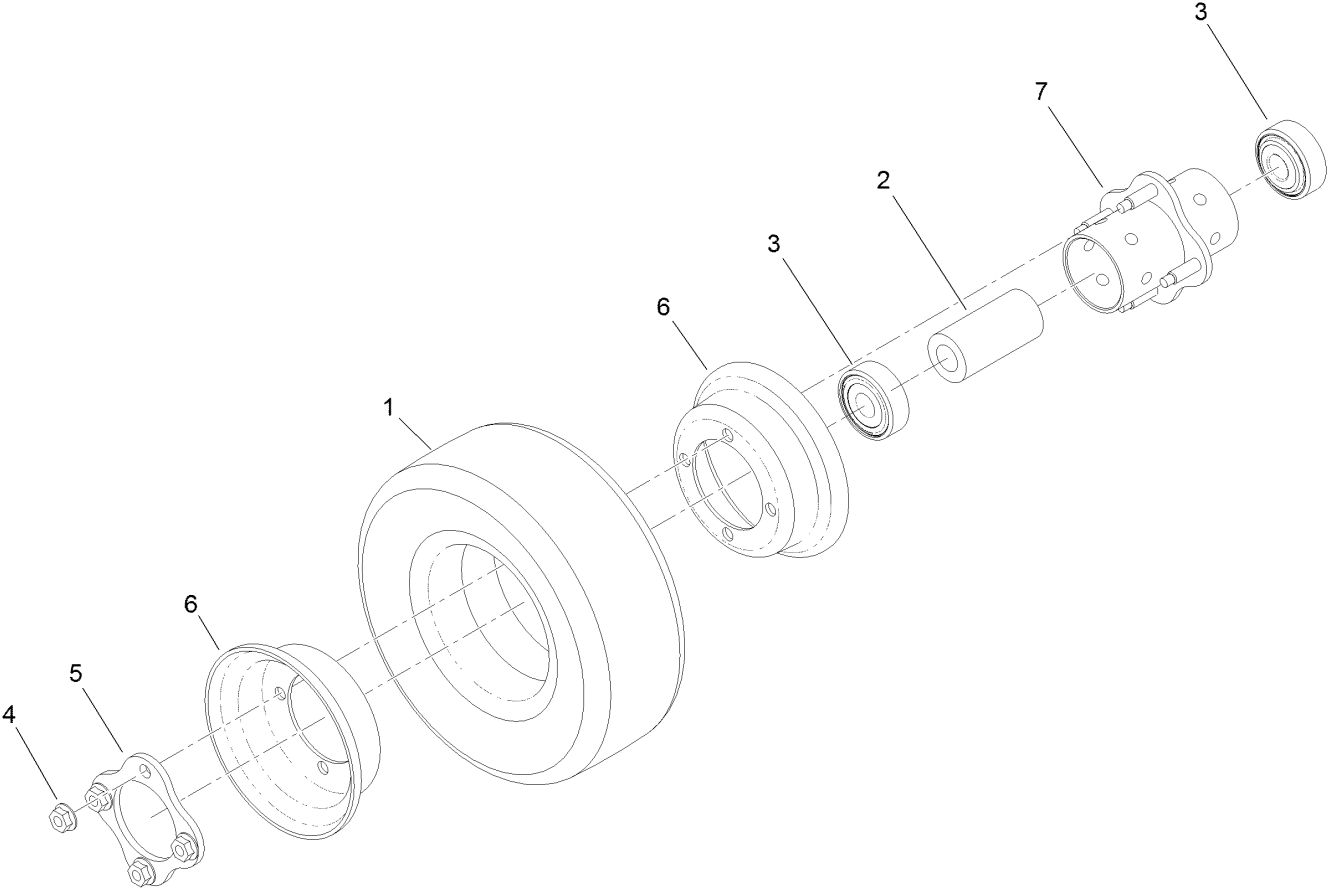


## Belt Cover, Caster Arm and Wheel Assembly (continued)

<i>Ref.</i>	<i>Part Number</i>	<i>Qty.</i>	<i>Description</i>	<i>Ref.</i>	<i>Part Number</i>	<i>Qty.</i>	<i>Description</i>
1	98-7913	2	Tube-Spacer	21:3	92-9726	1	Spring-Compression
2	108-5388	1	Screw-HH	21:4	92-8861	1	Cap-HOC
3	104-8301	25	Nut-HF, NI	22	137-5529	2	Wheel ASM
4	98-5967	1	Spacer-Wheel	23	327-24	2	Screw-HH
5	98-7912	2	Tube-Spinner	24	3296-53	2	Nut-Lock, NI
6	1-603299	4	Roller-Scalp, Anti	25	302-5	2	Fitting-Grease
7	323-23	2	Screw-HH	26	3256-24	6	Washer-Plain
8	140-9031	1	Flap Rubber	27	323-20	6	Screw-HH
9	139-0919-01	1	Bracket-Flap	28	103-0865	2	Washer-Blade Bolt, Heavy
10	104-8300	13	Nut-HF, NI	29	139-6203	2	Screw-HH
11	3230-10	8	Bolt-CARR	30	140-3064	2	Pin-HOC ASM
12	1-373034	4	Washer	31	138-4452	2	Pad-Stop, Deck
13	109-6982	2	Wireform-Cover	32	133-4543	4	Screw
14	138-7379	1	LH Belt Cover ASM	33	139-0932	1	Bracket-Cover, Belt
14:2	117-3824	1	Plug-Plastic	34	138-7373	1	Cover-Belt, Center
15	138-7362	1	RH Belt Cover ASM	35	3231-11	4	Screw-CARR
15:2	117-3824	1	Plug-Plastic	36	139-6345	1	Spring-Pin
16	138-0269-01	1	LH Caster Arm ASM	37	112-1479	2	Skid-Bumper, Deck
16:1		1	Arm-Caster, LH ●	38	3231-44	4	Screw-CARR
16:1:2		1	Hub ASM ●	39	139-0888	1	Latch ASM
16:1:2:2	69-6470	2	Bushing-Caster	40	3231-27	4	Screw-CARR
17	138-0271-01	1	RH Caster Arm ASM	41	126-4781	1	Step-Deck
17:1		1	Arm-Caster, RH ●	42	3230-3	1	Screw-CARR
17:1:2		1	Hub ASM ●	43	66-0561	2	Screw-Shoulder
17:1:2:2	69-6470	2	Bushing-Caster	44	139-6319-03	1	Guard-LH
18	69-6860	4	Washer-Thrust	45	51-4380	1	Spring-Torsion, LH
19	69-1510	14	Spacer	46	3-6803	2	Washer-Adjusting
20	137-2546-01	2	Fork-Caster	47	139-6317-03	1	Guard-RH
21	92-9727	2	HOC Cap ASM	48	51-4370	1	Spring-Torsion, RH
21:1	92-5581	1	Ring-Rtng, Snap, Int, Flat	49	3296-6	2	Nut-Lock
21:2	92-5583	1	Washer-Cap				

● Not serviced separately

# Wheel Assembly No. 137-5529

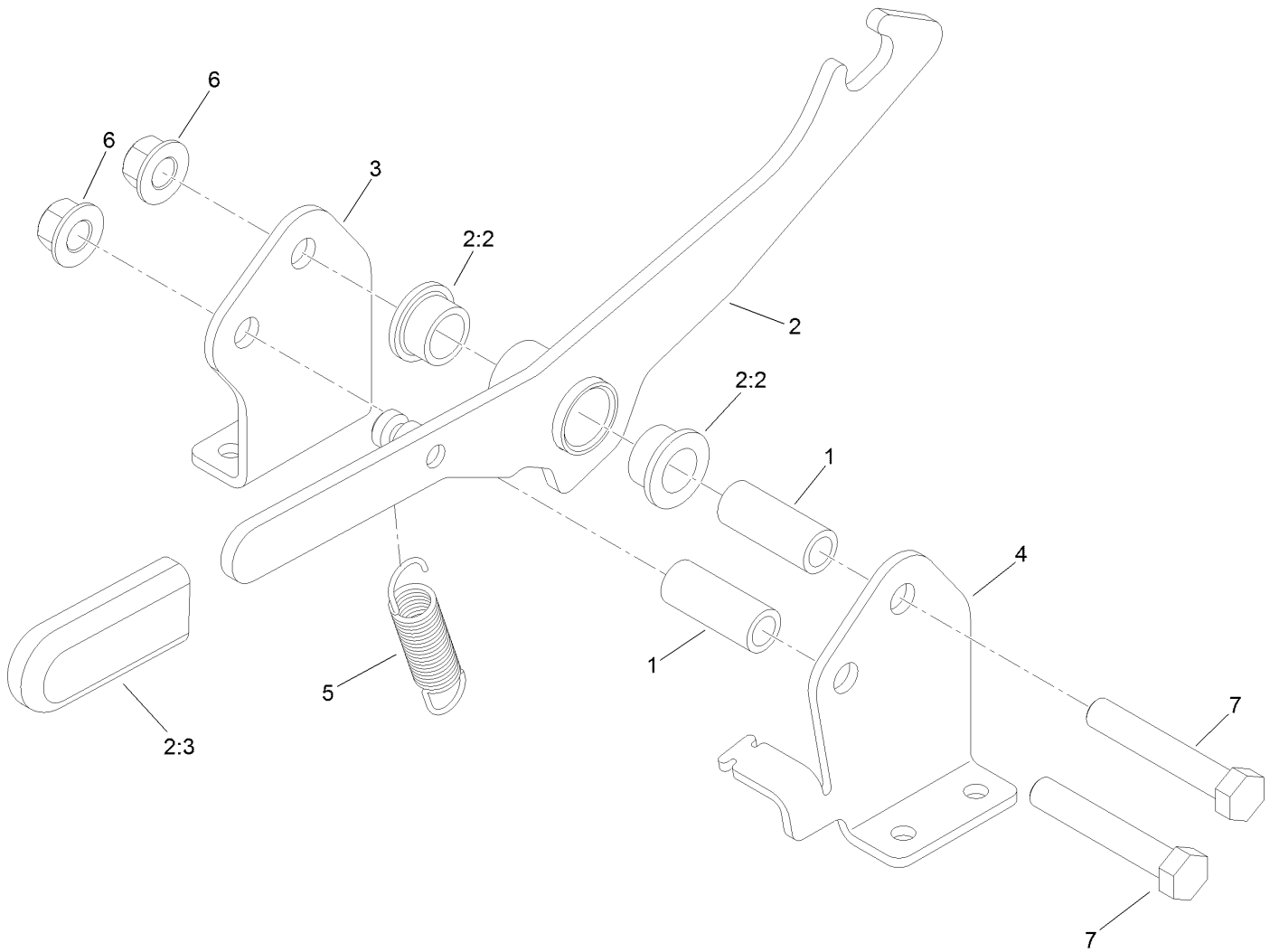


## Wheel Assembly No. 137-5529 (continued)

<i>Ref.</i>	<i>Part Number</i>	<i>Qty.</i>	<i>Description</i>
1	136-4424	1	Tire-Pneumatic, Semi
2	93-4241	1	Spacer-Bearing, Inner
3	120-3366	2	Bearing
4	32128-16	4	Nut-HHF

<i>Ref.</i>	<i>Part Number</i>	<i>Qty.</i>	<i>Description</i>
5	93-4242	1	Plate
6	137-5552	2	Rim-Wheel, Half
7	93-5980	1	Hub

# Latch Assembly No. 139-0888



## Latch Assembly No. 139-0888 (continued)

<i>Ref.</i>	<i>Part Number</i>	<i>Qty.</i>	<i>Description</i>
1	117-0380	2	Spacer
2	138-0283	1	Latch Arm ASM
2:2	93-2877	2	Bushing
2:3	119-1846	1	Grip
3	139-0889	1	Bracket-Latch, Mount (RH)

<i>Ref.</i>	<i>Part Number</i>	<i>Qty.</i>	<i>Description</i>
4	139-0887	1	Bracket-Latch, Mount (LH)
5	130-9645	1	Spring-Extension
6	99-5107	2	Nut-Lock
7	325-12	2	Screw-HH

**Notes:**

**Notes:**



**Count on it.**