



Count on it.

Parts Catalog

**60in Rear Discharge Rotary
Mower**

**Groundsmaster® 3200 or 3300 Series
Traction Unit**

Model No. 31974—Serial No. 406700000 and Up



Ordering Replacement Parts

To order replacement parts, please supply the part number, the quantity, and the description of each part desired.

Understanding Reference Numbers

Each identified part in an illustration has a reference number. The reference number for a part also appears in the parts list, along with other information about the part.

This catalog uses two special reference number formats, one to indicate parts in a service assembly and another to indicate the quantity of a given part in an illustration.

Service Assembly Reference Numbers

Parts in service assemblies have reference numbers in the form a:b. The a represents the reference number of the entire service assembly and the b represents a sequential number unique to each part within the service assembly.

For example, a wheel assembly might be identified by reference number 6, the tire by 6:1, the valve by 6:2, and the wheel by 6:3. When you order the assembly identified by reference number 6, you receive all parts identified by reference numbers 6:1, 6:2, and 6:3. However, you may also order any part individually. Reference numbers of this type appear in illustration and in parts lists.

Reference Numbers Indicating Quantity

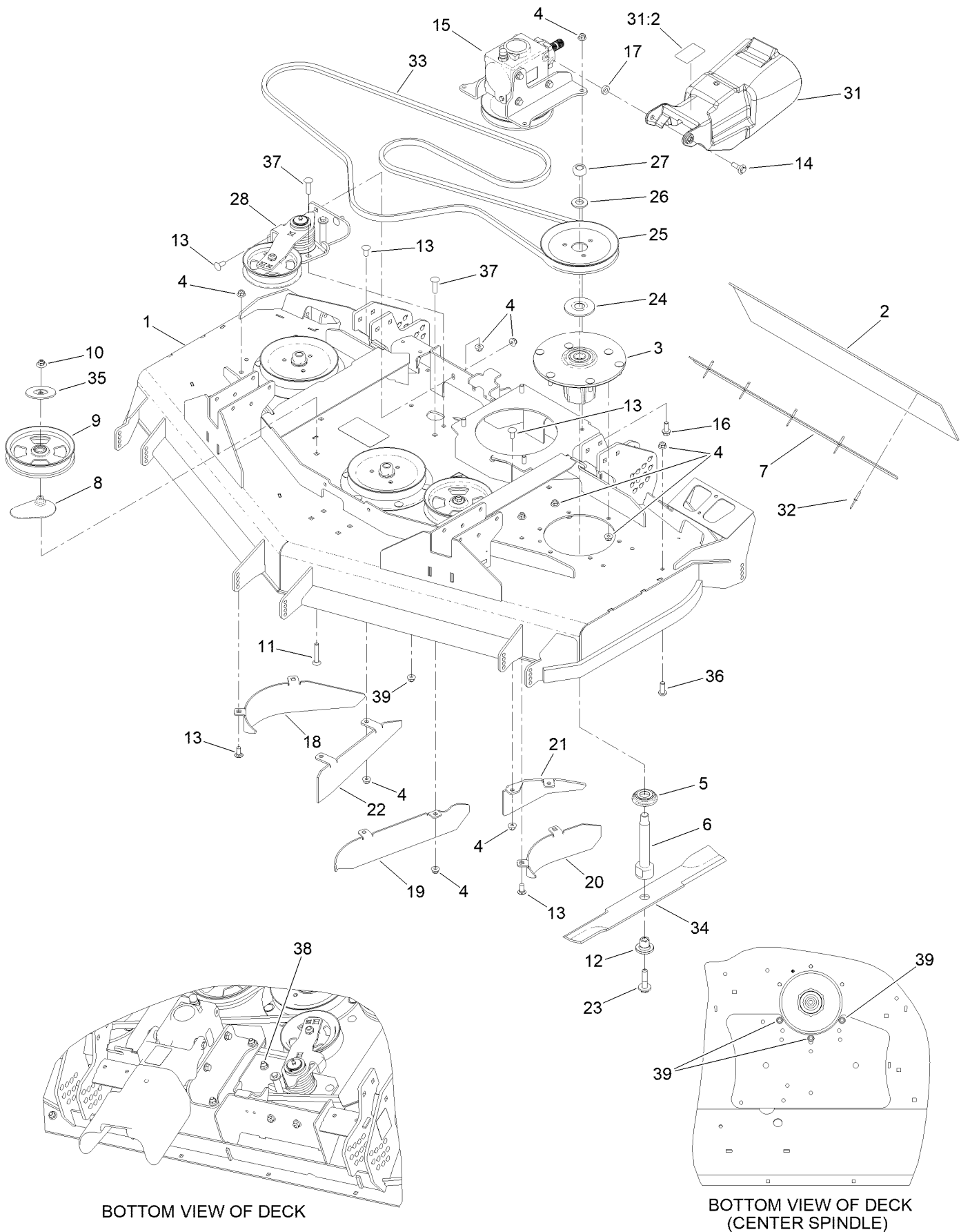
In an illustration, if a reference number indicates more than one part, the reference number has the form nX y. The n represents the quantity of the part, the X is the multiplication symbol, and the y represents the reference number.

For example, in an illustration, the reference number 2X 37 means that two of the parts identified by reference number 37 are indicated.

Contents

Deck Assembly	4
Deck Decal Assembly No. 139-0898SP	6
Spindle Assembly No. 137-9780	8
Gearbox Assembly	10
Gearbox Assembly No. 145-5990	12
Tensioner Assembly No. 140-9026	14
Belt Cover, Caster Arm and Wheel Assembly	16
Wheel Assembly No. 137-5529	18
Latch Assembly No. 139-0888	20

Deck Assembly

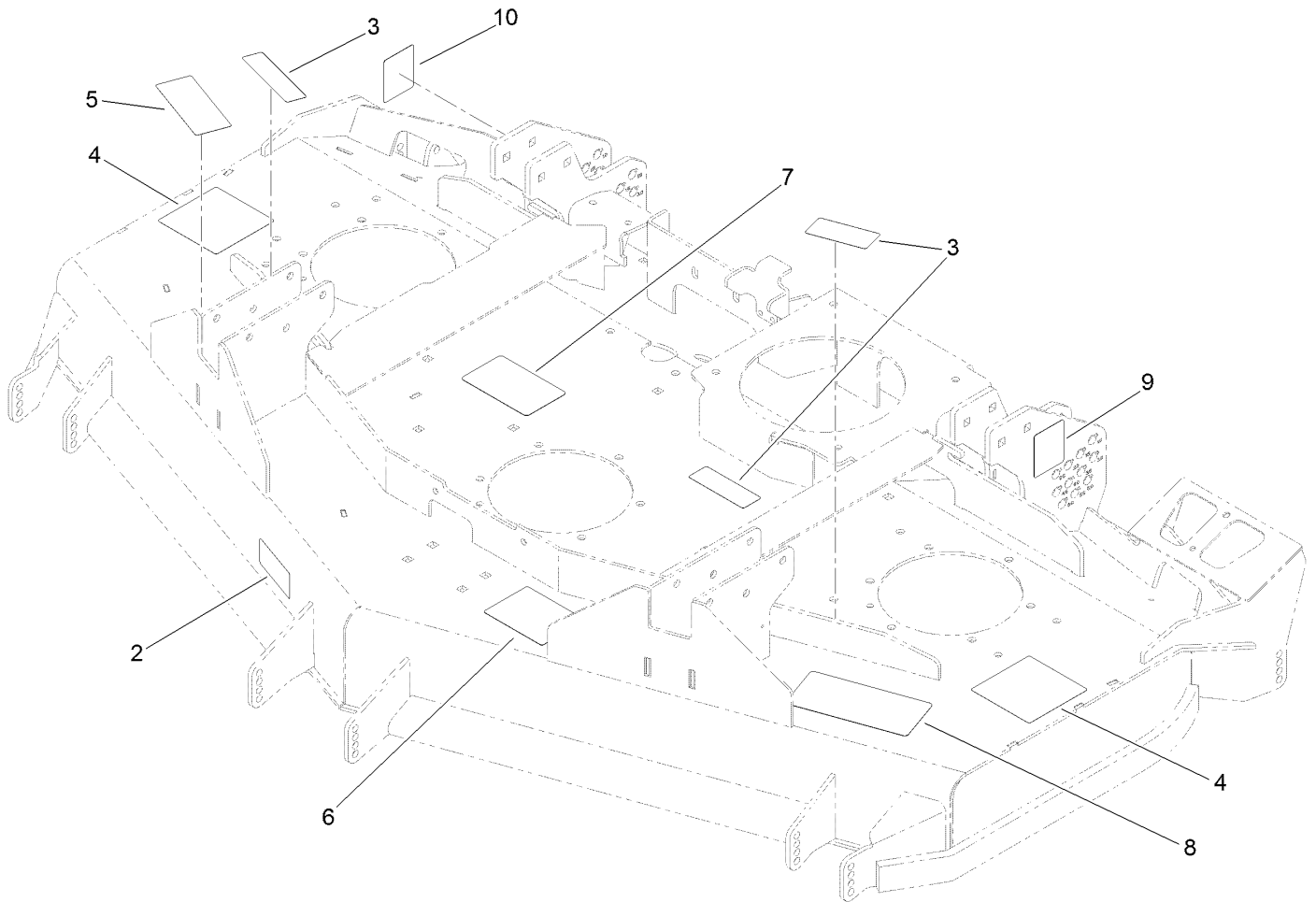


Deck Assembly (continued)

<i>Ref.</i>	<i>Part Number</i>	<i>Qty.</i>	<i>Description</i>	<i>Ref.</i>	<i>Part Number</i>	<i>Qty.</i>	<i>Description</i>
1	139-0898SP	1	Deck W/Decals	21	137-5903-0P	1	Baffle-Kicker, LH
2	140-3054	1	Flap-Rubber, Middle	22	137-5902-0P	1	Baffle, Long RH
3	137-9780	3	Spindle ASM	23	109-9220	3	Screw-Sems
4	104-8301	41	Nut-HF, NI	24	103-1330	3	Guard-Bearing, Top
5	137-9784	3	Guard-Bottom	25	138-6059	3	Sheave-Drive, Blade
6	138-6045	3	Shaft-Spindle	26	103-2802	3	Washer
7	140-3053-03	1	Bracket-Flap, Middle	27	116-7306	3	Nut-Hex
8	109-2872	2	Spacer-Pulley	28	140-9026	1	Tensioner ASM
9	136-5404	2	Pulley-Idler, Flat	31	139-6301	1	PTO Guard W/Decals
10	109-6658	2	Nut-Flange, NI	31:2	139-6303	1	Decal-Danger, Entanglement
11	3231-40	2	Bolt-CARR	32	103-0138	5	Rivet-Pop
12	137-9787	3	Bushing-Hex	33	139-6342	1	Belt-V
13	3231-27	10	Screw-CARR	34	140-4854	3	Blade-20.50, Low Flow
14	109-9840	2	Screw-Shoulder, HHF	35	126-8043	2	Shield-Dust
15		1	Gearbox ASM ●	36	3274-80	7	Screw-HH
16	3231-22	4	Screw-CARR	37	3231-28	4	Screw-CARR
17	5-0652	2	Spacer	38	3274-94	1	Screw-HSBH
18	138-0252-0P	1	Baffle-Inner, RH	39	32128-21	3	Nut-HF Lock
19	140-9041-0P	1	Baffle-Inner, Center				
20	137-5800-0P	1	Baffle-Inner, RH				

● Not serviced separately

Deck Decal Assembly No. 139-0898SP



Deck Decal Assembly No. 139-0898SP (continued)

<i>Ref.</i>	<i>Part Number</i>	<i>Qty.</i>	<i>Description</i>	<i>Ref.</i>	<i>Part Number</i>	<i>Qty.</i>	<i>Description</i>
2	116-8283	1	Decal-Torque, Bolt	7	138-7359	1	Decal-Routing, Belt
3	117-4979	3	Decal-Warning	8	137-5949	1	Decal-HOC
4	120-6604	2	Decal-Danger	9	139-6348	1	Decal-HOC, LH
5	140-3145	1	Decal-152 CM	10	139-6349	1	Decal-HOC, RH
6	127-0326	1	Decal-Scalp, Anti				

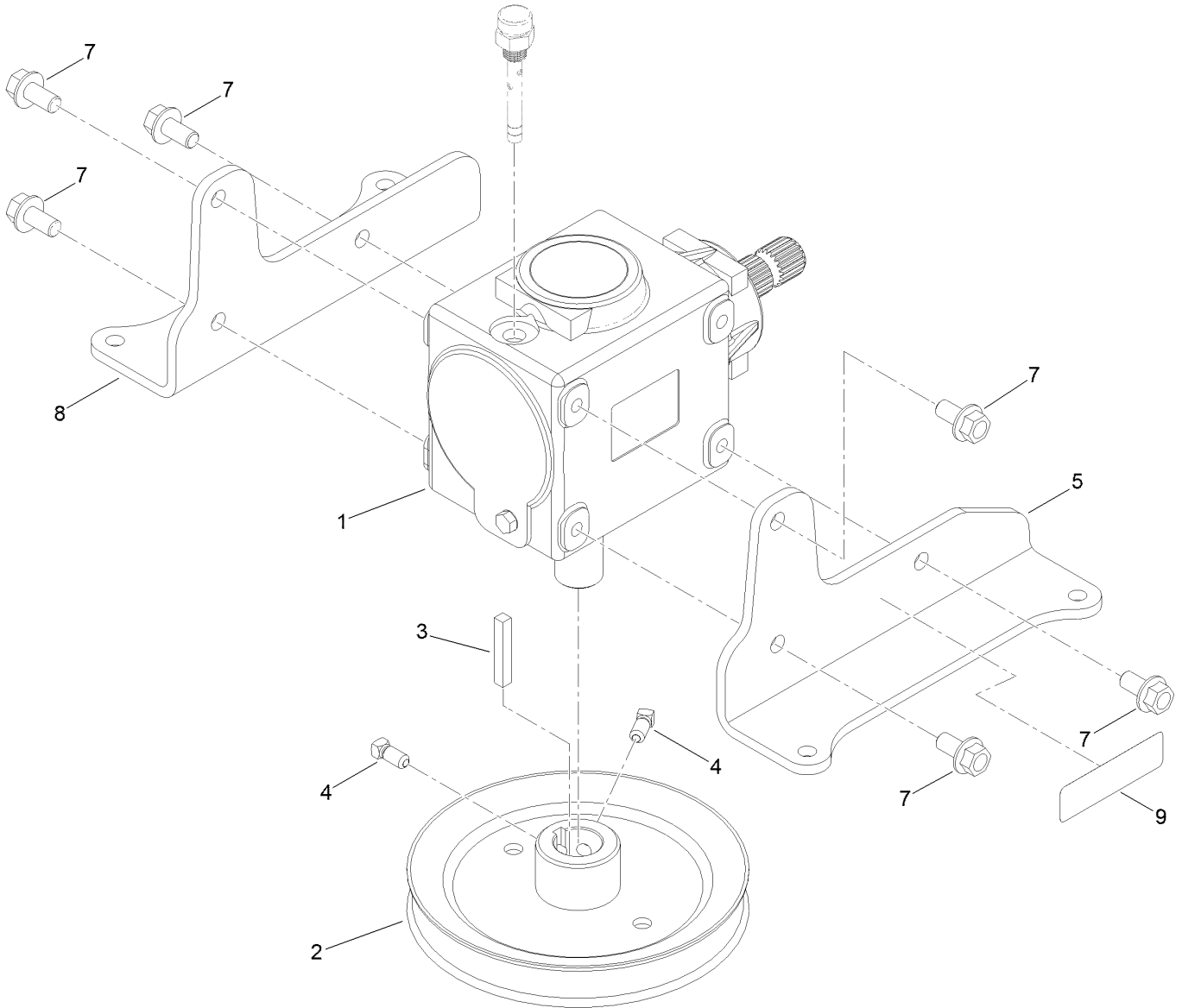
Spindle Assembly No. 137-9780



Spindle Assembly No. 137-9780 (continued)

<i>Ref.</i>	<i>Part Number</i>	<i>Qty.</i>	<i>Description</i>
2	116-0720	2	Bearing-Ball
3	138-6042	1	Spacer-Bearing

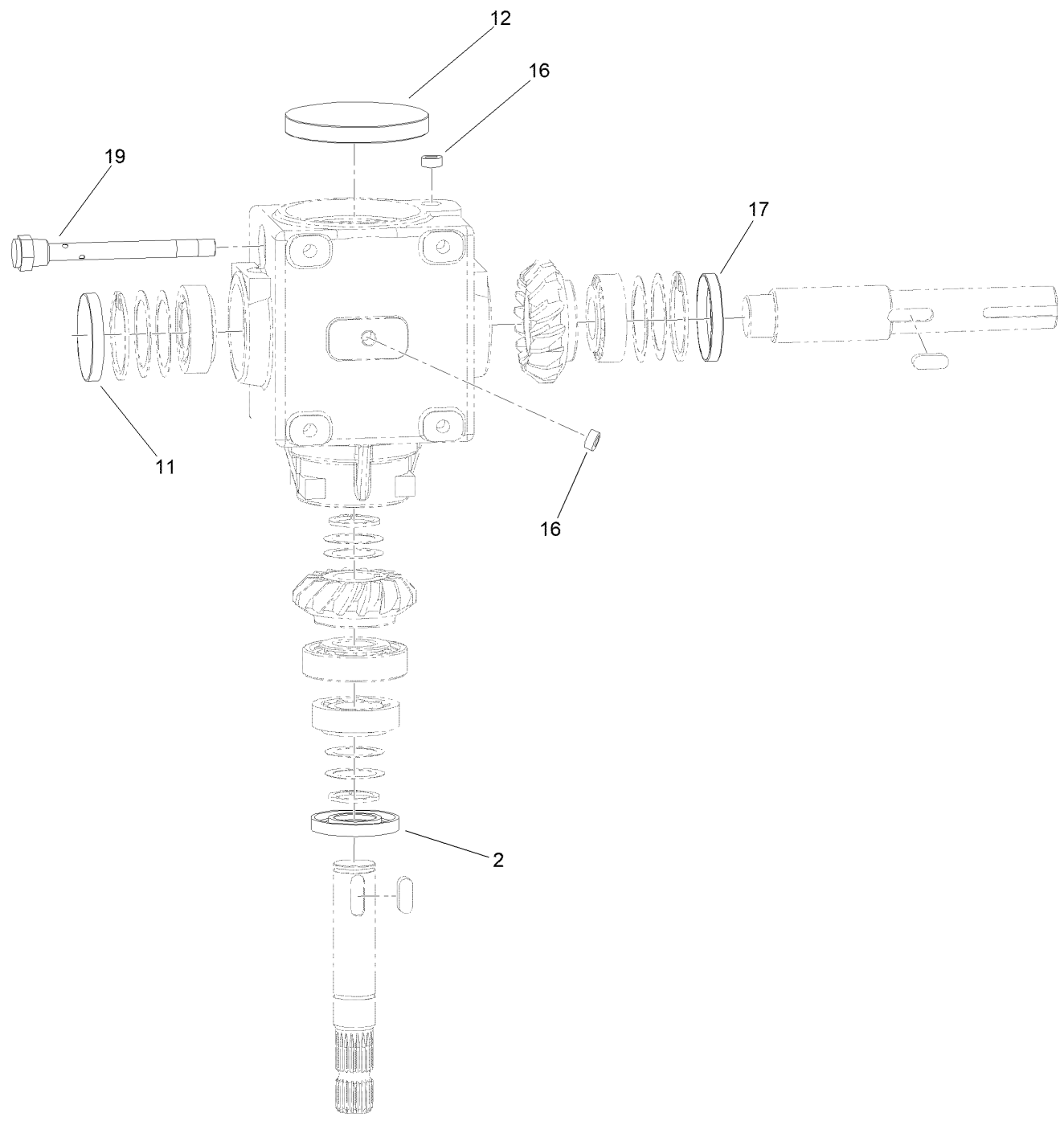
Gearbox Assembly



Gearbox Assembly (continued)

<i>Ref.</i>	<i>Part Number</i>	<i>Qty.</i>	<i>Description</i>	<i>Ref.</i>	<i>Part Number</i>	<i>Qty.</i>	<i>Description</i>
1	145-5990	1	Gearbox	5	144-0494-03	1	Bracket-Gearbox, LH
2	140-9038	1	Pulley	7	139-6300	6	Screw-Hfl
3	94-2425	1	Key-Square	8	144-0495-03	1	Bracket-Gearbox, RH
4	1-803022	2	Screw-Set	9	93-6697	1	Decal-Lube

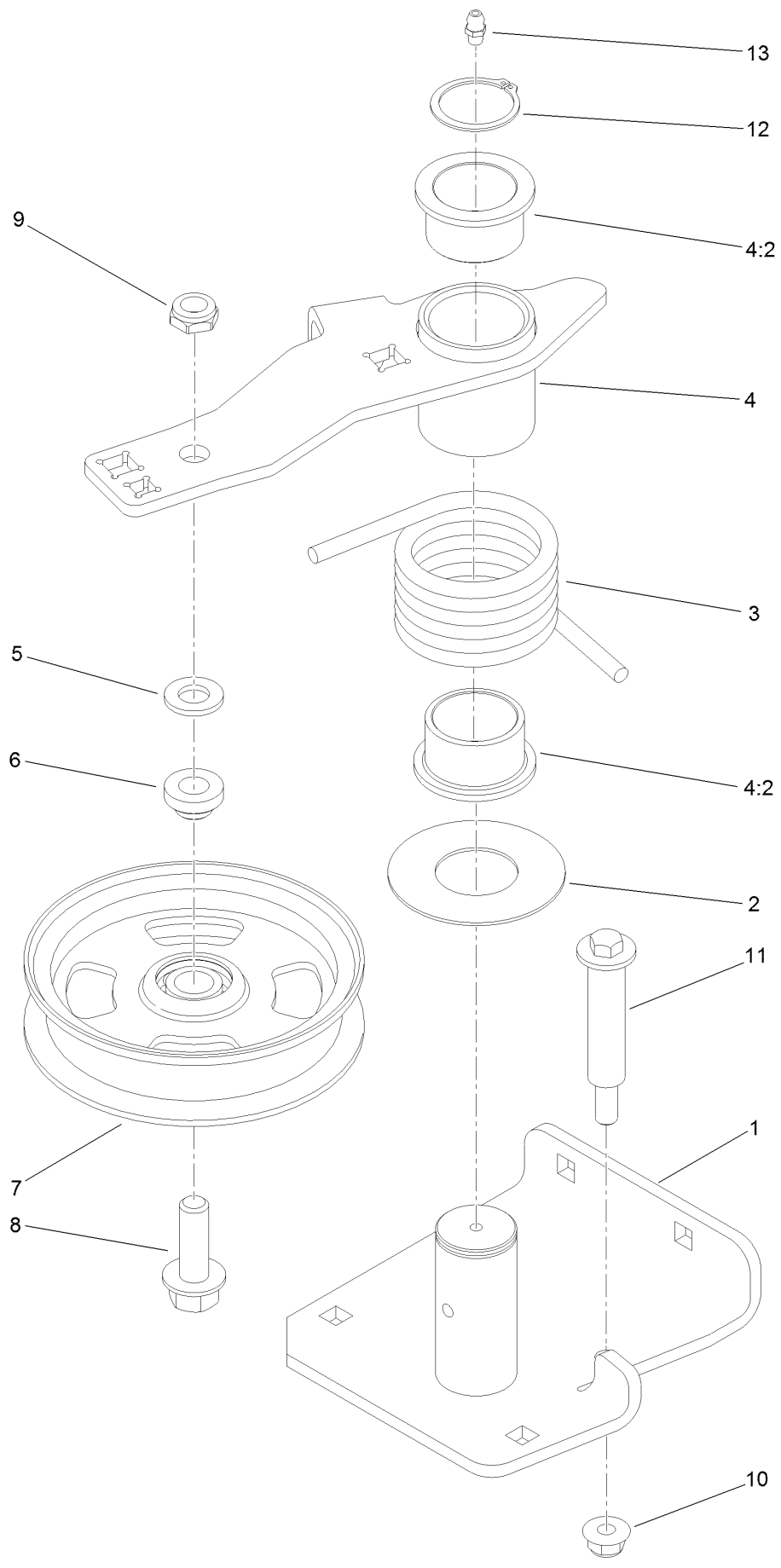
Gearbox Assembly No. 145-5990



Gearbox Assembly No. 145-5990 (continued)

<i>Ref.</i>	<i>Part Number</i>	<i>Qty.</i>	<i>Description</i>	<i>Ref.</i>	<i>Part Number</i>	<i>Qty.</i>	<i>Description</i>
2	140-7133	1	Seal-Oil	16	140-7132	3	Plug
11	140-7129	1	Plug-Cap	17	145-5989	1	Seal-Oil
12	140-7131	1	Plug-Cap	19	140-7130	1	Dipstick

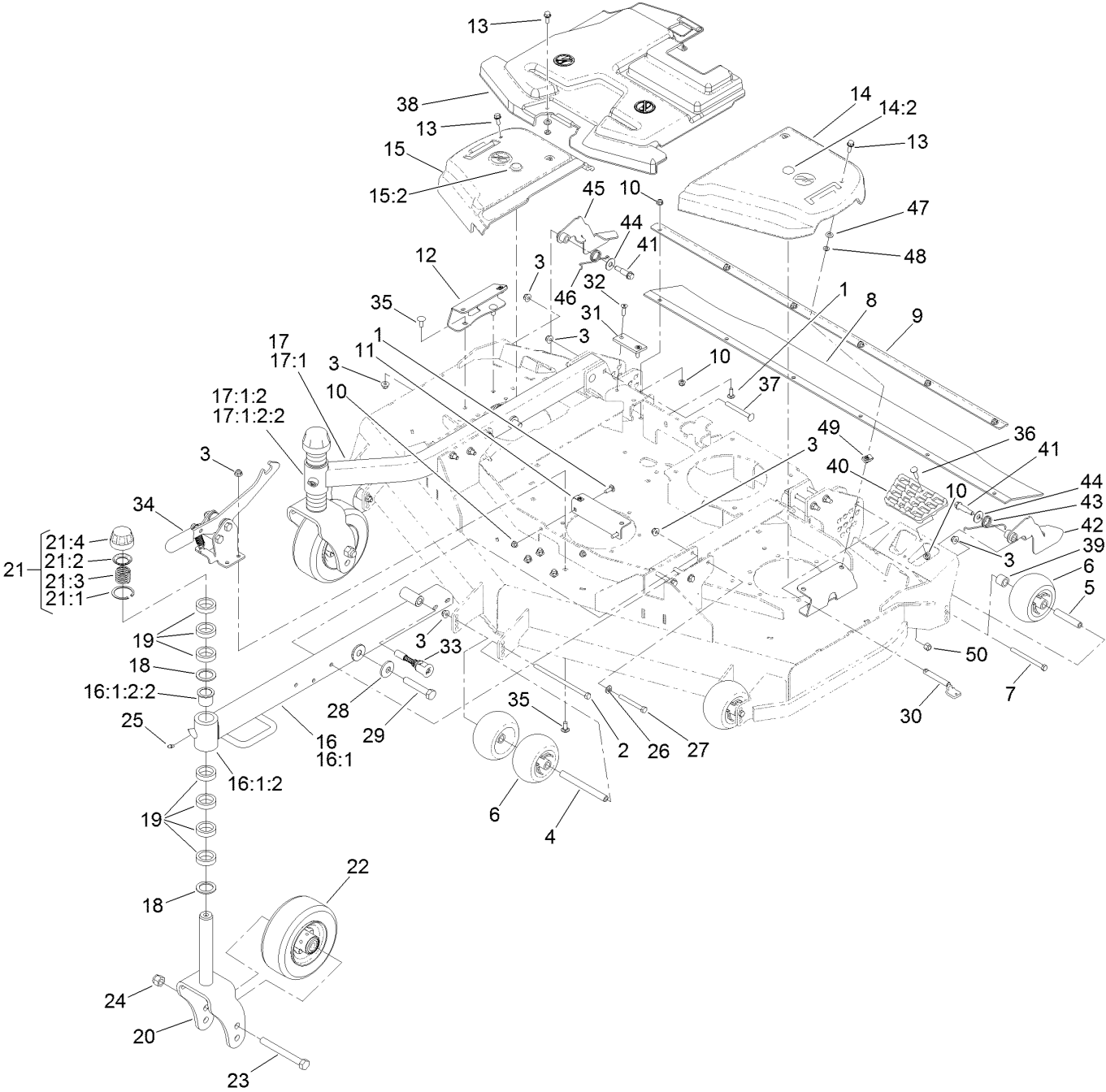
Tensioner Assembly No. 140-9026



Tensioner Assembly No. 140-9026 (continued)

<i>Ref.</i>	<i>Part Number</i>	<i>Qty.</i>	<i>Description</i>	<i>Ref.</i>	<i>Part Number</i>	<i>Qty.</i>	<i>Description</i>
1	140-9021	1	Pivot-Idler	7	136-5405	1	Pulley-Idler, Flat
2	108-1926	1	Washer	8	100-6116	1	Screw-HHF
3	112-7395	1	Spring-Torsion	9	3296-45	1	Nut-Hex
4	138-0257	1	*obs* High Idler Arm ASM	10	104-8301	1	Nut-HF, NI
4:2	93-4510	2	Bushing-Caster	11	112-3977	1	Bolt-Shoulder
5	106-9888	1	Washer-Flat	12	32120-84	1	Ring-Snap, External
6	108-1924	1	Spacer-Idler	13	302-5	1	Fitting-Grease

Belt Cover, Caster Arm and Wheel Assembly

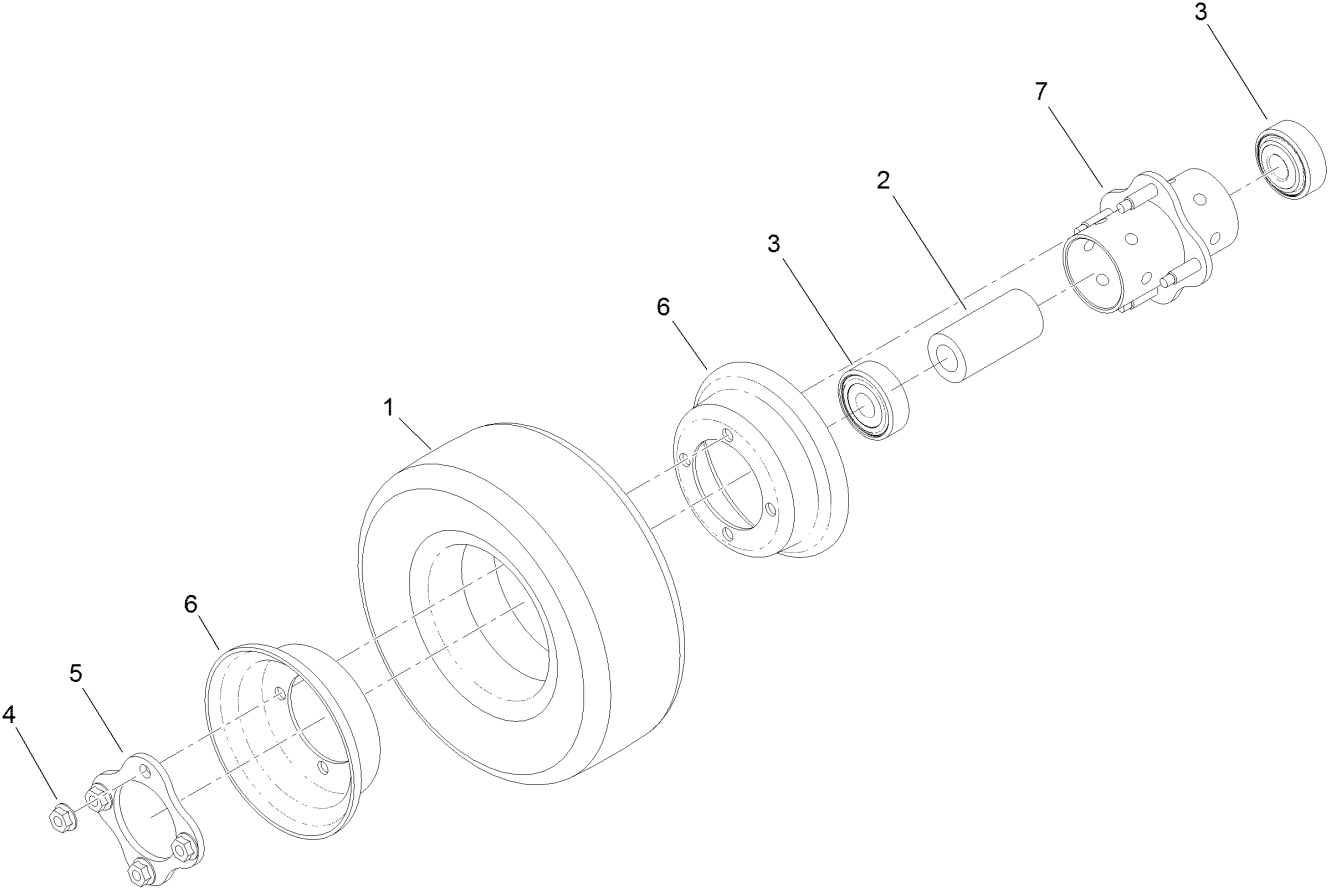


Belt Cover, Caster Arm and Wheel Assembly (continued)

<i>Ref.</i>	<i>Part Number</i>	<i>Qty.</i>	<i>Description</i>	<i>Ref.</i>	<i>Part Number</i>	<i>Qty.</i>	<i>Description</i>
1	3230-10	8	Bolt-CARR	21:3	92-9726	1	Spring-Compression
2	108-5388	1	Screw-HH	21:4	92-8861	1	Cap-HOC
3	104-8301	23	Nut-HF, NI	22	137-5529	2	Wheel ASM
4	98-5967	1	Spacer-Wheel	23	327-24	2	Screw-HH
5	98-7912	4	Tube-Spanner	24	3296-53	2	Nut-Lock, NI
6	1-603299	6	Roller-Scalp, Anti	25	302-5	2	Fitting-Grease
7	323-23	4	Screw-HH	26	3256-24	6	Washer-Plain
8	140-9031	1	Flap Rubber	27	323-20	6	Screw-HH
9	139-0919-01	1	Bracket-Flap	28	103-0865	2	Washer-Blade Bolt, Heavy
10	104-8300	13	Nut-HF, NI	29	139-6203	2	Screw-HH
11	140-3066-03	1	Bracket-Belt Cover, Middle (CE)	30	140-3064	2	Pin-HOC ASM
12	114-5882-01	2	Bracket-Cover, Belt	31	138-4452	2	Pad-Stop, Deck
13	3234-29	3	Screw-HHF	32	133-4543	4	Screw
14	138-7379	1	LH Belt Cover ASM	33	139-6345	1	Spring-Pin
14:2	117-3824	1	Plug-Plastic	34	139-0888	1	Latch ASM
15	138-7362	1	RH Belt Cover ASM	35	3231-27	8	Screw-CARR
15:2	117-3824	1	Plug-Plastic	36	3230-3	1	Screw-CARR
16	138-0269-01	1	LH Caster Arm ASM	37	3231-11	4	Screw-CARR
16:1		1	Arm-Caster, LH ●	38	138-7373	1	Cover-Belt, Center
16:1:2		1	Hub ASM ●	39	98-7913	4	Tube-Spacer
16:1:2:2	69-6470	2	Bushing-Caster	40	126-4781	1	Step-Deck
17	138-0271-01	1	RH Caster Arm ASM	41	66-0561	2	Screw-Shoulder
17:1		1	Arm-Caster, RH ●	42	139-6319-03	1	Guard-LH
17:1:2		1	Hub ASM ●	43	51-4380	1	Spring-Torsion, LH
17:1:2:2	69-6470	2	Bushing-Caster	44	3-6803	2	Washer-Adjusting
18	69-6860	4	Washer-Thrust	45	139-6317-03	1	Guard-RH
19	69-1510	14	Spacer	46	51-4370	1	Spring-Torsion, RH
20	137-2546-01	2	Fork-Caster	47	73-0041	3	Washer-Thrust
21	92-9727	2	HOC Cap ASM	48	117-2749	3	Nut-Push
21:1	92-5581	1	Ring-Rtng, Snap, Int, Flat	49	94-2413	3	Nut-U
21:2	92-5583	1	Washer-Cap	50	3296-6	2	Nut-Lock

● Not serviced separately

Wheel Assembly No. 137-5529

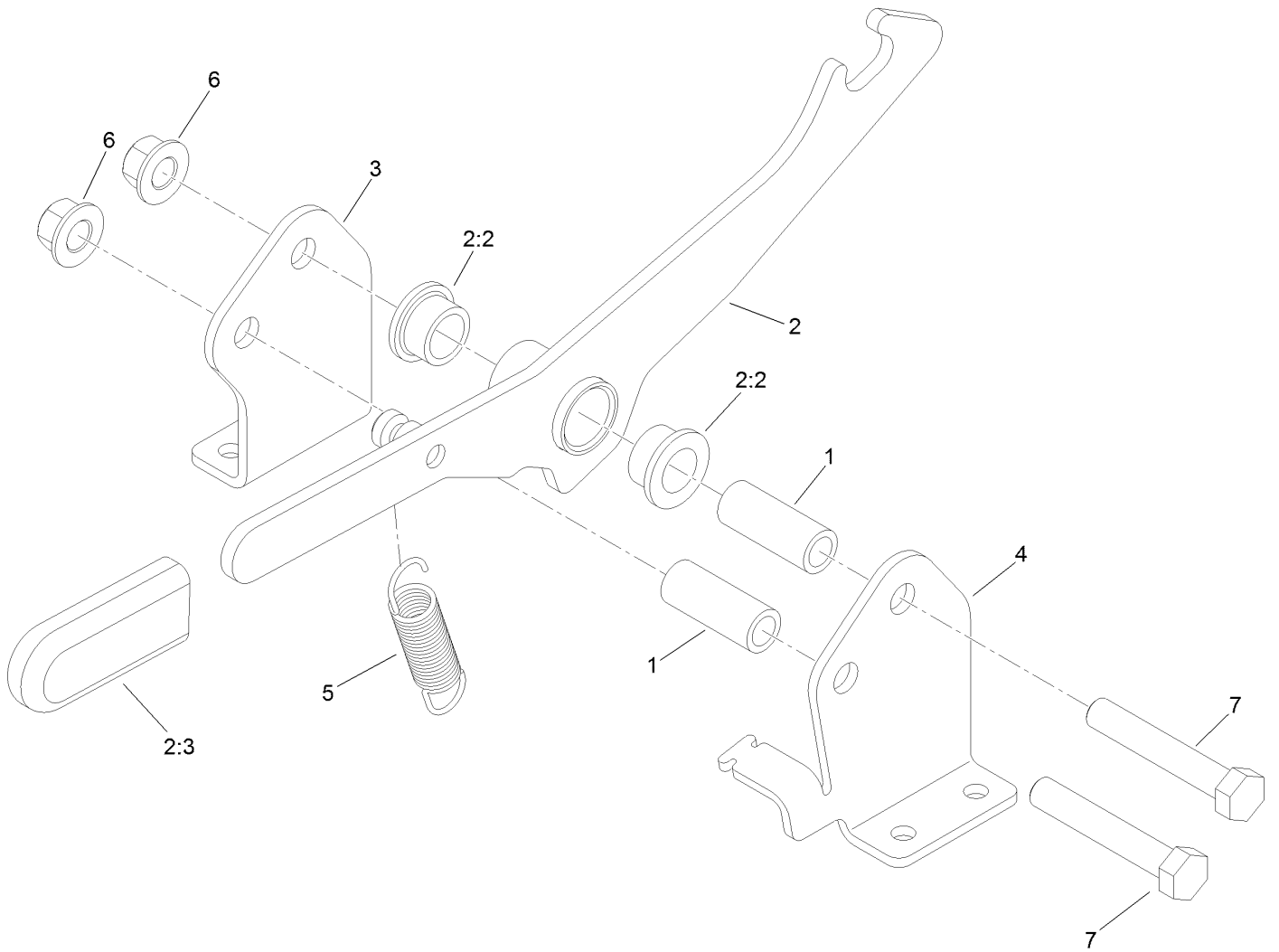


Wheel Assembly No. 137-5529 (continued)

<i>Ref.</i>	<i>Part Number</i>	<i>Qty.</i>	<i>Description</i>
1	136-4424	1	Tire-Pneumatic, Semi
2	93-4241	1	Spacer-Bearing, Inner
3	120-3366	2	Bearing
4	32128-16	4	Nut-HHF

<i>Ref.</i>	<i>Part Number</i>	<i>Qty.</i>	<i>Description</i>
5	93-4242	1	Plate
6	137-5552	2	Rim-Wheel, Half
7	93-5980	1	Hub

Latch Assembly No. 139-0888



Latch Assembly No. 139-0888 (continued)

<i>Ref.</i>	<i>Part Number</i>	<i>Qty.</i>	<i>Description</i>
1	117-0380	2	Spacer
2	138-0283	1	Latch Arm ASM
2:2	93-2877	2	Bushing
2:3	119-1846	1	Grip
3	139-0889	1	Bracket-Latch, Mount (RH)

<i>Ref.</i>	<i>Part Number</i>	<i>Qty.</i>	<i>Description</i>
4	139-0887	1	Bracket-Latch, Mount (LH)
5	130-9645	1	Spring-Extension
6	99-5107	2	Nut-Lock
7	325-12	2	Screw-HH

Notes:

Notes:



Count on it.