



Count on it.

Parts Catalog

**North American Road Light Kit
Groundsmaster® 3200 or 3300 Series
Traction Unit**

Model No. 31991



Ordering Replacement Parts

To order replacement parts, please supply the part number, the quantity, and the description of each part desired.

Understanding Reference Numbers

Each identified part in an illustration has a reference number. The reference number for a part also appears in the parts list, along with other information about the part.

This catalog uses two special reference number formats, one to indicate parts in a service assembly and another to indicate the quantity of a given part in an illustration.

Service Assembly Reference Numbers

Parts in service assemblies have reference numbers in the form a:b. The a represents the reference number of the entire service assembly and the b represents a sequential number unique to each part within the service assembly.

For example, a wheel assembly might be identified by reference number 6, the tire by 6:1, the valve by 6:2, and the wheel by 6:3. When you order the assembly identified by reference number 6, you receive all parts identified by reference numbers 6:1, 6:2, and 6:3. However, you may also order any part individually. Reference numbers of this type appear in illustration and in parts lists.

Reference Numbers Indicating Quantity

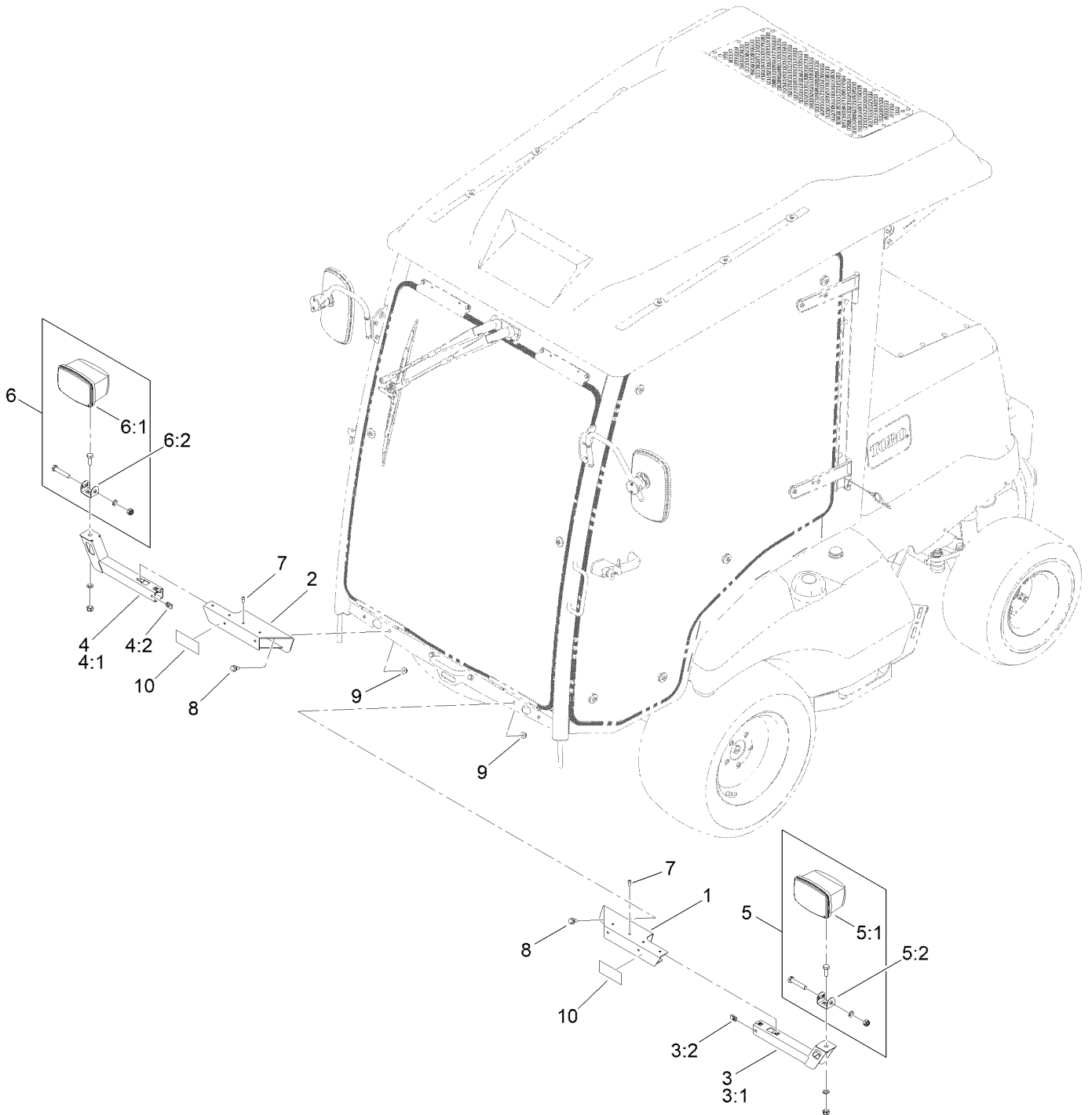
In an illustration, if a reference number indicates more than one part, the reference number has the form nX y. The n represents the quantity of the part, the X is the multiplication symbol, and the y represents the reference number.

For example, in an illustration, the reference number 2X 37 means that two of the parts identified by reference number 37 are indicated.

Contents

Cab Unit Front Light Assembly.....	4
Light Mount Kit Assembly No. 140-6698	6
ROPS Unit Front Light Assembly.....	8
Rear Light Assembly	10
Accessory Control Assembly	12
Wire Harness Assembly	14

Cab Unit Front Light Assembly

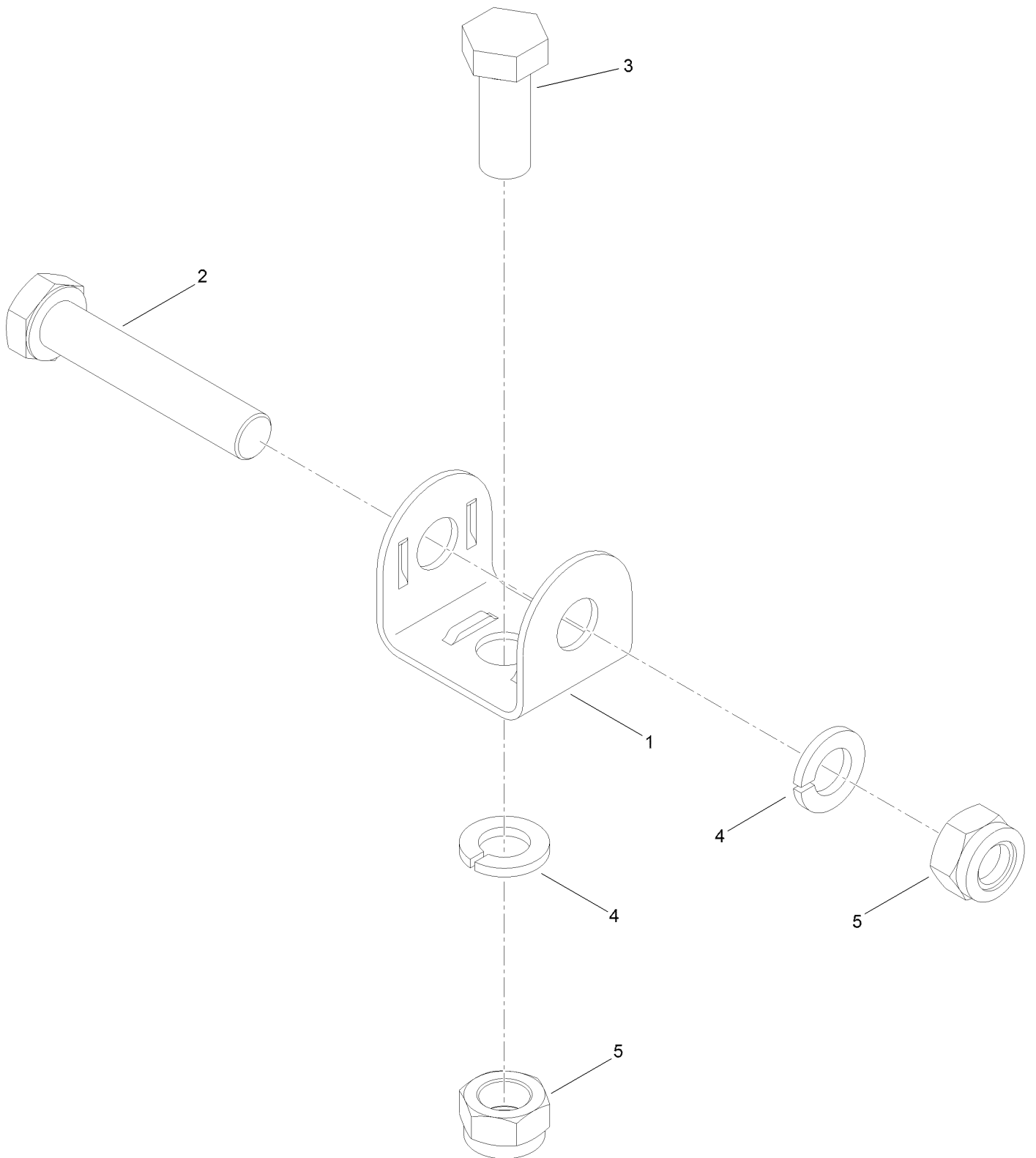


Cab Unit Front Light Assembly (continued)

<i>Ref.</i>	<i>Part Number</i>	<i>Qty.</i>	<i>Description</i>	<i>Ref.</i>	<i>Part Number</i>	<i>Qty.</i>	<i>Description</i>
1	140-1467-03	1	Light-Base, LH	5:1		1	Light-Drive ●
2	140-1466-03	1	Light-Base, RH	5:2	140-6698	1	Light Mount Kit
3	140-1475	1	Light-Mount, LH	6	140-6772	1	RH Light ASM
3:1	145-7711-03	1	Light-EXT, LH [black]	6:1		1	Light-Drive ●
3:2	107069	3	Clip	6:2	140-6698	1	Light Mount Kit
4	140-1474	1	Light-Mount, RH	7	3274-31	6	Screw-HSBH
4:1	145-7710-03	1	Light-EXT, RH [black]	8	3234-1	4	Screw-HHF
4:2	107069	3	Clip	9	104-8301	4	Nut-HF, NI
5	140-6773	1	LH Light ASM	10	130-6070	2	Tape-Reflective (Yellow)

● Not serviced separately

Light Mount Kit Assembly No. 140-6698

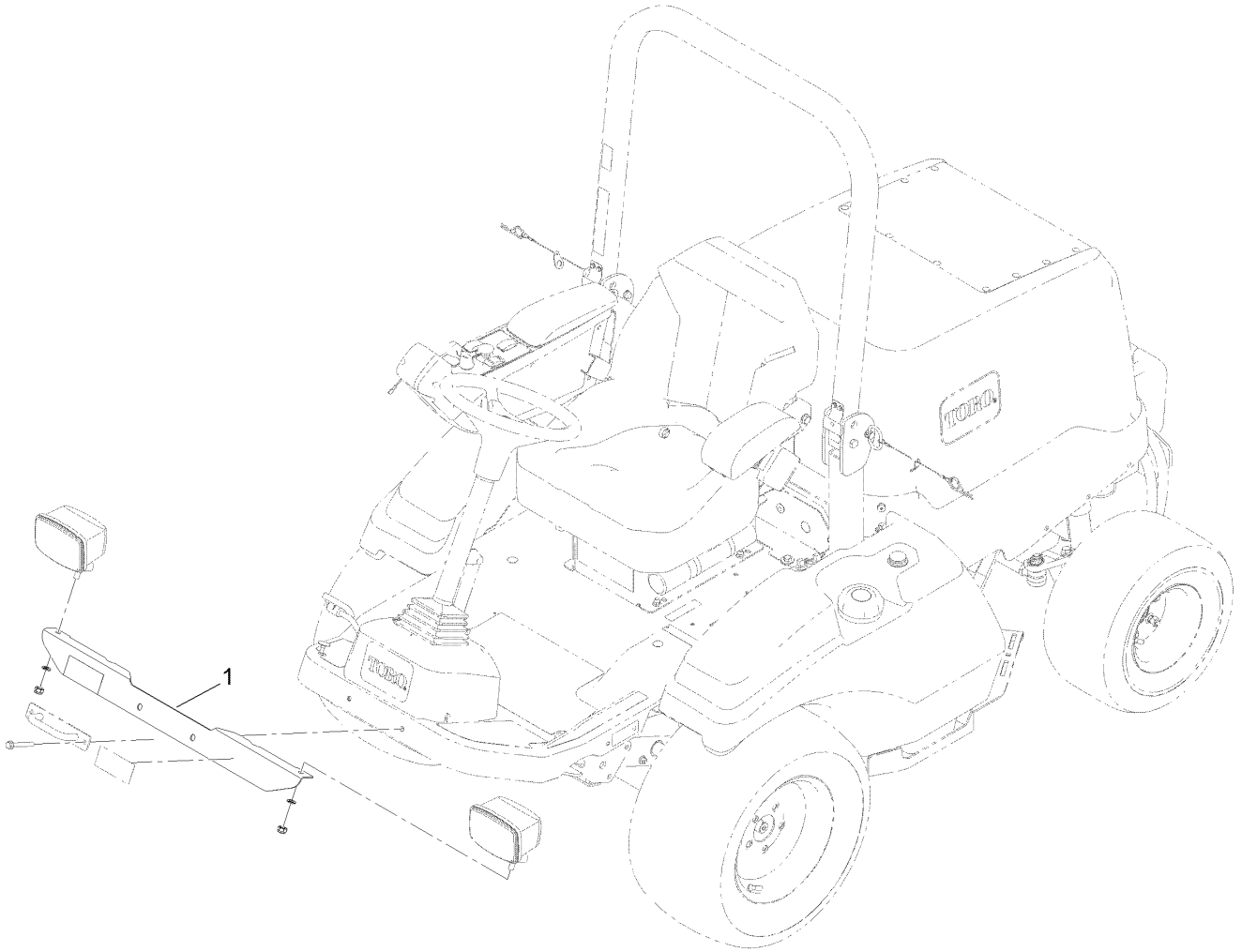


Light Mount Kit Assembly No. 140-6698 (continued)

<i>Ref.</i>	<i>Part Number</i>	<i>Qty.</i>	<i>Description</i>
1	139-2092	1	Mount-Light
2	107-7983	1	Screw-HH
3	33116-030	1	Screw-HH

<i>Ref.</i>	<i>Part Number</i>	<i>Qty.</i>	<i>Description</i>
4	48-8070	2	Washer-Lock
5	33026-00	2	Nut-Hex

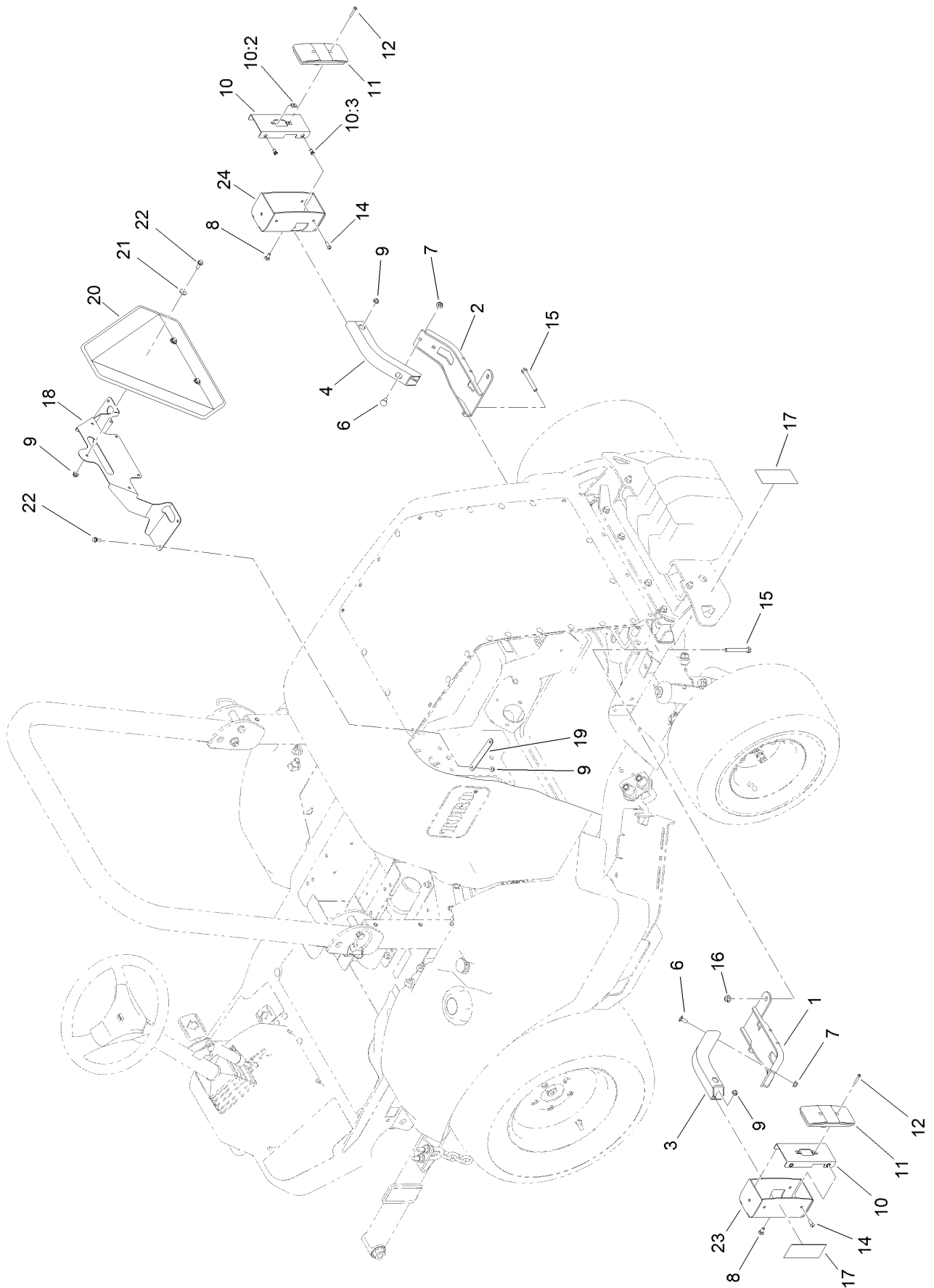
ROPS Unit Front Light Assembly



ROPS Unit Front Light Assembly (continued)

<i>Ref.</i>	<i>Part Number</i>	<i>Qty.</i>	<i>Description</i>
1	140-1508-03	1	Mount-Cross, Light

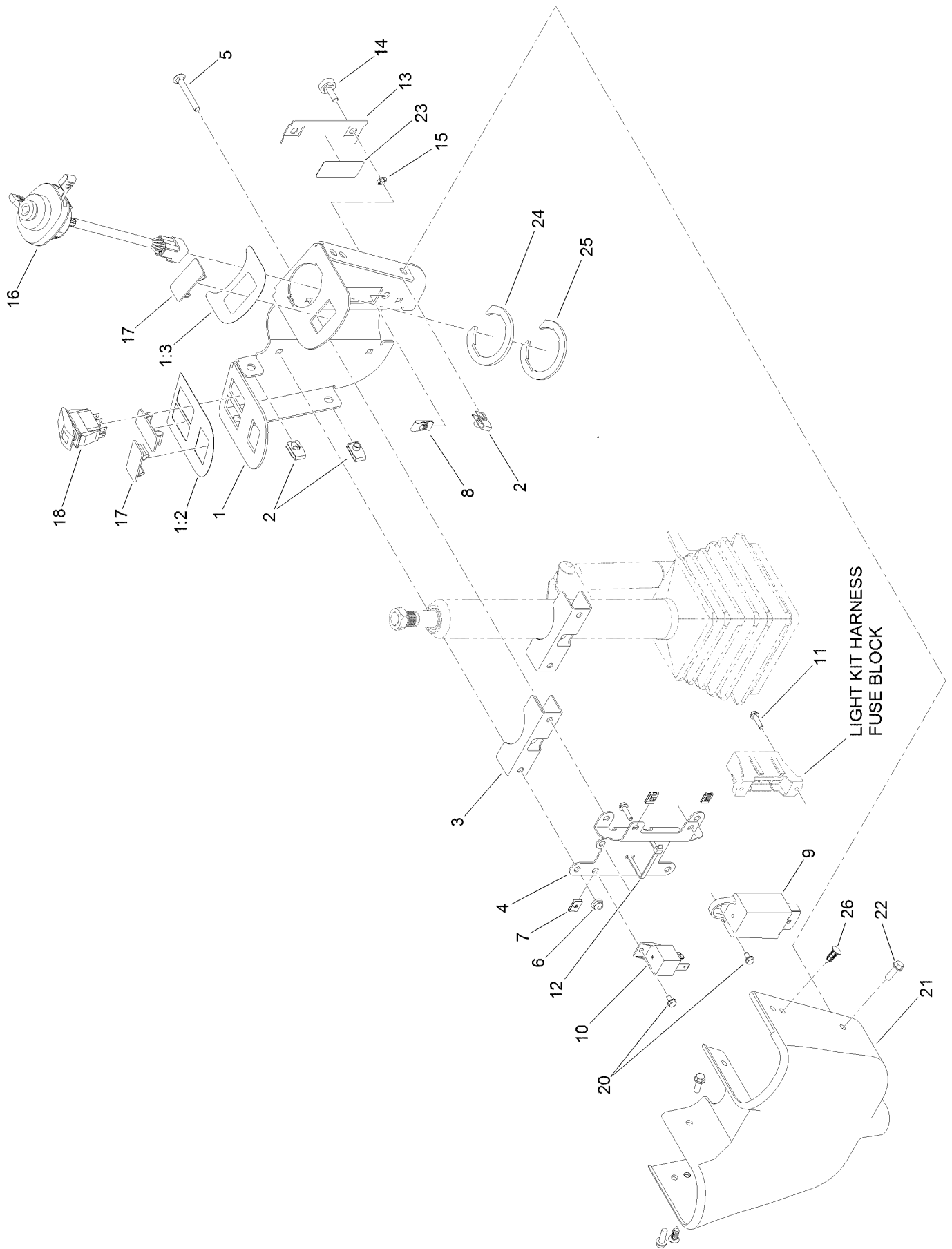
Rear Light Assembly



Rear Light Assembly (continued)

<i>Ref.</i>	<i>Part Number</i>	<i>Qty.</i>	<i>Description</i>	<i>Ref.</i>	<i>Part Number</i>	<i>Qty.</i>	<i>Description</i>
1	140-1483-03	1	Mount-LH, Wa	14	3274-69	8	Screw-HSBH
2	140-1484-03	1	Mount-RH, Wa	15	323-14	4	Screw-HH
3	140-1620-03	1	Mount-LH, Short	16	104-8301	4	Nut-HF, NI
4	140-1621-03	1	Mount-RH, Short	17	108-8014	4	Tape-Reflective (Red)
6	3230-23	4	Bolt-CARR	18	139-2338-03	1	Mount-Marker
7	104-8300	4	Nut-HF, NI	19	139-2340	2	Mount-Back
8	3229-11	4	Screw-CARR	20	92-7760	1	Emblem-Vehicle, Slow Moving
9	104-7201	11	Nut-HF, NI	21	3256-78	3	Washer-Flat
10	140-6835	2	Inner Mount ASM	22	3234-4	7	Screw-HHF
10:2	107-1013	2	Nut-Speed	23	140-1618-03	1	Housing-Light, LH
10:3	138-2760	4	Nut-Clinch, Hex	24	140-1619-03	1	Housing-Light, RH
11	139-2071	2	Light-Rear Tail/Stop/Turn				
12	3250-23	4	Screw-PPH				

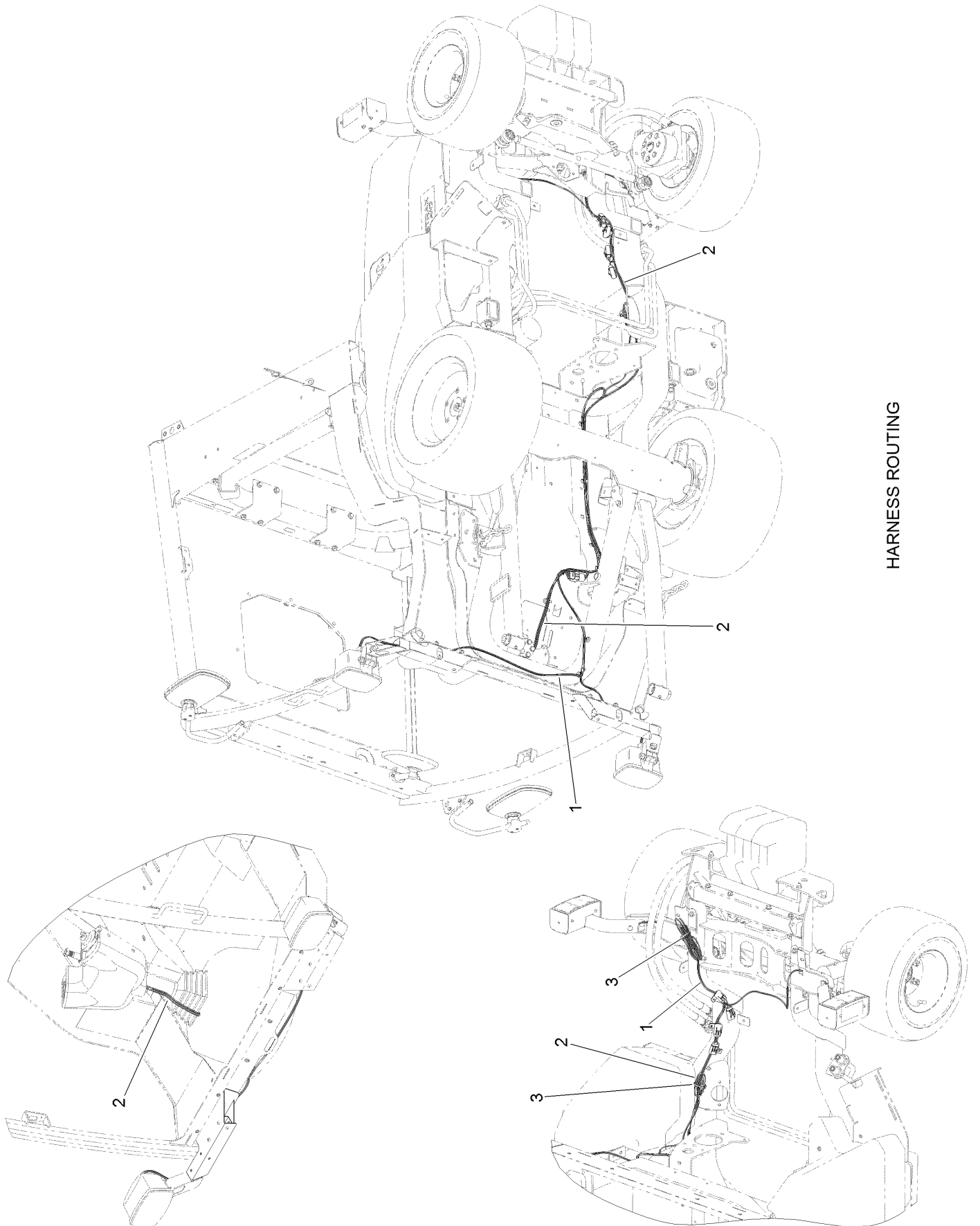
Accessory Control Assembly



Accessory Control Assembly (continued)

<i>Ref.</i>	<i>Part Number</i>	<i>Qty.</i>	<i>Description</i>	<i>Ref.</i>	<i>Part Number</i>	<i>Qty.</i>	<i>Description</i>
1	140-6606	1	Switch Mount ASM	13	140-1502-03	1	Cover-Fuse
1:2	140-1623	1	Decal-Control, LH	14	125-7438	2	Knob-Screw, Thumb
1:3	140-1531	1	Decal-Control, RH	15	32115-15	2	Nut-Push
2	107069	6	Clip	16	139-1950	1	Switch-Multifunction
3	140-1505-03	2	Bracket-Mount	17	99-7420	3	Plug-Hole
4	140-1506-03	1	Mount-Fuse, Plate	18	119-7769	1	Switch-Rocker, On/None/On
5	3230-33	4	Screw-CARR	20	104-2065	2	Screw-HWH
6	104-7201	4	Nut-HF, NI	21	139-2291	1	Control-Cover
7	107-1013	4	Nut-Speed	22	32105-15	6	Screw-HWH
8	3290-199	2	Nut-Speed	23	140-1587	1	Decal-Fuse Panel
9	139-2080	1	Flasher-Dual Rate	24	139-2247	1	Clip-Switch
10	99-7435	1	Relay	25	139-2248	1	Clip-Switch
11	32105-13	2	Screw-HWH	26	114-4899	2	Rivet-Push
12	3290-379	1	Tie-Cable				

Wire Harness Assembly



HARNES ROUTING

Wire Harness Assembly (continued)

<i>Ref.</i>	<i>Part Number</i>	<i>Qty.</i>	<i>Description</i>
1	122-1436	1	Harness-Wire, Rd Light Kit
2	122-1434	1	Harness-Wire, Pod
3	3290-378	2	Tie-Cable



Count on it.