



**Count on it.**

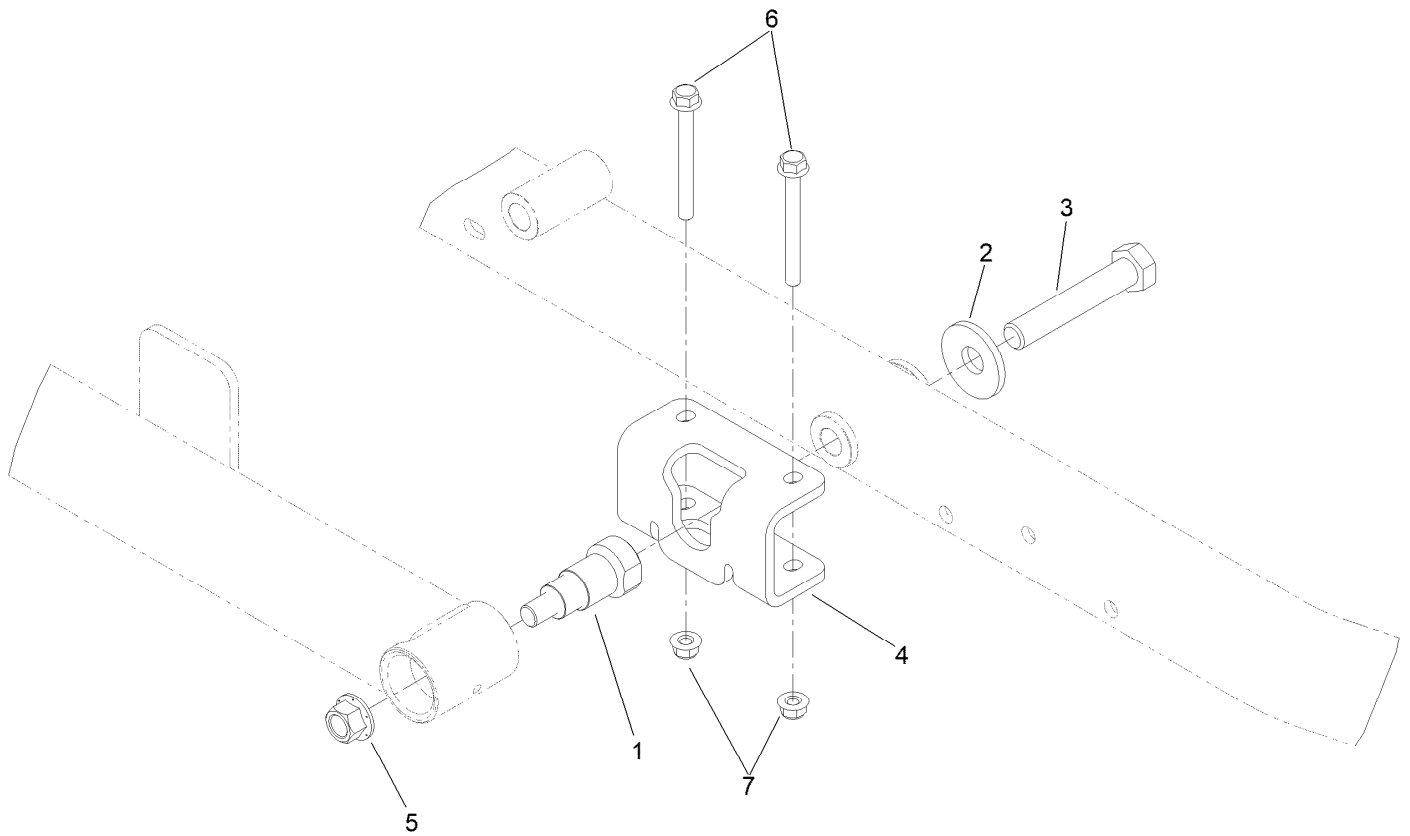
**Parts Catalog**

**Deck Bracket Kit**

**Groundsmaster® 3200 or 3300 Series  
Traction Unit**

**Model No. 147-0090**





## Deck Bracket Kit Assembly No. 147-0090

<i>Ref.</i>	<i>Part Number</i>	<i>Qty.</i>	<i>Description</i>
1	139-0910	2	Bolt-Shoulder
2	103-0865	2	Washer-Blade Bolt, Heavy
3	139-6203	2	Screw-HH
4	144-4048-01	2	Channel-Deck Mount
5	99-5107	2	Nut-Lock
6	126-4687	4	Screw-HHF
7	104-8300	4	Nut-HF, NI