



Count on it.

Parts Catalog

**Greensmaster® 3250-D
2-Wheel Drive Traction Unit**

Model No. 04384—Serial No. 413000000 and Up



Ordering Replacement Parts

To order replacement parts, please supply the part number, the quantity, and the description of each part desired.

Understanding Reference Numbers

Each identified part in an illustration has a reference number. The reference number for a part also appears in the parts list, along with other information about the part.

This catalog uses two special reference number formats, one to indicate parts in a service assembly and another to indicate the quantity of a given part in an illustration.

Service Assembly Reference Numbers

Parts in service assemblies have reference numbers in the form a:b. The a represents the reference number of the entire service assembly and the b represents a sequential number unique to each part within the service assembly.

For example, a wheel assembly might be identified by reference number 6, the tire by 6:1, the valve by 6:2, and the wheel by 6:3. When you order the assembly identified by reference number 6, you receive all parts identified by reference numbers 6:1, 6:2, and 6:3. However, you may also order any part individually. Reference numbers of this type appear in illustration and in parts lists.

Reference Numbers Indicating Quantity

In an illustration, if a reference number indicates more than one part, the reference number has the form nX y. The n represents the quantity of the part, the X is the multiplication symbol, and the y represents the reference number.

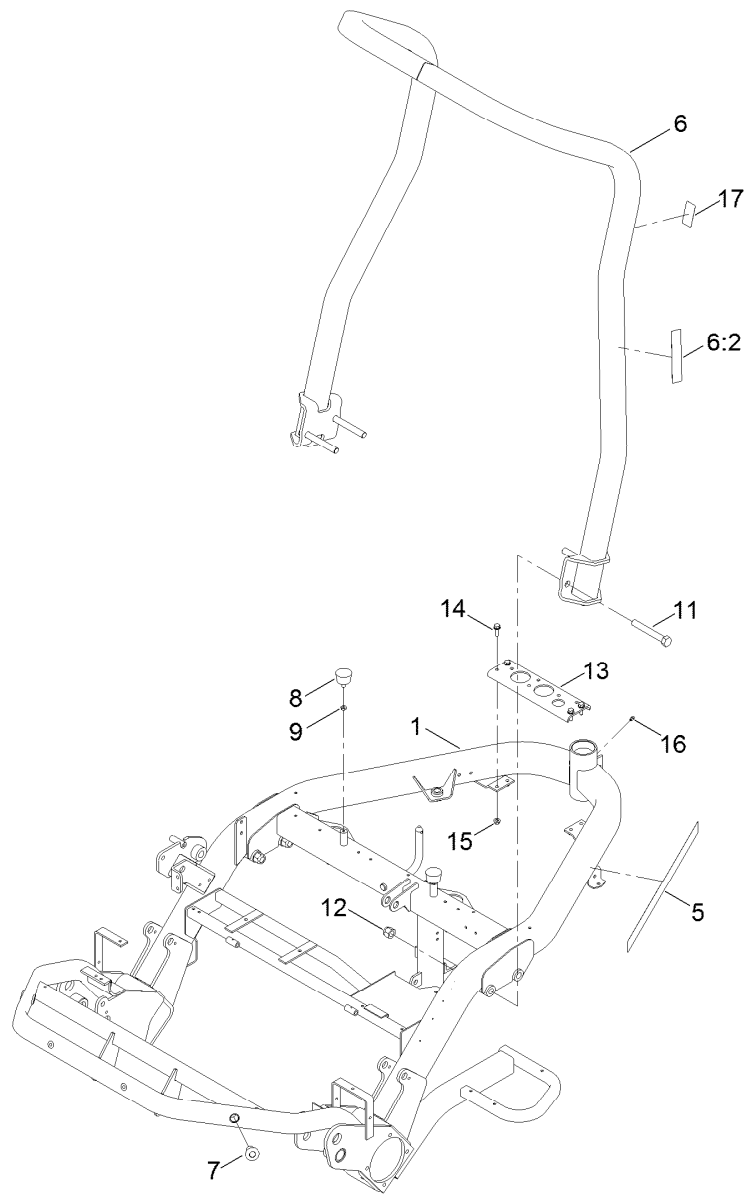
For example, in an illustration, the reference number 2X 37 means that two of the parts identified by reference number 37 are indicated.

Contents

Roll-Over Protection System Assembly	5
Frame Assembly	6
Traction Control Assembly	7
Brake Pedal Assembly	9
Steering Arm Assembly	10
Operator Platform Assembly	11
Seat Assembly	12
Engine Assembly	14
Intake and Exhaust Assembly	15
Air Cleaner Assembly No. 95-5805	16
Radiator Assembly	17
Fuel System Assembly	18
Hydraulic Tank and Filter Assembly	19
Hydrostat and Gear Pump Drive Assembly	20
Hydraulic Gear Pump Assembly No. 114-9956	22
Manifold Assembly	23
Hydraulic Manifold Assembly No. 147-3077	24
Steering Valve Assembly	26
Steering Valve Assembly No. 114-4672	27
Hydraulic Cylinder Assembly No. 132-3778	28
Left Hand Wheel Motor and Lift Cylinder Assembly	29
Hydraulic Motor Assembly (CCW) No. 110-4015	30
Hydraulic Cylinder Assembly No. 139-2651	31
Right Hand Wheel Motor and Lift Cylinder Assembly	32
Hydraulic Motor Assembly (CW) No. 110-4016	33
Hydraulic Reel Motor Assembly No. 120-2072	34
Front Reel Motors Assembly	35
Center Lift Cylinder Assembly	36
Hydraulic Cylinder Assembly No. 139-2650	37
Console Assembly	38
Joystick Bracket Assembly No. 120-5280	39
Electrical Harness Assembly	40
Battery Assembly	41
Front Wheel and Brake Assembly	42
Rear Wheel and Brake Assembly	43
Right Cutting Unit Suspension Assembly	44
Left Cutting Unit Suspension Assembly	46
Center Cutting Unit Suspension Assembly	48
Crankcase Assembly	50
Oil Pan, Oil Pump and Dipstick Assembly	51
Cylinder Head Assembly	52
Gear Case and Oil Filter Cartridge Assembly	53
Cylinder Head Cover Assembly	54
Main Bearing Case Assembly	55
Camshaft and Idle Gear Shaft Assembly	56
Piston and Crankshaft Assembly	57
Fuel Camshaft Assembly	58
Idle Apparatus and Fuel Pump Cover Assembly	59
Stop Solenoid and Speed Control Plate Assembly	60
Injection Pump Assembly	61
Governor Assembly	62
Nozzle Holder and Glow Plug Assembly	63
Nozzle Holder Assembly	64
Alternator and Pulley Assembly	66

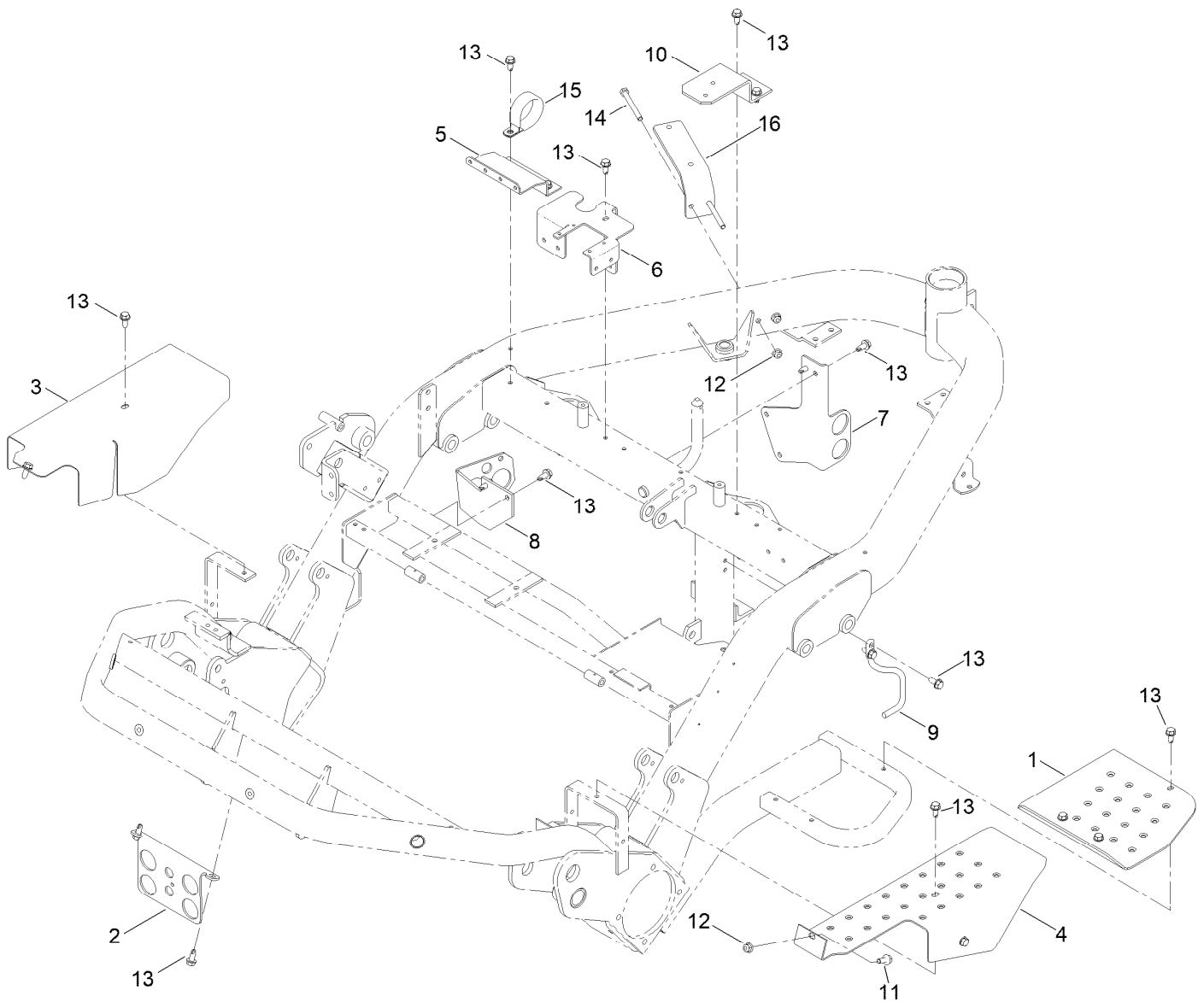
Contents (continued)

Alternator Assembly No. 131-6557	67
Starter and Flywheel Assembly	68
Starter Component Assembly	69
Water Flange and Thermostat Assembly	70
Water Pump and Water Pipe Assembly	71
Valve and Rocker Arm Assembly	72
Inlet and Exhaust Manifold Assembly	73
Attachments and Accessories	74



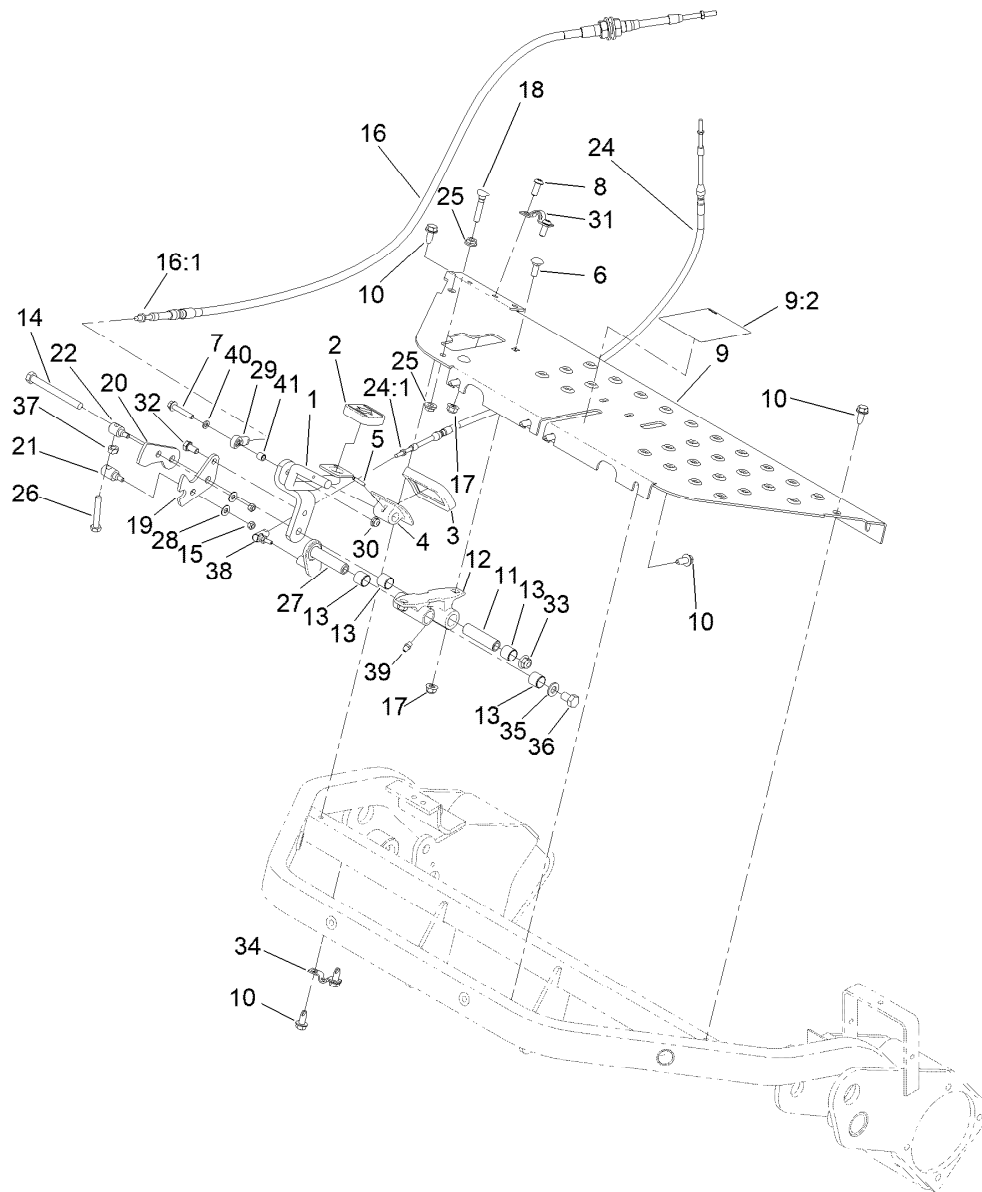
Roll-Over Protection System Assembly

<i>Ref.</i>	<i>Part Number</i>	<i>Qty.</i>	<i>Description</i>
1	127-6145-01	1	Frame
5	99-1493	1	Decal
6	125-5158	1	ROPS ASM
6:2	115-8226	1	Decal-ROPS
7	83-1700	3	Bushing-Flange
8	68-3270	2	Bumper-Rubber
9	3218-2	2	Nut-Hex Jam
11	327-23	4	Screw-HH
12	3296-53	4	Nut-Lock, NI
13	93-2020-01	1	Bracket-Support
14	3234-29	4	Screw-HHF
15	104-8300	4	Nut-HF, NI
16	302-5	1	Fitting-Grease
17	133-2311	1	Decal-ROPS



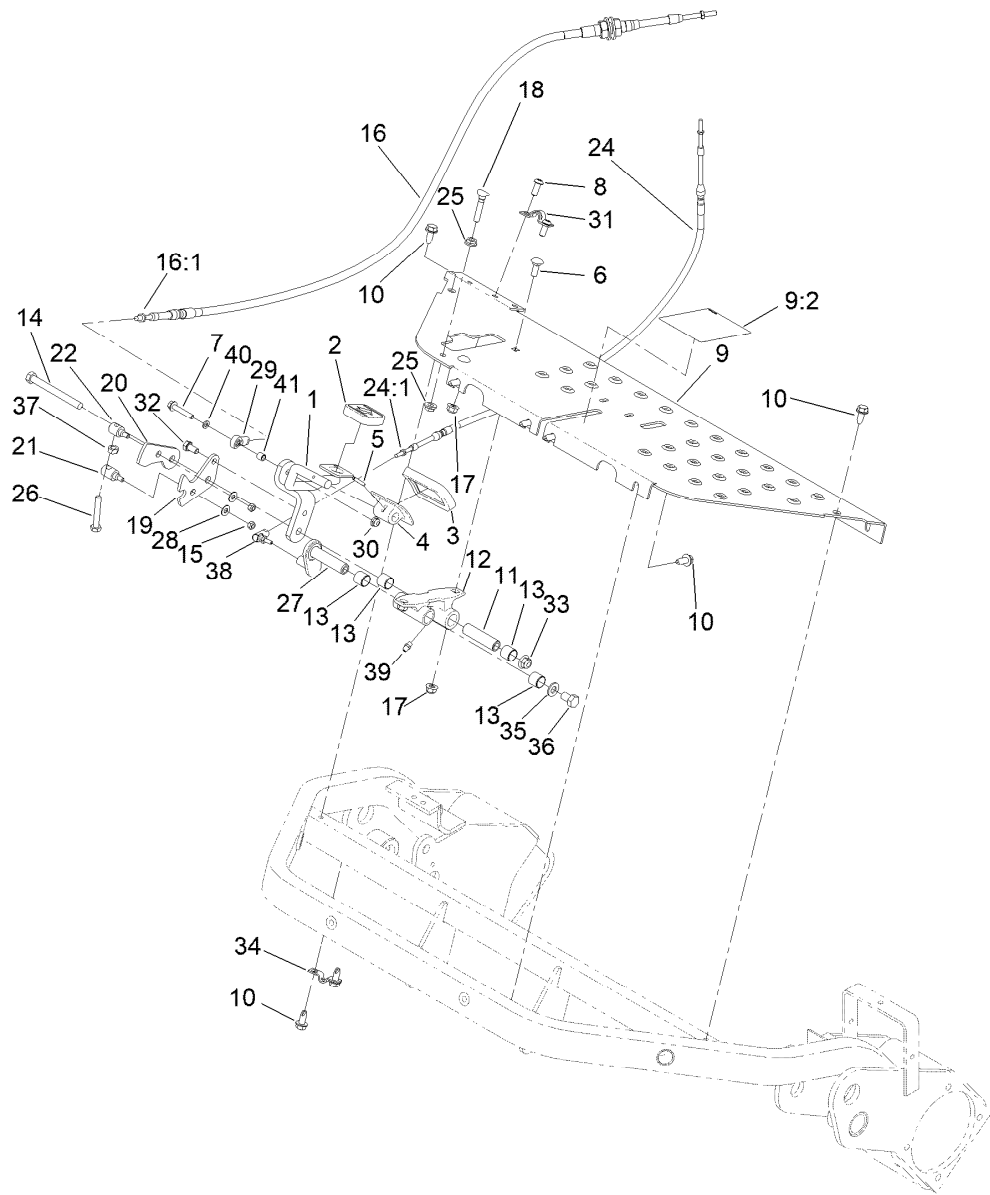
Frame Assembly

<i>Ref.</i>	<i>Part Number</i>	<i>Qty.</i>	<i>Description</i>	<i>Ref.</i>	<i>Part Number</i>	<i>Qty.</i>	<i>Description</i>
1	130-0104-01	1	Step	9	130-6527	1	Retainer-Hose
2	121-2636-01	1	Bracket-Bulkhead	10	131-8780-03	1	Bracket-Oil Filter
3	93-2072-01	1	Shield-Wheel, RH	11	3234-47	1	Screw-HHF
4	93-2073-01	1	Shield-Wheel, LH	12	104-8300	3	Nut-HF, NI
5	93-2169-01	1	Bracket-Relay	13	32104-32	22	Screw-HWH
6	145-4560-01	1	Bracket-Fuse Block	14	322-20	2	Screw-HH
7	99-4222-03	1	Bracket-Hose	15	115-9469	1	Clamp-R
8	94-1316	1	Bracket-Bulkhead	16	99-4203-03	1	Bracket-Cleaner, Air



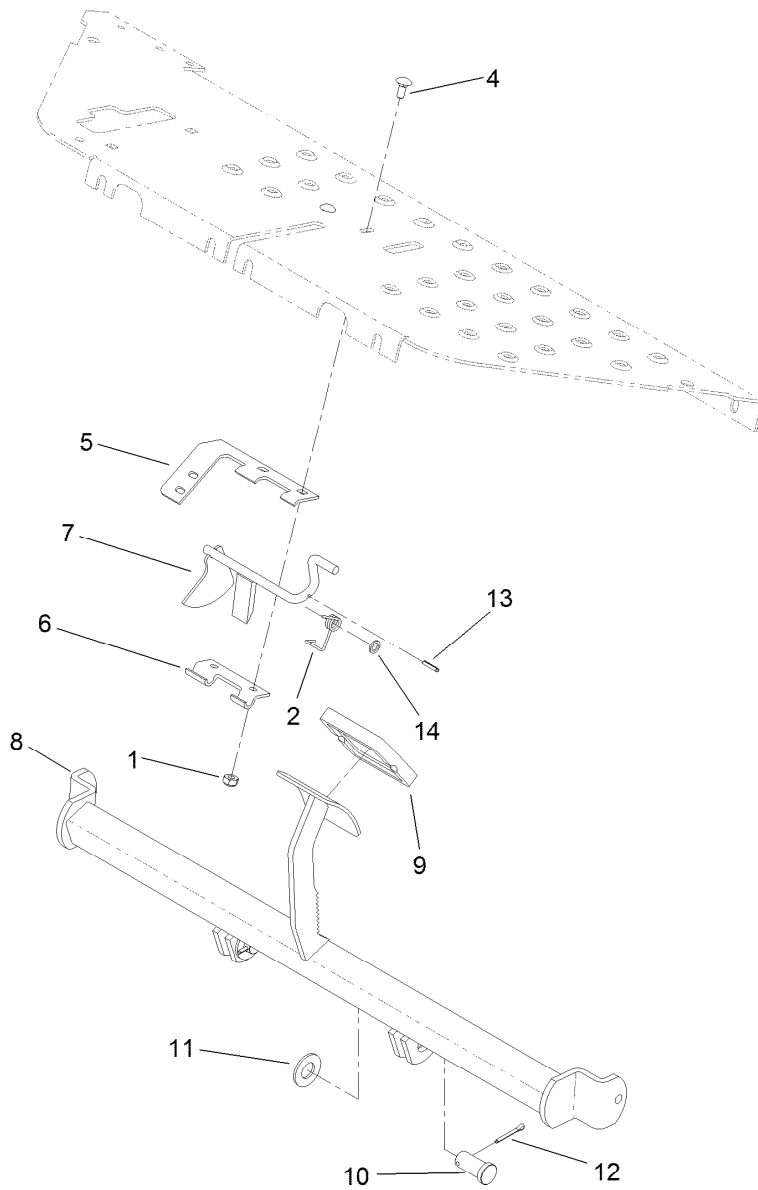
Traction Control Assembly

Ref.	Part Number	Qty.	Description	Ref.	Part Number	Qty.	Description
1	93-2085-01	1	Rod ASM	20	94-1372	1	Bracket-Mow
2	74-9110	1	Pad-Pedal, Reverse	21	94-1375	1	Trunnion-Bracket, Lock
3	74-9100	1	Pad-Pedal, Forward	22	94-1374	1	Trunnion-Bracket, Mow
4	117-9507	1	Pedal-Accelerator	24	94-1304	1	Cable-Lock, Neutral
5	32121-45	1	Pin-Spring	24:1	3219-14	2	Nut-Hex
6	3230-16	2	Screw-CARR	25	32128-20	2	Nut-HF
7	94-5781	1	Screw-HHF	26	94-3489	1	Screw-HH
8	3274-55	2	Screw-HSBH	27	140-6108	1	Pin-Flag, Neutral Lock
9	136-8570	1	Plate-Floor	28	3256-1	2	Washer-Flat
9:2	93-8062	1	Decal-Brake, Parking	29	2411-41	1	Rod End-Ball Joint
10	32104-32	8	Screw-HWH	30	104-7201	1	Nut-HF, NI
11	94-1371	1	Spacer	31	93-2092	1	Clamp-Cable
12	115-6695	1	Pedal-Pivot	32	33114-016	1	Screw-HH
13	136-8417	4	Bushing	33	104-8301	1	Nut-HF, NI
14	323-42	1	Screw-HH	34	93-2279	1	Clamp-Cable
15	33023-00	2	Nut-Lock	35	3256-24	1	Washer-Flat
16	145-4566	1	Cable-Traction Control	36	33115-016	1	Screw-HH
16:1	3220-1	2	Nut-Jam	37	33014-00	1	Nut-Hex
17	104-8300	4	Nut-HF, NI	38	2411-38	1	Joint-Ball
18	17-9420	1	Screw-Handle	39	302-5	1	Fitting-Grease
19	94-1373	1	Bracket-Lock				



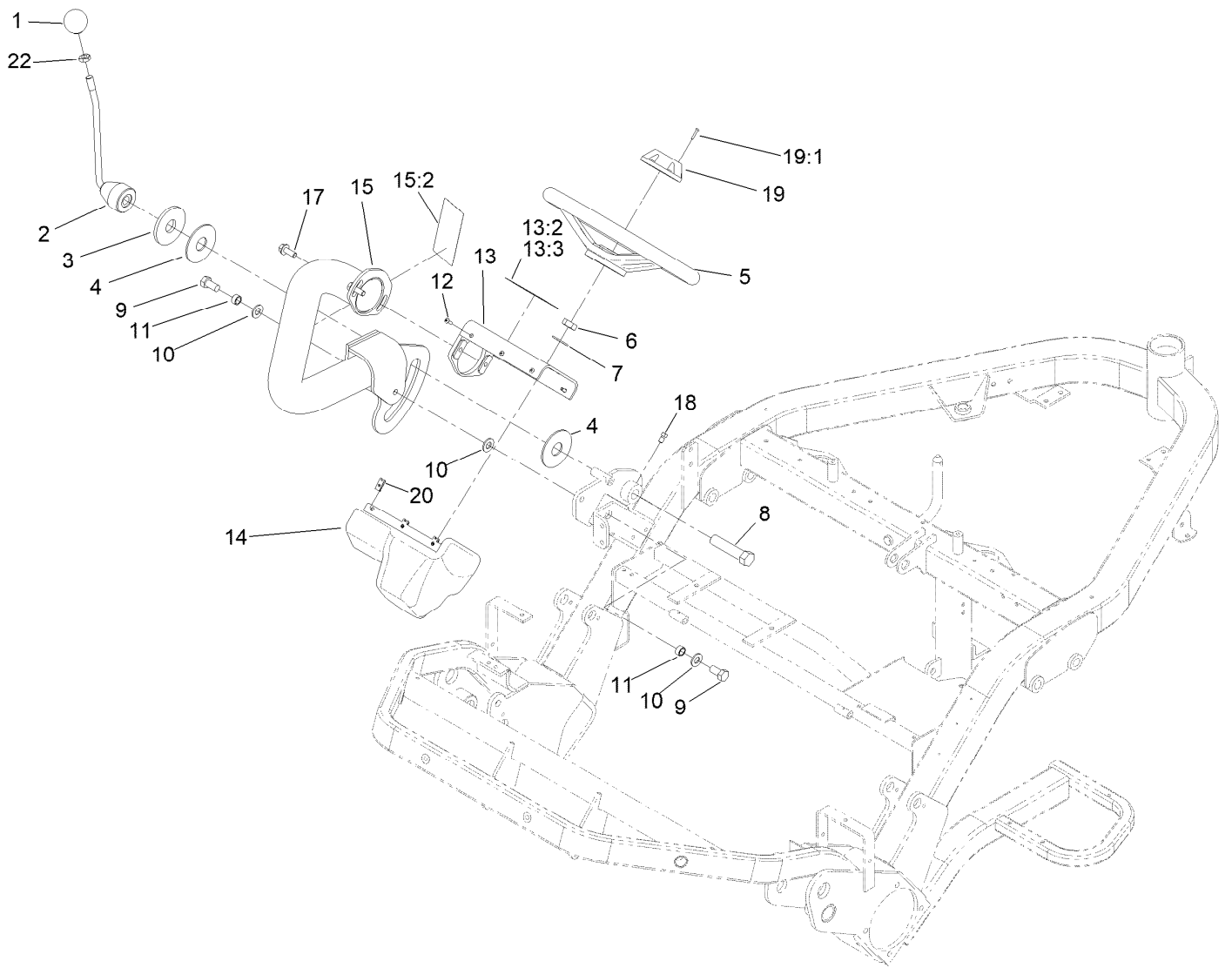
Traction Control Assembly (continued)

<i>Ref.</i>	<i>Part Number</i>	<i>Qty.</i>	<i>Description</i>
40	33093-00	1	Washer-Flat
41	99-3545	1	Spacer



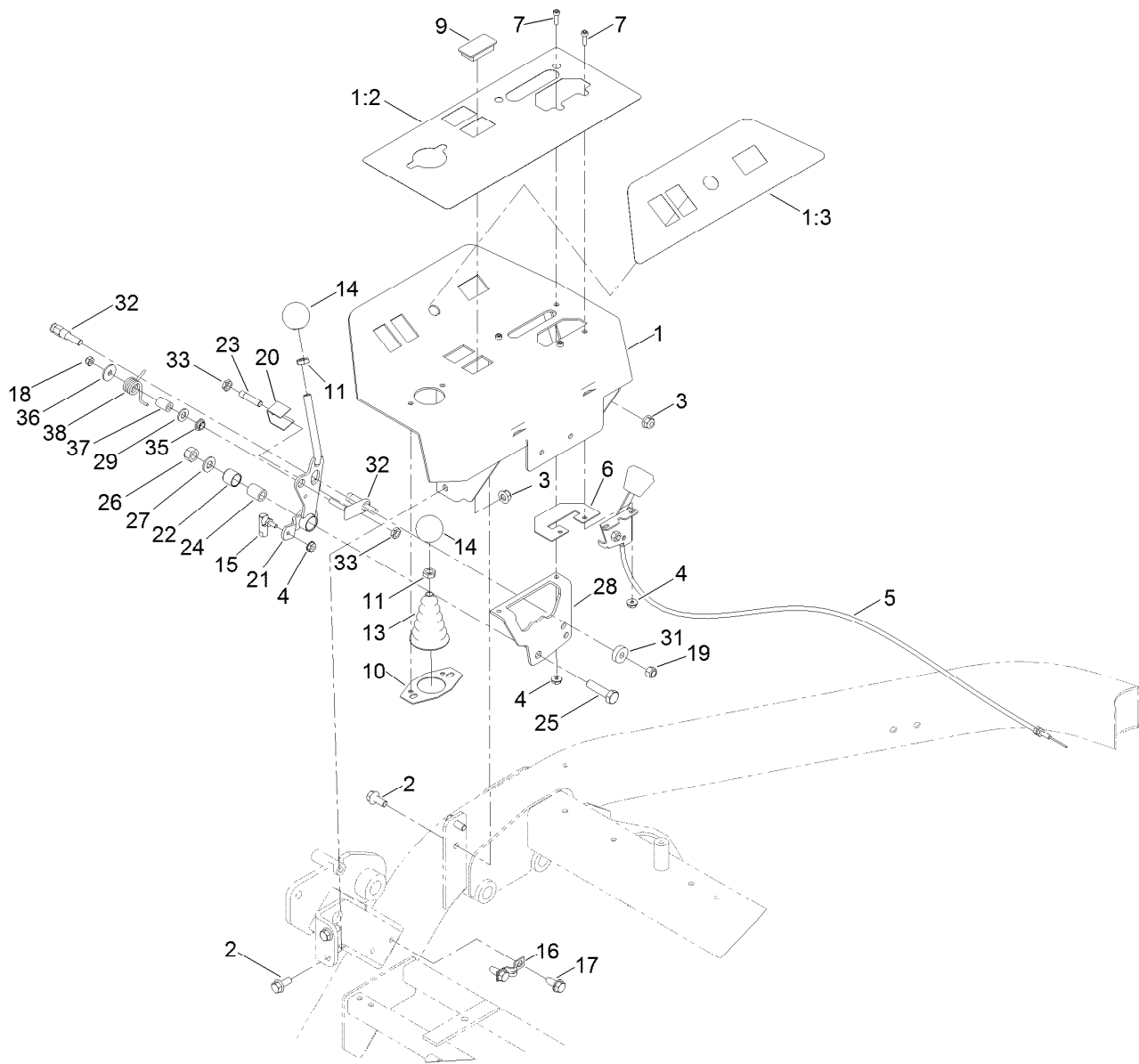
Brake Pedal Assembly

<i>Ref.</i>	<i>Part Number</i>	<i>Qty.</i>	<i>Description</i>
1	3296-16	2	Nut-Lock, NI
2	104-7704	1	Spring-Latch, Brake
4	3229-11	2	Screw-CARR
5	132-3807	1	Bracket-Switch
6	104-7703	1	Hinge-Lower
7	104-2094	1	Brake-Latch
8	93-2075-01	1	Brake Pedal ASM
9	93-7629	1	Pad-Foot, Brake
10	283-87	2	Pin-Clevis
11	3256-27	2	Washer-Flat
12	3272-11	2	Pin-Cotter
13	32121-50	1	Pin-Spring
14	75-5470	1	Spacer-Bearing



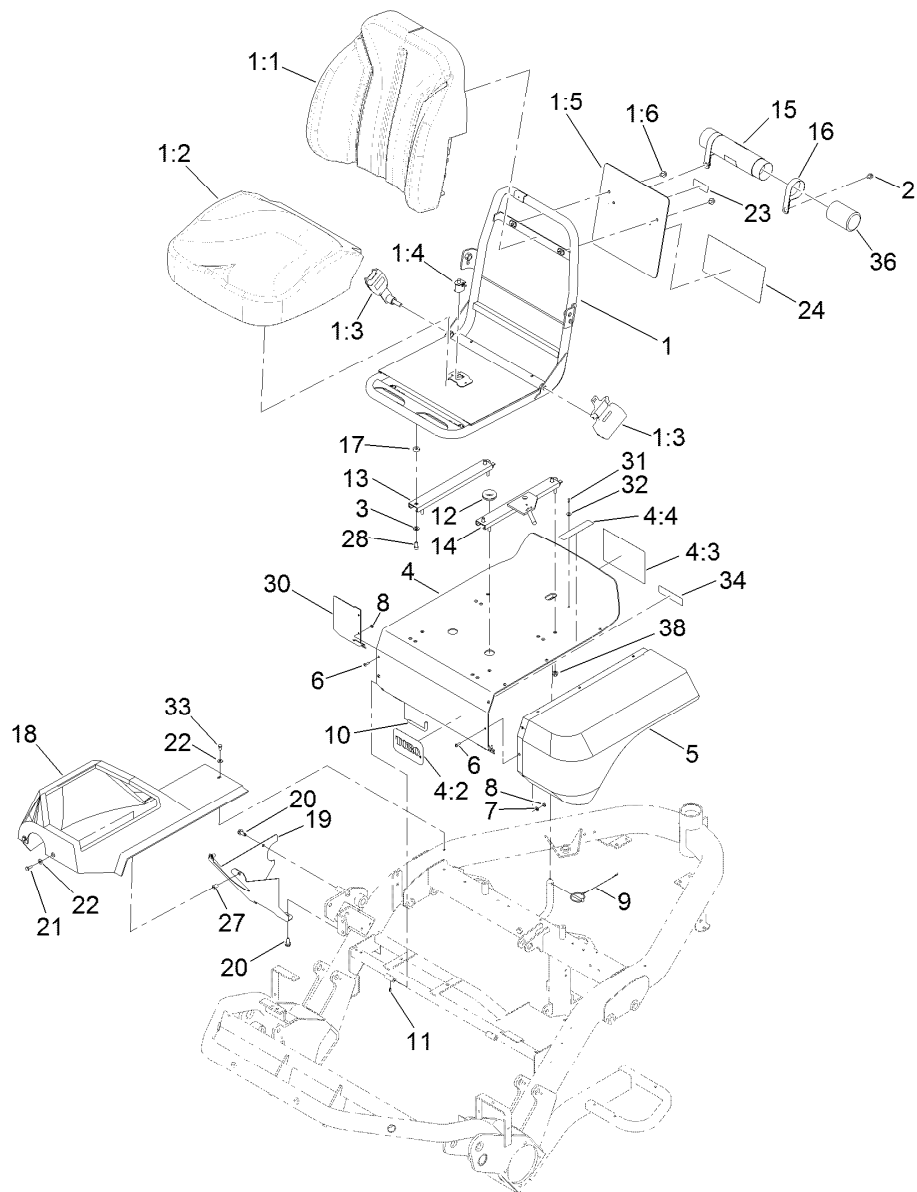
Steering Arm Assembly

<i>Ref.</i>	<i>Part Number</i>	<i>Qty.</i>	<i>Description</i>	<i>Ref.</i>	<i>Part Number</i>	<i>Qty.</i>	<i>Description</i>
1	233-48	1	Knob	13	136-8571	1	Mount-Steering
2	93-2400-03	1	Lockup Handle ASM	13:2	136-8506	1	Decal-Danger
3	83-0760	1	Spacer-Plate, Lockup	13:3	136-8505	1	Decal-Danger, CE
4	83-0740	2	Disc-Friction	14	119-9300	1	Cover-Valve, Steering
5	145-0051	1	Steering Wheel	15	136-8450	1	Arm-Steering
6	3296-33	1	Nut-Lock, NI	15:2	93-8068	1	Decal-Arm, Steering
7	3256-27	1	Washer-Flat	17	3234-42	2	Screw-HHF
8	93-2199	1	Screw-HH, RH	18	3242-2	1	Screw-SQH
9	325-4	2	Screw-HH	19	68-5140	1	Cap-Wheel, Steering
10	3256-26	3	Washer-Flat	19:1	32144-21	1	Screw
11	47-2890	2	Bushing	20	3290-277	6	Nut-Speed
12	3274-39	6	Screw-HSBH	22	3218-5	1	Nut-Jam



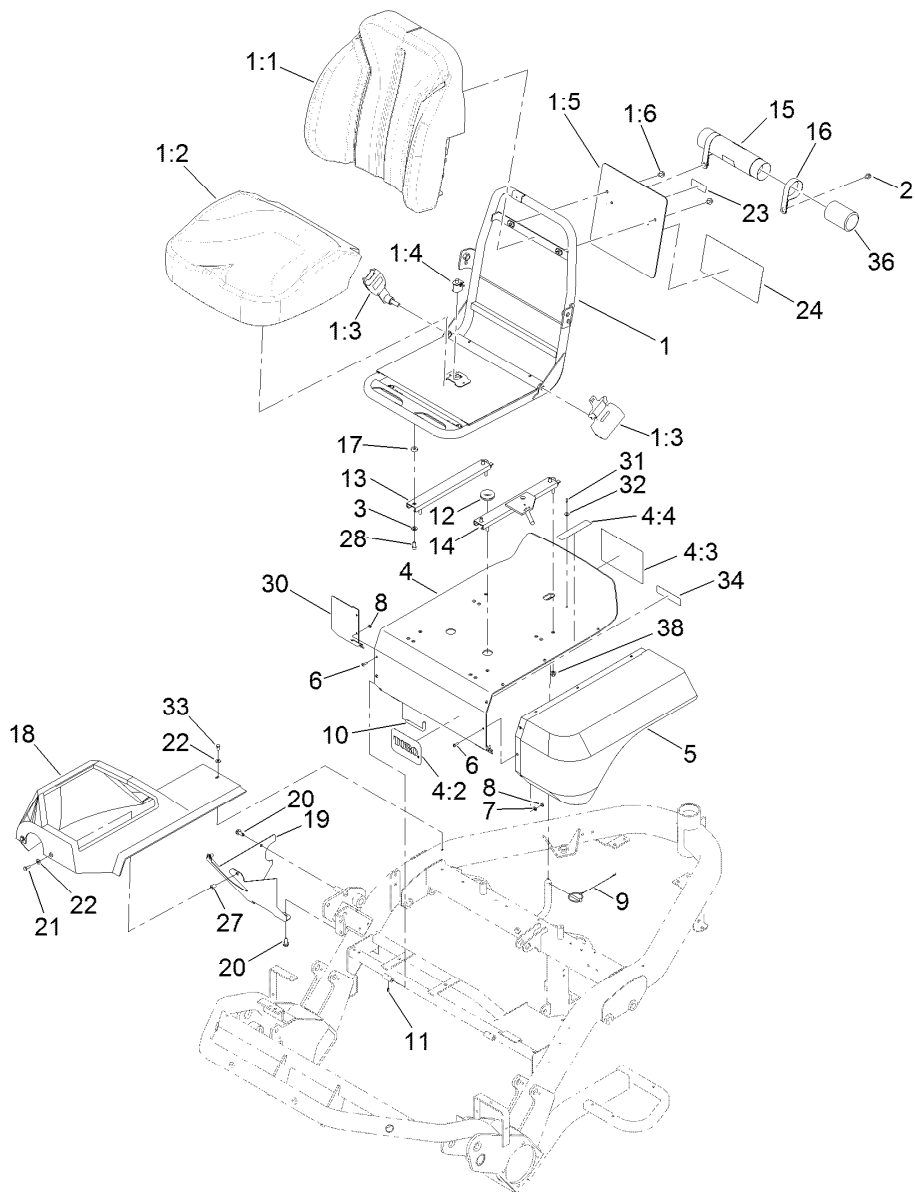
Operator Platform Assembly

<i>Ref.</i>	<i>Part Number</i>	<i>Qty.</i>	<i>Description</i>	<i>Ref.</i>	<i>Part Number</i>	<i>Qty.</i>	<i>Description</i>
1	136-8572	1	Console	19	33024-00	1	Nut-Lock, NI
1:2	127-6115	1	Decal-Panel, Instrument	20	106-6356	1	Shield-Switch
1:3	127-6114	1	Decal-Panel, Instrument	21	140-6191	1	Handle Assembly
2	3234-47	4	Screw-HHF	22	136-8417	1	Bushing
3	104-8300	4	Nut-HF, NI	23	120-5348	1	Actuator-Switch
4	32149-8	5	Nut-Keps	24	94-1378	1	Tube-Pivot, Handle
5	120-5261	1	Control-Throttle	25	33115-040	1	Screw-HH
6	112-9179	1	Plate-Cover	26	33025-00	1	Nut-Lock, NI
7	3273-26	4	Screw-HSH	27	3256-24	1	Washer-Flat
9	99-7420	1	Plug-Hole	28	94-6398	1	Bracket-Traction
10	112-9181	1	Plate-Boot	29	3256-23	1	Washer-Plain
11	3218-3	2	Nut-Jam	31	251-259	1	Bearing-Ball
13	93-5961	1	Boot-Lever	32	125-1928	1	Pin
14	233-42	2	Knob	33	117-4059	2	Nut-Hex
15	2411-38	1	Joint-Ball	35	94-9619	1	Bushing
16	93-2279	1	Clamp-Cable	36	3256-67	1	Washer
17	32104-32	2	Screw-HWH	37	94-9618	1	Spacer-Spring
18	33023-00	1	Nut-Lock	38	94-9620	1	Spring-Torsion



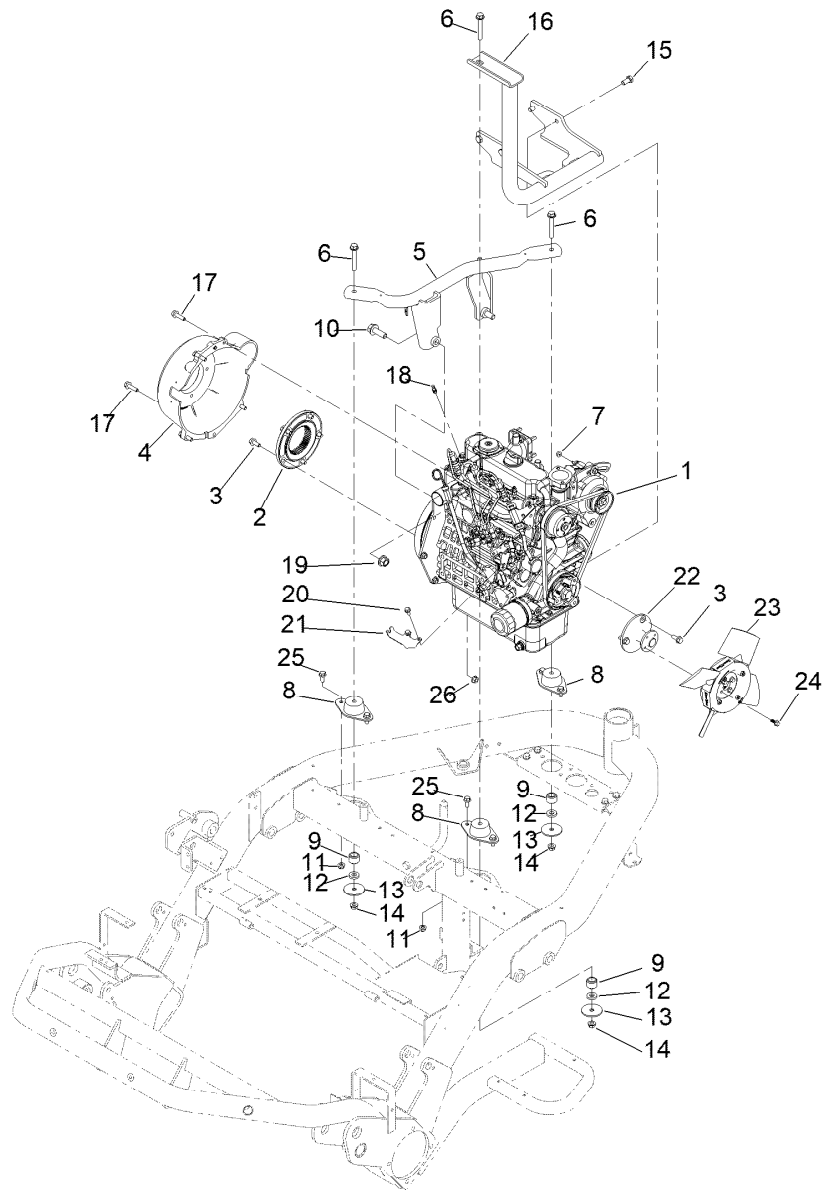
Seat Assembly

Ref.	Part Number	Qty.	Description	Ref.	Part Number	Qty.	Description
1	139-2680	1	Seat ASM	13	92-8990	1	Adjuster-Seat, Non-Locking
1:1	145-0083	1	Cover-Seat, Back	14	92-8991	1	Adjuster (W/Latch)
1:2	145-0084	1	Cover-Seat, Bottom	15	104-7050	1	Tube-Manual
1:3	139-2707	1	Seat Belt Kit	16	2412-133	2	Clamp-R
1:4	82-2190	1	Switch-Bail	17	121-1759	4	Spacer
1:5	139-2701	1	Plate-Decal	18	99-4208	1	Shroud-Console
1:6	3234-30	2	Screw-HHF	19	94-4547-03	1	Panel-Lower, RH
2	32104-82	2	Screw-HHF	20	32104-32	2	Screw-HWH
3	3256-23	4	Washer-Plain	21	33113-016	2	Screw-HH
4	136-8573	1	Seat Support ASM	22	3256-1	3	Washer-Flat
4:2	94-2579	1	Decal	23	93-6686	1	Decal-Oil, HYD
4:3	115-8156	1	Decal-Speed, Clip	24	121-9501	1	Decal-Service, Spanish
4:4	93-6689	1	Decal-No Riders	24	121-9502	1	Decal-Service, French
5	93-2128	1	Panel-Base, Seat	24	121-9503	1	Decal-Service, German
6	3274-39	9	Screw-HSBH	24	121-9504	1	Decal-Service, Swedish
7	3256-77	6	Washer-Flat	24	121-9505	1	Decal-Service, Italian
8	3296-12	9	Nut-Lock, NI	24	121-9506	1	Decal-Service, Portuguese
9	77-3780	1	Pin ASM-Lynch	24	121-9507	1	Decal-Service, Norwegian
10	93-2422	2	Rod-Pivot, Seat	24	121-9508	1	Decal-Service, Finnish
11	32121-7	2	Pin-Roll, Slotted	24	121-9509	1	Decal-Service, Danish
12	237-100	1	Grommet	24	121-9510	1	Decal-Service, Dutch



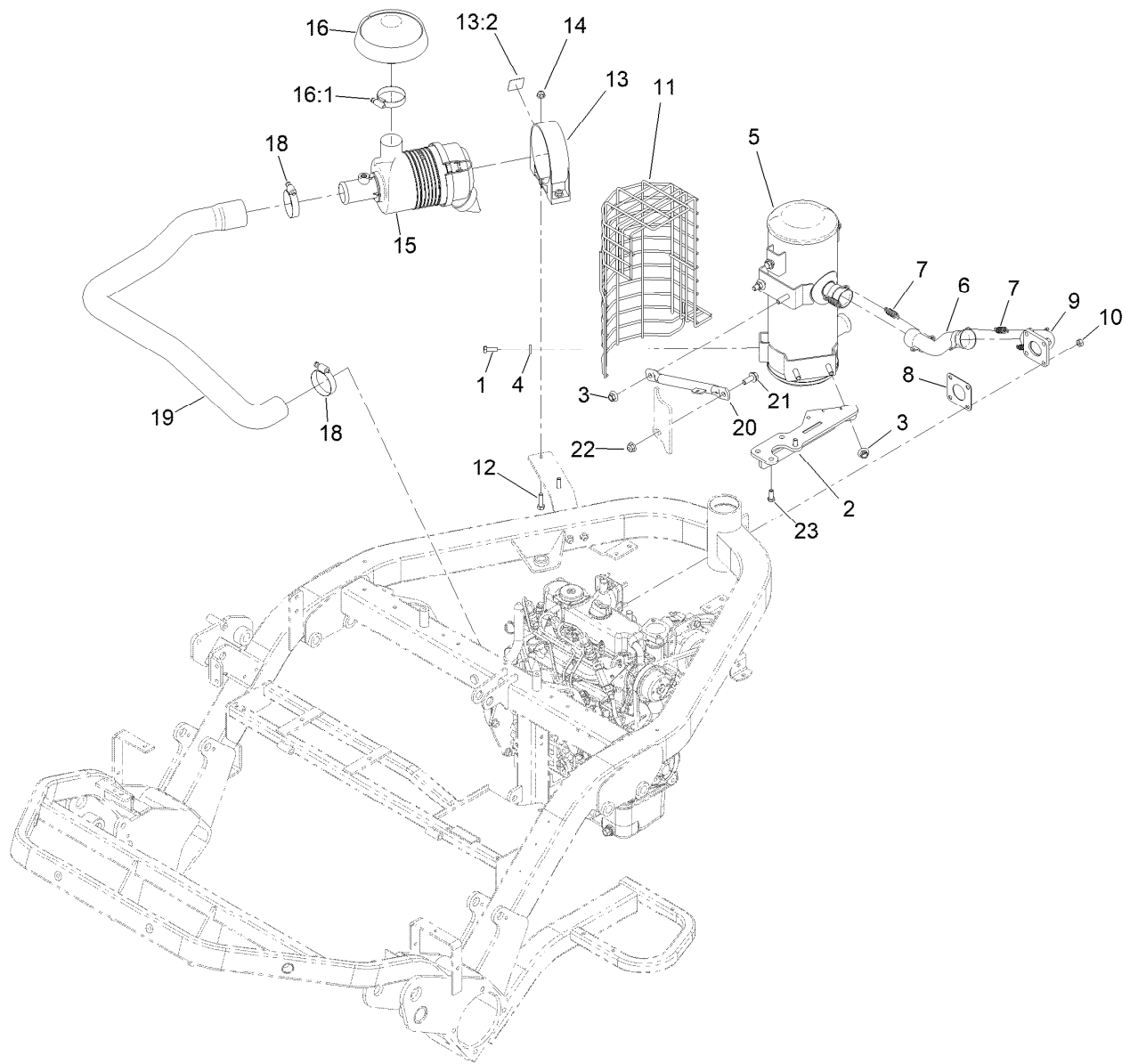
Seat Assembly (continued)

<i>Ref.</i>	<i>Part Number</i>	<i>Qty.</i>	<i>Description</i>	<i>Ref.</i>	<i>Part Number</i>	<i>Qty.</i>	<i>Description</i>
24	121-9511	1	Decal-Service, Japanese	32	3256-49	1	Washer-Plain
24	139-2726	1	Decal-Service, GR3250	33	33113-012	1	Screw-HH
27	93-5447	2	Nut-Clinch	34	133-8062	1	Decal-Arrestor, Spark
28	3274-22	4	Screw-HSH	36	104-7048	1	Cap-Housing
30	94-4546-03	1	Panel-Extension	38	104-8300	4	Nut-HF, NI
31	3290-282	1	Rivet-Blind				



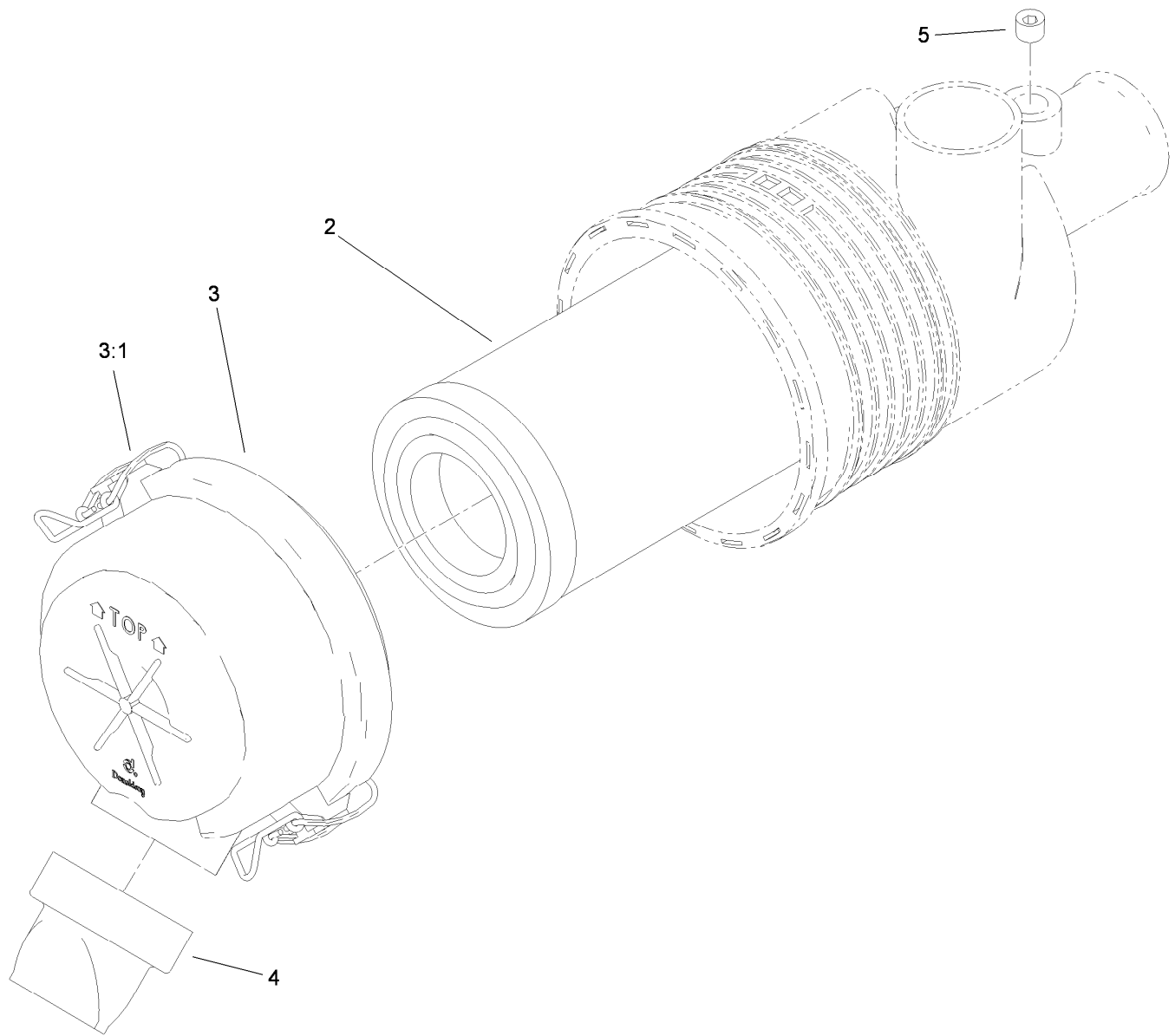
Engine Assembly

<i>Ref.</i>	<i>Part Number</i>	<i>Qty.</i>	<i>Description</i>	<i>Ref.</i>	<i>Part Number</i>	<i>Qty.</i>	<i>Description</i>
1	138-6903	1	Engine-Kubota, D902	14	3290-357	3	Nut-HSF
2	115-8727	1	Flange-Coupling	15	63-7790	4	Screw-Cap
3	33104-020	8	Screw-HHF	16	133-2346-03	1	Support-Engine
4	132-6994	1	Housing-Bell	17	33104-030	5	Screw-HHF
5	120-5313-03	1	Mount-Engine	18	108-5928	1	Swivel-Stop, Cable
6	3234-39	3	Screw-HHF	19	99-5107	2	Nut-Lock
7	33003-00	1	Nut-HF	20	33103-016	2	Screw-HHF
8	121-9076	3	Mount-Engine	21	120-5316	1	Bracket-Support, Throttle
9	94-4538	3	Spacer-Mount	22	119-4421	1	Adaptor-Fan
10	100-6116	2	Screw-HHF	23	120-5287	1	Fan-35 DEG
11	104-8300	6	Nut-HF, NI	24	99-6810	4	Screw-HHF
12	66-6480	3	Washer	25	3234-47	6	Screw-HHF
13	83-1040	3	Washer-Flat	26	33004-00	1	Nut-HF



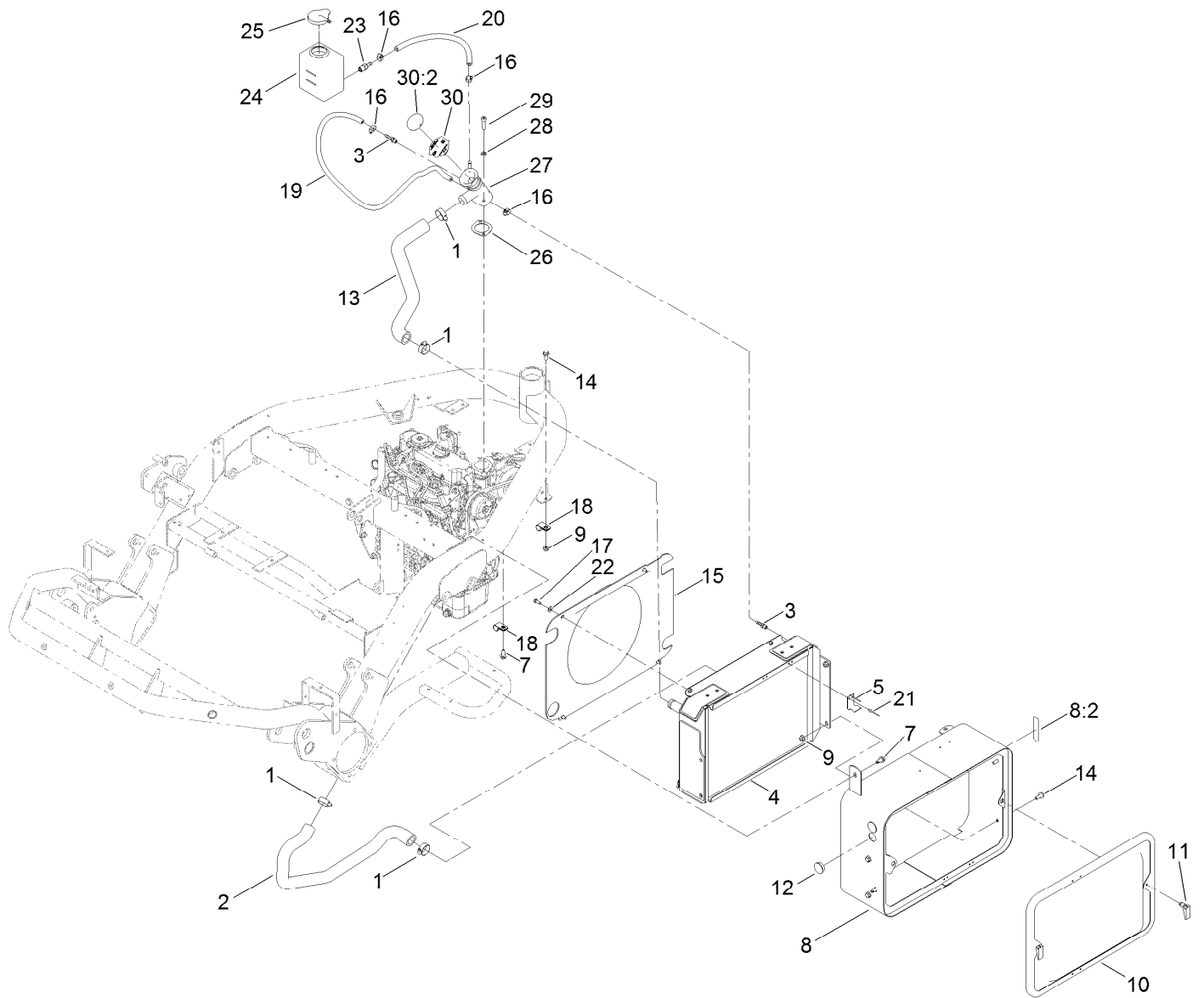
Intake and Exhaust Assembly

<i>Ref.</i>	<i>Part Number</i>	<i>Qty.</i>	<i>Description</i>	<i>Ref.</i>	<i>Part Number</i>	<i>Qty.</i>	<i>Description</i>
1	323-5	4	Screw-HH	13	136-8574	1	Bracket-Air Cleaner
2	140-5219-03	1	Bracket-Support, Muffler [black	13:2	115-8155	1	Decal-Warning
3	32128-19	4	Nut-HF Lock, Large Flg	14	104-8300	2	Nut-HF, NI
4	100-4852	4	Washer-Hardened	15	95-5805	1	Air Cleaner ASM
5	120-1950	1	Muffler	16	136-7859	1	Rain Cap Kit
6	114-8013	1	Pipe-Exhaust	16:1	1-643009	1	Clamp-Hose
7	104-6478	4	Spring-Extension	18	2412-92	2	Clamp-Hose
8	99-8343	1	Gasket-Muffler	19	119-3536	1	Hose-Air Cleaner
9	114-8009	1	Plate-Exhaust	20	120-5317-03	1	Tube-Brace
10	33014-00	4	Nut-Hex	21	3234-42	1	Screw-HHF
11	145-4559-03	1	Shield-Muffler	22	104-8301	1	Nut-HF, NI
12	322-16	2	Screw-HH	23	33114-020	2	Screw-HH



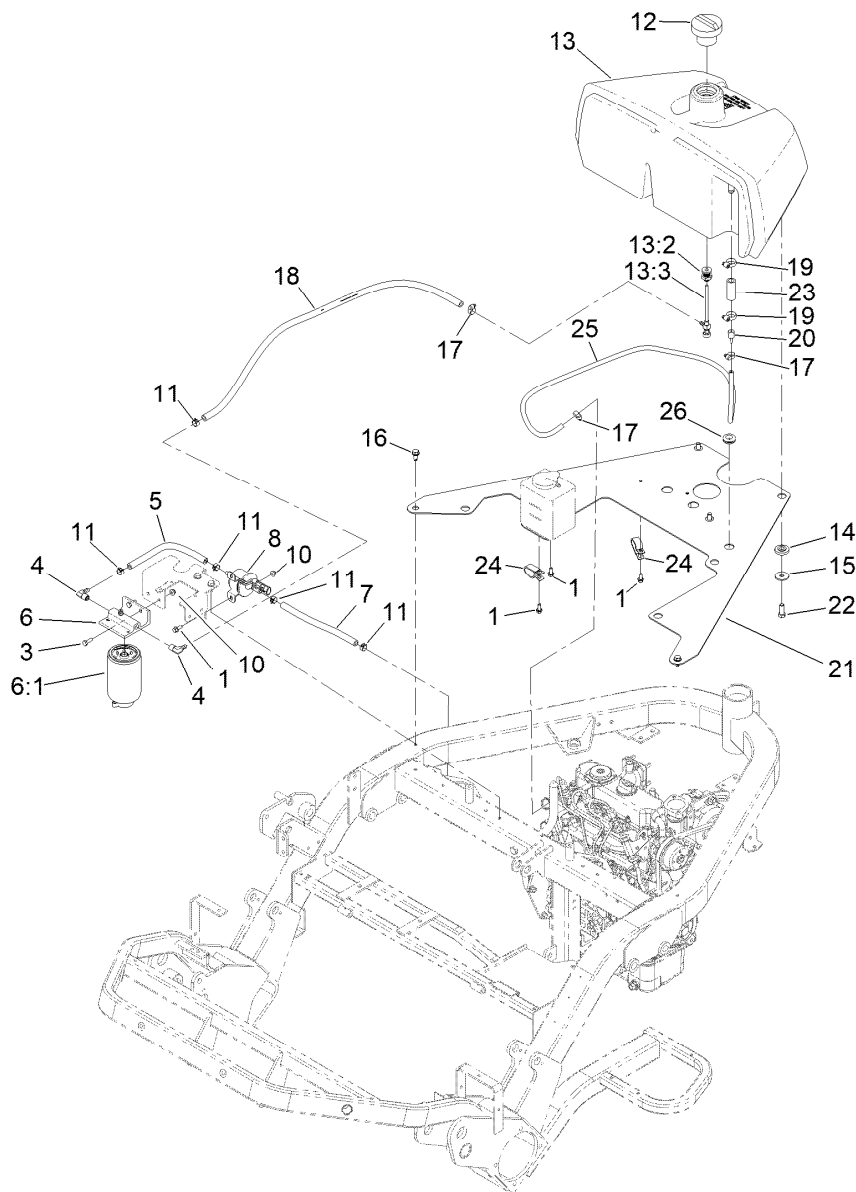
Air Cleaner Assembly No. 95-5805

<i>Ref.</i>	<i>Part Number</i>	<i>Qty.</i>	<i>Description</i>
2	108-3811	1	Filter-Air
3	94-3652	1	Cover ASM
3:1	1-643283	2	Latch-Cleaner, Air
4	87-9400	1	Valve-Vacuator
5	285-17	1	Plug-Pipe



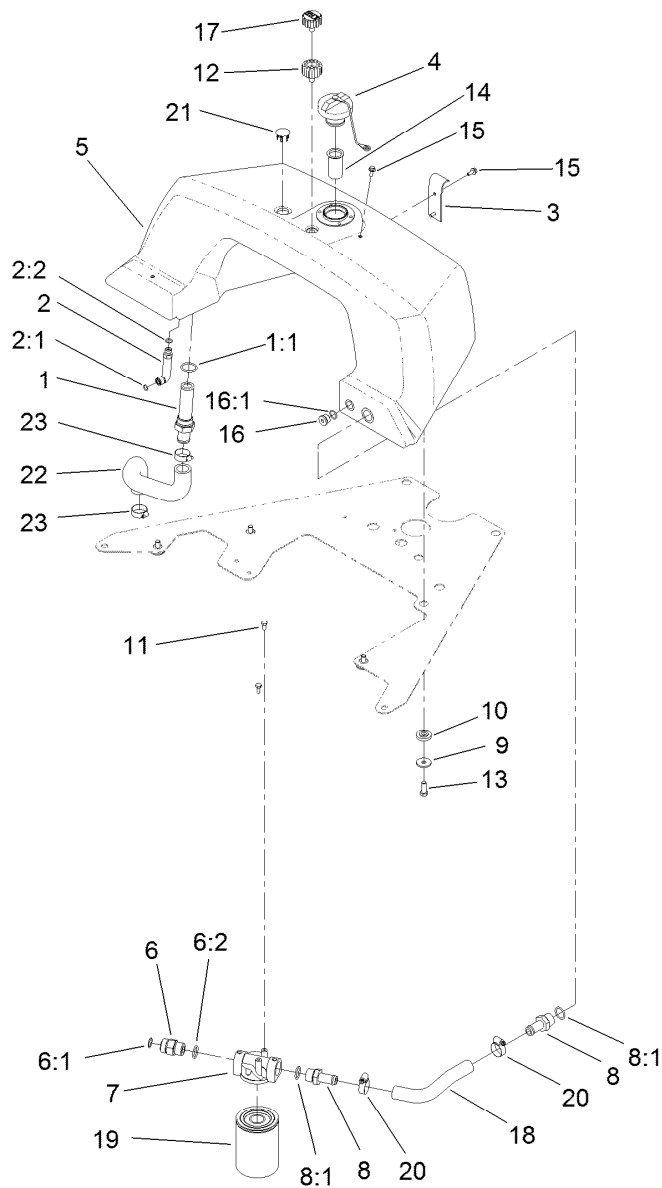
Radiator Assembly

Ref.	Part Number	Qty.	Description	Ref.	Part Number	Qty.	Description
1	2412-34	4	Clamp-Hose	17	33113-016	4	Screw-HH
2	119-3554	1	Hose-Radiator, Lower	18	2412-41	2	Clamp-R
3	304-73	2	Fitting-Straight	19	109-0286	1	Hose-Fuel
4	145-4583	1	Radiator	20	110-4101	1	Hose-Fuel
5	104-7736	1	Bracket-Cooler, Upper	21	130-6520	2	Rivet-Pop
7	32104-32	3	Screw-HWH	22	3256-22	4	Washer-Flat
8	136-8575	1	Radiator-Support	23	353-783	1	Fitting-STR
8:2	93-6681	1	Decal-Warning, Fan	24	120-5260	1	Tank-Overflow
9	104-8300	5	Nut-HF, NI	25	1-643164	1	Cap-Tank, Overflow
10	100-3172-03	1	Screen ASM	26	105-3748	1	Gasket-Thermostat
11	74-5950	2	Latch-Swell	27	119-3532	1	Blade (Discontinued)
12	94-4528	2	Plug	28	3253-4	2	Washer-Lock
13	119-3556	1	Hose-Radiator, Upper	29	94-3559	2	Screw-HSH
14	3234-47	5	Screw-HHF	30	136-8582	1	Cap-Radiator
15	119-3571	1	Shroud-Fan	30:2	106-5976	1	Decal-Warning
16	2412-108	4	Clamp-Worm				



Fuel System Assembly

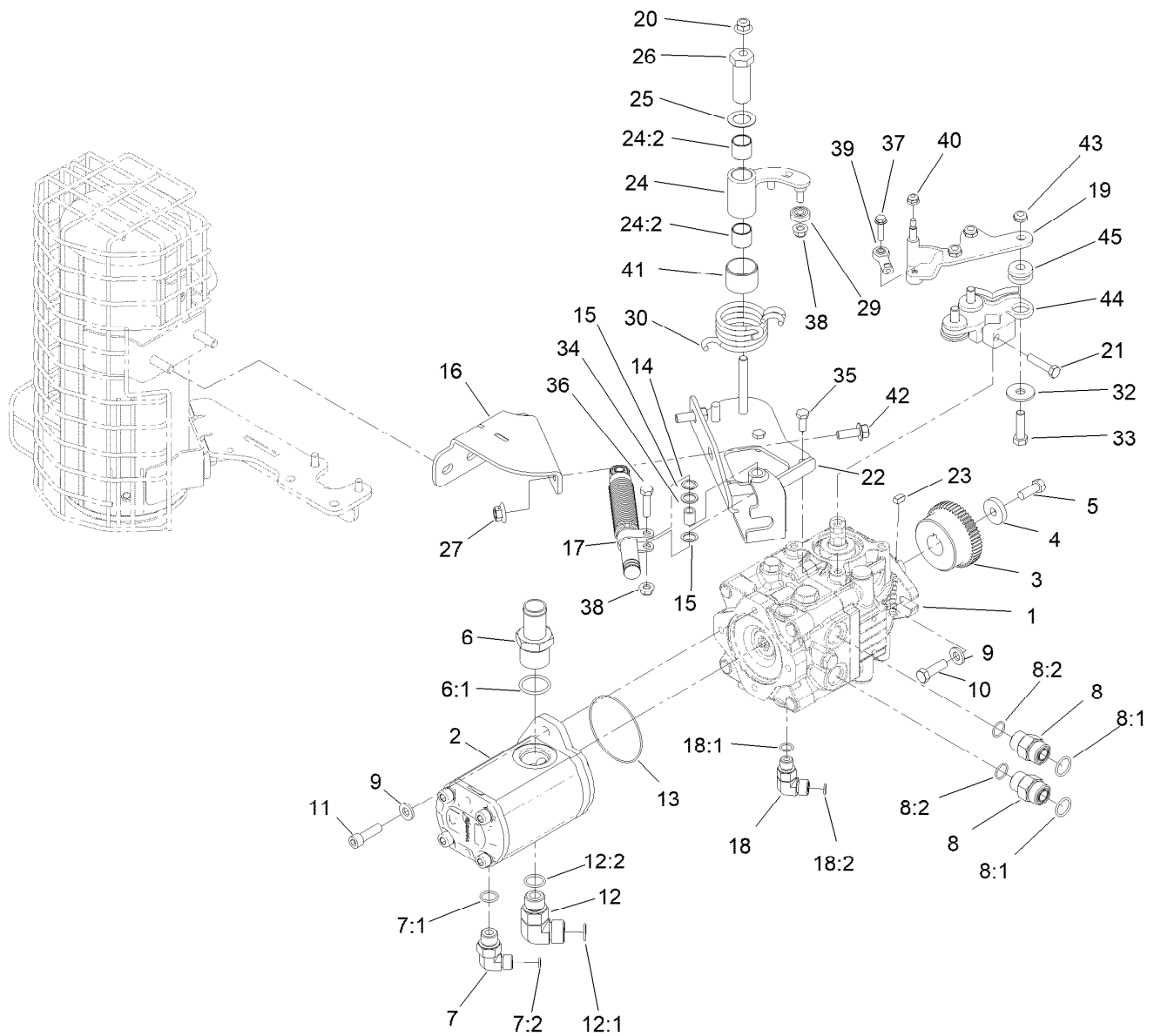
<i>Ref.</i>	<i>Part Number</i>	<i>Qty.</i>	<i>Description</i>	<i>Ref.</i>	<i>Part Number</i>	<i>Qty.</i>	<i>Description</i>
1	3234-33	5	Screw-HHF	13:3	114-4679	1	Fitting-Shut Off, Fuel
3	321-4	2	Screw-HH	14	240-11	3	Bushing-Flange
4	353-781	2	Fitting-HYD, 90	15	63-8410	3	Washer
5	145-4571	1	Hose-Fuel (.313 X 12.00, J30R7, LP)	16	32104-32	3	Screw-HWH
6	110-9044	1	Separator-Filter	17	2412-108	3	Clamp-Worm
6:1	110-9049	1	Filter-Spin On, Fuel/Water	18	145-4572	1	Hose-Fuel
7	145-4570	1	Hose-Fuel (.313 X 8.50, J30R7, LP)	19	2412-36	2	Clamp-Hose
8	145-3154	1	Pump-Fuel, Electric	20	112-0212	1	Fitting-Fuel
10	104-7201	4	Nut-HF, NI	21	119-3531-01	1	Plate
11	92-2379	5	Clamp-Hose	22	323-6	3	Screw-HH
12	115-5305	1	Cap-Fuel	23	106-1128	1	Hose-Fuel
13	132-3801	1	Tank ASM	24	92-5753	2	Clamp-Hose
13:2	114-4677	1	Bulkhead ASM	25	117-6395	1	Hose-Vent, Tank
				26	237-124	1	Grommet



Hydraulic Tank and Filter Assembly

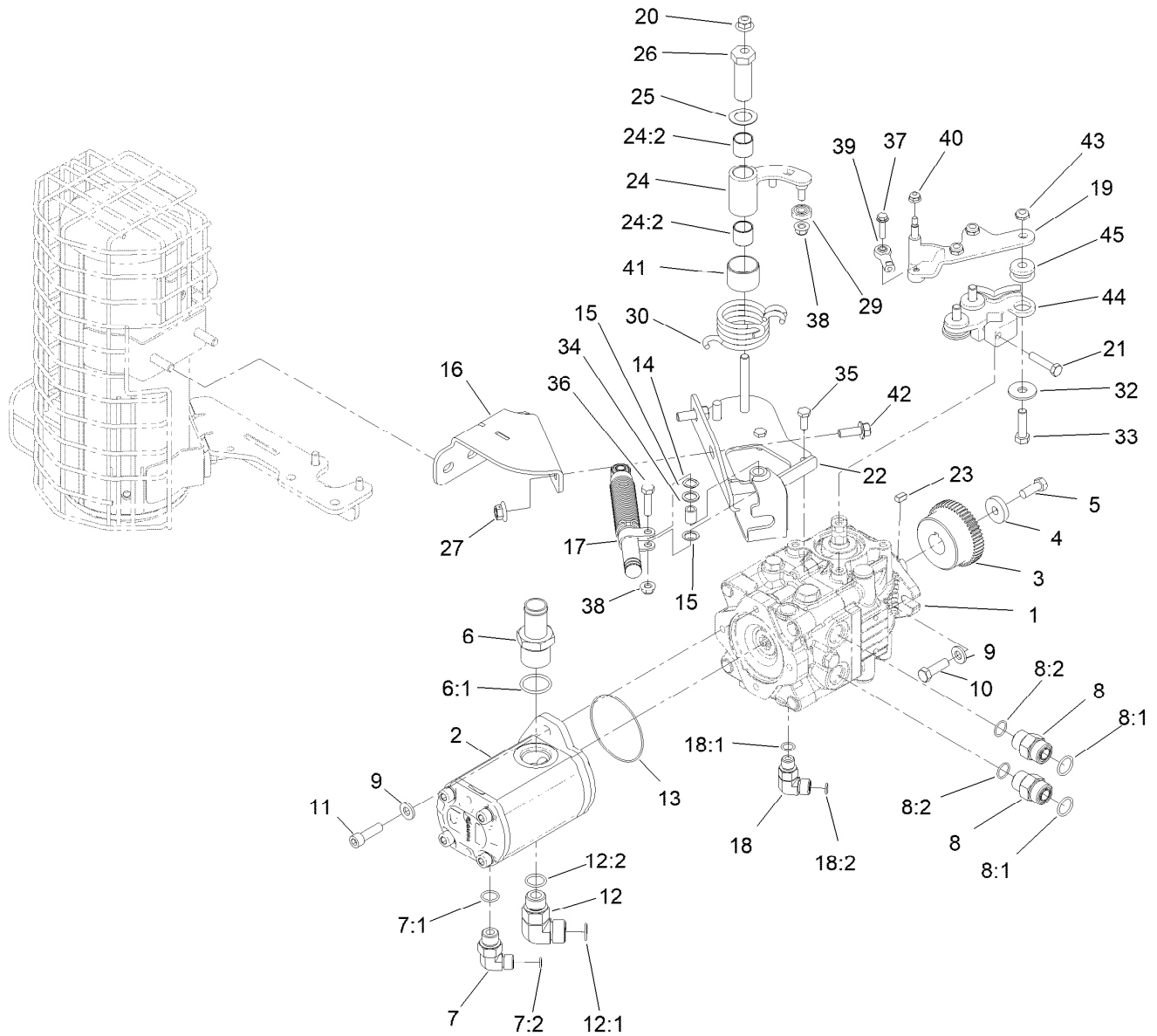
Ref.	Part Number	Qty.	Description	Ref.	Part Number	Qty.	Description
1	112-0211	1	Strainer Fitting ASM	10	240-11	4	Bushing-Flange
1:1	237-146	1	O-Ring	11	321-3	2	Screw-HH
2	340-87	1	Fitting-Elbow, 45 DEG	12	92-8020	1	Adapter-Breather
2:1	237-22	1	O-Ring	13	323-6	4	Screw-HH
2:2	237-42	1	O-Ring	14	93-2275	1	Screen-Filler
3	93-2438	1	Clamp-Tank, Fuel	15	33103-016	3	Screw-HHF
4	93-7160	1	Cap-Oil, HYD	16	353-988	1	Plug-Hex
5	132-3799	1	Tank-Hydraulic	16:1	237-79	1	O-Ring ●
6	340-9	1	Fitting-STR	17	68-6150	1	Breather
6:1	237-58	1	O-Ring	18	94-9607	1	Hose-Return
6:2	237-81	1	O-Ring	19	107-9531	1	Filter-Oil, HYD
7	92-5821	1	Head-Filter	20	2412-129	2	Clamp-Hose
8	354-73	2	Fitting	21	93-2437	1	Plug-Serrated
8:1	237-81	1	O-Ring	22	140-5225	1	Hose-Inlet, Pump
9	63-8410	4	Washer	23	2412-34	2	Clamp-Hose

● Not illustrated



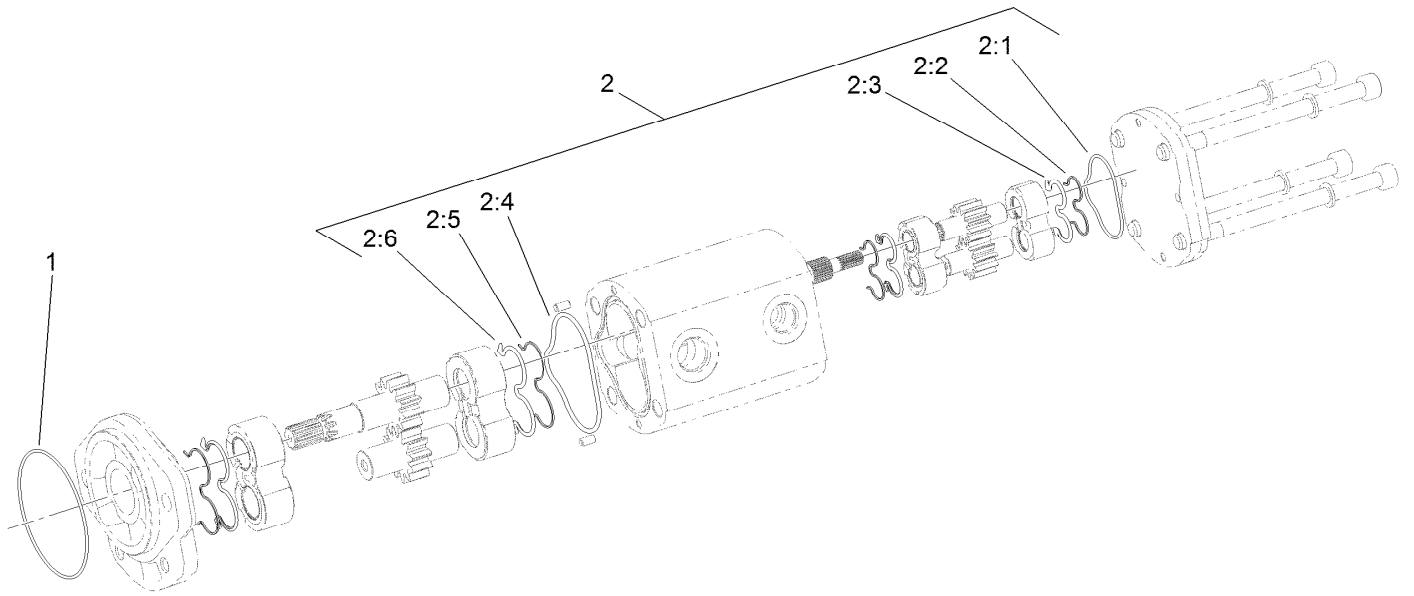
Hydrostat and Gear Pump Drive Assembly

Ref.	Part Number	Qty.	Description	Ref.	Part Number	Qty.	Description
1	139-6474	1	Pump-Hydro, Danfoss	15	94-8196	2	Washer-Nylon
2	114-9956	1	HYD Gear Pump ASM	16	140-5216-03	1	Bracket-Mount [black]
3	119-4418	1	Coupling	17	140-6248	1	Damper
4	138-8594	1	Spacer	18	340-77	1	Fitting-Elbow, 90 DEG
5	3211-4	1	Screw-HH	18:1	237-22	1	O-Ring
6	354-78	1	Fitting-STR	18:2	237-42	1	O-Ring
6:1	237-146	1	O-Ring	19	140-5221	1	Lever-Hydro
7	340-18	1	Fitting-HYD, 90 DEG	20	104-8301	1	Nut-HF, NI
7:1	237-79	1	O-Ring	21	120-2779	1	Screw-HH
7:2	237-22	1	O-Ring	22	140-5211-03	1	Bracket-Cable, Hydro [black]
8	340-7	2	Fitting-Straight	23	145-4589	1	Key-Squ
8:1	237-65	1	O-Ring	24	145-0071	1	Neutral Arm ASM
8:2	237-80	1	O-Ring	24:2	94-9609	2	Bushing-Straight
9	100-4852	4	Washer-Hardened	25	119-8199	1	Washer-Nylon
10	323-7	2	Screw-HH	26	117-9046	1	Stud-Eccentric
11	AU862-10030	2	Screw-HSH	27	32128-19	2	Nut-HF Lock, Large Flg
12	340-17	1	Fitting-Elbow, 90 DEG	29	251-259	1	Bearing-Ball
12:1	237-65	1	O-Ring	30	117-9047	1	Spring-Torsion
12:2	237-80	1	O-Ring	32	93-8806	3	Washer-Hardened
13	237-161	1	O-Ring	33	323-29	3	Screw-HH
14	108473	1	Washer-Wave				



Hydrostat and Gear Pump Drive Assembly (continued)

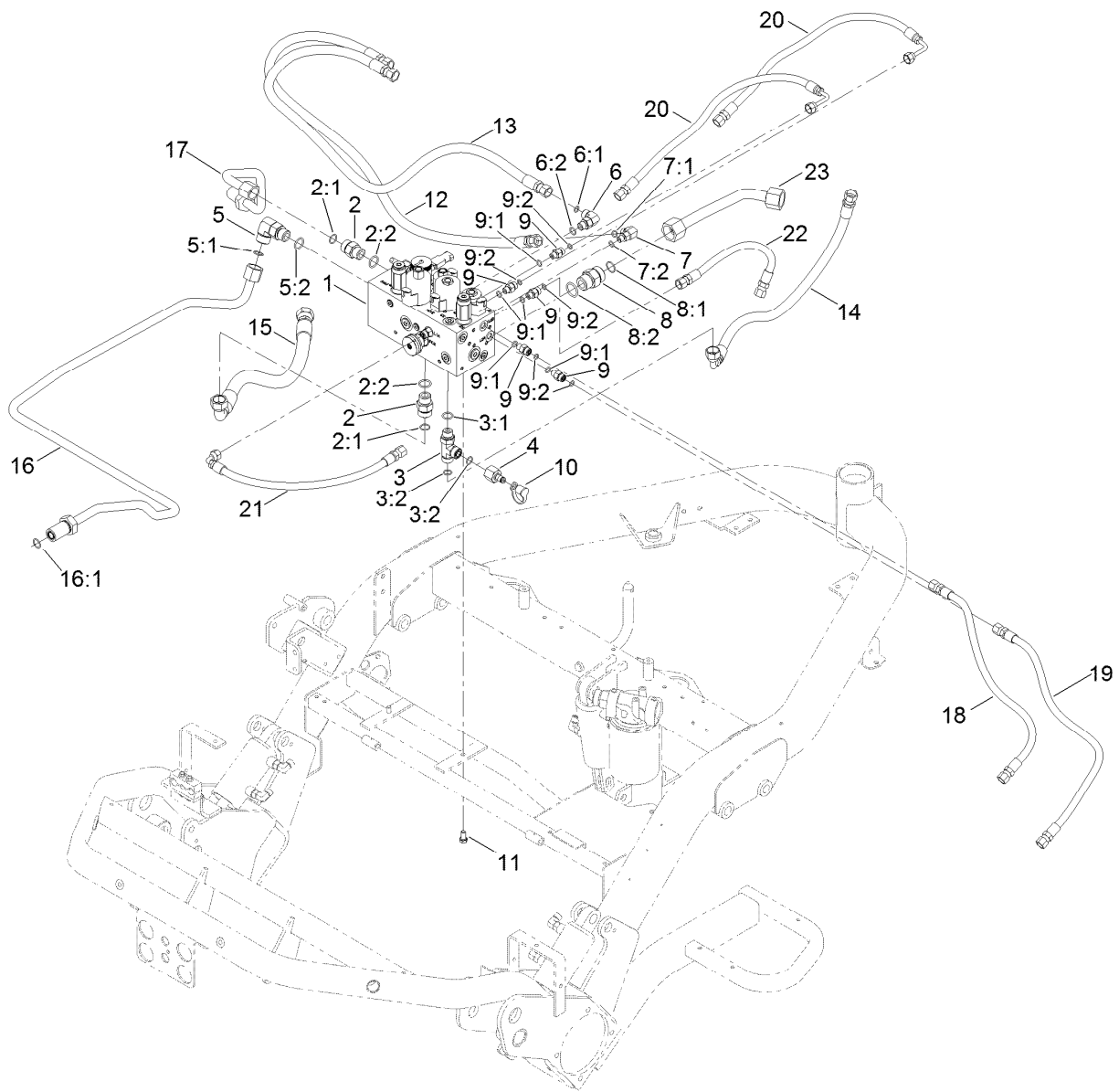
<i>Ref.</i>	<i>Part Number</i>	<i>Qty.</i>	<i>Description</i>	<i>Ref.</i>	<i>Part Number</i>	<i>Qty.</i>	<i>Description</i>
34	94-8197	1	Tube-Pivot	40	104-7201	1	Nut-HF, NI
35	33114-020	2	Screw-HH	41	136-8418	1	Bushing
36	322-6	1	Screw-HH	42	139-2597	2	Screw-HHF
37	119-1066	1	Screw-HF	43	3296-59	3	Nut-Lock, NI
38	104-8300	2	Nut-HF, NI	44	140-5231	1	Cam-Neutral
39	2411-41	1	Rod End-Ball Joint	45	63-9750	3	Mount



Hydraulic Gear Pump Assembly No. 114-9956

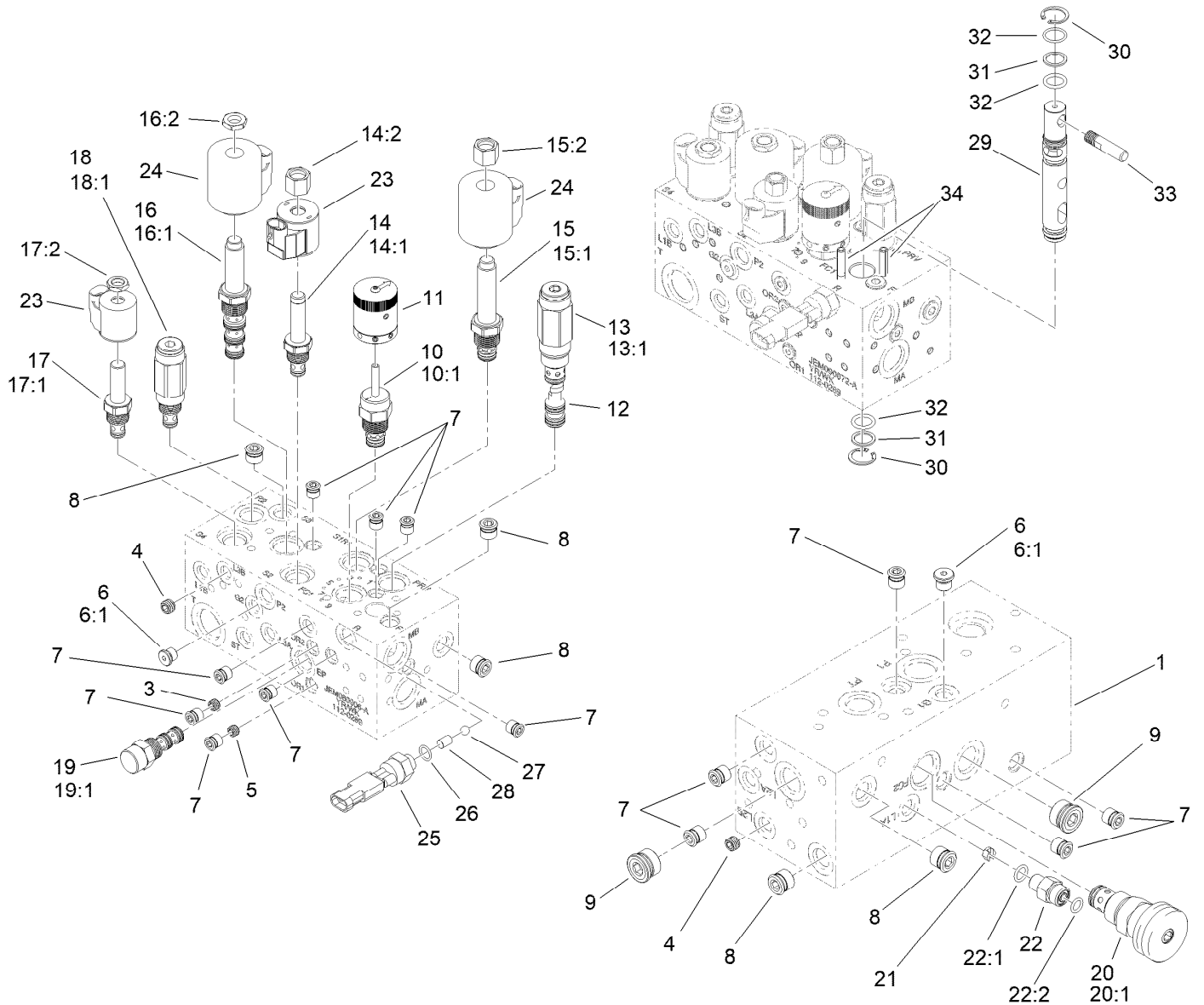
<i>Ref.</i>	<i>Part Number</i>	<i>Qty.</i>	<i>Description</i>
1	353-949	1	O-Ring
2	119-7134	1	Kit-Seal
2:1		1	O-Ring ●
2:2		2	Seal-Extrusion, Anti ●
2:3		2	Seal-Backup ●
2:4		1	O-Ring ●
2:5		2	Seal-Extrusion, Anti ●
2:6		2	Seal-Backup ●

● Not serviced separately



Manifold Assembly

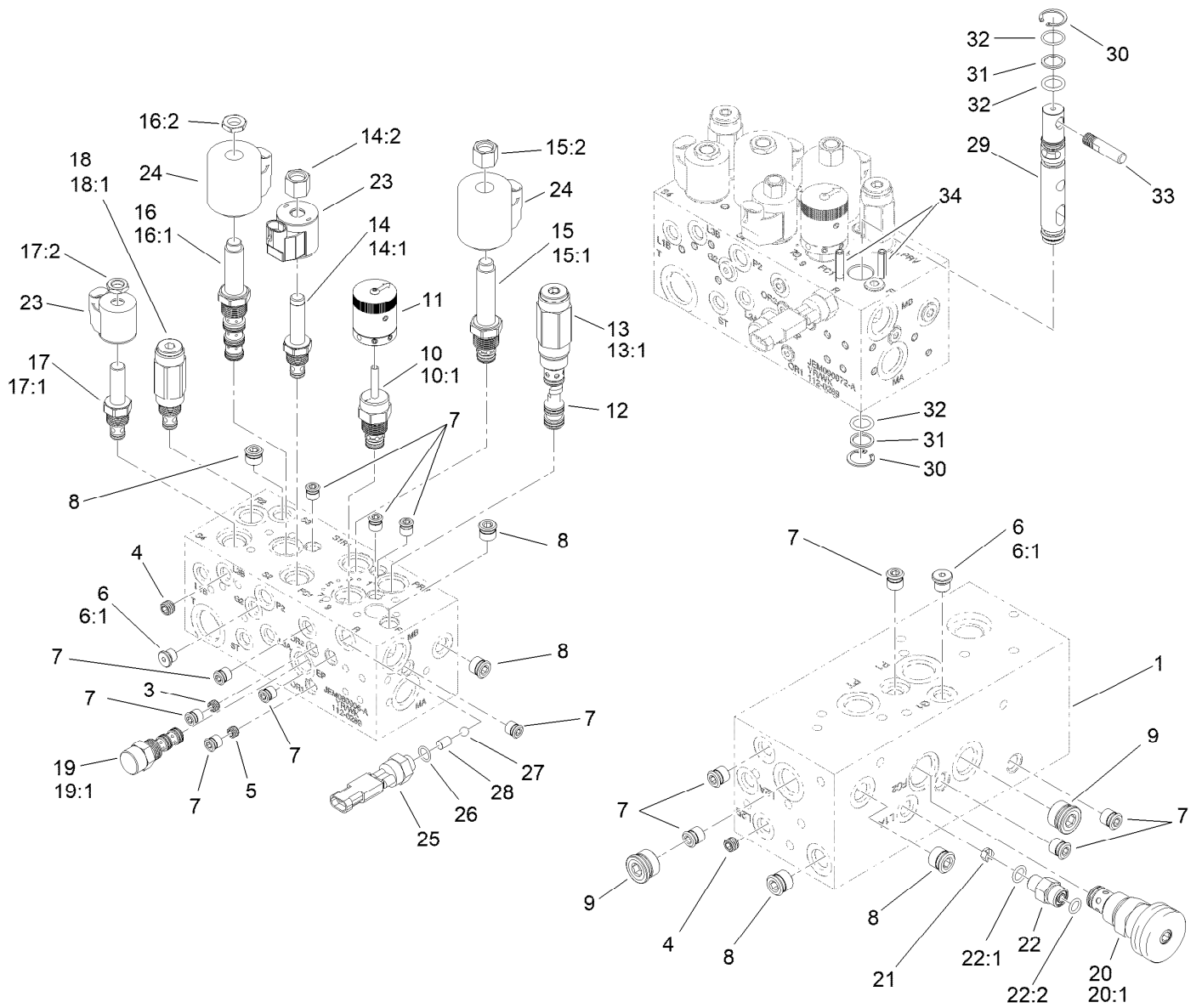
Ref.	Part Number	Qty.	Description	Ref.	Part Number	Qty.	Description
1	112-9197	1	Manifold ASM W/Backlap	8:2	237-81	1	O-Ring
2	340-7	2	Fitting-Straight	9	340-92	5	Fitting-Straight
2:1	237-65	1	O-Ring	9:1	237-78	1	O-Ring
2:2	237-80	1	O-Ring	9:2	237-21	1	O-Ring
3	340-109	1	Fitting-Tee	10	354-79	1	Cap-Dust
3:1	237-79	1	O-Ring	11	33114-016	2	Screw-HH
3:2	237-30	2	O-Ring	12	95-8842	1	Hose-HYD
4	100-5616	1	Fitting	13	105-9790	1	Hose ASM
5	340-17	1	Fitting-Elbow, 90 DEG	14	140-5226	1	Hose ASM
5:1	237-65	1	O-Ring	15	131-6206	1	Hose ASM
5:2	237-80	1	O-Ring	16	94-1320	1	Tube-HYD
6	340-77	1	Fitting-Elbow, 90 DEG	16:1	237-65	1	O-Ring
6:1	237-22	1	O-Ring	17	94-1317	1	Tube-HYD
6:2	237-42	1	O-Ring	18	131-2004	1	Hose ASM
7	340-97	1	Fitting-Elbow, 90 DEG	19	131-2005	1	Hose ASM
7:1	237-22	1	O-Ring	20	131-2006	2	Hose ASM
7:2	237-78	1	O-Ring	21	112-9185	1	Hose ASM
8	340-9	1	Fitting-STR	22	106-7981	1	Hose-HYD
8:1	237-58	1	O-Ring	23	94-4518	1	Tube ASM



Hydraulic Manifold Assembly No. 147-3077

Ref.	Part Number	Qty.	Description	Ref.	Part Number	Qty.	Description
1		1	Body-Manifold ●	15	110-8768	1	Valve-Relief, Solenoid (3000 PSI)
3	112-9202	1	Orifice-Flow, Control (.060)	15:1	110-6316	1	Seal Kit
4	110-8887	2	Plug-Orifice (0.055)	15:2	130-8180	1	Nut-Coil (9/16-24 Unef-2B)
5	112-9203	1	Orifice-Control, Flow (.013)	16	110-8906	1	Valve-Solenoid
6	353-990	2	Plug ASM	16:1	110-8908	1	Spool Valve Seal Kit
6:1	237-78	1	O-Ring	16:2	110-2634	1	Nut-Coil
7	106-1025	13	Plug-HYD	17	112-9206	1	Solenoid Valve ASM
8	106-1026	5	Plug-HYD	17:1	105-9156	1	Seal Kit
9	106-1027	2	Plug	17:2	110-2634	1	Nut-Coil
10	147-3068	1	Valve-Control, Manual Flow	18	133-8873	1	Valve-Relief
10:1	132-6231	1	Seal Kit	18:1	105-9156	1	Seal Kit
11	110-8767	1	Rotary Handle ASM	19	110-8988	1	Element-Logic
12	119-3506	1	Piston-Pilot	19:1	110-8773	1	Seal Kit
13	112-9205	1	Valve-Relief	20	119-4136	1	Control-Flow
13:1	105-9159	1	Seal Kit	20:1	110-2633	1	Seal Kit
14	107-7517	1	Valve-Solenoid	21	110-8903	1	Orifice-Control, Flow (0.055)
14:1	105-9156	1	Seal Kit	22	340-92	1	Fitting-Straight
14:2	107-7812	1	Nut-Solenoid				

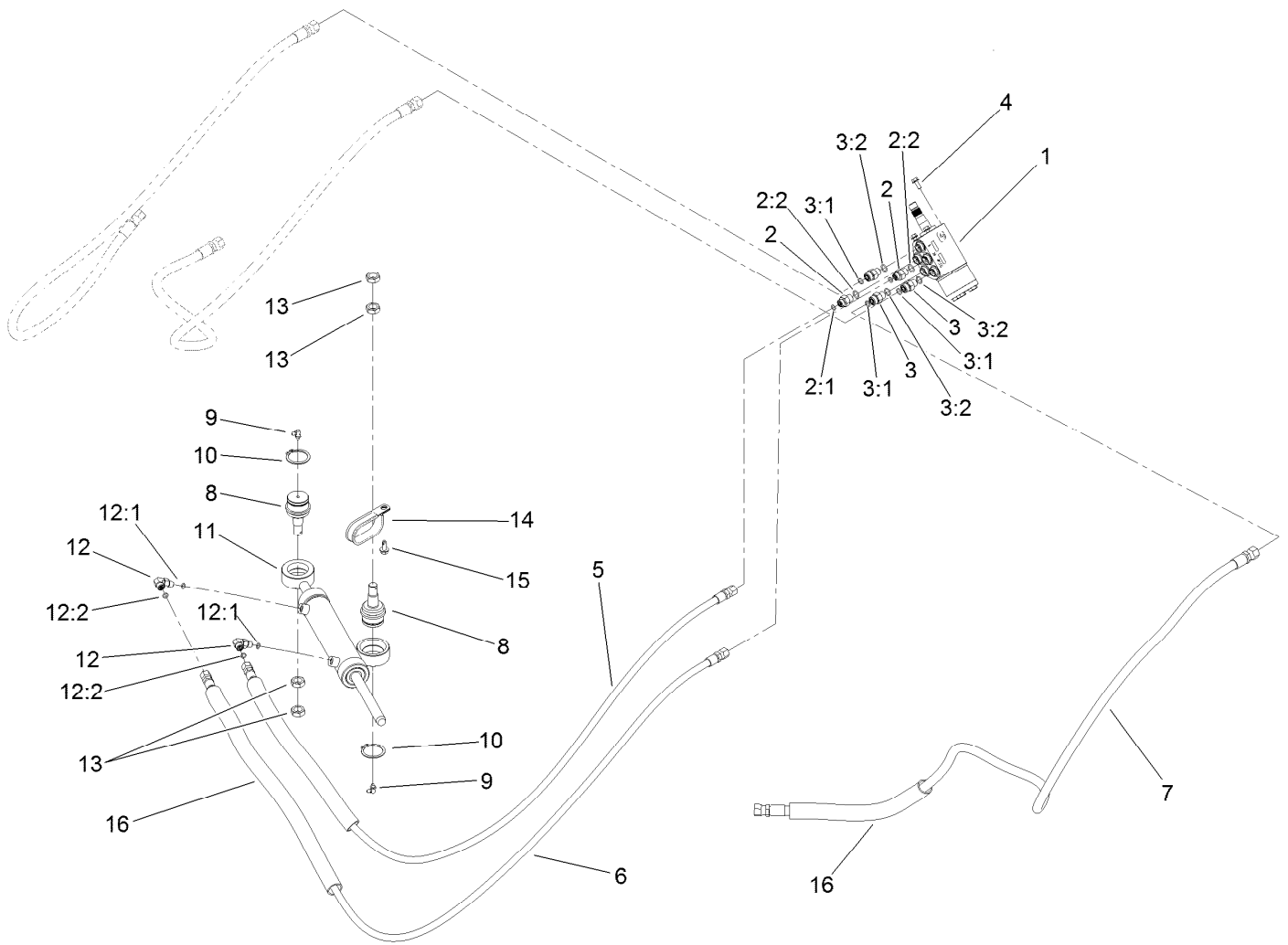
● Not serviced separately



Hydraulic Manifold Assembly No. 147-3077 (continued)

Ref.	Part Number	Qty.	Description	Ref.	Part Number	Qty.	Description
22:1	237-78	1	O-Ring	28	112-6533	1	Pin-Dowel
22:2	237-21	1	O-Ring	29	112-6536	1	Spool
23	105-9333	2	Coil-12Vdc	30	112-6532	2	Ring-Retaining
24	110-2630	2	Coil-12Vdc	31	112-6534	2	Ring-Back Up
25	72-4320	1	Switch-Ball	32	117-4606	3	O-Ring
26	110-8757	1	O-Ring	33	110-8758	1	Handle-Spool
27	110-8762	1	Ball-Chrome	34	112-6531	2	Pin-Spring

● Not serviced separately



Steering Valve Assembly

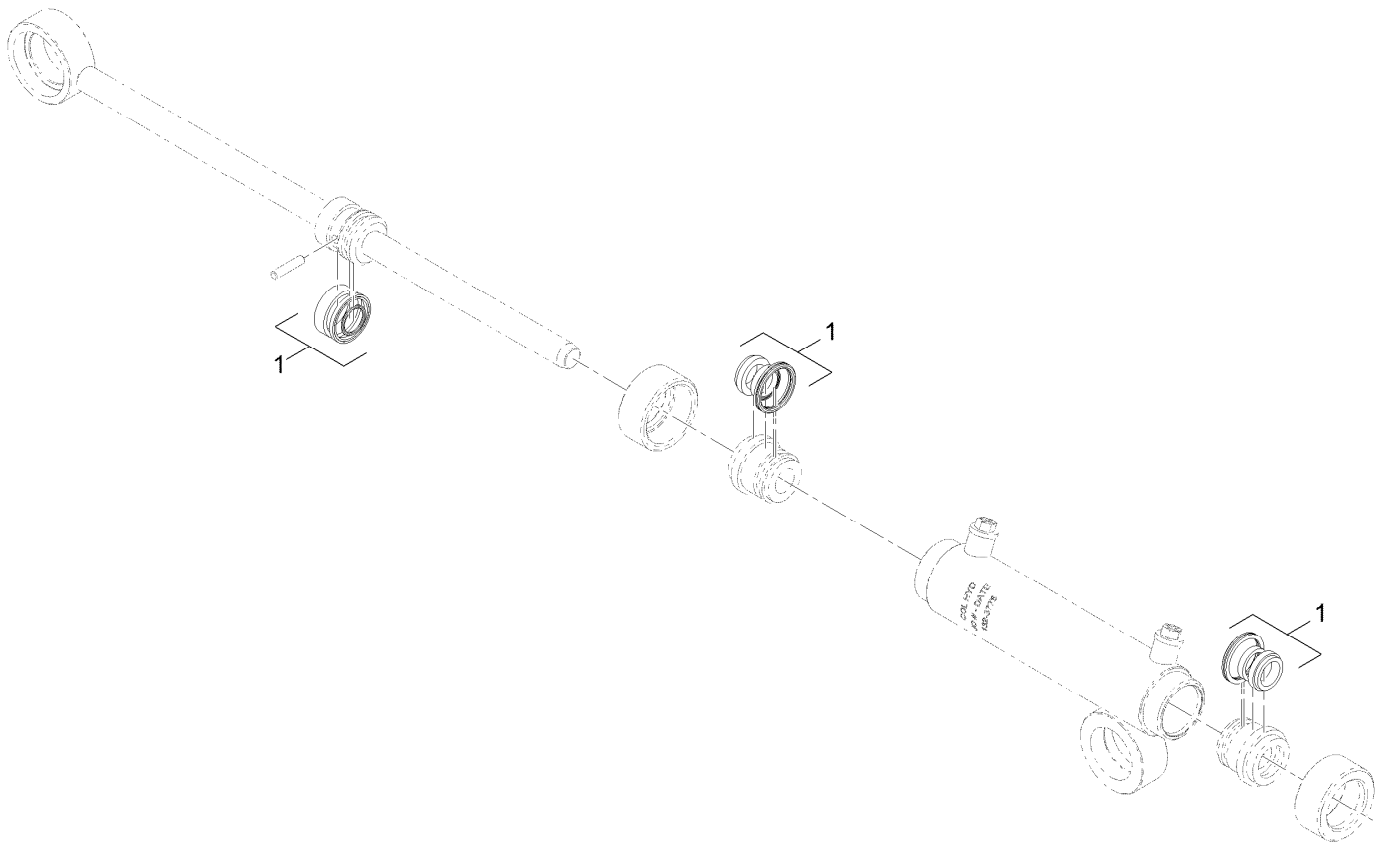
Ref.	Part Number	Qty.	Description
1	114-4672	1	Steering Valve ASM
2	340-1	2	Fitting-Straight
2:1	237-21	1	O-Ring
2:2	237-42	1	O-Ring
3	340-2	3	Fitting-Straight
3:1	237-22	1	O-Ring
3:2	237-42	1	O-Ring
4	33103-016	4	Screw-HHF
5	93-2270	1	HYD Hose ASM
6	108-5675	1	Hydraulic Hose ASM
7	105-4339	1	Hose-HYD

Ref.	Part Number	Qty.	Description
8	106-6774	2	Joint-Ball
9	302-60	2	Fitting-Grease
10	32151-104	2	Ring-Retaining, External
11	132-3778	1	Cylinder-Steering
12	340-132	2	Fitting-Elbow, 90 DEG
12:1	237-78	1	O-Ring
12:2	237-21	1	O-Ring
13	3220-6	4	Nut-Jam
14	127-0516	1	Clamp-R, Double
15	32104-32	1	Screw-HWH
16	133-9032	3	Convoluted Hose Cover



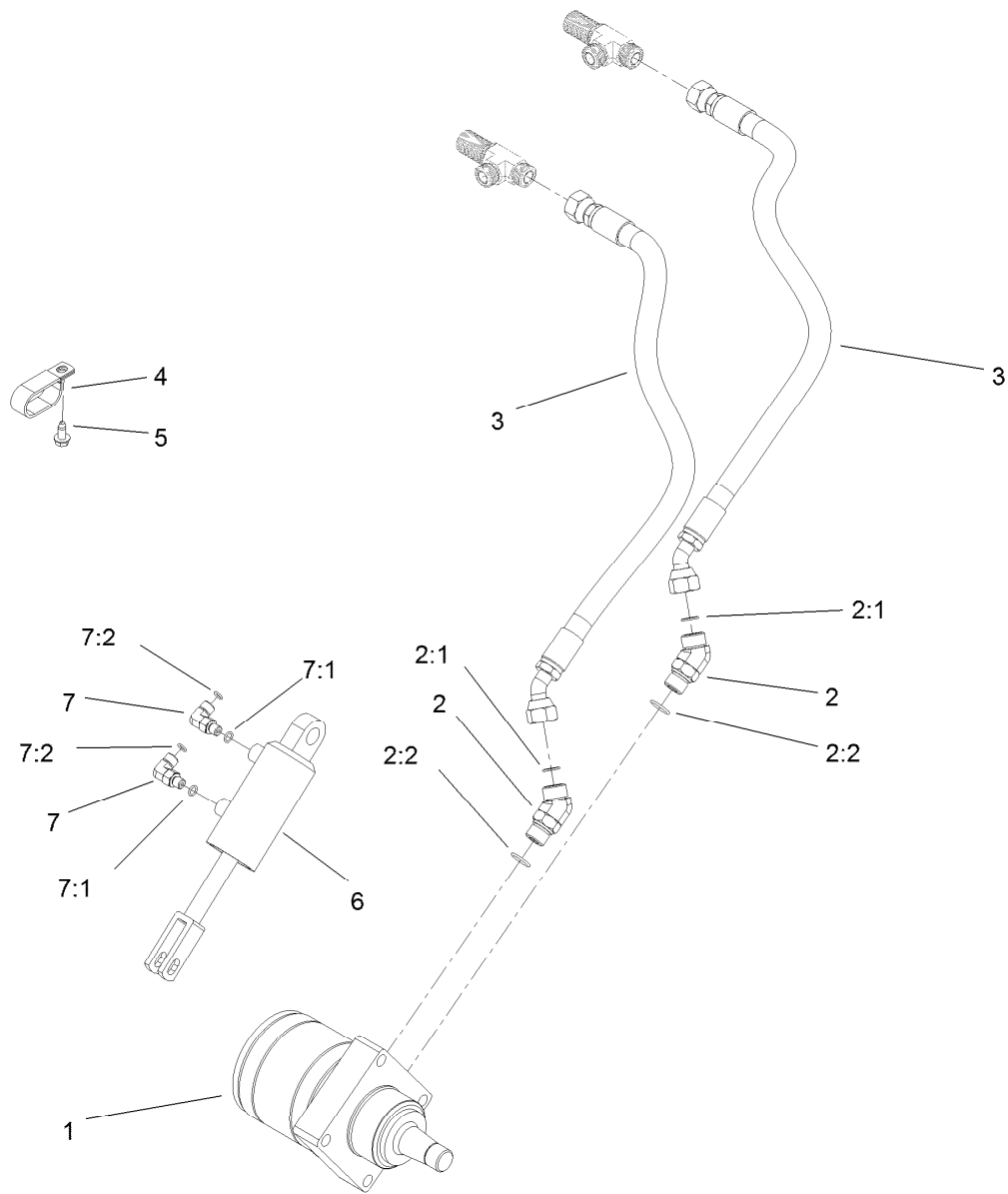
Steering Valve Assembly No. 114-4672

<i>Ref.</i>	<i>Part Number</i>	<i>Qty.</i>	<i>Description</i>
1	106-6716	1	Seal Kit



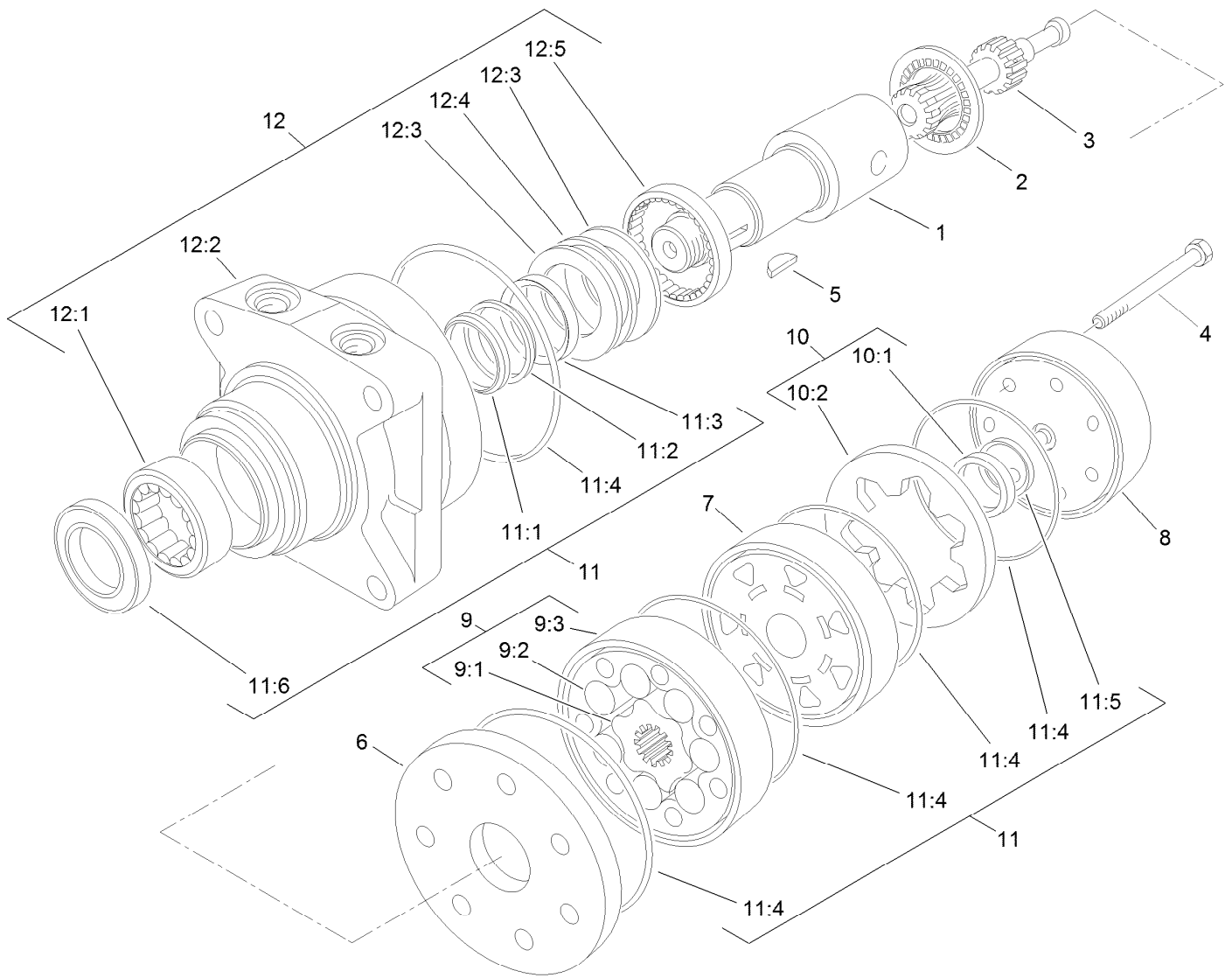
Hydraulic Cylinder Assembly No. 132-3778

<i>Ref.</i>	<i>Part Number</i>	<i>Qty.</i>	<i>Description</i>
1	132-6964	1	Seal Kit



Left Hand Wheel Motor and Lift Cylinder Assembly

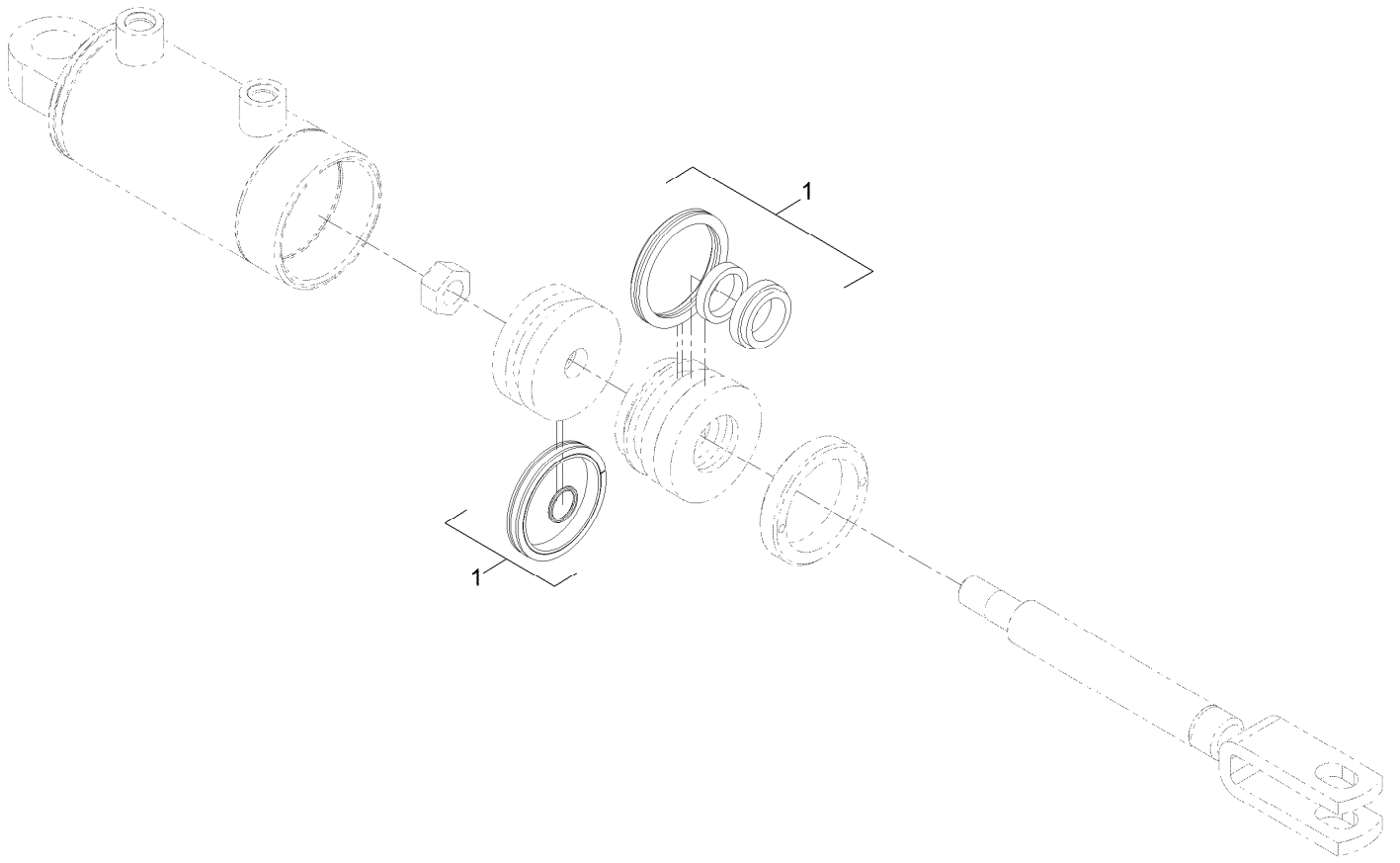
Ref.	Part Number	Qty.	Description
1	110-4015	1	HYD Motor ASM (CCW)
2	340-14	2	Fitting-HYD, 45 DEG
2:1	237-65	1	O-Ring
2:2	237-80	1	O-Ring
3	131-2003	2	Hose ASM
4	2412-137	1	Clamp-R, Double
5	32104-32	1	Screw-HWH
6	139-2651	1	Cylinder, HYD
7	340-132	2	Fitting-Elbow, 90 DEG
7:1	237-78	1	O-Ring
7:2	237-21	1	O-Ring



Hydraulic Motor Assembly (CCW) No. 110-4015

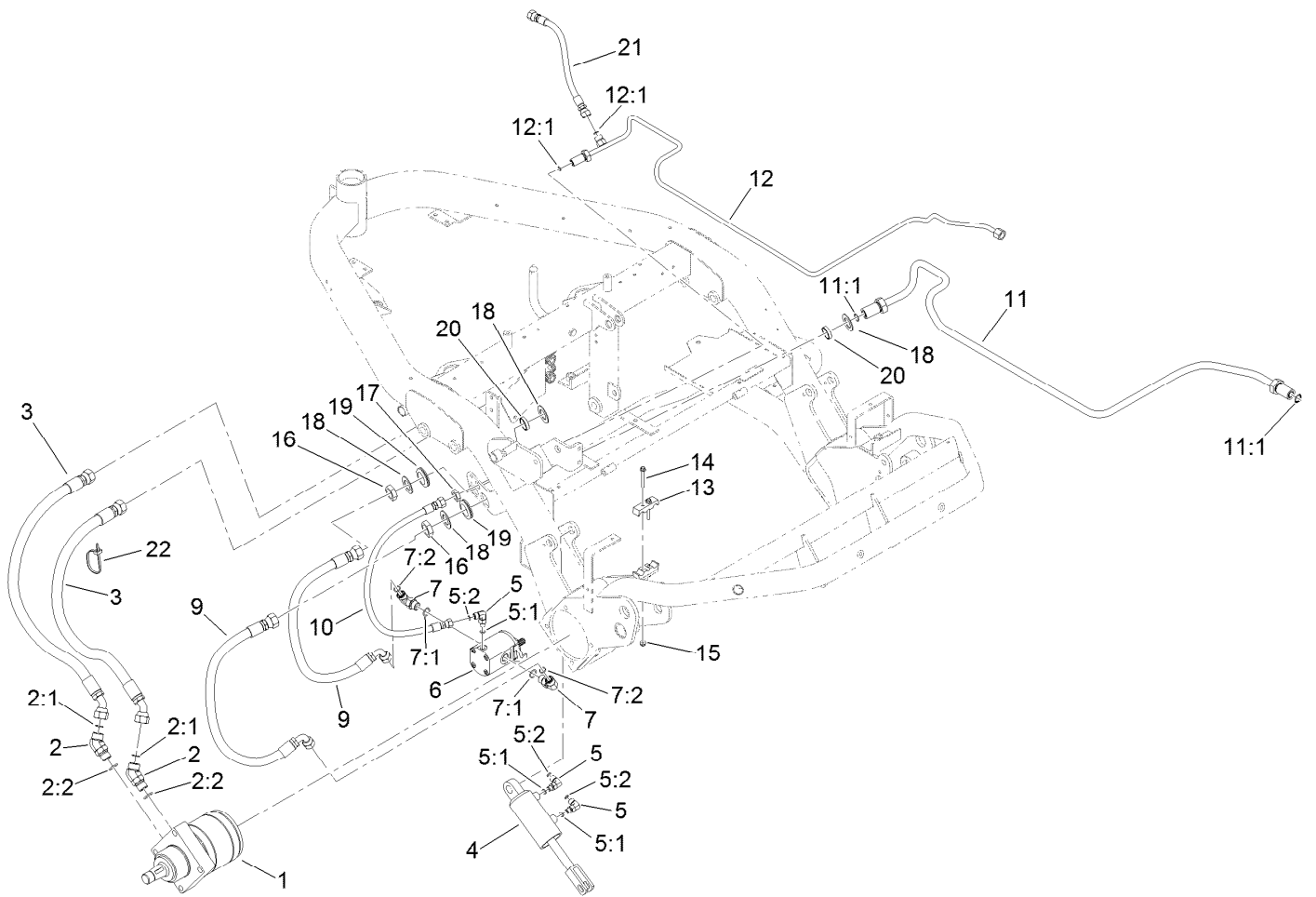
Ref.	Part Number	Qty.	Description	Ref.	Part Number	Qty.	Description
1	76-0860	1	Shaft-Coupling	10:2		1	Ring-Commutator ●
2	76-0850	1	Bearing-Thrust	11	100-6131	1	Seal Kit
3	92-9761	1	Link-Drive	11:1		1	Ring-Back Up ●
4	92-9762	7	Screw-HH	11:2		1	Washer-Back Up ●
5	3257-42	1	Key-Woodruff	11:3		1	Seal-Shaft ●
6	92-9754	1	Plate-Wear	11:4		5	Seal-Ring ●
7	76-0840	1	Manifold	11:5		1	Seal-Commutator ●
8	76-0940	1	End Cover ASM	11:6		1	Seal-Dirt And Water ●
9	92-9763	1	Rotor Set	12	76-0810	1	Housing ASM
9:1		1	Rotor ●	12:1		1	Bearing ●
9:2		1	Vane ●	12:2		1	Housing ●
9:3		1	Stator ●	12:3		2	Washer-Thrust ●
10	76-0880	1	Commutator ASM	12:4		1	Bearing-Thrust ●
10:1		1	Commutator ●	12:5		1	Bearing ●

● Not serviced separately



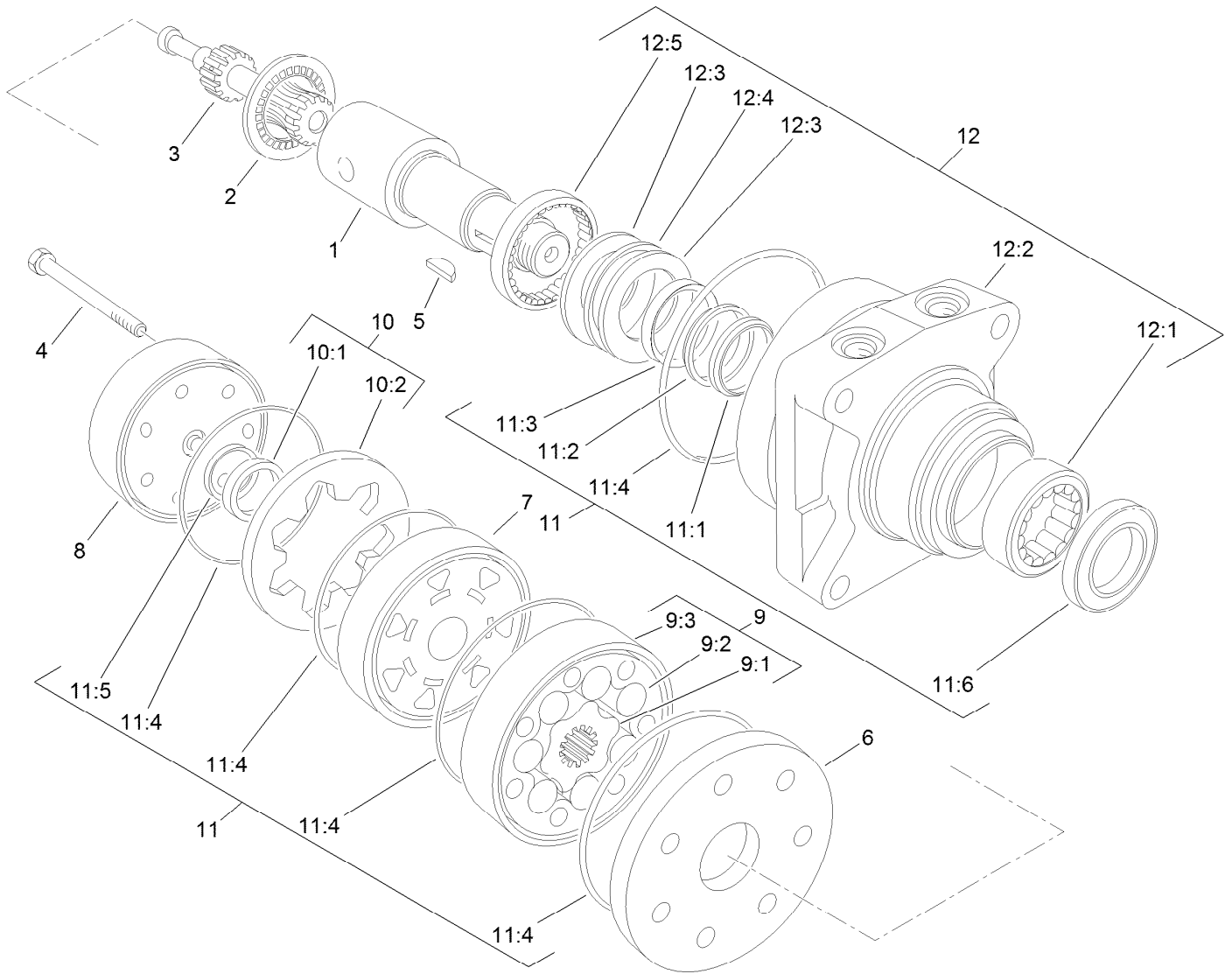
Hydraulic Cylinder Assembly No. 139-2651

<i>Ref.</i>	<i>Part Number</i>	<i>Qty.</i>	<i>Description</i>
1	139-2652	1	Seal Kit



Right Hand Wheel Motor and Lift Cylinder Assembly

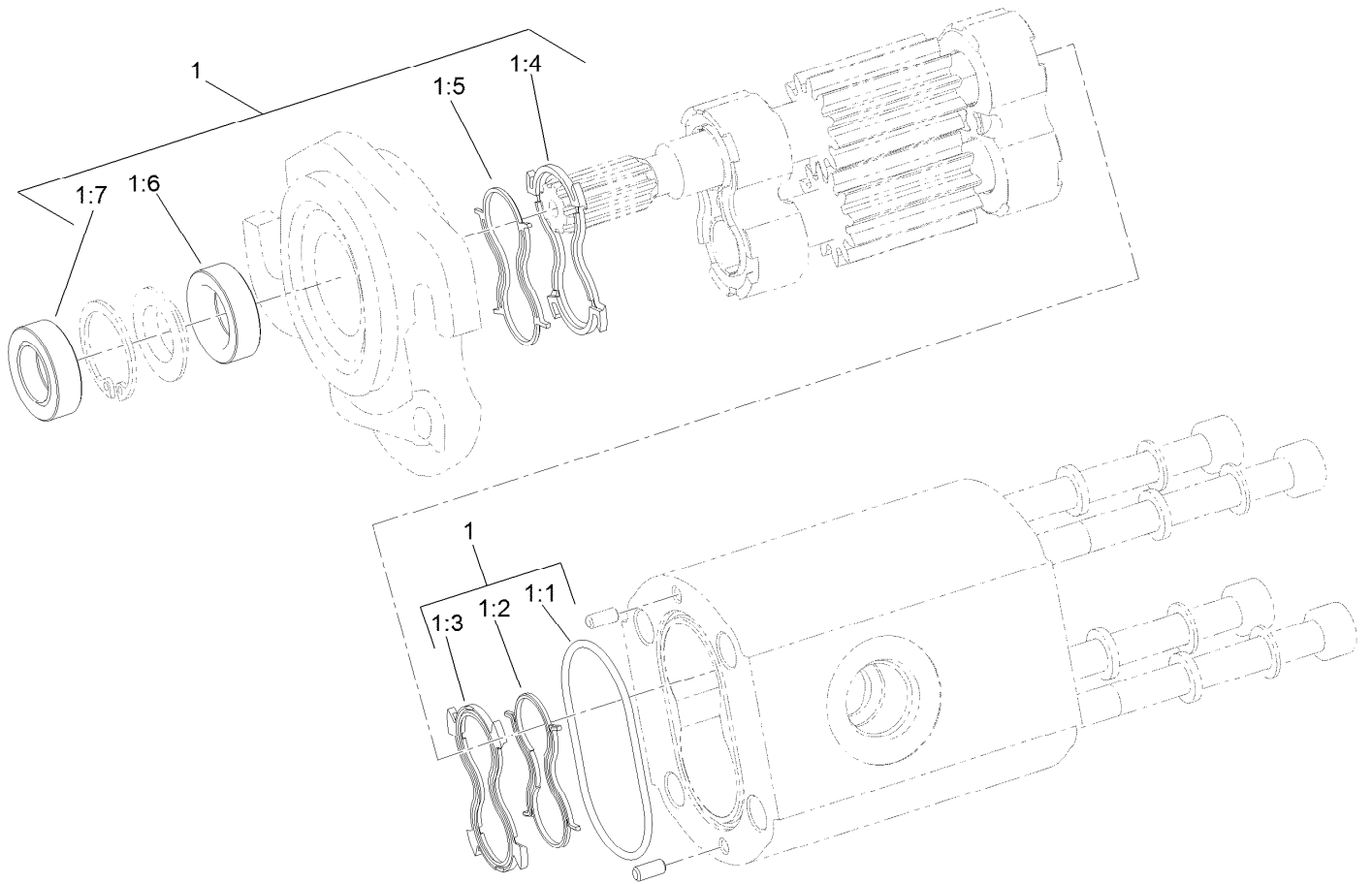
Ref.	Part Number	Qty.	Description	Ref.	Part Number	Qty.	Description
1	110-4016	1	HYD Motor ASM (CW)	11	94-1318	1	Tube-HYD
2	340-14	2	Fitting-HYD, 45 DEG	11:1	237-65	2	O-Ring
2:1	237-65	1	O-Ring	12	94-1321	1	Tube-HYD
2:2	237-80	1	O-Ring	12:1	237-22	2	O-Ring
3	131-2002	2	Hose ASM	13	93-2509	2	Clamp-Tube
4	139-2651	1	Cylinder, HYD	14	321-44	2	Screw-HHF
5	340-132	3	Fitting-Elbow, 90 DEG	15	104-7201	2	Nut-HF, NI
5:1	237-78	1	O-Ring	16	340-74	2	Nut-Lock, Bulkhead
5:2	237-21	1	O-Ring	17	340-70	1	Nut-Lock
6	120-2072	1	HYD Motor ASM	18	69-9010	4	Washer
7	340-98	2	Fitting-Elbow, 90 DEG	19	240-3	2	Grommet-Rubber
7:1	237-79	1	O-Ring	20	125-1984	2	Spacer
7:2	237-30	1	O-Ring	21	110-4008	1	HYD Hose ASM
9	139-6528	2	Hose ASM	22	3290-378	1	Tie-Cable
10	105-5405	1	Hose-HYD				



Hydraulic Motor Assembly (CW) No. 110-4016

Ref.	Part Number	Qty.	Description	Ref.	Part Number	Qty.	Description
1	76-0860	1	Shaft-Coupling	10:2		1	Ring-Commutator ●
2	76-0850	1	Bearing-Thrust	11	100-6131	1	Seal Kit
3	92-9761	1	Link-Drive	11:1		1	Ring-Back Up ●
4	92-9762	7	Screw-HH	11:2		1	Washer-Back Up ●
5	3257-42	1	Key-Woodruff	11:3		1	Seal-Shaft ●
6	92-9754	1	Plate-Wear	11:4		5	Seal-Ring ●
7	76-0840	1	Manifold	11:5		1	Seal-Commutator ●
8	76-0940	1	End Cover ASM	11:6		1	Seal-Dirt And Water ●
9	92-9763	1	Rotor Set	12	76-0810	1	Housing ASM
9:1		1	Rotor ●	12:1		1	Bearing ●
9:2		1	Vane ●	12:2		1	Housing ●
9:3		1	Stator ●	12:3		2	Washer-Thrust ●
10	76-0880	1	Commutator ASM	12:4		1	Bearing-Thrust ●
10:1		1	Commutator ●	12:5		1	Bearing ●

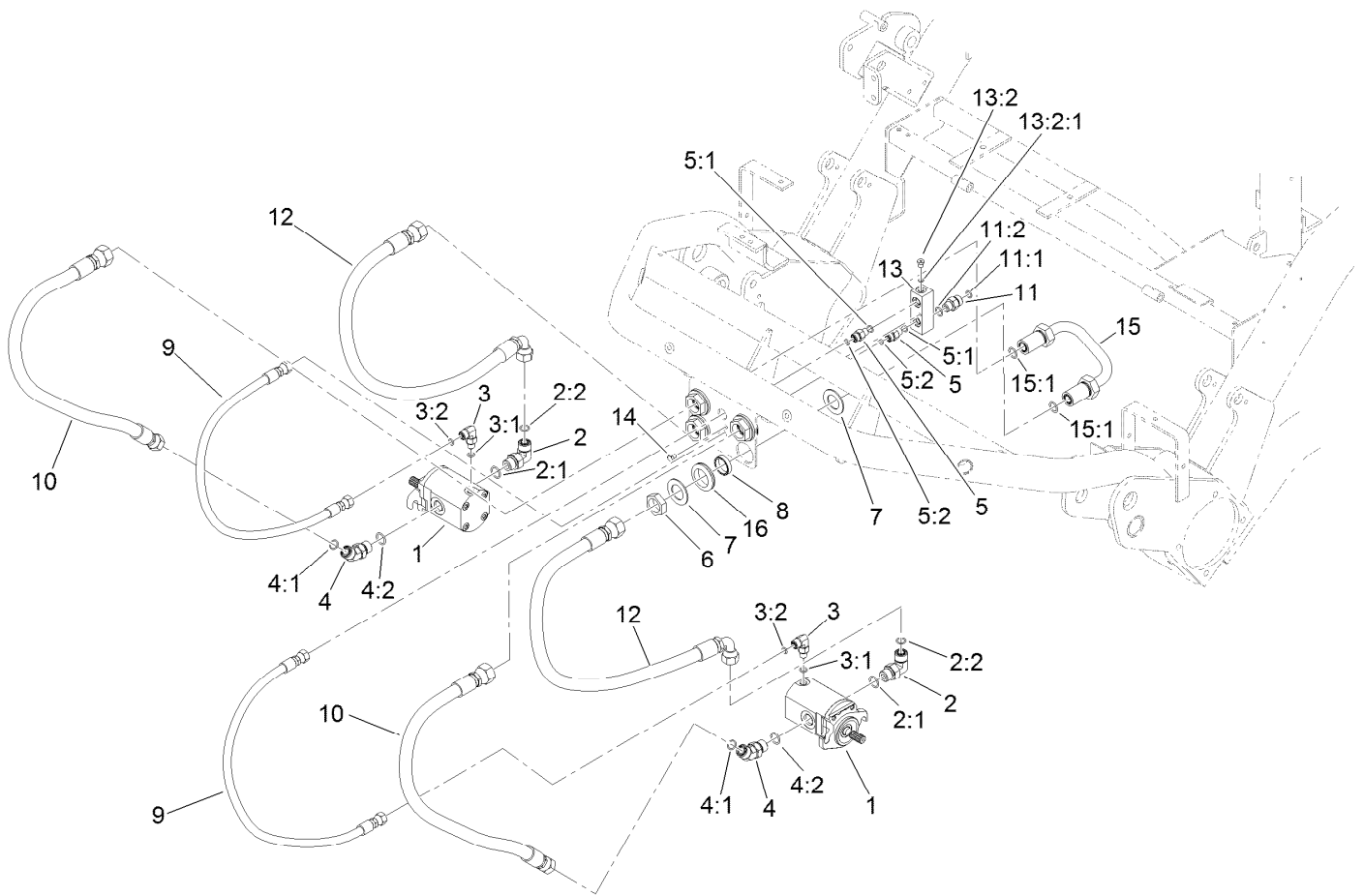
● Not serviced separately



Hydraulic Reel Motor Assembly No. 120-2072

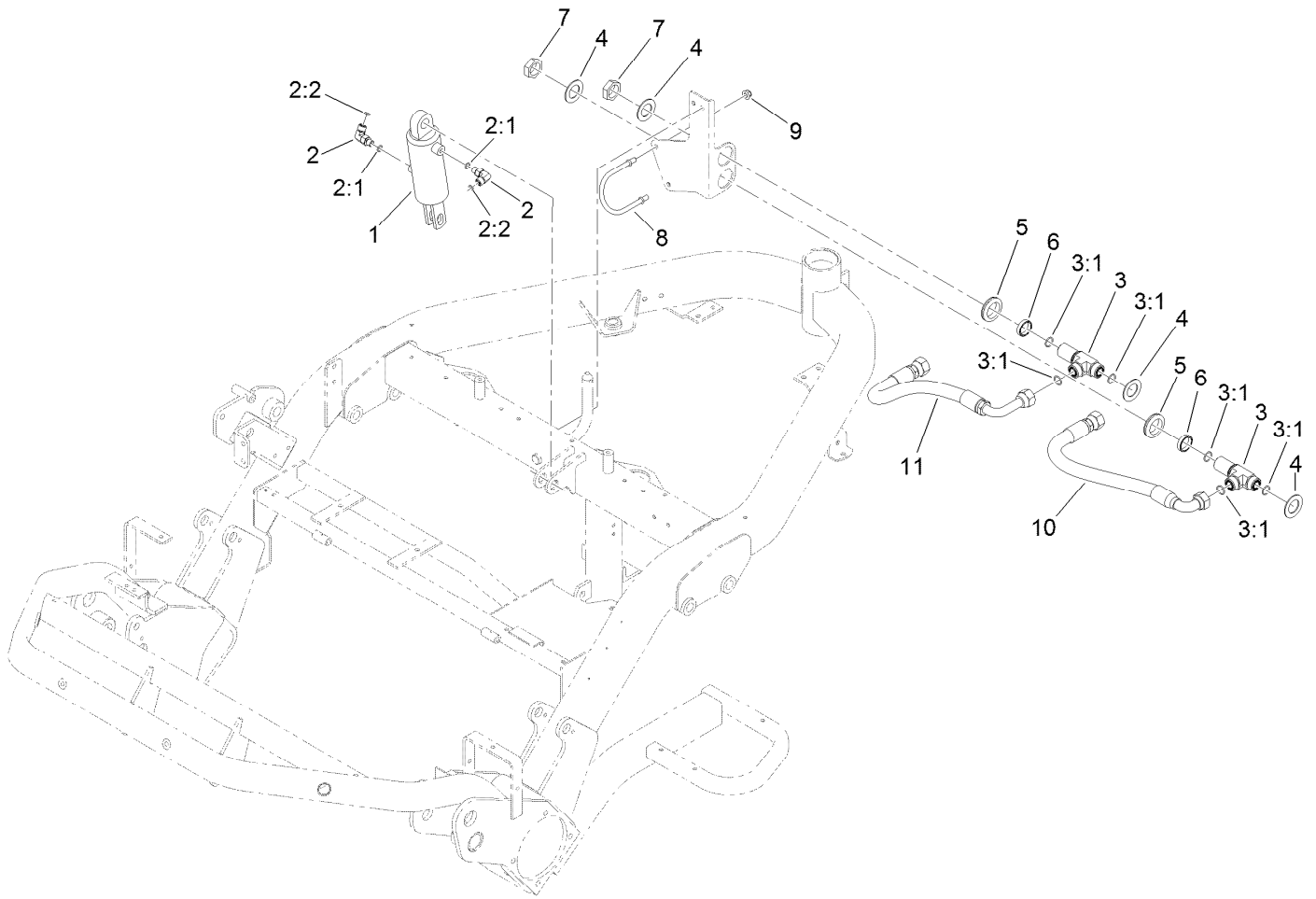
<i>Ref.</i>	<i>Part Number</i>	<i>Qty.</i>	<i>Description</i>
1	119-7113	1	Seal Kit
1:1		1	O-Ring Housing ●
1:2		1	Seal-Anti Extrusion ●
1:3		1	Seal-Plate, Balancing ●
1:4		1	Seal-Plate, Balancing ●
1:5		1	Seal-Anti Extrusion ●
1:6		1	Seal-Shaft (Inboard) ●
1:7		1	Seal-Shaft (Outboard) ●

● Not serviced separately



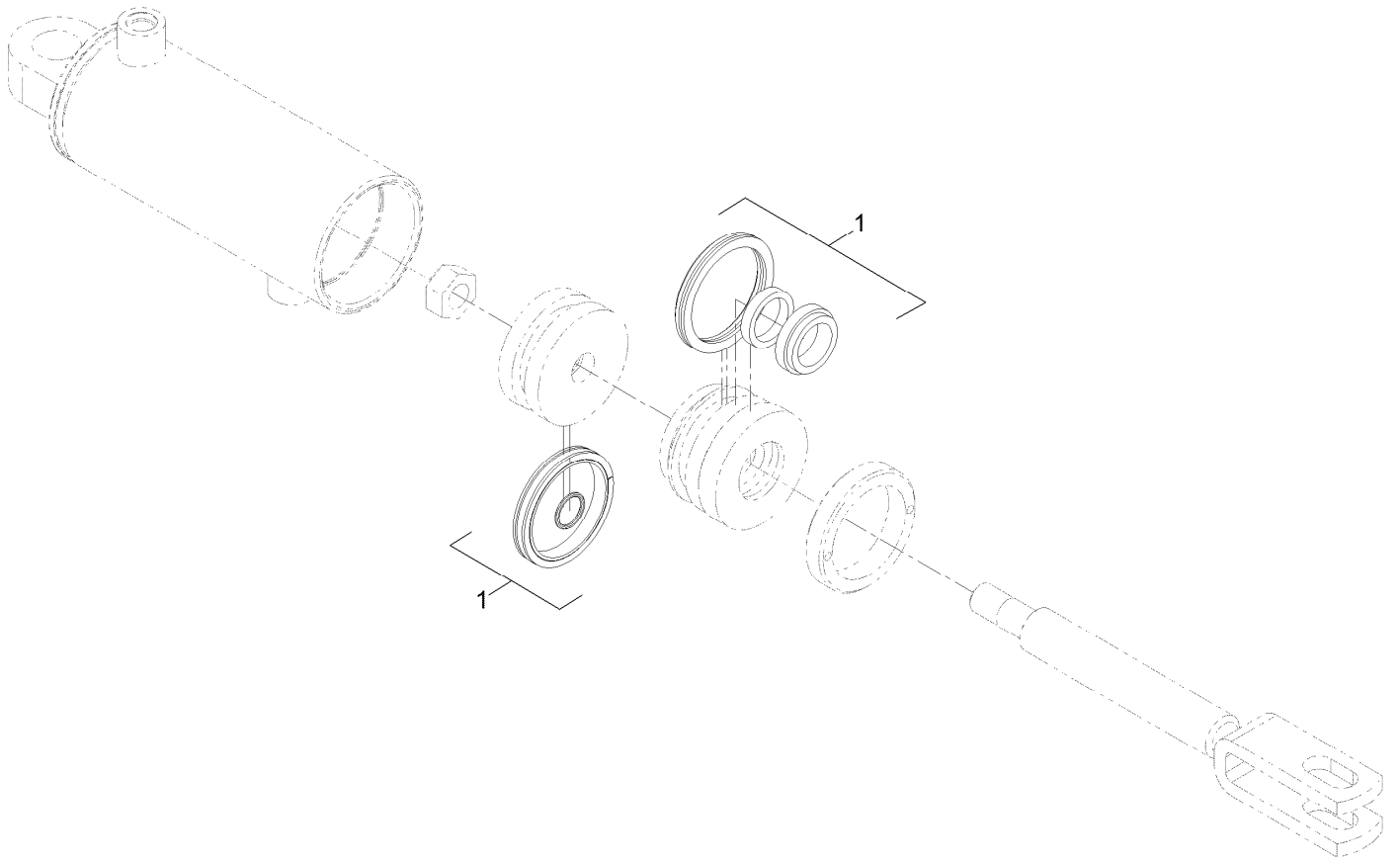
Front Reel Motors Assembly

Ref.	Part Number	Qty.	Description	Ref.	Part Number	Qty.	Description
1	120-2072	2	HYD Motor ASM	8	125-1984	4	Spacer
2	340-98	2	Fitting-Elbow, 90 DEG	9	106-9674	2	Hose-HYD
2:1	237-79	1	O-Ring	10	139-6529	2	Hose ASM
2:2	237-30	1	O-Ring	11	340-2	1	Fitting-Straight
3	340-132	2	Fitting-Elbow, 90 DEG	11:1	237-22	1	O-Ring
3:1	237-78	1	O-Ring	11:2	237-42	1	O-Ring
3:2	237-21	1	O-Ring	12	139-6530	2	Hose ASM
4	340-101	2	Fitting-HYD, 45 DEG	13	93-2238	1	T-Block
4:1	237-30	1	O-Ring	13:2	353-991	1	Plug-Hex, Hollow
4:2	237-79	1	O-Ring	13:2:1	237-156	1	O-Ring
5	340-92	2	Fitting-Straight	14	33113-008	1	Screw-HH
5:1	237-78	1	O-Ring	15	94-1319	1	Tube-HYD
5:2	237-21	1	O-Ring	15:1	237-65	2	O-Ring
6	340-74	4	Nut-Lock, Bulkhead	16	240-3	4	Grommet-Rubber
7	69-9010	8	Washer				



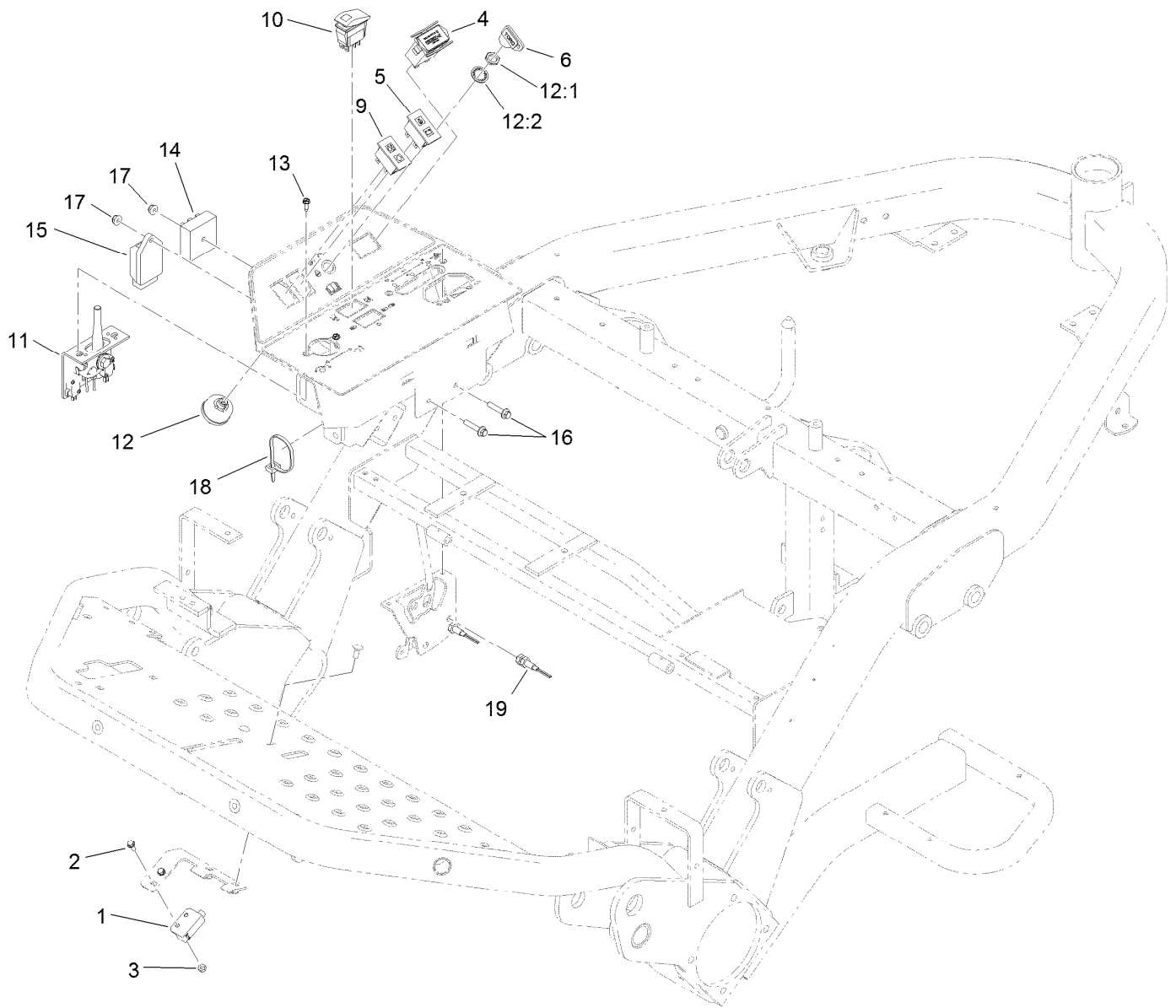
Center Lift Cylinder Assembly

Ref.	Part Number	Qty.	Description
1	139-2650	1	Cylinder, HYD
2	340-132	2	Fitting-Elbow, 90 DEG
2:1	237-78	1	O-Ring
2:2	237-21	1	O-Ring
3	94-5350	2	Fitting-Tee
3:1	237-65	3	O-Ring
4	69-9010	4	Washer
5	240-3	2	Grommet-Rubber
6	125-1984	2	Spacer
7	340-74	2	Nut-Lock, Bulkhead
8	131-8776	1	Retainer-Hose
9	104-8300	2	Nut-HF, NI
10	131-6207	1	Hose ASM
11	131-6208	1	Hose ASM



Hydraulic Cylinder Assembly No. 139-2650

<i>Ref.</i>	<i>Part Number</i>	<i>Qty.</i>	<i>Description</i>
1	139-2652	1	Seal Kit



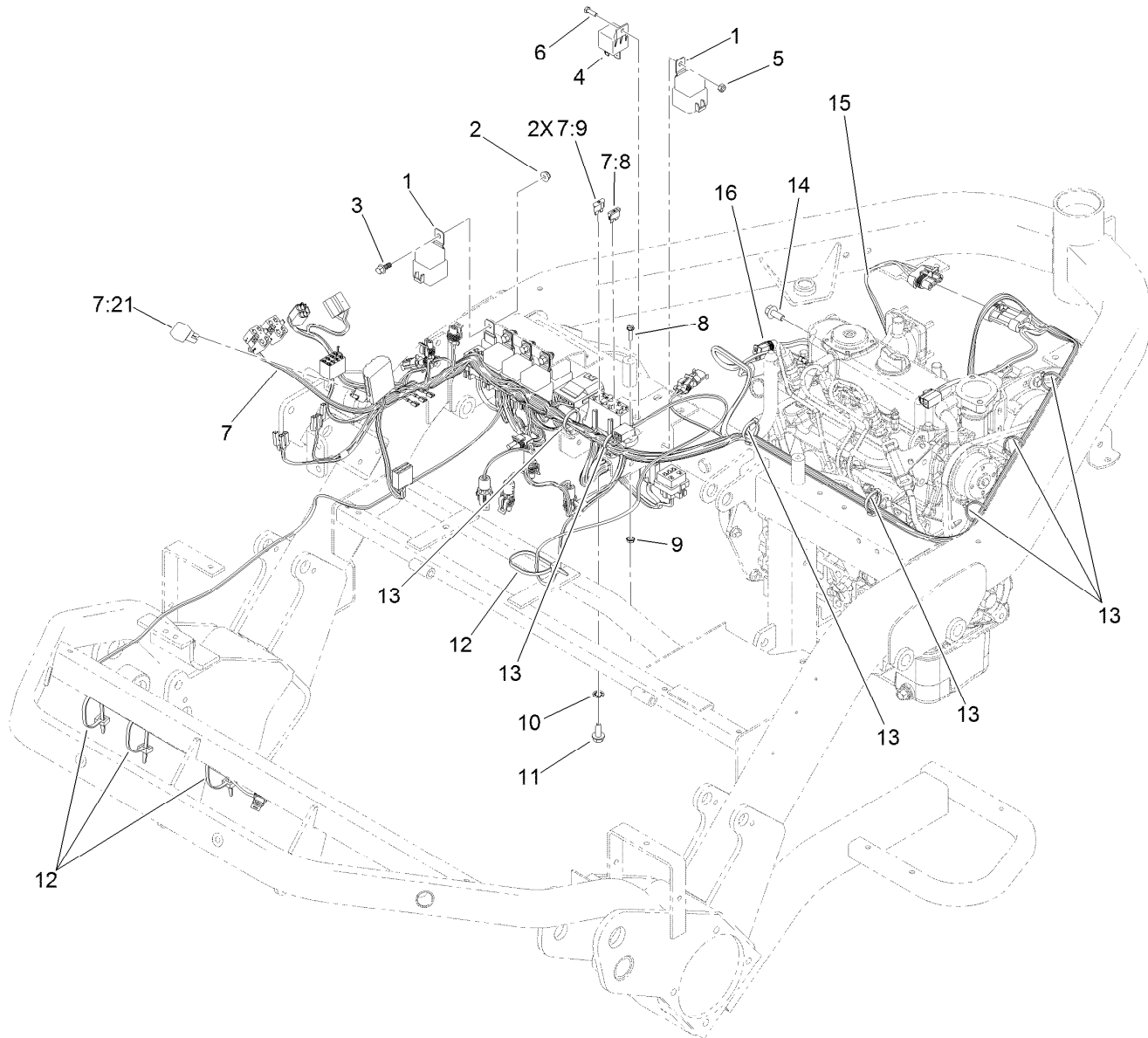
Console Assembly

<i>Ref.</i>	<i>Part Number</i>	<i>Qty.</i>	<i>Description</i>	<i>Ref.</i>	<i>Part Number</i>	<i>Qty.</i>	<i>Description</i>
1	104-2057	1	Sensor	12	27-2360	1	Switch
2	3290-321	2	Screw-HWH	12:1	218-446	1	Nut-Hex
3	3296-2	2	Nut-Lock, NI	12:2	218-447	1	Washer-Lock
4	120-2244	1	Hourmeter	13	32144-19	2	Screw-SHWH
5	100-8070	1	Lamp-Warning	14	92-2538	1	Module-Timer
6	63-8360	2	Key-Ignition	15	107-9097	1	Controller-Glow
9	100-8071	1	Lamp-Warning	16	3234-21	2	Screw-HHF
10	100-8072	1	Switch-Rocker, On-None-(On)	17	104-7201	2	Nut-HF, NI
11	120-5280	1	Bracket-Joystick	18	3290-378	2	Tie-Cable
				19	112-0278	2	Switch-Reed



Joystick Bracket Assembly No. 120-5280

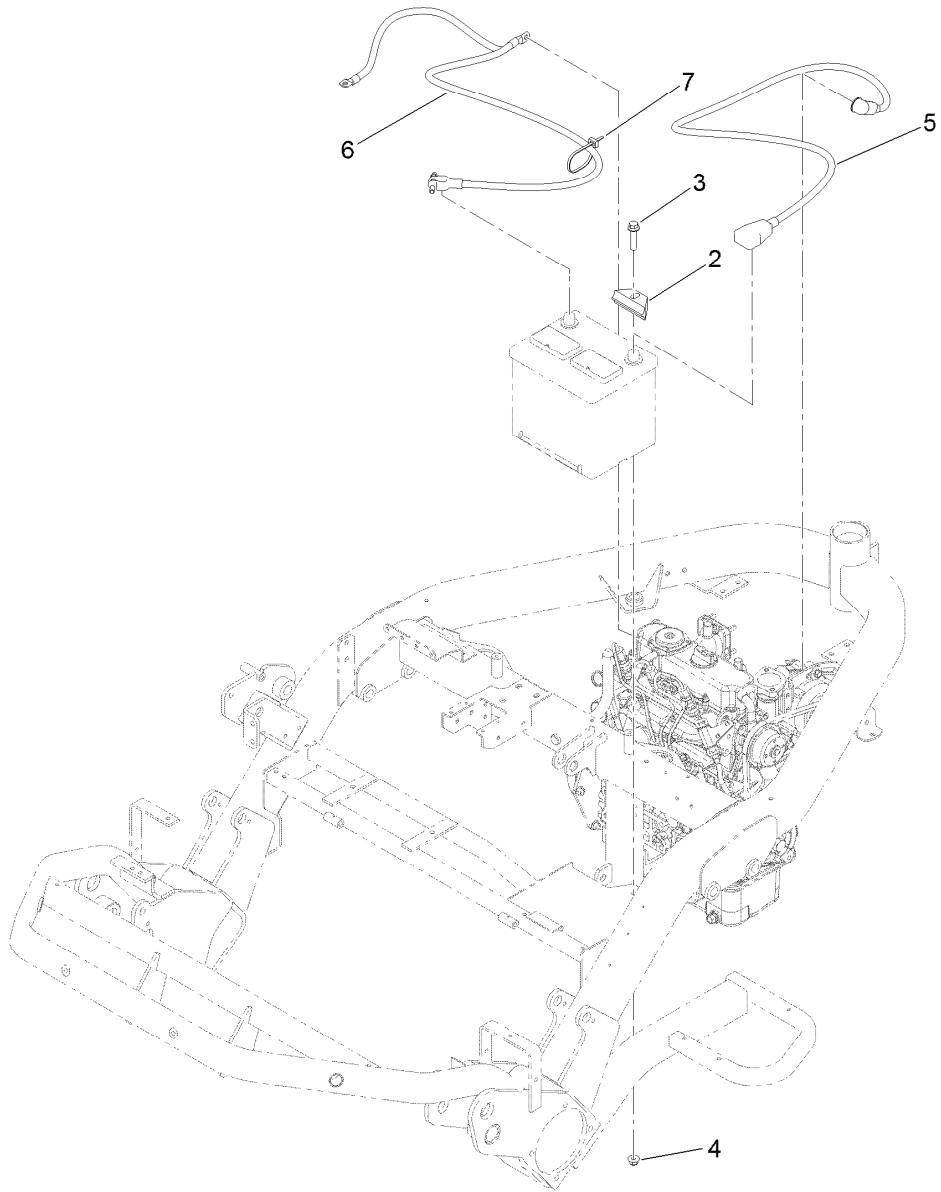
<i>Ref.</i>	<i>Part Number</i>	<i>Qty.</i>	<i>Description</i>
1	115-5357-03	1	Bracket-Joystick
2	106-4192	1	Spacer
3	93-5547	2	Bushing-Nylon
4	119-3540	1	Hub-Pivot, Joystick
5	105-8289	1	Spring-Torsion
6	106-4193	2	Washer-Finger, Spring
7	322-9	1	Screw-HH
8	3296-29	1	Nut-Lock, NI
9	3290-354	2	Nut-Speed
10	108-6496	2	Switch (W/Boot)
11	95-3003	4	Screw-PPHTF
12	3256-3	1	Washer-Flat



Electrical Harness Assembly

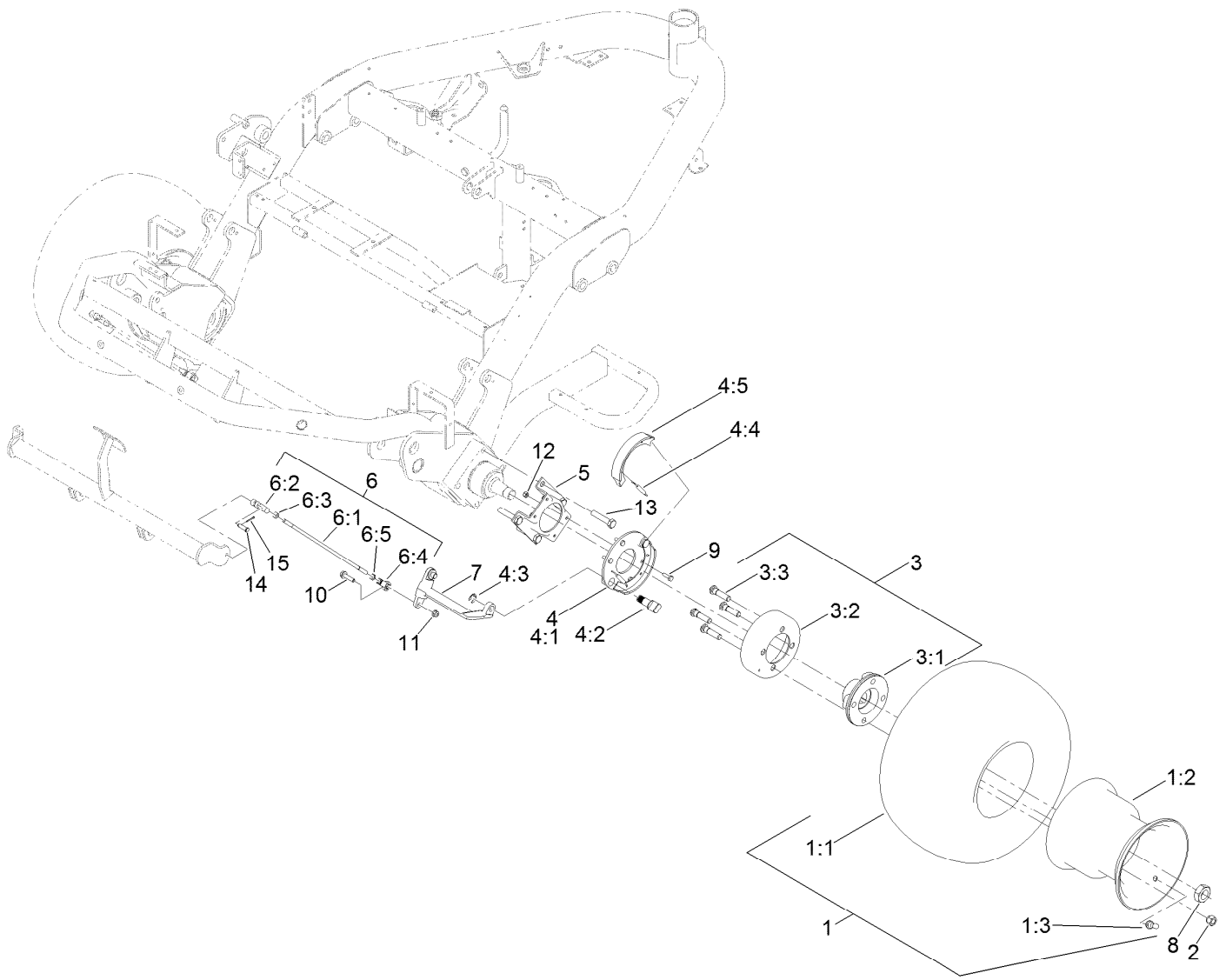
<i>Ref.</i>	<i>Part Number</i>	<i>Qty.</i>	<i>Description</i>	<i>Ref.</i>	<i>Part Number</i>	<i>Qty.</i>	<i>Description</i>
1	99-7430	9	Relay-Mini	7:21	104-4022	1	Resistor-75 Ohm
2	104-7201	4	Nut-HF, NI	8	32105-13	2	Screw-HWH
3	99-6810	4	Screw-HHF	9	32149-7	2	Nut-Keps
4	99-7435	1	Relay	10	3256-23	1	Washer-Plain
5	3296-2	1	Nut-Lock, NI	11	32104-32	1	Screw-HWH
6	3290-134	1	Screw	12	3290-378	4	Tie-Cable
7	122-1392	1	Harness-Wire	13	32180-030	7	Clip-Tie
7:8	109355	1	Fuse-Blade, 15 Amp	14	33104-020	1	Screw-HHF
7:9	218-578	2	Fuse-Blade, 10 Amp	15	99-3441	1	Harness-Wire, Fusible Link
7:18	92-3188	2	Diode-Board, Circuit ●	16	120-6325	1	Harness-Wire, Ground

● Not illustrated



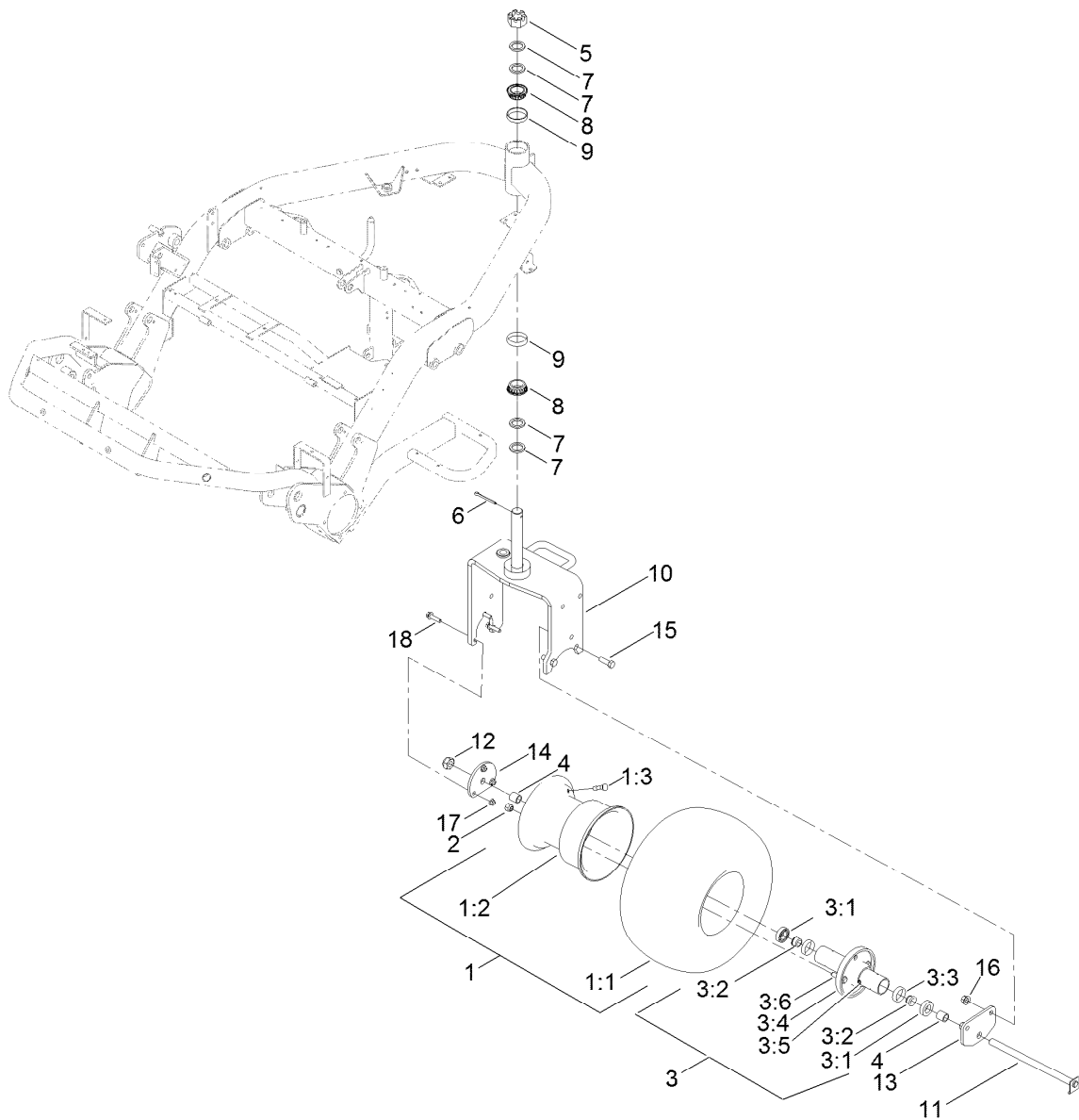
Battery Assembly

<i>Ref.</i>	<i>Part Number</i>	<i>Qty.</i>	<i>Description</i>
2	138-6335	1	Retainer-Battery
3	3234-19	1	Screw-HHF
4	104-8301	1	Nut-HF, NI
5	95-8853	1	Cable-Battery, Positive
6	99-8167	1	Cable-Battery, Negative
7	3290-378	1	Tie-Cable



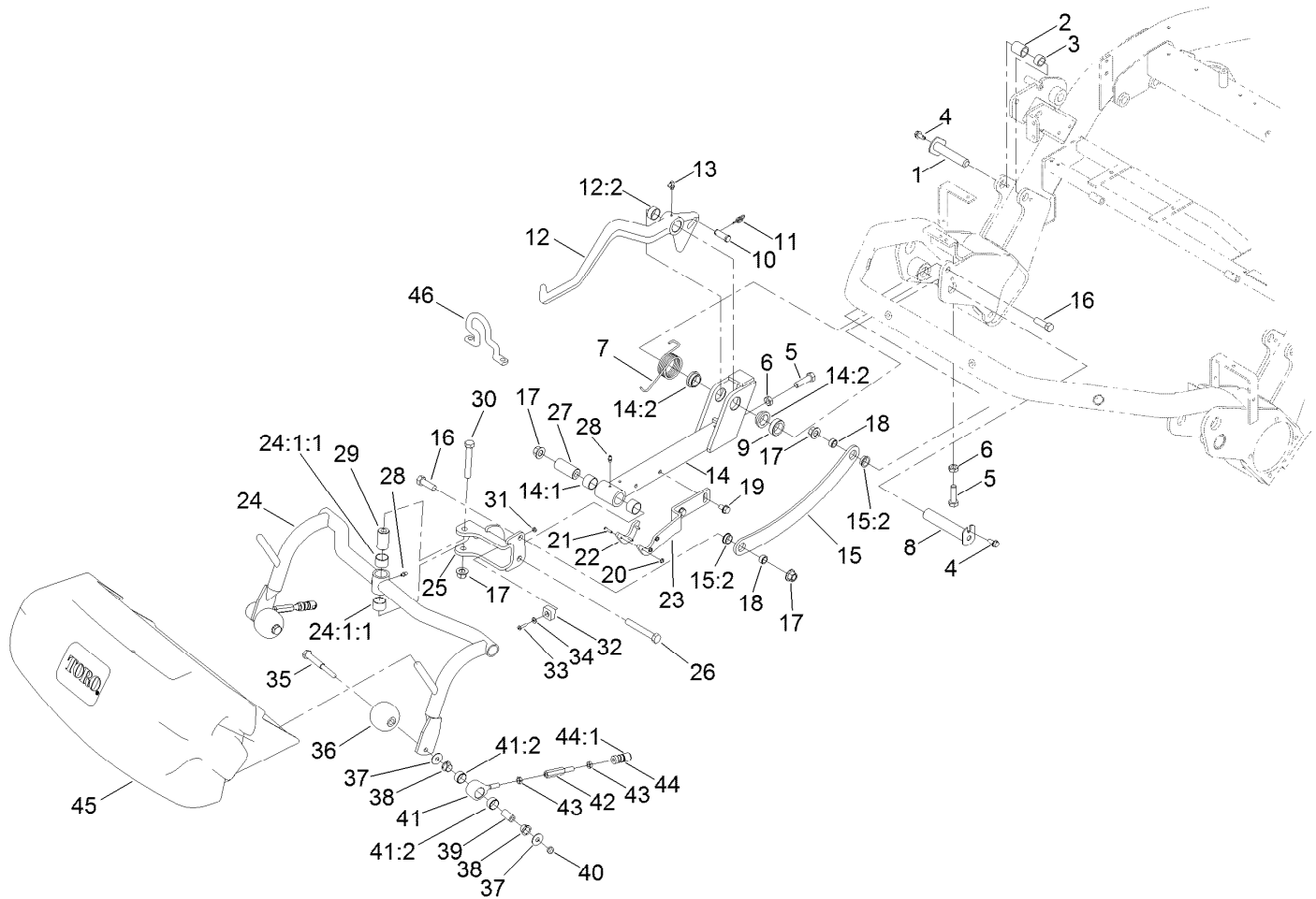
Front Wheel and Brake Assembly

Ref.	Part Number	Qty.	Description	Ref.	Part Number	Qty.	Description
1	114-4665	2	Tire ASM	6	115-6675	2	Brake Rod ASM
1:1	70-8500	1	Tire-Smooth, 4-Ply	6:1	93-2069	1	Rod-Brake
1:2	114-4643	1	Wheel	6:2	1-303105	1	Yoke-Adjustable
1:3	232-27	1	Stem-Valve	6:3	3220-2	1	Nut-Jam
2	242-50	8	Nut-Lug	6:4	93-2070	1	Clevis-Swivel
3	120-5330	2	Brake Drum ASM	6:5	3220-20	1	Nut-Jam
3:1	108-2103-0P	1	Hub-Wheel	7	93-2096	2	Lever-Brake
3:2	10-6850	1	Drum-Brake	8	26-3790	2	Nut-Lock
3:3	117-3749	4	Stud-Drive	9	321-5	8	Screw-HH
4	104-7705	2	Brake ASM	10	3234-36	2	Screw-HHF
4:1	70-9870	1	Plate-Backing	11	104-8300	2	Nut-HF, NI
4:2	104-7707	1	Shaft-Cam, Brake	12	3296-42	8	Nut-Lock, NI
4:3	104-7706	1	E-Ring, Bowed	13	33116-060	8	Screw-HH
4:4	70-9880	2	Spring-Return	14	283-61	2	Pin-Yoke
4:5	70-9840	2	Shoe-Brake	15	3272-6	2	Pin-Cotter
5	84-2000-0P	2	Bracket-Brake				



Rear Wheel and Brake Assembly

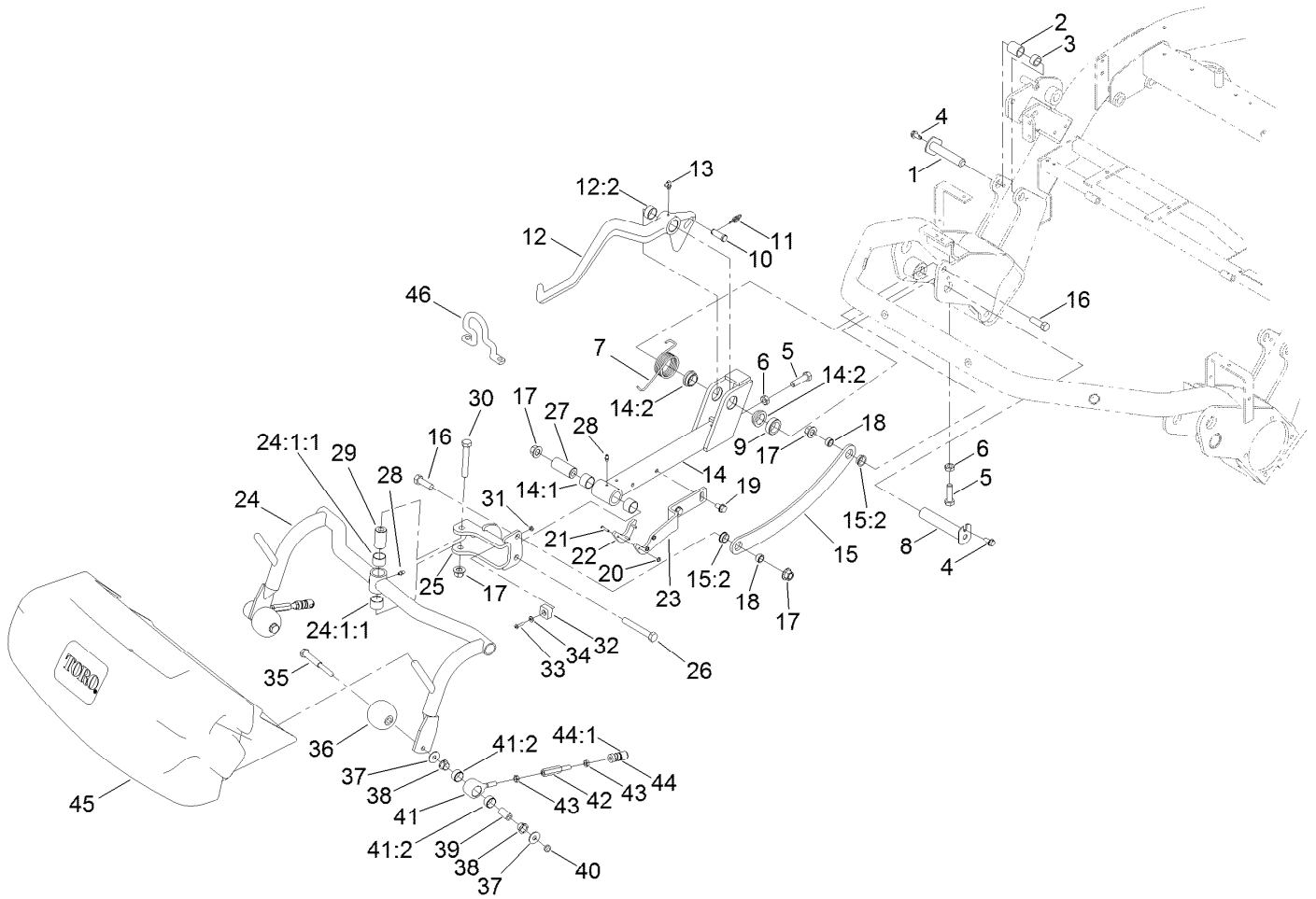
Ref.	Part Number	Qty.	Description	Ref.	Part Number	Qty.	Description
1	114-4665	1	Tire ASM	6	3272-37	1	Pin-Cotter
1:1	70-8500	1	Tire-Smooth, 4-Ply	7	18-6320	4	Washer-Steering
1:2	114-4643	1	Wheel	8	115-9472	2	Bearing-Cone And Seal
1:3	232-27	1	Stem-Valve	9	115-9471	2	Bearing-Cup
2	242-50	4	Nut-Lug	10	112-9174-01	1	Fork-Caster
3	72-9710	1	Hub-Tire	11	70-8370	1	Bolt
3:1	253-111	2	Seal-Oil	12	3296-67	1	Nut-Lock, NI
3:2	254-78	2	Bearing-Cone	13	99-1485-01	1	Plate-Adapter, Motor
3:3	254-79	2	Bearing-Roller, Cup	14	99-1486-01	1	Plate-Adapter
3:4	75-9440	1	Hub ASM	15	325-6	2	Screw-HH
3:5	302-11	1	Fitting-Lube, 45 DEG	16	99-5107	2	Nut-Lock
3:6	10-6830	4	Stud-Type, Drive	17	104-8301	3	Nut-HF, NI
4	70-8490	2	Spacer-Spindle, Rear	18	114-4681	3	Screw-HHF
5	32136-9	1	Nut-Hex, Slotted				



Right Cutting Unit Suspension Assembly

Ref.	Part Number	Qty.	Description	Ref.	Part Number	Qty.	Description
1	140-5248	1	Pin-Ram, Pivot	15:2	99-4243	2	Bushing-Flange
2	105-3838	1	Spacer	16	325-6	2	Screw-HH
3	74-3730	1	Spacer-Spindle, Rear	17	99-5107	4	Nut-Lock
4	9264964	2	Screw-HWH, Thread Cut	18	99-4201	2	Tube-Spacer
5	325-7	2	Screw-HH	19	32144-69	2	Screw-HWHTF
6	3218-5	2	Nut-Jam	20	3296-54	3	Nut-Lock
7	105-3809	1	Spring-Torsion, RH	21	3250-17	3	Screw-PPH
8	94-8198	1	Pin	22	99-4225	1	Pad-Wear
9	93-2384	1	Spacer-Carrier	23	99-4111-01	1	Plate-Transport, 1 And 3
10	283-8	1	Pin-Clevis	24	136-8577	1	Pull Frame ASM
11	112-1491	1	Pin-Cotter	24:1:1	98-4166	2	Bushing
12	99-4213	1	RH Lift Arm ASM	25	99-4183-01	1	RH Clevis ASM
12:2	92-8995	2	Bushing	26	325-14	1	Screw-HH
13	302-60	1	Fitting-Grease	27	99-4072	1	Spacer
14	99-4115	1	Front Lift Frame ASM	28	302-5	2	Fitting-Grease
14:1	98-4166	2	Bushing	29	99-4109	1	Spacer
14:2	94-9610	2	Bushing-Flange	30	325-13	1	Screw-HH
15	99-4258	1	RH Link Bracket ASM	31	3296-12	1	Nut-Lock, NI

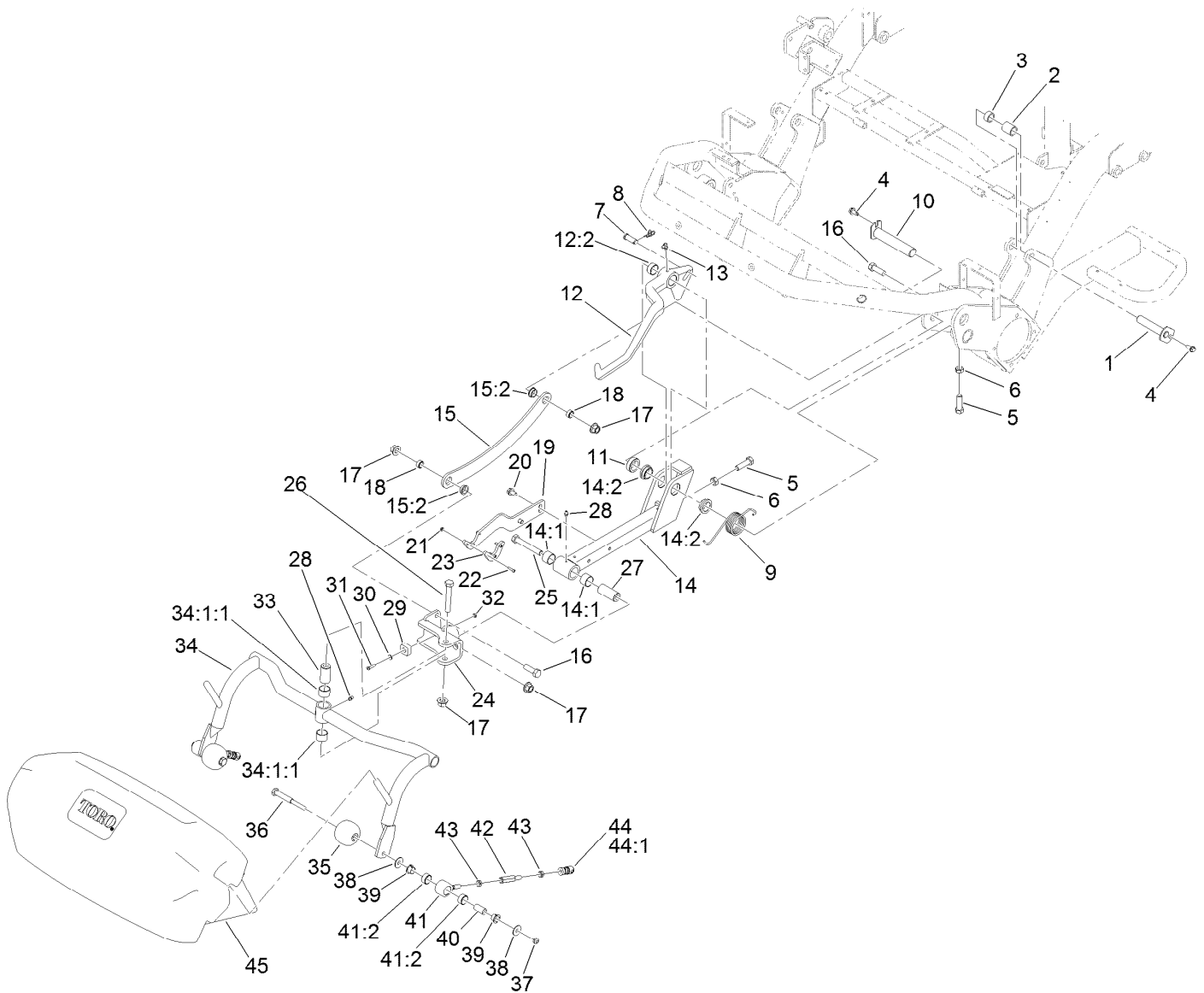
● Not illustrated



Right Cutting Unit Suspension Assembly (continued)

Ref.	Part Number	Qty.	Description	Ref.	Part Number	Qty.	Description
32	94-1392	1	Pad-Rubber	41:2	95-0532	2	Rubber Bushing ASM
33	3250-27	1	Screw-PPH	42	88-6870	2	Extension-Arm, Pull
34	3256-14	1	Washer-Flat	43	3220-3	4	Nut-HJ
35	108-6543	2	Shaft-Roller	44	99-1460	2	Ball Joint Receiver ASM
36	99-4210	2	Roller-Anti Scalp	44:1	99-1461	1	Sleeve-Joint, Ball
37	119-4150	4	Washer-Flat	45	106-4689	1	Grass Basket ASM
38	104-7738	4	Bushing-Flange	45:2	104-2607	1	Strip-Basket ●
39	108-6544	2	Spacer	45:3	3290-382	8	Rivet-Pop ●
40	3296-59	2	Nut-Lock, NI	46	110-2397	3	Hook-Lift, Offset (1.25 Inch, GR3250)
41	139-6539	2	Pull Link ASM				

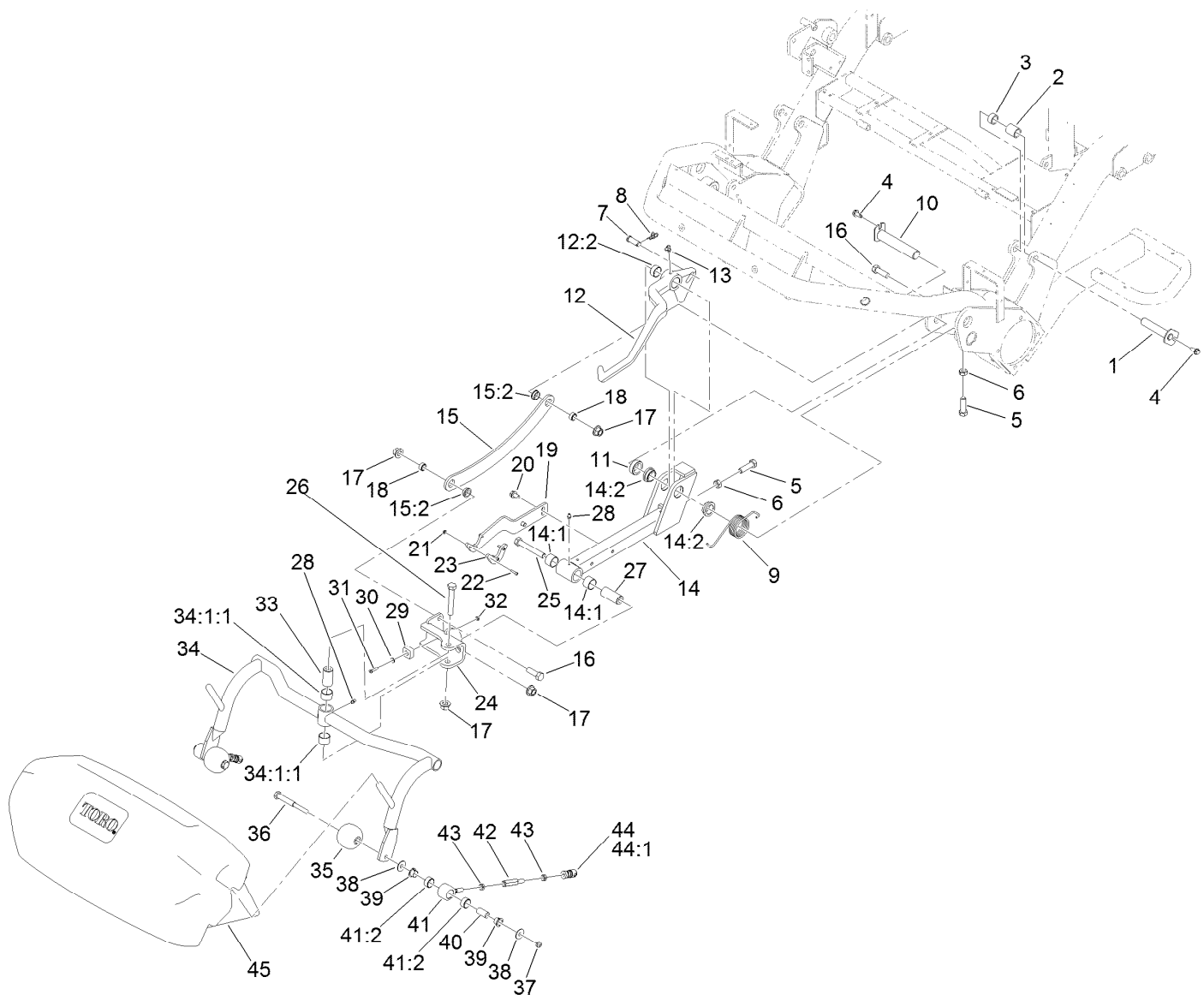
● Not illustrated



Left Cutting Unit Suspension Assembly

Ref.	Part Number	Qty.	Description	Ref.	Part Number	Qty.	Description
1	140-5248	1	Pin-Ram, Pivot	15:2	99-4243	2	Bushing-Flange
2	105-3838	1	Spacer	16	325-6	2	Screw-HH
3	74-3730	1	Spacer-Spindle, Rear	17	99-5107	4	Nut-Lock
4	9264964	2	Screw-HWH, Thread Cut	18	99-4201	2	Tube-Spacer
5	325-7	2	Screw-HH	19	99-4112-01	1	Plate-Transport, #2
6	3218-5	2	Nut-Jam	20	32144-69	2	Screw-HWHTF
7	283-8	1	Pin-Clevis	21	3296-54	3	Nut-Lock
8	112-1491	1	Pin-Cotter	22	3250-17	3	Screw-PPH
9	105-3818	1	Spring-Torsion, LH	23	99-4225	1	Pad-Wear
10	94-8198	1	Pin	24	99-4182-01	1	LH Clevis ASM
11	93-2384	1	Spacer-Carrier	25	325-14	1	Screw-HH
12	99-4212	1	LH Lift Arm ASM	26	325-13	1	Screw-HH
12:2	92-8995	2	Bushing	27	99-4072	1	Spacer
13	302-60	1	Fitting-Grease	28	302-5	2	Fitting-Grease
14	99-4115	1	Front Lift Frame ASM	29	94-1392	1	Pad-Rubber
14:1	98-4166	2	Bushing	30	3256-14	1	Washer-Flat
14:2	94-9610	2	Bushing-Flange	31	3250-27	1	Screw-PPH
15	99-4260	1	LH Link Bracket ASM	32	3296-12	1	Nut-Lock, NI

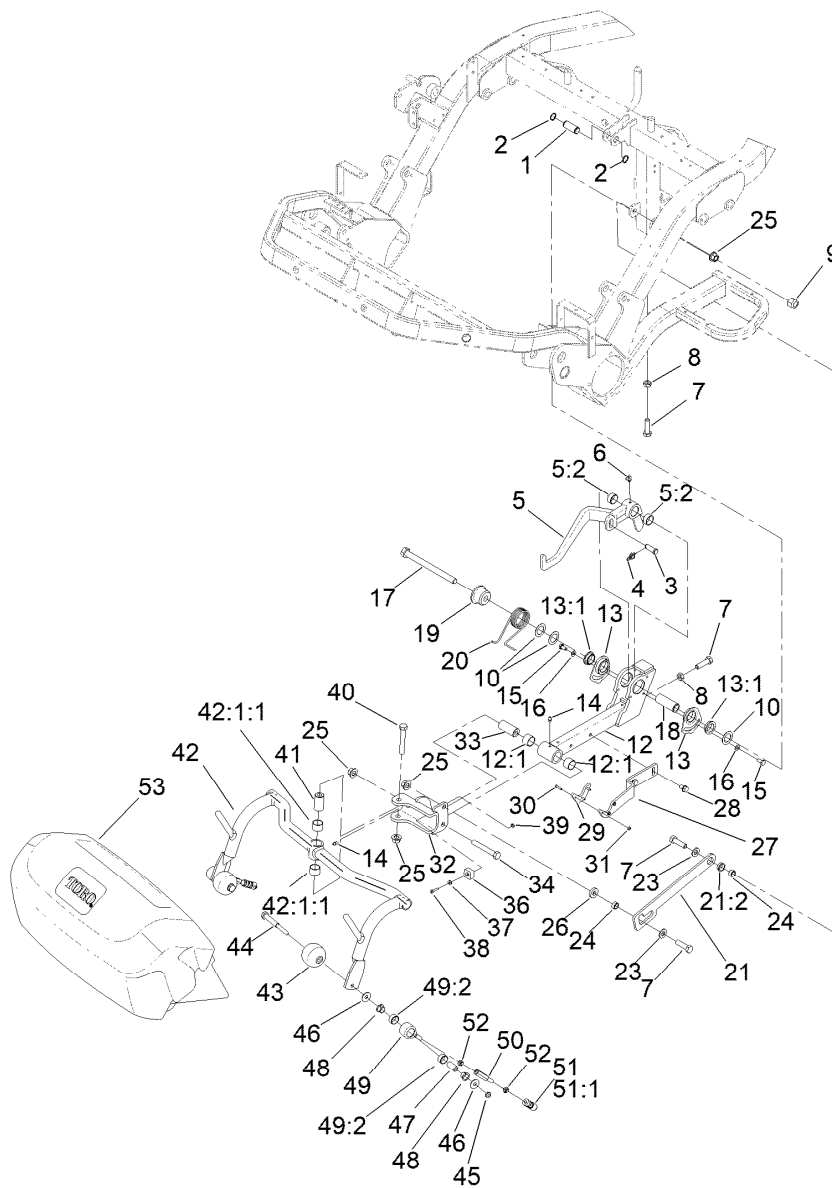
● Not illustrated



Left Cutting Unit Suspension Assembly (continued)

Ref.	Part Number	Qty.	Description	Ref.	Part Number	Qty.	Description
33	99-4109	1	Spacer	41	139-6539	2	Pull Link ASM
34	136-8577	1	Pull Frame ASM	41:2	95-0532	2	Rubber Bushing ASM
34:1:1	98-4166	2	Bushing	42	88-6870	2	Extension-Arm, Pull
35	99-4210	2	Roller-Anti Scalp	43	3220-3	4	Nut-HJ
36	108-6543	2	Shaft-Roller	44	99-1460	2	Ball Joint Receiver ASM
37	3296-59	2	Nut-Lock, NI	44:1	99-1461	1	Sleeve-Joint, Ball
38	119-4150	4	Washer-Flat	45	106-4689	1	Grass Basket ASM
39	104-7738	4	Bushing-Flange	45:2	104-2607	1	Strip-Basket ●
40	108-6544	2	Spacer	45:3	3290-382	8	Rivet-Pop ●

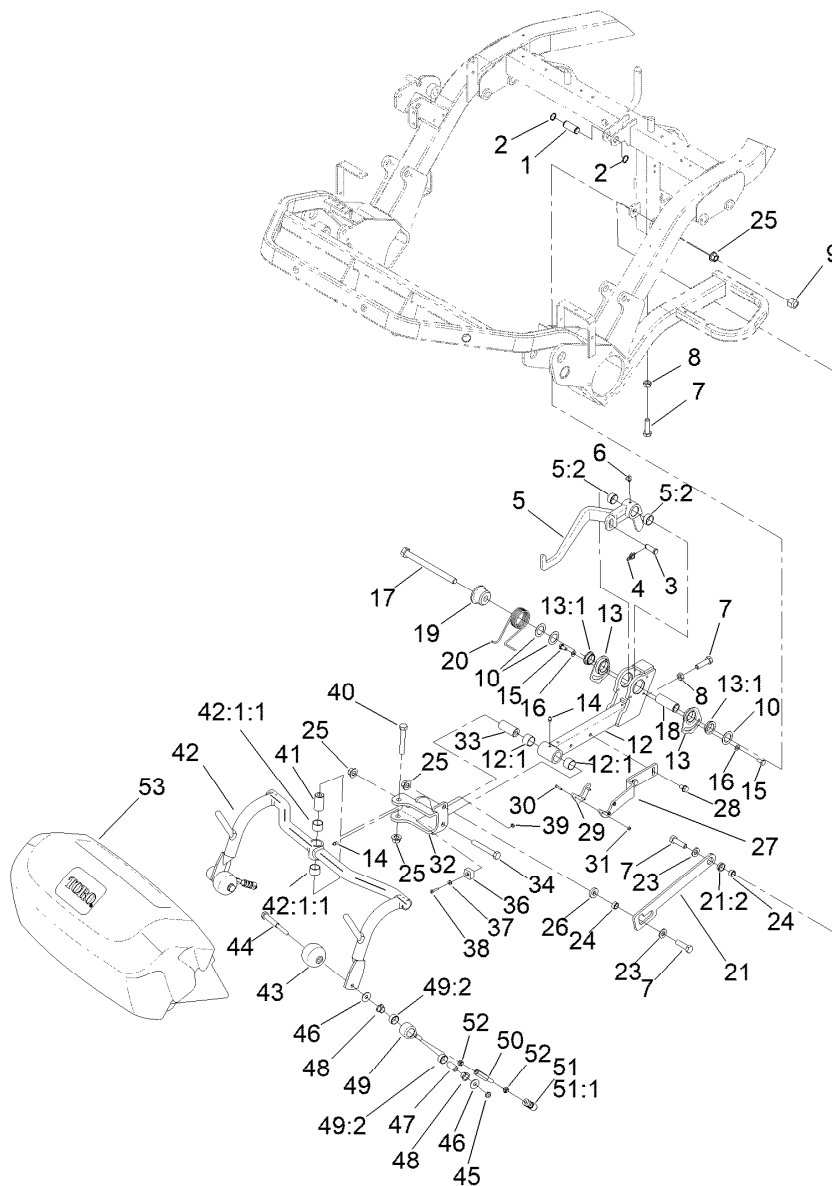
● Not illustrated



Center Cutting Unit Suspension Assembly

Ref.	Part Number	Qty.	Description	Ref.	Part Number	Qty.	Description
1	94-3452	1	Pin	17	327-25	1	Screw-HH
2	32120-72	2	Ring-Snap	18	94-8199	1	Tube-Pivot
3	283-8	1	Pin-Clevis	19	105-9779	1	Guide-Spring
4	112-1491	1	Pin-Cotter	20	105-9781	1	Spring-Torsion
5	99-4126	1	Center Lift Arm ASM	21	99-4246	1	Link Bracket ASM
5:2	92-8995	2	Bushing	21:2	99-4243	1	Bushing-Flange
6	302-60	1	Fitting-Grease	23	3256-26	2	Washer-Flat
7	325-7	4	Screw-HH	24	99-4201	2	Tube-Spacer
8	3218-5	2	Nut-Jam	25	99-5107	4	Nut-Lock
9	3296-53	1	Nut-Lock, NI	26	99-4248	1	Spacer
10	63-2290	3	Washer-Thrust	27	99-4111-01	1	Plate-Transport, 1 And 3
12	99-4116	1	Rear Lift Frame ASM	28	32144-69	2	Screw-HWHTF
12:1	98-4166	2	Bushing	29	99-4225	1	Pad-Wear
13	140-6220	2	Eccentric Bushing ASM	30	3250-17	3	Screw-PPH
13:1	98-2197	1	Bushing-Flange	31	3296-54	3	Nut-Lock
14	302-5	2	Fitting-Grease	32	99-4183-01	1	RH Clevis ASM
15	33114-016	2	Screw-HH	33	99-4072	1	Spacer
16	3256-74	2	Washer-Flat	34	325-14	1	Screw-HH

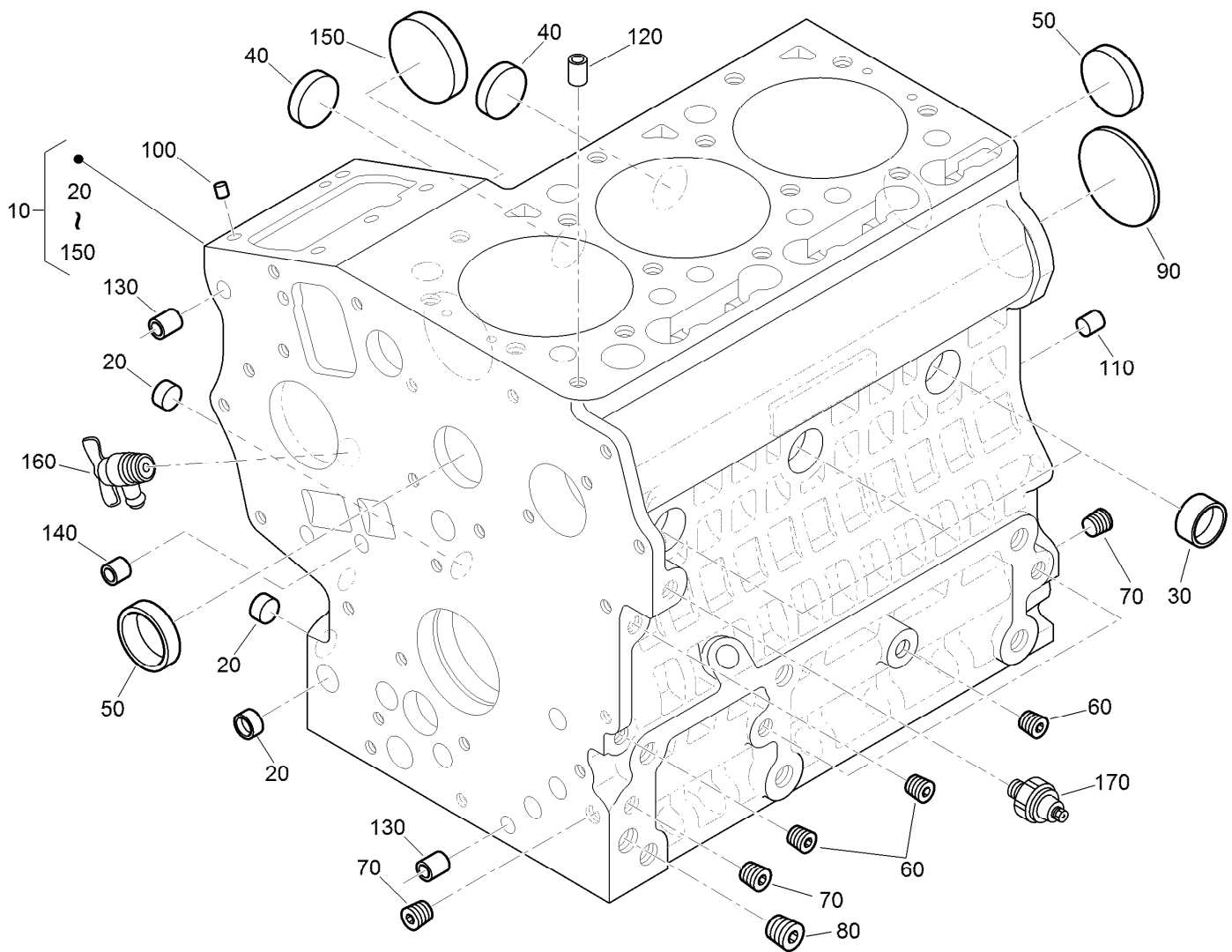
● Not illustrated



Center Cutting Unit Suspension Assembly (continued)

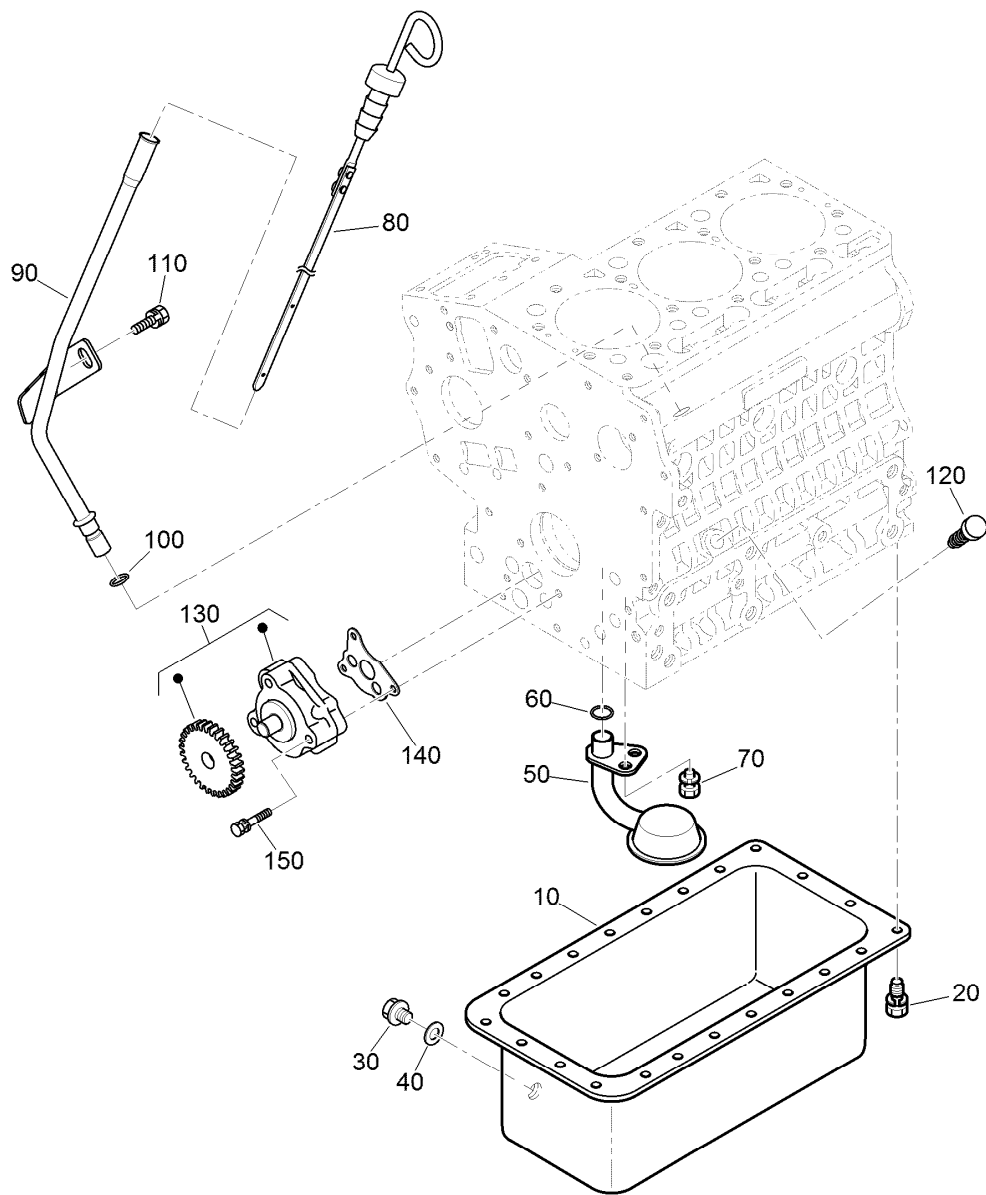
<i>Ref.</i>	<i>Part Number</i>	<i>Qty.</i>	<i>Description</i>	<i>Ref.</i>	<i>Part Number</i>	<i>Qty.</i>	<i>Description</i>
36	94-1392	1	Pad-Rubber	47	108-6544	2	Spacer
37	3256-14	1	Washer-Flat	48	104-7738	4	Bushing-Flange
38	3250-27	1	Screw-PPH	49	139-6539	2	Pull Link ASM
39	3296-12	1	Nut-Lock, NI	49:2	95-0532	2	Rubber Bushing ASM
40	325-13	1	Screw-HH	50	88-6870	2	Extension-Arm, Pull
41	99-4109	1	Spacer	51	99-1460	2	Ball Joint Receiver ASM
42	136-8577	1	Pull Frame ASM	51:1	99-1461	1	Sleeve-Joint, Ball
42:1:1	98-4166	2	Bushing	52	3220-3	4	Nut-HJ
43	99-4210	2	Roller-Anti Scalp	53	106-4689	1	Grass Basket ASM
44	108-6543	2	Shaft-Roller	53:2	104-2607	1	Strip-Basket ●
45	3296-59	2	Nut-Lock, NI	53:3	3290-382	8	Rivet-Pop ●
46	119-4150	4	Washer-Flat				

● Not illustrated



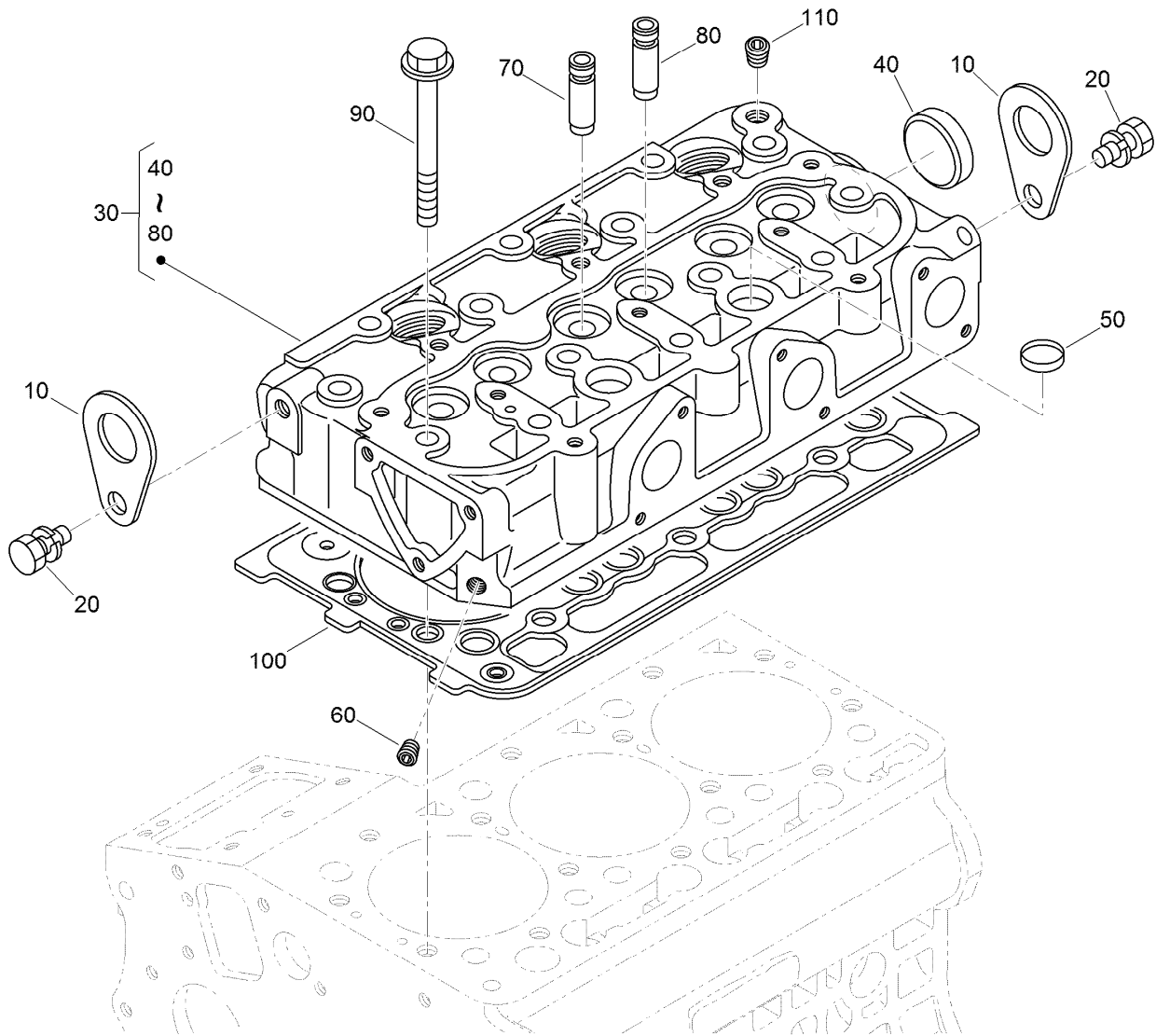
Crankcase Assembly

<i>Ref.</i>	<i>Part Number</i>	<i>Qty.</i>	<i>Description</i>	<i>Ref.</i>	<i>Part Number</i>	<i>Qty.</i>	<i>Description</i>
10	130-1385	1	Crankcase ASM	100	98-9375	2	Pin-Straight
20	100-2019	3	Cap-Sealing	110	98-9377	2	Pin-Straight
30	100-2020	3	Cap-Sealing	120	98-7506	1	Pin-Pipe
40	110-3702	2	Cap-Sealing	130	100-2051	2	Pin-Pipe
50	98-9398	2	Cap-Sealing	140	100-2051	2	Pin-Pipe
60	98-9687	5	Plug	150	100-1991	1	Cover-Fuel, Camshaft
70	98-7487	3	Plug	160	120-3121	1	Draincock ASM
80	98-7488	1	Plug	170	98-7764	1	Switch-Oil
90	100-1851	1	Plug-Expansion				



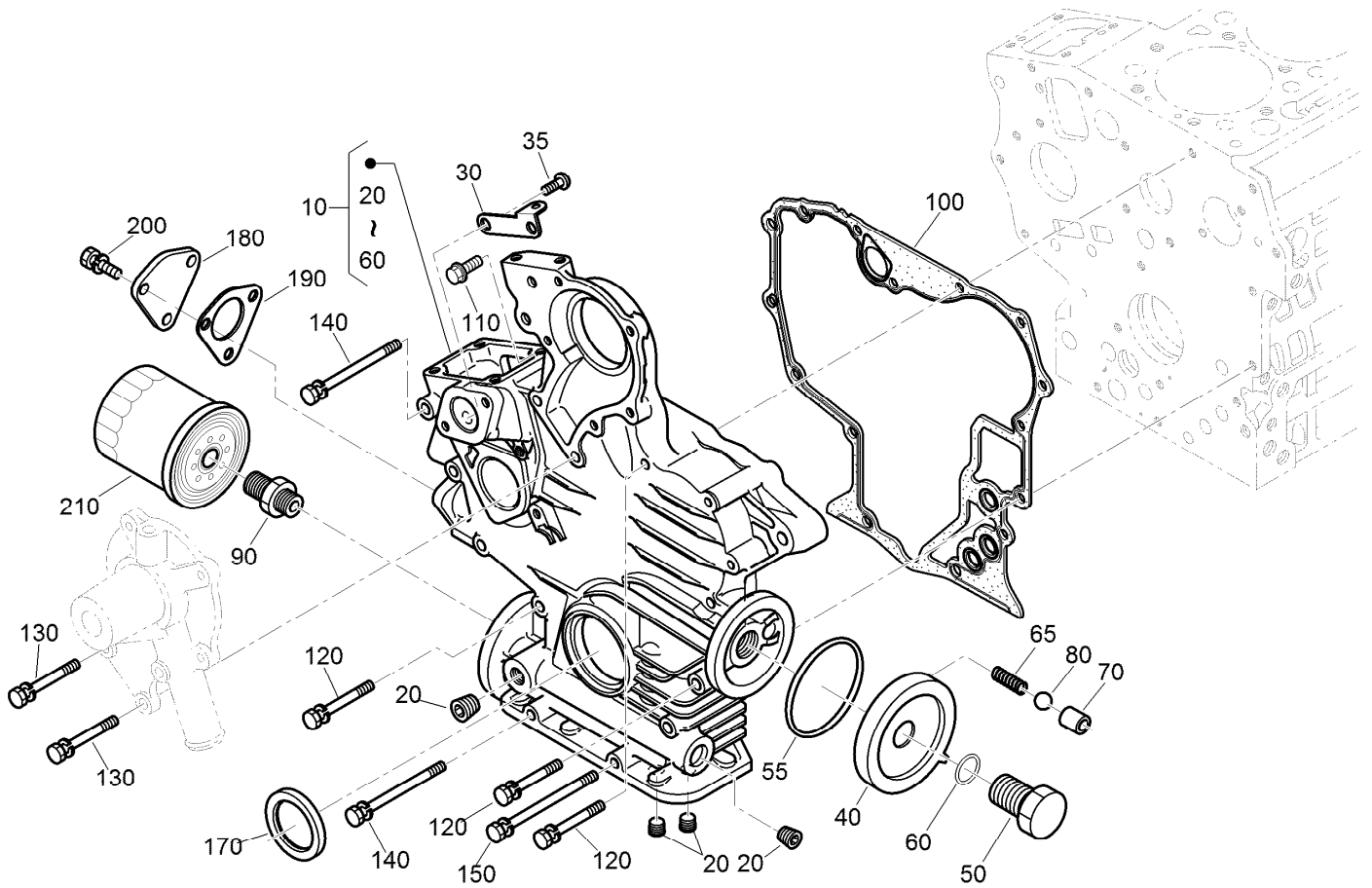
Oil Pan, Oil Pump and Dipstick Assembly

Ref.	Part Number	Qty.	Description
10	120-3122	1	Oil Pan ASM
20	98-9350	22	Bolt
30	114-8151	1	Plug-Drain
40	98-7524	1	Gasket
50	100-2001	1	Strainer-Pickup, Oil
60	105-3776	1	O-Ring
70	100-9195	1	Bolt
80	120-3124	1	Gauge-Oil
90	120-3125	1	Guide-Gauge, Oil
100	98-9722	1	O-Ring
110	115-8504	1	Bolt-Flange
120	110-3720	1	Plug-Gauge, Oil
130	121-2407	1	Oil Pump ASM
140	121-2408	1	Gasket-Pump, Oil
150	100-1923	3	Bolt



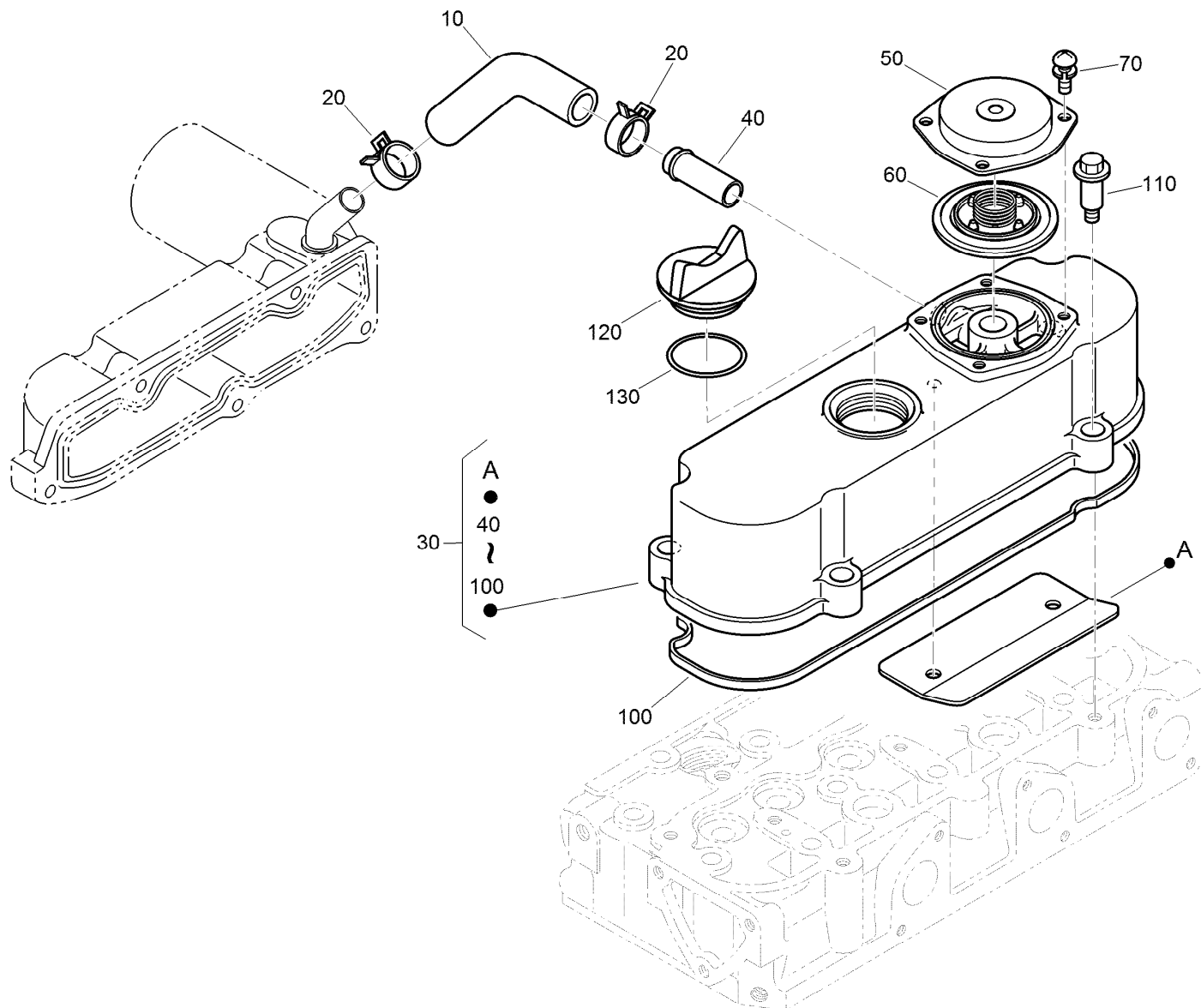
Cylinder Head Assembly

Ref.	Part Number	Qty.	Description
10	98-7531	2	Hook-Engine
20	98-7526	2	Bolt
30	130-1504	1	Cylinder Head ASM
40	105-3705	1	Cap-Sealing
50	98-9389	2	Cap-Sealing
60	98-9687	1	Plug
70	100-1882	3	Guide-Valve, Inlet
80	100-1883	3	Guide-Valve, Exhaust
90	100-1820	14	Bolt-Head, Cylinder
100	112-2520	1	Gasket-Head, Cylinder
110	98-9444	1	Plug



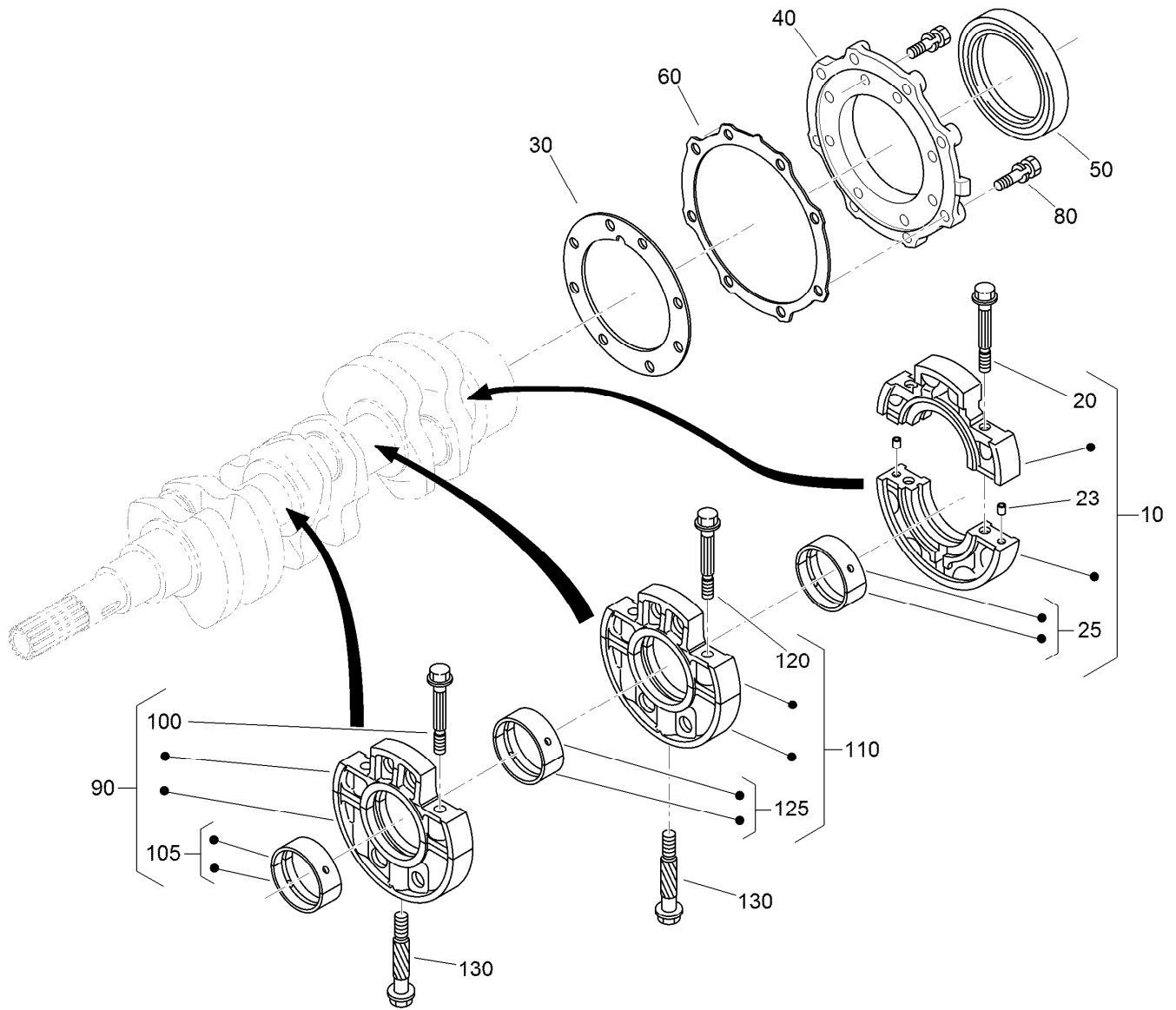
Gear Case and Oil Filter Cartridge Assembly

<i>Ref.</i>	<i>Part Number</i>	<i>Qty.</i>	<i>Description</i>	<i>Ref.</i>	<i>Part Number</i>	<i>Qty.</i>	<i>Description</i>
10	121-2401	1	Gearcase ASM	100	121-2404	1	Gasket-Gearcase
20	98-7488	4	Plug	110	127-0403	1	Bolt-Flange
30	110-3708	1	Stay-Spring, Start	120	125-9063	8	Bolt-Sems
35	100-2040	2	Screw	130	100-1922	2	Bolt
40	121-2402	1	Cover	140	98-9357	3	Bolt
50	121-2403	1	Bolt	150	110-3710	1	Bolt
55	98-9729	1	O-Ring	170	120-7852	1	Seal-Oil
60	105-3777	1	O-Ring	180	121-2405	1	Cover
65	100-2004	1	Spring	190	121-2406	1	Packing-Flange
70	100-1894	1	Seat-Valve	200	98-7605	3	Bolt
80	100-1792	1	Ball	210	115-8189	1	Filter-Oil, Engine
90	98-9388	1	Joint-Pipe				



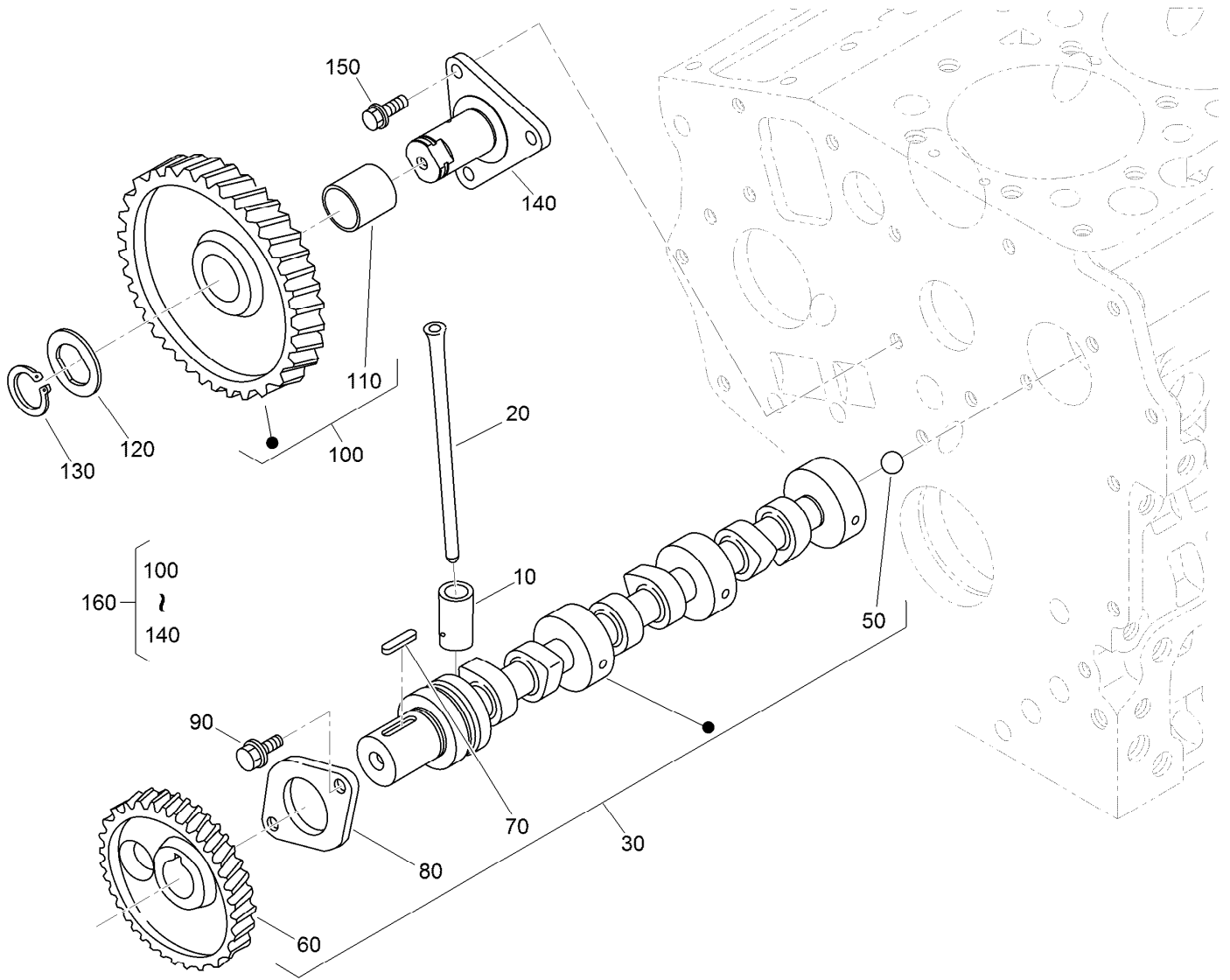
Cylinder Head Cover Assembly

Ref.	Part Number	Qty.	Description
10	120-3139	1	Tube-Breather
20	110-3712	2	Clamp-Hose
30	112-8332	1	Cylinder Head Cover ASM
40	98-9580	1	Pipe-Return, Water
50	110-3714	1	Cover-Breather
60	110-3715	1	Valve-Breather
70	98-9364	4	Screw (With Washer)
100	112-2521	1	Gasket-Cover, Head
110	108-7063	4	Bolt
120	107-9075	1	Plug-Filler, Oil
130	99-3446	1	O-Ring



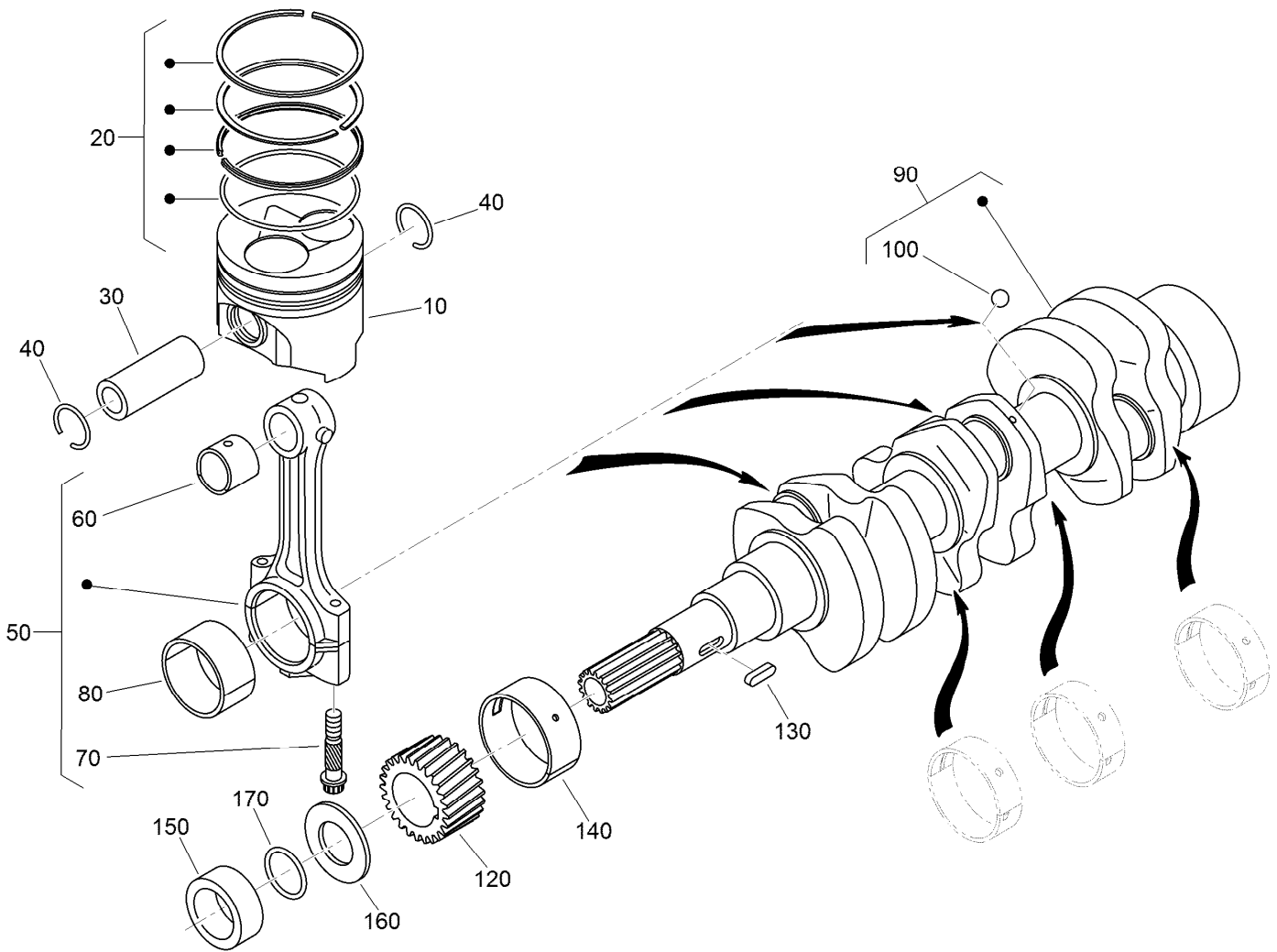
Main Bearing Case Assembly

<i>Ref.</i>	<i>Part Number</i>	<i>Qty.</i>	<i>Description</i>	<i>Ref.</i>	<i>Part Number</i>	<i>Qty.</i>	<i>Description</i>
10	125-9064	1	Wheel Bearing Case ASM	105	110-3741	1	Crankshaft Metal ASM (STD)
20	125-9065	2	Bolt-Flange	105	125-9083	1	Crankshaft Metal ASM (-0.20Mm)
23	125-9082	2	Pin-Straight	105	110-3743	1	Crankshaft Metal ASM (-0.40Mm)
25	125-9066	1	Crankshaft Metal ASM (STD)	110	125-9069	1	Main Case Bearing ASM
25	125-9067	1	Crankshaft Metal ASM (-0.20Mm)	120	110-3723	2	Bolt-Case, Bearing
25	125-9068	1	Crankshaft Metal ASM (-0.40Mm)	125	110-3741	1	Crankshaft Metal ASM (STD)
30	100-1873	1	Gasket-Case, Bearing	125	125-9083	1	Crankshaft Metal ASM (-0.20Mm)
40	112-8334	1	Cover-Case, Bearing	125	110-3743	1	Crankshaft Metal ASM (-0.40Mm)
50	110-3724	1	Seal-Oil	130	100-1874	2	Bolt-Case, Bearing
60	100-1876	1	Gasket-Cover, Case				
80	100-1750	16	Bolt				
90	110-3725	1	Main Bearing Case ASM				
100	110-3723	2	Bolt-Case, Bearing				



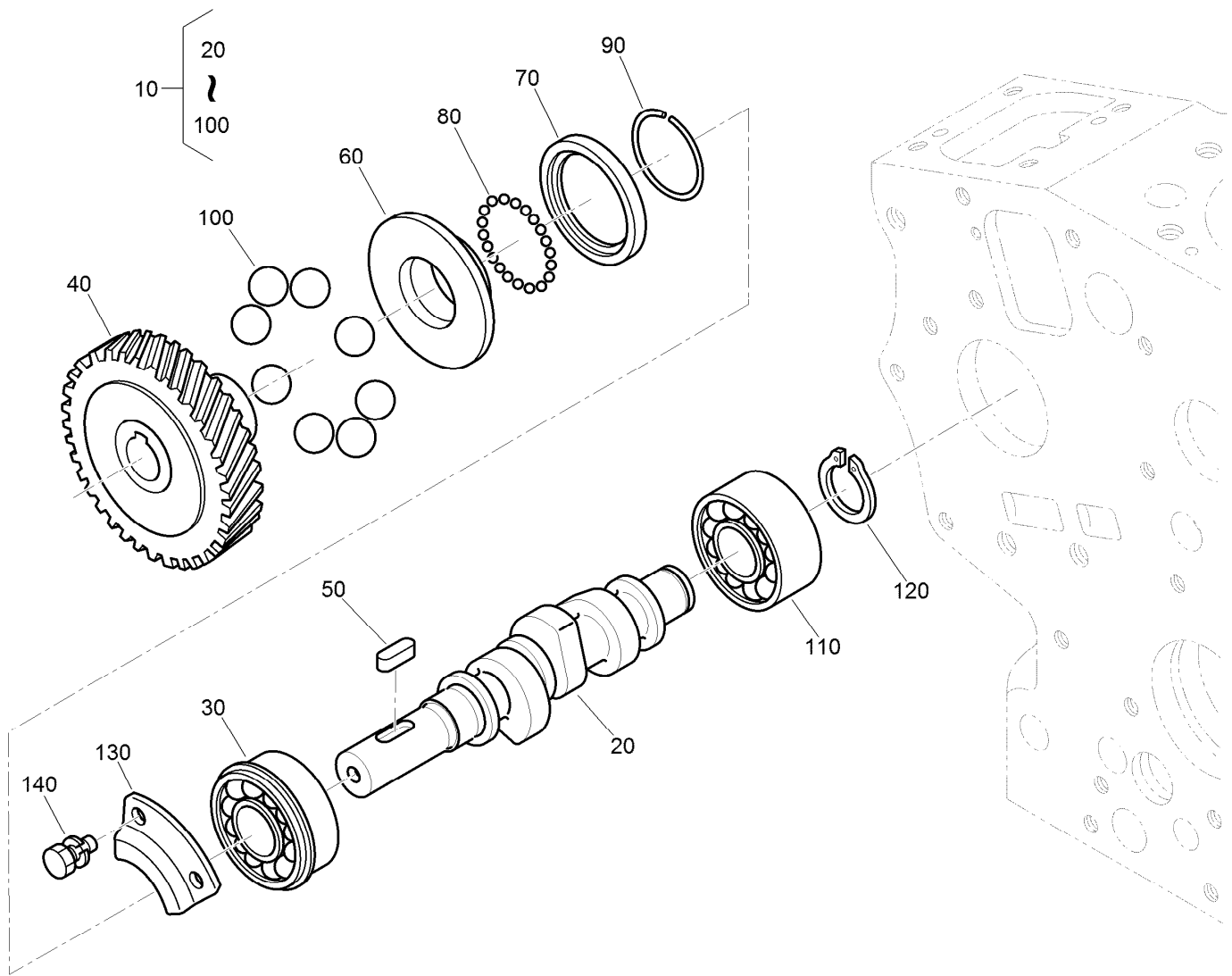
Camshaft and Idle Gear Shaft Assembly

Ref.	Part Number	Qty.	Description
10	110-3727	6	Tappet
20	100-1989	6	Rod-Push
30	120-3126	1	Camshaft ASM
50	110-3729	1	Ball
60	130-1534	1	Gear-Cam
70	98-9378	1	Key-Feather
80	100-1887	1	Stopper-Camshaft
90	98-9350	2	Bolt
100	121-2421	1	Idle Gear ASM
110	121-2422	1	Bushing
120	100-1970	1	Collar-Gear, Idle
130	100-1969	1	Ring-Snap
140	100-1967	1	Shaft-Gear, Idle
150	100-1774	3	Bolt-Flange
160	100-2240	1	Idle Gear ASM



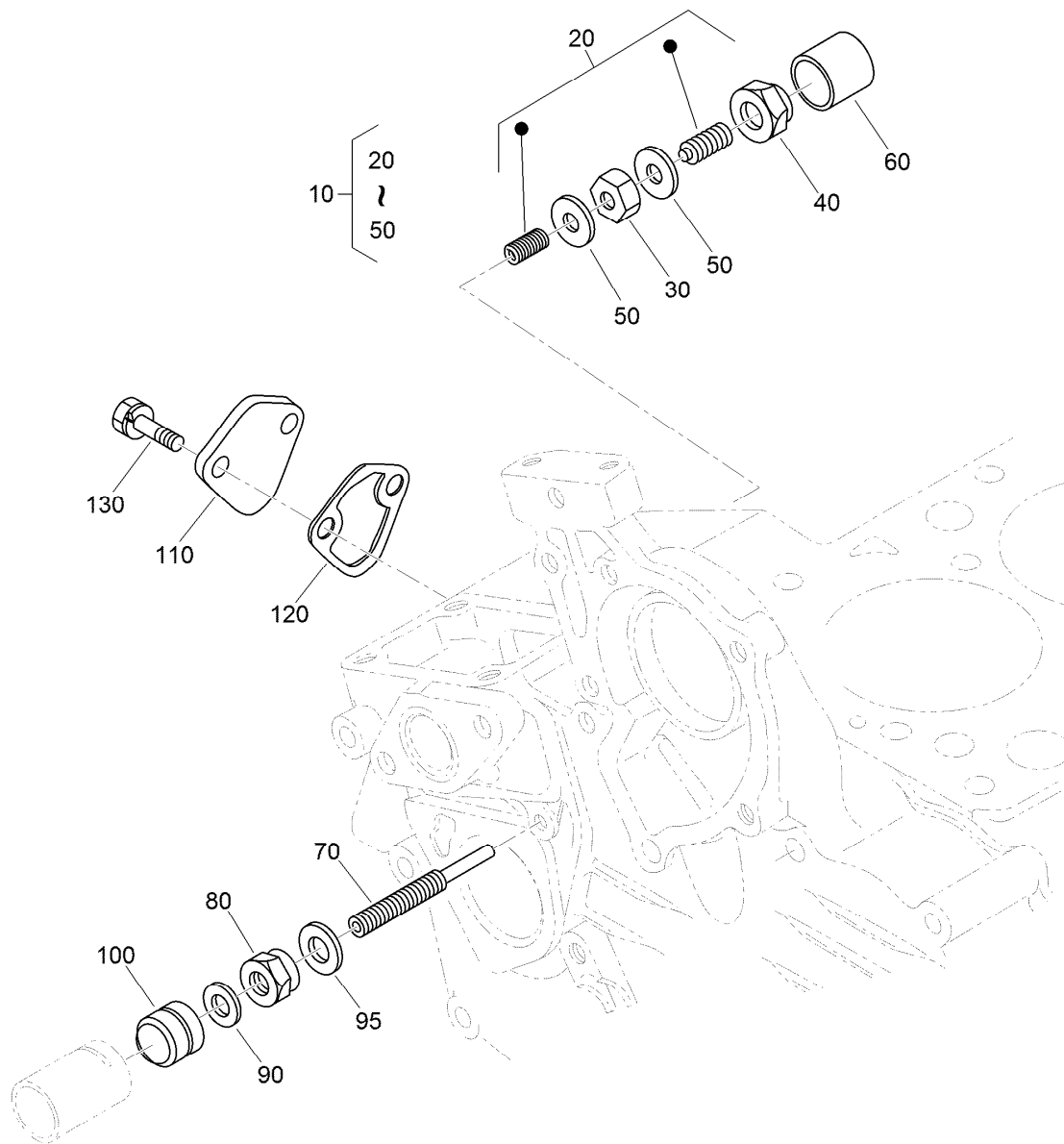
Piston and Crankshaft Assembly

<i>Ref.</i>	<i>Part Number</i>	<i>Qty.</i>	<i>Description</i>	<i>Ref.</i>	<i>Part Number</i>	<i>Qty.</i>	<i>Description</i>
10	130-1518	3	Piston	80	121-2420	3	Metal-Crankpin (-.40MM)
10	130-1520	3	Piston	90	117-0308	1	Crankshaft
20	130-1516	3	Piston Ring ASM	100	100-1791	3	Ball
20	130-1517	3	Piston Ring ASM	120	100-1891	1	Gear-Crankshaft
30	110-3734	3	Pin-Piston	130	100-1752	1	Key-Feather
40	100-1835	6	Circlip-Internal	140	110-3738	1	Metal-Crankshaft (STD)
50	125-9070	3	Connecting Rod ASM	140	121-2424	1	Metal-Crankshaft (-.20MM)
60	110-3736	3	Bushing-Pin, Piston	140	121-2425	1	Metal-Crankshaft (-.40MM)
70	100-1999	6	Bolt-Rod, Connecting	150	100-1890	1	Collar-Crankshaft
80	100-2000	3	Metal-Crankpin (STD)	160	100-1974	1	Slinger-Oil
80	121-3849	3	Metal-Crankpin (-.20MM)	170	100-2209	1	O-Ring



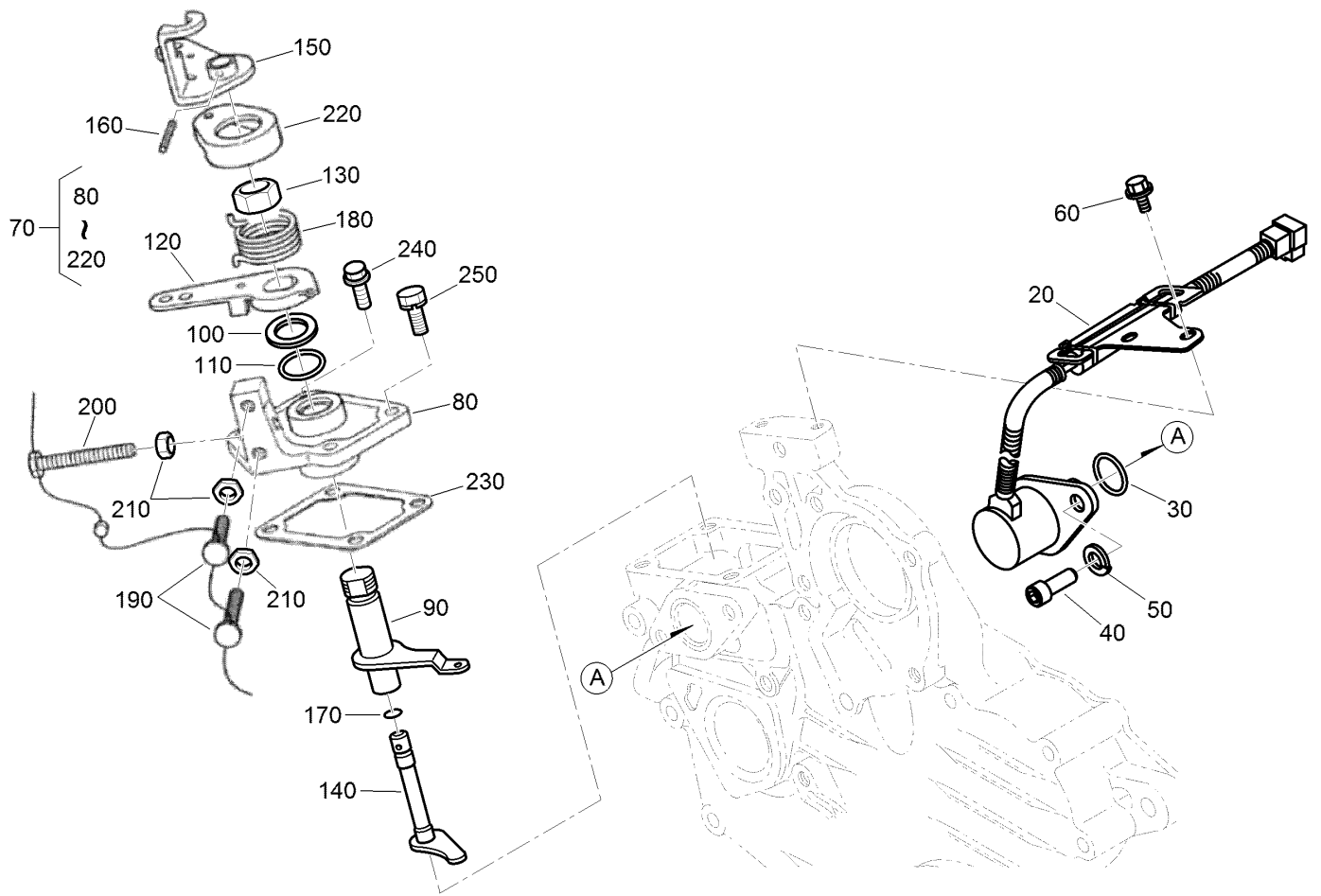
Fuel Camshaft Assembly

Ref.	Part Number	Qty.	Description
10	112-8335	1	Fuel Camshaft ASM
20	110-3756	1	Camshaft-Fuel
30	100-1795	1	Bearing-Ball
40	100-2006	1	Gear-Pump, Injection
50	100-1752	1	Key-Feather
60	112-8336	1	Sleeve-Governor
70	100-1904	1	Case-Ball, Governor
80	100-1790	32	Ball
90	100-1843	1	Circ-Clip
100	100-1793	8	Ball
110	110-3757	1	Bearing-Ball
120	100-1784	1	Circ-Clip, External
130	100-1888	1	Stopper-Fuel, Camshaft
140	98-9350	2	Bolt



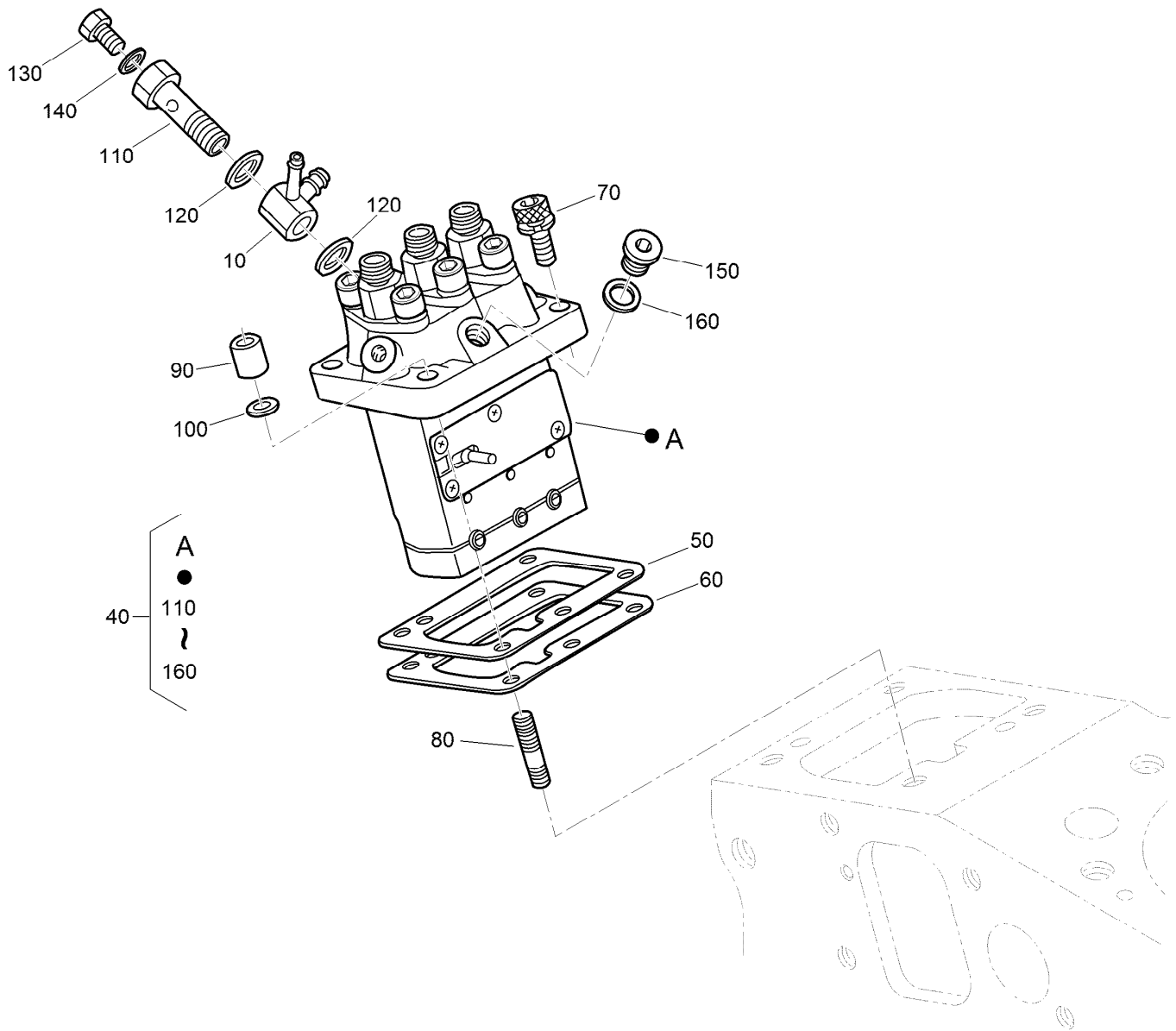
Idle Apparatus and Fuel Pump Cover Assembly

Ref.	Part Number	Qty.	Description
10	100-1898	1	Idle Apparatus ASM
20	100-1899	1	Adjusting Bolt ASM
30	100-1846	1	Nut
40	100-1901	1	Nut-Cap
50	98-7428	2	Gasket
60	100-1902	1	Cap
70	110-3758	1	Bolt-Adjusting
80	100-2175	1	Nut-Lock
90	98-7654	1	Gasket
95	107-9081	1	Gasket
100	99-8387	1	Nut-Cap
110	99-3514	1	Cover
120	98-9636	1	Gasket-Pump, Fuel
130	98-7692	2	Bolt



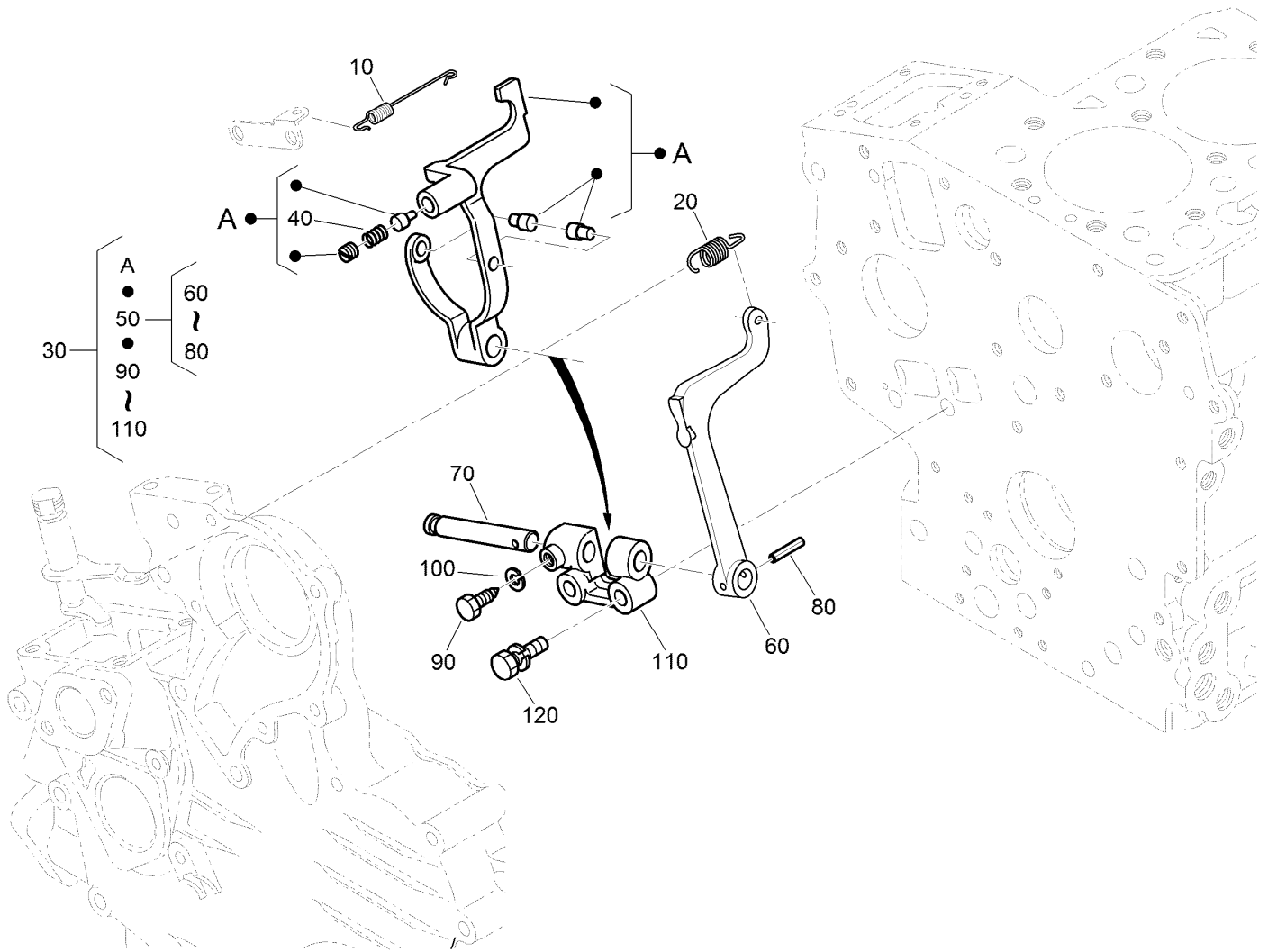
Stop Solenoid and Speed Control Plate Assembly

<i>Ref.</i>	<i>Part Number</i>	<i>Qty.</i>	<i>Description</i>
20	117-2719	1	Solenoid Stop ASM
30	110-3762	1	O-Ring
40	110-3763	2	Bolt-HSH
50	98-7699	2	Washer-Spring
60	100-1774	2	Bolt-Flange
70	110-3769	1	Speed Control Plate ASM
80	110-3770	1	Plate-Control, Speed
90	110-3771	1	Lever-Governor
100	110-3772	1	Collar
110	100-2208	1	O-Ring
120	110-3773	1	Lever-Control, Speed
130	110-3774	1	Nut-Control, Speed
140	110-3775	1	Shaft-Lever
150	110-3776	1	Lever-Stop, Engine
160	110-3777	1	Pin-Spring
170	100-2207	1	O-Ring
180	110-3778	1	Spring-Return
190	120-3133	2	Screw-Stopper
200	120-3134	1	Bolt
210	98-7572	3	Nut
220	110-3779	1	Cap
230	100-1962	1	Gasket-Plate, Control
240	127-0403	2	Bolt-Flange
250	112-2507	2	Bolt



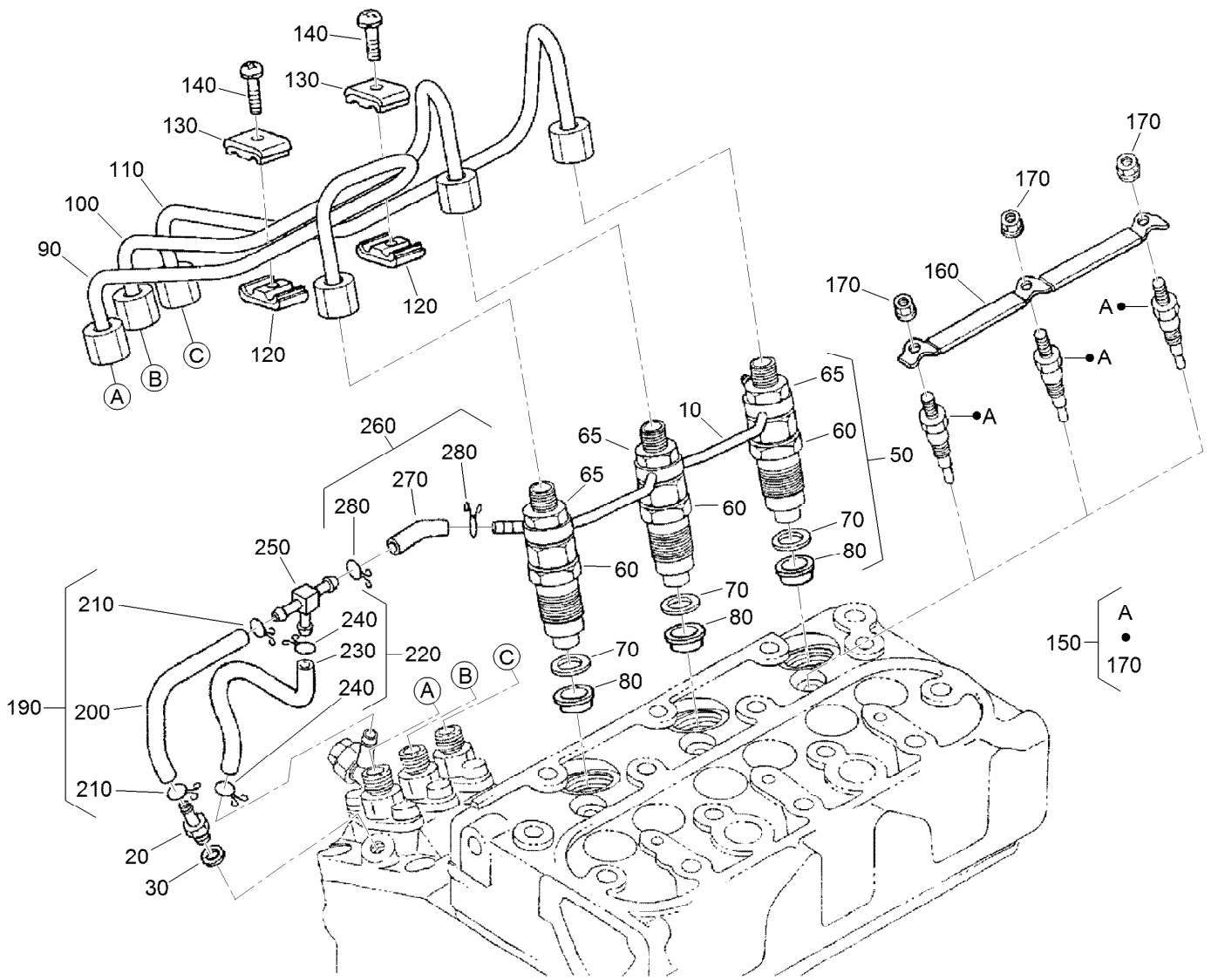
Injection Pump Assembly

<i>Ref.</i>	<i>Part Number</i>	<i>Qty.</i>	<i>Description</i>	<i>Ref.</i>	<i>Part Number</i>	<i>Qty.</i>	<i>Description</i>
10	110-3764	1	Joint	90	98-9440	2	Nut-Cap
40	110-3765	1	Injection Pump ASM	100	98-7699	2	Washer-Spring
50	115-3045	1	Shim-Injection (0.175MM)	110	100-1896	1	Screw-Hollow
50	98-9456	1	Shim-Injection (0.20MM)	120	98-9445	2	Gasket
50	98-9457	1	Shim-Injection (0.25MM)	130	98-9430	1	Screw
60	98-9458	1	Shim-Injection (0.30MM)	140	98-9446	1	Gasket
60	115-3046	1	Shim-Injection (0.35MM)	150	98-9466	1	Plug
70	117-7564	2	Bolt-Hex Soc HD	160	98-9451	1	Gasket
80	98-9438	2	Stud				



Governor Assembly

<i>Ref.</i>	<i>Part Number</i>	<i>Qty.</i>	<i>Description</i>
10	110-3766	1	Spring-Start
20	130-1220	1	Spring-Governor
30	121-3822	1	Fork Lever ASM
40	121-2410	1	Spring
50	100-1905	1	Fork Lever ASM
60	100-1907	1	Lever-Fork
70	100-1908	1	Shaft-Lever, Fork
80	100-1751	1	Pin-Spring
90	100-1845	1	Bolt
100	127-0408	1	Washer-Lock, Spring
110	100-1909	1	Holder-Lever, Fork
120	100-1763	2	Bolt

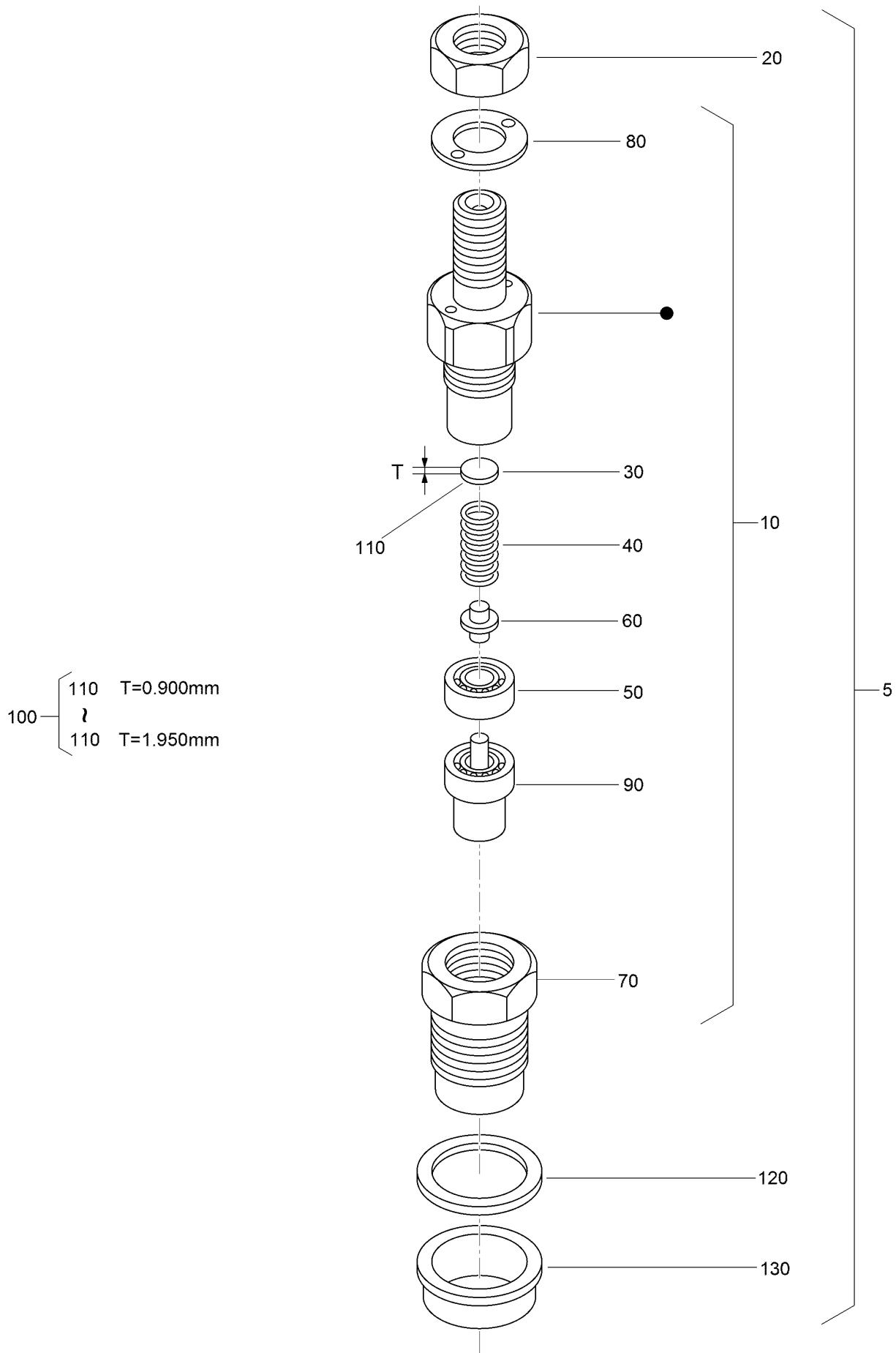


Nozzle Holder and Glow Plug Assembly

Ref.	Part Number	Qty.	Description
10	110-3780	1	Over Flow Pipe ASM
20	98-9431	1	Screw-Bleeder, Air
30	98-7654	1	Gasket
50	130-1305	3	Nozzle Holder Kit
60	130-1303	3	Nozzle Holder ASM
65	121-2411	3	Nut
70	98-7676	3	Gasket
80	98-7677	3	Seal-Heat
90	130-1522	1	Pipe-Injection
100	130-1523	1	Pipe-Injection
110	130-1541	1	Pipe-Injection
120	98-7682	2	Clamp-Pipe
130	98-7683	2	Clamp-Pipe
140	98-7684	2	Screw (W/Washer)

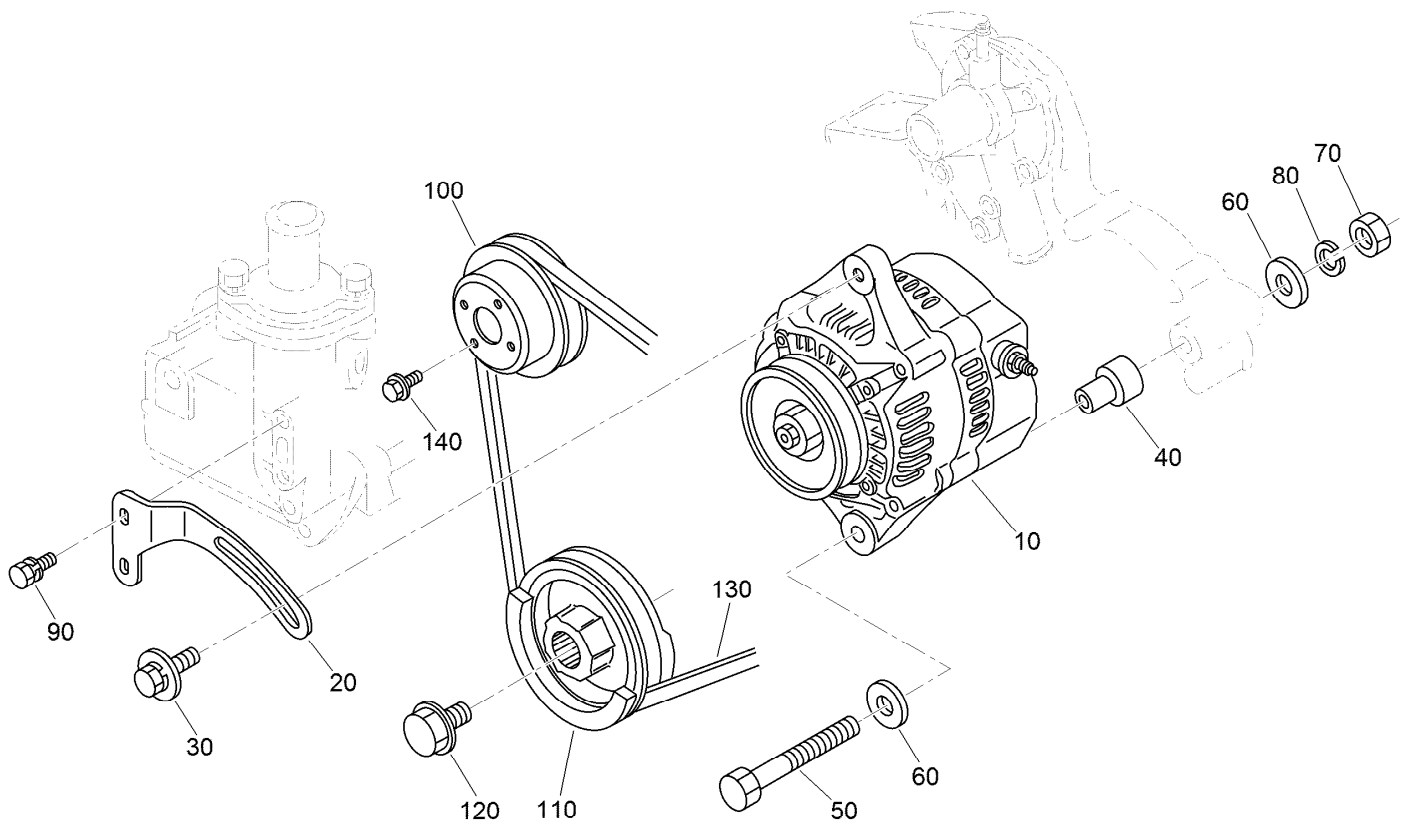
Ref.	Part Number	Qty.	Description
150	130-1411	3	Plug-Glow
160	110-3784	1	Cord-Plug, Glow
170	99-8377	3	Nut-Flange
190	110-3785	1	Fuel Tube ASM
200	110-3786	1	Tube-Fuel
210	98-7671	2	Clip-Pipe
220	110-3787	1	Fuel Tube ASM
230	110-3788	1	Tube-Fuel
240	98-7671	2	Clip-Pipe
250	112-8338	1	Pipe-Joint, T
260	110-3790	1	Fuel Tube ASM
270	110-3791	1	Tube-Fuel
280	98-7671	2	Clip-Pipe

Nozzle Holder Assembly



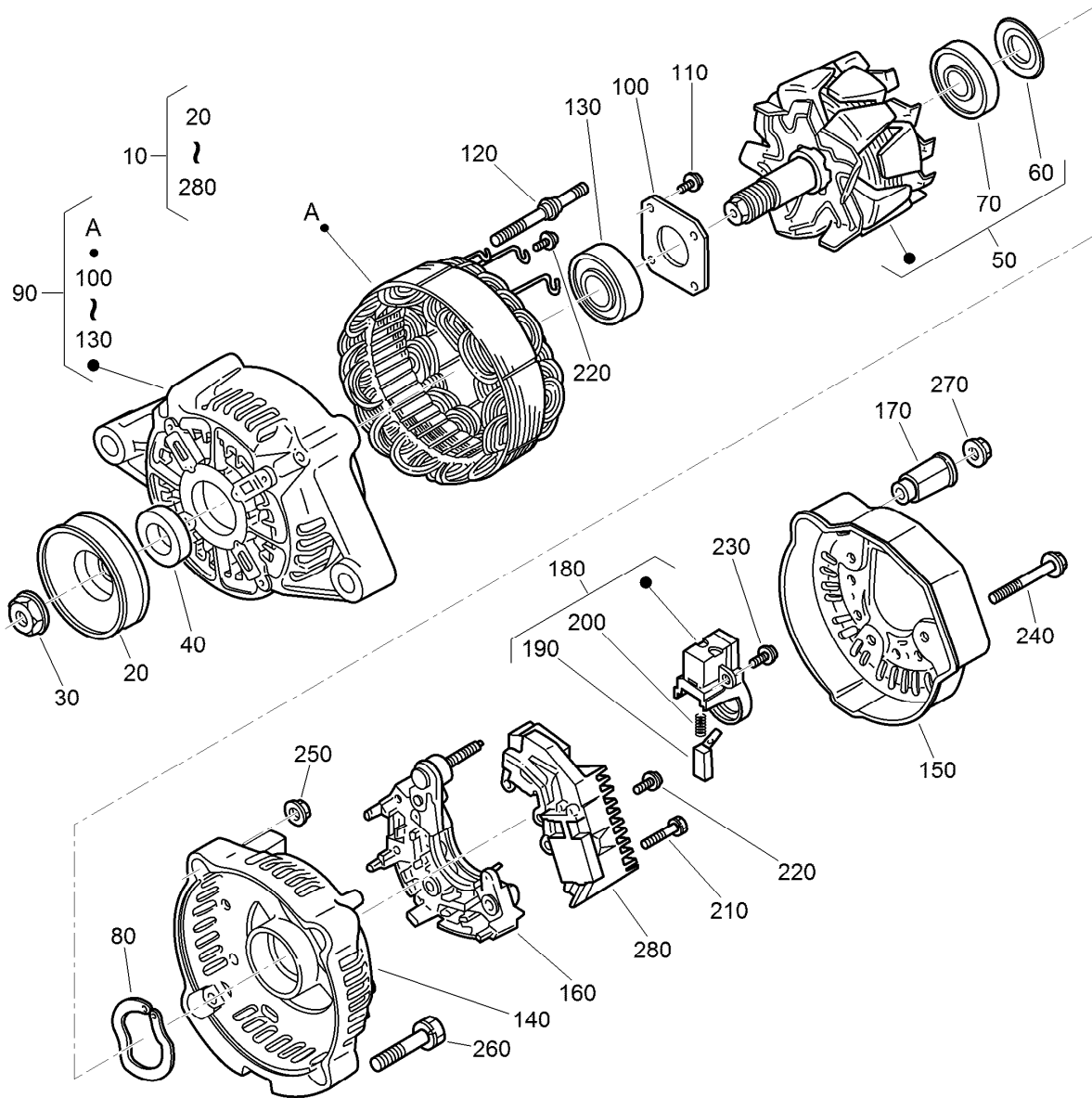
Nozzle Holder Assembly (continued)

<i>Ref.</i>	<i>Part Number</i>	<i>Qty.</i>	<i>Description</i>	<i>Ref.</i>	<i>Part Number</i>	<i>Qty.</i>	<i>Description</i>
5	130-1305	3	Nozzle Holder Kit	110	98-7860	3	Washer-Adjusting (1.400MM)
10	130-1303	3	Nozzle Holder ASM	110	98-7861	3	Washer-Adjusting (1.425MM)
20	121-2411	3	Nut	110	98-7862	3	Washer-Adjusting (1.450MM)
30	99-8302	3	Washer-Adjusting	110	98-7863	3	Washer-Adjusting (1.475MM)
40	99-8303	3	Spring-Nozzle	110	98-7864	3	Washer-Adjusting (1.500MM)
50	99-8304	3	Spacer-Distance	110	98-7865	3	Washer-Adjusting (1.525MM)
60	99-8305	3	Rod-Push	110	98-7866	3	Washer-Adjusting (1.550MM)
70	130-1304	3	Nut-Nozzle	110	98-7867	3	Washer-Adjusting (1.575MM)
80	99-8307	3	Washer-Plain	110	98-7868	3	Washer-Adjusting (1.600MM)
90	130-1497	3	Nozzle-Piece	110	98-7869	3	Washer-Adjusting (1.625MM)
100	98-9448	3	Adjusting Washer ASM	110	98-7870	3	Washer-Adjusting (1.650MM)
110	98-7642	3	Washer-Adjusting (0.900Mm)	110	98-7871	3	Washer-Adjusting (1.675MM)
110	98-7841	3	Washer-Adjusting (0.925Mm)	110	98-7872	3	Washer-Adjusting (1.700MM)
110	98-7842	3	Washer-Adjusting (0.950Mm)	110	98-7873	3	Washer-Adjusting (1.725MM)
110	98-7843	3	Washer-Adjusting (0.975Mm)	110	98-7874	3	Washer-Adjusting (1.750MM)
110	98-7844	3	Washer-Adjusting (1.000Mm)	110	98-7875	3	Washer-Adjusting (1.775MM)
110	98-7845	3	Washer-Adjusting (1.025Mm)	110	98-7876	33	Washer-Adjusting (1.800MM)
110	98-7846	3	Washer-Adjusting (1.050Mm)	110	98-7877	3	Washer-Adjusting (1.825MM)
110	98-7847	3	Washer-Adjusting (1.075MM)	110	98-7878	3	Washer-Adjusting (1.850MM)
110	98-7848	3	Washer-Adjusting (1.100MM)	110	98-7879	3	Washer-Adjusting (1.875MM)
110	98-7849	3	Washer-Adjusting (1.125MM)	110	98-7880	3	Washer-Adjusting (1.900MM)
110	98-7850	3	Washer-Adjusting (1.150MM)	110	98-7881	3	Washer-Adjusting (1.925MM)
110	98-7851	3	Washer-Adjusting (1.175MM)	110	98-7882	3	Washer-Adjusting (1.950MM)
110	98-7852	3	Washer-Adjusting (1.200MM)	120	98-7676	3	Gasket
110	98-7853	3	Washer-Adjusting (1.225MM)	130	98-7677	3	Seal-Heat
110	98-7854	3	Washer-Adjusting (1.250MM)				
110	98-7855	3	Washer-Adjusting (1.275MM)				
110	98-7856	3	Washer-Adjusting 1.300MM)				
110	98-7857	3	Washer-Adjusting (1.325MM)				
110	98-7858	3	Washer-Adjusting (1.350MM)				
110	98-7859	3	Washer-Adjusting (1.375MM)				



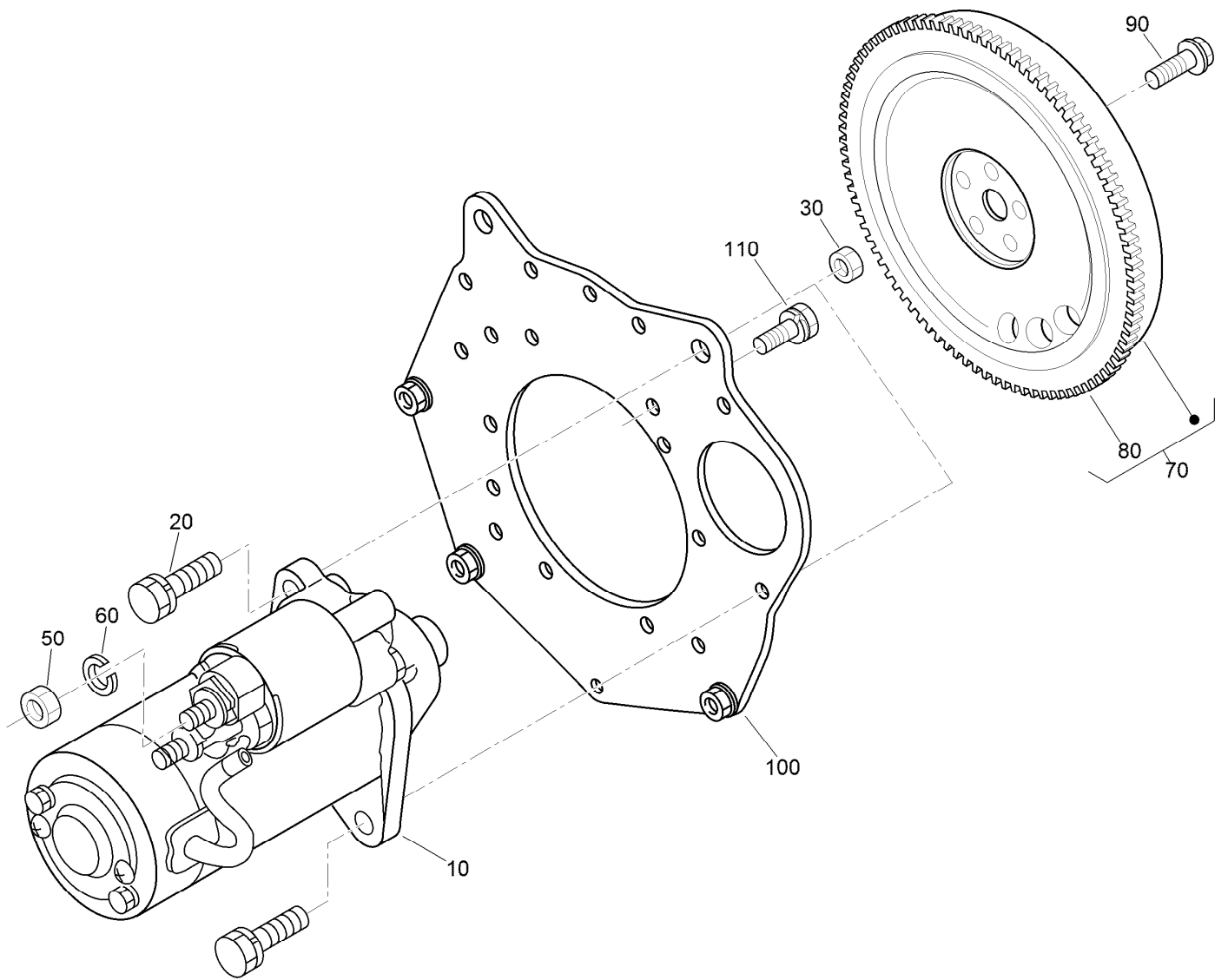
Alternator and Pulley Assembly

<i>Ref.</i>	<i>Part Number</i>	<i>Qty.</i>	<i>Description</i>
10	131-6557	1	Alternator ASM
20	121-2412	1	Stay-Alternator
30	121-2413	1	Bolt
40	110-3794	1	Collar
50	121-2418	1	Bolt-Hex
60	120-5832	2	Washer-Plain
70	98-7534	1	Nut
80	105-2893	1	Washer-Spring
90	98-7692	2	Bolt
100	100-1921	1	Pulley-Fan
110	112-2510	1	Pulley-Drive, Fan
120	100-1978	1	Bolt
130	119-4486	1	Belt-V, Fan
140	99-8363	4	Bolt-Flange



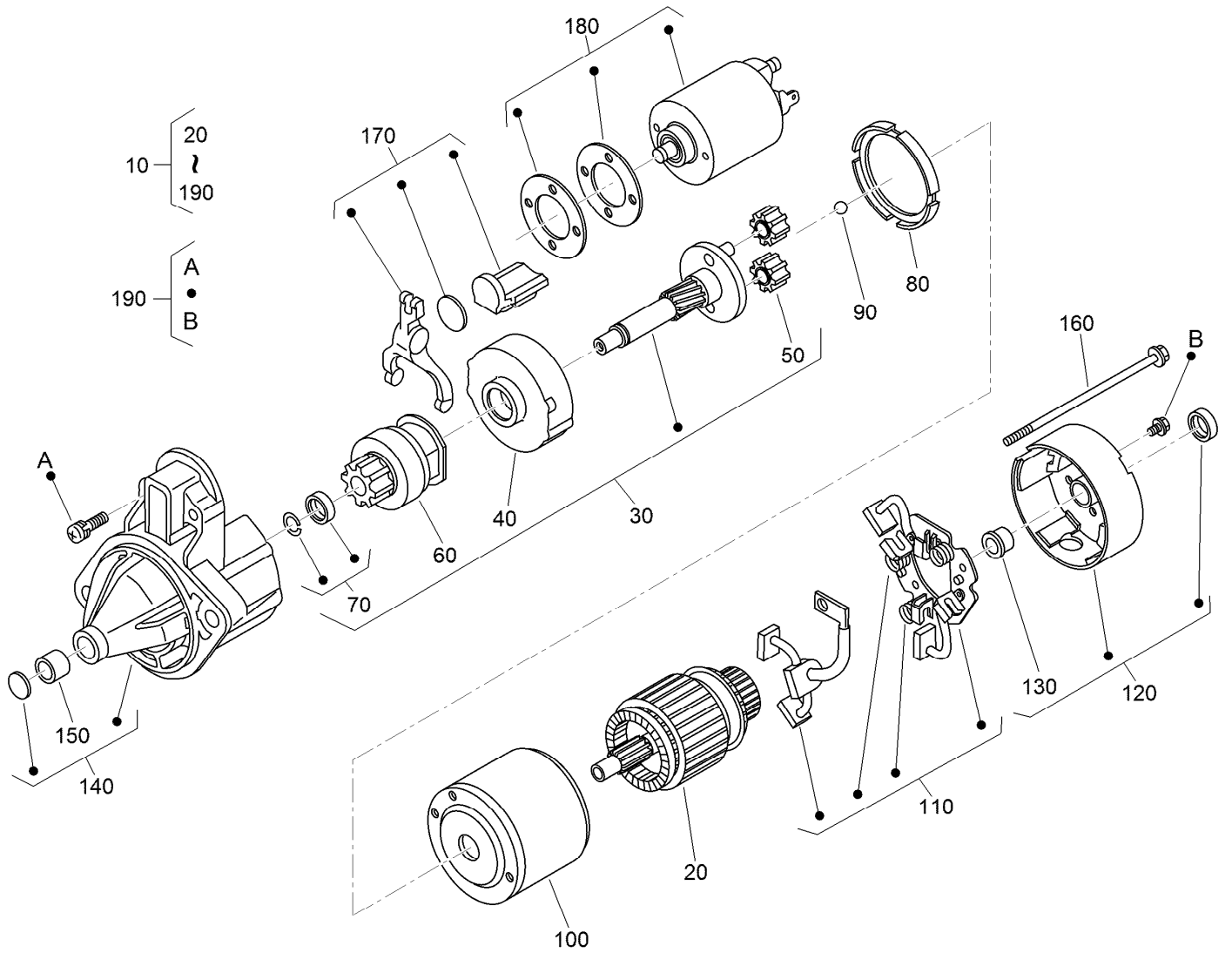
Alternator Assembly No. 131-6557

Ref.	Part Number	Qty.	Description	Ref.	Part Number	Qty.	Description
10	131-6557	1	Alternator ASM	150	107-0140	1	Cover-End
20	98-9453	1	Pulley-Dynamo	160	127-1612	1	Rectifier ASM
30	98-7708	1	Nut	170	98-7722	1	Bushing-Insulation
40	98-7709	1	Collar	180	107-0141	1	Brush Holder ASM
50	107-0136	1	Rotor ASM	190	98-7724	2	Brush
60	98-7711	1	Cover-Bearing	200	98-7725	2	Spring-Brush
70	107-0138	1	Bearing-Ball	210	98-7726	2	Screw-Head, Round
80	98-7713	1	Washer-Thrust	220	98-7727	6	Screw-Head, Round
90	107-0139	1	Drive End Frame ASM	230	98-7728	1	Screw-Head, Round
100	98-7715	1	Plate-Retainer	240	98-7729	3	Bolt
110	98-7716	4	Screw-Head, Round	250	98-7730	2	Nut
120	98-7717	2	Bolt-Through	260	98-7731	2	Bolt
130	133-2811	1	Bearing	270	98-7732	1	Nut
140	107-9087	1	Frame-End	280	110-3799	1	Regulator ASM



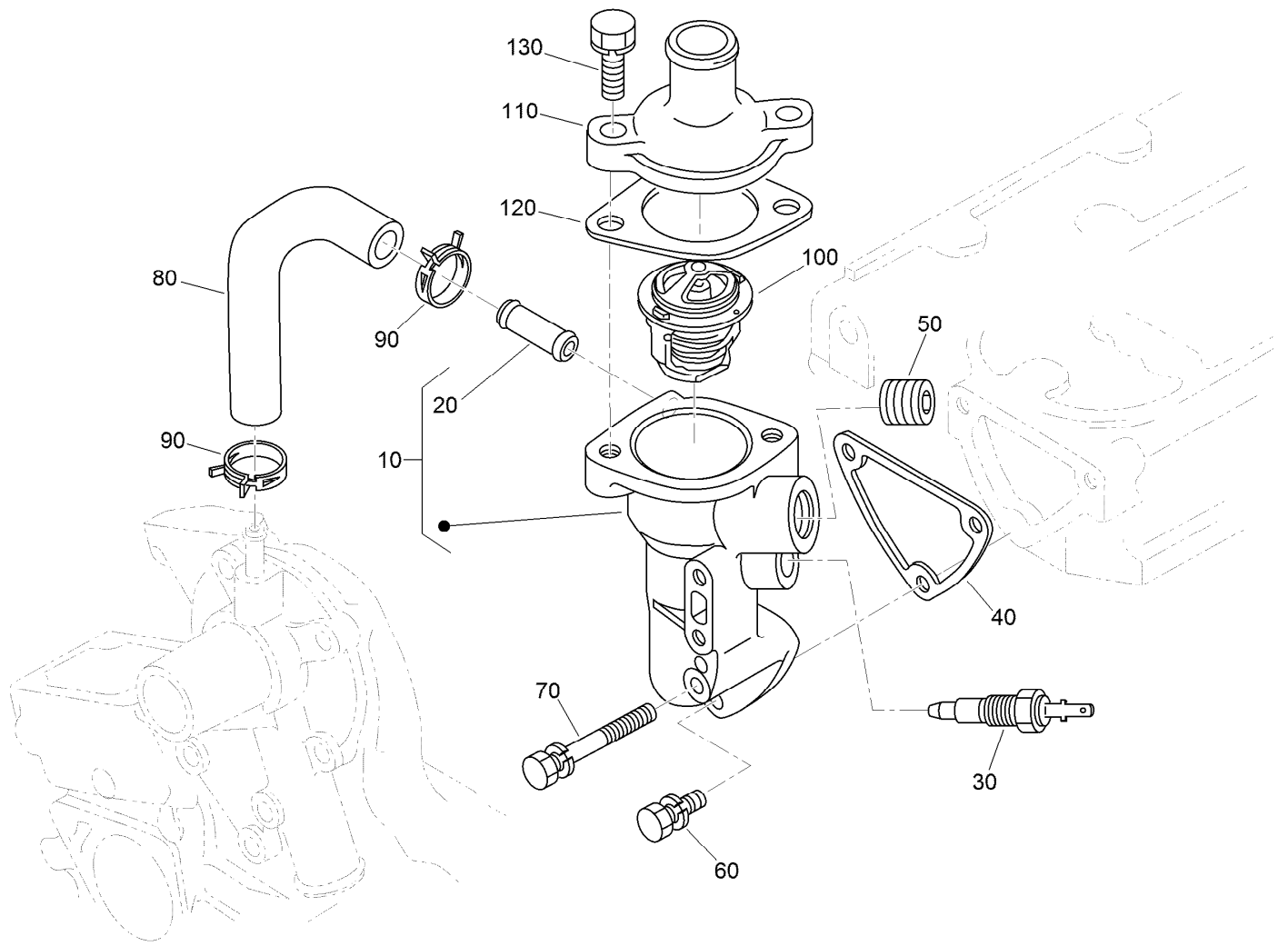
Starter and Flywheel Assembly

Ref.	Part Number	Qty.	Description
10	110-3800	1	Starter ASM
20	98-7697	2	Bolt
30	98-7534	2	Nut
50	98-7534	1	Nut
60	105-2893	1	Washer-Spring
70	130-1369	1	Flywheel ASM
80	127-1604	1	Gear-Ring
90	100-1930	5	Bolt-Flywheel
100	120-3130	1	Plate-End, Rear
110	110-3754	10	Bolt



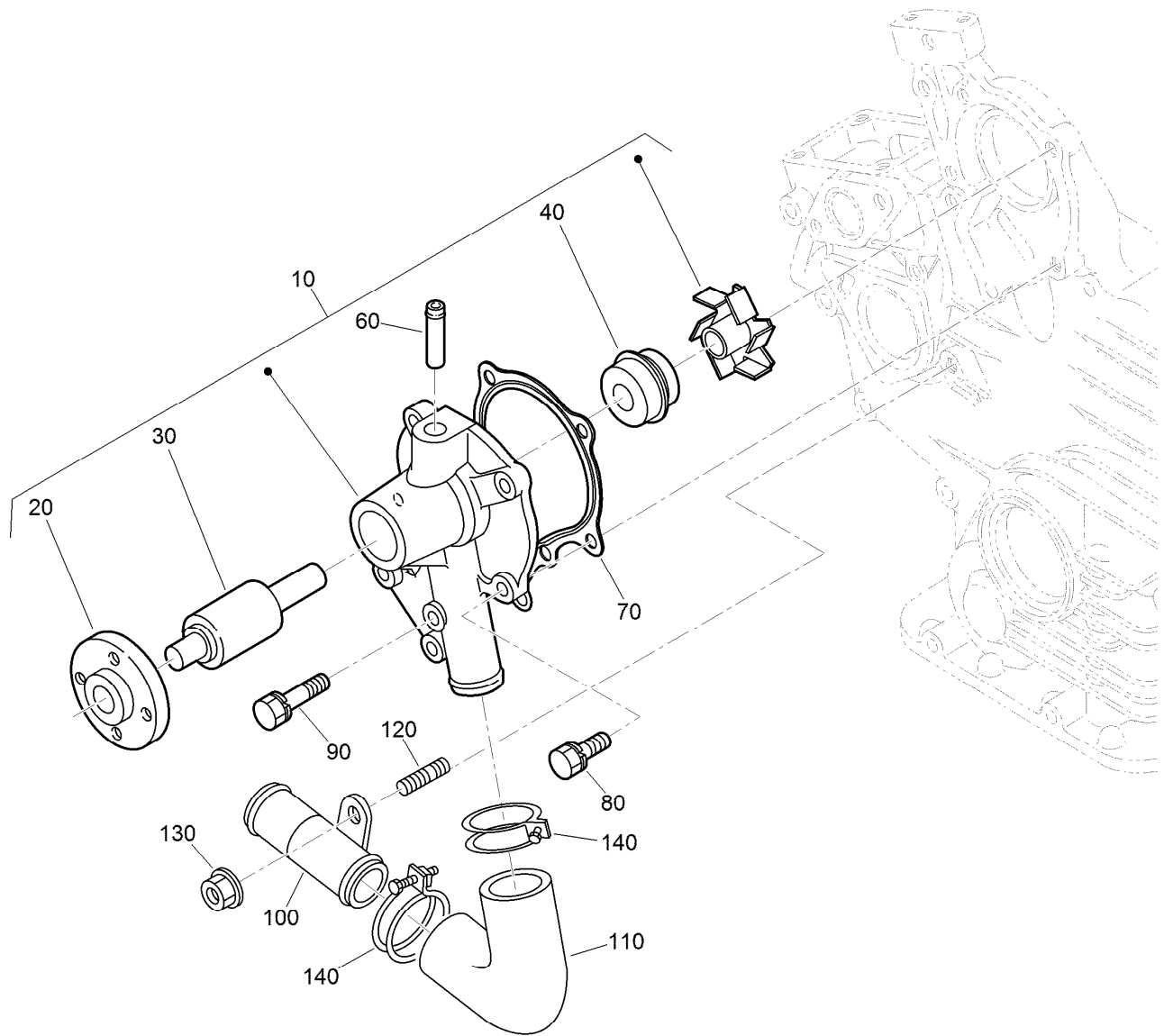
Starter Component Assembly

<i>Ref.</i>	<i>Part Number</i>	<i>Qty.</i>	<i>Description</i>	<i>Ref.</i>	<i>Part Number</i>	<i>Qty.</i>	<i>Description</i>
10	110-3800	1	Starter ASM	110	110-3810	1	Brush Holder ASM
20	110-3801	1	Armature	120	110-3811	1	Rear Bracket ASM
30	110-3802	1	Shaft ASM	130	110-3812	1	Bushing
40	120-3142	1	Gear-Internal	140	110-3813	1	Front Bracket ASM
50	110-3804	3	Gear-Planetary	150	110-3814	1	Bushing
60	110-3805	1	Clutch-Running, Over	160	110-3815	2	Bolt
70	110-3806	1	Stopper	170	110-3816	1	Fork Lever ASM
80	120-3143	1	Gasket	180	110-3817	1	Magnetic Switch ASM
90	110-3808	1	Ball	190	110-3818	2	Screws (Set Of 4)
100	130-1295	1	Yoke				



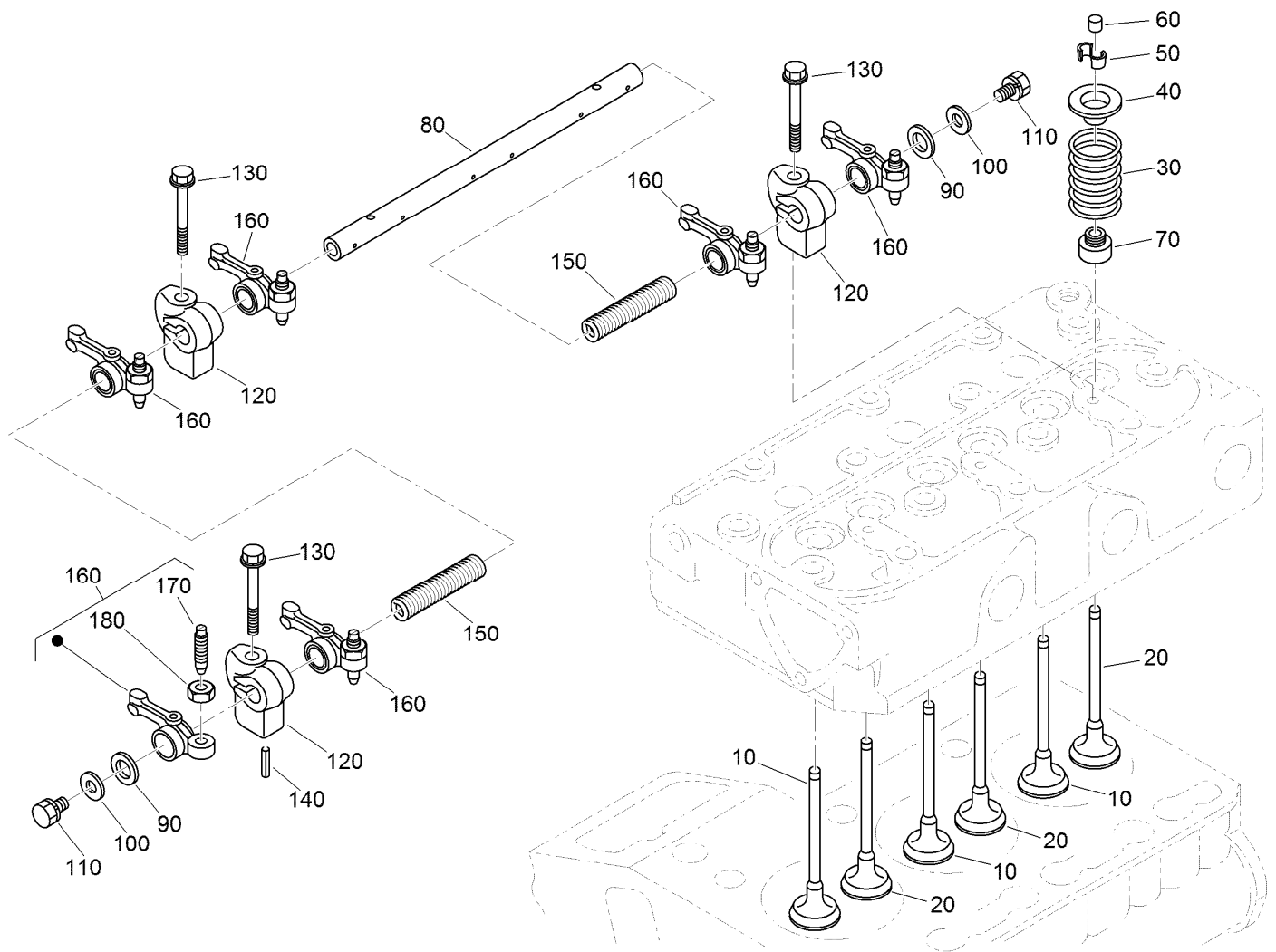
Water Flange and Thermostat Assembly

<i>Ref.</i>	<i>Part Number</i>	<i>Qty.</i>	<i>Description</i>
10	121-2414	1	Water Flange ASM
20	98-9580	1	Pipe-Return, Water
30	100-1983	1	Thermo-Switch
40	110-3820	1	Gasket-Flange, Water
50	105-2874	1	Plug
60	98-7692	2	Bolt
70	125-9063	1	Bolt-Sems
80	100-2017	1	Pipe-Return, Water
90	125-9078	2	Clamp-Hose
100	98-7778	1	Thermostat ASM
110	121-2415	1	Cover-Thermostat
120	105-3748	1	Gasket-Thermostat
130	98-7438	2	Bolt



Water Pump and Water Pipe Assembly

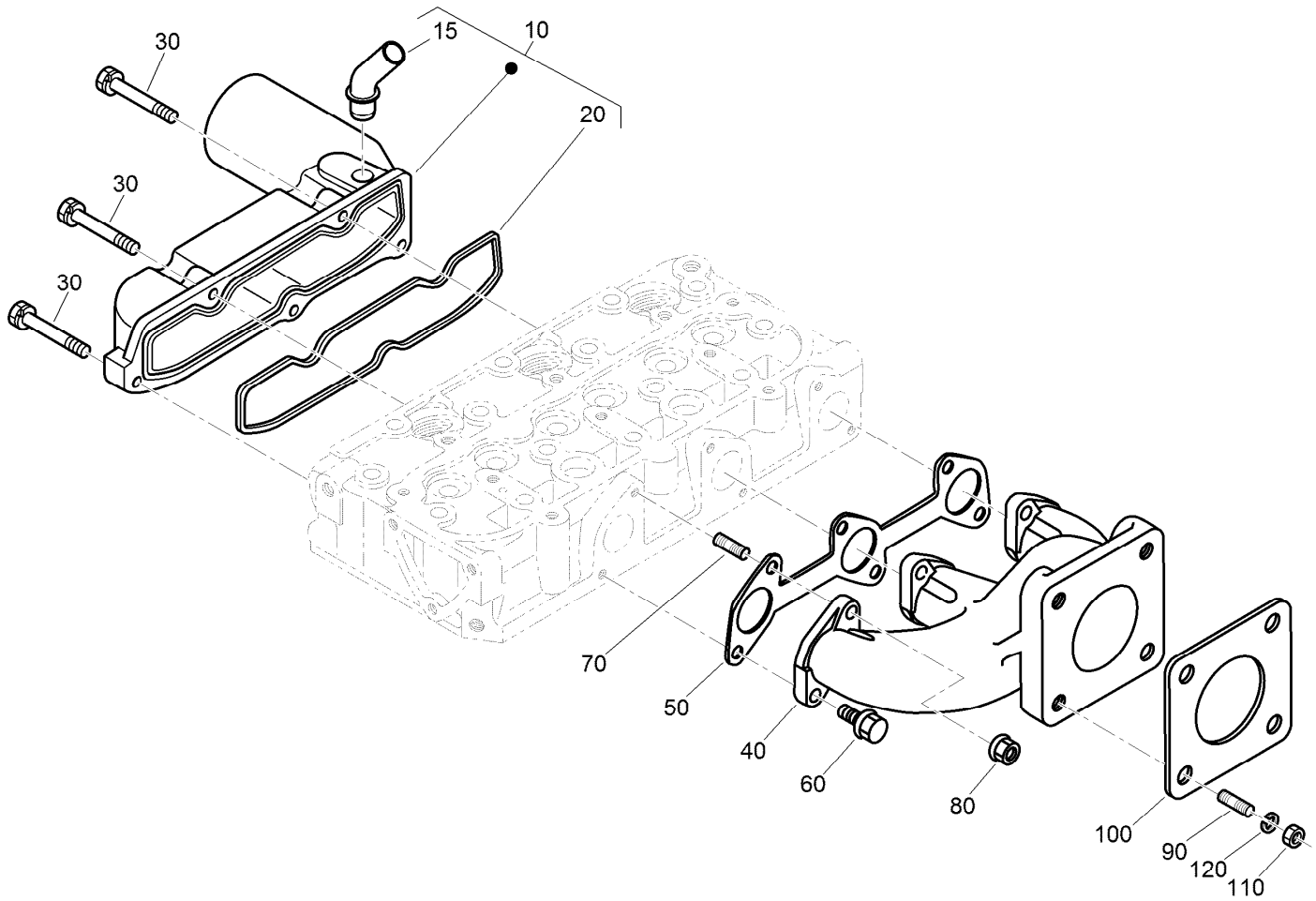
<i>Ref.</i>	<i>Part Number</i>	<i>Qty.</i>	<i>Description</i>
10	127-1607	1	Water Pump ASM
20	125-9081	1	Flange-Pump, Water
30	100-1934	1	Bearing-Ball
40	99-3518	1	Water Pump Seal ASM
60	100-1932	1	Pipe-Return, Water
70	117-8846	1	Gasket-Pump, Water
80	100-1750	4	Bolt
90	100-1764	1	Bolt
100	112-2835	1	Pipe-Water
110	112-2836	1	Hose-Water
120	100-1924	1	Stud
130	100-2203	1	Nut-Flange
140	110-3828	2	Band-Pipe



Valve and Rocker Arm Assembly

Ref.	Part Number	Qty.	Description
10	112-2514	3	Valve-Inlet
20	112-2515	3	Valve-Exhaust
30	100-1823	6	Spring-Valve
40	100-1825	6	Retainer-Spring, Valve
50	120-3136	6	Collet-Spring, Valve
60	100-2155	6	Cap-Valve
70	100-1797	6	Seal-Stem, Valve
80	112-8341	1	Shaft-Arm, Rocker
90	100-2044	2	Washer

Ref.	Part Number	Qty.	Description
100	110-3832	2	Washer-Plain
110	100-1762	2	Bolt
120	110-3833	3	Bracket-Arm, Rocker
130	110-3834	3	Bolt-Flange
140	98-7602	1	Pin-Spring
150	112-8342	2	Spring
160	100-1884	6	Rocker Arm ASM
170	100-1885	6	Screw-Adjusting
180	100-1827	6	Nut



Inlet and Exhaust Manifold Assembly

<i>Ref.</i>	<i>Part Number</i>	<i>Qty.</i>	<i>Description</i>
10	120-3141	1	Intake Manifold ASM
15	121-2417	1	Pipe-Breather
20	110-3838	1	Gasket-Manifold, Intake
30	98-9352	5	Bolt
40	110-3839	1	Manifold-Exhaust
50	110-3840	1	Gasket-Manifold, Exhaust
60	130-1154	3	Screw-Hex HD
70	130-1156	3	Bolt-Stud
80	100-1778	3	Nut
90	98-7769	4	Stud
100	99-8343	1	Gasket-Muffler
110	98-7534	4	Nut
120	105-2893	4	Washer-Spring

Attachments and Accessories

For 04384 Greensmaster 3250-D 2-Wheel Drive Traction Unit

Product Name	Model/Part
Turf Evaluator	04399
CE Guard Kit.....	04441
Three-Wheel Drive Kit without ROPS	04477
Dethatching Unit	04479
Leak Detector Kit	04497
Light Kit.....	04554
8-Blade DPA Reel Mower	04652
11-Blade DPA Reel Mower	04654
14-Blade DPA Reel Mower	04656
Hose Adapter Kit.....	100-6430
Weight Kit, Greensmaster and Sand Pro/Infield Pro Traction Unit.....	100-6442
Oil Cooler Kit.....	104-7701
Ground-Following Suspension Kit	104-9400
Radiator Screen Kit.....	105-9766
Filter-Air	108-3811
Seperator Filter ASM	110-9044
Pull Link Kit for DPA Reel Mower Groomer	112-9248
Wireless Hourmeter	115-4754
Filter-Oil, Engine	115-8189
Premium Synthetic Bio-Degradable Hydraulic Fluid (5 Gallon Pail)	119-2157
Premium Synthetic Bio-Degradable Hydraulic Fluid (55 Gallon Drum).....	119-2158
Spark Arrester Kit	120-1951
RH Arm Rest Kit	121-3658
Premium Engine Oil 10w30 (55 Gallon Drum)	121-6392
Premium Engine Oil 10w30 (5 Gallon Pail)	121-6393
Toro Reel Paper (10 Pack).....	125-5610
Hi-Back Seat Cover	133-1308
PX Hydraulic Fluid (5 Gal)	133-8086
PX Hydraulic Fluid (55 Gal).....	133-8087
Bag Kit	137-8130
Bimini Shade Kit	138-8579
MVP Kit-HYD Hose.....	140-5235
Shim-TORO Reel (.002in)	140-5531
Tire - 20 X 10.00-8, 4ply.....	144-3665
MVP Kit 1000 Hour	44968
Height-of-Cut Bar.....	94-9010
Weight Kit, Greensmaster 3100, 3150 or 3250-D Traction Unit with Three-Wheel Drive	99-1645

Notes:



Count on it.