



**Count on it.**

**Parts Catalog**

**53cm Heavy-Duty Recycler®/Rear  
Bagger**

**Lawn Mower**

**Model No. 22285—Serial No. 400000000 and Up**



# Ordering Replacement Parts

To order replacement parts, please supply the part number, the quantity, and the description of each part desired.

## Understanding Reference Numbers

Each identified part in an illustration has a reference number. The reference number for a part also appears in the parts list, along with other information about the part.

This catalog uses two special reference number formats, one to indicate parts in a service assembly and another to indicate the quantity of a given part in an illustration.

## Service Assembly Reference Numbers

Parts in service assemblies have reference numbers in the form a:b. The a represents the reference number of the entire service assembly and the b represents a sequential number unique to each part within the service assembly.

For example, a wheel assembly might be identified by reference number 6, the tire by 6:1, the valve by 6:2, and the wheel by 6:3. When you order the assembly identified by reference number 6, you receive all parts identified by reference numbers 6:1, 6:2, and 6:3. However, you may also order any part individually. Reference numbers of this type appear in illustration and in parts lists.

## Reference Numbers Indicating Quantity

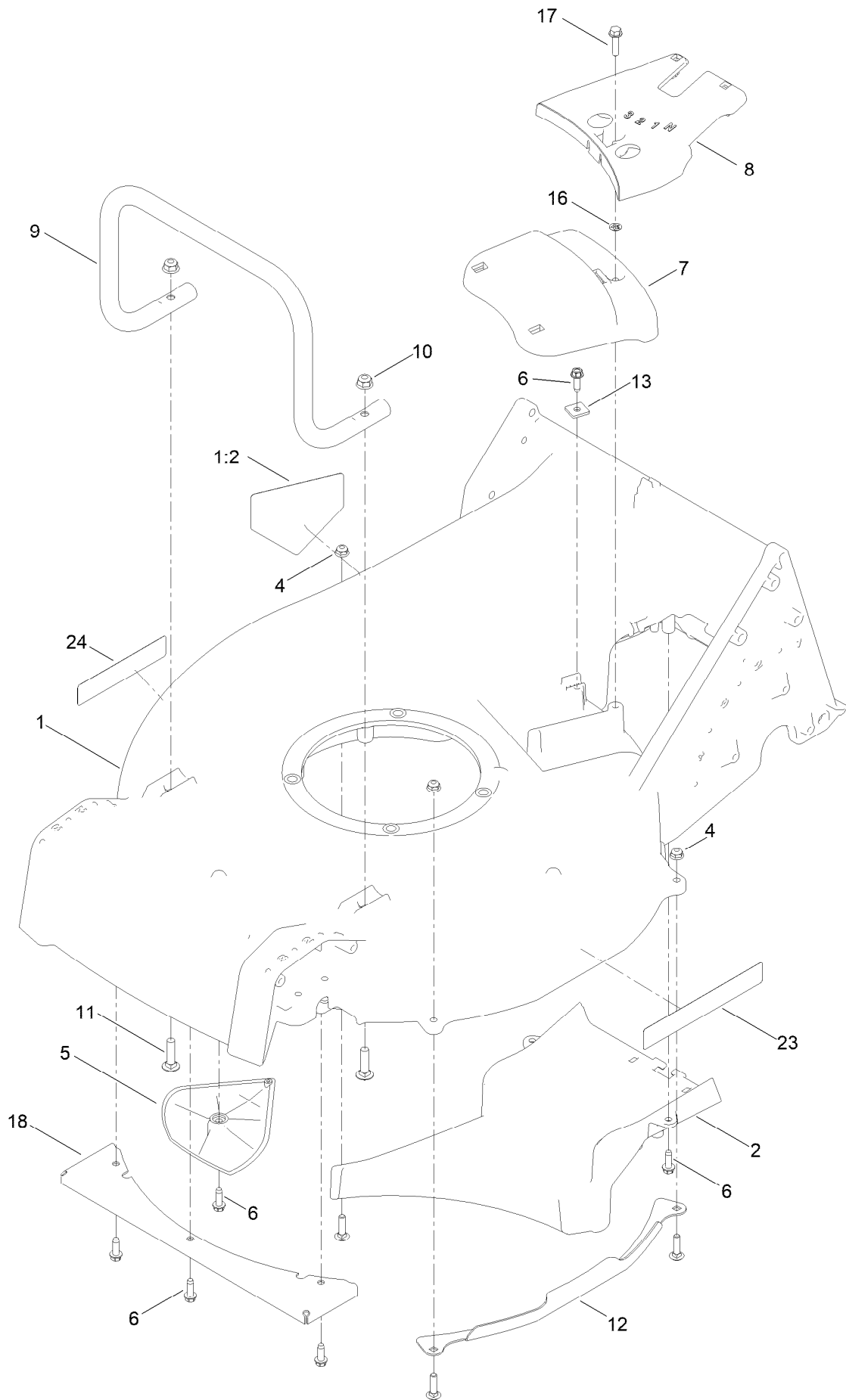
In an illustration, if a reference number indicates more than one part, the reference number has the form nX y. The n represents the quantity of the part, the X is the multiplication symbol, and the y represents the reference number.

For example, in an illustration, the reference number 2X 37 means that two of the parts identified by reference number 37 are indicated.

# Contents

Frame Assembly.....	4
Grass Bag Assembly.....	6
Engine and Blade Assembly.....	8
Front Wheel and Height-of-Cut Assembly.....	10
Transmission and Rear Wheel Assembly.....	12
Transmission Assembly No. 131-5350.....	14
Handle Assembly.....	16
Attachments and Accessories.....	18

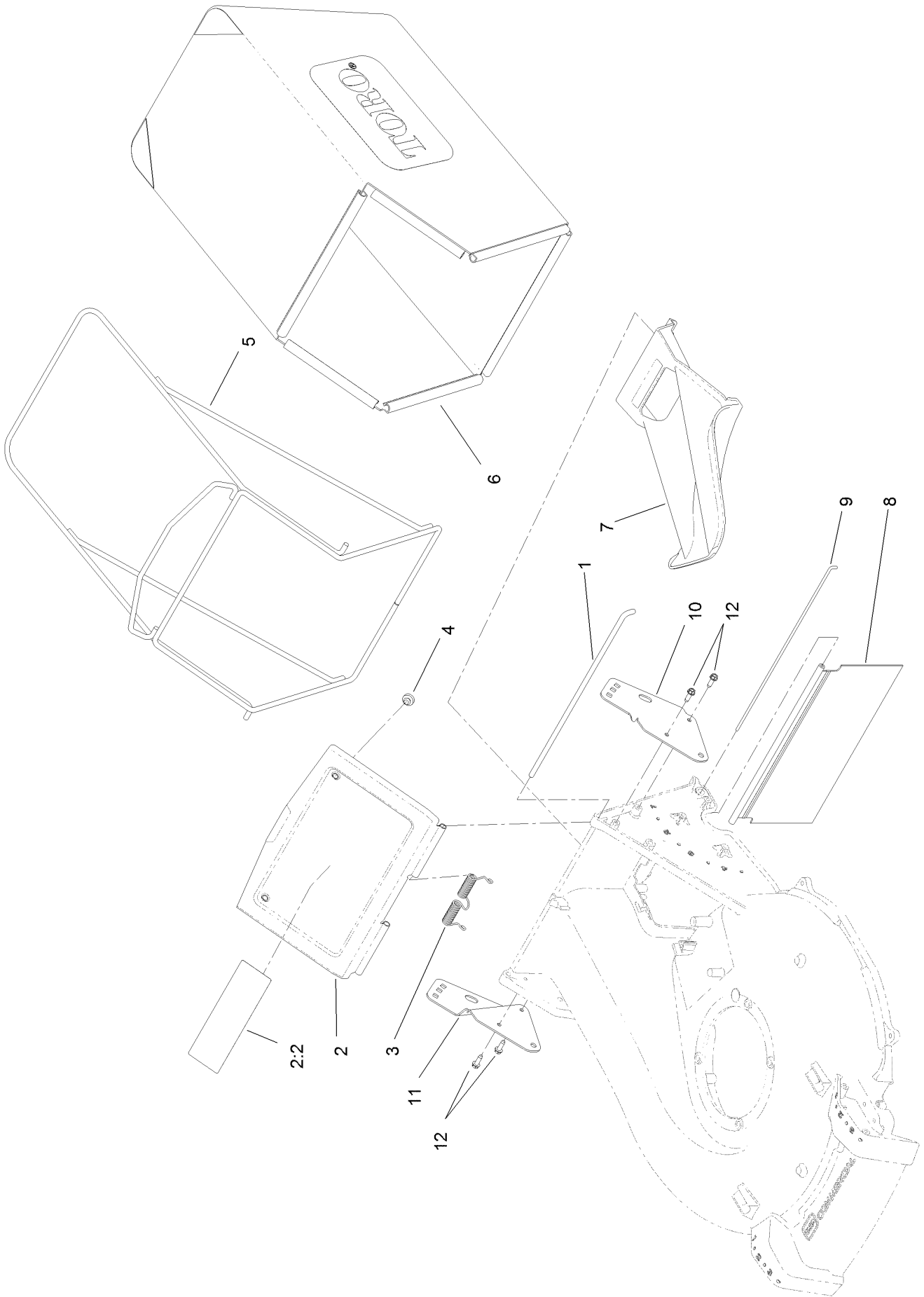
# Frame Assembly



## Frame Assembly (continued)

<i>Ref.</i>	<i>Part Number</i>	<i>Qty.</i>	<i>Description</i>	<i>Ref.</i>	<i>Part Number</i>	<i>Qty.</i>	<i>Description</i>
1	136-5897	1	Housing ASM	10	104-8300	2	Nut-HF, NI
1:2	112-8760	1	Decal-Danger	11	3230-3	2	Screw-CARR
2	125-1002-01	1	Floor-Chute	12	125-1047-03	2	Guard-Side, Deck
4	104-7201	4	Nut-HF, NI	13	125-8387	1	Clamp-Cable
5	125-5041	2	Kicker	16	32115-15	1	Nut-Push
6	49-2040	8	Screw-HWHTF	17	32144-86	1	Screw-HWHTF
7	125-5038	1	Cover-Belt, Front	18	125-8435-03	1	Guard-Toe, Front
8	125-5039	1	Cover-Belt, Rear	23	119-2368	1	Decal-Recycler
9	140-3880-03	1	Guard-Engine	24	125-8420	1	Decal

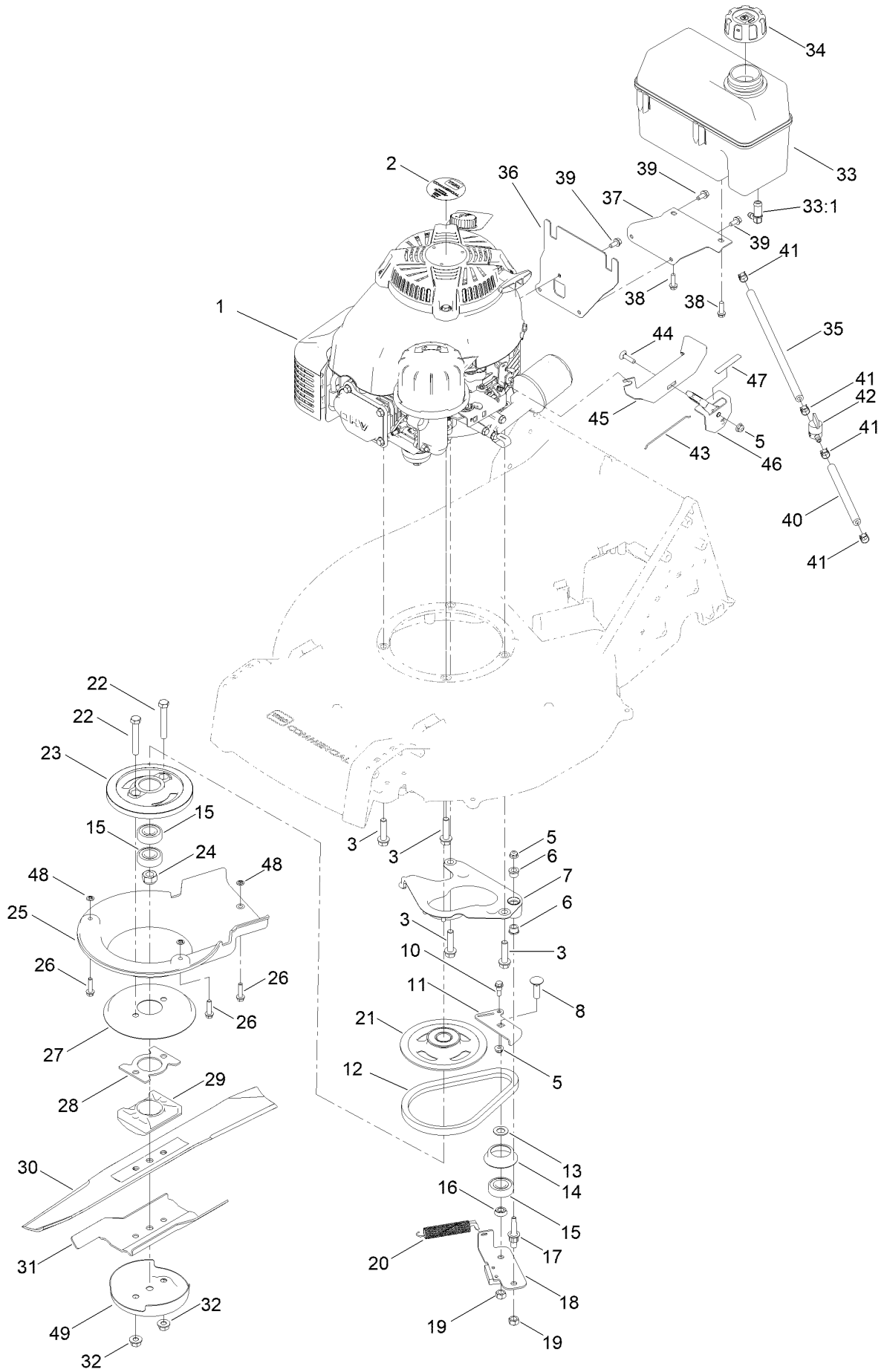
# Grass Bag Assembly



## Grass Bag Assembly (continued)

<i>Ref.</i>	<i>Part Number</i>	<i>Qty.</i>	<i>Description</i>	<i>Ref.</i>	<i>Part Number</i>	<i>Qty.</i>	<i>Description</i>
1	125-1017	1	Rod-Door, Bag	7	125-1008	1	Plug-Mulch
2	125-8402	1	Bag Door ASM	8	125-1007	1	Shield-Trailing
2:2	116-7583	1	Decal-Warning	9	125-8413	1	Rod-Shield, Trailing
3	125-1019	1	Spring-Torsion	10	133-8193-03	1	Bracket-Mount, Handle (LH)
4	1-513658	2	Bumper	11	133-8194-03	1	Bracket-Mount, Handle (RH)
5	121-1399-03	1	Frame-Bag	12	32144-70	4	Screw-HWHTF
6	125-1030	1	Bag-Grass				

# Engine and Blade Assembly





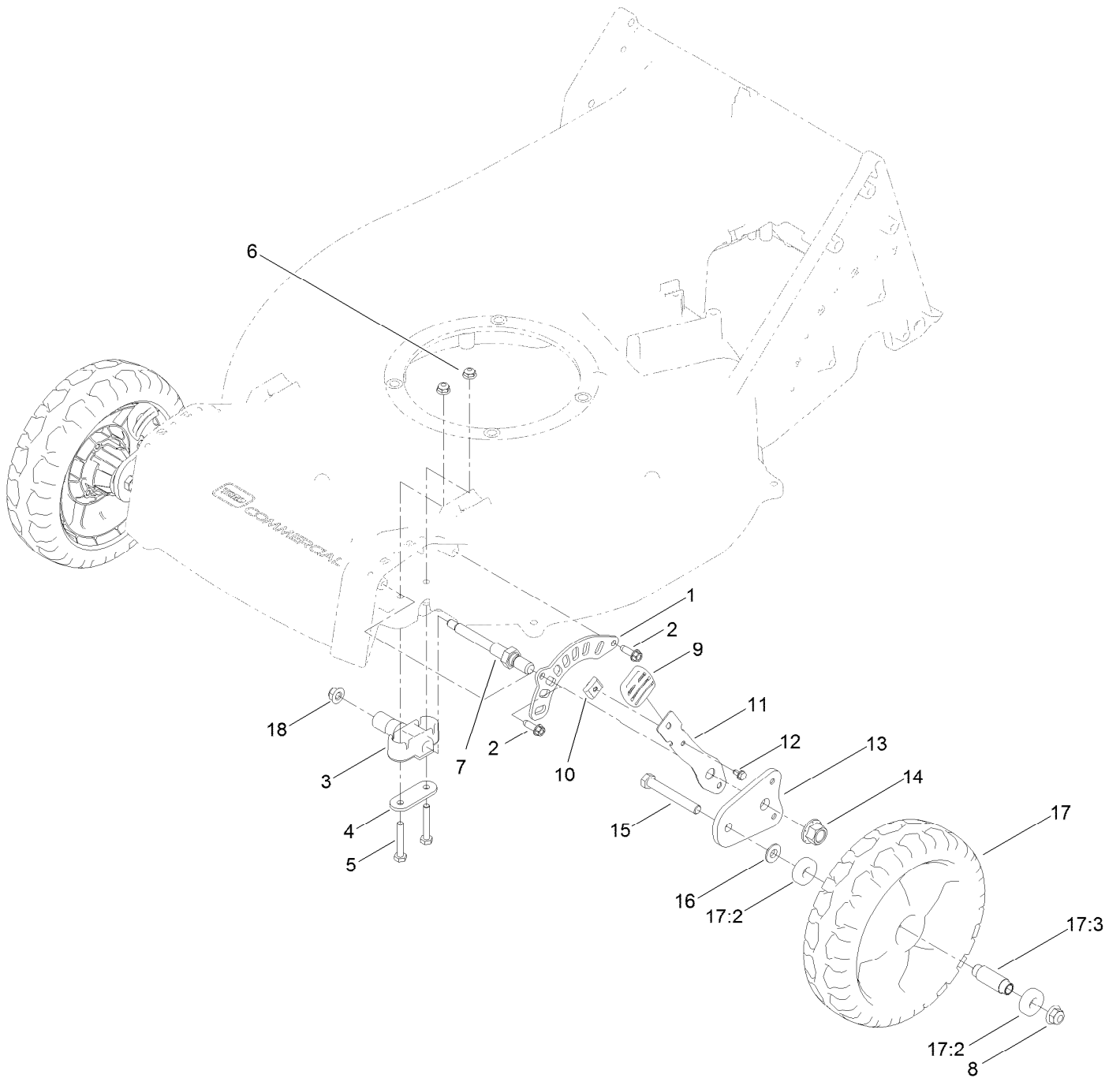
## Engine and Blade Assembly (continued)

<i>Ref.</i>	<i>Part Number</i>	<i>Qty.</i>	<i>Description</i>	<i>Ref.</i>	<i>Part Number</i>	<i>Qty.</i>	<i>Description</i>
1		1	Engine-Kawasaki, Fj180V ●	27	138-3225	1	Disk
2	110-0520	1	Decal	28	130-6405-03	1	Spacer-Driver, Blade
3	125-1073	4	Screw-HWH	29	107-7487	1	Support-Blade
5	104-7201	3	Nut-HF, NI	30	133-8183-03	1	Blade-Recycling 21In (Bagging)
6	130-2377	2	Bushing-Flange	31	125-1069-03	1	Accelerator-Blade
7	130-2375	1	Plate-Anchor	32	127-6852	2	Nut-Flange, Lock
8	3231-25	1	Bolt-CARR	33	117-3510	1	Tank-Fuel
10	42-3560	1	Bolt-Shoulder	33:1	117-7400	1	Fitting-Plastic
11	125-8446	1	Plate-Guide, BBC	34	93-7198	1	Cap-Gas
12	110-1790	1	Belt	35	109-0297	1	Hose-Fuel
13	605256	1	Spacer	36	125-8381-03	1	Bracket-Tank, Mounting
14	138-3217	1	Retainer-Belt	37	125-8382-03	1	Bracket-Tank, Support
15	38-7820	3	Bearing-Ball	38	46-8091	2	Screw-HWH
16	107-0758	1	Spacer-Bearing	39	125-8383	3	Screw-HWH
17	130-9699	1	Bolt-Shoulder	40	107-0588	1	Hose-Fuel
18	125-1063	1	Plate-Brake	41	2412-98	4	Clamp-Hose
19	125-5069	2	Nut-Hex	42	1-603770	1	Valve-Fuel
20	108-3792	1	Spring-Tension, Brake	43	130-9654	1	Wire-Control
21	117-5970	1	Pulley	44	3229-30	1	Screw-CARR
22	3211-42	2	Screw-HH	45	130-6440-03	1	Bracket-Mount, Throttle
23	126-8108	1	Drum	46	130-9655	1	Control-Throttle
24	108-9342	1	Nut-Hex	47	130-9656	1	Decal-Throttle, Choke
25	125-1006	1	Cover	48	32115-15	3	Nut-Push
26	32144-86	3	Screw-HWHTF	49	125-8440	1	Cup-Anti Scalp

● Not serviced separately

■ Obtain parts from [www.kawpower.com](http://www.kawpower.com)

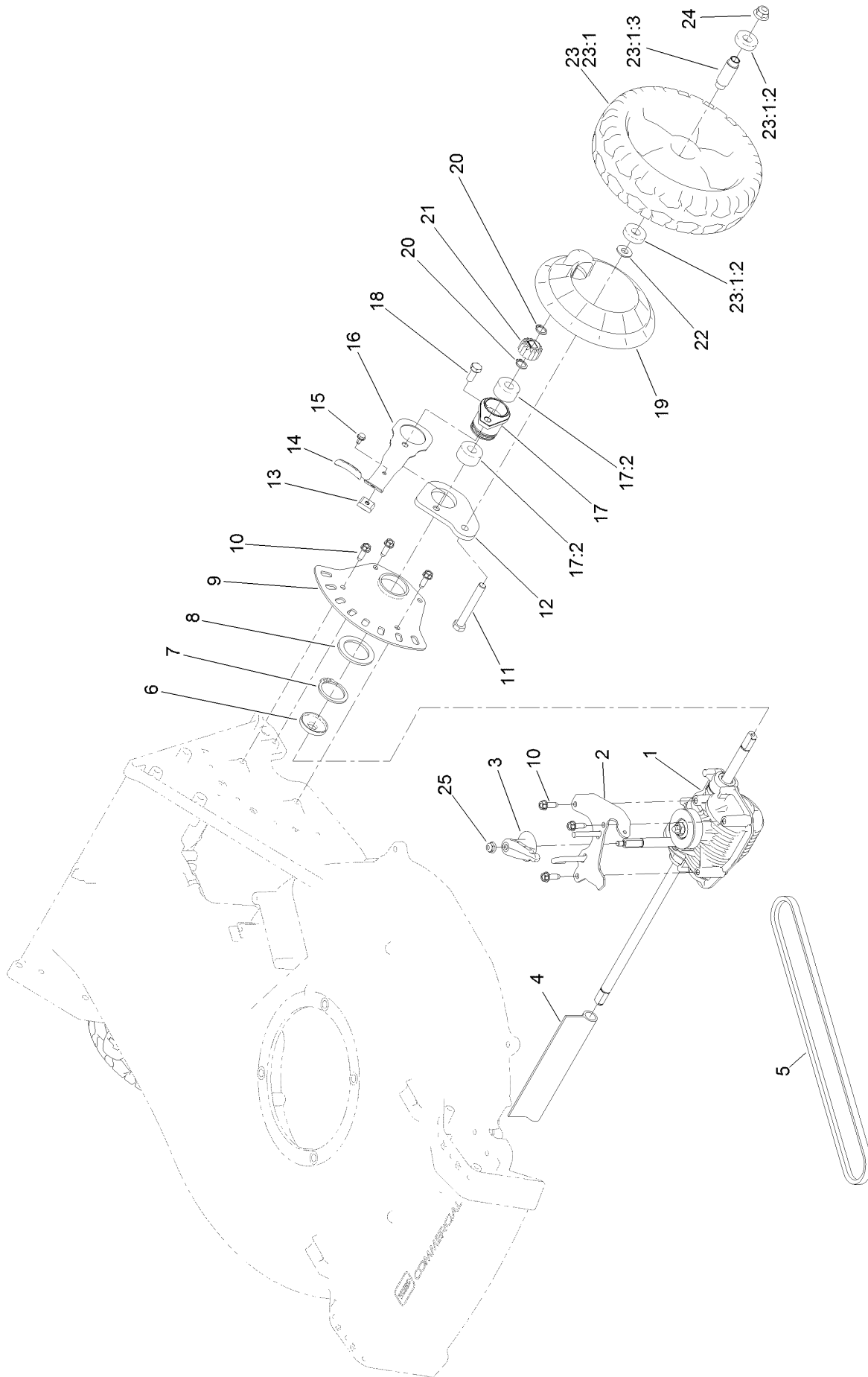
# Front Wheel and Height-of-Cut Assembly



## Front Wheel and Height-of-Cut Assembly (continued)

<i>Ref.</i>	<i>Part Number</i>	<i>Qty.</i>	<i>Description</i>	<i>Ref.</i>	<i>Part Number</i>	<i>Qty.</i>	<i>Description</i>
1	121-1439	2	Plate-HOC, Front	11	121-1431-03	2	Arm-Spring
2	49-2040	4	Screw-HWHTF	12	104-2065	2	Screw-HWH
3	136-5871	2	Bushing-Axle, Front (HOC)	13	130-6420	2	Arm-Pivot, Front
4	130-6434	2	Retainer-Bushing, Axle	14	99-5107	2	Nut-Lock
5	321-37	4	Screw-HH	15	323-13	2	Screw-HH
6	104-7201	4	Nut-HF, NI	16	74-1671	2	Spacer-Cover, Wheel
7	133-2644	2	Axle-Front HOC	17	133-2639	2	Wheel
8	104-8301	2	Nut-HF, NI	17:2	133-2603	2	Bearing-Ball
9	125-1093	2	Knob-Lever, HOC	17:3	125-1077	1	Spacer
10	131-5377	2	Key-Arm, Spring	18	104-8300	2	Nut-HF, NI

# Transmission and Rear Wheel Assembly

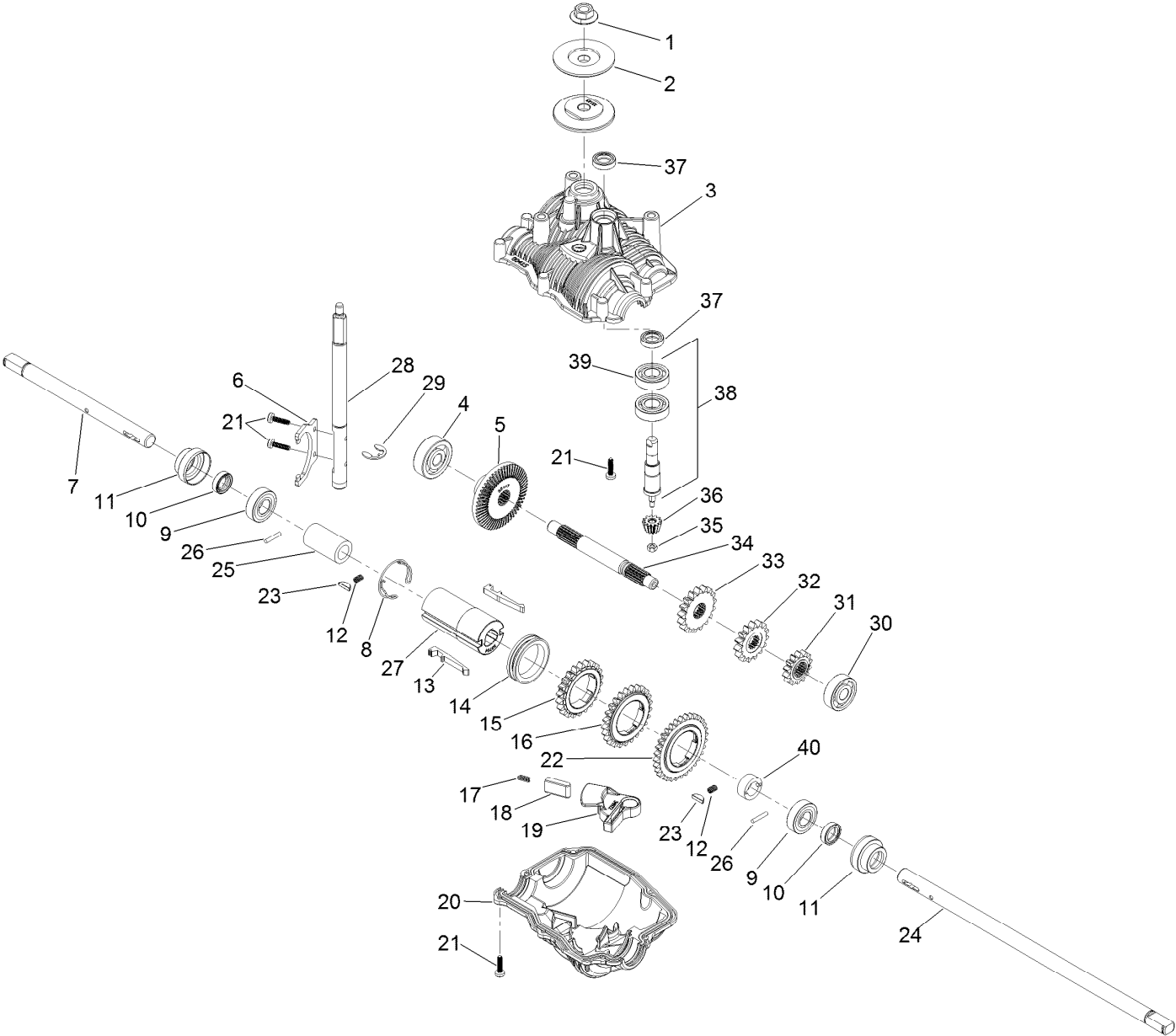


## Transmission and Rear Wheel Assembly (continued)

<i>Ref.</i>	<i>Part Number</i>	<i>Qty.</i>	<i>Description</i>	<i>Ref.</i>	<i>Part Number</i>	<i>Qty.</i>	<i>Description</i>
1	131-5350	1	Transmission	16	121-1448-03	2	Arm-Spring, Rear
2	125-5090-03	1	Guide-Belt	17	136-5894	2	Bearing Retainer ASM
3	125-5040	1	Lever-Shift	17:2	133-2606	2	Bearing-Ball, Custom
4	130-9681	1	Cover-Shaft, Transmission	18	133-2668	2	Screw-HH
5	125-1011	1	Belt-V	19	133-2635	2	Cover-Wheel
6	127-6848	2	Cover-Bearing	20	32151-61	4	Ring-Retaining
7	32151-10	2	Ring-Retaining	21	131-5399	2	Gear-Pinion, 15T
8	98-1452	2	Washer-Thrust	22	74-1671	2	Spacer-Cover, Wheel
9	130-6422	2	Plate-HOC, Rear	23	133-2640	2	9-Inch Wheel ASM
10	49-2040	9	Screw-HWHTF	23:1		1	Wheel ●
11	323-13	2	Screw-HH	23:1:2	133-2603	2	Bearing-Ball
12	133-2641	2	Arm-Pivot, Rear	23:1:3	125-1077	1	Spacer
13	131-5377	2	Key-Arm, Spring	24	104-8301	2	Nut-HF, NI
14	125-1093	2	Knob-Lever, HOC	25	104-7201	1	Nut-HF, NI
15	104-2065	2	Screw-HWH				

● Not serviced separately

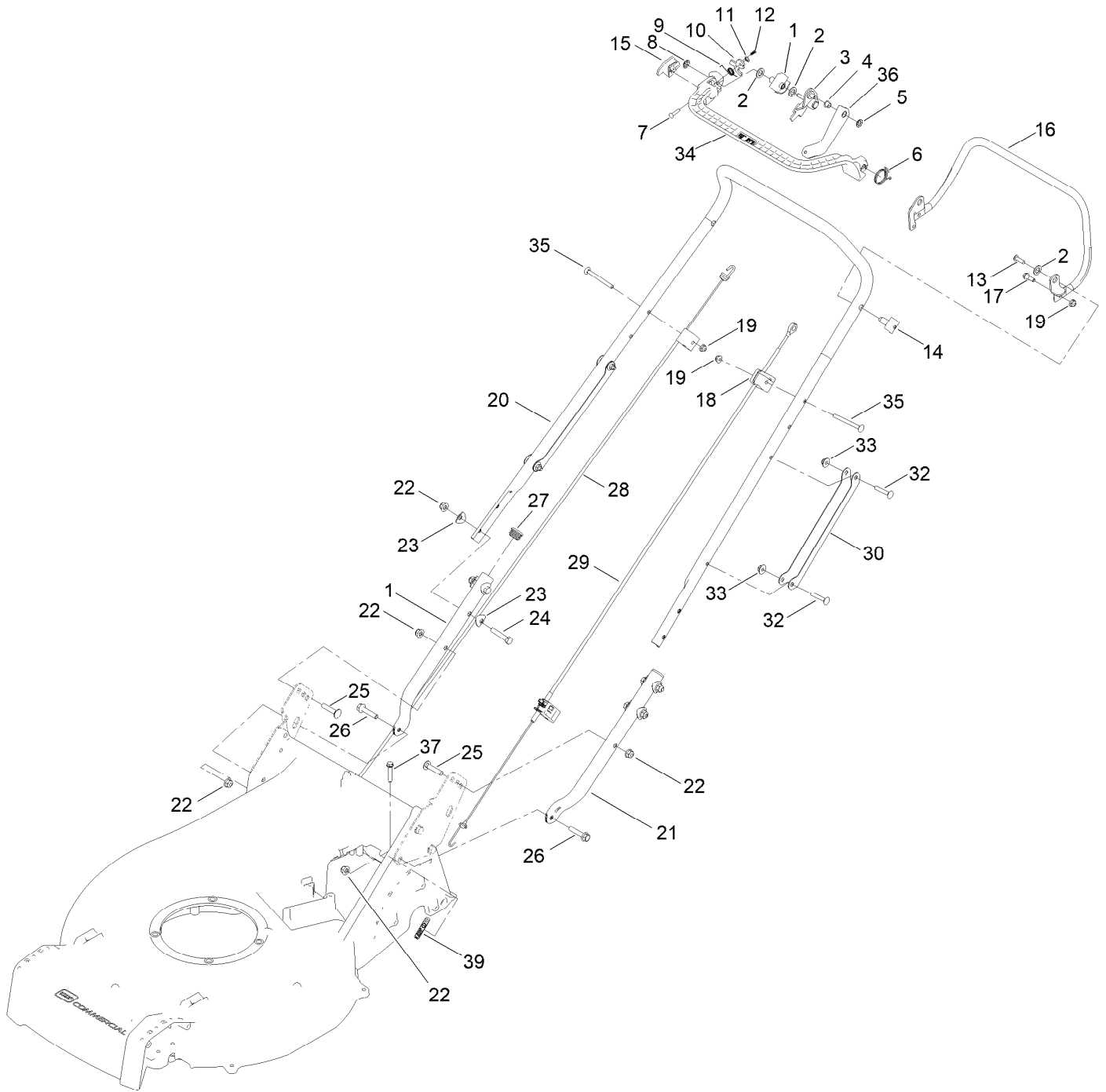
# Transmission Assembly No. 131-5350



## Transmission Assembly No. 131-5350 (continued)

<i>Ref.</i>	<i>Part Number</i>	<i>Qty.</i>	<i>Description</i>	<i>Ref.</i>	<i>Part Number</i>	<i>Qty.</i>	<i>Description</i>
1	130-2301	1	Nut-Flange	21	130-2302	10	Screw
2	130-2326	2	Flange-Pulley	22	130-2317	1	Gear-Output, 32 Tooth
3	130-2336	1	Case-Upper, Transmission	23	133-2614	2	Key
4	130-2318	1	Bearing-Ball	24	133-2612	1	Shaft-Output, Long
5	130-2311	1	Gear-Bevel, 53 Tooth	25	133-2617	1	Spacer-Long
6	130-2327	1	Fork-Shift	26	133-2616	2	Pin
7	133-2611	1	Shaft-Output, Short	27	133-2613	1	Hub-Gear, Output
8	130-2322	1	Spring-Retaining	28	130-2306	1	Shaft-Shift
9	130-9708	2	Bearing-Ball	29	130-2304	1	Ring-Retaining
10	130-2325	2	Seal	30	130-2319	1	Bearing-Ball
11	130-2333	2	Bushing-Shaft, Output	31	130-2314	1	Gear-Intermediate, 14 Tooth
12	133-2615	2	Spring	32	130-2313	1	Gear-Intermediate, 15 Tooth
13	130-2328	2	Key-Shift	33	130-2312	1	Gear-Intermediate, 17 Tooth
14	130-2329	1	Ring-Shift	34	130-2307	1	Shaft-Intermediate
15	130-2315	1	Gear-Output, 22 Tooth	35	130-2303	1	Nut-Shaft, Input
16	130-2316	1	Gear-Output, 25 Tooth	36	130-2310	1	Gear-Bevel, 12 Tooth
17	130-2321	1	Spring-Indexing, Shifter	37	130-2324	2	Seal
18	130-2332	1	Pin-Indexing, Shifter	38	130-2300	1	Shaft-Input
19	130-2331	1	Lever-Indexing, Shifter	39	130-9708	2	Bearing-Ball
20	130-2337	1	Case-Lower, Transmission	40	133-2618	1	Spacer-Short

# Handle Assembly





## Handle Assembly (continued)

<i>Ref.</i>	<i>Part Number</i>	<i>Qty.</i>	<i>Description</i>	<i>Ref.</i>	<i>Part Number</i>	<i>Qty.</i>	<i>Description</i>
1	111-8990	1	Clamp-Bar	20	145-4022-03	1	Handle-Upper
2	09688	3	Washer-Nylon	21	134-5087-03	2	Lower Handle
3	134-2660	1	Anchor Plate Welded	22	104-8300	8	Nut-HF, NI
4	134-1761	1	Bush, Igus (8 X 9 X 8)	23	137-3009	8	Washer-Cup
5	0201086	1	Washer-Starlock	24	322-39	4	Screw-HH
6	134-2284	1	Lever-Bail Arm, Spring	25	3230-4	2	Bolt-CARR
7	111-8908	1	Latch-Pin	26	115-1794	2	Screw-HHF
8	134-3208	1	Starlock-Domed	27	144-6379	2	Plug-Round Tube, 1 In.
9	111-8906	1	Lever-Bail, Spring	28	145-5850	1	Cable-BBC
10	111-8903	1	Lever-Catch	29	145-1483	1	Cable-Traction, 60V
11	111-0718	1	Fastener-Starlock, Push-On	30	134-5187-03	2	Guard-Cable, Handle
12	134-2027	1	Clip-Tree	32	108-0988	4	Screw-CARR
13	09687	1	Screw	33	114-3778	4	Nut-HF
14	340182	1	Pin-Pivot	34	134-2608	1	Arm-Bail
15	145-4027	1	Button-Latch, BBC	35	92-2270	1	Screw-Handle
16	111-9381-03	1	Lever-Clutch, Gearbox	36	134-2662	1	BBC Linkage Assembly
17	42-3560	1	Bolt-Shoulder	37	94-2691	1	Screw-HWH Taptite
18	133-8199	1	Anchor-Cable	39	131-0822	1	Decal
19	104-7201	2	Nut-HF, NI				

# Attachments and Accessories

## For 22285 53cm Heavy-Duty Recycler/Rear Bagger Lawn Mower

**Product Name**

**Model/Part**

Rear Discharge Kit..... 130-9734

**Notes:**



**Count on it.**