



# eTimeCutter® Riding Mowers

Model No. 75642—400000000 and Up

Model No. 75851—400000000 and Up

Model No. 75841—400000000 and Up

## Setup Instructions

---



# Installing the Back Cushion

Machines with MyRide® Suspension System Only

## Parts Required

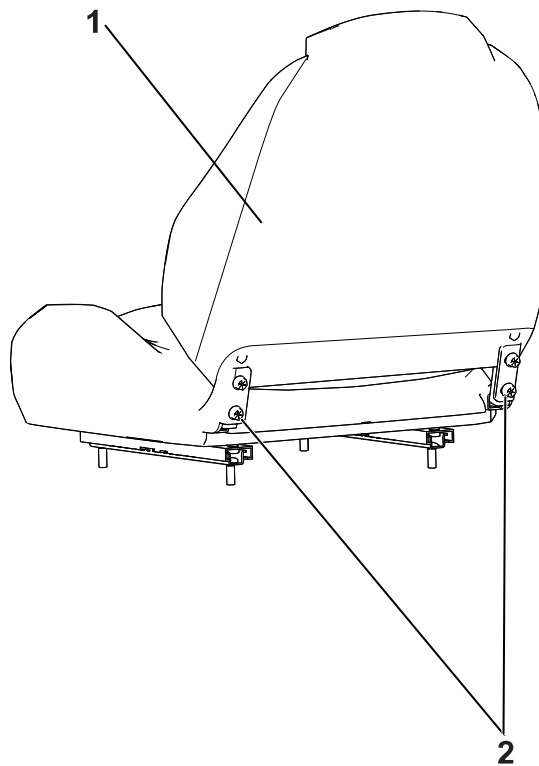
1	Seat back
4	Hex-flange bolt

1. Slide the seat back on to the seat-base posts and align the holes.



2. Secure the seat back using 4 hex-flange bolts and 4 nuts. Torque the bolts to **19.7 N·m (14.5 ft-lb)**.

**Note:** Insert the bolts from back to front. You may need to shift the seat fabric to install the nuts.



G459387

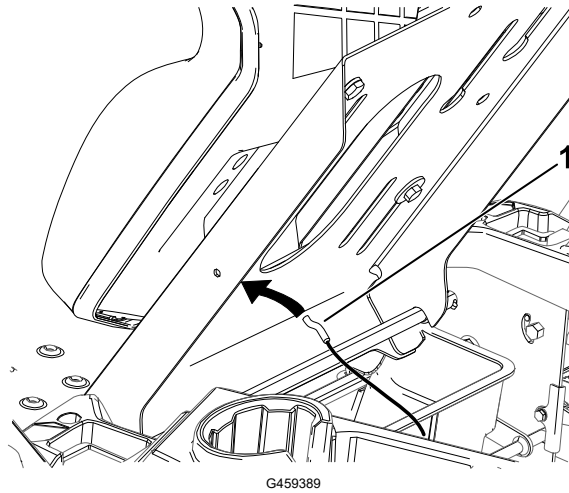
① Seat back

② Hex-flange bolts

# Attaching the Seat-Tilt Cable

## Non-MyRide Machines Only

1. Tilt the seat back partway.
2. Attach the seat-tilt cable from inside the seat pan.



① Seat-tilt cable

3. Lower the seat.

## Setting Up the Motion-Control Levers

1. Locate the motion-control levers attached, but folded down on the machine.
2. Remove the upper bolt (3/8 x 1 inch) and loosen the lower bolt (3/8 x 1 inch).
3. Raise the motion control levers to the upright position.
4. Align the holes in the motion-control lever with the holes in the control-arm shaft, and install the bolt removed previously. Repeat this for both control levers.

**Note:** Hand tighten all fasteners.

5. Move the motion-control levers to the park position, raise the seat, and move the control levers back to the center position (neutral).
6. Verify that the motion-control levers are properly aligned.

**Note:** Adjust as necessary. Tighten all fasteners.

# Completing the Setup

## Parts Required

1	Key
1	<i>Operator's Manual</i>
1	Operator training material

## Checking the Mower Adjustment

Adjust the side-to-side level and the front-to-rear blade slope. Use the relevant procedures in the *Operator's Manual* to verify that the deck is level, and make any adjustments as necessary. Refer to the *Operator's Manual* for more information.

## Checking the Tire Pressure

Check the front and rear tires for proper inflation; refer to Checking the Tire Pressure in the *Operator's Manual* for the recommended inflation pressure.

## Checking the Side-Discharge Chute

Remove the packing restraint holding the side discharge chute up and lower the chute into place.

## Organizing the Material

Keep all the following items with the machine:

- Ignition key
- *Operator's Manual*
- View the operator training material before operating the machine

## Charging and Installing the Batteries

Ensure that the battery packs are fully charged and installed; refer to Charging the Battery Packs and Installing the Battery Packs in the *Operator's Manual* for more information.