



Seat Suspension Kit

60in TITAN® MAX Riding Mower

Model No. 147-7613

3460-687B

Installation Instructions

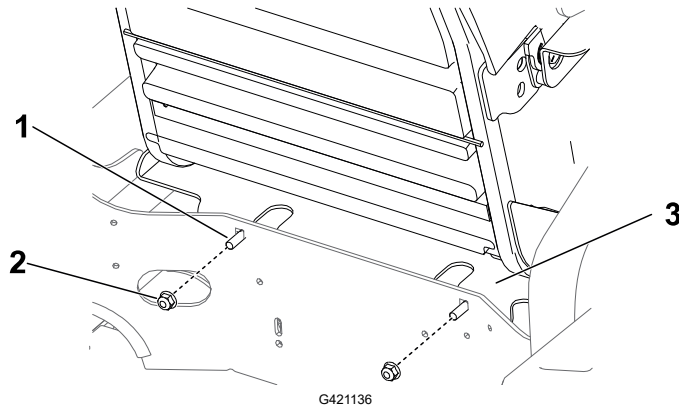
Preparing the Machine

1. Park the machine on a level surface.
2. Move the motion-control levers to the NEUTRAL-LOCK position.
3. Engage the parking brake.
4. Shut off the engine and remove the key.
5. Wait for the machine to cool.

Removing the Seat Assembly

Note: Retain all removed parts.

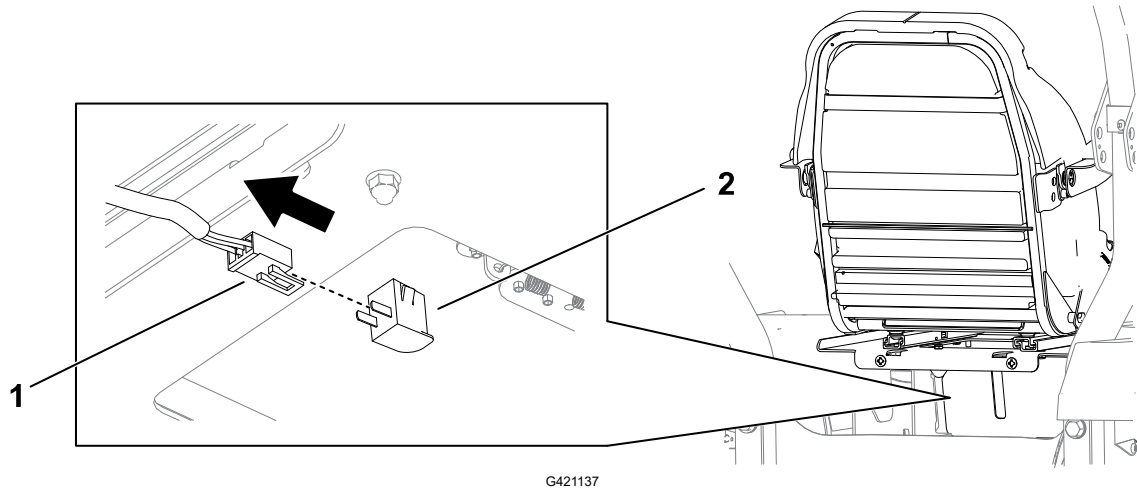
1. Remove the fasteners securing the seat plate to the machine.



- ① Carriage bolt (2)
- ② Nut (2)
- ③ Seat plate

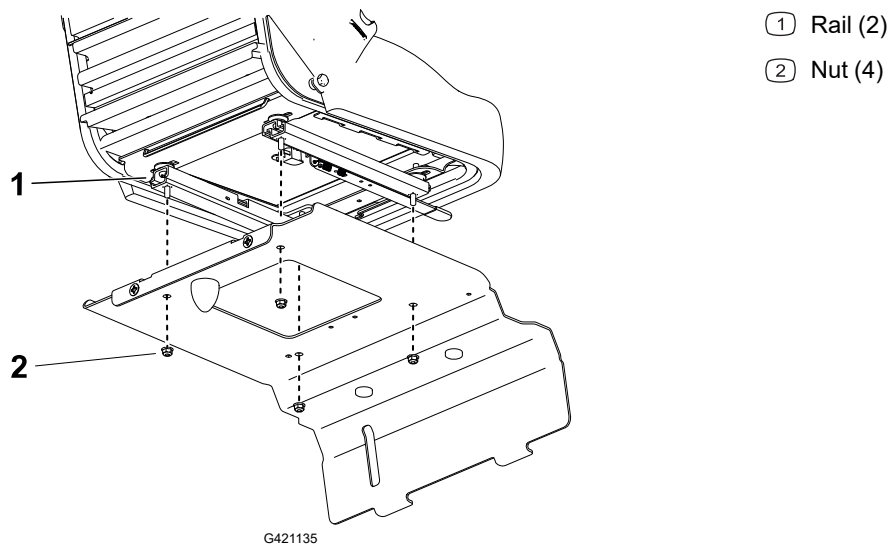


2. Lift the seat assembly and unplug the wire harness from the seat switch.



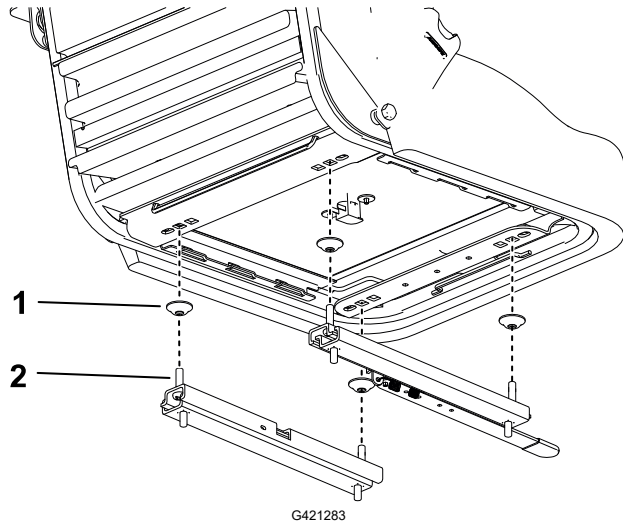
- ① Wire harness
- ② Seat switch

3. Remove the seat assembly from the machine.
4. Remove the nuts securing the seat rails to the seat plate.



- ① Rail (2)
- ② Nut (4)

5. Remove the rails from the seat.



① Curved washer (4)

② Screw (4)

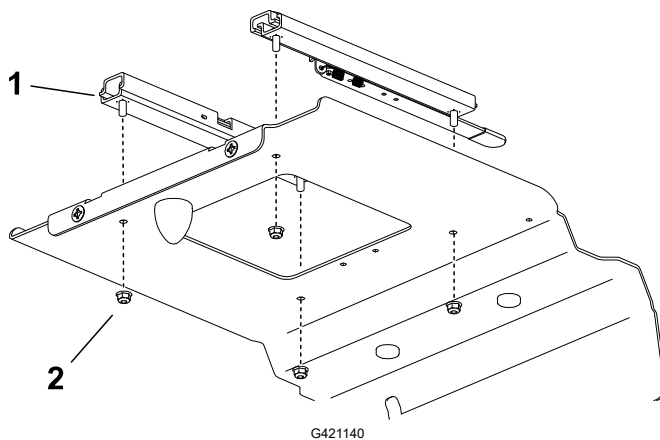
Installing the Seat Suspension

Parts Required

1	Seat suspension assembly
2	Long spacer
2	Short spacer
4	Nut
4	Bolt

Note: The suspension assembly may come with additional hardware. Discard any unused parts after installation.

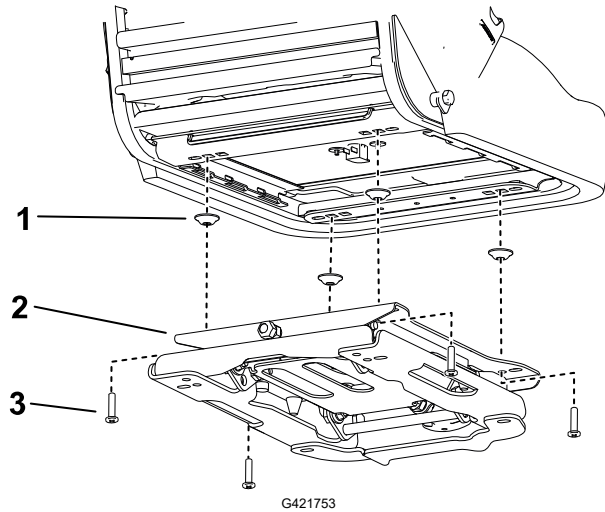
1. Install the rails to the seat plate using the existing nuts.



① Rail (2)

② Existing nut (4)

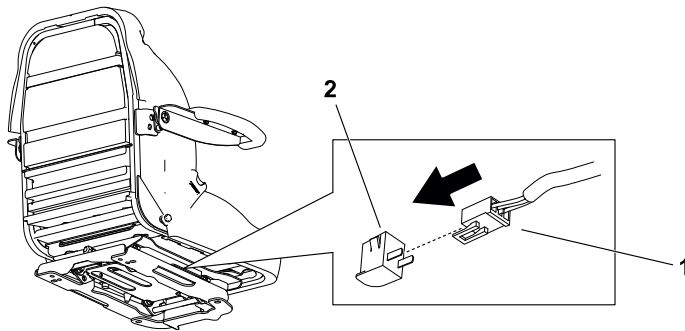
2. Install the suspension assembly to the seat using the screws from the rails.



- ① Curved washer (4)
- ② Suspension assembly
- ③ Rail screw (4)

G421753

3. Plug the wire harness into the seat switch from the right side of the seat.

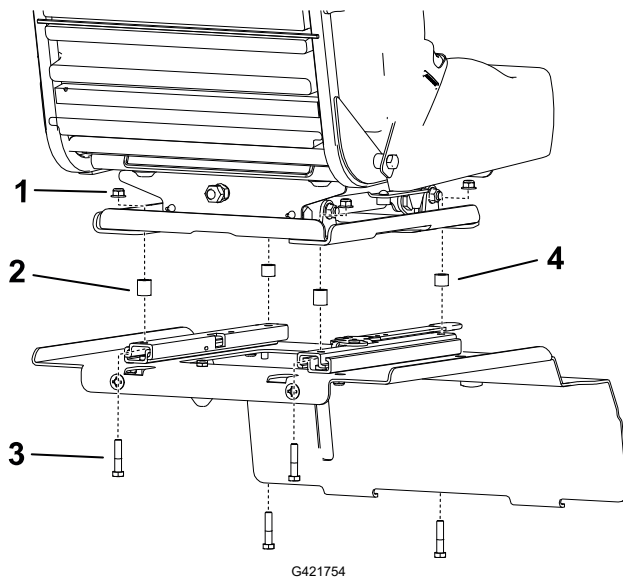


- ① Wire harness
- ② Seat switch

G421141

4. Attach the suspension assembly to the rails using the kit fasteners.

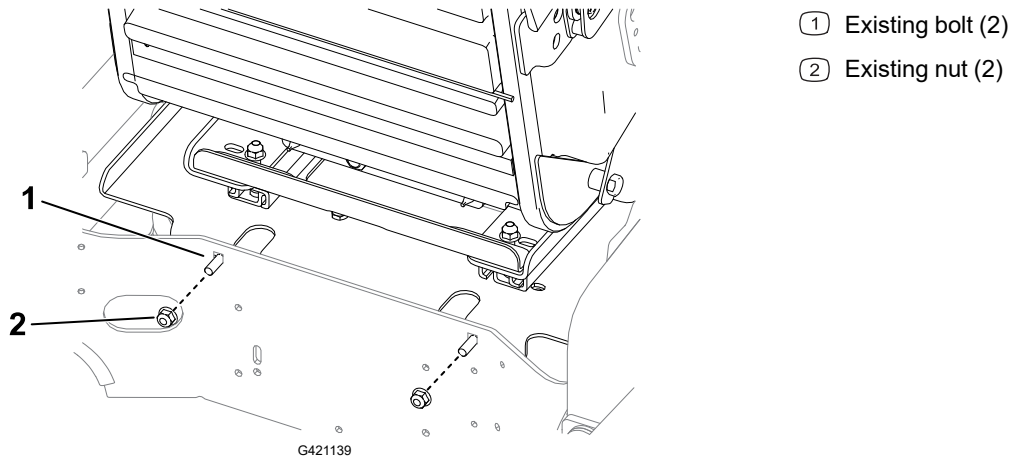
Note: Use the long spacers for the rear of the seat and use the short spacers for the front.



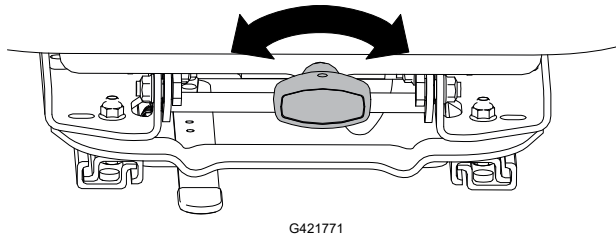
- ① Nut (4)
- ② Long (rear) spacer (2)
- ③ Bolt (4)
- ④ Short (front) spacer (2)

G421754

5. Place the assembly on the machine and secure the seat plate to the frame using the existing fasteners.



6. Turn the knob on the seat to the desired suspension before driving the machine.



Notes:

Notes:

