



Count on it.

Parts Catalog

**Reelmaster® 3100-D
Traction Unit**

Model No. 03170—Serial No. 412858945 and Up



Ordering Replacement Parts

To order replacement parts, please supply the part number, the quantity, and the description of each part desired.

Understanding Reference Numbers

Each identified part in an illustration has a reference number. The reference number for a part also appears in the parts list, along with other information about the part.

This catalog uses two special reference number formats, one to indicate parts in a service assembly and another to indicate the quantity of a given part in an illustration.

Service Assembly Reference Numbers

Parts in service assemblies have reference numbers in the form a:b. The a represents the reference number of the entire service assembly and the b represents a sequential number unique to each part within the service assembly.

For example, a wheel assembly might be identified by reference number 6, the tire by 6:1, the valve by 6:2, and the wheel by 6:3. When you order the assembly identified by reference number 6, you receive all parts identified by reference numbers 6:1, 6:2, and 6:3. However, you may also order any part individually. Reference numbers of this type appear in illustration and in parts lists.

Reference Numbers Indicating Quantity

In an illustration, if a reference number indicates more than one part, the reference number has the form nX y. The n represents the quantity of the part, the X is the multiplication symbol, and the y represents the reference number.

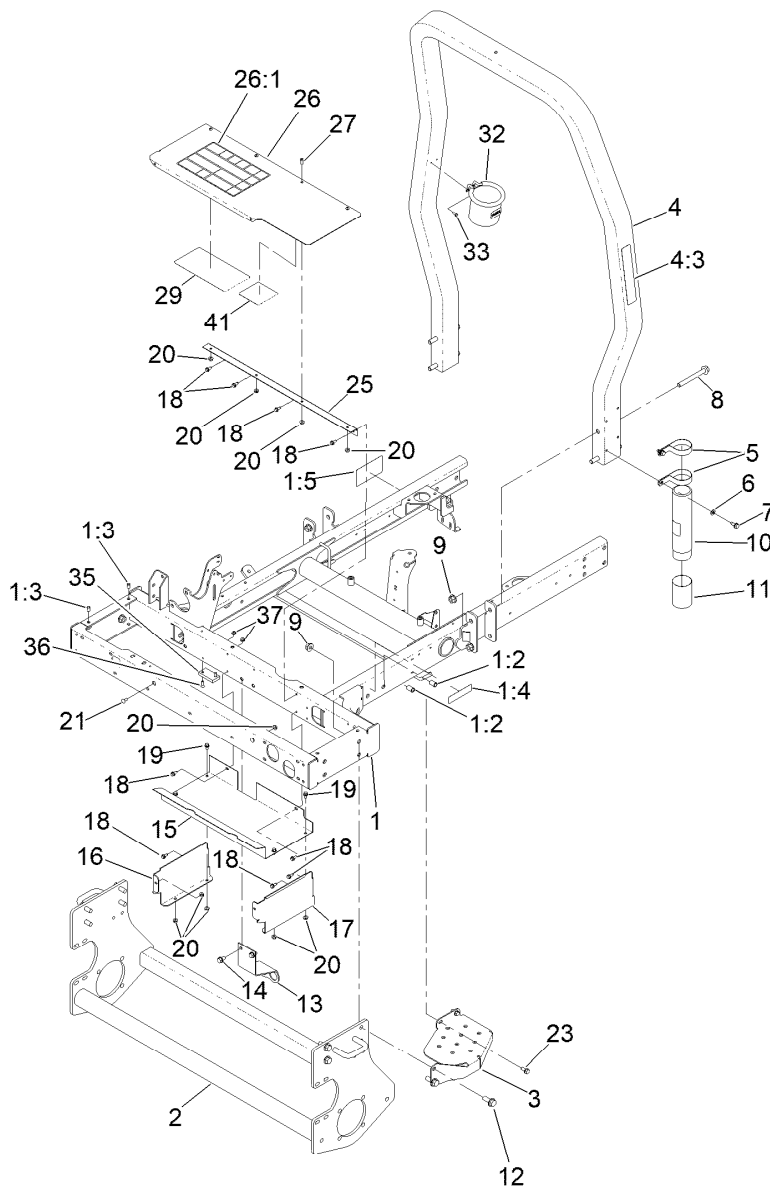
For example, in an illustration, the reference number 2X 37 means that two of the parts identified by reference number 37 are indicated.

Contents

Frame and Roll-Over Protection System Assembly	5
Battery Tray and Cover Assembly	6
Engine and Air Cleaner Assembly	7
Air Cleaner Assembly No. 93-2190	8
Muffler, Muffler Guard and Engine Mount Assembly	9
Radiator Assembly	10
Lift Arm Mount Assembly	11
Rear Lift Arm Assembly	12
Fuel System Assembly	13
Control Panel Assembly	15
Seat Assembly	17
Seat and Track Assembly No. 139-2679	18
Seat Assembly No. 139-2700	19
Steering Column Assembly	20
Steering Valve Assembly No. 121-7856	21
Pedal Assembly	22
Footplate Assembly	24
Hood Assembly	25
Hydraulic Drive and Wheel Assembly	26
Hydraulic Motor Assembly No. 110-8785	27
Hydraulic Motor Assembly No. 110-8786	28
Brake Assembly No. 104-7705	29
Rear Fork and Tire Assembly	30
Hydraulic Motor Assembly No. 95-8694	31
Hydraulic Cylinder Assembly No. 121-3653	32
Tandem Hydraulic Pump Assembly	33
Hydraulic Pump Assembly No. 104-4890	35
Gear Pump Assembly No. 95-8601	37
Tandem Pump Mount Assembly	38
Traction and Steering Circuit Assembly	39
Lift Circuit Assembly	41
Hydraulic Cylinder Assembly No. 112-9916	42
Hydraulic Cylinder Assembly No. 117-5109	43
Hydraulic Mow Circuit Assembly	44
Gear Motor Assembly No. 115-8250	46
Wire Harness and Battery Assembly	47
Hydraulic Tank and Control Valve Assembly	48
Hydraulic Manifold Assembly No. 108-9037	50
Single Spool Control Valve Assembly No. 95-8689	51
Crankcase Assembly	52
Oil Pan and Dipstick Assembly	53
Cylinder Head Assembly	54
Gear Case and Oil Filter Cartridge Assembly	55
Cylinder Head Cover Assembly	56
Main Bearing Case Assembly	57
Camshaft and Idle Gear Shaft Assembly	58
Piston and Crankshaft Assembly	59
Fuel Camshaft and Governor Shaft Assembly	60
Idle Apparatus Assembly	61
Stop Solenoid and Fuel Pump Cover Assembly	62
Injection Pump Assembly	63
Governor Assembly	64
Speed Control Plate Assembly	65
Nozzle Holder and Glow Plug Assembly	66

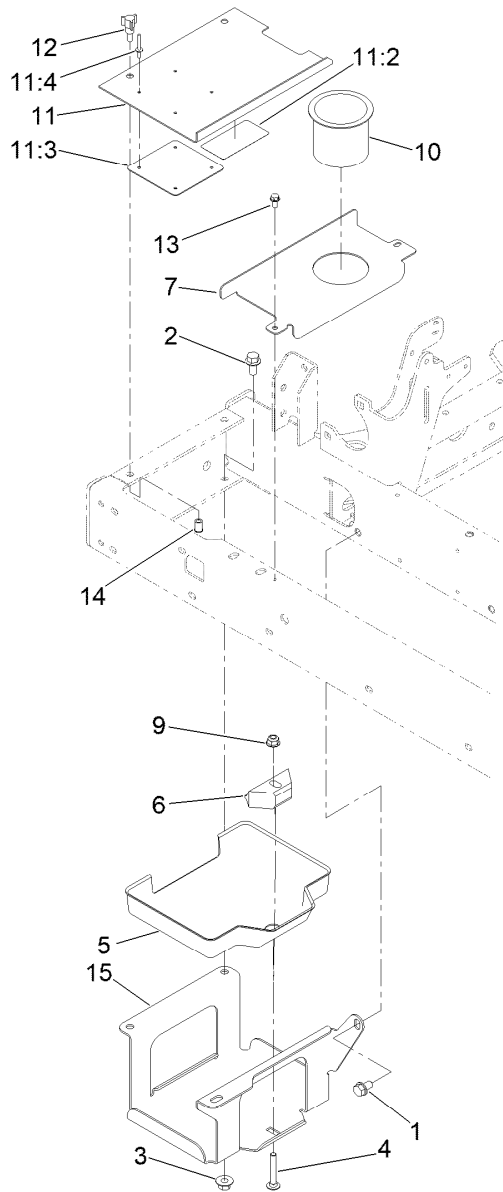
Contents (continued)

Nozzle Holder Assembly	67
Alternator, Pulley and Fan Assembly	68
Alternator Components Assembly	69
Starter and Flywheel Assembly	70
Starter Component Assembly	71
Water Flange and Thermostat Assembly	72
Water Pump and Water Pipe Assembly	73
Valve and Rocker Arm Assembly	74
Inlet and Exhaust Manifold Assembly	75
Miscellaneous Engine Parts	76
Upper Gasket Kit	77
Lower Engine Gasket Kit	78
Attachments and Accessories	79



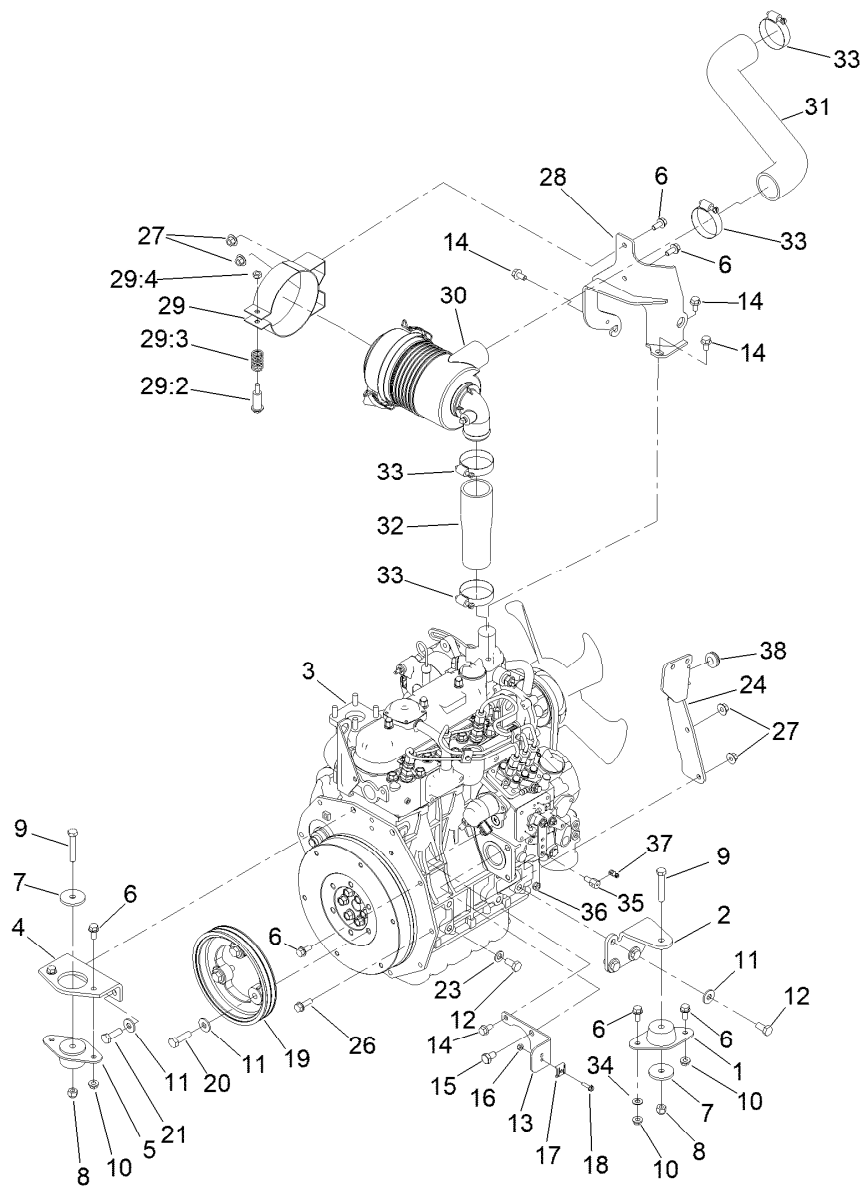
Frame and Roll-Over Protection System Assembly

Ref.	Part Number	Qty.	Description	Ref.	Part Number	Qty.	Description
1	121-3639	1	Frame ASM W/Decals	15	99-3430-0P	1	Bottom - Toolbox *b
1:2	32148-8	2	Nut-Clinch	16	99-3431-0P	1	End - Toolbox, RH *b
1:3	32148-6	2	Nut-Clinch	17	99-3432-0P	1	End - Toolbox, LH *b
1:4	133-8062	1	Decal-Arrestor, Spark	18	32144-10	9	Screw-HWH
1:5	117-3270	2	Decal-Danger	19	3234-13	4	Screw-HHF
2	95-8568-03	1	Frame-Lower	20	32128-33	10	Nut-HF
3	99-3375-03	1	Step	21	3229-11	2	Screw-CARR
4	127-8493	1	ROPS ASM	23	3234-5	2	Screw-HHF
4:3	136-3702	1	Decal-Safety, ROPS	25	119-2034	1	Hinge-Toolbox
5	2412-133	2	Clamp-R	26	119-2029	1	Toolbox Cover ASM
6	3256-23	2	Washer-Plain	26:1	121-3623	1	Decal-Danger
7	32144-70	2	Screw-HWHTF	27	119-6906	4	Screw-HSBH
8	117-3176	4	Screw-HHF	29	136-3716	1	Decal-Service
9	32128-49	12	Nut-HHF	32	117-2378	1	Holder-Bag
10	104-7050	1	Tube-Manual	33	32144-1	2	Screw-Taptite
11	104-7048	1	Cap-Housing	35	95-8684	1	Pad-Bumper
12	3234-38	8	Screw-HHF	36	3289-4	2	Screw-FH
13	115-3417-0P	1	Bracket-Bulkhead, Scissor	37	104-7201	2	Nut-HF, NI
14	32144-15	2	Screw-HHFTF	41	136-3717	1	Decal-Reel Speed



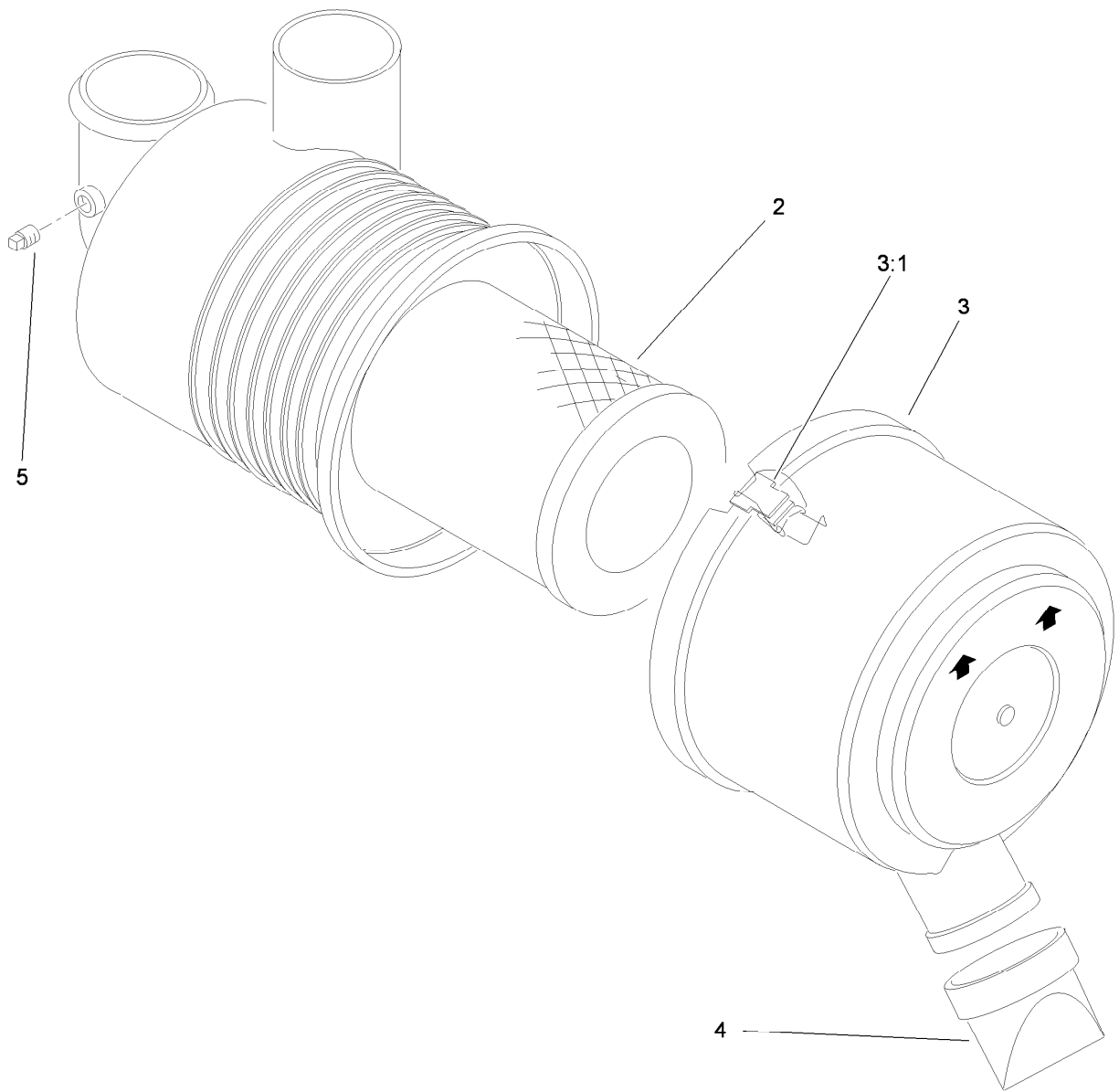
Battery Tray and Cover Assembly

<i>Ref.</i>	<i>Part Number</i>	<i>Qty.</i>	<i>Description</i>	<i>Ref.</i>	<i>Part Number</i>	<i>Qty.</i>	<i>Description</i>
1	32144-15	1	Screw-HHFTF	11	99-3602	1	Battery Cover ASM
2	3234-1	3	Screw-HHF	11:2	93-7276	1	Decal-Danger
3	32128-43	3	Nut-Flange	11:3	87-7620	1	Shield-Terminal, Battery
4	3230-6	1	Bolt-CARR	11:4	3269-27	4	Rivet-Snap
5	99-3513	1	Tray-Battery	12	233-70	2	Knob-Star, Three
6	138-6335	1	Retainer-Battery	13	32144-4	2	Screw-HWH
7	95-8817-01	1	Cover-Battery, Inner	14	32148-6	2	Nut-Clinch
9	104-8300	1	Nut-HF, NI	15	95-8796-03	1	Support-Battery
10	94-1410	1	Holder-Can, Beverage				



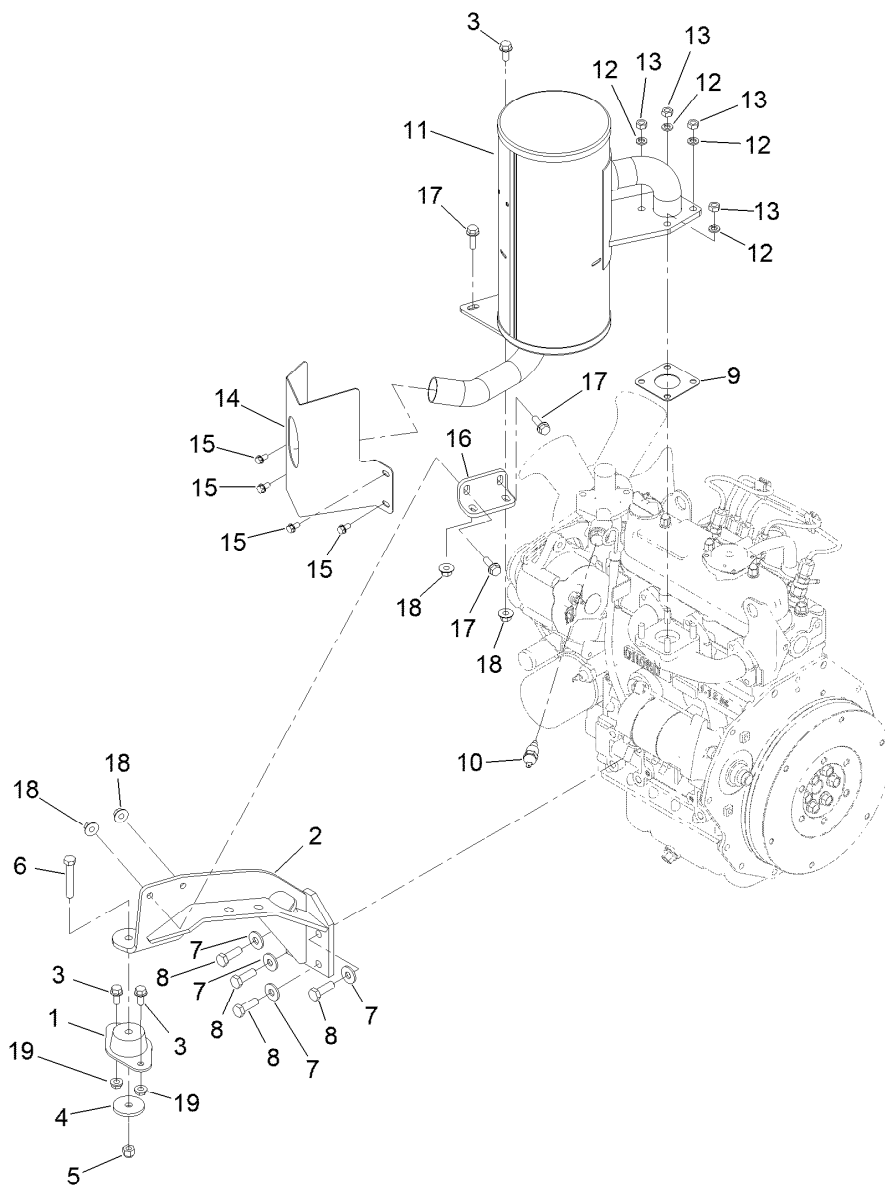
Engine and Air Cleaner Assembly

<i>Ref.</i>	<i>Part Number</i>	<i>Qty.</i>	<i>Description</i>	<i>Ref.</i>	<i>Part Number</i>	<i>Qty.</i>	<i>Description</i>
1	121-9076	1	Mount-Engine	21	95-8812	1	Screw-HH
2	95-8937-0P	1	Mount-Engine, LH	23	33095-00	1	Washer-Flat
3	138-6905	1	Engine-Kubota, D1105	24	115-3487-0P	1	Bracket-Mount, Fuel Filter
4	95-8926-0P	1	Mount - Engine, Front	26	3234-17	3	Screw-HHF
5	93-5265	1	Mount-Engine	27	32128-44	4	Nut
6	3234-5	5	Screw-HHF	28	136-3154-0P	1	Bracket-Cleaner, Air
7	80-8560	2	Washer-Hardened	29	93-2191	1	Air Cleaner Mounting Band ASM
8	3296-39	2	Nut-Lock, NI	29:2	94-3653	1	Bolt
9	323-11	2	Screw-HH	29:3	94-3654	1	Spring
10	32128-20	4	Nut-HF	29:4	33024-00	1	Nut-Lock, NI
11	80-6990	7	Washer-Hardened	30	93-2190	1	Air Cleaner ASM
12	63-7790	4	Screw-Cap	31	95-8946	1	Hose-Upper, Air Inlet
13	110-9009-0P	1	Bracket-Cable, Throttle	32	95-8947	1	Hose-Air Inlet, Lower
14	33104-016	4	Screw-HHF	33	2412-92	4	Clamp-Hose
15	70-8470	1	Screw-HH	34	120-9683	1	Washer-Plain
16	3296-2	1	Nut-Lock, NI	35	98-9311	1	Swivel-Throttle
17	81-1690	1	Clamp-Cable	36	3296-20	1	Nut-Lock, NI
18	32105-13	1	Screw-HWH	37	112-9919	1	Stop-Cable, Throttle
19	99-3412	1	Pulley	38	1-543296	1	Grommet
20	56-2140	3	Screw-HH				



Air Cleaner Assembly No. 93-2190

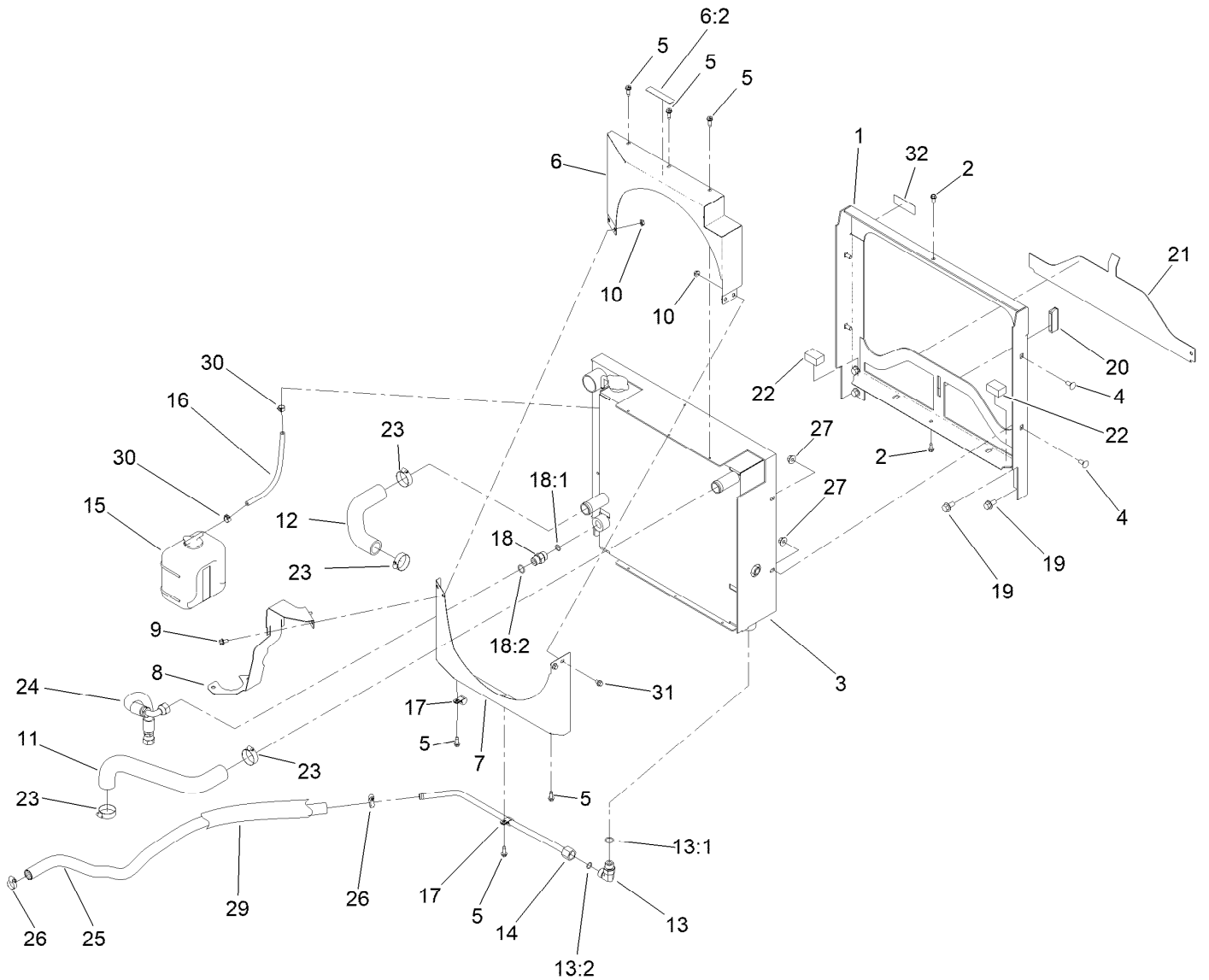
<i>Ref.</i>	<i>Part Number</i>	<i>Qty.</i>	<i>Description</i>
2	108-3811	1	Filter-Air
3	94-3652	1	Cover ASM
3:1	1-643283	2	Latch-Cleaner, Air
4	87-9400	1	Valve-Vacuator
5	285-17	1	Plug-Pipe



Muffler, Muffler Guard and Engine Mount Assembly

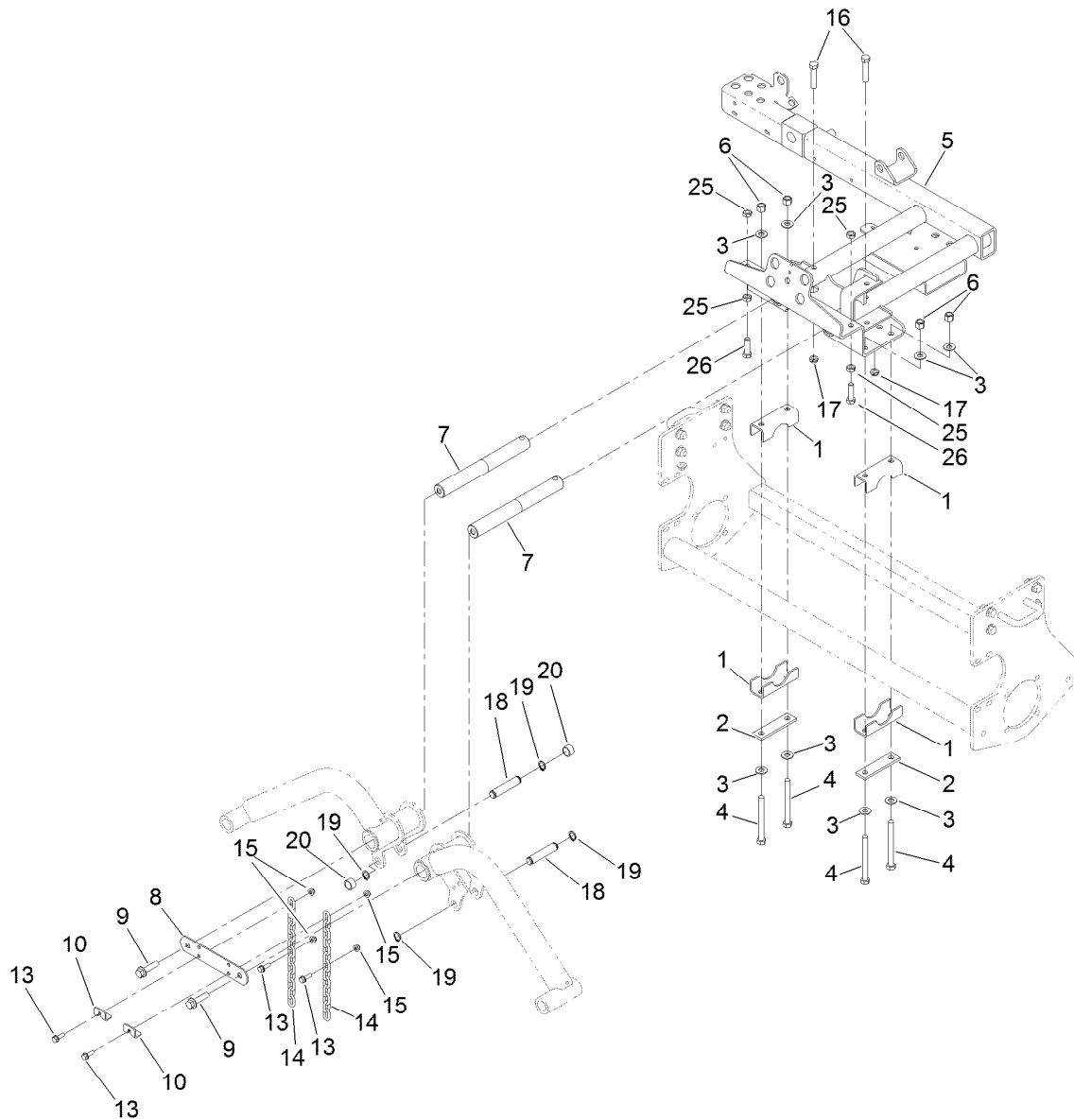
Ref.	Part Number	Qty.	Description
1	121-9076	1	Mount-Engine
2	100-4838-0P	1	Mount-Engine
3	3234-5	3	Screw-HHF
4	80-8560	1	Washer-Hardened
5	3296-39	1	Nut-Lock, NI
6	323-11	1	Screw-HH
7	80-6990	4	Washer-Hardened
8	95-8812	4	Screw-HH
9	98-9611	1	Gasket
10	106-7772	1	Thermoswitch

Ref.	Part Number	Qty.	Description
11	139-6013	1	Muffler
12	3253-4	4	Washer-Lock
13	33014-00	4	Nut-Hex
14	140-7428-03	1	Guard-Exhaust
15	32144-4	4	Screw-HWH
16	95-8943-0P	1	Bracket-Muffler
17	3234-17	3	Screw-HHF
18	32128-44	4	Nut
19	32128-20	2	Nut-HF



Radiator Assembly

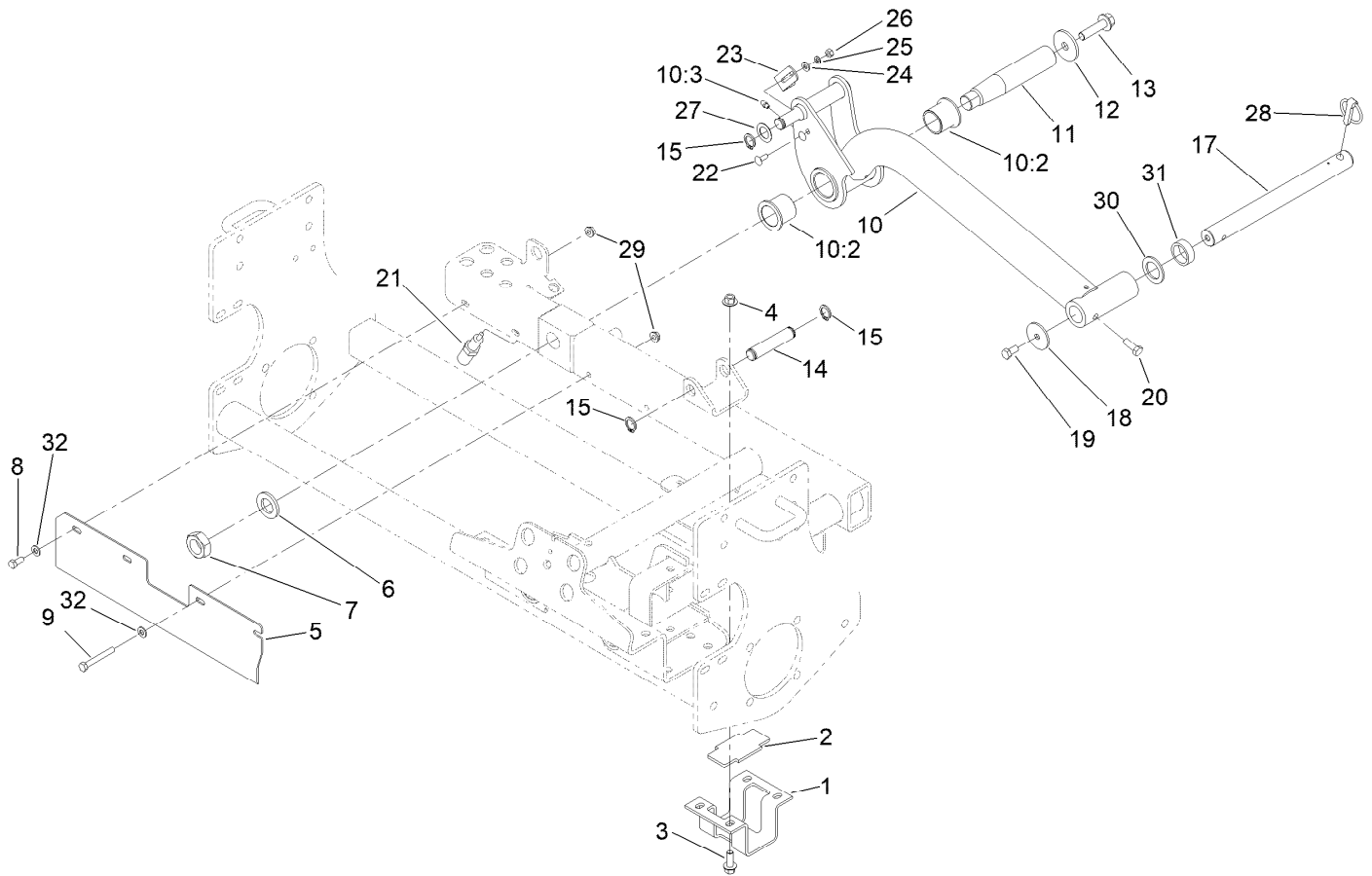
Ref.	Part Number	Qty.	Description	Ref.	Part Number	Qty.	Description
1	100-4903-0P	1	Radiator Frame ASM	16	110-4105	1	Hose-Fuel
2	119-2038	2	Screw-HWH	17	2412-73	2	Clamp-R
3	120-3392	1	Radiator/Oil Cooler	18	340-4	1	Fitting-Straight
4	3230-1	4	Bolt-CARR	18:1	237-30	1	O-Ring
5	32104-95	6	Screw-HWH	18:2	237-79	1	O-Ring
6	121-3584	1	Shroud-Fan, Top	19	3234-1	4	Screw-HHF
6:2	93-6681	1	Decal-Warning, Fan	20	99-3497	1	Magnet
7	121-6254-0P	1	Shroud-Fan, Bottom	21	95-8702-0P	1	Shield-Radiator, Lower
8	121-3604-0P	1	Bracket-Mounting, Reservoir	22	95-8962	2	Seal-Foam, Radiator
9	3234-13	2	Screw-HHF	23	2412-34	4	Clamp-Hose
10	32128-33	4	Nut-HF	24	104-2806	1	Hose-HYD
11	121-3571	1	Hose-Radiator, Upper	25	93-6804	1	Hose
12	119-6748	1	Hose-Radiator, Lower	26	2412-36	2	Clamp-Hose
13	340-98	1	Fitting-Elbow, 90 DEG	27	32128-44	4	Nut
13:1	237-79	1	O-Ring	29	56-7985	1	Sleeve-Protective
13:2	237-30	1	O-Ring	30	92-2379	2	Clamp-Hose
14	145-5267	1	Tube-HYD	31	3234-26	2	Screw-HHF
15	108-0638	1	Bottle-Overflow	32	125-6688	1	Decal-Danger, Starter Fluid



Lift Arm Mount Assembly

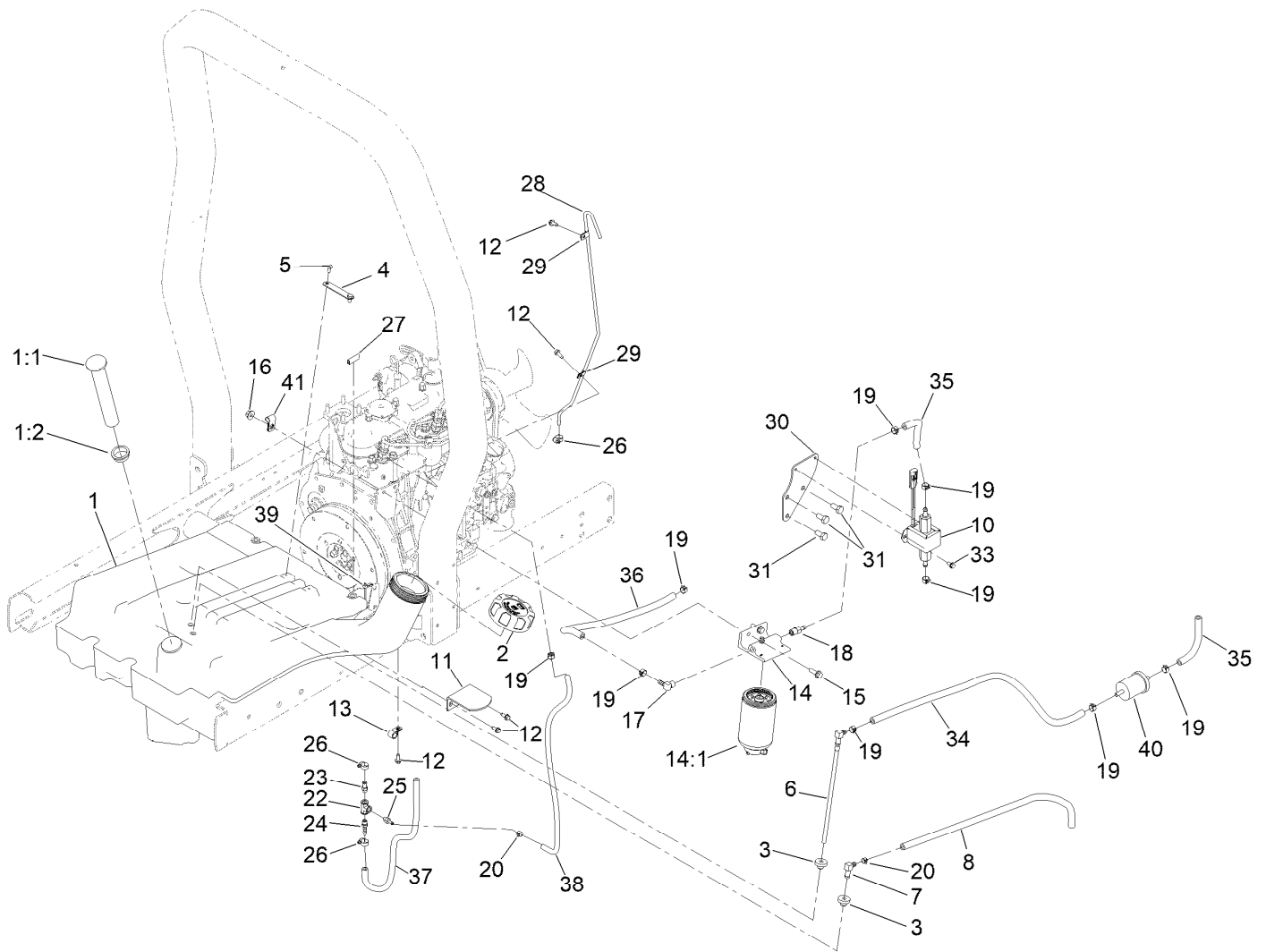
<i>Ref.</i>	<i>Part Number</i>	<i>Qty.</i>	<i>Description</i>	<i>Ref.</i>	<i>Part Number</i>	<i>Qty.</i>	<i>Description</i>
1	95-8884	4	Clamp	14	98-7981	2	Chain-Link, Straight
2	99-3373	2	Bar-Support, Slide	15	104-8300	4	Nut-HF, NI
3	87-7270	8	Washer-Thrust	16	325-10	2	Screw-HH
4	325-19	4	Screw-HH	17	3296-45	2	Nut-Hex
5	100-4930-03	1	Carrier ASM	18	95-8575	2	Pin-Clevis
6	3296-23	4	Nut-Lock, NI	19	32120-93	4	Ring-Retaining
7	95-8531	2	Shaft-Pivot, Liftarm	20	75-9590	2	Spacer-Cylinder
8	95-8532-03	1	Link-Shaft, Pivot	25	3218-5	4	Nut-Jam
9	3234-27	2	Screw-HHF	26	325-7	2	Screw-HH
10	99-3550	2	Clip-Link	99	3290-378	1	Tie-Cable ●
13	3234-17	4	Screw-HHF				

● Not illustrated



Rear Lift Arm Assembly

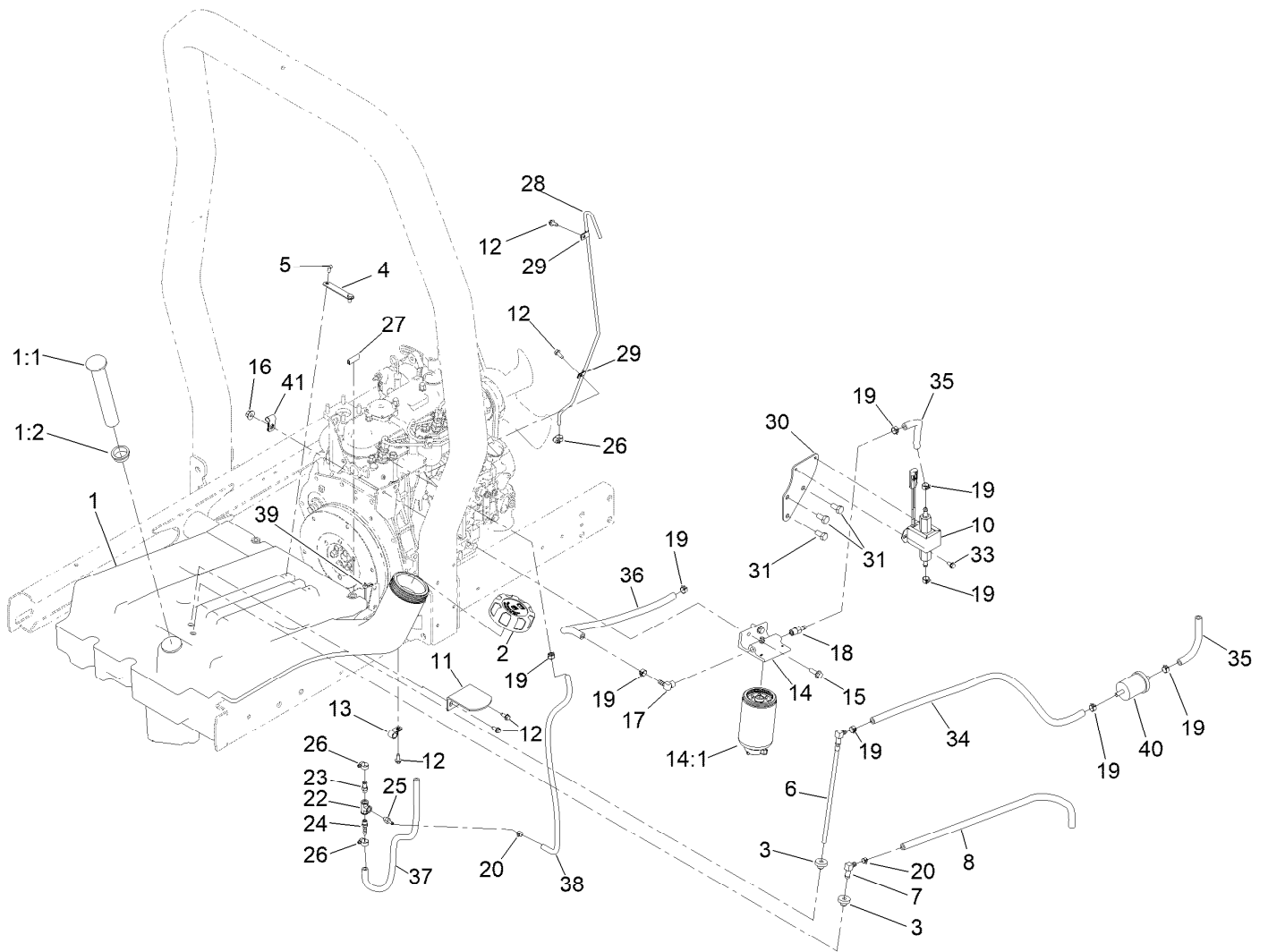
Ref.	Part Number	Qty.	Description	Ref.	Part Number	Qty.	Description
1	95-8904-0P	1	Bracket	17	104-1392	1	Shaft-Pivot
2	95-8538	1	Slide-Plastic	18	63-7400	1	Washer-Rebound
3	3234-11	4	Screw-HHF	19	323-4	1	Screw-HH
4	32128-43	4	Nut-Flange	20	323-6	1	Screw-HH
5	121-3616-03	1	Guard	21	93-6762	1	Switch-Ball
6	86-1480	1	Washer	22	3229-1	2	Screw-CARR
7	3220-9	1	Nut-Jam	23	95-8613	1	Bracket-Switch
8	322-5	2	Screw-HH	24	3256-22	2	Washer-Flat
9	322-12	2	Screw-HH	25	3253-3	2	Washer-Lock
10	136-3425	1	Rear Liftarm ASM-Rm310X	26	3217-5	2	Nut-Hex
10:2	69-6470	2	Bushing-Caster	27	3-6498	1	Washer-Thrust
10:3	302-5	1	Fitting-Grease	28	283-71	1	Pin-Lynch
11	95-8990	1	Shaft-Pivot, Rear	29	32128-20	4	Nut-HF
12	75-7730	1	Washer-Thrust	30	3-6781	1	Washer-Flat
13	3234-27	1	Screw-HHF	31	63-0070	1	Spacer
14	95-8575	1	Pin-Clevis	32	3256-23	4	Washer-Plain
15	32120-93	3	Ring-Retaining				



Fuel System Assembly

Ref.	Part Number	Qty.	Description	Ref.	Part Number	Qty.	Description
1	95-8620	1	Tank-Fuel	17	353-781	1	Fitting-HYD, 90
1:1	95-8971	1	Gauge-Fuel	18	353-783	1	Fitting-STR
1:2	95-8972	1	Grommet	19	92-2379	9	Clamp-Hose
2	114-5064	1	Cap-Diesel	20	2412-80	2	Clamp-Hose
3	46-6560	2	Bushing	22	354-20	1	Fitting-Tee
4	95-8881	1	Strap-Line, Fuel	23	354-21	1	Fitting-Barbed
5	321-2	2	Screw-HH	24	304-73	1	Fitting-Straight
6	110-9689	1	Pipe-Stand	25	354-22	1	Fitting-Barbed
7	46-6550	1	Fitting-Elbow, 90 DEG	26	2412-108	3	Clamp-Worm
8	110-6187	1	Hose-Fuel	27	110-8754	1	Trim
10	145-3160	1	Pump-Fuel, Electric	28	95-8615	1	Tube-Breather
11	95-8968-03	1	Support-Tank, Fuel	29	2412-72	2	Clip-Closed, Insulated
12	32144-10	5	Screw-HWH	30	136-3818-0P	1	Plate-Fuel Pump
13	2412-73	1	Clamp-R	31	63-7790	3	Screw-Cap
14	110-9044	1	Separator-Filter	33	32144-4	2	Screw-HWH
14:1	110-9049	1	Filter-Spin On, Fuel/Water	34	110-3257	1	Hose-Fuel
15	3234-17	2	Screw-HHF	35	109-0310	2	Hose-Fuel
16	32128-44	2	Nut	36	121-7852	1	Hose-Fuel

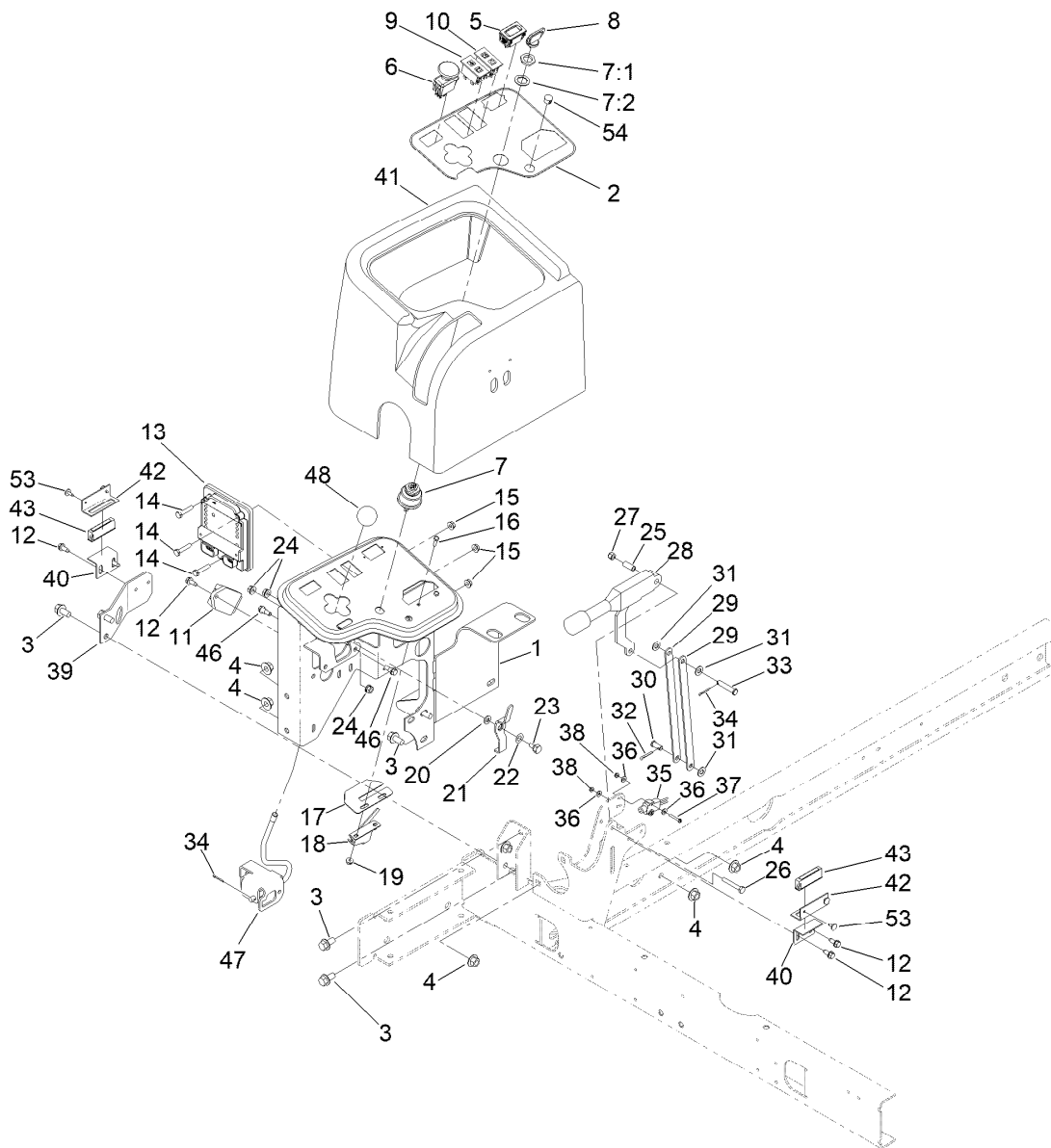
● Not illustrated



Fuel System Assembly (continued)

<i>Ref.</i>	<i>Part Number</i>	<i>Qty.</i>	<i>Description</i>	<i>Ref.</i>	<i>Part Number</i>	<i>Qty.</i>	<i>Description</i>
37	110-5701	1	Hose-Fuel	40	98-7612	1	Filter-Fuel
38	110-8751	1	Hose-Fuel	41	2412-10	1	Clamp-R
39	3290-379	1	Tie-Cable ●	99	3290-378	1	Tie-Cable ●

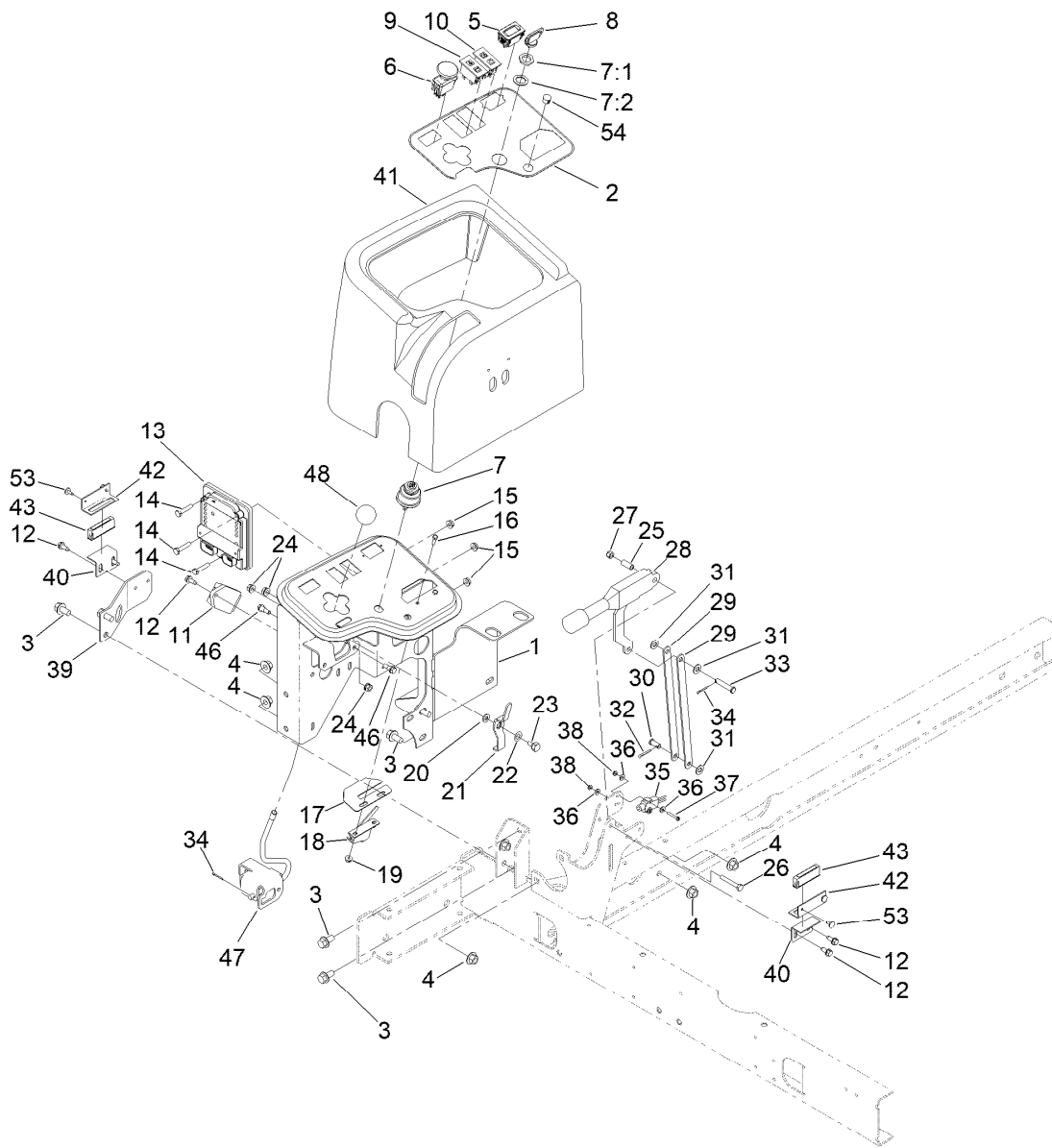
● Not illustrated



Control Panel Assembly

Ref.	Part Number	Qty.	Description	Ref.	Part Number	Qty.	Description
1	136-3681-03	1	Panel-Control	17	104-0421	1	Plate-Stop, Throttle
2	136-3678	1	Decal-Console	18	138-1224	1	Cable-Throttle
3	3234-1	6	Screw-HHF	19	3290-148	2	Nut-HF
4	32128-43	6	Nut-Flange	20	3256-22	1	Washer-Flat
5	120-2244	1	Hourmeter	21	99-3401	1	Lever-Lock
6	93-9999	1	Switch-PTO	22	3290-477	1	Washer-Curved
7	104-2541	1	Ignition Switch ASM	23	63-3410	1	Screw-Shoulder
7:1	218-461	1	Nut-HH	24	32128-32	3	Nut-HHF
7:2	3254-5	1	Washer-Lock	25	87-4710	1	Spacer-Brake, Parking
8	63-8360	1	Key-Ignition	26	321-10	1	Screw-HH
9	100-8070	1	Lamp-Warning	27	3296-42	1	Nut-Lock, NI
10	100-8071	1	Lamp-Warning	28	104-4817	1	Lever-Brake
11	98-7611	1	Controller-Glow	29	104-4628	2	Link-Brake, Parking
12	32144-10	5	Screw-HWH	30	283-62	1	Pin-Clevis
13	106-9277	1	Module-Control, Standard	31	3256-23	3	Washer-Plain
14	321-8	3	Screw-HH	32	3272-10	1	Pin-Cotter
15	32128-33	3	Nut-HF	33	94-3829	1	Pin-Clevis
16	3290-134	2	Screw	34	3272-6	2	Pin-Cotter

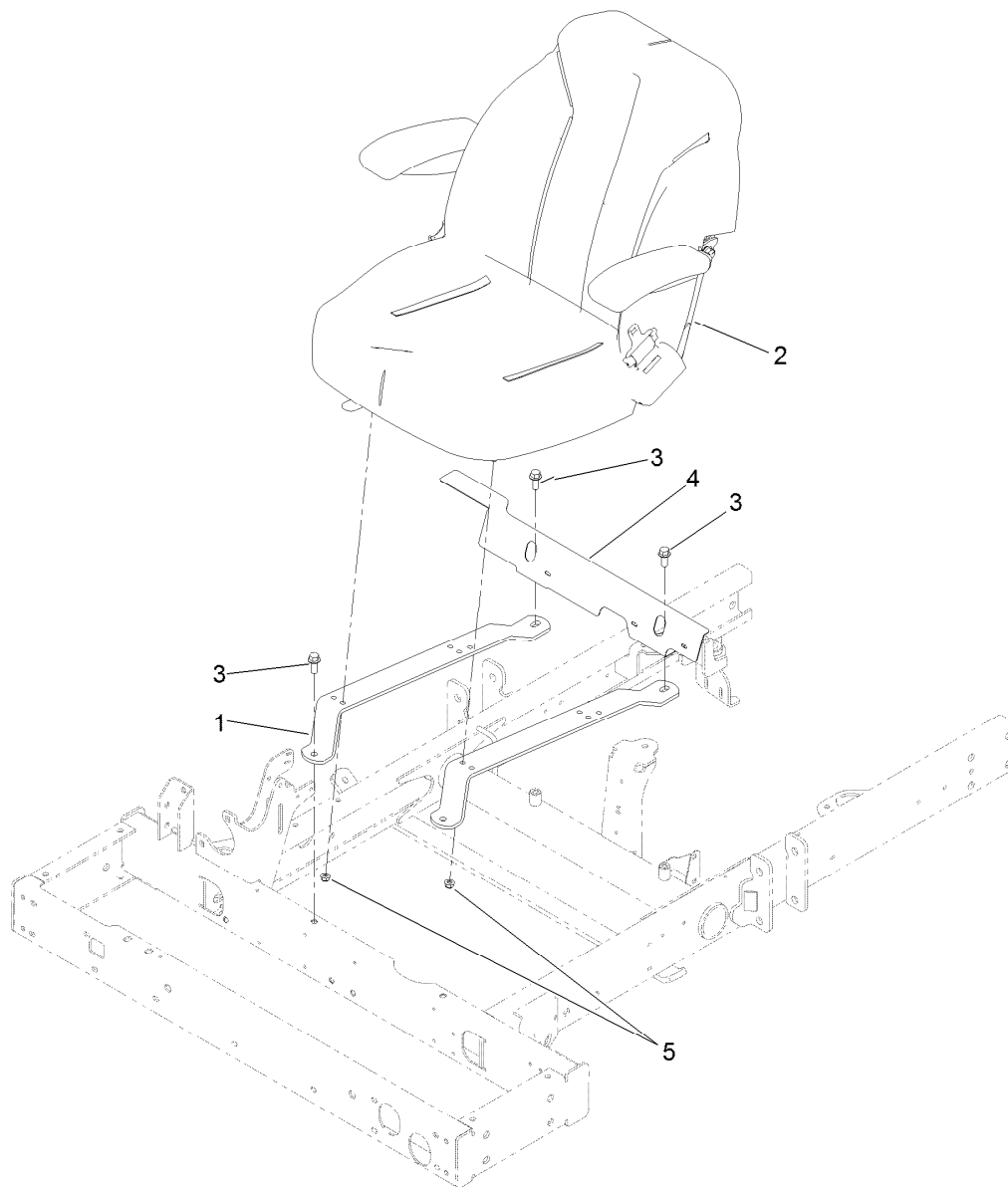
● Not illustrated



Control Panel Assembly (continued)

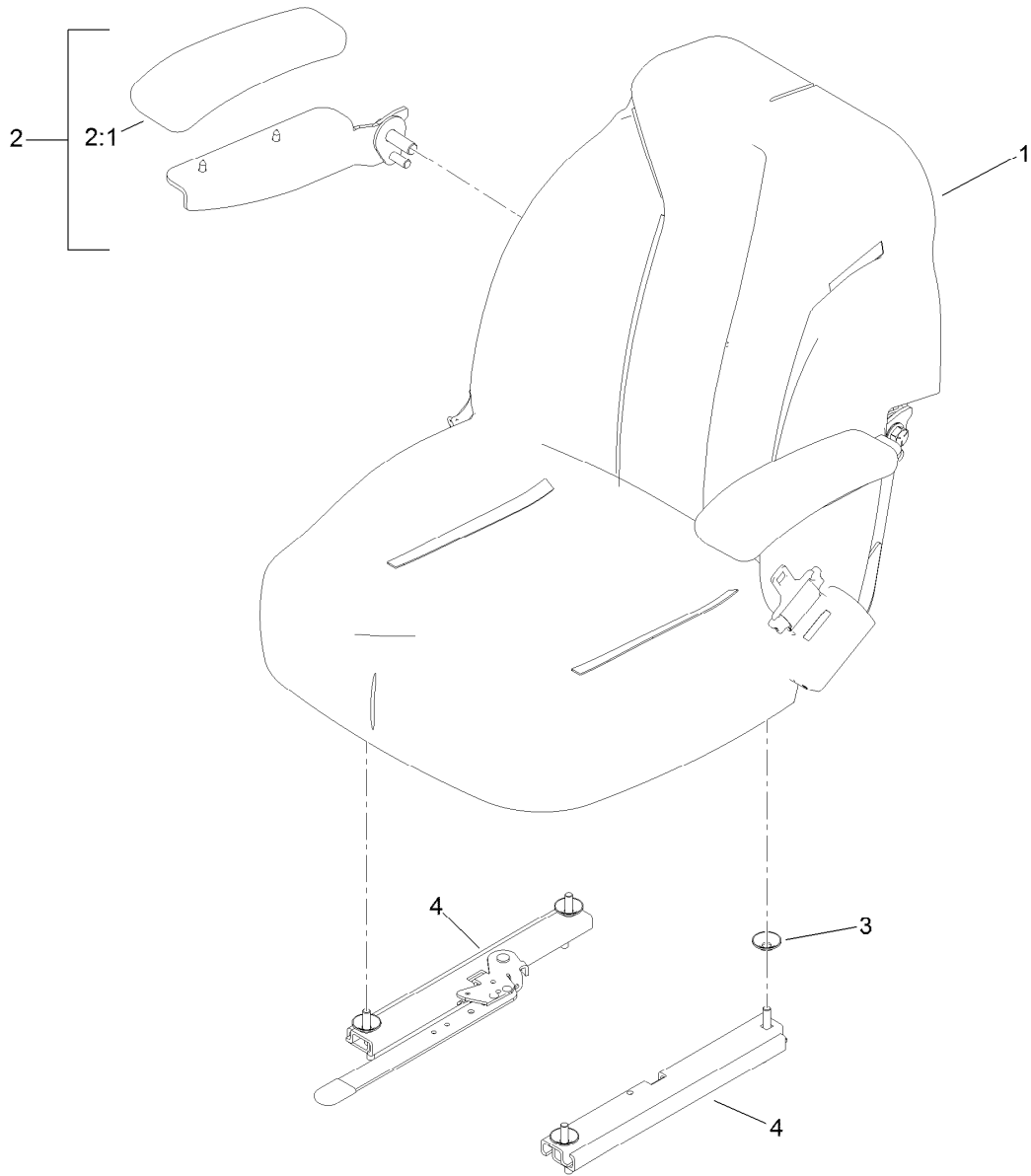
<i>Ref.</i>	<i>Part Number</i>	<i>Qty.</i>	<i>Description</i>	<i>Ref.</i>	<i>Part Number</i>	<i>Qty.</i>	<i>Description</i>
35	95-8900	1	Switch	43	58-4250	2	Catch-Magnetic
36	3256-21	4	Washer-Flat	46	42-3560	2	Bolt-Shoulder
37	32105-9	2	Screw-HH	47	95-8692	1	Lever ASM
38	3296-9	2	Nut-Hex	48	233-42	1	Knob
39	95-8764-0P	1	Support-Magnet	53	3269-5	4	Rivet-Pop
40	95-8765	2	Bracket-Strike, Magnet	54	2410-64	1	Plug-Button
41	95-8707	1	Cover-Dash	99	3290-378	1	Tie-Cable ●
42	95-8763	2	Bracket-Hold Down, Cover	99	3290-379	1	Tie-Cable ●

● Not illustrated



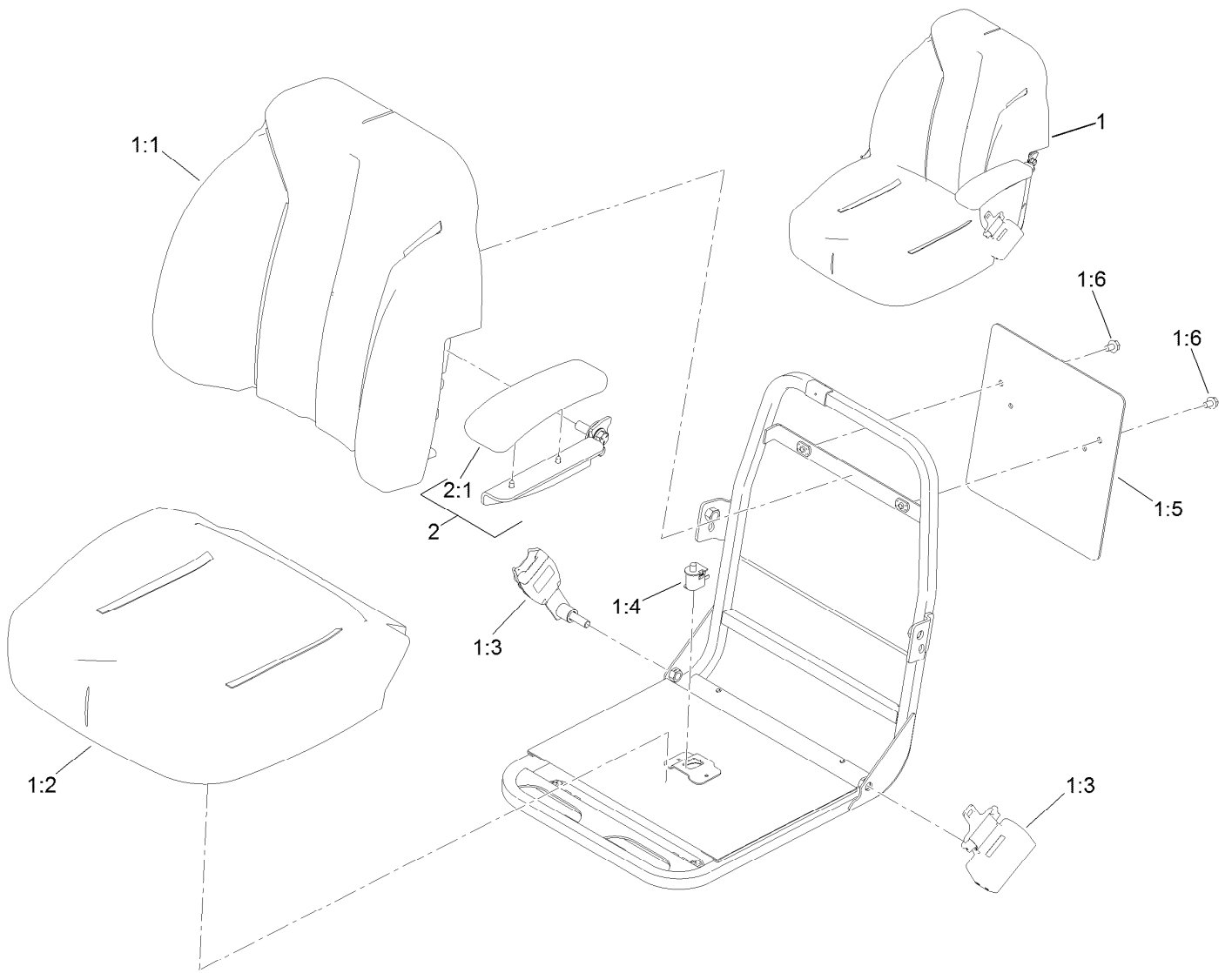
Seat Assembly

<i>Ref.</i>	<i>Part Number</i>	<i>Qty.</i>	<i>Description</i>
1	121-3665-03	2	Strap-Support, Seat
2	139-2679	1	Seat And Track ASM
3	3234-11	4	Screw-HHF
4	104-4833-03	1	Shield-Heat
5	104-8300	4	Nut-HF, NI



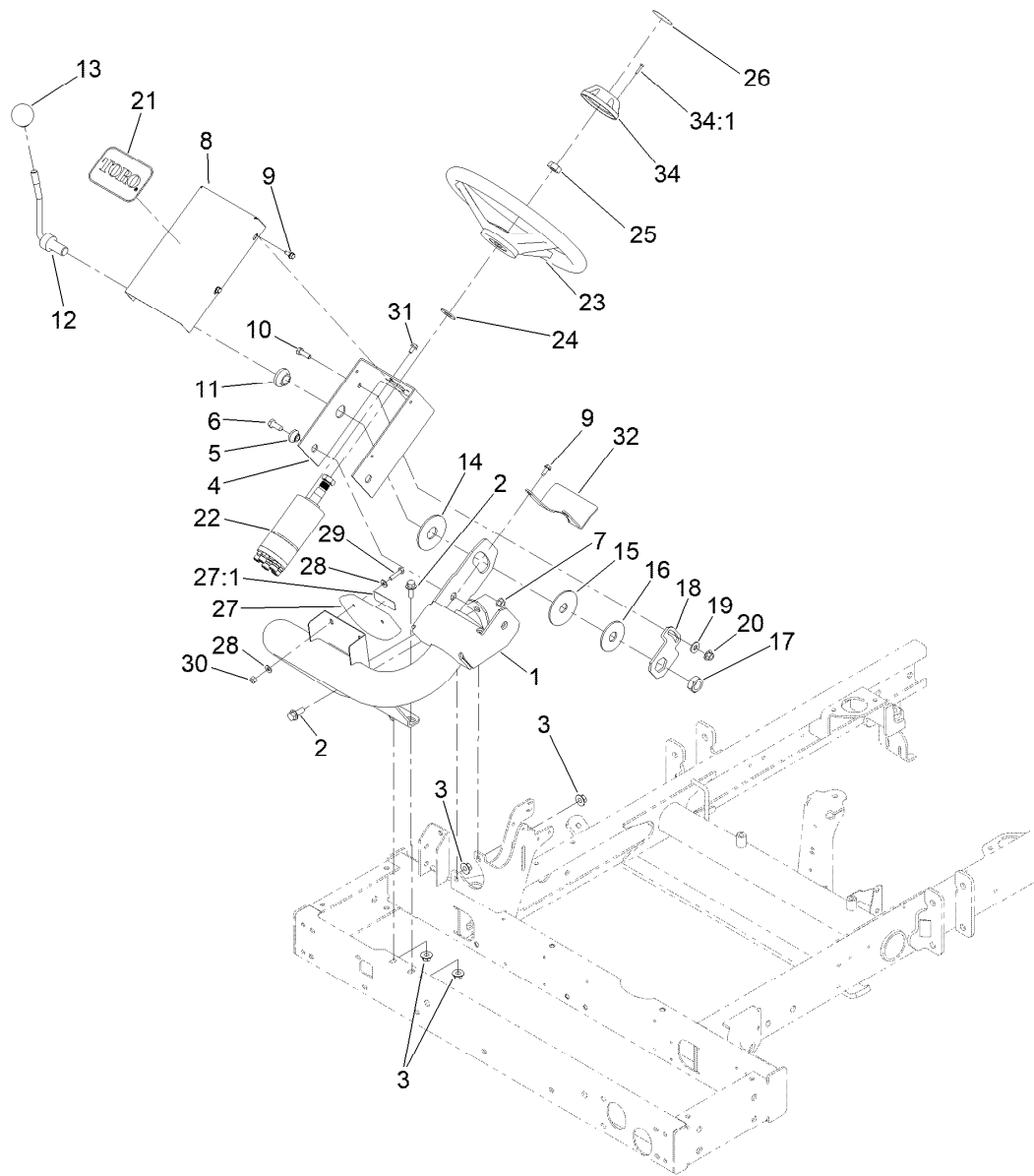
Seat and Track Assembly No. 139-2679

<i>Ref.</i>	<i>Part Number</i>	<i>Qty.</i>	<i>Description</i>
1	139-2700	1	Seat ASM
2	121-3658	1	RH Arm Rest Kit
2:1	110-4163	1	Cushion-Rest, Arm
3	136-9002	4	Spacer-Mounting
4	126-2177	1	Track-Seat



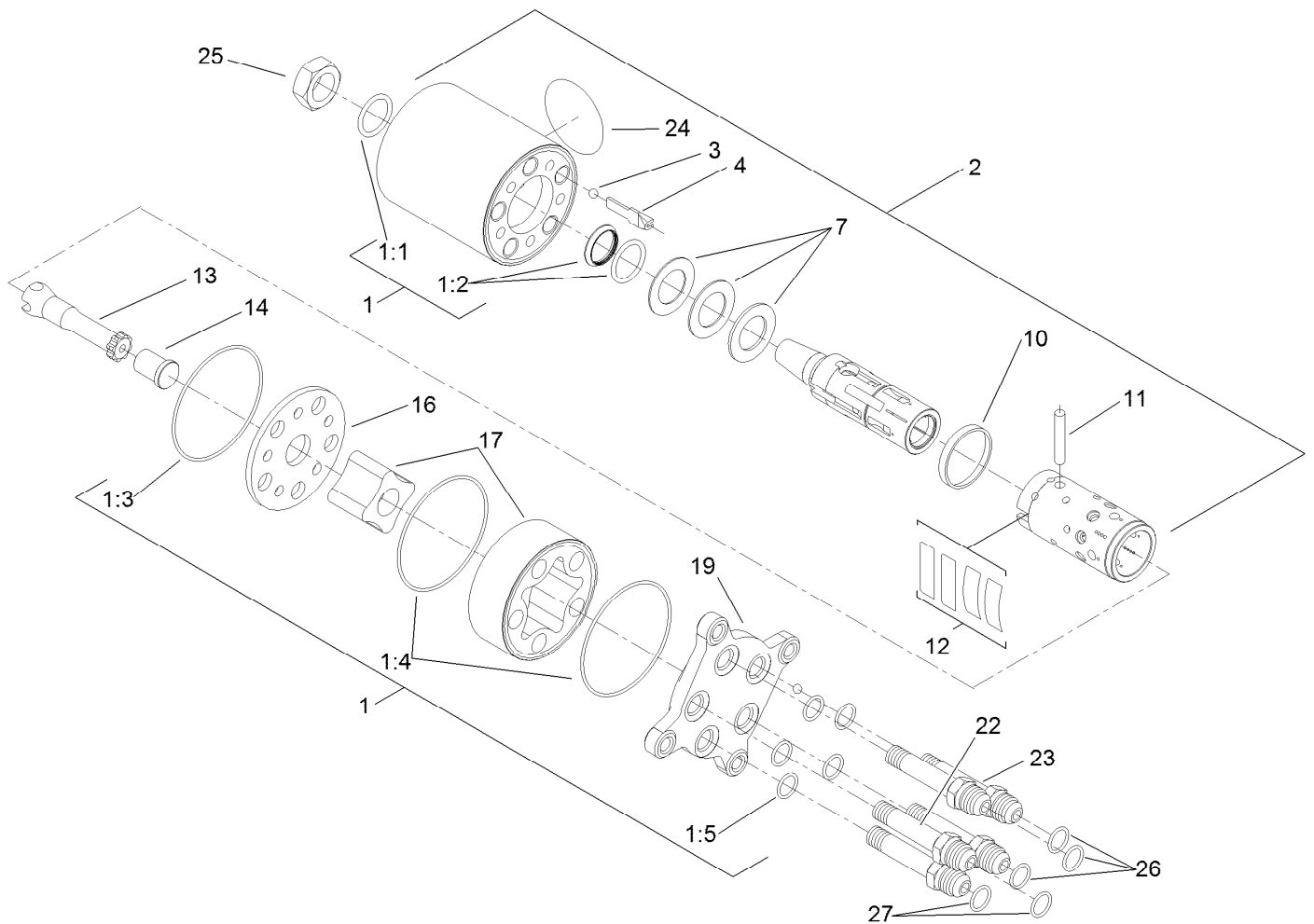
Seat Assembly No. 139-2700

<i>Ref.</i>	<i>Part Number</i>	<i>Qty.</i>	<i>Description</i>
1	139-2680	1	Seat ASM
1:1	145-0083	1	Cover-Seat, Back
1:2	145-0084	1	Cover-Seat, Bottom
1:3	139-2707	1	Seat Belt Kit
1:4	82-2190	1	Switch-Bail
1:5	139-2701	1	Plate-Decal
1:6	3234-30	2	Screw-HHF
2	121-3660	1	LH Arm Rest Kit
2:1	110-4163	1	Cushion-Rest, Arm



Steering Column Assembly

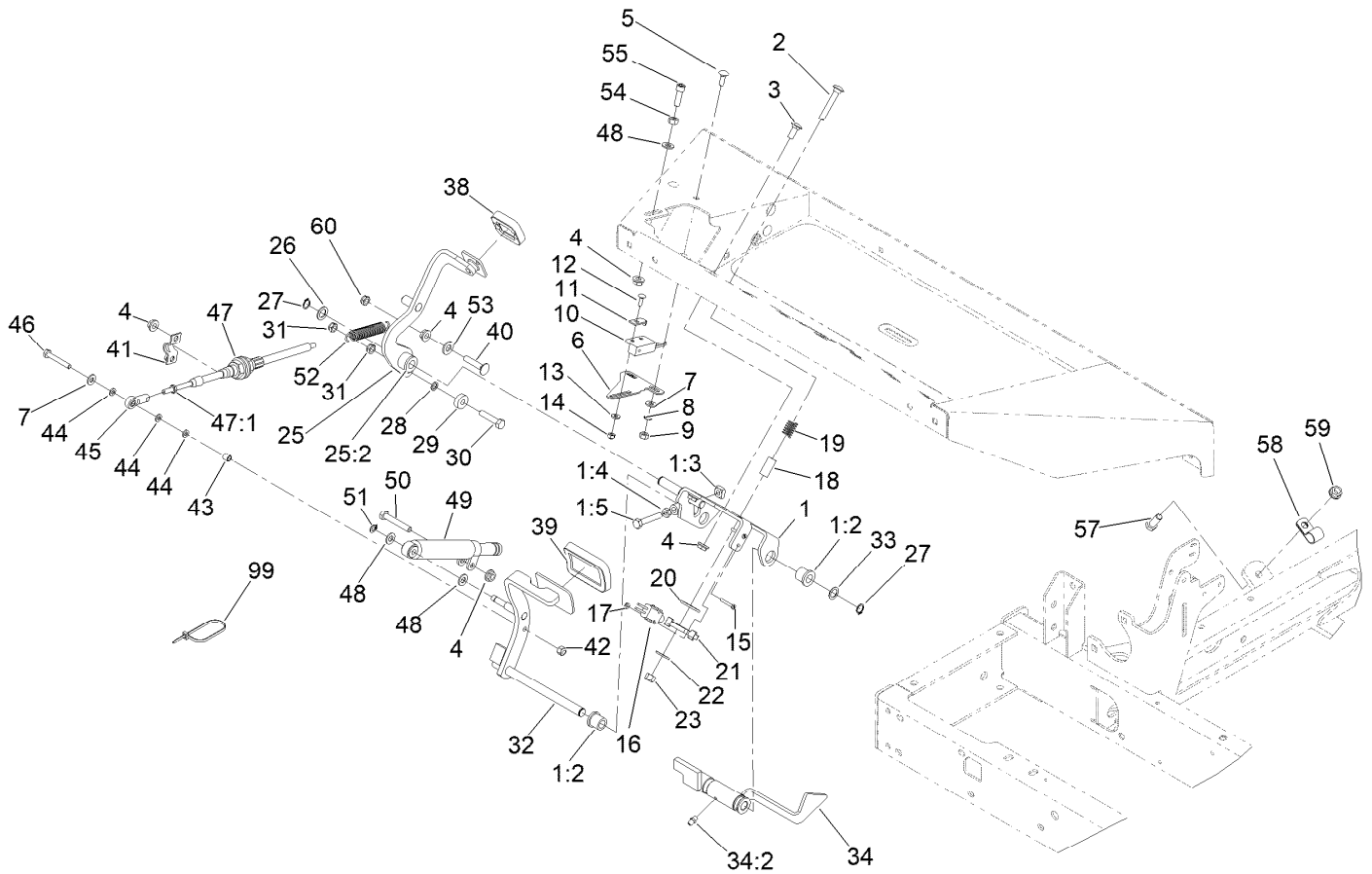
<i>Ref.</i>	<i>Part Number</i>	<i>Qty.</i>	<i>Description</i>	<i>Ref.</i>	<i>Part Number</i>	<i>Qty.</i>	<i>Description</i>
1	105-8536-01	1	Arm-Steering	19	3256-3	1	Washer-Flat
2	3234-11	4	Screw-HHF	20	32128-44	1	Nut
3	32128-43	4	Nut-Flange	21	67-1300	1	Decal
4	104-5185-01	1	Bracket-Valve, Steering	22	121-7856	1	Steering Valve ASM
5	93-5988	2	Hub-Pivot	23	145-0051	1	Steering Wheel
6	323-5	2	Screw-HH	24	3256-27	1	Washer-Flat
7	32128-21	2	Nut-HF Lock	25	3296-33	1	Nut-Lock, NI
8	95-8794-01	1	Cover-Valve, Steering	26	68-5370	1	Decal
9	32144-10	5	Screw-HWH	27	100-4929	1	Slope Indicator ASM
10	322-5	1	Screw-HH	27:1	121-3598	1	Decal-Danger, 17 Degree
11	99-3502	1	Boss	27:1	121-3628	1	Decal-Angle
12	95-8798-03	1	Lever-Steering	28	3256-22	4	Washer-Flat
13	233-48	1	Knob	29	321-7	2	Screw-HH
14	31-0390	1	Disc-Friction	30	3296-42	2	Nut-Lock, NI
15	82-9010	1	Disc-Friction	31	33103-012	4	Screw-HHF
16	80-2930	1	Washer-Flat	32	99-3405-01	1	Shield-Steering
17	3218-7	1	Nut-Jam	34	68-5140	1	Cap-Wheel, Steering
18	80-2880	1	Bracket-Tilt	34:1	32144-21	1	Screw



Steering Valve Assembly No. 121-7856

<i>Ref.</i>	<i>Part Number</i>	<i>Qty.</i>	<i>Description</i>	<i>Ref.</i>	<i>Part Number</i>	<i>Qty.</i>	<i>Description</i>
1	106-6716	1	Seal Kit	12		1	Springs ●
1:1		1	Ring-Seal, Dust ●	13		1	Shaft ●
1:2		1	Seal-Shaft ●	14		1	Spacer ●
1:3		1	O-Ring ●	16		1	Plate-Distributor ●
1:4		2	O-Ring ●	17		1	Gearwheel Set ●
1:5		5	O-Ring ●	19		1	Cover-End ●
2		1	Housing ●	22		1	Screw-Special ●
3		1	Ball ●	23		4	Screw-Special ●
4		1	Stop-Ball ●	24		1	Plate-Name ●
7		1	Bearing ASM ●	25	3296-33	1	Nut-Lock, NI
10		1	Ring ●	26	237-22	3	O-Ring
11		1	Pin-Cross ●	27	237-21	2	O-Ring

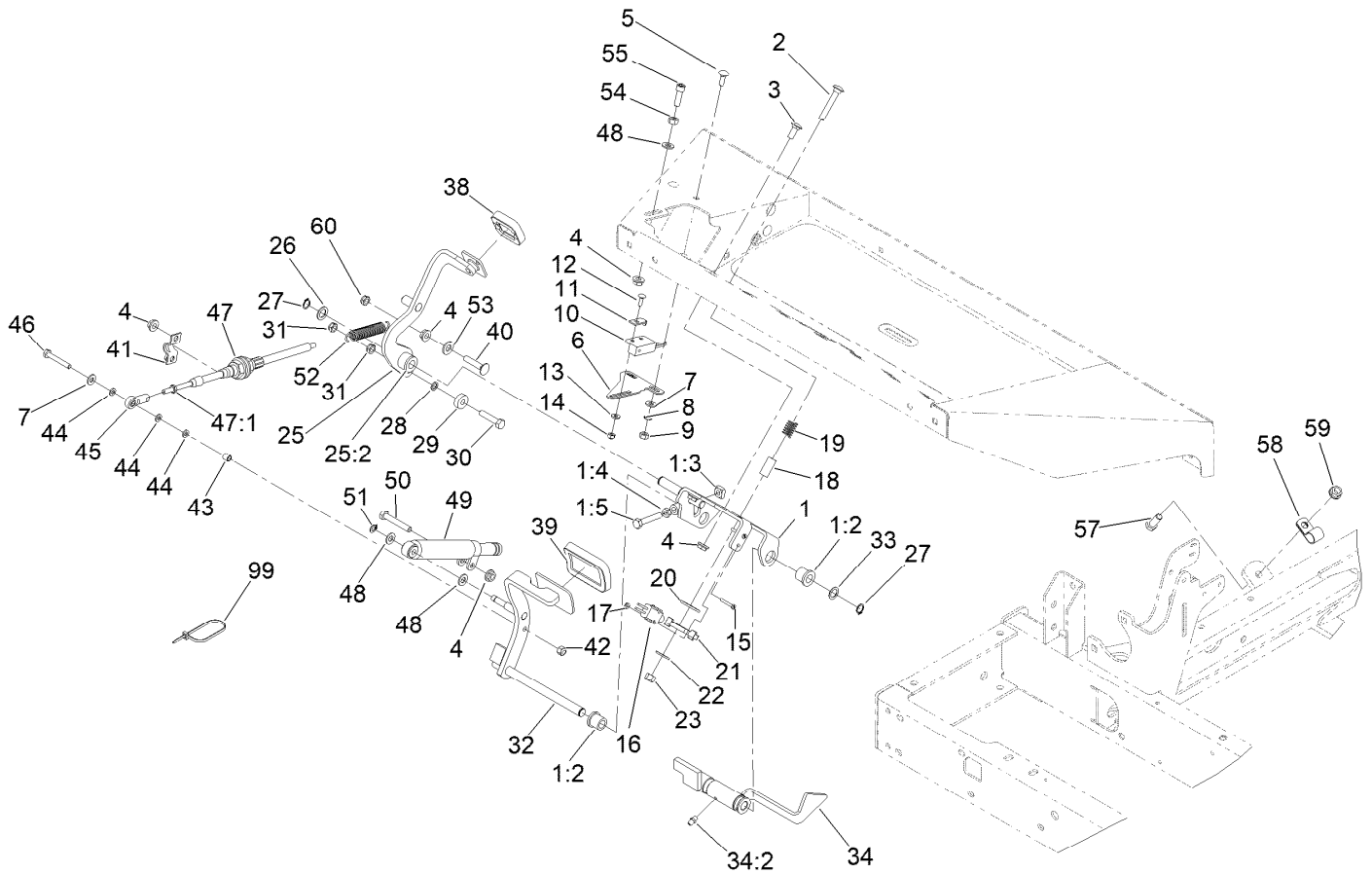
● Not serviced separately



Pedal Assembly

Ref.	Part Number	Qty.	Description	Ref.	Part Number	Qty.	Description
1	140-6253	1	Traction Bracket ASM	15	32105-9	2	Screw-HH
1:2	256-243	2	Bearing-Flange	16	95-8900	1	Switch
1:3	99-3565	1	Nut-Square	17	3296-9	2	Nut-Hex
1:4	3218-2	1	Nut-Hex Jam	18	95-8866	1	Tube-Arm, Rocker
1:5	322-41	1	Bolt-Hex, TAP	19	65-9940	1	Spring
2	3230-6	1	Bolt-CARR	20	3256-40	1	Washer-Flat
3	3230-23	4	Bolt-CARR	21	99-3593	1	Arm-Rocker
4	32128-20	8	Nut-HF	22	3256-3	1	Washer-Flat
5	3229-1	2	Screw-CARR	23	3296-29	1	Nut-Lock, NI
6	100-4871	1	Bracket-Switch, Neutral	25	140-6257	1	Reverse Pedal ASM W/Bushings
7	3256-22	3	Washer-Flat	25:2	256-243	2	Bearing-Flange
8	3255-7	2	Washer-Lock/EXT	26	41-8440	1	Washer
9	3217-5	2	Nut-Hex	27	32151-84	2	Ring-Shaft, EXT
10	100-1270	1	Switch-Proximity	28	75-5470	1	Spacer-Bearing
11	100-4872	1	Plate-Switch, Neutral	29	251-259	1	Bearing-Ball
12	3229-20	1	Screw-CARR	30	322-7	1	Screw-HH
13	3256-14	1	Washer-Flat	31	3296-47	2	Nut-Lock, NI
14	3296-2	1	Nut-Lock, NI				

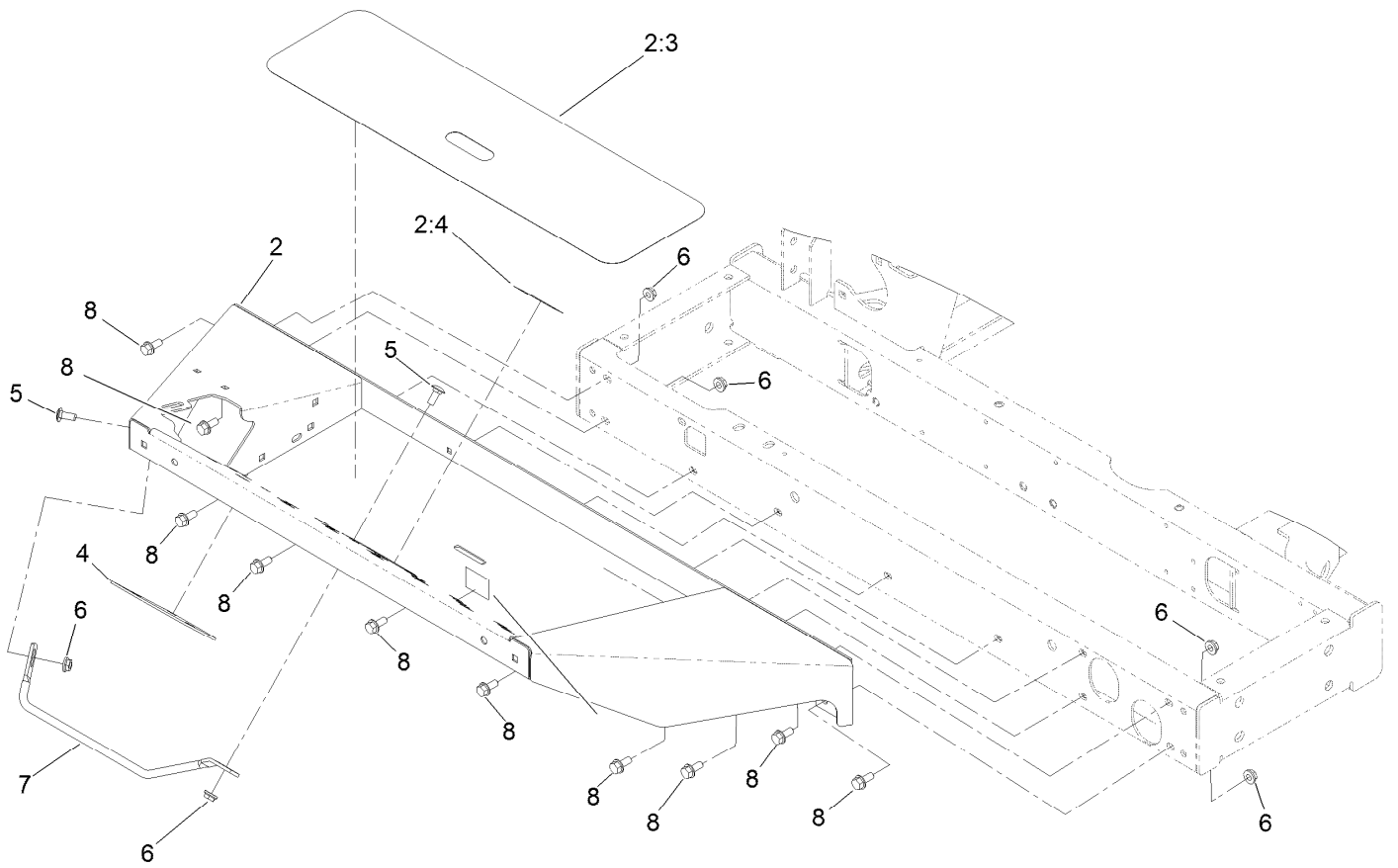
● Not illustrated



Pedal Assembly (continued)

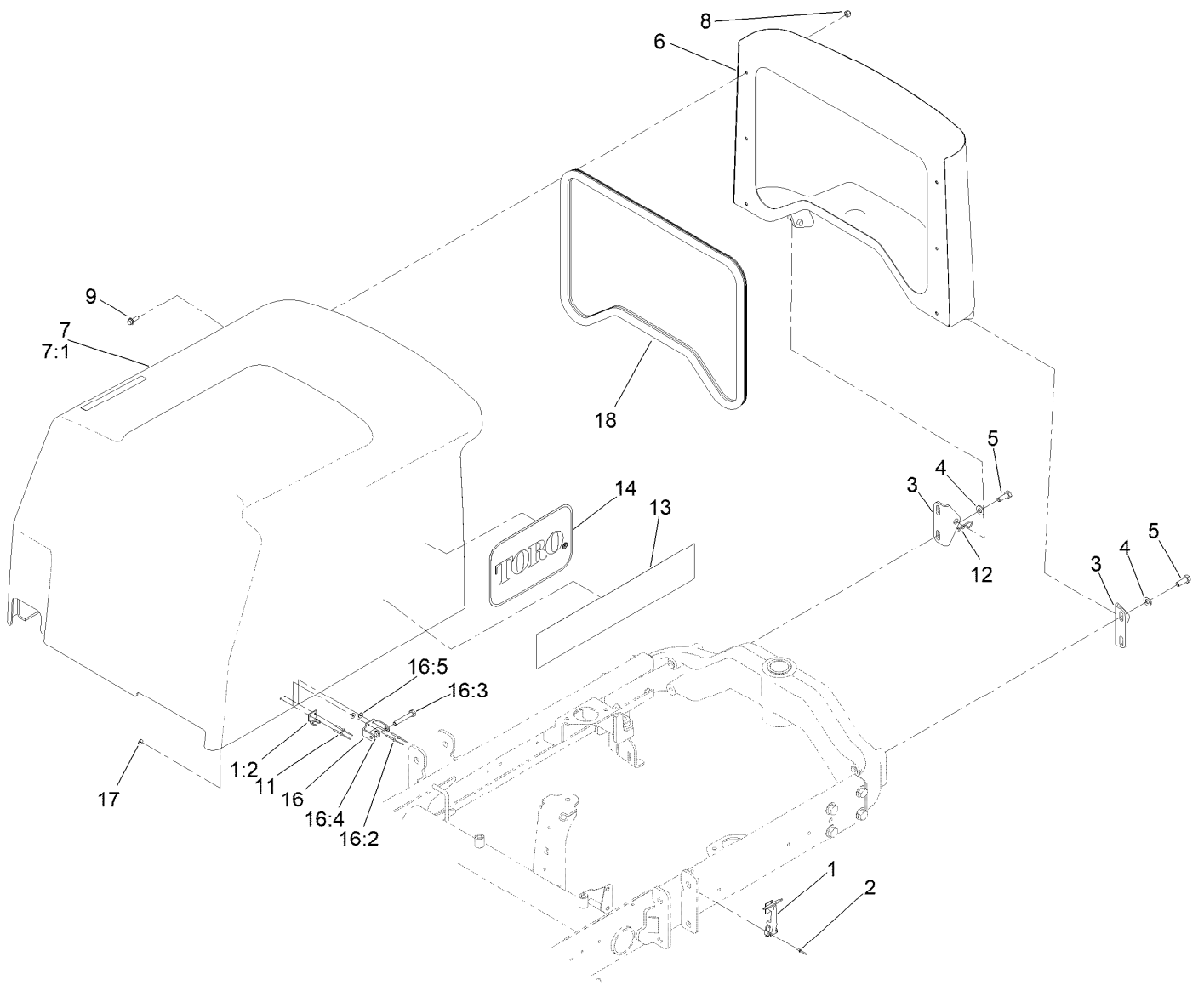
<i>Ref.</i>	<i>Part Number</i>	<i>Qty.</i>	<i>Description</i>	<i>Ref.</i>	<i>Part Number</i>	<i>Qty.</i>	<i>Description</i>
32	140-6263	1	Traction Pedal ASM	47:1	3220-1	2	Nut-Jam
33	73-0040	1	Washer-Thrust	48	3256-23	3	Washer-Plain
34	140-6255	1	Detent Slider ASM	49	140-6248	1	Damper
34:2	302-5	1	Fitting-Grease	50	322-10	1	Screw-HH
38	74-9110	1	Pad-Pedal, Reverse	51	32151-3	1	Ring-Grip
39	74-9100	1	Pad-Pedal, Forward	52	99-3476	1	Spring-Extension
40	3230-27	1	Screw-CARR	53	3256-24	1	Washer-Flat
41	93-2092	1	Clamp-Cable	54	3217-6	1	Nut-Hex
42	3296-42	1	Nut-Lock, NI	55	3274-22	1	Screw-HSH
43	99-3545	1	Spacer	57	323-6	1	Screw-HH
44	33093-00	3	Washer-Flat	58	2412-41	1	Clamp-R
45	2411-41	1	Rod End-Ball Joint	59	3290-357	1	Nut-HSF
46	321-10	1	Screw-HH	60	3296-47	1	Nut-Lock,NI
47	100-4815	1	Cable-Control, Traction	99	3290-378	4	Tie-Cable ●

● Not illustrated



Footplate Assembly

<i>Ref.</i>	<i>Part Number</i>	<i>Qty.</i>	<i>Description</i>
2	106-4154	1	Floorplate ASM
2:3	99-3478	1	Tread-Foot
2:4	99-3444	1	Decal-Mow / Transport
4	106-2661-0P	1	Plate-Support
5	3230-23	2	Bolt-CARR
6	32128-20	12	Nut-HF
7	95-8893	1	Bar-Deflector
8	3234-5	10	Screw-HHF

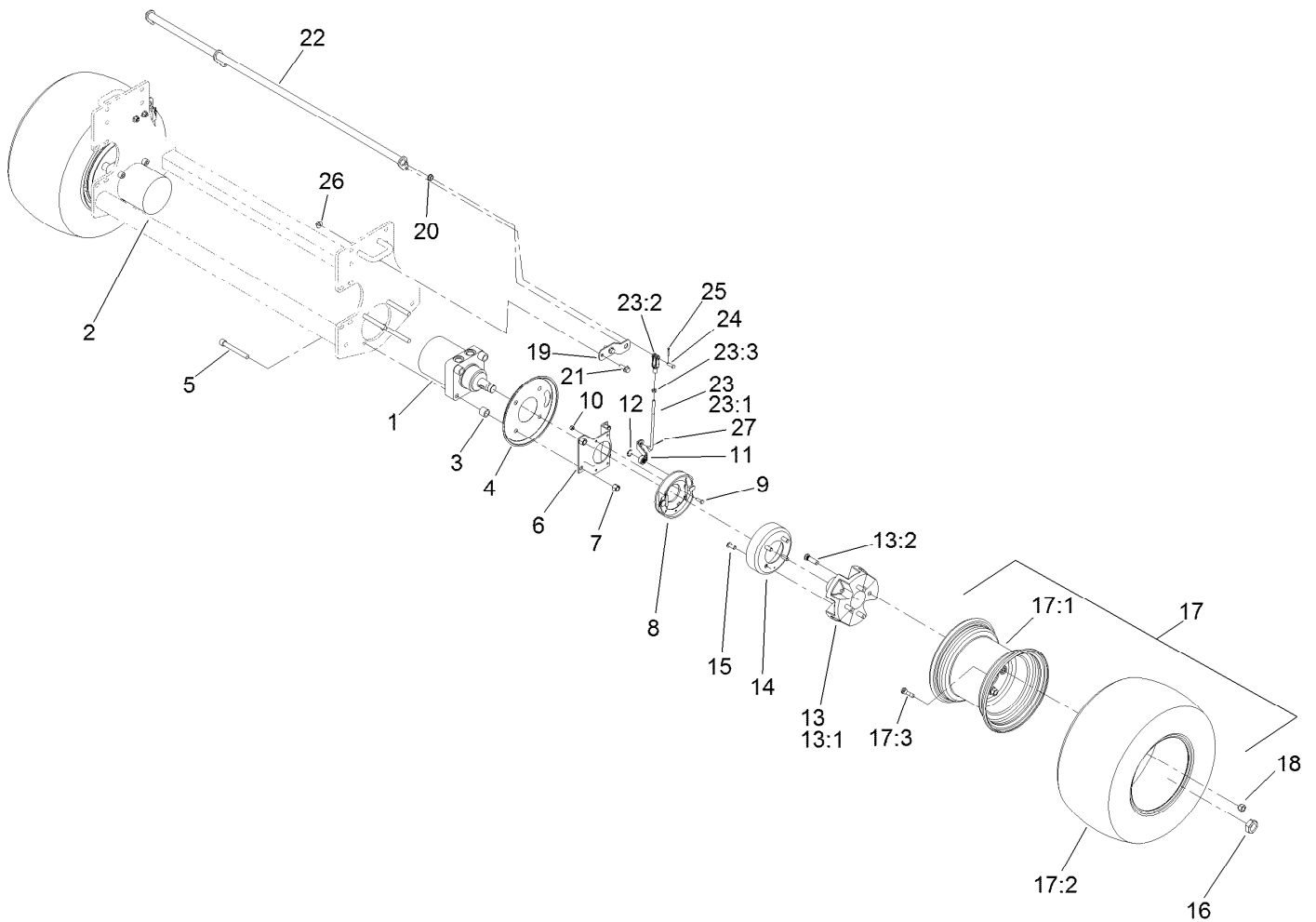


Hood Assembly

Ref.	Part Number	Qty.	Description	Ref.	Part Number	Qty.	Description
1	59-9740	2	Flex Draw Latch ASM	11	107-0333	4	Rivet-Pop
1:2	249-40	1	Keeper	12	3290-467	1	Pin-Hair
2	3290-55	4	Rivet-Pop	13	104-5153	2	Decal-Hood
3	95-8728	2	Bracket-Pivot, Hood	14	66-6140	2	Decal
4	3256-24	4	Washer-Flat	16	119-2004	1	CE Latch Kit
5	323-6	4	Screw-HH	16:2	107-0333	2	Rivet-Pop
6	95-8724-03	1	Screen-Hood	16:3	322-10	1	Screw-HH
7	121-3633	1	Hood ASM	16:4	3296-47	1	Nut-Lock,NI
7:1		1	Hood ■	16:5	3269-10	2	Washer-Back
7:1:1	106-8114	1	Heat Tape Repair Kit ●	17	3269-10	4	Washer-Back
8	3296-42	6	Nut-Lock, NI	18	95-8809	1	Trim-Seal
9	3234-4	6	Screw-HHF				

● Not illustrated

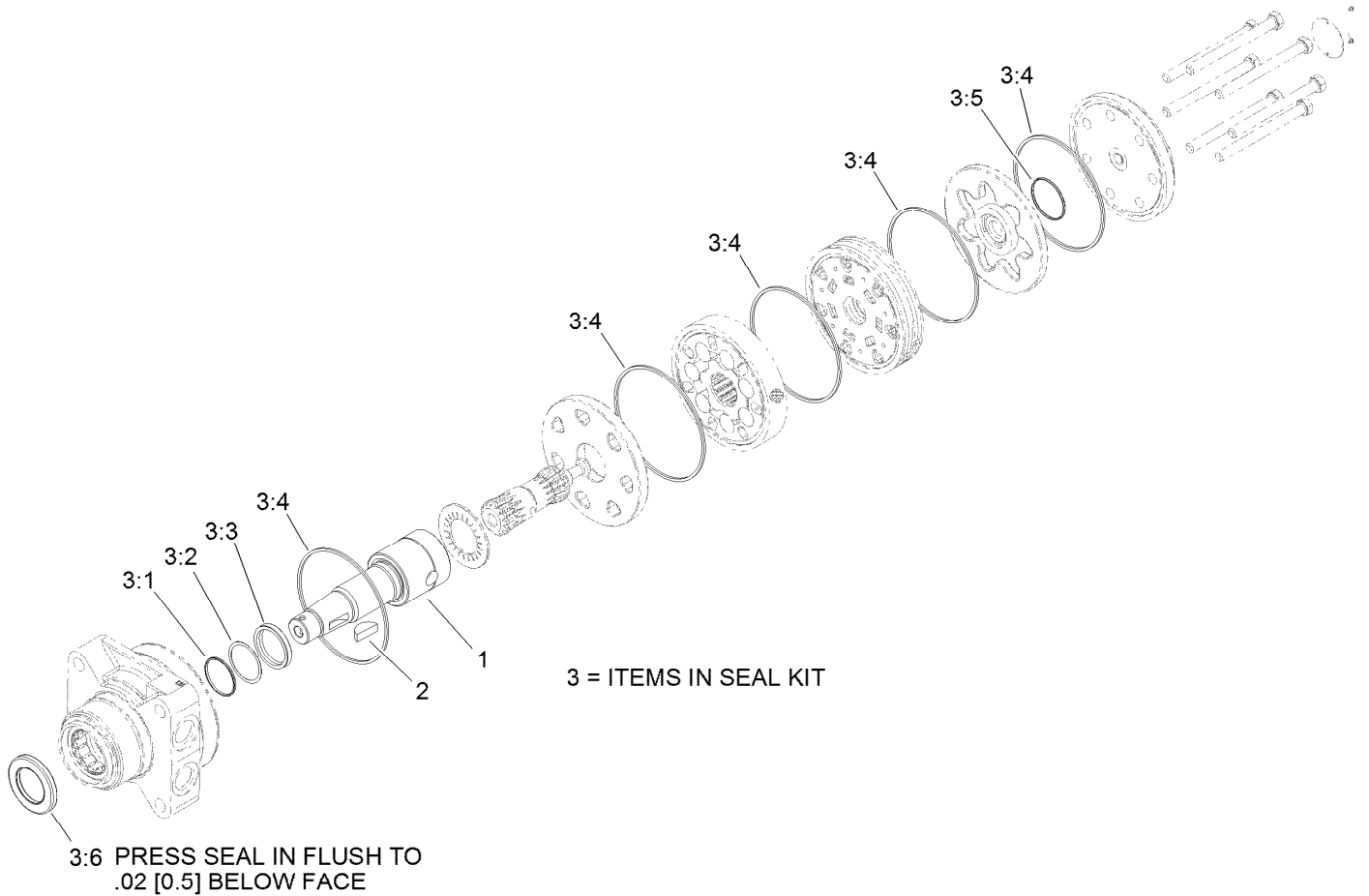
■ Not serviced separately



Hydraulic Drive and Wheel Assembly

Ref.	Part Number	Qty.	Description	Ref.	Part Number	Qty.	Description
1	110-8785	1	HYD Motor ASM (CCW)	17		2	Tire And Rim ASM ●
2	110-8786	1	HYD Motor ASM (CW)	17:1	121-3548	1	Rim
3	119-8238	8	Spacer-Deck Pulley	17:2	117-5125	1	Tire
4	104-0485-0P	2	Shield-Wheel	17:3	232-27	1	Stem-Valve
5	3274-99	8	Screw-HSH	18	242-50	8	Nut-Lug
6	84-2000-0P	2	Bracket-Brake	19	95-8683	2	Bracket-Pivot, Brake
7	3296-23	8	Nut-Lock, NI	20	256-156	2	Bushing-Flange
8	104-7705	2	Brake ASM	21	3234-11	4	Screw-HHF
9	321-5	8	Screw-HH	22	104-4625-03	1	Shaft-Pivot, Brake
10	3296-42	8	Nut-Lock, NI	23	115-6672	2	Brake Lever ASM
11	114-2726	2	Lever-Brake	23:1	104-4627	1	Rod-Adjusting
12	104-7706	2	E-Ring, Bowed	23:2	1-303105	1	Yoke-Adjustable
13		2	Wheel Hub/Stud ASM ●	23:3	3220-2	1	Nut-Jam
13:1	104-0462	1	Hub-Wheel, Spacer	24	283-1	2	Pin-Clevis
13:2	10-6830	4	Stud-Type, Drive	25	3272-10	2	Pin-Cotter
14	104-4809	2	Drum-Brake	26	32128-43	4	Nut-Flange
15	3274-105	8	Screw-HSBH	27	3272-6	2	Pin-Cotter
16	26-3790	2	Nut-Lock				

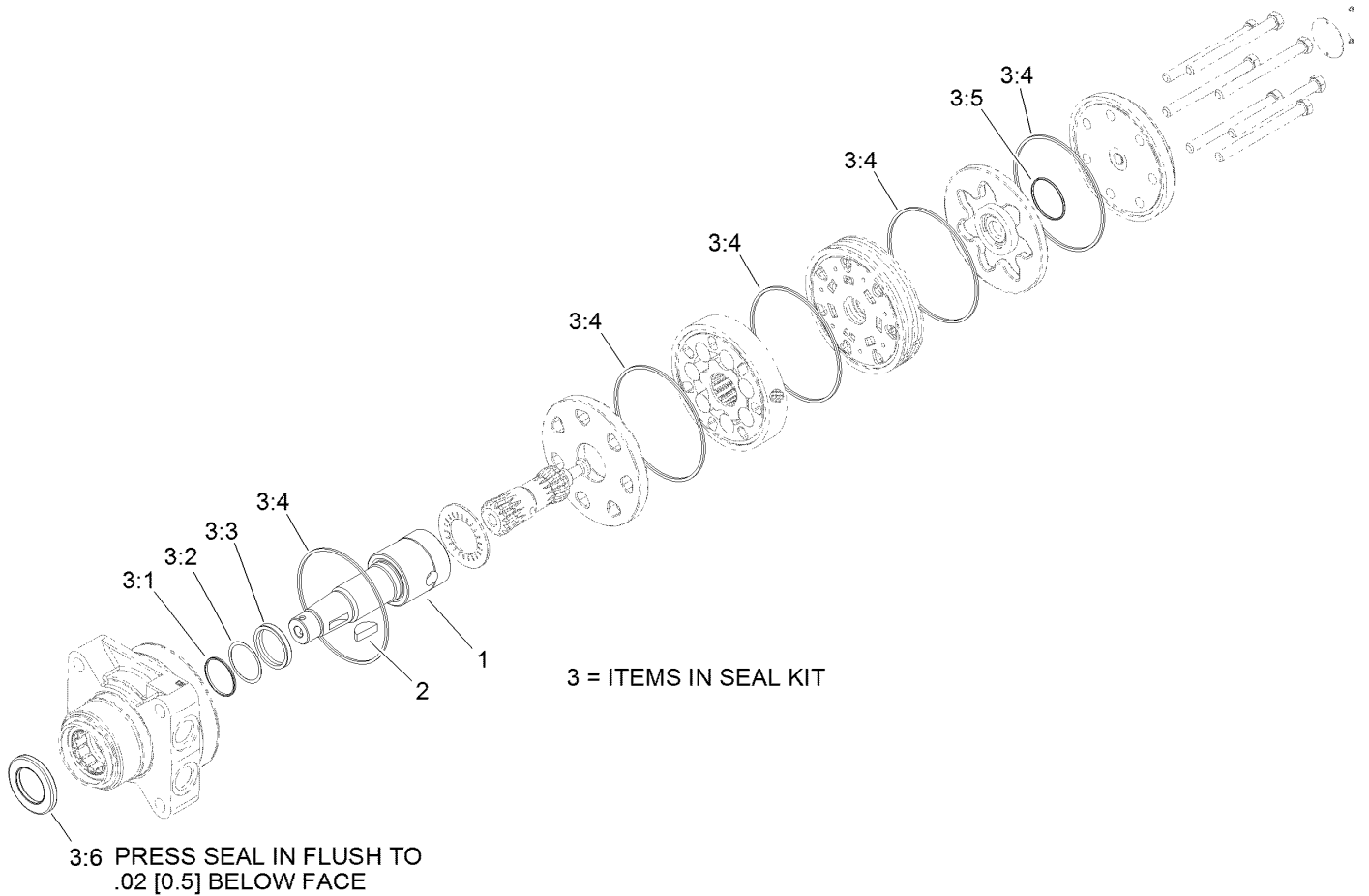
● Not serviced separately



Hydraulic Motor Assembly No. 110-8785

Ref.	Part Number	Qty.	Description
1	3257-42	1	Key-Woodruff
2	99-3090	1	Shaft-Coupling
3	100-6131	1	Seal Kit
3:1		1	Ring-Back Up ●
3:2		1	Washer-Back Up ●
3:3		1	Seal-Shaft ●
3:4		5	Seal-Ring ●
3:5		1	Seal-Commutator ●
3:6		1	Seal-Dirt And Water ●

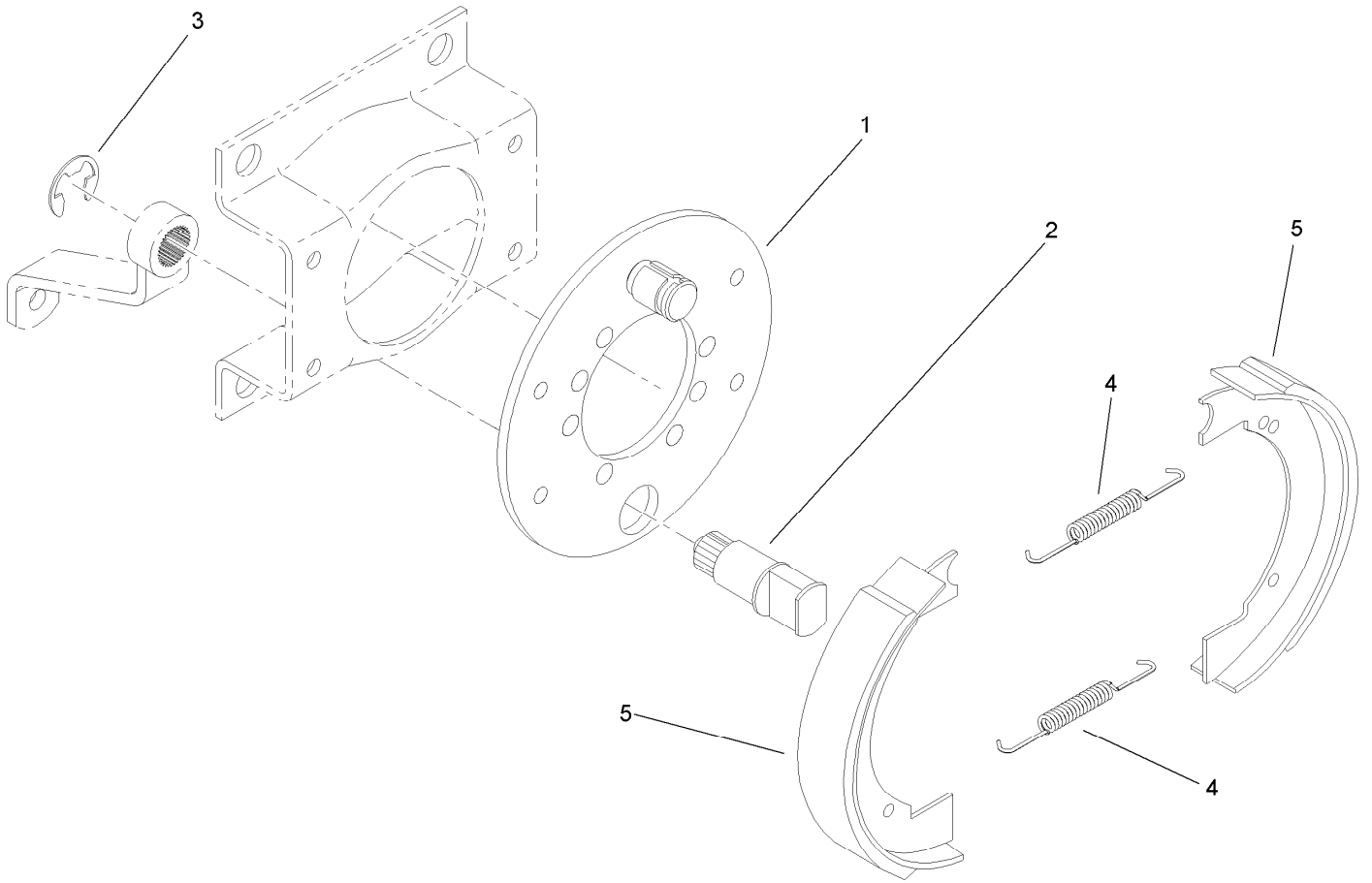
● Not serviced separately



Hydraulic Motor Assembly No. 110-8786

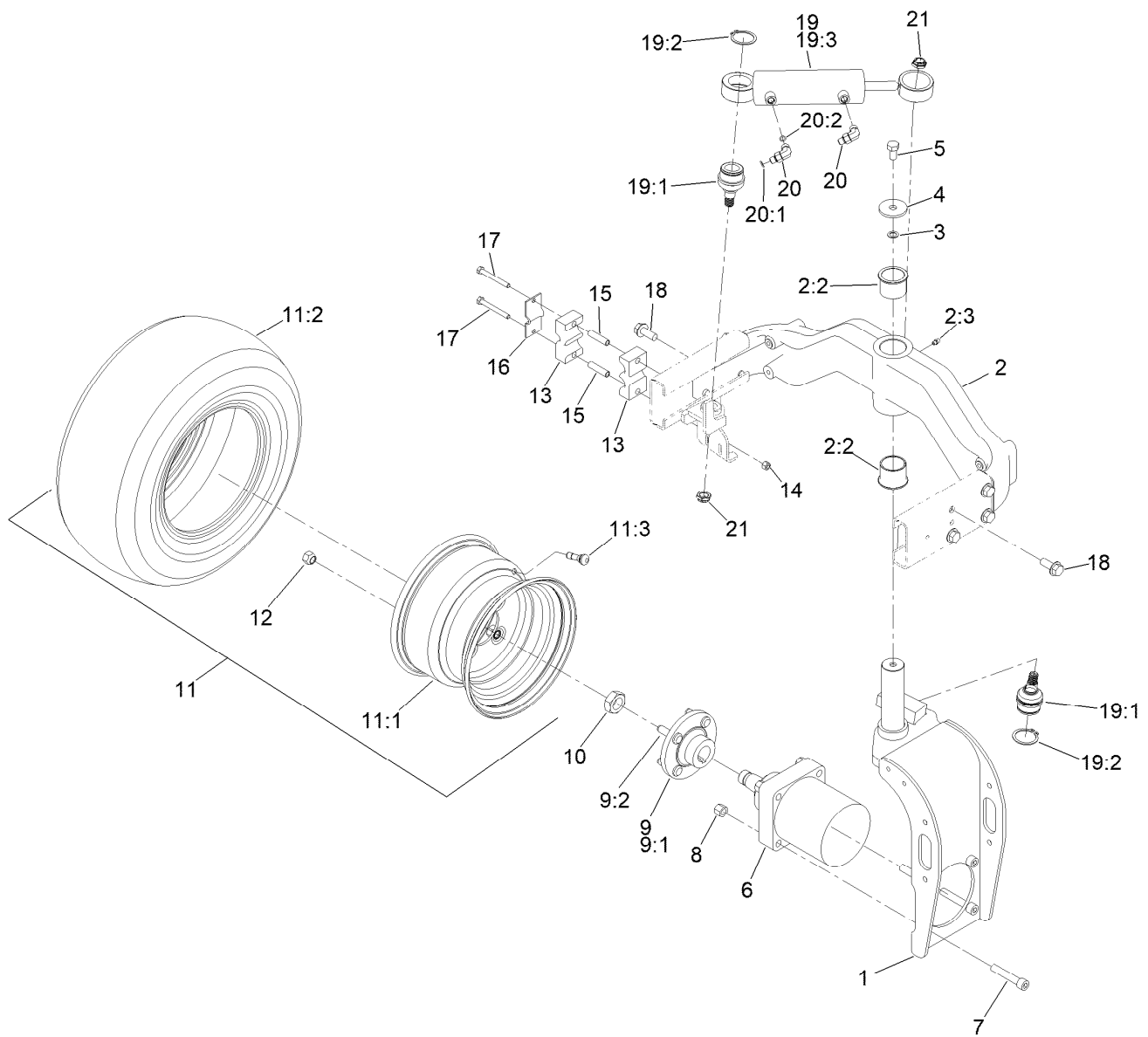
Ref.	Part Number	Qty.	Description
1	3257-42	1	Key-Woodruff
2	99-3090	1	Shaft-Coupling
3	100-6131	1	Seal Kit
3:1		1	Ring-Back Up ●
3:2		1	Washer-Back Up ●
3:3		1	Seal-Shaft ●
3:4		5	Seal-Ring ●
3:5		1	Seal-Commutator ●
3:6		1	Seal-Dirt And Water ●

● Not serviced separately



Brake Assembly No. 104-7705

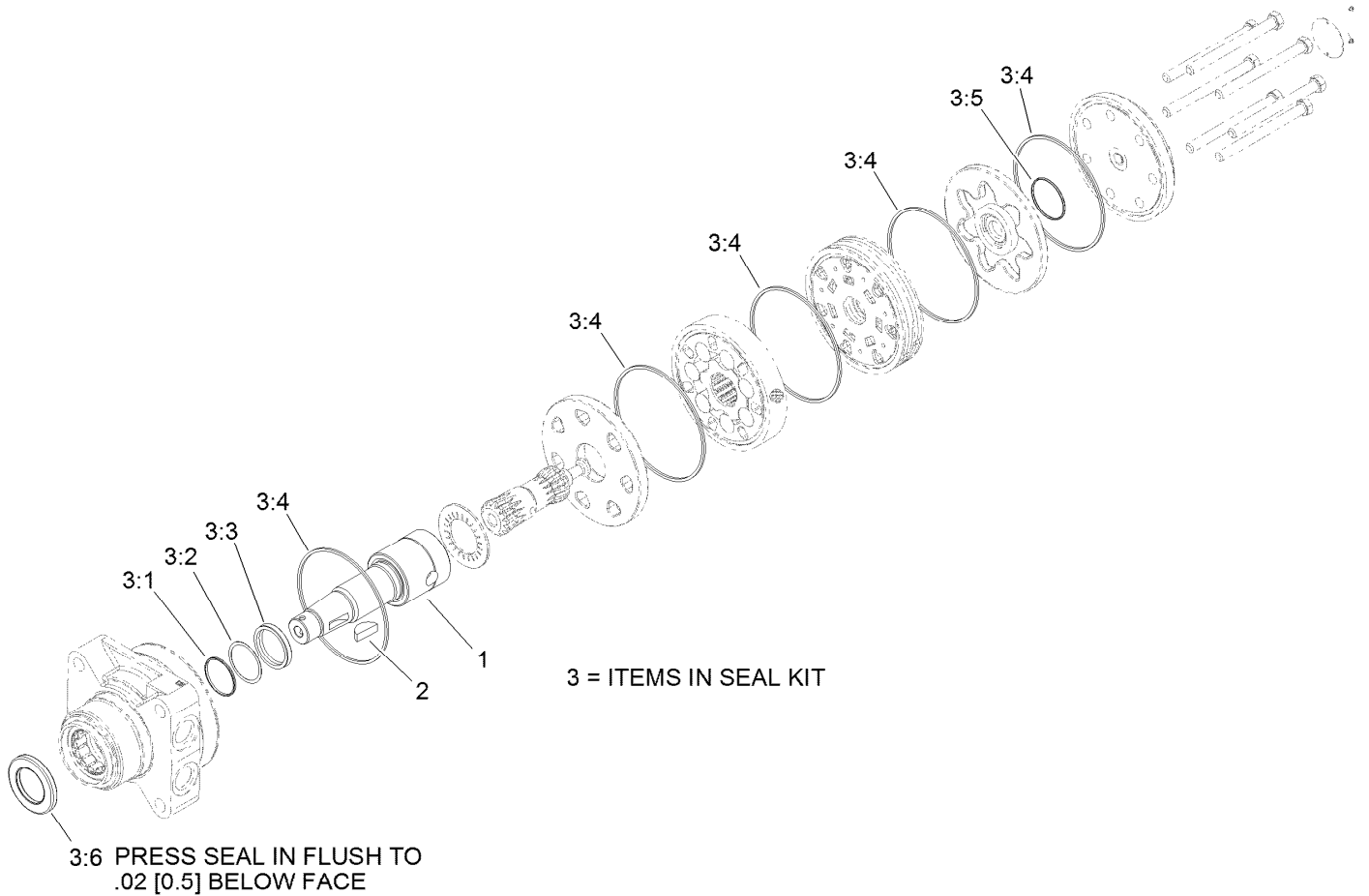
<i>Ref.</i>	<i>Part Number</i>	<i>Qty.</i>	<i>Description</i>
1	70-9870	1	Plate-Backing
2	104-7707	1	Shaft-Cam, Brake
3	104-7706	1	E-Ring, Bowed
4	70-9880	2	Spring-Return
5	70-9840	2	Shoe-Brake



Rear Fork and Tire Assembly

Ref.	Part Number	Qty.	Description	Ref.	Part Number	Qty.	Description
1	136-3812-01	1	Fork-Rear	11:3	232-27	1	Stem-Valve
2	127-8576	1	Rear Casting ASM	12	242-50	4	Nut-Lug
2:2	127-8572	2	Bushing-Flange	13	82-8170	2	Clamp
2:3	302-5	1	Fitting-Grease	14	3296-29	2	Nut-Lock, NI
3	3255-2	1	Washer-Lock, EXT	15	93-7960	2	Spacer
4	75-7730	1	Washer-Thrust	16	93-7961	1	Clamp-Drain, Case
5	325-3	1	Screw-HH	17	322-13	2	Screw-HH
6	95-8694	1	HYD Motor ASM	18	3234-38	8	Screw-HHF
7	3274-93	4	Screw-HSH	19		1	Steering Cylinder ASM ●
8	3296-23	4	Nut-Lock, NI	19:1	121-3605	2	Ball Joint
9	18-3209	1	Wheel Hub/Stud ASM	19:2	32151-104	2	Ring-Retaining, External
9:1	10-6870-03	1	Hub-Wheel	19:3	121-3653	1	Cylinder-HYD
9:2	10-6830	4	Stud-Type, Drive	20	340-132	2	Fitting-Elbow, 90 DEG
10	26-3790	1	Nut-Lock	20:1	237-78	1	O-Ring
11		1	Wheel And Tire ASM ●	20:2	237-21	1	O-Ring
11:1	117-5129	1	Rim	21	121-3611	2	Nut-Hex, Flextop
11:2	115-1572	1	Tire				

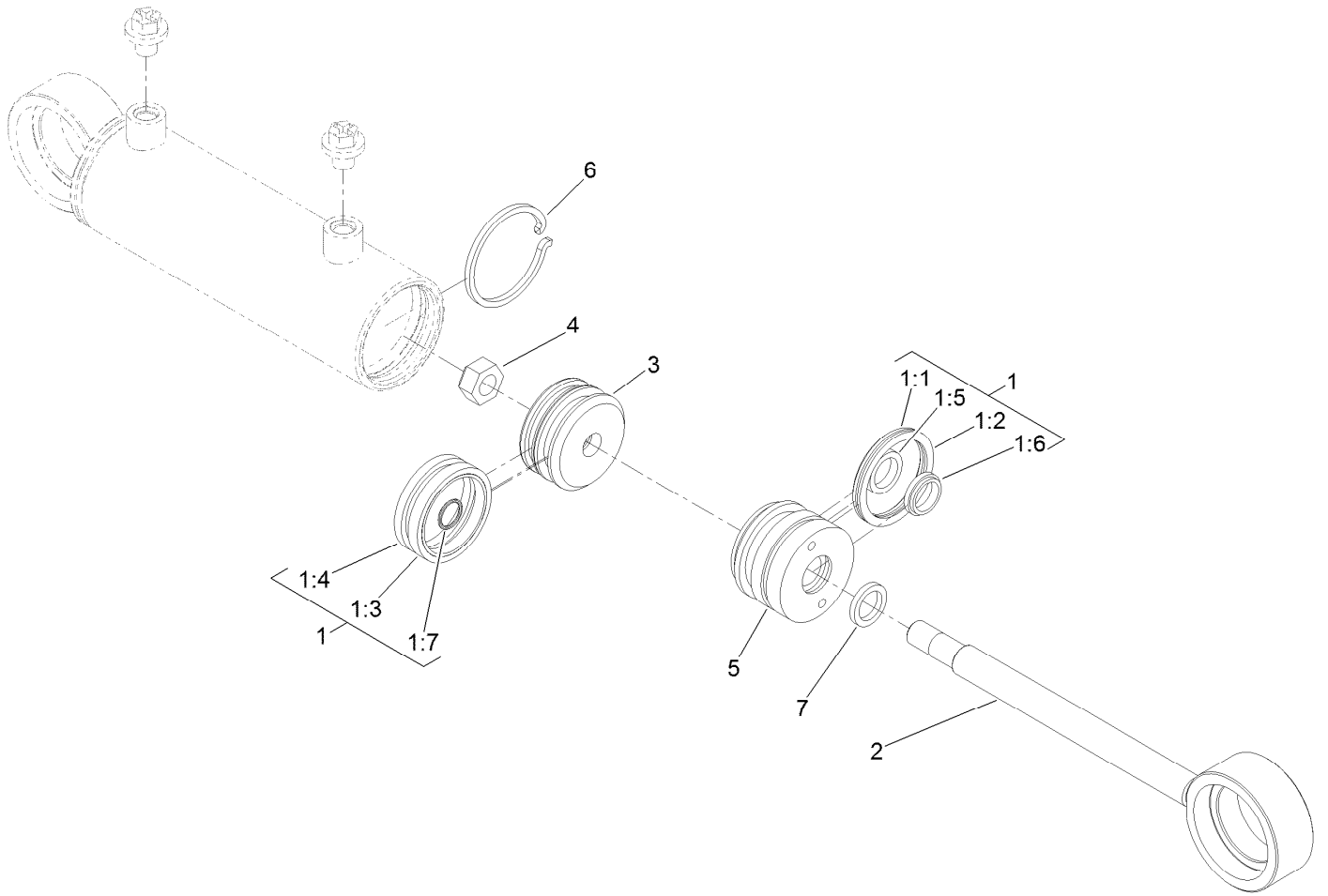
● Not serviced separately



Hydraulic Motor Assembly No. 95-8694

Ref.	Part Number	Qty.	Description
1	99-3090	1	Shaft-Coupling
2	3257-42	1	Key-Woodruff
3	100-6131	1	Seal Kit
3:1		1	Ring-Back Up ●
3:2		1	Washer-Back Up ●
3:3		1	Seal-Shaft ●
3:4		5	Seal-Ring ●
3:5		1	Seal-Commutator ●
3:6		1	Seal-Dirt And Water ●

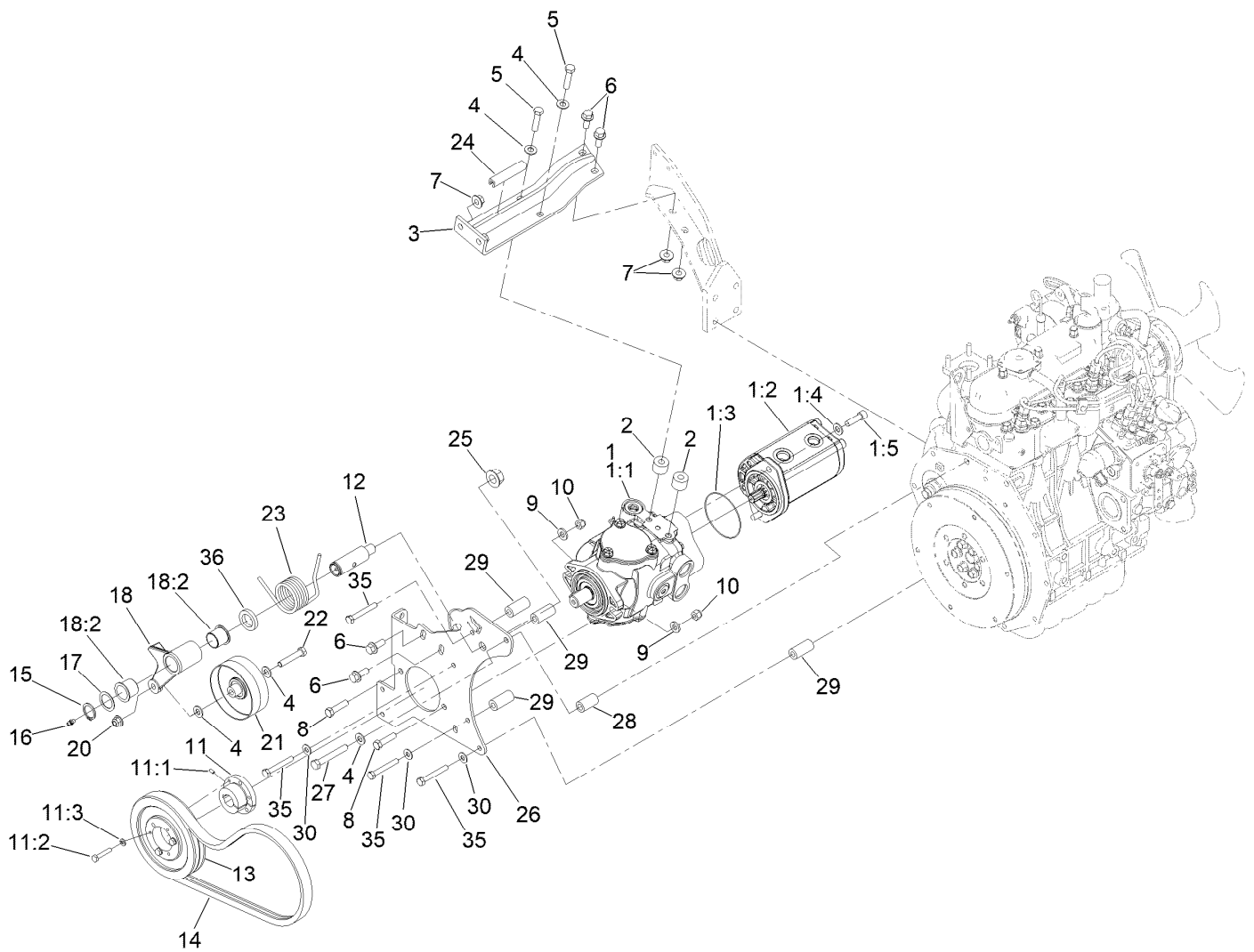
● Not serviced separately



Hydraulic Cylinder Assembly No. 121-3653

Ref.	Part Number	Qty.	Description
1	136-3278	1	Seal Kit
1:1		1	O-Ring ●
1:2		1	Backup ●
1:3		1	Psp Seal ●
1:4		1	Wear Ring ●
1:5		1	Bt Seal ●
1:6		1	Dust Seal ●
1:7		1	O-Ring ●
2		1	Rod ●
3		1	Piston ●
4		1	Head ●
5		1	Lock Nut ●
6		1	Retaining Ring ●
7		1	Square O-Ring ●

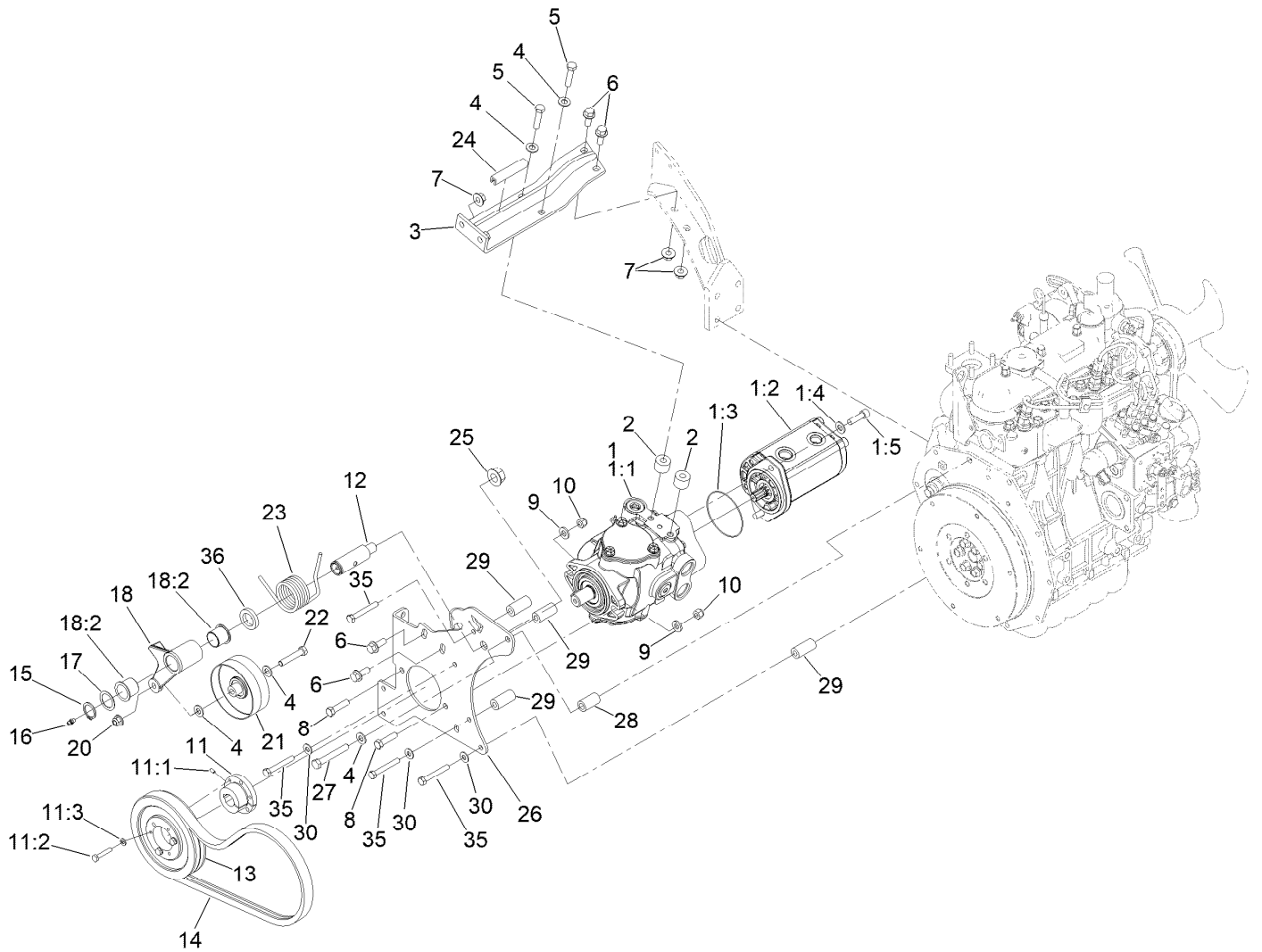
● Not serviced separately



Tandem Hydraulic Pump Assembly

Ref.	Part Number	Qty.	Description	Ref.	Part Number	Qty.	Description
1		1	Tandem Pump ASM ●	11:3	3253-3	3	Washer-Lock
1:1	104-4890	1	Piston Pump ASM	12	99-3624	1	Shaft-Pivot, Idler
1:2	95-8601	1	Gear Pump ASM	13	93-6841	1	Pulley
1:3	60-3520	1	O-Ring	14	95-8730	1	V-Belt
1:4	3256-24	2	Washer-Flat	15	32151-36	1	Ring-Retaining
1:5	3274-1	2	Screw-HSH	16	302-5	1	Fitting-Grease
2	99-3440	2	Spacer	17	74-1810	1	Washer
3	99-3436-0P	1	Support-Pump	18	137-1653	1	Idler Arm ASM
4	3256-24	5	Washer-Flat	18:2	126-1963	2	Bushing-Pivot
5	323-19	2	Screw-HH	20	104-8301	1	Nut-HF, NI
6	3234-11	4	Screw-HHF	21	139-6031	1	Pulley-Idler
7	32128-43	4	Nut-Flange	22	323-10	1	Screw-HH
8	323-8	2	Screw-HH	23	95-8917	1	Spring-Torsion
9	100-4852	2	Washer-Hardened	24	70-2041	1	Trim - Edge
10	3296-39	2	Nut-Lock, NI	25	32128-54	1	Nut-HF
11	93-6842	1	Bushing-Lock, Taper	26	95-8933-0P	1	Plate - Pump Mount *b
11:1	3245-36	1	Screw-Set, HSH	27	42-9370	1	Screw-HH
11:2	321-13	3	Screw-HH	28	95-8736	1	Spacer

● Not serviced separately

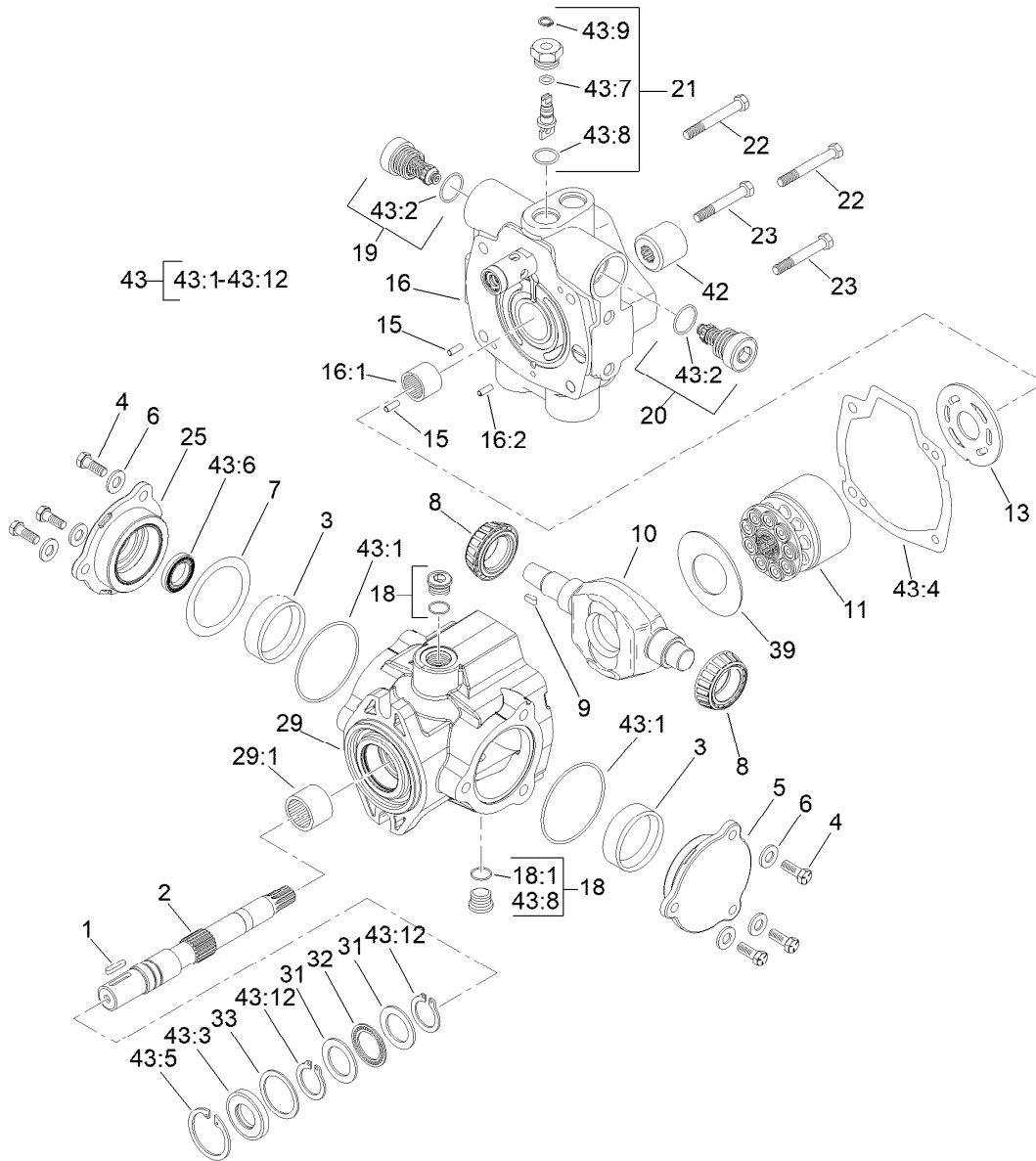


Tandem Hydraulic Pump Assembly (continued)

Ref.	Part Number	Qty.	Description
29	95-8941	4	Spacer-Mount, Pump
30	87-8640	3	Washer-Flat

Ref.	Part Number	Qty.	Description
35	33114-060	4	Screw-HH
36	99-3625	1	Spacer-Arm, Idler

● Not serviced separately

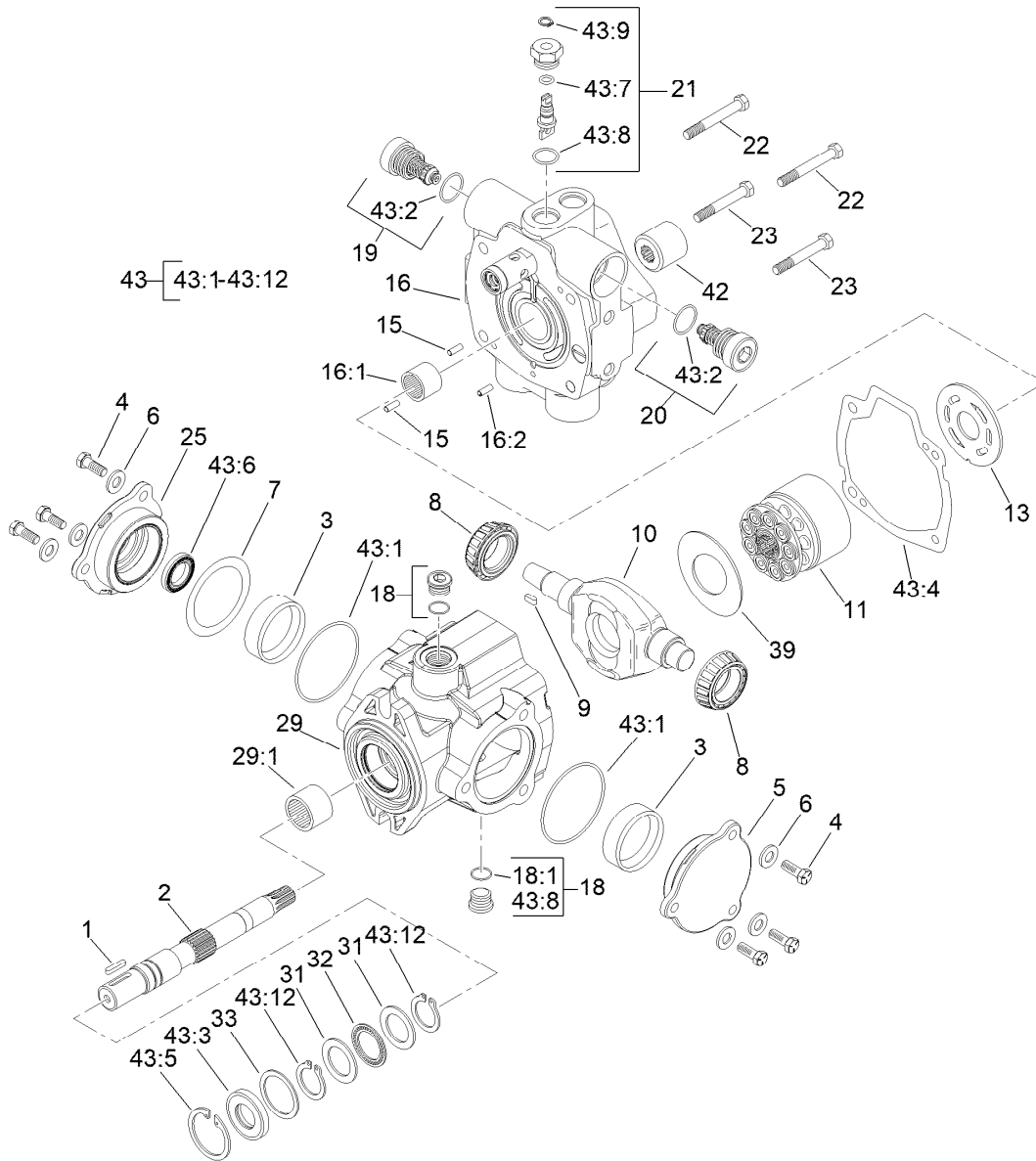


Hydraulic Pump Assembly No. 104-4890

Ref.	Part Number	Qty.	Description	Ref.	Part Number	Qty.	Description
1	94-3645	1	Key	19	104-4889	1	Relief Valve ASM
2	94-6359	1	Shaft-Drive	20	105-3812	1	Valve-Check
3	104-4046	2	Bearing-Cup	21	105-3811	1	Valve-Bypass
4	98-4640	6	Screw-Cap	22	76-6170	2	Capscrew
5	98-4644	1	Plate-Cover	23	76-6160	2	Capscrew
6	105-9762	6	Washer	25	98-4645	1	Plate-Cover
7	100-3182	2	Shim Kit	29	100-3176	1	Housing ASM
8	98-4639	2	Bearing-Cone	29:1	94-6363	1	Bearing
9	94-3646	1	Key	31	252-71	2	Washer-Thrust
10	104-4888	1	Swashplate	32	252-66	1	Bearing-Thrust
11	76-6070	1	Rotating Kit	33	33-3720	1	Washer
13	104-0429	1	Plate-Valve	39	98-4635	1	Insert-Plate, Cam
15	76-6150	2	Pin-Dowel	42	74-9040	1	Coupler
16	105-3813	1	Endcover Sub ASM	43	120-5754	1	Seal Kit
16:1	94-6368	1	Bearing	43:1		2	O-Ring ■
16:2		1	Pin-Roll ■	43:2		2	O-Ring ■
18	74-9280	2	Plug ASM	43:3		1	Seal-Shaft ■
18:1		1	O-Ring ■	43:4		1	Gasket ■

● Not illustrated

■ Not serviced separately



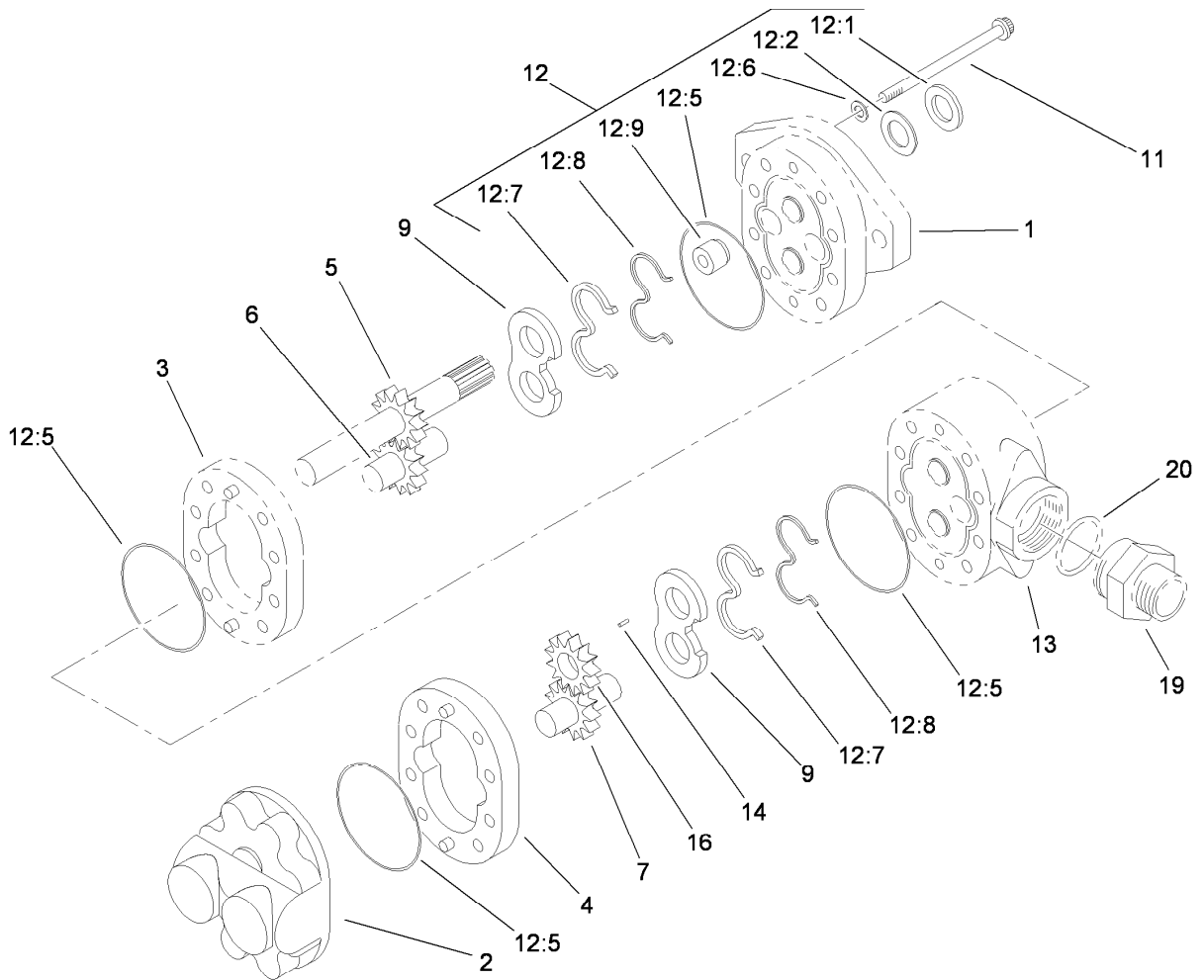
Hydraulic Pump Assembly No. 104-4890 (continued)

Ref.	Part Number	Qty.	Description
43:5		1	Ring-Retaining ■
43:6		1	Seal-Shaft ■
43:7		1	O-Ring ■
43:8		5	O-Ring ■
43:9		1	Ring-Retaining ■

Ref.	Part Number	Qty.	Description
43:10		1	O-Ring ●■
43:11		1	O Ring-Molded ●■
43:12		2	Ring-Retaining ■
43:13		1	O-Ring ■●

● Not illustrated

■ Not serviced separately

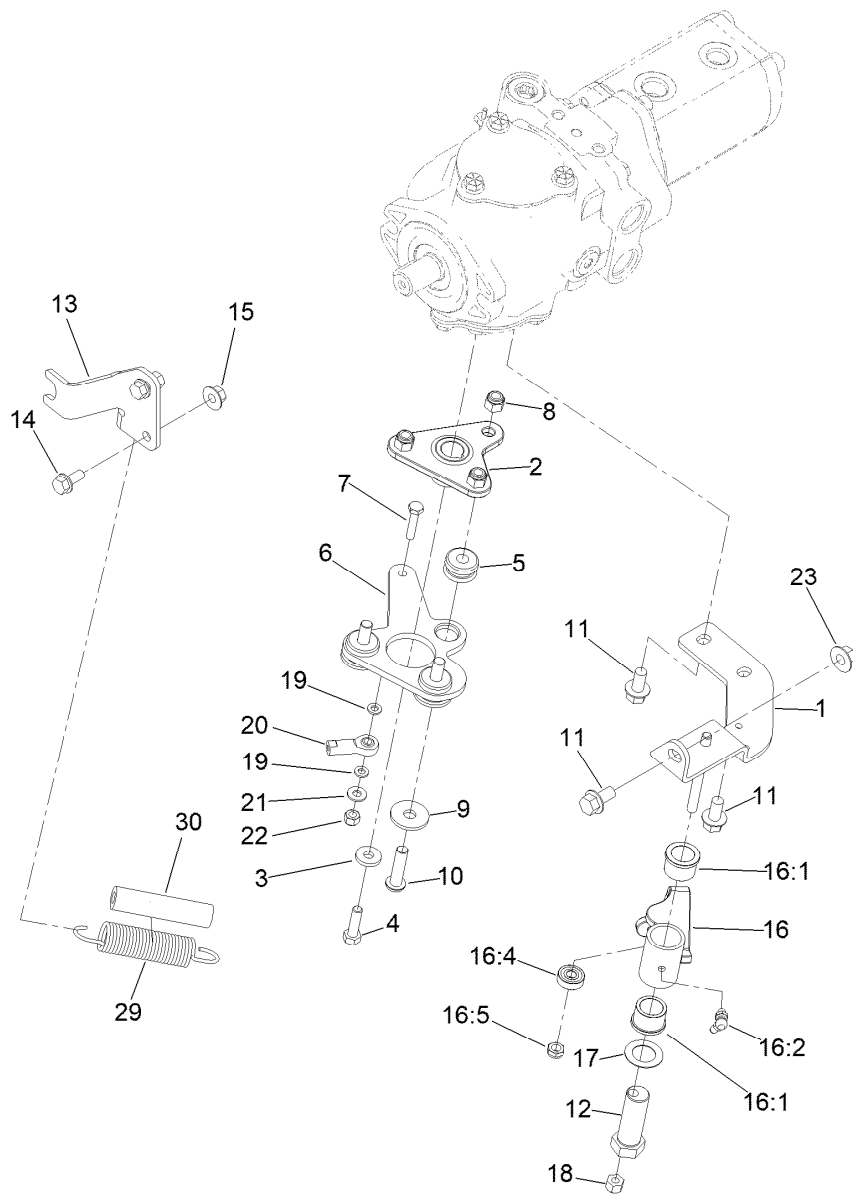


Gear Pump Assembly No. 95-8601

Ref.	Part Number	Qty.	Description
1		1	Plate-Front ■
2		1	Plate-Back ■
3		1	Body ■
4	95-4364	1	Body
5		1	Gear-Drive ■
6		1	Gear-Idler ■
7	95-4366	1	Gear-Idler
9	95-4368	2	Plate-Wear
11	94-8158	8	Screw-Cap
12	94-8161	1	Seal Repair Kit ●
12		4	O-Ring ■
12:1	49-2640	1	Seal-Shaft
12:2	60-5890	1	Washer
12:5		4	O-Ring ■
12:6	120-7576	4	Washer-Sealing
12:7	95-4369	2	Seal-Pressure
12:8	95-4368	2	Plate-Wear
12:9	94-3011	1	Plug
13		1	Plate-Adapter ■
14		1	Key ■
16	95-4373	1	Gear-Fit, Slip
19	49-2640	1	Seal-Shaft
20	60-5890	1	Washer

● Not illustrated

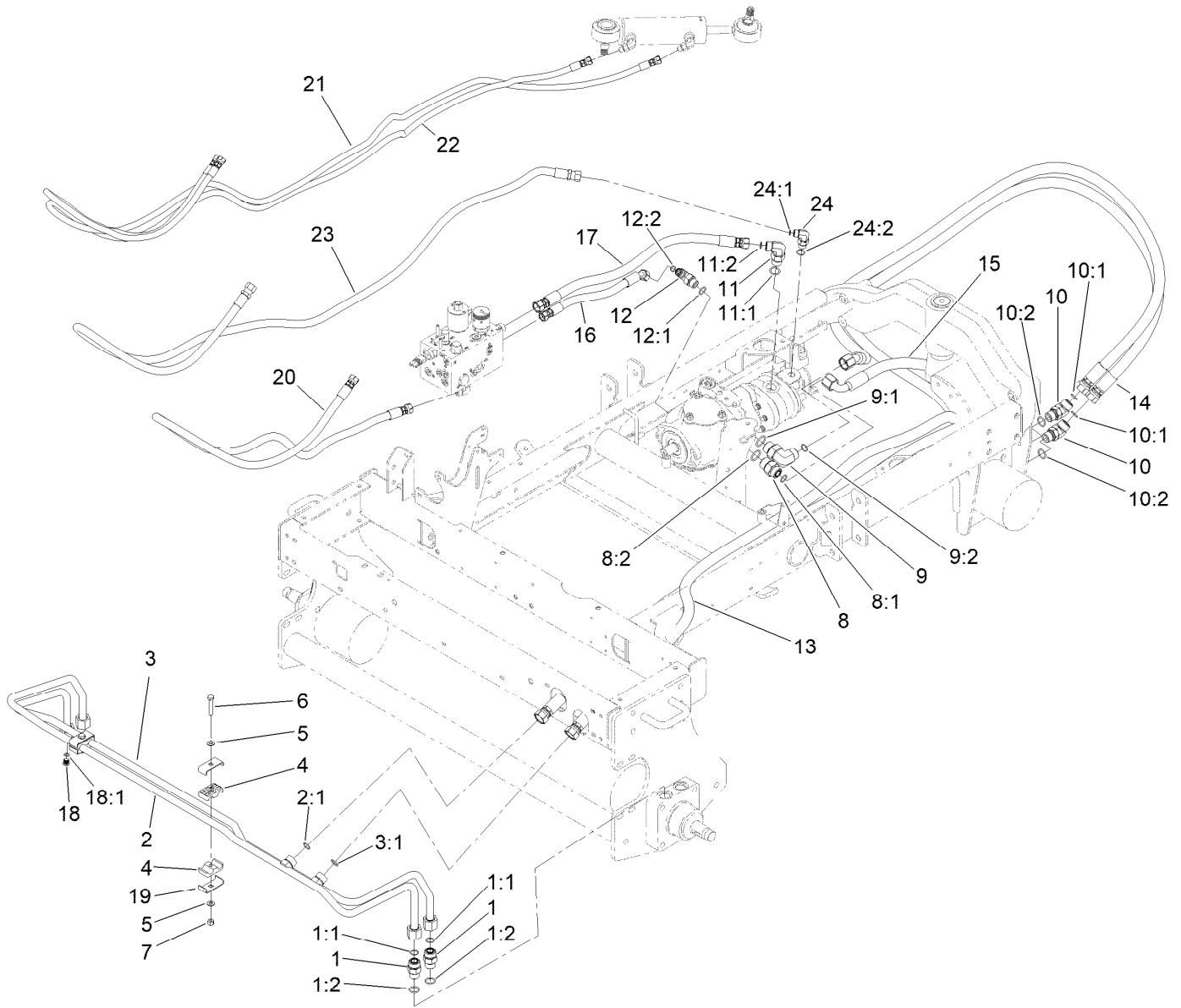
■ Not serviced separately



Tandem Pump Mount Assembly

Ref.	Part Number	Qty.	Description
1	95-8960-0P	1	Bracket-Neutral
2	120-5566	1	Hub
3	88-7200	1	Washer-Flat
4	3210-6	1	Screw-HH
5	63-9750	3	Mount
6	99-3594-0P	1	Lever-Pump
7	321-8	1	Screw-HH
8	3296-39	3	Nut-Lock, NI
9	2844	3	Washer
10	95-3857	3	Screw-HSBH
11	3234-1	3	Screw-HHF
12	76-8640	1	Stud-Traction
13	104-0464-03	1	Bracket-Support, Cable
14	3234-5	2	Screw-HHF
15	32128-44	2	Nut

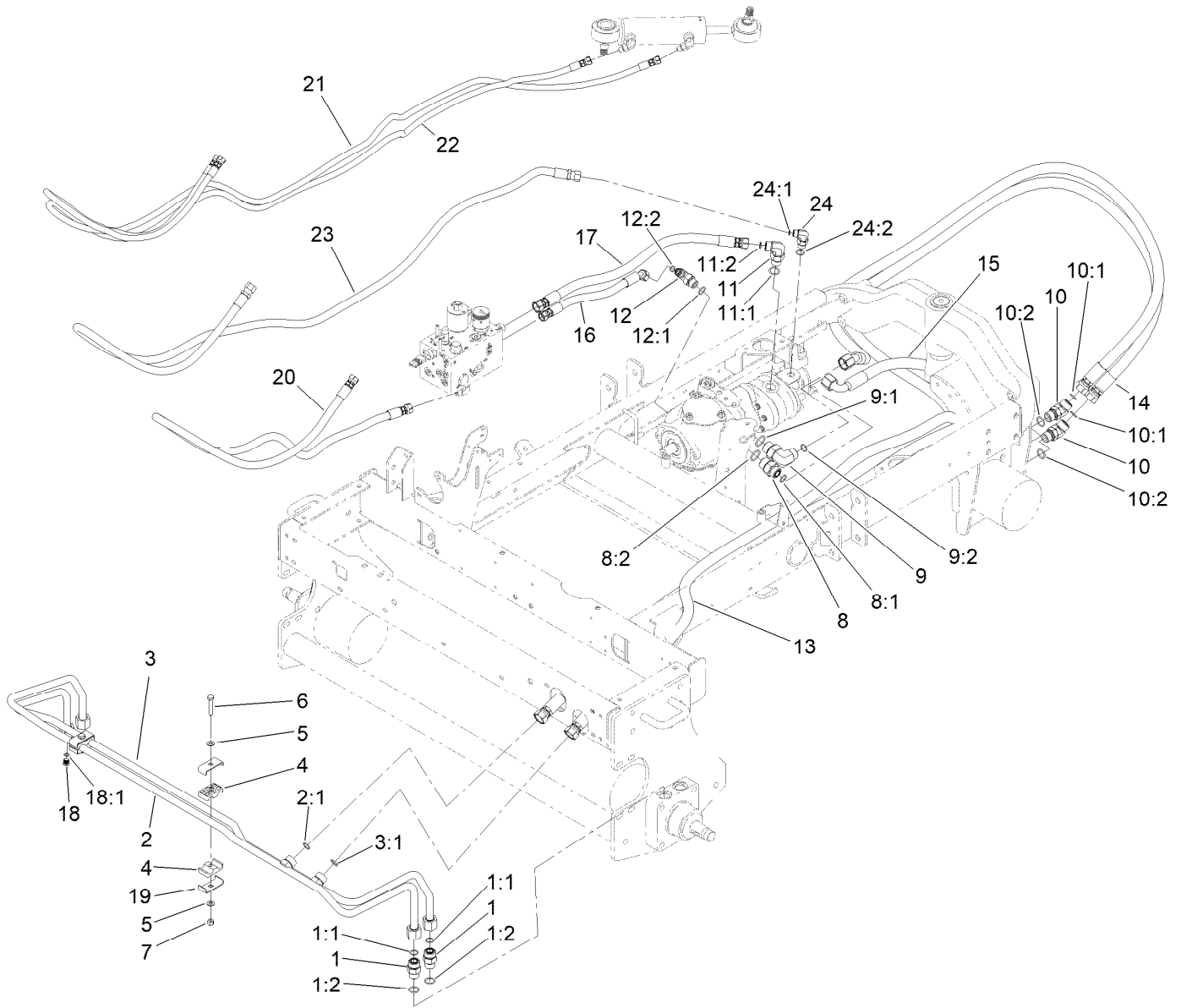
Ref.	Part Number	Qty.	Description
16	140-6168	1	Neutral Arm ASM
16:1	256-113	2	Bushing-Flange
16:2	302-60	1	Fitting-Grease
16:4	251-259	1	Bearing-Ball
16:5	3296-47	1	Nut-Lock, NI
17	3-6498	1	Washer-Thrust
18	3296-29	1	Nut-Lock, NI
19	33093-00	2	Washer-Flat
20	2411-41	1	Rod End-Ball Joint
21	3256-22	1	Washer-Flat
22	3296-42	1	Nut-Lock, NI
23	32128-43	1	Nut-Flange
29	145-5262	1	Spring-Extension
30	99-3556	1	Hose



Traction and Steering Circuit Assembly

Ref.	Part Number	Qty.	Description	Ref.	Part Number	Qty.	Description
1	340-7	4	Fitting-Straight	10:1	237-65	1	O-Ring
1:1	237-65	1	O-Ring	10:2	237-80	1	O-Ring
1:2	237-80	1	O-Ring	11	340-105	1	Fitting-Elbow, 90 DEG
2	95-8783	1	Tube ASM	11:1	237-80	1	O-Ring
2:1	237-65	1	O-Ring	11:2	237-30	1	O-Ring
3	95-8784	1	Tube ASM	12	340-18	1	Fitting-HYD, 90 DEG
3:1	237-65	1	O-Ring	12:1	237-79	1	O-Ring
4	56-7971	4	Clamp-Tube	12:2	237-22	1	O-Ring
5	3256-23	4	Washer-Plain	13	105-1221	1	Hose ASM
6	322-9	2	Screw-HH	14	105-1222	1	Hose ASM
7	3296-29	2	Nut-Lock, NI	15	105-1214	1	Hose-HYD
8	340-8	1	Fitting-Straight	16	106-4197	1	Hose ASM
8:1	237-65	1	O-Ring	17	95-8829	1	Hose ASM
8:2	237-81	1	O-Ring	18	353-990	1	Plug ASM
9	340-139	1	Fitting-Elbow 90	18:1	237-78	1	O-Ring
9:1	237-81	1	O-Ring	19	119-1419	4	Plate-Clamp
9:2	237-65	1	O-Ring	20	95-8842	1	Hose-HYD
10	340-14	2	Fitting-HYD, 45 DEG	21	95-8845	1	Hose ASM

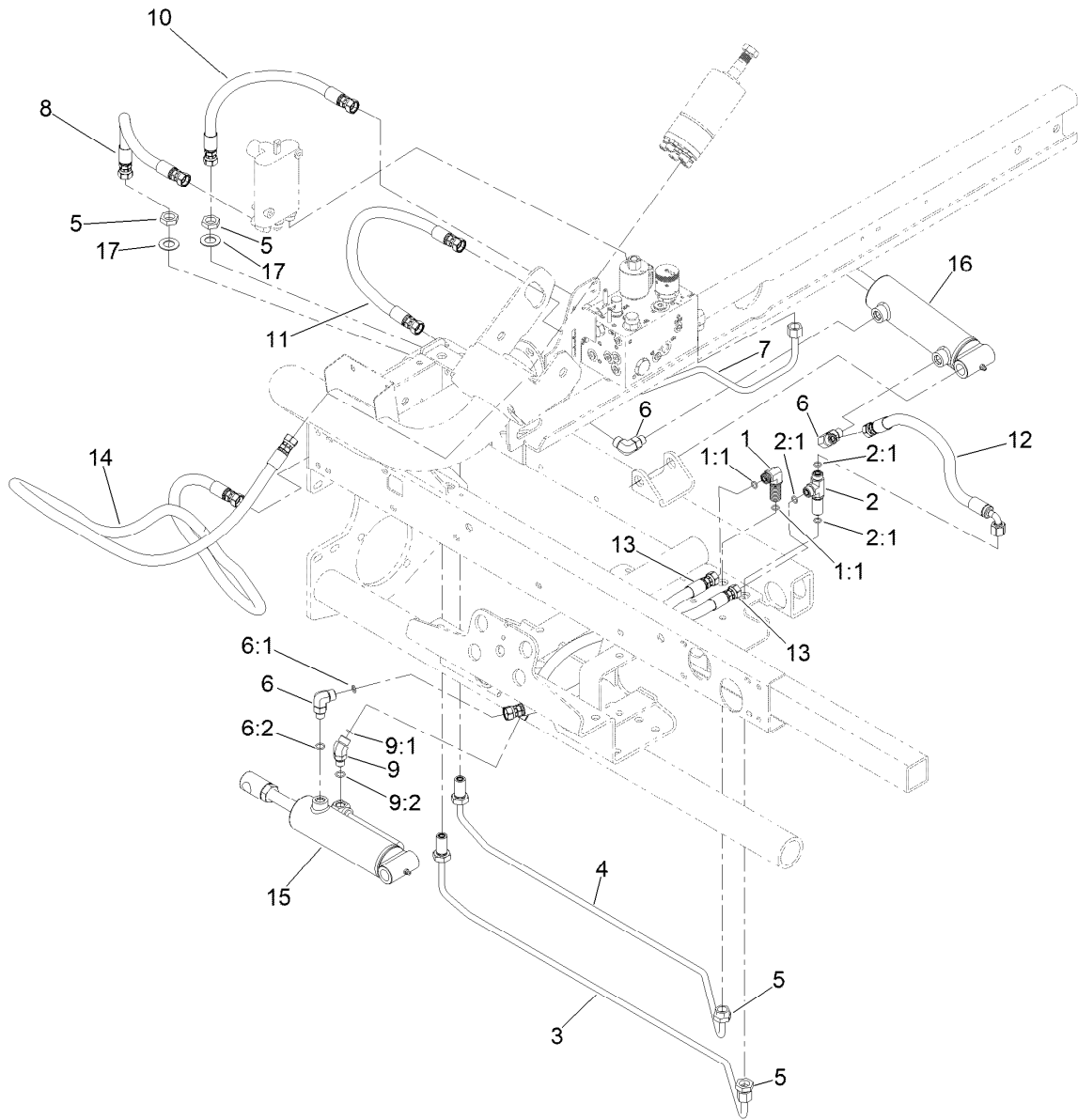
● Not illustrated



Traction and Steering Circuit Assembly (continued)

<i>Ref.</i>	<i>Part Number</i>	<i>Qty.</i>	<i>Description</i>	<i>Ref.</i>	<i>Part Number</i>	<i>Qty.</i>	<i>Description</i>
22	95-8844	1	Hose ASM	24:1	237-22	1	O-Ring
23	95-8846	1	Hose-HYD	24:2	237-42	1	O-Ring
24	340-77	1	Fitting-Elbow, 90 DEG	99	3290-378	2	Tie-Cable ●

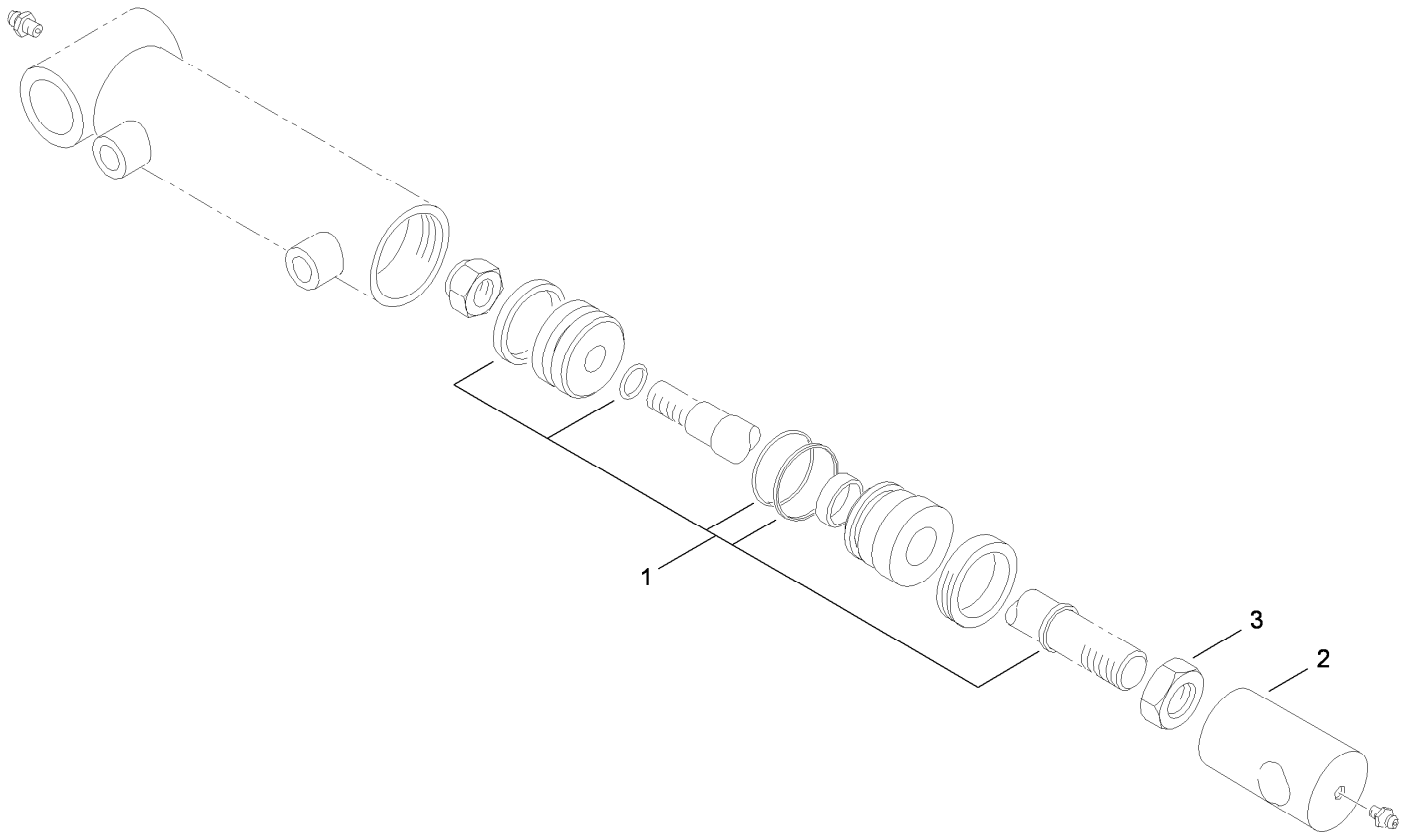
● Not illustrated



Lift Circuit Assembly

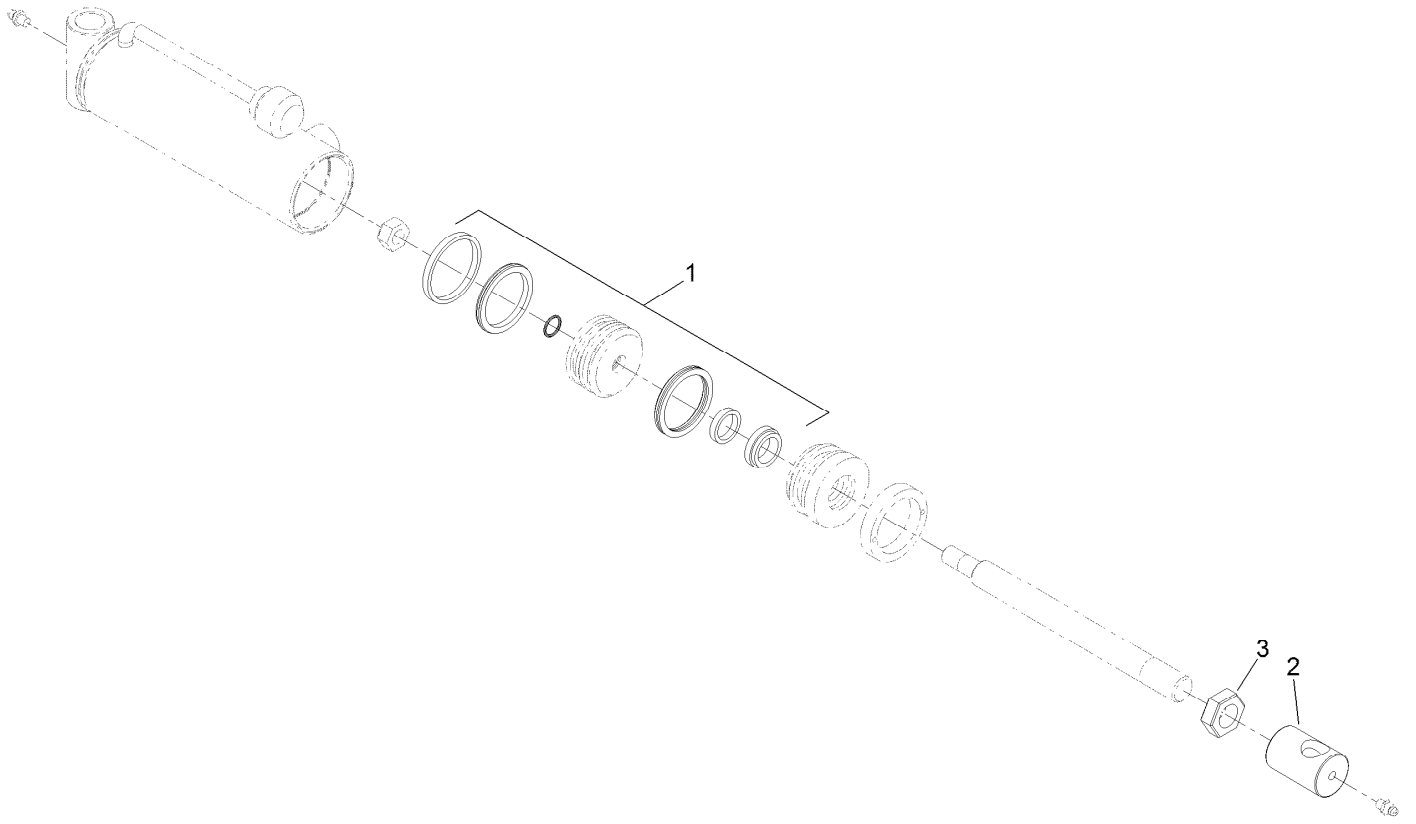
<i>Ref.</i>	<i>Part Number</i>	<i>Qty.</i>	<i>Description</i>
1	340-154	1	Union-Bulkhead
1:1	237-22	2	O-Ring
2	340-68	1	Fitting-Tee, Bulkhead
2:1	237-22	3	O-Ring
3	95-8984	1	Tube-HYD
4	95-8983	1	Tube-HYD
5	340-70	4	Nut-Lock
6	340-77	3	Fitting-Elbow, 90 DEG
6:1	237-22	1	O-Ring
6:2	237-42	1	O-Ring
7	99-3551	1	Tube-HYD
8	99-3575	1	Hose-HYD

<i>Ref.</i>	<i>Part Number</i>	<i>Qty.</i>	<i>Description</i>
9	340-87	1	Fitting-Elbow, 45 DEG
9:1	237-22	1	O-Ring
9:2	237-42	1	O-Ring
10	99-3579	1	Hose-HYD
11	99-3576	1	Hose-HYD
12	104-2234	1	Hose-HYD
13	117-5147	2	Hose-HYD
14	95-8843	1	Hose-HYD
15	117-5109	1	HYD Cylinder ASM
16	112-9916	1	HYD Cylinder ASM
17	1278	2	Washer



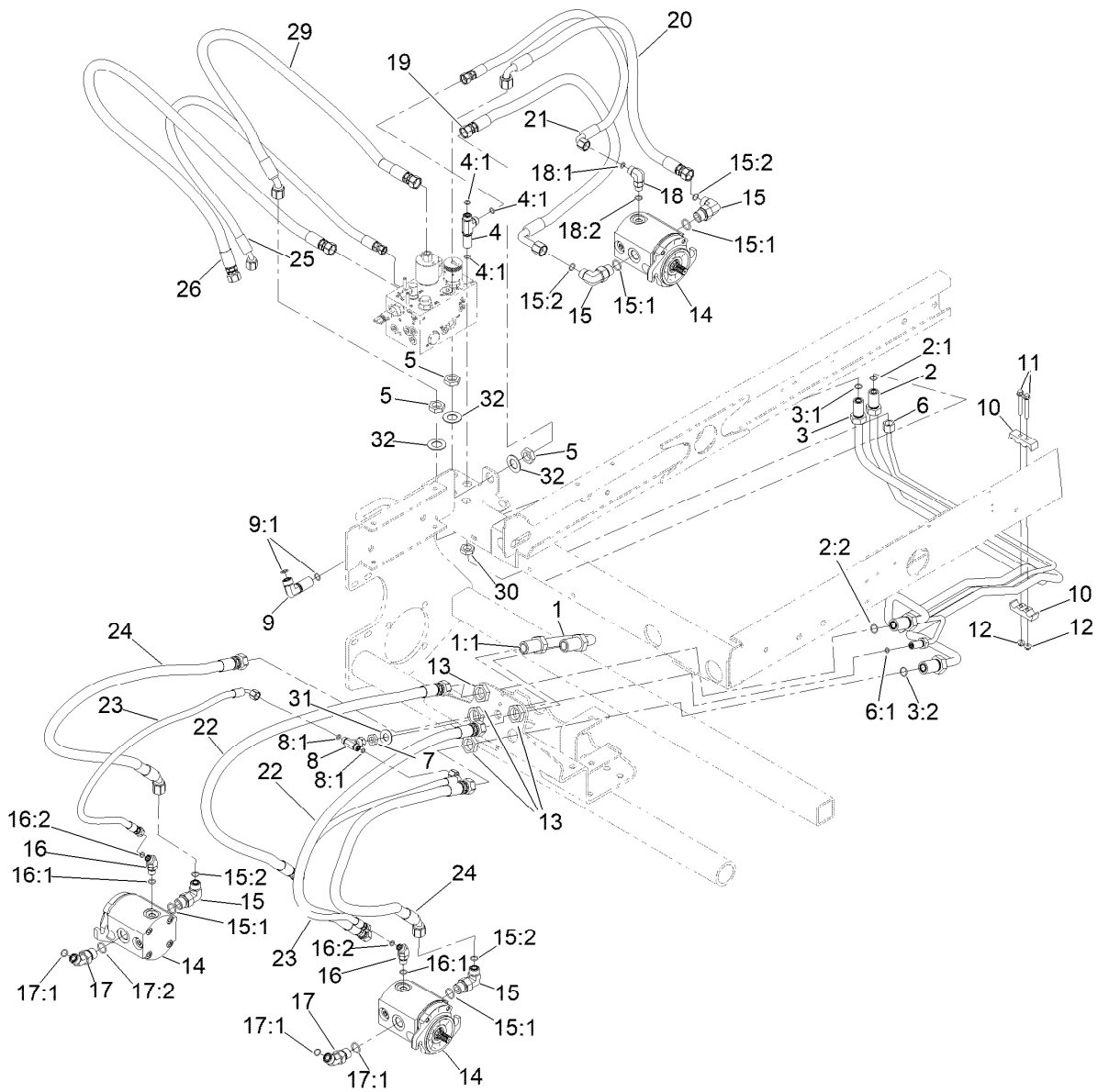
Hydraulic Cylinder Assembly No. 112-9916

<i>Ref.</i>	<i>Part Number</i>	<i>Qty.</i>	<i>Description</i>
1	115-3410	1	Seal Kit
2	108-9035	1	Clevis
3	3220-7	1	Nut-Jam



Hydraulic Cylinder Assembly No. 117-5109

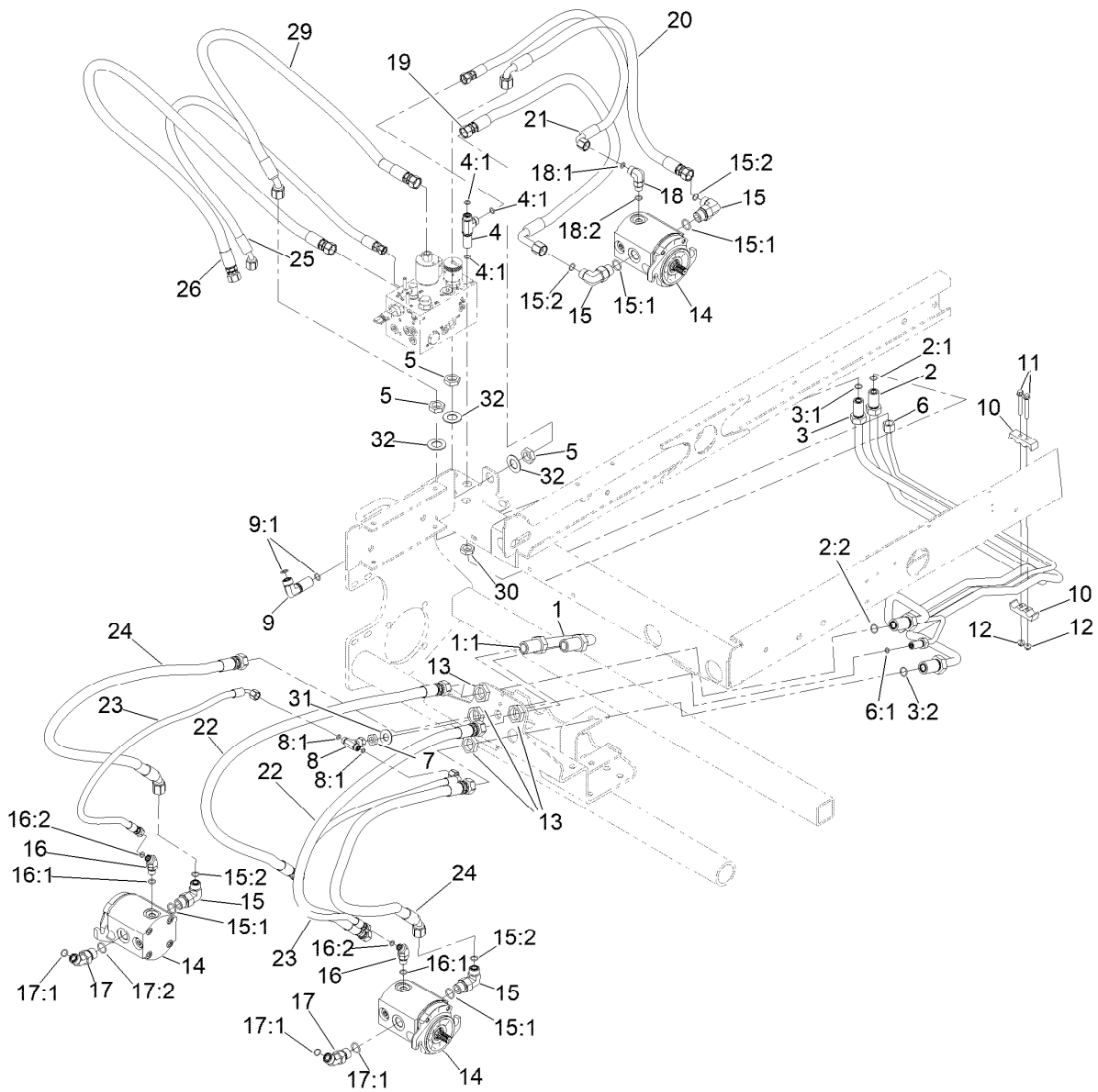
<i>Ref.</i>	<i>Part Number</i>	<i>Qty.</i>	<i>Description</i>
1	115-3410	1	Seal Kit
2	108-9035	1	Clevis
3	3220-7	1	Nut-Jam



Hydraulic Mow Circuit Assembly

Ref.	Part Number	Qty.	Description	Ref.	Part Number	Qty.	Description
1	99-3640	1	Tube ASM	10	93-2509	2	Clamp-Tube
1:1	237-65	2	O-Ring	11	3234-34	2	Screw-HHF
2	95-8980	1	Tube ASM	12	104-7201	2	Nut-HF, NI
2:1	237-30	1	O-Ring	13	340-74	4	Nut-Lock, Bulkhead
2:2	237-65	1	O-Ring	14	115-8250	3	Gear Motor ASM
3	95-8981	1	Tube ASM	15	340-105	4	Fitting-Elbow, 90 DEG
3:1	237-30	1	O-Ring	15:1	237-80	1	O-Ring
3:2	237-65	1	O-Ring	15:2	237-30	1	O-Ring
4	340-68	1	Fitting-Tee, Bulkhead	16	340-137	2	Fitting
4:1	237-22	3	O-Ring	16:1	237-21	1	O-Ring
5	340-127	3	Nut-Bulkhead	16:2	237-42	1	O-Ring
6	95-8982	1	Tube ASM	17	340-89	2	Fitting-HYD, 45 DEG
6:1	237-21	1	O-Ring	17:1	237-30	1	O-Ring
7	340-78	1	Nut-Lock	17:2	237-80	1	O-Ring
8	99-3477	1	Fitting-Tee	18	340-77	1	Fitting-Elbow, 90 DEG
8:1	237-21	2	O-Ring ●	18:1	237-22	1	O-Ring
9	93-9151	1	Fitting-HYD	18:2	237-42	1	O-Ring
9:1	237-30	2	O-Ring	19	117-5145	1	Hose-HYD

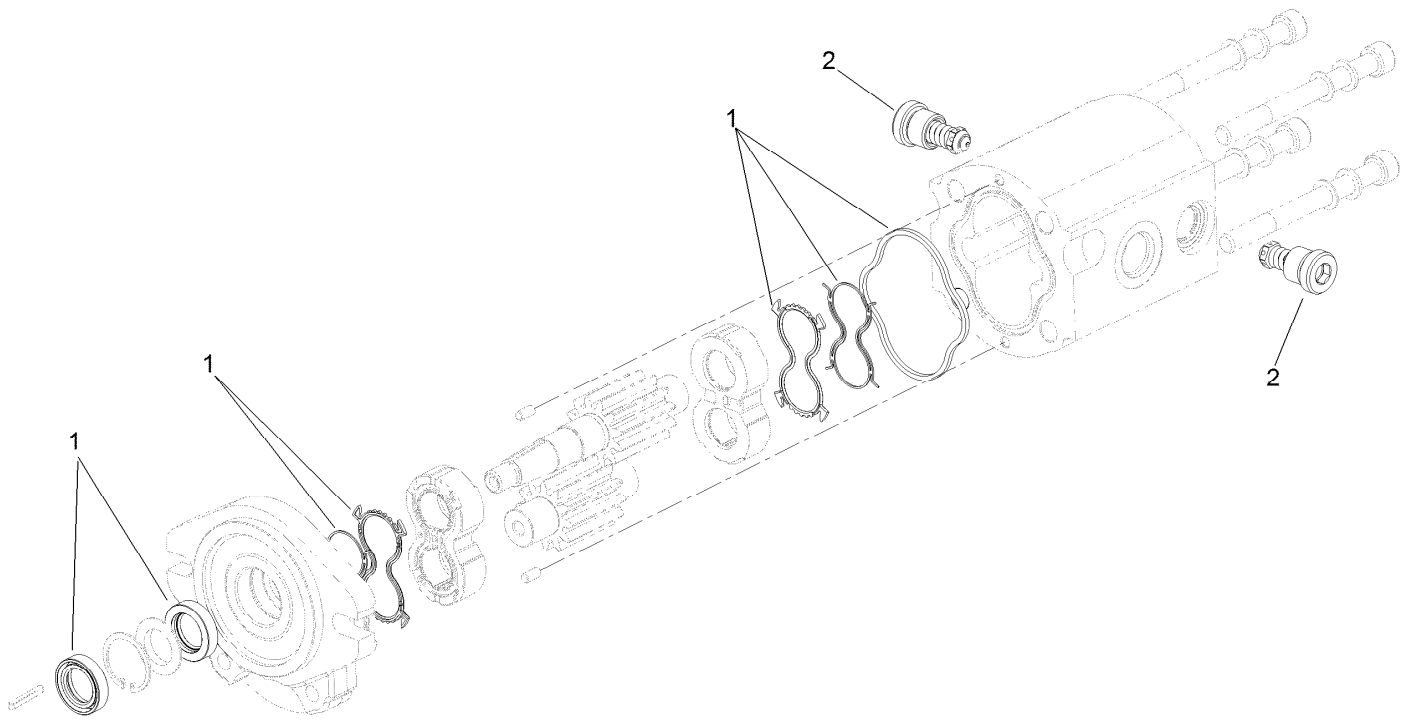
● Not illustrated



Hydraulic Mow Circuit Assembly (continued)

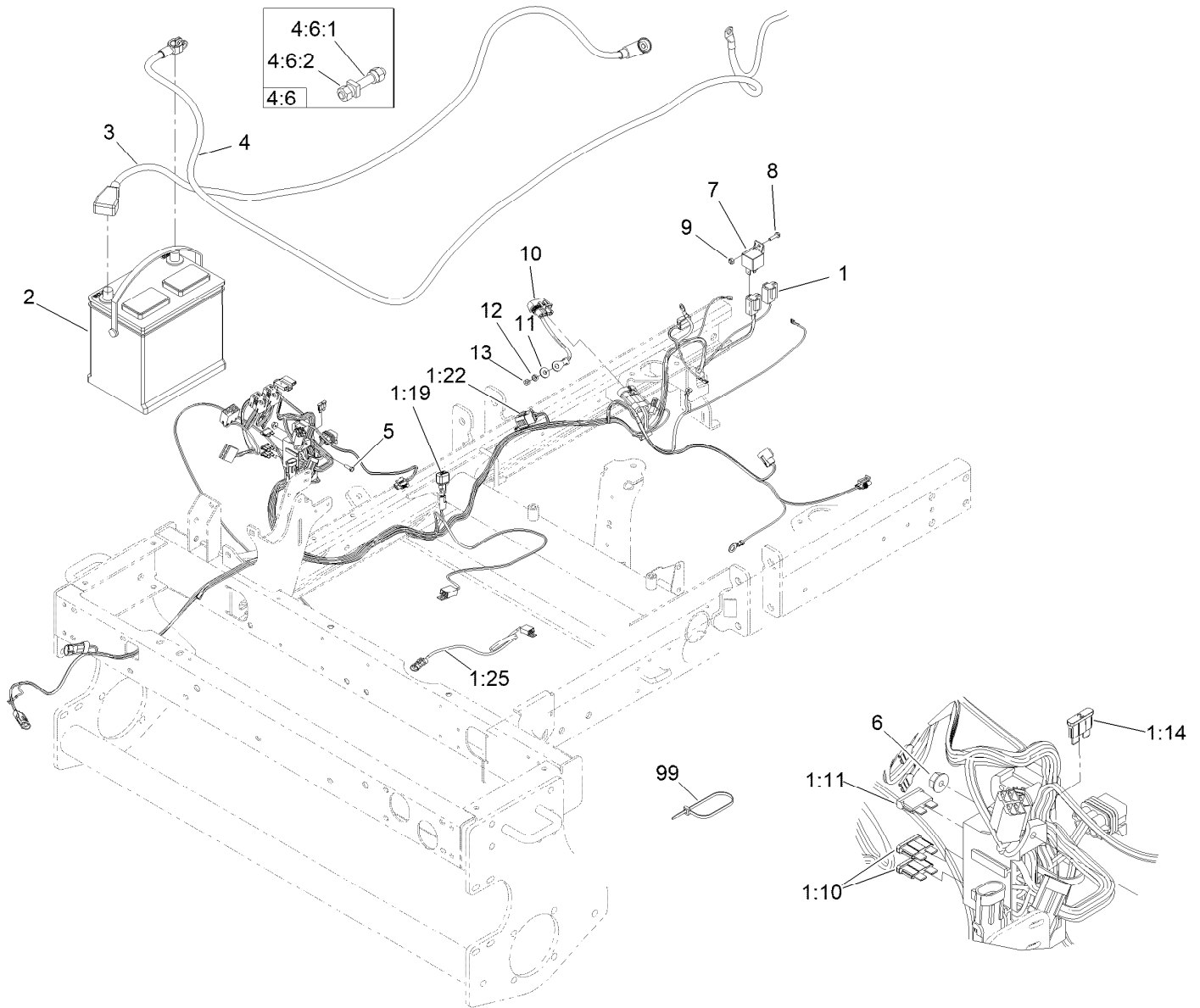
Ref.	Part Number	Qty.	Description	Ref.	Part Number	Qty.	Description
20	117-5146	1	Hose-HYD	26	99-3578	1	Hose-HYD
21	114-5500	1	Hose-HYD	29	99-3574	1	Hose-HYD
22	117-5142	2	Hose-HYD	30	340-70	1	Nut-Lock
23	117-5144	2	Hose-HYD	31	69-8980	1	Washer
24	117-5143	2	Hose-HYD	32	69-8930	3	Washer
25	115-3412	1	Hose-HYD				

● Not illustrated



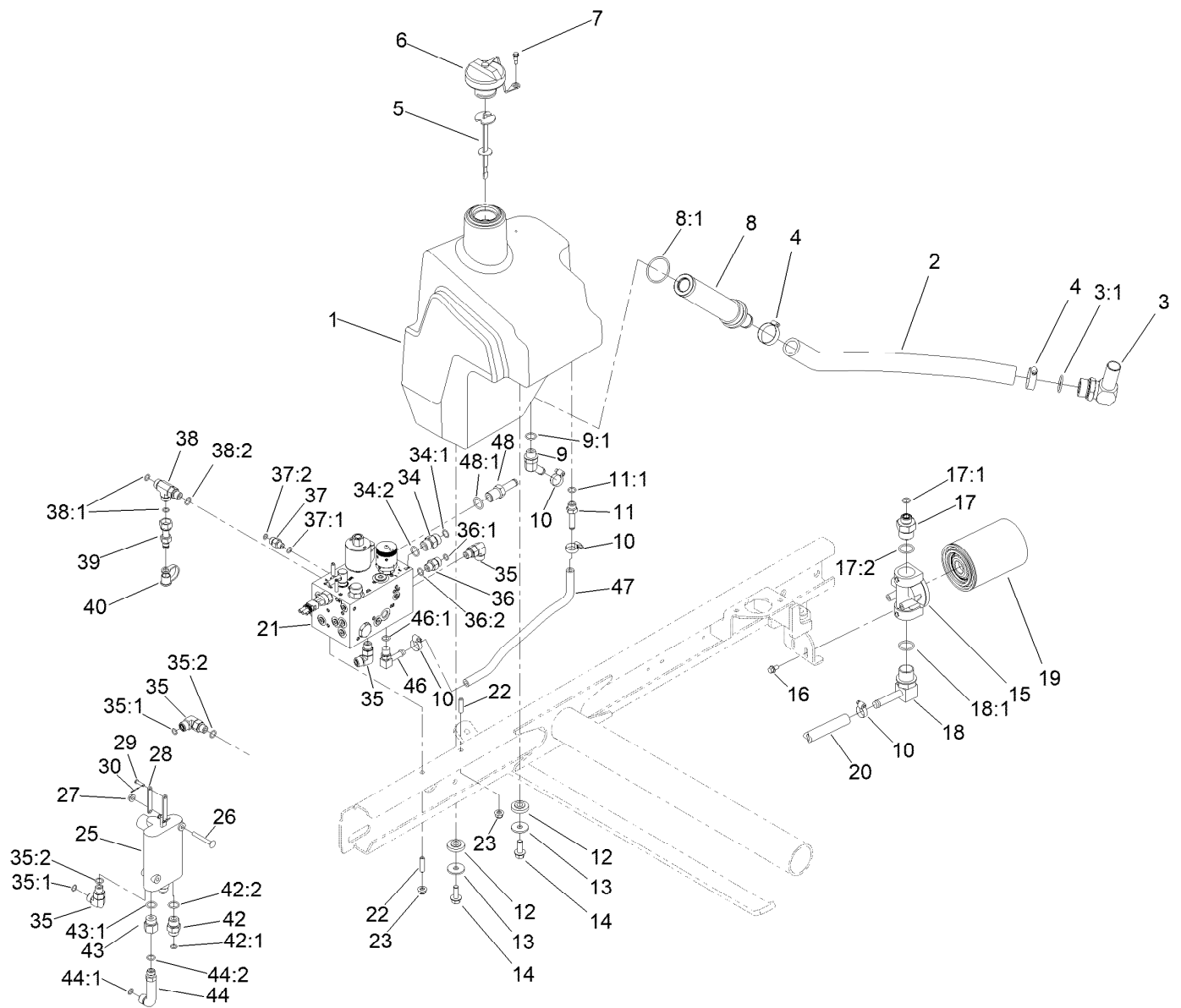
Gear Motor Assembly No. 115-8250

<i>Ref.</i>	<i>Part Number</i>	<i>Qty.</i>	<i>Description</i>
1	125-1682	1	Motor Seal Kit
2	117-5107	2	Valve-Check



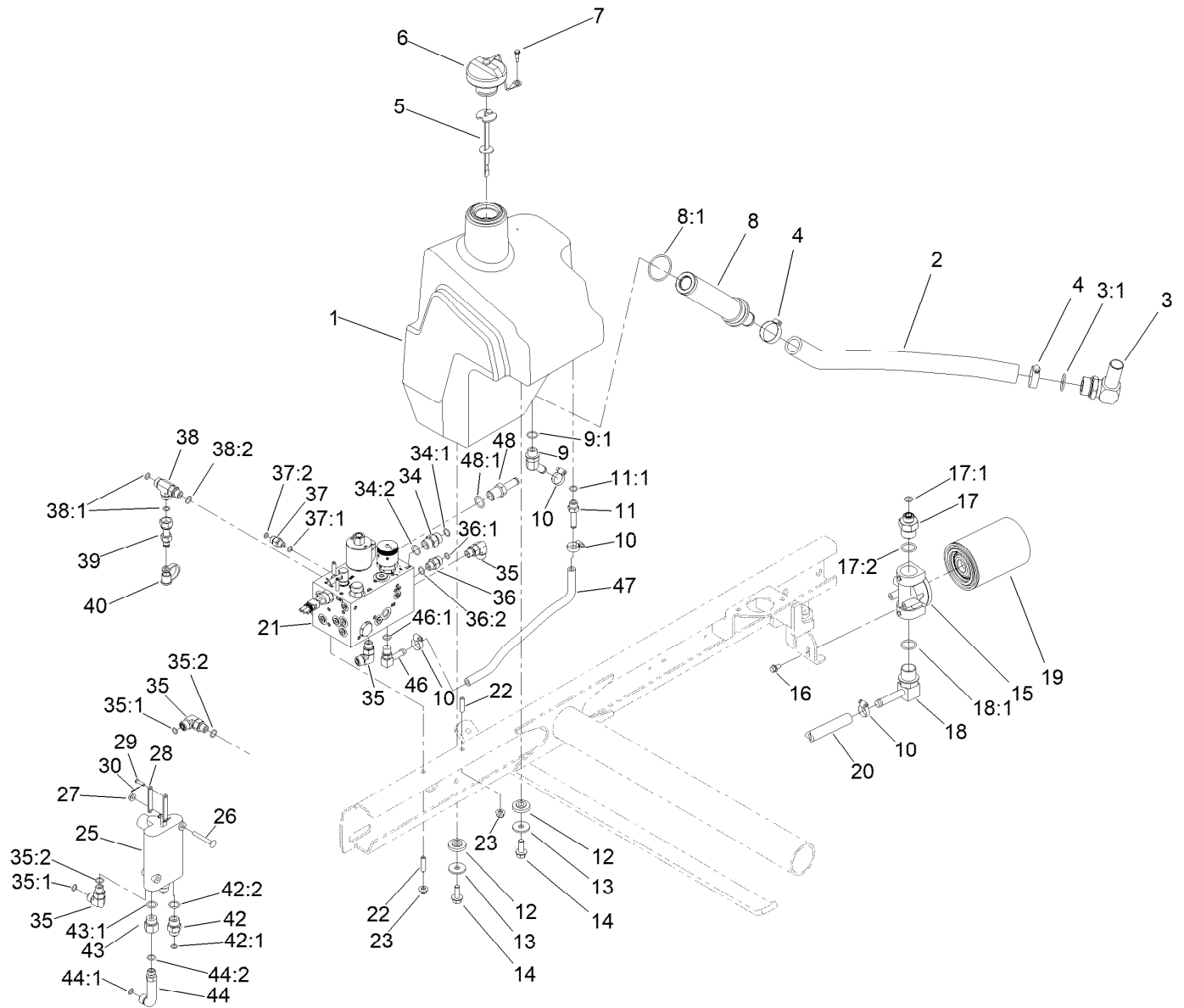
Wire Harness and Battery Assembly

Ref.	Part Number	Qty.	Description	Ref.	Part Number	Qty.	Description
1	122-2515	1	Harness-Wire, Main	4:6:2	32180-108	2	Nut-Clamp, Battery
1:10	218-578	2	Fuse-Blade, 10 Amp	5	3290-134	2	Screw
1:11	109355	1	Fuse-Blade, 15 Amp	6	3290-148	2	Nut-HF
1:14	94-6710	1	Fuse-2 Amp	7	99-7435	1	Relay
1:19	100-4918	1	Diode	8	32105-13	1	Screw-HWH
1:22	32180-156	1	Cap-Plug, 6 Way	9	3296-2	1	Nut-Lock, NI
1:25	106-7090	1	Harness-Wire, Seat Switch	10	99-3441	1	Harness-Wire, Fusible Link
2	104-0496	1	Battery (Group 55, Wet)	11	3256-78	1	Washer-Flat
3	95-8853	1	Cable-Battery, Positive	12	43-5930	1	Washer-Lock, Spring
4	95-8854	1	Cable-Battery, Negative	13	48-7890	1	Nut-Hex
4:6		1	Bolt ASM	99	3290-378	8	Tie-Cable
4:6:1	32180-107	1	Bolt-Clamp, Battery	99	3290-379	4	Tie-Cable



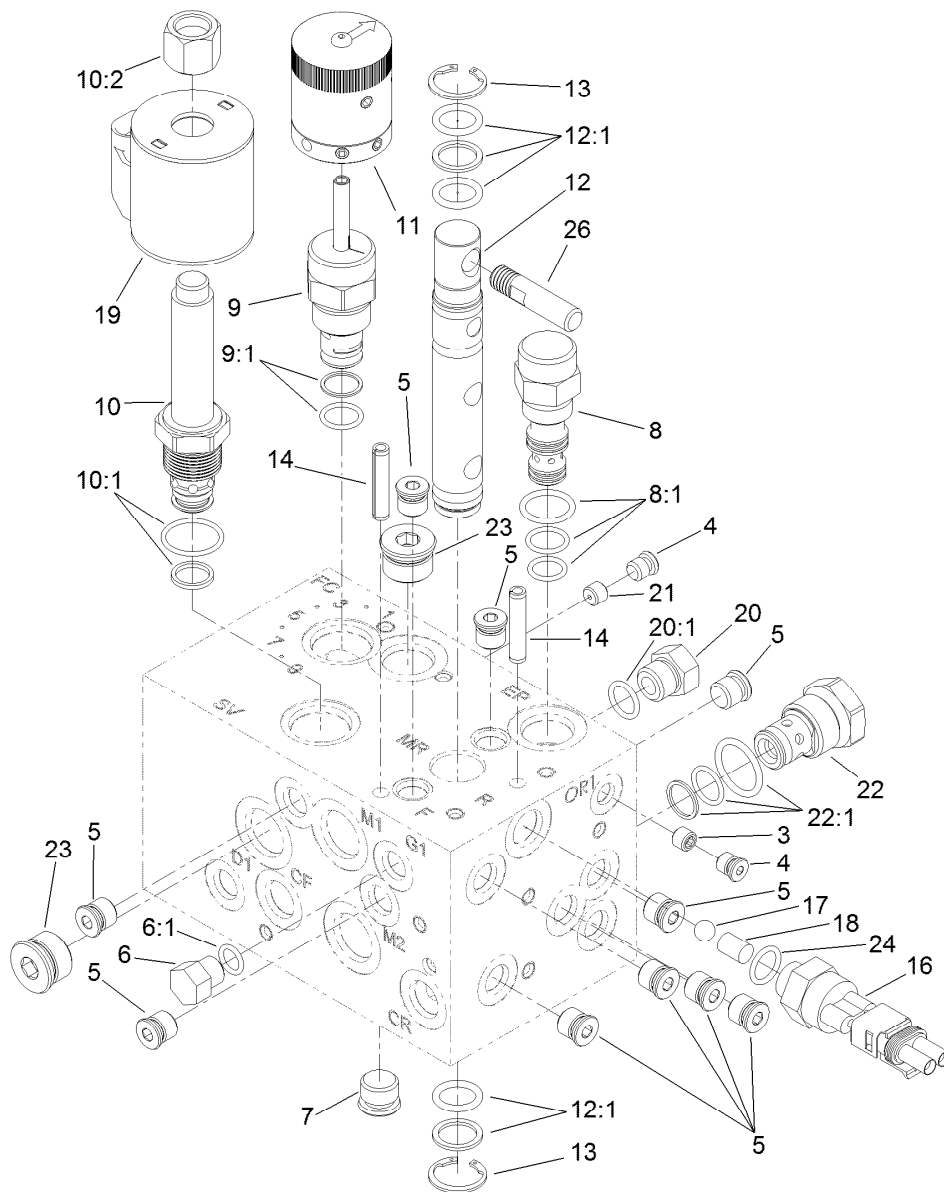
Hydraulic Tank and Control Valve Assembly

Ref.	Part Number	Qty.	Description	Ref.	Part Number	Qty.	Description
1	104-4840	1	Tank-HYD	17:1	237-30	1	O-Ring
2	104-4845	1	Hose-Suction	17:2	237-81	1	O-Ring
3	56-9530	1	Fitting-HYD, 90 DEG	18	95-8814	1	Fitting-90
3:1	237-117	1	O-Ring	18:1	237-81	1	O-Ring
4	2412-34	2	Clamp-Hose	19	86-3010	1	Filter-Oil
5	119-6968	1	Dipstick-Oil	20	99-3501	1	Hose
6	93-7160	1	Cap-Oil, HYD	21	108-9037	1	Manifold ASM
7	57-5420	1	Screw-Shoulder	22	104-0430	2	Stud
8	104-7546	1	Tank Strainer ASM	23	104-8300	2	Nut-HF, NI
8:1	340-136	1	O-Ring	25	95-8689	1	Single Spool Control Valve ASM
9	354-126	1	Fitting-Elbow, 45	26	3230-33	2	Screw-CARR
9:1	237-79	1	O-Ring	27	32128-33	2	Nut-HF
10	2412-36	4	Clamp-Hose	28	95-8634	2	Link
11	353-979	1	Fitting-STR	29	283-16	2	Pin-Clevis
11:1	237-42	1	O-Ring	30	3272-1	2	Pin-Cotter
12	240-11	4	Bushing-Flange	34	340-4	3	Fitting-Straight
13	63-8410	4	Washer	34:1	237-30	1	O-Ring
14	3234-11	4	Screw-HHF	34:2	237-79	1	O-Ring
15	92-5821	1	Head-Filter	35	340-77	3	Fitting-Elbow, 90 DEG
16	3234-13	2	Screw-HHF	35:1	237-22	1	O-Ring
17	100-4240	1	Fitting-STR				



Hydraulic Tank and Control Valve Assembly (continued)

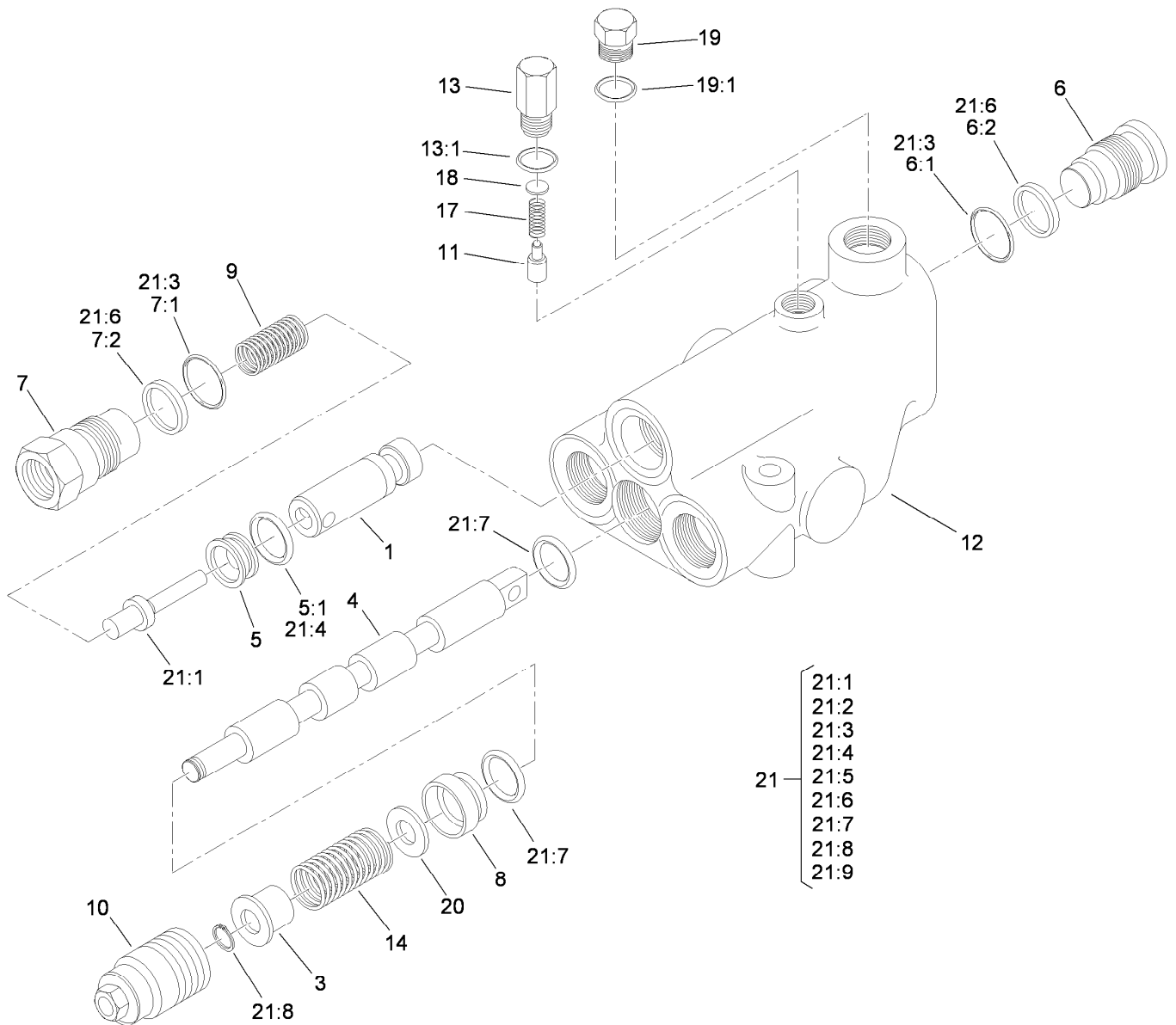
Ref.	Part Number	Qty.	Description	Ref.	Part Number	Qty.	Description
35:2	237-42	1	O-Ring	42:1	237-22	1	O-Ring
36	340-2	2	Fitting-Straight	42:2	237-79	1	O-Ring
36:1	237-22	1	O-Ring	43	353-397	1	Reducer-Adapter
36:2	237-42	1	O-Ring	43:1	237-79	1	O-Ring
37	340-92	1	Fitting-Straight	44	69-4320	1	Fitting-HYD, 90 DEG
37:1	237-78	1	O-Ring	44:1	237-22	1	O-Ring
37:2	237-21	1	O-Ring	44:2	237-42	1	O-Ring
38	340-86	1	Fitting-Tee	46	100-4887	1	Fitting-Elbow, 90
38:1	237-22	2	O-Ring	46:1	237-42	1	O-Ring
38:2	237-42	1	O-Ring	47	80-7342	1	Hose-HYD
39	86-5480	1	Nipple-Test	48	354-121	1	Fitting-STR
40	354-79	1	Cap-Dust	48:1	237-79	1	O-Ring
42	340-3	1	Fitting-Straight				



Hydraulic Manifold Assembly No. 108-9037

Ref.	Part Number	Qty.	Description	Ref.	Part Number	Qty.	Description
3	110-8771	1	Orifice-.020	12:1	117-0109	1	Seal Kit
4	106-1024	2	Plug-Leak, Zero	13	112-6532	2	Ring-Retaining
5	106-1025	10	Plug-HYD	14	112-6531	2	Pin-Spring
6	353-512	1	Plug	16	72-4310	1	Switch-Ball
6:1	237-78	1	O-Ring	17	110-8762	1	Ball-Chrome
7	106-1026	1	Plug-HYD	18	110-8761	1	Pin-Dowel
8	110-8770	1	Logic Element	19	110-6344	1	Coil-12V, DC
8:1	110-8773	1	Seal Kit	20	353-508	1	Plug-HH
9	110-8769	1	Valve-Control, Manual Flow	20:1	237-42	1	O-Ring
9:1	110-2633	1	Seal Kit	21	110-8760	1	Orifice-.073
10	110-8768	1	Valve-Relief, Solenoid (3000 PSI)	22	110-8759	1	Valve-Relief
10:1	110-6316	1	Seal Kit	22:1	110-8772	1	Seal Kit ●
10:2	130-8180	1	Nut-Coil (9/16-24 Unef-2B)	23	106-1027	2	Plug
11	110-8767	1	Rotary Handle ASM	24	110-8757	1	O-Ring
12	117-0108	1	Spool-Rotary	26	110-8758	1	Handle-Spool

● Not illustrated

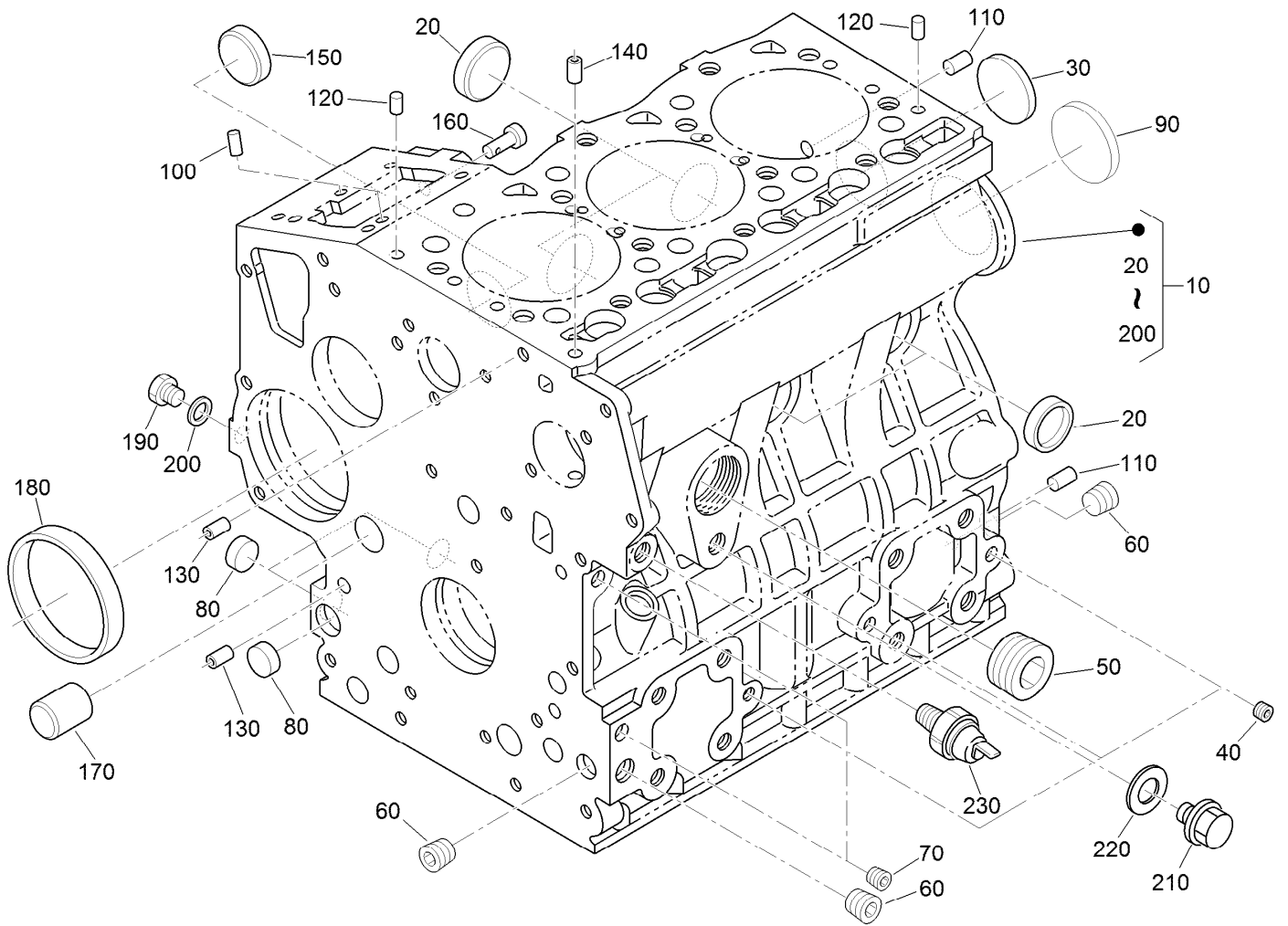


Single Spool Control Valve Assembly No. 95-8689

Ref.	Part Number	Qty.	Description
1	99-3586	1	Plunger
3	58-6310	1	Spacer
4		1	Spool ●
5	58-6330	1	Seat
5:1	58-6340	1	O-Ring
6	58-6350	1	Plug
6:1	60-5720	1	O-Ring
6:2	58-6370	1	Washer
7	69-1800	1	Plug ASM
7:1	60-5720	1	O-Ring
7:2	58-6370	1	Washer
8	58-6400	1	Bushing
9	69-1810	1	Spring
10	58-6420	1	Cap
11	99-3585	1	Detent-Plunger
12		1	Body ●
13	99-3588	1	Plug ASM

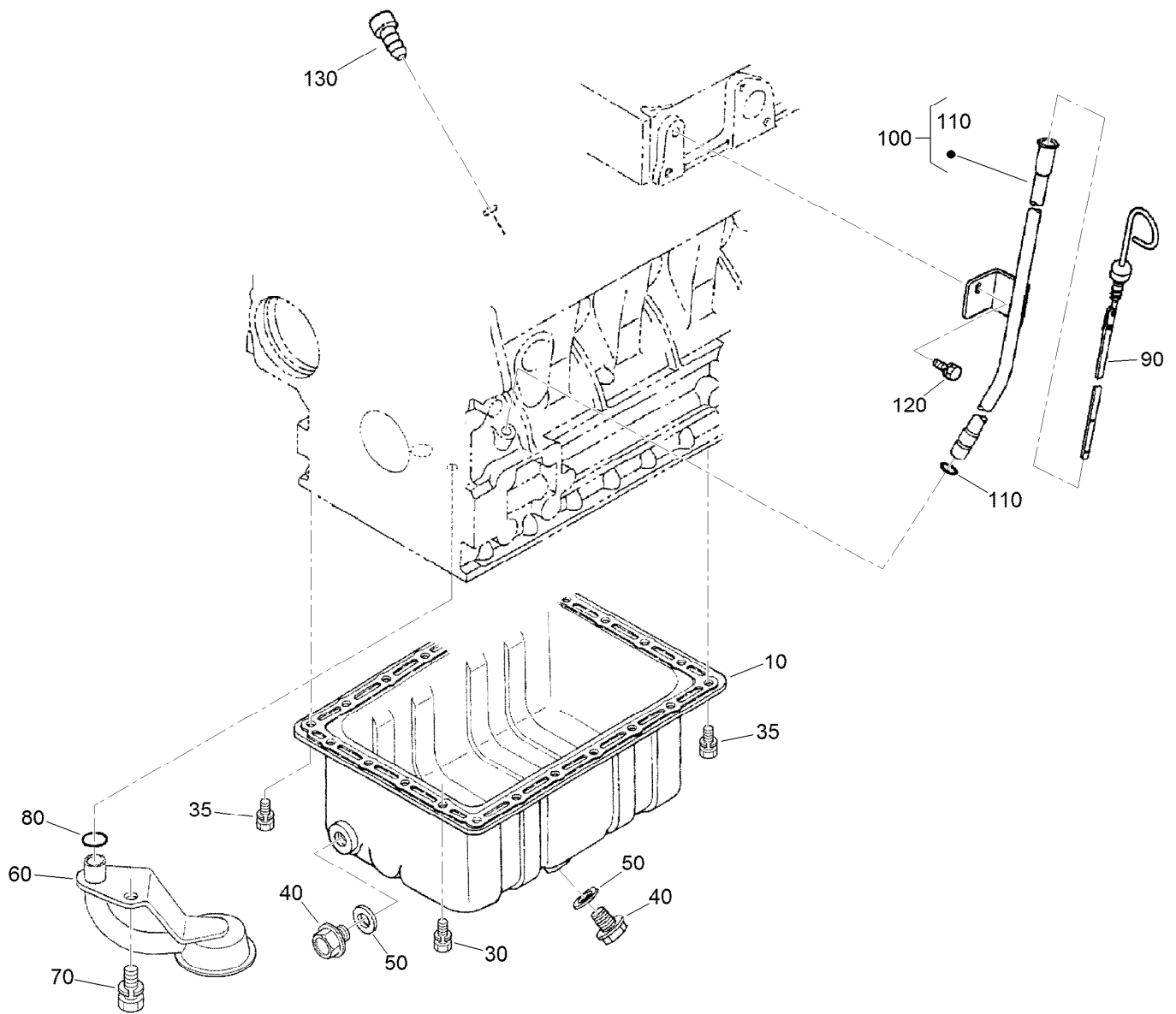
Ref.	Part Number	Qty.	Description
13:1	60-6410	1	O-Ring
14	99-3531	1	Spring
17	99-3587	1	Spring
18	60-6450	1	Disc
19	353-989	1	Plug-Hex, Hollow
19:1	237-42	1	O-Ring
20	65-2770	1	Washer
21	99-3589	1	Seal Kit
21:1	58-6290	2	Poppet
21:2	58-6320	1	Wiper
21:3	60-5720	2	O-Ring
21:4	58-6340	2	O-Ring
21:5	93-6314	1	O-Ring
21:6	58-6370	2	Washer
21:7	58-6450	2	O-Ring
21:8	58-6460	1	Ring-Retaining
21:9		1	O-Ring ●

● Not serviced separately



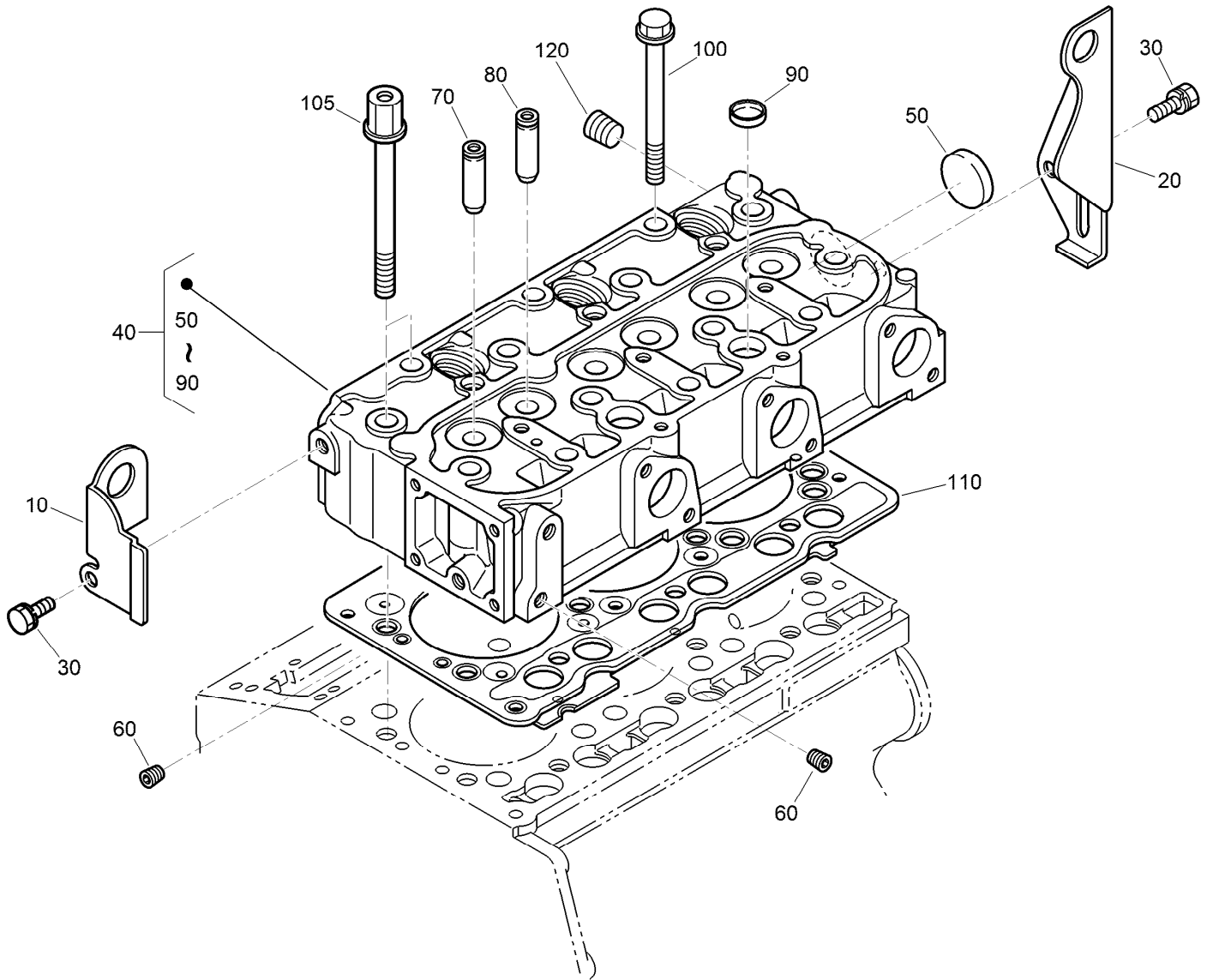
Crankcase Assembly

<i>Ref.</i>	<i>Part Number</i>	<i>Qty.</i>	<i>Description</i>	<i>Ref.</i>	<i>Part Number</i>	<i>Qty.</i>	<i>Description</i>
10	115-3443	1	Crankcase ASM	130	98-9387	2	Pin-Pipe
20	98-9398	4	Cap-Sealing	140	98-9539	1	Pin-Pipe
30	98-7539	1	Cap-Sealing	150	98-9599	1	Plug
40	98-9687	3	Plug	160	98-9630	1	Pin-Spring, Start
50	105-3779	1	Plug	170	98-9675	1	Plug
60	98-9597	3	Plug	180	98-9656	1	Bushing-Governor, Gear
70	98-7487	2	Plug	190	120-2559	1	Plug
80	98-9379	3	Plug-Expansion	200	98-7428	1	Gasket
90	98-9668	1	Plug-Expansion	210	99-3447	1	Plug
100	98-9375	2	Pin-Straight	220	106-7056	1	Gasket
110	98-9377	2	Pin-Straight	230	98-9416	1	Switch-Oil
120	98-9376	2	Pin-Straight				



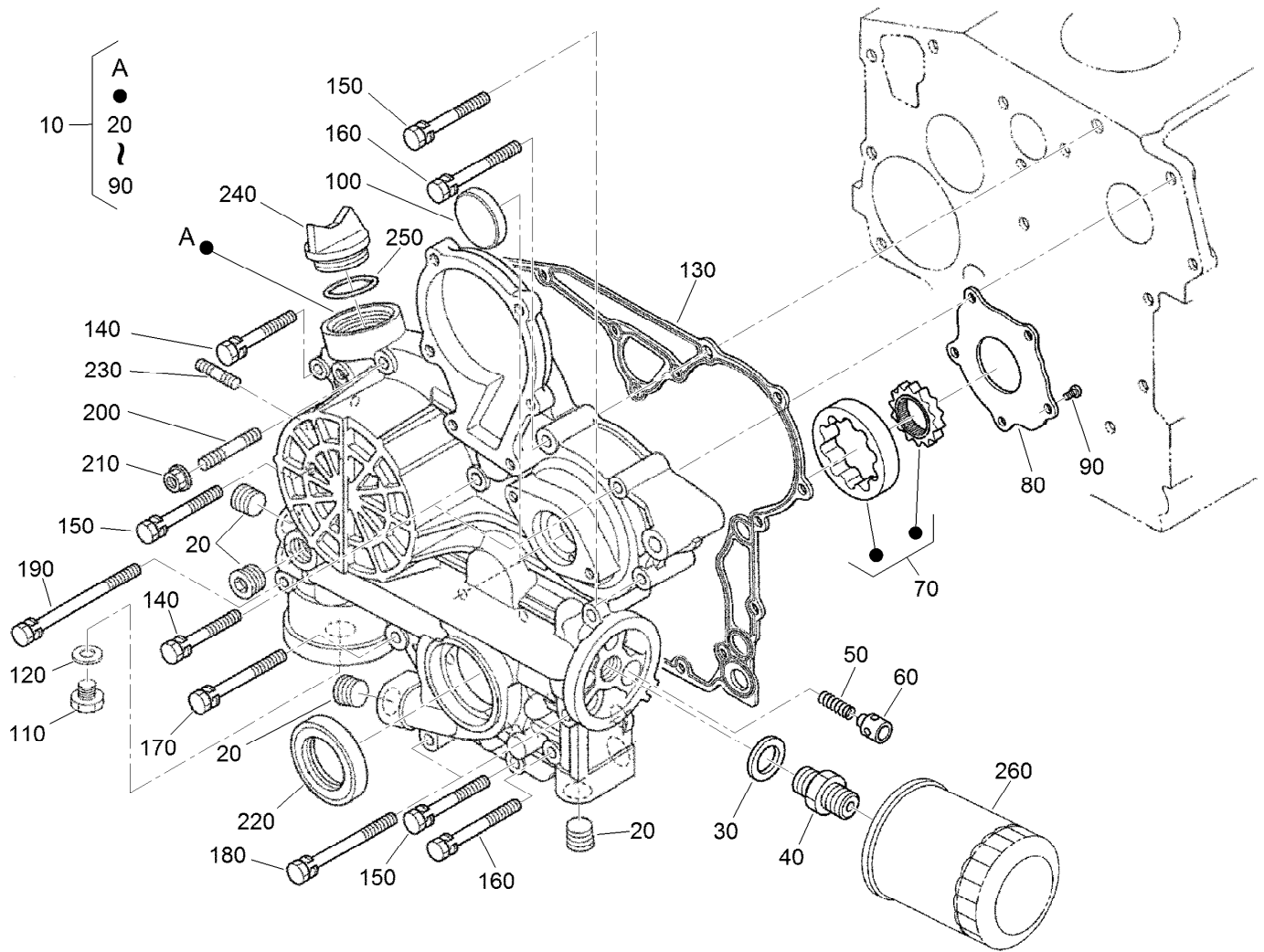
Oil Pan and Dipstick Assembly

<i>Ref.</i>	<i>Part Number</i>	<i>Qty.</i>	<i>Description</i>
10	98-9685	1	Pan-Oil
30	98-9351	20	Bolt
35	98-9351	2	Bolt
40	114-8151	1	Plug-Drain
50	98-7524	1	Gasket
60	108-1401	1	Base-Filter
70	98-7526	1	Bolt
80	105-3776	1	O-Ring
90	98-9670	1	Gauge-Oil
100	98-9672	1	Oil Gauge Guide ASM
110	98-9722	1	O-Ring
120	100-9195	1	Bolt
130	110-3720	1	Plug-Gauge, Oil



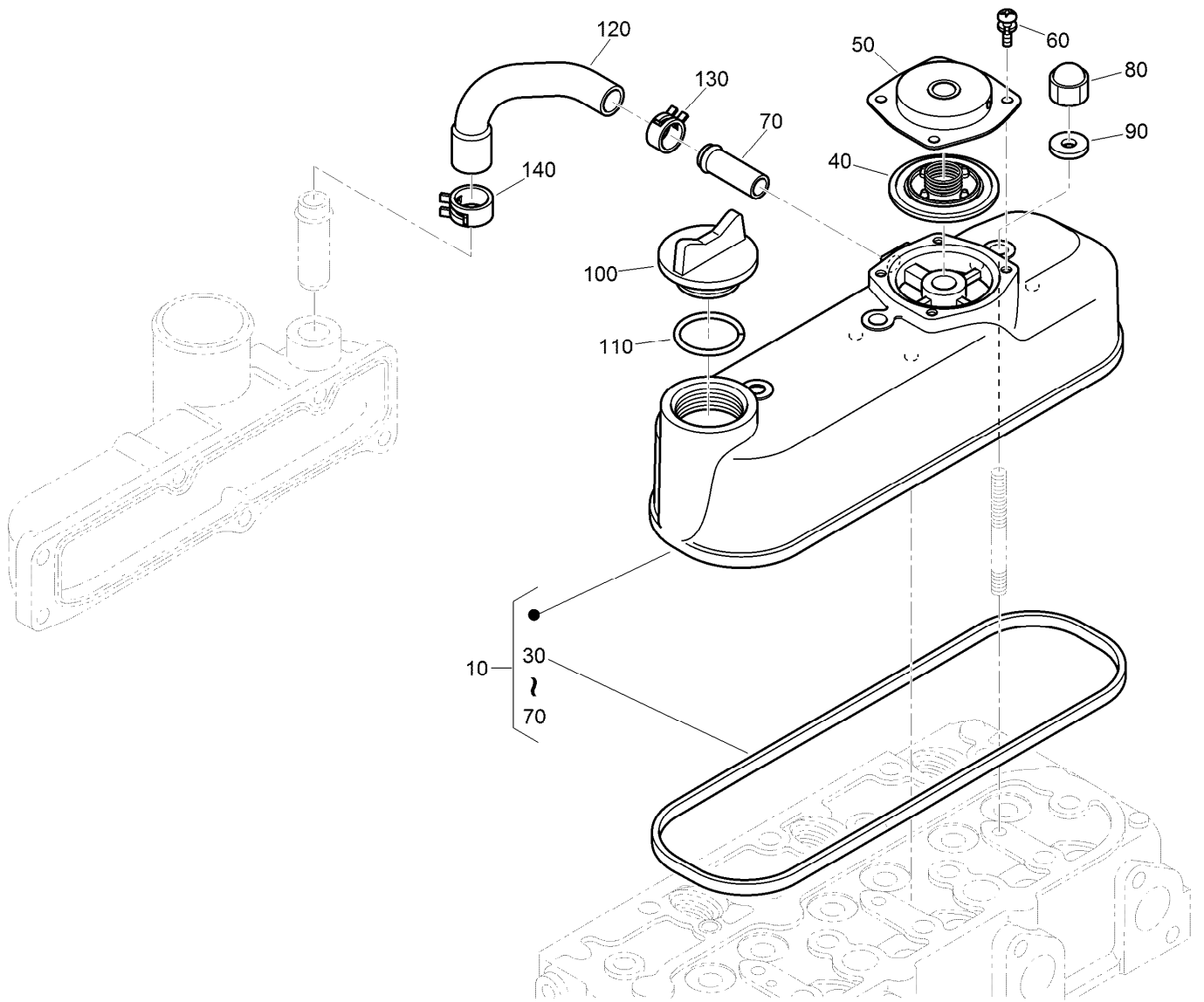
Cylinder Head Assembly

<i>Ref.</i>	<i>Part Number</i>	<i>Qty.</i>	<i>Description</i>
10	130-1231	1	Hook-Engine
20	98-9478	1	Hook-Engine
30	100-9195	2	Bolt
40	138-6997	1	Cylinder Head ASM
50	105-3705	1	Cap-Sealing
60	98-9687	2	Plug
70	107-9066	3	Guide-Valve, Inlet
80	107-9067	3	Guide-Valve, Exhaust
90	98-9389	2	Cap-Sealing
100	98-9479	12	Bolt-Head, Cylinder
105	98-9647	2	Bolt-Head, Cylinder
110	108-6573	1	Gasket-Head, Cylinder
120	98-9444	1	Plug



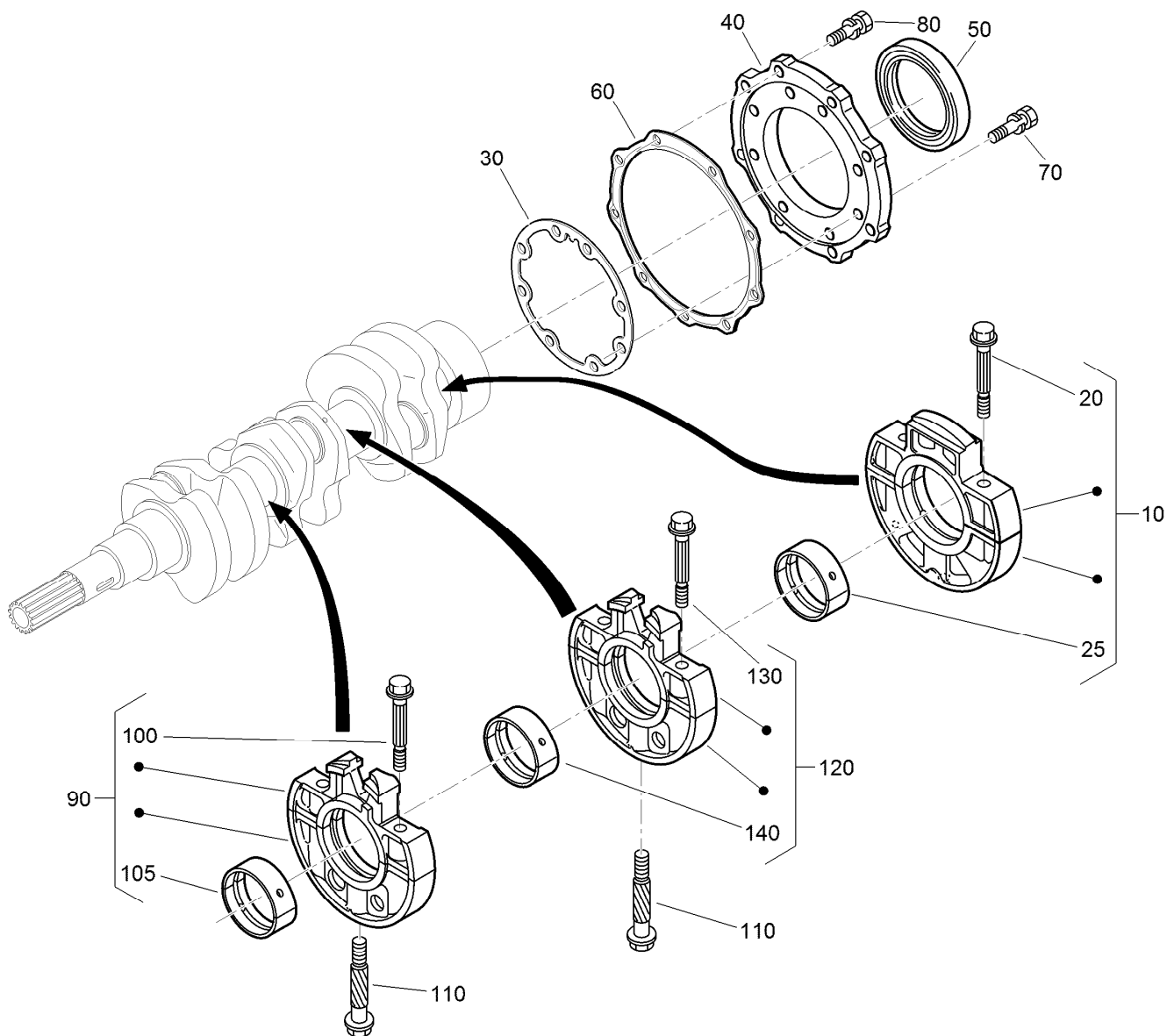
Gear Case and Oil Filter Cartridge Assembly

Ref.	Part Number	Qty.	Description	Ref.	Part Number	Qty.	Description
10	115-3442	1	Comp Gear Case	140	100-1765	3	Bolt
20	127-0425	5	Plug	150	125-9063	4	Bolt-Sems
30	98-7562	1	Washer-Plain	160	98-9356	2	Bolt
40	98-9388	1	Joint-Pipe	170	98-9437	1	Bolt
50	130-1511	1	Spring	180	98-9586	2	Bolt
60	130-1510	1	Valve-Relief	190	99-3511	1	Bolt
70	130-1508	1	Rotor ASM	200	105-3709	1	Stud
80	130-1509	1	Cover-Pump, Oil	210	100-2203	1	Nut-Flange
90	130-1164	5	Screw-Binding	220	119-8038	1	Seal-Oil
100	99-3515	1	Plug-Gearcase	230	105-3710	2	Stud
110	99-3450	1	Plug	240	107-9075	1	Plug-Filler, Oil
120	99-3451	1	Plug-Packing	250	99-3446	1	O-Ring
130	98-9633	1	Gasket-Case, Gear	260	127-0511	1	Filter-Oil



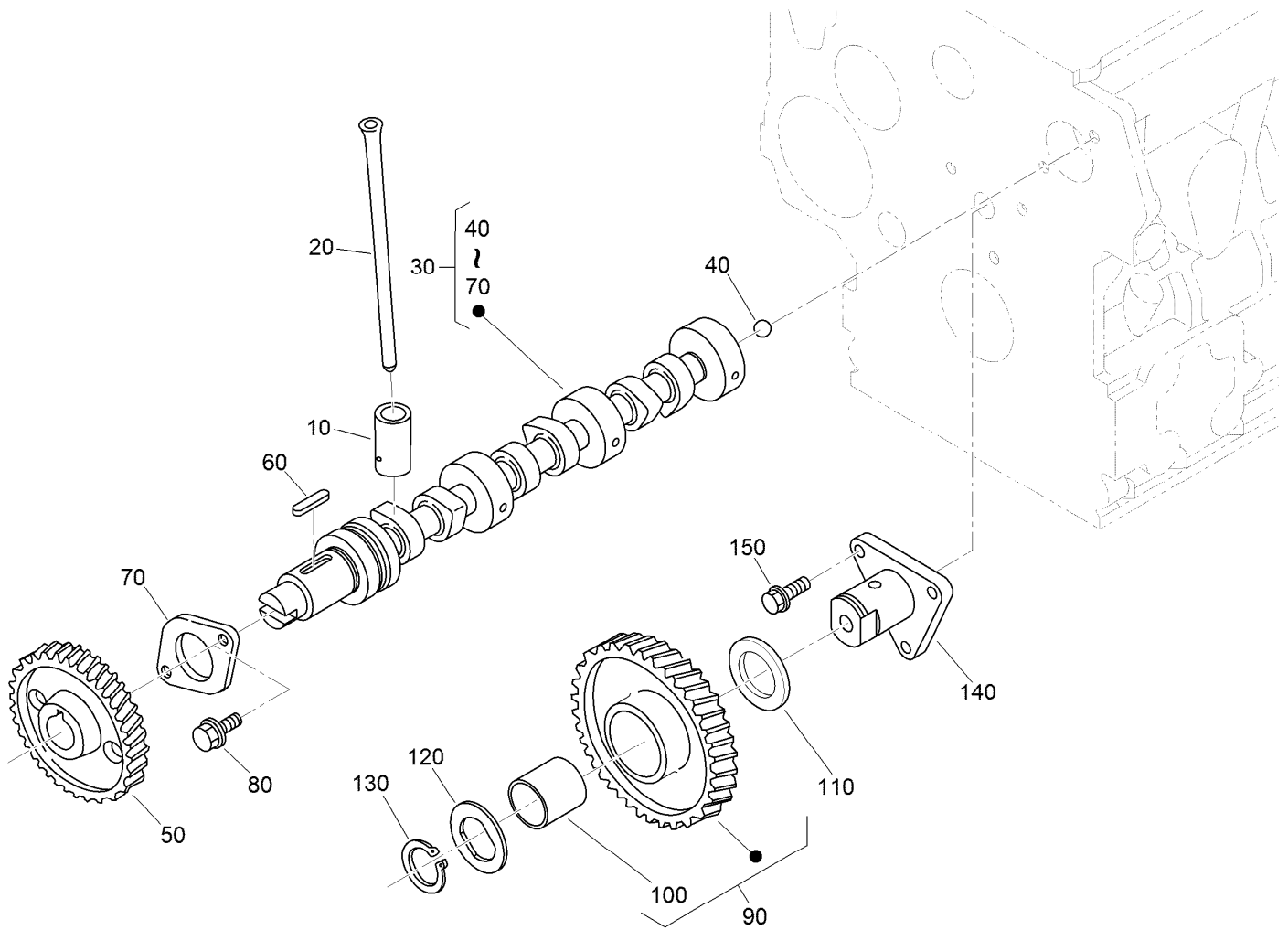
Cylinder Head Cover Assembly

<i>Ref.</i>	<i>Part Number</i>	<i>Qty.</i>	<i>Description</i>
10	130-1372	1	Cylinder Head Cover ASM
30	98-9615	1	Gasket-Cover, Head
40	110-3715	1	Valve-Breather
50	110-3714	1	Cover-Breather
60	98-9364	4	Screw (With Washer)
70	98-7766	1	Pipe-Return, Water
80	98-9455	3	Nut-Cap
90	98-9454	3	Gasket
100	107-9075	1	Plug-Filler, Oil
110	99-3446	1	O-Ring
120	107-7836	1	Tube-Breather
130	108-2859	1	Clamp-Hose
140	108-2860	1	Clamp-Hose



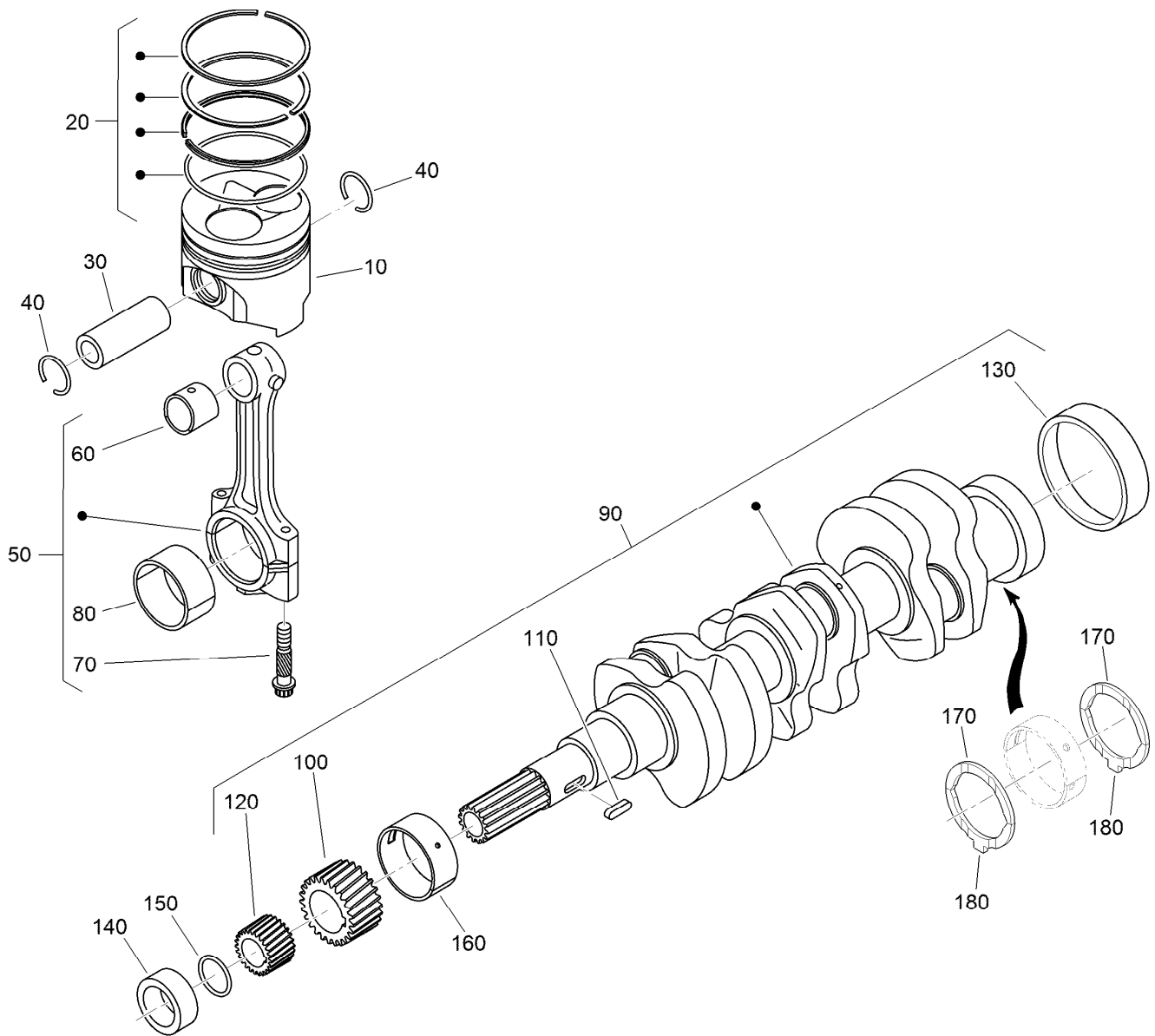
Main Bearing Case Assembly

<i>Ref.</i>	<i>Part Number</i>	<i>Qty.</i>	<i>Description</i>	<i>Ref.</i>	<i>Part Number</i>	<i>Qty.</i>	<i>Description</i>
10	112-7026	1	Wheel Bearing Case ASM	90	115-4106	1	Main Bearing Case ASM
20	98-9484	2	Bolt-Case, Bearing	100	98-9484	2	Bolt-Case, Bearing
25	115-4121	1	Metal-Crankshaft (STD)	105	98-9524	1	Metal-Crankshaft (STD Set)
25	112-7039	1	Metal-Crankshaft (0.2Mm)	105	127-0433	1	Metal-Crankshaft (-0.2MM)
25	112-7040	1	Metal-Crankshaft (-0.4Mm)	105	98-9531	1	Bearing-Main (0.4MM)
30	127-0440	1	Gasket-Case, Bearing	110	98-9485	2	Bolt-Case, Bearing
40	112-7046	1	Cover-Case, Bearing	120	115-4107	1	Main Bearing Case ASM
50	112-0180	1	Seal-Oil	130	98-9484	2	Bolt-Case, Bearing
60	112-7037	1	Gasket-Cover, Case	140	98-9524	1	Metal-Crankshaft (STD Set)
70	127-0441	8	Bolt	140	127-0433	1	Metal-Crankshaft (-0.2MM)
80	127-0442	9	Bolt	140	98-9531	1	Bearing-Main (0.4MM)



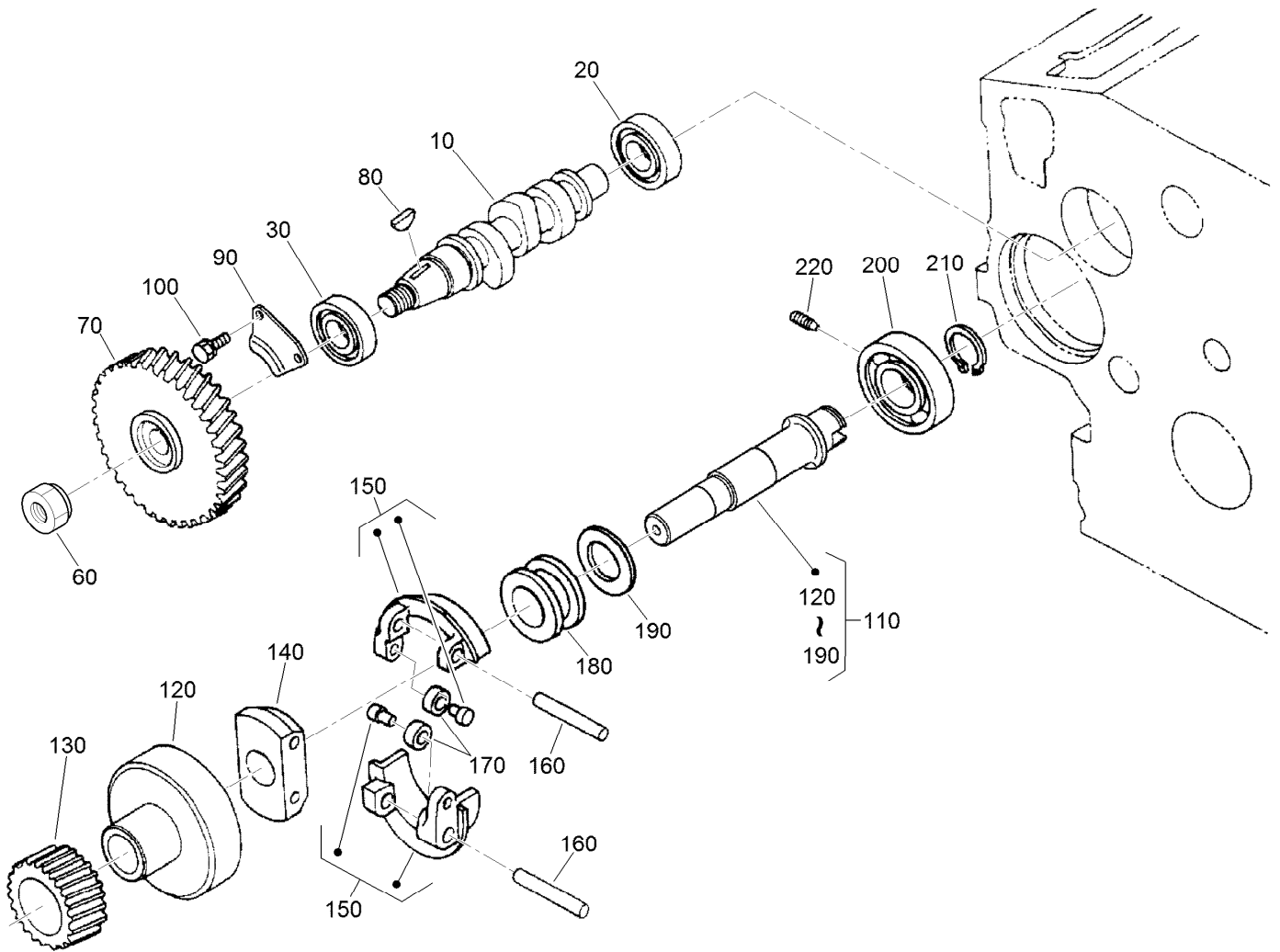
Camshaft and Idle Gear Shaft Assembly

Ref.	Part Number	Qty.	Description
10	112-0185	6	Tappet
20	127-0421	6	Rod-Push
30	130-1505	1	Camshaft ASM
40	110-3729	1	Ball
50	120-3116	1	Camshaft ASM
60	98-9378	1	Key-Feather
70	98-9510	1	Stopper-Camshaft
80	98-7692	2	Bolt
90	117-7584	1	Idle Gear ASM
100	117-7585	1	Bushing-Gear, Idle
110	98-9535	1	Collar-Gear, Idle
120	98-9536	1	Collar-Gear, Idle
130	98-9534	1	Circlip-Gear, Idle
140	98-9533	1	Shaft-Gear, Idle
150	98-7692	3	Bolt



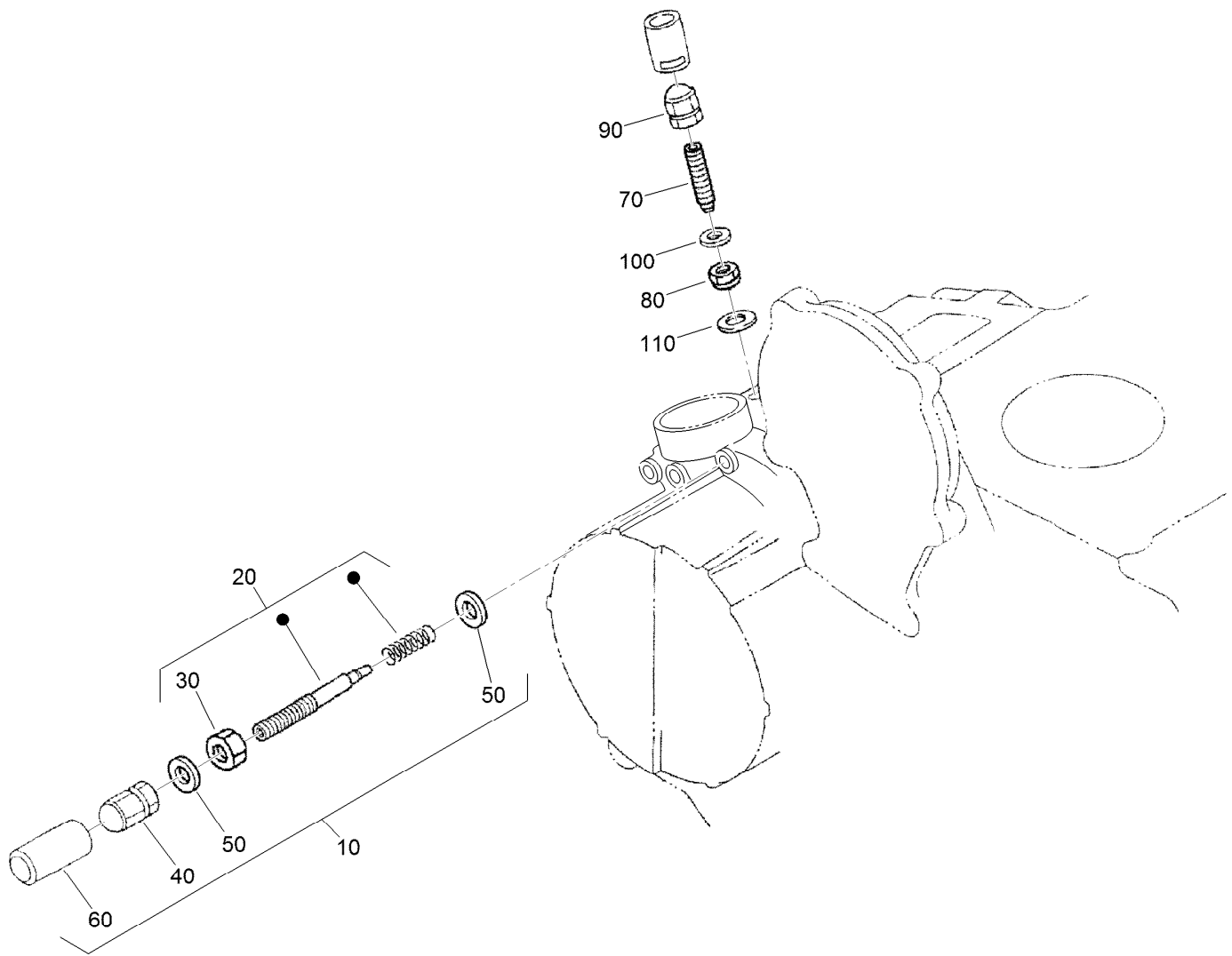
Piston and Crankshaft Assembly

<i>Ref.</i>	<i>Part Number</i>	<i>Qty.</i>	<i>Description</i>	<i>Ref.</i>	<i>Part Number</i>	<i>Qty.</i>	<i>Description</i>
10	130-1546	3	Piston (STD)	110	98-9666	1	Key
10	130-1549	3	Piston (+0.50MM)	120	127-0445	1	Gear-Drive, Oil Pump
20	130-1506	3	Piston Ring ASM (STD)	130	98-9522	1	Sleeve-Crankshaft
20	130-1507	3	Piston Ring ASM (+0.50MM)	140	127-0444	1	Collar-Crankshaft
30	98-9513	3	Pin-Piston	150	105-3783	1	O-Ring
40	98-9514	6	Circlip-Pin, Piston	160	112-7005	1	Bearing-Main (STD)
50	117-7586	3	Connecting Rod ASM	160	98-9528	1	Bearing-Main (-0.2MM)
60	115-3014	3	Bushing-Pin, Piston	160	130-1274	1	Metal-Crankshaft (-0.40Mm)
70	98-9517	6	Bolt-Rod, Connecting	170	98-9413	2	Bearing-Thrust (STD)
80	98-9553	3	Bearing-Rod (STD)	170	127-0416	2	Metal-Side (+0.2Mm)
80	98-9519	3	Bearing-Rod (-0.2MM)	170	127-0417	2	Metal-Side (+0.40Mm)
80	117-7588	3	Metal-Crankpin (-0.4MM)	180	98-9688	2	Bearing-Thrust (STD)
90	130-1375	1	Crankshaft ASM	180	127-0437	2	Metal-Side (+0.2MM)
100	117-7561	1	Gear-Crankshaft	180	127-0438	2	Metal-Side (+0.40MM)



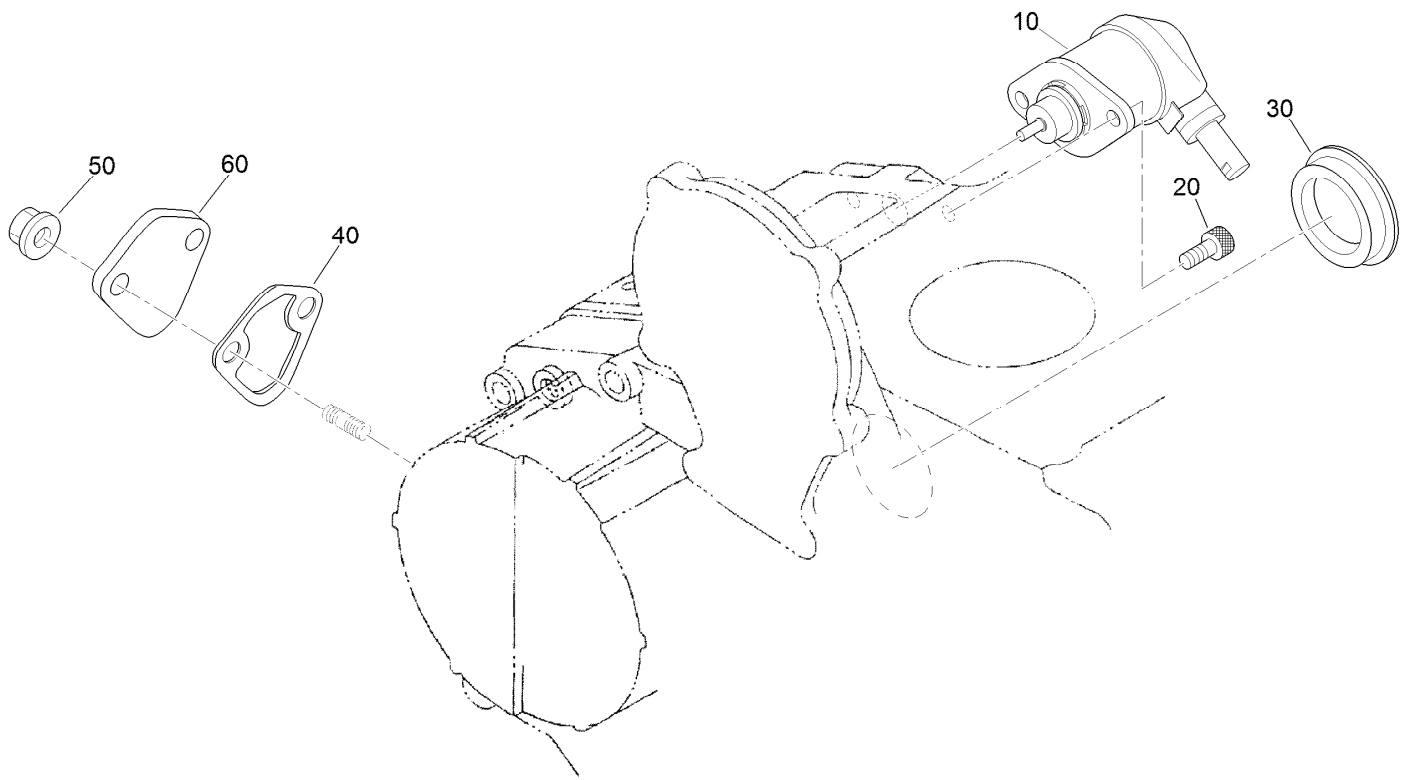
Fuel Camshaft and Governor Shaft Assembly

<i>Ref.</i>	<i>Part Number</i>	<i>Qty.</i>	<i>Description</i>	<i>Ref.</i>	<i>Part Number</i>	<i>Qty.</i>	<i>Description</i>
10	98-9459	1	Camshaft-Fuel	130	98-9673	1	Gear-Governor
20	107-9077	1	Bearing-Ball	140	98-9561	1	Holder-Weight, Governor
30	107-9078	1	Bearing-Ball	150	98-9559	2	Governor Weight ASM
60	130-1512	1	Nut	160	98-9560	2	Shaft-Weight, Governor
70	130-1378	1	Gear-Injection Pump	170	98-9692	2	Roller
80	98-9595	1	Key-Woodruff	180	98-9563	1	Sleeve-Governor
90	98-9511	1	Stopper-Fuel, Camshaft	190	98-9564	1	Washer-Thrust
100	98-7692	2	Bolt	200	107-9079	1	Bearing-Ball
110	130-1255	1	Governor Shaft ASM	210	98-9657	1	Circlip-Shaft, Governor
120	98-9562	1	Holder-Gear, Governor	220	98-9565	1	Screw-Set



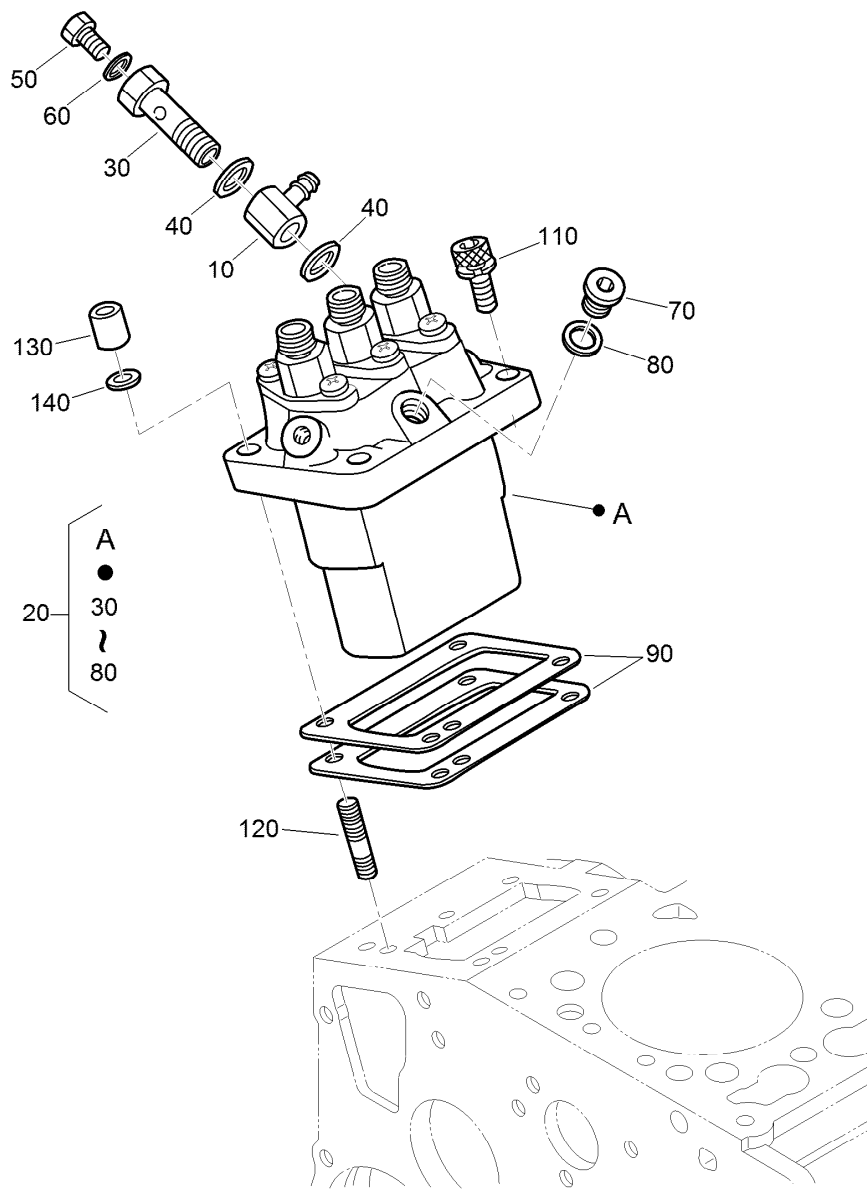
Idle Apparatus Assembly

<i>Ref.</i>	<i>Part Number</i>	<i>Qty.</i>	<i>Description</i>
10	107-7838	1	Apparatus-Idling
20	130-1253	1	Adjusting Bolt ASM
30	98-9439	1	Nut
40	112-0181	1	Nut
50	98-7654	2	Gasket
60	98-7656	1	Cap
70	112-7015	1	Bolt-Adjusting
80	100-2175	1	Nut-Lock
90	112-0181	1	Nut
100	98-7654	1	Gasket
110	107-9081	1	Gasket



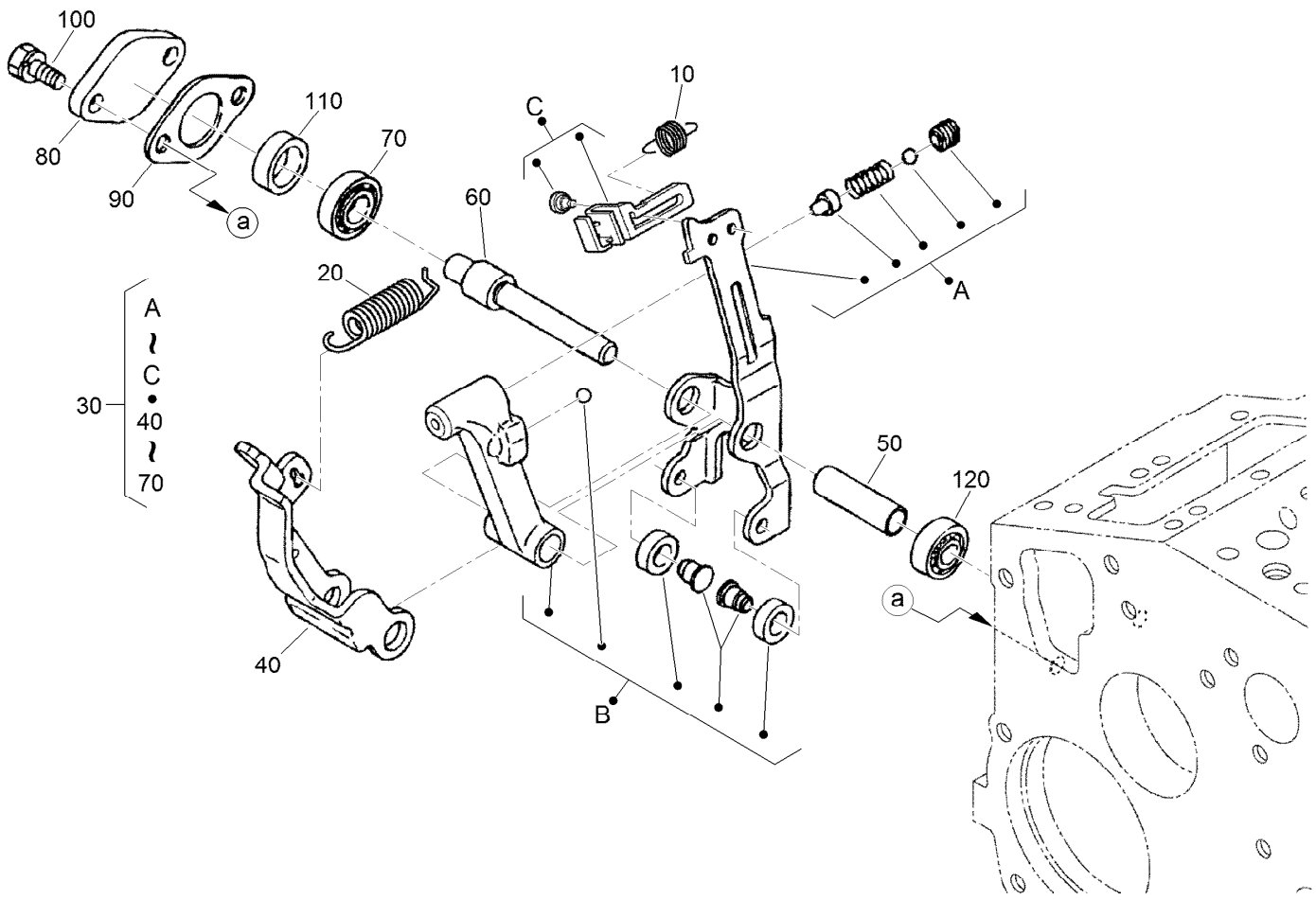
Stop Solenoid and Fuel Pump Cover Assembly

<i>Ref.</i>	<i>Part Number</i>	<i>Qty.</i>	<i>Description</i>
10	104-5155	1	Solenoid-Stop
20	130-1155	2	Screw-HSH
30	99-3514	1	Cover
40	117-7562	1	Gasket-Pump, Fuel
50	100-2203	2	Nut-Flange
60	112-7016	1	Cover-Pump



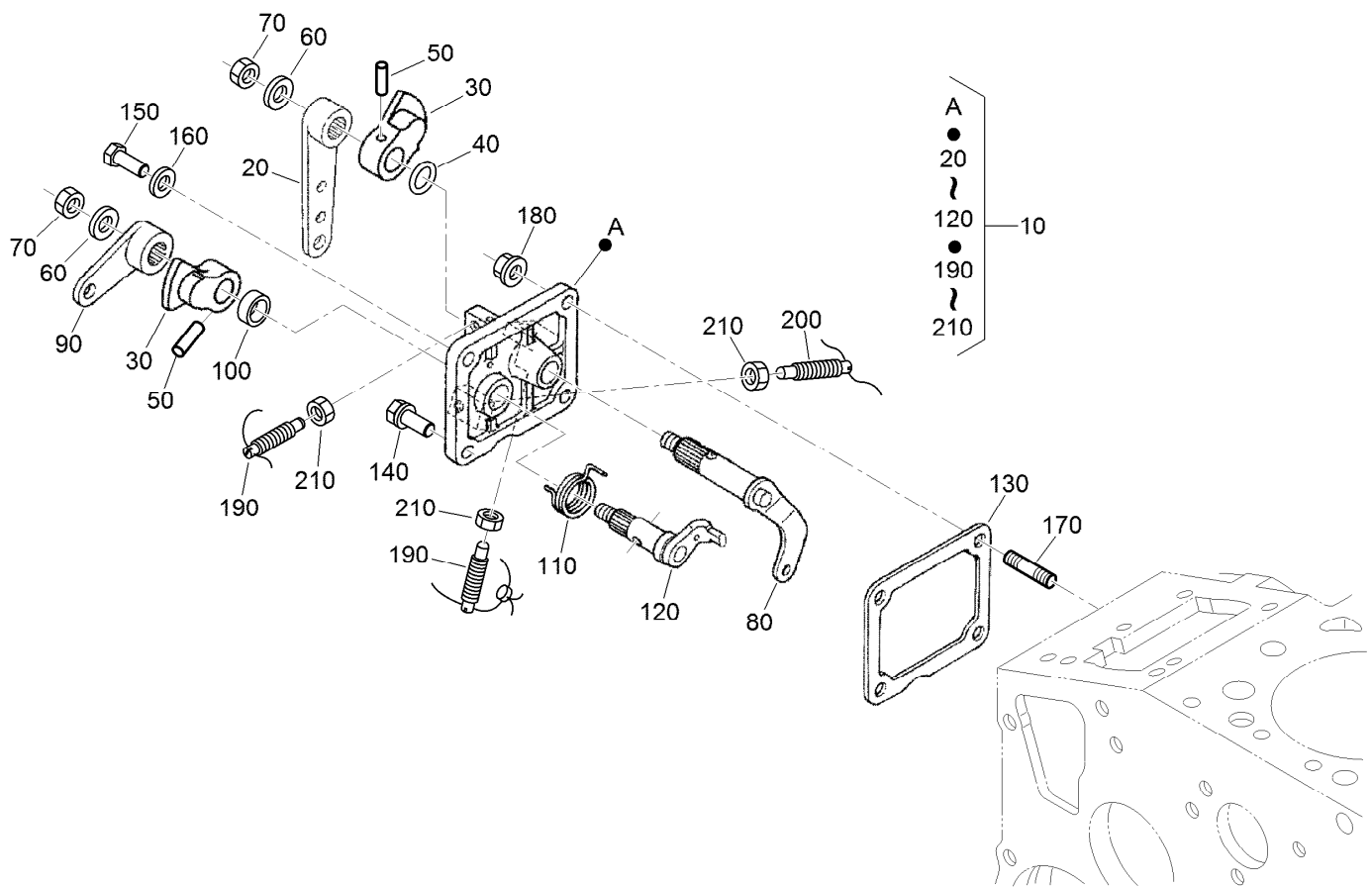
Injection Pump Assembly

<i>Ref.</i>	<i>Part Number</i>	<i>Qty.</i>	<i>Description</i>	<i>Ref.</i>	<i>Part Number</i>	<i>Qty.</i>	<i>Description</i>
10	98-9596	1	Joint-Eye	90	98-9457	1	Shim-Injection (0.25MM)
20	98-9643	1	Injection Pump ASM	90	98-9458	1	Shim-Injection (0.30MM)
30	98-9464	1	Bolt-Joint	90	115-3046	1	Shim-Injection (0.35MM)
40	98-9445	2	Gasket	90	115-3045	1	Shim-Injection (0.175MM)
50	98-9430	1	Screw	110	117-7564	2	Bolt-Hex Soc HD
60	98-9446	1	Gasket	120	98-9438	2	Stud
70	98-9466	1	Plug	130	98-9440	2	Nut-Cap
80	98-9451	1	Gasket	140	98-7699	2	Washer-Spring
90	98-9456	1	Shim-Injection (0.20MM)				



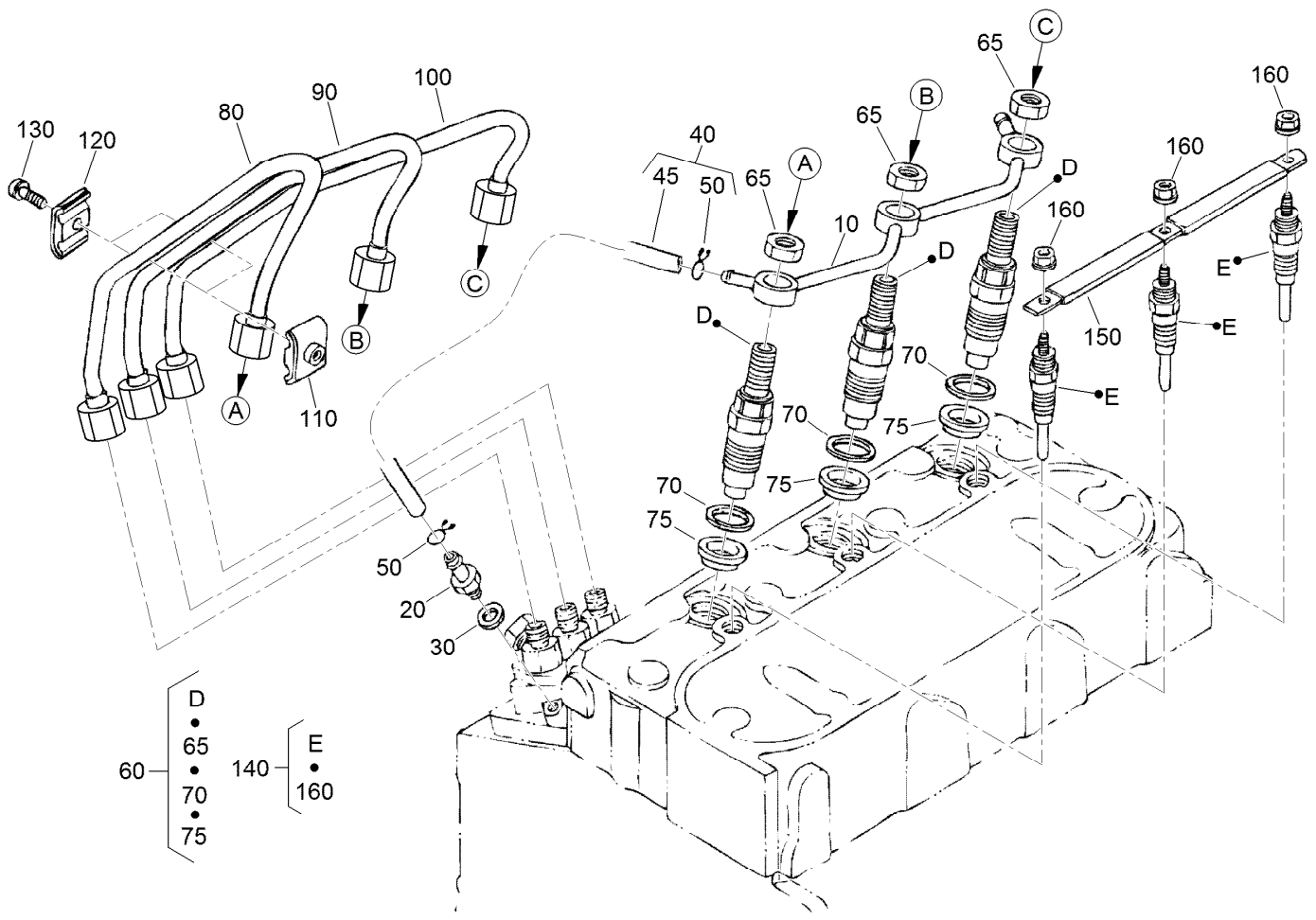
Governor Assembly

<i>Ref.</i>	<i>Part Number</i>	<i>Qty.</i>	<i>Description</i>
10	105-3786	1	Spring-Start
20	107-7839	1	Spring-Governor
30	107-7840	1	Fork Lever ASM
40	107-9084	1	Lever-Fork
50	107-9085	1	Shaft-Lever, Fork
60	107-9086	1	Shaft-Lever, Fork
70	98-9570	1	Bearing-Miniaturize
80	115-4122	1	Cover-Shaft, Fork Lever
90	98-9682	1	Gasket
100	98-9350	2	Bolt
110	98-9567	1	Collar
120	98-9571	1	Bearing-Miniaturize



Speed Control Plate Assembly

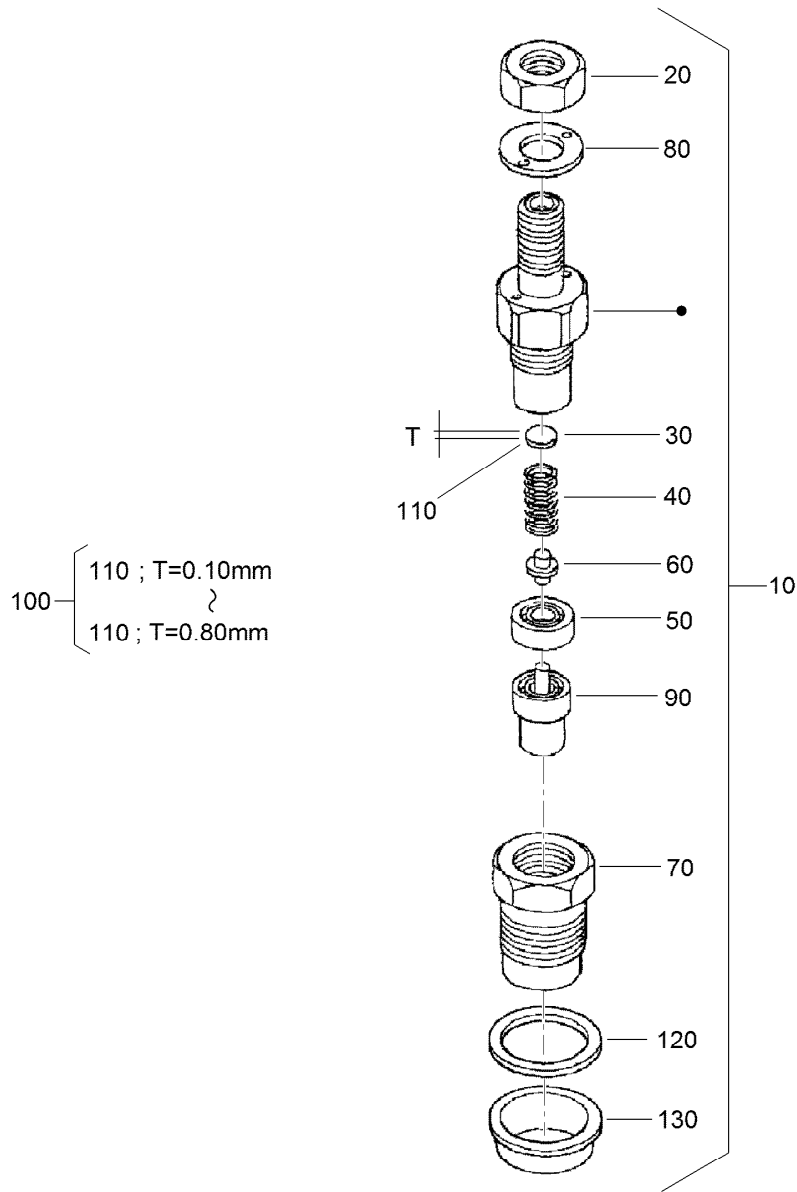
Ref.	Part Number	Qty.	Description	Ref.	Part Number	Qty.	Description
10	105-3735	1	Control Plate ASM	120	98-9664	1	Shaft-Lever, Stop
20	98-9662	1	Lever-Control, Speed	130	98-9637	1	Gasket
30	98-9572	2	Lever-Control, Speed	140	98-7692	1	Bolt
40	105-3788	1	O-Ring	150	127-0401	1	Bolt-Hex
50	98-7602	2	Pin-Spring	160	98-7654	1	Gasket
60	98-9594	2	Washer-Plain	170	105-3710	2	Stud
70	98-9589	2	Nut	180	100-2203	2	Nut-Flange
80	98-9658	1	Governor Lever ASM	190	117-7565	2	Bolt-Adjusting
90	98-9663	1	Lever-Stop, Engine	200	117-7566	1	Bolt-Adjusting
100	98-7601	1	Seal-Oil	210	98-7572	3	Nut
110	98-9472	1	Spring-Return				



Nozzle Holder and Glow Plug Assembly

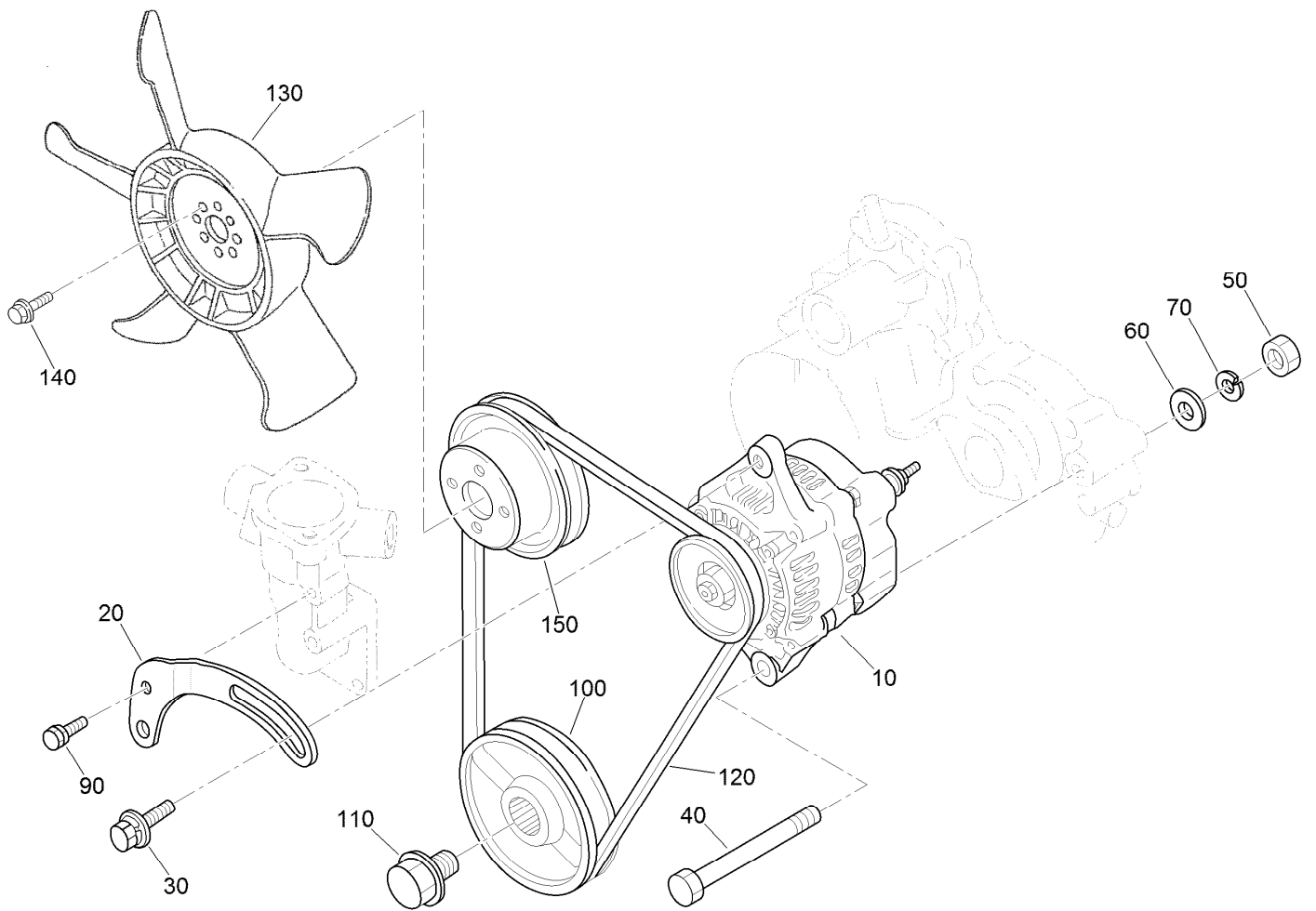
<i>Ref.</i>	<i>Part Number</i>	<i>Qty.</i>	<i>Description</i>
10	98-9620	1	Overflow Pipe ASM
20	98-9431	1	Screw-Bleeder, Air
30	98-7654	1	Gasket
40	98-9420	1	Overflow Pipe ASM
45	112-0182	1	Pipe-Overflow
50	98-7671	2	Clip-Pipe
60	115-3018	3	Nozzle Holder Kit
65	121-2411	3	Nut
70	98-7676	3	Gasket
75	98-7677	3	Seal-Heat

<i>Ref.</i>	<i>Part Number</i>	<i>Qty.</i>	<i>Description</i>
80	98-9622	1	Pipe-Injection
90	98-9654	1	Pipe-Injection
100	98-9655	1	Pipe-Injection
110	98-7682	2	Clamp-Pipe
120	98-7683	2	Clamp-Pipe
130	98-7684	2	Screw (W/Washer)
140	130-1411	3	Plug-Glow
150	98-9631	1	Cord-Plug, Glow
160	99-8377	3	Nut-Flange



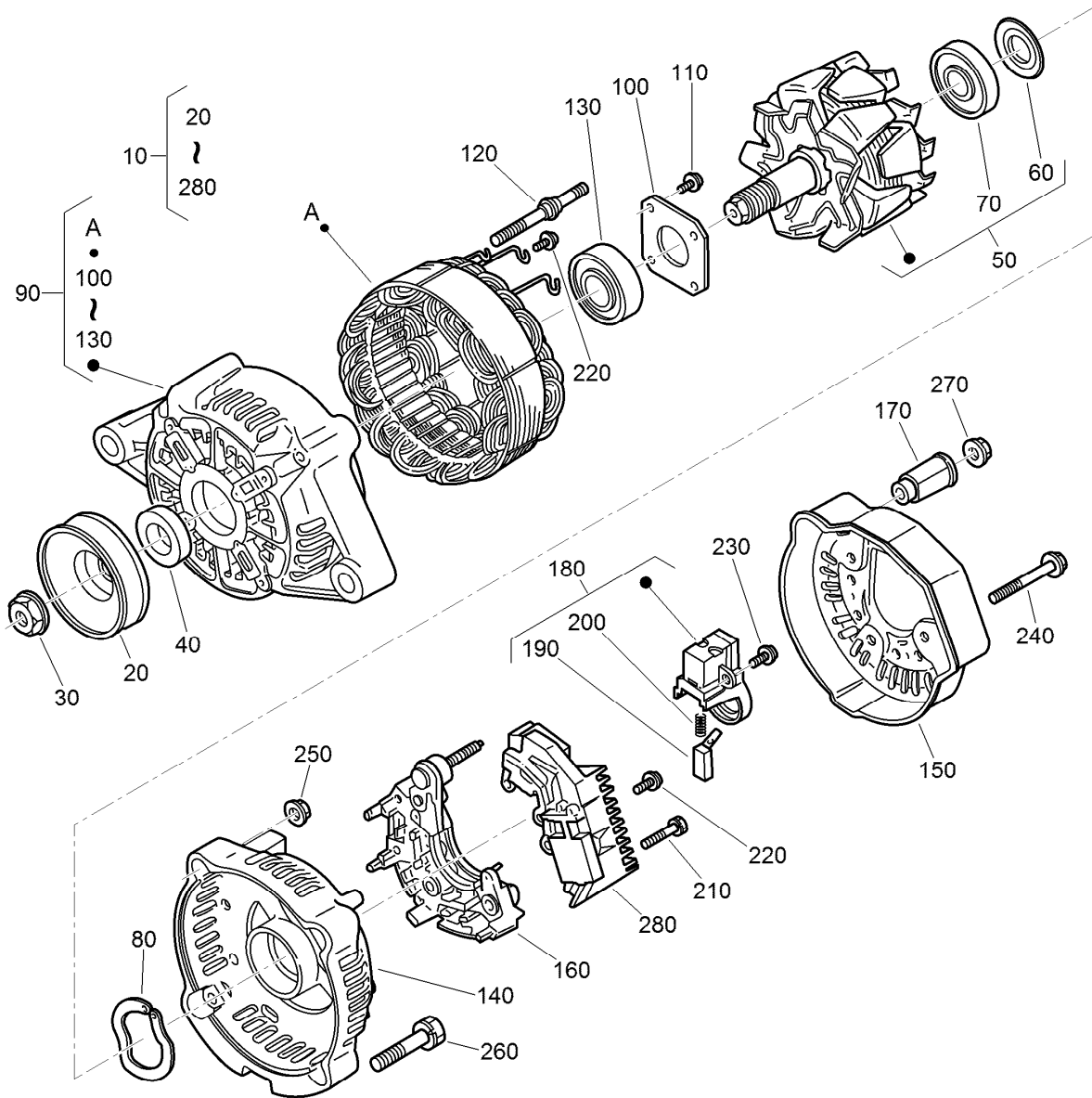
Nozzle Holder Assembly

Ref.	Part Number	Qty.	Description	Ref.	Part Number	Qty.	Description
10	115-3018	3	Nozzle Holder Kit	110	99-8311	3	Washer-Adjust (0.20MM)
20	121-2411	3	Nut	110	99-8312	3	Washer-Adjust (0.30MM)
30	99-8302	3	Washer-Adjusting	110	99-8313	3	Washer-Adjust (0.40MM)
40	99-8303	3	Spring-Nozzle	110	99-8314	3	Washer-Adjust (0.50MM)
50	99-8304	3	Spacer-Distance	110	99-8315	3	Washer-Adjust (0.52MM)
60	99-8305	3	Rod-Push	110	99-8316	3	Washer-Adjust (0.54MM)
70	99-8306	3	Nut-Nozzle	110	99-8317	3	Washer-Adjust (0.56MM)
80	99-8307	3	Washer-Plain	110	99-8318	3	Washer-Adjust (0.58MM)
90	115-3020	3	Piece-Nozzle	110	99-8319	3	Washer-Adjust (0.80MM)
100	99-8309	3	Adjusting Washer ASM	120	98-7676	3	Gasket
110	99-8310	3	Washer-Adjust (0.10MM)	130	98-7677	3	Seal-Heat



Alternator, Pulley and Fan Assembly

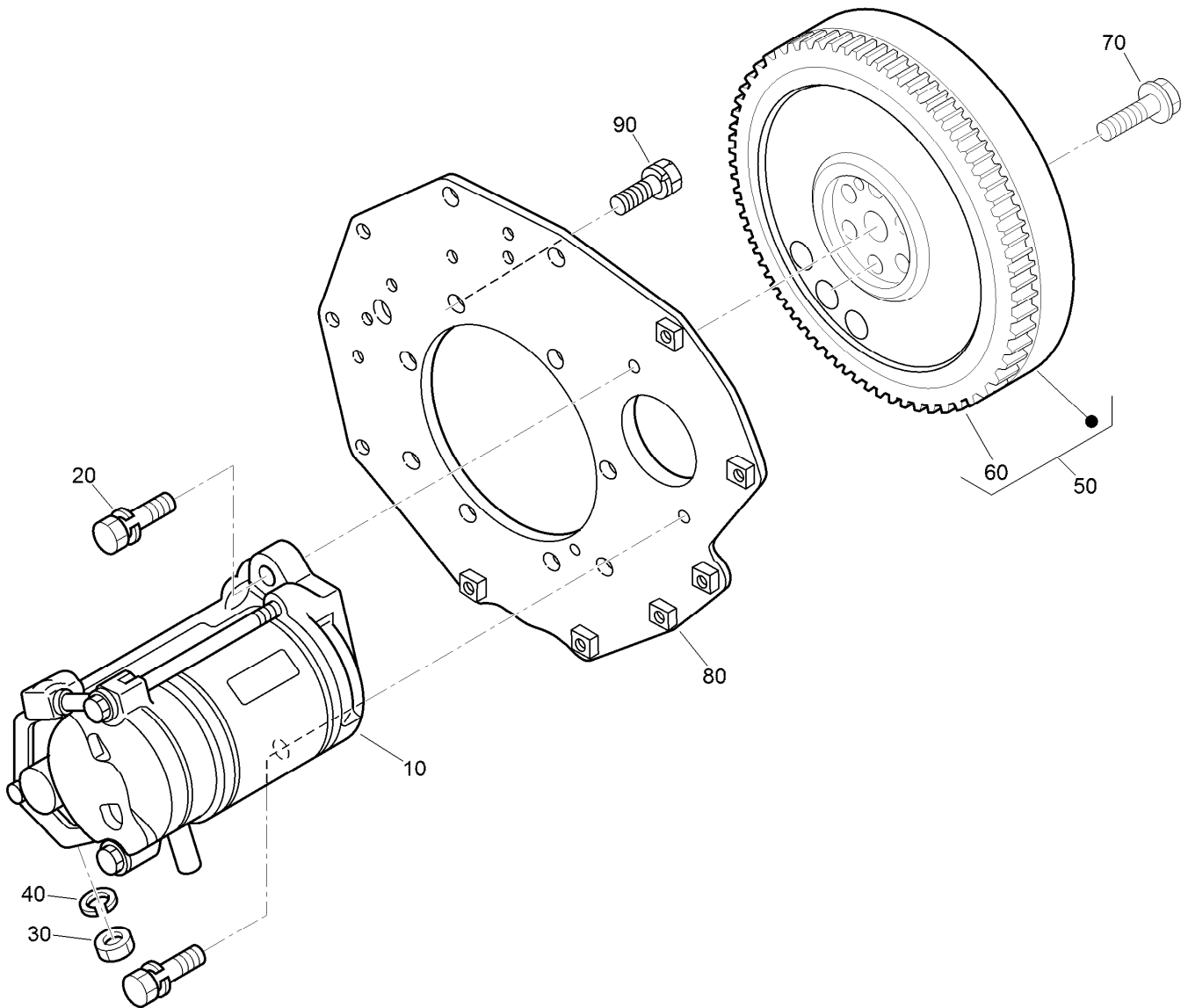
Ref.	Part Number	Qty.	Description
10	98-9474	1	Alternator ASM
20	112-7047	1	Stay-Dynamo
30	108-7088	1	Bolt
40	98-9360	1	Bolt
50	98-7737	1	Nut
60	98-9366	1	Washer-Plain
70	98-7738	1	Washer-Spring
90	98-7692	1	Bolt
100	99-3456	1	Pulley-Drive, Fan
110	98-9585	1	Bolt
120	130-1241	1	V Belt
130	99-3461	1	Fan
140	99-8363	4	Bolt-Flange
150	99-3453	1	Pulley-Fan



Alternator Components Assembly

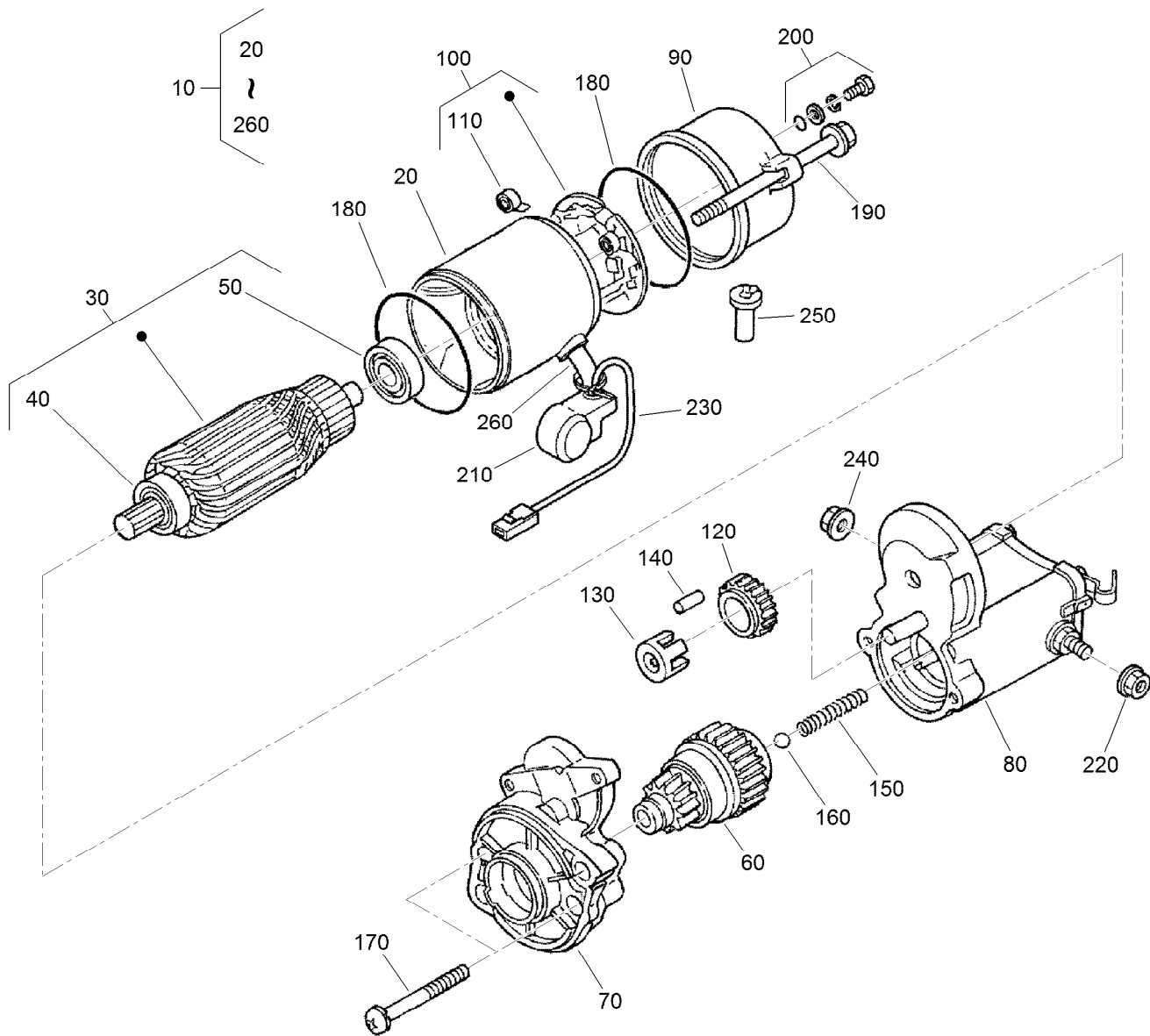
Ref.	Part Number	Qty.	Description
10	98-9474	1	Alternator ASM
20	98-9453	1	Pulley-Dynamo
30	98-7708	1	Nut
40	98-7709	1	Collar
50	107-0136	1	Rotor ASM
60	98-7711	1	Cover-Bearing
70	107-0138	1	Bearing-Ball
80	98-7713	1	Washer-Thrust
90	107-0139	1	Drive End Frame ASM
100	98-7715	1	Plate-Retainer
110	98-7716	4	Screw-Head, Round
120	98-7717	2	Bolt-Through
130	133-2811	1	Bearing
140	107-9087	1	Frame-End

Ref.	Part Number	Qty.	Description
150	107-0140	1	Cover-End
160	127-1612	1	Rectifier ASM
170	98-7722	1	Bushing-Insulation
180	107-0141	1	Brush Holder ASM
190	98-7724	2	Brush
200	98-7725	2	Spring-Brush
210	98-7726	2	Screw-Head, Round
220	98-7727	6	Screw-Head, Round
230	98-7728	1	Screw-Head, Round
240	98-7729	3	Bolt
250	98-7730	2	Nut
260	98-7731	2	Bolt
270	98-7732	1	Nut
280	110-3799	1	Regulator ASM



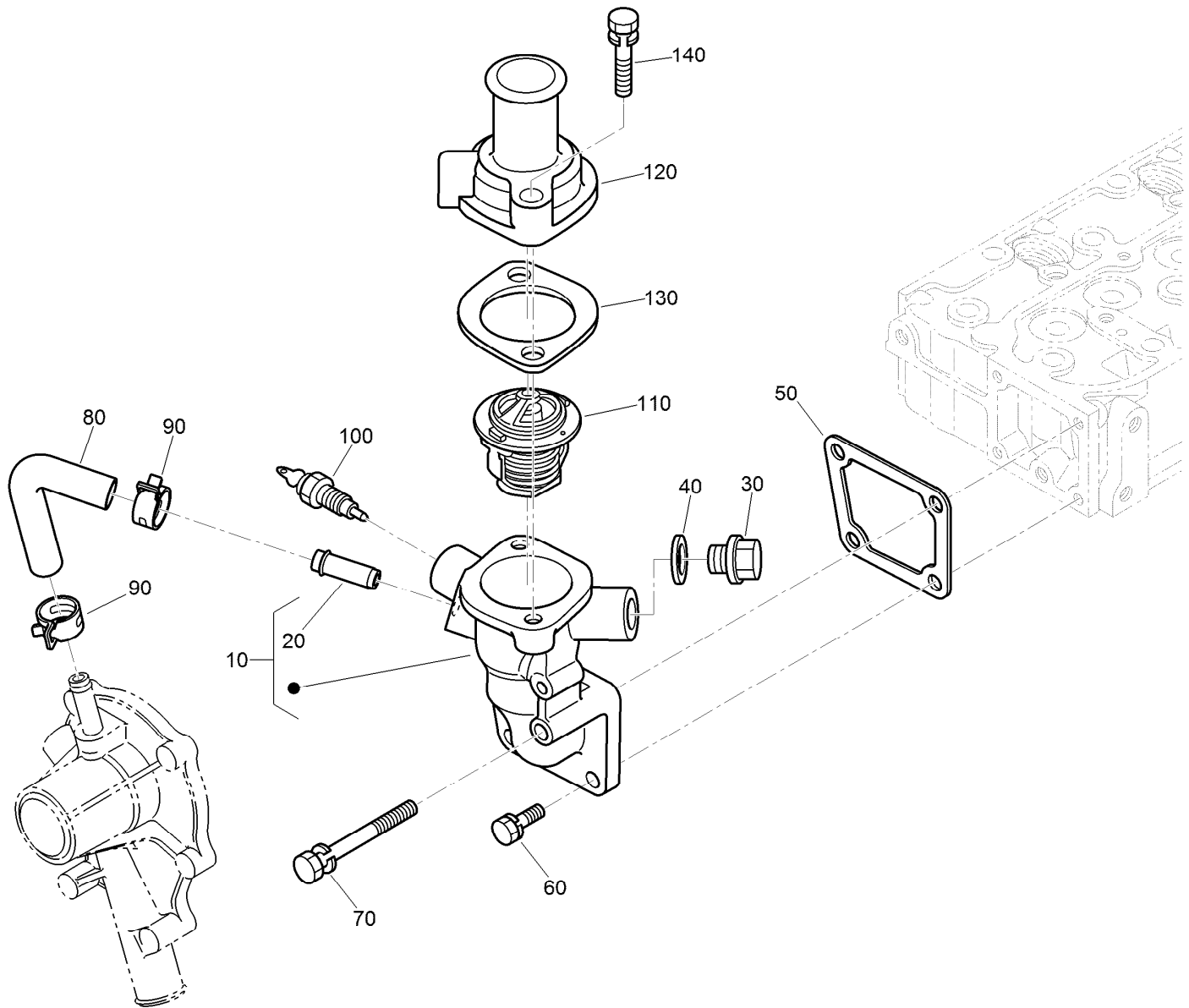
Starter and Flywheel Assembly

Ref.	Part Number	Qty.	Description
10	98-9705	1	Starter ASM
20	98-7697	2	Bolt
30	98-7739	1	Nut
40	105-2893	1	Washer-Spring
50	105-3784	1	Flywheel ASM
60	115-3015	1	Gear-Ring
70	98-9537	6	Bolt-Flywheel
80	98-9486	1	Plate-End, Rear
90	98-9392	8	Bolt



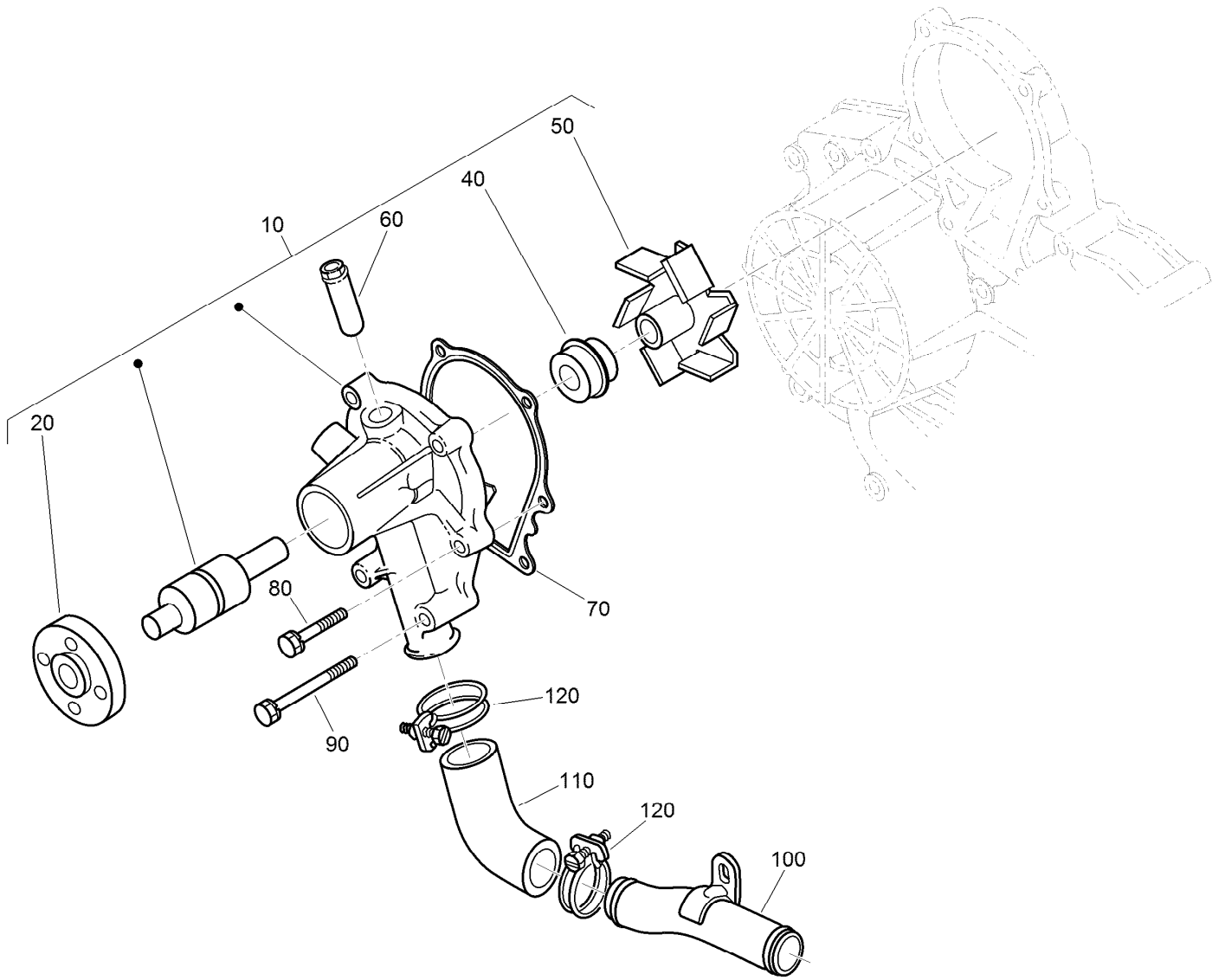
Starter Component Assembly

<i>Ref.</i>	<i>Part Number</i>	<i>Qty.</i>	<i>Description</i>	<i>Ref.</i>	<i>Part Number</i>	<i>Qty.</i>	<i>Description</i>
10	98-9705	1	Starter ASM	140	98-7753	5	Roller
20	104-8608	1	Yoke ASM	150	98-7754	1	Spring
30	98-7742	1	Armature ASM	160	98-7755	1	Ball
40	98-7744	1	Bearing	170	98-7756	2	Bolt
50	98-7743	1	Bearing	180	98-7757	2	O-Ring
60	99-8373	1	Clutch-Running, Over	190	100-9240	2	Bolt
70	99-8374	1	Frame-End, Drive	200	98-7758	2	Bolt ASM
80	105-3746	1	Magnetic Switch ASM	210	99-8375	1	Cover
90	98-7748	1	Frame-End	220	99-8371	1	Nut-Hex
100	98-7749	1	Brush Holder ASM	230	98-9711	1	Cord-Solenoid, Stop
110	98-7750	4	Spring-Brush	240	99-8376	1	Nut-Hex
120	98-7751	1	Gear	250	98-7759	1	Pipe-Drain
130	98-7752	1	Retainer	260	98-9712	1	Band-Cover



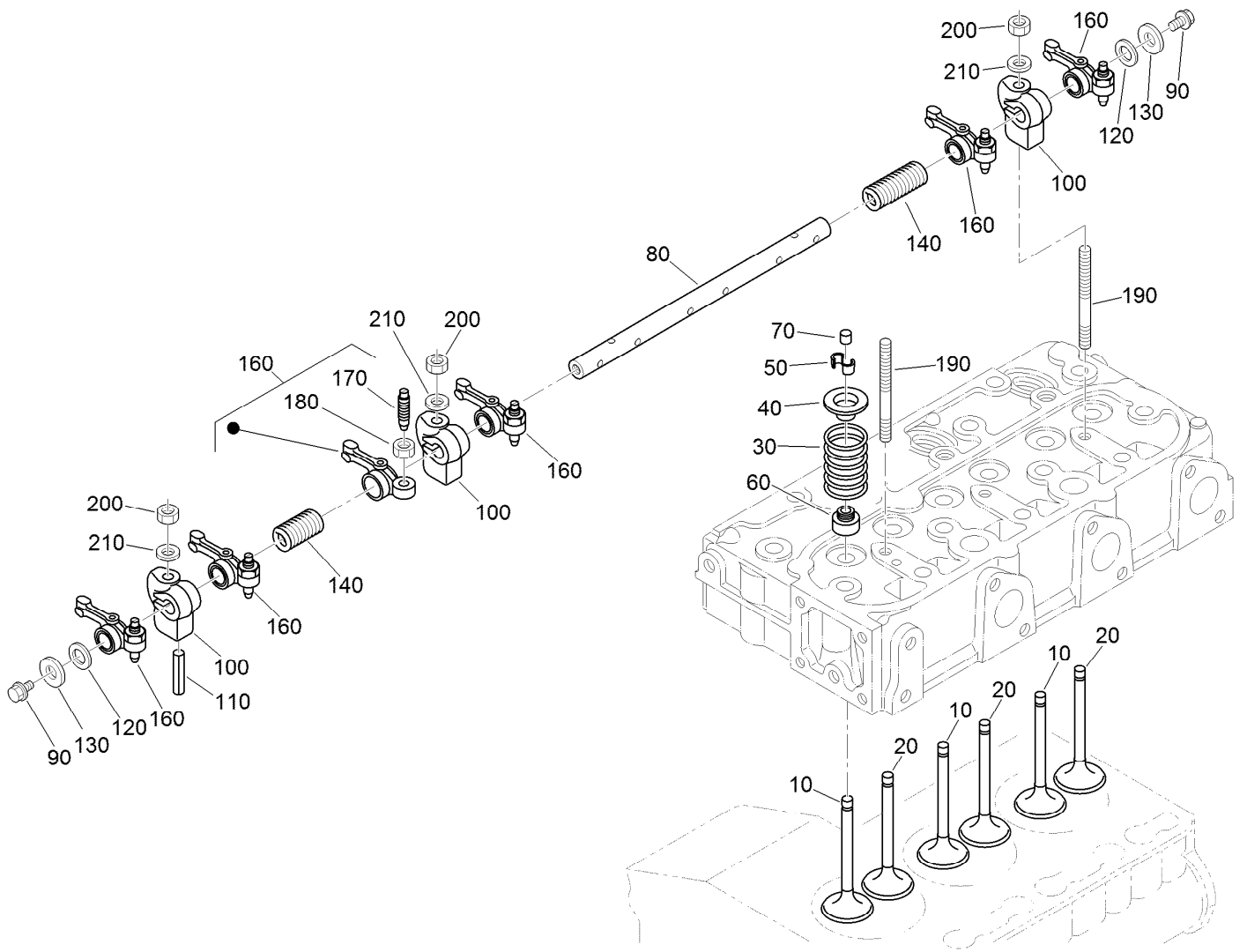
Water Flange and Thermostat Assembly

<i>Ref.</i>	<i>Part Number</i>	<i>Qty.</i>	<i>Description</i>
10	98-9713	1	Water Flange ASM
20	98-9580	1	Pipe-Return, Water
30	105-3747	1	Plug
40	99-3583	1	Gasket
50	98-9638	1	Gasket-Flange, Water
60	98-7692	3	Bolt
70	98-9356	1	Bolt
80	98-9578	1	Pipe-Return, Water
90	125-9078	2	Clamp-Hose
100	98-9719	1	Thermoswitch
110	98-7778	1	Thermostat ASM
120	98-9471	1	Cover-Thermostat
130	105-3748	1	Gasket-Thermostat
140	98-7777	2	Bolt



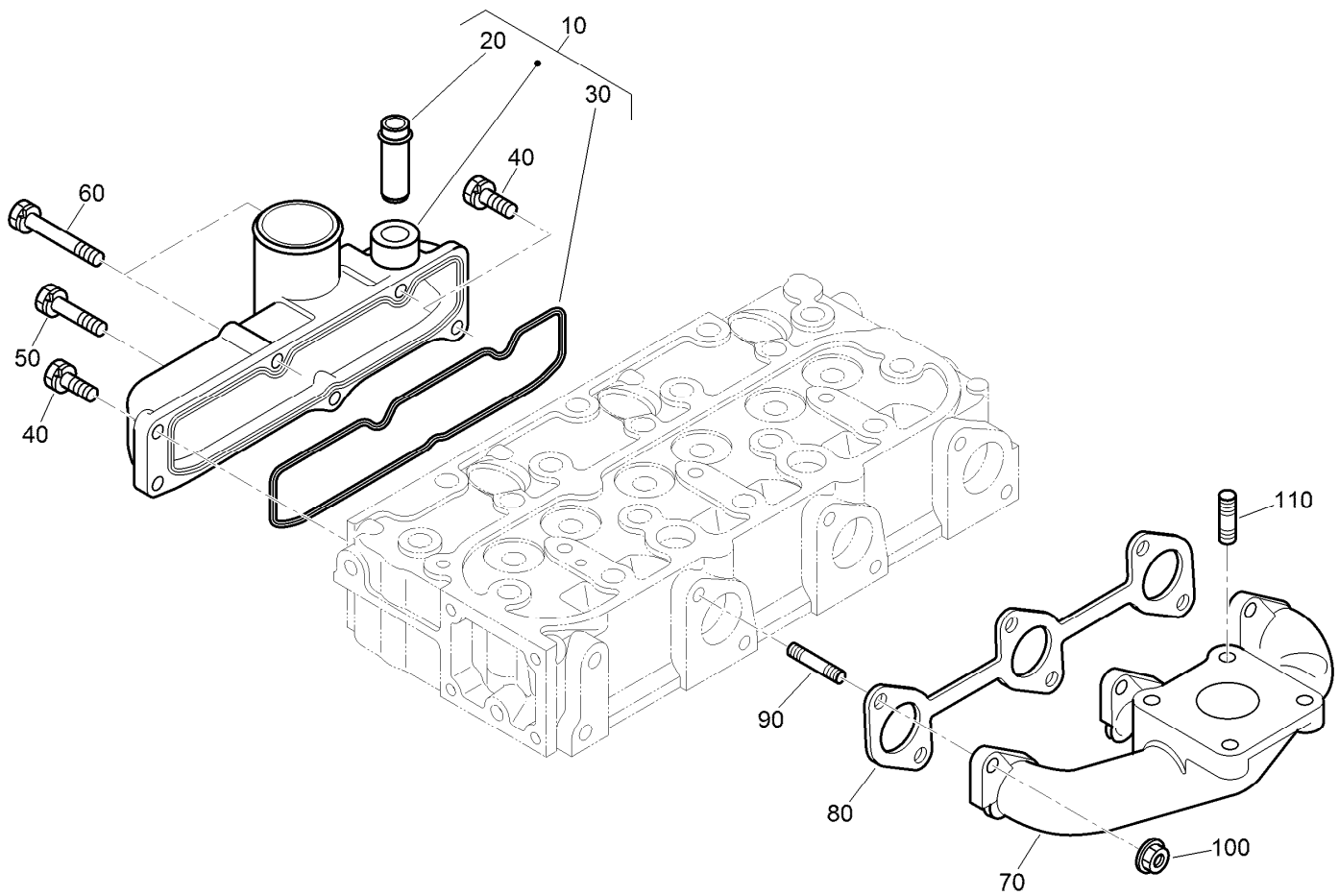
Water Pump and Water Pipe Assembly

<i>Ref.</i>	<i>Part Number</i>	<i>Qty.</i>	<i>Description</i>
10	107-9089	1	Water Pump ASM
20	99-3516	1	Flange-Pump, Water
40	105-3750	1	Mechanical Seal ASM
50	112-7017	1	Impeller-Pump, Water
60	100-1932	1	Pipe-Return, Water
70	99-3454	1	Gasket-Pump, Water
80	98-9353	4	Bolt
90	98-9357	2	Bolt
100	98-9716	1	Pipe-Water
110	107-9091	1	Pipe-Water
120	127-0439	2	Clamp-Hose



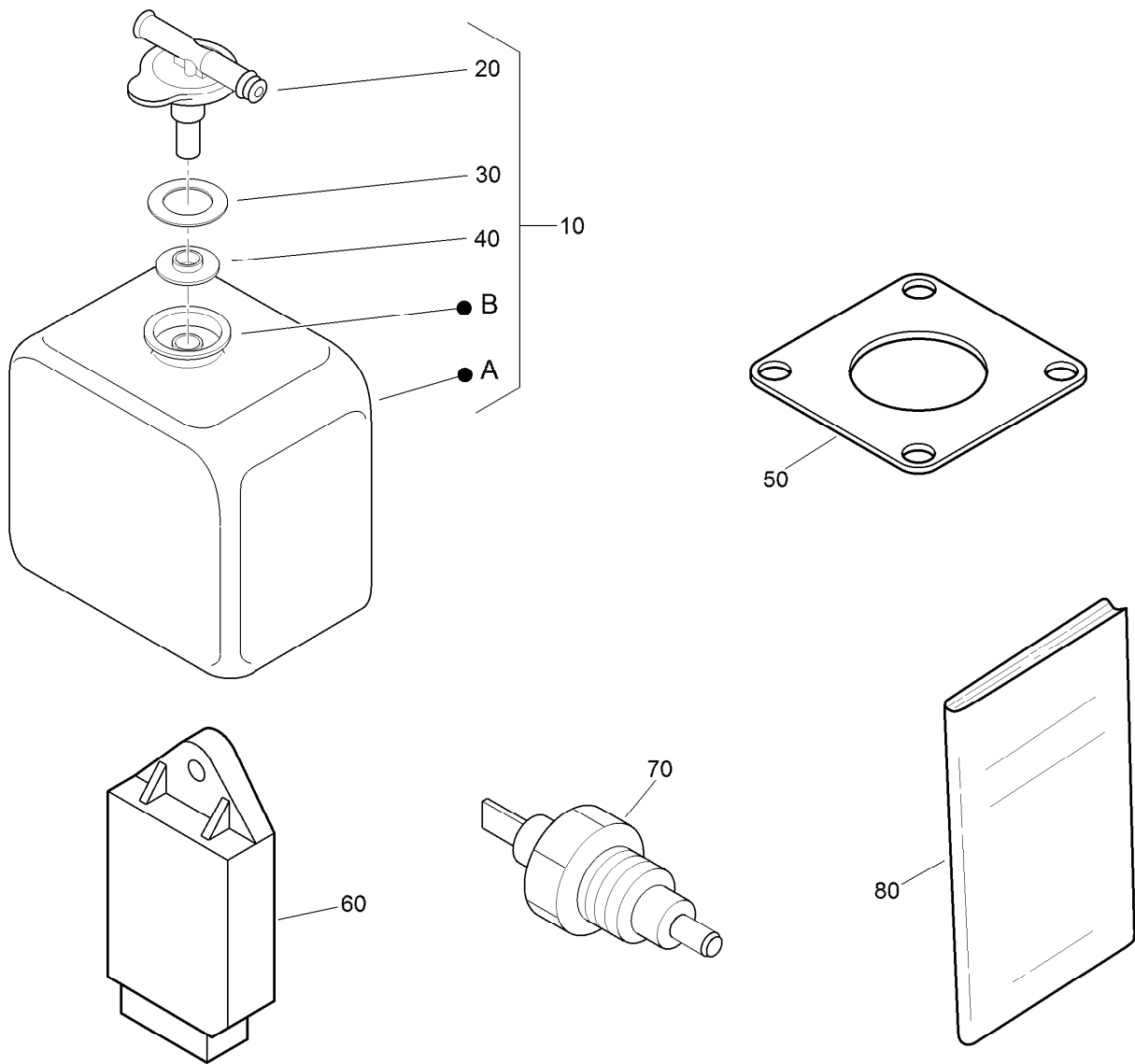
Valve and Rocker Arm Assembly

<i>Ref.</i>	<i>Part Number</i>	<i>Qty.</i>	<i>Description</i>	<i>Ref.</i>	<i>Part Number</i>	<i>Qty.</i>	<i>Description</i>
10	112-7018	3	Valve-Inlet	110	105-3758	1	Pin-Spring
20	120-2564	3	Valve-Exhaust	120	98-9507	2	Washer-Shaft, Rocker Arm
30	98-9648	6	Spring-Valve	130	110-3832	2	Washer-Plain
40	107-9092	6	Retainer-Spring	140	98-9504	2	Spring-Arm, Rocker
50	117-7572	6	Collet-Spring, Valve	160	112-7020	6	Rocker Arm ASM
60	99-8385	6	Seal-Stem, Valve	170	98-9502	6	Screw-Adjusting
70	98-9497	6	Cap-Valve	180	98-9503	6	Nut
80	130-1248	1	Shaft-Arm, Rocker	190	98-9506	3	Stud
90	99-8363	2	Bolt-Flange	200	98-9393	3	Nut
100	98-9505	3	Bracket-Arm, Rocker	210	98-9385	3	Washer-Flat



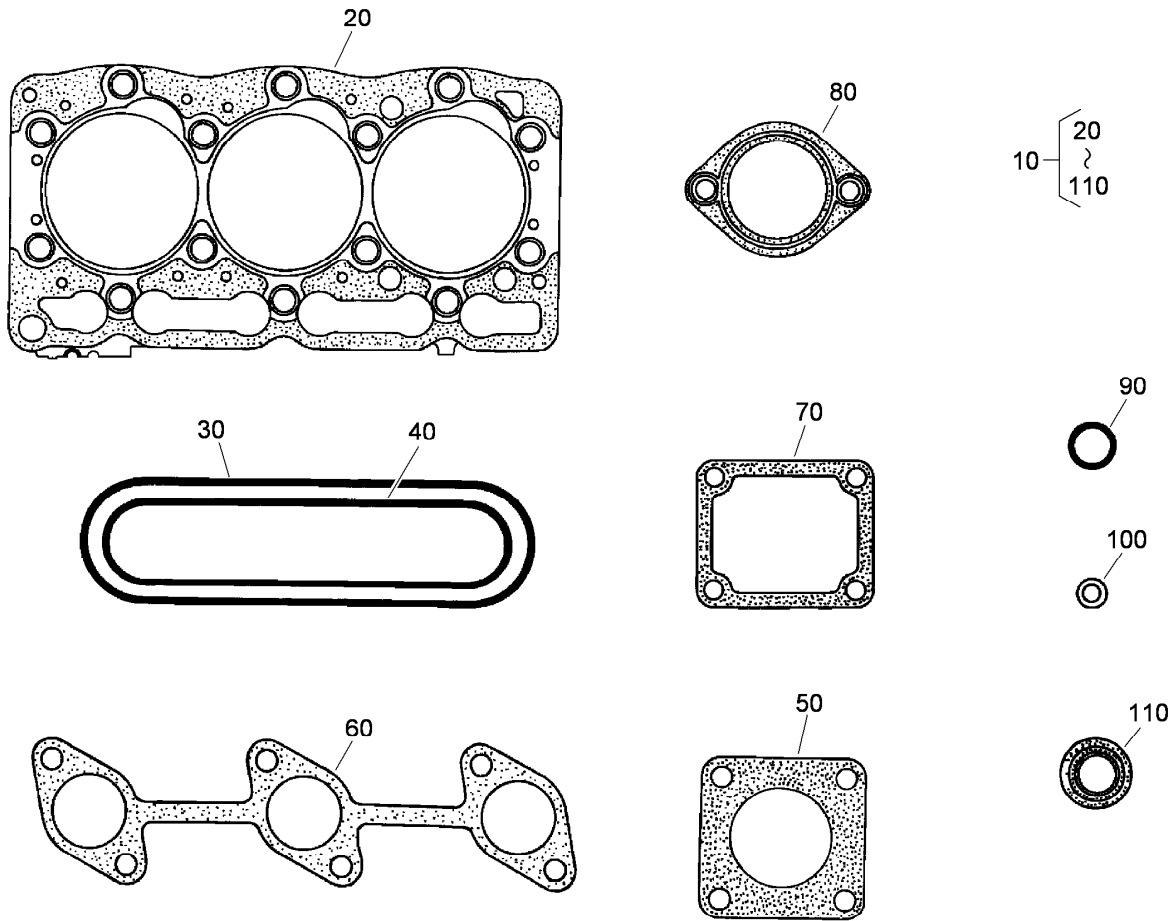
Inlet and Exhaust Manifold Assembly

<i>Ref.</i>	<i>Part Number</i>	<i>Qty.</i>	<i>Description</i>
10	107-7843	1	Manifold Inlet ASM
20	98-9492	1	Joint-Pipe, Breather
30	98-9609	1	Gasket-Manifold, Inlet
40	127-0403	3	Bolt-Flange
50	98-9353	1	Bolt
60	125-9063	2	Bolt-Sems
70	107-9093	1	Manifold-Exhaust
80	99-8327	1	Gasket-Manifold, Exhaust
90	98-9588	6	Stud
100	98-9665	6	Nut
110	98-7769	4	Stud



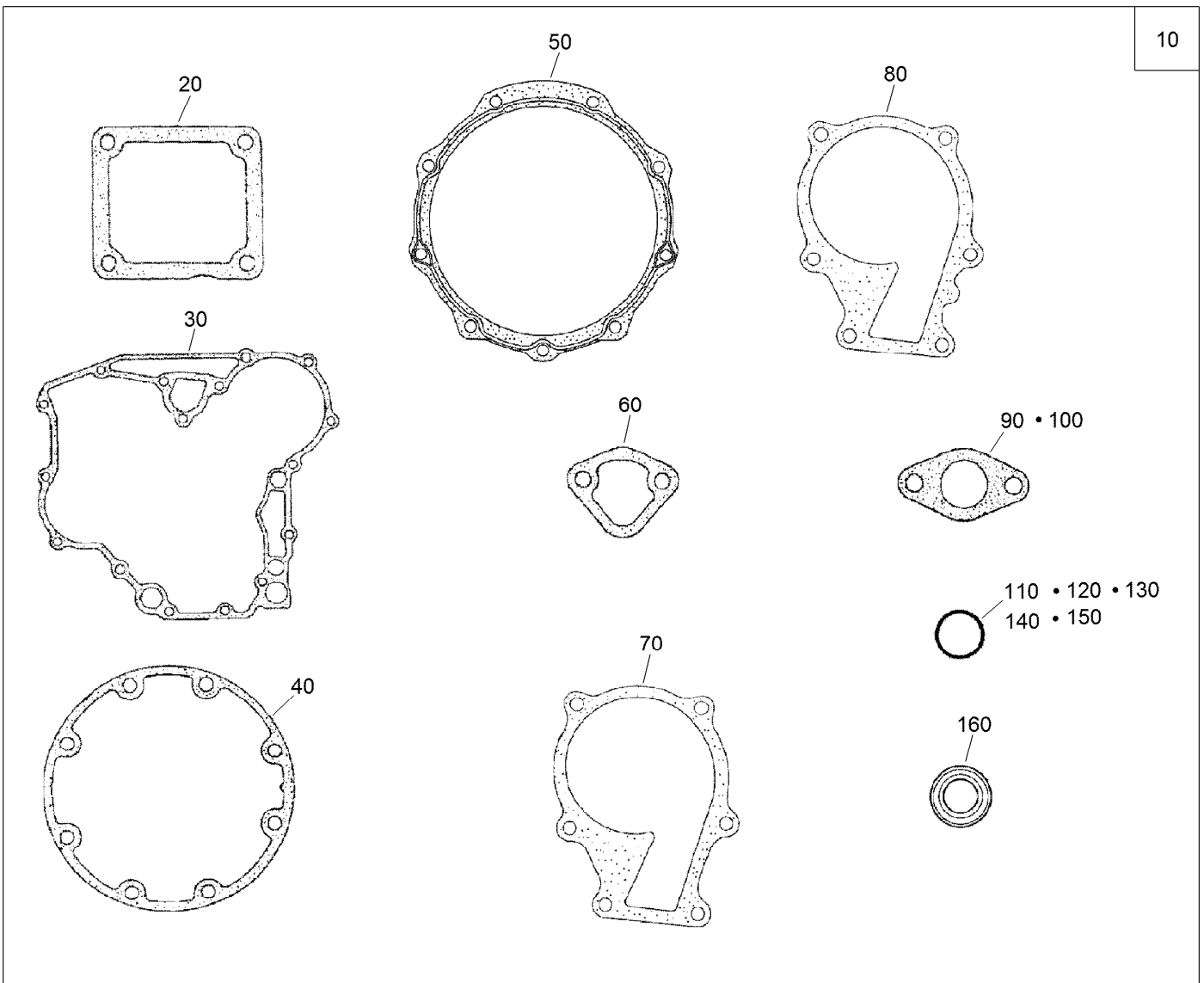
Miscellaneous Engine Parts

<i>Ref.</i>	<i>Part Number</i>	<i>Qty.</i>	<i>Description</i>
10	104-9318	1	Bottle-Overflow
20	115-4132	1	Cap
30	105-3755	1	Gasket
40	105-3756	1	Plate
50	99-8343	1	Gasket-Muffler
60	98-7611	1	Controller-Glow
70	106-7772	1	Thermoswitch
80	130-1543	1	Manual-Operator



Upper Gasket Kit

<i>Ref.</i>	<i>Part Number</i>	<i>Qty.</i>	<i>Description</i>
10	107-7848	1	Upper Gasket Kit
20	108-6573	1	Gasket-Head, Cylinder
30	98-9615	1	Gasket-Cover, Head
40	98-9609	1	Gasket-Manifold, Inlet
50	99-8343	1	Gasket-Muffler
60	99-8327	1	Gasket-Manifold, Exhaust
70	98-9638	1	Gasket-Flange, Water
80	105-3748	1	Gasket-Thermostat
90	99-3446	2	O-Ring
100	98-9454	3	Gasket
110	99-8385	6	Seal-Stem, Valve



Lower Engine Gasket Kit

<i>Ref.</i>	<i>Part Number</i>	<i>Qty.</i>	<i>Description</i>	<i>Ref.</i>	<i>Part Number</i>	<i>Qty.</i>	<i>Description</i>
10	130-1364	1	Lower Gasket Kit	90	98-9682	1	Gasket
20	98-9637	1	Gasket	100	98-9683	1	Gasket-Cover, Solenoid
30	98-9633	1	Gasket-Case, Gear	110	105-3781	2	O-Ring
40	127-0440	1	Gasket-Case, Bearing	120	105-3777	2	O-Ring
50	112-7037	1	Gasket-Cover, Case	130	105-3783	1	O-Ring
60	117-7562	1	Gasket-Pump, Fuel	140	105-3776	1	O-Ring
70	98-9632	1	Gasket-Pump, Water	150	105-3788	1	O-Ring
80	99-3454	1	Gasket-Pump, Water	160	98-7601	1	Seal-Oil

Attachments and Accessories

For 03170 Reelmaster 3100-D Traction Unit

Product Name	Model/Part
27in Lift Arm Kit	03172
32in Lift Arm Kit	03173
8-Blade 27in DPA Edge Series Cutting Unit	03189
11-Blade 27in DPA Edge Series Cutting Unit	03190
8-Blade 32in DPA Edge Series Cutting Unit	03191
RM3105 27in, 8bld Rr Es No Frt Roller Cu	03192
27in Verticutter Cutting Unit	03203
Operator Cooling Fan	03247
Switch Panel-Universal Sunshade	03248
Wireless Hourmeter	115-4754
External Antenna Kit, Wireless Hourmeter System	115-9524
Base Station Kit, Wireless Hourmeter System	115-9542
Repeater Kit, Wireless Hourmeter System	115-9543
Smooth Rear Tire	127-2796
Hi-Back Seat Cover	133-1308
PX Hydraulic Fluid (5 Gal)	133-8086
PX Hydraulic Fluid (55 Gal).....	133-8087
Wheel Weight Kit	136-3315
Decal-Service, Japan	138-1190
Beacon Kit	138-2699
Sunshade Work Lights Kit.....	138-2700
Power Harness Kit.....	138-2993
Hydraulic Booster-10.5 fl oz.....	145-5286
Premium Seat Kit.....	30629
White Universal Sunshade	30669
Red Universal Sunshade	30671
Arm Rest Kit.....	30707
LED Work Light Kit.....	31692
New Red Paint - Gallon	361-11
Dark Metallic Gray Aerosol Paint	361-12
Semi-Gloss Black Spray Paint.....	361-9
1000 Hour MVP Kit	44963
Air Dry Red Paint - Qt	5340



Count on it.