



Count on it.

Parts Catalog

3WD Kit

**Greensmaster® 3360 or 3370 eTriFlex
Traction Unit**

Model No. 04503



Ordering Replacement Parts

To order replacement parts, please supply the part number, the quantity, and the description of each part desired.

Understanding Reference Numbers

Each identified part in an illustration has a reference number. The reference number for a part also appears in the parts list, along with other information about the part.

This catalog uses two special reference number formats, one to indicate parts in a service assembly and another to indicate the quantity of a given part in an illustration.

Service Assembly Reference Numbers

Parts in service assemblies have reference numbers in the form a:b. The a represents the reference number of the entire service assembly and the b represents a sequential number unique to each part within the service assembly.

For example, a wheel assembly might be identified by reference number 6, the tire by 6:1, the valve by 6:2, and the wheel by 6:3. When you order the assembly identified by reference number 6, you receive all parts identified by reference numbers 6:1, 6:2, and 6:3. However, you may also order any part individually. Reference numbers of this type appear in illustration and in parts lists.

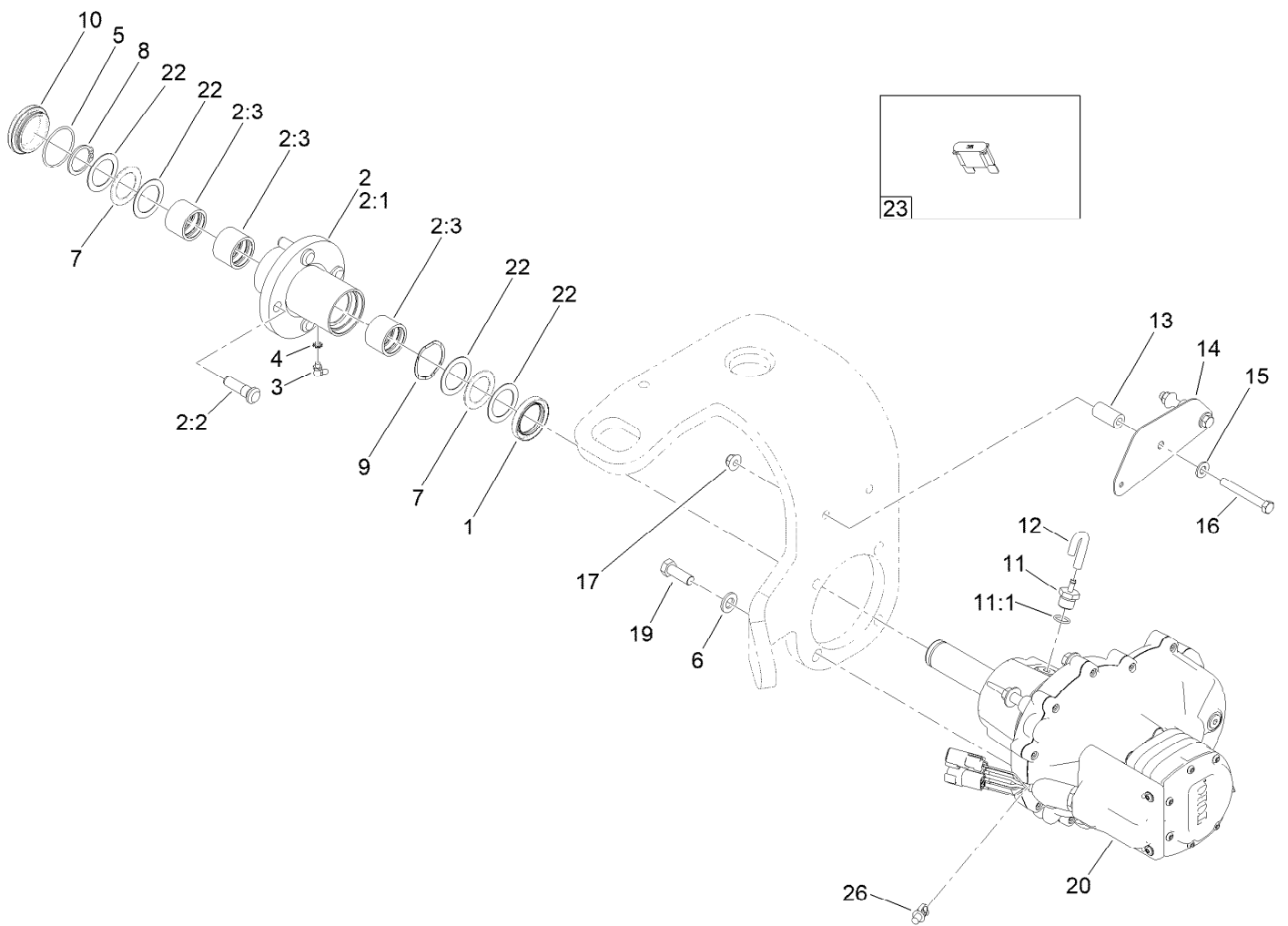
Reference Numbers Indicating Quantity

In an illustration, if a reference number indicates more than one part, the reference number has the form nX y. The n represents the quantity of the part, the X is the multiplication symbol, and the y represents the reference number.

For example, in an illustration, the reference number 2X 37 means that two of the parts identified by reference number 37 are indicated.

Contents

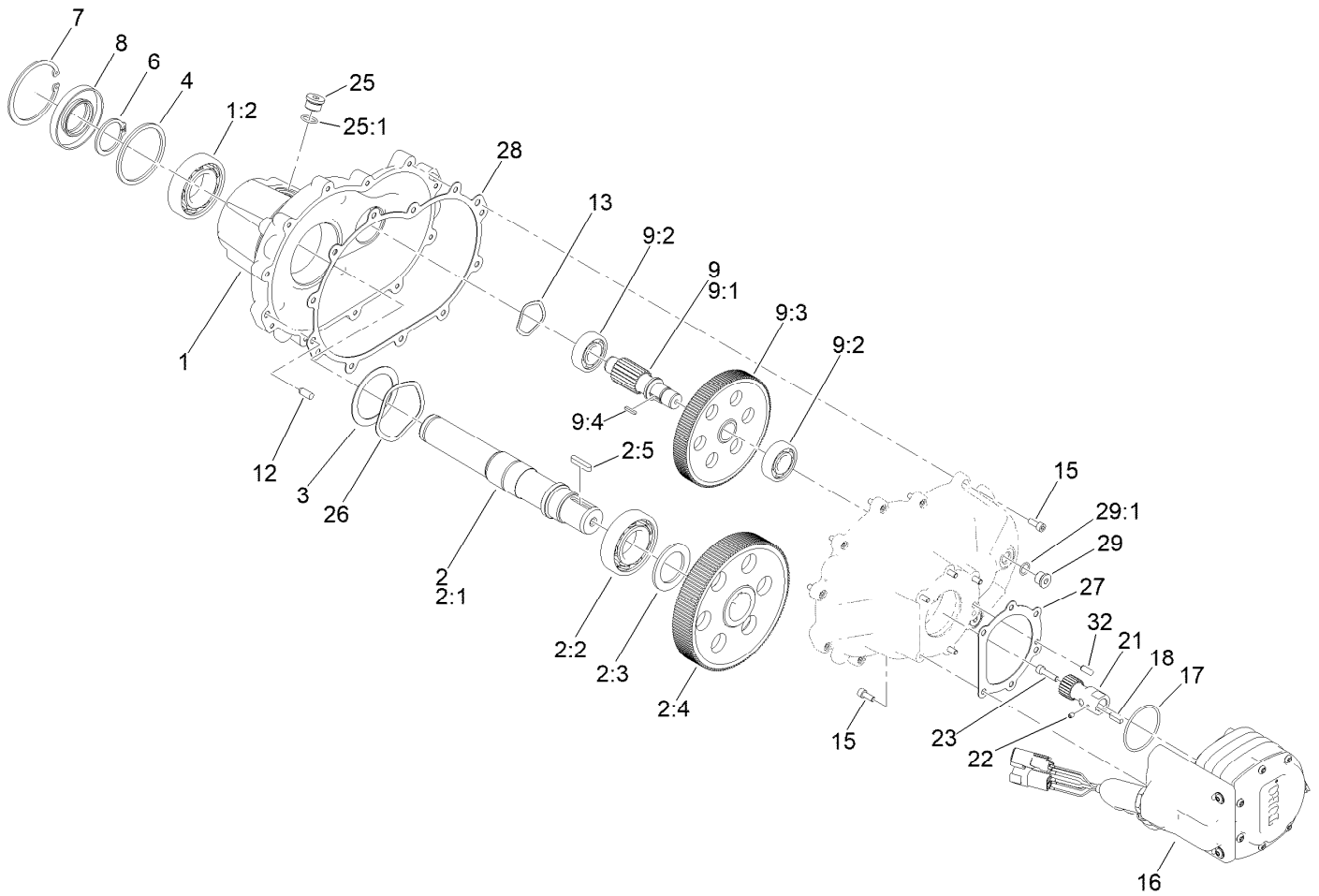
- 3 Wheel Drive Assembly 4
- 3 Wheel Drive Gearbox Assembly 5
- Electric Motor Assembly No. 138-8960 6
- Direct Drive Electric Motor Assembly 7



3 Wheel Drive Assembly

Ref.	Part Number	Qty.	Description	Ref.	Part Number	Qty.	Description
1	92-9250	1	Seal-Grease	11	132-9999	1	Fitting-Straight
2	147-3131	1	Hub Assembly, 3Wd	11:1	237-79	1	O-Ring
2:1	121-9231-03	1	Hub ASM, Welded	12	133-0000	1	Hose-Vent, Formed
2:2	85-6540	4	Stud-Drive	13	137-2069	2	Spacer
2:3	92-9167	3	Clutch-Roller	14	139-8592	1	Brkt-Harness, 3Wd
3	302-40	1	Fitting-Grease, 90 DEG	15	3256-24	2	Washer-Flat
4	3255-7	1	Washer-Lock/EXT	16	323-14	2	Screw-HH
5	133-5848	1	O-Ring	17	104-8301	2	Nut-HF, NI
6	33096-00	4	Washer-Flat	19	33116-035	4	Screw-HH
7	139-8302	2	Bearing-Thrust, 35 X 52 X 2	20		1	Gearbox ASM, 3Wd ●
8	32151-10	1	Ring-Retaining	22	139-8303	4	Washer-Thrust
9	139-8300	1	Washer-Wave, Spring 2.125	23	122-0255	1	Fuse-Maxi, 35 Amp-58V
10	121-9228	1	Plug-Dust Cap	26	32180-030	1	Clip-Tie

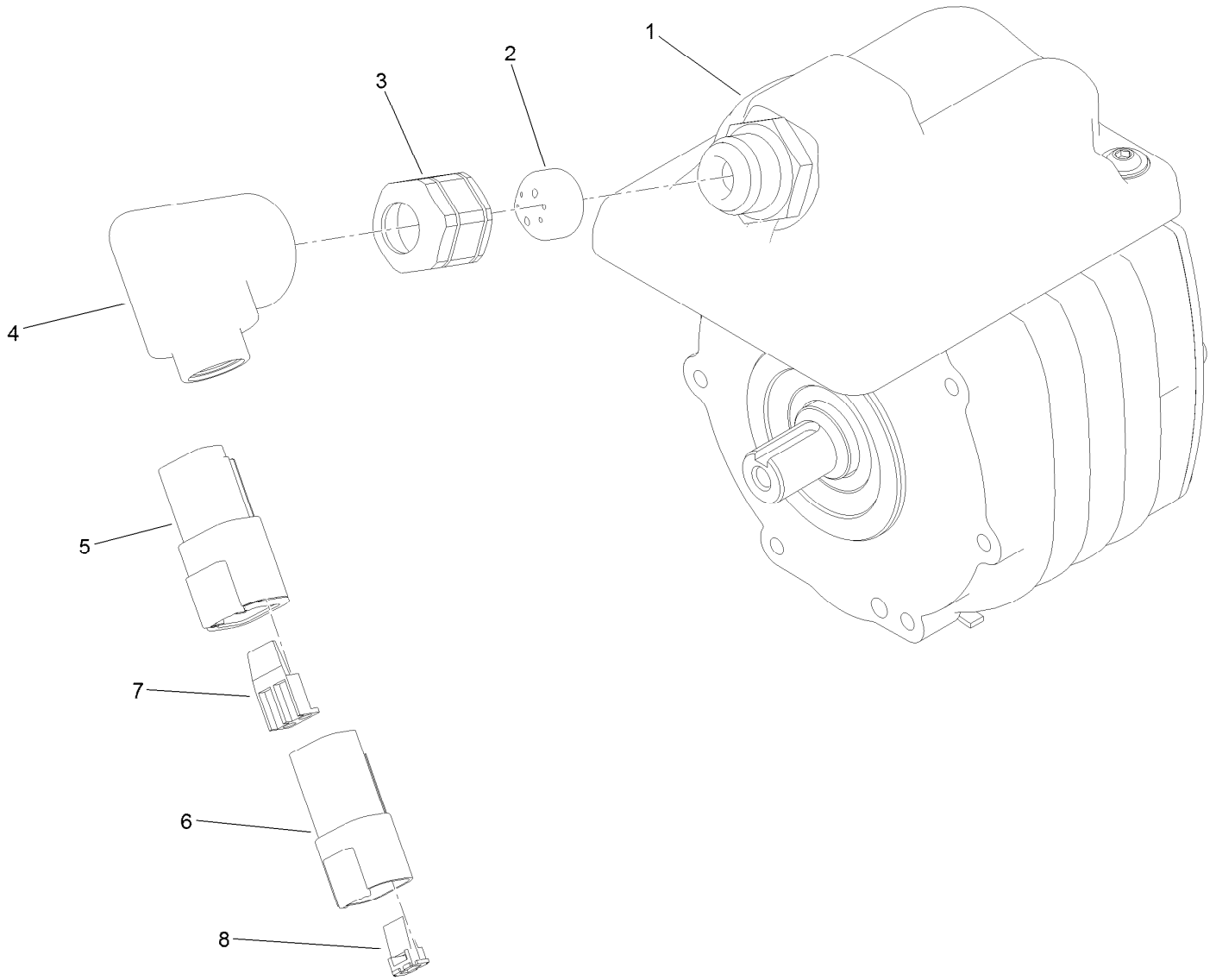
● Not serviced separately



3 Wheel Drive Gearbox Assembly

Ref.	Part Number	Qty.	Description	Ref.	Part Number	Qty.	Description
1		1	Housing ASM ●	13	137-8073	1	Washer-Wave, Spring 47MM
1:2	139-8572	1	Bearing-Ball	15	105-2409	17	Screw-HSH
2	139-8327	1	Axle Shaft ASM	16	138-8960	1	Electric Motor D-D
2:1	137-8065	1	Shaft-Axle	17	103-5895	1	O-Ring
2:2	139-8572	1	Bearing-Ball	18	137-7851	1	Key
2:3	139-8322	1	Washer-Flat	21	137-8061	1	Gear-Spur, 23T, Crowned
2:4	137-8064	1	Gear-Spur, 133T	22	3245-20	1	Screw-Set
2:5	137-8184	1	Key-Square	23	48-7850	1	Screw-Cap, HSH
3	145-0087	1	Spacer	25	353-988	1	Plug-Hex
4	145-0089	1	Spacer-Seal	25:1	237-79	1	O-Ring
6	32151-102	1	Ring-Retaining, External	26	137-8077	1	Washer-Wave, Spring 80MM
7	133-4885	1	Ring-Retaining, Snap, Int	27	137-8181	1	Electric Motor Gasket
8	137-8187	1	Seal-Shaft	28	137-8182	1	Housing Gasket
9	139-8329	1	Spur Gear ASM	29	353-989	2	Plug-Hex, Hollow
9:1	137-8063	1	Gear-Spur, 22T	29:1	237-42	1	O-Ring
9:2	137-8066	2	Ball Bearing	32	136-2667	1	Pin-Dowel
9:3	137-8062	1	Gear-Spur, 137T				
9:4	137-8185	1	Key-Square				
12	87-1910	2	Pin-Dowel				

● Not serviced separately

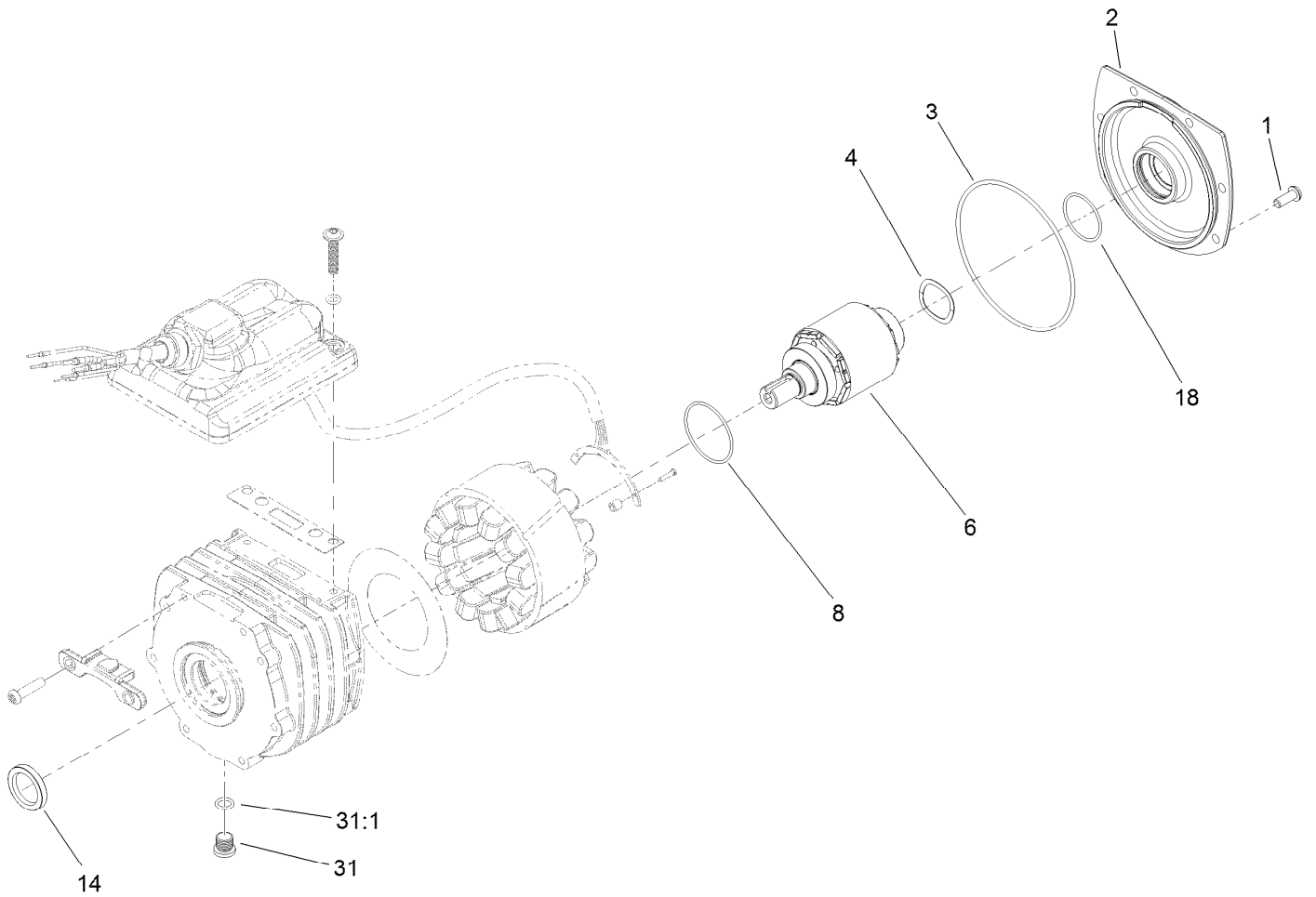


Electric Motor Assembly No. 138-8960

Ref.	Part Number	Qty.	Description
1		1	Electric Motor-Direct Drive ■
2	119-7480	1	Ferrule
3	119-7477	1	Nut-Fitting, Ferrule -8
4	119-7497	1	Backshell-90 Degree
5	32160-245	1	Connector
6	32160-315	1	Connector
7	32180-083	1	Wedge
8	32180-084	1	Wedge
9	3290-378	4	Tie-Cable ●
10	120-4538	1	Tubing-Convolutd, Slit ●

● Not illustrated

■ Not serviced separately



Direct Drive Electric Motor Assembly

<i>Ref.</i>	<i>Part Number</i>	<i>Qty.</i>	<i>Description</i>
1	120-4559	6	Screw-BHCS
2	115-4779	1	Cover-Motor
3	112-9609	1	O-Ring
4	112-5163	1	Washer-Wave
6	137-2966	1	ASM-Rotor,D-D
8	112-9616	1	O-Ring
14	137-2988	1	Seal-Grease
18	119-1156	1	O-Ring
31	353-990	1	Plug ASM
31:1	237-78	1	O-Ring



Count on it.