



Count on it.

Parts Catalog

**Reelmaster® 7000-D
4-Wheel Drive Traction Unit**

Model No. 03780—Serial No. 405221876 and Up



Ordering Replacement Parts

To order replacement parts, please supply the part number, the quantity, and the description of each part desired.

Understanding Reference Numbers

Each identified part in an illustration has a reference number. The reference number for a part also appears in the parts list, along with other information about the part.

This catalog uses two special reference number formats, one to indicate parts in a service assembly and another to indicate the quantity of a given part in an illustration.

Service Assembly Reference Numbers

Parts in service assemblies have reference numbers in the form a:b. The a represents the reference number of the entire service assembly and the b represents a sequential number unique to each part within the service assembly.

For example, a wheel assembly might be identified by reference number 6, the tire by 6:1, the valve by 6:2, and the wheel by 6:3. When you order the assembly identified by reference number 6, you receive all parts identified by reference numbers 6:1, 6:2, and 6:3. However, you may also order any part individually. Reference numbers of this type appear in illustration and in parts lists.

Reference Numbers Indicating Quantity

In an illustration, if a reference number indicates more than one part, the reference number has the form nX y. The n represents the quantity of the part, the X is the multiplication symbol, and the y represents the reference number.

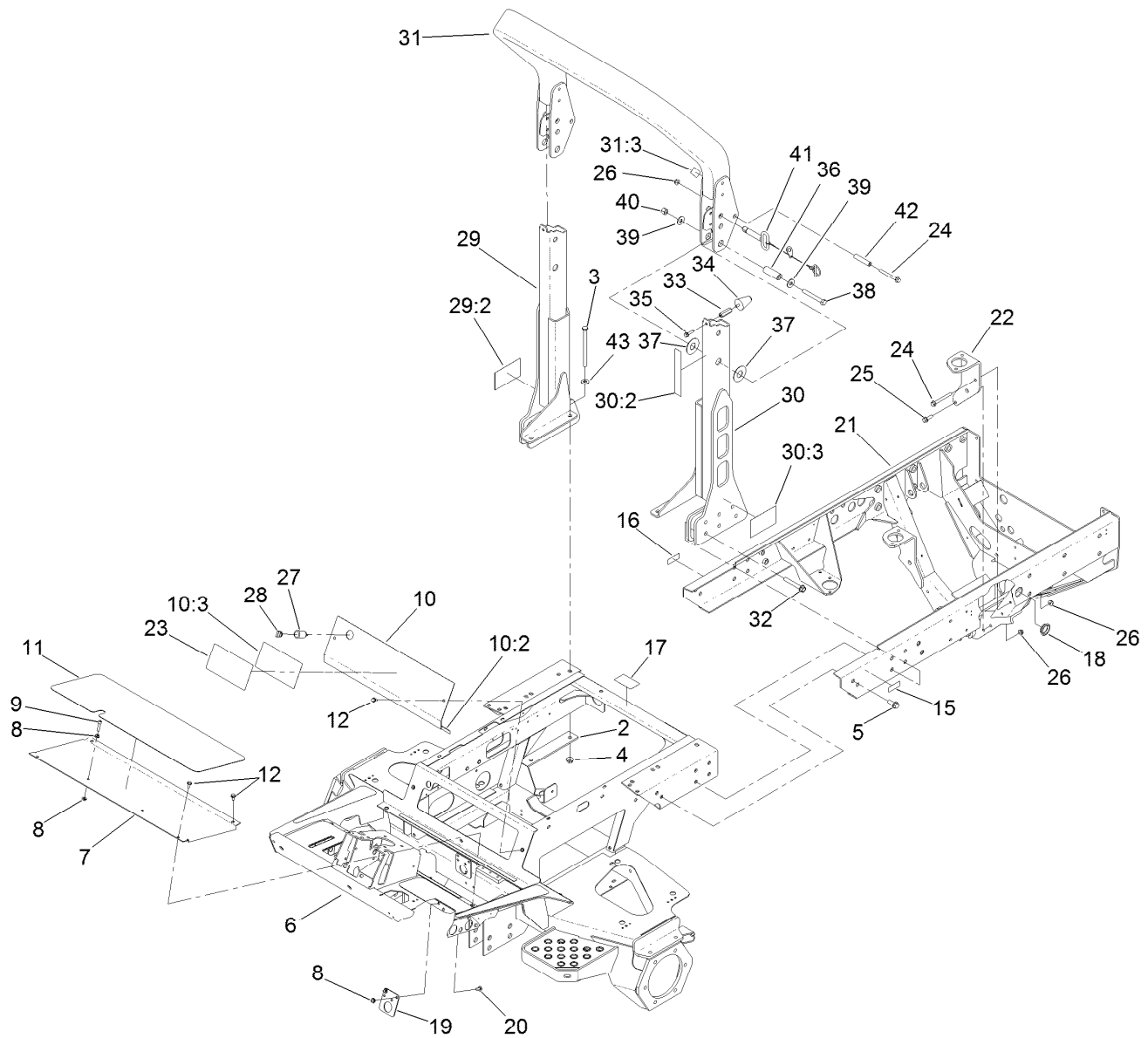
For example, in an illustration, the reference number 2X 37 means that two of the parts identified by reference number 37 are indicated.

Contents

| | |
|-------------------------------------------------------------------|----|
| Frame and Roll-Over Protection System Assembly | 5 |
| Front Frame Assembly No. 130-1617..... | 7 |
| Front Shroud, Headlight and Roller Assembly..... | 8 |
| Engine and Flywheel Mounting Assembly | 9 |
| Engine and Air Cleaner Assembly | 10 |
| Air Cleaner Assembly No. 99-5410..... | 12 |
| Radiator Mounting Assembly | 13 |
| Radiator and Fan Assembly | 14 |
| Hydraulic Motor Assembly No. 117-4769 | 15 |
| Front Reel Lift Assembly | 16 |
| Gear Motor Assembly No. 115-8250..... | 18 |
| Hydraulic Cylinder Assembly No. 125-1658 | 19 |
| Hydraulic Cylinder Assembly No. 125-1660 | 20 |
| Rear Reel Lift Assembly | 21 |
| Hydraulic Cylinder Assembly No. 125-1659 | 23 |
| Hydraulic Tank Assembly | 24 |
| Fuel System Assembly | 25 |
| Battery and Storage Box Assembly | 26 |
| Battery Storage Box Assembly No. 115-9100 | 27 |
| Storage Box Assembly No. 115-9101..... | 28 |
| Seat Mount Assembly | 29 |
| Seat Suspension Assembly No. 130-2702..... | 30 |
| Vinyl Premium Seat Assembly No. 117-5676 | 31 |
| Control Console Assembly | 32 |
| Joystick Bracket Assembly No. 120-5280 | 33 |
| Steering and Pedals Assembly | 34 |
| Steering Tilt Column Assembly No. 106-3622..... | 36 |
| Steering Valve Assembly No. 114-8119 | 37 |
| Forward/Reverse Pedal Assembly | 38 |
| Hood Assembly..... | 39 |
| Front Traction Assembly | 40 |
| Planetary Assembly No. 136-2913 | 41 |
| RH Brake Assembly No. 100-3069 | 42 |
| LH Brake Assembly No. 100-3070 | 43 |
| Hydraulic Piston Motor Assembly No. 121-3100..... | 44 |
| Rear Traction Assembly | 45 |
| Bevel Pinion Shaft Assembly Rear Axle Assembly No. 110-4750 | 47 |
| Differential Assembly Rear Axle Assembly No. 110-4750 | 48 |
| Axle Support Assembly Rear Axle Assembly No. 110-4750 | 49 |
| Bevel Gear Case Assembly Rear Axle Assembly No. 110-4750..... | 50 |
| Bevel Gear Shaft Assembly Rear Axle Assembly No. 110-4750..... | 51 |
| Axle Case Assembly Rear Axle Assembly No. 110-4750 | 52 |
| Axle Assembly Rear Axle Assembly No. 110-4750..... | 53 |
| Steer Cylinder Assembly No. 119-3903 | 54 |
| Piston Motor Assembly No. 121-3101 | 55 |
| Hydraulic Pump Assembly | 56 |
| Piston Pump Assembly No. 114-4188 | 58 |
| Control Assembly No. 115-4446 | 60 |
| Four Section Pump Assembly No. 114-4189..... | 61 |
| Hydraulic System Componets Assembly | 62 |
| Mow Manifold Assembly No. 130-1656 | 64 |
| 5-Plex Mow Manifold Block Assembly..... | 65 |
| Lift Manifold Assembly No. 130-1669..... | 66 |
| Juction Manifold Assembly No. 130-1670 | 67 |

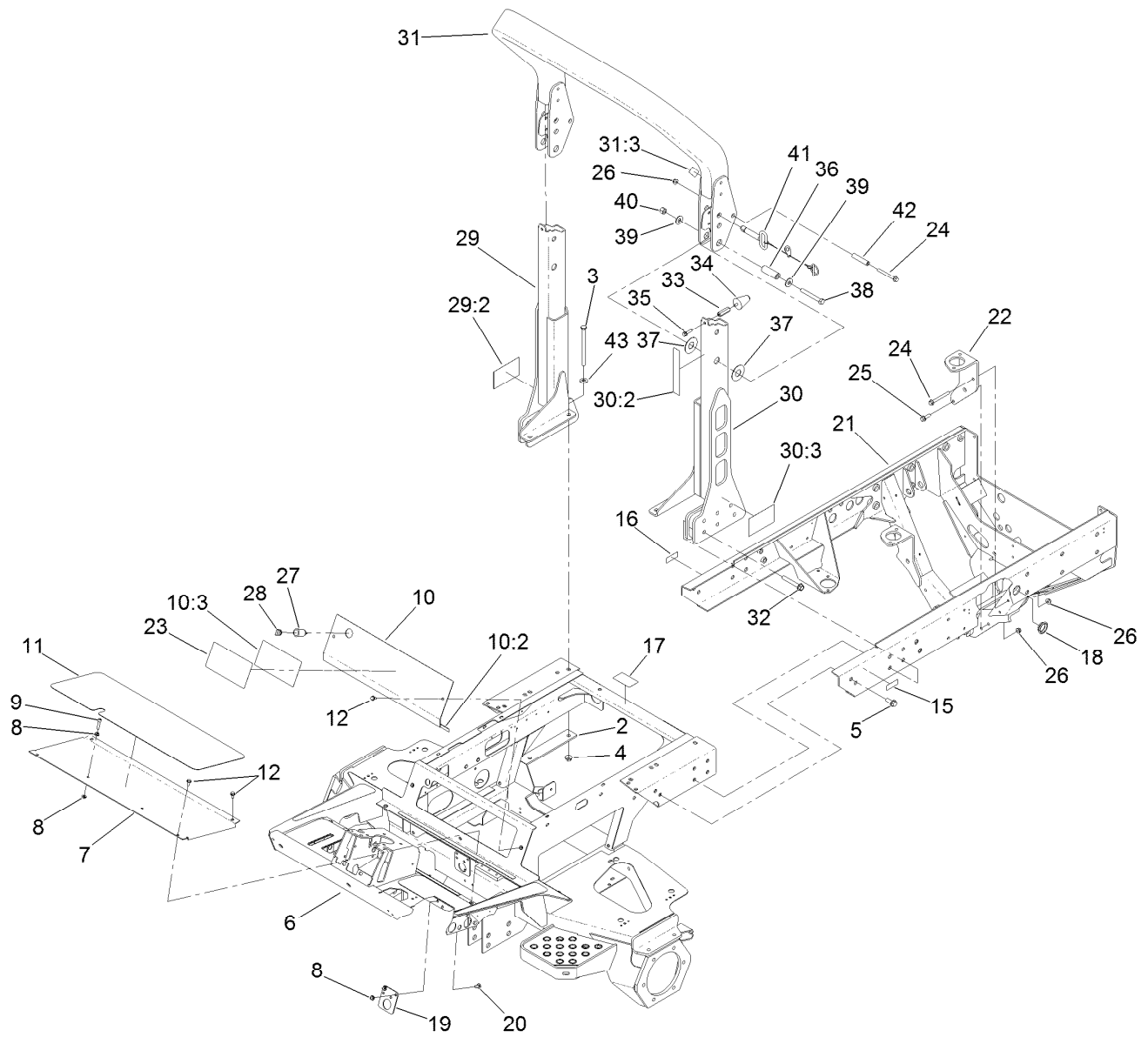
Contents (continued)

| | |
|----------------------------------------------------|-----|
| Fan Drive Manifold Assembly No. 119-3943 | 68 |
| 3-Way Valve Manifold Assembly No. 138-6946 | 69 |
| Rear Traction Manifold Assembly No. 121-3078 | 70 |
| Traction Hydraulic Circuit Assembly | 71 |
| Steering Hydraulic Circuit Assembly | 73 |
| Fan Drive Hydraulic Circuit Assembly | 74 |
| Lift Circuit Hydraulic Assembly | 75 |
| Hydraulic Mow Circuit Assembly | 76 |
| Front Mow Circuit Hydraulic Assembly | 77 |
| Rear Hydraulic Mow Circuit Assembly | 78 |
| Electrical Assembly | 79 |
| Battery and Engine Electrical Assembly | 80 |
| Cylinder Block Assembly | 81 |
| Gear Housing Assembly | 82 |
| Flywheel Housing and Oil Sump Assembly | 83 |
| Cylinder Head and Cover Assembly | 84 |
| Suction Manifold Assembly | 86 |
| Exhaust Manifold Assembly | 87 |
| Diesel Particulate Filter Assembly | 88 |
| Camshaft and Driving Gear Assembly | 90 |
| Turbine Assembly | 92 |
| Crankshaft and Piston Assembly | 93 |
| Lubrication and Oil System Assembly | 94 |
| Lubrication Oil Line Assembly | 95 |
| Cooling Water System Assembly | 96 |
| Fuel System Assembly | 97 |
| Fuel Injection Valve Assembly | 98 |
| Fuel Line Assembly | 99 |
| Starting Motor Assembly | 100 |
| Generator Assembly | 101 |
| Gasket Set | 102 |
| Electric Parts Assembly | 104 |
| Attachments and Accessories | 105 |



Frame and Roll-Over Protection System Assembly

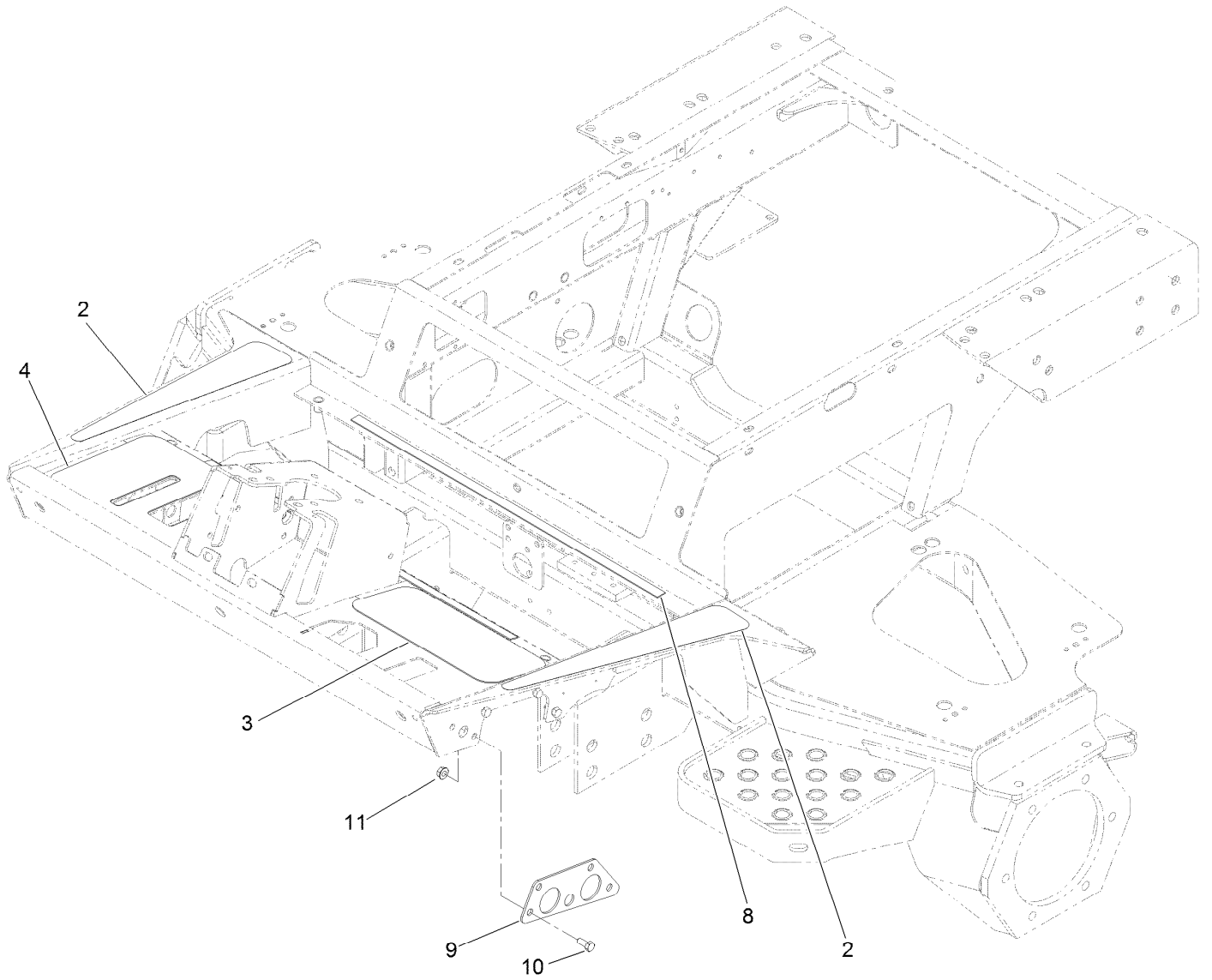
| Ref. | Part Number | Qty. | Description | Ref. | Part Number | Qty. | Description |
|------|-------------|------|---------------------------|------|-------------|------|-----------------------|
| 2 | 104-5584-03 | 2 | Plate-Reinforcement, ROPS | 23 | 138-1186 | 1 | Decal-Danger |
| 3 | 325-33 | 4 | Screw-HH | 24 | 116-4701 | 3 | Screw-HHF |
| 4 | 32128-49 | 4 | Nut-HHF | 25 | 3234-24 | 1 | Screw-HHF |
| 5 | 3234-38 | 4 | Screw-HHF | 26 | 104-8301 | 4 | Nut-HF, NI |
| 6 | 130-1617 | 1 | Frame-Front | 27 | 99-7411 | 1 | Point-Power |
| 7 | 75-1410-01 | 1 | Plate-Access, Floor | 28 | 99-7416 | 1 | Cap |
| 8 | 32128-20 | 4 | Nut-HF | 29 | 136-2901 | 1 | RH ROPS ASM |
| 9 | 3274-18 | 1 | Screw-HSH | 29:2 | 94-8099 | 1 | Decal |
| 10 | 130-1659 | 1 | Access Plate ASM | 30 | 136-2900 | 1 | LH ROPS ASM |
| 10:2 | 105-9860 | 2 | Seal-Foam | 30:2 | 120-8947 | 1 | Decal-Danger, ROPS |
| 10:3 | 120-1683 | 1 | Decal-Danger | 30:3 | 94-8099 | 1 | Decal |
| 11 | 75-0630 | 1 | Tread-Foot, Center | 31 | 136-2885 | 1 | Top Tube ASM |
| 12 | 3234-7 | 6 | Screw-HHF | 31:3 | 98-4387 | 1 | Decal-Protection, Ear |
| 15 | 93-6680 | 1 | Decal-Diesel | 32 | 114-8419 | 12 | Screw-HHF |
| 16 | 93-6686 | 1 | Decal-Oil, HYD | 33 | 136-2899 | 2 | Standoff-Hex |
| 17 | 100-6574 | 1 | Decal-Warning | 34 | 114-1925 | 2 | Bumper-Rubber |
| 18 | 105-9194 | 4 | Plug | 35 | 3234-36 | 2 | Screw-HHF |
| 19 | 104-5516-01 | 1 | Support-Tube | 36 | 136-2890 | 2 | Spacer |
| 20 | 3230-23 | 2 | Bolt-CARR | 37 | 136-2893 | 4 | Washer-Plastic |
| 21 | 130-1601-03 | 1 | Frame-Rear | 38 | 325-17 | 2 | Screw-HH |
| 22 | 130-1632-03 | 1 | Bracket-Mount, Engine | 39 | 3256-6 | 4 | Washer-Flat |



Frame and Roll-Over Protection System Assembly (continued)

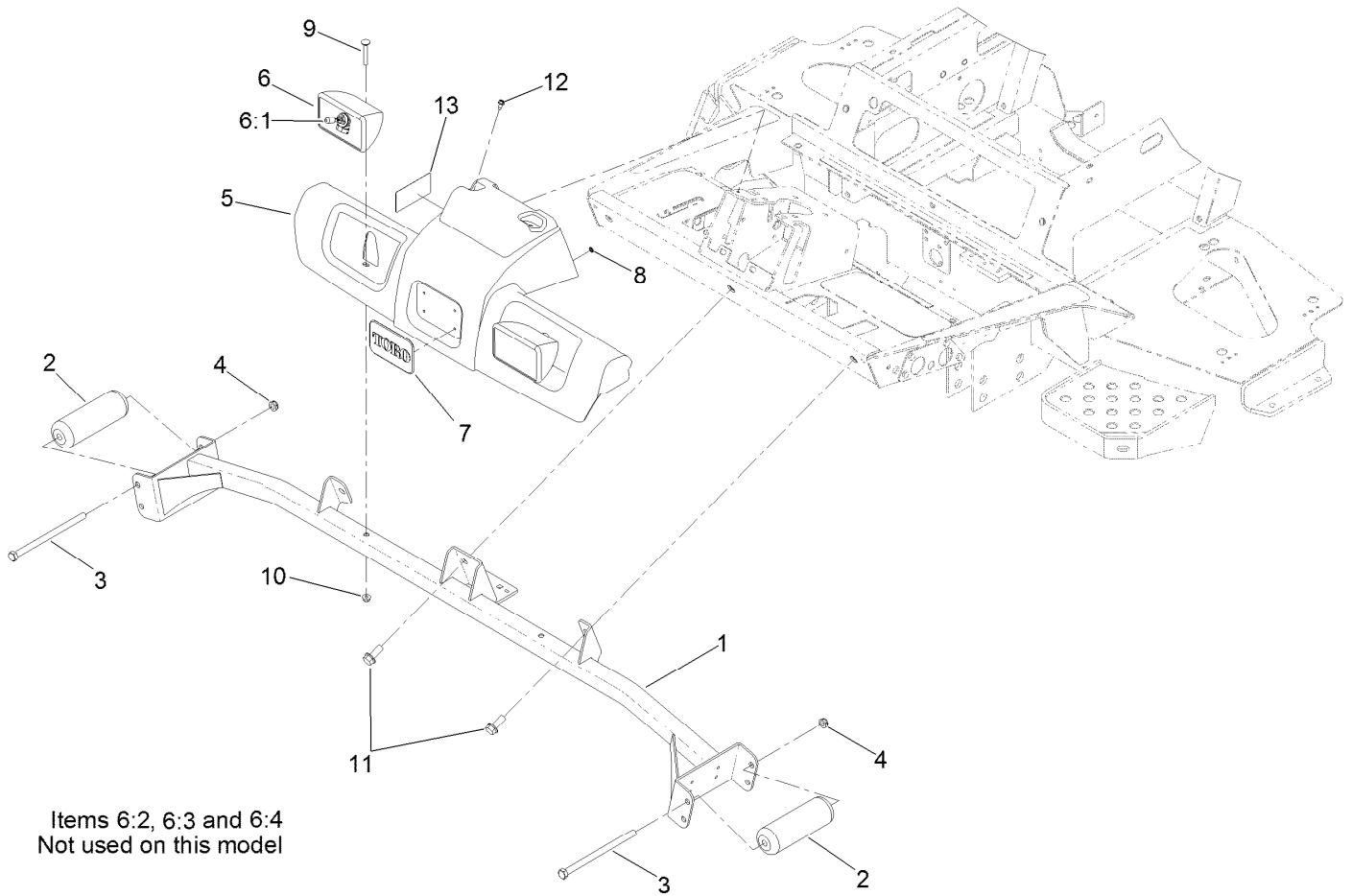
| <i>Ref.</i> | <i>Part Number</i> | <i>Qty.</i> | <i>Description</i> |
|-------------|--------------------|-------------|--------------------|
| 40 | 3296-23 | 2 | Nut-Lock, NI |
| 41 | 136-2892 | 2 | Pin ASM |

| <i>Ref.</i> | <i>Part Number</i> | <i>Qty.</i> | <i>Description</i> |
|-------------|--------------------|-------------|--------------------|
| 42 | 80-1890 | 2 | Spacer |
| 43 | 87-7270 | 4 | Washer-Thrust |



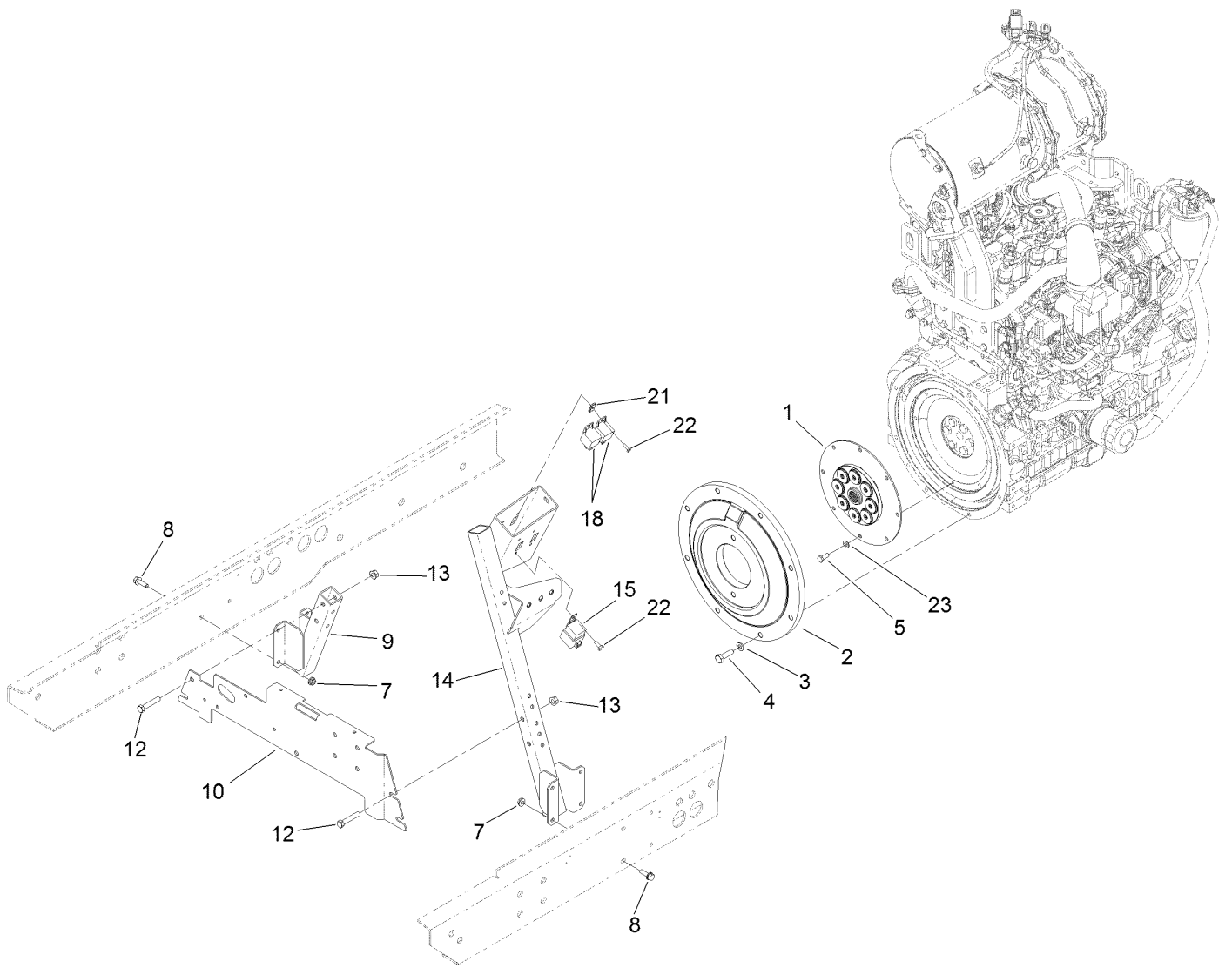
Front Frame Assembly No. 130-1617

| <i>Ref.</i> | <i>Part Number</i> | <i>Qty.</i> | <i>Description</i> |
|-------------|--------------------|-------------|--------------------------|
| 2 | 93-7592 | 2 | Tread-Rest, Foot |
| 3 | 75-0620 | 1 | Tread-Foot, LH |
| 4 | 119-1497 | 1 | Tread-Foot, RH |
| 8 | 105-9860 | 2 | Seal-Foam |
| 9 | 106-7794-01 | 2 | Plate-Mount, HYD Fitting |
| 10 | 322-3 | 8 | Screw-HH |
| 11 | 32128-20 | 8 | Nut-HF |



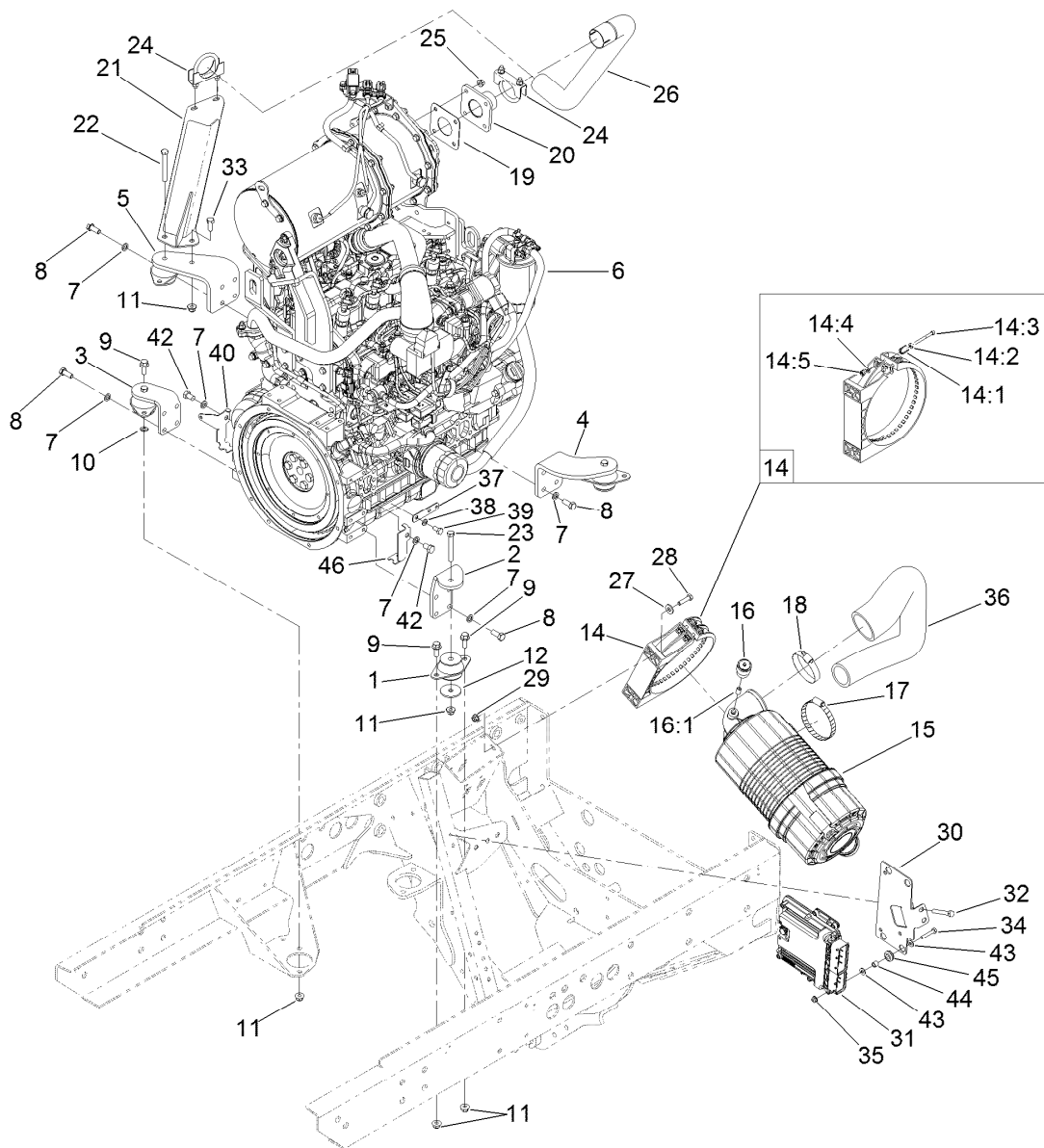
Front Shroud, Headlight and Roller Assembly

| Ref. | Part Number | Qty. | Description | Ref. | Part Number | Qty. | Description |
|------|-------------|------|-----------------|------|-------------|------|------------------|
| 1 | 125-1663-01 | 1 | Support-Roller | 6:4 | 3217-6 | 1 | Nut-Hex |
| 2 | 31-0750 | 2 | Roller-Front | 7 | 93-6028 | 1 | Plate-Logo |
| 3 | 325-42 | 2 | Screw-HH | 8 | 138-6996 | 4 | Nut-Push |
| 4 | 3296-45 | 2 | Nut-Hex | 9 | 3230-7 | 2 | Bolt-CARR |
| 5 | 115-9137 | 1 | Shroud-Platform | 10 | 104-8300 | 2 | Nut-HF, NI |
| 6 | 94-9024 | 2 | Lamp ASM | 11 | 3234-38 | 3 | Screw-HHF |
| 6:1 | 95-0909 | 1 | Lamp-12 Volt | 12 | 32104-17 | 2 | Screw-HWH |
| 6:2 | 3230-28 | 1 | Screw-CARR | 13 | 120-1670 | 1 | Decal-Speed, Mow |
| 6:3 | 3253-33 | 1 | Washer-Lock | | | | |



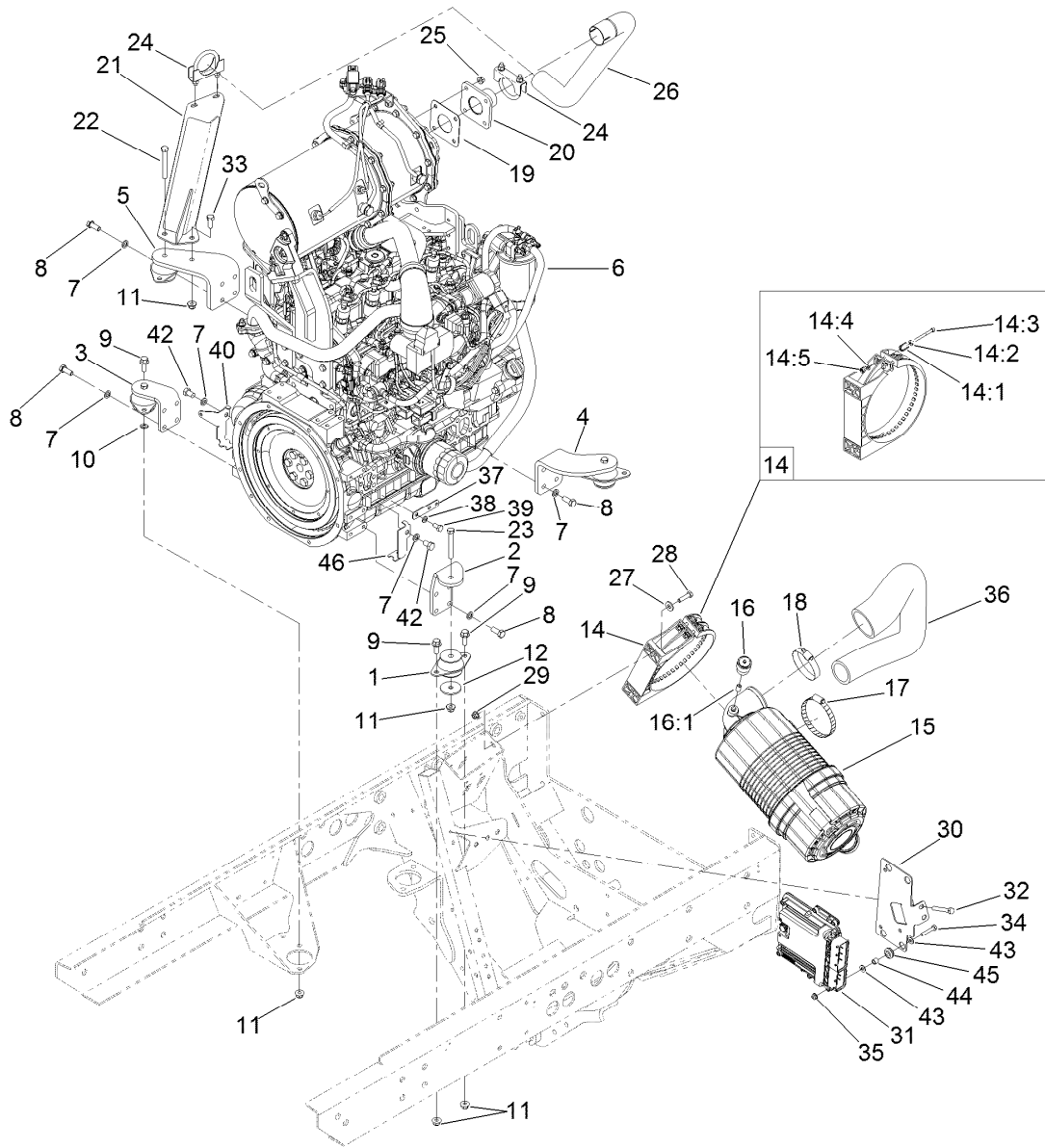
Engine and Flywheel Mounting Assembly

| <i>Ref.</i> | <i>Part Number</i> | <i>Qty.</i> | <i>Description</i> | <i>Ref.</i> | <i>Part Number</i> | <i>Qty.</i> | <i>Description</i> |
|-------------|--------------------|-------------|---------------------------|-------------|--------------------|-------------|----------------------------|
| 1 | 120-4176 | 1 | Coupling-Spring, Flywheel | 12 | 323-10 | 4 | Screw-HH |
| 2 | 115-6657-03 | 1 | Plate-Flywheel | 13 | 32128-21 | 4 | Nut-HF Lock |
| 3 | 107-1413 | 8 | Washer-Hardened | 14 | 121-3140-03 | 1 | Bracket-Mount, Air Cleaner |
| 4 | 117-5663 | 8 | Screw-HH | 15 | 99-7430 | 1 | Relay-Mini |
| 5 | 99-5132 | 8 | Bolt | 18 | 99-7435 | 2 | Relay |
| 7 | 32128-20 | 8 | Nut-HF | 21 | 3290-277 | 3 | Nut-Speed |
| 8 | 3234-29 | 8 | Screw-HHF | 22 | 3290-134 | 3 | Screw |
| 9 | 104-5420-03 | 1 | Support-Battery | 23 | 87-7510 | 8 | Washer-Flat |
| 10 | 114-8134-03 | 1 | Bracket-Support | | | | |



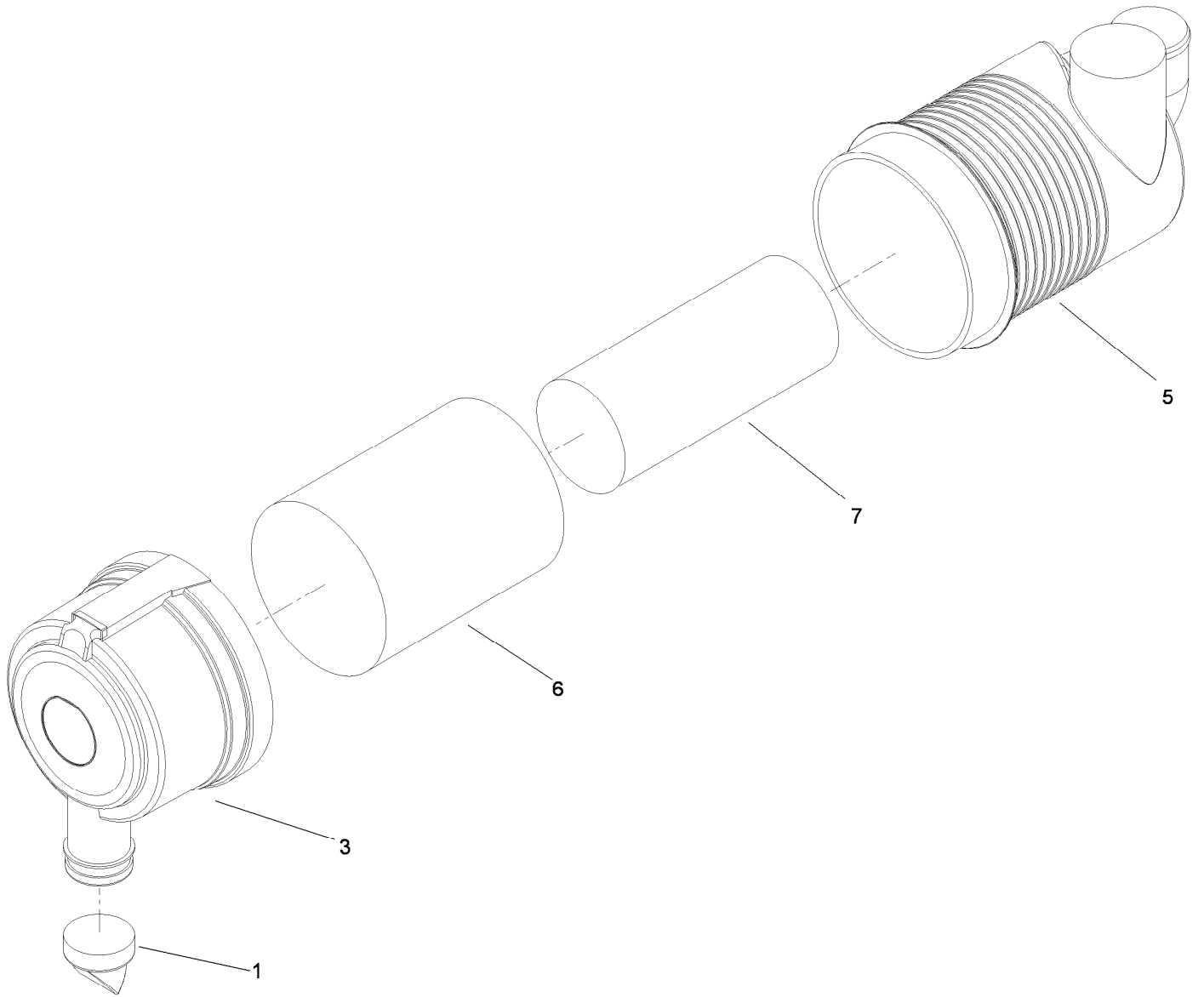
Engine and Air Cleaner Assembly

| Ref. | Part Number | Qty. | Description | Ref. | Part Number | Qty. | Description |
|------|-------------|------|--------------------------|------|-------------|------|--------------------------|
| 1 | 53-9682 | 4 | Mount-Engine | 17 | 2412-110 | 1 | Clamp-Band/Screw |
| 2 | 120-8001-03 | 1 | Mount-Engine, Front (LH) | 18 | 2412-125 | 1 | Clamp-Hose |
| 3 | 120-8002-03 | 1 | Mount-Engine, Front (RH) | 19 | 121-3058 | 1 | Gasket-Exhaust |
| 4 | 120-8003-03 | 1 | Mount-Engine, Rear (LH) | 20 | 121-3060 | 1 | Flange-Exhaust |
| 5 | 120-8004-03 | 1 | Mount-Engine, Rear (RH) | 21 | 121-3098-03 | 1 | Support-Tailpipe |
| 6 | 138-6917 | 1 | Engine-Yanmar | 22 | 323-14 | 1 | Screw-HH |
| 7 | 48-9590 | 18 | Washer-Lock | 23 | 323-13 | 3 | Screw-HH |
| 8 | 33115-025 | 16 | Screw-HH | 24 | 18-2130 | 2 | Clamp |
| 9 | 3234-11 | 8 | Screw-HHF | 25 | 33004-00 | 4 | Nut-HF |
| 10 | 3255-9 | 1 | Washer-Lock | 26 | 121-3061 | 1 | Pipe-Exhaust |
| 11 | 104-8301 | 13 | Nut-HF, NI | 27 | 3256-3 | 2 | Washer-Flat |
| 12 | 63-7400 | 4 | Washer-Rebound | 28 | 322-6 | 2 | Screw-HH |
| 14 | 99-5414 | 1 | Strap-Cleaner, Air | 29 | 104-8300 | 4 | Nut-HF, NI |
| 14:1 | 108-1512 | 2 | Spring | 30 | 130-1666-03 | 1 | Bracket-Controller |
| 14:2 | 3256-22 | 2 | Washer-Flat | 31 | 121-5592 | 1 | Electronic Control Unit |
| 14:3 | 33113-050 | 2 | Screw-HH | 32 | 322-11 | 2 | Screw-HH |
| 14:4 | 33093-00 | 2 | Washer-Flat | 33 | 323-6 | 1 | Screw-HH |
| 14:5 | 33023-00 | 2 | Nut-Lock | 34 | 321-9 | 4 | Screw-HH |
| 15 | 99-5410 | 1 | Air Cleaner ASM | 35 | 104-7201 | 4 | Nut-HF, NI |
| 16 | 104-3563 | 1 | Indicator | 36 | 121-3142 | 1 | Hose-Air Cleaner, Outlet |
| 16:1 | 94-1416 | 1 | Adapter-Indicator | 37 | 121-5636 | 1 | Tab-Harness |



Engine and Air Cleaner Assembly (continued)

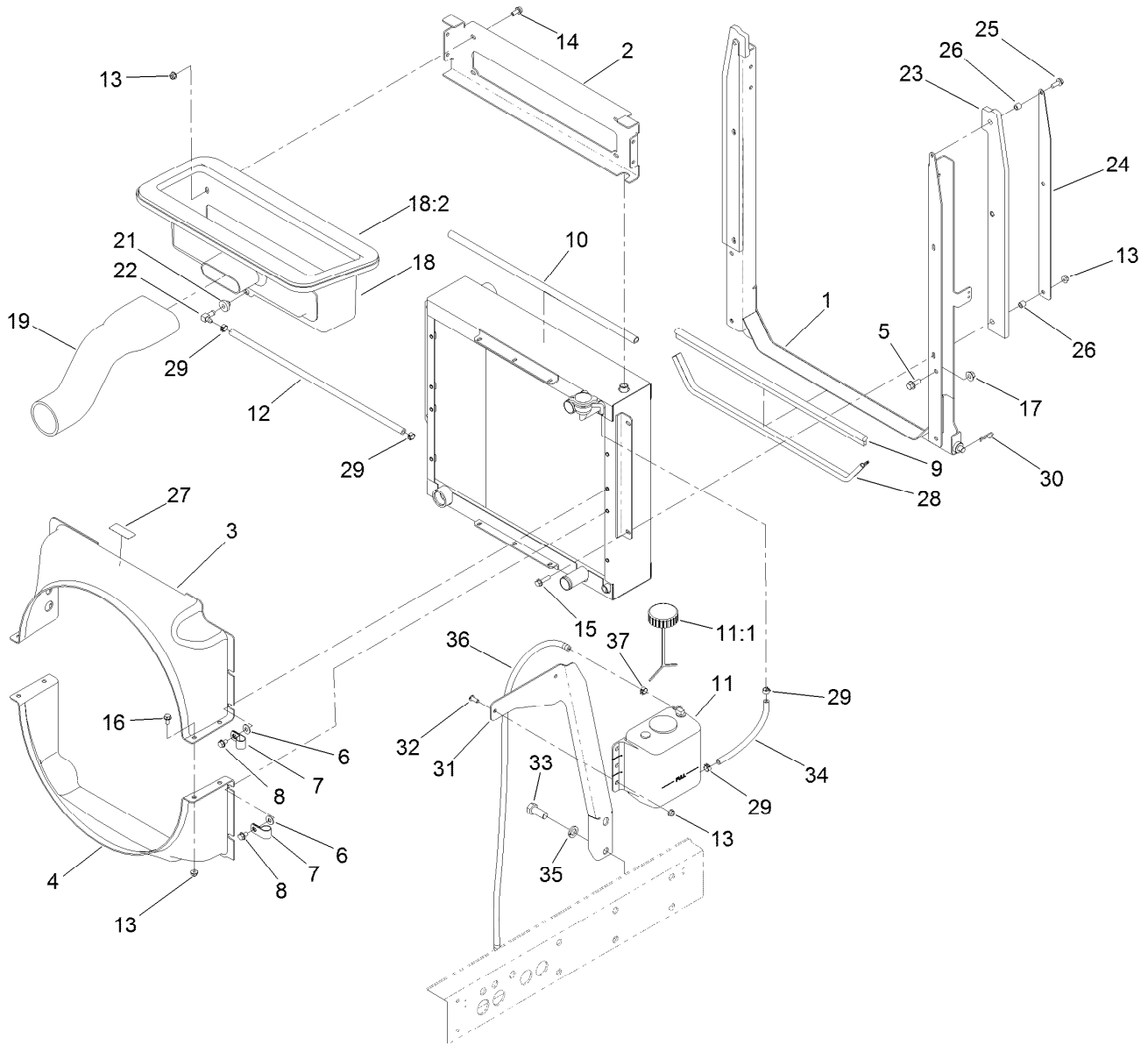
| <i>Ref.</i> | <i>Part Number</i> | <i>Qty.</i> | <i>Description</i> | <i>Ref.</i> | <i>Part Number</i> | <i>Qty.</i> | <i>Description</i> |
|-------------|--------------------|-------------|---------------------|-------------|--------------------|-------------|---------------------|
| 38 | 3253-4 | 2 | Washer-Lock | 43 | 3256-22 | 8 | Washer-Flat |
| 39 | 33114-016 | 2 | Screw-HH | 44 | 1-633545 | 4 | Spacer |
| 40 | 127-2774 | 1 | Bracket-Harness, RH | 45 | 1-633630 | 4 | Grommet |
| 42 | 33115-016 | 2 | Screw-HH | 46 | 127-2773 | 1 | Bracket-Harness, LH |



Air Cleaner Assembly No. 99-5410

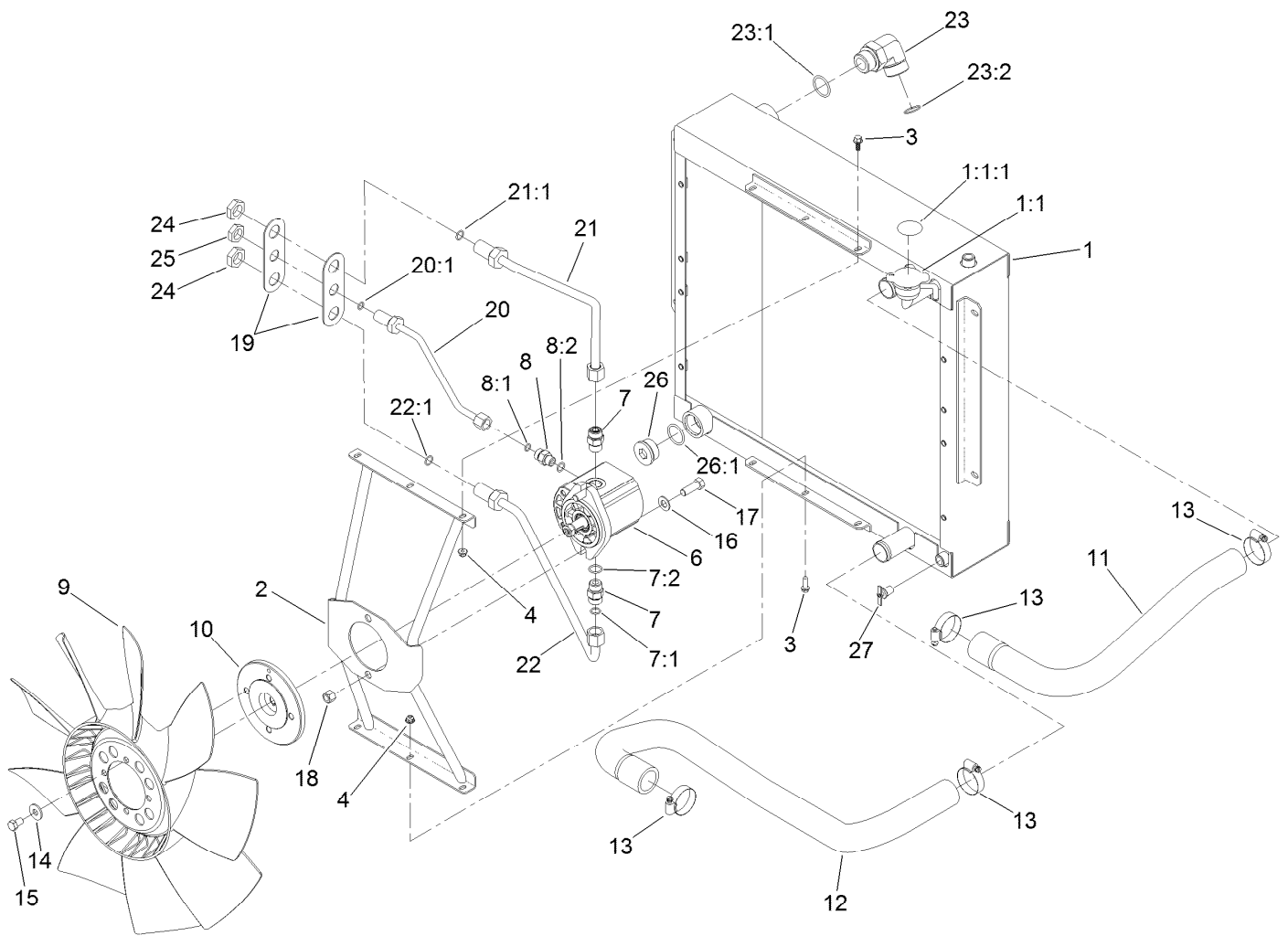
| <i>Ref.</i> | <i>Part Number</i> | <i>Qty.</i> | <i>Description</i> |
|-------------|--------------------|-------------|--------------------|
| 1 | 104-4258 | 1 | Valve-Vacuator |
| 3 | 104-4259 | 1 | Cover |
| 5 | | 1 | Body ASM ● |
| 6 | 108-3814 | 1 | Filter-Air |
| 7 | 108-3816 | 1 | Filter-Air |

● Not serviced separately



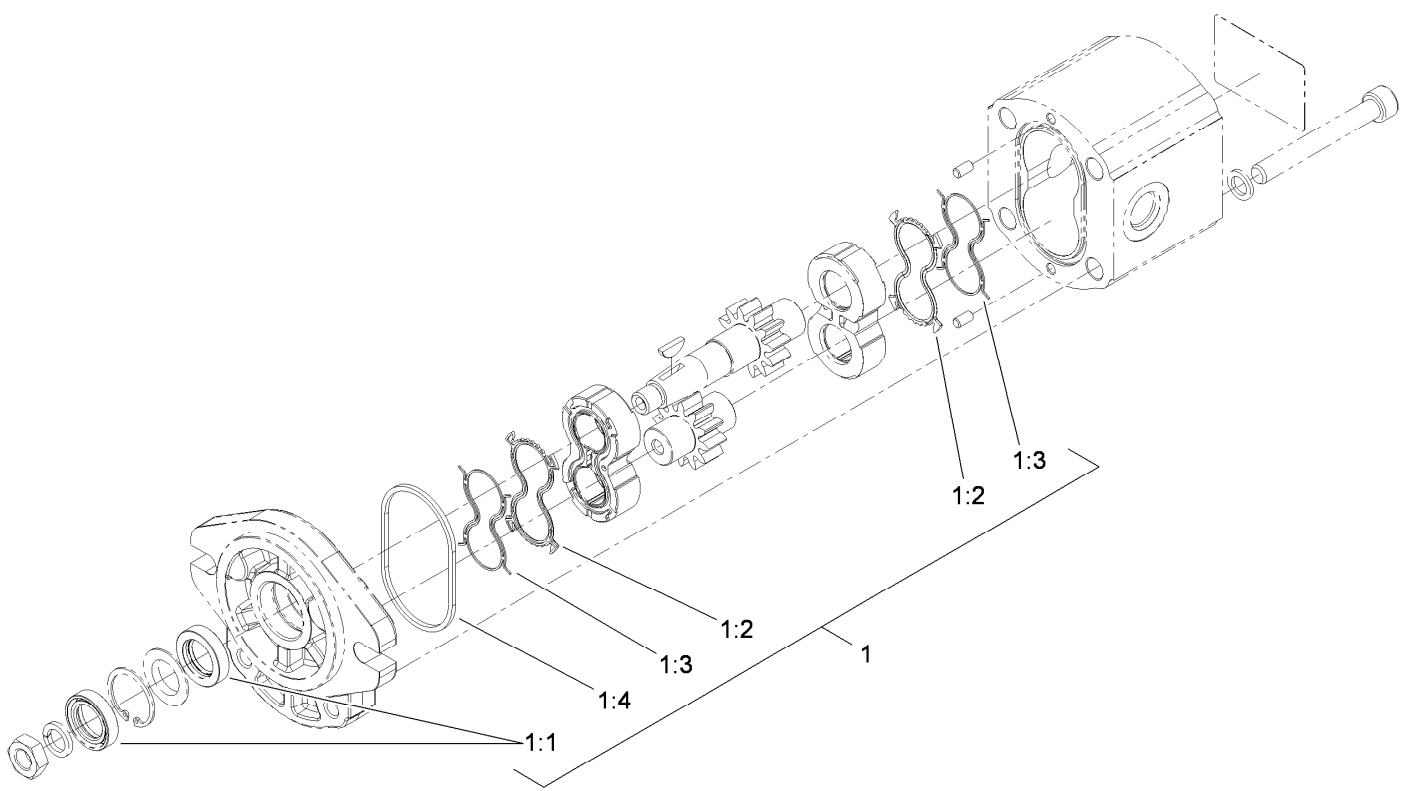
Radiator Mounting Assembly

| Ref. | Part Number | Qty. | Description | Ref. | Part Number | Qty. | Description |
|------|-------------|------|------------------------|------|-------------|------|-------------------------|
| 1 | 121-3084-03 | 1 | Mount-Radiator | 18:2 | 115-4393 | 1 | Seal-Plenum |
| 2 | 121-3085-03 | 1 | Plate-Crossover | 19 | 121-3143 | 1 | Hose-Air Cleaner, Inlet |
| 3 | 125-4615 | 1 | Shroud-Radiator, Upper | 21 | 46-6560 | 1 | Bushing |
| 4 | 121-3106 | 1 | Shroud-Radiator, Lower | 22 | 46-6550 | 1 | Fitting-Elbow, 90 DEG |
| 5 | 3234-11 | 4 | Screw-HHF | 23 | 121-3087 | 2 | Seal-Foam, Hood |
| 6 | 3256-3 | 8 | Washer-Flat | 24 | 121-3086-03 | 2 | Bracket-Seal, Hood |
| 7 | 2412-81 | 2 | Clamp-R | 25 | 32144-41 | 2 | Screw-Taptite |
| 8 | 3234-30 | 8 | Screw-HHF | 26 | 1-603903 | 6 | Spacer |
| 9 | 105-9858 | 1 | Seal-Bulb | 27 | 117-4766 | 1 | Decal-Warning, Fan |
| 10 | 114-3828 | 1 | Seal-Bulb | 28 | 117-4782 | 1 | Seal-Bulb |
| 11 | 120-5571 | 1 | Coolant Reservoir ASM | 29 | 92-2379 | 4 | Clamp-Hose |
| 11:1 | 87-7050 | 1 | Cap-Reservoir | 30 | 3290-467 | 2 | Pin-Hair |
| 12 | 110-3258 | 1 | Hose-Fuel | 31 | 125-4609-03 | 1 | Bracket-Mount, Tank |
| 13 | 104-8300 | 18 | Nut-HF, NI | 32 | 3274-55 | 2 | Screw-HSBH |
| 14 | 3234-47 | 8 | Screw-HHF | 33 | 327-4 | 2 | Screw-HH |
| 15 | 3234-36 | 4 | Screw-HHF | 34 | 109-0282 | 1 | Hose-Fuel |
| 16 | 3234-7 | 4 | Screw-HHF | 35 | 3253-8 | 2 | Washer-Lock |
| 17 | 32128-43 | 4 | Nut-Flange | 36 | 109-0273 | 1 | Hose-Fuel |
| 18 | 115-4363 | 1 | Plenum ASM | 37 | 92-2379 | 1 | Clamp-Hose |



Radiator and Fan Assembly

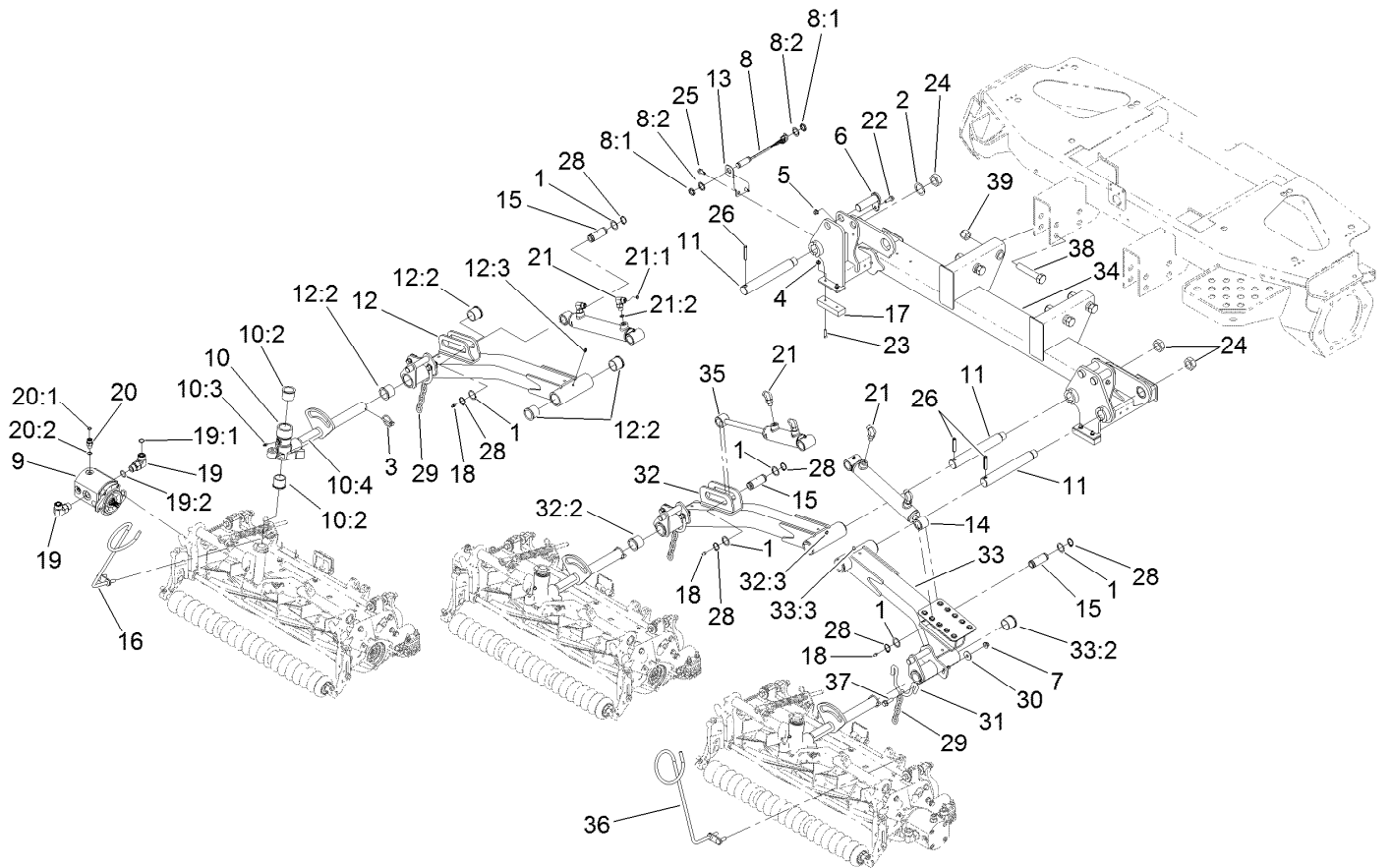
| <i>Ref.</i> | <i>Part Number</i> | <i>Qty.</i> | <i>Description</i> | <i>Ref.</i> | <i>Part Number</i> | <i>Qty.</i> | <i>Description</i> |
|-------------|--------------------|-------------|----------------------|-------------|--------------------|-------------|-----------------------|
| 1 | 132-6161 | 1 | Radiator/Oil Cooler | 15 | 115-8486 | 4 | Screw-HH |
| 1:1 | 115-7766 | 1 | Cap-Radiator | 16 | 3256-25 | 2 | Washer-Flat |
| 1:1:1 | 106-6755 | 1 | Decal-Cap, Radiator | 17 | 324-5 | 2 | Screw-HH |
| 2 | 120-8935-03 | 1 | Bracket-Fan | 18 | 3296-48 | 2 | Nut-Hex |
| 3 | 99-6810 | 6 | Screw-HHF | 19 | 125-4610 | 2 | Shim-Support |
| 4 | 104-7201 | 6 | Nut-HF, NI | 20 | 125-4598 | 1 | Tube ASM |
| 6 | 117-4769 | 1 | HYD Motor ASM | 20:1 | 237-22 | 1 | O-Ring |
| 7 | 340-4 | 2 | Fitting-Straight | 21 | 125-4596 | 1 | Tube ASM |
| 7:1 | 237-30 | 1 | O-Ring | 21:1 | 237-30 | 1 | O-Ring |
| 7:2 | 237-79 | 1 | O-Ring | 22 | 125-4597 | 1 | Tube ASM |
| 8 | 340-2 | 1 | Fitting-Straight | 22:1 | 237-30 | 1 | O-Ring |
| 8:1 | 237-22 | 1 | O-Ring | 23 | 340-129 | 2 | Fitting-Elbow, 90 DEG |
| 8:2 | 237-42 | 1 | O-Ring | 23:1 | 237-146 | 1 | O-Ring |
| 9 | 114-3825 | 1 | Fan | 23:2 | 340-65 | 1 | O-Ring |
| 10 | 117-2364 | 1 | Hub-Fan | 24 | 340-127 | 2 | Nut-Bulkhead |
| 11 | 121-1476 | 1 | Hose-Radiator, Upper | 25 | 340-70 | 1 | Nut-Lock |
| 12 | 121-1477 | 1 | Hose-Radiator, Lower | 26 | 105-3921 | 1 | Fitting-Plug |
| 13 | 2412-111 | 4 | Clamp-Hose, W/Liner | 26:1 | 237-146 | 1 | O-Ring |
| 14 | 80-6990 | 4 | Washer-Hardened | 27 | 304-46 | 1 | Draincock |



Hydraulic Motor Assembly No. 117-4769

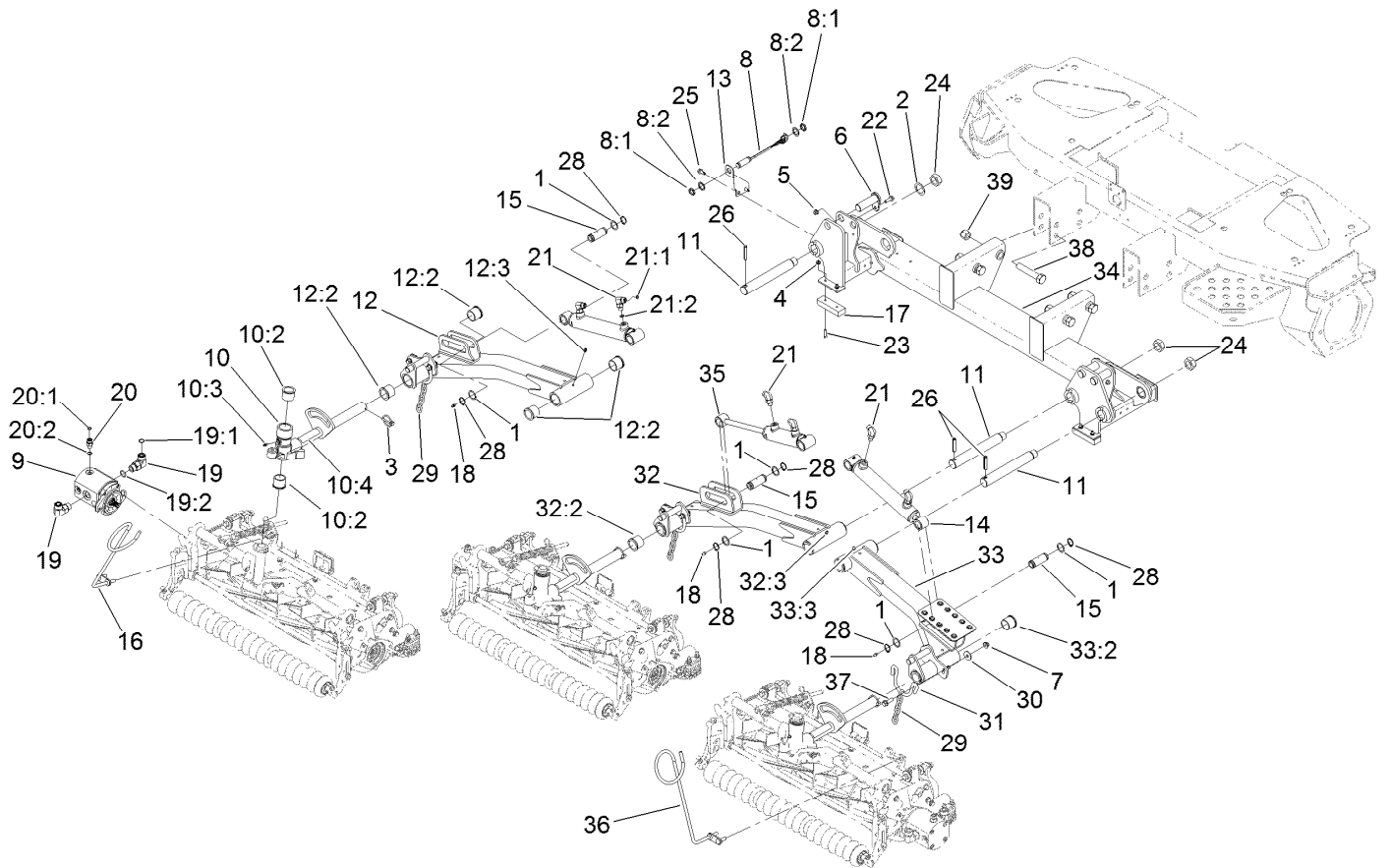
| <i>Ref.</i> | <i>Part Number</i> | <i>Qty.</i> | <i>Description</i> |
|-------------|--------------------|-------------|-------------------------|
| 1 | 115-4110 | 1 | Seal Kit |
| 1:1 | | 2 | Seal-Shaft ● |
| 1:2 | | 2 | Seal-Plate, Balancing ● |
| 1:3 | | 2 | Seal-Anti Extrusion ● |
| 1:4 | | 2 | O-Ring (Housing) ● |

● Not serviced separately



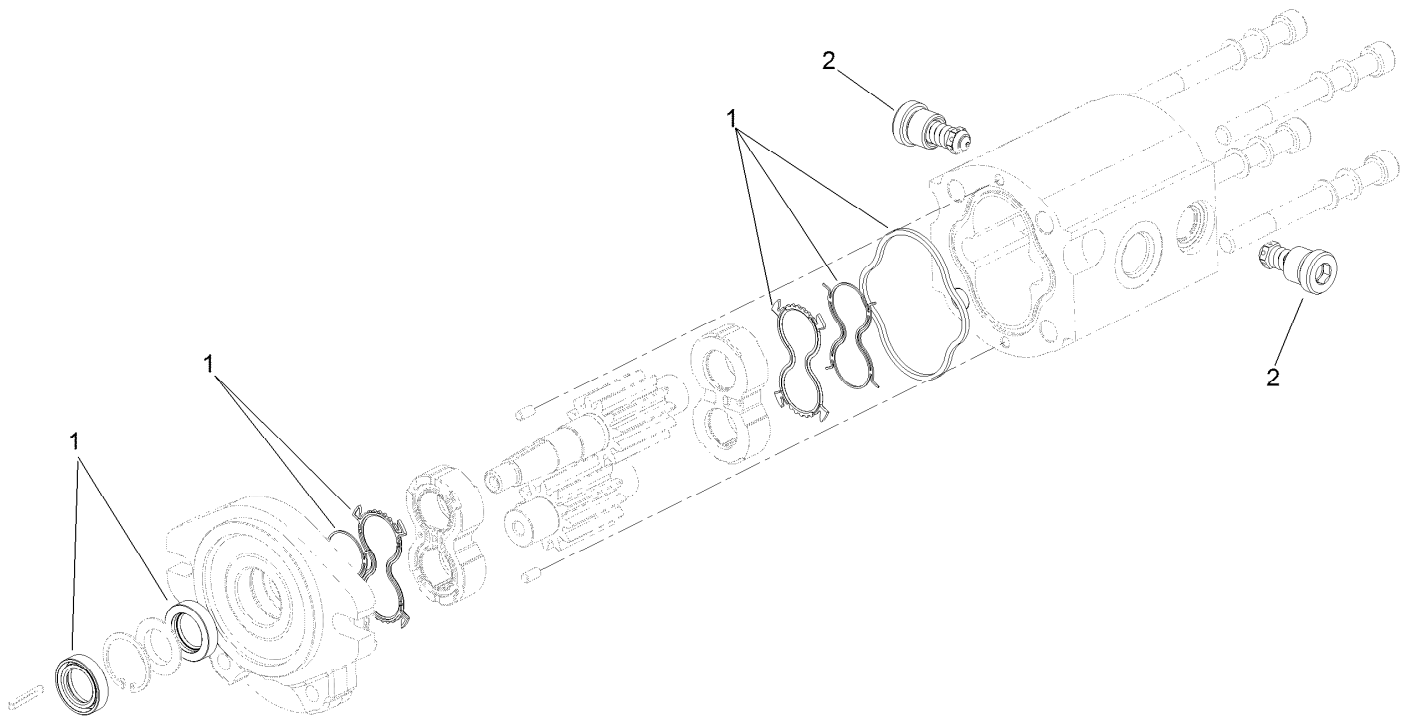
Front Reel Lift Assembly

| <i>Ref.</i> | <i>Part Number</i> | <i>Qty.</i> | <i>Description</i> | <i>Ref.</i> | <i>Part Number</i> | <i>Qty.</i> | <i>Description</i> |
|-------------|--------------------|-------------|-----------------------------|-------------|--------------------|-------------|-----------------------|
| 1 | 5-1550 | 6 | Washer | 15 | 119-3894 | 3 | Pin-Plain |
| 2 | 76-2980 | 6 | Washer-Thrust | 16 | 119-3920 | 1 | Guide-Hose, RH |
| 3 | 92-1298 | 3 | Pin-Lynch | 17 | 125-1657 | 2 | Bumper-Pad, Recessed |
| 4 | 104-7201 | 4 | Nut-HF, NI | 18 | 302-5 | 3 | Fitting-Grease |
| 5 | 104-8300 | 3 | Nut-HF, NI | 19 | 340-17 | 6 | Fitting-Elbow, 90 DEG |
| 6 | 125-1906 | 3 | Pin-Cylinder | 19:1 | 237-65 | 1 | O-Ring |
| 7 | 104-8301 | 6 | Nut-HF, NI | 19:2 | 237-80 | 1 | O-Ring |
| 8 | 115-5300 | 1 | Proximity Switch ASM | 20 | 340-2 | 3 | Fitting-Straight |
| 8:1 | 117-3207 | 2 | Nut-Hex | 20:1 | 237-22 | 1 | O-Ring |
| 8:2 | 117-3208 | 2 | Washer-Lock, Internal Tooth | 20:2 | 237-42 | 1 | O-Ring |
| 9 | 115-8250 | 3 | Gear Motor ASM | 21 | 340-77 | 6 | Fitting-Elbow, 90 DEG |
| 10 | 138-1249 | 3 | Pivot Yoke ASM | 21:1 | 237-22 | 1 | O-Ring |
| 10:2 | 104-0015 | 2 | Bushing-Flange | 21:2 | 237-42 | 1 | O-Ring |
| 10:3 | 302-5 | 1 | Fitting-Grease | 22 | 3234-17 | 3 | Screw-HHF |
| 10:4 | 110-9642 | 1 | Decal-Warning | 23 | 3274-9 | 4 | Screw-HSH |
| 11 | 119-1499 | 3 | Pin-Pivot | 24 | 3296-49 | 3 | Nut-Lock, NI |
| 12 | 119-1505 | 1 | #5 Lift Arm ASM | 25 | 32104-32 | 2 | Screw-HWH |
| 12:2 | 104-0015 | 4 | Bushing-Flange | 26 | 32121-110 | 3 | Pin-Roll, Slotted |
| 12:3 | 302-5 | 2 | Fitting-Grease | 28 | 32151-36 | 6 | Ring-Retaining |
| 13 | 119-1506 | 1 | Bracket-Switch | 29 | 5-1096 | 3 | Chain-Lift |
| 14 | 125-1660 | 2 | Cylinder-HYD | 30 | 63-8410 | 6 | Washer |



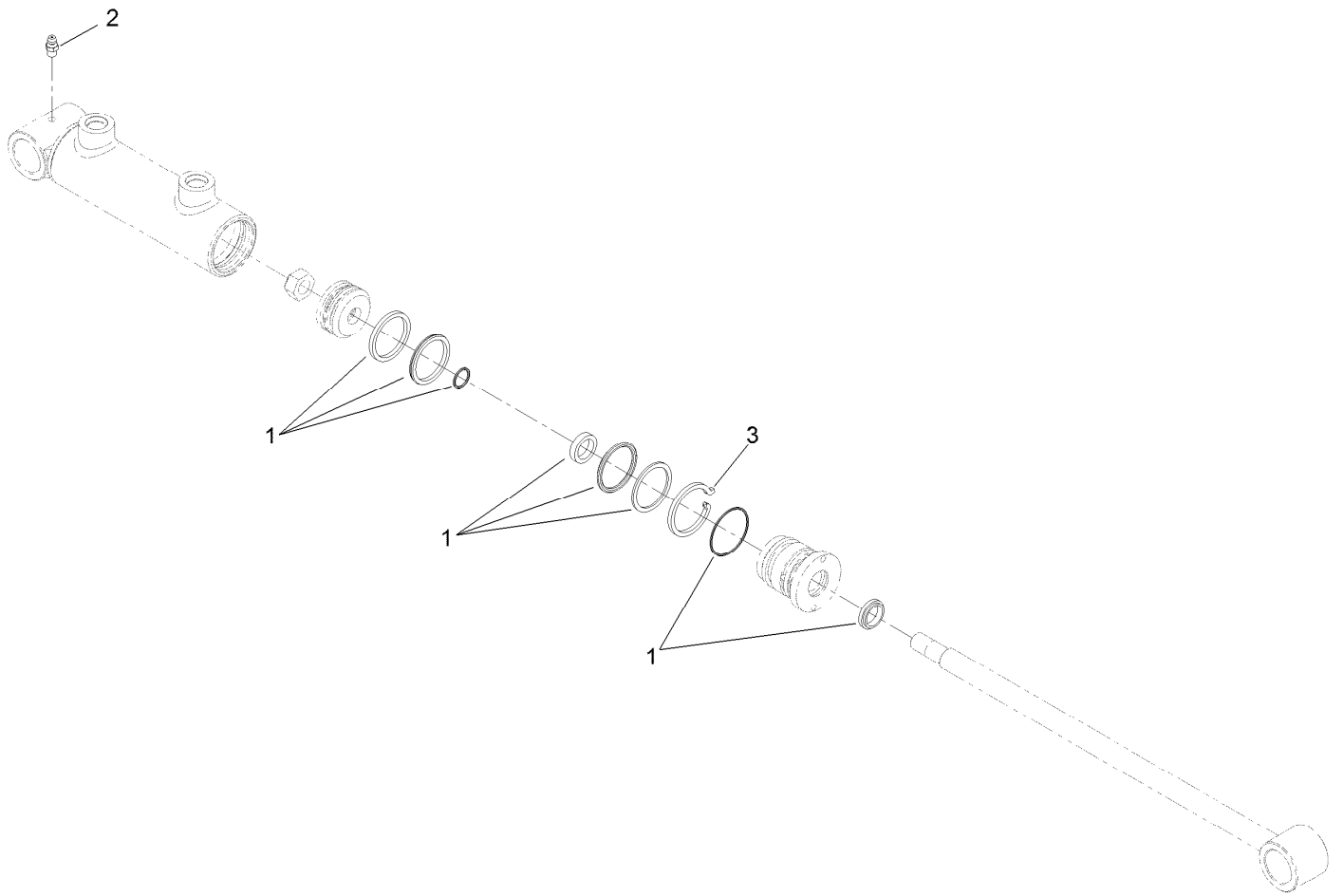
Front Reel Lift Assembly (continued)

| <i>Ref.</i> | <i>Part Number</i> | <i>Qty.</i> | <i>Description</i> | <i>Ref.</i> | <i>Part Number</i> | <i>Qty.</i> | <i>Description</i> |
|-------------|--------------------|-------------|--------------------|-------------|--------------------|-------------|----------------------|
| 31 | 110-0922 | 3 | Hoop-Chain | 34 | 119-1508-03 | 1 | Frame-Carrier, Front |
| 32 | 119-1501 | 1 | #1 Lift Arm ASM | 35 | 125-1658 | 1 | Cylinder-HYD |
| 32:2 | 104-0015 | 4 | Bushing-Flange | 36 | 119-3921 | 1 | Guide-Hose, LH |
| 32:3 | 302-5 | 2 | Fitting-Grease | 37 | 119-4061 | 6 | Screw-HHF |
| 33 | 119-1504 | 1 | #4 Lift Arm ASM | 38 | 328-7 | 4 | Screw-HH |
| 33:2 | 104-0015 | 4 | Bushing-Flange | 39 | 3296-51 | 4 | Nut-Lock, NI |
| 33:3 | 302-5 | 2 | Fitting-Grease | | | | |



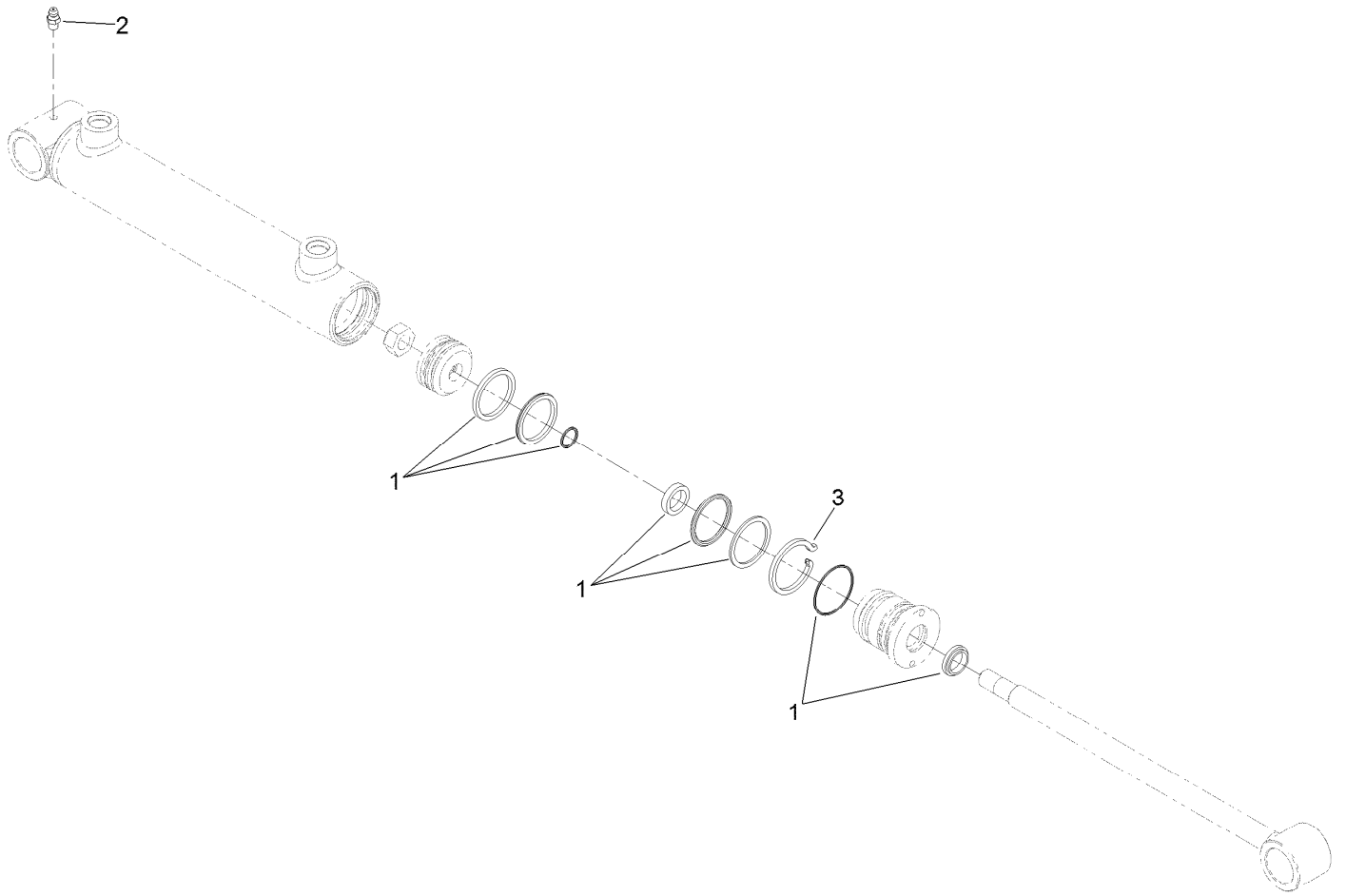
Gear Motor Assembly No. 115-8250

| <i>Ref.</i> | <i>Part Number</i> | <i>Qty.</i> | <i>Description</i> |
|-------------|--------------------|-------------|--------------------|
| 1 | 125-1682 | 1 | Motor Seal Kit |
| 2 | 117-5107 | 2 | Valve-Check |



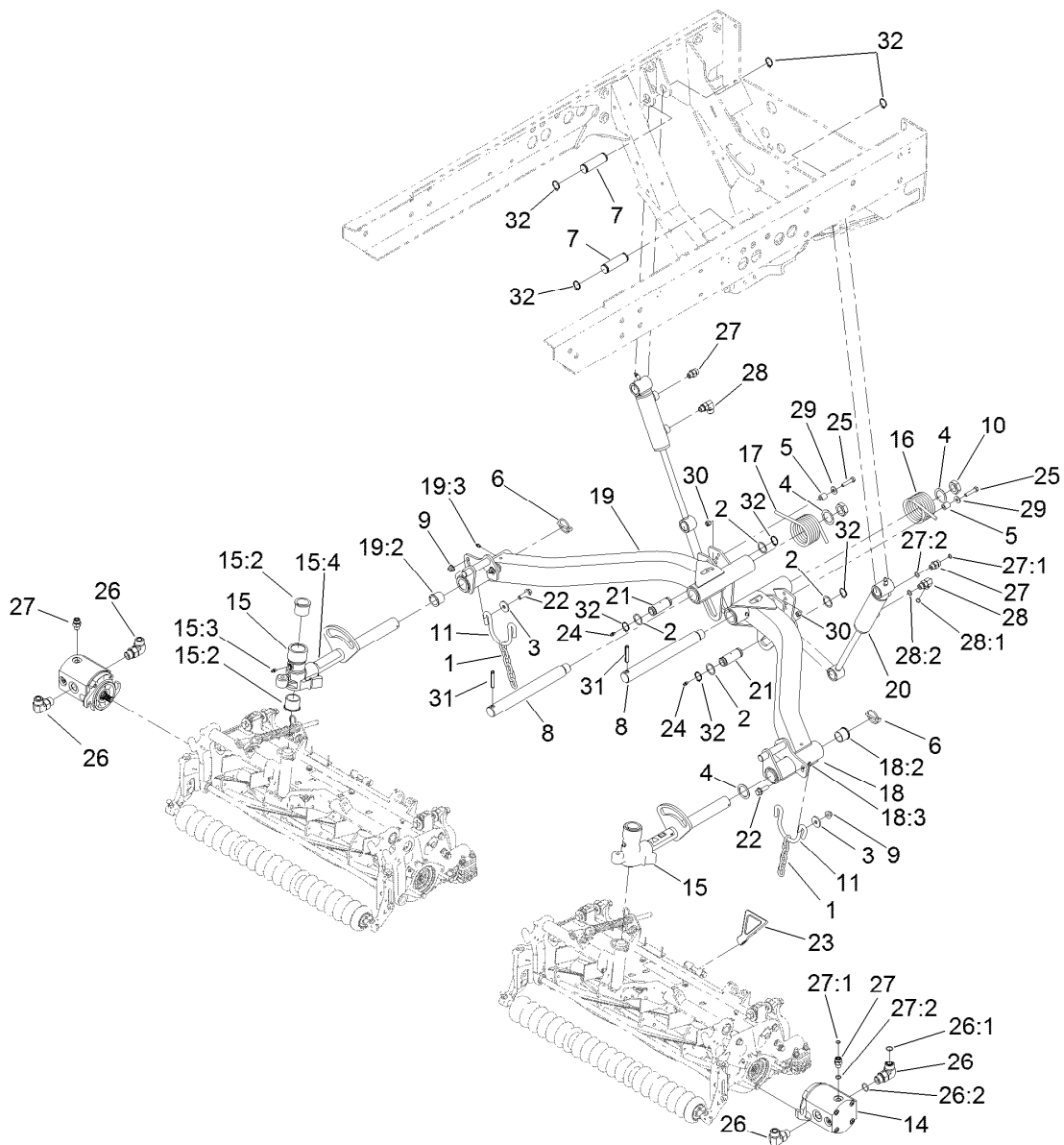
Hydraulic Cylinder Assembly No. 125-1658

| <i>Ref.</i> | <i>Part Number</i> | <i>Qty.</i> | <i>Description</i> |
|-------------|--------------------|-------------|---------------------|
| 1 | 125-1680 | 1 | Cylinder Repair Kit |
| 2 | 302-5 | 1 | Fitting-Grease |
| 3 | 84-1680 | 1 | Ring-Retaining |



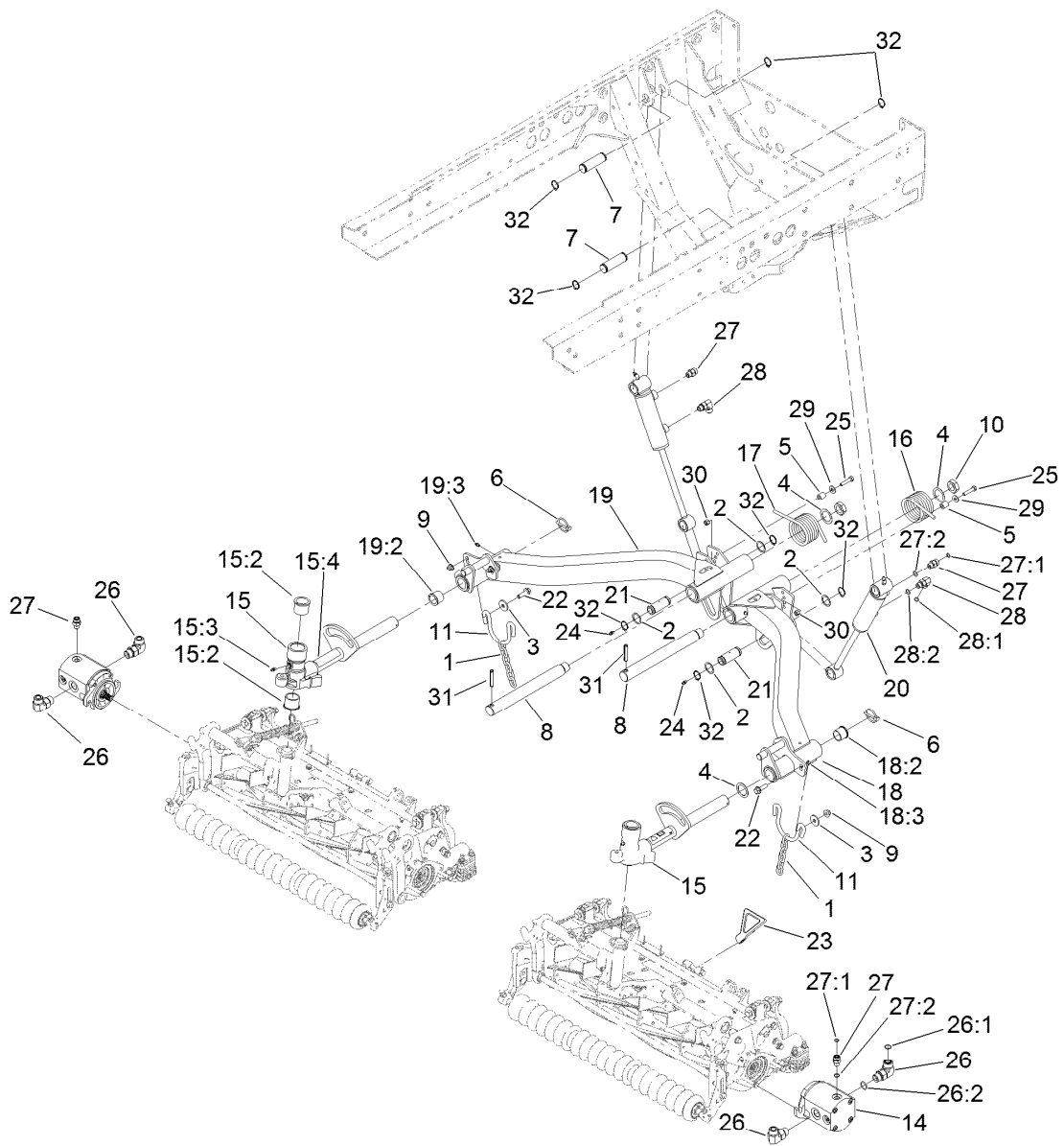
Hydraulic Cylinder Assembly No. 125-1660

| <i>Ref.</i> | <i>Part Number</i> | <i>Qty.</i> | <i>Description</i> |
|-------------|--------------------|-------------|---------------------|
| 1 | 125-1680 | 1 | Cylinder Repair Kit |
| 2 | 302-5 | 1 | Fitting-Grease |
| 3 | 84-1680 | 1 | Ring-Retaining |



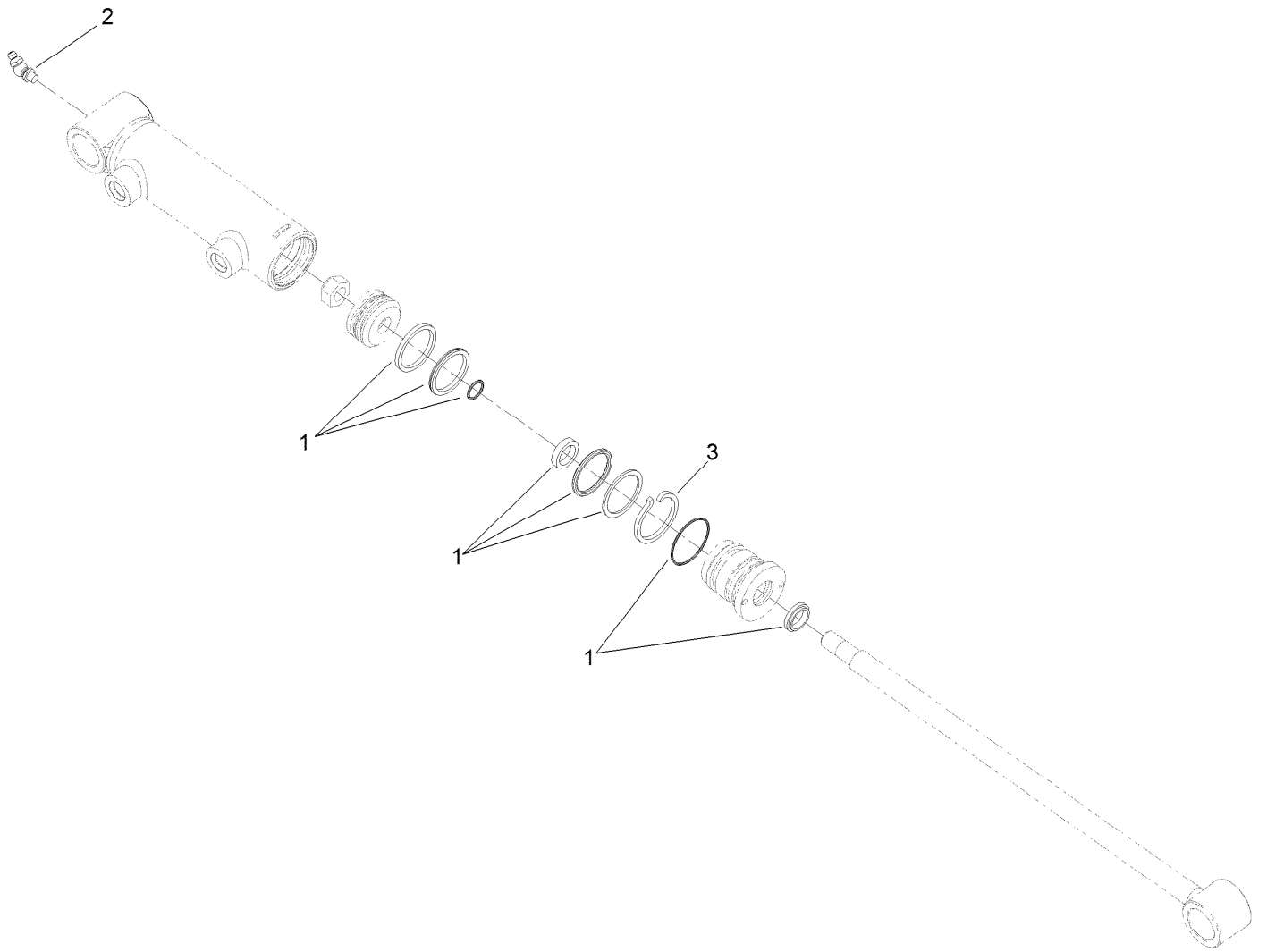
Rear Reel Lift Assembly

| Ref. | Part Number | Qty. | Description | Ref. | Part Number | Qty. | Description |
|------|-------------|------|--------------------|------|-------------|------|-----------------------|
| 1 | 5-1096 | 2 | Chain-Lift | 19 | 119-1503 | 1 | #3 Lift Arm ASM |
| 2 | 5-1550 | 4 | Washer | 19:2 | 104-0015 | 4 | Bushing-Flange |
| 3 | 63-8410 | 4 | Washer | 19:3 | 302-5 | 2 | Fitting-Grease |
| 4 | 76-2980 | 4 | Washer-Thrust | 20 | 125-1659 | 2 | Cylinder-HYD |
| 5 | 82-6840 | 2 | Spacer | 21 | 119-3894 | 2 | Pin-Plain |
| 6 | 92-1298 | 2 | Pin-Lynch | 22 | 119-4061 | 4 | Screw-HHF |
| 7 | 92-7548 | 2 | Pin-Cylinder | 23 | 119-8010 | 1 | Kickstand-Cu |
| 8 | 95-7158 | 2 | Pin-Pivot | 24 | 302-5 | 2 | Fitting-Grease |
| 9 | 104-8301 | 4 | Nut-HF, NI | 25 | 322-7 | 2 | Screw-HH |
| 10 | 3296-49 | 2 | Nut-Lock, NI | 26 | 340-17 | 4 | Fitting-Elbow, 90 DEG |
| 11 | 110-0922 | 2 | Hoop-Chain | 26:1 | 237-65 | 1 | O-Ring |
| 14 | 115-8250 | 2 | Gear Motor ASM | 26:2 | 237-80 | 1 | O-Ring |
| 15 | 138-1249 | 2 | Pivot Yoke ASM | 27 | 340-2 | 4 | Fitting-Straight |
| 15:2 | 104-0015 | 2 | Bushing-Flange | 27:1 | 237-22 | 1 | O-Ring |
| 15:3 | 302-5 | 1 | Fitting-Grease | 27:2 | 237-42 | 1 | O-Ring |
| 15:4 | 110-9642 | 1 | Decal-Warning | 28 | 340-77 | 2 | Fitting-Elbow, 90 DEG |
| 16 | 119-1480 | 1 | Spring-Torsion, LH | 28:1 | 237-22 | 1 | O-Ring |
| 17 | 119-1481 | 1 | Spring-Torsion, RH | 28:2 | 237-42 | 1 | O-Ring |
| 18 | 119-1502 | 1 | #2 Lift Arm ASM | 29 | 3256-3 | 2 | Washer-Flat |
| 18:2 | 104-0015 | 4 | Bushing-Flange | 30 | 3296-29 | 2 | Nut-Lock, NI |
| 18:3 | 302-5 | 2 | Fitting-Grease | | | | |



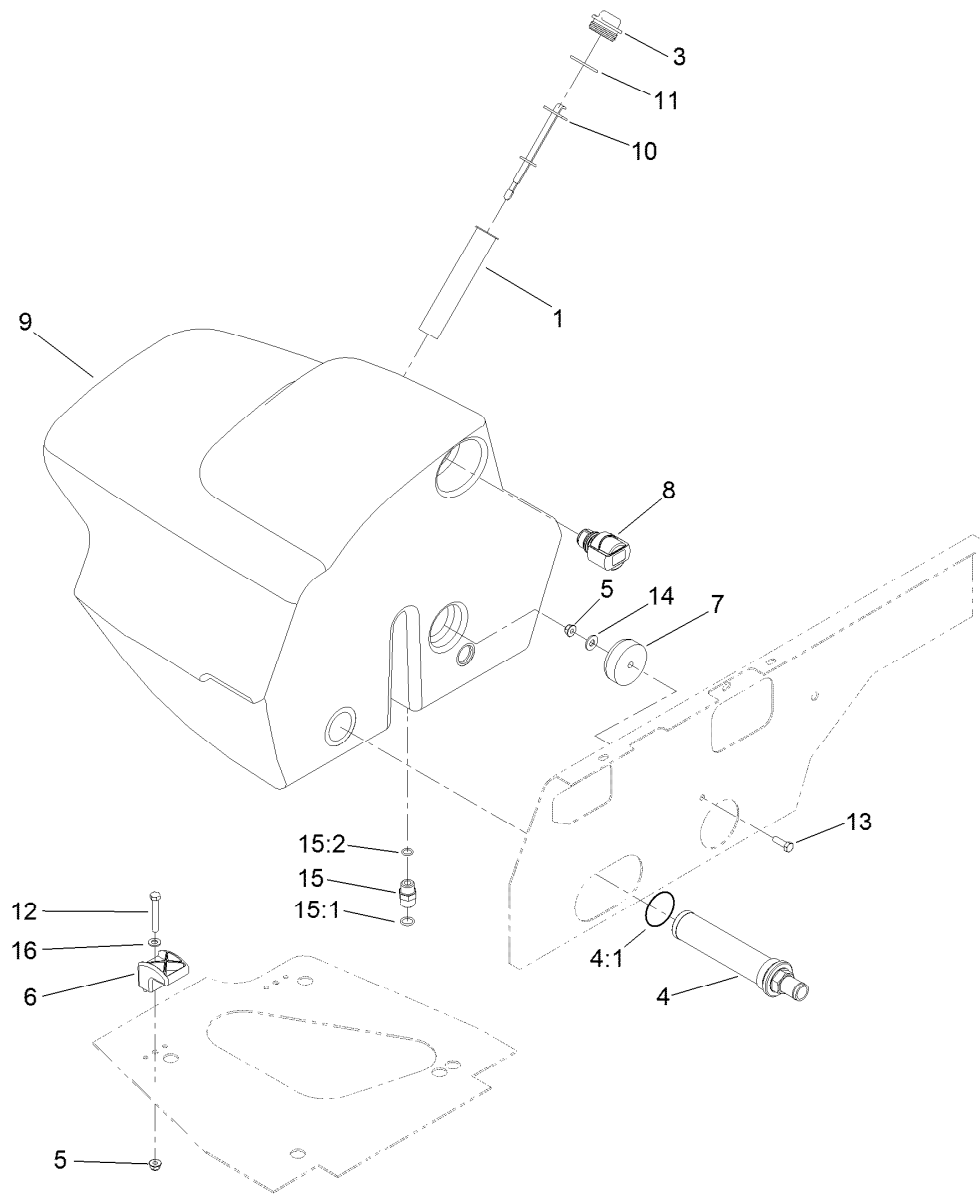
Rear Reel Lift Assembly (continued)

| <i>Ref.</i> | <i>Part Number</i> | <i>Qty.</i> | <i>Description</i> |
|-------------|--------------------|-------------|--------------------|
| 31 | 32121-110 | 2 | Pin-Roll, Slotted |
| 32 | 32151-36 | 8 | Ring-Retaining |



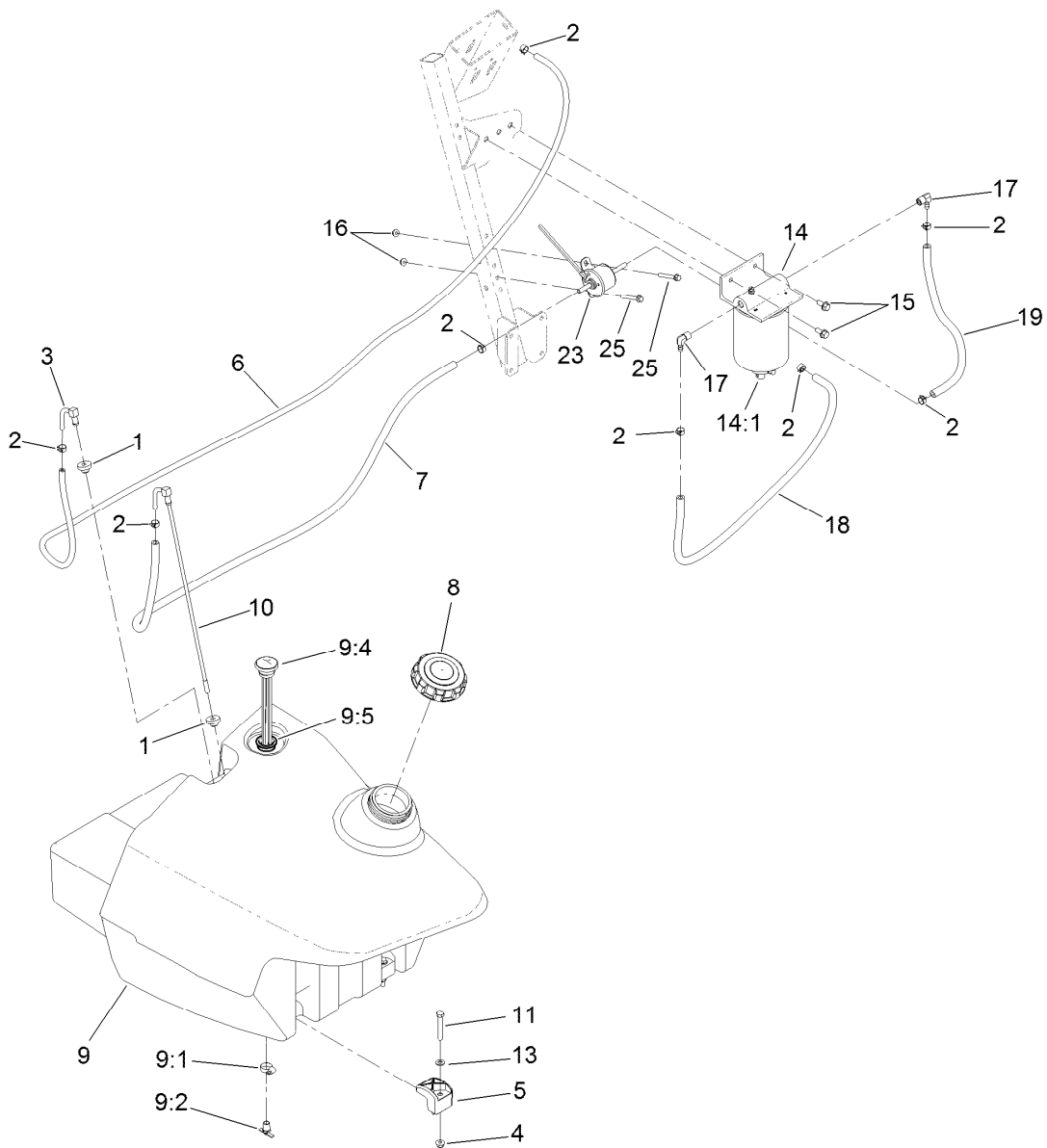
Hydraulic Cylinder Assembly No. 125-1659

| <i>Ref.</i> | <i>Part Number</i> | <i>Qty.</i> | <i>Description</i> |
|-------------|--------------------|-------------|---------------------|
| 1 | 125-1680 | 1 | Cylinder Repair Kit |
| 2 | 302-10 | 1 | Fitting-Grease |
| 3 | 84-1680 | 1 | Ring-Retaining |



Hydraulic Tank Assembly

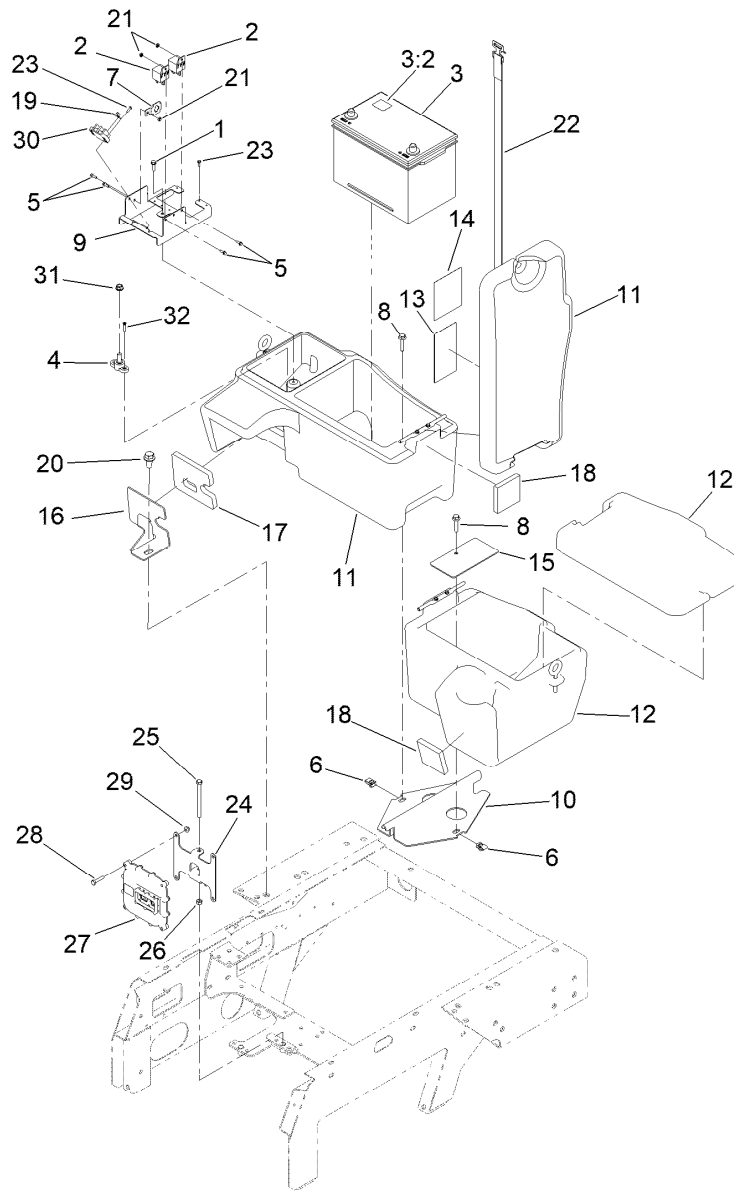
| <i>Ref.</i> | <i>Part Number</i> | <i>Qty.</i> | <i>Description</i> | <i>Ref.</i> | <i>Part Number</i> | <i>Qty.</i> | <i>Description</i> |
|-------------|--------------------|-------------|--------------------|-------------|--------------------|-------------|--------------------|
| 1 | 61-2790 | 1 | Filter-Screen | 10 | 119-6968 | 1 | Dipstick-Oil |
| 3 | 93-7498 | 1 | Plug-Plastic | 11 | 237-101 | 1 | O-Ring |
| 4 | 104-7546 | 1 | Tank Strainer ASM | 12 | 322-11 | 2 | Screw-HH |
| 4:1 | 340-136 | 1 | O-Ring | 13 | 322-5 | 1 | Screw-HH |
| 5 | 104-8300 | 3 | Nut-HF, NI | 14 | 3256-3 | 1 | Washer-Flat |
| 6 | 107-4543 | 2 | Clamp | 15 | 340-4 | 1 | Fitting-Straight |
| 7 | 108-1605 | 1 | Bumper-Recess | 15:1 | 237-30 | 1 | O-Ring |
| 8 | 115-9793 | 1 | Breather | 15:2 | 237-79 | 1 | O-Ring |
| 9 | 119-0017 | 1 | Tank-HYD | 16 | 3256-23 | 2 | Washer-Plain |



Fuel System Assembly

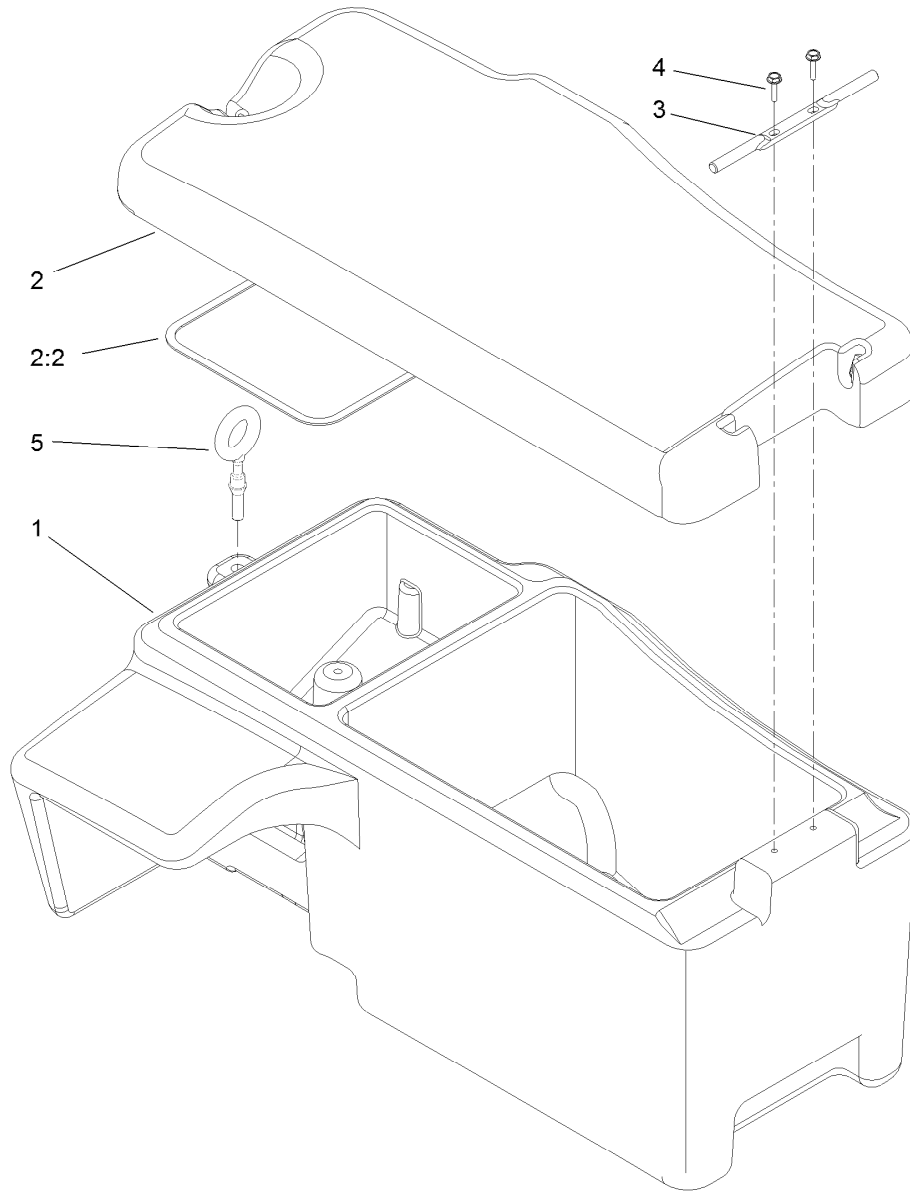
| Ref. | Part Number | Qty. | Description |
|------|-------------|------|------------------------------------|
| 1 | 46-6560 | 2 | Bushing |
| 2 | 92-2379 | 8 | Clamp-Hose |
| 3 | 121-3127 | 1 | Fitting-Return |
| 4 | 104-8300 | 2 | Nut-HF, NI |
| 5 | 107-4543 | 2 | Clamp |
| 6 | 119-0577 | 1 | Hose-Fuel |
| 7 | 110-8802 | 1 | Hose-Fuel |
| 8 | 125-9172 | 1 | Cap-Fuel, Diesel, Ultra Low Sulfur |
| 9 | 115-4353 | 1 | Fuel Tank ASM |
| 9:1 | 2412-36 | 1 | Clamp-Hose |
| 9:2 | 304-46 | 1 | Draincock |
| 9:4 | 117-4790 | 1 | Guage-Fuel |

| Ref. | Part Number | Qty. | Description |
|------|-------------|------|-----------------------------|
| 9:5 | 95-8972 | 1 | Grommet |
| 10 | 115-4354 | 1 | Tube-Suction, Fuel |
| 11 | 322-11 | 2 | Screw-HH |
| 13 | 3256-23 | 2 | Washer-Plain |
| 14 | 125-2914 | 1 | Filter-Separator |
| 14:1 | 125-2915 | 1 | Filter-Fuel/Water Separator |
| 15 | 3234-5 | 2 | Screw-HHF |
| 16 | 104-7201 | 2 | Nut-HF, NI |
| 17 | 353-781 | 2 | Fitting-HYD, 90 |
| 18 | 110-6186 | 1 | Hose-Fuel |
| 19 | 110-4113 | 1 | Hose-Fuel |
| 23 | 121-5613 | 1 | Pump-Fuel, Electric |
| 25 | 3234-34 | 2 | Screw-HHF |



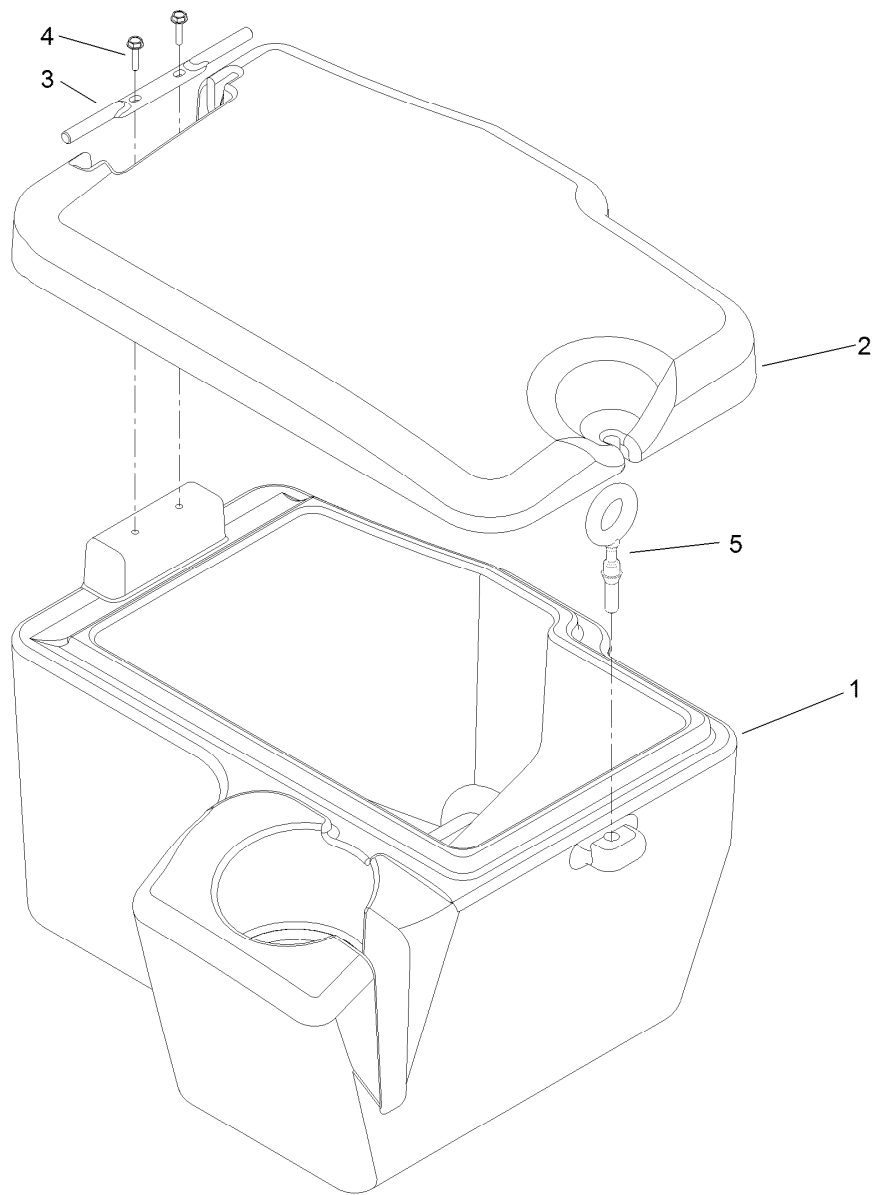
Battery and Storage Box Assembly

| Ref. | Part Number | Qty. | Description | Ref. | Part Number | Qty. | Description |
|------|-------------|------|----------------------|------|-------------|------|---------------------------|
| 1 | 46-8091 | 1 | Screw-HWH | 17 | 117-4775 | 1 | Seal-Battery Box |
| 2 | 99-7435 | 2 | Relay | 18 | 117-4783 | 2 | Seal-Foam |
| 3 | 139-1005 | 1 | Battery Kit | 19 | 42863 | 1 | Strip-Jumper |
| 3:2 | 139-1006 | 1 | Decal | 20 | 3234-6 | 1 | Screw-HHF |
| 4 | 110-8822 | 1 | Block-Junction | 21 | 3296-54 | 3 | Nut-Lock |
| 5 | 112-3169 | 3 | Screw-HHF, Serrated | 22 | 3339-175 | 1 | Strapping-Web |
| 6 | 112-3306 | 2 | Nut | 23 | 32144-87 | 6 | Screw-HWHTF |
| 7 | 114-5502 | 1 | Clip-Fuse | 24 | 117-2360-03 | 1 | Bracket-Mount, Controller |
| 8 | 115-1794 | 2 | Screw-HHF | 25 | 322-19 | 1 | Screw-HH |
| 9 | 115-4356-03 | 1 | Mount-Fuse Block | 26 | 3217-6 | 1 | Nut-Hex |
| 10 | 115-4387-03 | 1 | Support-Box, Storage | 27 | 114-3321 | 1 | Controller-Tec |
| 11 | 115-9100 | 1 | Box-Storage, Battery | 28 | 321-8 | 4 | Screw-HH |
| 12 | 115-9101 | 1 | Box-Storage | 29 | 104-7201 | 4 | Nut-HF, NI |
| 13 | 138-6983 | 1 | Decal-Service | 30 | 42862 | 1 | Block-Terminal, Ground |
| 14 | 125-4605 | 1 | Decal-Fuse | 31 | 3290-357 | 1 | Nut-HSF |
| 15 | 117-4768-03 | 1 | Plate-Box, Storage | 32 | 93-0231 | 2 | Screw-PPH |
| 16 | 117-4774-03 | 1 | Clamp | | | | |



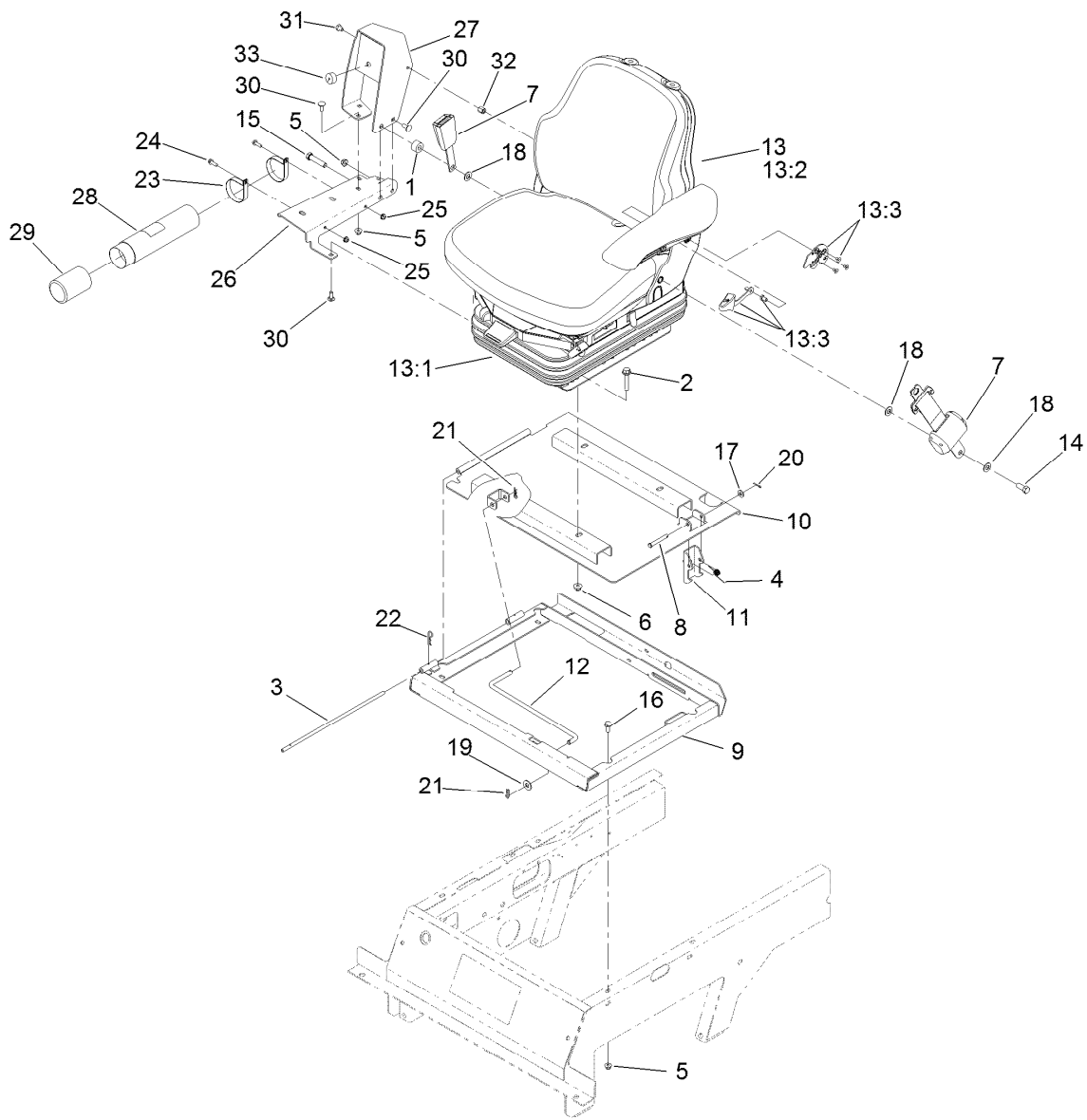
Battery Storage Box Assembly No. 115-9100

| <i>Ref.</i> | <i>Part Number</i> | <i>Qty.</i> | <i>Description</i> |
|-------------|--------------------|-------------|--------------------|
| 1 | 114-8124 | 1 | Box-Storage, RH |
| 2 | 115-4368 | 1 | Cover ASM |
| 2:2 | 115-4367 | 1 | Seal-Cover |
| 3 | 114-8132 | 1 | Hinge-Cover |
| 4 | 98-1375 | 2 | Screw-HWH |
| 5 | 115-4366 | 1 | Latch-Rubber |



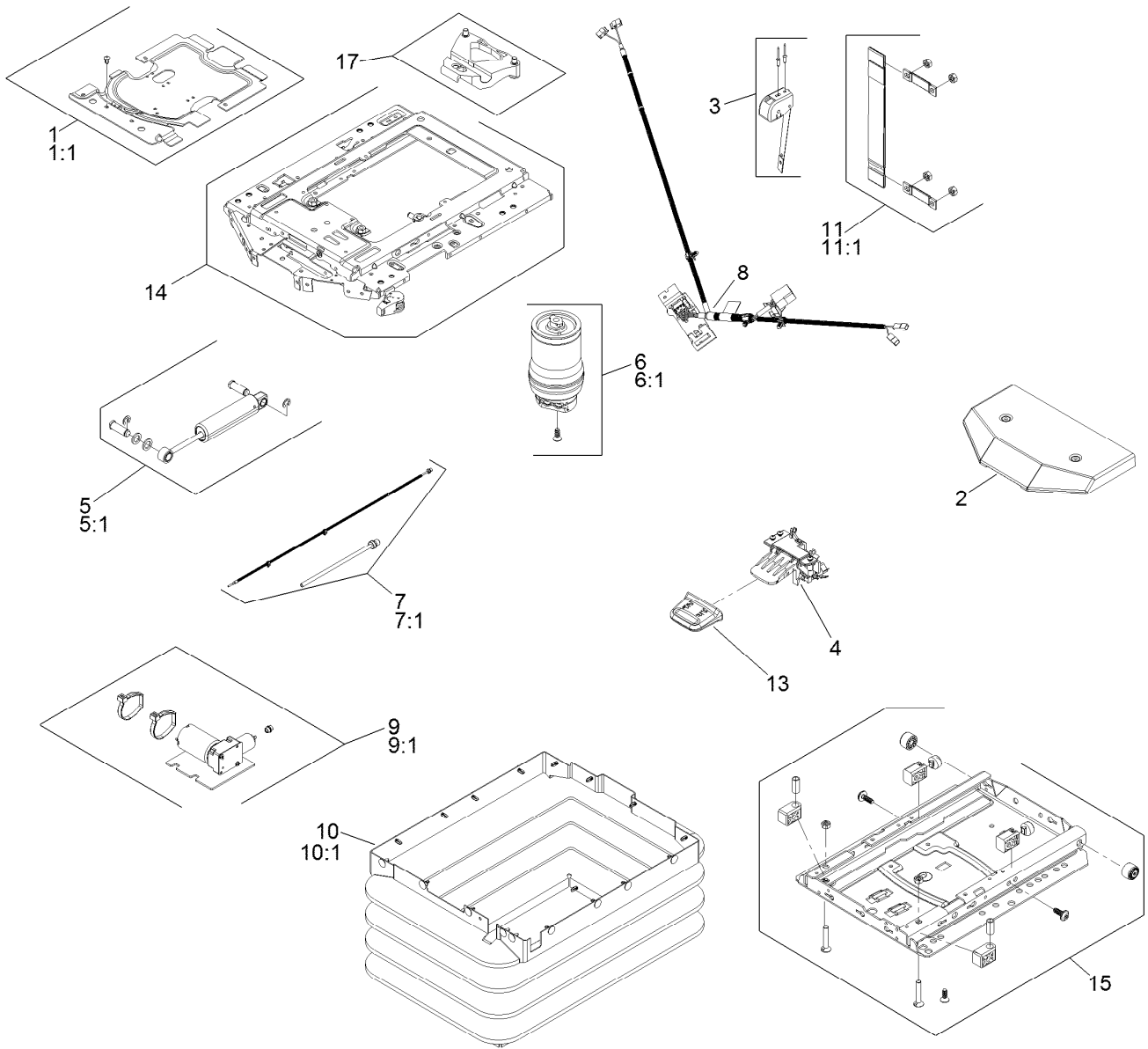
Storage Box Assembly No. 115-9101

| <i>Ref.</i> | <i>Part Number</i> | <i>Qty.</i> | <i>Description</i> |
|-------------|--------------------|-------------|-----------------------|
| 1 | 114-8123 | 1 | Box-Storage, LH |
| 2 | 114-8125 | 1 | Cover-Storage Box, LH |
| 3 | 114-8132 | 1 | Hinge-Cover |
| 4 | 98-1375 | 2 | Screw-HWH |
| 5 | 115-4366 | 1 | Latch-Rubber |



Seat Mount Assembly

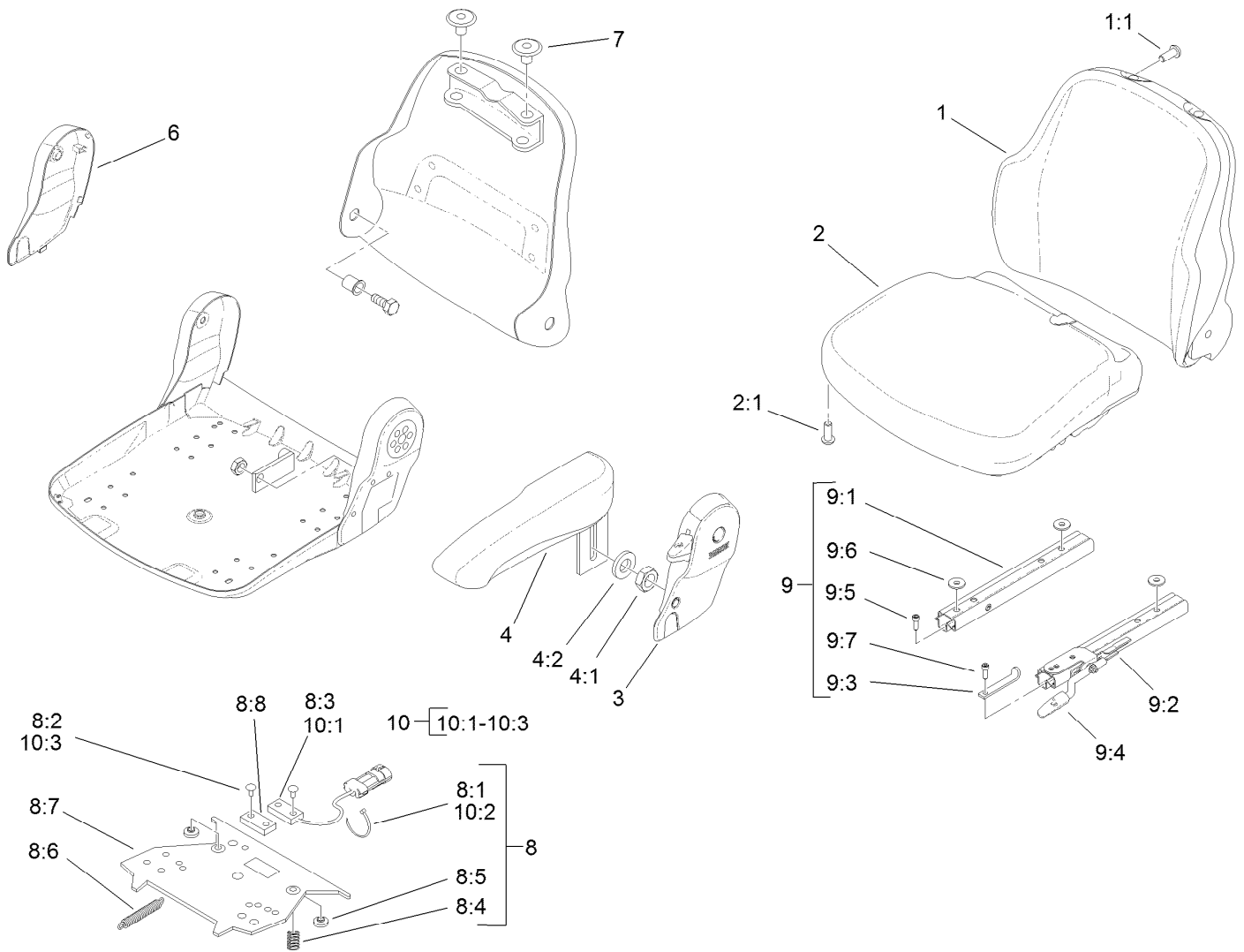
| Ref. | Part Number | Qty. | Description | Ref. | Part Number | Qty. | Description |
|------|-------------|------|--------------------------|------|-------------|------|-------------------|
| 1 | 17-7190 | 1 | Spacer-Finger | 16 | 3234-47 | 4 | Screw-HHF |
| 2 | 66-9302 | 4 | Screw-HHF Lock | 17 | 3256-2 | 1 | Washer-Flat |
| 3 | 75-3400 | 1 | Shaft-Pivot, Seat | 18 | 3256-25 | 3 | Washer-Flat |
| 4 | 104-4821 | 1 | Spring-Torsion | 19 | 3256-4 | 2 | Washer-Flat |
| 5 | 104-8300 | 8 | Nut-HF, NI | 20 | 3272-6 | 1 | Pin-Cotter |
| 6 | 104-8301 | 4 | Nut-HF, NI | 21 | 3290-307 | 4 | Pin-Cotter |
| 7 | 110-0413 | 1 | Seatbelt-Retractable | 22 | 3290-467 | 1 | Pin-Hair |
| 8 | 110-0618 | 1 | Pin-Clevis | 23 | 107-1865 | 2 | R-Clamp |
| 9 | 115-4400-03 | 1 | Frame-Seat | 24 | 32105-15 | 2 | Screw-HWH |
| 10 | 115-4411-03 | 1 | Plate-Seat | 25 | 104-7201 | 2 | Nut-HF, NI |
| 11 | 115-4423-03 | 1 | Latch-Seat Plate | 26 | 130-1657-03 | 1 | Channel-Support |
| 12 | 117-4797-03 | 2 | Rod-Seat Frame | 27 | 130-1650-03 | 1 | Control Panel ASM |
| 13 | 130-2701 | 1 | Seat And Suspension ASM | 28 | 104-7050 | 1 | Tube-Manual |
| 13:1 | 130-2702 | 1 | Air Ride Seat Suspension | 29 | 104-7048 | 1 | Cap-Housing |
| 13:2 | 117-5676 | 1 | Premium Seat ASM | 30 | 3230-23 | 4 | Bolt-CARR |
| 13:3 | 132-1304 | 1 | Backrest Adjustment Kit | 31 | 108-8646 | 1 | Screw-HH, Lock |
| 14 | 3212-4 | 1 | Screw-HH | 32 | 112-7405 | 1 | Nut-Hex, Coupling |
| 15 | 3212-8 | 1 | Screw-HH | 33 | 110-8911 | 1 | Seal-Foam |



Seat Suspension Assembly No. 130-2702

| <i>Ref.</i> | <i>Part Number</i> | <i>Qty.</i> | <i>Description</i> | <i>Ref.</i> | <i>Part Number</i> | <i>Qty.</i> | <i>Description</i> |
|-------------|--------------------|-------------|--------------------|-------------|--------------------|-------------|-------------------------|
| 1 | 130-2709 | 1 | Cover ASM | 9 | 130-2719 | 1 | Compressor |
| 1:1 | 130-2710 | 1 | Cover Kit | 9:1 | 130-2720 | 1 | Compressor Kit |
| 2 | 108-8027 | 1 | Cover | 10 | 130-2721 | 1 | Bellows ASM |
| 3 | 130-2711 | 1 | Control-Level | 10:1 | 130-2722 | 1 | Bellows Kit |
| 4 | 108-8029 | 1 | Valve-Control, Air | 11 | 130-2723 | 1 | Tether |
| 5 | 130-2712 | 1 | Shock Absorber ASM | 11:1 | 130-2724 | 1 | Tether Kit |
| 5:1 | 130-2713 | 1 | Shock Absorber Kit | 12 | 130-2725 | 1 | Wear Parts Kit ● |
| 6 | 130-2714 | 1 | Air Spring ASM | 13 | 130-2726 | 1 | Handle |
| 6:1 | 130-2715 | 1 | Air Spring Kit | 14 | 130-2727 | 1 | Upper Suspension Kit |
| 7 | 130-2716 | 1 | Air Tube ASM | 15 | 130-2728 | 1 | Lower Suspension Kit |
| 7:1 | 130-2717 | 1 | Air Tube Kit | 16 | 130-2729 | 1 | Adjuster Mounting Kit ● |
| 8 | 130-2718 | 1 | Harness-Wire | 17 | 130-2730 | 1 | Limiter-Thrust |

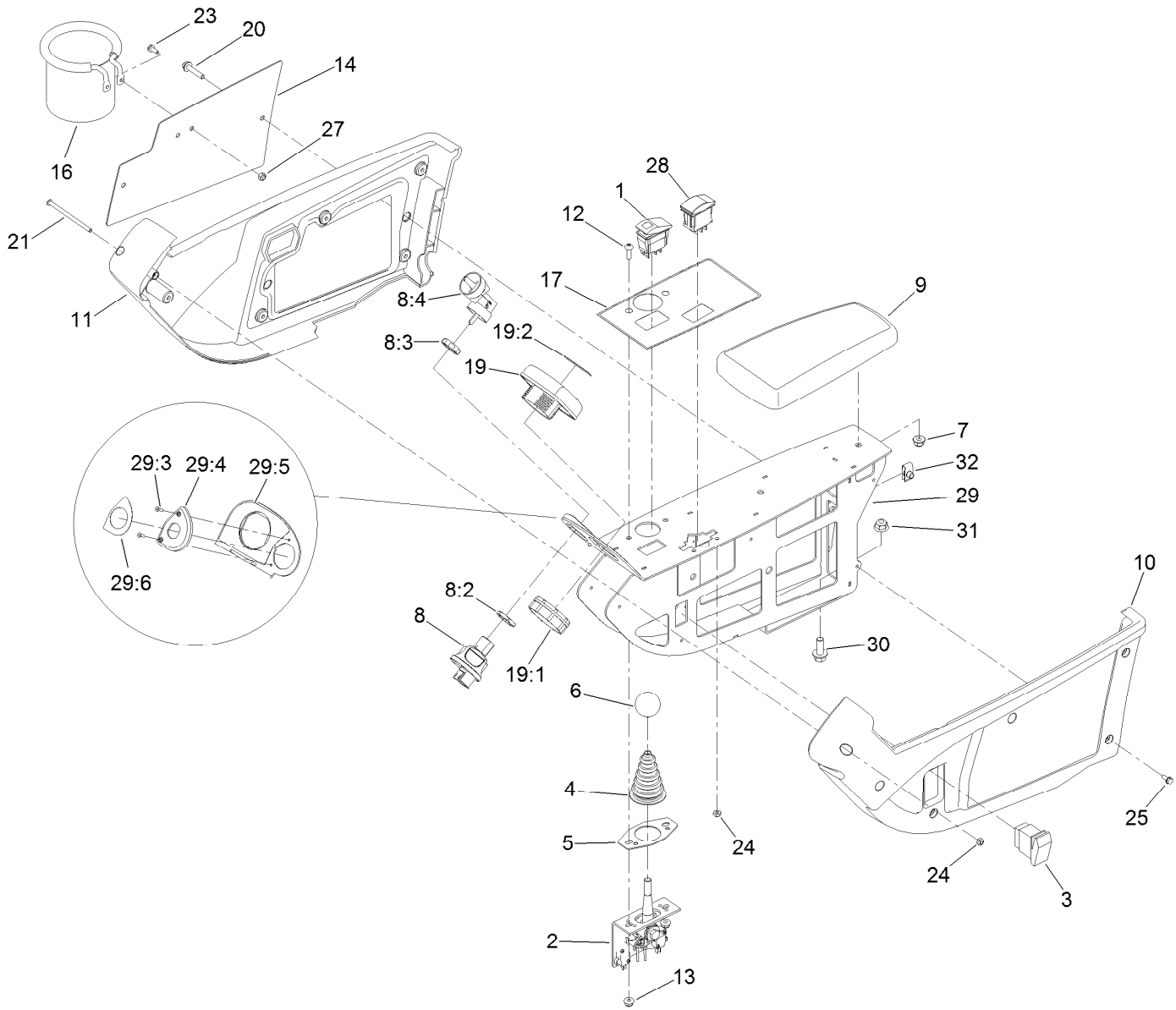
● Not illustrated



Vinyl Premium Seat Assembly No. 117-5676

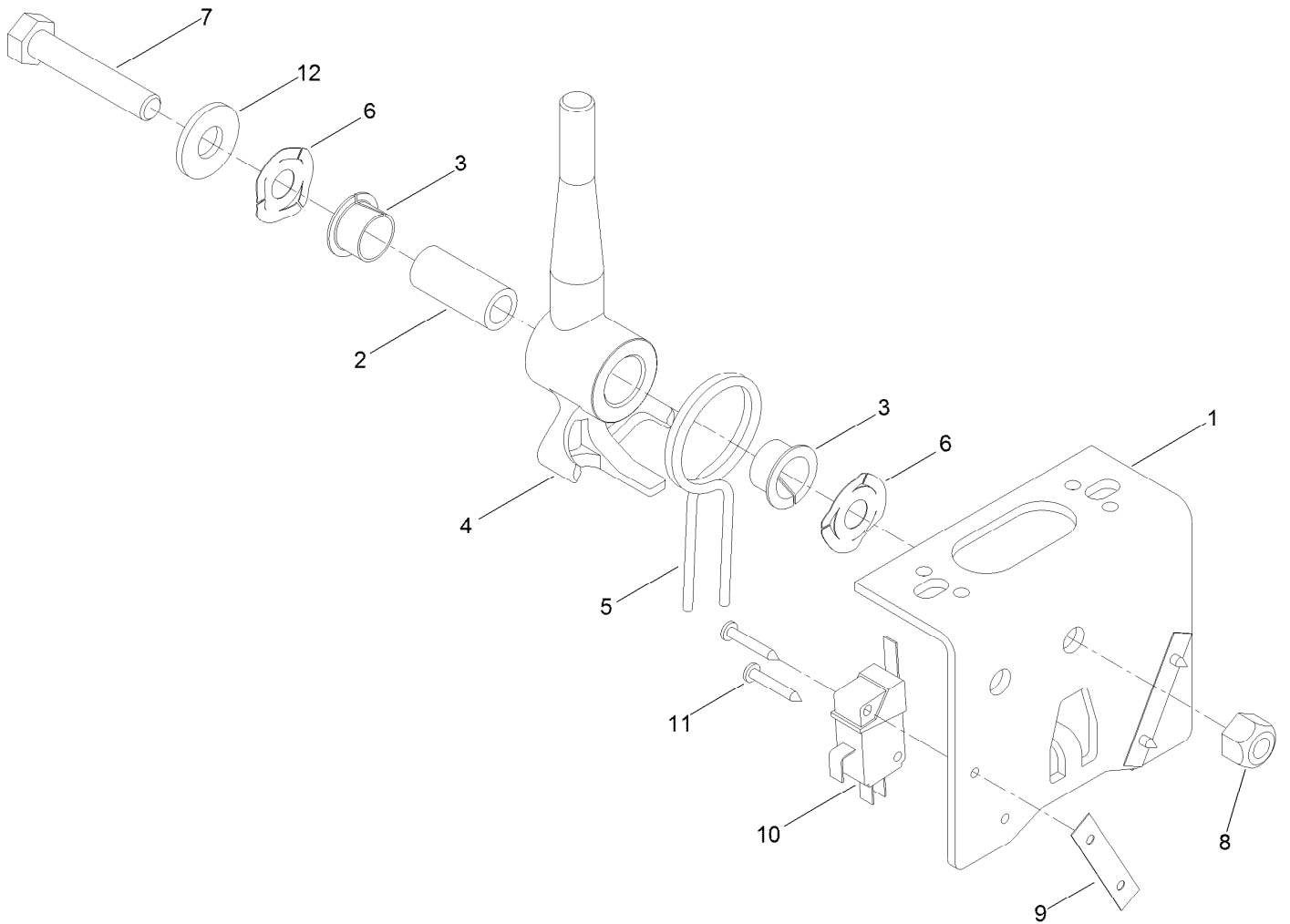
| Ref. | Part Number | Qty. | Description | Ref. | Part Number | Qty. | Description |
|------|-------------|------|-------------------------|------|-------------|------|-----------------------|
| 1 | 108-8016 | 1 | Backrest Cushion ASM | 8:6 | | 1 | Spring-Extension ● |
| 1:1 | 119-7742 | 4 | Screw-Cushion | 8:7 | | 1 | Plate-Mounting ● |
| 2 | 108-8017 | 1 | Seat Cushion ASM | 8:8 | | 1 | Magnet ● |
| 2:1 | 119-7742 | 3 | Screw-Cushion | 9 | 108-8025 | 1 | Adjustment Rail Set |
| 3 | 108-8018 | 1 | Cover-Armrest | 9:1 | | 1 | Rail-Adjustment, RH ● |
| 4 | 108-8019 | 1 | LH Armrest ASM | 9:2 | | 1 | Rail-Adjustment, LH ● |
| 4:1 | 82-9650 | 1 | Nut | 9:3 | | 1 | Stop-Rail ● |
| 4:2 | 107-1198 | 1 | Washer | 9:4 | | 1 | Handle ● |
| 6 | 108-8021 | 1 | Cover-Armrest | 9:5 | | 3 | Screw ● |
| 7 | 108-8022 | 2 | Cover-Black | 9:6 | | 3 | Washer ● |
| 8 | 108-8024 | 1 | Switch Kit | 9:7 | | 1 | Screw ● |
| 8:1 | | 3 | Wire Tie ● | 10 | 110-6189 | 1 | Switch Kit |
| 8:2 | | 4 | Rivet ● | 10:1 | | 1 | Switch ● |
| 8:3 | | 1 | Sensor-Seat Switch ● | 10:2 | | 3 | Wire Tie ● |
| 8:4 | | 2 | Spring-Compression ● | 10:3 | | 2 | Rivet ● |
| 8:5 | | 2 | Bumper-Pressure Plate ● | | | | |

● Not serviced separately



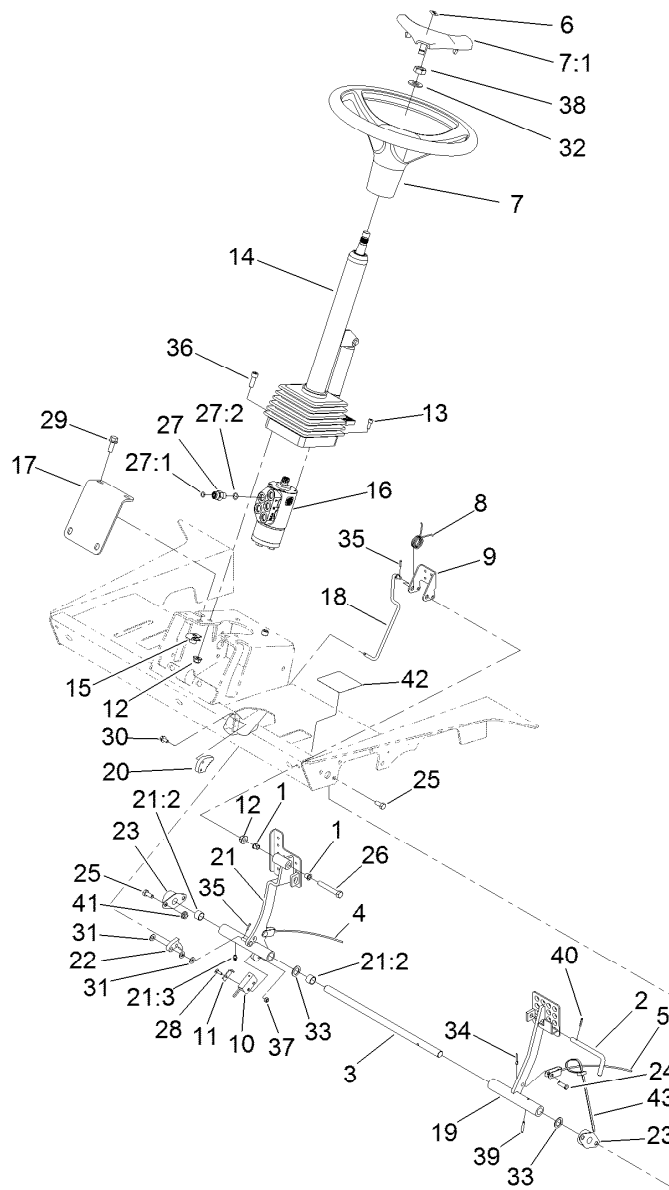
Control Console Assembly

| Ref. | Part Number | Qty. | Description | Ref. | Part Number | Qty. | Description |
|------|-------------|------|---------------------------|------|-------------|------|------------------------------|
| 1 | 105-4232 | 1 | Switch | 19 | 120-6310 | 1 | LCD Display ASM |
| 2 | 120-5280 | 1 | Bracket-Joystick | 19:1 | 120-4630 | 1 | Nut-Display |
| 3 | 95-8999 | 1 | Switch-Rocker, On-None-On | 19:2 | 120-6311 | 1 | Decal-Display |
| 4 | 93-5961 | 1 | Boot-Lever | 20 | 3234-21 | 2 | Screw-HHF |
| 5 | 112-9181 | 1 | Plate-Boot | 21 | 3250-22 | 1 | Screw-PPH |
| 6 | 233-42 | 1 | Knob | 23 | 3290-321 | 2 | Screw-HWH |
| 7 | 104-8300 | 2 | Nut-HF, NI | 24 | 3296-12 | 1 | Nut-Lock, NI |
| 8 | 121-5159 | 1 | Switch-Ignition | 25 | 32144-112 | 10 | Screw-HWH |
| 8:2 | 121-5160 | 1 | Nut-Hex | 27 | 3296-2 | 2 | Nut-Lock, NI |
| 8:3 | 121-5161 | 1 | Nut-Face | 28 | 100-1535 | 1 | Switch-Rocker, (On)-Off-(On) |
| 8:4 | 121-5162 | 1 | Set-Key, Ignition | 29 | 130-1612 | 1 | Panel ASM |
| 9 | 108-7602 | 1 | Rest-Arm | 29:3 | 3269-17 | 2 | Rivet-Pop |
| 10 | 108-7604 | 1 | Cover-LH | 29:4 | 121-3889 | 1 | Step-Elevated, Switch |
| 11 | 108-7605 | 1 | Cover-RH | 29:5 | 121-3887 | 1 | Decal-Console, Display |
| 12 | 3258-166 | 2 | Screw-PRH | 29:6 | 121-3884 | 1 | Decal-Console, Upper |
| 13 | 104-7201 | 2 | Nut-HF, NI | 30 | 3234-42 | 2 | Screw-HHF |
| 14 | 115-8849-03 | 1 | Plate-Cover | 31 | 104-8301 | 2 | Nut-HF, NI |
| 16 | 117-2378 | 1 | Holder-Bag | 32 | 107069 | 2 | Clip |
| 17 | 125-8754 | 1 | Decal-Panel, Control | | | | |



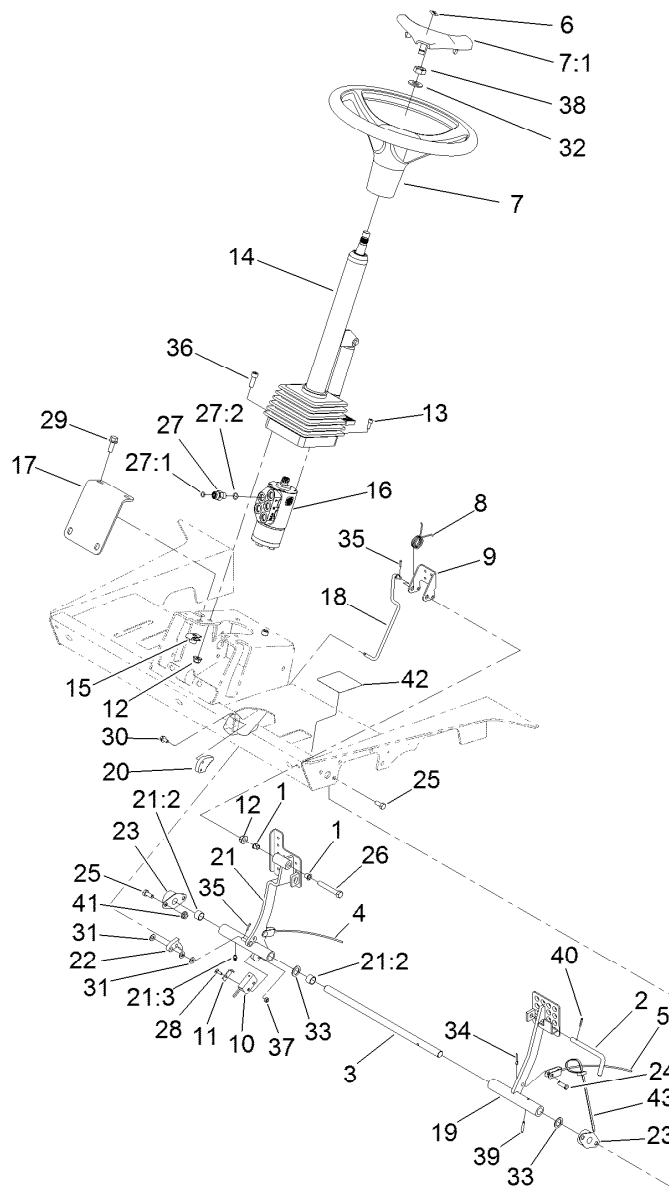
Joystick Bracket Assembly No. 120-5280

| <i>Ref.</i> | <i>Part Number</i> | <i>Qty.</i> | <i>Description</i> |
|-------------|--------------------|-------------|-----------------------|
| 1 | 115-5357-03 | 1 | Bracket-Joystick |
| 2 | 106-4192 | 1 | Spacer |
| 3 | 93-5547 | 2 | Bushing-Nylon |
| 4 | 119-3540 | 1 | Hub-Pivot, Joystick |
| 5 | 105-8289 | 1 | Spring-Torsion |
| 6 | 106-4193 | 2 | Washer-Finger, Spring |
| 7 | 322-9 | 1 | Screw-HH |
| 8 | 3296-29 | 1 | Nut-Lock, NI |
| 9 | 3290-354 | 2 | Nut-Speed |
| 10 | 108-6496 | 2 | Switch (W/Boot) |
| 11 | 95-3003 | 4 | Screw-PPHTF |
| 12 | 3256-3 | 1 | Washer-Flat |



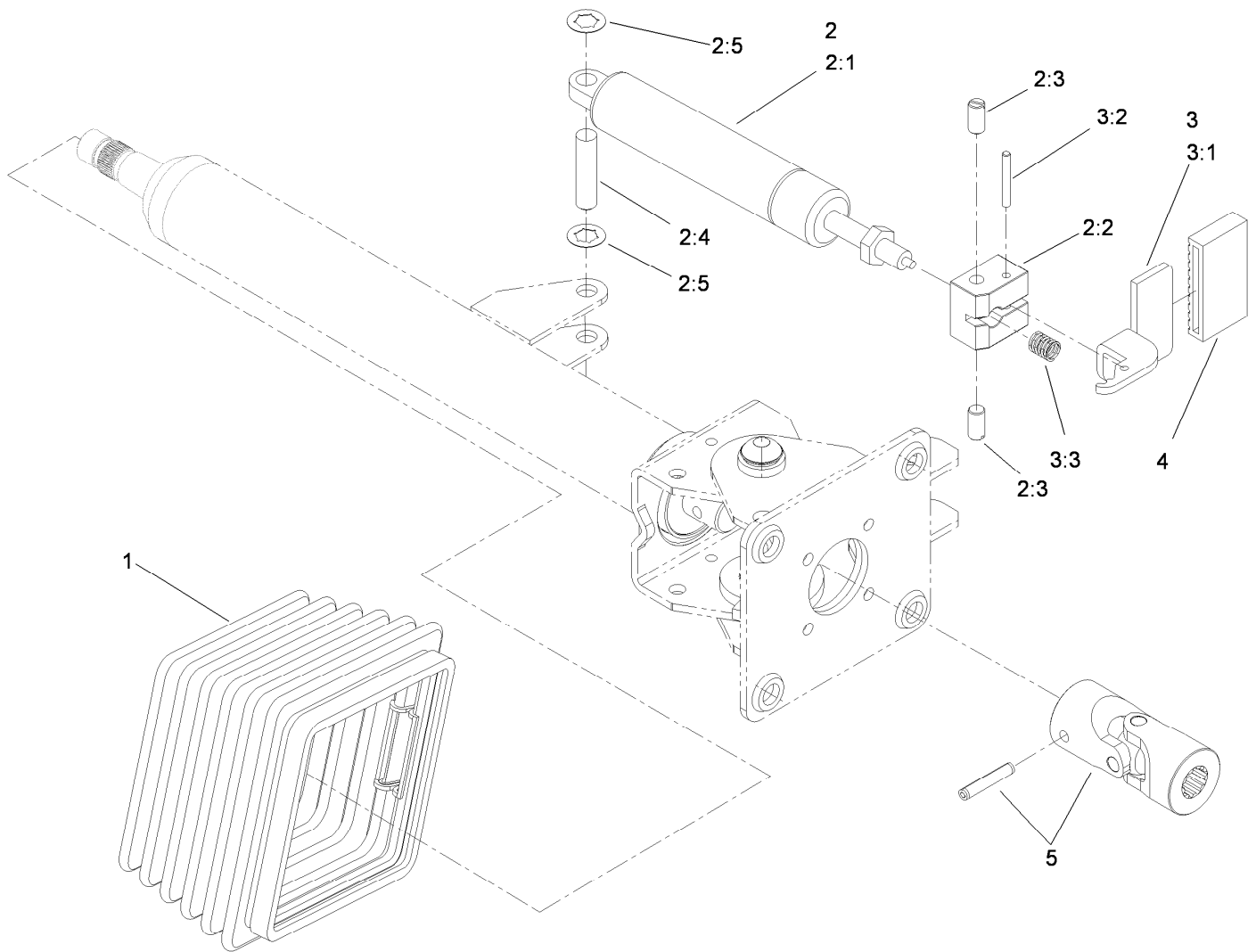
Steering and Pedals Assembly

| Ref. | Part Number | Qty. | Description | Ref. | Part Number | Qty. | Description |
|------|-------------|------|--------------------------|------|-------------|------|-----------------------|
| 1 | 52-2891 | 2 | Bushing-Flanged, Nylon | 21 | 136-2889 | 1 | Pedal-Brake, RH |
| 2 | 63-7880 | 1 | Pin-Latch, Brake | 21:2 | 256-42 | 2 | Bushing |
| 3 | 75-1470 | 1 | Pin-Pivot, Brake | 21:3 | 302-5 | 1 | Fitting-Grease |
| 4 | 92-7529 | 1 | Cable-Brake, RH | 22 | 120-1691 | 1 | Detent-Brake |
| 5 | 92-7530 | 1 | Cable-Brake, LH | 23 | 256-236 | 2 | Bearing-Mount, Flange |
| 6 | 98-1459 | 1 | Decal | 24 | 283-58 | 2 | Pin-Clevis |
| 7 | 98-1471 | 1 | Wheel-Steering | 25 | 322-3 | 3 | Screw-HH |
| 7:1 | 98-1468 | 1 | Cover-Wheel, Steering | 26 | 323-12 | 1 | Screw-HH |
| 8 | 99-7140 | 1 | Spring-Torsion | 27 | 340-2 | 5 | Fitting-Straight |
| 9 | 99-7963-03 | 1 | Pedal-Park | 27:1 | 237-22 | 1 | O-Ring |
| 10 | 100-1270 | 1 | Switch-Proximity | 27:2 | 237-42 | 1 | O-Ring |
| 11 | 100-4872 | 1 | Plate-Switch, Neutral | 28 | 3229-34 | 1 | Screw-CARR |
| 12 | 104-8301 | 5 | Nut-HF, NI | 29 | 3234-11 | 4 | Screw-HHF |
| 13 | 105-2409 | 4 | Screw-HSH | 30 | 3234-13 | 2 | Screw-HHF |
| 14 | 106-3622 | 1 | Steering Tilt Column ASM | 31 | 3256-22 | 3 | Washer-Flat |
| 15 | 105-4886 | 4 | Nut-Tinnerman | 32 | 3256-27 | 1 | Washer-Flat |
| 16 | 114-8119 | 1 | Steering Valve ASM | 33 | 3256-69 | 3 | Washer-Flat |
| 17 | 115-4379-01 | 1 | Brace-Column | 34 | 3272-10 | 2 | Pin-Cotter |
| 18 | 115-4417 | 1 | Rod-Brake Pawl | 35 | 3272-5 | 3 | Pin-Cotter |
| 19 | 136-2887-03 | 1 | Pedal-Brake, LH | 36 | 3274-7 | 4 | Screw-HSH |
| 20 | 119-0002 | 1 | Pawl-Brake | 37 | 3296-2 | 1 | Nut-Lock, NI |



Steering and Pedals Assembly (continued)

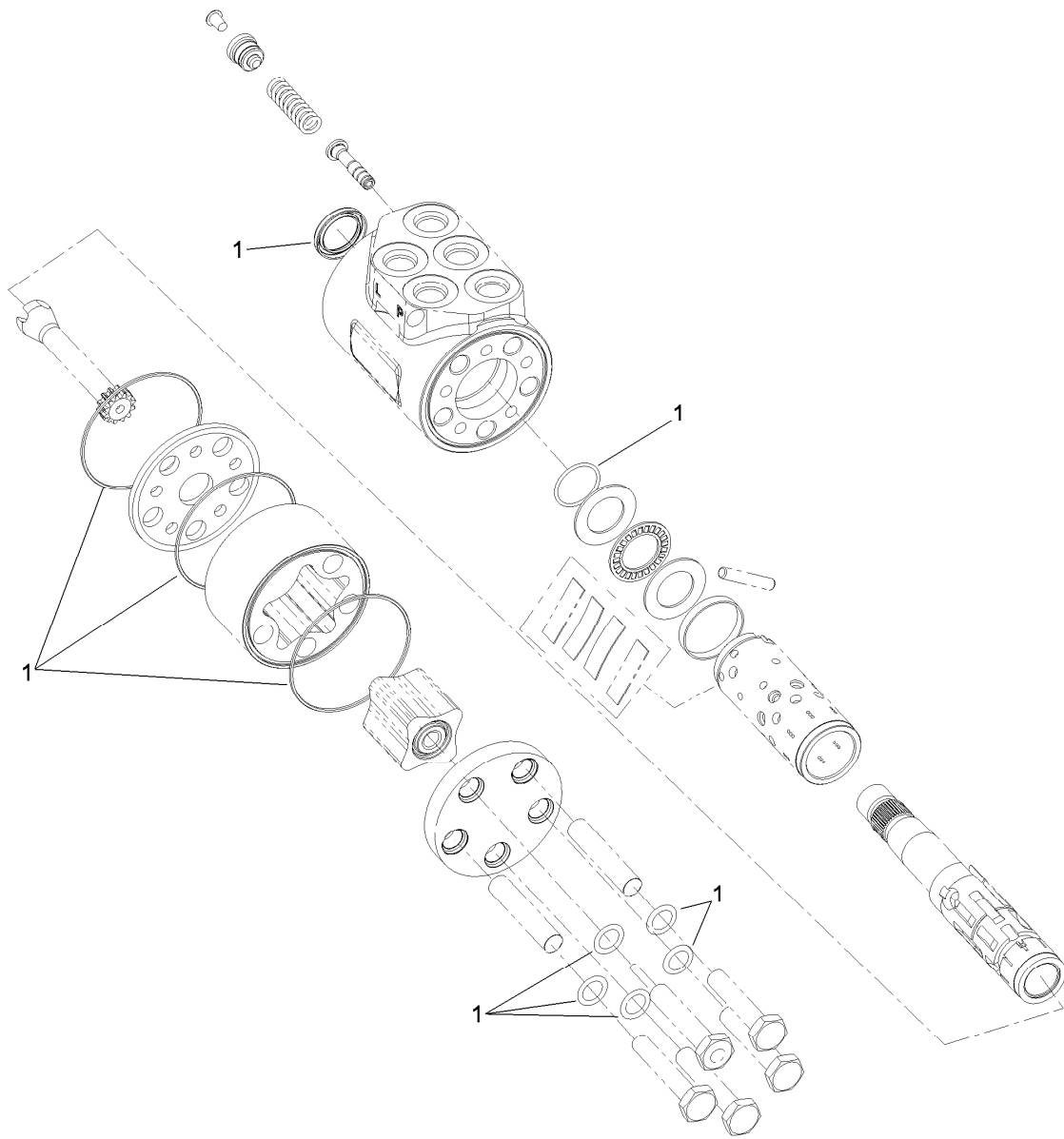
| <i>Ref.</i> | <i>Part Number</i> | <i>Qty.</i> | <i>Description</i> | <i>Ref.</i> | <i>Part Number</i> | <i>Qty.</i> | <i>Description</i> |
|-------------|--------------------|-------------|--------------------|-------------|--------------------|-------------|--------------------|
| 38 | 3296-33 | 1 | Nut-Lock, NI | 41 | 32128-20 | 3 | Nut-HF |
| 39 | 32121-16 | 1 | Pin-Spring | 42 | 117-4763 | 1 | Decal-Brake |
| 40 | 32121-50 | 1 | Pin-Spring | 43 | 3290-378 | 1 | Tie-Cable |



Steering Tilt Column Assembly No. 106-3622

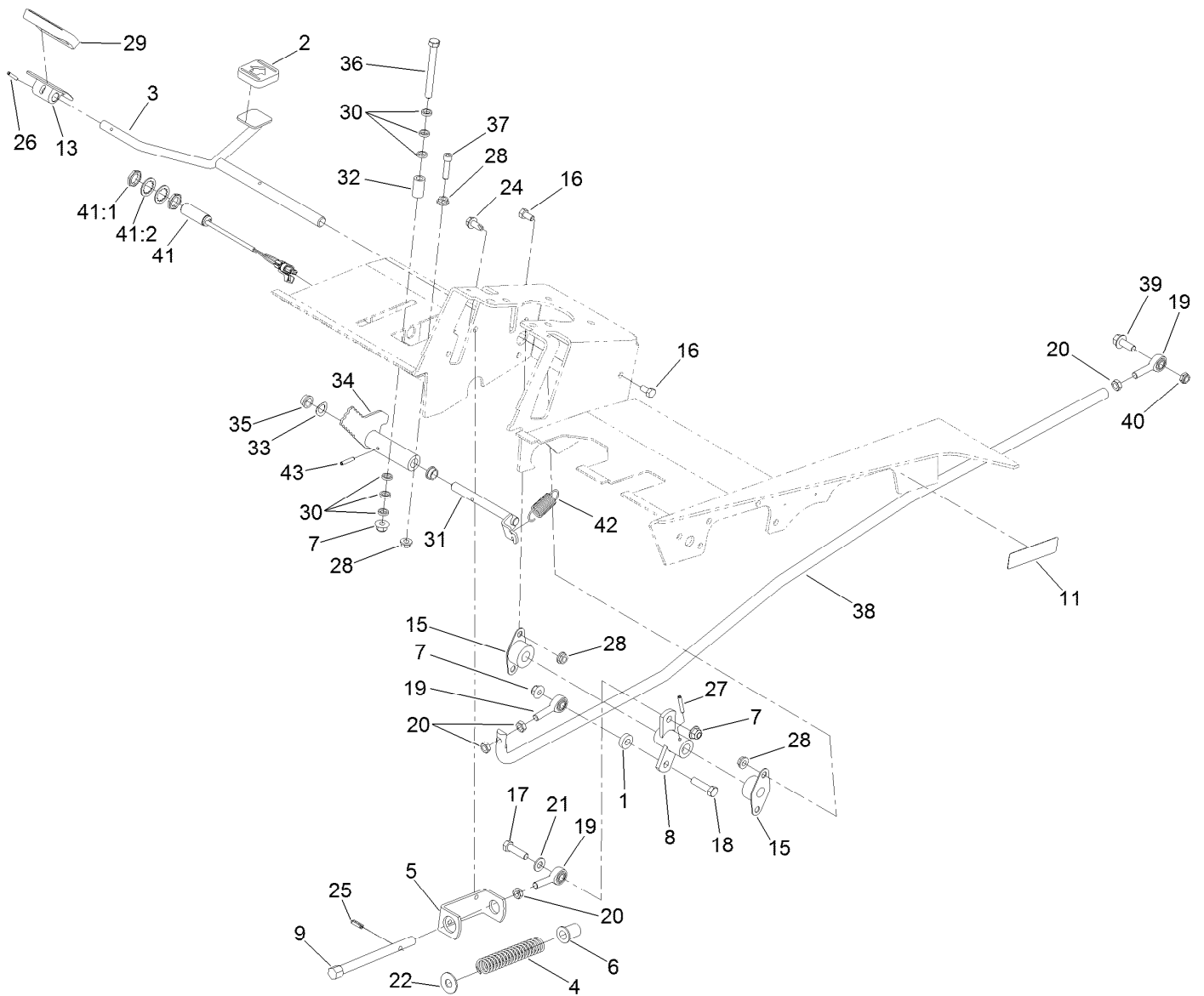
| Ref. | Part Number | Qty. | Description |
|------|-------------|------|----------------------|
| 1 | 110-6462 | 1 | Bellows-Rubber |
| 2 | 110-6463 | 1 | Cylinder Service Kit |
| 2:1 | | 1 | Cylinder-Gas ● |
| 2:2 | | 1 | Block-Pedal ● |
| 2:3 | | 2 | Bolt ● |
| 2:4 | | 1 | Pin ● |
| 2:5 | | 2 | Washer-Lock ● |
| 3 | 110-6464 | 1 | Pedal Service Kit |
| 3:1 | | 1 | Pedal ● |
| 3:2 | | 1 | Pin ● |
| 3:3 | | 1 | Spring ● |
| 4 | 110-6465 | 1 | Cover-Pedal |
| 5 | 120-6256 | 1 | Universal Joint Kit |

● Not serviced separately



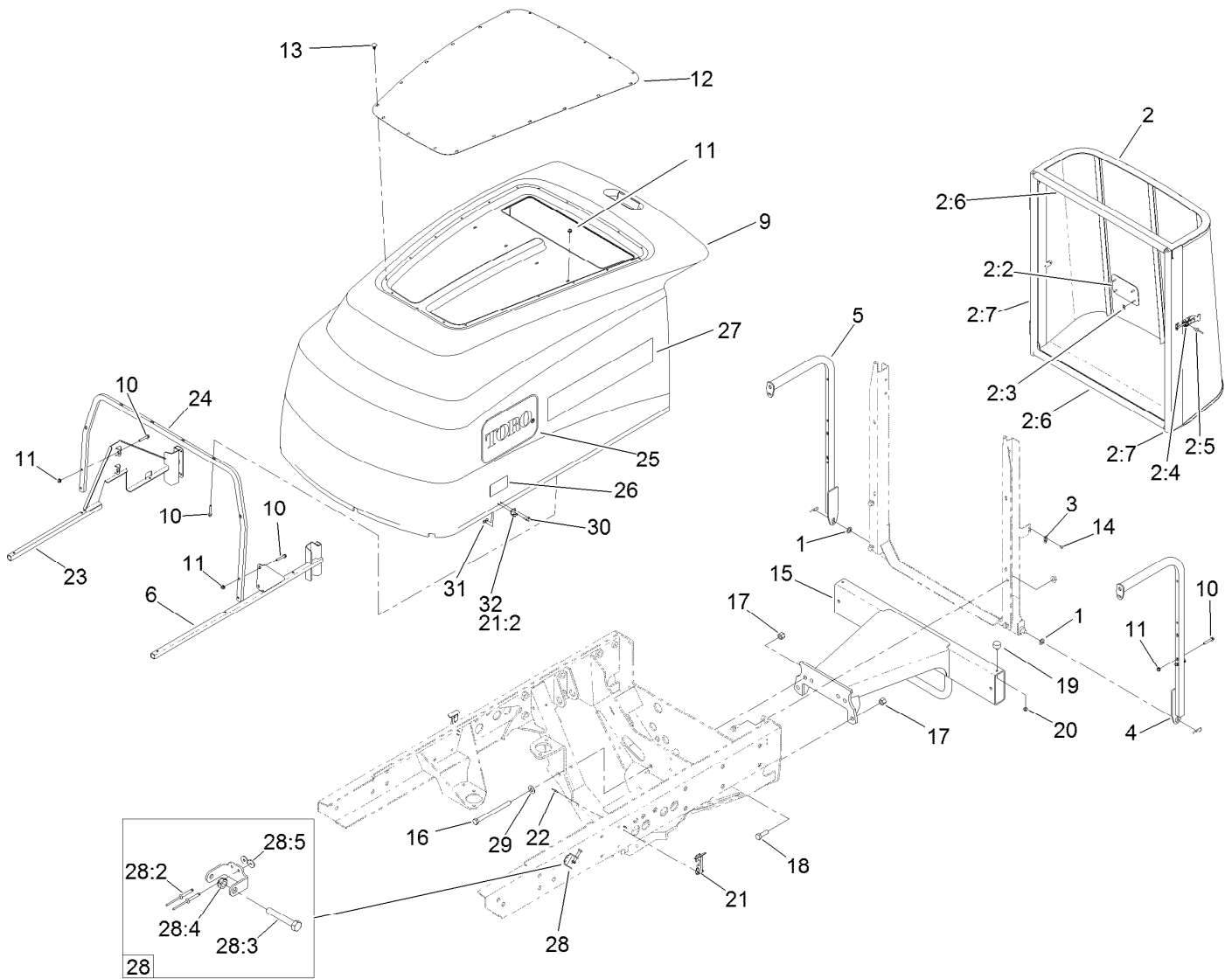
Steering Valve Assembly No. 114-8119

| <i>Ref.</i> | <i>Part Number</i> | <i>Qty.</i> | <i>Description</i> |
|-------------|--------------------|-------------|--------------------|
| 1 | 106-6716 | 1 | Seal Kit |



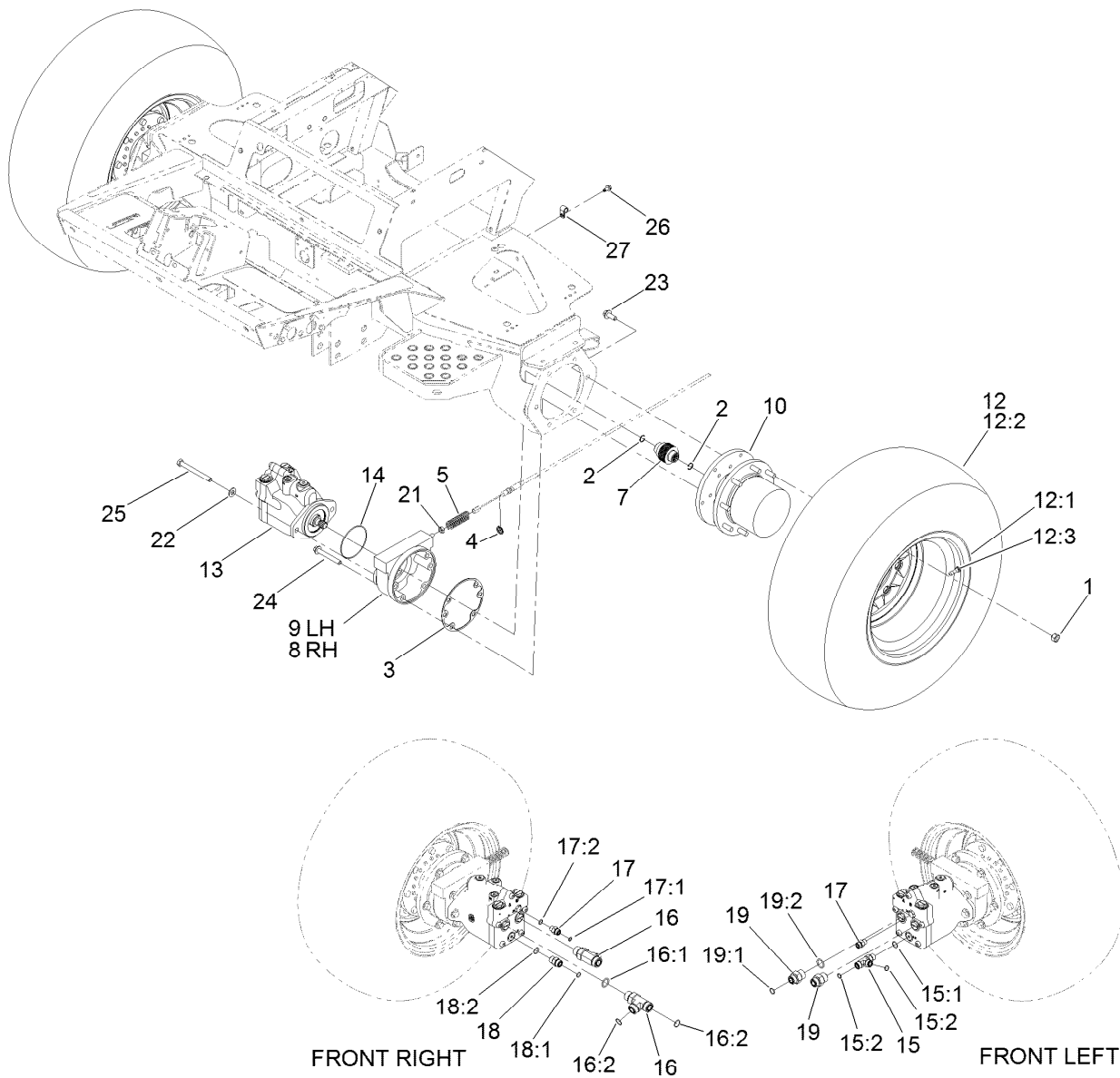
Forward/Reverse Pedal Assembly

| Ref. | Part Number | Qty. | Description | Ref. | Part Number | Qty. | Description |
|------|-------------|------|-----------------------|------|-------------|------|-----------------------------|
| 1 | 5-0652 | 1 | Spacer | 26 | 32121-45 | 1 | Pin-Spring |
| 2 | 74-9110 | 1 | Pad-Pedal, Reverse | 27 | 32121-6 | 1 | Pin-Roll, Slotted |
| 3 | 75-2970 | 1 | Pedal-Traction | 28 | 32128-20 | 6 | Nut-HF |
| 4 | 84-9100 | 1 | Spring | 29 | 74-9100 | 1 | Pad-Pedal, Forward |
| 5 | 92-7608-03 | 1 | Bracket-Spring | 30 | 62-4420 | 6 | Washer |
| 6 | 92-7610 | 1 | Retainer-Spring | 31 | 106-3731 | 1 | Rod-Pivot |
| 7 | 104-8301 | 3 | Nut-HF, NI | 32 | 110-4631 | 1 | Tube-Spacer |
| 8 | 115-4380-03 | 1 | Hub-Pivot, Traction | 33 | 110-8982 | 1 | Washer-Spring |
| 9 | 115-4383 | 1 | Shaft-Spring | 34 | 117-0216 | 1 | Stop-Mow |
| 11 | 133-8062 | 1 | Decal-Arrestor, Spark | 35 | 256-156 | 2 | Bushing-Flange |
| 13 | 117-9507 | 1 | Pedal-Accelerator | 36 | 323-15 | 1 | Screw-HH |
| 15 | 256-236 | 2 | Bearing-Mount, Flange | 37 | 3274-18 | 1 | Screw-HSH |
| 16 | 322-2 | 4 | Screw-HH | 38 | 130-1634-03 | 1 | Rod-Traction |
| 17 | 323-29 | 1 | Screw-HH | 39 | 3234-11 | 1 | Screw-HHF |
| 18 | 323-8 | 1 | Screw-HH | 40 | 3296-59 | 1 | Nut-Lock, NI |
| 19 | 2411-36 | 3 | Bearing-End, Rod | 41 | 115-5300 | 1 | Proximity Switch ASM |
| 20 | 3220-3 | 4 | Nut-HJ | 41:1 | 117-3207 | 2 | Nut-Hex |
| 21 | 3256-24 | 1 | Washer-Flat | 41:2 | 117-3208 | 2 | Washer-Lock, Internal Tooth |
| 22 | 3256-5 | 1 | Washer-Flat | 42 | 92-7305 | 1 | Spring-Extension |
| 24 | 32104-32 | 2 | Screw-HWH | 43 | 32121-16 | 1 | Pin-Spring |
| 25 | 32121-11 | 1 | Pin-Roll | | | | |



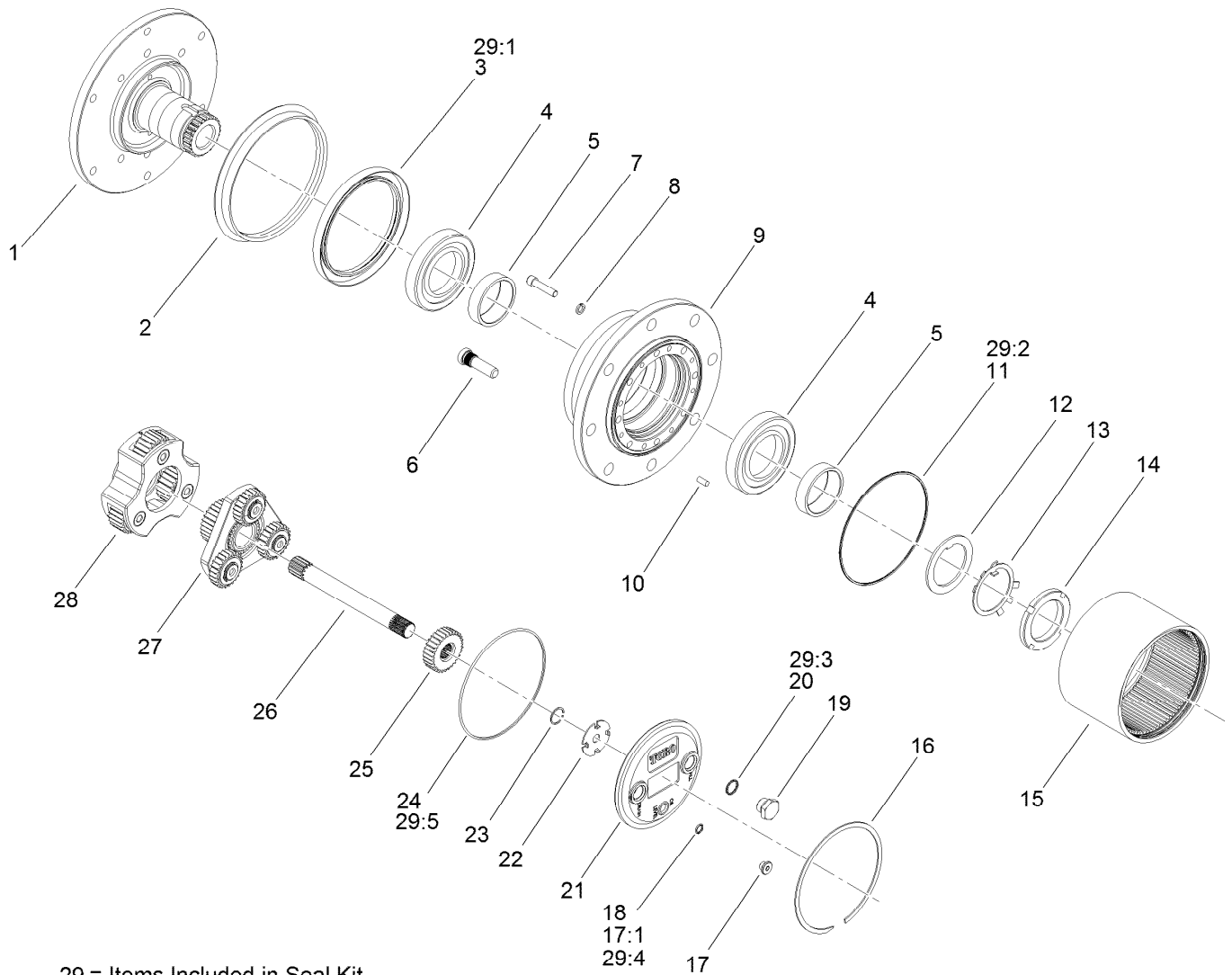
Hood Assembly

| Ref. | Part Number | Qty. | Description | Ref. | Part Number | Qty. | Description |
|------|-------------|------|------------------|------|-------------|------|---------------------|
| 1 | 98-1629 | 2 | Washer | 18 | 325-6 | 2 | Screw-HH |
| 2 | 115-4362 | 1 | Screen ASM | 19 | 240-14 | 2 | Bumper-Rubber |
| 2:2 | 93-6028 | 1 | Plate-Logo | 20 | 32128-33 | 2 | Nut-HF |
| 2:3 | 138-6996 | 4 | Nut-Push | 21 | 59-9740 | 2 | Flex Draw Latch ASM |
| 2:4 | 114-8117 | 1 | Latch-Adjustable | 21:2 | 249-40 | 1 | Keeper |
| 2:5 | 3269-3 | 2 | Rivet-Pop | 22 | 3290-55 | 4 | Rivet-Pop |
| 2:6 | 115-4358 | 2 | Seal-Bulb | 23 | 121-3136-03 | 1 | Tube-RH |
| 2:7 | 115-4359 | 2 | Seal-Bulb | 24 | 121-3133-03 | 1 | Tube-Frame, Hood |
| 3 | 115-4357 | 1 | Latch-Keeper | 25 | 66-1210 | 2 | Decal |
| 4 | 114-8109-03 | 1 | Tube-LH | 26 | 106-6754 | 2 | Decal-Danger |
| 5 | 114-8108-03 | 1 | Tube-RH | 27 | 119-3942 | 2 | Decal |
| 6 | 114-8102-03 | 1 | Tube | 28 | 119-2004 | 1 | CE Latch Kit |
| 9 | 121-3108 | 1 | Hood ASM | 28:2 | 107-0333 | 2 | Rivet-Pop |
| 10 | 94-5781 | 26 | Screw-HHF | 28:3 | 322-10 | 1 | Screw-HH |
| 11 | 104-7201 | 26 | Nut-HF, NI | 28:4 | 3296-47 | 1 | Nut-Lock,NI |
| 12 | 114-4192-03 | 1 | Screen-Hood | 28:5 | 3269-10 | 2 | Washer-Back |
| 13 | 117-2382 | 20 | Plug-Plastic | 29 | 3256-26 | 2 | Washer-Flat |
| 14 | 3269-3 | 2 | Rivet-Pop | 30 | 3269-17 | 4 | Rivet-Pop |
| 15 | 120-8020-03 | 1 | Bumper-Rear | 31 | 3269-10 | 4 | Washer-Back |
| 16 | 325-33 | 2 | Screw-HH | 32 | 249-40 | 2 | Keeper |
| 17 | 3296-23 | 4 | Nut-Lock, NI | | | | |



Front Traction Assembly

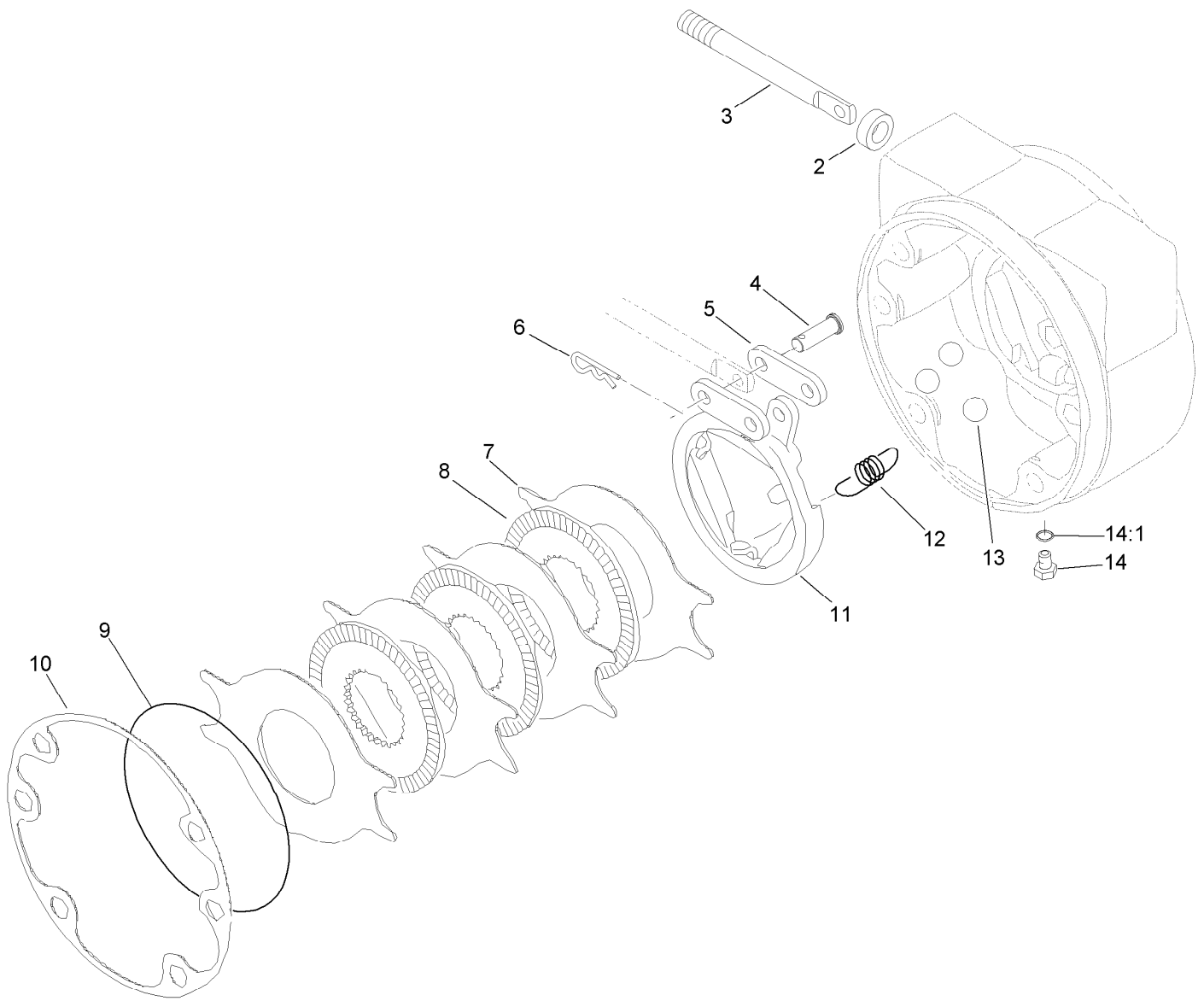
| Ref. | Part Number | Qty. | Description | Ref. | Part Number | Qty. | Description |
|------|-------------|------|--------------------------|------|-------------|------|------------------|
| 1 | 92-7483 | 16 | Nut-Lug | 16:1 | 237-81 | 1 | O-Ring |
| 2 | 93-7972 | 4 | Ring-Retaining, Internal | 16:2 | 237-58 | 2 | O-Ring |
| 3 | 93-7984 | 2 | Gasket | 17 | 340-2 | 2 | Fitting-Straight |
| 4 | 94-3050 | 2 | Plate-Spring | 17:1 | 237-22 | 1 | O-Ring |
| 5 | 94-3088 | 2 | Spring-Compression | 17:2 | 237-42 | 1 | O-Ring |
| 7 | 100-3046 | 2 | Shaft-Brake, Splined | 18 | 340-4 | 1 | Fitting-Straight |
| 8 | 100-3069 | 1 | RH Brake ASM | 18:1 | 237-30 | 1 | O-Ring |
| 9 | 100-3070 | 1 | LH Brake ASM | 18:2 | 237-79 | 1 | O-Ring |
| 10 | 136-2913 | 2 | Planetary ASM | 19 | 340-8 | 2 | Fitting-Straight |
| 12 | 119-1538 | 2 | Tire And Wheel ASM | 19:1 | 237-65 | 1 | O-Ring |
| 12:1 | 119-1540 | 1 | Wheel-15 Inch | 19:2 | 237-81 | 1 | O-Ring |
| 12:2 | 63-4480 | 1 | Tire | 21 | 3218-4 | 2 | Nut-Jam |
| 12:3 | 232-24 | 1 | Stem-Valve | 22 | 106-9888 | 4 | Washer-Flat |
| 13 | 121-3100 | 2 | HYD Piston Motor ASM | 23 | 33106-030 | 12 | Screw-HHF |
| 14 | 237-166 | 2 | O-Ring | 24 | 33106-090 | 8 | Screw-HHF |
| 15 | 340-109 | 1 | Fitting-Tee | 25 | 33116-120 | 4 | Screw-HH |
| 15:1 | 237-79 | 1 | O-Ring | 26 | 32104-32 | 2 | Screw-HWH |
| 15:2 | 237-30 | 2 | O-Ring | 27 | 2412-93 | 2 | Clamp-R |
| 16 | 340-148 | 2 | Fitting-Tee | | | | |



Planetary Assembly No. 136-2913

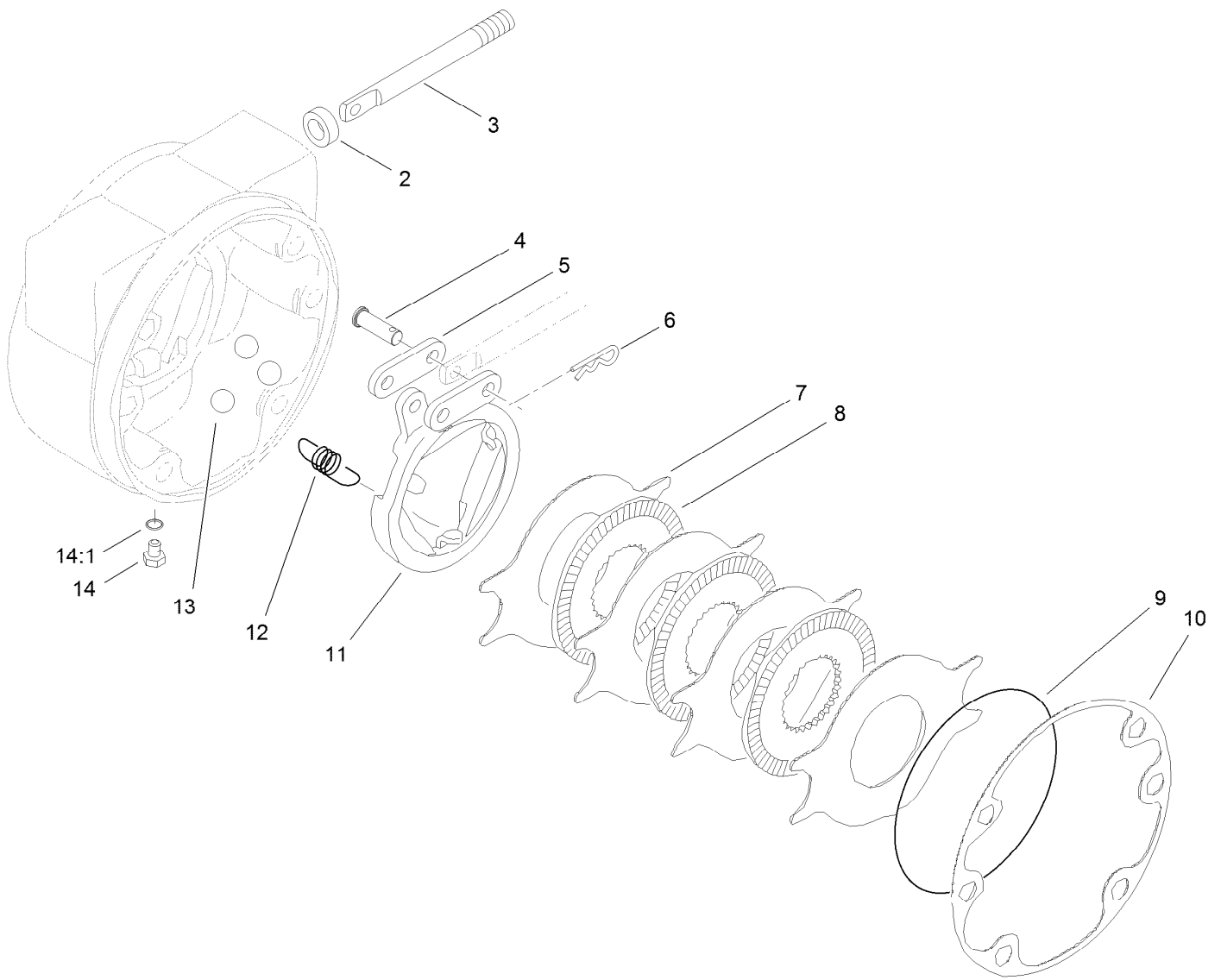
| Ref. | Part Number | Qty. | Description | Ref. | Part Number | Qty. | Description |
|------|-------------|------|-------------------|------|-------------|------|-----------------------|
| 1 | | 1 | Spindle ● | 18 | 237-78 | 1 | O-Ring |
| 2 | 138-1204 | 1 | Seal-Boot | 19 | 138-1211 | 2 | Plug-Flange, Magnetic |
| 3 | | 1 | Seal-Lip ● | 20 | 138-1212 | 2 | O-Ring |
| 4 | 138-1205 | 2 | Bearing-Cup | 21 | 138-1213 | 1 | Cap-End |
| 5 | 138-1206 | 2 | Bearing-Cone | 22 | 138-1214 | 1 | Washer-Thrust, Sun |
| 6 | 105-8124 | 8 | Stud-Wheel | 23 | 105-8131 | 2 | Ring-Retaining |
| 7 | 138-1207 | 8 | Screw-Socket Head | 24 | | 1 | O-Ring ● |
| 8 | 138-1208 | 8 | Washer-Lock | 25 | 138-1215 | 1 | Gear-Primary, Sun |
| 9 | | 1 | Housing ● | 26 | 138-1216 | 1 | Shaft-Drive |
| 10 | 105-8121 | 4 | Pin-Dowel | 27 | 138-1217 | 1 | Primary Carrier ASM |
| 11 | | 1 | O-Ring ● | 28 | 138-1218 | 1 | Secondary Carrier ASM |
| 12 | 138-6928 | 1 | Spacer | 29 | 138-1219 | 1 | Seal Kit |
| 13 | 138-6929 | 1 | Washer | 29:1 | | 1 | Seal-Lip ● |
| 14 | 138-6930 | 1 | Nut-Lock | 29:2 | | 1 | O-Ring ● |
| 15 | 138-1209 | 1 | Gear-Ring | 29:3 | | 1 | O-Ring ● |
| 16 | 138-1210 | 1 | Ring-Snap | 29:4 | | 1 | O-Ring ● |
| 17 | 353-990 | 1 | Plug ASM | 29:5 | | 1 | O-Ring ● |
| 17:1 | 237-78 | 1 | O-Ring | | | | |

● Not serviced separately



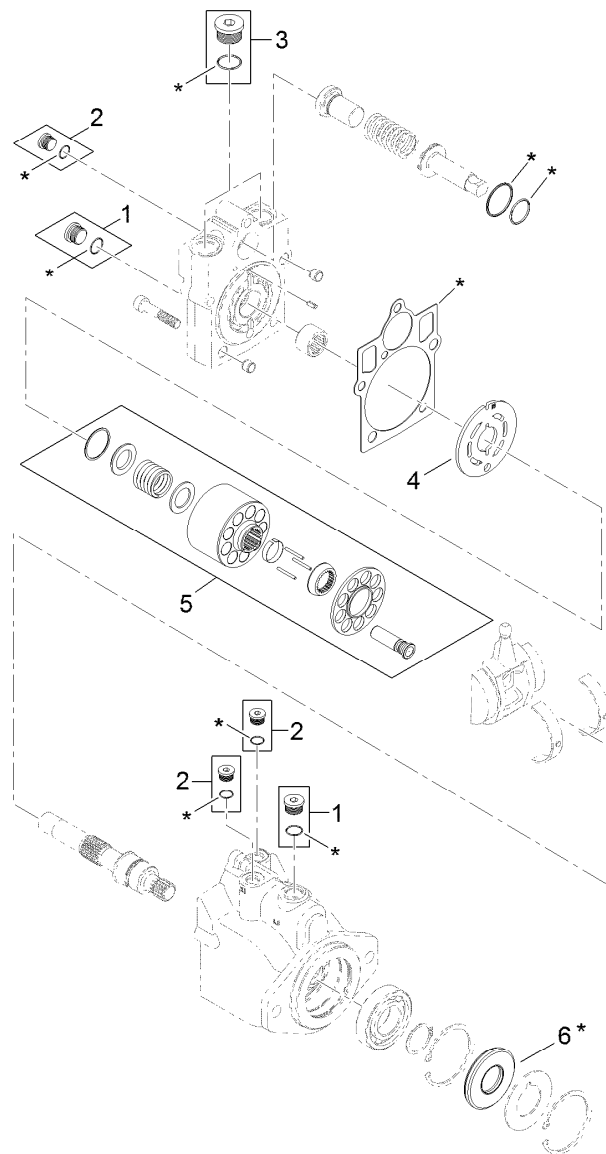
RH Brake Assembly No. 100-3069

| Ref. | Part Number | Qty. | Description |
|------|-------------|------|-------------------|
| 2 | 93-7977 | 1 | Seal |
| 3 | 93-7978 | 1 | Rod-Pull |
| 4 | 93-7983 | 2 | Pin-Clevis |
| 5 | 93-7980 | 2 | Link |
| 6 | 93-7979 | 2 | Pin-Hitch |
| 7 | 93-7986 | 4 | Disc-Stationary |
| 8 | 104-4278 | 3 | Disc-Rotating |
| 9 | 93-7976 | 1 | Ring-Retaining |
| 10 | 93-7984 | 1 | Gasket |
| 11 | 104-4280 | 1 | Actuator-Rotating |
| 12 | 93-7987 | 3 | Spring-Extension |
| 13 | 93-7985 | 3 | Ball |
| 14 | 353-990 | 2 | Plug ASM |
| 14:1 | 237-78 | 1 | O-Ring |



LH Brake Assembly No. 100-3070

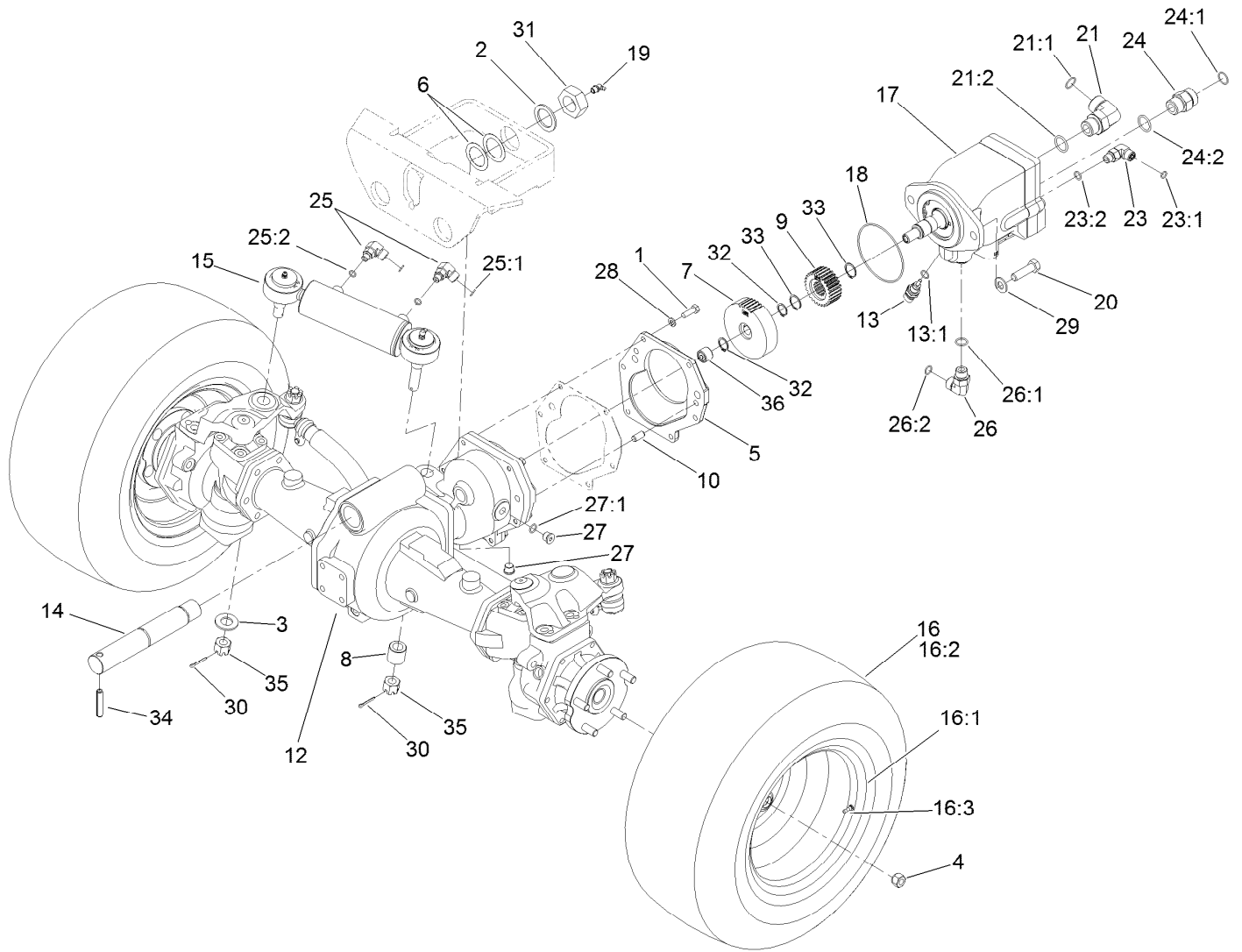
| <i>Ref.</i> | <i>Part Number</i> | <i>Qty.</i> | <i>Description</i> |
|-------------|--------------------|-------------|--------------------|
| 2 | 93-7977 | 1 | Seal |
| 3 | 93-7978 | 1 | Rod-Pull |
| 4 | 93-7983 | 2 | Pin-Clevis |
| 5 | 93-7980 | 2 | Link |
| 6 | 93-7979 | 2 | Pin-Hitch |
| 7 | 93-7986 | 4 | Disc-Stationary |
| 8 | 104-4278 | 3 | Disc-Rotating |
| 9 | 93-7976 | 1 | Ring-Retaining |
| 10 | 93-7984 | 1 | Gasket |
| 11 | 104-4279 | 1 | Actuator-Rotating |
| 12 | 93-7987 | 3 | Spring-Extension |
| 13 | 93-7985 | 3 | Ball |
| 14 | 353-990 | 2 | Plug ASM |
| 14:1 | 237-78 | 1 | O-Ring |



7 = all items with * are included in overhaul seal kit

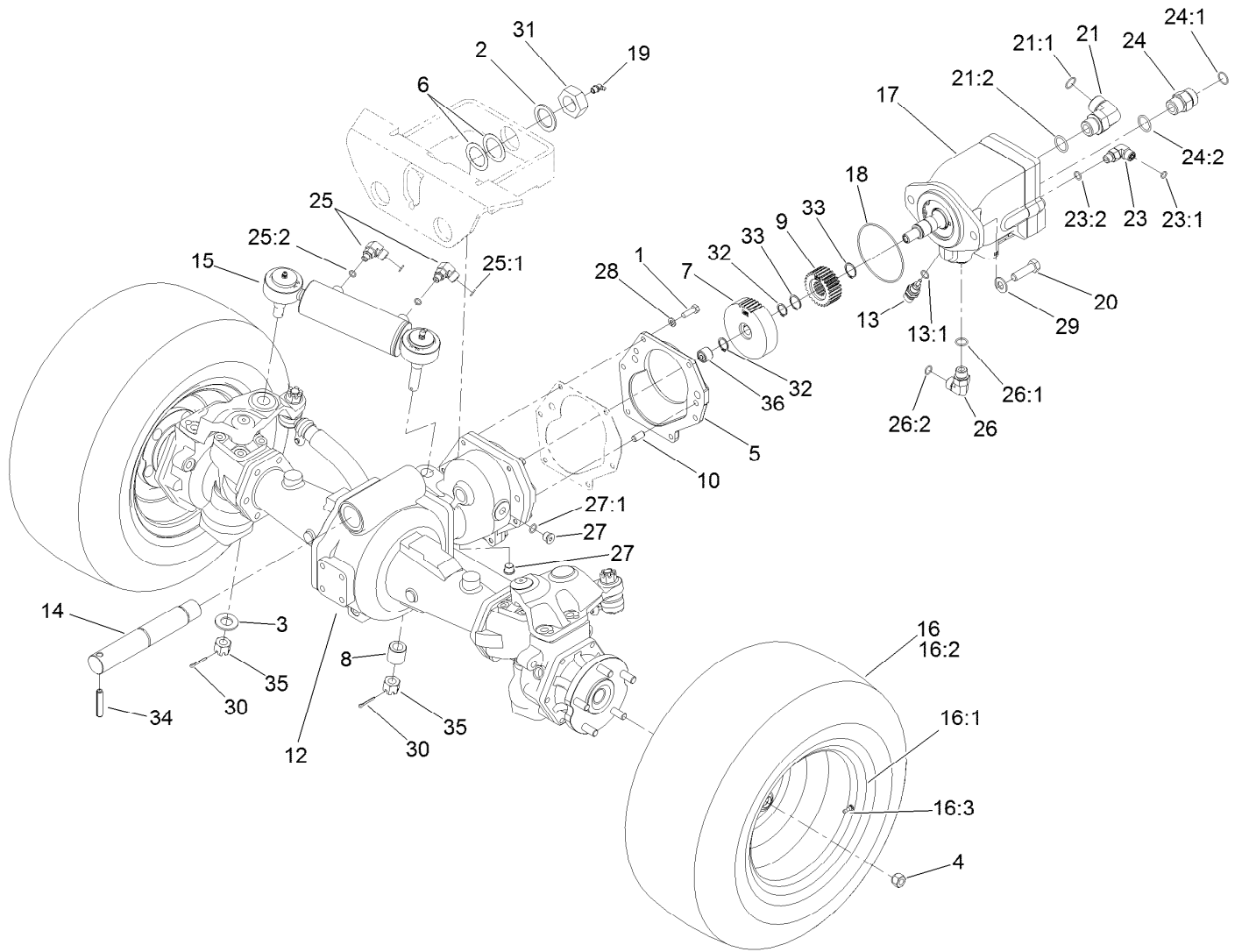
Hydraulic Piston Motor Assembly No. 121-3100

| <i>Ref.</i> | <i>Part Number</i> | <i>Qty.</i> | <i>Description</i> |
|-------------|--------------------|-------------|--------------------|
| 1 | 67-9090 | 2 | Plug |
| 2 | 69-3080 | 3 | Plug |
| 3 | 107-4352 | 1 | Plug |
| 4 | 121-1734 | 1 | Plate-Valve |
| 5 | 121-1735 | 1 | Cylinder Block Kit |
| 6 | 69-3190 | 1 | Seal-Lip |
| 7 | 121-1736 | 1 | Overhaul Seal Kit |



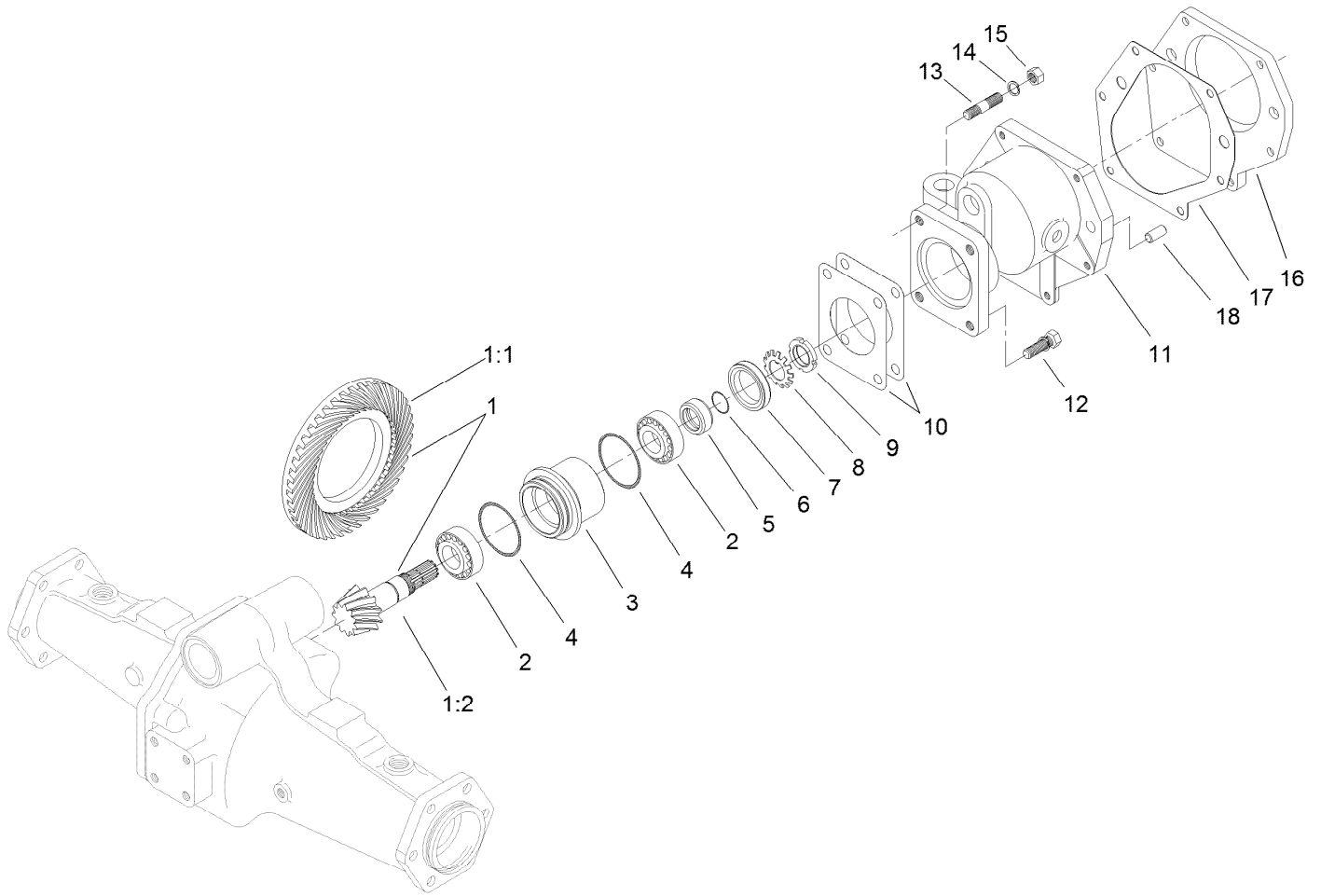
Rear Traction Assembly

| Ref. | Part Number | Qty. | Description | Ref. | Part Number | Qty. | Description |
|------|-------------|------|--------------------|------|-------------|------|-----------------------|
| 1 | 33114-025 | 6 | Screw-HH | 19 | 302-33 | 1 | Fitting-Grease |
| 2 | 92-1765 | 1 | Washer-Thrust | 20 | 325-7 | 2 | Screw-HH |
| 3 | 92-5836 | 1 | Washer | 21 | 340-142 | 1 | Fitting-Elbow, 90 DEG |
| 4 | 93-5268 | 10 | Nut-Lug | 21:1 | 237-58 | 1 | O-Ring |
| 5 | 95-7541 | 1 | Plate-Cover | 21:2 | 237-81 | 1 | O-Ring |
| 6 | 98-3867 | 2 | Washer-Thrust | 23 | 340-77 | 1 | Fitting-Elbow, 90 DEG |
| 7 | 104-5664 | 1 | Gear-44T | 23:1 | 237-22 | 1 | O-Ring |
| 8 | 100-3796 | 1 | Spacer-Joint, Ball | 23:2 | 237-42 | 1 | O-Ring |
| 9 | 104-5663 | 1 | Pinion-28T | 24 | 340-9 | 1 | Fitting-STR |
| 10 | 104-2353 | 1 | Pin-Dowel | 24:1 | 237-58 | 1 | O-Ring |
| 12 | 110-4750 | 1 | Drive Axle ASM | 24:2 | 237-81 | 1 | O-Ring |
| 13 | 110-8829 | 1 | Sender-Temperature | 25 | 340-97 | 2 | Fitting-Elbow, 90 DEG |
| 13:1 | 237-42 | 1 | O-Ring | 25:1 | 237-22 | 1 | O-Ring |
| 14 | 115-9142 | 1 | Pin-Rear Axle | 25:2 | 237-78 | 1 | O-Ring |
| 15 | 119-3903 | 1 | Steer Cylinder ASM | 26 | 340-98 | 1 | Fitting-Elbow, 90 DEG |
| 16 | 120-1666 | 2 | Tire ASM | 26:1 | 237-79 | 1 | O-Ring |
| 16:1 | 115-1573 | 1 | Rim | 26:2 | 237-30 | 1 | O-Ring |
| 16:2 | 117-5125 | 1 | Tire | 27 | 353-989 | 2 | Plug-Hex, Hollow |
| 16:3 | 232-27 | 1 | Stem-Valve | 27:1 | 237-42 | 1 | O-Ring |
| 17 | 121-3101 | 1 | Motor-Piston | 28 | 3253-4 | 6 | Washer-Lock |
| 18 | 237-166 | 1 | O-Ring | 29 | 106-9888 | 2 | Washer-Flat |



Rear Traction Assembly (continued)

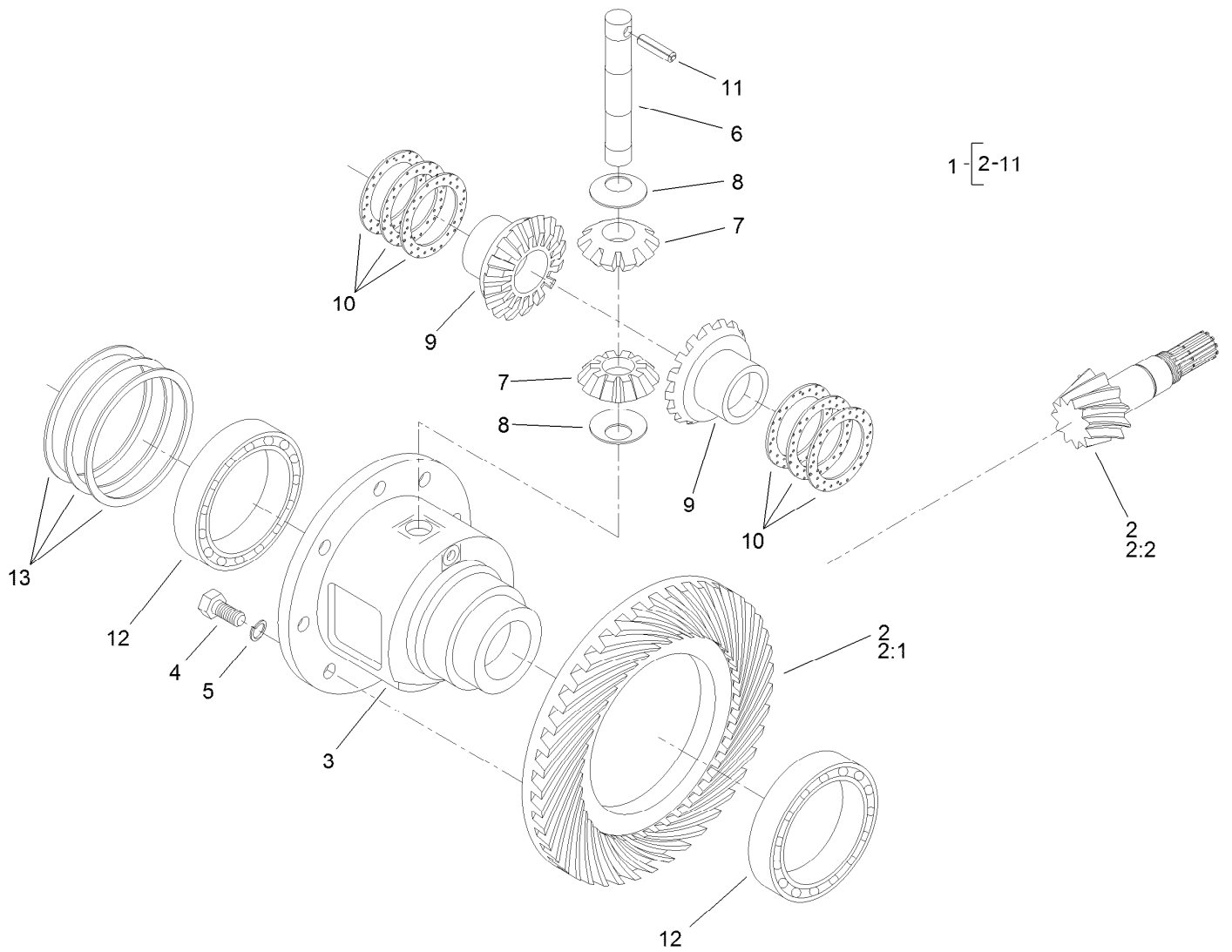
| <i>Ref.</i> | <i>Part Number</i> | <i>Qty.</i> | <i>Description</i> | <i>Ref.</i> | <i>Part Number</i> | <i>Qty.</i> | <i>Description</i> |
|-------------|--------------------|-------------|--------------------|-------------|--------------------|-------------|------------------------|
| 30 | 3272-11 | 2 | Pin-Cotter | 34 | 32121-110 | 1 | Pin-Roll, Slotted |
| 31 | 3296-68 | 1 | Nut-Lock, NI | 35 | 32136-14 | 2 | Nut-Hst |
| 32 | 32120-15 | 2 | Ring-Snap, EXT | 36 | 74-5700 | 1 | Bearing-Needle, Roller |
| 33 | 32120-76 | 2 | Ring-Snap, EXT | | | | |



Bevel Pinion Shaft Assembly Rear Axle Assembly No. 110-4750

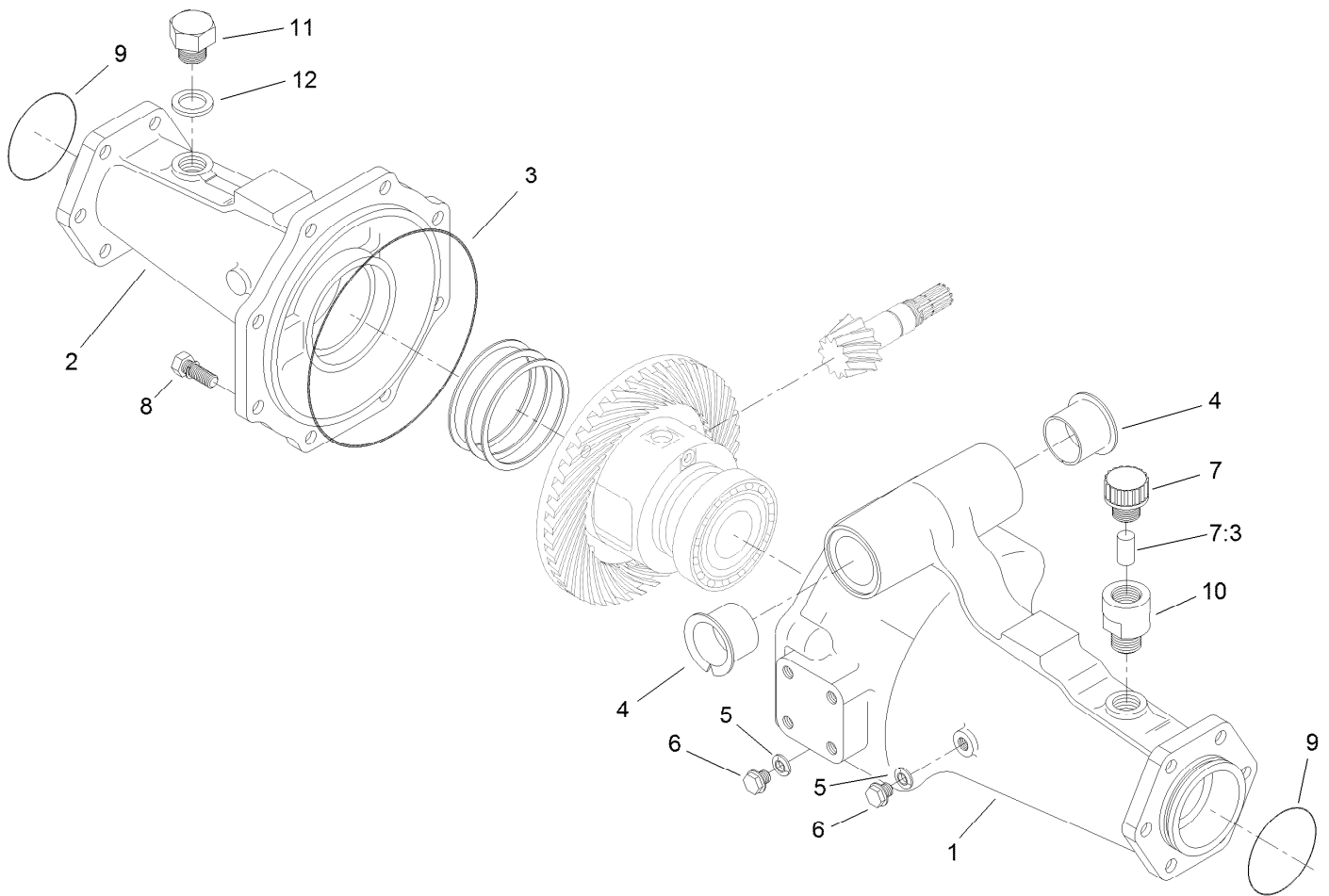
| <i>Ref.</i> | <i>Part Number</i> | <i>Qty.</i> | <i>Description</i> |
|-------------|--------------------|-------------|-----------------------------|
| 1 | 106-1093 | 1 | Ring And Pinion Set |
| 1:1 | 95-7504 | 1 | Gear-43 Tooth, Bevel Spiral |
| 1:2 | 106-1092 | 1 | Pinion-Spiral, Bevel |
| 2 | 99-7570 | 2 | Bearing-Roller, Taper |
| 3 | 95-7534 | 1 | Case-Bearing |
| 4 | 106-1065 | 2 | O-Ring |
| 5 | 99-7572 | 1 | Collar-Seal, Oil |
| 6 | 106-1066 | 1 | O-Ring |
| 7 | 99-7574 | 1 | Seal-Oil |
| 8 | 99-7559 | 1 | Washer-Lock |
| 9 | 99-7560 | 1 | Nut-Lock |

| <i>Ref.</i> | <i>Part Number</i> | <i>Qty.</i> | <i>Description</i> |
|-------------|--------------------|-------------|--------------------|
| 10 | 99-7550 | 2 | Shim 0.1 |
| 10 | 99-7551 | 2 | Shim 0.2 |
| 11 | 95-7533 | 1 | Case-Gear |
| 12 | 99-7575 | 2 | Bolt |
| 13 | 98-7735 | 2 | Stud |
| 14 | 99-7527 | 2 | Washer-Spring |
| 15 | 99-7526 | 2 | Nut |
| 16 | 95-7541 | 1 | Plate-Cover |
| 17 | 106-1140 | 1 | Gasket |
| 18 | 104-2353 | 2 | Pin-Dowel |



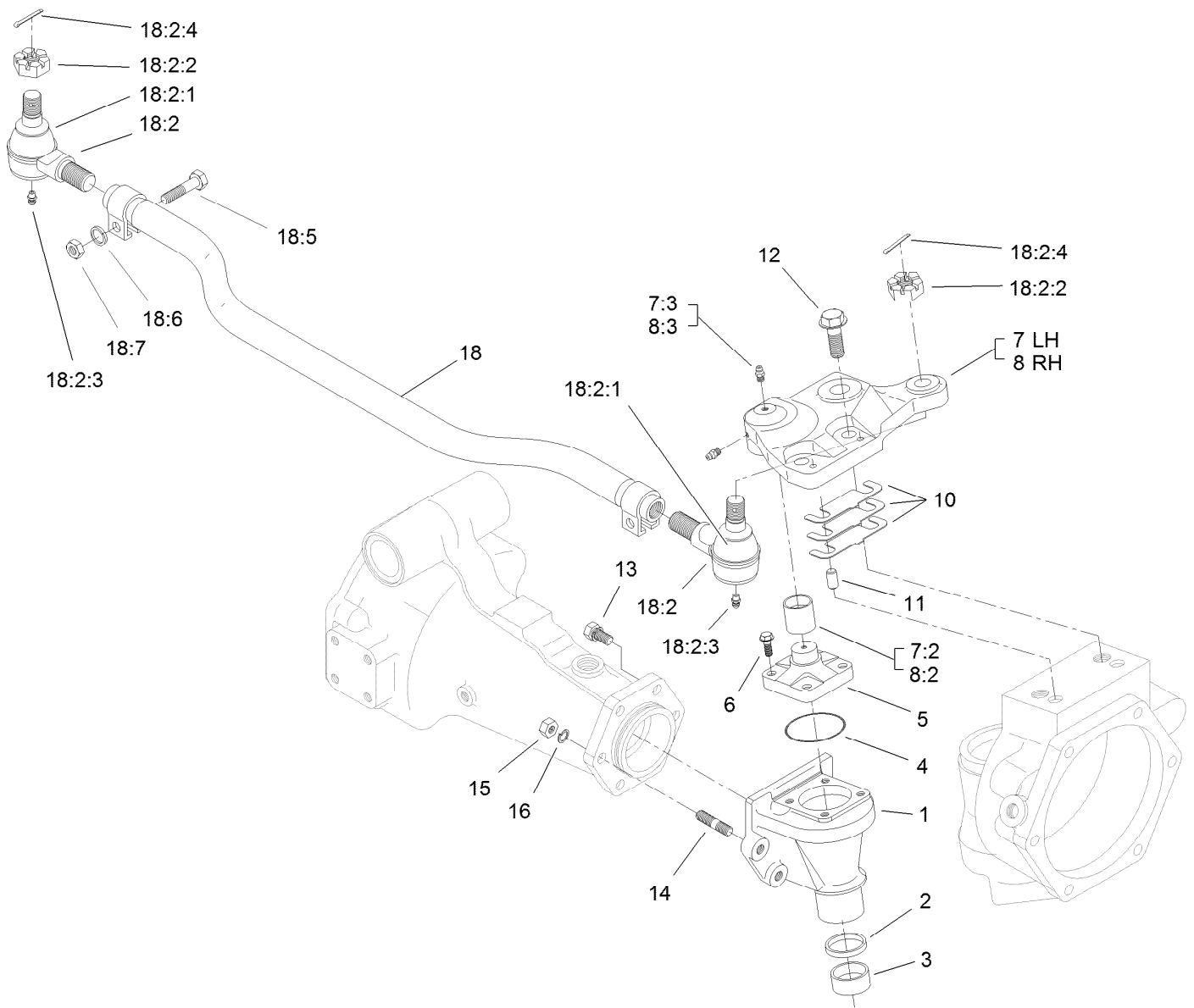
Differential Assembly Rear Axle Assembly No. 110-4750

| <i>Ref.</i> | <i>Part Number</i> | <i>Qty.</i> | <i>Description</i> | <i>Ref.</i> | <i>Part Number</i> | <i>Qty.</i> | <i>Description</i> |
|-------------|--------------------|-------------|-----------------------------|-------------|--------------------|-------------|---------------------|
| 1 | 95-7503 | 1 | Differential ASM | 9 | 99-7581 | 2 | Gear-Differential |
| 2 | 106-1093 | 1 | Ring And Pinion Set | 10 | 99-7582 | 2 | Washer-Differential |
| 2:1 | 95-7504 | 1 | Gear-43 Tooth, Bevel Spiral | 10 | 99-7583 | 2 | Washer-Differential |
| 2:2 | 106-1092 | 1 | Pinion-Spiral, Bevel | 10 | 99-7584 | 2 | Washer-Differential |
| 3 | 95-7502 | 1 | Case-Differential | 11 | 99-7588 | 1 | Pin-Spring |
| 4 | 99-7576 | 8 | Bolt | 12 | 99-7562 | 2 | Bearing-Ball |
| 5 | 3253-4 | 8 | Washer-Lock | 13 | 99-7585 | 2 | Shim 0.1 |
| 6 | 99-7578 | 1 | Shaft-Differential | 13 | 99-7586 | 2 | Shim 0.2 |
| 7 | 99-7579 | 2 | Pinion-Differential | 13 | 99-7587 | 2 | Shim 0.4 |
| 8 | 99-7580 | 2 | Washer-Differential | | | | |



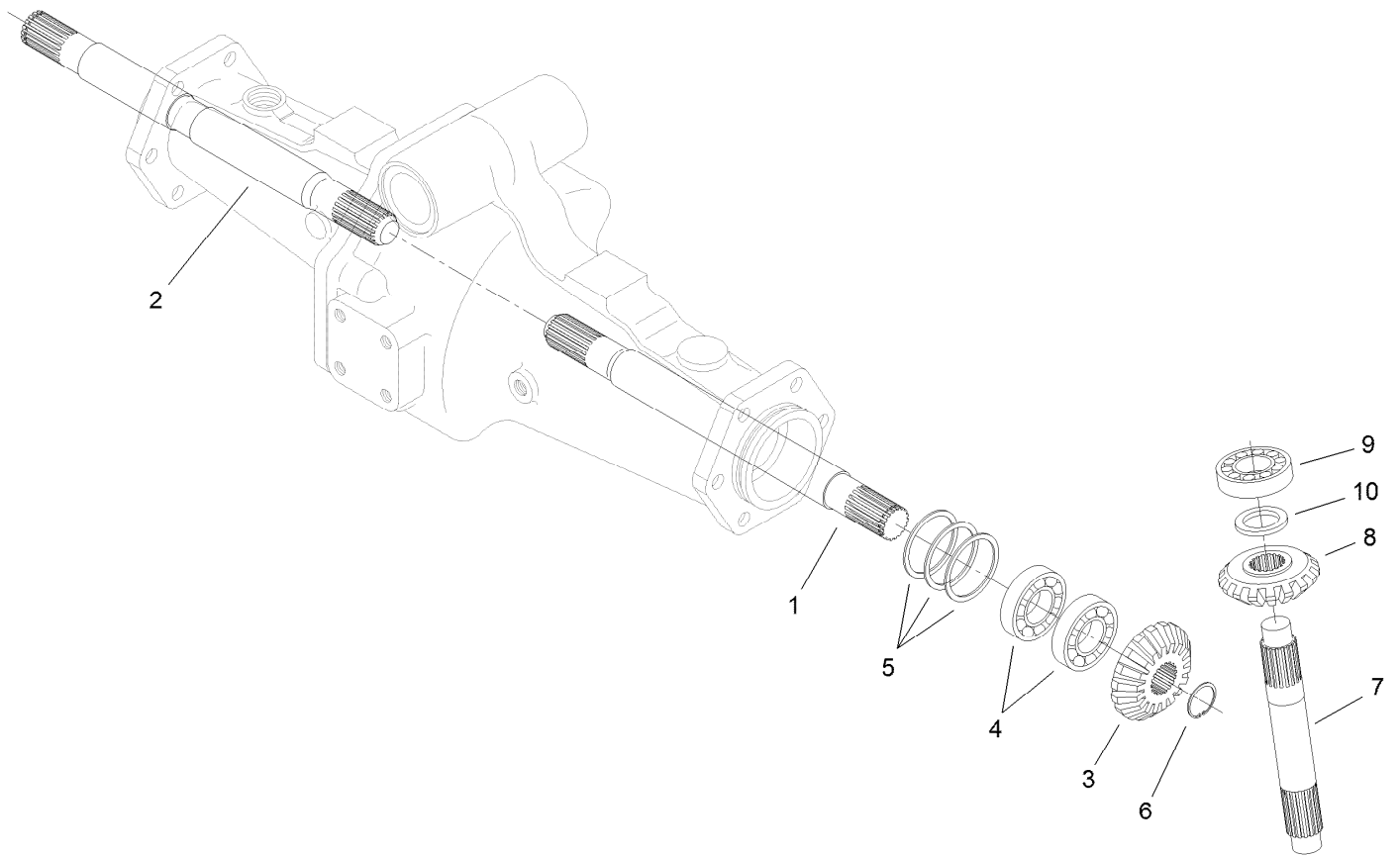
Axle Support Assembly Rear Axle Assembly No. 110-4750

| <i>Ref.</i> | <i>Part Number</i> | <i>Qty.</i> | <i>Description</i> |
|-------------|--------------------|-------------|---------------------|
| 1 | 95-7508 | 1 | Support-Axle |
| 2 | 95-7506 | 1 | Support-Axle |
| 3 | 106-1067 | 1 | O-Ring |
| 4 | 95-7537 | 2 | Bushing-Flanged |
| 5 | 99-7590 | 2 | Washer-Seal |
| 6 | 99-7589 | 2 | Plug |
| 7 | 110-4812 | 1 | Axle Vent ASM |
| 7:3 | 110-4815 | 1 | Insert-Filter, Foam |
| 8 | 99-7592 | 8 | Bolt |
| 9 | 106-1068 | 2 | O-Ring |
| 10 | 104-2377 | 1 | Extension-Vent |
| 11 | 104-8643 | 1 | Plug |
| 12 | 104-8644 | 1 | O-Ring |



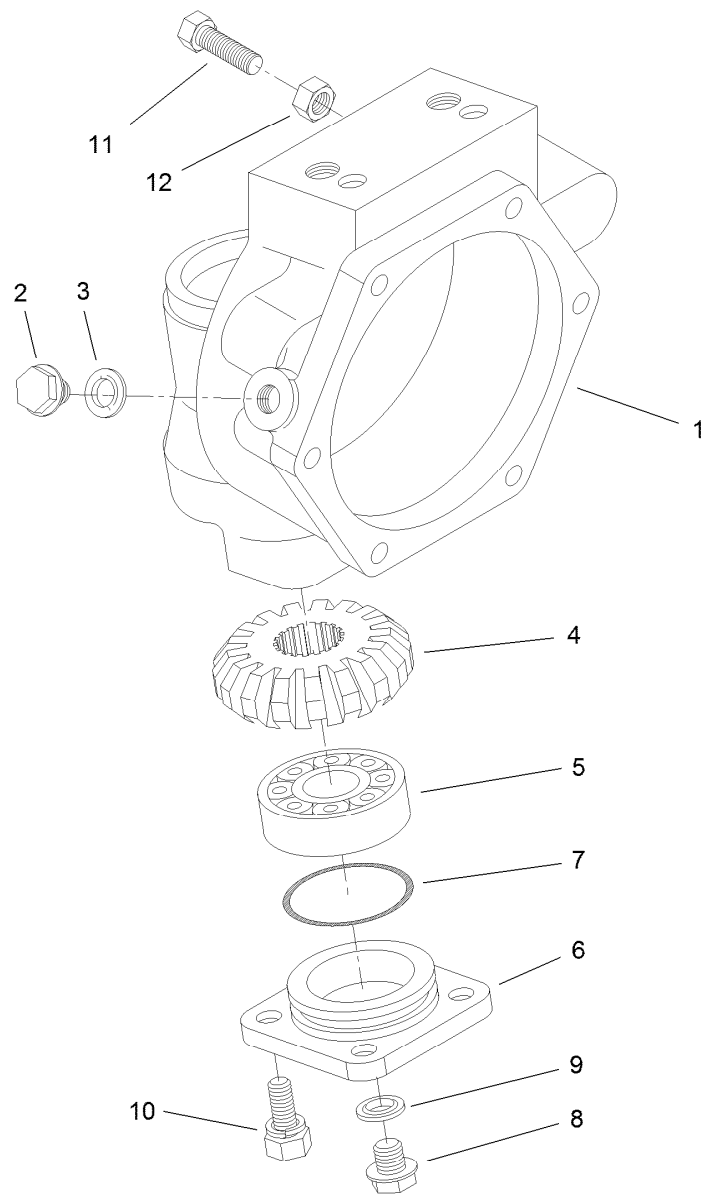
Bevel Gear Case Assembly Rear Axle Assembly No. 110-4750

| Ref. | Part Number | Qty. | Description | Ref. | Part Number | Qty. | Description |
|------|-------------|------|---------------------|--------|-------------|------|--------------------------------|
| 1 | 110-4752 | 2 | Case-Gear, Bevel | 12 | 104-2375 | 4 | Bolt |
| 2 | 110-4754 | 2 | Seal-Oil | 13 | 99-7599 | 8 | Bolt |
| 3 | 104-2378 | 2 | Bushing | 14 | 99-7525 | 4 | Stud |
| 4 | 106-1069 | 2 | O-Ring | 15 | 99-7526 | 4 | Nut |
| 5 | 104-2373 | 2 | Knuckle | 16 | 99-7527 | 4 | Washer-Spring |
| 6 | 104-2374 | 8 | Bolt | 18 | 106-1141 | 1 | Steering Tie Rod ASM |
| 7 | 100-3768 | 1 | LH Steering Arm ASM | 18:2 | 106-1113 | 2 | Tie Rod End ASM - RH Thread |
| 7:2 | 104-8634 | 1 | Bushing | 18:2:1 | 100-3853 | 1 | Cover-Dust |
| 7:3 | 106-1104 | 2 | Fitting-Grease | 18:2:2 | 100-3854 | 1 | Nut-Castle |
| 8 | 100-3766 | 1 | RH Steering Arm ASM | 18:2:3 | 110-4755 | 1 | Fitting-Grease |
| 8:2 | 104-8634 | 1 | Bushing | 18:2:4 | 3272-11 | 1 | Pin-Cotter |
| 8:3 | 106-1104 | 2 | Fitting-Grease | 18:5 | 100-3855 | 2 | Bolt |
| 10 | 95-7547 | 2 | Shim 0.1 | 18:6 | 99-7527 | 2 | Washer-Spring |
| 10 | 95-7548 | 2 | Shim 0.2 | 18:7 | 99-7526 | 2 | Nut |
| 10 | 95-7549 | 2 | Shim 0.3 | | | | |
| 11 | 99-7597 | 4 | Pin-Dowel | | | | |



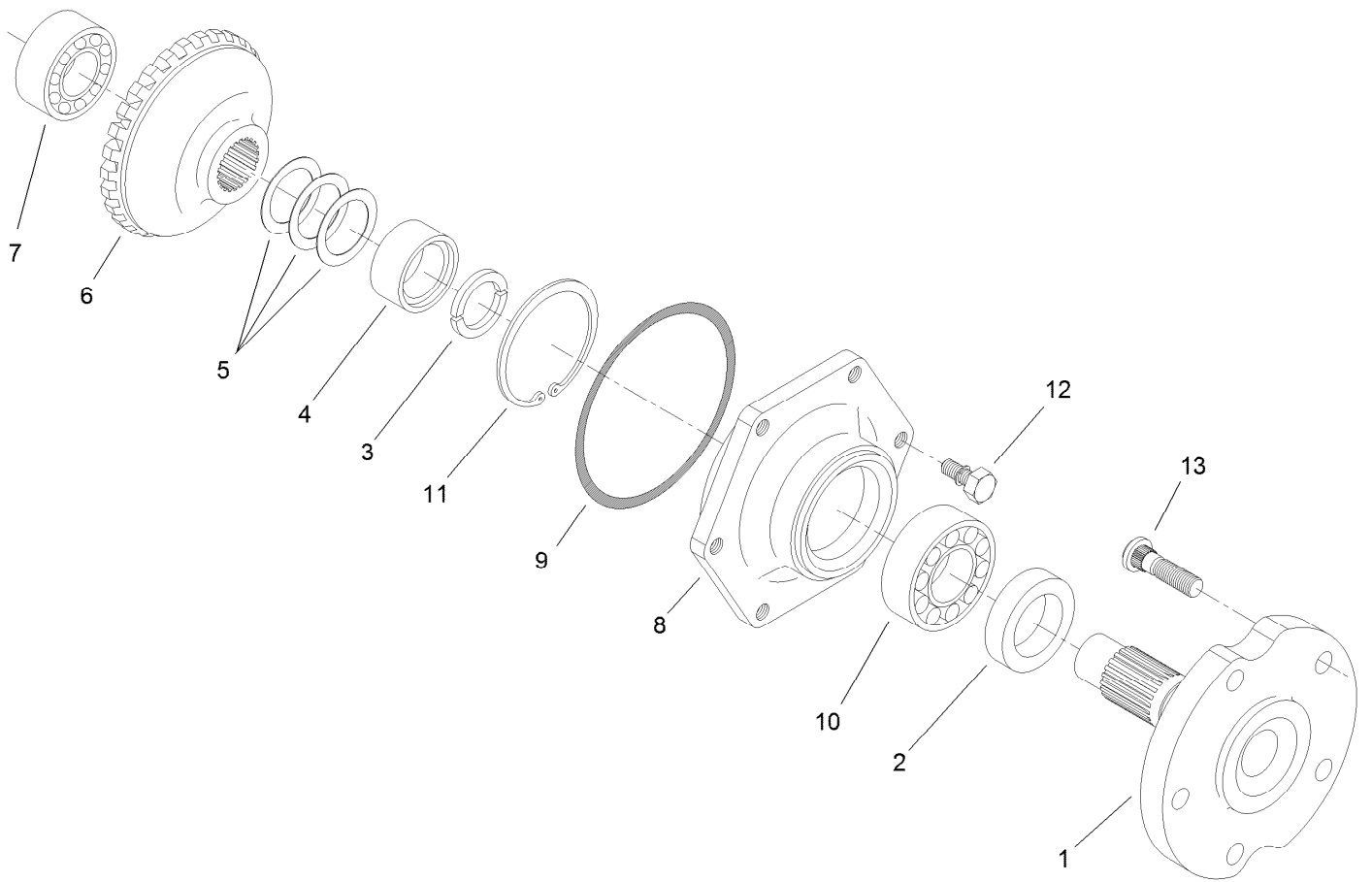
Bevel Gear Shaft Assembly Rear Axle Assembly No. 110-4750

| <i>Ref.</i> | <i>Part Number</i> | <i>Qty.</i> | <i>Description</i> |
|-------------|--------------------|-------------|--------------------------|
| 1 | 95-7509 | 1 | Shaft-Gear, Differential |
| 2 | 95-7512 | 1 | Shaft-Gear, Differential |
| 3 | 95-7517 | 2 | Gear-Bevel, 15 Tooth |
| 4 | 99-7530 | 4 | Bearing-Ball |
| 5 | 99-7552 | 2 | Shim 0.1 |
| 5 | 99-7553 | 2 | Shim 0.2 |
| 5 | 99-7554 | 2 | Shim 0.5 |
| 6 | 99-7531 | 2 | Clip |
| 7 | 110-4753 | 2 | Shaft-Gear, Bevel |
| 8 | 95-7519 | 2 | Gear-Bevel, 17 Tooth |
| 9 | 99-7532 | 2 | Bearing-Roller, Taper |
| 10 | 99-7558 | 2 | Collar |



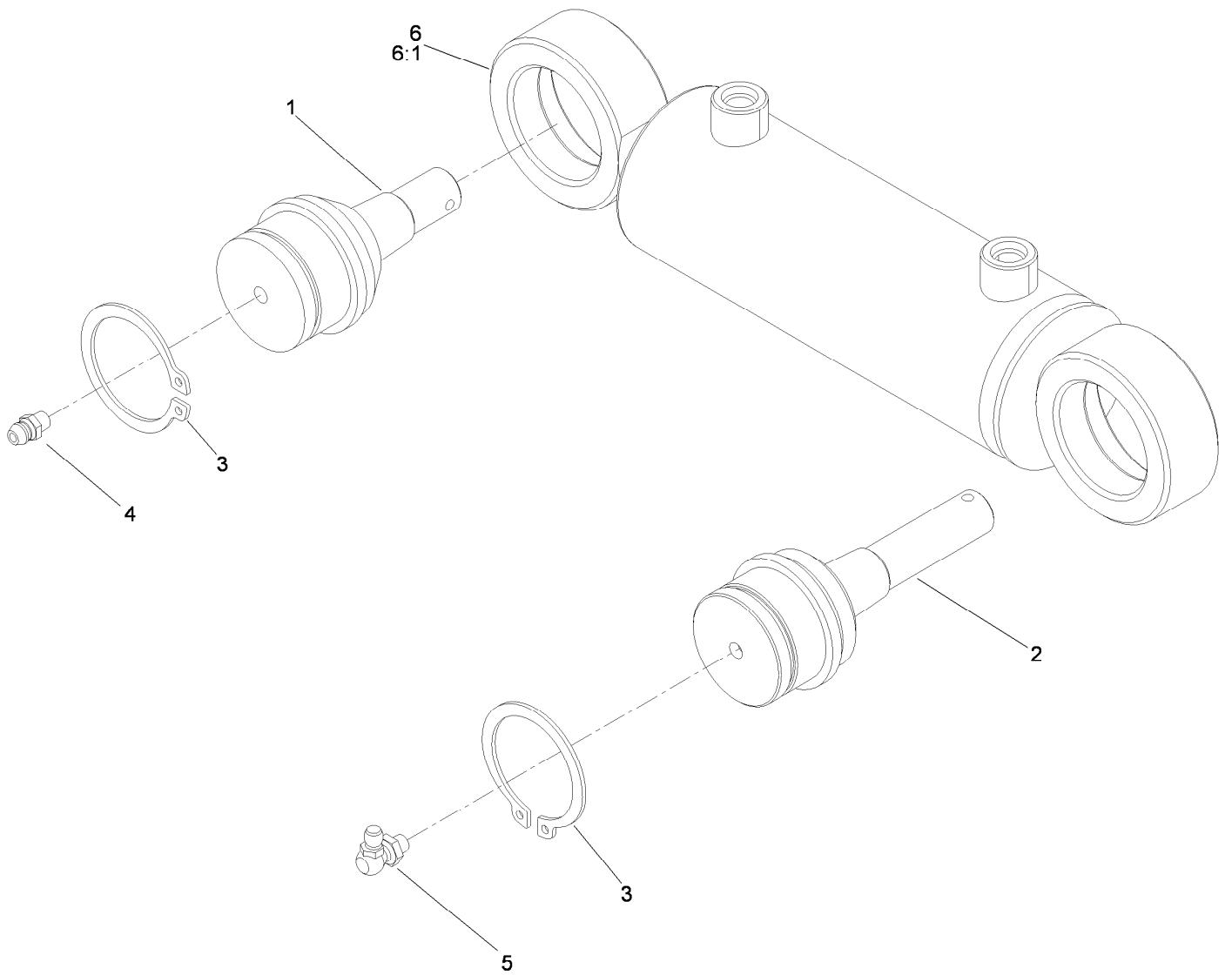
Axle Case Assembly Rear Axle Assembly No. 110-4750

| <i>Ref.</i> | <i>Part Number</i> | <i>Qty.</i> | <i>Description</i> |
|-------------|--------------------|-------------|-----------------------|
| 1 | 110-4751 | 2 | Case-Axle |
| 2 | 99-7535 | 2 | Plug |
| 3 | 99-7536 | 2 | Washer-Seal |
| 4 | 95-7527 | 2 | Gear-Bevel, 17 Tooth |
| 5 | 99-7532 | 2 | Bearing-Roller, Taper |
| 6 | 100-2560 | 2 | Cover |
| 7 | 106-1070 | 2 | O-Ring |
| 8 | 99-7589 | 2 | Plug |
| 9 | 99-7590 | 2 | Washer-Seal |
| 10 | 100-2562 | 8 | Bolt |
| 11 | 106-1102 | 2 | Bolt-Stop |
| 12 | 106-1103 | 2 | Nut |



Axle Assembly Rear Axle Assembly No. 110-4750

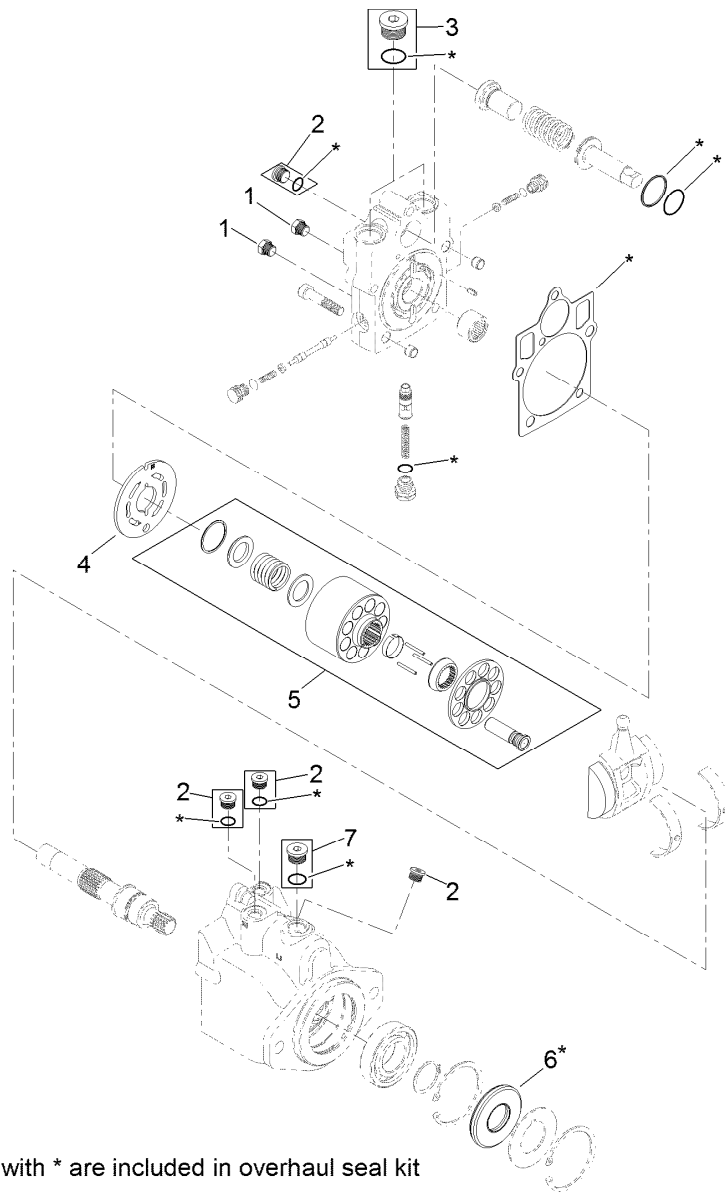
| <i>Ref.</i> | <i>Part Number</i> | <i>Qty.</i> | <i>Description</i> |
|-------------|--------------------|-------------|----------------------|
| 1 | 95-7522 | 2 | Axle |
| 2 | 99-7564 | 2 | Seal-Oil |
| 3 | 95-7544 | 4 | Clip |
| 4 | 95-7523 | 2 | Spacer |
| 5 | 99-7555 | 2 | Shim 0.3 |
| 5 | 99-7556 | 2 | Shim 0.2 |
| 5 | 99-7557 | 2 | Shim 0.5 |
| 6 | 95-7524 | 2 | Gear-Bevel, 29 Tooth |
| 7 | 99-7534 | 2 | Bearing-Ball |
| 8 | 95-7521 | 2 | Cover-Axle |
| 9 | 106-1071 | 2 | O-Ring |
| 10 | 99-7561 | 2 | Bearing-Ball |
| 11 | 99-7539 | 2 | Clip |
| 12 | 99-7596 | 12 | Bolt |
| 13 | 99-7563 | 10 | Stud |



Steer Cylinder Assembly No. 119-3903

| Ref. | Part Number | Qty. | Description |
|------|-------------|------|--------------------------|
| 1 | 106-6774 | 1 | Joint-Ball |
| 2 | 100-3795 | 1 | Joint-Ball |
| 3 | 32151-104 | 2 | Ring-Retaining, External |
| 4 | 302-5 | 1 | Fitting-Grease |
| 5 | 302-60 | 1 | Fitting-Grease |
| 6 | 125-1661 | 1 | Cylinder-HYD |
| 6:1 | 125-1681 | 1 | Cylinder Repair Kit ● |

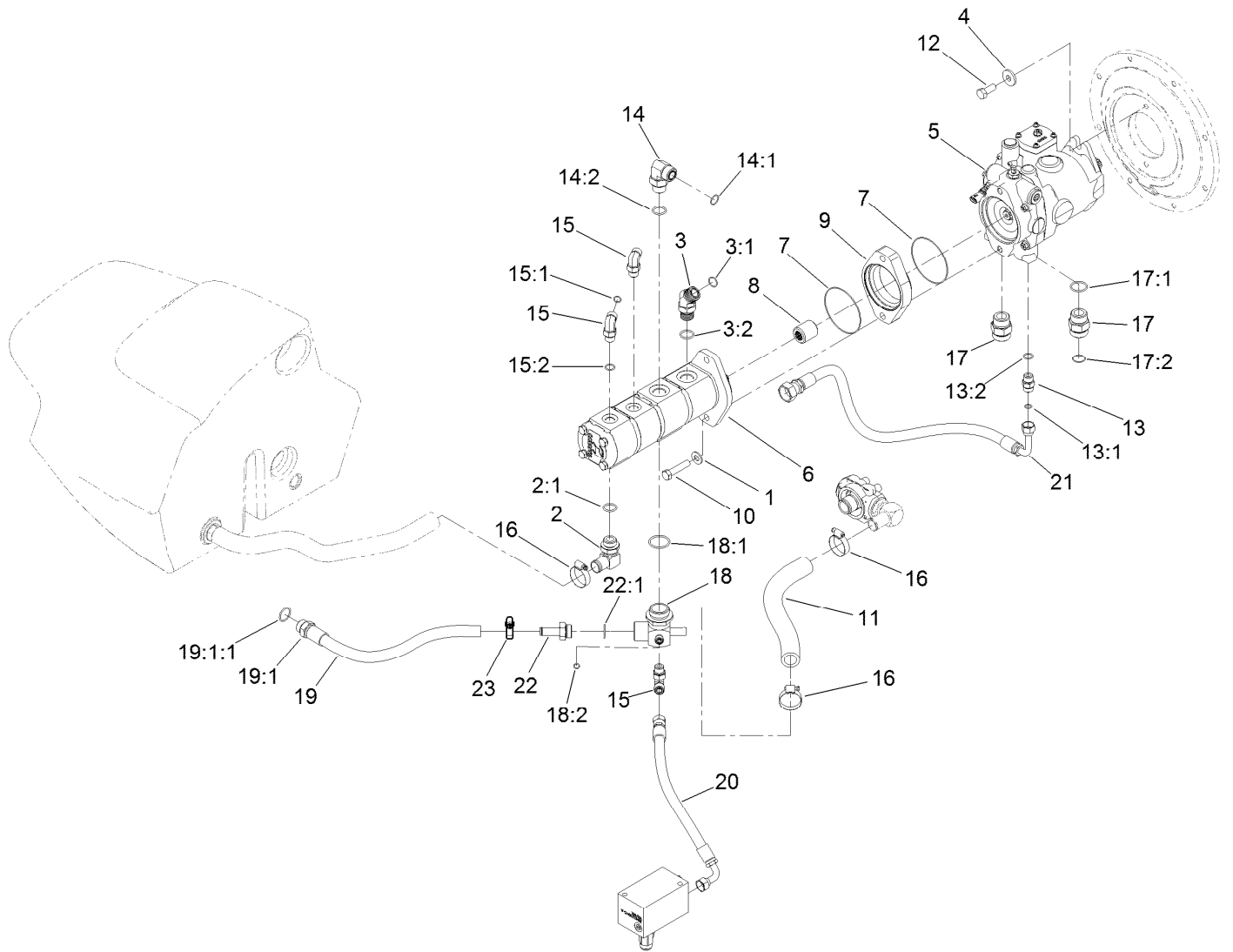
● Not illustrated



8= all items with * are included in overhaul seal kit

Piston Motor Assembly No. 121-3101

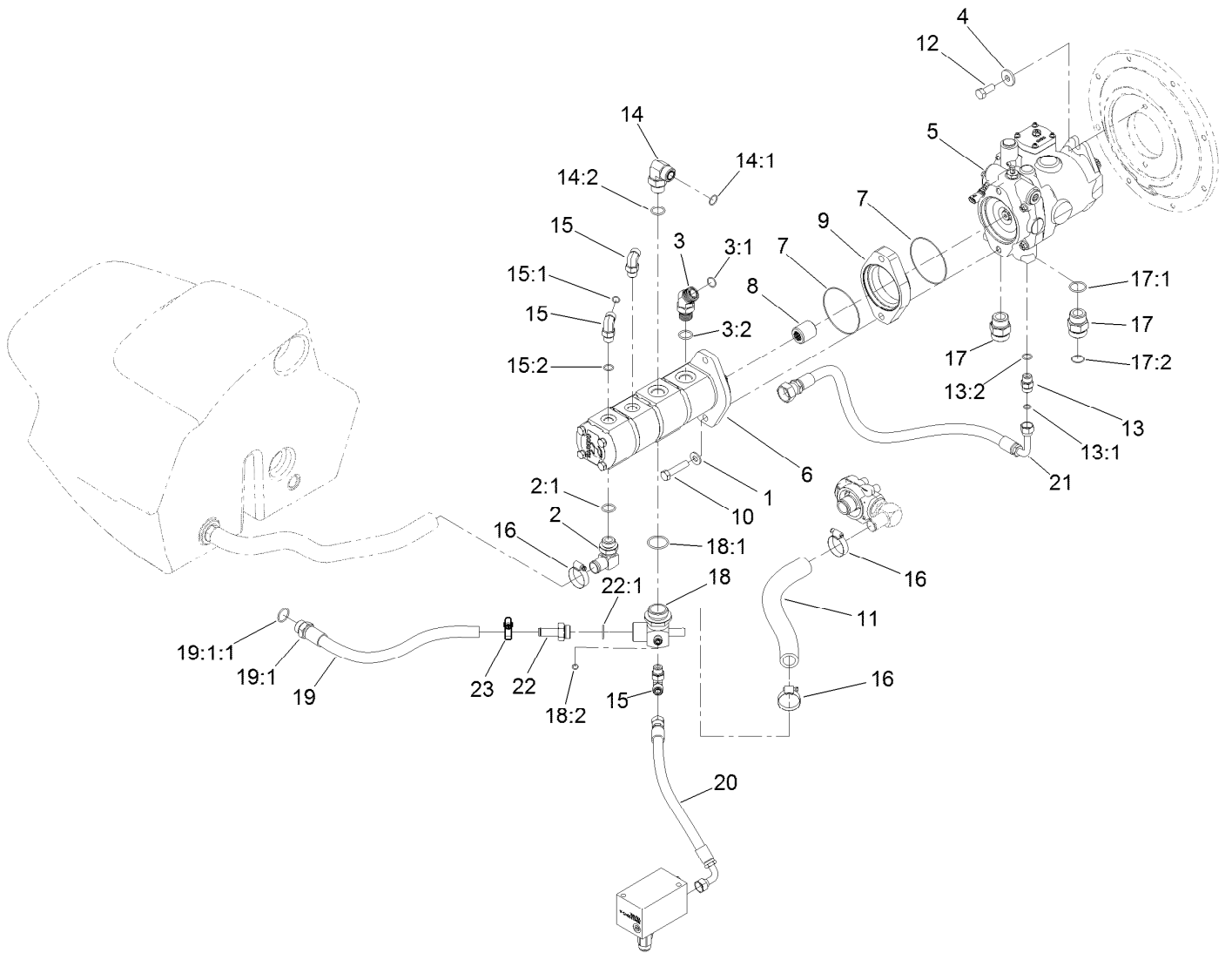
| Ref. | Part Number | Qty. | Description |
|------|-------------|------|--------------------|
| 1 | 92-1352 | 2 | Plug |
| 2 | 69-3080 | 5 | Plug |
| 3 | 69-3130 | 2 | Plug |
| 4 | 125-4638 | 1 | Valve Plate |
| 5 | 125-4639 | 1 | Cylinder Block Kit |
| 6 | 69-3190 | 1 | Seal-Lip |
| 7 | 67-9090 | 1 | Plug |
| 8 | 121-1736 | 1 | Overhaul Seal Kit |



Hydraulic Pump Assembly

| Ref. | Part Number | Qty. | Description | Ref. | Part Number | Qty. | Description |
|------|-------------|------|--------------------|--------|-------------|------|-----------------------|
| 1 | 87-7270 | 2 | Washer-Thrust | 14 | 340-142 | 1 | Fitting-Elbow, 90 DEG |
| 2 | 100-4202 | 1 | Fitting-90 | 14:1 | 237-58 | 1 | O-Ring |
| 2:1 | 237-81 | 1 | O-Ring | 14:2 | 237-81 | 1 | O-Ring |
| 3 | 100-5530 | 1 | Fitting-45 DEG | 15 | 340-98 | 3 | Fitting-Elbow, 90 DEG |
| 3:1 | 237-58 | 1 | O-Ring | 15:1 | 237-79 | 1 | O-Ring |
| 3:2 | 237-81 | 1 | O-Ring | 15:2 | 237-30 | 1 | O-Ring |
| 4 | 110-6147 | 2 | Washer-Flat | 16 | 2412-111 | 3 | Clamp-Hose, W/Liner |
| 5 | 114-4188 | 1 | Piston Pump ASM | 17 | 104-3797 | 2 | Fitting-Straight |
| 6 | 114-4189 | 1 | 4-Section Pump ASM | 17:1 | 237-146 | 1 | O-Ring |
| 7 | 115-3009 | 2 | O-Ring | 17:2 | 340-65 | 1 | O-Ring |
| 8 | 115-3011 | 1 | Coupler-Pump | 18 | 130-1616 | 1 | Fitting-Tee |
| 9 | 115-3757 | 1 | Spacer-Pump | 18:1 | 237-101 | 1 | O-Ring |
| 10 | 115-8488 | 2 | Screw-HH | 18:2 | 237-22 | 1 | O-Ring |
| 11 | 121-3062 | 1 | Hose-Suction | 19 | 121-3079 | 1 | Hose ASM |
| 12 | 325-5 | 2 | Screw-HH | 19:1 | | 1 | Fitting-Straight ● |
| 13 | 340-4 | 1 | Fitting-Straight | 19:1:1 | 237-81 | 1 | O-Ring |
| 13:1 | 237-30 | 1 | O-Ring | 20 | 125-4616 | 1 | Hose ASM |
| 13:2 | 237-79 | 1 | O-Ring | 21 | 130-1633 | 1 | Hose ASM |

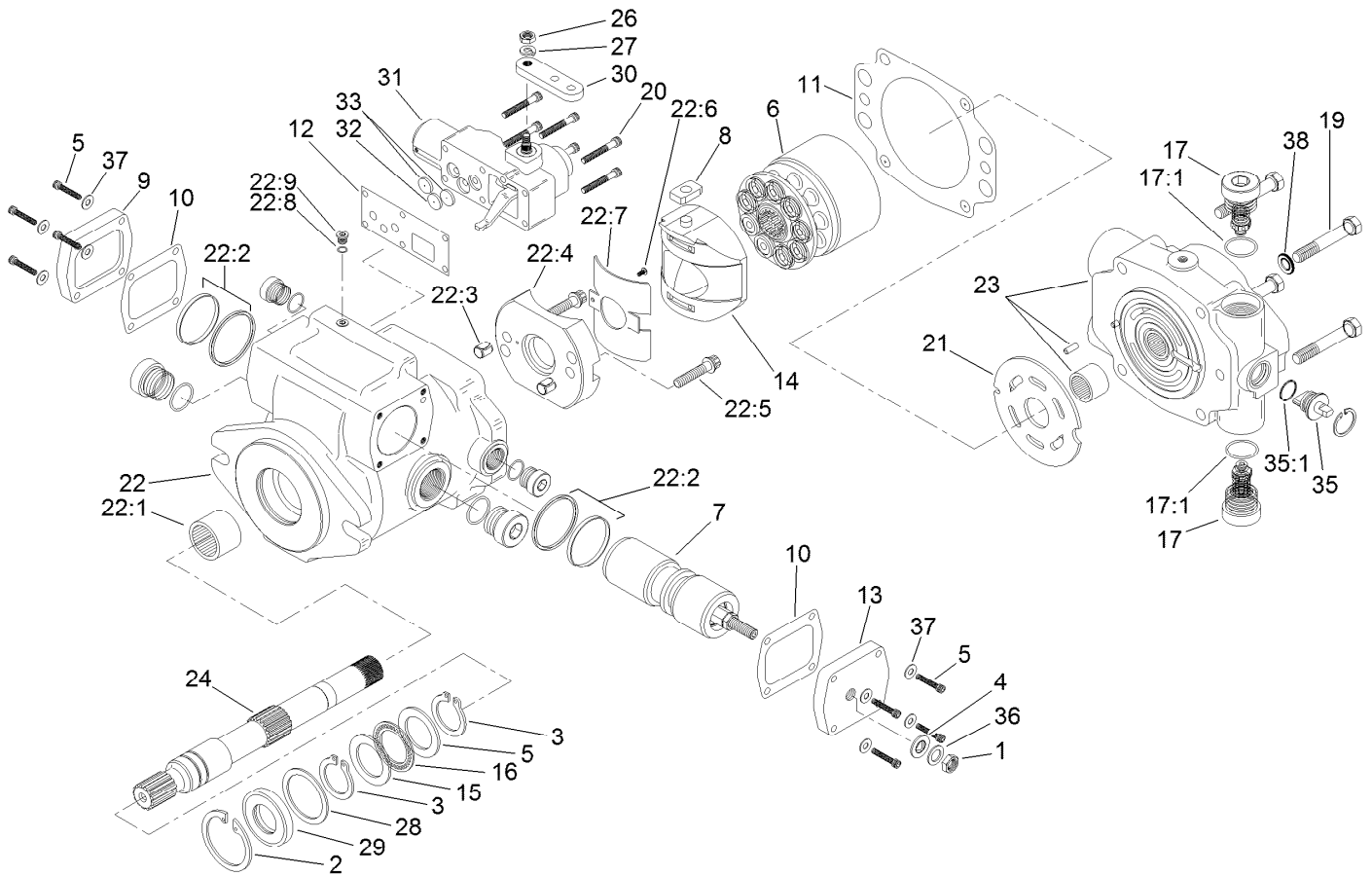
● Not serviced separately



Hydraulic Pump Assembly (continued)

| <i>Ref.</i> | <i>Part Number</i> | <i>Qty.</i> | <i>Description</i> | <i>Ref.</i> | <i>Part Number</i> | <i>Qty.</i> | <i>Description</i> |
|-------------|--------------------|-------------|--------------------|-------------|--------------------|-------------|--------------------|
| 22 | 121-1526 | 1 | Fitting-STR | 22:1 | 237-81 | 1 | O-Ring |
| | | | | 23 | 2412-129 | 1 | Clamp-Hose |

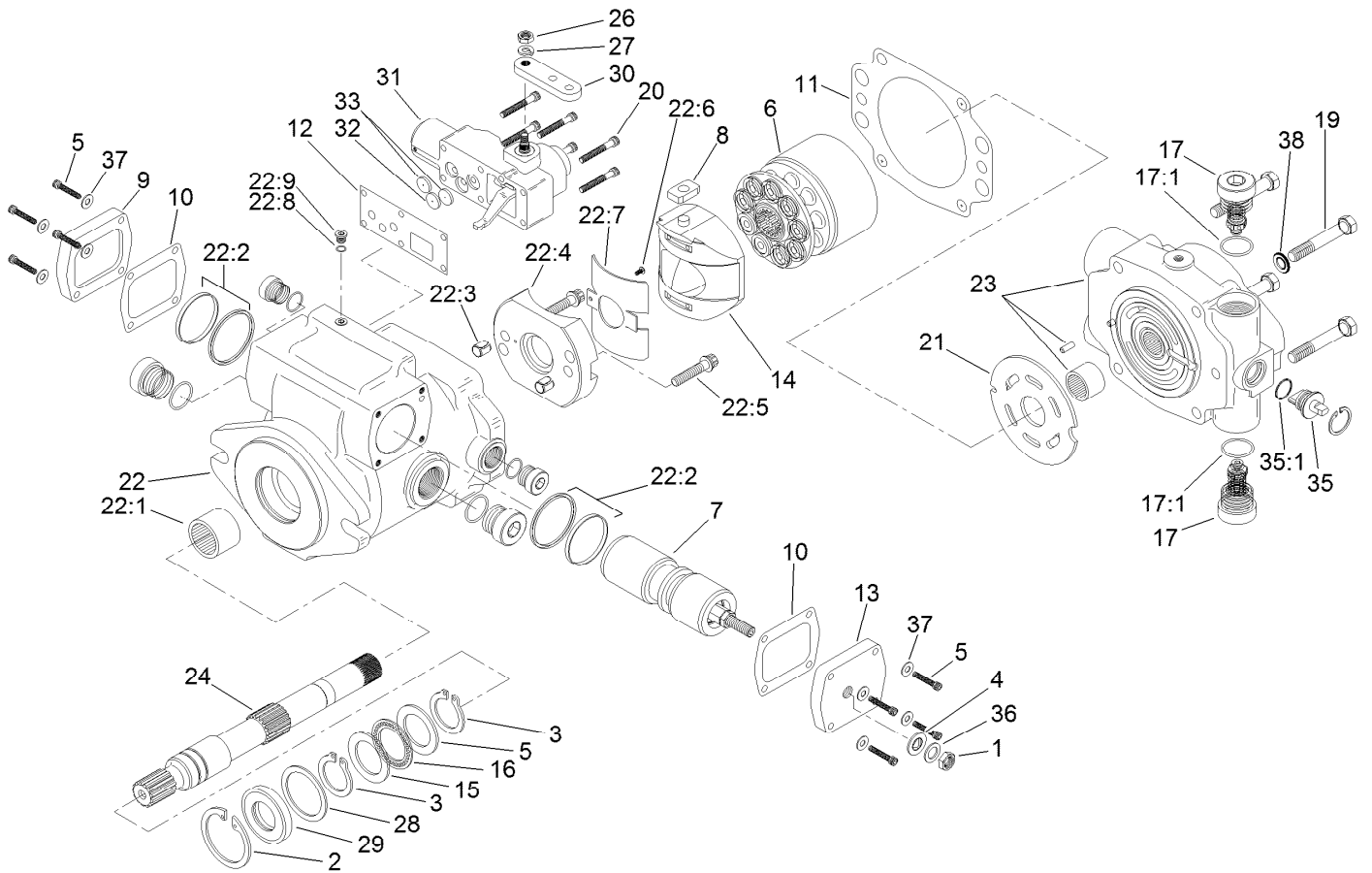
● Not serviced separately



Piston Pump Assembly No. 114-4188

| Ref. | Part Number | Qty. | Description | Ref. | Part Number | Qty. | Description |
|------|-------------|------|-------------------------|------|-------------|------|------------------|
| 1 | 3220-3 | 1 | Nut-HJ | 19 | 323-45 | 4 | Screw-HH |
| 2 | 60-6260 | 1 | Ring | 20 | 93-6324 | 6 | Screw |
| 3 | 76-7000 | 2 | Ring-Retaining | 21 | 105-9854 | 1 | Plate-Valve |
| 4 | 94-3027 | 1 | Washer-Seal | 22 | 105-9855 | 1 | Housing ASM |
| 5 | 93-6337 | 8 | Screw | 22:1 | | 1 | Bearing ● |
| 6 | 105-9851 | 1 | Rotating Kit | 22:2 | | 2 | Seal ASM ● |
| 7 | 105-4572 | 1 | Servo Piston ASM | 22:3 | | 2 | Dowel-Bushing ● |
| 8 | 94-3032 | 1 | Follower-Piston | 22:4 | | 1 | Cradle ASM ● |
| 9 | 94-3033 | 1 | Plate-Cover | 22:5 | | 2 | Screw ● |
| 10 | 93-6339 | 2 | Gasket | 22:6 | | 1 | Screw ● |
| 11 | 105-2900 | 1 | Gasket-Housing | 22:7 | | 1 | Bushing ● |
| 12 | 105-2901 | 1 | Gasket-Housing, Control | 22:8 | | 1 | O-Ring ● |
| 13 | 105-9853 | 1 | Plate-Cover | 22:9 | | 1 | Plug ● |
| 14 | 94-3026 | 1 | Camplate ASM | 23 | 115-4445 | 1 | Endcover Sub ASM |
| 15 | 76-6950 | 2 | Race-Thrust | 24 | 115-3008 | 1 | Shaft-Drive |
| 16 | 76-6960 | 1 | Bearing-Thrust | 26 | 93-6327 | 1 | Nut |
| 17 | 105-2857 | 2 | Valve-Relief | 27 | 3253-3 | 1 | Washer-Lock |
| 17:1 | | 1 | O-Ring ● | 28 | 60-6240 | 1 | Washer |

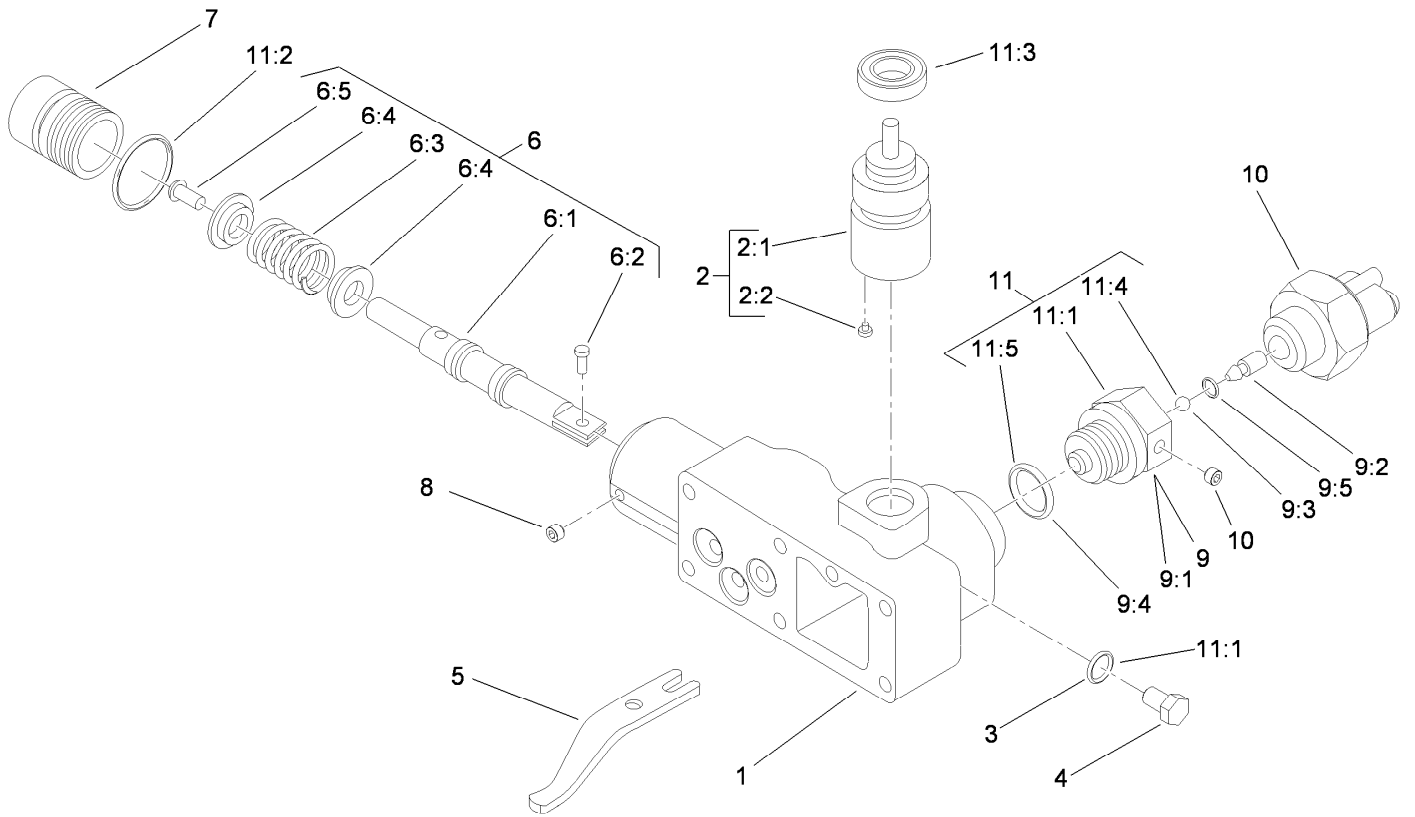
● Not serviced separately



Piston Pump Assembly No. 114-4188 (continued)

| Ref. | Part Number | Qty. | Description | Ref. | Part Number | Qty. | Description |
|------|-------------|------|----------------------------|------|-------------|------|--------------|
| 29 | 105-3331 | 1 | Seal-Shaft | 35 | 105-2864 | 1 | Valve-Bypass |
| 30 | 110-0036 | 1 | Arm-Control | 35:1 | | 1 | O-Ring ● |
| 31 | 115-4446 | 1 | Control-Servo, Manual | 36 | 94-3030 | 1 | Washer |
| 32 | 105-2909 | 1 | Orifice-Control, .036 DIA | 37 | 93-6336 | 8 | Washer |
| 33 | 94-3041 | 2 | Orifice-Control (.028 DIA) | 38 | 105-9762 | 4 | Washer |

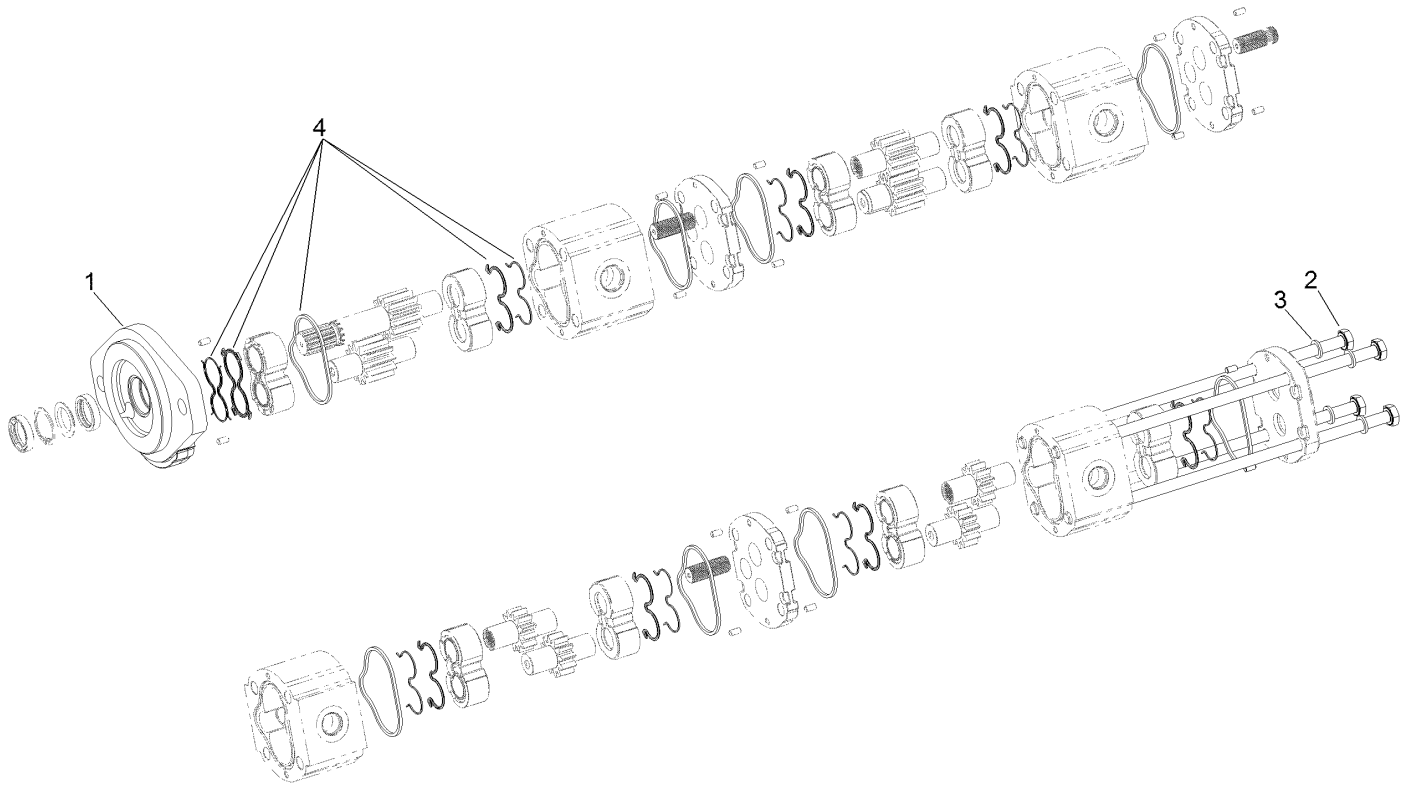
● Not serviced separately



Control Assembly No. 115-4446

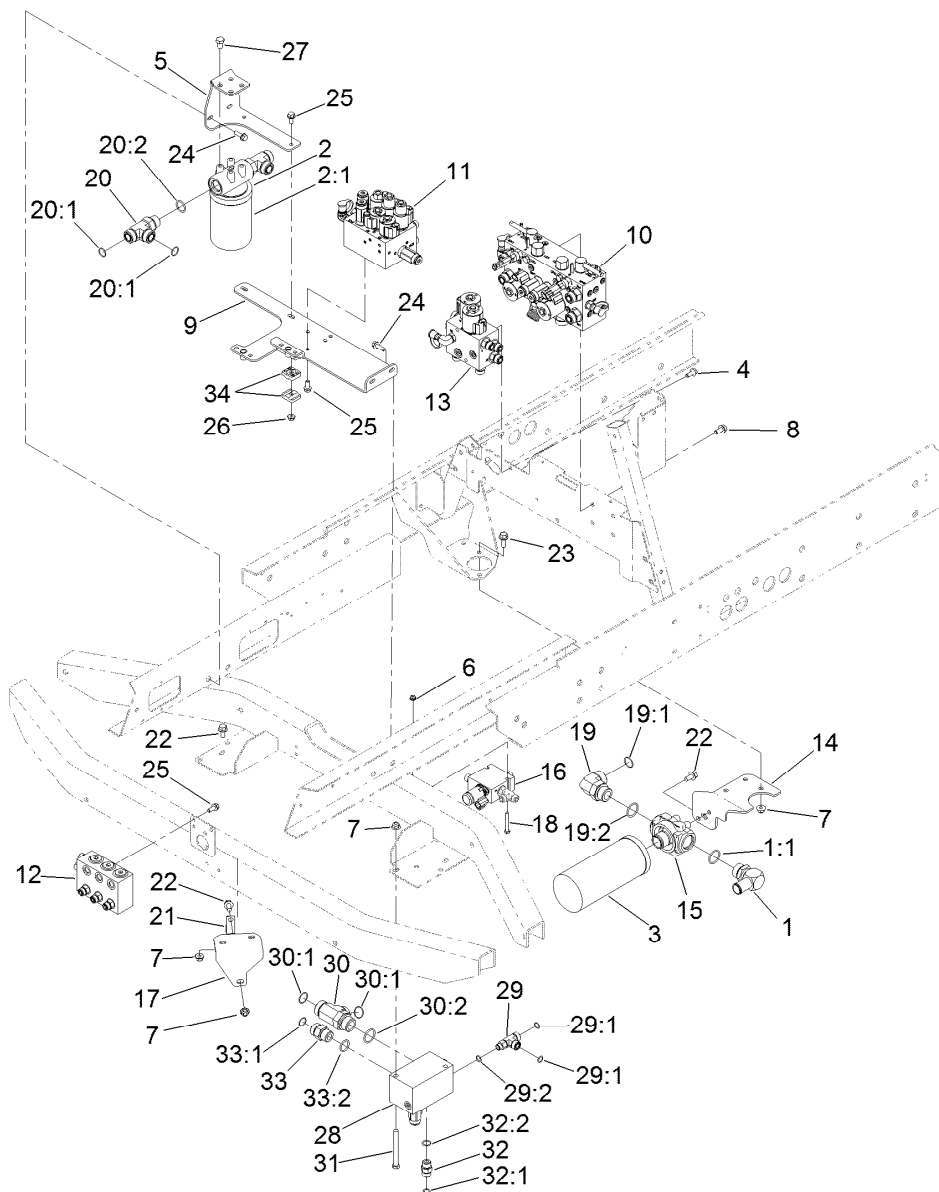
| Ref. | Part Number | Qty. | Description | Ref. | Part Number | Qty. | Description |
|------|-------------|------|-------------------------|------|-------------|------|----------------------------|
| 1 | | 1 | Housing-Control ● | 8 | | 2 | Screw-Set ● |
| 2 | 108-7099 | 1 | Input Control Shaft ASM | 9 | 108-8003 | 1 | Adaptor ASM |
| 2:1 | | 1 | Shaft ● | 9:1 | | 1 | Adaptor-Lockout, Neutral ● |
| 2:2 | | 1 | Pin ● | 9:2 | | 1 | Pin ● |
| 3 | | 1 | O-Ring ● | 9:3 | | 1 | Ball ● |
| 4 | | 1 | Plug ● | 9:4 | | 1 | O-Ring ● |
| 5 | | 1 | Link-Feedback ● | 9:5 | | 1 | O-Ring ● |
| 6 | 108-7098 | 1 | Valve Spool ASM | 10 | 115-3795 | 1 | Switch-Neutral |
| 6:1 | | 1 | Valve-Spool ● | 11 | 94-3044 | 1 | Seal Kit |
| 6:2 | | 1 | Pin-Dowel ● | 11:1 | 117-8979 | 1 | Seal-Shaft |
| 6:3 | | 1 | Spring ● | 11:2 | 105-2901 | 1 | Gasket-Housing, Control |
| 6:4 | | 2 | Retainer ● | 11:3 | | 1 | O-Ring ● |
| 6:5 | | 1 | Screw ● | 11:4 | | 1 | O-Ring ● |
| 7 | | 1 | Plug ● | 11:5 | | 1 | Seal-Wiper ● |

● Not serviced separately



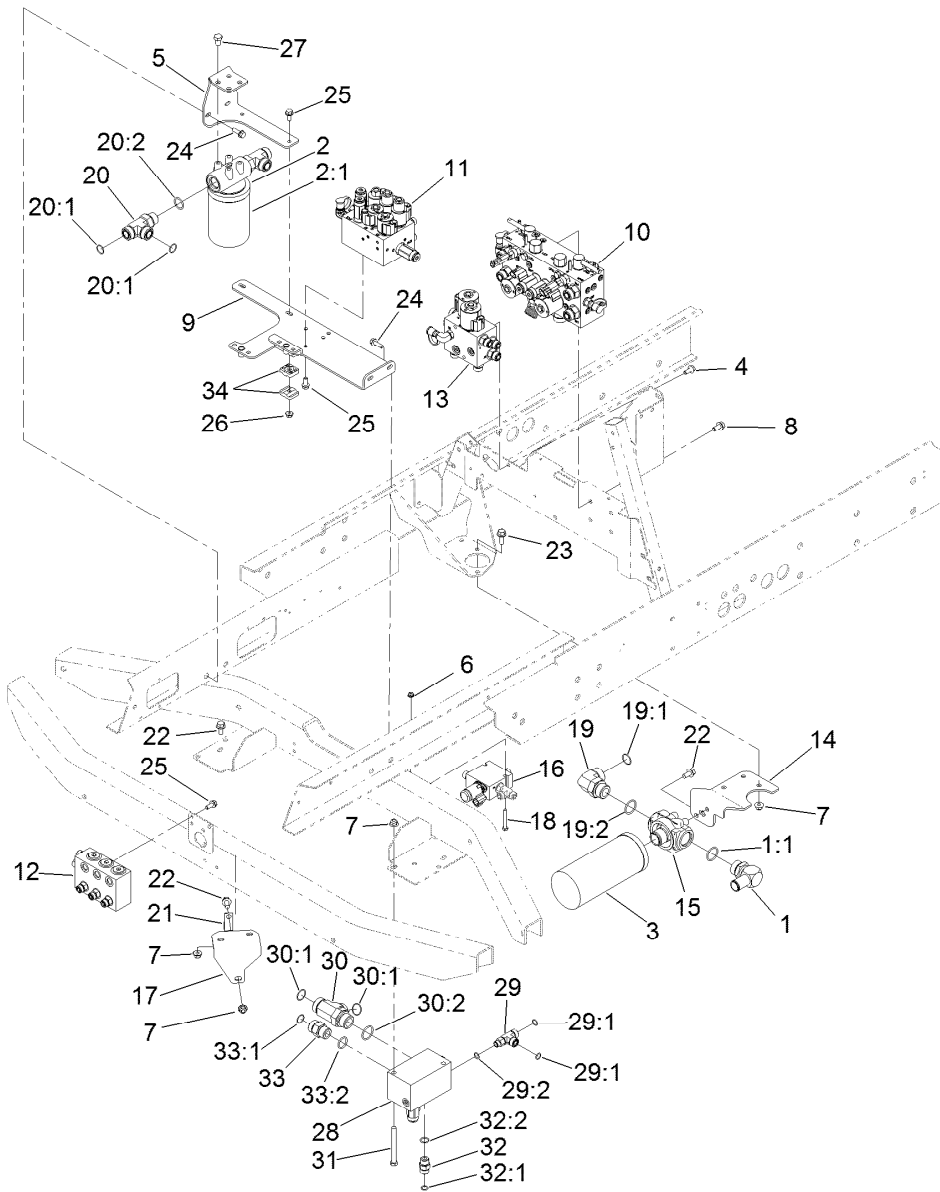
Four Section Pump Assembly No. 114-4189

| <i>Ref.</i> | <i>Part Number</i> | <i>Qty.</i> | <i>Description</i> |
|-------------|--------------------|-------------|--------------------|
| 1 | 115-3774 | 1 | Cover-Front |
| 2 | 115-4444 | 4 | Bolt |
| 3 | 115-9138 | 4 | Washer |
| 4 | 115-3776 | 1 | Seal Kit |



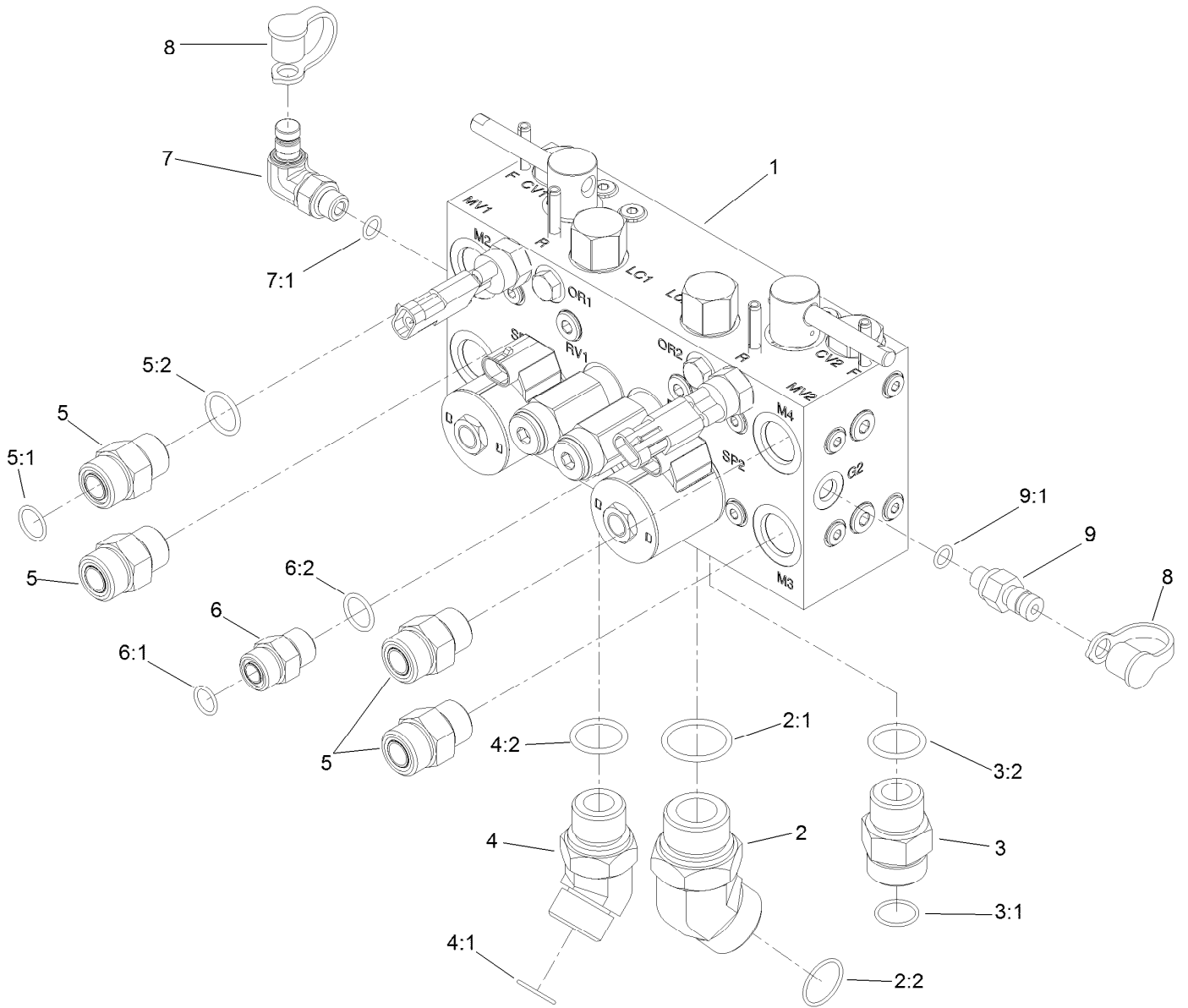
Hydraulic System Componets Assembly

| Ref. | Part Number | Qty. | Description | Ref. | Part Number | Qty. | Description |
|------|-------------|------|--------------------------|------|-------------|------|----------------------------|
| 1 | 23-8910 | 1 | Stem-Barb-90 | 19:1 | 237-146 | 1 | O-Ring |
| 1:1 | 237-146 | 1 | O-Ring | 19:2 | 340-65 | 1 | O-Ring |
| 2 | 93-2242 | 1 | Oil Filter ASM | 20 | 340-148 | 2 | Fitting-Tee |
| 2:1 | 75-1310 | 1 | Filter-HYD | 20:1 | 237-81 | 1 | O-Ring |
| 3 | 94-2621 | 1 | Element-Filter | 20:2 | 237-58 | 2 | O-Ring |
| 4 | 100-1668 | 2 | Screw-HHF | 21 | 2412-150 | 1 | Clip-J |
| 5 | 104-5492-03 | 1 | Bracket-Mount, Filter | 22 | 3234-1 | 5 | Screw-HHF |
| 6 | 104-7201 | 2 | Nut-HF, NI | 23 | 3234-11 | 2 | Screw-HHF |
| 7 | 104-8301 | 7 | Nut-HF, NI | 24 | 115-1794 | 1 | Screw-HHF |
| 8 | 110-1718 | 4 | Screw-HHF | 25 | 3234-5 | 9 | Screw-HHF |
| 9 | 117-2362 | 1 | Bracket-Mount, Valve | 26 | 104-8300 | 2 | Nut-HF, NI |
| 10 | 130-1656 | 1 | Mow Manifold ASM | 27 | 33115-016 | 4 | Screw-HH |
| 11 | 130-1669 | 1 | Lift Manifold ASM | 28 | 121-3078 | 1 | Rear Traction Manifold ASM |
| 12 | 130-1670 | 1 | Junction Manifold ASM | 29 | 110-0064 | 1 | Fitting-Tee |
| 13 | 119-3943 | 1 | Fan Drive Manifold ASM | 29:1 | 237-30 | 2 | O-Ring |
| 14 | 120-8022-03 | 1 | Plate-Mount, Filter | 29:2 | 237-42 | 1 | O-Ring |
| 15 | 121-1577 | 1 | Head-Filter | 30 | 104-3795 | 1 | Fitting-Tee |
| 16 | 138-6946 | 1 | 3-Way Valve Manifold ASM | 30:1 | 340-65 | 2 | O-Ring |
| 17 | 121-3089-03 | 1 | Plate-Mount,Tube | 30:2 | 237-146 | 1 | O-Ring |
| 18 | 321-11 | 2 | Screw-HH | 31 | 323-42 | 2 | Screw-HH |
| 19 | 340-129 | 1 | Fitting-Elbow, 90 DEG | 32 | 340-4 | 1 | Fitting-Straight |



Hydraulic System Components Assembly (continued)

| <i>Ref.</i> | <i>Part Number</i> | <i>Qty.</i> | <i>Description</i> | <i>Ref.</i> | <i>Part Number</i> | <i>Qty.</i> | <i>Description</i> |
|-------------|--------------------|-------------|--------------------|-------------|--------------------|-------------|--------------------|
| 32:1 | 237-30 | 1 | O-Ring | 33:1 | 237-58 | 1 | O-Ring |
| 32:2 | 237-79 | 1 | O-Ring | 33:2 | 237-81 | 1 | O-Ring |
| 33 | 340-9 | 1 | Fitting-STR | 34 | 56-7973 | 2 | Clamp-Tube |

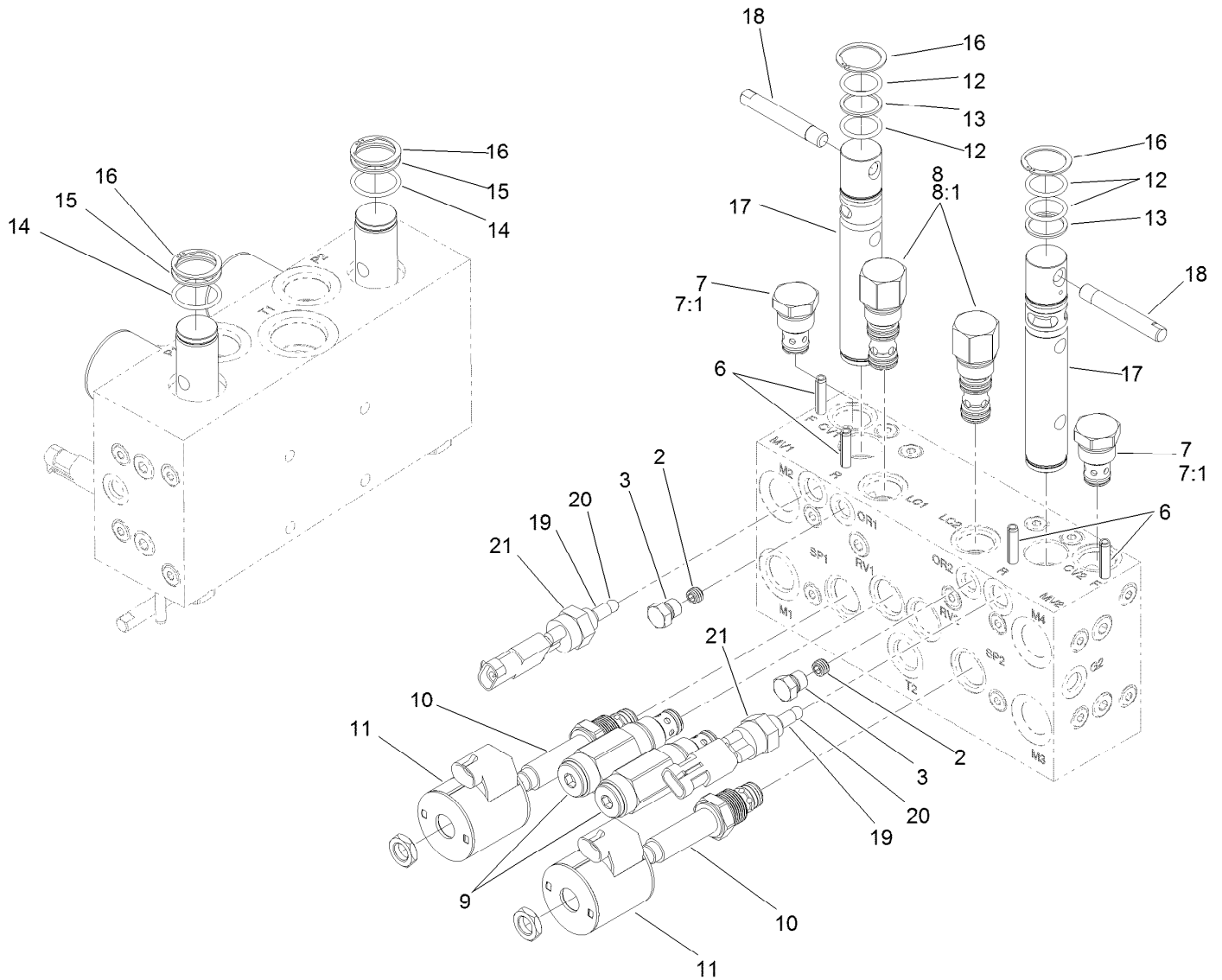


Mow Manifold Assembly No. 130-1656

| Ref. | Part Number | Qty. | Description |
|------|-------------|------|-----------------------|
| 1 | | 1 | Manifold-Mow 5-Plex ● |
| 2 | 104-3509 | 1 | Fitting-HYD, 45 DEG |
| 2:1 | 237-146 | 1 | O-Ring |
| 2:2 | 340-65 | 1 | O-Ring |
| 3 | 340-9 | 1 | Fitting-STR |
| 3:1 | 237-58 | 1 | O-Ring |
| 3:2 | 237-81 | 1 | O-Ring |
| 4 | 100-5530 | 1 | Fitting-45 DEG |
| 4:1 | 237-58 | 1 | O-Ring |
| 4:2 | 237-81 | 1 | O-Ring |
| 5 | 340-7 | 4 | Fitting-Straight |

| Ref. | Part Number | Qty. | Description |
|------|-------------|------|-----------------------|
| 5:1 | 237-65 | 1 | O-Ring |
| 5:2 | 237-80 | 1 | O-Ring |
| 6 | 340-4 | 1 | Fitting-Straight |
| 6:1 | 237-30 | 1 | O-Ring |
| 6:2 | 237-79 | 1 | O-Ring |
| 7 | 115-9147 | 1 | Fitting-Elbow, 90 DEG |
| 7:1 | 237-78 | 1 | O-Ring |
| 8 | 354-79 | 2 | Cap-Dust |
| 9 | 354-77 | 1 | Fitting-Quick |
| 9:1 | 237-78 | 1 | O-Ring |

● Not serviced separately



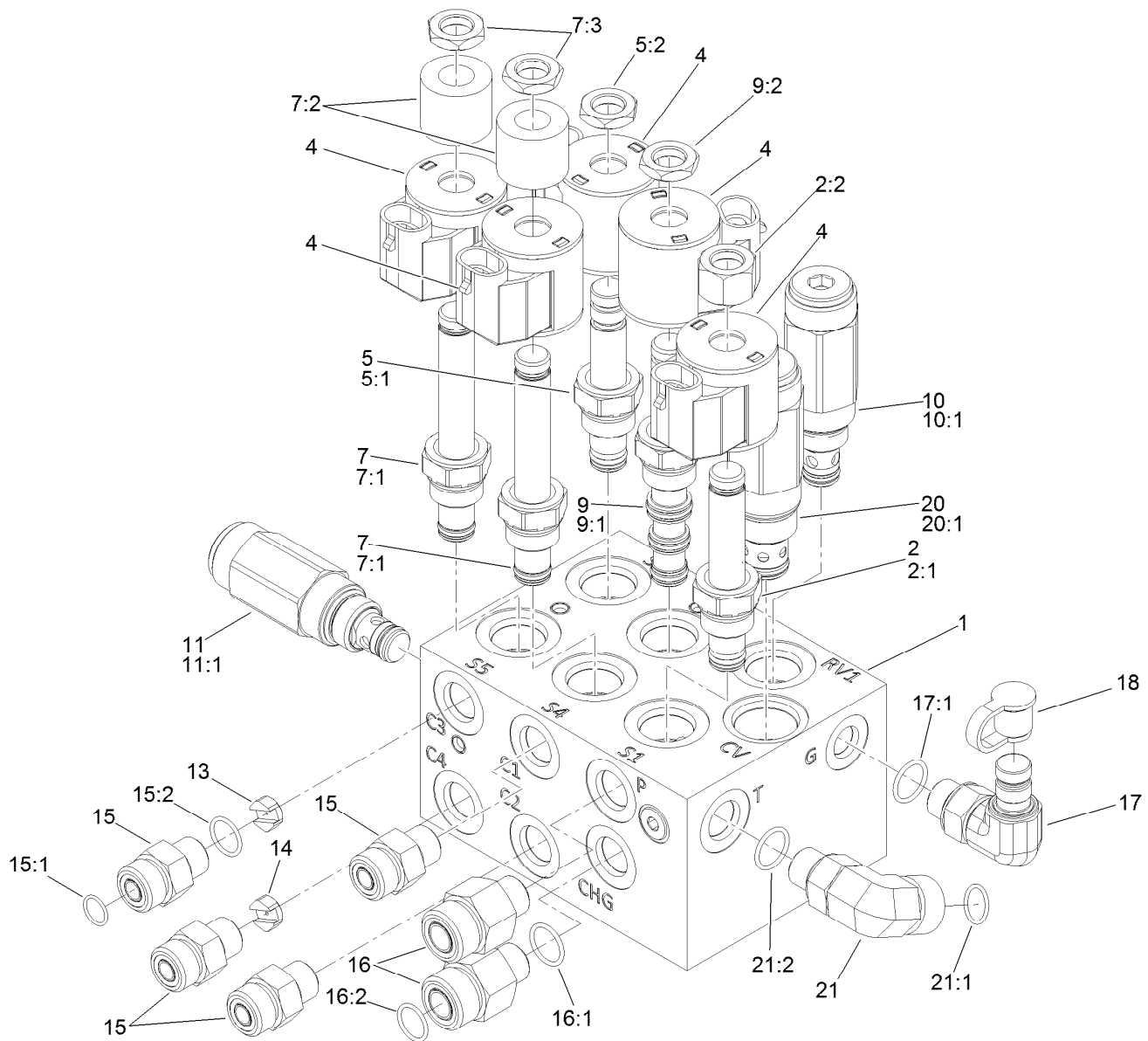
5-Plex Mow Manifold Block Assembly

| Ref. | Part Number | Qty. | Description |
|------|-------------|------|------------------------|
| 2 | 110-8883 | 2 | Plug-Orifice (0.040) |
| 3 | | 2 | Plug ■ |
| 6 | 112-6531 | 4 | Pin-Spring |
| 7 | 110-8881 | 2 | Valve-Check |
| 7:1 | 105-9159 | 1 | Seal Kit ● |
| 8 | 120-1693 | 2 | Compensator-Pressure |
| 8:1 | 119-2159 | 1 | Seal Kit |
| 9 | 138-6964 | 2 | Valve-Relief, 3000 PSI |
| 10 | 138-6961 | 2 | Valve-Proportional, NC |
| 11 | 110-6344 | 2 | Coil-12V, DC |

| Ref. | Part Number | Qty. | Description |
|------|-------------|------|--------------------------|
| 12 | 120-1657 | 4 | O-Ring |
| 13 | 120-1656 | 2 | Ring-Backup |
| 14 | 125-1652 | 2 | O-Ring |
| 15 | 120-1654 | 2 | Ring-Backup |
| 16 | 120-1653 | 4 | Ring-Retaining, External |
| 17 | 120-1652 | 2 | Spool-Backlap |
| 18 | 120-1651 | 2 | Handle-Spool |
| 19 | 120-1650 | 2 | Pin |
| 20 | 117-4605 | 2 | Ball-SS |
| 21 | 72-4320 | 2 | Switch-Ball |

● Not illustrated

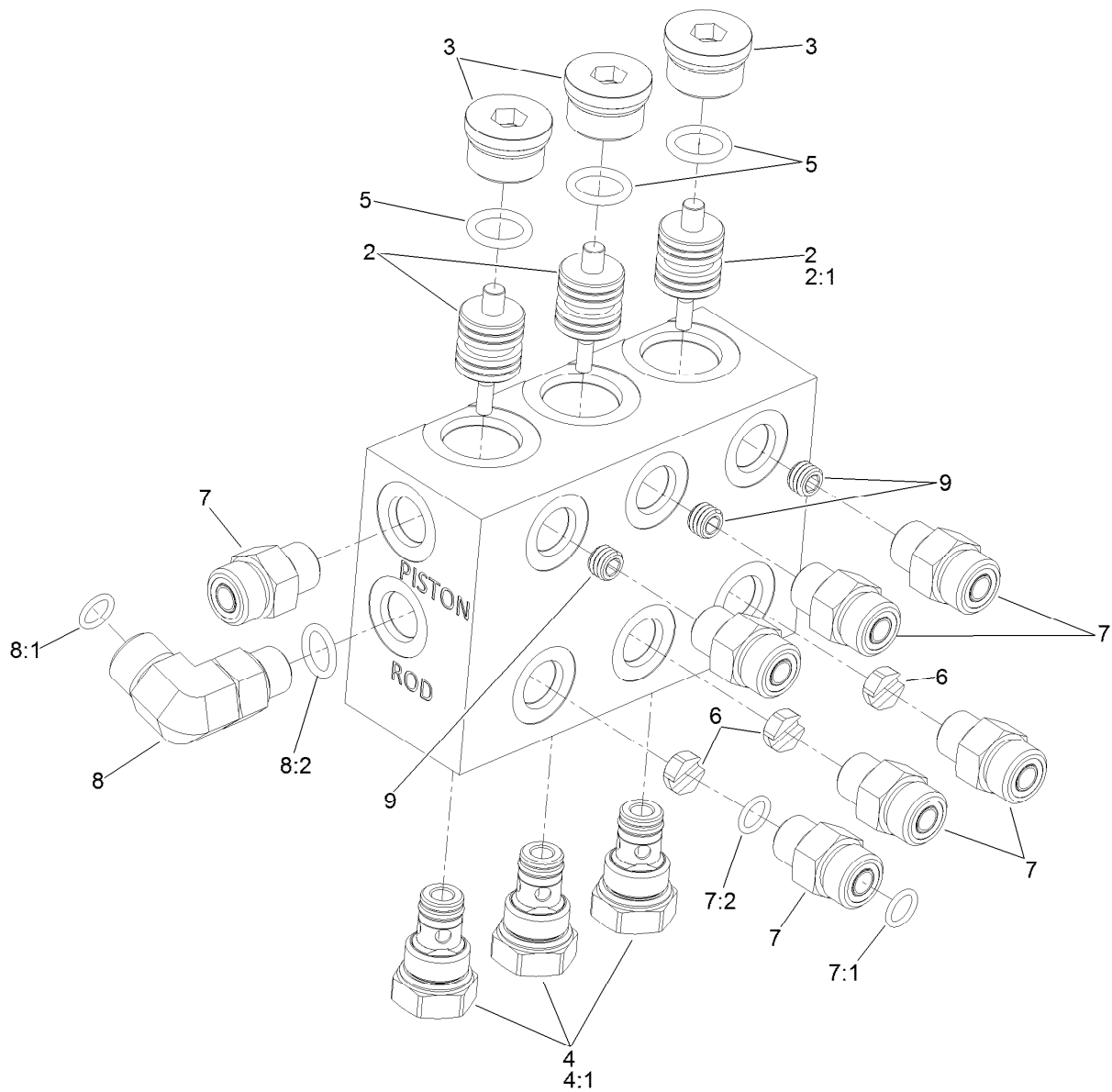
■ Not serviced separately



Lift Manifold Assembly No. 130-1669

| Ref. | Part Number | Qty. | Description | Ref. | Part Number | Qty. | Description |
|------|-------------|------|------------------------|------|-------------|------|-------------------------------|
| 1 | | 1 | Manifold Block ● | 11:1 | 105-9156 | 1 | Seal Kit |
| 2 | 107-7517 | 1 | Valve-Solenoid | 13 | 120-1662 | 1 | Orifice-Flow Control, .040 |
| 2:1 | 105-9156 | 1 | Seal Kit | 14 | 119-2010 | 3 | Orifice-Control, Flow (0.055) |
| 2:2 | 107-7812 | 1 | Nut-Solenoid | 15 | 340-2 | 4 | Fitting-Straight |
| 4 | 110-0497 | 5 | Coil-Solenoid | 15:1 | 237-22 | 1 | O-Ring |
| 5 | 112-9206 | 1 | Solenoid Valve ASM | 15:2 | 237-42 | 1 | O-Ring |
| 5:1 | 105-9156 | 1 | Seal Kit | 16 | 340-5 | 2 | Fitting-Straight |
| 5:2 | 110-2634 | 1 | Nut-Coil | 16:1 | 237-42 | 1 | O-Ring |
| 7 | 110-8898 | 2 | Valve-Solenoid | 16:2 | 237-30 | 1 | O-Ring |
| 7:1 | 107-7527 | 1 | Seal Kit | 17 | 115-9147 | 1 | Fitting-Elbow, 90 DEG |
| 7:2 | 110-2634 | 1 | Nut-Coil | 17:1 | 237-78 | 1 | O-Ring |
| 7:3 | 110-8909 | 1 | Spacer-Coil | 18 | 354-79 | 1 | Cap-Dust |
| 9 | 120-1665 | 1 | Valve-Solenoid | 20 | 115-4140 | 1 | Valve-Check |
| 9:1 | 112-6520 | 1 | Seal Kit | 20:1 | 110-8772 | 1 | Seal Kit |
| 9:2 | 110-2634 | 1 | Nut-Coil | 21 | 340-99 | 1 | Fitting-HYD, 90 DEG |
| 10 | 120-1664 | 1 | Valve-Relief, 1700 PSI | 21:1 | 237-30 | 1 | O-Ring |
| 10:1 | 105-9156 | 1 | Seal Kit | 21:2 | 237-42 | 1 | O-Ring |
| 11 | 120-1663 | 1 | Valve-Relief, 500 PSI | | | | |

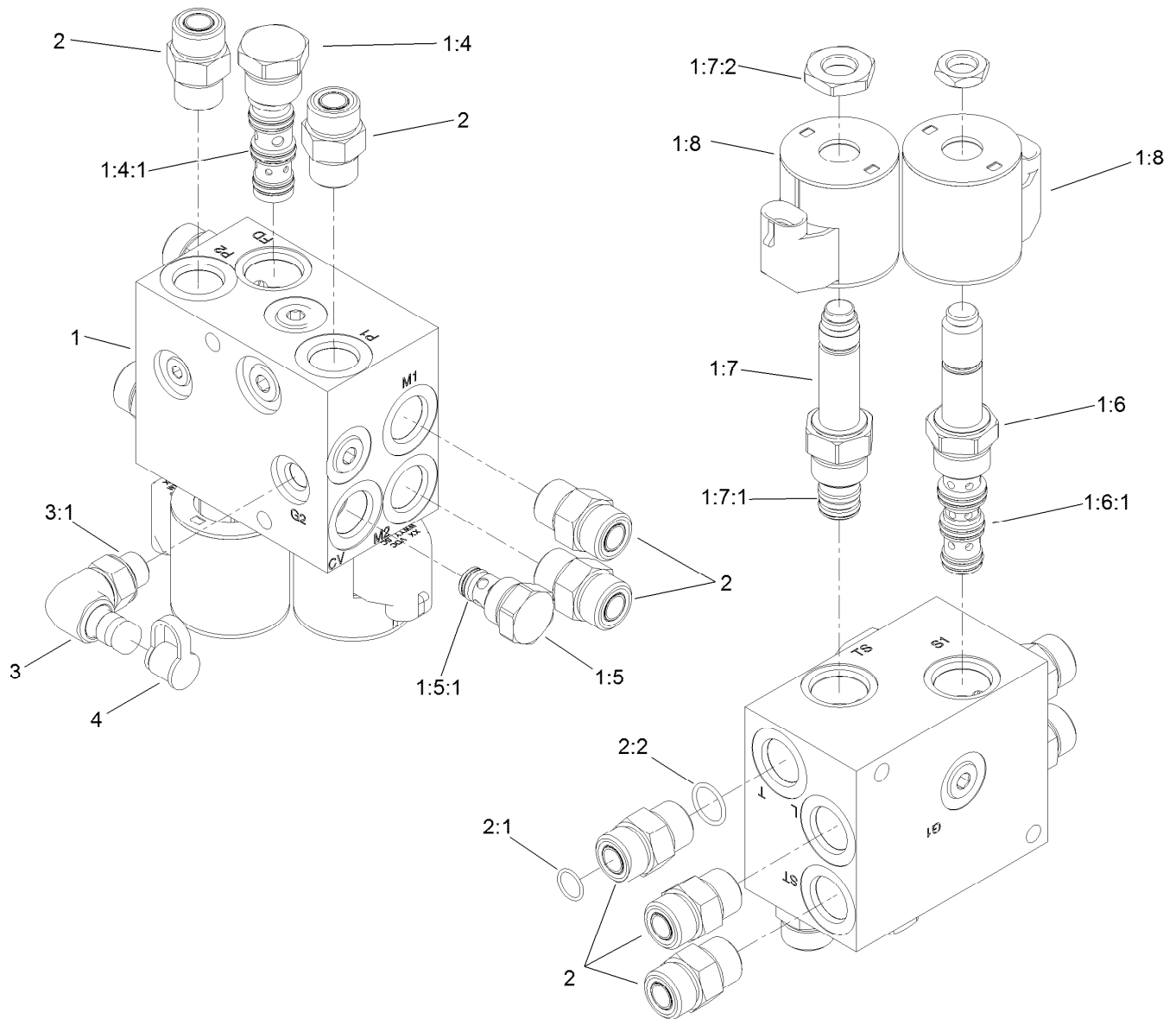
● Not serviced separately



Junction Manifold Assembly No. 130-1670

| Ref. | Part Number | Qty. | Description |
|------|-------------|------|------------------------------|
| 2 | 110-8901 | 3 | Piston-Pilot |
| 2:1 | 110-8900 | 1 | O-Ring |
| 3 | | 3 | Plug ● |
| 4 | 110-9006 | 3 | Valve-Check |
| 4:1 | 105-9156 | 1 | Seal Kit |
| 5 | 110-8900 | 3 | O-Ring |
| 6 | 119-2009 | 3 | Orifice-Flow Control (0.030) |
| 7 | 340-2 | 7 | Fitting-Straight |
| 7:1 | 237-22 | 1 | O-Ring |
| 7:2 | 237-42 | 1 | O-Ring |
| 8 | 340-77 | 1 | Fitting-Elbow, 90 DEG |
| 8:1 | 237-22 | 1 | O-Ring |
| 8:2 | 237-42 | 1 | O-Ring |
| 9 | 130-1674 | 1 | Orifice-Control, Flow |

● Not serviced separately

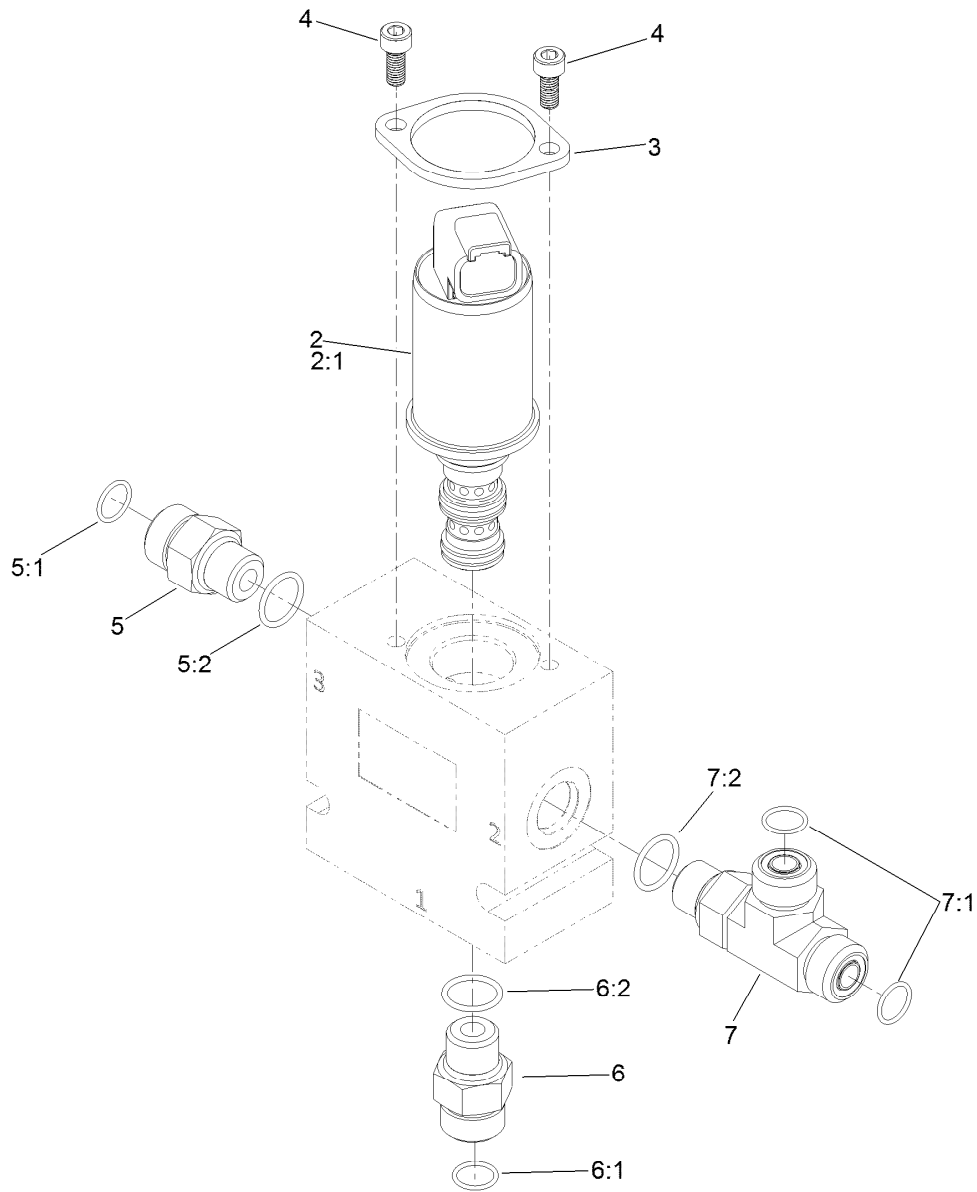


Fan Drive Manifold Assembly No. 119-3943

| Ref. | Part Number | Qty. | Description |
|-------|-------------|------|-----------------------------|
| 1 | | 1 | Fan Drive Manifold ASM ● |
| 1:4 | 115-3024 | 1 | Valve-Flow Divider/Combiner |
| 1:4:1 | 115-3025 | 1 | Seal Kit |
| 1:5 | 105-9321 | 1 | Check Valve ASM |
| 1:5:1 | 105-9156 | 1 | Seal Kit |
| 1:6 | 115-3023 | 1 | Solenoid Valve ASM |
| 1:6:1 | 110-8908 | 1 | Spool Valve Seal Kit |
| 1:7 | 115-3022 | 1 | Relief-Proportional |

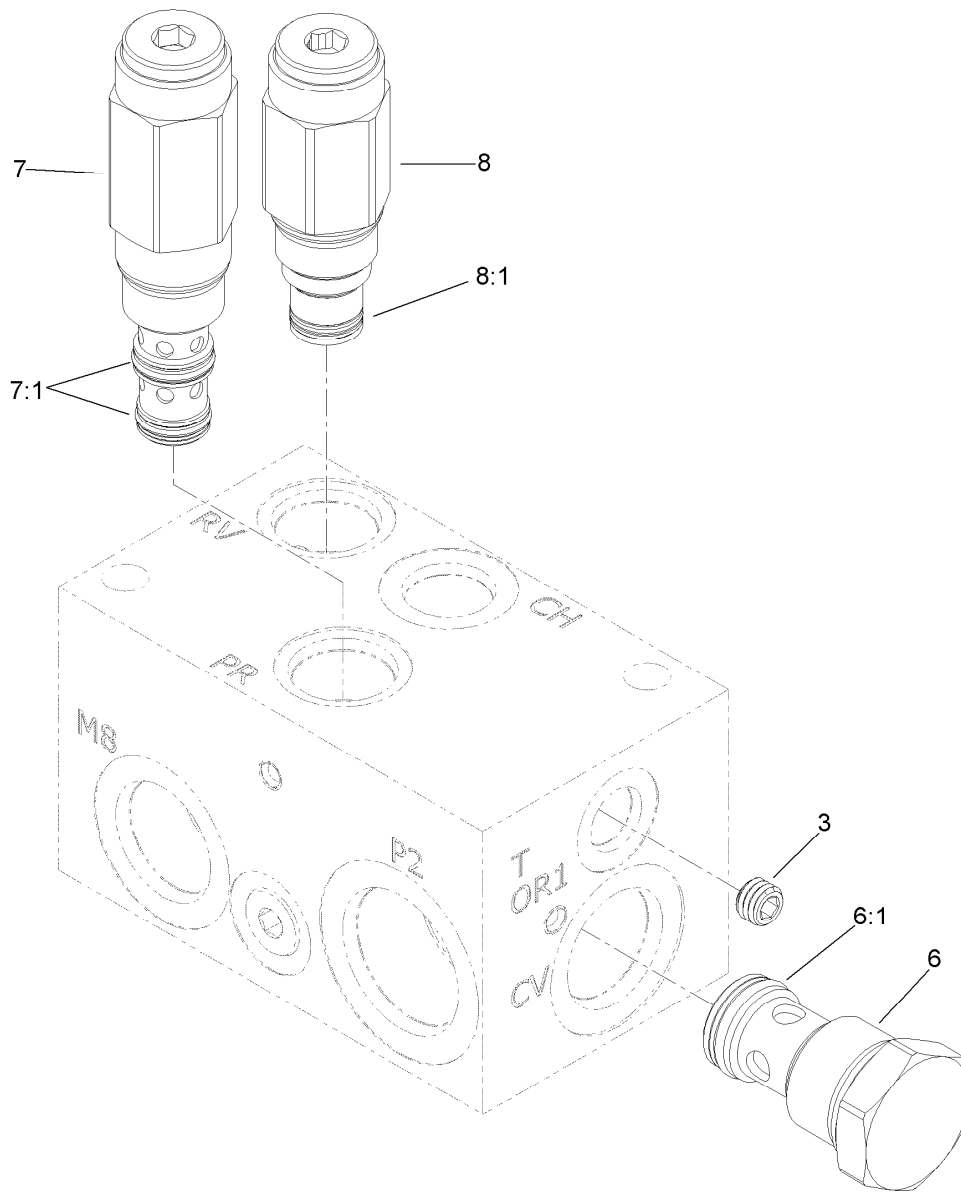
| Ref. | Part Number | Qty. | Description |
|-------|-------------|------|-----------------------|
| 1:7:1 | 110-6316 | 1 | Seal Kit |
| 1:7:2 | 119-7715 | 1 | Nut-Coil |
| 1:8 | 110-6344 | 2 | Coil-12V, DC |
| 2 | 340-4 | 7 | Fitting-Straight |
| 2:1 | 237-30 | 1 | O-Ring |
| 2:2 | 237-79 | 1 | O-Ring |
| 3 | 115-9147 | 1 | Fitting-Elbow, 90 DEG |
| 3:1 | 237-78 | 1 | O-Ring |
| 4 | 354-79 | 1 | Cap-Dust |

● Not serviced separately



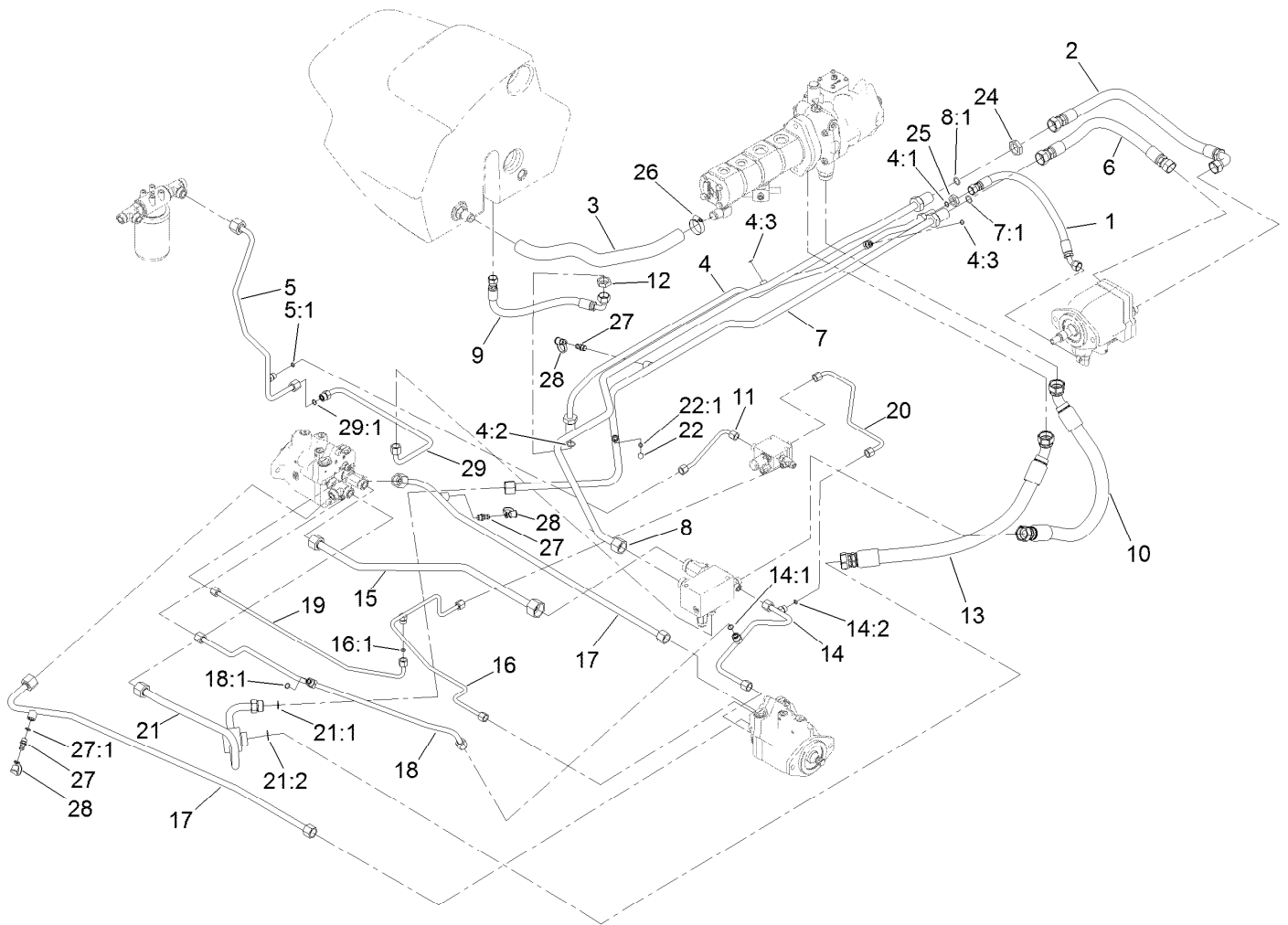
3-Way Valve Manifold Assembly No. 138-6946

| Ref. | Part Number | Qty. | Description |
|------|-------------|------|----------------------------------|
| 2 | 138-3828 | 1 | Valve-Solenoid, 3 Way 2 Position |
| 2:1 | 138-3831 | 1 | Seal Kit |
| 3 | 138-3825 | 2 | Plate-Mounting, Standard |
| 4 | 138-3827 | 1 | Screw |
| 5 | 92-9258 | 1 | Adapter-Check |
| 5:1 | 237-22 | 1 | O-Ring |
| 5:2 | 237-42 | 1 | O-Ring |
| 6 | 340-2 | 1 | Fitting-Straight |
| 6:1 | 237-22 | 1 | O-Ring |
| 6:2 | 237-42 | 1 | O-Ring |
| 7 | 340-86 | 1 | Fitting-Tee |
| 7:1 | 237-22 | 2 | O-Ring |
| 7:2 | 237-42 | 1 | O-Ring |



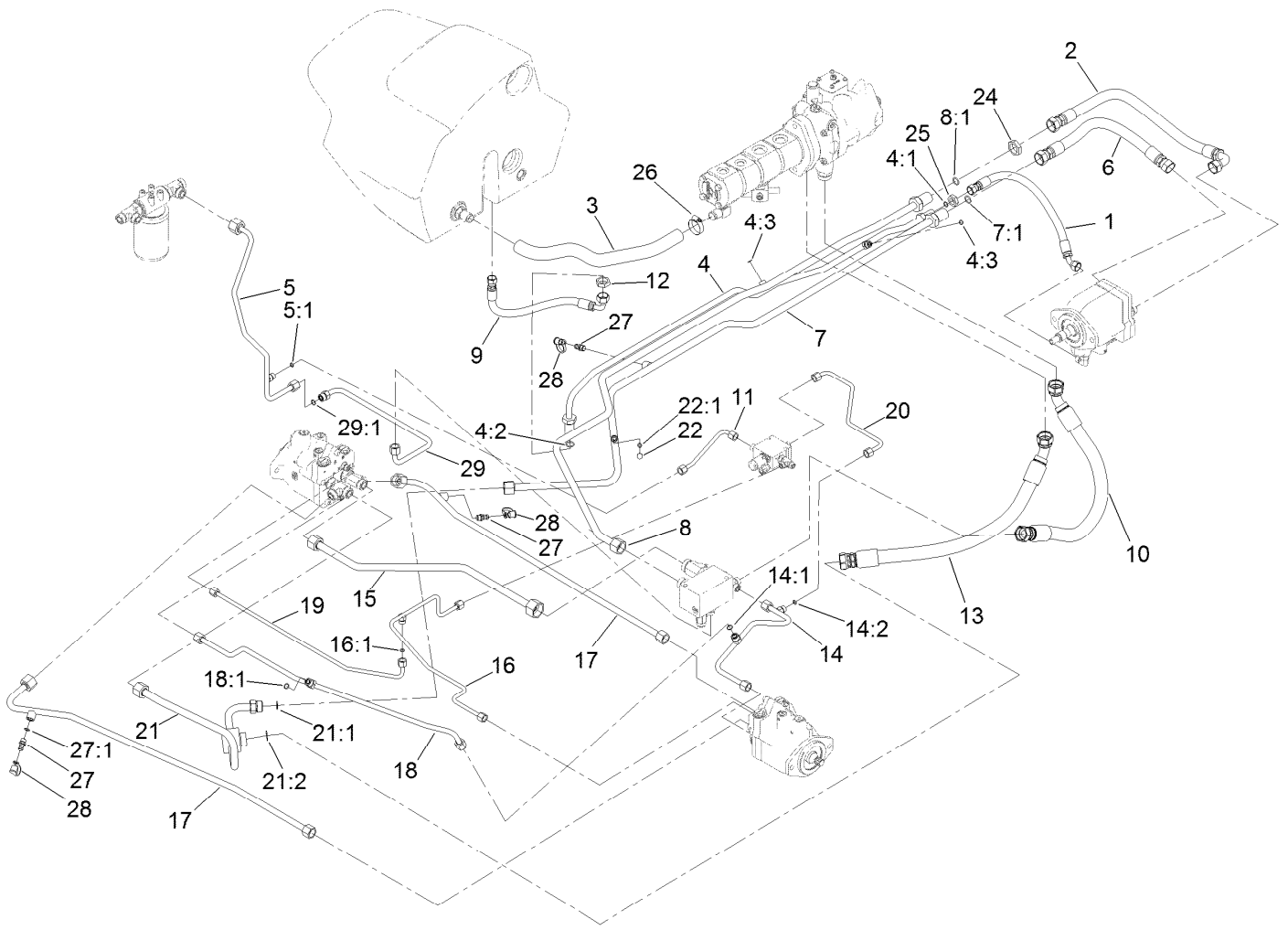
Rear Traction Manifold Assembly No. 121-3078

| <i>Ref.</i> | <i>Part Number</i> | <i>Qty.</i> | <i>Description</i> |
|-------------|--------------------|-------------|---------------------------|
| 3 | 110-0495 | 1 | Plug-Orifice (0.050 Inch) |
| 6 | 125-4328 | 1 | Valve-Check |
| 6:1 | 125-4336 | 1 | Seal Kit |
| 7 | 125-7567 | 1 | Valve-Pressure Reducing |
| 7:1 | 125-4334 | 1 | Seal Kit |
| 8 | 125-7566 | 1 | Valve-Relief |
| 8:1 | 110-6316 | 1 | Seal Kit |



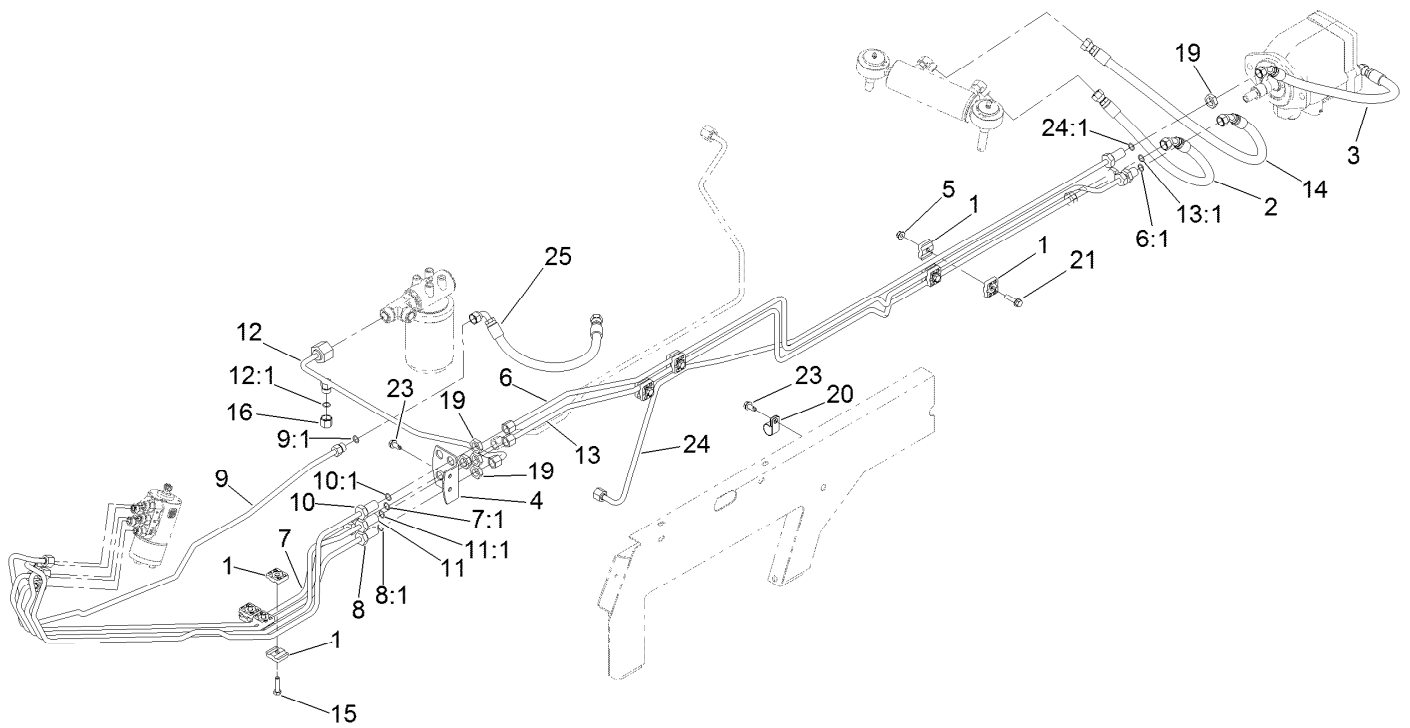
Traction Hydraulic Circuit Assembly

| Ref. | Part Number | Qty. | Description | Ref. | Part Number | Qty. | Description |
|------|-------------|------|--------------------|------|-------------|------|---------------------|
| 1 | 92-2406 | 1 | Hose-HYD | 14:2 | 237-22 | 1 | O-Ring |
| 2 | 104-3789 | 1 | Filter Hose ASM | 15 | 130-1621 | 1 | Tube ASM |
| 3 | 115-4447 | 1 | Hose-Suction | 16 | 130-1622 | 1 | Tube ASM |
| 4 | 130-1647 | 1 | Tube ASM | 16:1 | 237-22 | 1 | O-Ring |
| 4:1 | 237-30 | 1 | O-Ring | 17 | 130-1623 | 2 | Tube ASM |
| 4:2 | 237-65 | 1 | O-Ring | 18 | 130-1624 | 1 | Tube ASM |
| 4:3 | 237-22 | 2 | O-Ring | 18:1 | 237-30 | 1 | O-Ring |
| 5 | 120-8047 | 1 | Tube ASM | 19 | 130-1625 | 1 | Tube ASM |
| 5:1 | 237-22 | 1 | O-Ring | 20 | 130-1627 | 1 | Tube ASM |
| 6 | 120-8053 | 1 | Hose ASM | 21 | 130-1629 | 1 | Tube ASM |
| 7 | 120-8079 | 1 | Tube ASM | 21:1 | 237-58 | 1 | O-Ring |
| 7:1 | 237-58 | 1 | O-Ring | 21:2 | 340-65 | 1 | O-Ring |
| 8 | 130-1653 | 1 | Tube ASM | 22 | 353-512 | 1 | Plug |
| 8:1 | 237-58 | 1 | O-Ring | 22:1 | 237-78 | 1 | O-Ring |
| 9 | 136-2911 | 1 | Hose ASM | 24 | 340-126 | 2 | Nut-Bulkhead |
| 10 | 125-4559 | 1 | Hose ASM | 25 | 340-127 | 1 | Nut-Bulkhead |
| 11 | 125-4566 | 1 | Tube ASM | 26 | 2412-111 | 1 | Clamp-Hose, W/Liner |
| 12 | 340-74 | 1 | Nut-Lock, Bulkhead | 27 | 59-7410 | 3 | Fitting-Diagnostic |
| 13 | 130-1642 | 1 | Hose ASM | 27:1 | 237-42 | 1 | O-Ring |
| 14 | 130-1620 | 1 | Tube ASM | 28 | 354-79 | 3 | Cap-Dust |
| 14:1 | 237-30 | 1 | O-Ring | | | | |



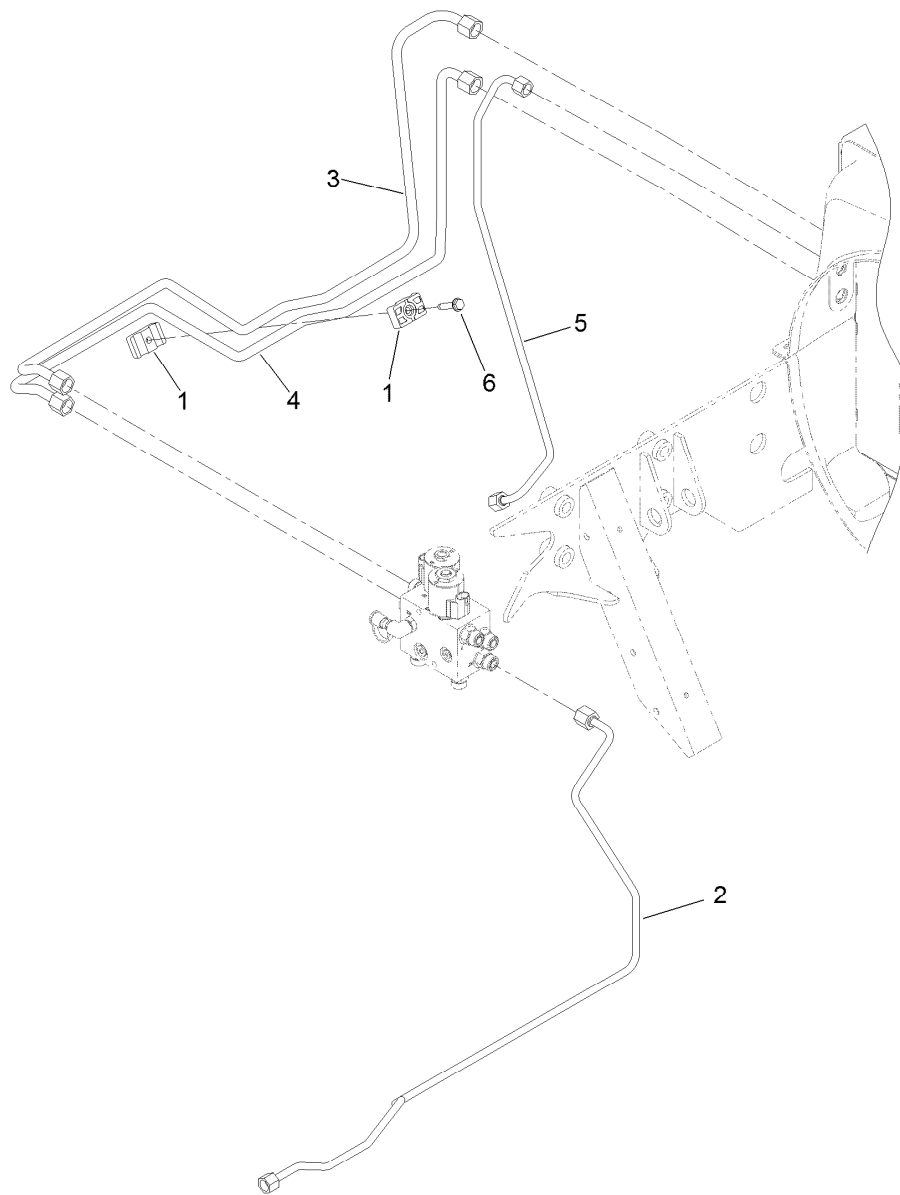
Traction Hydraulic Circuit Assembly (continued)

| <i>Ref.</i> | <i>Part Number</i> | <i>Qty.</i> | <i>Description</i> |
|-------------|--------------------|-------------|--------------------|
| 29 | 125-4570 | 1 | Tube ASM |
| 29:1 | 237-30 | 1 | O-Ring |



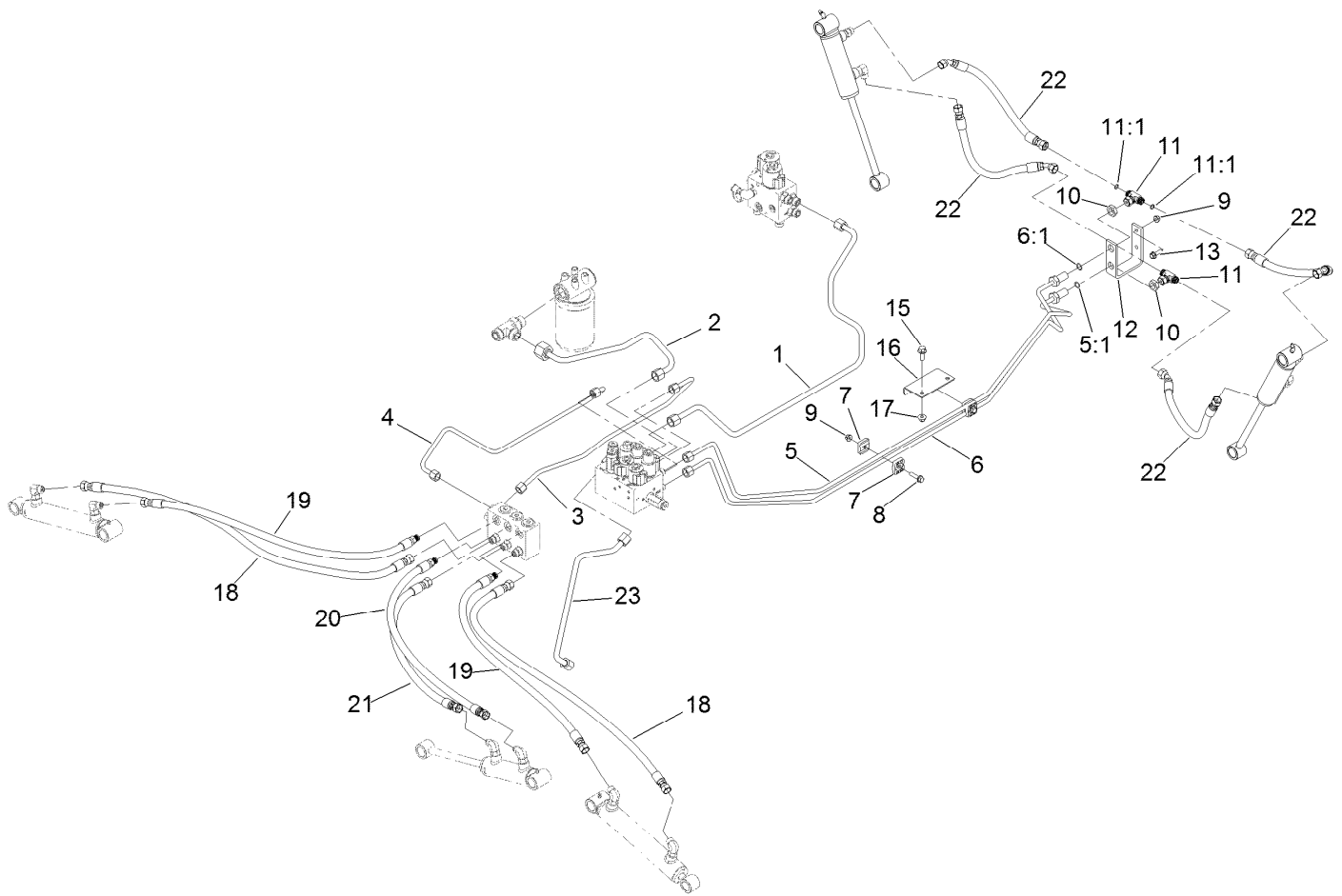
Steering Hydraulic Circuit Assembly

| <i>Ref.</i> | <i>Part Number</i> | <i>Qty.</i> | <i>Description</i> | <i>Ref.</i> | <i>Part Number</i> | <i>Qty.</i> | <i>Description</i> |
|-------------|--------------------|-------------|--------------------|-------------|--------------------|-------------|--------------------|
| 1 | 56-7973 | 12 | Clamp-Tube | 11:1 | 237-22 | 1 | O-Ring |
| 2 | 92-7539 | 1 | Hose-HYD | 12 | 115-4412 | 1 | Tube ASM |
| 3 | 92-7595 | 1 | Hose-HYD | 12:1 | 237-22 | 1 | O-Ring |
| 4 | 92-7606-03 | 1 | Bracket-Bulkhead | 13 | 115-9128 | 1 | Tube ASM |
| 5 | 104-8300 | 3 | Nut-HF, NI | 13:1 | 237-22 | 1 | O-Ring |
| 6 | 105-3871 | 1 | Tube ASM | 14 | 125-4560 | 1 | Hose ASM |
| 6:1 | 237-22 | 1 | O-Ring | 15 | 119-4036 | 3 | Screw-HHF |
| 7 | 115-4405 | 1 | Tube ASM | 16 | 340-117 | 1 | Cap |
| 7:1 | 237-22 | 1 | O-Ring | 19 | 340-70 | 7 | Nut-Lock |
| 8 | 115-4406 | 1 | Tube ASM | 20 | 2412-81 | 1 | Clamp-R |
| 8:1 | 237-22 | 1 | O-Ring | 21 | 115-1794 | 3 | Screw-HHF |
| 9 | 130-1635 | 1 | Tube ASM | 23 | 32104-32 | 3 | Screw-HWH |
| 9:1 | 237-22 | 1 | O-Ring | 24 | 120-8052 | 1 | Tube ASM |
| 10 | 115-4408 | 1 | Tube ASM | 24:1 | 237-22 | 1 | O-Ring |
| 10:1 | 237-22 | 1 | O-Ring | 25 | 92-5694 | 1 | Hose-Hydraulic |
| 11 | 115-4409 | 1 | Tube ASM | | | | |



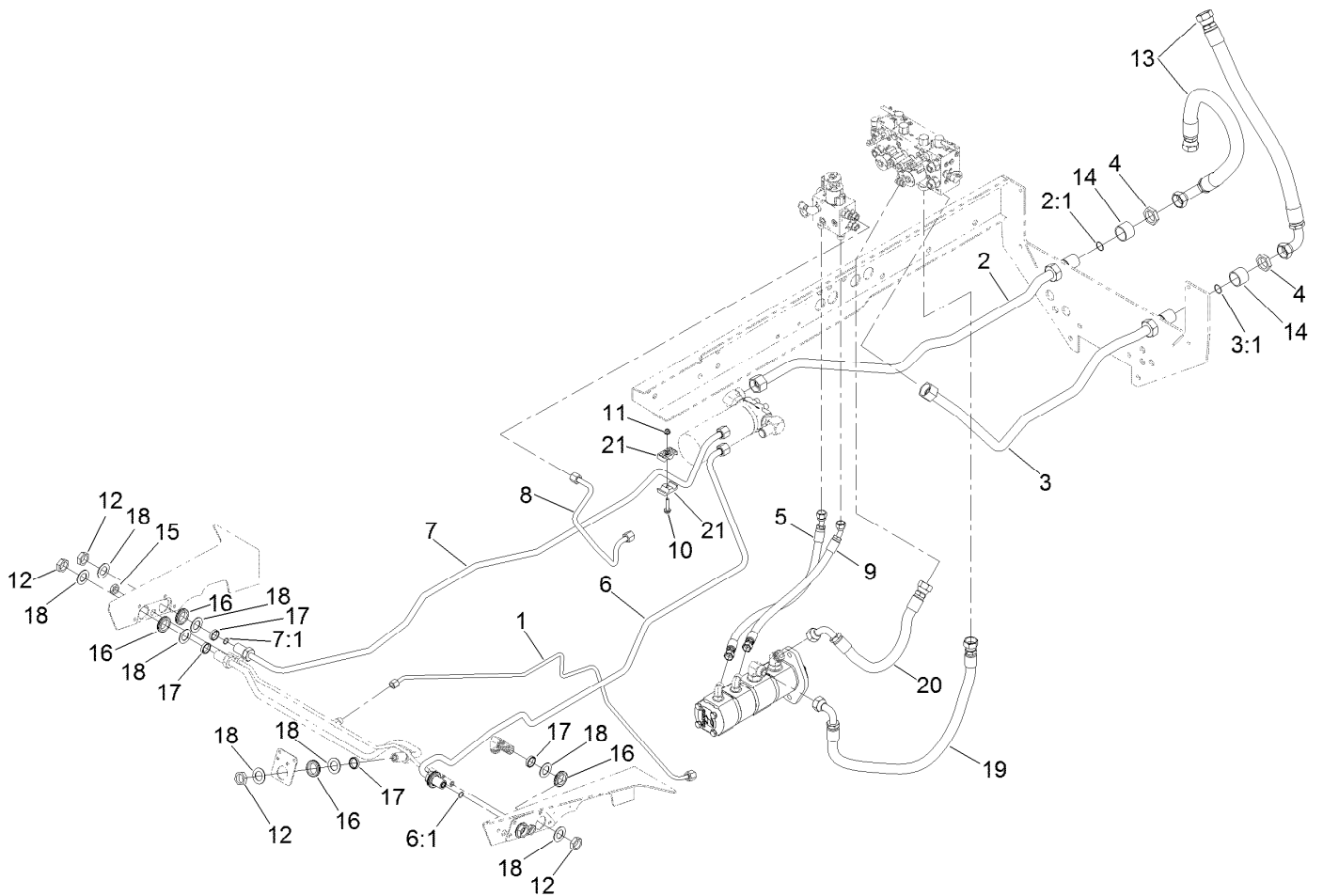
Fan Drive Hydraulic Circuit Assembly

| <i>Ref.</i> | <i>Part Number</i> | <i>Qty.</i> | <i>Description</i> |
|-------------|--------------------|-------------|--------------------|
| 1 | 56-7976 | 2 | Clamp-Tube |
| 2 | 115-4422 | 1 | Tube-HYD |
| 3 | 125-4599 | 1 | Tube ASM |
| 4 | 125-4601 | 1 | Tube ASM |
| 5 | 125-4602 | 1 | Tube ASM |
| 6 | 32144-57 | 1 | Screw |



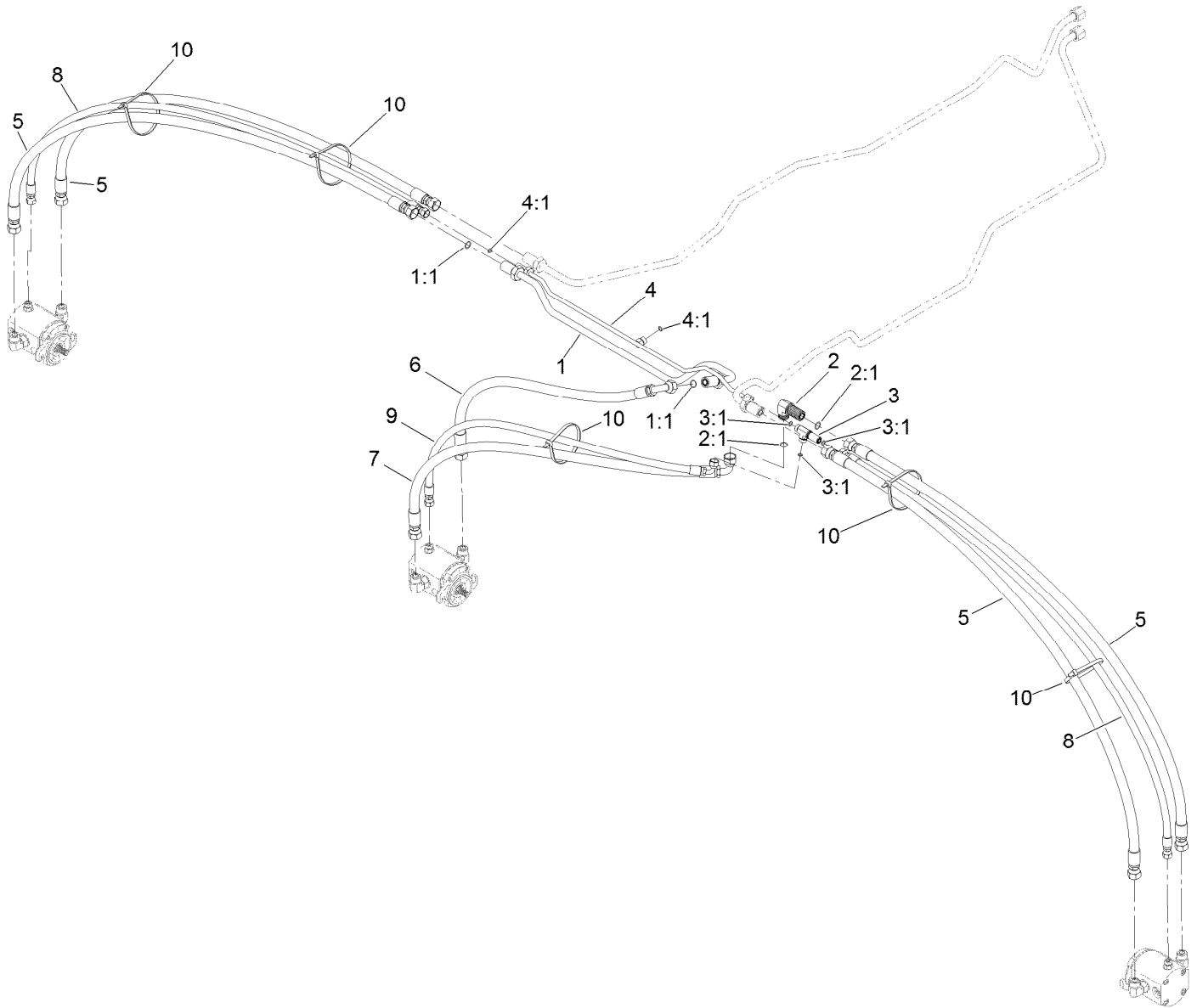
Lift Circuit Hydraulic Assembly

| <i>Ref.</i> | <i>Part Number</i> | <i>Qty.</i> | <i>Description</i> | <i>Ref.</i> | <i>Part Number</i> | <i>Qty.</i> | <i>Description</i> |
|-------------|--------------------|-------------|--------------------|-------------|--------------------|-------------|-----------------------|
| 1 | 119-1467 | 1 | Tube-HYD | 11:1 | 237-22 | 2 | O-Ring |
| 2 | 130-1648 | 1 | Tube ASM | 12 | 105-3992-03 | 1 | Bracket-Bulkhead |
| 3 | 119-1470 | 1 | Tube-HYD | 13 | 3234-17 | 2 | Screw-HHF |
| 4 | 119-1471 | 1 | Tube-HYD | 15 | 3234-11 | 2 | Screw-HHF |
| 5 | 119-1472 | 1 | Tube-HYD | 16 | 105-3990-03 | 1 | Bracket-Support, Tube |
| 5:1 | 237-22 | 1 | O-Ring | 17 | 104-8301 | 2 | Nut-HF, NI |
| 6 | 119-1473 | 1 | Tube-HYD | 18 | 119-3924 | 2 | Hose ASM |
| 6:1 | 237-22 | 1 | O-Ring | 19 | 130-1672 | 2 | Hose ASM |
| 7 | 56-7973 | 4 | Clamp-Tube | 20 | 119-8632 | 1 | Hose ASM-HYD |
| 8 | 115-1794 | 2 | Screw-HHF | 21 | 119-1433 | 1 | Hose ASM |
| 9 | 104-8300 | 4 | Nut-HF, NI | 22 | 105-9238 | 4 | Hose-HYD |
| 10 | 340-70 | 2 | Nut-Lock | 23 | 130-1640 | 1 | Tube ASM |
| 11 | 340-166 | 2 | Fitting-Tee | | | | |



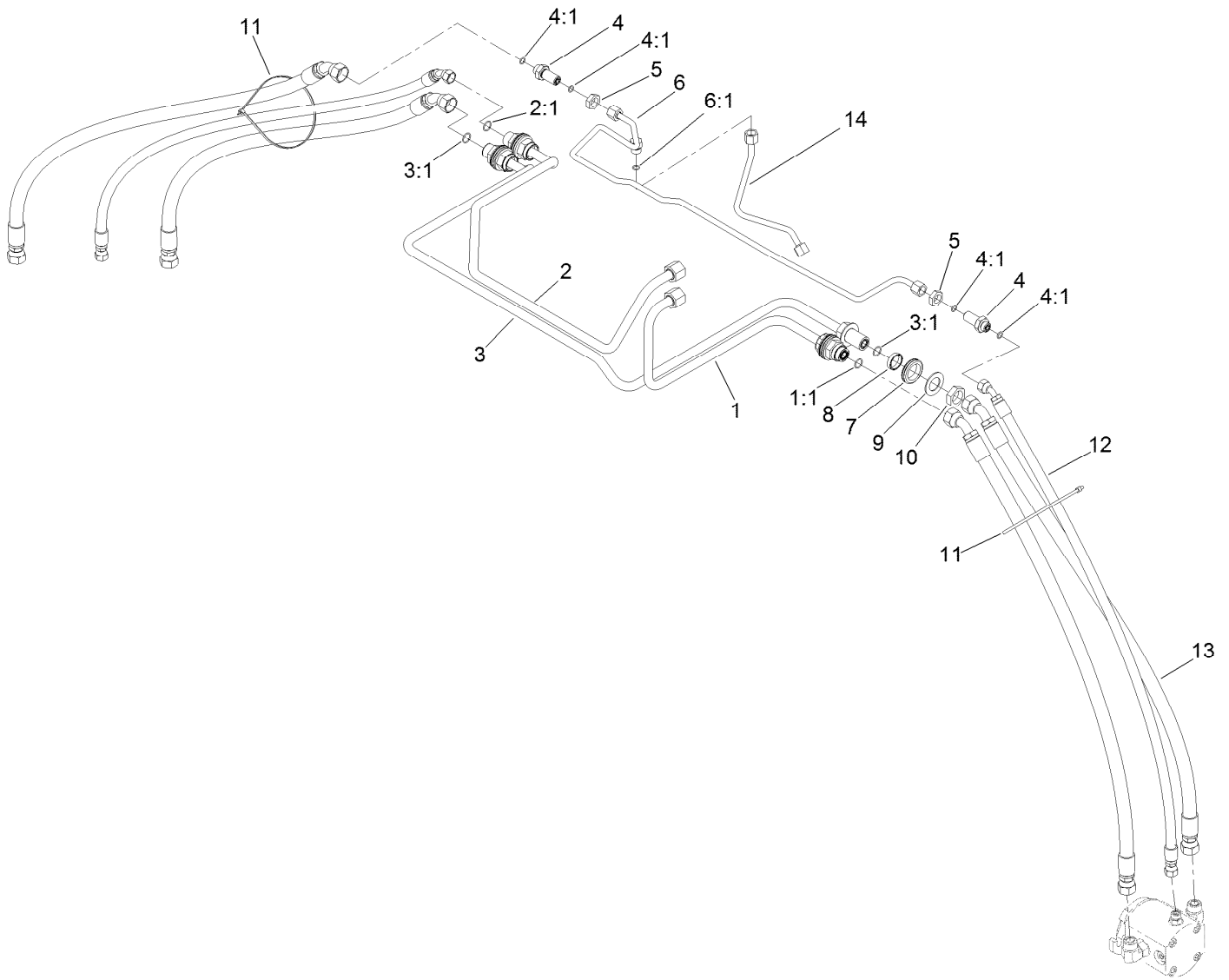
Hydraulic Mow Circuit Assembly

| <i>Ref.</i> | <i>Part Number</i> | <i>Qty.</i> | <i>Description</i> | <i>Ref.</i> | <i>Part Number</i> | <i>Qty.</i> | <i>Description</i> |
|-------------|--------------------|-------------|--------------------|-------------|--------------------|-------------|--------------------|
| 1 | 130-1626 | 1 | Tube ASM | 10 | 115-1794 | 1 | Screw-HHF |
| 2 | 125-4573 | 1 | Tube ASM | 11 | 104-8300 | 1 | Nut-HF, NI |
| 2:1 | 340-65 | 1 | O-Ring | 12 | 340-74 | 5 | Nut-Lock, Bulkhead |
| 3 | 125-4574 | 1 | Tube ASM | 13 | 108-1689 | 2 | Hose-HYD |
| 3:1 | 340-65 | 1 | O-Ring | 14 | 125-4577 | 2 | Spacer |
| 4 | 340-128 | 2 | Nut-Bulkhead | 15 | 340-70 | 2 | Nut-Lock |
| 5 | 115-4438 | 1 | Hose-HYD | 16 | 240-3 | 5 | Grommet-Rubber |
| 6 | 119-1453 | 1 | Tube-HYD | 17 | 125-1984 | 5 | Spacer |
| 6:1 | 237-65 | 1 | O-Ring | 18 | 69-9010 | 10 | Washer |
| 7 | 119-1454 | 1 | Tube-HYD | 19 | 115-4384 | 1 | Hose-HYD |
| 7:1 | 237-65 | 1 | O-Ring | 20 | 117-4762 | 1 | Hose-HYD |
| 8 | 119-1469 | 1 | Tube-HYD | 21 | 56-7971 | 2 | Clamp-Tube |
| 9 | 115-4439 | 1 | Hose-HYD | | | | |



Front Mow Circuit Hydraulic Assembly

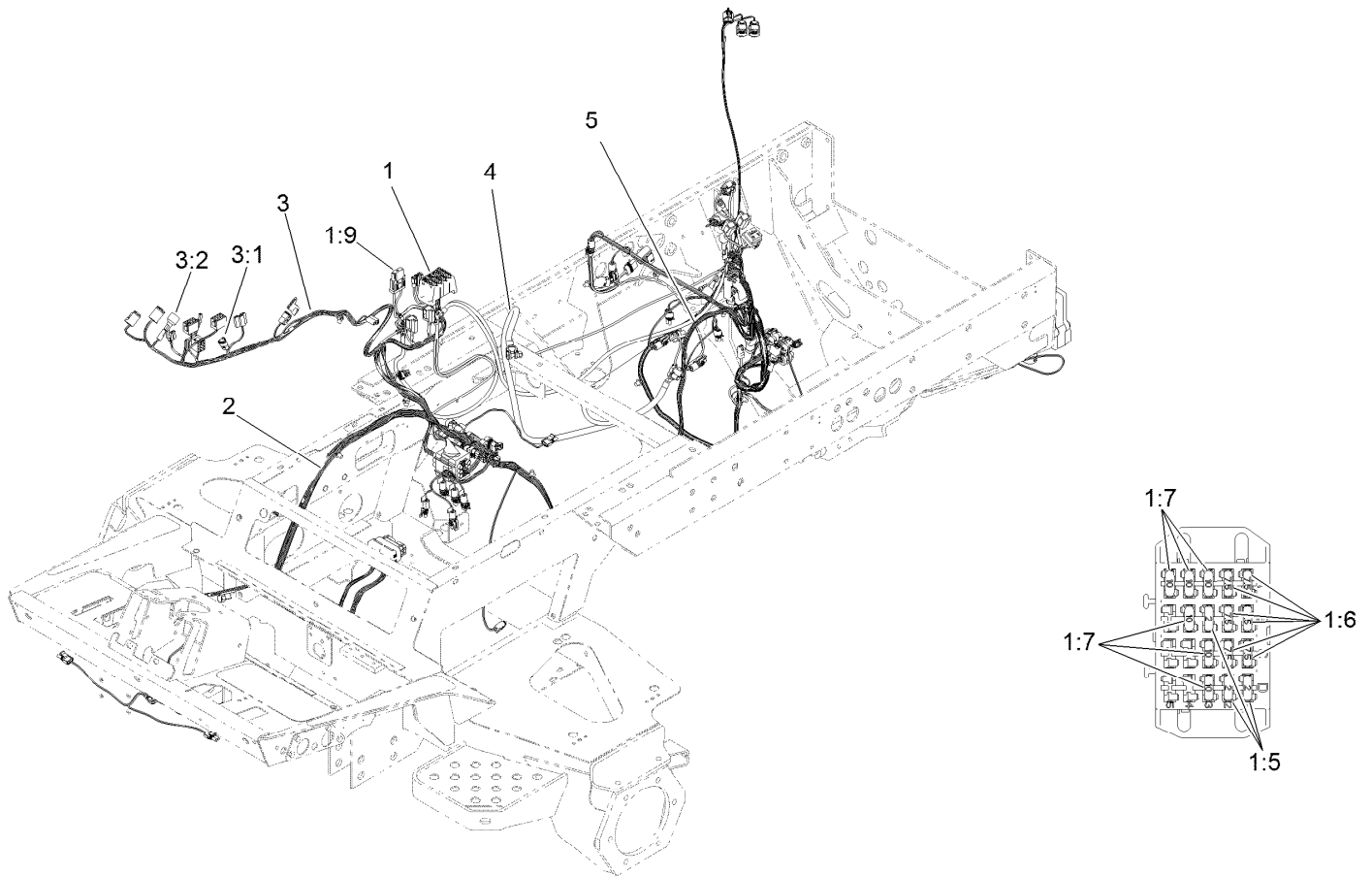
| <i>Ref.</i> | <i>Part Number</i> | <i>Qty.</i> | <i>Description</i> |
|-------------|--------------------|-------------|--------------------------|
| 1 | 119-1466 | 1 | Tube-HYD |
| 1:1 | 237-65 | 2 | O-Ring |
| 2 | 340-72 | 1 | Fitting-Bulkhead, 90 DEG |
| 2:1 | 237-65 | 2 | O-Ring |
| 3 | 340-68 | 1 | Fitting-Tee, Bulkhead |
| 3:1 | 237-22 | 3 | O-Ring |
| 4 | 130-1643 | 1 | Tube ASM |
| 4:1 | 237-22 | 2 | O-Ring |
| 5 | 125-1653 | 4 | Hose ASM |
| 6 | 125-1655 | 1 | Hose ASM |
| 7 | 98-7402 | 1 | Hose ASM |
| 8 | 119-3912 | 2 | Hose ASM |
| 9 | 119-3911 | 1 | Hose ASM |
| 10 | 3334-945 | 5 | Tie-Cable |



Rear Hydraulic Mow Circuit Assembly

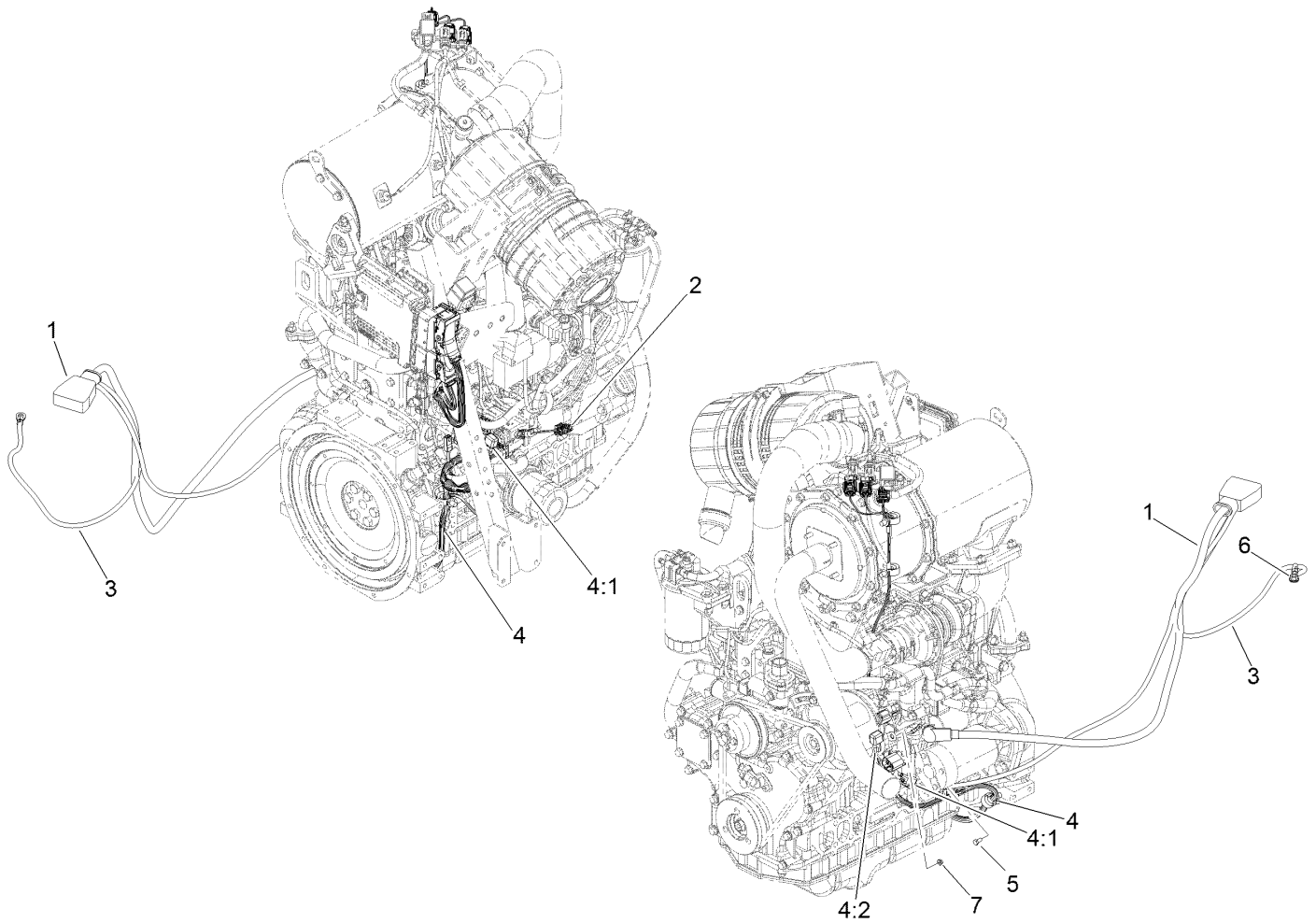
| <i>Ref.</i> | <i>Part Number</i> | <i>Qty.</i> | <i>Description</i> |
|-------------|--------------------|-------------|----------------------------|
| 1 | 119-1455 | 1 | Tube-HYD |
| 1:1 | 237-65 | 1 | O-Ring |
| 2 | 119-1456 | 1 | Tube-HYD |
| 2:1 | 237-65 | 1 | O-Ring |
| 3 | 119-1465 | 1 | Tube-HYD |
| 3:1 | 237-65 | 2 | O-Ring |
| 4 | 340-71 | 2 | Fitting-Straight, Bulkhead |
| 4:1 | 237-22 | 2 | O-Ring |
| 5 | 340-70 | 2 | Nut-Lock |
| 6 | 130-1630 | 1 | Tube ASM |

| <i>Ref.</i> | <i>Part Number</i> | <i>Qty.</i> | <i>Description</i> |
|-------------|--------------------|-------------|--------------------|
| 6:1 | 237-22 | 1 | O-Ring |
| 7 | 240-3 | 4 | Grommet-Rubber |
| 8 | 125-1984 | 4 | Spacer |
| 9 | 69-9010 | 8 | Washer |
| 10 | 340-74 | 4 | Nut-Lock, Bulkhead |
| 11 | 3290-379 | 2 | Tie-Cable |
| 12 | 119-3914 | 2 | Hose ASM |
| 13 | 119-3913 | 4 | Hose ASM |
| 14 | 130-1631 | 1 | Tube ASM |



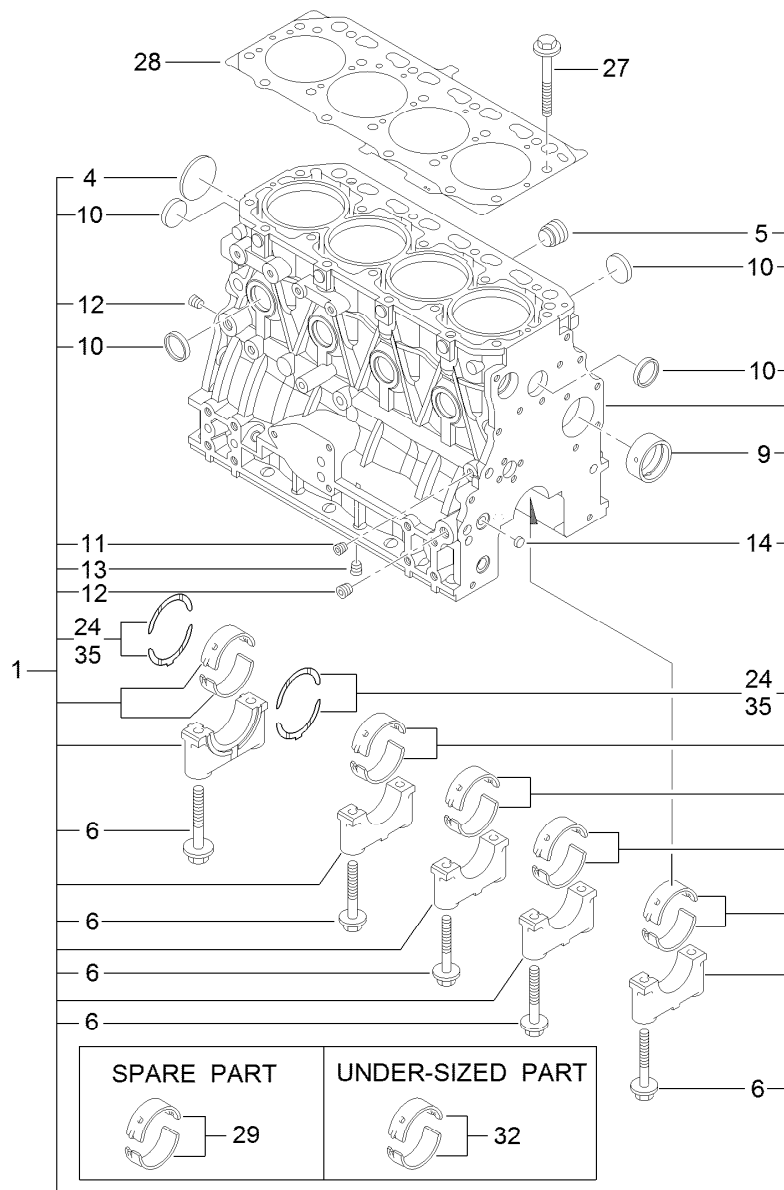
Electrical Assembly

| <i>Ref.</i> | <i>Part Number</i> | <i>Qty.</i> | <i>Description</i> |
|-------------|--------------------|-------------|----------------------------|
| 1 | 122-1547 | 1 | Harness-Wire, Power Center |
| 1:5 | 121-8861 | 3 | Fuse-Mini Blade, 2 Amp |
| 1:6 | 121-8865 | 6 | Fuse-Mini Blade, 7.5 Amp |
| 1:7 | 121-8866 | 6 | Fuse-Mini Blade, 10 Amp |
| 1:9 | 114-3342 | 1 | Fuse-Maxi, 60 Amp |
| 2 | 122-1520 | 1 | Harness-Wire, Main |
| 3 | 122-0264 | 1 | Harness-Wire, Seat/Console |
| 3:1 | 32180-043 | 1 | Resistor-120 Ohm |
| 3:2 | 104-4022 | 1 | Resistor-75 Ohm |
| 4 | 117-2377 | 1 | Cable-Battery, Negative |
| 5 | 108-9470 | 1 | Harness-Wire, Fusible Link |



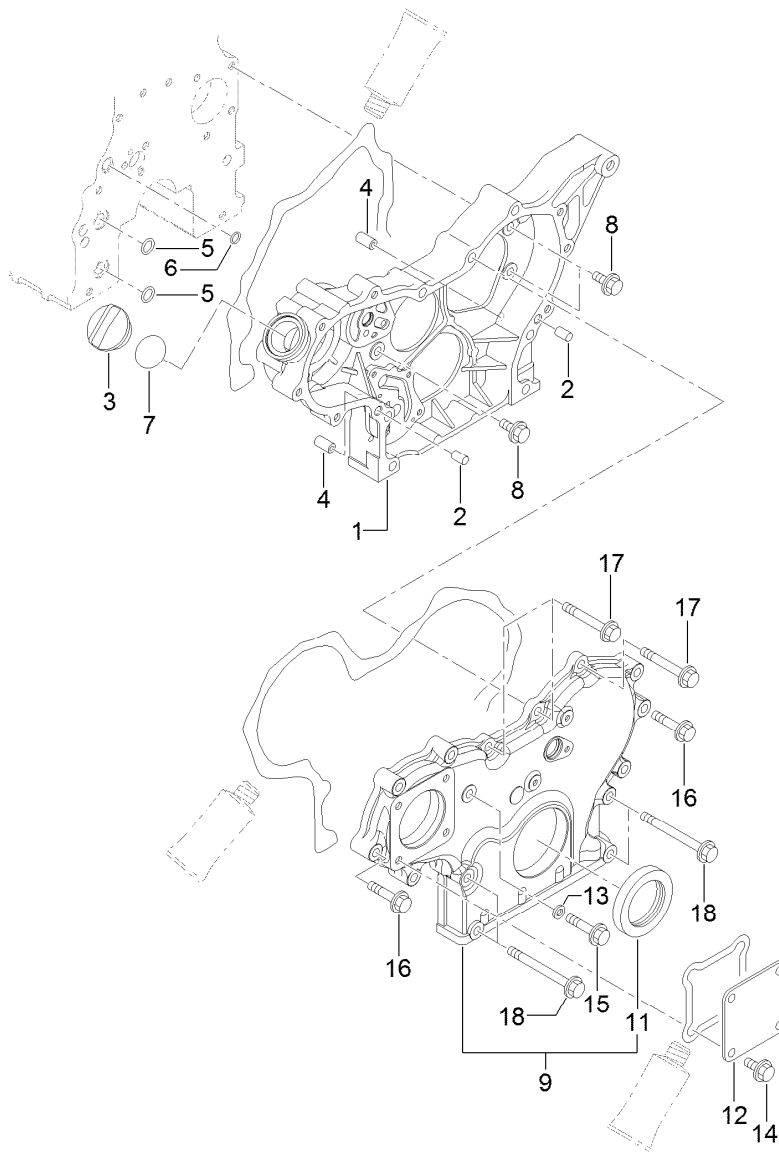
Battery and Engine Electrical Assembly

| <i>Ref.</i> | <i>Part Number</i> | <i>Qty.</i> | <i>Description</i> |
|-------------|--------------------|-------------|---------------------------------|
| 1 | 121-6589 | 1 | Cable-Battery, Positive |
| 2 | 115-1931 | 1 | Harness-Wire, Fuel Pump Adapter |
| 3 | 115-1930 | 1 | Cable-Battery, Positive |
| 4 | 122-0230 | 1 | Harness-Wire |
| 4:1 | 100-4918 | 2 | Diode |
| 4:2 | 121-8891 | 1 | Resistor (1.6K Ohm) |
| 5 | 33115-020 | 1 | Screw-HH |
| 6 | 33004-00 | 1 | Nut-HF |
| 7 | 33003-00 | 1 | Nut-HF |



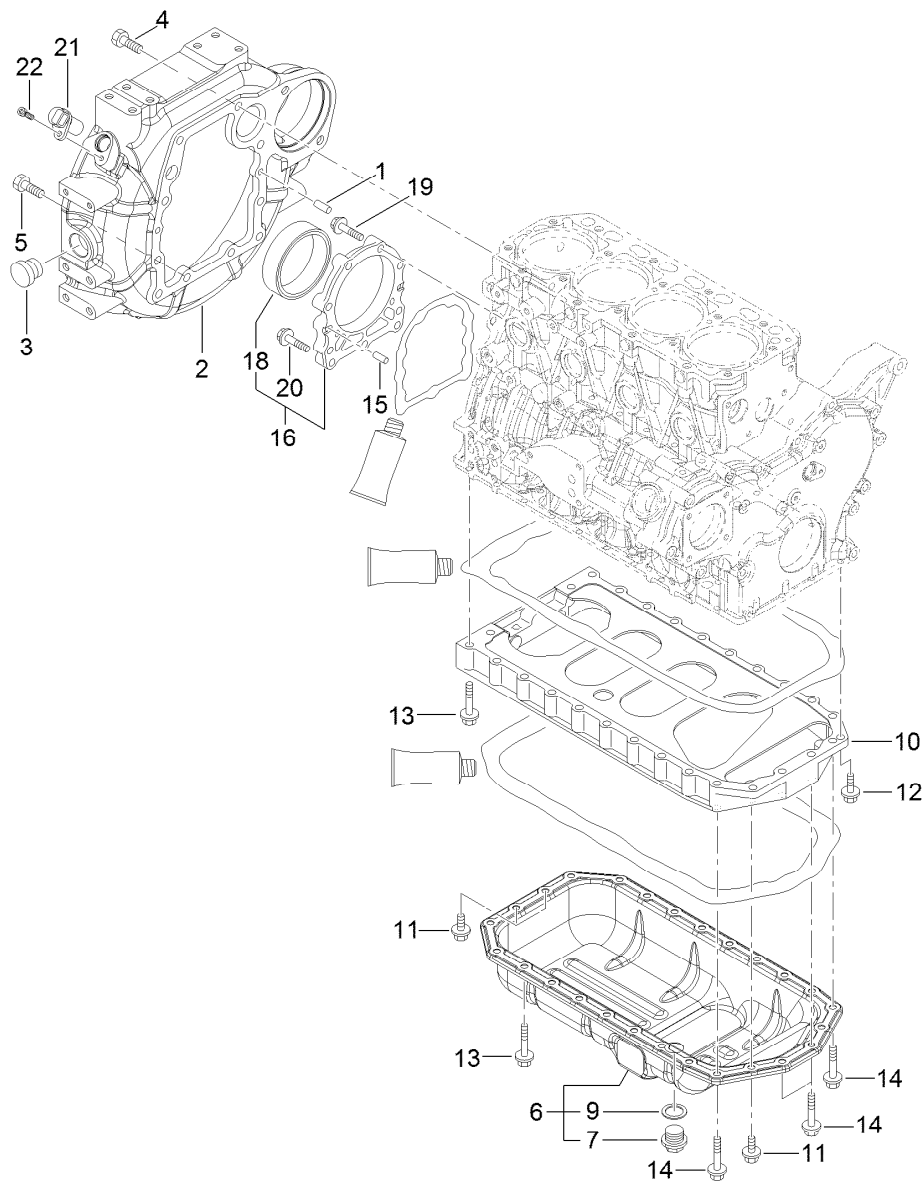
Cylinder Block Assembly

| <i>Ref.</i> | <i>Part Number</i> | <i>Qty.</i> | <i>Description</i> | <i>Ref.</i> | <i>Part Number</i> | <i>Qty.</i> | <i>Description</i> |
|-------------|--------------------|-------------|--------------------|-------------|--------------------|-------------|-----------------------|
| 1 | 127-3127 | 1 | Cylinder Block ASM | 13 | 125-6973 | 1 | Plug |
| 4 | 125-6980 | 1 | Plug | 14 | 125-7237 | 1 | Plug |
| 5 | 125-7170 | 1 | Plug | 24 | 125-7010 | 2 | Metal-Thrust |
| 6 | 125-7007 | 10 | Bolt | 27 | 125-7006 | 18 | Bolt |
| 9 | 125-7108 | 1 | Bushing | 28 | 127-3126 | 1 | Gasket-Head, Cylinder |
| 10 | 125-7239 | 8 | Plug | 29 | 125-6981 | 5 | Metal-Main |
| 11 | 125-6969 | 1 | Plug | 32 | 125-7009 | 5 | Metal-Main (0.25) |
| 12 | 125-6973 | 2 | Plug | 35 | 125-7011 | 1 | Metal-Thrust (0.25) |



Gear Housing Assembly

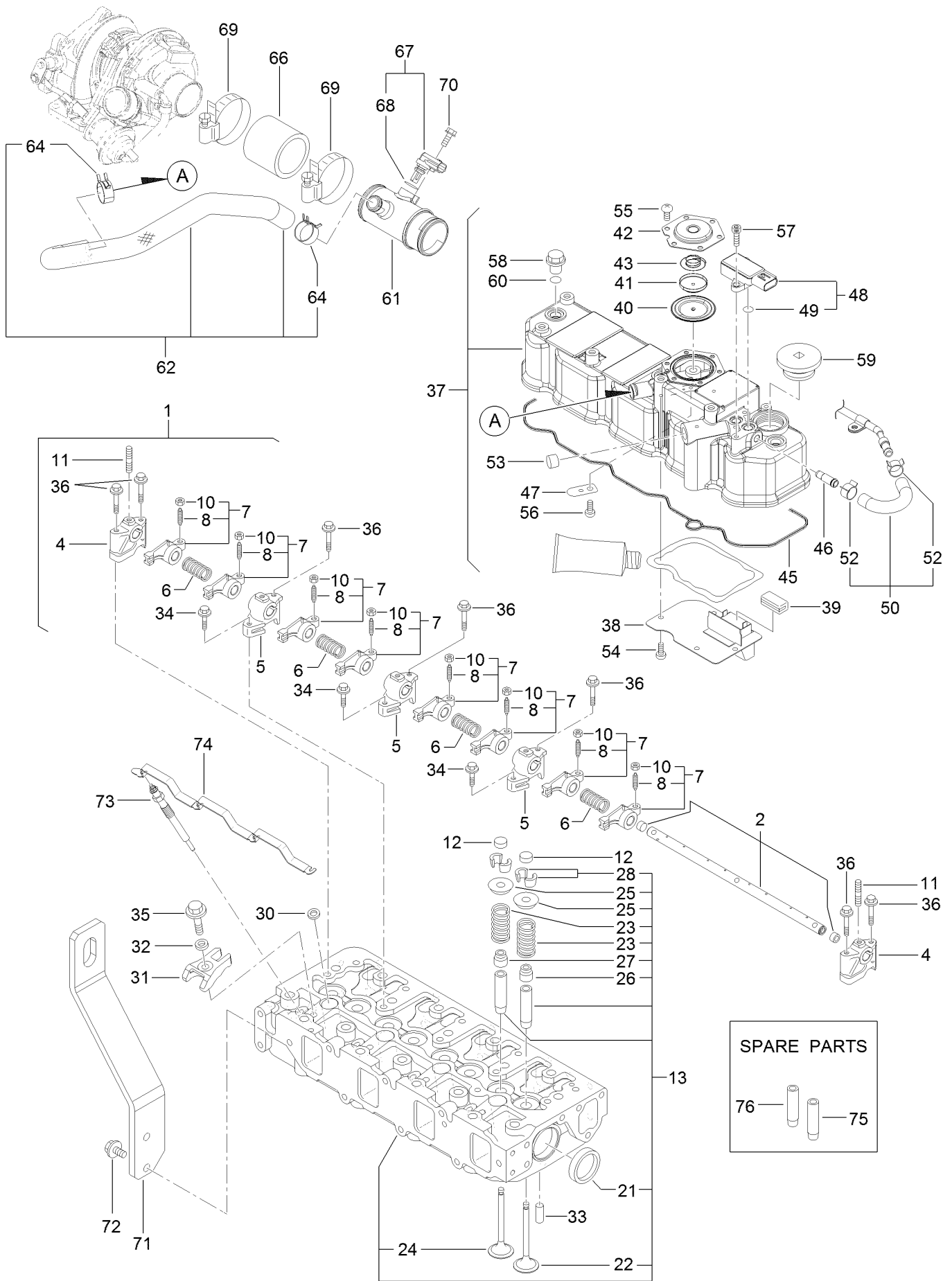
| <i>Ref.</i> | <i>Part Number</i> | <i>Qty.</i> | <i>Description</i> | <i>Ref.</i> | <i>Part Number</i> | <i>Qty.</i> | <i>Description</i> |
|-------------|--------------------|-------------|--------------------|-------------|--------------------|-------------|--------------------|
| 1 | 127-3023 | 1 | Case-Gear | 11 | 125-6944 | 1 | Seal-Oil |
| 2 | 125-6995 | 2 | Pin | 12 | 125-6977 | 1 | Cover |
| 3 | 125-6972 | 1 | Cover-Filler | 13 | 125-7174 | 1 | Washer-Seal |
| 4 | 125-7107 | 2 | Pipe | 14 | 125-7214 | 4 | Bolt |
| 5 | 125-6909 | 2 | O-Ring | 15 | 125-7217 | 1 | Bolt |
| 6 | 127-2973 | 1 | O-Ring | 16 | 125-7218 | 7 | Bolt |
| 7 | 125-7197 | 1 | O-Ring | 17 | 125-7222 | 3 | Bolt |
| 8 | 125-7214 | 3 | Bolt | 18 | 125-7224 | 4 | Bolt |
| 9 | 127-3024 | 1 | Gearcase Cover ASM | | | | |



Flywheel Housing and Oil Sump Assembly

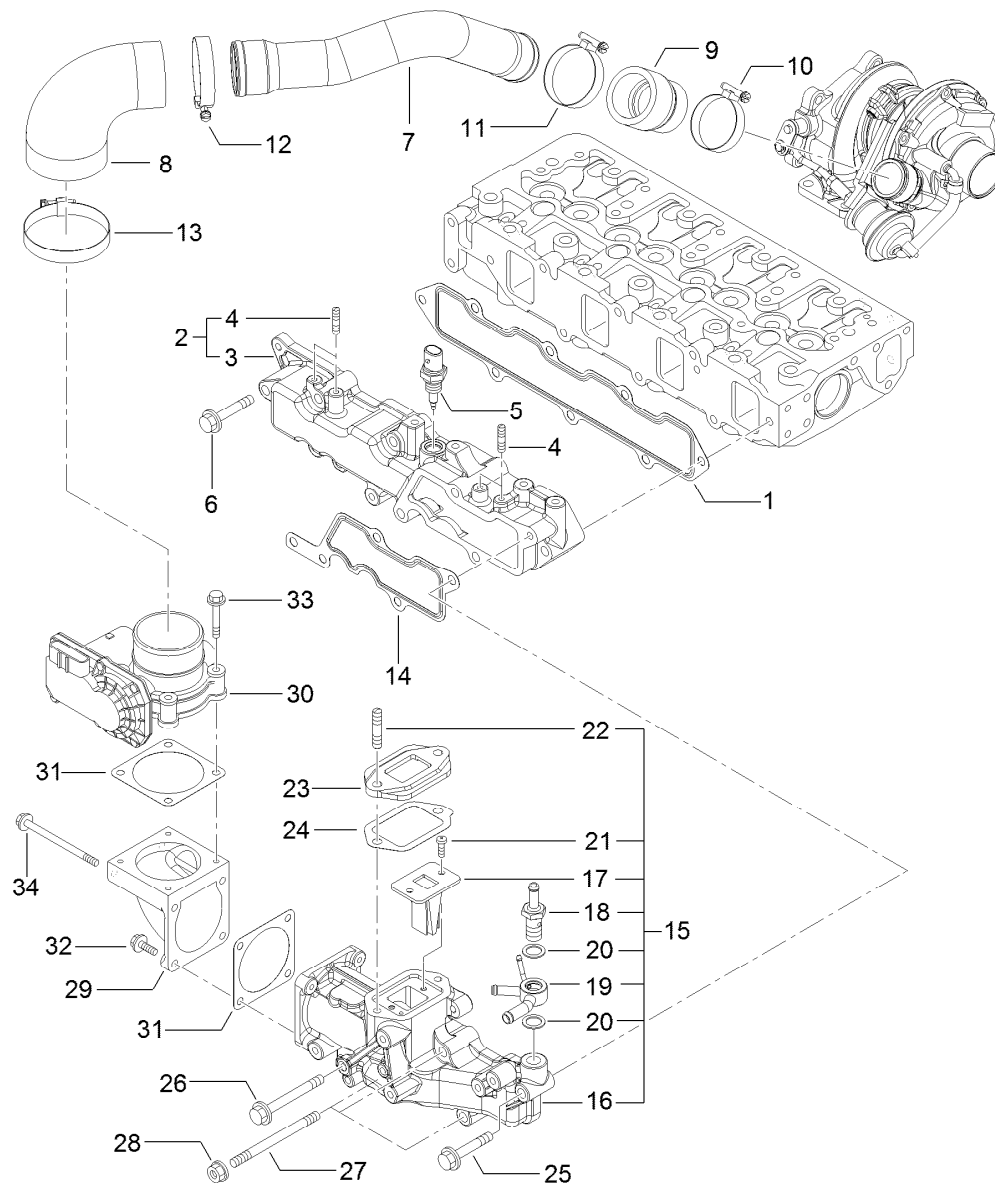
| <i>Ref.</i> | <i>Part Number</i> | <i>Qty.</i> | <i>Description</i> | <i>Ref.</i> | <i>Part Number</i> | <i>Qty.</i> | <i>Description</i> |
|-------------|--------------------|-------------|--------------------|-------------|--------------------|-------------|----------------------|
| 1 | 125-6995 | 2 | Pin | 12 | 125-7215 | 2 | Bolt |
| 2 | 127-3025 | 1 | Housing-Flywheel | 13 | 125-7219 | 20 | Bolt |
| 3 | 125-6910 | 1 | Cap | 14 | 125-7220 | 4 | Bolt |
| 4 | 125-7226 | 6 | Bolt | 15 | 125-6995 | 2 | Pin |
| 5 | 125-7227 | 4 | Bolt | 16 | 125-6996 | 1 | Case ASM |
| 6 | 125-7241 | 1 | Oil Sump ASM | 18 | 125-7106 | 1 | Seal-Oil |
| 7 | 125-6912 | 1 | Plug-Drain | 19 | 125-7045 | 6 | Bolt |
| 9 | 125-7177 | 1 | Washer-Seal | 20 | 125-7217 | 3 | Bolt |
| 10 | 125-7035 | 1 | Spacer | 21 | 127-3062 | 1 | Sensor-Rev, Flywheel |
| 11 | 125-7214 | 4 | Bolt | 22 | 127-3184 | 1 | Bolt |

Cylinder Head and Cover Assembly



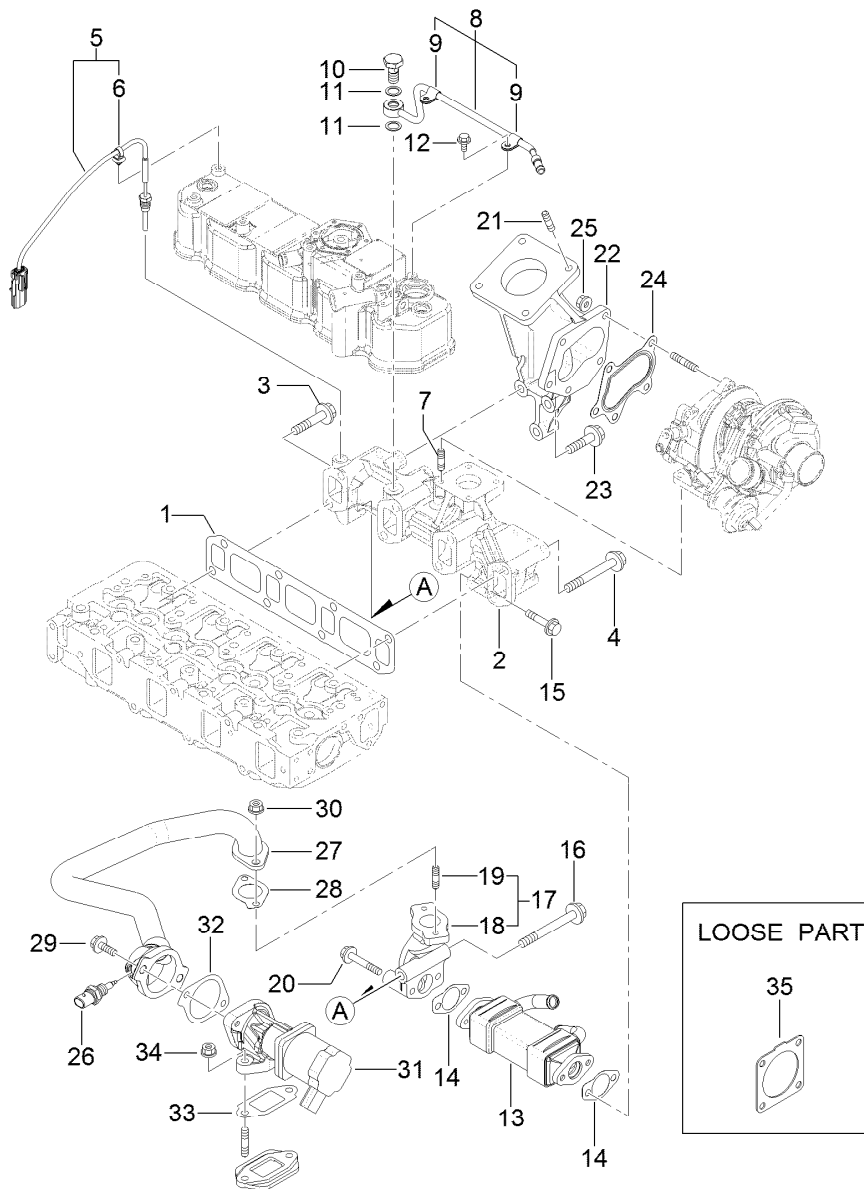
Cylinder Head and Cover Assembly (continued)

| <i>Ref.</i> | <i>Part Number</i> | <i>Qty.</i> | <i>Description</i> | <i>Ref.</i> | <i>Part Number</i> | <i>Qty.</i> | <i>Description</i> |
|-------------|--------------------|-------------|-------------------------|-------------|--------------------|-------------|-------------------------|
| 1 | 127-3005 | 1 | Shaft ASM | 42 | 125-6961 | 1 | Plate-Breather |
| 2 | 127-3006 | 1 | Shaft | 43 | 125-6962 | 1 | Spring-Diaphragm |
| 4 | 127-2974 | 2 | Support | 45 | 127-3106 | 1 | Gasket-Cover |
| 5 | 127-2975 | 3 | Support | 46 | 127-3026 | 1 | Joint |
| 6 | 127-2995 | 4 | Spring | 47 | 125-6994 | 1 | Spring |
| 7 | 127-2989 | 8 | Arm-Rocker | 48 | 127-3029 | 1 | Sensor-Pressure |
| 8 | 125-7013 | 8 | Screw-Adjust, Valve | 49 | 127-3032 | 2 | O Ring-Sensor, Pressure |
| 10 | 125-7014 | 8 | Nut | 50 | 127-3040 | 1 | Hose ASM |
| 11 | 127-3183 | 3 | Stud | 52 | 127-3041 | 2 | Clip-Hose |
| 12 | 127-2996 | 8 | Cap-Valve | 53 | 125-6913 | 1 | Plug |
| 13 | 127-3132 | 1 | Cylinder Head ASM | 54 | 125-7186 | 4 | Screw |
| 21 | 125-7240 | 2 | Plug | 55 | 125-7186 | 6 | Screw |
| 22 | 127-2990 | 4 | Valve | 56 | 125-7186 | 1 | Screw |
| 23 | 127-3012 | 8 | Spring | 57 | 127-3184 | 2 | Bolt |
| 24 | 127-2994 | 4 | Valve | 58 | 125-6974 | 3 | Knob |
| 25 | 127-3013 | 8 | Retainer-Spring | 59 | 127-2978 | 1 | Plug |
| 26 | 127-2986 | 4 | Seal-Stem, Valve | 60 | 93-0418 | 3 | O-Ring |
| 27 | 127-3027 | 4 | Seal-Stem, Valve | 61 | 127-3128 | 1 | Joint-Breather |
| 28 | 127-3186 | 8 | Pin-Cotter | 62 | 127-3129 | 1 | Breather Hose ASM |
| 30 | 127-3021 | 4 | Gasket-Injector | 64 | 125-7040 | 2 | Clip-Hose |
| 31 | 127-3028 | 4 | Retainer-Injector | 66 | 127-3133 | 1 | Hose-Intake |
| 32 | 127-2980 | 4 | Washer-Injector | 67 | 127-3030 | 1 | Sensor-Temp, Air |
| 33 | 125-7184 | 2 | Pin-Spring | 68 | 127-3033 | 1 | O-Ring |
| 34 | 125-7215 | 3 | Bolt | 69 | 125-7190 | 2 | Clamp-Hose |
| 35 | 125-7217 | 4 | Bolt | 70 | 125-7208 | 1 | Bolt |
| 36 | 125-7220 | 7 | Bolt | 71 | 127-3130 | 1 | Lifter-Engine |
| 37 | 127-3131 | 1 | Cylinder Head Cover ASM | 72 | 125-7214 | 2 | Bolt |
| 38 | 127-2988 | 1 | Plate | 73 | 127-2991 | 4 | Plug-Glow |
| 39 | 125-7012 | 1 | Baffle | 74 | 127-3123 | 1 | Connector-Glow Plug |
| 40 | 125-6959 | 1 | Diaphragm | 75 | 127-2979 | 4 | Guide |
| 41 | 125-6960 | 1 | Plate | 76 | 127-2997 | 4 | Guide-Valve |



Suction Manifold Assembly

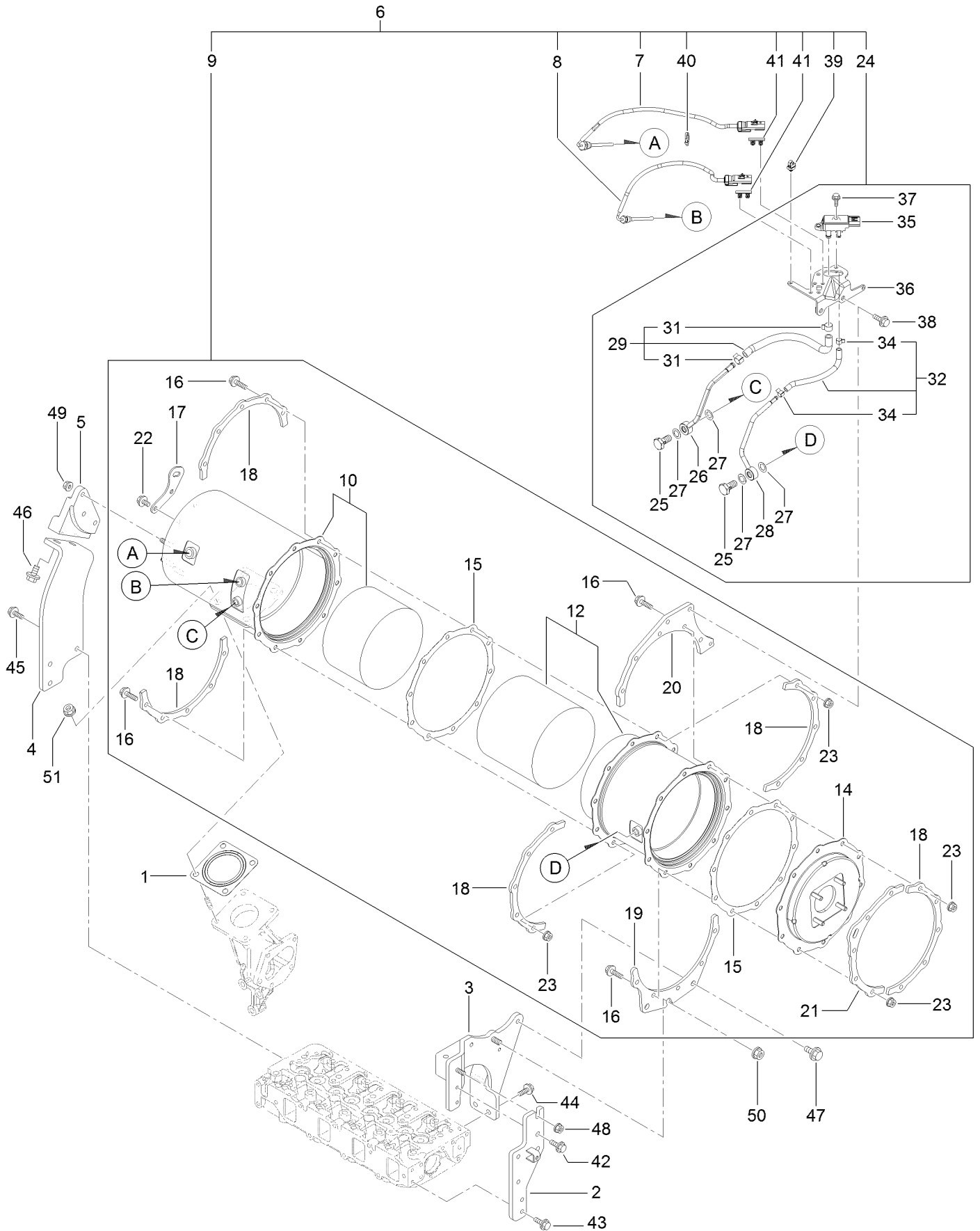
| Ref. | Part Number | Qty. | Description | Ref. | Part Number | Qty. | Description |
|------|-------------|------|-------------------------|------|-------------|------|---------------------|
| 1 | 127-3107 | 1 | Gasket-Manifold, Intake | 18 | 127-3080 | 1 | Joint-Hose |
| 2 | 127-3135 | 1 | Intake Manifold ASM | 19 | 127-3081 | 1 | Joint-Hose |
| 3 | 127-3134 | 1 | Manifold-Intake | 20 | 127-3166 | 2 | Washer-Seal |
| 4 | 127-3180 | 4 | Stud | 21 | 127-3168 | 2 | Screw |
| 5 | 127-3031 | 1 | Sensor-Temp, Air | 22 | 127-3181 | 2 | Stud |
| 6 | 125-7220 | 5 | Bolt | 23 | 127-3045 | 1 | Spacer-Valve, E G R |
| 7 | 127-3152 | 1 | Duct-Suction | 24 | 127-3046 | 1 | Gasket-E G R |
| 8 | 127-3096 | 1 | Joint-Rubber | 25 | 125-7220 | 1 | Bolt |
| 9 | 127-3153 | 1 | Joint-Rubber | 26 | 127-3178 | 1 | Bolt |
| 10 | 125-7189 | 1 | Clamp-Hose | 27 | 127-3182 | 3 | Stud |
| 11 | 127-3170 | 1 | Clamp-Hose | 28 | 125-7229 | 3 | Nut |
| 12 | 125-7190 | 1 | Clamp-Hose | 29 | 127-3035 | 1 | Bend-Inlet |
| 13 | 127-3171 | 1 | Clamp-Hose | 30 | 127-3036 | 1 | Body-Throttle |
| 14 | 127-3034 | 1 | Gasket-Collector | 31 | 127-3037 | 2 | Gasket-Throttle |
| 15 | 127-3093 | 1 | Intake Collector ASM | 32 | 125-7209 | 2 | Bolt |
| 16 | 127-3092 | 1 | Collector-Intake | 33 | 125-7211 | 4 | Bolt |
| 17 | 127-3139 | 1 | Valve-Reed | 34 | 127-3177 | 2 | Bolt |



Exhaust Manifold Assembly

| Ref. | Part Number | Qty. | Description | Ref. | Part Number | Qty. | Description |
|------|-------------|------|--------------------------|------|-------------|------|----------------------------|
| 1 | 127-3108 | 1 | Gasket-Manifold, Exhaust | 19 | 125-7043 | 2 | Stud |
| 2 | 127-3136 | 1 | Manifold-Exhaust | 20 | 125-7220 | 2 | Bolt |
| 3 | 127-3094 | 1 | Bolt | 21 | 127-2984 | 4 | Stud |
| 4 | 127-3044 | 7 | Bolt-M10 | 22 | 127-3137 | 1 | Pipe-Exhaust |
| 5 | 127-3140 | 1 | Sensor-Temp, Exhaust | 23 | 127-3138 | 3 | Bolt-Flange |
| 6 | 127-3087 | 1 | Band-Clip | 24 | 125-7071 | 1 | Gasket |
| 7 | 125-7043 | 4 | Stud | 25 | 125-7229 | 5 | Nut |
| 8 | 127-3038 | 1 | Exhaust Pipe ASM | 26 | 127-3047 | 1 | Sensor-Gas Temp, E G R |
| 9 | 127-3173 | 2 | Clamp | 27 | 127-3109 | 1 | E G R Pipe ASM |
| 10 | 127-3039 | 1 | Bolt-Joint, Pipe | 28 | 127-3016 | 1 | Gasket |
| 11 | 127-3174 | 2 | Gasket | 29 | 125-7215 | 2 | Bolt |
| 12 | 125-7206 | 2 | Bolt | 30 | 125-7229 | 2 | Nut |
| 13 | 127-3042 | 1 | Cooler-E G R | 31 | 127-3110 | 1 | Valve-E G R |
| 14 | 127-3043 | 2 | Gasket-Cooler, E G R | 32 | 127-3050 | 1 | Gasket-Intake Valve, E G R |
| 15 | 127-2976 | 2 | Bolt | 33 | 127-3051 | 1 | Gasket-Out Valve, E G R |
| 16 | 127-3022 | 1 | Bolt-Flange | 34 | 125-7229 | 2 | Nut |
| 17 | 127-3048 | 1 | E G R Pipe ASM | 35 | 127-3019 | 1 | Gasket |
| 18 | 127-3049 | 1 | Pipe-Out, E G R | | | | |

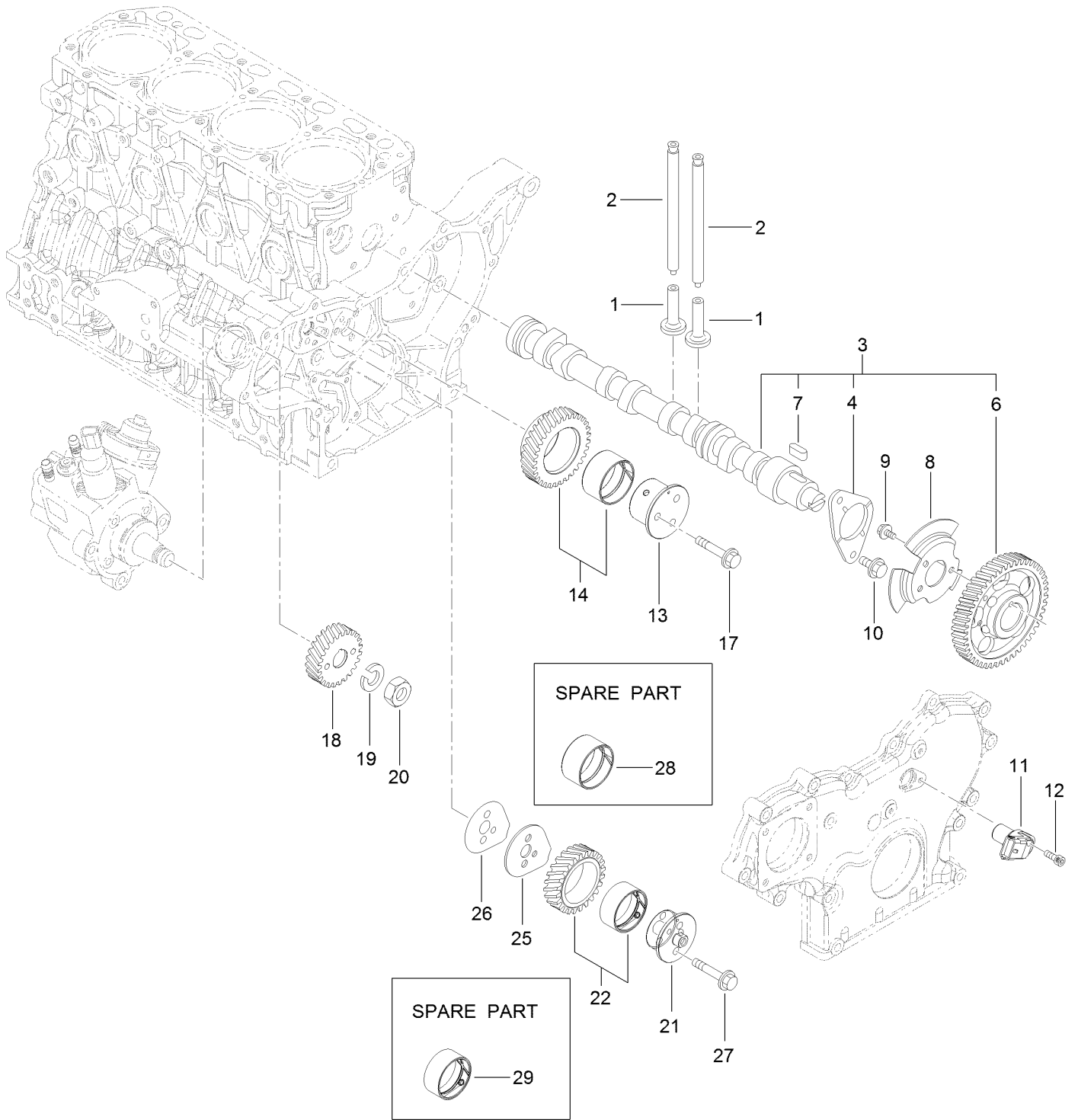
Diesel Particulate Filter Assembly



Diesel Particulate Filter Assembly (continued)

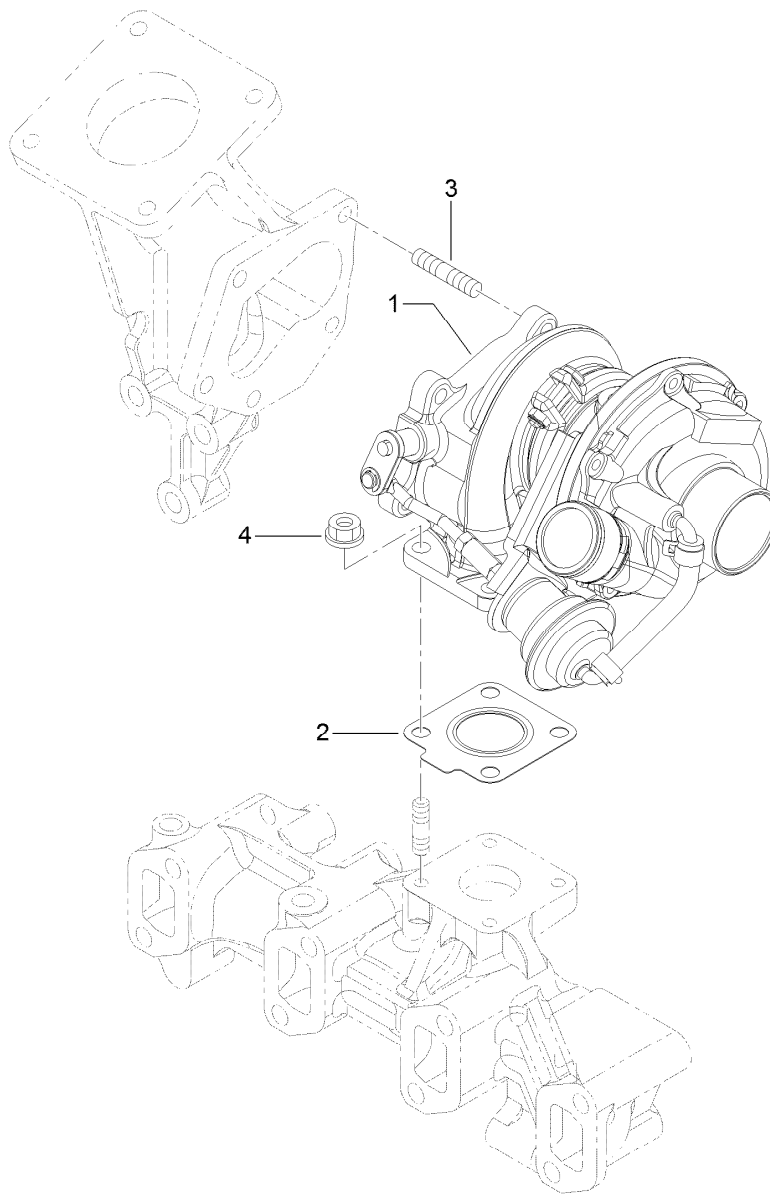
| <i>Ref.</i> | <i>Part Number</i> | <i>Qty.</i> | <i>Description</i> | <i>Ref.</i> | <i>Part Number</i> | <i>Qty.</i> | <i>Description</i> |
|-------------|--------------------|-------------|---------------------------|-------------|--------------------|-------------|------------------------------|
| 1 | 127-2987 | 1 | Gasket-Silencer | 27 | 127-3056 | 4 | Gasket-Sensor |
| 2 | 127-3095 | 1 | Stay-D P F | 28 | 127-3165 | 1 | Exhaust Pressure Pipe ASM |
| 3 | 127-3148 | 1 | Stay- D P F | 29 | 127-3114 | 1 | Exhaust Hose ASM |
| 4 | 127-3149 | 1 | Stay-D P F | 31 | 127-3057 | 2 | Clip-Hose |
| 5 | 127-3150 | 1 | Stay-D P F | 32 | 127-3059 | 1 | Exhaust Pressure Hose ASM |
| 6 | 127-3159 | 1 | D P F Unit | 34 | 127-3058 | 2 | Clip-Hose |
| 7 | 127-4764 | 1 | Sensor-Temp, Exhaust | 35 | 127-3060 | 1 | Sensor-Pressure |
| 8 | 127-3112 | 1 | Sensor-Temp, Exhaust | 36 | 127-3061 | 1 | Bracket-Sensor, Pressure |
| 9 | 127-3157 | 1 | D P F ASM | 37 | 125-7208 | 2 | Bolt |
| 10 | 127-3141 | 1 | Case-Doc | 38 | 125-7595 | 2 | Bolt |
| 12 | 127-3142R | 1 | Case-Filter, Soot-Recon | 39 | 127-3087 | 1 | Band-Clip |
| 12 | 127-3142 | 1 | Case-Filter, Soot | 40 | 127-3124 | 1 | Band |
| 14 | 127-3143 | 1 | Flange-Outlet | 41 | 127-3088 | 2 | Clip-Connector |
| 15 | 127-3162 | 2 | Gasket-D P F | 42 | 125-7595 | 2 | Bolt |
| 16 | 127-3055 | 20 | Bolt | 43 | 125-7595 | 2 | Bolt |
| 17 | 127-3144 | 1 | Lifter-D P F | 44 | 125-7595 | 2 | Bolt |
| 18 | 127-3145 | 5 | Stiffener-D P F, A | 45 | 125-7595 | 3 | Bolt |
| 19 | 127-3146 | 1 | Stiffener-D P F, B | 46 | 127-3179 | 2 | Bolt |
| 20 | 127-3158 | 1 | Stiffener-D P F, D | 47 | 127-3179 | 2 | Bolt |
| 21 | 127-3147 | 1 | Stiffener-D P F, C | 48 | 125-7229 | 1 | Nut |
| 22 | 125-7213 | 2 | Bolt | 49 | 125-7229 | 3 | Nut |
| 23 | 125-7229 | 20 | Nut | 50 | 125-7230 | 1 | Nut |
| 24 | 127-3163 | 1 | Pressure Sensor Unit | 51 | 125-7230 | 4 | Nut |
| 25 | 127-3039 | 2 | Bolt-Joint, Pipe | | | | |
| 26 | 127-3164 | 1 | Exhaust Pressure Pipe ASM | | | | |

Camshaft and Driving Gear Assembly



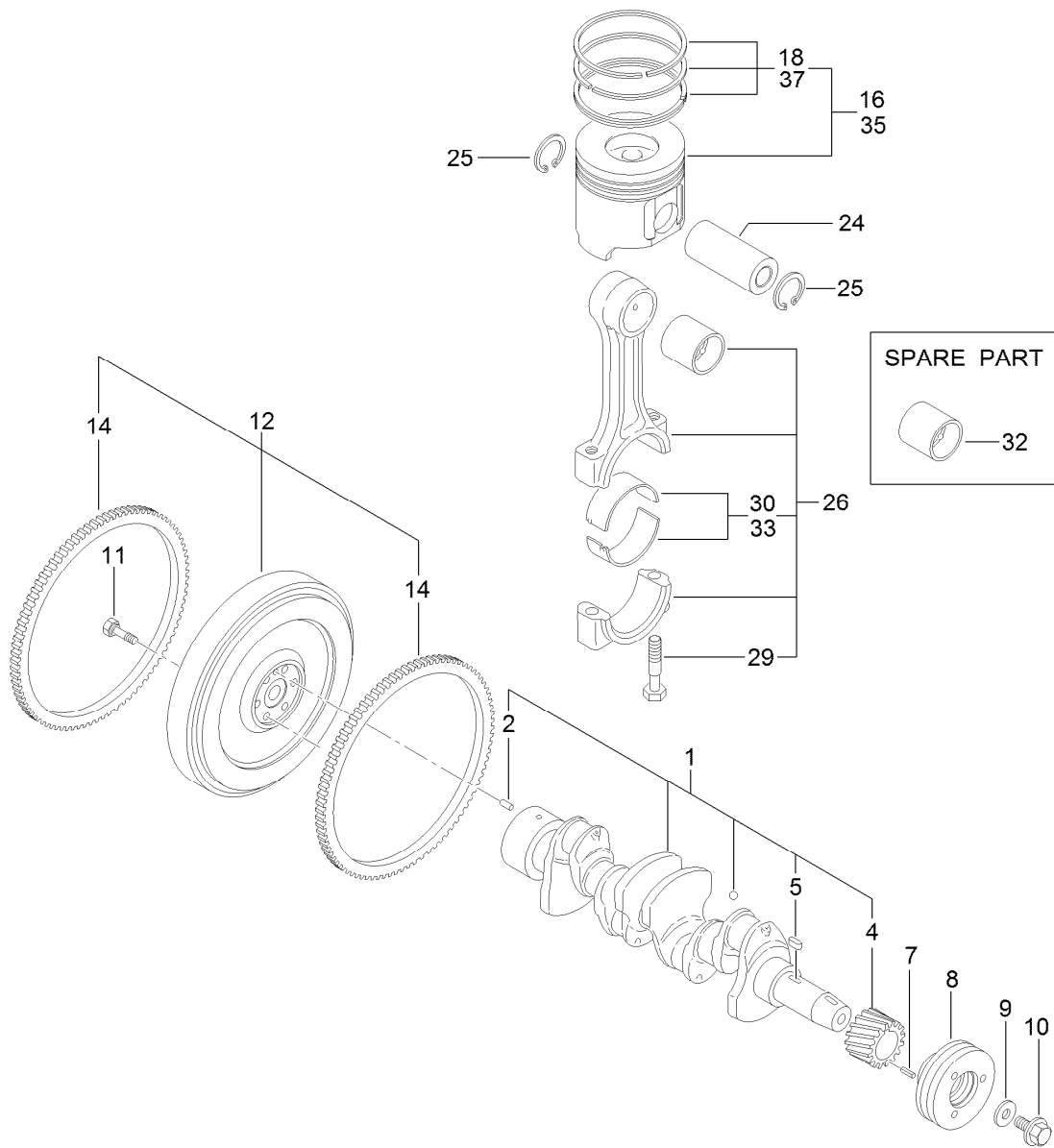
Camshaft and Driving Gear Assembly (continued)

| <i>Ref.</i> | <i>Part Number</i> | <i>Qty.</i> | <i>Description</i> | <i>Ref.</i> | <i>Part Number</i> | <i>Qty.</i> | <i>Description</i> |
|-------------|--------------------|-------------|--------------------|-------------|--------------------|-------------|----------------------|
| 1 | 125-7016 | 8 | Tappet | 14 | 127-3066 | 1 | Idle Gear A ASM |
| 2 | 125-7017 | 8 | Rod-Push | 17 | 125-7219 | 3 | Bolt |
| 3 | 127-3113 | 1 | Camshaft ASM | 18 | 127-3070 | 1 | Gear-Pump, Supply |
| 4 | 125-7008 | 1 | Metal-Thrust | 19 | 127-3167 | 1 | Washer-Spring |
| 6 | 127-3052 | 1 | Gear-Camshaft | 20 | 127-3185 | 1 | Nut-Lock |
| 7 | 125-7185 | 1 | Key | 21 | 127-3064 | 1 | Shaft-Idle, Gear B |
| 8 | 127-3053 | 1 | Pulser-Camshaft | 22 | 127-3067 | 1 | Idle Gear B ASM |
| 9 | 125-7205 | 3 | Bolt | 25 | 127-3068 | 1 | Plate-Idle, Shaft |
| 10 | 125-7213 | 2 | Bolt | 26 | 127-3069 | 1 | Gasket-Idle, Shaft B |
| 11 | 127-3054 | 1 | Sensor-Rev, Gear | 27 | 125-7218 | 2 | Bolt |
| 12 | 127-3184 | 1 | Bolt | 28 | 125-6927 | 1 | Bushing |
| 13 | 127-3063 | 1 | Shaft-Idle, Gear A | 29 | 127-3065 | 1 | Bushing |



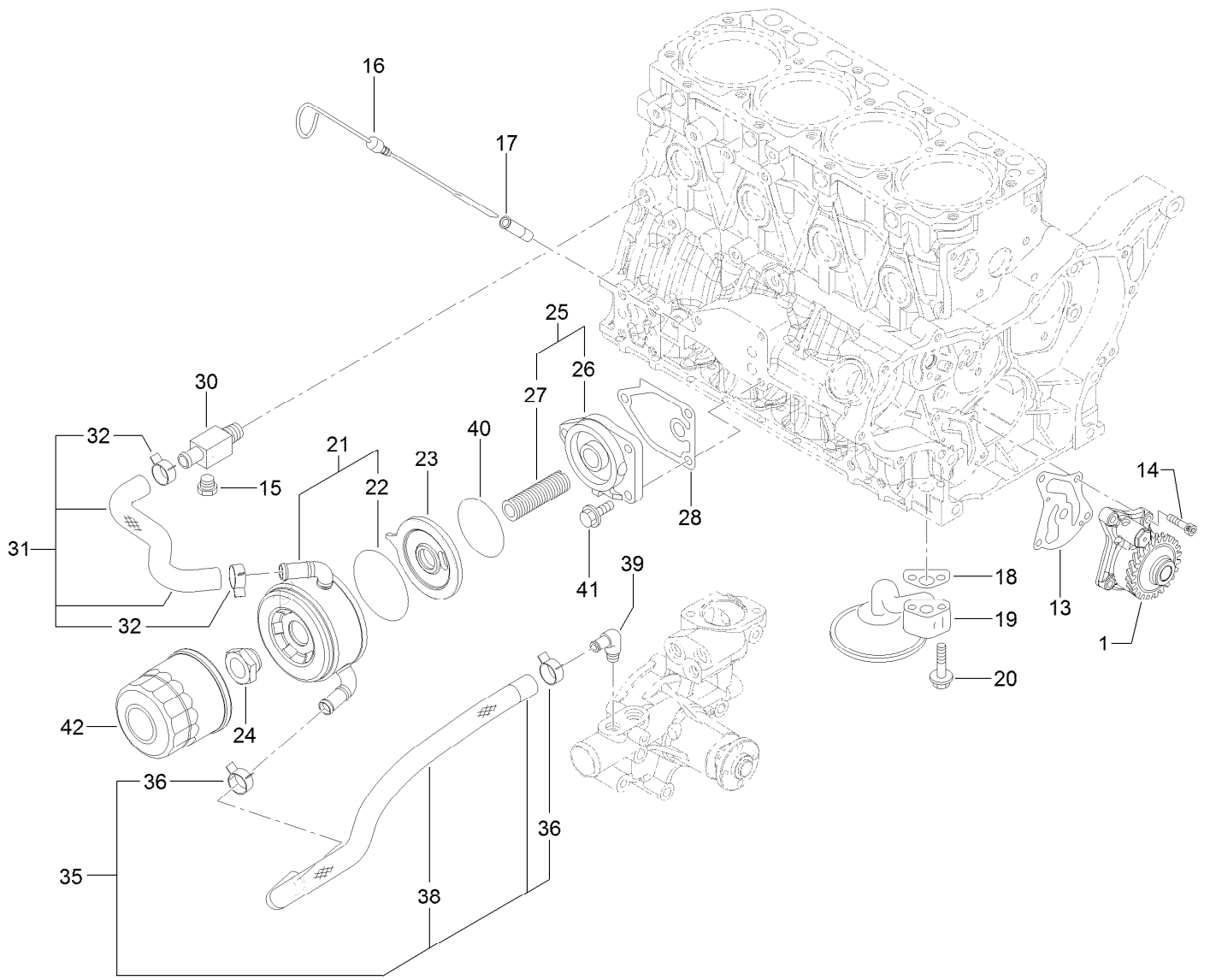
Turbine Assembly

| <i>Ref.</i> | <i>Part Number</i> | <i>Qty.</i> | <i>Description</i> |
|-------------|--------------------|-------------|--------------------|
| 1 | 127-3151 | 1 | Turbine ASM |
| 2 | 125-7070 | 1 | Gasket |
| 3 | 125-6906 | 5 | Stud |
| 4 | 125-7229 | 4 | Nut |



Crankshaft and Piston Assembly

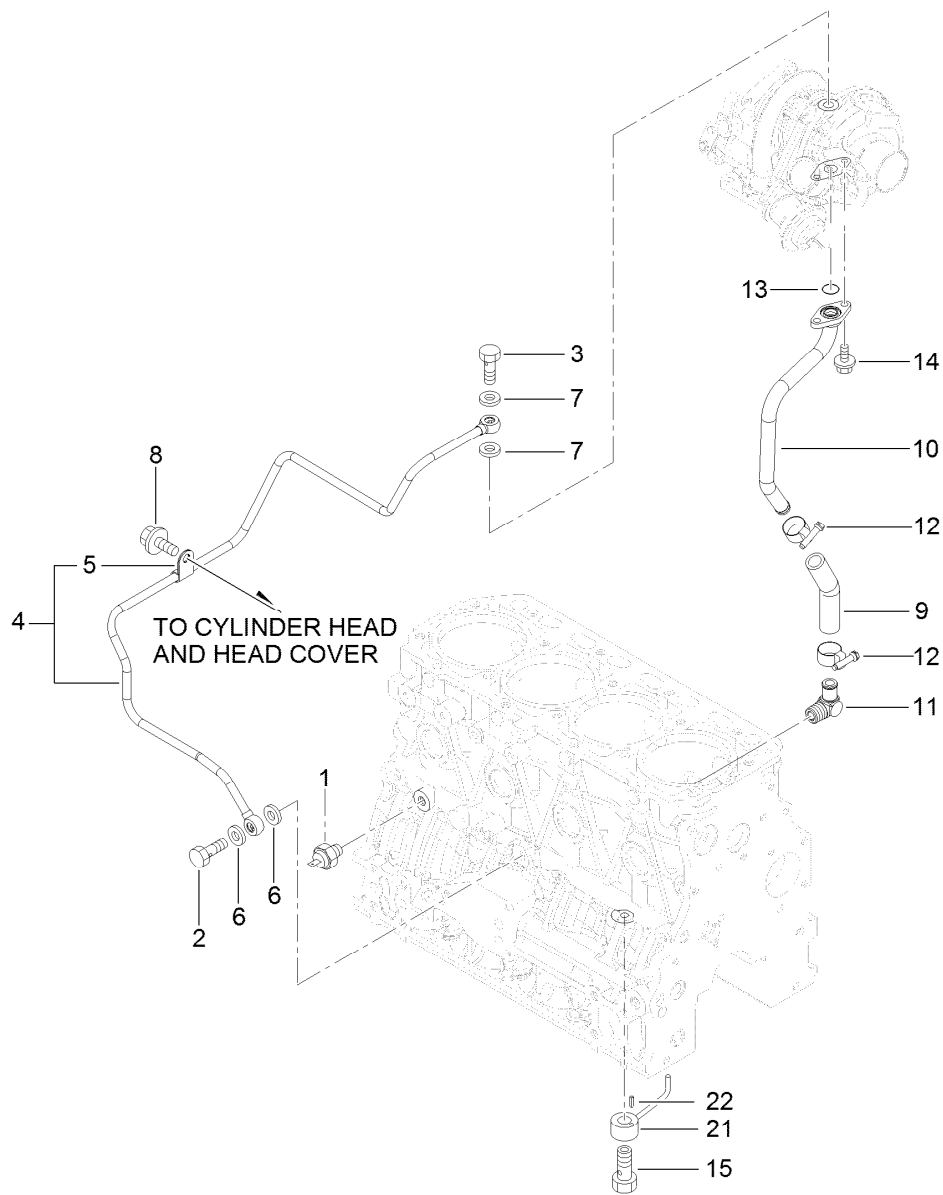
| Ref. | Part Number | Qty. | Description | Ref. | Part Number | Qty. | Description |
|------|-------------|------|----------------|------|-------------|------|-----------------------------|
| 1 | 125-7091 | 1 | Crankshaft ASM | 16 | 127-3097 | 4 | Piston ASM |
| 2 | 125-6995 | 1 | Pin | 18 | 127-3098 | 4 | Piston Ring ASM |
| 4 | 125-6937 | 1 | Gear | 24 | 125-7030 | 4 | Pin |
| 5 | 125-7185 | 1 | Key | 25 | 125-7180 | 8 | Ring |
| 7 | 125-7182 | 1 | Pin-Spring | 26 | 125-7242 | 4 | Connecting Rod ASM |
| 8 | 125-6925 | 1 | V-Pulley | 29 | 125-6955 | 8 | Bolt |
| 9 | 125-7109 | 1 | Washer | 30 | 125-7018 | 4 | Pin-Crank |
| 10 | 125-6956 | 1 | Bolt | 32 | 125-6997 | 4 | Pin-Piston |
| 11 | 125-6951 | 6 | Bolt | 33 | 125-7019 | 4 | Pin-Crank (.25) |
| 12 | 127-3160 | 1 | Flywheel ASM | 35 | 127-3099 | 4 | Piston ASM (0.25 O.S.) |
| 14 | 125-6943 | 1 | Gear | 37 | 127-3100 | 4 | Piston Ring ASM (0.25 O.S.) |



Lubrication and Oil System Assembly

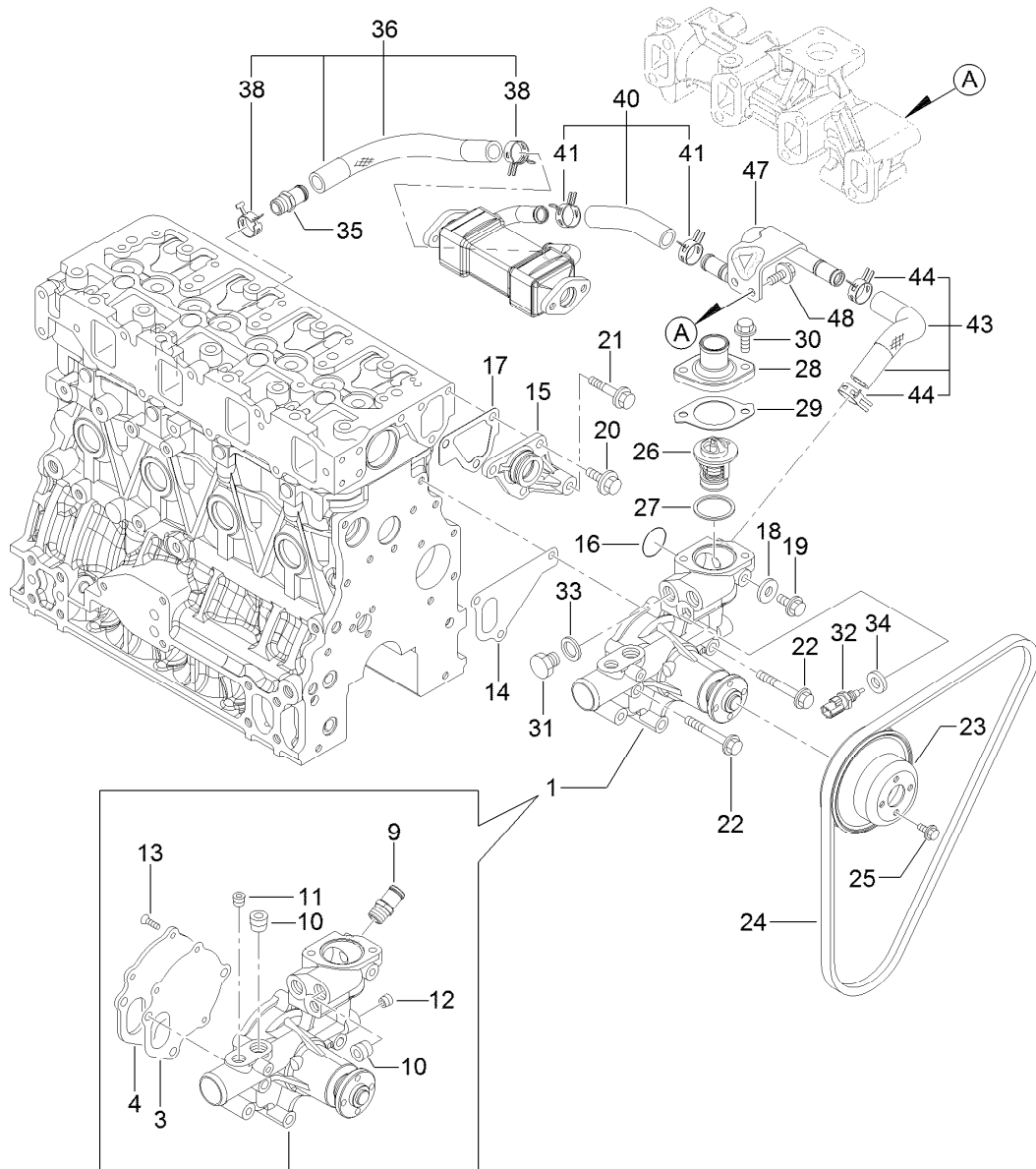
| Ref. | Part Number | Qty. | Description |
|------|-------------|------|-------------------|
| 1 | 127-3101 | 1 | Oil Lube Pump ASM |
| 13 | 127-3004 | 1 | Gasket |
| 14 | 125-7232 | 4 | Bolt |
| 15 | 125-7171 | 1 | Plug-Drain |
| 16 | 125-6987 | 1 | Dipstick |
| 17 | 125-6954 | 1 | Guide-Dipstick |
| 18 | 125-7022 | 1 | Gasket |
| 19 | 125-7023 | 1 | Pipe ASM |
| 20 | 125-7217 | 2 | Bolt |
| 21 | 127-3014 | 1 | Cooler ASM |
| 22 | 127-2985 | 1 | O-Ring |
| 23 | 127-3015 | 1 | Bracket-Cooler |
| 24 | 125-7041 | 1 | Nut-Cooler, Oil |
| 25 | 127-3009 | 1 | Bracket ASM |

| Ref. | Part Number | Qty. | Description |
|------|-------------|------|---------------------|
| 26 | 125-6930 | 1 | Bracket |
| 27 | 127-3010 | 1 | Stud |
| 28 | 125-7024 | 1 | Gasket |
| 30 | 125-6990 | 1 | Joint |
| 31 | 127-3102 | 1 | Pipe-Cooling, Water |
| 32 | 125-7162 | 2 | Clip |
| 35 | 127-3103 | 1 | Hose-Cooling, Water |
| 36 | 125-7162 | 2 | Clip |
| 38 | 127-3007 | 1 | Tube |
| 39 | 125-7001 | 1 | Elbow |
| 40 | 127-3176 | 1 | O-Ring |
| 41 | 125-7595 | 3 | Bolt |
| 42 | 125-7025 | 1 | Filter-Engine, Oil |



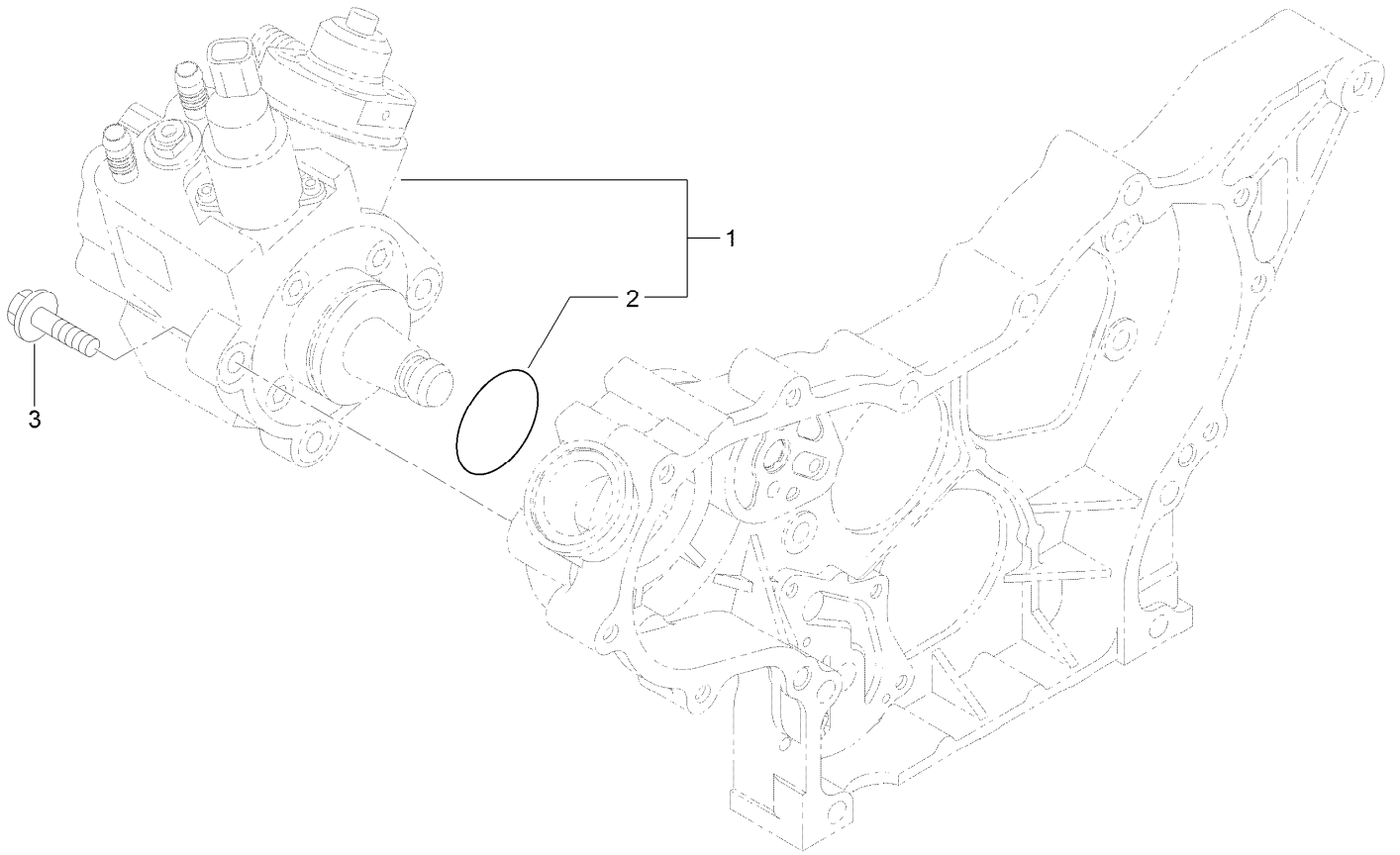
Lubrication Oil Line Assembly

| <i>Ref.</i> | <i>Part Number</i> | <i>Qty.</i> | <i>Description</i> | <i>Ref.</i> | <i>Part Number</i> | <i>Qty.</i> | <i>Description</i> |
|-------------|--------------------|-------------|--------------------|-------------|--------------------|-------------|--------------------|
| 1 | 125-6918 | 1 | Switch-Oil | 10 | 127-3155 | 1 | Pipe-Lube, Oil |
| 2 | 125-6975 | 1 | Bolt-Joint, Pipe | 11 | 127-3003 | 1 | Elbow |
| 3 | 125-6952 | 1 | Bolt-Joint, Pipe | 12 | 127-3169 | 2 | Clamp-Hose |
| 4 | 127-3154 | 1 | Lube Oil Pipe ASM | 13 | 125-7198 | 1 | O-Ring |
| 5 | 125-6976 | 1 | Retainer | 14 | 125-7208 | 2 | Bolt |
| 6 | 125-7175 | 2 | Washer-Seal | 15 | 125-7105 | 4 | Check Valve ASM |
| 7 | 125-7193 | 2 | Gasket | 21 | 125-7098 | 4 | Nozzle |
| 8 | 93-0362 | 1 | Bolt | 22 | 125-7182 | 4 | Pin-Spring |
| 9 | 127-2992 | 1 | Joint | | | | |



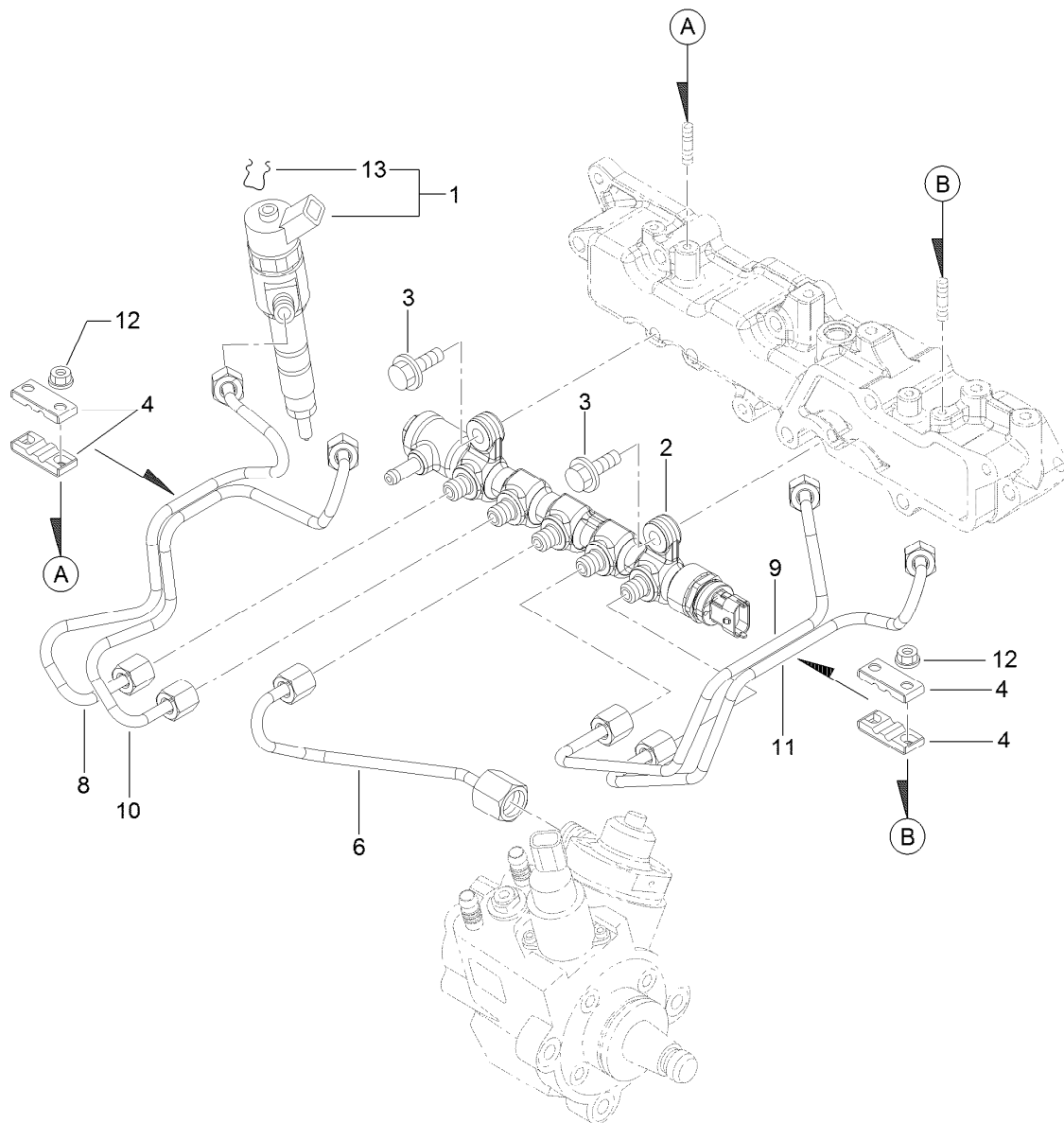
Cooling Water System Assembly

| Ref. | Part Number | Qty. | Description | Ref. | Part Number | Qty. | Description |
|------|-------------|------|----------------|------|-------------|------|-----------------------|
| 1 | 127-3071 | 1 | Water Pump ASM | 25 | 125-7206 | 4 | Bolt |
| 3 | 125-6998 | 1 | Gasket | 26 | 125-7029 | 1 | Thermostat |
| 4 | 125-6999 | 1 | Plate | 27 | 125-7026 | 1 | Gasket |
| 9 | 127-3017 | 1 | Joint | 28 | 125-7034 | 1 | Cover |
| 10 | 125-7123 | 2 | Plug | 29 | 125-7110 | 1 | Gasket |
| 11 | 127-3175 | 1 | Plug | 30 | 125-7594 | 2 | Bolt |
| 12 | 125-7195 | 1 | Plug | 31 | 125-6953 | 1 | Plug |
| 13 | 125-7234 | 3 | Screw | 32 | 125-7124 | 1 | Sensor-Thermostat, CW |
| 14 | 125-7047 | 1 | Gasket | 33 | 125-6979 | 1 | Gasket |
| 15 | 125-6986 | 1 | Joint | 34 | 125-7176 | 1 | Washer-Seal |
| 16 | 125-7048 | 1 | O-Ring | 35 | 127-3017 | 1 | Joint |
| 17 | 125-6978 | 1 | Gasket | 36 | 127-3072 | 1 | Water In Pipe ASM |
| 18 | 125-7192 | 1 | Gasket | 38 | 127-3020 | 2 | Clip-Hose |
| 19 | 93-0362 | 1 | Bolt | 40 | 127-3115 | 1 | Water Out Pipe ASM |
| 20 | 125-7214 | 3 | Bolt | 41 | 127-3020 | 2 | Clip-Hose |
| 21 | 125-7219 | 1 | Bolt | 43 | 127-3116 | 1 | Water Out Pipe ASM |
| 22 | 125-7222 | 3 | Bolt | 44 | 127-3020 | 2 | Clip-Hose |
| 23 | 125-7039 | 1 | V-Pulley | 47 | 127-3117 | 1 | Pipe-Out, CW |
| 24 | 127-2998 | 1 | V-Belt | 48 | 125-7214 | 2 | Bolt |



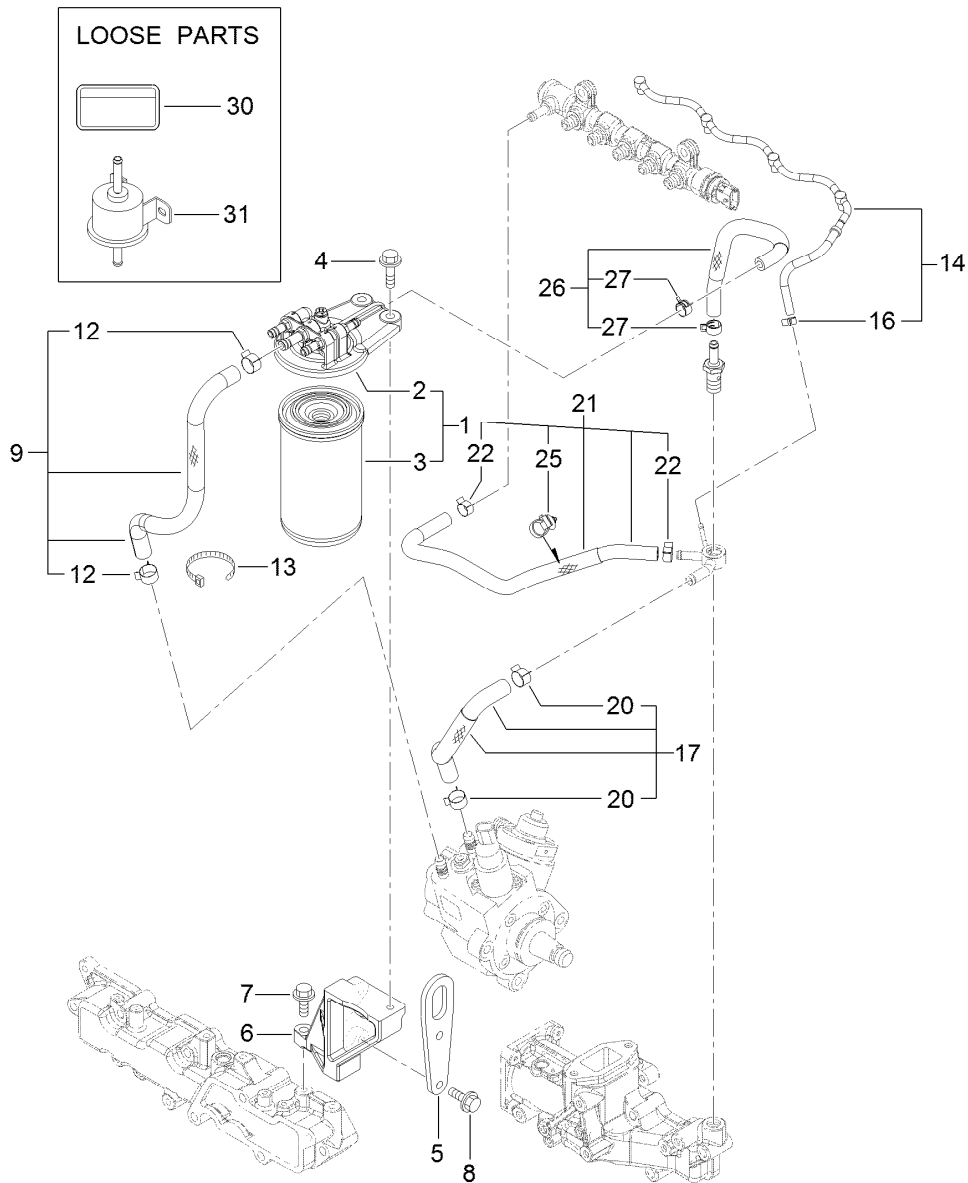
Fuel System Assembly

| <i>Ref.</i> | <i>Part Number</i> | <i>Qty.</i> | <i>Description</i> |
|-------------|--------------------|-------------|--------------------|
| 1 | 127-3073 | 1 | Fuel Pump ASM |
| 2 | 127-3074 | 1 | O-Ring |
| 3 | 125-7216 | 3 | Bolt |



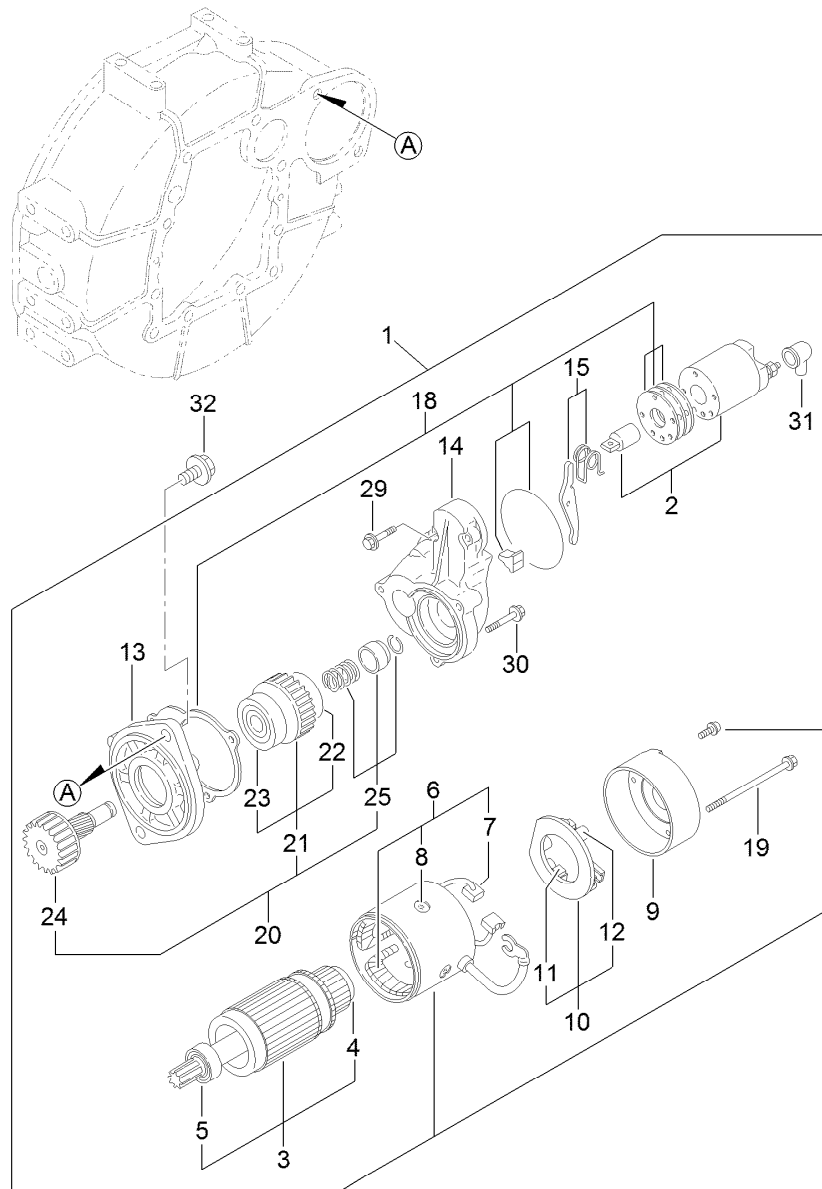
Fuel Injection Valve Assembly

| <i>Ref.</i> | <i>Part Number</i> | <i>Qty.</i> | <i>Description</i> |
|-------------|--------------------|-------------|--------------------|
| 1 | 127-3104 | 4 | Injector ASM |
| 2 | 127-3118 | 1 | Rail ASM |
| 3 | 125-7215 | 2 | Bolt |
| 4 | 127-2982 | 4 | Retainer |
| 6 | 127-3082 | 1 | Rail In Pipe ASM |
| 8 | 127-3121 | 1 | Injection Pipe ASM |
| 9 | 127-3083 | 1 | Injection Pipe ASM |
| 10 | 127-3122 | 1 | Injection Pipe ASM |
| 11 | 127-3084 | 1 | Injection Pipe ASM |
| 12 | 125-7231 | 4 | Nut |
| 13 | 130-7430 | 4 | Ring-Retaining |



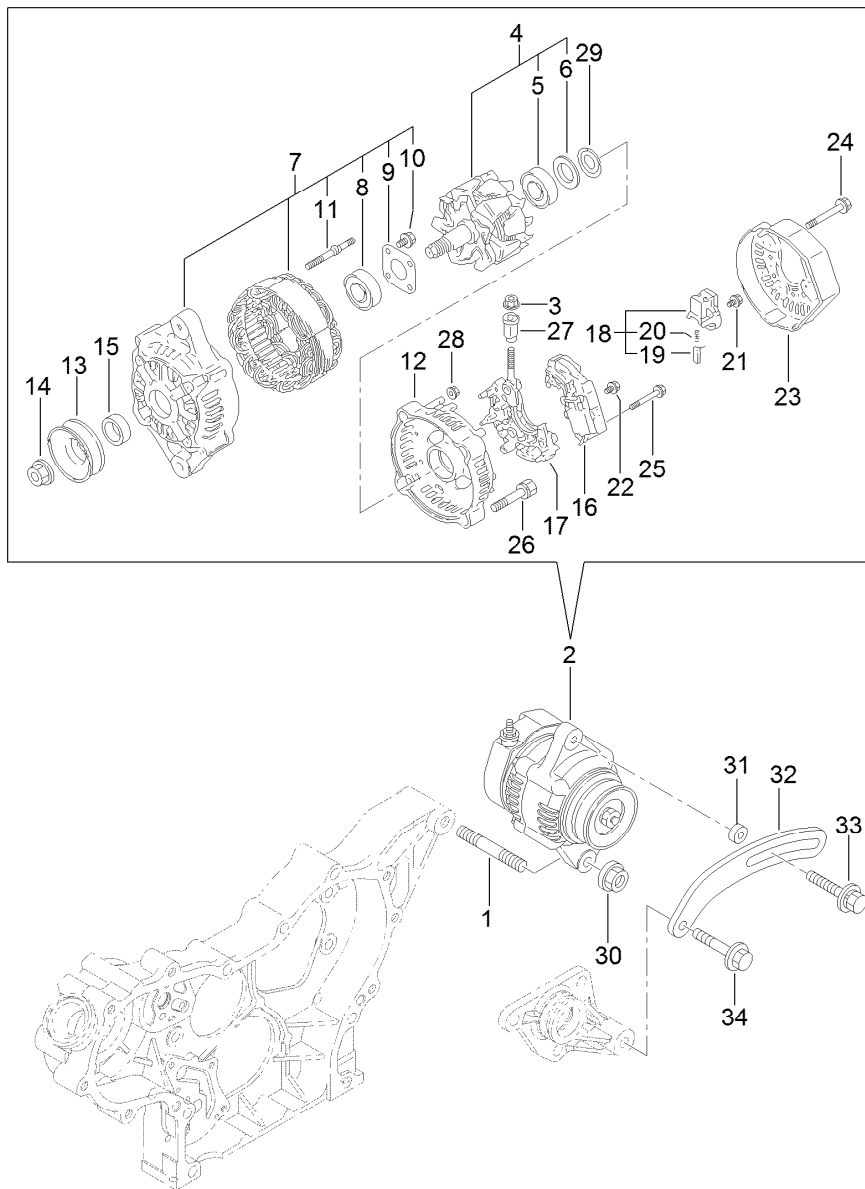
Fuel Line Assembly

| <i>Ref.</i> | <i>Part Number</i> | <i>Qty.</i> | <i>Description</i> | <i>Ref.</i> | <i>Part Number</i> | <i>Qty.</i> | <i>Description</i> |
|-------------|--------------------|-------------|-----------------------------|-------------|--------------------|-------------|-------------------------|
| 1 | 127-3075 | 1 | Fuel/Oil Filter ASM | 14 | 127-3120 | 1 | Fuel Pipe ASM |
| 2 | 127-3076 | 1 | Fuel/Oil Filter Bracket ASM | 16 | 127-3172 | 1 | Clamp-Hose |
| 3 | 125-8752 | 1 | Filter-Fuel/Oil | 17 | 127-3078 | 1 | Fuel Pipe ASM |
| 4 | 125-7216 | 2 | Bolt | 20 | 125-7191 | 2 | Clamp-Hose |
| 5 | 127-3091 | 1 | Lifter-Engine | 21 | 127-3119 | 1 | Fuel Pipe ASM |
| 6 | 127-3105 | 1 | Stay-Bracket, Filter | 22 | 127-2950 | 2 | Clip-Hose |
| 7 | 125-7215 | 1 | Bolt | 25 | 127-3087 | 1 | Band-Clip |
| 8 | 125-7216 | 2 | Bolt | 26 | 127-3079 | 1 | Fuel Pipe ASM |
| 9 | 127-3077 | 1 | Fuel Pipe ASM | 27 | 127-2950 | 2 | Clip-Hose |
| 12 | 125-7191 | 2 | Clamp-Hose | 30 | 125-6900 | 1 | Label-Caution, Fuel Oil |
| 13 | 127-2981 | 1 | Band | 31 | 127-3008 | 1 | Fuel Feed Pump ASM |



Starting Motor Assembly

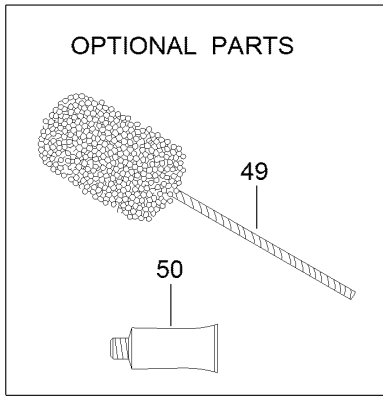
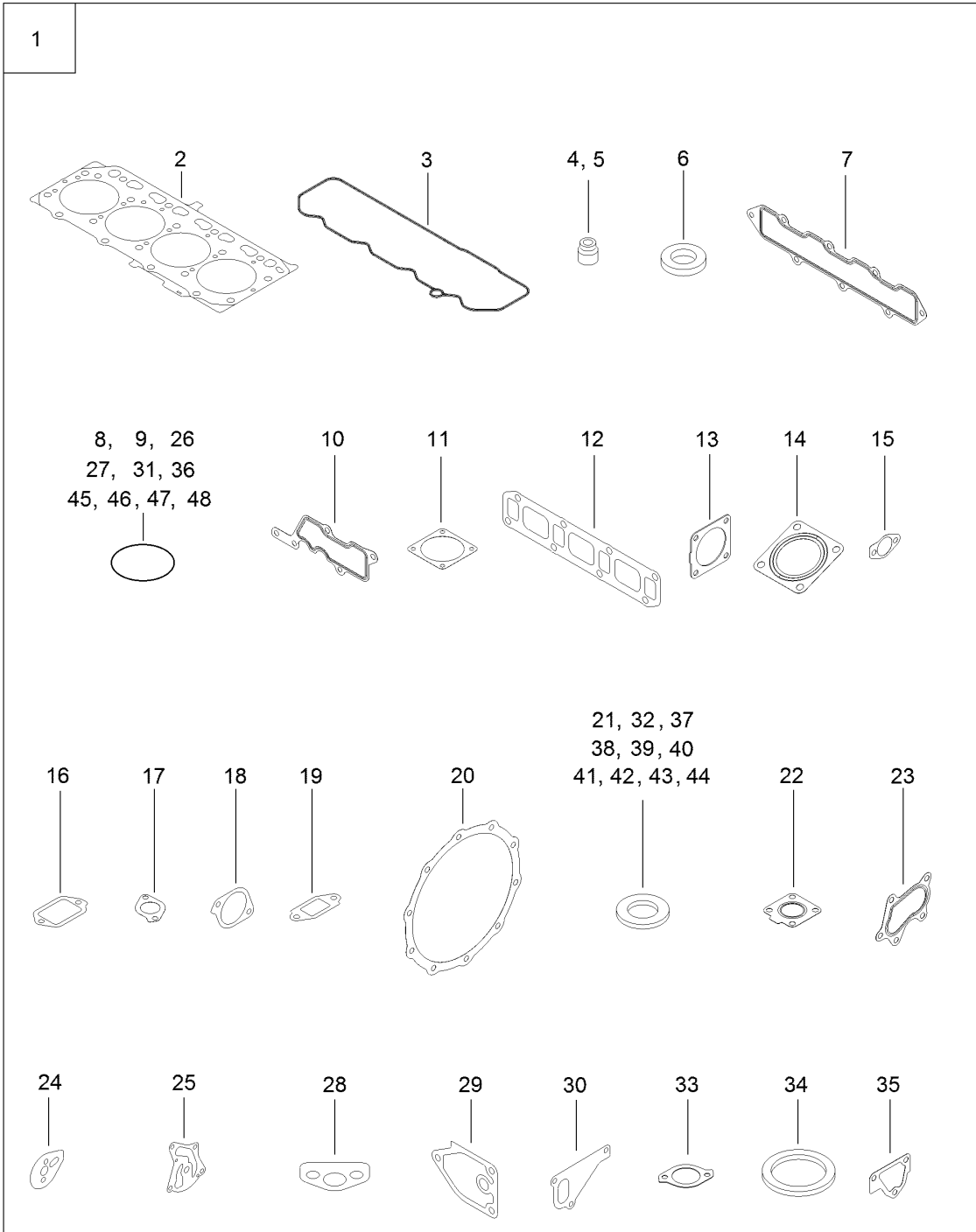
| <i>Ref.</i> | <i>Part Number</i> | <i>Qty.</i> | <i>Description</i> | <i>Ref.</i> | <i>Part Number</i> | <i>Qty.</i> | <i>Description</i> |
|-------------|--------------------|-------------|--------------------|-------------|--------------------|-------------|--------------------|
| 1 | 125-7003 | 1 | Starter | 15 | 125-7165 | 1 | Lever Set |
| 2 | 125-7004 | 1 | Switch ASM | 18 | 125-7037 | 1 | Dust Cover ASM |
| 3 | 125-7112 | 1 | Armature ASM | 19 | 125-7117 | 2 | Bolt-Through |
| 4 | 125-7252 | 1 | Bearing-Ball | 20 | 125-7166 | 1 | Pinion ASM |
| 5 | 125-7249 | 1 | Bearing, Ball | 21 | 125-7250 | 1 | Clutch ASM |
| 6 | 125-7113 | 1 | Field Coil ASM | 22 | 125-7251 | 1 | Bearing-Ball |
| 7 | 125-7114 | 2 | Brush | 23 | 125-7253 | 1 | Bearing-Ball |
| 8 | 125-7163 | 4 | Screw | 24 | 125-7167 | 1 | Shaft |
| 9 | 125-7115 | 1 | Cover | 25 | 125-7168 | 1 | Stopper Set |
| 10 | 125-7116 | 1 | Brush Holder ASM | 29 | 125-7210 | 2 | Bolt |
| 11 | 125-7114 | 2 | Brush | 30 | 125-7211 | 3 | Bolt |
| 12 | 125-7036 | 4 | Spring | 31 | 125-7169 | 1 | Cover |
| 13 | 125-7164 | 1 | Case-Gear | 32 | 125-7225 | 2 | Bolt |
| 14 | 125-7005 | 1 | Housing | | | | |



Generator Assembly

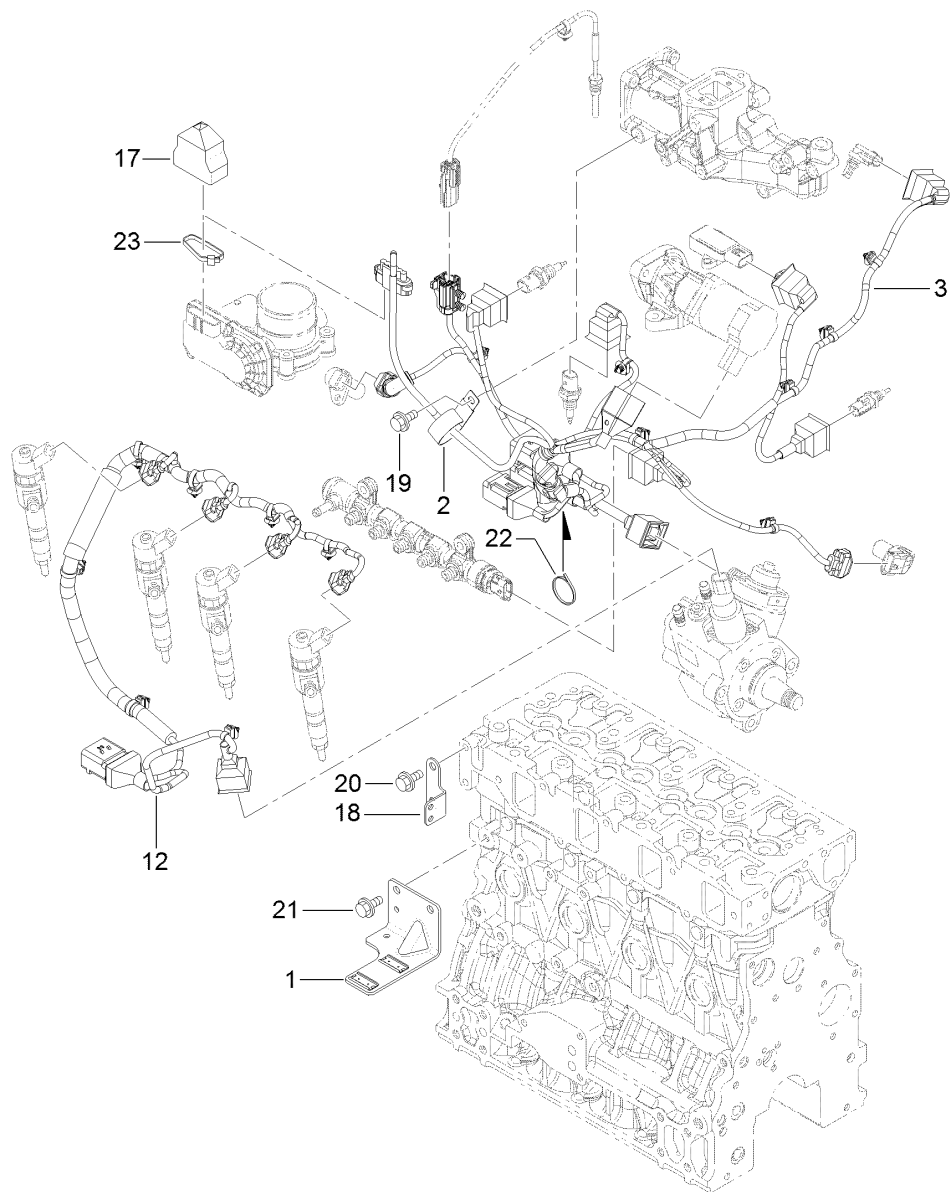
| Ref. | Part Number | Qty. | Description | Ref. | Part Number | Qty. | Description |
|------|-------------|------|----------------|------|-------------|------|--------------------|
| 1 | 127-3011 | 1 | Stud | 18 | 127-2993 | 1 | Holder |
| 2 | 125-7120 | 1 | Alternator-12V | 19 | 127-2956 | 2 | Brush ASM |
| 3 | 127-3190 | 1 | Nut | 20 | 127-2964 | 2 | Spring |
| 4 | 127-2951 | 1 | Rotor ASM | 21 | 127-2965 | 6 | Screw |
| 5 | 127-2983 | 1 | Bearing-Ball | 22 | 127-2966 | 1 | Screw |
| 6 | 127-2962 | 1 | Cover | 23 | 127-2999 | 1 | Cover |
| 7 | 127-2952 | 1 | Frame ASM | 24 | 127-2967 | 3 | Bolt |
| 8 | 127-2958 | 1 | Bearing-Ball | 25 | 127-2968 | 2 | Screw |
| 9 | 127-2959 | 1 | Plate-Retainer | 26 | 127-2969 | 2 | Bolt |
| 10 | 127-2960 | 4 | Screw | 27 | 127-2970 | 1 | Bushing-Insulation |
| 11 | 127-2961 | 2 | Stud | 28 | 127-2971 | 2 | Nut |
| 12 | 127-2953 | 1 | Frame ASM | 29 | 127-2972 | 1 | Washer |
| 13 | 127-2954 | 1 | Pulley | 30 | 125-7230 | 1 | Nut |
| 14 | 127-2955 | 1 | Nut | 31 | 125-6947 | 1 | Spacer |
| 15 | 127-2957 | 1 | Collar | 32 | 127-2977 | 1 | Adjuster |
| 16 | 127-3002 | 1 | Regulator ASM | 33 | 125-7134 | 1 | Bolt |
| 17 | 127-2963 | 1 | Holder | 34 | 125-7219 | 1 | Bolt |

Gasket Set



Gasket Set (continued)

| <i>Ref.</i> | <i>Part Number</i> | <i>Qty.</i> | <i>Description</i> | <i>Ref.</i> | <i>Part Number</i> | <i>Qty.</i> | <i>Description</i> |
|-------------|--------------------|-------------|----------------------------|-------------|--------------------|-------------|--------------------|
| 1 | 127-3189 | 1 | Gasket Kit | 26 | 125-6909 | 2 | O-Ring |
| 2 | 127-3126 | 1 | Gasket-Head, Cylinder | 27 | 127-2973 | 1 | O-Ring |
| 3 | 127-3106 | 1 | Gasket-Cover | 28 | 125-7022 | 1 | Gasket |
| 4 | 127-2986 | 4 | Seal-Stem, Valve | 29 | 125-7024 | 1 | Gasket |
| 5 | 127-3027 | 4 | Seal-Stem, Valve | 30 | 125-7047 | 1 | Gasket |
| 6 | 127-3021 | 4 | Gasket-Injector | 31 | 125-7048 | 1 | O-Ring |
| 7 | 127-3107 | 1 | Gasket-Manifold, Intake | 32 | 125-6979 | 1 | Gasket |
| 8 | 127-3032 | 2 | O Ring-Sensor, Pressure | 33 | 125-7110 | 1 | Gasket |
| 9 | 127-3033 | 1 | O-Ring | 34 | 125-7026 | 1 | Gasket |
| 10 | 127-3034 | 1 | Gasket-Collector | 35 | 125-6978 | 1 | Gasket |
| 11 | 127-3037 | 2 | Gasket-Throttle | 36 | 127-3074 | 1 | O-Ring |
| 12 | 127-3108 | 1 | Gasket-Manifold, Exhaust | 37 | 125-7174 | 1 | Washer-Seal |
| 13 | 127-3019 | 1 | Gasket | 38 | 125-7175 | 2 | Washer-Seal |
| 14 | 127-2987 | 1 | Gasket-Silencer | 39 | 125-7176 | 1 | Washer-Seal |
| 15 | 127-3043 | 2 | Gasket-Cooler, E G R | 40 | 127-3166 | 2 | Washer-Seal |
| 16 | 127-3046 | 1 | Gasket-E G R | 41 | 125-7177 | 1 | Washer-Seal |
| 17 | 127-3016 | 1 | Gasket | 42 | 125-7192 | 1 | Gasket |
| 18 | 127-3050 | 1 | Gasket-Intake Valve, E G R | 43 | 125-7193 | 2 | Gasket |
| 19 | 127-3051 | 1 | Gasket-Out Valve, E G R | 44 | 127-3174 | 2 | Gasket |
| 20 | 127-3162 | 2 | Gasket-D P F | 45 | 93-0418 | 3 | O-Ring |
| 21 | 127-3056 | 4 | Gasket-Sensor | 46 | 125-7197 | 1 | O-Ring |
| 22 | 125-7070 | 1 | Gasket | 47 | 125-7198 | 1 | O-Ring |
| 23 | 125-7071 | 1 | Gasket | 48 | 127-3176 | 1 | O-Ring |
| 24 | 127-3069 | 1 | Gasket-Idle, Shaft B | 49 | 127-3000 | 1 | Hone |
| 25 | 127-3004 | 1 | Gasket | 50 | 125-7248 | 1 | Gasket-Liquid |



Electric Parts Assembly

| Ref. | Part Number | Qty. | Description |
|-------------|--------------------|-------------|-------------------------|
| 1 | 127-3086 | 1 | Bracket-Connector |
| 2 | 127-3018 | 1 | Clip |
| 3 | 127-3156 | 1 | Harness B-E C O, Engine |
| 12 | 127-3125 | 1 | Harness C |
| 17 | 127-3089 | 1 | Boot-Type, Cap |
| 18 | 127-3090 | 1 | Bracket-Harness |
| 19 | 93-0362 | 1 | Bolt |
| 20 | 93-0362 | 2 | Bolt |
| 21 | 93-0362 | 2 | Bolt |
| 22 | 127-3187 | 1 | Band |
| 23 | 127-3188 | 1 | Band |

Attachments and Accessories

For 03780 Reelmaster 7000-D 4-Wheel Drive Traction Unit

| Product Name | Model/Part |
|------------------------------------------------------------------------|-------------------|
| Operator Cooling Fan | 03247 |
| Switch Panel-Universal Sunshade..... | 03248 |
| 27in 8-blade Edgeseries (Radial Reel) Dpa Cutting Unit..... | 03721 |
| 27in 11-blade Edgeseries (Radial Reel) Dpa Cutting Unit | 03722 |
| 32in 8-blade Edgeseries (Radial Reel) Dpa Cutting Unit..... | 03727 |
| 27in Verticutter Cutting Unit | 03731 |
| Premium All Purpose Grease (Tube) | 108-1190 |
| Operator Fan Kit - US Sales Only, 3in ROPS Post | 110-8804 |
| Premium Synthetic Bio-Degradable Hydraulic Fluid (5 Gallon Pail) | 119-2157 |
| Premium Synthetic Bio-Degradable Hydraulic Fluid (55 Gallon Drum)..... | 119-2158 |
| PX Hydraulic Fluid (5 Gal) | 133-8086 |
| PX Hydraulic Fluid (55 Gal)..... | 133-8087 |
| Decal-Service | 138-1191 |
| Beacon Kit | 138-2699 |
| Sunshade Work Lights Kit..... | 138-2700 |
| Power Harness Kit (GM45XX/GM47XX/GM7XXX)..... | 138-2995 |
| Brush and Handle Kit..... | 29-9100 |
| White Universal Sunshade | 30669 |
| Red Universal Sunshade | 30671 |
| 1000 Hour Mvp Kit-Tier IV..... | 44967 |

Notes:

Notes:



Count on it.