



Count on it.

Parts Catalog

ProCore® 1298

Aerator

Model No. 09716—Serial No. 407138484 and Up



Ordering Replacement Parts

To order replacement parts, please supply the part number, the quantity, and the description of each part desired.

Understanding Reference Numbers

Each identified part in an illustration has a reference number. The reference number for a part also appears in the parts list, along with other information about the part.

This catalog uses two special reference number formats, one to indicate parts in a service assembly and another to indicate the quantity of a given part in an illustration.

Service Assembly Reference Numbers

Parts in service assemblies have reference numbers in the form a:b. The a represents the reference number of the entire service assembly and the b represents a sequential number unique to each part within the service assembly.

For example, a wheel assembly might be identified by reference number 6, the tire by 6:1, the valve by 6:2, and the wheel by 6:3. When you order the assembly identified by reference number 6, you receive all parts identified by reference numbers 6:1, 6:2, and 6:3. However, you may also order any part individually. Reference numbers of this type appear in illustration and in parts lists.

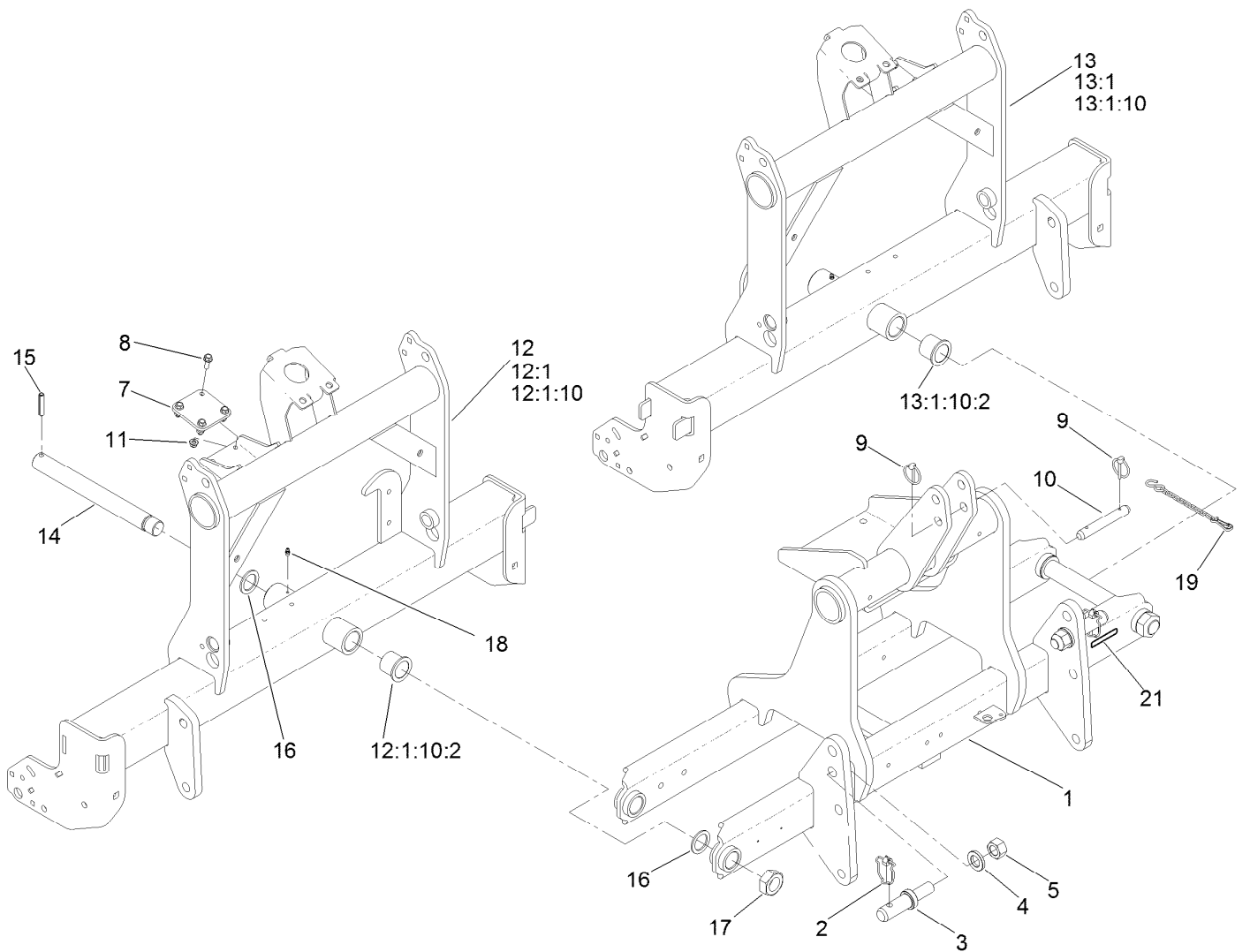
Reference Numbers Indicating Quantity

In an illustration, if a reference number indicates more than one part, the reference number has the form nX y. The n represents the quantity of the part, the X is the multiplication symbol, and the y represents the reference number.

For example, in an illustration, the reference number 2X 37 means that two of the parts identified by reference number 37 are indicated.

Contents

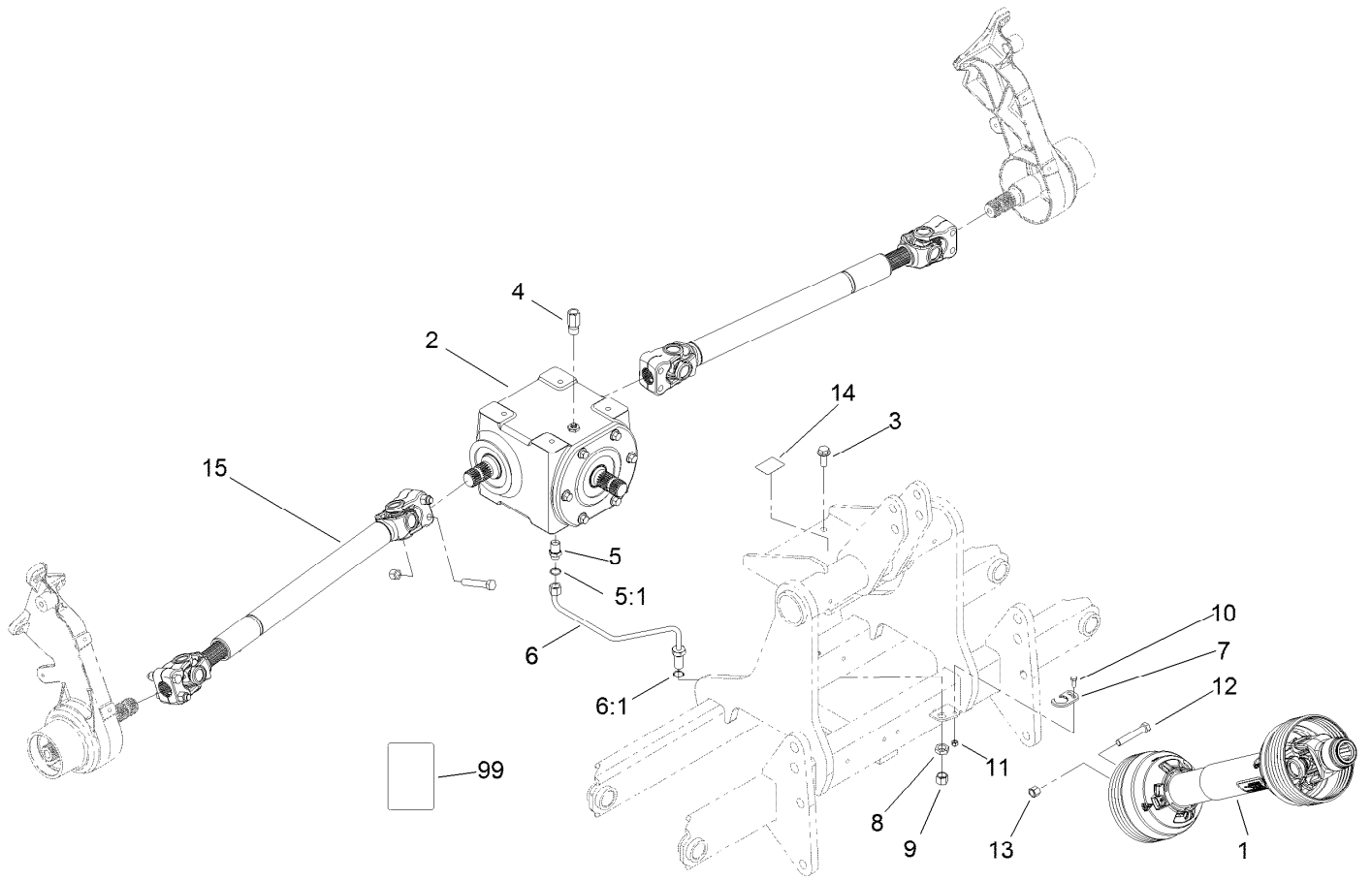
| | |
|---|----|
| Frame Assembly..... | 4 |
| Gearbox and Driveline Assembly..... | 5 |
| Shielded Drive Shaft Assembly No. 110-4283..... | 6 |
| Gearbox Assembly No. 110-4565..... | 7 |
| Drive Shaft Assembly No. 110-4586..... | 8 |
| Right Hand Roller and Scraper Assembly..... | 9 |
| Left Hand Roller and Scraper Assembly..... | 10 |
| Right Hand Belt Drive Assembly..... | 11 |
| Left Hand Belt Drive Assembly..... | 12 |
| Left Hand H-Frame Assembly..... | 13 |
| Depth Control Assembly No. 115-2844..... | 14 |
| Left Hand H-Frame Assembly..... | 15 |
| Right Hand No. 1 and No. 2 Crankarm Assembly..... | 16 |
| Right Hand No. 3 and No. 4 Crankarm Assembly..... | 17 |
| Right Hand No. 5 and No. 6 Crankarm Assembly..... | 18 |
| Left Hand No. 1 and No. 2 Crankarm Assembly..... | 19 |
| Left Hand No. 3 and No. 4 Crankarm Assembly..... | 20 |
| Left Hand No. 5 and No. 6 Crankarm Assembly..... | 21 |
| Roto-Link Damper Assembly..... | 22 |
| Right Hand Turf Guard Assembly..... | 23 |
| Left Hand Turf Guard Assembly..... | 24 |
| Right Hand Front Cover Assembly..... | 25 |
| Left Hand Front Cover Assembly..... | 26 |
| Right Hand Rear Cover Assembly..... | 27 |
| Left Hand Rear Cover Assembly..... | 28 |
| Storage Stand Assembly..... | 29 |
| Cover Latch Assembly..... | 30 |
| Attachments and Accessories..... | 31 |



Frame Assembly

| Ref. | Part Number | Qty. | Description | Ref. | Part Number | Qty. | Description |
|---------|-------------|------|---------------------|-----------|-------------|------|--------------------------|
| 1 | 110-4202-03 | 1 | Mast-Hitch, 3-Point | 12:1:10:2 | 269-6470 | 2 | Bushing-Caster |
| 2 | 3290-384 | 2 | Pin-Lynch | 13 | 110-4210-01 | 1 | LH Subframe ASM |
| 3 | 110-4314 | 2 | Pin-Link, Cat 2 | 13:1 | | 1 | Subframe-LH ● |
| 4 | 120-5576 | 2 | Washer-Hardened | 13:1:10 | | 1 | Hub ASM ● |
| 5 | 3219-18 | 2 | Nut-Hex | 13:1:10:2 | 269-6470 | 2 | Bushing-Caster |
| 7 | 110-4440 | 2 | Pad | 14 | 71-2590 | 2 | Shaft-Pivot |
| 8 | 3234-17 | 8 | Screw-HHF | 15 | 32121-110 | 2 | Pin-Roll, Slotted |
| 9 | 92-1298 | 2 | Pin-Lynch | 16 | 256-304 | 4 | Washer-Thrust |
| 10 | 92-1233 | 1 | Pin-Clevis | 17 | 3296-68 | 2 | Nut-Lock, NI |
| 11 | 104-8300 | 8 | Nut-HF, NI | 18 | 302-5 | 2 | Fitting-Grease |
| 12 | 110-4209-01 | 1 | RH Subframe ASM | 19 | 110-4679 | 1 | Chain-Storage, Driveline |
| 12:1 | | 1 | Subframe-RH ● | 21 | 133-8061 | 1 | Decal-Warning |
| 12:1:10 | | 1 | Hub ASM ● | | | | |

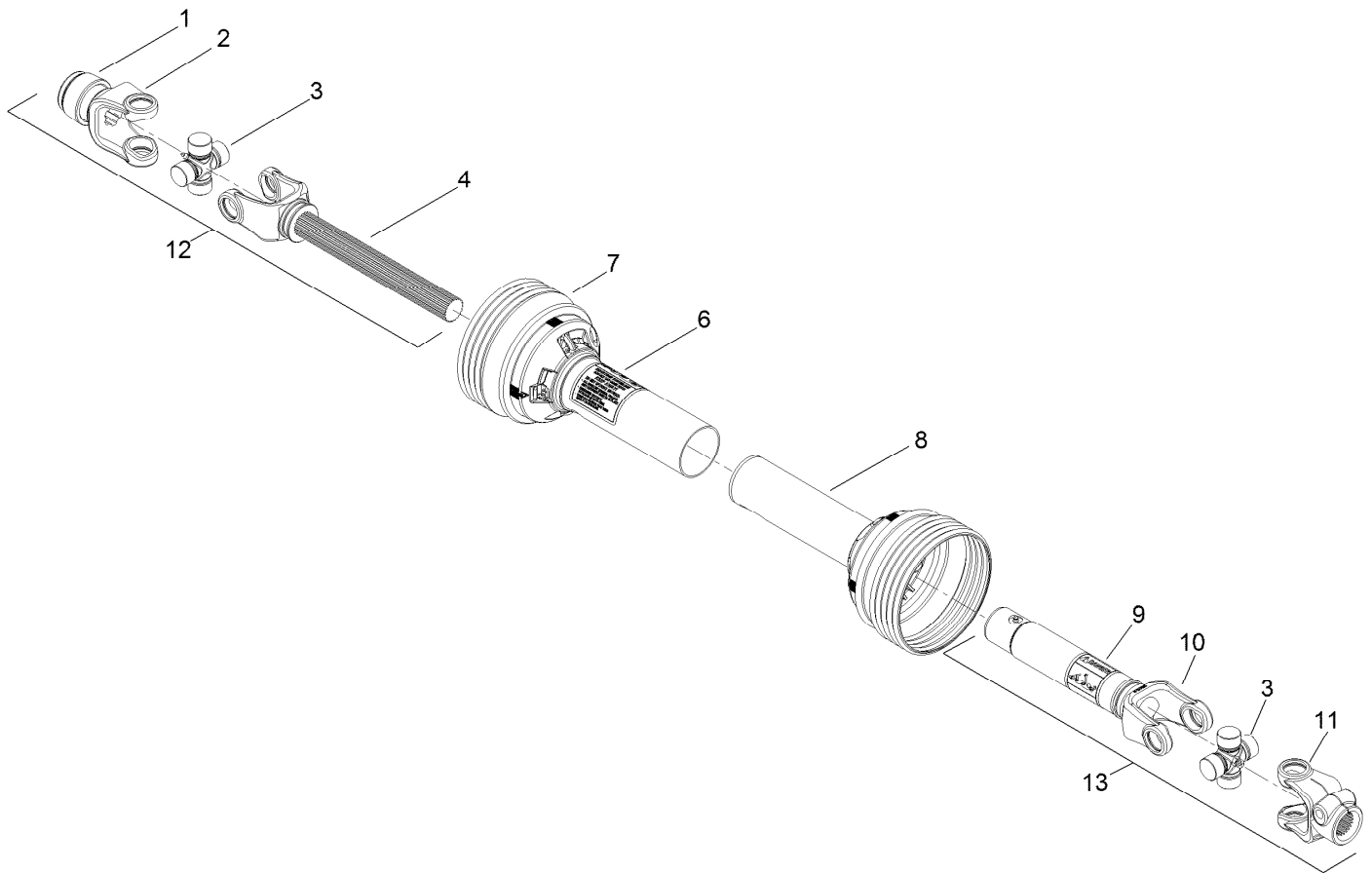
● Not serviced separately



Gearbox and Driveline Assembly

| <i>Ref.</i> | <i>Part Number</i> | <i>Qty.</i> | <i>Description</i> |
|-------------|--------------------|-------------|-------------------------|
| 1 | 110-4283 | 1 | Shielded Driveshaft ASM |
| 2 | 110-4565 | 1 | Gearbox-T |
| 3 | 3234-38 | 4 | Screw-HHF |
| 4 | 110-4590 | 1 | Fitting-Reducer |
| 5 | 340-124 | 1 | Adapter |
| 5:1 | 237-22 | 1 | O-Ring |
| 6 | 110-4336 | 1 | Tube ASM |
| 6:1 | 237-22 | 1 | O-Ring |
| 7 | 110-4553 | 1 | Keeper-Hardline |
| 8 | 340-70 | 1 | Nut-Lock |

| <i>Ref.</i> | <i>Part Number</i> | <i>Qty.</i> | <i>Description</i> |
|-------------|--------------------|-------------|----------------------------|
| 9 | 340-117 | 1 | Cap |
| 10 | 3229-1 | 1 | Screw-CARR |
| 11 | 3296-42 | 1 | Nut-Lock, NI |
| 12 | 325-12 | 9 | Screw-HH |
| 13 | 3296-23 | 9 | Nut-Lock, NI |
| 14 | 110-4665 | 1 | Decal-Service, Oil |
| 15 | 110-4586 | 2 | Drive Shaft ASM |
| 99 | 138-9038 | 1 | Decal-Danger, Entanglement |

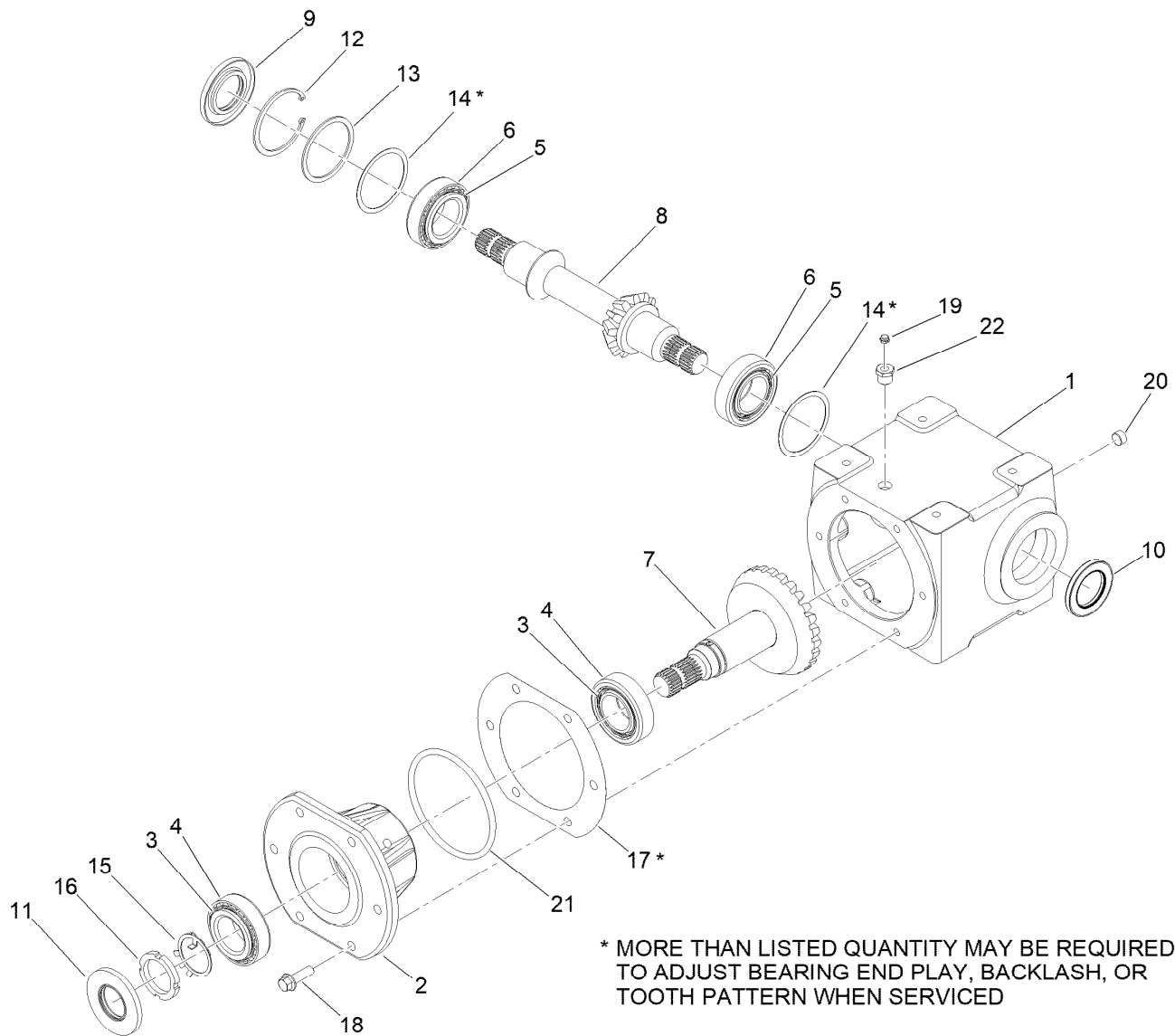


Shielded Drive Shaft Assembly No. 110-4283

| Ref. | Part Number | Qty. | Description |
|------|-------------|------|------------------------------|
| 1 | 93-4636 | 1 | Auto-Lok Repair Kit |
| 2 | | 1 | Safety Slide Lock Yoke ASM ■ |
| 3 | 110-4635 | 2 | Cross And Bearing Kit |
| 4 | | 1 | Yoke And Shaft ASM ■ |
| 5 | 110-4636 | 2 | Guard Repair Kit ● |
| 6 | 92-1581 | 1 | Decal-Safety |
| 7 | 110-4637 | 1 | Guard-Outer |
| 8 | 110-4638 | 1 | Guard-Inner |
| 9 | 92-1582 | 1 | Decal-Safety |
| 10 | | 1 | Yoke And Tube ASM ■ |
| 11 | | 1 | Yoke ■ |
| 12 | 110-4633 | 1 | Joint And Shaft Half ASM |
| 13 | 110-4634 | 1 | Joint And Tube Half ASM |

● Not illustrated

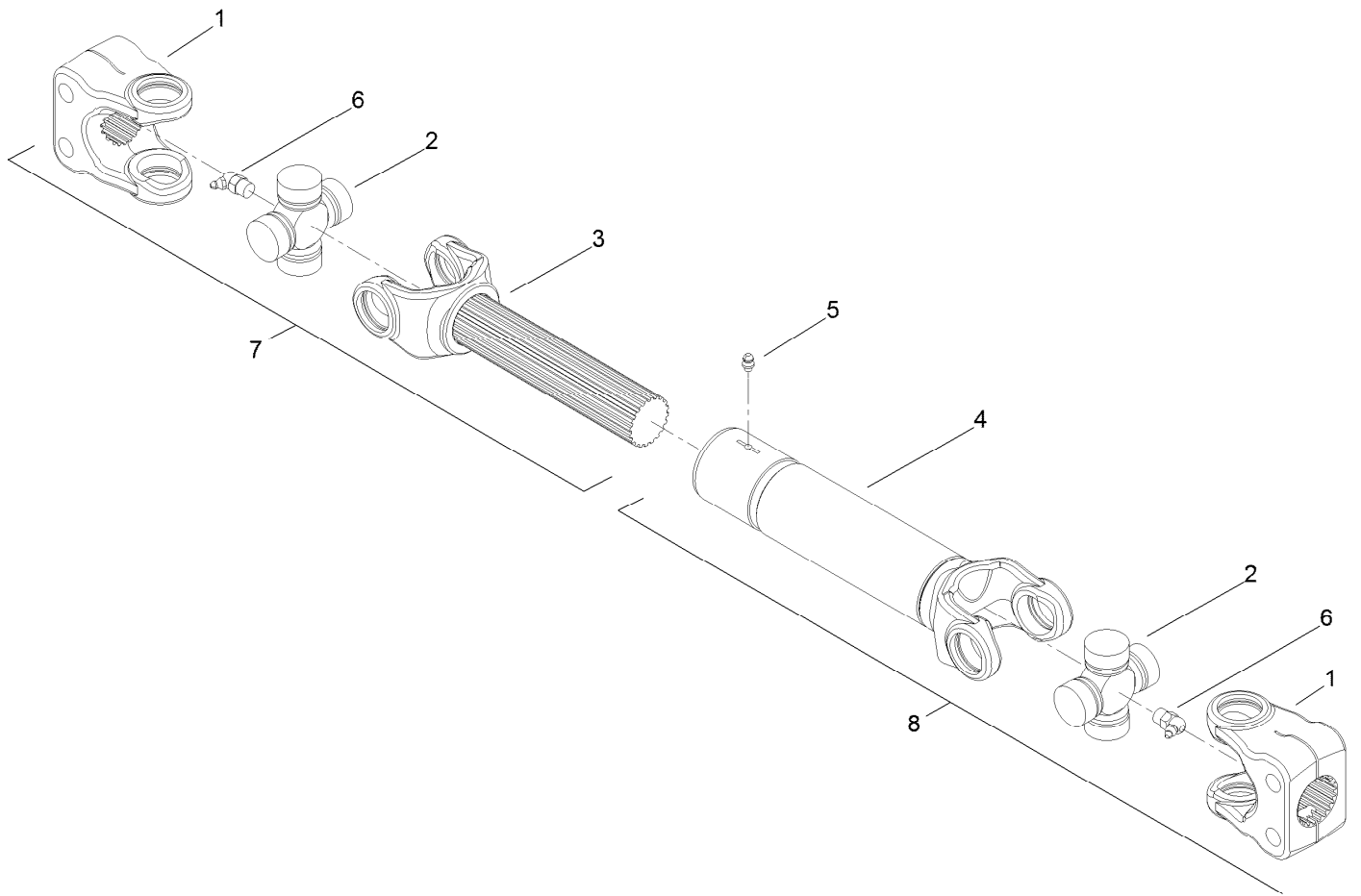
■ Not serviced separately



* MORE THAN LISTED QUANTITY MAY BE REQUIRED TO ADJUST BEARING END PLAY, BACKLASH, OR TOOTH PATTERN WHEN SERVICED

Gearbox Assembly No. 110-4565

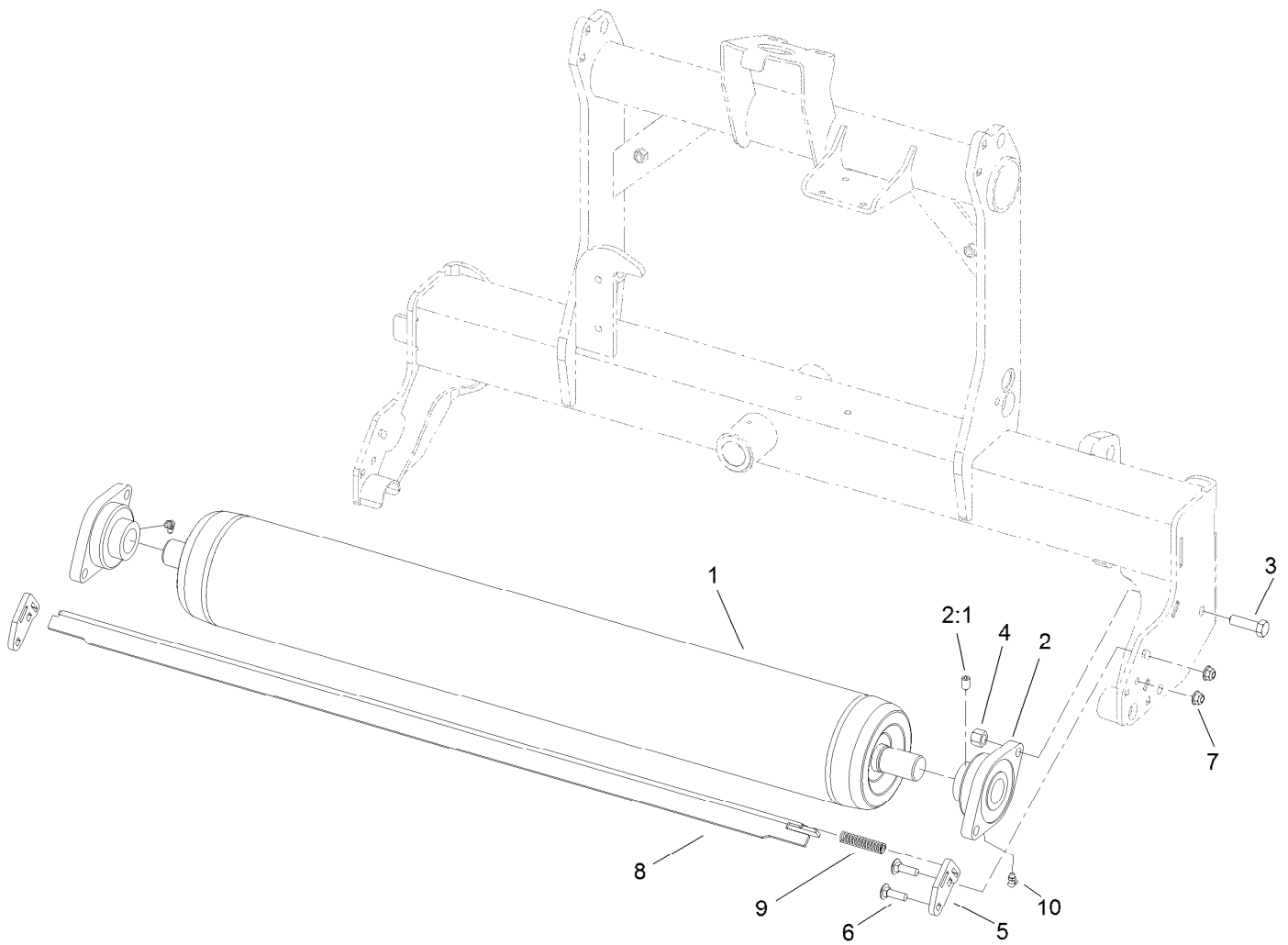
| <i>Ref.</i> | <i>Part Number</i> | <i>Qty.</i> | <i>Description</i> | <i>Ref.</i> | <i>Part Number</i> | <i>Qty.</i> | <i>Description</i> |
|-------------|--------------------|-------------|--------------------|-------------|--------------------|-------------|--------------------|
| 1 | 110-4644 | 1 | Housing | 12 | 110-4655 | 1 | Ring-Retaining |
| 2 | 110-4645 | 1 | Quill | 13 | 110-4656 | 1 | Shim-Hard |
| 3 | 110-4646 | 2 | Cone-Bearing | 14 | 110-4657 | 2 | Shim-Soft |
| 4 | 110-4647 | 2 | Cup-Bearing | 15 | 110-4658 | 1 | Shim-Retaining |
| 5 | 110-4648 | 2 | Cone-Bearing | 16 | 110-4659 | 1 | Nut-Lock |
| 6 | 110-4649 | 2 | Cup-Bearing | 17 | 110-4660 | 1 | Gasket |
| 7 | 110-4650 | 1 | Gear And Shaft ASM | 18 | 33106-045 | 6 | Screw-HHF |
| 8 | 110-4651 | 1 | Shaft-Cross | 19 | 110-4661 | 1 | Vent-Relief |
| 9 | 110-4652 | 1 | Seal-Viton | 20 | 281-3 | 1 | Plug-Pipe, SQH |
| 10 | 110-4653 | 1 | Seal-Viton | 21 | 110-4662 | 1 | O-Ring |
| 11 | 110-4654 | 1 | Seal-Viton | 22 | 140-2251 | 1 | Adapter |



Drive Shaft Assembly No. 110-4586

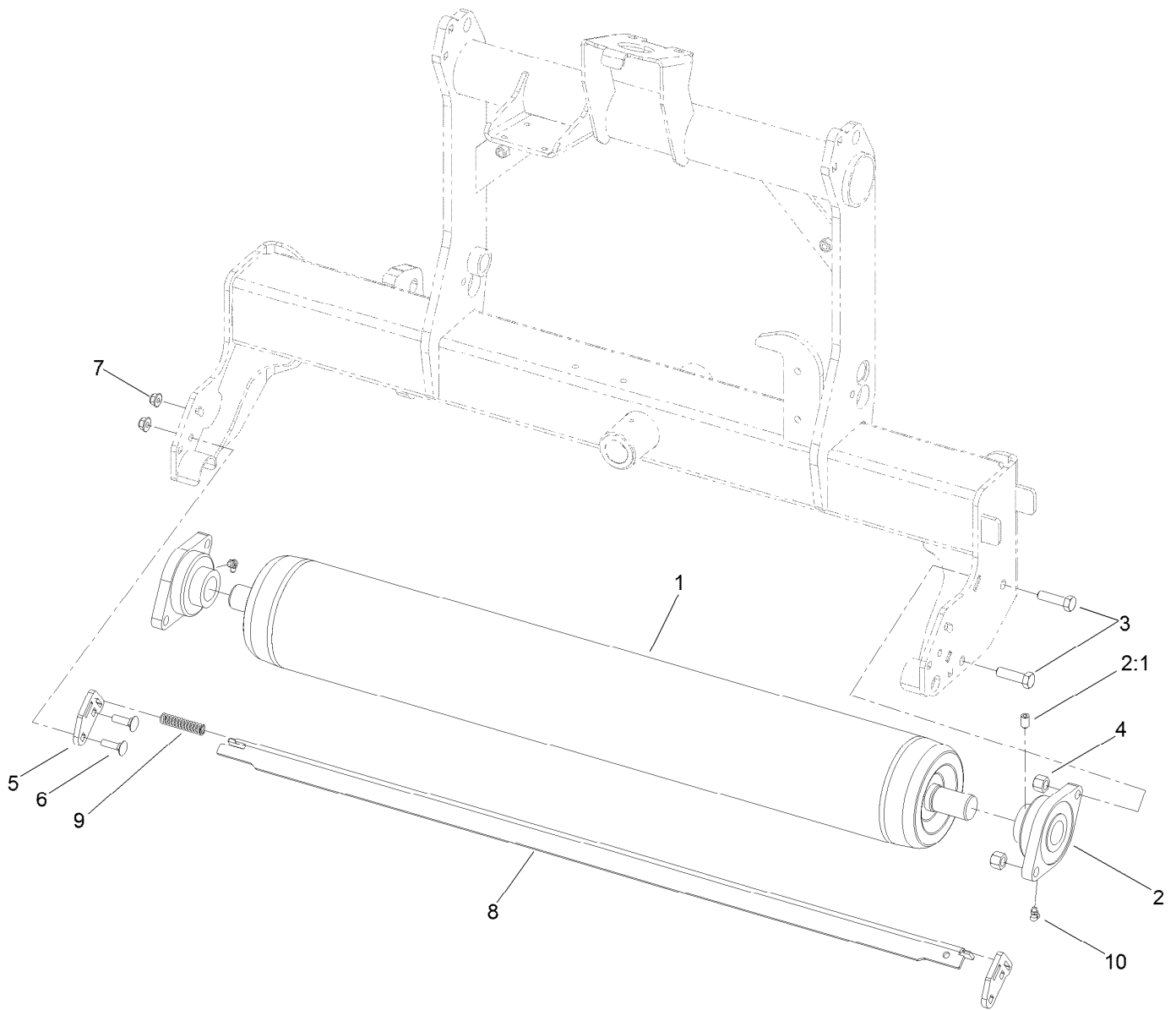
| <i>Ref.</i> | <i>Part Number</i> | <i>Qty.</i> | <i>Description</i> |
|-------------|--------------------|-------------|--------------------------|
| 1 | | 1 | Yoke ● |
| 2 | 110-4641 | 2 | Cross And Bearing Kit |
| 3 | | 1 | Yoke And Shaft ASM ● |
| 4 | | 1 | Yoke And Tube ASM ● |
| 5 | | 1 | Zerk-Grease ● |
| 6 | | 2 | Zerk-Grease ● |
| 7 | 110-4642 | 1 | Joint And Shaft Half ASM |
| 8 | 110-4643 | 1 | Joint And Tube Half ASM |

● Not serviced separately



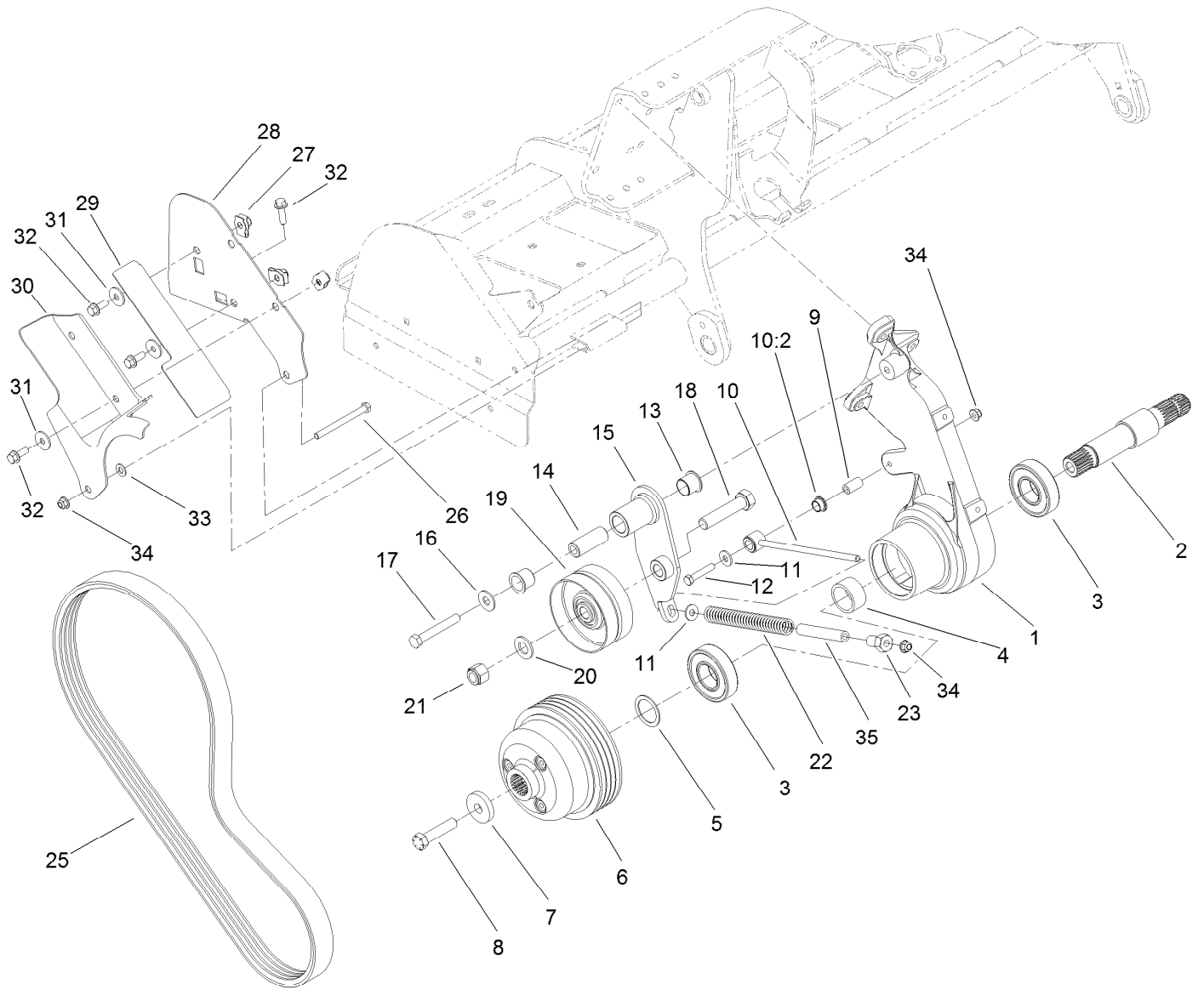
Right Hand Roller and Scraper Assembly

| <i>Ref.</i> | <i>Part Number</i> | <i>Qty.</i> | <i>Description</i> |
|-------------|--------------------|-------------|------------------------|
| 1 | 110-4253-03 | 1 | Roller |
| 2 | 105-0962 | 2 | Bearing-Mount, Flange |
| 2:1 | 3246-17 | 1 | Setscrew-HSH |
| 3 | 325-7 | 4 | Screw-HH |
| 4 | 3296-23 | 4 | Nut-Lock, NI |
| 5 | 110-4290 | 2 | Arm-Scraper |
| 6 | 3231-25 | 4 | Bolt-CARR |
| 7 | 104-8301 | 4 | Nut-HF, NI |
| 8 | 110-4289-03 | 1 | Scraper-Roller |
| 9 | 108-4469 | 1 | Spring-Compression |
| 10 | 302-40 | 2 | Fitting-Grease, 90 DEG |



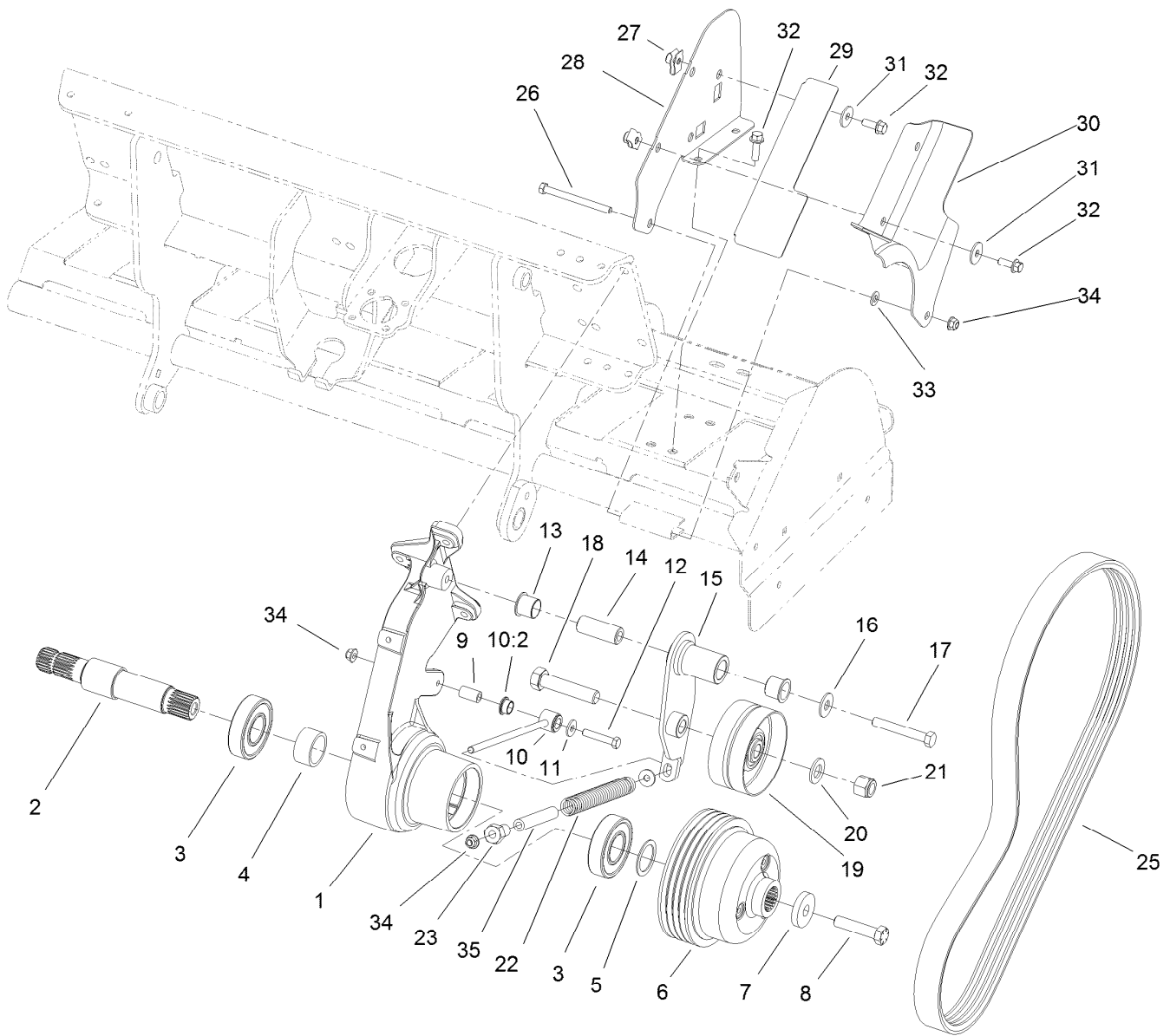
Left Hand Roller and Scraper Assembly

| <i>Ref.</i> | <i>Part Number</i> | <i>Qty.</i> | <i>Description</i> |
|-------------|--------------------|-------------|------------------------|
| 1 | 110-4253-03 | 1 | Roller |
| 2 | 105-0962 | 2 | Bearing-Mount, Flange |
| 2:1 | 3246-17 | 1 | Setscrew-HSH |
| 3 | 325-7 | 4 | Screw-HH |
| 4 | 3296-23 | 4 | Nut-Lock, NI |
| 5 | 110-4290 | 2 | Arm-Scraper |
| 6 | 3231-25 | 4 | Bolt-CARR |
| 7 | 104-8301 | 4 | Nut-HF, NI |
| 8 | 110-4289-03 | 1 | Scraper-Roller |
| 9 | 108-4469 | 1 | Spring-Compression |
| 10 | 302-40 | 2 | Fitting-Grease, 90 DEG |



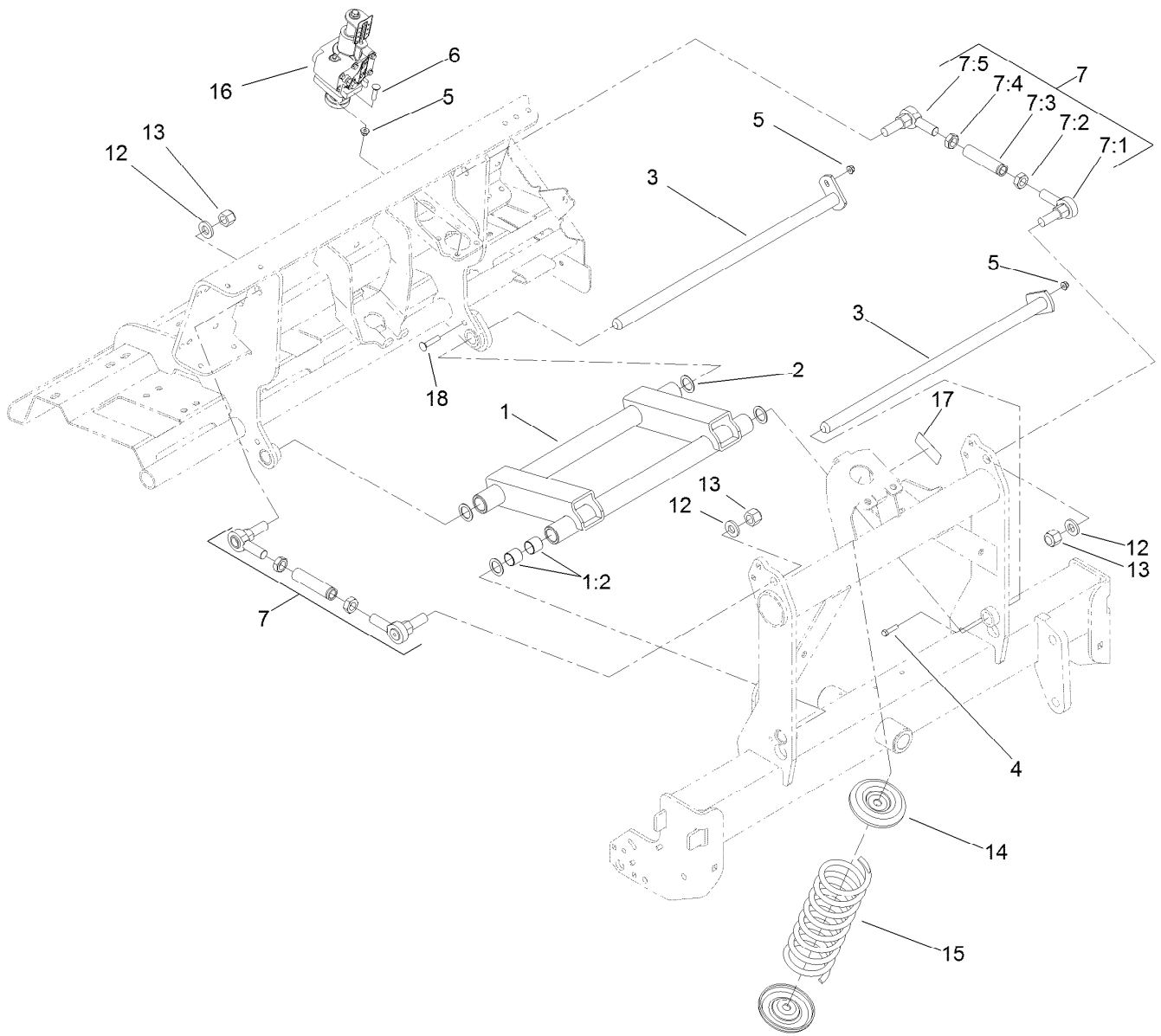
Right Hand Belt Drive Assembly

| Ref. | Part Number | Qty. | Description | Ref. | Part Number | Qty. | Description |
|------|-------------|------|-----------------------|------|-------------|------|-----------------------|
| 1 | 110-4445 | 1 | Support-Pulley, RH | 18 | 328-5 | 1 | Screw-HH |
| 2 | 110-4527 | 1 | Shaft-Pulley, Splined | 19 | 100-7631 | 1 | Pulley-Idler |
| 3 | 106-8871 | 2 | Bearing-Ball | 20 | 3256-28 | 1 | Washer-Flat |
| 4 | 110-4460 | 1 | Spacer-Bearing | 21 | 3296-51 | 1 | Nut-Lock, NI |
| 5 | 110-4498 | 1 | Washer-Shim | 22 | 110-4632 | 1 | Spring-Compression |
| 6 | 110-4419 | 1 | Pulley | 23 | 110-4676 | 1 | Nut-Idler |
| 7 | 105-1016 | 1 | Washer-Hardened | 25 | 110-4327 | 1 | Belt-Banded, 4 Groove |
| 8 | 110-4614 | 1 | Screw-HH | 26 | 323-17 | 1 | Screw-HH |
| 9 | 110-4631 | 1 | Tube-Spacer | 27 | 105-4886 | 4 | Nut-Tinnerman |
| 10 | 115-2815 | 1 | Idler Arm ASM | 28 | 110-4476-03 | 1 | Support-Guard, Belt |
| 10:2 | 80-1290 | 2 | Bushing | 29 | 114-1463-03 | 1 | Shield-Dirt, RH |
| 11 | 80-6990 | 2 | Washer-Hardened | 30 | 110-4474 | 1 | Guard-Belt, RH |
| 12 | 323-11 | 1 | Screw-HH | 31 | 93-8806 | 4 | Washer-Hardened |
| 13 | 126-1963 | 2 | Bushing-Pivot | 32 | 3234-24 | 6 | Screw-HHF |
| 14 | 105-0945 | 1 | Sleeve-Pivot | 33 | 3256-24 | 1 | Washer-Flat |
| 15 | 110-4624-03 | 1 | Arm-Idler, RH | 34 | 104-8301 | 3 | Nut-HF, NI |
| 16 | 3256-6 | 1 | Washer-Flat | 35 | 115-2800 | 1 | Hose |
| 17 | 325-14 | 1 | Screw-HH | | | | |



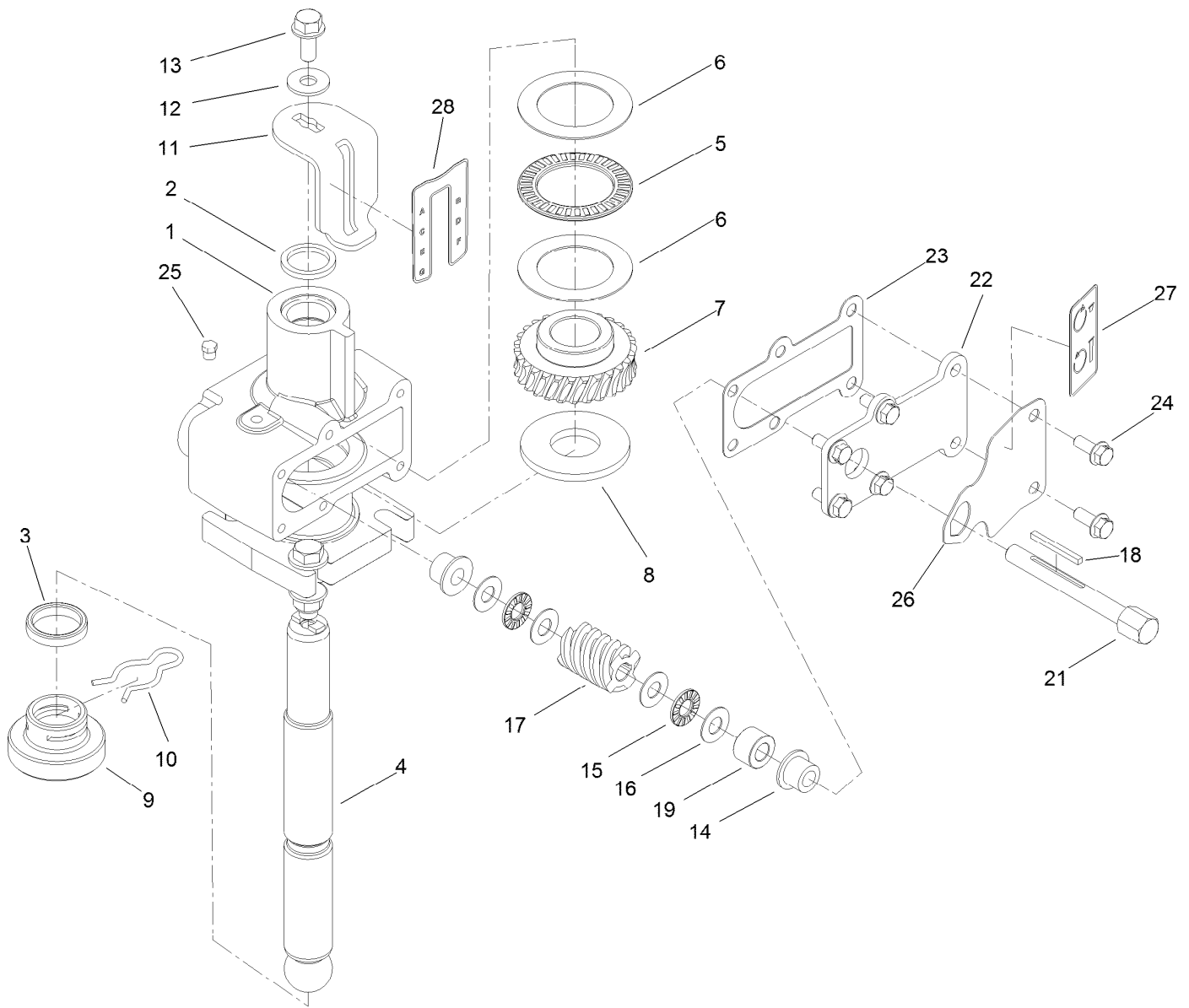
Left Hand Belt Drive Assembly

| Ref. | Part Number | Qty. | Description | Ref. | Part Number | Qty. | Description |
|------|-------------|------|-----------------------|------|-------------|------|-----------------------|
| 1 | 110-4447 | 1 | Support-Pulley, LH | 18 | 328-5 | 1 | Screw-HH |
| 2 | 110-4527 | 1 | Shaft-Pulley, Splined | 19 | 100-7631 | 1 | Pulley-Idler |
| 3 | 106-8871 | 2 | Bearing-Ball | 20 | 3256-28 | 1 | Washer-Flat |
| 4 | 110-4460 | 1 | Spacer-Bearing | 21 | 3296-51 | 1 | Nut-Lock, NI |
| 5 | 110-4498 | 1 | Washer-Shim | 22 | 110-4632 | 1 | Spring-Compression |
| 6 | 110-4419 | 1 | Pulley | 23 | 110-4676 | 1 | Nut-Idler |
| 7 | 105-1016 | 1 | Washer-Hardened | 25 | 110-4327 | 1 | Belt-Banded, 4 Groove |
| 8 | 110-4614 | 1 | Screw-HH | 26 | 323-17 | 1 | Screw-HH |
| 9 | 110-4631 | 1 | Tube-Spacer | 27 | 105-4886 | 4 | Nut-Tinnerman |
| 10 | 115-2815 | 1 | Idler Arm ASM | 28 | 110-4476-03 | 1 | Support-Guard, Belt |
| 10:2 | 80-1290 | 2 | Bushing | 29 | 114-1464-03 | 1 | Shield-Dirt, LH |
| 11 | 80-6990 | 2 | Washer-Hardened | 30 | 110-4475 | 1 | Guard-Belt, LH |
| 12 | 323-11 | 1 | Screw-HH | 31 | 93-8806 | 4 | Washer-Hardened |
| 13 | 126-1963 | 2 | Bushing-Pivot | 32 | 3234-24 | 6 | Screw-HHF |
| 14 | 105-0945 | 1 | Sleeve-Pivot | 33 | 3256-24 | 1 | Washer-Flat |
| 15 | 110-4625-03 | 1 | Arm-Idler, LH | 34 | 104-8301 | 3 | Nut-HF, NI |
| 16 | 3256-6 | 1 | Washer-Flat | 35 | 115-2800 | 1 | Hose |
| 17 | 325-14 | 1 | Screw-HH | | | | |



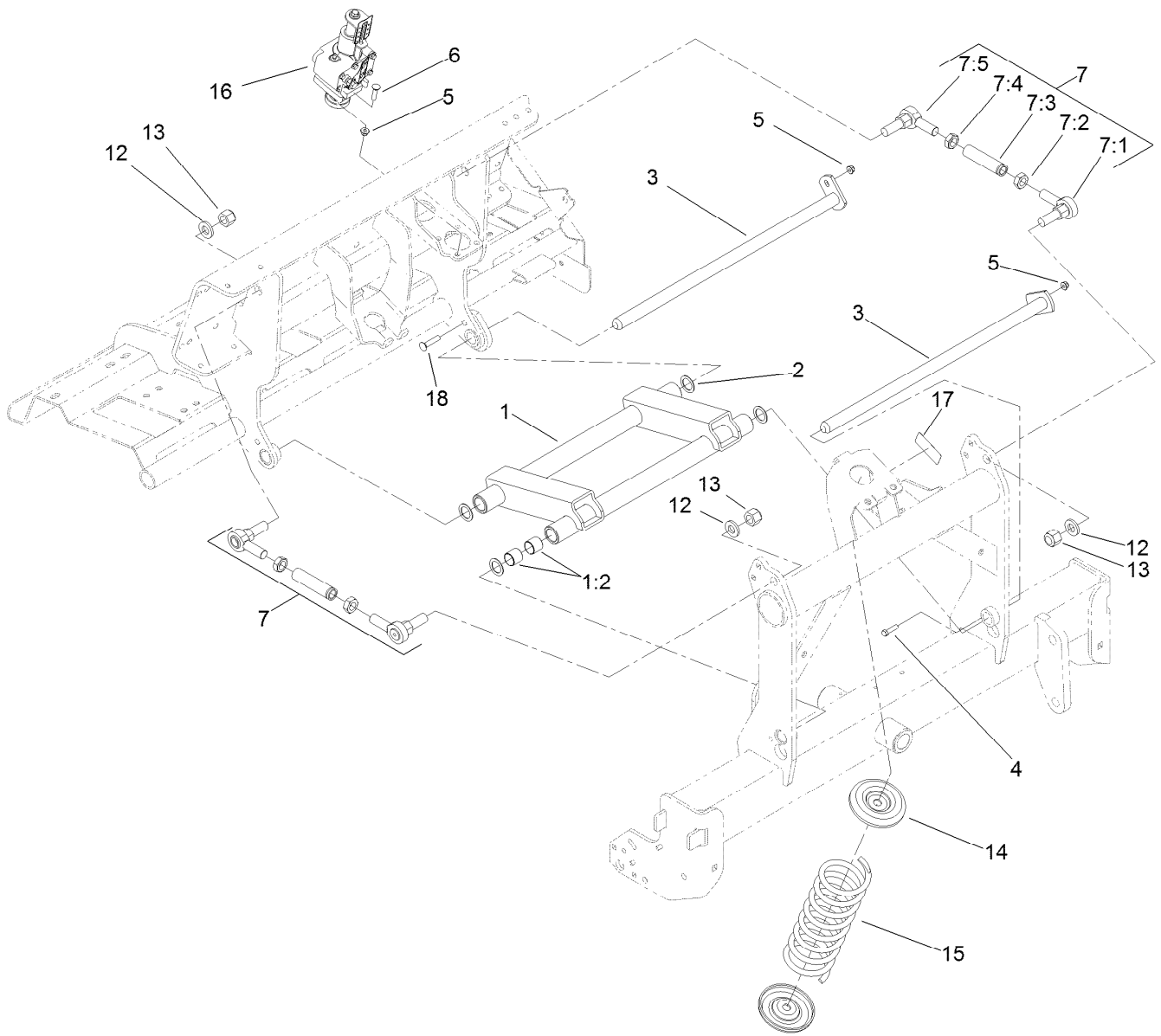
Left Hand H-Frame Assembly

| Ref. | Part Number | Qty. | Description | Ref. | Part Number | Qty. | Description |
|------|-------------|------|------------------|------|-------------|------|--------------------|
| 1 | 110-4618 | 1 | H-Frame ASM | 7:3 | 110-4251 | 1 | Link-Upper |
| 1:2 | 110-4612 | 8 | Bushing-Straight | 7:4 | 3220-7 | 1 | Nut-Jam |
| 2 | 10-8110 | 4 | Washer-Thrust | 7:5 | 2411-40 | 1 | End-Rod |
| 3 | 110-4456 | 2 | Shaft-Pivot | 12 | 92-5836 | 3 | Washer |
| 4 | 323-7 | 1 | Screw-HH | 13 | 3296-50 | 4 | Nut-Lock, NI |
| 5 | 104-8301 | 6 | Nut-HF, NI | 14 | 110-4287-03 | 2 | Cup-Spring |
| 6 | 3231-4 | 4 | Screw-CARR | 15 | 105-4183-01 | 1 | Spring-Compression |
| 7 | 115-2821 | 2 | Link ASM | 16 | 115-2844 | 1 | Depth Control ASM |
| 7:1 | 105-1025 | 1 | End-Rod | 17 | 93-6696 | 1 | Decal-Warning |
| 7:2 | 3220-17 | 1 | Nut-Jam, LH | 18 | 3231-5 | 1 | Screw-CARR |



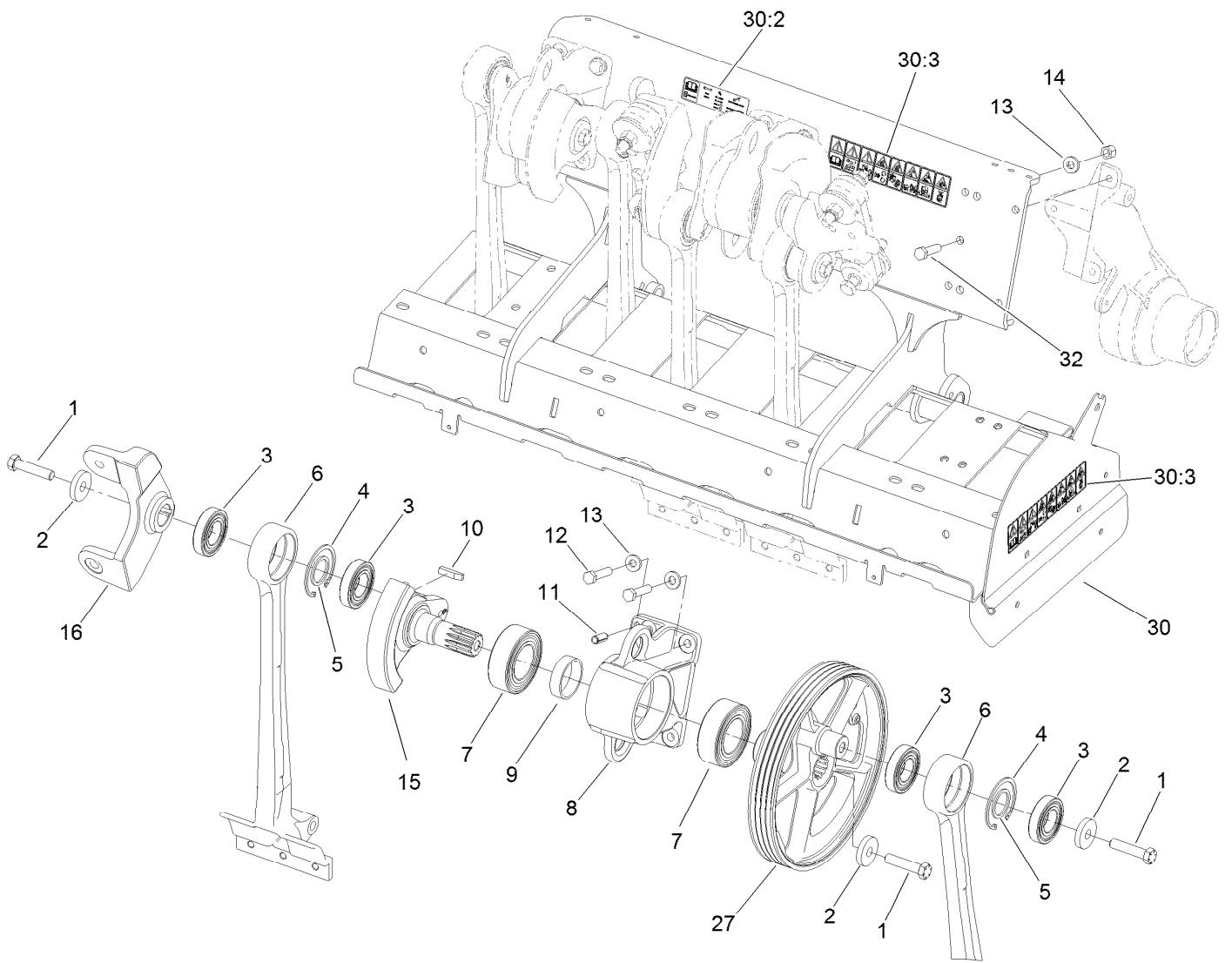
Depth Control Assembly No. 115-2844

| <i>Ref.</i> | <i>Part Number</i> | <i>Qty.</i> | <i>Description</i> | <i>Ref.</i> | <i>Part Number</i> | <i>Qty.</i> | <i>Description</i> |
|-------------|--------------------|-------------|--------------------------|-------------|--------------------|-------------|--------------------------|
| 1 | 110-4531 | 1 | Hub-Control, Depth | 15 | 110-4599 | 2 | Bearing-Thrust |
| 2 | 253-59 | 1 | Seal-Oil | 16 | 73-0041 | 4 | Washer-Thrust |
| 3 | 7-0045 | 1 | Seal-Oil | 17 | 110-4581 | 1 | Worm-Control, Depth |
| 4 | 110-4534 | 1 | Shaft-Control, Depth | 18 | 110-4536 | 1 | Key-Gear, Worm |
| 5 | 110-4600 | 1 | Bearing-Thrust | 19 | 110-4537 | 1 | Spacer-Gear, Worm |
| 6 | 110-4602 | 2 | Washer-Bearing | 21 | 110-4580 | 1 | Shaft-Gear, Worm |
| 7 | 110-4582 | 1 | Gear-Worm, Depth Control | 22 | 110-4532-03 | 1 | Cover-Control, Depth |
| 8 | 112-4953 | 1 | Washer-Plain | 23 | 110-4578 | 1 | Gasket-Control, Depth |
| 9 | 110-4438 | 1 | Shoe-Control, Depth | 24 | 3234-33 | 6 | Screw-HHF |
| 10 | 110-4439 | 1 | Clip-Hairpin | 25 | 302-59 | 1 | Plug-EXT Hex Spl |
| 11 | 110-4533 | 1 | Gage-Control, Depth | 26 | 110-4604 | 1 | Plate-Lock, Depth |
| 12 | 3256-71 | 1 | Washer-Flat | 27 | 110-4677 | 1 | Decal-Rotation, Depth |
| 13 | 3234-5 | 1 | Screw-HHF | 28 | 110-4678 | 1 | Decal-Designation, Depth |
| 14 | 110-4674 | 2 | Bushing-Flange | | | | |



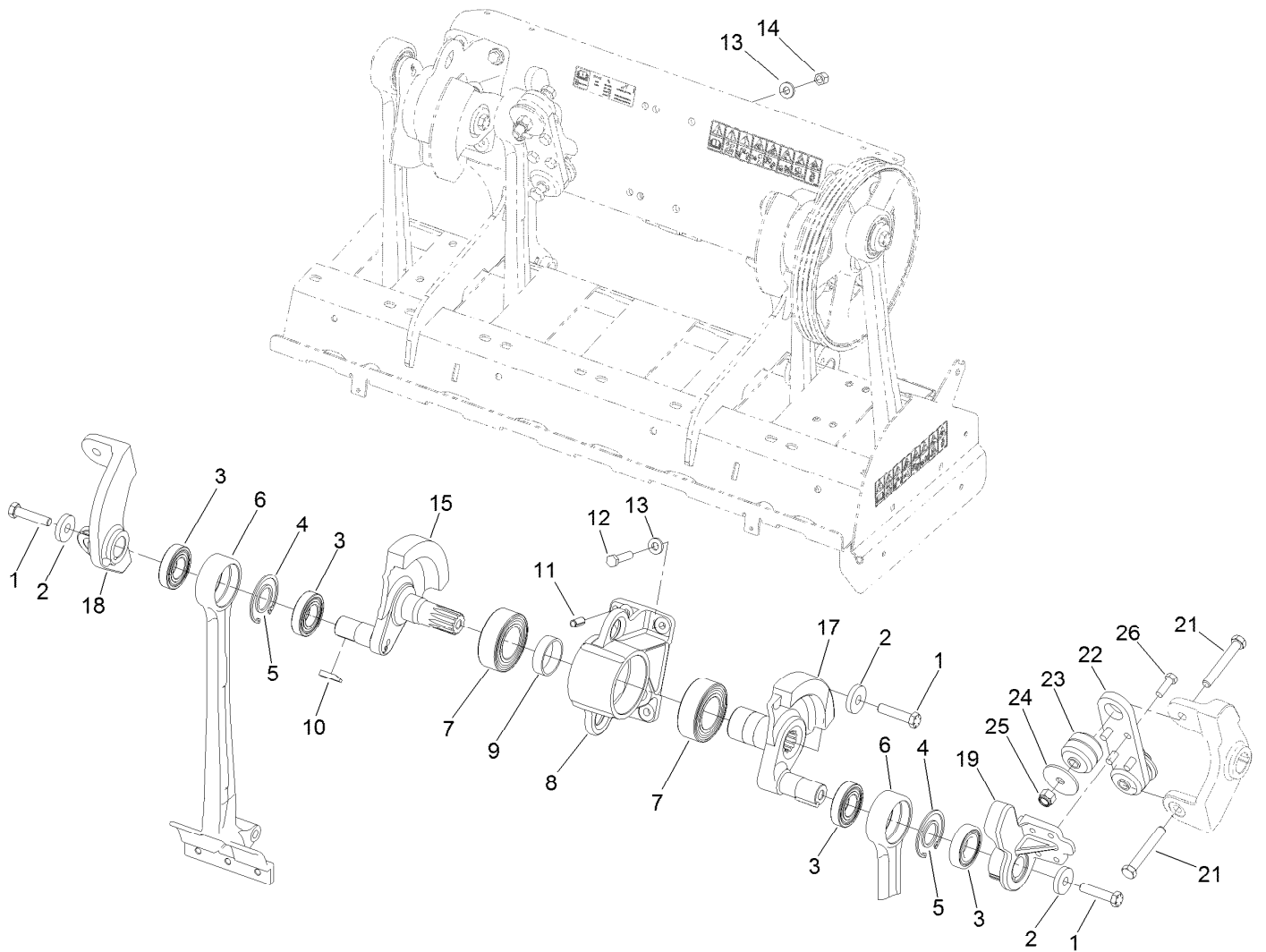
Left Hand H-Frame Assembly

| Ref. | Part Number | Qty. | Description | Ref. | Part Number | Qty. | Description |
|------|-------------|------|------------------|------|-------------|------|--------------------|
| 1 | 110-4618 | 1 | H-Frame ASM | 7:3 | 110-4251 | 1 | Link-Upper |
| 1:2 | 110-4612 | 8 | Bushing-Straight | 7:4 | 3220-7 | 1 | Nut-Jam |
| 2 | 10-8110 | 4 | Washer-Thrust | 7:5 | 2411-40 | 1 | End-Rod |
| 3 | 110-4456 | 2 | Shaft-Pivot | 12 | 92-5836 | 3 | Washer |
| 4 | 323-7 | 1 | Screw-HH | 13 | 3296-50 | 4 | Nut-Lock, NI |
| 5 | 104-8301 | 6 | Nut-HF, NI | 14 | 110-4287-03 | 2 | Cup-Spring |
| 6 | 3231-4 | 4 | Screw-CARR | 15 | 105-4183-01 | 1 | Spring-Compression |
| 7 | 115-2821 | 2 | Link ASM | 16 | 115-2844 | 1 | Depth Control ASM |
| 7:1 | 105-1025 | 1 | End-Rod | 17 | 93-6696 | 1 | Decal-Warning |
| 7:2 | 3220-17 | 1 | Nut-Jam, LH | 18 | 3231-5 | 1 | Screw-CARR |



Right Hand No. 1 and No. 2 Crankarm Assembly

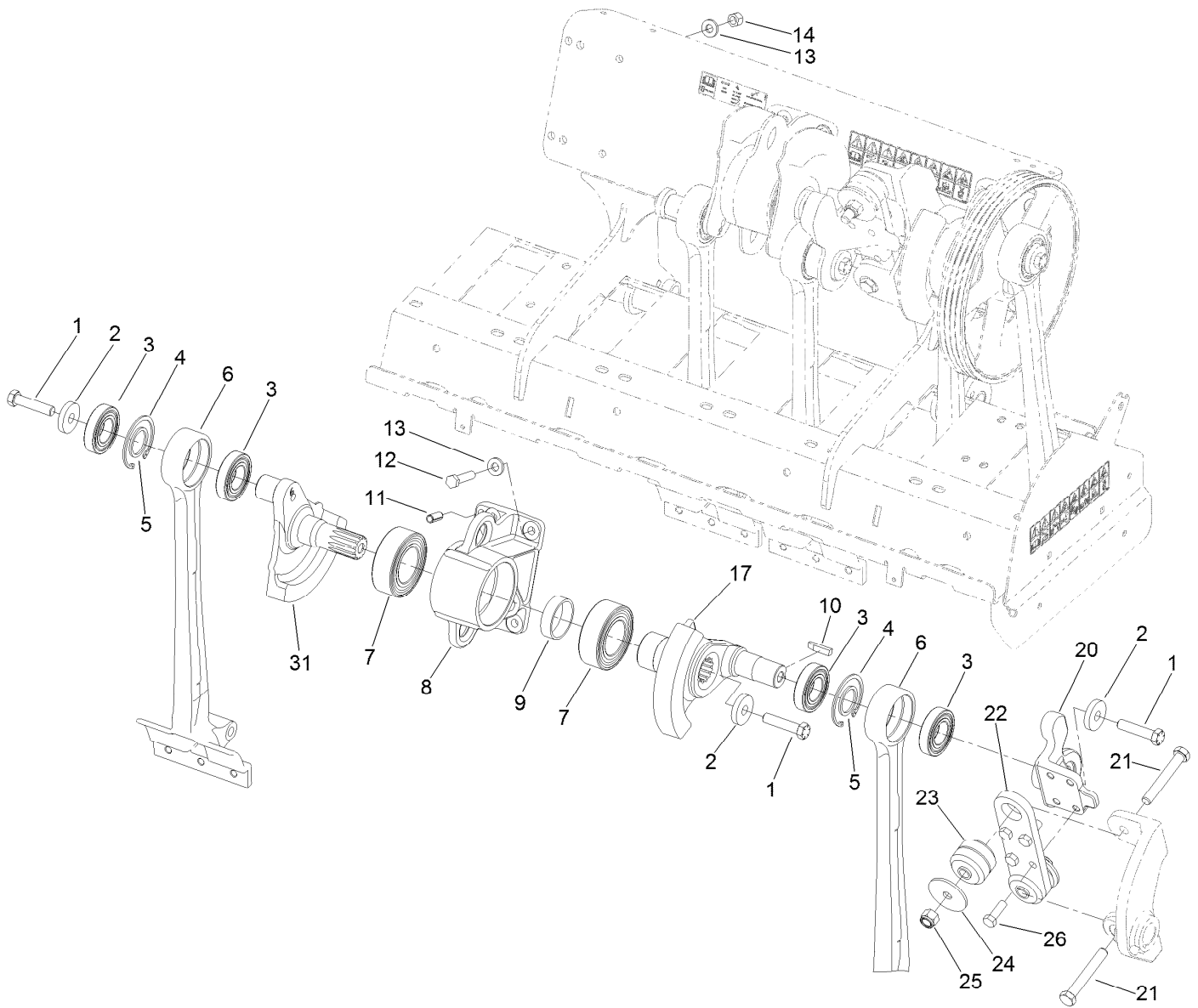
| Ref. | Part Number | Qty. | Description | Ref. | Part Number | Qty. | Description |
|------|-------------|------|--------------------------|------|-------------|------|--------------------------|
| 1 | 110-4614 | 3 | Screw-HH | 12 | 325-9 | 4 | Screw-HH |
| 2 | 105-1016 | 3 | Washer-Hardened | 13 | 107-3395 | 7 | Washer-Hardened |
| 3 | 110-4556 | 4 | Bearing-Ball | 14 | 3296-23 | 2 | Nut-Lock, NI |
| 4 | 32151-76 | 2 | Ring-Retaining, Internal | 15 | 110-4571 | 1 | Crankarm-No. 2, 4, 6 |
| 5 | 110-4557 | 2 | Spacer-Bearing | 16 | 110-4567 | 1 | Coupling-No. 2 |
| 6 | 110-4573 | 2 | Arm-Stomper | 27 | 114-1458 | 1 | Pulley-Crankshaft |
| 7 | 110-4555 | 2 | Bearing-Ball, 2 Row | 30 | 110-4685 | 1 | RH Coring Head Frame ASM |
| 8 | 110-4566 | 1 | Housing-Bearing | 30:2 | 110-4664 | 1 | Decal-Torque, Bolt |
| 9 | 110-4584 | 1 | Spacer-Bearing | 30:3 | 110-4670 | 2 | Decal-Warning, CE |
| 10 | 110-4546 | 1 | Key-Square | 32 | 325-8 | 1 | Screw-HH |
| 11 | 105-1041 | 2 | Pin-Spring | | | | |



Right Hand No. 3 and No. 4 Crankarm Assembly

| Ref. | Part Number | Qty. | Description |
|------|-------------|------|--------------------------|
| 1 | 110-4614 | 3 | Screw-HH |
| 2 | 105-1016 | 3 | Washer-Hardened |
| 3 | 110-4556 | 4 | Bearing-Ball |
| 4 | 32151-76 | 2 | Ring-Retaining, Internal |
| 5 | 110-4557 | 2 | Spacer-Bearing |
| 6 | 110-4573 | 2 | Arm-Stomper |
| 7 | 110-4555 | 2 | Bearing-Ball, 2 Row |
| 8 | 110-4566 | 1 | Housing-Bearing |
| 9 | 110-4584 | 1 | Spacer-Bearing |
| 10 | 110-4546 | 2 | Key-Square |
| 11 | 105-1041 | 2 | Pin-Spring |
| 12 | 325-9 | 4 | Screw-HH |

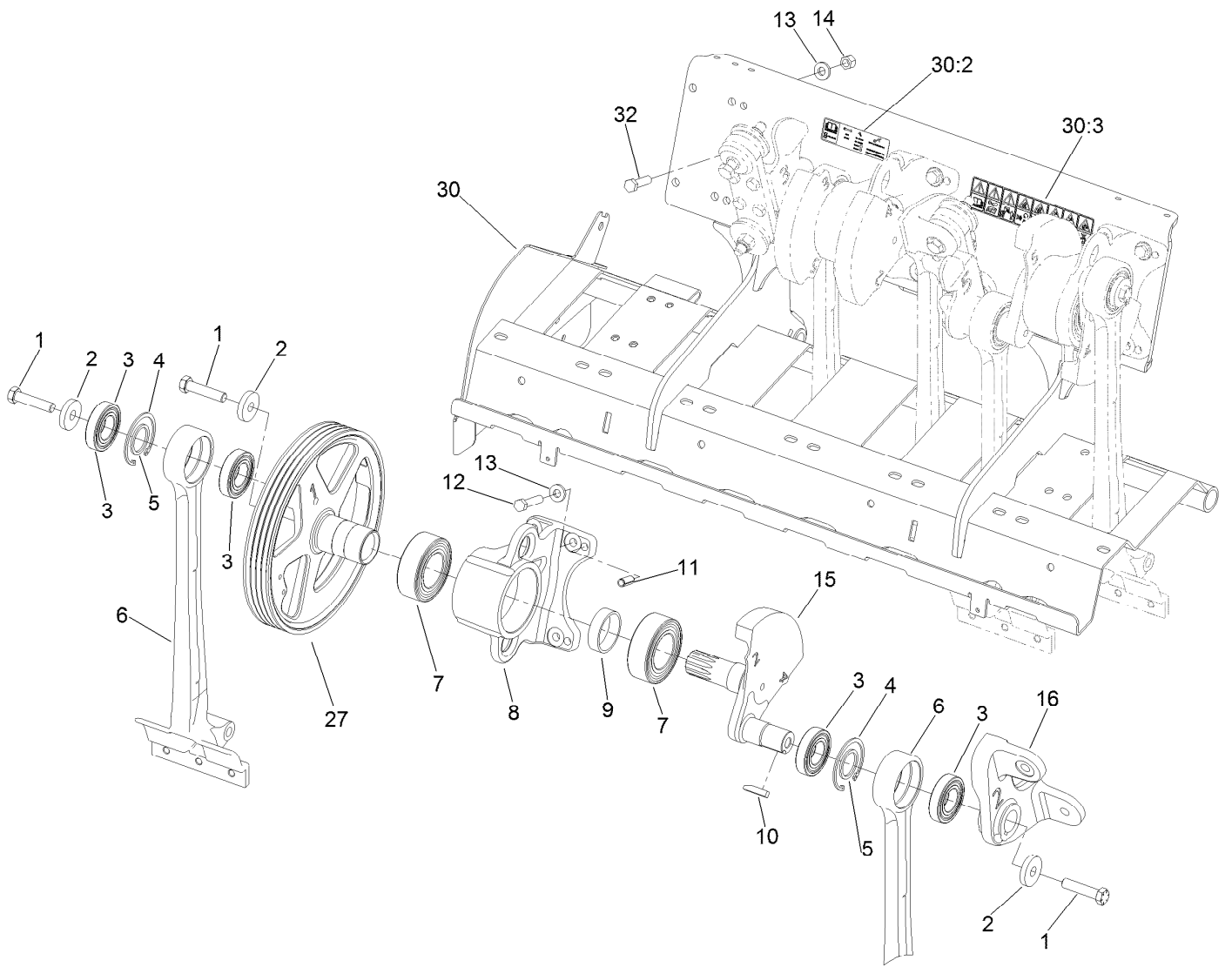
| Ref. | Part Number | Qty. | Description |
|------|-------------|------|----------------------|
| 13 | 107-3395 | 8 | Washer-Hardened |
| 14 | 3296-23 | 4 | Nut-Lock, NI |
| 15 | 110-4571 | 1 | Crankarm-No. 2, 4, 6 |
| 17 | 110-4572 | 1 | Crankarm-No. 3, 5, 7 |
| 18 | 110-4569 | 1 | Coupling-No.4 |
| 19 | 110-4568 | 1 | Coupling-No. 3 |
| 21 | 327-29 | 2 | Screw-HH |
| 22 | 105-0974-03 | 1 | Plate-Coupling |
| 23 | 105-0963 | 2 | Mount-ISO, Crank |
| 24 | 110-4549 | 2 | Washer-Snubbing |
| 25 | 3296-53 | 2 | Nut-Lock, NI |
| 26 | 325-6 | 4 | Screw-HH |



Right Hand No. 5 and No. 6 Crankarm Assembly

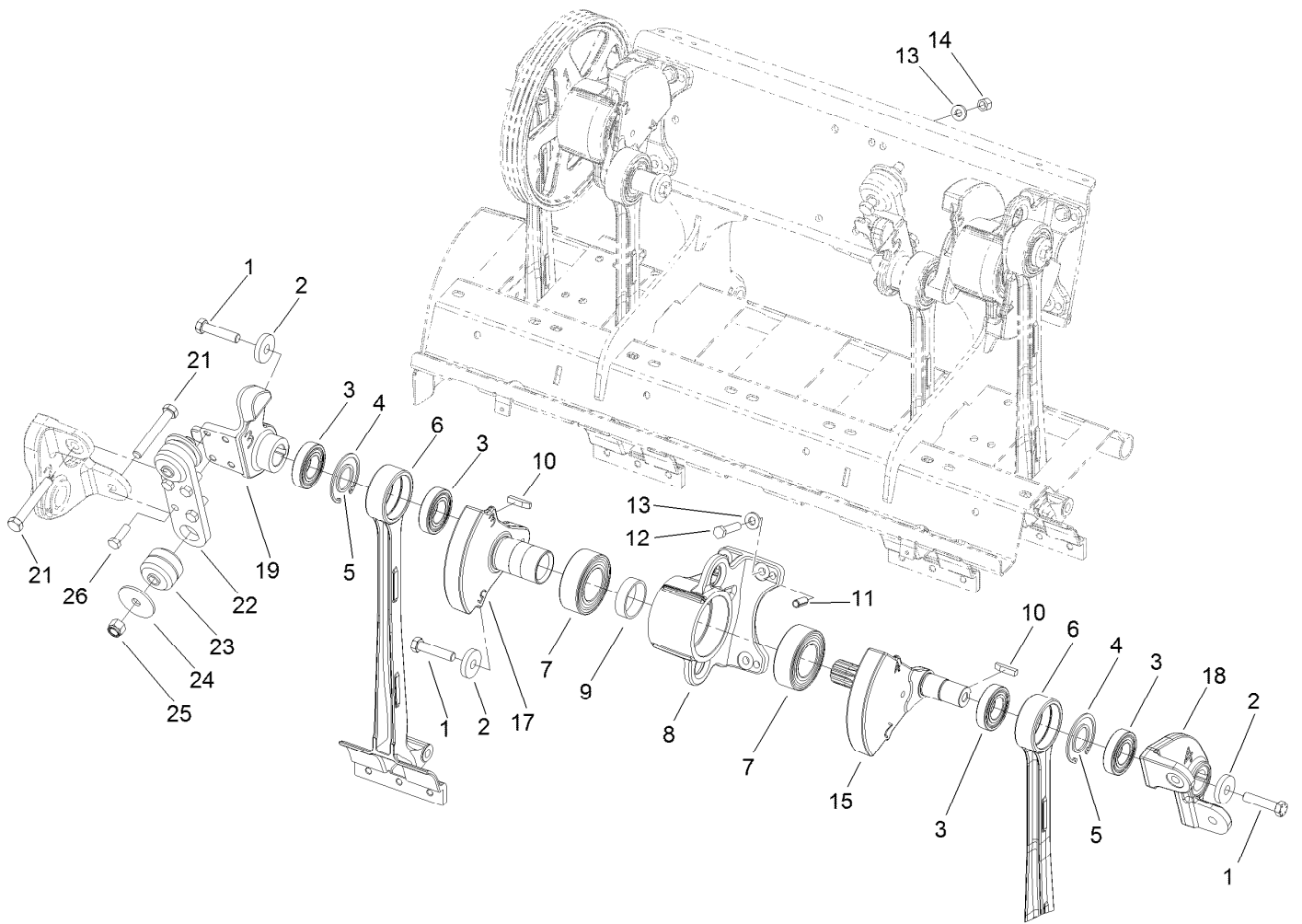
| Ref. | Part Number | Qty. | Description |
|------|-------------|------|--------------------------|
| 1 | 110-4614 | 3 | Screw-HH |
| 2 | 105-1016 | 3 | Washer-Hardened |
| 3 | 110-4556 | 4 | Bearing-Ball |
| 4 | 32151-76 | 2 | Ring-Retaining, Internal |
| 5 | 110-4557 | 2 | Spacer-Bearing |
| 6 | 110-4573 | 2 | Arm-Stomper |
| 7 | 110-4555 | 2 | Bearing-Ball, 2 Row |
| 8 | 110-4566 | 1 | Housing-Bearing |
| 9 | 110-4584 | 1 | Spacer-Bearing |
| 10 | 110-4546 | 1 | Key-Square |
| 11 | 105-1041 | 2 | Pin-Spring |
| 12 | 325-9 | 4 | Screw-HH |

| Ref. | Part Number | Qty. | Description |
|------|-------------|------|----------------------|
| 13 | 107-3395 | 8 | Washer-Hardened |
| 14 | 3296-23 | 4 | Nut-Lock, NI |
| 17 | 110-4572 | 1 | Crankarm-No. 3, 5, 7 |
| 20 | 110-4570 | 1 | Coupling-N0.5 |
| 21 | 327-29 | 2 | Screw-HH |
| 22 | 105-0974-03 | 1 | Plate-Coupling |
| 23 | 105-0963 | 2 | Mount-ISO, Crank |
| 24 | 110-4549 | 2 | Washer-Snubbing |
| 25 | 3296-53 | 2 | Nut-Lock, NI |
| 26 | 325-6 | 4 | Screw-HH |
| 31 | 110-4576 | 1 | Crankarm-No.6 |



Left Hand No. 1 and No. 2 Crankarm Assembly

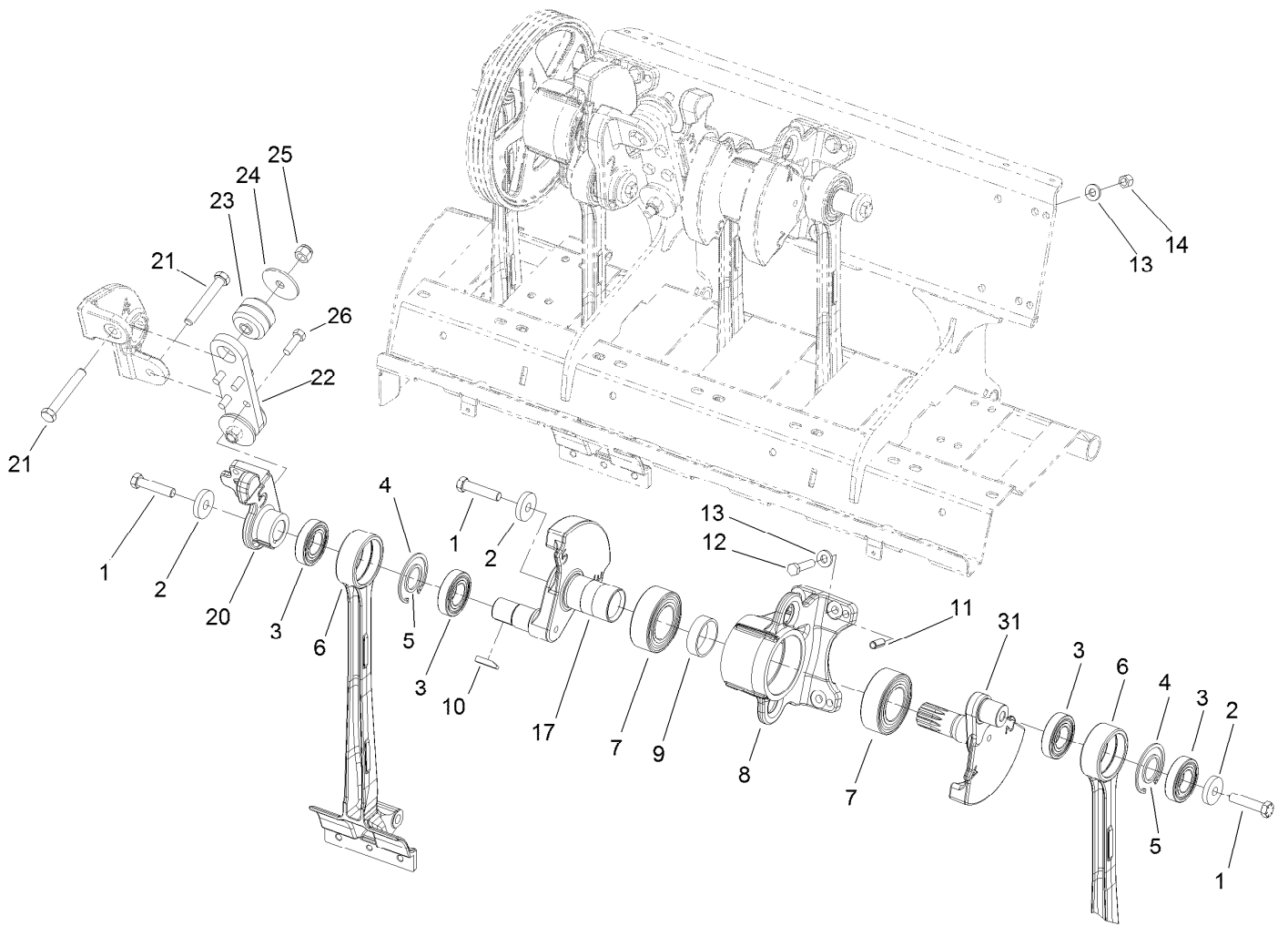
| Ref. | Part Number | Qty. | Description | Ref. | Part Number | Qty. | Description |
|------|-------------|------|--------------------------|------|-------------|------|-----------------------------|
| 1 | 110-4614 | 3 | Screw-HH | 12 | 325-9 | 4 | Screw-HH |
| 2 | 105-1016 | 3 | Washer-Hardened | 13 | 107-3395 | 7 | Washer-Hardened |
| 3 | 110-4556 | 4 | Bearing-Ball | 14 | 3296-23 | 2 | Nut-Lock, NI |
| 4 | 32151-76 | 2 | Ring-Retaining, Internal | 15 | 110-4571 | 1 | Crankarm-No. 2, 4, 6 |
| 5 | 110-4557 | 2 | Spacer-Bearing | 16 | 110-4567 | 1 | Coupling-No. 2 |
| 6 | 110-4573 | 2 | Arm-Stomper | 27 | 114-1458 | 1 | Pulley-Crankshaft |
| 7 | 110-4555 | 2 | Bearing-Ball, 2 Row | 30 | 110-4686 | 1 | LH Coring Head Frame ASM |
| 8 | 110-4566 | 1 | Housing-Bearing | 30:2 | 110-4664 | 1 | Decal-Torque, Bolt |
| 9 | 110-4584 | 1 | Spacer-Bearing | 30:3 | 110-4670 | 2 | Decal-Warning, CE |
| 10 | 110-4546 | 1 | Key-Square | 32 | 325-8 | 1 | Screw-HH |
| 11 | 105-1041 | 2 | Pin-Spring | | | | |



Left Hand No. 3 and No. 4 Crankarm Assembly

| Ref. | Part Number | Qty. | Description |
|------|-------------|------|--------------------------|
| 1 | 110-4614 | 3 | Screw-HH |
| 2 | 105-1016 | 3 | Washer-Hardened |
| 3 | 110-4556 | 4 | Bearing-Ball |
| 4 | 32151-76 | 2 | Ring-Retaining, Internal |
| 5 | 110-4557 | 2 | Spacer-Bearing |
| 6 | 110-4573 | 2 | Arm-Stomper |
| 7 | 110-4555 | 2 | Bearing-Ball, 2 Row |
| 8 | 110-4566 | 1 | Housing-Bearing |
| 9 | 110-4584 | 1 | Spacer-Bearing |
| 10 | 110-4546 | 2 | Key-Square |
| 11 | 105-1041 | 2 | Pin-Spring |
| 12 | 325-9 | 4 | Screw-HH |

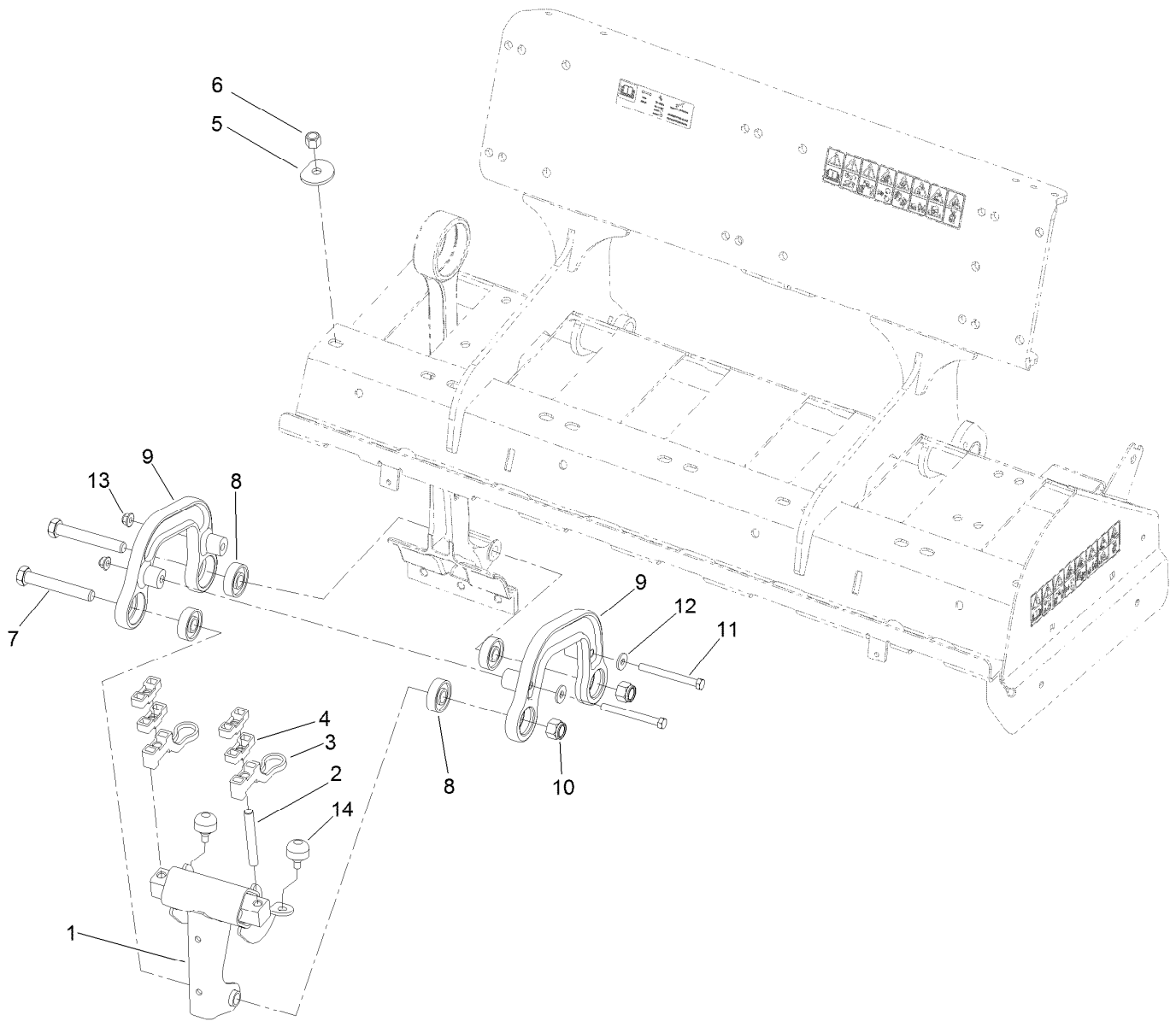
| Ref. | Part Number | Qty. | Description |
|------|-------------|------|----------------------|
| 13 | 107-3395 | 8 | Washer-Hardened |
| 14 | 3296-23 | 4 | Nut-Lock, NI |
| 15 | 110-4571 | 1 | Crankarm-No. 2, 4, 6 |
| 17 | 110-4572 | 1 | Crankarm-No. 3, 5, 7 |
| 18 | 110-4569 | 1 | Coupling-No.4 |
| 19 | 110-4568 | 1 | Coupling-No. 3 |
| 21 | 327-29 | 2 | Screw-HH |
| 22 | 105-0974-03 | 1 | Plate-Coupling |
| 23 | 105-0963 | 2 | Mount-ISO, Crank |
| 24 | 110-4549 | 2 | Washer-Snubbing |
| 25 | 3296-53 | 2 | Nut-Lock, NI |
| 26 | 325-6 | 4 | Screw-HH |



Left Hand No. 5 and No. 6 Crankarm Assembly

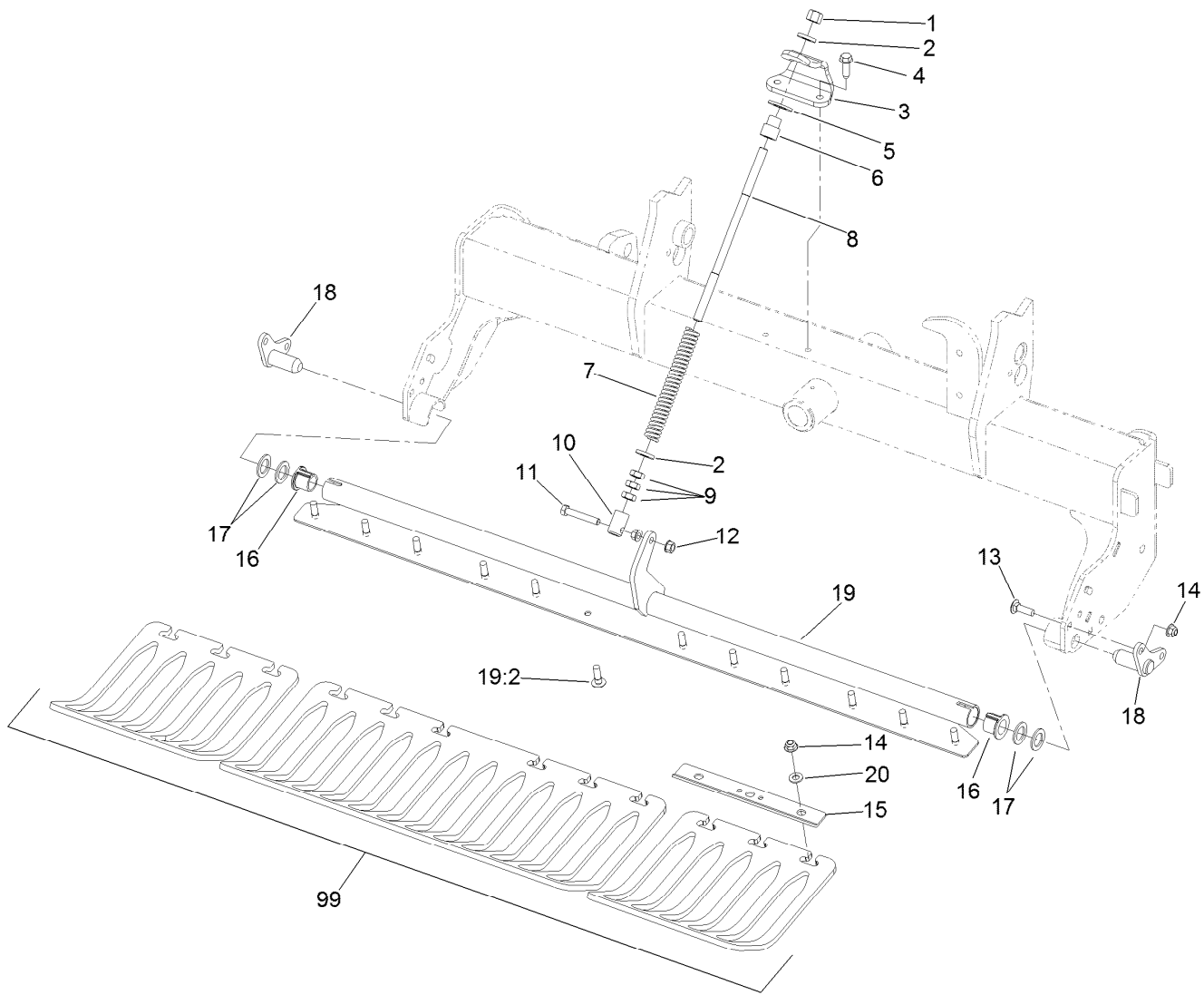
| Ref. | Part Number | Qty. | Description |
|------|-------------|------|--------------------------|
| 1 | 110-4614 | 3 | Screw-HH |
| 2 | 105-1016 | 3 | Washer-Hardened |
| 3 | 110-4556 | 4 | Bearing-Ball |
| 4 | 32151-76 | 2 | Ring-Retaining, Internal |
| 5 | 110-4557 | 2 | Spacer-Bearing |
| 6 | 110-4573 | 2 | Arm-Stomper |
| 7 | 110-4555 | 2 | Bearing-Ball, 2 Row |
| 8 | 110-4566 | 1 | Housing-Bearing |
| 9 | 110-4584 | 1 | Spacer-Bearing |
| 10 | 110-4546 | 1 | Key-Square |
| 11 | 105-1041 | 2 | Pin-Spring |
| 12 | 325-9 | 4 | Screw-HH |

| Ref. | Part Number | Qty. | Description |
|------|-------------|------|----------------------|
| 13 | 107-3395 | 8 | Washer-Hardened |
| 14 | 3296-23 | 4 | Nut-Lock, NI |
| 17 | 110-4572 | 1 | Crankarm-No. 3, 5, 7 |
| 20 | 110-4570 | 1 | Coupling-N0.5 |
| 21 | 327-29 | 2 | Screw-HH |
| 22 | 105-0974-03 | 1 | Plate-Coupling |
| 23 | 105-0963 | 2 | Mount-ISO, Crank |
| 24 | 110-4549 | 2 | Washer-Snubbing |
| 25 | 3296-53 | 2 | Nut-Lock, NI |
| 26 | 325-6 | 4 | Screw-HH |
| 31 | 110-4576 | 1 | Crankarm-No.6 |



Roto-Link Damper Assembly

| <i>Ref.</i> | <i>Part Number</i> | <i>Qty.</i> | <i>Description</i> |
|-------------|--------------------|-------------|--------------------|
| 1 | 106-8922 | 12 | Damper |
| 2 | 110-4504 | 24 | Stud |
| 3 | 110-4506 | 24 | Bumper-Rotolink |
| 4 | 110-4507 | 48 | Standoff-Rotolink |
| 5 | 107-7543 | 24 | Washer-Hardened |
| 6 | 32128-23 | 24 | Nut-HF |
| 7 | 327-29 | 24 | Screw-HH |
| 8 | 251-311 | 48 | Bearing-Ball |
| 9 | 105-1000 | 24 | Link-Damper |
| 10 | 3296-53 | 24 | Nut-Lock, NI |
| 11 | 323-42 | 24 | Screw-HH |
| 12 | 80-6990 | 24 | Washer-Hardened |
| 13 | 104-8301 | 24 | Nut-HF, NI |
| 14 | 87-2440 | 24 | Bumper-Rubber |



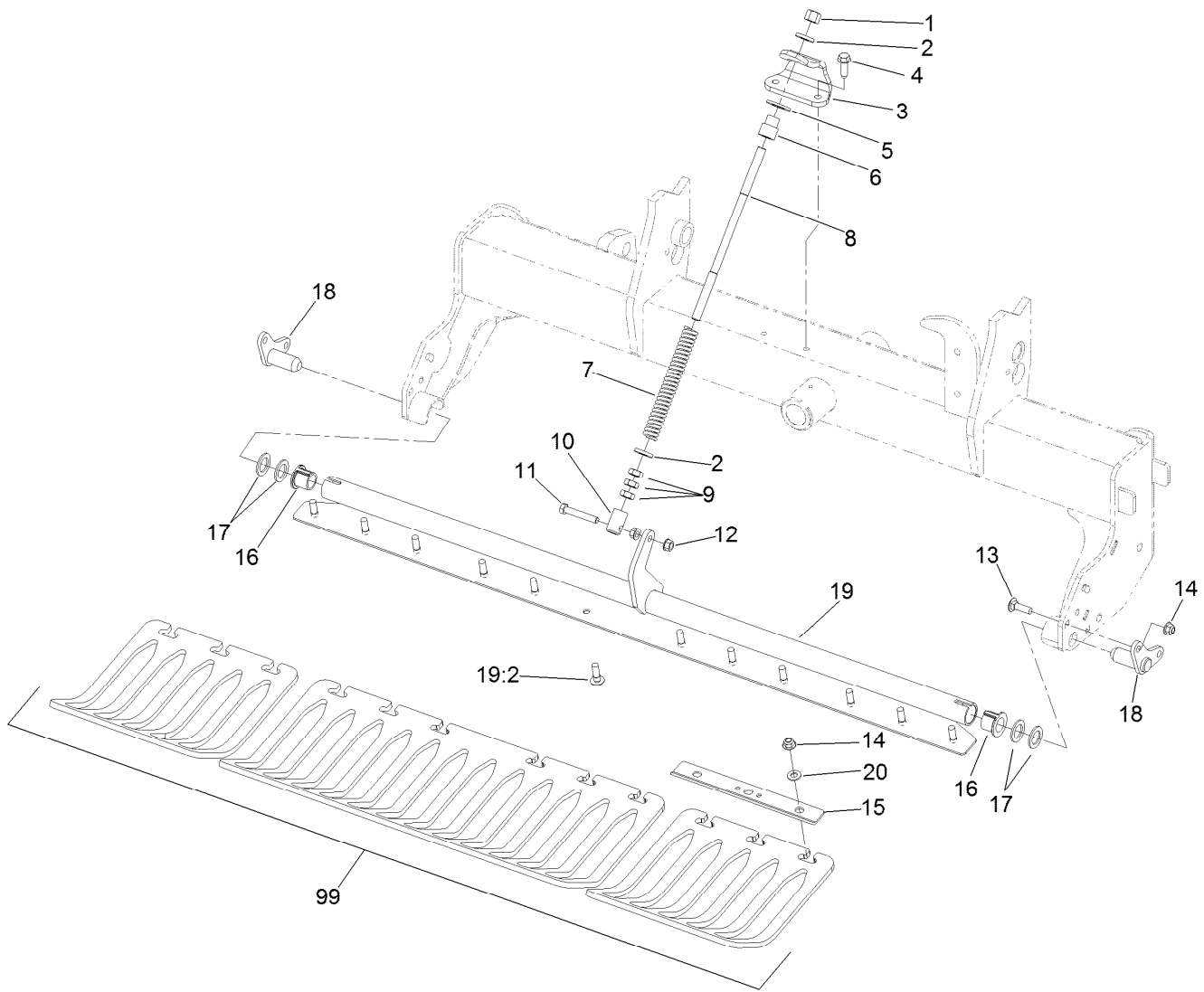
Right Hand Turf Guard Assembly

| Ref. | Part Number | Qty. | Description |
|------|-------------|------|--------------------|
| 1 | 3296-23 | 1 | Nut-Lock, NI |
| 2 | 107-3395 | 2 | Washer-Hardened |
| 3 | 110-4267-03 | 1 | Bracket-Spring |
| 4 | 32144-109 | 2 | Screw-Thd |
| 5 | 3256-28 | 1 | Washer-Flat |
| 6 | 110-4416 | 1 | Sleeve-Rod, Spring |
| 7 | 110-4417 | 1 | Spring-Compression |
| 8 | 110-4421 | 1 | Rod-Spring |
| 9 | 3218-5 | 3 | Nut-Jam |
| 10 | 99-8662 | 1 | Tube-Spring |
| 11 | 323-45 | 1 | Screw-HH |
| 12 | 32128-40 | 2 | Nut-Flange |
| 13 | 3231-25 | 4 | Bolt-CARR |
| 14 | 104-8301 | 16 | Nut-HF, NI |

| Ref. | Part Number | Qty. | Description |
|------|-------------|------|--------------------------------|
| 15 | 110-4274-03 | 4 | Clamp-Guard, Turf |
| 16 | 107-7581 | 2 | Bushing-Flange, Keyed |
| 17 | 3-7898 | 4 | Washer-Thrust |
| 18 | 110-4296 | 2 | Shaft-Stub |
| 19 | 110-4621 | 1 | Turfguard ASM |
| 19:2 | 125-3318 | 12 | Screw-Neck, Rib |
| 20 | 3256-24 | 12 | Washer-Flat |
| 99 | 120-1044 | 2 | Guard-Turf, 3-Tine (Short) ■ |
| 99 | 120-1045 | 2 | Guard-Turf, 4-Tine (Short) ● ■ |
| 99 | 120-1046 | 1 | Guard-Turf, 4-Tine, Long ● ■ |
| 99 | 120-1047 | 2 | Guard-Turf, 5 Tine, Short ● ■ |
| 99 | 120-1051 | 1 | Guard-Turf, 3-Tine, Long ■ |
| 99 | 120-1052 | 1 | Guard-Turf, 5 Tine, Long ● ■ |

● Not illustrated

■ Optional Equipment

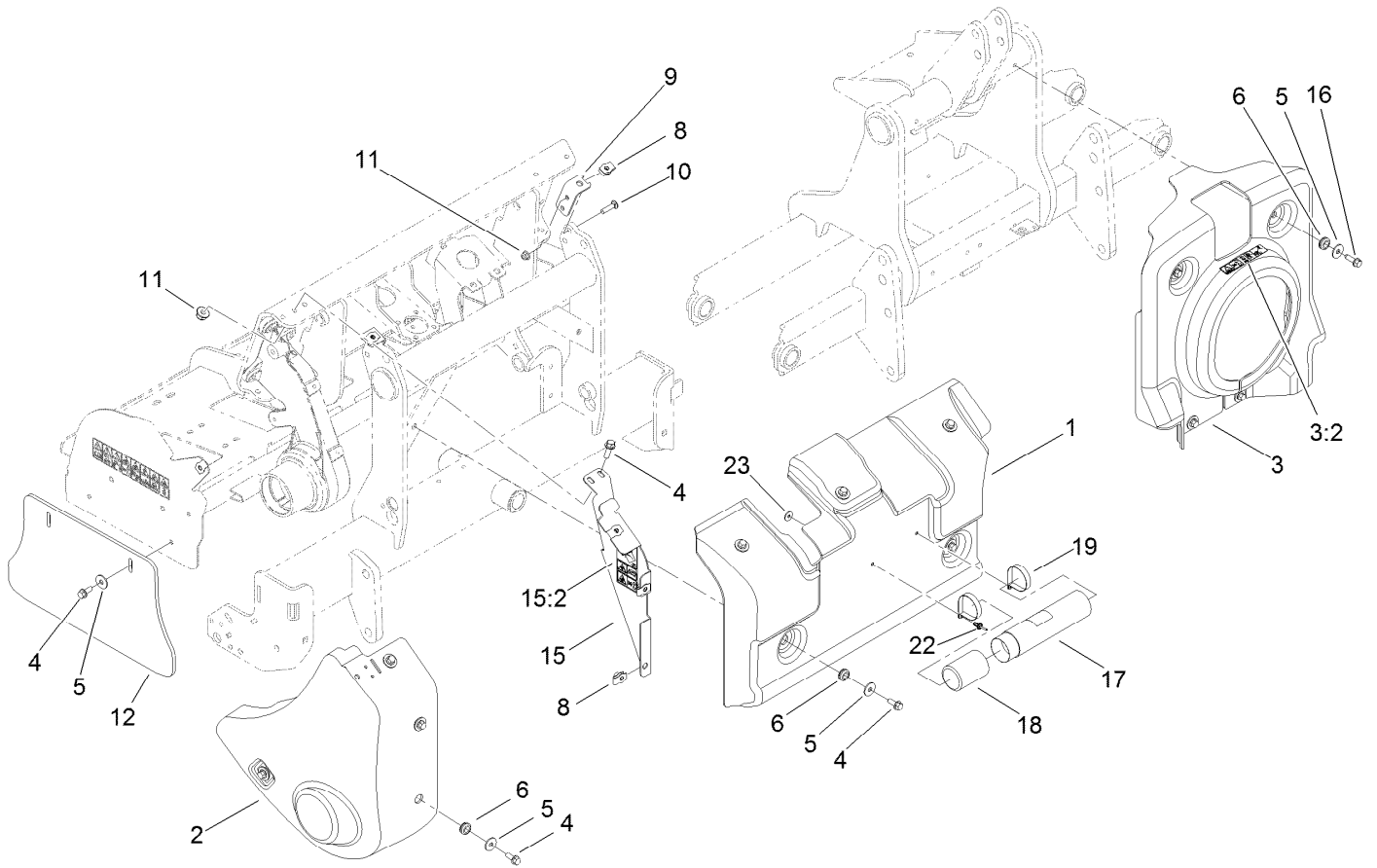


Left Hand Turf Guard Assembly

| Ref. | Part Number | Qty. | Description | Ref. | Part Number | Qty. | Description |
|------|-------------|------|--------------------|------|-------------|------|-------------------------------|
| 1 | 3296-23 | 1 | Nut-Lock, NI | 15 | 110-4274-03 | 4 | Clamp-Guard, Turf |
| 2 | 107-3395 | 2 | Washer-Hardened | 16 | 107-7581 | 2 | Bushing-Flange, Keyed |
| 3 | 110-4267-03 | 1 | Bracket-Spring | 17 | 3-7898 | 4 | Washer-Thrust |
| 4 | 32144-109 | 2 | Screw-Thd | 18 | 110-4296 | 2 | Shaft-Stub |
| 5 | 3256-28 | 1 | Washer-Flat | 19 | 110-4621 | 1 | Turfguard ASM |
| 6 | 110-4416 | 1 | Sleeve-Rod, Spring | 19:2 | 125-3318 | 12 | Screw-Neck, Rib |
| 7 | 110-4417 | 1 | Spring-Compression | 20 | 3256-24 | 12 | Washer-Flat |
| 8 | 110-4421 | 1 | Rod-Spring | 99 | 120-1044 | 2 | Guard-Turf, 3-Tine (Short) ●■ |
| 9 | 3218-5 | 3 | Nut-Jam | 99 | 120-1045 | 2 | Guard-Turf, 4-Tine (Short) ●■ |
| 10 | 99-8662 | 1 | Tube-Spring | 99 | 120-1046 | 1 | Guard-Turf, 4-Tine, Long ●■ |
| 11 | 323-45 | 1 | Screw-HH | 99 | 120-1047 | 2 | Guard-Turf, 5 Tine, Short ●■ |
| 12 | 32128-40 | 2 | Nut-Flange | 99 | 120-1051 | 1 | Guard-Turf, 3-Tine, Long ●■ |
| 13 | 3231-25 | 4 | Bolt-CARR | 99 | 120-1052 | 1 | Guard-Turf, 5 Tine, Long ●■ |
| 14 | 104-8301 | 16 | Nut-HF, NI | | | | |

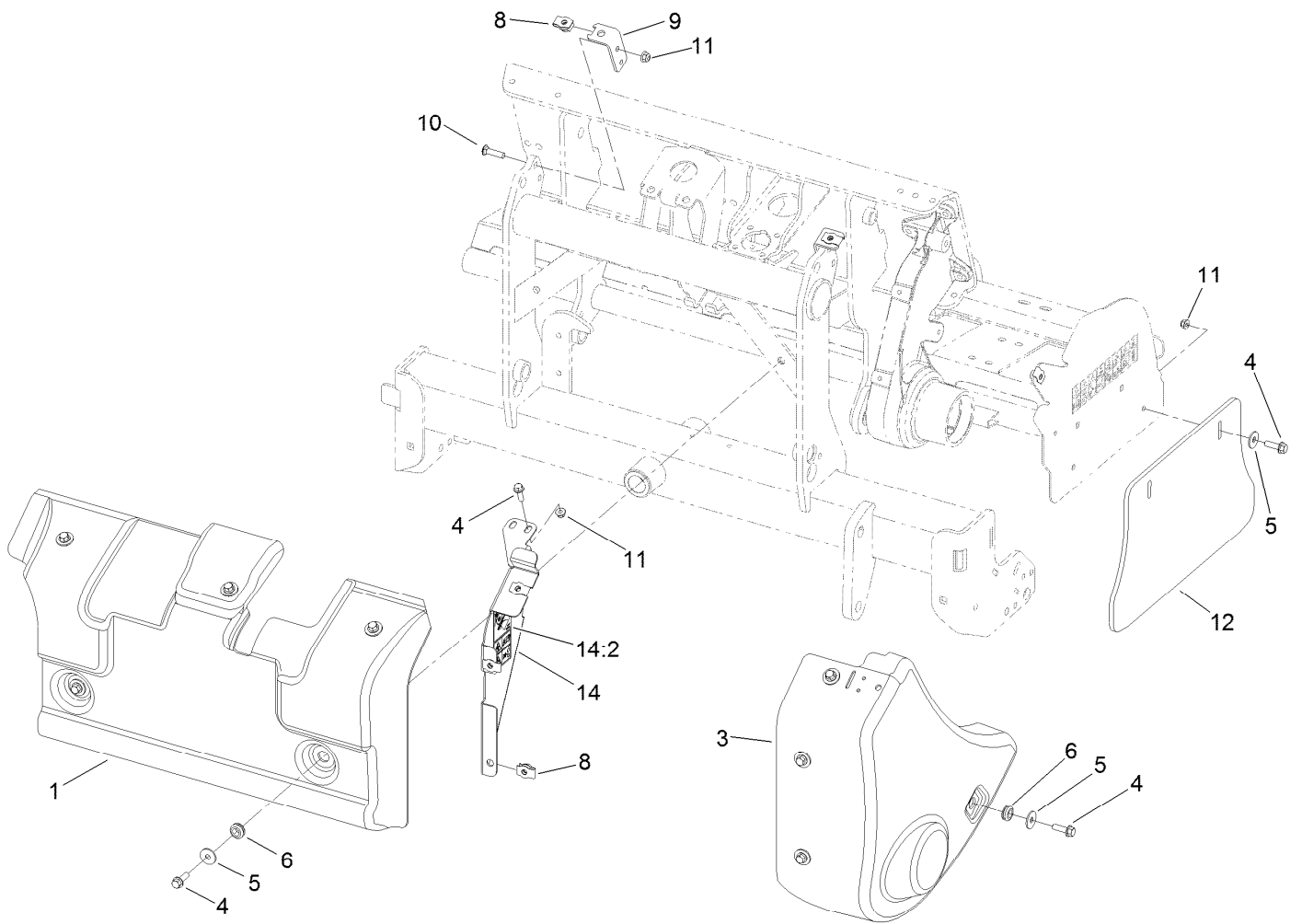
● Not illustrated

■ Optional Equipment



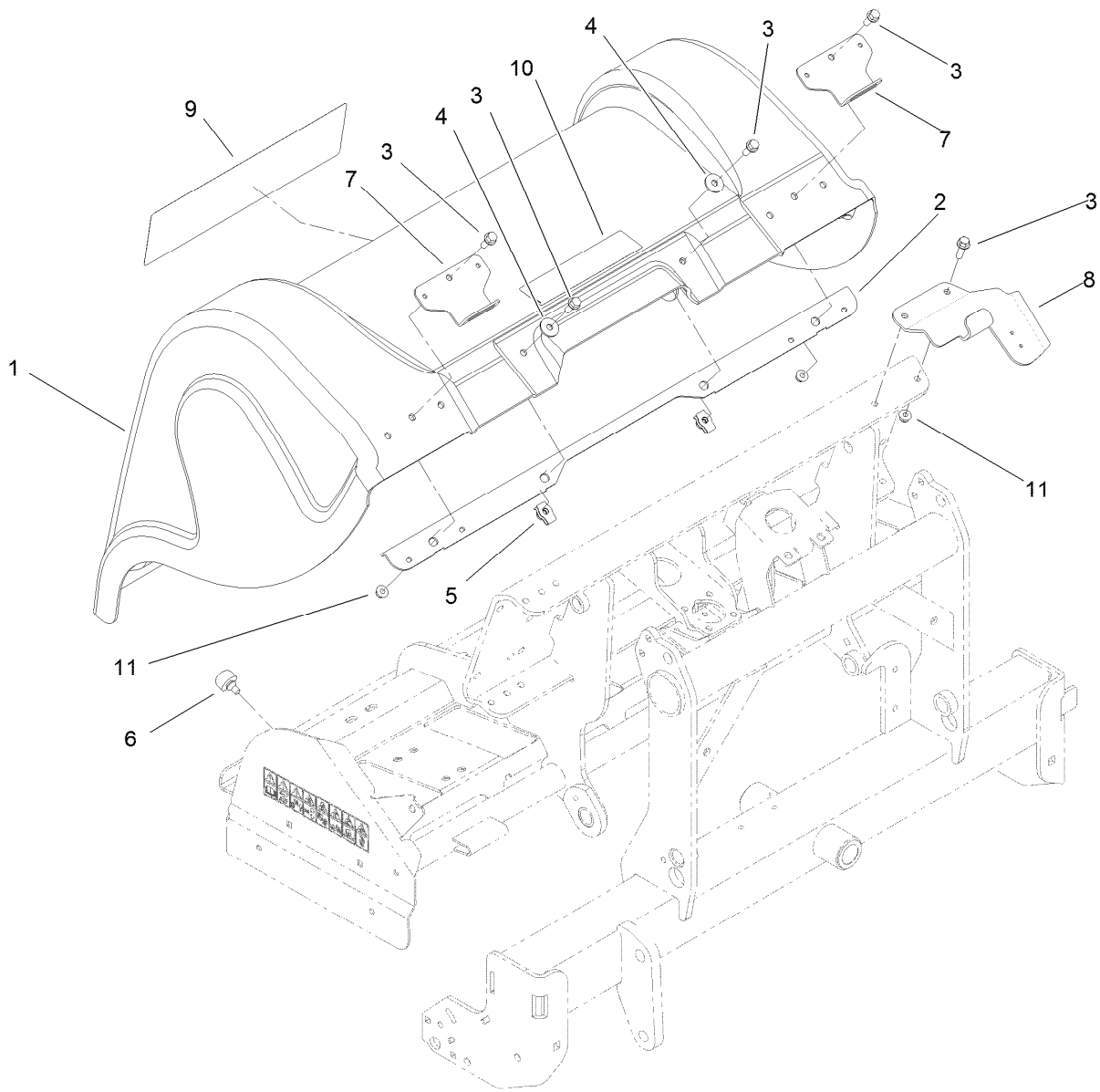
Right Hand Front Cover Assembly

| <i>Ref.</i> | <i>Part Number</i> | <i>Qty.</i> | <i>Description</i> | <i>Ref.</i> | <i>Part Number</i> | <i>Qty.</i> | <i>Description</i> |
|-------------|--------------------|-------------|----------------------|-------------|--------------------|-------------|-----------------------|
| 1 | 110-4468 | 1 | Cover-Front, RH | 11 | 104-8301 | 8 | Nut-HF, NI |
| 2 | 110-4466 | 1 | Shield-Pulley, RH | 12 | 105-1069 | 1 | Shield-Side |
| 3 | 110-4683 | 1 | Yoke Cover ASM | 15 | 110-4680 | 1 | RH Shield Support ASM |
| 3:2 | 110-4668 | 1 | Decal-Warning, PTO | 15:2 | 110-4667 | 1 | Decal-Warning, Spring |
| 4 | 3234-24 | 15 | Screw-HHF | 16 | 32144-109 | 4 | Screw-Thd |
| 5 | 93-8806 | 15 | Washer-Hardened | 17 | 104-7050 | 1 | Tube-Manual |
| 6 | 110-4697 | 13 | Mount-Isolated | 18 | 104-7048 | 1 | Cap-Housing |
| 8 | 105-4886 | 7 | Nut-Tinnerman | 19 | 2412-120 | 2 | Clamp-R |
| 9 | 110-4478 | 2 | Support-Cover, Front | 22 | 114439 | 2 | Rivet-Blind |
| 10 | 3231-25 | 4 | Bolt-CARR | 23 | 3256-61 | 2 | Washer-Flat |



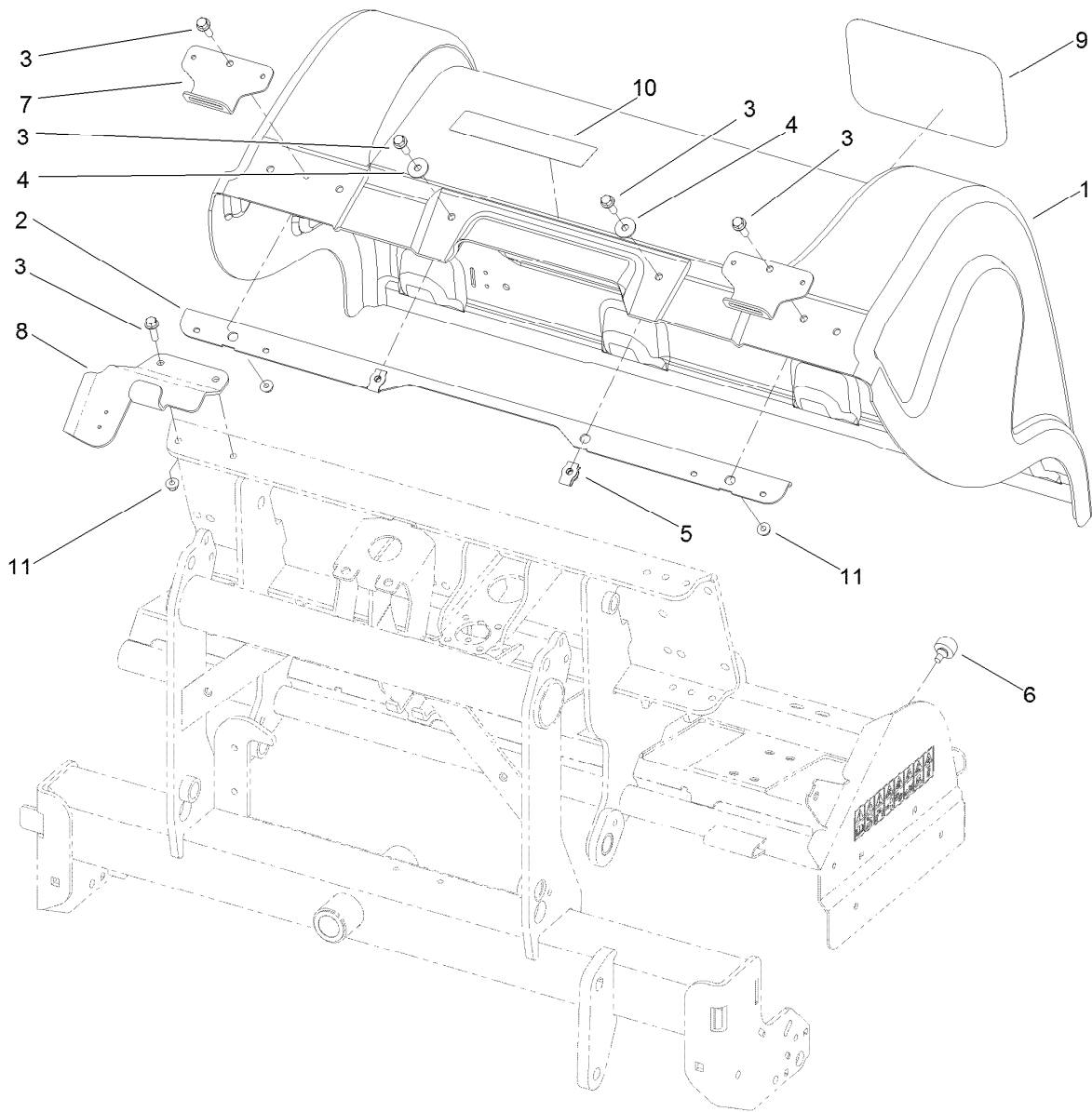
Left Hand Front Cover Assembly

| Ref. | Part Number | Qty. | Description |
|------|-------------|------|-----------------------|
| 1 | 110-4469 | 1 | Cover-Front, LH |
| 3 | 110-4467 | 1 | Shield-Pulley, LH |
| 4 | 3234-24 | 15 | Screw-HHF |
| 5 | 93-8806 | 11 | Washer-Hardened |
| 6 | 110-4697 | 9 | Mount-Isolated |
| 8 | 105-4886 | 7 | Nut-Tinnerman |
| 9 | 110-4478 | 2 | Support-Cover, Front |
| 10 | 3231-25 | 4 | Bolt-CARR |
| 11 | 104-8301 | 8 | Nut-HF, NI |
| 12 | 105-1069 | 1 | Shield-Side |
| 14 | 110-4681 | 1 | LH Shield Support ASM |
| 14:2 | 110-4667 | 1 | Decal-Warning, Spring |



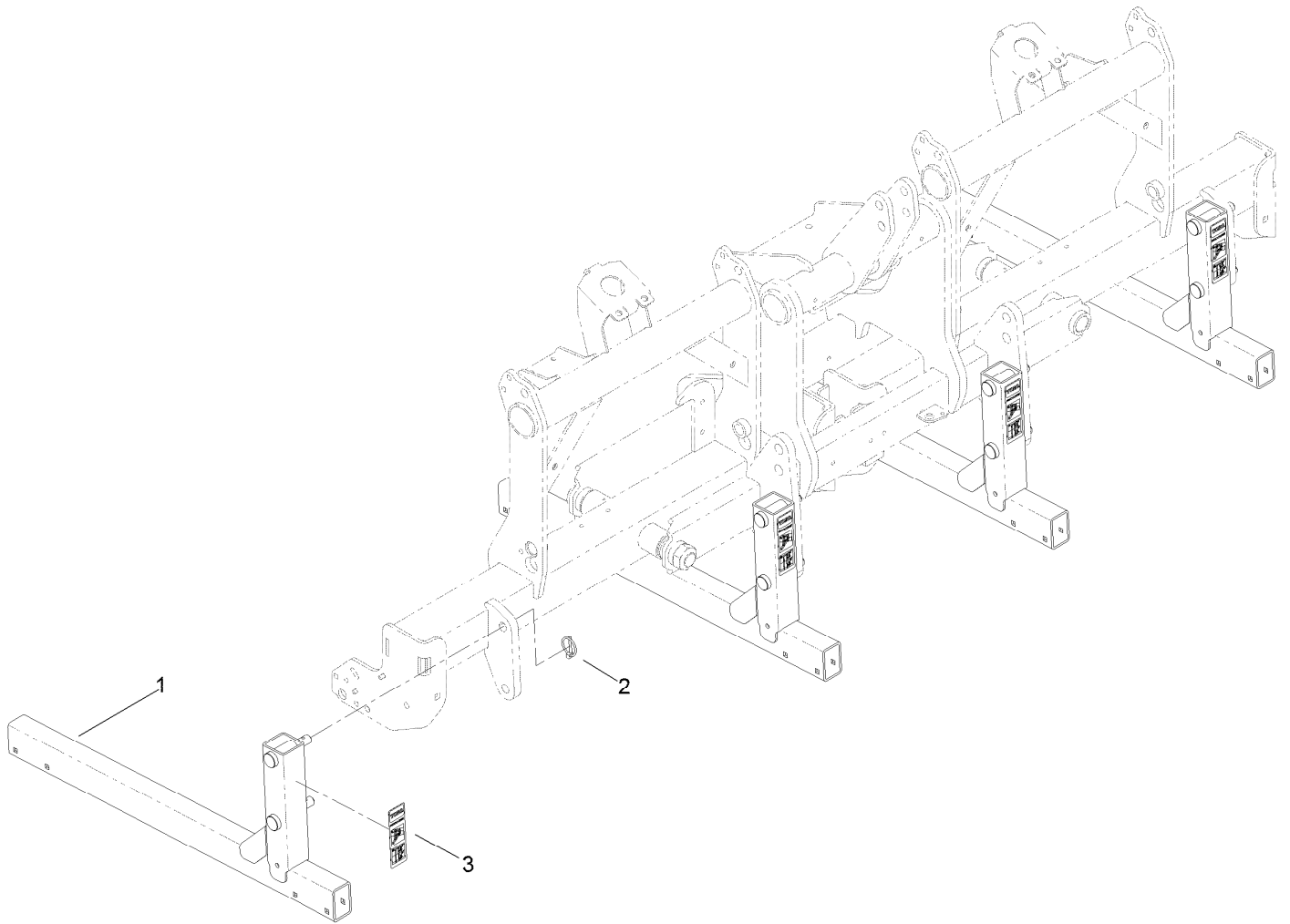
Right Hand Rear Cover Assembly

| <i>Ref.</i> | <i>Part Number</i> | <i>Qty.</i> | <i>Description</i> |
|-------------|--------------------|-------------|------------------------|
| 1 | 110-4464 | 1 | Hood-Rear |
| 2 | 110-4481-03 | 1 | Stiffener-Hood |
| 3 | 3234-24 | 6 | Screw-HHF |
| 4 | 93-8806 | 2 | Washer-Hardened |
| 5 | 105-4886 | 2 | Nut-Tinnerman |
| 6 | 87-2440 | 4 | Bumper-Rubber |
| 7 | 110-4552-03 | 2 | Stirrup-Hood |
| 8 | 110-4479-03 | 1 | Mount-Latch, RH |
| 9 | 110-4425 | 1 | Decal-Procore |
| 10 | 106-8856 | 1 | Decal - Tine Depth, CE |
| 11 | 104-8301 | 4 | Nut-HF, NI |



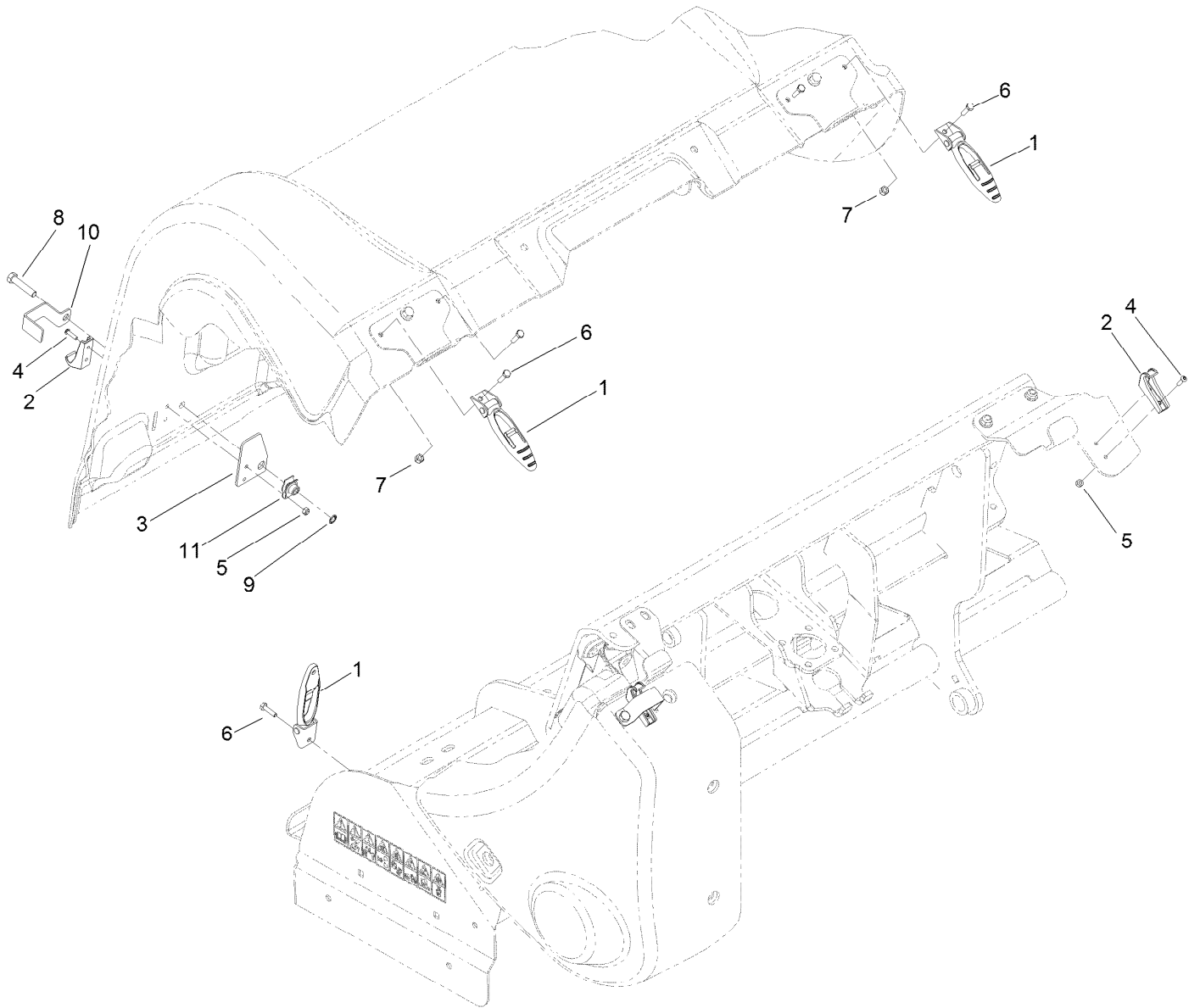
Left Hand Rear Cover Assembly

| Ref. | Part Number | Qty. | Description |
|-------------|--------------------|-------------|------------------------|
| 1 | 110-4464 | 1 | Hood-Rear |
| 2 | 110-4481-03 | 1 | Stiffener-Hood |
| 3 | 3234-24 | 6 | Screw-HHF |
| 4 | 93-8806 | 2 | Washer-Hardened |
| 5 | 105-4886 | 2 | Nut-Tinnerman |
| 6 | 87-2440 | 4 | Bumper-Rubber |
| 7 | 110-4552-03 | 2 | Stirrup-Hood |
| 8 | 110-4480-03 | 1 | Mount-Latch, LH |
| 9 | 67-7310 | 1 | Decal |
| 10 | 106-8856 | 1 | Decal - Tine Depth, CE |
| 11 | 104-8301 | 4 | Nut-HF, NI |



Storage Stand Assembly

| <i>Ref.</i> | <i>Part Number</i> | <i>Qty.</i> | <i>Description</i> |
|-------------|--------------------|-------------|------------------------|
| 1 | 110-4292-03 | 4 | Stand |
| 2 | 92-1298 | 8 | Pin-Lynch |
| 3 | 110-4666 | 4 | Decal-Service, Storage |



Cover Latch Assembly

| <i>Ref.</i> | <i>Part Number</i> | <i>Qty.</i> | <i>Description</i> |
|-------------|--------------------|-------------|---------------------|
| 1 | 103-2898 | 8 | Latch-Rubber |
| 2 | 103-2897 | 8 | Latch-Catch |
| 3 | 110-4672 | 6 | Plate-Reinforcement |
| 4 | 104-2408 | 16 | Screw-HSBH |
| 5 | 3296-2 | 16 | Nut-Lock, NI |
| 6 | 321-6 | 12 | Screw-HH |
| 7 | 3296-42 | 12 | Nut-Lock, NI |
| 8 | 323-53 | 6 | Screw-HH |
| 9 | 32151-72 | 6 | Ring-Retaining |
| 10 | 110-4673 | 6 | Lock-Latch, CE |
| 11 | 105-4886 | 6 | Nut-Tinnerman |

Attachments and Accessories

For 09716 ProCore 1298 Aerator

| Product Name | Model/Part |
|--|-------------------|
| Three-Tine Head Quick Lock | 09711 |
| Four-Tine Head Quick Lock | 09719 |
| 2 x 5 Mini Tine Head | 09736 |
| 1 x 6 Mini Tine Head | 09737 |
| Needle Tine Head | 09739 |
| 3/4in Three-Tine Head | 09794 |
| 3/4in Four-Tine Head | 09796 |
| 7/8in Three-Tine Head | 09797 |
| Premium All Season Gear Lube (5 Gallon Pail) | 108-1187 |
| Premium All Purpose Grease (Tube) | 108-1190 |
| Premium All Season Gear Lube (Quart) | 108-1590 |
| Procore Ce Completion Kit | 110-4693 |
| Sleeve Tool ASM | 114-0590-01 |
| Guarded Driveshaft | 115-2839 |
| Turf Guard 3 Tine (Short) | 120-1044 |
| Turf Guard 4 Tine (Short) | 120-1045 |
| 4-Tine Turf Guard (long) | 120-1046 |
| Turf Guard 5 Tine (Short) | 120-1047 |
| Turf Guard 6 Tine (Short) | 120-1050 |
| 3-Tine Turf Guard (long) | 120-1051 |
| 5-Tine Turf Guard (long) | 120-1052 |
| 6-Tine Turf Guard (long) | 120-1053 |



Count on it.