



**Count on it.**

**Parts Catalog**

**ProCore® 864**

**Aerator**

Model No. 09715—Serial No. 407800000 and Up



# Ordering Replacement Parts

To order replacement parts, please supply the part number, the quantity, and the description of each part desired.

## Understanding Reference Numbers

Each identified part in an illustration has a reference number. The reference number for a part also appears in the parts list, along with other information about the part.

This catalog uses two special reference number formats, one to indicate parts in a service assembly and another to indicate the quantity of a given part in an illustration.

## Service Assembly Reference Numbers

Parts in service assemblies have reference numbers in the form a:b. The a represents the reference number of the entire service assembly and the b represents a sequential number unique to each part within the service assembly.

For example, a wheel assembly might be identified by reference number 6, the tire by 6:1, the valve by 6:2, and the wheel by 6:3. When you order the assembly identified by reference number 6, you receive all parts identified by reference numbers 6:1, 6:2, and 6:3. However, you may also order any part individually. Reference numbers of this type appear in illustration and in parts lists.

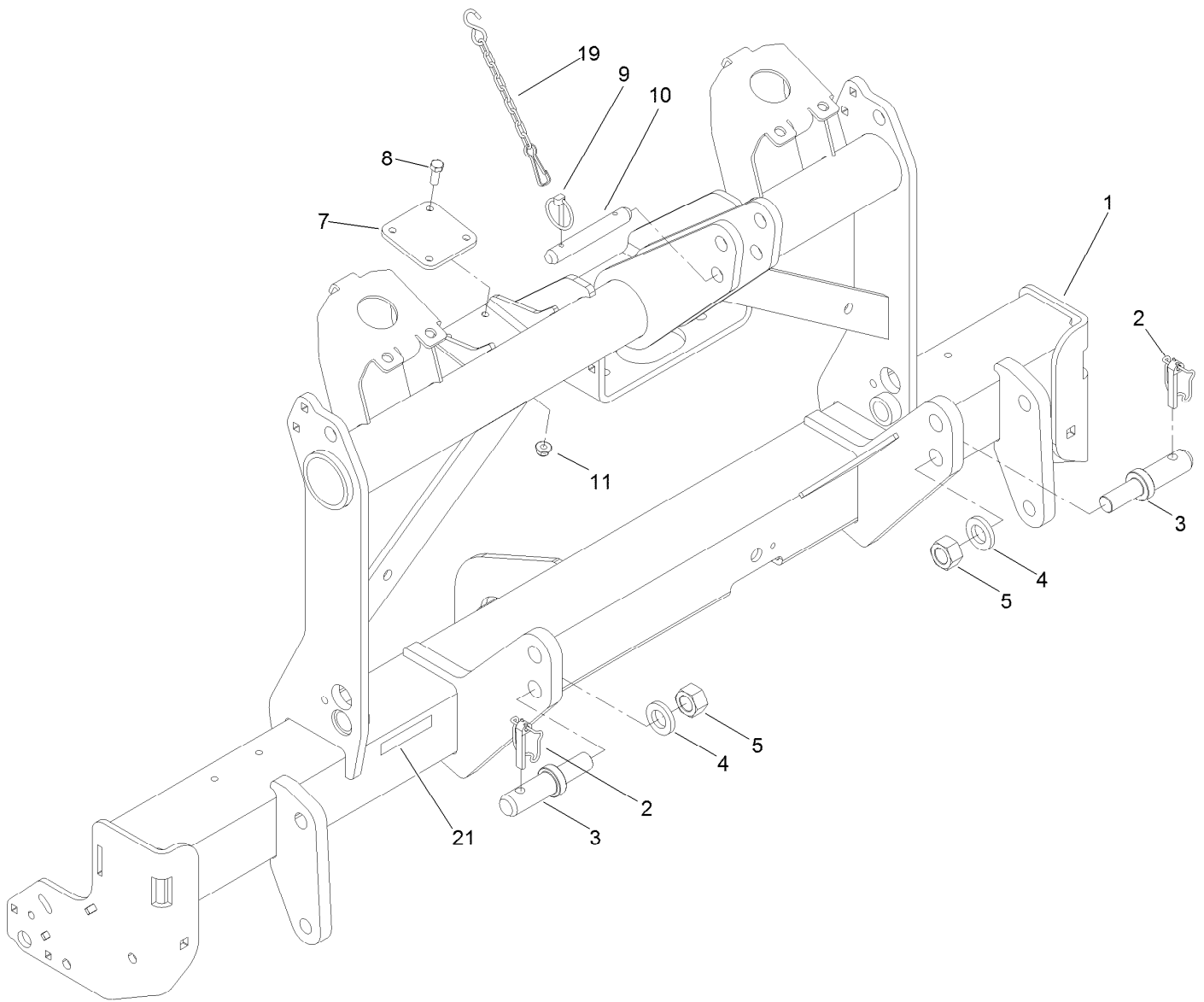
## Reference Numbers Indicating Quantity

In an illustration, if a reference number indicates more than one part, the reference number has the form nX y. The n represents the quantity of the part, the X is the multiplication symbol, and the y represents the reference number.

For example, in an illustration, the reference number 2X 37 means that two of the parts identified by reference number 37 are indicated.

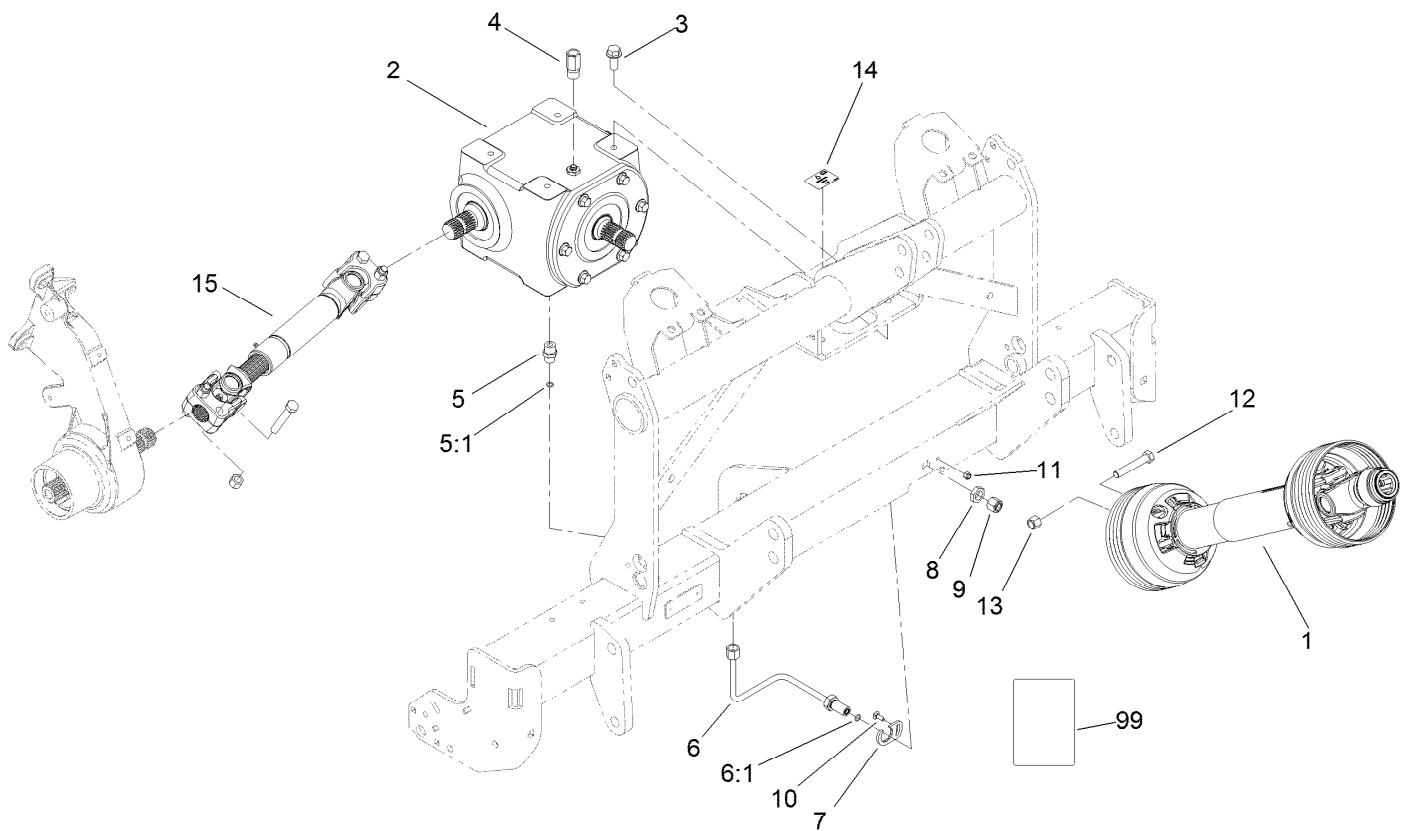
# Contents

Frame Assembly.....	4
Gearbox and Driveline Assembly.....	5
Shielded Drive Shaft Assembly No. 110-4283.....	6
Gearbox Assembly No. 110-4565.....	7
Drive Shaft Assembly No. 110-4585.....	8
Roller and Scraper Assembly.....	9
Right Hand Belt Drive Assembly.....	10
H-Frame Assembly.....	11
Depth Control Assembly No. 115-2844.....	12
No. 1 and No. 2 Crankarm Assembly.....	13
No. 3 and No. 4 Crankarm Assembly.....	14
No. 5 and No. 6 Crankarm Assembly.....	15
No. 7 and No. 8 Crankarm Assembly.....	16
Roto-Link Damper Assembly.....	17
Turf Guard Assembly.....	18
Front Cover Assembly.....	19
Rear Cover Assembly.....	20
Storage Stand Assembly.....	21
Cover Latch Assembly.....	22
Attachments and Accessories.....	23



## Frame Assembly

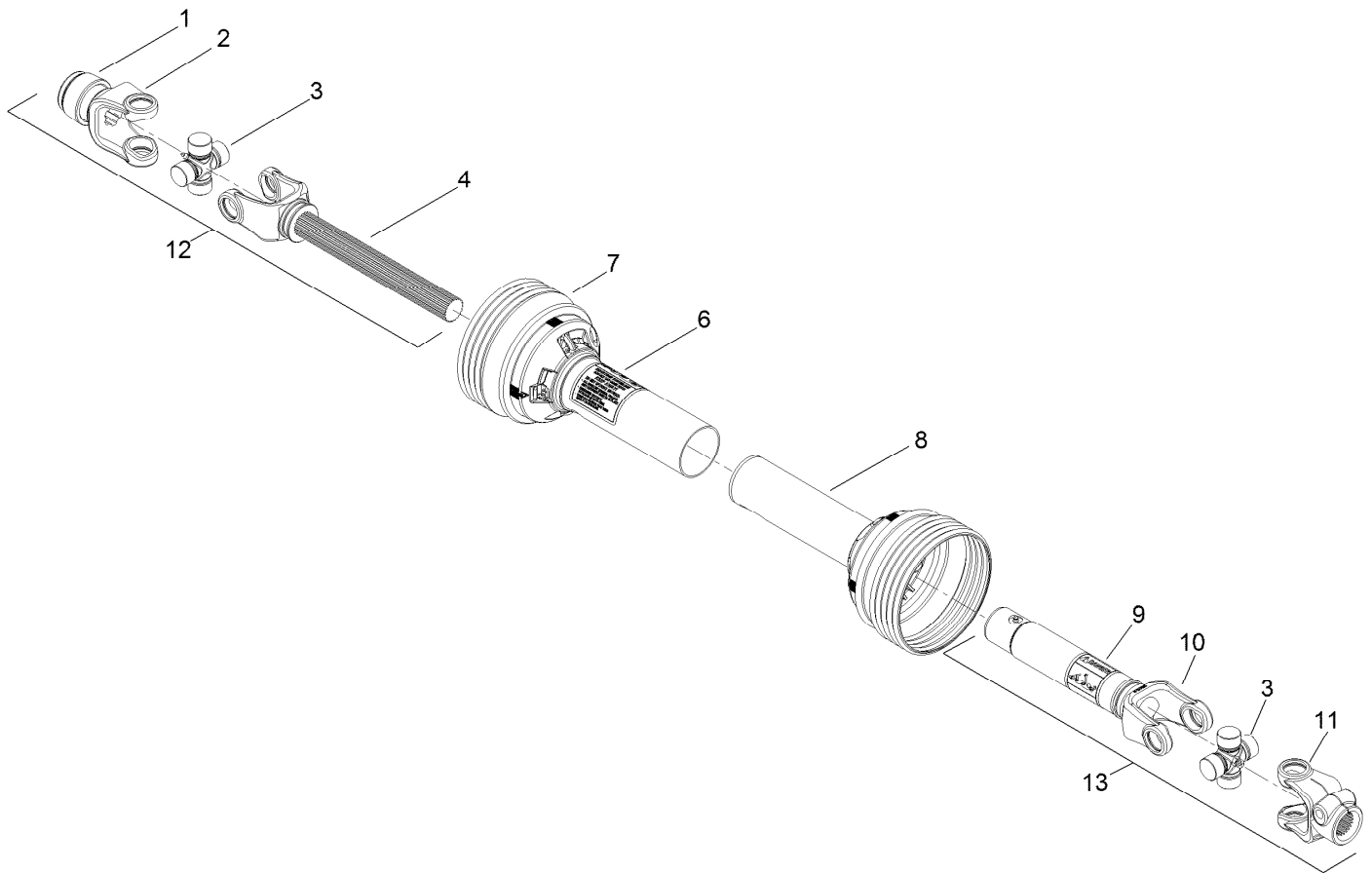
<b>Ref.</b>	<b>Part Number</b>	<b>Qty.</b>	<b>Description</b>
1	110-4221-01	1	Frame-Hitch, 3-Pt
2	3290-384	2	Pin-Lynch
3	110-4314	2	Pin-Link, Cat 2
3	110-4315	2	Pin-Link, Cat 1
4	120-5576	2	Washer-Hardened
5	3219-18	2	Nut-Hex
7	110-4440	1	Pad
8	3234-17	4	Screw-HHF
9	92-1298	2	Pin-Lynch
10	92-1233	1	Pin-Clevis
11	104-8300	4	Nut-HF, NI
19	110-4679	1	Chain-Storage, Driveline
21	133-8061	1	Decal-Warning



## Gearbox and Driveline Assembly

<i>Ref.</i>	<i>Part Number</i>	<i>Qty.</i>	<i>Description</i>
1	110-4283	1	Shielded Driveshaft ASM
2	110-4565	1	Gearbox-T
3	3234-38	4	Screw-HHF
4	110-4590	1	Fitting-Reducer
5	340-124	1	Adapter
5:1	237-22	1	O-Ring
6	110-4335	1	Tube ASM
6:1	237-22	1	O-Ring
7	110-4553	1	Keeper-Hardline
8	340-70	1	Nut-Lock

<i>Ref.</i>	<i>Part Number</i>	<i>Qty.</i>	<i>Description</i>
9	340-117	1	Cap
10	3229-1	1	Screw-CARR
11	3296-42	1	Nut-Lock, NI
12	325-12	5	Screw-HH
13	3296-23	5	Nut-Lock, NI
14	110-4665	1	Decal-Service, Oil
15	110-4585	1	Drive Shaft ASM
99	138-9038	1	Decal-Danger, Entanglement

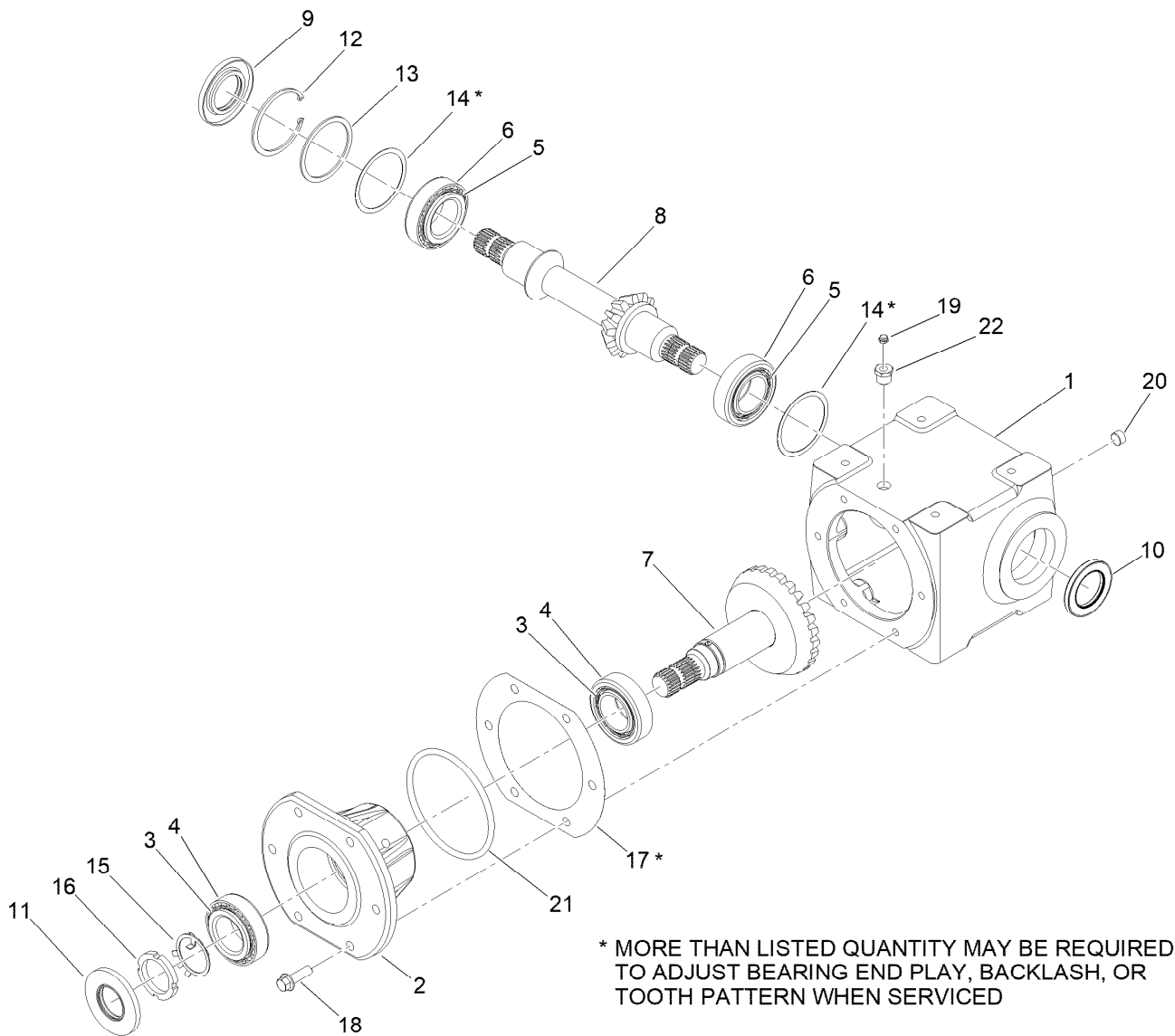


## Shielded Drive Shaft Assembly No. 110-4283

Ref.	Part Number	Qty.	Description
1	93-4636	1	Auto-Lok Repair Kit
2		1	Safety Slide Lock Yoke ASM ■
3	110-4635	2	Cross And Bearing Kit
4		1	Yoke And Shaft ASM ■
5	110-4636	2	Guard Repair Kit ●
6	92-1581	1	Decal-Safety
7	110-4637	1	Guard-Outer
8	110-4638	1	Guard-Inner
9	92-1582	1	Decal-Safety
10		1	Yoke And Tube ASM ■
11		1	Yoke ■
12	110-4633	1	Joint And Shaft Half ASM
13	110-4634	1	Joint And Tube Half ASM

● Not illustrated

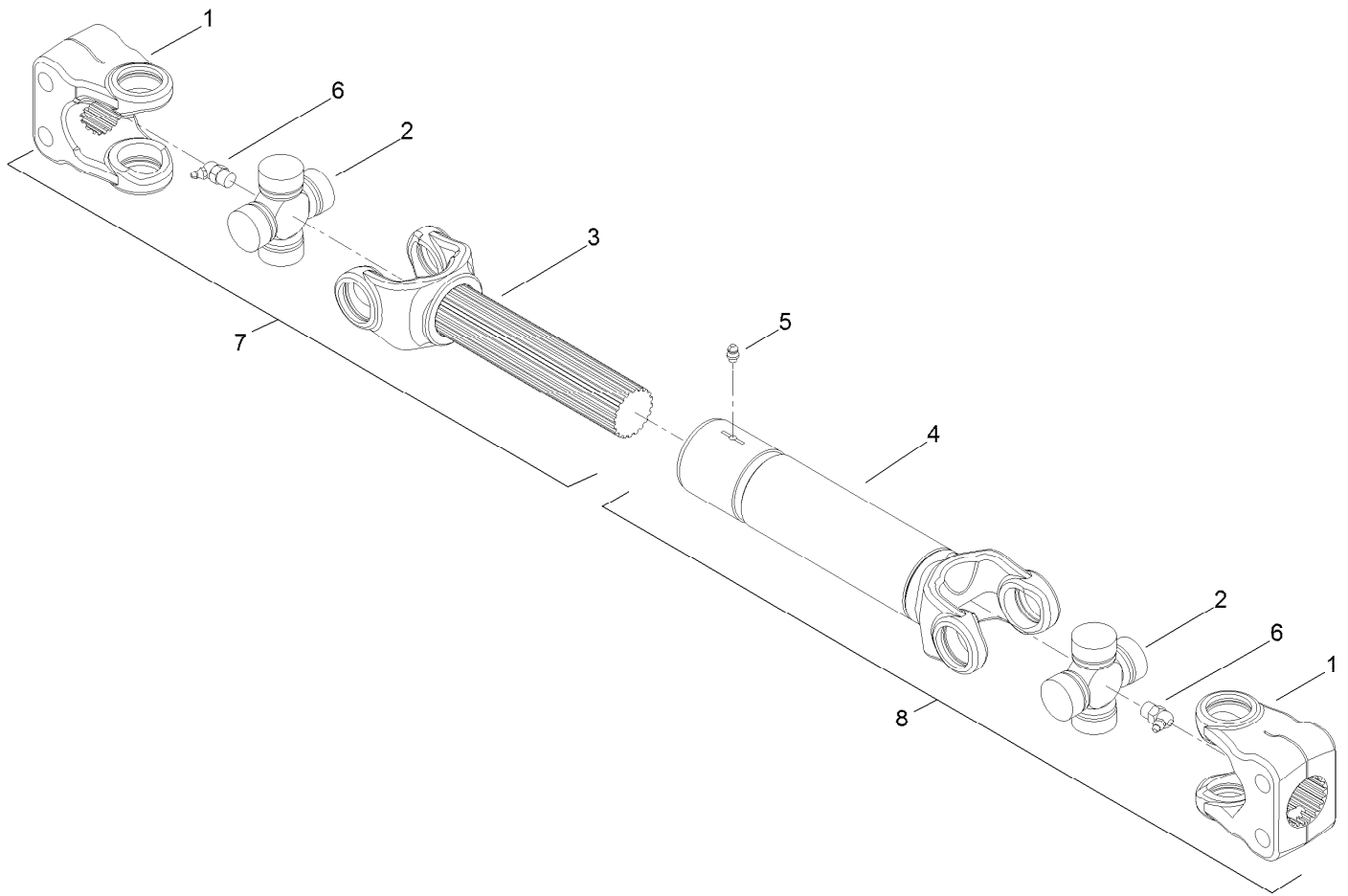
■ Not serviced separately



\* MORE THAN LISTED QUANTITY MAY BE REQUIRED TO ADJUST BEARING END PLAY, BACKLASH, OR TOOTH PATTERN WHEN SERVICED

## Gearbox Assembly No. 110-4565

<i>Ref.</i>	<i>Part Number</i>	<i>Qty.</i>	<i>Description</i>	<i>Ref.</i>	<i>Part Number</i>	<i>Qty.</i>	<i>Description</i>
1	110-4644	1	Housing	12	110-4655	1	Ring-Retaining
2	110-4645	1	Quill	13	110-4656	1	Shim-Hard
3	110-4646	2	Cone-Bearing	14	110-4657	2	Shim-Soft
4	110-4647	2	Cup-Bearing	15	110-4658	1	Shim-Retaining
5	110-4648	2	Cone-Bearing	16	110-4659	1	Nut-Lock
6	110-4649	2	Cup-Bearing	17	110-4660	1	Gasket
7	110-4650	1	Gear And Shaft ASM	18	33106-045	6	Screw-HHF
8	110-4651	1	Shaft-Cross	19	110-4661	1	Vent-Relief
9	110-4652	1	Seal-Viton	20	281-3	1	Plug-Pipe, SQH
10	110-4653	1	Seal-Viton	21	110-4662	1	O-Ring
11	110-4654	1	Seal-Viton	22	140-2251	1	Adapter

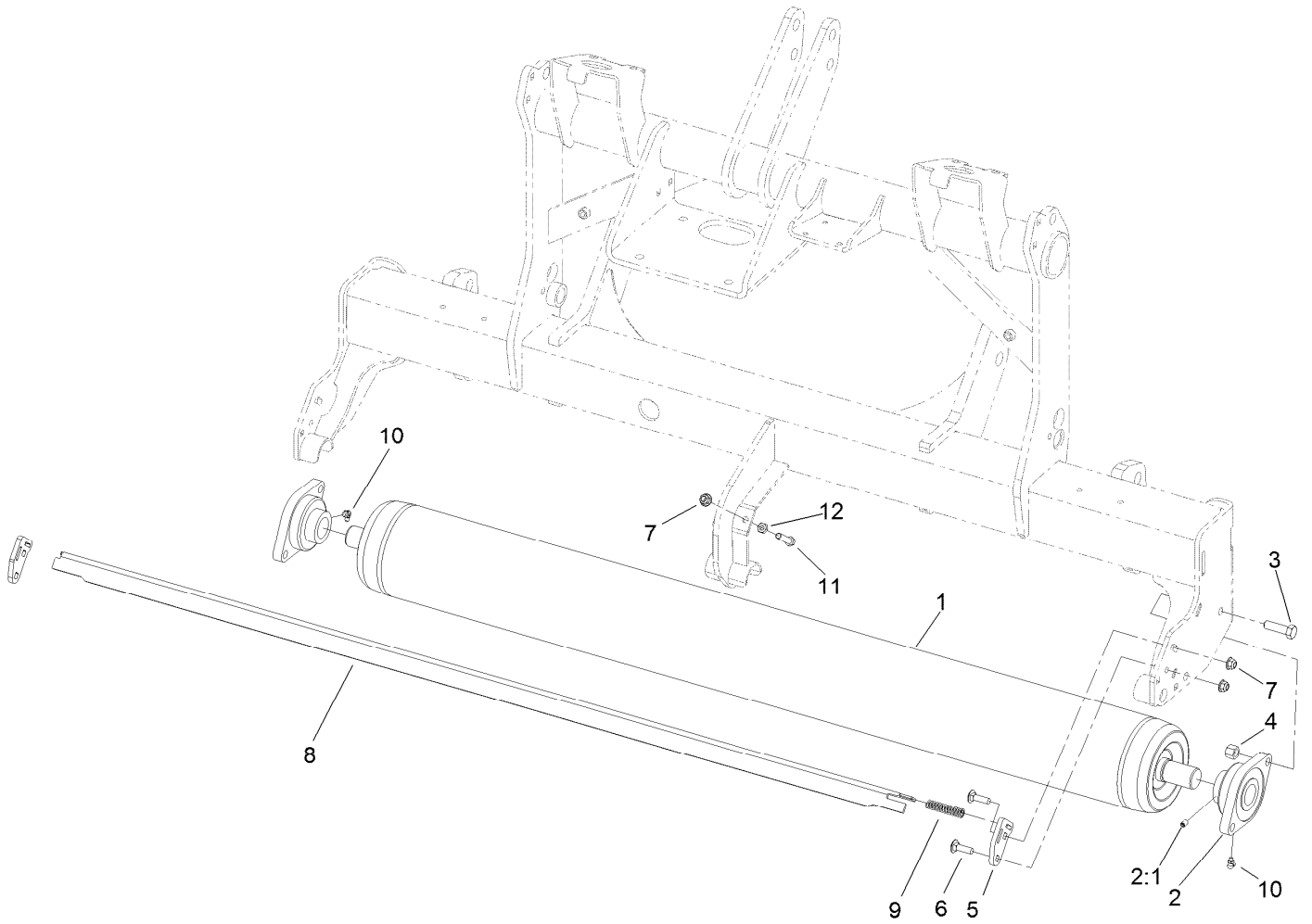


## Drive Shaft Assembly No. 110-4585

Ref.	Part Number	Qty.	Description
1		1	Yoke ●
2	110-4641	2	Cross And Bearing Kit
3		1	Yoke And Shaft ASM ●
4		1	Yoke And Tube ASM ●
5		1	Zerk-Grease ●
6		2	Zerk-Grease ●
7	110-4639	1	Joint And Shaft Half ASM
8	110-4640	1	Joint And Tube Half ASM

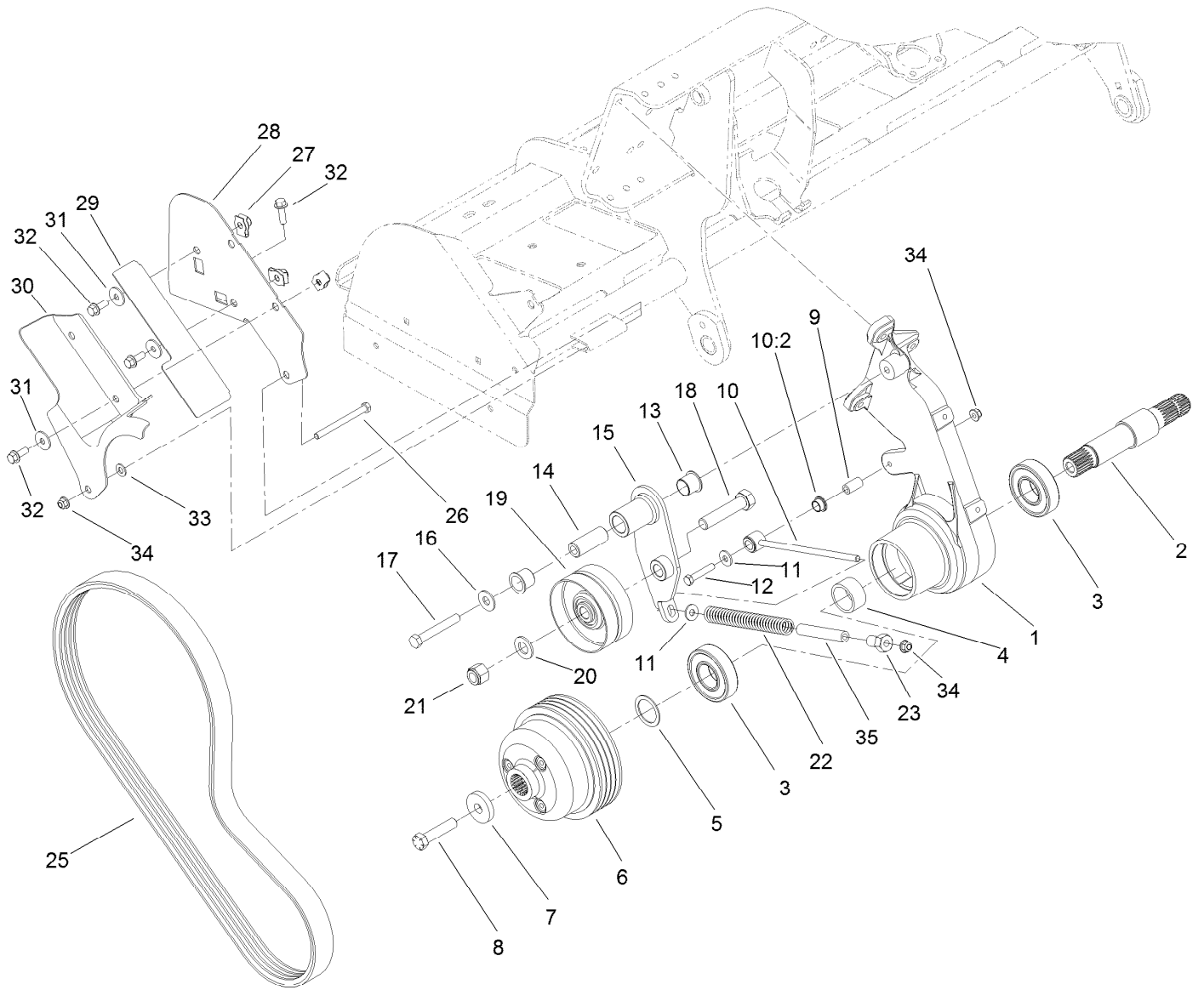
● Not serviced separately





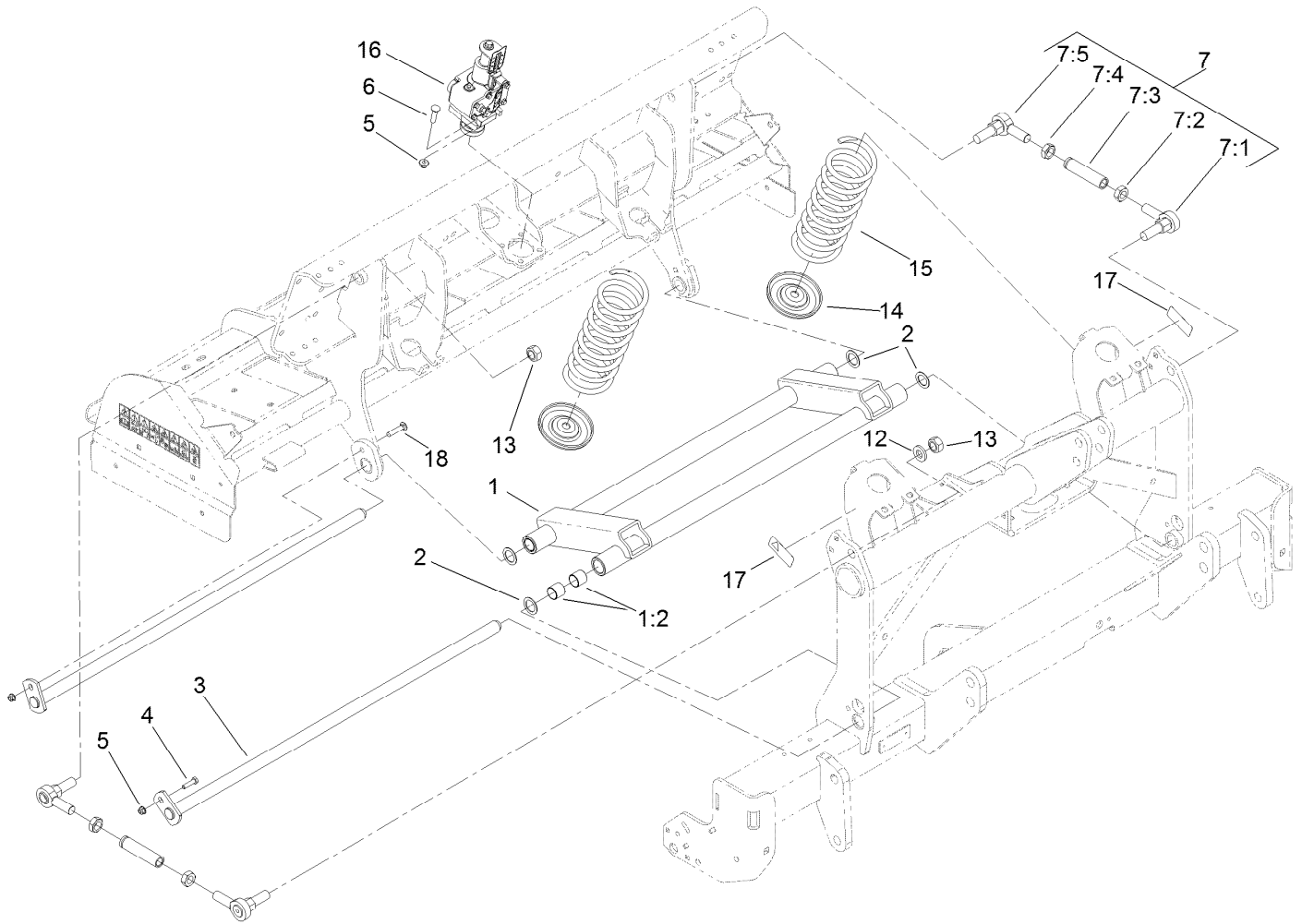
## Roller and Scraper Assembly

<i>Ref.</i>	<i>Part Number</i>	<i>Qty.</i>	<i>Description</i>
1	110-4252-03	1	Roller
2	105-0962	2	Bearing-Mount, Flange
2:1	3246-17	1	Setscrew-HSH
3	325-7	4	Screw-HH
4	3296-23	4	Nut-Lock, NI
5	110-4290	2	Arm-Scraper
6	3231-25	4	Bolt-CARR
7	104-8301	5	Nut-HF, NI
8	110-4288-03	1	Scraper-Roller
9	108-4469	1	Spring-Compression
10	302-40	2	Fitting-Grease, 90 DEG
11	323-53	1	Screw-HH
12	3217-7	1	Nut-Hex



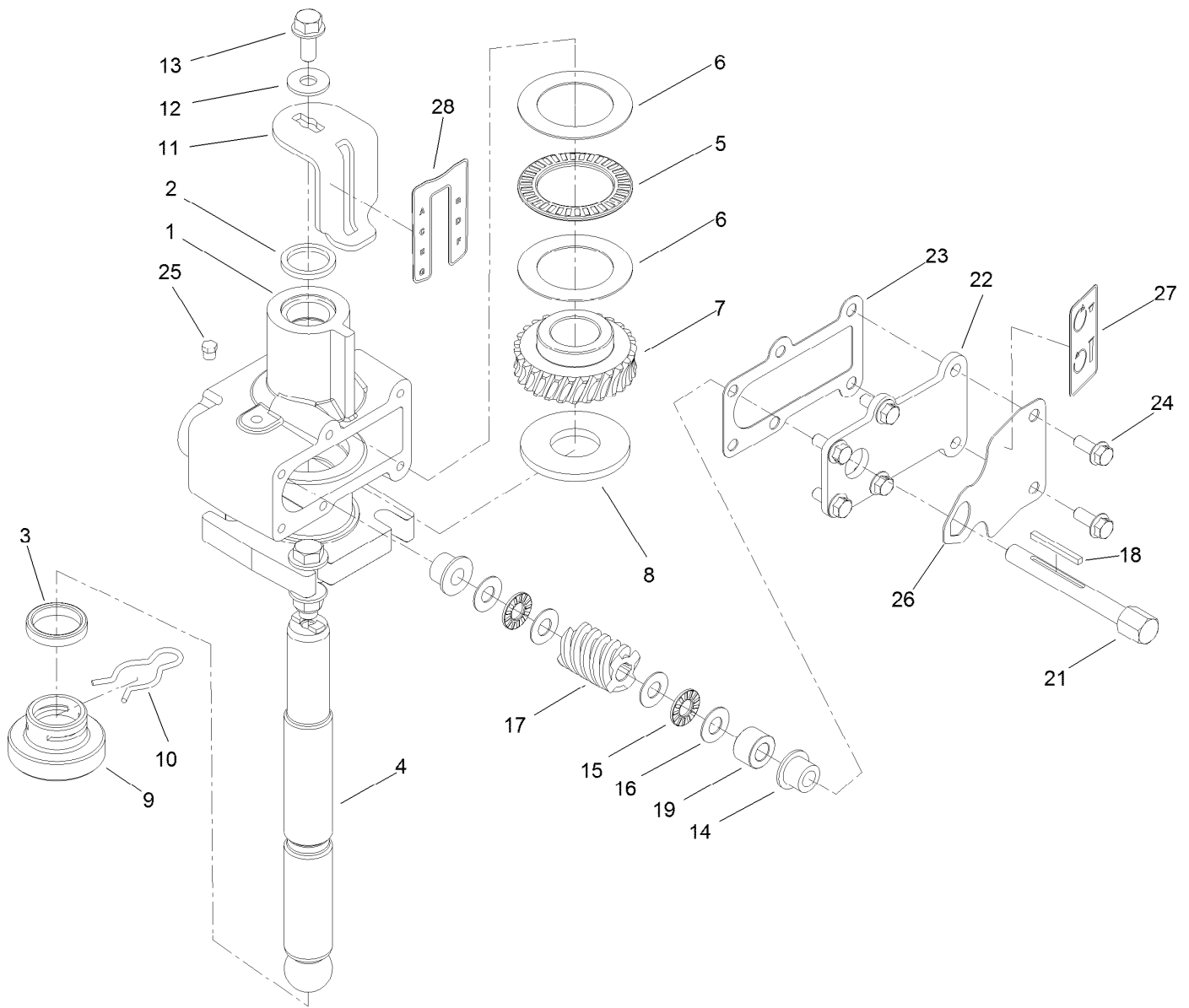
## Right Hand Belt Drive Assembly

Ref.	Part Number	Qty.	Description	Ref.	Part Number	Qty.	Description
1	110-4445	1	Support-Pulley, RH	18	328-5	1	Screw-HH
2	110-4527	1	Shaft-Pulley, Splined	19	100-7631	1	Pulley-Idler
3	106-8871	2	Bearing-Ball	20	3256-28	1	Washer-Flat
4	110-4460	1	Spacer-Bearing	21	3296-51	1	Nut-Lock, NI
5	110-4498	1	Washer-Shim	22	110-4632	1	Spring-Compression
6	110-4419	1	Pulley	23	110-4676	1	Nut-Idler
7	105-1016	1	Washer-Hardened	25	110-4327	1	Belt-Banded, 4 Groove
8	110-4614	1	Screw-HH	26	323-17	1	Screw-HH
9	110-4631	1	Tube-Spacer	27	105-4886	4	Nut-Tinnerman
10	115-2815	1	Idler Arm ASM	28	110-4476-03	1	Support-Guard, Belt
10:2	80-1290	2	Bushing	29	114-1463-03	1	Shield-Dirt, RH
11	80-6990	2	Washer-Hardened	30	110-4474	1	Guard-Belt, RH
12	323-11	1	Screw-HH	31	93-8806	4	Washer-Hardened
13	126-1963	2	Bushing-Pivot	32	3234-24	6	Screw-HHF
14	105-0945	1	Sleeve-Pivot	33	3256-24	1	Washer-Flat
15	110-4624-03	1	Arm-Idler, RH	34	104-8301	3	Nut-HF, NI
16	3256-6	1	Washer-Flat	35	115-2800	1	Hose
17	325-14	1	Screw-HH				



## H-Frame Assembly

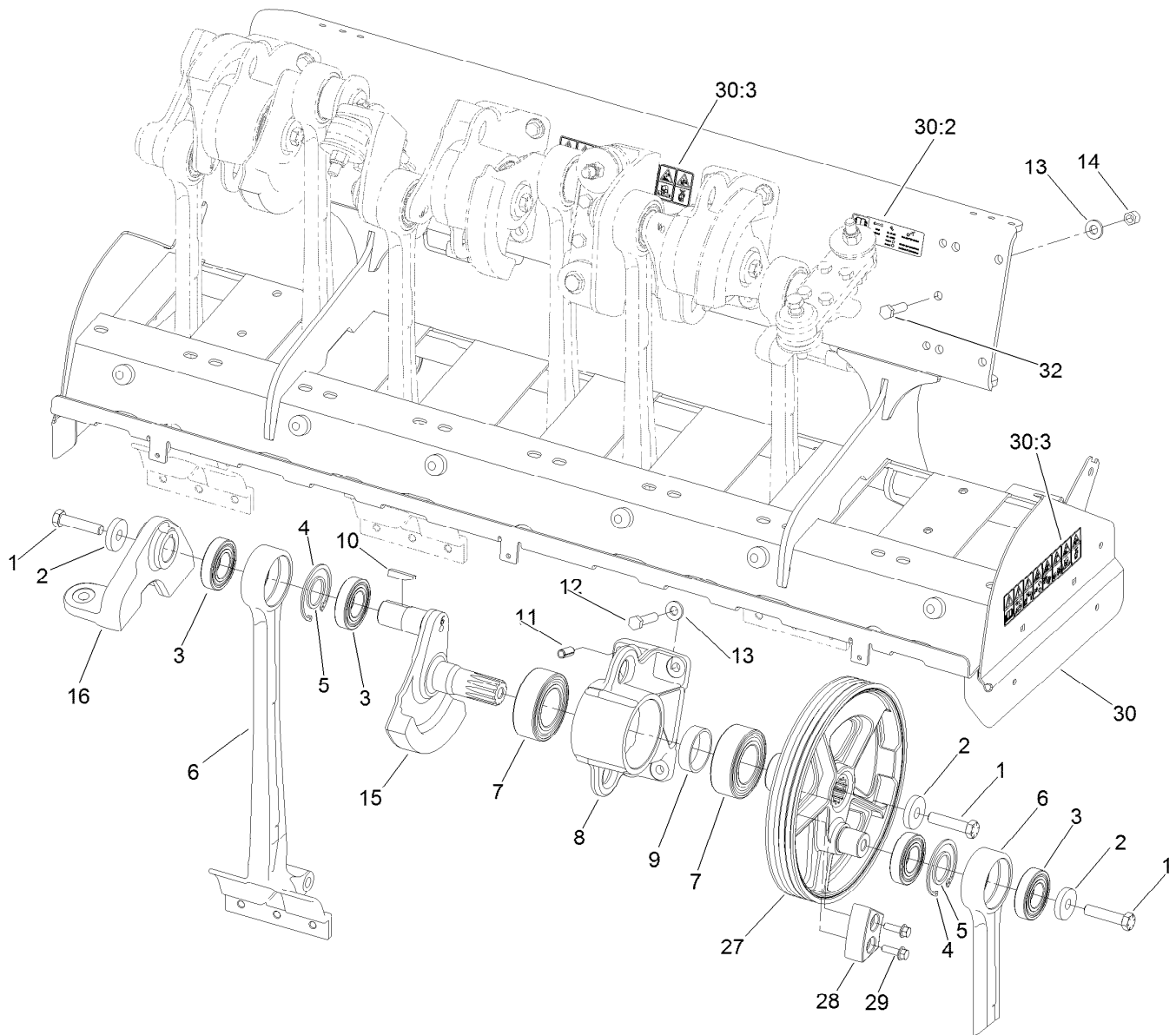
<i>Ref.</i>	<i>Part Number</i>	<i>Qty.</i>	<i>Description</i>	<i>Ref.</i>	<i>Part Number</i>	<i>Qty.</i>	<i>Description</i>
1	110-4617	1	H-Frame ASM	7:3	110-4251	1	Link-Upper
1:2	110-4612	8	Bushing-Straight	7:4	3220-7	1	Nut-Jam
2	10-8110	4	Washer-Thrust	7:5	2411-40	1	End-Rod
3	110-4249	2	Shaft	12	92-5836	2	Washer
4	323-7	1	Screw-HH	13	3296-50	4	Nut-Lock, NI
5	104-8301	6	Nut-HF, NI	14	110-4287-03	4	Cup-Spring
6	3231-4	4	Screw-CARR	15	140-2566	2	Spring-Compression
7	115-2821	2	Link ASM	16	115-2844	1	Depth Control ASM
7:1	105-1025	1	End-Rod	17	93-6696	2	Decal-Warning
7:2	3220-17	1	Nut-Jam, LH	18	3231-5	1	Screw-CARR



## Depth Control Assembly No. 115-2844

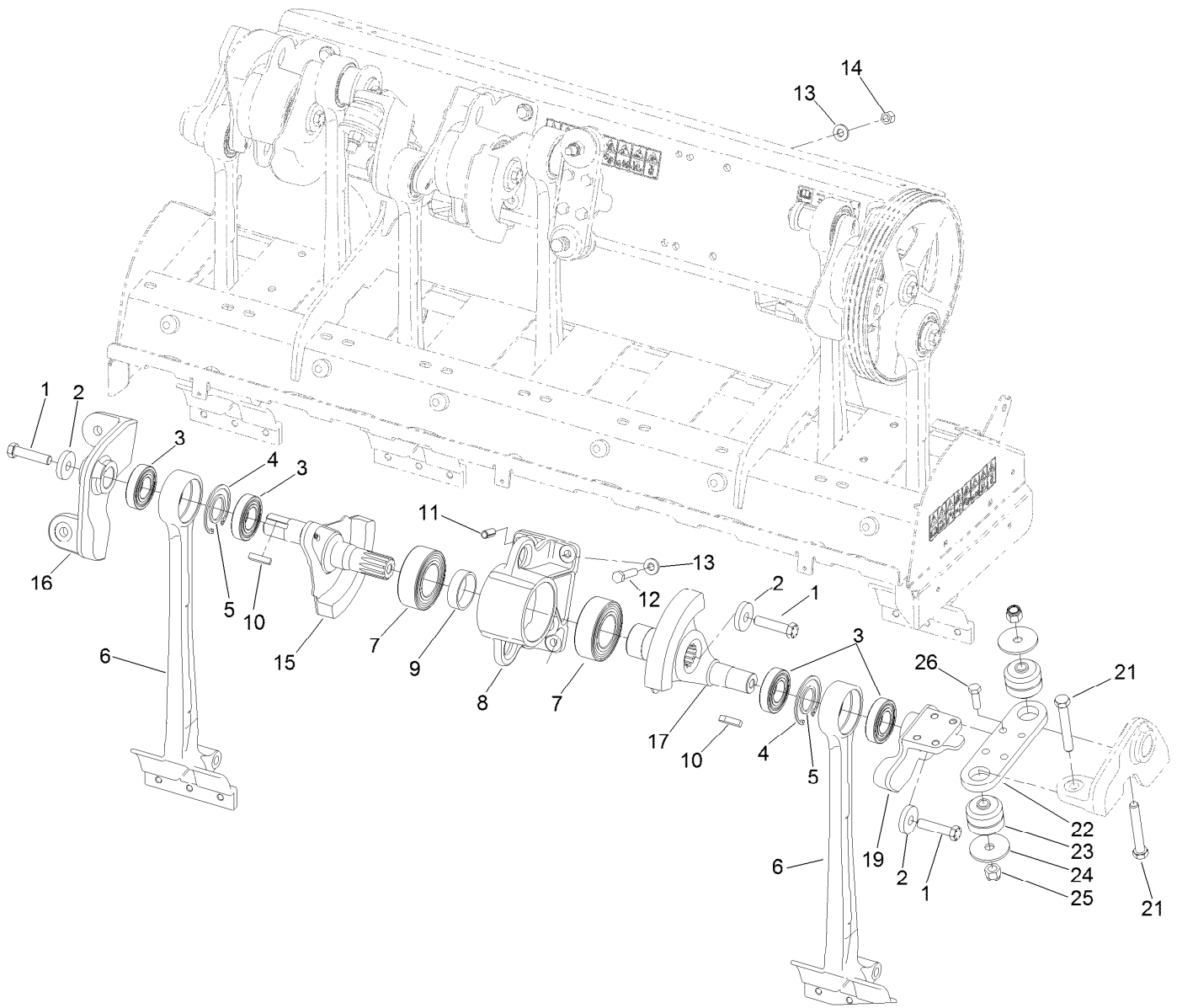
<i>Ref.</i>	<i>Part Number</i>	<i>Qty.</i>	<i>Description</i>
1	110-4531	1	Hub-Control, Depth
2	253-59	1	Seal-Oil
3	7-0045	1	Seal-Oil
4	110-4534	1	Shaft-Control, Depth
5	110-4600	1	Bearing-Thrust
6	110-4602	2	Washer-Bearing
7	110-4582	1	Gear-Worm, Depth Control
8	112-4953	1	Washer-Plain
9	110-4438	1	Shoe-Control, Depth
10	110-4439	1	Clip-Hairpin
11	110-4533	1	Gage-Control, Depth
12	3256-71	1	Washer-Flat
13	3234-5	1	Screw-HHF
14	110-4674	2	Bushing-Flange

<i>Ref.</i>	<i>Part Number</i>	<i>Qty.</i>	<i>Description</i>
15	110-4599	2	Bearing-Thrust
16	73-0041	4	Washer-Thrust
17	110-4581	1	Worm-Control, Depth
18	110-4536	1	Key-Gear, Worm
19	110-4537	1	Spacer-Gear, Worm
21	110-4580	1	Shaft-Gear, Worm
22	110-4532-03	1	Cover-Control, Depth
23	110-4578	1	Gasket-Control, Depth
24	3234-33	6	Screw-HHF
25	302-59	1	Plug-EXT Hex Spl
26	110-4604	1	Plate-Lock, Depth
27	110-4677	1	Decal-Rotation, Depth
28	110-4678	1	Decal-Designation, Depth



## No. 1 and No. 2 Crankarm Assembly

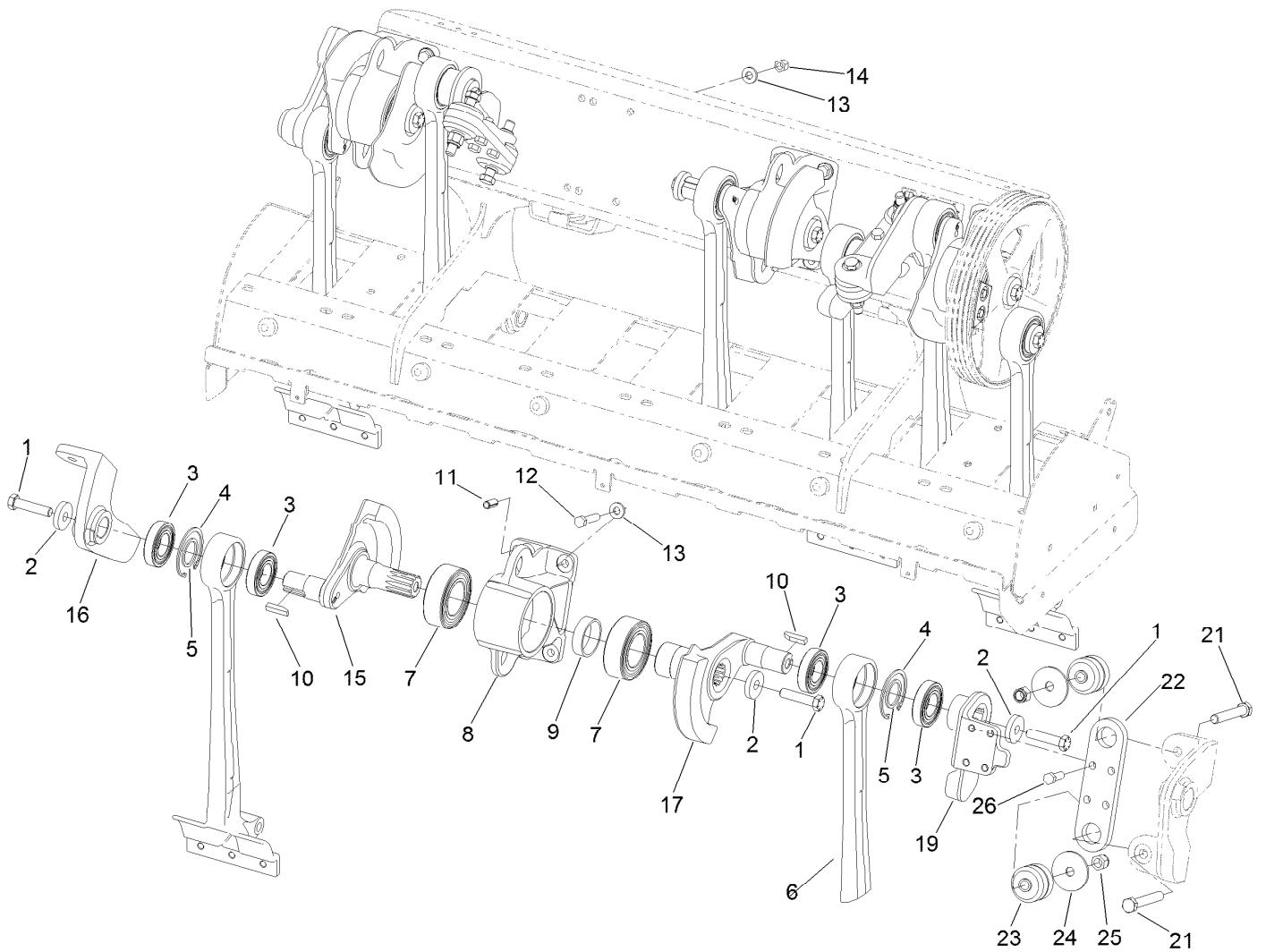
<i>Ref.</i>	<i>Part Number</i>	<i>Qty.</i>	<i>Description</i>	<i>Ref.</i>	<i>Part Number</i>	<i>Qty.</i>	<i>Description</i>
1	110-4614	3	Screw-HH	13	107-3395	7	Washer-Hardened
2	105-1016	3	Washer-Hardened	14	3296-23	2	Nut-Lock, NI
3	110-4556	4	Bearing-Ball	15	110-4571	1	Crankarm-No. 2, 4, 6
4	32151-76	2	Ring-Retaining, Internal	16	110-4567	1	Coupling-No. 2
5	110-4557	2	Spacer-Bearing	27	114-1458	1	Pulley-Crankshaft
6	110-4573	2	Arm-Stomper	28	114-1456-03	1	Weight-Counter, Pulley
7	110-4555	2	Bearing-Ball, 2 Row	29	3234-24	2	Screw-HHF
8	110-4566	1	Housing-Bearing	30	110-4684	1	Coring Head Frame ASM
9	110-4584	1	Spacer-Bearing	30:2	140-2269	1	Decal-Service, CE
10	110-4546	1	Key-Square	30:3	110-4670	3	Decal-Warning, CE
11	105-1041	2	Pin-Spring	32	325-8	1	Screw-HH
12	325-9	4	Screw-HH				



## No. 3 and No. 4 Crankarm Assembly

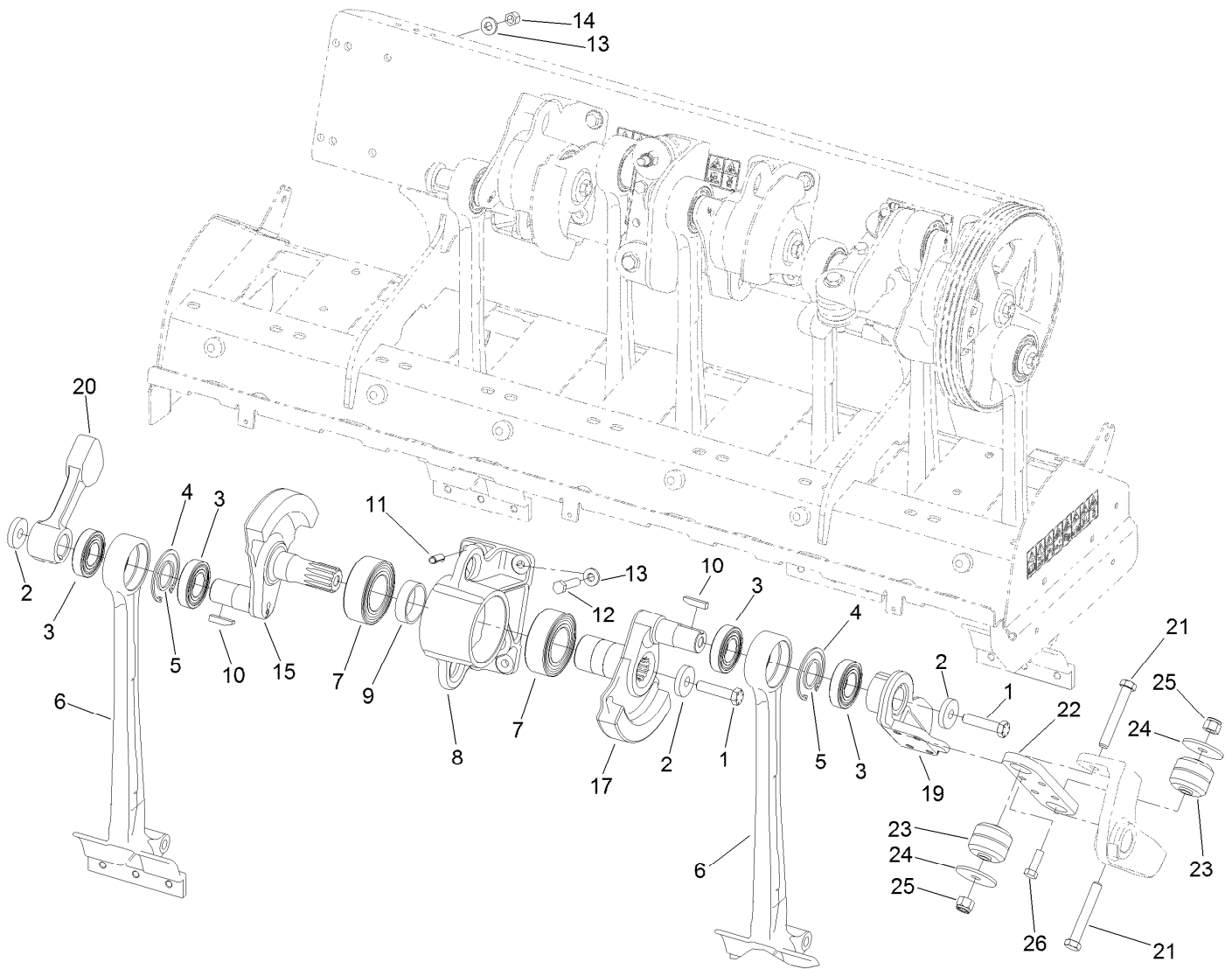
Ref.	Part Number	Qty.	Description
1	110-4614	3	Screw-HH
2	105-1016	3	Washer-Hardened
3	110-4556	4	Bearing-Ball
4	32151-76	2	Ring-Retaining, Internal
5	110-4557	2	Spacer-Bearing
6	110-4573	2	Arm-Stomper
7	110-4555	2	Bearing-Ball, 2 Row
8	110-4566	1	Housing-Bearing
9	110-4584	1	Spacer-Bearing
10	110-4546	2	Key-Square
11	105-1041	2	Pin-Spring
12	325-9	4	Screw-HH

Ref.	Part Number	Qty.	Description
13	107-3395	8	Washer-Hardened
14	3296-23	4	Nut-Lock, NI
15	110-4571	1	Crankarm-No. 2, 4, 6
16	110-4567	1	Coupling-No. 2
17	110-4572	1	Crankarm-No. 3, 5, 7
19	110-4568	1	Coupling-No. 3
21	327-29	2	Screw-HH
22	105-0974-03	1	Plate-Coupling
23	105-0963	2	Mount-ISO, Crank
24	110-4549	2	Washer-Snubbing
25	3296-53	2	Nut-Lock, NI
26	325-6	4	Screw-HH



## No. 5 and No. 6 Crankarm Assembly

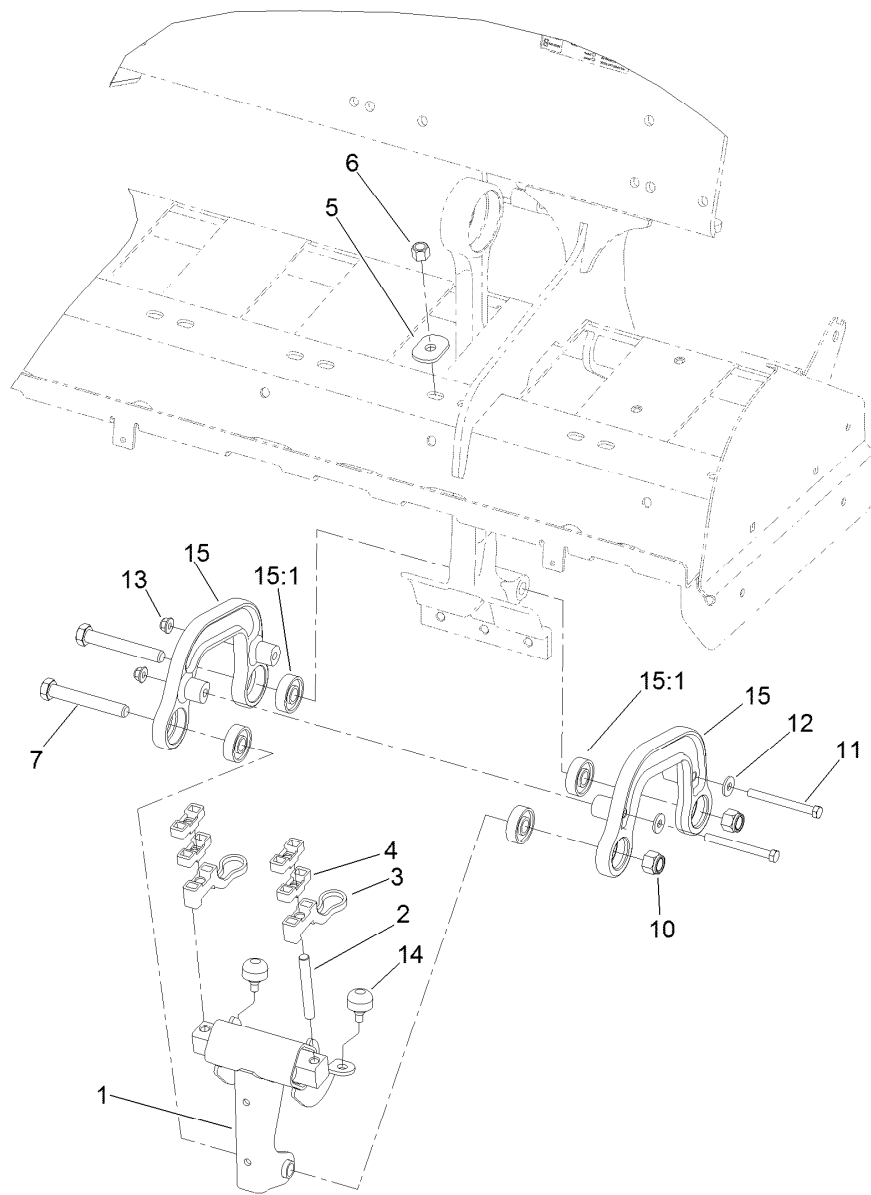
<i>Ref.</i>	<i>Part Number</i>	<i>Qty.</i>	<i>Description</i>	<i>Ref.</i>	<i>Part Number</i>	<i>Qty.</i>	<i>Description</i>
1	110-4614	3	Screw-HH	13	107-3395	8	Washer-Hardened
2	105-1016	3	Washer-Hardened	14	3296-23	4	Nut-Lock, NI
3	110-4556	4	Bearing-Ball	15	110-4571	1	Crankarm-No. 2, 4, 6
4	32151-76	2	Ring-Retaining, Internal	16	110-4567	1	Coupling-No. 2
5	110-4557	2	Spacer-Bearing	17	110-4572	1	Crankarm-No. 3, 5, 7
6	110-4573	2	Arm-Stomper	19	110-4568	1	Coupling-No. 3
7	110-4555	2	Bearing-Ball, 2 Row	21	327-29	2	Screw-HH
8	110-4566	1	Housing-Bearing	22	105-0974-03	1	Plate-Coupling
9	110-4584	1	Spacer-Bearing	23	105-0963	2	Mount-ISO, Crank
10	110-4546	2	Key-Square	24	110-4549	2	Washer-Snubbing
11	105-1041	2	Pin-Spring	25	3296-53	2	Nut-Lock, NI
12	325-9	4	Screw-HH	26	325-6	4	Screw-HH



## No. 7 and No. 8 Crankarm Assembly

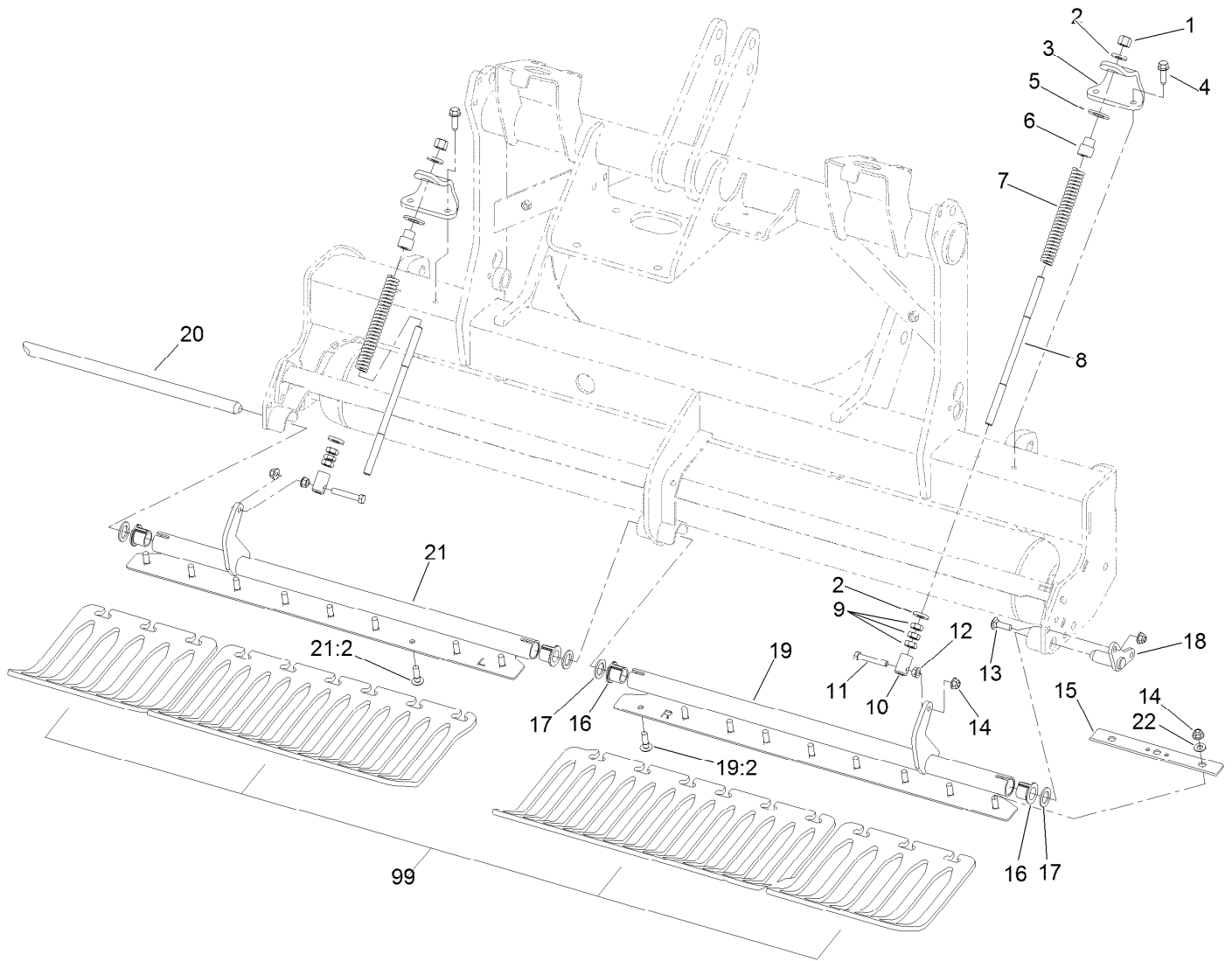
Ref.	Part Number	Qty.	Description	Ref.	Part Number	Qty.	Description
1	110-4614	3	Screw-HH	13	107-3395	8	Washer-Hardened
2	105-1016	3	Washer-Hardened	14	3296-23	4	Nut-Lock, NI
3	110-4556	4	Bearing-Ball	15	110-4571	1	Crankarm-No. 2, 4, 6
4	32151-76	2	Ring-Retaining, Internal	17	110-4572	1	Crankarm-No. 3, 5, 7
5	110-4557	2	Spacer-Bearing	19	110-4568	1	Coupling-No. 3
6	110-4573	2	Arm-Stomper	20	114-1460	1	Weight-Counter, No. 8
7	110-4555	2	Bearing-Ball, 2 Row	21	327-29	2	Screw-HH
8	110-4566	1	Housing-Bearing	22	105-0974-03	1	Plate-Coupling
9	110-4584	1	Spacer-Bearing	23	105-0963	2	Mount-ISO, Crank
10	110-4546	2	Key-Square	24	110-4549	2	Washer-Snubbing
11	105-1041	2	Pin-Spring	25	3296-53	2	Nut-Lock, NI
12	325-9	4	Screw-HH	26	325-6	4	Screw-HH





## Roto-Link Damper Assembly

Ref.	Part Number	Qty.	Description
1	106-8922	8	Damper
2	110-4504	16	Stud
3	110-4506	16	Bumper-Rotolink
4	110-4507	32	Standoff-Rotolink
5	107-7543	16	Washer-Hardened
6	32128-23	16	Nut-HF
7	327-29	16	Screw-HH
10	3296-53	16	Nut-Lock, NI
11	323-42	16	Screw-HH
12	80-6990	16	Washer-Hardened
13	104-8301	16	Nut-HF, NI
14	87-2440	16	Bumper-Rubber
15	140-6194	16	Link ASM-Damper
15:1	251-311	2	Bearing-Ball

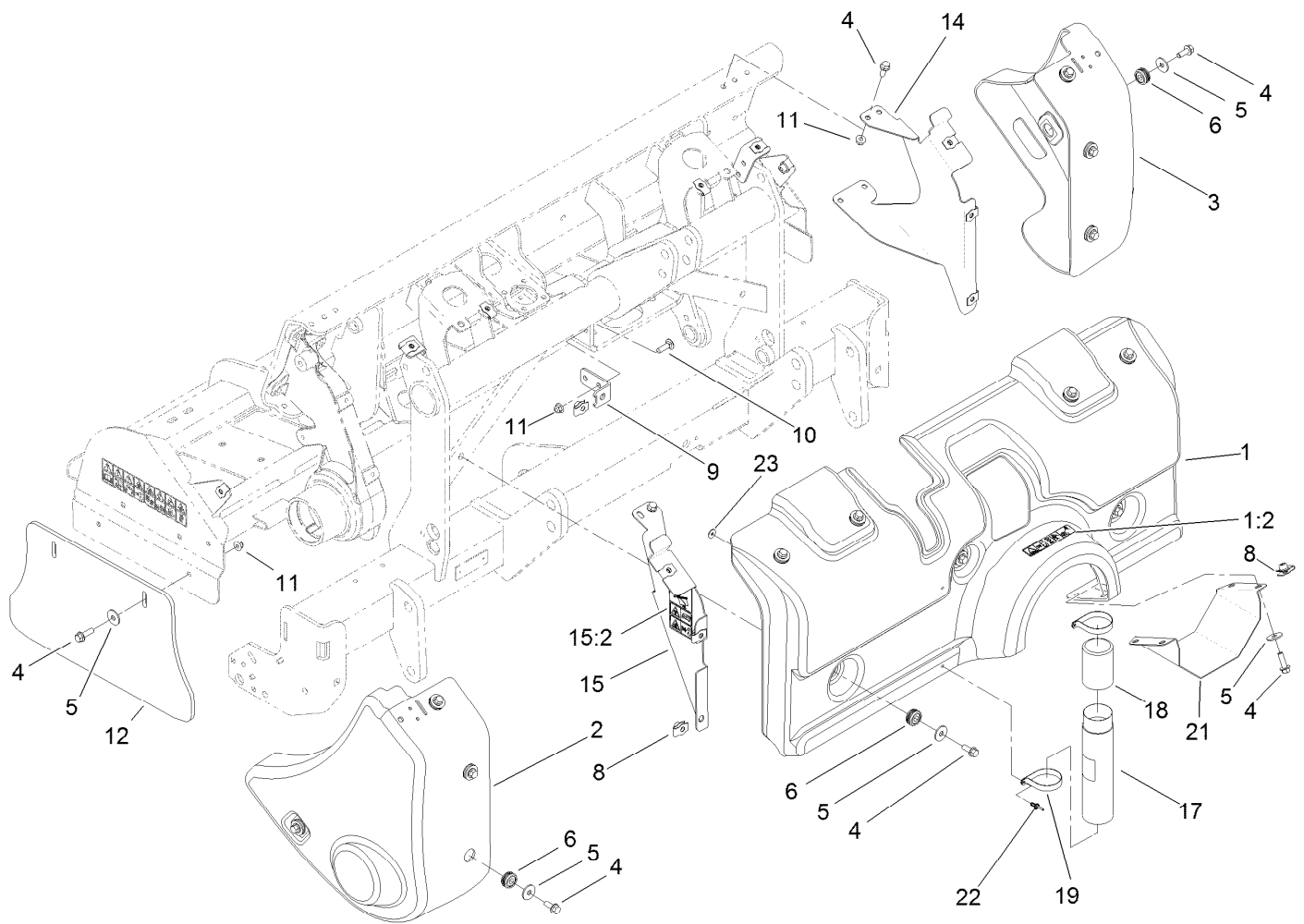


## Turf Guard Assembly

Ref.	Part Number	Qty.	Description	Ref.	Part Number	Qty.	Description
1	3296-23	2	Nut-Lock, NI	18	110-4296	1	Shaft-Stub
2	107-3395	4	Washer-Hardened	19	110-4620	1	RH Turfguard ASM
3	110-4267-03	2	Bracket-Spring	19:2	125-3318	9	Screw-Neck, Rib
4	32144-109	4	Screw-Thd	20	110-4297	1	Shaft
5	3256-28	2	Washer-Flat	21	110-4619	1	LH Turfguard ASM
6	110-4416	2	Sleeve-Rod, Spring	21:2	125-3318	9	Screw-Neck, Rib
7	110-4417	2	Spring-Compression	22	3256-24	18	Washer-Flat
8	110-4421	2	Rod-Spring	99	120-1044	2	Guard-Turf, 3-Tine (Short) ●■
9	3218-5	6	Nut-Jam	99	120-1045	2	Guard-Turf, 4-Tine (Short) ●■
10	99-8662	2	Tube-Spring	99	120-1057	1	Guard-Turf, 3-Tine (RH) ■
11	323-45	2	Screw-HH	99	120-1058	1	Guard-Turf, 3-Tine (LH) ■
12	32128-40	4	Nut-Flange	99	120-1059	1	Guard-Turf, 4-Tine (RH) ●■
13	3231-25	4	Bolt-CARR	99	120-1060	1	Guard-Turf, 4-Tine (LH) ●■
14	104-8301	22	Nut-HF, NI	99	120-1061	1	Guard-Turf, 5 Tine (RH) ●■
15	110-4274-03	6	Clamp-Guard, Turf	99	120-1062	1	Guard-Turf, 5 Tine (LH) ●■
16	107-7581	4	Bushing-Flange, Keyed				
17	3-7898	4	Washer-Thrust				

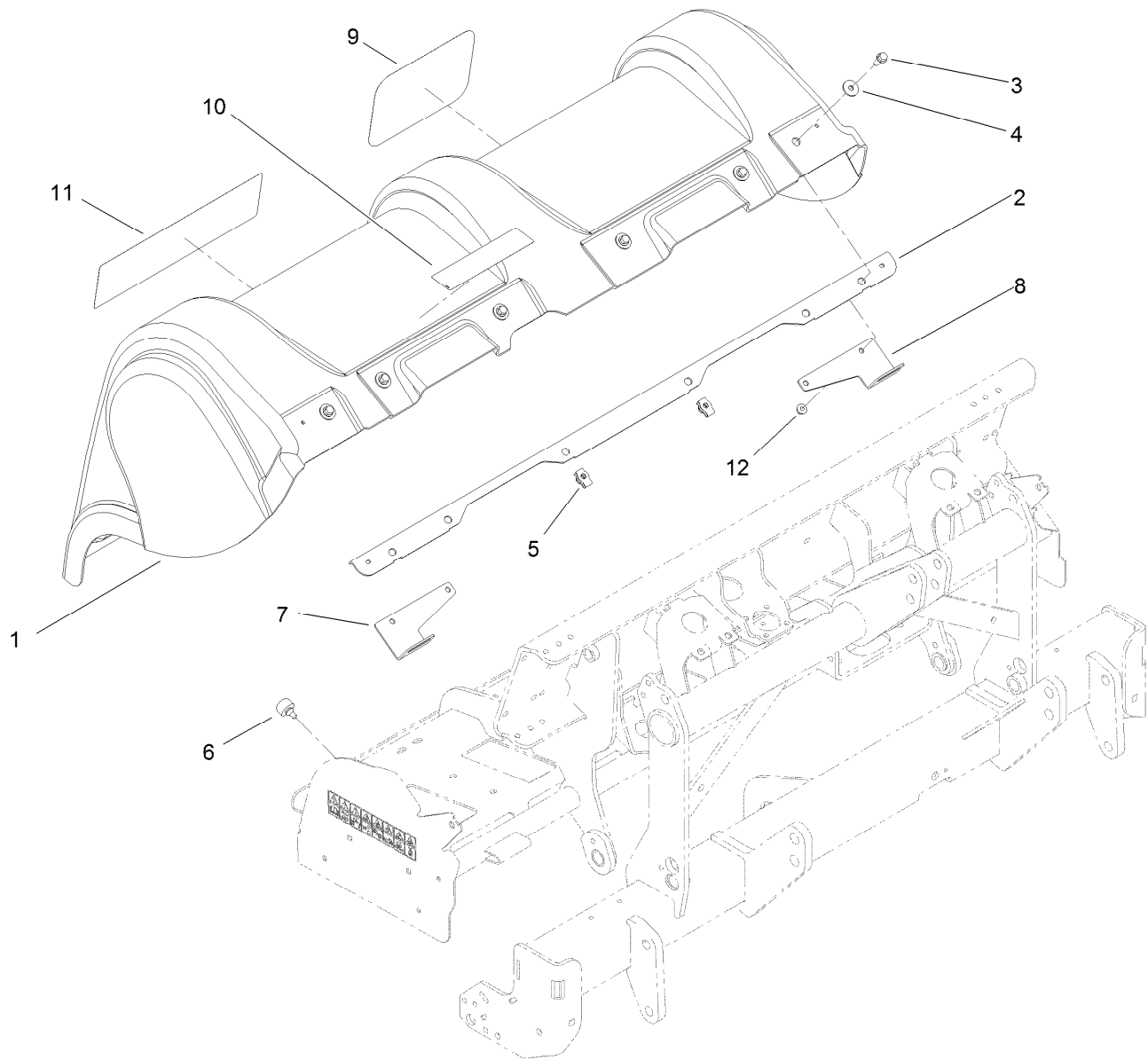
● Not illustrated

■ Optional Equipment



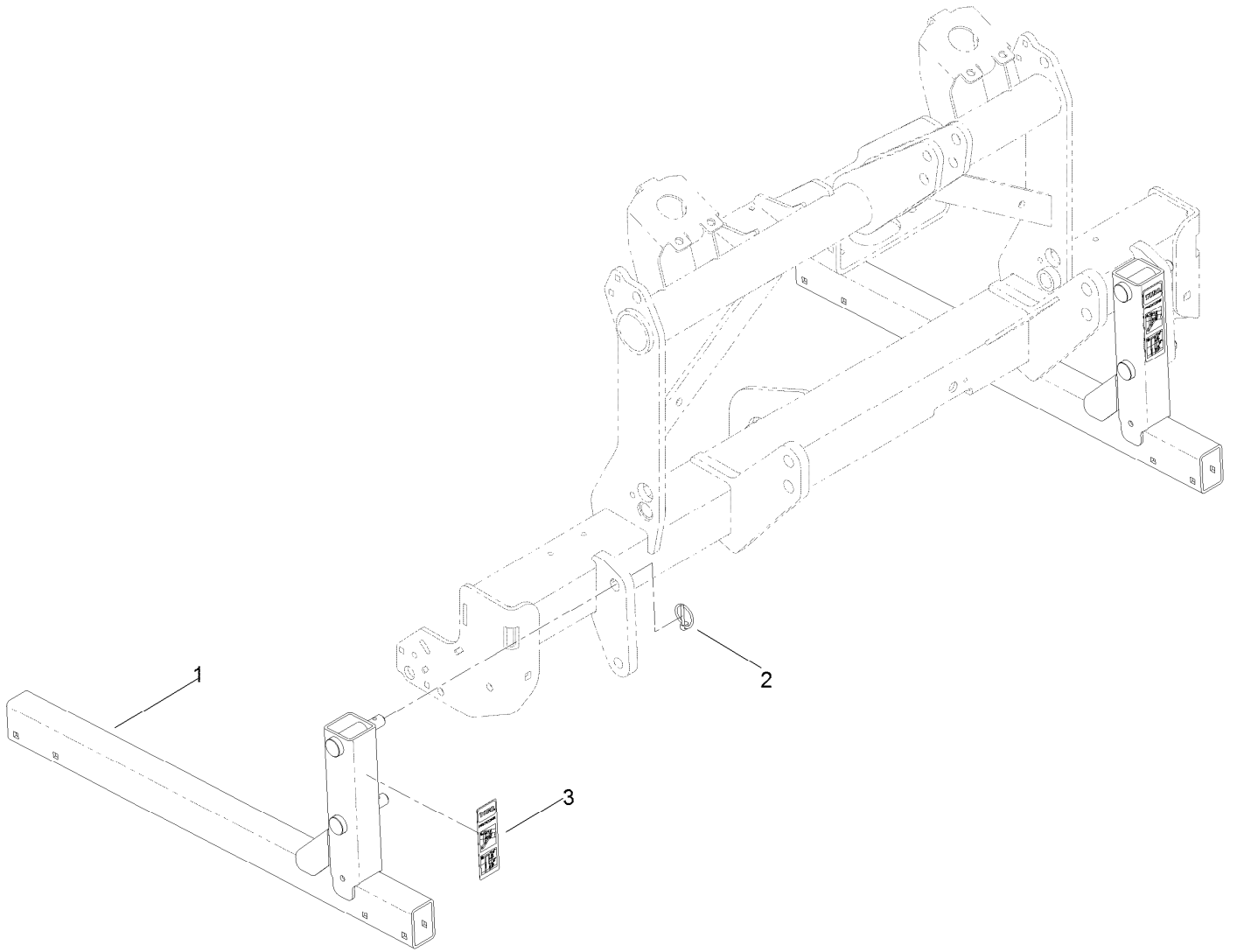
## Front Cover Assembly

<i>Ref.</i>	<i>Part Number</i>	<i>Qty.</i>	<i>Description</i>	<i>Ref.</i>	<i>Part Number</i>	<i>Qty.</i>	<i>Description</i>
1	110-4682	1	Front Cover ASM	12	105-1069	2	Shield-Side
1:2	110-4668	1	Decal-Warning, PTO	14	110-4503-03	1	Support-Shield, LH
2	110-4466	1	Shield-Pulley, RH	15	110-4680	1	RH Shield Support ASM
3	110-4467	1	Shield-Pulley, LH	15:2	110-4667	1	Decal-Warning, Spring
4	3234-24	31	Screw-HHF	17	104-7050	1	Tube-Manual
5	93-8806	23	Washer-Hardened	18	104-7048	1	Cap-Housing
6	110-4697	15	Mount-Isolated	19	2412-120	2	Clamp-R
8	105-4886	17	Nut-Tinnerman	21	110-4422-03	1	Shield-PTO
9	110-4478	3	Support-Cover, Front	22	114439	2	Rivet-Blind
10	3231-25	6	Bolt-CARR	23	3256-61	2	Washer-Flat
11	104-8301	16	Nut-HF, NI				



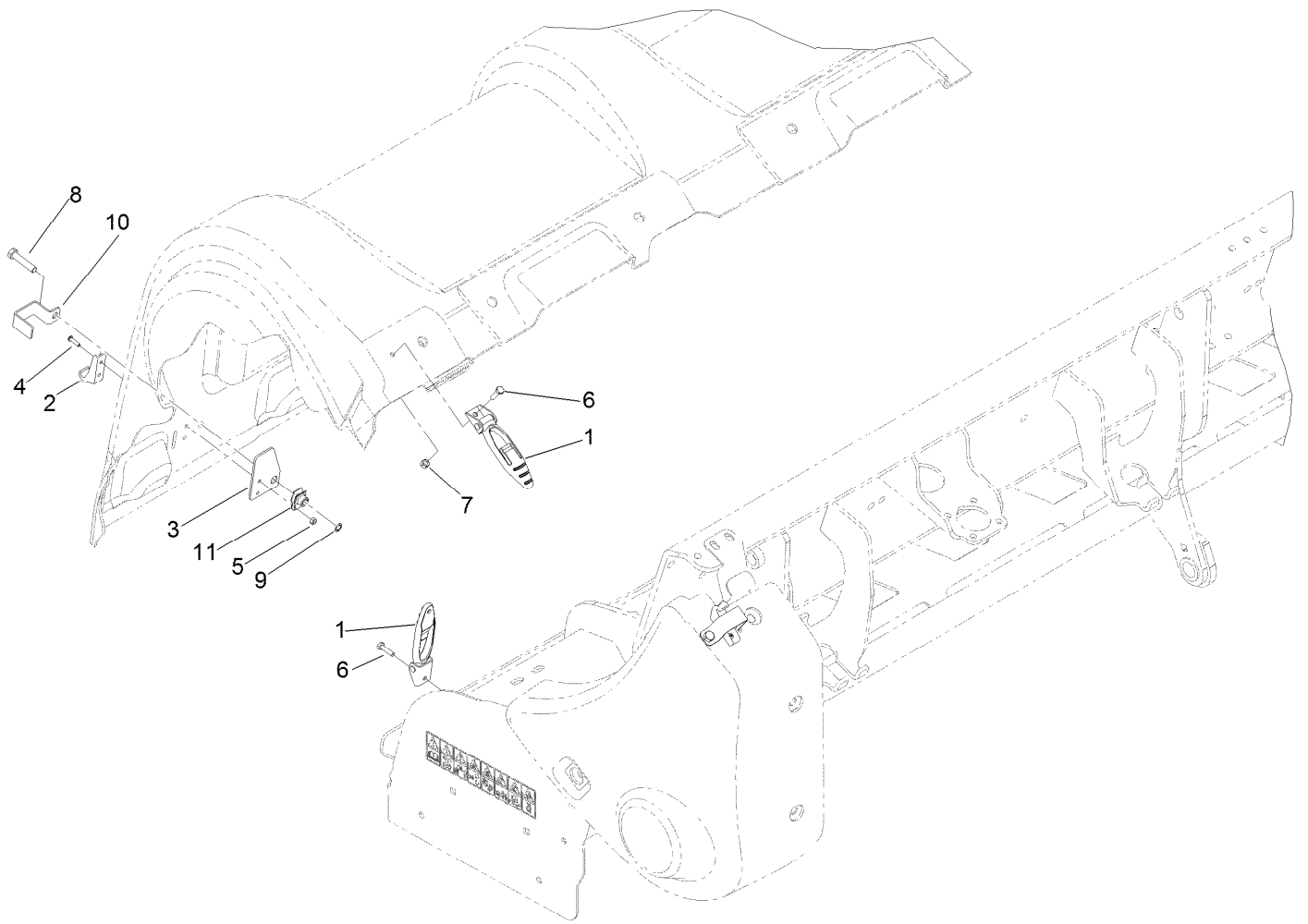
## Rear Cover Assembly

<i>Ref.</i>	<i>Part Number</i>	<i>Qty.</i>	<i>Description</i>
1	110-4465	1	Hood-Rear
2	110-4482-03	1	Stiffener-Hood
3	3234-24	6	Screw-HHF
4	93-8806	6	Washer-Hardened
5	105-4886	2	Nut-Tinnerman
6	87-2440	6	Bumper-Rubber
7	110-4550-03	1	Stirrup-Hood, RH
8	110-4551-03	1	Stirrup-Hood, LH
9	67-7310	1	Decal
10	106-8856	1	Decal - Tine Depth, CE
11	110-4426	1	Decal-Procure
12	104-8301	4	Nut-HF, NI



## Storage Stand Assembly

<i>Ref.</i>	<i>Part Number</i>	<i>Qty.</i>	<i>Description</i>
1	110-4292-03	2	Stand
2	92-1298	4	Pin-Lynch
3	110-4666	2	Decal-Service, Storage



## Cover Latch Assembly

<i>Ref.</i>	<i>Part Number</i>	<i>Qty.</i>	<i>Description</i>
1	103-2898	5	Latch-Rubber
2	103-2897	5	Latch-Catch
3	110-4672	5	Plate-Reinforcement
4	104-2408	10	Screw-HSBH
5	3296-2	10	Nut-Lock, NI
6	321-6	5	Screw-HH
7	3296-42	5	Nut-Lock, NI
8	323-53	4	Screw-HH
9	32151-72	4	Ring-Retaining
10	110-4673	4	Lock-Latch, CE
11	105-4886	4	Nut-Tinnerman

# Attachments and Accessories

## For 09715 ProCore 864 Aerator

<b>Product Name</b>	<b>Model/Part</b>
Windrower Kit .....	09220
Three-Tine Head Quick Lock .....	09711
Four-Tine Head Quick Lock .....	09719
2 x 5 Mini Tine Head .....	09736
1 x 6 Mini Tine Head .....	09737
Needle Tine Head .....	09739
3/4in Three-Tine Head .....	09794
3/4in Four-Tine Head .....	09796
7/8in Three-Tine Head .....	09797
Premium All Season Gear Lube (5 Gallon Pail) .....	108-1187
Premium All Purpose Grease (Tube) .....	108-1190
Premium All Season Gear Lube (Quart) .....	108-1590
Procore Ce Completion Kit .....	110-4693
Sleeve Tool ASM .....	114-0590-01
Guarded Driveshaft .....	115-2839
Turf Guard 3 Tine (Short) .....	120-1044
Turf Guard 4 Tine (Short) .....	120-1045
Turf Guard 5 Tine (Short) .....	120-1047
Turf Guard 6 Tine (Short) .....	120-1050
Turf Guard 3 Tine (RH) .....	120-1057
Turf Guard 3 Tine (LH) .....	120-1058
Turf Guard 4 Tine (RH) .....	120-1059
Turf Guard 4 Tine (LH) .....	120-1060
Turf Guard 5 Tine (RH) .....	120-1061
Turf Guard 5 Tine (LH) .....	120-1062
Turf Guard 6 Tine (RH) .....	120-1063
Turf Guard 6 Tine (LH) .....	120-1064



**Count on it.**