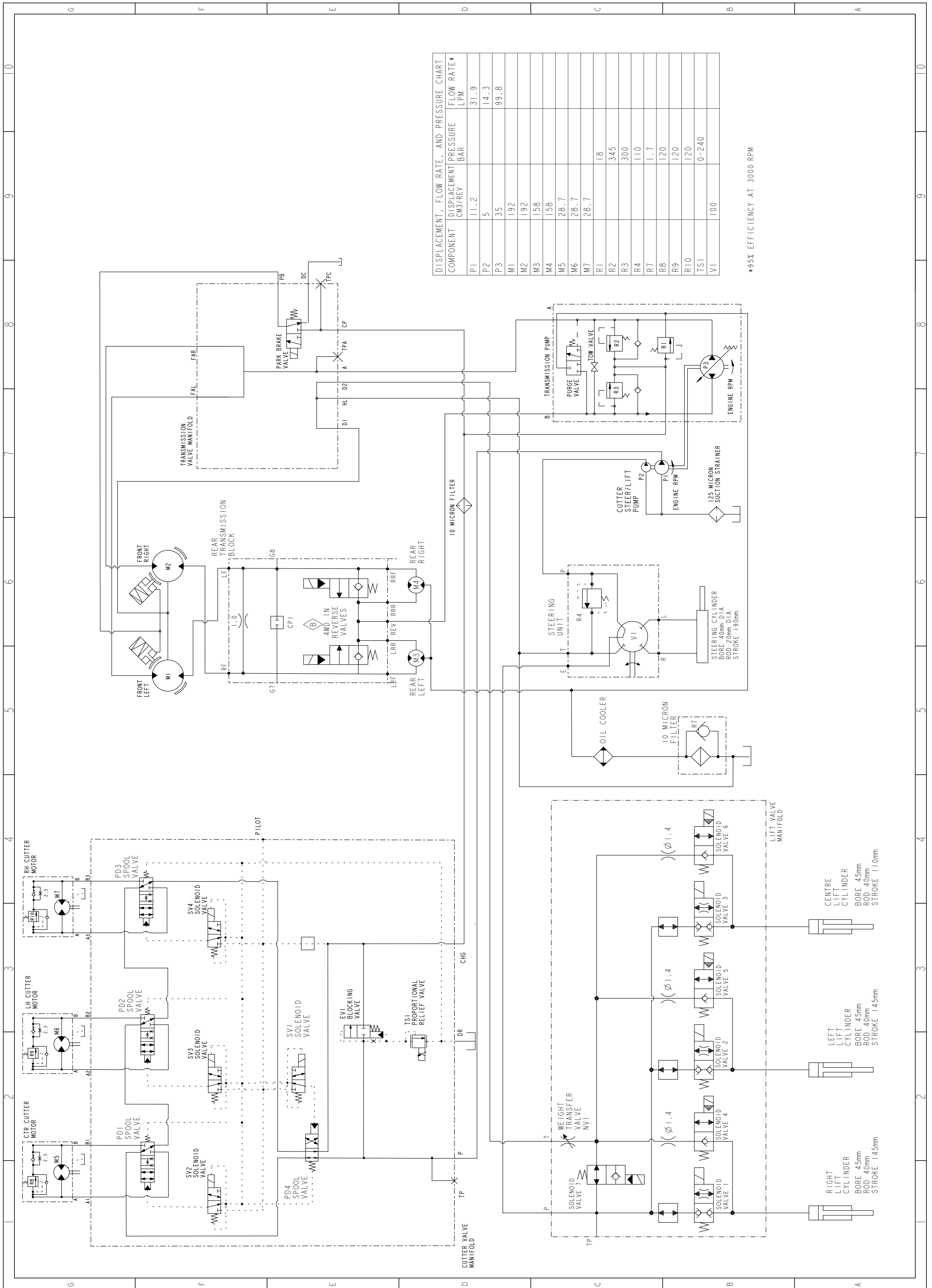
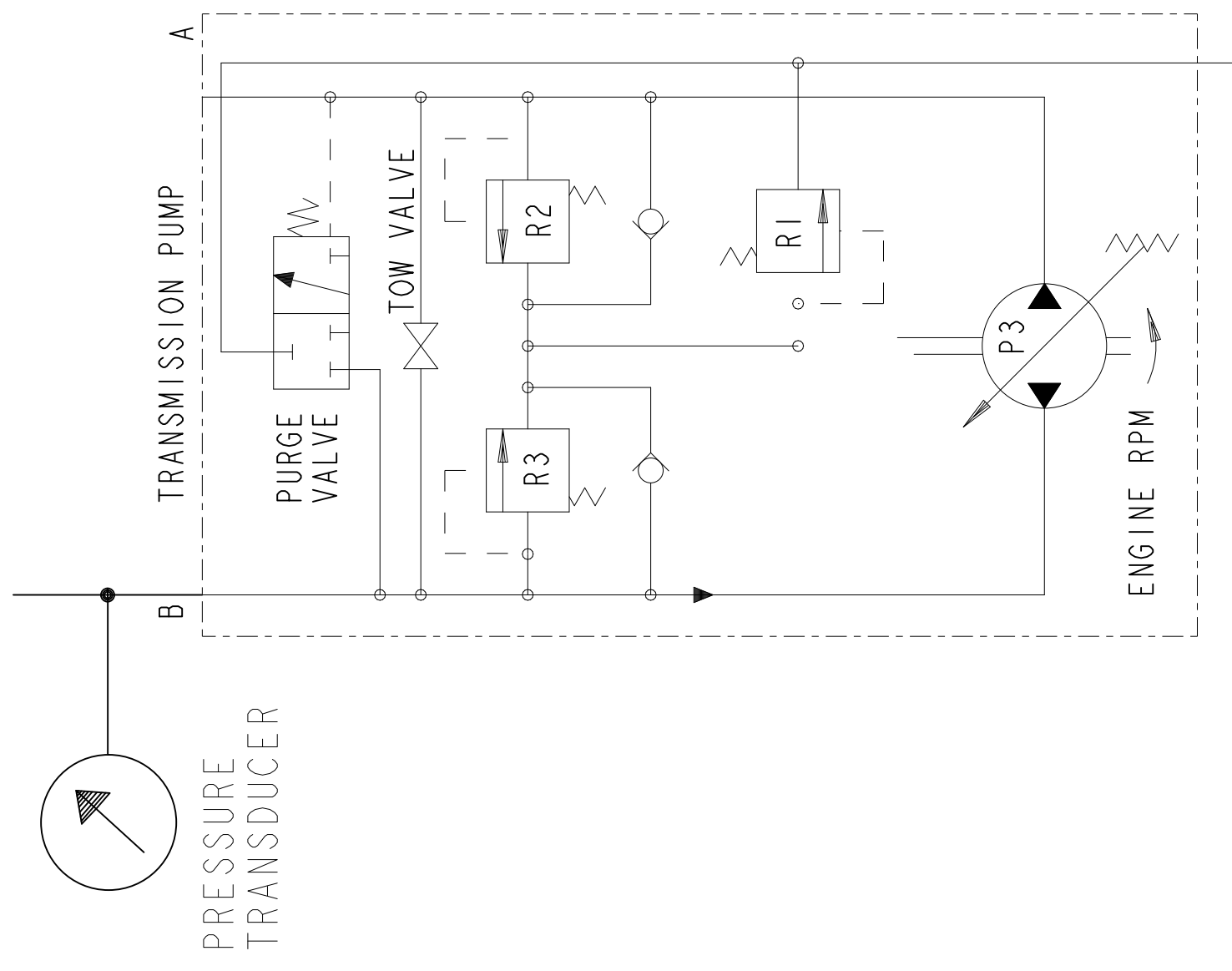
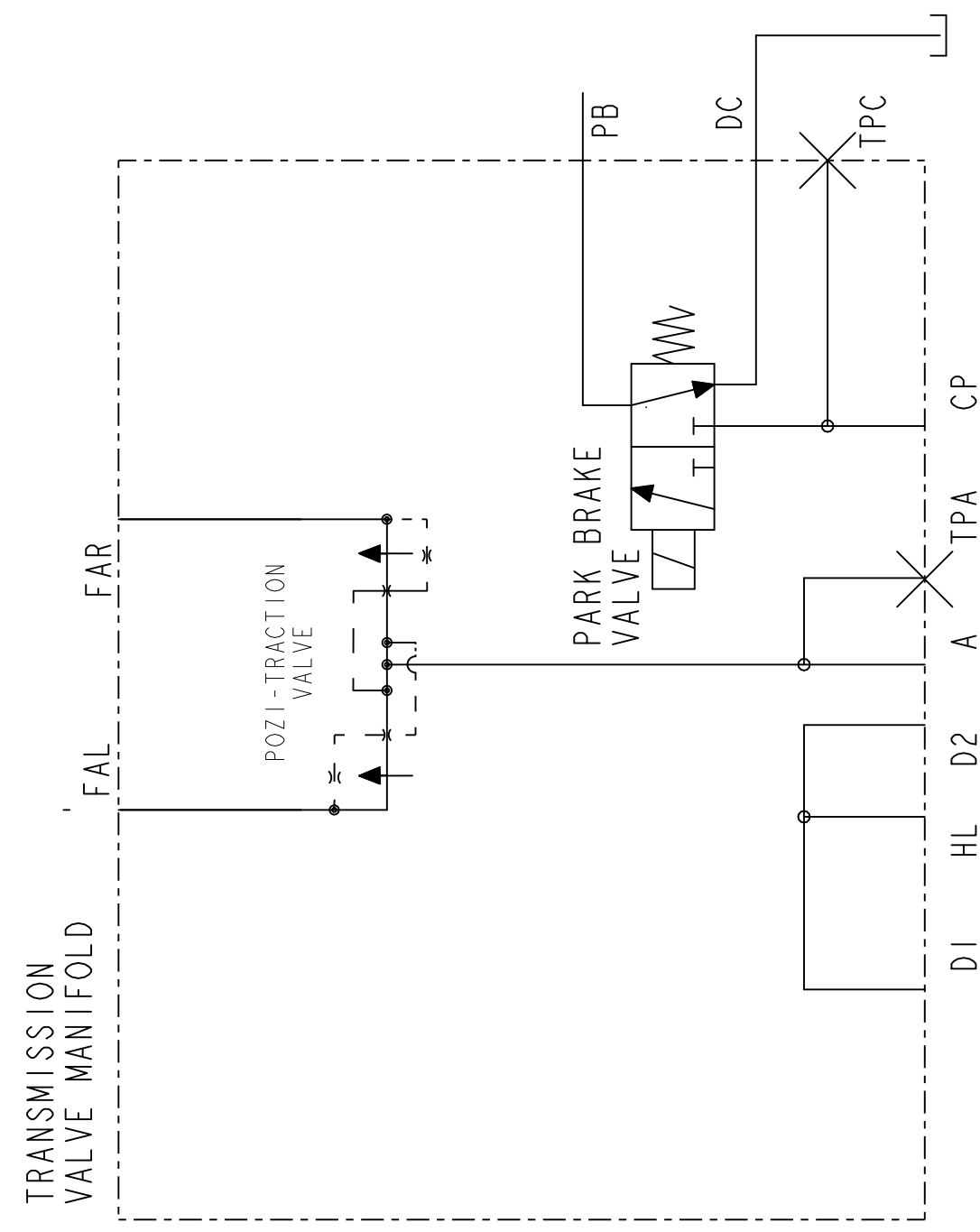


31654
 134-4709 Rev B
 1 of 2

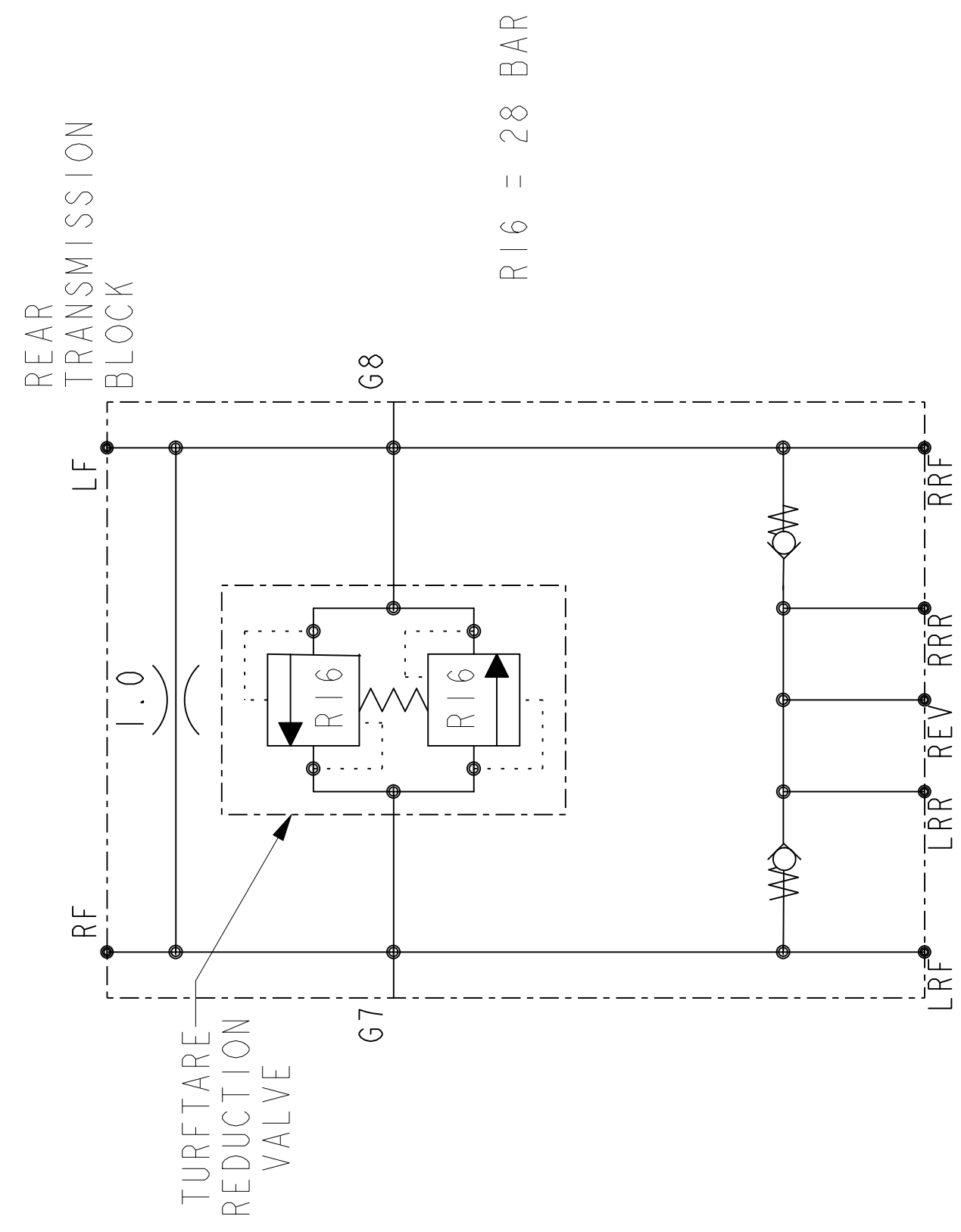




OPTIONAL
BRAKE LIGHT KIT
SUPPLIED WITH ROAD LIGHT KIT



OPTIONAL
POZI TRACTION VALVE



OPTIONAL
TURFTARE REDUCTION VALVE