



Count on it.

Parts Catalog

**LT2240 Compact Triple 4-Wheel
Drive**

Turf Mower

Model No. 31654—Serial No. 412300000 and Up



Ordering Replacement Parts

To order replacement parts, please supply the part number, the quantity, and the description of each part desired.

Understanding Reference Numbers

Each identified part in an illustration has a reference number. The reference number for a part also appears in the parts list, along with other information about the part.

This catalog uses two special reference number formats, one to indicate parts in a service assembly and another to indicate the quantity of a given part in an illustration.

Service Assembly Reference Numbers

Parts in service assemblies have reference numbers in the form a:b. The a represents the reference number of the entire service assembly and the b represents a sequential number unique to each part within the service assembly.

For example, a wheel assembly might be identified by reference number 6, the tire by 6:1, the valve by 6:2, and the wheel by 6:3. When you order the assembly identified by reference number 6, you receive all parts identified by reference numbers 6:1, 6:2, and 6:3. However, you may also order any part individually. Reference numbers of this type appear in illustration and in parts lists.

Reference Numbers Indicating Quantity

In an illustration, if a reference number indicates more than one part, the reference number has the form nX y. The n represents the quantity of the part, the X is the multiplication symbol, and the y represents the reference number.

For example, in an illustration, the reference number 2X 37 means that two of the parts identified by reference number 37 are indicated.

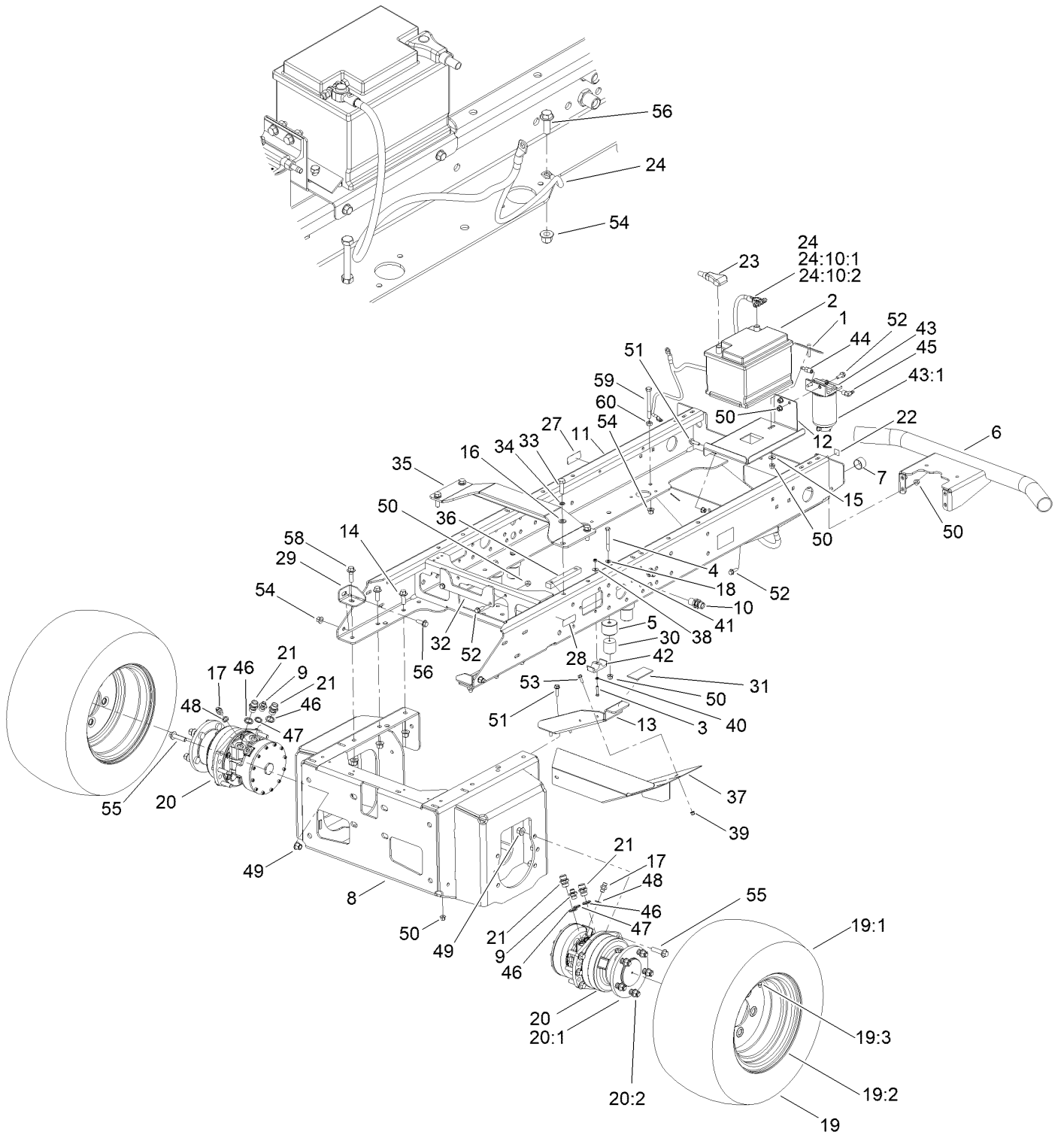
Contents

Frame Assembly	6
Rear Axle and Wheel Assembly	8
Front Arm Assembly	10
Centre Arm Assembly	12
Engine and Muffler Assembly	14
Cooling Assembly	16
Steering Column, Seat and Platform Assembly	18
Seat Assembly No. 134-0260	20
Steering Column Assembly No. 132-6230	22
Hood Assembly	24
Loom Kit Assembly	26
Loom Kit Assembly No. 134-5010	28
Control Panel Assembly	30
Pedal Control Assembly	32
Cutter Component Assembly	34
Fuel Tank and Storage Pod Assembly	36
Roll-Over Protection System Assembly	38
Hydraulic Oil Tank Assembly	40
Hydraulic Pump Assembly	42
Hydraulic Pump Assembly No. 111-6774	44
Transmission Hose Assembly	46
Cutter Hose Assembly	48
Steering and Lift Hose Assembly	50
Filter Assembly	52
Transmission Control Manifold Assembly	54
Transmission Manifold Assembly No. 111-2555	56
Rear Transmission Control Manifold Assembly	58
Hydraulic Manifold Assembly No. 134-6717	60
Cutters Control Manifold Assembly	62
Cutter Control Manifold Assembly No. 134-4822	64
Lift Control Manifold Assembly	66
Lift Control Manifold Assembly No. 111-8419	68
Crankcase Assembly	70
Oil Pan Assembly	72
Cylinder Head Assembly	74
Gear Case Assembly	76
Head Cover Assembly	78
Oil Filter Assembly	80
Oil Dipstick and Guide Assembly	82
Main Bearing Case Assembly	84
Crankshaft and Idle Gear Shaft Assembly	86
Piston and Crankshaft Assembly	88
Flywheel Assembly	90
Fuel Camshaft and Governor Shaft Assembly	92
Idle Apparatus Assembly	94
Stop Solenoid Assembly	96
Injection Pump Assembly	98
Governor Assembly	100
Speed Control Plate Assembly	102
Nozzle Holder and Glow Plug Assembly	104
Nozzle Holder Components Parts Assembly	106
Fuel Pump Assembly	108
Pump Cover Assembly	110
Alternator and Pulley Assembly	112

Contents (continued)

Alternator Components Parts Assembly	114
Starter Assembly	116
Starter Component Parts Assembly	118
Oil Switch and Plug Assembly	120
Water Flange and Thermostat Assembly	122
Water Pump Assembly	124
Water Pipe Assembly	126
Fan Assembly	128
Valve and Rocker Arm Assembly	130
Inlet Manifold Assembly	132
Exhaust Manifold Assembly	134
Glow Lamp Timer	136
Engine Exhaust Gasket	138
Label and Operator Manual	140
Attachments and Accessories	142

Frame Assembly



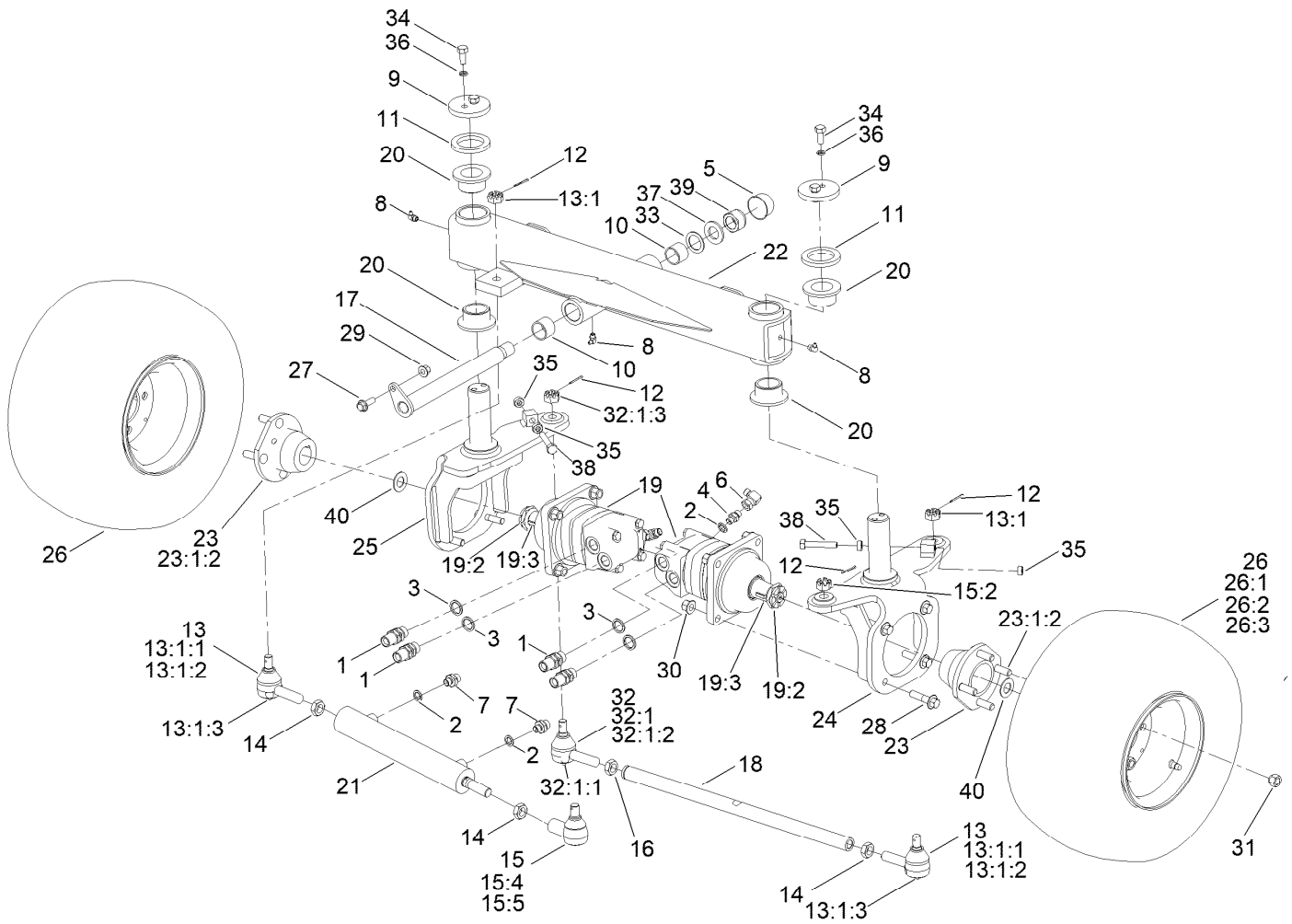
Frame Assembly (continued)

<i>Ref.</i>	<i>Part Number</i>	<i>Qty.</i>	<i>Description</i>	<i>Ref.</i>	<i>Part Number</i>	<i>Qty.</i>	<i>Description</i>
1	70-01-340	1	Retainer-Battery	28	93-6686	1	Decal-Oil, HYD
2	70-09-015	1	Battery	29	111-7092-03	2	Bracket-Chassis, Universal
3	09547	1	Screw-HH	30	61-07-003	4	Buffer-Rubber
4	ZBH1H075U	4	Bolt	31	HY910808	1	Strip-Neoprene
5	111-5305	4	Bump-Stop	32	111-5538-03	1	Location-Plate
6	134-1735-03	1	Bumper,Rear - Welded Assembly	33	63-11-010	4	Bolt-HH
7	65-07-051	2	Bushing	34	09599	4	Washer-Lock
8	111-7284-03	1	Chassis-Front	35	111-7065-03	1	Brace
9	50-06-009	2	Adaptor-BSP	36	111-7094	2	Brace-Chassis
10	09-06-216	2	Adaptor-Bulkhead	37	134-5014-03	1	Deflector-Grass, LH
11	134-1820-03	1	Chassis, Rear [black]	38	09262	1	Washer
12	134-3811-03	1	Battery, Mount	39	134-3761	2	Nut-Flange, NI
13	111-3217-03	1	Support-Platform, Front (LH)	40	09472	1	Washer-Plain
14	134-3756	4	Screw-HHF	41	09438	1	Nut-Nyloc
15	09267	1	Washer-Plain	42	56-7974	1	Clamp-Tube
16	HY09485	4	Washer-Plain	43	110-9044	1	Separator-Filter
17	10-06-085	2	Adaptor	43:1	110-9049	1	Filter-Spin On, Fuel/Water
18	ZWP1H000U	4	Washer-Plain	44	353-783	1	Fitting-STR
19	134-4183	2	Wheel ASM	45	353-781	1	Fitting-HYD, 90
19:1	65-07-109	1	Tire	46	10-06-032	4	Seal-Dowty
19:2	111-6882	1	Wheel Rim	47	10-06-031	2	Seal-Dowty
19:3	5108	1	Valve	48	10-06-030	2	Seal-Dowty
20	134-3969	2	Motor-Wheel, Front	49	134-3764	12	Nut-Flange, NI
20:1	111-7059	5	Stud-Wheel	50	134-3762	15	Nut-Flange, NI
20:2	74-07-016	5	Nut	51	134-3748	4	Screw-HHF
20:99	134-3982	1	Kit-Seal ●	52	134-3747	8	Screw-HHF
21	10-06-078	4	Adaptor-BSPP	53	134-3740	2	Screw-HHF
22	93-9084	1	Decal-Point, Lift	54	134-3763	5	Nut-Flange, NI
23	105-0114	1	Cable-Battery, Positive	55	134-3758	12	Screw-HHF
24	122-1276	1	Cable-Battery, Negative ASM	56	134-3752	3	Screw-HHF
24:1	32180-115	1	Panduit, Cable Tie ●	58	134-3757	2	Screw-HHF
24:10		1	Bolt ASM ●■	59	127-5864	2	Screw-HH
24:10:1	32180-107	1	Bolt-Clamp, Battery	60	09449	2	Nut
24:10:2	32180-108	2	Nut-Clamp, Battery	99	110-6146	2	Hose-Fuel ●
27	127-0392	1	Decal-Hot Surface	99	117-0298	1	Hose-Fuel ●
				99	2412-80	2	Clamp-Hose ●
				99	92-2379	4	Clamp-Hose ●

● Not illustrated

■ Not serviced separately

Rear Axle and Wheel Assembly



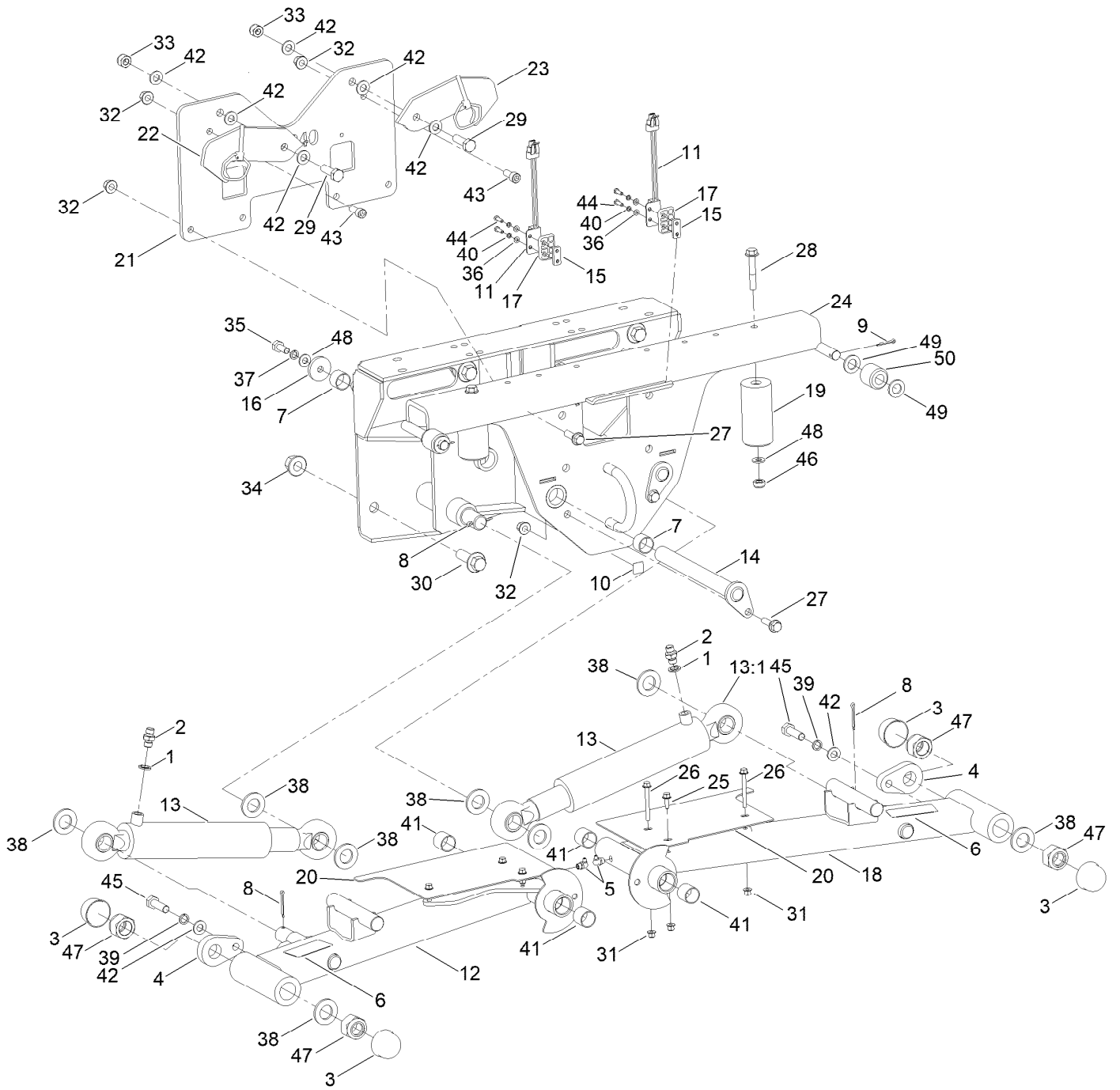
Rear Axle and Wheel Assembly (continued)

<i>Ref.</i>	<i>Part Number</i>	<i>Qty.</i>	<i>Description</i>	<i>Ref.</i>	<i>Part Number</i>	<i>Qty.</i>	<i>Description</i>
1	09-06-216	4	Adaptor-Bulkhead	21	134-0292	1	Steering Cylinder ASM
2	10-06-030	4	Seal-Dowty	21:99	111-9939	1	Seal Kit ●
3	10-06-032	4	Seal-Dowty	22	134-0295-03	1	Axle-Rear
4	10-06-085	2	Adaptor	23	134-3373-03	2	Hub, Rear Wheel [black]
5	10-11-100	1	Cap-Nut	23:1		1	Hub, Rear Wheel ●■
6	31-06-004	2	Elbow-Compact	23:1:2	1-633926	4	Stud-Wheel
7	50-06-009	2	Adaptor-BSP	24	134-3551-03	1	Rear Yoke, RH ASM [black]
8	63-07-027	3	Zerk-Grease, BSP (90 DEG)	25	134-3553-03	1	Rear Yoke, LH ASM [black]
9	70-01-197	2	Cap-Washer	26	134-3673	2	Wheel ASM
10	70-05-031	2	Bushing	26:1	134-3606	1	Wheel Rim
11	70-07-149	2	Washer-Felt	26:2	922804	1	Tyre, 18X9.50-8 (6 Ply)
12	70-11-005	4	Pin-Split	26:3	5108	1	Valve
13	71-4740-03	2	RH Tie Rod End ASM	27	134-3752	1	Screw-HHF
13:1		1	End-Rod, Tie (RH) ●■	28	134-3758	8	Screw-HHF
13:1:1	105-7941	1	Nut-Hex, Slotted	29	134-3763	1	Nut-Flange, NI
13:1:2	105-7835	1	Seal	30	134-3764	8	Nut-Flange, NI
13:1:3	302-5	1	Fitting-Grease	31	242-50	8	Nut-Lug
14	84-5300	3	Nut-Jam	32	2411-46-03	1	LH Tie Rod ASM
15	107-2553	1	Rod End ASM	32:1	2411-46	1	End-Rod, Tie (LH) ●
15:2	32136-2	1	Nut-SHH	32:1:1	302-5	1	Fitting-Grease
15:4	106-6896	1	Seal	32:1:2	105-7835	1	Seal
15:5	302-5	1	Fitting-Grease	32:1:3	105-7941	1	Nut-Hex, Slotted
16	110-5337	1	Nut-Jam	33	09298	1	Washer
17	111-3265	1	Pin-Axle	34	09395	4	Screw-HH
18	111-7924-03	1	Rod-Tie	35	09449	4	Nut
19	111-9745	2	HYD Motor ASM	36	09480	4	Washer-Lock
19:1	111-9864	1	Seal Kit ●	37	09555	1	Washer
19:2	70-06-081	1	Castle-Nut	38	ZDH1J060U	2	Setscrew-HH
19:3	70-06-089	1	Key	39	ZNN1X000U	1	Nut-Hex, Nyloc
20	134-0253	4	Bushing-Flange	40	ZWP1T000U	2	Washer-Plain

● Not illustrated

■ Not serviced separately

Front Arm Assembly

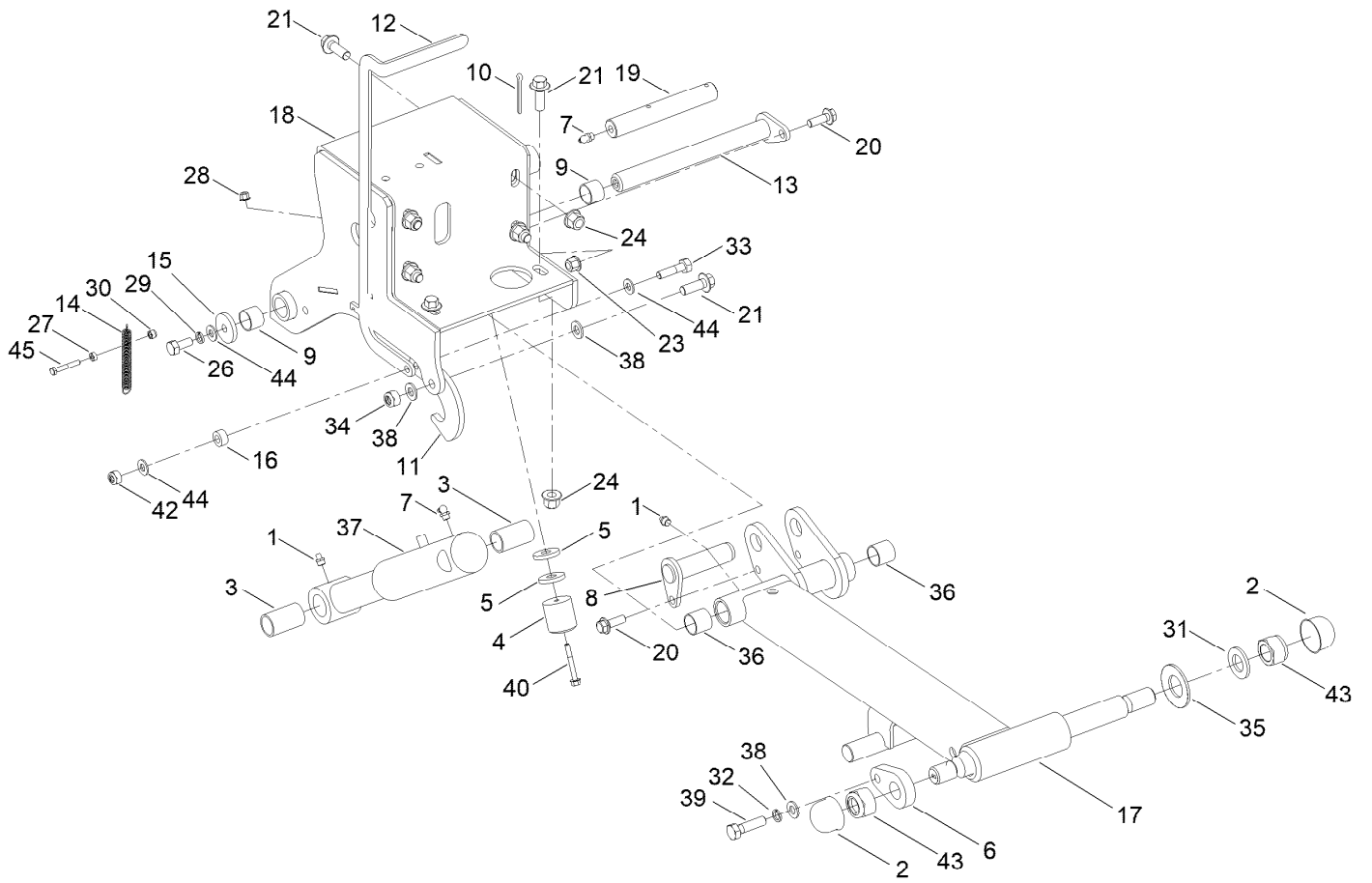


Front Arm Assembly (continued)

<i>Ref.</i>	<i>Part Number</i>	<i>Qty.</i>	<i>Description</i>	<i>Ref.</i>	<i>Part Number</i>	<i>Qty.</i>	<i>Description</i>
1	10-06-030	2	Seal-Dowty	24	111-8096-03	1	Frame-Pivot, Arm
2	10-06-085	2	Adaptor	26	134-3745	4	Screw-HHF
3	10-11-100	4	Cap-Nut	27	134-3753	6	Screw-HHF
4	63-01-185W	2	Retainer-Pin	29	63-11-010	2	Bolt-HH
5	63-07-027	2	Zerk-Grease, BSP (90 DEG)	30	134-3760	8	Screw-HHF
6	134-5122	2	Decal-Danger, Latch	31	134-3761	6	Nut-Flange, NI
7	74-07-028	4	Bushing	32	134-3763	8	Nut-Flange, NI
8	74-11-001	4	Pin	33	09650	2	Nut-Hex, Nyloc
9	74-11-002	2	Pin-Split	34	134-3765	8	Nut-Flange, NI
10	93-9084	1	Decal-Point, Lift	35	09395	2	Screw-HH
11	105-0023	2	Switch-Proximity	36	09470	4	Washer
12	111-1390-03	1	Arm-Front, RH	37	09480	2	Washer-Lock
13	111-1998	2	HYD Lift Cylinder ASM	38	09555	8	Washer
13:1	111-2561	2	Fitting-Grease ●	39	09599	2	Washer-Lock
13:2	111-3471	1	Seal Kit ●	40	09644	4	Washer-Spring
14	111-3248	2	Pin-Pivot, Front Arm	41	876066	4	Bushing
15	111-3336	2	Bar-Switch, Proximity	42	HY09485	8	Washer-Plain
16	111-3366	2	Plate-Retaining, Bush	43	ZCS1J025U	2	Screw-HSH
17	111-3676	2	Spacer-Switch, Proximity	44	ZDH1E016U	4	Screw-HH
18	111-4100-03	1	Arm-Front, LH	45	ZDH1L040U	2	Screw-HH
19	111-4157	2	Stop-Bump	46	ZNN1J000U	2	Nut-Hex, NI
20	111-6822-03	2	Deflector-Arm, Mounted	47	ZNN1X000U	4	Nut-Hex, Nyloc
21	134-5129-03	1	Plate-Latch [black]	48	ZWQ1J000U	4	Washer-Plain
22	111-7921-01	1	Plate-Latch, RH	49	09491	4	Washer-Plain
23	111-7922-01	1	Plate-Latch, LH	50	922112	2	Roller

● Not illustrated

Centre Arm Assembly

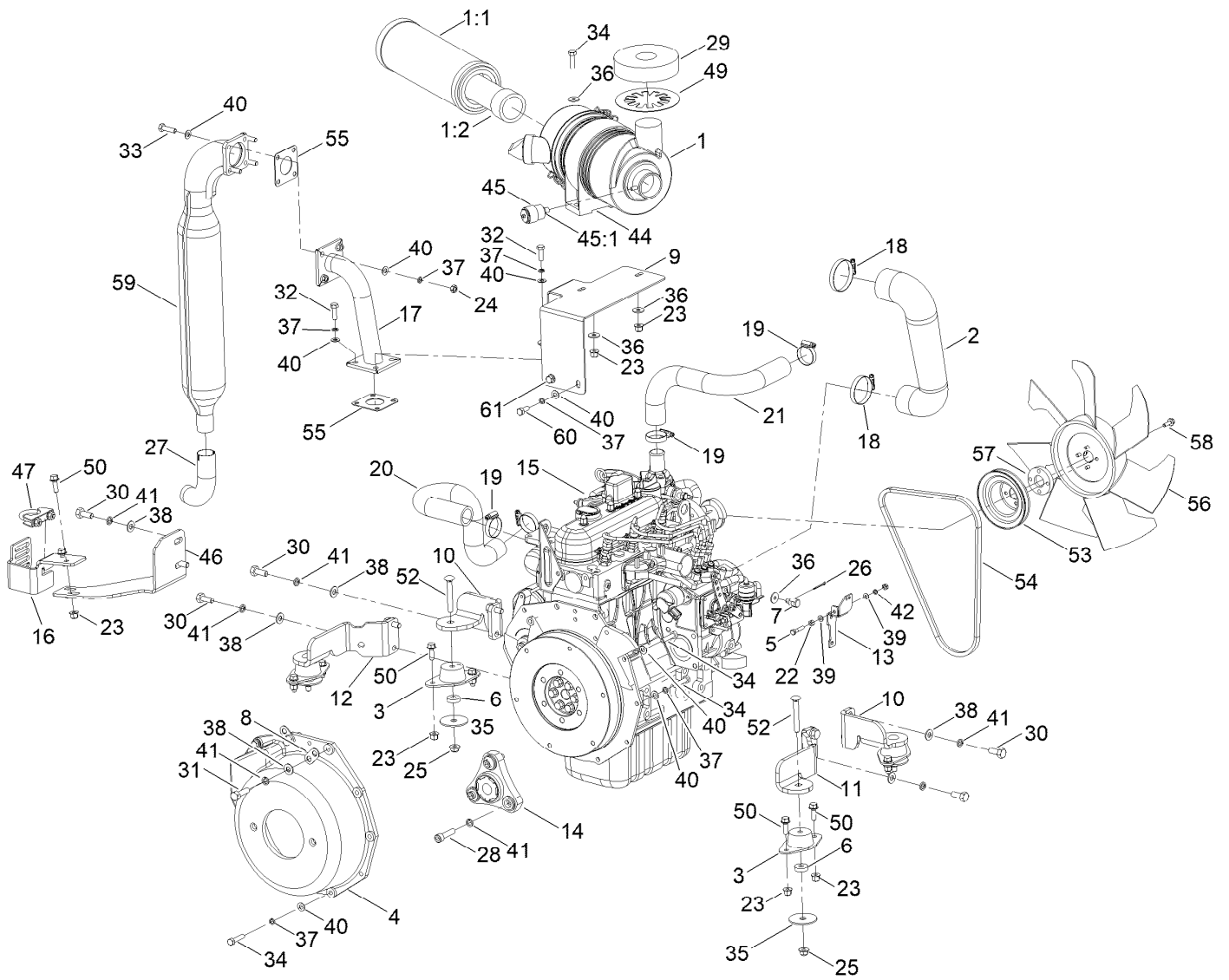


Centre Arm Assembly (continued)

<i>Ref.</i>	<i>Part Number</i>	<i>Qty.</i>	<i>Description</i>	<i>Ref.</i>	<i>Part Number</i>	<i>Qty.</i>	<i>Description</i>
1	10-11-017	2	Fitting-Straight	24	134-3764	6	Nut-Flange, NI
2	10-11-100	2	Cap-Nut	26	09395	1	Screw-HH
3	25-07-007	2	Bushing-Tension	27	09437	1	Nut
4	61-07-003	1	Buffer-Rubber	28	134-3761	1	Nut-Flange, NI
5	63-01-115	2	Washer	29	09480	1	Washer-Lock
6	63-01-185W	1	Retainer-Pin	30	09544	1	Nut-Nyloc
7	63-07-027	2	Zerk-Grease, BSP (90 DEG)	31	09555	1	Washer
8	74-05-108	1	Pin-Wing, Arm	32	09599	1	Washer-Lock
9	74-07-028	2	Bushing	33	09611	1	Bolt-HH
10	74-11-003	1	Pin-Split	34	09650	1	Nut-Hex, Nyloc
11	111-3099-01	1	Latch-Head, Center	35	767815	1	Washer-Belleville
12	111-3122-01	1	Handle-Head, Center	36	876066	2	Bushing
13	111-3248	1	Pin-Pivot, Front Arm	37	910109W	1	Cylinder-Lift
14	111-3329	1	Spring-Latch, Center Head	37:99	50-06-013	1	Seal Kit ●
15	111-3366	1	Plate-Retaining, Bush	38	HY09485	3	Washer-Plain
16	111-3457	1	Spacer-Latch, Center Head	39	ZBH1L045U	1	Screw-HH
17	111-5158-03	1	Center Arm ASM	40	134-3744	1	Screw-HHF
18	111-5190-03	1	Center Arm Mount ASM	42	ZNN1J000U	1	Nut-Hex, NI
19	111-5212	1	Pin-Plain	43	ZNN1X000U	2	Nut-Hex, Nyloc
20	134-3752	2	Screw-HHF	44	ZWQ1J000U	3	Washer-Plain
21	134-3756	7	Screw-HHF	45	ZBH1F040U	1	Screw-HH
23	134-3763	2	Nut-Flange, NI				

● Not illustrated

Engine and Muffler Assembly

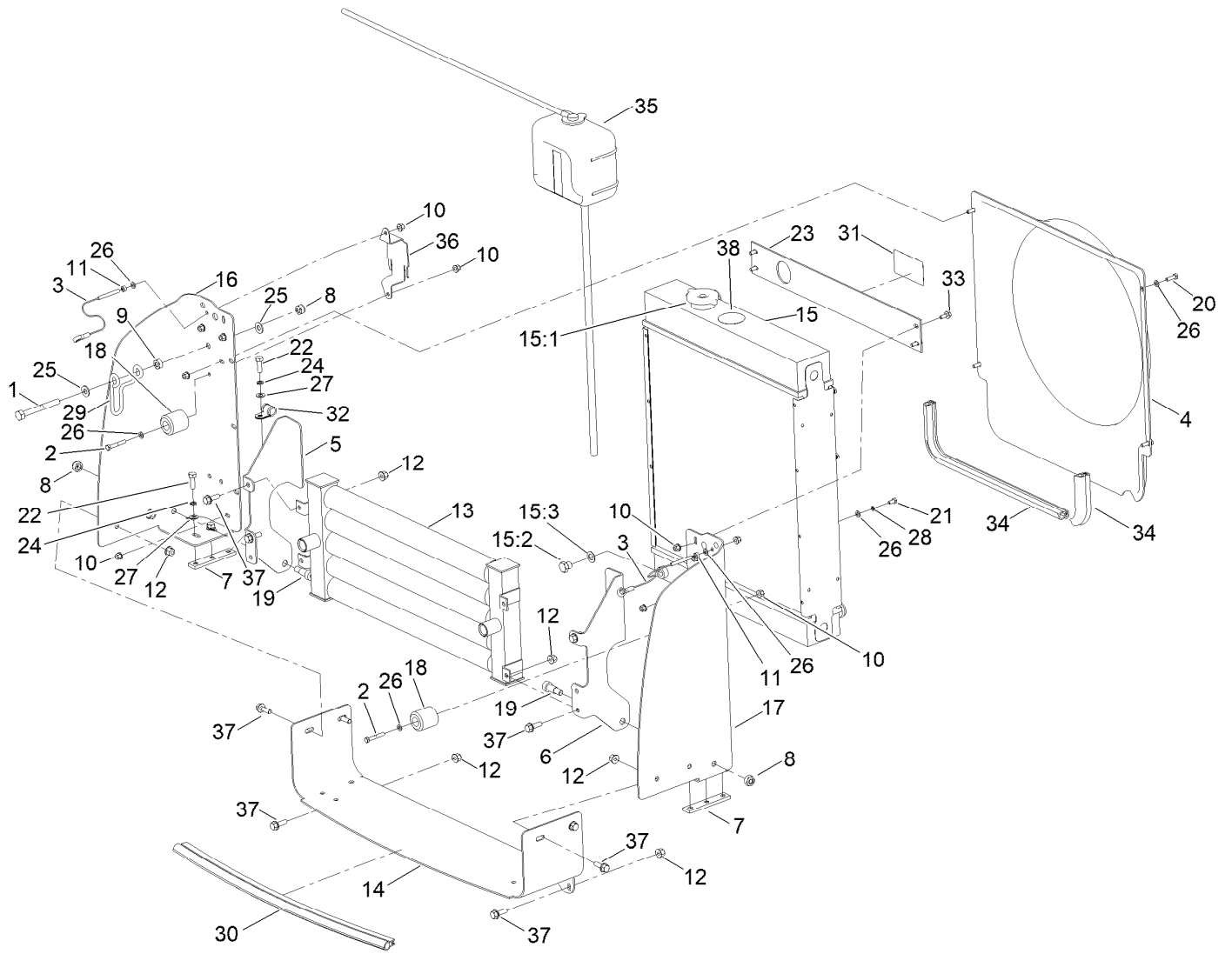


Engine and Muffler Assembly (continued)

<i>Ref.</i>	<i>Part Number</i>	<i>Qty.</i>	<i>Description</i>	<i>Ref.</i>	<i>Part Number</i>	<i>Qty.</i>	<i>Description</i>
1	111-3805	1	Air Filter ASM	30	09395	10	Screw-HH
1:1	111-3808	1	Filter-Element, Main	31	111-0597	2	Screw-HH
1:2	111-3809	1	Filter-Element, Safety	32	03162	4	Screw-HH
2	111-3554	1	Intake-Hose, Air	33	09369	4	Screw-HH
3	121-9076	4	Mount-Engine	34	ZDH1H035U	10	Screw-HH
4	922851	1	Housing-Bell	35	87-5100	4	Washer-Snubbing
5	09547	1	Screw-HH	36	09267	5	Washer-Plain
6	62-6660	4	Spacer	37	03469	17	Washer-Spring
7	111-3298	1	Pivot-Throttle, Boss	38	ZWQ1J000U	12	Washer-Plain
8	74-01-327	2	Bracket-Loom, Tie	39	ZWP1F000U	2	Washer
9	134-6585-03	1	Bracket, Air Cleaner	40	ZWP1H000U	22	Washer-Plain
10	134-1819-03	2	Mount, Engine-Rear	41	09480	15	Washer-Lock
11	134-1817-03	1	Mount, Engine-Front LH	42	09474	1	Washer-Spring
12	134-1818-03	1	Mount, Engine-Front RH	44	111-3807	1	Bracket-Mounting, Air Filter
13	111-3299-03	1	Bracket-Throttle	45	104-3563	1	Indicator
14	111-2556	1	Coupling	45:1	94-1416	1	Adapter-Indicator ●
15	134-2575	1	Engine-Kubota, D1105 E4B	46	111-9824-03	1	Bracket-Exhaust, Lower
16	134-6651-03	1	Guard, Exhaust	47	111-9717	1	Clamp-Exhaust
17	111-3038	1	Flange-Exhaust	49	111-6937-03	1	Washer-Pad, Intake Air
18	910936	2	Clip-Jubilee	50	134-3747	10	Screw-HHF
19	924438	4	Clamp-Hose	52	126-7090	4	Screw-CARR
20	111-2567	1	Hose-Radiator, Bottom	53	104-3497	1	Pulley-Fan
21	910921	1	Hose-Top	54	104-3494	1	Belt-V
22	09437	2	Nut	55	99-8343	2	Gasket-Muffler
23	134-3762	12	Nut-Flange, NI	56	130-1256	1	Fan
24	ZNH1H000U	4	Nut-Hex	57	108-2872	1	Collar-Fan
25	104-8301	4	Nut-HF, NI	58	108-2873	4	Bolt-Flange
26	70-11-005	1	Pin-Split	59	111-4932	1	Muffler-Exhaust
27	940213	1	Tail Pipe-Exhaust	60	ZDH1H016U	1	Setscrew M8*16
28	111-3806	3	Screw-HSH	61	09368	1	Screw-HH
29	111-3555	1	Seal-Air Intake				

● Not illustrated

Cooling Assembly

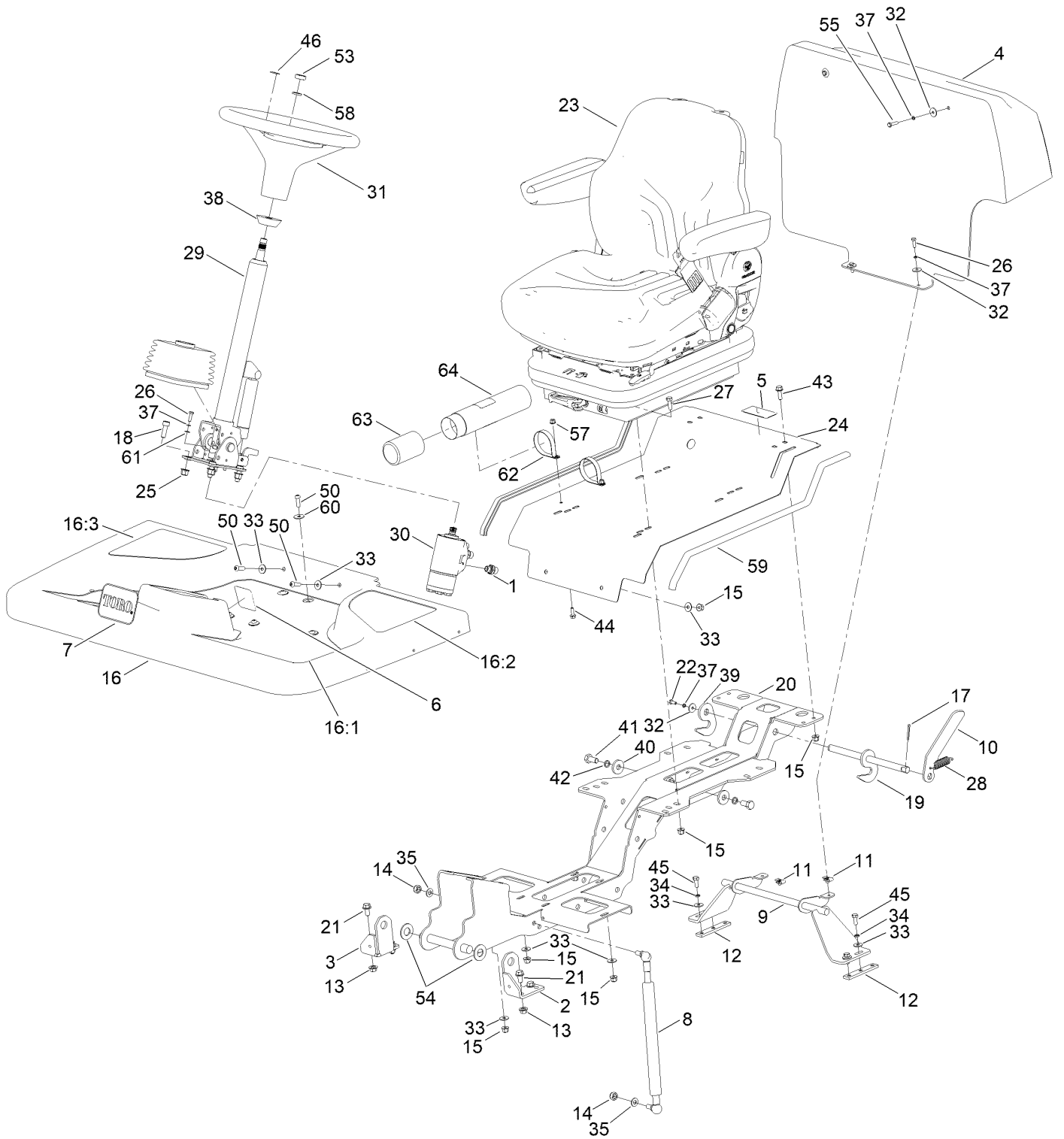


Cooling Assembly (continued)

<i>Ref.</i>	<i>Part Number</i>	<i>Qty.</i>	<i>Description</i>	<i>Ref.</i>	<i>Part Number</i>	<i>Qty.</i>	<i>Description</i>
1	ZBH1J090U	1	Screw-HH	19	ZIS1J020S	2	Bolt-Shoulder, Socket Head
2	ZBH1F040U	2	Screw-HH	20	09363	4	Screw-HH
3	924825	2	Cable-Stay, Cover	21	09361	6	Screw-HH
4	111-3301	1	Cowl-Fan	22	03162	6	Screw-HH
5	111-3010-03	1	Hinge-Oil Cooler, LH	23	134-6580-03	1	Top Seal
6	111-3011-03	1	Hinge-Oil Cooler, RH	24	03469	6	Washer-Spring
7	111-3281	2	Bar-Nut	25	ZWQ1J000U	2	Washer-Plain
8	ZNN1J000U	3	Nut-Hex, NI	26	09472	14	Washer-Plain
9	09449	1	Nut	27	ZWP1H000U	6	Washer-Plain
10	134-3761	12	Nut-Flange, NI	28	09474	6	Washer-Spring
11	09437	2	Nut	29	104-5429	1	Clamp-Form, Wire
12	134-3762	10	Nut-Flange, NI	30	994808	3	Excluder-Draught
13	70-06-171	1	Cooler-Oil	31	106-6754	1	Decal-Danger
14	111-3009-03	1	Plate-Seal, Lower	32	111-6082	1	Clamp-Cable
15	111-5193	1	Radiator ASM	33	134-3739	4	Screw-HHF
15:1	111-0698	1	Cap-Radiator	34	111-7053	1	Seal-Bubble, Side
15:2	30-06-200	1	Plug-HYD	35	111-7452	1	Tank-Reserve, Coolant
15:3	200134	1	Washer	36	108-9930-0P	1	Bracket-Bottle
16	111-3006-03	1	Bracket-Radiator, LH	37	134-3747	10	Screw-HHF
17	111-3007-03	1	Bracket-Radiator, RH	38	117-3276	1	Decal-Danger
18	61-07-003	2	Buffer-Rubber	99	994853	1	Hose Overflow Green ●

● Not illustrated

Steering Column, Seat and Platform Assembly

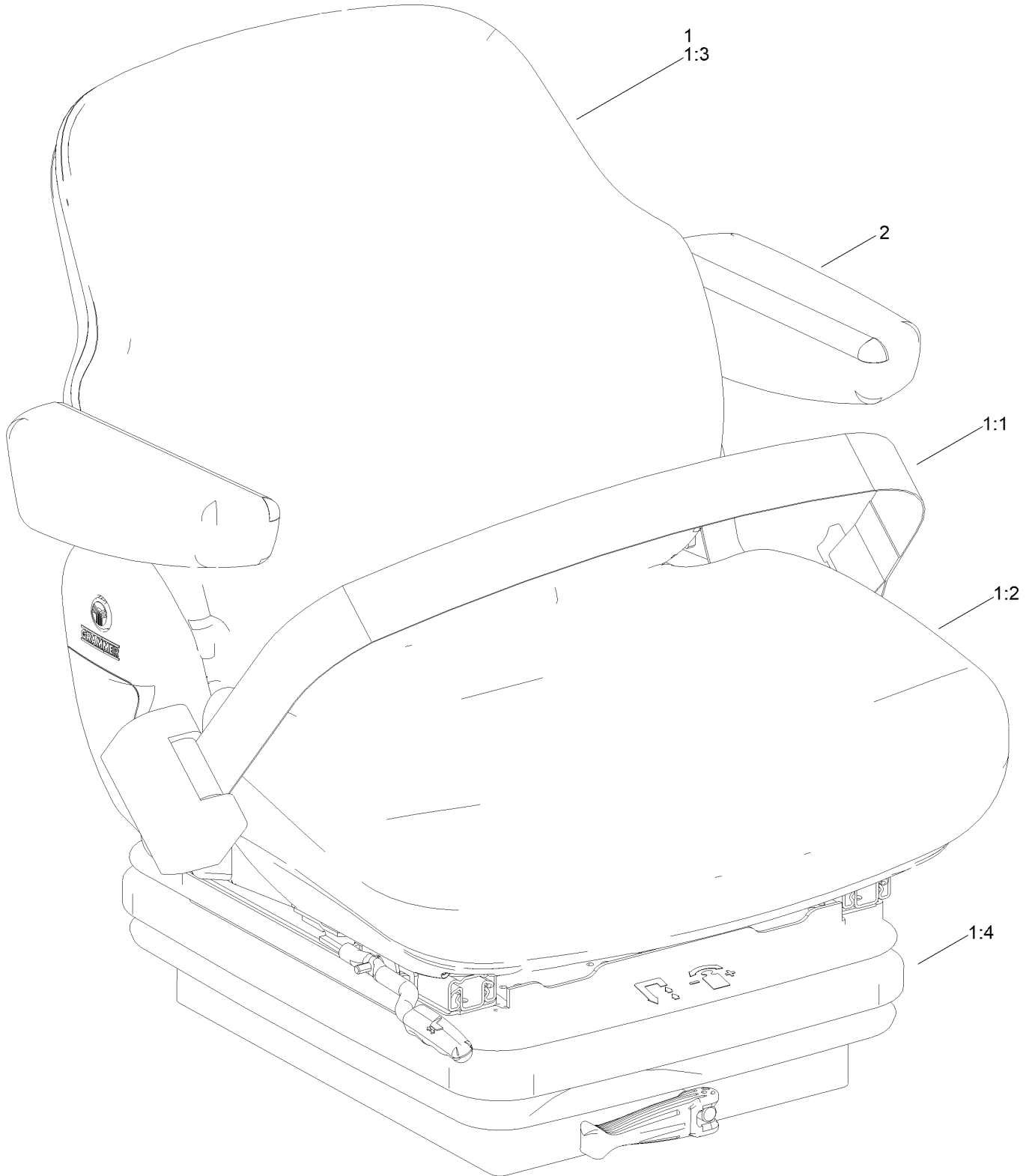


Steering Column, Seat and Platform Assembly (continued)

<i>Ref.</i>	<i>Part Number</i>	<i>Qty.</i>	<i>Description</i>	<i>Ref.</i>	<i>Part Number</i>	<i>Qty.</i>	<i>Description</i>
1	111-4788	5	Fitting-Straight	29	132-6230	1	Steering Tilt Column ASM
1:1	70-06-165	1	Seal-O Ring ●	30	134-3736	1	Steering Valve
2	111-3243-03	1	Bracket-Platform Pivot, LH	30:1	106-6716	1	Seal Kit ●
3	111-2665-03	1	Bracket-Platform Pivot, RH	31	98-1471	1	Wheel-Steering
4	111-3293	1	Bulkhead	31:1	98-1468	1	Cover-Wheel, Steering
5	134-4539	1	Decal-Latch, Platform	32	09263	5	Washer
6	111-3562	1	Decal	33	09267	14	Washer-Plain
7	67-1300	1	Decal	34	03469	4	Washer-Spring
8	111-9857	1	Gas Strut	35	09479	2	Washer-Plain
9	111-3140-03	1	Bar-Latch	37	09474	9	Washer-Spring
10	111-3269-03	1	Lever-Latch, Platform	38	93-5429	1	Collar-Foam
11	410076	2	Nut	39	111-3268	1	Latch-Plate, Platform
12	111-3281	2	Bar-Nut	40	63-01-115	2	Washer
13	63-11-015	4	Nut-Hex	41	09571	2	Screw-HH
14	ZNN1J000U	2	Nut-Hex, NI	42	09599	2	Washer-Lock
15	134-3762	14	Nut-Flange, NI	43	134-3747	2	Screw-HHF
16	111-9744	1	Operator Platform ASM	44	134-3740	2	Screw-HHF
16:1	111-3506	1	Mat-Floor	45	09368	4	Screw-HH
16:2	111-3507	1	Mat-Side, LH	46	98-1459	1	Decal
16:3	111-3508	1	Mat-Side, RH	50	ZHS1H025U	8	Screw-HSBH
17	70-11-004	1	Pin-Split	53	09827	1	Nut - Jam
18	ZCS1J030U	4	Screw-HSH	54	09499	2	Washer
19	111-3266	1	Latch-Platform	55	09364	2	Screw-HH
20	111-9565-03	1	Support-Platform	57	134-3761	2	Nut-Flange, NI
21	63-11-018	4	Screw-Durloc	58	HY4200	1	Washer-Spring
22	09362	1	Screw-HH	59	50-08-001	2	Edging-Rubber
23	134-0260	1	Seat ASM (Incl. Seat Belt)	60	09270	6	Washer-Plain
24	111-3069-03	1	Pan-Seat	61	09472	4	Washer-Plain
25	134-3763	4	Nut-Flange, NI	62	107-1865	2	R-Clamp
26	09363	6	Screw-HH	63	104-7048	1	Cap-Housing
27	03162	4	Screw-HH	64	104-7050	1	Tube-Manual
28	70-07-063	1	Spring-Extension	99	994808	1	Excluder-Draught ●

● Not illustrated

Seat Assembly No. 134-0260



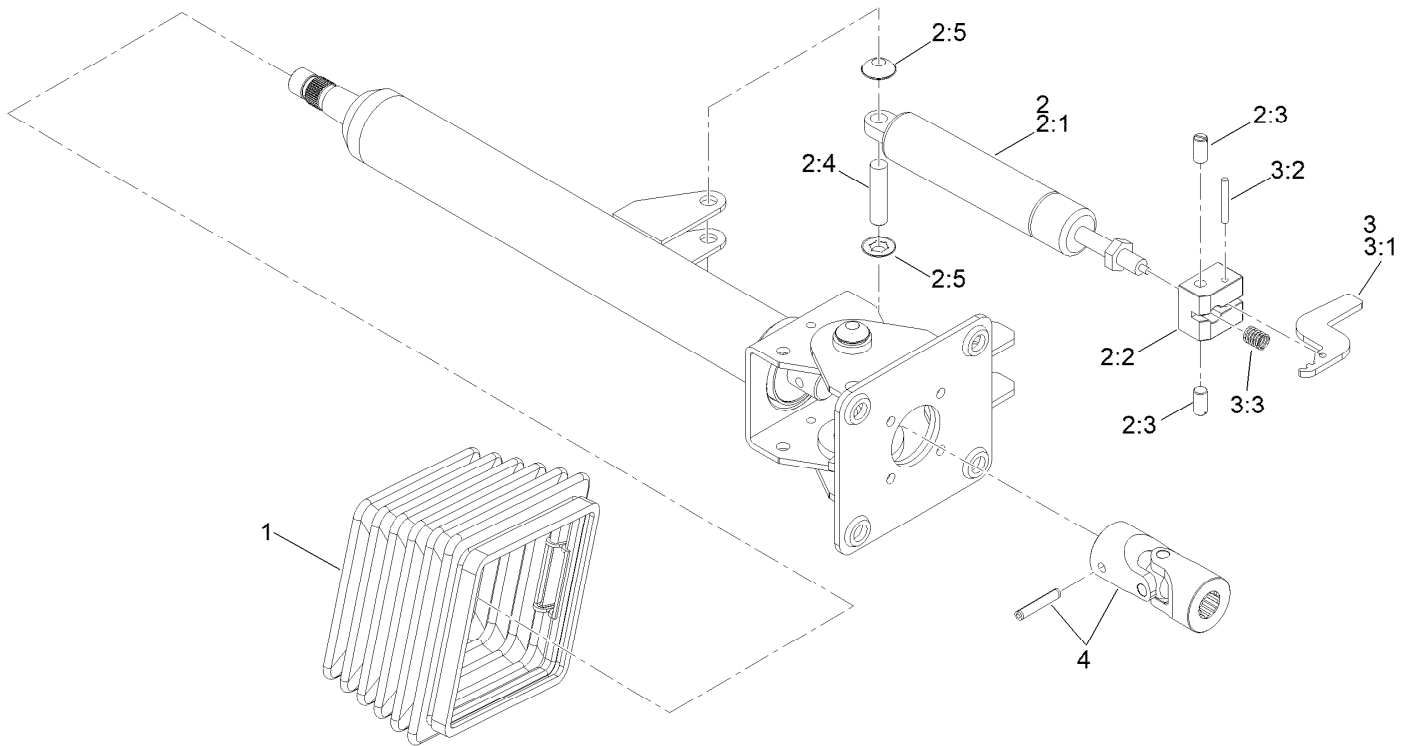
Seat Assembly No. 134-0260 (continued)

<i>Ref.</i>	<i>Part Number</i>	<i>Qty.</i>	<i>Description</i>
1	134-3681	1	Seat ASM
1:1	111-4936	1	Retractable Seat Belt ASM
1:2	111-5543	1	Cushion-Seat
1:3	111-5544	1	Cushion-Backrest

<i>Ref.</i>	<i>Part Number</i>	<i>Qty.</i>	<i>Description</i>
1:4	953820	1	Seat Gaiter
1:99	111-5542	1	Seat Switch Kit ●
2	134-1947	1	Armrest, Seat

● Not illustrated

Steering Column Assembly No. 132-6230

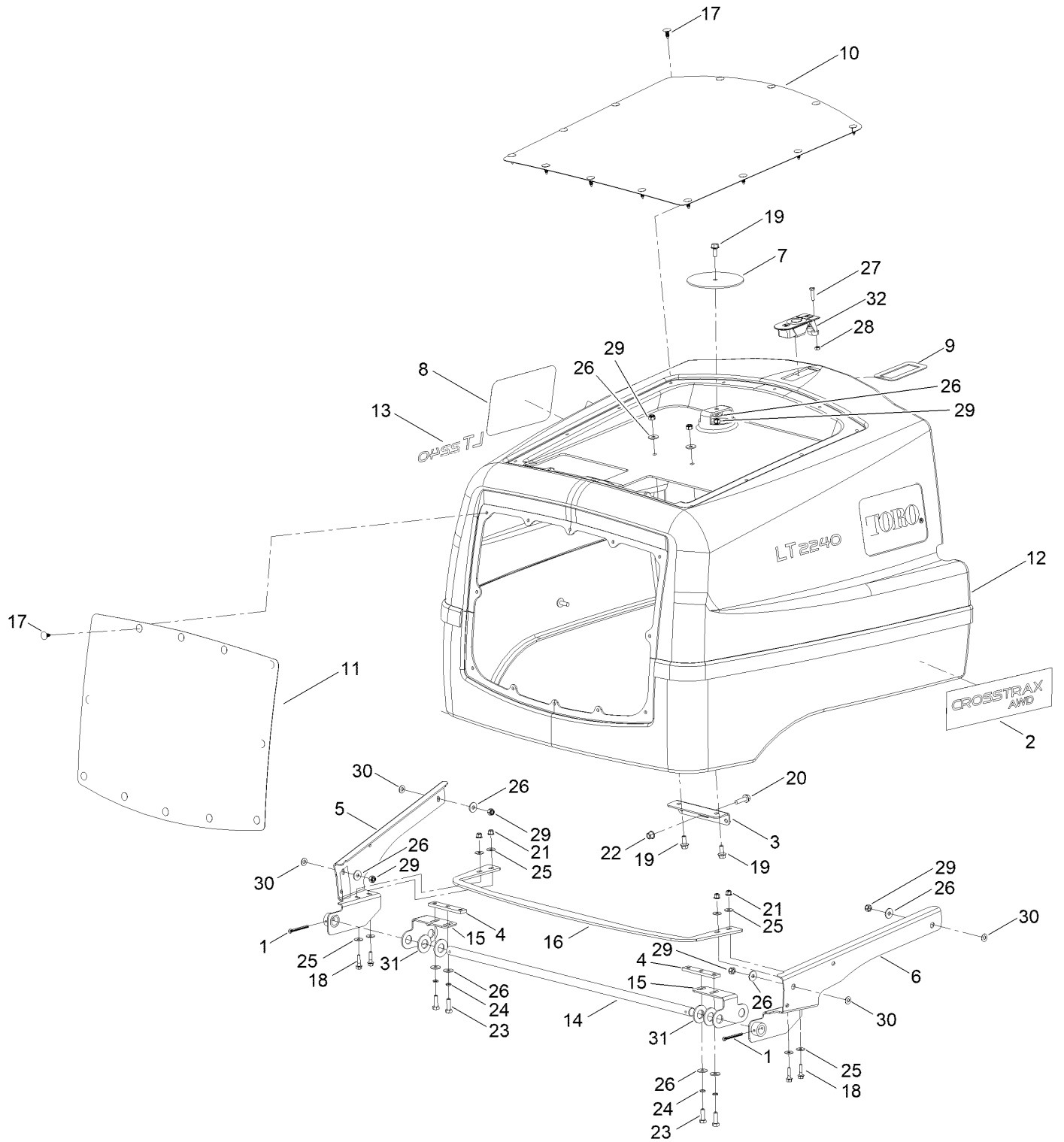


Steering Column Assembly No. 132-6230 (continued)

<i>Ref.</i>	<i>Part Number</i>	<i>Qty.</i>	<i>Description</i>	<i>Ref.</i>	<i>Part Number</i>	<i>Qty.</i>	<i>Description</i>
1	110-6462	1	Bellows-Rubber	2:5		2	Washer-Lock ●
2	110-6463	1	Cylinder Service Kit	3	136-4385	1	Pedal Service Kit
2:1		1	Cylinder-Gas ●	3:1		1	Pedal ●
2:2		1	Block-Pedal ●	3:2		1	Pin ●
2:3		2	Bolt ●	3:3		1	Spring ●
2:4		1	Pin ●	4	120-6256	1	Universal Joint Kit

● Not serviced separately

Hood Assembly

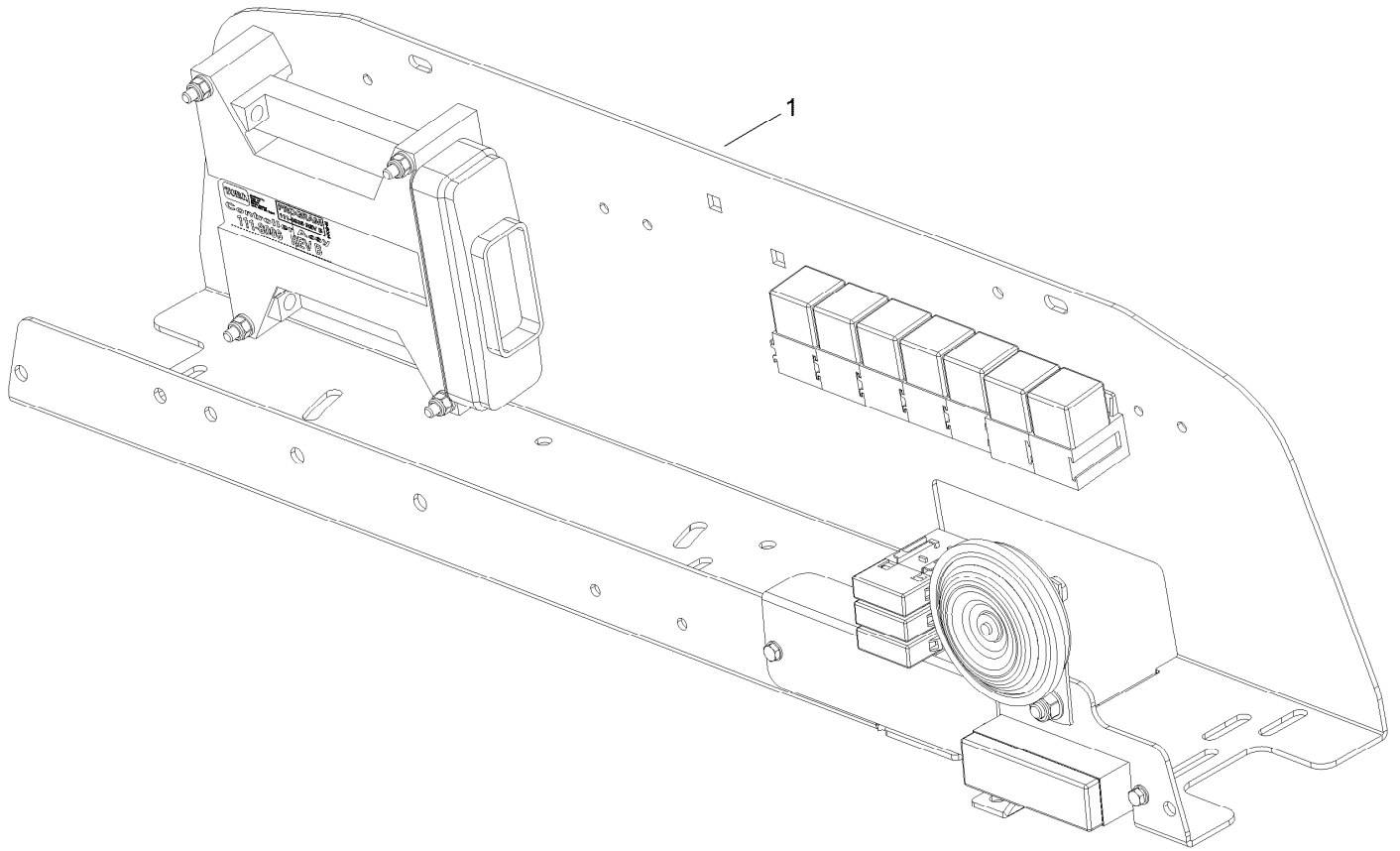


Hood Assembly (continued)

<i>Ref.</i>	<i>Part Number</i>	<i>Qty.</i>	<i>Description</i>	<i>Ref.</i>	<i>Part Number</i>	<i>Qty.</i>	<i>Description</i>
1	74-11-003	2	Pin-Split	18	134-3741	4	Screw-HHF
2	110-8859	2	Decal	19	134-3746	3	Screw-HHF
3	111-2111-03	1	Bracket-Engine, Cover	20	134-3748	1	Screw-HHF
4	111-3281	2	Bar-Nut	21	134-3761	4	Nut-Flange, NI
5	111-3490-03	1	Hinge-Cover, Engine (LH)	22	134-3762	1	Nut-Flange, NI
6	111-3491-03	1	Hinge-Cover, Engine (RH)	23	03162	4	Screw-HH
7	111-3557-03	1	Cover-Air, Intake	24	03469	4	Washer-Spring
8	111-3728	2	Decal	25	09262	8	Washer
9	111-4158-03	1	Plate-Support, Latch	26	09267	11	Washer-Plain
10	111-6918-03	1	Screen-Top	27	09364	1	Screw-HH
11	111-6919-03	1	Screen-Rear	28	09437	1	Nut
12	111-6920	1	Cover-Engine	29	09441	7	Nut-Hex, NI
13	134-6407	2	Decal - Lt2240	30	09475	4	Washer
14	111-7482	1	Shaft-Hinge, Cover	31	09499	4	Washer
15	111-7483-03	2	Bracket, Hinge-Shaft	32	950831	1	Latch-Sealed, Lever
16	111-8236-03	1	Plate-Tie, Cover	99	111-7488	5	Seal-Cover, Screen ●
17	117-2382	26	Plug-Plastic				

● Not illustrated

Loom Kit Assembly



Loom Kit Assembly (continued)

<i>Ref.</i>	<i>Part Number</i>	<i>Qty.</i>	<i>Description</i>
1	134-5010	1	Kit, Loom
99	HY3966	30	Tie-Cable ●

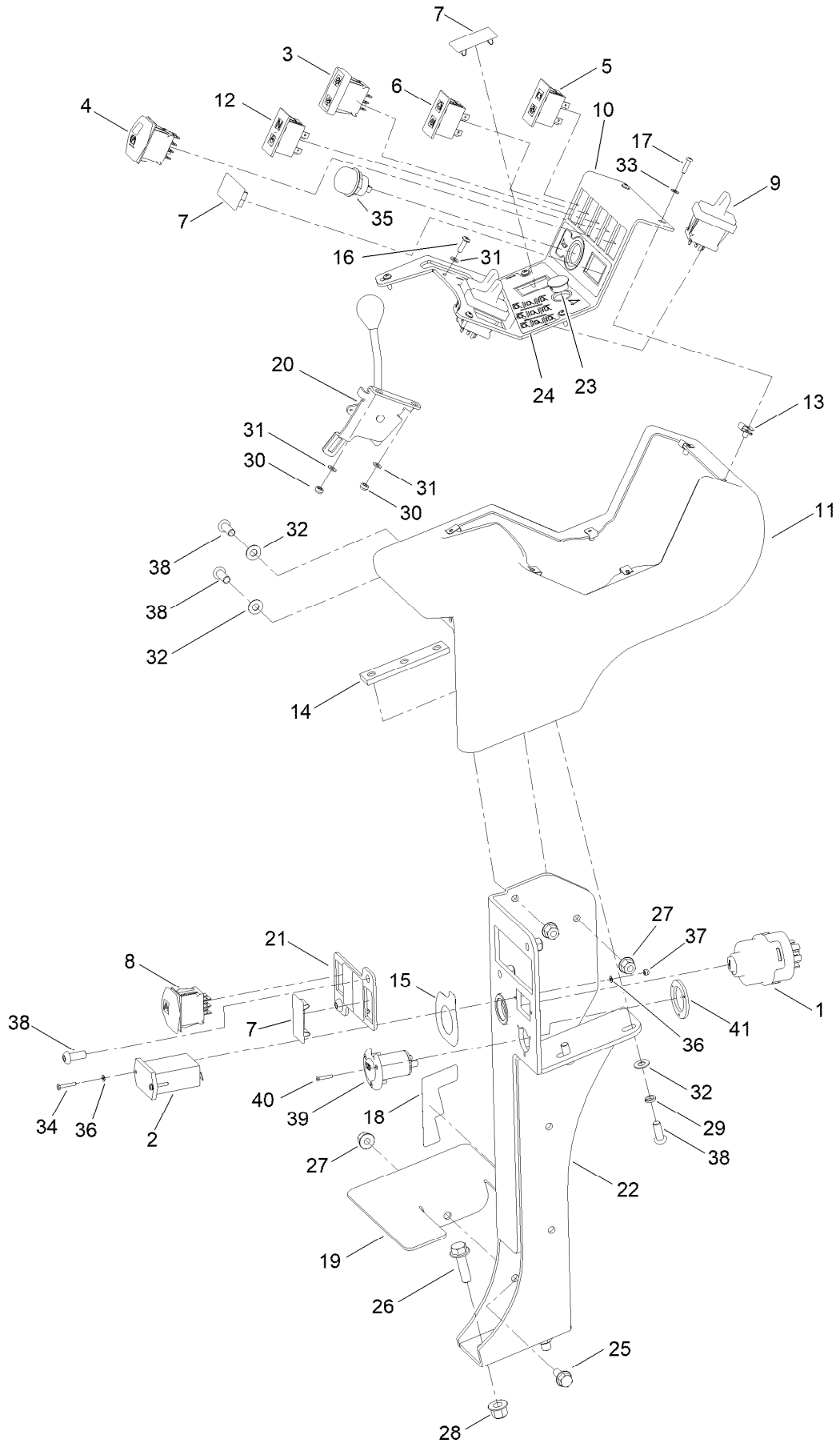
● Not illustrated

Loom Kit Assembly No. 134-5010 (continued)

<i>Ref.</i>	<i>Part Number</i>	<i>Qty.</i>	<i>Description</i>	<i>Ref.</i>	<i>Part Number</i>	<i>Qty.</i>	<i>Description</i>
1	134-5011	1	Harness-Main ●	6	70-09-108	1	Horn ASM
1:5	995714	2	Fuse-50A	7	09430	4	Nut-Nyloc
1:59	111-2898	1	Fuse-40A	8	09438	4	Nut-Nyloc
1:60	70-09-026	3	Fuse-10A	9	09441	1	Nut-Hex, NI
1:75	70-09-151	1	Fuse-15A	10	ZDH1E012U	3	Screw-HH
1:78	70-09-096	1	Box-Fuse	11	ZDH1E016U	3	Screw-HH
1:80	111-0302	3	Cover	12	09368	1	Screw-HH
1:82	924625	2	Relay-70A	13	09644	2	Washer-Spring
1:83	111-0336	5	Relay-30A	14	09476	2	Washer-Shakeproof
2	09703	4	Bolt-HH	15	09475	2	Washer
3	111-4842-03	1	Bracket-Fuse	16	09470	10	Washer
4	111-8006	1	Controller ASM	17	09472	8	Washer-Plain
5	134-0435-03	1	Plate-Base, Electrical	99	950868	1	Diode Assembly ●

● Not illustrated

Control Panel Assembly

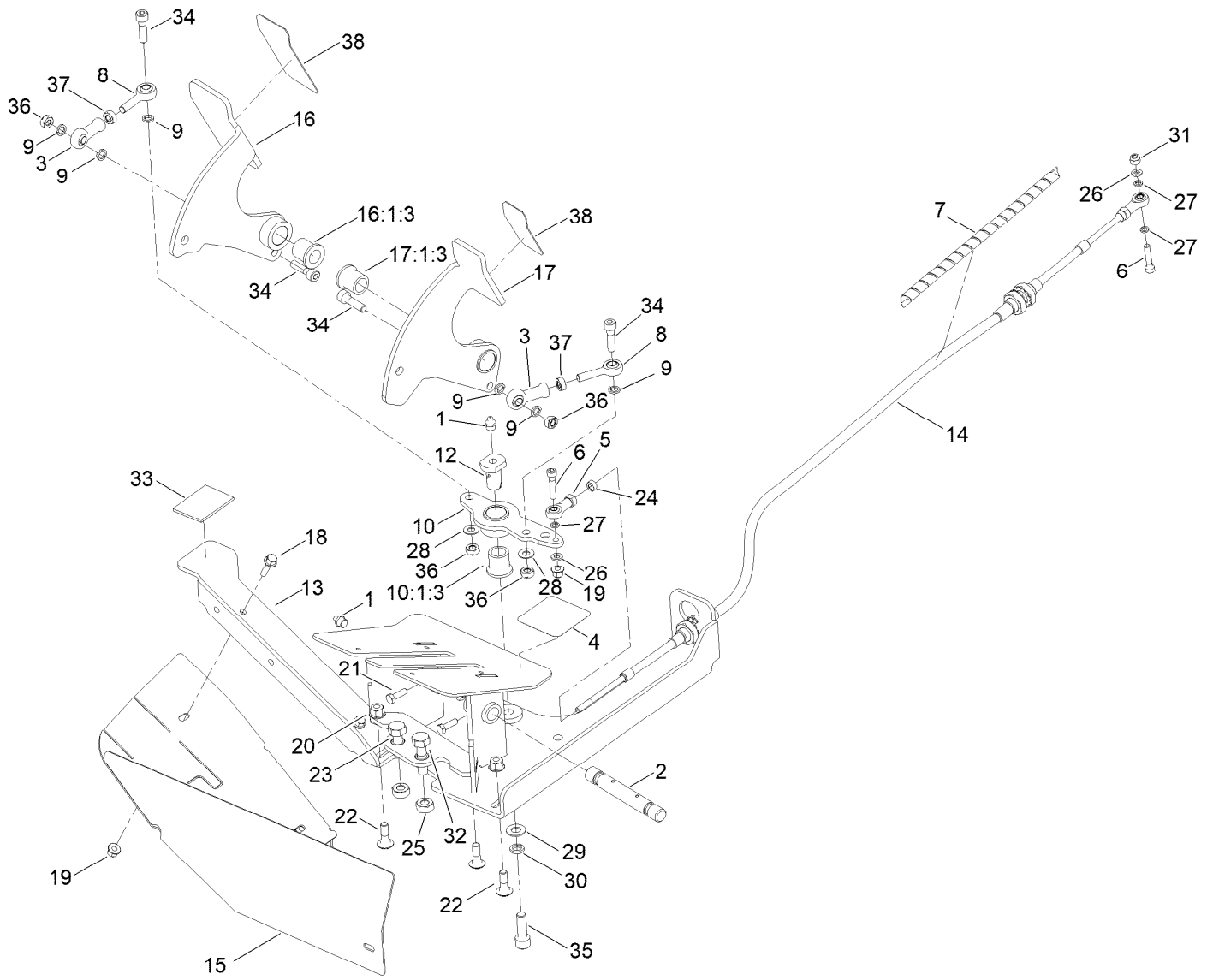


Control Panel Assembly (continued)

<i>Ref.</i>	<i>Part Number</i>	<i>Qty.</i>	<i>Description</i>	<i>Ref.</i>	<i>Part Number</i>	<i>Qty.</i>	<i>Description</i>
1	74-09-009	1	Switch-Ignition	21	111-8494-03	1	Plate-Switch
1:1	74-09-017	1	Key-Ignition ●	22	111-8496-03	1	Control Arm ASM
1:2	74-09-010	1	Switch-Cover ●	23	130-8439	1	Plug-Dome
2	75-6820	1	Hourmeter	24	134-1807	1	Decal-Lift Switches & Engine Control
3	111-2253	1	Switch-Cutters	25	134-3746	1	Screw-HHF
4	111-2254	1	Switch-Rocker, On-None-On	26	134-3753	2	Screw-HHF
5	111-2333	1	Indicator-Illuminated	27	134-3762	5	Nut-Flange, NI
6	111-2334	1	Indicator-Illuminated	28	134-3763	2	Nut-Flange, NI
7	111-2337	5	Blank-Switch	29	03469	2	Washer-Spring
8	111-2451	1	Switch-Limited	30	09430	2	Nut-Nyloc
9	111-2956	3	Switch-Lift	31	09470	4	Washer
10	111-2963-03	1	Instrument-Panel	32	09475	4	Washer
11	111-3004	1	Pod-Control	33	09658	6	Washer
12	111-3026	1	Indicator-Illuminated	34	09696	2	Setscrew
13	111-3079	6	U-Nut	35	924618	1	Switch-Horn, Push
14	111-3281	1	Bar-Nut	36	HY09697	4	Washer-Plain
15	134-4638	1	Decal-Switch, Ignition	37	HY09698	2	Nut-Nyloc
16	111-3381	2	Screw-HSBH ●	38	ZHS1H020U	6	Screw-HSBH
17	111-3473	6	Screw-Button	39	111-2888	1	Socket
18	111-3658	1	Decal-Latch, Cutterhead	40	111-3539	3	Screw-Slot, Countersunk
19	111-5239-03	1	Plate-Filler	41	111-6026	1	Bracket-Securing
20	111-7090	1	Cable-Throttle	99	98-9321	1	Ring-Key ●

● Not illustrated

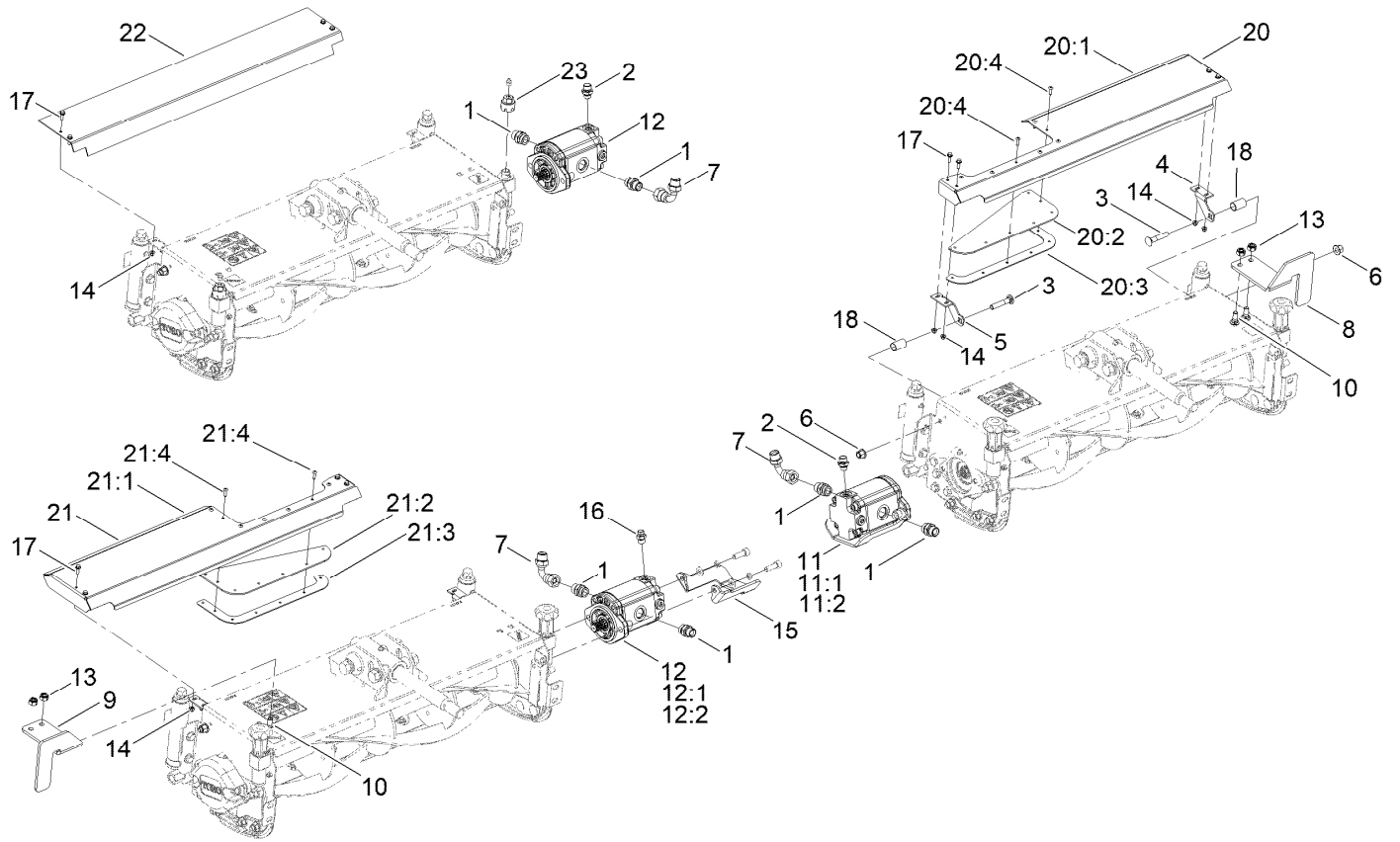
Pedal Control Assembly



Pedal Control Assembly (continued)

<i>Ref.</i>	<i>Part Number</i>	<i>Qty.</i>	<i>Description</i>	<i>Ref.</i>	<i>Part Number</i>	<i>Qty.</i>	<i>Description</i>
1	10-11-017	2	Fitting-Straight	19	134-3761	3	Nut-Flange, NI
2	111-1310	1	Pin-Control, Pedal	20	134-3762	3	Nut-Flange, NI
3	111-2896	2	Rod-End, Female	21	09363	2	Screw-HH
4	111-3567	1	Decal-Pedal, Operation	22	09373	3	Bolt-Coach
5	111-4579	2	Rod End-Female/Female	23	09392	1	Screw-HH
6	111-4586	2	Screw-HSH	24	09437	2	Nut
7	111-6133	1	Guard-Spiral	25	09449	2	Nut
8	111-6147	2	Rod End	26	09472	2	Washer-Plain
9	111-6948	6	Washer-Spring	27	09474	3	Washer-Spring
10	111-7068-03	1	Pedal Link ASM	28	09475	2	Washer
10:1:3	953868	1	Bushing-Flange, Oilite	29	09479	1	Washer-Plain
12	111-7122	1	Boss-Pedal, Link	30	09480	1	Washer-Lock
13	111-7175-03	1	Pedal-Mounting	31	09544	1	Nut-Nyloc
14	111-7267	1	Cable-Transmission	32	09611	1	Bolt-HH
15	134-5015-03	1	Deflector-Grass, RH	33	HY910808	1	Strip-Neoprene
16	111-9243-03	1	Forward Pedal ASM	34	ZCS1H030U	4	Screw-Cap
16:1:3	953868	1	Bushing-Flange, Oilite	35	ZCS1J030U	1	Screw-HSH
17	111-9244-03	1	Reverse Pedal ASM	36	ZNB1H000U	4	Nut
17:1:3	953868	1	Bushing-Flange, Oilite	37	ZNH1H000U	2	Nut-Hex
18	134-3741	2	Screw-HHF	38	70-07-067	1	Tape-Slip, Anti

Cutter Component Assembly

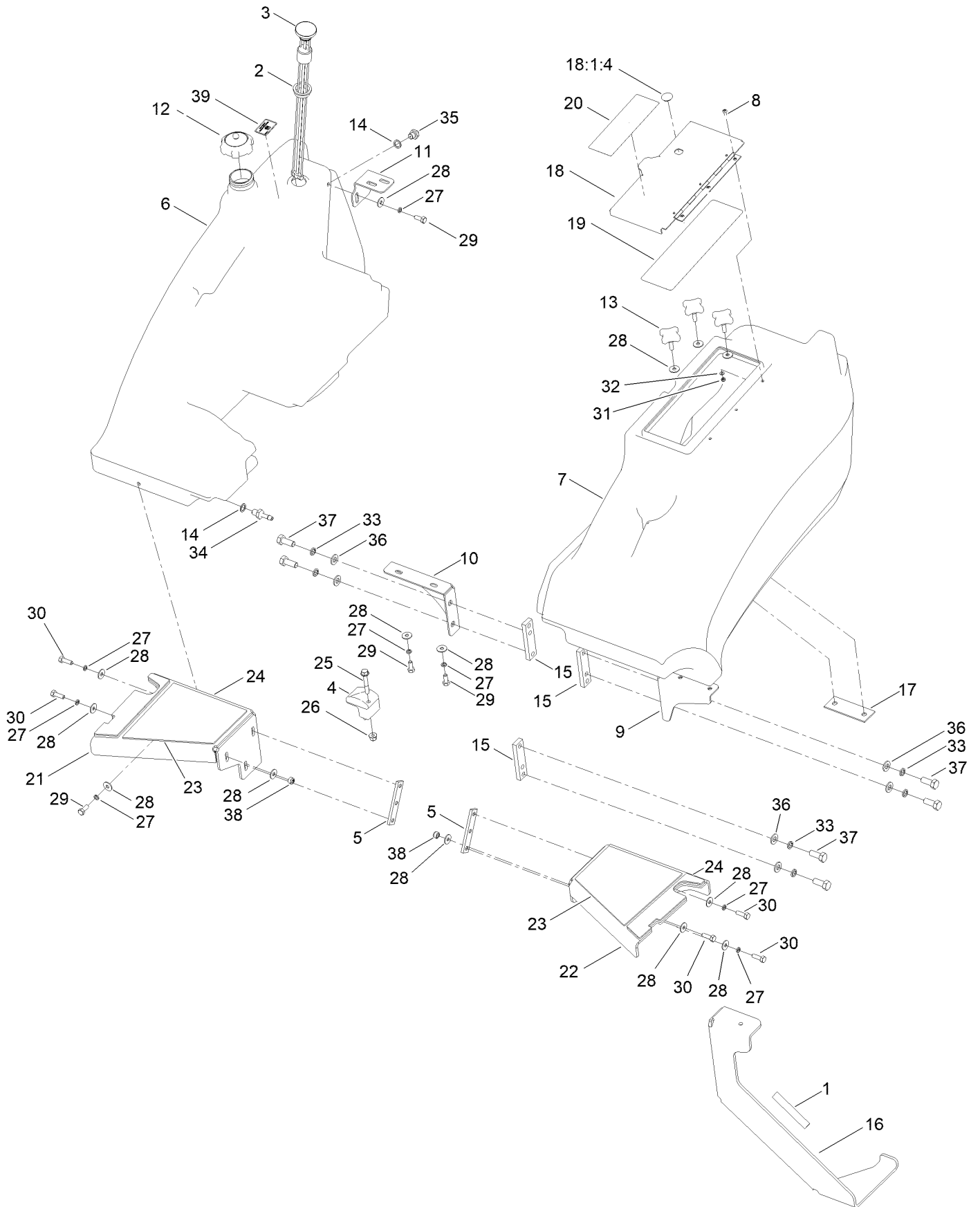


Cutter Component Assembly (continued)

<i>Ref.</i>	<i>Part Number</i>	<i>Qty.</i>	<i>Description</i>	<i>Ref.</i>	<i>Part Number</i>	<i>Qty.</i>	<i>Description</i>
1	63-06-104	6	Adaptor-BSP	15	111-7462-03	2	Guard-Motor
1:1	63-06-111	1	Seal-O Ring	16	70-06-054	1	Adaptor
2	111-4788	2	Fitting-Straight	17	134-3737	12	Screw-HHF
2:1	70-06-165	1	Seal-O Ring ●	18	876049	6	Spacer-Deflector
3	ZBK1J055U	6	Bolt-CARR	20	111-7648	1	Shield ASM
4	876041	3	Bracket-Deflector, LH	20:1	111-7266-03	1	Deflector-Grass, Cutter (LH)
5	876042	3	Bracket-Deflector, RH	20:2	111-6870	1	Panel-Rubber
6	134-3763	6	Nut-Flange, NI	20:3	111-6871-03	1	Retainer
7	25-06-066	3	Elbow-BSP	20:4	09320	7	Rivet
8	876086W	1	Guard-HOC, LH	21	111-7649	1	Shield ASM
9	876087W	1	Guard-HOC, RH	21:1	111-7265-03	1	Deflector-Grass, Cutter (RH)
10	15-11-003	4	Bolt-CARR	21:2	111-6870	1	Panel-Rubber
11	134-4583	1	Motor-Cutter, CCW	21:3	111-6871-03	1	Retainer
11:1	111-8146	1	Seal Kit	21:4	09320	7	Rivet
11:2	107-7820	1	Valve-Relief	22	876040W	1	Deflector-Rear
12	134-4582	2	Motor-Cutter, Clockwise	23	111-3927	2	Boss-Adjuster
12:1	111-8146	1	Seal Kit	99	HY922101	1	Spanner-Adjuster, Cutterhead ●
12:2	107-7820	1	Valve-Relief				
13	ZNN1J000U	4	Nut-Hex, NI				
14	134-3738	12	Nut-Flange, NI				

● Not illustrated

Fuel Tank and Storage Pod Assembly

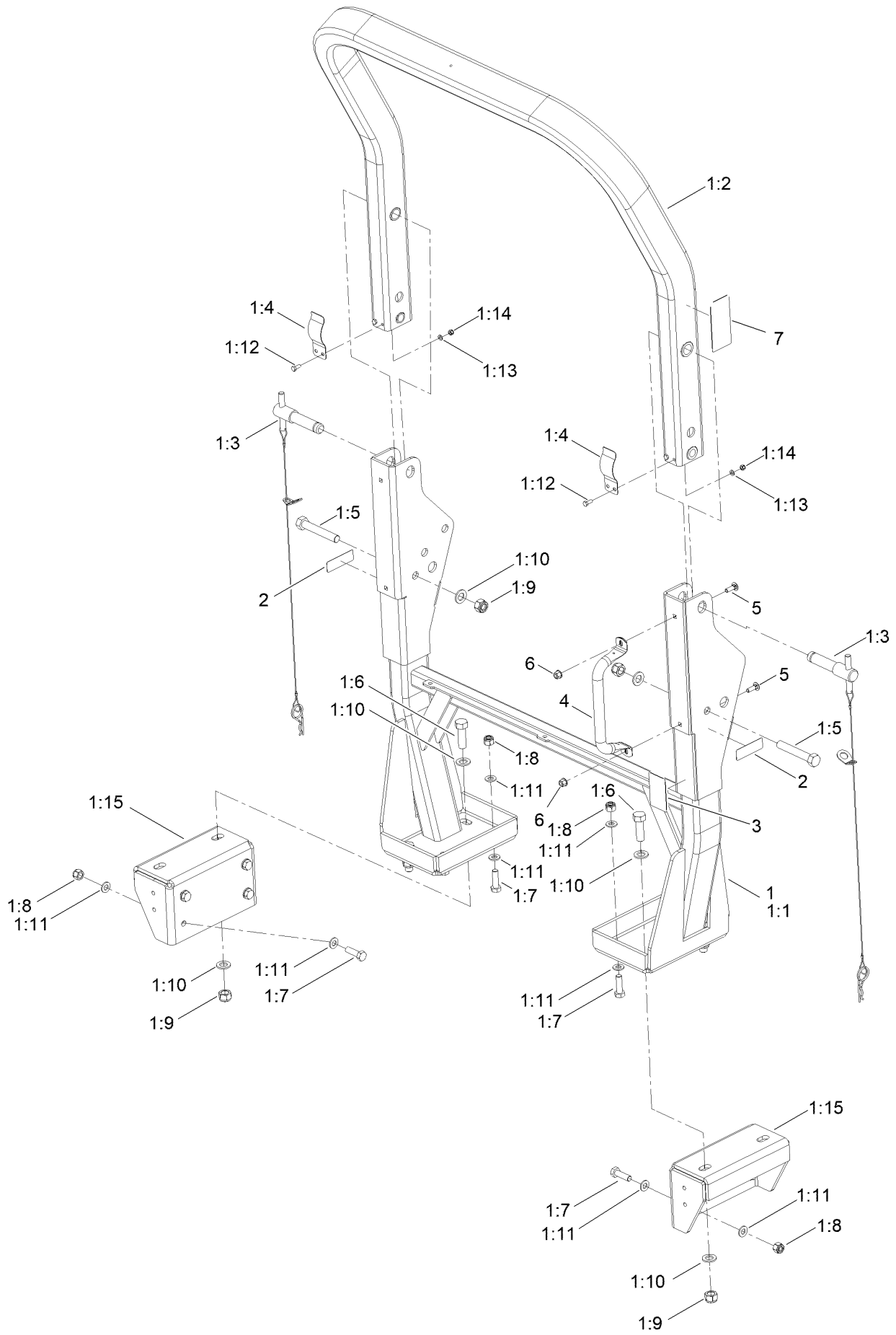


Fuel Tank and Storage Pod Assembly (continued)

<i>Ref.</i>	<i>Part Number</i>	<i>Qty.</i>	<i>Description</i>	<i>Ref.</i>	<i>Part Number</i>	<i>Qty.</i>	<i>Description</i>
1	50-08-001	1	Edging-Rubber	21	111-9041-03	1	Support-Platform
2	95-8972	1	Grommet	22	111-9042-03	1	Support-Platform
3	104-5603	1	Gauge-Level, Fuel	23	111-9043	2	Pad-Support, Inner
4	107-4543	1	Clamp	24	111-9044	2	Pad-Support, Outer
5	111-3281	2	Bar-Nut	25	134-3749	1	Screw-HHF
6	111-3294	1	Tank-Fuel	26	134-3762	1	Nut-Flange, NI
7	111-3295	1	Pod-Storage	27	03469	8	Washer-Spring
8	111-3381	3	Screw-HSBH	28	09267	15	Washer-Plain
9	111-3424-03	1	Bracket-Pod, Storage	29	09368	4	Screw-HH
10	111-3452-03	1	Bracket-Fuel Tank	30	03162	6	Screw-HH
11	111-3453-03	1	Bracket-Fuel Tank, Upper	31	09430	3	Nut-Nyloc
12	111-3531	1	Cap-Fuel	32	09470	3	Washer
13	111-3666	3	Handwheel	33	09599	6	Washer-Lock
14	111-3925	2	Washer-Fiber	34	910351	1	Pipe-Suction, Fuel
15	111-4490	3	Bar-Nut	35	910352	1	Pipe-Return, Fuel
16	111-5364-01	1	Bracket-Step	36	HY09485	6	Washer-Plain
17	111-5388	1	Pad-Rubber, Storage Pod	37	09415	6	Screw-HH
18	111-7242-03	1	Cover-Storage	38	09441	2	Nut-Hex, NI
18:1:4	134-2164	1	Plug-Lid, Storage	39	130-2845	1	Decal-Ultra Low Sulfur Diesel
19	134-5121	1	Decal-Maintenance	99	70-07-067	1	Tape-Slip, Anti ●
20	134-5139	1	Decal-Warning, Inclines				

● Not illustrated

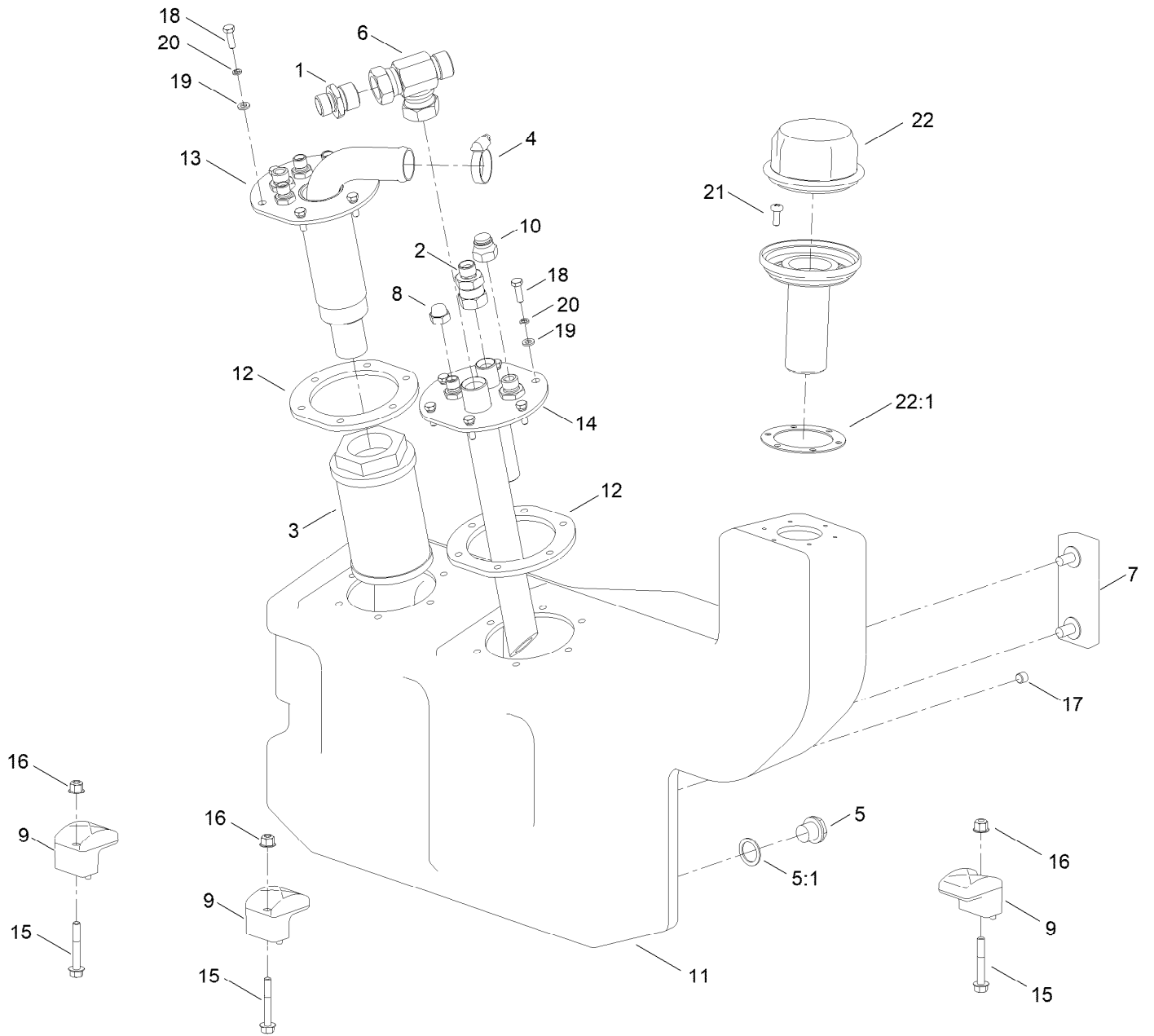
Roll-Over Protection System Assembly



Roll-Over Protection System Assembly (continued)

<i>Ref.</i>	<i>Part Number</i>	<i>Qty.</i>	<i>Description</i>	<i>Ref.</i>	<i>Part Number</i>	<i>Qty.</i>	<i>Description</i>
1	111-8039	1	ROPS ASM	1:11	HY09485	24	Washer-Plain
1:1	111-9047-03	1	ROPS-Lower	1:12	09362	4	Screw-HH
1:2	111-8040-03	1	ROPS-Upper	1:13	09472	4	Washer-Plain
1:3	111-9280	2	Pin Assembly	1:14	09438	4	Nut-Nyloc
1:4	110-5696	2	Spring-Leaf	1:15	111-9065-03	2	Bracket-Chassis, ROPS
1:5	ZBH1P100U	2	Bolt	2	120-0625	2	Decal-Warning
1:6	ZDH1P050U	4	Screw-HH	3	134-5123	1	Label, ROPS
1:7	63-11-010	12	Bolt-HH	4	134-2022-03	1	Handle-ROPS
1:8	111-9291	12	Nut-Hex, Nyloc	5	09373	2	Bolt-Coach
1:9	09456	6	Nut	6	134-3762	2	Nut-Flange, NI
1:10	09491	10	Washer-Plain	7	134-4281	1	Decal-Warning, ROPS

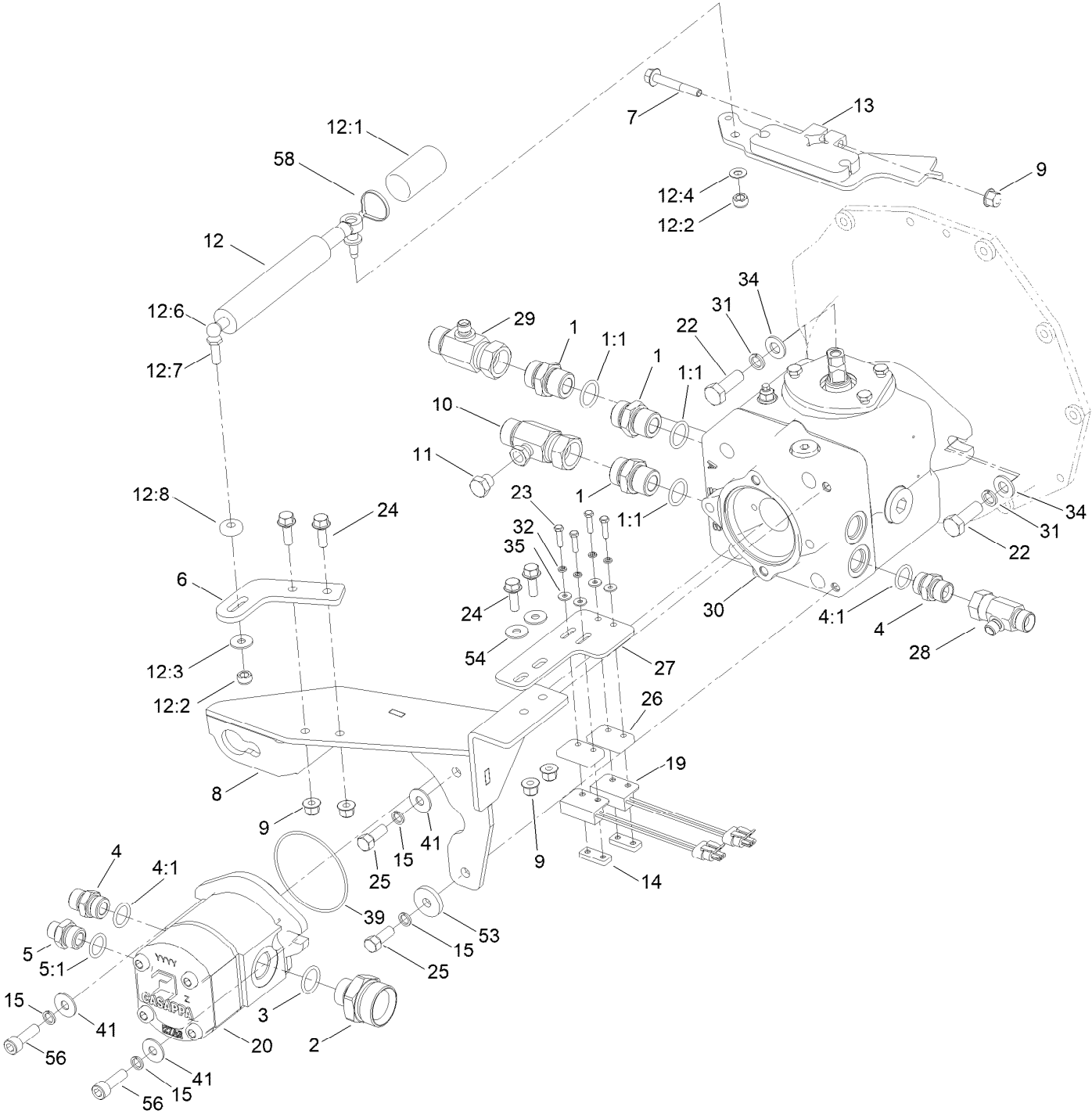
Hydraulic Oil Tank Assembly



Hydraulic Oil Tank Assembly (continued)

<i>Ref.</i>	<i>Part Number</i>	<i>Qty.</i>	<i>Description</i>	<i>Ref.</i>	<i>Part Number</i>	<i>Qty.</i>	<i>Description</i>
1	09-06-201	1	Adaptor	12	111-9531	2	Gasket-Flange
2	09-06-217	1	Adaptor	13	111-9532	1	Flange-Suction
3	10-06-025	1	Filter-Suction	14	111-9533-03	1	Flange-Return
4	10-11-034	1	Clamp-Hose, Hi-Torque	15	134-3749	3	Screw-HHF
5	20-06-207	1	Plug-Magnetic	16	134-3762	3	Nut-Flange, NI
5:1	111-7925	1	Washer-Fiber	17	285-17	1	Plug-Pipe
6	60-06-009	1	Adaptor-Tee	18	09363	12	Screw-HH
7	65-06-018	1	Gauge-Level, Oil	19	09472	12	Washer-Plain
8	66-06-003	1	Cap-BSP	20	09474	12	Washer-Spring
9	107-4543	3	Clamp	21	09634	6	Screw-PPH, HD
10	111-4972	1	Cap-BSP	22	HY910601	1	Cap-Breather, Filler
11	111-9528	1	Tank-Oil, Hydraulic	22:1	910648	1	Cap-Gasket, Filler

Hydraulic Pump Assembly

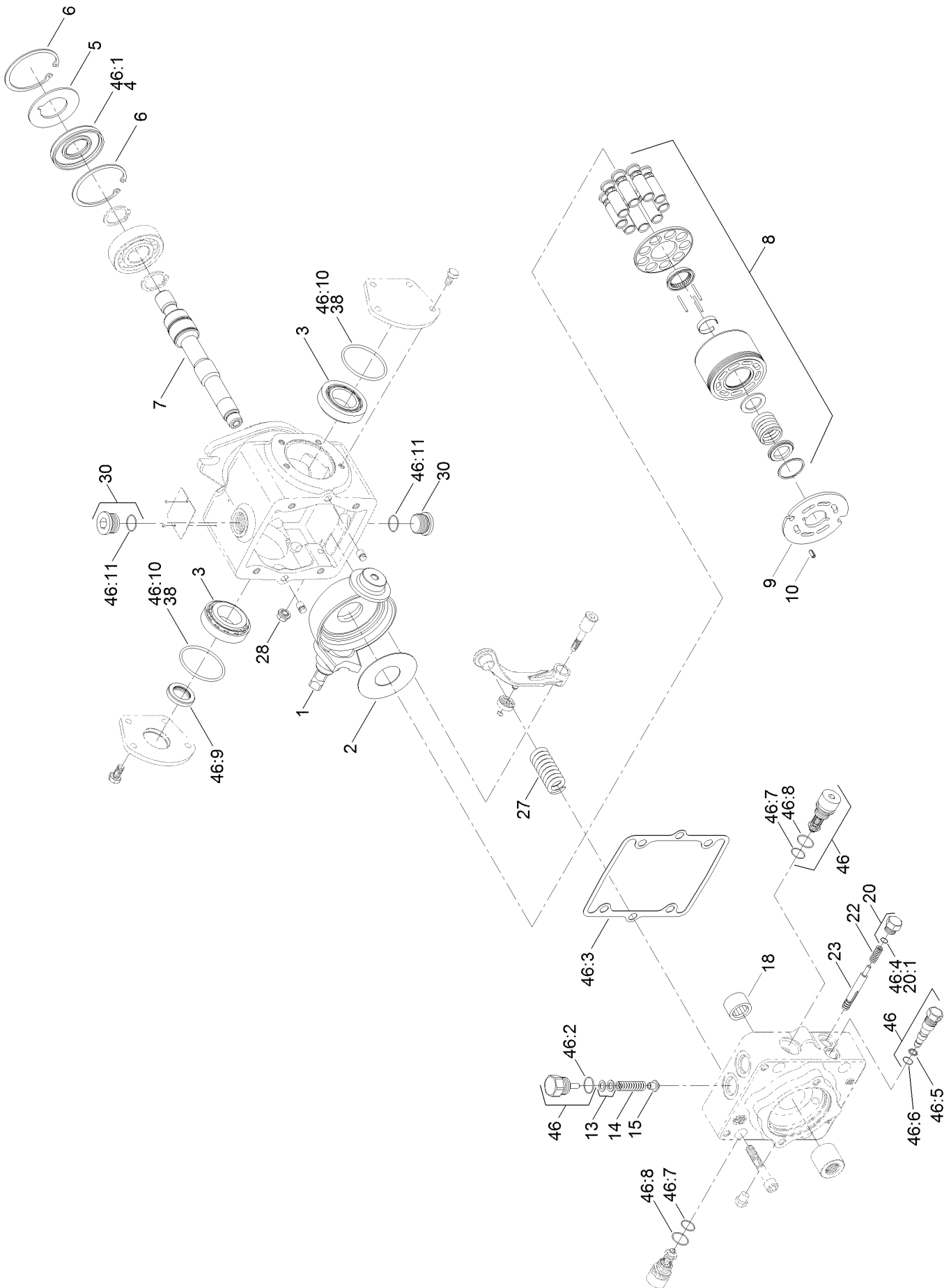


Hydraulic Pump Assembly (continued)

<i>Ref.</i>	<i>Part Number</i>	<i>Qty.</i>	<i>Description</i>	<i>Ref.</i>	<i>Part Number</i>	<i>Qty.</i>	<i>Description</i>
1	70-06-050	3	Adaptor-Boss	14	111-3336	2	Bar-Switch, Proximity
1:1	70-06-168	1	Seal-O Ring	15	09273	4	Washer-Spring
2	134-0023	1	Adaptor M/M	19	105-0023	2	Switch-Proximity
3	70-06-168	1	Seal-O Ring	20	111-7444	1	Gear Pump ASM
4	63-06-104	2	Adaptor-BSP	20:1	134-2157	1	Seal Kit ●
4:1	63-06-111	1	Seal-O Ring	22	ZDH1L035U	2	Screw-HH
5	70-06-053	1	Adaptor-Boss	23	ZDH1E020U	4	Screw-HH
5:1	63-06-111	1	Seal-O Ring	24	134-3747	4	Screw-HHF
6	111-6853-03	1	Adjuster-Damper	25	HY103653	2	Screw-HH
7	134-3749	1	Screw-HHF	26	111-3676	2	Spacer-Switch, Proximity
8	111-6456-03	1	Bracket-Control, Pump	27	111-3260-03	1	Adjuster-Switches
9	134-3762	5	Nut-Flange, NI	28	74-06-019	1	Adaptor-Tee
10	134-4876	1	Tee, BSP	29	111-3639	1	Tee-BSP
11	30-06-200	1	Plug-HYD	30	111-6774	1	Pump-Transmission
12	134-6260	1	Damper Kit	31	09599	2	Washer-Lock
12:1	111-9774	1	Sleeve-Rubber	32	09644	4	Washer-Spring
12:2	09441	2	Nut-Hex, NI	34	63-01-115	2	Washer
12:3	09267	1	Washer-Plain	35	09257	4	Washer
12:4	09475	1	Washer	39	70-06-028	1	O-Ring
12:6	134-6053	1	Ball Socket	41	HY03355	3	Washer-Plated
12:7	134-6054	1	Ball Extension	53	65-01-559	1	Washer-Space
12:8	115-5118	1	Washer	54	09267	2	Washer-Plain
12:9	74-07-020	1	Tie-Cable ●	56	111-9168	2	Screw-Sh
13	111-6814	1	Lever-Control, Pump				

● Not illustrated

Hydraulic Pump Assembly No. 111-6774

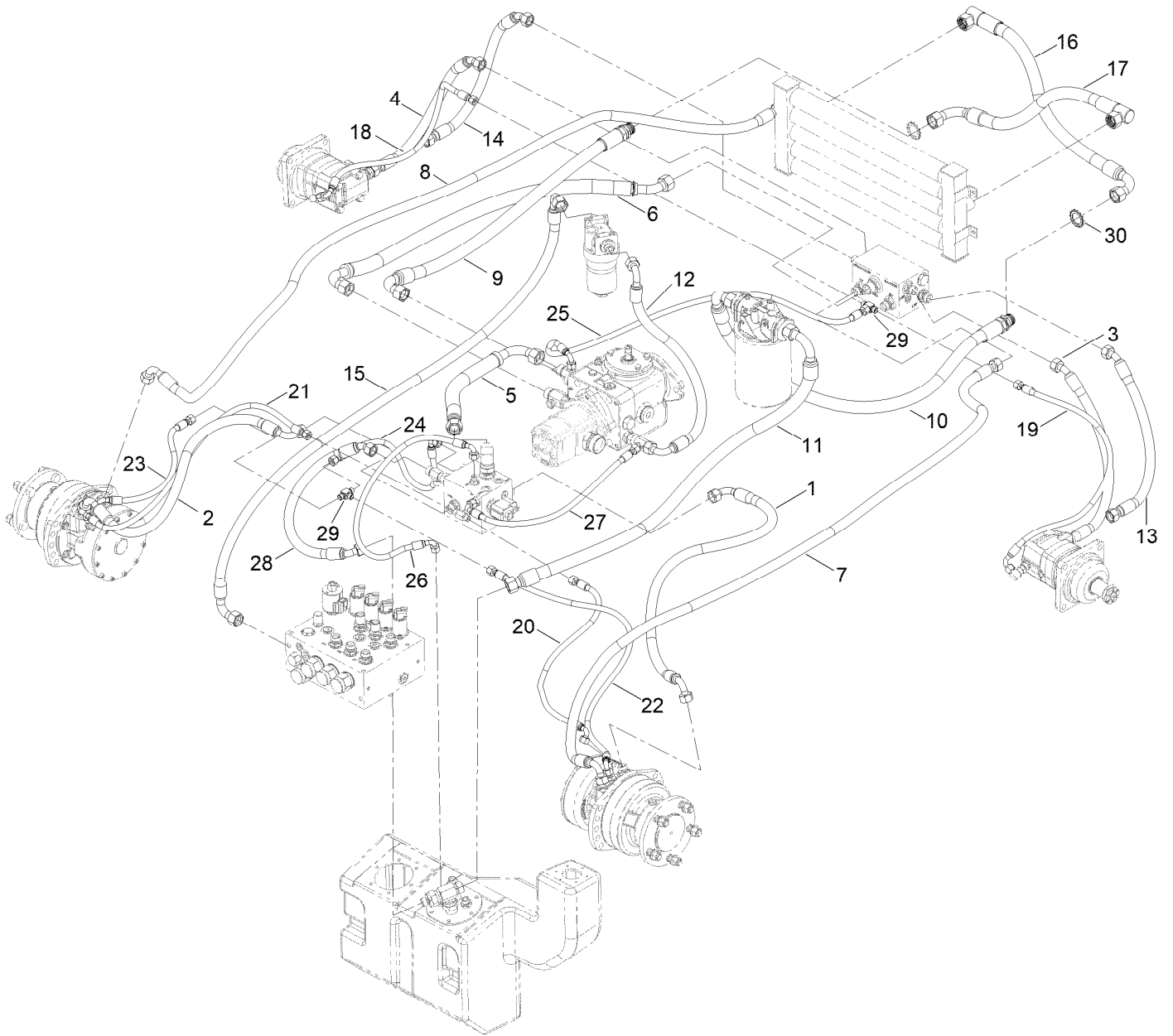


Hydraulic Pump Assembly No. 111-6774 (continued)

<i>Ref.</i>	<i>Part Number</i>	<i>Qty.</i>	<i>Description</i>	<i>Ref.</i>	<i>Part Number</i>	<i>Qty.</i>	<i>Description</i>
1	115-8092	1	Swashplate	23	110-6492	1	Spool-Loop, Flush
2	75-0400	1	Plate-Thrust	27	110-6495	1	Spring-Return, Neutral
3	110-6483	2	Bearing Kit	28	110-6496	1	Nut-Seal
4	110-6471	1	Seal-Lip	30	69-3130	2	Plug
5	95-4400	1	Washer-Backup	38	84-0430	2	O-Ring
6	69-3200	2	Ring-Retaining	46	110-6481	1	Seal Kit
7	111-9640	1	Shaft-Auxiliary	46:1	110-6471	1	Seal-Lip
8	110-6472	1	Cylinder Block Kit ASM	46:2	28-3570	1	O-Ring
9	110-6473	1	Plate-Valve (Clockwise)	46:3	110-6476	1	Gasket-Cap, End
10	131-3800	1	Pin-Slotted	46:4	131-8631	2	O-Ring
13	111-4908	1	Shim Kit ASM	46:5	25-2630	1	Ring-Back Up
14	111-4918	1	Spring-Charge, Prv	46:6	110-6498	1	O-Ring
15	110-6475	1	Poppet	46:7	75-0240	2	O-Ring
18	110-6489	4	Screw	46:8	84-0560	2	O-Ring
20	94-9415	1	Plug ASM	46:9	110-6478	1	Seal-Lip
20:1		1	O-Ring ●	46:10	84-0430	2	O-Ring
22	111-4917	1	Spring-Valve, Loop (Flushing)	46:11	131-8614	2	O-Ring

● Not serviced separately

Transmission Hose Assembly

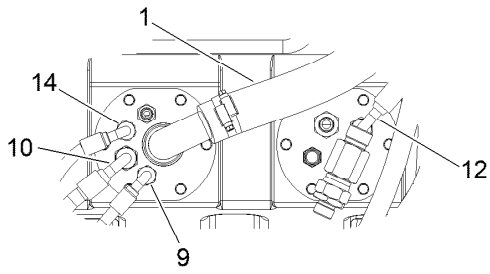


Transmission Hose Assembly (continued)

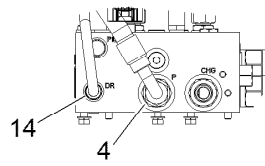
<i>Ref.</i>	<i>Part Number</i>	<i>Qty.</i>	<i>Description</i>	<i>Ref.</i>	<i>Part Number</i>	<i>Qty.</i>	<i>Description</i>
1	134-1887	1	Hose	17	111-3599	1	Hose
2	134-1888	1	Hose	18	111-3604	1	Hose
3	111-3576	1	Hose	19	111-3604	1	Hose
4	111-3576	1	Hose	20	134-1891	1	Hose
5	111-3577	1	Hose	21	134-1891	1	Hose
6	134-6500	1	Hose	22	134-1892	1	Hose
7	134-1889	1	Hose	23	134-1893	1	Hose
8	134-1890	1	Hose	24	134-1894	1	Hose
9	111-3586	1	Hose	25	134-1895	1	Hose
10	111-3587	1	Hose	26	134-1896	1	Hose
11	111-3588	1	Hose	27	134-1897	1	Hose
12	111-3593	1	Hose	28	111-3622	1	Hose
13	111-3595	1	Hose	29	30-06-201	2	Tee
14	111-3595	1	Hose	30	111-9293	2	Washer-Tooth
15	111-6950	1	Hose	99	74-07-020	30	Tie-Cable ●
16	111-3599	1	Hose	99	111-1048	20	Cable Tie 12.7 * 580 ●

● Not illustrated

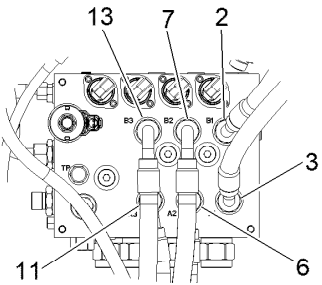
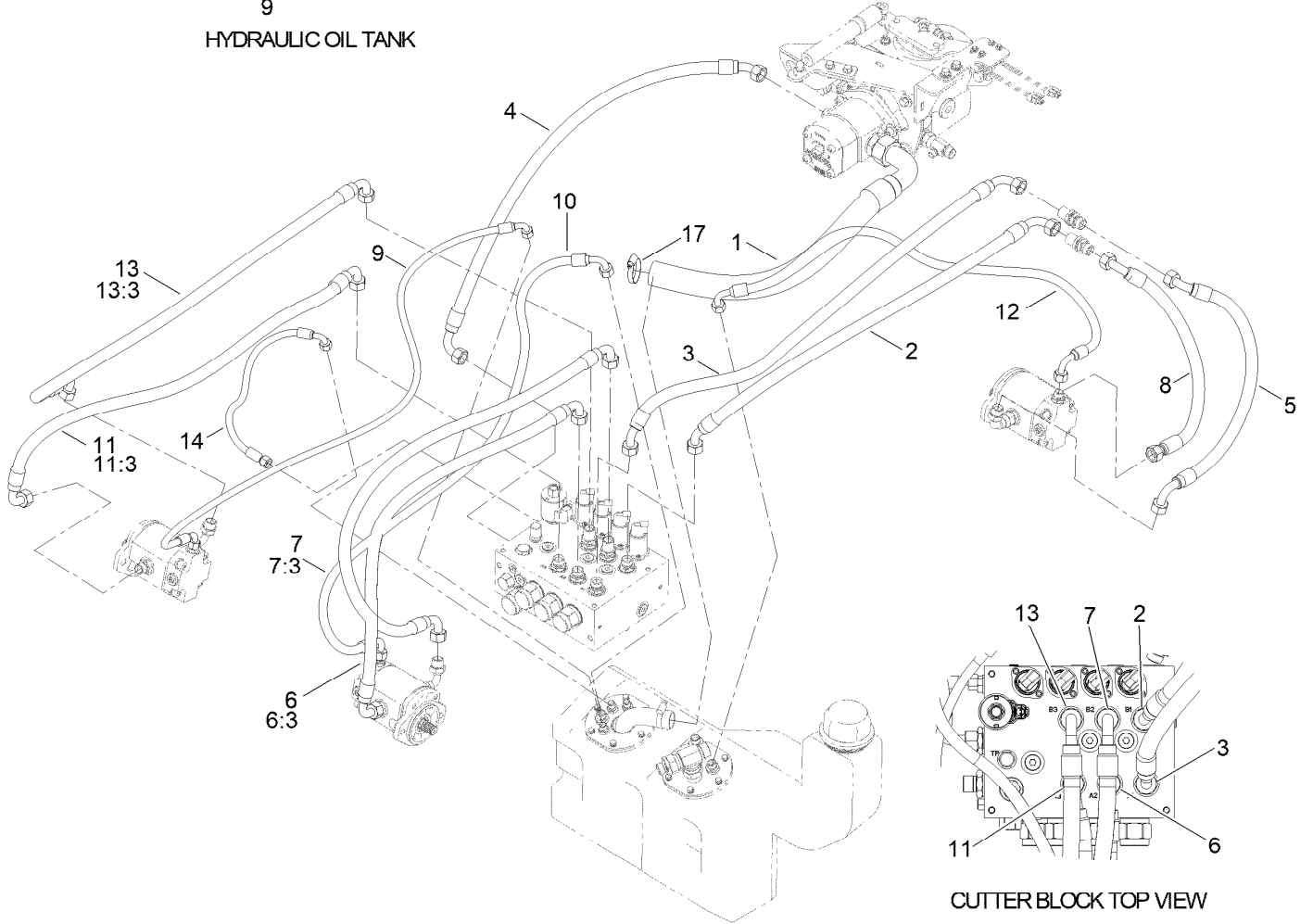
Cutter Hose Assembly



HYDRAULIC OIL TANK



CUTTER BLOCK SIDE VIEW

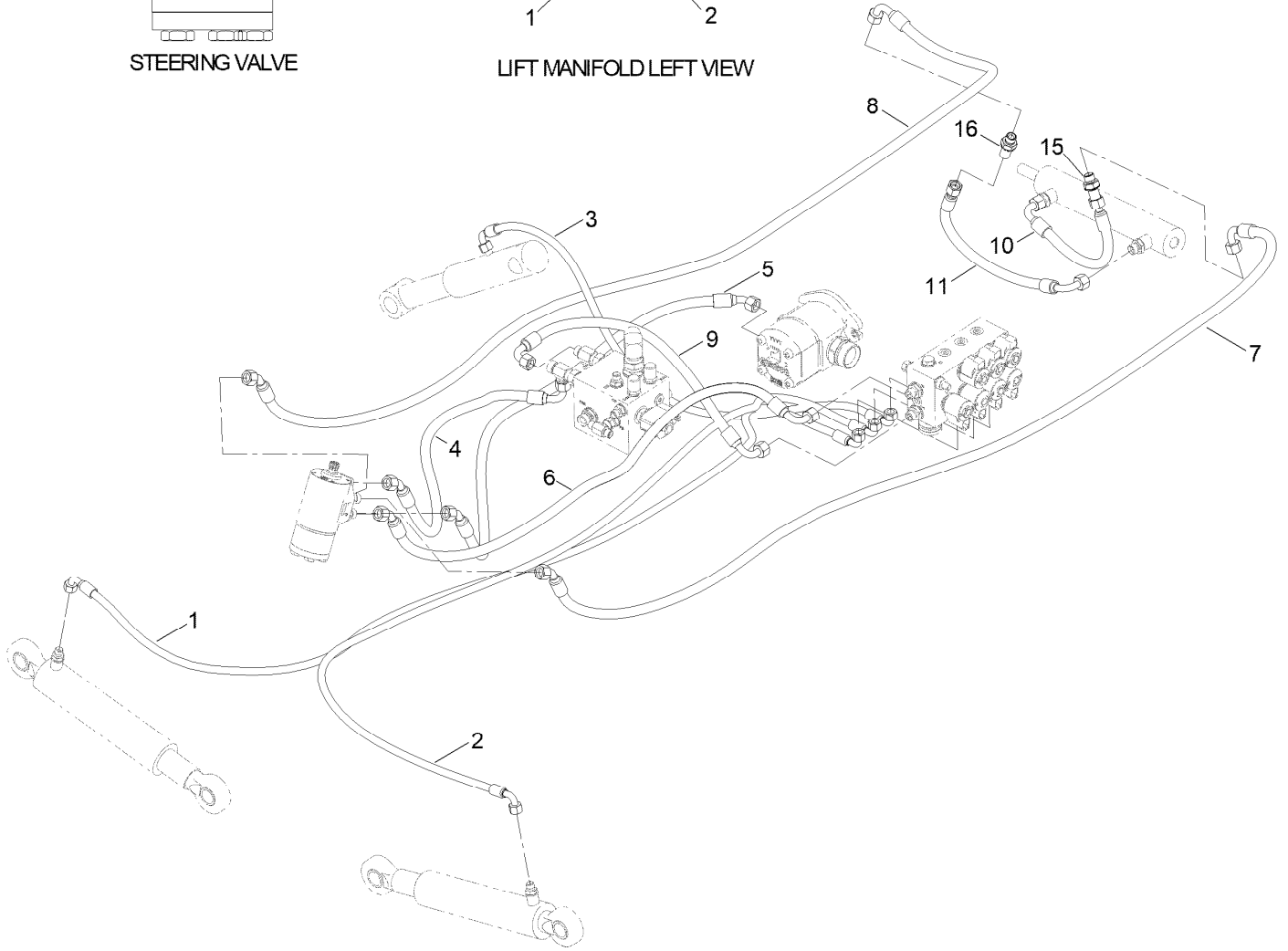
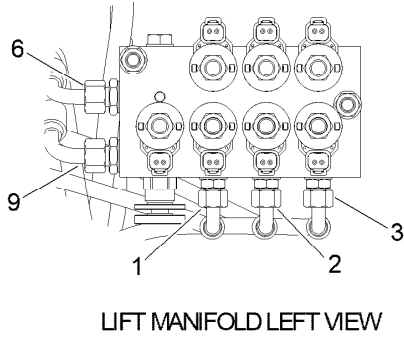
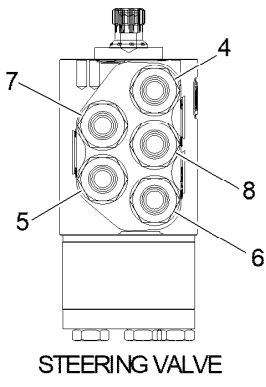


CUTTER BLOCK TOP VIEW

Cutter Hose Assembly (continued)

<i>Ref.</i>	<i>Part Number</i>	<i>Qty.</i>	<i>Description</i>	<i>Ref.</i>	<i>Part Number</i>	<i>Qty.</i>	<i>Description</i>
1	134-0116	1	Hose	9	134-1908	1	Hose
2	111-6766	1	Hose	10	134-1909	1	Hose
3	111-6767	1	Hose	11	111-8070	1	Hose
4	111-7407	1	Hose	11:3	07809	1	Sock-Hose
5	111-6769	1	Hose	12	134-1910	1	Hose
6	111-8072	1	Hose	13	111-8071	1	Hose
6:3	07809	1	Sock-Hose	13:3	07809	2	Sock-Hose
7	111-8073	1	Hose	14	134-1911	1	Hose
7:3	07809	2	Sock-Hose	17	10-11-034	1	Clamp-Hose, Hi-Torque
8	111-6772	1	Hose				

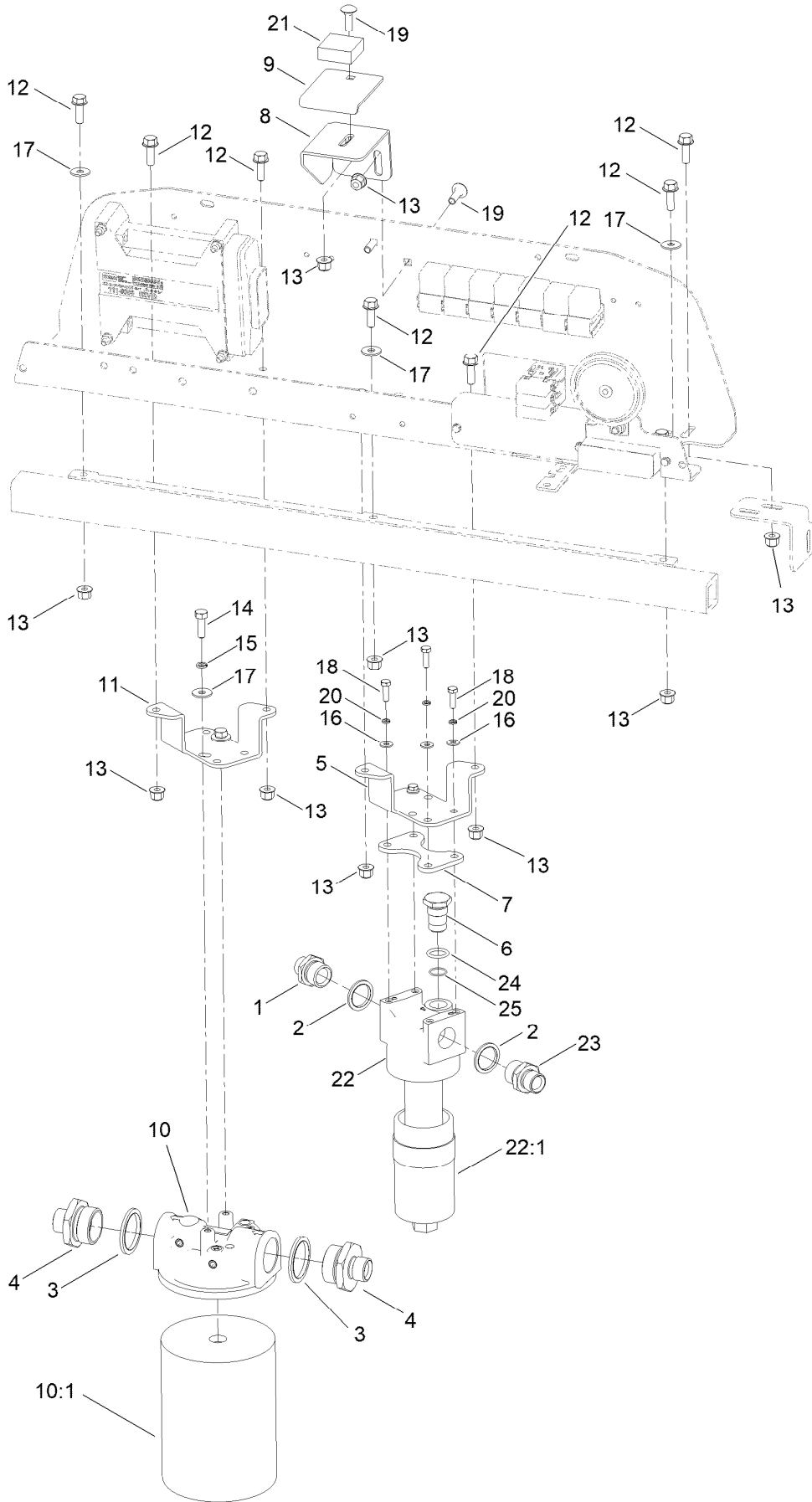
Steering and Lift Hose Assembly



Steering and Lift Hose Assembly (continued)

<i>Ref.</i>	<i>Part Number</i>	<i>Qty.</i>	<i>Description</i>	<i>Ref.</i>	<i>Part Number</i>	<i>Qty.</i>	<i>Description</i>
1	134-1898	1	Hose	8	134-1905	1	Hose
2	134-1899	1	Hose	9	134-1906	1	Hose
3	134-1900	1	Hose	10	134-1907	1	Hose
4	134-1901	1	Hose	11	134-1907	1	Hose
5	134-1902	1	Hose	15	30-06-208	2	Adaptor
6	134-1903	1	Hose	16	111-5622	2	Washer-Lock, Serrated
7	134-1904	1	Hose				

Filter Assembly

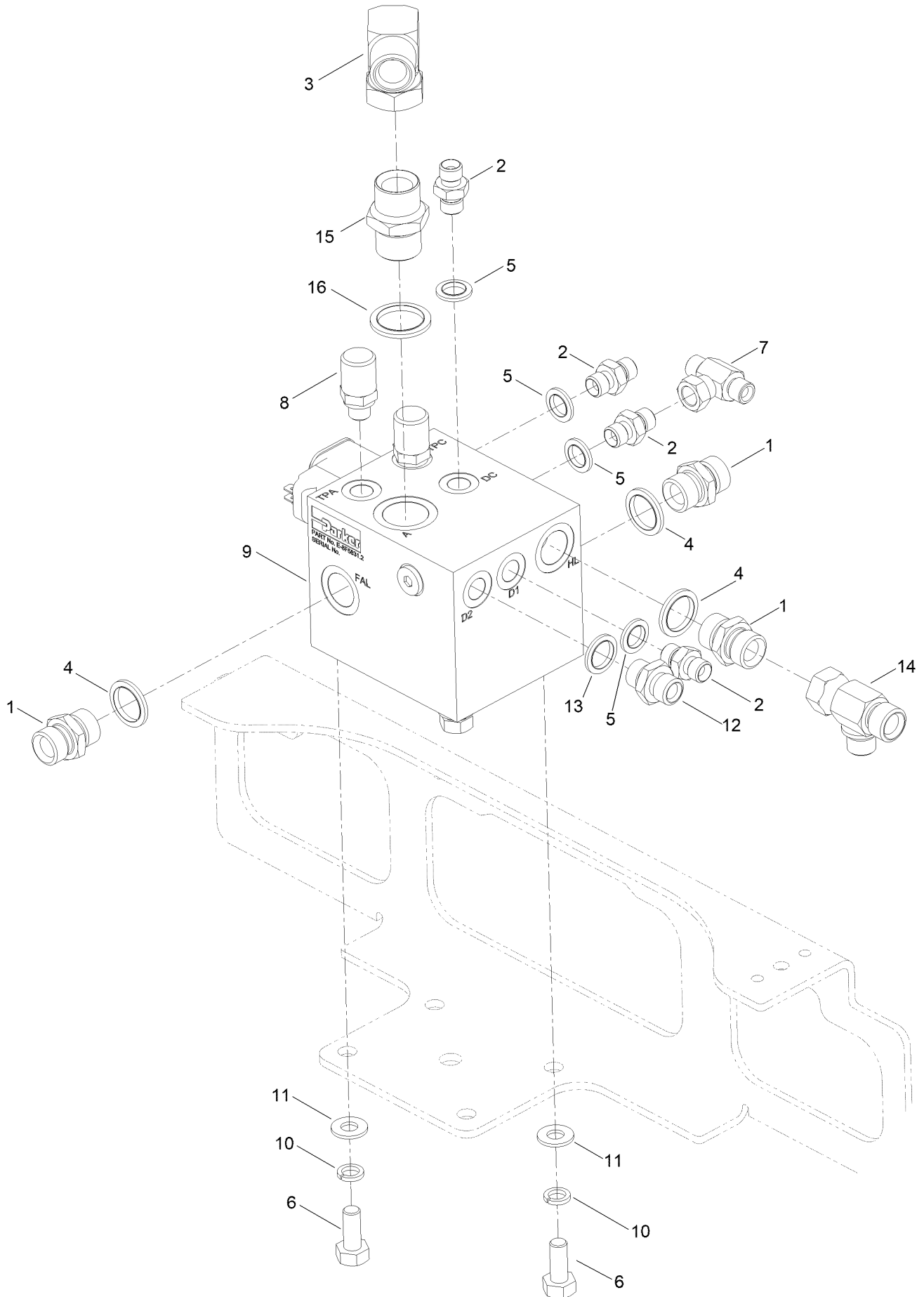


Filter Assembly (continued)

<i>Ref.</i>	<i>Part Number</i>	<i>Qty.</i>	<i>Description</i>	<i>Ref.</i>	<i>Part Number</i>	<i>Qty.</i>	<i>Description</i>
1	09-06-201	1	Adaptor	14	03162	2	Screw-HH
2	10-06-033	2	Seal-Dowty	15	03469	2	Washer-Spring
3	10-06-035	2	Seal-Dowty	16	09261	4	Washer-Plain
4	25-06-050	2	Adaptor	17	09267	5	Washer-Plain
5	111-3485-03	1	Bracket-Filter, Oil	18	09363	4	Screw-HH
6	134-6266	1	Plug, Blanking	19	09373	3	Bolt-Coach
7	111-4843-03	1	Spacer-Oil Filter	20	09474	4	Washer-Spring
8	111-6095-03	1	Plate-Latch, Bulkhead	21	488023	1	Pad-Foam, Short
9	111-6096-03	1	Plate-Latch, Bonnet	22	924708	1	Pressure Filter ASM
10	111-7508	1	Return Filter ASM	22:1	924709	1	Element-Filter, Pressure
10:1	924692	1	Element-Filter	22:2	924710	1	Indicator-Filter, Pressure ●
11	134-0449-03	1	Bracket-Filter	23	994626	1	Adaptor-BSPP
12	134-3747	9	Screw-HHF	24	63-06-111	1	Seal-O Ring
13	134-3762	12	Nut-Flange, NI	25	134-6268	1	O-Ring

● Not illustrated

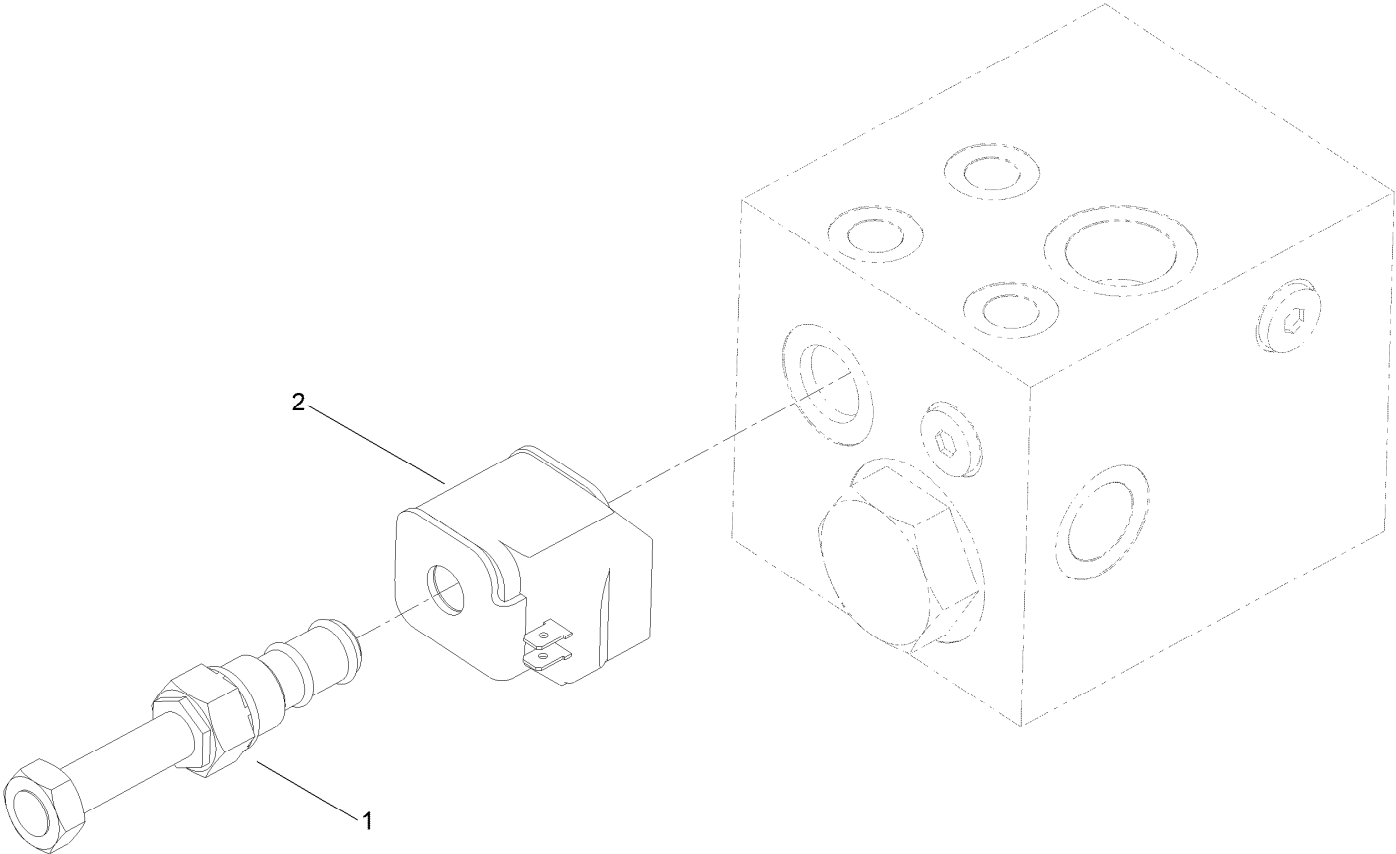
Transmission Control Manifold Assembly



Transmission Control Manifold Assembly (continued)

<i>Ref.</i>	<i>Part Number</i>	<i>Qty.</i>	<i>Description</i>	<i>Ref.</i>	<i>Part Number</i>	<i>Qty.</i>	<i>Description</i>
1	10-06-078	3	Adaptor-BSPP	9	111-2555	1	Manifold-Transmission
2	10-06-085	4	Adaptor	10	09480	4	Washer-Lock
3	111-4443	1	Elbow-BSP	11	ZWQ1J000U	4	Washer-Plain
4	10-06-032	3	Seal-Dowty	12	10-06-042	1	Adaptor-BSPP
5	10-06-030	4	Seal-Dowty	13	10-06-031	1	Seal-Dowty
6	09395	4	Screw-HH	14	953732	1	Tee-BSP
7	60-06-011	1	Tee-BSP	15	10-06-044	1	Adaptor-BSP
8	910615	2	Point-BSPP	16	10-06-033	1	Seal-Dowty

Transmission Manifold Assembly No. 111-2555

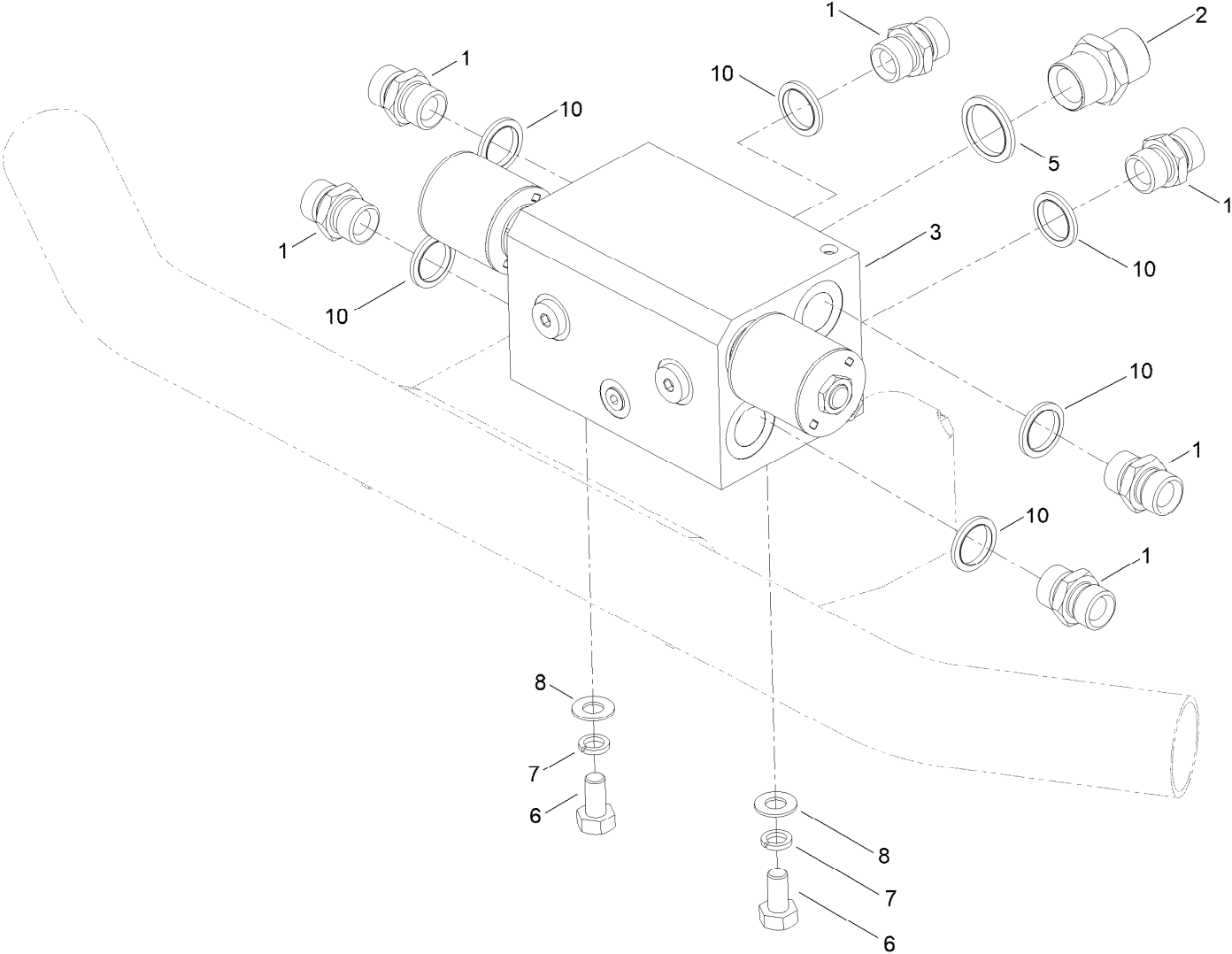


Transmission Manifold Assembly No. 111-2555 (continued)

<i>Ref.</i>	<i>Part Number</i>	<i>Qty.</i>	<i>Description</i>
1	111-3533	1	Valve-Solenoid
1:1	134-0258	1	Seal Kit ●
2	910627	1	Coil-Solenoid

● Not illustrated

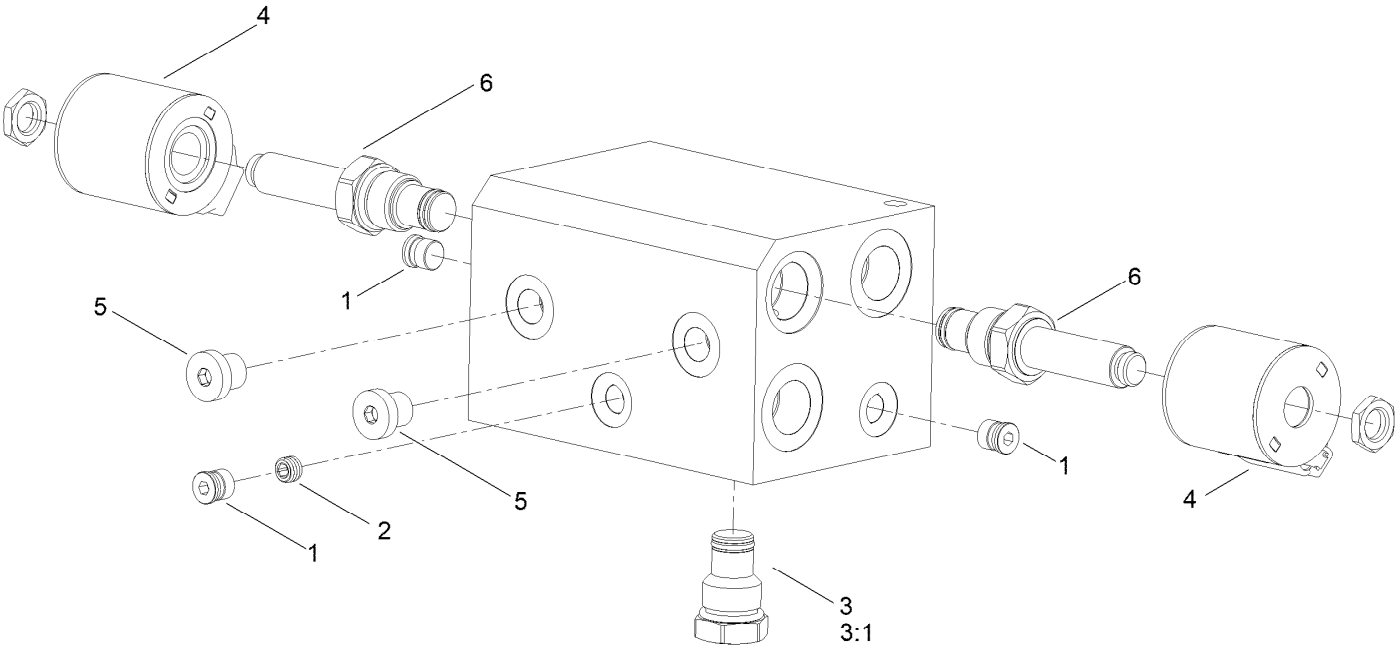
Rear Transmission Control Manifold Assembly



Rear Transmission Control Manifold Assembly (continued)

<i>Ref.</i>	<i>Part Number</i>	<i>Qty.</i>	<i>Description</i>	<i>Ref.</i>	<i>Part Number</i>	<i>Qty.</i>	<i>Description</i>
1	10-06-078	6	Adaptor-BSPP	6	09391	2	Screw-HH
2	10-06-044	1	Adaptor-BSP	7	09480	2	Washer-Lock
3	134-6717	1	HYD Manifold ASM	8	09479	2	Washer-Plain
5	10-06-033	1	Seal-Dowty	10	10-06-032	6	Seal-Dowty

Hydraulic Manifold Assembly No. 134-6717

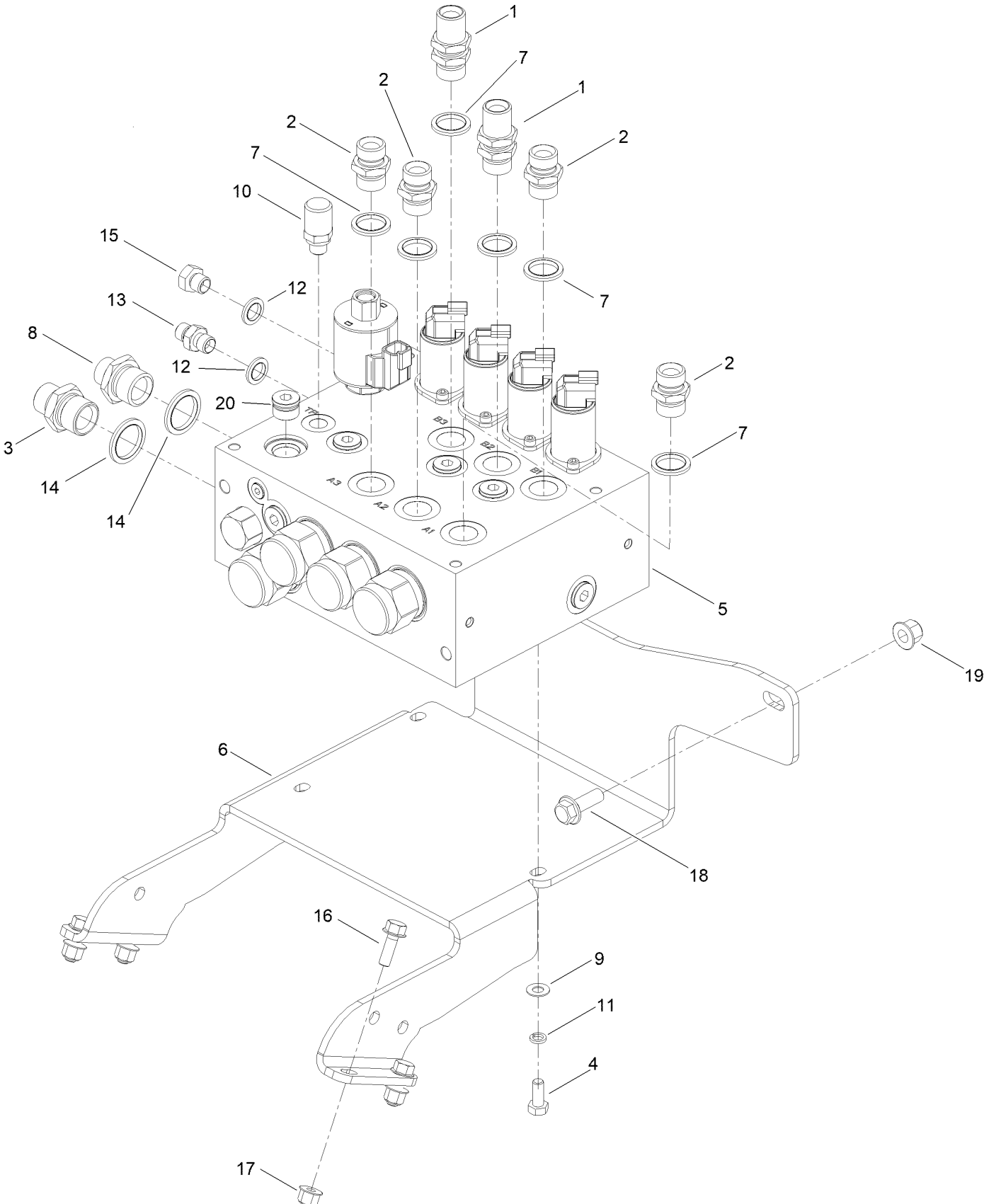


Hydraulic Manifold Assembly No. 134-6717 (continued)

<i>Ref.</i>	<i>Part Number</i>	<i>Qty.</i>	<i>Description</i>	<i>Ref.</i>	<i>Part Number</i>	<i>Qty.</i>	<i>Description</i>
1	106-1025	3	Plug-HYD	4	115-3021	2	Coil-12V
2	110-8883	1	Plug-Orifice (0.040)	5	134-1824	2	Plug-1/4" BSP, Hydraforce
3	111-8422	1	Plug-Cavity	6	134-5077	2	Valve, High-Pressure
3:1	107-7813	1	Seal Kit	6:99	132-6231	1	Seal Kit ●

● Not illustrated

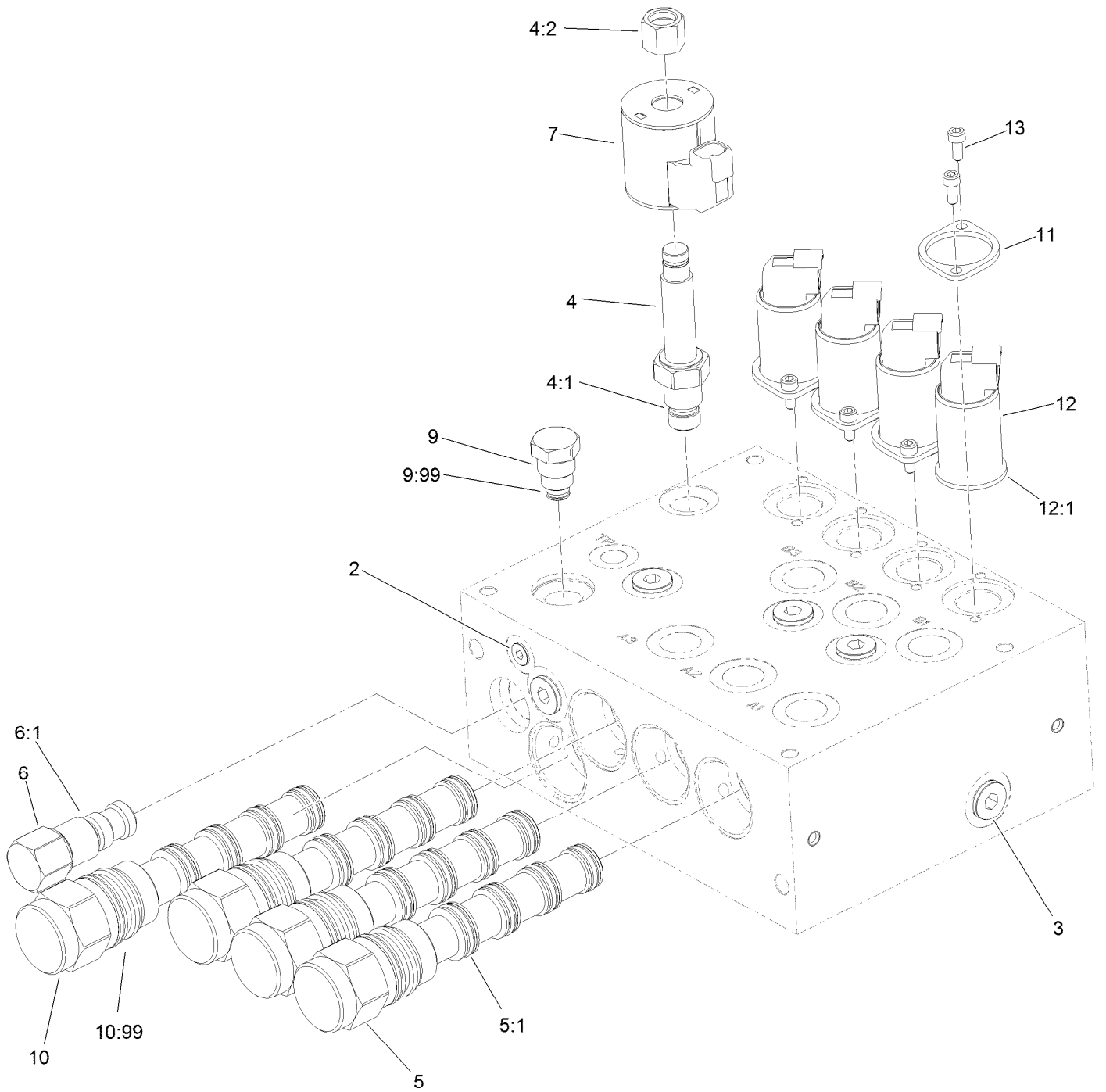
Cutters Control Manifold Assembly



Cutters Control Manifold Assembly (continued)

<i>Ref.</i>	<i>Part Number</i>	<i>Qty.</i>	<i>Description</i>	<i>Ref.</i>	<i>Part Number</i>	<i>Qty.</i>	<i>Description</i>
1	09-06-216	2	Adaptor-Bulkhead	11	03469	3	Washer-Spring
2	10-06-078	4	Adaptor-BSPP	12	10-06-030	2	Seal-Dowty
3	994626	1	Adaptor-BSPP	13	10-06-085	1	Adaptor
4	09368	3	Screw-HH	14	10-06-033	2	Seal-Dowty
5	134-4822	1	Manifold-Control, Cutters	15	30-06-200	1	Plug-HYD
6	134-4654-03	1	Bracket-Mounting, Cutter Manifold	16	134-3747	4	Screw-HHF
7	10-06-032	6	Seal-Dowty	17	134-3762	4	Nut-Flange, NI
8	09-06-201	1	Adaptor	18	134-3752	2	Screw-HHF
9	ZWP1H000U	3	Washer-Plain	19	134-3763	2	Nut-Flange, NI
10	910615	1	Point-BSPP	20	106-1027	1	Plug

Cutter Control Manifold Assembly No. 134-4822

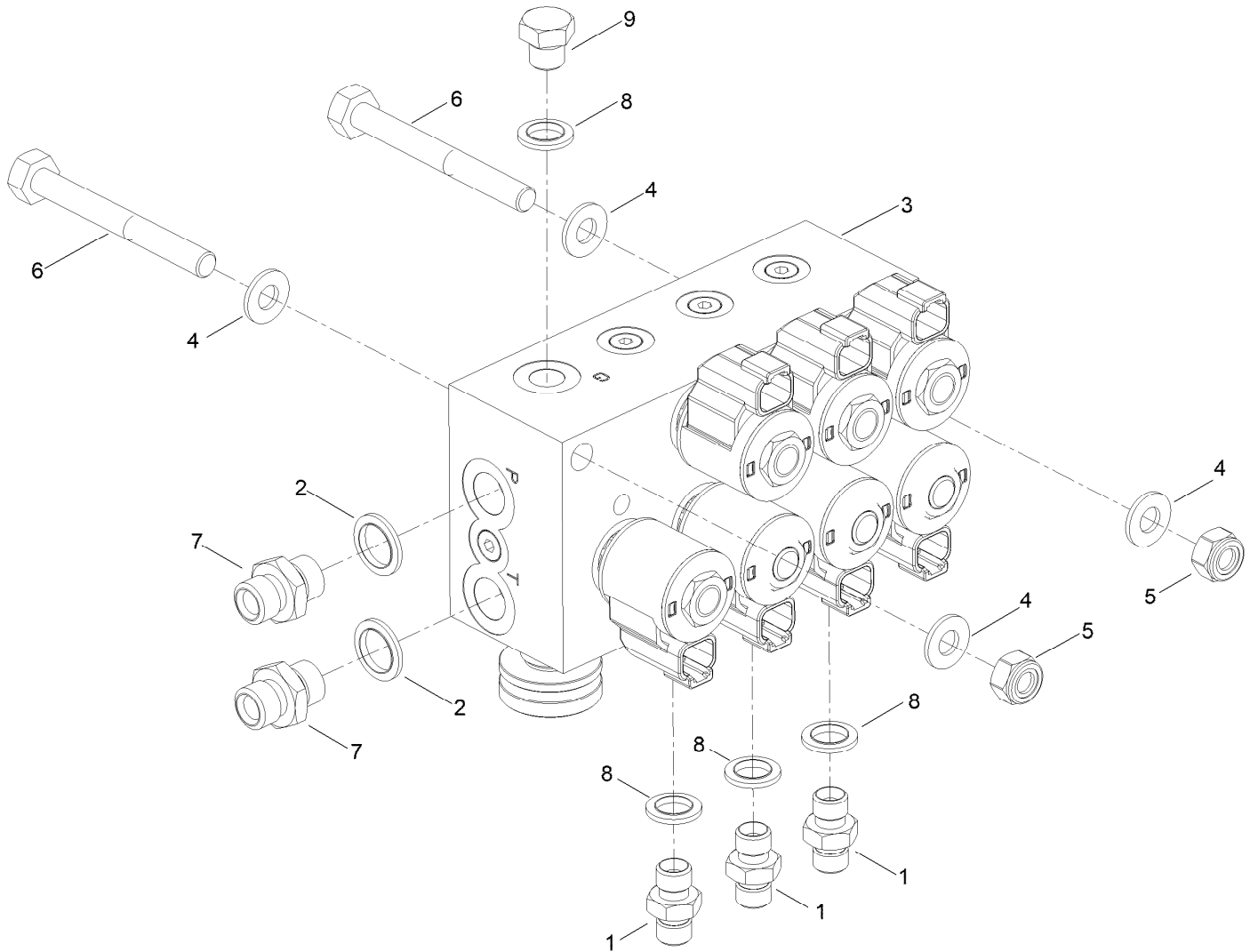


Cutter Control Manifold Assembly No. 134-4822 (continued)

<i>Ref.</i>	<i>Part Number</i>	<i>Qty.</i>	<i>Description</i>	<i>Ref.</i>	<i>Part Number</i>	<i>Qty.</i>	<i>Description</i>
2	106-1025	2	Plug-HYD	7	119-4619	1	Coil-Solenoid
3	106-1027	13	Plug	9	134-4894	1	Plug-Cavity
4	111-6825	1	Pressure-Proportional, Relief Valve	9:99	107-7527	1	Seal Kit
4:1	111-6826	1	Seal Kit ●	10	134-4895	1	Valve, Piloted Directional
4:2	130-8180	1	Nut-Coil (9/16-24 Unef-2B)	10:99	111-6830	1	Seal Kit
5	111-6829	3	Valve-Spool, Piloted	11	138-3825	4	Plate-Mounting, Standard
5:1	111-6830	1	Seal Kit ●	12	138-3828	4	Valve-Solenoid, 3 Way 2 Position
6	111-6832	1	Logic Element-Vented	12:1	138-3831	1	Seal Kit
6:1	111-6827	1	Seal Kit ●	13	138-3827	8	Screw

● Not illustrated

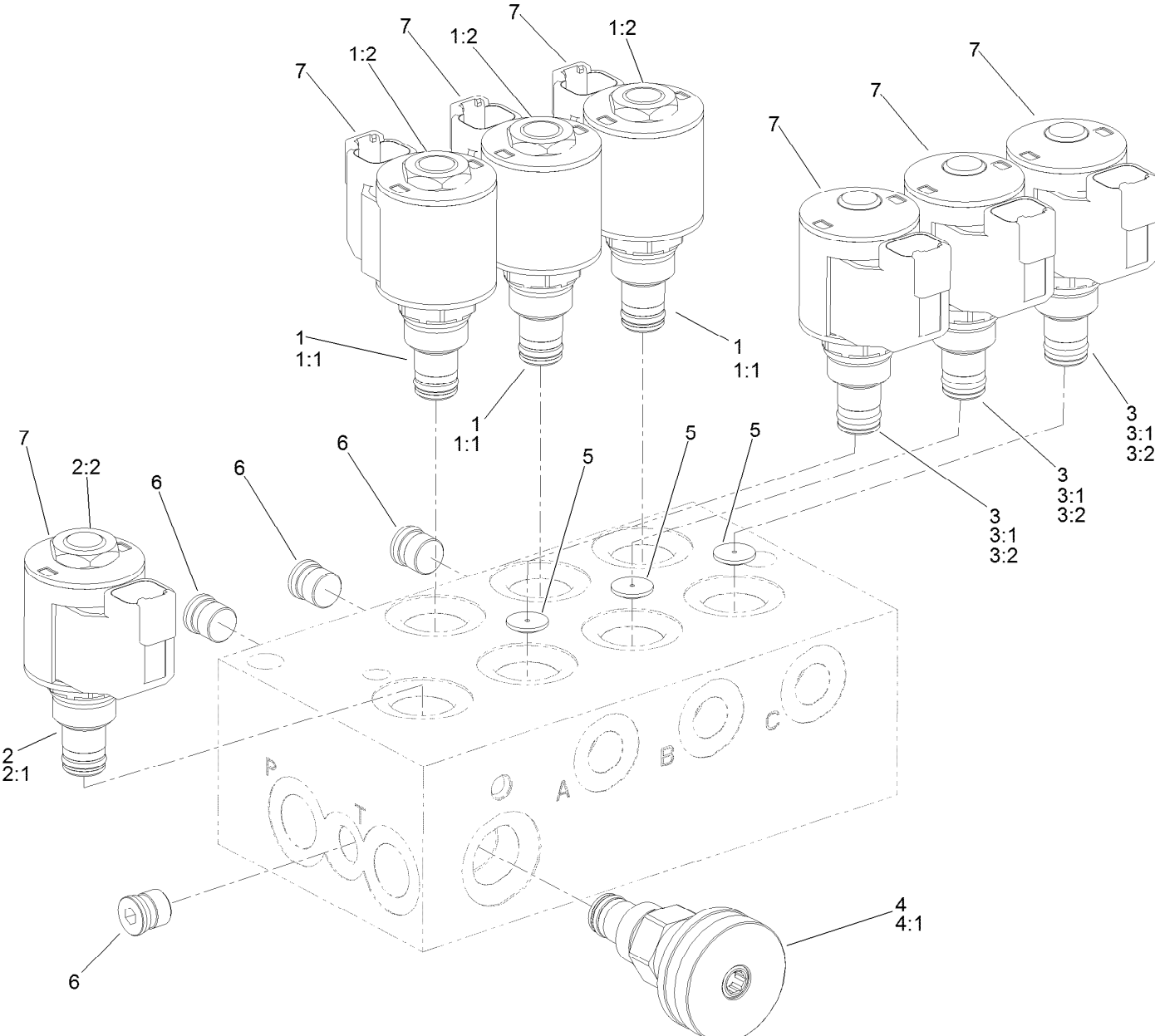
Lift Control Manifold Assembly



Lift Control Manifold Assembly (continued)

<i>Ref.</i>	<i>Part Number</i>	<i>Qty.</i>	<i>Description</i>	<i>Ref.</i>	<i>Part Number</i>	<i>Qty.</i>	<i>Description</i>
1	10-06-085	3	Adaptor	6	ZBH1J090U	2	Screw-HH
2	10-06-031	2	Seal-Dowty	7	10-06-042	2	Adaptor-BSPP
3	111-8419	1	Manifold-Control, Lift	8	10-06-030	4	Seal-Dowty
4	ZWQ1J000U	4	Washer-Plain	9	30-06-200	1	Plug-HYD
5	ZNN1J000U	2	Nut-Hex, NI				

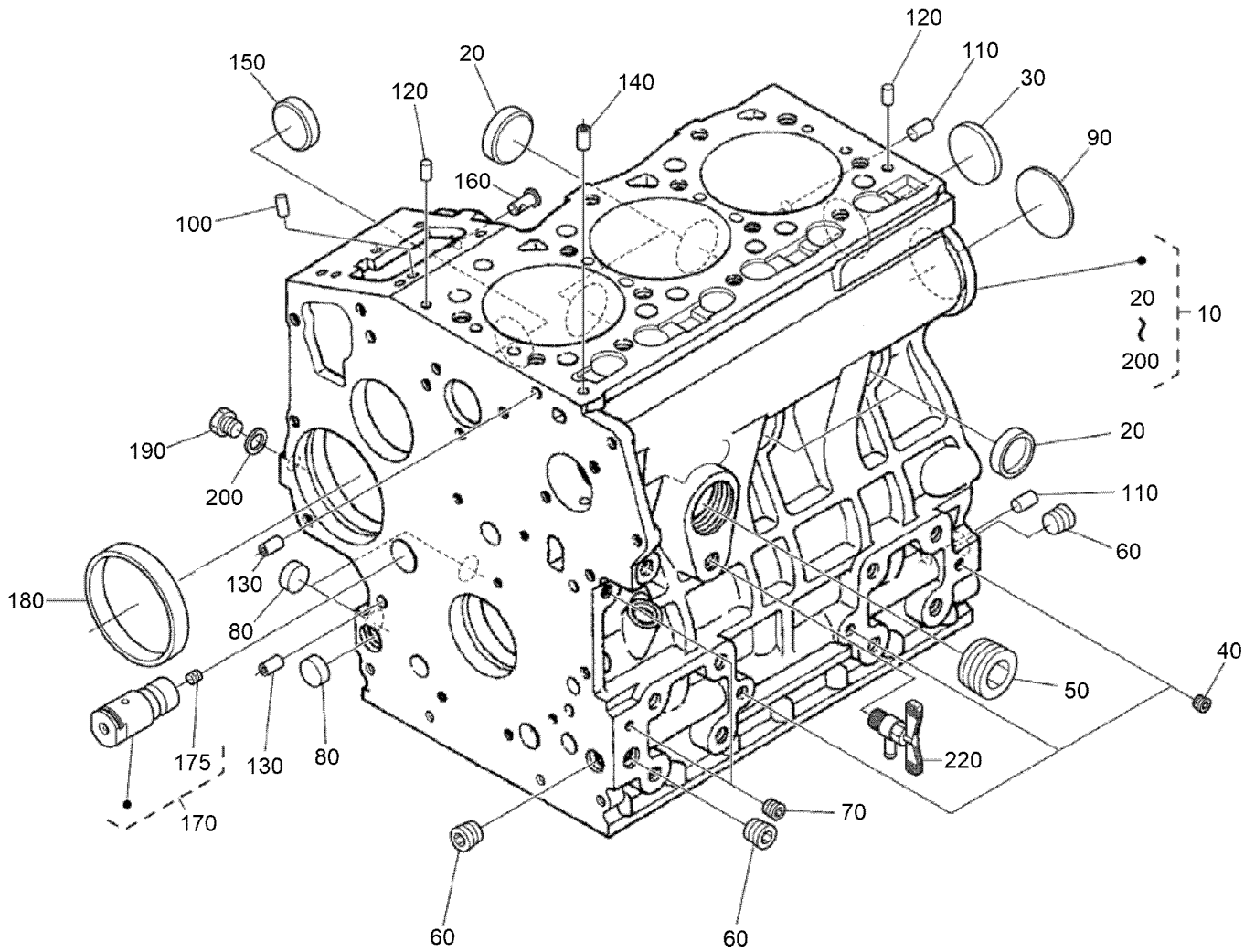
Lift Control Manifold Assembly No. 111-8419



Lift Control Manifold Assembly No. 111-8419 (continued)

<i>Ref.</i>	<i>Part Number</i>	<i>Qty.</i>	<i>Description</i>	<i>Ref.</i>	<i>Part Number</i>	<i>Qty.</i>	<i>Description</i>
1	111-9623	3	Valve-Solenoid	3:1	105-9156	1	Seal Kit
1:1	107-7527	1	Seal Kit	3:2	110-2634	1	Nut-Coil
1:2	110-2634	1	Nut-Coil	4	111-5513	1	Valve-Needle, Weight
2	111-9624	1	Valve-Solenoid	4:1	107-7527	1	Seal Kit
2:1	105-9156	1	Seal Kit	5	111-9625	3	Orifice-Flow, Control
2:2	107-7812	1	Nut-Solenoid	6	106-1025	4	Plug-HYD
3	112-9206	3	Solenoid Valve ASM	7	112-0197	7	E Coil-12V DC

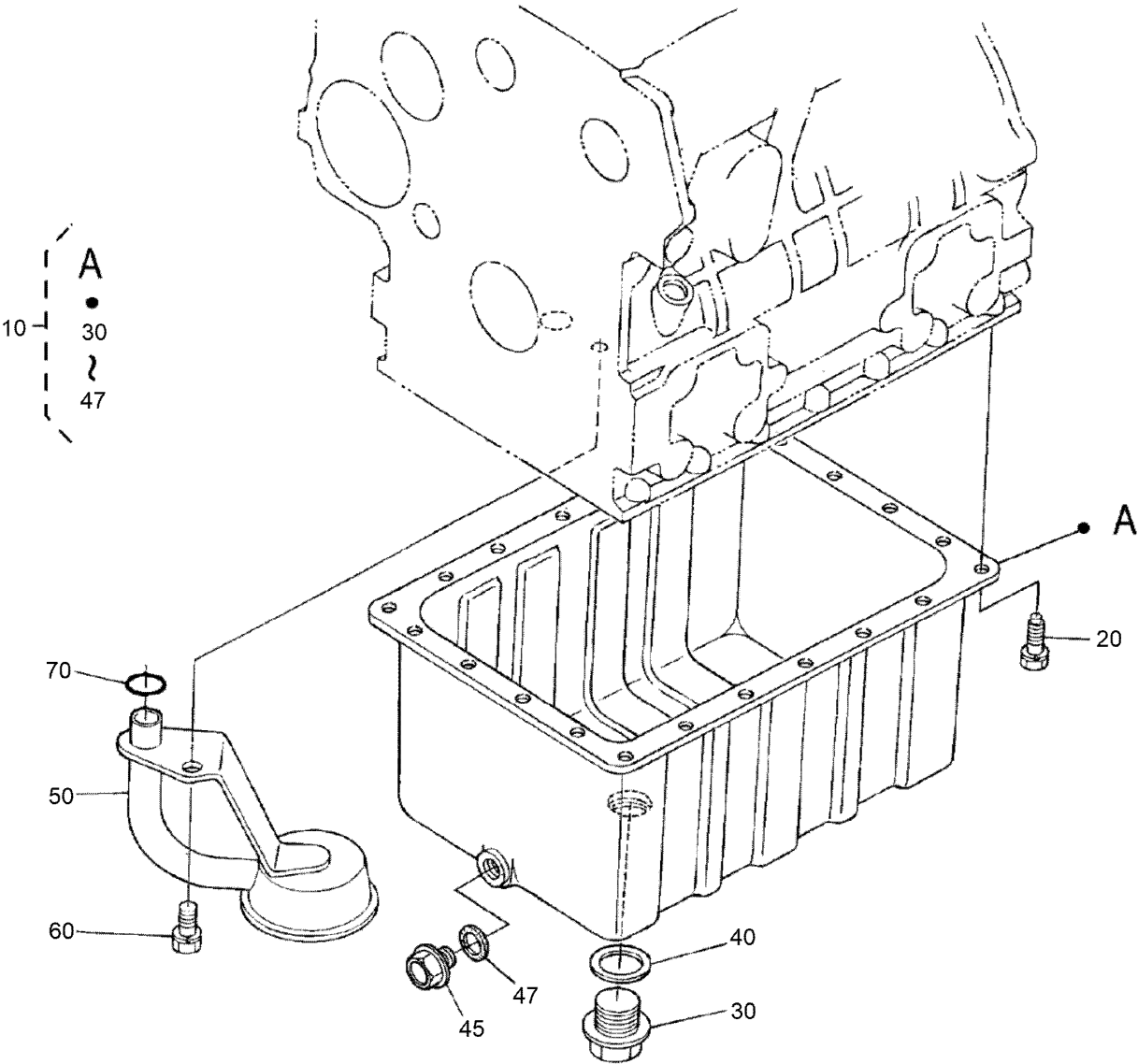
Crankcase Assembly



Crankcase Assembly (continued)

<i>Ref.</i>	<i>Part Number</i>	<i>Qty.</i>	<i>Description</i>	<i>Ref.</i>	<i>Part Number</i>	<i>Qty.</i>	<i>Description</i>
10	130-1566	1	Crankcase ASM	120	98-9376	2	Pin-Straight
20	98-9398	4	Cap-Sealing	130	98-9387	2	Pin-Pipe
30	98-7539	1	Cap-Sealing	140	AU125240A1	1	Pin-Pipe
40	98-9687	3	Plug	150	98-9599	1	Plug
50	105-3779	1	Plug	160	98-9630	1	Pin-Spring, Start
60	AU125231A1	3	Plug	170	130-1237	1	Idler Shaft ASM
70	98-7487	2	Plug	175	98-7449	1	Screw-Set
80	98-9379	3	Plug-Expansion	180	AU125243A1	1	Bushing
90	AU125233A1	1	Plug	190	120-2559	1	Plug
100	98-9375	2	Pin-Straight	200	98-7428	1	Gasket
110	98-9377	2	Pin-Straight	220	120-3121	1	Draincock ASM

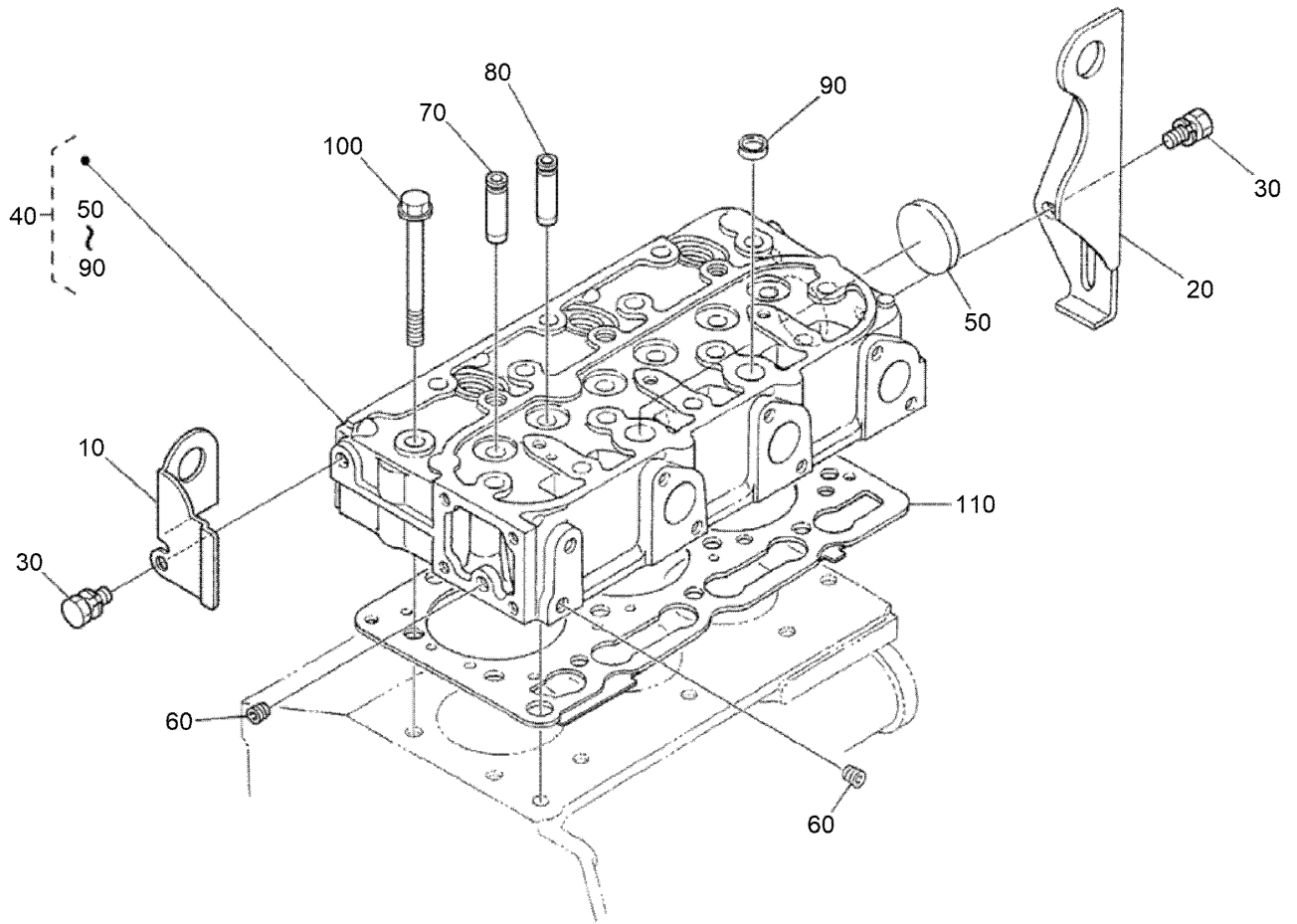
Oil Pan Assembly



Oil Pan Assembly (continued)

<i>Ref.</i>	<i>Part Number</i>	<i>Qty.</i>	<i>Description</i>	<i>Ref.</i>	<i>Part Number</i>	<i>Qty.</i>	<i>Description</i>
10	130-1282	1	Oil Pan Kit	47	98-7524	1	Gasket
20	98-9351	22	Bolt	50	115-4116	1	Filter-Oil
30	98-9686	1	Plug-Drain	60	98-7453	1	Bolt
40	110-9715	1	Gasket-Pan, Oil	70	105-3776	1	O-Ring
45	114-8151	1	Plug-Drain				

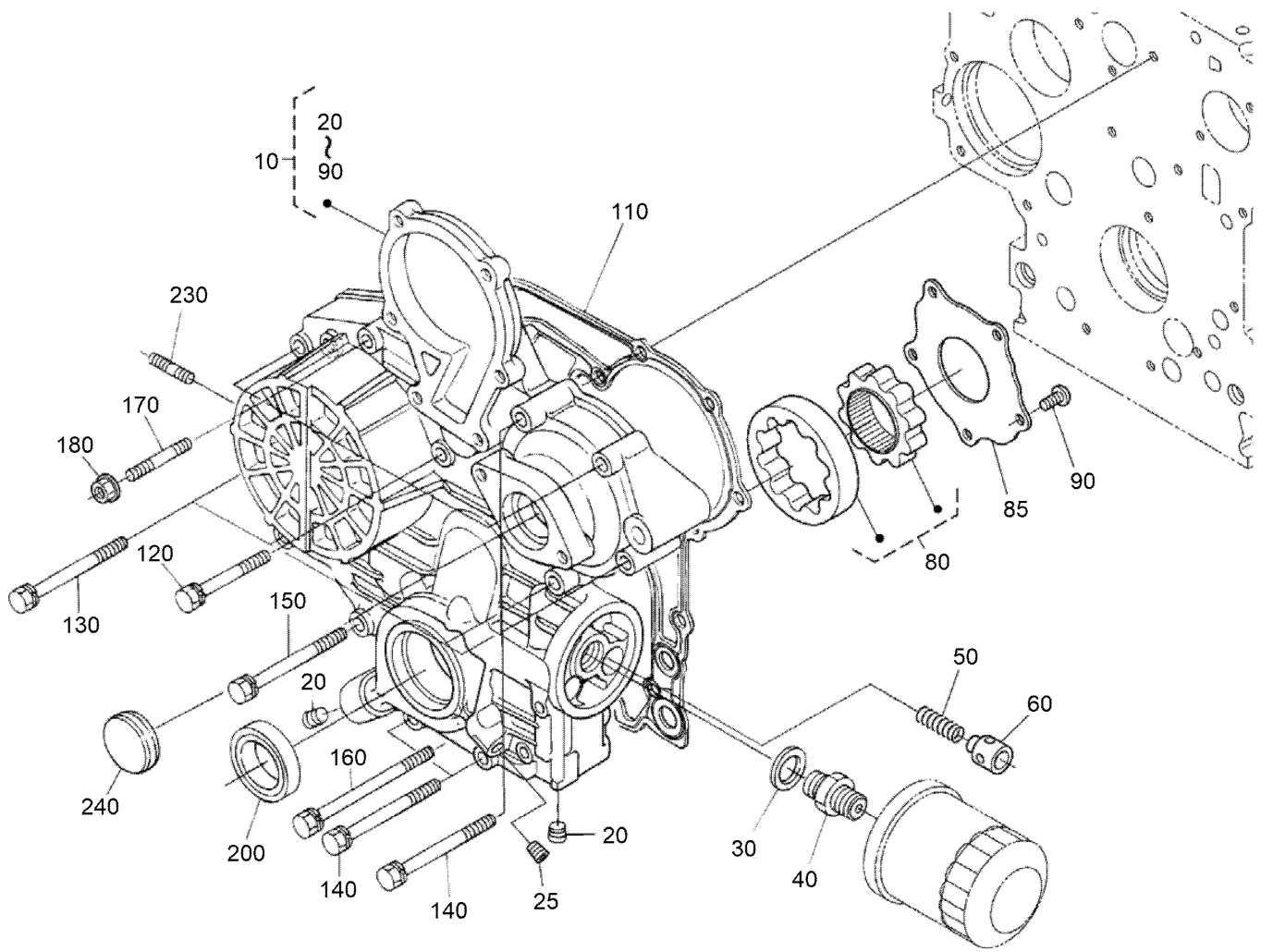
Cylinder Head Assembly



Cylinder Head Assembly (continued)

<i>Ref.</i>	<i>Part Number</i>	<i>Qty.</i>	<i>Description</i>	<i>Ref.</i>	<i>Part Number</i>	<i>Qty.</i>	<i>Description</i>
10	130-1231	1	Hook-Engine	70	107-9066	3	Guide-Valve, Inlet
20	98-9478	1	Hook-Engine	80	107-9067	3	Guide-Valve, Exhaust
30	AU126123A1	2	Bolt	90	98-9389	2	Cap-Sealing
40	130-1544	1	Cylinder Head ASM	100	AU125260A1	14	Bolt
50	AU1959124C1	1	Cap	110	108-6573	1	Gasket-Head, Cylinder
60	98-9687	2	Plug				

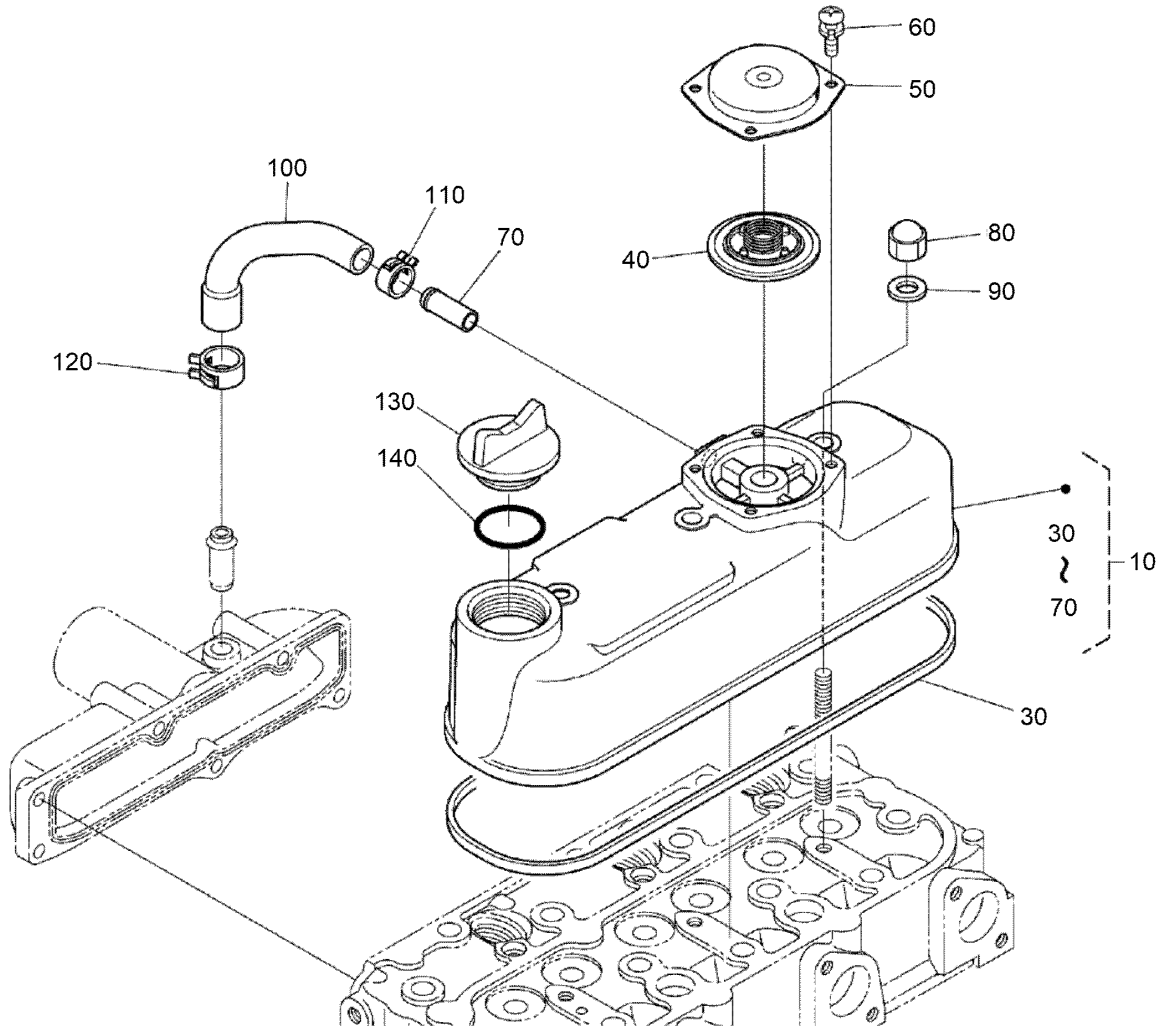
Gear Case Assembly



Gear Case Assembly (continued)

<i>Ref.</i>	<i>Part Number</i>	<i>Qty.</i>	<i>Description</i>	<i>Ref.</i>	<i>Part Number</i>	<i>Qty.</i>	<i>Description</i>
10	115-4105	1	Gear Case ASM	120	100-1765	3	Bolt
20	127-0425	2	Plug	130	125-9063	4	Bolt-Sems
25	98-7487	1	Plug	140	98-9356	4	Bolt
30	98-7562	1	Washer-Plain	150	107-9074	1	Bolt
40	98-9388	1	Joint-Pipe	160	99-3510	1	Bolt
50	130-1511	1	Spring	170	105-3709	1	Stud
60	130-1510	1	Valve-Relief	180	100-2203	1	Nut-Flange
80	130-1508	1	Rotor ASM	200	119-8038	1	Seal-Oil
85	130-1509	1	Cover-Pump, Oil	230	105-3710	2	Stud
90	130-1164	5	Screw-Binding	240	99-3515	1	Plug-Gearcase
110	98-9633	1	Gasket-Case, Gear				

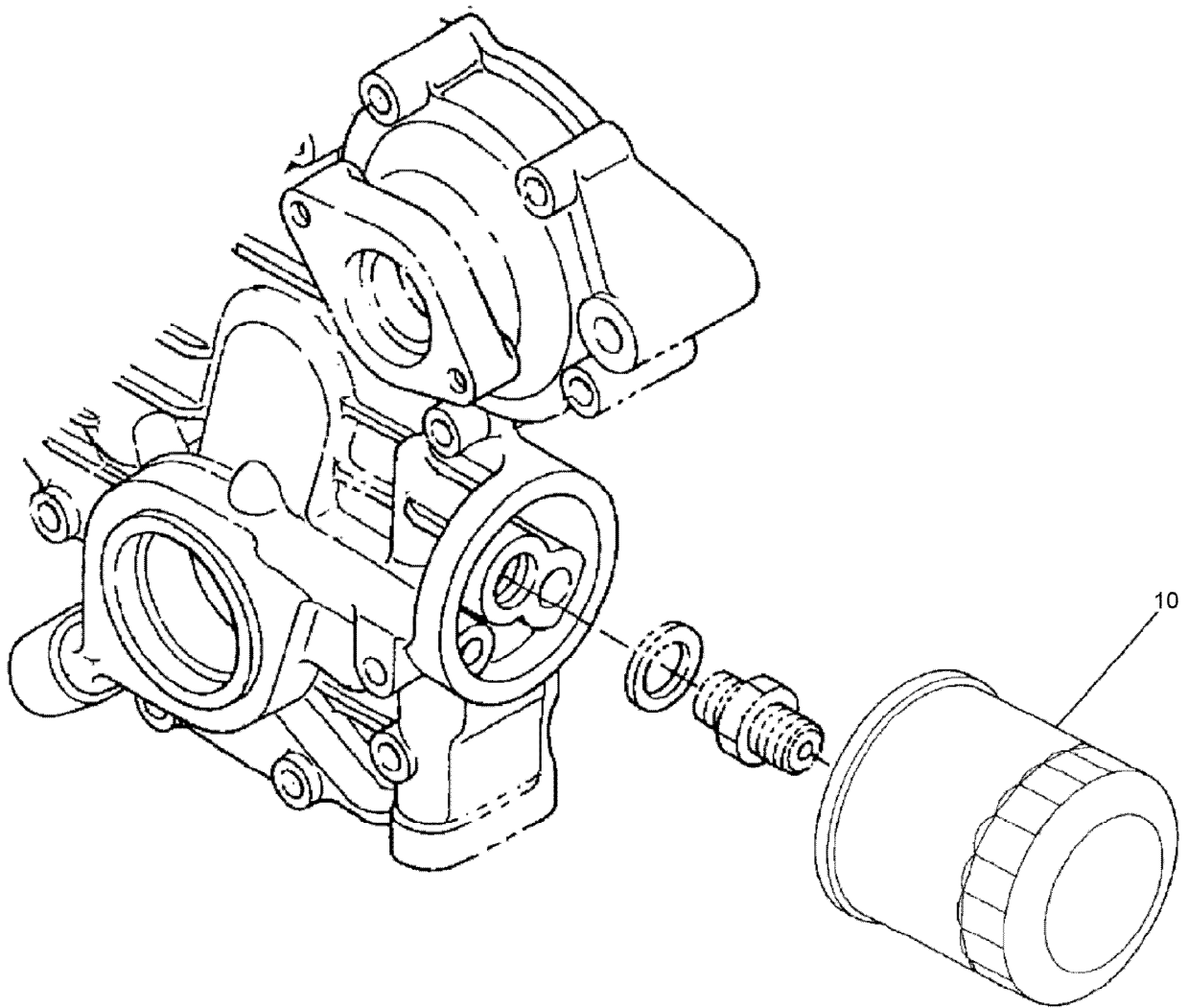
Head Cover Assembly



Head Cover Assembly (continued)

<i>Ref.</i>	<i>Part Number</i>	<i>Qty.</i>	<i>Description</i>	<i>Ref.</i>	<i>Part Number</i>	<i>Qty.</i>	<i>Description</i>
10	115-3446	1	Cylinder Head Cover ASM	90	98-9454	3	Gasket
30	98-9615	1	Gasket-Cover, Head	100	108-2858	1	Tube-Breather
40	110-3715	1	Valve-Breather	110	108-2859	1	Clamp-Hose
50	110-3714	1	Cover-Breather	120	108-2860	1	Clamp-Hose
60	98-9364	4	Screw (With Washer)	130	107-9075	1	Plug-Filler, Oil
70	98-7766	1	Pipe-Return, Water	140	131-3834	1	O Ring
80	AU125311A1	3	Nut-Cap				

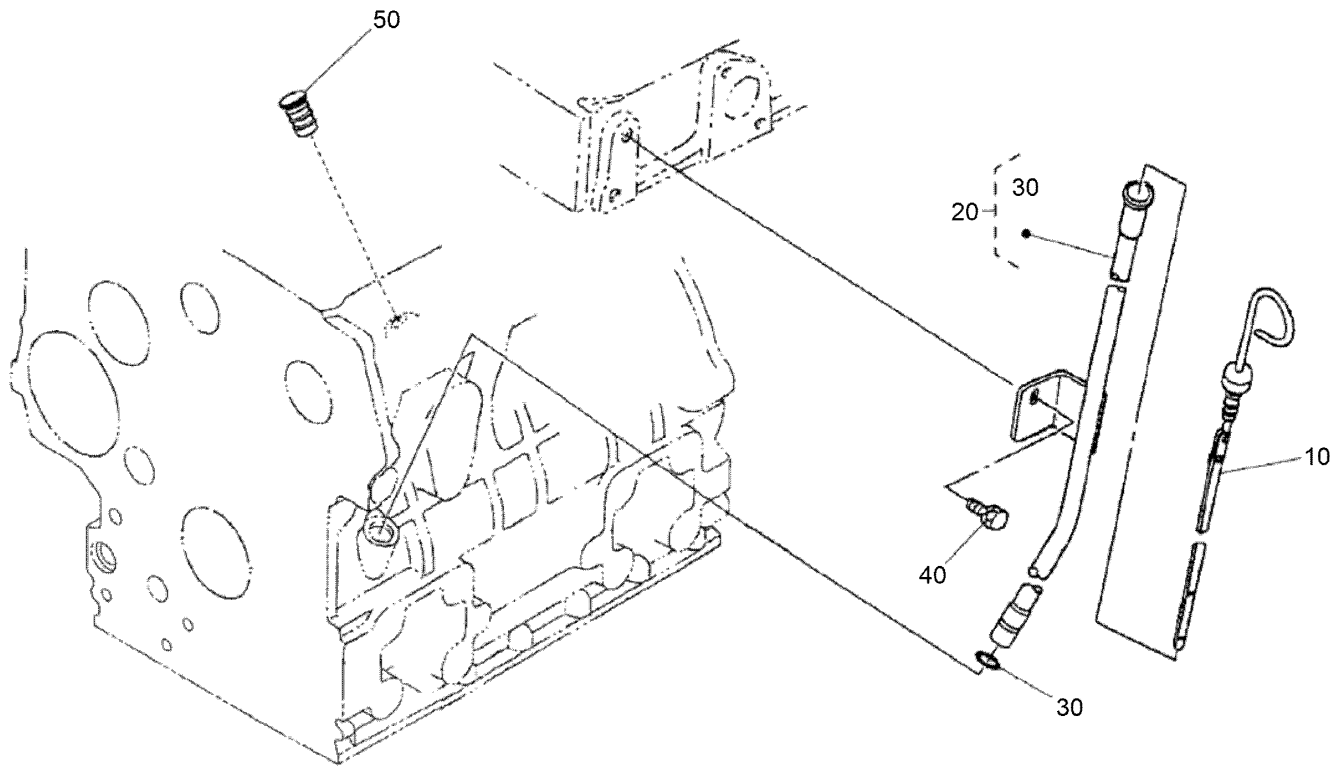
Oil Filter Assembly



Oil Filter Assembly (continued)

<i>Ref.</i>	<i>Part Number</i>	<i>Qty.</i>	<i>Description</i>
10	108-3841	1	Filter-Oil

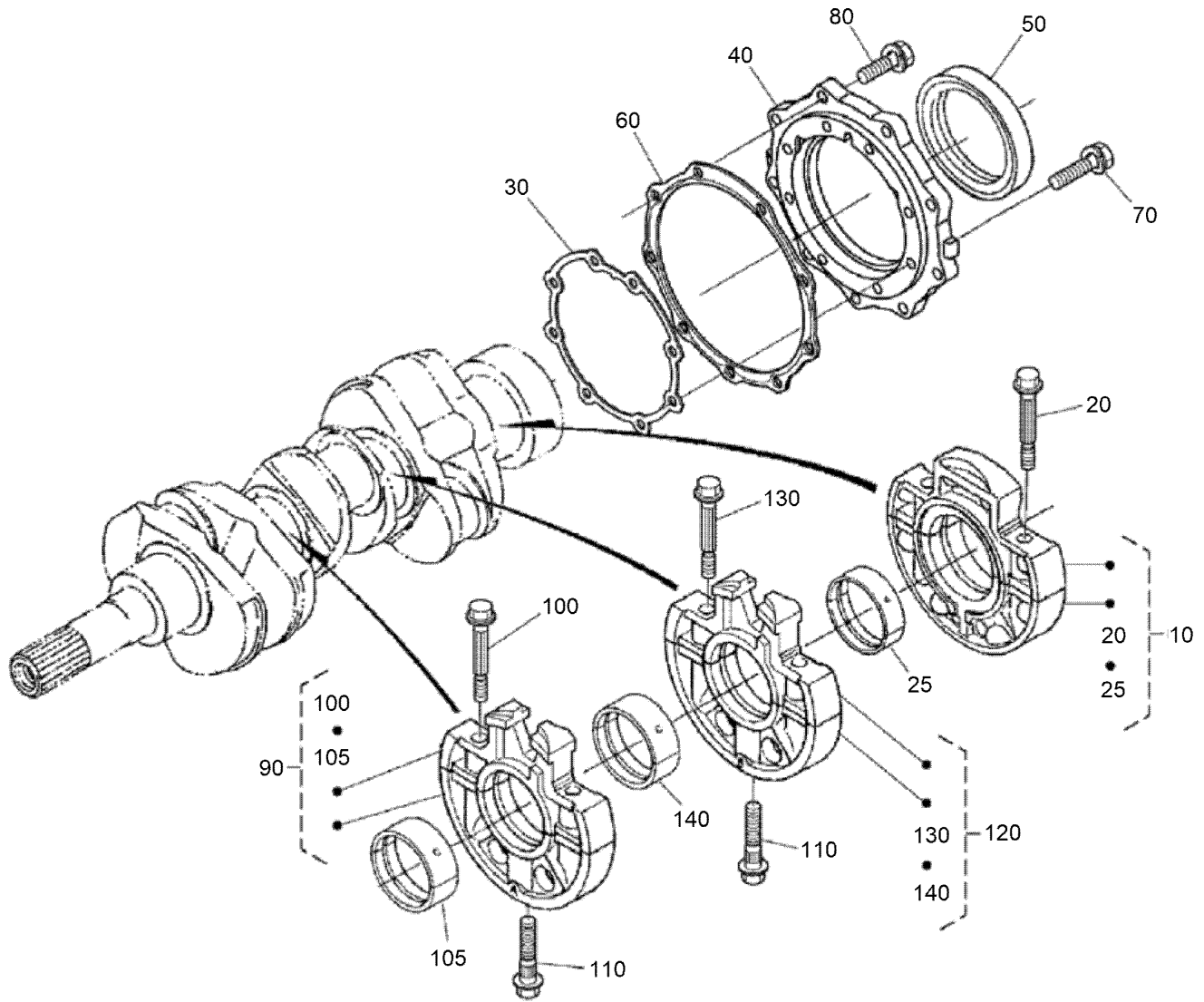
Oil Dipstick and Guide Assembly



Oil Dipstick and Guide Assembly (continued)

<i>Ref.</i>	<i>Part Number</i>	<i>Qty.</i>	<i>Description</i>	<i>Ref.</i>	<i>Part Number</i>	<i>Qty.</i>	<i>Description</i>
10	120-3124	1	Gauge-Oil	40	AU126123A1	1	Bolt
20	98-9672	1	Oil Gauge Guide ASM	50	110-3720	1	Plug-Gauge, Oil
30	98-9722	1	O-Ring				

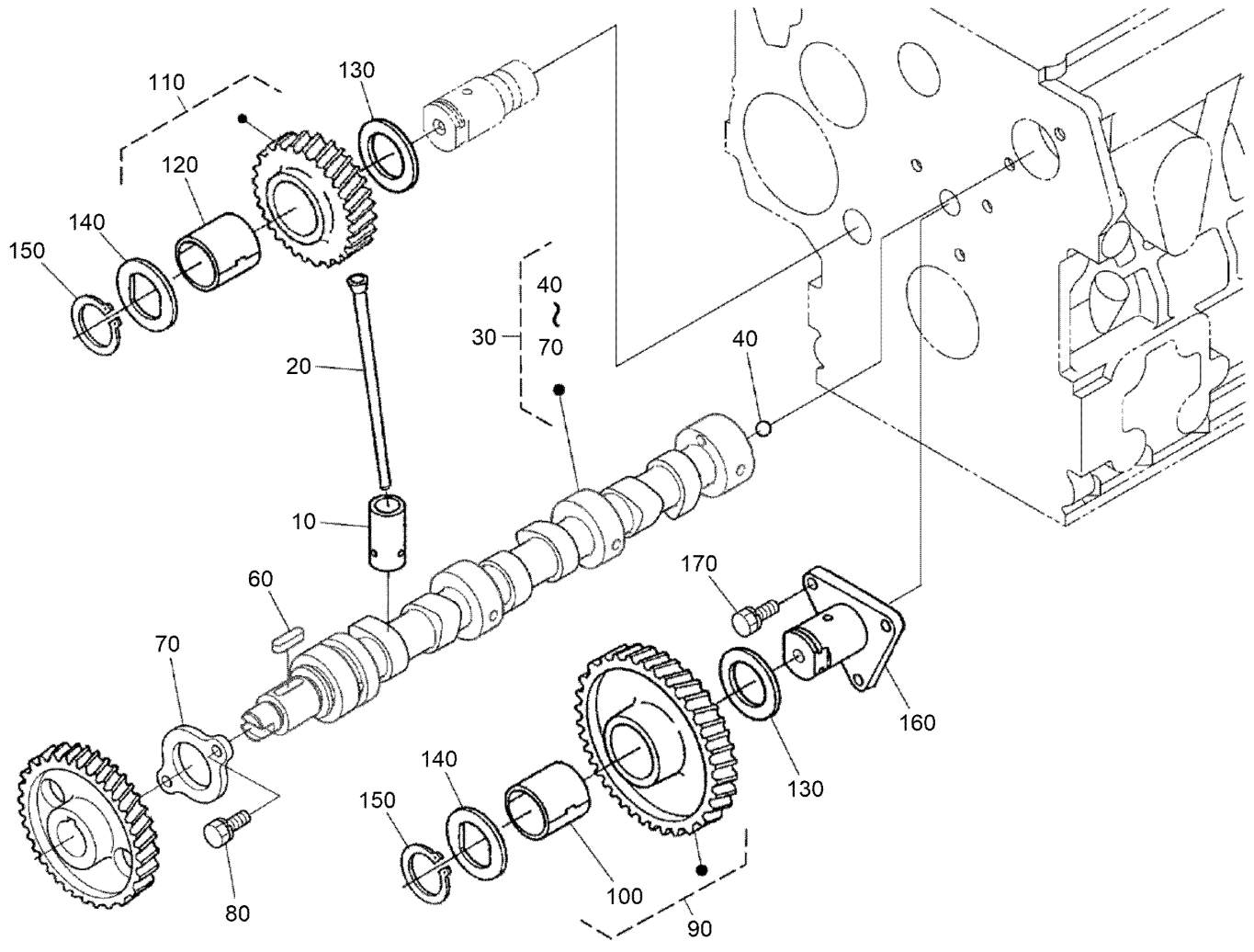
Main Bearing Case Assembly



Main Bearing Case Assembly (continued)

<i>Ref.</i>	<i>Part Number</i>	<i>Qty.</i>	<i>Description</i>	<i>Ref.</i>	<i>Part Number</i>	<i>Qty.</i>	<i>Description</i>
10	139-4546	1	Bearing Case ASM	90	115-4106	1	Main Bearing Case ASM
20	AU125293A1	2	Bolt	100	AU125293A1	2	Bolt
25	115-4121	1	Metal-Crankshaft (STD)	105	98-9524	1	Metal-Crankshaft (STD Set)
25	112-7039	1	Metal-Crankshaft (0.2Mm)	105	127-0433	1	Metal-Crankshaft (-0.2MM)
25	112-7040	1	Metal-Crankshaft (-0.4Mm)	105	98-9531	1	Bearing-Main (0.4MM)
30	131-6554	1	Gasket-Case, Bearing	110	AU125299A1	2	Bolt
40	112-7046	1	Cover-Case, Bearing	120	115-4107	1	Main Bearing Case ASM
50	112-0180	1	Seal-Oil	130	AU125293A1	2	Bolt
60	112-7037	1	Gasket-Cover, Case	140	98-9524	1	Metal-Crankshaft (STD Set)
70	127-0441	8	Bolt	140	127-0433	1	Metal-Crankshaft (-0.2MM)
80	140-2467	9	Bolt	140	98-9531	1	Bearing-Main (0.4MM)

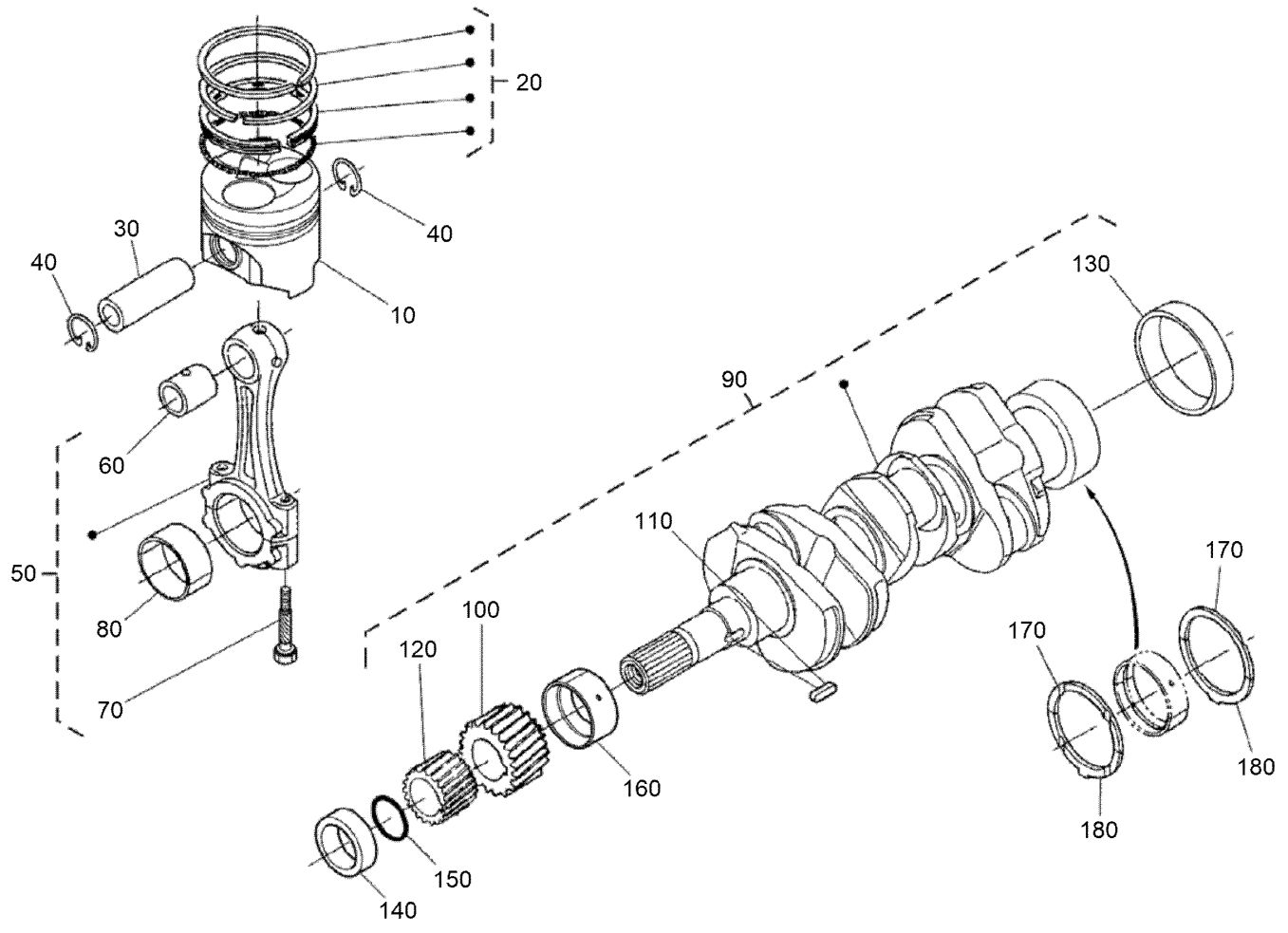
Crankshaft and Idle Gear Shaft Assembly



Crankshaft and Idle Gear Shaft Assembly (continued)

<i>Ref.</i>	<i>Part Number</i>	<i>Qty.</i>	<i>Description</i>	<i>Ref.</i>	<i>Part Number</i>	<i>Qty.</i>	<i>Description</i>
10	112-0185	6	Tappet	100	117-7585	1	Bushing-Gear, Idle
20	127-0421	6	Rod-Push	110	130-1259	1	Idler Gear ASM
30	130-1545	1	Camshaft ASM	120	117-7585	1	Bushing-Gear, Idle
40	110-3729	1	Ball	130	AU125346A1	2	Collar
60	98-9378	1	Key-Feather	140	AU125347A1	2	Collar
70	131-6555	1	Stopper (Camshaft)	150	AU125348A1	2	Ring-Retaining
80	98-7692	2	Bolt	160	AU125349A1	1	Shaft-Idle
90	117-7584	1	Idler Gear ASM	170	98-7692	3	Bolt

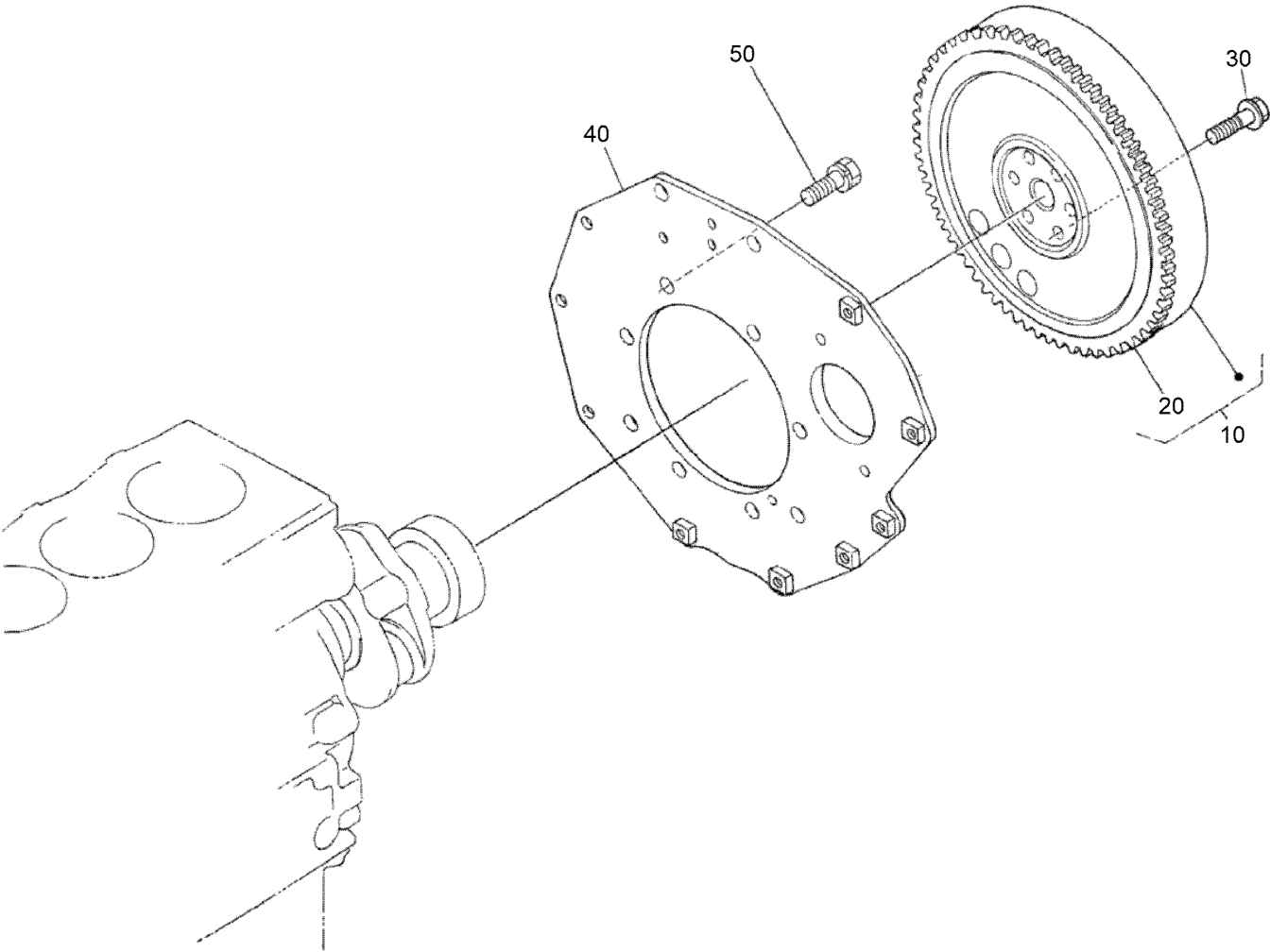
Piston and Crankshaft Assembly



Piston and Crankshaft Assembly (continued)

<i>Ref.</i>	<i>Part Number</i>	<i>Qty.</i>	<i>Description</i>	<i>Ref.</i>	<i>Part Number</i>	<i>Qty.</i>	<i>Description</i>
10	130-1546	3	Piston (STD)	110	AU125412A1	1	Key
10	130-1549	1	Piston (+0.50MM)	120	127-0445	1	Gear-Drive, Oil Pump
20	130-1506	3	Piston Ring ASM (STD)	130	AU125415A1	1	Sleeve
20	130-1507	1	Piston Ring ASM (+0.50MM)	140	127-0444	1	Collar-Crankshaft
30	AU125354A1	3	Pin-Piston	150	105-3783	1	O-Ring
40	AU125355A1	6	Ring-Retaining	160	112-7005	1	Bearing-Main (STD)
50	117-7586	3	Connecting Rod ASM	160	98-9528	1	Bearing-Main (-0.2MM)
60	115-3014	3	Bushing-Pin, Piston	160	127-0432	1	Metal-Crankshaft (-0.4MM)
70	98-9517	6	Bolt-Rod, Connecting	170	98-9413	2	Bearing-Thrust (STD)
80	98-9553	3	Bearing-Rod (STD)	170	127-0416	2	Metal-Side (+0.2Mm)
80	98-9519	3	Bearing-Rod (-0.2MM)	170	127-0417	2	Metal-Side (+0.40Mm)
80	117-7588	3	Metal-Crankpin (-0.4MM)	180	98-9688	2	Bearing-Thrust (STD)
90	130-1375	1	Crankshaft ASM	180	127-0437	2	Metal-Side (+0.2MM)
100	117-7561	1	Gear-Crankshaft	180	127-0438	2	Metal-Side (+0.40MM)

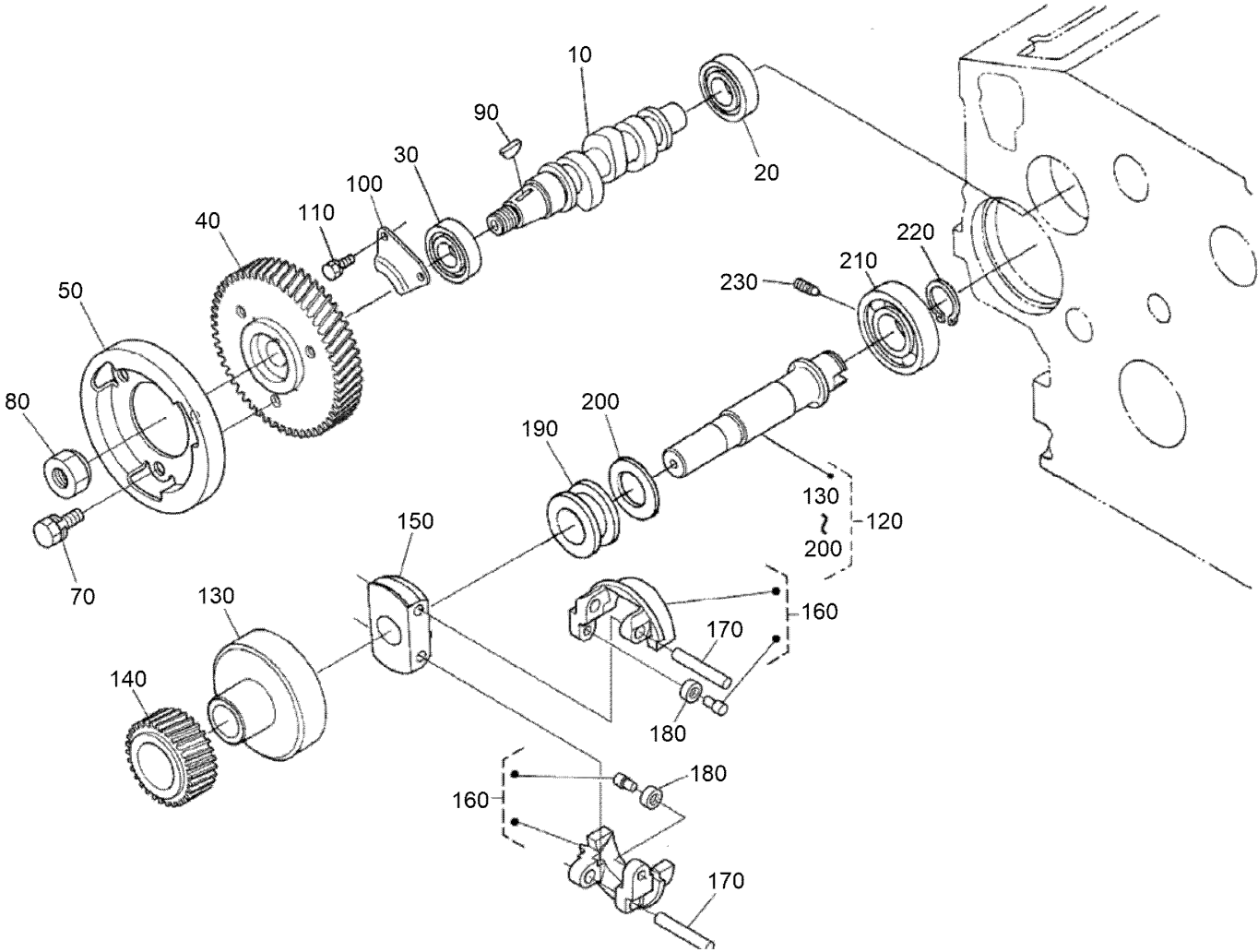
Flywheel Assembly



Flywheel Assembly (continued)

<i>Ref.</i>	<i>Part Number</i>	<i>Qty.</i>	<i>Description</i>	<i>Ref.</i>	<i>Part Number</i>	<i>Qty.</i>	<i>Description</i>
10	105-3784	1	Flywheel ASM	40	98-9486	1	Plate-End, Rear
20	115-3015	1	Gear-Ring	50	AU1959379C1	8	Bolt
30	AU125439A1	6	Bolt				

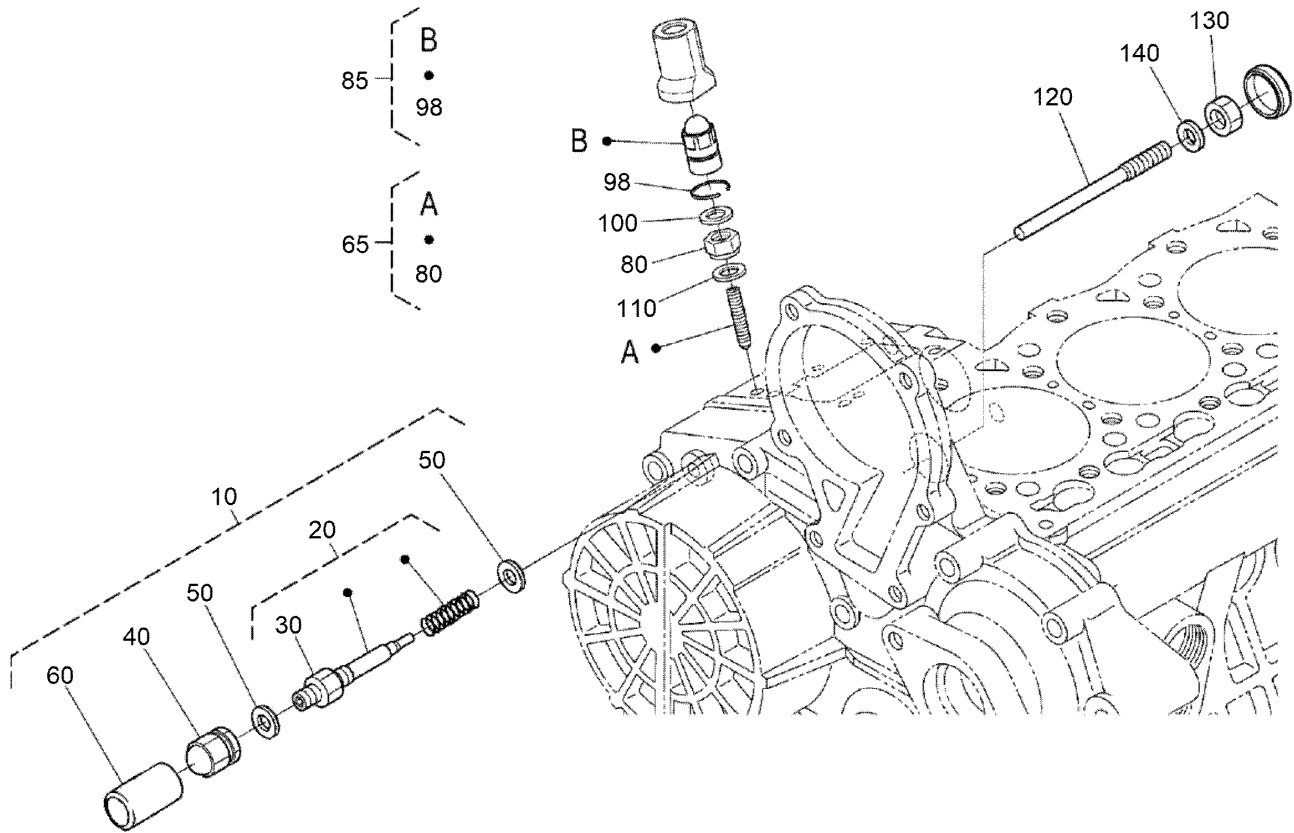
Fuel Camshaft and Governor Shaft Assembly



Fuel Camshaft and Governor Shaft Assembly (continued)

<i>Ref.</i>	<i>Part Number</i>	<i>Qty.</i>	<i>Description</i>	<i>Ref.</i>	<i>Part Number</i>	<i>Qty.</i>	<i>Description</i>
10	139-4547	1	Camshaft-Fuel	130	98-9562	1	Holder-Gear, Governor
20	107-9077	1	Bearing-Ball	140	130-1264	1	Gear-Governor
30	107-9078	1	Bearing-Ball	150	98-9561	1	Holder-Weight, Governor
40	98-9669	1	Gear-Pump, Injection	160	130-1263	2	Governor Weight ASM
50	130-1239	1	Cam-Fuel	170	AU125515A1	2	Shaft-Gov Weight
70	98-9350	3	Bolt	180	98-9692	2	Roller
80	130-1512	1	Nut	190	AU125516A1	1	Sleeve-Governor
90	AU125507A1	1	Key	200	98-9564	1	Washer-Thrust
100	AU125509A1	1	Stop	210	107-9079	1	Bearing-Ball
110	98-7692	2	Bolt	220	98-9657	1	Circlip-Shaft, Governor
120	130-1251	1	Governor Shaft ASM	230	AU125520A1	1	Screw-Set

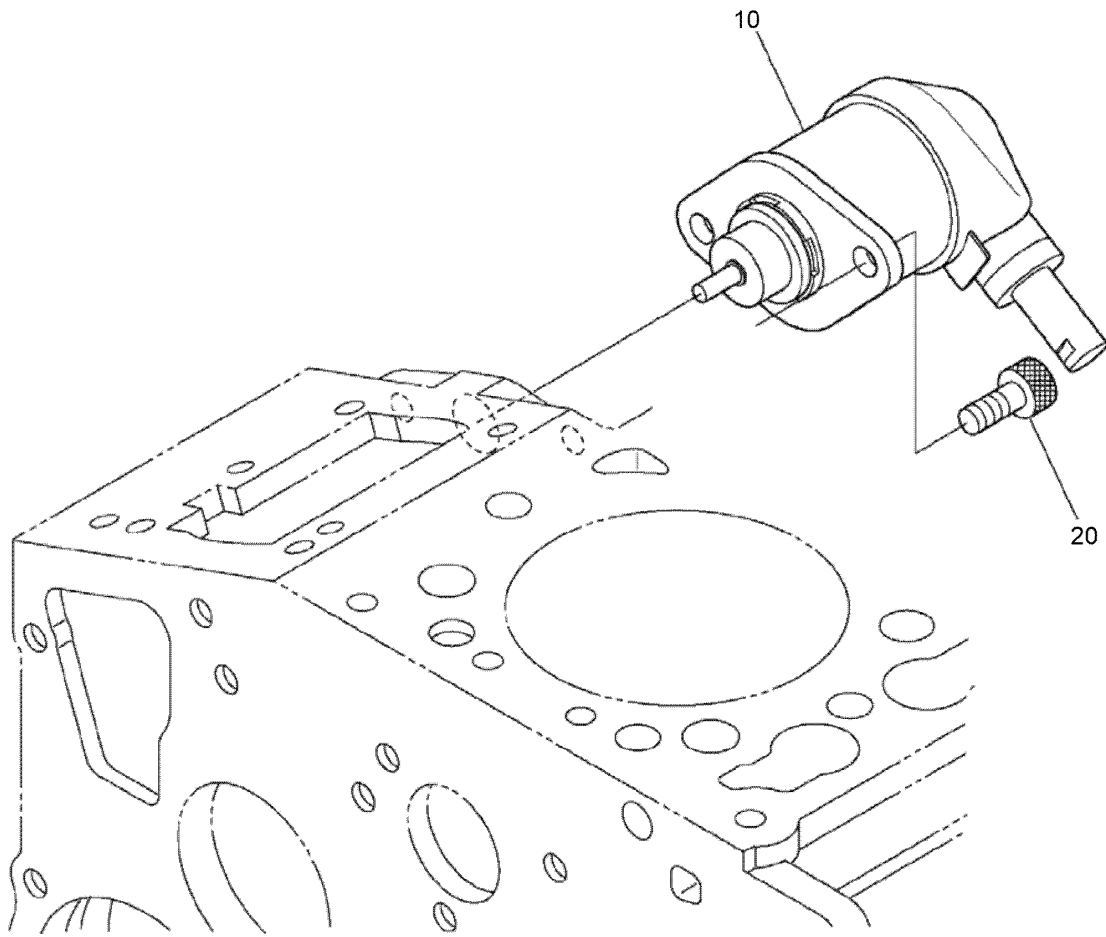
Idle Apparatus Assembly



Idle Apparatus Assembly (continued)

<i>Ref.</i>	<i>Part Number</i>	<i>Qty.</i>	<i>Description</i>	<i>Ref.</i>	<i>Part Number</i>	<i>Qty.</i>	<i>Description</i>
10	98-9678	1	Idle Apparatus ASM	85	140-2471	1	Cap Nut ASM
20	112-7014	1	Adjusting Bolt ASM	98	140-2472	1	Circlip-Int
30	99-8386	1	Nut	100	98-7654	1	Gasket
40	112-0181	1	Nut	110	98-7654	1	Gasket
50	98-7654	2	Gasket	120	131-6556	1	Bolt
60	98-7656	1	Cap	130	98-7572	1	Nut
65	140-2470	1	Adjusting Bolt ASM	140	98-7654	1	Gasket
80	139-4548	1	Nut-Lock				

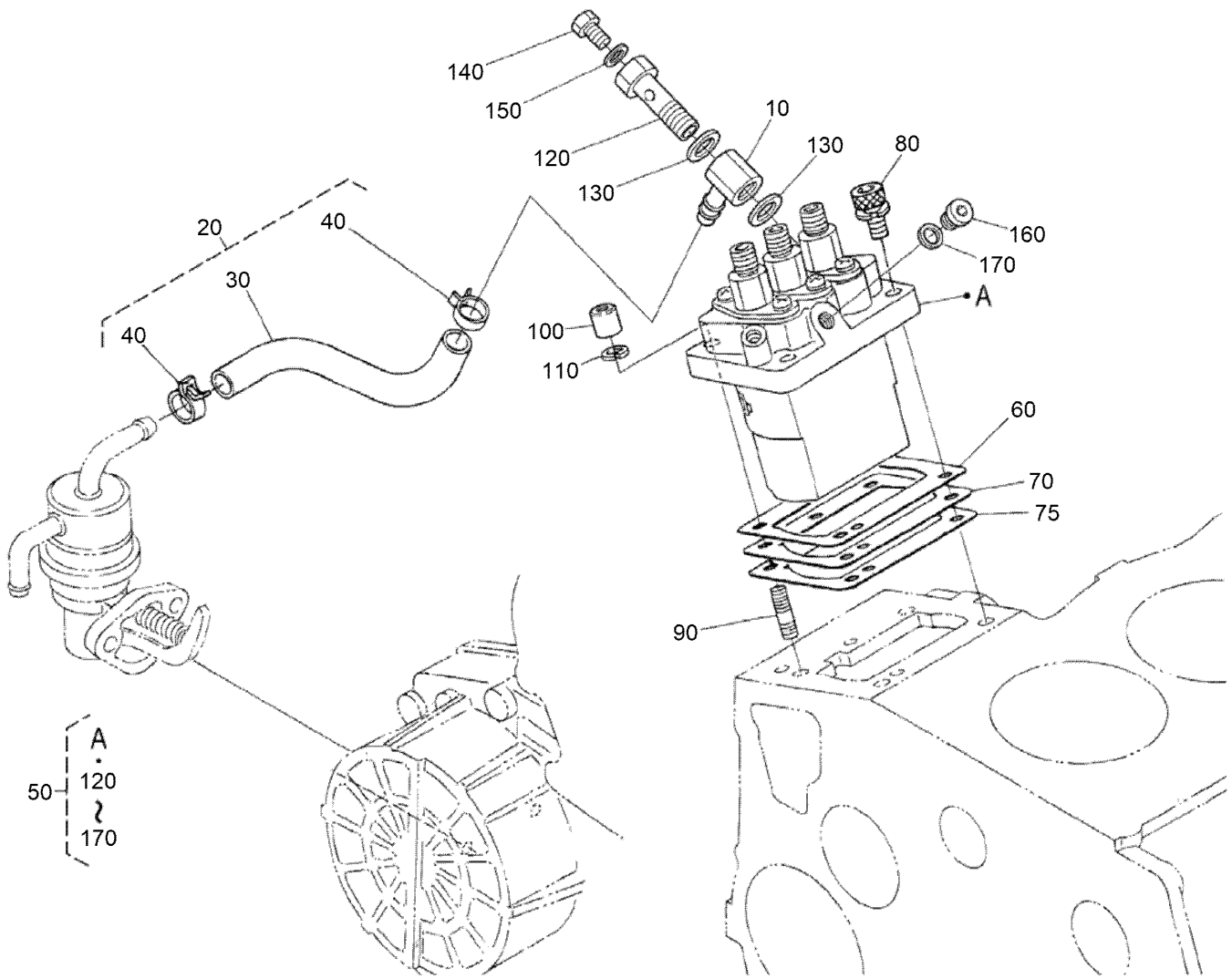
Stop Solenoid Assembly



Stop Solenoid Assembly (continued)

<i>Ref.</i>	<i>Part Number</i>	<i>Qty.</i>	<i>Description</i>
10	104-5155	1	Solenoid-Stop
20	130-1155	2	Screw-HSH

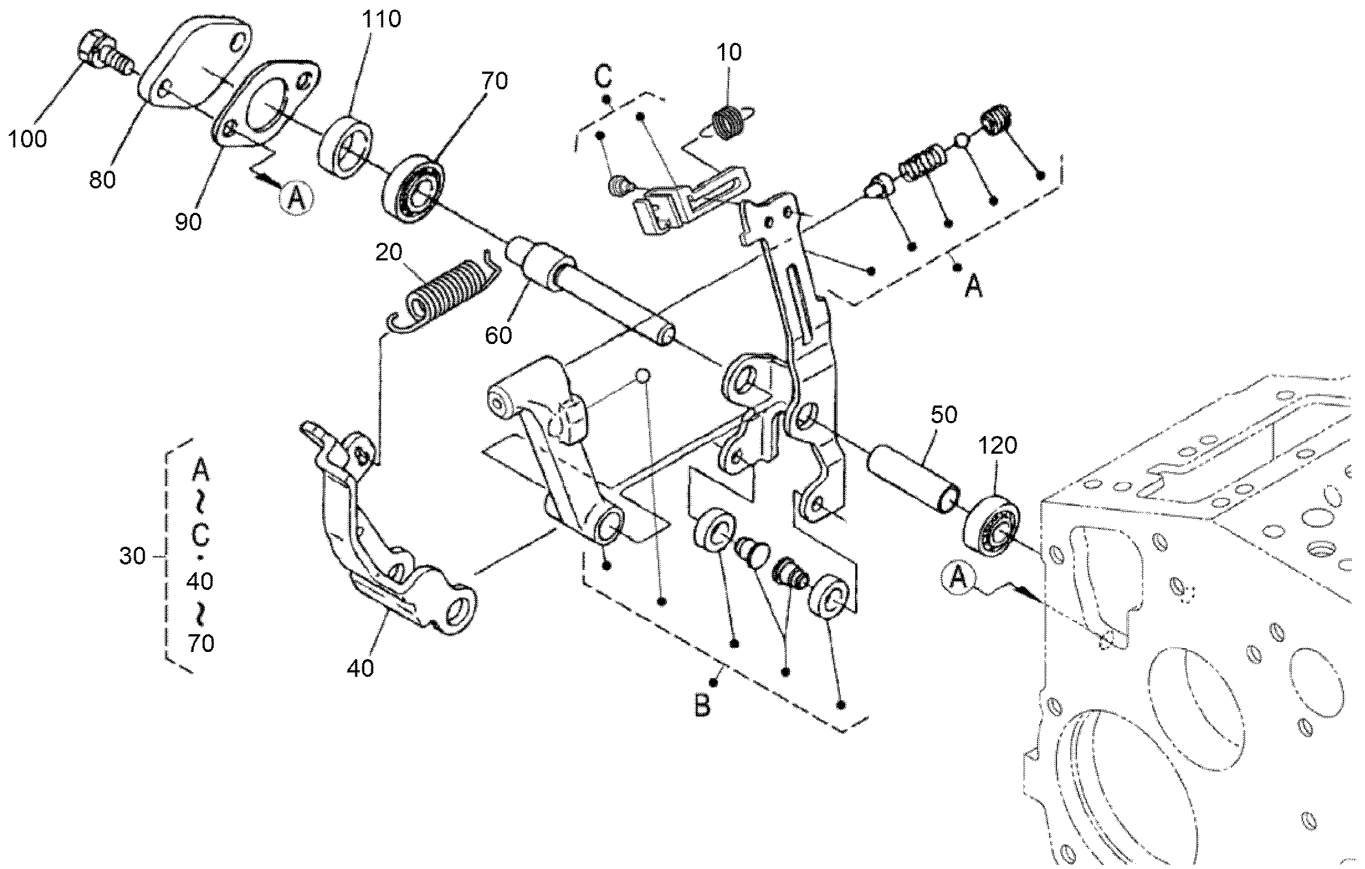
Injection Pump Assembly



Injection Pump Assembly (continued)

<i>Ref.</i>	<i>Part Number</i>	<i>Qty.</i>	<i>Description</i>	<i>Ref.</i>	<i>Part Number</i>	<i>Qty.</i>	<i>Description</i>
10	98-9596	1	Joint-Eye	80	117-7564	2	Bolt-Hex Soc HD
20	98-9467	1	Fuel Pipe ASM	90	AU125496A1	2	Stud
30	98-9384	1	Tube-Fuel	100	AU125497A1	2	Nut
40	100-2217	2	Clip-Pipe	110	98-7699	2	Washer-Spring
50	98-9643	1	Injection Pump ASM	120	AU197442A1	1	Screw-Follow
60	115-3045	1	Shim-Injection (0.175MM)	130	AU129409A1	2	Gasket
70	98-9456	1	Shim-Injection (0.20MM)	140	98-9430	1	Screw
70	98-9457	1	Shim-Injection (0.25MM)	150	98-9446	1	Gasket
75	115-3046	1	Shim-Injection (0.35MM)	160	98-9466	1	Plug
75	98-9458	1	Shim-Injection (0.30MM)	170	98-9451	1	Gasket

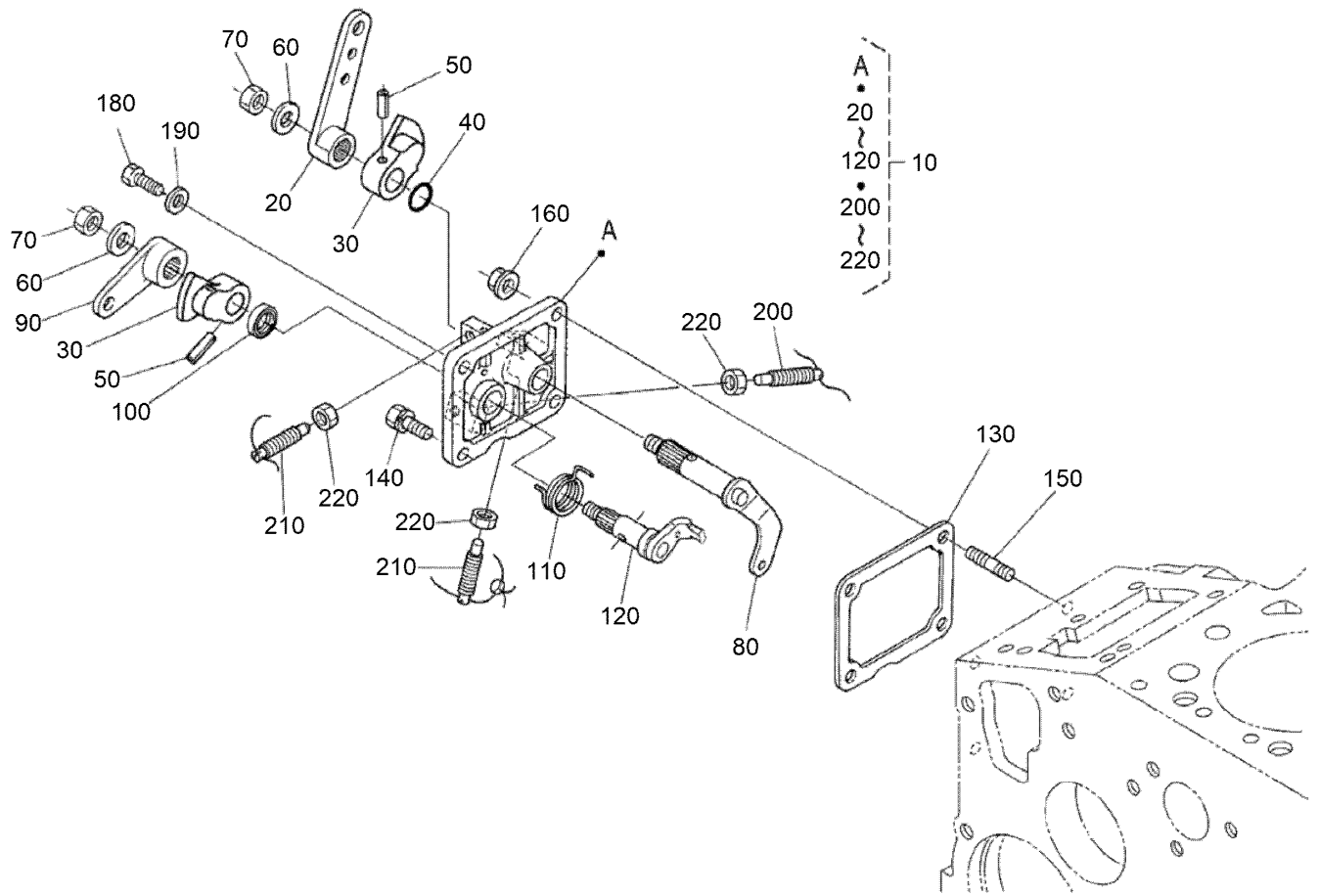
Governor Assembly



Governor Assembly (continued)

<i>Ref.</i>	<i>Part Number</i>	<i>Qty.</i>	<i>Description</i>	<i>Ref.</i>	<i>Part Number</i>	<i>Qty.</i>	<i>Description</i>
10	105-3786	1	Spring-Start	70	98-9570	1	Bearing-Miniaturize
20	98-9681	1	Spring-Governor	80	115-4122	1	Cover-Shaft, Fork Lever
30	115-4502	1	Fork Lever ASM	90	98-9682	1	Gasket
40	107-9084	1	Lever-Fork	100	98-9350	2	Bolt
50	107-9085	1	Shaft-Lever, Fork	110	AU125562A1	1	Collar
60	107-9086	1	Shaft-Lever, Fork	120	98-9571	1	Bearing-Miniaturize

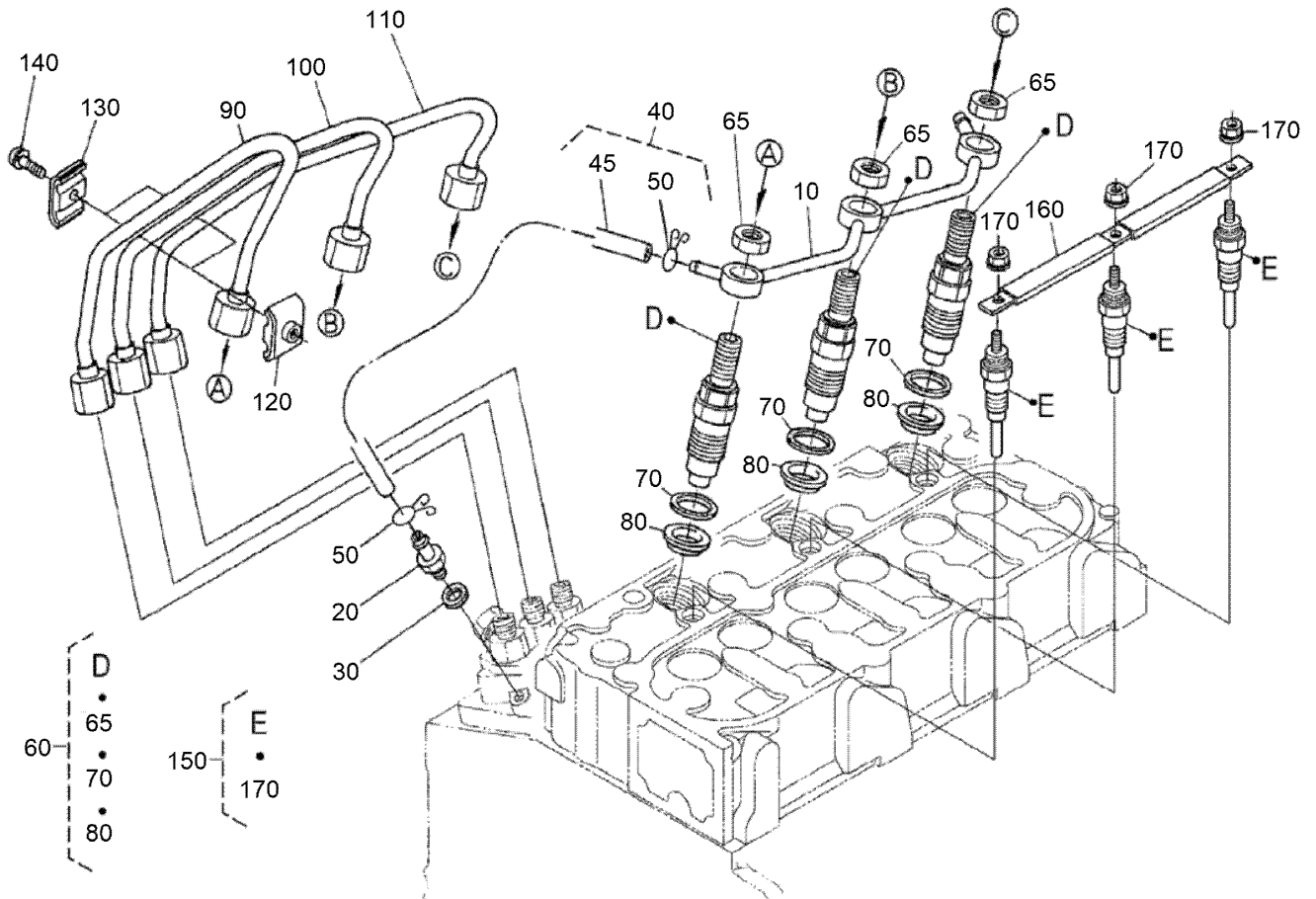
Speed Control Plate Assembly



Speed Control Plate Assembly (continued)

<i>Ref.</i>	<i>Part Number</i>	<i>Qty.</i>	<i>Description</i>	<i>Ref.</i>	<i>Part Number</i>	<i>Qty.</i>	<i>Description</i>
10	98-9661	1	Control Plate ASM	120	AU125549A1	1	Shaft
20	AU125536A1	1	Lever	130	98-9637	1	Gasket
30	AU125537A1	2	Lever	140	98-7692	1	Bolt
40	105-3788	1	O-Ring	150	105-3710	2	Stud
50	98-7602	2	Pin-Spring	160	100-2203	2	Nut-Flange
60	AU125538A1	2	Washer-Pla	180	127-0401	1	Bolt-Hex
70	AU125539A1	2	Nut	190	98-7654	1	Gasket
80	AU125542A1	1	Lever	200	117-7566	1	Bolt-Adjusting
90	AU125546A1	1	Lever	210	117-7565	2	Bolt-Adjusting
100	AU125547A1	1	Seal-Oil	220	98-7572	3	Nut
110	98-9472	1	Spring-Return				

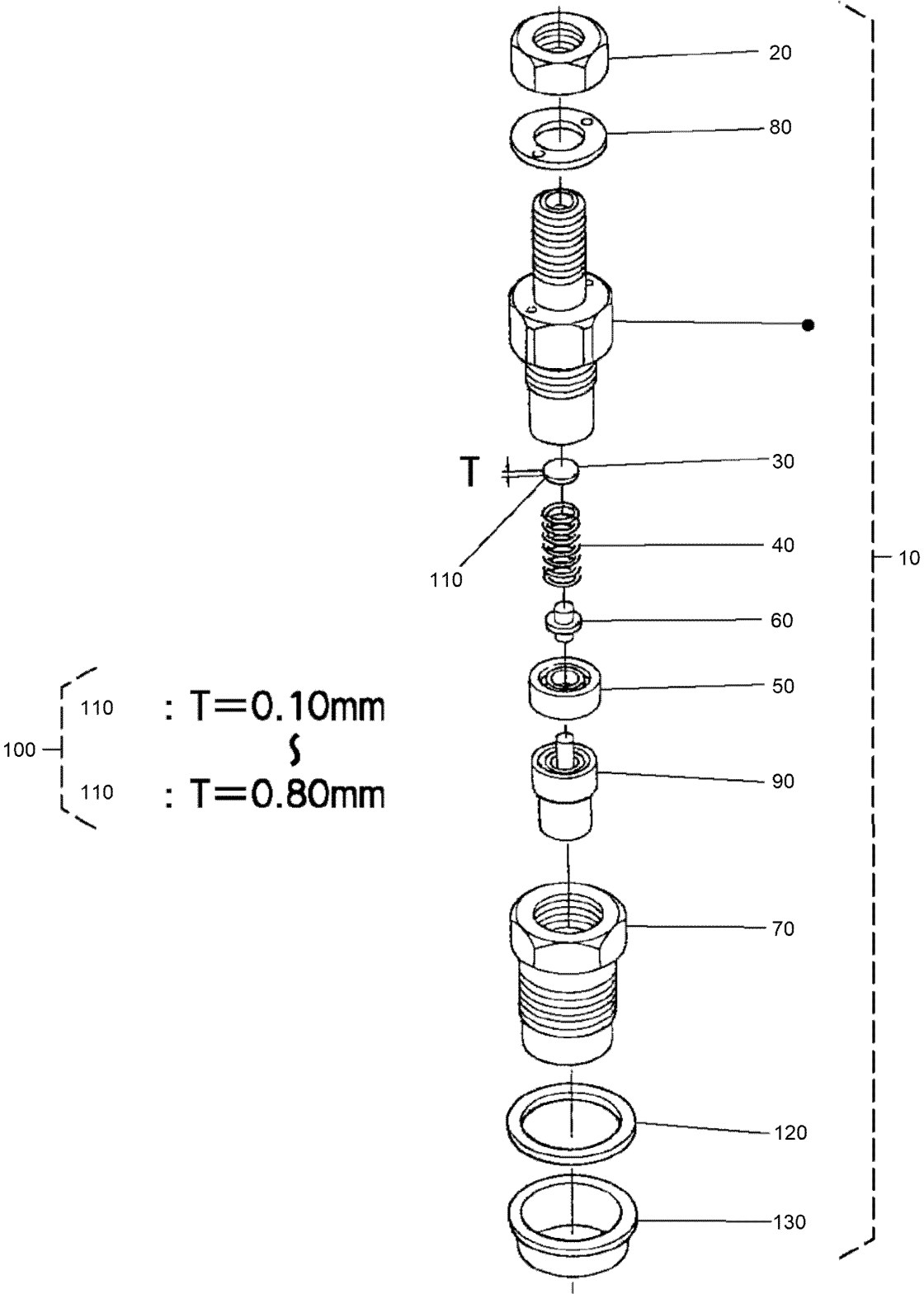
Nozzle Holder and Glow Plug Assembly



Nozzle Holder and Glow Plug Assembly (continued)

<i>Ref.</i>	<i>Part Number</i>	<i>Qty.</i>	<i>Description</i>	<i>Ref.</i>	<i>Part Number</i>	<i>Qty.</i>	<i>Description</i>
10	98-9620	1	Overflow Pipe ASM	90	AU125449A2	1	Pipe-Injection
20	AU125444A1	1	Screw	100	AU125451A2	1	Pipe-Injection
30	98-7654	1	Gasket	110	AU125453A2	1	Pipe-Injection
40	140-2456	1	Overflow Pipe ASM	120	98-7682	2	Clamp-Pipe
45	112-0182	1	Pipe-Overflow	130	98-7683	2	Clamp-Pipe
50	98-7671	2	Clip-Pipe	140	98-7684	2	Screw (W/Washer)
60	115-3018	3	Nozzle Holder Kit	150	130-1411	3	Plug-Glow
65	121-2411	3	Nut	160	98-9631	1	Cord-Plug, Glow
70	98-7676	3	Gasket	170	99-8377	3	Nut-Flange
80	AU197423A1	3	Seal				

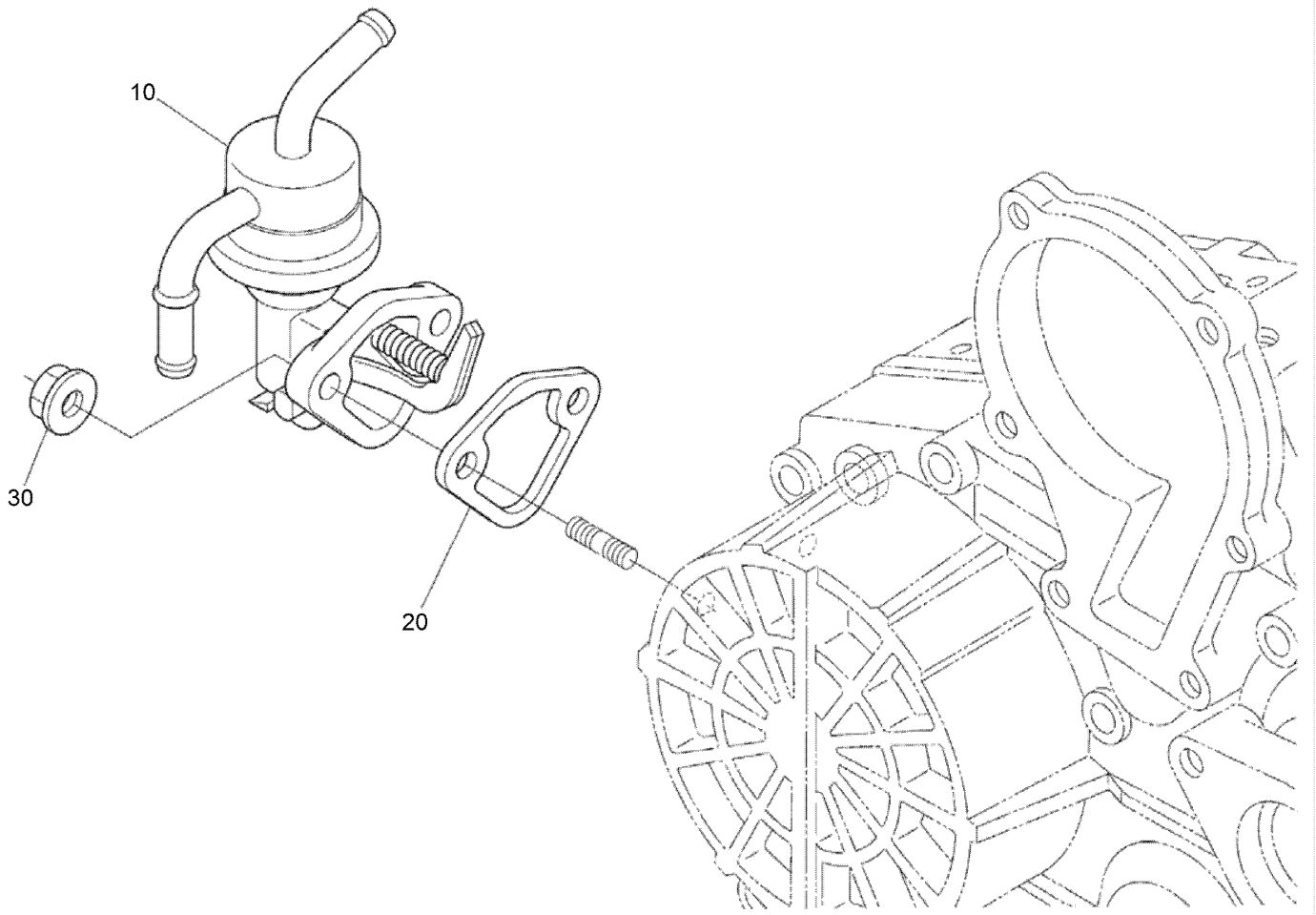
Nozzle Holder Components Parts Assembly



Nozzle Holder Components Parts Assembly (continued)

<i>Ref.</i>	<i>Part Number</i>	<i>Qty.</i>	<i>Description</i>	<i>Ref.</i>	<i>Part Number</i>	<i>Qty.</i>	<i>Description</i>
10	115-3018	3	Nozzle Holder Kit	110	99-8311	3	Washer-Adjust (0.20MM)
20	121-2411	3	Nut	110	99-8312	3	Washer-Adjust (0.30MM)
30	AU197445A1	3	Washer-Adjusting	110	99-8313	3	Washer-Adjust (0.40MM)
40	AU197446A1	3	Spring-Nozzle	110	99-8314	3	Washer-Adjust (0.50MM)
50	AU197447A1	3	Spacer	110	99-8315	3	Washer-Adjust (0.52MM)
60	AU197448A1	3	Rod-Push	110	99-8316	3	Washer-Adjust (0.54MM)
70	AU197449A1	3	Nut-Nozzle	110	99-8317	3	Washer-Adjust (0.56MM)
80	AU197450A1	3	Washer-Plain	110	99-8318	3	Washer-Adjust (0.58MM)
90	115-3020	3	Piece-Nozzle	110	99-8319	3	Washer-Adjust (0.80MM)
100	AU197452A1	3	Kit-Washer Adjust(0.10-0.80MM)	120	98-7676	3	Gasket
110	99-8310	3	Washer-Adjust (0.10MM)	130	AU197423A1	3	Seal

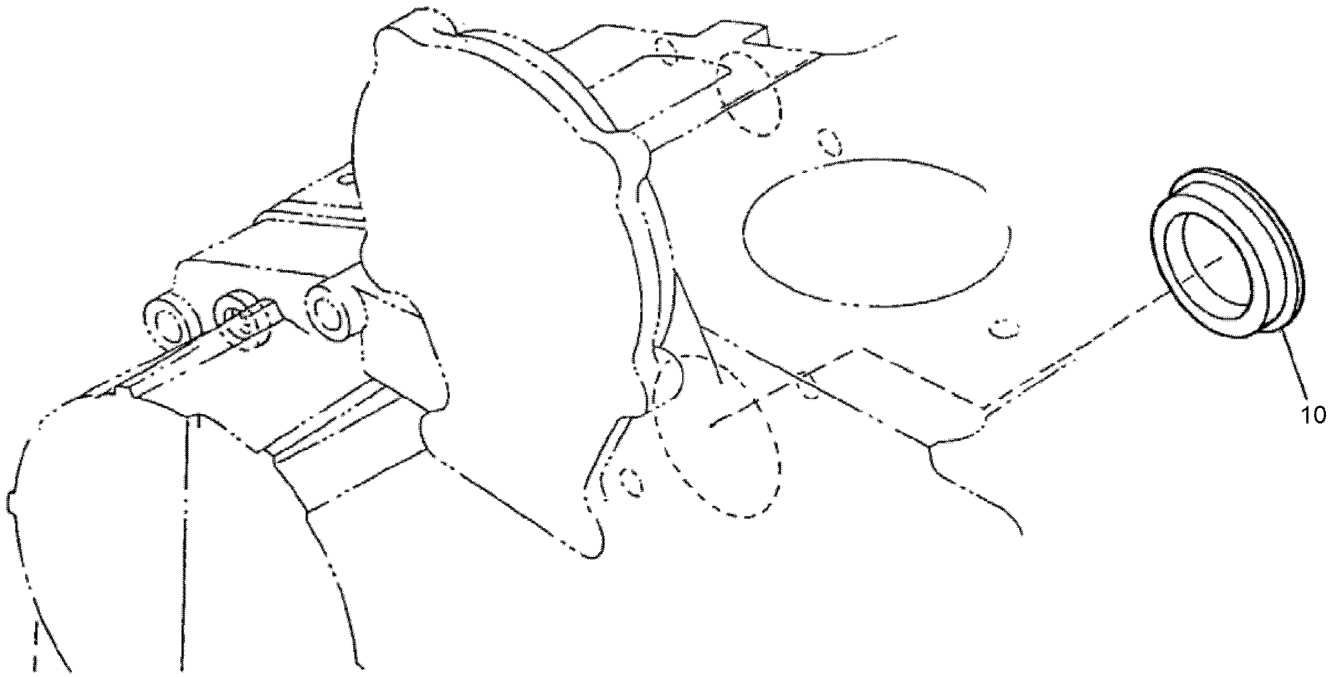
Fuel Pump Assembly



Fuel Pump Assembly (continued)

<i>Ref.</i>	<i>Part Number</i>	<i>Qty.</i>	<i>Description</i>
10	98-9677	1	Fuel Pump ASM
20	117-7562	1	Gasket-Pump, Fuel
30	100-2203	2	Nut-Flange

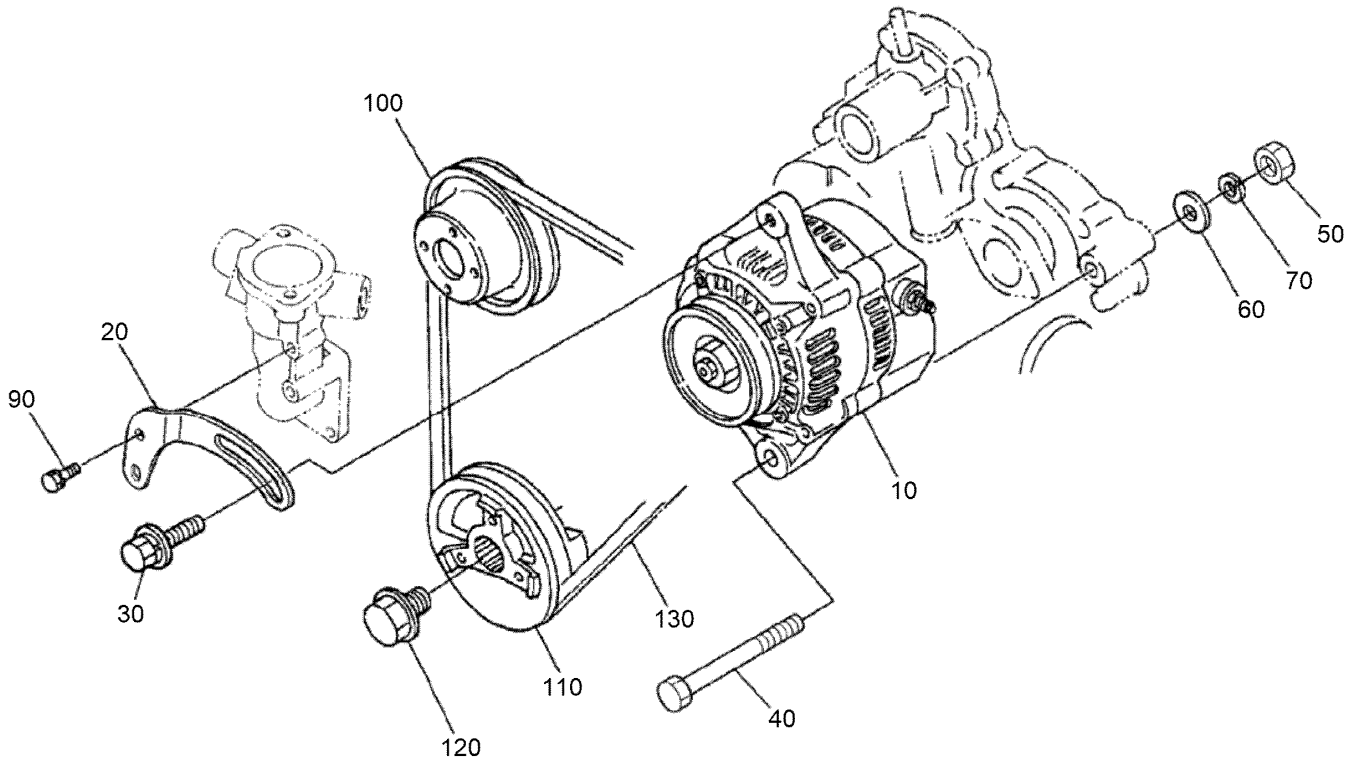
Pump Cover Assembly



Pump Cover Assembly (continued)

<i>Ref.</i>	<i>Part Number</i>	<i>Qty.</i>	<i>Description</i>
10	112-7016	1	Cover-Pump

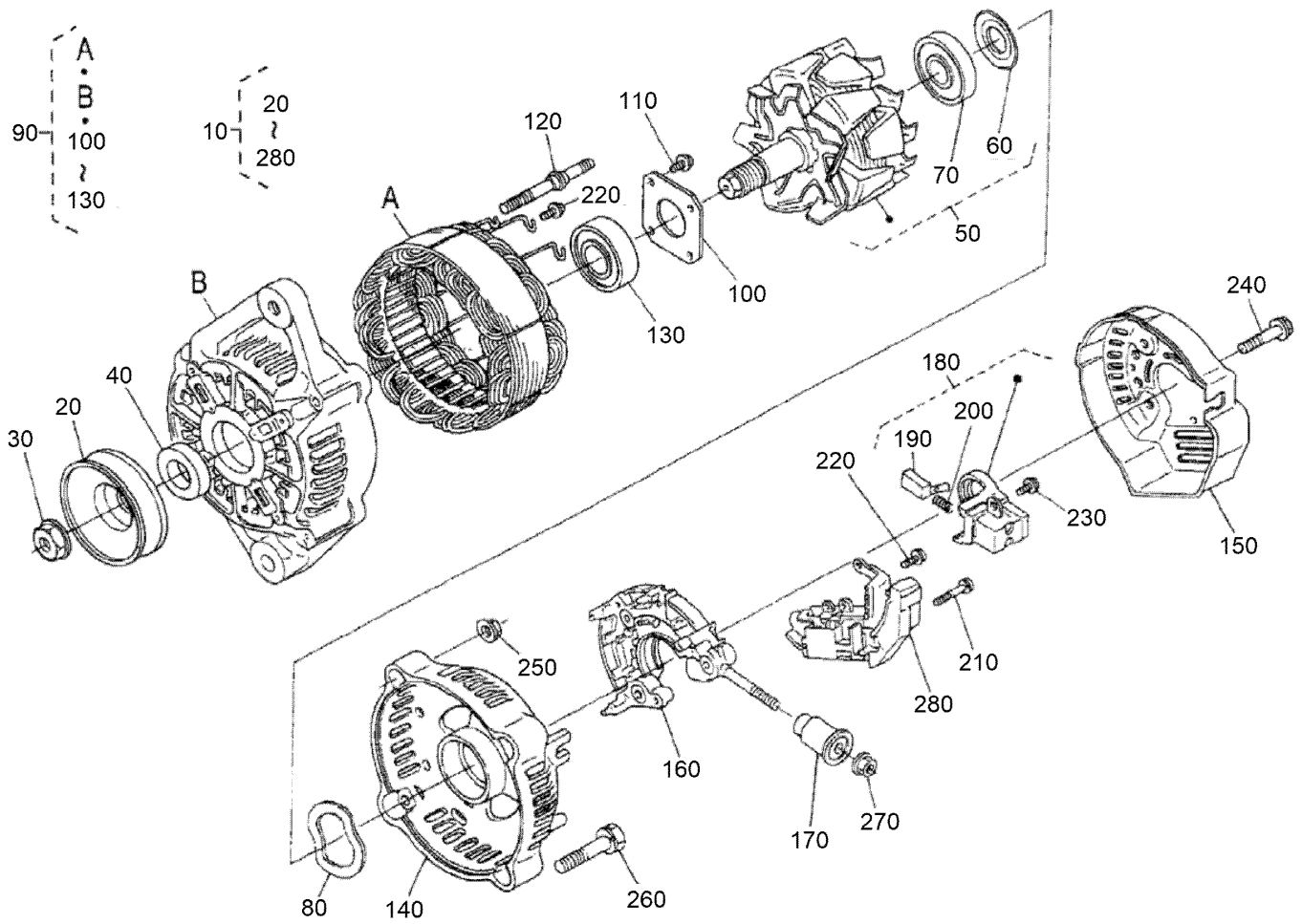
Alternator and Pulley Assembly



Alternator and Pulley Assembly (continued)

<i>Ref.</i>	<i>Part Number</i>	<i>Qty.</i>	<i>Description</i>	<i>Ref.</i>	<i>Part Number</i>	<i>Qty.</i>	<i>Description</i>
10	121-3811	1	Alternator ASM	70	99-7527	1	Washer-Spring
20	112-7047	1	Stay-Dynamo	90	98-7692	1	Bolt
30	108-7088	1	Bolt	100	104-3497	1	Pulley-Fan
40	98-9360	1	Bolt	110	98-9473	1	Pulley-Drive, Fan
50	99-7526	1	Nut	120	AU125569A1	1	Bolt
60	98-9366	1	Washer-Plain	130	104-3494	1	Belt-V

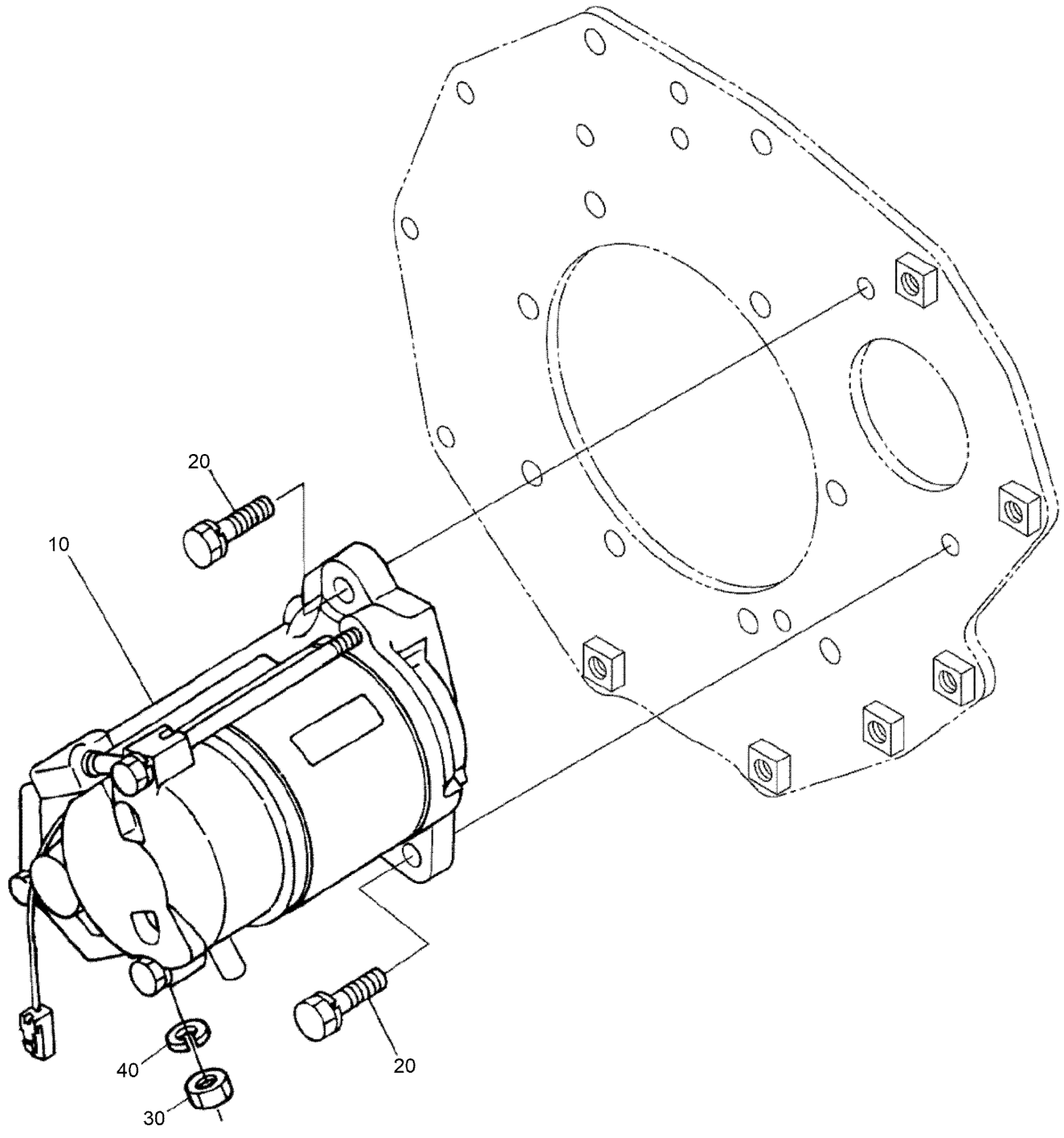
Alternator Components Parts Assembly



Alternator Components Parts Assembly (continued)

<i>Ref.</i>	<i>Part Number</i>	<i>Qty.</i>	<i>Description</i>	<i>Ref.</i>	<i>Part Number</i>	<i>Qty.</i>	<i>Description</i>
10	121-3811	1	Alternator ASM	150	121-3813	1	Cover-End
20	AU129412A1	1	Pulley-Alternator	160	121-3805	1	Rectifier ASM
30	98-7708	1	Nut	170	AU129644A1	1	Bushing
40	98-7709	1	Collar	180	107-0141	1	Brush Holder ASM
50	107-0136	1	Rotor ASM	190	AU129432A1	2	Brush
60	98-7711	1	Cover-Bearing	200	AU129452A1	2	Spring-Brush
70	107-0138	1	Bearing-Ball	210	98-7726	2	Screw-Head, Round
80	98-7713	1	Washer-Thrust	220	98-7727	6	Screw-Head, Round
90	121-3811	1	Alternator ASM	230	98-7728	1	Screw-Head, Round
100	98-7715	1	Plate-Retainer	240	98-7729	3	Bolt
110	98-7716	4	Screw-Head, Round	250	98-7730	2	Nut
120	98-7717	2	Bolt-Through	260	98-7731	2	Bolt
130	133-2811	1	Bearing	270	98-7732	1	Nut
140	121-3812	1	Frame-End	280	121-3809	1	Regulator ASM

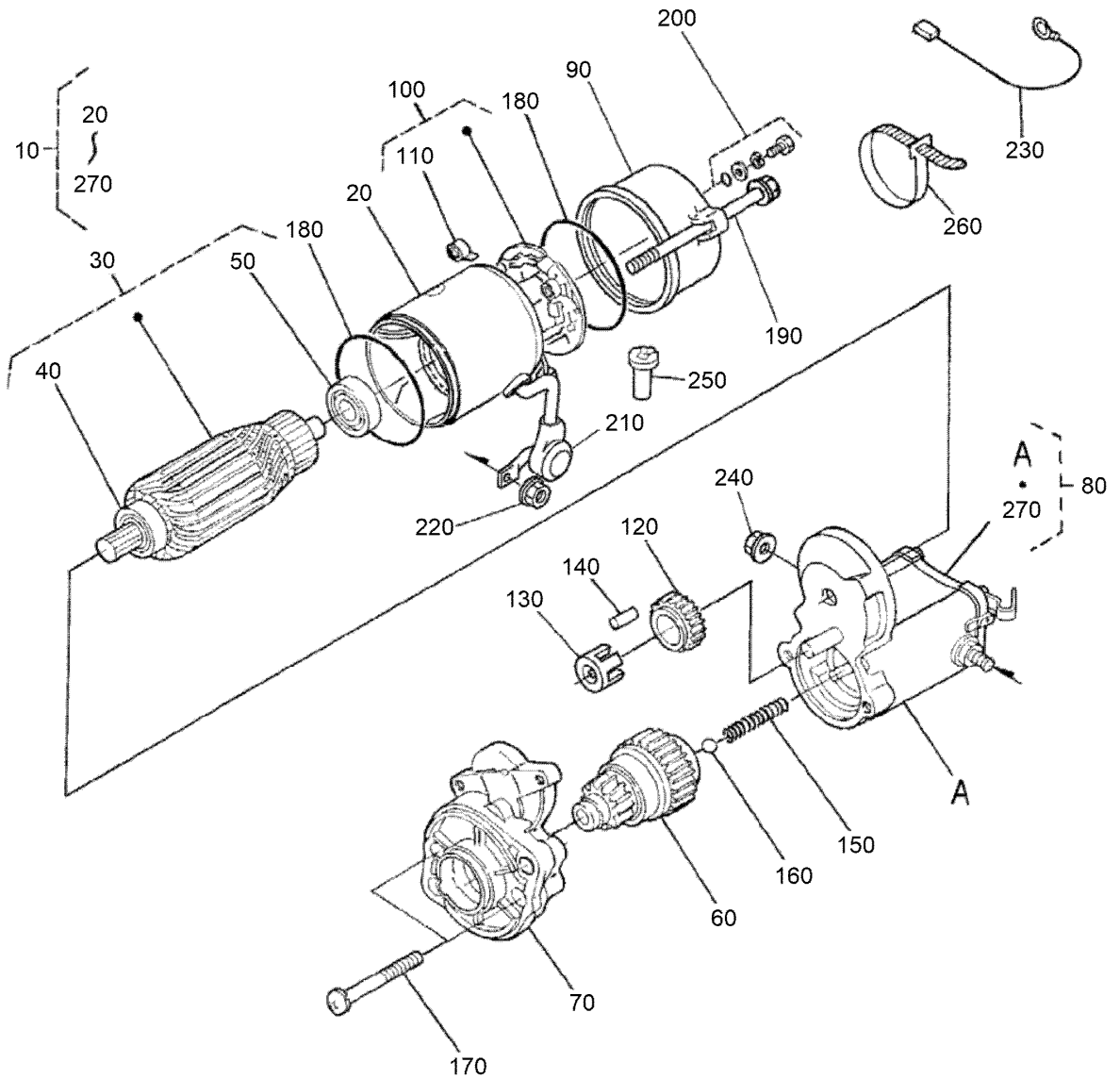
Starter Assembly



Starter Assembly (continued)

<i>Ref.</i>	<i>Part Number</i>	<i>Qty.</i>	<i>Description</i>	<i>Ref.</i>	<i>Part Number</i>	<i>Qty.</i>	<i>Description</i>
10	98-9705	1	Starter ASM	30	98-7534	1	Nut
20	98-7697	2	Bolt	40	105-2893	1	Washer-Spring

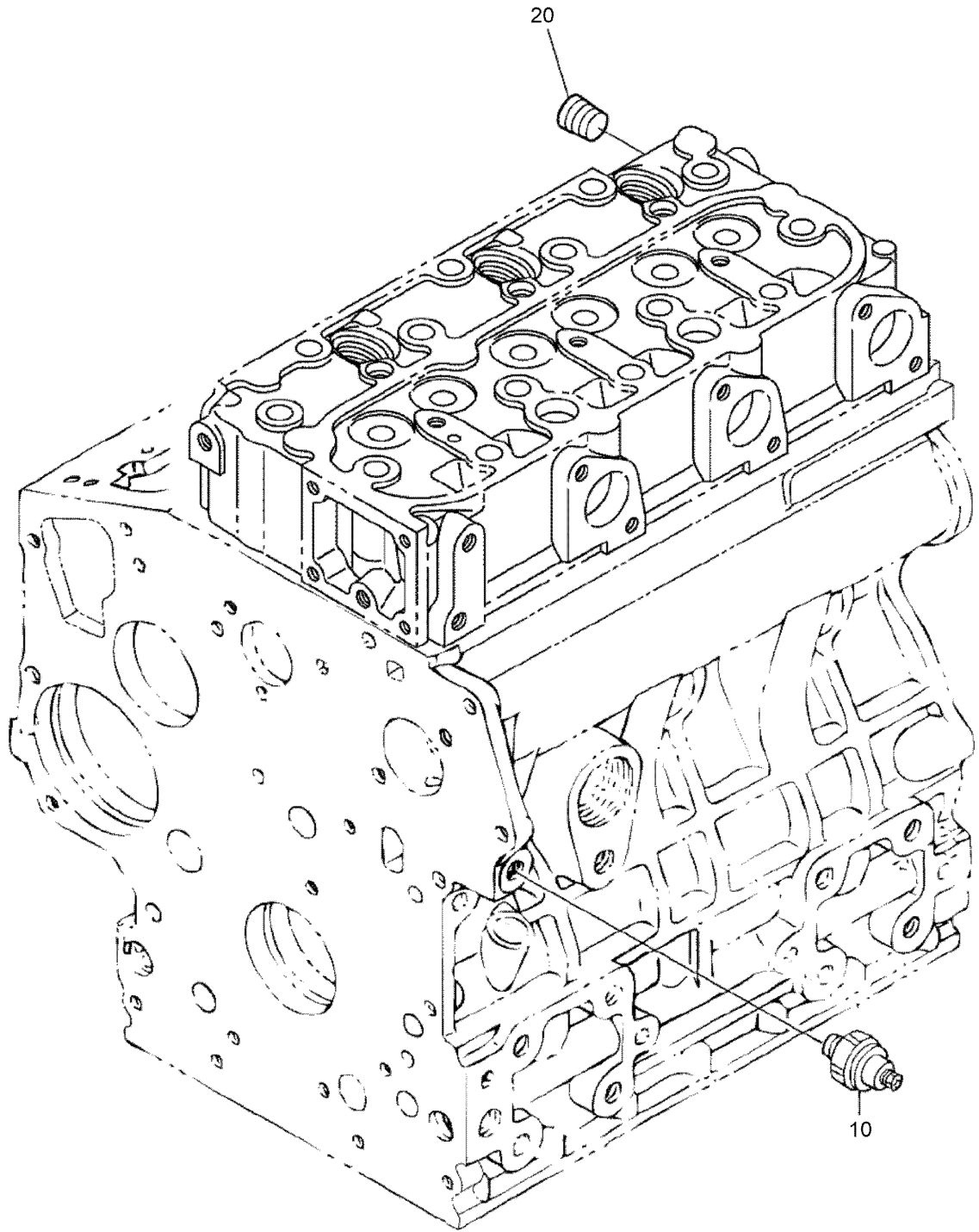
Starter Component Parts Assembly



Starter Component Parts Assembly (continued)

<i>Ref.</i>	<i>Part Number</i>	<i>Qty.</i>	<i>Description</i>	<i>Ref.</i>	<i>Part Number</i>	<i>Qty.</i>	<i>Description</i>
10	98-9705	1	Starter ASM	150	98-7754	1	Spring
20	AU368635A1	1	Yoke	160	98-7755	1	Ball
30	98-7742	1	Armature ASM	170	98-7756	2	Bolt
40	98-7744	1	Bearing	180	98-7757	2	O-Ring
50	98-7743	1	Bearing	190	100-9240	2	Bolt
60	AU129519A1	1	Clutch	200	98-7758	2	Bolt ASM
70	99-8374	1	Frame-End, Drive	210	99-8375	1	Cover
80	105-3746	1	Magnetic Switch ASM	220	99-8371	1	Nut-Hex
90	98-7748	1	Frame-End	230	98-9711	1	Cord-Solenoid, Stop
100	98-7749	1	Brush Holder ASM	240	AU129536A1	1	Nut-Hex
110	98-7750	4	Spring-Brush	250	98-7759	1	Pipe-Drain
120	98-7751	1	Gear	260	98-9712	1	Band-Cover
130	98-7752	1	Retainer	270	105-2886	1	Cover ASM
140	98-9707	5	Roller				

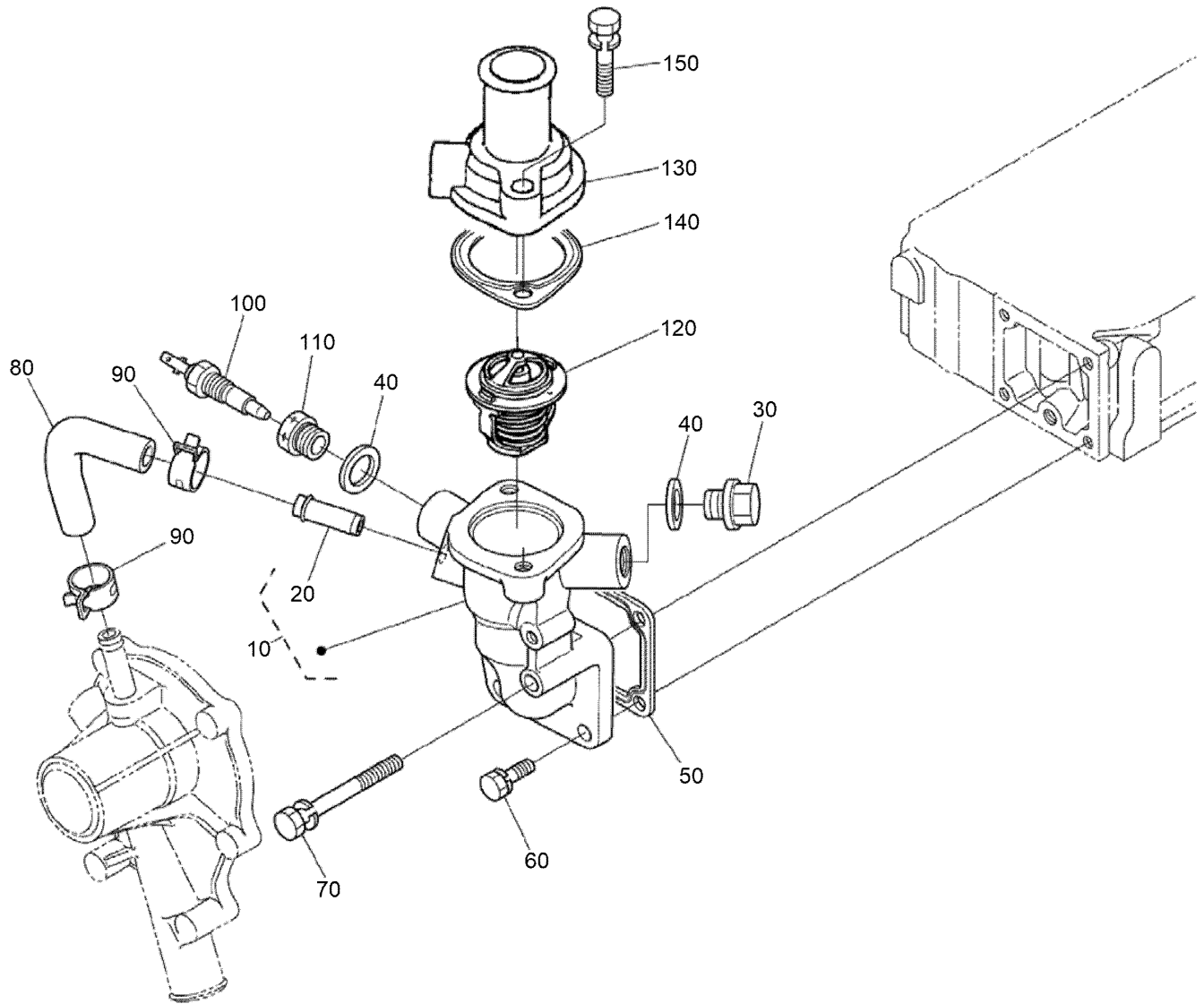
Oil Switch and Plug Assembly



Oil Switch and Plug Assembly (continued)

<i>Ref.</i>	<i>Part Number</i>	<i>Qty.</i>	<i>Description</i>
10	98-7764	1	Switch-Oil
20	AU125262A1	1	Plug

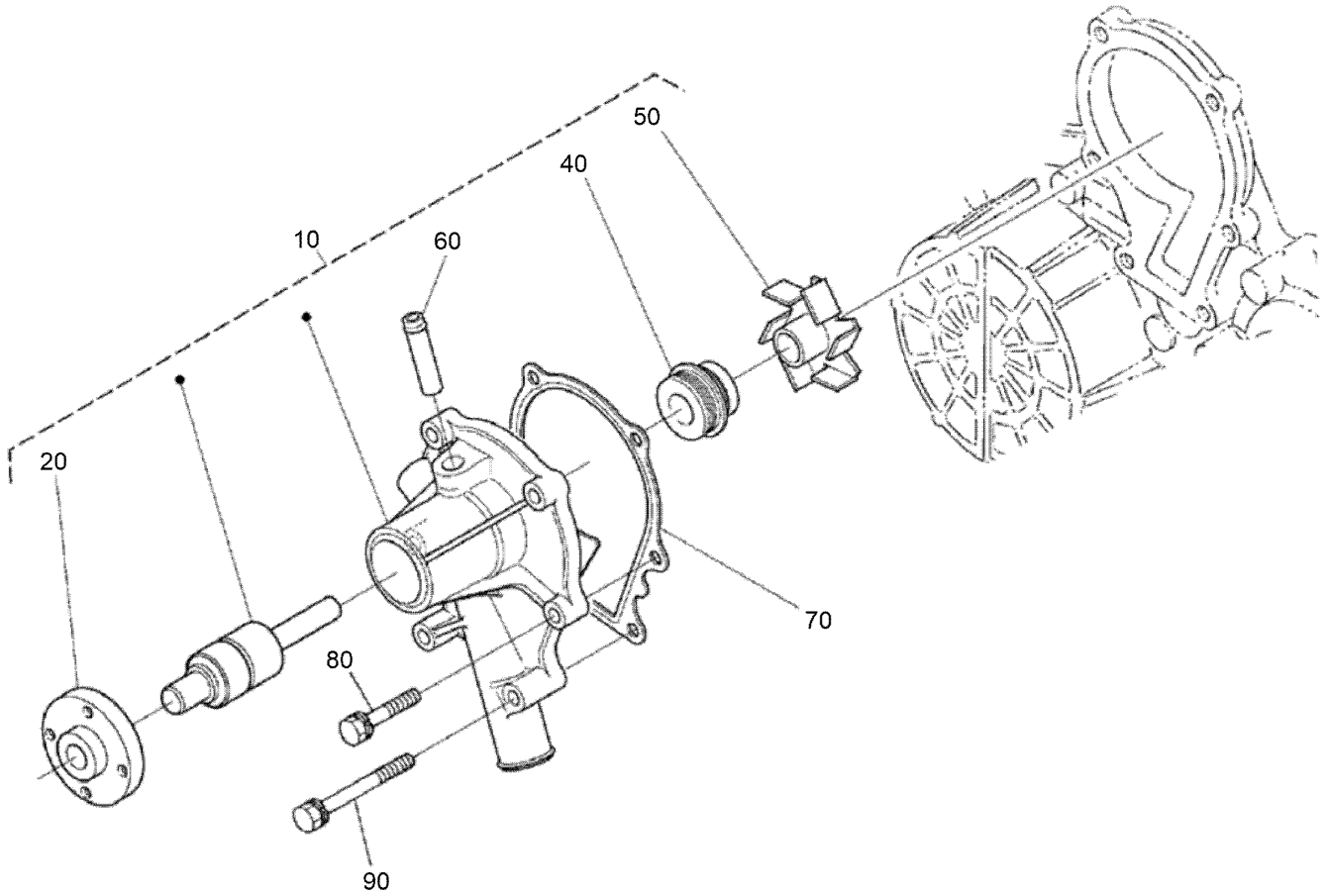
Water Flange and Thermostat Assembly



Water Flange and Thermostat Assembly (continued)

<i>Ref.</i>	<i>Part Number</i>	<i>Qty.</i>	<i>Description</i>	<i>Ref.</i>	<i>Part Number</i>	<i>Qty.</i>	<i>Description</i>
10	98-9713	1	Water Flange ASM	90	125-9078	2	Clamp-Hose
20	98-9580	1	Pipe-Return, Water	100	100-1983	1	Thermo-Switch
30	105-3747	1	Plug	110	130-1377	1	Adapter-Thermoswitch
40	99-3583	2	Gasket	120	98-7778	1	Thermostat ASM
50	98-9638	1	Gasket-Flange, Water	130	98-9471	1	Cover-Thermostat
60	98-7692	3	Bolt	140	105-3748	1	Gasket-Thermostat
70	98-9356	1	Bolt	150	98-7777	2	Bolt
80	AU125574A1	1	Pipe				

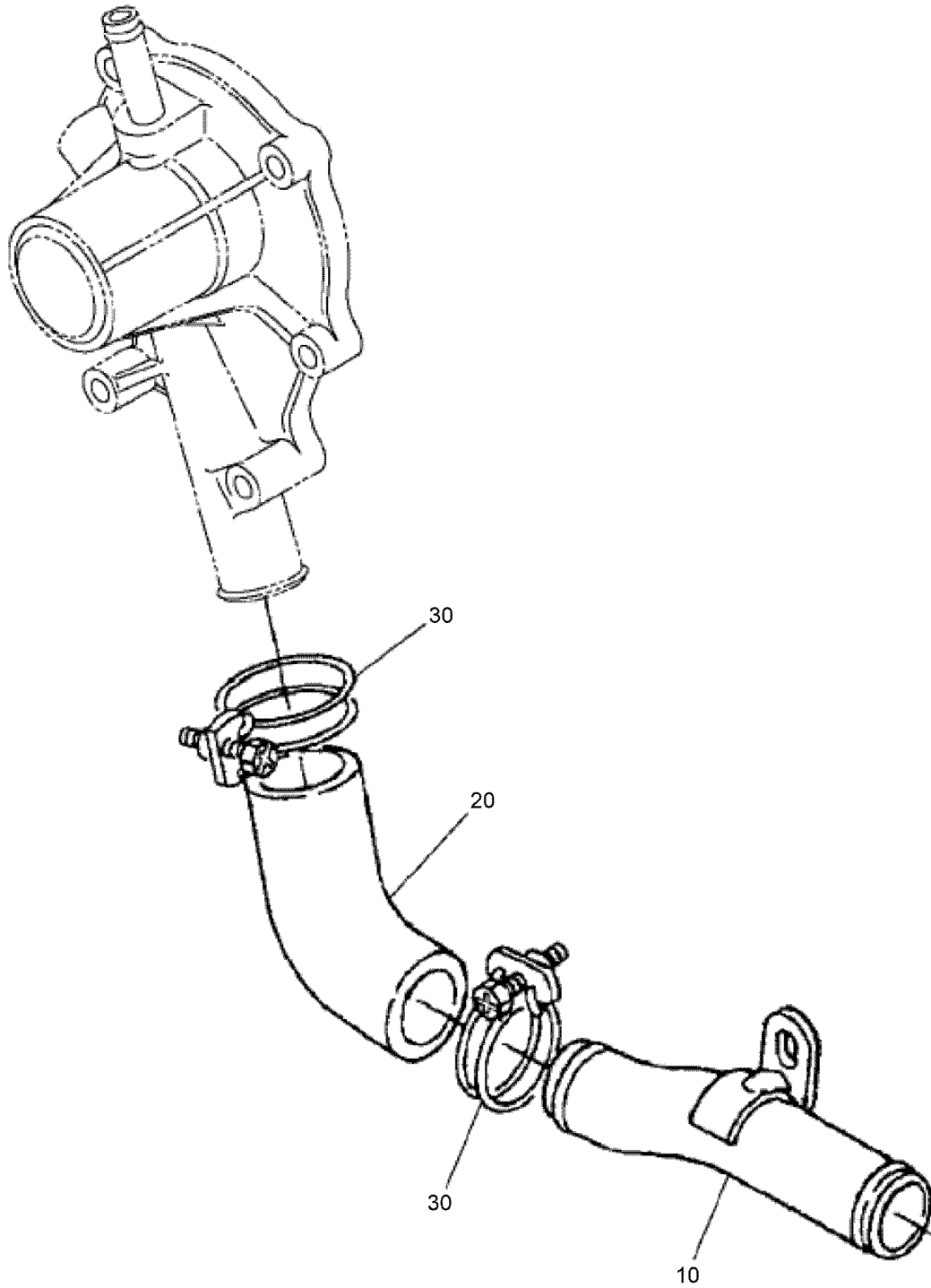
Water Pump Assembly



Water Pump Assembly (continued)

<i>Ref.</i>	<i>Part Number</i>	<i>Qty.</i>	<i>Description</i>	<i>Ref.</i>	<i>Part Number</i>	<i>Qty.</i>	<i>Description</i>
10	107-9089	1	Water Pump ASM	60	100-1932	1	Pipe-Return, Water
20	99-3516	1	Flange-Pump, Water	70	99-3454	1	Gasket-Pump, Water
40	105-3750	1	Mechanical Seal ASM	80	98-9353	4	Bolt
50	112-7017	1	Impeller-Pump, Water	90	107-9090	2	Bolt

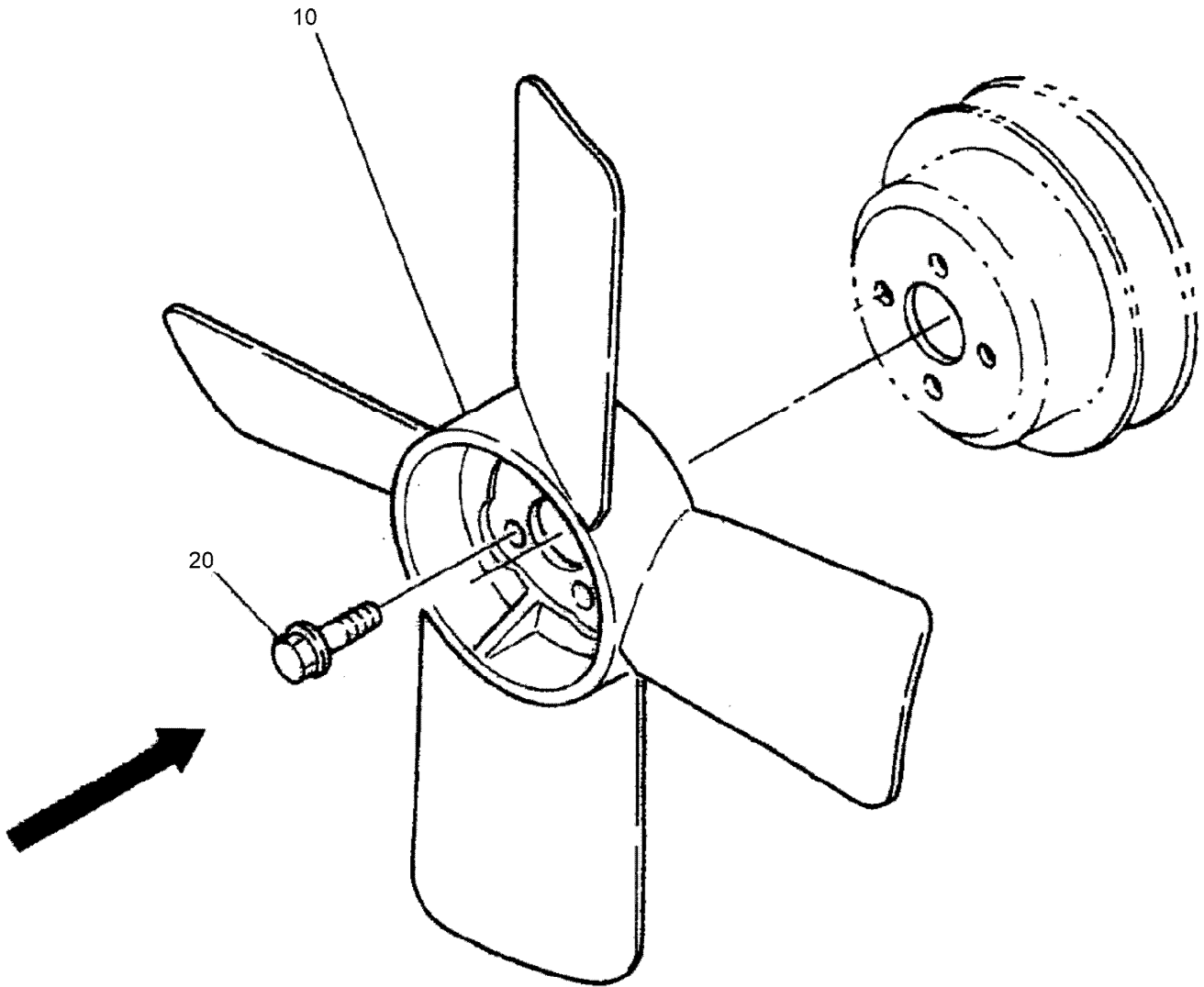
Water Pipe Assembly



Water Pipe Assembly (continued)

<i>Ref.</i>	<i>Part Number</i>	<i>Qty.</i>	<i>Description</i>
10	98-9716	1	Pipe-Water
20	107-9091	1	Pipe-Water
30	127-0439	2	Clamp-Hose

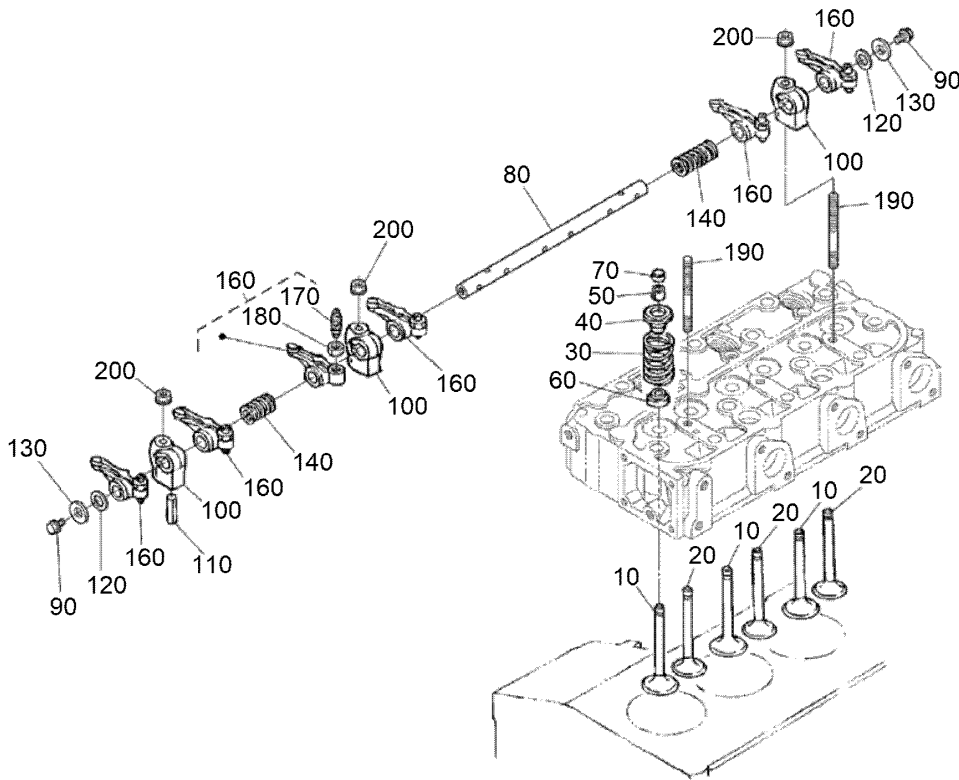
Fan Assembly



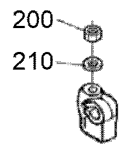
Fan Assembly (continued)

<i>Ref.</i>	<i>Part Number</i>	<i>Qty.</i>	<i>Description</i>
10	130-1256	1	Fan
20	99-8363	4	Bolt-Flange

Valve and Rocker Arm Assembly



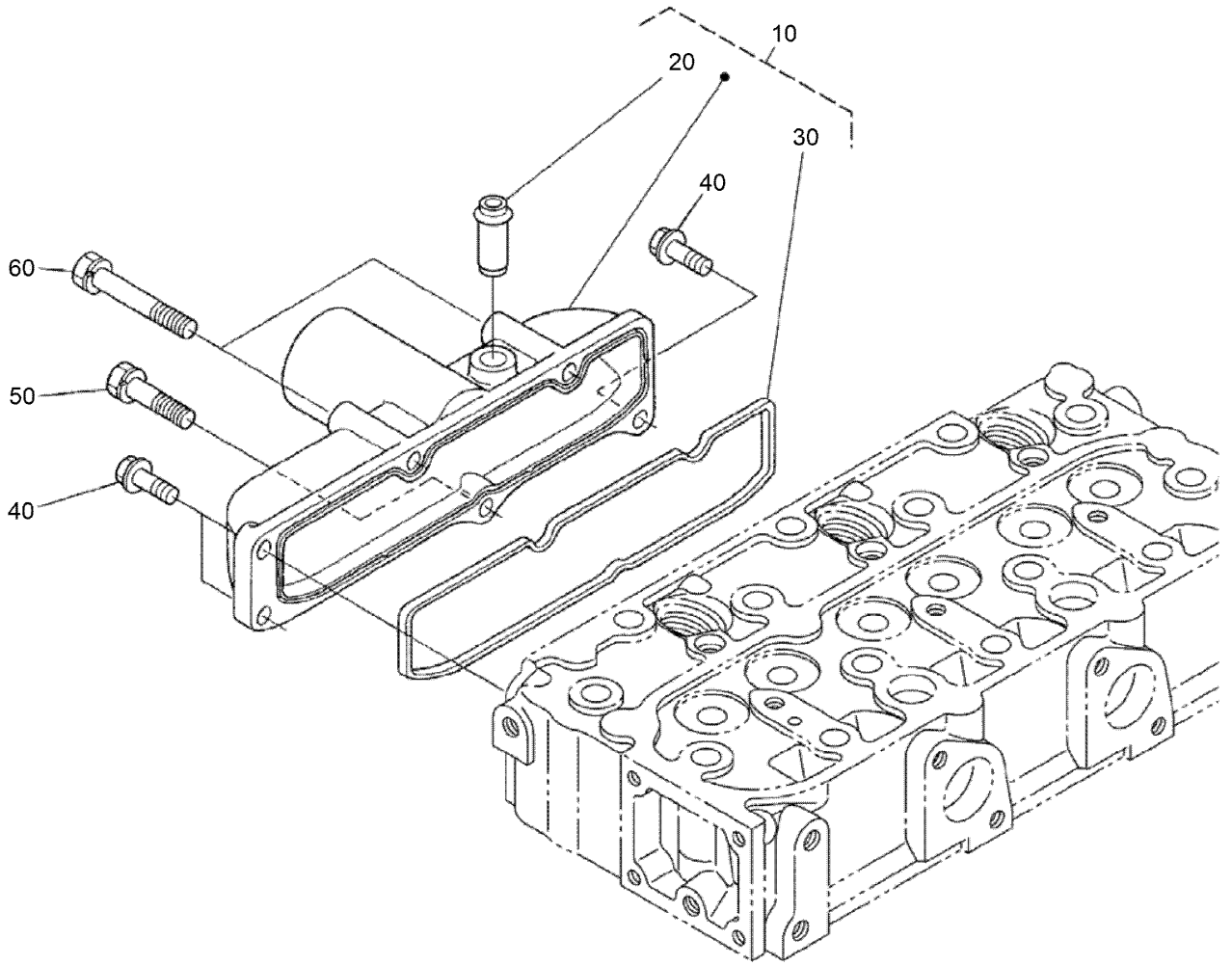
OLD



Valve and Rocker Arm Assembly (continued)

<i>Ref.</i>	<i>Part Number</i>	<i>Qty.</i>	<i>Description</i>	<i>Ref.</i>	<i>Part Number</i>	<i>Qty.</i>	<i>Description</i>
10	140-2459	3	Valve-Inlet	110	105-3758	1	Pin-Spring
20	120-2564	3	Valve-Exhaust	120	AU125329A1	2	Washer
30	98-9648	6	Spring-Valve	130	110-3832	2	Washer-Plain
40	107-9092	6	Retainer-Spring	140	AU125331A1	2	Spring
50	117-7572	6	Collet-Spring, Valve	160	112-7020	6	Rocker Arm ASM
60	99-8385	6	Seal-Stem, Valve	170	AU125334A1	6	Screw-Adjusting
70	AU1959280C1	6	Cap	180	98-9503	6	Nut
80	130-1248	1	Shaft-Arm, Rocker	190	AU125328A1	3	Stud
90	99-8363	2	Bolt-Flange	200	131-6563	3	Nut-Flange
100	AU125327A1	3	Bracket	210	98-9385	3	Washer-Flat

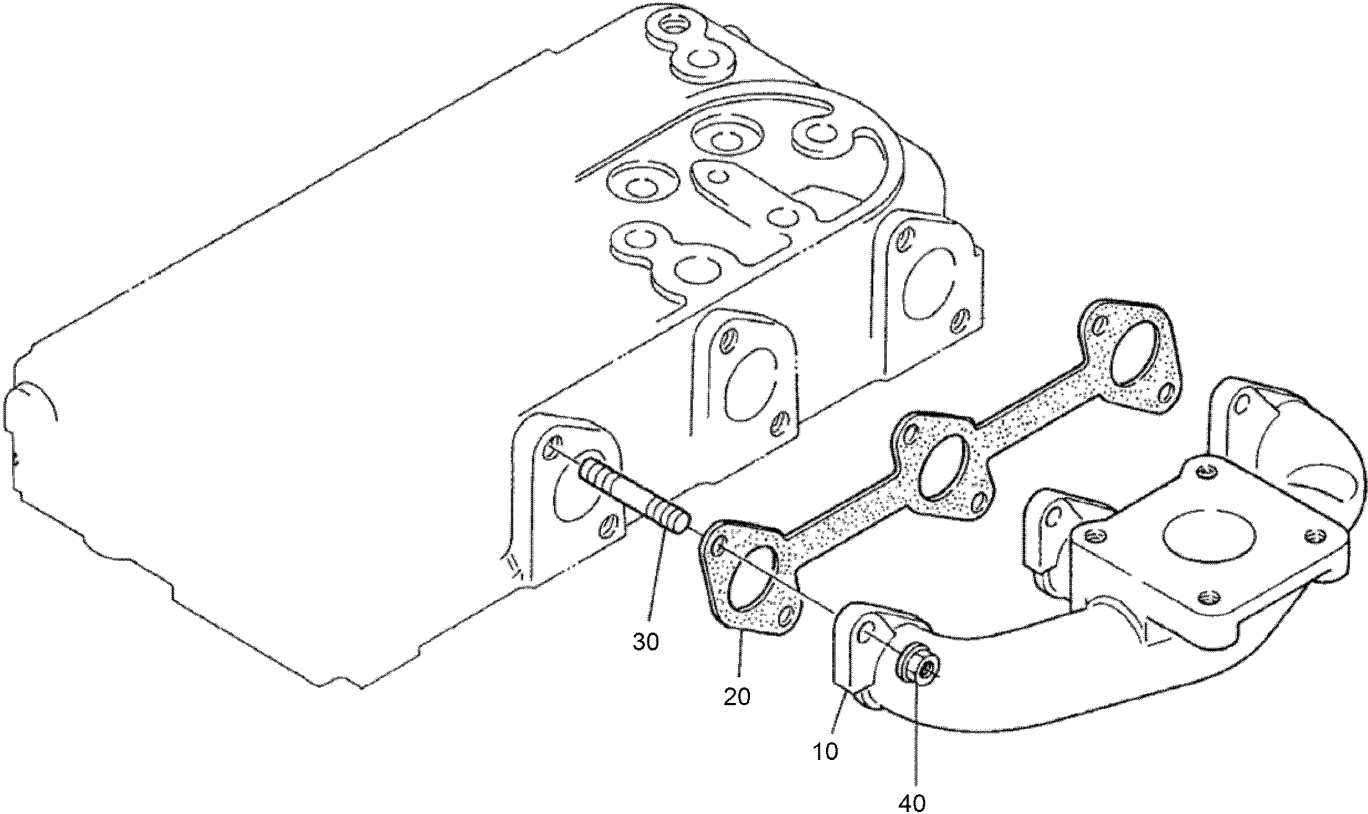
Inlet Manifold Assembly



Inlet Manifold Assembly (continued)

<i>Ref.</i>	<i>Part Number</i>	<i>Qty.</i>	<i>Description</i>	<i>Ref.</i>	<i>Part Number</i>	<i>Qty.</i>	<i>Description</i>
10	108-6577	1	Inlet Manifold ASM	40	127-0403	3	Bolt-Flange
20	AU125304A1	1	Joint	50	98-9353	1	Bolt
30	98-9609	1	Gasket-Manifold, Inlet	60	125-9063	2	Bolt-Sems

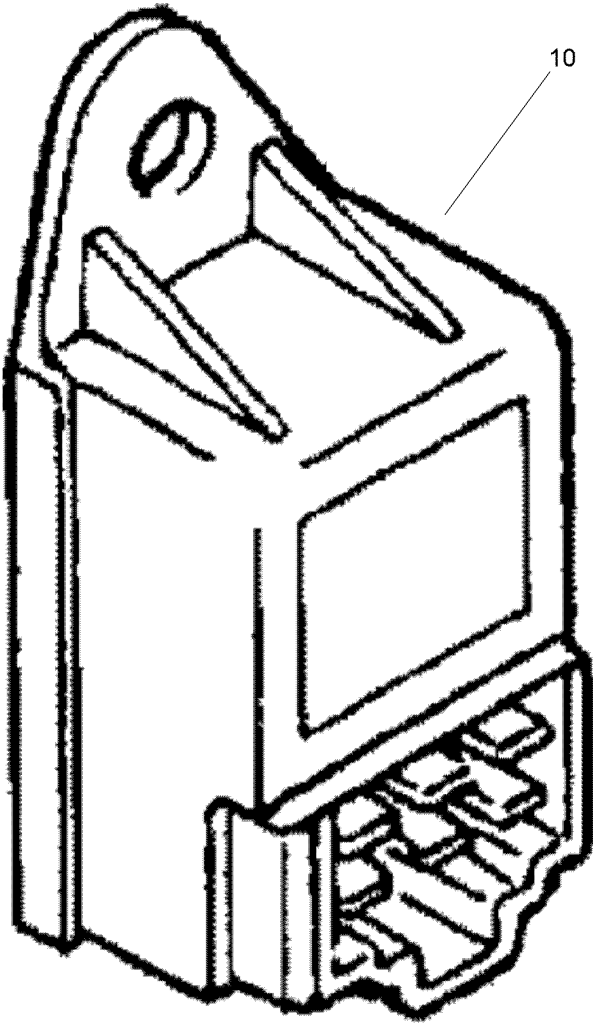
Exhaust Manifold Assembly



Exhaust Manifold Assembly (continued)

<i>Ref.</i>	<i>Part Number</i>	<i>Qty.</i>	<i>Description</i>	<i>Ref.</i>	<i>Part Number</i>	<i>Qty.</i>	<i>Description</i>
10	107-9093	1	Manifold-Exhaust	30	AU125318A1	6	Stud
20	99-8327	1	Gasket-Manifold, Exhaust	40	AU125319A1	6	Nut

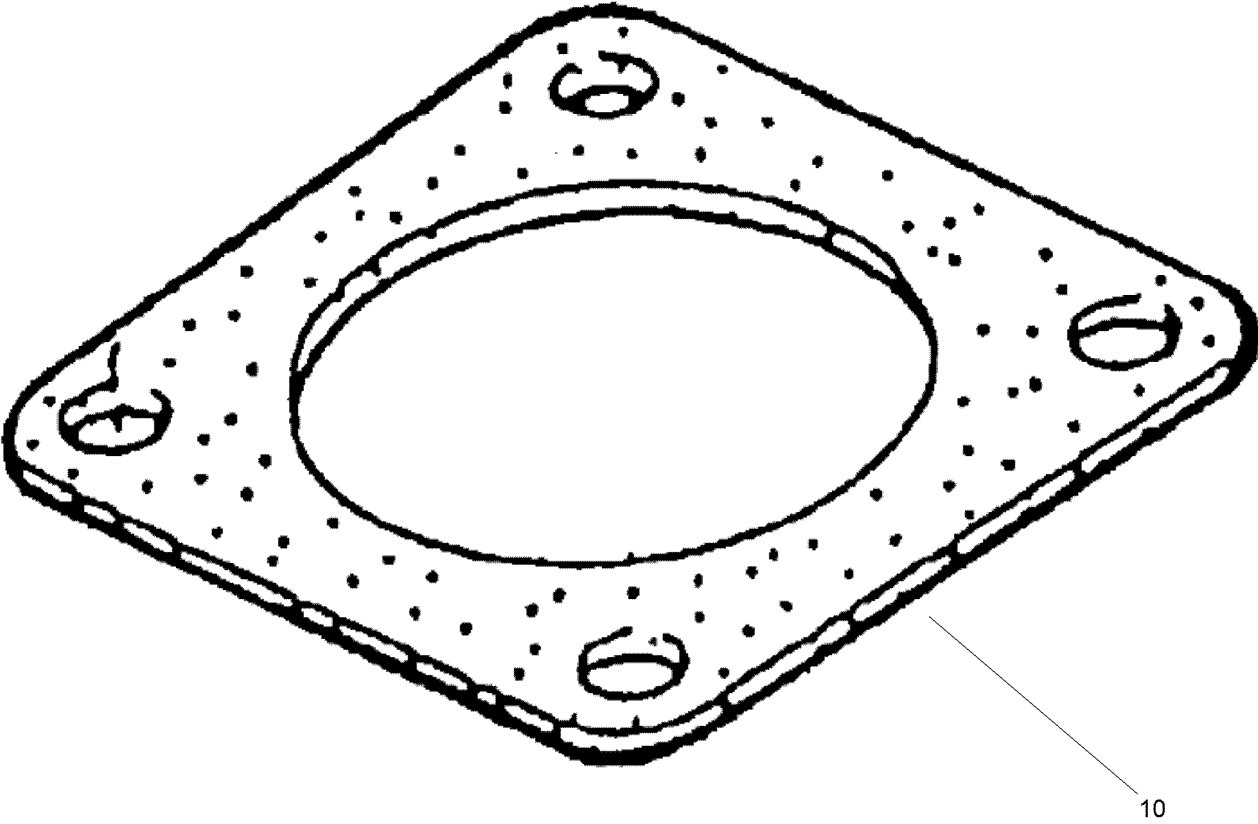
Glow Lamp Timer



Glow Lamp Timer (continued)

<i>Ref.</i>	<i>Part Number</i>	<i>Qty.</i>	<i>Description</i>
10	130-1211	1	Timer-Lamp, Glow

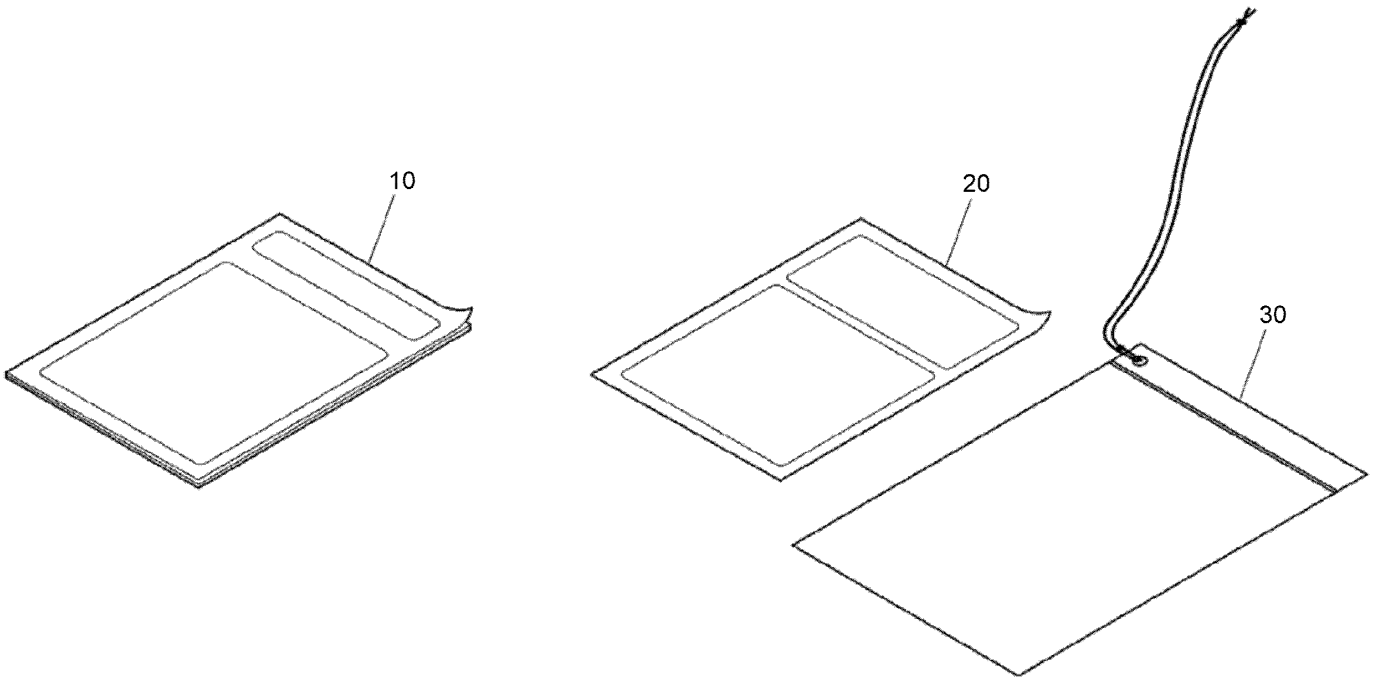
Engine Exhaust Gasket



Engine Exhaust Gasket (continued)

<i>Ref.</i>	<i>Part Number</i>	<i>Qty.</i>	<i>Description</i>
10	99-8343	1	Gasket-Muffler

Label and Operator Manual



Label and Operator Manual (continued)

<i>Ref.</i>	<i>Part Number</i>	<i>Qty.</i>	<i>Description</i>
10	140-2461	1	Manual-Operator
20	139-9682	1	Manual-Instruction
30	139-9687	1	Bag-Plastic

Attachments and Accessories

For 31654 LT2240 Compact Triple 4-Wheel Drive Turf Mower

Product Name	Model/Part
Mk.3 200mm 4-Blade LH-Helix Cutter Unit	02805
Mk.3 200mm 6-Blade LH-Helix Cutter Unit	02806
Mk.3 200mm 8-Blade LH-Helix Cutter Unit	02807
Mk.3 200mm 10-Blade LH-Helix Cutter Unit	02808
Mk.3 250mm 4-Blade LH-Helix Cutter Unit	02815
Mk.3 250mm 6-Blade LH-Helix Cutter Unit	02816
Mk.3 250mm 8-Blade LH-Helix Cutter Unit	02817
Rear Skirt Kit, CT2240 Triple Reel Mower	02828
Floating Cutting Unit Kit, 3-Plex Mower.....	02820
Smooth Roller 200mm (8in) Cutting Unit.....	02822
Grooved Roller 200mm (8in) Cutting Unit	02823
Road Lights Kit	02850
Flashing Led Beacon Kit.....	02856
Blower Carrier Kit.....	02925
Seat-Air-Ride Vinyl	02875
LSD Lock Kit.....	02904
Reverse 4WD Kit	02858
Kit-Slope Sensor - CT,LT+C,T424.....	02945
Slope Indicator Kit.....	111-9225
Storage Lock Kit	134-2167
Valve-Relief, Cross Over (Turftare Reduction Valve)	110-8882
Rear View Mirrors Kit.....	111-9895
Height Of Cut Gauge Kit	63-01-760
TÜV Kit - Speed Decal 20kph	02980
Tüv Kit - Deck Cover 3-Gang Reels	02982
TÜV Kit - German Vehicle Serial Plate.....	02983
Warning Triangle	111-4250
Roller-Smooth Mk3 (Sealed for Life).....	111-1848
Premium Synthetic Bio-Degradable Hydraulic Fluid (55 Gallon Drum).....	119-2158
Premium Synthetic Bio-Degradable Hydraulic Fluid (5 Gallon Pail)	119-2157
Premium All Purpose Grease (Tube)	108-1190
CAN Cable-Plus 1 (Service Tool Kit).....	111-4797
Instruction Manual-Plus 1 (Service Tool Kit).....	111-4799
Premium Engine Oil 15w40 (55 Gallon Drum)	121-6394
Premium Engine Oil 15w40 (5 Gallon Pail)	121-6395
Premium Engine Oil 10w30 (55 Gallon Drum)	121-6392
Premium Engine Oil 10w30 (5 Gallon Pail)	121-6393
PX Hydraulic Fluid (5 Gal)	133-8086
PX Hydraulic Fluid (55 Gal).....	133-8087

Notes:



Count on it.