



**Count on it.**

**Parts Catalog**

**GrandStand® Multi Force® Mower  
With 52in TURBO FORCE® Cutting Unit and  
Low Flow Hydraulics**

Model No. 72530—Serial No. 40000000 and Up



# Ordering Replacement Parts

To order replacement parts, please supply the part number, the quantity, and the description of each part desired.

## Understanding Reference Numbers

Each identified part in an illustration has a reference number. The reference number for a part also appears in the parts list, along with other information about the part.

This catalog uses two special reference number formats, one to indicate parts in a service assembly and another to indicate the quantity of a given part in an illustration.

## Service Assembly Reference Numbers

Parts in service assemblies have reference numbers in the form a:b. The a represents the reference number of the entire service assembly and the b represents a sequential number unique to each part within the service assembly.

For example, a wheel assembly might be identified by reference number 6, the tire by 6:1, the valve by 6:2, and the wheel by 6:3. When you order the assembly identified by reference number 6, you receive all parts identified by reference numbers 6:1, 6:2, and 6:3. However, you may also order any part individually. Reference numbers of this type appear in illustration and in parts lists.

## Reference Numbers Indicating Quantity

In an illustration, if a reference number indicates more than one part, the reference number has the form nX y. The n represents the quantity of the part, the X is the multiplication symbol, and the y represents the reference number.

For example, in an illustration, the reference number 2X 37 means that two of the parts identified by reference number 37 are indicated.

# Contents

52 Inch Deck Assembly .....	4
Deck and Decal Assembly No. 139-8097 .....	6
Spindle Assembly No. 137-9780 .....	8
Deflector Assembly No. 120-2451 .....	10
Ground Drive Assembly .....	12
LH Transmission Assembly No. 138-5840 .....	14
RH Transmission Assembly No. 138-5839 .....	16
Overflow Hose Assembly .....	18
Motion Control Assembly .....	20
Control Handle Assembly No. 132-5157 .....	22
Control Handle Assembly No. 132-5158 .....	24
Parking Brake Assembly .....	26
Deck Lift Assembly .....	28
HOC Lever Assembly No. 130-1755 .....	30
Frame Assembly .....	32
Wheel and Bearing Assembly .....	34
Platform Assembly .....	36
Engine Assembly .....	38
Fuel Tank Assembly .....	40
Wire Harness Assembly .....	42
Low Flow Hydraulics Assembly .....	44
Low Flow Controller Kit Assembly .....	46
Low Flow Manifold Assembly .....	48
Attachments and Accessories .....	50

# 52 Inch Deck Assembly



## 52 Inch Deck Assembly (continued)

<i>Ref.</i>	<i>Part Number</i>	<i>Qty.</i>	<i>Description</i>	<i>Ref.</i>	<i>Part Number</i>	<i>Qty.</i>	<i>Description</i>
1	139-8097	1	52 Deck ASM	22	92-1624	2	Screw-HWH Thd Form
2	137-9780	3	Spindle ASM	23	137-9787	3	Bushing-Hex
3	138-6061	3	Sheave-Blade, Drive	24	109-9220	3	Screw-Sems
4	109-6982	3	Wireform-Cover	25	145-3450	1	Gs Torsion Idler ASM li
5	109-6936	1	Cover-Belt, LH	26	127-1971	1	Pulley-Idler
6	109-6935	1	Cover-Belt, RH	27	323-20	1	Screw-HH
7	114-1979-01	1	Baffle-52 Inch	28	114-1908-01	1	Skid
8	139-8105-01	1	Plate-Baffle, Formed [red]	29	130-6648-01	1	Bracket-Skid
9	130-6594-01	1	Baffle-Discharge	30	109-2872	1	Spacer-Pulley
10	117-5758-03	4	Bracket-Cover	31	136-5405	1	Pulley-Idler, Flat
11	120-2451	1	Deflector ASM	32	3231-44	1	Screw-CARR
12	140-1242	3	Blade-Flow, High	33	132-5153	1	Shield-Dust
13	131-1122	1	Belt-V	34	116-7306	3	Nut-Hex
14	104-8301	39	Nut-HF, NI	35	103-2802	3	Washer
15	105-4622	1	Spacer	36	103-1330	3	Guard-Bearing, Top
16	322-50	1	Screw-HH	37	138-6045	3	Shaft-Spindle
17	104-8300	1	Nut-HF, NI	38	137-9784	3	Guard-Bottom
18	108-4052	1	Spring-Torsion	39	100-4852	1	Washer-Hardened
19	3231-2	8	Bolt-CARR	40	94-7582	1	Bolt-Shoulder
20	32144-70	4	Screw-HWHTF	41	3231-25	1	Bolt-CARR
21	109-6658	1	Nut-Flange, NI	42	109-1092	1	Knob

# Deck and Decal Assembly No. 139-8097



## Deck and Decal Assembly No. 139-8097 (continued)

<i>Ref.</i>	<i>Part Number</i>	<i>Qty.</i>	<i>Description</i>	<i>Ref.</i>	<i>Part Number</i>	<i>Qty.</i>	<i>Description</i>
2	133-4604	2	Decal-Danger	5	131-3507	1	Decal-Belt, Tension (CE)
3	107-1618	1	Decal	6	131-1180	1	Decal-Adjustment, Baffle
4	116-8283	1	Decal-Torque, Bolt				

# Spindle Assembly No. 137-9780





## Spindle Assembly No. 137-9780 (continued)

<i>Ref.</i>	<i>Part Number</i>	<i>Qty.</i>	<i>Description</i>
2	116-0720	2	Bearing-Ball
3	138-6042	1	Spacer-Bearing

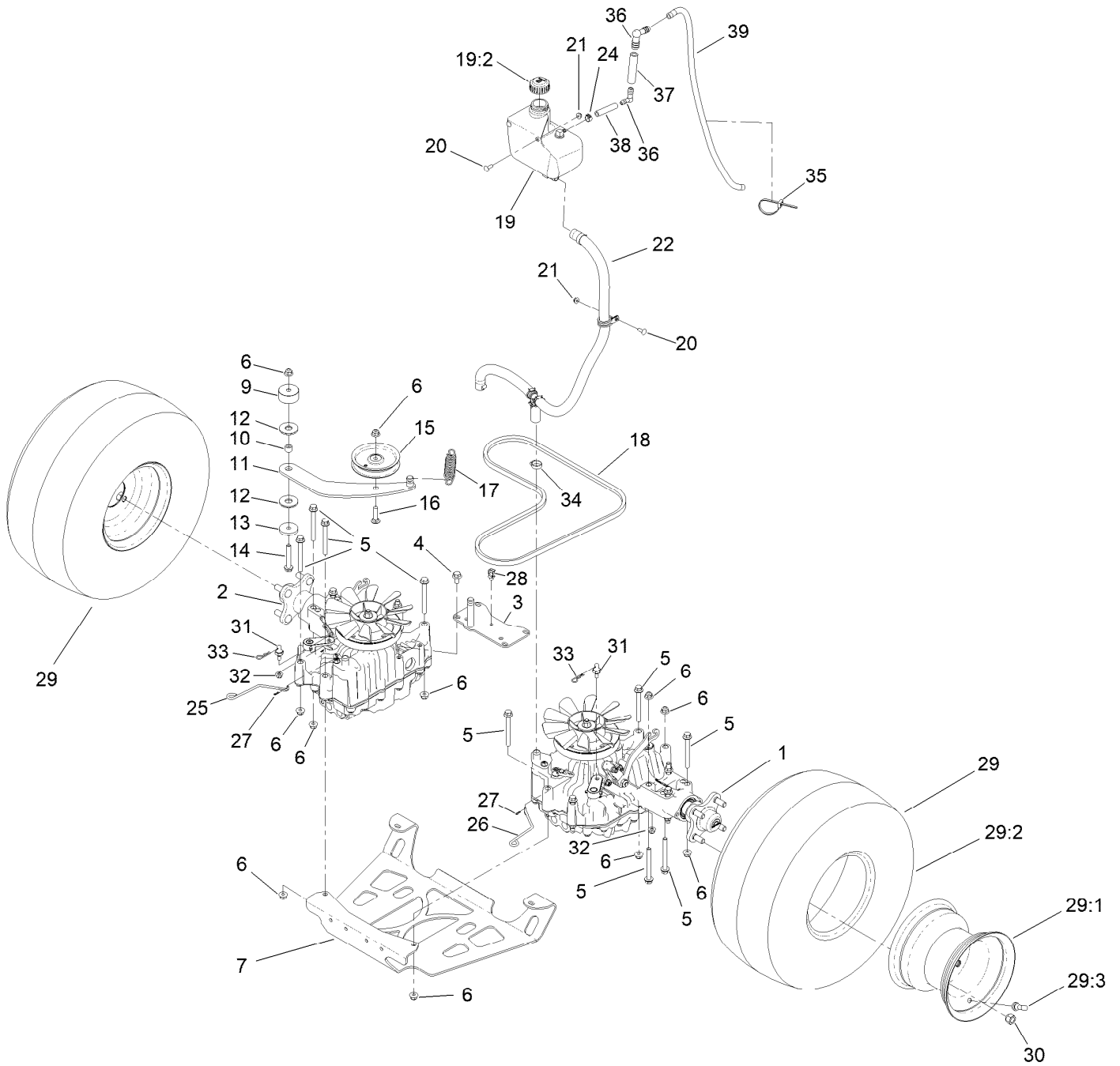
# Deflector Assembly No. 120-2451



## Deflector Assembly No. 120-2451 (continued)

<i>Ref.</i>	<i>Part Number</i>	<i>Qty.</i>	<i>Description</i>	<i>Ref.</i>	<i>Part Number</i>	<i>Qty.</i>	<i>Description</i>
1	3231-4	4	Screw-CARR	5	108-4059-01	1	Plate-Hinge, Rear
2	106-3246-01	1	Deflector	6	106-3253-01	1	Plate-Hinge, Front
3	106-3248-03	1	Strap-Discharge	7	104-8301	4	Nut-HF, NI
4	110-0759	1	Deflector-Rubber				

# Ground Drive Assembly



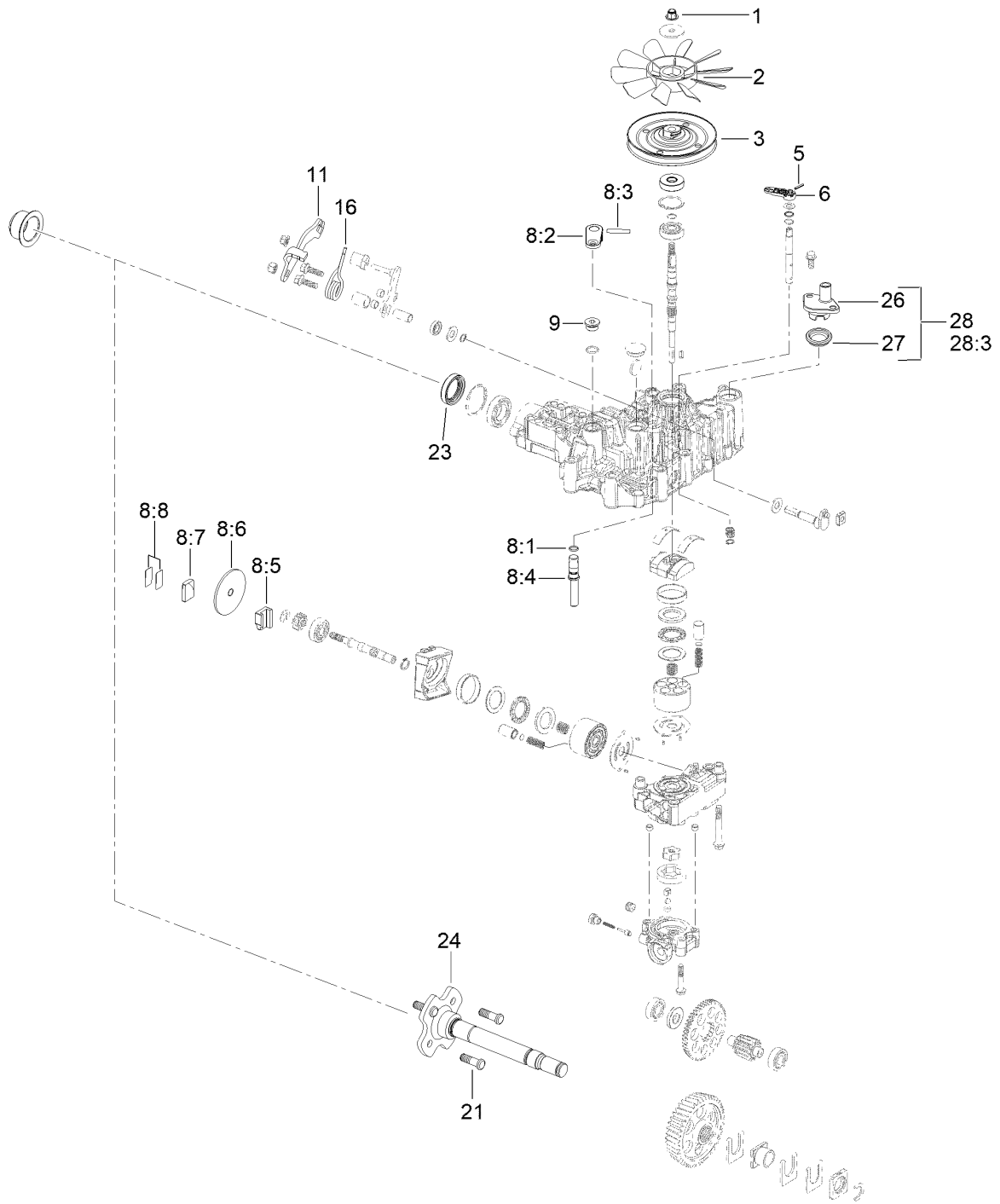
## Ground Drive Assembly (continued)

<i>Ref.</i>	<i>Part Number</i>	<i>Qty.</i>	<i>Description</i>	<i>Ref.</i>	<i>Part Number</i>	<i>Qty.</i>	<i>Description</i>
1	138-5840	1	LH Accy Transmission	21	104-7201	3	Nut-HF, NI
2	138-5839	1	RH Transmission ASM	22		1	Gs Overflow Hose ASM ■
3	131-1131-03	1	Support-Transaxle	24	92-2379	1	Clamp-Hose
4	93-2569	4	Screw-HHF	25	131-7469	1	Rod-Bypass, RH
5	116-4701	16	Screw-HHF	26	131-7470	1	Rod-Bypass, LH
6	104-8301	18	Nut-HF, NI	27	108-2992	2	Pin-Hair
7	138-1108-03	1	Plate-Skid	28	32180-030	1	Clip-Tie
9	117-5351	1	Spacer	29	140-1888	2	Wheel And Tire ASM
10	1-413088	1	Bushing-Lever, Lift	29:1	140-1889	1	Rim-8 Inch Black
11	131-1175	1	Arm-Idler	29:2	120-6466	1	Tire
12	114-0463	2	Washer-Friction, Composite	29:3	232-27	1	Stem-Valve
13	110-9981	1	Washer-Plain	30	242-50	8	Nut-Lug
14	3234-39	1	Screw-HHF	31	132-7584	2	Spacer-Hex
15	93-1622	1	Pulley-Idler	32	104-8300	2	Nut-HF, NI
16	3231-4	1	Screw-CARR	33	3290-250	2	Pin-Cotter
17	138-1104	1	Spring-Extension	34	2412-141	2	Clamp-Drive, Worm
18	131-1124	1	Belt-V	35	3290-378	1	Tie-Cable
19	132-1135	1	Tank-HYD	36	136-1290	2	Fitting-Elbow 90
19:2	133-8677	1	Cap-Vented	37	83-2080	1	Hose-Valve, Tank
19:5	140-9463	1	Strainer-Neck, Removable ●	38	133-0223	1	Hose-Fuel
20	3229-25	3	Screw-CARR	39	110-3257	1	Hose-Fuel

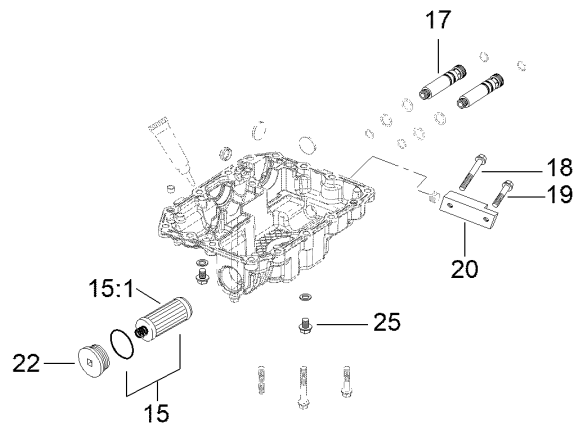
● Not illustrated

■ Not serviced separately

# LH Transmission Assembly No. 138-5840



8 = Items Included in RH Brake Kit



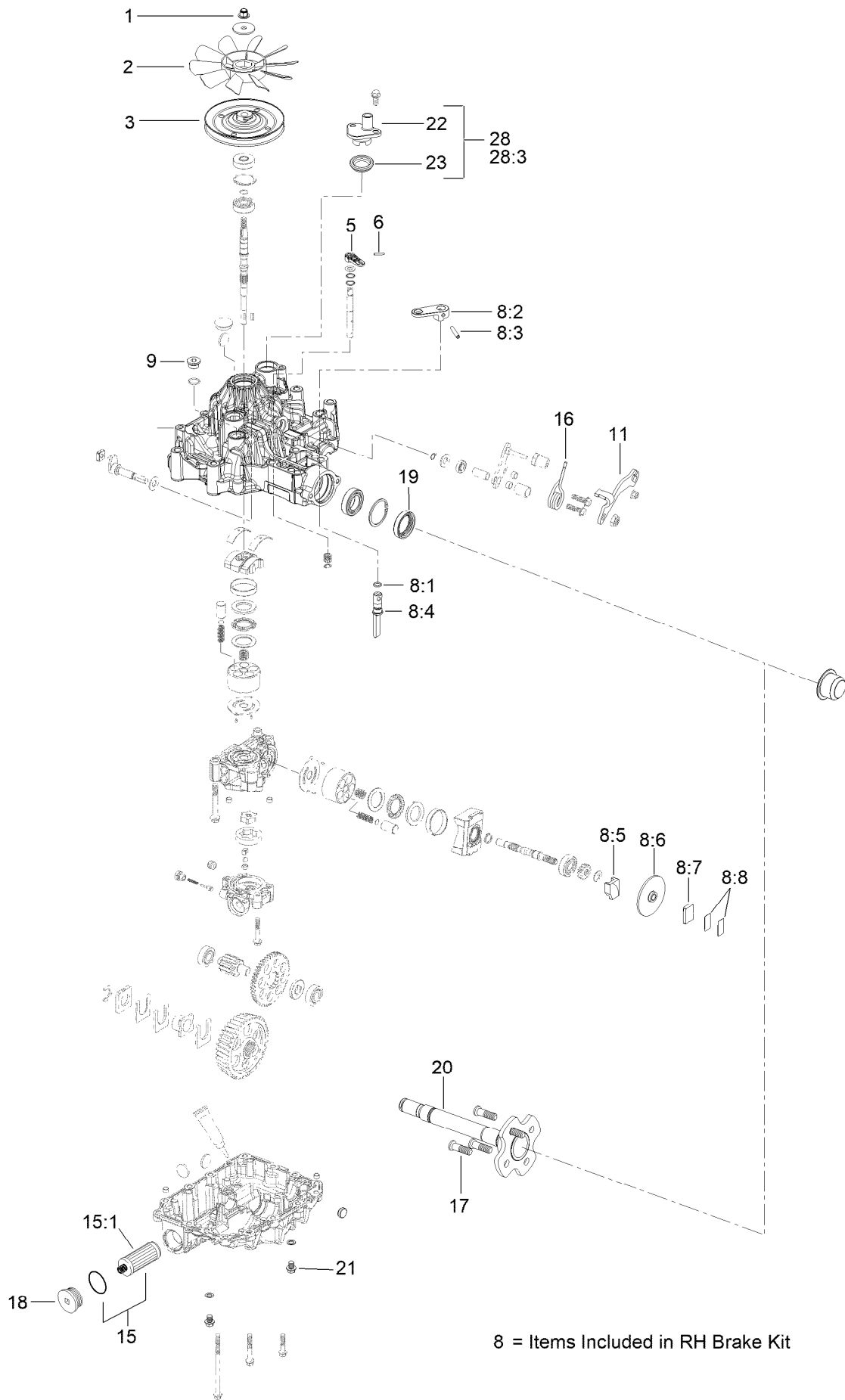
# LH Transmission Assembly No. 138-5840 (continued)

<i>Ref.</i>	<i>Part Number</i>	<i>Qty.</i>	<i>Description</i>	<i>Ref.</i>	<i>Part Number</i>	<i>Qty.</i>	<i>Description</i>
1	132-4737	1	Nut-Lock	15:3		4	Sealing Washer ■●
2	132-4738	1	Fan	16	137-4109	1	Spring-Torsion
3	132-4739	1	Pulley	17	137-4107	2	Connector
5	104-3265	1	Pin	18	125-7222	1	Bolt
6	132-4700	1	Lever-Bypass	19	33104-045	1	Screw-HHF
8	133-1468	1	Brake Kit,Left	20	136-5408	1	Manifold
8:1		1	O-Ring ■	20	93-0474	1	Plug
8:2		1	Brake Arm ■	21	137-9509	4	Stud-Wheel
8:3		1	Roll Pin ■	22	138-4613	1	Cap-Oil Filter
8:4		1	Brake Shaft ■	23	139-5587	1	Seal-Axle, Ua
8:5		1	Brake Actuator ■	24	139-5588	1	Axle
8:6		1	Brake Disc ■	25	139-5589	2	Drain Bolt
8:7		1	Brake Shoe ■	26	139-5590	1	Expansion Fitting
8:8		1	Shim Kit ■	27	139-5591	1	Grommet Seal, Expansion Fitting
9	132-4735	1	Cap-Oil	28	139-7871	1	Expansion Fitting - W/ Seal
11	136-5401	1	Lever-Control, RH	28:3		1	M8*20 Flange Bolt ■
15	144-3842	1	2 Transmission Filter Kit				
15:1		2	Filter (1A6370-26450) ■				

● Not illustrated

■ Not serviced separately

# RH Transmission Assembly No. 138-5839





# RH Transmission Assembly No. 138-5839 (continued)

<i>Ref.</i>	<i>Part Number</i>	<i>Qty.</i>	<i>Description</i>	<i>Ref.</i>	<i>Part Number</i>	<i>Qty.</i>	<i>Description</i>
1	132-4737	1	Nut-Lock	11	136-5401	1	Lever-Control, RH
2	132-4738	1	Fan	15	144-3842	1	2 Transmission Filter Kit
3	132-4739	1	Pulley	15:1		2	Filter (1A6370-26450) ■
5	104-3265	1	Pin	15:3		4	Sealing Washer ■●
6	132-4700	1	Lever-Bypass	16	137-4109	1	Spring-Torsion
8	133-1462	1	RH Brake Kit	17	137-9509	4	Stud-Wheel
8:1		1	O-Ring ■	18	138-4613	1	Cap-Oil Filter
8:2		1	Arm-Brake ■	19	139-5587	1	Seal-Axle, Ua
8:3		1	Pin-Roll ■	20	139-5588	1	Axle
8:4		1	Shaft-Brake ■	21	139-5589	2	Drain Bolt
8:5		1	Actuator-Brake ■	22	139-5590	1	Expansion Fitting
8:6		1	Disc-Brake ■	23	139-5591	1	Grommet Seal, Expansion Fitting
8:7		1	Shoe-Brake ■	28	139-7871	1	Expansion Fitting - W/ Seal
8:8		1	Shim Kit ■	28:3		1	M8*20 Flange Bolt ■
9	132-4735	1	Cap-Oil				

● Not illustrated

■ Not serviced separately

# Overflow Hose Assembly



## Overflow Hose Assembly (continued)

<i>Ref.</i>	<i>Part Number</i>	<i>Qty.</i>	<i>Description</i>	<i>Ref.</i>	<i>Part Number</i>	<i>Qty.</i>	<i>Description</i>
1	145-3444	1	Hose-Hydraulic	4	147-0201	1	R-Clamp
2	139-4055	1	Fitting Tee	5	147-0204	1	Hydraulic Hose
3	147-0202	1	Hydraulic Hose	6	145-3599	4	Hose Clamp

# Motion Control Assembly



## Motion Control Assembly (continued)

<i>Ref.</i>	<i>Part Number</i>	<i>Qty.</i>	<i>Description</i>	<i>Ref.</i>	<i>Part Number</i>	<i>Qty.</i>	<i>Description</i>
1	132-5157	1	LH Control Handle ASM	9:5	1-603807	1	Spring-Return, Neutral
2	132-5158	1	RH Control Handle ASM	10	138-4620	1	RH Control Rod ASM
3	119-0222	2	Grip	10:1	138-4647	1	Ball Joint-LH
4	103-9928	2	Bearing	10:2	138-4648	1	Ball Joint-RH
5	120-3288	1	Tab-Pivot, LH	10:4	3219-3	1	Nut-Hex
6	3229-1	4	Screw-CARR	11	3231-28	2	Screw-CARR
7	104-7201	6	Nut-HF, NI	12	104-8301	4	Nut-HF, NI
8	120-3287	1	Tab-Pivot, RH	13	3256-24	2	Washer-Flat
9	138-4619	1	LH Control Rod ASM	14	132-7538	1	Bracket-Adjustment, Speed
9:1	138-4647	1	Ball Joint-LH	15	126-1499	2	Cam
9:2	138-4648	1	Ball Joint-RH	16	323-7	2	Screw-HH
9:4	3219-3	1	Nut-Hex				

# Control Handle Assembly No. 132-5157



## Control Handle Assembly No. 132-5157 (continued)

<i>Ref.</i>	<i>Part Number</i>	<i>Qty.</i>	<i>Description</i>
2	131-3562	1	Bearing-Sleeve
4	323-10	1	Screw-HH
5	104-8301	1	Nut-HF, NI
6	110-7191	2	Washer-Thrust

<i>Ref.</i>	<i>Part Number</i>	<i>Qty.</i>	<i>Description</i>
7	116-2670	1	Screw-Shoulder
8	104-8300	1	Nut-HF, NI
9	132-5146	1	Spring-Extension

# Control Handle Assembly No. 132-5158





## Control Handle Assembly No. 132-5158 (continued)

<i>Ref.</i>	<i>Part Number</i>	<i>Qty.</i>	<i>Description</i>
3	104-8301	1	Nut-HF, NI
4	323-10	1	Screw-HH
5	110-7191	2	Washer-Thrust
6	116-2670	1	Screw-Shoulder

<i>Ref.</i>	<i>Part Number</i>	<i>Qty.</i>	<i>Description</i>
7	104-8300	1	Nut-HF, NI
8	131-3562	1	Bearing-Sleeve
9	132-5146	1	Spring-Extension

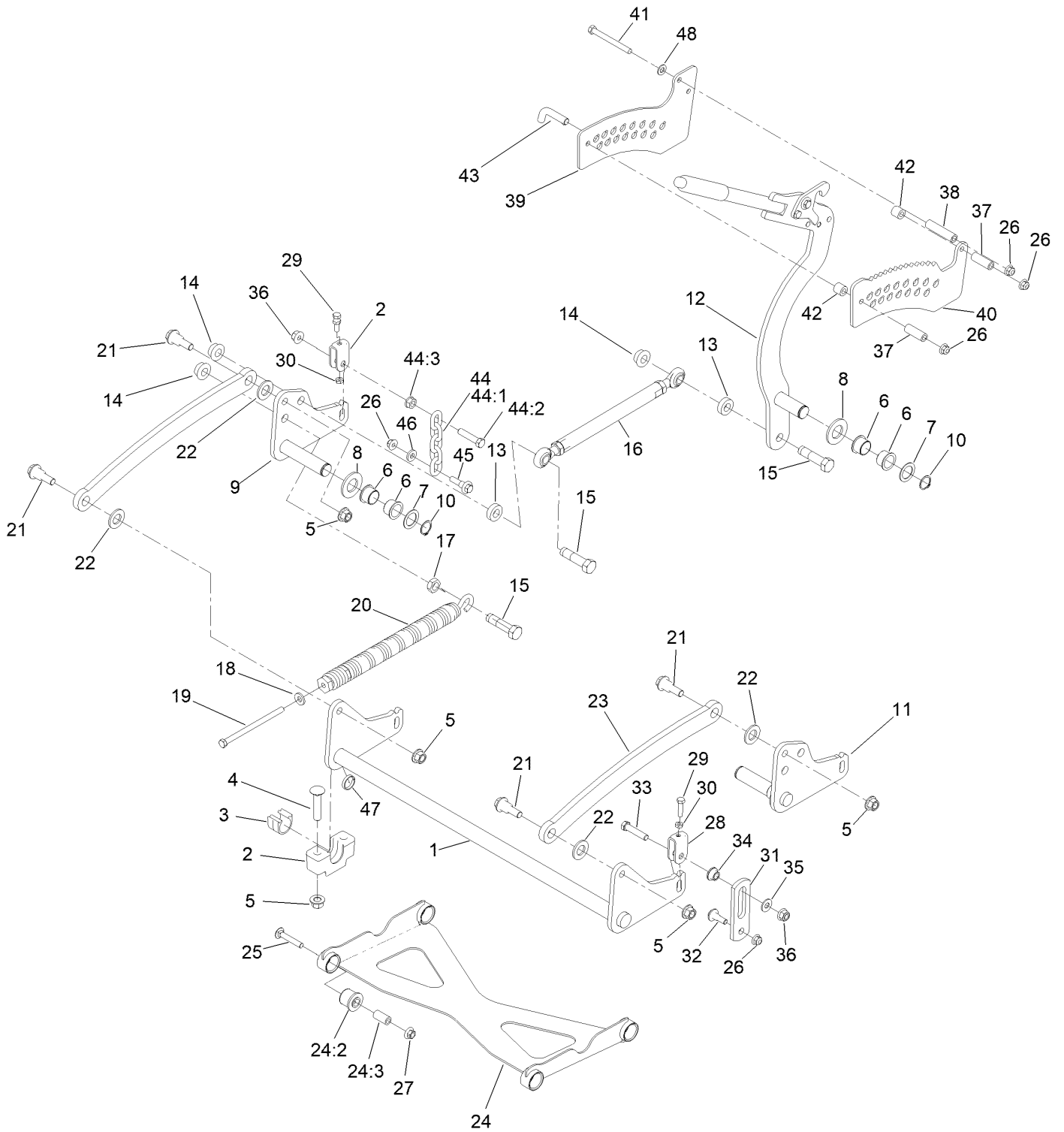
# Parking Brake Assembly



## Parking Brake Assembly (continued)

<i>Ref.</i>	<i>Part Number</i>	<i>Qty.</i>	<i>Description</i>	<i>Ref.</i>	<i>Part Number</i>	<i>Qty.</i>	<i>Description</i>
1	132-5170	1	Brake Handle ASM	7	32144-4	2	Screw-HWH
2	3230-23	5	Bolt-CARR	8	132-1187	1	Clamp-Cable
3	104-8300	6	Nut-HF, NI	9	132-7582	1	Mount-Cable, Brake
4	132-5168	1	RH Brake Caliper ASM	10	1-633268	1	Grip-Lever
5	132-5169	1	LH Brake Caliper ASM	11	131-1195	2	Cable-Brake
6	104-8301	2	Nut-HF, NI				

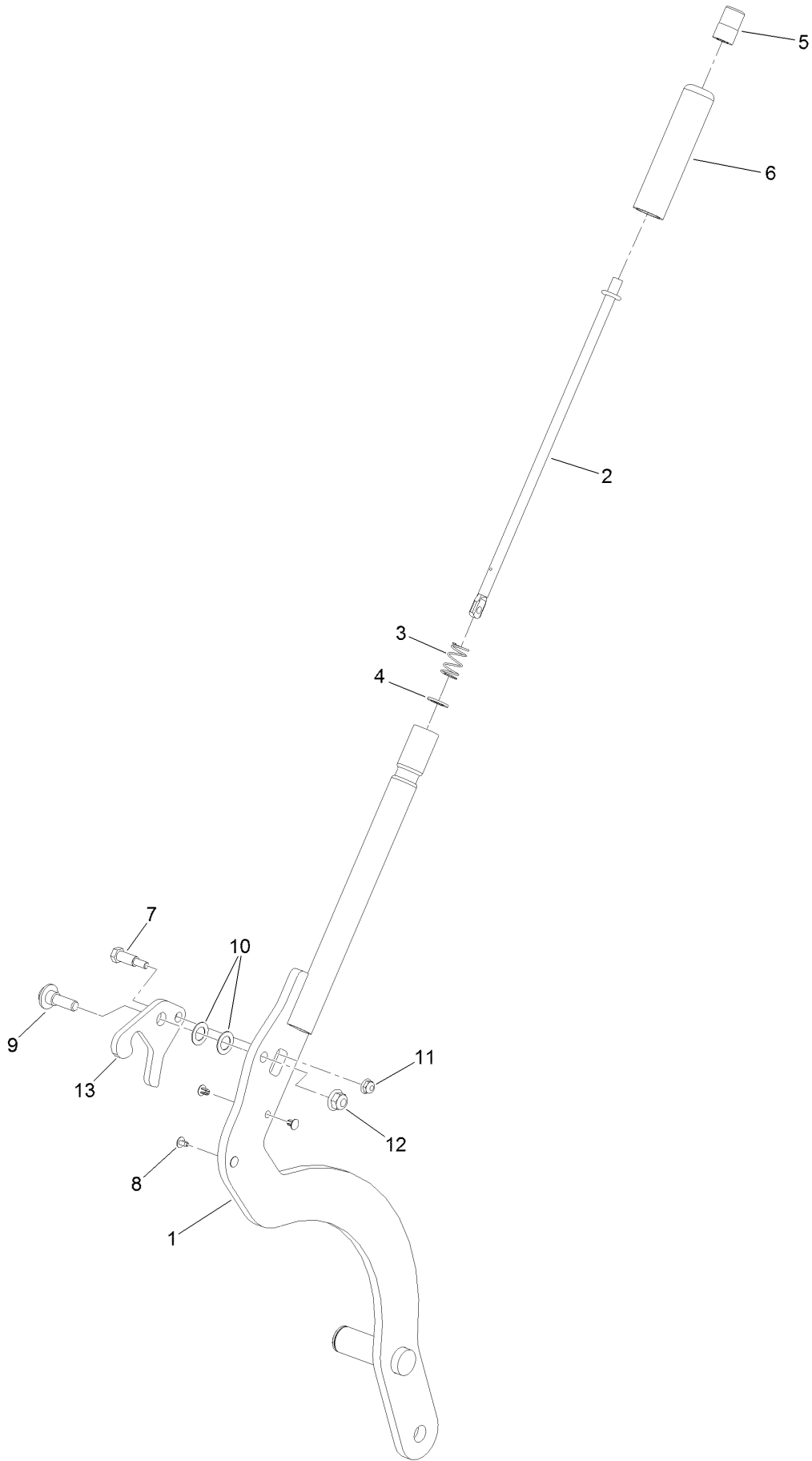
# Deck Lift Assembly



## Deck Lift Assembly (continued)

<i>Ref.</i>	<i>Part Number</i>	<i>Qty.</i>	<i>Description</i>	<i>Ref.</i>	<i>Part Number</i>	<i>Qty.</i>	<i>Description</i>
1	120-8405-01	1	Shaft-Cross, Front	25	3231-7	4	Screw-CARR
2	109-9409	2	Support-Bearing, Cross Shaft (Front)	26	104-8301	7	Nut-HF, NI
3	109-9410	2	Bearing-Cross Shaft, Front	27	32128-19	4	Nut-HF Lock, Large Flg
4	116-1700	4	Bolt-CARR	28	109-9066	4	Yoke-Adjust, Deck
5	99-5107	8	Nut-Lock	29	322-47	4	Screw-HH
6	127-0369	6	Bushing	30	3218-2	8	Nut-Hex Jam
7	10-8110	3	Washer-Thrust	31	130-6589	2	Link-Lift
8	3256-62	3	Washer-Flat	32	109-9840	2	Screw-Shoulder, HHF
9	127-0616-01	1	Arm-Lift, Rear (RH)	33	109-9065	2	Screw-HH
10	32151-29	3	Ring-Retaining	34	116-2428	2	Bushing-Flanged
11	127-0615-01	1	Arm-Lift, Rear (LH)	35	3256-4	2	Washer-Flat
12	130-1755	1	HOC Lever ASM	36	114-8417	4	Nut-HF, NI
13	119-6223	2	Washer	37	95-6448	2	Spacer
14	138-4932	3	Nut-Hex Flg	38	138-1111	1	Spacer
15	138-4931	3	Screw-Lock	39	132-7581	1	HOC Plate And Decal ASM
16	130-6615	1	HOC Link ASM	40	138-4887	1	Plate-HOC, Inner
17	3218-6	1	Nut-Jam	41	323-42	3	Screw-HH
18	98-5975	1	Washer-Belleville	42	121-1760	2	Spacer
19	323-58	1	Bolt-TAP, HH	43	116-5584	1	Pin-HOC
20	116-0886	1	Spring-Extension	44	116-0756	2	Deck Lift Chain ASM
21	116-0780	4	Screw-Shoulder, HHF	44:1	1-633447	1	Chain-Lift, Deck
22	3256-28	4	Washer-Flat	44:2	109-9065	1	Screw-HH
23	127-1948-03	2	Link-Lift	44:3	32128-37	1	Nut-HF
24	137-4129	1	Deck Strut ASM	45	130-0742	2	Bolt-Shoulder
24:2	137-4108	4	Bushing-Rubber	46	43-0940	2	Spacer
24:3	108-6544	4	Spacer	47	133-1431	1	Spacer-Split
				48	3256-24	3	Washer-Flat

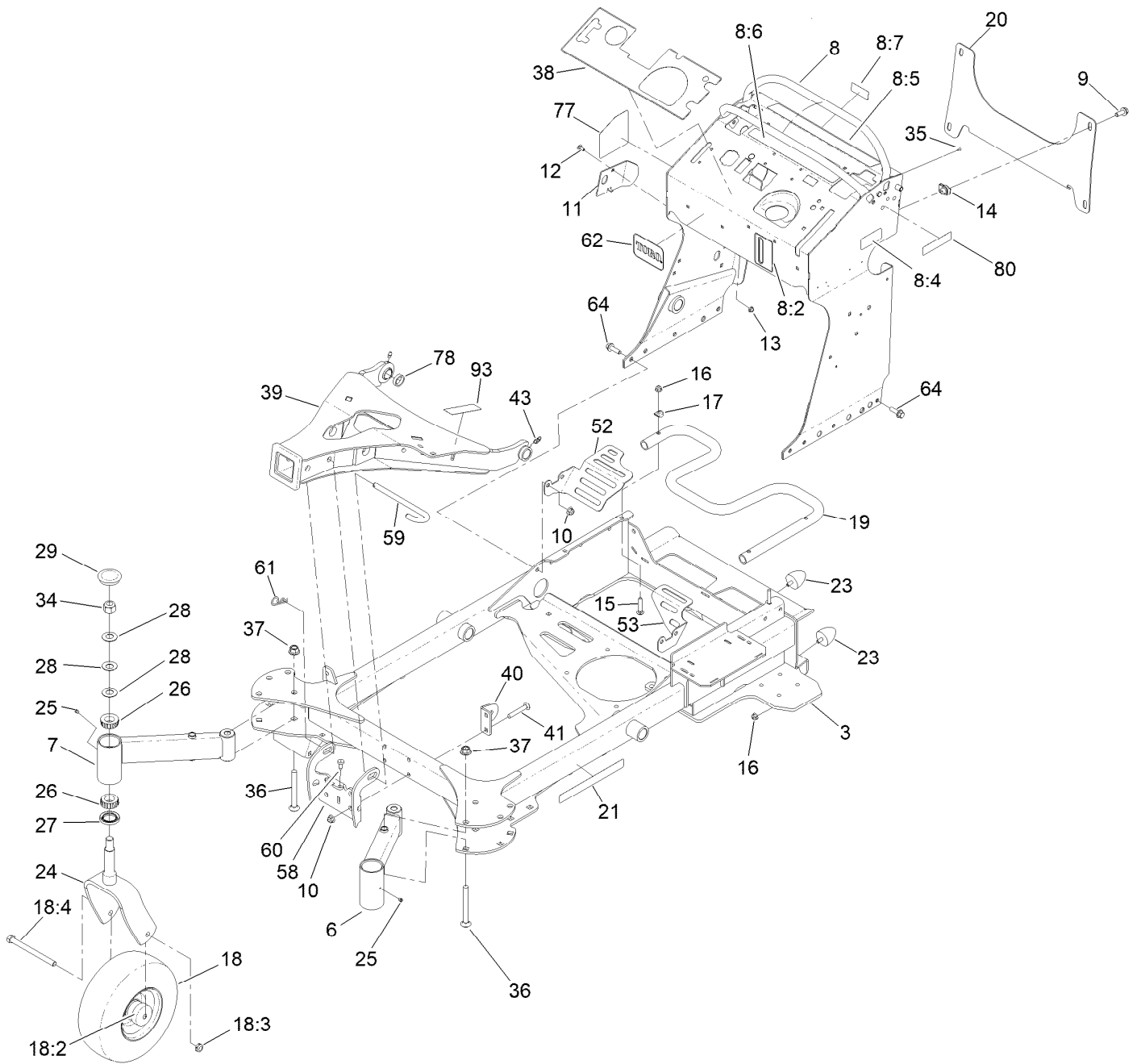
# HOC Lever Assembly No. 130-1755



## HOC Lever Assembly No. 130-1755 (continued)

<i>Ref.</i>	<i>Part Number</i>	<i>Qty.</i>	<i>Description</i>	<i>Ref.</i>	<i>Part Number</i>	<i>Qty.</i>	<i>Description</i>
1	130-1775-01	1	Lever-Lift	8	103-1363	4	Rivet
2	136-0530	1	Rod-Latch, Release	9	614672	1	Screw-Shoulder, HWH
3	114-8187	1	Spring-Compression	10	98-1629	2	Washer
4	114-1207	1	Washer-Special	11	104-7201	1	Nut-HF, NI
5	115-2750	1	Knob	12	104-8301	1	Nut-HF, NI
6	115-3592	1	Grip	13	138-4888	1	Latch-HOC
7	119-2309	1	Bolt-Shoulder				

# Frame Assembly





## Frame Assembly (continued)

<i>Ref.</i>	<i>Part Number</i>	<i>Qty.</i>	<i>Description</i>	<i>Ref.</i>	<i>Part Number</i>	<i>Qty.</i>	<i>Description</i>
3	131-1510-01	1	Frame	25	1-811010	2	Plug
6	131-1523-01	1	Tube-Castor, Short	26	1-543509	4	Bearing-Roller, Tapered
7	131-1524-01	1	Tube-Castor, Long	27	116-5647	2	Seal-Grease
8	140-4283	1	Tower Decal ASM	28	1-633508	6	Washer-Bellville
8:2	131-3524	1	Decal-Level, Oil	29	103-4882	2	Cap-Grease
8:4	116-8775	1	Decal-Fill, Fuel	34	3296-51	2	Nut-Lock, NI
8:5	139-2878	1	Decal-Warning	35	3290-271	2	Rivet-Pop
8:6	131-3526	1	Decal-Controls	36	3233-7	4	Screw-CARR
8:7	131-3528	1	Decal-Fuse	37	99-5107	4	Nut-Lock
9	3234-42	4	Screw-HHF	38	140-4260	1	Decal, Multi-Force
10	104-8301	12	Nut-HF, NI	39	133-4662-03	1	A-Frame
11	131-7455	1	Plate-Striker	40	127-0649-01	2	Bracket-Cylinder
12	3229-11	1	Screw-CARR	41	3231-44	4	Screw-CARR
13	104-7201	1	Nut-HF, NI	43	302-40	1	Fitting-Grease, 90 DEG
14	105-4886	4	Nut-Tinnerman	52	132-7578-01	1	Guard-Fan, RH
15	3230-5	3	Bolt-CARR	53	132-7598-01	1	Guard-Fan, LH
16	104-8300	7	Nut-HF, NI	58	133-5320-01	1	Bracket-Lock
17	107-3844	3	Washer	59	133-2021	1	Pin-Hitch
18	140-5485	2	Mf Wheel Tire Bearing ASM	60	87-8460	2	Bumper-Rubber
18:2	103-2768	2	Guard-Seal	61	92-2762	1	Pin-Hair
18:3	3296-45	1	Nut-Hex	62	126-5060	1	Decal-Logo, Toro
18:4	325-20	1	Screw-HH	64	119-4061	8	Screw-HHF
19	132-5161-01	1	Tube-Mount, Fuel Tank	77	133-4648	1	Decal Service-Multiforce
20	132-1145-03	1	Bracket-Cross	78	116-6758	1	Spacer
21	117-3591	2	Decal-Commercial	80	133-8062	1	Decal-Arrestor, Spark
23	114-1926	4	Bumper-Rubber	93	115-4855	1	Decal-Caution
24	121-7988-01	2	Fork-Caster				

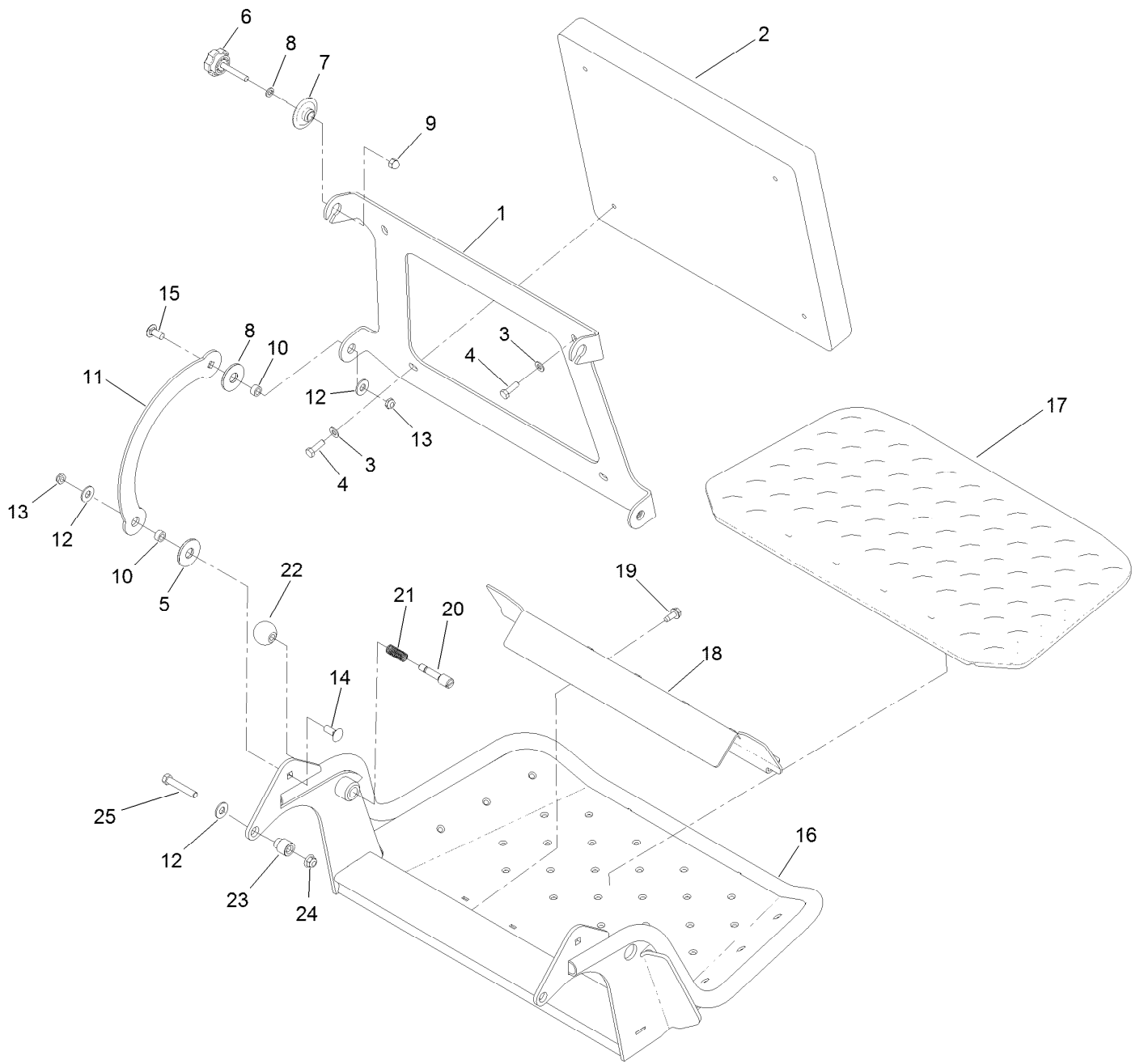
# Wheel and Bearing Assembly



## Wheel and Bearing Assembly (continued)

<i>Ref.</i>	<i>Part Number</i>	<i>Qty.</i>	<i>Description</i>	<i>Ref.</i>	<i>Part Number</i>	<i>Qty.</i>	<i>Description</i>
1	1-633585	2	Bearing-Cone, Taper	4	126-5359	1	Caster Axle ASM
2	103-0063	2	Seal-Caster	5	140-5483	1	Mf Wheel And Tire ASM
3	103-3051	1	Spacer-Nut				

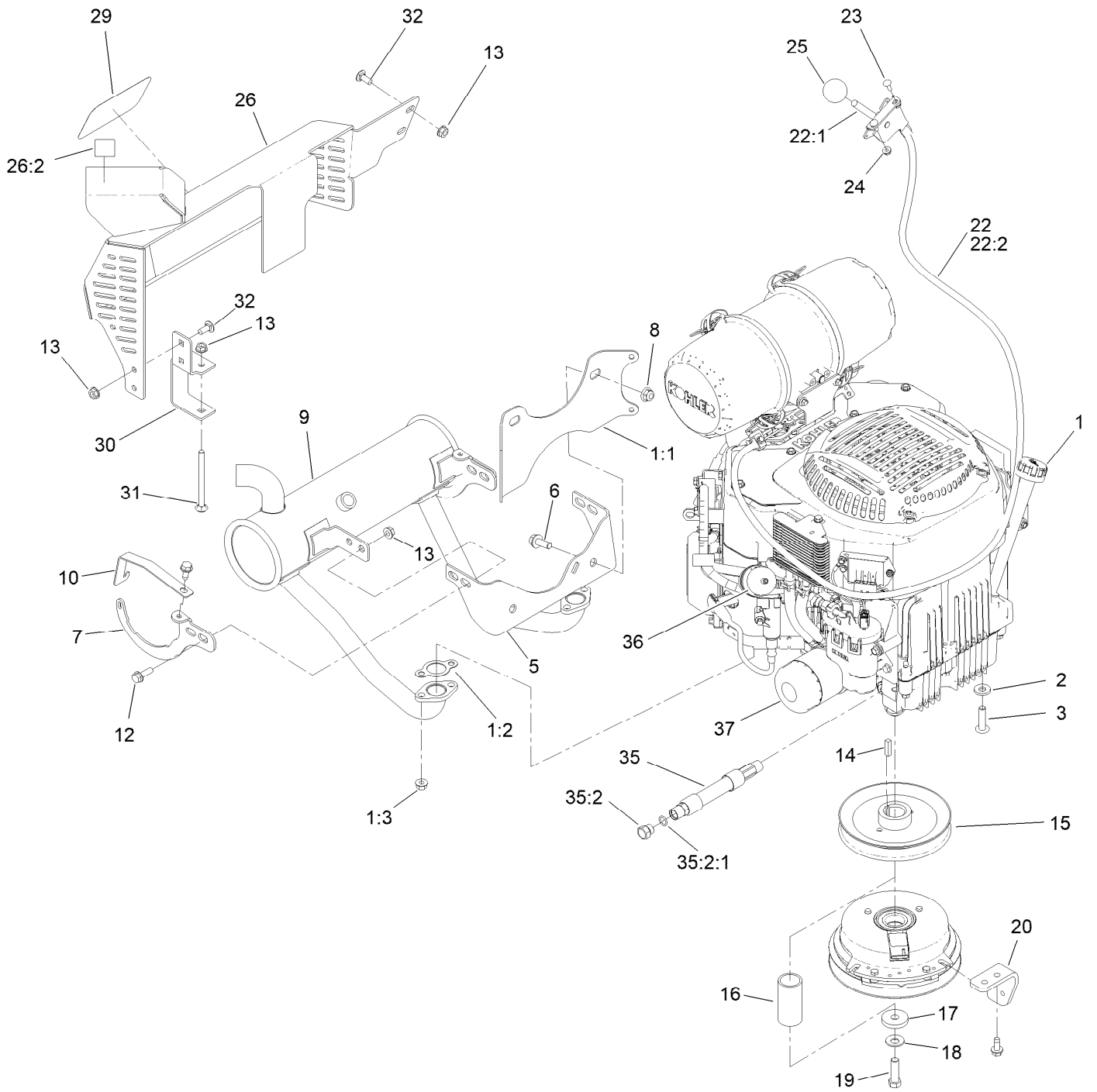
# Platform Assembly



## Platform Assembly (continued)

<i>Ref.</i>	<i>Part Number</i>	<i>Qty.</i>	<i>Description</i>	<i>Ref.</i>	<i>Part Number</i>	<i>Qty.</i>	<i>Description</i>
1	120-8499-03	1	Hinge-Pad	14	3231-2	2	Bolt-CARR
2	117-9739	1	Pad-Cushion	15	3231-27	2	Screw-CARR
3	3256-23	4	Washer-Plain	16	120-8475-01	1	Platform
4	121-7999	4	Screw-HH	17	126-7157	1	Mat-Platform
5	114-0463	4	Washer-Friction, Composite	18	3345-771	1	Shield Clamp Kit
6	133-1426	2	Knob	19	32144-70	2	Screw-HWHTF
7	116-2886	2	Slide-Bushing	20	119-8650	1	Pin-Latch
8	3253-4	2	Washer-Lock	21	114-5348	1	Spring
9	137-4808	2	Nut-Acorn	22	1-603175	1	Knob-Ball
10	111044	4	Spacer	23	132-7583	2	Bushing-Flanged
11	114-1915-01	2	Link-Pad	24	104-8301	2	Nut-HF, NI
12	3256-4	6	Washer-Flat	25	323-45	2	Screw-HH
13	3296-59	4	Nut-Lock, NI				

# Engine Assembly

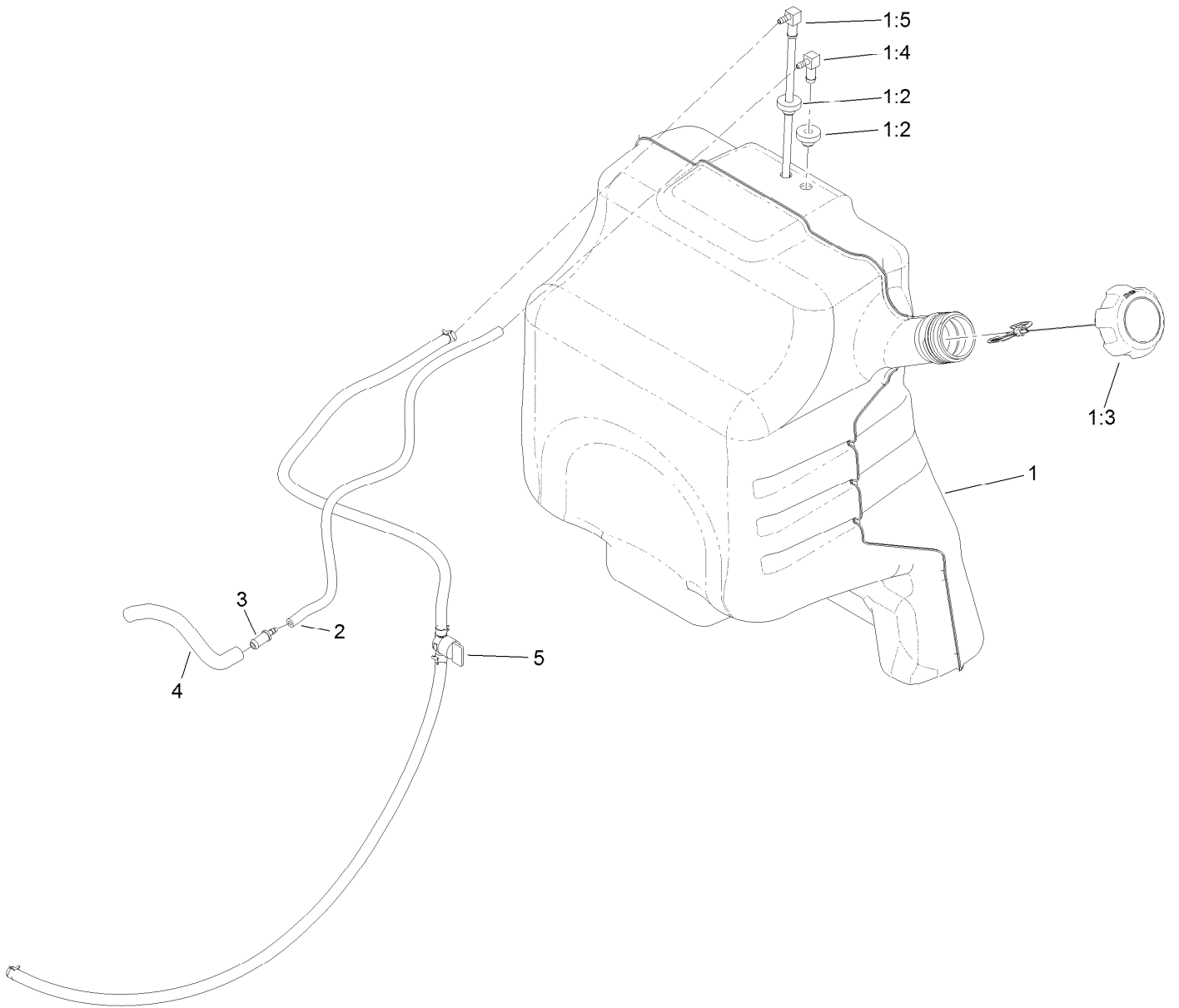


## Engine Assembly (continued)

<i>Ref.</i>	<i>Part Number</i>	<i>Qty.</i>	<i>Description</i>	<i>Ref.</i>	<i>Part Number</i>	<i>Qty.</i>	<i>Description</i>
1	131-1159	1	Engine-Kohler, Ecv749 ●	19	3212-6	1	Screw-HH
1:1	131-7400	1	Bracket-Muffler	20	131-3586-03	1	Stop-Clutch
1:2	110-6697	2	Gasket-Exhaust	22	132-5152	1	Throttle ASM
1:3	68-9400	4	Nut-Flange	22:1	110-5547	1	Lever-Control
2	98-5975	4	Washer-Belleville	22:2	132-5141	1	Cable - Throttle
3	126-0983	4	Screw-BHTF	23	1-807533	2	Bolt-CARR
5	132-1168	1	Bracket-Muffler	24	32128-17	2	Nut-Lock, Flange
6	3234-42	2	Screw-HHF	25	1-603175	1	Knob-Ball
7	133-4613	2	Support-Muffler	26	131-3550	1	Muffler Guard ASM
8	104-8301	2	Nut-HF, NI	26:2	106-5517	1	Decal-Warning
9	133-4634	1	Muffler-Kohler	29	94-2579	1	Decal
10	133-4639	2	Bracket-Muffler, Koh	30	131-3530-03	1	Bracket-Mounting, Guard
12	3234-17	4	Screw-HHF	31	106-9758	1	Screw-CARR
13	32128-25	9	Nut-HF	32	3230-23	4	Bolt-CARR
14	1-807259	1	Key	35	133-4657	1	Hose ASM
15	120-8498	1	Pulley	35:2	353-508	1	Plug-HH
16	139-7910	1	Clutch-200Cms	35:2:1	237-42	1	O-Ring
17	107-4136	1	Washer	36	94-9695	1	Filter-Fuel
18	1-603610	1	Washer-Spring	37	98020	1	Filter-Oil

● Obtain parts from [www.kohlerplus.com](http://www.kohlerplus.com)

# Fuel Tank Assembly

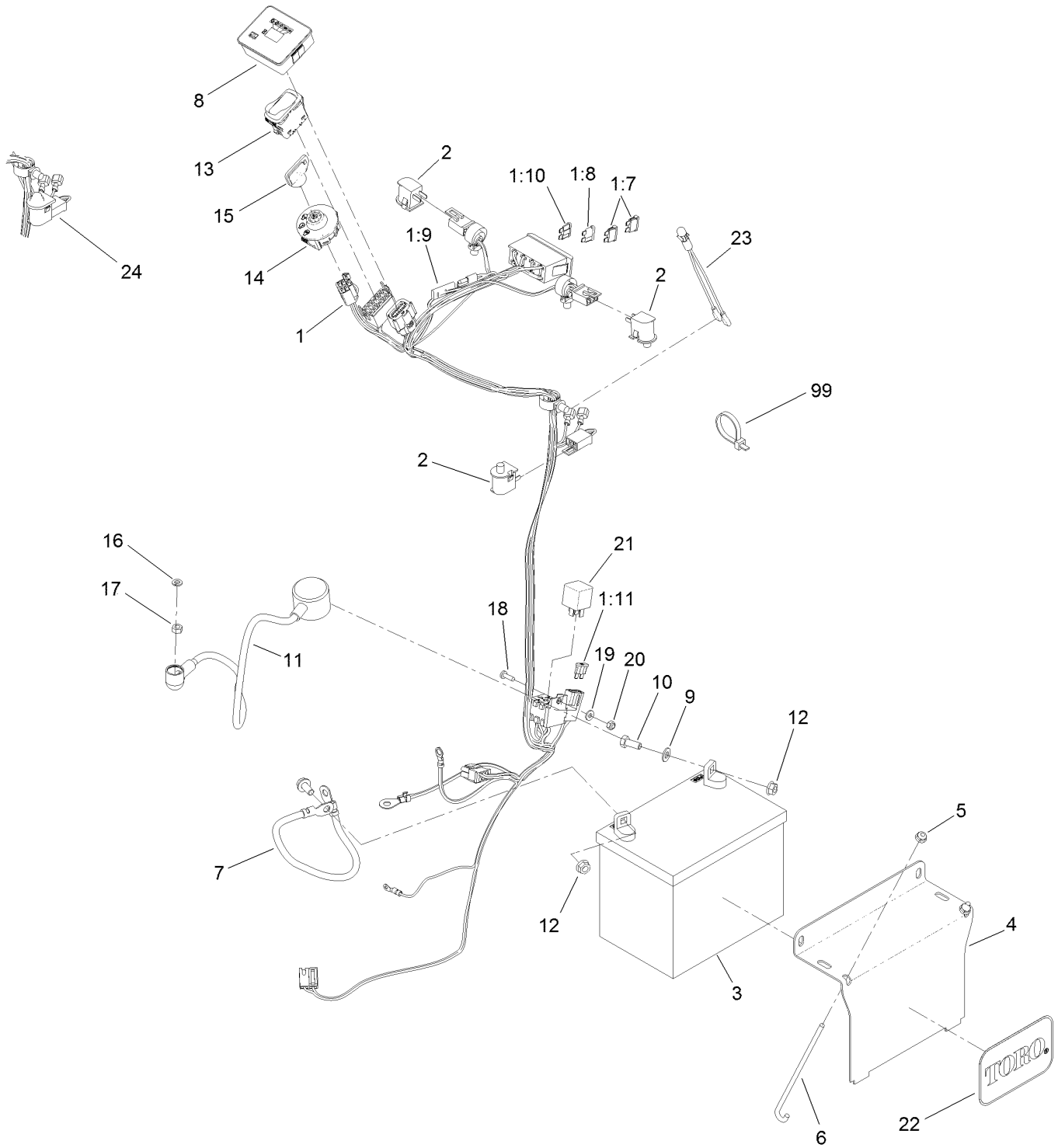




## Fuel Tank Assembly (continued)

<i>Ref.</i>	<i>Part Number</i>	<i>Qty.</i>	<i>Description</i>	<i>Ref.</i>	<i>Part Number</i>	<i>Qty.</i>	<i>Description</i>
1	132-7560	1	Fuel Tank ASM	2	110-8255	1	Hose-Fuel
1:2	46-6560	2	Bushing	3	98-2952	1	Fitting-Straight
1:3	137-4127	1	Cap-Fuel	4	132-7576	1	Hose-Fuel
1:4	104-5228	1	Fitting-Elbow, 90 DEG	5	132-7545	1	Fuel Line ASM
1:5	145-6195	1	ASM, Tube-Fuel				

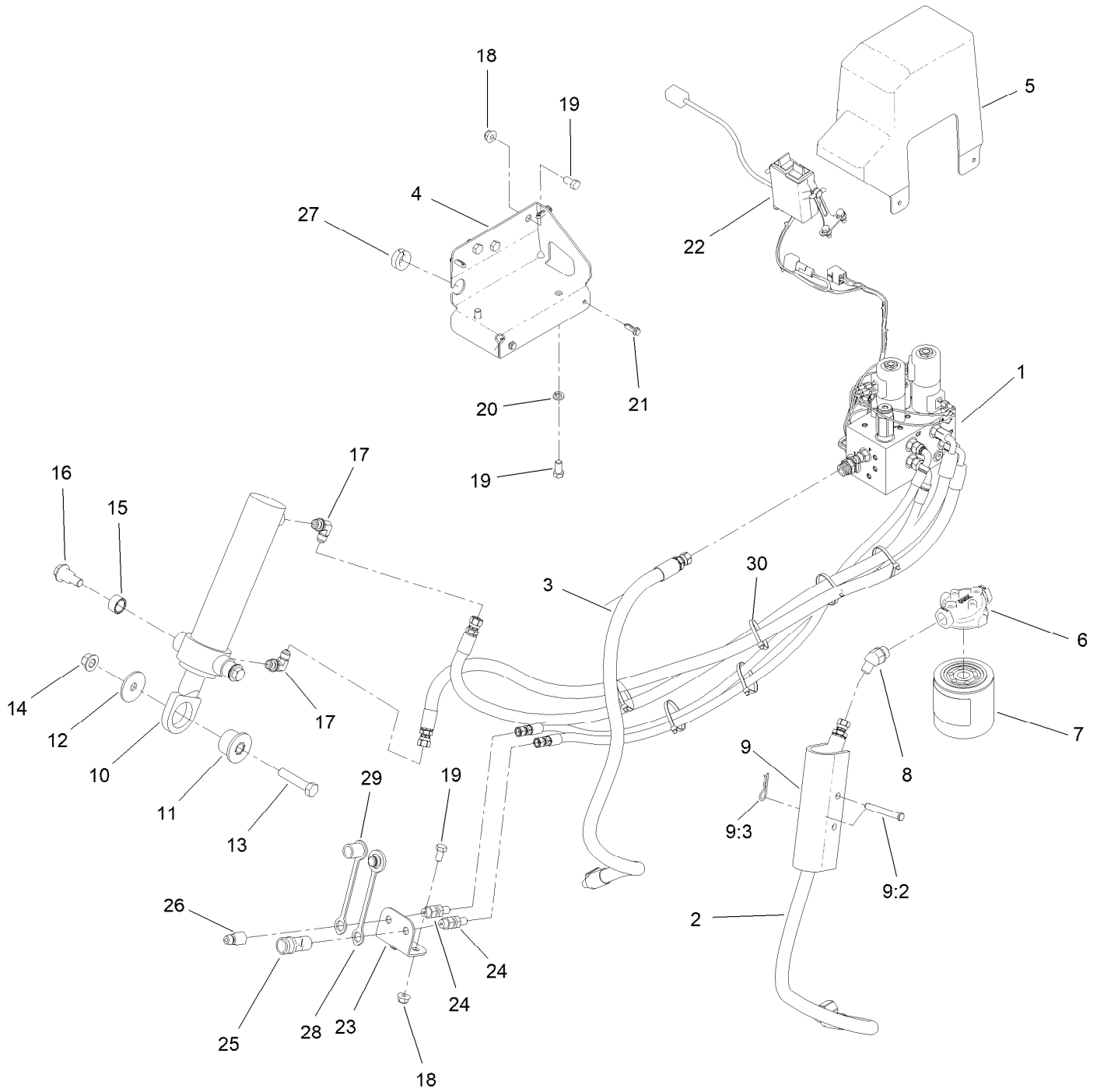
# Wire Harness Assembly



## Wire Harness Assembly (continued)

<i>Ref.</i>	<i>Part Number</i>	<i>Qty.</i>	<i>Description</i>	<i>Ref.</i>	<i>Part Number</i>	<i>Qty.</i>	<i>Description</i>
1	138-8899	1	Harness-Wire, Grandstand	11	115-3864	1	Cable-Battery, Positive
1:7	109355	2	Fuse-Blade, 15 Amp	12	109-5715	2	Nut-HHF, Smooth
1:8	218-578	1	Fuse-Blade, 10 Amp	13	139-6367	1	Switch-Rocker, (On)-On-Off
1:9	116-0053	1	Cap-Plug	14	137-4101	1	Switch-Ignition
1:10	114241	1	Fuse-Blade, 7.5 Amp	15	63-8360	1	Key-Ignition
1:11	109101	1	Fuse-Blade, 20 Amp	16	3253-3	1	Washer-Lock
2	82-2190	2	Switch-Bail	17	3217-5	1	Nut-Hex
3	104-8162	1	Battery	18	3290-500	1	Screw-PPH
4	130-6635-01	1	Bracket-Hold Down, Battery	19	3256-14	1	Washer-Flat
5	104-7201	2	Nut-HF, NI	20	3296-2	1	Nut-Lock, NI
6	1-633651	2	Bolt-Holddown	21	1-643275	1	Relay
7	112-7063	1	Cable-Battery, Black	22	67-1300	1	Decal
8	140-1884	1	Module-Meter, Hour	23	1-643267	1	Indicator-LED, Red
9	3256-23	2	Washer-Plain	24	133-4654	1	Switch-Plunger
10	322-3	2	Screw-HH	99	3290-378	4	Tie-Cable

# Low Flow Hydraulics Assembly

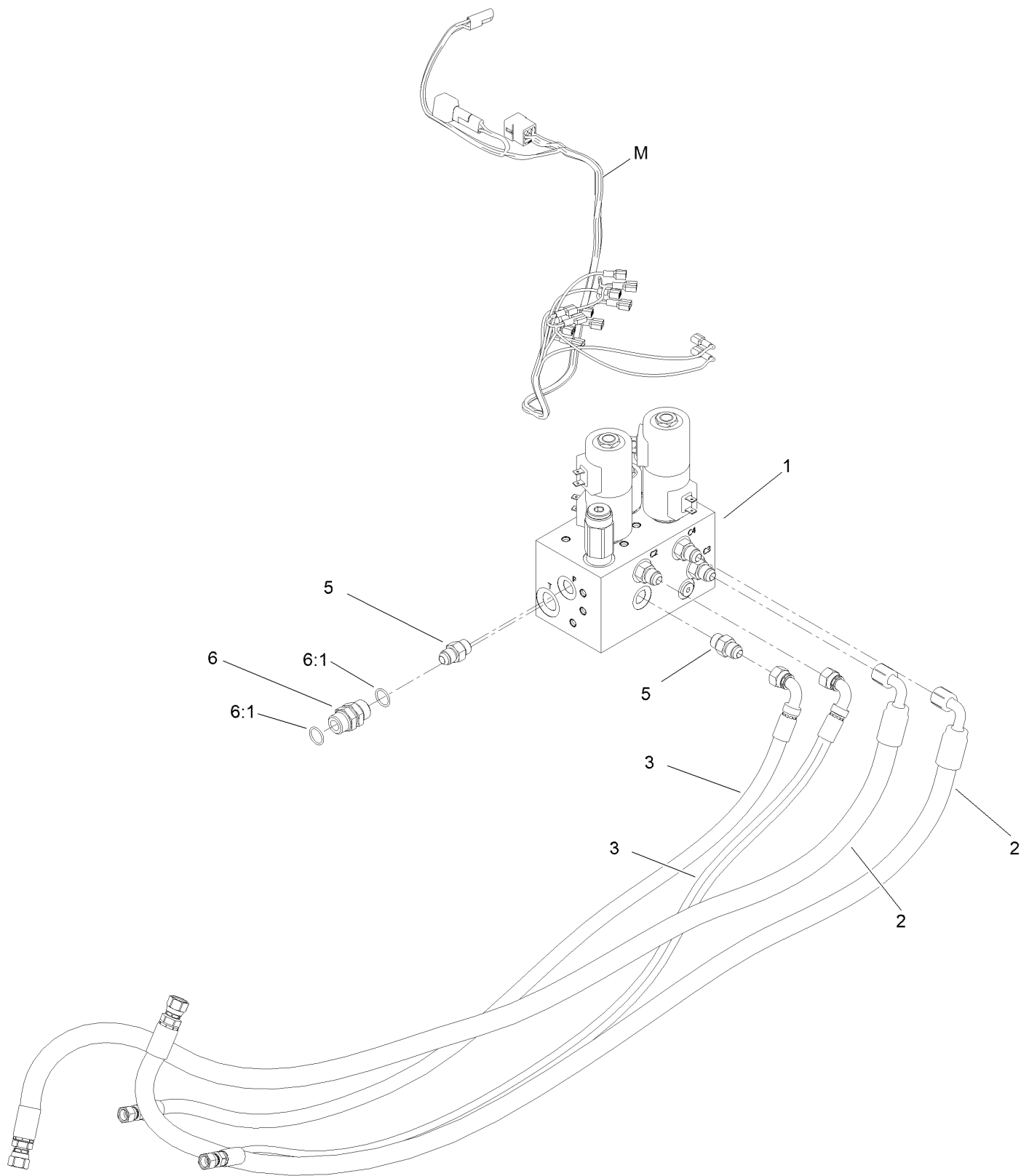


## Low Flow Hydraulics Assembly (continued)

<i>Ref.</i>	<i>Part Number</i>	<i>Qty.</i>	<i>Description</i>	<i>Ref.</i>	<i>Part Number</i>	<i>Qty.</i>	<i>Description</i>
1		1	Low Flow Manifold ASM ●	16	HDW13947	2	Bolt,Shoulder,Pivot
2	HYD13937	1	Hose,1/2FORF 90 Short X 3/8FJIC X 38	17	HYD13925	2	Fitting,90,6-MORB X 6-M37JIC
3	HYD13938	1	Hose,1/2FORF 90 Short X 3/8FJIC X 45	18	104-8301	5	Nut-HF, NI
4	HYD13942-03	1	Bracket,HYD MAN,Grandstand	19	323-4	7	Screw-HH
5	HYD13941	1	Cover,Manifold,Grandstand	20	3253-21	2	Washer-Lock
6	HYD14087	1	Grandstand,Head,Filter,-08ORB	21	HDW17303	4	Tuflok Rivet
7	HYD14155	1	Filter,Winter,Spin-On,Grandstand	22		1	Controler Kit, Mf Low Flow ●
8	HYD14086	1	Fitting-Elbow 45	23	HYD13943-03	1	Mounting Bracket,Bulkhead
9	137-4106	1	Lift Cylinder Lock Kit	24	HYD13159	2	Fitting,Bulkhead,1/4MJIC X 1/4MNPT
9:2	283-52	1	Pin-Clevis	25	HYD13160	1	Fitting,Quick Connect,Female,1/4FNPT
9:3	3290-467	1	Pin-Hair	26	HYD13161	1	Fitting,Quick Connect,Male,1/4FNPT
10	HYD13944	1	Cylinder,Lift,2X8	27	TGS05834	1	Grommet,3/4ID X 1OD X 1/4Groove, TGS
11	MSC13350	1	Bushing Assy,Lift Cylinder,Grandstand	28	353-984	1	Plug-Dust
12	55-7960	1	Washer-Large	29	353-985	1	Cap-Dust
13	325-10	1	Screw-HH	30	3290-378	6	Tie-Cable
14	99-5107	1	Nut-Lock				
15	HDW13948	2	Bushing,.75X.75				

● Not serviced separately

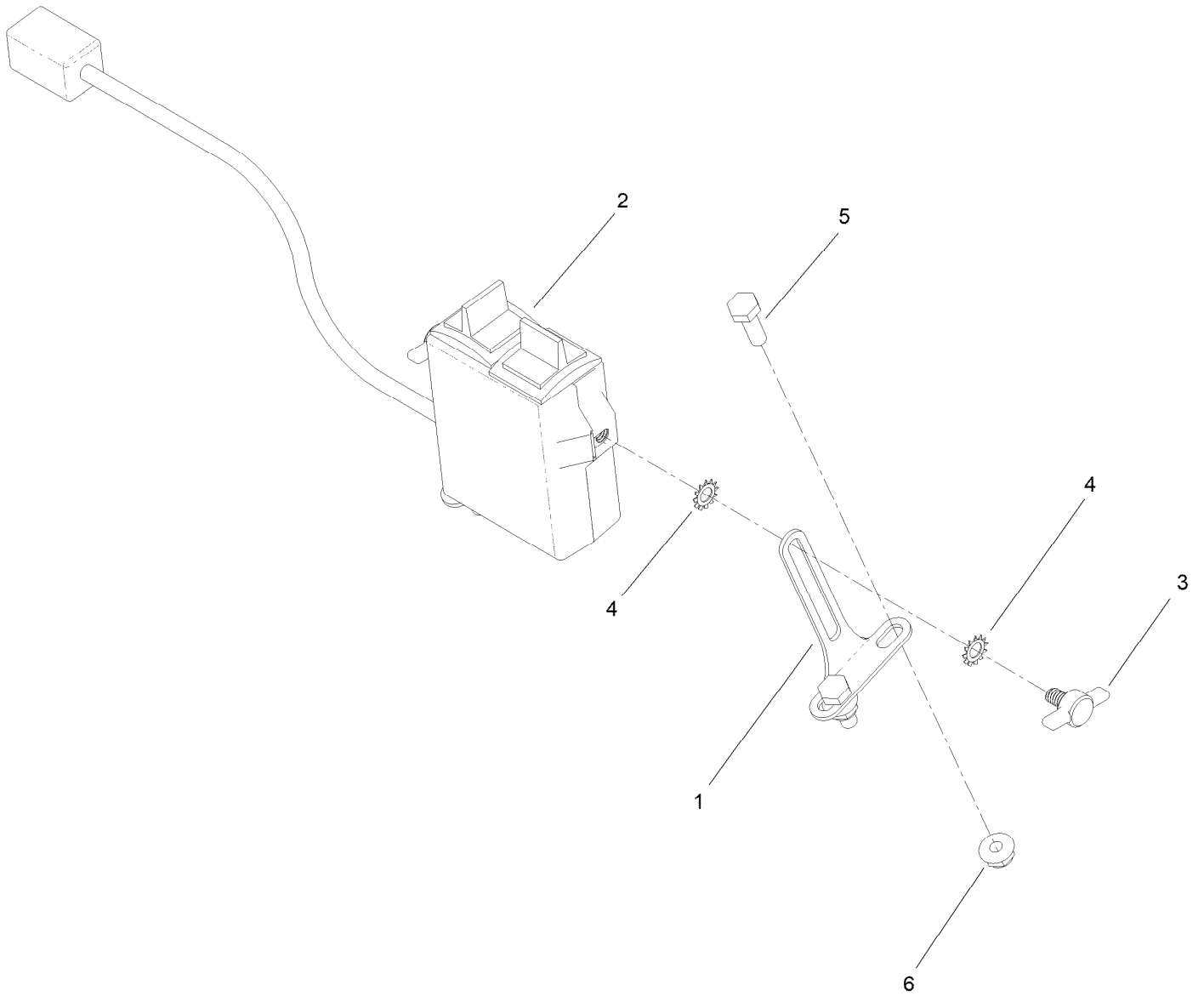
# Low Flow Controller Kit Assembly



## Low Flow Controller Kit Assembly (continued)

<i>Ref.</i>	<i>Part Number</i>	<i>Qty.</i>	<i>Description</i>	<i>Ref.</i>	<i>Part Number</i>	<i>Qty.</i>	<i>Description</i>
1	147-0211	1	Manifold, Gs Low Flow	5	HYD13932	5	Fitting-Straight
2	HYD13940	2	Hose,3/8FJIC X 3/8FJIC90 X 50	6	95-3209	1	Fitting-Thread, Straight
3	HYD13939	2	Hose,1/4FJIC X 3/8FJIC90 X 37	6:1	237-79	2	O-Ring
				M	MSC13819	1	Control Harness, Grandstand

# Low Flow Manifold Assembly





## Low Flow Manifold Assembly (continued)

<i>Ref.</i>	<i>Part Number</i>	<i>Qty.</i>	<i>Description</i>	<i>Ref.</i>	<i>Part Number</i>	<i>Qty.</i>	<i>Description</i>
1	MSC13707	2	Bracket,Lg,ATV/UTV CB	4	HDW13711	4	Star Washer 1/4,ATV CB
2	STB13903	1	Control,Switch Box,Grandstand	5	321-4	4	Screw-HH
3	HDW13714	2	Thumb Screw,1/4-20 X 7/16,ATV CB	6	104-7201	4	Nut-HF, NI

# Attachments and Accessories

## For 72530 GrandStand Multi Force Mower With 52in TURBO FORCE Cutting Unit and Low Flow Hydraulics

Product Name	Model/Part
Air Cleaner Filter .....	100-4556
Filter Air Safety .....	103-1326
Turbo Baffle Kit .....	107-1634
Hypr-Oil 500 (quart) .....	114-4713
Hypr-Oil 500 (gallon).....	114-4714
Hypr-Oil 500-5 (5 gallon).....	114-4715
Harness Wire Splitter .....	121-5988
Spark Plug .....	130-8380
Fuel Filter.....	130-8381
Toro Premium Fuel Treatment 12 Oz Bottle .....	131-6572
Hydro Filter Kit .....	132-4743
Speed Setting Tool.....	132-7595
Roller Striper Kit.....	133-1436
Light Kit.....	133-1437
Electric Accessory Port.....	133-1438
HOC Set Blocks.....	133-1439
Anti-Scalp Kit, 48/52 Grandstand Deck.....	133-1440
Trimmer Rack .....	133-1441
Hydro Oil Change Kit .....	133-1457
Strobe Light Kit .....	133-1495
5 Gallon Bucket .....	133-2533
Wheel Weight Kit .....	133-5386
Quick-attach-male .....	136-0513
Hydraulic Cap Lock Kit.....	136-5420
Case Drain Kit.....	136-7436
Multiforce EC Float Kit .....	136-8350
Broom Rubber Flap Kit .....	137-3920
Lift Cylinder Lock Kit .....	137-4106
Bagger Enhancement Kit.....	139-1529
Idler Kit, Blower Kit for GrandStand Multi Force Mower.....	139-1546
Recycler Kit .....	139-6653
18x8.5n10 X-Tweel Turf.....	139-7890
6in Hose Kit, E-Z Vac Twin Bagger, 2016 and After Grandstand Mower .....	139-7930
Blower Upgrade Kit, Twin Bagger, 2016 and After Grandstand Mower .....	139-7940
Blade-18.00 High Flow .....	140-1242
Pneumatic Castor Wheel Kit .....	140-4311
Blade-18.00 Medium Flow .....	140-4856
Blade-18.00 Low Flow .....	140-4857
Blade-18.00 Atomic .....	140-4858
Blade-18.00 Recycler .....	140-4859
6 Pack-Blade, 18.00 High Flow .....	140-4882
6 Pack-Blade, 18.00 Med Flow .....	140-4883
6 Pack-Blade, 18.00 Low Flow .....	140-4884
6 Pack-Blade, 18.00 Atomic.....	140-4885
6 Pack-Blade, 18.00 Recycler.....	140-4886

## Attachments and Accessories (continued)

Soft Bag (3 Bushel).....	30104
10w30 4-Cycle Engine Oil (32oz Bottle).....	38280
Toro 4-Cycle SAE 30 Oil (32oz Bottle) .....	38903
Twin Bagger Kit.....	78524
Blower Drive 52-in .....	78526
Pro Force Blower .....	78593
Grandstand Multi Force Broom.....	78596
Grandstand Multi Force Mulch Force .....	78597
Grandstand Multi Force High-Flow Kit .....	78601
Dethatcher, 46in Multi Force .....	78690
Dethatcher Mount .....	78691
Aerator, 38in Multi Force.....	78694
Aerator Mount, Multi Force .....	78695
Leaf Plow Without Mount.....	78697
Spark Arrestor .....	98-9099
Filter-Oil .....	98020
Kit-Grandstand, Filter, Winter .....	HYD14084
Snow Deflector .....	MSC04587B
Straight Blade, ATV Plow Shoe Kit.....	MSC13040
Blade Extension Kit,6in,stb .....	MSC13850B
Grandstand Low Flow Hydraulics Kit .....	MSC13950
Grandstand Side Plow Kit.....	MSC13960
Blade Crate (Snowplow), ATV Poly S .....	STB13567B
Urethane Edge Kit .....	STB13801
Plug-Quick Connect.....	T56152150
Cap-Connect, Quick .....	T56152152



**Count on it.**