



**Count on it.**

**Parts Catalog**

**Greensmaster® 3250-D  
2-Wheel Drive Traction Unit**

Model No. 04384—Serial No. 401380001 and Up



# Ordering Replacement Parts

To order replacement parts, please supply the part number, the quantity, and the description of each part desired.

## Understanding Reference Numbers

Each identified part in an illustration has a reference number. The reference number for a part also appears in the parts list, along with other information about the part.

This catalog uses two special reference number formats, one to indicate parts in a service assembly and another to indicate the quantity of a given part in an illustration.

## Service Assembly Reference Numbers

Parts in service assemblies have reference numbers in the form a:b. The a represents the reference number of the entire service assembly and the b represents a sequential number unique to each part within the service assembly.

For example, a wheel assembly might be identified by reference number 6, the tire by 6:1, the valve by 6:2, and the wheel by 6:3. When you order the assembly identified by reference number 6, you receive all parts identified by reference numbers 6:1, 6:2, and 6:3. However, you may also order any part individually. Reference numbers of this type appear in illustration and in parts lists.

## Reference Numbers Indicating Quantity

In an illustration, if a reference number indicates more than one part, the reference number has the form nX y. The n represents the quantity of the part, the X is the multiplication symbol, and the y represents the reference number.

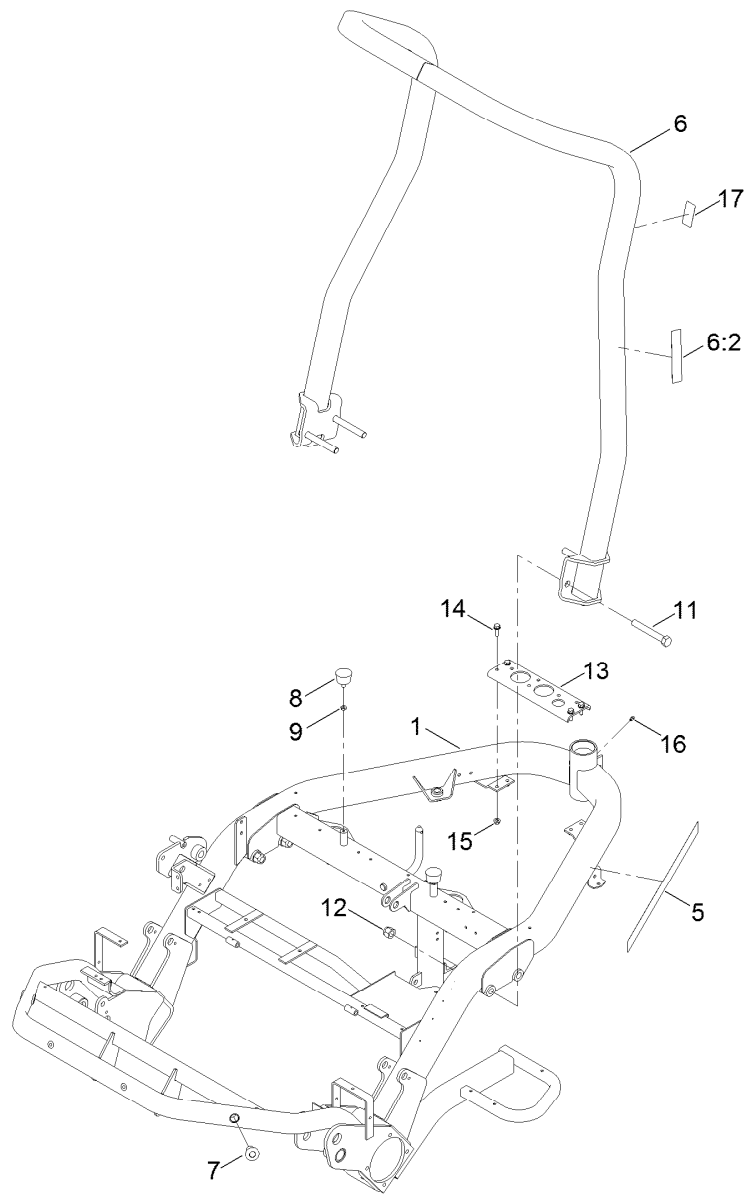
For example, in an illustration, the reference number 2X 37 means that two of the parts identified by reference number 37 are indicated.

# Contents

Roll-Over Protection System Assembly .....	5
Frame Assembly .....	6
Traction Control Assembly .....	7
Brake Pedal Assembly .....	9
Steering Arm Assembly .....	10
Operator Platform Assembly .....	11
Seat Assembly .....	12
Engine Assembly .....	14
Intake and Exhaust Assembly .....	16
Air Cleaner Assembly No. 95-5805 .....	17
Radiator Assembly .....	18
Fuel System Assembly .....	19
Hydraulic Tank and Filter Assembly .....	20
Hydrostat and Gear Pump Drive Assembly .....	21
Hydraulic Pump Assembly No. 121-9557 .....	23
Hydraulic Gear Pump Assembly No. 114-9956 .....	25
Manifold Assembly .....	26
Hydraulic Manifold Assembly No. 112-9197 .....	27
Steering Valve Assembly .....	29
Steering Valve Assembly No. 114-4672 .....	30
Hydraulic Cylinder Assembly No. 132-3778 .....	31
Left Hand Wheel Motor and Lift Cylinder Assembly .....	32
Hydraulic Motor Assembly (CCW) No. 110-4015 .....	33
Hydraulic Cylinder Assembly No. 105-3821 .....	34
Right Hand Wheel Motor and Lift Cylinder Assembly .....	35
Hydraulic Motor Assembly (CW) No. 110-4016 .....	36
Hydraulic Reel Motor Assembly No. 120-2072 .....	37
Front Reel Motors Assembly .....	38
Center Lift Cylinder Assembly .....	39
Hydraulic Cylinder Assembly No. 105-3820 .....	40
Console Assembly .....	41
Joystick Bracket Assembly No. 120-5280 .....	42
Electrical Harness Assembly .....	43
Battery Assembly .....	44
Front Wheel and Brake Assembly .....	45
Rear Wheel and Brake Assembly .....	46
Right Cutting Unit Suspension Assembly .....	47
Left Cutting Unit Suspension Assembly .....	49
Center Cutting Unit Suspension Assembly .....	51
Crankcase Assembly .....	53
Oil Pan, Oil Pump and Dipstick Assembly .....	54
Cylinder Head Assembly .....	55
Gear Case and Oil Filter Cartridge Assembly .....	56
Cylinder Head Cover Assembly .....	57
Main Bearing Case Assembly .....	58
Camshaft and Idle Gear Shaft Assembly .....	59
Piston and Crankshaft Assembly .....	60
Fuel Camshaft Assembly .....	61
Idle Apparatus and Fuel Pump Cover Assembly .....	62
Stop Solenoid and Speed Control Plate Assembly .....	63
Injection Pump Assembly .....	64
Governor Assembly .....	65
Nozzle Holder and Glow Plug Assembly .....	66
Nozzle Holder Assembly .....	68

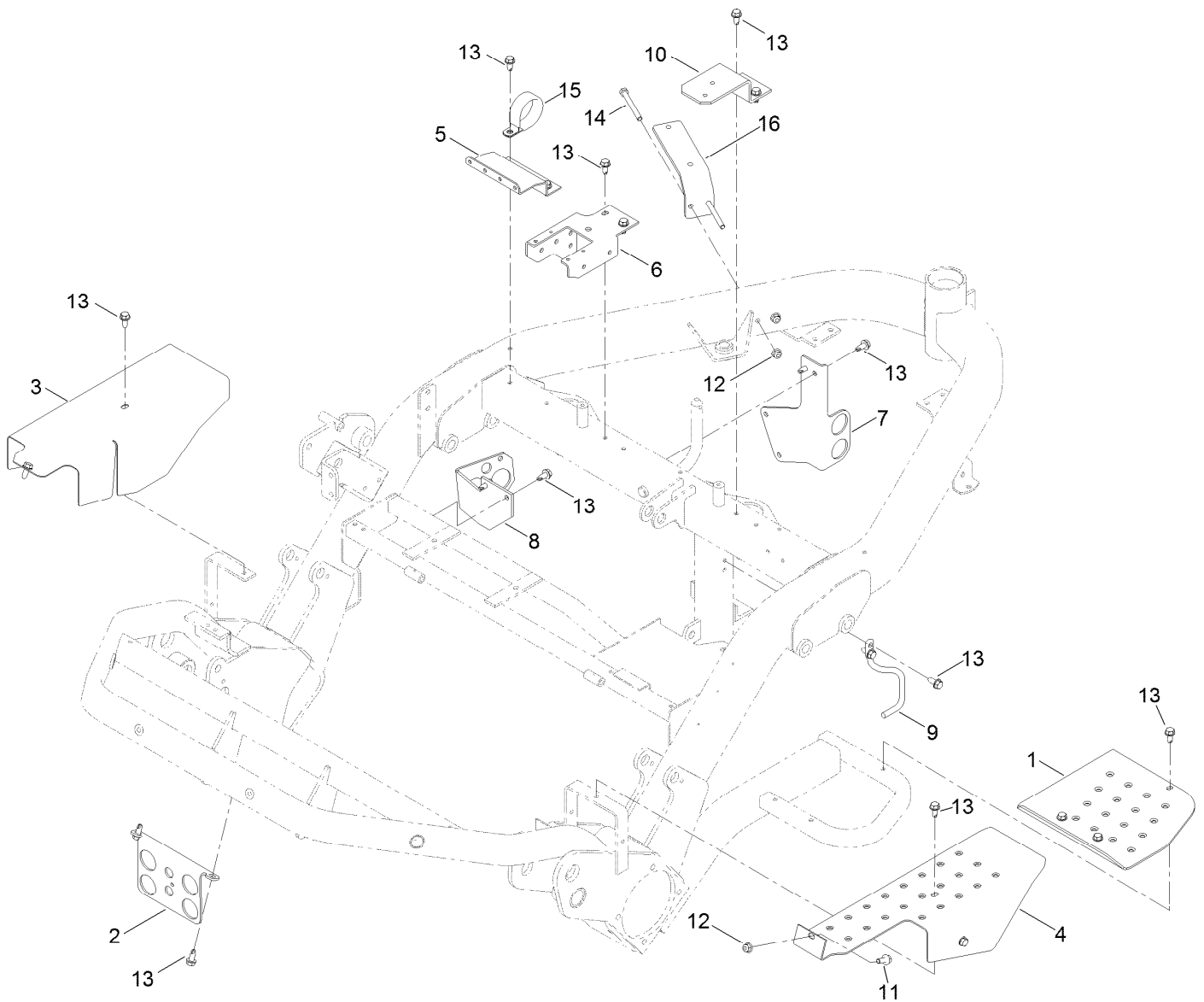
## Contents (continued)

Alternator and Pulley Assembly .....	70
Alternator Components Assembly .....	71
Starter and Flywheel Assembly .....	72
Starter Component Assembly .....	73
Water Flange and Thermostat Assembly .....	74
Water Pump and Water Pipe Assembly .....	75
Valve and Rocker Arm Assembly .....	76
Inlet and Exhaust Manifold Assembly .....	77
Attachments and Accessories .....	78



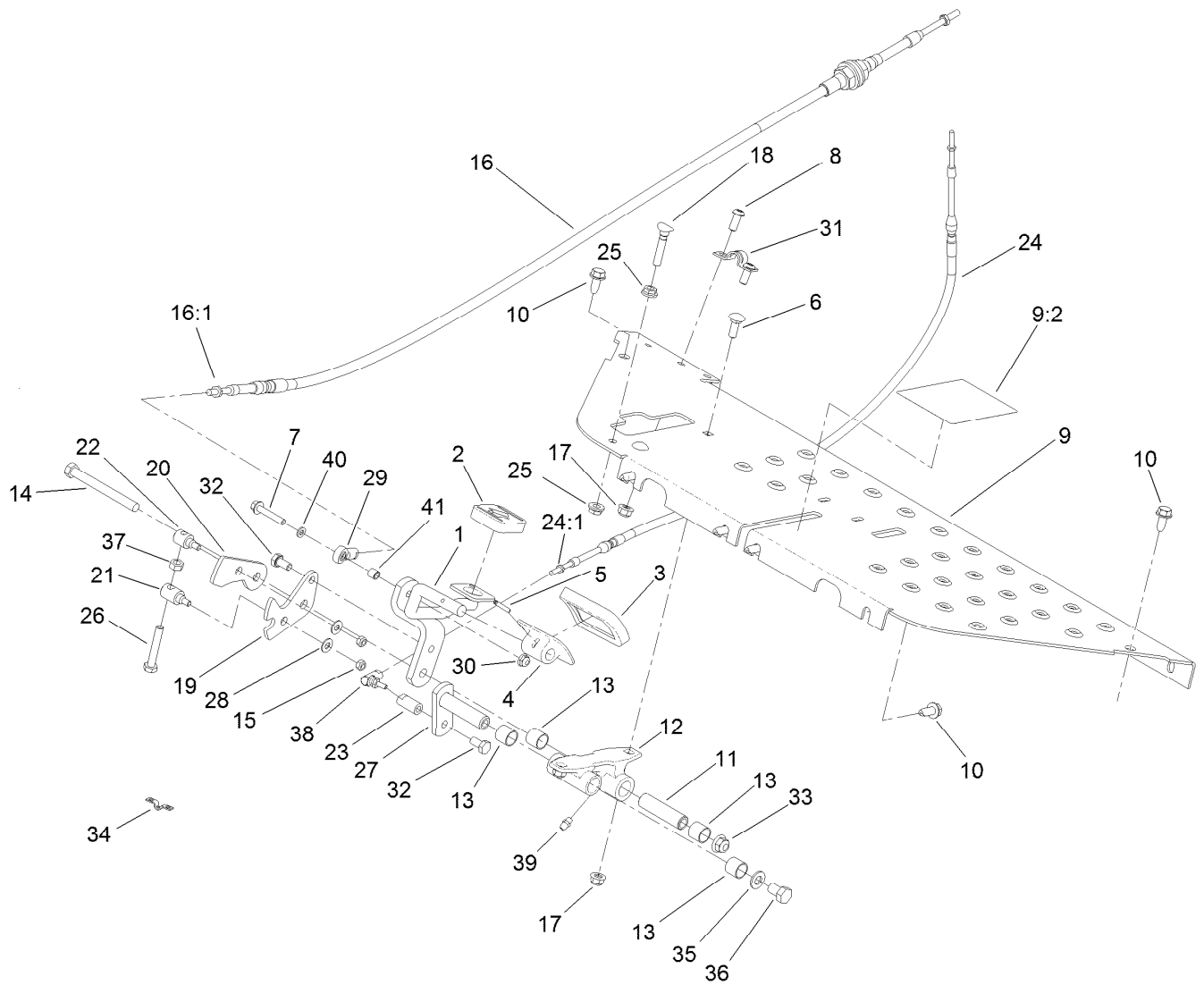
## Roll-Over Protection System Assembly

<i>Ref.</i>	<i>Part Number</i>	<i>Qty.</i>	<i>Description</i>
1	127-6145-01	1	Frame
5	99-1493	1	Decal
6	125-5158	1	ROPS ASM
6:2	115-8226	1	Decal-ROPS
7	83-1700	3	Bushing-Flange
8	68-3270	2	Bumper-Rubber
9	3218-2	2	Nut-Hex Jam
11	327-23	4	Screw-HH
12	3296-53	4	Nut-Lock, NI
13	93-2020-01	1	Bracket-Support
14	3234-29	4	Screw-HHF
15	104-8300	4	Nut-HF, NI
16	302-5	1	Fitting-Grease
17	133-2311	1	Decal-ROPS



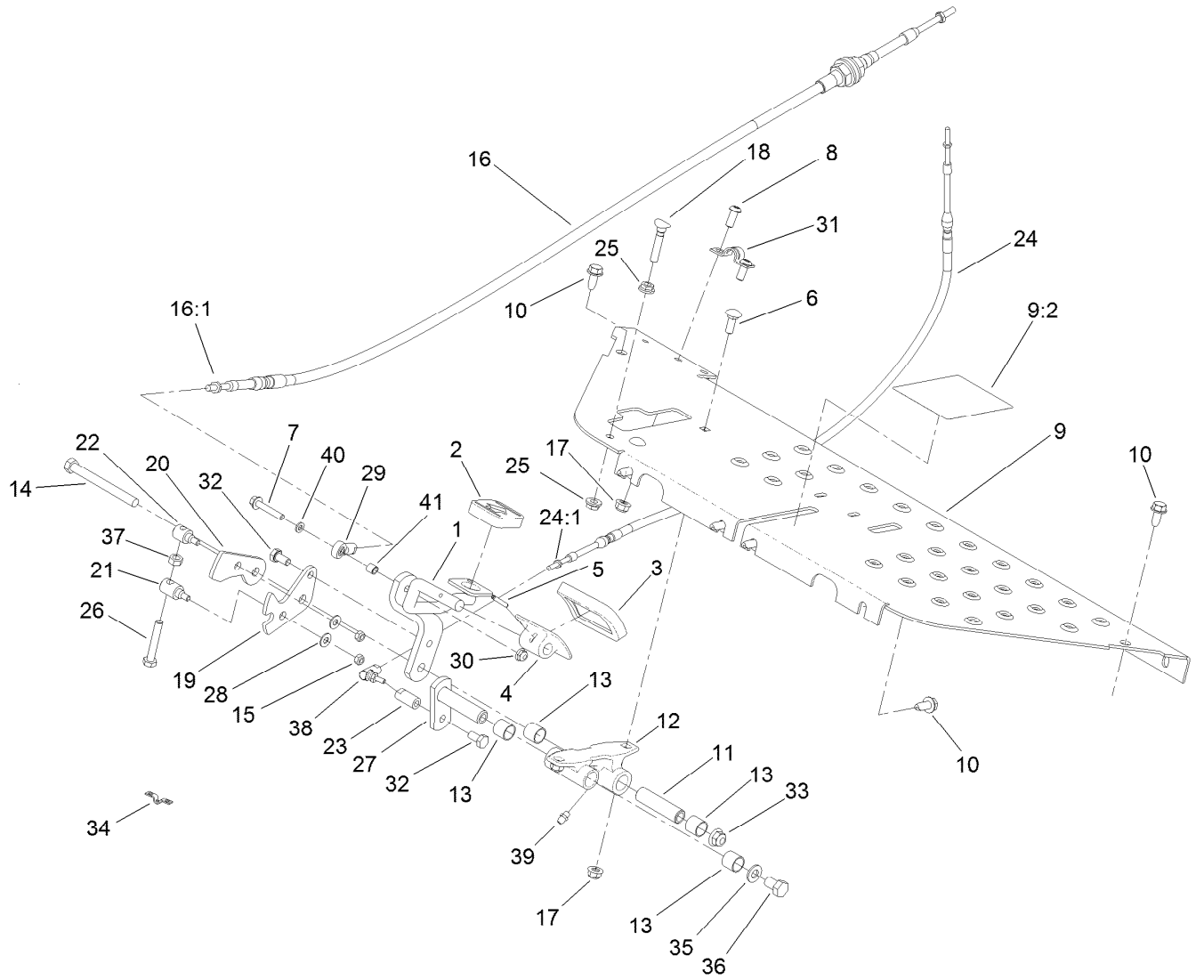
## Frame Assembly

<b>Ref.</b>	<b>Part Number</b>	<b>Qty.</b>	<b>Description</b>	<b>Ref.</b>	<b>Part Number</b>	<b>Qty.</b>	<b>Description</b>
1	130-0104-01	1	Step	9	130-6527	1	Retainer-Hose
2	121-2636-01	1	Bracket-Bulkhead	10	131-8780-03	1	Bracket-Oil Filter
3	93-2072-01	1	Shield-Wheel, RH	11	3234-47	1	Screw-HHF
4	93-2073-01	1	Shield-Wheel, LH	12	104-8300	3	Nut-HF, NI
5	93-2169-01	1	Bracket-Relay	13	32104-32	22	Screw-HWH
6	119-3537-01	1	Bracket-Fuse Block	14	322-20	2	Screw-HH
7	99-4222-03	1	Bracket-Hose	15	115-9469	1	Clamp-R
8	94-1316	1	Bracket-Bulkhead	16	99-4203-03	1	Bracket-Cleaner, Air



## Traction Control Assembly

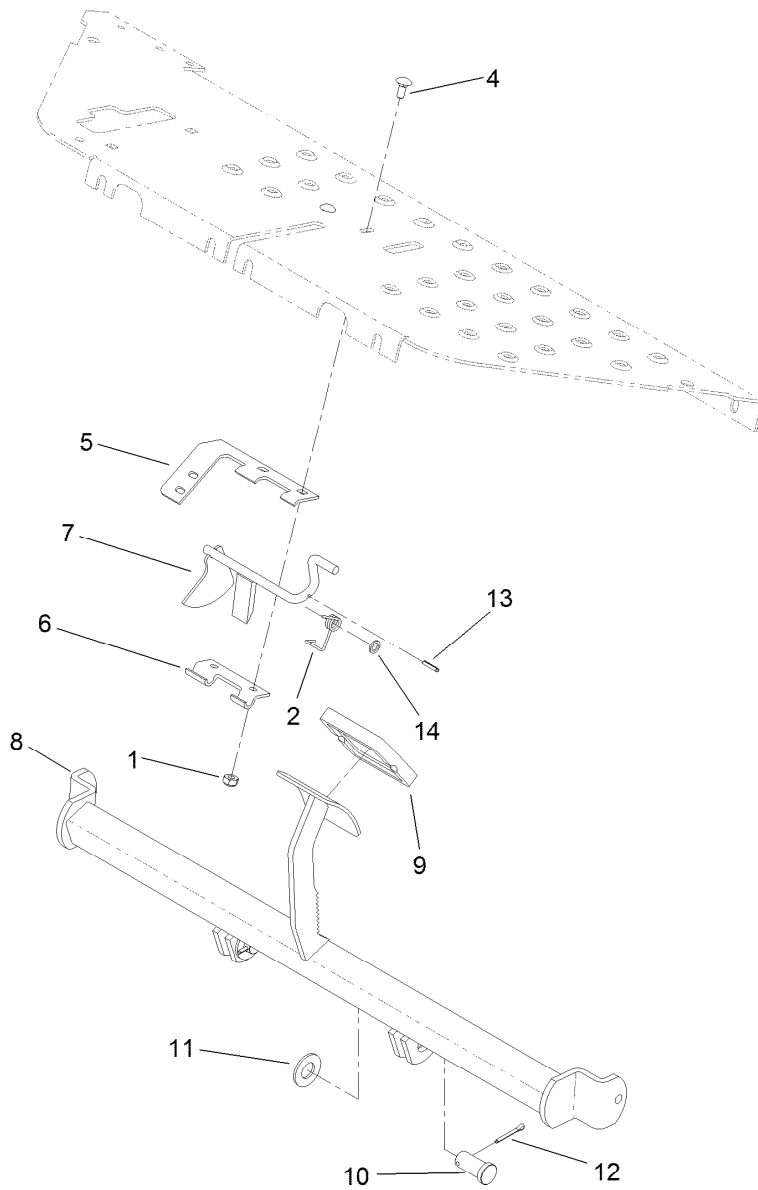
<i>Ref.</i>	<i>Part Number</i>	<i>Qty.</i>	<i>Description</i>	<i>Ref.</i>	<i>Part Number</i>	<i>Qty.</i>	<i>Description</i>
1	93-2085-01	1	Rod ASM	20	94-1372	1	Bracket-Mow
2	74-9110	1	Pad-Pedal, Reverse	21	94-1375	1	Trunnion-Bracket, Lock
3	74-9100	1	Pad-Pedal, Forward	22	94-1374	1	Trunnion-Bracket, Mow
4	117-9507	1	Pedal-Accelerator	23	94-1386	1	Shaft-Pedal
5	32121-45	1	Pin-Spring	24	94-1304	1	Cable-Lock, Neutral
6	3230-16	2	Screw-CARR	24:1	3219-14	2	Nut-Hex
7	94-5781	1	Screw-HHF	25	32128-20	2	Nut-HF
8	3274-55	2	Screw-HSBH	26	94-3489	1	Screw-HH
9	136-8570	1	Plate-Floor	27	94-1300	1	Lock-Neutral
9:2	93-8062	1	Decal-Brake, Parking	28	3256-1	2	Washer-Flat
10	32104-32	8	Screw-HWH	29	2411-41	1	Rod End-Ball Joint
11	94-1371	1	Spacer	30	104-7201	1	Nut-HF, NI
12	115-6695	1	Pedal-Pivot	31	93-2092	1	Clamp-Cable
13	256-311	4	Bushing-Split	32	33114-016	2	Screw-HH
14	323-42	1	Screw-HH	33	104-8301	1	Nut-HF, NI
15	33023-00	2	Nut-Lock	34	93-2279	1	Clamp-Cable
16	107-2550	1	Cable-Control, Traction	35	3256-24	1	Washer-Flat
16:1	3220-1	2	Nut-Jam	36	33115-016	1	Screw-HH
17	104-8300	4	Nut-HF, NI	37	33014-00	1	Nut-Hex
18	17-9420	1	Screw-Handle	38	2411-38	1	Joint-Ball
19	94-1373	1	Bracket-Lock	39	302-5	1	Fitting-Grease



## Traction Control Assembly (continued)

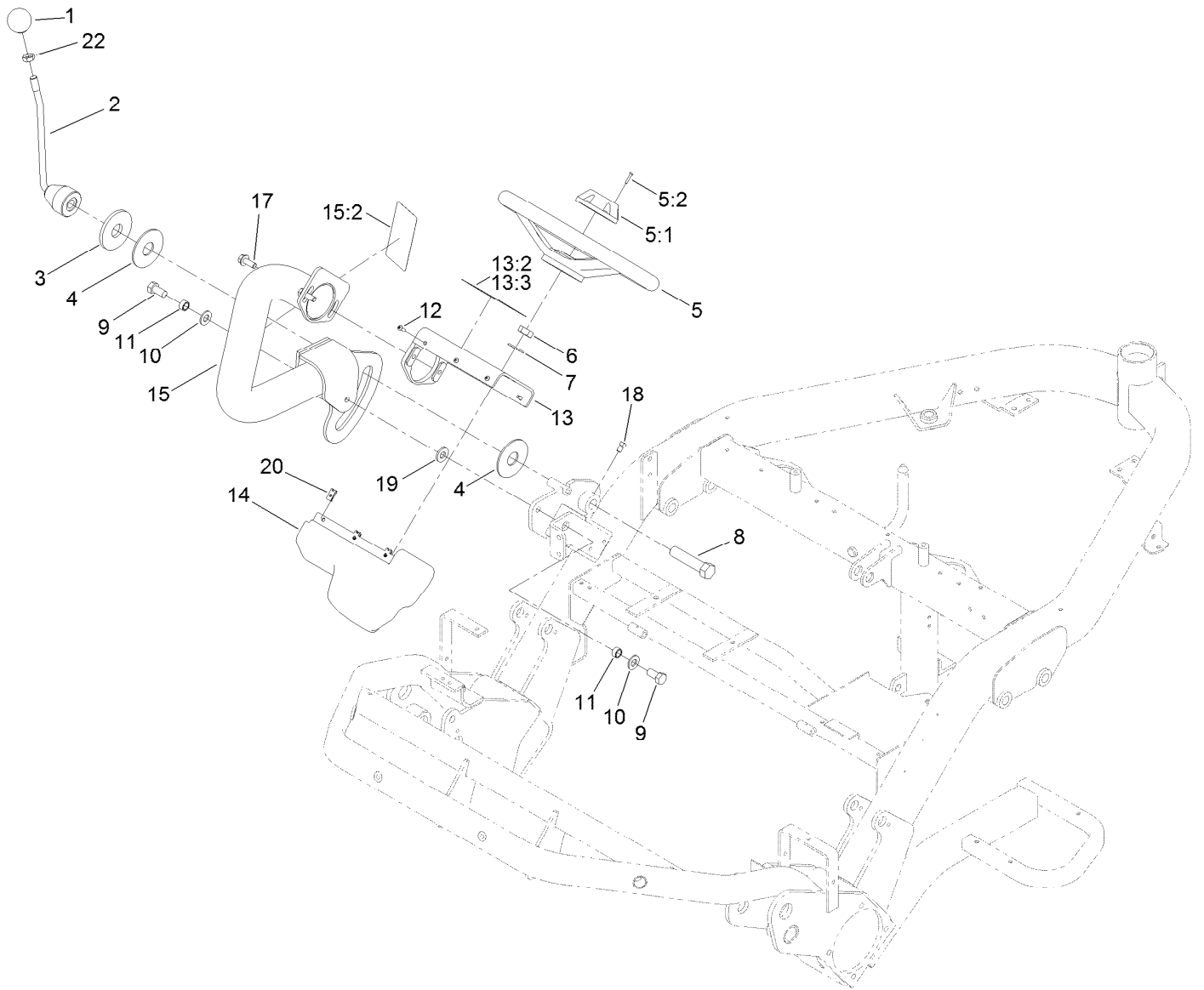
<i>Ref.</i>	<i>Part Number</i>	<i>Qty.</i>	<i>Description</i>
40	33093-00	1	Washer-Flat
41	99-3545	1	Spacer





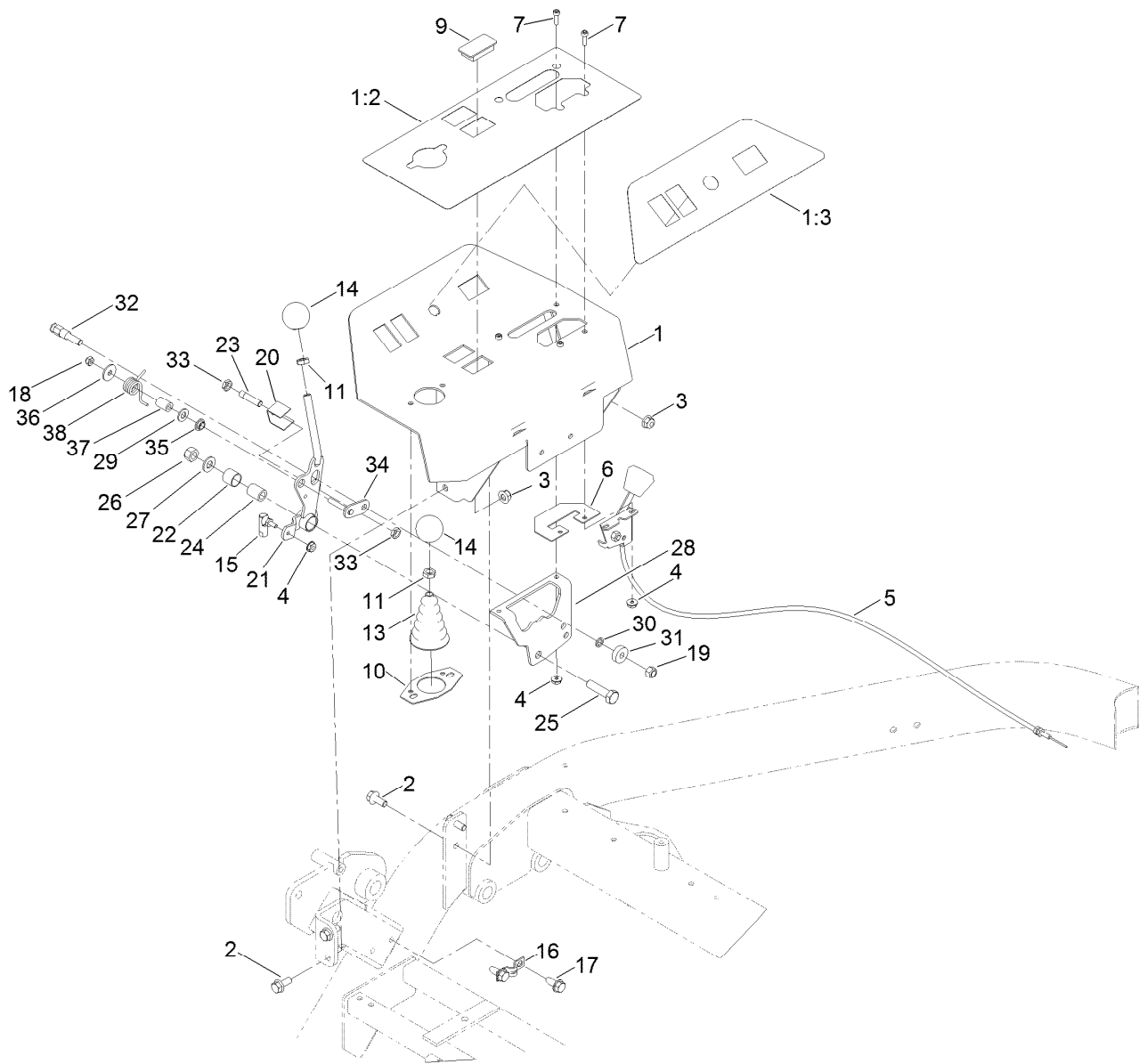
## Brake Pedal Assembly

<i>Ref.</i>	<i>Part Number</i>	<i>Qty.</i>	<i>Description</i>
1	3296-16	2	Nut-Lock, NI
2	104-7704	1	Spring-Latch, Brake
4	3229-11	2	Screw-CARR
5	132-3807	1	Bracket-Switch
6	104-7703	1	Hinge-Lower
7	104-2094	1	Brake-Latch
8	93-2075-01	1	Brake Pedal ASM
9	93-7629	1	Pad-Foot, Brake
10	283-87	2	Pin-Clevis
11	3256-27	2	Washer-Flat
12	3272-11	2	Pin-Cotter
13	32121-50	1	Pin-Spring
14	75-5470	1	Spacer-Bearing



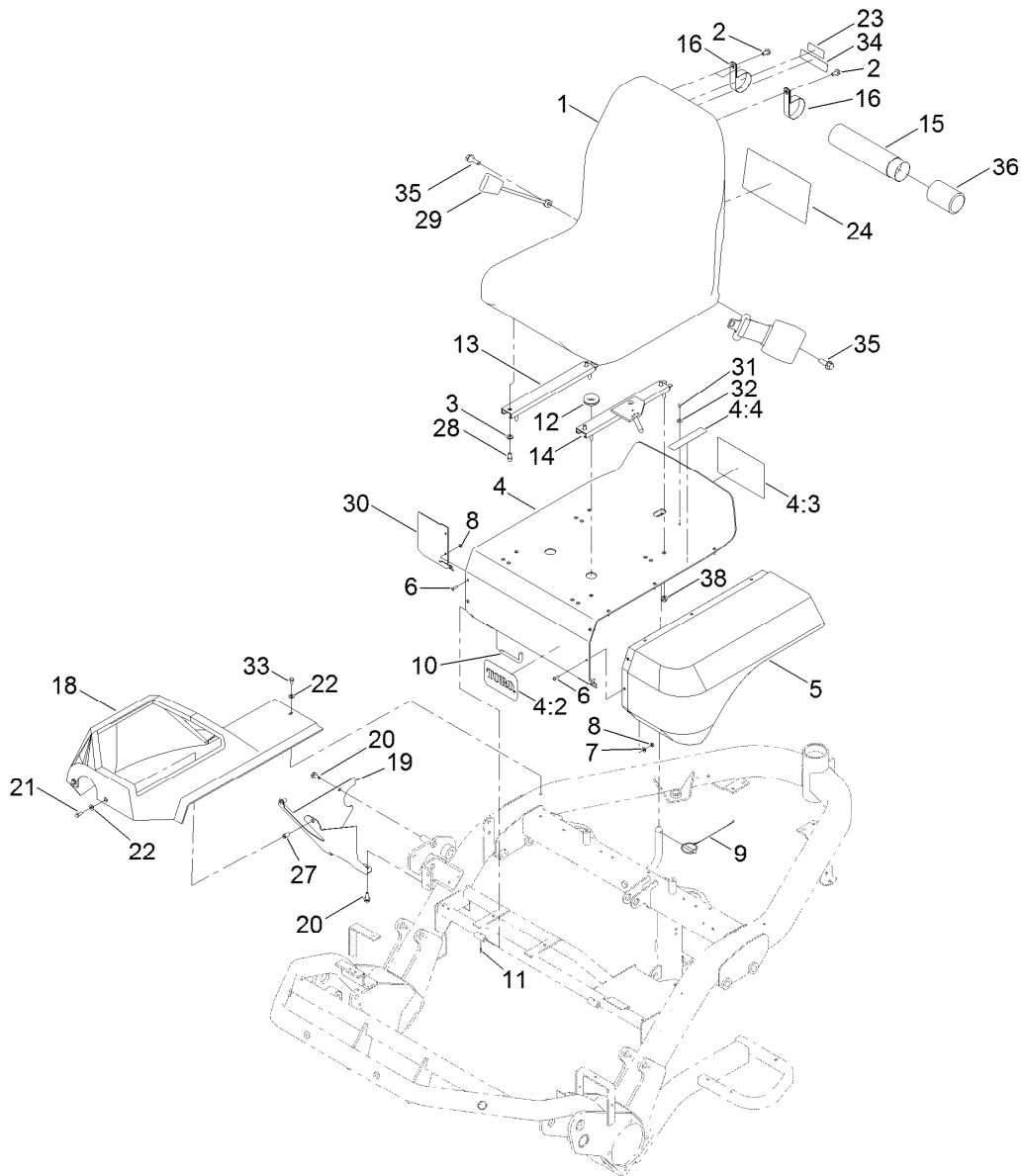
## Steering Arm Assembly

<i>Ref.</i>	<i>Part Number</i>	<i>Qty.</i>	<i>Description</i>	<i>Ref.</i>	<i>Part Number</i>	<i>Qty.</i>	<i>Description</i>
1	233-48	1	Knob	12	3274-39	6	Screw-HSBH
2	93-2400-03	1	Lockup Handle ASM	13	136-8571	1	Mount-Steering
3	83-0760	1	Spacer-Plate, Lockup	13:2	136-8506	1	Decal-Danger
4	83-0740	2	Disc-Friction	13:3	136-8505	1	Decal-Danger, CE
5	75-0560	1	Steering Wheel ASM	14	119-9300	1	Cover-Valve, Steering
5:1	32144-21	1	Screw	15	136-8450	1	Arm-Steering
5:2	68-5140	1	Cap-Wheel, Steering	15:2	93-8068	1	Decal-Arm, Steering
6	3296-33	1	Nut-Lock, NI	17	3234-42	2	Screw-HHF
7	3256-27	1	Washer-Flat	18	3242-2	1	Screw-SQH
8	93-2199	1	Screw-HH, RH	19	65-6390	1	Washer-Thrust, Plain
9	325-4	2	Screw-HH	20	3290-277	6	Nut-Speed
10	3256-26	2	Washer-Flat	22	3218-5	1	Nut-Jam
11	47-2890	2	Bushing				



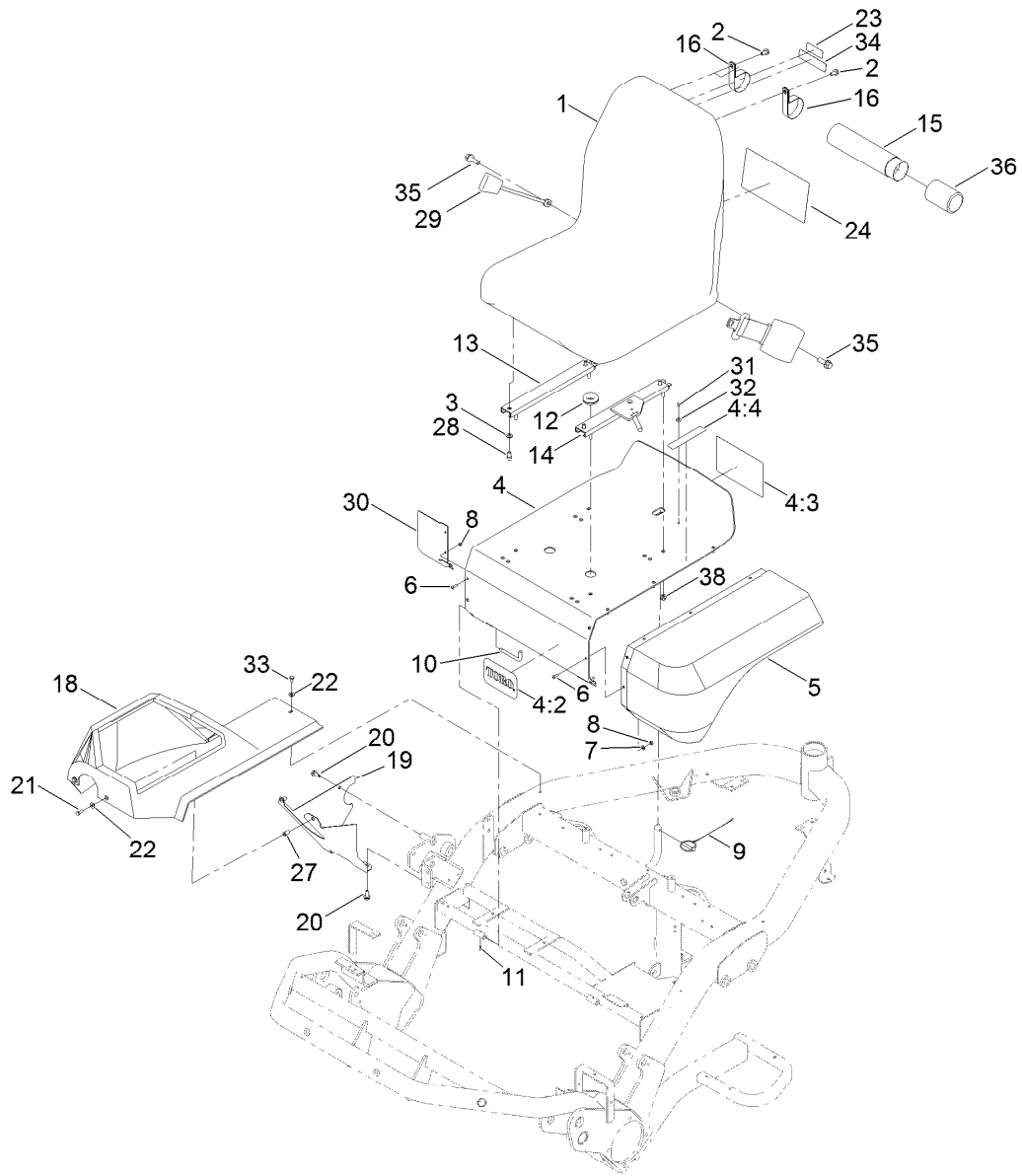
## Operator Platform Assembly

<i>Ref.</i>	<i>Part Number</i>	<i>Qty.</i>	<i>Description</i>	<i>Ref.</i>	<i>Part Number</i>	<i>Qty.</i>	<i>Description</i>
1	136-8572	1	Console	20	106-6356	1	Shield-Switch
1:2	127-6115	1	Decal-Panel, Instrument	21	94-9611	1	Handle
1:3	127-6114	1	Decal-Panel, Instrument	22	256-311	1	Bushing-Split
2	3234-47	4	Screw-HHF	23	120-5348	1	Actuator-Switch
3	104-8300	4	Nut-HF, NI	24	94-1378	1	Tube-Pivot, Handle
4	32149-8	5	Nut-Keps	25	33115-040	1	Screw-HH
5	120-5261	1	Control-Throttle	26	33025-00	1	Nut-Lock, NI
6	112-9179	1	Plate-Cover	27	3256-24	1	Washer-Flat
7	3273-26	4	Screw-HSH	28	94-6398	1	Bracket-Traction
9	99-7420	1	Plug-Hole	29	3256-23	1	Washer-Plain
10	112-9181	1	Plate-Boot	30	75-5470	1	Spacer-Bearing
11	3218-3	2	Nut-Jam	31	251-259	1	Bearing-Ball
13	93-5961	1	Boot-Lever	32	94-9617	1	Pin-Spring
14	233-42	2	Knob	33	117-4059	2	Nut-Hex
15	2411-38	1	Joint-Ball	34	120-3198	1	Roller-Pivot
16	93-2279	1	Clamp-Cable	35	94-9619	1	Bushing
17	32104-32	2	Screw-HWH	36	3256-67	1	Washer
18	33023-00	1	Nut-Lock	37	94-9618	1	Spacer-Spring
19	33024-00	1	Nut-Lock, NI	38	94-9620	1	Spring-Torsion



## Seat Assembly

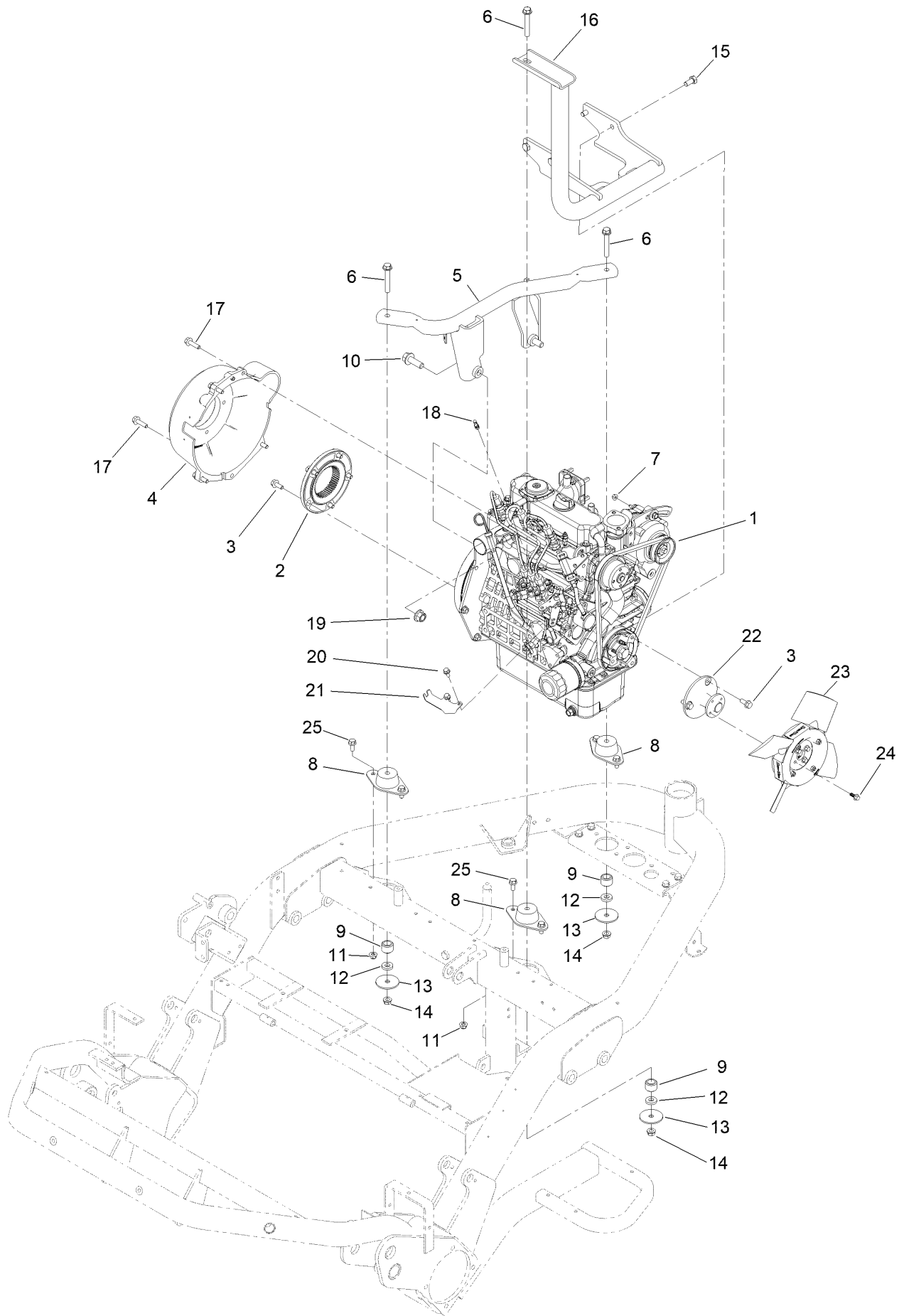
Ref.	Part Number	Qty.	Description	Ref.	Part Number	Qty.	Description
1	104-4620	1	Seat	20	32104-32	2	Screw-HWH
2	3234-7	2	Screw-HHF	21	33113-016	2	Screw-HH
3	3256-23	4	Washer-Plain	22	3256-1	3	Washer-Flat
4	136-8573	1	Seat Support ASM	23	93-6686	1	Decal-Oil, HYD
4:2	94-2579	1	Decal	24	121-9500	1	Decal-Service, English
4:3	115-8156	1	Decal-Speed, Clip	24	121-9501	1	Decal-Service, Spanish
4:4	93-6689	1	Decal-No Riders	24	121-9502	1	Decal-Service, French
5	93-2128	1	Panel-Base, Seat	24	121-9503	1	Decal-Service, German
6	3274-39	9	Screw-HSBH	24	121-9504	1	Decal-Service, Swedish
7	3256-77	6	Washer-Flat	24	121-9505	1	Decal-Service, Italian
8	3296-12	9	Nut-Lock, NI	24	121-9506	1	Decal-Service, Portuguese
9	77-3780	1	Pin ASM-Lynch	24	121-9507	1	Decal-Service, Norwegian
10	93-2422	2	Rod-Pivot, Seat	24	121-9508	1	Decal-Service, Finnish
11	32121-7	2	Pin-Roll, Slotted	24	121-9509	1	Decal-Service, Danish
12	237-100	1	Grommet	24	121-9510	1	Decal-Service, Dutch
13	92-8990	1	Adjuster-Seat, Non-Locking	24	121-9511	1	Decal-Service, Japanese
14	92-8991	1	Adjuster (W/Latch)	27	93-5447	2	Nut-Clinch
15	104-7050	1	Tube-Manual	28	3274-12	4	Screw-HSH
16	2412-133	2	Clamp-R	29	100-4928	1	Belt-Seat
18	99-4208	1	Shroud-Console	30	94-4546-03	1	Panel-Extension
19	94-4547-03	1	Panel-Lower, RH	31	3290-282	1	Rivet-Blind



## Seat Assembly (continued)

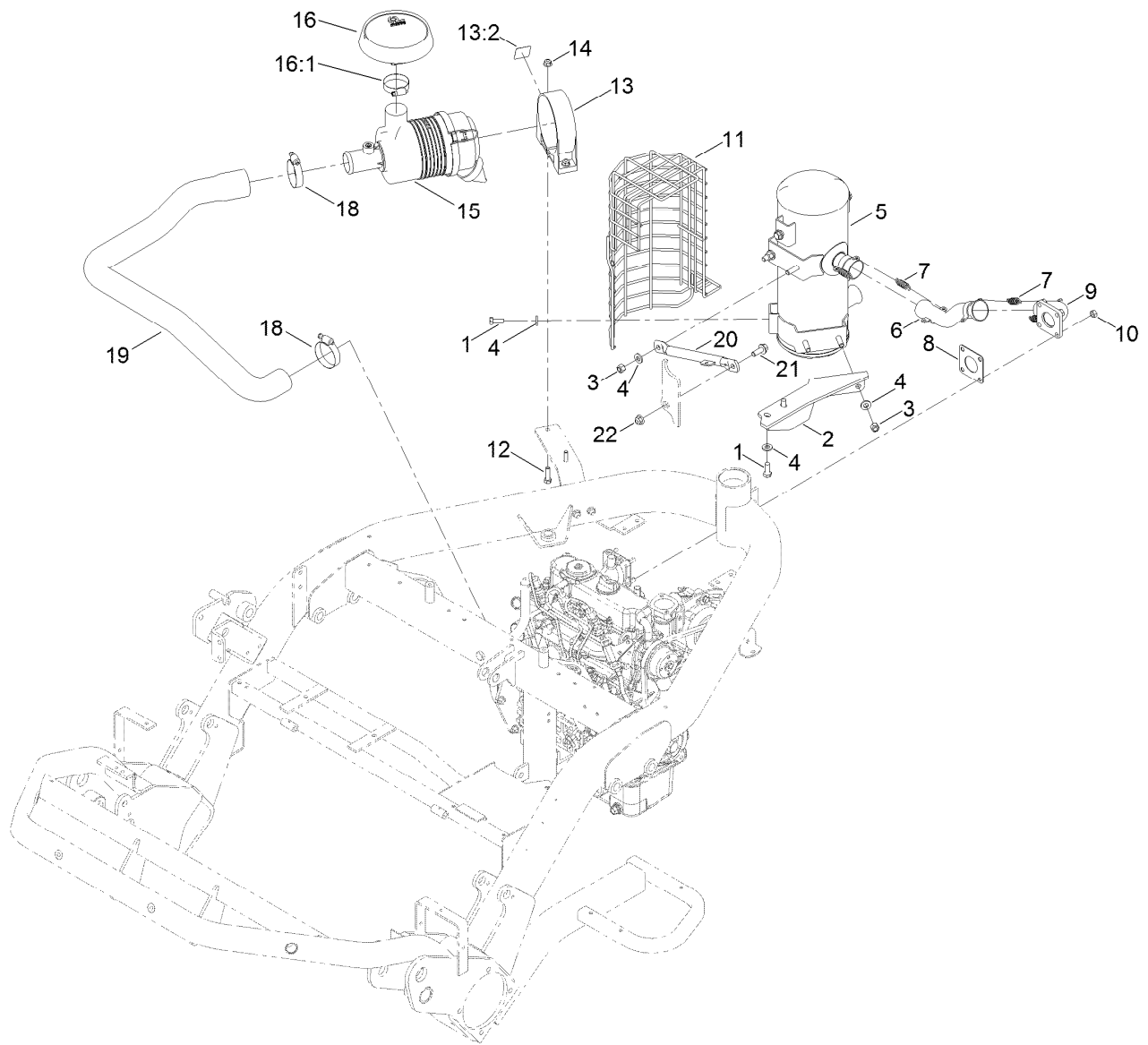
<i>Ref.</i>	<i>Part Number</i>	<i>Qty.</i>	<i>Description</i>	<i>Ref.</i>	<i>Part Number</i>	<i>Qty.</i>	<i>Description</i>
32	3256-49	1	Washer-Plain	35	117-9035	2	Screw-HHF
33	33113-012	1	Screw-HH	36	104-7048	1	Cap-Housing
34	117-2718	1	Decal-Arrester, Spark	38	104-8300	4	Nut-HF, NI

# Engine Assembly



## Engine Assembly (continued)

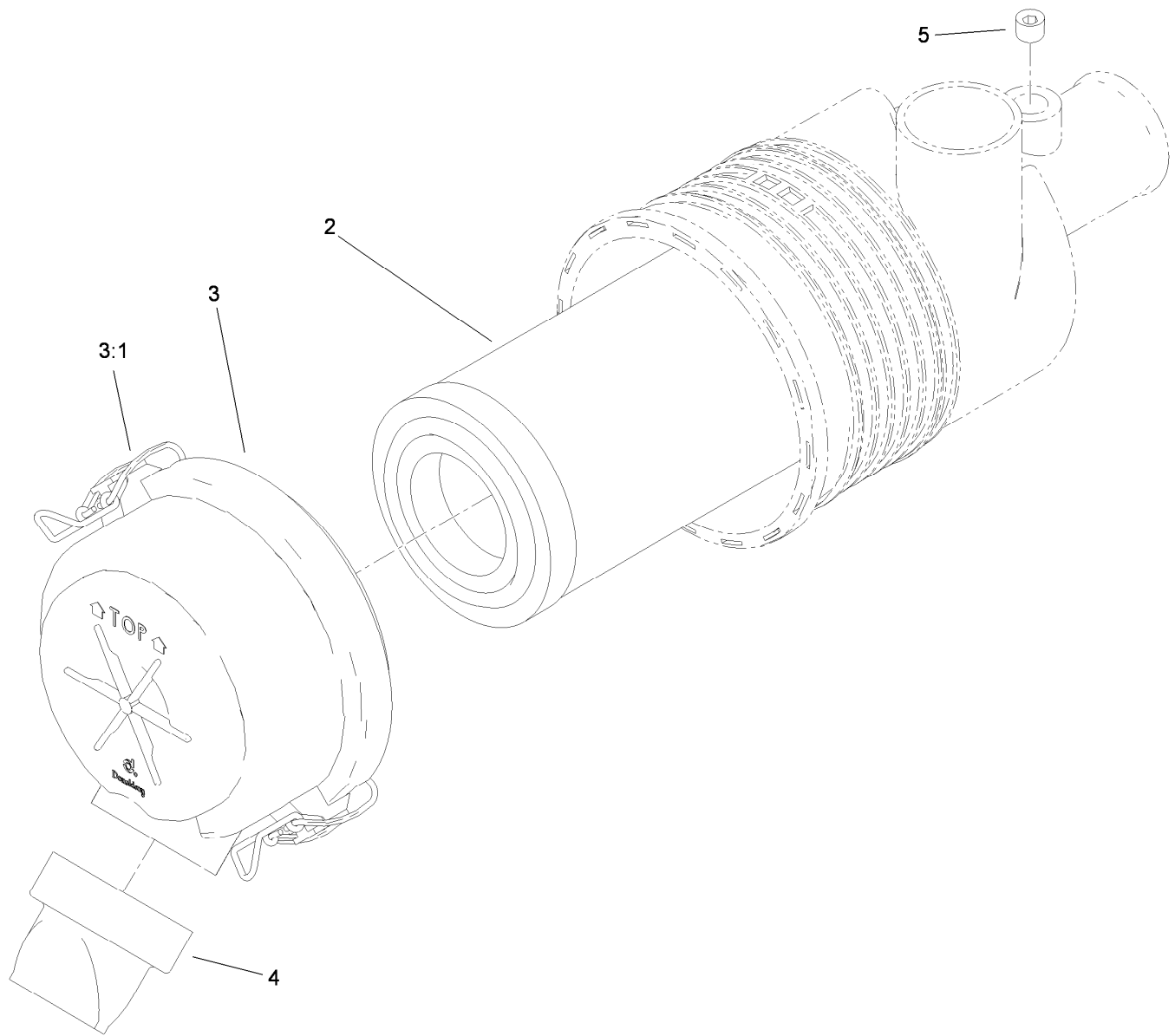
<i>Ref.</i>	<i>Part Number</i>	<i>Qty.</i>	<i>Description</i>	<i>Ref.</i>	<i>Part Number</i>	<i>Qty.</i>	<i>Description</i>
1	138-6903	1	Engine-Kubota, D902	14	3290-357	3	Nut-HSF
2	115-8727	1	Flange-Coupling	15	63-7790	4	Screw-Cap
3	33104-020	8	Screw-HHF	16	133-2346-03	1	Support-Engine
4	132-6994	1	Housing-Bell	17	33104-030	4	Screw-HHF
5	120-5313-03	1	Mount-Engine	18	108-5928	1	Swivel-Stop, Cable
6	323-11	3	Screw-HH	19	99-5107	2	Nut-Lock
7	33003-00	1	Nut-HF	20	33103-020	2	Screw-HHF
8	121-9076	3	Mount-Engine	21	120-5316	1	Bracket-Support, Throttle
9	94-4538	3	Spacer-Mount	22	119-4421	1	Adaptor-Fan
10	100-6116	2	Screw-HHF	23	120-5287	1	Fan-35 DEG
11	104-8300	6	Nut-HF, NI	24	99-6810	4	Screw-HHF
12	66-6480	3	Washer	25	3234-47	6	Screw-HHF
13	83-1040	3	Washer-Flat				



## Intake and Exhaust Assembly

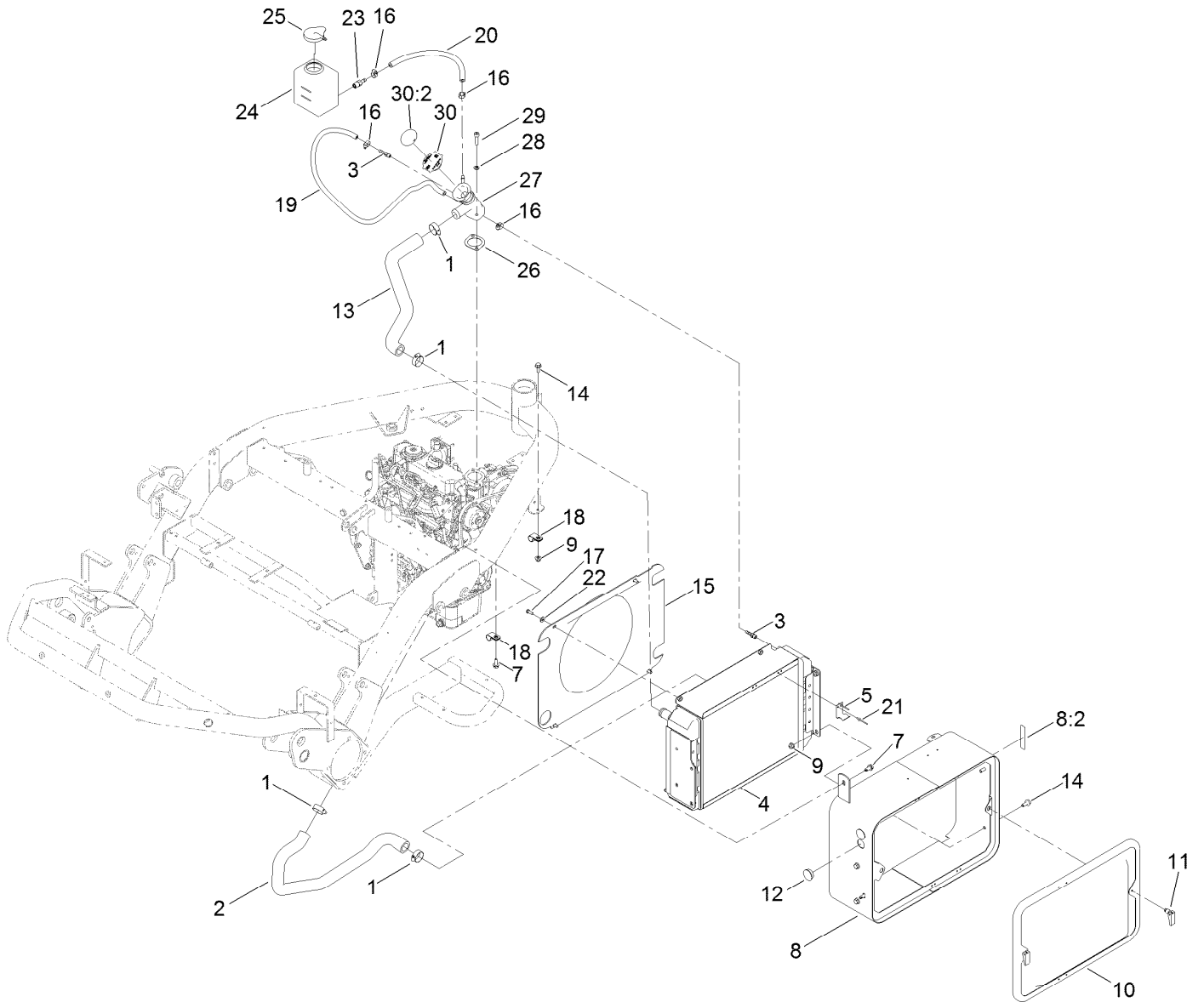
<i>Ref.</i>	<i>Part Number</i>	<i>Qty.</i>	<i>Description</i>	<i>Ref.</i>	<i>Part Number</i>	<i>Qty.</i>	<i>Description</i>
1	323-5	6	Screw-HH	13	136-8574	1	Bracket-Air Cleaner
2	119-4474	1	Bracket-Muffler	13:2	115-8155	1	Decal-Warning
3	32152-2	4	Nut-Lock, Cone	14	104-8300	2	Nut-HF, NI
4	100-4852	10	Washer-Hardened	15	95-5805	1	Air Cleaner ASM
5	120-1950	1	Muffler	16	120-4848	1	Hood-Inlet, Air
6	114-8013	1	Pipe-Exhaust	16:1	2412-130	1	Clamp-Hose
7	104-6478	4	Spring-Extension	18	2412-92	2	Clamp-Hose
8	99-8343	1	Gasket-Muffler	19	119-3536	1	Hose-Air Cleaner
9	114-8009	1	Plate-Exhaust	20	120-5318-03	1	Support-Exhaust
10	33014-00	4	Nut-Hex	21	3234-42	1	Screw-HHF
11	115-8718-03	1	Shield-Muffler	22	104-8301	1	Nut-HF, NI
12	322-16	2	Screw-HH				





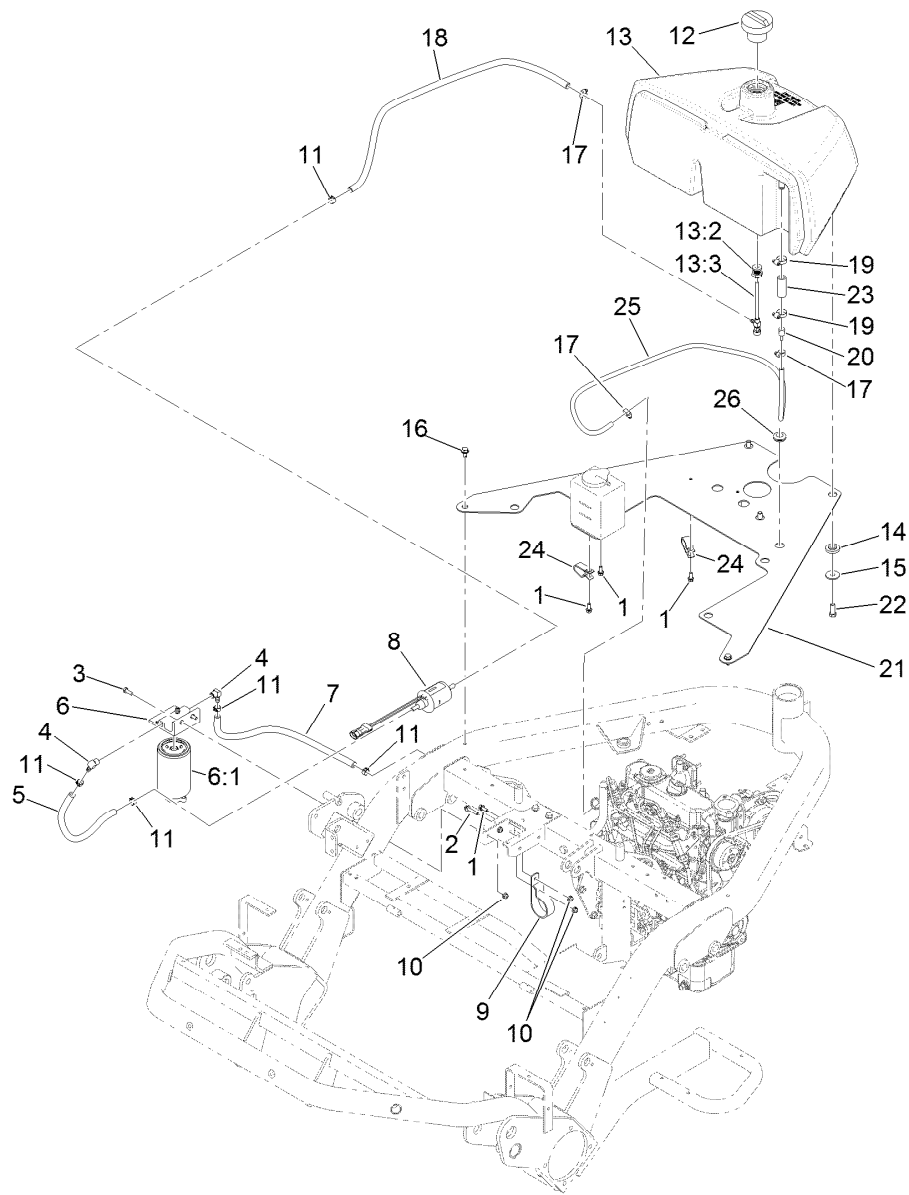
## Air Cleaner Assembly No. 95-5805

<i>Ref.</i>	<i>Part Number</i>	<i>Qty.</i>	<i>Description</i>
2	108-3811	1	Filter-Air
3	94-3652	1	Cover ASM
3:1	1-643283	2	Latch-Cleaner, Air
4	87-9400	1	Valve-Vacuator
5	285-17	1	Plug-Pipe



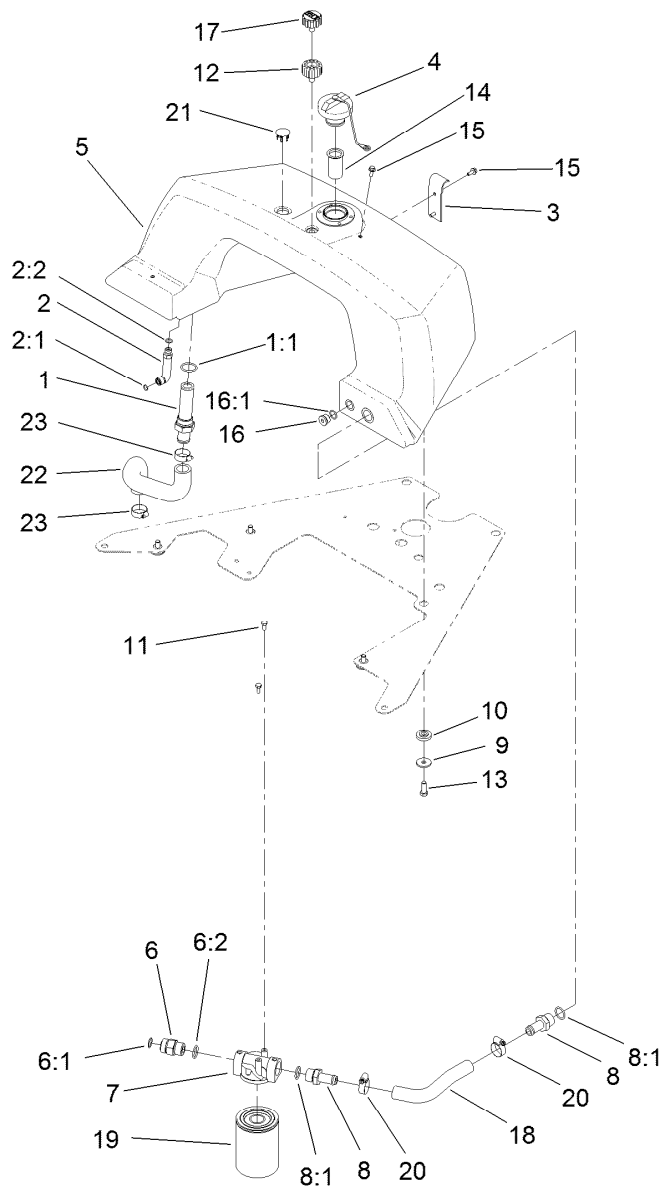
## Radiator Assembly

Ref.	Part Number	Qty.	Description	Ref.	Part Number	Qty.	Description
1	2412-34	4	Clamp-Hose	17	33113-016	4	Screw-HH
2	119-3554	1	Hose-Radiator, Lower	18	2412-41	2	Clamp-R
3	304-73	2	Fitting-Straight	19	109-0286	1	Hose-Fuel
4	119-3555	1	Radiator	20	110-4101	1	Hose-Fuel
5	104-7736	1	Bracket-Cooler, Upper	21	130-6520	2	Rivet-Pop
7	32104-32	3	Screw-HWH	22	3256-22	4	Washer-Flat
8	136-8575	1	Radiator-Support	23	353-783	1	Fitting-STR
8:2	93-6681	1	Decal-Warning, Fan	24	120-5260	1	Tank-Overflow
9	104-8300	5	Nut-HF, NI	25	1-643164	1	Cap-Tank, Overflow
10	100-3172-03	1	Screen ASM	26	105-3748	1	Gasket-Thermostat
11	74-5950	2	Latch-Swell	27	119-3532	1	Blade (Discontinued)
12	94-4528	2	Plug	28	3253-4	2	Washer-Lock
13	119-3556	1	Hose-Radiator, Upper	29	94-3559	2	Screw-HSH
14	3234-47	5	Screw-HHF	30	136-8582	1	Cap-Radiator
15	119-3571	1	Shroud-Fan	30:2	106-5976	1	Decal-Warning
16	2412-108	4	Clamp-Worm				



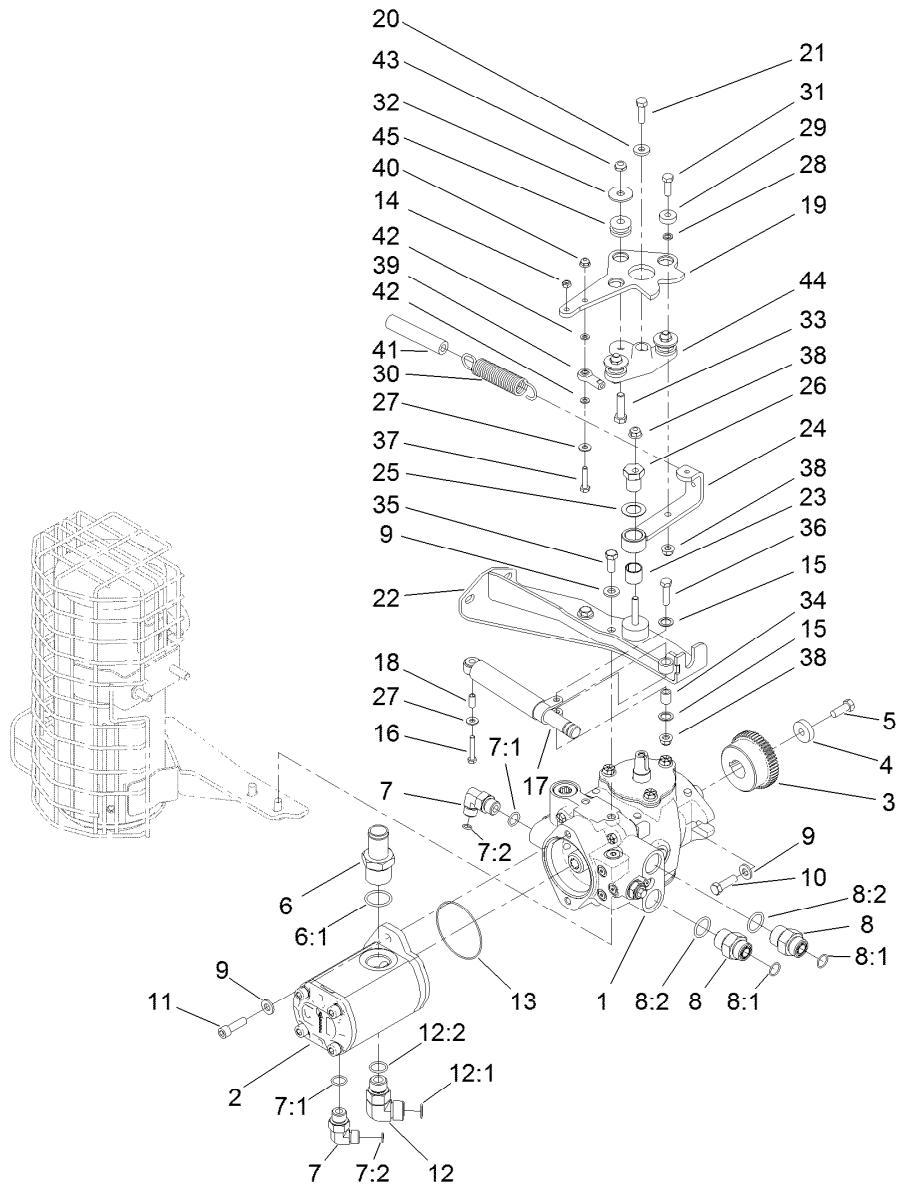
## Fuel System Assembly

<i>Ref.</i>	<i>Part Number</i>	<i>Qty.</i>	<i>Description</i>	<i>Ref.</i>	<i>Part Number</i>	<i>Qty.</i>	<i>Description</i>
1	3234-33	4	Screw-HHF	13:3	114-4679	1	Fitting-Shut Off, Fuel
2	3234-21	1	Screw-HHF	14	240-11	3	Bushing-Flange
3	321-4	2	Screw-HH	15	63-8410	3	Washer
4	353-781	2	Fitting-HYD, 90	16	32104-32	3	Screw-HWH
5	106-1126	1	Hose-Fuel	17	2412-108	3	Clamp-Worm
6	110-9044	1	Separator-Filter	18	110-6186	1	Hose-Fuel
6:1	110-9049	1	Filter-Spin On, Fuel/Water	19	2412-36	2	Clamp-Hose
7	114-4028	1	Hose-Fuel	20	112-0212	1	Fitting-Fuel
8	110-8806	1	Pump-Fuel	21	119-3531-01	1	Plate
9	110-8817	1	Bracket-Pump, Fuel	22	323-6	3	Screw-HH
10	104-7201	4	Nut-HF, NI	23	106-1128	1	Hose-Fuel
11	92-2379	5	Clamp-Hose	24	92-5753	2	Clamp-Hose
12	115-5305	1	Cap-Fuel	25	117-6395	1	Hose-Vent, Tank
13	132-3801	1	Tank ASM	26	237-124	1	Grommet
13:2	114-4677	1	Bulkhead ASM				



## Hydraulic Tank and Filter Assembly

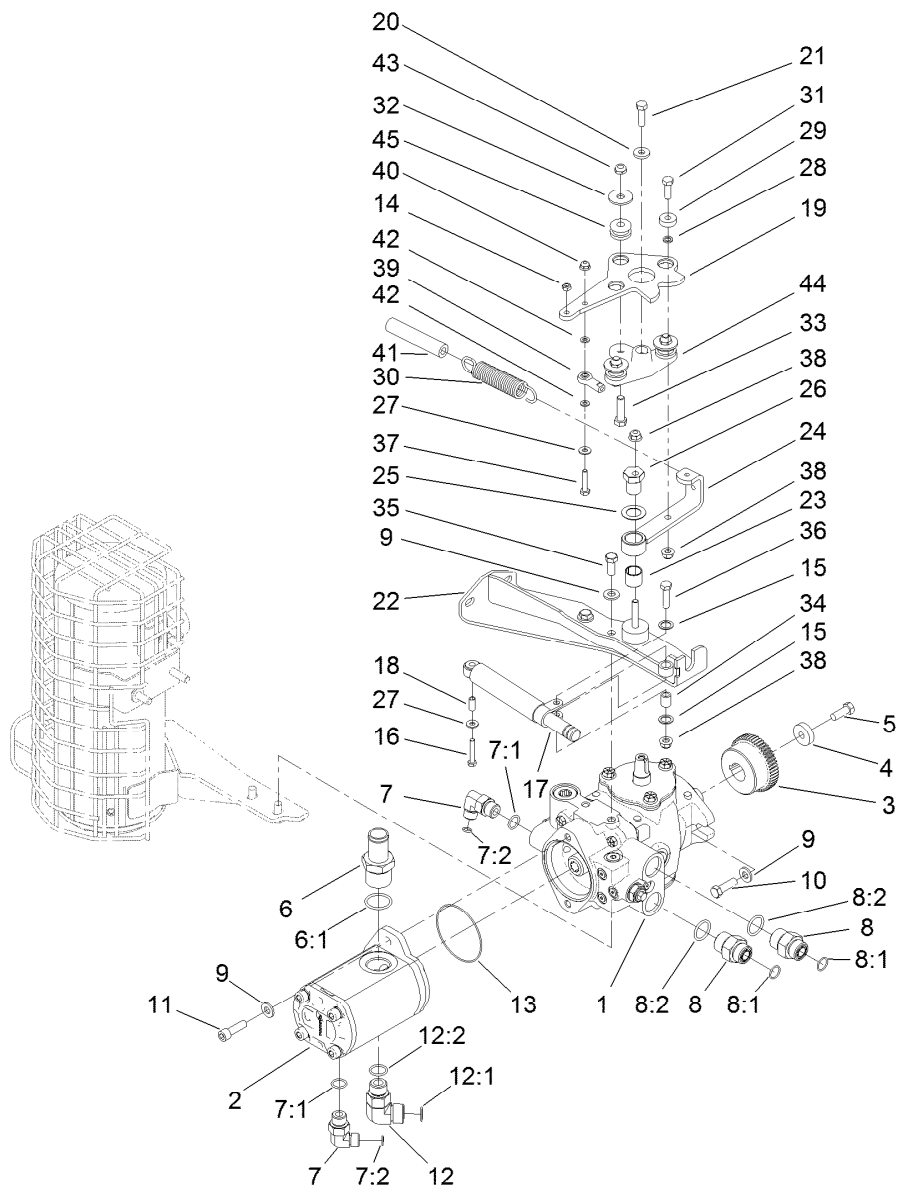
Ref.	Part Number	Qty.	Description	Ref.	Part Number	Qty.	Description
1	112-0211	1	Strainer Fitting ASM	10	240-11	4	Bushing-Flange
1:1	237-146	1	O-Ring	11	321-3	2	Screw-HH
2	69-4320	1	Fitting-HYD, 90 DEG	12	92-8020	1	Adapter-Breather
2:1	237-22	1	O-Ring	13	323-6	4	Screw-HH
2:2	237-42	1	O-Ring	14	93-2275	1	Screen-Filler
3	93-2438	1	Clamp-Tank, Fuel	15	33103-016	3	Screw-HHF
4	93-7160	1	Cap-Oil, HYD	16	353-988	1	Plug-Hex
5	132-3799	1	Tank-Hydraulic	16:1	237-79	1	O-Ring
6	340-9	1	Fitting-STR	17	68-6150	1	Breather
6:1	237-58	1	O-Ring	18	94-9607	1	Hose-Return
6:2	237-81	1	O-Ring	19	107-9531	1	Filter-Oil, HYD
7	92-5821	1	Head-Filter	20	2412-129	2	Clamp-Hose
8	354-73	2	Fitting	21	93-2437	1	Plug-Serrated
8:1	237-81	1	O-Ring	22	99-1905	1	Hose-Inlet, Pump
9	63-8410	4	Washer	23	2412-34	2	Clamp-Hose



## Hydrostat and Gear Pump Drive Assembly

Ref.	Part Number	Qty.	Description
1	121-9557	1	Pump-Hydro
2	114-9956	1	HYD Gear Pump ASM
3	119-4418	1	Coupling
4	117-3657	1	Spacer
5	3211-4	1	Screw-HH
6	354-78	1	Fitting-STR
6:1	237-146	1	O-Ring
7	340-18	2	Fitting-HYD, 90 DEG
7:1	237-79	1	O-Ring
7:2	237-22	1	O-Ring
8	340-8	2	Fitting-Straight
8:1	237-65	1	O-Ring
8:2	237-81	1	O-Ring
9	100-4852	6	Washer-Hardened
10	323-7	2	Screw-HH
11	3274-1	2	Screw-HSH
12	340-17	1	Fitting-Elbow, 90 DEG
12:1	237-65	1	O-Ring
12:2	237-80	1	O-Ring
13	353-949	1	O-Ring
14	33023-00	1	Nut-Lock

Ref.	Part Number	Qty.	Description
15	94-8196	2	Washer-Nylon
16	33113-035	1	Screw-HH
17	76-8870	1	Damper-Lever
18	94-1312	1	Spacer-Pivot
19	94-3488-03	1	Lever-Pump
20	88-7200	1	Washer-Flat
21	3210-6	1	Screw-HH
22	120-5263-03	1	Mount-Muffler, Upper
23	94-9609	1	Bushing-Straight
24	94-4527	1	Arm-Neutral
25	3-6498	1	Washer-Thrust
26	93-2111	1	Stud-Traction
27	3256-22	2	Washer-Flat
28	75-5470	1	Spacer-Bearing
29	251-259	1	Bearing-Ball
30	99-4254	1	Spring-Extension
31	322-5	1	Screw-HH
32	93-8806	3	Washer-Hardened
33	323-29	3	Screw-HH
34	94-8197	1	Tube-Pivot
35	323-5	2	Screw-HH



## Hydrostat and Gear Pump Drive Assembly (continued)

<i>Ref.</i>	<i>Part Number</i>	<i>Qty.</i>	<i>Description</i>	<i>Ref.</i>	<i>Part Number</i>	<i>Qty.</i>	<i>Description</i>
36	322-6	1	Screw-HH	41	99-4251	1	Hose-Dampener
37	321-8	1	Screw-HH	42	33093-00	2	Washer-Flat
38	104-8300	3	Nut-HF, NI	43	3296-59	3	Nut-Lock, NI
39	2411-41	1	Rod End-Ball Joint	44	117-9500	1	Plate-Pivot
40	104-7201	1	Nut-HF, NI	45	63-9750	3	Mount

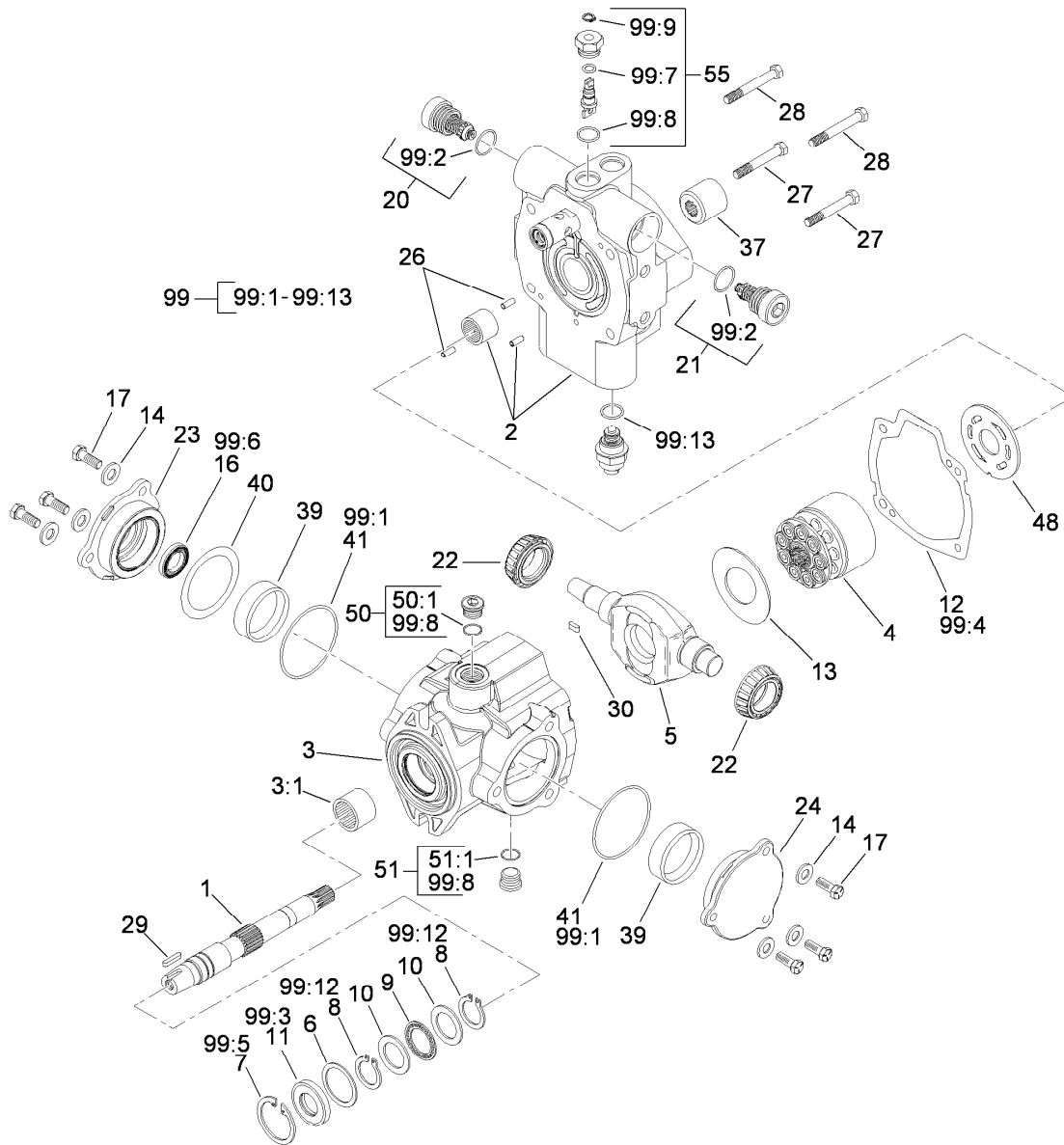


## Hydraulic Pump Assembly No. 121-9557

Ref.	Part Number	Qty.	Description	Ref.	Part Number	Qty.	Description
1	119-7148	1	Shaft-Drive, Tapered	21	120-1989	1	Relief Valve ASM
2	121-9574	1	Endcover ASM	22	98-4639	2	Bearing-Cone
3	100-3176	1	Housing ASM	23	98-4645	1	Plate-Cover
3:1	94-6363	1	Bearing	24	98-4644	1	Plate-Cover
4	76-6070	1	Rotating Kit	26	76-6150	2	Pin-Dowel
5	100-3175	1	Camplate	27	76-6160	2	Capscrew
6	33-3720	1	Washer	28	76-6170	2	Capscrew
7	32151-13	1	Ring-Retaining	29	120-5751	1	Key
8	32151-29	2	Ring-Retaining	30	94-3646	1	Key
9	252-66	1	Bearing-Thrust	37	74-9040	1	Coupler
10	252-71	2	Washer-Thrust	39	104-4046	2	Bearing-Cup
11	104-4861	1	Seal-Shaft	40	100-3182	1	Shim Kit
12	33-4930	1	Gasket-Housing	41	100-3179	2	O-Ring
13	98-4635	1	Insert-Plate, Cam	48	100-3180	1	Plate-Valve
14	105-9762	6	Washer	50	74-9280	1	Plug ASM
16	76-6190	1	Seal-Shaft	50:1		1	O-Ring ■
17	98-4640	6	Screw-Cap	51	74-9280	1	Plug ASM
20	120-1989	1	Relief Valve ASM	51:1		1	O-Ring ■

● Not illustrated

■ Not serviced separately



## Hydraulic Pump Assembly No. 121-9557 (continued)

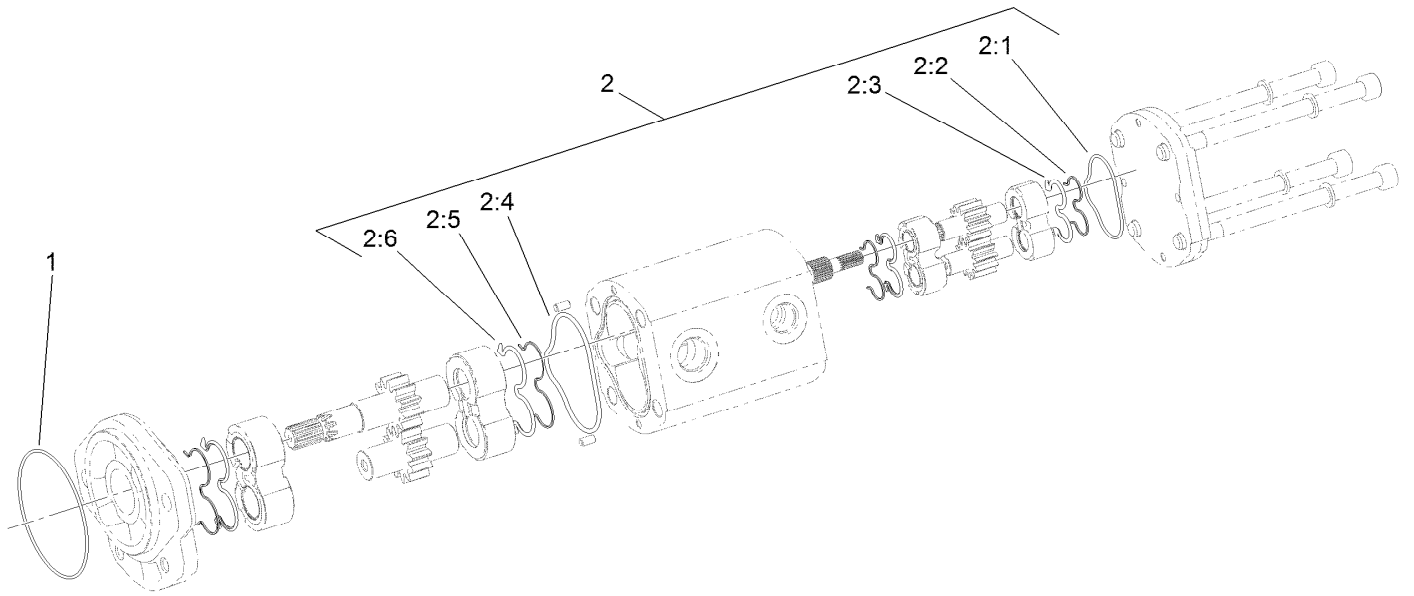
Ref.	Part Number	Qty.	Description
55	105-3811	1	Valve-Bypass
99	120-5754	1	Seal Kit
99:1		2	O-Ring ■
99:2		2	O-Ring ■
99:3		1	Seal-Shaft ■
99:4		1	Gasket ■
99:5		1	Ring-Retaining ■
99:6		1	Seal-Shaft ■

Ref.	Part Number	Qty.	Description
99:7		1	O-Ring ■
99:8		5	O-Ring ■
99:9		1	Ring-Retaining ■
99:10		1	O-Ring ●■
99:11		1	O Ring-Molded ●■
99:12		2	Ring-Retaining ■
99:13		1	O-Ring ●■

● Not illustrated

■ Not serviced separately

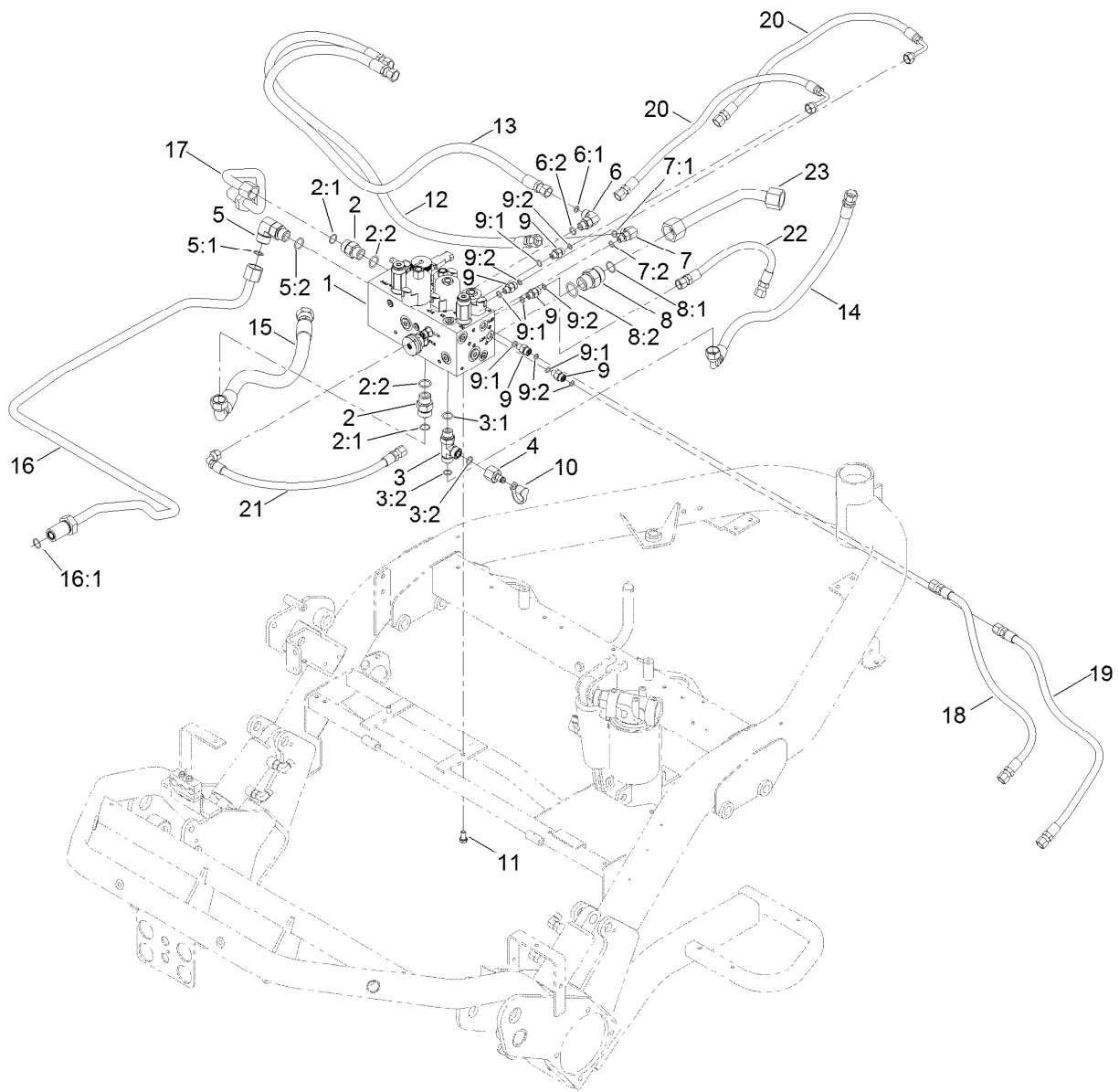




## Hydraulic Gear Pump Assembly No. 114-9956

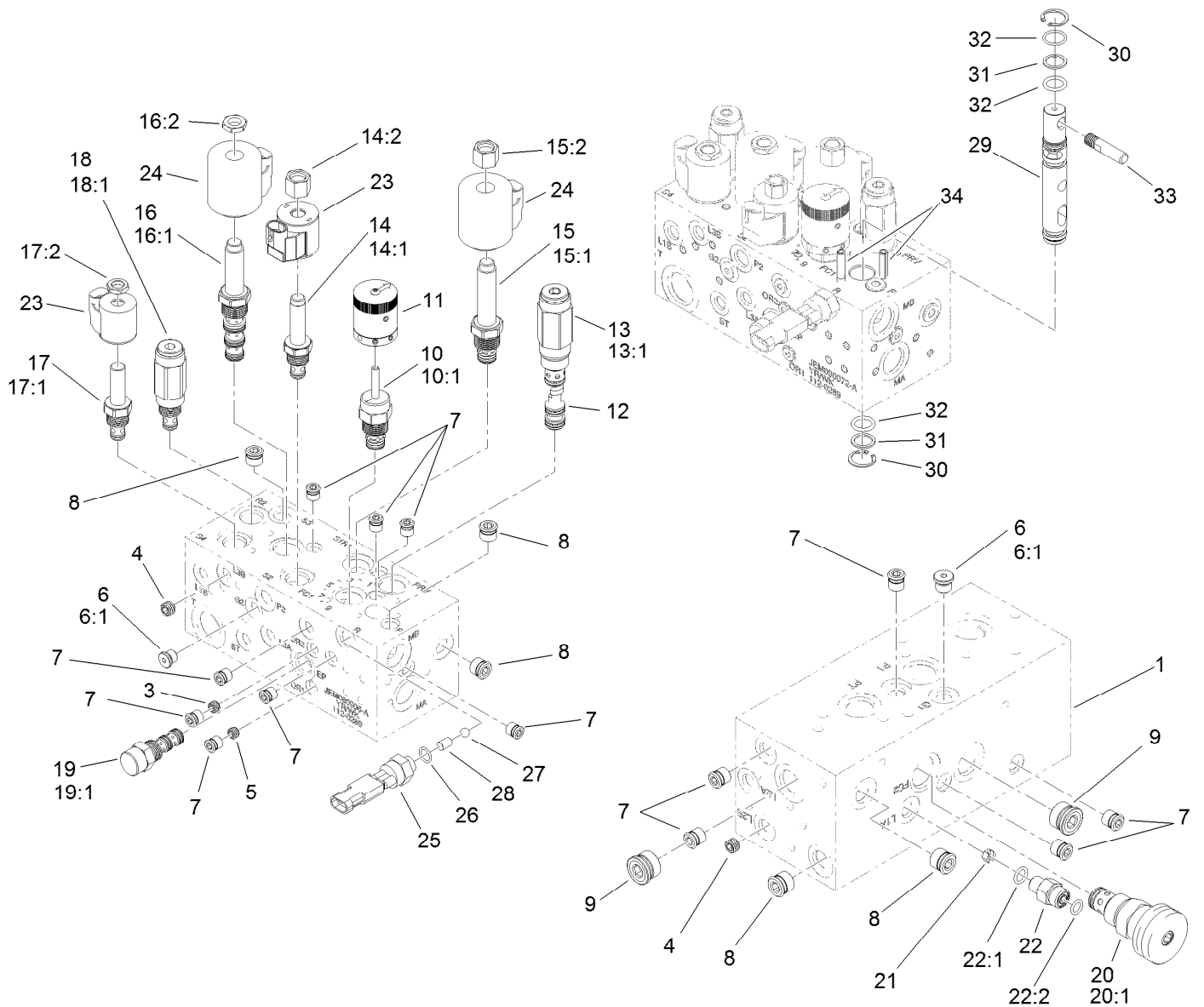
<i>Ref.</i>	<i>Part Number</i>	<i>Qty.</i>	<i>Description</i>
1	353-949	1	O-Ring
2	119-7134	1	Kit-Seal
2:1		1	O-Ring ●
2:2		2	Seal-Extrusion, Anti ●
2:3		2	Seal-Backup ●
2:4		1	O-Ring ●
2:5		2	Seal-Extrusion, Anti ●
2:6		2	Seal-Backup ●

● Not serviced separately



## Manifold Assembly

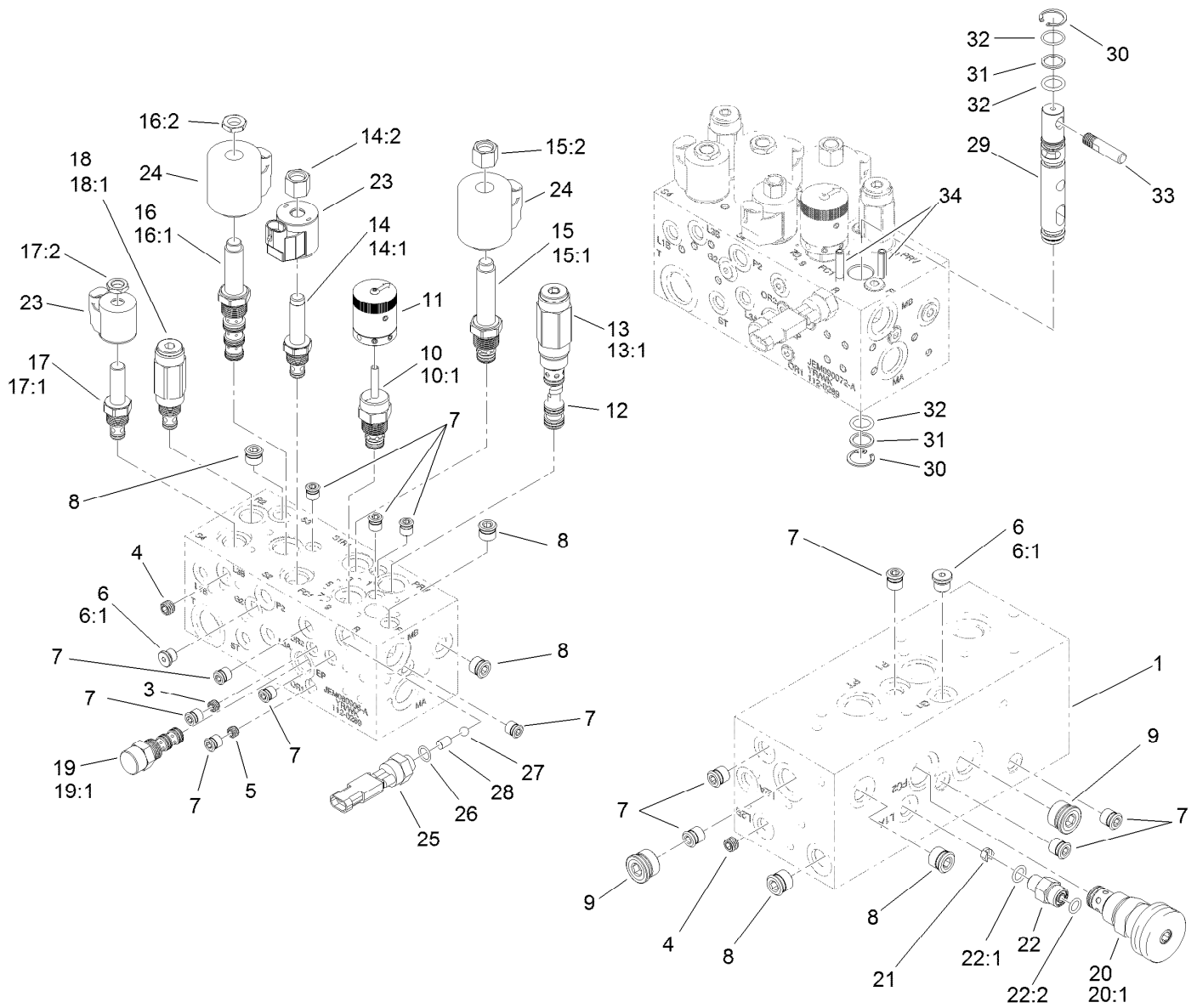
Ref.	Part Number	Qty.	Description	Ref.	Part Number	Qty.	Description
1	112-9197	1	Manifold ASM W/Backlap	8:2	237-81	1	O-Ring
2	340-7	2	Fitting-Straight	9	340-92	5	Fitting-Straight
2:1	237-65	1	O-Ring	9:1	237-78	1	O-Ring
2:2	237-80	1	O-Ring	9:2	237-21	1	O-Ring
3	340-109	1	Fitting-Tee	10	354-79	1	Cap-Dust
3:1	237-79	1	O-Ring	11	33114-016	2	Screw-HH
3:2	237-30	2	O-Ring	12	95-8842	1	Hose-HYD
4	100-5616	1	Fitting	13	105-9790	1	Hose ASM
5	340-17	1	Fitting-Elbow, 90 DEG	14	131-6205	1	Hose ASM
5:1	237-65	1	O-Ring	15	131-6206	1	Hose ASM
5:2	237-80	1	O-Ring	16	94-1320	1	Tube-HYD
6	340-77	1	Fitting-Elbow, 90 DEG	16:1	237-65	1	O-Ring
6:1	237-22	1	O-Ring	17	94-1317	1	Tube-HYD
6:2	237-42	1	O-Ring	18	131-2004	1	Hose ASM
7	340-97	1	Fitting-Elbow, 90 DEG	19	131-2005	1	Hose ASM
7:1	237-22	1	O-Ring	20	131-2006	2	Hose ASM
7:2	237-78	1	O-Ring	21	112-9185	1	Hose ASM
8	340-9	1	Fitting-STR	22	106-7981	1	Hose-HYD
8:1	237-58	1	O-Ring	23	94-4518	1	Tube ASM



## Hydraulic Manifold Assembly No. 112-9197

Ref.	Part Number	Qty.	Description	Ref.	Part Number	Qty.	Description
1		1	Body-Manifold ●	15	110-8768	1	Valve-Relief, Solenoid (3000 PSI)
3	112-9202	1	Orifice-Flow, Control (.060)	15:1	110-6316	1	Seal Kit
4	110-8887	2	Plug-Orifice (0.055)	15:2	130-8180	1	Nut-Coil (9/16-24 Unef-2B)
5	112-9203	1	Orifice-Control, Flow (.013)	16	110-8906	1	Valve-Solenoid
6	353-990	2	Plug ASM	16:1	110-8908	1	Spool Valve Seal Kit
6:1	237-78	1	O-Ring	16:2	110-2634	1	Nut-Coil
7	106-1025	13	Plug-HYD	17	112-9206	1	Solenoid Valve ASM
8	106-1026	5	Plug-HYD	17:1	105-9156	1	Seal Kit
9	106-1027	2	Plug	17:2	110-2634	1	Nut-Coil
10	110-8769	1	Valve-Control, Manual Flow	18	133-8873	1	Valve-Relief
10:1	110-2633	1	Seal Kit	18:1	105-9156	1	Seal Kit
11	110-8767	1	Rotary Handle ASM	19	110-8988	1	Element-Logic
12	119-3506	1	Piston-Pilot	19:1	110-8773	1	Seal Kit
13	112-9205	1	Valve-Relief	20	119-4136	1	Control-Flow
13:1	105-9159	1	Seal Kit	20:1	110-2633	1	Seal Kit
14	107-7517	1	Valve-Solenoid	21	110-8903	1	Orifice-Control, Flow (0.055)
14:1	105-9156	1	Seal Kit	22	340-92	1	Fitting-Straight
14:2	107-7812	1	Nut-Solenoid				

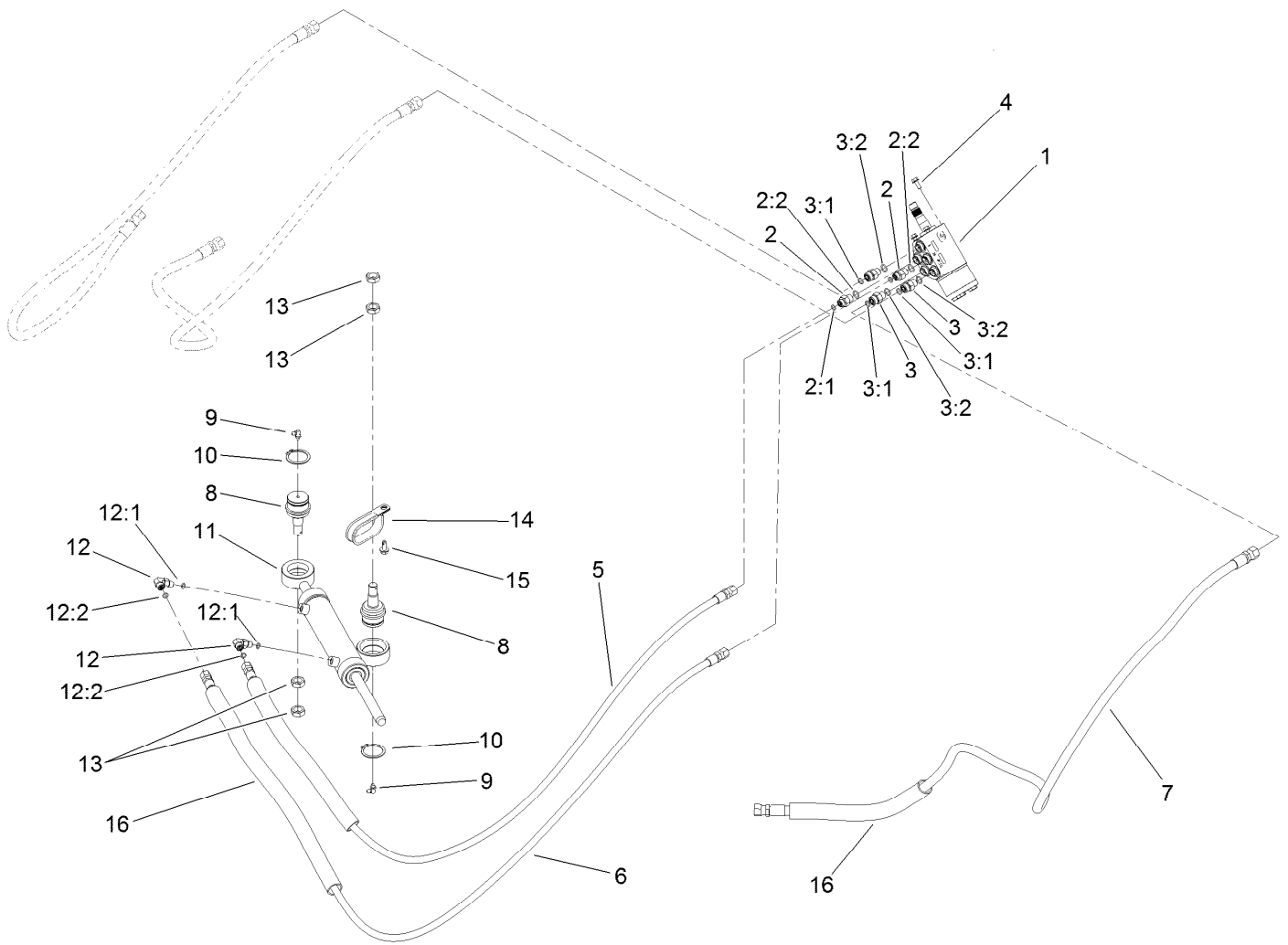
● Not serviced separately



## Hydraulic Manifold Assembly No. 112-9197 (continued)

Ref.	Part Number	Qty.	Description	Ref.	Part Number	Qty.	Description
22:1	237-78	1	O-Ring	28	112-6533	1	Pin-Dowel
22:2	237-21	1	O-Ring	29	112-6536	1	Spool
23	105-9333	2	Coil-12Vdc	30	112-6532	2	Ring-Retaining
24	110-2630	2	Coil-12Vdc	31	112-6534	2	Ring-Back Up
25	72-4320	1	Switch-Ball	32	117-4606	3	O-Ring
26	110-8757	1	O-Ring	33	110-8758	1	Handle-Spool
27	110-8762	1	Ball-Chrome	34	112-6531	2	Pin-Spring

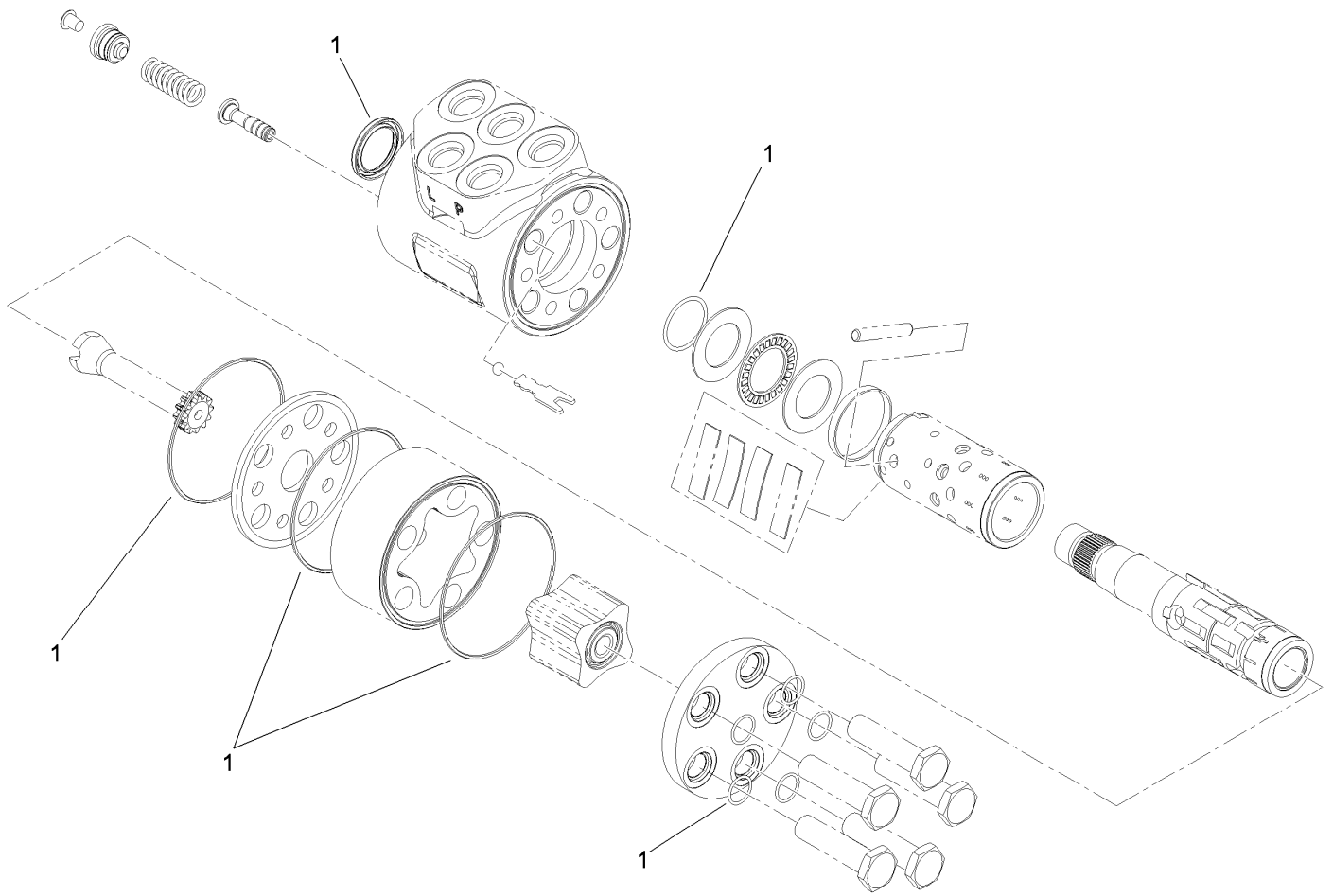
● Not serviced separately



## Steering Valve Assembly

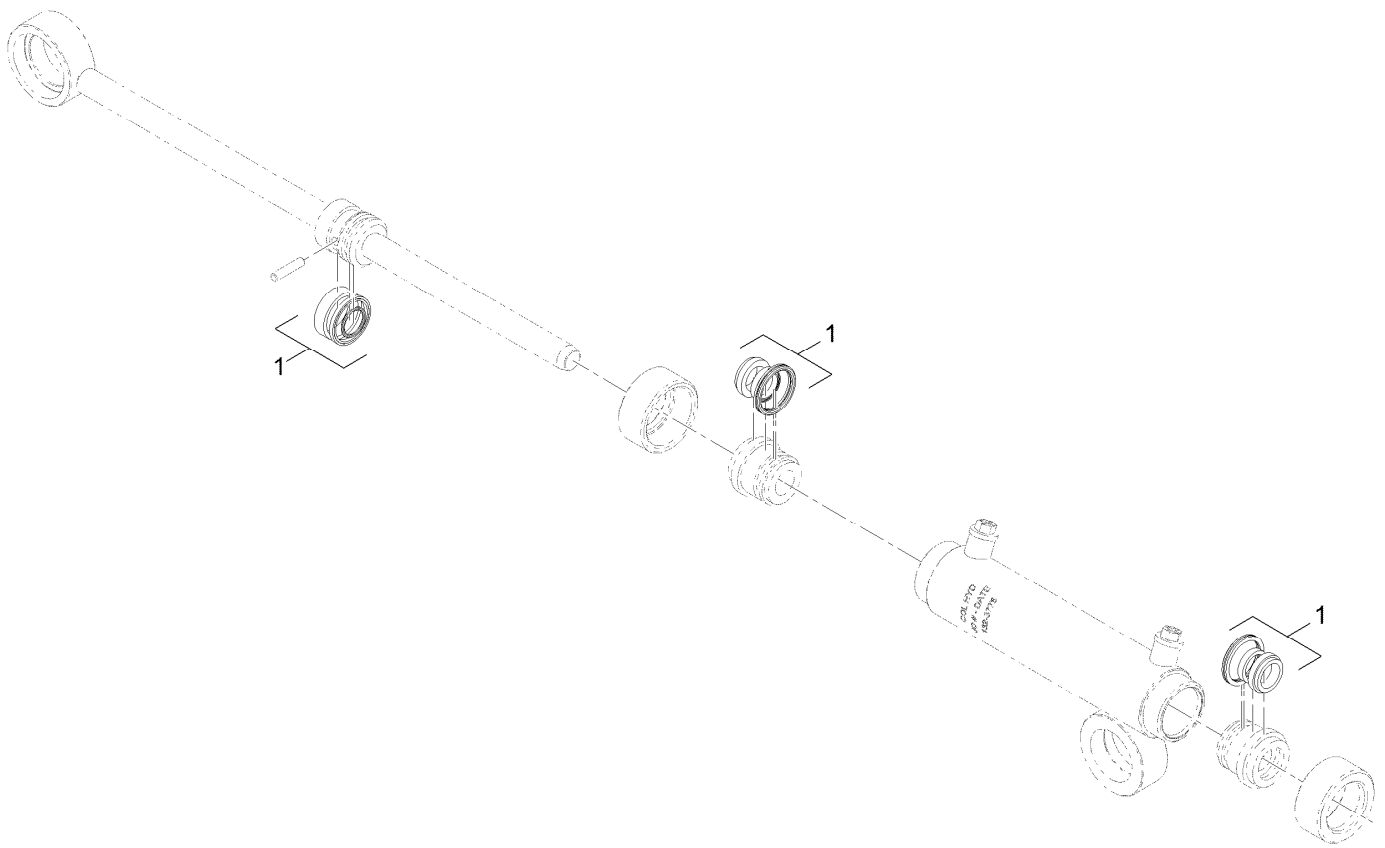
Ref.	Part Number	Qty.	Description
1	114-4672	1	Steering Valve ASM
2	340-1	2	Fitting-Straight
2:1	237-21	1	O-Ring
2:2	237-42	1	O-Ring
3	340-2	3	Fitting-Straight
3:1	237-22	1	O-Ring
3:2	237-42	1	O-Ring
4	33103-016	4	Screw-HHF
5	93-2270	1	HYD Hose ASM
6	108-5675	1	Hydraulic Hose ASM
7	105-4339	1	Hose-HYD

Ref.	Part Number	Qty.	Description
8	106-6774	2	Joint-Ball
9	302-60	2	Fitting-Grease
10	32151-104	2	Ring-Retaining, External
11	132-3778	1	Cylinder-Steering
12	340-132	2	Fitting-Elbow, 90 DEG
12:1	237-78	1	O-Ring
12:2	237-21	1	O-Ring
13	3220-6	4	Nut-Jam
14	127-0516	1	Clamp-R, Double
15	32104-32	1	Screw-HWH
16	133-9032	3	Convuluted Hose Cover



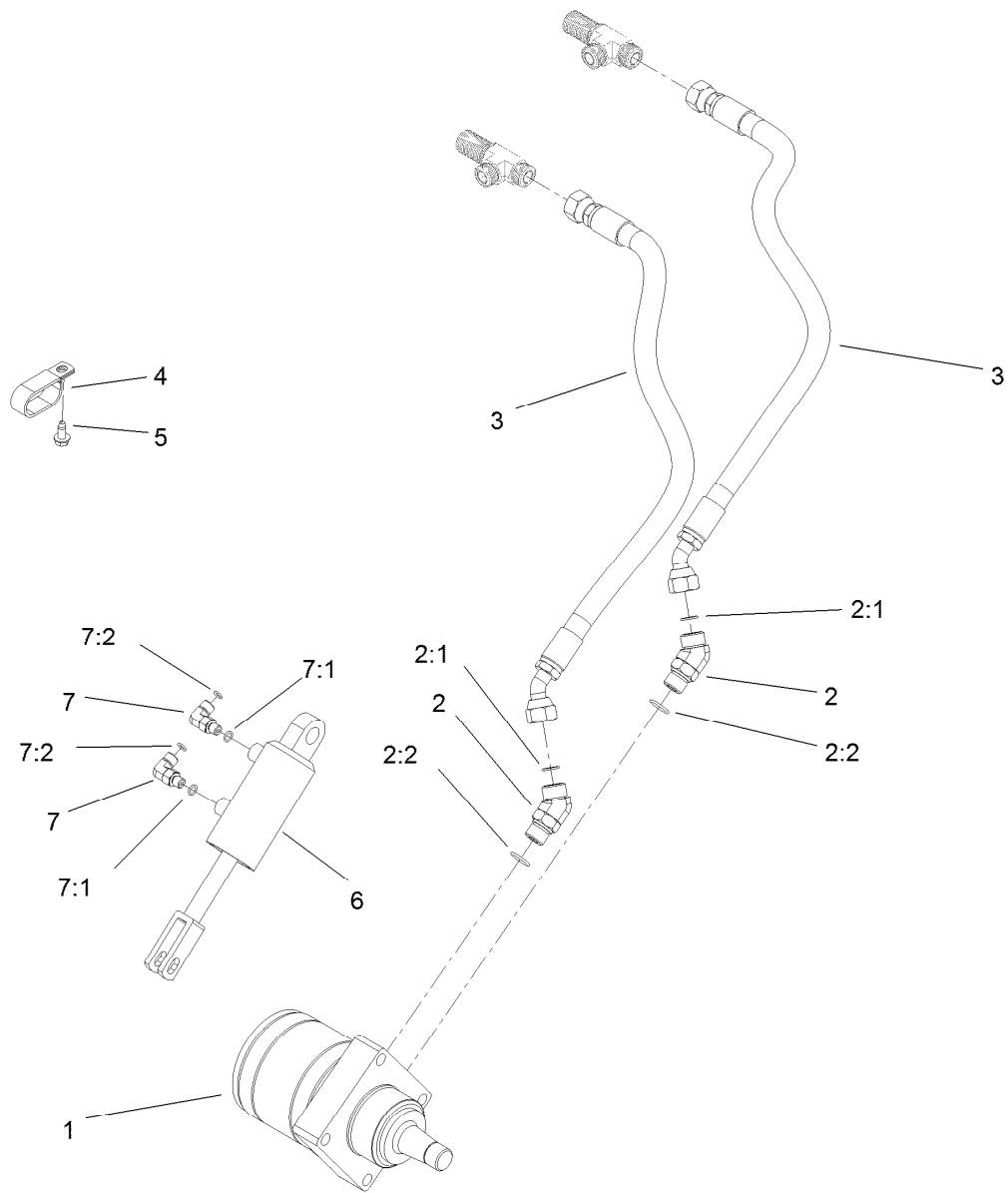
## Steering Valve Assembly No. 114-4672

<i>Ref.</i>	<i>Part Number</i>	<i>Qty.</i>	<i>Description</i>
1	106-6716	1	Seal Kit



## Hydraulic Cylinder Assembly No. 132-3778

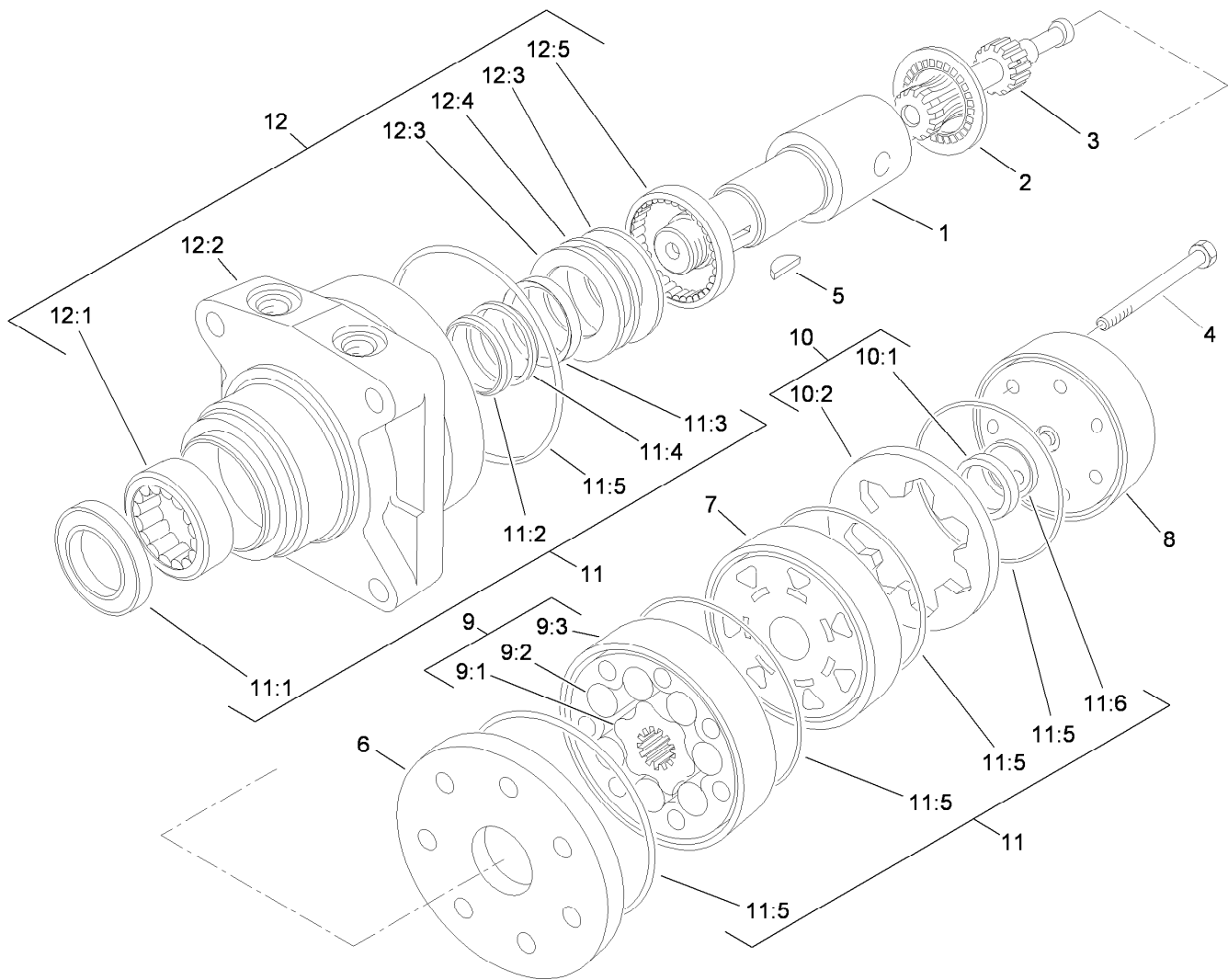
<i>Ref.</i>	<i>Part Number</i>	<i>Qty.</i>	<i>Description</i>
1	132-6964	1	Seal Kit



## Left Hand Wheel Motor and Lift Cylinder Assembly

Ref.	Part Number	Qty.	Description
1	110-4015	1	HYD Motor ASM (CCW)
2	340-14	2	Fitting-HYD, 45 DEG
2:1	237-65	1	O-Ring
2:2	237-80	1	O-Ring
3	131-2003	2	Hose ASM
4	2412-137	1	Clamp-R, Double
5	32104-32	1	Screw-HWH
6	105-3821	1	HYD Cylinder ASM
7	340-132	2	Fitting-Elbow, 90 DEG
7:1	237-78	1	O-Ring
7:2	237-21	1	O-Ring

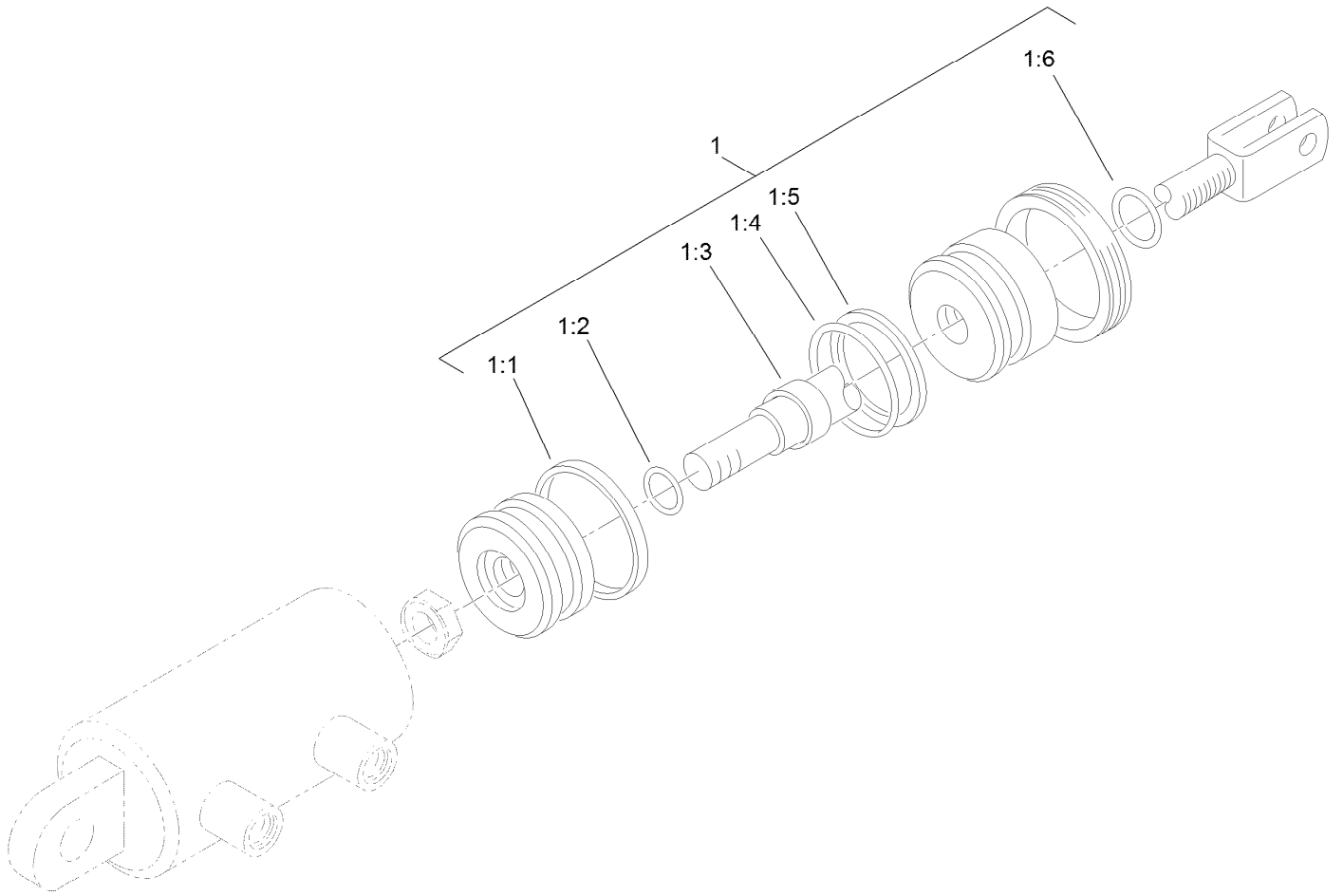




## Hydraulic Motor Assembly (CCW) No. 110-4015

Ref.	Part Number	Qty.	Description	Ref.	Part Number	Qty.	Description
1	76-0860	1	Shaft-Coupling	10:2		1	Ring-Commutator ●
2	76-0850	1	Bearing-Thrust	11	94-8178	1	Seal Kit
3	92-9761	1	Link-Drive	11:1		1	Seal-Dirt And Water ●
4	92-9762	7	Screw-HH	11:2		1	Backup-Ring ●
5	3257-42	1	Key-Woodruff	11:3		1	Seal-Shaft ●
6	92-9754	1	Plate-Wear	11:4		1	Washer-Backup ●
7	76-0840	1	Manifold	11:5		5	Seal-Square, Ring (Inner) ●
8	76-0940	1	End Cover ASM	11:6		1	Seal-Commutator ●
9	92-9763	1	Rotor Set	12	76-0810	1	Housing ASM
9:1		1	Rotor ●	12:1		1	Bearing ●
9:2		1	Vane ●	12:2		1	Housing ●
9:3		1	Stator ●	12:3		2	Washer-Thrust ●
10	76-0880	1	Commutator ASM	12:4		1	Bearing-Thrust ●
10:1		1	Commutator ●	12:5		1	Bearing ●

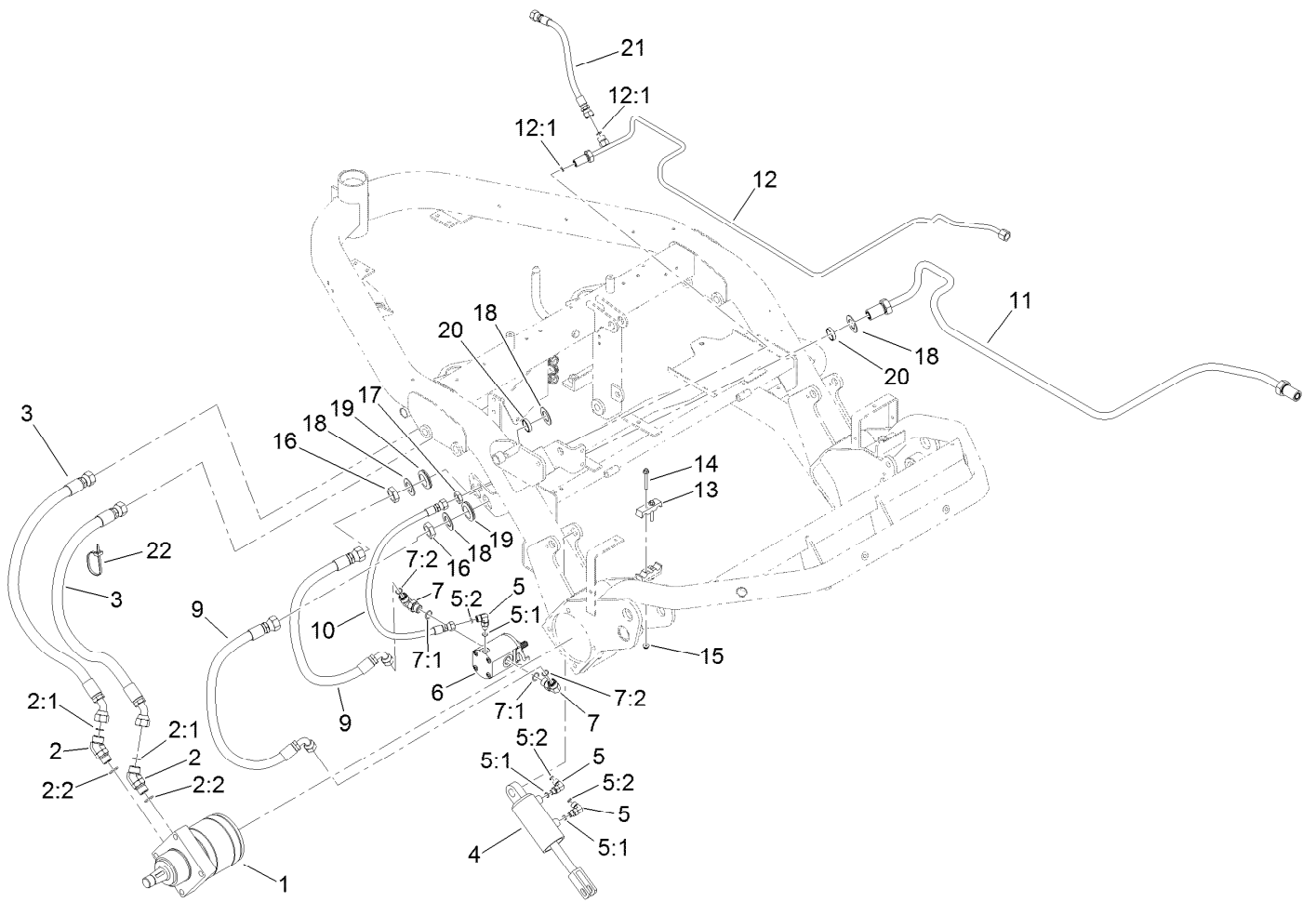
● Not serviced separately



## Hydraulic Cylinder Assembly No. 105-3821

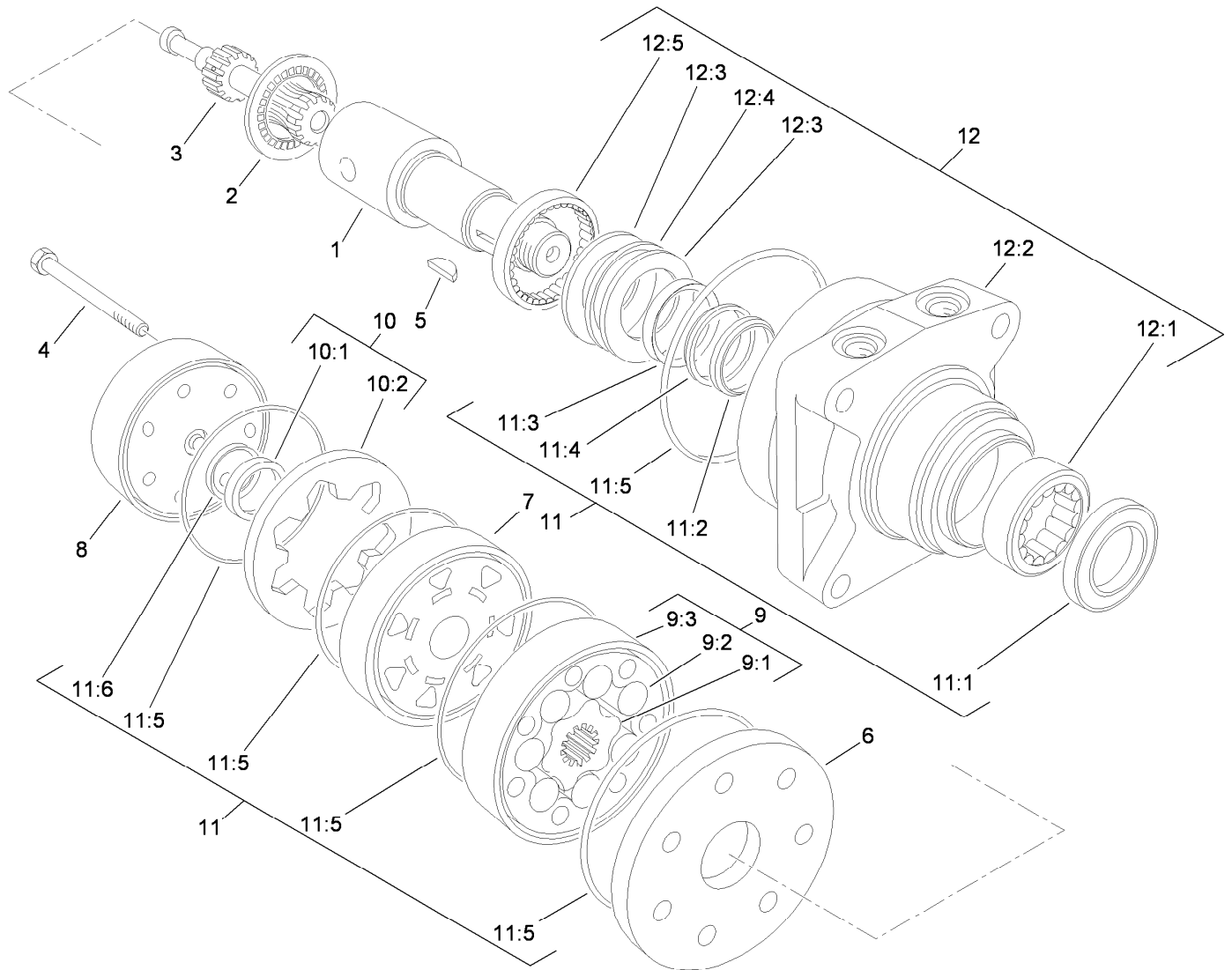
<i>Ref.</i>	<i>Part Number</i>	<i>Qty.</i>	<i>Description</i>
1	105-3836	1	Seal Kit
1:1		1	T-Seal ●
1:2		1	O-Ring ●
1:3		1	Seal-Rod ●
1:4		1	O-Ring ●
1:5		1	Backup ●
1:6		1	Seal-Dust ●

● Not serviced separately



## Right Hand Wheel Motor and Lift Cylinder Assembly

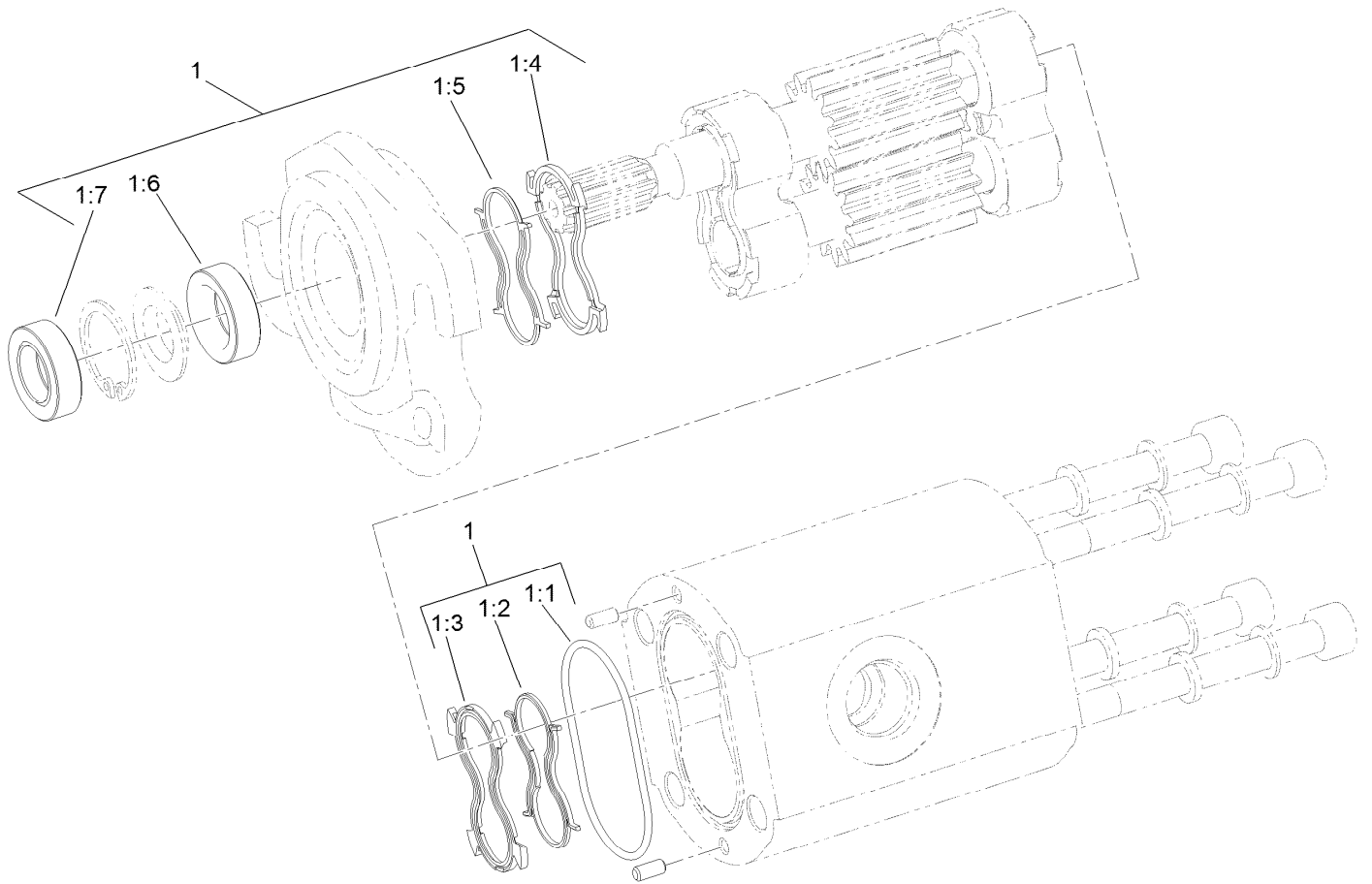
<i>Ref.</i>	<i>Part Number</i>	<i>Qty.</i>	<i>Description</i>	<i>Ref.</i>	<i>Part Number</i>	<i>Qty.</i>	<i>Description</i>
1	110-4016	1	HYD Motor ASM (CW)	10	105-5405	1	Hose-HYD
2	340-14	2	Fitting-HYD, 45 DEG	11	94-1318	1	Tube-HYD
2:1	237-65	1	O-Ring	12	94-1321	1	Tube-HYD
2:2	237-80	1	O-Ring	12:1	237-22	2	O-Ring
3	131-2002	2	Hose ASM	13	93-2509	2	Clamp-Tube
4	105-3821	1	HYD Cylinder ASM	14	321-44	2	Screw-HHF
5	340-132	3	Fitting-Elbow, 90 DEG	15	104-7201	2	Nut-HF, NI
5:1	237-78	1	O-Ring	16	340-74	2	Nut-Lock, Bulkhead
5:2	237-21	1	O-Ring	17	340-70	1	Nut-Lock
6	120-2072	1	HYD Motor ASM	18	69-9010	4	Washer
7	340-98	2	Fitting-Elbow, 90 DEG	19	240-3	2	Grommet-Rubber
7:1	237-79	1	O-Ring	20	125-1984	2	Spacer
7:2	237-30	1	O-Ring	21	110-4008	1	HYD Hose ASM
9	95-2907	2	Hose ASM	22	3290-378	1	Tie-Cable



## Hydraulic Motor Assembly (CW) No. 110-4016

Ref.	Part Number	Qty.	Description	Ref.	Part Number	Qty.	Description
1	76-0860	1	Shaft-Coupling	10:2		1	Ring-Commutator ●
2	76-0850	1	Bearing-Thrust	11	94-8178	1	Seal Kit
3	92-9761	1	Link-Drive	11:1		1	Seal-Dirt And Water ●
4	92-9762	7	Screw-HH	11:2		1	Backup-Ring ●
5	3257-42	1	Key-Woodruff	11:3		1	Seal-Shaft ●
6	92-9754	1	Plate-Wear	11:4		1	Washer-Backup ●
7	76-0840	1	Manifold	11:5		5	Seal-Square, Ring (Inner) ●
8	76-0940	1	End Cover ASM	11:6		1	Seal-Commutator ●
9	92-9763	1	Rotor Set	12	76-0810	1	Housing ASM
9:1		1	Rotor ●	12:1		1	Bearing ●
9:2		1	Vane ●	12:2		1	Housing ●
9:3		1	Stator ●	12:3		2	Washer-Thrust ●
10	76-0880	1	Commutator ASM	12:4		1	Bearing-Thrust ●
10:1		1	Commutator ●	12:5		1	Bearing ●

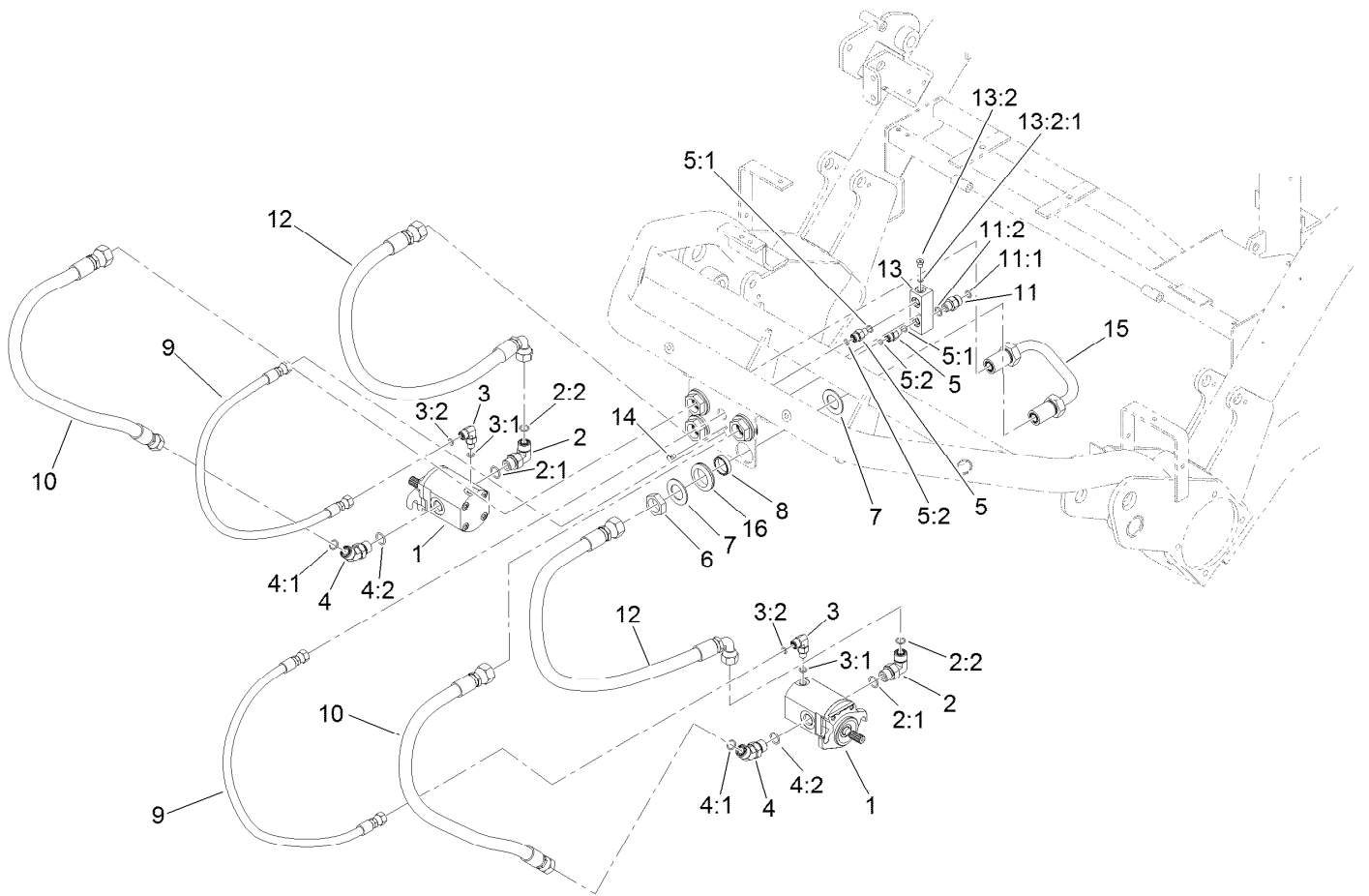
● Not serviced separately



## Hydraulic Reel Motor Assembly No. 120-2072

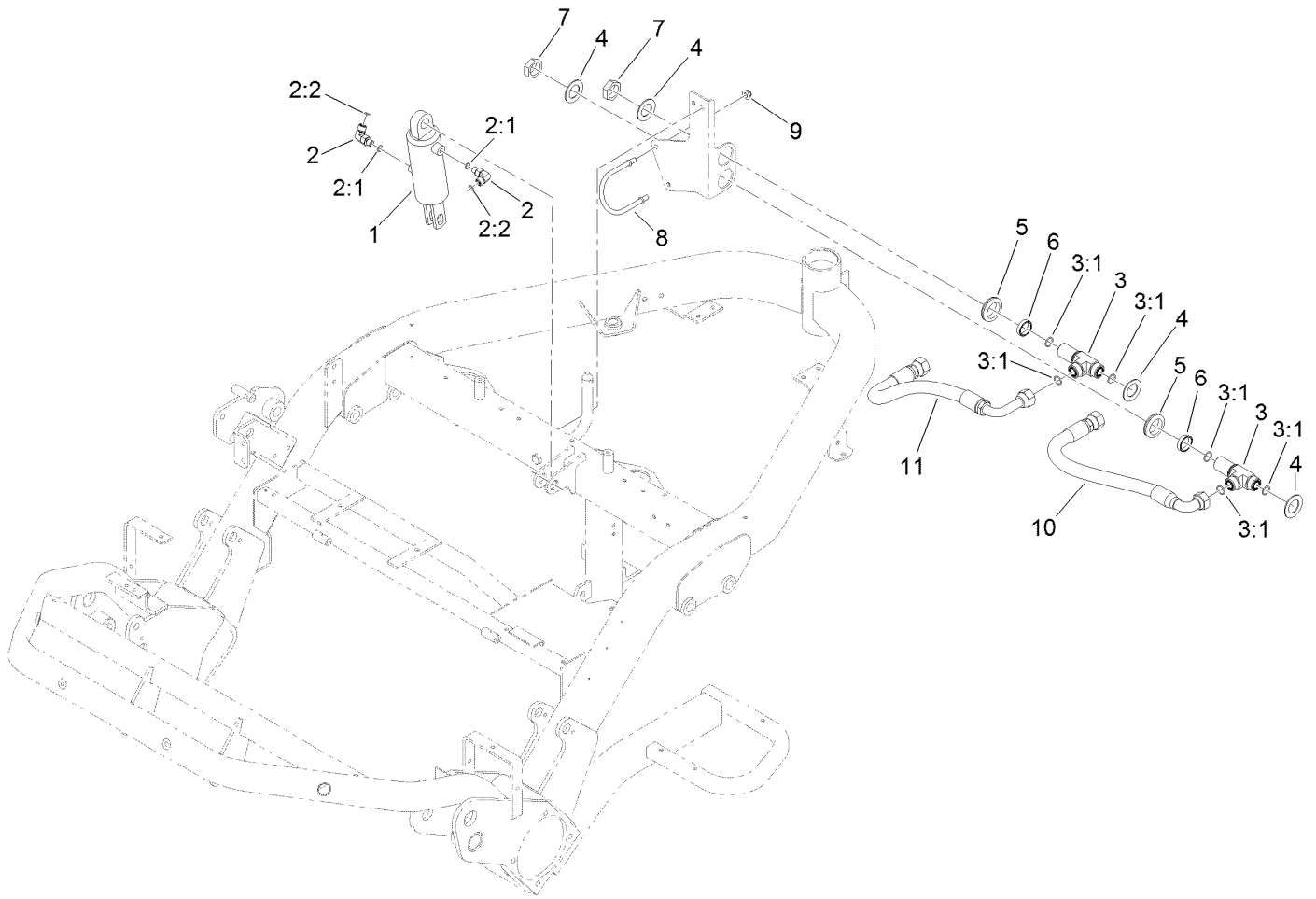
<i>Ref.</i>	<i>Part Number</i>	<i>Qty.</i>	<i>Description</i>
1	119-7113	1	Seal Kit
1:1		1	O-Ring Housing ●
1:2		1	Seal-Anti Extrusion ●
1:3		1	Seal-Plate, Balancing ●
1:4		1	Seal-Plate, Balancing ●
1:5		1	Seal-Anti Extrusion ●
1:6		1	Seal-Shaft (Inboard) ●
1:7		1	Seal-Shaft (Outboard) ●

● Not serviced separately



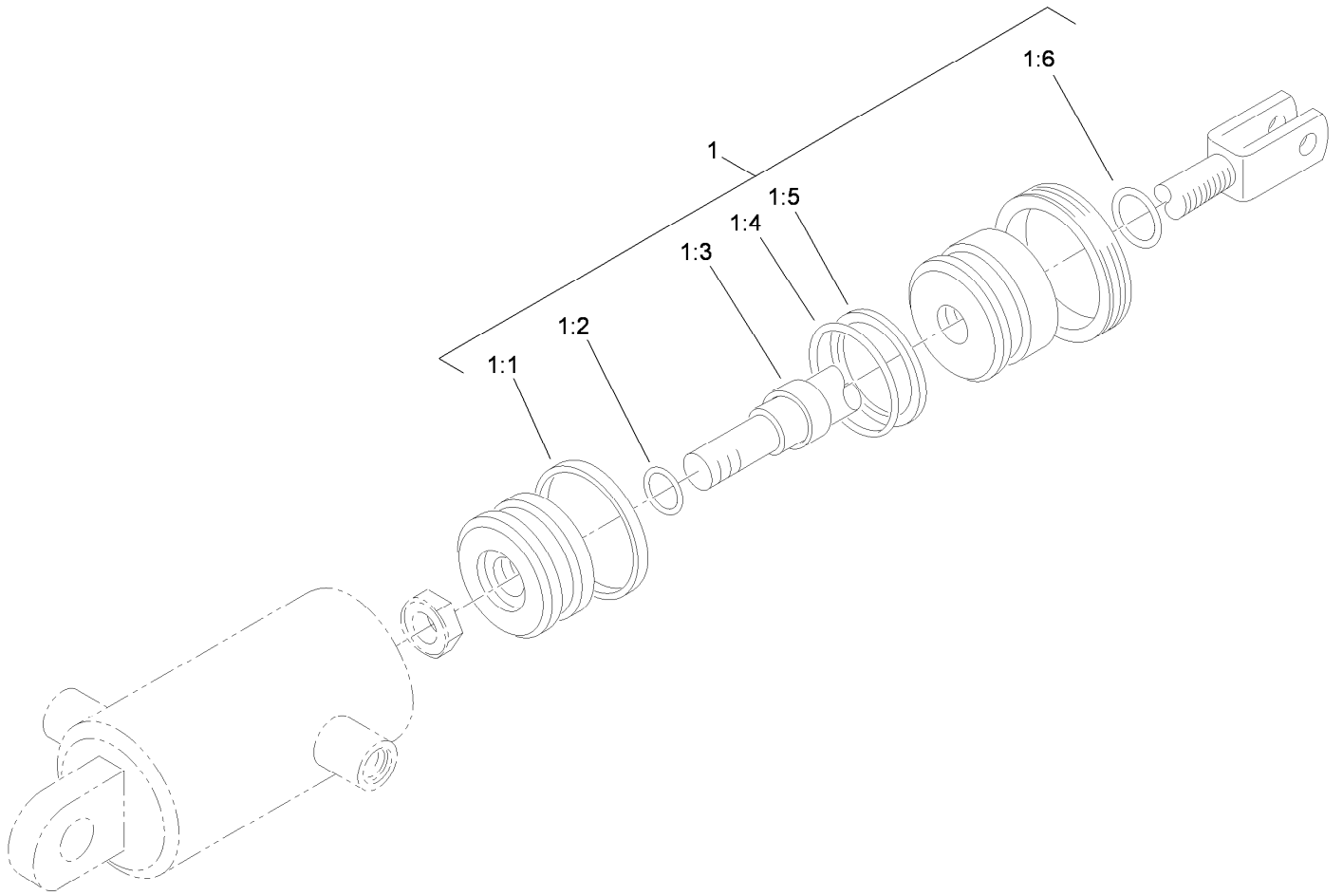
## Front Reel Motors Assembly

Ref.	Part Number	Qty.	Description	Ref.	Part Number	Qty.	Description
1	120-2072	2	HYD Motor ASM	7	69-9010	8	Washer
2	340-98	2	Fitting-Elbow, 90 DEG	8	125-1984	4	Spacer
2:1	237-79	1	O-Ring	9	106-9674	2	Hose-HYD
2:2	237-30	1	O-Ring	10	95-2908	2	Hose-HYD
3	340-132	2	Fitting-Elbow, 90 DEG	11	340-2	1	Fitting-Straight
3:1	237-78	1	O-Ring	11:1	237-22	1	O-Ring
3:2	237-21	1	O-Ring	11:2	237-42	1	O-Ring
4	340-101	2	Fitting-HYD, 45 DEG	12	95-2909	2	Hose-HYD
4:1	237-30	1	O-Ring	13	93-2238	1	T-Block
4:2	237-79	1	O-Ring	13:2	353-991	1	Plug-Hex, Hollow
5	340-92	2	Fitting-Straight	13:2:1	237-156	1	O-Ring
5:1	237-78	1	O-Ring	14	33113-008	1	Screw-HH
5:2	237-21	1	O-Ring	15	94-1319	1	Tube-HYD
6	340-74	4	Nut-Lock, Bulkhead	16	240-3	4	Grommet-Rubber



## Center Lift Cylinder Assembly

Ref.	Part Number	Qty.	Description
1	105-3820	1	HYD Cylinder ASM
2	340-132	2	Fitting-Elbow, 90 DEG
2:1	237-78	1	O-Ring
2:2	237-21	1	O-Ring
3	94-5350	2	Fitting-Tee
3:1	237-65	3	O-Ring
4	69-9010	4	Washer
5	240-3	2	Grommet-Rubber
6	125-1984	2	Spacer
7	340-74	2	Nut-Lock, Bulkhead
8	131-8776	1	Retainer-Hose
9	104-8300	2	Nut-HF, NI
10	131-6207	1	Hose ASM
11	131-6208	1	Hose ASM

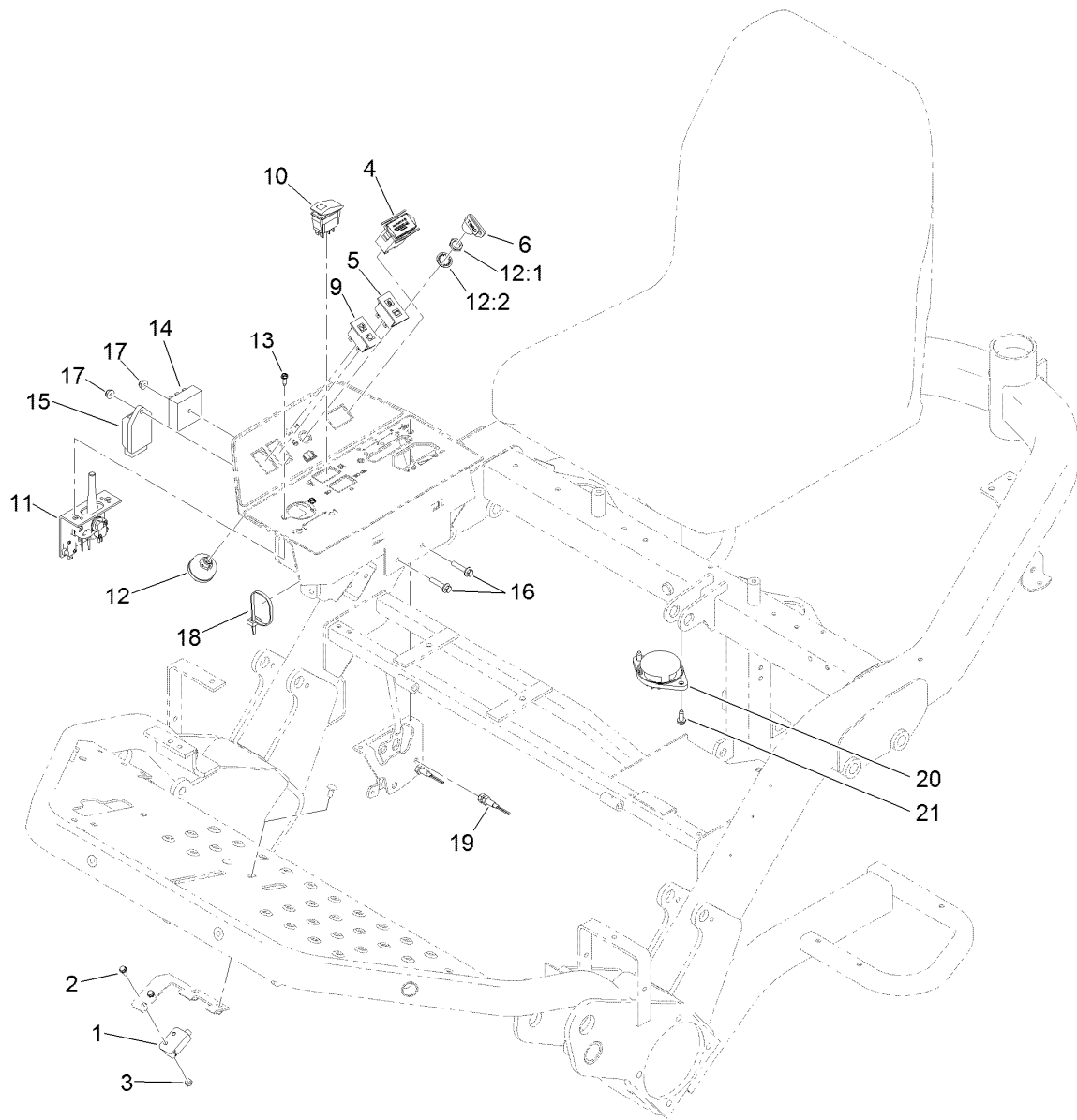


## Hydraulic Cylinder Assembly No. 105-3820

<i>Ref.</i>	<i>Part Number</i>	<i>Qty.</i>	<i>Description</i>
1	105-3836	1	Seal Kit
1:1		1	T-Seal ●
1:2		1	O-Ring ●
1:3		1	Seal-Rod ●
1:4		1	O-Ring ●
1:5		1	Backup ●
1:6		1	Seal-Dust ●

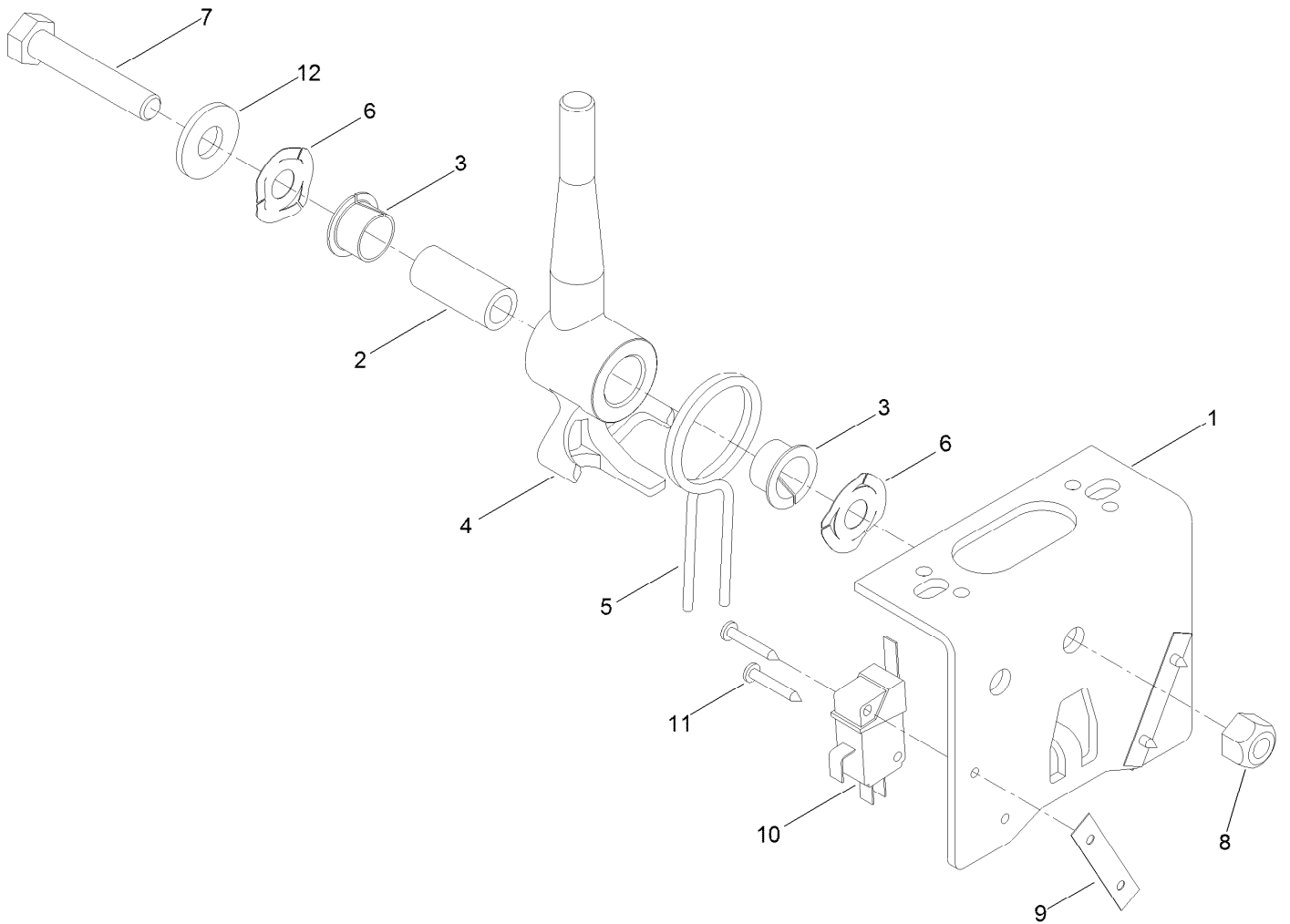
● Not serviced separately





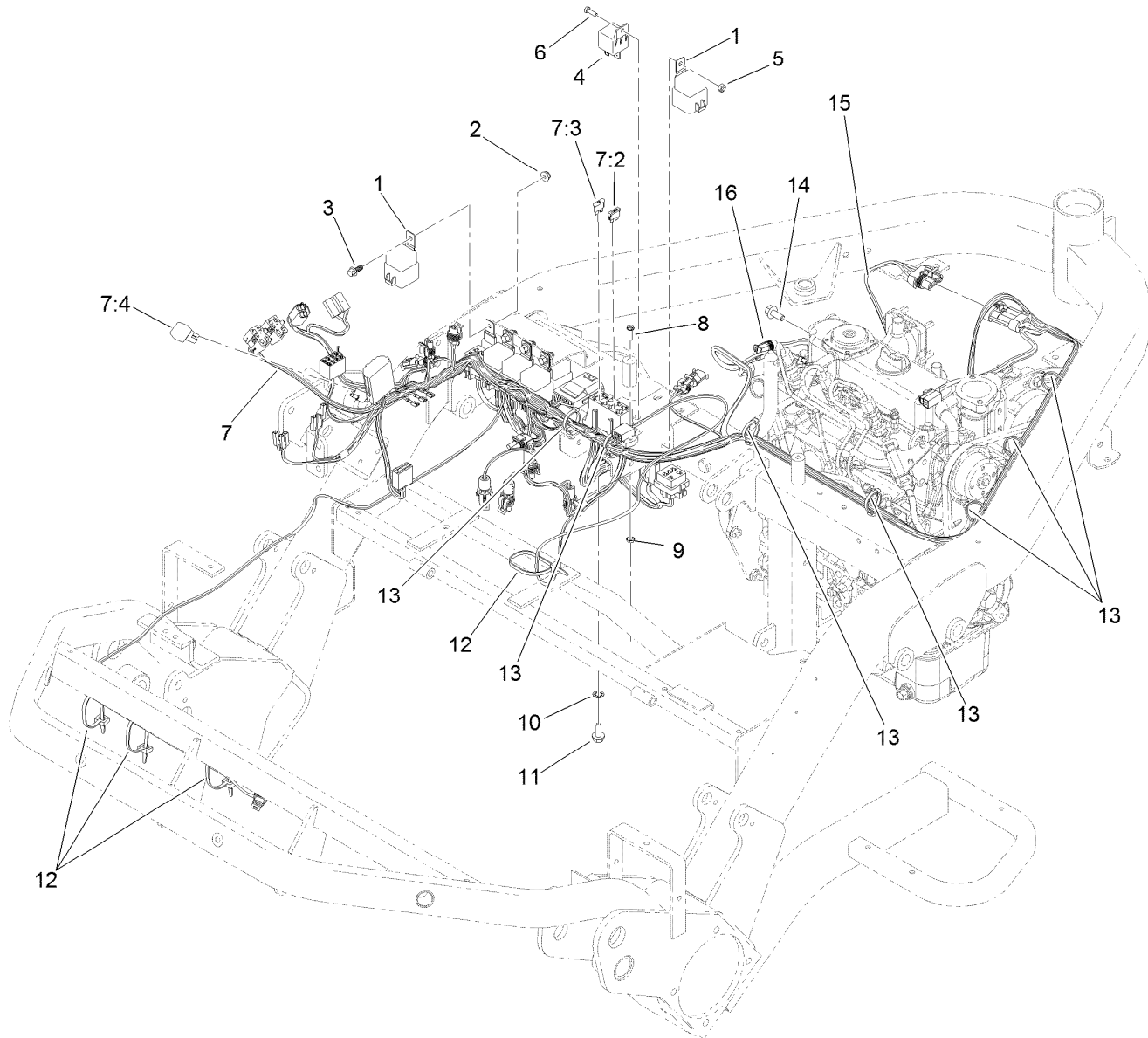
## Console Assembly

<i>Ref.</i>	<i>Part Number</i>	<i>Qty.</i>	<i>Description</i>	<i>Ref.</i>	<i>Part Number</i>	<i>Qty.</i>	<i>Description</i>
1	104-2057	1	Sensor	12:1	218-446	1	Nut-Hex
2	3290-321	2	Screw-HWH	12:2	218-447	1	Washer-Lock
3	3296-2	2	Nut-Lock, NI	13	32144-19	2	Screw-SHWH
4	1-513374	1	Meter-Hour	14	92-2538	1	Module-Timer
5	100-8070	1	Lamp-Warning	15	107-9097	1	Controller-Glow
6	63-8360	2	Key-Ignition	16	3234-21	2	Screw-HHF
9	100-8071	1	Lamp-Warning	17	104-7201	2	Nut-HF, NI
10	100-8072	1	Switch-Rocker, On-None-(On)	18	3290-378	2	Tie-Cable
11	120-5280	1	Bracket-Joystick	19	112-0278	2	Switch-Reed
12	27-2360	1	Switch	20	92-6282	1	Switch-Seat
				21	32144-10	2	Screw-HWH



## Joystick Bracket Assembly No. 120-5280

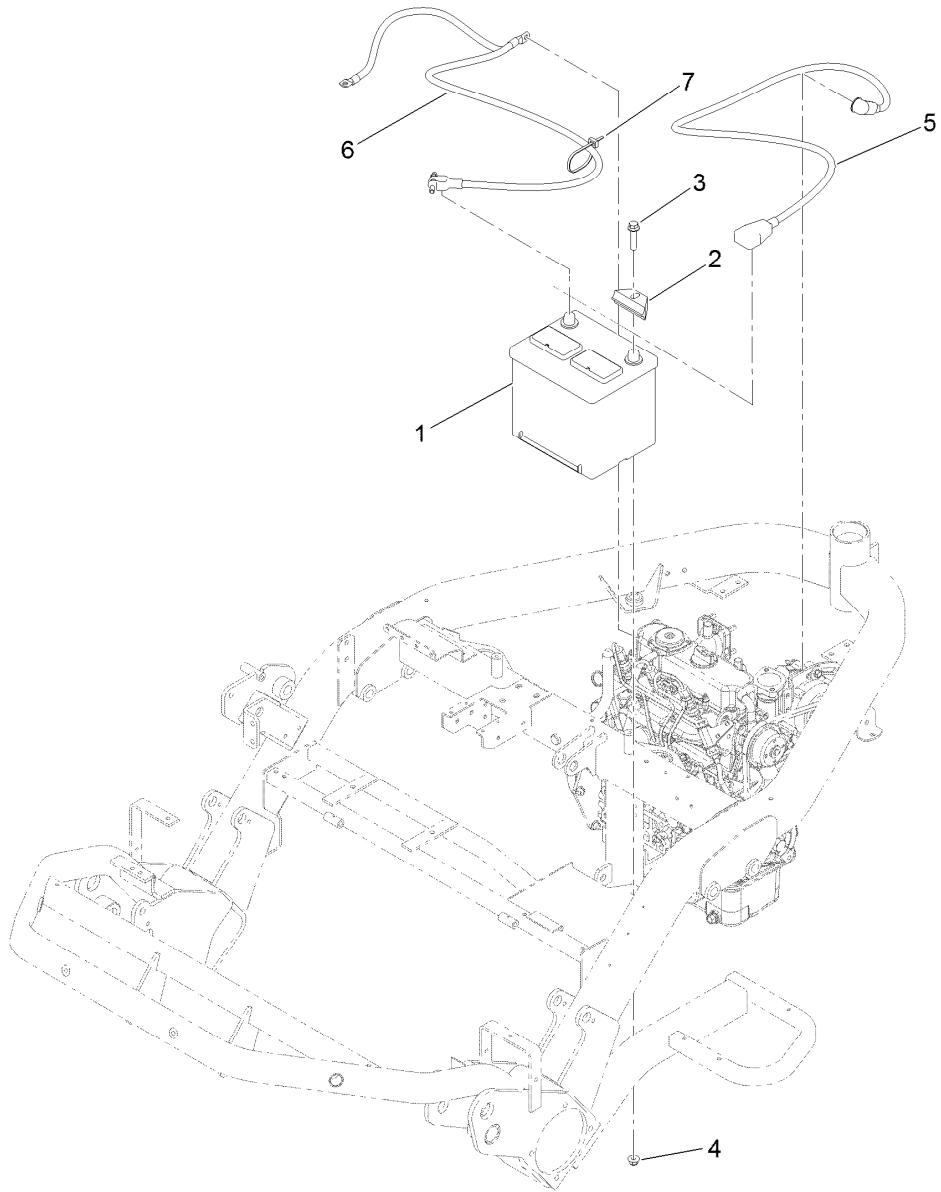
<i>Ref.</i>	<i>Part Number</i>	<i>Qty.</i>	<i>Description</i>
1	115-5357-03	1	Bracket-Joystick
2	106-4192	1	Spacer
3	93-5547	2	Bushing-Nylon
4	119-3540	1	Hub-Pivot, Joystick
5	105-8289	1	Spring-Torsion
6	106-4193	2	Washer-Finger, Spring
7	322-9	1	Screw-HH
8	3296-29	1	Nut-Lock, NI
9	3290-354	2	Nut-Speed
10	108-6496	2	Switch (W/Boot)
11	95-3003	4	Screw-PPHTF
12	3256-3	1	Washer-Flat



## Electrical Harness Assembly

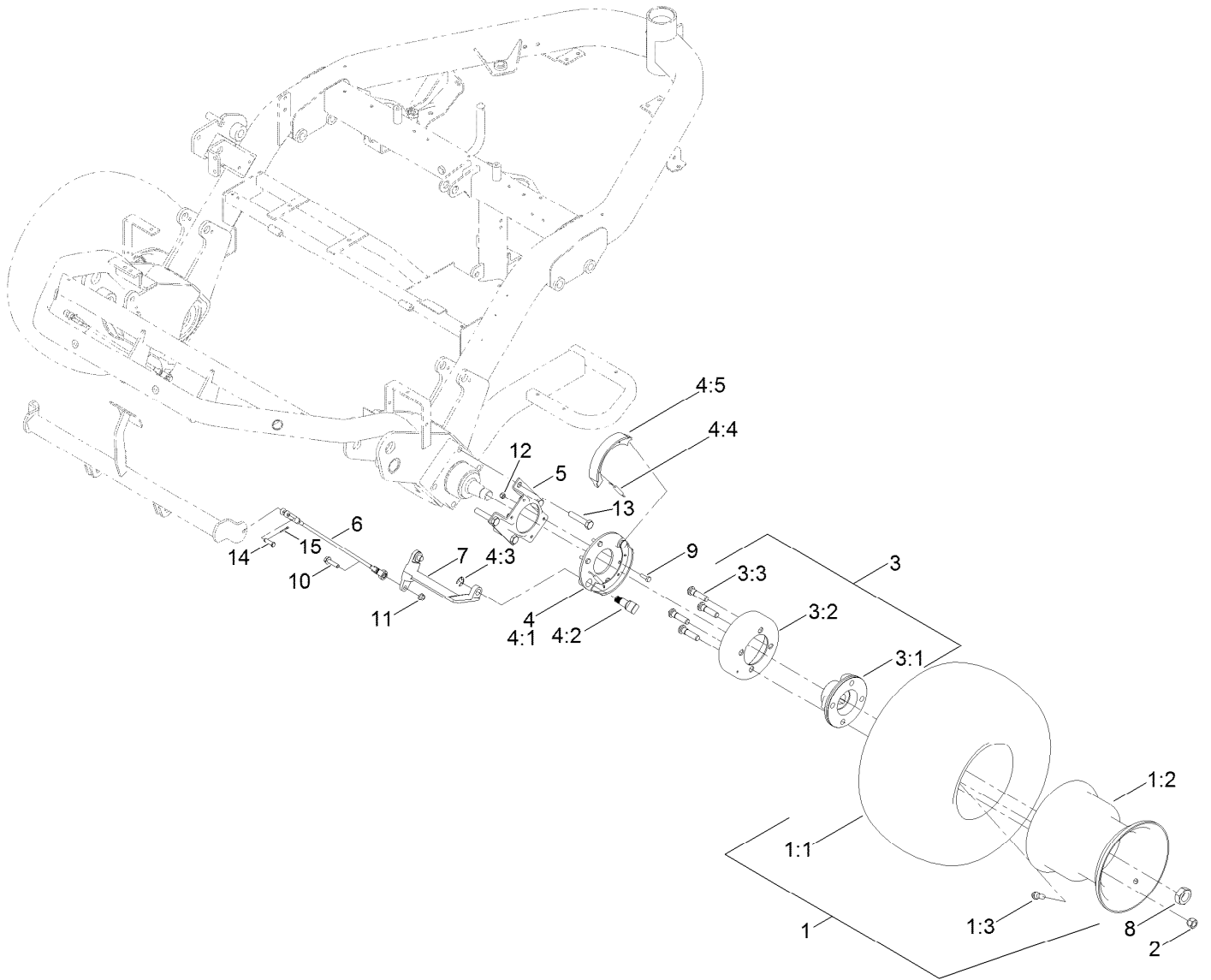
<i>Ref.</i>	<i>Part Number</i>	<i>Qty.</i>	<i>Description</i>	<i>Ref.</i>	<i>Part Number</i>	<i>Qty.</i>	<i>Description</i>
1	99-7430	9	Relay-Mini	7:4	104-4022	1	Resistor-75 Ohm
2	104-7201	4	Nut-HF, NI	8	32105-13	2	Screw-HWH
3	99-6810	4	Screw-HHF	9	32149-7	2	Nut-Keps
4	99-7435	1	Relay	10	3254-2	1	Washer-Lock, Internal
5	3296-2	1	Nut-Lock, NI	11	32104-32	1	Screw-HWH
6	3290-134	1	Screw	12	3290-378	4	Tie-Cable
7	122-0149	1	Harness-Wire	13	32180-030	7	Clip-Tie
7:1	92-3188	2	Diode-Board, Circuit ●	14	33104-020	1	Screw-HHF
7:2	109355	1	Fuse-Blade, 15 Amp	15	99-3441	1	Harness-Wire, Fusible Link
7:3	218-578	2	Fuse-Blade, 10 Amp	16	120-6325	1	Harness-Wire, Ground

● Not illustrated



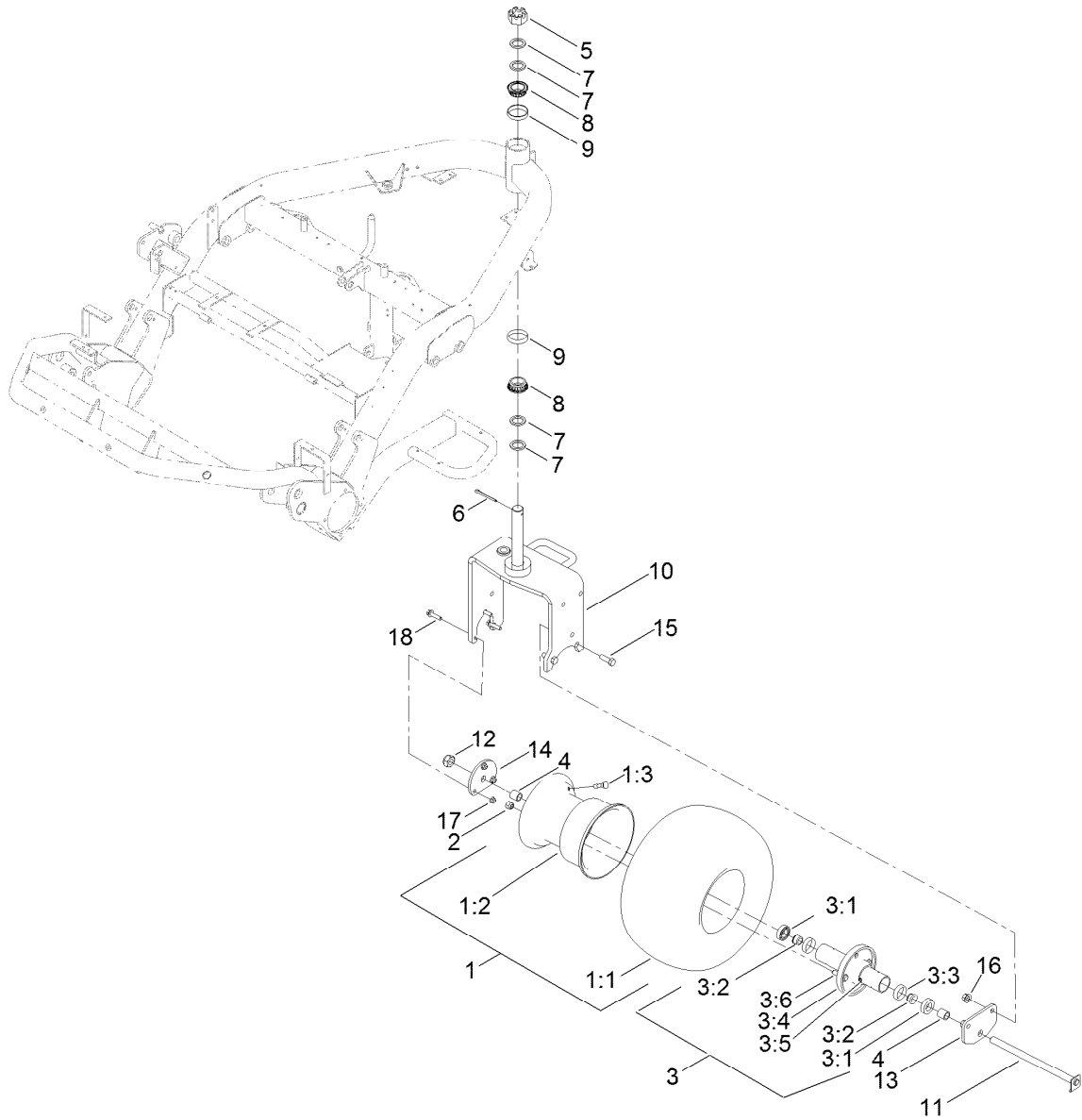
## Battery Assembly

<i>Ref.</i>	<i>Part Number</i>	<i>Qty.</i>	<i>Description</i>
1	106-5187	1	Battery, 525 CCA W/O Electrolyte
2	66-2490	1	Retainer-Battery
3	3234-19	1	Screw-HHF
4	104-8301	1	Nut-HF, NI
5	95-8853	1	Cable-Battery, Positive
6	99-8167	1	Cable-Battery, Negative
7	3290-378	1	Tie-Cable



## Front Wheel and Brake Assembly

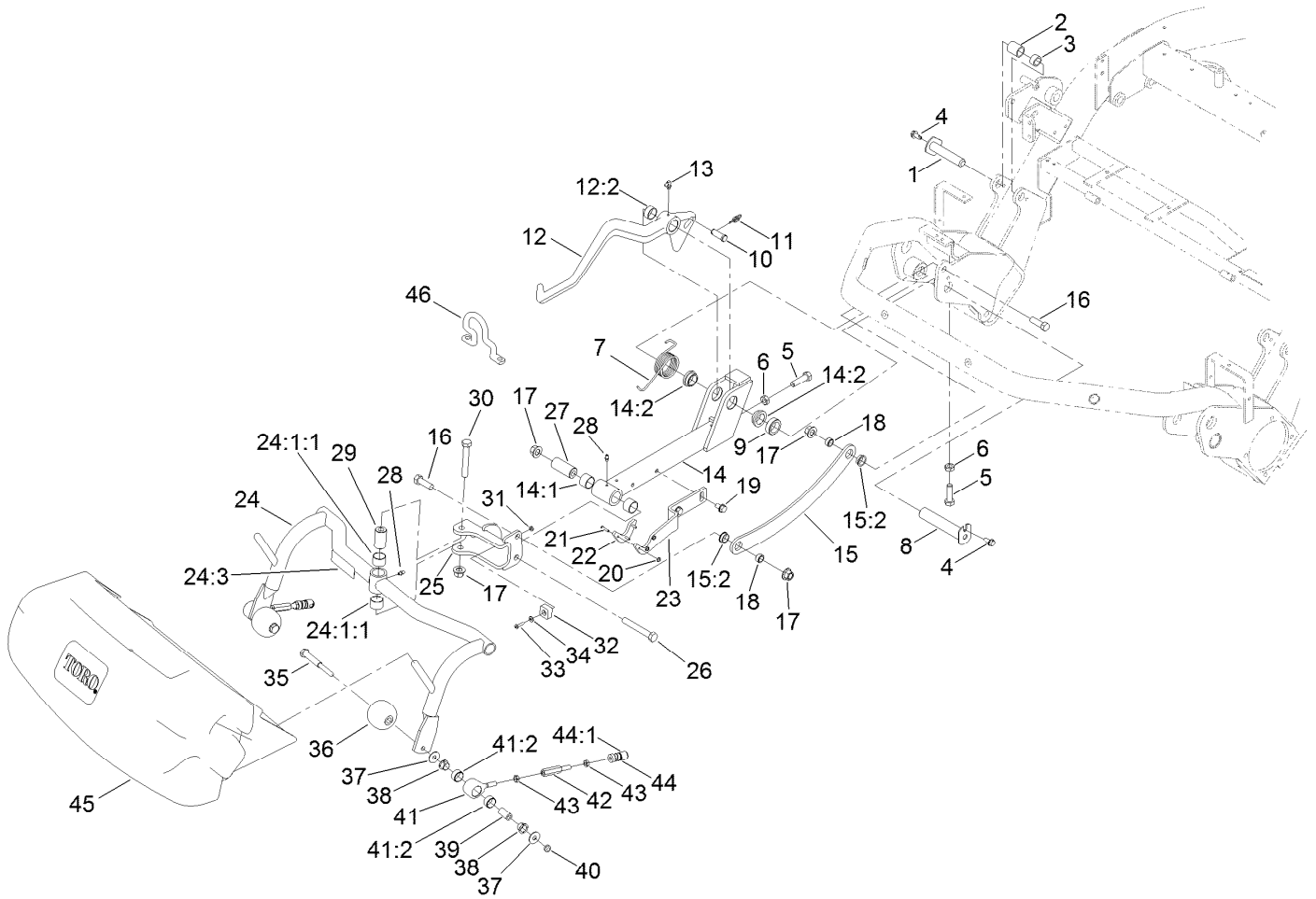
Ref.	Part Number	Qty.	Description	Ref.	Part Number	Qty.	Description
1	114-4665	2	Tire ASM	4:4	70-9880	2	Spring-Return
1:1	70-8500	1	Tire-Smooth, 4-Ply	4:5	70-9840	2	Shoe-Brake
1:2	114-4643	1	Wheel	5	84-2000-03	2	Bracket-Brake
1:3	232-27	1	Stem-Valve	6	115-6675	2	Brake Rod ASM
2	242-50	8	Nut-Lug	7	93-2096	2	Lever-Brake
3	120-5330	2	Brake Drum ASM	8	26-3790	2	Nut-Lock
3:1	108-2103-03	1	Hub-Wheel	9	321-5	8	Screw-HH
3:2	10-6850	1	Drum-Brake	10	3234-36	2	Screw-HHF
3:3	117-3749	4	Stud-Drive	11	104-8300	2	Nut-HF, NI
4	104-7705	2	Brake ASM	12	3296-42	8	Nut-Lock, NI
4:1	70-9870	1	Plate-Backing	13	33116-060	8	Screw-HH
4:2	104-7707	1	Shaft-Cam, Brake	14	283-61	2	Pin-Yoke
4:3	104-7706	1	E-Ring, Bowed	15	3272-6	2	Pin-Cotter



## Rear Wheel and Brake Assembly

Ref.	Part Number	Qty.	Description
1	114-4665	1	Tire ASM
1:1	70-8500	1	Tire-Smooth, 4-Ply
1:2	114-4643	1	Wheel
1:3	232-27	1	Stem-Valve
2	242-50	4	Nut-Lug
3	72-9710	1	Hub-Tire
3:1	253-111	2	Seal-Oil
3:2	254-78	2	Bearing-Cone
3:3	254-79	2	Bearing-Roller, Cup
3:4	75-9440	1	Hub ASM
3:5	302-11	1	Fitting-Lube, 45 DEG
3:6	10-6830	4	Stud-Type, Drive
4	70-8490	2	Spacer-Spindle, Rear
5	32136-9	1	Nut-Hex, Slotted

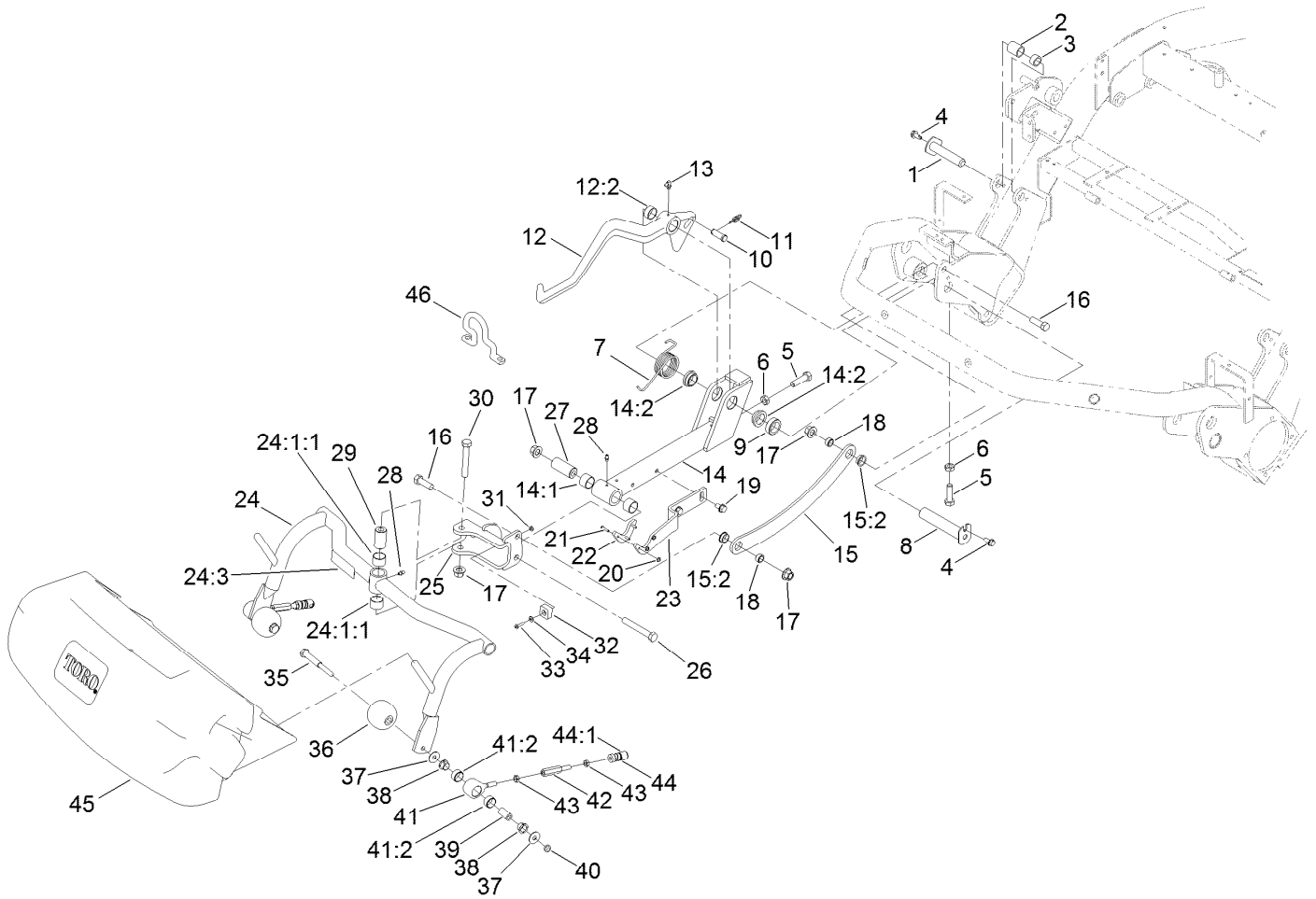
Ref.	Part Number	Qty.	Description
6	3272-37	1	Pin-Cotter
7	18-6320	4	Washer-Steering
8	115-9472	2	Bearing-Cone And Seal
9	115-9471	2	Bearing-Cup
10	112-9174-01	1	Fork-Caster
11	70-8370	1	Bolt
12	3296-67	1	Nut-Lock, NI
13	99-1485-01	1	Plate-Adapter, Motor
14	99-1486-01	1	Plate-Adapter
15	325-6	2	Screw-HH
16	99-5107	2	Nut-Lock
17	104-8301	3	Nut-HF, NI
18	114-4681	3	Screw-HHF



## Right Cutting Unit Suspension Assembly

Ref.	Part Number	Qty.	Description	Ref.	Part Number	Qty.	Description
1	120-3199	1	Pin-Pivot	15:2	99-4243	2	Bushing-Flange
2	105-3838	1	Spacer	16	325-6	2	Screw-HH
3	74-3730	1	Spacer-Spindle, Rear	17	99-5107	4	Nut-Lock
4	32104-32	2	Screw-HWH	18	99-4201	2	Tube-Spacer
5	325-7	2	Screw-HH	19	32144-69	2	Screw-HWHTF
6	3218-5	2	Nut-Jam	20	3296-54	3	Nut-Lock
7	105-3809	1	Spring-Torsion, RH	21	3250-17	3	Screw-PPH
8	94-8198	1	Pin	22	99-4225	1	Pad-Wear
9	93-2384	1	Spacer-Carrier	23	99-4111-01	1	Plate-Transport, 1 And 3
10	283-8	1	Pin-Clevis	24	136-8577	1	Pull Frame ASM
11	112-1491	1	Pin-Cotter	24:1:1	98-4166	2	Bushing
12	99-4213	1	RH Lift Arm ASM	24:3	104-7729	1	Decal-Danger, CE
12:2	92-8995	2	Bushing	25	99-4183-01	1	RH Clevis ASM
13	302-60	1	Fitting-Grease	26	325-14	1	Screw-HH
14	99-4115	1	Front Lift Frame ASM	27	99-4072	1	Spacer
14:1	98-4166	2	Bushing	28	302-5	2	Fitting-Grease
14:2	94-9610	2	Bushing-Flange	29	99-4109	1	Spacer
15	99-4258	1	RH Link Bracket ASM	30	325-13	1	Screw-HH

● Not illustrated

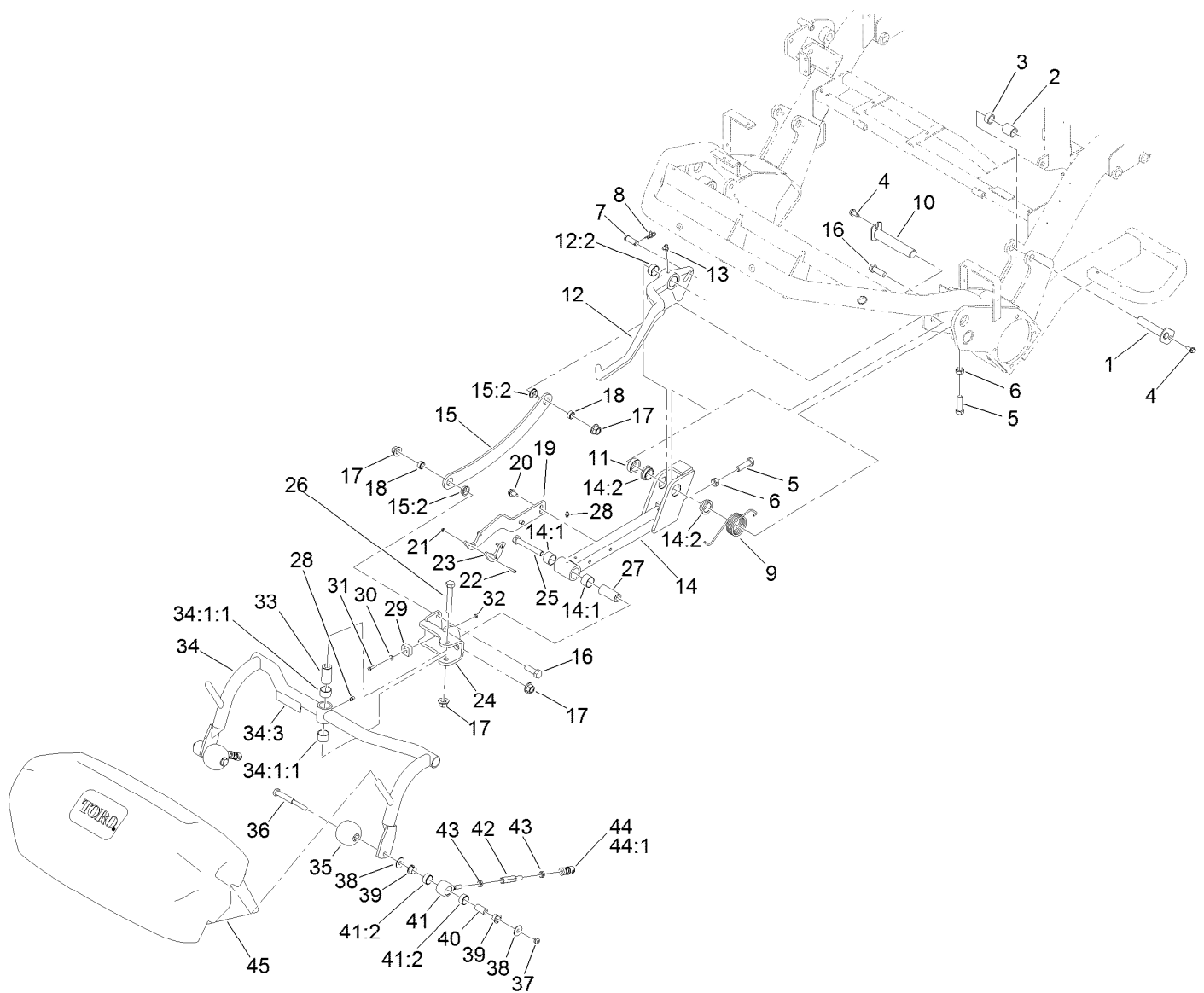


## Right Cutting Unit Suspension Assembly (continued)

Ref.	Part Number	Qty.	Description	Ref.	Part Number	Qty.	Description
31	3296-12	1	Nut-Lock, NI	41:2	95-0532	2	Rubber Bushing ASM
32	94-1392	1	Pad-Rubber	42	88-6870	2	Extension-Arm, Pull
33	3250-27	1	Screw-PPH	43	3220-3	4	Nut-HJ
34	3256-14	1	Washer-Flat	44	99-1460	2	Ball Joint Receiver ASM
35	108-6543	2	Shaft-Roller	44:1	99-1461	1	Sleeve-Joint, Ball
36	99-4210	2	Roller-Anti Scalp	45	106-4689	1	Grass Basket ASM
37	119-4150	4	Washer-Flat	45:2	104-2607	1	Strip-Basket ●
38	104-7738	4	Bushing-Flange	45:3	3290-382	8	Rivet-Pop ●
39	108-6544	2	Spacer	46	110-2397	3	Hook-Lift, Offset (1.25 Inch, GR3250)
40	3296-59	2	Nut-Lock, NI				
41	108-6542	2	Pull Link ASM				

● Not illustrated

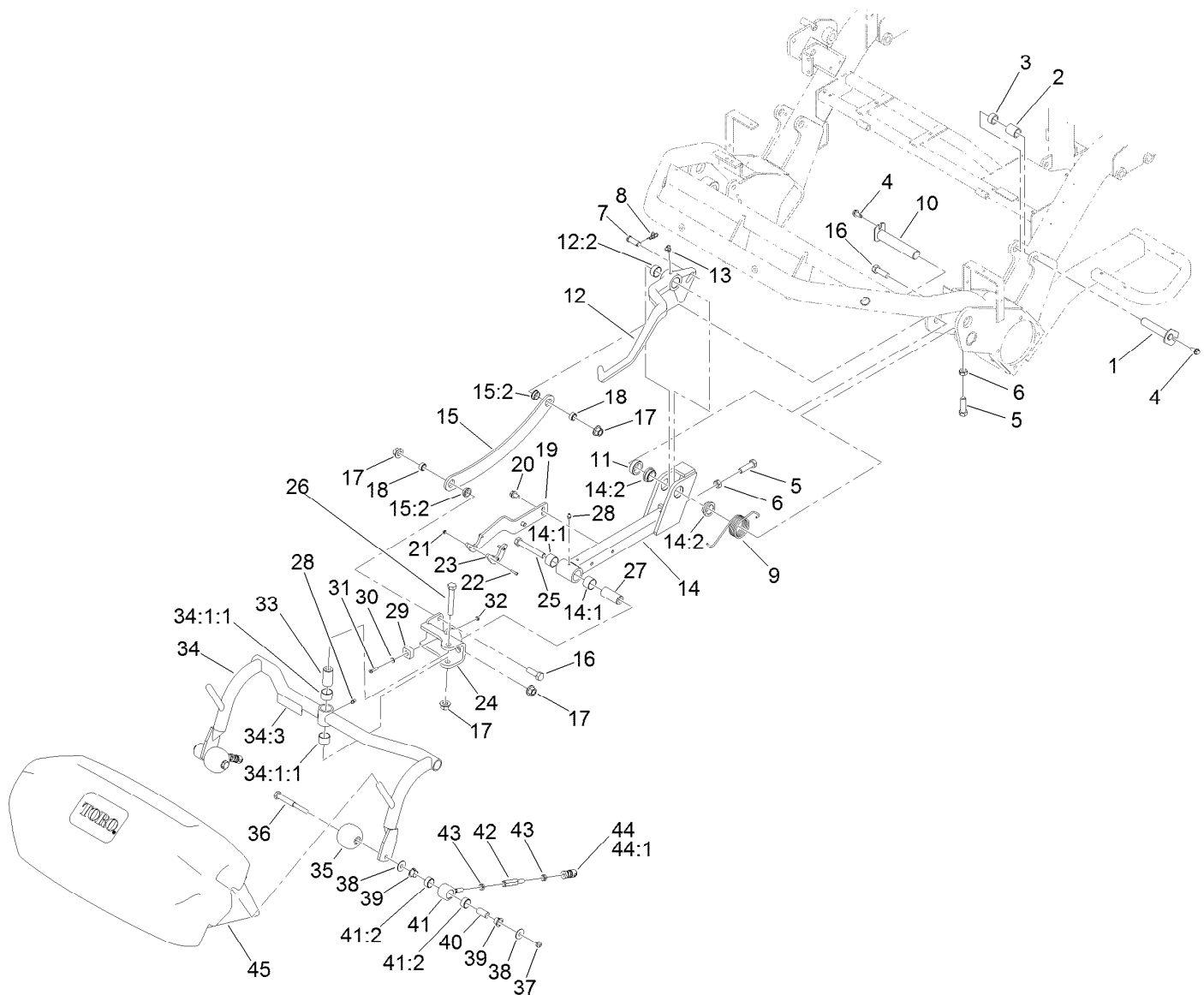




## Left Cutting Unit Suspension Assembly

Ref.	Part Number	Qty.	Description	Ref.	Part Number	Qty.	Description
1	120-3199	1	Pin-Pivot	15:2	99-4243	2	Bushing-Flange
2	105-3838	1	Spacer	16	325-6	2	Screw-HH
3	74-3730	1	Spacer-Spindle, Rear	17	99-5107	4	Nut-Lock
4	32104-32	2	Screw-HWH	18	99-4201	2	Tube-Spacer
5	325-7	2	Screw-HH	19	99-4112-01	1	Plate-Transport, #2
6	3218-5	2	Nut-Jam	20	32144-69	2	Screw-HWHTF
7	283-8	1	Pin-Clevis	21	3296-54	3	Nut-Lock
8	112-1491	1	Pin-Cotter	22	3250-17	3	Screw-PPH
9	105-3818	1	Spring-Torsion, LH	23	99-4225	1	Pad-Wear
10	94-8198	1	Pin	24	99-4182-01	1	LH Clevis ASM
11	93-2384	1	Spacer-Carrier	25	325-14	1	Screw-HH
12	99-4212	1	LH Lift Arm ASM	26	325-13	1	Screw-HH
12:2	92-8995	2	Bushing	27	99-4072	1	Spacer
13	302-60	1	Fitting-Grease	28	302-5	2	Fitting-Grease
14	99-4115	1	Front Lift Frame ASM	29	94-1392	1	Pad-Rubber
14:1	98-4166	2	Bushing	30	3256-14	1	Washer-Flat
14:2	94-9610	2	Bushing-Flange	31	3250-27	1	Screw-PPH
15	99-4260	1	LH Link Bracket ASM	32	3296-12	1	Nut-Lock, NI

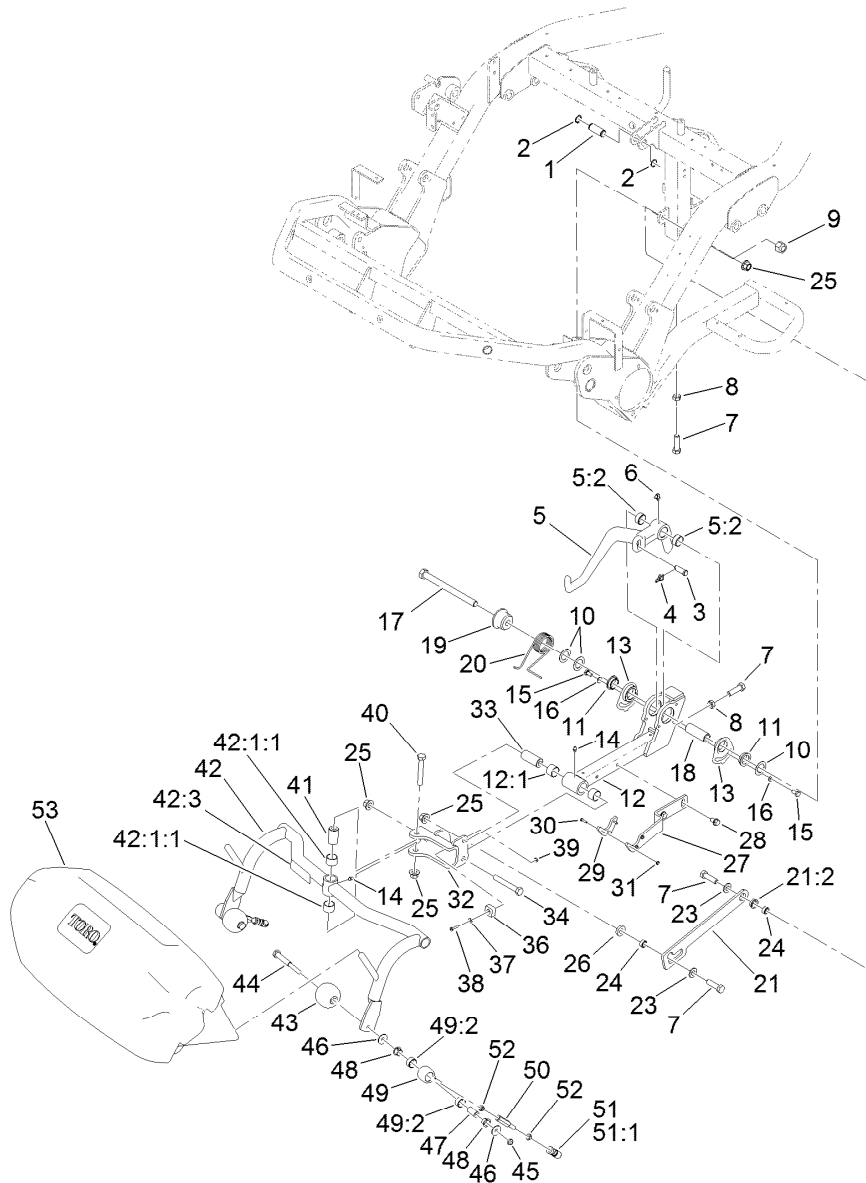
● Not illustrated



## Left Cutting Unit Suspension Assembly (continued)

Ref.	Part Number	Qty.	Description	Ref.	Part Number	Qty.	Description
33	99-4109	1	Spacer	41	108-6542	2	Pull Link ASM
34	136-8577	1	Pull Frame ASM	41:2	95-0532	2	Rubber Bushing ASM
34:1:1	98-4166	2	Bushing	42	88-6870	2	Extension-Arm, Pull
34:3	104-7729	1	Decal-Danger, CE	43	3220-3	4	Nut-HJ
35	99-4210	2	Roller-Anti Scalp	44	99-1460	2	Ball Joint Receiver ASM
36	108-6543	2	Shaft-Roller	44:1	99-1461	1	Sleeve-Joint, Ball
37	3296-59	2	Nut-Lock, NI	45	106-4689	1	Grass Basket ASM
38	119-4150	4	Washer-Flat	45:2	104-2607	1	Strip-Basket ●
39	104-7738	4	Bushing-Flange	45:3	3290-382	8	Rivet-Pop ●
40	108-6544	2	Spacer				

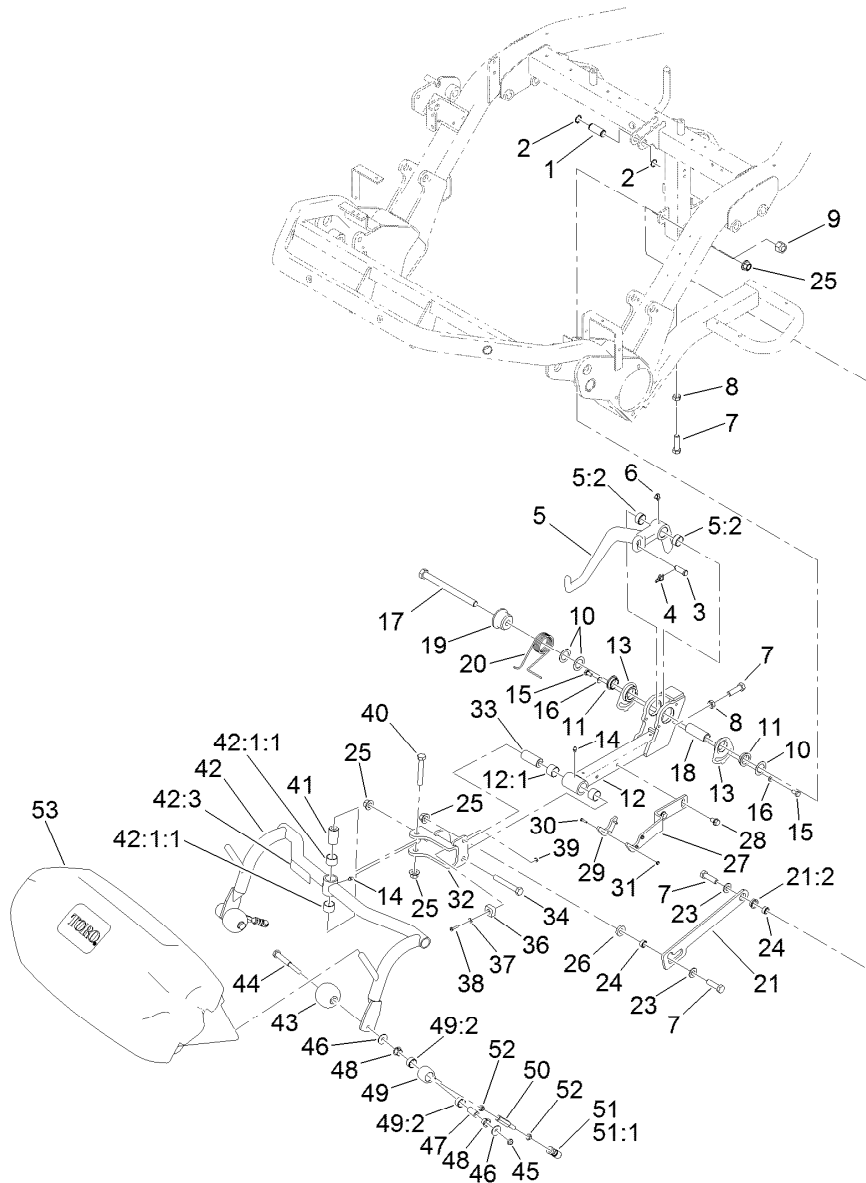
● Not illustrated



## Center Cutting Unit Suspension Assembly

Ref.	Part Number	Qty.	Description	Ref.	Part Number	Qty.	Description
1	94-3452	1	Pin	16	3256-74	2	Washer-Flat
2	32120-72	2	Ring-Snap	17	327-25	1	Screw-HH
3	283-8	1	Pin-Clevis	18	94-8199	1	Tube-Pivot
4	112-1491	1	Pin-Cotter	19	105-9779	1	Guide-Spring
5	99-4126	1	Center Lift Arm ASM	20	105-9781	1	Spring-Torsion
5:2	92-8995	2	Bushing	21	99-4246	1	Link Bracket ASM
6	302-60	1	Fitting-Grease	21:2	99-4243	1	Bushing-Flange
7	325-7	4	Screw-HH	23	3256-26	2	Washer-Flat
8	3218-5	2	Nut-Jam	24	99-4201	2	Tube-Spacer
9	3296-53	1	Nut-Lock, NI	25	99-5107	4	Nut-Lock
10	63-2290	3	Washer-Thrust	26	99-4248	1	Spacer
11	98-2197	2	Bushing-Flange	27	99-4111-01	1	Plate-Transport, 1 And 3
12	99-4116	1	Rear Lift Frame ASM	28	32144-69	2	Screw-HWHTF
12:1	98-4166	2	Bushing	29	99-4225	1	Pad-Wear
13	125-5222	2	Bushing-Eccentric, Machined	30	3250-17	3	Screw-PPH
14	302-5	2	Fitting-Grease	31	3296-54	3	Nut-Lock
15	33114-016	2	Screw-HH	32	99-4183-01	1	RH Clevis ASM
				33	99-4072	1	Spacer

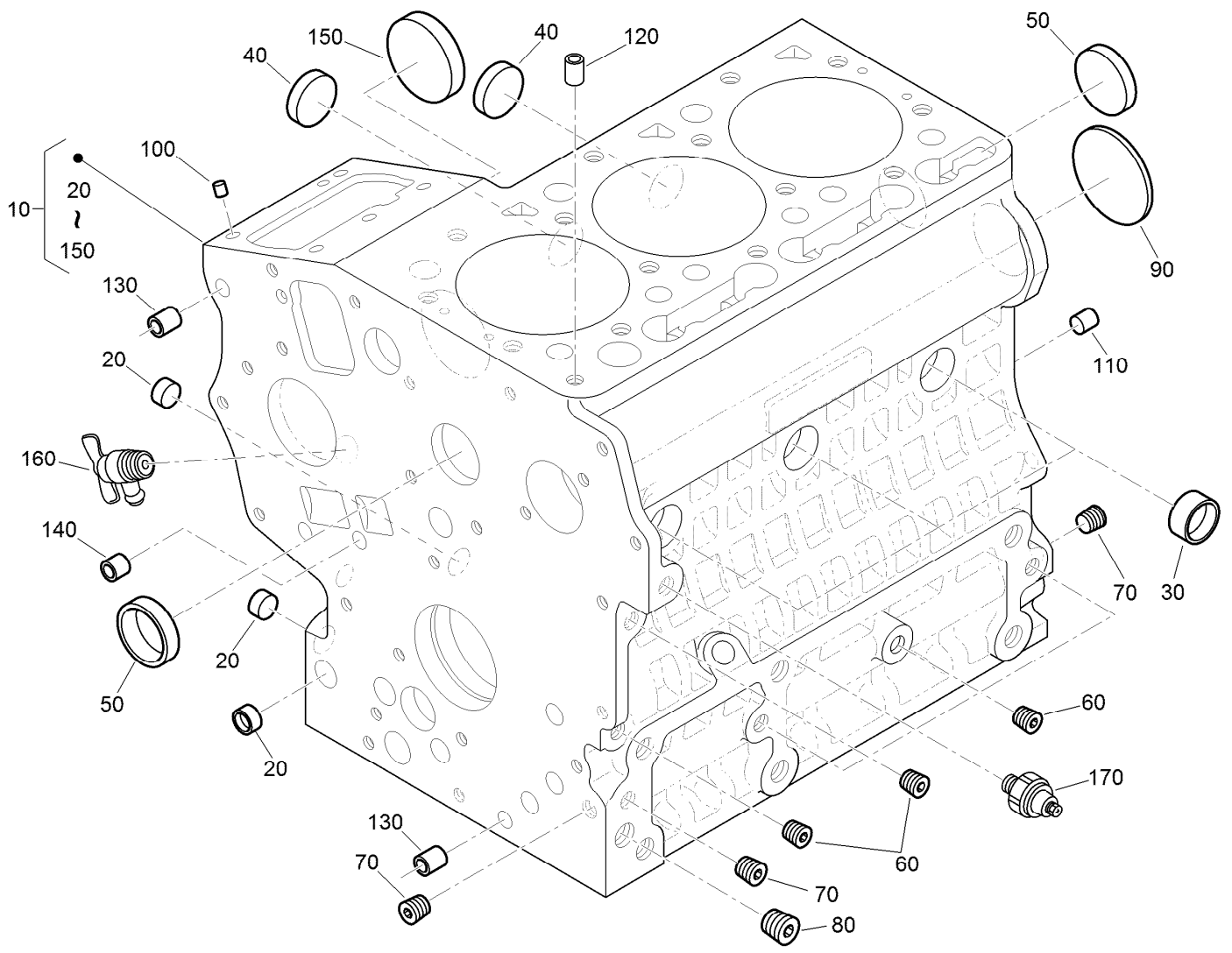
● Not illustrated



## Center Cutting Unit Suspension Assembly (continued)

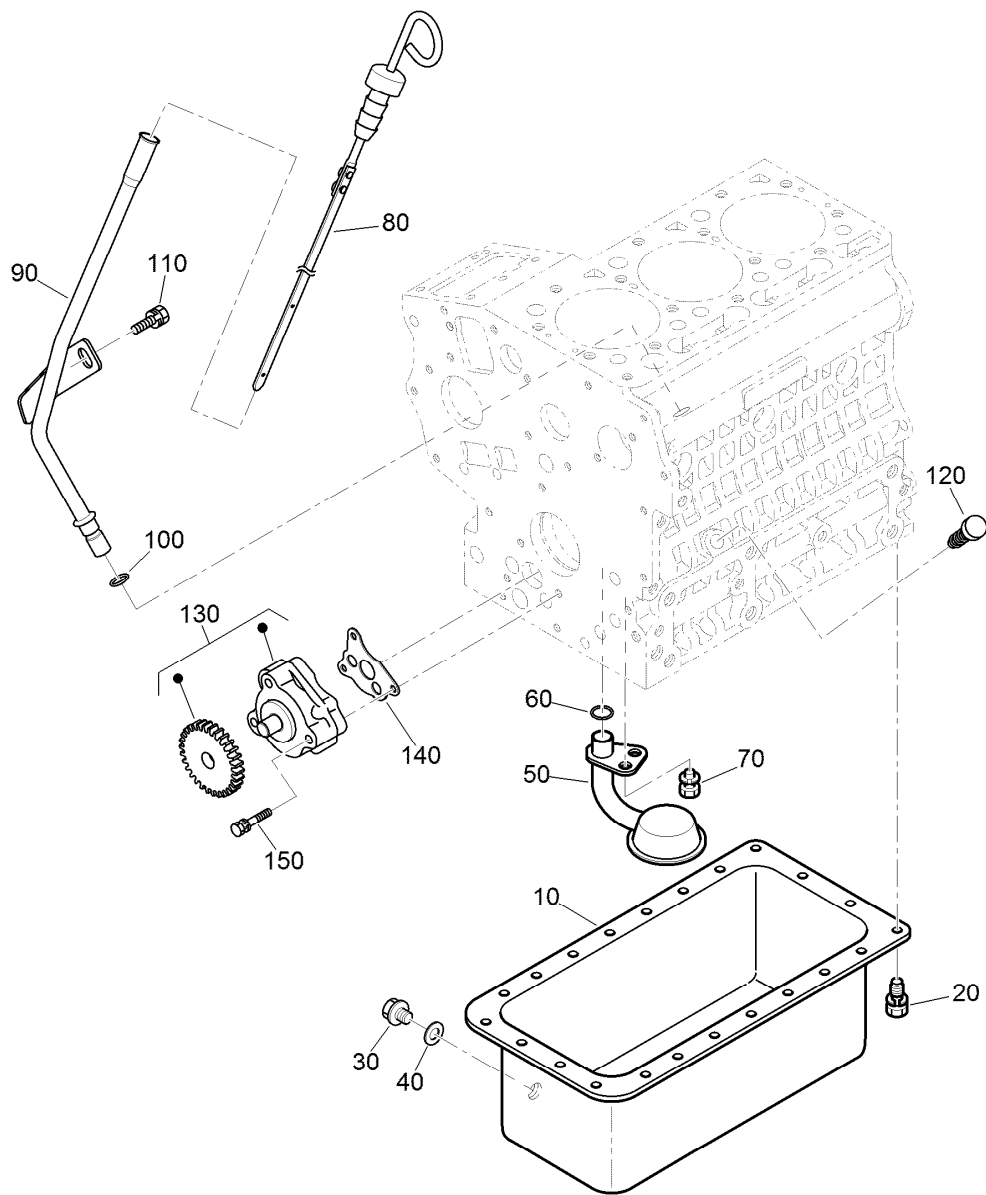
Ref.	Part Number	Qty.	Description	Ref.	Part Number	Qty.	Description
34	325-14	1	Screw-HH	46	119-4150	4	Washer-Flat
36	94-1392	1	Pad-Rubber	47	108-6544	2	Spacer
37	3256-14	1	Washer-Flat	48	104-7738	4	Bushing-Flange
38	3250-27	1	Screw-PPH	49	108-6542	2	Pull Link ASM
39	3296-12	1	Nut-Lock, NI	49:2	95-0532	2	Rubber Bushing ASM
40	325-13	1	Screw-HH	50	88-6870	2	Extension-Arm, Pull
41	99-4109	1	Spacer	51	99-1460	2	Ball Joint Receiver ASM
42	136-8577	1	Pull Frame ASM	51:1	99-1461	1	Sleeve-Joint, Ball
42:1:1	98-4166	2	Bushing	52	3220-3	4	Nut-HJ
42:3	104-7729	1	Decal-Danger, CE	53	106-4689	1	Grass Basket ASM
43	99-4210	2	Roller-Anti Scalp	53:2	104-2607	1	Strip-Basket ●
44	108-6543	2	Shaft-Roller	53:3	3290-382	8	Rivet-Pop ●
45	3296-59	2	Nut-Lock, NI				

● Not illustrated



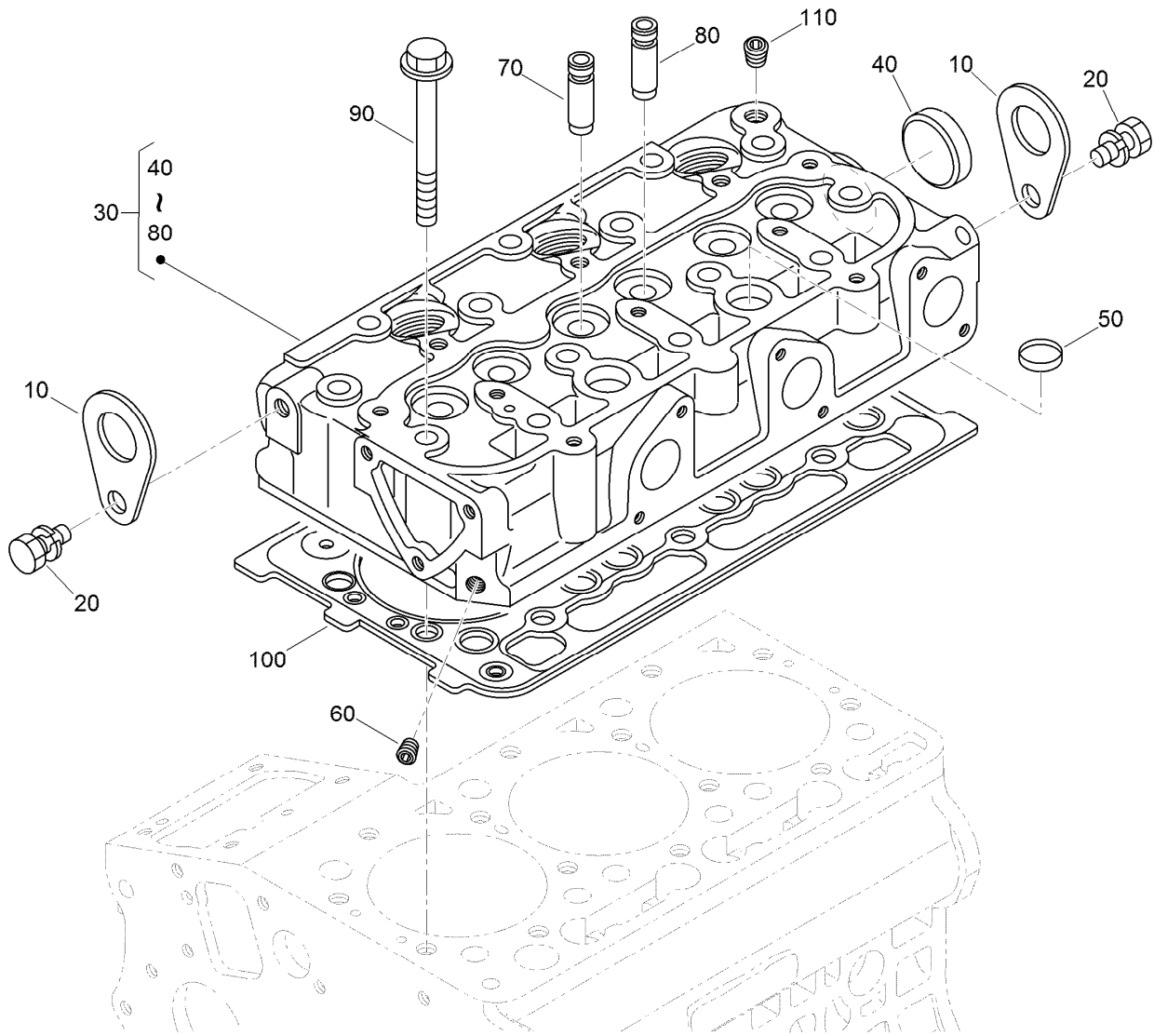
## Crankcase Assembly

<i>Ref.</i>	<i>Part Number</i>	<i>Qty.</i>	<i>Description</i>	<i>Ref.</i>	<i>Part Number</i>	<i>Qty.</i>	<i>Description</i>
10	130-1385	1	Crankcase ASM	100	98-9375	2	Pin-Straight
20	100-2019	3	Cap-Sealing	110	98-9377	2	Pin-Straight
30	100-2020	3	Cap-Sealing	120	98-7506	1	Pin-Pipe
40	110-3702	2	Cap-Sealing	130	100-2051	2	Pin-Pipe
50	98-9398	2	Cap-Sealing	140	100-2051	2	Pin-Pipe
60	98-9687	5	Plug	150	100-1991	1	Cover-Fuel, Camshaft
70	98-7487	3	Plug	160	120-3121	1	Draincock ASM
80	98-7488	1	Plug	170	98-7764	1	Switch-Oil
90	100-1851	1	Plug-Expansion				



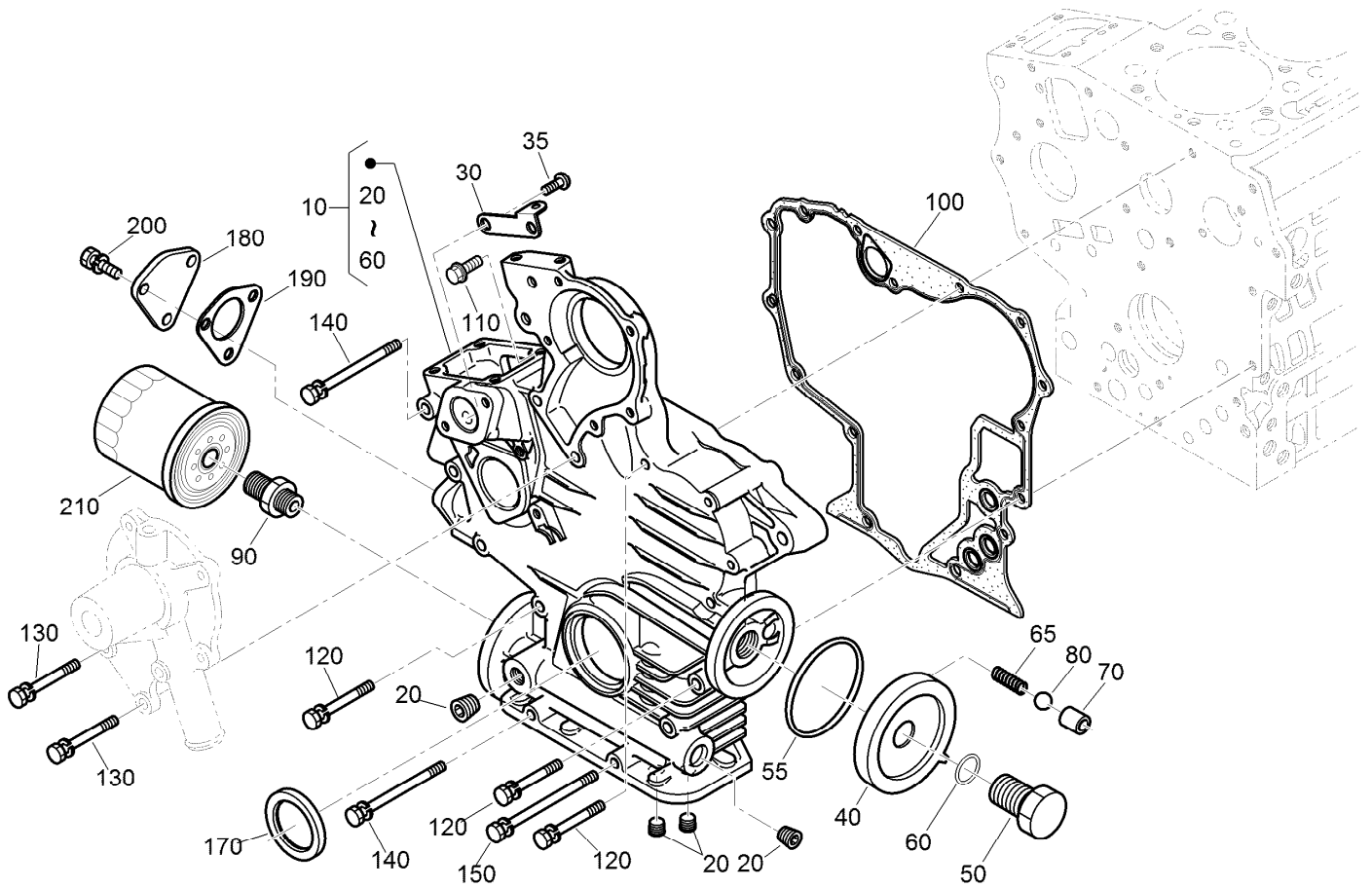
## Oil Pan, Oil Pump and Dipstick Assembly

Ref.	Part Number	Qty.	Description
10	120-3122	1	Oil Pan ASM
20	98-9350	22	Bolt
30	114-8151	1	Plug-Drain
40	98-7524	1	Gasket
50	100-2001	1	Strainer-Pickup, Oil
60	105-3776	1	O-Ring
70	100-9195	1	Bolt
80	120-3124	1	Gauge-Oil
90	120-3125	1	Guide-Gauge, Oil
100	98-9722	1	O-Ring
110	115-8504	1	Bolt-Flange
120	110-3720	1	Plug-Gauge, Oil
130	121-2407	1	Oil Pump ASM
140	121-2408	1	Gasket-Pump, Oil
150	100-1923	3	Bolt



## Cylinder Head Assembly

<b>Ref.</b>	<b>Part Number</b>	<b>Qty.</b>	<b>Description</b>
10	98-7531	2	Hook-Engine
20	98-7526	2	Bolt
30	130-1504	1	Cylinder Head ASM
40	105-3705	1	Cap-Sealing
50	98-9389	2	Cap-Sealing
60	98-9687	1	Plug
70	100-1882	3	Guide-Valve, Inlet
80	100-1883	3	Guide-Valve, Exhaust
90	100-1820	14	Bolt-Head, Cylinder
100	112-2520	1	Gasket-Head, Cylinder
110	98-9444	1	Plug

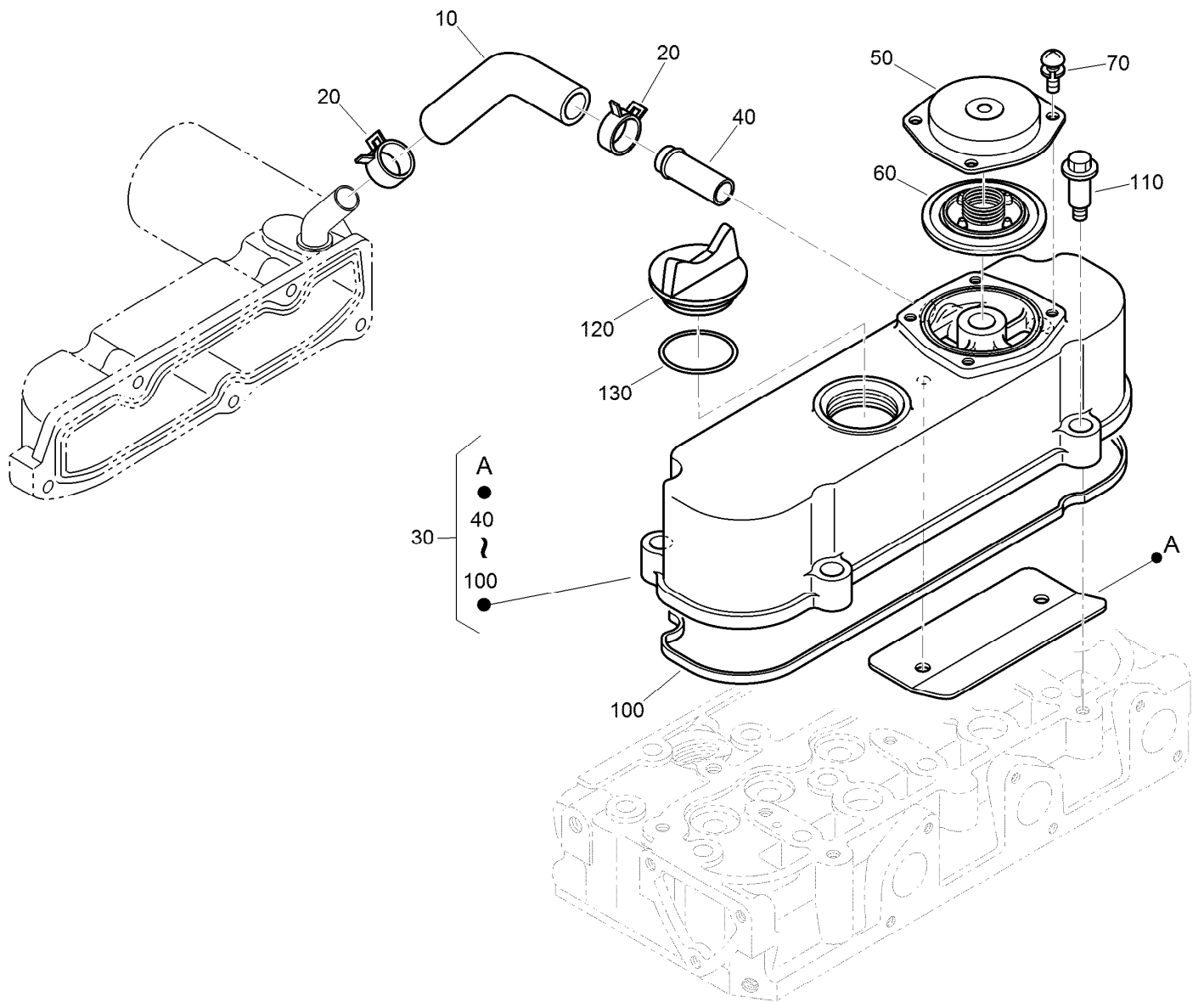


## Gear Case and Oil Filter Cartridge Assembly

<i>Ref.</i>	<i>Part Number</i>	<i>Qty.</i>	<i>Description</i>
10	121-2401	1	Gearcase ASM
20	98-7488	4	Plug
30	110-3708	1	Stay-Spring, Start
35	100-2040	2	Screw
40	121-2402	1	Cover
50	121-2403	1	Bolt
55	98-9729	1	O-Ring
60	105-3777	1	O-Ring
65	100-2004	1	Spring
70	100-1894	1	Seat-Valve
80	100-1792	1	Ball
90	98-9388	1	Joint-Pipe

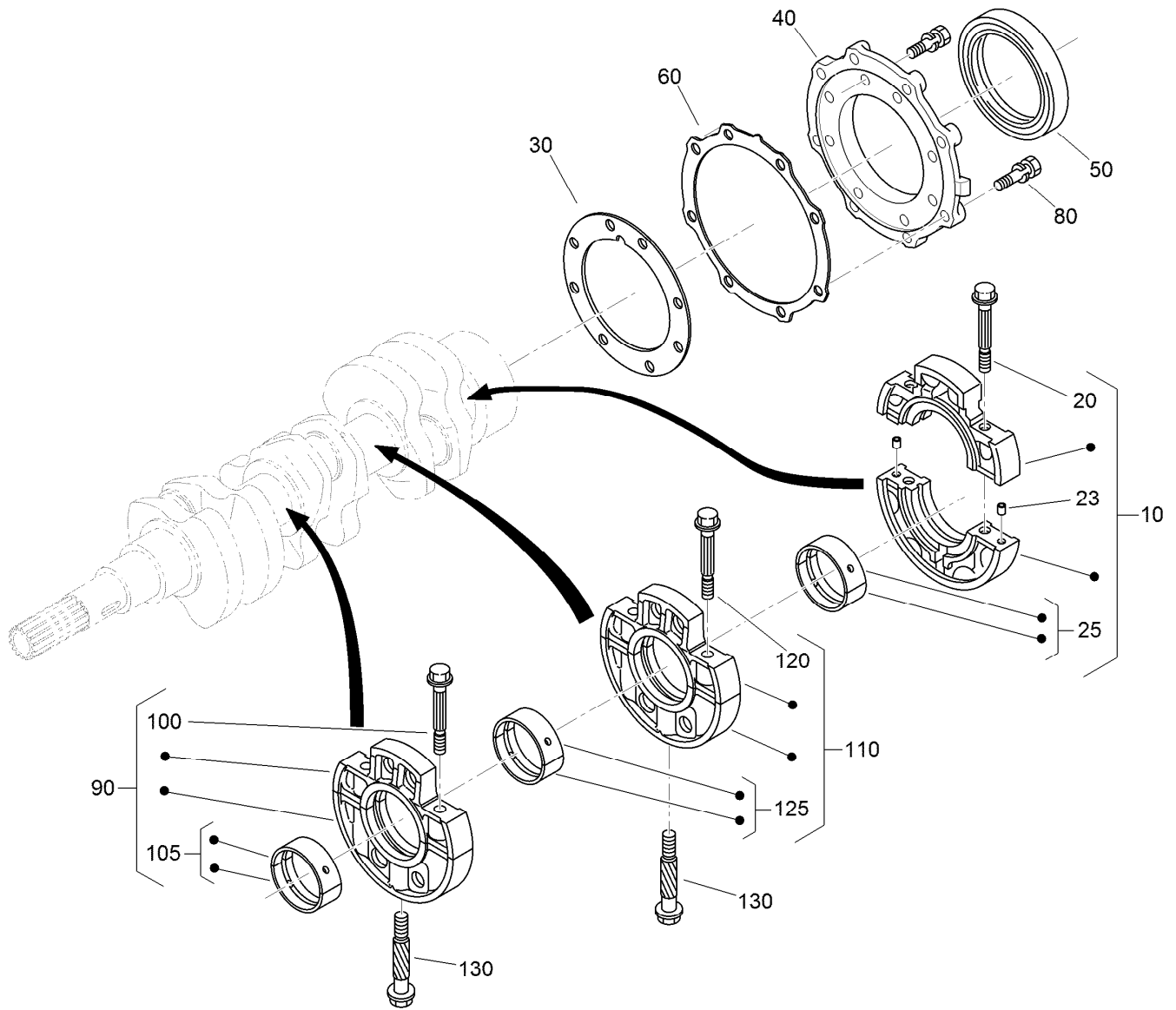
<i>Ref.</i>	<i>Part Number</i>	<i>Qty.</i>	<i>Description</i>
100	121-2404	1	Gasket-Gearcase
110	127-0403	1	Bolt-Flange
120	125-9063	8	Bolt-Sems
130	100-1922	2	Bolt
140	98-9357	3	Bolt
150	110-3710	1	Bolt
170	120-7852	1	Seal-Oil
180	121-2405	1	Cover
190	121-2406	1	Packing-Flange
200	98-7605	3	Bolt
210	115-8189	1	Filter-Oil, Engine





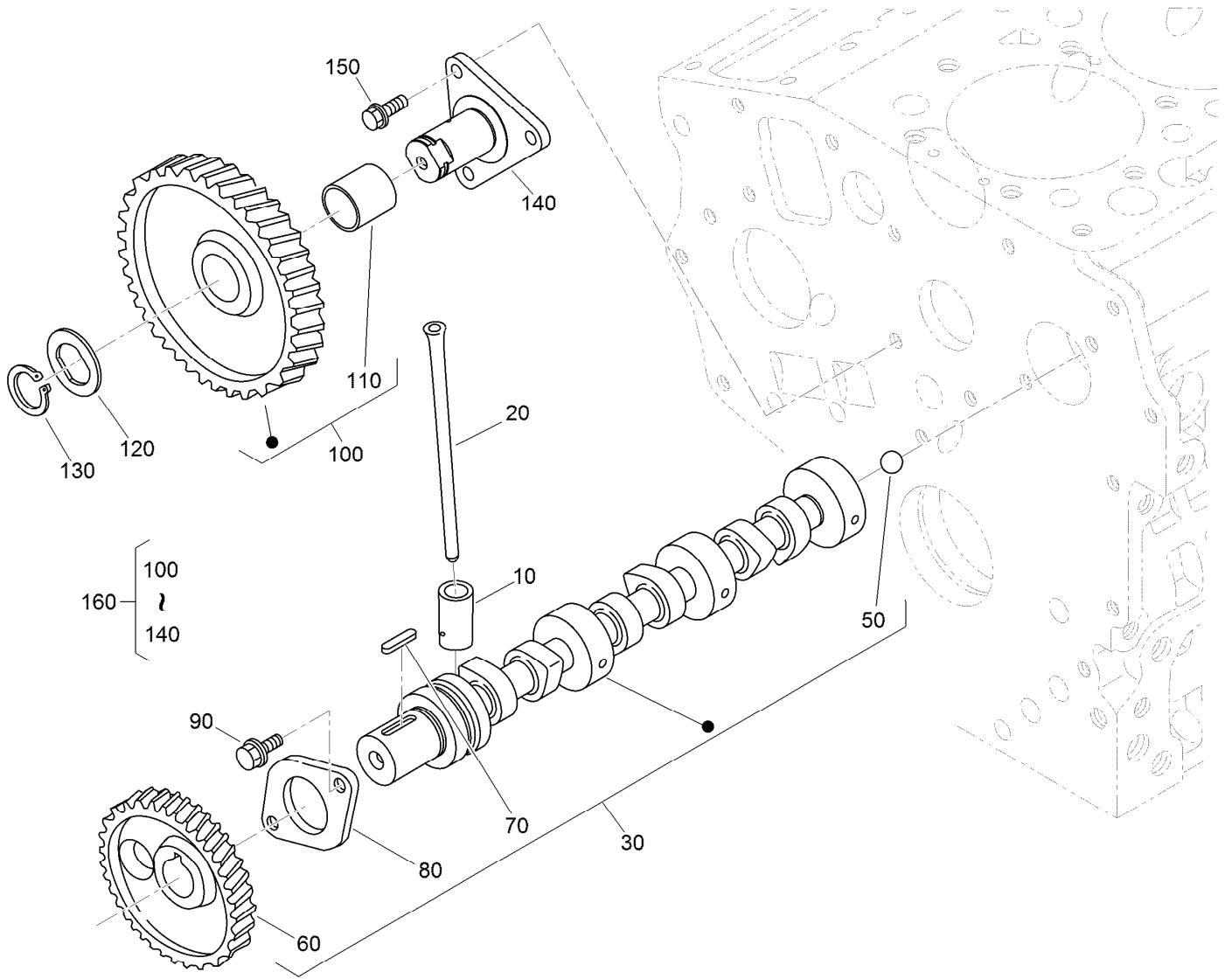
## Cylinder Head Cover Assembly

Ref.	Part Number	Qty.	Description
10	120-3139	1	Tube-Breather
20	110-3712	2	Clamp-Hose
30	112-8332	1	Cylinder Head Cover ASM
40	98-9580	1	Pipe-Return, Water
50	110-3714	1	Cover-Breather
60	110-3715	1	Valve-Breather
70	98-9364	4	Screw (With Washer)
100	112-2521	1	Gasket-Cover, Head
110	108-7063	4	Bolt
120	107-9075	1	Plug-Filler, Oil
130	99-3446	1	O-Ring



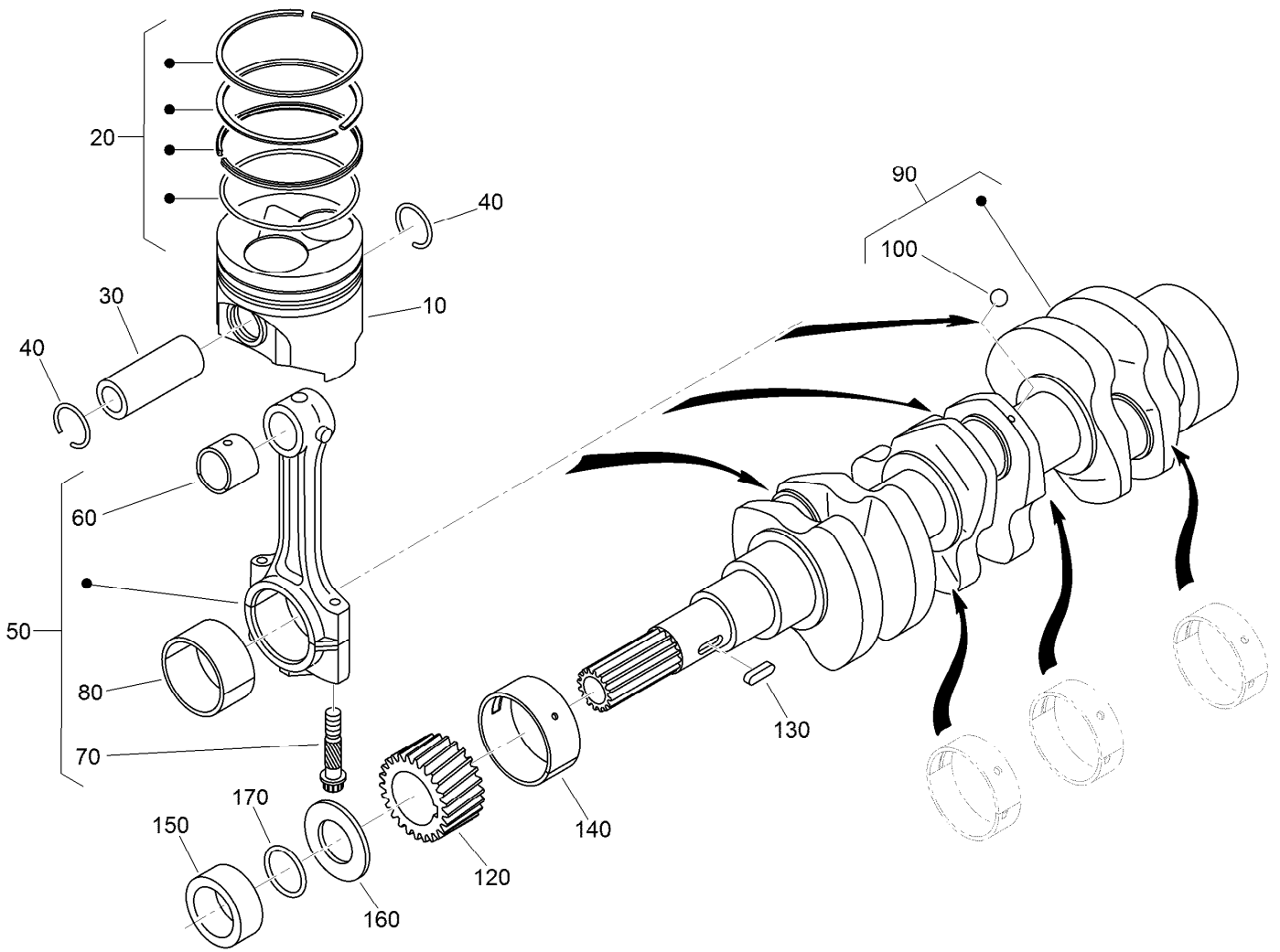
## Main Bearing Case Assembly

<i>Ref.</i>	<i>Part Number</i>	<i>Qty.</i>	<i>Description</i>	<i>Ref.</i>	<i>Part Number</i>	<i>Qty.</i>	<i>Description</i>
10	125-9064	1	Wheel Bearing Case ASM	105	110-3741	1	Crankshaft Metal ASM (STD)
20	125-9065	2	Bolt-Flange	105	125-9083	1	Crankshaft Metal ASM (-0.20Mm)
23	125-9082	2	Pin-Straight	105	110-3743	1	Crankshaft Metal ASM (-0.40Mm)
25	125-9066	1	Crankshaft Metal ASM (STD)	110	125-9069	1	Main Case Bearing ASM
25	125-9067	1	Crankshaft Metal ASM (-0.20Mm)	120	110-3723	2	Bolt-Case, Bearing
25	125-9068	1	Crankshaft Metal ASM (-0.40Mm)	125	110-3741	1	Crankshaft Metal ASM (STD)
30	100-1873	1	Gasket-Case, Bearing	125	125-9083	1	Crankshaft Metal ASM (-0.20Mm)
40	112-8334	1	Cover-Case, Bearing	125	110-3743	1	Crankshaft Metal ASM (-0.40Mm)
50	110-3724	1	Seal-Oil	130	100-1874	2	Bolt-Case, Bearing
60	100-1876	1	Gasket-Cover, Case				
80	100-1750	16	Bolt				
90	110-3725	1	Main Bearing Case ASM				
100	110-3723	2	Bolt-Case, Bearing				



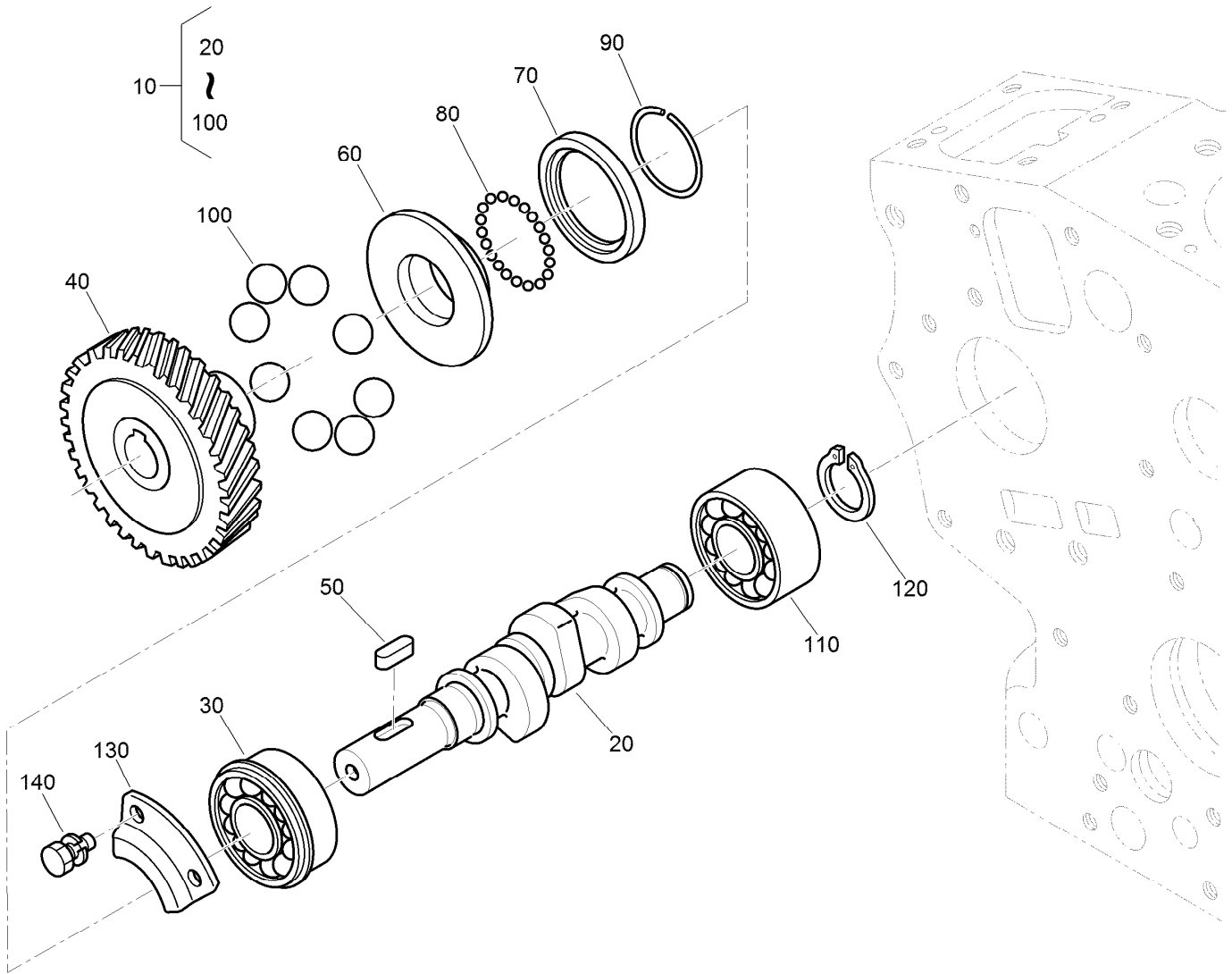
## Camshaft and Idle Gear Shaft Assembly

Ref.	Part Number	Qty.	Description
10	110-3727	6	Tappet
20	100-1989	6	Rod-Push
30	120-3126	1	Camshaft ASM
50	110-3729	1	Ball
60	130-1534	1	Gear-Cam
70	98-9378	1	Key-Feather
80	100-1887	1	Stopper-Camshaft
90	98-9350	2	Bolt
100	121-2421	1	Idle Gear ASM
110	121-2422	1	Bushing
120	100-1970	1	Collar-Gear, Idle
130	100-1969	1	Ring-Snap
140	100-1967	1	Shaft-Gear, Idle
150	100-1774	3	Bolt-Flange
160	100-2240	1	Idle Gear ASM



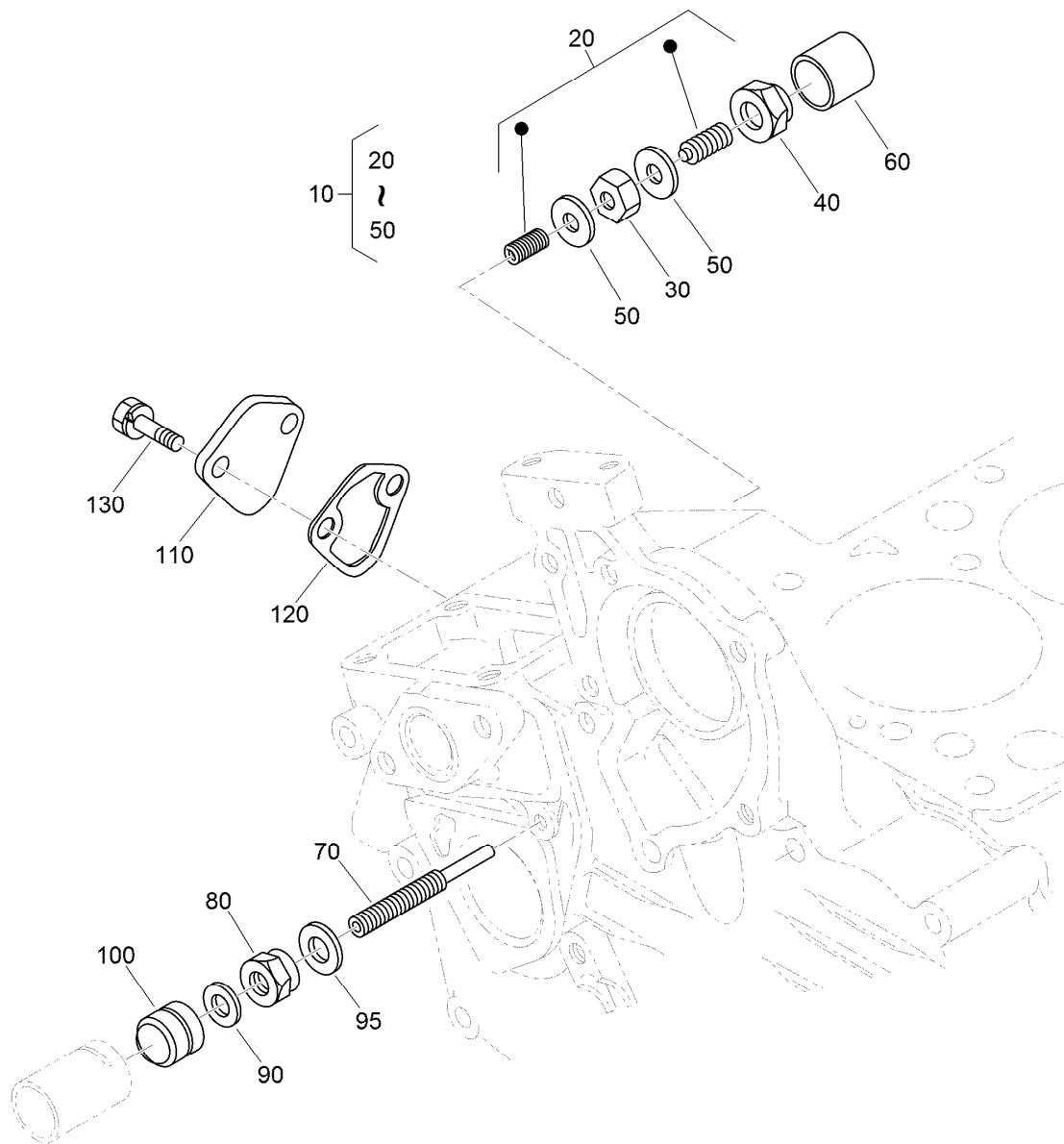
## Piston and Crankshaft Assembly

Ref.	Part Number	Qty.	Description	Ref.	Part Number	Qty.	Description
10	130-1518	3	Piston	80	121-2420	3	Metal-Crankpin (-.40MM)
10	130-1520	3	Piston	90	117-0308	1	Crankshaft
20	130-1516	3	Piston Ring ASM	100	100-1791	3	Ball
20	130-1517	3	Piston Ring ASM	120	100-1891	1	Gear-Crankshaft
30	110-3734	3	Pin-Piston	130	100-1752	1	Key-Feather
40	100-1835	6	Circlip-Internal	140	110-3738	1	Metal-Crankshaft (STD)
50	125-9070	3	Connecting Rod ASM	140	121-2424	1	Metal-Crankshaft (-.20MM)
60	110-3736	3	Bushing-Pin, Piston	140	121-2425	1	Metal-Crankshaft (-.40MM)
70	100-1999	6	Bolt-Rod, Connecting	150	100-1890	1	Collar-Crankshaft
80	100-2000	3	Metal-Crankpin (STD)	160	100-1974	1	Slinger-Oil
80	121-3849	3	Metal-Crankpin (-.20MM)	170	100-2209	1	O-Ring



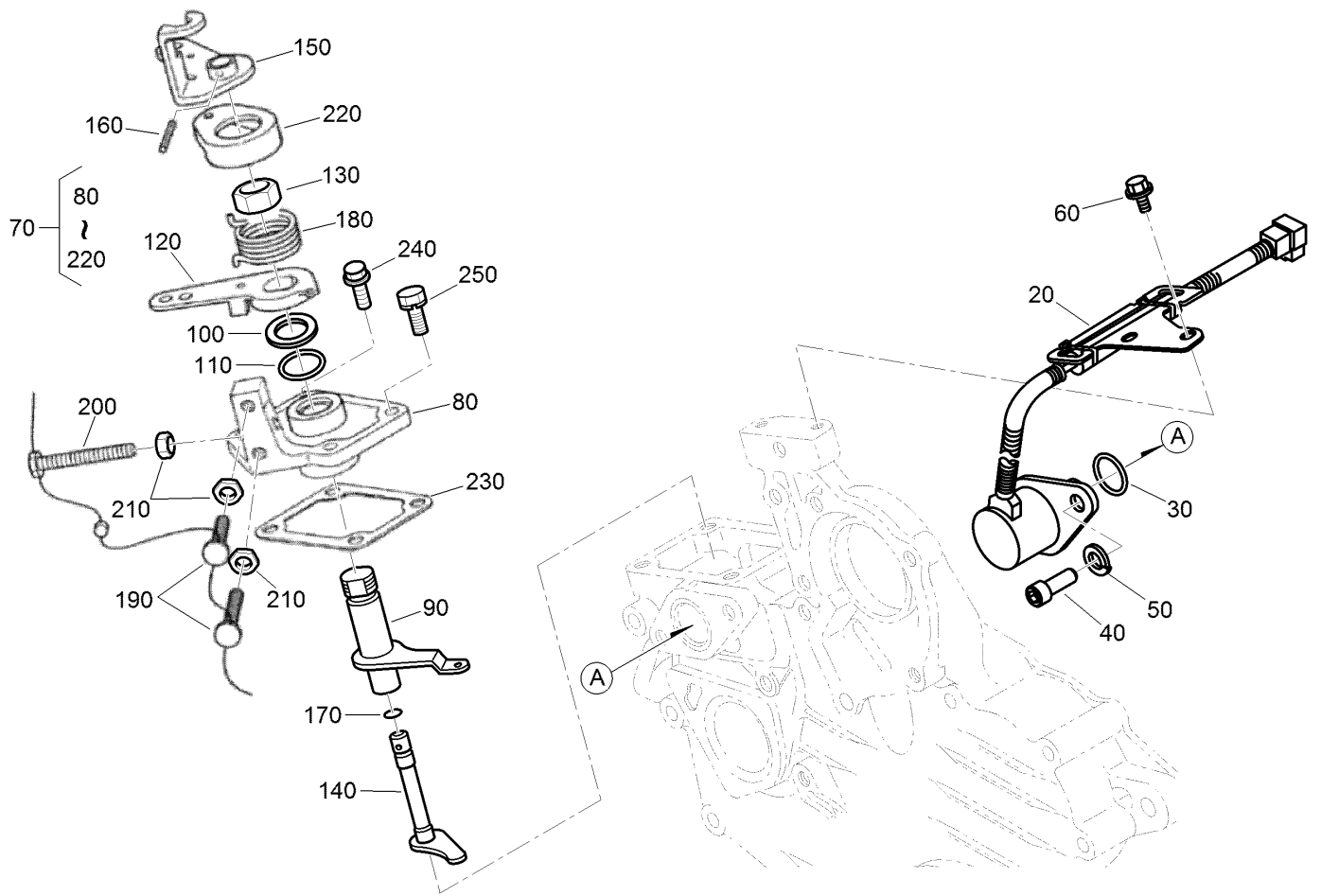
## Fuel Camshaft Assembly

<i>Ref.</i>	<i>Part Number</i>	<i>Qty.</i>	<i>Description</i>
10	112-8335	1	Fuel Camshaft ASM
20	110-3756	1	Camshaft-Fuel
30	100-1795	1	Bearing-Ball
40	100-2006	1	Gear-Pump, Injection
50	100-1752	1	Key-Feather
60	112-8336	1	Sleeve-Governor
70	100-1904	1	Case-Ball, Governor
80	100-1790	32	Ball
90	100-1843	1	Circ-Clip
100	100-1793	8	Ball
110	110-3757	1	Bearing-Ball
120	100-1784	1	Circ-Clip, External
130	100-1888	1	Stopper-Fuel, Camshaft
140	98-9350	2	Bolt



## Idle Apparatus and Fuel Pump Cover Assembly

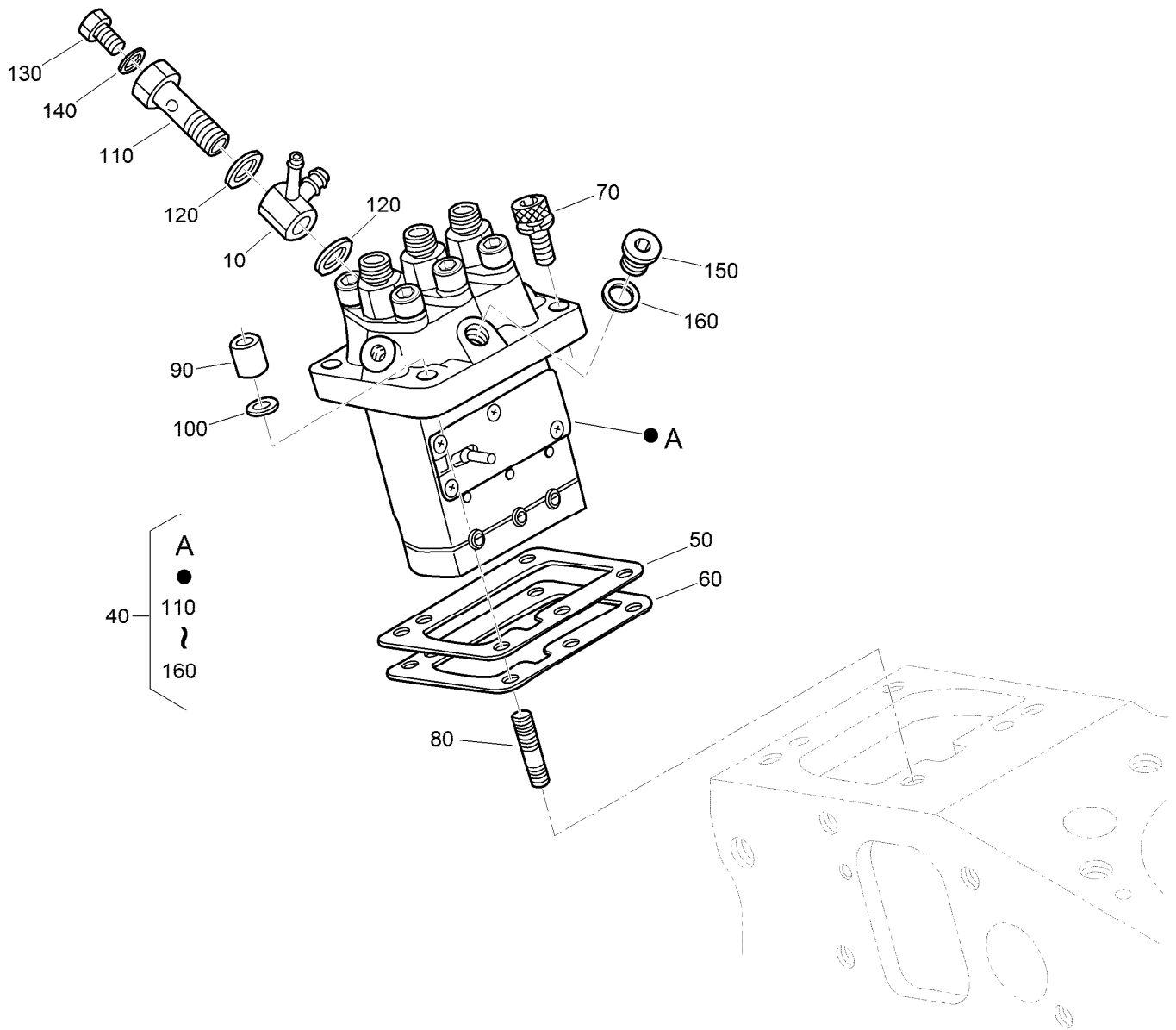
Ref.	Part Number	Qty.	Description
10	100-1898	1	Idle Apparatus ASM
20	100-1899	1	Adjusting Bolt ASM
30	100-1846	1	Nut
40	100-1901	1	Nut-Cap
50	98-7428	2	Gasket
60	100-1902	1	Cap
70	110-3758	1	Bolt-Adjusting
80	100-2175	1	Nut-Lock
90	98-7654	1	Gasket
95	107-9081	1	Gasket
100	99-8387	1	Nut-Cap
110	99-3514	1	Cover
120	98-9636	1	Gasket-Pump, Fuel
130	98-7692	2	Bolt



## Stop Solenoid and Speed Control Plate Assembly

Ref.	Part Number	Qty.	Description
20	117-2719	1	Solenoid Stop ASM
30	110-3762	1	O-Ring
40	110-3763	2	Bolt-HSH
50	98-7699	2	Washer-Spring
60	100-1774	2	Bolt-Flange
70	110-3769	1	Speed Control Plate ASM
80	110-3770	1	Plate-Control, Speed
90	110-3771	1	Lever-Governor
100	110-3772	1	Collar
110	100-2208	1	O-Ring
120	110-3773	1	Lever-Control, Speed
130	110-3774	1	Nut-Control, Speed

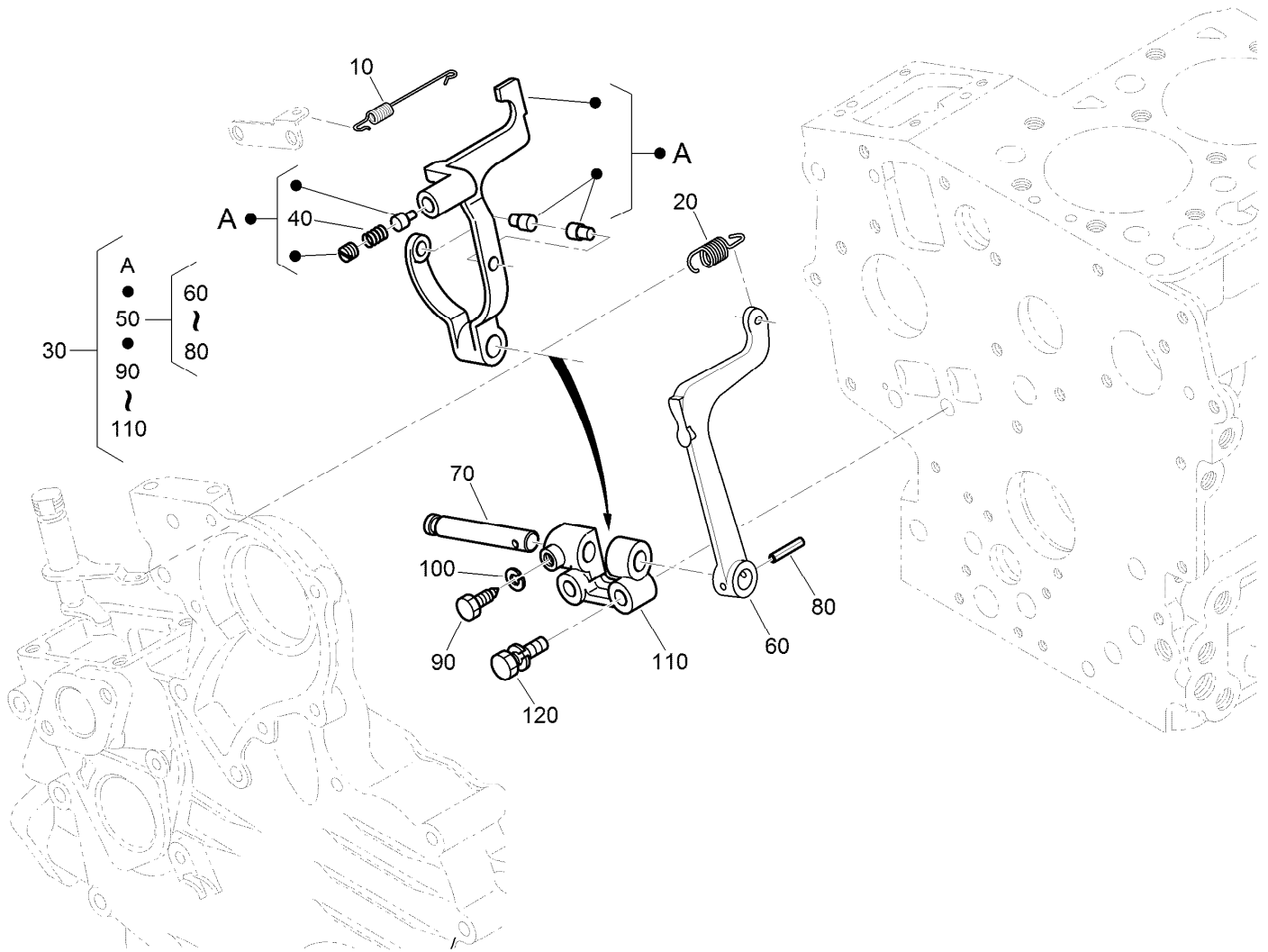
Ref.	Part Number	Qty.	Description
140	110-3775	1	Shaft-Lever
150	110-3776	1	Lever-Stop, Engine
160	110-3777	1	Pin-Spring
170	100-2207	1	O-Ring
180	110-3778	1	Spring-Return
190	120-3133	2	Screw-Stopper
200	120-3134	1	Bolt
210	98-7572	3	Nut
220	110-3779	1	Cap
230	100-1962	1	Gasket-Plate, Control
240	127-0403	2	Bolt-Flange
250	112-2507	2	Bolt



## Injection Pump Assembly

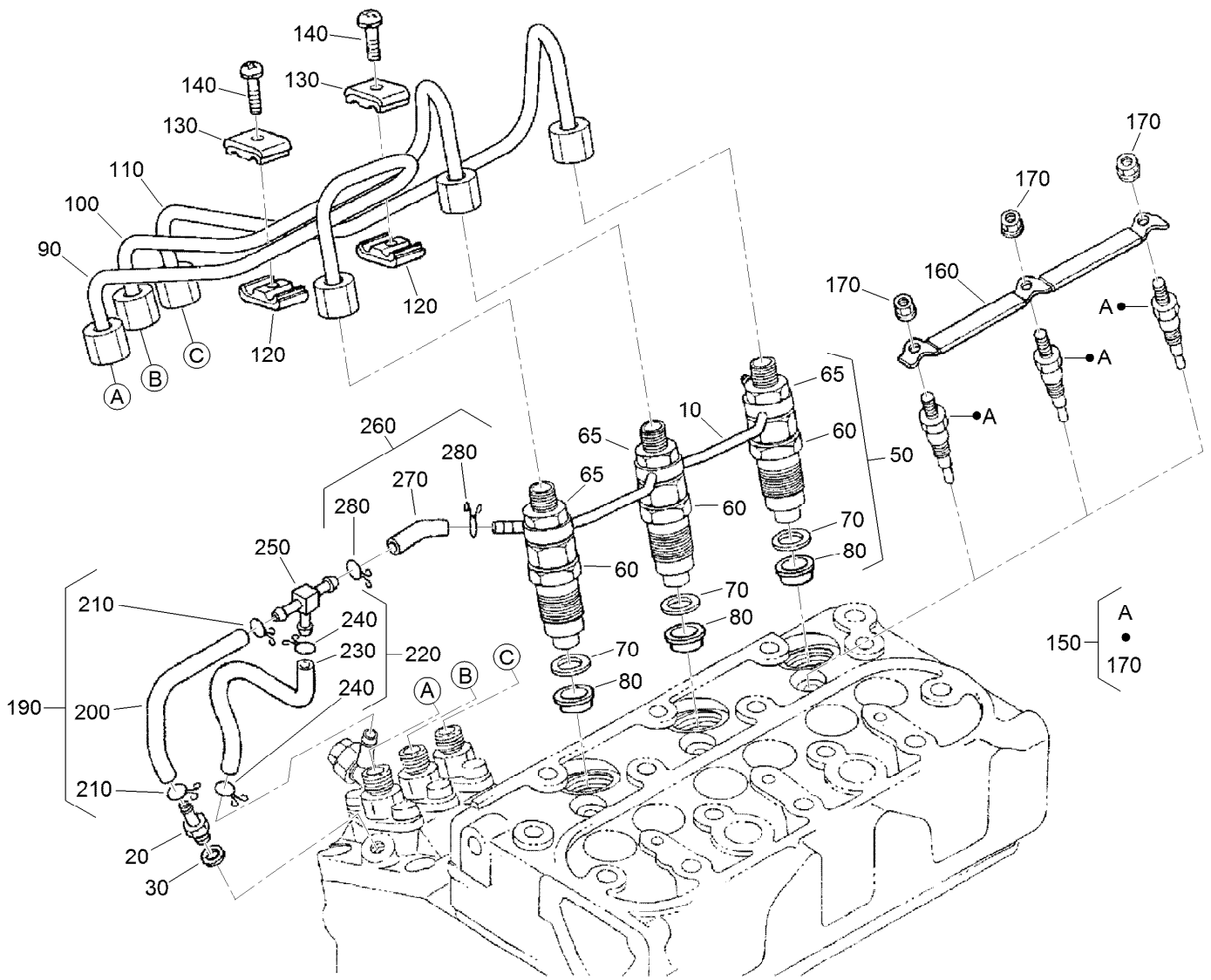
<i>Ref.</i>	<i>Part Number</i>	<i>Qty.</i>	<i>Description</i>	<i>Ref.</i>	<i>Part Number</i>	<i>Qty.</i>	<i>Description</i>
10	110-3764	1	Joint	90	98-9440	2	Nut-Cap
40	110-3765	1	Injection Pump ASM	100	98-7699	2	Washer-Spring
50	115-3045	1	Shim-Injection (0.175MM)	110	100-1896	1	Screw-Hollow
50	98-9456	1	Shim-Injection (0.20MM)	120	98-9445	2	Gasket
50	98-9457	1	Shim-Injection (0.25MM)	130	98-9430	1	Screw
60	98-9458	1	Shim-Injection (0.30MM)	140	98-9446	1	Gasket
60	115-3046	1	Shim-Injection (0.35MM)	150	98-9466	1	Plug
70	117-7564	2	Bolt-Hex Soc HD	160	98-9451	1	Gasket
80	98-9438	2	Stud				





## Governor Assembly

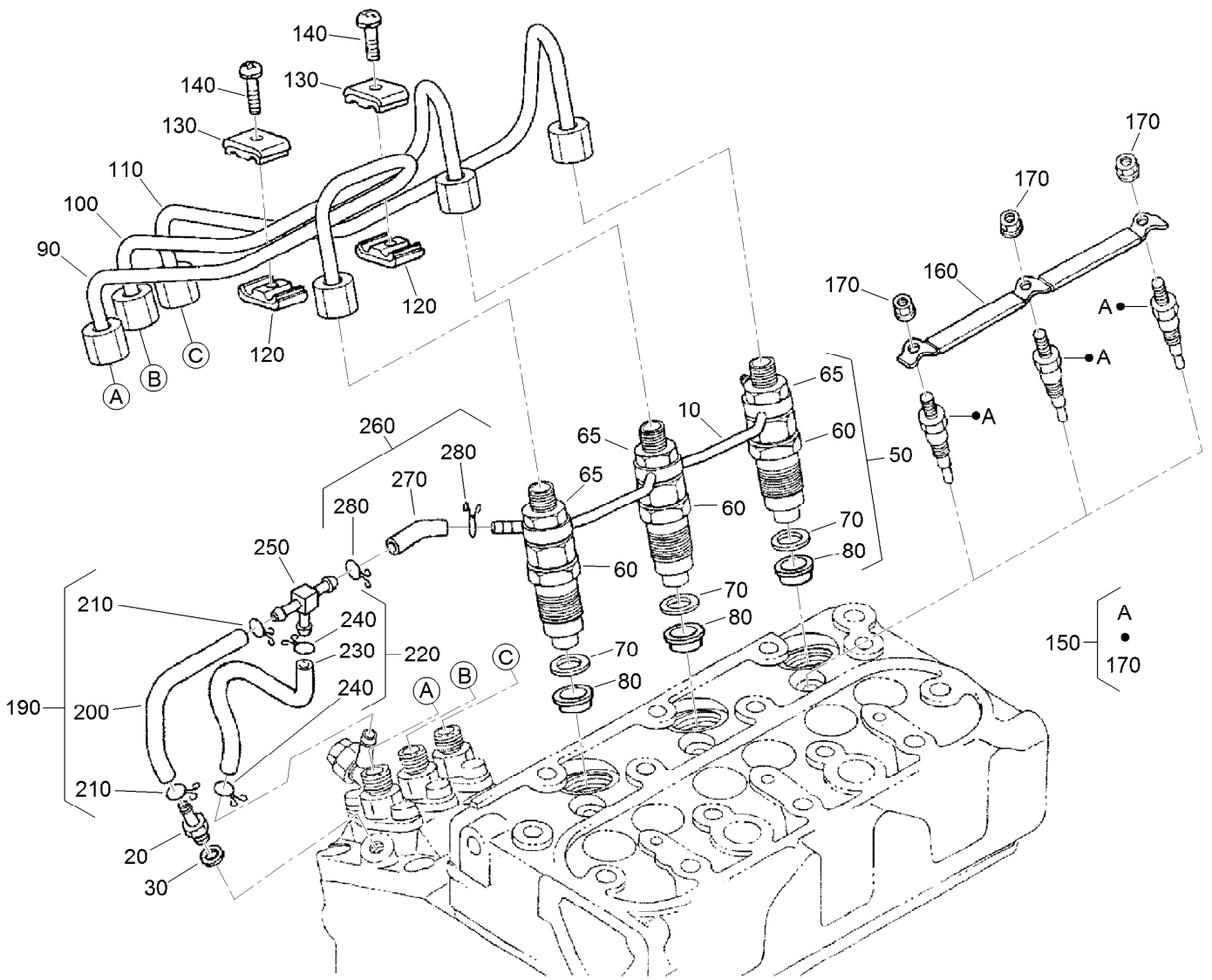
Ref.	Part Number	Qty.	Description
10	110-3766	1	Spring-Start
20	130-1220	1	Spring-Governor
30	121-3822	1	Fork Lever ASM
40	121-2410	1	Spring
50	100-1905	1	Fork Lever ASM
60	100-1907	1	Lever-Fork
70	100-1908	1	Shaft-Lever, Fork
80	100-1751	1	Pin-Spring
90	100-1845	1	Bolt
100	127-0408	1	Washer-Lock, Spring
110	100-1909	1	Holder-Lever, Fork
120	100-1763	2	Bolt



## Nozzle Holder and Glow Plug Assembly

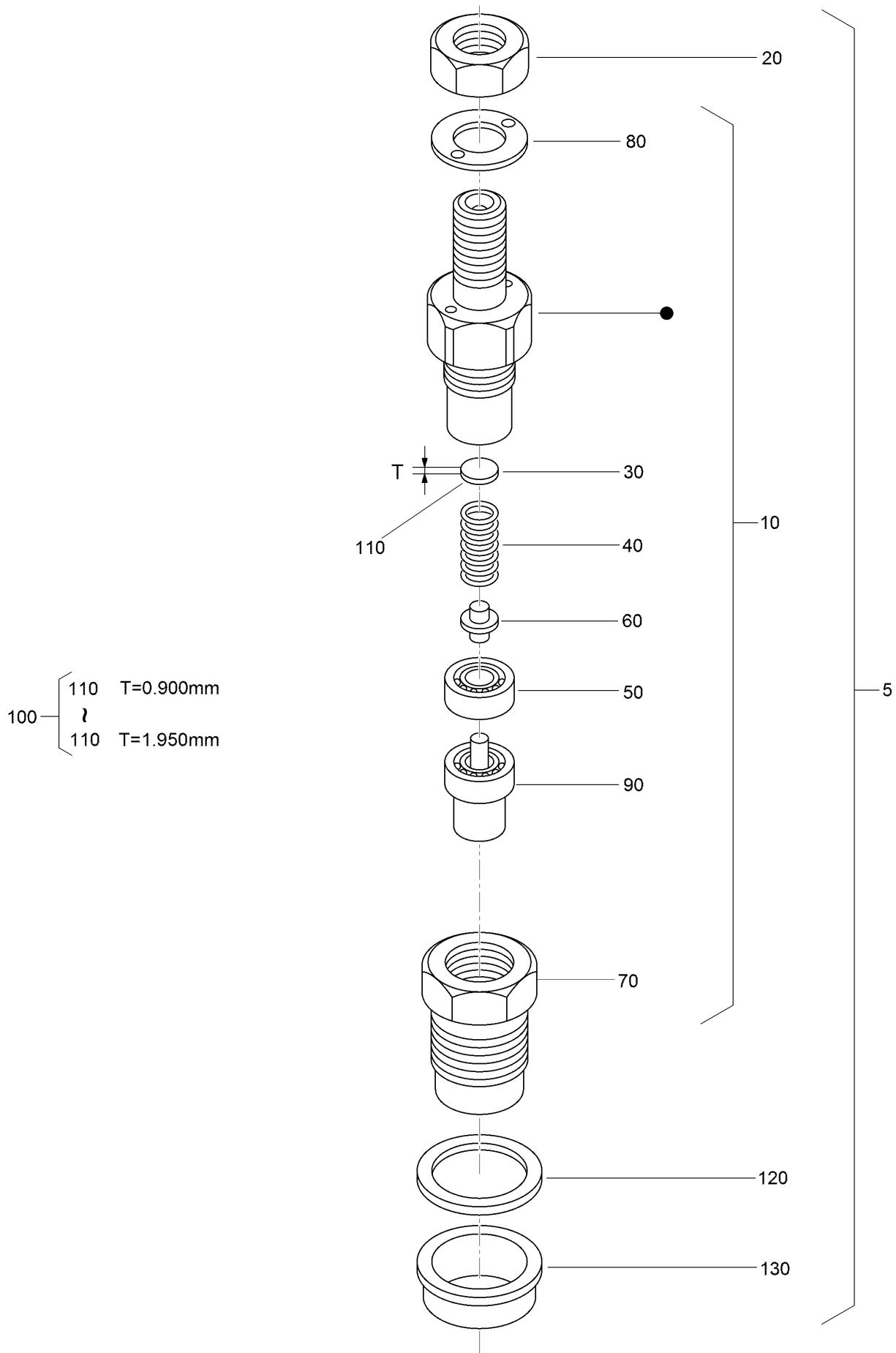
Ref.	Part Number	Qty.	Description
10	110-3780	1	Over Flow Pipe ASM
20	98-9431	1	Screw-Bleeder, Air
30	98-7654	1	Gasket
50	130-1305	3	Nozzle Holder Kit
60	130-1303	3	Nozzle Holder ASM
65	121-2411	3	Nut
70	98-7676	3	Gasket
80	98-7677	3	Seal-Heat
90	130-1522	1	Pipe-Injection
100	130-1523	1	Pipe-Injection
110	130-1541	1	Pipe-Injection
120	98-7682	2	Clamp-Pipe
130	98-7683	2	Clamp-Pipe
140	98-7684	2	Screw (W/Washer)

Ref.	Part Number	Qty.	Description
150	130-1411	3	Plug-Glow
160	110-3784	1	Cord-Plug, Glow
170	99-8377	3	Nut-Flange
190	110-3785	1	Fuel Tube ASM
200	110-3786	1	Tube-Fuel
210	98-7671	2	Clip-Pipe
220	110-3787	1	Fuel Tube ASM
230	110-3788	1	Tube-Fuel
240	98-7671	2	Clip-Pipe
250	112-8338	1	Pipe-Joint, T
260	110-3790	1	Fuel Tube ASM
270	110-3791	1	Tube-Fuel
280	98-7671	2	Clip-Pipe



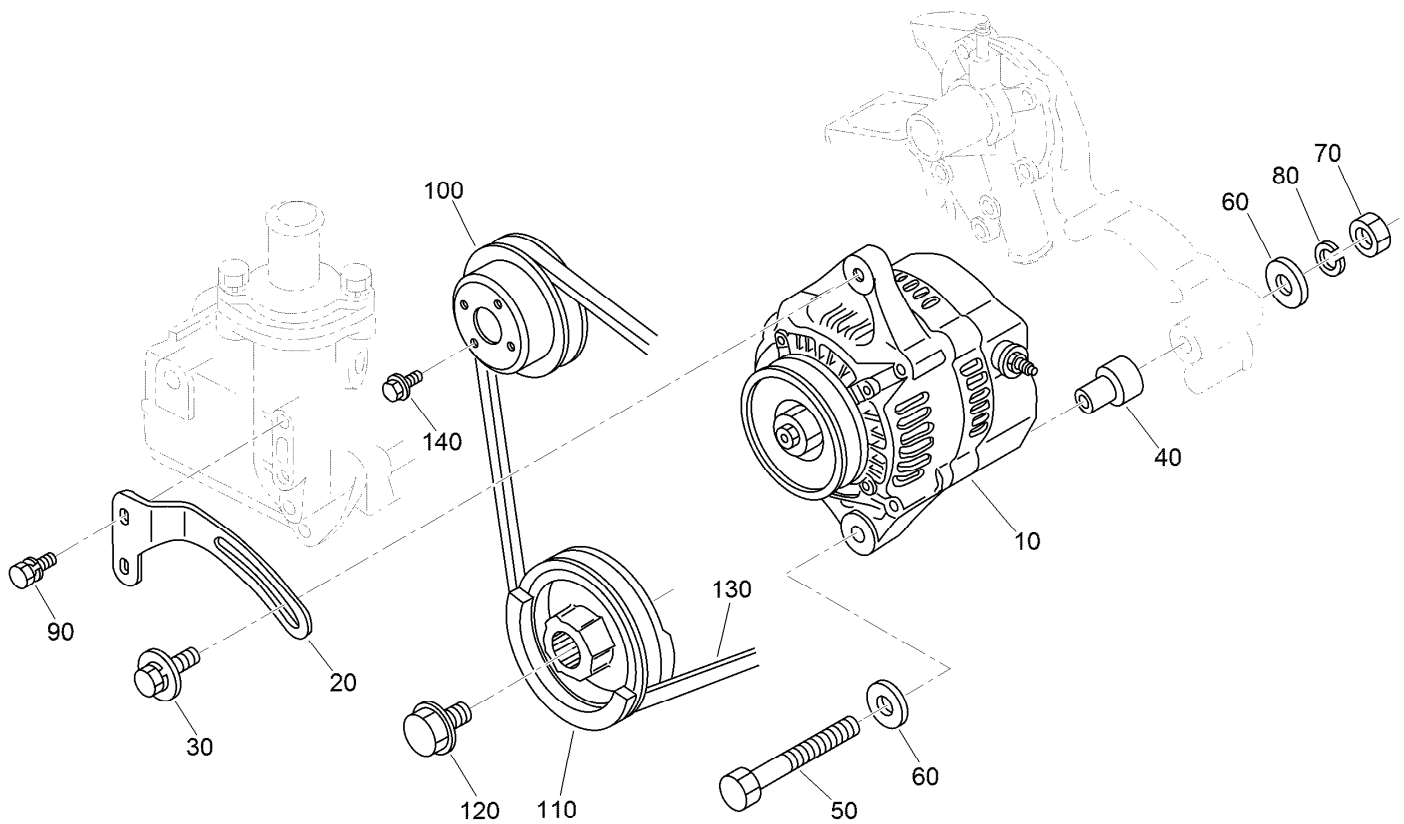
## Nozzle Holder and Glow Plug Assembly (continued)

# Nozzle Holder Assembly



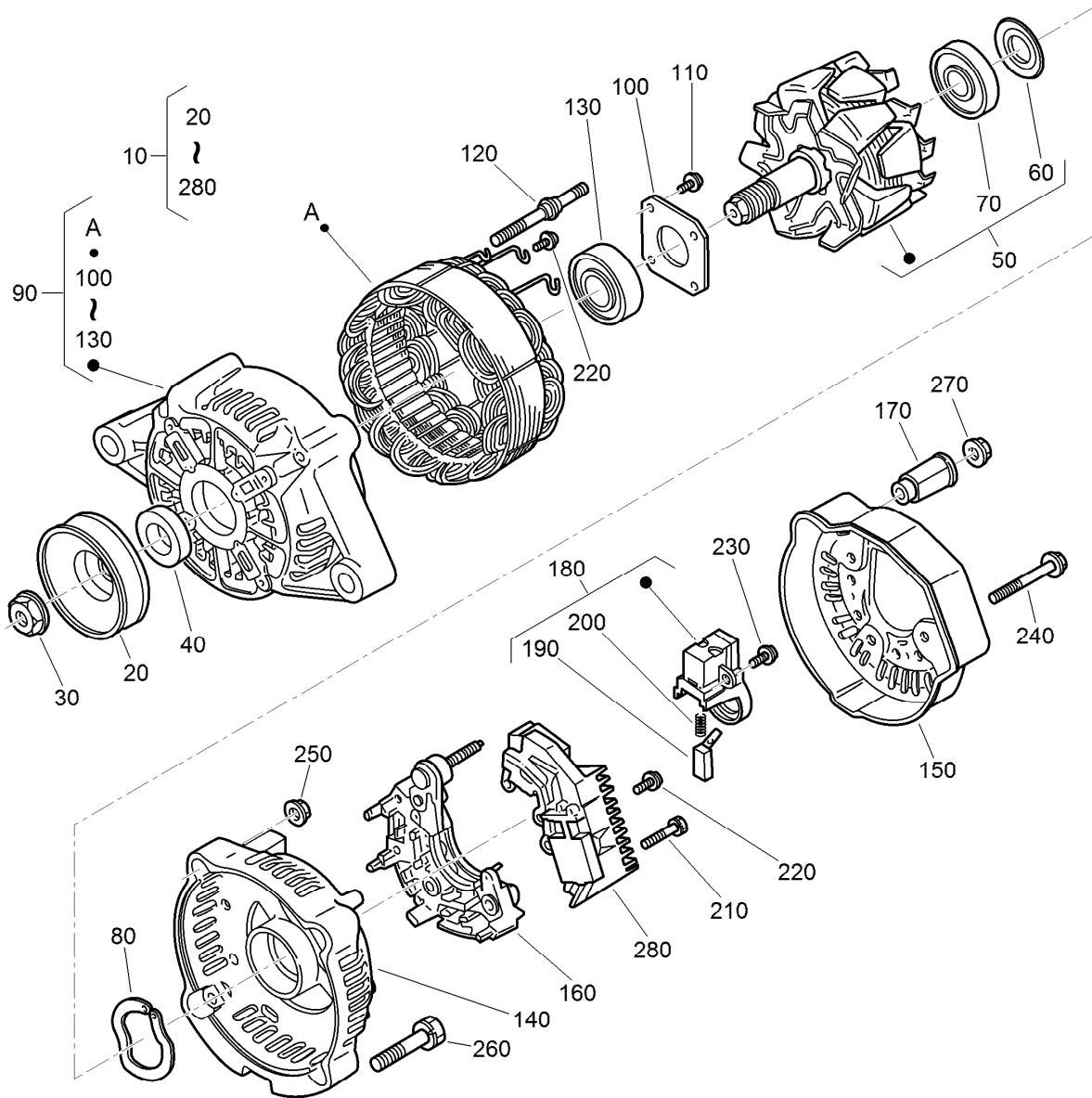
## Nozzle Holder Assembly (continued)

<i>Ref.</i>	<i>Part Number</i>	<i>Qty.</i>	<i>Description</i>	<i>Ref.</i>	<i>Part Number</i>	<i>Qty.</i>	<i>Description</i>
5	130-1305	3	Nozzle Holder Kit	110	98-7860	3	Washer-Adjusting (1.400MM)
10	130-1303	3	Nozzle Holder ASM	110	98-7861	3	Washer-Adjusting (1.425MM)
20	121-2411	3	Nut	110	98-7862	3	Washer-Adjusting (1.450MM)
30	99-8302	3	Washer-Adjusting	110	98-7863	3	Washer-Adjusting (1.475MM)
40	99-8303	3	Spring-Nozzle	110	98-7864	3	Washer-Adjusting (1.500MM)
50	99-8304	3	Spacer-Distance	110	98-7865	3	Washer-Adjusting (1.525MM)
60	99-8305	3	Rod-Push	110	98-7866	3	Washer-Adjusting (1.550MM)
70	130-1304	3	Nut-Nozzle	110	98-7867	3	Washer-Adjusting (1.575MM)
80	99-8307	3	Washer-Plain	110	98-7868	3	Washer-Adjusting (1.600MM)
90	130-1497	3	Nozzle-Piece	110	98-7869	3	Washer-Adjusting (1.625MM)
100	98-9448	3	Adjusting Washer ASM	110	98-7870	3	Washer-Adjusting (1.650MM)
110	98-7642	3	Washer-Adjusting (0.900Mm)	110	98-7871	3	Washer-Adjusting (1.675MM)
110	98-7841	3	Washer-Adjusting (0.925Mm)	110	98-7872	3	Washer-Adjusting (1.700MM)
110	98-7842	3	Washer-Adjusting (0.950Mm)	110	98-7873	3	Washer-Adjusting (1.725MM)
110	98-7843	3	Washer-Adjusting (0.975Mm)	110	98-7874	3	Washer-Adjusting (1.750MM)
110	98-7844	3	Washer-Adjusting (1.000Mm)	110	98-7875	3	Washer-Adjusting (1.775MM)
110	98-7845	3	Washer-Adjusting (1.025Mm)	110	98-7876	33	Washer-Adjusting (1.800MM)
110	98-7846	3	Washer-Adjusting (1.050Mm)	110	98-7877	3	Washer-Adjusting (1.825MM)
110	98-7847	3	Washer-Adjusting (1.075MM)	110	98-7878	3	Washer-Adjusting (1.850MM)
110	98-7848	3	Washer-Adjusting (1.100MM)	110	98-7879	3	Washer-Adjusting (1.875MM)
110	98-7849	3	Washer-Adjusting (1.125MM)	110	98-7880	3	Washer-Adjusting (1.900MM)
110	98-7850	3	Washer-Adjusting (1.150MM)	110	98-7881	3	Washer-Adjusting (1.925MM)
110	98-7851	3	Washer-Adjusting (1.175MM)	110	98-7882	3	Washer-Adjusting (1.950MM)
110	98-7852	3	Washer-Adjusting (1.200MM)	120	98-7676	3	Gasket
110	98-7853	3	Washer-Adjusting (1.225MM)	130	98-7677	3	Seal-Heat
110	98-7854	3	Washer-Adjusting (1.250MM)				
110	98-7855	3	Washer-Adjusting (1.275MM)				
110	98-7856	3	Washer-Adjusting 1.300MM)				
110	98-7857	3	Washer-Adjusting (1.325MM)				
110	98-7858	3	Washer-Adjusting (1.350MM)				
110	98-7859	3	Washer-Adjusting (1.375MM)				



## Alternator and Pulley Assembly

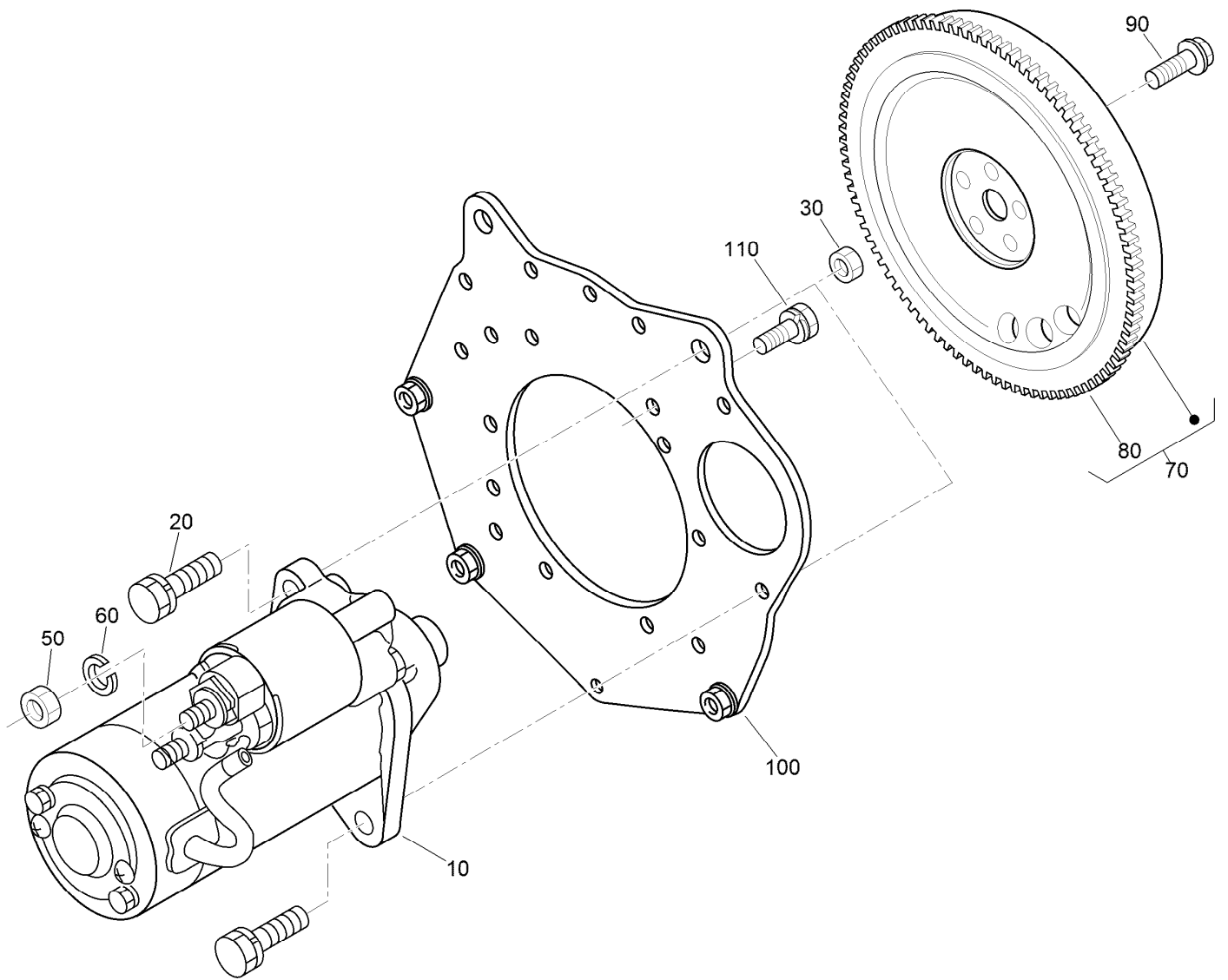
<i>Ref.</i>	<i>Part Number</i>	<i>Qty.</i>	<i>Description</i>
10	131-6557	1	Alternator ASM
20	121-2412	1	Stay-Alternator
30	121-2413	1	Bolt
40	110-3794	1	Collar
50	121-2418	1	Bolt-Hex
60	120-5832	2	Washer-Plain
70	98-7534	1	Nut
80	105-2893	1	Washer-Spring
90	98-7692	2	Bolt
100	100-1921	1	Pulley-Fan
110	112-2510	1	Pulley-Drive, Fan
120	100-1978	1	Bolt
130	119-4486	1	Belt-V, Fan
140	99-8363	4	Bolt-Flange



## Alternator Components Assembly

Ref.	Part Number	Qty.	Description
10	131-6557	1	Alternator ASM
20	98-9453	1	Pulley-Dynamo
30	98-7708	1	Nut
40	98-7709	1	Collar
50	107-0136	1	Rotor ASM
60	98-7711	1	Cover-Bearing
70	107-0138	1	Bearing-Ball
80	98-7713	1	Washer-Thrust
90	107-0139	1	Drive End Frame ASM
100	98-7715	1	Plate-Retainer
110	98-7716	4	Screw-Head, Round
120	98-7717	2	Bolt-Through
130	133-2811	1	Bearing
140	107-9087	1	Frame-End

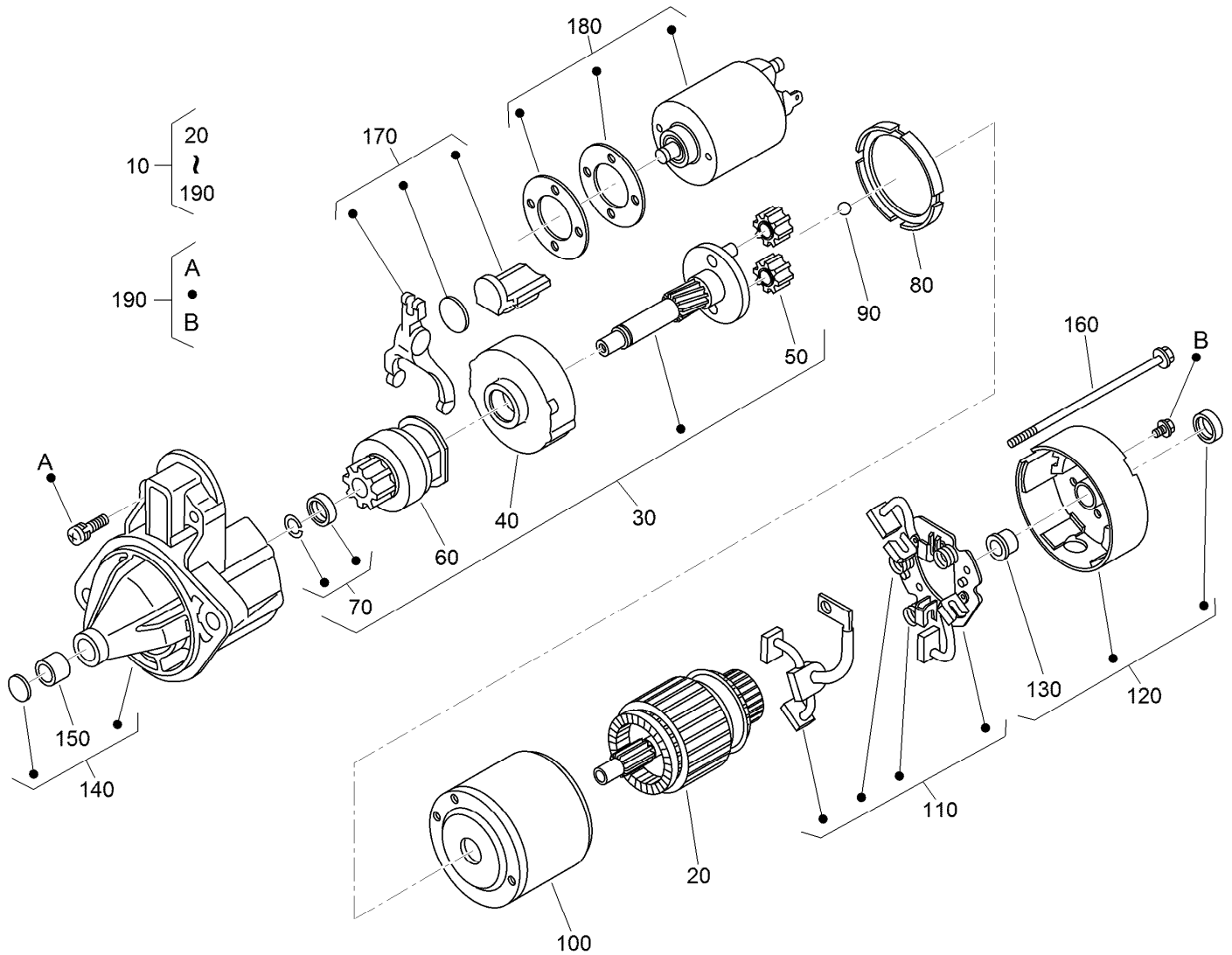
Ref.	Part Number	Qty.	Description
150	107-0140	1	Cover-End
160	127-1612	1	Rectifier ASM
170	98-7722	1	Bushing-Insulation
180	107-0141	1	Brush Holder ASM
190	98-7724	2	Brush
200	98-7725	2	Spring-Brush
210	98-7726	2	Screw-Head, Round
220	98-7727	6	Screw-Head, Round
230	98-7728	1	Screw-Head, Round
240	98-7729	3	Bolt
250	98-7730	2	Nut
260	98-7731	2	Bolt
270	98-7732	1	Nut
280	110-3799	1	Regulator ASM



## Starter and Flywheel Assembly

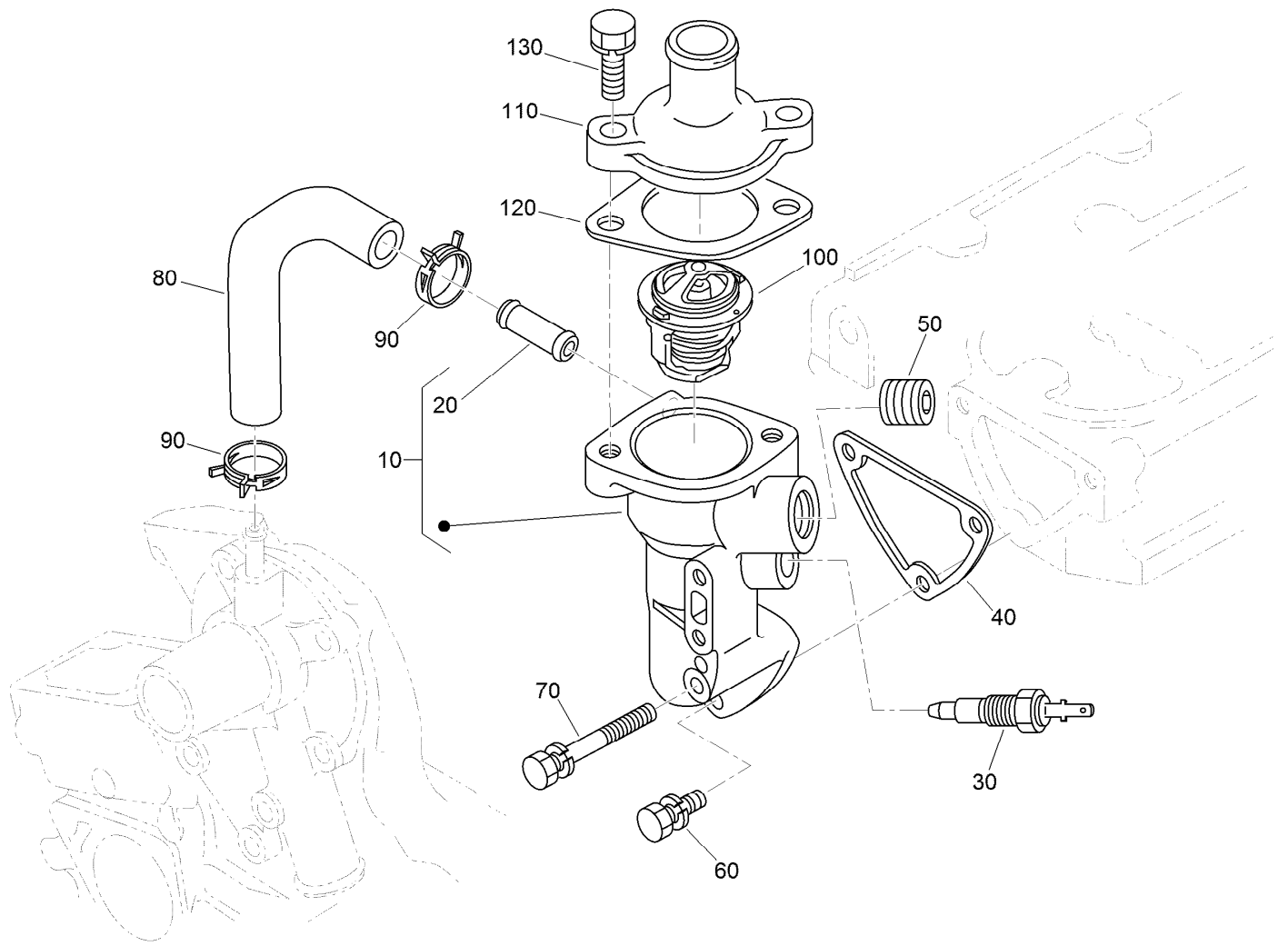
Ref.	Part Number	Qty.	Description
10	110-3800	1	Starter ASM
20	98-7697	2	Bolt
30	98-7534	2	Nut
50	98-7534	1	Nut
60	105-2893	1	Washer-Spring
70	130-1369	1	Flywheel ASM
80	127-1604	1	Gear-Ring
90	100-1930	5	Bolt-Flywheel
100	120-3130	1	Plate-End, Rear
110	110-3754	10	Bolt





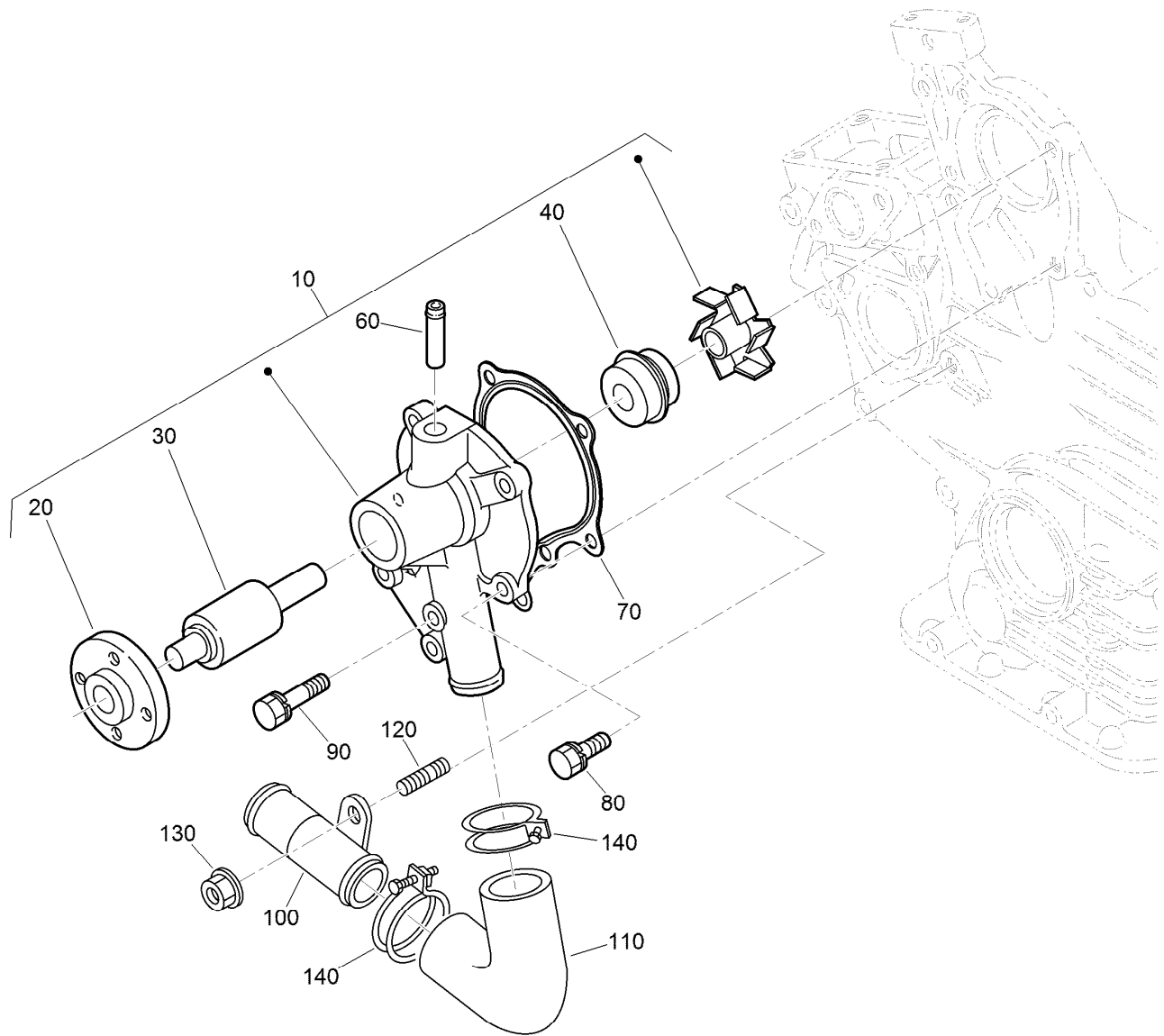
## Starter Component Assembly

<i>Ref.</i>	<i>Part Number</i>	<i>Qty.</i>	<i>Description</i>	<i>Ref.</i>	<i>Part Number</i>	<i>Qty.</i>	<i>Description</i>
10	110-3800	1	Starter ASM	110	110-3810	1	Brush Holder ASM
20	110-3801	1	Armature	120	110-3811	1	Rear Bracket ASM
30	110-3802	1	Shaft ASM	130	110-3812	1	Bushing
40	120-3142	1	Gear-Internal	140	110-3813	1	Front Bracket ASM
50	110-3804	3	Gear-Planetary	150	110-3814	1	Bushing
60	110-3805	1	Clutch-Running, Over	160	110-3815	2	Bolt
70	110-3806	1	Stopper	170	110-3816	1	Fork Lever ASM
80	120-3143	1	Gasket	180	110-3817	1	Magnetic Switch ASM
90	110-3808	1	Ball	190	110-3818	2	Screws (Set Of 4)
100	130-1295	1	Yoke				



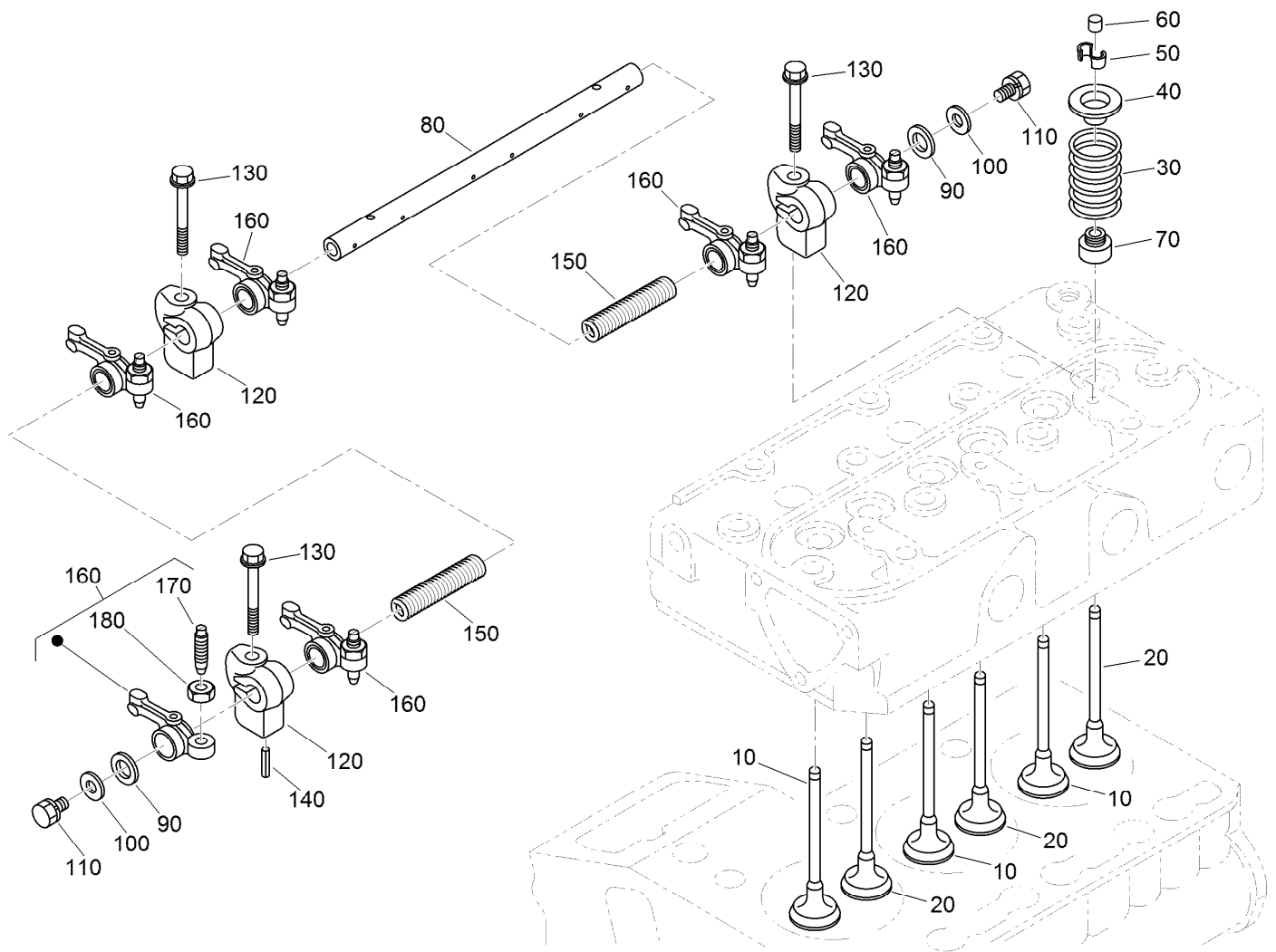
## Water Flange and Thermostat Assembly

<i>Ref.</i>	<i>Part Number</i>	<i>Qty.</i>	<i>Description</i>
10	121-2414	1	Water Flange ASM
20	98-9580	1	Pipe-Return, Water
30	100-1983	1	Thermo-Switch
40	110-3820	1	Gasket-Flange, Water
50	105-2874	1	Plug
60	98-7692	2	Bolt
70	125-9063	1	Bolt-Sems
80	100-2017	1	Pipe-Return, Water
90	125-9078	2	Clamp-Hose
100	98-7778	1	Thermostat ASM
110	121-2415	1	Cover-Thermostat
120	105-3748	1	Gasket-Thermostat
130	98-7438	2	Bolt



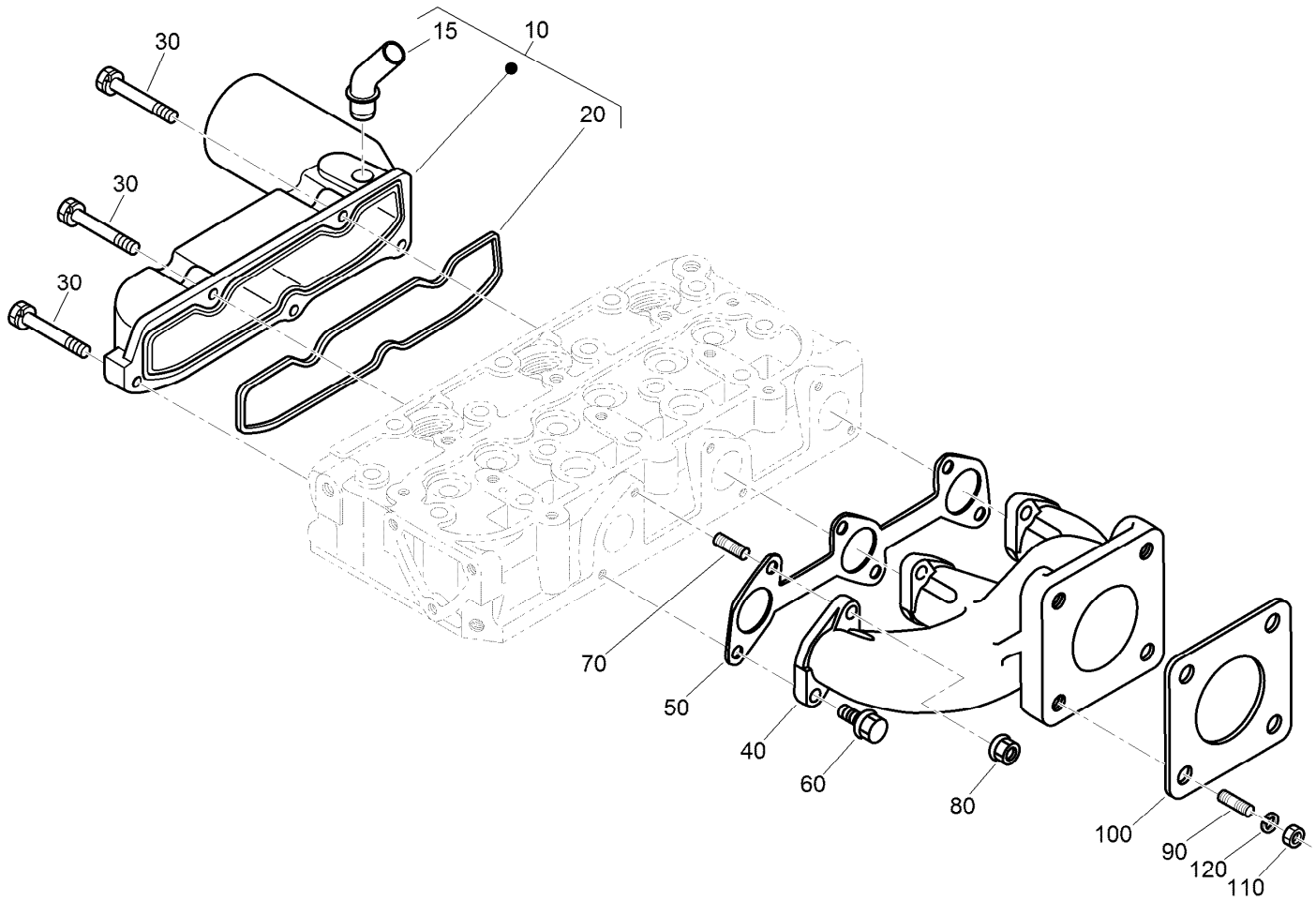
## Water Pump and Water Pipe Assembly

<i>Ref.</i>	<i>Part Number</i>	<i>Qty.</i>	<i>Description</i>
10	127-1607	1	Water Pump ASM
20	125-9081	1	Flange-Pump, Water
30	100-1934	1	Bearing-Ball
40	99-3518	1	Water Pump Seal ASM
60	100-1932	1	Pipe-Return, Water
70	117-8846	1	Gasket-Pump, Water
80	100-1750	4	Bolt
90	100-1764	1	Bolt
100	112-2835	1	Pipe-Water
110	112-2836	1	Hose-Water
120	100-1924	1	Stud
130	100-2203	1	Nut-Flange
140	110-3828	2	Band-Pipe



## Valve and Rocker Arm Assembly

Ref.	Part Number	Qty.	Description	Ref.	Part Number	Qty.	Description
10	112-2514	3	Valve-Inlet	100	110-3832	2	Washer-Plain
20	112-2515	3	Valve-Exhaust	110	100-1762	2	Bolt
30	100-1823	6	Spring-Valve	120	110-3833	3	Bracket-Arm, Rocker
40	100-1825	6	Retainer-Spring, Valve	130	110-3834	3	Bolt-Flange
50	120-3136	6	Collet-Spring, Valve	140	98-7602	1	Pin-Spring
60	100-2155	6	Cap-Valve	150	112-8342	2	Spring
70	100-1797	6	Seal-Stem, Valve	160	100-1884	6	Rocker Arm ASM
80	112-8341	1	Shaft-Arm, Rocker	170	100-1885	6	Screw-Adjusting
90	100-2044	2	Washer	180	100-1827	6	Nut



## Inlet and Exhaust Manifold Assembly

<i>Ref.</i>	<i>Part Number</i>	<i>Qty.</i>	<i>Description</i>
10	120-3141	1	Intake Manifold ASM
15	121-2417	1	Pipe-Breather
20	110-3838	1	Gasket-Manifold, Intake
30	98-9352	5	Bolt
40	110-3839	1	Manifold-Exhaust
50	110-3840	1	Gasket-Manifold, Exhaust
60	130-1154	3	Screw-Hex HD
70	130-1156	3	Bolt-Stud
80	100-1778	3	Nut
90	98-7769	4	Stud
100	99-8343	1	Gasket-Muffler
110	98-7534	4	Nut
120	105-2893	4	Washer-Spring

# Attachments and Accessories

## For 04384 Greensmaster 3250-D 2-Wheel Drive Traction Unit

<b>Product Name</b>	<b>Model/Part</b>
Turf Evaluator .....	04399
CE Guard Kit.....	04441
Three-Wheel Drive Kit without ROPS .....	04477
Dethatching Unit .....	04479
Spiker Kit .....	04494
Tri-Roller Kit.....	04495
Leak Detector Kit .....	04497
Light Kit.....	04554
8-Blade DPA Reel Mower .....	04652
11-Blade DPA Reel Mower .....	04654
14-Blade DPA Reel Mower .....	04656
Hose Adapter Kit.....	100-6430
Weight Kit, Greensmaster and Sand Pro/Infield Pro Traction Unit.....	100-6442
Oil Cooler Kit.....	104-7701
Ground-Following Suspension Kit .....	104-9400
Radiator Screen Kit.....	105-9766
Premium All Season Hydraulic Fluid (55 Gallon Drum) .....	108-1177
Premium All Season Hydraulic Fluid (5 Gallon Pail).....	108-1178
Filter-Air .....	108-3811
Seperator Filter ASM .....	110-9044
Bimini Folding Shade Assembly .....	115-4510
Wireless Hourmeter .....	115-4754
Filter-Oil, Engine.....	115-8189
Hydraulic Hose Kit .....	117-2721
Premium Synthetic Bio-Degradable Hydraulic Fluid (5 Gallon Pail) .....	119-2157
Premium Synthetic Bio-Degradable Hydraulic Fluid (55 Gallon Drum).....	119-2158
Spark Arrester Kit .....	120-1951
Premium Engine Oil 10w30 (55 Gallon Drum) .....	121-6392
Premium Engine Oil 10w30 (5 Gallon Pail) .....	121-6393
Toro Reel Paper (10 Pack).....	125-5610
Toro Reel Shim (0.002in) .....	125-5611
MVP Filter Kit.....	30086
Arm Rest Kit.....	30707
Height-of-Cut Bar.....	94-9010
Weight Kit, Greensmaster 3100, 3150 or 3250-D Traction Unit with Three-Wheel Drive .....	99-1645
Tire-TURFMATE .....	99-4506

**Notes:**



**Count on it.**