



Count on it.

Parts Catalog

**60in Z Master® Professional
2000 Series Riding Mower**

Model No. 77260—Serial No. 411437702 and Up



Ordering Replacement Parts

To order replacement parts, please supply the part number, the quantity, and the description of each part desired.

Understanding Reference Numbers

Each identified part in an illustration has a reference number. The reference number for a part also appears in the parts list, along with other information about the part.

This catalog uses two special reference number formats, one to indicate parts in a service assembly and another to indicate the quantity of a given part in an illustration.

Service Assembly Reference Numbers

Parts in service assemblies have reference numbers in the form a:b. The a represents the reference number of the entire service assembly and the b represents a sequential number unique to each part within the service assembly.

For example, a wheel assembly might be identified by reference number 6, the tire by 6:1, the valve by 6:2, and the wheel by 6:3. When you order the assembly identified by reference number 6, you receive all parts identified by reference numbers 6:1, 6:2, and 6:3. However, you may also order any part individually. Reference numbers of this type appear in illustration and in parts lists.

Reference Numbers Indicating Quantity

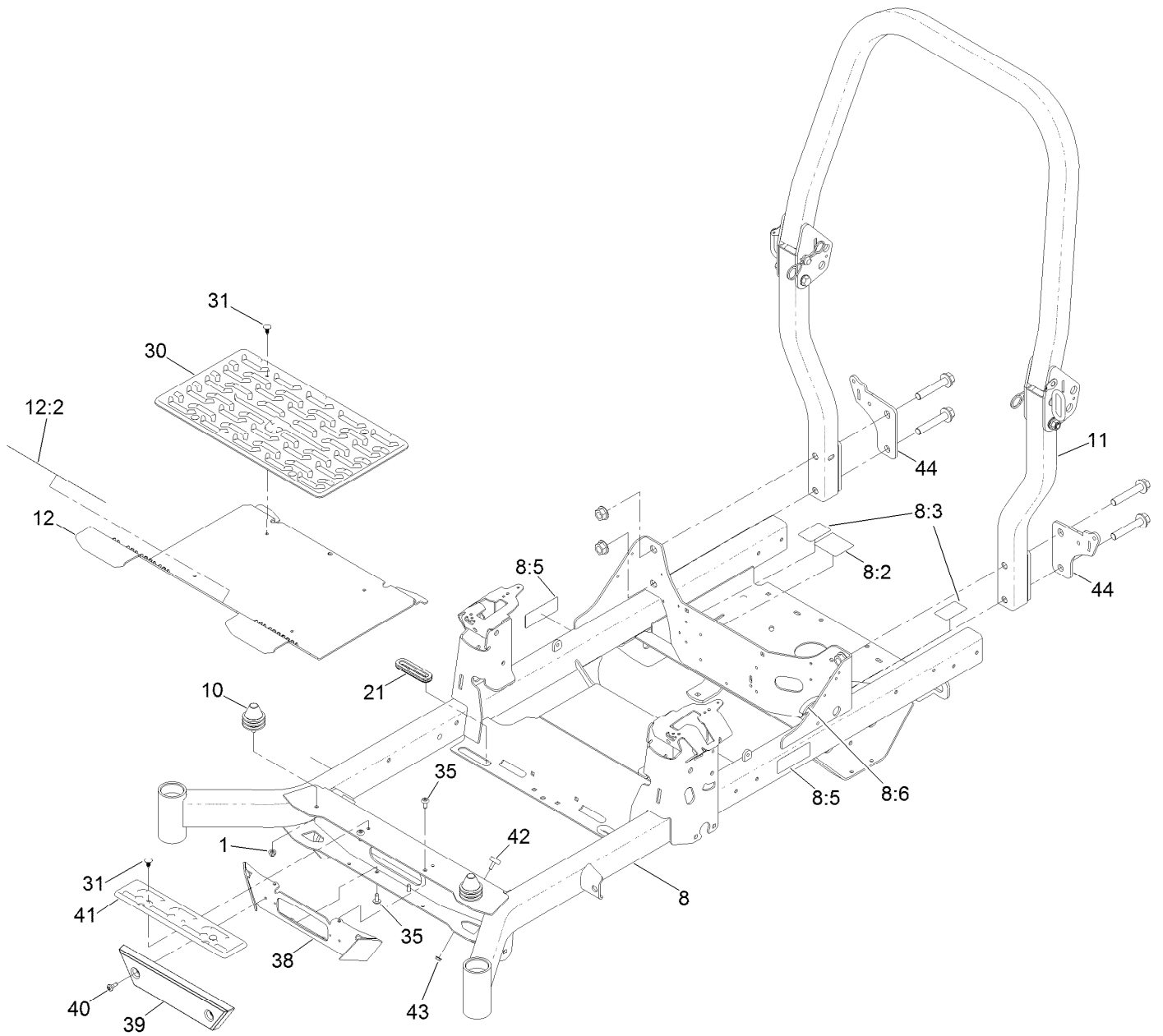
In an illustration, if a reference number indicates more than one part, the reference number has the form nX y. The n represents the quantity of the part, the X is the multiplication symbol, and the y represents the reference number.

For example, in an illustration, the reference number 2X 37 means that two of the parts identified by reference number 37 are indicated.

Contents

Frame Assembly	4
Roll-Over Protection System Assembly No. 144-1848	6
Hydraulic Assembly	8
LH Transaxle Assembly No. 126-2883	10
RH Transaxle Assembly No. 126-2884	12
Control Console and Guard Assembly	14
Fuel System and Vent Hose Assembly	16
Fuel Tank Assembly No. 126-4724	18
Seat Mount Assembly	20
Seat Assembly No. 144-3775	22
Motion Control Assembly	24
LH and RH Motion Control Assembly	26
Caster Assembly	28
Caster Wheel and Fork Assembly	30
Wheel Assembly	32
Electrical Assembly	34
Harness Assembly No. 126-5803	36
Deck Lift Assembly	38
Deck Strut Assembly No. 126-8365	40
Engine, Clutch and Muffler Assembly	42
Deck Assembly	44
Deflector Assembly No. 120-2451	46
Deck Decal Assembly No. 126-8958	48
Attachments and Accessories	50

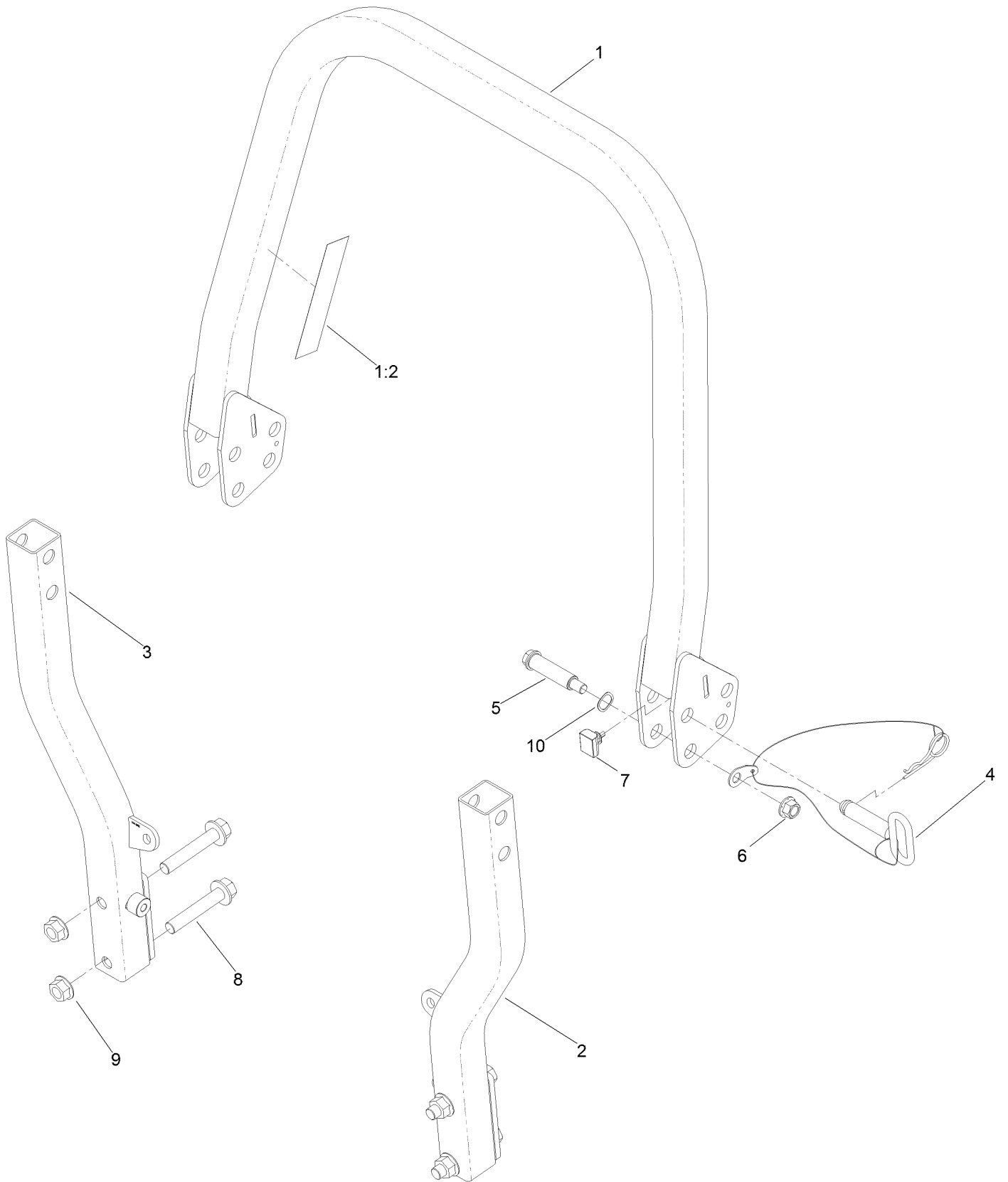
Frame Assembly



Frame Assembly (continued)

<i>Ref.</i>	<i>Part Number</i>	<i>Qty.</i>	<i>Description</i>	<i>Ref.</i>	<i>Part Number</i>	<i>Qty.</i>	<i>Description</i>
1	104-8300	2	Nut-HF, NI	30	144-2615	1	Floor Mat
8	144-1975	1	Frame-60	31	117-2382	6	Plug-Plastic
8:2	109-6014	1	Decal-Routing, Belt	35	138-9753	4	Screw
8:3	116-8588	2	Decal-Release, Drive	38	144-2628-01	1	Bracket-Light [red]
8:5	126-4363	2	Decal-Warning	39	144-2604	1	Bumper-Front
8:6	127-6618	1	Strip-Seal	40	135-2015	2	Screw-Shoulder
10	126-5491	2	Isolator	41	144-2614	1	Step
11	144-1848	1	ASM-ROPS	42	138-2662	2	Bumper-Rubber
12	144-3767	1	Pan-Floor	43	32128-33	2	Nut-HF
12:2	126-8383	1	Decal-Danger	44	126-9487-03	2	Bracket
21	126-7065	2	Grommet-Rubber				

Roll-Over Protection System Assembly No. 144-1848

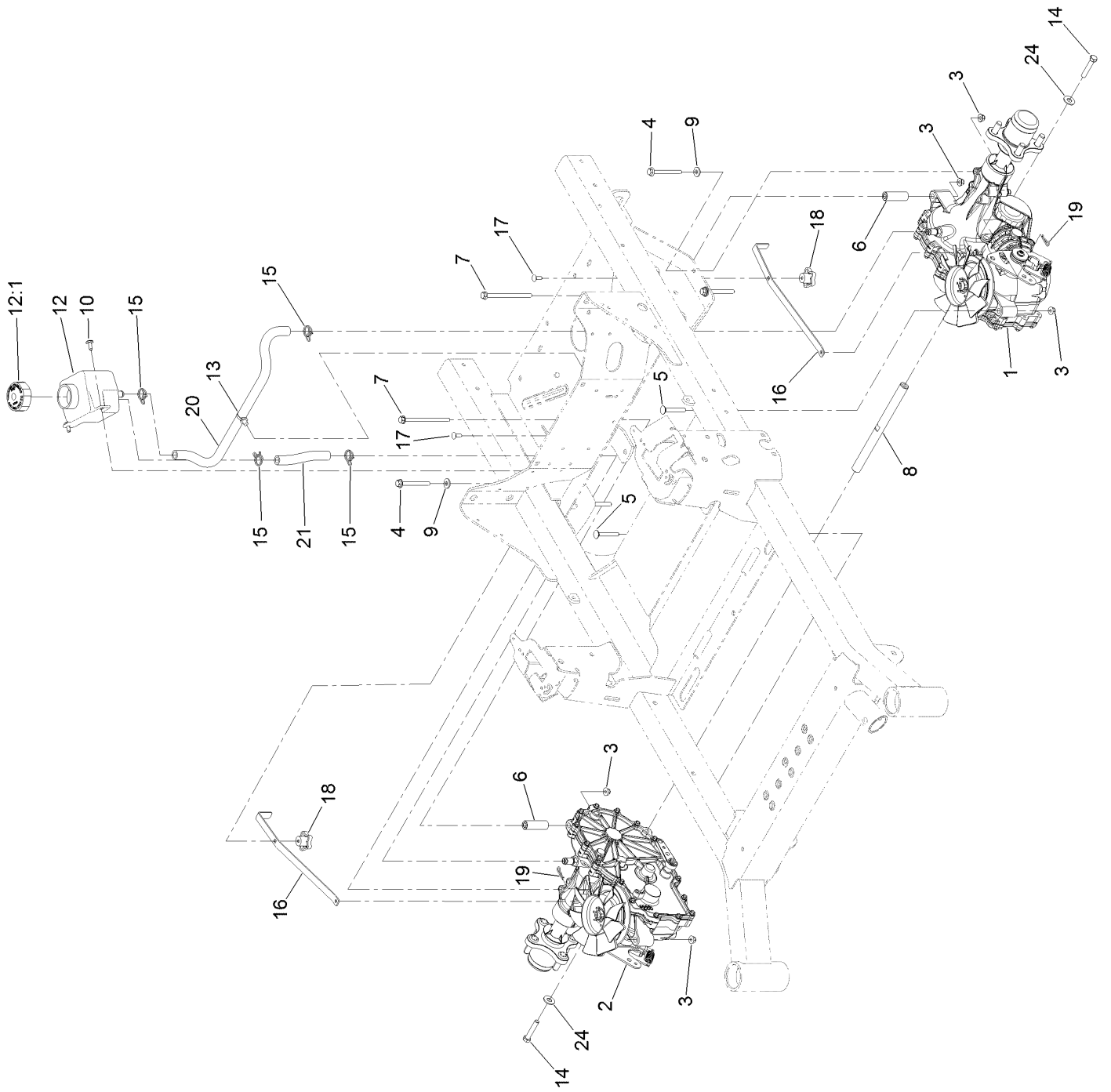


Roll-Over Protection System Assembly No. 144-1848 (continued)

<i>Ref.</i>	<i>Part Number</i>	<i>Qty.</i>	<i>Description</i>	<i>Ref.</i>	<i>Part Number</i>	<i>Qty.</i>	<i>Description</i>
1		1	Upper ROPS ASM ●	6	99-5107	2	Nut-Lock
1:2	107-3069	1	Decal-Warning	7	109-5337	2	Bumper-ROPS
2		1	LH Lower ROPS ASM ●	8	126-9488	4	Screw-HHF
3		1	RH Lower ROPS ASM ●	9	32128-50	4	Nut-Flange
4	103-4553	2	Pin-Fold, ROPS	10	119-4164	2	Washer-Wave
5	126-9209	2	Bolt-Shoulder				

● Not serviced separately

Hydraulic Assembly

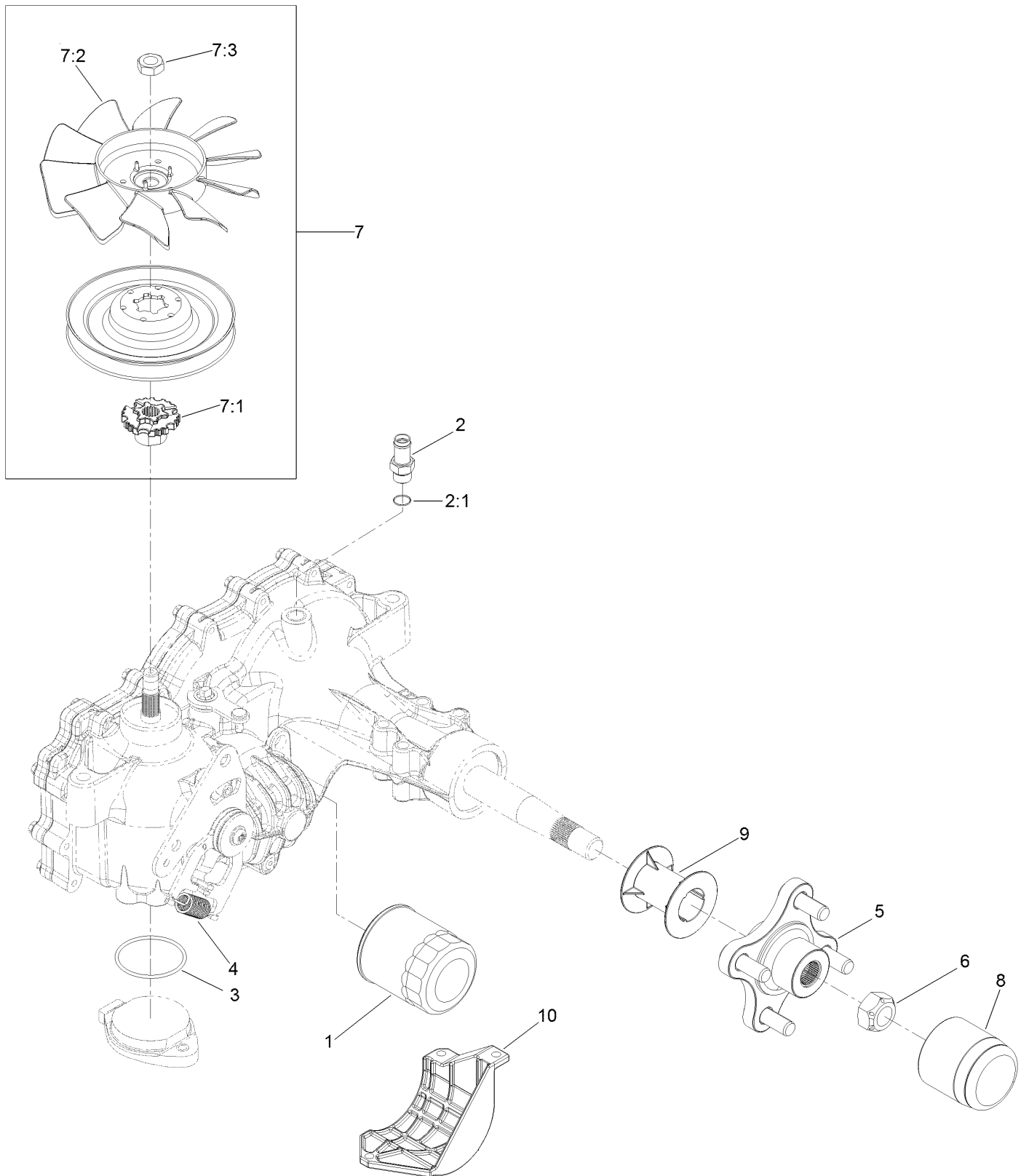


Hydraulic Assembly (continued)

<i>Ref.</i>	<i>Part Number</i>	<i>Qty.</i>	<i>Description</i>	<i>Ref.</i>	<i>Part Number</i>	<i>Qty.</i>	<i>Description</i>
1	126-2883	1	LH Transaxle ASM	12:1	109-3320	1	Cap-Reservoir, HYD
2	126-2884	1	RH Transaxle ASM	13	32180-118	1	Clip-Tie
3	104-8300	8	Nut-HF, NI	14	94-7972	2	Screw-HH W/Loctite ●
4	126-4687	4	Screw-HHF	15	126-0327	4	Clamp-Hose
5	3230-7	2	Bolt-CARR	16	109-5395	2	Arm-Bypass, Hydro
6	116-5809	2	Spacer-Hydro	17	3229-1	2	Screw-CARR
7	126-5896	2	Screw HHF	18	108-6402	2	Knob-Handle
8	116-6833	1	Shaft-Spacer	19	1-806003	2	Pin-Cotter
9	1-303334	4	Washer-Spring	20	126-5668	1	Hose-Hydraulic
10	126-6266	2	Screw-Tph	21	126-5669	1	Hose-Hydraulic
12	109-2250	1	Tank-HYD	24	3256-4	2	Washer-Flat

● Use Pro-Lock, Nut Type (P/N 1-840022, .5ml tube) on threads.

LH Transaxle Assembly No. 126-2883

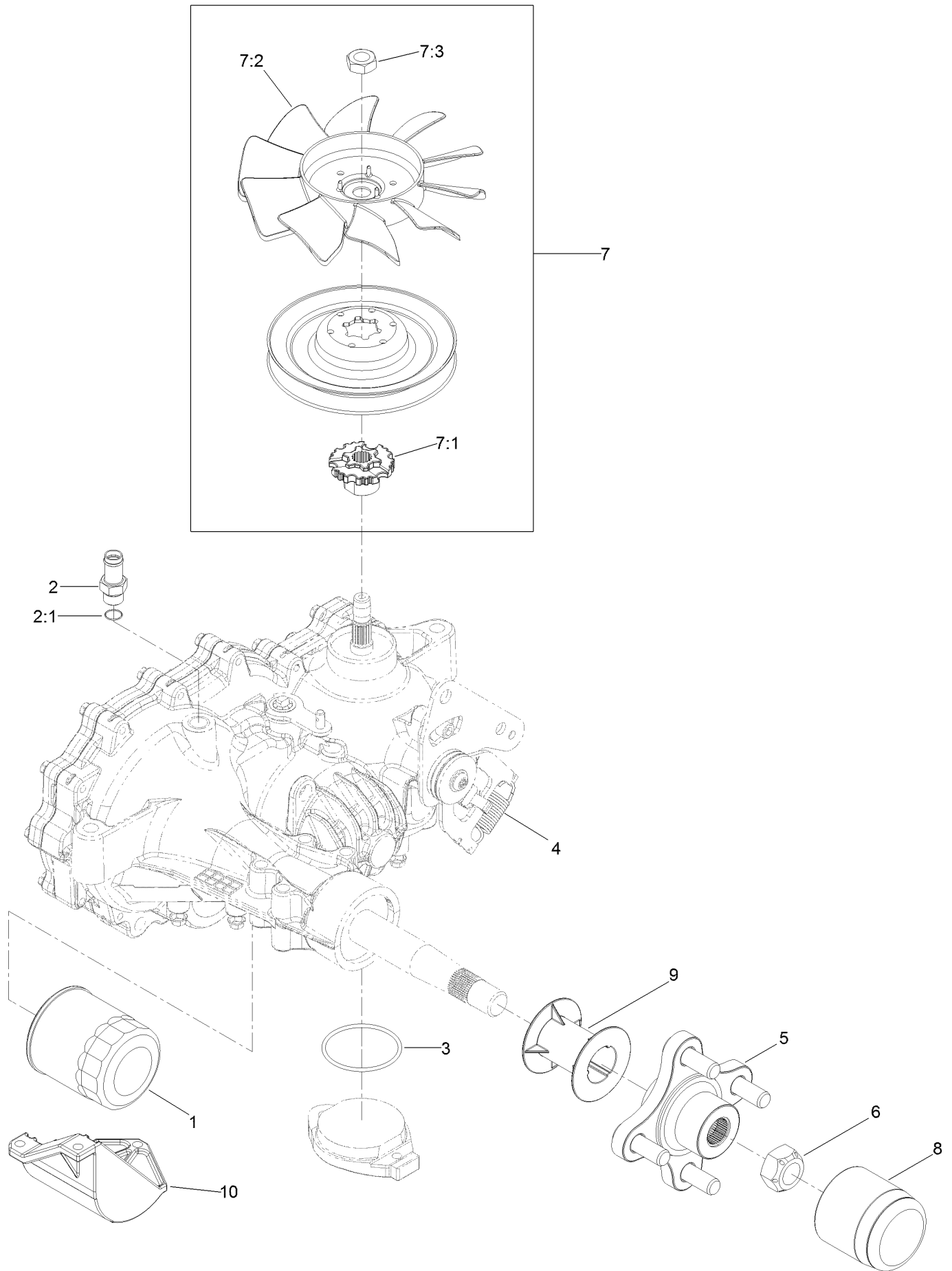


LH Transaxle Assembly No. 126-2883 (continued)

<i>Ref.</i>	<i>Part Number</i>	<i>Qty.</i>	<i>Description</i>	<i>Ref.</i>	<i>Part Number</i>	<i>Qty.</i>	<i>Description</i>
1	109-3321	1	Element-Oil Filter, HYD	7:1	126-8905	1	Hub-Fan
2	109-3278	1	Adapter-Straight	7:2	126-0226	1	Fan
2:1	237-42	1	O-Ring	7:3	116-9714	1	Nut-HJ
3	109-3540	1	O Ring-Seal	8	116-6214	1	Cap-Axle, Long
4	109-5592	1	Spring-Extension	9	116-6213	1	Tube-Axle
5	116-3872	1	Hub-Offset	10	120-7979	1	Guard-Filter, LH
6	109-3536	1	Nut-Hub	99	135-3604	1	Brake Shaft Seal Kit ●
7	126-8904	1	Fan And Pulley Kit	99	121-3243	1	Seal Kit ●

● Not illustrated

RH Transaxle Assembly No. 126-2884

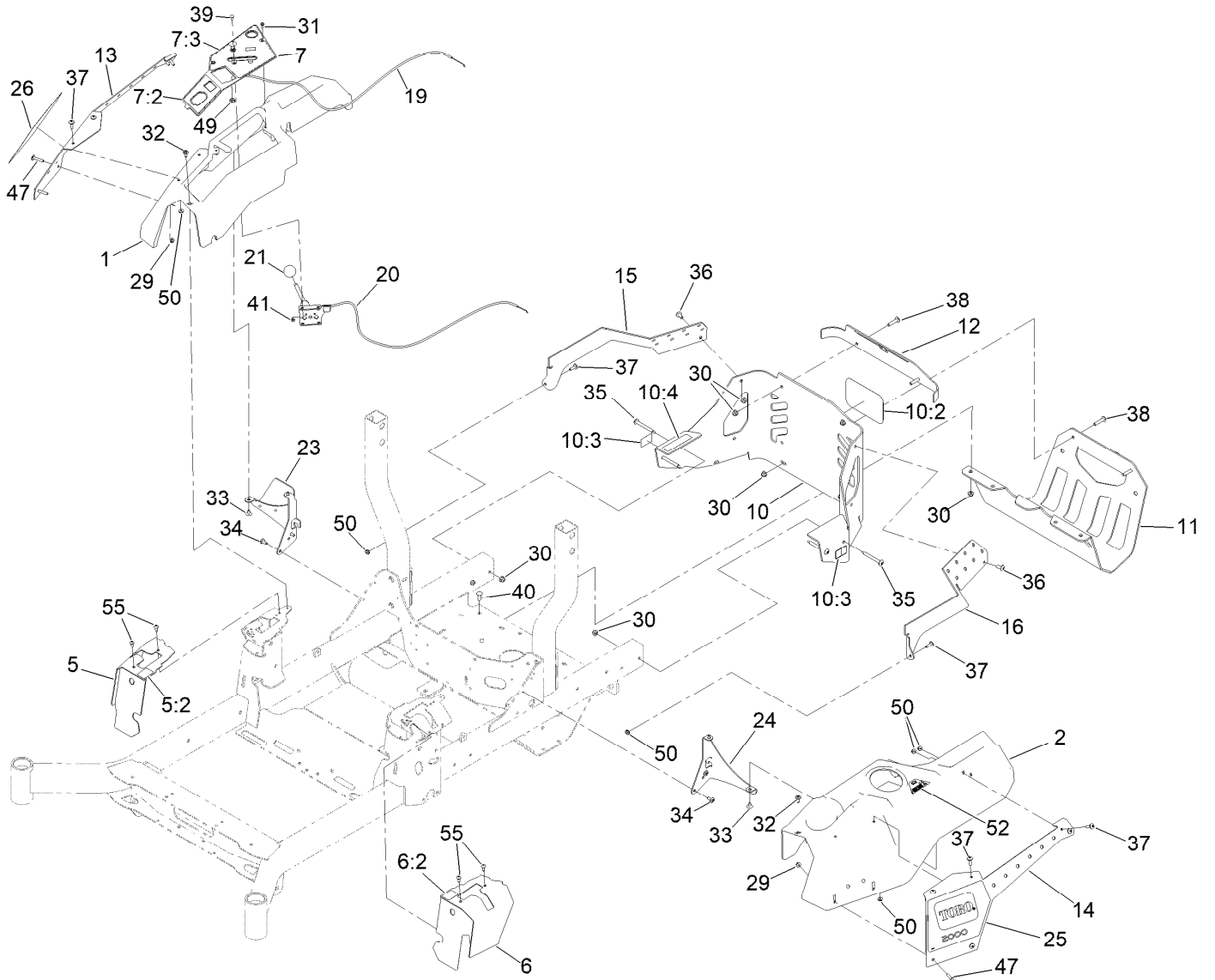


RH Transaxle Assembly No. 126-2884 (continued)

<i>Ref.</i>	<i>Part Number</i>	<i>Qty.</i>	<i>Description</i>	<i>Ref.</i>	<i>Part Number</i>	<i>Qty.</i>	<i>Description</i>
1	109-3321	1	Element-Oil Filter, HYD	7:1	126-8905	1	Hub-Fan
2	109-3278	1	Adapter-Straight	7:2	126-0226	1	Fan
2:1	237-42	1	O-Ring	7:3	116-9714	1	Nut-HJ
3	109-3540	1	O Ring-Seal	8	116-6214	1	Cap-Axle, Long
4	109-5592	1	Spring-Extension	9	116-6213	1	Tube-Axle
5	116-3872	1	Hub-Offset	10	120-7981	1	Guard-Filter, RH
6	109-3536	1	Nut-Hub	11	121-3243	1	Seal Kit ●
7	126-8904	1	Fan And Pulley Kit	99	135-3604	1	Brake Shaft Seal Kit ●

● Not illustrated

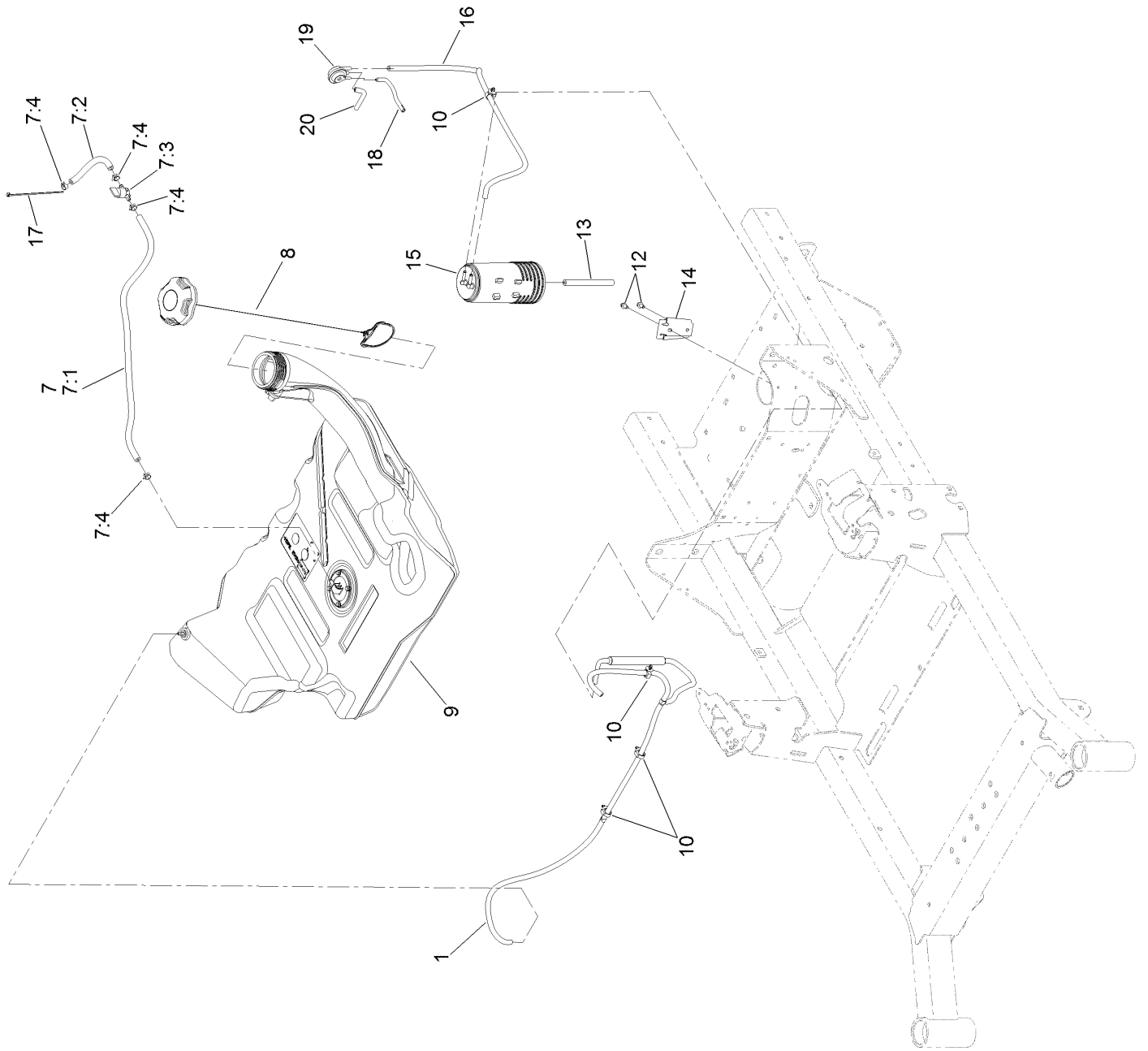
Control Console and Guard Assembly



Control Console and Guard Assembly (continued)

<i>Ref.</i>	<i>Part Number</i>	<i>Qty.</i>	<i>Description</i>	<i>Ref.</i>	<i>Part Number</i>	<i>Qty.</i>	<i>Description</i>
1	126-4983	1	Console-RH	23	126-9945	1	Support-Console, RH
2	126-4984	1	Console-LH	24	126-5532-03	1	Bracket-Console, LH
5	144-3768	1	Cover - Control, Motion	25	140-4353	1	Decal-2000, LH
5:2	135-2310	1	Decal-Motion Control	26	140-4351	1	Decal-2000, RH
6	144-3769	1	Cover - Control, Motion	29	104-7201	4	Nut-HF, NI
6:2	135-2310	1	Decal-Motion Control	30	104-8300	12	Nut-HF, NI
7	147-0323	1	Control Panel ASM	31	117-5036	2	Screw-Plastic, HWH
7:2	126-9115	1	Decal-Panel, Control	32	120-7950	2	Screw-Torx
7:3	137-9240	1	Decal-Panel, Control	33	126-5544	4	Screw-Torx
10	139-3643	1	Rear Guard ASM	34	126-6266	4	Screw-Tph
10:2	99-4693	1	Decal	35	126-6267	4	Screw-TTH
10:3	106-5517	2	Decal-Warning	36	126-6268	2	Screw-TTH
10:4	133-8062	1	Decal-Arrestor, Spark	37	126-6269	10	Screw-Truss
11	135-5084-03	1	Guard-Muffler [black]	38	126-7439	4	Screw-Torx
12	139-3644-01	1	Trim-Upper Rear	39	1-807513	2	Bolt-CARR
13	136-1745-03	1	Cover, Pod RH	40	3230-22	2	Screw-CARR
14	136-1746-03	1	Cover-LH	41	3296-2	2	Nut-Lock, NI
15	126-9023-01	1	Bracket-Guard, RH	47	126-8232	4	Screw-Truss Hex Skt
16	126-9022-01	1	Bracket-Guard, LH	49	3220-3	1	Nut-HJ
19	126-7009	1	Cable-Control, Choke	50	32149-2	10	Nut-Keps
20	126-7008	1	Cable-Control, Throttle	52	126-9939	1	Decal-Fill, Fuel
21	1-603175	1	Knob-Ball	55	87-6620	4	Screw-Tph Thd Form

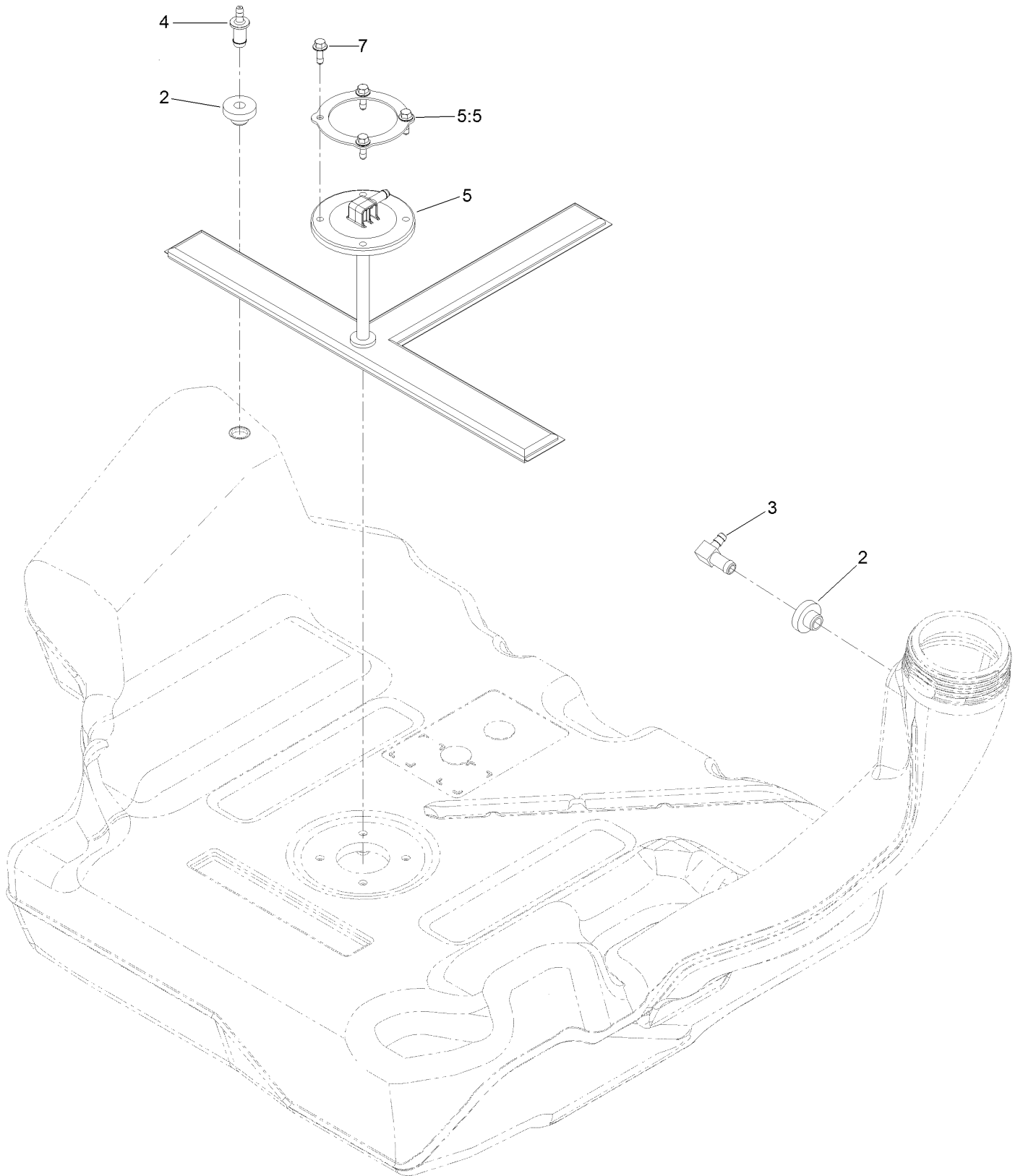
Fuel System and Vent Hose Assembly



Fuel System and Vent Hose Assembly (continued)

<i>Ref.</i>	<i>Part Number</i>	<i>Qty.</i>	<i>Description</i>	<i>Ref.</i>	<i>Part Number</i>	<i>Qty.</i>	<i>Description</i>
1	126-8734	1	Vent Hose ASM	12	93-6083	2	Screw-HWH
7	126-8740	1	Fuel Hose ASM	13	109-0678	1	Hose-Fuel
7:1	109-0302	1	Hose-Fuel	14	114-0292	1	Bracket-Canister, Carbon
7:2	109-0678	1	Hose-Fuel	15	117-1221	1	Canister-Carbon, 800Cc
7:3	1-603770	1	Valve-Fuel	16	109-1395	1	Hose-Fuel
7:4	2412-98	4	Clamp-Hose	17	1-303287	1	Tie-Cable
8	135-4801	1	Cap-Fuel, Ratcheting	18	116-2394	1	Hose-Vent, Formed
9	126-4724	1	Tank-Fuel	19	116-2232	1	Valve-Control, Vacuum
10	126-5523	4	Clip	20	116-2233	1	Hose-Vent, Formed

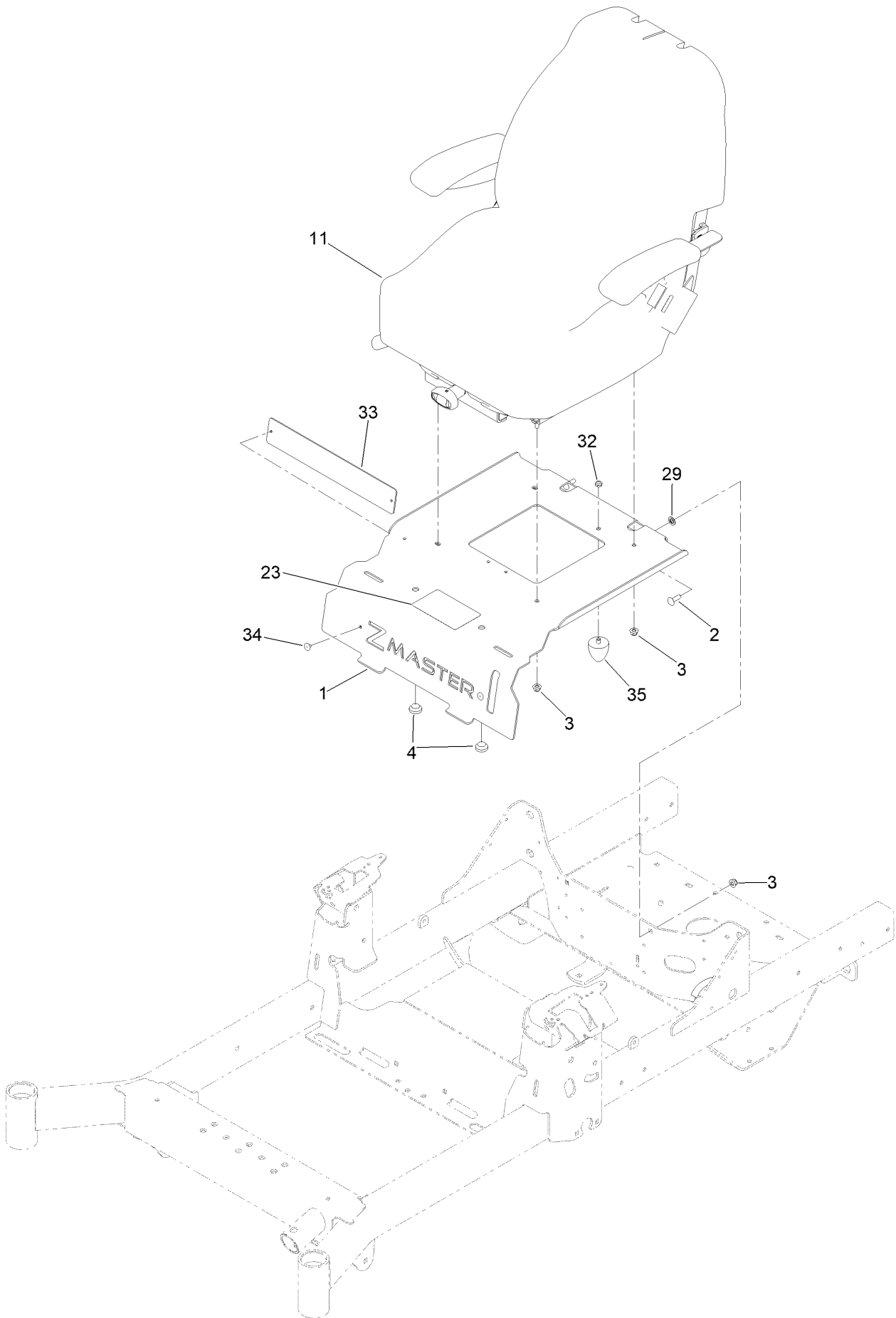
Fuel Tank Assembly No. 126-4724



Fuel Tank Assembly No. 126-4724 (continued)

<i>Ref.</i>	<i>Part Number</i>	<i>Qty.</i>	<i>Description</i>	<i>Ref.</i>	<i>Part Number</i>	<i>Qty.</i>	<i>Description</i>
2	46-6560	2	Bushing	5	126-5528	1	Pickup-Fuel
3	126-9057	1	Fitting-90 DEG	5:5	126-5527	1	Ring-Retainer
4	116-4630	1	Fitting-Orifice, Straight	7	126-5525	4	Bolt

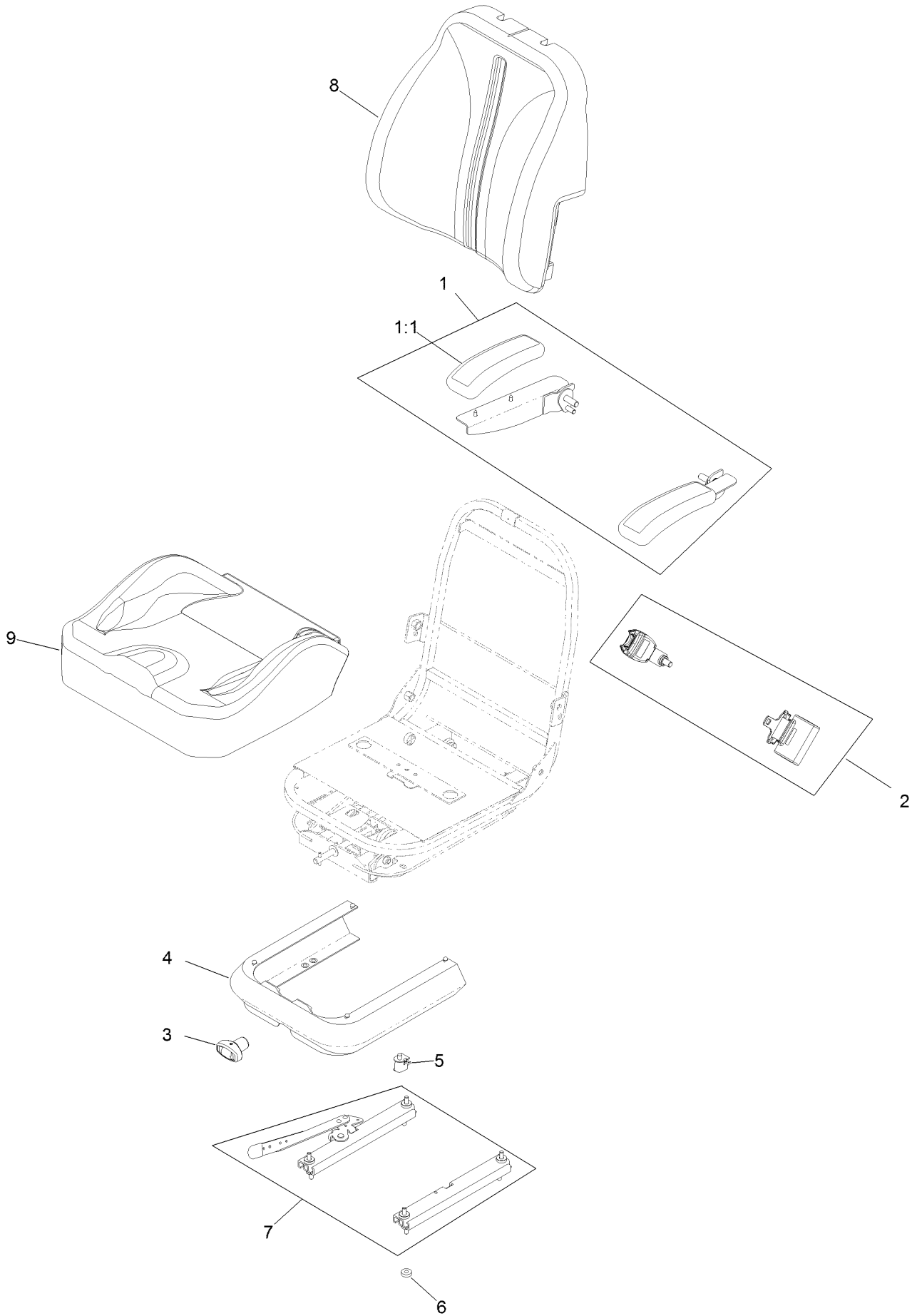
Seat Mount Assembly



Seat Mount Assembly (continued)

<i>Ref.</i>	<i>Part Number</i>	<i>Qty.</i>	<i>Description</i>	<i>Ref.</i>	<i>Part Number</i>	<i>Qty.</i>	<i>Description</i>
1	145-3690-03	1	Plate-Fixed Seat	29	135-7125	2	Washer-Retaining
2	3230-22	2	Screw-CARR	32	3296-47	1	Nut-Lock,NI
3	104-8300	6	Nut-HF, NI	33	144-2612-01	1	Plate-Backer
4	135-0505	2	Bumper-Seat	34	130-8451	2	Rivet-Trifold
11	144-3775	1	Seat-Suspension Toro	35	135-7047	1	Bumper-Rubber
23	126-8151	1	Decal-Aid, Service				

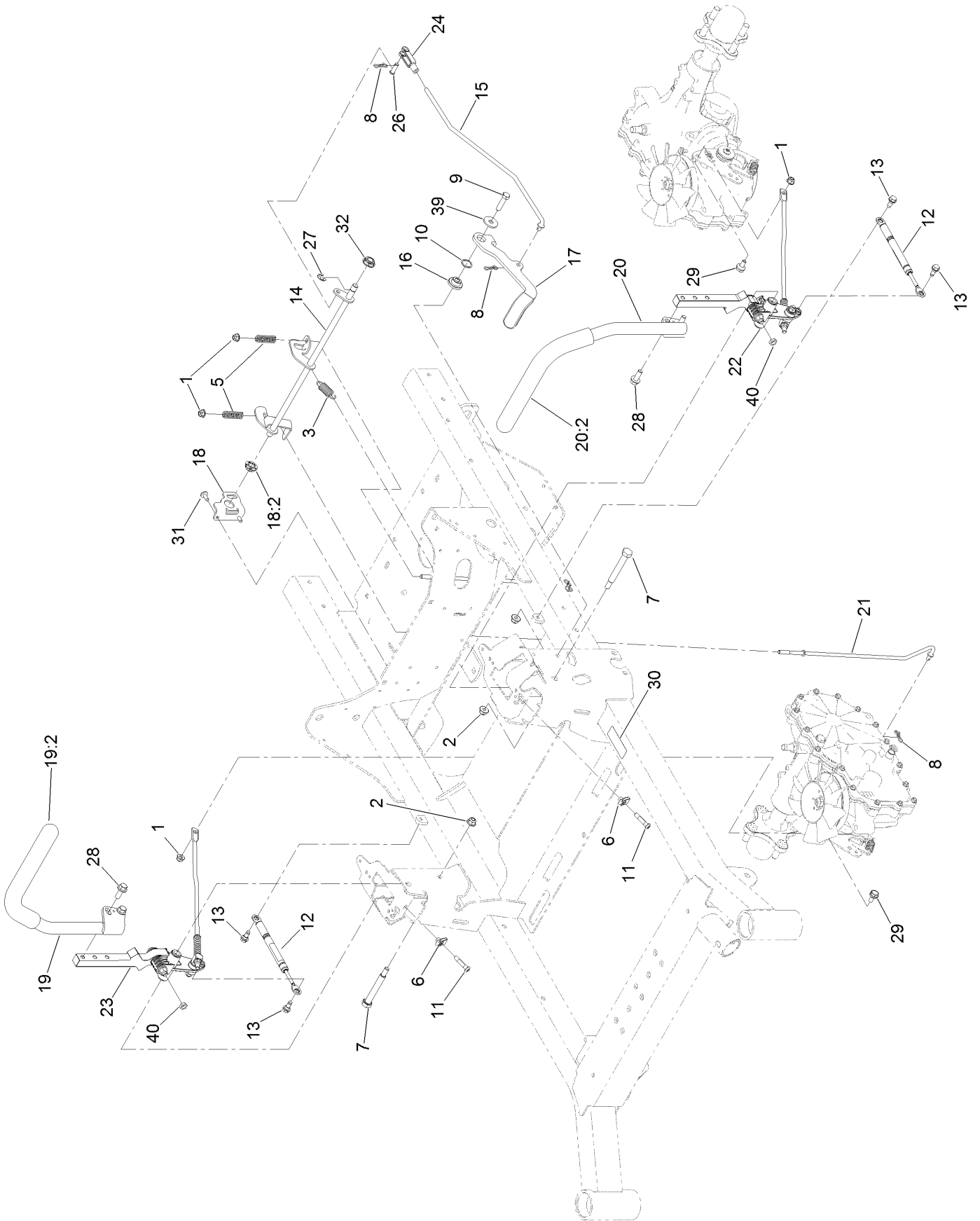
Seat Assembly No. 144-3775



Seat Assembly No. 144-3775 (continued)

<i>Ref.</i>	<i>Part Number</i>	<i>Qty.</i>	<i>Description</i>	<i>Ref.</i>	<i>Part Number</i>	<i>Qty.</i>	<i>Description</i>
1	126-2058	1	Armrest Kit	5	82-2190	1	Switch-Bail
1:1	110-4163	2	Cushion-Rest, Arm	6	26-4840	4	Spacer-Pin, Mounting
2	139-3612	1	Seat Belt Kit	7	139-3614	1	Track ASM
3	130-0846	1	Knob-Adjuster	8	144-3776	1	Cover-Back, Susp Seat
4	139-3613	1	Cover-Skirt W/Fasteners	9	144-3777	1	Cover-Bottom, Susp Seat

Motion Control Assembly

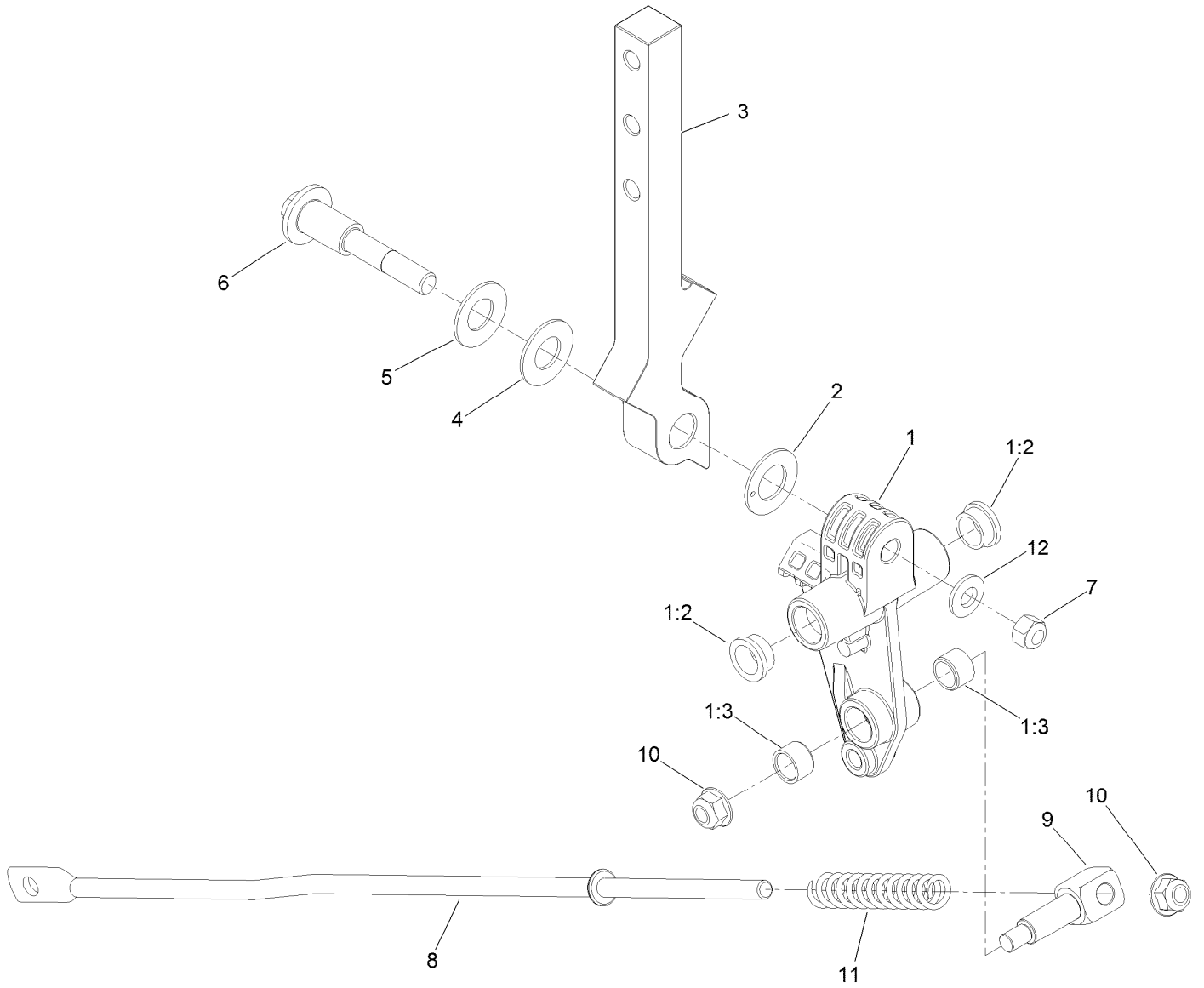


Motion Control Assembly (continued)

<i>Ref.</i>	<i>Part Number</i>	<i>Qty.</i>	<i>Description</i>	<i>Ref.</i>	<i>Part Number</i>	<i>Qty.</i>	<i>Description</i>
1	104-8300	4	Nut-HF, NI	19	126-9191	1	RH Control Handle ASM
2	104-8301	3	Nut-HF, NI	19:2	126-7359	1	Grip
3	107-1045	1	Spring-Extension	20	126-9192	1	LH Control Handle ASM
5	109-7694	2	Spring-Compression	20:2	126-7359	1	Grip
6	112-3306	2	Nut	21	126-7217	2	Linkage-Brake, Lower
7	115-5099	2	Bolt-Pivot	22		1	LH Motion Control ASM ●
8	119-1415	4	Pin-Cotter, Locking	23		1	RH Motion Control ASM ●
9	323-8	1	Screw-HH	24	1-303105	1	Yoke-Adjustable
10	119-4164	1	Washer-Wave	26	1-808280	1	Pin-Clevis
11	126-4299	2	Screw-HSBH	27	32120-47	1	Ring-Retaining, External
12	126-4322	2	Damper	28	3234-42	4	Screw-HHF
13	126-4424	4	Screw-Shoulder	29	37-8771	2	Bolt-Shoulder, HF
14	126-5813	1	Shaft-Brake	30	115-9625	1	Decal-Brake, Parking
15	126-5819	1	Linkage-Brake, Upper	31	126-6266	2	Screw-Tph
16	126-5989	1	Pivot-Flange	32	126-5820	1	Bearing-Spherical
17	126-9490	1	Lever-Brake (With Grip)	39	2844	1	Washer
18	126-6456	1	Bracket-Brake	40	3218-3	2	Nut-Jam
18:2	126-5820	1	Bearing-Spherical				

● Not serviced separately

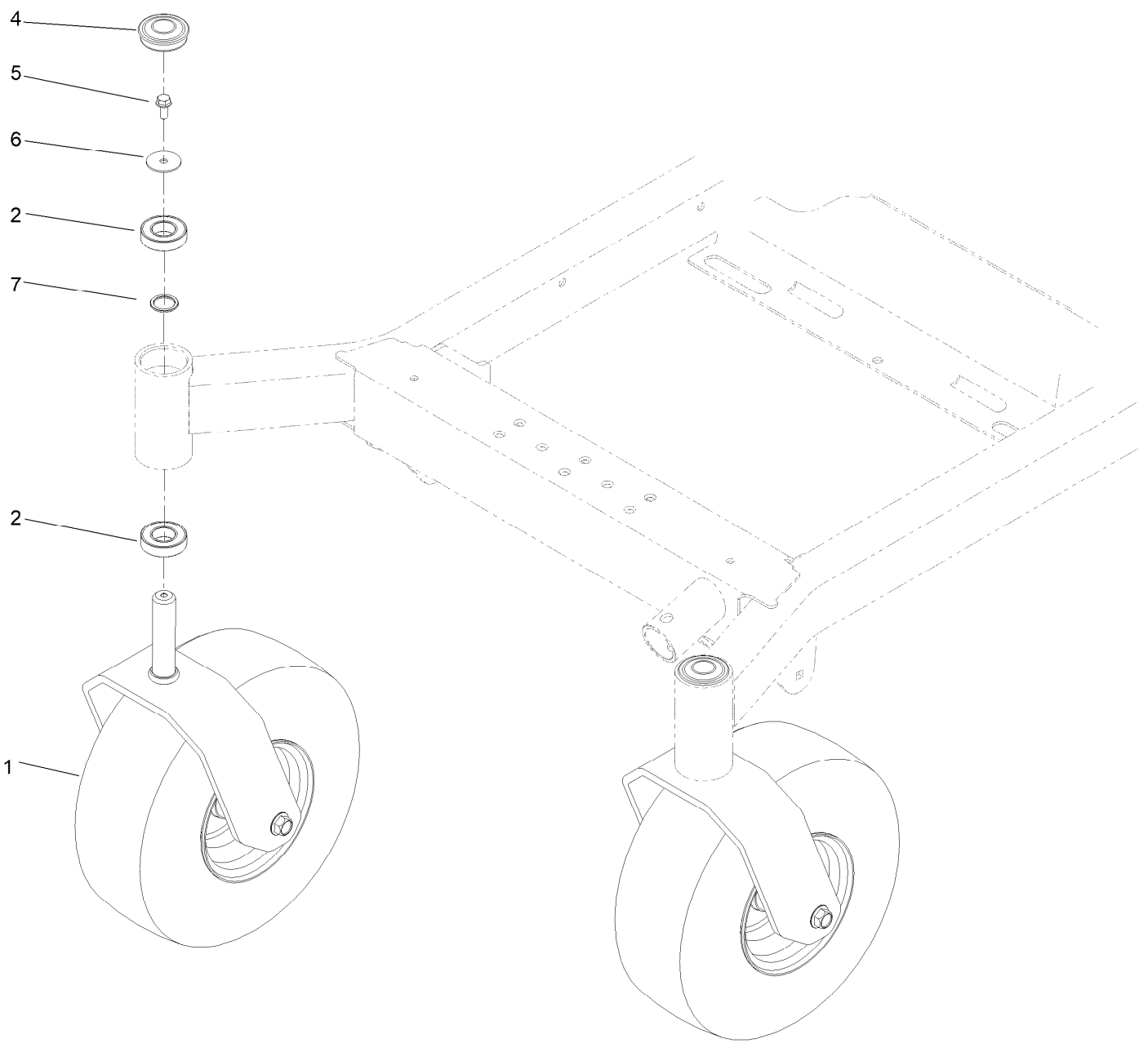
LH and RH Motion Control Assembly



LH and RH Motion Control Assembly (continued)

<i>Ref.</i>	<i>Part Number</i>	<i>Qty.</i>	<i>Description</i>	<i>Ref.</i>	<i>Part Number</i>	<i>Qty.</i>	<i>Description</i>
1	126-3773	1	Control Arm ASM	6	117-1198	1	Bolt-Pivot
1:2	126-8909	2	Bushing	7	32152-2	1	Nut-Lock, Cone
1:3	1-413152	2	Bushing-Sleeve	8	126-5435	1	Link-Control
2	126-7296	1	Washer-Friction	9	126-5434	1	Swivel
3	126-8182	1	Arm-Control	10	104-8300	2	Nut-HF, NI
4	117-1240	1	Washer	11	126-8195	1	Spring-Return, Neutral
5	119-8925	1	Washer-Belleville	12	3256-24	1	Washer-Flat

Caster Assembly

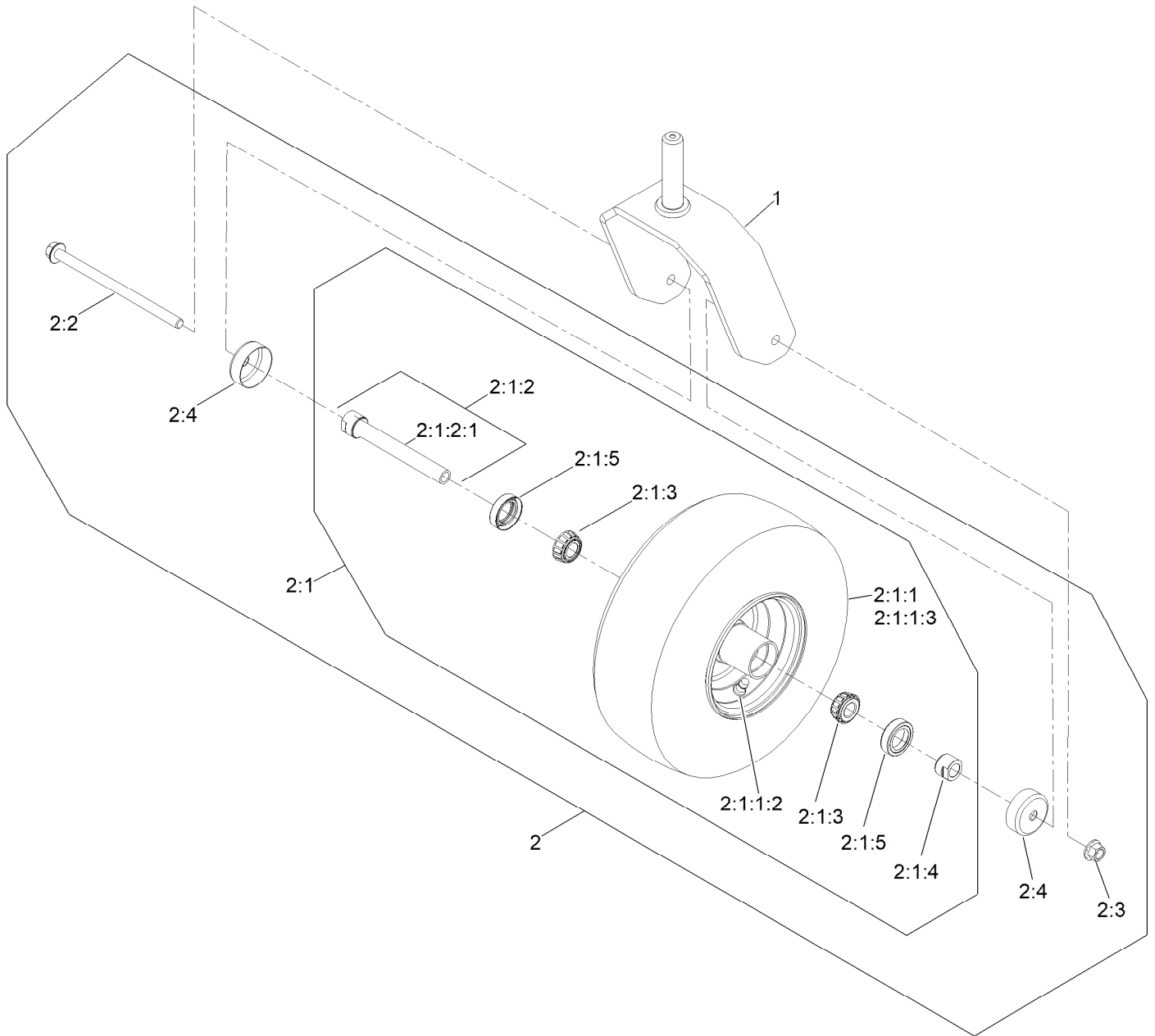


Caster Assembly (continued)

<i>Ref.</i>	<i>Part Number</i>	<i>Qty.</i>	<i>Description</i>	<i>Ref.</i>	<i>Part Number</i>	<i>Qty.</i>	<i>Description</i>
1		2	ASM, Front Caster W/ Fork ●	5	100-1668	2	Screw-HHF
2	109-3678	4	Bearing-Ball	6	3256-68	2	Washer-Flat
4	144-0375	2	Cap, Grease	7	145-3660	2	Spacer-Bearing

● Not serviced separately

Caster Wheel and Fork Assembly

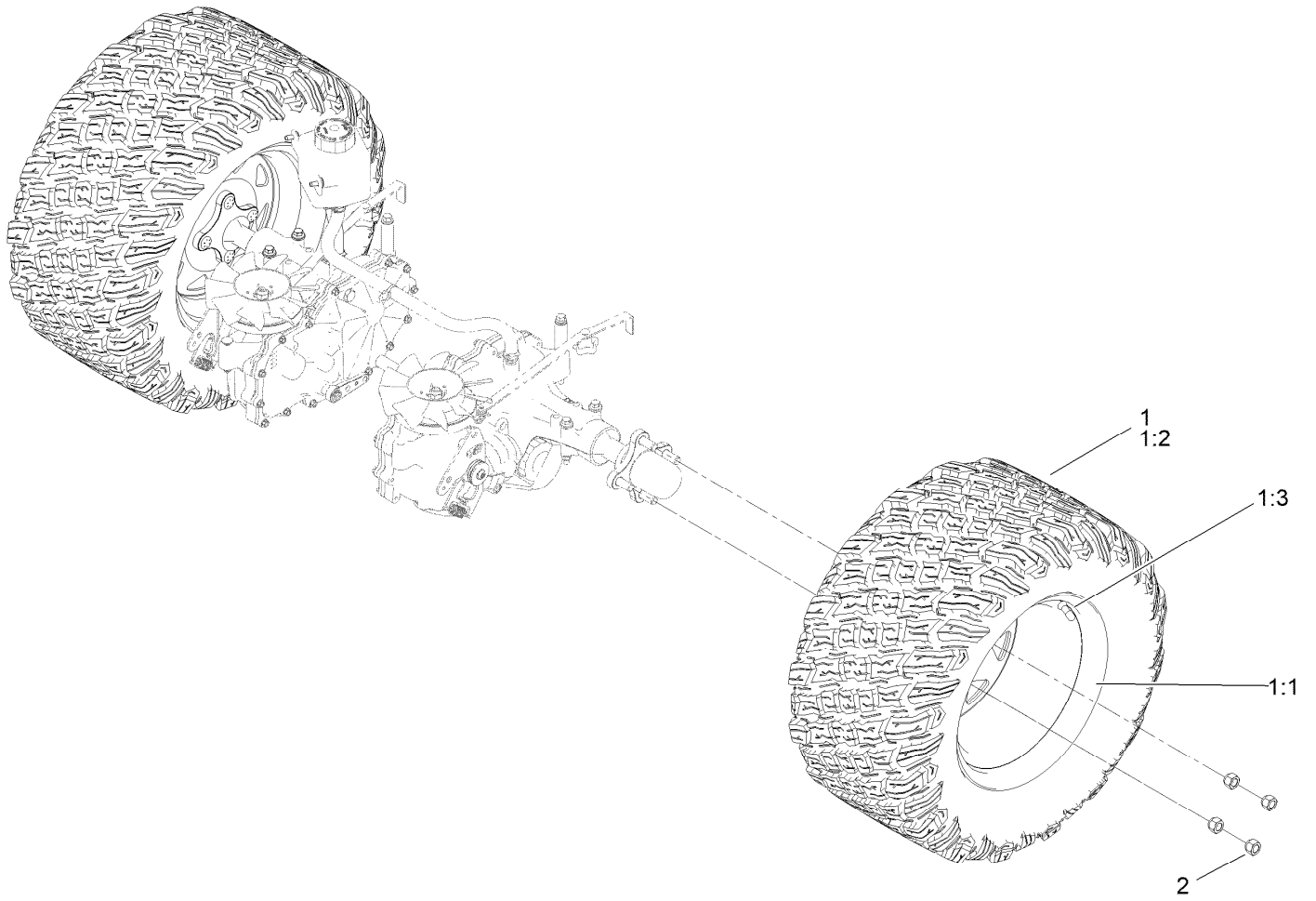


Caster Wheel and Fork Assembly (continued)

<i>Ref.</i>	<i>Part Number</i>	<i>Qty.</i>	<i>Description</i>	<i>Ref.</i>	<i>Part Number</i>	<i>Qty.</i>	<i>Description</i>
1	142-7827-01	1	Fork-Caster	2:1:2:1	126-5220	1	Axle-Caster
2	139-3639	1	ASM-Pneumatic 13X6.50-6	2:1:3	1-633585	2	Bearing-Cone, Taper
2:1		1	Wheel And Bearings ASM ●	2:1:4	103-3051	1	Spacer-Nut
2:1:1		1	Wheel And Tire ASM ●	2:1:5	103-0063	2	Seal-Caster
2:1:1:2	5108	1	Valve	2:2	126-5389	1	Screw-HHF
2:1:1:3	126-5959	1	Tire	2:3	99-5107	1	Nut-Lock
2:1:2	126-7796	1	Caster Axle ASM	2:4	103-2768	2	Guard-Seal

● Not serviced separately

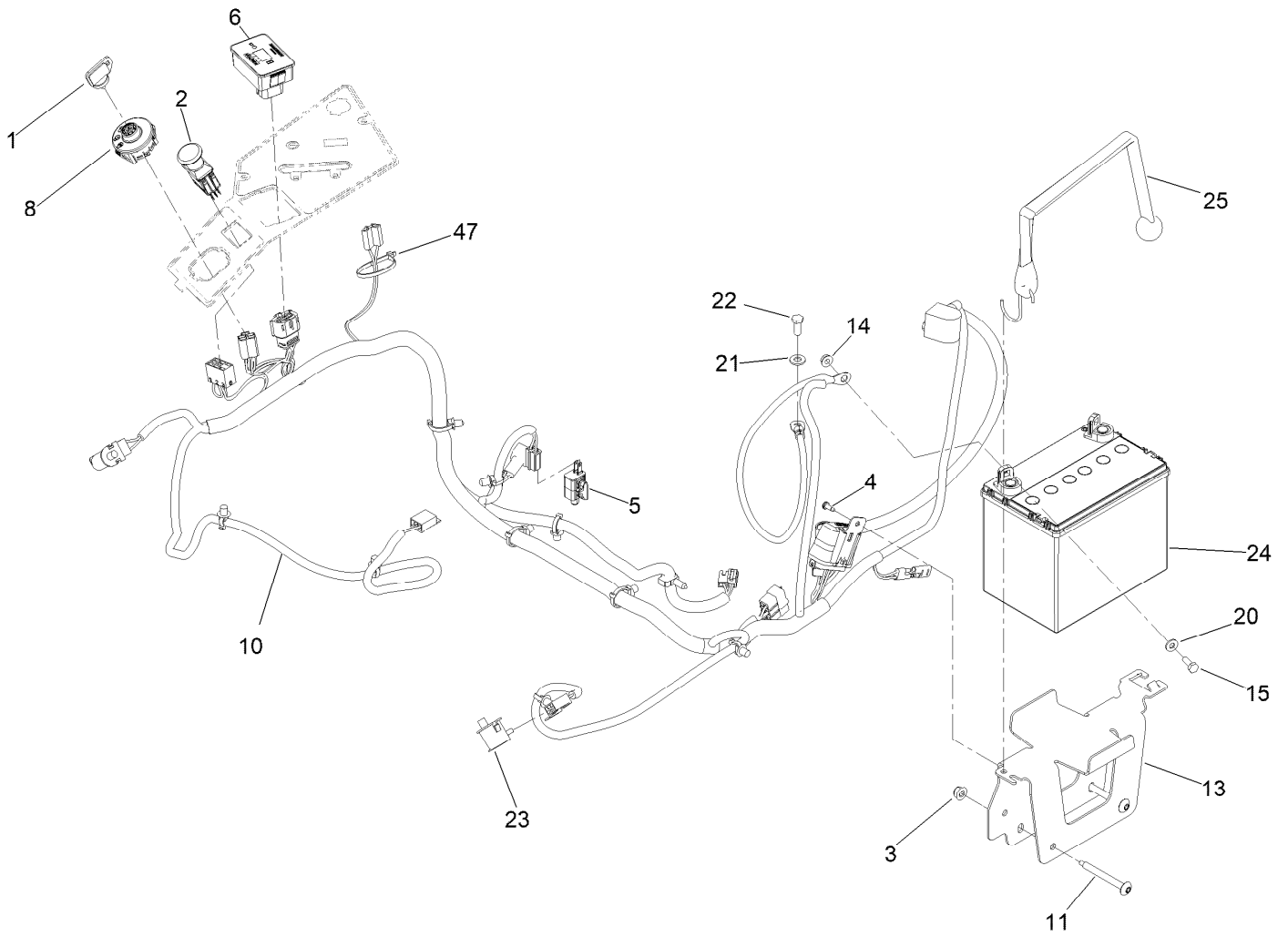
Wheel Assembly



Wheel Assembly (continued)

<i>Ref.</i>	<i>Part Number</i>	<i>Qty.</i>	<i>Description</i>	<i>Ref.</i>	<i>Part Number</i>	<i>Qty.</i>	<i>Description</i>
1	144-1863	2	Tire ASM	1:3	232-27	1	Stem-Valve
1:1	139-3634	1	Wheel	2	242-50	8	Nut-Lug
1:2	144-1864	1	Tire				

Electrical Assembly



Electrical Assembly (continued)

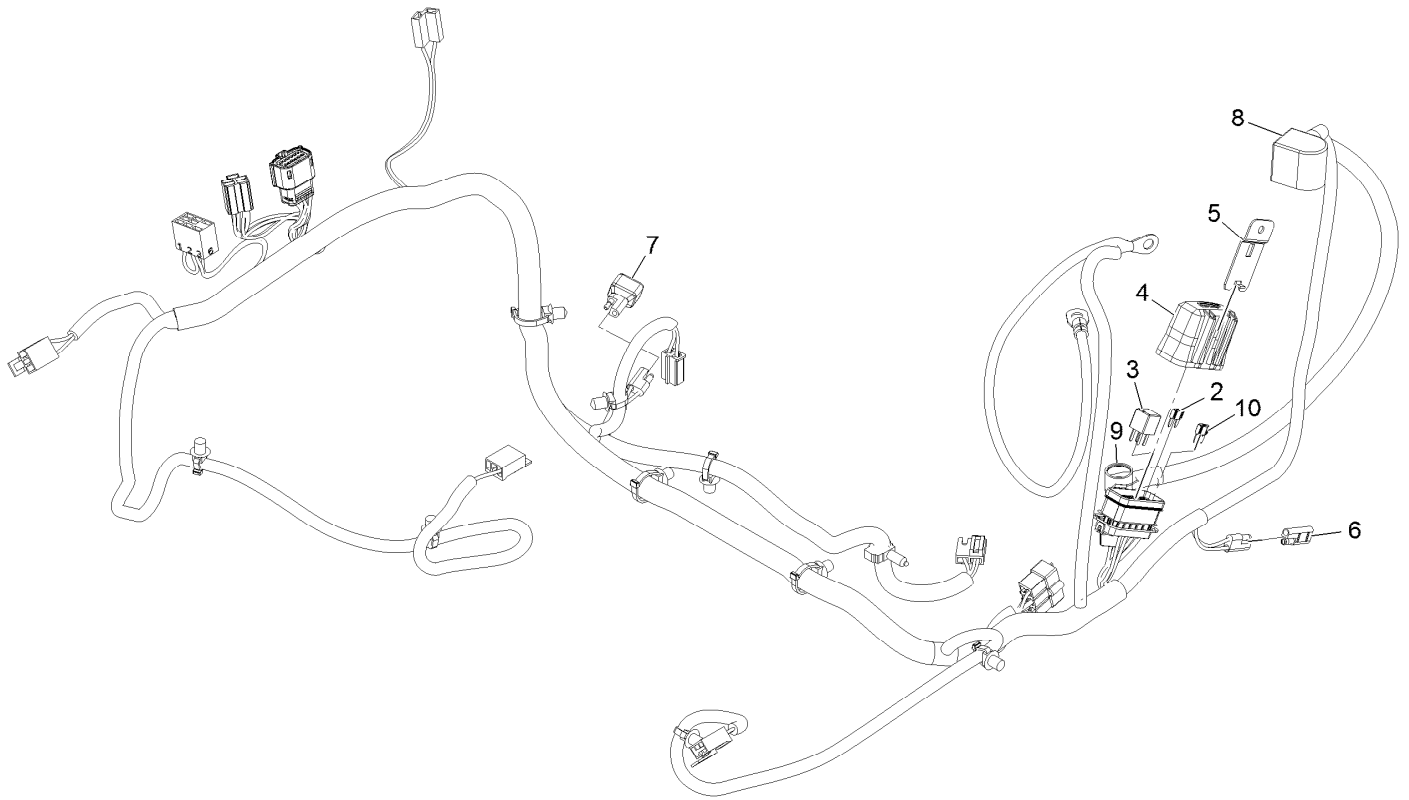
<i>Ref.</i>	<i>Part Number</i>	<i>Qty.</i>	<i>Description</i>	<i>Ref.</i>	<i>Part Number</i>	<i>Qty.</i>	<i>Description</i>
1	63-8360	1	Key-Ignition	14	32128-33	2	Nut-HF
2	103-5221	1	Switch-PTO	15	321-4	2	Screw-HH
3	104-8300	2	Nut-HF, NI	20	3256-22	2	Washer-Flat
4	105-6849	1	Screw-Forming, Thread	21	33094-00	1	Washer-Plain
5	110-6765	1	Switch	22	33114-020	1	Screw-HH
6	116-5609	1	Module ASM	23	82-2190	2	Switch-Bail
8	137-4100	1	Switch-Ignition	24		1	Battery ●■
10	126-5803	1	Harness-Wire ▲	25	142-8697	1	Strap, Bungee
11	126-6267	2	Screw-TTH	47	3290-378	1	Tie-Cable
13	126-6725-03	1	Tray-Battery				

● Obtain locally.

■ Not serviced separately

▲ Use dielectric grease on all unsealed connectors and terminals only. Do not apply in sealed connectors.

Harness Assembly No. 126-5803

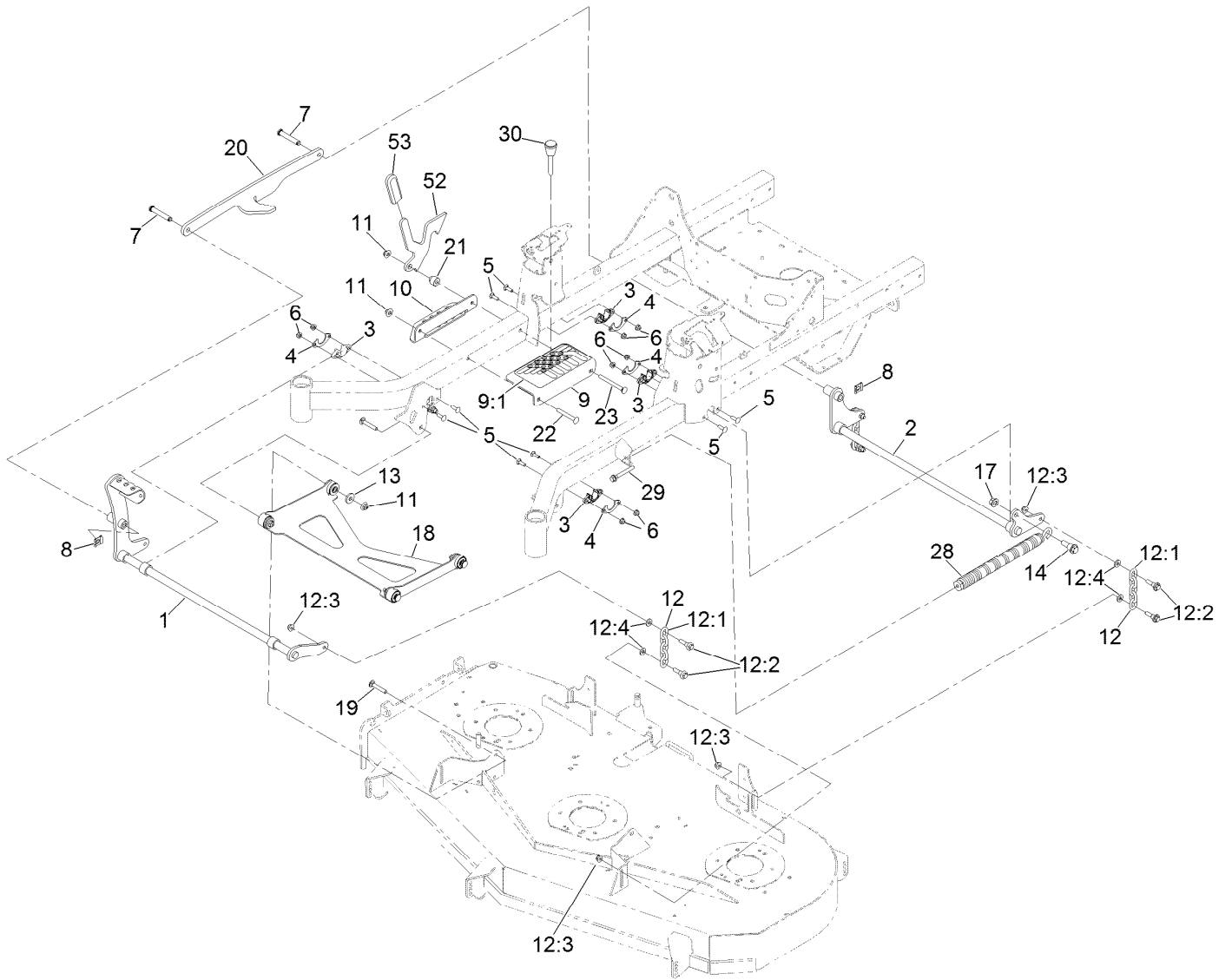


Harness Assembly No. 126-5803 (continued)

<i>Ref.</i>	<i>Part Number</i>	<i>Qty.</i>	<i>Description</i>
2	121-8868	1	Fuse-Mini Blade, 20 Amp
3	126-3991	1	Relay-Micro
4	32180-176	1	Cover-Block, Fuse
5	32180-177	1	Clip-Mounting
6	116-0053	1	Cap-Plug

<i>Ref.</i>	<i>Part Number</i>	<i>Qty.</i>	<i>Description</i>
7	103-3895	1	Diode
8	126-8876	1	Insulator-Battery
9	1-543393	1	Insulator-Solenoid
10	121-8867	1	Fuse-Mini Blade, 15 Amp

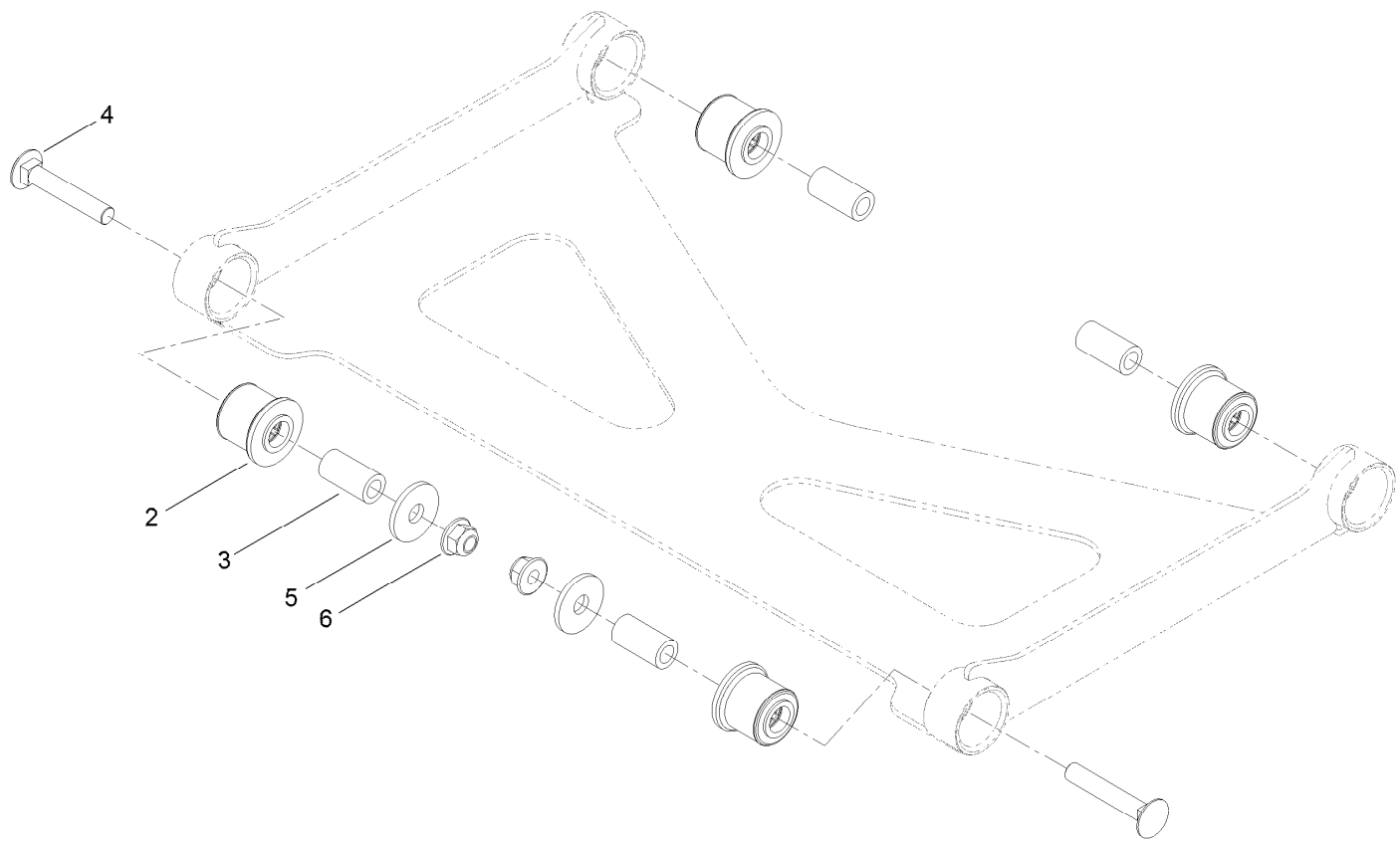
Deck Lift Assembly



Deck Lift Assembly (continued)

<i>Ref.</i>	<i>Part Number</i>	<i>Qty.</i>	<i>Description</i>	<i>Ref.</i>	<i>Part Number</i>	<i>Qty.</i>	<i>Description</i>
1	126-3342-03	1	Shaft-Lift, Deck	12:4	43-0940	2	Spacer
2	126-3343-03	1	Shaft-Lift, Deck (Rear)	13	1-373034	2	Washer
3	115-5065	4	Bushing-Flange	14	116-0780	1	Screw-Shoulder, HHF
4	116-2887	4	Gusset-Lift, Deck	17	99-5107	1	Nut-Lock
5	3230-22	8	Screw-CARR	18	126-8365	1	Deck Strut ASM
6	104-8300	8	Nut-HF, NI	19	3231-7	2	Screw-CARR
7	126-9181	2	Pin-Clevis	20	126-4639-03	1	Link-HOC
8	138-8491	2	Clip-Pin	21	126-5221	1	Spacer-Stepped
9	126-4535	1	Bracket ASM	22	3231-42	1	Screw-CARR
9:1	126-4784	1	Decal-HOC	23	135-0313	1	Screw-CARR
10	126-4640-03	1	Angle-HOC, Lower	28	116-0886	1	Spring-Extension
11	109-6658	4	Nut-Flange, NI	29	92-7674	1	Bolt-Shoulder
12	126-8877	4	Deck Chain ASM	30	126-5401	1	Pin-HOC
12:1	1-633447	1	Chain-Lift, Deck	52	140-1249	1	Plate-Transport Lock
12:2	130-0742	2	Bolt-Shoulder	53	132-4749	1	Grip-Lever
12:3	104-8301	2	Nut-HF, NI				

Deck Strut Assembly No. 126-8365



Deck Strut Assembly No. 126-8365 (continued)

<i>Ref.</i>	<i>Part Number</i>	<i>Qty.</i>	<i>Description</i>	<i>Ref.</i>	<i>Part Number</i>	<i>Qty.</i>	<i>Description</i>
2	126-8360	4	Bushing-Rubber, Suspension	4	3231-7	2	Screw-CARR
3	108-6544	4	Spacer	5	2844	2	Washer
				6	104-8301	2	Nut-HF, NI

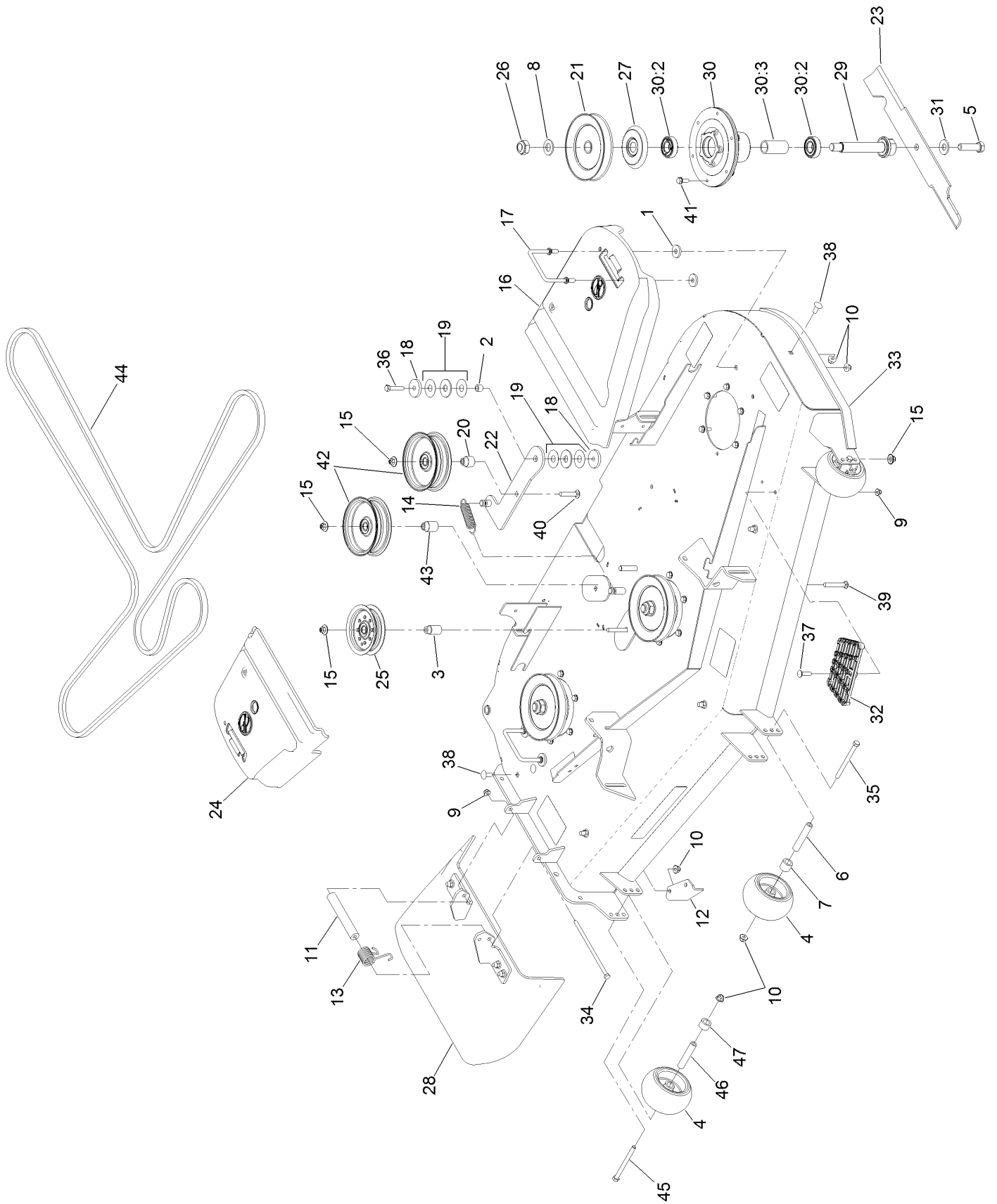
Engine, Clutch and Muffler Assembly (continued)

<i>Ref.</i>	<i>Part Number</i>	<i>Qty.</i>	<i>Description</i>	<i>Ref.</i>	<i>Part Number</i>	<i>Qty.</i>	<i>Description</i>
1	104-8301	3	Nut-HF, NI	24	126-4360	1	Muffler
8	116-2456	2	Pulley-Flat Idler	25	126-5358	1	Sheave (W/Hub)
9	116-4924	1	Engine Oil Drain Hose ASM	27	126-5993	1	Belt-V
9:1	353-508	1	Plug-HH ●	30	126-6687-03	1	Anchor-Clutch
9:1:1	237-42	1	O-Ring	44	1-603384	1	Bushing-Pivot, Idler
14	126-0973	1	Idler Arm ASM	45	1-603402	1	Spring-Extension
14:2	1-513034	2	Sleeve-Bearing	46	1-603610	2	Washer-Spring
14:3	302-40	1	Fitting-Grease, 90 DEG	47	1-653313	2	Gasket-Exhaust
14:4	32144-11	1	Screw-HWH	48	1-807259	1	Key
20		1	Engine-Kawasaki, Fx730V ▲◆	50	323-15	1	Screw-HH
20:1		1	Kawasaki 49065-7007 Engine Oil Filter ▲◆	52	3217-5	1	Nut-Hex
20:2		1	Kawasaki 49019-7005 Fuel Filter ▲◆	54	3231-29	2	Screw-CARR
20:3		1	Kawasaki 11013-7045 Safety Filter ▲◆	55	3256-22	1	Washer-Flat
20:4		1	Kawasaki 11013-7044 Engine Air Filter ▲◆	56	3256-4	1	Washer-Flat
				57	98-5975	4	Washer-Belleville
				79	140-5456	1	Clutch-PTO
				80	3212-10	1	Screw-HH
				81	323-7	4	Screw-HH

● Torque to 24-26 ft-lb
▲ Not serviced separately

■ Torque to 23-29 ft-lb
◆ Obtain parts from www.kawpower.com

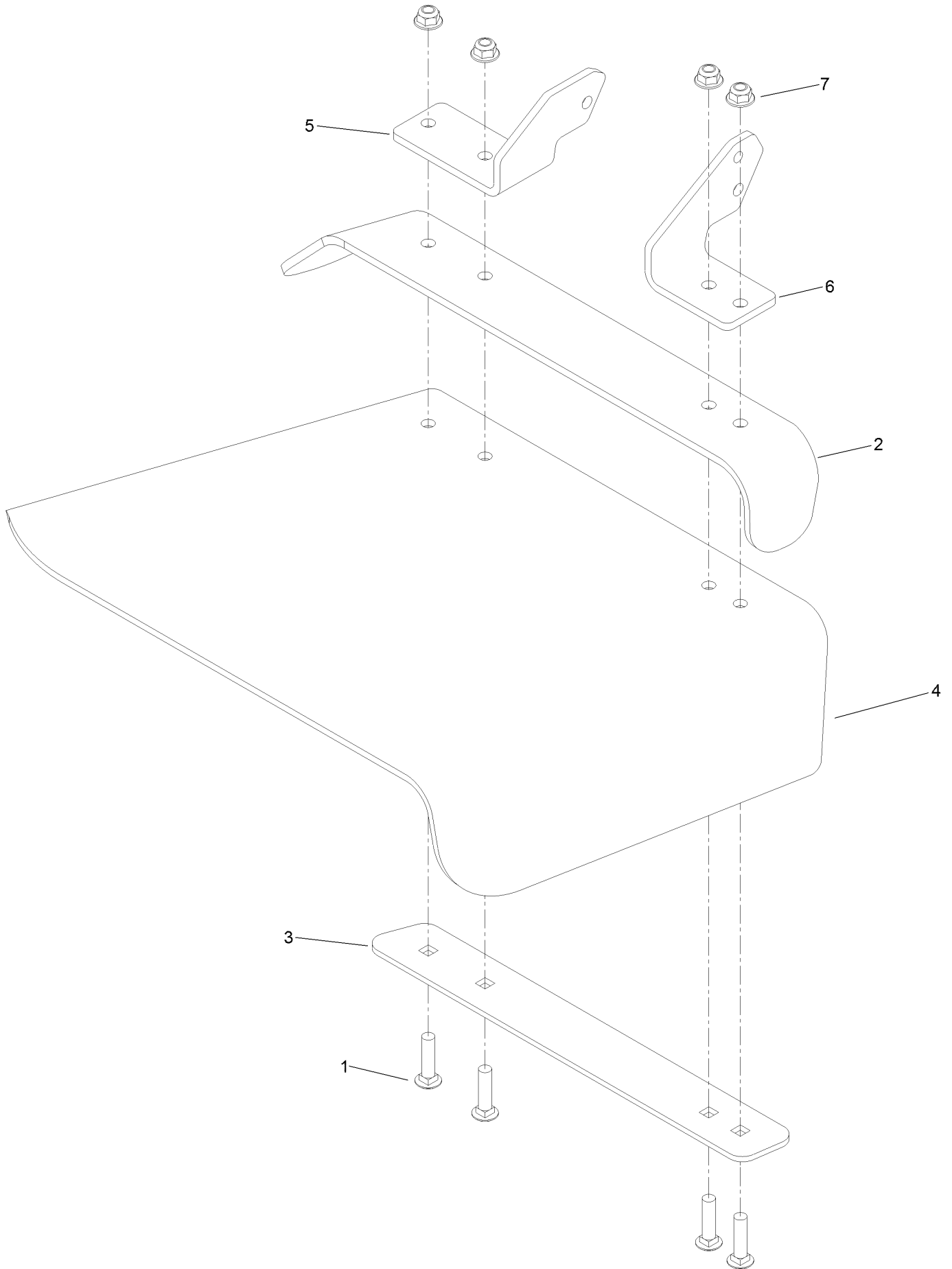
Deck Assembly



Deck Assembly (continued)

<i>Ref.</i>	<i>Part Number</i>	<i>Qty.</i>	<i>Description</i>	<i>Ref.</i>	<i>Part Number</i>	<i>Qty.</i>	<i>Description</i>
1	1-373034	4	Washer	25	116-3626	1	Pulley-Idler
2	1-413088	1	Bushing-Lever, Lift	26	3296-67	3	Nut-Lock, NI
3	1-413113	1	Bushing-Idler	27	117-7210	3	Shield-Bearing
4	1-603299	3	Roller-Scalp, Anti	28	120-2451	1	Deflector ASM
5	51-4060	3	Screw-Blade	29	126-7629	3	Shaft-Spindle
6	98-7912	2	Tube-Spanner	30	120-5477	3	Spindle ASM
7	98-7913	2	Tube-Spacer	30:2	116-0720	2	Bearing-Ball
8	92-5836	3	Washer	30:3	115-2641	1	Spacer-Bearing
9	104-8300	2	Nut-HF, NI	31	125-1736	3	Washer-Belleville
10	104-8301	13	Nut-HF, NI	32	126-4781-03	1	Step-Deck
11	105-4622	1	Spacer	33	126-8958	1	Deck Decal ASM
12	107-8541-01	1	Baffle-Discharge	34	322-50	1	Screw-HH
13	108-4052	1	Spring-Torsion	35	323-23	2	Screw-HH
14	139-3616	1	Spring - Extension	36	323-9	1	Screw-HH
15	109-6658	4	Nut-Flange, NI	37	3230-3	1	Screw-CARR
16	109-6938	1	Cover-Belt, LH	38	3231-27	6	Screw-CARR
17	109-6982	2	Wireform-Cover	39	3231-31	2	Screw-CARR
18	110-9981	2	Washer-Plain	40	3231-6	1	Screw-CARR
19	114-0463	2	Washer-Friction, Composite	41	32144-41	18	Screw-Taptite
20	126-7684	1	Bushing-Idler	42	116-4669	2	Idler-Pulley, Flat
21	135-0363	3	Sheave-Drive, Blade	43	126-7683	1	Bushing-Idler
22	115-5054	1	Arm-Idler	44	135-1873	1	Belt-Deck Drive
23	133-2127	3	Blade-Rotary, 20.5In (Hi Flow)	45	323-17	1	Screw-HH
24	116-0094	1	Cover-Belt, RH	46	133-2129	1	Tube-Shafting
				47	133-2128	1	Tube-Spacer

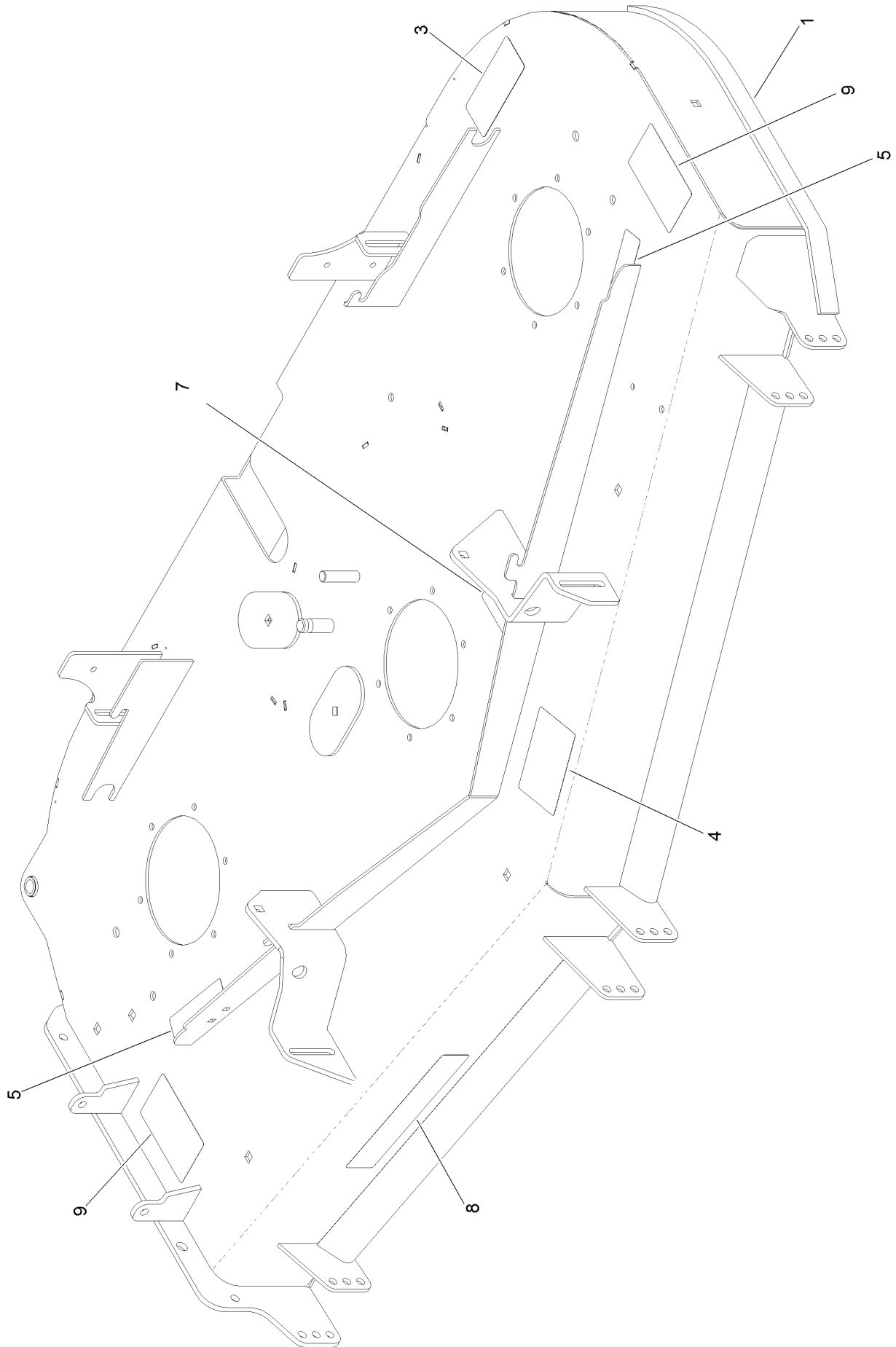
Deflector Assembly No. 120-2451



Deflector Assembly No. 120-2451 (continued)

<i>Ref.</i>	<i>Part Number</i>	<i>Qty.</i>	<i>Description</i>	<i>Ref.</i>	<i>Part Number</i>	<i>Qty.</i>	<i>Description</i>
1	3231-4	4	Screw-CARR	5	108-4059-01	1	Plate-Hinge, Rear
2	106-3246-01	1	Deflector	6	106-3253-01	1	Plate-Hinge, Front
3	106-3248-03	1	Strap-Discharge	7	104-8301	4	Nut-HF, NI
4	110-0759	1	Deflector-Rubber				

Deck Decal Assembly No. 126-8958



Deck Decal Assembly No. 126-8958 (continued)

<i>Ref.</i>	<i>Part Number</i>	<i>Qty.</i>	<i>Description</i>	<i>Ref.</i>	<i>Part Number</i>	<i>Qty.</i>	<i>Description</i>
1		1	Deck Decal ASM ●	7	117-1194	1	Decal-Routing, Belt
3	93-7818	1	Decal-Torque, Blade Bolt	8	107-1619	1	Decal
4	112-3858	1	Decal-Scalp, Anti	9	117-3848	2	Decal-Danger
5	112-9028	2	Decal-Cover, Missing				

● Not serviced separately

Attachments and Accessories

For 77260 60in Z Master Professional 2000 Series Riding Mower

Product Name	Model/Part
Hypr-Oil 500 (quart)	114-4713
Hypr-Oil 500 (gallon).....	114-4714
Hypr-Oil 500-5 (5 gallon).....	114-4715
Toro Hydro Kit	121-3783
Cover-Hitch.....	126-8299
Trash Container Kit	126-8379
Weight Caster Kit.....	126-8639
60in Recycler Kit.....	126-8703
Jack Kit	127-6666
Engine Maintenance Kit-Kawasaki FX.....	133-1307
Hi-Back Seat Cover	133-1308
Blade-Rotary, 20.5in (Hi Flow)	133-2127
Blade-Rotary, Atomic 20.5in	133-2157
Blade-Rotary, Recycling 20.5in.....	133-2161
Blade (6 Pack) 20.5in, Hi Flow	133-2174
Blade (6 Pack) 20.5in, Recycler.....	133-2177
Blade (6 Pack) 20.5in, Atomic.....	133-2180
5 Gallon Bucket	133-2533
MVP Belt And Blade Kit, Titan Hd 1500 Or 2000 Series Riding Mower With 60in Deck	135-2254
Spark Arrestor, 1.25 I.D.	137-8098
Extended Control Levers Kit, Dedicated-Bagging Riding Mower.....	138-6020
Tweel-Turf.....	139-3649
Asm-semi Pneumatic 13x6.50-6.....	140-4896
Tilt Sensor-Radius	142-2802
Kit-Light (mid-mount ZRT Mower).....	144-1992
Kit-Jack Mount.....	144-1993
Hardtop Sun Canopy	144-3719
Handle Extension Kit	145-3615
Bucket Mount Kit.....	145-3687
Universal Mount Kit.....	145-3688
Trimmer Mount Kit	145-3689
Kit-Titan Hd Triple Threat Attachment.....	145-3691
Kit-USB.....	145-8458
Toro Deluxe Rider Cover.....	490-7319
E-Z Vac Standard Blower Kit 60-in 5d	78403
Heavy Duty Bagger Kit	78431
60in Completion Kit.....	78435
Standard EZ Vac Bagger	78481

Notes:



Count on it.