



**Count on it.**

**Parts Catalog**

**48in Z Master<sup>®</sup> Professional 2000 Series**

**Riding Mower**

**Model No. 77280—Serial No. 411495392 and Up**



# Ordering Replacement Parts

To order replacement parts, please supply the part number, the quantity, and the description of each part desired.

## Understanding Reference Numbers

Each identified part in an illustration has a reference number. The reference number for a part also appears in the parts list, along with other information about the part.

This catalog uses two special reference number formats, one to indicate parts in a service assembly and another to indicate the quantity of a given part in an illustration.

## Service Assembly Reference Numbers

Parts in service assemblies have reference numbers in the form a:b. The a represents the reference number of the entire service assembly and the b represents a sequential number unique to each part within the service assembly.

For example, a wheel assembly might be identified by reference number 6, the tire by 6:1, the valve by 6:2, and the wheel by 6:3. When you order the assembly identified by reference number 6, you receive all parts identified by reference numbers 6:1, 6:2, and 6:3. However, you may also order any part individually. Reference numbers of this type appear in illustration and in parts lists.

## Reference Numbers Indicating Quantity

In an illustration, if a reference number indicates more than one part, the reference number has the form nX y. The n represents the quantity of the part, the X is the multiplication symbol, and the y represents the reference number.

For example, in an illustration, the reference number 2X 37 means that two of the parts identified by reference number 37 are indicated.

# Contents

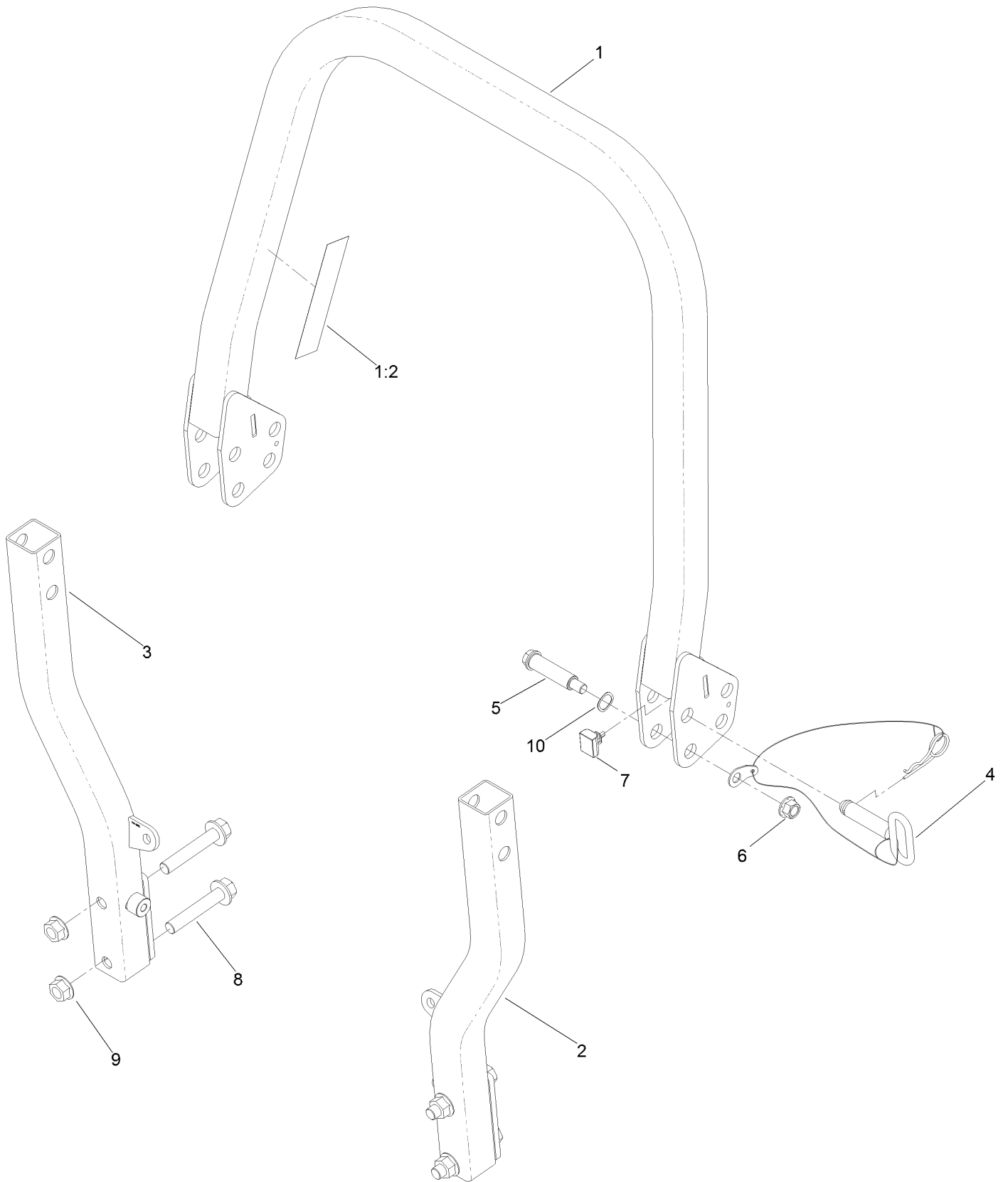
Frame Assembly	4
Roll-Over Protection System Assembly No. 144-1848	6
Hydraulic Assembly	8
LH Transaxle Assembly No. 126-2883	10
RH Transaxle Assembly No. 126-2884	12
Control Console and Guard Assembly	14
Fuel Assembly	16
Fuel Tank Assembly No. 126-4724	18
Seat Mount Assembly	20
Seat Assembly No. 144-3775	22
Motion Control Assembly	24
LH and RH Motion Control Assembly	26
Caster Assembly	28
Caster Wheel and Fork Assembly	30
Rear Wheel Assembly	32
Electrical Assembly	34
Wire Harness Assembly No. 126-5803	36
Deck Lift Assembly	38
Deck Strut Assembly No. 126-8365	40
Engine, Clutch and Muffler Assembly	42
Air Cleaner Assembly No. 93-2190	44
Deck Assembly	46
Deflector Assembly No. 120-2451	48
Deck Decal Assembly No. 126-8956	50
Fuel System Assembly	52
Carburetor Assembly	54
Air Intake and Filtration Assembly	56
Ignition and Cooling Fan Assembly	58
Crankcase and Crankshaft Assembly	60
Governor Control Assembly	62
Piston and Cylinder Head Assembly	64
Blower Housing Assembly	66
Gasket and Seal Kit	68
Attachments and Accessories	70



## Frame Assembly (continued)

<i>Ref.</i>	<i>Part Number</i>	<i>Qty.</i>	<i>Description</i>	<i>Ref.</i>	<i>Part Number</i>	<i>Qty.</i>	<i>Description</i>
1	104-8300	2	Nut-HF, NI	30	144-2615	1	Floor Mat
8	144-1842	1	Frame-48/52	31	117-2382	6	Plug-Plastic
8:2	109-6014	1	Decal-Routing, Belt	35	138-9753	4	Screw
8:3	116-8588	2	Decal-Release, Drive	38	144-2628-01	1	Bracket-Light [red]
8:4	126-4363	2	Decal-Warning	39	144-2604	1	Bumper-Front
8:5	127-6618	1	Strip-Seal	40	135-2015	2	Screw-Shoulder
10	126-5491	2	Isolator	41	144-2614	1	Step
11	144-1848	1	ASM-ROPS	42	138-2662	2	Bumper-Rubber
12	144-3767	1	Pan-Floor	43	32128-33	2	Nut-HF
12:2	126-8383	1	Decal-Danger	44	126-9487-03	2	Bracket
21	126-7065	2	Grommet-Rubber				

# Roll-Over Protection System Assembly No. 144-1848

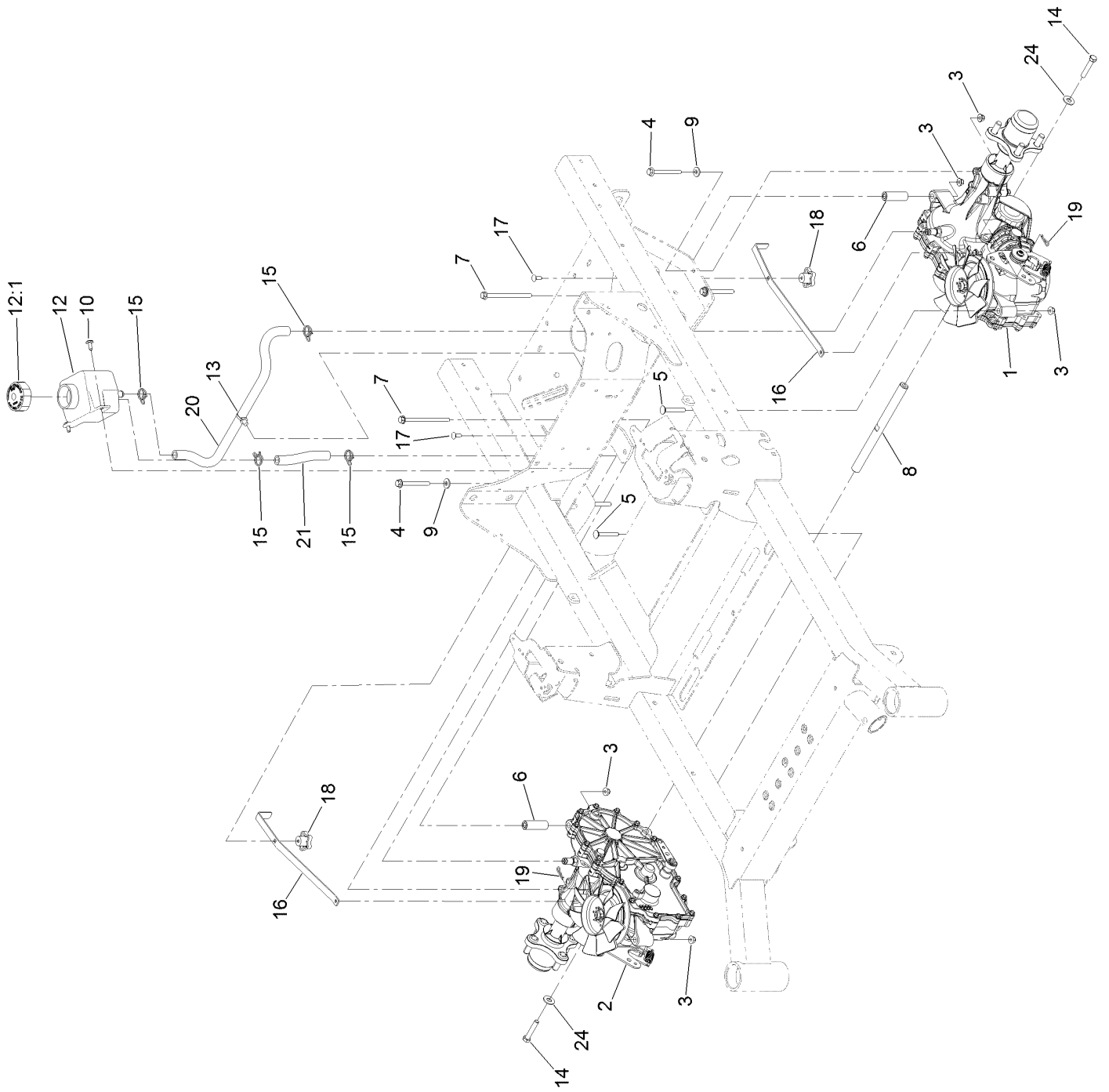


# Roll-Over Protection System Assembly No. 144-1848 (continued)

<i>Ref.</i>	<i>Part Number</i>	<i>Qty.</i>	<i>Description</i>	<i>Ref.</i>	<i>Part Number</i>	<i>Qty.</i>	<i>Description</i>
1		1	Upper ROPS ASM ●	6	99-5107	2	Nut-Lock
1:2	107-3069	1	Decal-Warning	7	109-5337	2	Bumper-ROPS
2		1	LH Lower ROPS ASM ●	8	126-9488	4	Screw-HHF
3		1	RH Lower ROPS ASM ●	9	32128-50	4	Nut-Flange
4	103-4553	2	Pin-Fold, ROPS	10	119-4164	2	Washer-Wave
5	126-9209	2	Bolt-Shoulder				

● Not serviced separately

# Hydraulic Assembly



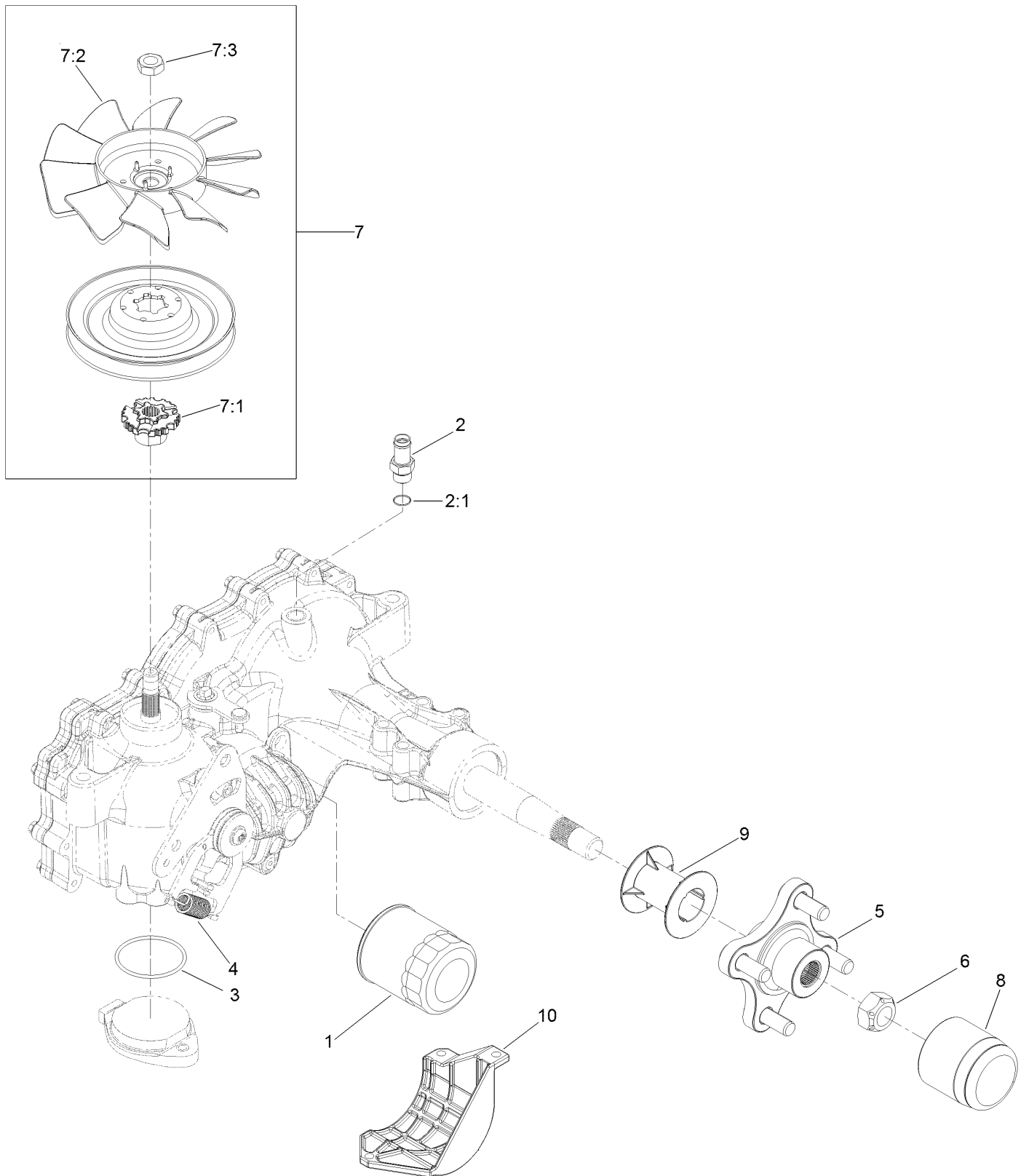


## Hydraulic Assembly (continued)

<i>Ref.</i>	<i>Part Number</i>	<i>Qty.</i>	<i>Description</i>	<i>Ref.</i>	<i>Part Number</i>	<i>Qty.</i>	<i>Description</i>
1	126-2883	1	LH Transaxle ASM	12:1	109-3320	1	Cap-Reservoir, HYD
2	126-2884	1	RH Transaxle ASM	13	32180-118	1	Clip-Tie
3	104-8300	8	Nut-HF, NI	14	94-7972	2	Screw-HH W/Loctite ●
4	126-4687	4	Screw-HHF	15	126-0327	4	Clamp-Hose
5	3230-7	2	Bolt-CARR	16	109-5395	2	Arm-Bypass, Hydro
6	116-5809	2	Spacer-Hydro	17	3229-1	2	Screw-CARR
7	126-5896	2	Screw HHF	18	108-6402	2	Knob-Handle
8	116-6833	1	Shaft-Spacer	19	1-806003	2	Pin-Cotter
9	1-303334	4	Washer-Spring	20	126-5668	1	Hose-Hydraulic
10	126-6266	2	Screw-Tph	21	126-5669	1	Hose-Hydraulic
12	109-2250	1	Tank-HYD	24	3256-4	2	Washer-Flat

● Use Pro-Lock, Nut Type (P/N 1-840022, .5ml tube) on threads.

# LH Transaxle Assembly No. 126-2883

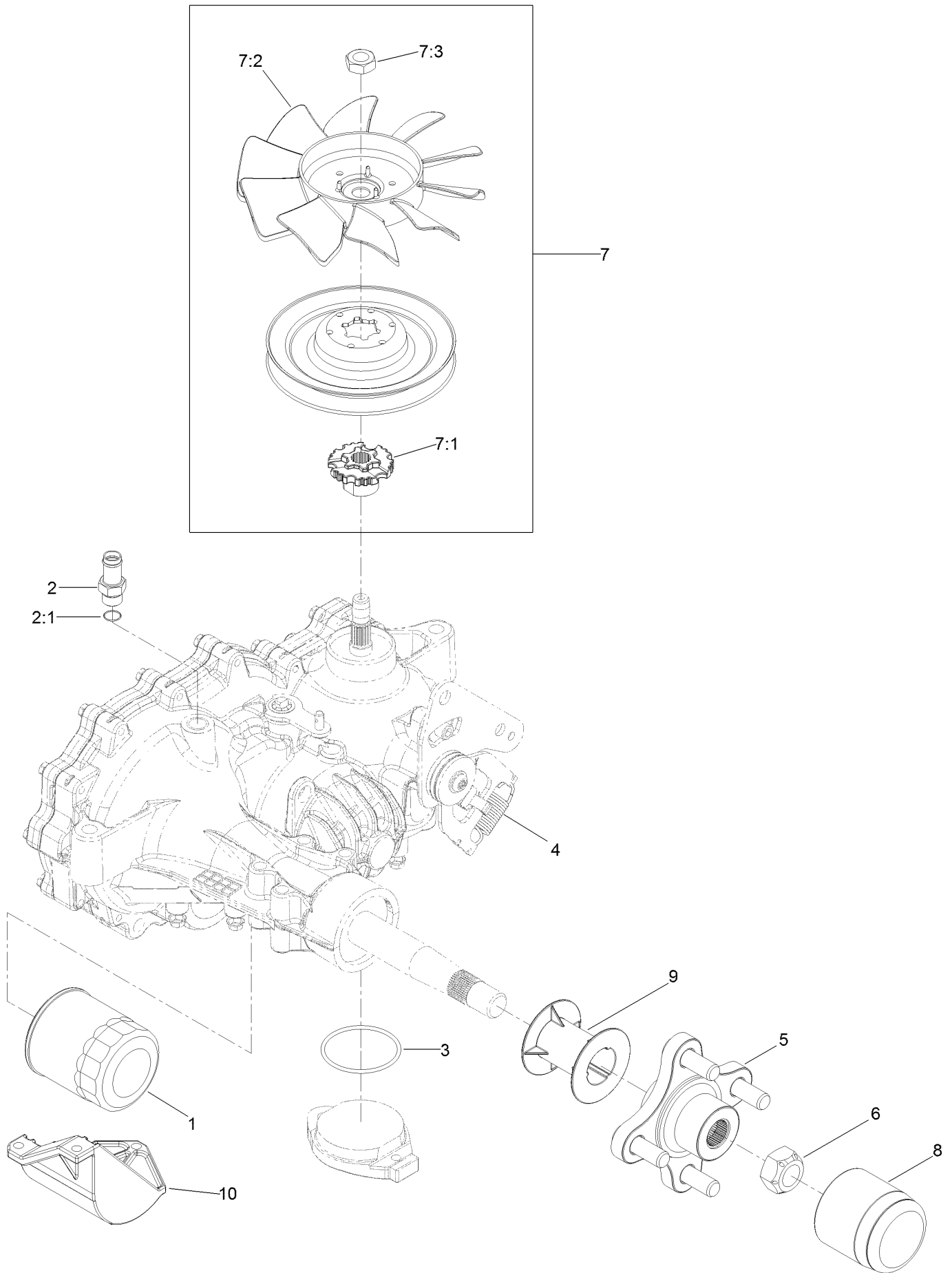


## LH Transaxle Assembly No. 126-2883 (continued)

<i>Ref.</i>	<i>Part Number</i>	<i>Qty.</i>	<i>Description</i>	<i>Ref.</i>	<i>Part Number</i>	<i>Qty.</i>	<i>Description</i>
1	109-3321	1	Element-Oil Filter, HYD	7:1	126-8905	1	Hub-Fan
2	109-3278	1	Adapter-Straight	7:2	126-0226	1	Fan
2:1	237-42	1	O-Ring	7:3	116-9714	1	Nut-HJ
3	109-3540	1	O Ring-Seal	8	116-6214	1	Cap-Axle, Long
4	109-5592	1	Spring-Extension	9	116-6213	1	Tube-Axle
5	116-3872	1	Hub-Offset	10	120-7979	1	Guard-Filter, LH
6	109-3536	1	Nut-Hub	99	135-3604	1	Brake Shaft Seal Kit ●
7	126-8904	1	Fan And Pulley Kit	99	121-3243	1	Seal Kit ●

● Not illustrated

# RH Transaxle Assembly No. 126-2884

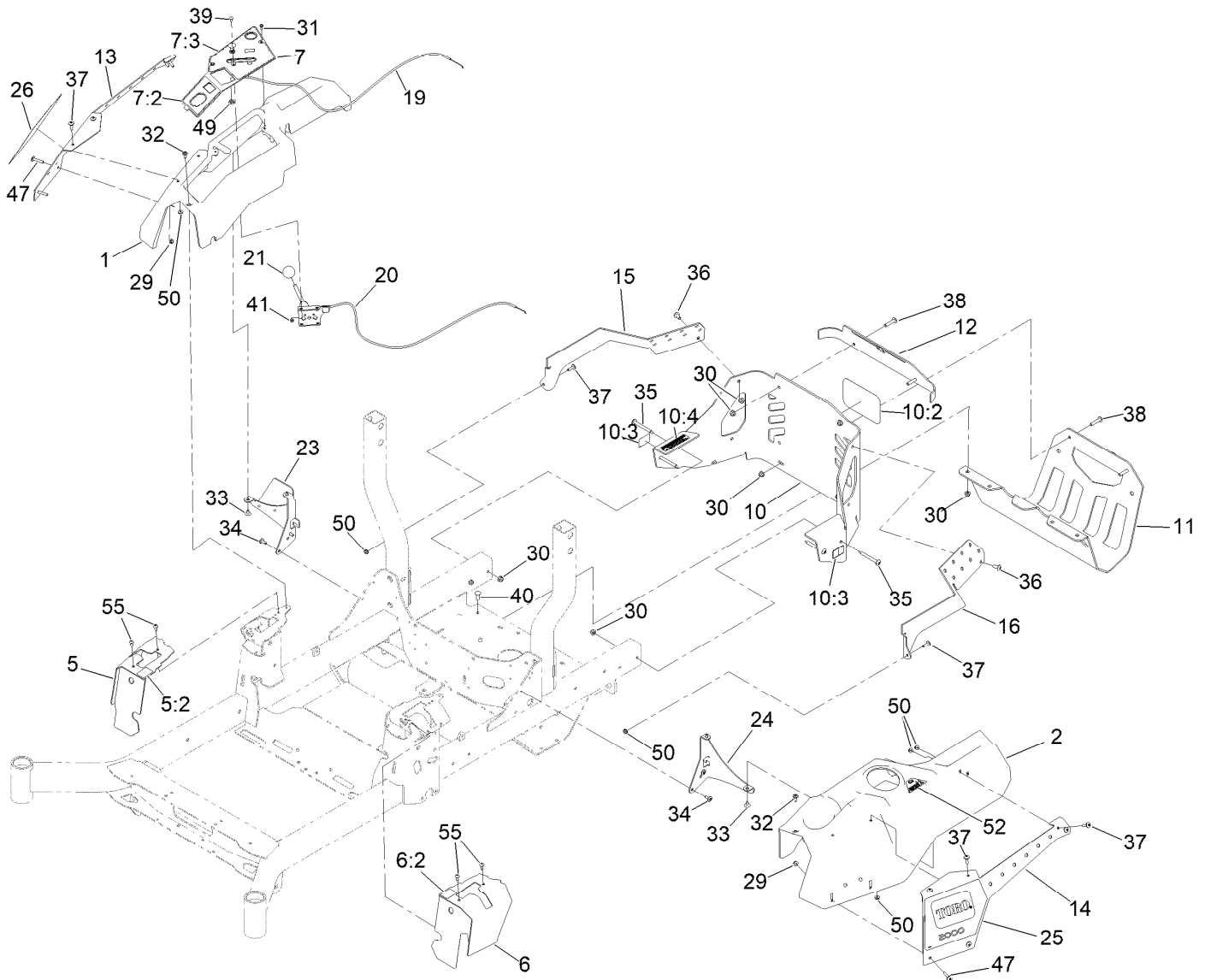


## RH Transaxle Assembly No. 126-2884 (continued)

<i>Ref.</i>	<i>Part Number</i>	<i>Qty.</i>	<i>Description</i>	<i>Ref.</i>	<i>Part Number</i>	<i>Qty.</i>	<i>Description</i>
1	109-3321	1	Element-Oil Filter, HYD	7:1	126-8905	1	Hub-Fan
2	109-3278	1	Adapter-Straight	7:2	126-0226	1	Fan
2:1	237-42	1	O-Ring	7:3	116-9714	1	Nut-HJ
3	109-3540	1	O Ring-Seal	8	116-6214	1	Cap-Axle, Long
4	109-5592	1	Spring-Extension	9	116-6213	1	Tube-Axle
5	116-3872	1	Hub-Offset	10	120-7981	1	Guard-Filter, RH
6	109-3536	1	Nut-Hub	11	121-3243	1	Seal Kit ●
7	126-8904	1	Fan And Pulley Kit	99	135-3604	1	Brake Shaft Seal Kit ●

● Not illustrated

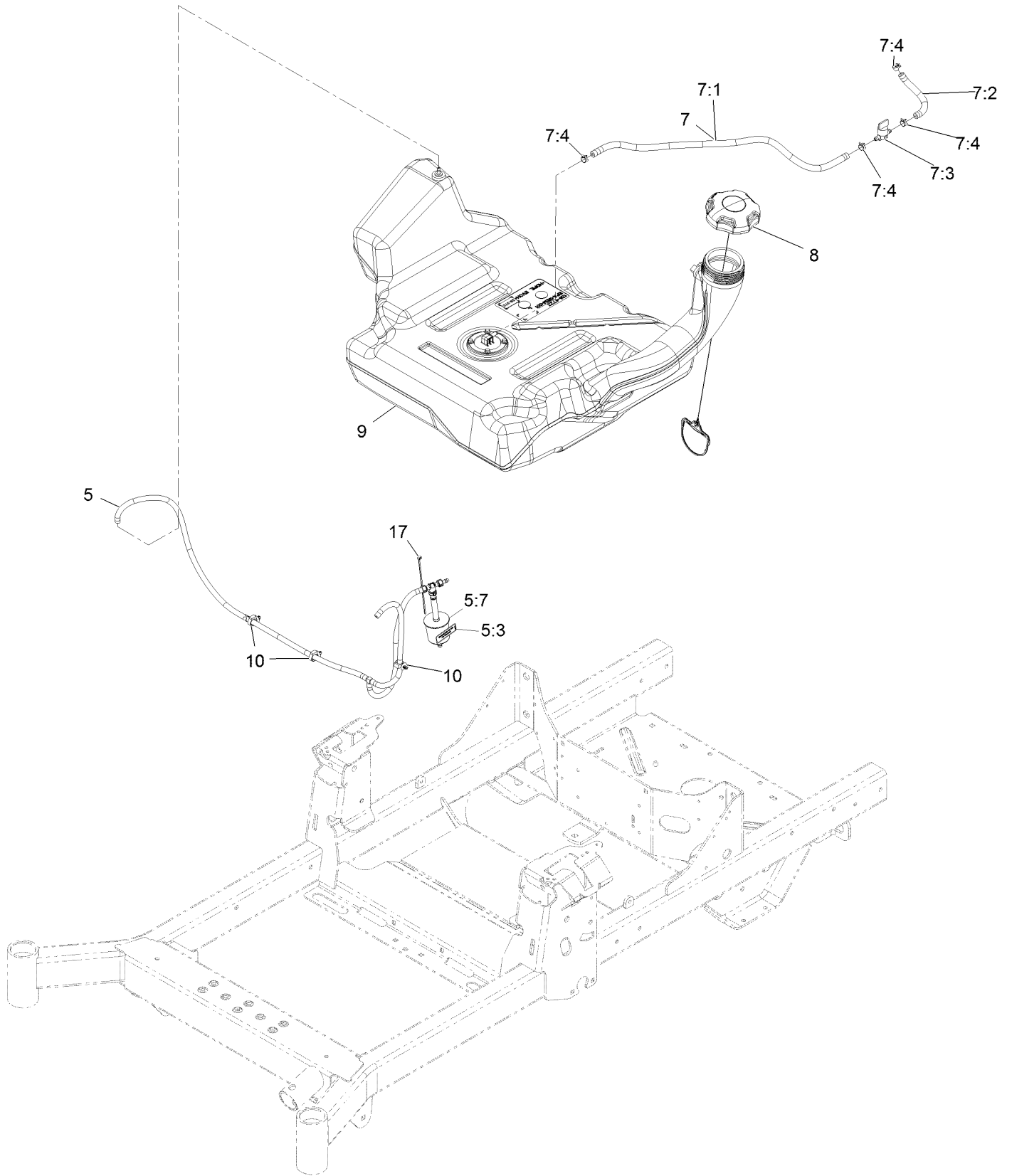
# Control Console and Guard Assembly



## Control Console and Guard Assembly (continued)

<i>Ref.</i>	<i>Part Number</i>	<i>Qty.</i>	<i>Description</i>	<i>Ref.</i>	<i>Part Number</i>	<i>Qty.</i>	<i>Description</i>
1	126-4983	1	Console-RH	23	126-9945	1	Support-Console, RH
2	126-4984	1	Console-LH	24	126-5532-03	1	Bracket-Console, LH
5	144-3768	1	Cover - Control, Motion	25	140-4353	1	Decal-2000, LH
5:2	135-2310	1	Decal-Motion Control	26	140-4351	1	Decal-2000, RH
6	144-3769	1	Cover - Control, Motion	29	104-7201	4	Nut-HF, NI
6:2	135-2310	1	Decal-Motion Control	30	104-8300	12	Nut-HF, NI
7	147-0323	1	Control Panel ASM	31	117-5036	2	Screw-Plastic, HWH
7:2	126-9115	1	Decal-Panel, Control	32	120-7950	2	Screw-Torx
7:3	137-9240	1	Decal-Panel, Control	33	126-5544	4	Screw-Torx
10	139-3643	1	Rear Guard ASM	34	126-6266	4	Screw-Tph
10:2	99-4693	1	Decal	35	126-6267	4	Screw-TTH
10:3	106-5517	2	Decal-Warning	36	126-6268	2	Screw-TTH
10:4	133-8062	1	Decal-Arrestor, Spark	37	126-6269	10	Screw-Truss
11	135-5084-03	1	Guard-Muffler [black]	38	126-7439	4	Screw-Torx
12	139-3644-01	1	Trim-Upper Rear	39	1-807513	2	Bolt-CARR
13	136-1745-03	1	Cover, Pod RH	40	3230-22	2	Screw-CARR
14	136-1746-03	1	Cover-LH	41	3296-2	2	Nut-Lock, NI
15	126-9023-01	1	Bracket-Guard, RH	47	126-8232	4	Screw-Truss Hex Skt
16	126-9022-01	1	Bracket-Guard, LH	49	3220-3	1	Nut-HJ
19	126-7009	1	Cable-Control, Choke	50	32149-2	10	Nut-Keps
20	126-7008	1	Cable-Control, Throttle	52	126-9939	1	Decal-Fill, Fuel
21	1-603175	1	Knob-Ball	55	87-6620	4	Screw-Tph Thd Form

# Fuel Assembly

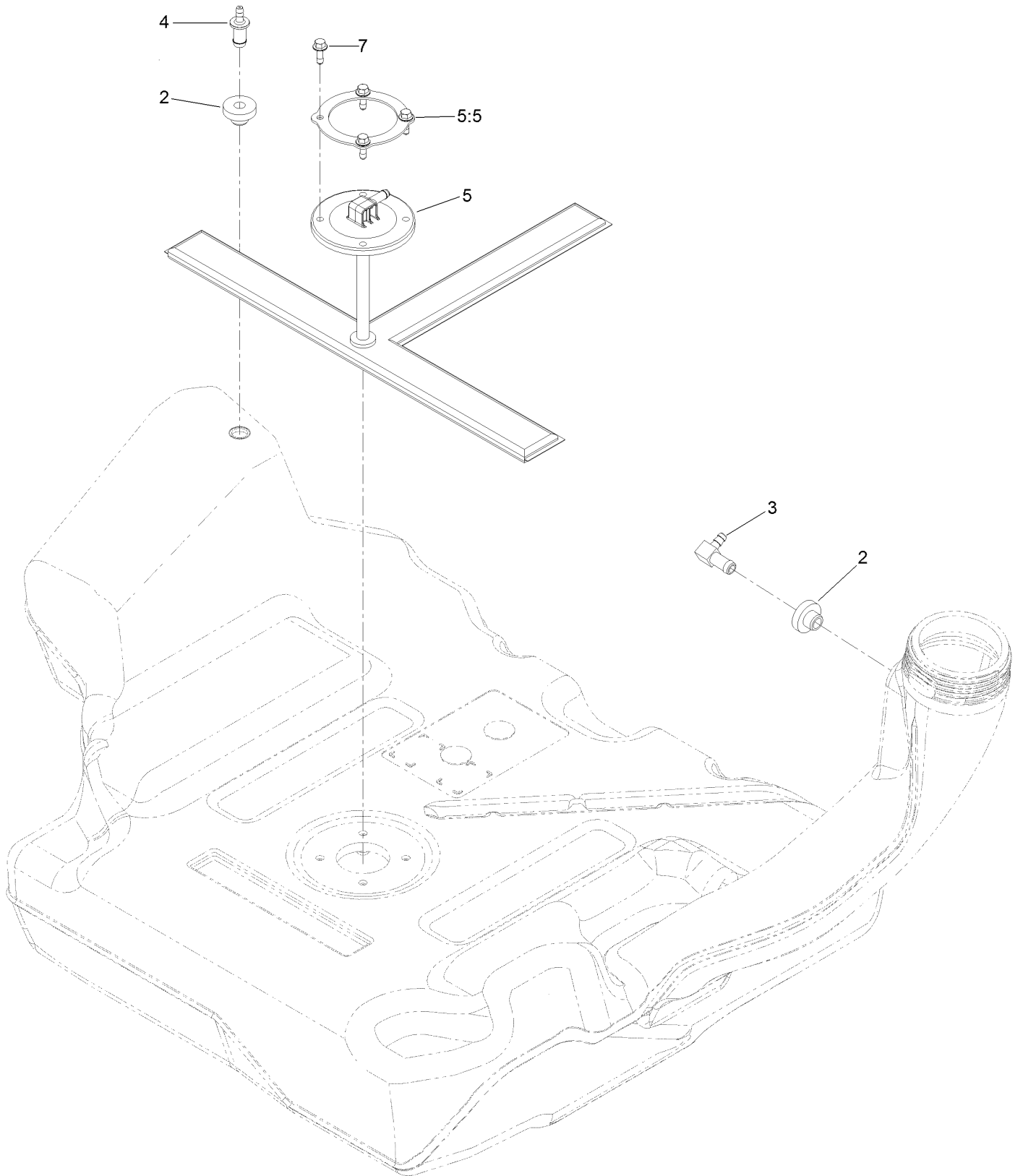




## Fuel Assembly (continued)

<i>Ref.</i>	<i>Part Number</i>	<i>Qty.</i>	<i>Description</i>	<i>Ref.</i>	<i>Part Number</i>	<i>Qty.</i>	<i>Description</i>
5	126-8738	1	Vent Hose ASM	7:3	1-603770	1	Valve-Fuel
5:3	116-4769	1	Decal-Filter, Emissions	7:4	2412-98	4	Clamp-Hose
5:7	120-2235	1	Filter-Fuel	8	135-4801	1	Cap-Fuel, Ratcheting
7	126-8740	1	Fuel Hose ASM	9	126-4724	1	Tank-Fuel
7:1	109-0302	1	Hose-Fuel Line 24"	10	126-5523	3	Clip
7:2	109-0678	1	Hose-Fuel	17	1-303287	1	Tie-Cable 5 1/2 (Small)

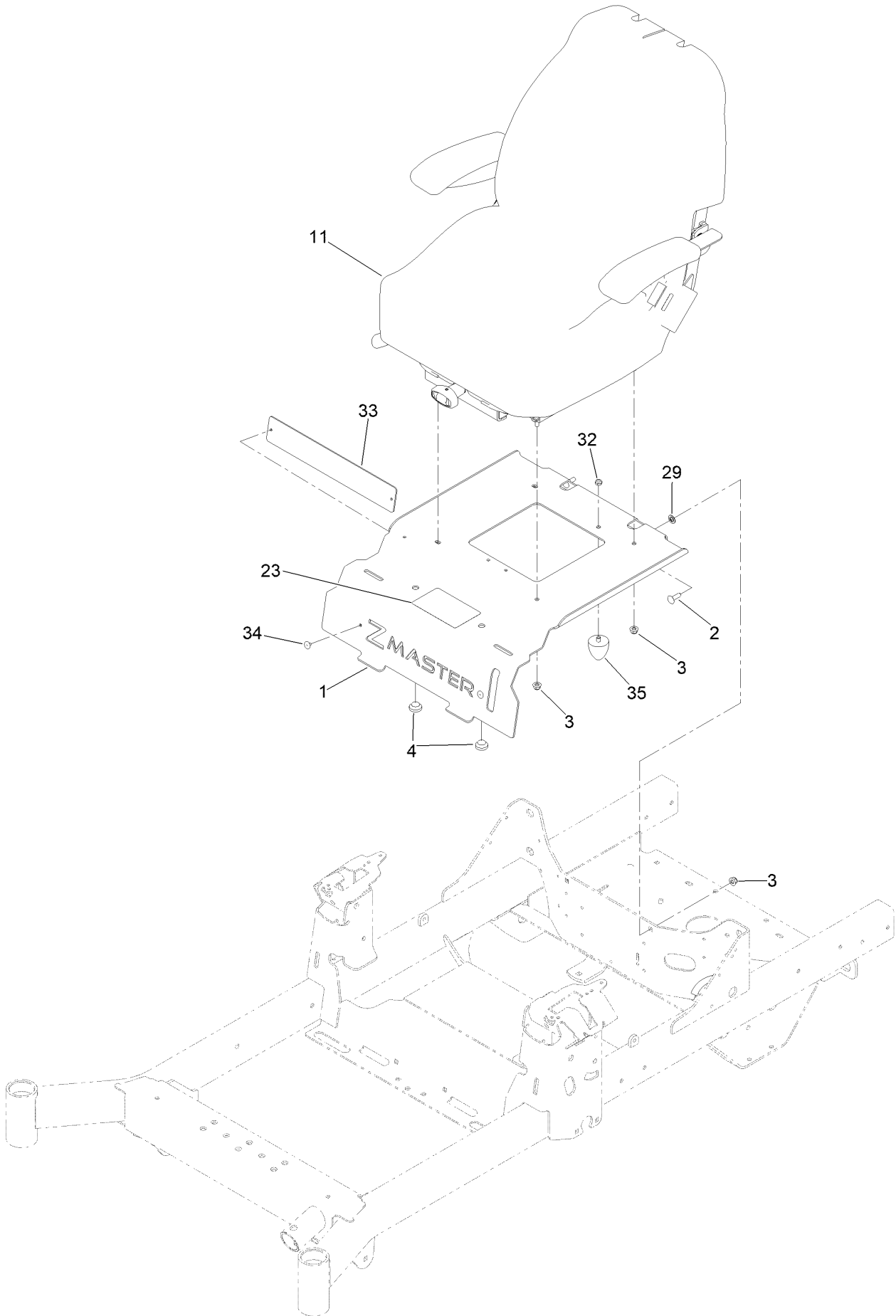
# Fuel Tank Assembly No. 126-4724



## Fuel Tank Assembly No. 126-4724 (continued)

<i>Ref.</i>	<i>Part Number</i>	<i>Qty.</i>	<i>Description</i>	<i>Ref.</i>	<i>Part Number</i>	<i>Qty.</i>	<i>Description</i>
2	46-6560	2	Bushing	5	126-5528	1	Pickup-Fuel
3	126-9057	1	Fitting-90 DEG	5:5	126-5527	1	Ring-Retainer
4	116-4630	1	Fitting-Orifice, Straight	7	126-5525	4	Bolt

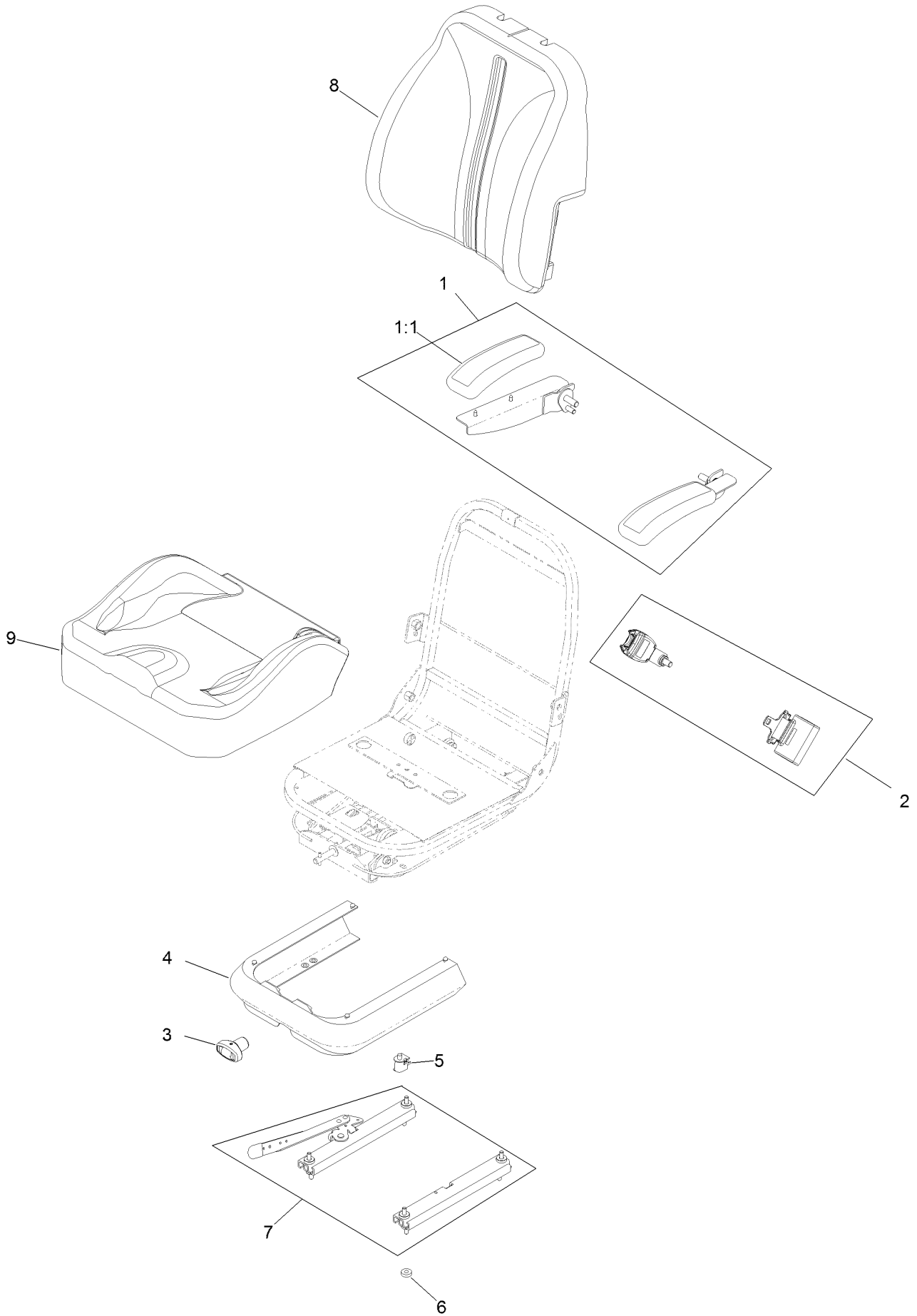
# Seat Mount Assembly



## Seat Mount Assembly (continued)

<i>Ref.</i>	<i>Part Number</i>	<i>Qty.</i>	<i>Description</i>	<i>Ref.</i>	<i>Part Number</i>	<i>Qty.</i>	<i>Description</i>
1	145-3690-03	1	Plate-Fixed Seat	29	135-7125	2	Washer-Retaining
2	3230-22	2	Screw-CARR	32	3296-47	1	Nut-Lock,NI
3	104-8300	6	Nut-HF, NI	33	144-2612-01	1	Plate-Backer
4	135-0505	2	Bumper-Seat	34	130-8451	2	Rivet-Trifold
11	144-3775	1	Seat-Suspension Toro	35	135-7047	1	Bumper-Rubber
23	126-8151	1	Decal-Aid, Service				

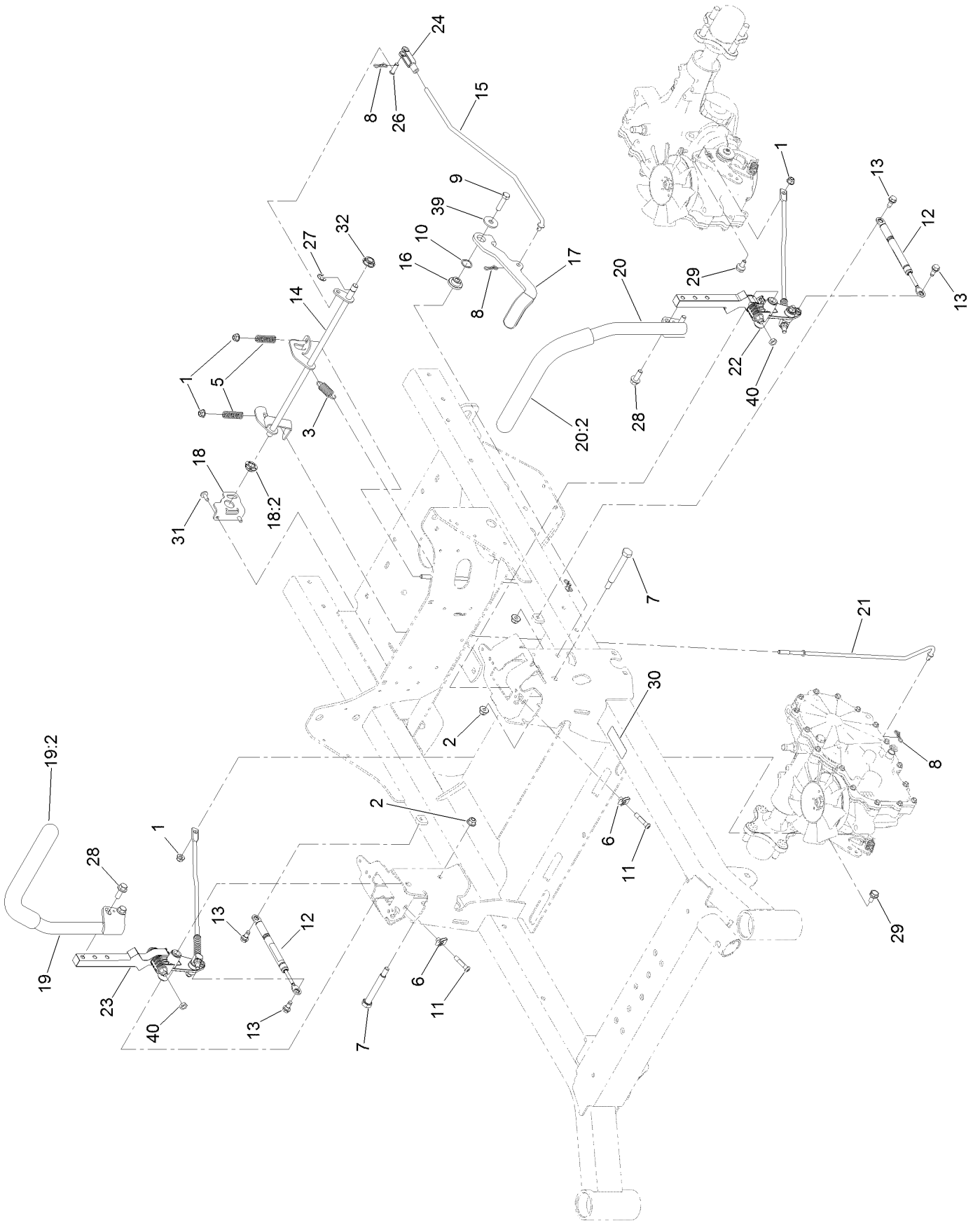
# Seat Assembly No. 144-3775



## Seat Assembly No. 144-3775 (continued)

<i>Ref.</i>	<i>Part Number</i>	<i>Qty.</i>	<i>Description</i>	<i>Ref.</i>	<i>Part Number</i>	<i>Qty.</i>	<i>Description</i>
1	126-2058	1	Armrest Kit	5	82-2190	1	Switch-Bail
1:1	110-4163	2	Cushion-Rest, Arm	6	26-4840	4	Spacer-Pin, Mounting
2	139-3612	1	Seat Belt Kit	7	139-3614	1	Track ASM
3	130-0846	1	Knob-Adjuster	8	144-3776	1	Cover-Back, Susp Seat
4	139-3613	1	Cover-Skirt W/Fasteners	9	144-3777	1	Cover-Bottom, Susp Seat

# Motion Control Assembly



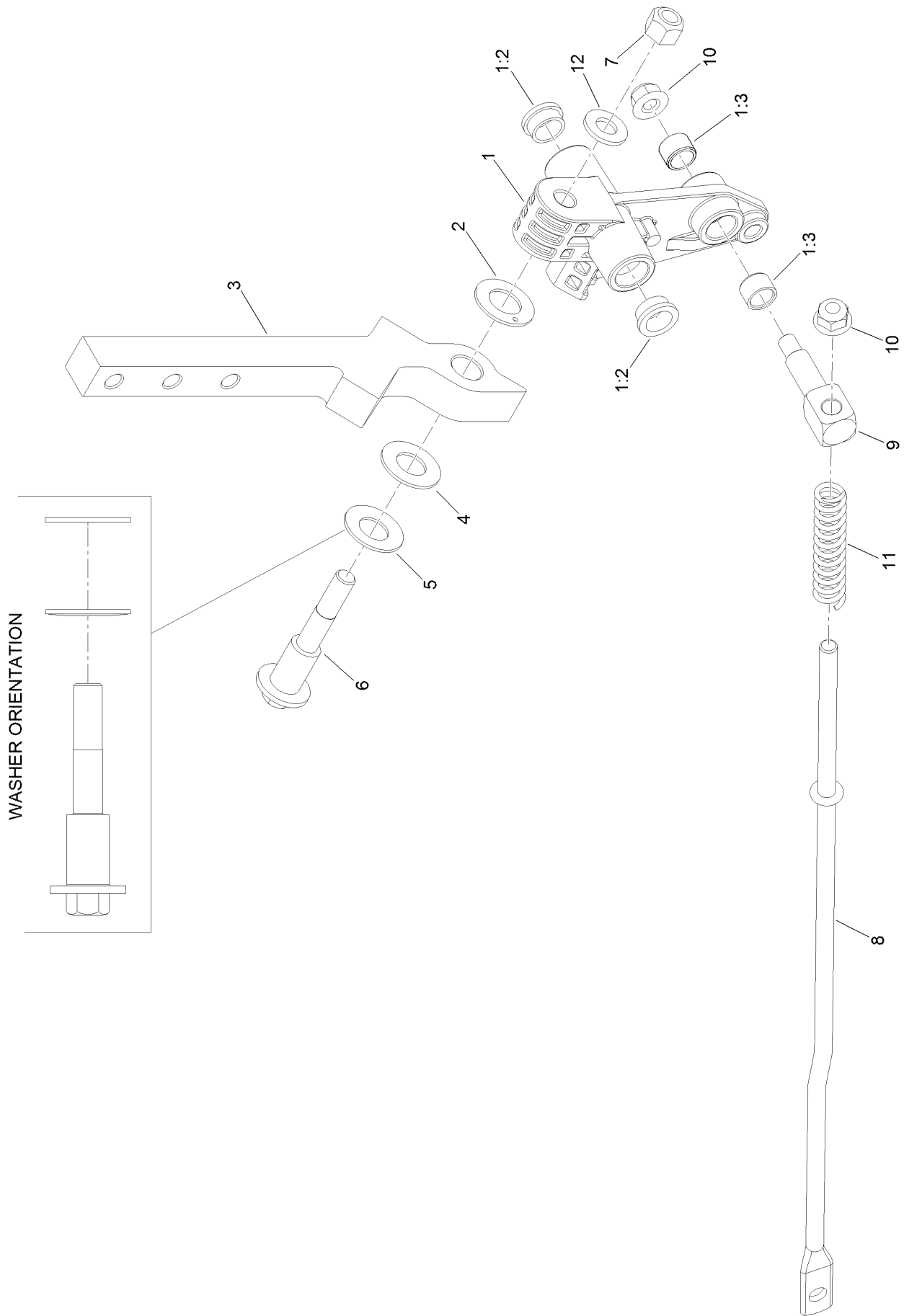


## Motion Control Assembly (continued)

<i>Ref.</i>	<i>Part Number</i>	<i>Qty.</i>	<i>Description</i>	<i>Ref.</i>	<i>Part Number</i>	<i>Qty.</i>	<i>Description</i>
1	104-8300	4	Nut-HF, NI	19	126-9191	1	RH Control Handle ASM
2	104-8301	3	Nut-HF, NI	19:2	126-7359	1	Grip
3	107-1045	1	Spring-Extension	20	126-9192	1	LH Control Handle ASM
5	109-7694	2	Spring-Compression	20:2	126-7359	1	Grip
6	112-3306	2	Nut	21	126-7217	2	Linkage-Brake, Lower
7	115-5099	2	Bolt-Pivot	22		1	LH Motion Control ASM ●
8	119-1415	4	Pin-Cotter, Locking	23		1	RH Motion Control ASM ●
9	323-8	1	Screw-HH	24	1-303105	1	Yoke-Adjustable
10	119-4164	1	Washer-Wave	26	1-808280	1	Pin-Clevis
11	126-4299	2	Screw-HSBH	27	32120-47	1	Ring-Retaining, External
12	126-4322	2	Damper	28	3234-42	4	Screw-HHF
13	126-4424	4	Screw-Shoulder	29	37-8771	2	Bolt-Shoulder, HF
14	126-5813	1	Shaft-Brake	30	115-9625	1	Decal-Brake, Parking
15	126-5819	1	Linkage-Brake, Upper	31	126-6266	2	Screw-Tph
16	126-5989	1	Pivot-Flange	32	126-5820	1	Bearing-Spherical
17	126-9490	1	Lever-Brake (With Grip)	39	2844	1	Washer
18	126-6456	1	Bracket-Brake	40	3218-3	2	Nut-Jam
18:2	126-5820	1	Bearing-Spherical				

● Not serviced separately

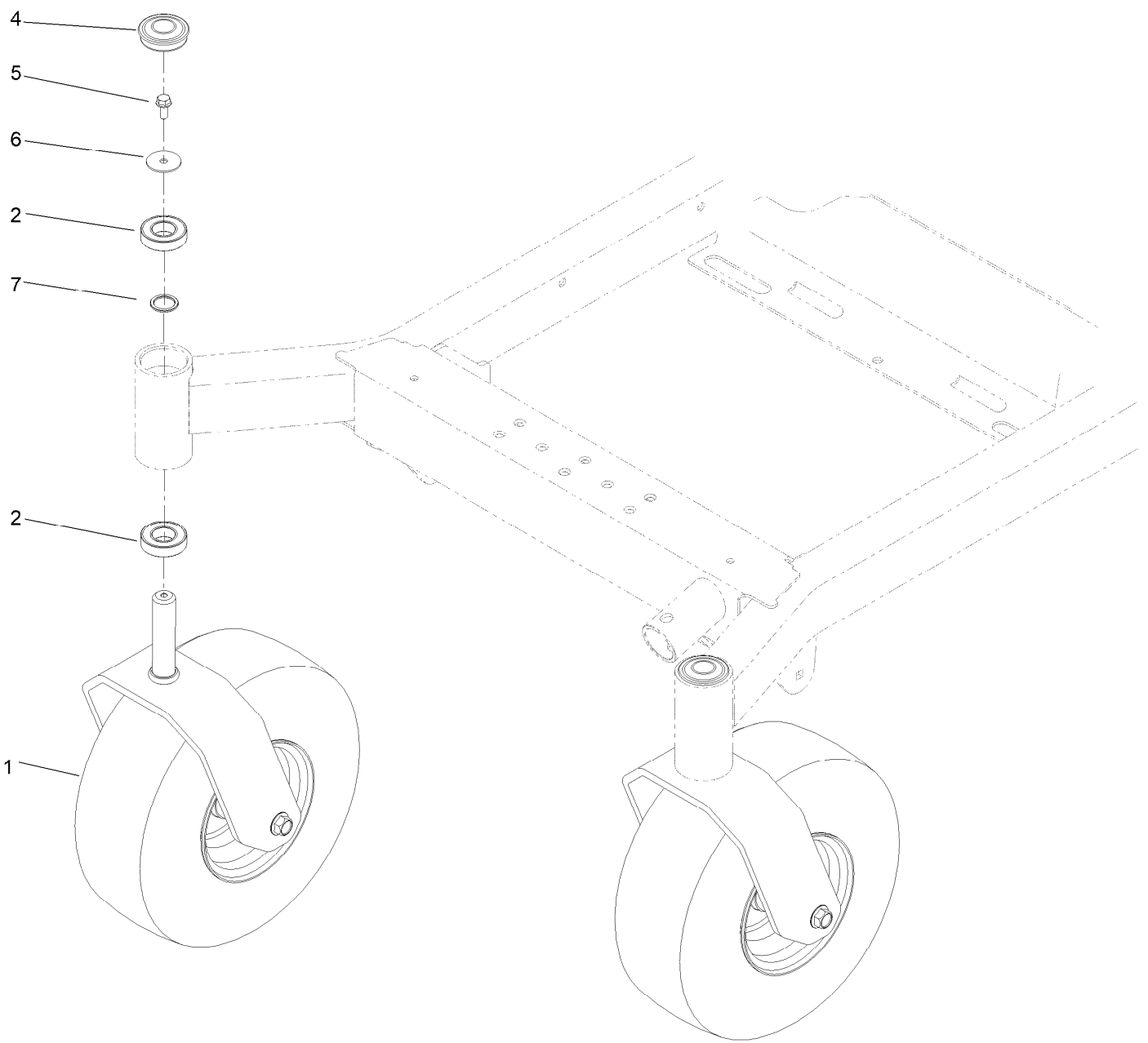
# LH and RH Motion Control Assembly



## LH and RH Motion Control Assembly (continued)

<i>Ref.</i>	<i>Part Number</i>	<i>Qty.</i>	<i>Description</i>	<i>Ref.</i>	<i>Part Number</i>	<i>Qty.</i>	<i>Description</i>
1	126-3773	1	Control Arm ASM	6	117-1198	1	Bolt-Pivot
1:2	126-8909	2	Bushing	7	32152-2	1	Nut-Lock, Cone
1:3	1-413152	2	Bushing-Sleeve	8	126-5435	1	Link-Control
2	126-7296	1	Washer-Friction	9	126-5434	1	Swivel
3	126-8182	1	Arm-Control	10	104-8300	2	Nut-HF, NI
4	117-1240	1	Washer	11	126-8195	1	Spring-Return, Neutral
5	119-8925	1	Washer-Belleville	12	3256-24	1	Washer-Flat

# Caster Assembly

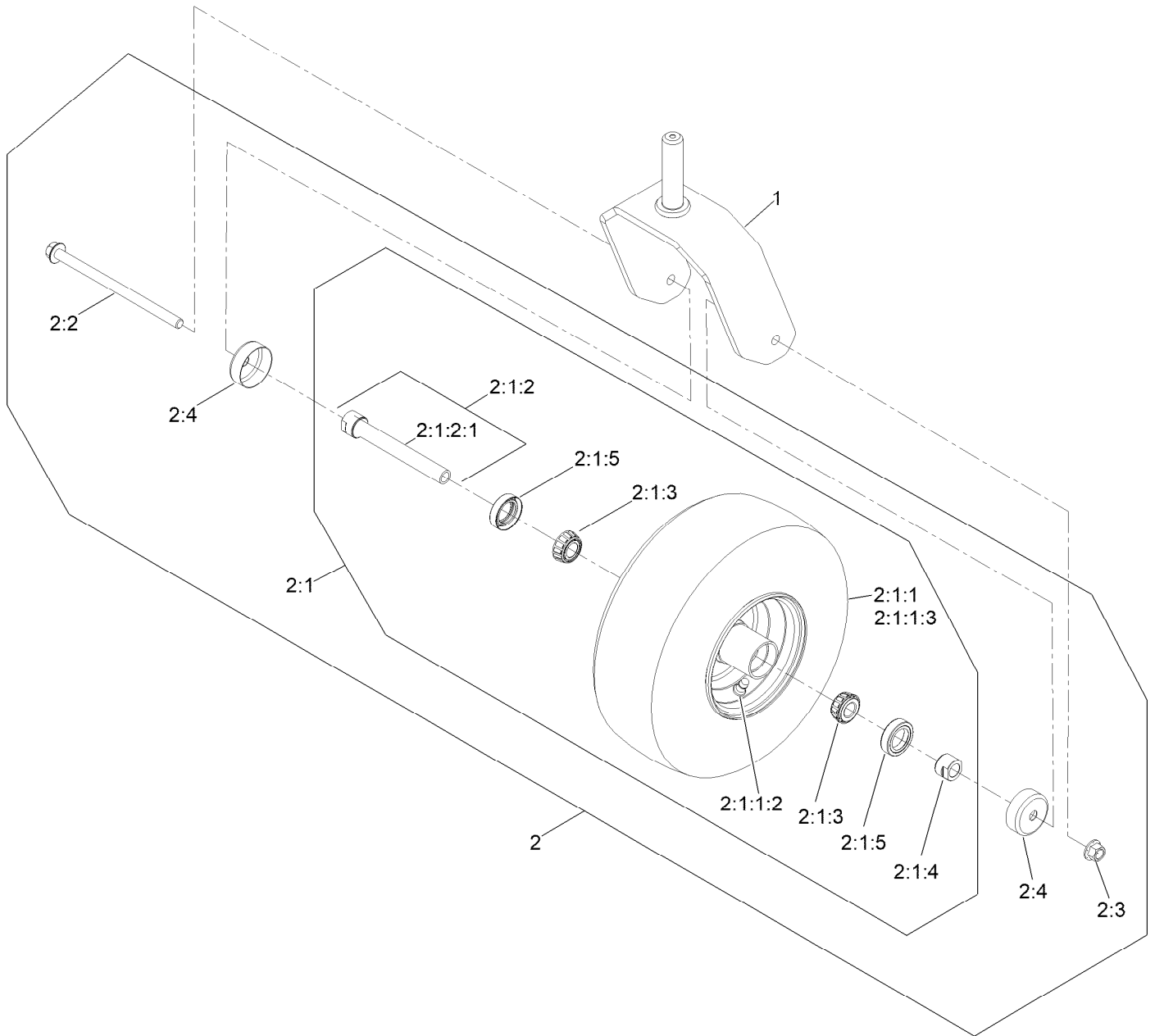


## Caster Assembly (continued)

<i>Ref.</i>	<i>Part Number</i>	<i>Qty.</i>	<i>Description</i>	<i>Ref.</i>	<i>Part Number</i>	<i>Qty.</i>	<i>Description</i>
1		2	ASM-Front Caster W/Fork ●	5	100-1668	2	Screw-HHF
2	109-3678	4	Bearing-Ball	6	3256-68	2	Washer-Flat
4	144-0375	2	Cap, Grease	7	145-3660	2	Spacer-Bearing

● Not serviced separately

# Caster Wheel and Fork Assembly

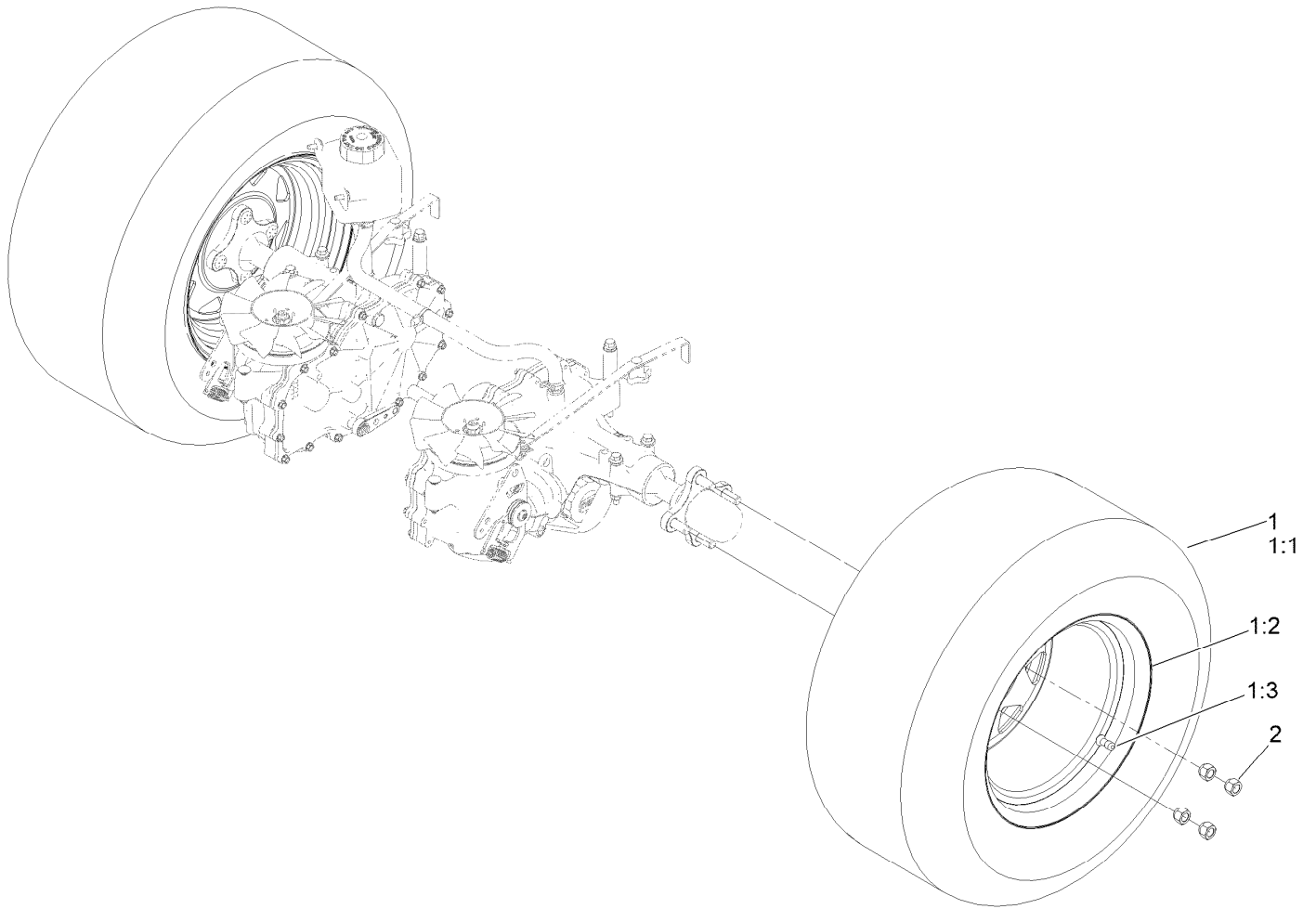


## Caster Wheel and Fork Assembly (continued)

<i>Ref.</i>	<i>Part Number</i>	<i>Qty.</i>	<i>Description</i>	<i>Ref.</i>	<i>Part Number</i>	<i>Qty.</i>	<i>Description</i>
1	142-7827-01	1	Fork-Caster	2:1:2:1	126-5220	1	Axle-Caster
2	139-3639	1	ASM-Pneumatic 13X6.50-6	2:1:3	1-633585	2	Bearing-Cone, Taper
2:1		1	Wheel And Bearings ASM ●	2:1:4	103-3051	1	Spacer-Nut
2:1:1		1	Wheel And Tire ASM ●	2:1:5	103-0063	2	Seal-Caster
2:1:1:2	5108	1	Valve	2:2	126-5389	1	Screw-HHF
2:1:1:3	126-5959	1	Tire	2:3	99-5107	1	Nut-Lock
2:1:2	126-7796	1	Caster Axle ASM	2:4	103-2768	2	Guard-Seal

● Not serviced separately

# Rear Wheel Assembly

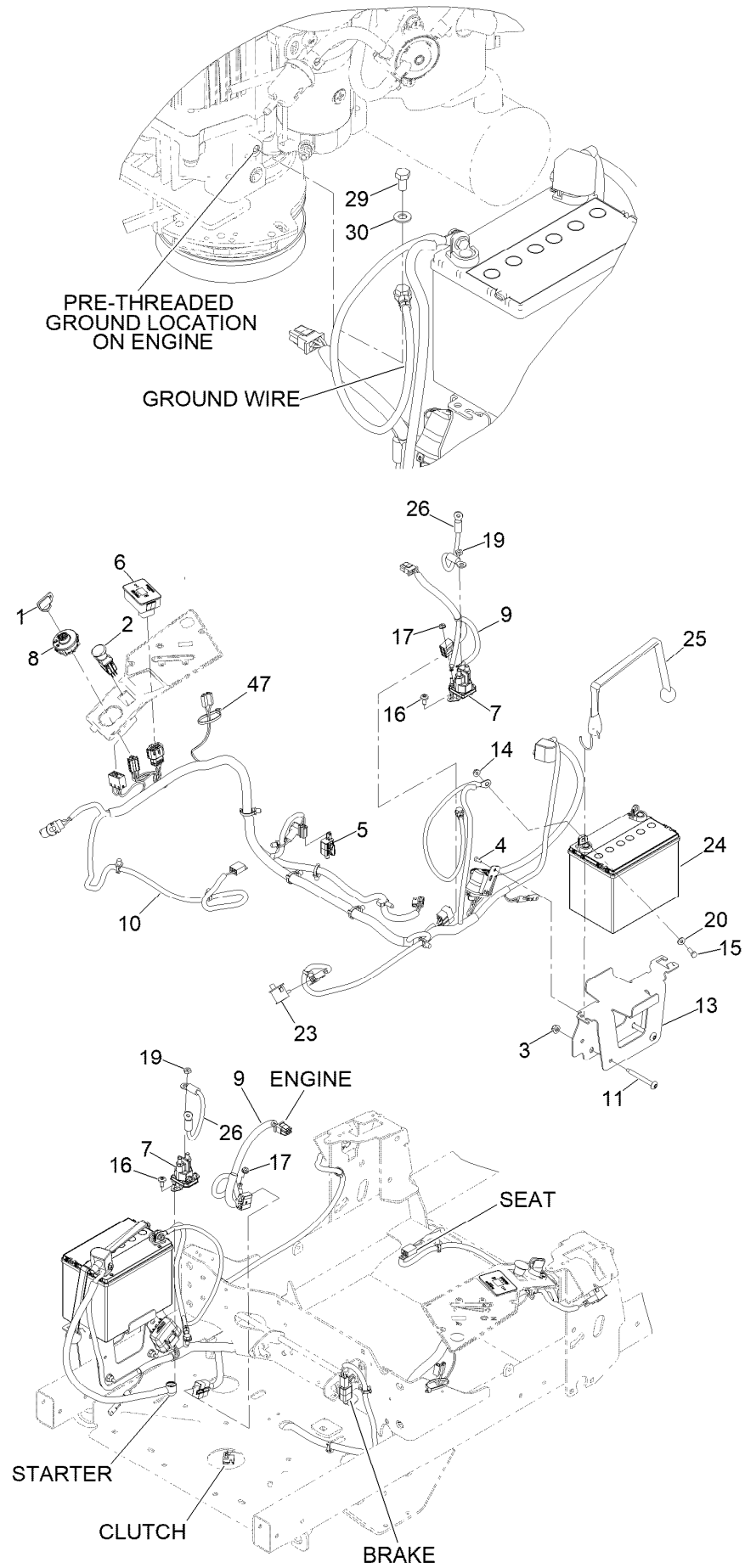




## Rear Wheel Assembly (continued)

<i>Ref.</i>	<i>Part Number</i>	<i>Qty.</i>	<i>Description</i>	<i>Ref.</i>	<i>Part Number</i>	<i>Qty.</i>	<i>Description</i>
1	144-6990	2	ASM-Voodoo Trac 24X9.5-12 [os -0.75]	1:2	140-7966	1	Wheel
1:1	144-6965	1	Tire-Voodoo	1:3	232-27	1	Stem-Valve
				2	242-50	8	Nut-Lug

# Electrical Assembly



## Electrical Assembly (continued)

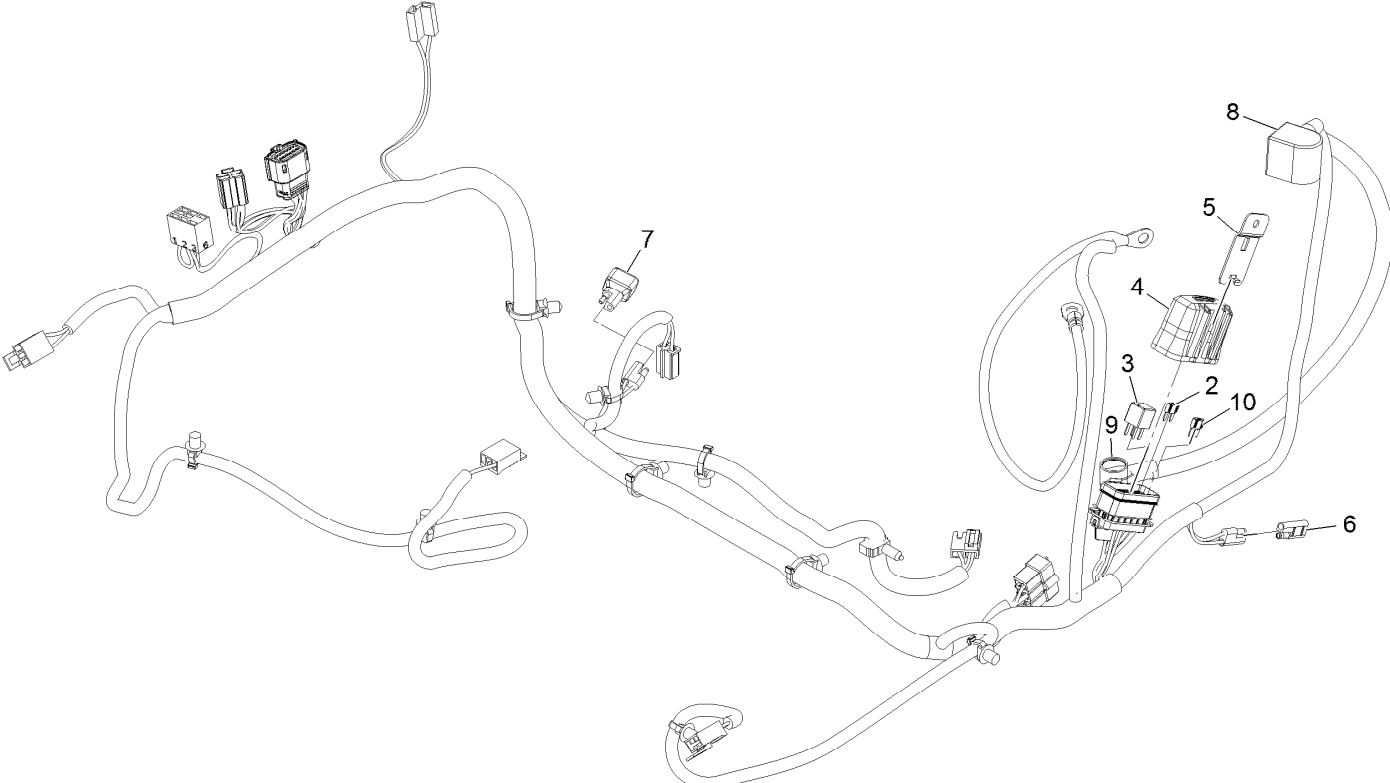
<i>Ref.</i>	<i>Part Number</i>	<i>Qty.</i>	<i>Description</i>	<i>Ref.</i>	<i>Part Number</i>	<i>Qty.</i>	<i>Description</i>
1	63-8360	1	Key-Ignition	15	321-4	2	Screw-HH
2	103-5221	1	Switch-PTO	16	126-6266	2	Screw-Tph
3	104-8300	2	Nut-HF, NI	17	32149-8	2	Nut-Keps
4	105-6849	1	Screw-Forming, Thread	19	3220-2	1	Nut-Jam
5	110-6765	1	Switch	20	3256-22	2	Washer-Flat
6	116-5609	1	Module ASM	23	82-2190	2	Switch-Bail
7	117-1197	1	Solenoid	24		1	Battery ●■
8	137-4100	1	Switch-Ignition	25	142-8697	1	Strap, Bungee
9	126-5036	1	Adapter-Harness, Wire	26	100-3540	1	Cable-Battery, Positive
10	126-5803	1	Harness-Wire ▲	29	135-2868	1	Screw-HH
11	126-6267	2	Screw-TTH	30	3256-23	1	Washer-Plain
13	126-6725-03	1	Tray-Battery	47	3290-378	1	Tie-Cable
14	32128-33	2	Nut-HF				

● Obtain locally.

■ Not serviced separately

▲ Use dielectric grease on all unsealed connectors and terminals only. Do not apply in sealed connectors.

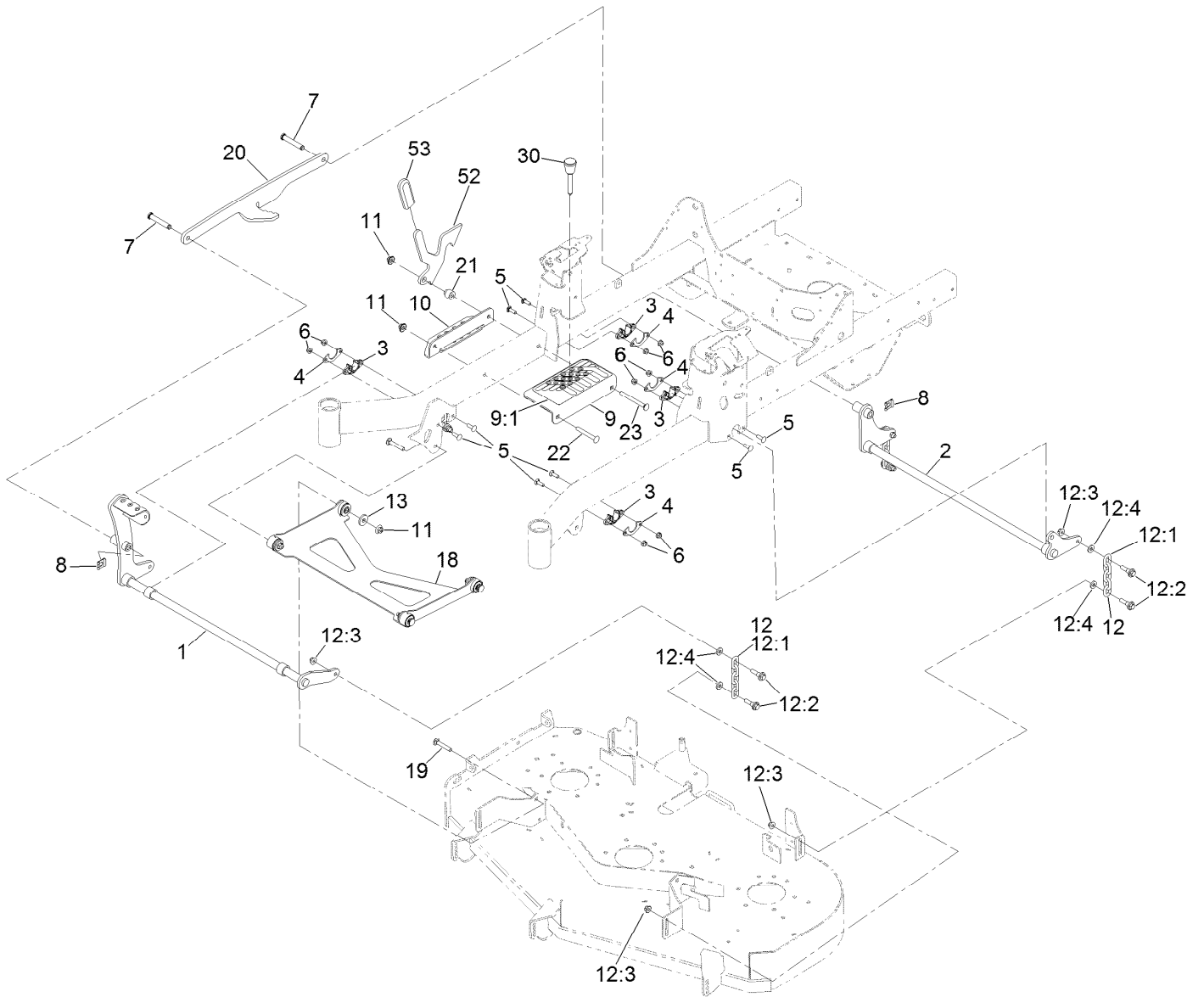
# Wire Harness Assembly No. 126-5803



## Wire Harness Assembly No. 126-5803 (continued)

<i>Ref.</i>	<i>Part Number</i>	<i>Qty.</i>	<i>Description</i>	<i>Ref.</i>	<i>Part Number</i>	<i>Qty.</i>	<i>Description</i>
2	121-8868	1	Fuse-Mini Blade, 20 Amp	7	103-3895	1	Diode
3	126-3991	1	Relay-Micro	8	126-8876	1	Insulator-Battery
4	32180-176	1	Cover-Block, Fuse	9	1-543393	1	Insulator-Solenoid
5	32180-177	1	Clip-Mounting	10	121-8867	1	Fuse-Mini Blade, 15 Amp
6	116-0053	1	Cap-Plug				

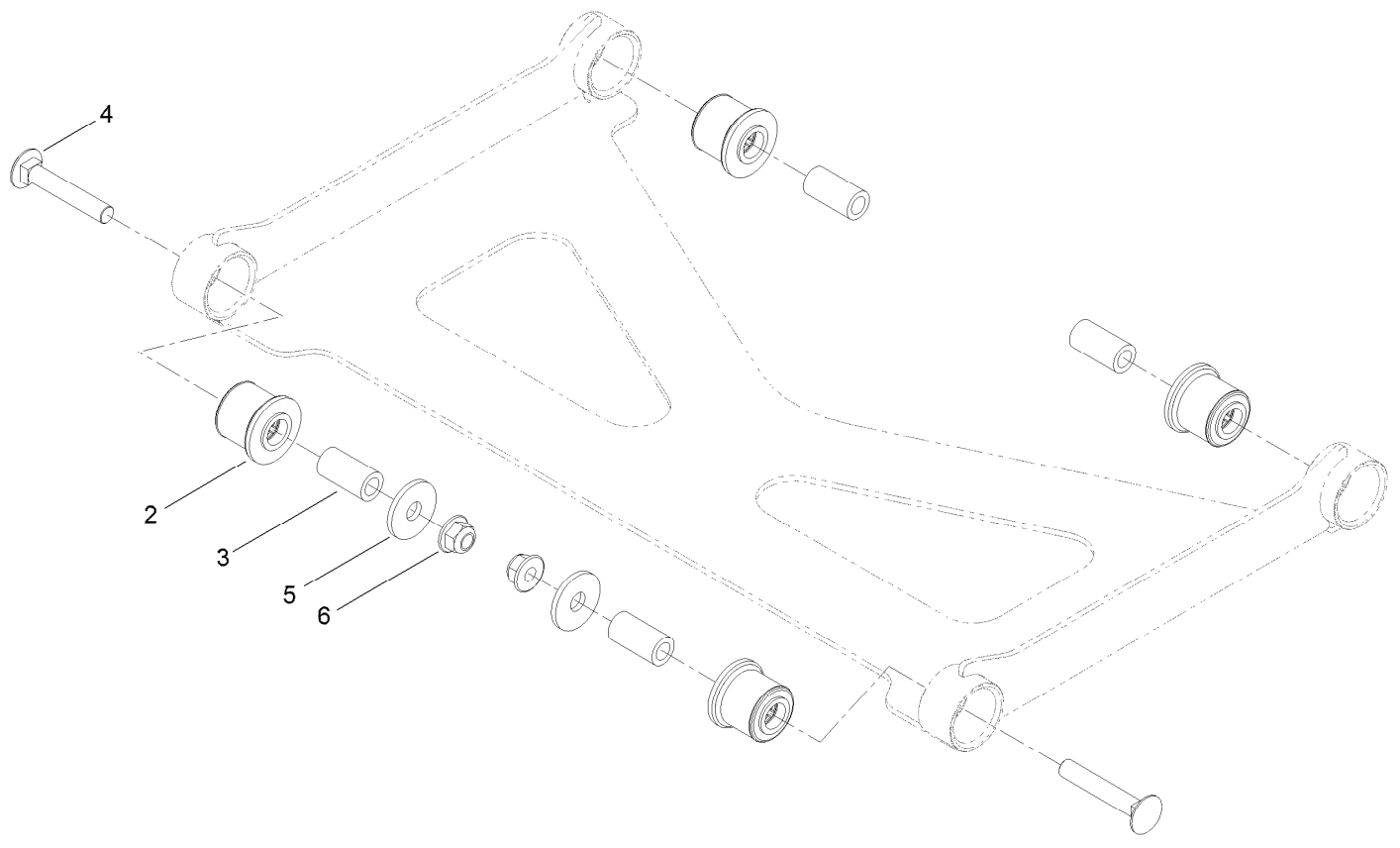
# Deck Lift Assembly



## Deck Lift Assembly (continued)

<i>Ref.</i>	<i>Part Number</i>	<i>Qty.</i>	<i>Description</i>	<i>Ref.</i>	<i>Part Number</i>	<i>Qty.</i>	<i>Description</i>
1	126-3342-03	1	Shaft-Lift, Deck	12:2	130-0742	2	Bolt-Shoulder
2	126-3343-03	1	Shaft-Lift, Deck (Rear)	12:3	104-8301	2	Nut-HF, NI
3	115-5065	4	Bushing-Flange	12:4	43-0940	2	Spacer
4	116-2887	4	Gusset-Lift, Deck	13	1-373034	2	Washer
5	3230-22	8	Screw-CARR	18	126-8365	1	Deck Strut ASM
6	104-8300	8	Nut-HF, NI	19	3231-7	2	Screw-CARR
7	126-9181	2	Pin-Clevis	20	126-4639-03	1	Link-HOC
8	138-8491	2	Clip-Pin	21	126-5221	1	Spacer-Stepped
9	126-4535	1	Bracket ASM	22	3231-42	1	Screw-CARR
9:1	126-4784	1	Decal-HOC	23	135-0313	1	Screw-CARR
10	126-4640-03	1	Angle-HOC, Lower	30	126-5401	1	Pin-HOC
11	109-6658	4	Nut-Flange, NI	52	140-1249	1	Plate-Transport Lock
12	126-8877	4	Deck Chain ASM	53	132-4749	1	Grip-Lever
12:1	1-633447	1	Chain-Lift, Deck				

# Deck Strut Assembly No. 126-8365

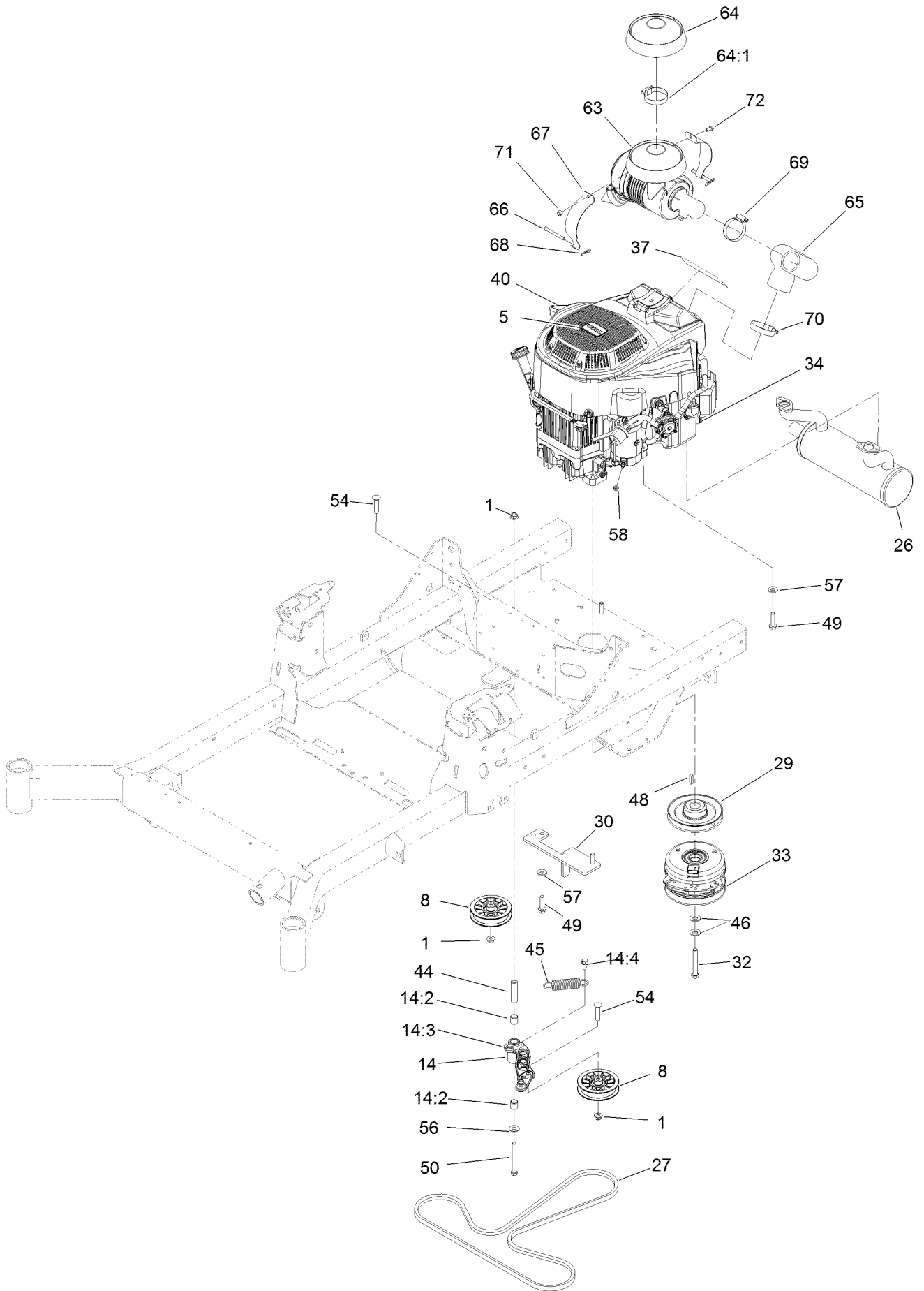




## Deck Strut Assembly No. 126-8365 (continued)

<i>Ref.</i>	<i>Part Number</i>	<i>Qty.</i>	<i>Description</i>	<i>Ref.</i>	<i>Part Number</i>	<i>Qty.</i>	<i>Description</i>
2	126-8360	4	Bushing-Rubber, Suspension	4	3231-7	2	Screw-CARR
3	108-6544	4	Spacer	5	2844	2	Washer
				6	104-8301	2	Nut-HF, NI

# Engine, Clutch and Muffler Assembly



## Engine, Clutch and Muffler Assembly (continued)

<i>Ref.</i>	<i>Part Number</i>	<i>Qty.</i>	<i>Description</i>	<i>Ref.</i>	<i>Part Number</i>	<i>Qty.</i>	<i>Description</i>
1	104-8301	3	Nut-HF, NI	48	1-807259	1	Key
5	110-1136	1	Decal	49	32144-102	4	Screw-HWH
8	116-2456	2	Pulley-Flat Idler	50	323-15	1	Screw-HH
14	126-0973	1	Idler Arm ASM	54	3231-29	2	Screw-CARR
14:2	1-513034	2	Sleeve-Bearing	56	3256-4	1	Washer-Flat
14:3	302-40	1	Fitting-Grease, 90 DEG	57	98-5975	4	Washer-Belleville
14:4	32144-11	1	Screw-HWH	58	33003-00	1	Nut-HF
26	126-5864	1	Muffler	63	93-2190	1	Air Cleaner ASM
27	126-5993	1	Belt-V	64	136-7859	1	Rain Cap Kit
29	138-6007	1	Sheave-Engine	64:1	1-643009	1	Clamp-Hose
30	126-6687-03	1	Anchor-Clutch	65	136-9242	1	Hose-Intake
32	126-7198	1	Screw-HH W/Loctite ●	66	137-2011	2	Pin-Clevis
33	127-3410	1	Clutch-PTO	67	136-9243	2	Strap-Canister, Air
34	136-7823	1	Engine-2P77F-HD	68	1-806003	2	Pin-Cotter
37	140-2715	1	Decal	69	1-643009	1	Clamp-Hose
40	131-1097	1	Decal-Drain, Oil	70	2412-130	1	Clamp-Hose
44	1-603384	1	Bushing-Pivot, Idler	71	137-3088	1	Nut-Hex
45	1-603402	1	Spring-Extension	72	137-3041	1	Screw-HH
46	1-603610	2	Washer-Spring				

● Use Pro-Lock, Nut Type (P/N 1-840022, .5ml tube) on threads.

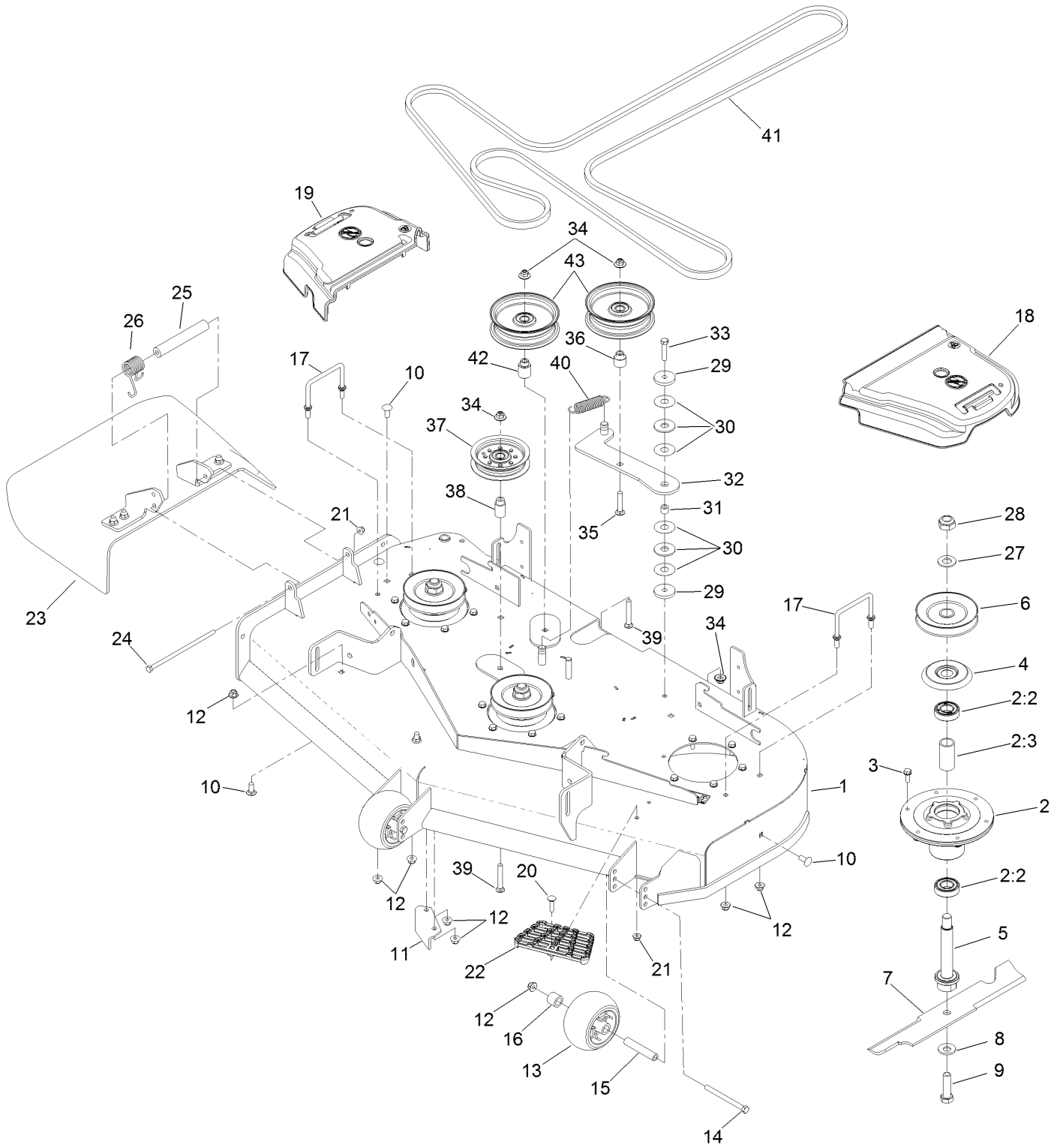
# Air Cleaner Assembly No. 93-2190



## Air Cleaner Assembly No. 93-2190 (continued)

<i>Ref.</i>	<i>Part Number</i>	<i>Qty.</i>	<i>Description</i>	<i>Ref.</i>	<i>Part Number</i>	<i>Qty.</i>	<i>Description</i>
2	108-3811	1	Filter-Air	4	87-9400	1	Valve-Vacuator
3	94-3652	1	Cover ASM	5	285-17	1	Plug-Pipe
3:1	1-643283	2	Latch-Cleaner, Air				

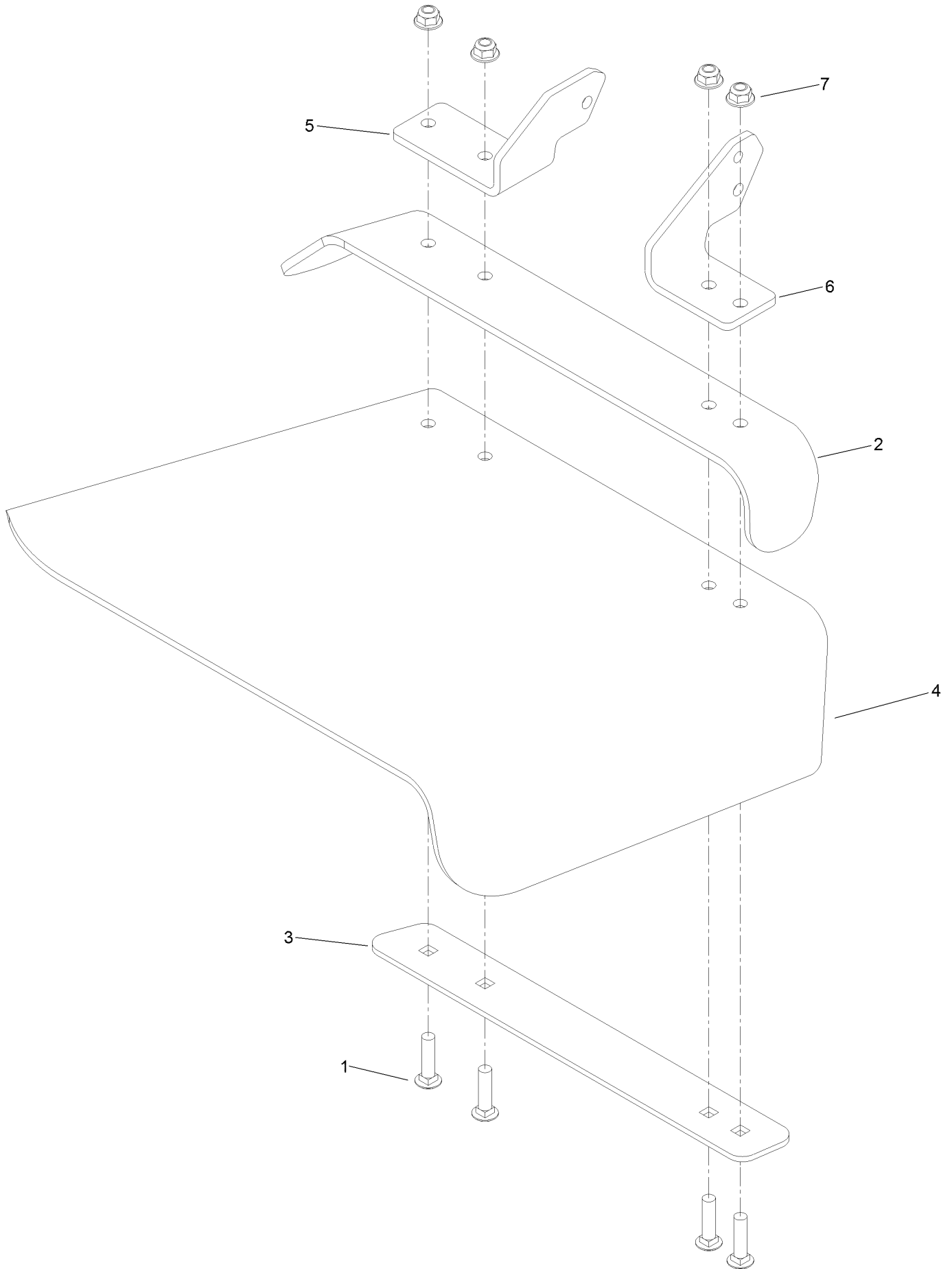
# Deck Assembly



## Deck Assembly (continued)

<i>Ref.</i>	<i>Part Number</i>	<i>Qty.</i>	<i>Description</i>	<i>Ref.</i>	<i>Part Number</i>	<i>Qty.</i>	<i>Description</i>
1	126-8956	1	Deck Decal ASM	21	104-8300	2	Nut-HF, NI
2	120-5477	3	Spindle ASM	22	126-4781-03	1	Step-Deck
2:2	116-0720	2	Bearing-Ball	23	120-2451	1	Deflector ASM
2:3	115-2641	1	Spacer-Bearing	24	322-50	1	Screw-HH
3	32144-41	18	Screw-Taptite	25	105-4622	1	Spacer
4	117-7210	3	Shield-Bearing	26	108-4052	1	Spring-Torsion
5	126-7629	3	Shaft-Spindle	27	92-5836	3	Washer
6	117-7326	3	Pulley	28	3296-67	3	Nut-Lock, NI
7	133-2137	3	Blade-Rotary, 16.5In (Hi Flow)	29	110-9981	2	Washer-Plain
8	125-1736	3	Washer-Belleville	30	114-0463	2	Washer-Friction, Composite
9	51-4060	3	Screw-Blade	31	1-413088	1	Bushing-Lever, Lift
10	3231-27	6	Screw-CARR	32	115-5054	1	Arm-Idler
11	107-8541-01	1	Baffle-Discharge	33	323-9	1	Screw-HH
12	104-8301	12	Nut-HF, NI	34	109-6658	4	Nut-Flange, NI
13	1-603299	2	Roller-Scalp, Anti	35	3231-6	1	Screw-CARR
14	323-23	2	Screw-HH	36	126-7684	1	Bushing-Idler
15	98-7912	2	Tube-Spanner	37	116-3626	1	Pulley-Idler
16	98-7913	2	Tube-Spacer	38	1-413113	1	Bushing-Idler
17	109-6982	2	Wireform-Cover	39	3231-31	2	Screw-CARR
18	109-6936	1	Cover-Belt, LH	40	139-3616	1	Spring - Extension
19	109-6935	1	Cover-Belt, RH	41	126-7731	1	Belt, Deck Drive
20	3230-3	1	Screw-CARR	42	126-7683	1	Bushing-Idler
				43	116-4669	2	Idler-Pulley, Flat

# Deflector Assembly No. 120-2451

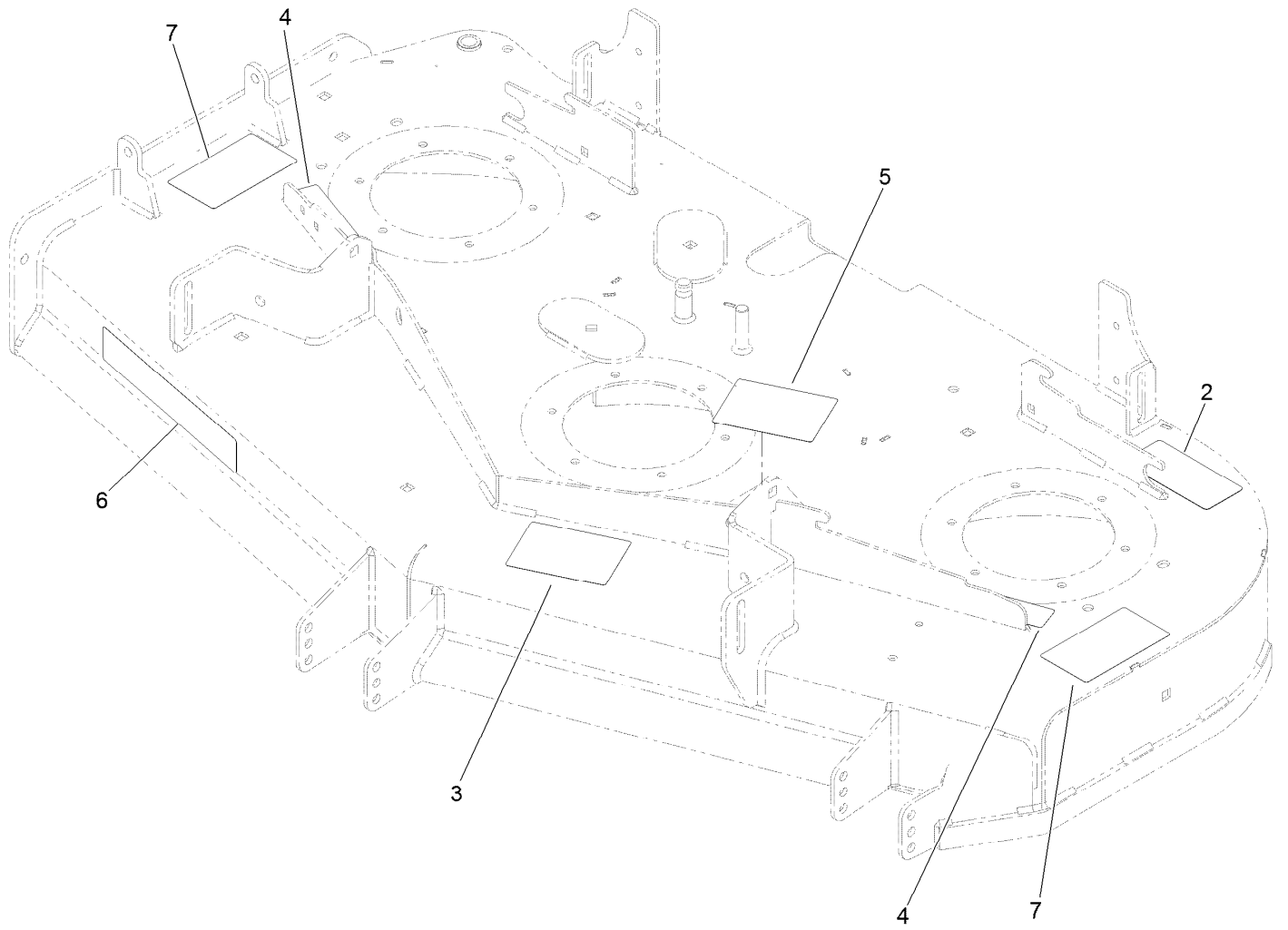




## Deflector Assembly No. 120-2451 (continued)

<i>Ref.</i>	<i>Part Number</i>	<i>Qty.</i>	<i>Description</i>	<i>Ref.</i>	<i>Part Number</i>	<i>Qty.</i>	<i>Description</i>
1	3231-4	4	Screw-CARR	5	108-4059-01	1	Plate-Hinge, Rear
2	106-3246-01	1	Deflector	6	106-3253-01	1	Plate-Hinge, Front
3	106-3248-03	1	Strap-Discharge	7	104-8301	4	Nut-HF, NI
4	110-0759	1	Deflector-Rubber				

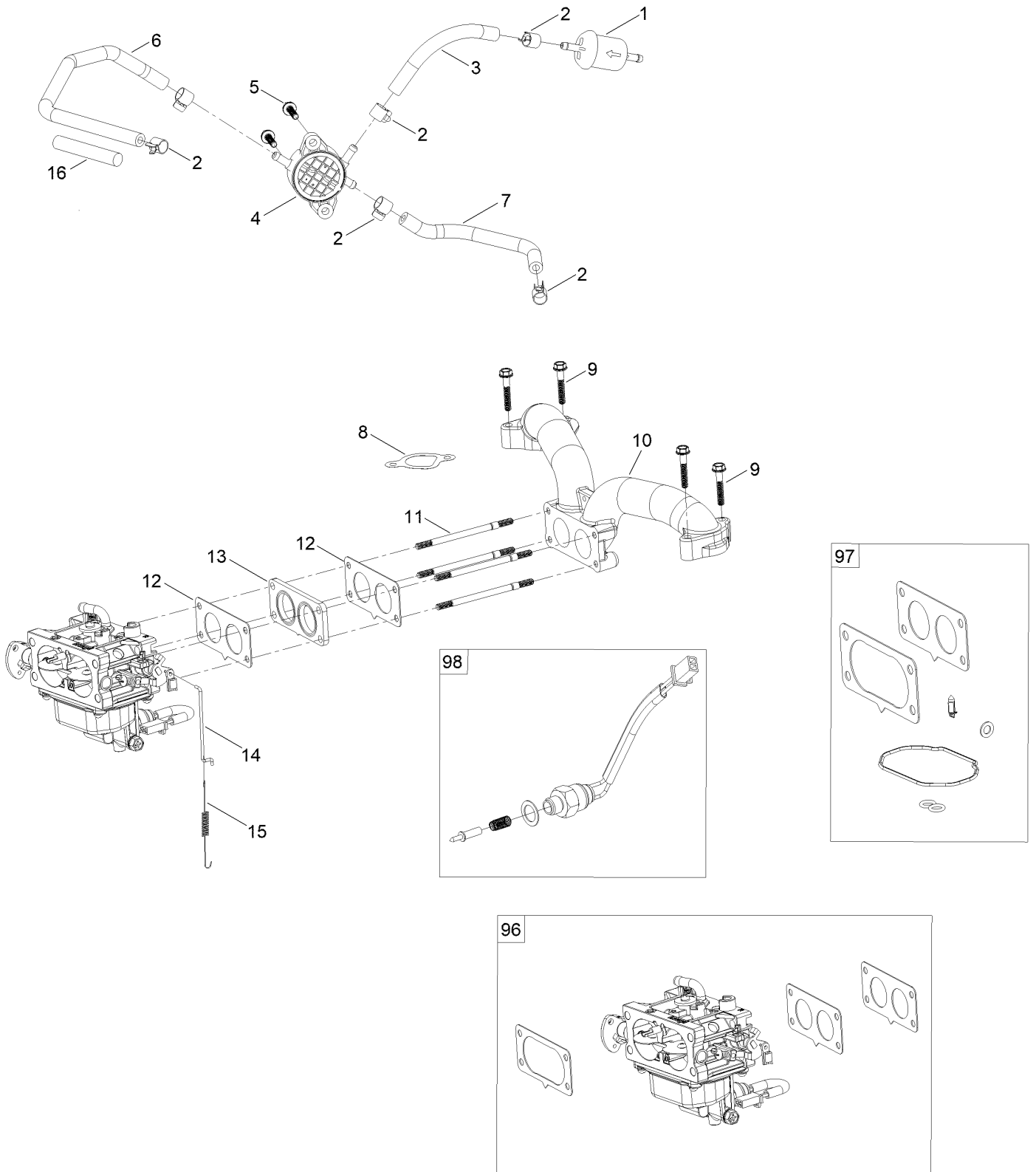
# Deck Decal Assembly No. 126-8956



## Deck Decal Assembly No. 126-8956 (continued)

<i>Ref.</i>	<i>Part Number</i>	<i>Qty.</i>	<i>Description</i>	<i>Ref.</i>	<i>Part Number</i>	<i>Qty.</i>	<i>Description</i>
2	93-7818	1	Decal-Torque, Blade Bolt	5	117-1194	1	Decal-Routing, Belt
3	112-3858	1	Decal-Scalp, Anti	6	107-1690	1	Decal
4	112-9028	2	Decal-Cover, Missing	7	117-3848	2	Decal-Danger

# Fuel System Assembly

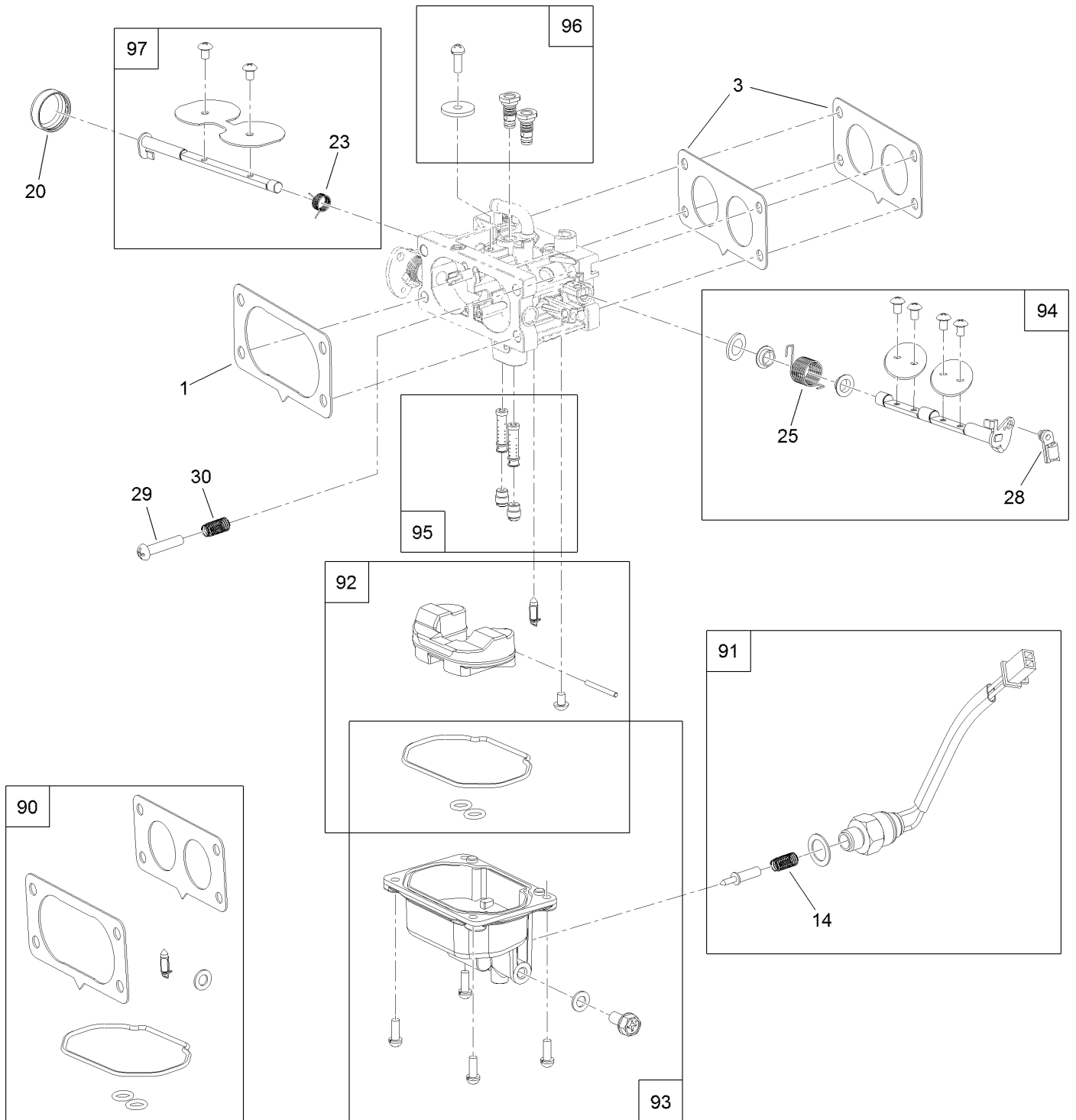


## Fuel System Assembly (continued)

<i>Ref.</i>	<i>Part Number</i>	<i>Qty.</i>	<i>Description</i>	<i>Ref.</i>	<i>Part Number</i>	<i>Qty.</i>	<i>Description</i>
1	139-0717	1	Filter-Fuel	12	127-9246	2	Gasket-Carburetor
2	139-0719	6	Clamp-Fuel Hose	13	127-9247	1	Insulator-Carburetor
3	120-4371	1	Line-Fuel	14	133-9963	1	Linkage-Throttle
4	139-0684	1	Pump-Fuel	15	133-9964	1	Spring-Return, Throttle
5	120-4225	2	Screw-HHF	16	127-9355	1	Sleeve-Fuel Line Protector
6	127-9205	1	Hose-Fuel	96	136-7842	1	Carburetor Replacement Kit ASM
7	127-9207	1	Hose-Fuel	97	127-9290	1	Carburetor Repair Kit
8	127-9230	2	Gasket-Intake	98	127-9292	1	Solenoid Kit
9	120-4284	4	Screw-HHF	99	136-7838	1	High Altitude Kit ●
10	127-9244	1	Manifold-Intake				
11	127-9245	4	Stud				

● Not illustrated

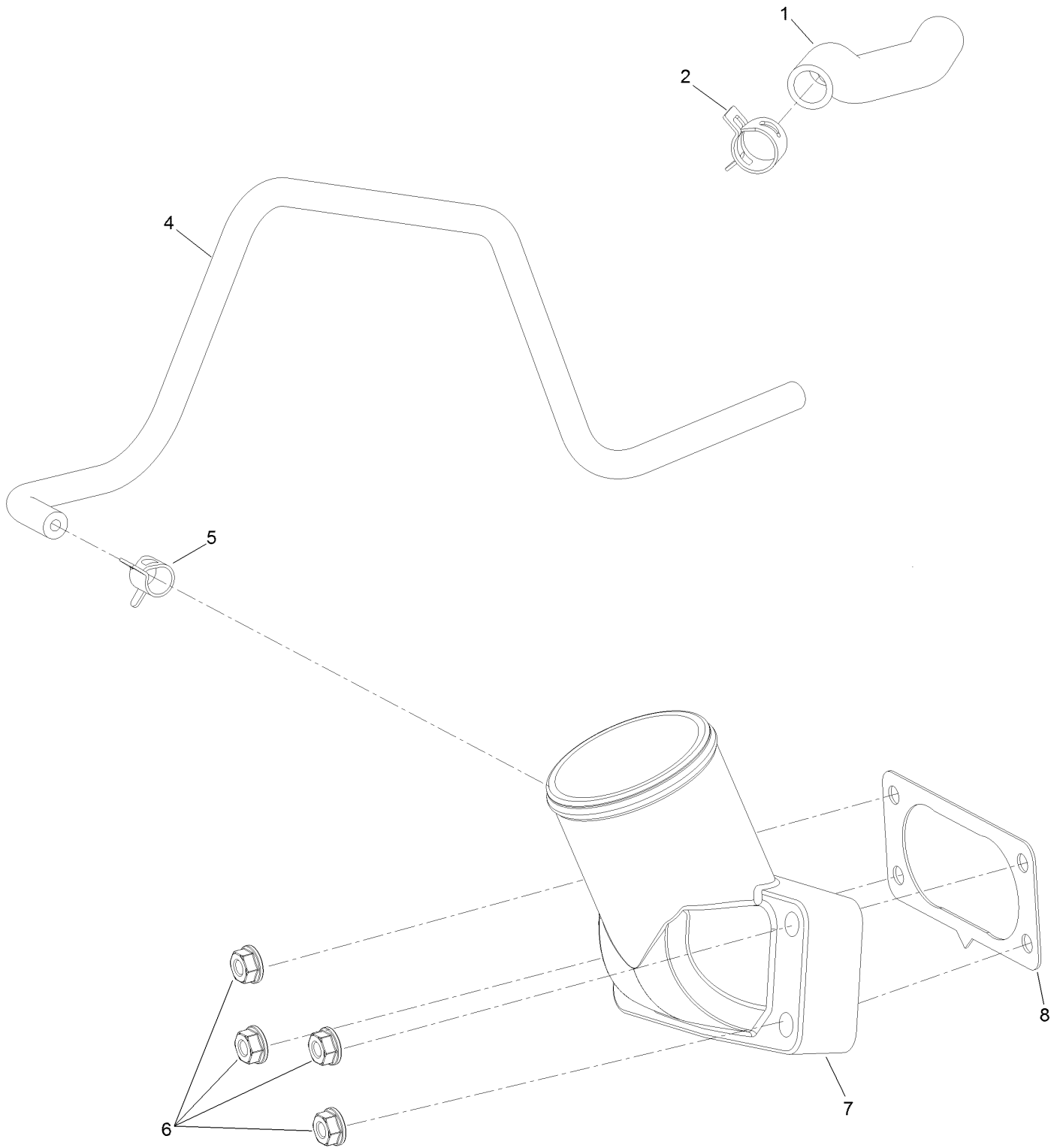
# Carburetor Assembly



## Carburetor Assembly (continued)

<i>Ref.</i>	<i>Part Number</i>	<i>Qty.</i>	<i>Description</i>	<i>Ref.</i>	<i>Part Number</i>	<i>Qty.</i>	<i>Description</i>
1	127-9251	1	Gasket-Carburetor	90	127-9290	1	Carburetor Repair Kit
3	127-9246	2	Gasket-Carburetor	91	127-9292	1	Solenoid Kit
14	127-9319	1	Spring	92	127-9340	1	Float Kit
20	127-9325	1	Cover-Shaft, Choke	93	127-9341	1	Bowl Kit
23	127-9328	1	Spring	94	133-9817	1	Throttle Shaft Kit
25	127-9330	1	Spring	95	136-7846	1	Nozzle And Jet Kit
28	127-9333	1	Clamp-Lock	96	136-7899	1	Idle Jet Kit
29	127-9334	1	Screw-PPH	97	127-9345	1	Choke Shaft Kit
30	127-9335	1	Spring				

# Air Intake and Filtration Assembly

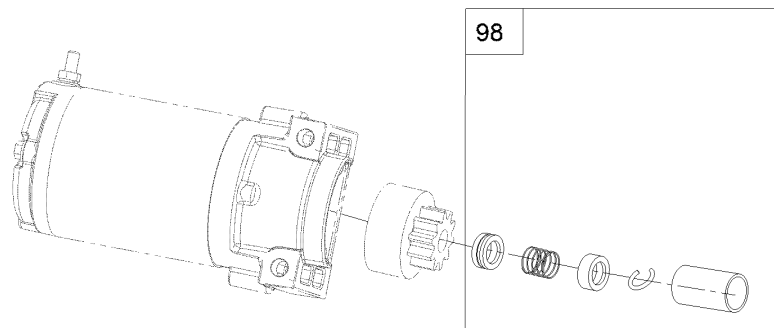
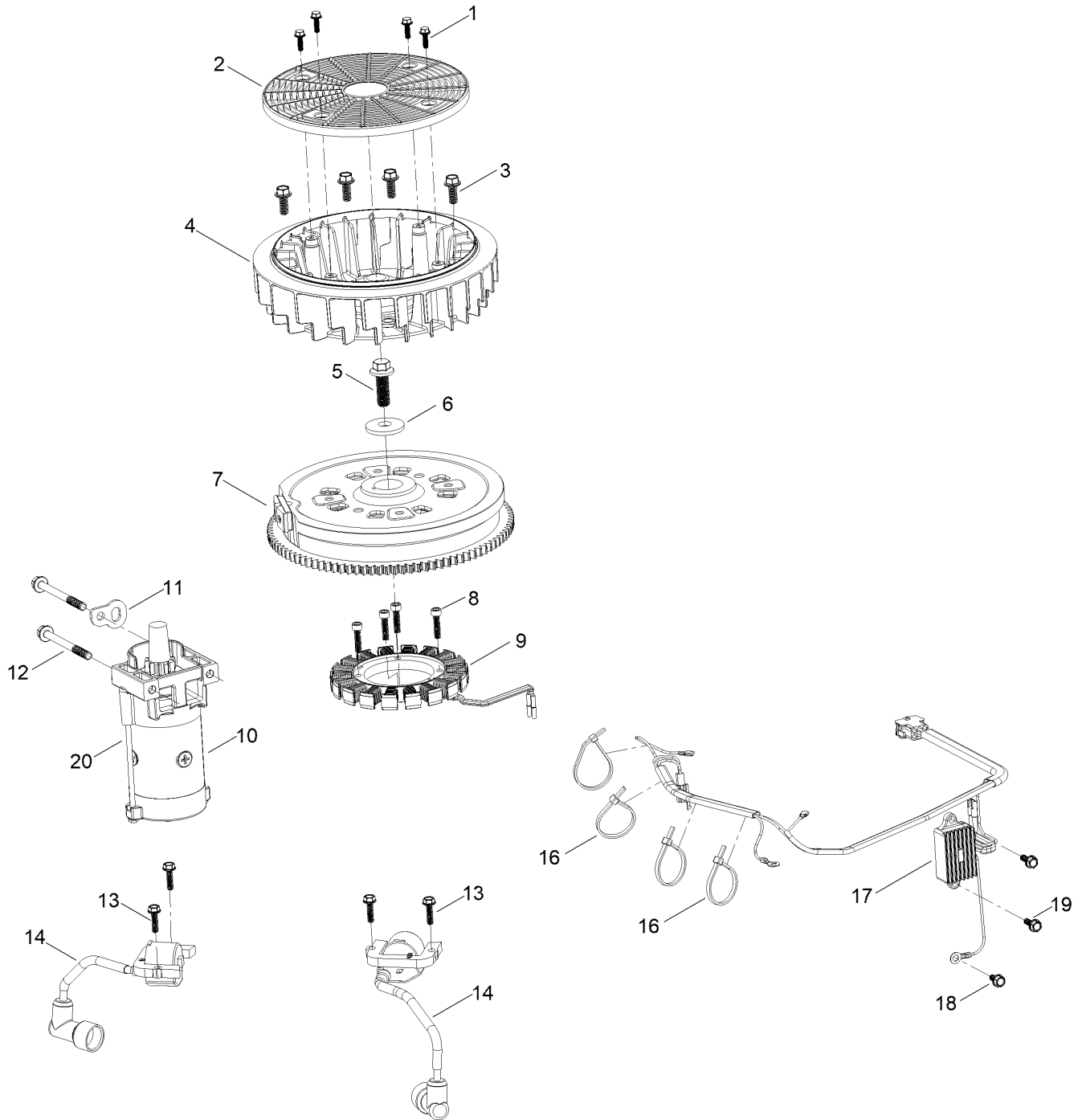




## Air Intake and Filtration Assembly (continued)

<i>Ref.</i>	<i>Part Number</i>	<i>Qty.</i>	<i>Description</i>	<i>Ref.</i>	<i>Part Number</i>	<i>Qty.</i>	<i>Description</i>
1	127-9235	1	Tube-Breather	6	120-4236	4	Nut-Flange
2	127-9234	2	Clamp-Hose	7	136-9241	1	Manifold-Intake
4	127-9253	1	Hose-Fuel	8	127-9251	1	Gasket-Carburetor
5	127-9187	1	Clamp-Hose				

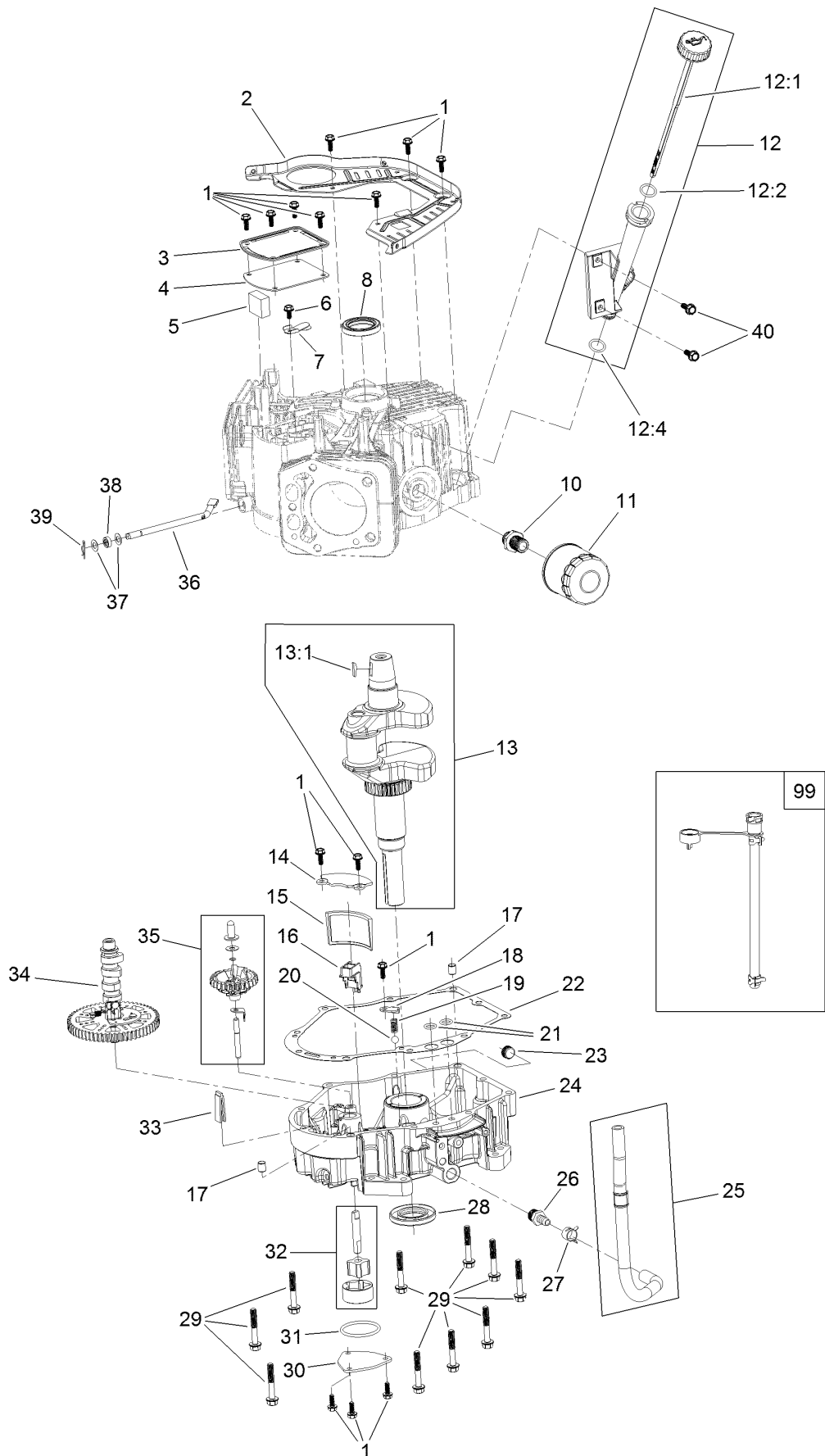
# Ignition and Cooling Fan Assembly



## Ignition and Cooling Fan Assembly (continued)

<i>Ref.</i>	<i>Part Number</i>	<i>Qty.</i>	<i>Description</i>	<i>Ref.</i>	<i>Part Number</i>	<i>Qty.</i>	<i>Description</i>
1	127-9197	4	Screw-HWH	12	120-4231	2	Screw-HHF
2	127-9198	1	Screen-Rotating	13	121-0007	4	Bolt-Flange
3	127-9199	4	Screw-HWH	14	139-0720	2	Ignition Coil ASM
4	127-9200	1	Fan-Cooling	16	127-9220	4	Tie-Zip
5	127-9201	1	Screw-HWH	17	136-7879	1	Regulator-Voltage, W/Harness
6	127-9202	1	Washer-Spring	18	120-4216	1	Screw-HHF
7	127-9306	1	Flywheel	19	120-4232	2	Screw-HHF
8	127-9210	4	Screw-HSH	20	133-1562	1	Pinion-Starter
9	136-7876	1	Alternator	98	133-1566	1	Starter Repair Kit
10	136-7880	1	Motor-Starter				
11	127-9208	1	Bracket-Lift				

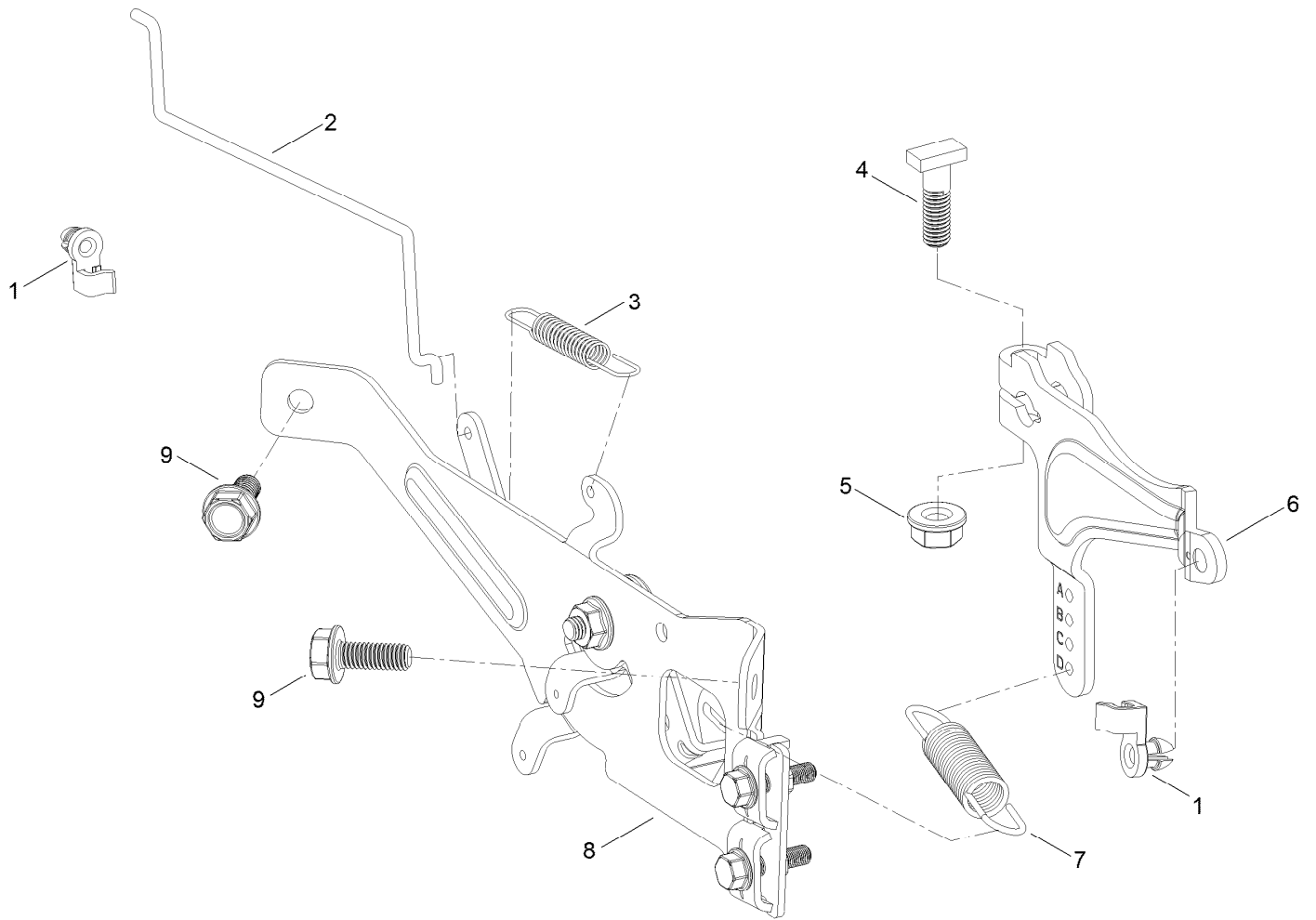
# Crankcase and Crankshaft Assembly



## Crankcase and Crankshaft Assembly (continued)

<i>Ref.</i>	<i>Part Number</i>	<i>Qty.</i>	<i>Description</i>	<i>Ref.</i>	<i>Part Number</i>	<i>Qty.</i>	<i>Description</i>
1	120-4232	14	Screw-HHF	20	127-9266	1	Valve-Ball
2	127-9212	1	Baffle	21	120-4262	2	O-Ring
3	127-9213	1	Cover-Breather	22	127-9267	1	Gasket-Cover, Crankcase
4	127-9214	1	Gasket-Breather	23	133-9805	1	Plug-Drain
5	127-9215	1	Filter-Breather	24	133-9806	1	Cover-Crankcase
6	120-4216	1	Screw-HHF	25	127-9293	1	Oil Drain Hose ASM
7	127-9217	1	Valve-Breather	26	127-9275	1	Fitting-Hose
8	120-4267	1	Seal-Oil	27	127-9276	1	Clamp-Hose
10	136-7884	1	Adaptor-Filter, Oil	28	127-9271	1	Seal
11	136-7848	1	Filter-Oil	29	121-0473	10	Screw-HHF
12	127-9218	1	Oil Tube ASM	30	127-9274	1	Cover-Oil Pump
12:1	127-9283	1	Dipstick	31	127-9273	1	O-Ring
12:2	127-9284	1	O-Ring	32	127-9272	1	Oil Pump ASM
12:4	127-9286	1	O-Ring	33	120-4275	1	Deflector-Oil, Rubber
13	127-9255	1	Crankshaft	34	133-1568	1	Camshaft
13:1	120-4320	1	Key-Woodruff	35	136-7882	1	Governor ASM
14	127-9261	1	Cover-Screen, Oil	36	127-9238	1	Shaft-Governor
15	127-9262	1	Screen-Oil	37	120-4258	2	Washer-Plain
16	127-9263	1	Retainer-Screen	38	120-4257	1	Seal-Oil
17	120-4274	2	Pin-Dowel	39	120-4256	1	Pin-Hair
18	127-9264	1	Plate-Retainer	40	120-4232	2	Screw-HHF
19	127-9265	1	Spring	99	144-0976	1	Oil Drain Service Kit

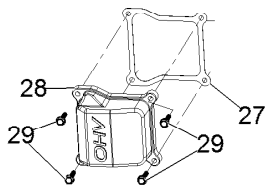
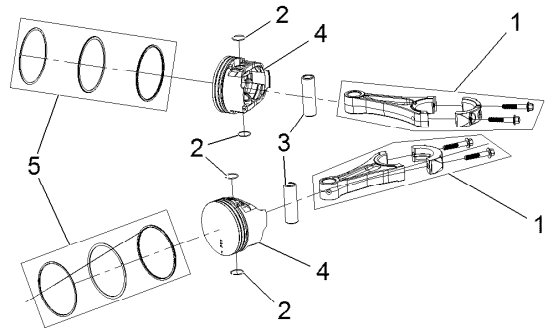
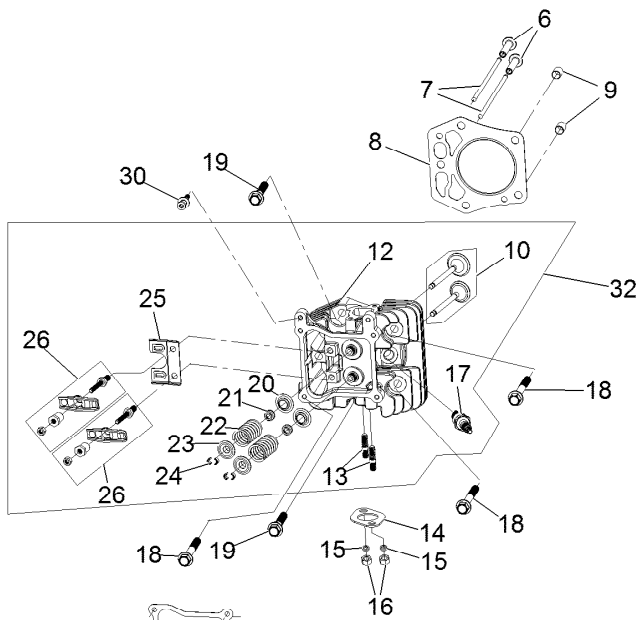
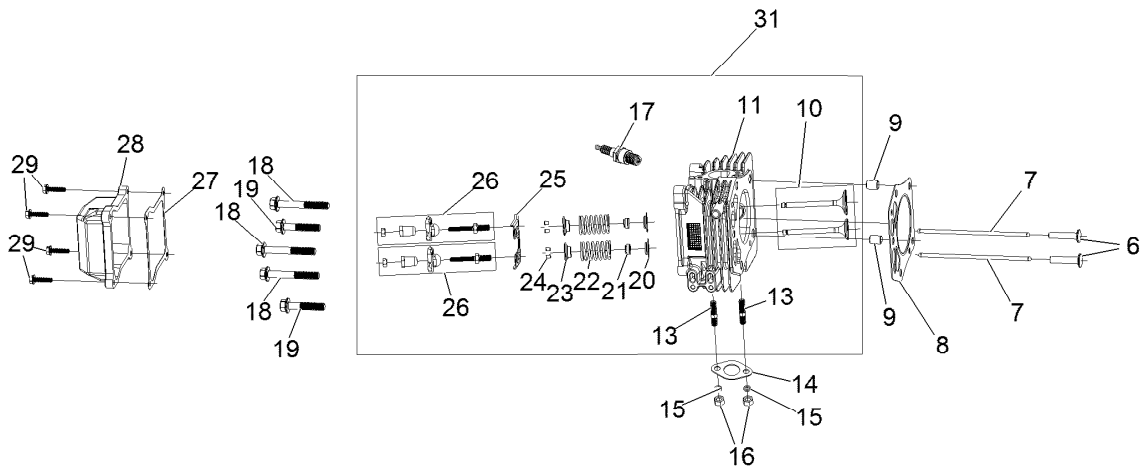
# Governor Control Assembly



## Governor Control Assembly (continued)

<i>Ref.</i>	<i>Part Number</i>	<i>Qty.</i>	<i>Description</i>	<i>Ref.</i>	<i>Part Number</i>	<i>Qty.</i>	<i>Description</i>
1	127-9250	2	Clip-Linkage	6	133-9961	1	Arm-Governor
2	127-9242	1	Linkage-Choke	7	133-9962	1	Spring-Governor
3	127-9241	1	Spring-Governor	8	133-1570	1	Control Plate ASM
4	120-4238	1	Bolt-Arm, Governor	9	120-4232	2	Screw-HHF
5	120-4236	1	Nut-Flange				

# Piston and Cylinder Head Assembly

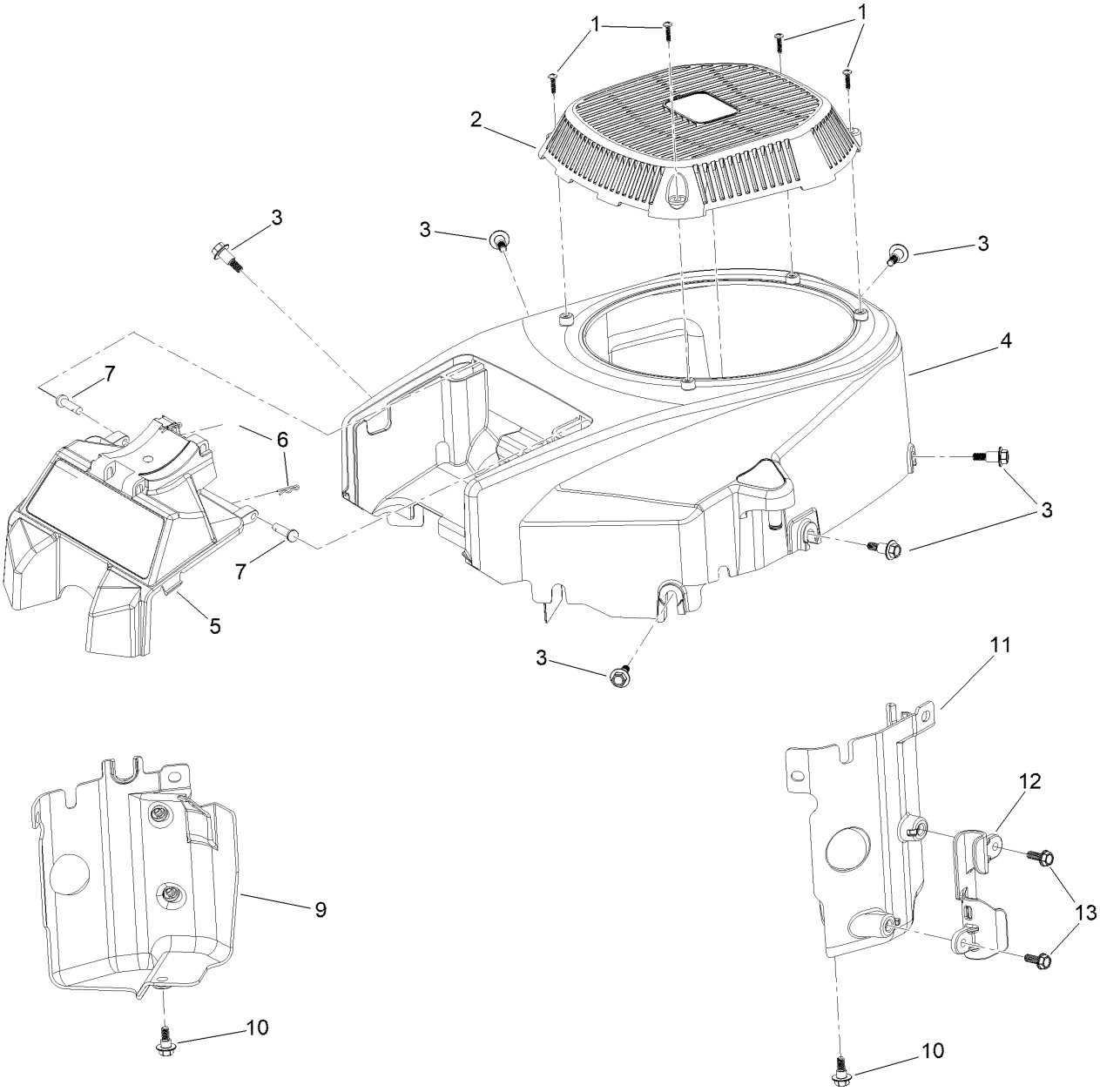




## Piston and Cylinder Head Assembly (continued)

<i>Ref.</i>	<i>Part Number</i>	<i>Qty.</i>	<i>Description</i>	<i>Ref.</i>	<i>Part Number</i>	<i>Qty.</i>	<i>Description</i>
1	127-9256	2	Connecting Rod ASM	17	81-3250	2	Spark Plug
2	127-9258	4	Clip-Pin, Piston	18	127-9231	6	Screw-HWH
3	127-9257	2	Pin-Piston	19	127-9232	4	Screw-HWH
4	127-9259	2	Piston	20	120-4303	4	Seat-Spring, Valve
5	127-9260	2	Piston Ring Set	21	120-4304	4	Seal-Stem, Valve
6	127-9224	4	Lifter-Valve	22	120-4305	4	Spring-Valve
7	127-9225	4	Rod-Push	23	120-4306	4	Retainer-Spring, Valve
8	127-9226	2	Gasket-Head, Cylinder	24	120-4307	8	Keeper-Valve
9	127-9227	4	Pin-Dowel	25	127-9233	2	Plate-Guide, Push Rod
10	127-9228	2	Valve Set	26	136-7881	4	Rocker Arm ASM
11	133-9804	1	Head-Cylinder, Left	27	127-9295	2	Gasket-Valve Cover
12	133-9802	1	Head-Cylinder, Right	28	127-9050	2	Cover-Valve
13	121-0464	4	Stud-Exhaust	29	120-4225	8	Screw-HHF
14	120-4317	2	Gasket-Exhaust	30	120-4214	1	Screw-Shoulder, HH
15	127-9279	4	Washer-Lock, Split	31	136-7892	1	Complete Left Head ASM
16	121-0199	4	Nut-HH	32	136-7891	1	Complete Right Head ASM

# Blower Housing Assembly

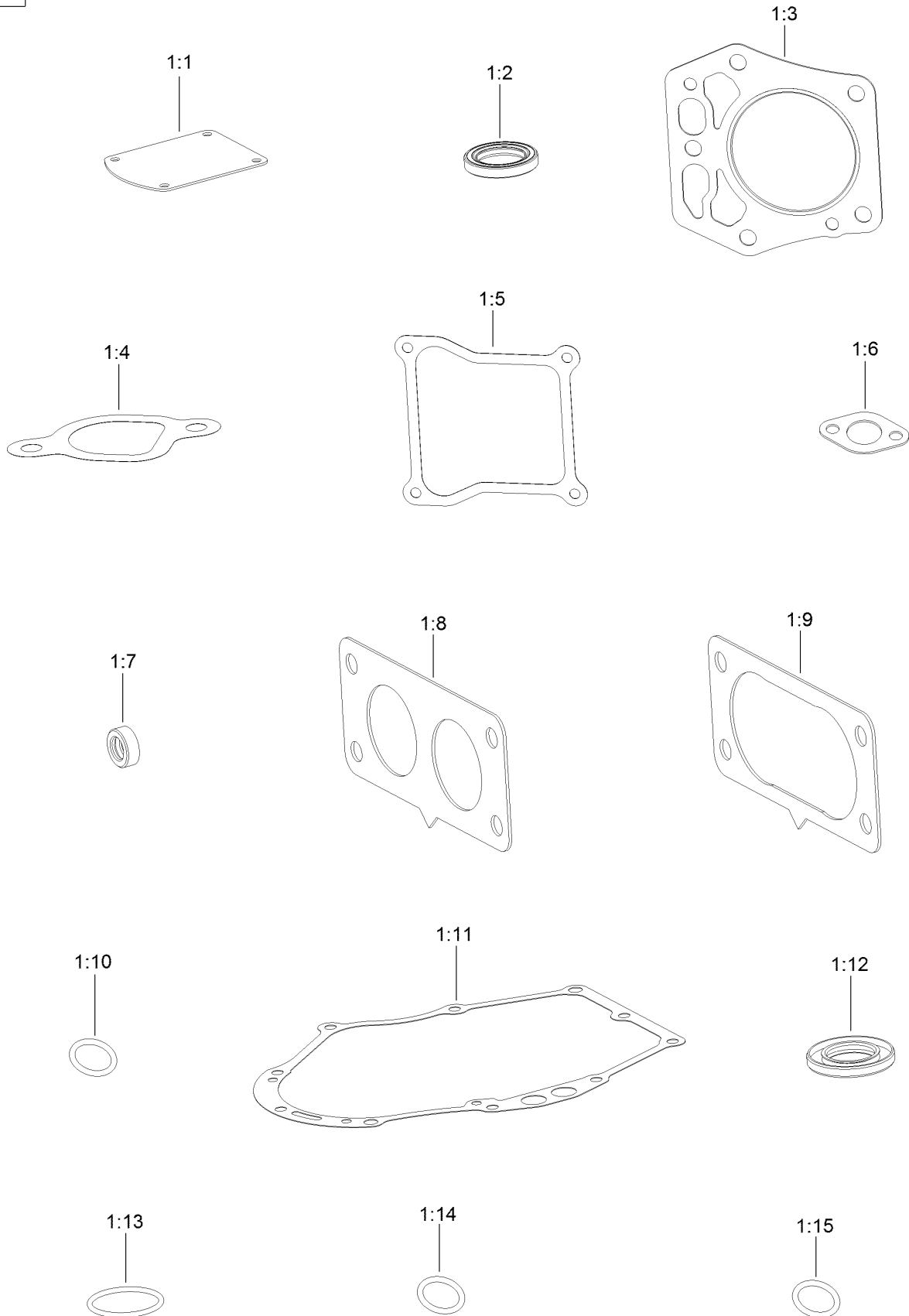


## Blower Housing Assembly (continued)

<i>Ref.</i>	<i>Part Number</i>	<i>Qty.</i>	<i>Description</i>	<i>Ref.</i>	<i>Part Number</i>	<i>Qty.</i>	<i>Description</i>
1	133-1571	4	Screw-PPH, Plastic	7	127-9282	2	Pin
2	127-9045	1	Cover-Fan	9	136-7877	1	Baffle-Air, Left
3	127-9196	6	Screw-Shoulder, HWH	10	120-4210	2	Screw-Shoulder, HHF
4	133-1572	1	Shroud-Engine	11	136-7878	1	Baffle-Air, Right
5	136-5585	1	Support-Filter	12	127-9287	1	Cleat-Hose
6	127-9280	2	Pin-Hair	13	120-4232	2	Screw-HHF

# Gasket and Seal Kit

1



## Gasket and Seal Kit (continued)

<i>Ref.</i>	<i>Part Number</i>	<i>Qty.</i>	<i>Description</i>	<i>Ref.</i>	<i>Part Number</i>	<i>Qty.</i>	<i>Description</i>
1	127-9296	1	Gasket And Seal Kit	1:8	127-9246	2	Gasket-Carburetor
1:1	127-9214	1	Gasket-Breather	1:9	127-9251	1	Gasket-Carburetor
1:2	120-4267	1	Seal-Oil	1:10	120-4262	2	O-Ring
1:3	127-9226	2	Gasket-Head, Cylinder	1:11	127-9267	1	Gasket-Cover, Crankcase
1:4	127-9230	2	Gasket-Intake	1:12	127-9271	1	Seal
1:5	127-9295	2	Gasket-Valve Cover	1:13	127-9273	1	O-Ring
1:6	120-4317	2	Gasket-Exhaust	1:14	127-9284	1	O-Ring
1:7	120-4257	1	Seal-Oil	1:15	127-9286	1	O-Ring

# Attachments and Accessories

## For 77280 48in Z Master Professional 2000 Series Riding Mower

<b>Product Name</b>	<b>Model/Part</b>
Hypr-Oil 500 (quart) .....	114-4713
Hypr-Oil 500 (gallon).....	114-4714
Hypr-Oil 500-5 (5 gallon).....	114-4715
Toro Hydro Kit .....	121-3783
Cover-Hitch.....	126-8299
Trash Container Kit .....	126-8379
Weight Caster Kit.....	126-8639
48in Recycler Kit.....	126-8701
Jack Kit .....	127-6666
MVP Belt and Blade Kit.....	127-6795
Hi-Back Seat Cover .....	133-1308
Blade-Rotary, 16.5in (Hi Flow) .....	133-2137
Blade-Rotary, Atomic 16.5 .....	133-2160
Blade-Rotary, Recycling 16.5in.....	133-2163
Blade (6 Pack) 16.5in Hi Flow .....	133-2176
Blade (6 Pack) 16.5in Recycle .....	133-2179
Blade (6 Pack) 16.5in Atomic.....	133-2182
5 Gallon Bucket .....	133-2533
High Altitude Kit.....	136-7838
Spark Arrestor, 1.25 I.D. ....	137-8098
Extended Control Levers Kit, Dedicated-Bagging Riding Mower.....	138-6020
Maintenance Kit Toro .....	139-0649
Asm-semi Pneumatic 13x6.50-6.....	140-4896
Tilt Sensor-Radius .....	142-2802
Kit-Light (mid-mount ZRT Mower).....	144-1992
Kit-Jack Mount.....	144-1993
Hardtop Sun Canopy .....	144-3719
Handle Extension Kit .....	145-3615
Bucket Mount Kit.....	145-3687
Universal Mount Kit.....	145-3688
Trimmer Mount Kit .....	145-3689
Kit-Titan Hd Triple Threat Attachment.....	145-3691
Kit-USB.....	145-8458
Toro Deluxe Rider Cover.....	490-7319
E-Z Vac Std Blower Kit 48-in 5d .....	78401
Heavy Duty Bagger Kit .....	78431
48in Completion Kit (Heavy Duty Bagger).....	78433
Standard EZ Vac Bagger .....	78481

**Notes:**



**Count on it.**