



Count on it.

Parts Catalog

**60in Z Master® Professional
MyRide® 2000 Series**

Riding Mower

Model No. 77293—Serial No. 40000000 and Up



Ordering Replacement Parts

To order replacement parts, please supply the part number, the quantity, and the description of each part desired.

Understanding Reference Numbers

Each identified part in an illustration has a reference number. The reference number for a part also appears in the parts list, along with other information about the part.

This catalog uses two special reference number formats, one to indicate parts in a service assembly and another to indicate the quantity of a given part in an illustration.

Service Assembly Reference Numbers

Parts in service assemblies have reference numbers in the form a:b. The a represents the reference number of the entire service assembly and the b represents a sequential number unique to each part within the service assembly.

For example, a wheel assembly might be identified by reference number 6, the tire by 6:1, the valve by 6:2, and the wheel by 6:3. When you order the assembly identified by reference number 6, you receive all parts identified by reference numbers 6:1, 6:2, and 6:3. However, you may also order any part individually. Reference numbers of this type appear in illustration and in parts lists.

Reference Numbers Indicating Quantity

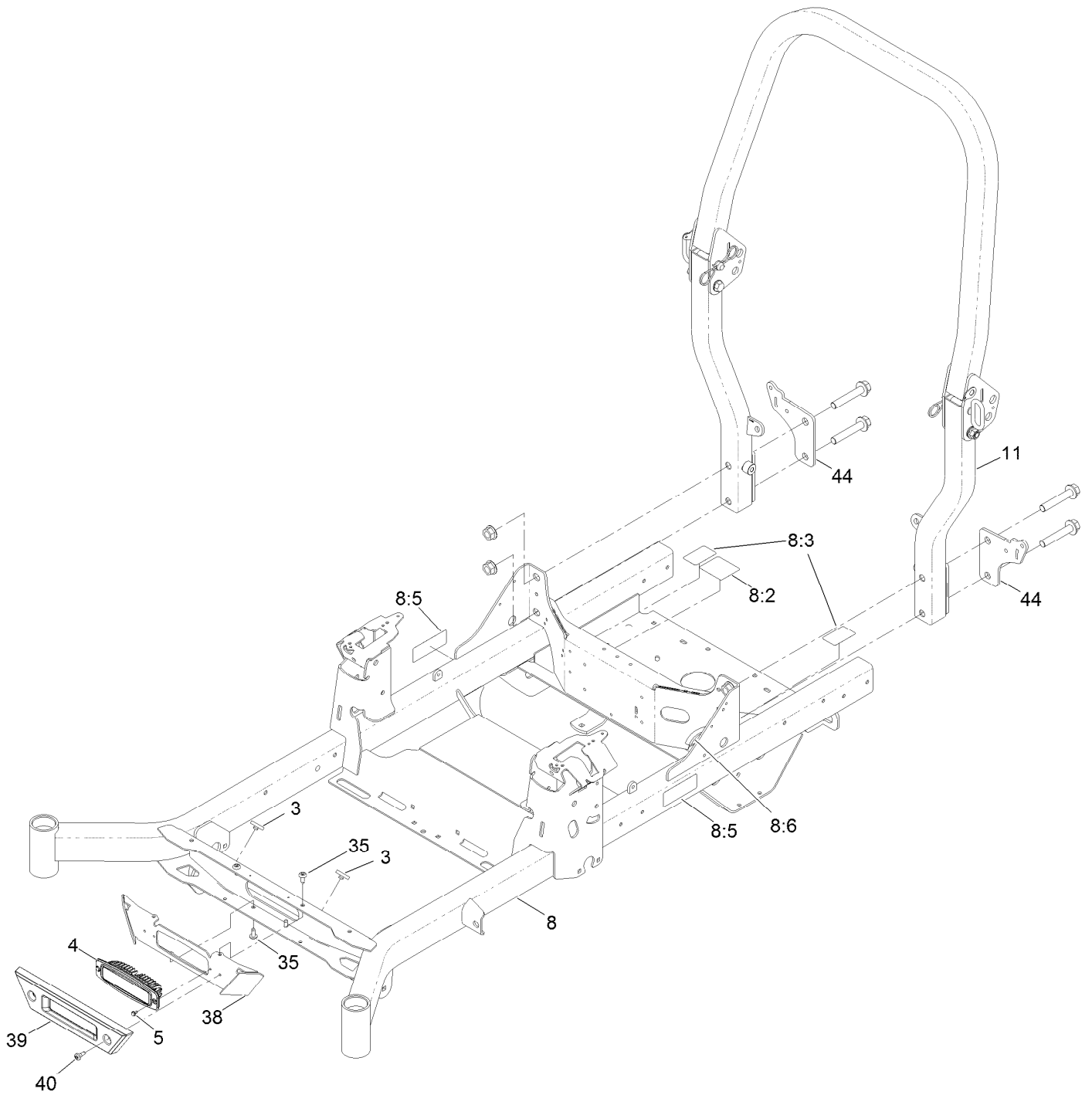
In an illustration, if a reference number indicates more than one part, the reference number has the form nX y. The n represents the quantity of the part, the X is the multiplication symbol, and the y represents the reference number.

For example, in an illustration, the reference number 2X 37 means that two of the parts identified by reference number 37 are indicated.

Contents

Frame Assembly	4
Roll-Over Protection System Assembly No. 144-1849	6
Transaxle Assembly	8
LH Transaxle Assembly No. 140-9489	10
RH Transaxle Assembly No. 140-9490	12
Control Console and Guard Assembly	14
Fuel Assembly	16
Fuel Tank Assembly No. 126-4724	18
Motion Control Assembly	20
Left and Right Control Arm Assembly	22
Caster Tire Assembly	24
Fork and Caster Wheel Assembly	26
Rear Wheel Assembly	28
Electrical Assembly	30
Wire Harness Assembly No. 126-5803	32
Deck Lift Assembly	34
Deck Strut Assembly No. 126-8365	36
Engine, Clutch and Muffler Assembly	38
Suspension Platform and Seat Assembly	40
Seat Assembly No. 144-3771	42
Deck Assembly	44
Deflector Assembly No. 120-2451	46
Deck Decal Assembly No. 126-8958	48
Attachments and Accessories	50

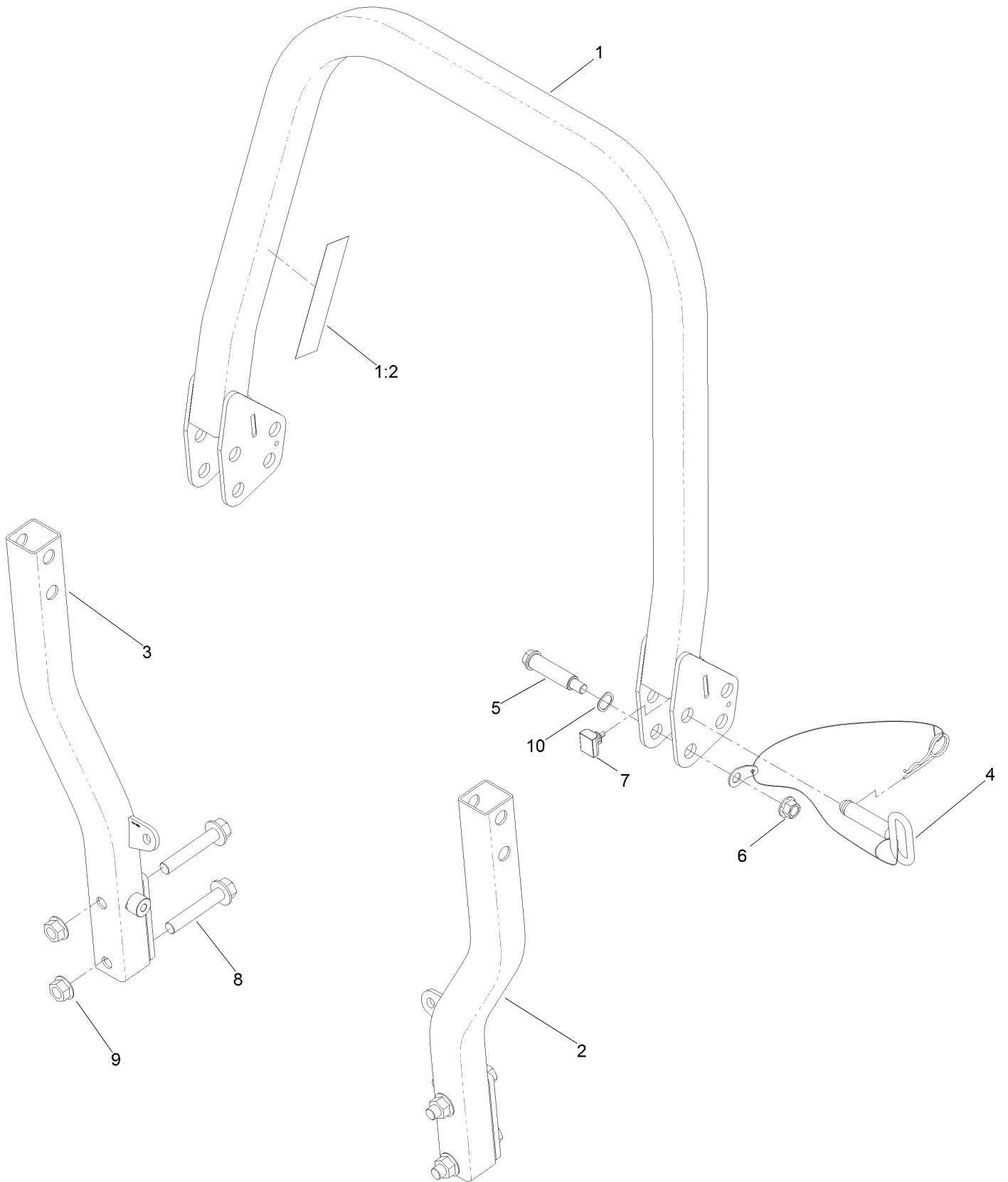
Frame Assembly



Frame Assembly (continued)

<i>Ref.</i>	<i>Part Number</i>	<i>Qty.</i>	<i>Description</i>	<i>Ref.</i>	<i>Part Number</i>	<i>Qty.</i>	<i>Description</i>
3	109-9233	2	Bumper-Push-In, Rubber	8:6	127-6618	1	Strip-Seal
4	139-8089	1	Mount-Flush, Light	11	144-1849	1	ASM-ROPS, Mr
5	104-2065	2	Screw-HWH	35	138-9753	4	Screw
8	144-1840	1	Frame-60, Mr	38	144-2628-01	1	Bracket-Light [red]
8:2	109-6014	1	Decal-Routing, Belt	39	144-2603	1	Bumper-Front
8:3	116-8588	2	Decal-Release, Drive	40	135-2015	2	Screw-Shoulder
8:5	126-4363	2	Decal-Warning	44	126-9487-03	2	Bracket

Roll-Over Protection System Assembly No. 144-1849



Roll-Over Protection System Assembly No. 144-1849 (continued)

<i>Ref.</i>	<i>Part Number</i>	<i>Qty.</i>	<i>Description</i>	<i>Ref.</i>	<i>Part Number</i>	<i>Qty.</i>	<i>Description</i>
1	144-1964	1	Upper ROPS ASM	6	99-5107	2	Nut-Lock
1:2	107-3069	1	Decal-Warning	7	109-5337	2	Bumper-ROPS
2		1	LH ROPS ASM [black] ●	8	126-9488	4	Screw-HHF
3		1	RH ROPS ASM [black] ●	9	32128-50	4	Nut-Flange
4	103-4553	2	Pin-Fold, ROPS	10	119-4164	2	Washer-Wave
5	126-9209	2	Bolt-Shoulder				

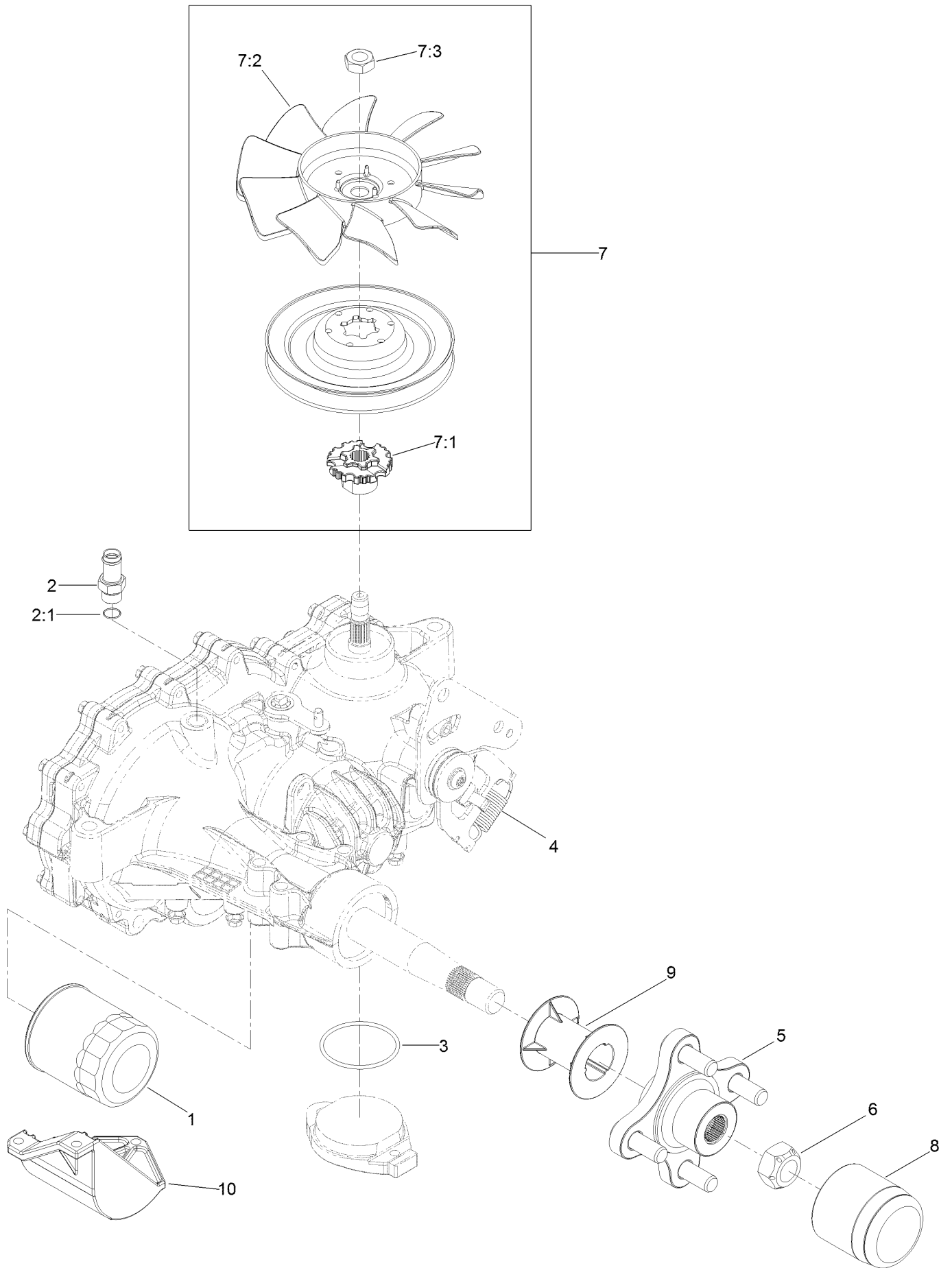
● Not serviced separately

Transaxle Assembly (continued)

<i>Ref.</i>	<i>Part Number</i>	<i>Qty.</i>	<i>Description</i>	<i>Ref.</i>	<i>Part Number</i>	<i>Qty.</i>	<i>Description</i>
1	140-9489	1	LH Transaxle ASM	12:1	109-3320	1	Cap-Reservoir, HYD
2	140-9490	1	RH Transaxle ASM	14	94-7972	2	Screw-HH W/Loctite ●
3	104-8300	8	Nut-HF, NI	15	126-0327	4	Clamp-Hose
4	126-4687	4	Screw-HHF	16	109-5395	2	Arm-Bypass, Hydro
5	3230-7	2	Bolt-CARR	17	3229-1	2	Screw-CARR
6	116-5809	2	Spacer-Hydro	18	108-6402	2	Knob-Handle
7	126-5896	2	Screw HHF	19	1-806003	2	Pin-Cotter
8	116-6833	1	Shaft-Spacer	20	133-1325	1	Hose-Hydraulic
9	1-303334	4	Washer-Spring	21	133-1320	1	Hose-Hydraulic
10	126-6266	2	Screw-Tph	24	3256-4	2	Washer-Flat
12	109-2250	1	Tank-HYD				

● Use Pro-Lock, Nut Type (P/N 1-840022, .5ml tube) on threads.

LH Transaxle Assembly No. 140-9489

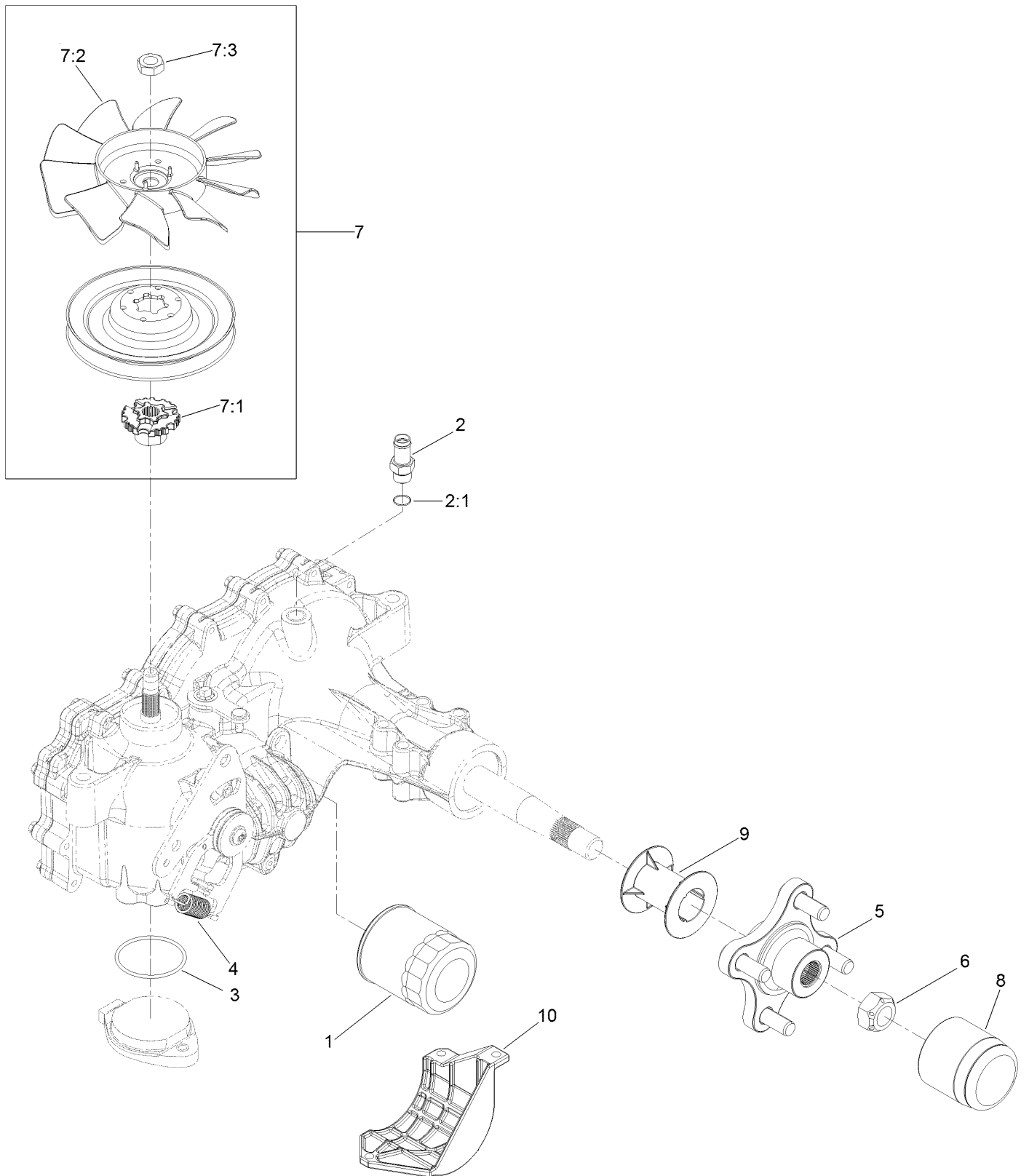


LH Transaxle Assembly No. 140-9489 (continued)

<i>Ref.</i>	<i>Part Number</i>	<i>Qty.</i>	<i>Description</i>	<i>Ref.</i>	<i>Part Number</i>	<i>Qty.</i>	<i>Description</i>
1	109-3321	1	Element-Oil Filter, HYD	7:1	126-8905	1	Hub-Fan
2	109-3278	1	Adapter-Straight	7:2	126-0226	1	Fan
2:1	237-42	1	O-Ring	7:3	116-9714	1	Nut-HJ
3	109-3540	1	O Ring-Seal	8	116-6214	1	Cap-Axle, Long
4	109-5592	1	Spring-Extension	9	116-6213	1	Tube-Axle
5	116-3872	1	Hub-Offset	10	120-7979	1	Guard-Filter, LH
6	109-3536	1	Nut-Hub	99	135-3604	1	Brake Shaft Seal Kit ●
7	126-8904	1	Fan And Pulley Kit	99	121-3243	1	Seal Kit ●

● Not illustrated

RH Transaxle Assembly No. 140-9490

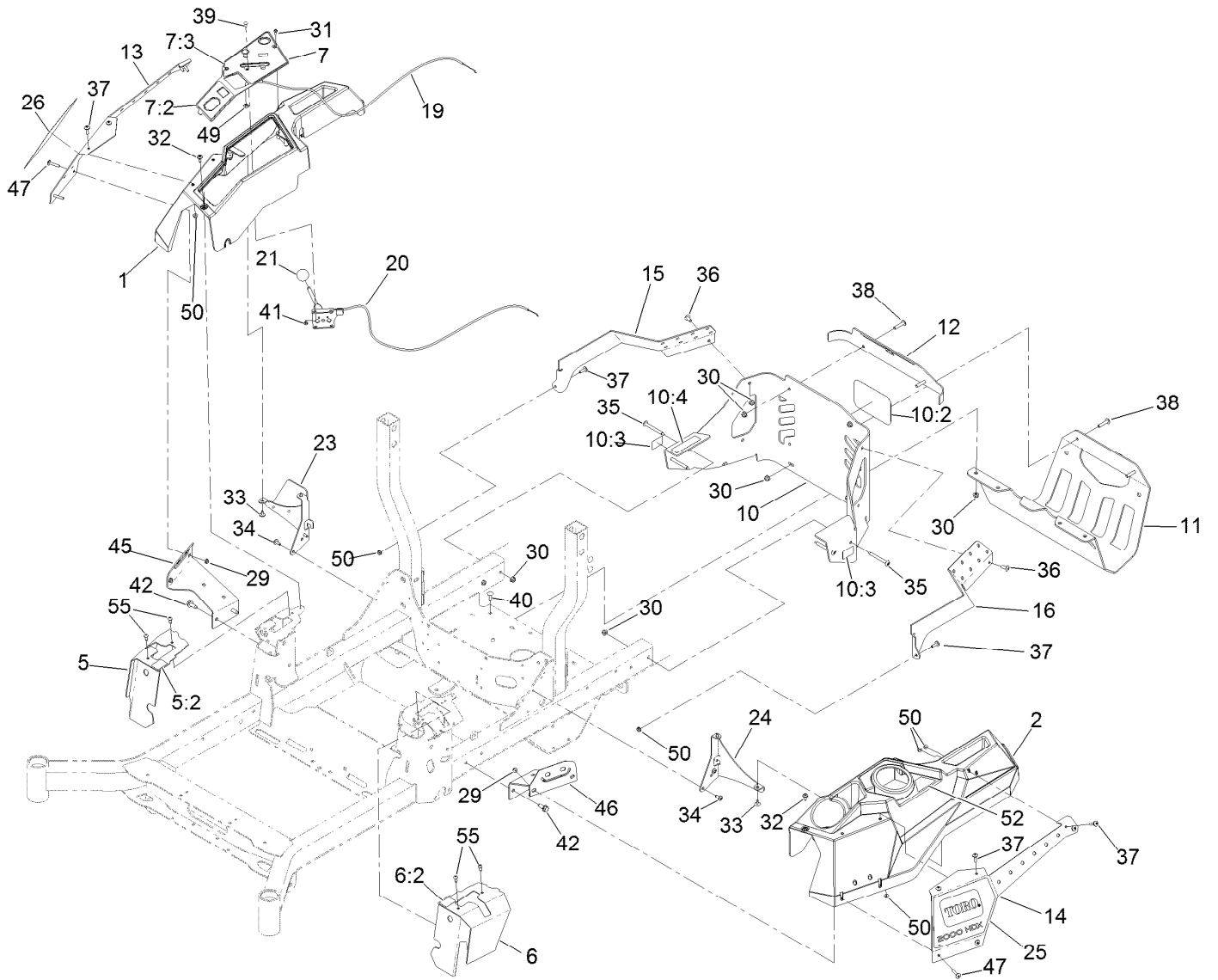


RH Transaxle Assembly No. 140-9490 (continued)

<i>Ref.</i>	<i>Part Number</i>	<i>Qty.</i>	<i>Description</i>	<i>Ref.</i>	<i>Part Number</i>	<i>Qty.</i>	<i>Description</i>
1	109-3321	1	Element-Oil Filter, HYD	7:1	126-8905	1	Hub-Fan
2	109-3278	1	Adapter-Straight	7:2	126-0226	1	Fan
2:1	237-42	1	O-Ring	7:3	116-9714	1	Nut-HJ
3	109-3540	1	O Ring-Seal	8	116-6214	1	Cap-Axle, Long
4	109-5592	1	Spring-Extension	9	116-6213	1	Tube-Axle
5	116-3872	1	Hub-Offset	10	120-7981	1	Guard-Filter, RH
6	109-3536	1	Nut-Hub	99	121-3243	1	Seal Kit ●
7	126-8904	1	Fan And Pulley Kit	99	135-3604	1	Brake Shaft Seal Kit ●

● Not illustrated

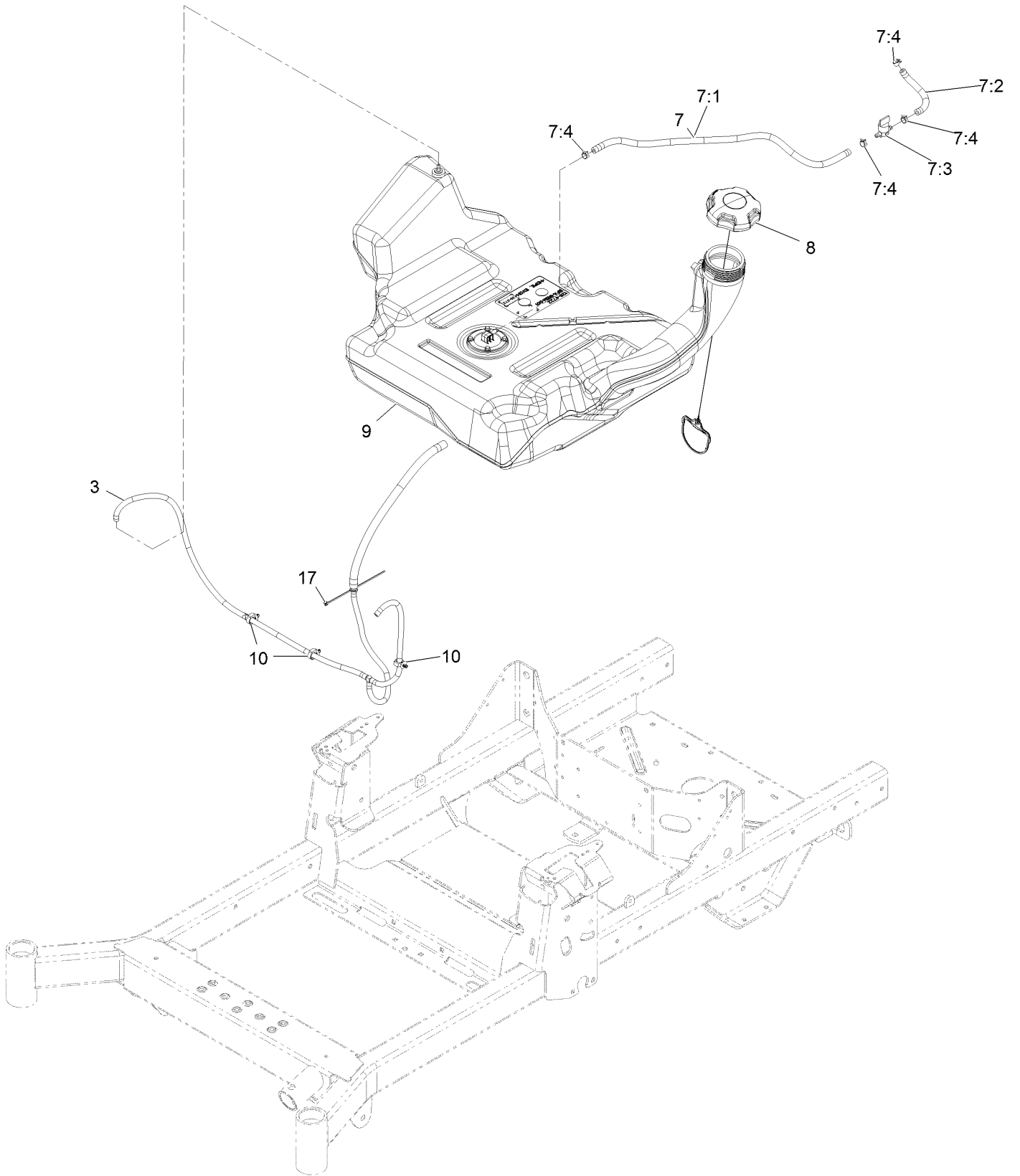
Control Console and Guard Assembly



Control Console and Guard Assembly (continued)

<i>Ref.</i>	<i>Part Number</i>	<i>Qty.</i>	<i>Description</i>	<i>Ref.</i>	<i>Part Number</i>	<i>Qty.</i>	<i>Description</i>
1	126-4983	1	Console-RH	25	140-4354	1	Decal - HDX
2	126-4984	1	Console-LH	26	140-4352	1	Decal - HDX
5	144-3768	1	Cover - Control, Motion	29	104-7201	4	Nut-HF, NI
5:2	135-2310	1	Decal-Motion Control	30	104-8300	12	Nut-HF, NI
6	144-3769	1	Cover - Control, Motion	31	117-5036	2	Screw-Plastic, HWH
6:2	135-2310	1	Decal-Motion Control	32	120-7950	2	Screw-Torx
7	144-3780	1	Ctrl Panel ASM	33	126-5544	4	Screw-Torx
7:2	126-9115	1	Decal-Panel, Control	34	126-6266	4	Screw-Tph
7:3	144-3778	1	Decal-Panel Ctrl	35	126-6267	4	Screw-TTH
10	139-3643	1	Rear Guard ASM	36	126-6268	2	Screw-TTH
10:2	99-4693	1	Decal	37	126-6269	10	Screw-Truss
10:3	106-5517	2	Decal-Warning	38	126-7439	4	Screw-Torx
10:4	133-8062	1	Decal-Arrestor, Spark	39	1-807513	2	Bolt-CARR
11	135-5084-03	1	Guard-Muffler [black]	40	3230-22	2	Screw-CARR
12	139-3644-01	1	Trim-Upper Rear	41	3296-2	2	Nut-Lock, NI
13	136-1745-03	1	Cover, Pod RH	42	126-1696	4	Screw-HWHTF
14	136-1746-03	1	Cover-LH	45	136-9030-01	1	Bracket-Support, Pod (RH)
15	126-9023-01	1	Bracket-Guard, RH	46	136-9029-01	1	Bracket-Support, Pod (LH)
16	126-9022-01	1	Bracket-Guard, LH	47	126-8232	4	Screw-Truss Hex Skt
19	126-7009	1	Cable-Control, Choke	49	3220-3	1	Nut-HJ
20	126-7008	1	Cable-Control, Throttle	50	32149-2	10	Nut-Keps
21	1-603175	1	Knob-Ball	52	126-9939	1	Decal-Fill, Fuel
23	126-9945	1	Support-Console, RH	55	87-6620	4	Screw-Tph Thd Form
24	126-5532-03	1	Bracket-Console, LH				

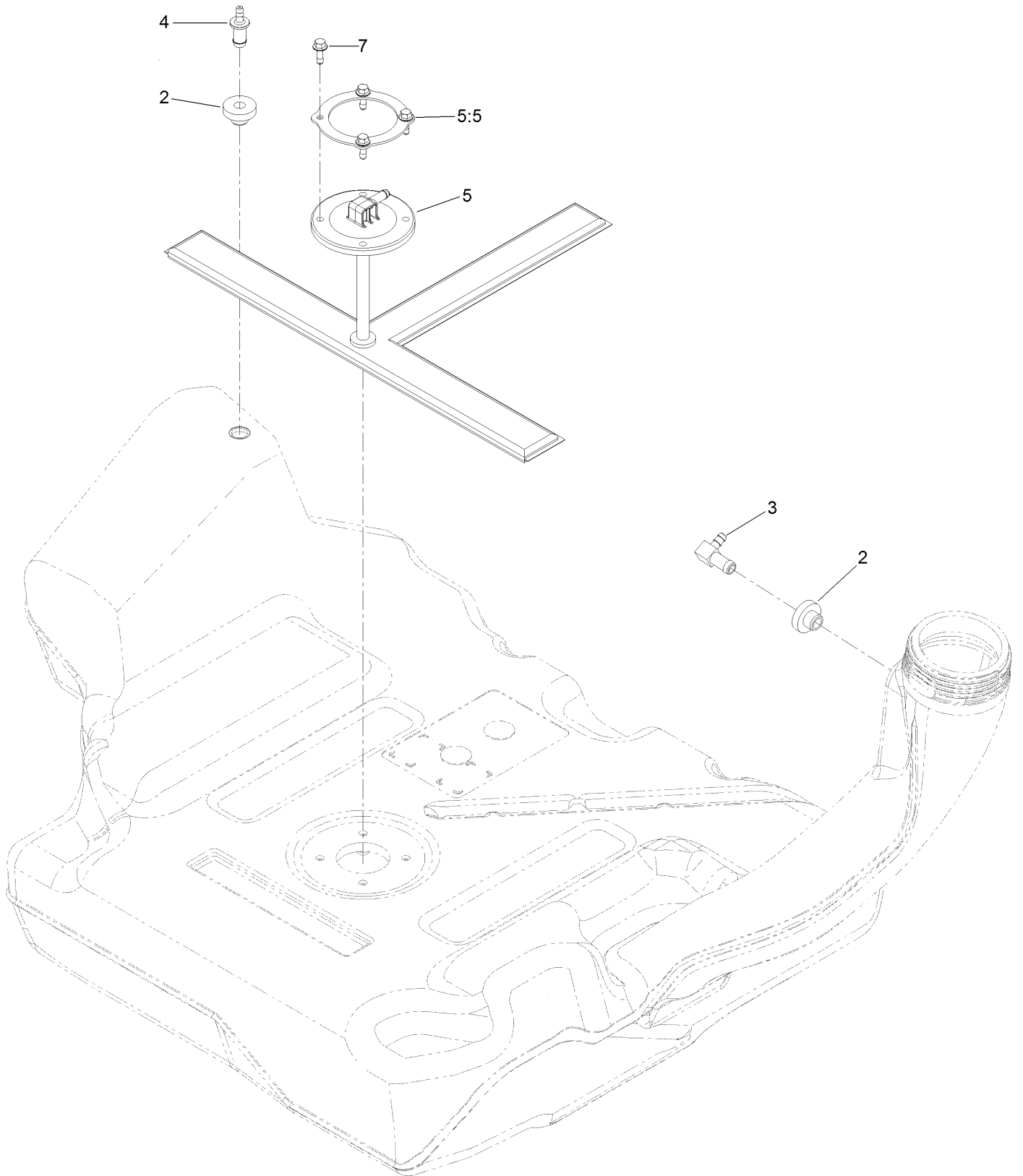
Fuel Assembly



Fuel Assembly (continued)

<i>Ref.</i>	<i>Part Number</i>	<i>Qty.</i>	<i>Description</i>	<i>Ref.</i>	<i>Part Number</i>	<i>Qty.</i>	<i>Description</i>
3	126-8736	1	Vent Hose ASM	7:4	2412-98	4	Clamp-Hose
7	126-8740	1	Fuel Hose ASM	8	135-4801	1	Cap-Fuel, Ratcheting
7:1	109-0302	1	Hose-Fuel Line 24"	9	126-4724	1	Tank-Fuel
7:2	109-0678	1	Hose-Fuel	10	126-5523	3	Clip
7:3	1-603770	1	Valve-Fuel	17	1-303287	1	Tie-Cable 5 1/2 (Small)

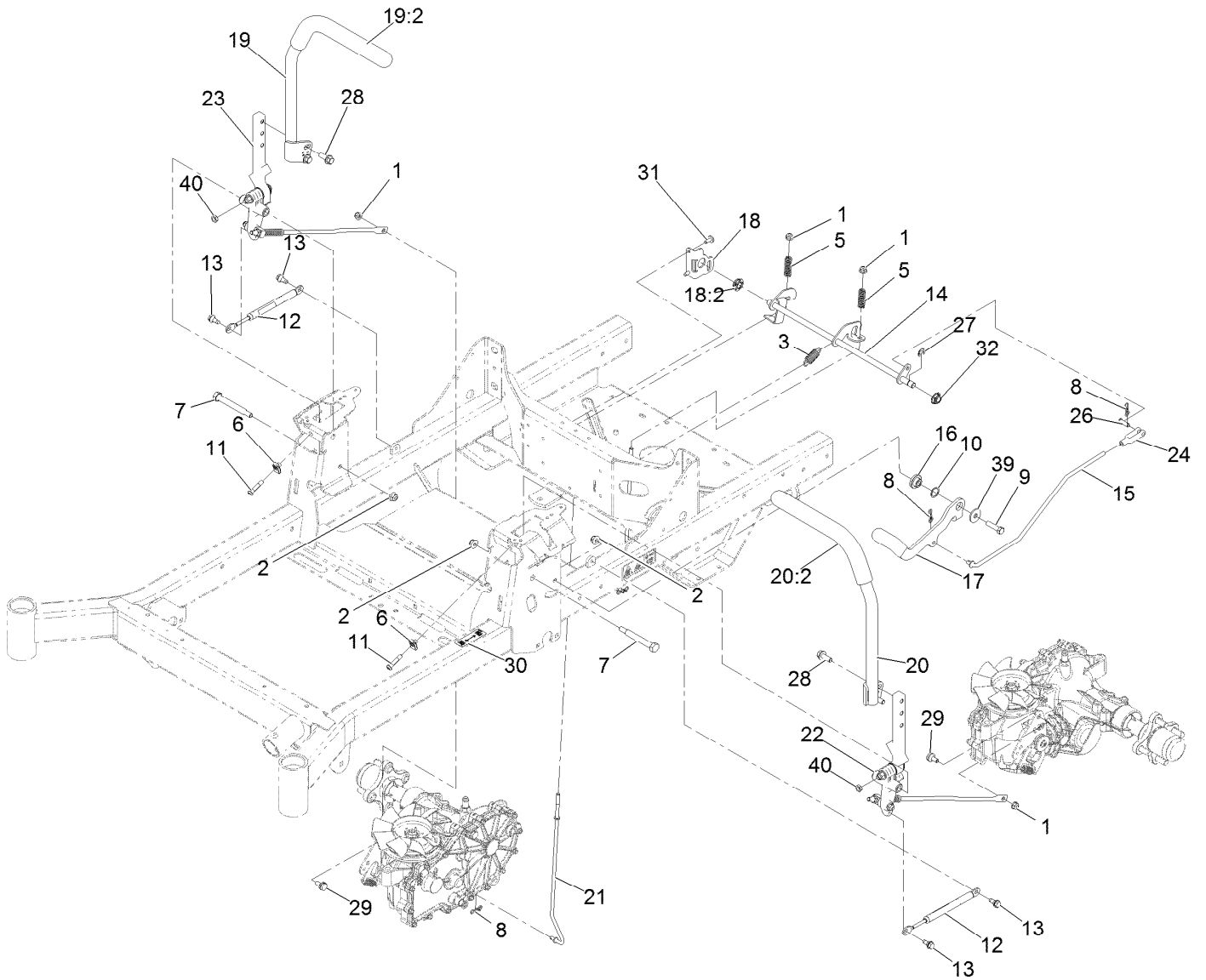
Fuel Tank Assembly No. 126-4724



Fuel Tank Assembly No. 126-4724 (continued)

<i>Ref.</i>	<i>Part Number</i>	<i>Qty.</i>	<i>Description</i>	<i>Ref.</i>	<i>Part Number</i>	<i>Qty.</i>	<i>Description</i>
2	46-6560	2	Bushing	5	126-5528	1	Pickup-Fuel
3	126-9057	1	Fitting-90 DEG	5:5	126-5527	1	Ring-Retainer
4	116-4630	1	Fitting-Orifice, Straight	7	126-5525	4	Bolt

Motion Control Assembly

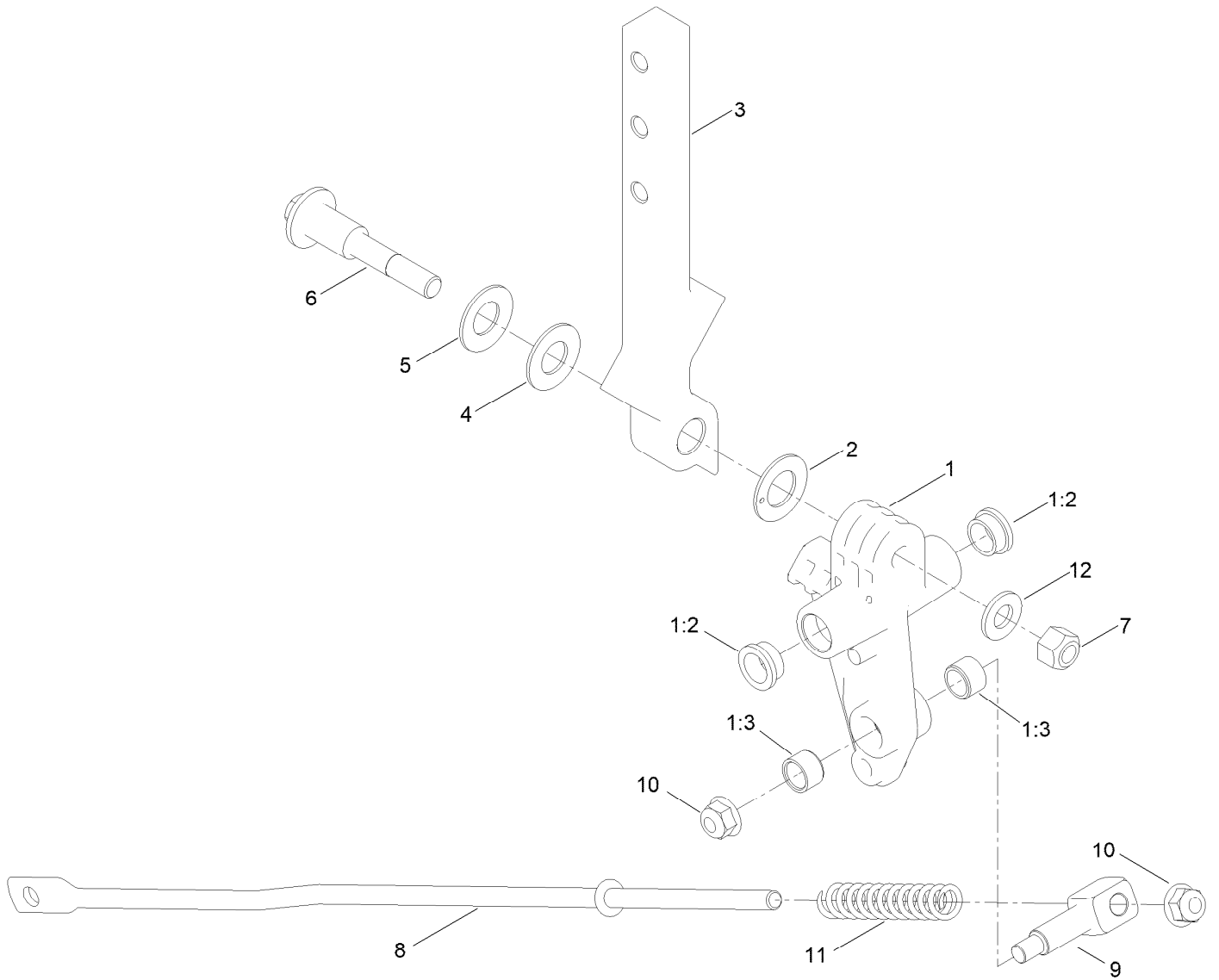


Motion Control Assembly (continued)

<i>Ref.</i>	<i>Part Number</i>	<i>Qty.</i>	<i>Description</i>	<i>Ref.</i>	<i>Part Number</i>	<i>Qty.</i>	<i>Description</i>
1	104-8300	4	Nut-Nyloc 5/16-18 Flg	19:2	126-7359	1	Grip
2	104-8301	3	Nut-Nyloc 3/8-16 Flg	20	138-6017	1	LH Extended Control Handle ASM
3	107-1045	1	Spring-Extension				
5	109-7694	2	Spring-Compression	20:2	126-7359	1	Grip
6	112-3306	2	Nut	21	126-7217	2	Linkage-Brake, Lower
7	115-5099	2	Bolt-Pivot	22		1	LH Motion Control ASM ●
8	119-1415	4	Pin-Cotter, Locking	23		1	RH Motion Control ASM ●
9	323-8	1	Screw-HH 3/8-16 X 1 1/2	24	1-303105	1	Yoke-Adjustable
10	119-4164	1	Washer-Wave	26	1-808280	1	Pin-Clevis 5/16 X 1 49/64
11	126-4299	2	Screw-HSBH	27	32120-47	1	Ring-Retaining
12	126-4322	2	Damper	28	3234-42	4	Screw HHF 3/8-16 X 1
13	126-4424	4	Screw-Shoulder	29	37-8771	2	Screw-Shoulder 5/16-18 X 5/8
14	126-5813	1	Shaft-Brake				
15	126-5819	1	Linkage-Brake, Upper	30	115-9625	1	Decal-Brake, Parking
16	126-5989	1	Pivot-Flange	31	126-6266	2	Screw-1/4-20 X .65 Torx Plus
17	126-9490	1	Lever-Brake (With Grip)				
18	126-6456	1	Bracket-Brake	32	126-5820	1	Bearing-Spherical
18:2	126-5820	1	Bearing-Spherical	39	2844	1	Washer
19	138-6015	1	RH Extended Control Handle ASM	40	3218-3	2	Nut-Jam 3/8-16

● Not serviced separately

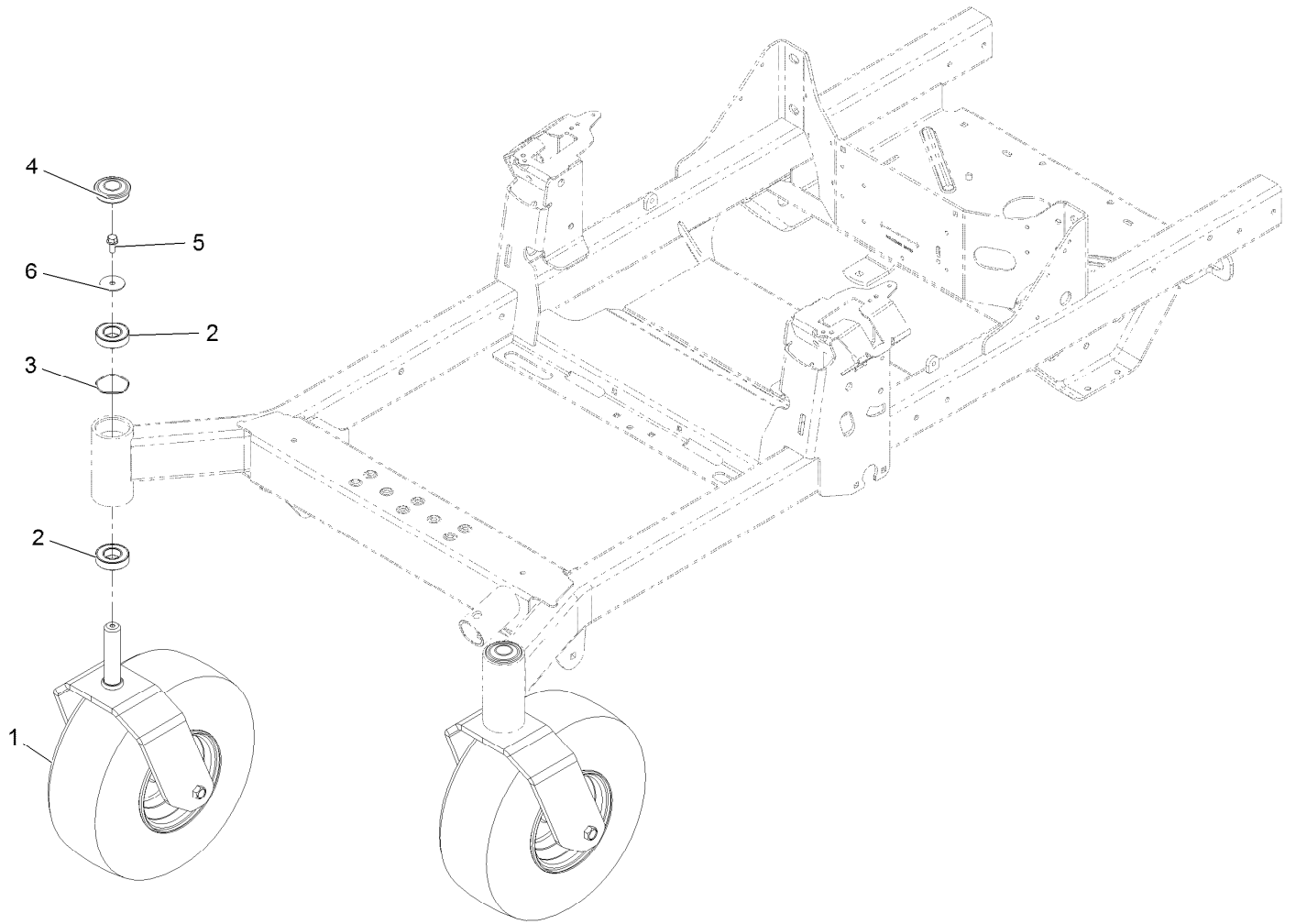
Left and Right Control Arm Assembly



Left and Right Control Arm Assembly (continued)

<i>Ref.</i>	<i>Part Number</i>	<i>Qty.</i>	<i>Description</i>	<i>Ref.</i>	<i>Part Number</i>	<i>Qty.</i>	<i>Description</i>
1	126-3773	1	Control Arm ASM	6	117-1198	1	Bolt-Pivot
1:2	126-8909	2	Bushing	7	32152-2	1	Nut-Lock, Cone
1:3	1-413152	2	Bushing-Sleeve	8	126-5435	1	Link-Control
2	126-7296	1	Washer-Friction	9	126-5434	1	Swivel
3	126-8182	1	Arm-Control	10	104-8300	2	Nut-HF, NI
4	117-1240	1	Washer	11	126-8195	1	Spring-Return, Neutral
5	119-8925	1	Washer-Belleville	12	3256-24	1	Washer-Flat

Caster Tire Assembly

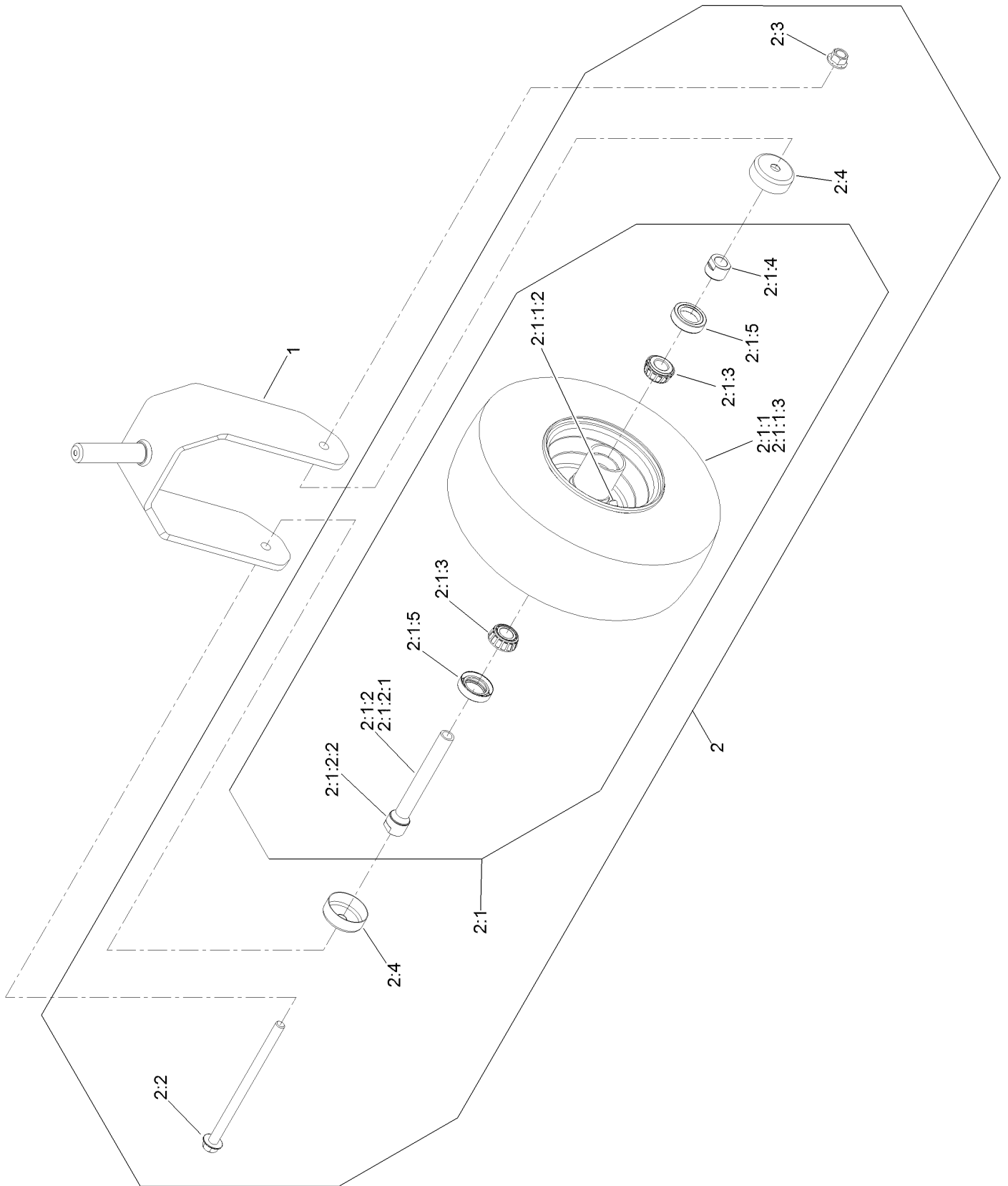


Caster Tire Assembly (continued)

<i>Ref.</i>	<i>Part Number</i>	<i>Qty.</i>	<i>Description</i>	<i>Ref.</i>	<i>Part Number</i>	<i>Qty.</i>	<i>Description</i>
1		2	ASM-Front Caster W/Fork ●	4	144-0375	2	Cap, Grease
2	109-3678	4	Bearing-Ball	5	100-1668	2	Screw-HHF
3	126-5897	2	Spring	6	3256-68	2	Washer-Flat

● Not serviced separately

Fork and Caster Wheel Assembly

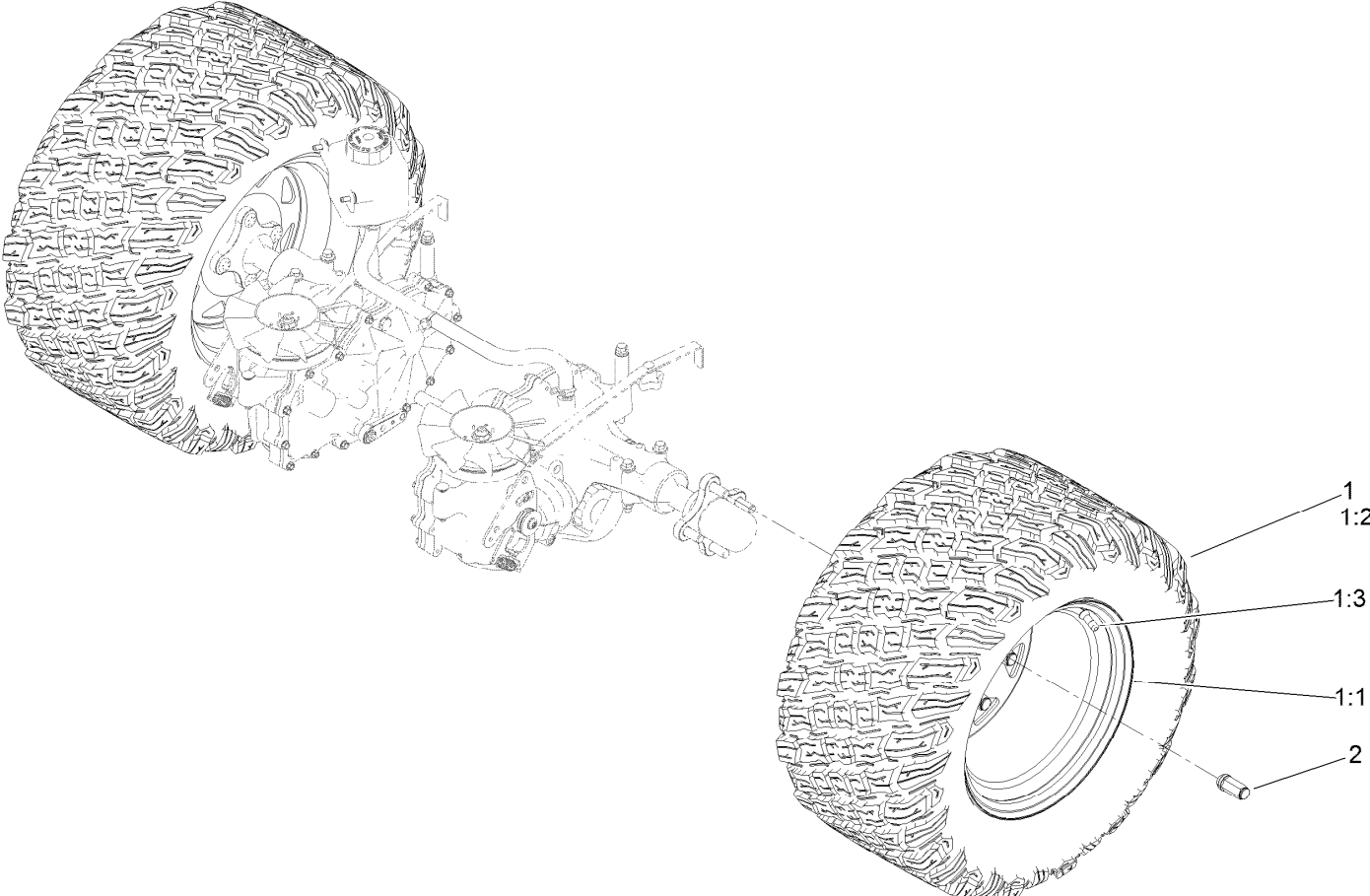


Fork and Caster Wheel Assembly (continued)

<i>Ref.</i>	<i>Part Number</i>	<i>Qty.</i>	<i>Description</i>	<i>Ref.</i>	<i>Part Number</i>	<i>Qty.</i>	<i>Description</i>
1	126-4312-01	1	Fork-Caster	2:1:2:2	103-3051	1	Spacer-Nut
2	139-3639	1	ASM-Pneumatic 13X6.50-6	2:1:3	1-633585	2	Bearing-Cone, Taper
2:1		1	Wheel And Bearings ASM ●	2:1:4	103-3051	1	Spacer-Nut
2:1:1		1	Wheel And Tire ASM ●	2:1:5	103-0063	2	Seal-Caster
2:1:1:2	5108	1	Valve	2:2	126-5389	1	Screw-HHF
2:1:1:3	126-5959	1	Tire	2:3	99-5107	1	Nut-Lock
2:1:2	126-7796	1	Caster Axle ASM	2:4	103-2768	2	Guard-Seal
2:1:2:1	126-5220	1	Axle-Caster				

● Not serviced separately

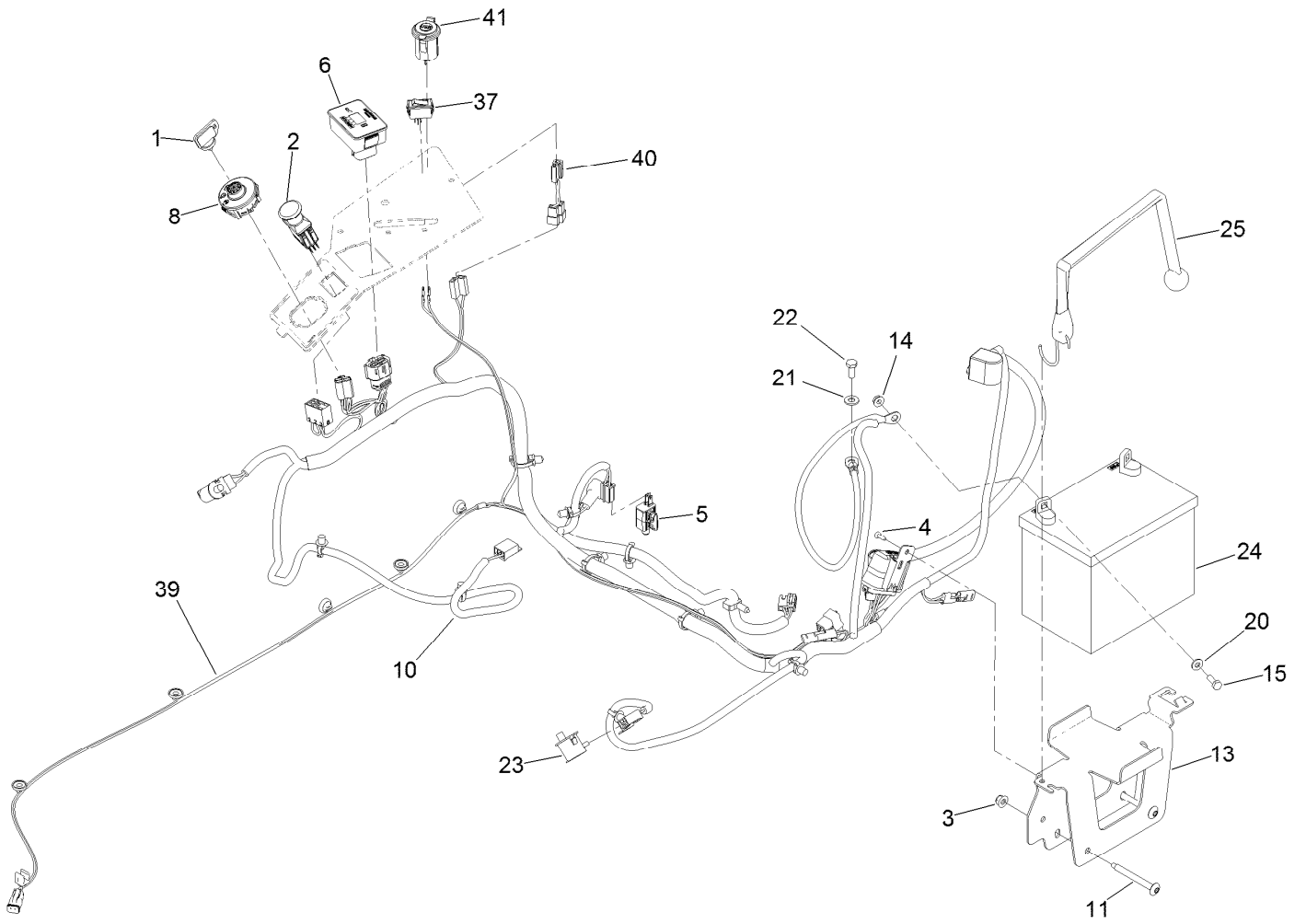
Rear Wheel Assembly



Rear Wheel Assembly (continued)

<i>Ref.</i>	<i>Part Number</i>	<i>Qty.</i>	<i>Description</i>	<i>Ref.</i>	<i>Part Number</i>	<i>Qty.</i>	<i>Description</i>
1	144-2616	2	Wheel And Tire ASM	1:3	232-27	1	Stem-Valve
1:1	139-3610	1	Rim-Wheel	2	139-3603	8	Nut-Lug
1:2	144-1864	1	Tire				

Electrical Assembly



Electrical Assembly (continued)

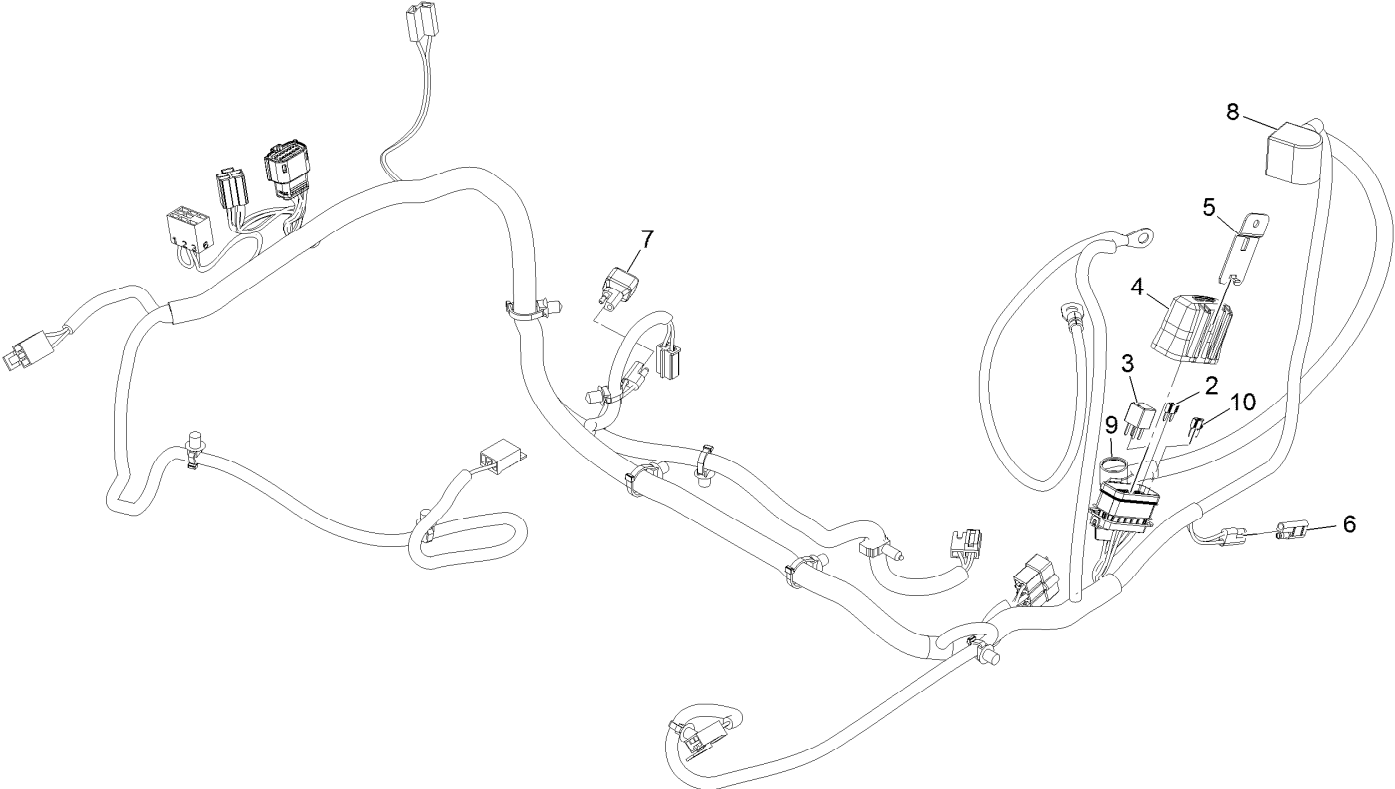
<i>Ref.</i>	<i>Part Number</i>	<i>Qty.</i>	<i>Description</i>	<i>Ref.</i>	<i>Part Number</i>	<i>Qty.</i>	<i>Description</i>
1	63-8360	1	Key-Ignition	15	321-4	2	Screw-HH
2	103-5221	1	Switch-PTO	20	3256-22	2	Washer-Flat
3	104-8300	2	Nut-HF, NI	21	33094-00	1	Washer-Plain
4	105-6849	1	Screw-Forming, Thread	22	33114-020	1	Screw-HH
5	110-6765	1	Switch	23	82-2190	2	Switch-Bail
6	116-5609	1	Module ASM	24		1	Battery ●■
8	137-4100	1	Switch-Ignition	25	142-8697	1	Strap, Bungee
10	126-5803	1	Harness-Wire ▲	37	92-8875	1	Switch-Rocker
11	126-6267	2	Screw-TTH	39	140-4350	1	Harness - Wire
13	126-6725-03	1	Tray-Battery	40	139-6395	1	Harness-Wire, USB Kit
14	32128-33	2	Nut-HF	41	140-7955	1	Port-Power, USB

● Obtain locally.

■ Not serviced separately

▲ Use dielectric grease on all unsealed connectors and terminals only. Do not apply in sealed connectors.

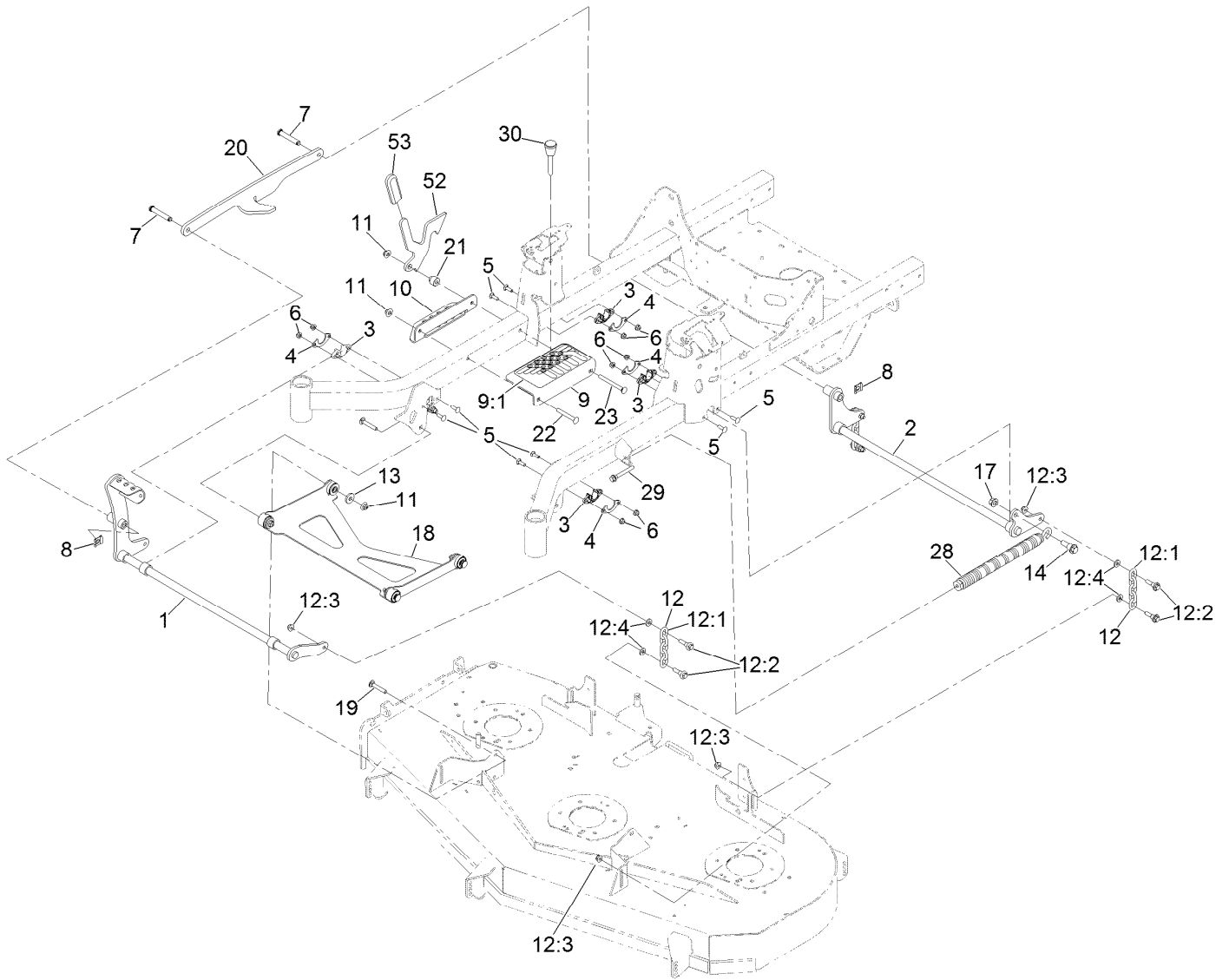
Wire Harness Assembly No. 126-5803



Wire Harness Assembly No. 126-5803 (continued)

<i>Ref.</i>	<i>Part Number</i>	<i>Qty.</i>	<i>Description</i>	<i>Ref.</i>	<i>Part Number</i>	<i>Qty.</i>	<i>Description</i>
2	121-8868	1	Fuse-Mini Blade, 20 Amp	7	103-3895	1	Diode
3	126-3991	1	Relay-Micro	8	126-8876	1	Insulator-Battery
4	32180-176	1	Cover-Block, Fuse	9	1-543393	1	Insulator-Solenoid
5	32180-177	1	Clip-Mounting	10	121-8867	1	Fuse-Mini Blade, 15 Amp
6	116-0053	1	Cap-Plug				

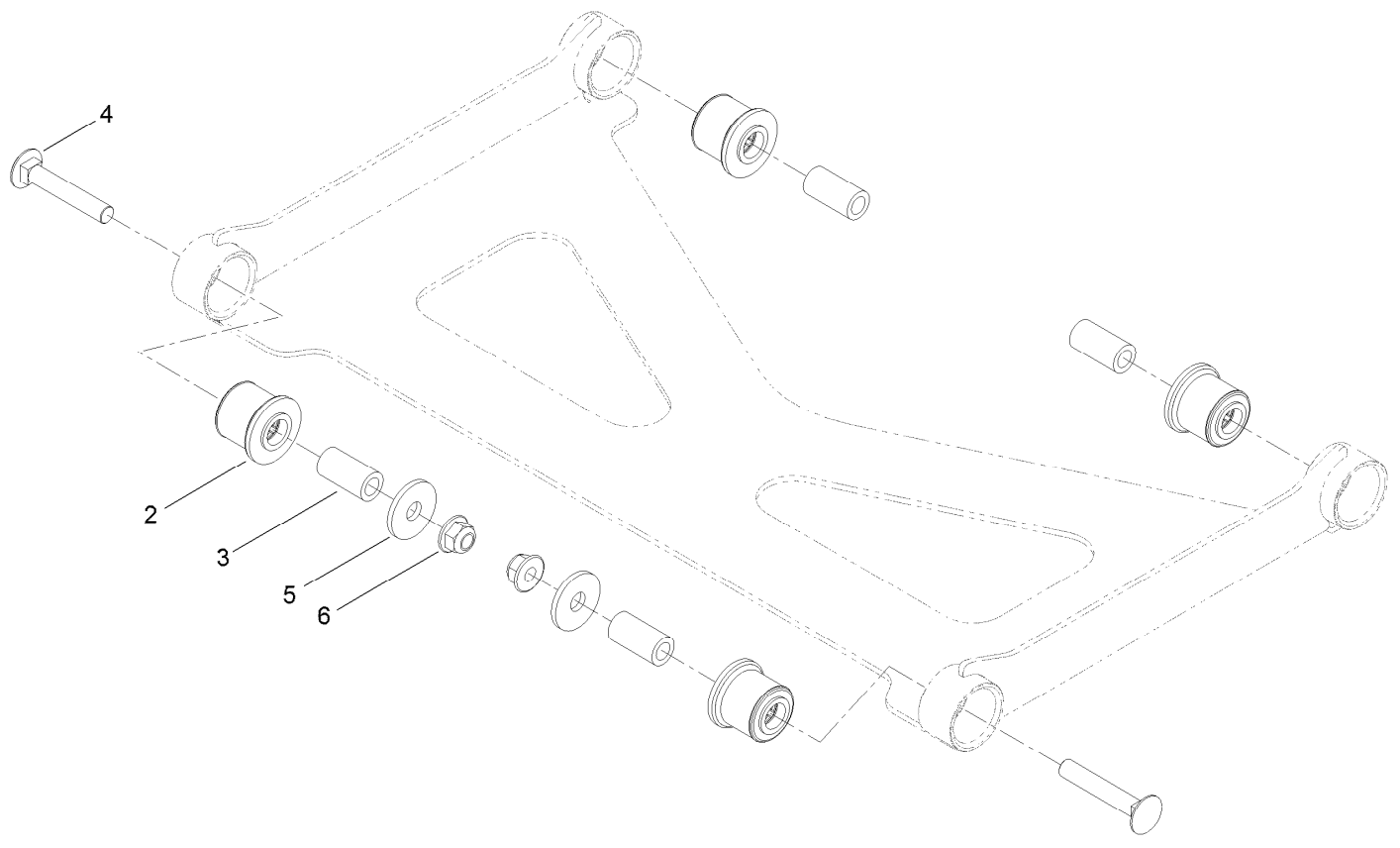
Deck Lift Assembly



Deck Lift Assembly (continued)

<i>Ref.</i>	<i>Part Number</i>	<i>Qty.</i>	<i>Description</i>	<i>Ref.</i>	<i>Part Number</i>	<i>Qty.</i>	<i>Description</i>
1	126-3342-03	1	Shaft-Lift, Deck	12:4	43-0940	2	Spacer
2	126-3343-03	1	Shaft-Lift, Deck (Rear)	13	1-373034	2	Washer
3	115-5065	4	Bushing-Flange	14	116-0780	1	Screw-Shoulder, HHF
4	116-2887	4	Gusset-Lift, Deck	17	99-5107	1	Nut-Lock
5	3230-22	8	Screw-CARR	18	126-8365	1	Deck Strut ASM
6	104-8300	8	Nut-HF, NI	19	3231-7	2	Screw-CARR
7	126-9181	2	Pin-Clevis	20	126-4639-03	1	Link-HOC
8	138-8491	2	Clip-Pin	21	126-5221	1	Spacer-Stepped
9	126-4535	1	Bracket ASM	22	3231-42	1	Screw-CARR
9:1	126-4784	1	Decal-HOC	23	135-0313	1	Screw-CARR
10	126-4640-03	1	Angle-HOC, Lower	28	116-0886	1	Spring-Extension
11	109-6658	4	Nut-Flange, NI	29	92-7674	1	Bolt-Shoulder
12	126-8877	4	Deck Chain ASM	30	126-5401	1	Pin-HOC
12:1	1-633447	1	Chain-Lift, Deck	52	140-1249	1	Plate-Transport Lock
12:2	130-0742	2	Bolt-Shoulder	53	132-4749	1	Grip-Lever
12:3	104-8301	2	Nut-HF, NI				

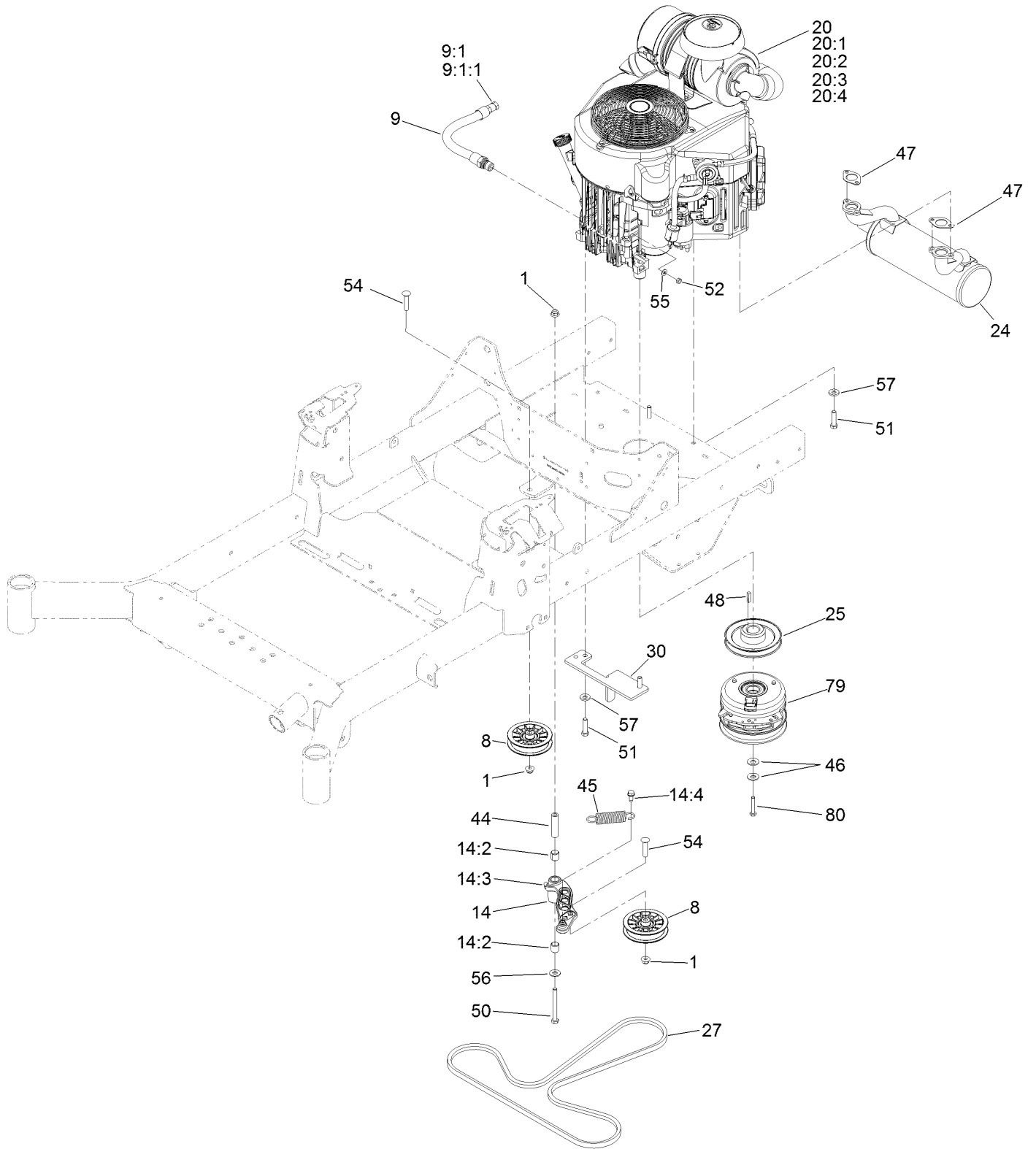
Deck Strut Assembly No. 126-8365



Deck Strut Assembly No. 126-8365 (continued)

<i>Ref.</i>	<i>Part Number</i>	<i>Qty.</i>	<i>Description</i>	<i>Ref.</i>	<i>Part Number</i>	<i>Qty.</i>	<i>Description</i>
2	126-8360	4	Bushing-Rubber, Suspension	4	3231-7	2	Screw-CARR
3	108-6544	4	Spacer	5	2844	2	Washer
				6	104-8301	2	Nut-HF, NI

Engine, Clutch and Muffler Assembly



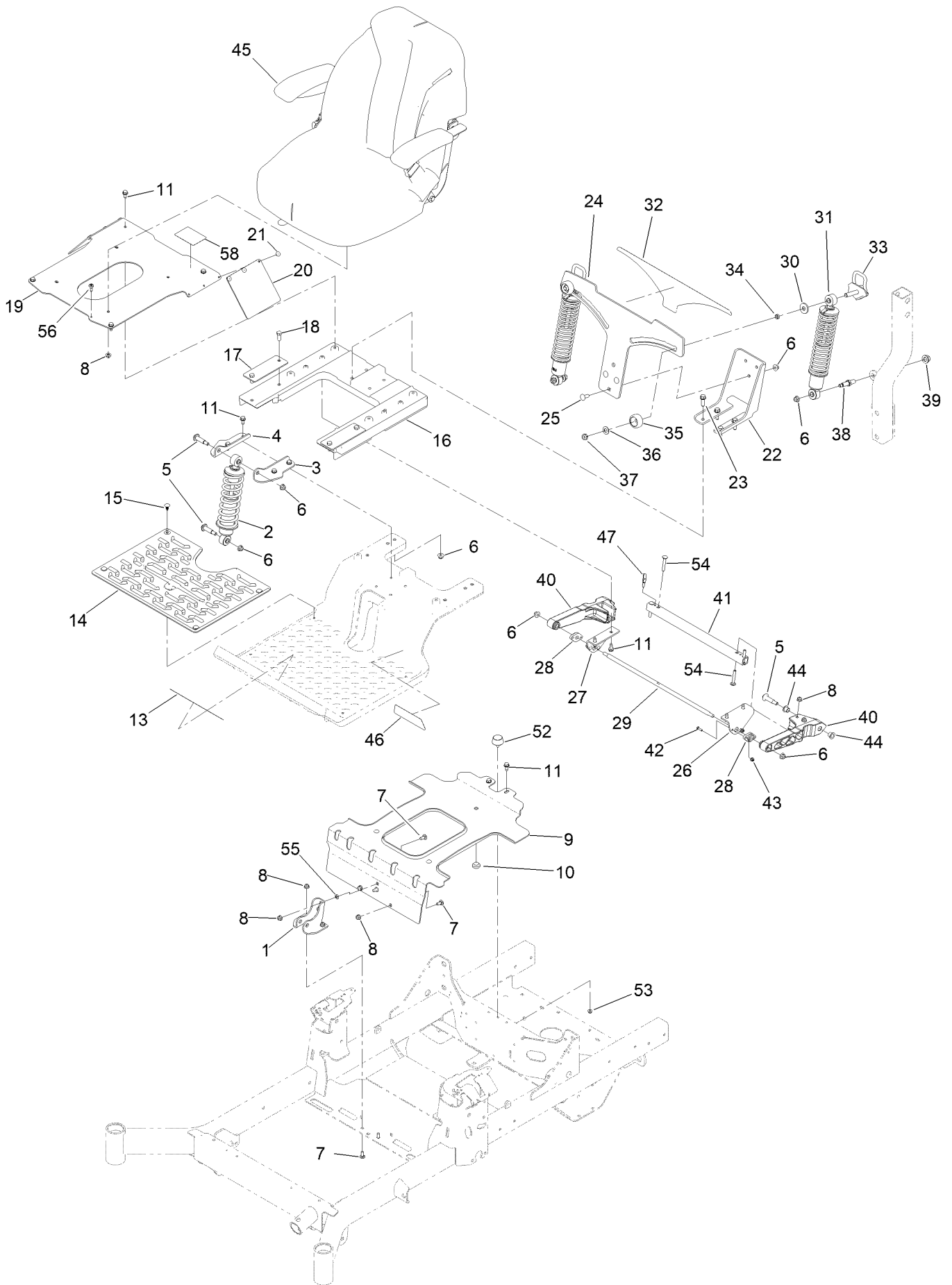
Engine, Clutch and Muffler Assembly (continued)

<i>Ref.</i>	<i>Part Number</i>	<i>Qty.</i>	<i>Description</i>	<i>Ref.</i>	<i>Part Number</i>	<i>Qty.</i>	<i>Description</i>
1	104-8301	3	Nut-HF, NI	24	126-4360	1	Muffler
8	116-2456	2	Pulley-Flat Idler	25	126-5358	1	Sheave (W/Hub)
9	116-4924	1	Engine Oil Drain Hose ASM	27	126-5993	1	Belt-V
9:1	353-508	1	Plug-HH ●	30	126-6687-03	1	Anchor-Clutch
9:1:1	237-42	1	O-Ring	44	1-603384	1	Bushing-Pivot, Idler
14	126-0973	1	Idler Arm ASM	45	1-603402	1	Spring-Extension
14:2	1-513034	2	Sleeve-Bearing	46	1-603610	2	Washer-Spring
14:3	302-40	1	Fitting-Grease, 90 DEG	47	1-653313	2	Gasket-Exhaust
14:4	32144-11	1	Screw-HWH	48	1-807259	1	Key
20		1	Engine-Kawasaki, Fx730V ▲◆	50	323-15	1	Screw-HH
20:1		1	Kawasaki 49065-7007 Engine Oil Filter ▲◆	51	323-8	4	Screw-HH
20:2		1	Kawasaki 49019-7005 Fuel Filter ▲◆	52	3217-5	1	Nut-Hex
20:3		1	Kawasaki 11013-7045 Safety Filter ▲◆	54	3231-29	2	Screw-CARR
20:4		1	Kawasaki 11013-7044 Engine Air Filter ▲◆	55	3256-22	1	Washer-Flat
				56	3256-4	1	Washer-Flat
				57	98-5975	4	Washer-Belleville
				79	140-5456	1	Clutch-PTO
				80	3212-10	1	Screw-HH

● Torque to 24-26 ft-lb
▲ Not serviced separately

■ Torque to 23-29 ft-lb
◆ Obtain parts from www.kawpower.com

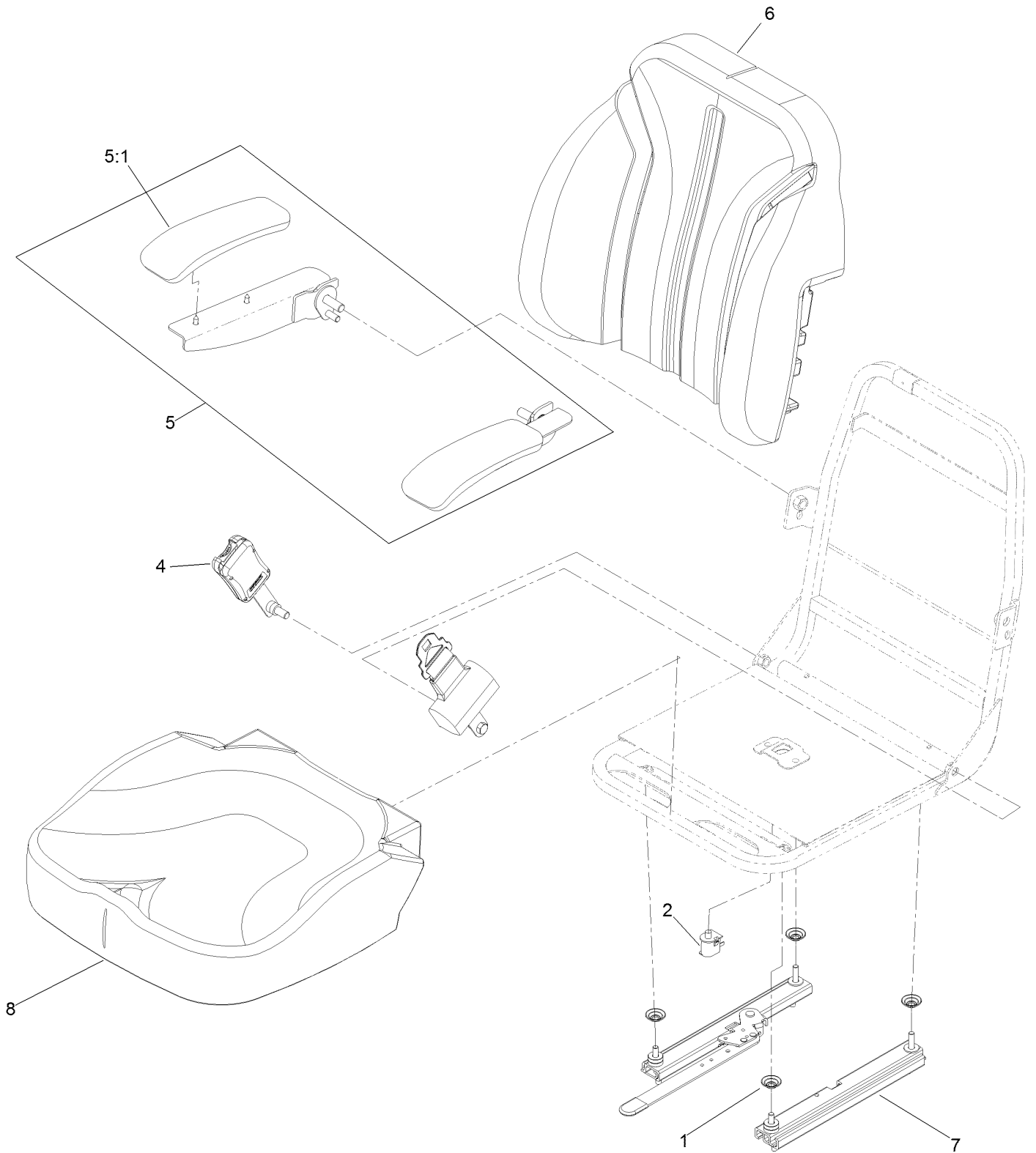
Suspension Platform and Seat Assembly



Suspension Platform and Seat Assembly (continued)

<i>Ref.</i>	<i>Part Number</i>	<i>Qty.</i>	<i>Description</i>	<i>Ref.</i>	<i>Part Number</i>	<i>Qty.</i>	<i>Description</i>
1	133-1864-03	1	Bracket-Shock, Front Lower	27	136-1742-03	1	Bracket-Arm, Trailing (RH)
2	136-8971	1	Shock/Spring	28	127-0146	2	Bearing-Flange
3	133-9318-03	1	Bracket-Shock Mount, Upper (LH)	29	136-1739	1	Rod-Pivot
4	133-9319-03	1	Bracket-Shock Mount, Upper (RH)	30	131-4699	2	Washer-Plastic
5	136-9028	4	Bolt-Shoulder, HWH	31	133-5193	2	Shock/Spring ASM
6	104-8301	13	Nut-HF, NI	32	136-1720	1	Decal-Myride
7	3230-23	6	Bolt-CARR	33	136-5634	2	Cam Lock ASM
8	104-8300	14	Nut-HF, NI	34	133-5109	2	Bearing-Sleeve
9	136-8963-03	1	Bracket-Tank	35	136-5636	2	Knob-Lock, Cam
10	135-0505	3	Bumper-Seat	36	3-6803	2	Washer-Adjusting
11	32144-70	14	Screw-HWHTF	37	3296-45	2	Nut-Hex
13	132-0871	1	Decal-Danger	38	133-4401	2	Bolt-Shoulder
14	144-2634	1	Floor Mat	39	99-5107	2	Nut-Lock
15	117-2382	4	Plug-Plastic	40	136-8979	2	Trailing Arm
16	137-7031	1	Subframe-Rear	41	137-9754-03	1	Tube-Arm, Trailing
17	133-7089-03	2	Plate-Backer	42	3229-20	4	Screw-CARR
18	323-6	4	Screw-HH	43	120-4578	4	Nut-HF
19	136-8962-03	1	Plate-Seat	44	125-5239	4	Bushing-Flange
20	136-8967	2	Flap-Rubber	45	144-3771	1	Seat-Fixed Toro
21	132-5064	6	Rivet-Pop	46	136-7470	1	Decal
22	136-8955-03	1	Bracket-Mount, Lower	47	105-1853	1	Clamp-Hose
23	32144-109	4	Screw-Thd	52	131-8834	1	Bumper
24	136-1744-03	1	Plate-Mounting, Adj Shock	53	104-7201	1	Nut-HF, NI
25	3231-22	3	Screw-CARR	54	3230-6	4	Bolt-CARR
26	136-1741-03	1	Bracket-Arm, Trailing (LH)	55	117-2749	2	Nut-Push
				56	135-2015	1	Screw-Shoulder
				58	136-9024	1	Decal-Aid, Service

Seat Assembly No. 144-3771

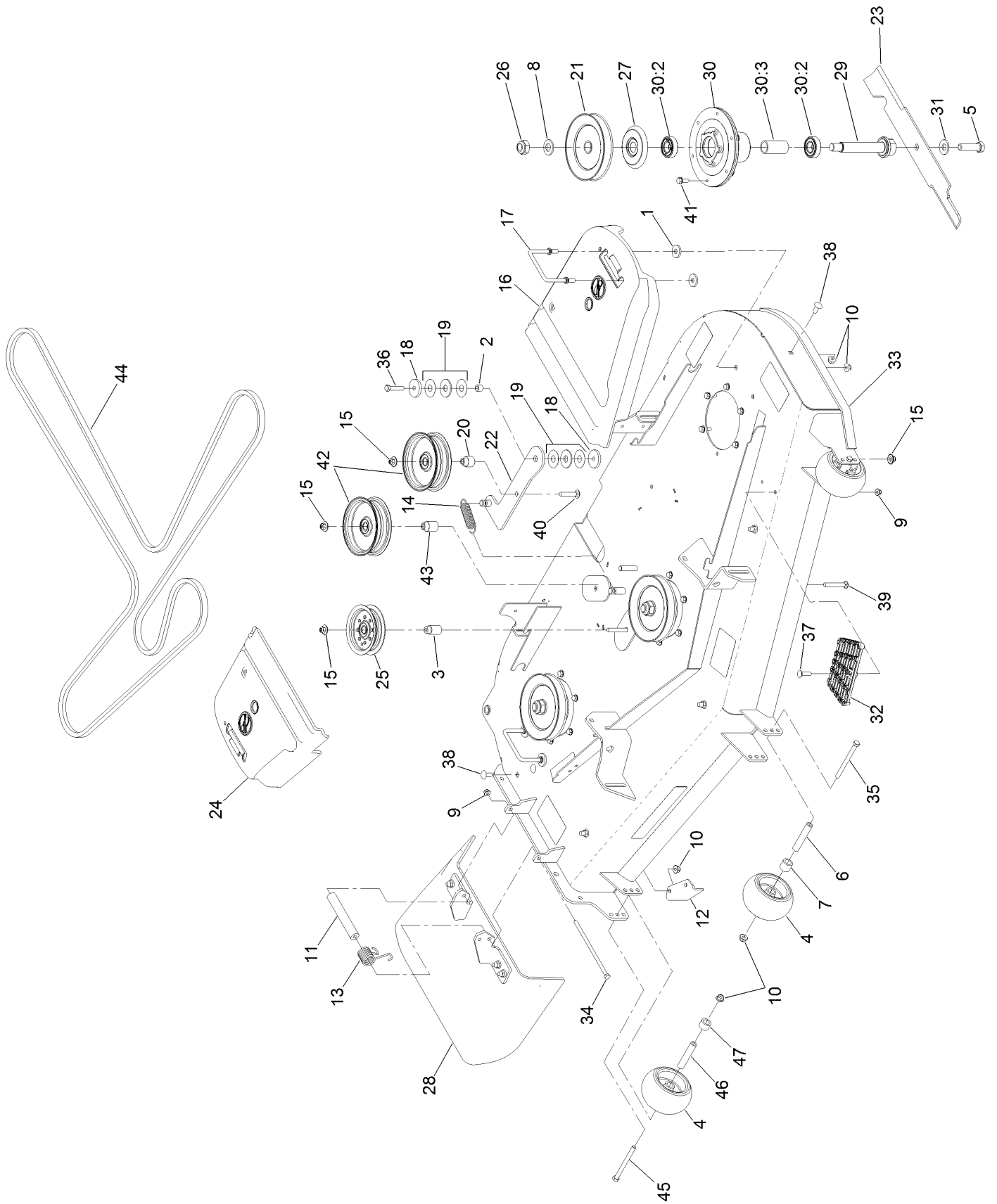


Seat Assembly No. 144-3771 (continued)

<i>Ref.</i>	<i>Part Number</i>	<i>Qty.</i>	<i>Description</i>
1	136-9002	4	Spacer-Mounting
2	82-2190	1	Switch-Bail
4	126-9091	1	Seat Belt Kit
5	126-2058	1	Armrest Kit

<i>Ref.</i>	<i>Part Number</i>	<i>Qty.</i>	<i>Description</i>
5:1	110-4163	2	Cushion-Rest, Arm
6	144-3772	1	Cover-Back, Toro Seat
7	126-2177	1	Track-Seat
8	144-3773	1	Cover-Bottom, Toro Seat

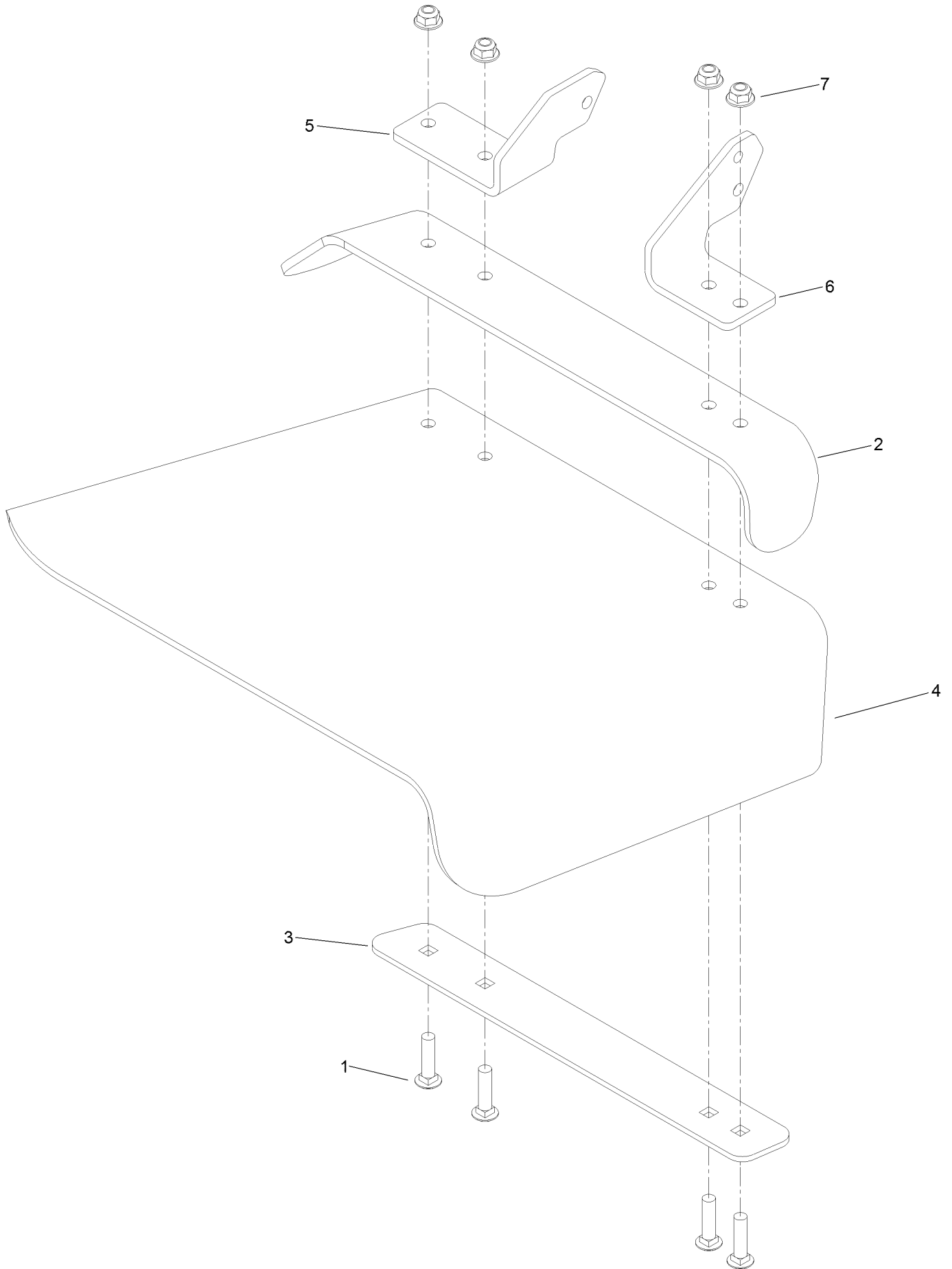
Deck Assembly



Deck Assembly (continued)

<i>Ref.</i>	<i>Part Number</i>	<i>Qty.</i>	<i>Description</i>	<i>Ref.</i>	<i>Part Number</i>	<i>Qty.</i>	<i>Description</i>
1	1-373034	4	Washer	25	116-3626	1	Pulley-Idler
2	1-413088	1	Bushing-Lever, Lift	26	3296-67	3	Nut-Lock, NI
3	1-413113	1	Bushing-Idler	27	117-7210	3	Shield-Bearing
4	1-603299	3	Roller-Scalp, Anti	28	120-2451	1	Deflector ASM
5	51-4060	3	Screw-Blade	29	126-7629	3	Shaft-Spindle
6	98-7912	2	Tube-Spanner	30	120-5477	3	Spindle ASM
7	98-7913	2	Tube-Spacer	30:2	116-0720	2	Bearing-Ball
8	92-5836	3	Washer	30:3	115-2641	1	Spacer-Bearing
9	104-8300	2	Nut-HF, NI	31	125-1736	3	Washer-Belleville
10	104-8301	13	Nut-HF, NI	32	126-4781-03	1	Step-Deck
11	105-4622	1	Spacer	33	126-8958	1	Deck Decal ASM
12	107-8541-01	1	Baffle-Discharge	34	322-50	1	Screw-HH
13	108-4052	1	Spring-Torsion	35	323-23	2	Screw-HH
14	139-3616	1	Spring - Extension	36	323-9	1	Screw-HH
15	109-6658	4	Nut-Flange, NI	37	3230-3	1	Screw-CARR
16	109-6938	1	Cover-Belt, LH	38	3231-27	6	Screw-CARR
17	109-6982	2	Wireform-Cover	39	3231-31	2	Screw-CARR
18	110-9981	2	Washer-Plain	40	3231-6	1	Screw-CARR
19	114-0463	2	Washer-Friction, Composite	41	32144-41	18	Screw-Taptite
20	126-7684	1	Bushing-Idler	42	116-4669	2	Idler-Pulley, Flat
21	135-0363	3	Sheave-Drive, Blade	43	126-7683	1	Bushing-Idler
22	115-5054	1	Arm-Idler	44	135-1873	1	Belt-Deck Drive
23	133-2127	3	Blade-Rotary, 20.5In (Hi Flow)	45	323-17	1	Screw-HH
24	116-0094	1	Cover-Belt, RH	46	133-2129	1	Tube-Shafting
				47	133-2128	1	Tube-Spacer

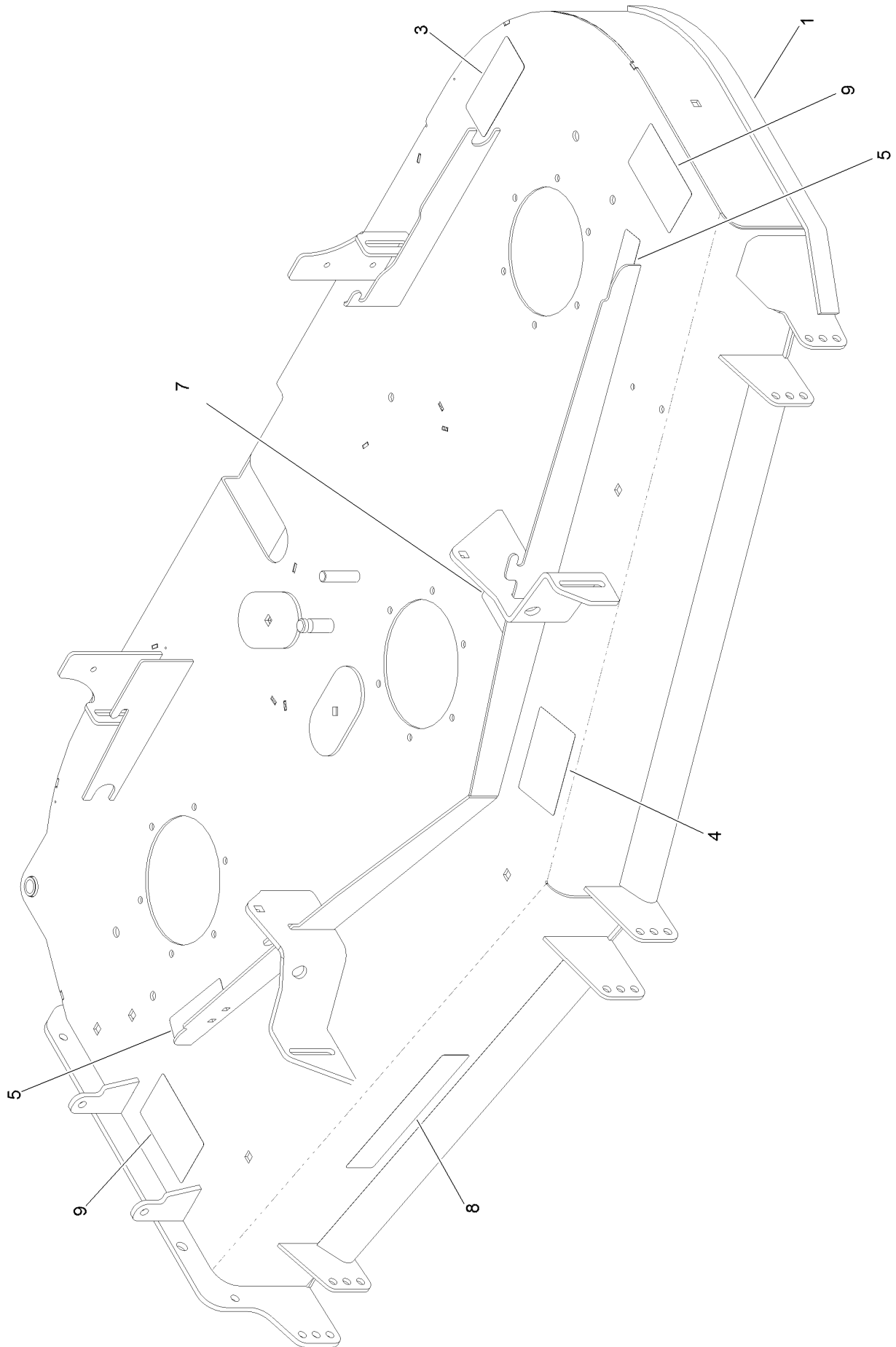
Deflector Assembly No. 120-2451



Deflector Assembly No. 120-2451 (continued)

<i>Ref.</i>	<i>Part Number</i>	<i>Qty.</i>	<i>Description</i>	<i>Ref.</i>	<i>Part Number</i>	<i>Qty.</i>	<i>Description</i>
1	3231-4	4	Screw-CARR	5	108-4059-01	1	Plate-Hinge, Rear
2	106-3246-01	1	Deflector	6	106-3253-01	1	Plate-Hinge, Front
3	106-3248-03	1	Strap-Discharge	7	104-8301	4	Nut-HF, NI
4	110-0759	1	Deflector-Rubber				

Deck Decal Assembly No. 126-8958



Deck Decal Assembly No. 126-8958 (continued)

<i>Ref.</i>	<i>Part Number</i>	<i>Qty.</i>	<i>Description</i>	<i>Ref.</i>	<i>Part Number</i>	<i>Qty.</i>	<i>Description</i>
1		1	Deck Decal ASM ●	7	117-1194	1	Decal-Routing, Belt
3	93-7818	1	Decal-Torque, Blade Bolt	8	121-3206	1	Decal
4	112-3858	1	Decal-Scalp, Anti	9	117-3848	2	Decal-Danger
5	112-9028	2	Decal-Cover, Missing				

● Not serviced separately

Attachments and Accessories

For 77293 60in Z Master Professional MyRide 2000 Series Riding Mower

Product Name	Model/Part
Hypr-Oil 500 (quart)	114-4713
Hypr-Oil 500 (gallon).....	114-4714
Hypr-Oil 500-5 (5 gallon).....	114-4715
Cover-Hitch.....	126-8299
Trash Container Kit.....	126-8379
Weight Caster Kit.....	126-8639
60in Recycler Kit.....	126-8703
Jack Kit.....	127-6666
Engine Maintenance Kit-Kawasaki FX.....	133-1307
Hi-Back Seat Cover	133-1308
Blade-Rotary, 20.5in (Hi Flow).....	133-2127
Blade-Rotary, Atomic 20.5in	133-2157
Blade-Rotary, Recycling 20.5in.....	133-2161
Blade (6 Pack) 20.5in, Hi Flow.....	133-2174
Blade (6 Pack) 20.5in, Recycler.....	133-2177
Blade (6 Pack) 20.5in, Atomic.....	133-2180
5 Gallon Bucket	133-2533
MVP Belt And Blade Kit, Titan Hd 1500 Or 2000 Series Riding Mower With 60in Deck	135-2254
HD Shock and Spring Kit	137-2042
Spark Arrestor, 1.25 I.D.	137-8098
Tweel-Turf.....	139-3649
Asm-semi Pneumatic 13x6.50-6.....	140-4896
Tilt Sensor-Radius	142-2802
Kit-Light (mid-mount ZRT Mower).....	144-1992
Kit-Jack Mount.....	144-1993
Hardtop Sun Canopy	144-3719
Handle Extension Kit	145-3615
Bucket Mount Kit.....	145-3687
Universal Mount Kit.....	145-3688
Trimmer Mount Kit	145-3689
Kit-Titan Hd Triple Threat Attachment.....	145-3691
Toro Deluxe Rider Cover.....	490-7319
E-Z Vac Standard Blower Kit 60-in 5d	78403
Heavy Duty Bagger Kit	78431
60in Completion Kit.....	78435
Standard EZ Vac Bagger	78481

Notes:



Count on it.