



**Count on it.**

**Parts Catalog**

**e-HoverPro 450**

**60V Mower**

Model No. 02614T—Serial No. 400000000 and Up



# Ordering Replacement Parts

To order replacement parts, please supply the part number, the quantity, and the description of each part desired.

## Understanding Reference Numbers

Each identified part in an illustration has a reference number. The reference number for a part also appears in the parts list, along with other information about the part.

This catalog uses two special reference number formats, one to indicate parts in a service assembly and another to indicate the quantity of a given part in an illustration.

## Service Assembly Reference Numbers

Parts in service assemblies have reference numbers in the form a:b. The a represents the reference number of the entire service assembly and the b represents a sequential number unique to each part within the service assembly.

For example, a wheel assembly might be identified by reference number 6, the tire by 6:1, the valve by 6:2, and the wheel by 6:3. When you order the assembly identified by reference number 6, you receive all parts identified by reference numbers 6:1, 6:2, and 6:3. However, you may also order any part individually. Reference numbers of this type appear in illustration and in parts lists.

## Reference Numbers Indicating Quantity

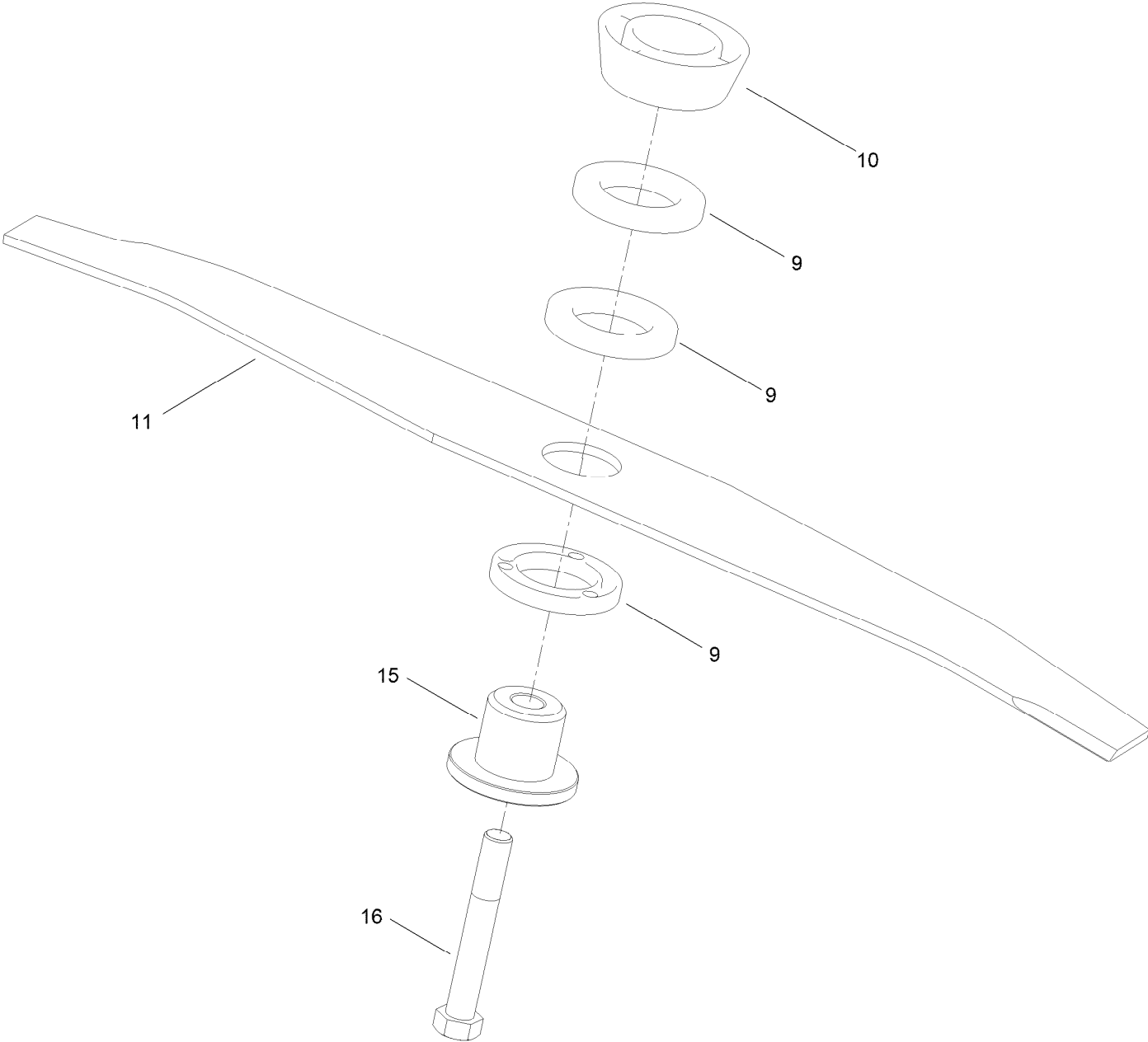
In an illustration, if a reference number indicates more than one part, the reference number has the form nX y. The n represents the quantity of the part, the X is the multiplication symbol, and the y represents the reference number.

For example, in an illustration, the reference number 2X 37 means that two of the parts identified by reference number 37 are indicated.

# Contents

Cutting Assembly .....	4
Motor Module and Blade Assembly .....	6
Motor Module No. 134-7868 .....	8
Motor Module No. 134-7868 .....	10
Handle Assembly .....	12
Attachments and Accessories .....	14

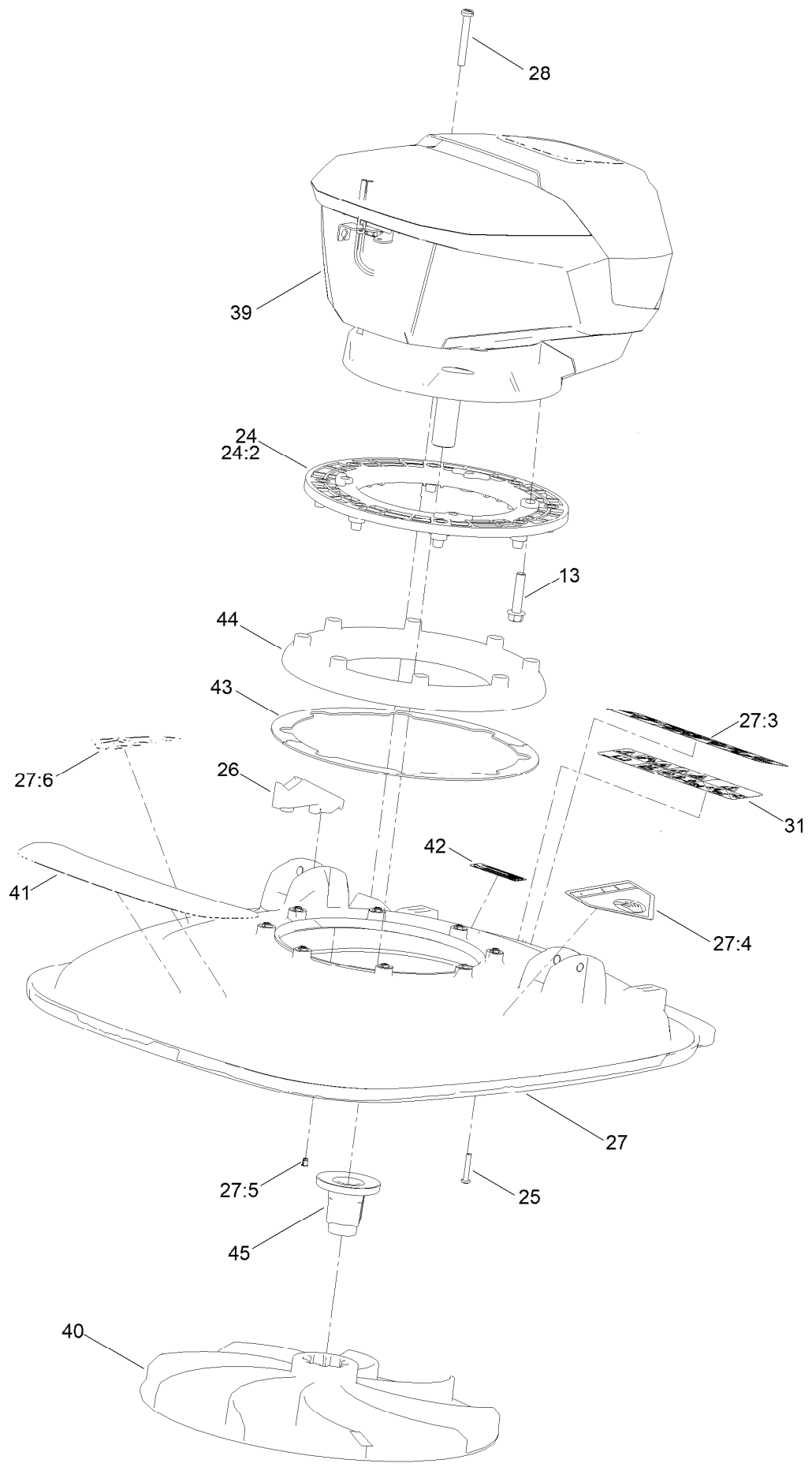
# Cutting Assembly



## Cutting Assembly (continued)

<i>Ref.</i>	<i>Part Number</i>	<i>Qty.</i>	<i>Description</i>	<i>Ref.</i>	<i>Part Number</i>	<i>Qty.</i>	<i>Description</i>
9	H192025	3	Spacer-Blade, Aluminium	15	134-8061	1	Retainer-Blade Ehoverpro
10	H192270	1	Spacer-Distance	16	134-1682	1	Bolt, Unf 7/16 X 3 (Grade 8, Rohs)
11	134-8685	1	Blade-46 CM				

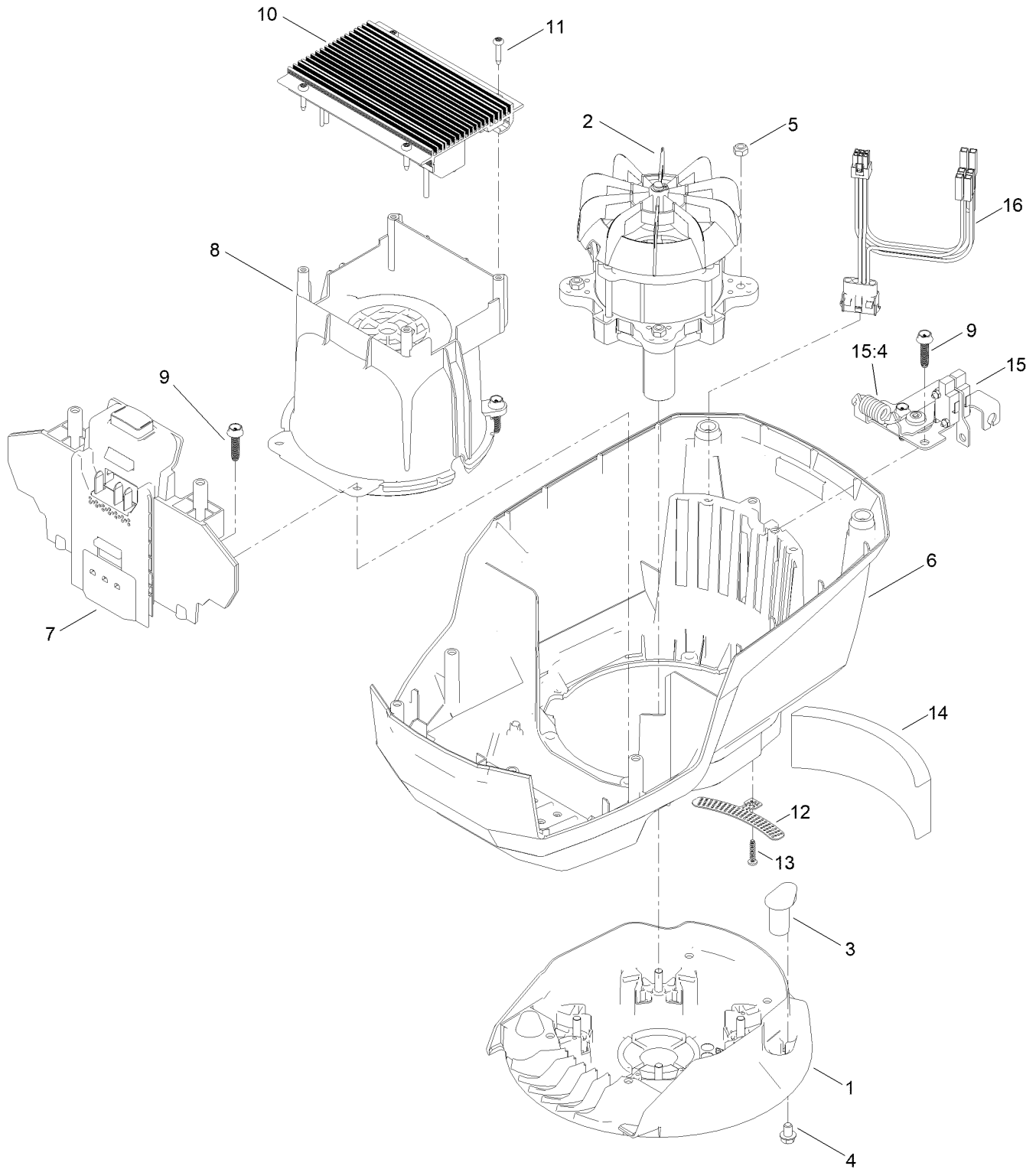
# Motor Module and Blade Assembly



## Motor Module and Blade Assembly (continued)

<i>Ref.</i>	<i>Part Number</i>	<i>Qty.</i>	<i>Description</i>	<i>Ref.</i>	<i>Part Number</i>	<i>Qty.</i>	<i>Description</i>
13	111-2157	4	Screw-Taptite	31	134-8067	1	Decal - Warning, 60V Ehoverpro
24	H290003	1	Frame-Engine	39	134-7868	1	Motor Module
24:2	H192266	8	Insert-Brass	40	134-7843	1	Impeller
25	111-1501	8	Screw-PPH	41	134-8065	1	Decal - Front 60V Ehoverpro 450
26	H292269	1	Bracket	42	133-8054	1	Decal-Prop 65, Short, Trilingual
27	111-6003	1	Deck ASM	43	134-8529	1	Gasket-Frame
27:3	111-5393	1	Decal-Warning	44	134-7538	1	Bell Mouth
27:4	94-8072	1	Decal-Danger	45	134-8059	1	Drive
27:5	H292280	2	Insert				
27:6	111-9826	1	Decal-Danger				
28	H292279	2	Screw				

# Motor Module No. 134-7868

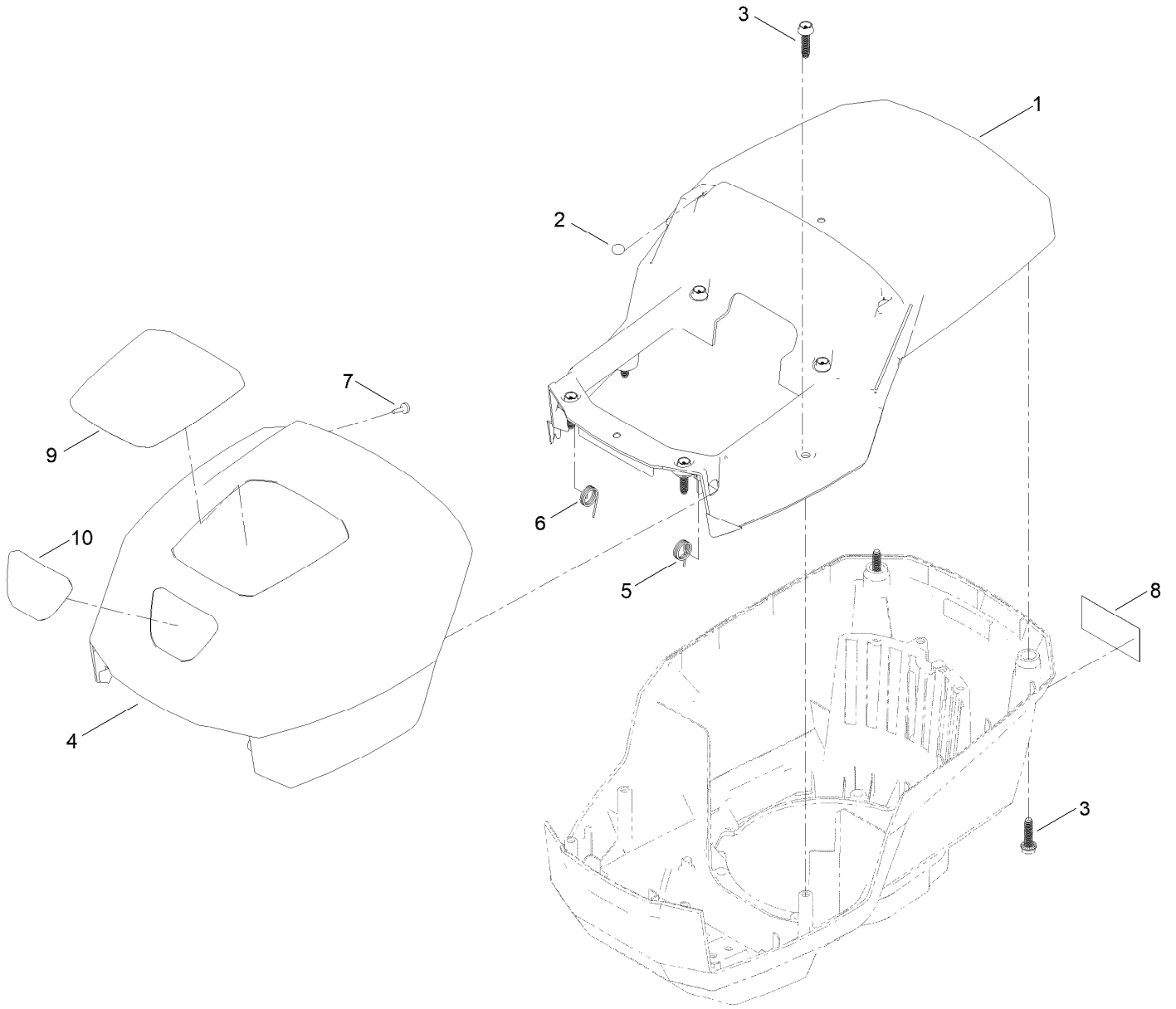




## Motor Module No. 134-7868 (continued)

<i>Ref.</i>	<i>Part Number</i>	<i>Qty.</i>	<i>Description</i>	<i>Ref.</i>	<i>Part Number</i>	<i>Qty.</i>	<i>Description</i>
1	139-6628	1	Base-Mount, Motor	10	134-8284	1	Controller-Motor
2	140-4119	1	Motor-2Kw	11	139-6642	4	Screw
3	131-9732	3	Insert-Mount, Motor	12	139-6635	1	Bracket-Foam
4	137-4795	3	Screw	13	138-3273	1	Screw-Plastic, PPH
5	115-7373	4	Nut-Lock	14	139-6636	1	Foam
6	140-4118	1	Shroud-Lower	15	133-1918	1	Bail Switch ASM
7	139-6632	1	Battery Reciever ASM	15:4	145-5800	1	Spring-Extension
8	139-6633	1	Shroud-Motor	16	139-6637	1	Harness-Wire
9	130-6658	6	Screw-Flange, Plastic				

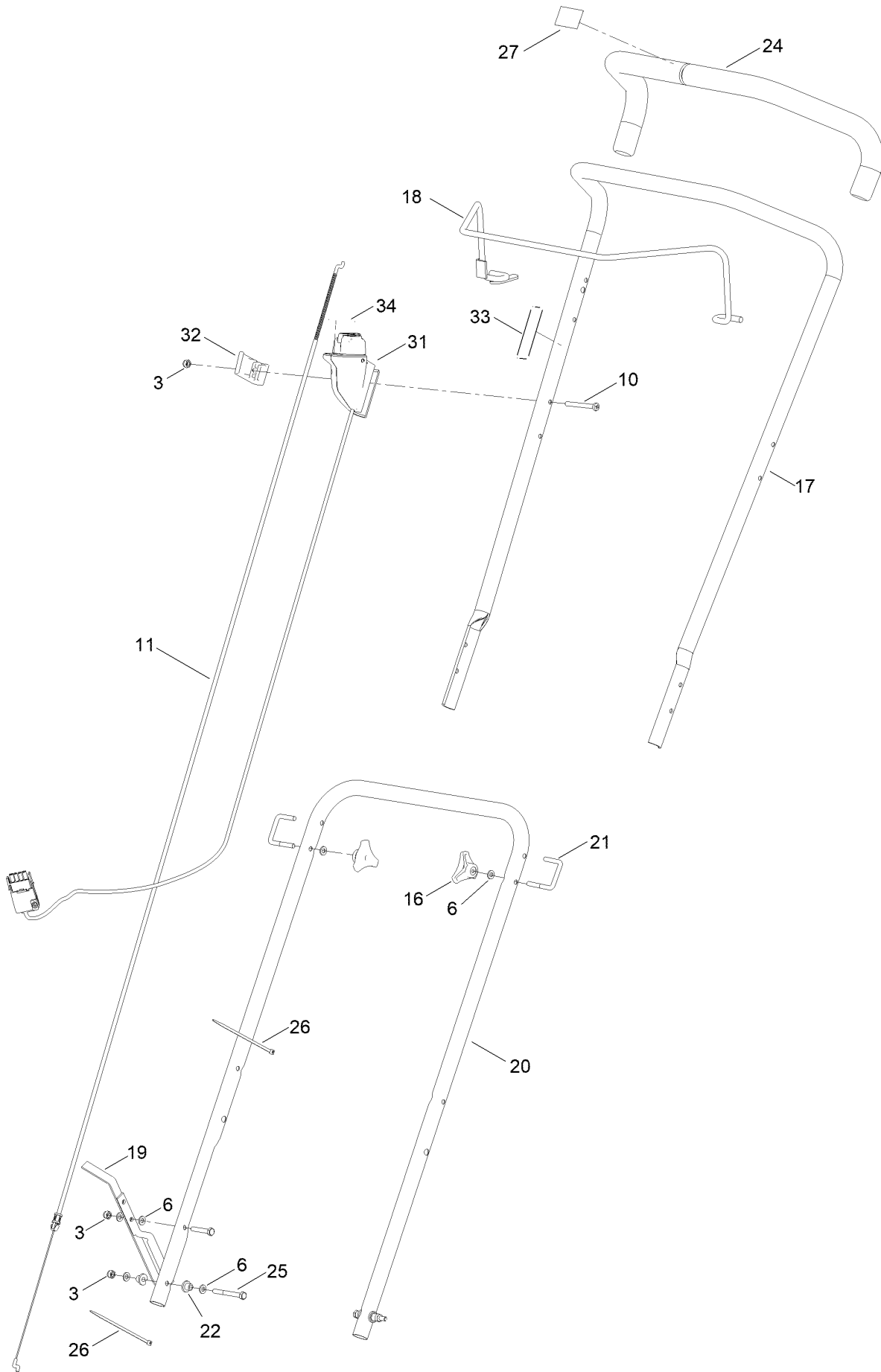
# Motor Module No. 134-7868



## Motor Module No. 134-7868 (continued)

<i>Ref.</i>	<i>Part Number</i>	<i>Qty.</i>	<i>Description</i>	<i>Ref.</i>	<i>Part Number</i>	<i>Qty.</i>	<i>Description</i>
1	140-3886	1	Shroud-Upper	6	139-6641	1	Spring-RH
2	114-5896	2	Magnet	7	95-4234	2	Screw-PPH
3	130-6658	8	Screw-Flange, Plastic	8	134-8296	1	Label-Part/Serial
4	139-6639	1	Hood	9	134-7037	1	Decal - Cover Top 60V
5	139-6640	1	Spring-LH	10	134-7038	1	Decal - Cover Front

# Handle Assembly



## Handle Assembly (continued)

<i>Ref.</i>	<i>Part Number</i>	<i>Qty.</i>	<i>Description</i>	<i>Ref.</i>	<i>Part Number</i>	<i>Qty.</i>	<i>Description</i>
3	09438	4	Nut-Nyloc	22	H292058	4	Spacer-Handle
6	111-7679	8	Washer-Plain	24	H292276	2	Grip-Handle
10	09780	1	Setscrew	25	H292309	2	Bolt-Hex
11	134-8213	1	OPC Cable	26	HY3966	2	Tie-Cable
16	H192204	2	Handwheel	27	H295159	1	Decal-Stop
17	H290237	1	Handle-Upper	31	134-8203	1	Switch-Starter ASM
18	H290239	1	Arm-Bail	32	136-7029	1	Clamp-Cable
19	H290286	1	Footstop	33	134-4551	1	Decal-Buton, Push, 60V
20	111-7260-03	1	Handle-Lower	34	134-8124	1	Decal - Speed Control
21	H292026	2	Bolt-U				

# Attachments and Accessories

## For 02614T e-HoverPro 450 60V Mower

Product Name	Model/Part
Transport Wheel Kit .....	02622
Ext. Handlebar Ehoverpro Kit .....	02630

**Notes:**



**Count on it.**