



# Leak Detector Kit

## Greensmaster<sup>®</sup> 3200 Series

Model No. 04497

## Parts Catalog

### Ordering Replacement Parts

To order replacement parts, please supply: the part number, the quantity, and the description of each part desired.

### Understanding Reference Numbers

Each identified part in an illustration has a reference number. The reference number for a part also appears in the parts list, along with other information about the part.

This catalog uses two special reference number formats, one to indicate parts in a service assembly and another to indicate the quantity of a given part in an illustration.

### Service Assembly Reference Numbers

Parts in service assemblies have reference numbers in the form **a:b**. The **a** represents the reference number of the entire service assembly and the **b** represents a sequential number unique to each part within the service assembly.

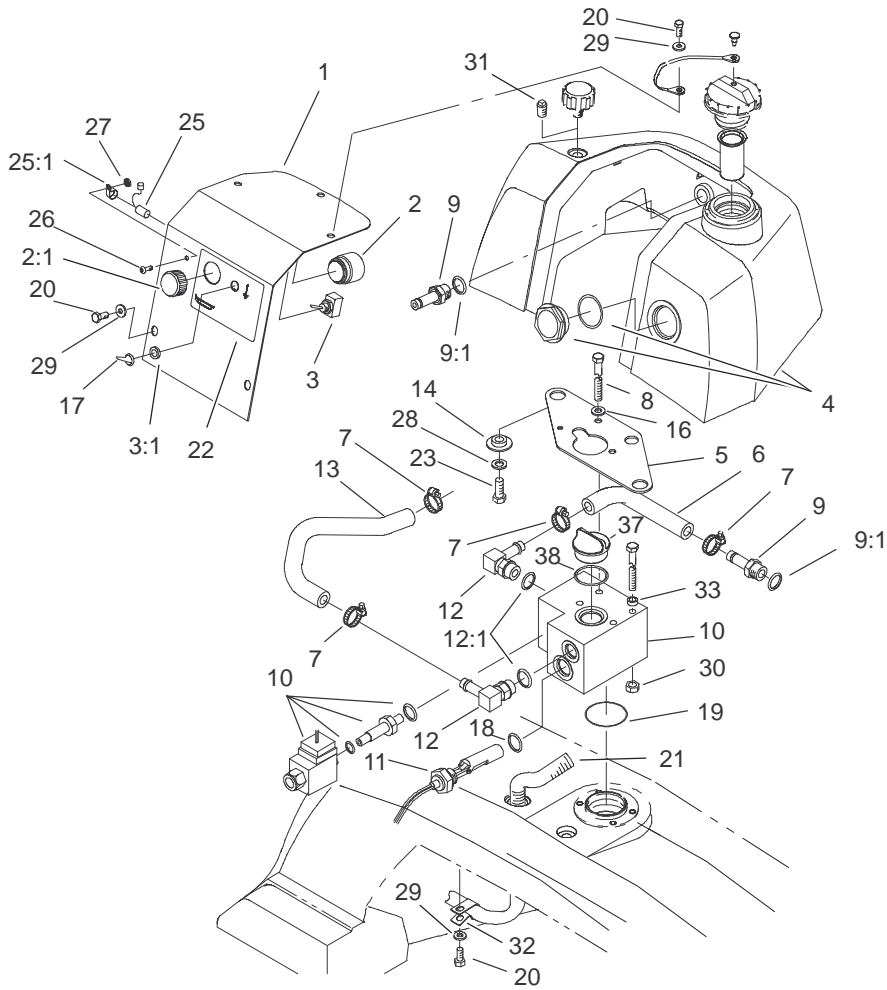
For example, a wheel assembly might be identified by reference number **6**, the tire by **6:1**, the valve by **6:2**, and the wheel by **6:3**. When you order the assembly identified by reference number **6**, you receive all parts identified by reference numbers **6:1**, **6:2**, and **6:3**. However, you may also order any part individually.

Reference numbers of this type appear in illustrations and in part lists.

### Reference Numbers Indicating Quantity

In an illustration, if a reference number indicates more than one part, the reference number has the form **nX y**. The **n** represents the quantity of the part, the **X** is the multiplication symbol, and the **y** represents the reference number.

For example, in an illustration, the reference number **2X 37** means that two of the parts identified by reference number **37** are indicated.



Sheet No.:1

## Leak Detector Kit Assembly

Ref. No.	Part No.	Qty.	Description
1	98-0638-03	1	Plate-Cover
2	80-9330	1	Alarm-Audio
2:1	104-5107	1	Nut-Plastic, Knurled
3	20-7150	1	Switch
3:1	218-497	1	Facenut-Beveled
4	98-0637	1	Tank-Leak Detector
5	94-8165-03	1	Plate-Mounting
6	98-0639	1	Hose-Formed, Outlet
7	2412-36	4	Clamp-Hose
8	33114-090	4	Screw-HH
9	354-121	2	Fitting-HYD, Straight
9:1	237-79	1	O-Ring
10	93-2430	1	Valve ASM
11	83-1450	1	Sensor-Level, Oil
12	354-120	2	Fitting-HYD, 90°
12:1	237-79	1	O-Ring
13	98-0640	1	Hose-Formed, Inlet
14	240-11	2	Grommet-Mount, Tank
16	3256-23	2	Washer-Flat
17	218-473	1	Boot-Switch
18	237-80	1	O-Ring
19	94-9649	1	O-Ring
20	42-9430	6	Bolt-Washer
21	94-1350	1	Harness-Leak Detector

Ref. No.	Part No.	Qty.	Description
22	93-2436	1	Decal-Leak Detector
23	33115-025	2	Screw-HH
25	83-2280	1	Timer-Delay
25:1	98-4604	1	R-Clamp
26	3274-39	1	Screw-HSBH
27	3296-12	1	Nut-Lock
28	93-4637	2	Washer-Flat
29	3256-1	6	Washer-Flat
30	33024-00	4	Nut-Lock
31	281-10	1	Plug
32	2412-41	1	Clamp
33	73-3540	2	Washer-Idler
37	93-7498	1	Plug-Plastic
38	94-8166	1	O-Ring