



Proline Soft Side Bagger

for 32", 36" and 48" Mid Size Fixed Deck

Model No. 30198

Parts Catalog

Ordering Replacement Parts

To order replacement parts, please supply: the part number, the quantity, and the description of each part desired.

Understanding Reference Numbers

Each identified part in an illustration has a reference number. The reference number for a part also appears in the parts list, along with other information about the part.

This catalog uses two special reference number formats, one to indicate parts in a service assembly and another to indicate the quantity of a given part in an illustration.

Service Assembly Reference Numbers

Parts in service assemblies have reference numbers in the form **a:b**. The **a** represents the reference number of the entire service assembly and the **b** represents a sequential number unique to each part within the service assembly.

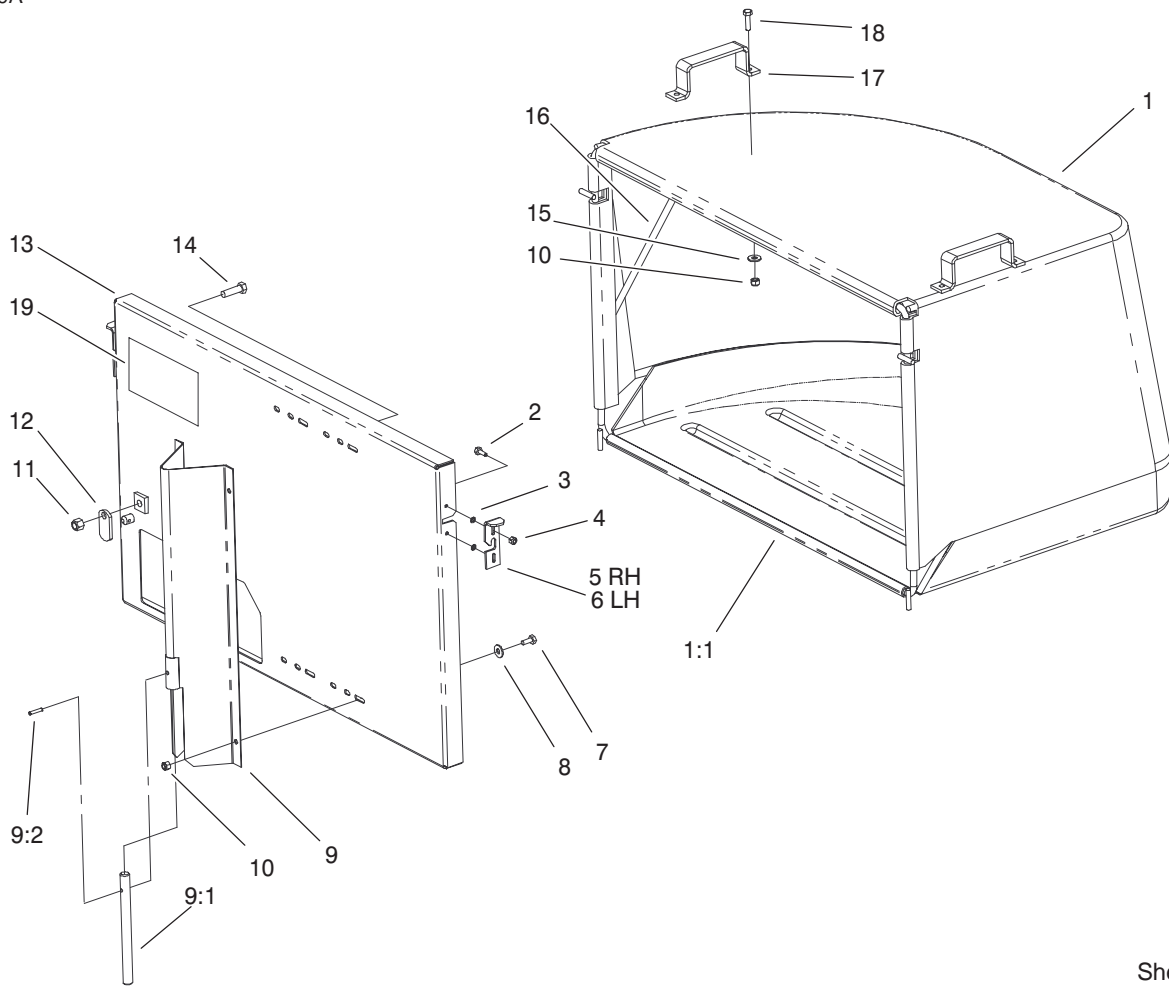
For example, a wheel assembly might be identified by reference number **6**, the tire by **6:1**, the valve by **6:2**, and the wheel by **6:3**. When you order the assembly identified by reference number **6**, you receive all parts identified by reference numbers **6:1**, **6:2**, and **6:3**. However, you may also order any part individually.

Reference numbers of this type appear in illustrations and in part lists.

Reference Numbers Indicating Quantity

In an illustration, if a reference number indicates more than one part, the reference number has the form **nX y**. The **n** represents the quantity of the part, the **X** is the multiplication symbol, and the **y** represents the reference number.

For example, in an illustration, the reference number **2X 37** means that two of the parts identified by reference number **37** are indicated.



Sheet No.:1

Bag Assembly

Ref. No.	Part No.	Qty.	Description
1	E354011	1	Pan/Catcher ASM
2	32104-81	4	Screw-Head, Pan
3	E805500	4	Washer-Spring
4	3296-2	4	Nut-Lock
5	E353012	1	Latch - Catcher Right
6	E353011	1	Latch - Catcher Left
7	321-3	4	Screw-HH
8	3256-2	4	Washer-Flat
9	E352026	1	Rear Frame ASM
10	3296-42	8	Nut-Lock
11	3296-39	1	Nut-Lock, NI
12	E353054	1	Latch - Grass Catcher
13	E352028	1	Backplate
14	323-7	1	Screw-HH
15	E353029	4	Washer - Handle
16	E352007	1	Frame-Catcher
17	E353005	2	Handle - Hopper
18	321-6	4	Screw-HH
19	E303508	1	Decal - Discharge Warning

Ref. No.	Part No.	Qty.	Description